



"THE MATERIAL HEREIN IS FOR INFORMATION PURPOSES ONLY AND IS SUBJECT TO CHANGE WITHOUT NOTICE. DIGITAL EQUIPMENT CORPORATION ASSUMES NO RESPONSIBILITY FOR ANY ERRORS WHICH MAY APPEAR HEREIN."

# DRAWING DIRECTORY

"THIS DRAWING AND SPECIFICATIONS, HEREIN, ARE THE PROPERTY OF DIGITAL EQUIPMENT CORPORATION AND SHALL NOT BE REPRODUCED OR COPIED OR USED IN WHOLE OR IN PART AS THE BASIS FOR THE MANUFACTURE OR SALE OF ITEMS WITHOUT WRITTEN PERMISSION. COPYRIGHT © 1982 DIGITAL EQUIPMENT CORPORATION."

| UNIT VARIATIONS |                       |
|-----------------|-----------------------|
| VAR             | TITLE                 |
| RB730-00        | 11730 DISK CONTROLLER |
|                 |                       |
|                 |                       |
|                 |                       |
|                 |                       |
|                 |                       |
|                 |                       |
|                 |                       |
|                 |                       |
|                 |                       |
|                 |                       |
|                 |                       |
|                 |                       |
|                 |                       |
|                 |                       |
|                 |                       |
|                 |                       |
|                 |                       |
|                 |                       |
|                 |                       |
|                 |                       |
|                 |                       |
|                 |                       |
|                 |                       |
|                 |                       |
|                 |                       |
|                 |                       |
|                 |                       |
|                 |                       |
|                 |                       |
|                 |                       |

|  |  |  |                      |                       |            |   |      |         |        |     |
|--|--|--|----------------------|-----------------------|------------|---|------|---------|--------|-----|
| REVISIONS<br>CHANGE NO.<br>REV.<br>CHK |  |  | USED ON OPTION/MODEL | DRN.                  | DATE       | TITLE   |      |         |        |     |
|  |  |  | 11730                | A. ROCHA              | 16APR82    | 11730 DISK CONTROLLER <span style="float: right; border: 1px solid black; padding: 2px;">digital</span> |      |         |        |     |
|  |  |  |                      | CHK'D.                | DATE       |   |      |         |        |     |
|  |  |  |                      | <i>A.Morin</i>        | 20 APR 82  |   |      |         |        |     |
|  |  |  |                      |                       | PROJ. ENG. | DATE  | SIZE | CODE    | NUMBER | REV |
|  |  |  |                      | <i>DMhandy</i>        | 20 APR 82  | B   | DD   | RB730-0 | A      |     |
|  |  |  |                      | PROD.                 | DATE       | DIST.   |      |         |        |     |
|  |  |  | SHEET 1 OF 2         | <i>S. Castiglione</i> | 21 APR 82  |   |      |         |        |     |

| FIND NO. | DRAWING NO.      | DESCRIPTION   | TYPE | FIND NO. | DRAWING NO. | DESCRIPTION | TYPE |
|----------|------------------|---|------|----------|-------------|-------------|------|
| 1        | MP01278          | FIELD MAINTENANCE PRINT SET (MP)                                  | -    |          |             |             |      |
|          | B-TC-RB730-0-1   | FIELD MAINTENANCE PRINT SET (TC)                                  | -    |          |             |             |      |
|          | B-DD-RB730-0     | 11730 DISK CONTROLLER - DWG. DIRECTORY                            | -    |          |             |             |      |
|          | K-PL-PR730-0-DBP | 11730 DISK CONTROLLER - PARTS LIST                                | -    |          |             |             |      |
| 2        | B-DD-M8388-0     | INTEGRATED DISK CONTROLLER - DWG. DIRECTORY                       | -    |          |             |             |      |
|          | D-UA-M8388-0-0   | INTEGRATED DISK CONTROLLER - ASSEMBLY                             | E/M  |          |             |             |      |
|          | K-PL-M8388-0-DBP | INTEGRATED DISK CONTROLLER - PARTS LIST                           | -    |          |             |             |      |
|          | D-BD-M8388-0-0   | INTEGRATED DISK CONTROLLER - BLOCK DIAGRAM                        | -    |          |             |             |      |
|          | D-CS-M8388-0-X   | INTEGRATED DISK CONTROLLER - CIRCUIT SCHEM.<br>(-IDCA THRU -IDCP) | E    |          |             |             |      |
|          | D-EC-5014452-0-0 | INTEGRATED DISK CONTROLLER - ETCH CUT DWG.                        | E    |          |             |             |      |
| 3        | A-PL-7012938-0-0 | UNIT SELECT PLUG KIT - PARTS LIST                                 | -    |          |             |             |      |

TYPE: E ELECTRICAL  
 M MECHANICAL  
 E/M ELECTRO/MECHANICAL



TITLE 11730 DISK CONTROLLER

SHEET 2 OF 2

SIZE CODE B DD

NUMBER RB730-0

REV A

| LINE ITEM                     | DOCUMENT NUMBER    | PART NUMBER | DESCRIPTION                      | QUANTITY PER VARIATION |
|-------------------------------|--------------------|-------------|----------------------------------|------------------------|
| 1                             | 1 B-DD-M8388-0)    | M8388-00    | R8730 IDC (INTEGRATED DISK CONTR | 1                      |
| 2                             | 2 A-PL-7012938-D-0 | 7012938-00  | 70-12938 UNIT SELECT PLUG KIT    | 1                      |
| ***** UNDERGOING CHANGE ***** |                    |             |                                  |                        |

| REVISION HISTORY |            | BASIC PART NO: RB730 |                          | DRN: R.J. RILEY  |                         | DATE: 13-APR-82      |           | DIGITAL               |            |
|------------------|------------|----------------------|--------------------------|------------------|-------------------------|----------------------|-----------|-----------------------|------------|
| ENG              | ECO NUMBER | REV                  | SECTION A OF A           | CHK'D:           | R.J. RILEY              | DATE:                | 13-APR-82 | TITLE                 | PARTS LIST |
|                  | INITIAL    | A                    | SECTION. VARIATION INDEX | CHK'D:           | R.J. RILEY              | DATE:                | 13-APR-82 | 11730 DISK CONTROLLER |            |
|                  |            |                      | [A] 00                   | DES.ENG.:        | <del>B. MILLER</del>    | DATE:                | 13-APR-82 |                       |            |
|                  |            |                      | [B]                      | RESP.ENG.:       | <del>D. MILLER</del>    | DATE:                | 13-APR-82 | DOCUMENT NUMBER       |            |
|                  |            |                      | [C]                      | MFG.ENG.:        | <del>????????????</del> | DATE:                |           | SIZE CODE NUMBER      | REV        |
|                  |            |                      | [D]                      | ASSEMBLY NUMBER: |                         | TOP DOCUMENT NUMBER: |           | K PL RB730-0-DBP      | A          |
|                  |            |                      | [E]                      |                  |                         | #B-DD-RB730-0        |           | FILE NAME:            | EDIT #     |
|                  |            |                      | [F]                      |                  |                         |                      |           | Z4258A.PLS            | 3          |

"THIS DRAWING AND SPECIFICATIONS HEREIN, ARE THE PROPERTY OF DIGITAL EQUIPMENT CORPORATION AND SHALL NOT BE REPRODUCED OR COPIED OR USED IN WHOLE OR IN PART AS THE BASIS FOR THE MANUFACTURE OR SALE OF ITEMS WITHOUT WRITTEN PERMISSION. COPYRIGHT (C) 1982. DIGITAL EQUIPMENT CORPORATION"

| DRAWING NO.       | NO. OF SHTS. | PART NO. | DESCRIPTION                | REVISIONS |
|-------------------|--------------|----------|----------------------------|-----------|
|                   |              |          | MODULE REVISION            | A         |
| B-DD-M8388-0      | 1            |          | IDC                        | A         |
| D-UA-M8388-0-0    | 2            |          | IDC                        | A         |
| D-EG-5014452-0-0  | 3            |          | ETCH CUT DRAWING           | A         |
| D-MD-5014452-0-0  | 5            |          | DRILL & ETCH DRAWING       | A         |
| KPL-M8388-0-DBP   | 3            |          | PL DATA BASE               | A         |
| KPG-M8388-0-DBC   |              |          | PC DATA BASE               | B         |
| KCS-M8388-0-DBS   |              |          | CS DATA BASE               | A         |
|                   |              | 5014452  | ETCHED BOARD               | B         |
| DCSM8388-0-IDCA   | 1            | *        | RLOZ DATA SEPARATOR        | A         |
| D-CS-M8388-0-IDCB | 1            | *        | DSR, ADPS CNTR, R00 STATUS | A         |
| D-CS-M8388-0-IDCC | 1            | *        | IDCE PLOAD OUTREG BO L     | A         |
| D-CS-M8388-0-IDCD | 1            | *        | RLOZ MEM ENCODING          | A         |
| D-CS-M8388-0-IDCE | 1            | *        | PORTBUS INTERFACE          | A         |
| D-CS-M8388-0-IDCF | 1            | *        | DAR, ECC, XCVRS            | A         |
| DCSM8388-0-IDCH   | 1            | *        | CONTROL STATUS REGISTER    | A         |
| D-CS-M8388-0-IDCJ | 1            | *        | CLOCK SYNC & INTERRUPT     | A         |
| D-CS-M8388-0-IDCK | 1            | *        | MICROSEQUENCER             | A         |
| D-CS-M8388-0-IDCL | 1            | *        | RLOZ, R90 DRIVERS          | A         |
| D-CS-M8388-0-IDCM | 1            | *        | RLOZ, R80 RECEIVERS        | A         |
| D-CS-M8388-0-IDCN | 1            | *        | DISK CABLE CONNECTORS      | A         |
|                   |              |          | 3V DIVIDER NETWORK         |           |
| D-CS-M8388-0-IDCF | 1            | *        | IDC BYPASS FILTER CAPS     | A         |
| D-BD-M8388-0-0    | 1            | *        | BLOCK DIAGRAM              | A         |

**NOTES:** \* CONTROL SOURCE IS DATA BASE  
NO CONTROLLED PAPER ORIGINALS EXIST

| REVISIONS | CHG NO. | REV. |
|-----------|---------|------|
|           | DATE    |      |

"THIS DRAWING AND SPECIFICATIONS, HEREIN, ARE THE PROPERTY OF DIGITAL EQUIPMENT CORPORATION AND SHALL NOT BE REPRODUCED OR COPIED OR USED IN WHOLE OR IN PART AS THE BASIS FOR THE MANUFACTURE OR SALE OF ITEMS WITHOUT WRITTEN PERMISSION.

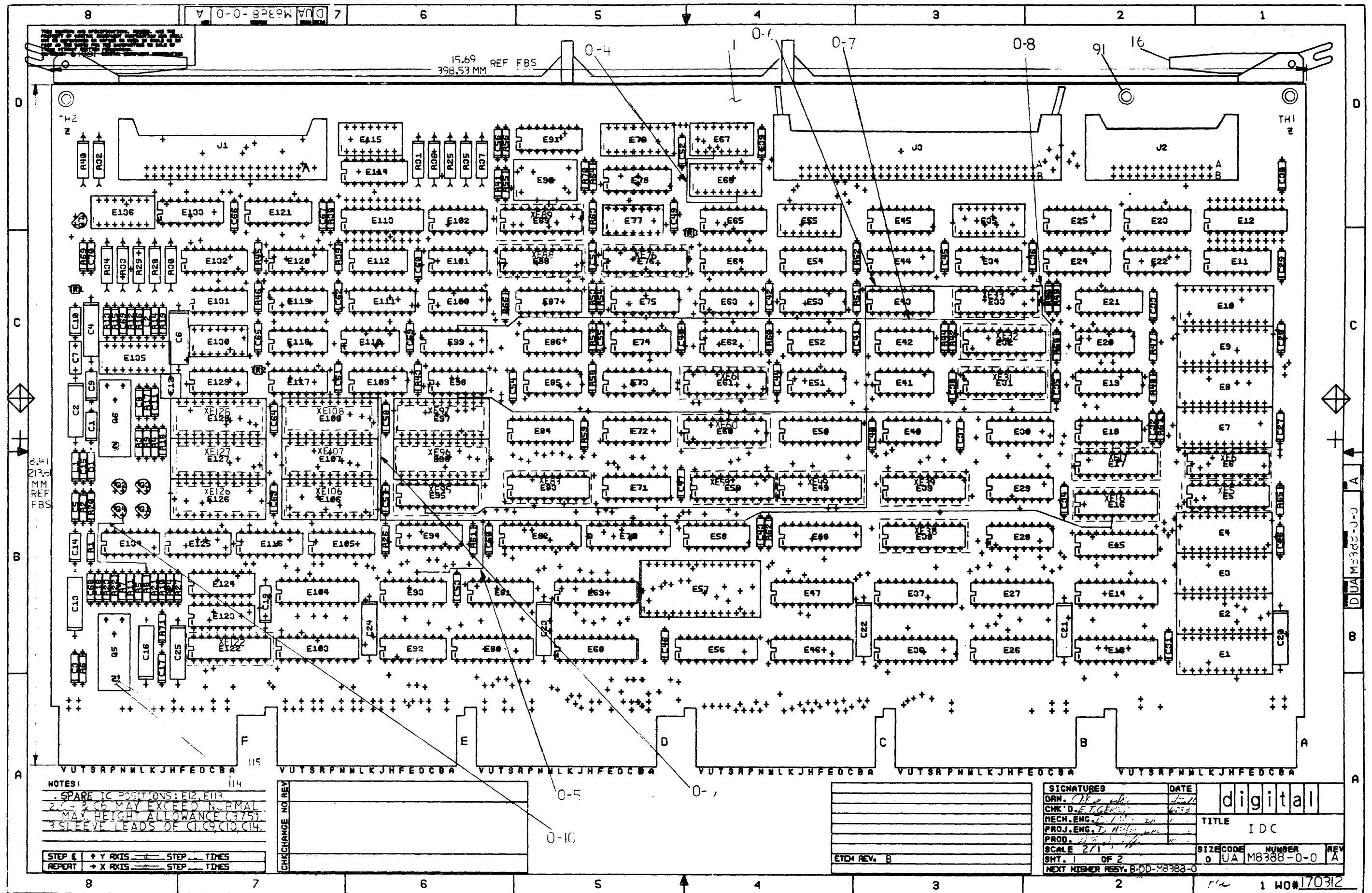
COPYRIGHT © 1981 DIGITAL EQUIPMENT CORPORATION



USED ON OPTION/MODEL  
NEBULA

DRN. *[Signature]* 8-10-81  
 CHK'D *[Signature]* 8-10-81  
 ENG. *[Signature]* DML 11/13/81  
 PROD. *[Signature]* 11/13/81

TITLE  
I D C  
 SIZE CODE NUMBER REV.  
 B DD M8388-0 A  
 SHEET OF



NOTES:  
 SPARE IC POSITIONS: E12, E13  
 2. C1 - C6 MAY EXCEED NORMAL  
 MAX. HEIGHT ALLOWANCE (375)  
 3. STEEP LEADS OF C1, C9, C10, C14

|        |          |      |       |
|--------|----------|------|-------|
| STEP 1 | + Y AXIS | STEP | TIMES |
| REPORT | + X AXIS | STEP | TIMES |

|     |    |     |
|-----|----|-----|
| CHG | NO | REV |
|     |    |     |
|     |    |     |

|             |
|-------------|
| ETCH REV. B |
|             |
|             |
|             |
|             |

|                                |                    |               |
|--------------------------------|--------------------|---------------|
| SIGNATURES                     |                    | DATE          |
| DRN. <i>[Signature]</i>        | <i>[Signature]</i> | <i>[Date]</i> |
| CHK'D. <i>[Signature]</i>      | <i>[Signature]</i> | <i>[Date]</i> |
| MECH. ENG. <i>[Signature]</i>  | <i>[Signature]</i> | <i>[Date]</i> |
| PROJ. ENG. <i>[Signature]</i>  | <i>[Signature]</i> | <i>[Date]</i> |
| PROD. <i>[Signature]</i>       | <i>[Signature]</i> | <i>[Date]</i> |
| SCALE 2/1                      | SIZE CODE          | NUMBER        |
| SHT. 1 OF 2                    | 0 UA               | M8388-0-0     |
| NEXT HIGHER ASSY. B-DD-M8388-0 |                    |               |

digital

TITLE IDC

1 WO# 170312

0-0-8888W

THIS DRAWING AND SPECIFICATIONS HEREIN ARE THE PROPERTY OF DIGITAL EQUIPMENT CORPORATION AND SHALL NOT BE REPRODUCED OR COPIED OR USED IN WHOLE OR IN PART AS THE BASIS FOR THE MANUFACTURE OR SALE OF ITEMS WITHOUT WRITTEN PERMISSION OF DIGITAL EQUIPMENT CORPORATION.

REWORK INSTRUCTIONS:

WIRE ADDS SIDE 1

- 0-4 FROM E67-03 TO E66-06
- 0-5 FROM PTH NEAR E93-12 TO PTH BETWEEN R61 & C50
- 0-6 FROM E95-04 TO E33-18
- 0-7 FROM E33-09 TO E99-12
- 0-8 FROM E97-15 TO E33-11
- 0-9 FROM E109-02 TO E16-05
- 0-10 FROM COLLECTOR OF Q4 TO TOP OF R8

| REVISION HISTORY |            |      |
|------------------|------------|------|
| DATE             | ECO NUMBER | REV. |
|                  |            |      |

| DOCUMENT NUMBER |           |              |
|-----------------|-----------|--------------|
| REV. CODE       | NUMBER    | REV.         |
| DUA             | M8388-0-0 | A            |
| SCALE NONE      |           | SHEET 2 OF 2 |

| LINE | ITEM | DOCUMENT NUMBER  | PART NUMBER | DESCRIPTION                     | QTY | PER VARIATION | REFERENCE DESIGNATOR   |
|------|------|------------------|-------------|---------------------------------|-----|---------------|--|
| 1    | 1    | D-MD-5014452-0-0 | 5014452-00  | DRILL AND ETCH M9388            | 1   |               |  |
| 2    | 2    |                  | 1000322-00  | 270.0 MMF 100V 5%200PPM MICA    | 1   |               | C7   |
| 3    | 3    |                  | 1001776-00  | 1 MFD 35V 10% S.TANT            | 1   |               | C19  |
| 4    | 4    |                  | 1010546-00  | .015 MFD 50V 2% M.POLYCARB      | 1   |               | C6   |
| 5    | 5    |                  | 1012784-00  | .047 MFD 50V +90-20% CER        | 49  |               | C3, C8, C17, C18, C25-C70  |
| 6    | 6    |                  | 1013466-02  | 18.0 MMF 50V 5% CER             | 1   |               | C11  |
| 7    | 7    |                  | 1013466-08  | 690.0 MMF 50V 10% X7R CER       | 2   |               | C5, C15  |
| 8    | 8    |                  | 1013466-11  | .22 MFD 50V +80-20% Z5U CER     | 4   |               | C1, C9, C10, C14   |
| 9    | 9    |                  | 1016628-00  | 7.0 MMF TO 30.0 MMF TRIMMER     | 1   |               | C12  |
| 10   | 10   |                  | 1017472-00  | 10 MFD 35V +50-10% AL EL        | 10  |               | C2, C4, C13, C16, C20-C25  |
| 11   | 11   |                  | 1111577-00  | 1N 4454 TR= 4NS PIV= 50 S       | 1   |               | D1   |
| 12   | 12   |                  | 1209941-02  | HEADER 100 40POS RT ANGLE       | 1   |               | J1   |
| 13   | 13   |                  | 1209941-03  | HEADER 25POS RT ANGLE RCPT      | 1   |               | J2   |
| 14   | 106  |                  | 1215006-04  | SKT, IC 20PIN DIP TIN PLATE     | 19  |               | CONT XE33, XE49, XE75, XE5, XE6, XE15, XE60, XE51, XE99, XE85, XE95, XE17, XE32, XE83, XE39, XE59, XE122, XE39, XE31 |
| 15   | 105  |                  | 1215006-05  | SKT, IC 22PIN DIP TIN PLATE     | 8   |               | CONT XE95, XE97, XE105-XE108, XE125-XE128  |
| 16   | 15   |                  | 1216932-04  | HEADER 50POS WITH LATCHES       | 1   |               | J3   |
| 17   | 16   |                  | 1216983-02  | HANDLE MODULE, HEX TWO EJECTORS | 1   |               |  |
| 18   | 17   |                  | 1300005-02  | R NETWORK 13-6.3K 5.0 % 14PIN   | 2   |               | E55, E57   |
| 19   | 18   |                  | 1300005-04  | R NETWORK 15-470 5.0 % 16PIN    | 1   |               | C125   |
| 20   | 18   |                  | 1300005-05  | R NETWORK 13-92 5.0 % 14PIN     | 2   |               | E115, E135   |
| 21   | 19   |                  | 1300005-03  | R NETWORK 15-55 5.0 % 15PIN     | 3   |               | E35, E56, E79  |
| 22   | 20   |                  | 1300229-00  | 100.0 .25 W 5.0 % CC            | 15  |               | R3, R4, R9, R59-R71  |
| 23   | 22   |                  | 1300295-00  | 330.0 .25 W 5.0 % CC            | 9   |               | R26, R45, R48, R50, R52, R54, R55, R59, R44  |
| 24   | 23   |                  | 1300316-00  | 470.0 .25 W 5.0 % CC            | 2   |               | R13, R23   |
| 25   | 24   |                  | 1300365-00  | 1.0 K .25 W 5.0 % CC            | 2   |               | R24, R38   |

|                  |                 |                      |                         |                  |                |                      |           |                    |                |
|------------------|-----------------|----------------------|-------------------------|------------------|----------------|----------------------|-----------|--------------------|----------------|
| REVISION HISTORY |                 | BASIC PART NO: M9388 |                         | DRN: J CASY      |                | DATE: 17-NOV-81      |           | D I G I T A L      |                |
| ENG:             | ECD NUMBER      | REV                  | SECTION A OF A          | CHK'D:           | E.T.GERRY      | DATE:                | 17-NOV-81 | TITLE PARTS LIST   |                |
|                  | INITIAL         | A                    | SECTION VARIATION INDEX |                  |                |                      |           | IDC                |                |
|                  | R.D:M9388-TW001 | B                    | (A) 00                  |                  |                |                      |           |                    |                |
|                  |                 |                      | (B)                     | DES.ENG:         | DAVE MILLER    | DATE:                | 17-NOV-81 |                    |                |
|                  |                 |                      | (C)                     |                  |                |                      |           |                    |                |
|                  |                 |                      | (D)                     | RESP.ENG.:       | DAVE MILLER    | DATE:                | 17-NOV-91 | DOCUMENT NUMBER    |                |
|                  |                 |                      | (E)                     |                  |                |                      |           |                    |                |
|                  |                 |                      | (F)                     |                  |                |                      |           | SIZE: CODE: NUMBER |                |
|                  |                 |                      | (G)                     |                  |                |                      |           | REV                |                |
|                  |                 |                      | (H)                     | MFG.ENG.:        | W WYCKOFF      | DATE:                | 17-NOV-81 | K                  | PL M9388-0-DBP |
|                  |                 |                      | (I)                     |                  |                |                      |           | 8                  |                |
|                  |                 |                      | (J)                     | ASSEMBLY NUMBER: | D-UA-M9388-0-0 | TOP DOCUMENT NUMBER: |           | FILE NAME:         | EDIT #         |
|                  |                 |                      | (K)                     |                  |                |                      |           | Z129CB.PLS         | 14             |
|                  |                 |                      | (L)                     |                  |                |                      |           |                    |                |
|                  |                 |                      | (M)                     |                  |                |                      |           |                    |                |
|                  |                 |                      | (N)                     |                  |                |                      |           |                    |                |

"THIS DRAWING AND SPECIFICATIONS HEREIN, ARE THE PROPERTY OF DIGITAL EQUIPMENT CORPORATION AND SHALL NOT BE REPRODUCED OR COPIED OR USED IN WHOLE OR IN PART AS THE BASIS FOR THE MANUFACTURE OR SALE OF ITEMS WITHOUT WRITTEN PERMISSION. COPYRIGHT (C) 1982. DIGITAL EQUIPMENT CORPORATION"



| LINE | ITEM | DOCUMENT NUMBER | PART NUMBER | DESCRIPTION                      | QTY PER VARIATION | REFERENCE DESIGNATOR                      |
|------|------|-----------------|-------------|----------------------------------|-------------------|---|
| 26   |      |                 | 1300398-00  | 1.80 K .25 W 5.0% CC             | 1                 | R20                                       |
| 27   |      |                 | 1300447-00  | 4.70 K .25 W 5.0% CC             | 2                 | R19, R39                                  |
| 28   |      |                 | 1301320-00  | 1.20 K .25 W 5.0% CC             | 1                 | R16                                       |
| 29   |      |                 | 1301424-00  | 680.0 .25 W 5.0% CC              | 1                 | R45, R47, R49, R51, R53, R55, R57         |
| 30   |      |                 | 1301791-00  | 82.0 .50 W 5.0% CC               | 12                | R55, R58, R57, R59                        |
| 31   |      |                 | 1302091-00  | 330.0 K .25 W 5.0% CC            | 1                 | R27                                       |
| 32   |      |                 | 1302612-00  | 1.79 K .25 W 1.0% RN550-F10      | 1                 | R14                                       |
| 33   |      |                 | 1302871-00  | 1.21 K .25 W 1.0% RN550-F10      | 1                 | R7, R23                                   |
| 34   |      |                 | 1302872-00  | 581.0 .25 W 1.0% RN550-F10       | 1                 | R1, R2                                    |
| 35   |      |                 | 1302874-00  | 147.0 .25 W 1.0% RN550-F10       | 1                 | R15                                       |
| 36   |      |                 | 1302941-00  | 14.70 K .25 W 1.0% RN550-F10     | 1                 | R16                                       |
| 37   |      |                 | 1302956-00  | 195.0 .25 W 1.0% RN550-F10       | 1                 | R11                                       |
| 38   |      |                 | 1303312-00  | 10.0 K .25 W 1.0% RN550-F10      | 1                 | R13                                       |
| 39   |      |                 | 1305122-00  | 51.10 .25 W 1.0% RN550-F10       | 1                 | R10, R10                                  |
| 40   |      |                 | 1305126-00  | 619.0 .25 W 1.0% RN550-F10       | 1                 | R10, R21                                  |
| 41   |      |                 | 1309413-00  | 3.93 K .25 W 1.0% RN550-F10      | 1                 | R17                                       |
| 42   |      |                 | 1310534-00  | 2.57 K .25 W 1.0% RN550-F10      | 1                 | R16                                       |
| 43   |      |                 | 1503409-01  | DEC65548 PNP 310MW SI 40 90 P    | 1                 | R27                                       |
| 44   |      |                 | 1512499-00  | 2N 4401 NPN 350MW SI 40 20       | 1                 | R24                                       |
| 45   |      |                 | 1513490-00  | 2N 4403 PNP 350MW SI 40 90       | 1                 | R3, R2                                    |
| 46   |      |                 | 1603359-00  | 12.0 UH 10% 300MA #0012.0        | 1                 | L1, L2                                    |
| 47   |      |                 | 1616553-00  | DELAY= 50NS, 10TAPS WITH TTLBU   | 1                 | R17                                       |
| 48   |      |                 | 1616553-01  | DELAY= 100NS, 10TAPS WITH TTLBU  | 1                 | R17                                       |
| 49   |      |                 | 1611600-00  | OSCILLATOR, XTAL 8.200 MHZ       | 1                 | R17                                       |
| 50   |      |                 | 1910533-00  | 74500 NAND GATE-QUAD 2IN         | 1                 | R10, R11, R12, R13, R14, R15, R16, R17    |
| 51   |      |                 | 1910534-00  | 74504 INVERTER GATE-HEX 1I       | 1                 | R10, R11, R12, R13, R14, R15, R16, R17    |
| 52   |      |                 | 1910535-00  | 74510 NAND GATE-TRIPLE 3IN       | 1                 | R10, R11, R12, R13, R14, R15, R16, R17    |
| 53   |      |                 | 1910541-00  | 74564 A-0-1 GATE 4-2-3-2         | 1                 | R10, R11, R12, R13, R14, R15, R16, R17    |
| 54   |      |                 | 1910544-00  | 74574 FF-D DUAL, EDGE TRIGG      | 1                 | R10, R11, R12, R13, R14, R15, R16, R17    |
| 55   |      |                 | 1910549-00  | 745159 MUX 1 OF 2 (QUAD)         | 1                 | R10, R11, R12, R13, R14, R15, R16, R17    |
| 56   |      |                 | 1910550-00  | 745174 FF-D HEX                  | 1                 | R10, R11, R12, R13, R14, R15, R16, R17    |
| 57   |      |                 | 1910552-00  | 745194 SHIFT REG. 4BIT RIGH      | 1                 | R10, R11, R12, R13, R14, R15, R16, R17    |
| 58   |      |                 | 1910557-00  | 745175 FF-D QUAD COMMON CLO      | 1                 | R10, R11, R12, R13, R14, R15, R16, R17    |
| 59   |      |                 | 1911341-00  | 75113 DRIVER, LINE, DUAL, MA     | 1                 | R21, R23, R43, R44, R53, R114, R132, R133 |
| 60   |      |                 | 1911579-00  | 8641 TRANSCEIVER, BUS, QUA       | 1                 | R81                                       |
| 61   |      |                 | 1911675-00  | 745139 DECODER/DEMUX 3-8 LIN     | 1                 | R58, R71, R72                             |
| 62   |      |                 | 1911712-00  | 74551 AND-OR GATE-INVERT D       | 1                 | R20, R103                                 |
| 63   |      |                 | 1911911-00  | DEC 745124 OSCILLATOR, DUAL VOLT | 1                 | R135                                      |
| 64   |      |                 | 1912399-00  | 74502 NOR GATE-QUAD 2IN, PO      | 1                 | R96, R112                                 |
| 65   |      |                 | 1912399-00  | 74508 AND GATE-QUAD 2IN, PO      | 1                 | R53, R120                                 |
| 66   |      |                 | 1912535-00  | DEC 7305 VOLT REG, FIX 15V       | 1                 | R5  |
| 67   |      |                 | 1912547-00  | LS257 MUX 1 OF 2 (QUAD)          | 1                 | R11, R32                                  |
| 68   |      |                 | 1912728-00  | 745251 MUX 1 OF 8 TRI-STA        | 1                 | R94, R94, R105                            |
| 69   |      |                 | 1912746-00  | DEC 74537 NAND GATE-QUAD 2IN     | 1                 | R74                                       |
| 70   |      |                 | 1912837-00  | LS123 ONE SHOT-DUAL, RETRIG      | 1                 | R123                                      |
| 71   |      |                 | 1912947-00  | LS157 MUX 1 OF 2(QUAD)           | 1                 | R54                                       |
| 72   |      |                 | 1912972-00  | LS377 FF-D 8BIT W/ENABLE         | 1                 | R70                                       |
| 73   |      |                 |             |                                  |                   |   |

CONT

|         |       |     |                |      |      |                 |     |
|---------|-------|-----|----------------|------|------|-----------------|-----|
| DIGITAL | TITLE | IDC | SECTION A OF A | SIZE | CODE | DOCUMENT NUMBER | REV |
|         |       |     |                | K    | PL   | M3388-0-233     | 2   |

AUTOMATED BY FRTLST.3P(44)

PARTS LIST

SHEET A3 OF A3

| LINE | ITEM | DOCUMENT NUMBER | PART NUMBER | DESCRIPTION                      | QTY PER VARIATION | REFERENCE DESIGNATOR             |
|------|------|-----------------|-------------|----------------------------------|-------------------|----------------------------------|
| 73   | 74   |                 | 1912951-00  | DM 8556 COUNTER, BINARY, 4BIT    | 5                 | E18, E19, E28-E30                |
| 74   | 75   |                 | 1913017-00  | 3046 XSISTOR ARRAY, 3 ISOL       | 1                 | E134                             |
| 75   | 76   |                 | 1913571-00  | 745374 FF-D OCTAL TRISTATE       | 8                 | E13-E15, E27, E36, E37, E56, E59 |
| 76   | 77   |                 | 1913777-00  | LS240 DRIVER, LINE, OCTAL T      | 1                 | E50                              |
| 77   | 78   |                 | 1913939-00  | DC 102A EQUALS CHECKER 9BIT      | 1                 | E104                             |
| 78   | 79   |                 | 1914082-00  | 745163 COUNTER, SYNCH UP/COW     | 2                 | E116, E124                       |
| 79   | 80   |                 | 1914437-00  | 7905 VOLT REG, FIX -5V           | 1                 | E5                               |
| 80   | 81   |                 | 1914972-00  | 3450 RECEIVER, LINE, QUAD,       | 6                 | E34, E45, E55, E78, E91, E121    |
| 81   | 82   |                 | 1915101-00  | DCC07 ECC CHIP 25PIN             | 1                 | E57                              |
| 82   | 83   |                 | 1915193-00  | LS244 DRIVER, LINE, OCTAL T      | 4                 | E48, E80, E82, E103              |
| 83   | 84   |                 | 1915219-00  | LS245 TRANSCIVER, BUS, OCT       | 4                 | E26, E46, E47, E65               |
| 84   | 85   |                 | 1915597-00  | RAM 256X4 TRI-STATE              | 8                 | E1-E4, E7-E10                    |
| 85   | 86   |                 | 230001K     | K5-01                            | 1                 | E39                              |
| 86   | 87   |                 | 230002K     | K5-01                            | 1                 | E38                              |
| 87   | 88   |                 | 230101K     | K4-01                            | 1                 | E6                               |
| 88   | 89   |                 | 230102K     | K4-01                            | 1                 | E17                              |
| 89   | 90   |                 | 230103K     | K5-01                            | 1                 | E59                              |
| 90   | 91   |                 | 230104K     | K4-01                            | 1                 | E61                              |
| 91   | 92   |                 | 230105K     | D2-01                            | 1                 | E127                             |
| 92   | 93   |                 | 230106K     | D2-01                            | 1                 | E107                             |
| 93   | 94   |                 | 230107K     | D2-01                            | 1                 | E105                             |
| 94   | 95   |                 | 230108K     | K4-01                            | 1                 | E123                             |
| 95   | 96   |                 | 230109K     | D2-01                            | 1                 | E109                             |
| 96   | 97   |                 | 230110K     | K4-01                            | 1                 | E33                              |
| 97   | 98   |                 | 230111K     | D2-01                            | 1                 | E98                              |
| 98   | 99   |                 | 230112K     | K4-01                            | 1                 | E83                              |
| 99   | 100  |                 | 230113K     | D2-01                            | 1                 | E129                             |
| 100  | 101  |                 | 230114K     | D2-01                            | 1                 | E97                              |
| 101  | 102  |                 | 230301K     | D2-01                            | 1                 | E126                             |
| 102  | 103  |                 | 230302K     | K3-01                            | 1                 | E5                               |
| 103  | 104  |                 | 230303K     | PAL REG, CONT                    | 1                 | E84                              |
| 104  | 105  |                 | 230304K     | PAL REG, CONT                    | 1                 | E50                              |
| 105  | 106  |                 | 230305K     | PAL LOGIC, CONT                  | 1                 | E76                              |
| 106  | 107  |                 | 230306K     | PAL LOGIC, CONT                  | 1                 | E49                              |
| 107  | 108  |                 | 230307K     | PAL LOGIC, CONT                  | 1                 | E31                              |
| 108  | 109  |                 | 230308K     | PAL REG, CONT                    | 1                 | E16                              |
| 109  | 110  |                 | 230309K     | PAL REG, CONT                    | 1                 | E95                              |
| 110  | 111  |                 | 230310K     | PAL REG, CONT                    | 1                 | E88                              |
| 111  | 112  |                 | 230311K     | PAL LOGIC, CONT                  | 1                 | E33                              |
| 112  | 113  |                 | 9006555-00  | NUT HEX 4-40X1/4 AF X 3/         | 2                 |                                  |
| 113  | 114  |                 | 9009301-01  | SCREEN PAN, PHIL 4-40X 1/4 SS    | 2                 |                                  |
| 114  | 115  |                 | 9009300-00  | EYELET ROLLED 0.1210XD0.155      | 12                |                                  |
| 115  | 116  |                 | 9009149-00  | PIN, STAKING, P.C. BOARD, .025 X | 3                 | TP1-TP3                          |
| 116  | 117  |                 | 9105740-05  | WIRE (WRAP) 30AWG UL1423         | A/R               |                                  |
| 117  | 118  |                 | 9107278-11  | TUBING, THIN WALL, .042ID UL     | A/R               |                                  |
| 118  | 119  |                 | 1303371-00  | 220.0 .25 W 5.0 % CC             | 1                 | R72                              |
| 119  |      |                 | 1919765-01  | 75114 LINE DRIVER, DUAL DIF      | 3                 | E24, E25, E54                    |

|   |   |   |   |   |   |   |       |     |           |      |      |      |                 |     |
|---|---|---|---|---|---|---|-------|-----|-----------|------|------|------|-----------------|-----|
| D | I | G | I | T | A | L | TITLE | IDC | SECTION A | OF A | SIZE | CODE | DOCUMENT NUMBER | REV |
|   |   |   |   |   |   |   |       |     |           |      | K    | PL   | M3398-3-08P     | 8   |

8

DEC 5014452-0-0 A

6

5

4

LAYER 1

3

2

1

CSXABCDEFHJKLMNPRS  
RLO2

SIDE 1

digital

J1 E115

E91

E79

E67

E136

J3 E25 E23

P80  
J2

E12

M8388 5014452B

REVISIONS  
DATE EGO NUMBER

0-2

0-1

Thomas F. Walsh 7/22/51  
 Thomas F. Walsh 7/22/51  
 Miller 50  
 Miller 50  
 J. J. Hoff 11

ETCH CUT  
DRAWING

DOCUMENT NUMBER  
DEC 5014452-0-0 A

8

7

6

5

4

3

2

1

D  
C  
B  
A  
A  
A  
A

8

DEC 501452-0-0 A

6

5

4

3

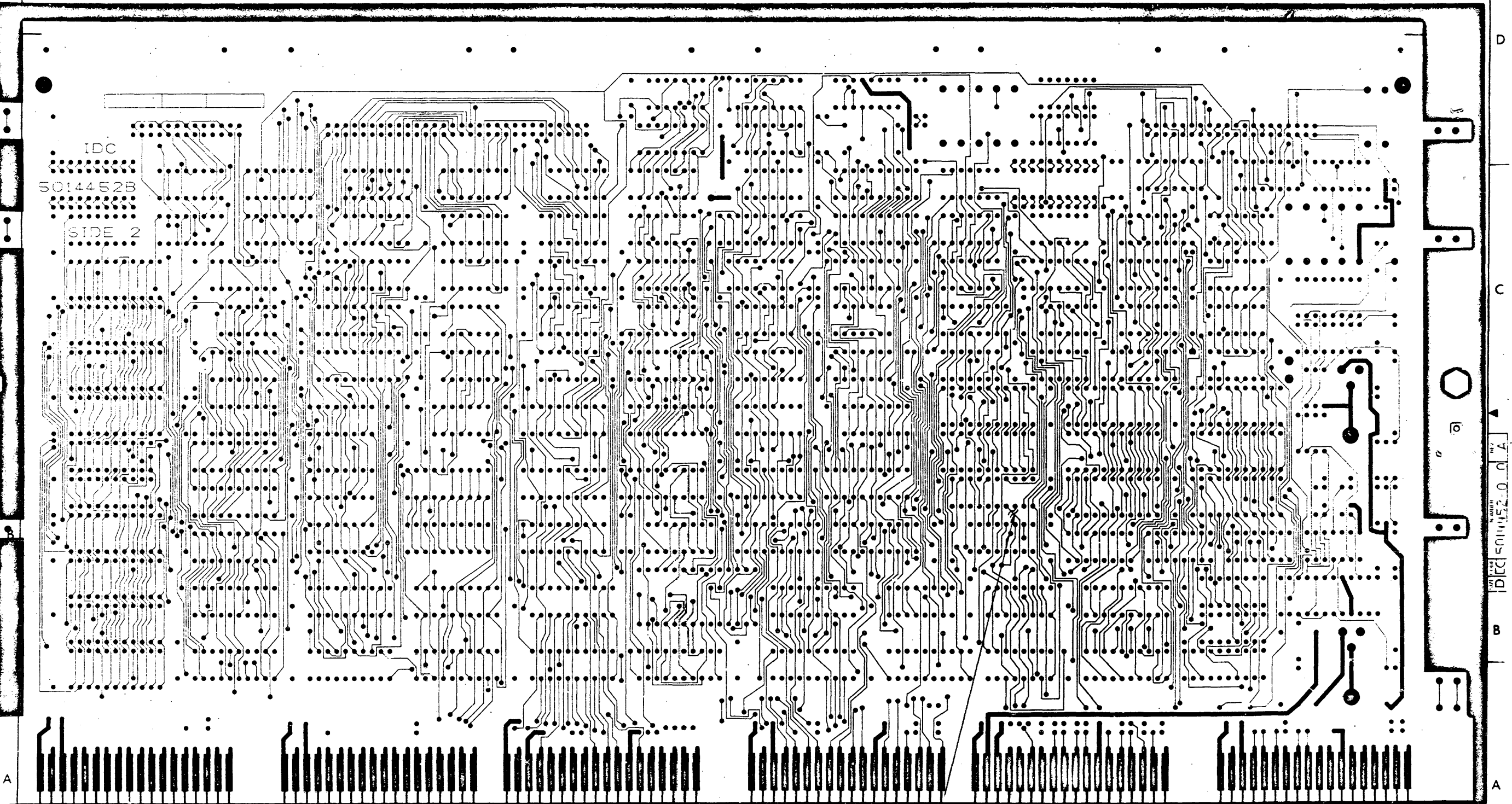
2

1

1961

LAYER 4

IDC  
5014452B  
SIDE 2



A

A

D

C

B

|      |             |      |
|------|-------------|------|
| DATE | DESIGNED BY | REV. |
|      |             |      |

03

TITLE  
ETCH CUT DRAWING

|                |             |      |
|----------------|-------------|------|
| DATE           | DESIGNED BY | REV. |
| DEC 501452-0-0 | A           |      |
| SHEET 2        | OF 3        |      |

8

7

6

5

4

3

2

1

flc

8

7 0-0-254452-0-0

6

5

4

3

2

1

THIS DRAWING AND SPECIFICATIONS HEREIN ARE THE PROPERTY OF DIGITAL EQUIPMENT CORPORATION AND SHALL NOT BE REPRODUCED OR COPIED OR USED IN WHOLE OR IN PART AS A BASIS FOR THE MANUFACTURE OR SALE OF ITEMS WITHOUT WRITTEN PERMISSION. COPYRIGHT © 1984 DIGITAL EQUIPMENT CORPORATION.

REWORK INSTRUCTIONS:

ETCH CUT SIDE 1:

0-1 AT E95-4 0-2 REMOVE "+" SIGNS

ETCH CUT SIDE 2:

0-3 AT E95-4

D

D

C

C

B

B

A

A

DEC 5014452 0 0 A

| REVISION HISTORY |            |      |
|------------------|------------|------|
| DATE             | ECO NUMBER | REV. |
|                  |            |      |
|                  |            |      |
|                  |            |      |
|                  |            |      |
|                  |            |      |
|                  |            |      |
|                  |            |      |
|                  |            |      |

ETCH CUT DRAWING

| SIZE CODE  | DOCUMENT NUMBER | REV. |
|------------|-----------------|------|
| DEC        | 5014452-0-0     | A    |
| SCALE NONE | SHEET 2 OF 3    |      |

8

7

6

5

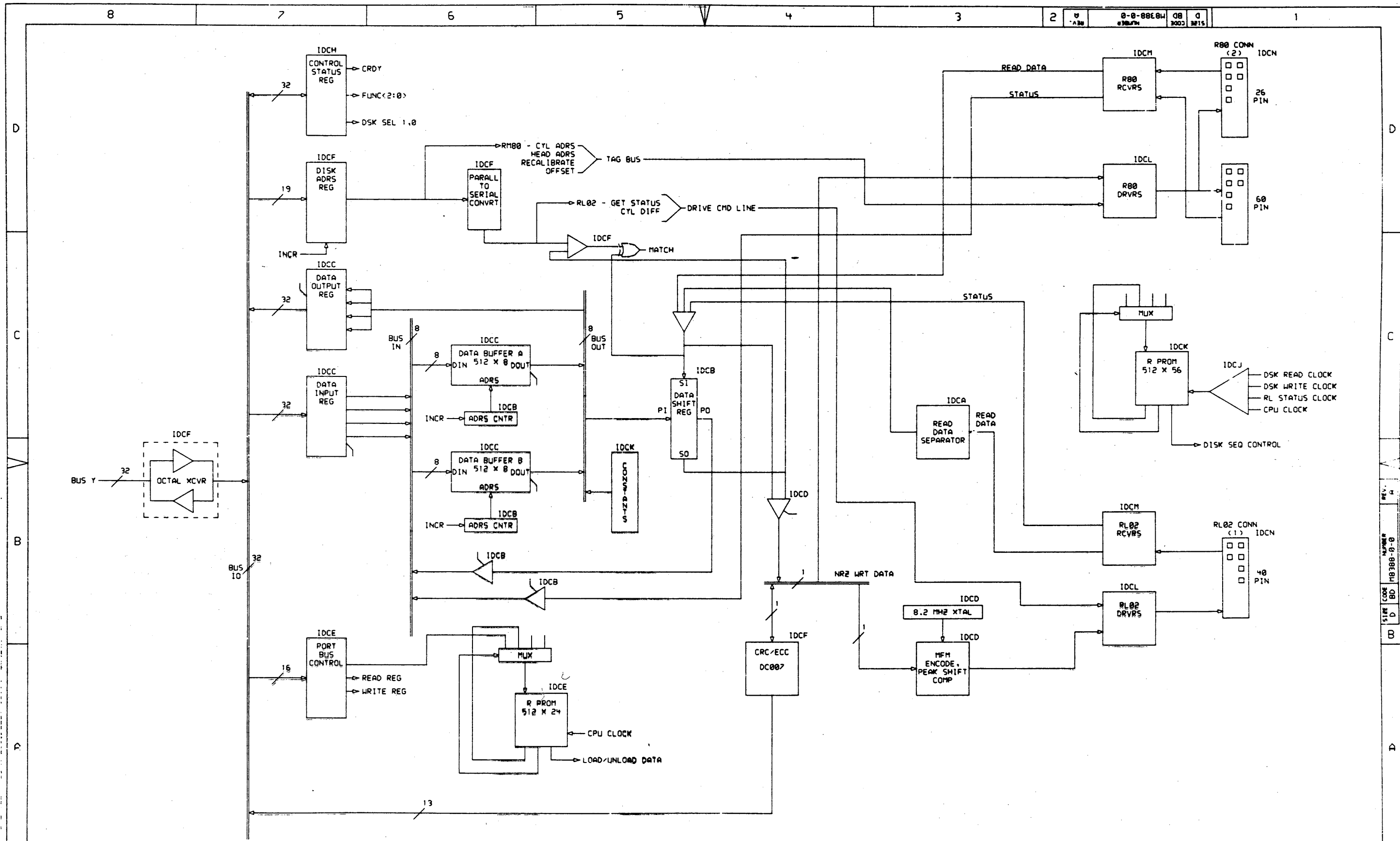
4

3

2

1

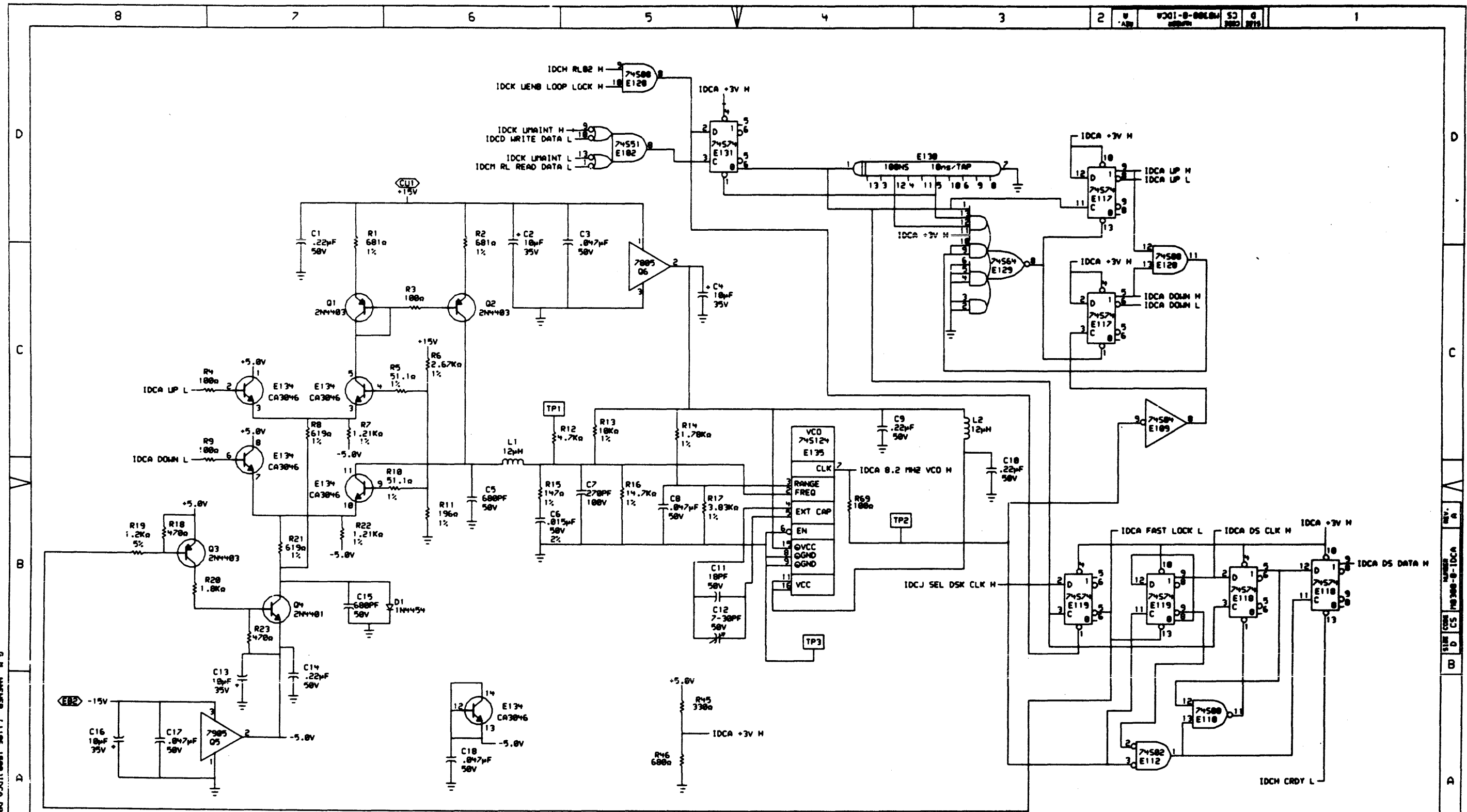
TW



THIS DRAWING AND SPECIFICATIONS HEREIN ARE THE PROPERTY OF DIGITAL EQUIPMENT CORPORATION AND SHALL NOT BE REPRODUCED OR COPIED OR USED IN WHOLE OR IN PART AS THE BASIS FOR THE MANUFACTURE OR SALE OF ITEMS WITHOUT WRITTEN PERMISSION. COPYRIGHT © 1981 DIGITAL EQUIPMENT CORPORATION.

| REV. | CHANGE NO. | REV. |
|------|------------|------|
|      |            |      |

|                                    |                       |                 |                                    |                   |                                   |
|------------------------------------|-----------------------|-----------------|------------------------------------|-------------------|-----------------------------------|
| digital                            | DRN: <i>M. Holman</i> | DATE: 27-DEC-81 | ENG.                               | DATE              | TITLE: INTEGRATED DISK CONTROLLER |
|                                    | CHK'D.                | DATE            | BOARD LOCATION: SHEET 1 OF 1       | SIZE: D           | CODE: BD                          |
| FIRST USED ON OPTION/MODEL: NEBULA |                       | 18-DEC-81 15:27 | NEXT HIGHER ASSEMBLY: B-DD-RB730-0 | NUMBER: M8388-0-0 | REV. A                            |



(RL02 DATA SEPARATOR)

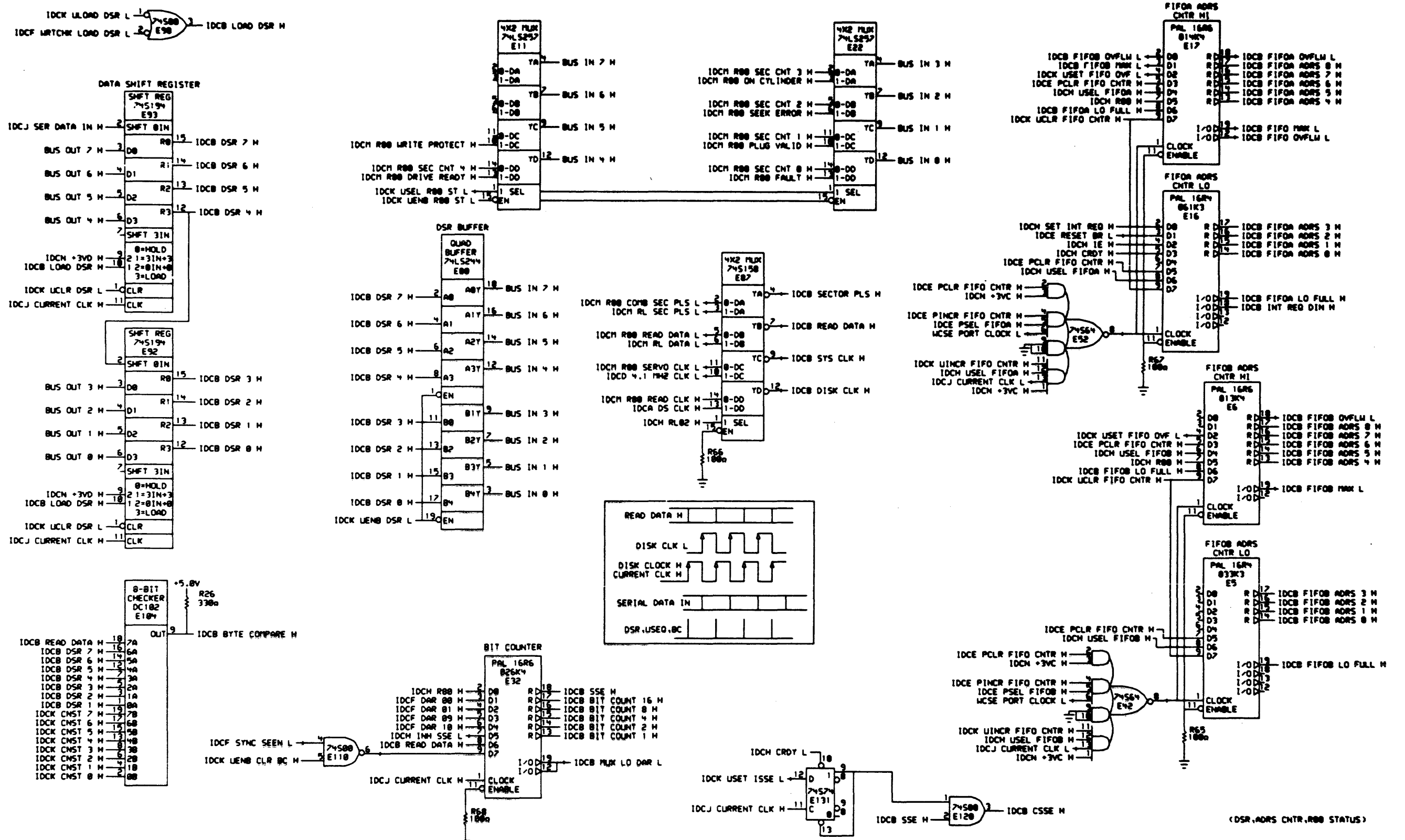
G.M. WARNER, (1186,1988) IDCA, DPL, SCALE 2, "D" RELEASE BOX  
 G.M. WARNER IDCA, PLO, (1186,1988) 18-DEC-81 17:55

| REVISIONS | CHK | CHANGE NO. | REV. |
|-----------|-----|------------|------|
|           |     |            |      |

|   |  |                                 |   |         |  |
|---|--|---------------------------------|---|---------|--|
|   | DRN: <i>W. Hoffman</i>                   | DATE: 18-DEC-81                 | ENG.                                    | DATE    | TITLE: NEBULA INTEGRATED DISK CONTROL (IDCA) |
|   | CHK'D.                                   | DATE                            | BOARD LOCATION:                         |         |  |
| 18-DEC-81 16:52<br>FIRST USED ON OPTION MODEL: 117730 | 18-DEC-81 16:52<br>MERV HIGHER ASSEMBLY: | 18-DEC-81 16:52<br>B-DD-RB730-0 | SIZE CODE: D<br>NUMBER: CS M8388-0-IDCA | REV.: A |  |



(ROB STATUS)



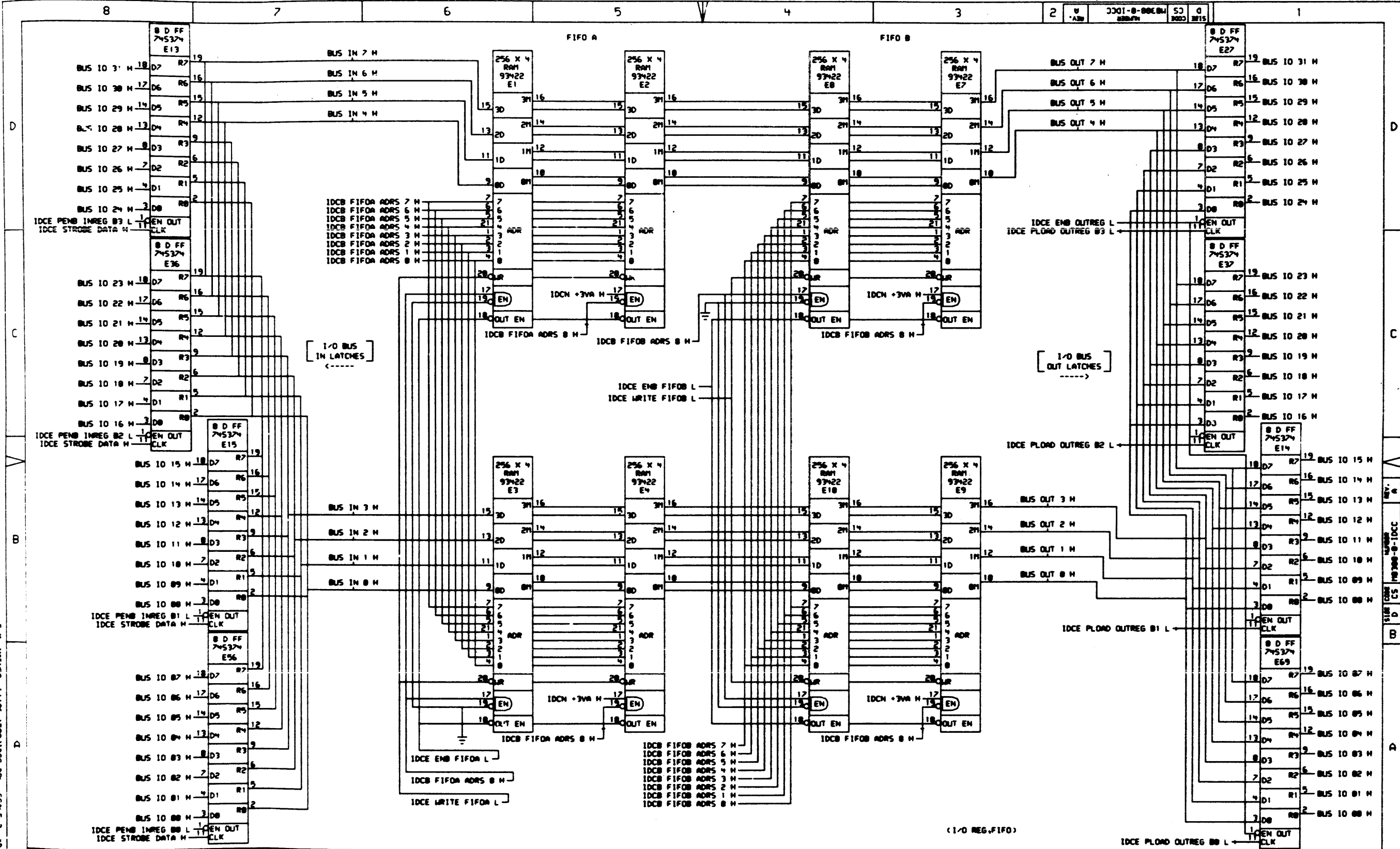
REV. 4  
NUMBER 10330-0-IDCB  
CS M8388-0-IDCB

G.M. WARNER, (1106,1500)IDCB.DPL, SCALE 2, "D" RELEASE BOX  
G.M. WARNER IDCB.PLC(1106,1500) 18-DEC-81 17135

| REVISIONS |                |
|-----------|----------------|
| CHK       | CHANGE NO. REV |
|           |                |
|           |                |

|                                    |             |                      |                                    |       |  |
|------------------------------------|-------------|----------------------|------------------------------------|-------|--|
|                                    | DRN: 11/230 | DATE: 10-25-81       | ENG.:                              | DATE: | TITLE: INTEGRATED DISK CONTROLLER (IDCB) |
|                                    | CHK'D:      | DATE:                | REVISION:                          | DATE: |  |
| FIRST USED ON OPTION MODEL: 11/730 |             |                      | NEXT HIGHER ASSEMBLY: B-DD-R8730-0 |       |  |
| SIZE: D                            | CODE: CS    | NUMBER: M8388-0-IDCB | REV.:                              | A     |  |





G.H. WARNER, (11861500) IDCC, DP, SCALE 2, 0 - RELEASE BOX  
 G.H. WARNER, IDCC, PLOT (11861500) 18-DEC-81 1736

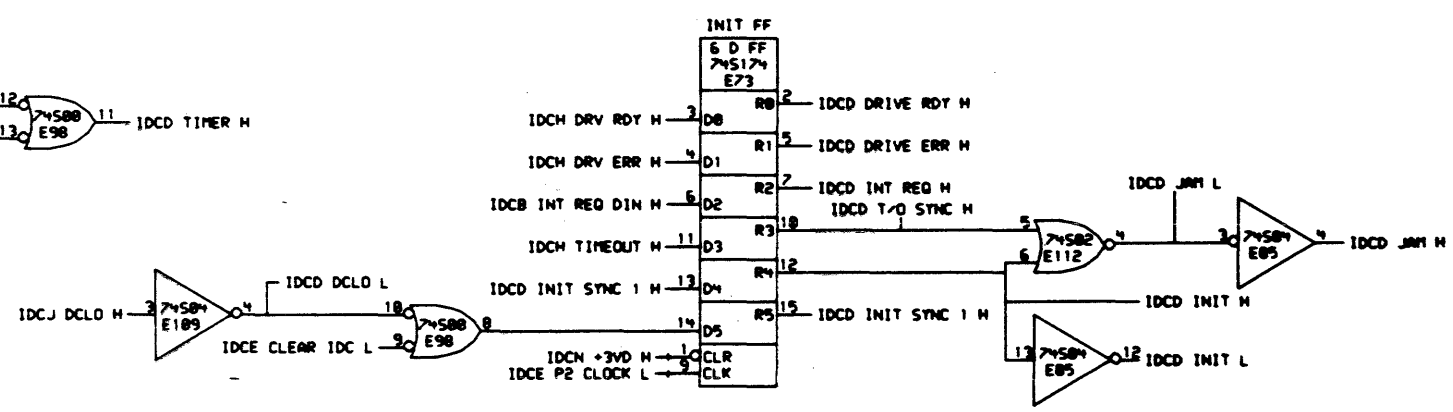
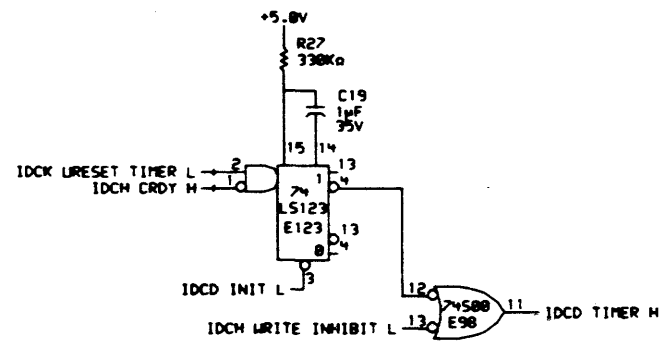
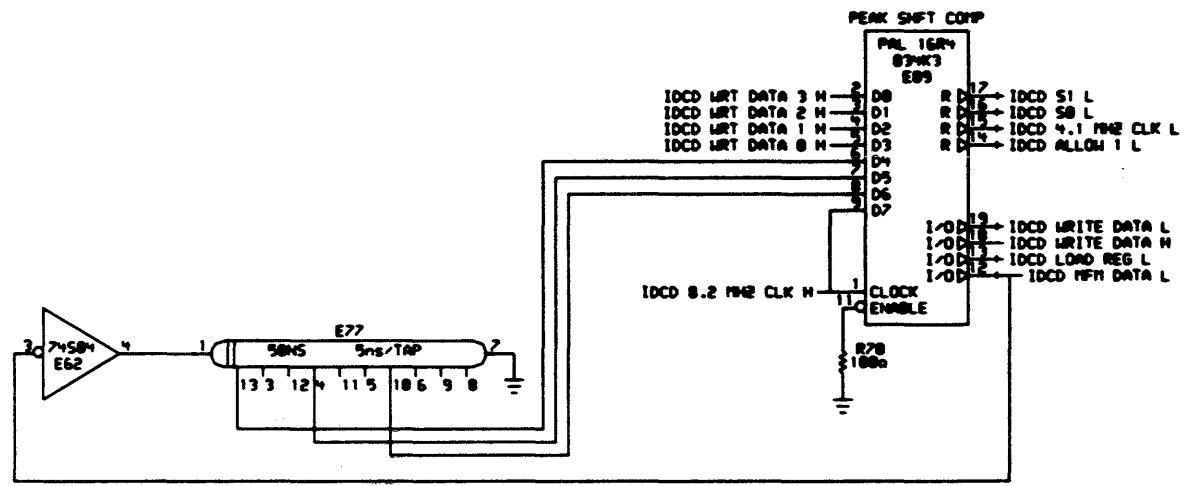
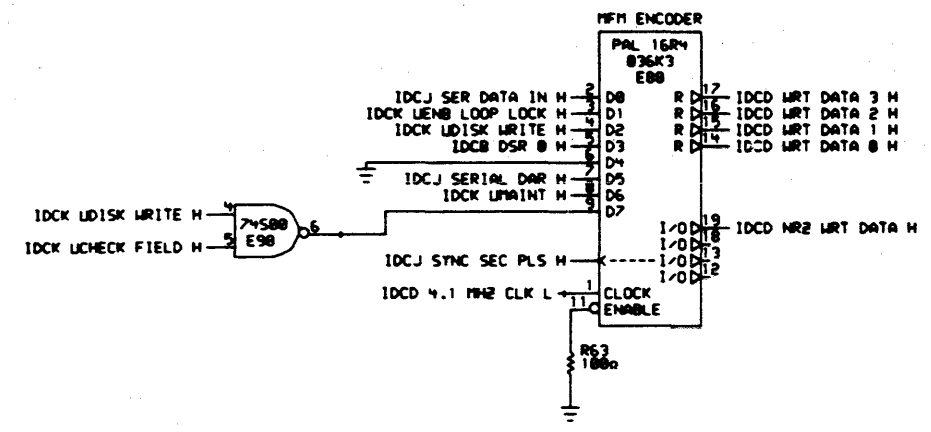
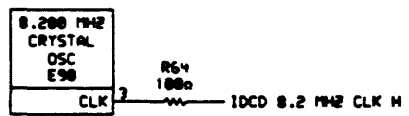
| REV | DATE | DESCRIPTION    |
|-----|------|----------------|
| 1   |      | INITIAL DESIGN |
| 2   |      | REVISION       |

**digital** CORPORATION  
 118-DEC-81 15:37 NEW HIGHER ASSEMBLY  
 FIRST USED ON OPTION MODEL: 117730 B-DD-RB730-0

|                 |           |       |  |
|-----------------|-----------|-------|--|
| DATE: 18-DEC-81 | ENG.:     | DATE: | TITLE: INTEGRATED DISK CONTROLLER (IDCC) |
| DATE:           | LOCATION: | DATE: | NUMBER:                                  |
| DATE:           | LOCATION: | DATE: | NUMBER:                                  |
| DATE:           | LOCATION: | DATE: | NUMBER:                                  |

SIZE CODE: D CS M8388-0-IDCC REV. A

118-DEC-81 15:37 NEW HIGHER ASSEMBLY  
 FIRST USED ON OPTION MODEL: 117730 B-DD-RB730-0

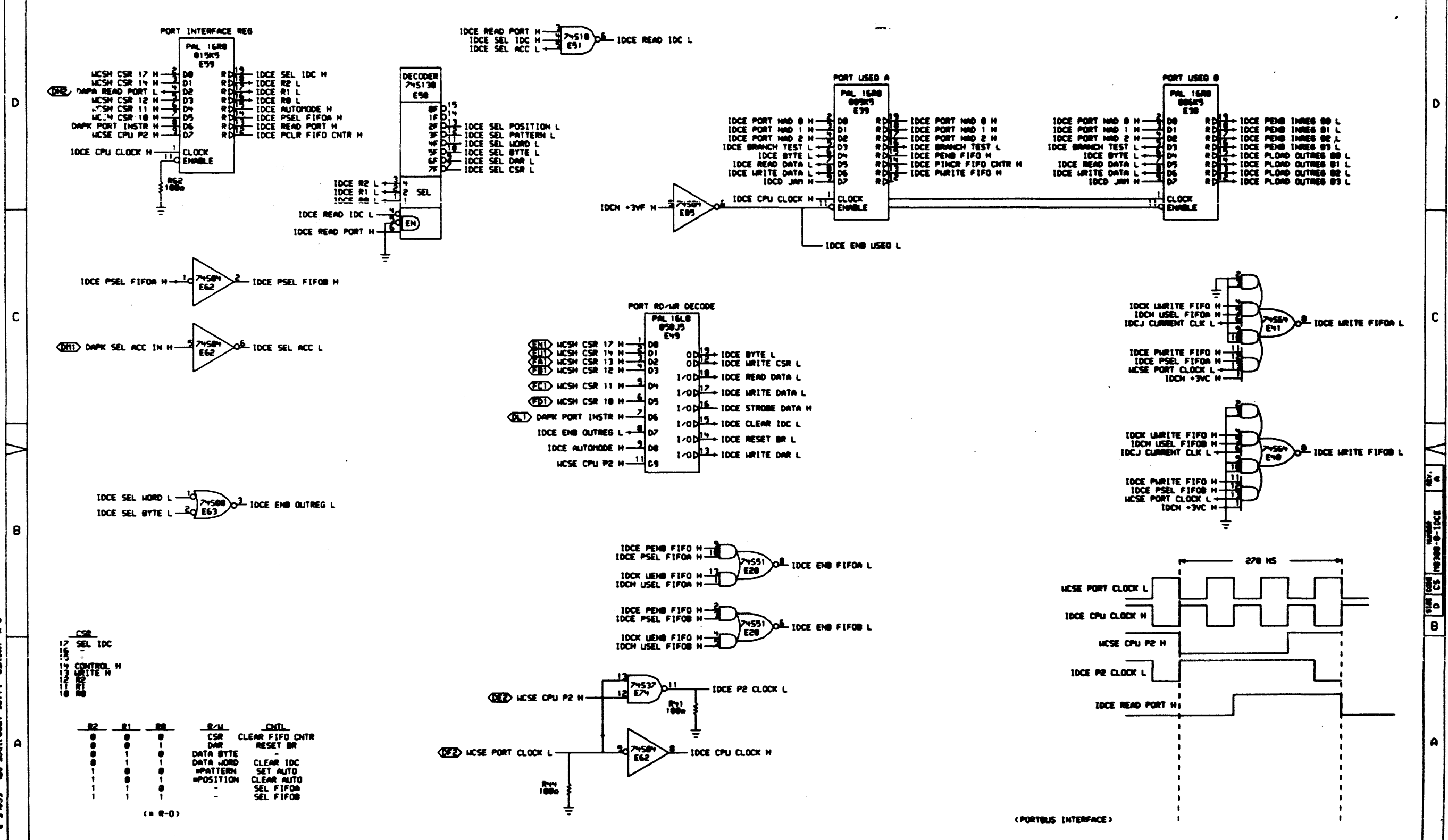


(RL02 MFM ENCODING)

G.M. WARNER (1186,1500) IDCD (DPL, SCALE 2, 0 - RELEASE 80M  
 G.M. WARNER IDCD (PLC 1186,1500) 18-DEC-81 17136

| REVISIONS |                |
|-----------|----------------|
| CHK       | CHANGE NO. REV |
|           |                |

|                                    |            |              |           |                                   |
|------------------------------------|------------|--------------|-----------|-----------------------------------|
|                                    | DATE       | ENG.         | DATE      | TITLE                             |
|                                    | 118-DEC-81 | W. H. HARRIS | 18-DEC-81 | INTEGRATED DISK CONTROLLER (IDCD) |
| CHK'D.                             | DATE       | LOC.         | NO.       | REV.                              |
|                                    |            |              |           |                                   |
| FIRST USED ON OPTION/MODEL: 11/230 |            | 8-DO-RB730-0 |           | D CS M8388-0-IDCD A               |



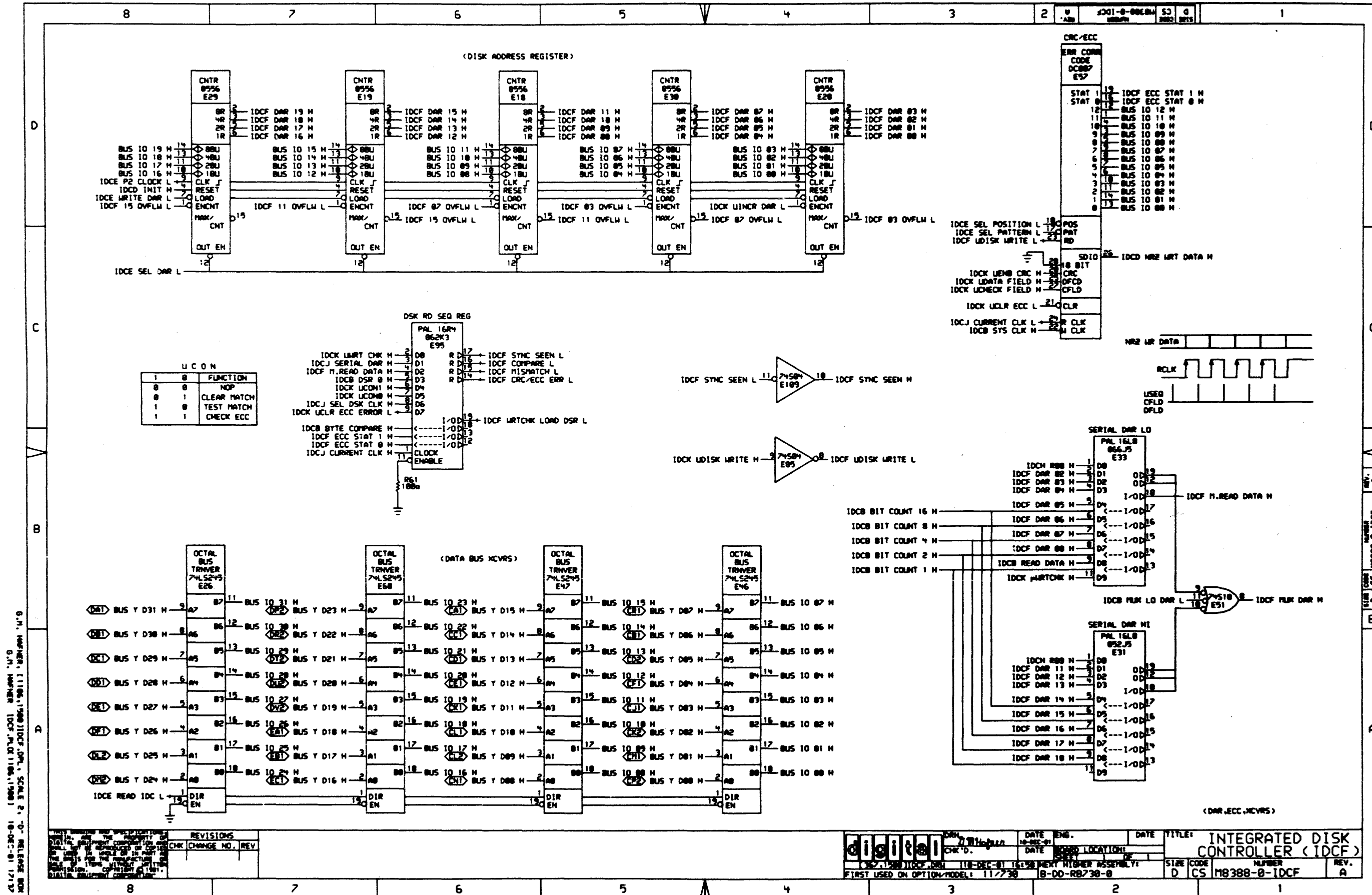
| SEL IDC | CONTROL M | WRITE H | R2 | R1 | R0 | R2H | R1H | R0H | CNTR |
|---------|-----------|---------|----|----|----|-----|-----|-----|------|
| 0       | 0         | 0       | 0  | 0  | 0  | 0   | 0   | 0   | 0    |
| 0       | 0         | 0       | 0  | 0  | 0  | 0   | 0   | 0   | 0    |
| 0       | 0         | 0       | 0  | 0  | 0  | 0   | 0   | 0   | 0    |
| 0       | 0         | 0       | 0  | 0  | 0  | 0   | 0   | 0   | 0    |
| 0       | 0         | 0       | 0  | 0  | 0  | 0   | 0   | 0   | 0    |
| 0       | 0         | 0       | 0  | 0  | 0  | 0   | 0   | 0   | 0    |
| 0       | 0         | 0       | 0  | 0  | 0  | 0   | 0   | 0   | 0    |
| 0       | 0         | 0       | 0  | 0  | 0  | 0   | 0   | 0   | 0    |
| 0       | 0         | 0       | 0  | 0  | 0  | 0   | 0   | 0   | 0    |
| 0       | 0         | 0       | 0  | 0  | 0  | 0   | 0   | 0   | 0    |

(0 R-0)

| CSR             | CNTR |
|-----------------|------|
| CLEAR FIF0 CNTR | 0    |
| RESET BR        | 0    |
| DATA BYTE       | 0    |
| DATA WORD       | 0    |
| PATTERN         | 0    |
| POSITION        | 0    |
| CLEAR IDC       | 0    |
| SET AUTO        | 0    |
| CLEAR AUTO      | 0    |
| SEL FIF0A       | 0    |
| SEL FIF0B       | 0    |

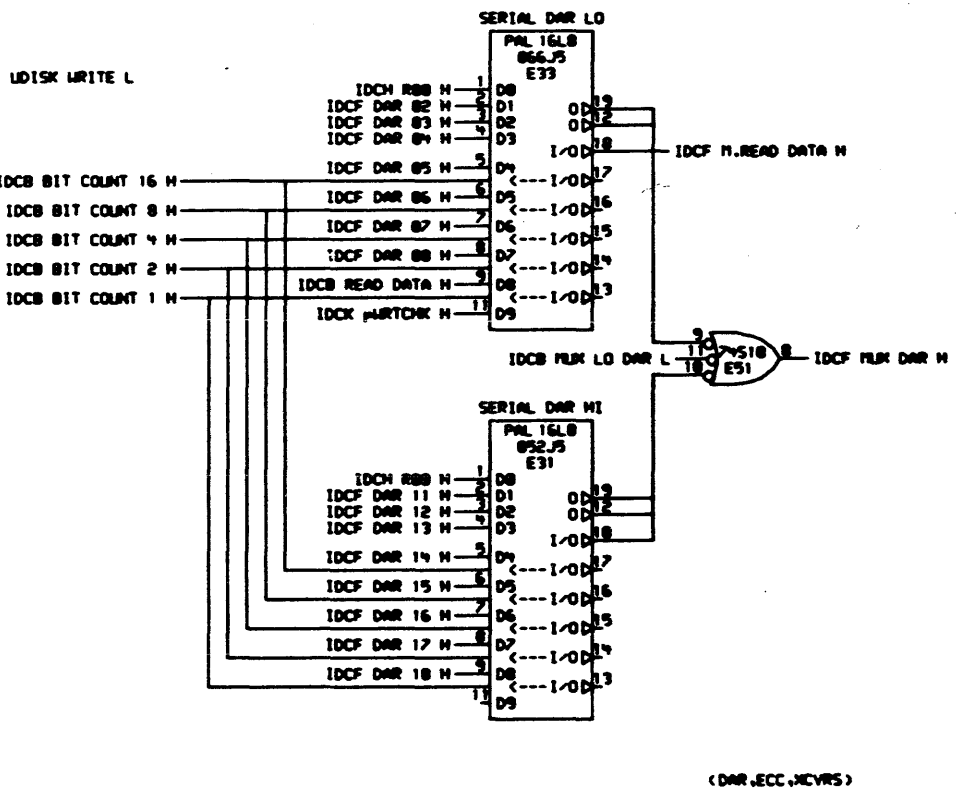
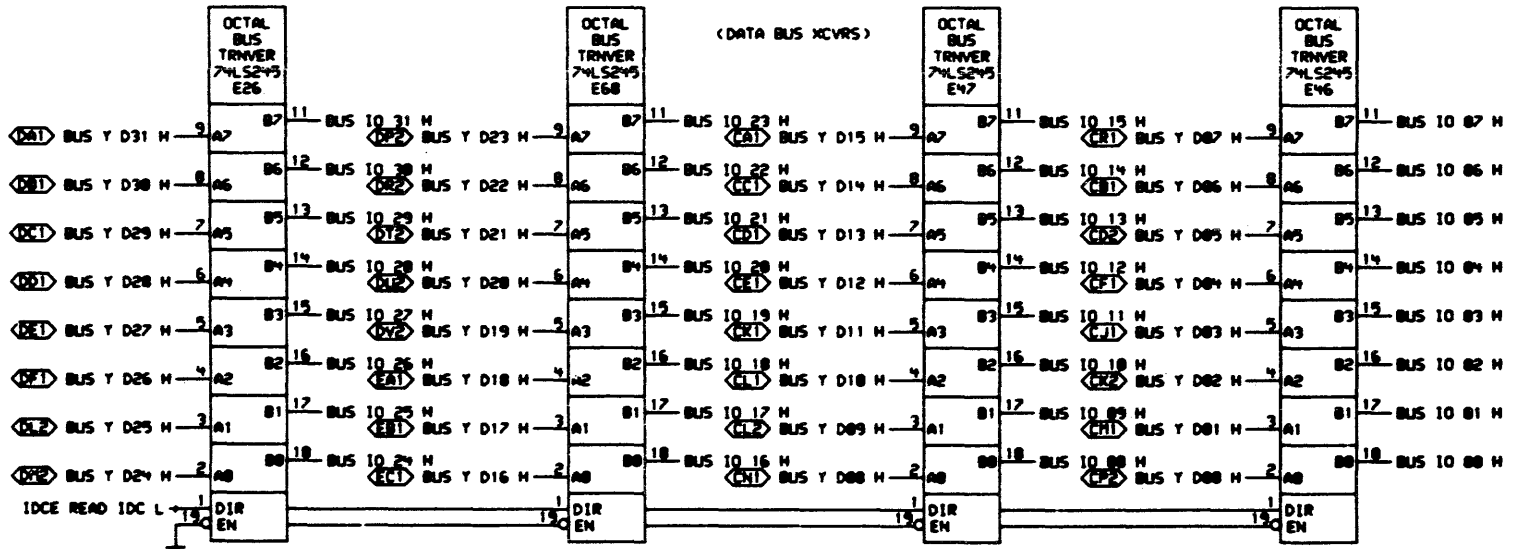
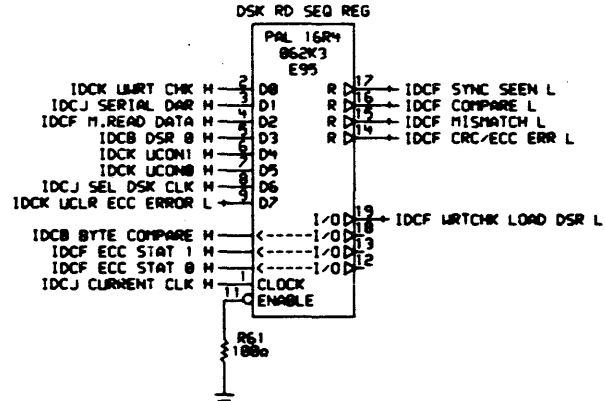
D.N. NUMBER, (1188,1988) IDCE CPU, SCALE 2, D- RELEASE BOX  
 D.N. NUMBER IDCE, PLD(1188,1988) 18-DEC-81 17:36

REV. 6  
 NUMBER  
 CS M8388-0-IDCE  
 8188 CS



UCON

| 1 | 0 | FUNCTION    |
|---|---|-------------|
| 0 | 0 | NOP         |
| 0 | 1 | CLEAR MATCH |
| 1 | 0 | TEST MATCH  |
| 1 | 1 | CHECK ECC   |

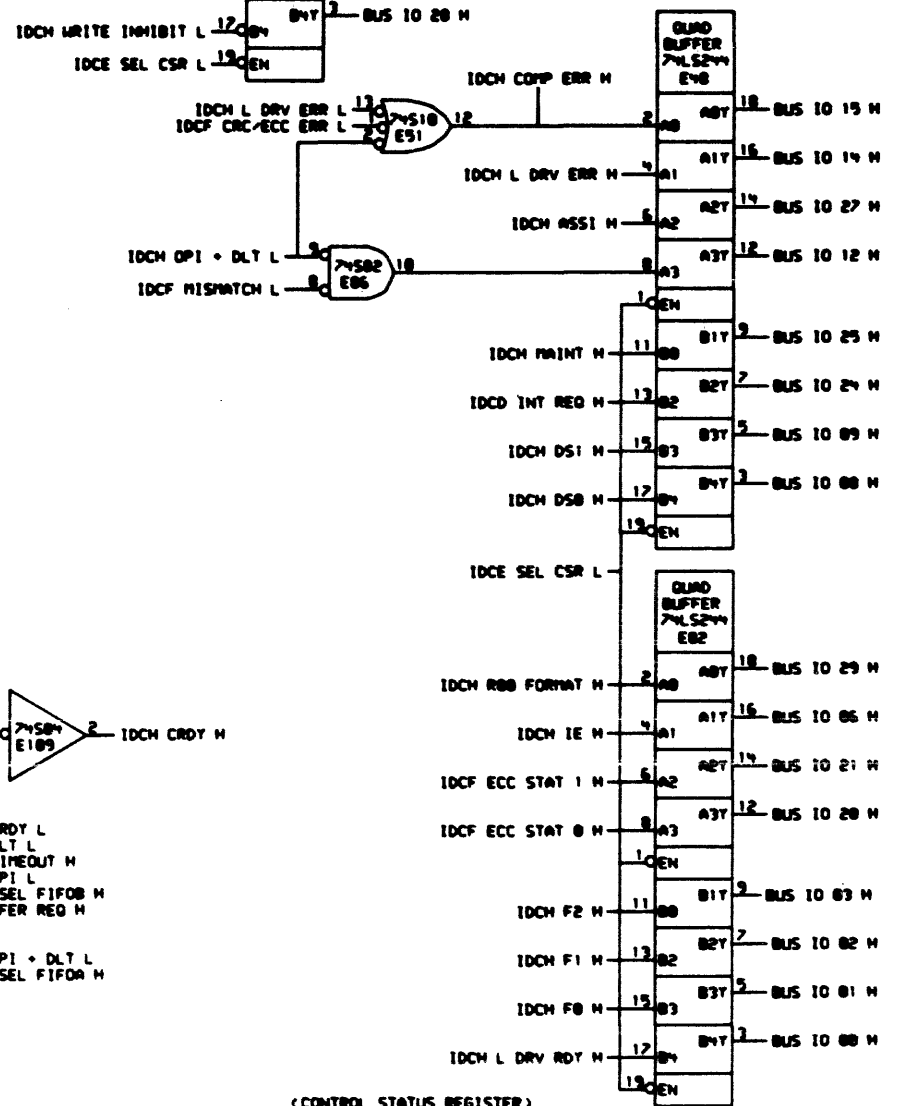
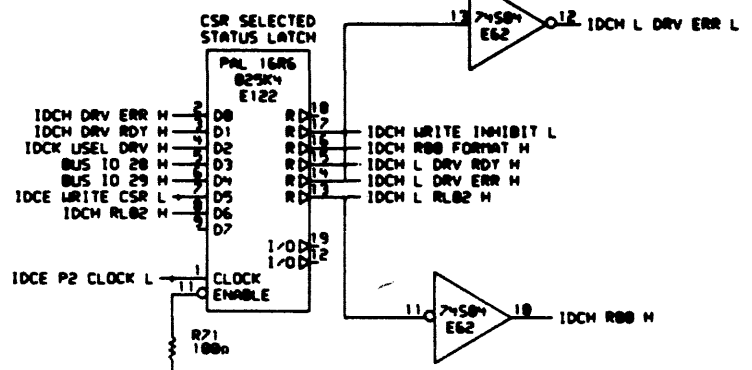
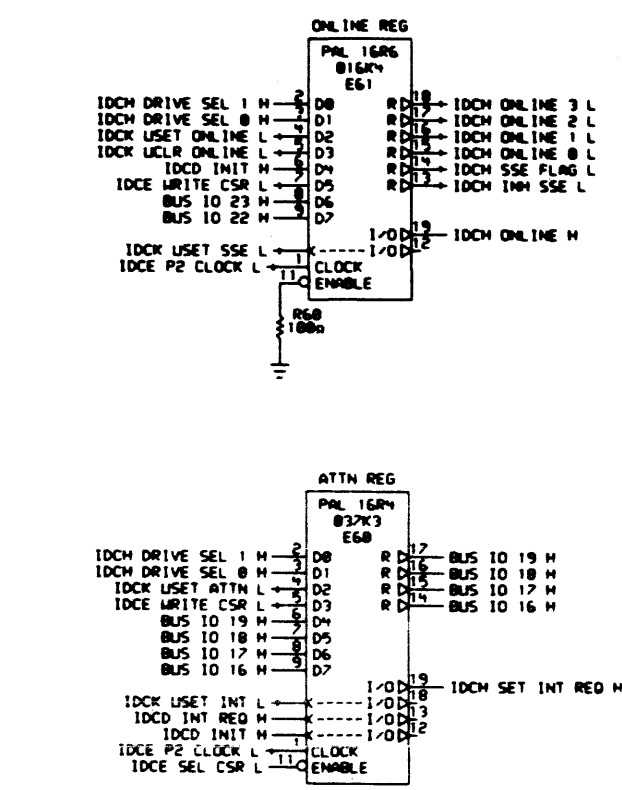
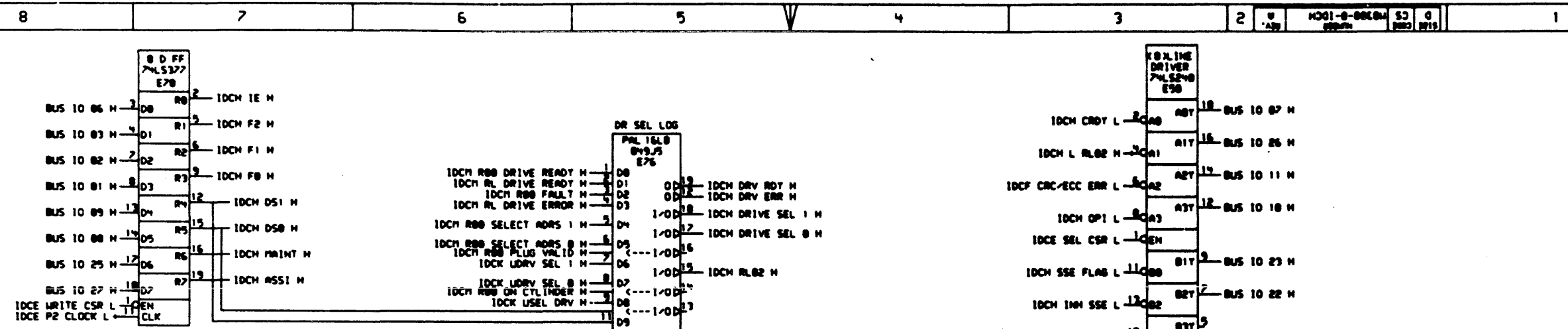


G.M. WARNER (1106-1988) IDCF, SCALE 2, 0-1 RELEASE BOX  
 G.M. WARNER (1106-1988) IDCF, SCALE 2, 0-1 RELEASE BOX

REVISIONS

| CHK | CHANGE NO. | REV |
|-----|------------|-----|
|     |            |     |

DATE ENG. DATE TITLE: INTEGRATED DISK CONTROLLER (IDCF)  
 DATE BOARD LOCATION: D CS M8388-0-IDCF  
 FIRST USED ON OPTION/MODEL: 11/730 B-DD-RB730-0

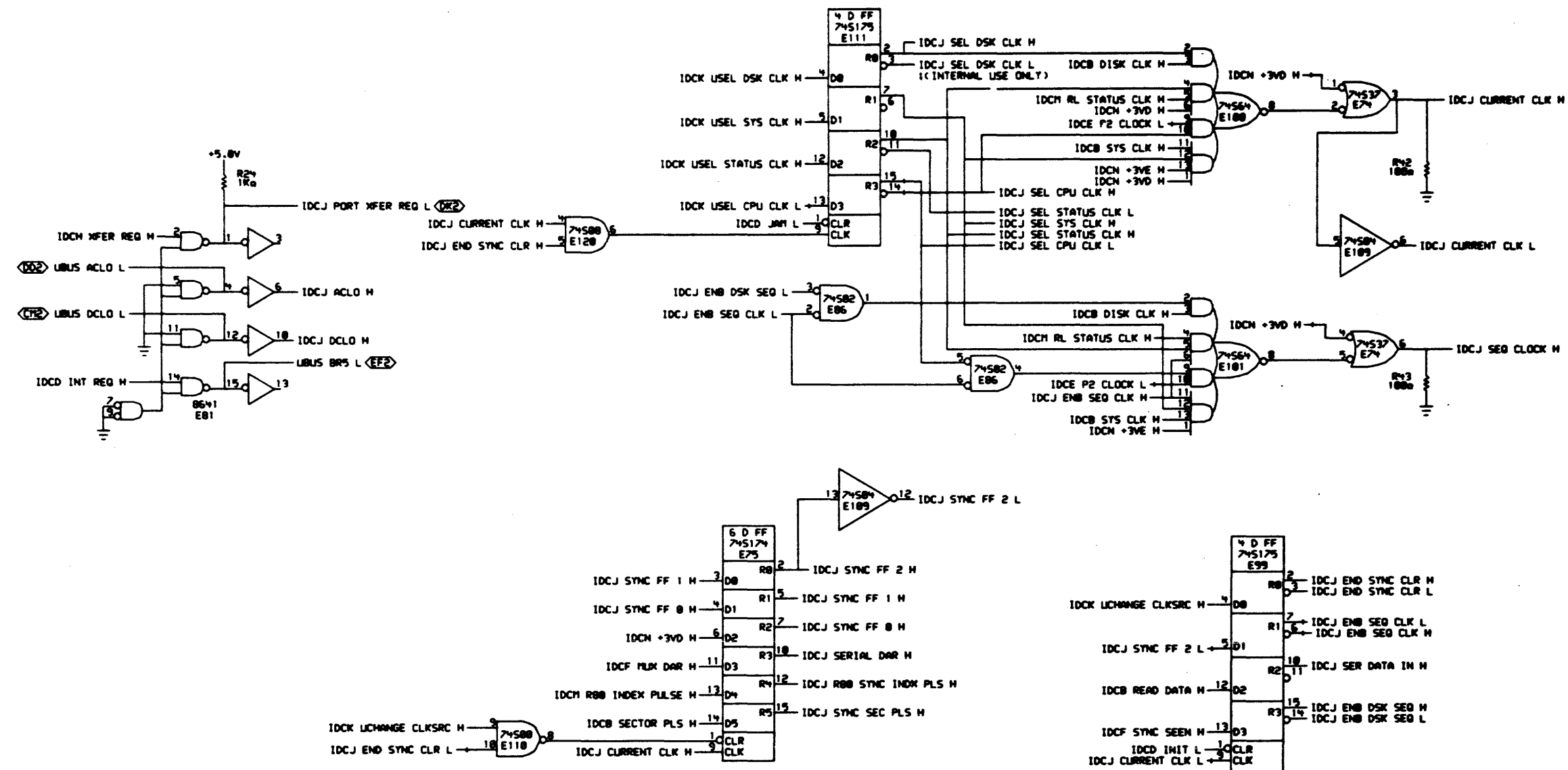


**LCMD**

|   |   |   |               |
|---|---|---|---------------|
| 2 | 1 | 0 |               |
| 0 | 0 | 0 | NOP           |
| 0 | 0 | 1 | SET CRDY      |
| 0 | 1 | 0 | SET OPI       |
| 0 | 1 | 1 | SET DLT       |
| 1 | 0 | 0 | SET XFER ROST |
| 1 | 0 | 1 | SET FIFOA     |
| 1 | 1 | 0 | CHG FIF0      |
| 1 | 1 | 1 | CLR T/0       |

G.M. WARNER, (11861190) IDCH OPL. SCALE 2:1. D. RELEASE BOX

|                                    |  |                                       |  |  |  |
|------------------------------------|--|---------------------------------------|--|--|--|
| REVISIONS<br>CHK CHANGE NO. REV    |  | DATE ENG. 10-DEC-81<br>DATE 18-DEC-81 |  | TITLE: INTEGRATED DISK CONTROLLER (IDCH)     |  |
| DIGITAL<br>3521580 IDCH OPL        |  | 18-DEC-81 16:58 NEXT HIGHER ASSEMBLY: |  | SIZE CODE NUMBER REV.<br>D CS M0388-0-IDCH A |  |
| FIRST USED ON OPTION/MODEL: 117730 |  | B-DD-R0730-0                          |  |  |  |

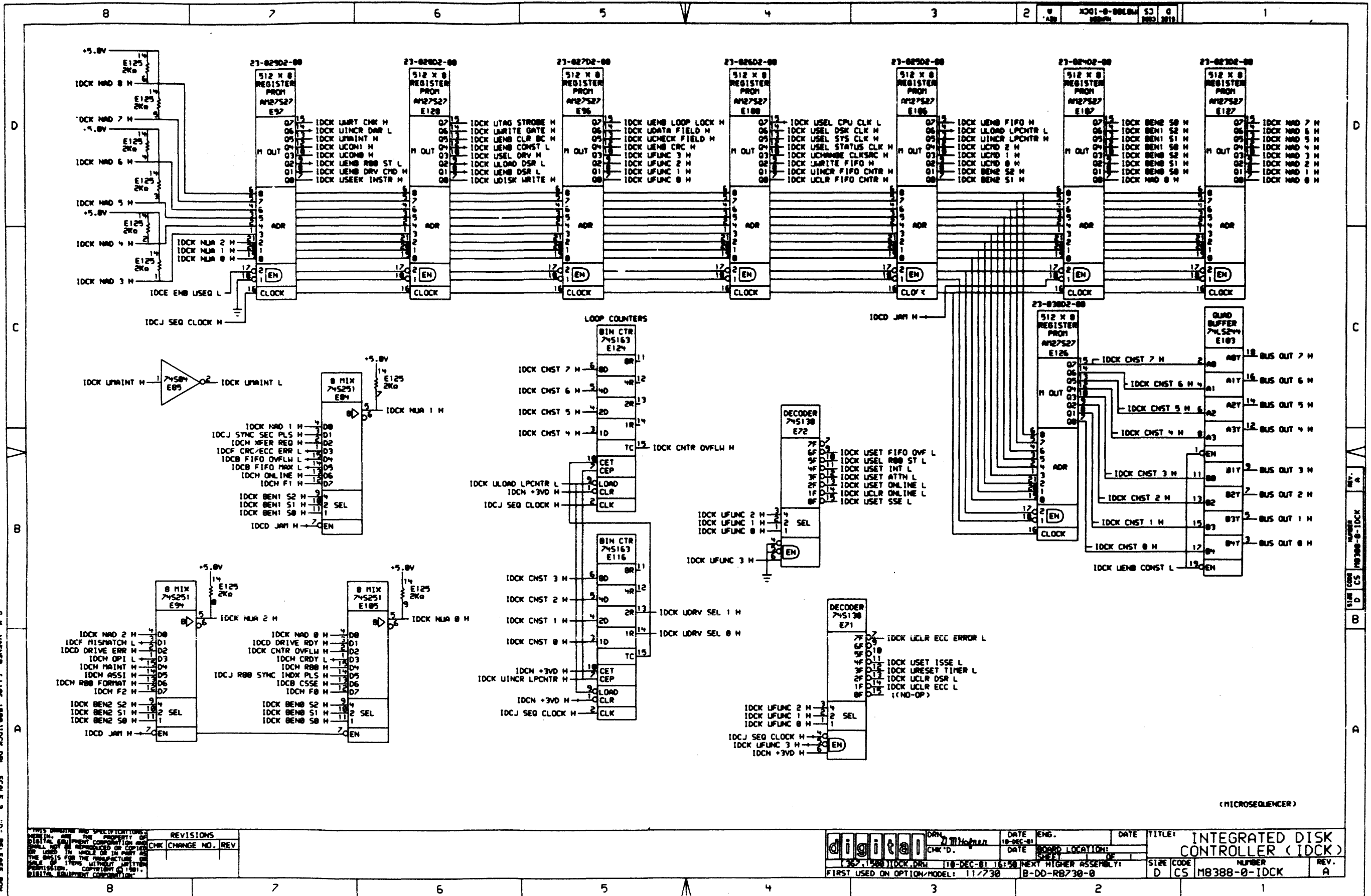


(CLOCK SYNC & INTERRUPT)

O.H. WARNER (1186, 1980) IDCJ, DR., SCALE 2, 0 - RELEASE BOX  
 O.H. WARNER (1007, 1980) IDCJ, PLO, (1186, 1980) 18-DEC-81 17:37

| REVISIONS |            |      |
|-----------|------------|------|
| CHK       | CHANGE NO. | REV. |
|           |            |      |

|                                    |                    |                              |  |
|------------------------------------|--------------------|------------------------------|--|
| DRAWN: J. H. HALL                  | DATE ENG: 10-25-81 | DATE: 11-27-80               | TITLE: INTEGRATED DISK CONTROLLER (IDCJ) |
| CHK'D: J. H. HALL                  | DATE: 11-27-80     | BOARD LOCATION: B-D0-RB/30-8 | SIZE: D                                  |
| FIRST USED ON OPTION/MODEL: 11/730 |                    | CODE: CS                     | NUMBER: M8388-0-IDCJ                     |
| NEXT HIGHER ASSEMBLY: B-D0-RB/30-8 |                    | REV.:                        | A  |

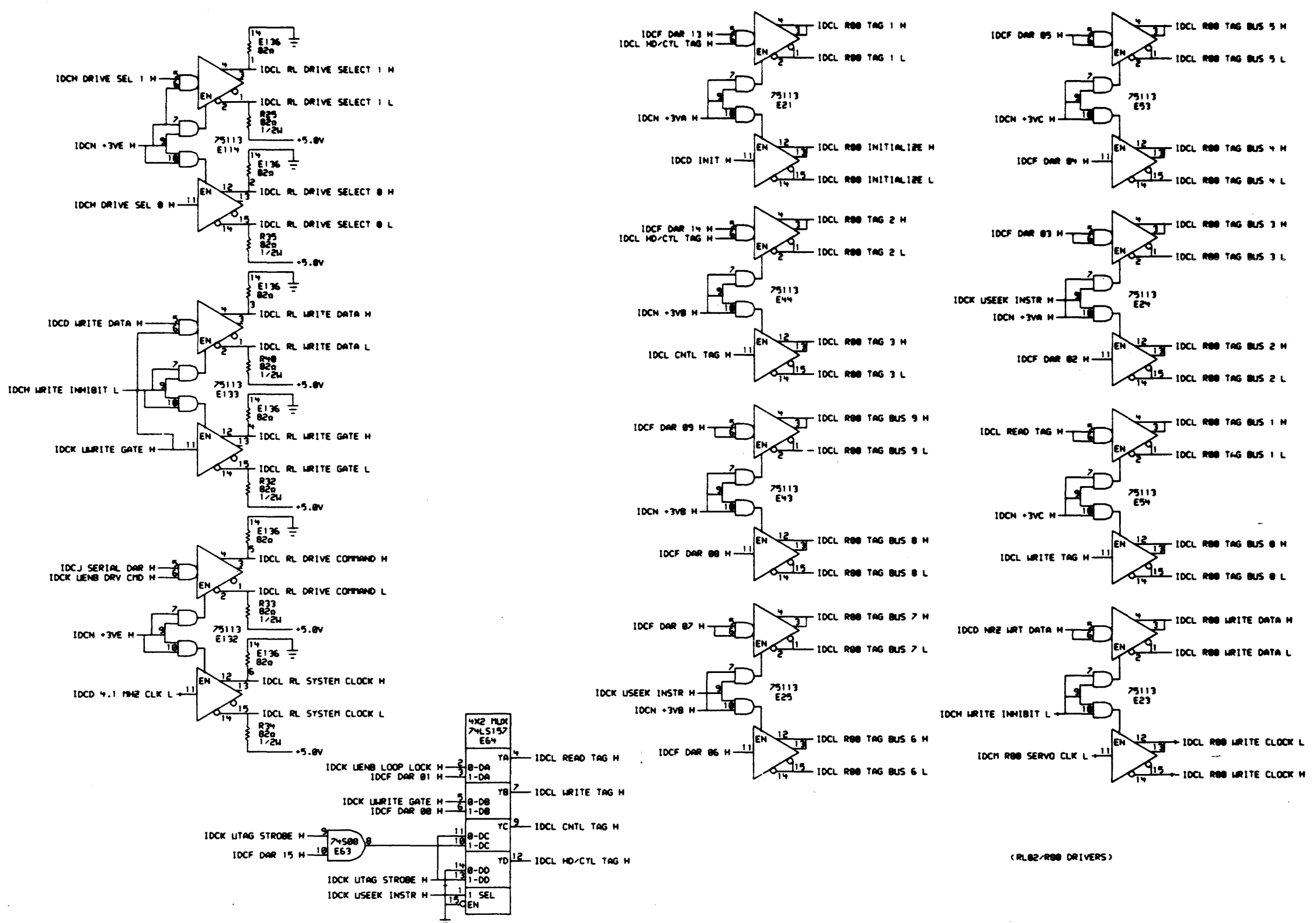


G.M. WARNER (11/86) IDCK.DRL, SCALE 2, 0 - RELEASE DOC  
 G.M. WARNER (IDCK.PLC(11/86) 18-DEC-81 17:17

| REV | CHG | NO. | REV |
|-----|-----|-----|-----|
|     |     |     |     |

|                                    |       |           |                 |           |                                   |
|------------------------------------|-------|-----------|-----------------|-----------|-----------------------------------|
|                                    | DRW   | DATE      | ENG.            | DATE      | TITLE:                            |
|                                    | CHK'D | 10-DEC-81 |                 |           | INTEGRATED DISK CONTROLLER (IDCK) |
| FIRST USED ON OPTION/MODEL: 11/730 |       | DATE      | BOARD LOCATION: | SIZE CODE | NUMBER                            |
|                                    |       | 18-DEC-81 | B-DD-RB730-0    | D CS      | M8388-0-IDCK                      |
|                                    |       |           |                 |           | REV. A                            |

(MICROSEQUENCER)



(R02/R00 DRIVERS)

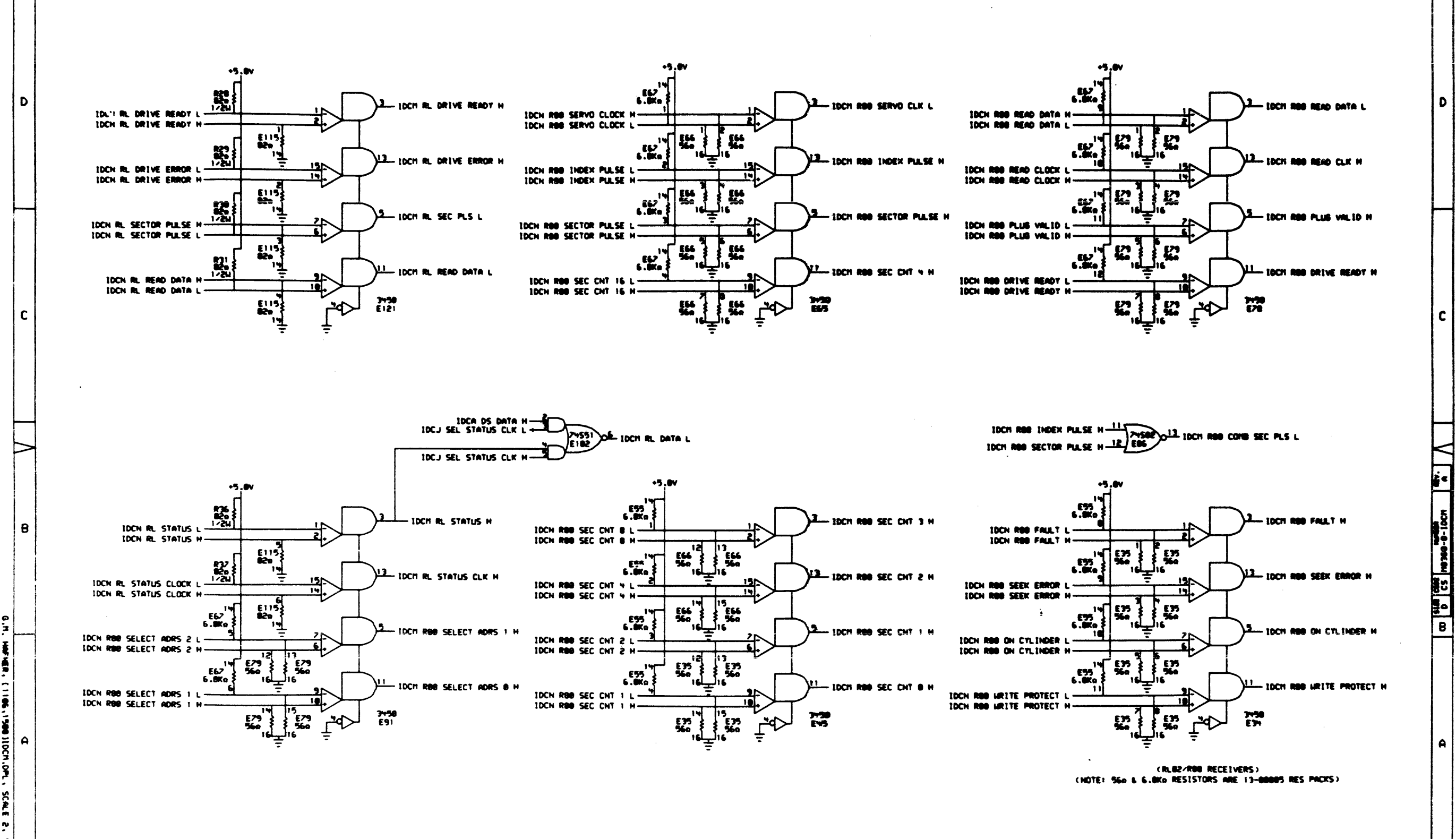
G.N. HANSEN, (1106,1500) IDCL, OP. SCALE 2, "D" RELEASE BOX  
G.N. HANSEN, (1106,1500) IDCL, PLO (1106,1500) 18-DEC-81 17:30

THIS DRAWING AND SPECIFICATIONS ARE THE PROPERTY OF DIGITAL EQUIPMENT CORPORATION AND SHALL NOT BE REPRODUCED OR COPIED IN ANY MANNER WITHOUT THE WRITTEN PERMISSION OF THE MANUFACTURER. COPYRIGHT © 1981, DIGITAL EQUIPMENT CORPORATION.

| REVISIONS |            |      |
|-----------|------------|------|
| CHK       | CHANGE NO. | REV. |
|           |            |      |

|                                    |             |                     |                 |  |
|------------------------------------|-------------|---------------------|-----------------|--|
| digital                            | DRN. 7/1/81 | DATE ENG. 18-DEC-81 | DATE            | TITLE: INTEGRATED DISK CONTROLLER (IDCL) |
|                                    | CHK'D.      | DATE                | BOARD LOCATION: |  |
| FIRST USED ON OPTION/MODEL: 11/730 |             |                     |                 | SIZE CODE D CS                           |
| NEXT HIGHER ASSEMBLY: B-DD-RB730-0 |             |                     |                 | NUMBER 18388-0-IDCL                      |
|                                    |             |                     |                 | REV. A                                   |

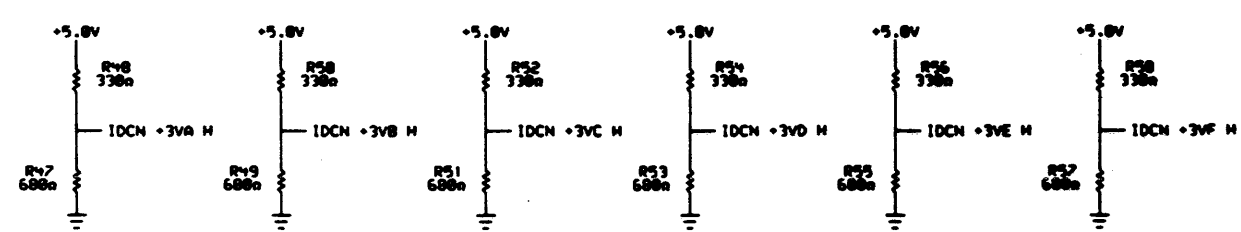
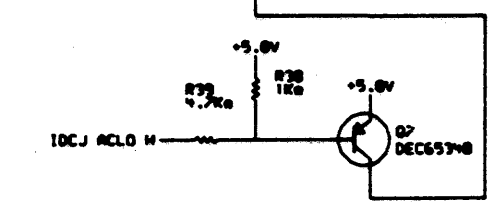
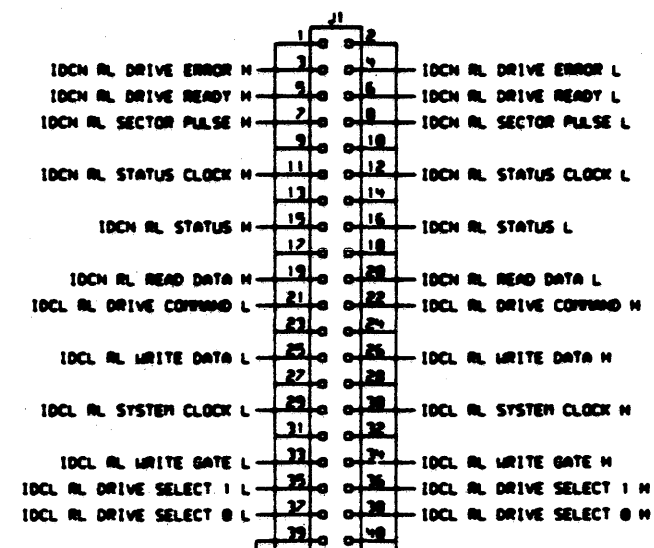
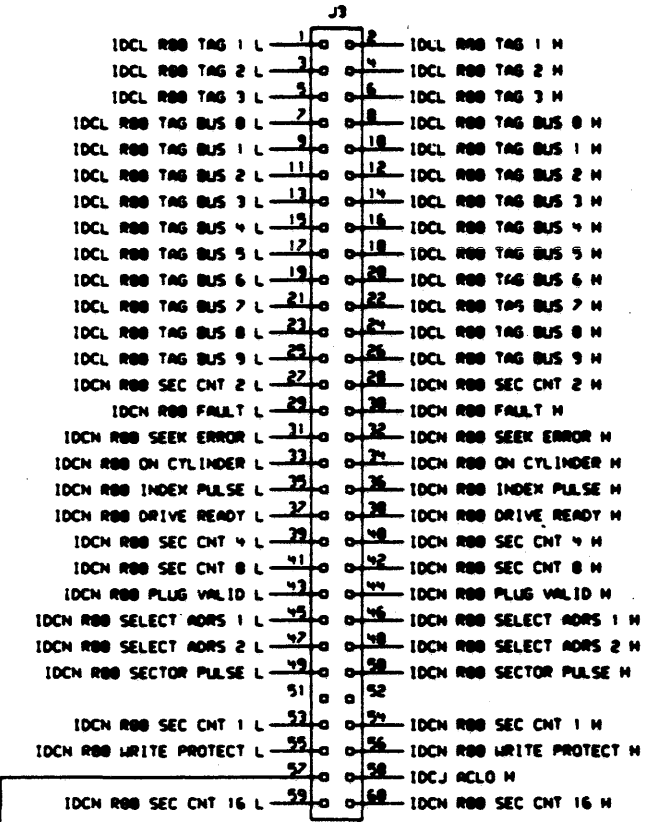
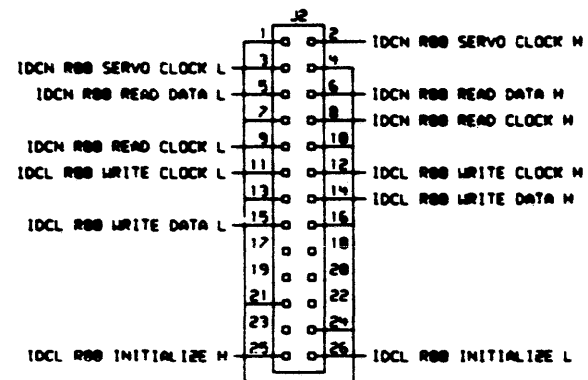




G.M. HARNER, (1106-1500) IDCM.DPH, SCALE 2, "D" RELEASE BOX  
 G.M. HARNER IDCM.PLOC(1106-1500) 18-DEC-81 17:30

|   |  |                                 |   |  |
|---|--|---------------------------------|---|--|
| THIS DRAWING AND SPECIFICATIONS ARE THE PROPERTY OF DIGITAL EQUIPMENT CORPORATION AND ARE TO BE USED IN WHOLE OR IN PART FOR THE DESIGN OR THE MANUFACTURE OF ANY ITEM WITHOUT THE WRITTEN PERMISSION OF DIGITAL EQUIPMENT CORPORATION. |  | REVISIONS<br>CHK CHANGE NO. REV | DATE ENG. 10-DEC-81<br>DATE 11-DEC-81<br>DATE 11-DEC-81 | TITLE: INTEGRATED DISK CONTROLLER (IDCM) |
| DIGITAL   |  | SIZE CODE D<br>CS               | NUMBER M8388-0-IDCM                                     | REV. A                                   |
| FIRST USED ON OPTION/MODEL: 11/7/80   |  | 18-DO-RB/30-0                   |   |  |

REV. 4  
 CS  
 D  
 IDCM



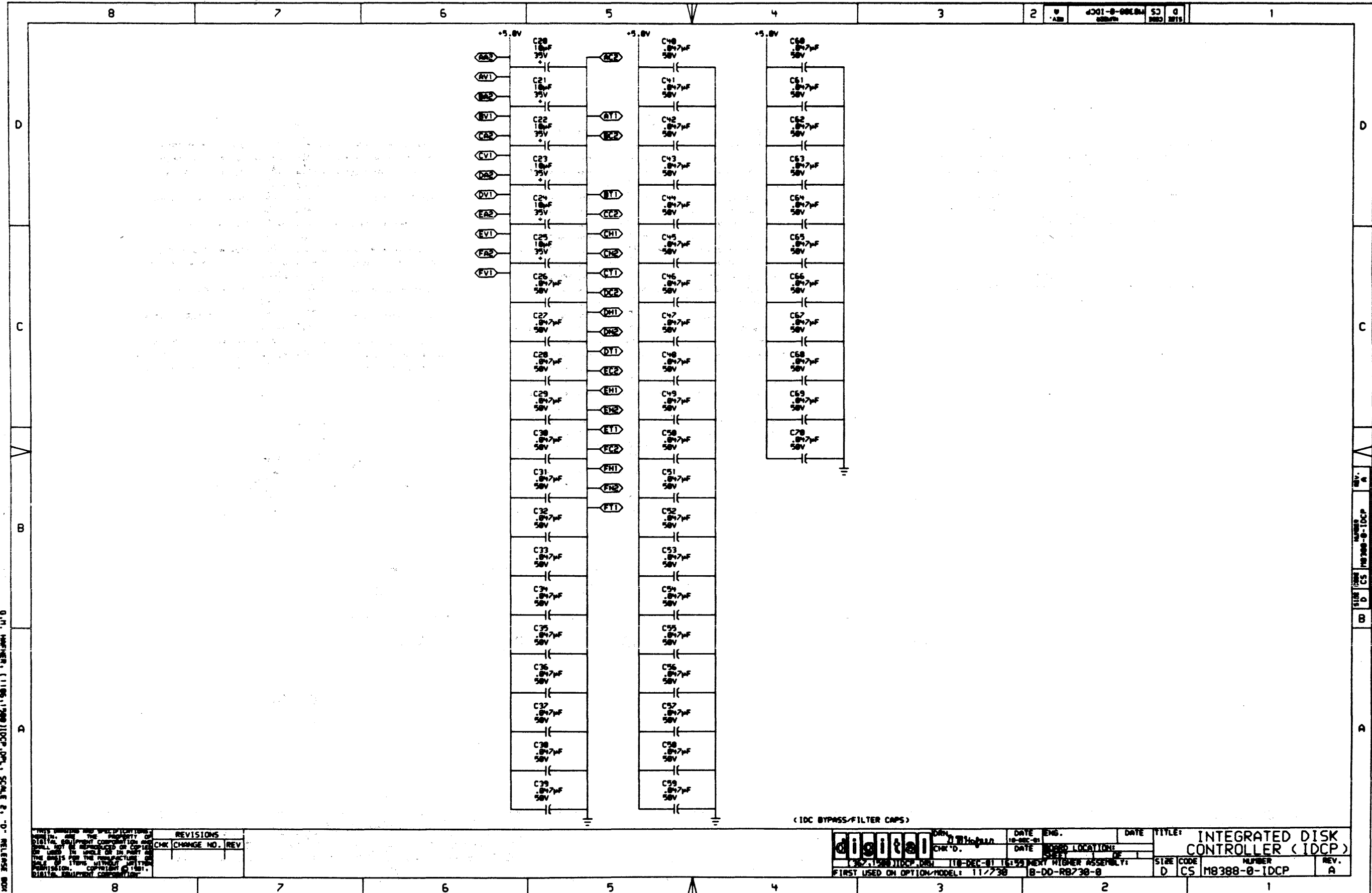
(DISK CABLE CONNECTORS:  
3V DIVIDER NETWORKS)

G.M. WARNER, (1106,1500)IDCN,DRN, SCALE 2, "D" RELEASE 80M  
G.M. WARNER IDCN,PLC(1106,1500) 18-DEC-81 17:38

THIS DRAWING AND SPECIFICATIONS  
HEREIN ARE THE PROPERTY OF  
DIGITAL EQUIPMENT CORPORATION AND  
SHALL NOT BE REPRODUCED OR COPIED  
OR USED IN WHOLE OR IN PART AS  
THE BASIS FOR THE MANUFACTURE  
OR SALE OF ITEMS WITHOUT WRITTEN  
PERMISSION. COPYRIGHT © 1981,  
DIGITAL EQUIPMENT CORPORATION

| REVISIONS |            |     |
|-----------|------------|-----|
| CHK       | CHANGE NO. | REV |
|           |            |     |

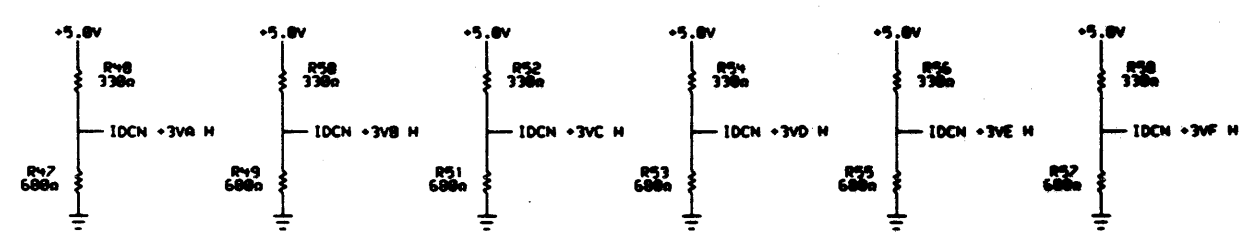
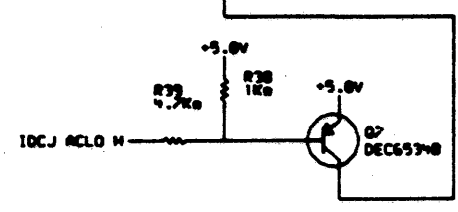
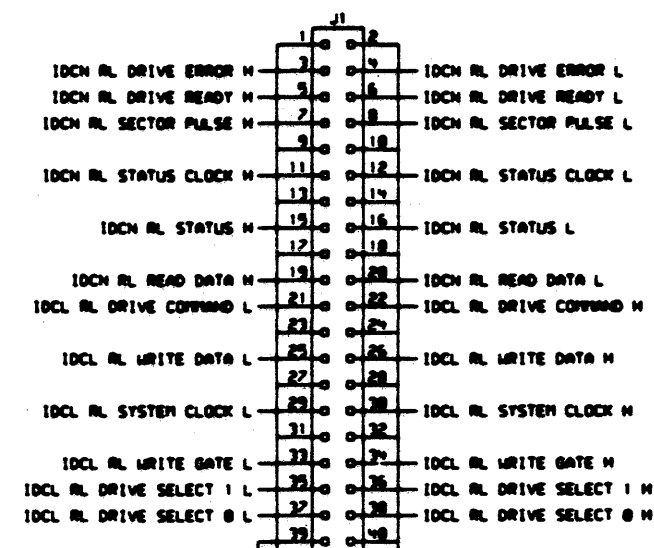
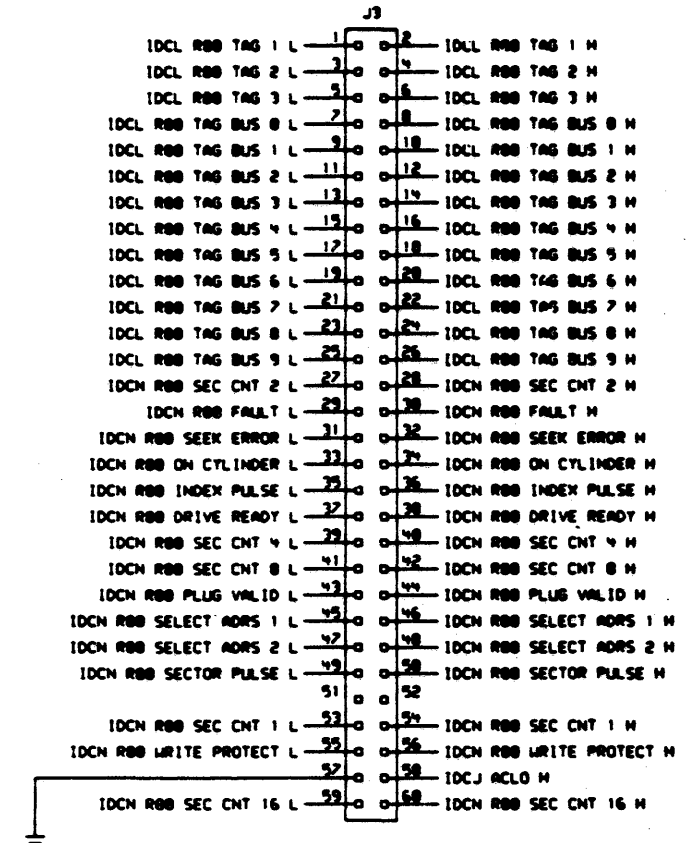
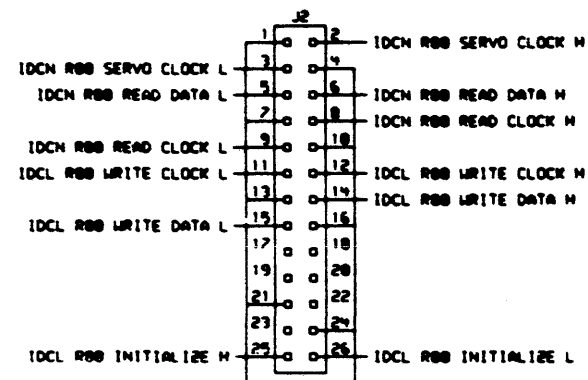
|   |              |                   |  |
|---|--------------|-------------------|--|
|   | DATE ENG.    | DATE              | TITLE: INTEGRATED DISK CONTROLLER (IDCN) |
|   | DATE         | WORK LOCATION:    |  |
| 110-DEC-81<br>110-DEC-81 16:59 NEXT HIGHER ASSEMBLY:<br>FIRST USED ON OPTION MODEL: 11/7738 | B-00-R0738-0 | SIZE CODE<br>D CS | NUMBER<br>M8388-0-IDCN                   |
|   |              |                   | REV. A                                   |



O.N. WARNER, (1186,1190)IDCP, P.L. (1186,1908) 18-DEC-81 17:39  
 O.N. WARNER, (1186,1190)IDCP, P.L. (1186,1908) 18-DEC-81 17:39

| REVISIONS |            |      |
|-----------|------------|------|
| CHK       | CHANGE NO. | REV. |
|           |            |      |

|                                    |           |                                    |           |                                   |
|------------------------------------|-----------|------------------------------------|-----------|-----------------------------------|
| <b>digital</b>                     | DATE      | ENG.                               | DATE      | TITLE:                            |
|                                    | 18-DEC-81 | W.H. HALL                          | 18-DEC-81 | INTEGRATED DISK CONTROLLER (IDCP) |
| FIRST USED ON OPTION MODEL: 11/730 |           | NEXT HIGHER ASSEMBLY: B-DD-RB730-8 |           | SIZE CODE                         |
|                                    |           |                                    |           | D CS                              |
|                                    |           |                                    |           | NUMBER                            |
|                                    |           |                                    |           | M8388-0-IDCP                      |
|                                    |           |                                    |           | REV.                              |
|                                    |           |                                    |           | A                                 |



(DISK CABLE CONNECTORS: 3V DIVIDER NETWORKS)

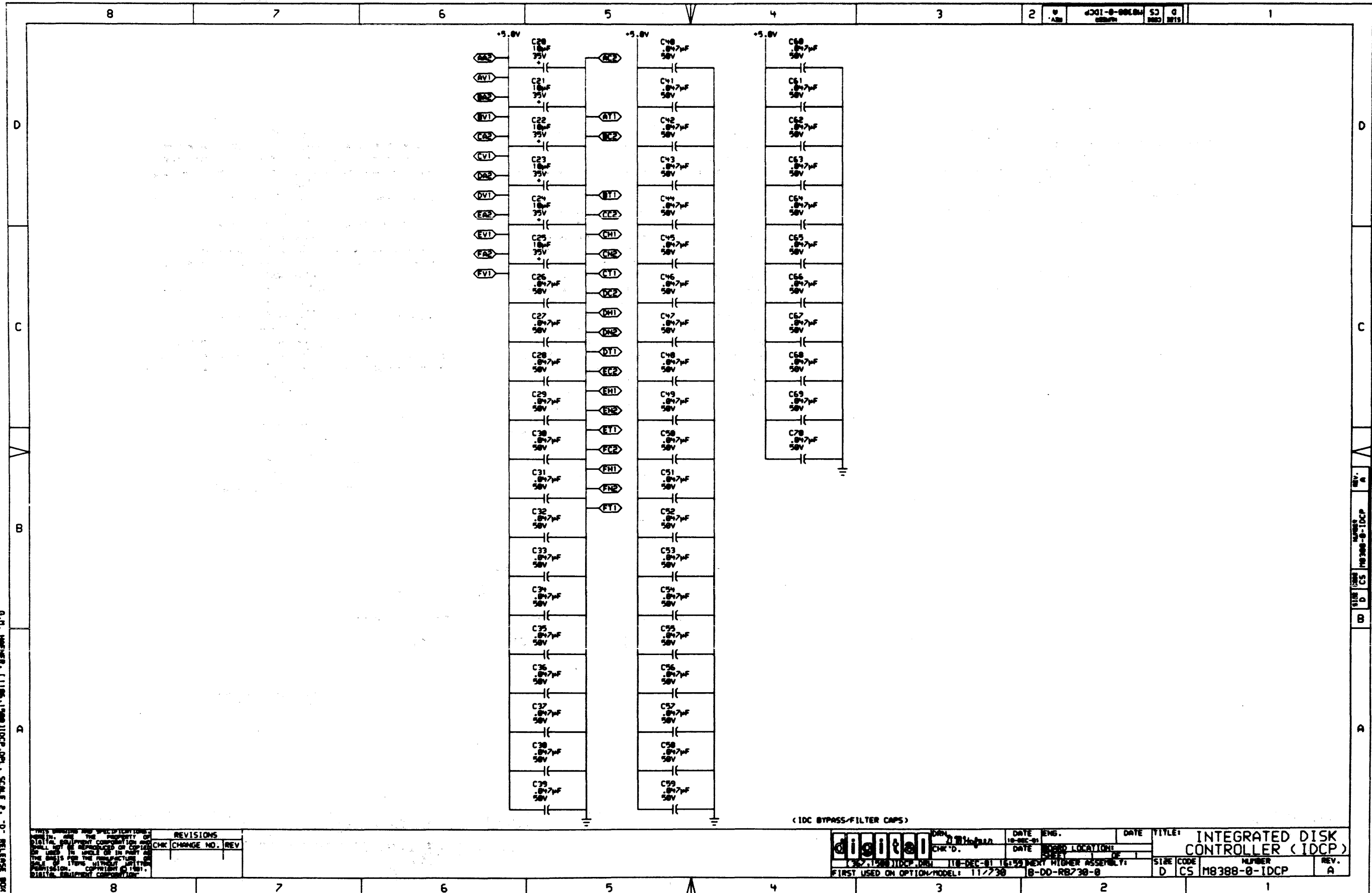
G.N. WARNER (1186,1980)IDCN,DR, SCALE 2, '0' RELEASE SON G.N. WARNER (1186,1980) IDCN,PLC(1186,1980) 18-DEC-81 17:38

|           |                |      |      |      |      |  |  |
|-----------|----------------|------|------|------|------|--|--|
| REVISIONS |                | DATE |      | DATE |      | TITLE: INTEGRATED DISK CONTROLLER (IDCN) |  |
| CHK       | CHANGE NO. REV | DATE | ENG. | DATE | LOC. | REV.                                     |  |
|           |                |      |      |      |      |  |  |

367-1186 IDCN,DR (18-DEC-81) 16:59 NEXT HIGHER ASSEMBLY: B-DO-RB738-0

FIRST USED ON OPTION MODEL: 11/7/78

|      |      |              |      |
|------|------|--------------|------|
| SIZE | CODE | NUMBER       | REV. |
| D    | CS   | M8388-0-IDCN | A    |



G.M. HARNER, [1186,1980]IDCP, P.L., SCALE 2, D, RELEASE BOX  
 G.M. HARNER [DCP, P.L. [1186,1980] 18-DEC-81 17:39

| REVISIONS |                |
|-----------|----------------|
| CHK       | CHANGE NO. REV |
|           |                |

|  |           |      |      |                                   |
|--|-----------|------|------|-----------------------------------|
|  | DATE      | ENG. | DATE | TITLE                             |
|  | 18-DEC-81 |      |      | INTEGRATED DISK CONTROLLER (IDCP) |
|  | DATE      |      |      |                                   |
|  |           |      |      |                                   |
|  |           |      |      |                                   |
|  |           |      |      |                                   |
|  |           |      |      |                                   |
|  |           |      |      |                                   |
|  |           |      |      |                                   |

8186 1288 NUMBER M8388-0-IDCP REV. A  
 CD D CS

