

"THE MATERIAL HEREIN IS FOR INFORMATION PURPOSES ONLY AND IS SUBJECT TO CHANGE WITHOUT NOTICE. DIGITAL EQUIPMENT CORPORATION ASSUMES NO RESPONSIBILITY FOR ANY ERRORS WHICH MAY APPEAR HEREIN." 1982

FIELD MAINTENANCE PRINT SET

"THIS DRAWING AND SPECIFICATIONS, HEREIN, ARE THE PROPERTY OF DIGITAL EQUIPMENT CORPORATION AND SHALL NOT BE REPRODUCED OR COPIED OR USED IN WHOLE OR IN PART AS THE BASIS FOR THE MANUFACTURE OR SALE OF ITEMS WITHOUT WRITTEN PERMISSION. COPYRIGHT © DIGITAL EQUIPMENT CORPORATION."

TABLE OF CONTENTS

B-DD-BA11-K	DRAWING DIRECTORY (COMPLETE).
E-UA-BA11-K-0	UNIT ASS'Y BA11-K
K-PL-BA11-K-DBP	PARTS LIST
B-DD-H765-0	DRAWING DIRECTORY (COMPLETE).
E-UA-H765-0	POWER SUPPLY H765
D-AD-7014420-0-0	AC INPUT BOX ASS'Y.
D-UA-5413089-0-0	AC CONTROL BOARD
B-DD-H744-0	+5V REGULATOR (COMPLETE)
D-CS-H744-0-1	+5V REGULATOR
E-UA-H744-0-0	+5V REGULATOR
B-DD-H745-0-1	DRAWING DIRECTORY
D-CS-H745-0-1	-15V REGULATOR
E-UA-H745-0-0	-15V REGULATOR
B-DD-H754-0	DRAWING DIRECTORY (COMPLETE)
E-CS-5410864-0-1	+20 VOLT REGULATOR
D-CS-5410864-0-1	POWER DISTRIBUTION BOARD
D-IA-7012500-0-0	POWER CORD 120V/240V
D-CS-5411086-0-1	POWER LINE MONITOR 15V REG.
D-AD-7011486-0-0	TRANSFORMER ASS'Y.
D-UA-BC11A-0-0	CABLE ASS'Y.
B-CS-M919-0-1	BUS CONNECTOR
B-CS-M929-0-1	BUS CONNECTOR
B-PL-BA11-K-1	SHIPPING LIST
B-PL-BA11-K-2	INSTALLATION KIT

UNIT VARIATIONS COVERED BY THIS PRINT SET
BA11-KE
BA11-KF
BA11-KH
BA11-KJ
BA11-KK
BA11-KL
BA11-KA
BA11-KS
BA11-KT
BA11-KW
BA11-KX

Field Maintenance Print Set

BA11-K

Digital Equipment Corporation

MP00311

REVISIONS	REV	CHG. NO.	DATE	USED ON OPTION/MODEL		DRN.	DATE	TITLE:					
				BA11-K		<i>A. R. Ruff</i>	<i>8/27/81</i>	TABLE OF CONTENTS BA11-K					
						CHK'D	DATE	SIZE	CODE	NUMBER	REV.		
						<i>J. M. C. Brown</i>	<i>16/11/82</i>	B	TC	BA11-K-3	A		
						PROJ. ENG.	DATE	DIST.					
						FIELD SERV.	DATE						
				SHEET 1 OF 1									

REV. A
NUMBER BA11-K-3
SIZE CODE **B TC**

digital


"THE MATERIAL HEREIN IS FOR INFORMATION PURPOSES ONLY AND IS SUBJECT TO CHANGE WITHOUT NOTICE. DIGITAL EQUIPMENT CORPORATION ASSUMES NO RESPONSIBILITY FOR ANY ERRORS WHICH MAY APPEAR HEREIN."

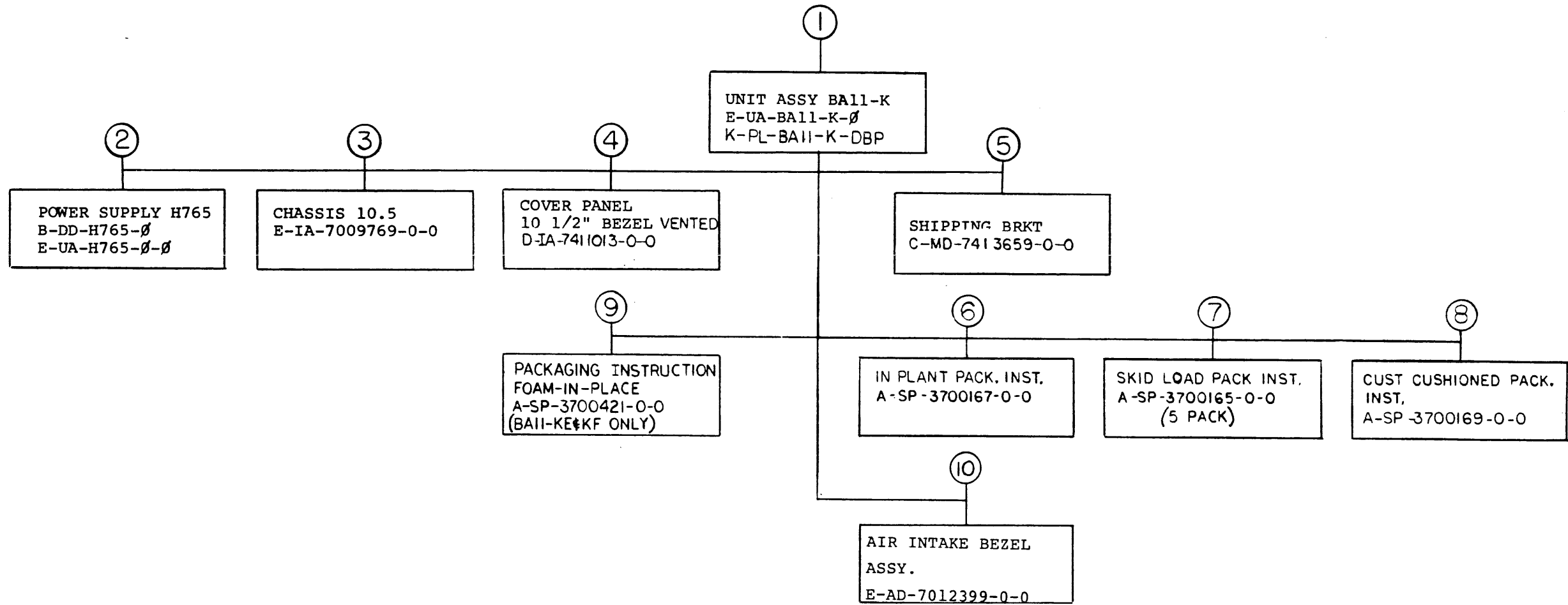
DRAWING DIRECTORY

"THIS DRAWING AND SPECIFICATIONS, HEREIN, ARE THE PROPERTY OF DIGITAL EQUIPMENT CORPORATION AND SHALL NOT BE REPRODUCED OR COPIED OR USED IN WHOLE OR IN PART AS THE BASIS FOR THE MANUFACTURE OR SALE OF ITEMS WITHOUT WRITTEN PERMISSION. COPYRIGHT © DIGITAL EQUIPMENT CORPORATION.

DRAWING DIRECTORY BA11-K	B-DD-BA11-K	MFG. PRINT SET
UNIT ASS'Y BA11-K	E-UA-BA11-K-0	IN PLANT PACK. INST. A-SP-3700167-0-0
		SKID LOAD PACK. INST. A-SP-3700165-0-0
DRAWING DIRECTORY H765	B-DD-H765-0	CUST. CUSHIONED PACK. A-SP-3700169-0-0
UNIT ASS'Y BC11A	D-UA-BC11A-10-0	
BC11A UNIBUS CABLE, M919	B-CS-M919-0-1	
BC11A UNIBUS CABLE, M929	B-CS-M929-0-1	
UNIT ASS'Y BA11-K-PL	K-PL-BA11-K-DBP	

UNIT VARIATIONS	
VAR	TITLE
BA11-KE	120 VAC 50/60 HZ
BA11-KF	240 VAC 50/60 HZ
BA11-KH	120 VAC 50/60 HZ (MANUF. ONLY)
BA11-KJ	240 VAC 50/60 HZ (MANUF. ONLY)
BA11-KK	120 VAC 50/60 HZ(NO H754)(MANUF. ONLY)
BA11-KL	240 VAC 50/60 HZ(NO H754)(MANUF. ONLY)
BA11-KA	NO POWER SUPPLY (MANYF. ONLY)
BA11-KS	120 VAC 50/60 HZ
BA11-KT	240 VAC 50/60 HZ
BA11-KW	120 VAC 50/60 HZ
BA11-KX	240 VAC 50/60 HZ

REVISIONS	REV.	REVISED AND REDRAWN 16 APRIL 82	USED ON OPTION/MODEL	DRN.	DATE	 DRAWING DIRECTORY BA11-K				
	CHANGE NO.		11/05-S	J. FERGUSEN	6/22/74					
	CHK		11/35-S	D. HEALY	7/22/74					
							SIZE	CODE	NUMBER	REV
							B	DD	BA11-K	S



TITLE	SIZE	CODE	NUMBER	REV
DRAWING DIRECTORY BALL-K	B	DD	BALL-K	S
SHEET 2 OF 4				

TW

FIND NO.	DRAWING NO.	DESCRIPTION	TYPE	FIND NO.	DRAWING NO.	DESCRIPTION	TYPE			
1	F-UA-BA11-K-0	UNIT ASS'Y BA11-K								
	A-SP-BA11-K-6	BA11-K BASIC CHECKOUT AND ACCEPTANCE PROCEDURE								
	A-SP-BA11-K-7	BA11-K BASIC ASSEMBLY PROCEDURE								
	K-PL-BA11-K-DBP	UNIT ASSEMBLY BA11-K-PL								
	B-PL-BA11-K-1	SHIPPING LIST BA11-K								
	B-PL-BA11-K-2	INSTALLATION KIT BA11-K								
2	B-DD-H765-0	POWER SUPPLY H765								
TYPE: E ELECTRICAL M MECHANICAL E/M ELECTRO/MECHANICAL			digital		TITLE DRAWING DIRECTORY BA11-K		SHEET 3 OF 4	SIZE CODE B DD	NUMBER BA11-K	REV S

DRB 108A

FIND NO.	DRAWING NO.	DESCRIPTION	TYPE	FIND NO.	DRAWING NO.	DESCRIPTION	TYPE									
1	E-UA-Ball-K-Ø	UNIT ASSY Ball-K	E/M	6	A-SP-3700167-0-0	IN PLANT PACK. INST.	M									
	K-PL-Ball-K-DBP	UNIT ASSY Ball-K PL	E/M													
	D-IA-7009768-0-0	COVER, CHASSIS	M													
	D-PS-1211825-0-0	SLIDE, 3 POS TILT	M													
	D-MD-7412184	CABLE, TROUGH CHASSIS	E/M													
	D-UA-BC11A-1Ø-Ø	UNIBUS, CABLE, 10 FT	E/M													
	B-CS-M919-Ø-1	BUS CONNECTOR M919	E													
	B-CS-M929-Ø-1	BUS CONNECTOR M929	E													
	D-PS-1212405-ØØ	CARD GUIDE	M													
	A-DC-5309414-Ø	DECAL UL	M													
	A-PS-3613281-Ø-Ø	DECAL	M													
	B-PL-Ball-K-1	SHIPPING LIST Ball-K	E/M													
	B-PL-Ball-K-2	INSTALLATION KIT Ball-K	E/M													
	A-PS-3617880-01	DECAL FCC NON-COMPLIANCE	E/M													
2	B-DD-H765-Ø	DWG DIRECTORY H765	E/M	7	A-SP-3700165-0-0	SKID LOAD PACK. INST. (5 PACK)	M									
	E-UA-H765-Ø-Ø	POWER SUPPLY H765	M													
3	E-IA-7009769-Ø-Ø	CHASSIS, 10.5	M					8	A-SP-3700169-0-0	CUST. CUSHIONED PACK. INST.	M					
	E-IA-7411703-Ø-Ø	CHASSIS, FRONT	M													
	E-IA-7411707-Ø-Ø	CHASSIS, SIDE	M													
	D-MD-7411706-Ø-Ø	BRACKET, HAT	M													
	D-MD-7411705-Ø-Ø	BRACKET, CARD GUIDE	M													
	C-MD-7412185-Ø-Ø	PLATE CABLE	M													
4	D-IA-7411013-Ø-Ø	COVER PANEL 10 1/2 BEZEL	M									9	A-SP-3700421-0-0	PACKAGING INSTRUCTIONS (FOAM-IN-PLACE) (Ball-KE & KF VARIATIONS ONLY)	M	
	5	C-MD-7413659-Ø-Ø	SHIPPING BRKT													M
		10	E-AD-7012399-0-0													AIR INTAKE BEZEL ASSY
			E-MD-7414506-0-0													BEZEL, RX01 (ONE CAST)
D-MD-7415744-0-0	BRKT, BEZEL MTG															
D-IA-7415743-0-0	PANEL, AIR INTAKE															

TYPE: E ELECTRICAL
M MECHANICAL
E/M ELECTRO/MECHANICAL



TITLE

DRAWING DIRECTORY Ball-K

SHEET 4 OF 4

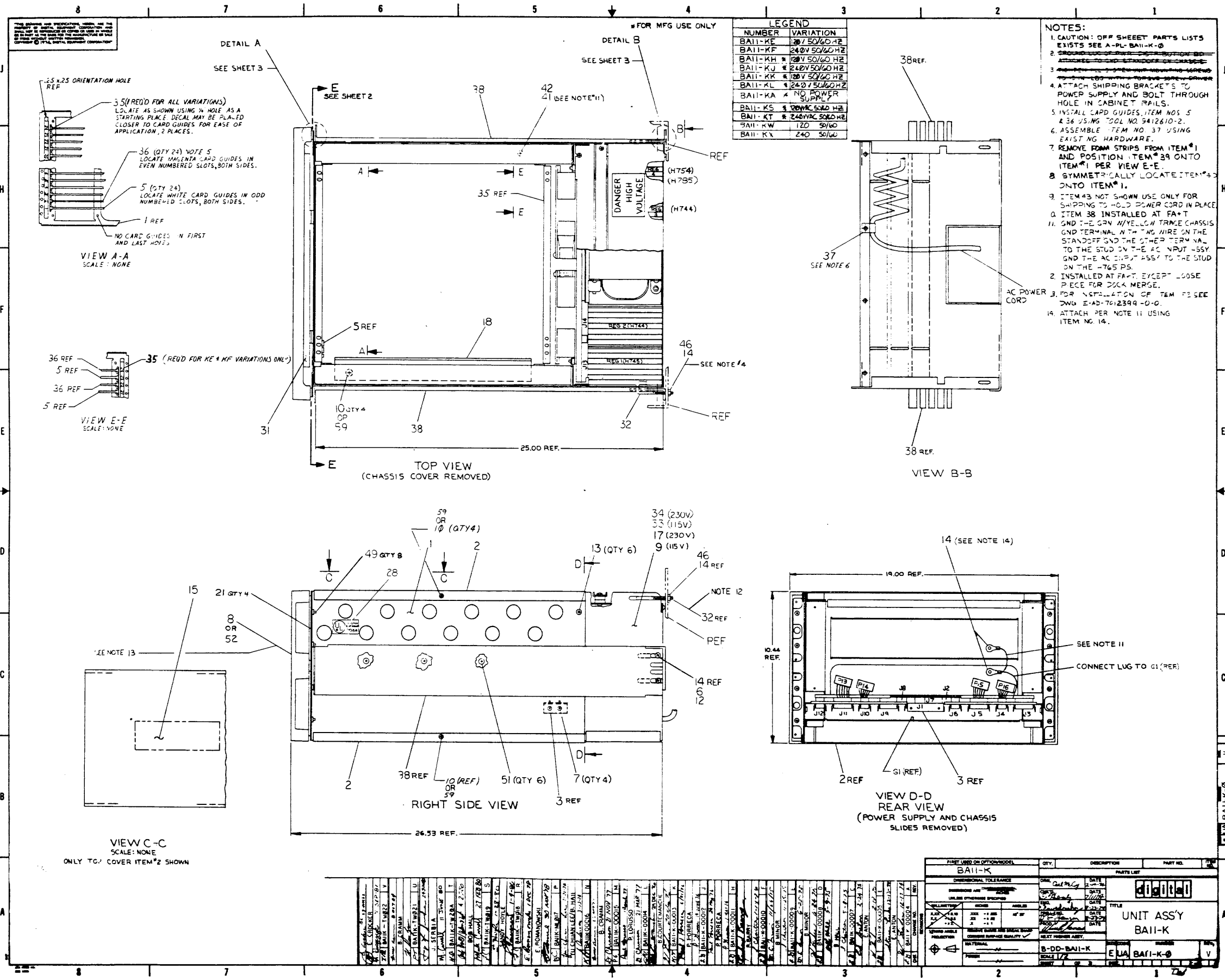
SIZE CODE
B DD

NUMBER
Ball-K

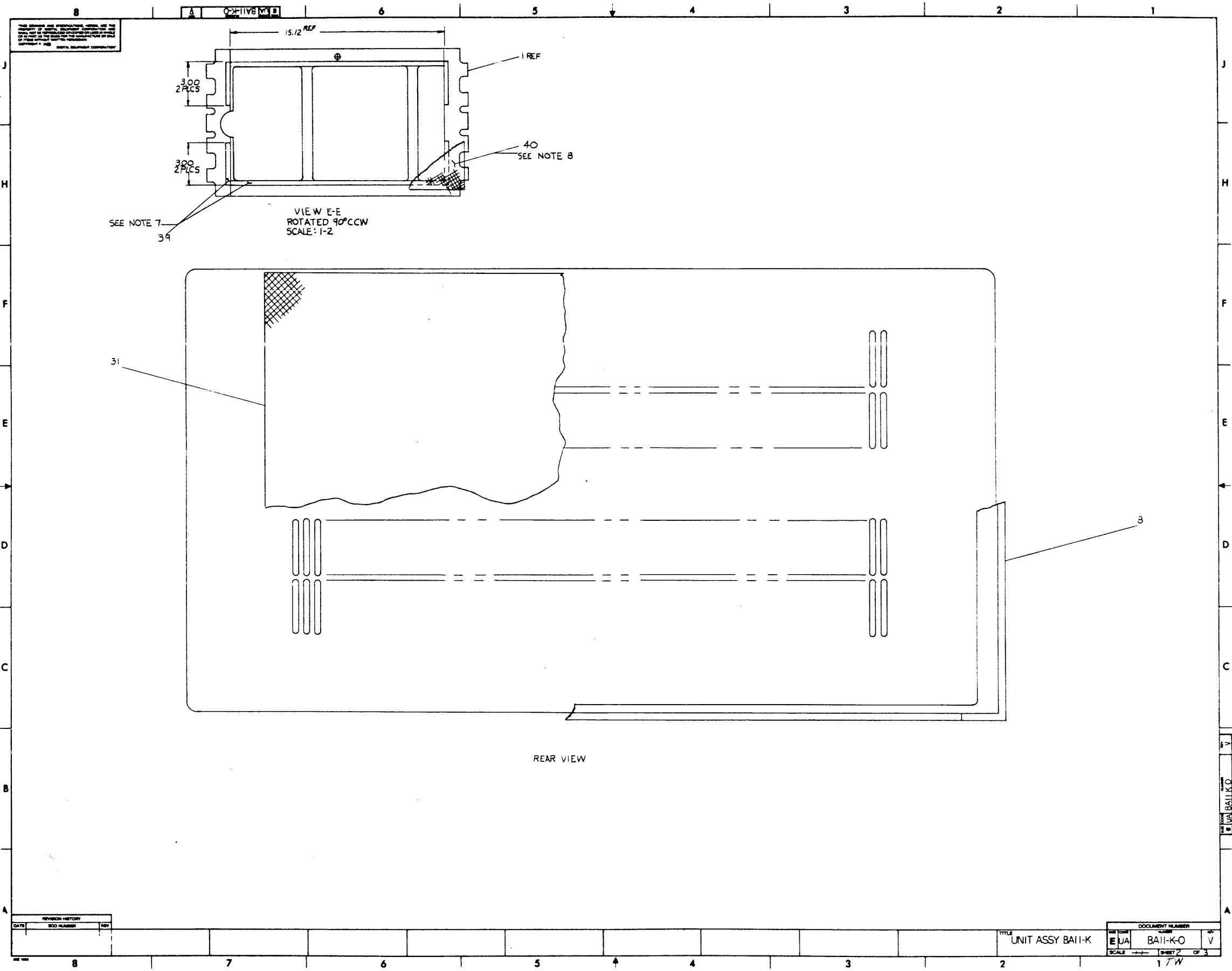
REV
S

DRB 108A

TW



QTY.	DESCRIPTION	PART NO.	REV.
1	UNIT ASSY	B111-K	1
1	UNIT ASSY	B111-K-0	1

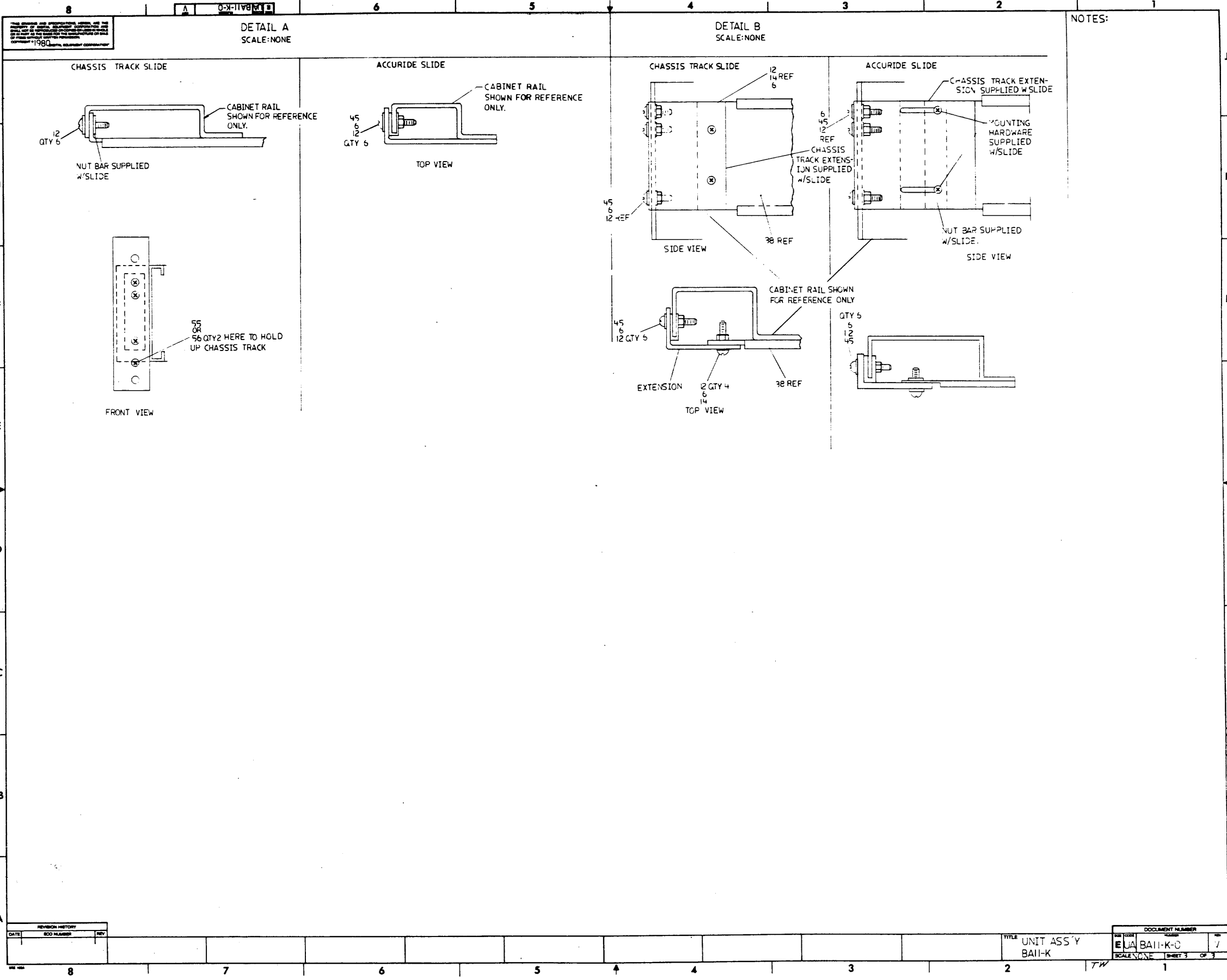


REVISION HISTORY		
DATE	ECO NUMBER	REV

TITLE UNIT ASSY BAI-K

DOCUMENT NUMBER	
REV	NO
E JA	BAII-K-O

SCALE 1/1 W



NOTES:

REVISION HISTORY		
DATE	BY	REV

TITLE	UNIT ASS'Y BAII-K
DOCUMENT NUMBER	EUA BAII-K-0
SCALE	NONE
SHEET	3 OF 3

DIGITAL EQUIPMENT CORPORATION MAYNARD, MASSACHUSETTS PARTS LIST				QUANTITY/VARIATION												
MADE BY BILL BLODGET		CHECKED D. HEALY		SECTION		BALL-KE	BALL-KF	BALL-KH	BALL-KJ	BALL-KK	BALL-KL	BALL-KA	BALL-KS	BALL-KT	BALL-KW	BALL-KX
DATE 6/26/74		DATE 6/27/74		1												
ENG P. E. JANSON		PROD <i>about Jan 1974</i>		ISSUED SECT.												
DATE 8-23-74		DATE 8/23/74		1												
ITEM NO.	DWG NO. / PART NO.	DESCRIPTION				BALL-KE	BALL-KF	BALL-KH	BALL-KJ	BALL-KK	BALL-KL	BALL-KA	BALL-KS	BALL-KT	BALL-KW	BALL-KX
1	E-IA-7009769-0-0	CHASSIS 10.5				1	1	1	1	1	1	1	1	1	1	1
2	D-IA-7009768-0-0	COVER, CHASSIS				2	2	-	-	-	-	2	2	2	2	2
3	D-C8-5410864-0-1	POWER DISTRIBUTION BOARD				REF	REF	REF	REF	REF	REF	-	REF	REF	REF	REF
4	D-PS-1211825-0-0	SLIDE, 3 POS. TILT				1	1	1	1	1	1	1	1	1	1	1
5	D-PS-1212405-0	CARD GUIDE, SINGLE				24	24	24	24	24	24	24	24	24	24	24
6	9006071-3	SCREW, PHL TRUSS HD #10-32 X .38 *				16	16	-	-	-	-	16	16	10	10	
7	9006020-2	SCREW, PHL FLAT HD #6-32 X .25				4	4	4	4	4	4	4	4	4	4	4
8	D-IA-7411013-0-0	COVER, PANEL 10 1/2 BEZEL (SNAP-ON/VENTED)				1	1	-	-	-	-	-	-	-	1	1
9	B-DD-H765-A	POWER SUPPLY H765-A 120V 50/60 HZ				1	-	1	-	-	-	1	-	1	-	
10	9006020-3	SCREW, PHL, TRUSS HD #6-32 X .25				4	4	8	8	8	8	4	4	4	9	0
11	9006035	WASHER INTERNAL TOOTH LOCK #6				4	4	4	4	4	4	4	4	4	4	4
12	9007651	WASHER EXTERNAL TOOTH #10 *				12	12	-	-	-	-	12	12	12	12	
13	9009599	SCREW, PHL FLAT HD (SPECIAL)				6	6	6	6	6	6	6	6	6	6	6
14	9006565	NUT, KEPS. #10-32				8	8	-	-	-	-	8	8	8	8	
15	DEC-3-(374)-1825-N1174	STICKER, "CONFIGURATION"				1	1	-	-	-	-	1	1	1	1	
16	D-IA-7010059-0-0	SHIPPING BRKT, ASSY				1	1	-	-	-	-	1	1	1	1	1
17	B-DD-H765-B	POWER SUPPLY H765-B, 240V 50/60 HZ				-	1	-	1	-	-	-	1	-	1	
18	D-MD-7412184-0-0	CABLE TROUGH CHASSIS				-	-	1	1	1	1	-	-	-	-	-
19	9006020-1	SCR, PHL, HD SELF TAP #6-32 X .25				1	1	1	1	1	1	1	1	1	1	1
20	D-DC-5309413-0	UNIBUS CABLE, 10 FT				1	1	-	-	-	-	1	1	1	1	1
21	1209224	LATCH MOLDING				4	4	-	-	-	-	-	-	-	-	-
22	9006020-1	SCR PHL HD TLT #10-32 X .25				1	1	-	-	-	-	-	-	-	-	-
TITLE UNIT ASSY BALL-K				ASSY NO. E-UA-BALL-K-0	SIZE CODE A PL	NUMBER BALL-K-0				REV. U	ECO NO. BALL-K-0					
SHEET 1 OF 3				DIST.												

DEC FORM DEC 16-(325)-1031-N870
DRA 110

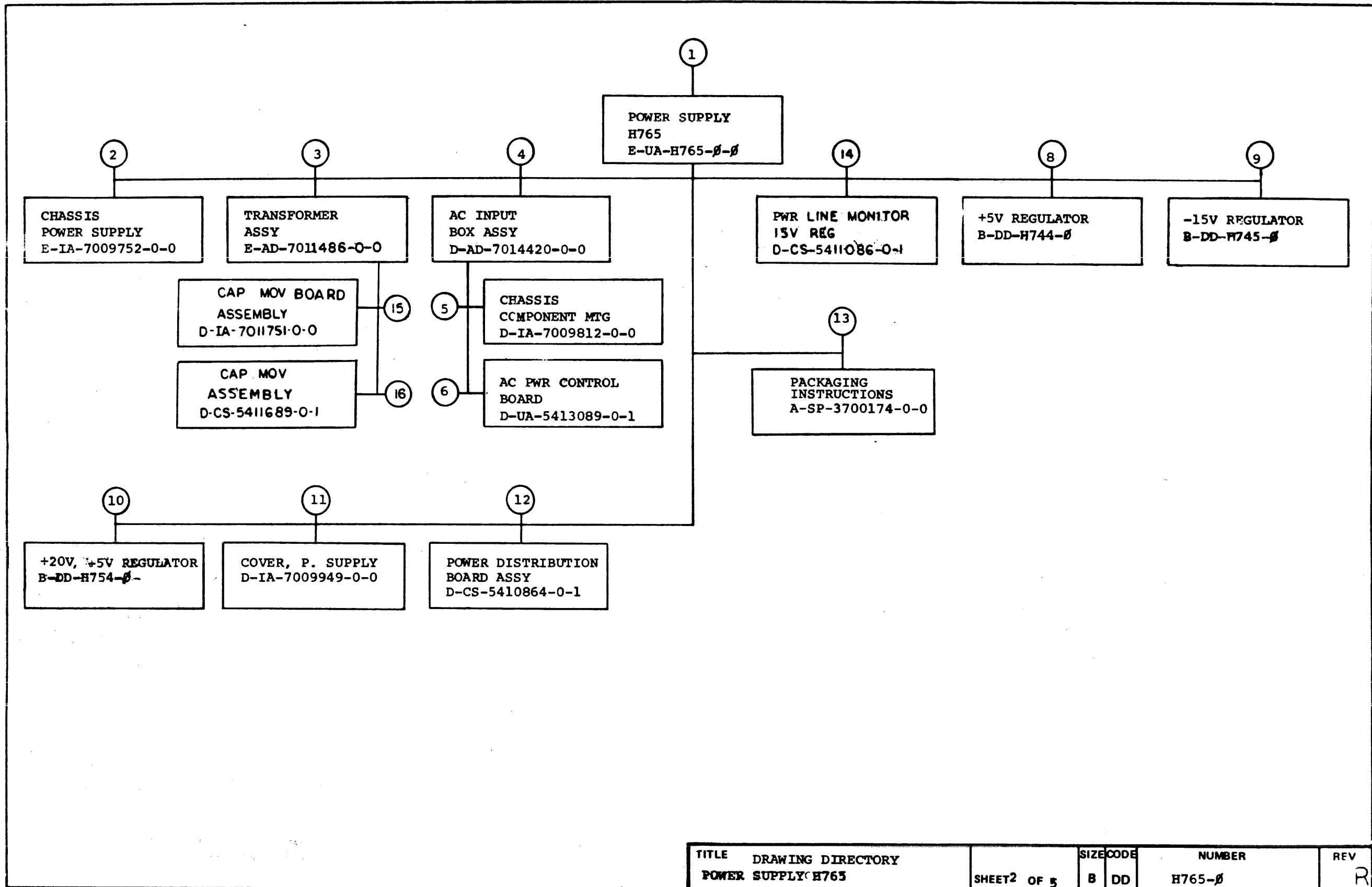
TW

DIGITAL EQUIPMENT CORPORATION MAYNARD, MASSACHUSETTS PARTS LIST				QUANTITY/VARIATION												
MADE BY BILL BLODGET		CHECKED D. HEALY		SECTION		BALL-KE	BALL-KF	BALL-KH	BALL-KJ	BALL-KK	BALL-KL	BALL-KA	BALL-KS	BALL-KT	BALL-KW	BALL-KX
DATE 6/26/74		DATE 6/27/74		1												
ENG P. E. JANSON		PROD W. LUCAS		ISSUED SECT.												
DATE 8-23-74		DATE 8-23-74		1												
ITEM NO.	DWG NO. / PART NO.	DESCRIPTION				BALL-KE	BALL-KF	BALL-KH	BALL-KJ	BALL-KK	BALL-KL	BALL-KA	BALL-KS	BALL-KT	BALL-KW	BALL-KX
23	A-SP-3700167-0-0	IN PLANT PACK. INST.				-	-	-	REF	REF	REF	REF	REF	REF	REF	REF
24	A-SP-3700165-0-0	SKID LOAD PACK INST. (5 PACK)				-	-	REF	REF	REF	REF	REF	REF	REF	REF	REF
25	A-SP-3700169-0-0	CUST. CUSHIONED PACK. INST. (SINGLE)				-	-	REF	REF	REF	REF	REF	REF	REF	REF	REF
26	A-SP-BALL-K-6	BALL-K BASIC CHECKOUT AND ACCEPTANCE PROCEDURE				REF	REF	REF	REF	REF	REF	REF	REF	REF	REF	REF
27	A-SP-BALL-K-7	BALL-K BASIC ASSEMBLY PROCEDURE				REF	REF	REF	REF	REF	REF	REF	REF	REF	REF	REF
28	A-DC-5309414-0	DECAL, UL				1	1	-	-	-	-	1	1	1	1	
29	A-DC-5309413-0	DECAL, NFPA				1	1	-	-	-	-	1	1	1	1	1
31	1211255-0-0	PRE FILTER				1	1	-	-	-	-	-	-	-	1	1
32	C-MD-7413658-0-0	SHIPPING BRACKET (INSTALLED AT FA+T)				2	2	-	-	-	-	2	2	2	2	
33	B-DD-H765-C	POWER SUPPLY H765-C 120VAC 50/60HZ NO H754				-	-	-	-	1	-	-	-	-	-	-
34	B-DD-H765-D	POWER SUPPLY H765-D 240VAC 50/60HZ NO H754				-	-	-	-	-	1	-	-	-	-	-
35	A-PS-3613281-00	DECAL, ADHESIVE BACKED, BALL-K				2	2	1	1	1	1	1	2	2	2	2
36	D-PS-1212405-1	CARD GUIDE, SINGLE				24	24	24	24	24	24	24	24	24	24	24
37	9007086-00	CLAMP, CABLE				1	1	1	1	1	1	-	1	1	1	1
38	D-PS-1211825-01	SLIDE, 3 POS. TILT **				1PR	1PR	-	-	-	-	-	1	pr	1pr	-
39	A-PS-1212431-00	TAPE, HOOK, MOLDED				-	-	-	-	-	-	-	A/PA/R	-	-	-
40	A-PS-1212392-01	FILTER, FOAM				-	-	-	-	-	-	-	1	1	-	-
41	9006635	WASHER, INTERNAL TOOTH LOCK #10				1	1	1	1	1	1	1	1	1	1	1
42	9006231-09	SCREW, HEX HEAD #10-32 X .5				1	1	1	1	1	1	1	1	1	1	1
43	9007032	TIE, CABLE CLAMP SST2-M				2	2	2	2	2	2	2	2	2	2	2
TITLE UNIT ASSY BALL-K				ASSY NO. E-UA-BALL-K-0	SIZE CODE A PL	NUMBER BALL-K-0				REV. U	ECO NO.					
SHEET 2 OF 3				DIST.												

DEC FORM DEC 16-(325)-1031-N870
DRA 110

TW

DIGITAL EQUIPMENT CORPORATION MAYNARD, MASSACHUSETTS PARTS LIST					QUANTITY VARIATION											
MADE BY		CHECKED		SECTION	BALL-KE	BALL-KF	BALL-KH	BALL-KJ	BALL-KK	BALL-KL	BALL-KA	BALL-KS	BALL-KT	BALL-KW	BALL-KX	
DATE		DATE		1												
ENG		PROD		ISSUED SECT.												
DATE		DATE		1												
ITEM NO.	DWG NO./PART NO.	DESCRIPTION														
44	90-06636	Washer, internal tooth #10*			18	18							18	18	18	18
45	90-07786-00	Nut, Tinnerman			12	12	-	-	-	-	-	-	12	12	12	12
46	90-06664-00	Washer, flat #10*			14	14	-	-	-	-	-	-	14	14	14	14
47	90-06073-03	Screw, Phil Truss hd #10-32.5*			8	8	-	-	-	-	-	-	8	8	8	8
48	A-SP-3700421-0-0	Packaging Instructions (foam in place)			Ref	Ref	-	-	-	-	-	-	-	-	-	-
49	90-06070-02	Ph. Flat hd screw, #10-32 X 5/16			8	8	-	-	-	-	-	-	-	-	-	-
50	A-PS-3613209-00	Serial Number Label			A/R	A/R	A/R	A/R	A/R	A/R	A/R	A/R	A/R	A/R	A/R	A/R
51	9009700	Sems screw, #10-32X.5			6	6	-	-	-	-	-	-	6	6	6	6
52	E-AD-701299-0-0	Air Intake Bezel Assy			-	-	-	-	-	-	-	-	-	-	1	1
53	9006039-01 ***	SCREW, PAN PHILLIPS 8-32 X.5			2	2	-	-	-	-	-	-	2	2	2	2
* Item 51 is an allowable substitute for the combination of these parts when used on item 38																
** 1211825-02 IS AN ALLOWABLE SUBSTITUTE																
*** REQUIRED ONLY IF 1211825-02 IS USED																
TITLE					ASSY NO.		SIZE	CODE	NUMBER				REV	ECO NO.		
Unit Assy Ball-K					E-UA-Ball-K-Ø		A	PL	Ball-K-0				U			
					SHEET 3 OF 3		DIST									



TITLE	DRAWING DIRECTORY	SIZE CODE	NUMBER	REV
POWER SUPPLY H765	SHEET 2 OF 5	B DD	H765-Ø	R

CUSTOMER PRINT SET		ELECTRICAL					CUSTOMER PRINT SET		ELECTRICAL											
1		MFG. SET	FIND NO.	DRAWING NO.	REV	NO OF SHT	DESCRIPTION	OPTION NO./FILE DATE	1		MFG. SET	FIND NO.	DRAWING NO.	REV	NO OF SHT	DESCRIPTION	OPTION NO./FILE DATE			
X			1	E-UA-H765- 0 A-SP-H765-0-9	T	2	POWER SUPPLY H765 H765 POWER SUPPLY ASSEMBLY PROCEDURE		X			12	D-CS-5410864-0-1 D-IA-5010863-0-0 A-SP-5410864-0-8 A-SP-5410864-0-9	# #	3 1	POWER DIST. BD. ASSY ETCHED CIRCUIT BOARD TEST PROCEDURE ASSEMBLY PROCEDURE				
X			3	E-AD-7011486-0-0 A-SP-7010014-0-8 A-CS-7010014-TA-1 A-UA-7010014-TA-0 A-PL-7010014-TA-0 A-SP-7011486-0-9	# A A A		TRANSFORMER ASSY TEST PROCEDURE TESTER C.S. TESTER U.A. TESTER P.L. TRANSFORMER ASSY PROCEDURE		X			14	D-CS-5411086-0-1 A-SP-11/45-TA-2 A-SP-5411086-0-3 D-IA-7010138-0-0	#	4	PWR LINE MONITOR/15V REG TEST PROCEDURE ENGINEERING SPECIFICATION HARNESS INTERCONNECTION				
X			4	D-AD-7014420-0-0 A-SP-7009811-0-8 A-CS-7009811-TA-1 A-UA-7009811-TA-0 A-PL-7009811-TA-0 A-SP-7009811-0-9	#	2	AC INPUT BOX ASSY TEST PROCEDURE TESTER C.S. TESTER U. A. TESTER P.L. AC INPUT BOX ASSY PROCEDURE					15	D-IA-7011751-0-0			CAP MOV BOARD ASSY				
X			6	D-UA-5413089-0-0			PILOT CONTROL BOARD					16	D-CS-5411689-0-1			CAP MOV ASSY				
C			8	B-DD-H744-0	#	2	DRAWING DIRECTORY H744													
C			9	B-DD-H745-0	#	2	DRAWING DIRECTORY H745													
C			10	B-DD-H754-0	#	3	DRAWING DIRECTORY H754													
CUSTOMER PRINT SET CODES		X = PRINT OF DOCUMENT INCLUDED IN PRINT SET C = INCLUDES ALL PRINTS INDICATED ON DOCUMENT S = CONFIDENTIAL AUTHORIZED SIGNATURE REQUIRED							TITLE		DRAWING DIRECTORY POWER SUPPLY H765		SHEET 3 OF 5		SIZE CODE B DD		NUMBER H765- 0		REV R	

CUSTOMER PRINT SET		MECHANICAL					CUSTOMER PRINT SET		MECHANICAL							
1	MFG. SET	FIND NO.	DRAWING NO.	REV	NO OF SHT	DESCRIPTION	OPTION NO./FILE DATE	1	MFG. SET	FIND NO.	DRAWING NO.	REV	NO OF SHT	DESCRIPTION	OPTION NO./FILE DATE	
		1	E-UA-H765- ϕ - ϕ	A	1	POWER SUPPLY H765				6	D-UA-5413089-0-0			PILOT CONTROL BOARD		
			D-IA-7009950-0-0		1	THROUGH WIRE										
		2	E-IA-7009752-0-0		1	CHASSIS, POWER SUPPLY										
			E-IA-7411682-0-0		1	CHASSIS, POWER SUPPLY										
			D-MD-7411685-0-0		1	SIDE, POWER SUPPLY										
			D-MD-7411684-0-0		1	HOUSING COMP. CHASSIS										
		3	E-AD-7011486-0-0		2	TRANSFORMER ASSY				8	B-DD-H744- ϕ		2	DRAWING DIRECTORY H744		
			C-MD-7414301-0-0		1	COVER										
		4	D-AD-7014420-0-0		2	AC INPUT BOX ASSY				9	B-DD-H745- ϕ		2	DRAWING DIRECTORY H745		
			A-DC-7412303-0-1		1	DECAL 115V										
X			D-AD-7012500-0-0		1	POWER CORD				10	B-DD-H754- ϕ		3	DRAWING DIRECTORY H754		
			A-DC-7412380-0-1		1	DECAL 230V										
		5	D-IA-7009812-0-0	A	1	CHASSIS COMPONENT MTG.				11	D-IA-7009949-0-0		1	COVER, POWER SUPPLY		
			D-IA-7411765-0-0		1	PLATE SWITCH					C-MD-7412473-0-0		1	STRIP, CLAMP		
			D-IA-7411766-0-0	B	1	PLATE COMPONENT MTG.										
CUSTOMER PRINT SET CODES		X = PRINT OF DOCUMENT INCLUDED IN PRINT SET					TITLE		DRAWING DIRECTORY		SIZE CODE		NUMBER		P-V	
		C = INCLUDES ALL PRINTS INDICATED ON DOCUMENT					POWER SUPPLY H765		B DD		H765- ϕ		R			
		S = CONFIDENTIAL AUTHORIZED SIGNATURE REQUIRED							SHEET 4 OF 5							

DRB 108

DEC 16-(325)-1062-28-R972

CUSTOMER PRINT SET				MECHANICAL					CUSTOMER PRINT SET					
1	MFG. SET	FIND NO.	DRAWING NO.	REV	NO OF SHT	DESCRIPTION	OPTION NO./FILE DATE	MFG. SET	FIND NO.	DRAWING NO.	REV	NO OF SHT	DESCRIPTION	OPTION NO./FILE DATE
		12	D-CS-5410864-0-1		3	POWER DIST. BD. ASSY								
			C-MD-7412192-0-0		1	SHIELD								
			D-MD-7411704-0-0		1	BRACKET, CONN. MTG.								
			C-IA-9305937-0-0			MATE-N-LOK FIXTURES								
			D-IA-5010863-0-0		1	ETCHED CIRCUIT BD.								
			K-CO-5410864-0-4			X-Y COORDINATE HOLE LOC.								
			D-AH-5410864-0-5		1	ASSY DRILLING HOLE LAYOUT								
			B-MH-5410864-0-6		1	MODULE ECO HISTORY								
			5010863		REF	ETCH CIRCUIT BOARD								
	X	13	A-SP-3700174-0-0	-	2	PACKAGING INSTRUCTIONS								
			A-PS-9905664-0-0	-	2	REGULAR SLOTTED CARTON								
			A-PS-9905665-0-0	-	2	LAMINATED BUILDUP								
		14	D-AH-5411086-0-5		1	ASSY DRILLING HOLE LAYOUT								
			B-MH-5411086-0-6		1	MODULE ECO HISTORY								
		15	D-AD-7011486-0-0		1	ASSEMBLY DRAWING								
		16	D-AH-5411689-0-5		1	ASSY DRILLING HOLE LAYOUT								
			D-MH-5411689-0-6		1	MODULE ECO HISTORY								

CUSTOMER PRINT SET CODES
X = PRINT OF DOCUMENT INCLUDED IN PRINT SET
C = INCLUDES ALL PRINTS INDICATED ON DOCUMENT
S = CONFIDENTIAL AUTHORIZED SIGNATURE REQUIRED

TITLE
DRAWING DIRECTORY
POWER SUPPLY H765

SHEET 5 OF 5
SIZE CODE B DD
NUMBER H765-Ø

REV
R

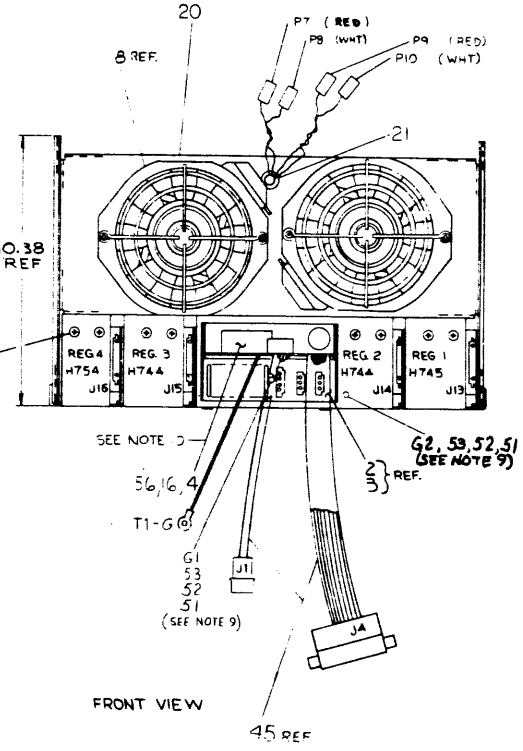
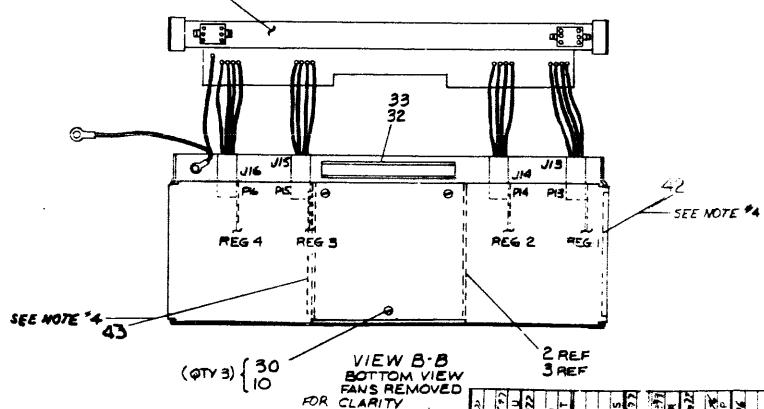
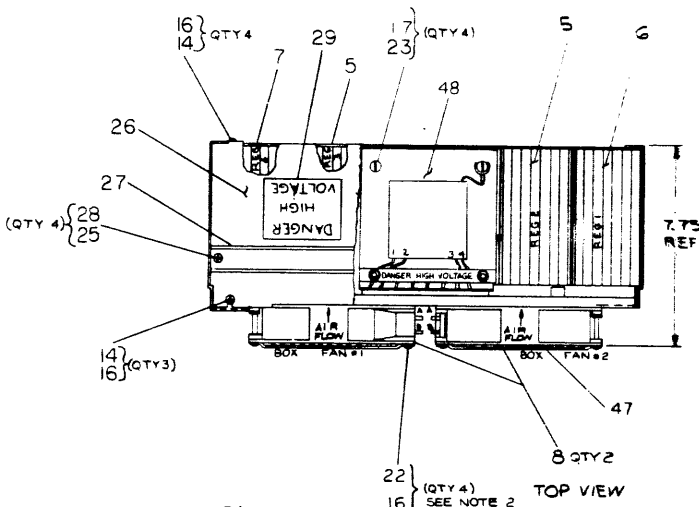
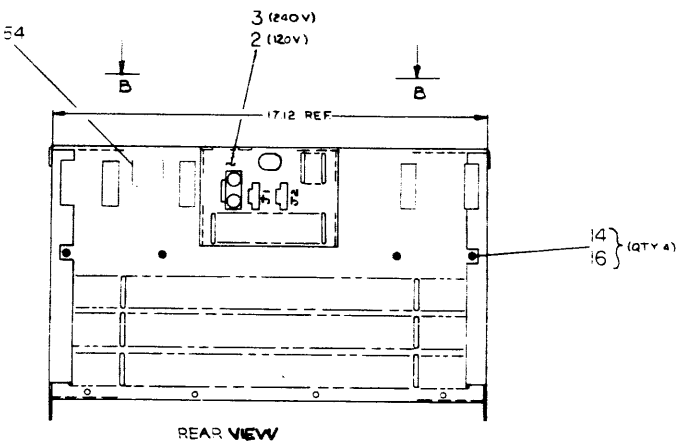
REVISIONS AND MODIFICATIONS SHALL BE MADE BY THE ISSUING AUTHORITY. THE PARTS LIST IS THE AUTHORITY FOR THE IDENTIFICATION OF PARTS. THE PARTS LIST IS THE AUTHORITY FOR THE IDENTIFICATION OF PARTS.

NUMBER	VARIATION
H765-A	120V 50/60 HZ
H765-B	240V 50/60 HZ
H765-C	120V 50/60 HZ NO H754
H765-D	240V 50/60 HZ NO H754
H765-P	120V 50/60 HZ NO REG
H765-R	240V 50/60 HZ NO REG

- NOTES**
- SEE TRANSFORMER ASSEMBLY IN DRAWING B-00 H765-0.
 - TIGHTEN FAN SCREWS TO 10 IN LBS WITH A TORQUE SCREW DRIVER.
 - INSTALL 4 B.S. VINYL VIEW B-B 1" X 1/2" AND 4 B.S. CENTER 1/4 INCH FROM BOTTOM AND SIDES ON INSIDE WALL.
 - USE DETACHED TRANSFORMER ASSEMBLY IN PLACE OF THE TRANSFORMER ASSEMBLY A CABLE CLAMP WAS USED IN PLACE OF THE TRANSFORMER ASSEMBLY TO CROSS THE TRANSFORMER WIRE ALONG THE TRANSFORMER BODY.
 - ITEM 7 - H754 IS NOT USED IN VARIATIONS C & D.
 - ITEM 23 IS TO BE USED TO PREVENT CORROSION OF CHASSIS AT GROUND STUD.

NOTES CONT

17. ITEM 14 (Screws) WASHER, TO BE USED TO MOUNT SAICB (ITEM 4) IN AC INPUT BOX (ITEM 2 OR 3) IN A.B.C.D VERSION. IN PER VERSIONS, INSTALL SCREW & WASHER IN INDICATED HOLES. THEY WILL BE USED ON A HIGHER ASSEMBLY.



QTY	DESCRIPTION	PART NO.	REV.
4	TABLE GND	900620-1	56
1	DETAILED	900620-2	55
1	DETAILED	900620-3	54
1	DETAILED	900620-4	53
2	DETAILED	900620-5	52
2	DETAILED	900620-6	51
2	DETAILED	900620-7	50
2	DETAILED	900620-8	49
2	DETAILED	900620-9	48
2	DETAILED	900620-10	47
2	DETAILED	900620-11	46
2	DETAILED	900620-12	45
2	DETAILED	900620-13	44
2	DETAILED	900620-14	43
2	DETAILED	900620-15	42
2	DETAILED	900620-16	41
2	DETAILED	900620-17	40
2	DETAILED	900620-18	39
2	DETAILED	900620-19	38
2	DETAILED	900620-20	37
2	DETAILED	900620-21	36
2	DETAILED	900620-22	35
2	DETAILED	900620-23	34
2	DETAILED	900620-24	33
2	DETAILED	900620-25	32
2	DETAILED	900620-26	31
2	DETAILED	900620-27	30
2	DETAILED	900620-28	29
2	DETAILED	900620-29	28
2	DETAILED	900620-30	27
2	DETAILED	900620-31	26
2	DETAILED	900620-32	25
2	DETAILED	900620-33	24
2	DETAILED	900620-34	23
2	DETAILED	900620-35	22
2	DETAILED	900620-36	21
2	DETAILED	900620-37	20
2	DETAILED	900620-38	19
2	DETAILED	900620-39	18
2	DETAILED	900620-40	17
2	DETAILED	900620-41	16
2	DETAILED	900620-42	15
2	DETAILED	900620-43	14
2	DETAILED	900620-44	13
2	DETAILED	900620-45	12
2	DETAILED	900620-46	11
2	DETAILED	900620-47	10
2	DETAILED	900620-48	9
2	DETAILED	900620-49	8
2	DETAILED	900620-50	7
2	DETAILED	900620-51	6
2	DETAILED	900620-52	5
2	DETAILED	900620-53	4
2	DETAILED	900620-54	3
2	DETAILED	900620-55	2
2	DETAILED	900620-56	1

QTY	DESCRIPTION	PART NO.	REV.
1	WASH INT TOOTH #10	900633	17
1	WASH INT TOOTH #6	900633	16
1	SCR PHD TRUSS 10-32UB	900607-3	15
1	SCR PHD TRUSS 10-32UB	900607-3	14
1	SCR PHD TRUSS 10-32UB	900607-3	13
1	SCR PHD TRUSS 10-32UB	900607-3	12
1	SCR PHD TRUSS 10-32UB	900607-3	11
1	SCR PHD TRUSS 10-32UB	900607-3	10
1	SCR PHD TRUSS 10-32UB	900607-3	9
1	SCR PHD TRUSS 10-32UB	900607-3	8
1	SCR PHD TRUSS 10-32UB	900607-3	7
1	SCR PHD TRUSS 10-32UB	900607-3	6
1	SCR PHD TRUSS 10-32UB	900607-3	5
1	SCR PHD TRUSS 10-32UB	900607-3	4
1	SCR PHD TRUSS 10-32UB	900607-3	3
1	SCR PHD TRUSS 10-32UB	900607-3	2
1	SCR PHD TRUSS 10-32UB	900607-3	1

POWER SUPPLY, H765

REV. 0

DATE: 11/11/50

BY: [Signature]

APP: [Signature]

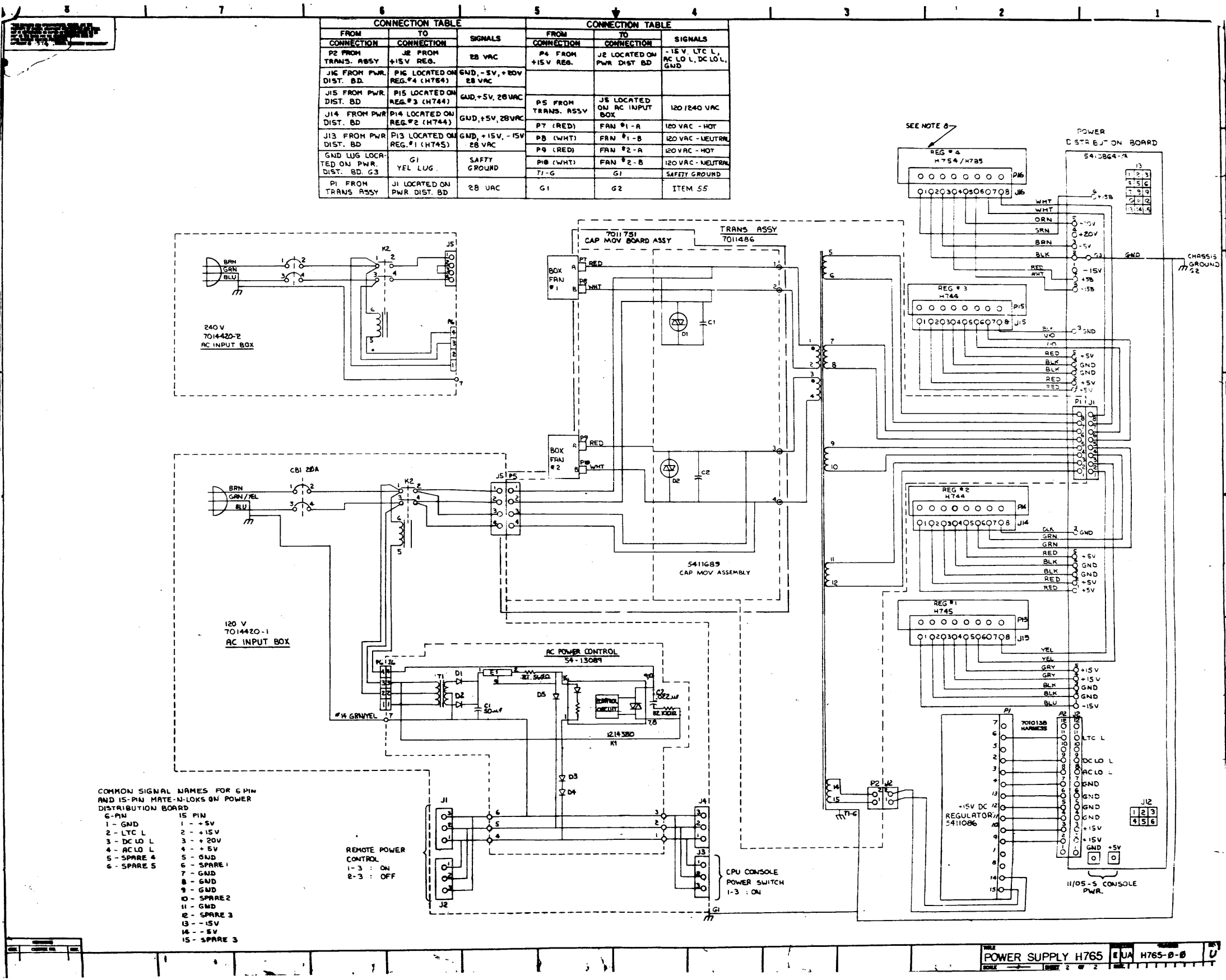
DESCRIPTION: POWER SUPPLY, H765

REV. 0

DATE: 11/11/50

BY: [Signature]

APP: [Signature]



CONNECTION TABLE			CONNECTION TABLE		
FROM CONNECTION	TO CONNECTION	SIGNALS	FROM CONNECTION	TO CONNECTION	SIGNALS
P2 FROM TRANS. ASSY	J2 FROM +15V REG.	28 VAC	P4 FROM +15V REG.	J2 LOCATED ON PWR DIST BD	-15V LTC L, AC LO L, DC LO L, GND
J16 FROM PWR DIST. BD	P16 LOCATED ON REG.#4 (H785)	GND, -5V, +20V 28 VAC			
J15 FROM PWR DIST. BD	P15 LOCATED ON REG.#3 (H744)	GND, +5V, 28VAC			
J14 FROM PWR DIST. BD	P14 LOCATED ON REG.#2 (H744)	GND, +5V, 28VAC			
J13 FROM PWR DIST. BD	P13 LOCATED ON REG.#1 (H745)	GND, +15V, -15V 28 VAC			
GND LUG LOCATED ON PWR DIST. BD. G3	G1 YEL LUG	SAFTY GROUND			
P1 FROM TRANS ASSY	J1 LOCATED ON PWR DIST. BD	28 VAC	P7 (RED)	FAN #1 - A	120 VAC - HOT
			P8 (WHT)	FAN #1 - B	120 VAC - NEUTRN
			P9 (RED)	FAN #2 - A	120 VAC - HOT
			P10 (WHT)	FAN #2 - B	120 VAC - NEUTRN
			T1-G	G1	SAFTY GROUND
			G1	G2	ITEM 55

- COMMON SIGNAL NAMES FOR 6 PIN AND 15-PIN MATE-N-LOCKS ON POWER DISTRIBUTION BOARD
- | | |
|-------------|--------------|
| 6-PIN | 15-PIN |
| 1 - GND | 1 - +5V |
| 2 - LTC L | 2 - +15V |
| 3 - DC LO L | 3 - +20V |
| 4 - AC LO L | 4 - +5V |
| 5 - SPARE 4 | 5 - GND |
| 6 - SPARE 5 | 6 - SPARE 1 |
| | 7 - GND |
| | 8 - GND |
| | 9 - GND |
| | 10 - SPARE 2 |
| | 11 - GND |
| | 12 - SPARE 3 |
| | 13 - -15V |
| | 14 - -5V |
| | 15 - SPARE 3 |

REMOTE POWER CONTROL
1-3 : ON
2-3 : OFF

CPU CONSOLE POWER SWITCH
1-3 : ON

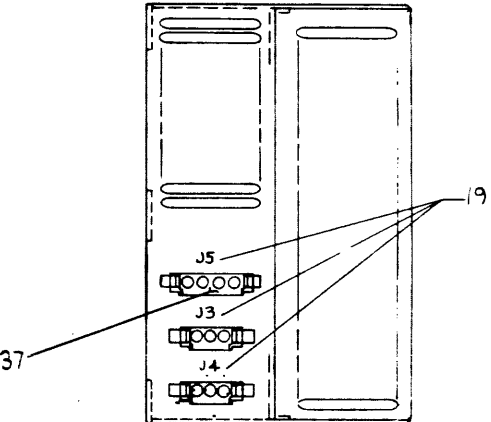
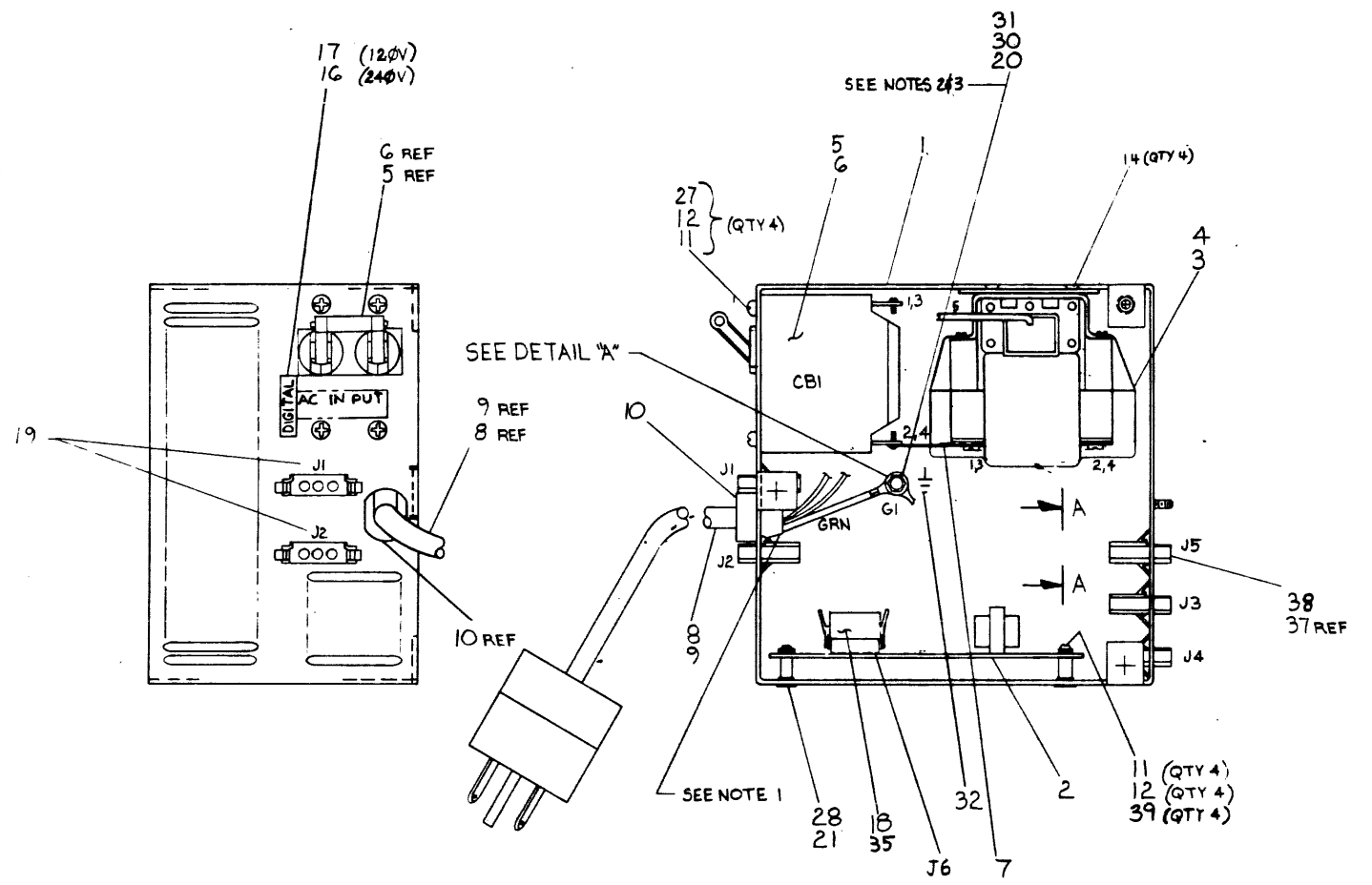
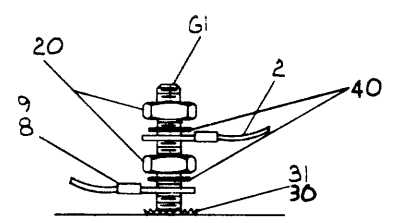
THIS DRAWING AND INFORMATION HEREON ARE THE PROPERTY OF THE UNITED STATES GOVERNMENT AND ARE NOT TO BE REPRODUCED OR TRANSMITTED IN ANY FORM OR BY ANY MEANS, ELECTRONIC OR MECHANICAL, INCLUDING PHOTOCOPYING, RECORDING, OR BY ANY INFORMATION STORAGE AND RETRIEVAL SYSTEM, WITHOUT PERMISSION IN WRITING FROM THE DIRECTOR, ARMY RESEARCH OFFICE-DURHAM, DURHAM, N.C. 27709.

NOTES:

1. LEAVE .5IN ±.2IN OF OUTER INSULATION OF LINE CORD INSIDE BOX.
2. REMOVE PAINT MASK FROM G1 ONLY AND APPLY CONDUCTIVE GREASE TO AREA AROUND STUD G1 BEFORE INSTALLING ITEMS #31 (LOCKWASHER), LUG ON GRN/YEL WIRE AND #20 (HEXNUT).
3. ENSURE THAT LUG CONNECTED TO GRN/YEL WIRE FROM LINE CORD, WASHER ITEM #31, AND HEXNUT ITEM #20 ARE THE FIRST ITEMS INSTALLED ON G1. SEE DETAIL "A". APPLY 22 ± 1 IN LBS. OF TORQUE TO BOTH HEX NUTS ON GROUND STUD.
4. STRIP LENGTH FOR ITEM #36 AND ITEM #29 SHALL BE .250 ± .015.
5. STRIP LENGTH FOR ITEM #37
 - A. HAND CRIMP .187 ± .015
 - B. AUTOMATIC STRIP .156 ± .015
6. STRIP LENGTH FOR ITEM #35
 - A. HAND CRIMP .203 ± .015
 - B. AUTOMATIC STRIP .182 ± .015

LEGEND

NUMBER	VARIATION
7014420-1	120V 47-63HZ 12A
7014420-2	240V 47-63HZ 12A



CAUTION:
OFF SHEET PARTS LIST EXIST
K-PL-7014420-0-DBP

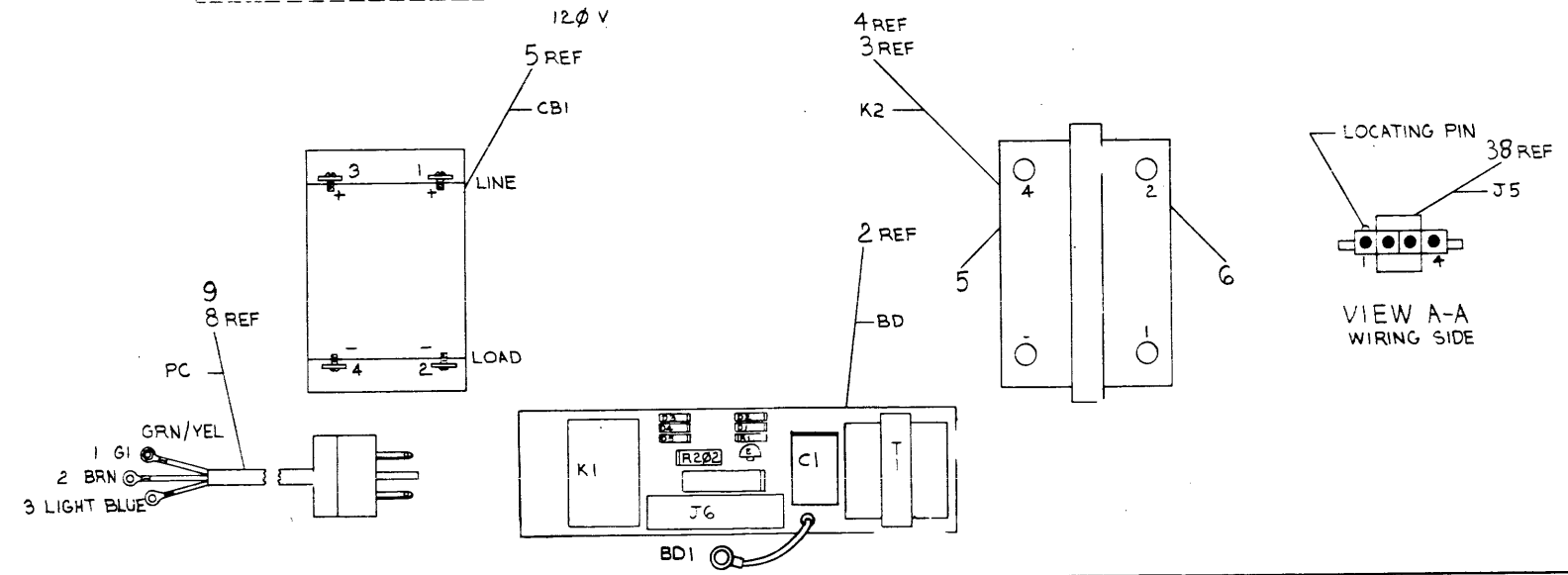
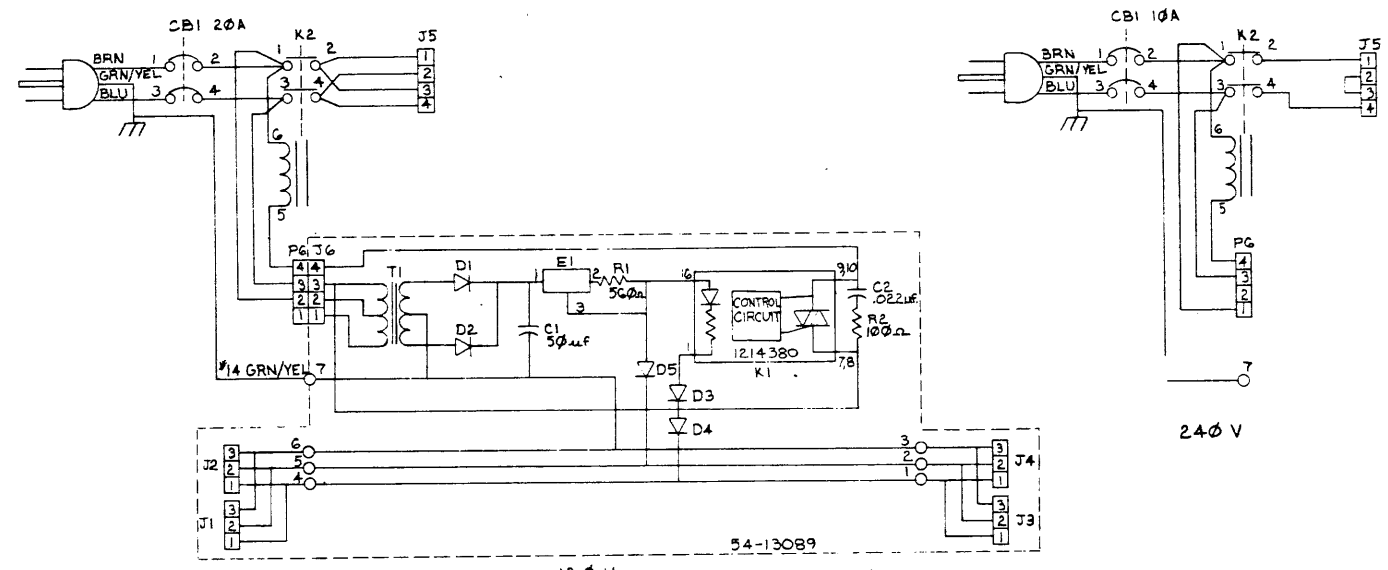
REV.	BY	DATE	DESCRIPTION
1	W.F. BAUSHA	10/17/77	REVISED TO 120V/240V
2	W.F. BAUSHA	11/10/77	REVISED TO 120V/240V
3	W.F. BAUSHA	11/10/77	REVISED TO 120V/240V
4	W.F. BAUSHA	11/10/77	REVISED TO 120V/240V
5	W.F. BAUSHA	11/10/77	REVISED TO 120V/240V
6	W.F. BAUSHA	11/10/77	REVISED TO 120V/240V
7	W.F. BAUSHA	11/10/77	REVISED TO 120V/240V
8	W.F. BAUSHA	11/10/77	REVISED TO 120V/240V

THIRD ANGLE PROJECTION	DRN'D Normal 6-30-77	DESCRIPTION	DRWG. PART NO.	ITEM NO.
		UNLESS OTHERWISE SPECIFIED DIMENSIONS ARE IN INCHES		
REMOVE BURRS AND BREAK SHARP CORNERS	ENGR'D 5/17/78 7-26-78	CLASS OF ACCURACY	NOMINAL DIMENSION RANGE	
			CLASS OF ACCURACY	CLASS OF ACCURACY
DO NOT SCALE DRWG	NEXT HIGHER ASSY.	SURFACE QUALITY	FINISH	FINISH
			FINISH	FINISH
MATERIAL SEE: K-PL-7014420-0-DBP	E-UA-H765-C-C	QUANTITY & VARIATION	FIRST USED ON	
			H765	
FINISH	SCALE	PREFERRED	TITLE	
			AC INPUT BOX ASSY	
SHEET 1 OF 2		SIZE CODE		NUMBER
DST.		D		AD 7014420-0-C
		REV.		D

THIS DRAWING AND SPECIFICATIONS HEREIN ARE THE PROPERTY OF DIGITAL EQUIPMENT CORPORATION AND SHALL NOT BE REPRODUCED OR COPIED OR USED IN WHOLE OR IN PART AS THE BASIS FOR THE MANUFACTURE OR SALE OF ITEMS WITHOUT WRITTEN PERMISSION. COPYRIGHT © 1977 DIGITAL EQUIPMENT CORPORATION

WIRE TABLE-1 VAR 120V							
ITEM NO	DESCRIPTION	FROM	TO	PRECUT WIRE LENGTH			
8	14 GRN/YEL	SEE NOTE 3 PC-1	G1				
8	14 BRN	PC-2	CBI-1				
8	14 BLU	PC-3	CBI-3				
33	18 BLU	SEE NOTE 4 K2-4	SEE NOTE 5 J5-2	37 3.0 ± 0.25			
34	18 BRN	SEE NOTE 4 K2-2	SEE NOTE 5 J5-4	37 3.0 ± 0.25			
34	18 BRN	SEE NOTE 4 K2-2	SEE NOTE 5 J5-1	37 3.0 ± 0.25			
34	18 BRN	SEE NOTE 4 K2-1	SEE NOTE 5 J5-3	37 3.0 ± 0.25			
3	18 YEL	K2-1	P6-2	35 3.5 ± 0.25			
7		K2-1	K2-6	3.5 ± 0.25			
33	18 BLU	SEE NOTE 4 K2-3	SEE NOTE 6 P6-3	35 3.0 ± 0.25			
7		K2-3	CBI-4	STRAP			
3	18 YEL	SEE NOTE 4 K2-5	SEE NOTE 6 P6-4	35 4.75 ± 0.25			
2	18 GRN/YEL	SEE NOTE 6 BD-1	G1				

WIRE TABLE-2 VAR 240V							
ITEM NO	DESCRIPTION	FROM	TO	PRECUT WIRE LENGTH			
9	14 GRN/YEL	SEE NOTE 3 PC-1	G1				
9	14 BRN	PC-2	CBI-1				
9	14 BLU	PC-3	CBI-3				
33	18 BLU	SEE NOTE 4 K2-4	SEE NOTE 5 J5-4	37 3.0 ± 0.25			
34	18 BRN	SEE NOTE 4 K2-2	SEE NOTE 5 J5-1	37 3.0 ± 0.25			
34	18 BRN	SEE NOTE 5 J5-2	SEE NOTE 5 J5-3	37 2.0 ± 0.25			
34	18 BRN	SEE NOTE 4 K2-1	SEE NOTE 6 P6-1	35 3.5 ± 0.25			
4	18 YEL	K2-1	K2-6	3.5 ± 0.25			
7		K2-1	CBI-2	STRAP			
33	18 BLU	SEE NOTE 4 K2-3	SEE NOTE 6 P6-3	35 3.0 ± 0.25			
7		K2-3	CBI-4	STRAP			
4	18 YEL	K2-5	SEE NOTE 6 P6-4	35 4.75 ± 0.25			
2	18 GRN/YEL	SEE NOTE 6 BD-1	G1				



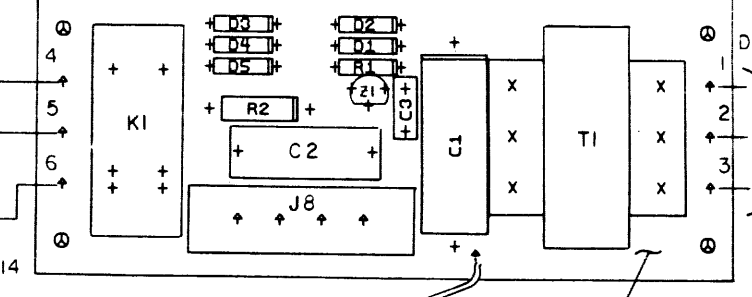
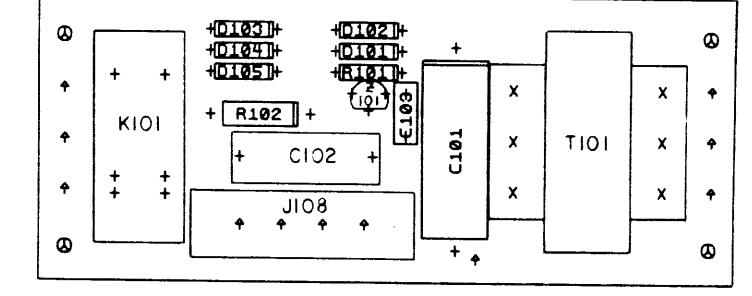
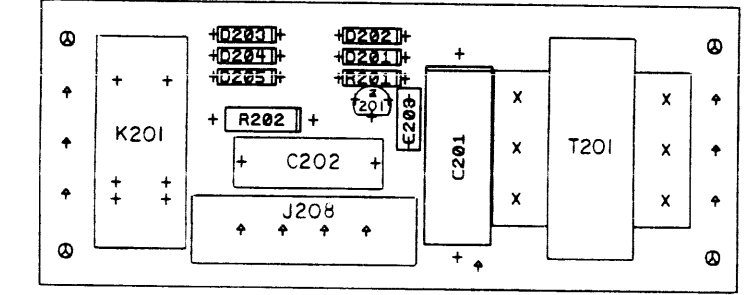
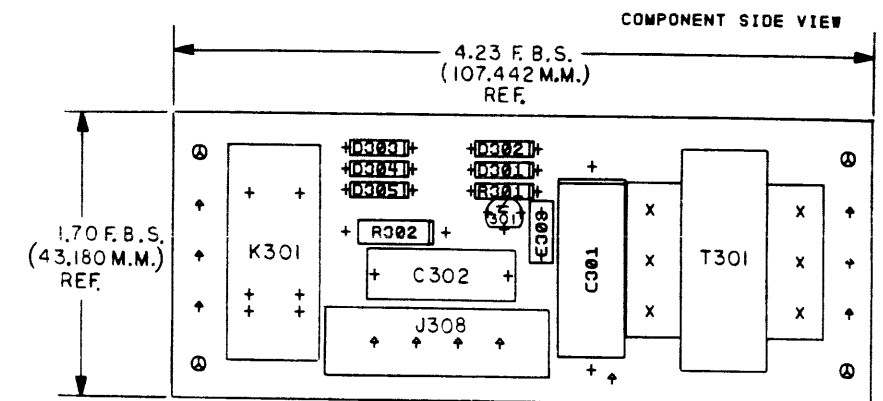
REVISIONS		
CHK	CHANGE NO.	REV.

TITLE	AC INPUT BOX ASSY.	SIZE CODE	D AD	NUMBER	701442C-0-0	REV.	D
SCALE		SHEET	2 OF 2	DIST.			

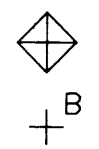
DEC FORM NO. 500 137

D AD 701442C-0-0 D
 NUMBER
 REV.

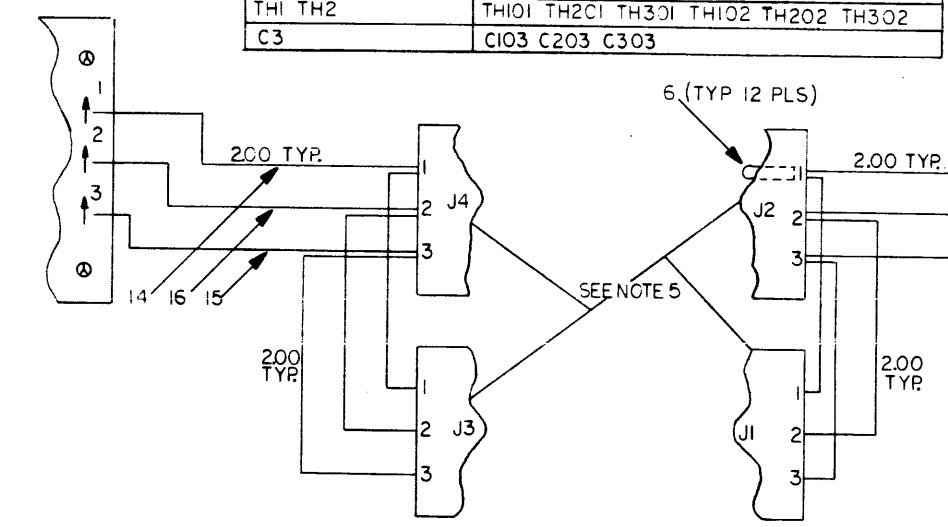
THIS DRAWING AND SPECIFICATIONS, GENERAL AND THE
 PARTS LIST ARE THE PROPERTY OF THE COMPANY AND SHALL
 NOT BE REPRODUCED OR USED IN WHOLE OR IN
 PART OR FOR THE PURPOSE OF THE MANUFACTURE OF
 ITEMS WITHOUT WRITTEN PERMISSION.
 COPYRIGHT © 1978 DIGITAL EQUIPMENT CORPORATION



REFERENCE	DESIGNATION	CHART
ACTUAL REF DES	SUPERFICIAL REF	DES
C1 C2	C101 C201 C301	C102 C202 C302
D1 D2	D101 D201 D301	D102 D202 D302
D3 D4	D103 D203 D303	D104 D204 D304
D5	D105 D205 D305	
J8	J108 J208 J308	
K1	K101 K201 K301	
R1 R2	R101 R201 R301	R102 R202 R302
T1	T101 T201 T301	
Z1	Z101 Z201 Z301	
TH1 TH2	TH101 TH201 TH301	TH102 TH202 TH302
C3	C103 C203 C303	



DETAIL "A"



SEE DETAIL "A"

ACTUAL REF DESIGNATION SEE NOTE 4

- 1. THIS BOARD REQUIRES U/L APPROVAL.
- 2. DO NOT SLIT BOARD MUST BE SHEARED.
- 3. REFER TO PARTS LIST FOR IDENTIFICATION OF NUMBERED ITEMS.
- 4. MULTI-REF DESIGNATIONS ARE USED TO ACCOMMODATE PNL INS TECHNIQUES-SEE CHART FOR REF.
- 5. J1 J2 J3 J4 ARE NOT USED ON YA VARIATION.

CHANGE NO	REV	DATE	BY
ML004	E		EVANS
			W. BAUSHA

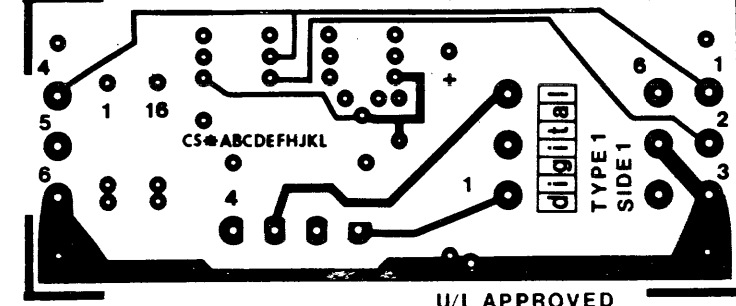
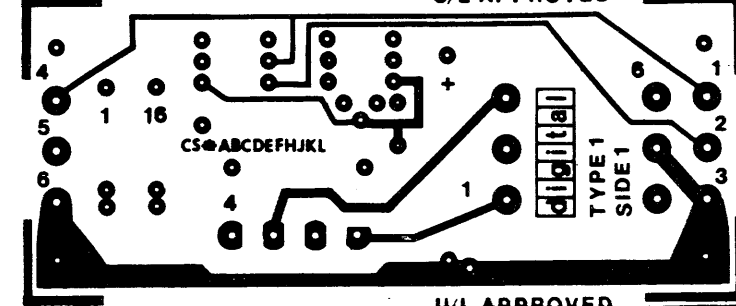
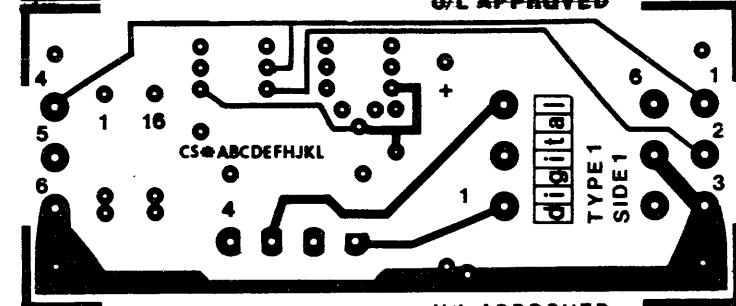
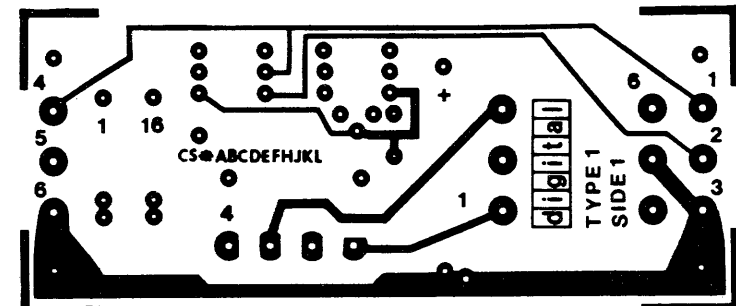
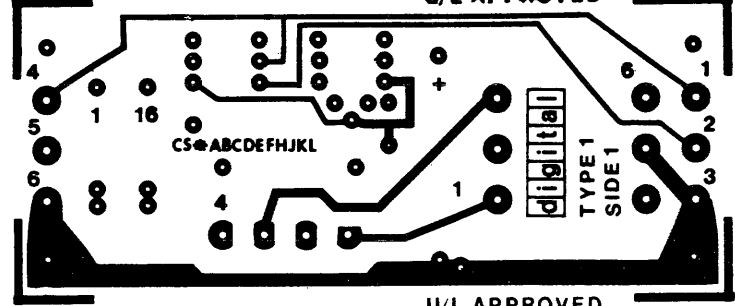
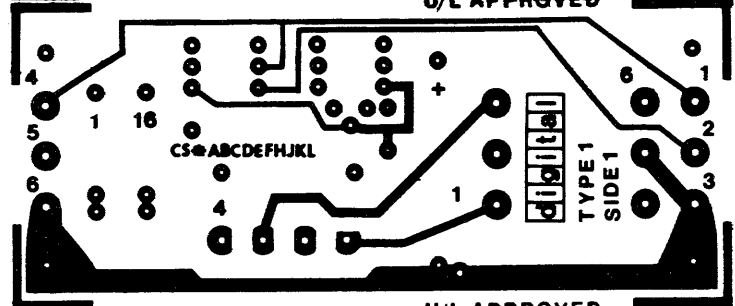
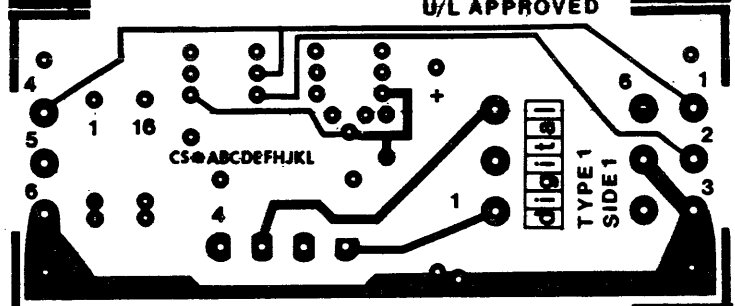
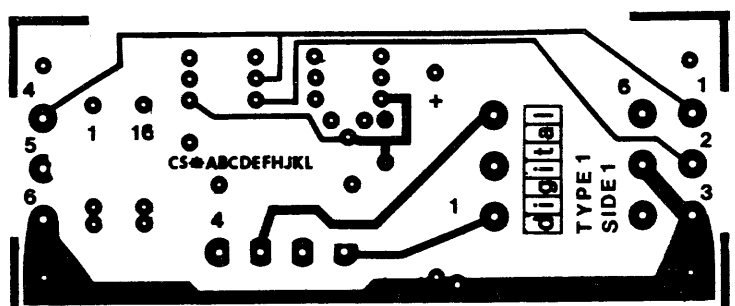
ETCH REV. C-PI
 P.C. DESIGN DATA BASE REV. C

SIGNATURES	DATE	TITLE
DRN. STU EVANS	7-27-78	digital
CHK'D. <i>[Signature]</i>	1-9-79	
ENG. <i>[Signature]</i>	1/9/79	
PROJ. ENG. <i>[Signature]</i>	1/9/79	A.C. CONTROL BOARD
PROD. <i>[Signature]</i>	1/9/79	

SCALE 2/1
 SHT. 1 OF 3
 NEXT HIGHER ASSY. B-DD-5413089-0-0

THIS DRAWING AND SPECIFICATIONS HEREIN ARE THE PROPERTY OF DIGITAL EQUIPMENT CORPORATION AND SHALL NOT BE REPRODUCED OR COPIED OR USED IN WHOLE OR IN PART AS THE BASIS FOR THE MANUFACTURE OR SALE OF ITEMS WITHOUT WRITTEN PERMISSION
© 1979 DIGITAL EQUIPMENT CORPORATION

L1 5413089 5013088C-P1

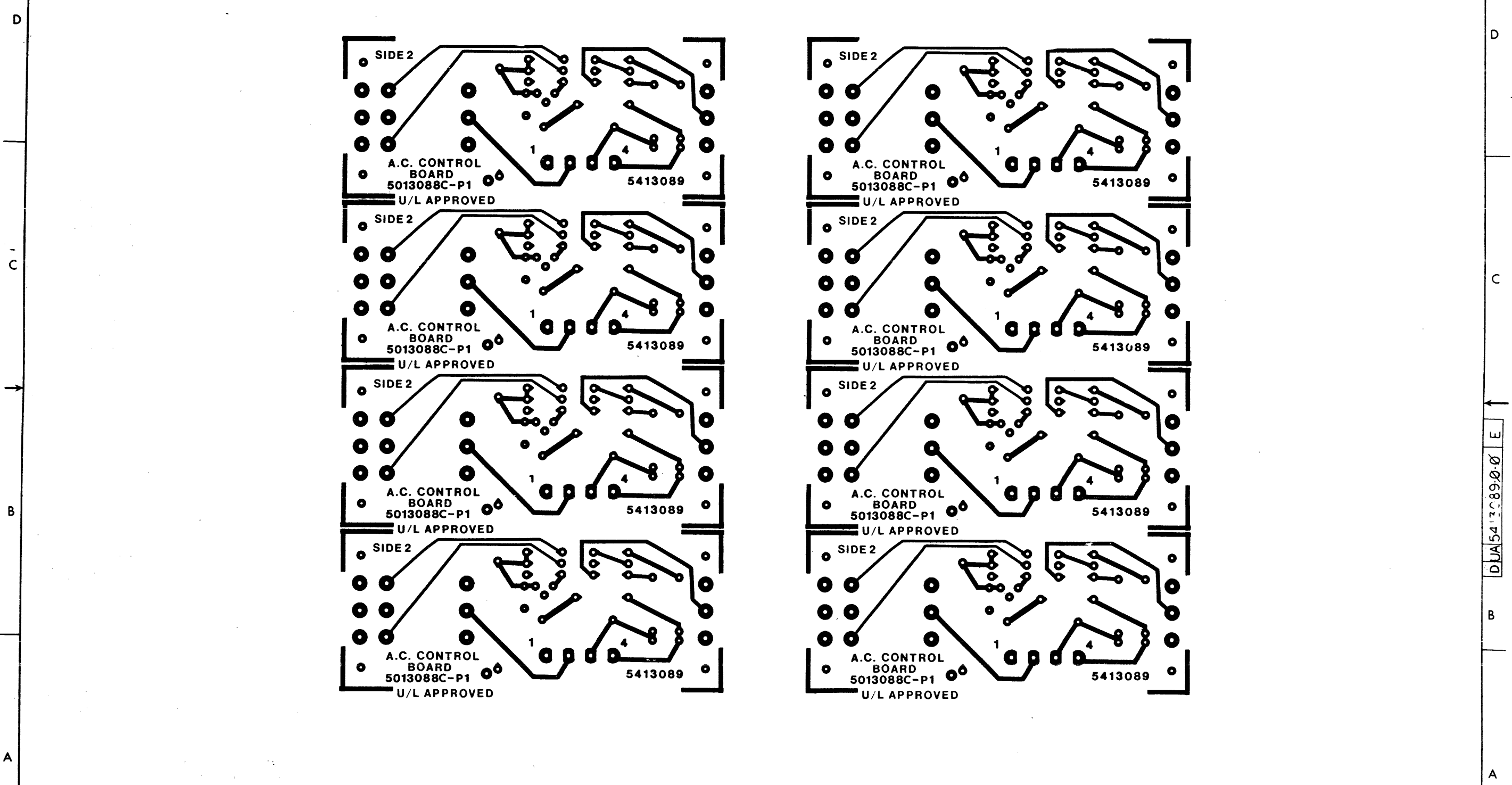
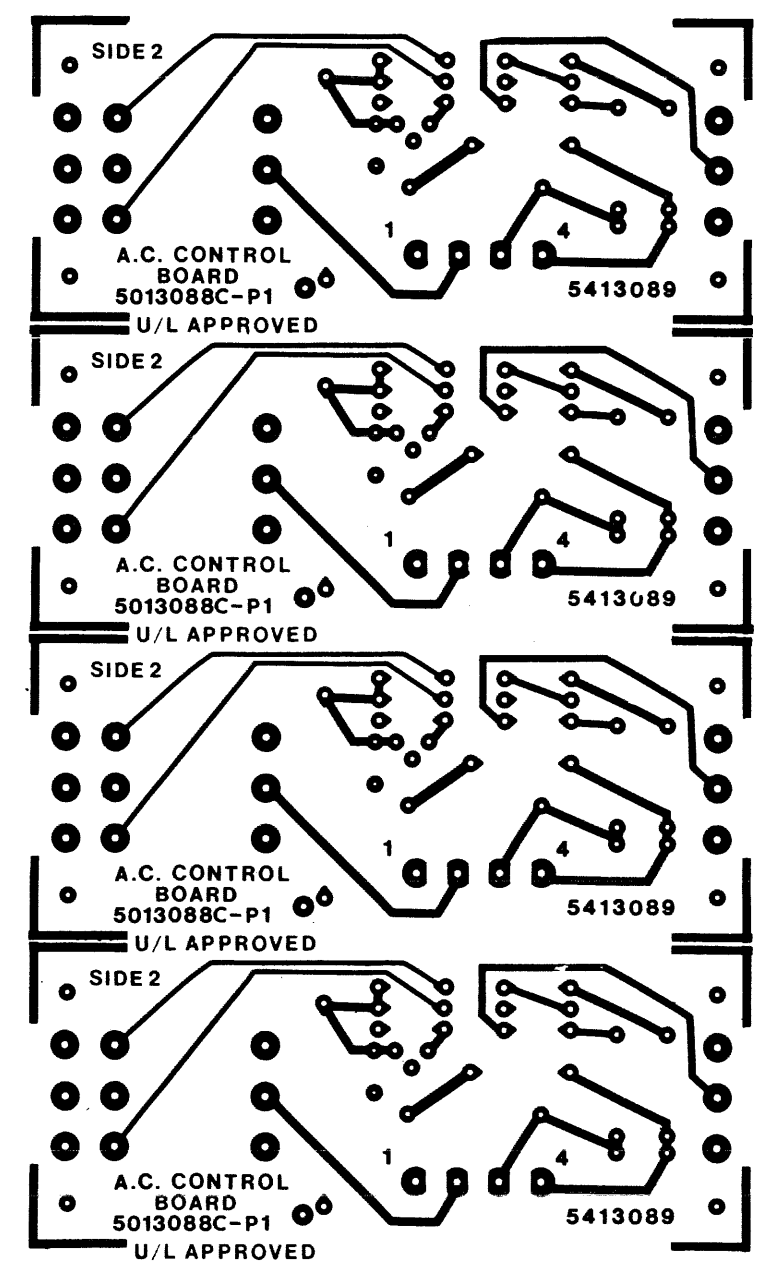
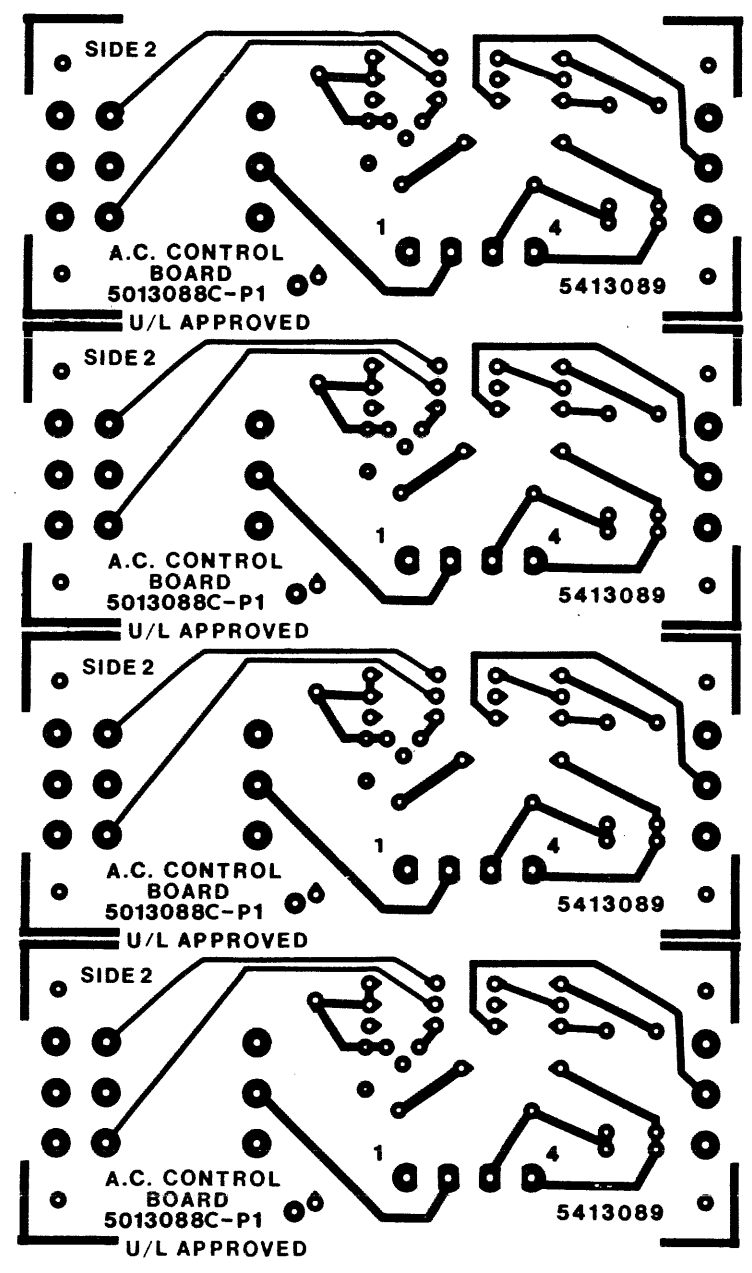


REVISIONS		
CHK	CHANGE NO	REV

TITLE	AC. CONTROL BOARD	SIZE CODE	DJA	NUMBER	5413089-00	REV	E
SCALE	2:1	SHEET	2	OF	3	DIST	

THIS DRAWING AND SPECIFICATIONS HEREIN ARE THE PROPERTY OF DIGITAL EQUIPMENT CORPORATION AND SHALL NOT BE REPRODUCED OR COPIED OR USED IN WHOLE OR IN PART AS THE BASIS FOR THE MANUFACTURE OR SALE OF ITEMS WITHOUT WRITTEN PERMISSION
 DIGITAL EQUIPMENT CORPORATION
 COPYRIGHT © 1979

DUA 5413089-0-0 2



DUA 5413089-0-0 E

REVISIONS		
CHK	CHANGE NO	REV

TITLE	A.C. CONTROL BOARD	SIZE CODE	D UA	NUMBER	5413089-0-0	REV.	E
SCALE	2:1	SHEET	3	OF	3	DIST.	

8 7 6 5 4 3 2 1

"THE MATERIAL HEREIN IS FOR INFORMATION PURPOSES ONLY AND IS SUBJECT TO CHANGE WITHOUT NOTICE. DIGITAL EQUIPMENT CORPORATION ASSUMES NO RESPONSIBILITY FOR ANY ERRORS WHICH MAY APPEAR HEREIN."

DRAWING DIRECTORY

"THIS DRAWING AND SPECIFICATIONS, HEREIN, ARE THE PROPERTY OF DIGITAL EQUIPMENT CORPORATION AND SHALL NOT BE REPRODUCED OR COPIED OR USED IN WHOLE OR IN PART AS THE BASIS FOR THE MANUFACTURE OR SALE OF ITEMS WITHOUT WRITTEN PERMISSION. COPYRIGHT © 1972, DIGITAL EQUIPMENT CORPORATION."

CUSTOMER PRINT SET

DRAWING DIRECTORY	B-DD-H744-0
CIRCUIT SCHEMATIC	D-CS-H744-0-1
UNIT ASSY	E-UA-H744-0-0
PARTS LIST	K-PL-H744-0-DBP

MFG SET

TEST PROCEDURE	A-SP-H744-0-3
MFG SPEC	A-SP-H744-0-8
PACKAGING INST	A-PI-3700074-0-0

UNIT VARIATIONS

VAR	TITLE
H744	+5V REGULATOR
H744-YA	2.0 - 8.0V VARIABLE REGULATOR

REVISIONS	REV.	R	S	T
	CHANGE NO.	00019	00020	H744-MLO21
	CHK	JA	DICK B.	
	USED ON OPTION/MODEL	11/45		
	DRN.	D. FONTAINE	DATE	2-4-72
	CHK'D.	D. FONTAINE	DATE	2-4-72
PROJ. ENG.	G. POTTER	DATE	2-24-72	
PROD.	A. HIRSCH	DATE	2-24-72	
TITLE	digital			
TITLE	+5V REGULATOR			
SIZE	CODE	NUMBER		REV
B	DD	H744-0		T
DIST.				
SHEET	1	OF	4	

ML!

10001-600-01-01-0000-00

DRAWING NO.	NO. OF SHTS	PART NO.	DESCRIPTION	REVISIONS																			
				Y	Y	Y	Z																
D-AH-H744-Ø-5			ASSY DRILLING/HOLE LAYOUT	Y	Y	Y	Z																
E-UA-H744-Ø-Ø	1		UNIT ASSY	Y	Z	AA	AB																
D-CS-H744-Ø-1	1		CIRCUIT SCHEMATIC	Y	Y	Y	Z																
B-MH-H744-Ø-6	4		MODULE ECO HISTORY	AD	AE	AE	AF																
		5009725	ETCHED BOARD	H	H	H	H																
A-SP-H744-Ø-3			TEST PROCEDURE	REF	REF	REF	REF																
A-SP-H744-Ø-8			MFG SPEC	REF	REF	REF	REF																
D-PS-1210737-Ø-Ø	1		HEAT SINK	REF	REF	REF	REF																
D-IA-5309756-Ø-Ø	1		REGULATOR BRK'T	REF	REF	REF	REF																
C-MD-5309760-Ø-Ø	1		COMPONENT COVER	REF	REF	REF	REF																
C-MD-5309759-Ø-Ø	1		CAPACITOR STRAP	REF	REF	REF	REF																
A-PI-3700074-Ø-Ø	2		PACKAGING INSTRUCTION	REF	REF	REF	REF																
A-PS-9905211-Ø-Ø	2		OUTER CARTON	REF	REF	REF	REF																
A-PS-9905212-Ø-Ø	2		INNER PACKAGING	REF	REF	REF	REF																
C-IA-7412388-Ø-Ø			2.5 CAP HOLDER	REF	REF	REF	REF																
C-MD-7419952-Ø-Ø			COMPONENT COVER	REF	REF	REF	REF																
K-PL-H744-Ø-DBP	3		PARTS LIST	-	-	-	AB																

NOTES:

REVISIONS		DATE	CHG NO.	REV.	R	S	T
		2-77	00018				
		3-78	00019				
		3-81	00020				
			H744-Ø-DBP				

"THIS DRAWING AND SPECIFICATIONS, HEREIN, ARE THE PROPERTY OF DIGITAL EQUIPMENT CORPORATION AND SHALL NOT BE REPRODUCED OR COPIED OR USED IN WHOLE OR IN PART AS THE BASIS FOR THE MANUFACTURE OR SALE OF ITEMS WITHOUT WRITTEN PERMISSION. COPYRIGHT © 1977, DIGITAL EQUIPMENT CORPORATION"



USED ON OPTION/MODEL		DRN.	CHK'D	ENG.	PRD.	DATE	TITLE
11/45		D. FONTAINE		D. FONTAINE	A. HIRSCH	2-4-72	+5V REGULATOR
						2-4-72	
						2-24-72	
						2-24-72	

SIZE CODE	NUMBER	REV.
B DD	H744-Ø	T
SHEET 2 OF 4		

DRAWING NO.	NO. OF SHTS	PART NO.	DESCRIPTION	REVISIONS															
				Y	Y	Z													
D-AH-H744-Ø-5			ASSY DRILLING/HOLE LAYOUT	Y	Y	Z													
E-UA-H744-Ø-Ø	1		UNIT ASSY	W	W	L	A	B											
D-CS-H744-Ø-1	1		CIRCUIT SCHEMATIC	W	W	L	Z												
B-MH-H744-Ø-6	4		MODULE ECO HISTORY	AC	AE	AF													
		5009725	ETCHED BOARD	H	H	H													
A-SP-H744-Ø-3			TEST PROCEDURE	REF		REF													
A-SP-H744-Ø-8			MFG SPEC	REF															
D-PS-1210737-Ø-Ø	1		HEAT SINK	REF															
D-IA-5309756-Ø-Ø	1		REGULATOR BRK'T	REF															
C-MD-5309760-Ø-Ø	1		COMPONENT COVER	REF															
C-MD-5309759-Ø-Ø	1		CAPACITOR STRAP	REF															
A-PI-3700074-Ø-Ø	2		PACKAGING INSTRUCTION	REF															
A-PS-9905211-Ø-Ø	2		OUTER CARTON	REF															
A-PS-9905212-Ø-Ø	2		INNER PACKAGING	REF															
C-IA-7412388-Ø-Ø			2.5 CAP HOLDER	REF															
C-MD-7419952-Ø-Ø			COMPONENT COVER	REF		REF													
K-PL-H744-Ø-DBP	3		PARTS LIST			AB													

NOTES:

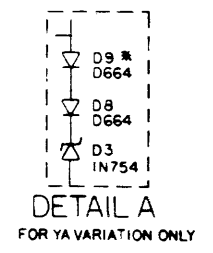
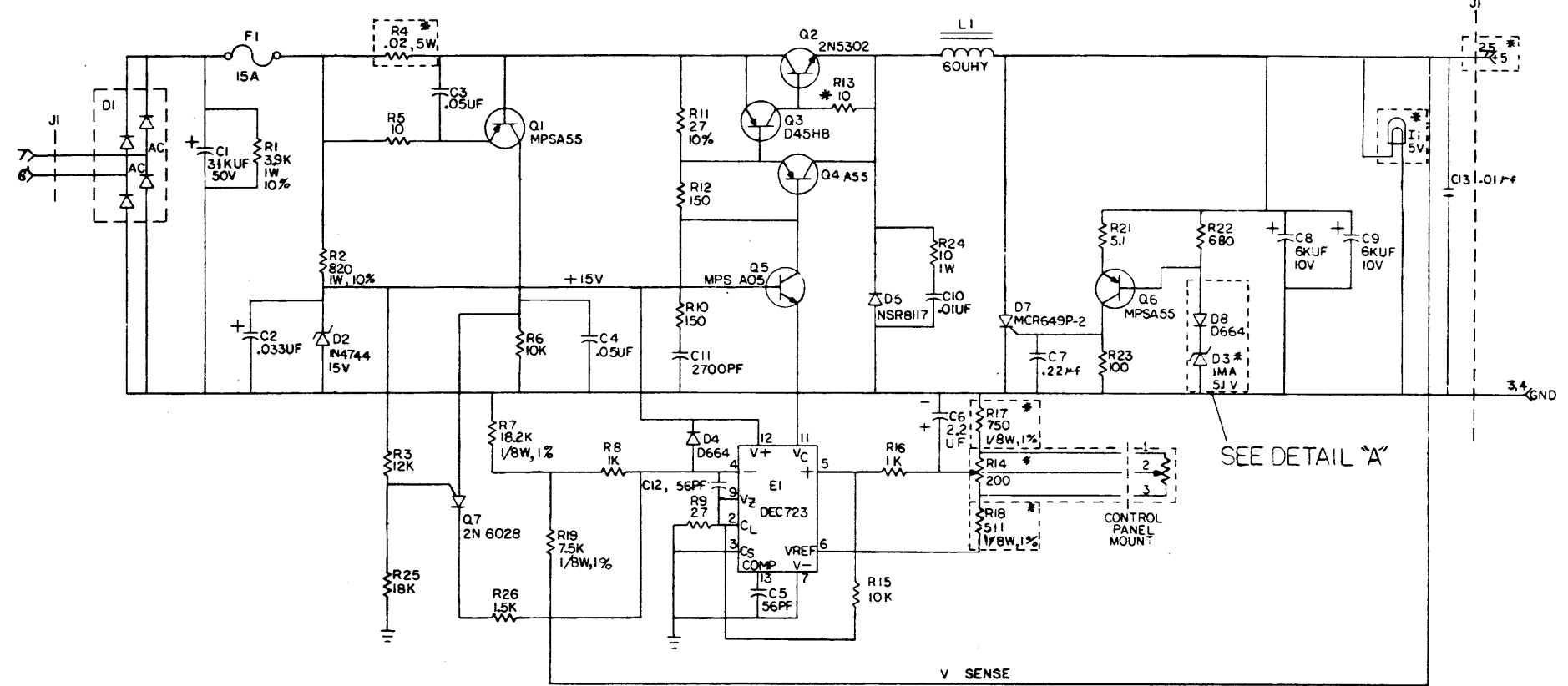
REVISIONS		DATE	CHG NO.	REV.
		2-77	00017	R
		3-81	00019	T
			H744-M1021	

"THIS DRAWING AND SPECIFICATIONS, HEREIN, ARE THE PROPERTY OF DIGITAL EQUIPMENT CORPORATION AND SHALL NOT BE REPRODUCED OR COPIED OR USED IN WHOLE OR IN PART AS THE BASIS FOR THE MANUFACTURE OR SALE OF ITEMS WITHOUT WRITTEN PERMISSION. COPYRIGHT © 1977, DIGITAL EQUIPMENT CORPORATION"



USED ON OPTION/MODEL	DRN.	DATE	TITLE
11/45	D. FONTAINE	2-4-72	+5V REGULATOR
	CHK'D D. FONTAINE	2-4-72	
	ENG. G. POTTER	2-24-72	SIZE CODE BDD NUMBER H744-Ø REV. T
	PROD. A. HIRSCH	2-24-72	

This drawing and specifications herein are the property of Digital Equipment Corporation and shall not be reproduced or used in whole or in part in any form for the manufacture of any product without the express permission of Digital Equipment Corporation. ©1975 Digital Equipment Corporation.



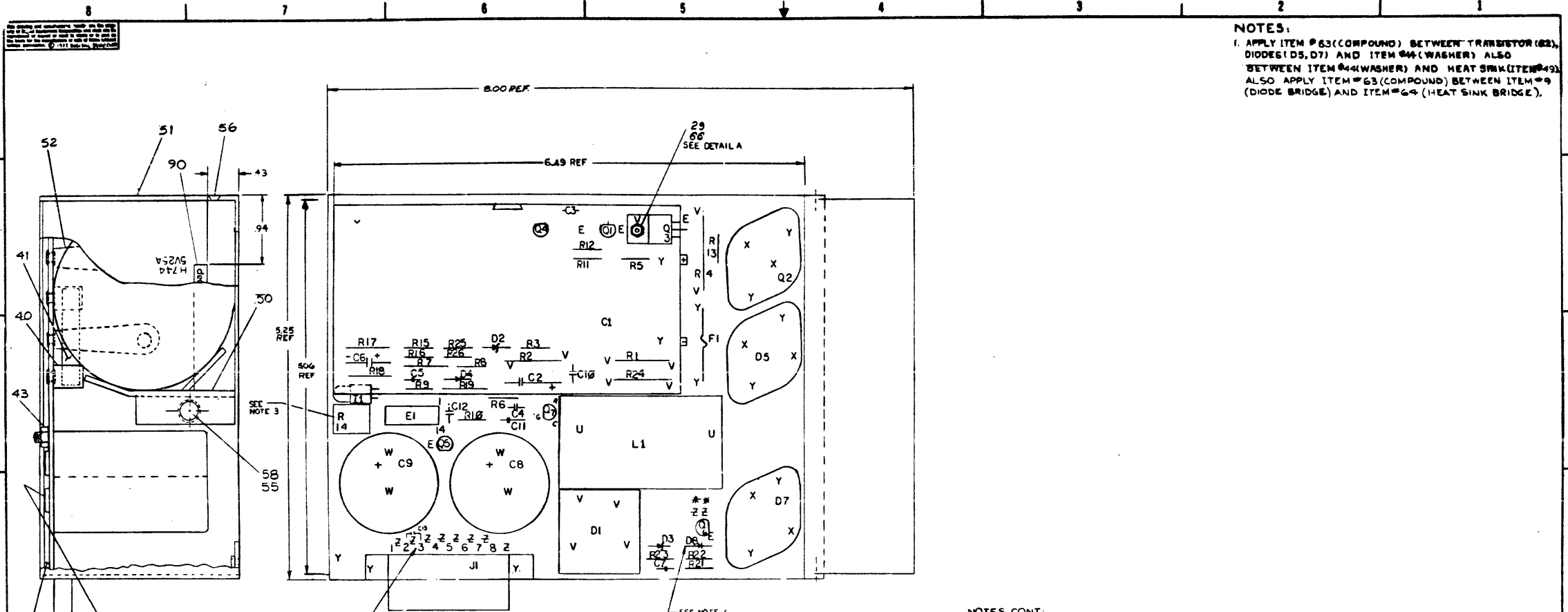
*FUSIBLE RESISTOR

FOR YA VARIATION COMPONENT VALUES ARE AS FOLLOWS:-
 R4 - .06 5W
 R14 - 1K 10 TURN
 R17 - 300 1/8W 1%
 R18 - 150 1/4W 5%
 D3 - IN754
 I1 - 15V
 J1-2,5 - +20-80V
 * D9 - D664 ADDED FOR YA VARIATION ONLY

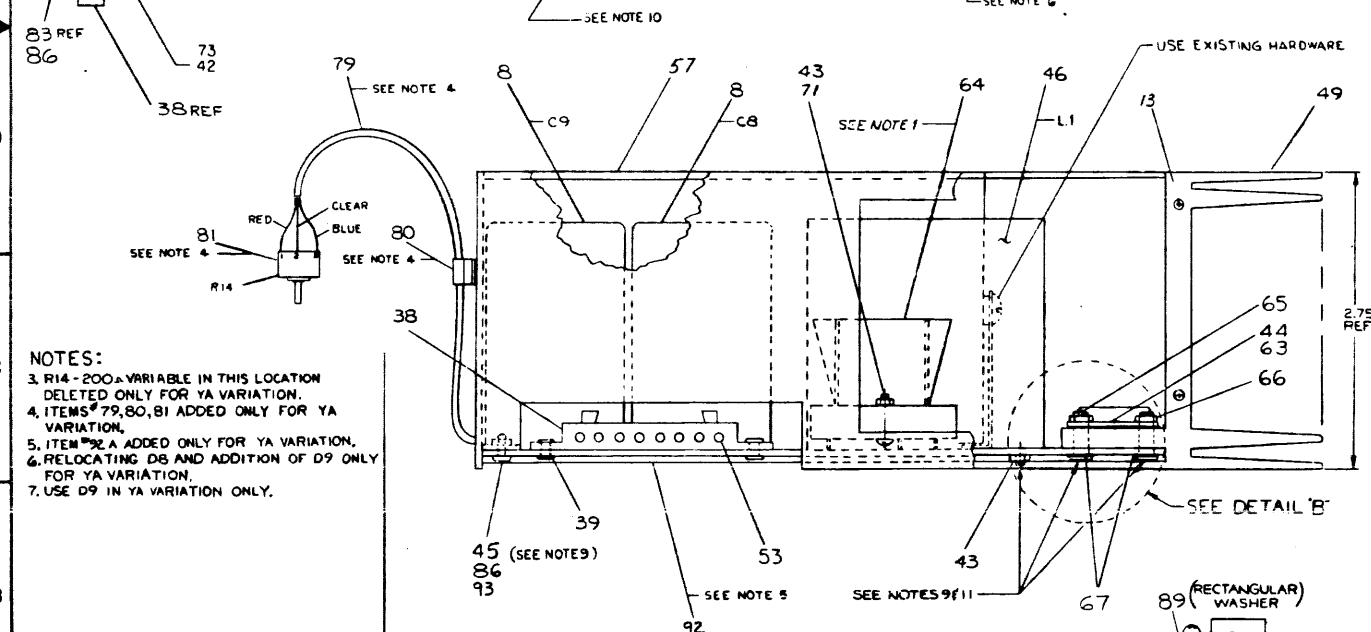
UNLESS OTHERWISE INDICATED:
 RESISTORS ARE 1/4W, 5%

REV	DATE	BY	CHKD	DESCRIPTION
1	1-10-77	AL BARON		INITIAL DESIGN
2	1-10-77	D. MARTEL		REVISIONS
3	1-10-77	A. BARON		REVISIONS
4	1-10-77	A. BARON		REVISIONS
5	1-10-77	A. BARON		REVISIONS
6	1-10-77	A. BARON		REVISIONS
7	1-10-77	A. BARON		REVISIONS
8	1-10-77	A. BARON		REVISIONS
9	1-10-77	A. BARON		REVISIONS
10	1-10-77	A. BARON		REVISIONS
11	1-10-77	A. BARON		REVISIONS
12	1-10-77	A. BARON		REVISIONS
13	1-10-77	A. BARON		REVISIONS
14	1-10-77	A. BARON		REVISIONS
15	1-10-77	A. BARON		REVISIONS
16	1-10-77	A. BARON		REVISIONS
17	1-10-77	A. BARON		REVISIONS
18	1-10-77	A. BARON		REVISIONS
19	1-10-77	A. BARON		REVISIONS
20	1-10-77	A. BARON		REVISIONS
21	1-10-77	A. BARON		REVISIONS
22	1-10-77	A. BARON		REVISIONS
23	1-10-77	A. BARON		REVISIONS
24	1-10-77	A. BARON		REVISIONS
25	1-10-77	A. BARON		REVISIONS
26	1-10-77	A. BARON		REVISIONS
27	1-10-77	A. BARON		REVISIONS
28	1-10-77	A. BARON		REVISIONS
29	1-10-77	A. BARON		REVISIONS
30	1-10-77	A. BARON		REVISIONS
31	1-10-77	A. BARON		REVISIONS
32	1-10-77	A. BARON		REVISIONS
33	1-10-77	A. BARON		REVISIONS
34	1-10-77	A. BARON		REVISIONS
35	1-10-77	A. BARON		REVISIONS
36	1-10-77	A. BARON		REVISIONS
37	1-10-77	A. BARON		REVISIONS
38	1-10-77	A. BARON		REVISIONS
39	1-10-77	A. BARON		REVISIONS
40	1-10-77	A. BARON		REVISIONS
41	1-10-77	A. BARON		REVISIONS
42	1-10-77	A. BARON		REVISIONS
43	1-10-77	A. BARON		REVISIONS
44	1-10-77	A. BARON		REVISIONS
45	1-10-77	A. BARON		REVISIONS
46	1-10-77	A. BARON		REVISIONS
47	1-10-77	A. BARON		REVISIONS
48	1-10-77	A. BARON		REVISIONS
49	1-10-77	A. BARON		REVISIONS
50	1-10-77	A. BARON		REVISIONS

QTY	REF DESIGNATION	DESCRIPTION	PART NO.	ITEM NO.
PARTS LIST				
	IN964A	SAME	MPSA55	
	D664	IN3606	2N5302	
	MCR649P-2		D45H8	
	IN751A	SAME	MPSA05	
	IN4744	SAME		
	NSR8117			
	2N6028			
DEC NO.	EIA NO.	DEC NO.	EIA NO.	
SEMICONDUCTOR CONVERSION CHART				
DIGITAL EQUIPMENT CORPORATION	TITLE: +5V REGULATOR			
DIGS H744-0-1	REV. Z			

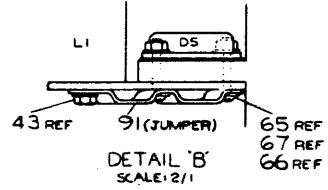
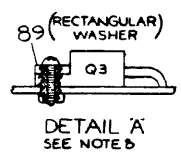


NOTES:
 1. APPLY ITEM #63 (COMPOUND) BETWEEN TRANSISTOR (Q2), DIODES (D5, D7) AND ITEM #44 (WASHER) ALSO BETWEEN ITEM #44 (WASHER) AND HEAT SINK (ITEM #49). ALSO APPLY ITEM #63 (COMPOUND) BETWEEN ITEM #9 (DIODE BRIDGE) AND ITEM #64 (HEAT SINK BRIDGE).



NOTES:
 3. R14 - 200Ω VARIABLE IN THIS LOCATION DELETED ONLY FOR YA VARIATION.
 4. ITEMS #79, 80, 81 ADDED ONLY FOR YA VARIATION.
 5. ITEM #92A ADDED ONLY FOR YA VARIATION.
 6. RELOCATING D8 AND ADDITION OF D9 ONLY FOR YA VARIATION.
 7. USE D9 IN YA VARIATION ONLY.

NOTES CONT:
 NOTE 8:
 (1) Q3 SCREW HEAD SHOULD BE ON TOP OF FLAT RECTANGULAR WASHER AS SHOWN. APPLY 6 INCH LBS. OF TORQUE WHEN SECURING Q3 TO CAT. BOARD BEFORE SOLDERING.
 NOTE 9: **TORQUE APPLICATION**
 (1) APPLY 12 INCH LBS OF TORQUE TO THE SCREWHEAD OF #4 HARDWARE EXCEPT Q3.
 (2) APPLY 12 INCH LBS OF TORQUE TO #6 HARDWARE ON L1.
 (3) APPLY 16 INCH LBS OF TORQUE TO ALL #6 AND #10 HARDWARE EXCEPT ON L1.
 (4) ALL HARDWARE TO BE TORQUED BEFORE SOLDERING.
 NOTE 10:
 INSERT C13 INTO ETCH PAD HOLES CONNECTED TO J1 TERMINALS, 2-3.
 NOTE 11:
 MIN TORQUE REQUIRED FOR QC INSPECTION:
 8 INCH LBS FOR #4 HARDWARE,
 12 INCH LBS FOR #6 AND #10 HARDWARE
 *SEE NOTE 7



CAUTION:
 OFF SHEET PARTS LIST REF TO K-PL-H744-0-DBP

IC TYPE	CVD	HOW	ITEM NO	REV	FROM PT	TO PT
74123C			7	12		

ITEM NO	REV	DESCRIPTION	QTY	UNIT	DATE	BY	CHKD
1		...					
2		...					
3		...					
4		...					
5		...					
6		...					
7		...					
8		...					
9		...					
10		...					
11		...					
12		...					
13		...					
14		...					
15		...					
16		...					
17		...					
18		...					
19		...					
20		...					
21		...					
22		...					
23		...					
24		...					
25		...					
26		...					
27		...					
28		...					
29		...					
30		...					
31		...					
32		...					
33		...					
34		...					
35		...					
36		...					
37		...					
38		...					
39		...					
40		...					
41		...					
42		...					
43		...					
44		...					
45		...					
46		...					
47		...					
48		...					
49		...					
50		...					
51		...					
52		...					
53		...					
54		...					
55		...					
56		...					
57		...					
58		...					
59		...					
60		...					
61		...					
62		...					
63		...					
64		...					
65		...					
66		...					
67		...					
68		...					
69		...					
70		...					
71		...					
72		...					
73		...					
74		...					
75		...					
76		...					
77		...					
78		...					
79		...					
80		...					
81		...					
82		...					
83		...					
84		...					
85		...					
86		...					
87		...					
88		...					
89		...					
90		...					
91		...					
92		...					
93		...					
94		...					
95		...					
96		...					
97		...					
98		...					
99		...					
100		...					

FIRST USED ON PART NO	ETCH BOARD REV	DATE LIST
D664 IN3606	H	
IN4744		
SEC NO.	EIA NO.	SEC NO.
EQUIPMENT CORPORATION		
+5V REGULATOR		
EIA H744-D-0		

LINE ITEM	DOCUMENT NUMBER	PART NUMBER	DESCRIPTION	QTY PER VARIATION		REFERENCE DESIGNATOR
				00	YA	
1	1	5009725-00	H744 H	1	1	
2	2	1002627-00	2.2MFD 20V 10% S.TANT	1	1	C6
3	3	1001610-00	.01 MFD 50V +80-20% 25U CER	2	2	C10,C13
4	4	1001637-00	2700.0 MMF 100V 5%200PPM MICA	1	1	C11
5	5	1000050-00	.033 MFD 100V 10% MYLK	1	1	C2
6	6	1001774-00	.05 MFD 25V 10% Y5U DISC	2	2	C4,C3
7	7	1010858-00	31,000 MFD 50V +75-10% AL EL	1	1	C1
8	8	1010704-00	6000 MFD 10V +75-10% AL EL	2	2	C8,C9
9	9	1110714-00	NSS3514 FWR@400 I=20A (TRW)	1	1	D1
10	10	1105648-00	1N 4744 VZ= 15.0 10% 1W	1	1	D2
11	11	1100114-00	D 664 QS\75PCB PIV= 25V SP	2	-	D4,D8
		CONT		-	3	D4,D8,D9
12	12	1110715-00	NSR8117 PIV= 75 I=20A T03 SM	1	1	D5
13	13	9009142-02	SCREW, PHILLIPS FLAT HEAD, SELF	4	4	
14	14	1109465-00	MCR 649P2SCR@ 50V I=20A T041	1	1	D7
15	15	1110925-00	ITTZ429 VZ= 5.1 2% .40W M	1	0	D3
16	16	1300250-00	150.0 .25 W 5.0 % CC	2	-	R12,R10
		CONT		-	3	R12,R10,R18
17	17	1301317-00	10.0 .25 W 5.0 % CC	1	1	R5
18	18	1302927-00	3.90 K 1.0 W10.0 % CC	1	1	R1
19	19	1300358-00	820.0 1.0 W10.0 % CC	1	1	R2
20	20	1310876-00	.02 5.0 W 3.0 % WW	1	0	R4
21	21	1300479-00	10.0 K .25 W 5.0 % CC	2	2	R6,R15
22	22	1302465-00	18.0 K .25 W 5.0 % CC	1	1	R25
23	23	1302411-00	511.0 .25 W 1.0 % RN55D-F10	1	0	R18
24	24	1300365-00	1.0 K .25 W 5.0 % CC	2	2	R8,R16
25	25	1309412-00	18.20 K .25 W 1.0 % RN55D-F10	1	1	R7
26	26	1301522-00	27.0 .25 W 5.0 % CC	2	2	R9,R11
27	27	1302955-00	750.0 .25 W 1.0 % RN55D-F10	1	0	R17
28	28	1301420-00	*** THIS ITEM IS NOT USED ***	-	-	

REVISION HISTORY		BASIC PART NO: OH744		DRN:	W.G.	DATE: 12-16-71	D I G I T A L				
ENG	ECO NUMBER	REV	SECTION A OF A	CHK'D:	D. FONTAINE	DATE: 12-19-71	TITLE	PARTS LIST			
G.P.	H744-ML021	AB	SECTION.VARIATION INDEX				5V REGULATOR				
			[A] 00, YA								
			[B]								
			[C]	DES.ENG:	G. POTTER	DATE: 12-28-71					
			[D]								
			[E]								
			[F]	RESP.ENG.:	G. POTTER	DATE: 12-28-71	DOCUMENT NUMBER				
			[H]				SIZE	CODE	NUMBER	REV	
			[J]								
			[K]	MFG.ENG.:	A. HIRSCH	DATE: 01-07-72	K	PL	H744-0-DBP	AB	
			[L]								
			[M]	ASSEMBLY NUMBER:		TOP DOCUMENT NUMBER:	FILE NAME:	EDIT #			
			[N]	E-UA-H744-0-0		#B-DD-H744-0	ML04AB.PLS	13			

*THIS DRAWING AND SPECIFICATIONS HEREIN, ARE THE PROPERTY OF DIGITAL EQUIPMENT CORPORATION AND SHALL NOT BE REPRODUCED OR COPIED OR USED IN WHOLE OR IN PART AS THE BASIS FOR THE MANUFACTURE OR SALE OF ITEMS WITHOUT WRITTEN PERMISSION. COPYRIGHT (C) 1981. DIGITAL EQUIPMENT CORPORATION *

LINE	ITEM	DOCUMENT NUMBER	PART NUMBER	DESCRIPTION	QTY	PER	VARIATION	REFERENCE DESIGNATOR
					00	YA		
29	29		9006011-01	SCREW,PAN,PHIL 4-40X 3/8 SS	1	1		
30	30		1300229-00	100.0 .25 W 5.0 % CC	1	1		R23
31	31		1309422-00	5.10 .25 W 5.0 % CC	1	1		R21
32	32		1310852-00	200.0 .50 W20.0 % POT	1	0		R14
33	33		1510196-00	2N 5302/HSNPN 200WC SI 60 40 M	1	1		Q2
34	34		1510706-00	XA 55 PNP 500MW SI 60 50 P	3	3		Q1,Q6,Q4
35	35		1510708-01	D 45H8CPNP 50WT SI 60 60 Y	1	1		Q3
36	36		1510705-00	XA 05 NPN 500MW SI 60 50 P	1	1		Q5
37	37		1910415-00	723 VOLT REG VAR 2/37V	1	1		E1
38	38		1209340-00	MATE-N-LOK 8POS COMM HSG,SKT	1	1		J1
39	39		9009000-00	EYELET,ROLL FLANGE .1210DX .156	6	6		
40	40		9007203-00	CLIP, FUSE, WITH STOP, SCREW MLU	2	2		
41	41		1213237-01	FUSE, RECTIFIER 15A, 65V	1	1		F1
42	42		9009669-01	SCREW,PAN,SLOT 10-32X 5/16 SS	4	4		
43	43		9008185-00	NUT,KEP , 6-32X1/4 AF	3	3		
44	44		9006721-00	WASHER, SPECIAL INSULATING, #294	3	3		
45	45		9008301-01	SCREW,PAN,PHIL 4-40X 1/4 SS	2	2		
46	46		1610850-00	44. UH 25A #MMC4347	1	1		L1
47	47		1300171-00	10.0 1.0 W 5.0 % CC	1	1		R24
48	48		1000012-00	56.0 MMF 100V 5%200PPM MICA	2	2		C5,C12
49	49	D-PS-1210737-0-0		HEAT SINK REGULATOR	1	1		
50	50	C-IA-12388-0-0		HOLDER, CAPACITOR 2.5	1	1		
51	51	D-IA-5309756-0-9		BRACKET, REGULATOR	1	1		
52	52	C-MD-5309759-0-0		STRAP, CAPACITOR	2	2		
53	53		1209456-01	MATE-N-LOK SKT COMM PC MTG LOOSE	8	8		
54	54		9006009-02	*** THIS ITEM IS NOT USED ***	-	-		
55	55		9006633-00	WASHER,LOCK,INT,.2800D X .146ID	1	1		
56	56		9008020-02	SCREW,FLAT,PHIL, 6-32X 3/16	1	1		
57	57	C-MD-5309760-0-0		COVER	0	1		
58	58		9006020-01	SCREW,PAN,PHIL 6-32X 1/4 SS	1	1		
59	59		1510877-00	2N 6028 UJT 300MW R67B	1	1		Q7
60	60		1300488-00	12.0 K .25 W 5.0 % CC	1	1		R3
61	61		1305322-00	7.50 K .25 W 1.0 % RN55D-F10	1	1		R19
62	62		1300391-00	1.50 K .25 W 5.0 % CC	1	1		R26
63	63		9008268-00	COMPOUND, THERMAL JOINT	A/R	A/R		
64	64		1210907-00	HT STNK BRIDGE RECT #695-1-G	1	1		
65	65		9008033-01	SCREW,PAN,PHIL 4-40X 9/16 SS	6	6		
66	66		9006557-00	NUT,KEP , 4-40X 1/4 AF	7	7		
67	67		9006632-00	WASHER,LOCK,INT,.2600D X .120ID	8	8		
68	68		1209219-01	LAMP 6V@200MA,T1-3/4PINS#2319	1	0		I1
69	69		1301424-00	680.0 .25 W 5.0 % CC	1	1		R22
70	70	A-PI-3700074-0-0		PACKAGING INSTRUCTIONS	1	1		
71	71		9006025-01	SCREW,PAN,PHIL 6-32X 5/8 SS	1	1		
72	72		1209169-00	LAMP, 15V @ .040AMP MAX, .075 CP	0	1		I1
73	73		9006635-00	WASHER,LOCK,INT,.3100D X .200ID	4	4		
74	74		9009157-00	*** THIS ITEM IS NOT USED ***	-	-		
75	75		9107302-11	*** THIS ITEM IS NOT USED ***	-	-		
76	76		9107278-11	*** THIS ITEM IS NOT USED ***	-	-		

D I G I T A L				TITLE	SECTION A OF A			SIZE	CODE	DOCUMENT NUMBER	REV
				5V REGULATOR				K	FL	H744-0-DBP	AB

LINE	ITEM	DOCUMENT NUMBER	PART NUMBER	DESCRIPTION	QTY	PER	VARIATION	REFERENCE DESIGNATOR
					00	YA		
77	77		1505555-00	*** THIS ITEM IS NOT USED ***	-	-		
78	78		9107252-09	*** THIS ITEM IS NOT USED ***	-	-		
79	79	SEE NOTE	1700014-00	CABLE, COAX, 3 COND.	0	1		
80	80		9007079-00	CLAMP, CABLE, SCREW MNT, 1/8"	0	1		
81	81		1309532-04	1.0 K 2.0 W 5.0 % POT	0	1		R14
82	82		1301425-00	300.0 .25 W 5.0 % CC	0	1		R17
83	83		7419952-00	COVER COMPONENT	0	1		
84	84		1310876-02	.06 5.0 W 3.0 % WW	0	1		R4
85	85		1109991-00	1N 754A VZ= 6.8 5% .40W	0	1		D3
86	86		9008848-00	WASHER, FIBER, W/ADH. BACK, 1/2	0	2		
87	87		1010274-00	.22 MFD 50V +80-20% Z5U CER	1	1		C7
88	88		1312496-00	10.0 .25 W 5.0 % FUSE	1	1		R13
89	89		9009769-00	WASHER, RECTANGULAR .405X.225X.0	1	1		
90	90	A-DC-7416945-1-0		DECAL (H744)	1	1		
91	91		1214074-00	STRAF, THERMAL	1	1		
92	92	D-CS-H744-0-1		CIRCUIT SCHEMATIC	-	REF		
93	93	B-MH-H744-0-6		MODULE ECO HISTORY	-	REF		
94	94	K-CD-H744-0-4		X-Y COORDINATE HOLE LOCATION	-	REF		
95	95	D-AH-H744-0-5		ASSY/DRILLING HOLE LAYOUT	-	REF		

96 NOTE: CUT CABLE TO LENGTH OF 12 IN.

DIGITAL				TITLE	SV REGULATOR	SECTION A OF A	SIZE	CODE	DOCUMENT NUMBER	REV
							K	PL	H744-0-DBF	AB

CUSTOMER PRINT SET INDEX

THIS IS PRINT SET

DRAWING DIRECTORY
CIRCUIT SCHEMATIC
UNIT ASS'Y

SEQUENCE



B-DD-H745-Ø
D-CS-H745-Ø-1
E-UA-H745-Ø-Ø



MFG. SET

TEST PROCEDURE
MFG. SPEC.
PACKAGING INSTRUCTION

SEQUENCE



A-SP-11/45-TA-2
A-SP-H745-Ø 8
A-PI-3700074-0-0

UNIT VARIATIONS		PRINT SET	
VAR	TITLE	H745-1	
H745	-15V REGULATOR	X	

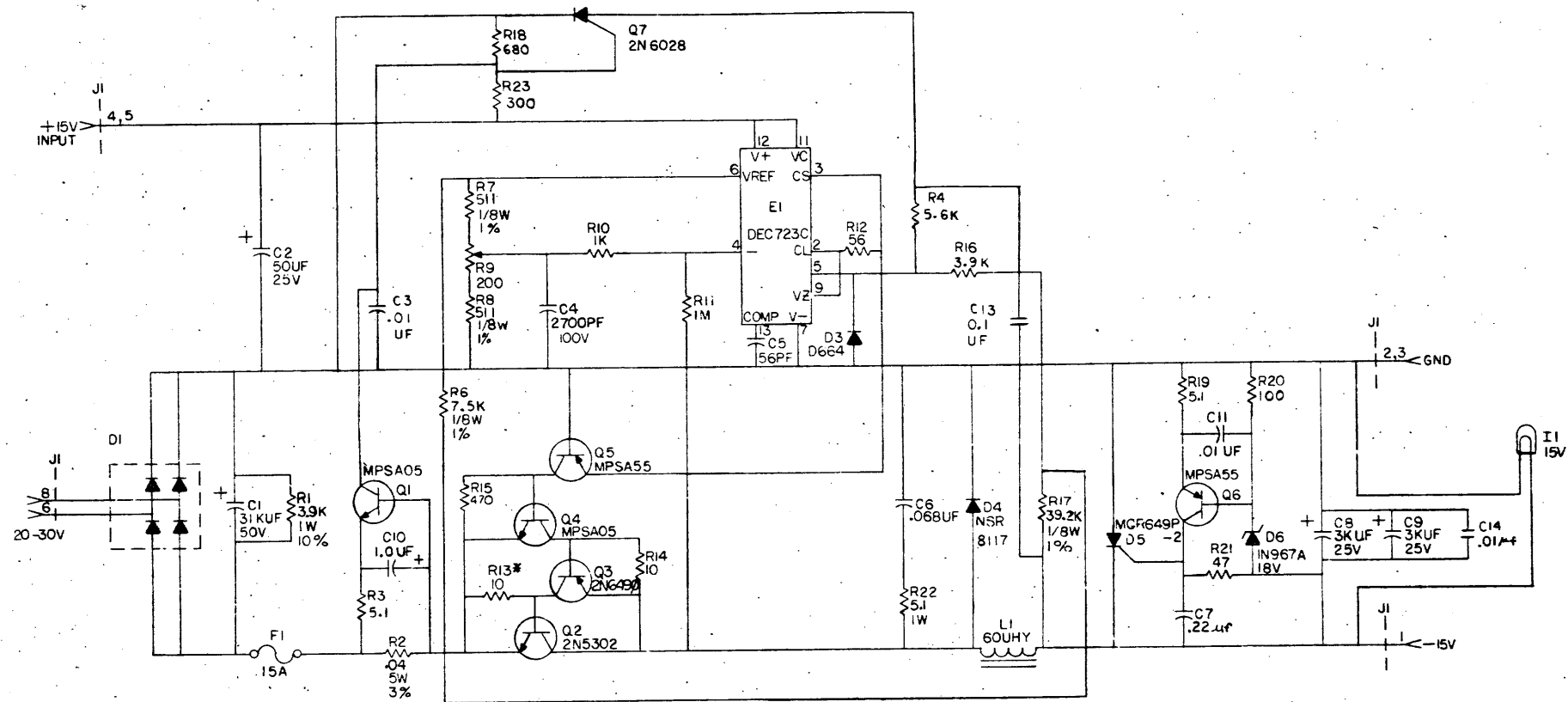
REVISIONS			USED ON OPTION/MODEL		DRM.	DATE	TITLE			
DATE	CHG. NO.	REV			D. FON TAINE	2-7-72	- 15V REGULATOR			
	H745-16	K			CHK'D.	DATE				
	H745-17	L			J GAUDETTE	2-17-72				
	H745-18	M			PROJ ENG.	DATE				
9-76	H745-19	N			G. POTTER	2-25-72				
10-76	H745-20	P			PROD.	DATE	SIZE	CODE	NUMBER	REV
7-77	H745-22	R			A. HUSCH	2-25-72	B	DD	H745-Ø	S
10-78	H745-MLØ23	S			FIELD SERV.	DATE				
					A. ZINS	2-25-72				
SHEET		OF		2						

DEC 15 1978 10:23:11 00912

FIND NO.	DRAWING NO.	DESCRIPTION	TYPE	FIND NO.	DRAWING NO.	DESCRIPTION	TYPE				
1	E-UA-H745-Ø-Ø	UNIT ASSY	E/M								
	D-CS-H745-Ø-1	CIRCUIT SCHEMATIC	E								
	D-AH-H745-Ø-5	ASSY/DRILLING HOLE LAYOUT	E								
	B-MH-H745-Ø-6	MODULE ECO HISTORY	E								
	A-SP-H745-Ø-8	MFG SPEC	E								
	A-SP-11/45-TA-2	TEST PROCEDURE	E								
	D-PS-1210737-0-0	HEAT SINK	M								
	D-IA-5309756-0-0	REGULATOR BRACKET	M								
	C-IA-5309761-0-0	2-5 CAP BRACKET	M								
	C-MD-5309759-0-0	CAPACITOR STRAP	M								
2	A-PI-3700074-0-0	PACKAGING INSTRUCTIONS	M								
	A-PS-9905211-0-0	OUTER CARTON	M								
	A-PS-9905212-0-0	INNER PACKAGE	M								
TYPE:	E ELECTRICAL			TITLE	-15V REGULATOR	SIZE CODE	B DD	NUMBER	H745-Ø	REV	S
	M MECHANICAL										
	E/M ELECTRO/MECHANICAL										
				SHEET 2 OF 2							



The drawing and specifications herein are the property of Digital Equipment Corporation and shall not be reproduced or copied or used in whole or in part as the basis for the manufacture or sale of items without written permission. COPYRIGHT (C) 1974.
DIGITAL EQUIP CORP., MAYNARD, MASS.



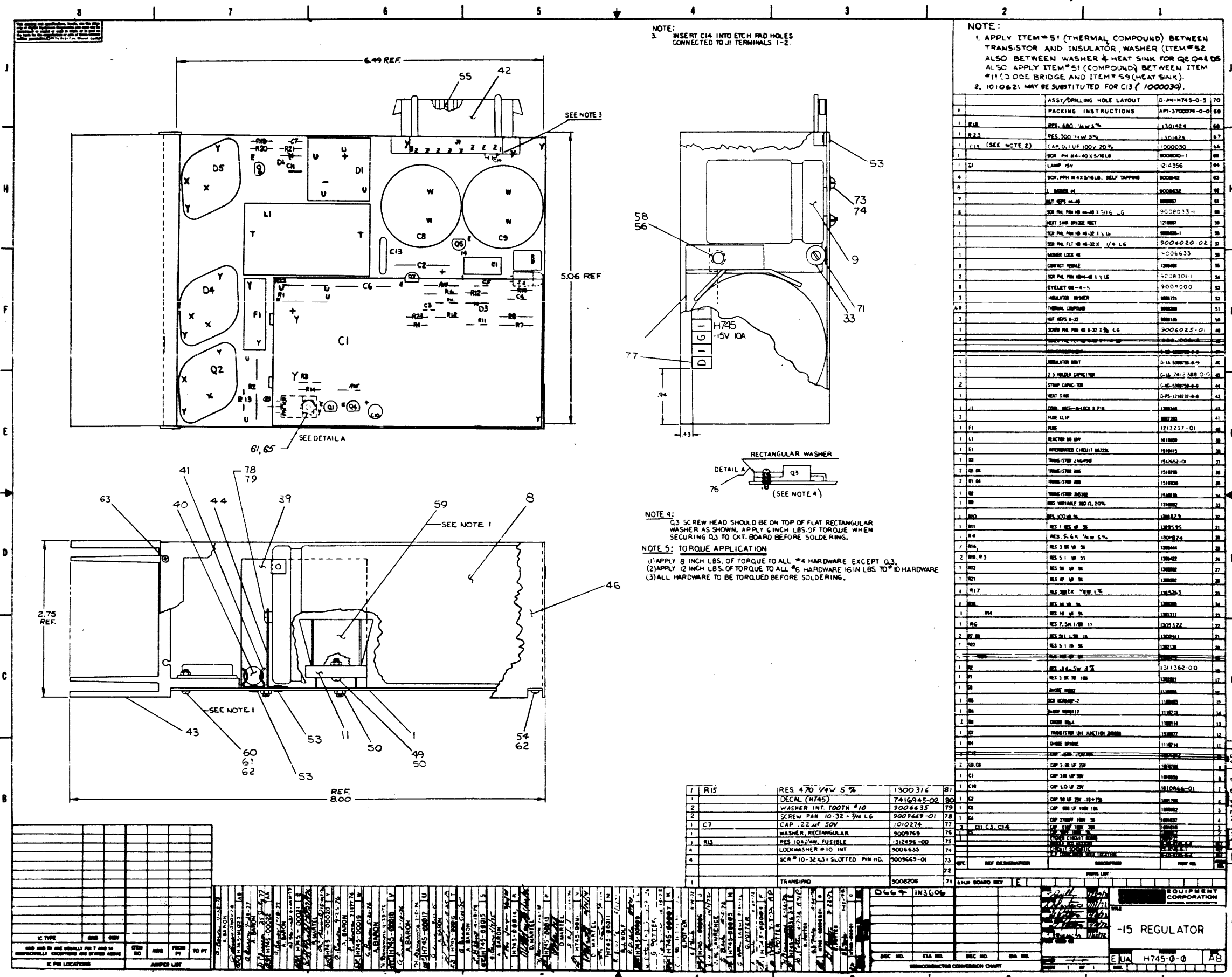
* FUSIBLE
UNLESS OTHERWISE INDICATED:
RESISTORS = 1/4W, 5%

QTY	REF DESIGNATION	DESCRIPTION	PART NO.	ITEM NO.
		PARTS LIST		
		ETCH BOARD REV E		
		D664 IN 3606 045H B		
		NSR 8117 2N 6028		
		MCR 649P - 2		
		IN 967A SAME		
		2N 5302		
		MPS A05		
		MPS A55		
		DEC NO. EIA NO. DEC NO. EIA NO.		
SEMICONDUCTOR CONVERSION CHART				
		DRK <i>[Signature]</i> DATE 11-8-71		
		CHK'D <i>[Signature]</i> DATE 1-9-71		
		ENGR <i>[Signature]</i> DATE 1/12/72		
		PROJ <i>[Signature]</i> DATE 1/13/72		
		PREP <i>[Signature]</i> DATE 1/13/72		
		NEXT HIGHER ASSY		
		TITLE -15V REG		
		SIZE CODE NUMBER DICS H745 -0-1 AA		
		SHEET 1 OF 1 DIST		

C1, B. B. 11-25-72
 A. BARON
 H745-ML043 AA
 H745-ML043 AA
 A. BARON
 H745-00021 E
 REV
 CHG CHANGE NO. REV

2 1-0-1 H745 DCS
 1-0-1 H745 DCS

D
 C
 B
 H745-0-1
 DCS
 B
 B



IC PIN LOCATIONS		JUMPER LIST		COMPONENTS		TRANSISTOR		PARTS LIST		EQUIPMENT CORPORATION		
1	IC1	IC2	IC3	RES 470 1/4W 5%	1300316	81	DECAL (H745)	7416945-02	80	RES 10 1/4W 5%	1300443	79
1	IC4	IC5	IC6	WASHER INT. 100TH #10	9006435	79	SCREW PAN 10-32 x 3/4 LG	9006449-01	78	RES 5 1/4W 5%	1300824	28
1	IC7	IC8	IC9	CAP 22UF 50V	1010274	77	CAP 22UF 50V	1010274	77	RES 2 1/4W 5%	1300844	29
1	IC10	IC11	IC12	WASHER RECTANGULAR	9006435	79	WASHER RECTANGULAR	9006435	79	RES 3 1/4W 5%	1300822	27
1	IC13	IC14	IC15	RES 10 1/4W FUSIBLE	132498-00	75	RES 10 1/4W FUSIBLE	132498-00	75	RES 1 1/4W 5%	1300821	26
1	IC16	IC17	IC18	LOCKWASHER #10 INT	9006435	74	LOCKWASHER #10 INT	9006435	74	RES 1/2 1/4W 5%	1300820	25
1	IC19	IC20	IC21	SCR #10-32x3/16 SLOTTED PH HD.	9006435-01	73	SCR #10-32x3/16 SLOTTED PH HD.	9006435-01	73	RES 1/4 1/4W 5%	1300819	24
1	IC22	IC23	IC24	TRANSISTOR	9006206	71	TRANSISTOR	9006206	71	RES 1/8 1/4W 5%	1300818	23
EQUipment Corporation		H745-0-0		AB		EQUipment Corporation		H745-0-0		AB		

DRAWING DIRECTORY

"THIS DRAWING AND SPECIFICATIONS, HEREIN, ARE THE PROPERTY OF DIGITAL EQUIPMENT CORPORATION AND SHALL NOT BE REPRODUCED OR COPIED OR USED IN WHOLE OR IN PART AS THE BASIS FOR THE MANUFACTURE OR SALE OF ITEMS WITHOUT WRITTEN PERMISSION. COPYRIGHT © 1974, DIGITAL EQUIPMENT CORPORATION"

CUSTOMER PRINT SET INDEX

THIS IS PRINT SET

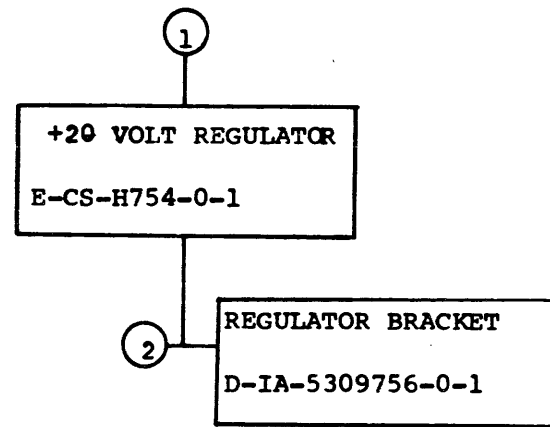
DRAWING DIRECTORY
+20 VOLT REGULATOR

B-DD-H754- ϕ
E-CS-H754-0-1

UNIT VARIATIONS		PRINT SET			
VAR	TITLE				
H754-0	+20 VOLT REGULATOR	X			

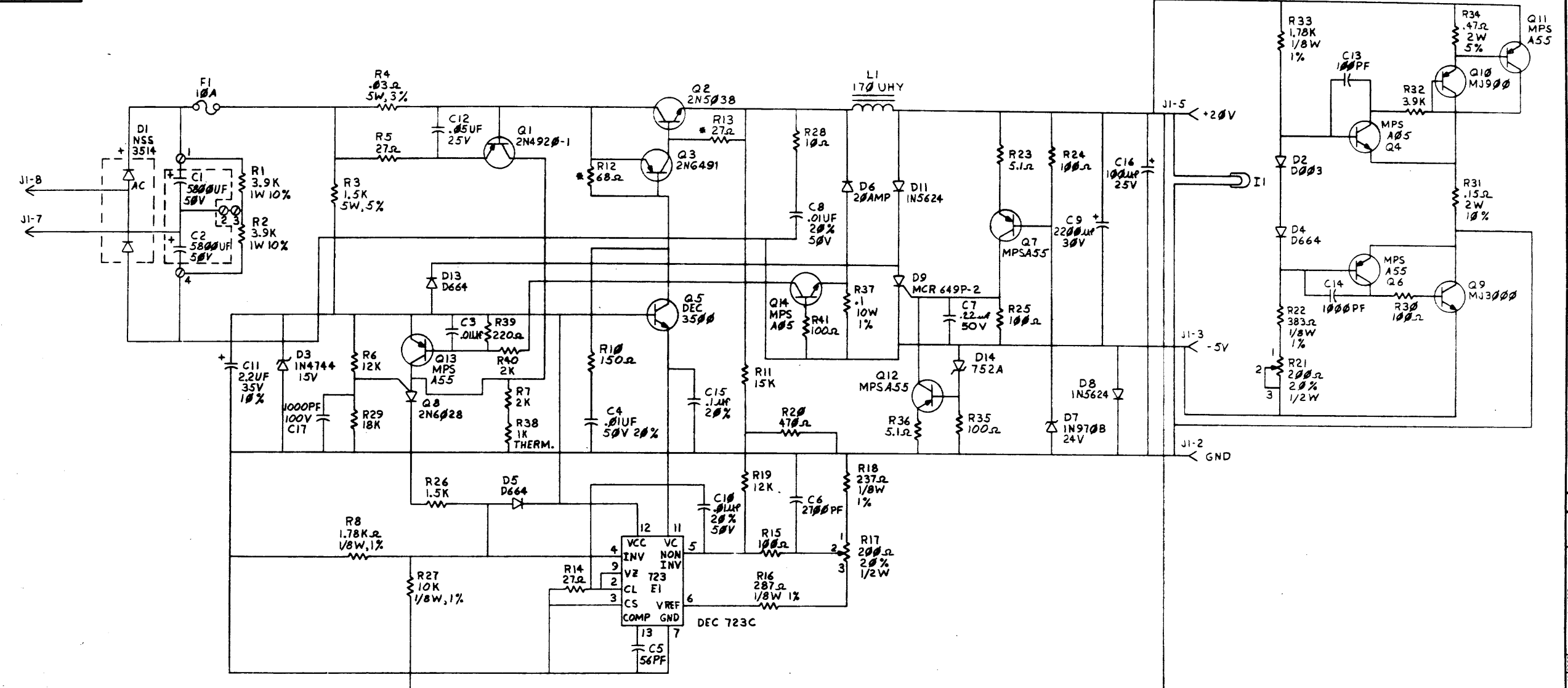
DEC 16-1050-1062-1A-0072

REVISIONS		USED ON OPTION/MODEL		DRN.	DATE	TITLE			
	CHG. NO.			J. Fleming	2/21/74	+20 VOLT REGULATOR			
	DATE			CHK'D.	DATE				
	10-75 H754-9 A			J. Fleming	2/21/74				
	11-3 H754-10 B			PROJ ENG.	DATE				
				<i>E. A. Lyons</i>	3-13-74				
				PROD.	DATE	SIZE	CODE	NUMBER	REV
				<i>Jack Homan</i>	5-14-74	B	DO	H754- ϕ	B
				FIELD SERV.	DATE				
				<i>Walt Aulsebrook</i>	7/25/74				
		SHEET	1	OF	3				
		DIST							



TITLE	SHEET OF	SIZE CODE	NUMBER	REV
+20 VOLT REGULATOR	3 OF 3	B DD	H754- β	B

"THE DRAWING AND SPECIFICATIONS HEREIN ARE THE PROPERTY OF DIGITAL EQUIPMENT CORPORATION AND SHALL NOT BE REPRODUCED OR COPIED OR USED IN WHOLE OR IN PART AS THE BASIS FOR THE MANUFACTURE OR SALE OF ITEMS WITHOUT WRITTEN PERMISSION. COPYRIGHT © 1972, DIGITAL EQUIPMENT CORPORATION"

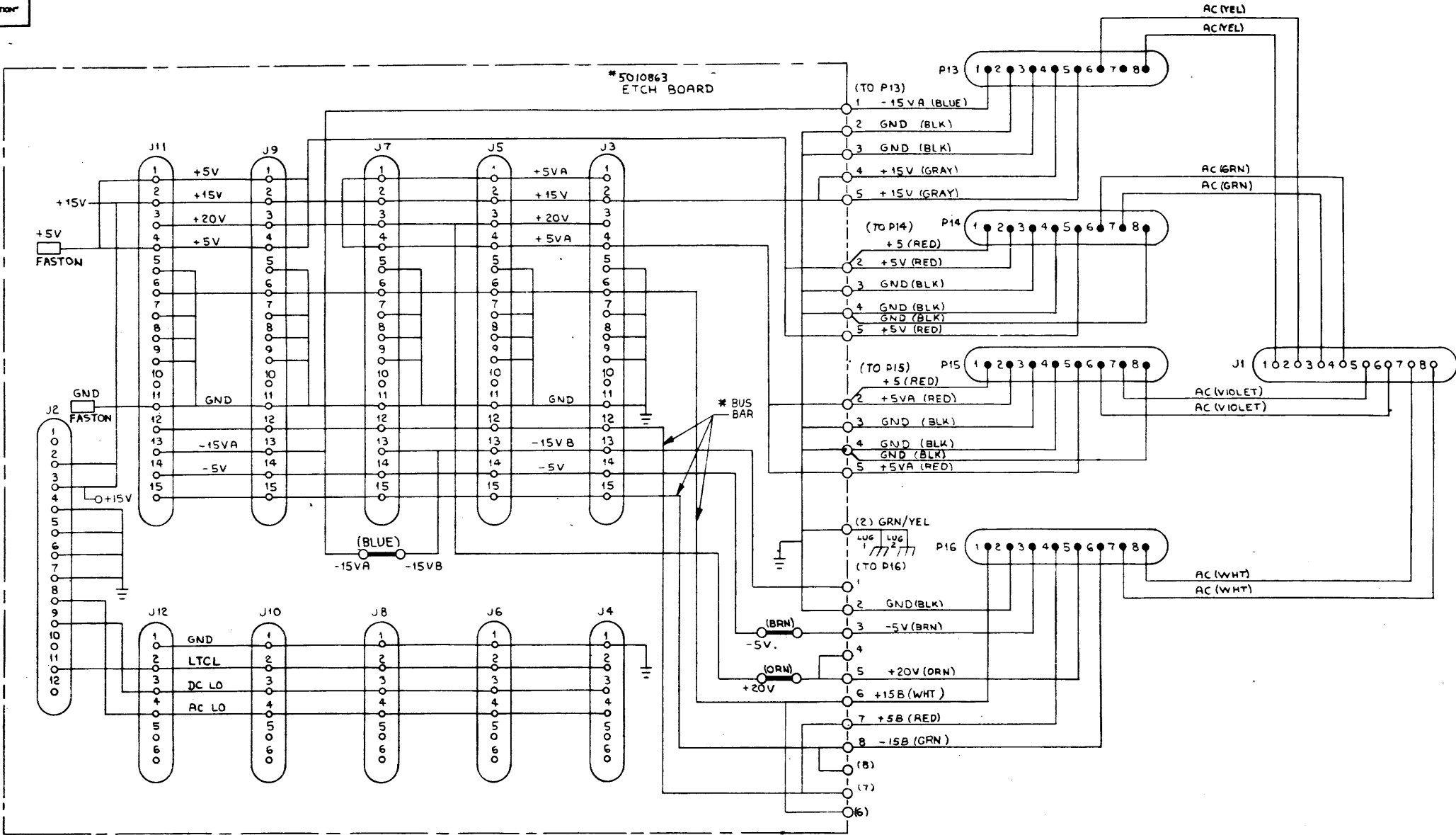


* FUSIBLE RESISTOR

REV.	DATE	BY	CHK.
1			

DRN. BISSONNETTE 8-29-72	FIRST USED ON H754	
CHK'D R. VOWLES 12-17-72		
ENG. R. BURTON 5-7-73	TITLE	
PROJ. ENG. R. BURTON 5-7-73	+20 VOLT REGULATOR	
PROD. L. BAPTISTE 5-9-73		
NEXT HIGHER ASSY.	SIZE CODE	NUMBER
SCALE	DCS	H754-0-1
SHEET 2 OF 2	DIST.	

THIS DRAWING AND SPECIFICATIONS HEREIN ARE THE PROPERTY OF DIGITAL EQUIPMENT CORPORATION AND SHALL NOT BE REPRODUCED OR COPIED OR USED IN WHOLE OR IN PART AS THE BASIS FOR THE MANUFACTURE OR SALE OF ITEMS WITHOUT WRITTEN PERMISSION. COPYRIGHT © 1974 DIGITAL EQUIPMENT CORPORATION



* BUS BAR USED IN THE YA VARIATION ONLY

REVISIONS		
CHK	CHANGE NO.	REV.

TITLE	SIZE CODE	NUMBER	REV.
PWR DIST BOARD	DCS	5410864-0-1	L
SCALE NONE	SHEET 2 OF 3	DIST.	

DCS 5410864-0-1 L

THIS DRAWING AND SPECIFICATIONS HEREIN ARE THE PROPERTY OF DIGITAL EQUIPMENT CORPORATION AND SHALL NOT BE REPRODUCED OR COPIED OR USED IN WHOLE OR IN PART AS THE BASIS FOR THE MANUFACTURE OR SALE OF ITEMS WITHOUT WRITTEN PERMISSION. COPYRIGHT © 1976, DIGITAL EQUIPMENT CORPORATION.

WIRE TABLE								
ITEM NO	DESCRIPTION	FROM	TO	LENGTH	SIGNAL NAME			
	AWG	COLOR	CONNECTION	WITH	CONNECTION	WITH		
24	14	YEL	J1-1	8	P13-8	7	12.5"	AC/H745
24		YEL	J1-2		P13-6		12.5"	AC/H745
25		GRN	J1-3		P14-7		11"	AC/H744-1
25		GRN	J1-4		P14-6		11"	AC/H744-1
26		VIO	J1-5		P15-7		8.75"	AC/H744-2
26		VIO	J1-6		P15-6		8.75"	AC/H744-2
27		WHT	J1-7		P16-8		11.25"	AC/H754
27		WHT	J1-8	8	P16-7		11.25"	AC/H754
23		BLU	PDBP13-1	SOLDER	P13-1		5"	-15V
22		BLK	PDBP13-2		P13-2			GND
22		BLK	PDBP13-3		P13-3			GND
21		GRY	PDBP13-4		P13-4			+15V
21		GRY	PDBP13-5		P13-5			+15V
20		RED	PDBP14-2		P14-2			+5V
22		BLK	PDBP14-3		P14-3			GND
22		BLK	PDBP14-4		P14-4			GND
20		RED	PDBP14-5		P14-5			+5V
20		RED	PDBP15-2		P15-2			+5V
22		BLK	PDBP15-3		P15-3			GND
22		BLK	PDBP15-4		P15-4			GND
20		RED	PDBP15-5		P15-5			+5V
22		BLK	PDBP16-2		P16-2			GND
19		BRN	PDBP16-3		P16-3			-5V
18		ORN	PDBP16-5		P16-5	7	5"	+20V
23		BLU	PDP-15A		PDB-15B	SOLDER	1.75"	-15V
18		ORN	PDBP16-5		PDB+20V		5"	+20V
19		BRN	PDBP16-3	SOLDER	PDB-5V		2"	-5V
33		GRN/YEL	LUG 1	35	PDBP16-2	SOLDER	11"	SAFETY GND
33			LUG 2	34			15"	SAFETY GND
20		RED	PDBP16-7	SOLDER	P16-4	7	5.5"	+5B
20		RED	PDBP15-1		P15-1		5"	+5V
20		RED	PDBP14-1		P14-1		5"	+5V
22		BLK	PDBP15-4		P15-8		5.5"	GND
22		BLK	PDBP14-4		P14-8			GND
27		WHT	PDBP16-6		P16-1			+15B
25	14	GRN	PDBP16-8	SOLDER	P16-6	7	5.5"	-15B

YA VARIATION ONLY.

SEE NOTE 1

BUS BAR CONNECTIONS FOR YA VARIATION		
LEVEL A	PDBP16-6 J11,J9,J7,J5,J3 ALL PIN#6	+15V.B
LEVEL B	PDBP16-7 J11,J9,J7,J5,J3 ALL PIN#12	+5V
LEVEL C	PDBP16-8 J11,J9,J7,J5,J3 ALL PIN#15	-15V.B

NOTES:
 1. CS REV. K AND EARLIER PWR DISTRIBUTION BOARDS HAD THE GREEN AND WHITE WIRES REVERSED IN COLOR ONLY. THE POINT-TO-POINT CONNECTIONS REMAIN THE SAME.

REVISIONS		
CHK	CHANGE NO	REV

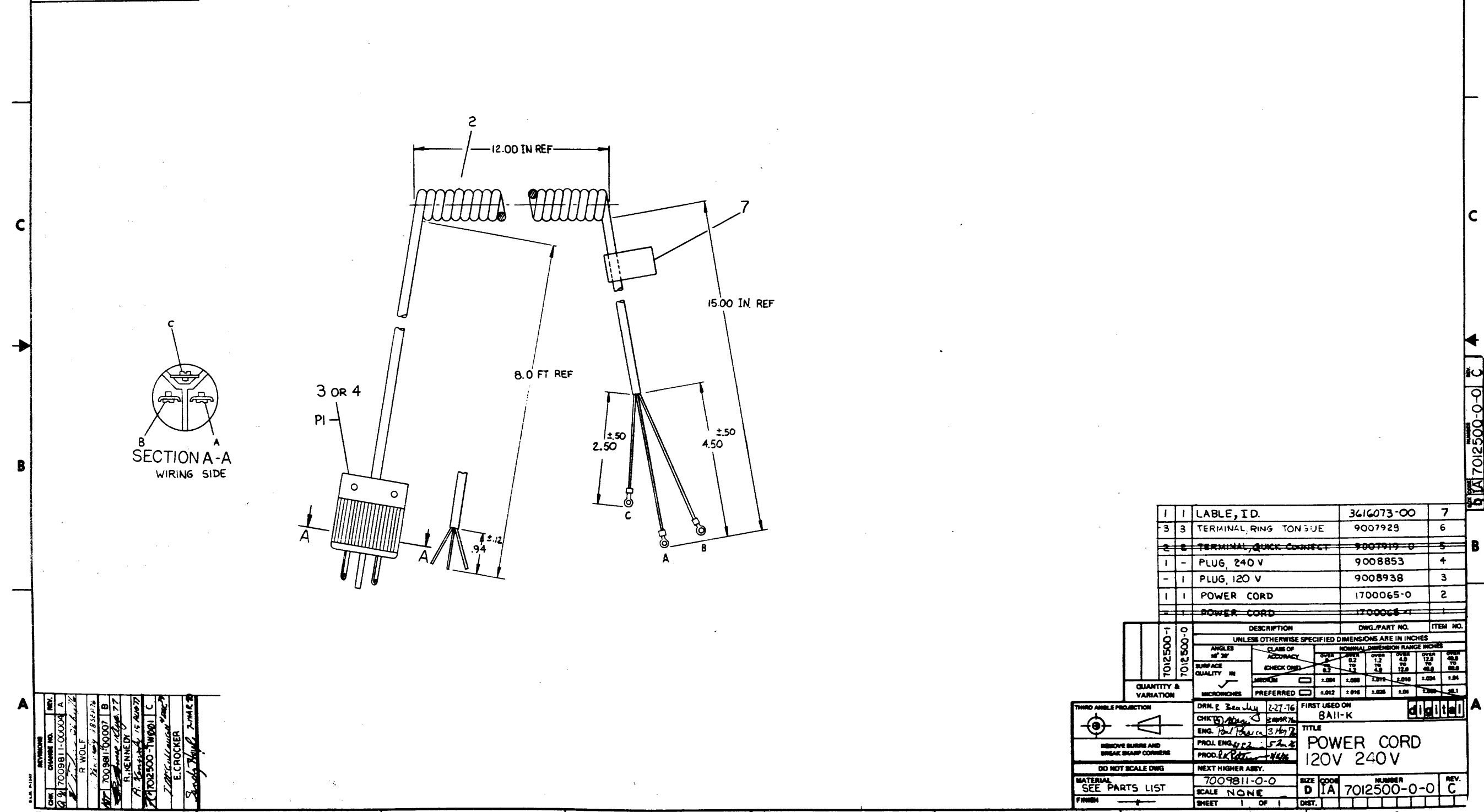
TITLE PWR DIST BOARD						SIZE CODE D CS	NUMBER 5410864-0-1	REV. L
SCALE NONE						SHEET 3 OF 3	DIST.	

D|CS 5410864-0-1 L

WIRE TABLE (7012500-0)							WIRE TABLE (7012500-1)								
ITEM NO.	DESCRIPTION	FROM	TO	REMARKS	ITEM NO.	DESCRIPTION	FROM	TO	REMARKS						
AWG	COLOR	CONNECTION	WITH	CONNECTION	WITH	AWG	COLOR	CONNECTION	WITH	CONNECTION	WITH	REMARKS			
2	14	BRN	PI-B	—	B	6	AC LINE	2	14	BRN	PI-B	—	B	6	LINE
2	14	LT BLU	PI-A	—	A	6	AC NEUTRAL	2	14	LT BLU	PI-A	—	A	6	NEUTRAL
2	14	GRN/YEL	PI-C	—	C	6	AC SAFETY GND	2	14	GRN/YEL	PI-C	—	C	6	AC SAFETY GND

LEGEND

NUMBER	VARIATION
7012500-0	120V
7012500-1	240V

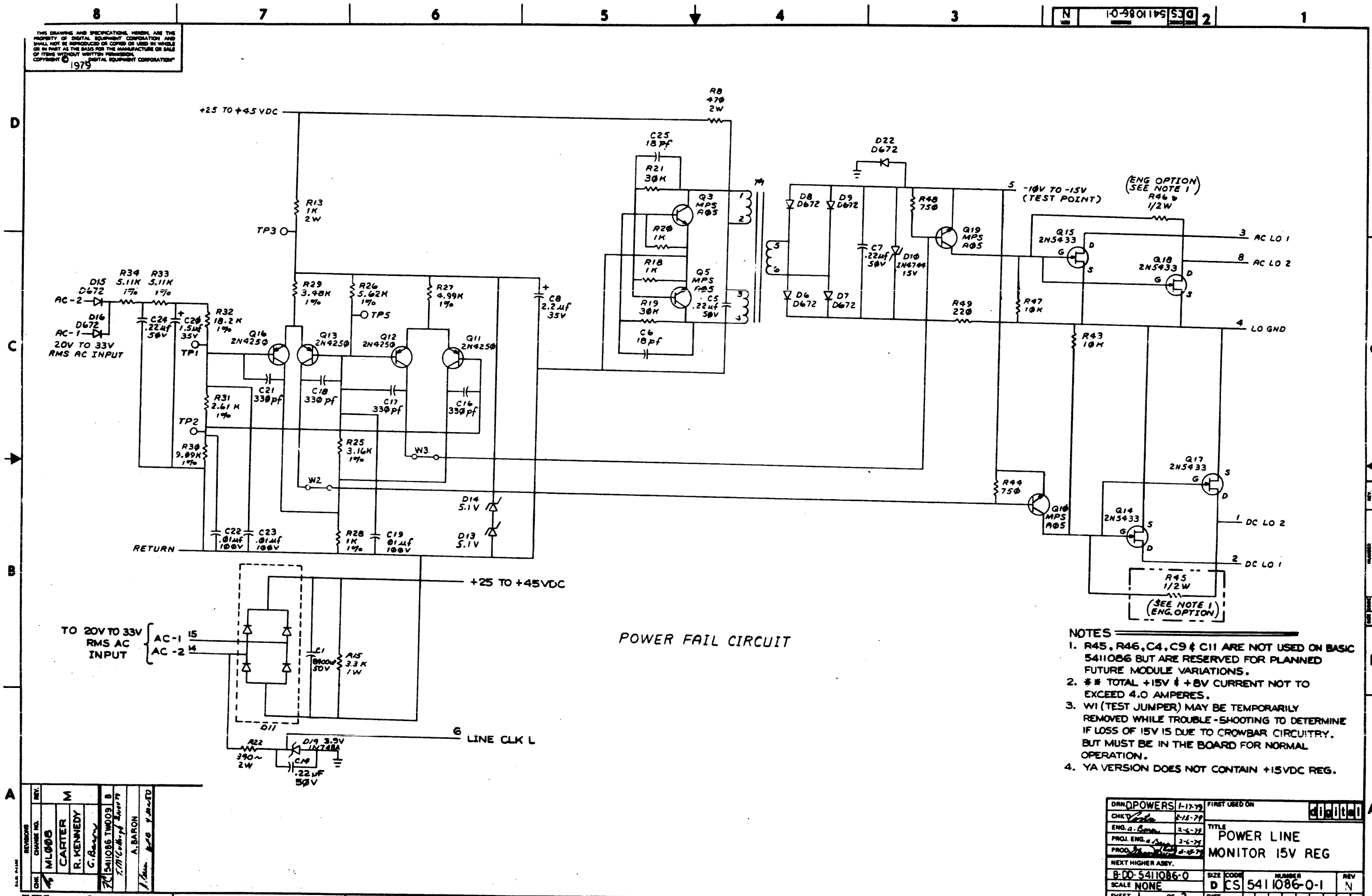


QTY	DESCRIPTION	DWG. PART NO.	ITEM NO.
1	TABLE, I.D.	3616073-00	7
3	TERMINAL RING TONGUE	9007929	6
2	TERMINAL, QUICK CONNECT	9007919-0	5
1	PLUG, 240 V	9008853	4
1	PLUG, 120 V	9008938	3
1	POWER CORD	1700065-0	2
1	POWER CORD	1700065-1	1

7012500-1	7012500-0	DESCRIPTION	DWG. PART NO.	ITEM NO.
UNLESS OTHERWISE SPECIFIED DIMENSIONS ARE IN INCHES				
ANGLES 90° 30°	CLASS OF ACCURACY	NOMINAL DIMENSION RANGE TOLERANCES		
SURFACE QUALITY IN	CHECK CODE	UP TO 1.2	1.2 TO 4.9	4.9 TO 12.5
FINISH	FINISH	12.5 TO 49.9	49.9 TO 99.9	99.9 TO 254
QUANTITY & VARIATION	MICRONICHES	1.004	1.004	1.004
THIRD ANGLE PROJECTION	DRN. <i>R. Beatty</i> 2-27-76	FIRST USED ON	DIGITAL	
REMOVE BURRS AND BREAK SHARP CORNERS	CHK'D <i>R. Beatty</i> 2-27-76	TITLE	POWER CORD	
DO NOT SCALE DWG	ENG. <i>R. Beatty</i> 3-14-76	SIZE	D IA	
MATERIAL SEE PARTS LIST	PROL. ENG. <i>R. Beatty</i> 3-14-76	SCALE	NONE	
FINISH	NEXT HIGHER ASBY.	SHEET	1 OF 1	
		DIST.	TW 1	

REV.	DATE	BY	CHKD.	DESCRIPTION
A	2-27-76	R. WOLF	R. WOLF	REVISED TO 240V
B	3-14-76	R. KENNEDY	R. KENNEDY	REVISED TO 120V
C	3-14-76	E. CROCKER	E. CROCKER	REVISED TO 120V

THIS DRAWING AND SPECIFICATIONS HEREBY ARE THE PROPERTY OF DIGITAL EQUIPMENT CORPORATION AND SHALL NOT BE REPRODUCED OR COPIED OR USED IN WHOLE OR IN PART AS THE BASIS FOR THE MANUFACTURE OR SALE OF ITEMS WITHOUT WRITTEN PERMISSION. DIGITAL EQUIPMENT CORPORATION COPYRIGHT © 1979



POWER FAIL CIRCUIT

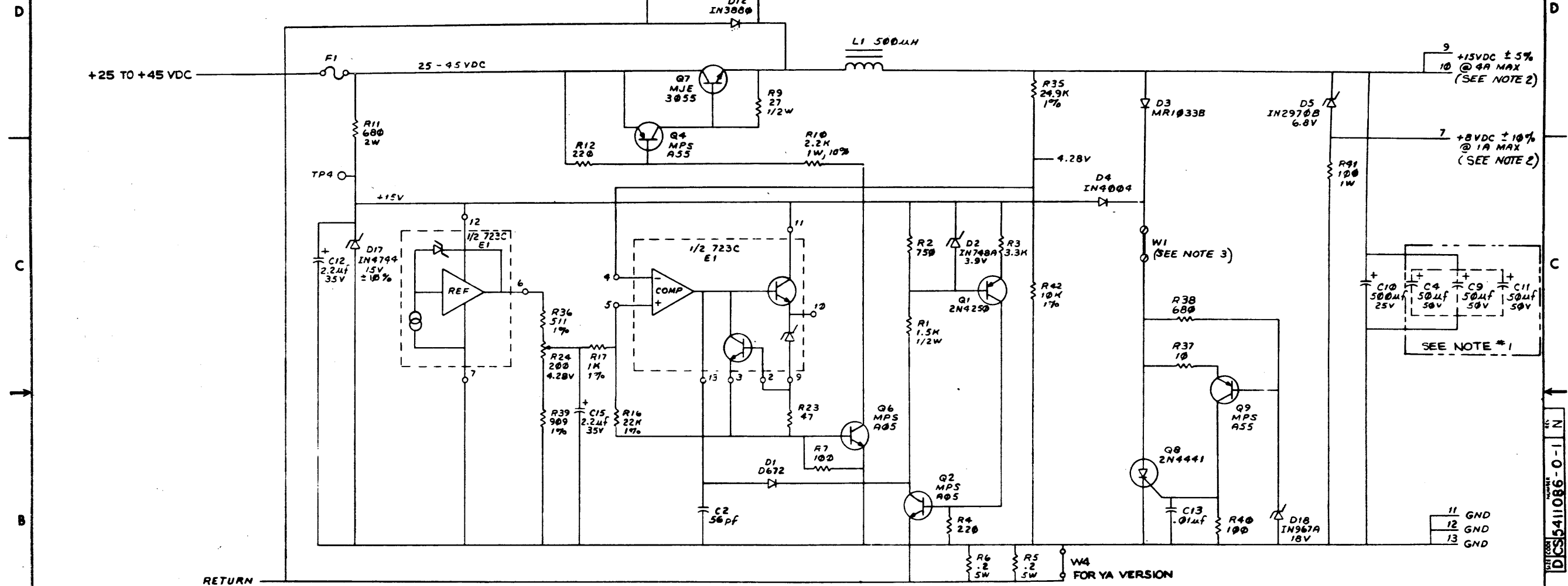
- NOTES
1. R45, R46, C4, C9 & C11 ARE NOT USED ON BASIC 5411086 BUT ARE RESERVED FOR PLANNED FUTURE MODULE VARIATIONS.
 2. ** TOTAL +15V & +5V CURRENT NOT TO EXCEED 4.0 AMPERES.
 3. W1 (TEST JUMPER) MAY BE TEMPORARILY REMOVED WHILE TROUBLE-SHOOTING TO DETERMINE IF LOSS OF 15V IS DUE TO CROWBAR CIRCUITRY. BUT MUST BE IN THE BOARD FOR NORMAL OPERATION.
 4. YA VERSION DOES NOT CONTAIN +15VDC REG.

REV.	M
CHG. NO.	
DESIGNED BY	M. L. GIBSON
CHECKED BY	C. CARTER
APPROVED BY	R. KENNEDY
DATE	1/11/79
BY	A. BARON

DRN DPOWERS	1-17-79	FIRST USED ON	
CHK'D	2-18-79	TITLE	POWER LINE
ENG. D.	2-6-79		MONITOR 15V REG
PROJ. ENG.	2-6-79	SIZE	D
PROD. ENG.	2-6-79	CODE	CS 5411086-0-1
NEXT HIGHER ASSY.		NUMBER	N
B-D-5411086-0		REV	
SCALE NONE			
SHEET 1	OF 2	DIST.	

TW 1

THIS DRAWING AND SPECIFICATIONS HEREIN ARE THE PROPERTY OF DIGITAL EQUIPMENT CORPORATION AND SHALL NOT BE REPRODUCED OR COPIED OR USED IN WHOLE OR IN PART AS THE BASIS FOR THE MANUFACTURE OR SALE OF ITEMS WITHOUT WRITTEN PERMISSION. COPYRIGHT © 1974 DIGITAL EQUIPMENT CORPORATION

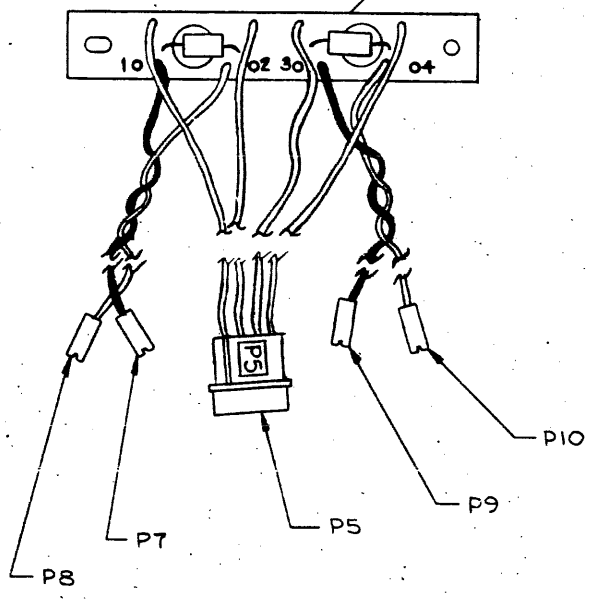
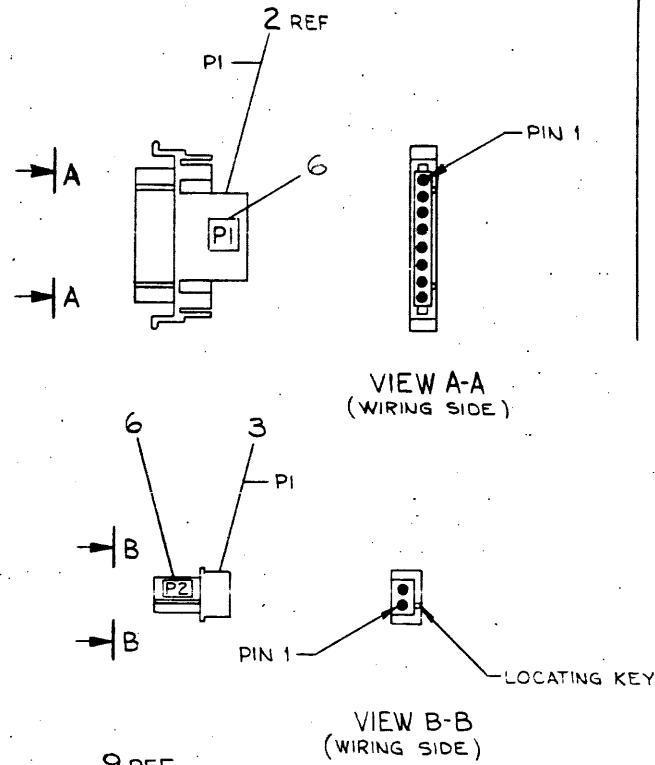
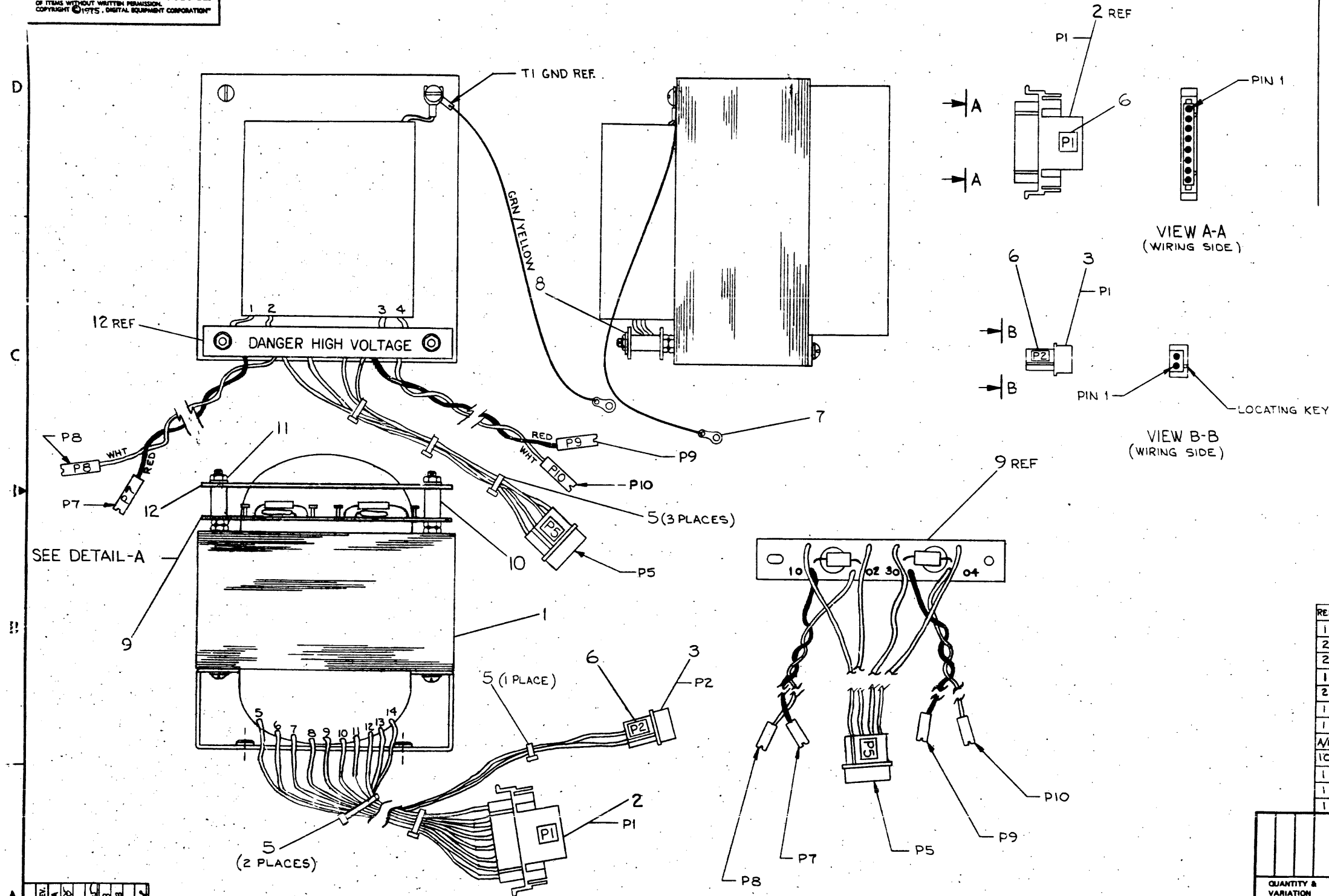


15V REGULATOR
(SEE NOTE #4)

REVISIONS		
CHK	CHANGE NO	REV.

TITLE	PWR. LINE MONITOR/15V REG.	SIZE CODE	NUMBER	REV.
SCALE	SHEET 2 OF 2	DIST.	DCS 5411086-0-1	N

THIS DRAWING AND SPECIFICATIONS, HEREIN, ARE THE PROPERTY OF DIGITAL EQUIPMENT CORPORATION AND SHALL NOT BE REPRODUCED OR COPIED OR USED IN WHOLE OR IN PART AS THE BASIS FOR THE MANUFACTURE OR SALE OF ITEMS WITHOUT WRITTEN PERMISSION. COPYRIGHT © 1975, DIGITAL EQUIPMENT CORPORATION



REF	DESCRIPTION	DWG./PART NO.	ITEM NO.
REF	TRANSFORMER ASSY PROCEDURE	A-SP-7011486-0-9	13
1	COVER	C-1A-7414301-0-0	12
2	NUT, KEP#10 32	9006565	11
2	SPACER, 3/8ODX 1/2LG	9001831	10
1	CAP MOV BOARD ASSY	D-1A-701751-0-0	9
2	WASHER, FLAT 437X.218ID	9006664	8
1	GROUND LUG	9008150	7
1	DECAL	A-DC-7409872-0-0	6
A/R	CABLE TIES 5/4LX1/3W	9007880	5
10	PIN, MALE	1209378-1	4
1	CONN., 2 PIN	1210822-2	3
1	CONN., B PIN	1209340-01	2
1	TRANSFORMER	1612524	1

QUANTITY & VARIATION	CLASS OF ACCURACY	NOMINAL DIMENSION RANGE INCHES					
	(CHECK ONE)	OVER 8	OVER 4.0	OVER 1.0	OVER .50	OVER .20	OVER .00
		10	10	10	10	10	10
		1.004	1.008	1.012	1.016	1.024	1.04
		1.012	1.016	1.020	1.04	1.083	1.01

THIRD ANGLE PROJECTION

REMOVE BURRS AND BREAK SHARP CORNERS

DO NOT SCALE DWG

MATERIAL SEE PARTS LIST

FINISH

DRN. T. [Signature]

CHK'D. [Signature]

ENG. [Signature]

PROJ. ENG. [Signature]

PROD. [Signature]

FIRST USED ON H:62

TITLE TRANSFORMER ASS'Y

SIZE CODE D AD

NUMBER 7011486-0-0

REV. B

SHEET 1 OF 2

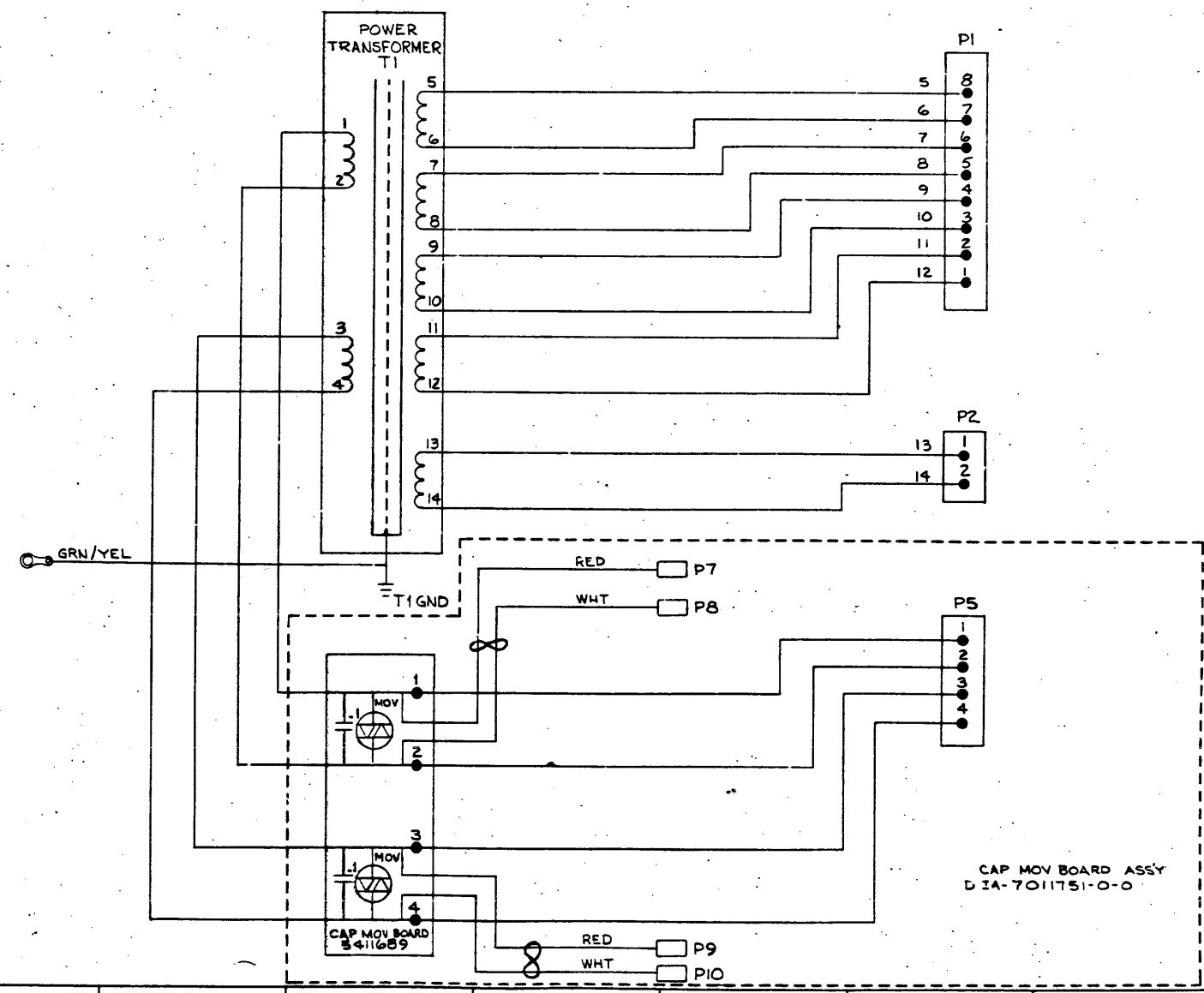
DIST.

REV.	CHANGE NO.	DATE	BY	APP.
A	7011486-00001	1/15/75	B. WOLF	[Signature]
B	7011486-00002	1/16/75	F. KENNEDY	[Signature]

THIS DRAWING AND SPECIFICATIONS HEREIN ARE THE PROPERTY OF DIGITAL EQUIPMENT CORPORATION AND SHALL NOT BE REPRODUCED OR COPIED OR USED IN WHOLE OR IN PART AS THE BASIS FOR THE MANUFACTURE OR SALE OF ITEMS WITHOUT WRITTEN PERMISSION. COPYRIGHT © 1975, DIGITAL EQUIPMENT CORPORATION.

WIRE TABLE

ITEM NO.	DESCRIPTION		FROM		TO		WIRE LENGTH
	AWG	COLOR	CONNECTION	WITH	CONNECTION	WITH	
1	14	BLK	T1-1	---	CAP MOV BD-1	SOLDER	1.5 IN
			T1-2	---	CAP MOV BD-2	SOLDER	2.0 IN
			T1-3	---	CAP MOV BD-3	SOLDER	2.0 IN
			T1-4	---	CAP MOV BD-4	SOLDER	1.5 IN
			T1-5	---	PI-8	ITEM 4	12.0 IN
			T1-6	---	PI-7		
			T1-7	---	PI-6		
			T1-8	---	PI-5		
			T1-9	---	PI-4		
			T1-10	---	PI-3		
			T1-11	---	PI-2		
			T1-12	---	PI-1	ITEM 4	
			T1-13	---	P2-1	ITEM 4	
1	14	BLK	T1-14	---	P2-2	ITEM 4	12.0 IN
1	14	GRN/YEL	T1-GND	---	GND LUG (ITEM 7)	SOLDER	16.0 IN

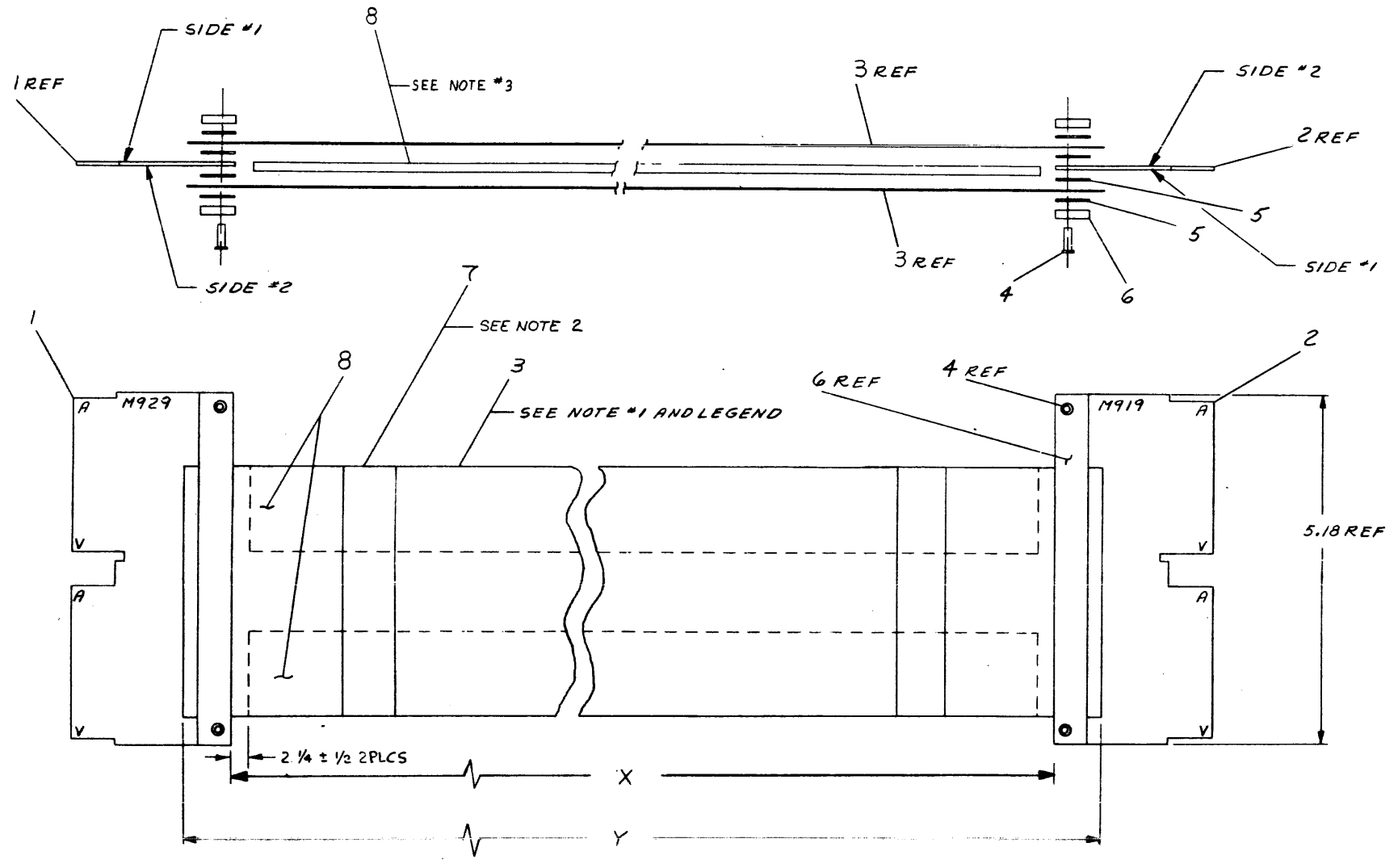


REVISIONS		
CHK	CHANGE NO	REV

The drawing and specifications herein are the property of Digital Equipment Corporation and shall not be reproduced or copied or used in whole or in part as the basis for the manufacturing of items without written permission.

NOTES:

- VARIATIONS AND LENGTHS SHOWN IN LEGEND ARE STANDARD. OTHER THAN STANDARD VARIATIONS WILL BE SPECIFIED BY ALPHANUMERIC DESIGNATION. FOR LENGTHS OTHER THAN FOOT INCREMENTS FROM ONE (1) FOOT THRU NINE (9) FEET, ELEVEN (11) INCHES.
 A = 1" G = 7"
 B = 2" H = 8"
 C = 3" J = 9"
 D = 4" K = 10"
 E = 5" L = 11"
 F = 6"
 EXAMPLE: BC11A-3D = 3'4".
 LENGTHS WILL BE IN FOOT INCREMENTS FROM TEN (10) FEET ON, AND WILL BE SPECIFIED BY THE CORRESPONDING NUMERICAL DESIGNATION.
 EXAMPLE: BC11A-11 = 11 FEET.
 THE TOLERANCE ON DIMENSION 'A' WILL BE 2% OF THE FOOT INCREMENT.
- FLEXPRINTS TO BE BOUND TOGETHER BY WRAPPING WITH ELECTRICAL TAPE (ITEM 7) EVERY 18 INCHES.
- INSTALL 2 PIECES OF FOAM TAPE (ITEM 8) BETWEEN FLEX PRINT CABLES AS SHOWN.



REVISIONS

REV	CHANGE NO.	REV
A	BC11A-0001	A
B	BC11A-0002	B
C	BC11A-0003	C
D	BC11A-0004	D
E	BC11A-0005	E
F	BC11A-0006	F
G	BC11A-0007	G
H	BC11A-0008	H

BY: [Signatures]

FIRST USED ON OPTION/MODEL
 PDP11

DO NOT SCALE DRAWING
 UNLESS OTHERWISE SPECIFIED
 DIMENSION IN INCHES
 TOLERANCES
 DECIMALS FRACTIONS ANGLES
 ± .010 ± 1/32 ± 90°
 FINISH SURFACE QUALITY
 REMOVE BURRS AND BREAK SHARP CORNERS

MATERIAL: + + +

FINISH: + + +

DATE: 11/17/69
 DATE: 11/17/69
 DATE: 11/17/69
 DATE: 11/17/69
 DATE: 11/17/69

digital EQUIPMENT CORPORATION
 WALTHAM, MASSACHUSETTS

TITLE: CABLE ASSY (BC11A)

SIZE CODE: DUA
 NUMBER: BC11A-0-0
 SCALE: 1/1
 SHEET: OF 2

QTY.	DESCRIPTION	PART NO.	ITEM NO.
1	GRAY FOAM - 3" WIDE	9009281-01	8
1	ELECTRICAL TAPE	9009260	7
4	CLAMP, CABLE	C-5C-1209764-00	6
1	TAPE #4032 1/4" X 3 1/4" x 6 1/2"	9007834-01	5
4	EYELET GS-4-11 ST1A30/1	9006750	4
2	CABLE, "FLEXPRINT"	1700002-01	3
1	EXT. BUS CONN	A-PL-M919-0-0	2
1	BUS CONN	A-PL-M929-0-0	1

8

7

6

5

4

3

H 0-0-VI09 DUA 2

1

THIS DRAWING AND SPECIFICATIONS, HEREIN, ARE THE PROPERTY OF DIGITAL EQUIPMENT CORPORATION AND SHALL NOT BE REPRODUCED OR COPIED OR USED IN WHOLE OR IN PART AS THE BASIS FOR THE MANUFACTURE OR SALE OF ITEMS WITHOUT WRITTEN PERMISSION. COPYRIGHT © 1973 DIGITAL EQUIPMENT CORPORATION.

LEGEND

NUMBER	DIM X VARIATION	DIM Y (PRECUT) REF.
BC11A-02	2'0"±0.5"	2'1.5"
BC11A-03	3'0"±1.0"	3'1.5"
BC11A-04	4'0"±1.0"	4'1.5"
BC11A-05	5'0"±1.0"	5'1.5"
BC11A-06	6'0"±1.0"	6'1.5"
BC11A-07	7'0"±2.0"	7'1.5"
BC11A-08	8'0"±2.0"	8'1.5"
BC11A-09	9'0"±2.0"	9'1.5"
BC11A-10	10'0"±2.0"	10'1.5"
BC11A-11	11'0"±3.0"	11'1.5"
BC11A-12	12'0"±3.0"	12'1.5"
BC11A-13	13'0"±3.0"	13'1.5"
BC11A-14	14'0"±3.0"	14'1.5"
BC11A-15	15'0"±4.0"	15'1.5"
BC11A-16	16'0"±4.0"	16'1.5"
BC11A-17	17'0"±4.0"	17'1.5"
BC11A-18	18'0"±4.0"	18'1.5"
BC11A-19	19'0"±5.0"	19'1.5"
BC11A-20	20'0"±5.0"	20'1.5"
BC11A-21	21'0"±5.0"	21'1.5"
BC11A-22	22'0"±5.0"	22'1.5"
BC11A-23	23'0"±6.0"	23'1.5"
BC11A-24	24'0"±6.0"	24'1.5"
BC11A-25	25'0"±6.0"	25'1.5"
BC11A-0F	0'6"±0.5"	0'7.5"
BC11A-8F	8'6"±2.0"	8'7.5"

D

D

C

C

B

B

A

A

H

BC11A-0-0

DUA

REVISIONS		
CHK	CHANGE NO	REV

TITLE	SIZE CODE	NUMBER	REV.
CABLE ASSY (BC11A)	DUA	BC11A-0-0	H
SCALE	SHEET 2 OF 2	DIST.	

8

7

6

5

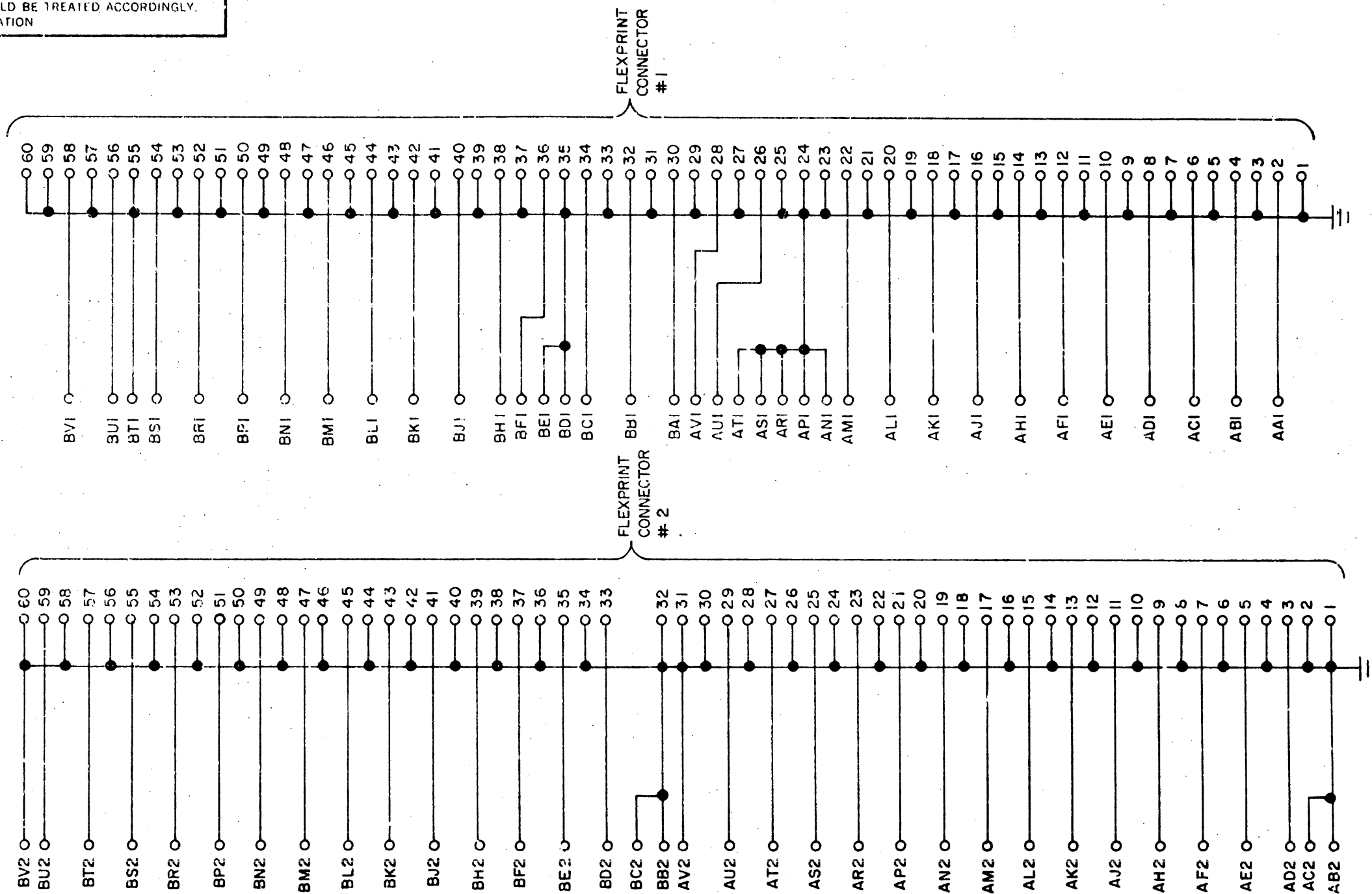
4

3

2

1

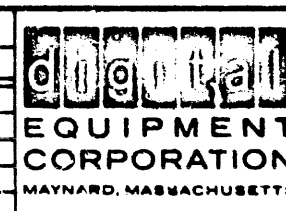
THIS SCHEMATIC IS FURNISHED ONLY FOR TEST AND MAINTENANCE PURPOSES. THE CIRCUITS ARE PROPRIETARY IN NATURE AND SHOULD BE TREATED ACCORDINGLY. COPYRIGHT 1969 BY DIGITAL EQUIPMENT CORPORATION



REVISIONS	
CHK/CHG NO.	REV
50001	A
ML/62	B

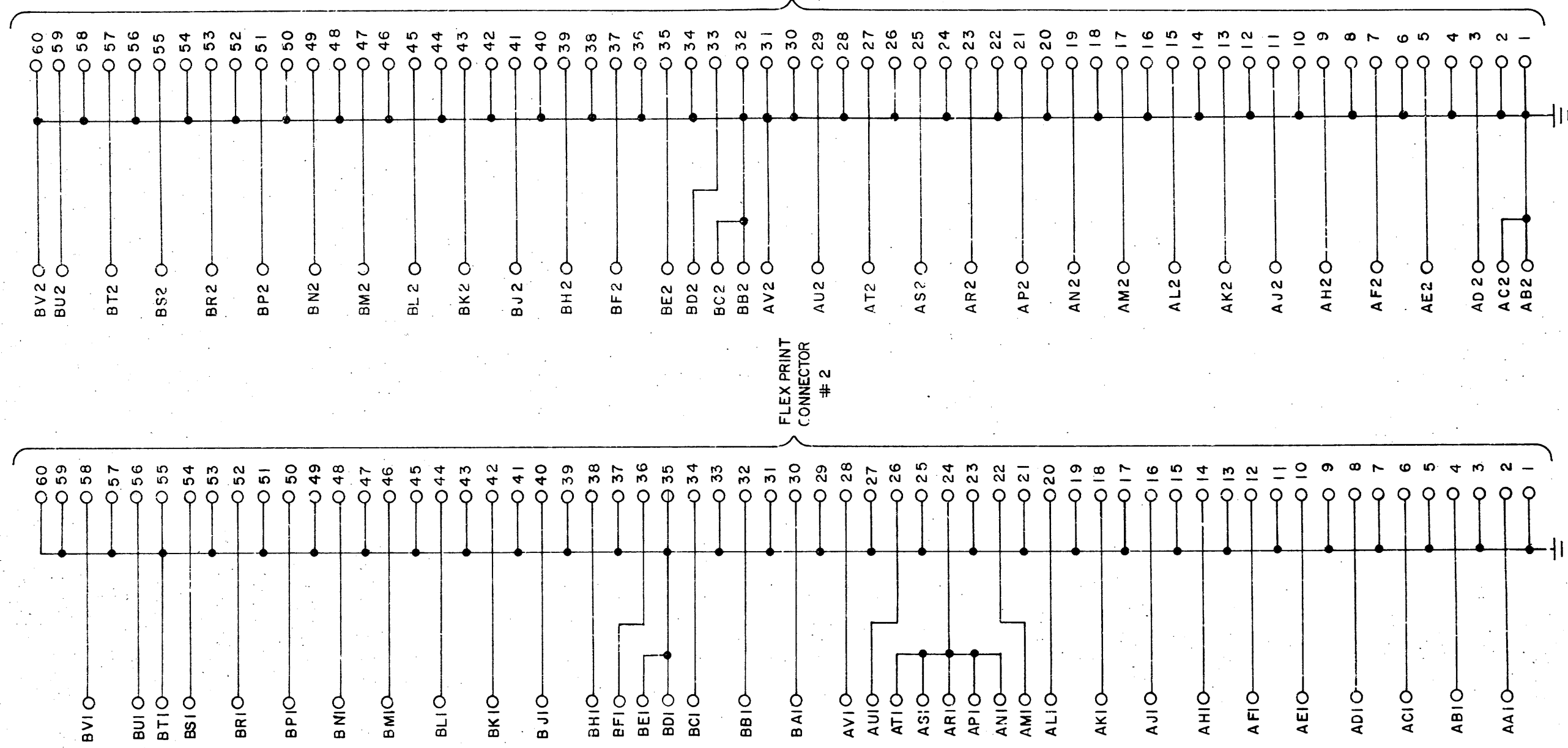
DRN.	DATE
BUTLER	10/17/69
CHK'D	DATE
G. Yang	10-20-69
ENG.	DATE
B. Lee	11-7-69
PROD.	DATE

TRANSISTOR & DIODE CONVERSION CHART			
DEC	EIA	DEC	EIA



TITLE			
BUS CONNECTOR M919			
SIZE	CODE	NUMBER	REV.
B	CS	M919-0-1	B
PRINTED CIRCUIT REV.			BC

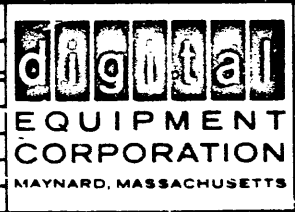
THIS SCHEMATIC IS FURNISHED ONLY FOR TEST AND MAINTENANCE PURPOSES. THE CIRCUITS ARE PROPRIETARY IN NATURE AND SHOULD BE TREATED ACCORDINGLY. COPYRIGHT 1969 BY DIGITAL EQUIPMENT CORPORATION



REVISIONS	
CHK	CHG NO REV
ML/MT	A

DRN.	<i>A. Clemente</i>	DATE	10-17-69
CHK'D	<i>G. Young</i>	DATE	10-20-69
ENG.	<i>C. Blum</i>	DATE	11/18/69
PROD.		CATE	

TRANSISTOR & DIODE CONVERSION CHART			
DEC		EIA	



TITLE			
BUS CONNECTOR M929			
SIZE	CODE	NUMBER	REV.
B	CS	M929-0-1	A
PRINTED CIRCUIT REV.			<input checked="" type="checkbox"/> C

DIGITAL EQUIPMENT CORPORATION PARTS LIST

QUANTITY / VARIATION

NOTES:
 1. IF BOX IS CAB MOUNTED NO INSTALLATION KIT NEED BE SHIPPED.
 2. VOLUME ANY VARIATION THAT IS DOCK MERGE MUST INCLUDE ALL ITEMS INDICATED EXCEPT PRINTS AND MANUAL.

MADE BY A. RUSZCZYK DATE 1-OCT-81	CHECKED B. CRAMM DATE 29-JAN-81	SECTION 1
ENG B. CRAMM DATE 29-JAN-81	PROD B. SAULNIERS DATE 29-JAN-81	ISSUED SECTION

BAI-KA	BAI-KE	BAI-KF	BAI-KH	BAI-KJ	BAI-KK	BAI-KL	BAI-KS	BAI-KT	BAI-KW	BAI-KX
--------	--------	--------	--------	--------	--------	--------	--------	--------	--------	--------

ITEM NO.	DRAWING NO.	PART NO.	DESCRIPTION	BAI-KA	BAI-KE	BAI-KF	BAI-KH	BAI-KJ	BAI-KK	BAI-KL	BAI-KS	BAI-KT	BAI-KW	BAI-KX
1	K-PL-BAI-K-2		INSTALLATION KIT (NOTE 1)	-			-	-	-	-	-	-	-	-
2	E-IA-7009769-0-0	7009769-00	CHASSIS 10.5"											
3	D-UA-BC11A-10-0	BC11A-10	CABLE, UNIBUS 10FT	-			-	-	-	-	-	-	-	-
4	D-PS-1211825-0-0	1211825-00	CHASSIS TRACKS	-			-	-	-	-	-	-	-	-
5	D-IA-7411013-0-0	7411013-00	VENTED POP PANEL	-			-	-	-	-	-	-	-	-
6	B-DD-H765-A	H765-A	POWER SUPPLY	-	-	-	-	-	-	-	-	-	-	-
7	B-DD-H765-B	H765-B	POWER SUPPLY	-	-	-	-	-	-	-	-	-	-	-
8	B-DD-H765-C	H765-C	POWER SUPPLY	-	-	-	-	-	-	-	-	-	-	-
9	B-DD-H765-D	H765-D	POWER SUPPLY	-	-	-	-	-	-	-	-	-	-	-
10	C-MD-7413659-0-0	7413659-00	BRKT, SHIPPING	-			-	-	-	-	-	-	-	-
11	A-PS-3618500-0-1	3618500-01	LABEL, CONFIGURATION	-			-	-	-	-	-	-	-	-
12	E-AD-7012399-0-0	7012399-00	AIR INTAKE BEZEL ASSY	-	-	-	-	-	-	-	-	-	-	-
13	B-IA-7007006-0-0	7007006-03	JUMPER, POWER SEQUENCE	-										
14														
15														
16														
17														
18														
19														
20														
21														
22														
23														
24														
25														
26	EK-BAIK-OP		USER MANUAL BAI-K	-					-	-	-	-	-	-
27	MP-BAI-K	MP-00311-00	PRINT SET BAI-K											

REF DESIGNATION

E.C.O. NO.

"THIS DRAWING AND SPECIFICATIONS, HEREIN, ARE THE PROPERTY OF DIGITAL EQUIPMENT CORPORATION AND SHALL NOT BE REPRODUCED OR COPIED OR USED IN WHOLE OR IN PART AS THE BASIS FOR THE MANUFACTURE OR SALE OF ITEMS WITHOUT WRITTEN PERMISSION. COPYRIGHT © 1981 DIGITAL EQUIPMENT CORPORATION"

TITLE
SHIPPING LIST

ASSY NO.
E-UA-BAI-K-0

SIZE
B

CODE
PL

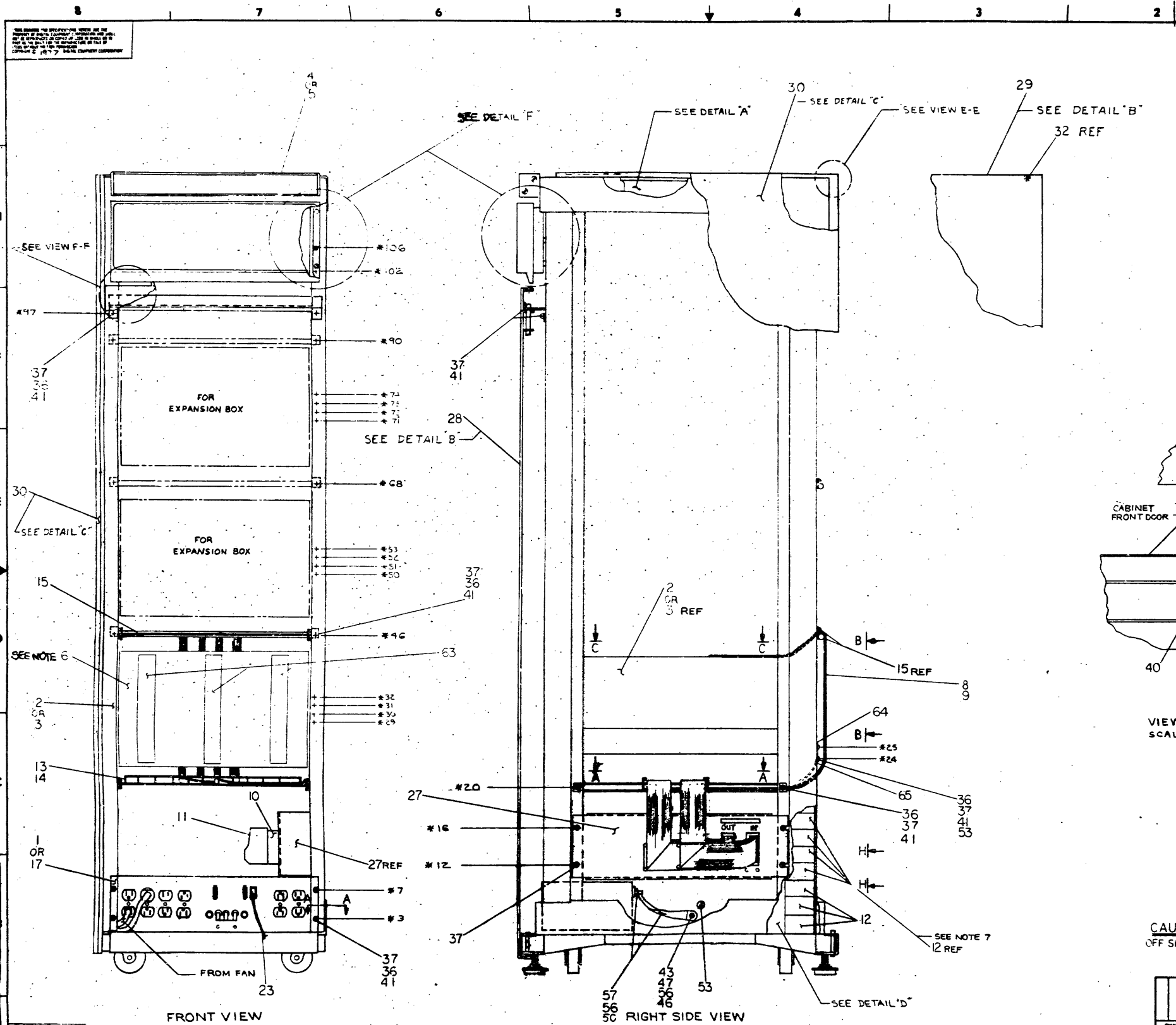
NUMBER
BAI-K-1

REV.
A

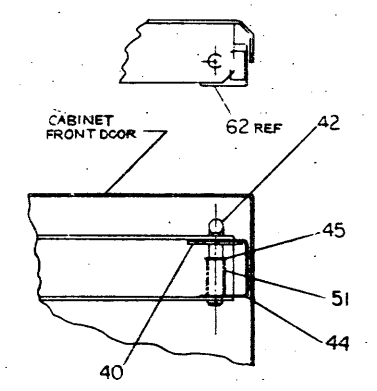
SHEET | OF |

INSERTION PARTS LIST DATA BASE REV

TW



- NOTES:**
1. ASTERISK DENOTES TINNERMAN NUT LOCATIONS.
 2. ITEM #26 NOT SHOWN USED TO CONNECT CABINET INTO SYSTEM GROUND.
 3. ITEM #7 NOTE SHOWN, IS REQUIRED FOR ASSY INTO THE C.P.U. WHEN THE DTR01 IS ASSY AT THE SYSTEM LEVEL.
 4. DTR01-CC/CD BOX IS TO BE MOUNTED IN THE DTR01-CA/CB CABINET IN AVAILABLE SPACE AS ALLOCATED.
 5. ITEM #25 USED FOR MAINTENANCE LOOPBACK TESTING MODE AND IS MOUNTED ON THE MB932 MODULES BETWEEN CONNECTORS J1 & J2. NOTE CABLE ENDS ARE REVERSED WHEN INSERTED.
 6. REMOVE POP PANEL, REPLACE WITH ITEM #22/#63.
 7. INSTALL ADDITIONAL COUNTERWEIGHT FROM DTR01-CA/CB OR DTR01-CC/CD AS REFERENCED.
 8. TO LOCK END PANEL ONTO CABINET, SLID END PANEL RETAINER DOWN TO HORIZONTAL POSITION AND ENGAGE CAPTIVE SCREW.
 9. WHEN CSA LABEL IS REQUIRED, LOCATE .50" AWAY FROM MACHINE I.D. LABEL, LOCATE SUBSEQUENT (I.E. U.I.) LABELS .50" AWAY FROM PREVIOUS LABEL.



CAUTION
OFF SHEET PARTS LIST EXIST SEE A-PL-DTR01-2-A

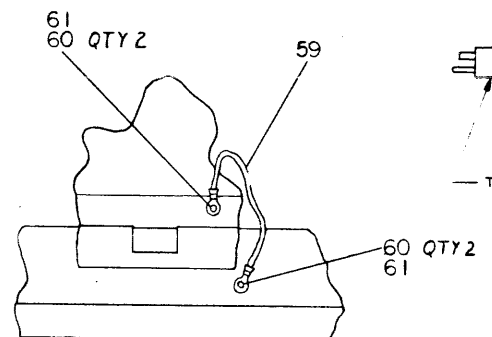
REV	DESCRIPTION	DATE	BY	CHKD	ITEM NO.
1					
2					
3					
4					
5					
6					
7					
8					
9					
10					
11					
12					
13					
14					
15					
16					
17					
18					
19					
20					
21					
22					
23					
24					
25					
26					
27					
28					
29					
30					
31					
32					
33					
34					
35					
36					
37					
38					
39					
40					
41					
42					
43					
44					
45					
46					
47					
48					
49					
50					
51					
52					
53					
54					
55					
56					
57					
58					
59					
60					
61					
62					
63					
64					
65					
66					
67					
68					
69					
70					
71					
72					
73					
74					
75					
76					
77					
78					
79					
80					

REVISIONS

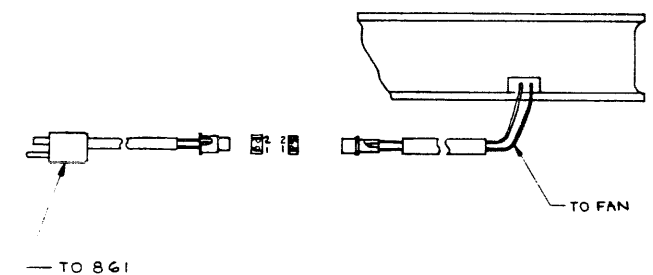
REV. NO. DESCRIPTION DATE BY CHKD BY

1 1 1 1 1 1

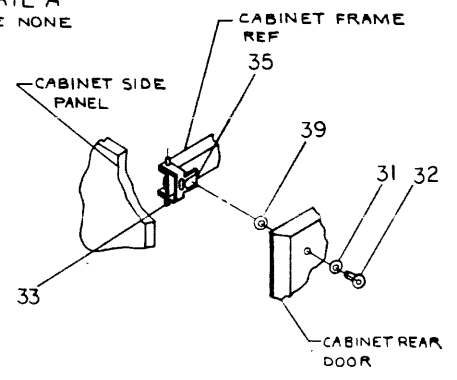
THIS DRAWING AND INFORMATION HEREON ARE THE PROPERTY OF THE UNITED STATES GOVERNMENT AND ARE LOANED TO YOU BY THE NATIONAL BUREAU OF STANDARDS. IT IS TO BE USED ONLY FOR THE PURPOSES AUTHORIZED BY THE NATIONAL BUREAU OF STANDARDS. IT IS NOT TO BE REPRODUCED OR TRANSMITTED IN ANY FORM OR BY ANY MEANS, ELECTRONIC OR MECHANICAL, INCLUDING PHOTOCOPYING, RECORDING, OR BY ANY INFORMATION STORAGE AND RETRIEVAL SYSTEM, WITHOUT PERMISSION OF THE NATIONAL BUREAU OF STANDARDS.



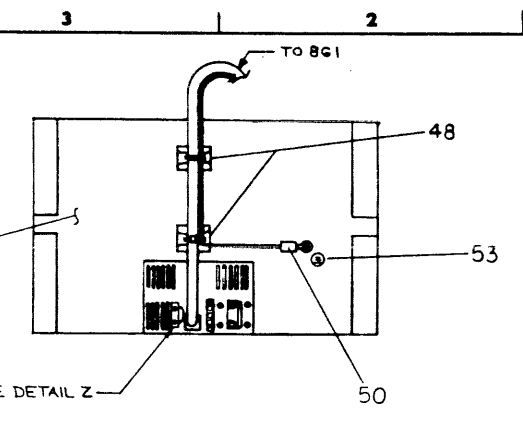
DETAIL "C"
GROUND TYPICAL EACH END PANEL
SCALE NONE



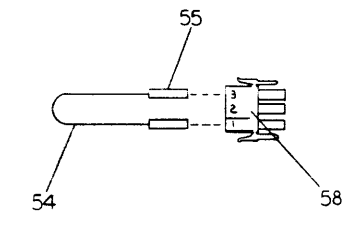
DETAIL "A"
SCALE NONE



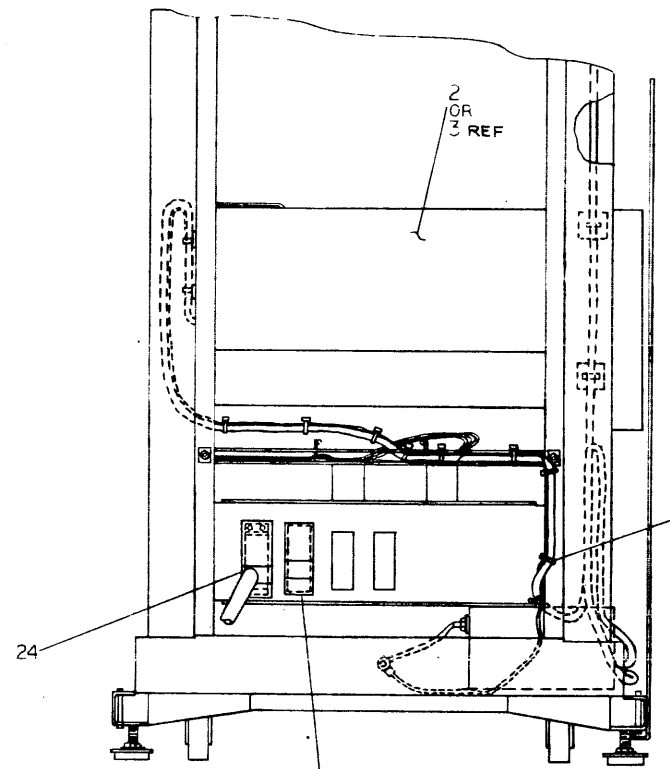
VIEW E-E
SCALE NONE



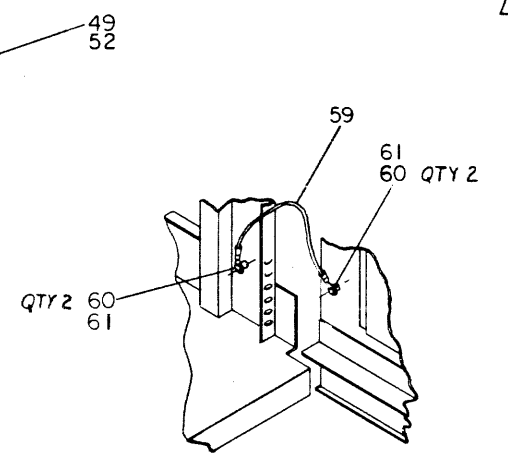
VIEW B-B
SCALE NONE



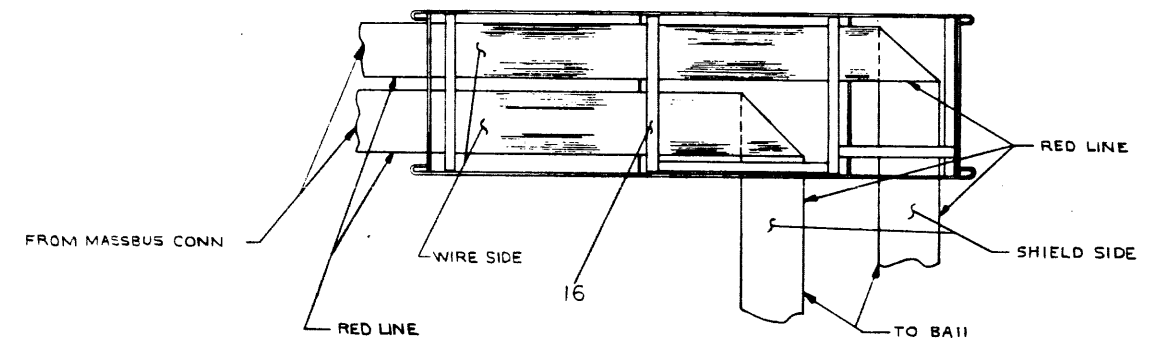
DETAIL Z
SCALE: NONE



LEFT SIDE VIEW



DETAIL "B"
GROUND TYPICAL BOTH DOORS
SCALE NONE



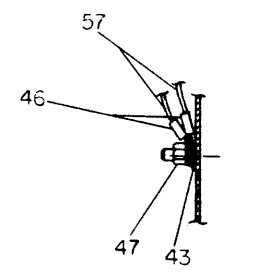
VIEW A-A
SCALE 1/2

TOP VIEW

REAR	A	B	C	D	E	F	FRONT
DRØ1-CL 1, 4, 7							
(RESERVED DO NOT USE)							
DRØ1-CL 2, 5, 8							
(RESERVED DO NOT USE)							
DRØ1-CL 3, 6							

4
5
10
15
20
25
30
35
40

BAIL-K
LOGIC MOUNTING

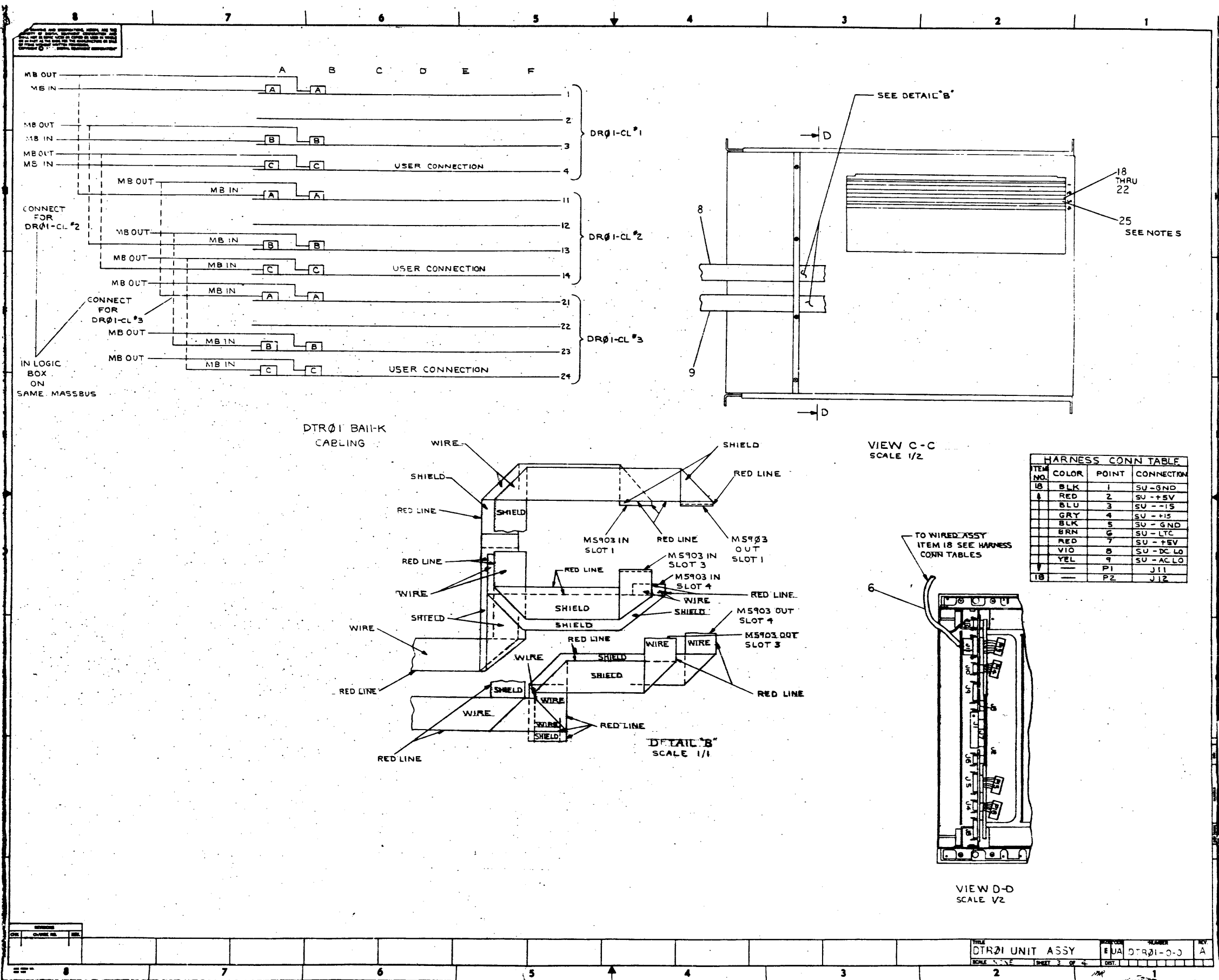


SECTION A-A
SCALE 1/1

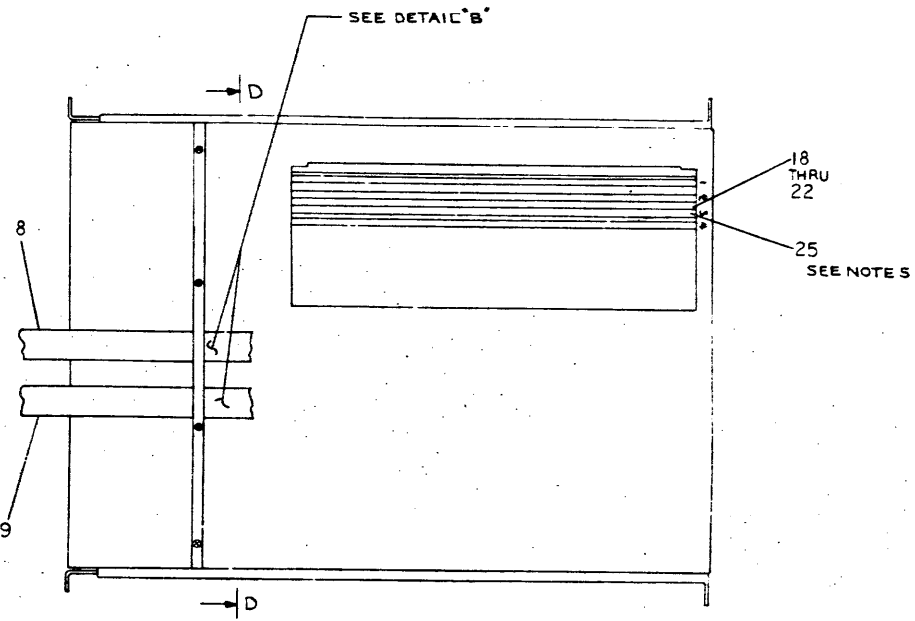
REVISIONS

REV	DATE	BY	CHKD	CHANGE

TITLE: DTRØ1 UNIT ASSY
 NUMBER: EJA DTRØ1-0-0
 SCALE: 1/2
 SHEET: 2 OF 4
 REV: A



SEE NOTE 5
 THE FOLLOWING INFORMATION APPLIES TO ALL UNITS UNLESS OTHERWISE SPECIFIED:
 1. ALL DIMENSIONS ARE IN INCHES UNLESS OTHERWISE SPECIFIED.
 2. ALL DIMENSIONS ARE TO CENTER UNLESS OTHERWISE SPECIFIED.
 3. ALL DIMENSIONS ARE TO THE CENTER OF THE WIRE UNLESS OTHERWISE SPECIFIED.
 4. ALL DIMENSIONS ARE TO THE CENTER OF THE SHIELD UNLESS OTHERWISE SPECIFIED.
 5. ALL DIMENSIONS ARE TO THE CENTER OF THE RED LINE UNLESS OTHERWISE SPECIFIED.

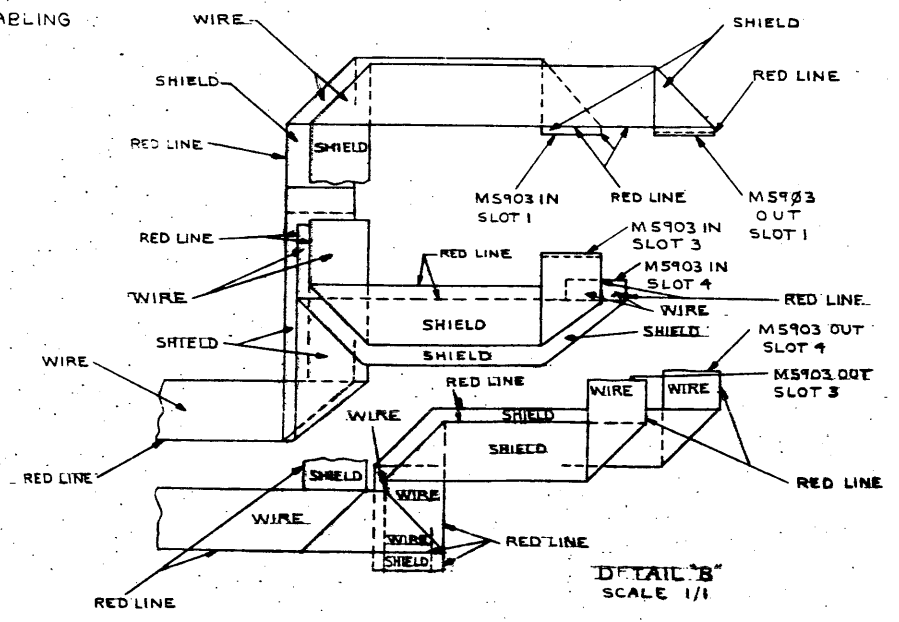


CONNECT FOR DR01-CL #2

CONNECT FOR DR01-CL #3

IN LOGIC BOX ON SAME MASSBUS

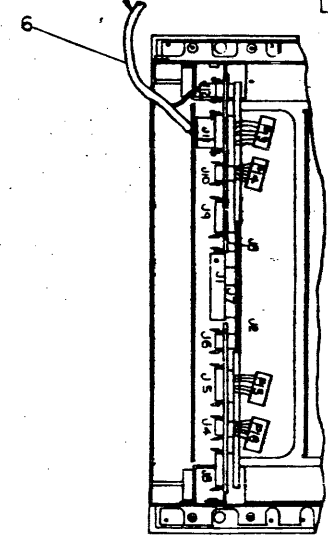
DTR01 BULK CABLING



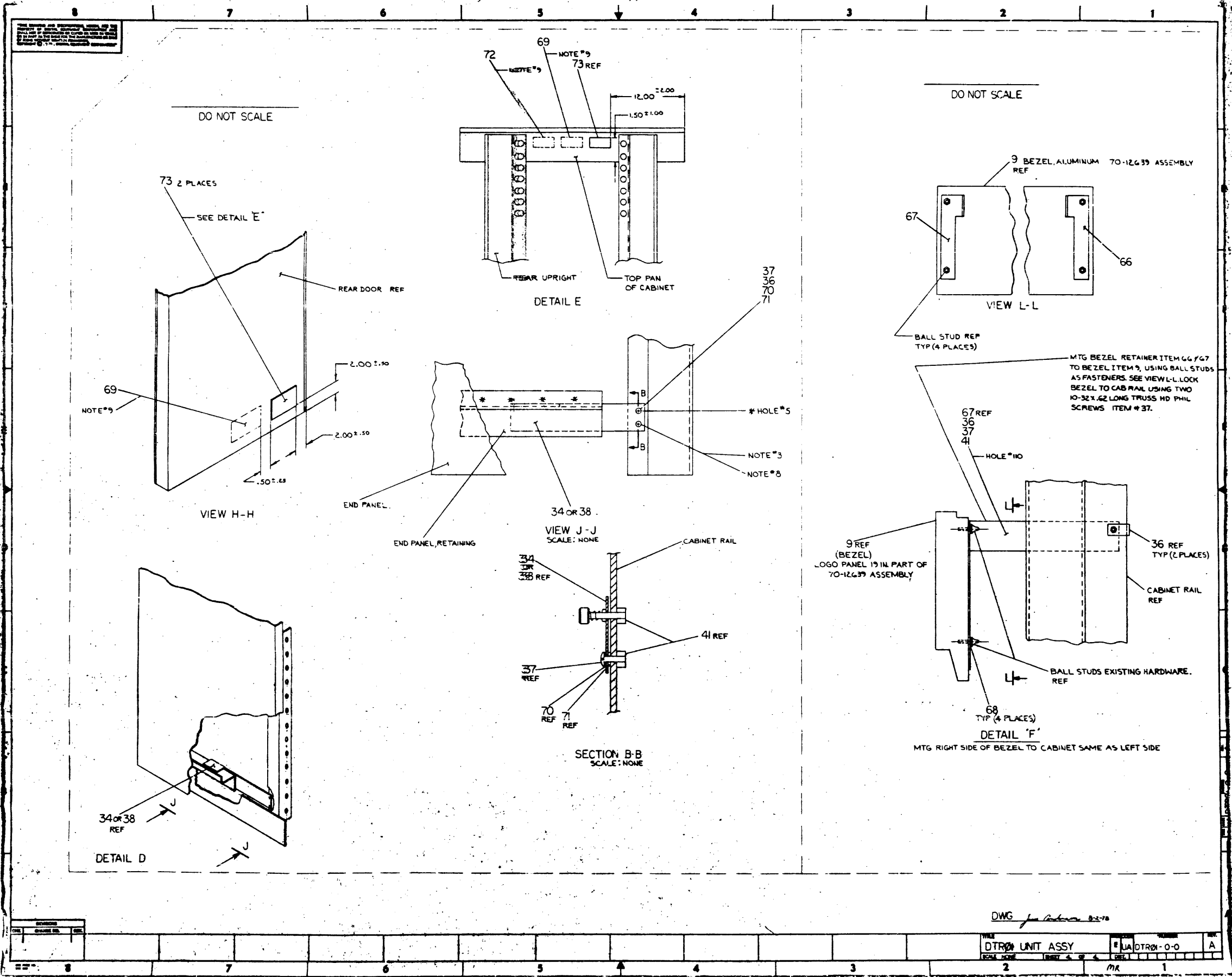
VIEW C-C SCALE 1/2

ITEM NO.	COLOR	POINT	CONNECTION
18	BLK	1	SU-GND
19	RED	2	SU-+5V
20	BLU	3	SU-+15
21	GRY	4	SU-+15
22	BLK	5	SU-GND
23	BRN	6	SU-LTC
24	RED	7	SU-+5V
25	VIO	8	SU-DC LO
26	YEL	9	SU-AC LO
		P1	J11
18		P2	J12

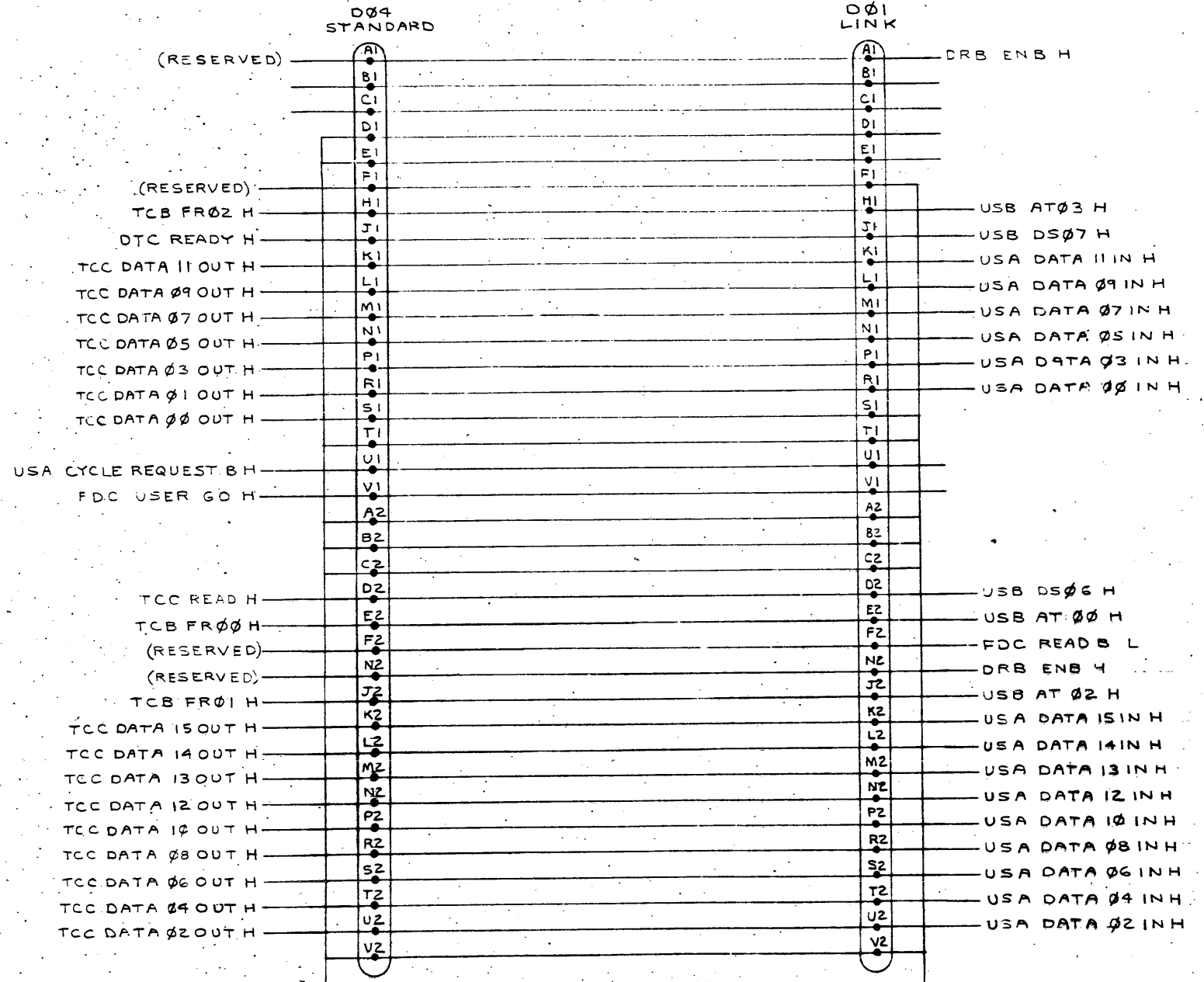
TO WIRED ASSY
 ITEM 18 SEE HARNESS
 CONN TABLES



VIEW D-D SCALE 1/2



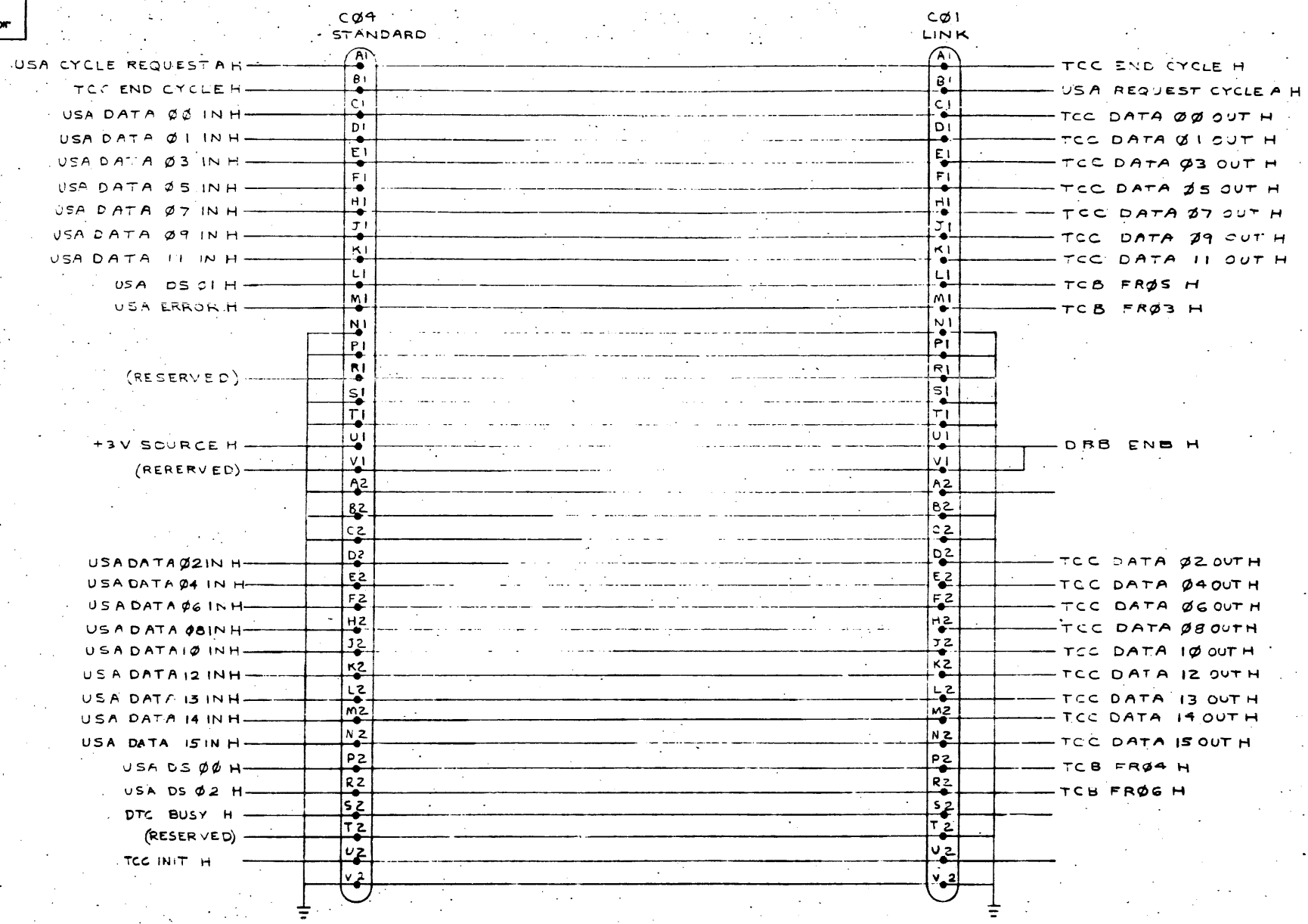
"THIS DRAWING AND SPECIFICATIONS HEREIN ARE THE PROPERTY OF DIGITAL EQUIPMENT CORPORATION AND SHALL NOT BE REPRODUCED OR COPIED OR USED IN WHOLE OR IN PART AS THE BASIS FOR THE MANUFACTURE OR SALE OF ITEMS WITHOUT WRITTEN PERMISSION. COPYRIGHT © 1977, DIGITAL EQUIPMENT CORPORATION"



REV.	
CHG	
NO.	

DRN. <i>J.P. O'Brien</i>	DATE <i>11-27-77</i>	FIRST USED ON	<i>DTR01</i>
CHK'D <i>J.P. O'Brien</i>	DATE <i>12-1-77</i>	TITLE	<i>DR01 LINK SIGNAL TRANSLATION</i>
ENGR <i>J.P. O'Brien</i>	DATE <i>11-27-77</i>	SIZE	<i>D</i>
PROD <i>J.P. O'Brien</i>	DATE <i>11-27-77</i>	CODE	<i>IC</i>
NEXT HIGHER ASSY.		NUMBER	<i>DTR J1-3-2</i>
B-DD-DTR01-0		REV.	
SCALE <i>NONE</i>		DIST.	
SHEET <i>OF 4</i>			

"THIS DRAWING AND SPECIFICATIONS HEREIN ARE THE PROPERTY OF DIGITAL EQUIPMENT CORPORATION AND SHALL NOT BE REPRODUCED OR COPIED OR USED IN WHOLE OR IN PART AS THE BASIS FOR THE MANUFACTURE OR SALE OF ITEMS WITHOUT WRITTEN PERMISSION. COPYRIGHT © 1977, DIGITAL EQUIPMENT CORPORATION"

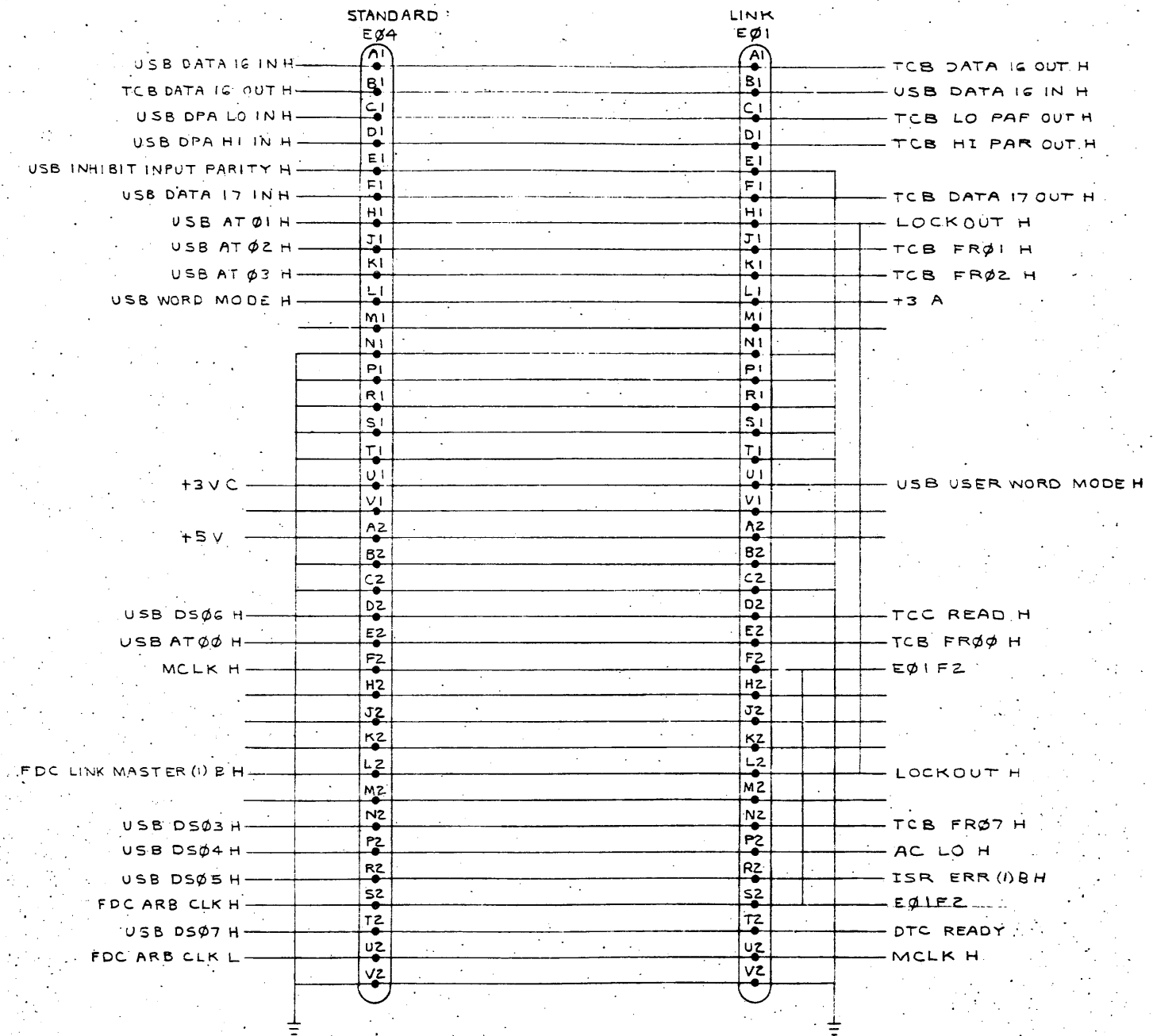


REV	
CHG	
NO.	
DATE	

DRM. <i>E. J. ...</i>	3/10/77	FIRST USED ON	DTRØ1
CHK'D <i>...</i>	3/24/77	TITLE	DTRØ1 LINK SIGNAL TRANSLATION
ENGR. <i>...</i>	3/24/77	SCALE	NONE
PROD. <i>...</i>	3/24/77	SIZE CODE	D I C
NEXT HIGHER ASSY.		NUMBER	DTRØ1-0-2
B-DD-DTRØ1-0-0		DIST.	
SHEET 2 OF 4		REV.	

THIS DRAWING AND SPECIFICATIONS, HEREIN, ARE THE PROPERTY OF DIGITAL EQUIPMENT CORPORATION AND SHALL NOT BE REPRODUCED OR COPIED OR USED IN WHOLE OR IN PART AS THE BASIS FOR THE MANUFACTURE OR SALE OF ITEMS WITHOUT WRITTEN PERMISSION.
 COPYRIGHT © 1977, DIGITAL EQUIPMENT CORPORATION

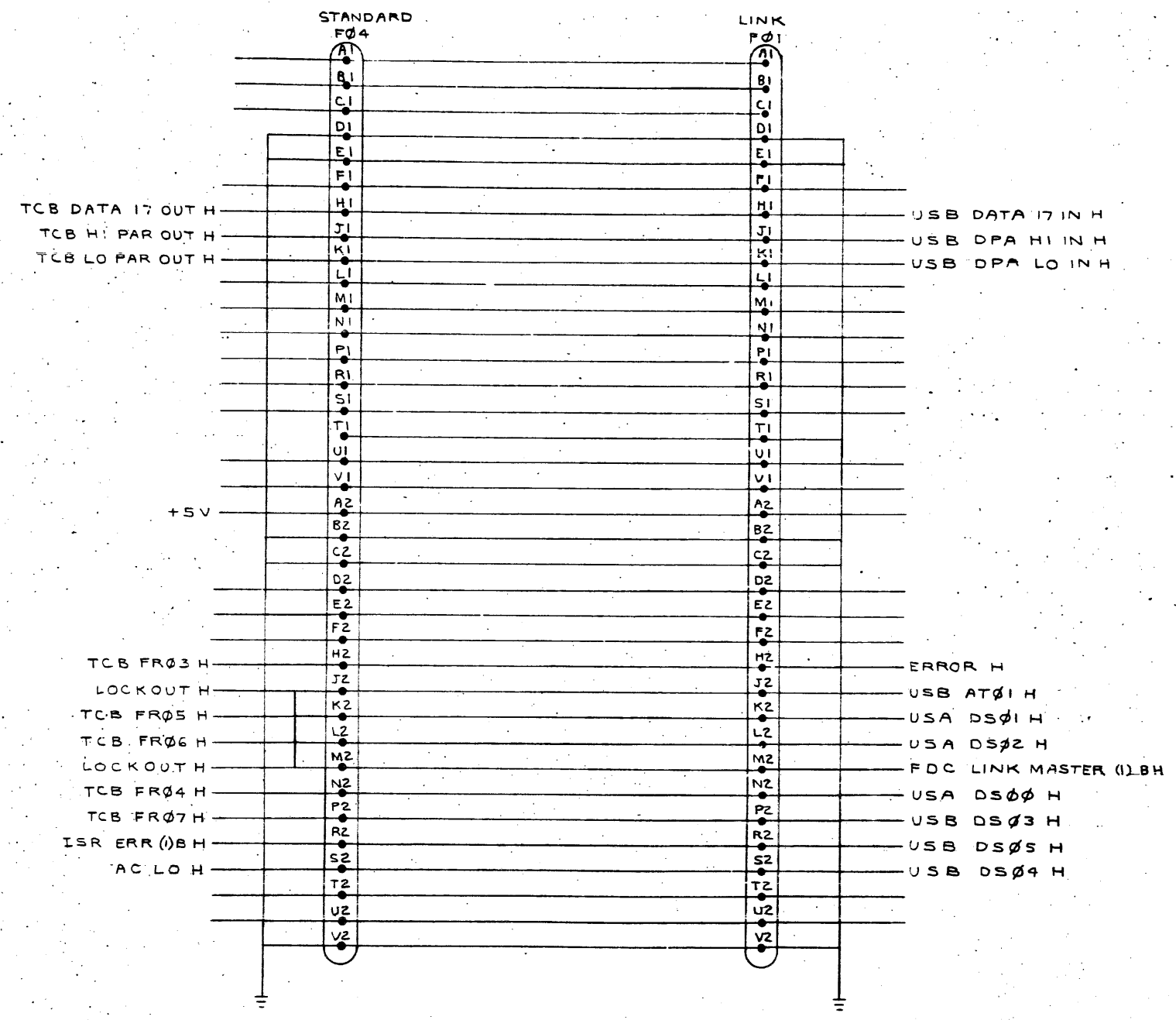
DIGITAL
 DTR01-0-2
 2



REV.	
CHANGE NO.	
CHG.	

DRN. <i>S.E. 3/20</i>	4 NOV 77	FIRST USED ON	DTR01	
CHK'D <i>[Signature]</i>	2 Jan 78	TITLE	DTR01 LINK SIGNAL TRANSLATION	
ENG'D <i>[Signature]</i>	7 Jan 78	PROL. <i>[Signature]</i>	216503	
PROD. <i>[Signature]</i>	216503	NEXT HIGHER ASSY.		
B-DD-DTR01-0-0	SIZE CODE	NUMBER	REV.	
SCALE NONE	DIC	DTR01-0-2		
SHEET 3	OF 4	DIST.		

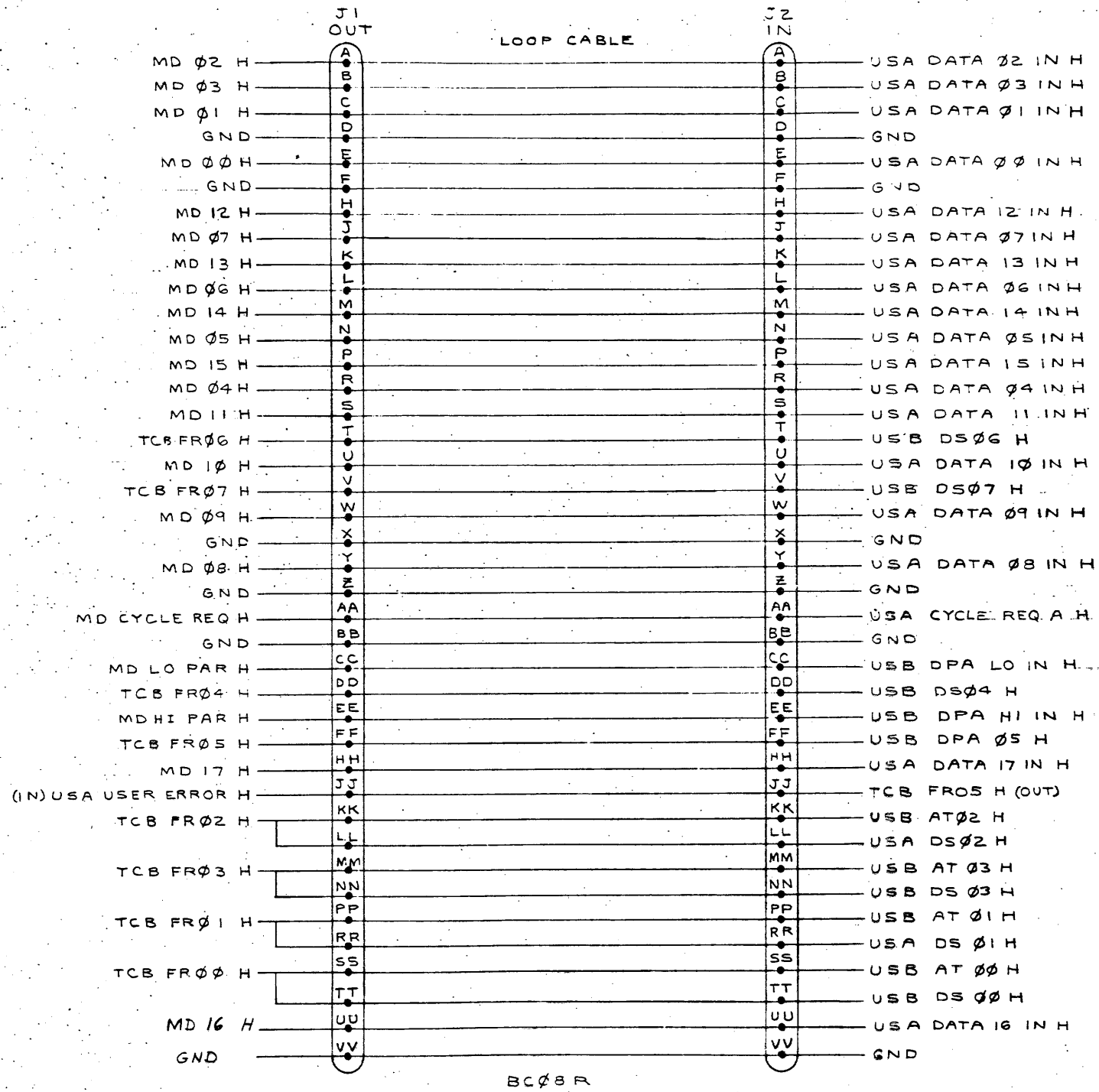
THIS DRAWING AND SPECIFICATIONS HEREBY ARE THE PROPERTY OF DIGITAL EQUIPMENT CORPORATION AND SHALL NOT BE REPRODUCED OR COPIED OR USED IN WHOLE OR IN PART AS THE BASIS FOR THE MANUFACTURE OR SALE OF ITEMS WITHOUT WRITTEN PERMISSION.
 COPYRIGHT © 1977, DIGITAL EQUIPMENT CORPORATION



REV.	
CHANGE NO.	
CHK	

DRN. <i>J. E. Olson</i>	14 Nov 77	FIRST USED ON	DTR01	
CHK'D <i>[Signature]</i>	17 Nov 77	TITLE	DTR01 LINK SIGNAL TRANSLATION	
ENG. <i>[Signature]</i>	17 Nov 77	SCALE	NONE	
PROD. <i>[Signature]</i>	17 Nov 77	SIZE	DIC	NUMBER
NEXT HIGHER ASSY.		B-DD-DTR01-0-0		
SHEET 4 OF 4		DIST.		

"THIS DRAWING AND SPECIFICATIONS, HEREIN, ARE THE PROPERTY OF DIGITAL EQUIPMENT CORPORATION AND SHALL NOT BE REPRODUCED OR COPIED OR USED IN WHOLE OR IN PART AS THE BASIS FOR THE MANUFACTURE OR SALE OF ITEMS WITHOUT WRITTEN PERMISSION.
 COPYRIGHT © 1977, DIGITAL EQUIPMENT CORPORATION"

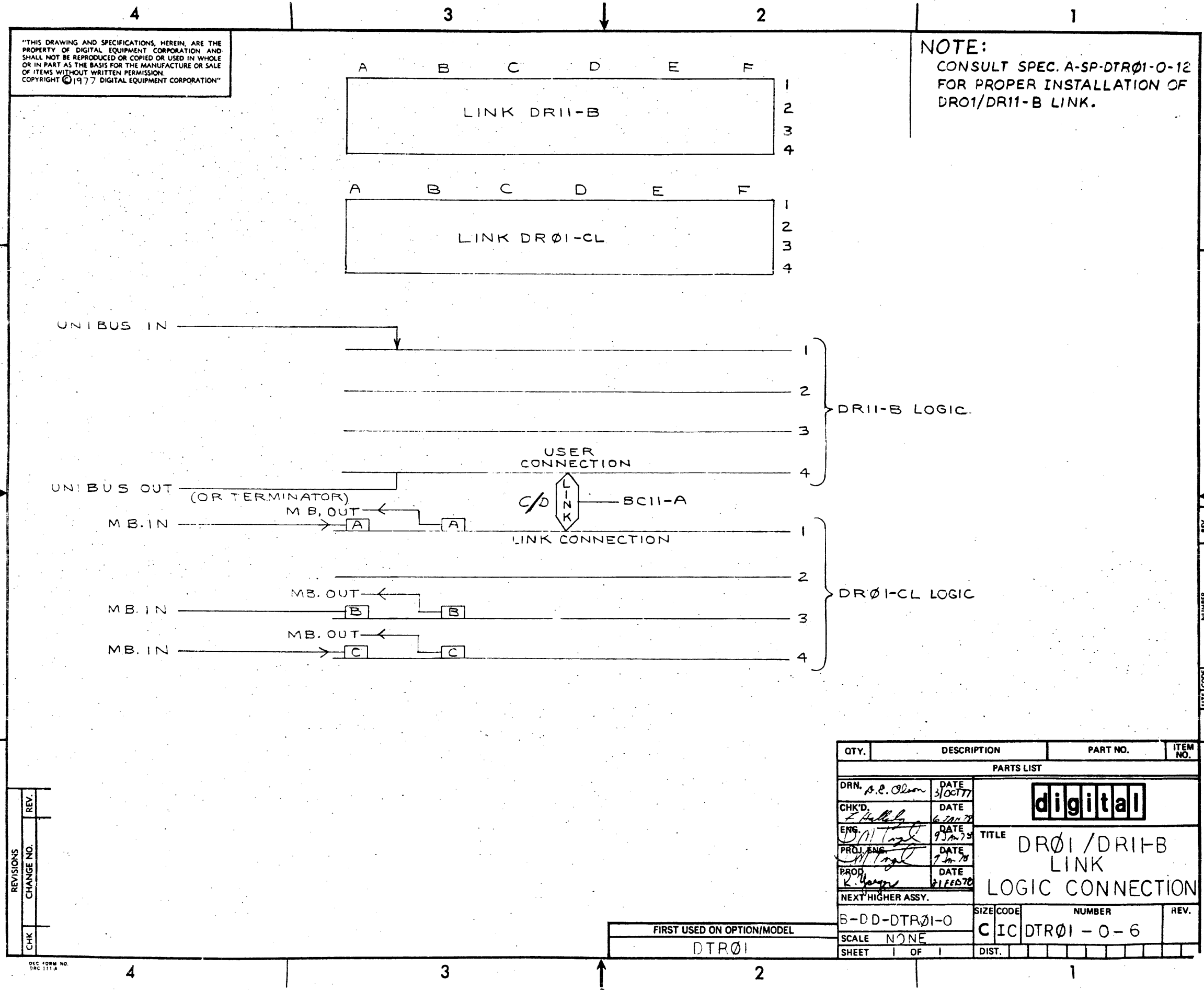


REV.	
CHG	
REVISIONS	
CHANGE NO.	

DRN. 3 8 0900 31 Oct 77	FIRST USED ON	DTR01	digital
CHK'D <i>F. H. H.</i> 7/28/77	TITLE	MAINT. CABLE SIGNAL	
ENG'D <i>J. T. T.</i> 9/22/78	SCALE	NONE	
PROD. <i>J. T. T.</i> 1/22/79	SIZE CODE	D	IC DTR01-0-3
NEXT HIGHER ASSY.	NUMBER		REV.
B-DD-DTR01-0	SCALE	NONE	
SHEET 1 OF 1	DIST.		

"THIS DRAWING AND SPECIFICATIONS, HEREIN, ARE THE PROPERTY OF DIGITAL EQUIPMENT CORPORATION AND SHALL NOT BE REPRODUCED OR COPIED OR USED IN WHOLE OR IN PART AS THE BASIS FOR THE MANUFACTURE OR SALE OF ITEMS WITHOUT WRITTEN PERMISSION. COPYRIGHT © 1977 DIGITAL EQUIPMENT CORPORATION"

NOTE:
CONSULT SPEC. A-SP-DTRØ1-0-12 FOR PROPER INSTALLATION OF DRØ1/DR11-B LINK.

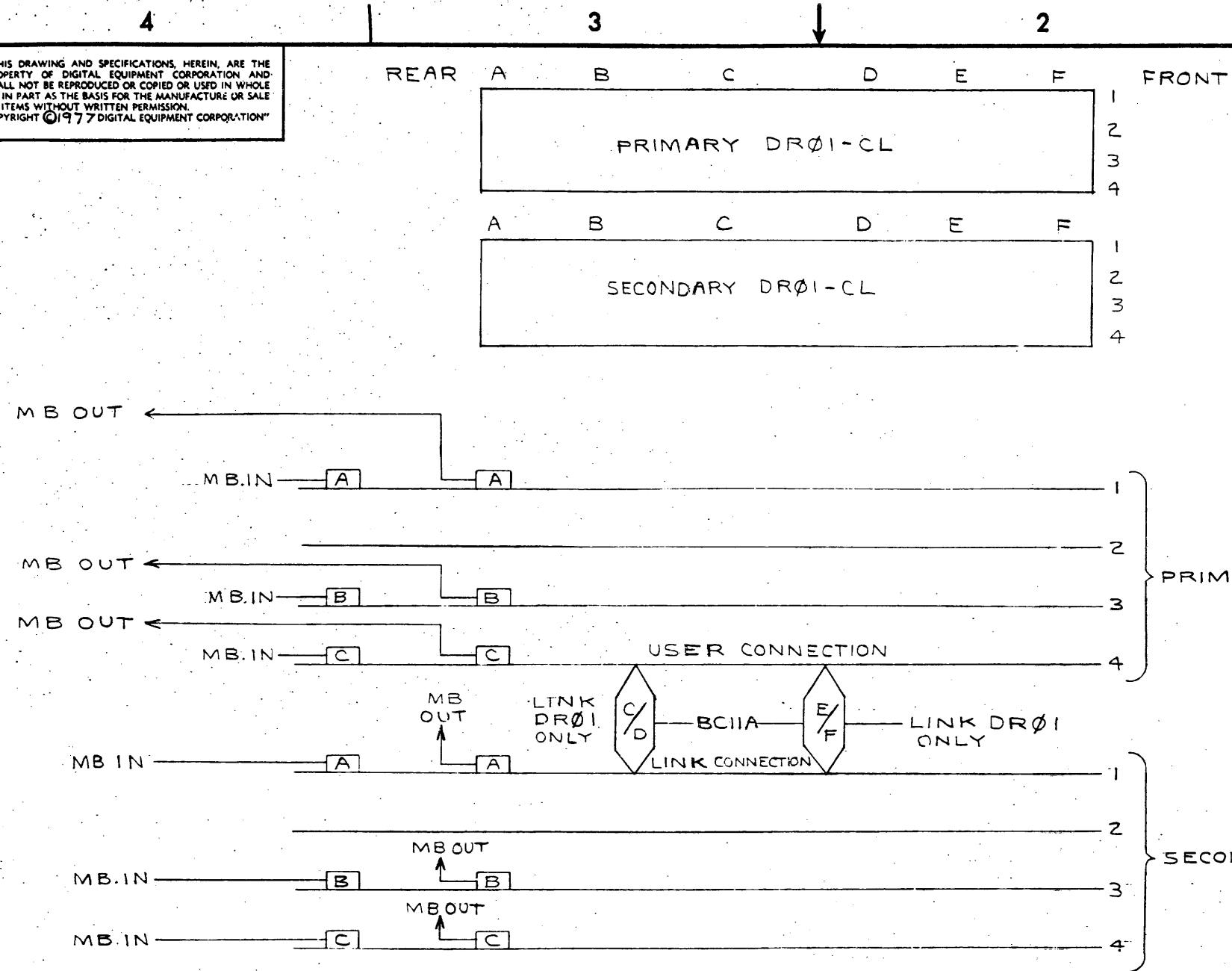


REV.	
CHANGE NO.	
CHK	

QTY.	DESCRIPTION	PART NO.	ITEM NO.
PARTS LIST			
DRN. <i>S.E. Olson</i>	DATE 3/OCT/77	<div style="border: 2px solid black; padding: 5px; display: inline-block; font-weight: bold; font-size: 1.2em;">digital</div>	
CHK'D. <i>F. Hall</i>	DATE 6/JAN/78		
ENG. <i>M. Torg</i>	DATE 9/JAN/78		
PROJ. ENG. <i>M. Torg</i>	DATE 7/JAN/78		
PROP. <i>R. Hays</i>	DATE 21/FEB/78		
TITLE		DRØ1/DR11-B LINK LOGIC CONNECTION	
NEXT HIGHER ASSY.			
B-DD-DTRØ1-0		SIZE CODE	NUMBER
SCALE NONE		C IC	DTRØ1-0-6
SHEET 1 OF 1		DIST.	

"THIS DRAWING AND SPECIFICATIONS, HEREIN, ARE THE PROPERTY OF DIGITAL EQUIPMENT CORPORATION AND SHALL NOT BE REPRODUCED OR COPIED OR USED IN WHOLE OR IN PART AS THE BASIS FOR THE MANUFACTURE OR SALE OF ITEMS WITHOUT WRITTEN PERMISSION. COPYRIGHT © 1977 DIGITAL EQUIPMENT CORPORATION"

NOTE:
CONSULT SPEC. A-SP-DTRØ1-0-13 FOR PROPER INSTALLATION OF DRØ1/DRØ1 LINK.



QTY.	DESCRIPTION	PART NO.	ITEM NO.
PARTS LIST			
DRN. <i>S.C. Olson</i>	DATE 31 OCT 77	digital	
CHK'D. <i>[Signature]</i>	DATE 6-28-78		
ENG. <i>[Signature]</i>	DATE 7-20-78		
PROJ. ENG. <i>[Signature]</i>	DATE 7-18-78		
PROD. <i>[Signature]</i>	DATE 21 FEB 78		
NEXT HIGHER ASSY.		TITLE DRØ1 LINK CONNECTION	
B-DD-DTRØ1-0		SIZE CODE C IC	NUMBER DTRØ1-0-7
SCALE NONE		REV.	
SHEET 1 OF 1		DIST.	

REVISIONS	REV.
CHANGE NO.	
CHK	

REV. NUMBER

ENGINEERING SPECIFICATION		CONTINUATION SHEET	
TITLE DTR01/DR01 Field Checkout and Acceptance Procedure			
LIB	LOAD INPUT BUFFER REGISTER		
LAS	LOAD ATTENTION SUMMARY REGISTER		
LFS	LOAD FUNCTION & STATUS REGISTER		
LOB	LOAD OUTPUT BUFFER REGISTER		
LSB	LOAD SECONDARY BLOCK ADDRESS REGISTER		
LST	LOAD SECONDARY TRANSFER CONTROL REGISTER		
LIV	LOAD INTERRUPT VECTOR REGISTER		
LDC	LOAD DIAGNOSTIC CONTROL REGISTER		
LWT	LOAD THE WRITE REGISTER		
CNO	DO CONO TO LOAD CONTROL DATA IN RH20		
USE	COMMAND(CR)	FOR THE FOLLOWING COMMANDS:	
RCS	READ CONTROL & STATUS 1 REGISTER		
RIS	READ INTERFACE STATUS REGISTER		
RIB	READ INPUT BUFFER REGISTER		
RAS	READ ATTENTION SUMMARY REGISTER		
RFS	READ FUNCTION & STATUS REGISTER		
RDT	READ DRIVE TYPE REGISTER		
ROB	READ OUTPUT BUFFER REGISTER		
RSB	READ SECONDARY BLOCK ADDRESS REGISTER		
RST	READ SECONDARY TRANSFER CONTROL REGISTER		
RPB	READ PRIMARY BLOCK ADDRESS REGISTER		
RPT	READ PRIMARY TRANSFER CONTROL REGISTER		
RIV	READ INTERRUPT VECTOR REGISTER		
RRD	READ THE READ REGISTER		
EXT	BACK TO PROGRAM DISPATCHER		
DDT	GO TO DDT		
HLP	PRINT HELP MESSAGE		
SWI	PRINT CURRENT STATE OF SWITCH		
IDT	IDENTIFY CONFIGURATION		
CFG	CHANGE CONFIGURATION		
CMO	CHANGE PRINTOUT MODE		
CNI	DO CONI TO READ CONTROL STATUS IN RH20		
CSW	RESET SWITCH		
SDT	TEST DATA TRANSFER		
USE	COMMAND DATA, ADDRESS(CR)	FOR THE FOLLOWING COMMANDS:	
LDR	LOAD REGISTER WITH DATA		
RDR	READ REGISTER		
RDA	READ REGISTERS FROM 0 UP TO 7		
NOTE: USE CSQ IN ORDER TO GO BACK TO CONSOLE PACKAGE FROM DDT.			
(CR) STANDS FOR CARRIAGE RETURN			
	SIZE	CODE	NUMBER
	A	SP	DTR01-0-5
			REV

DEC FORM NO EN-01022-16-N370-(381)
DRA 108

SHEET 5 OF 8

ENGINEERING SPECIFICATION		CONTINUATION SHEET	
TITLE DTR01/DR01 Field Checkout and Acceptance Procedure			
3. Reading RHCS 1 Register. Register is initialized as shown:			
*RCS			
RHCS1	550:	000604	004000
4. Reading all registers 0 to 7.			
*RDA 0,7			
RHCS1	550:	000604	004000
RHIS	550:	010604	000200
RHIB	550:	020604	123456
	550:	030604	200000
RHAS	550:	040604	200000
RHFS	550:	050604	200000
RHDT	550:	060604	000004
RHOB	550:	070604	200000
Shown are all registers in the initialized state. Register 3 is non-existent and RHIB (Register 2) shows the random input data from the looparound silo.			
5. Load RHCS1 with the Interface clear command, read all registers showing initialized state, and resetting the RHCS1 register by loading zeros.			
*LCS 11			
*RDA 0,7			
RHCS1	550:	000604	004011
RHIS	550:	010604	000200
RHIB	550:	020604	123456
	550:	030604	200000
RHAS	550:	040604	200000
RHFS	550:	050604	200000
RHDT	550:	060604	000004
RHOB	550:	070604	200000
*LCS 0			
6. With the maintenance loop cable installed, loading all one into the RHFS register causes many other bits to set.			
*LFS -1			
*RDA 0,7			
RHCS1	550:	000604	0040000
RHIS	550:	010604	342217
RHIB	550:	020604	123456
	550:	030604	200000
RHAS	550:	040604	200020
RHFS	550:	050604	377777
	SIZE	CODE	NUMBER
	A	SP	DTR01-0-5
			REV

DEC FORM NO EN-01022-16-N370-(381)
DRA 108

SHEET 6 OF 8

ENGINEERING SPECIFICATION		CONTINUATION SHEET	
TITLE DTR01/DR01 Field Checkout and Acceptance Procedure			
RHDT	550:	060604	000004
RHOB	550:	070604	200000
7. Resetting the Massbus with a CNO command to the RH20 initializes all registers:			
*CNO 2600			
*RDA 0,7			
RHCS1	550:	000604	004000
RHIS	550:	010604	000200
RHIB	550:	020604	123456
	550:	030604	200000
RHAS	550:	040604	200000
RHFS	550:	050604	200000
RHDT	550:	060604	000004
RHOB	550:	070604	200000
8. Read the state of the console switches, check identity and reconfigure to another DR01 interface. Then read the RHCS1 register to see if it is there:			
>			
*SWI			
SWITCHES - 000000 400000			
*IDT			
RH20-550 DR01-4			
*CFG			
RH's = 550			
DR01's on 550 = 5			
RH20-550 DR01-5			
*RCS			
RHCS1	550:	000605	004000
9. Read the console switches and change the switches. Then read them again.			
*SWI			
SWITCHES - 000000 000000			
*CSW			
TYPE (CTRL) XSWNNNNN (CR) NNNNNN=NEW RIGHT HALF SWITCH			
>.(CR)			
*SWI			
SWITCHES - (NNNNNN NNNNNN)			
	SIZE	CODE	NUMBER
	A	SP	DTR01-0-5
			REV

DEC FORM NO EN-01022-16-N370-(381)
DRA 108

SHEET 7 OF 8

ENGINEERING SPECIFICATION		CONTINUATION SHEET	
TITLE DTR01/DR01 Field Checkout and Acceptance Procedure			
10. EXIT gets you out of the console package.			
*EXT			
Then other diagnostic section can be entered			
Enter option (CON,DDT,EXIT,HELP,MAIN) - MAIN			
- NOW TESTING - RH20-550 DR01-7			
TST1			
TST2			
TST3			
TST4			
TST5			
END OF PASS			
	SIZE	CODE	NUMBER
	A	SP	DTR01-0-5
			REV

DEC FORM NO EN-01022-16-N370-(381)
DRA 108

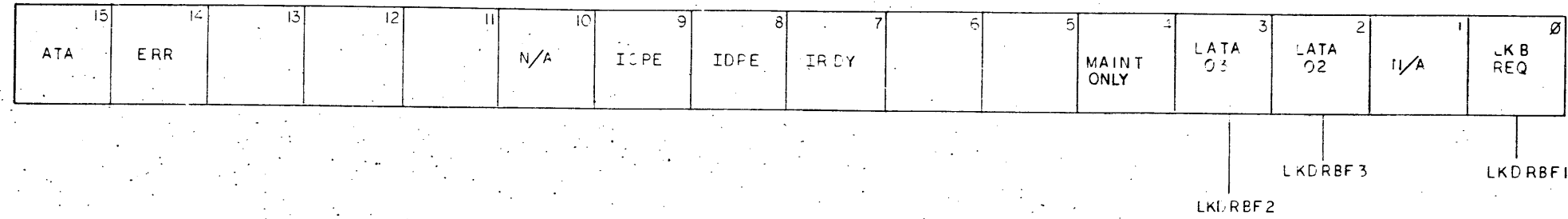
SHEET 8 OF 8

THIS DRAWING AND SPECIFICATIONS HEREIN ARE THE PROPERTY OF DIGITAL EQUIPMENT CORPORATION AND SHALL NOT BE REPRODUCED OR COPIED OR USED IN WHOLE OR IN PART AS THE BASIS FOR THE MANUFACTURE OR SALE OF ITEMS WITHOUT WRITTEN PERMISSION. COPYRIGHT © 1977 DIGITAL EQUIPMENT CORPORATION

DROI-C / DR11-B REGISTER LINK CONFIGURATION

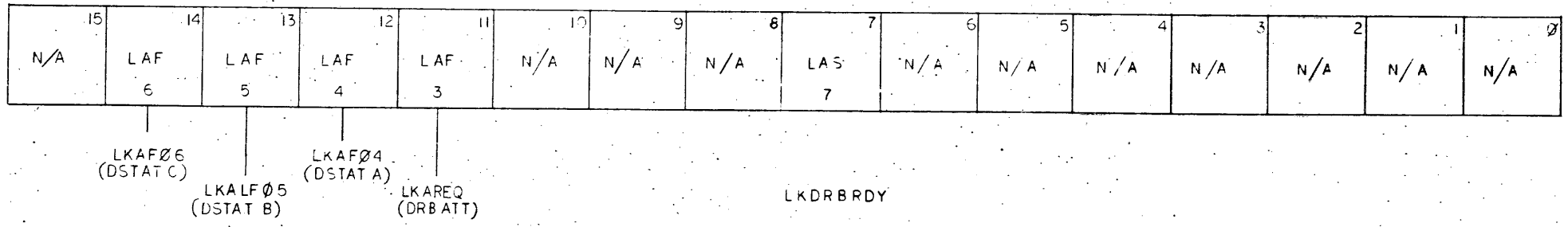
RHCSI - REG #0 (SAME AS STD.)

RHIS - REG #1



RHIB - REG #2 (SAME AS STD.)

RHFS - REG #3



RHDT - REG #6 }
 RHOB - REG #7 } (SAME AS STD.)

REV.	
CHG.	NO.

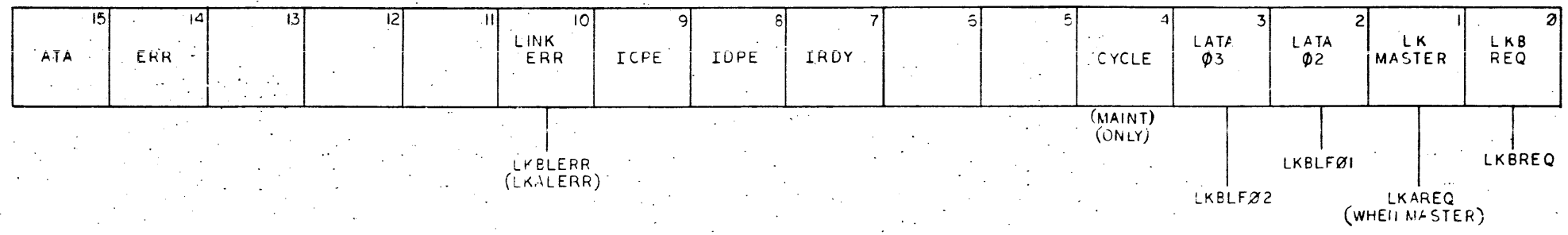
	DESCRIPTION	DWG./PART NO.	ITEM NO.
UNLESS OTHERWISE SPECIFIED DIMENSIONS ARE IN INCHES			
ANGLES 45° 30°	CLASS OF ACCURACY (CHECK ONE)	NOMINAL DIMENSION RANGE INCHES	
SURFACE QUALITY IN	MEDIUM <input type="checkbox"/> <input checked="" type="checkbox"/>	OVER 0 TO 0.2	OVER 0.2 TO 0.5
MICROINCHES	PREFERRED <input type="checkbox"/> <input checked="" type="checkbox"/>	OVER 0.5 TO 1.2	OVER 1.2 TO 4.0
THIRD ANGLE PROJECTION	DRN. <i>[Signature]</i> 10/27/77	FIRST USED ON	DTR01
REMOVE BURRS AND BREAK SHARP CORNERS	CHK'D <i>[Signature]</i> 10/27/77	TITLE	
DO NOT SCALE DWG	ENG. <i>[Signature]</i> 10/27/77	DROI-C/DR11-B REGISTER LINK CONFIGURATION	
MATERIAL	NEXT HIGHER ASSY.	SIZE CODE	NUMBER
FINISH	B-DD-DTR01-0	D	BD
SCALE	SHEET	OF	DIST.
SHEET	2	OF	1

THIS DRAWING AND SPECIFICATIONS HEREIN ARE THE PROPERTY OF DIGITAL EQUIPMENT CORPORATION AND SHALL NOT BE REPRODUCED OR COPIED OR USED IN WHOLE OR IN PART AS THE BASIS FOR THE MANUFACTURE OR SALE OF ITEMS WITHOUT WRITTEN PERMISSION.
COPYRIGHT © 1977, DIGITAL EQUIPMENT CORPORATION

DRØ1-C / RH20 REGISTERS
LINK CONFIGURATION

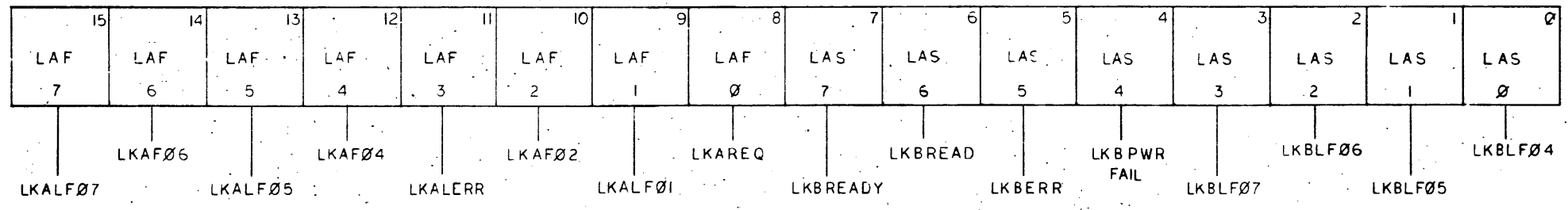
RHCSI-REG #0 (SAME AS STD.)

RHIS-REG #1



RHIB-REG #2 (SAME AS STD.)

RHFS-REG #5

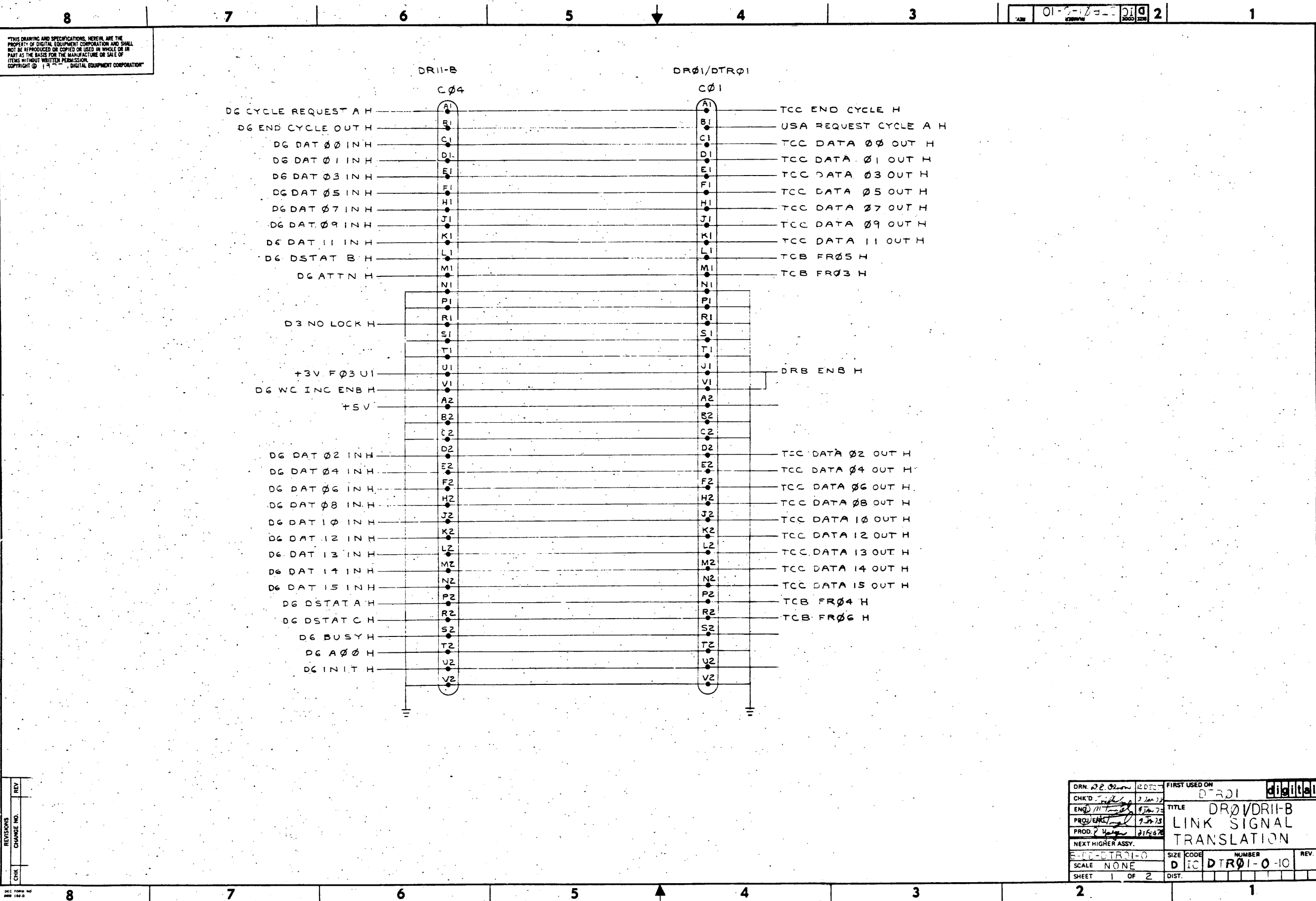


RHDT-REG #6 }
RHOB-REG #7 } (SAME AS STD.)

REV	
CHG	
CHANGE NO.	

THIRD ANGLE PROJECTION		DESCRIPTION		DWG. PART NO.	ITEM NO.
UNLESS OTHERWISE SPECIFIED DIMENSIONS ARE IN INCHES					
ANGLES ± 30'	CLASS OF ACCURACY	NOMINAL DIMENSION RANGE INCHES			
SURFACE QUALITY IN	(CHECK ONE)	ØPER Ø	ØVER Ø	ØFER Ø	ØWER Ø
QUANTITY & VARIATION	MEDIUM	1.004	1.008	1.012	1.016
REMOVE BURRS AND BREAK SHARP CORNERS	PREFERRED	1.012	1.016	1.020	1.024
DO NOT SCALE DWG		1.012	1.016	1.020	1.024
MATERIAL	DRN. <i>John Hill</i>	FIRST USED ON		DTRØ1	
FINISH	CHK'D <i>[Signature]</i>	TITLE		DRØ1-C/RH20 REGISTER'S LINK CONFIGURATION	
	ENR. <i>[Signature]</i>	SIZE	CODE	NUMBER	REV.
	PROD. <i>[Signature]</i>	D	BDDTRØ1-Ø	9	
		SHEET	OF	DIST.	
		2	1		

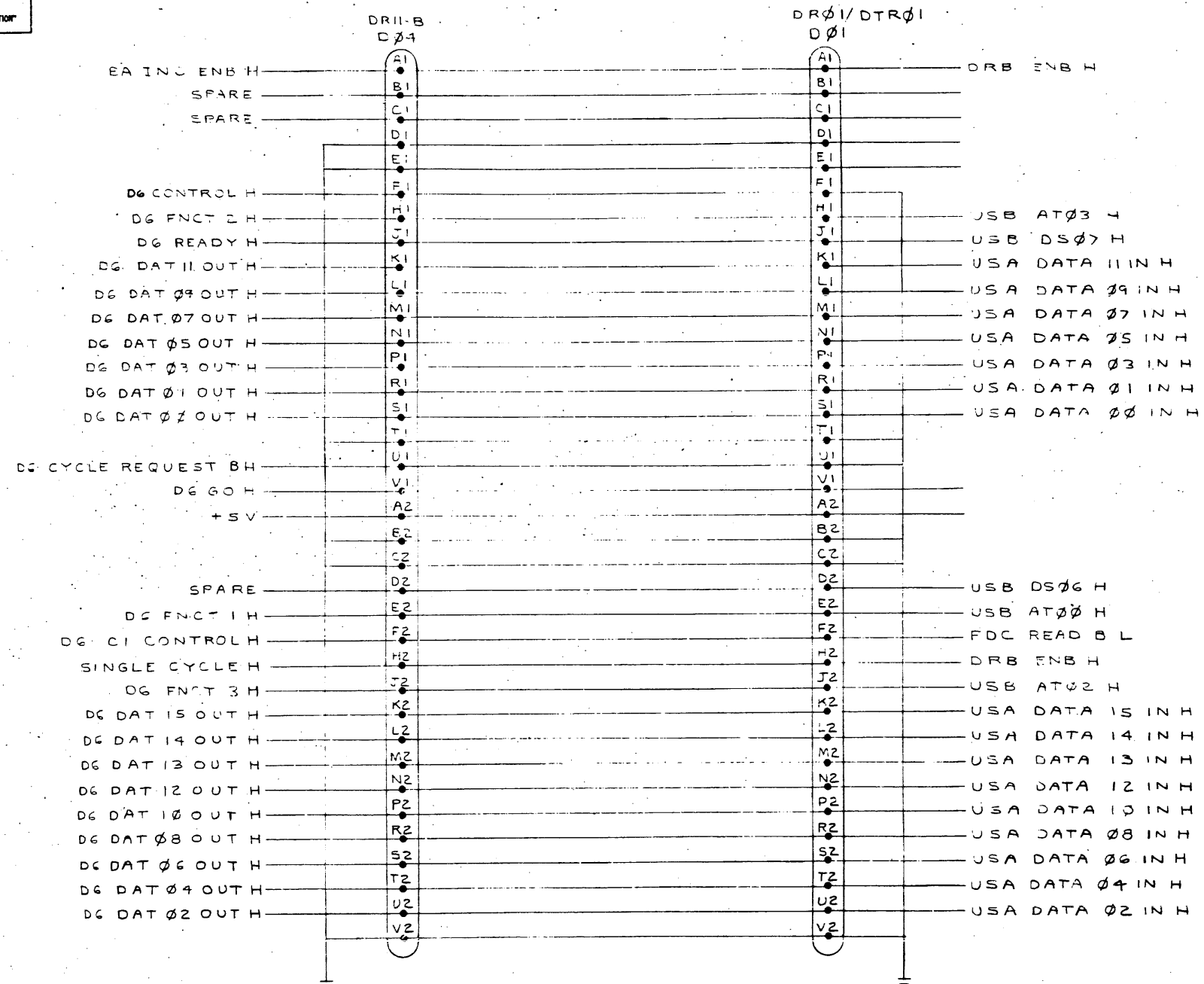
THIS DRAWING AND SPECIFICATIONS, HEREIN, ARE THE PROPERTY OF DIGITAL EQUIPMENT CORPORATION AND SHALL NOT BE REPRODUCED OR COPIED OR USED IN WHOLE OR IN PART AS THE BASIS FOR THE MANUFACTURE OR SALE OF ITEMS WITHOUT WRITTEN PERMISSION.
 COPYRIGHT © 1973, DIGITAL EQUIPMENT CORPORATION



REV	
CHG	
CHG	
CHG	

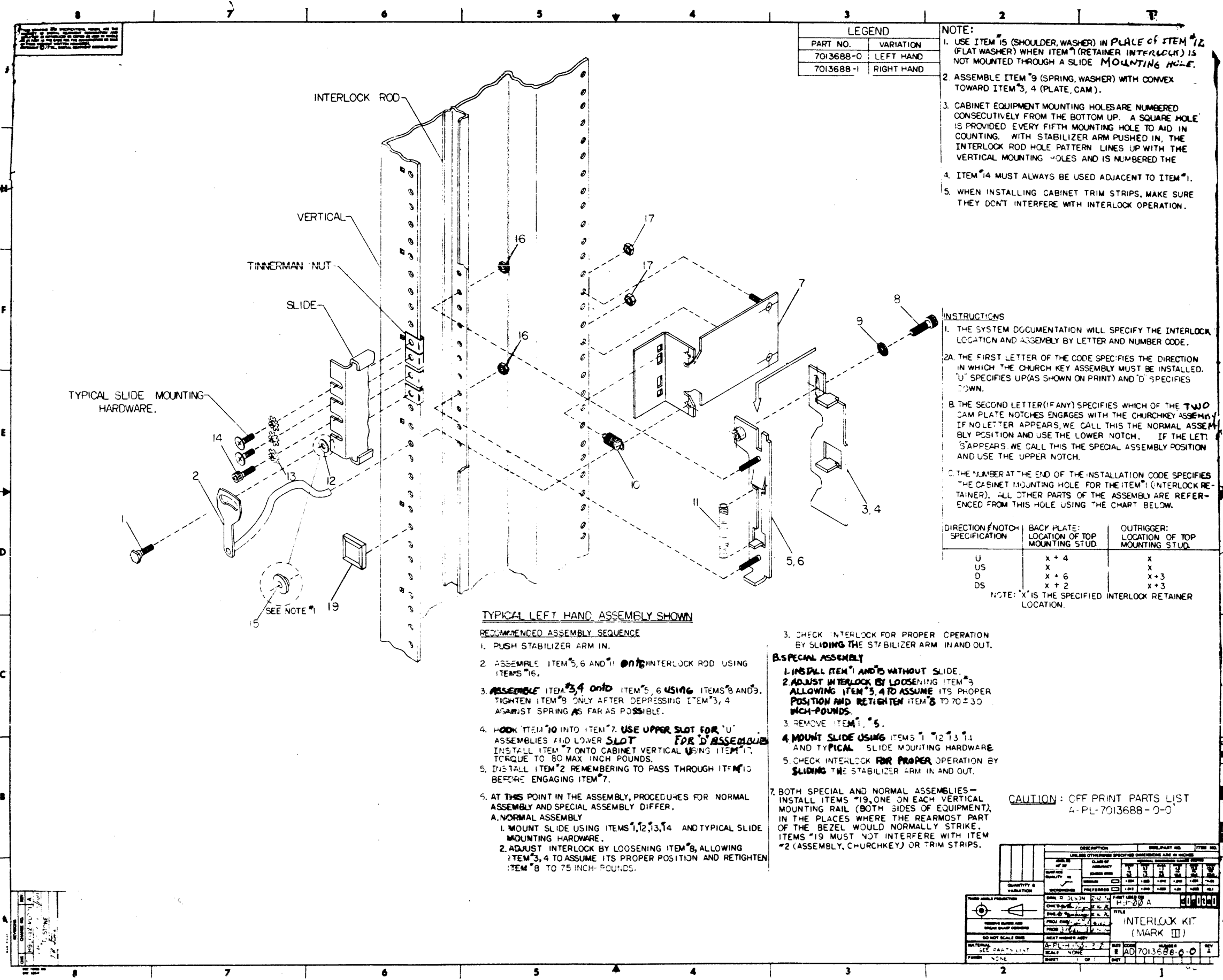
DRN. <i>W.P. Olson</i>	DATE	FIRST USED ON	<i>DTR01</i>	digital
CHK'D <i>[Signature]</i>	<i>2 Jan 73</i>	TITLE	DR01/DR11-B LINK SIGNAL TRANSLATION	
ENG. <i>[Signature]</i>	<i>9 Jan 73</i>	PROJECT	<i>9 Jan 73</i>	
PROD. <i>[Signature]</i>	<i>21 Feb 73</i>	NEXT HIGHER ASSY.		
SCALE	NONE	SIZE	DIC	NUMBER
SHEET	1 OF 2	DIST.		

THIS DRAWING AND SPECIFICATIONS HEREIN ARE THE PROPERTY OF DIGITAL EQUIPMENT CORPORATION AND SHALL NOT BE REPRODUCED OR COPIED OR USED IN WHOLE OR IN PART AS THE BASIS FOR THE MANUFACTURE OR SALE OF ITEMS WITHOUT WRITTEN PERMISSION. DIGITAL EQUIPMENT CORPORATION COPYRIGHT ©



REV.	
CHG	

DRN. J.P. O'Brien	12 DEC 77	FIRST USED ON	CTR01
CHK'D. J.P. O'Brien	7/20/77	TITLE	DR01/DR11-B
ENG. J.P. O'Brien	7/20/77		LINK SIGNAL
PROD. J.P. O'Brien	7/20/77		TRANSLATION
NEXT HIGHER ASSY.			
F-CD-DTR01-0	SIZE	CODE	NUMBER
SCALE NONE	D	IC	DTR01-0-10
SHEET 2 OF 2	DIST.		



LEGEND

PART NO.	VARIATION
7013688-0	LEFT HAND
7013688-1	RIGHT HAND

- NOTE:
- USE ITEM #15 (SHOULDER WASHER) IN PLACE OF ITEM #12 (FLAT WASHER) WHEN ITEM #1 (RETAINER INTERLOCK) IS NOT MOUNTED THROUGH A SLIDE MOUNTING HOLE.
 - ASSEMBLE ITEM #9 (SPRING, WASHER) WITH CONVEX TOWARD ITEM #3, 4 (PLATE, CAM).
 - CABINET EQUIPMENT MOUNTING HOLES ARE NUMBERED CONSECUTIVELY FROM THE BOTTOM UP. A SQUARE HOLE IS PROVIDED EVERY FIFTH MOUNTING HOLE TO AID IN COUNTING. WITH STABILIZER ARM PUSHED IN, THE INTERLOCK ROD HOLE PATTERN LINES UP WITH THE VERTICAL MOUNTING HOLES AND IS NUMBERED THE
 - ITEM #14 MUST ALWAYS BE USED ADJACENT TO ITEM #1.
 - WHEN INSTALLING CABINET TRIM STRIPS, MAKE SURE THEY DON'T INTERFERE WITH INTERLOCK OPERATION.

- INSTRUCTIONS
- THE SYSTEM DOCUMENTATION WILL SPECIFY THE INTERLOCK LOCATION AND ASSEMBLY BY LETTER AND NUMBER CODE.
 - THE FIRST LETTER OF THE CODE SPECIFIES THE DIRECTION IN WHICH THE CHURCH KEY ASSEMBLY MUST BE INSTALLED. 'U' SPECIFIES UP (AS SHOWN ON PRINT) AND 'D' SPECIFIES DOWN.
 - THE SECOND LETTER (IF ANY) SPECIFIES WHICH OF THE TWO CAM PLATE NOTCHES ENGAGES WITH THE CHURCHKEY ASSEMBLY. IF NO LETTER APPEARS, WE CALL THIS THE NORMAL ASSEMBLY POSITION AND USE THE LOWER NOTCH. IF THE LETTER 'S' APPEARS WE CALL THIS THE SPECIAL ASSEMBLY POSITION AND USE THE UPPER NOTCH.
 - THE NUMBER AT THE END OF THE INSTALLATION CODE SPECIFIES THE CABINET MOUNTING HOLE FOR THE ITEM #1 (INTERLOCK RETAINER). ALL OTHER PARTS OF THE ASSEMBLY ARE REFERENCED FROM THIS HOLE USING THE CHART BELOW.

DIRECTION / NOTCH SPECIFICATION	BACK PLATE: LOCATION OF TOP MOUNTING STUD.	OUTRIGGER: LOCATION OF TOP MOUNTING STUD.
U	X + 4	X
US	X	X
D	X + 6	X + 3
DS	X + 2	X + 3

NOTE: 'X' IS THE SPECIFIED INTERLOCK RETAINER LOCATION.

TYPICAL LEFT HAND ASSEMBLY SHOWN

RECOMMENDED ASSEMBLY SEQUENCE

- PUSH STABILIZER ARM IN.
- ASSEMBLE ITEM #5, 6 AND #1 ONTO INTERLOCK ROD USING ITEM #16.
- ASSEMBLE ITEM #3, 4 ONTO ITEM #5, 6 USING ITEM #8 AND #9. TIGHTEN ITEM #8 ONLY AFTER DEPRESSING ITEM #3, 4 AGAINST SPRING AS FAR AS POSSIBLE.
- HOOK ITEM #10 INTO ITEM #7. USE UPPER SLOT FOR 'U' ASSEMBLIES AND LOWER SLOT FOR 'D' ASSEMBLIES. INSTALL ITEM #7 ONTO CABINET VERTICAL USING ITEM #11. TORQUE TO 80 MAX INCH POUNDS.
- INSTALL ITEM #2 REMEMBERING TO PASS THROUGH ITEM #10 BEFORE ENGAGING ITEM #7.
- AT THIS POINT IN THE ASSEMBLY, PROCEDURES FOR NORMAL ASSEMBLY AND SPECIAL ASSEMBLY DIFFER.
 - NORMAL ASSEMBLY
 - MOUNT SLIDE USING ITEMS #1, 2, 3, 13, 14 AND TYPICAL SLIDE MOUNTING HARDWARE.
 - ADJUST INTERLOCK BY LOOSENING ITEM #8, ALLOWING ITEM #3, 4 TO ASSUME ITS PROPER POSITION AND RETIGHTEN ITEM #8 TO 75 INCH-POUNDS.
 - SPECIAL ASSEMBLY
 - INSTALL ITEM #1 AND #5 WITHOUT SLIDE.
 - ADJUST INTERLOCK BY LOOSENING ITEM #8, ALLOWING ITEM #3, 4 TO ASSUME ITS PROPER POSITION AND RETIGHTEN ITEM #8 TO 70 ± 30 INCH-POUNDS.
 - REMOVE ITEM #1, #5.
 - MOUNT SLIDE USING ITEMS #1, 2, 3, 13, 14 AND TYPICAL SLIDE MOUNTING HARDWARE.
 - CHECK INTERLOCK FOR PROPER OPERATION BY SLIDING THE STABILIZER ARM IN AND OUT.
- BOTH SPECIAL AND NORMAL ASSEMBLIES—INSTALL ITEMS #19, ONE ON EACH VERTICAL MOUNTING RAIL (BOTH SIDES OF EQUIPMENT), IN THE PLACES WHERE THE REARMOST PART OF THE BEZEL WOULD NORMALLY STRIKE. ITEMS #19 MUST NOT INTERFERE WITH ITEM #2 (ASSEMBLY, CHURCHKEY) OR TRIM STRIPS.

3. CHECK INTERLOCK FOR PROPER OPERATION BY SLIDING THE STABILIZER ARM IN AND OUT.

B. SPECIAL ASSEMBLY

- INSTALL ITEM #1 AND #5 WITHOUT SLIDE.
- ADJUST INTERLOCK BY LOOSENING ITEM #8, ALLOWING ITEM #3, 4 TO ASSUME ITS PROPER POSITION AND RETIGHTEN ITEM #8 TO 70 ± 30 INCH-POUNDS.
- REMOVE ITEM #1, #5.
- MOUNT SLIDE USING ITEMS #1, 2, 3, 13, 14 AND TYPICAL SLIDE MOUNTING HARDWARE.
- CHECK INTERLOCK FOR PROPER OPERATION BY SLIDING THE STABILIZER ARM IN AND OUT.

CAUTION: OFF PRINT PARTS LIST
A-PL-7013688-0-0

QUANTITY & VARIATION	DESCRIPTION	QUANTITY	ITEM NO.
	INTERLOCK KIT (MARK III)		
	AD 7013688-0-0		

DATE: 11/11/77
DRAWN BY: J. J. STINE
CHECKED BY: J. J. STINE
SCALE: NONE
SHEET: 1 OF 1