

"THIS DOCUMENT AND SPECIFICATION HEREIN, ARE THE PROPERTY OF DIGITAL EQUIPMENT CORPORATION AND SHALL NOT BE REPRODUCED OR COPIED OR USED IN WHOLE OR IN PART AS THE BASIS FOR THE MANUFACTURE OR SALE OF ITEMS WITHOUT WRITTEN PERMISSION."
 COPYRIGHT (C) 1987. DIGITAL EQUIPMENT CORPORATION

TABLE OF CONTENTS, FIELD MAINTENANCE PRINT SET PART NO. MP02411-01

| | | UNIT VARIATIONS COVERED BY THIS PRINT SET | | | | | |
|--------------------|------------------------------------|---|----------|----------|----------|----------|----------|
| | | VT330-A2 | VT330-A3 | VT330-B2 | VT330-B3 | VT330-C2 | VT330-C3 |
| K-TC-VT330-0-1 | TABLE OF CONTENTS | | | | | | |
| K-DD-VT330-0 | DWG DIR, GRAPHIC TERMINAL | | | | | | |
| E-UA-VT330-0-DBU | UNIT ASSY | | | | | | |
| K-PL-VT330-0-DBP | PARTS LIST | | | | | | |
| B-DD-5416905-0-0 | DWG DIR, PWR SUP/MONITOR MODULE | | | | | | |
| K-PL-5416905-0-DBP | PARTS LIST | | | | | | |
| D-UA-5416905-0-0 | UNIT ASSY | | | | | | |
| B-CS-5416905-0-1 | SCHEMATIC | | | | | | |
| B-DD-5416909-0-0 | DWG DIR, CPU MODULE | | | | | | |
| K-PL-5416909-0-DBP | PARTS LIST | | | | | | |
| D-UA-5416909-0-0 | UNIT ASSY | | | | | | |
| B-CS-5416909-0-1 | SCHEMATIC | | | | | | |
| C-AD-7022623-0-DBU | ASSY DWG, ROM CARTRIDGE, VT330/340 | | | | | | |
| K-PL-7022623-0-DBP | PARTS LIST | | | | | | |
| B-DD-5416903-0-0 | DWG DIR, BITMAP MODULE | | | | | | |
| K-PL-5416903-0-DBP | PARTS LIST | | | | | | |
| D-UA-5416903-0-0 | UNIT ASSY | | | | | | |
| B-CS-5416903-0-1 | SCHEMATIC | | | | | | |
| B-DD-5416907-0-0 | DWG DIR, VIDEO AMPLIFIER MODULE | | | | | | |
| K-PL-5416907-0-DBP | PARTS LIST | | | | | | |
| D-UA-5416907-0-0 | UNIT ASSY | | | | | | |
| B-CS-5416907-0-1 | SCHEMATIC | | | | | | |
| E-AD-7022617-0-DBU | ASSY DWG, CRT/CHASSIS/BEZEL ASSY | | | | | | |
| K-PL-7022617-0-DBP | PARTS LIST | | | | | | |
| E-AD-7022622-0-DBU | ASSY DWG, REAR ENCLOSURE/BASE ASSY | | | | | | |
| K-PL-7022622-0-DBP | PARTS LIST | | | | | | |
| D-MD-7432389-0-DBU | MECH DETAIL, PANEL, REAR | | | | | | |

REVISION HISTORY

| DATE | ECO NUMBER | REV | DATE | ECO NUMBER | REV | DATE | ECO NUMBER | REV | DATE | ECO NUMBER | REV |
|----------|------------|-----|------|------------|-----|------|------------|-----|------|------------|-----|
| 3 Feb 87 | INITIAL | A | | | | | | | | | |

| | | | | | | | | | | | |
|---|---|---|---|---|---|---|--------------------------|------|----------|-----------------|------------------------|
| D | I | G | I | T | A | L | DRN: Bruce Harvey | DATE | 1 Jan 87 | TITLE: | TABLE OF CONTENTS |
| | | | | | | | CHK'D: Oliver Lin | DATE | 3 Feb 87 | | VT330 GRAPHIC TERMINAL |
| | | | | | | | DES. ENG: Gordon Wu | DATE | 3 Feb 87 | | |
| | | | | | | | FIELD SERVICE: Bob Welch | DATE | 3 Feb 87 | SECTION | SHEET |
| | | | | | | | IMFG. ENG: Gordon Wu | DATE | 3 Feb 87 | A OF A | 1 OF 1 |
| | | | | | | | | | | DOCUMENT NUMBER | REV |
| | | | | | | | | | | K-TC-VT330-0-1 | A |

Top Doc No. K-DD-VT330-0

"THIS DOCUMENT AND SPECIFICATION HEREIN, ARE THE PROPERTY OF DIGITAL EQUIPMENT CORPORATION AND SHALL NOT BE REPRODUCED OR COPIED OR USED IN WHOLE OR IN PART AS THE BASIS FOR THE MANUFACTURE OR SALE OF ITEMS WITHOUT WRITTEN PERMISSION."
 COPYRIGHT (C) 1987. DIGITAL EQUIPMENT CORPORATION

| DOCUMENT/PART NO. | DESCRIPTION | DOCUMENT/PART REVISIONS |
|-------------------|--|-------------------------|
| VT330-A2 | GRAPHICS TERM, MONOCHRM, WHITE PHSPHR, 120V (NO KYBD) | A1 |
| VT330-A3 | GRAPHICS TERM, MONOCHRM, WHITE PHSPHR, 240V (NO KYBD) | A1 |
| VT330-B2 | GRAPHICS TERM, MONOCHRM, GREEN PHSPHR, 120V (NO KYBD) | A1 |
| VT330-B3 | GRAPHICS TERM, MONOCHRM, GREEN PHSPHR, 240V (NO KYBD) | A1 |
| VT330-C2 | GRAPHICS TERM, MONOCHRM, AMBER PHSPHR, 120V (NO KYBD) | A1 |
| VT330-C3 | GRAPHICS TERM, MONOCHRM, AMBER PHSPHR, 240V (NO KYBD) | A1 |
| K-PL-VT330-0-DBP | PARTS LIST | A |
| E-UA-VT330-0-DBU | UNIT ASSY | A |
| K-TC-VT330-0-1 | TABLE OF CONTENTS | A |
| MP-02411-01 | FIELD MAINT PRINT SET | REF |

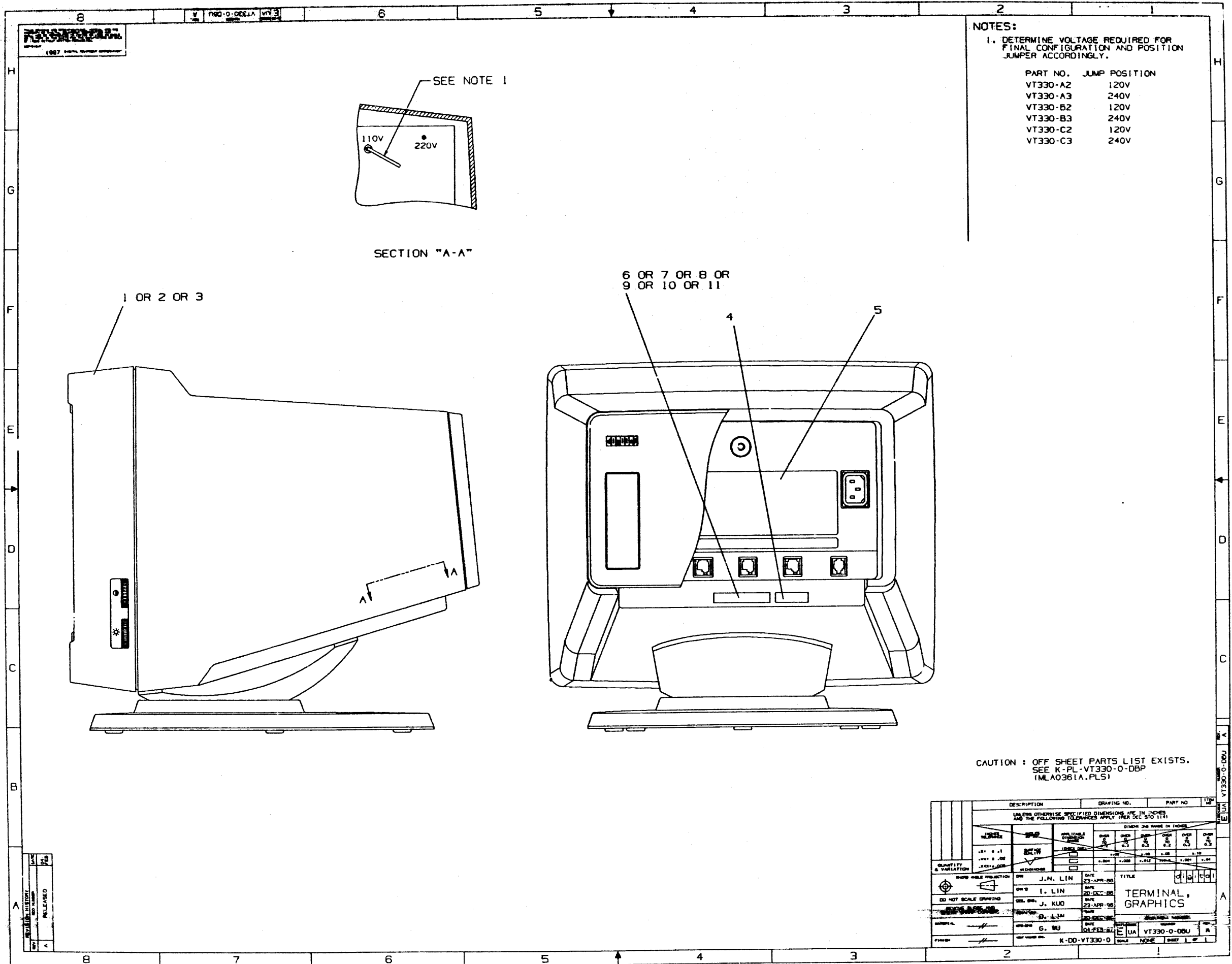
DRAWING DIRECTORY REVISION A

NOTES:

REVISION HISTORY

| DATE | ECO NUMBER | REV | DATE | ECO NUMBER | REV | DATE | ECO NUMBER | REV | DATE | ECO NUMBER | REV |
|----------|------------|-----|------|------------|-----|------|------------|-----|------|------------|-----|
| 3 Feb 87 | INITIAL | A | | | | | | | | | |

| | | | | | | | | | | | | |
|---|---|---|---|---|---|----------------------|------|----------|-----------------------------------|--------|-----------------|-----|
| D | I | G | I | T | A | DRN: Bruce Harvey | DATE | 3 Feb 87 | TITLE: DRAWING DIRECTORY | | | |
| | | | | | | CHK'D: Oliver Lin | DATE | 3 Feb 87 | VT330 GRAPHIC TERMINAL | | | |
| | | | | | | DES. ENG: Oliver Lin | DATE | 3 Feb 87 | | | | |
| | | | | | | RES. ENG: Oliver Lin | DATE | 3 Feb 87 | SECTION | SHEET | DOCUMENT NUMBER | REV |
| | | | | | | MFGE. ENG: Gordon Wu | DATE | 3 Feb 87 | A OF A | 1 OF 1 | K-DD-VT330-0 | A |



NOTES:

1. DETERMINE VOLTAGE REQUIRED FOR FINAL CONFIGURATION AND POSITION JUMPER ACCORDINGLY.

| PART NO. | JUMP POSITION |
|----------|---------------|
| VT330-A2 | 120V |
| VT330-A3 | 240V |
| VT330-B2 | 120V |
| VT330-B3 | 240V |
| VT330-C2 | 120V |
| VT330-C3 | 240V |

CAUTION : OFF SHEET PARTS LIST EXISTS.
SEE K-PL-VT330-0-DBP
(MLA0361A.PLS)

| DESCRIPTION | DRAWING NO. | PART NO. | 1/2" |
|--|-----------------------|----------------------------|----------|
| ANALYSIS OTHERWISE SPECIFIED DIMENSIONS ARE IN INCHES AND THE FOLLOWING TOLERANCES APPLY (PER DEC 510 114) | | | |
| FINISH | APPROXIMATE TOLERANCE | DIMENSIONS SHOWN IN INCHES | |
| AS-BUILT | ±0.005 | 0.125 - 0.375 | ±0.002 |
| PRECISION | ±0.002 | 0.375 - 0.625 | ±0.001 |
| EXTREME PRECISION | ±0.001 | 0.625 - 1.250 | ±0.0005 |
| QUANTITY & VARIATION | REVISIONS | DATE | BY |
| 1 | 1 | 23-APR-88 | J.N. LIN |
| DO NOT SCALE DRAWING | 2 | 20-DEC-88 | I. LIN |
| DESIGNER | 3 | 23-APR-88 | J. KUO |
| DRAWN | 4 | | G. WU |
| CHECKED | 5 | | |
| APPROVED | 6 | | |
| TITLE | | TERMINAL GRAPHICS | |
| PART NO. | | VT330-0-DBP | |
| DRAWING NO. | | K-00-VT330-0 | |
| SCALE | | NONE | |
| SHEET | | 1 OF 1 | |

| LINE ITEM | TOP DOCUMENT | PART NUMBER | MIN REV | DESCRIPTION | QUANTITY PER VARIATION/REVISION | | | | | |
|-----------|--------------------|-------------|---------|-------------------------------------|---------------------------------|-------|-------|-------|-------|-------|
| | | | | | A2 A1 | A3 A1 | B2 A1 | B3 A1 | C2 A1 | C3 A1 |
| 1 | E-AD-7023716-0-DBU | 70-23716-01 | A | TERMINAL SUB-ASSY | 1 | 1 | - | - | - | - |
| 2 | E-AD-7023716-0-DBU | 70-23716-02 | A | TERMINAL SUB-ASSY TEXT, GRN | - | - | 1 | 1 | - | - |
| 3 | E-AD-7023716-0-DBU | 70-23716-03 | A | TERMINAL SUB-ASSY TEXT, AMB | - | - | - | - | 1 | 1 |
| 4 | | 36-18460-01 | A | LABEL, BAR CODE BLANK .38 X1.5 | 1 | 1 | 1 | 1 | 1 | 1 |
| 5 | | 36-26330-05 | A | LABEL, REGULATORY VT-330 CLASS A W/ | 1 | 1 | 1 | 1 | 1 | 1 |
| 6 | | 36-26331-07 | A | LABEL, SERIAL VT330-A2 | 1 | - | - | - | - | - |
| 7 | | 36-26331-08 | A | LABEL, SERIAL VT330-A3 | - | 1 | - | - | - | - |
| 8 | | 36-26331-09 | A | LABEL, SERIAL VT330-B2 | - | - | 1 | - | - | - |
| 9 | | 36-26331-10 | A | LABEL, SERIAL VT330-B3 | - | - | - | 1 | - | - |
| 10 | | 36-26331-11 | A | LABEL, SERIAL VT330-C2 | - | - | - | - | 1 | - |
| 11 | | 36-26331-12 | A | LABEL, SERIAL VT330-C3 | - | - | - | - | - | 1 |
| 12 | | 37-00967-01 | | PKG MONITOR VT330 INTERPLANT | 1 | 1 | 1 | 1 | 1 | 1 |

| REVISION HISTORY | | KPL MATRIX FORMAT | | SECTION A OF A | DRN: J.N. LIN | DIGITAL | | | |
|--------------------|------------|-------------------|-------------------------|----------------------|-------------------|--------------------------|------|-------------|-----|
| ENG | ECO NUMBER | REV | SECTION/VARIATION INDEX | | DATE: 29-APR-86 | | | | |
| --- | INITIAL | A | [A] A2,A3,B2,B3,C2,C3 | | CHK'D: I. LIN | TITLE PARTS LIST | | | |
| | | | [B] | | DATE: 20-DEC-86 | TERMINAL, GRAPHICS | | | |
| | | | [C] | | DES.ENG: J. KUO | | | | |
| | | | [D] | | DATE: 29-APR-86 | DOCUMENT NUMBER | | | |
| | | | [E] | | | SIZE | CODE | NUMBER | REV |
| | | | [F] | | RESP.ENG.: O. LIN | K | PL | VT330-0-DBP | A |
| | | | [H] | | DATE: 20-DEC-86 | | | | |
| | | | [J] | | MFG.ENG: G. WU | RELEASE DATE: 20-FEB-87 | | | |
| | | | | | DATE: 04-FEB-87 | RELEASE STATUS: RELEASED | | | |
| BASIC PART NUMBER: | | ASSEMBLY NUMBER: | | TOP DOCUMENT NUMBER: | | FILE NAME: | | EDIT # | |
| VT330 | | K-DD-VT330-0 | | K-DD-VT330-0 | | MLA0361A.PLS | | 19 | |

"THIS DRAWING AND THE SPECIFICATIONS CONTAINED HEREIN ARE CONFIDENTIAL AND PROPRIETARY. THEY ARE THE PROPERTY OF DIGITAL EQUIPMENT CORPORATION AND SHALL NOT BE REPRODUCED OR COPIED OR USED IN WHOLE OR IN PART AS THE BASIS FOR THE MANUFACTURE OR SALE OF ITEMS WITHOUT WRITTEN PERMISSION. THIS IS AN UNPUBLISHED WORK PROTECTED UNDER THE FEDERAL COPYRIGHT LAWS."

| LINE | ITEM | TOP DOCUMENT | PART NUMBER | MIN REV | DESCRIPTION | QTY PER VAR/REV | REFERENCE DESIGNATORS |
|------|------|------------------|-------------|---------|-------------------------------|-----------------|-------------------------------|
| 1 | 1 | B-DD-5016904-0-0 | 50-16904-01 | J | CIRCUIT DRILL AND ETCH BOARD | 1 | |
| 2 | 2 | | 10-00020-00 | | 180 PFD 100V +/- 5% 200PP | 1 | C113 |
| 3 | 3 | | 10-05784-00 | | 0.010MFD 100V +/-10% MYLAR | 1 | C231 |
| 4 | 4 | | 10-12312-01 | | 0.47 MFD 50V +80/-20% Z5U C | 6 | C203,C211,C526,C527,C529,C530 |
| 5 | 5 | | 10-12784-00 | | 0.047MFD 50V +80/-20% Z5U C | 1 | C532 |
| 6 | 6 | | 10-13466-06 | | 100 PFD 50V +/- 5% NP0 C | 1 | C106 |
| 7 | 7 | | 10-13466-10 | | 3300 PFD 50V +/- 5% NP0 C | 1 | C507 |
| 8 | 8 | | 10-13466-11 | | 0.22 MFD 50V +80/-20% Z5U C | 2 | C504,C520 |
| 9 | 9 | | 10-13466-19 | | 470 PFD 50V +/- 5% NP0 C | 3 | C107,C506,C510 |
| 10 | 10 | | 10-13466-22 | | 0.10 MFD 50V +80/-20% Z5U C | 4 | C101,C205,C206,C218 |
| 11 | 11 | | 10-13466-28 | | 1000 PFD 50V +/- 5% NP0 C | 1 | C533 |
| 12 | 12 | | 10-13466-34 | | 4700 PFD 50V +/- 5% X7R C | 1 | C202 |
| 13 | 13 | | 10-13466-43 | | 0.010MFD 50V +/- 5% X7R C | 3 | C200,C508,C509 |
| 14 | 14 | | 10-13669-02 | | 0.10 MFD 150V +/- 5% M.POL | 3 | C103,C108,C109 |
| 15 | 15 | | 10-15202-01 | | 1800 PFD 1600V +/-10% POLYP | 1 | C512 |
| 16 | 16 | | 10-15573-00 | | 0.027MFD 50V +/- 5% X7R C | 1 | C207 |
| 17 | 17 | | 10-16544-00 | | 0.10 MFD 100V +/-10% MYLAR | 3 | C111,C518,C528 |
| 18 | 18 | | 10-16548-00 | | 1000 MFD 16V +50/-10% ALU | 1 | C514 |
| 19 | 19 | | 10-16553-00 | | 4.7 MFD 25V +75/-10% ALU | 1 | C230 |
| 20 | 20 | | 10-16572-00 | | 300 PFD 500V +/-10% X5F/X | 1 | C521 |
| 21 | 21 | | 10-18000-07 | | 10 MFD 63V +50/-20% ALU | 1 | C217 |
| 22 | 22 | | 10-18000-13 | | 100 MFD 35V +50/-20% ALU | 1 | C511 |
| 23 | 23 | | 10-18000-28 | | 1.0 MFD 100V +50/-20% ALU | 2 | C400,C519 |
| 24 | 24 | | 10-18000-29 | | 10 MFD 25V +75/-20% ALU | 1 | C120 |
| 25 | 25 | | 10-18000-30 | | 330 MFD 50V +50/-20% ALU | 1 | C525 |
| 26 | 26 | | 10-18000-32 | | 10 MFD 160V +50/-20% ALU | 1 | C215 |
| 27 | 27 | | 10-18000-33 | | 100 MFD 25V +50/-20% ALU | 1 | C102 |
| 28 | 28 | | 10-18000-34 | | 100 MFD 100V +50/-20% ALU | 1 | C216 |
| 29 | 29 | | 10-19559-01 | | 0.020MFD 1000V +80/-20% Y5U/Z | 1 | C213 |
| 30 | 30 | | 10-19559-03 | | 1500 PFD 1000V +/-20% Y5U/Z | 1 | C222 |
| 31 | 31 | | 10-19559-04 | | 0.010MFD 2000V +/-20% Y5U/Z | 1 | C214 |
| 32 | 32 | | 10-20604-13 | | 1.5 MFD 100V +/- 5% MET M | 1 | C210 |

| REVISION HISTORY | | KPL MODULE FORMAT | | SECTION A OF A | | DRN: F. LIU | | D I G I T A L | | |
|--------------------|------------|-------------------|-------------------------|----------------------|-------|-----------------|-----------------|---------------|-----------------------------|------------|
| ENG | ECO NUMBER | REV | SECTION/VARIATION INDEX | | DATE: | 05-MAY-86 | | | | |
| --- | INITIAL | A | [A] | 01 | [M] | CHK'D: | B. CHEN | | TITLE | PARTS LIST |
| | | | [B] | | [N] | DATE: | 05-MAY-86 | | POWER SUPPLY/MONITOR MODULE | |
| | | | [C] | | [P] | DES.ENG: | K WU/CY LIN | | | |
| | | | [D] | | [Q] | DATE: | 05-MAY-86 | | DOCUMENT NUMBER | |
| | | | [E] | | [R] | RESP.ENG.: | JB LOU | | SIZE | CODE |
| | | | [F] | | [S] | DATE: | 05-MAY-86 | | NUMBER | REV |
| | | | [H] | | [T] | MFG.ENG.: | G. CHRISTIANSEN | | K | PL |
| | | | [J] | | [V] | DATE: | 25-FEB-87 | | 5416905-0-DBP | A |
| | | | [K] | | [W] | RELEASE DATE: | 04-MAR-87 | | | |
| | | | [L] | | [Y] | RELEASE STATUS: | RELEASED | | | |
| BASIC PART NUMBER: | | ASSEMBLY NUMBER: | | TOP DOCUMENT NUMBER: | | FILE NAME: | | EDIT # | | |
| 5416905 | | D-UA-5416905-0-0 | | B-DD-5416905-0-0 | | GH432A.PLS | | 45 | | |

THIS DRAWING AND THE SPECIFICATIONS CONTAINED HEREIN ARE CONFIDENTIAL AND PROPRIETARY. THEY ARE THE PROPERTY OF DIGITAL EQUIPMENT CORPORATION AND SHALL NOT BE REPRODUCED OR COPIED OR USED IN WHOLE OR IN PART AS THE BASIS FOR THE MANUFACTURE OR SALE OF ITEMS WITHOUT WRITTEN PERMISSION. THIS IS AN UNPUBLISHED WORK PROTECTED UNDER THE FEDERAL COPYRIGHT LAWS.

| LINE | ITEM | TOP DOCUMENT | PART NUMBER | MIN REV | DESCRIPTION | QTY PER VAR/REV | REFERENCE DESIGNATORS |
|------|------|--------------|-------------|---------|----------------------------------|-----------------|-------------------------------|
| | | | | | | 01 A1 | |
| 33 | 33 | | 10-21205-01 | | 1000 MFD 10V +30/-10% ALU | 1 | C516 |
| 34 | 34 | | 10-23486-03 | | 22 MFD 16V +/-20% ALU | 1 | C110 |
| 35 | 35 | | 10-26456-01 | | 2200 PFD 100V 1% POLYPROP | 1 | C201 |
| 36 | 36 | | 10-26457-02 | | 0.015MFD 1000V +/-5% POLYPR | 1 | C208 |
| 37 | 37 | | 10-26575-01 | | 470 MFD 25V +/-20% ALUM | 2 | C219,C524 |
| 38 | 38 | | 10-26576-01 | | 330 MFD 250 + 30/-20% ALU | 1 | C501 |
| 39 | 39 | | 10-26577-01 | | 2200 MFD 10V +/-20% ALU | 4 | C513,C515,C523,C531 |
| 40 | 40 | | 10-26578-01 | | 330 MFD 25V +/-20% ALU | 2 | C503,C517 |
| 41 | 41 | | 10-26646-01 | | 0.10 MFD 250V +/-10% MYLAR | 1 | C121 |
| 42 | 42 | | 10-26860-01 | | 470 MFD 16V +50/-10% ALU | 2 | C100,C204 |
| 43 | 43 | | 10-26938-01 | | 2200 MFD 16V +/-20% ALUM | 1 | C112 |
| 44 | 44 | | 10-26959-01 | | 2200 PFD 100V +/-5% POLYPR | 1 | C522 |
| 45 | 45 | | 10-27721-01 | | 330 MFD 400V +/-20% ALU | 1 | C502 |
| 46 | 46 | | 11-02808-01 | | VZ= 5.6 1% 400 MW 1N752 | 1 | D512 |
| 47 | 47 | | 11-05796-00 | | PIV= 400 IO= 1.00A 1N4004 D0-41 | 3 | D100,D502,D507 |
| 48 | 48 | | 11-12594-01 | | PIV= 200 IO= 3.00A | 1 | D513 |
| 49 | 49 | | 11-12594-02 | | PIV= 600 IO= 3.00A | 1 | D206 |
| 50 | 50 | | 11-12595-01 | | PIV= 200 IO= 1.00A AXIAL | 4 | D503,D504,D506,D509 |
| 51 | 51 | | 11-12595-02 | | PIV= 600 IO= 1.00A AXIAL | 2 | D204,D205 |
| 52 | 52 | | 11-16475-00 | | PIV= 75 - 4NS 1N4148 | 7 | D120,D401-D403,D505,D514,D515 |
| 53 | 53 | | 11-20828-01 | | PIV=1000 IO= 1.50A | 1 | D508 |
| 54 | 54 | | 11-21435-01 | | RECT. ASSY PIV= 600 IO= 2.00A | 1 | D501 |
| 55 | 55 | | 11-21581-01 | | PIV=1500 IO= 60MA | 1 | D203 |
| 56 | 56 | | 11-24037-01 | | VZ= 36.0 5% 400 MW 1N974B D0-35 | 9 | D611-D619 |
| 57 | 57 | | 11-24210-01 | | SCHOTTKY PIV= 45 IO=15.00A T022 | 1 | D511 |
| 58 | 58 | | 11-26397-01 | | PIV=100 IO=3.0 A 150NS | 1 | D510 |
| 59 | 59 | | 11-26743-01 | | TRANS SUPP 600W 10V +/- | 4 | D601-D604 |
| 60 | 60 | | 11-26743-02 | | TRANS SUPP 600W 22V +/- | 6 | D605-D610 |
| 61 | 61 | | 12-10929-02 | | FUSE PICO 1.0 A 125V AXIAL LEA | 1 | F501 |
| 62 | 62 | | 12-13071-06 | | INSULATOR,RUBBER SILICONE | 3 | |
| 63 | 63 | | 12-13071-21 | | INSULATOR,RUBBER,THERMAL | 1 | |
| 64 | 64 | | 12-15228-00 | | HEAT SINKS,T0-220 01.25X0.87 | 1 | H502 |
| 65 | 65 | | 12-15323-00 | | PCB HEADER 06PIN(1X06).100CC STR | 1 | J104 |
| 66 | 66 | | 12-15323-02 | | PCB HEADER 02PIN(1X02).100CC STR | 1 | J400 |
| 67 | 67 | | 12-15323-05 | | PCB HEADER 03PIN(1X03).100CC STR | 1 | J102 |
| 68 | 68 | | 12-17485-01 | | MATE-N-LOK 03SKT(1X03).250CC ASS | 1 | J501 |
| 69 | 69 | | 12-18826-07 | | CONN,PHONE JACK 04POS | 1 | J4 |
| 70 | 70 | | 12-21439-01 | | PCB,HEADER 03PIN(1X03).200CC STR | 1 | J201 |
| 71 | 71 | | 12-23192-08 | | FUSE 5X20 3.0 A 250V FAST ACTI | 1 | F500 |
| 72 | 72 | | 12-23433-02 | | CONN,LAN JACK 06 POS | 3 | J1-J3 |
| 73 | 73 | | 12-24261-01 | | PCB HEADER PIN .1250D TIN | 2 | J503,J504 |
| 74 | 74 | | 12-26619-01 | | FUSECLIP 5MM | 2 | |
| 75 | 75 | | 12-26771-01 | | HEAT SINK | 1 | H504 |
| 76 | 76 | | 12-26771-02 | | HEAT SINK | 1 | H503 |
| 77 | 77 | | 12-27598-01 | | HEAT SINK | 1 | H203 |
| 78 | 78 | | 12-27759-01 | | HEAT SINK | 1 | H510 |
| 79 | 79 | | 13-00197-00 | | 33.0 .25 W 5.0 % CF | 1 | R212 |
| 80 | 80 | | 13-00202-00 | | 47.0 .25 W 5.0 % CF | 1 | R520 |
| 81 | 81 | | 13-00229-00 | | 100.0 .25 W 5.0 % CF | 4 | R233,R522,R524,R534 |
| 82 | 82 | | 13-00243-00 | | 120.0 .50 W 5.0 % CF | 2 | R210,R215 |

| | | | | | | | | | | | | | |
|---|---|---|---|---|---|---|-----------------------------|-----------|------|------|------|-----------------|-----|
| D | I | G | I | T | A | L | TITLE | SECTION A | OF A | SIZE | CODE | DOCUMENT NUMBER | REV |
| | | | | | | | POWER SUPPLY/MONITOR MODULE | | | K | PL | 5416905-0-DBP | A |

| LINE | ITEM | TOP DOCUMENT | PART NUMBER | MIN REV | DESCRIPTION | QTY | PER VAR/REV | REFERENCE DESIGNATORS |
|------|------|--------------|-------------|---------|--------------------------------|-----|-------------|------------------------|
| | | | | | | 01 | | |
| | | | | | | A1 | | |
| 83 | 83 | | 13-00247-00 | 120.0 | .25 W 5.0 % CF | 1 | | R206 |
| 84 | 84 | | 13-00271-00 | 220.0 | .25 W 5.0 % CF | 2 | | R515, R536 |
| 85 | 85 | | 13-00274-00 | 220.0 | .50 W 5.0 % CF | 1 | | R514 |
| 86 | 86 | | 13-00295-00 | 330.0 | .25 W 5.0 % CF | 1 | | R407 |
| 87 | 87 | | 13-00364-00 | 1.0 K | .50 W 5.0 % CF | 1 | | R115 |
| 88 | 88 | | 13-00365-00 | 1.0 K | .25 W 5.0 % CF | 3 | | R510, R513, R535 |
| 89 | 89 | | 13-00439-00 | 3.30 K | .25 W 5.0 % CF | 1 | | R328 |
| 90 | 90 | | 13-00479-00 | 10.0 K | .25 W 5.0 % CF | 1 | | R120 |
| 91 | 91 | | 13-00385-00 | 1.20 K | .50 W 5.0 % CF | 1 | | R523 |
| 92 | 92 | | 13-00391-00 | 1.50 K | .25 W 5.0 % CF | 1 | | R200 |
| 93 | 93 | | 13-00398-00 | 1.80 K | .25 W 5.0 % CF | 1 | | R208 |
| 94 | 94 | | 13-00417-00 | 2.20 K | .25 W 5.0 % CF | 2 | | R121, R207 |
| 95 | 95 | | 13-00426-00 | 2.70 K | .25 W 5.0 % CF | 1 | | R205 |
| 96 | 96 | | 13-00444-00 | 3.90 K | .25 W 5.0 % CF | 1 | | R401 |
| 97 | 97 | | 13-00447-00 | 4.70 K | .25 W 5.0 % CF | 1 | | R101 |
| 98 | 98 | | 13-00478-00 | 10.0 K | .50 W 5.0 % CF | 1 | | R533 |
| 99 | 99 | | 13-01317-00 | 10.0 | .25 W 5.0 % CF | 3 | | R117, R216, R521 |
| 100 | 100 | | 13-01320-00 | 1.20 K | .25 W 5.0 % CF | 2 | | R100, R122 |
| 101 | 101 | | 13-01327-00 | 68.0 K | .25 W 5.0 % CF | 1 | | R531 |
| 102 | 102 | | 13-01522-00 | 27.0 | .25 W 5.0 % CF | 1 | | R516 |
| 103 | 103 | | 13-01981-00 | 2.94 K | .25 W 1.0 % RN55C-F 5 | 1 | | R108 |
| 104 | 104 | | 13-02092-00 | 220.0 K | .25 W 5.0 % CF | 4 | | R227-R229, R410 |
| 105 | 105 | | 13-02396-00 | 150.0 K | .25 W 5.0 % CF | 2 | | R106, R203 |
| 106 | 105 | | 13-02398-00 | 470.0 K | .25 W 5.0 % CF | 4 | | R123, R400, R402, R403 |
| 107 | 107 | | 13-02443-00 | 39.0 K | .50 W 5.0 % CF | 1 | | R214 |
| 108 | 108 | | 13-02465-00 | 18.0 K | .25 W 5.0 % CF | 3 | | R406, R511, R529 |
| 109 | 109 | | 13-03179-00 | 8.20 K | .25 W 5.0 % CF | 3 | | R204, R408, R412 |
| 110 | 110 | | 13-03205-00 | 7.20 K | .25 W 0.10% RN55E-B 2 | 1 | | R113 |
| 111 | 111 | | 13-03219-00 | 82.0 K | .25 W 5.0 % CF | 1 | | R411 |
| 112 | 112 | | 13-04838-00 | 43.0 K | .25 W 5.0 % CF | 1 | | R110 |
| 113 | 113 | | 13-04841-00 | 75.0 K | .25 W 5.0 % CF | 1 | | R225 |
| 114 | 114 | | 13-05128-00 | 5.62 K | .25 W 1.0 % RN55D-F10 | 1 | | R114 |
| 115 | 115 | | 13-05131-00 | 274.0 K | .25 W 1.0 % RN55D-F10 | 2 | | R102, R104 |
| 116 | 116 | | 13-05346-00 | 27.0 K | .25 W 5.0 % CF | 1 | | R508 |
| 117 | 117 | | 13-10867-00 | 680.0 K | .25 W 5.0 % CF | 2 | | R405, R507 |
| 118 | 118 | | 13-11996-02 | | VARISTOR 275VAC VOLT TRANS SUP | 1 | | R545 |
| 119 | 119 | | 13-12618-00 | 16.90 K | .25 W 1.0 % RN55D-F10 | 1 | | R202 |
| 120 | 120 | | 13-13349-00 | 33.0 K | .25 W 5.0 % CF | 4 | | R409, R509, R525, R530 |
| 121 | 121 | | 13-13476-00 | 51.10 K | .25 W 1.0 % RN55D-F10 | 1 | | R512 |
| 122 | 122 | | 13-13596-00 | 20.0 K | .25 W 1.0 % RN55D-F10 | 1 | | R527 |
| 123 | 123 | | 13-14950-00 | 130.0 K | .25 W 5.0 % CF | 1 | | R532 |
| 124 | 124 | | 13-14951-00 | 390.0 K | .25 W 5.0 % CF | 4 | | R537-R540 |
| 125 | 125 | | 13-16441-00 | 2.40 M | .25 W 5.0 % CF | 1 | | R223 |
| 126 | 126 | | 13-16522-01 | 100.0 K | .25 W20.0 % POT | 1 | | R111 |
| 127 | 127 | | 13-16522-05 | 250.0 K | .25 W20.0 % POT | 1 | | R105 |
| 128 | 128 | | 13-16522-08 | 5.0 K | .25 W20.0 % POT | 2 | | R201, R318 |
| 129 | 129 | | 13-16522-09 | 100.0 | .25 W20.0 % POT | 1 | | R211 |
| 130 | 130 | | 13-17494-00 | 22.10 K | .25 W 1.0 % RN55D-F10 | 1 | | R109 |
| 131 | 131 | | 13-18201-01 | 4.75 K | .25 W 1.0 % RN55D-F10 | 1 | | R526 |
| 132 | 132 | | 13-19242-00 | 750.0 K | .25 W 5.0 % CF | 1 | | R112 |

| | | | | | | | | | | | | | | | | | |
|---|---|---|---|---|---|---|---|---|---|-----------------------------|-----------|----|---|------|------|-----------------|-----|
| D | I | G | E | T | A | T | I | T | L | TITLE | SECTION A | OF | A | SIZE | CODE | DOCUMENT NUMBER | REV |
| | | | | | | | | | | POWER SUPPLY/MONITOR MODULE | | | | K | PL | 5416905-0-DBP | A |

| LINE ITEM | TOP DOCUMENT | PART NUMBER | MIN REV | DESCRIPTION | QTY PER VAR/REV | REFERENCE DESIGNATORS |
|-----------|--------------|--------------------|---------------|-------------------------------------|-----------------|-----------------------|
| | | | | | 01 A1 | |
| 133 | 133 | 13-19327-01 | 1.30 K | .25 W 1.0 % RN55D-F10 | 1 | R528 |
| 134 | 134 | 13-19470-53 | 100.0 K | 1.0 W 5.0 % M.OXIDE | 1 | R503 |
| 135 | 135 | 13-19471-44 | 100.0 K | 2.0 W 5.0 % M.OXIDE | 1 | R504 |
| 136 | 136 | 13-19471-77 | 36.0 K | 2.0 W 5.0 % M.OXIDE | 2 | R505, R506 |
| 137 | 137 | 13-19563-01 | 5.0 M | .20 W 20.0 % POT | 1 | R224 |
| 138 | 138 | 13-19563-04 | 2.50 M | .33 W 20.0 % POT | 1 | R221 |
| 139 | 139 | 13-19930-01 | 1.50 | .25 W 5.0 % CF | 1 | R103 |
| 140 | 140 | 13-20607-01 | 1.0 | .50 W 5.0 % CF | 1 | R213 |
| 141 | 141 | 13-20608-01 | 3.30 | .25 W 5.0 % CF | 1 | R107 |
| 142 | 142 | 13-20663-01 | 6.80 | .50 W 5.0 % CF | 1 | R209 |
| 143 | 143 | 13-20712-01 | 360.0 K | .50 W 5.0 % CF | 1 | R222 |
| 144 | 144 | 13-21411-01 | 330.0 | 5.0 W 5.0 % M.OXIDE | 2 | R518, R519 |
| 145 | 145 | 13-27007-01 | | THERMISTOR NTC 10. 15% | 2 | R501, R502 |
| 146 | 146 | 13-27013-05 | 0.36 | 3.0 W 2.0 % M.OXIDE | 1 | R517 |
| 147 | 147 | 13-27013-06 | 15.0 | 3.0 W 5.0 % M.OXIDE | 1 | R542 |
| 148 | 148 | 15-09525-00 | 2N 3906 | PNP 310MW SI 40100 Y | 1 | Q400 |
| 149 | 149 | 15-10706-00 | XA 55 | PNP 500MW SI 60 50 P | 1 | Q502 |
| 150 | 150 | 15-12976-00 | MPSA43 | NPN 625MW SI200 50 | 1 | Q120 |
| 151 | 151 | 15-16490-00 | MPSU05 | NPN 10W SI 2A | 3 | Q200, Q501, Q505 |
| 152 | 152 | 15-19536-01 | SCR | PIV= 50 IO= 8.00A | 1 | Q504 |
| 153 | 153 | SEE NOTE 1 | 15-26861-01 | NPN 800V IC=4A T0-3PB | 1 | Q503 |
| 154 | 154 | 15-27609-01 | BU406 | NPN 400V 60W T0220 | 1 | Q203 |
| 155 | 155 | 16-09756-00 | | 2.2 UH 10% 760MA #DD2.20 | 15 | L620-L634 |
| 156 | 156 | 16-13898-02 | | 39.0 UH INDUCTOR | 2 | L613, L615 |
| 157 | 157 | 16-16309-02 | | XFMR, HORIZONTAL DRIVE | 1 | T203 |
| 158 | 158 | 16-18238-02 | | BEAD, FERRITE .1380DX.330LG | 1 | L614 |
| 159 | 159 | 16-21807-01 | | COIL, WIDTH, VARIABLE INDUCTOR | 1 | L201 |
| 160 | 160 | 16-26496-01 | | XFMR, TRIGGER 31.5KHZ | 1 | T502 |
| 161 | 161 | 16-26508-01 | | COIL, HORIZONTAL LINEARY | 1 | L202 |
| 162 | 162 | 16-26863-01 | | XFMR, DYNAMIC FOCUS | 1 | T202 |
| 163 | 163 | 16-26873-01 | | XFMR, FLYBACK 31.5KHZ | 1 | T201 |
| 164 | 164 | 16-26919-01 | | XFMR, CONVERTER | 1 | T501 |
| 165 | 165 | 16-27344-01 | | CHOKE 7UH 5A SLUG CORE | 1 | L504 |
| 166 | 166 | 16-27345-01 | | CHOKE 30UH 0.65A SLUG CORE | 3 | L501, L503, L505 |
| 167 | 167 | 16-27681-01 | | CHOKE, 3UH | 1 | L502 |
| 168 | 168 | 17-01408-01 | | CABLE ASSY, FLAT, 40(2X20) | 1 | P302 |
| 169 | 169 | 19-14156-00 | LM 393 | VOLT. COMPARATOR DUAL | 1 | E400 |
| 170 | 170 | 19-21337-01 | | OPTOISLTR, XSTR, CTR=50% @IF10MA VC | 1 | E503 |
| 171 | 171 | 19-21463-01 | 1391 | TV HORIZ. PROCESSOR | 1 | E200 |
| 172 | 172 | 19-22024-02 | | PREC. VOLT REF, 36V | 1 | E504 |
| 173 | 173 | 19-23626-01 | | PWM OFF-LINE CURRENT | 1 | E501 |
| 174 | 174 | 19-27621-01 | | VERT DEFLECTION CHIP | 1 | E100 |
| 175 | 175 | 19-27847-01 | | FIX VOLTAGE REGULATO | 1 | E502 |
| 176 | 176 | D-IA-7022361-0-0 | 70-22361-0C A | JUMPER VOLTAGE SELECTOR | 1 | P503 |
| 177 | 177 | C-IA-7023762-0-DBU | 70-23762-01 A | 11 PIN WIRE ASSY | 1 | P502 |
| 178 | 178 | C-MD-7431615-0-DBU | 74-31615-01 A | SPACER, PCB | 1 | |
| 179 | 179 | C-MD-7432385-0-DBU | 74-32385-01 A | COVER, HEAT SINK | 1 | |
| 180 | 180 | C-MD-7434861-0-DBU | 74-34861-01 | CLIP, GROUNDING | 2 | |
| 181 | 181 | 90-06010-01 | | SCREW, MACH PAN PHIL | 4- | |
| 182 | 182 | 90-06013-01 | | SCREW, MACH PAN PHIL | 4- | |

| | | | | | | | | | | | | |
|---|---|---|---|---|---|---|-----------------------------|----------------|------|------|-----------------|-----|
| D | I | G | I | T | A | L | TITLE | SECTION A OF A | SIZE | CODE | DOCUMENT NUMBER | REV |
| | | | | | | | POWER SUPPLY/MONITOR MODULE | | K | PL | 5416905-0-DBP | A |

AUTOMATED BY VAXKPL (V1.3)

P A R T S L I S T

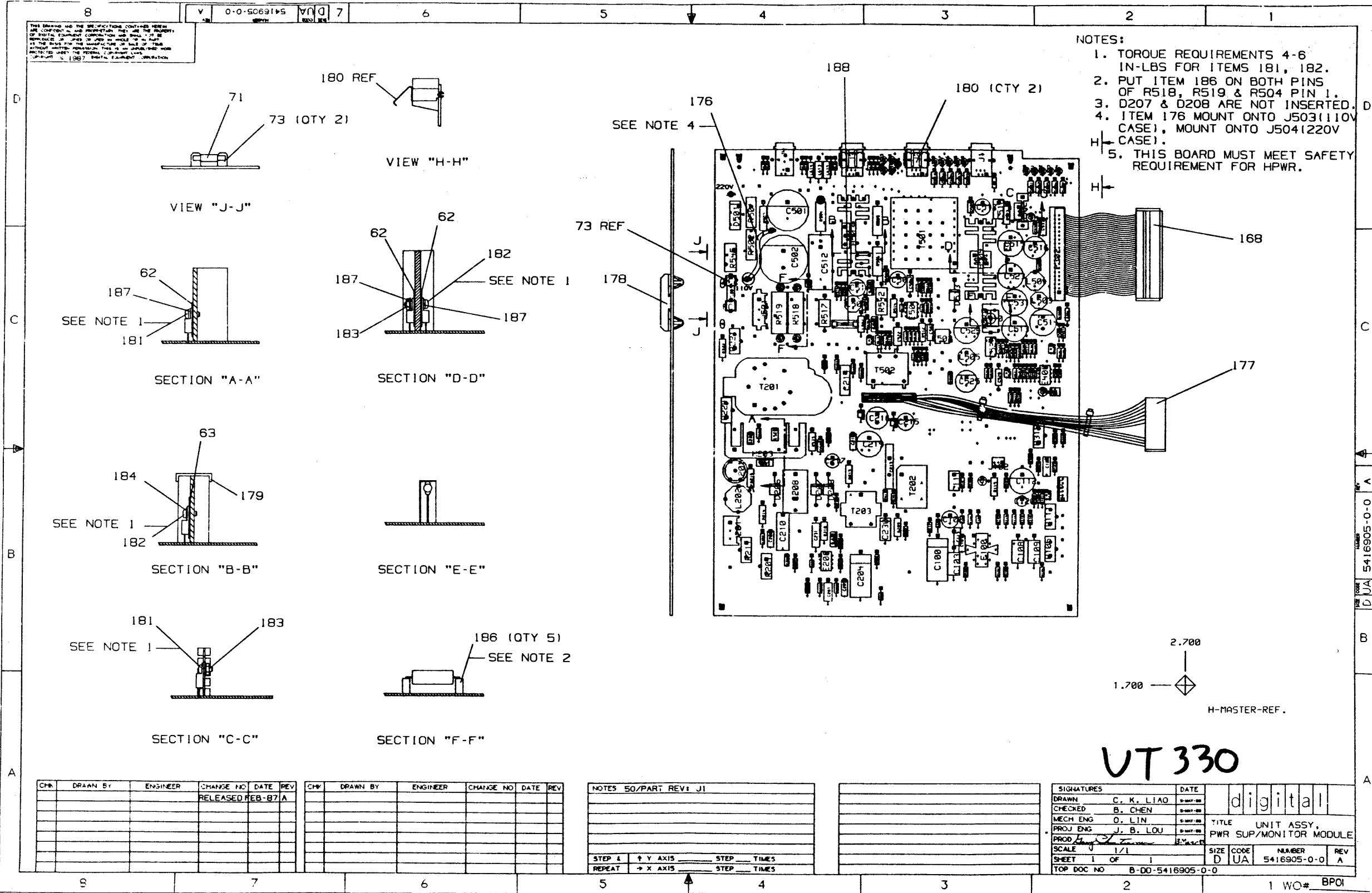
SHEET A5 OF A5

| LINE | ITEM | TOP DOCUMENT | PART NUMBER | MIN REV | DESCRIPTION | QTY PER VAR/REV | REFERENCE DESIGNATORS |
|------|------|--------------|-------------|---------|----------------------------------|-----------------|-----------------------|
| 183 | 183 | | 90-06557-00 | | NUT,HEX EXT TOOTH LCKWSHR 4-40 | 2 | |
| 184 | 184 | | 90-06632-00 | | WASHER,LOCK INTERNAL STEEL | 1 | |
| 185 | 185 | | 90-09185-00 | | JUMPER, WIRE, INSULATED, BLACK B | 1 | W1 |
| 186 | 186 | | 90-09798-01 | | SPACER,CLEAR HOLE RND CERAM .07 | 5 | |
| 187 | 187 | | 90-10057-00 | | WASHER,SHOULDER INSULATG PPS | 3 | |
| 188 | 188 | | 90-10793-01 | | STANDOFF,TWIST | 1 | |

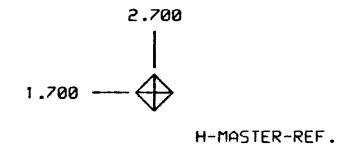
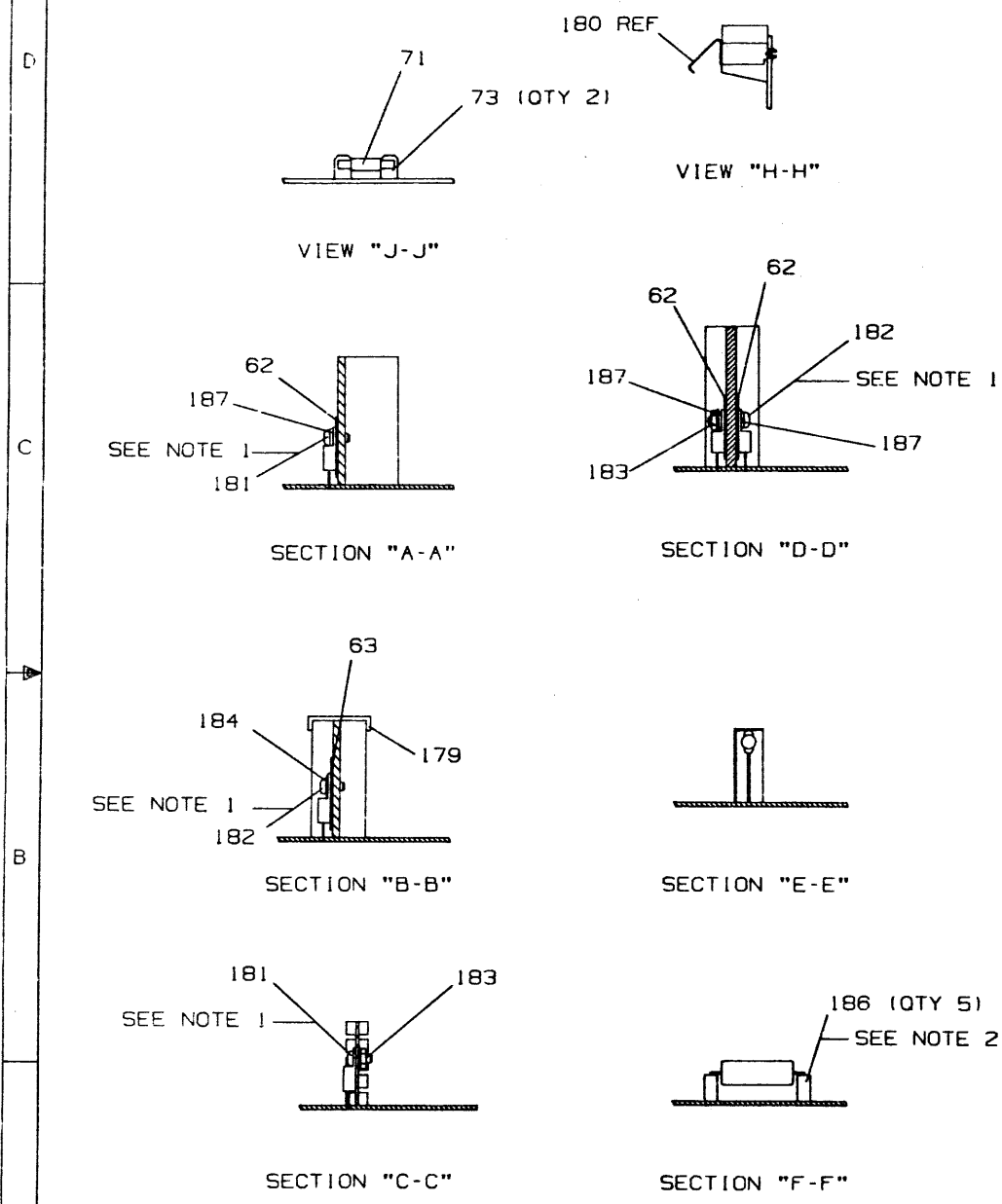
1 GEN: ITEM 153 15-26861-01 CAN BE SUBSTITUTED BY 15-27597-01 2SC3460.

| | | | | | | |
|---------------|--|-----------------------------|----------------|-----------|-----------------|-----|
| D I G I T A L | | TITLE | SECTION A OF A | SIZE CODE | DOCUMENT NUMBER | REV |
| | | POWER SUPPLY/MONITOR MODULE | | K PL | 5416905-0-DBP | A |

THIS DRAWING AND THE SPECIFICATIONS CONTAINED HEREIN ARE CONFIDENTIAL AND PROPRIETARY. THEY ARE THE PROPERTY OF BOEING EQUIPMENT CORPORATION AND SHALL NOT BE REPRODUCED, IN WHOLE OR IN PART, OR IN ANY MANNER, WITHOUT EXPRESS PERMISSION. THIS IS AN UNCLASSIFIED DOCUMENT UNDER THE FEDERAL GOVERNMENT WORK PROTECTION ACT OF 1950. TRADE, PATENT OR OTHER RIGHTS ARE RESERVED.



- NOTES:
1. TORQUE REQUIREMENTS 4-6 IN-LBS FOR ITEMS 181, 182.
 2. PUT ITEM 186 ON BOTH PINS OF R518, R519 & R504 PIN 1.
 3. D207 & D208 ARE NOT INSERTED.
 4. ITEM 176 MOUNT ONTO J503(110V CASE), MOUNT ONTO J504(220V CASE).
 5. THIS BOARD MUST MEET SAFETY REQUIREMENT FOR HPWR.



UT 330

| CHK | DRAWN BY | ENGINEER | CHANGE NO | DATE | REV | CHK | DRAWN BY | ENGINEER | CHANGE NO | DATE | REV |
|-----|----------|----------|-----------|--------|-----|-----|----------|----------|-----------|------|-----|
| | | | RELEASED | FEB-87 | A | | | | | | |

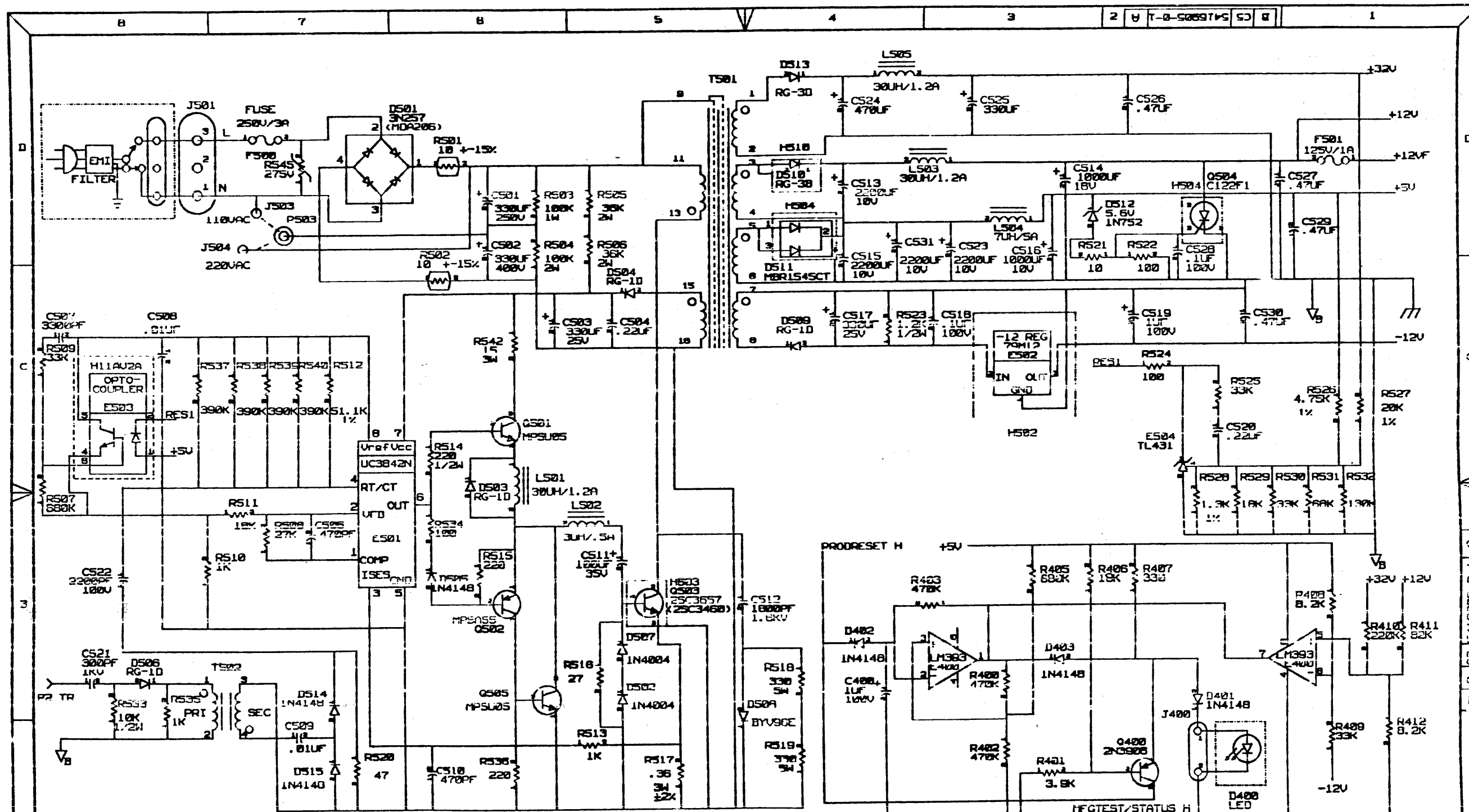
| NOTES | SO/PART | REV | J1 |
|-------|---------|-----|----|
| | | | |
| | | | |
| | | | |
| | | | |
| | | | |

| STEP | ↑ Y AXIS | STEP | TIMES |
|------|----------|------|-------|
| | | | |
| | | | |
| | | | |
| | | | |
| | | | |

| SIGNATURES | DATE | TITLE |
|--------------------|------|-------|
| DRAWN C. K. LIAO | | |
| CHECKED B. CHEN | | |
| MECH ENG O. LIN | | |
| PROJ ENG J. B. LOU | | |
| PROD ENG | | |

SCALE 1/1
 SHEET 1 OF 1
 TOP DOC NO B-DD-5416905-0-0

THE WORK D U A 5416905-0-0 A
 1 WO# BPOI



NOTE: UNLESS OTHERWISE SPECIFIED:
 1. ALL RESISTORS ARE EXPRESSED IN OHMS AND ARE 1/4W, $\pm 5\%$
 2. THE VOLTAGE OF ALL CAPACITORS ARE 50V
 3. EXPRESS (OFF THE BOARD).
 4. EXPRESS (COMPONENTS LOCATE IN PACKAGE).
 5. EXPRESS (HEAT SINK).
 6. EXPRESS (COMPONENT NOT INSERT).

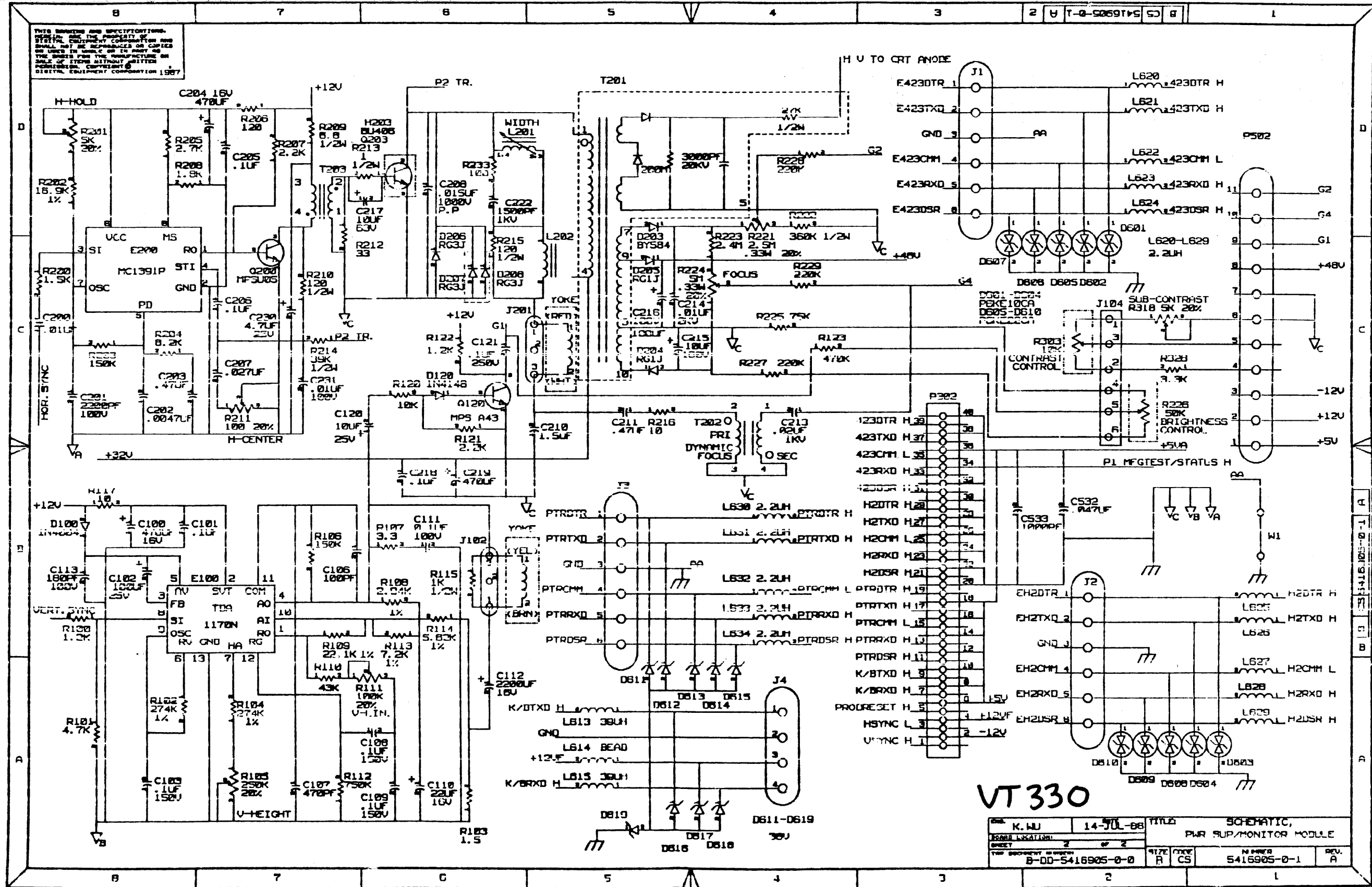
7. ONE OR MORE OF R537, R538, R539 & R540 MAY BE CUT, WHEN THE FREE RUNNING FREQ. OF E501 IS OUT OF CONTROL RANGE.
 8. ONE OR MORE OF R529, R530, R531 & R532 MAY BE CUT, WHEN THE OUTPUT VOLTAGE IS OUT OF SPEC.

VT 330

| REV. | DATE | BY | CHK | CHANGE NO. | REV. |
|--------|------|----|-----|------------|----------|
| FEB 67 | | | | | A |
| | | | | | RELEASED |

| | | | | | | | | | |
|-------------|------------|------|-----------|----------------------|------------------|------|-----------|--------|-------------------------------------|
| DESIGNED BY | STAN HSIEN | DATE | 14-JUL-68 | DESIGNED BY | JAMES CHENG | DATE | 14-JUL-68 | TITLE | SCHMATIC, PWR SUP/MONITOR MODULE |
| CHECKED BY | Y. J. MU | DATE | 14-JUL-68 | ISSUED LOCATION | | | | SIZE | B |
| DATE | | | | REVISION | 1 | | | CODE | CS |
| | | | | THIS DOCUMENT NUMBER | B-DD-5416905-0-0 | | | NUMBER | 5416905-0-1 |
| | | | | | | | | REV. | A |

BPOI



| LINE | ITEM | TOP DOCUMENT | PART NUMBER | MIN REV | DESCRIPTION | QTY PER VAR/REV | REFERENCE DESIGNATORS |
|------|------|------------------|-------------|---------|-----------------------------------|-----------------|---|
| 1 | 1 | B-DD-5016908-0-0 | 50-16908-01 | J | CIRCUIT DRILL AND ETCH BOARD | 1 | |
| 2 | 2 | | 10-00009-00 | | 33 PFD 100V +/- 5% 200PP | 1 | C52 |
| 3 | 3 | | 10-00018-00 | | 120 PFD 100V +/- 5% 200PP | 5 | C50, C51, C53-C55 |
| 4 | 4 | | 10-01610-00 | | 0.010MFD 50V +80/-20% Z5U C | 33 | C3, C6, C7, C9-C11, C13-C15, CONT C18-C20, C22-C25, C29, C31-C46 |
| 5 | 5 | | 10-10274-00 | | 0.22 MFD 50V +80/-20% Z5U C | 3 | C16, C21, C28 |
| 6 | 6 | | 10-10279-01 | | 0.47 MFD 25V +/-20% Z5U C | 3 | C47-C49 |
| 7 | 7 | | 10-12784-00 | | 0.047MFD 50V +80/-20% Z5U C | 1 | C30 |
| 8 | 8 | | 10-17472-00 | | 10 MFD 35V +75/-10% ALU | 2 | C12, C17 |
| 9 | 9 | | 10-20446-12 | | 220 MFD 16V +50/-10% ALU | 1 | C26 |
| 10 | 10 | | 10-22277-01 | | 22 MFD 16V +50/-10% ALU | 1 | C27 |
| 11 | 11 | | 10-26289-03 | | 0.03 MFD 50V+100/-25% Z5U C | 1 | C56 |
| 12 | 12 | | 11-00114-00 | | PIV= 25 IO=135 MA | 3 | D7, D8, D23 |
| 13 | 13 | | 11-05796-00 | | PIV= 400 IO= 1.00A 1N4004 D0-41 | 6 | D16-D21 |
| 14 | 14 | | 11-10672-00 | | VZ= 3.6 5% 40 MW 1N747A | 1 | D22 |
| 15 | 15 | | 11-24037-01 | | VZ= 36.0 5% 400 MW 1N974B D0-35 | 13 | D1-D6, D9-D15 |
| 16 | 16 | | 12-10929-02 | | FUSE PICO 1.0 A 125V AXIAL LEA | 1 | F1 |
| 17 | 17 | | 12-19952-07 | | PCB HEADER 40PIN(2X20) .100CC STR | 1 | J4 |
| 18 | 18 | SEE NOTE 1 | 12-26580-01 | | PCB HEADER 48PIN STR | 1 | J5 |
| 19 | 19 | | 12-26589-01 | | PCB HEADER 07PIN 90D | 1 | J1 |
| 20 | 20 | | 12-26963-01 | | CARD EDGE 60POS .050CC 90D | 1 | J3 |
| 21 | 21 | | 13-00229-00 | | 100.0 .25 W 5.0 % CF | 7 | R14, R19, R20, R27, R31-R33 |
| 22 | 22 | | 13-00247-00 | | 120.0 .25 W 5.0 % CF | 1 | R5 |
| 23 | 23 | | 13-00295-00 | | 330.0 .25 W 5.0 % CF | 4 | R1-R3, R40 |
| 24 | 24 | | 13-00365-00 | | 1.0 K .25 W 5.0 % CF | 2 | R10, R25 |
| 25 | 25 | | 13-00444-00 | | 3.90 K .25 W 5.0 % CF | 1 | R13 |
| 26 | 26 | | 13-00447-00 | | 4.70 K .25 W 5.0 % CF | 3 | R4, R17, R24 |
| 27 | 27 | | 13-00479-00 | | 10.0 K .25 W 5.0 % CF | 1 | R9 |
| 28 | 28 | | 13-01327-00 | | 68.0 K .25 W 5.0 % CF | 4 | R12, R15, R21, R29 |
| 29 | 29 | | 13-02379-00 | | 75.0 .25 W 5.0 % CF | 4 | R16, R22, R28, R30 |
| 30 | 30 | | 13-05346-00 | | 27.0 K .25 W 5.0 % CF | 2 | R7, R11 |
| 31 | 31 | | 13-13349-00 | | 33.0 K .25 W 5.0 % CF | 6 | R34-R39 |

| REVISION HISTORY | | KPL MODULE FORMAT | | SECTION A OF A | | DRN: F. LIU | | DIGITAL | |
|--------------------|------------|-------------------|-------------------------|----------------------|--------------------------|-------------|--------------------------|------------|---------------|
| ENG | ECO NUMBER | REV | SECTION/VARIATION INDEX | DATE | CHK'D | DATE | TITLE | PARTS LIST | |
| --- | INITIAL | A | [A] 01 [M] | 05-MAY-86 | B. CHEN | 05-MAY-86 | CPU MODULE | | |
| | | | [B] [N] | | | | | | |
| | | | [C] [P] | | DES.ENG: HC HONG | | | | |
| | | | [D] [Q] | 05-MAY-86 | | | DOCUMENT NUMBER | | |
| | | | [E] [R] | | | | SIZE | CODE | NUMBER |
| | | | [F] [S] | | RESP.ENG.: SW CHENG | | K | PL | 5416909-0-DBP |
| | | | [H] [T] | 05-MAY-86 | | | | | REV |
| | | | [J] [V] | | | | | | A |
| | | | [K] [W] | | MFG.ENG: G. CHRISTIANSEN | | RELEASE DATE: 04-MAR-87 | | |
| | | | [L] [Y] | 25-FEB-87 | | | RELEASE STATUS: RELEASED | | |
| BASIC PART NUMBER: | | ASSEMBLY NUMBER: | | TOP DOCUMENT NUMBER: | | FILE NAME: | | EDIT # | |
| 5416909 | | D-UA-5416909-0-0 | | B-DD-5416909-0-0 | | GH434A.PLS | | 31 | |

"THIS DRAWING AND THE SPECIFICATIONS CONTAINED HEREIN ARE CONFIDENTIAL AND PROPRIETARY. THEY ARE THE PROPERTY OF DIGITAL EQUIPMENT CORPORATION AND SHALL NOT BE REPRODUCED OR COPIED OR USED IN WHOLE OR IN PART AS THE BASIS FOR THE MANUFACTURE OR SALE OF ITEMS WITHOUT WRITTEN PERMISSION. THIS IS AN UNPUBLISHED WORK PROTECTED UNDER THE FEDERAL COPYRIGHT LAWS."

AUTOMATED BY VAXKPL (V1.3)

PARTS LIST

SHEET A2 OF A2

| LINE | ITEM | TOP DOCUMENT | PART NUMBER | MIN REV | DESCRIPTION | QTY PER VAR/REV | REFERENCE DESIGNATORS |
|------|------|--------------------|-------------|---------|----------------------------------|-----------------|-----------------------|
| | | | | | | 01 A1 | |
| 32 | 32 | | 15-09525-00 | | 2N 3906 PNP 310MW SI 40100 Y | 1 | Q1 |
| 33 | 33 | | 15-10705-00 | | XA 05 NPN 500MW SI 60 50 P | 1 | Q2 |
| 34 | 34 | | 16-18238-02 | | BEAD,FERRITE .1380DX.330LG | 14 | L1-L7,L10,L11,L16-L20 |
| 35 | 35 | | 16-20182-03 | | 5.6 UH 10% 565MA | 5 | L8,L9,L13-L15 |
| 36 | 36 | | 18-11660-45 | | OSCILLATOR, XTAL 12.00 MHZ | 1 | Y1 |
| 37 | 37 | | 19-12646-00 | | LS253 MUX 1 OF 4 (DUAL) | 4 | E24,E25,E32,E33 |
| 38 | 38 | | 19-12803-00 | | LS04 INVERTER GATE,HEX | 1 | E21 |
| 39 | 39 | | 19-12810-00 | | LS20 NAND GATE-DUAL 4IN | 1 | E18 |
| 40 | 40 | | 19-12816-00 | | LS32 OR GATE-QUAD 2IN,POS | 1 | E23 |
| 41 | 41 | | 19-12824-00 | | LS74 FF-D DUAL,EDGE TRIGG | 1 | E8 |
| 42 | 42 | | 19-15019-00 | | 74S38 NAND BUFFER-QUAD 2IN | 1 | E14 |
| 43 | 43 | | 19-15218-00 | | LS245 TRANSCEIVER,BUS,OCTA | 1 | E16 |
| 44 | 44 | | 19-15219-00 | | LS373 FF-D OCTAL-TRANSPARE | 4 | E17,E26,E28,E29 |
| 45 | 45 | | 19-15415-00 | | 9636 DRIVER,DUAL,EIA RS-4 | 2 | E4,E5 |
| 46 | 46 | | 19-20572-01 | | 74F244 BUFFER/LINE DRIVER,0 | 2 | E19,E27 |
| 47 | 47 | | 19-21314-01 | | 74F74 FF-D,DUAL,POS.,EDGE | 1 | E9 |
| 48 | 48 | | 19-23889-01 | | EIA OCTAL LINE DRIVE | 1 | E2 |
| 49 | 49 | | 19-23890-01 | | EIA OCTAL LINE RECEI | 2 | E1,E3 |
| 50 | 50 | | 19-27277-01 | | 74ALS74 FLIP FLOP,DUAL D-TYP | 1 | E7 |
| 51 | 51 | | 19-27862-01 | | 74ALS02 DIP,14PIN QUAD 2-INP | 1 | E10 |
| 52 | 52 | | 21-20068-01 | | 2681 REC./TRANS.,ASYNC.,D | 1 | E11 |
| 53 | 53 | | 21-20115-01 | | 8031C MICROPROCESSOR W/O P | 2 | E12,E22 |
| 54 | 54 | | 21-24412-02 | | RAM,64KX4,DYNAMIC 15 | 2 | E30,E31 |
| 55 | 55 | | 21-26375-01 | | ASYNCHRONBUS COMMUNI | 1 | E6 |
| 56 | 56 | | 23-1N2 -00 | N2-01 | | 1 | E13 |
| 57 | 57 | | 23-168K5-00 | K5-03 | PAL | 1 | E15 |
| 58 | 58 | | 23-335J5-00 | J5-03 | PAL OCTAL AND | 1 | E20 |
| 59 | 59 | B-AD-7024320-0-DBU | 70-24320-01 | | CONN/BAFFLE ASSY | 1 | J2 |
| 60 | 60 | D-IA-7432559-0-DBU | 74-32559-01 | | BRKT,GROUND | 1 | |
| 61 | 61 | B-MD-7434244-0-DBU | 74-34244-01 | | INSULATOR | 1 | |
| 62 | 62 | C-IA-7434794-0-DBU | 74-34794-01 | | BRACKET,CARTRIDGE | 1 | |
| 63 | 63 | B-MD-7435395-0-DBU | 74-35395-01 | | SPACER | 1 | |
| 64 | 64 | | 90-09800-10 | | SCREW,THD RL,PAN PHIL F/PLAS | 2 | |
| 65 | 65 | | 90-09185-00 | | JUMPER, WIRE, INSULATED, BLACK B | 1 | W1 |

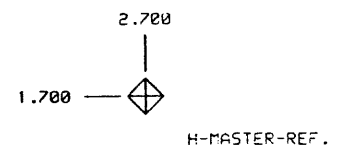
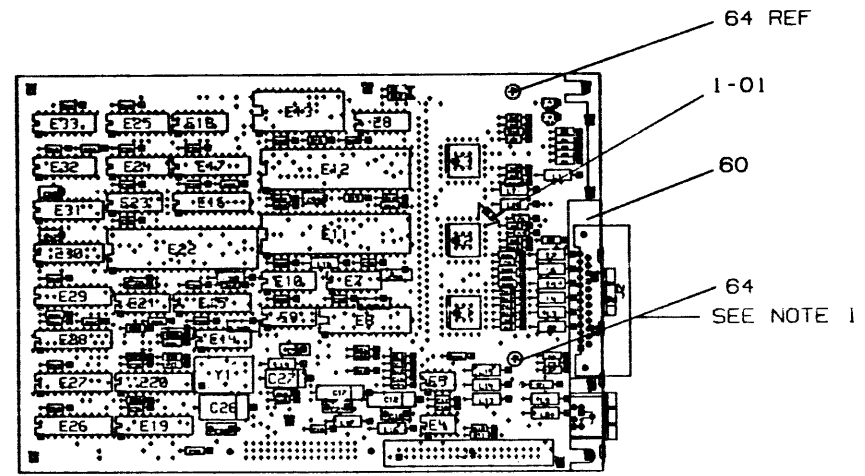
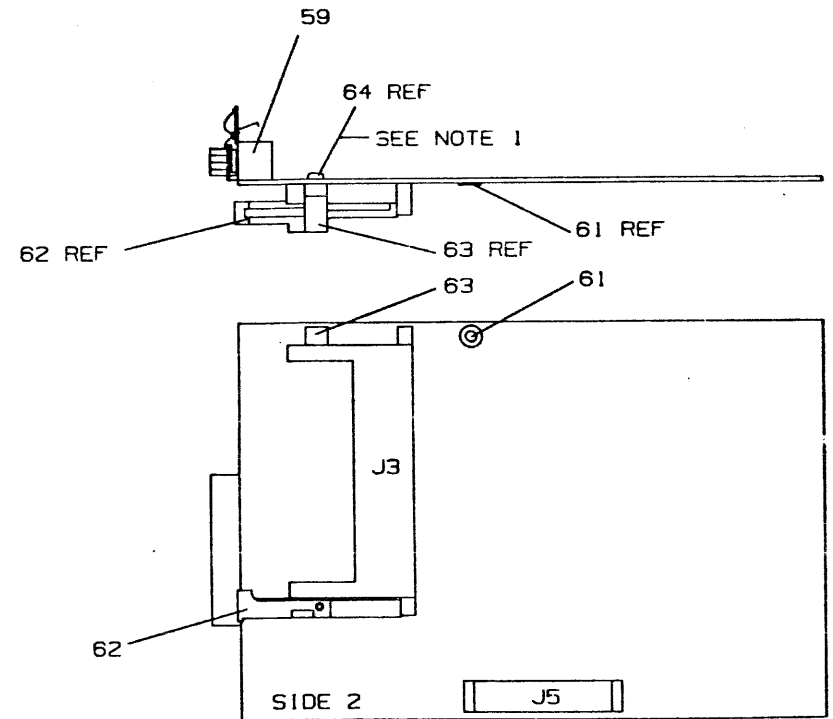
1 GEN: ITEM 18 12-26580-01 CAN BE SUBSTITUTED BY 12-26580-02 48 PIN PCB HEADER.

| | | | | | | | | | | | | |
|---|---|---|---|---|---|---|------------|----------------|------|------|-----------------|-----|
| D | I | G | I | T | A | L | TITLE | SECTION A OF A | SIZE | CODE | DOCUMENT NUMBER | REV |
| | | | | | | | CPU MODULE | | K | PL | 5416909-0-DBP | A |

THIS DRAWING AND THE SPECIFICATIONS CONTAINED HEREIN ARE CONFIDENTIAL AND PROPRIETARY. THEY ARE THE PROPERTY OF BENTON ELECTRONIC CORPORATION AND SHALL NOT BE REPRODUCED, OR COPIED OR USED AS A BASIS FOR THE MANUFACTURE OF ANY PART THEREOF, WITHOUT THE WRITTEN PERMISSION OF BENTON ELECTRONIC CORPORATION. DATE: 10/19/67. BENTON ELECTRONIC CORPORATION

- NOTES:
1. TORQUE REQUIREMENTS 4-6 IN-LBS FOR ITEM 64.
 2. R8 IS NOT INSERTED.
 3. C56 MOUNTED BENEATH E15.

REWORK INSTRUCTIONS:
 COMPONENT ADDS SIDE ONE (AS SHOWN).
 1-01. ADD W1 PN 90-09185-00
 W1 PIN 1 TO E2 PIN 18
 W1 PIN 2 TO E2 PIN 19.



| CHK | DRAWN BY | ENGINEER | CHANGE NO | DATE | REV | CHK | DRAWN BY | ENGINEER | CHANGE NO | DATE | REV |
|-----|----------|----------|-----------|--------|-----|-----|----------|----------|-----------|------|-----|
| | | | RELEASED | FEB-67 | A | | | | | | |
| | | | | | | | | | | | |
| | | | | | | | | | | | |
| | | | | | | | | | | | |
| | | | | | | | | | | | |
| | | | | | | | | | | | |
| | | | | | | | | | | | |
| | | | | | | | | | | | |
| | | | | | | | | | | | |
| | | | | | | | | | | | |

NOTES 50/PART REV: JJ

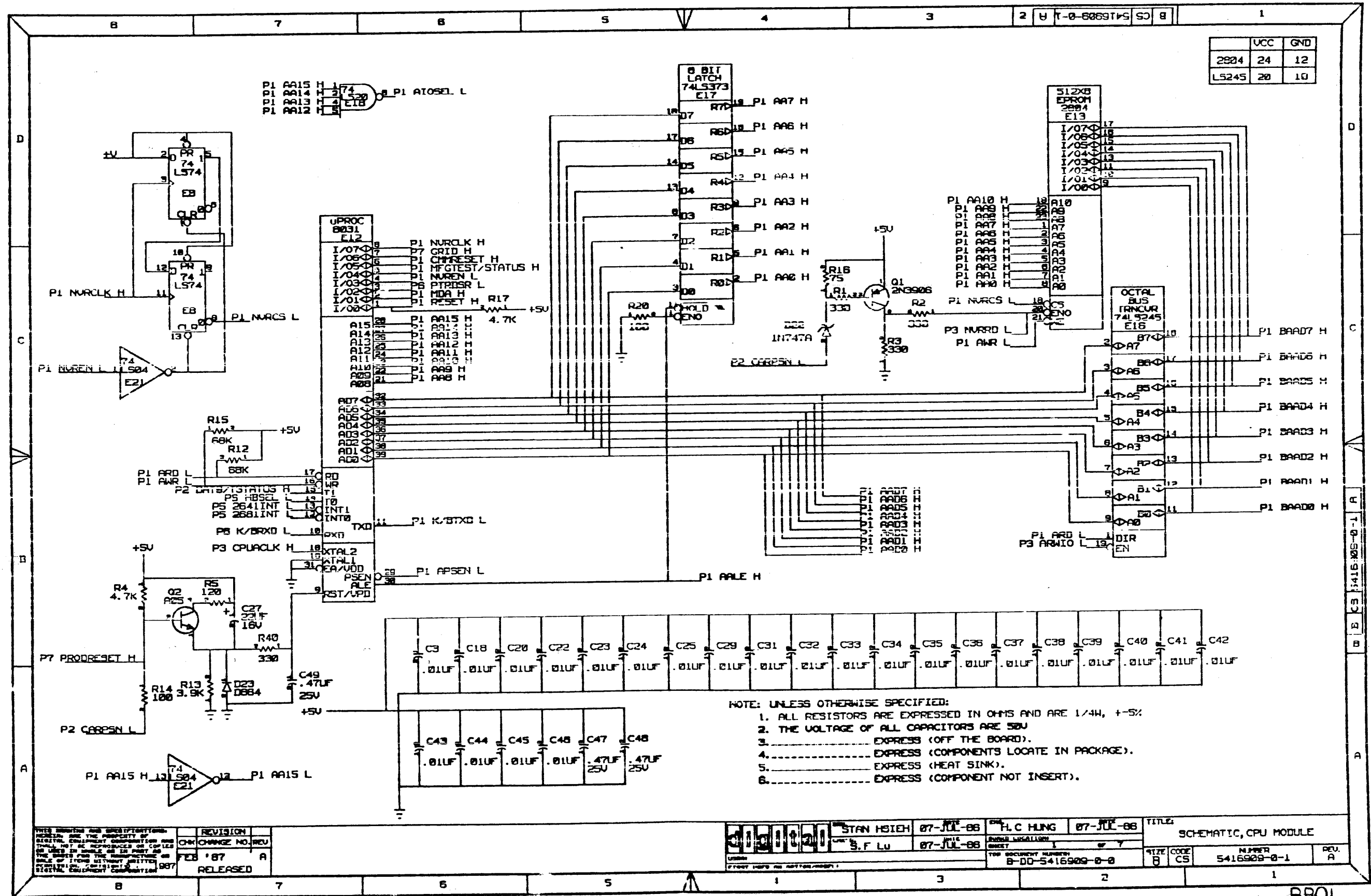
| STEP | ↑ Y AXIS | STEP | TIMES |
|--------|----------|------|-------|
| REPEAT | → X AXIS | STEP | TIMES |

| SIGNATURES | | DATE | digital |
|------------|------------------|-----------|---------|
| DRAWN | K. J. SONG | 5-1977-68 | |
| CHECKED | B. CHEN | 5-1977-68 | |
| MECH ENG | O. LIN | 5-1977-68 | |
| PROJ ENG | S. W. CHENG | 5-1977-68 | |
| PROD | | | |
| SCALE | 1/1 | | |
| SHEET | 1 OF 1 | | |
| TOP DOC NO | B-00-5416909-0-0 | | |

TITLE UNIT ASSY, CPU MODULE

| SIZE | CODE | NUMBER | REV |
|------|------|-------------|-----|
| D | UA | 5416909-0-0 | A |

IWO# 491



NOTE: UNLESS OTHERWISE SPECIFIED:

1. ALL RESISTORS ARE EXPRESSED IN OHMS AND ARE 1/4W, +-5%
2. THE VOLTAGE OF ALL CAPACITORS ARE 50V
3. ----- EXPRESS (OFF THE BOARD).
4. ----- EXPRESS (COMPONENTS LOCATE IN PACKAGE).
5. ----- EXPRESS (HEAT SINK).
6. ----- EXPRESS (COMPONENT NOT INSERT).

THIS DRAWING AND SPECIFICATIONS HEREIN ARE THE PROPERTY OF DIGITAL EQUIPMENT CORPORATION AND SHALL NOT BE REPRODUCED OR COPIED IN ANY MANNER OR IN PART OR IN WHOLE WITHOUT THE WRITTEN PERMISSION OF DIGITAL EQUIPMENT CORPORATION.

| REV | DATE | BY | CHK | CHANGE NO. | REV |
|---------|------|----|-----|------------|----------|
| FEB '87 | | A | | | RELEASED |

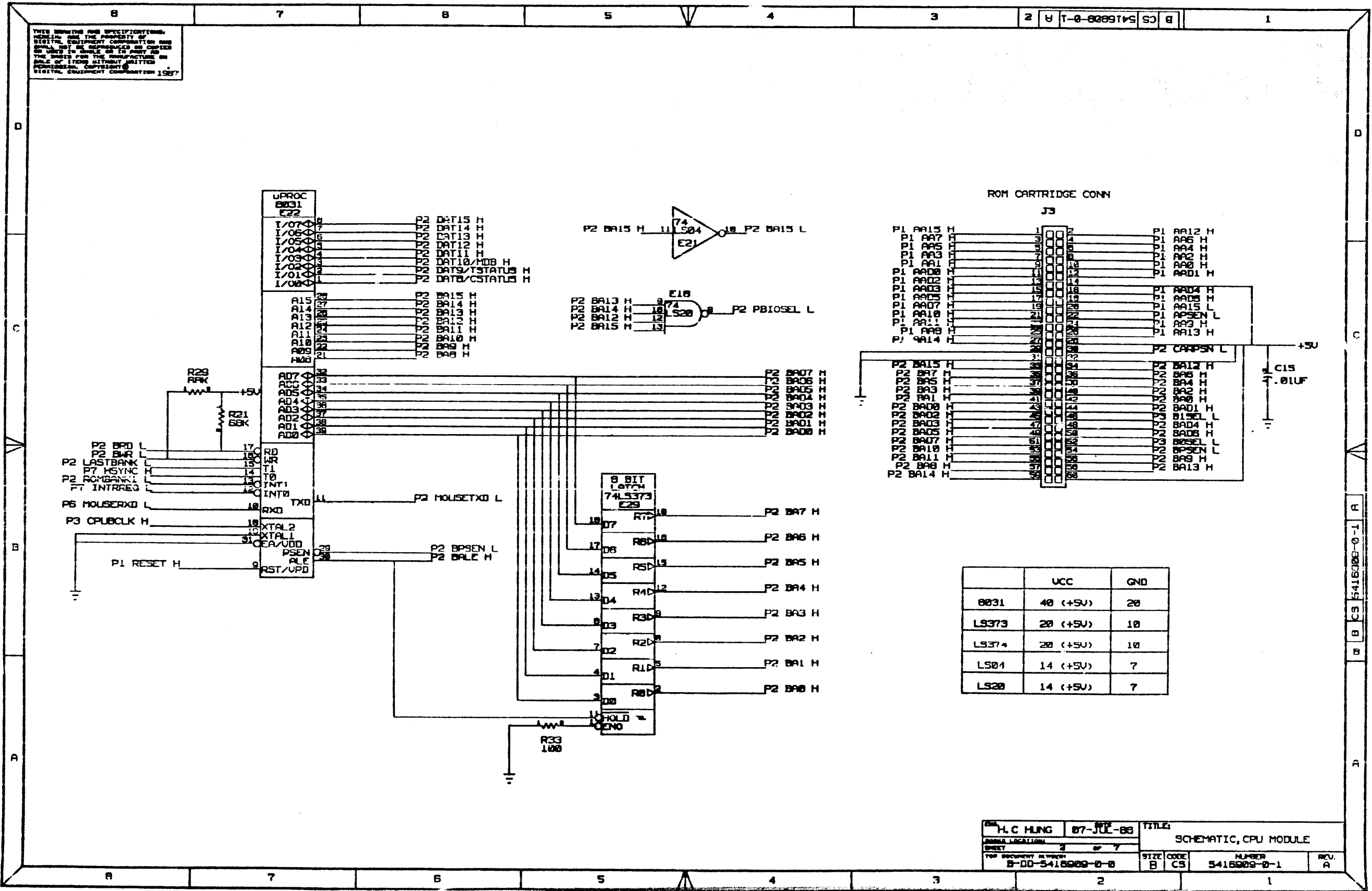
STAN HSIEN 07-JUL-88
S.F. LU 07-JUL-88

FLC HUNG 07-JUL-88
B-D-5416909-0-0

TITLE: SCHEMATIC, CPU MODULE
REV. A

BRO1

THIS DRAWING AND SPECIFICATIONS ARE THE PROPERTY OF SPECTRA EQUIPMENT CORPORATION AND SHALL NOT BE REPRODUCED OR COPIED IN ANY MANNER OR IN ANY MEDIUM WITHOUT THE WRITTEN PERMISSION OF SPECTRA EQUIPMENT CORPORATION 1987

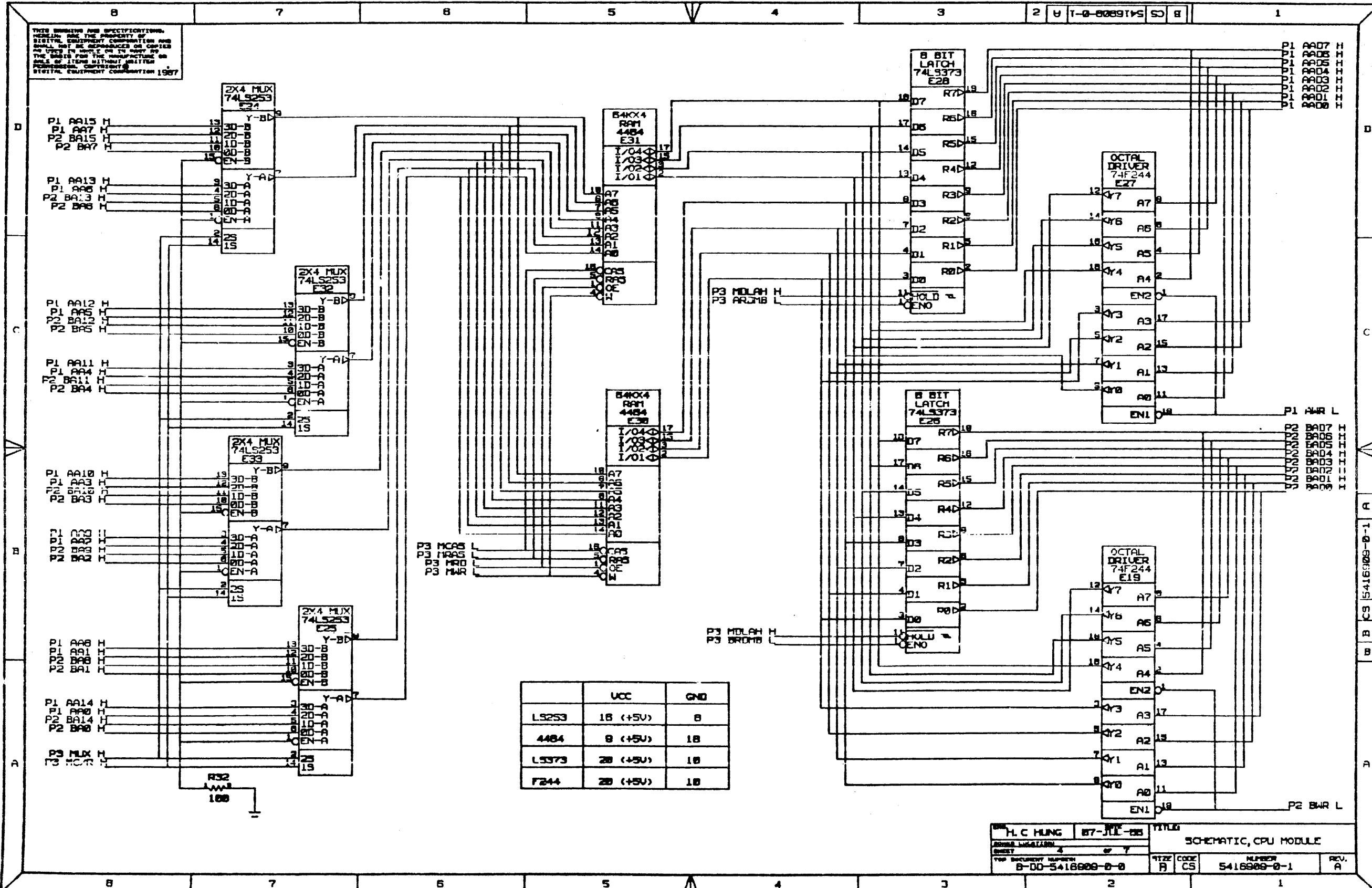


| | UCC | GND |
|-------|----------|-----|
| 8031 | 40 (+5V) | 20 |
| LS373 | 20 (+5V) | 10 |
| LS374 | 20 (+5V) | 10 |
| LS24 | 14 (+5V) | 7 |
| LS28 | 14 (+5V) | 7 |

| | | | | | | | | |
|---------------------|------------------|------|-----------|--------|-----------------------|---|------|----|
| DESIGNER | H. C. HUNG | DATE | 07-JUL-88 | TITLE | SCHEMATIC, CPU MODULE | | | |
| WORKSHEET NO. | 2 | | OF | 7 | SIZE | B | CODE | CS |
| TOP DOCUMENT NUMBER | B-00-5416000-0-0 | | | NUMBER | 5416000-0-1 | | REV. | A |

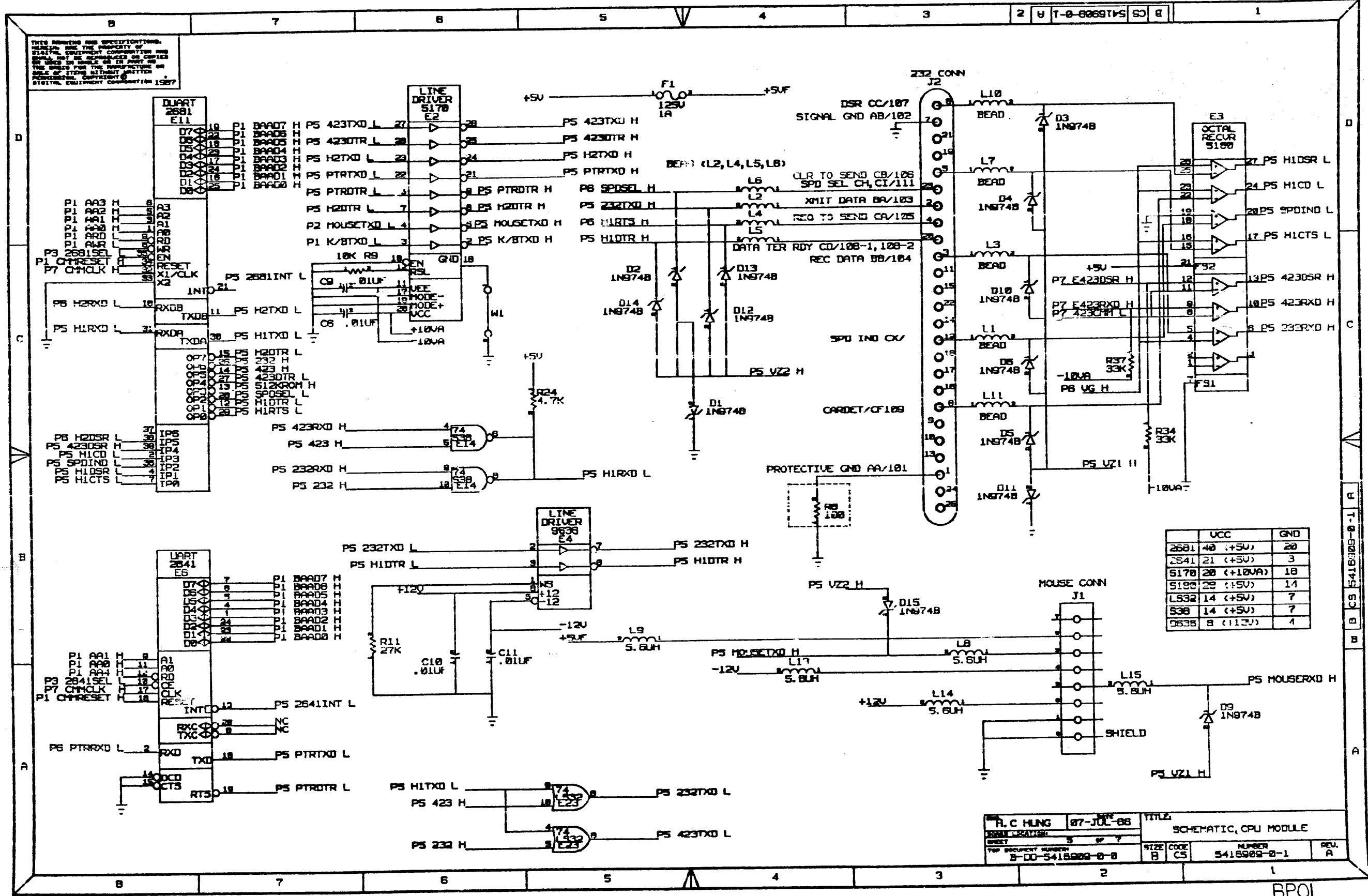
BPOI

THIS DRAWING AND SPECIFICATIONS HEREIN ARE THE PROPERTY OF DIGITAL EQUIPMENT CORPORATION AND SHALL NOT BE REPRODUCED OR COPIED IN WHOLE OR IN PART BY ANY PERSON WITHOUT WRITTEN PERMISSION OF DIGITAL EQUIPMENT CORPORATION 1967



| | VCC | GND |
|-------|----------|-----|
| LS253 | 16 (+5V) | 8 |
| 4484 | 8 (+5V) | 18 |
| LS373 | 28 (+5V) | 18 |
| F244 | 28 (+5V) | 18 |

H.C. HUNG 07-JUL-68 TITLE: SCHEMATIC, CPU MODULE
 REV. A
 B-00-5416909-0-0



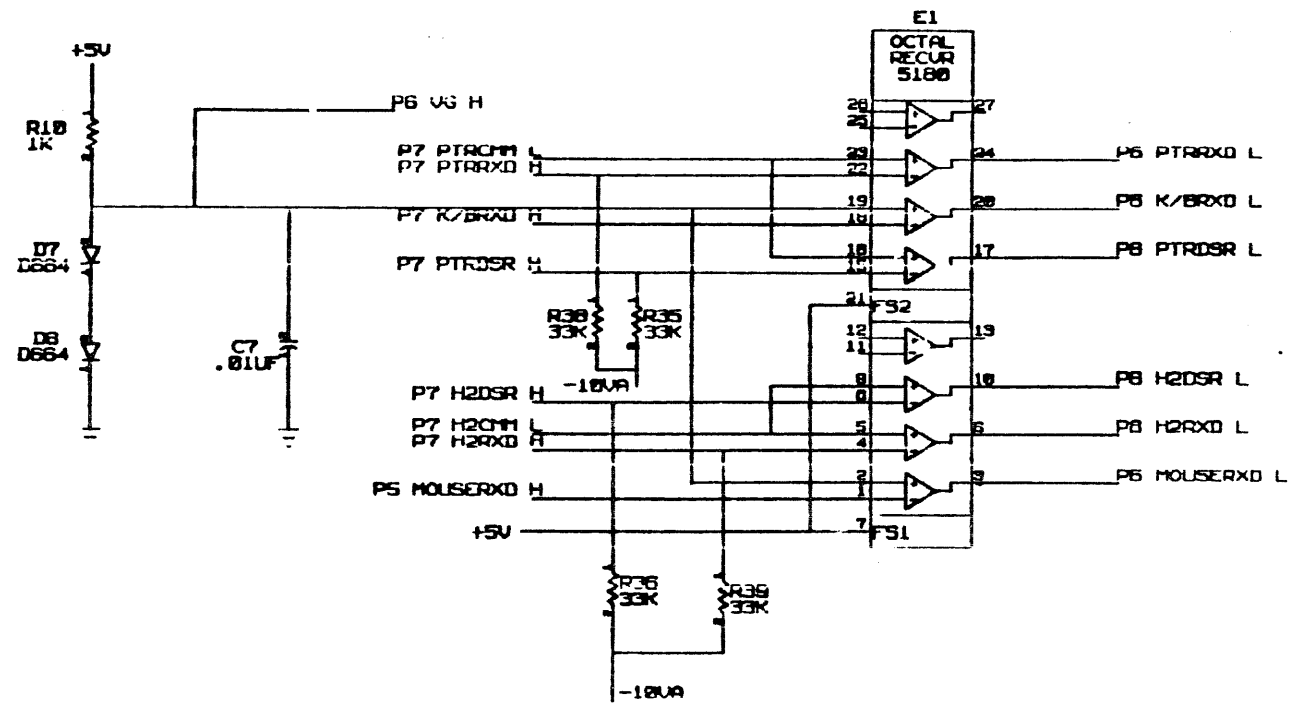
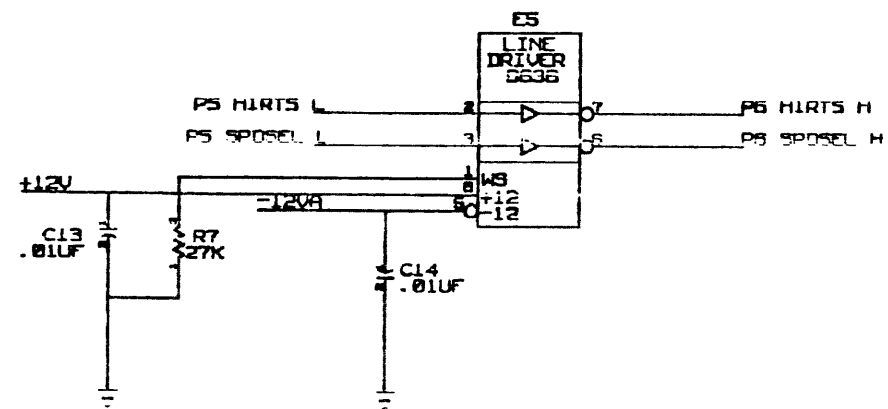
| | UCC | GND |
|------|-----------|-----|
| 2681 | 40 (+5V) | 20 |
| CS41 | 21 (+5V) | 3 |
| 5178 | 28 (+10V) | 18 |
| 5199 | 28 (+5V) | 14 |
| LS32 | 14 (+5V) | 7 |
| 538 | 14 (+5V) | 7 |
| 0638 | 8 (+12V) | 4 |

R. C. HUNG 07-JUL-88 TITLE: SCHEMATIC, CPU MODULE
 DRAWN BY: S OF Y
 TOP SECRET NUMBER: B-00-5415989-0-0 SIZE: B CS NUMBER: 5415989-0-1 REV: A

BPOI

THIS DRAWING AND SPECIFICATIONS, INCLUDING THE PROPERTY OF DIGITAL EQUIPMENT CORPORATION AND SHALL NOT BE REPRODUCED OR COPIED IN WHOLE OR IN PART OR BE USED IN WHOLE OR IN PART AS THE BASIS FOR THE MANUFACTURE OR REPRODUCTION OF ANY EQUIPMENT OR SOFTWARE WITHOUT WRITTEN PERMISSION OF DIGITAL EQUIPMENT CORPORATION 1987

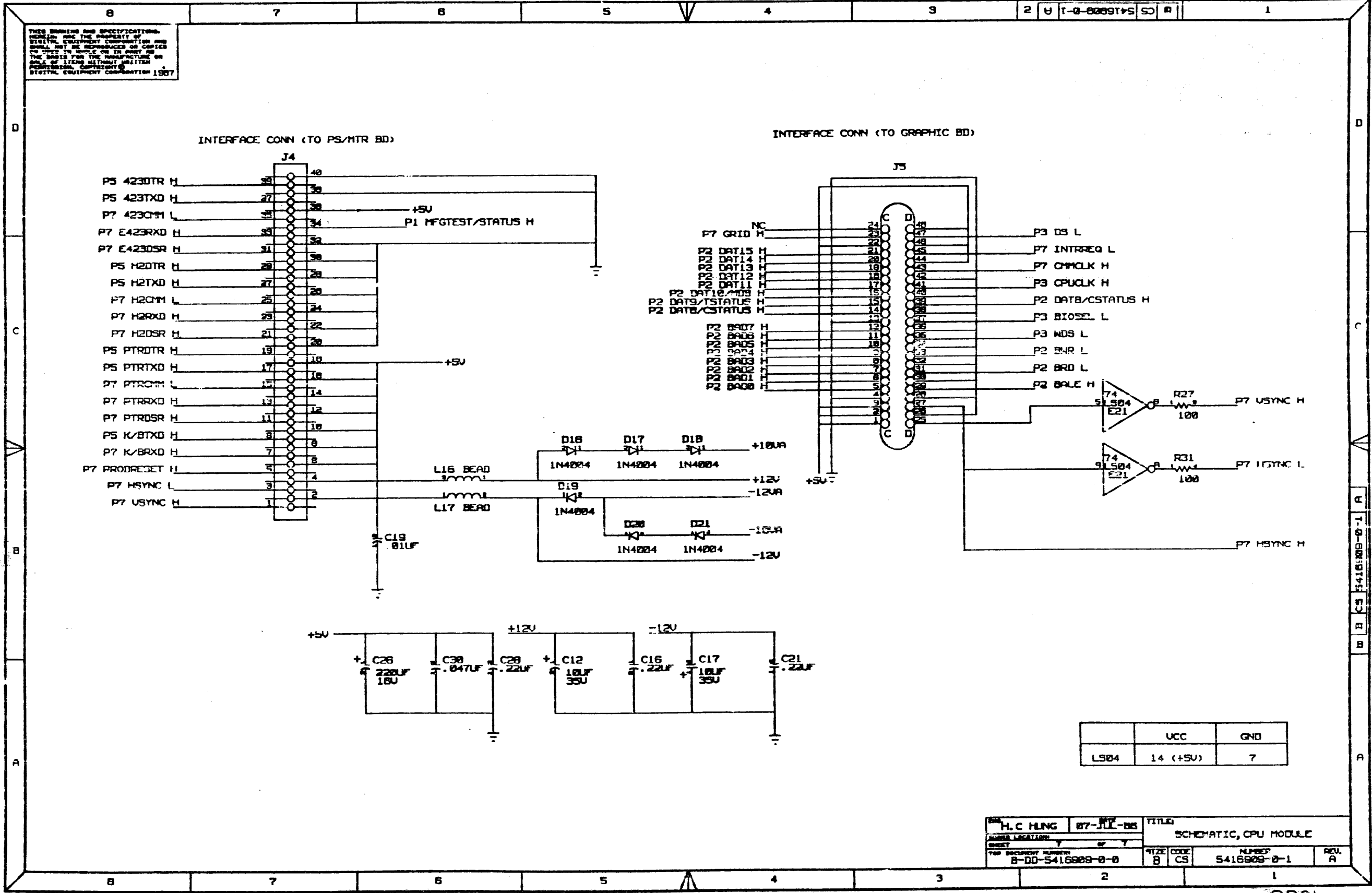
| | VCC | GND |
|------|----------|-----|
| 5188 | 28 (+5V) | 14 |
| 9836 | 8 (+12V) | 4 |



| | | | | | | | |
|----------|------------------|-------|-----------|-----------|-----------------------|------|----|
| DESIGNER | H. C. HUNG | DATE | 07-JUL-88 | TITLE | SCHEMATIC, CPU MODULE | | |
| PROJECT | B | SHEET | 8 | SIZE | A | CODE | CS |
| DOC. NO. | B-DD-5416909-0-0 | REV. | A | ALPHANUM. | 5416909-0-1 | REV. | A |

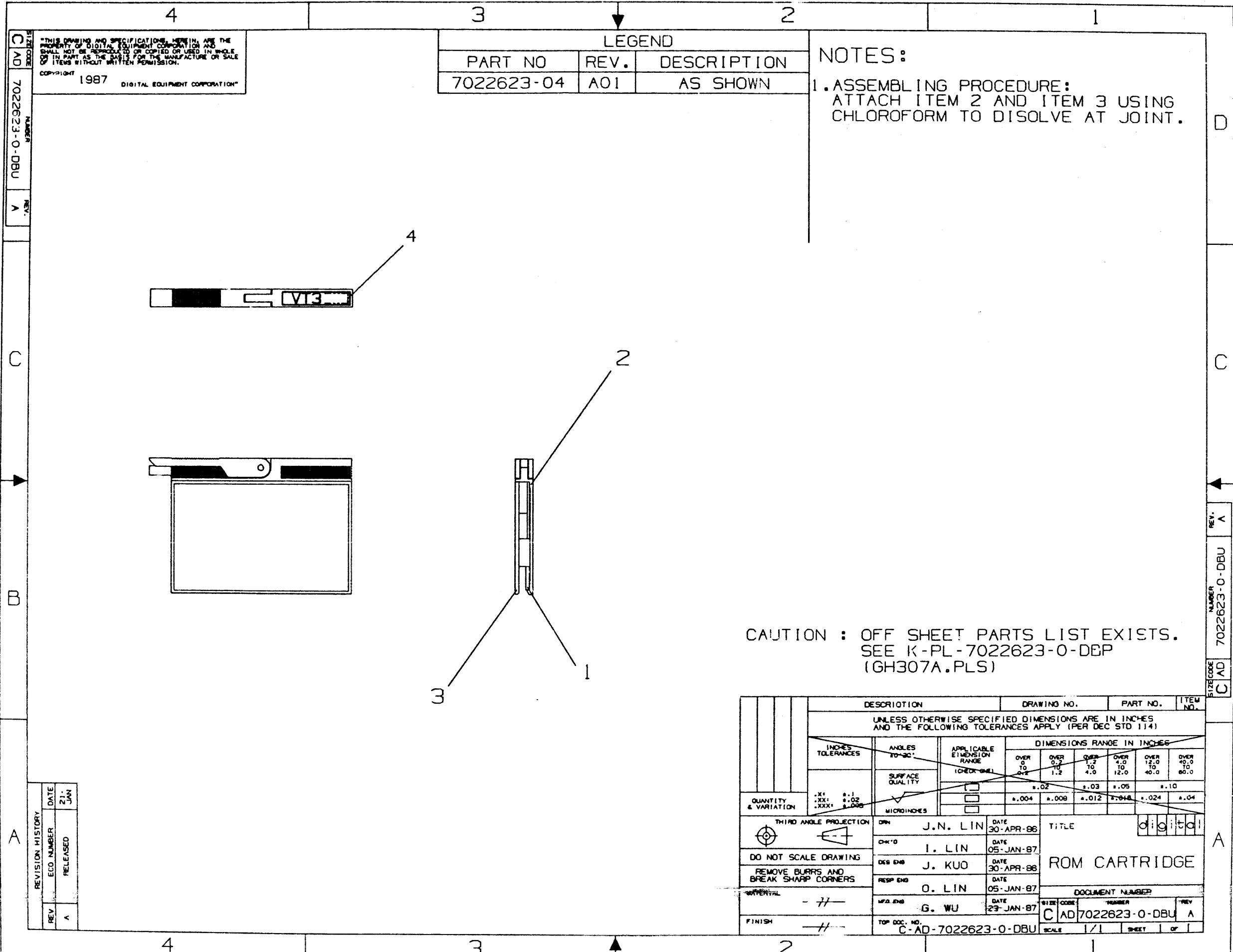
BPOI

THIS DRAWING AND SPECIFICATIONS
HEREIN ARE THE PROPERTY OF
DIGITAL EQUIPMENT CORPORATION AND
SHALL NOT BE REPRODUCED OR COPIED
IN ANY MANNER OR IN ANY MEDIUM
WITHOUT THE WRITTEN PERMISSION OF
DIGITAL EQUIPMENT CORPORATION 1987



| | | | | | |
|-------------------|-----------|------|-----------|------------------|----------------------|
| DESIGNER | H. C HUNG | DATE | 07-JUL-85 | TITLE | SCHMATIC, CPU MODULE |
| APPROVED LOCATION | | OF | | SIZE | CODE |
| REV | | | | NUMBER | REV. |
| | | | | B-DD-5416909-0-0 | B CS 5416909-0-1 A |

BPOI



THIS DRAWING AND SPECIFICATIONS HEREIN ARE THE PROPERTY OF DIGITAL EQUIPMENT CORPORATION AND SHALL NOT BE REPRODUCED OR COPIED OR USED IN WHOLE OR IN PART AS THE BASIS FOR THE MANUFACTURE OR SALE OF ITEMS WITHOUT WRITTEN PERMISSION.
 COPYRIGHT 1987 DIGITAL EQUIPMENT CORPORATION

| LEGEND | | |
|------------|------|-------------|
| PART NO | REV. | DESCRIPTION |
| 7022623-04 | A01 | AS SHOWN |

NOTES:
 1. ASSEMBLING PROCEDURE:
 ATTACH ITEM 2 AND ITEM 3 USING
 CHLOROFORM TO DISSOLVE AT JOINT.

CAUTION : OFF SHEET PARTS LIST EXISTS.
 SEE K-PL-7022623-0-DEP
 (GH307A.PLS)

| REVISION HISTORY | | DATE |
|------------------|------------|--------|
| REV | ECD NUMBER | 21-JAN |
| A | RELEASED | |

| DESCRIPTION | DRAWING NO. | PART NO. | ITEM NO. |
|--|------------------------|----------------------------|---------------------|
| UNLESS OTHERWISE SPECIFIED DIMENSIONS ARE IN INCHES AND THE FOLLOWING TOLERANCES APPLY (PER DEC STD 114) | | | |
| INCHES TOLERANCES | ANGLES TO 30° | APPLICABLE DIMENSION RANGE | |
| | | DIMENSIONS RANGE IN INCHES | |
| SURFACE QUALITY | MICROINCHES | OVER 0 TO .25 | OVER 0.2 TO 1.2 |
| | | OVER 1.2 TO 4.0 | OVER 4.0 TO 12.0 |
| QUANTITY & VARIATION | THIRD ANGLE PROJECTION | OVER 12.0 TO 40.0 | OVER 40.0 TO 60.0 |
| | | OVER 60.0 TO 100.0 | OVER 100.0 TO 150.0 |
| -.X± .1 | CH"O | ±.02 | ±.03 |
| .XX± .02 | J.N. LIN | ±.04 | ±.05 |
| .XXX± .005 | I. LIN | ±.008 | ±.012 |
| | J. KUO | ±.016 | ±.024 |
| | O. LIN | ±.032 | ±.048 |
| | G. WU | ±.064 | ±.096 |
| | DATE 30-APR-86 | DATE 05-JAN-87 | DATE 30-APR-88 |
| | DATE 05-JAN-87 | DATE 05-JAN-87 | DATE 29-JAN-87 |
| | TITLE ROM CARTRIDGE | DOCUMENT NUMBER | |
| | SCALE 1/1 | SHEET 1 OF 1 | |

SIZE CODE C AD 7022623-0-DBU REV. A

SIZE CODE C AD 7022623-0-DBU REV. A

AUTOMATED BY VAXKPL (V1.3)

PARTS LIST

SHEET A1 OF A1
QUANTITY PER VARIATION/REVISION

| LINE ITEM | TOP DOCUMENT | PART NUMBER | MIN REV | DESCRIPTION | 04 A1 |
|-----------|--------------------|-------------|---------|----------------------------------|----------|
| 1 | B-DD-5416967-0-0 | 54-16967-02 | A | VT330/VT340 ROM CARTRIDGE MODULE | 1 |
| 2 | C-IA-7023975-0-DBU | 70-23975-01 | A | CARTRIDGE BOTTOM/HANDLE ASSY | 1 |
| 3 | C-MD-7432558-0-DBU | 74-32558-01 | A | COVER, CARTRIDGE | 1 |
| 4 | | 36-26789-04 | | LABEL, ROM CARTRIDGE VT330/340 | 1 |

| REVISION HISTORY | | KPL MATRIX FORMAT | | SECTION A OF A | DRN: J.N. LIN | D I G I T A L | | | |
|--------------------|------------|--------------------|-------------------------|----------------------|--------------------|--------------------------|------|---------------|-----|
| ENG | ECO NUMBER | REV | SECTION/VARIATION INDEX | | DATE: 19-APR-86 | TITLE PARTS LIST | | | |
| --- | INITIAL | A | [A] | 04 | CHK'D: I. LIN | ROM CARTRIDGE | | | |
| | | | [B] | | DATE: 18-DEC-86 | | | | |
| | | | [C] | | DES.ENG: J. KUO | DOCUMENT NUMBER | | | |
| | | | [D] | | DATE: 19-APR-86 | SIZE | CODE | NUMBER | REV |
| | | | [E] | | RESP.ENG.: O. LIN | K | PL | 7022623-0-DBP | A |
| | | | [F] | | DATE: 18-DEC-86 | RELEASE DATE: 18-FEB-87 | | | |
| | | | [H] | | MFG.ENG: GORDON WU | RELEASE STATUS: RELEASED | | | |
| | | | [J] | | DATE: 26-JAN-87 | | | | |
| BASIC PART NUMBER: | | ASSEMBLY NUMBER: | | TOP DOCUMENT NUMBER: | | FILE NAME: | | EDIT # | |
| 7022623 | | C-AD-7022623-0-DBU | | C-AD-7022623-0-DBU | | GH307A.PLS | | 41 | |

"THIS DRAWING AND THE SPECIFICATIONS CONTAINED HEREIN ARE CONFIDENTIAL AND PROPRIETARY. THEY ARE THE PROPERTY OF DIGITAL EQUIPMENT CORPORATION AND SHALL NOT BE REPRODUCED OR COPIED OR USED IN WHOLE OR IN PART AS THE BASIS FOR THE MANUFACTURE OR SALE OF ITEMS WITHOUT WRITTEN PERMISSION. THIS IS AN UNPUBLISHED WORK PROTECTED UNDER THE FEDERAL COPYRIGHT LAWS."

PARTS LIST

| LINE | ITEM | TOP DOCUMENT | PART NUMBER | MIN REV | DESCRIPTION | QTY | PER VAR/REV | REFERENCE DESIGNATORS |
|------|------|------------------|-------------|---------|----------------------------------|-----|-------------|--|
| 1 | 1 | B-DD-5016902-0-0 | 50-16902-01 | L | CIRCUIT DRILL AND ETCH BOARD | 1 | | |
| 2 | 2 | | 10-00010-00 | | 39 PFD 100V +/- 5% 200PP | 1 | | C8 |
| 3 | 3 | | 10-00020-00 | | 180 PFD 100V +/- 5% 200PP | 1 | | C10 |
| 4 | 4 | | 10-01610-00 | | 0.010MFD 50V +80/-20% Z5U C | 29 | | C1,C4-C7,C9,C13,C15-C26,C31, CONT C32,C38-C43,C48,C49 |
| 5 | 5 | | 10-02608-00 | | 18 PFD 100V +/- 5% 200PP | 1 | | C2 |
| 6 | 6 | | 10-10274-00 | | 0.22 MFD 50V +80/-20% Z5U C | 1 | | C11 |
| 7 | 7 | | 10-10279-01 | | 0.47 MFD 25V +/-20% Z5U C | 12 | | C27-C30,C33-C36,C44-C47 |
| 8 | 8 | | 10-13466-23 | | 22 PFD 50V +/- 5% NPO C | 4 | | C12,C66-C68 |
| 9 | 9 | | 10-13466-24 | | 47 PFD 50V +/- 5% NPO C | 1 | | C37 |
| 10 | 10 | | 10-20446-11 | | 470 MFD 6.3V +50/-10% ALU | 1 | | C3 |
| 11 | 11 | | 10-26289-01 | | 0.02 MFD 50V+100/-25% Z5U C | 3 | | C62-C64 |
| 12 | 12 | | 10-26289-02 | | 0.03 MFD 50V+100/-25% Z5U C | 4 | | C57-C60 |
| 13 | 13 | | 10-26289-03 | | 0.03 MFD 50V+100/-25% Z5U C | 1 | | C65 |
| 14 | 14 | | 12-15006-07 | | SKT,IC 28PIN DIP TIN SOLD | 1 | | XE19 |
| 15 | 15 | | 12-15323-05 | | PCB HEADER 03PIN(1X03).100CC STR | 1 | | J1 |
| 16 | 16 | | 12-22063-05 | | SHIELD,EMI/RFI FINGERS | 1 | | |
| 17 | 17 | SEE NOTE 1 | 12-26581-01 | | PCB HEADER 48PIN(3X16) 90D | 1 | | J2 |
| 18 | 18 | | 12-27817-01 | | PAD,FOAM,ACOUSTIC ADH BK POLYU | 1 | | |
| 19 | 19 | | 12-27817-02 | | PAD,FOAM,ACOUSTIC ADH BK POLYU | 1 | | |
| 20 | 20 | | 13-00197-00 | | 33.0 .25 W 5.0 % CF | 15 | | R6,R8-R10,R14-R17,R19,R21-R26 |
| 21 | 21 | | 13-00202-00 | | 47.0 .25 W 5.0 % CF | 1 | | R2 |
| 22 | 22 | | 13-00229-00 | | 100.0 .25 W 5.0 % CF | 7 | | R3-R5,R11,R18,R20,R27 |
| 23 | 23 | | 13-00365-00 | | 1.0 K .25 W 5.0 % CF | 1 | | R13 |
| 24 | 24 | | 13-00447-00 | | 4.70 K .25 W 5.0 % CF | 2 | | R7,R12 |
| 25 | 25 | | 16-18238-02 | | BEAD,FERRITE .1380DX.330LG | 6 | | L1,L3,L4,L6-L8 |
| 26 | 26 | | 18-11660-75 | | OSCILLATOR,XTAL 32.3174 MHZ | 1 | | Y1 |
| 27 | 27 | | 19-10545-00 | | 74S112 FF-JK DUAL,EDGE TRIG | 1 | | E12 |
| 28 | 28 | | 19-12096-00 | | DEC 74S86 XOR GATE,QUAD 2IN | 1 | | E13 |
| 29 | 29 | | 19-14214-00 | | LS374 FF-D OCTAL EDGE TRIG | 1 | | E7 |
| 30 | 30 | | 19-15219-00 | | LS373 FF-D OCTAL-TRANSPARE | 1 | | E17 |
| 31 | 31 | | 19-21010-01 | | 74F373 OCTAL TRANSPARENT LA | 4 | | E25,E26,E33,E34 |

| | | | | | | | | |
|------------------|------------|--------------------|-------------------------|------------------|--------------------------|--------------------------|--------|---------------|
| REVISION HISTORY | | KPL MODULE FORMAT | | SECTION A OF A | DRN: F. LIU | DIGITAL | | |
| ENG | ECO NUMBER | REV | SECTION/VARIATION INDEX | | DATE: 05-MAY-86 | TITLE PARTS LIST | | |
| --- | INITIAL | A | [A] 01 | [M] | CHK'D: B. CHEN | BITMAP MODULE | | |
| | | | [B] | [N] | DATE: 05-MAY-86 | | | |
| | | | [C] | [P] | DES.ENG: HC HONG | DOCUMENT NUMBER | | |
| | | | [D] | [Q] | DATE: 05-MAY-86 | SIZE | CODE | NUMBER |
| | | | [E] | [R] | RESP.ENG.: SW CHENG | K | PL | 5416903-0-DBP |
| | | | [F] | [S] | DATE: 05-MAY-86 | REV | | |
| | | | [H] | [T] | MFG.ENG: G. CHRISTIANSEN | A | | |
| | | | [J] | [V] | DATE: 25-FEB-87 | RELEASE DATE: 04-MAR-87 | | |
| | | | [K] | [W] | | RELEASE STATUS: RELEASED | | |
| | | | [L] | [Y] | | | | |
| | | BASIC PART NUMBER: | | ASSEMBLY NUMBER: | TOP DOCUMENT NUMBER: | FILE NAME: | EDIT # | |
| | | 5416903 | | D-UA-5416903-0-0 | B-DD-5416903-0-0 | GH431A.PLS | 40 | |

"THIS DRAWING AND THE SPECIFICATIONS CONTAINED HEREIN ARE CONFIDENTIAL AND PROPRIETARY. THEY ARE THE PROPERTY OF DIGITAL EQUIPMENT CORPORATION AND SHALL NOT BE REPRODUCED OR COPIED OR USED IN WHOLE OR IN PART AS THE BASIS FOR THE MANUFACTURE OR SALE OF ITEMS WITHOUT WRITTEN PERMISSION. THIS IS AN UNPUBLISHED WORK PROTECTED UNDER THE FEDERAL COPYRIGHT LAWS."

AUTOMATED BY VAXKPL (V1.3)

P A R T S L I S T

SHEET A2 OF A2

| LINE | ITEM | TOP DOCUMENT | PART NUMBER | MIN REV | DESCRIPTION | QTY PER VAR/REV | REFERENCE DESIGNATORS |
|------|------|--------------------|-------------|---------|----------------------------------|-----------------|---------------------------|
| 32 | 32 | | 19-21308-01 | | 74F08 AND GATE, QUAD, 2-IN | 1 | E6 |
| 33 | 33 | | 19-21312-01 | | 74F32 OR GATE, QUAD, 2-IN | 2 | E31, E39 |
| 34 | 34 | | 19-21323-01 | | 74F174 FF-D, HEX | 4 | E2, E5, E9, E10 |
| 35 | 35 | | 19-21324-01 | | 74F175 FF-D, QUAD | 1 | E8 |
| 36 | 36 | | 19-21327-01 | | 74F194 SHIFT REG, UNIV, BIDIR | 2 | E3, E4 |
| 37 | 37 | | 19-21329-01 | | 74F253 MUX, DUAL, 4-IN | 1 | E1 |
| 38 | 38 | | 19-23441-02 | | 74ALS374 FLIP-FLOP, EDGE TRIGG | 1 | E15 |
| 39 | 39 | | 19-26323-01 | | 74ALS00 ADV LO-PWR SCHOTTKY, | 1 | E16 |
| 40 | 40 | | 21-21552-05 | DC | 322 VIPER, 68CRQD GULLWIN | 2 | E24, E32 |
| 41 | 41 | | 21-21553-02 | DC | 323-CA ADDER II ZMOS | 1 | E14 |
| 42 | 42 | | 21-24412-02 | | RAM, 64KX4, DYNAMIC 15 | 12 | E20-E23, E27-E30, E35-E38 |
| 43 | 43 | | 21-25643-01 | | DC7051 TIMING GENERATOR + C | 1 | E11 |
| 44 | 44 | | 23-236E6-00 | E6-02 | UV | 1 | E19 |
| 45 | 45 | | 23-336J5-00 | J5-03 | PAL OCTAL AND | 1 | E18 |
| 46 | 46 | D-MD-7434526-0-DBU | 74-34526-01 | | BASE, SHIELD | 1 | |
| 47 | 47 | D-MD-7434661-0-DBU | 74-34661-01 | | COVER, SHIELD | 1 | U3 |
| 48 | 48 | C-MD-7434861-0-DBU | 74-34861-02 | | CLIP, GROUNDING | 2 | |
| 49 | 49 | | 90-09185-00 | | JUMPER, WIRE, INSULATED, BLACK B | 1 | W2 |
| 50 | 50 | | 90-10798-01 | | STANDOFF, SNAP TOP | 1 | |

1 GEN: ITEM 17 12-26581-01 CAN BE SUBSTITUTED BY 12-26581-02 48 PIN RECEPTACLE.

| | | | | | | | | | | | | |
|---|---|---|---|---|---|---|---------------|----------------|------|------|-----------------|-----|
| D | I | G | I | T | A | L | TITLE | SECTION A OF A | SIZE | CODE | DOCUMENT NUMBER | REV |
| | | | | | | | BITMAP MODULE | | K | PL | 5416903-0-DBP | A |

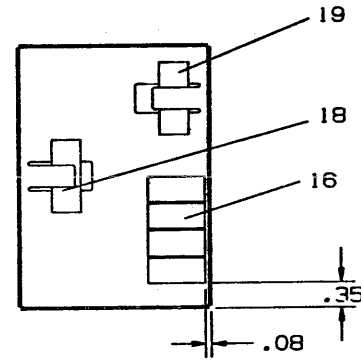
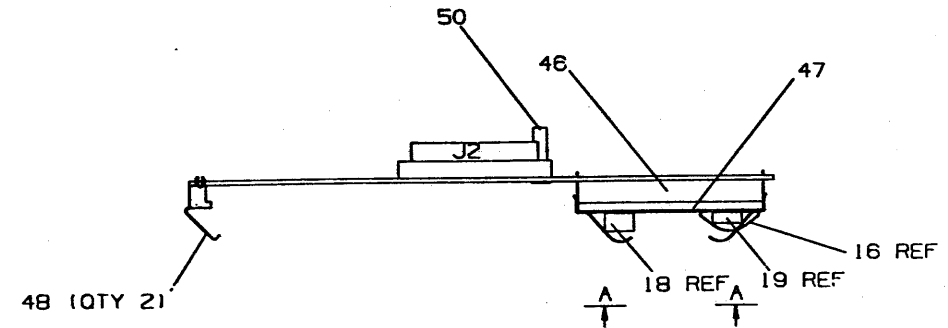
THIS DRAWING AND THE SPECIFICATIONS CONTAINED HEREIN ARE CONFIDENTIAL AND PROPRIETARY. THEY ARE THE PROPERTY OF DIGITAL EQUIPMENT CORPORATION AND SHALL NOT BE REPRODUCED OR COPIED IN WHOLE OR IN PART WITHOUT WRITTEN PERMISSION FROM AN AUTHORIZED REPRESENTATIVE UNDER THE PROTECTIVE ORDER. COP-3-24E © DIGITAL EQUIPMENT CORPORATION 1987

8 7 6 5 4 3 2 1

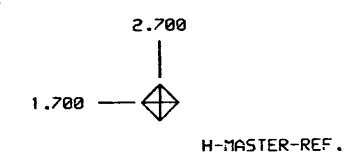
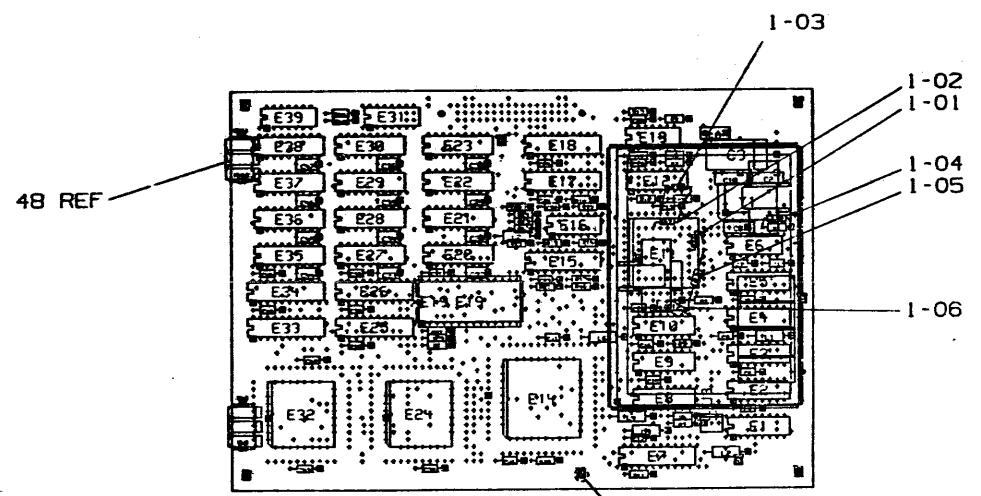
- NOTES:
1. L2, R1 & W1 ARE NOT INSERTED.
 2. C62, C63 & C64 ARE MOUNTED BENEATH E6, E31 & E39. C57, C58, C59 & C60 ARE MOUNTED BENEATH E2, E5, E9 & E10. C65 IS MOUNTED BENEATH E15.

REWORK INSTRUCTIONS:

- COMPONENTS ADD SIDE ONE (AS SHOWN).
- 1-01. ADDS C66 PN 10-13466-23
C66 PIN 1 TO E11 PIN 38
C66 PIN 2 TO E11 PIN 35.
 - 1-02. ADDS C67 PN 10-13466-23
C67 PIN 1 TO E11 PIN 54
C67 PIN 2 TO C13 PIN 1.
 - 1-03. ADDS C68 PN 10-13466-23
C68 PIN 1 TO E11 PIN 53
C68 PIN 2 TO C13 PIN 1.
 - 1-04. ADDS L8 PN 16-18238-02
L8 PIN 1 TO THE LOCATION OF R1 PIN 1
L8 PIN 2 TO THE LOCATION OF R1 PIN 2.
- COMPONENT RELOCATED SIDE ONE (AS SHOWN).
- 1-05. CONNECT R2 PIN 1 TO E11 PIN 36 (LIFT R2 PIN 1)
SURROUND R2 PIN 2 WITH TUBING PN 91-07256-11.
 - 1-06. CONNECT C12 PIN 1 TO E10 PIN 9 (LIFT C12 PIN 1).
- CUT ETCH REFER D-EC-5016902-0-0.



VIEW "A-A"



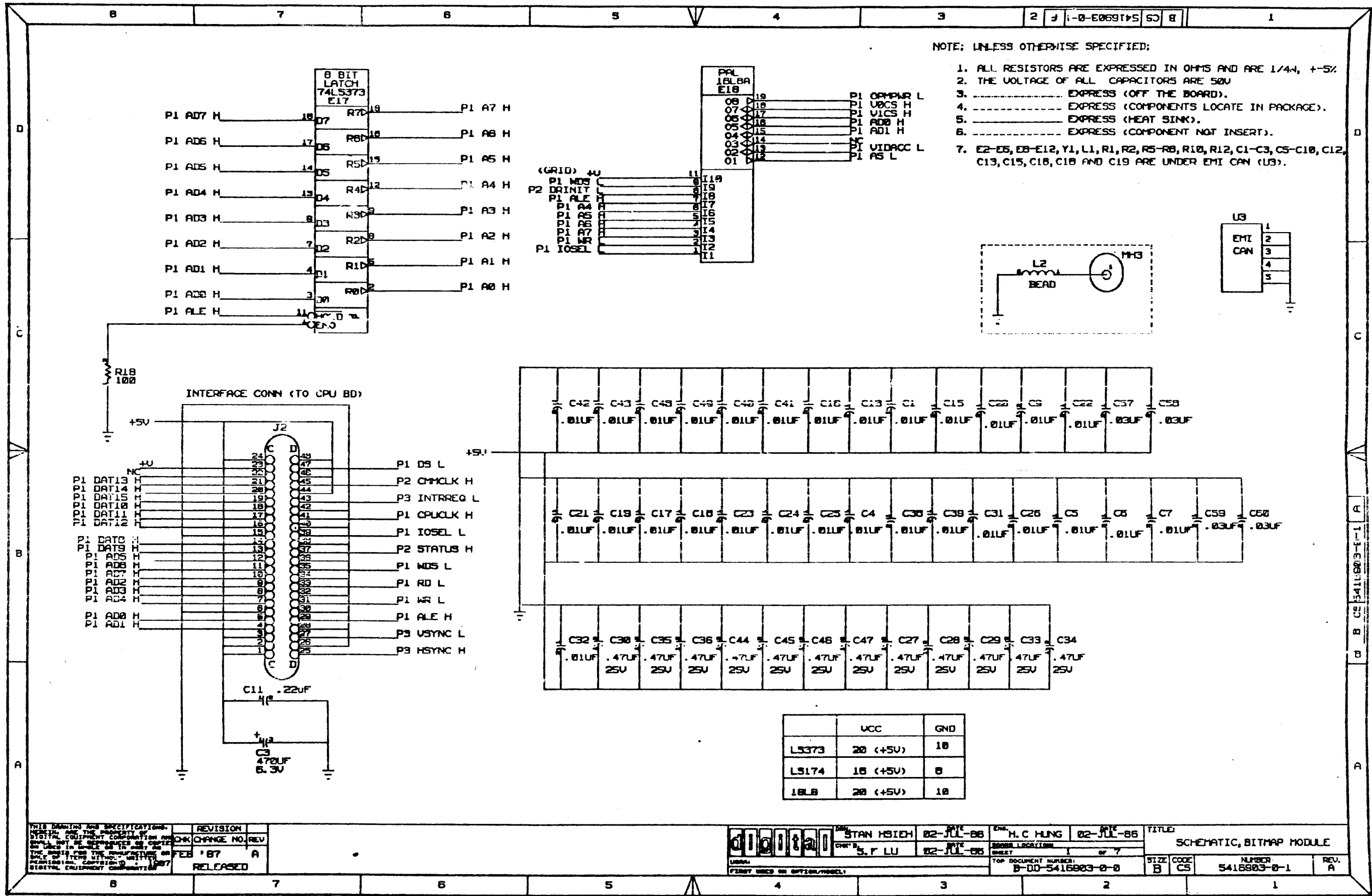
H-MASTER-REF.

| CHK | DRAWN BY | ENGINEER | CHANGE NO | DATE | REV | CHK | DRAWN BY | ENGINEER | CHANGE NO | DATE | REV |
|-----|----------|----------|-------------------|------|-----|-----|----------|----------|-----------|------|-----|
| | | | RELEASED FEB 87 A | | | | | | | | |
| | | | | | | | | | | | |
| | | | | | | | | | | | |
| | | | | | | | | | | | |
| | | | | | | | | | | | |

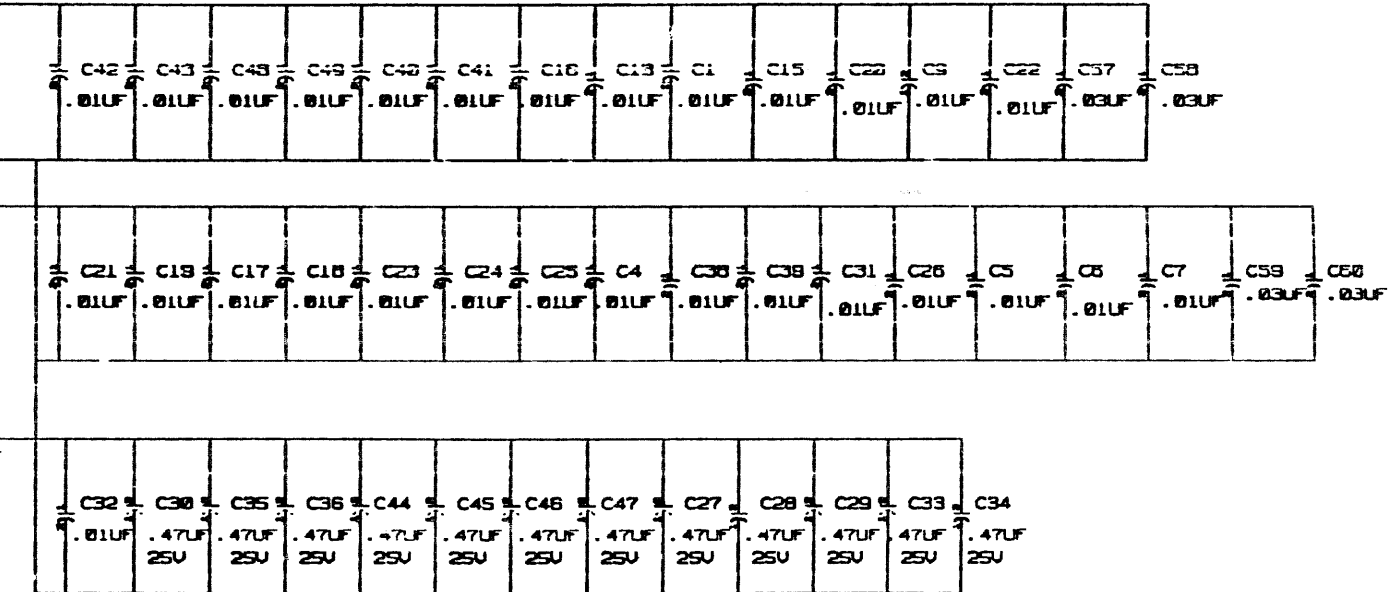
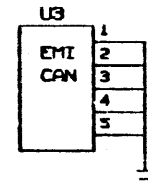
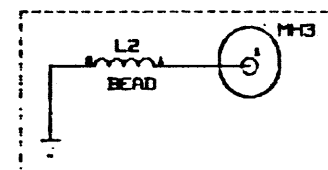
| STEP # | ↑ Y AXIS | STEP | TIMES |
|--------|----------|------|-------|
| REPEAT | → X AXIS | STEP | TIMES |

| SIGNATURES | | DATE | digital | |
|------------|------------------|---------|---------|-------------|
| DRAWN | C. H. YU | 5-24-88 | | |
| CHECKED | B. CHEN | 5-24-88 | | |
| MECH ENG | O. LIN | 5-24-88 | | |
| PROJ ENG | S. W. CHENG | 5-24-88 | | |
| PROD | | | | |
| SCALE | 1/1 | | SIZE | CODE |
| SHEET | 1 OF 1 | | D | JA |
| TOP DOC NO | B-00-5416903-0-0 | | NUMBER | 5416903-0-0 |
| | | | REV | A |

8 7 6 5 4 3 2 1 WO# 871



- NOTE: UNLESS OTHERWISE SPECIFIED:
1. ALL RESISTORS ARE EXPRESSED IN OHMS AND ARE 1/4W, +-5%
 2. THE VOLTAGE OF ALL CAPACITORS ARE 50V
 3. ----- EXPRESS (OFF THE BOARD).
 4. ----- EXPRESS (COMPONENTS LOCATE IN PACKAGE).
 5. ----- EXPRESS (HEAT SINK).
 6. ----- EXPRESS (COMPONENT NOT INSERT).
 7. E2-E6, E8-E12, Y1, L1, R1, R2, R5-R8, R10, R12, C1-C3, C5-C10, C12, C13, C15, C16, C18 AND C19 ARE UNDER EMI CAN (U3).



| | VCC | GND |
|-------|----------|-----|
| LS373 | 20 (+5V) | 10 |
| LS174 | 16 (+5V) | 0 |
| 16L8 | 28 (+5V) | 10 |

THIS DRAWING AND SPECIFICATIONS ARE THE PROPERTY OF DIGITAL EQUIPMENT CORPORATION AND SHALL NOT BE REPRODUCED OR COPIED IN ANY MANNER WITHOUT THE WRITTEN PERMISSION OF DIGITAL EQUIPMENT CORPORATION.

| REVISION | CHANGE NO. | REV. |
|----------|------------|------|
| | | |

| DATE | BY | DATE | BY |
|-----------|------------|-----------|-----------|
| 02-JUL-86 | STAN HSIEN | 02-JUL-86 | H. C HUNG |
| 02-JUL-86 | S. F LU | 02-JUL-86 | |

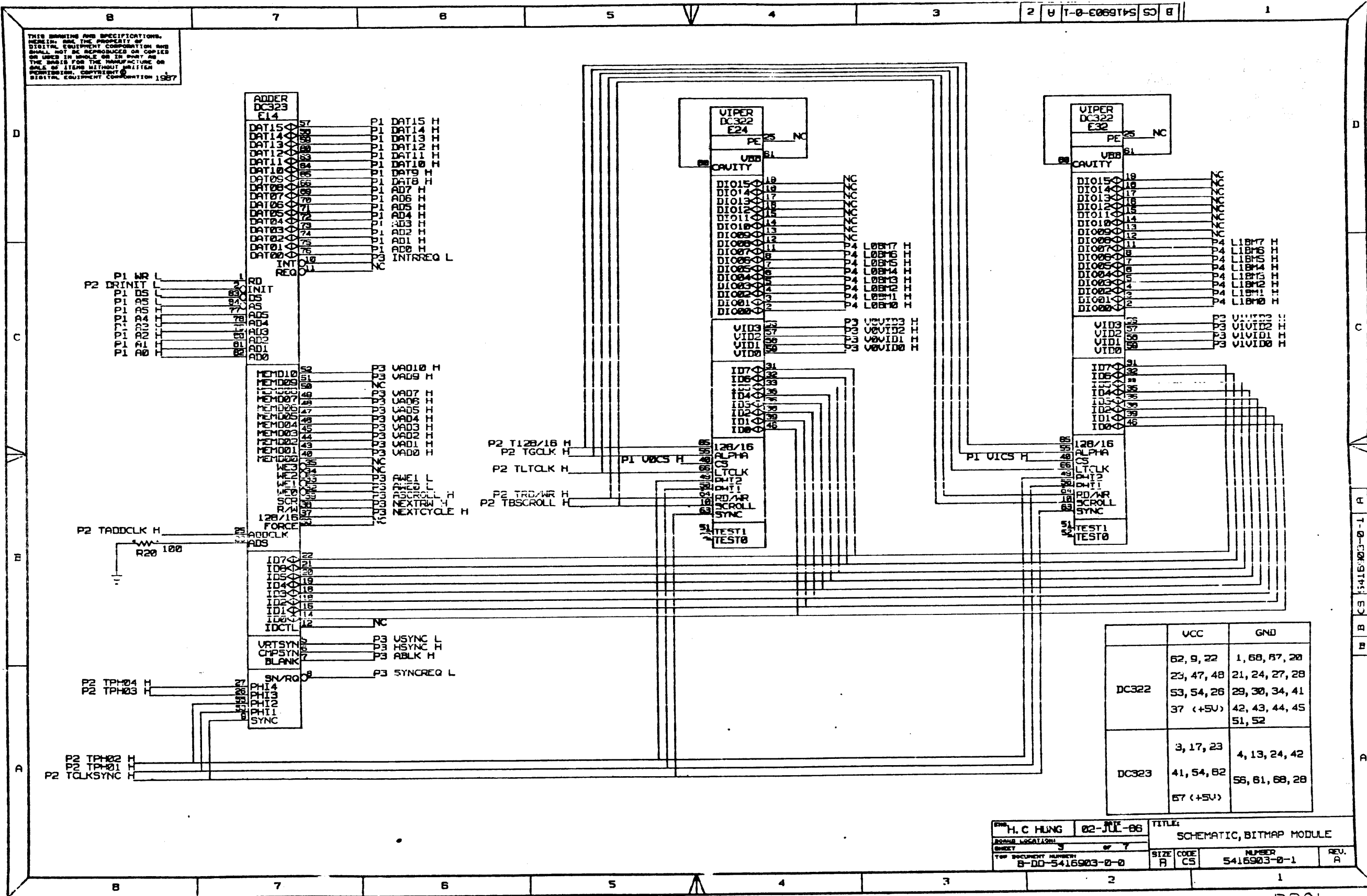
STAN HSIEN 02-JUL-86
S. F LU 02-JUL-86

H. C HUNG 02-JUL-86
TOP DOCUMENT NUMBER: B-DD-5416903-0-0

TITLE: SCHEMATIC, BITMAP MODULE
SIZE: B CODE: CS NUMBER: 5416903-0-1 REV: A

BPO1

THIS DRAWING AND SPECIFICATIONS, HEREIN, ARE THE PROPERTY OF DIGITAL EQUIPMENT CORPORATION AND SHALL NOT BE REPRODUCED OR COPIED OR USED IN WHOLE OR IN PART AS THE BASIS FOR THE MANUFACTURE OR SALE OF ITEMS WITHOUT WRITTEN PERMISSION. COPYRIGHT © DIGITAL EQUIPMENT CORPORATION 1987



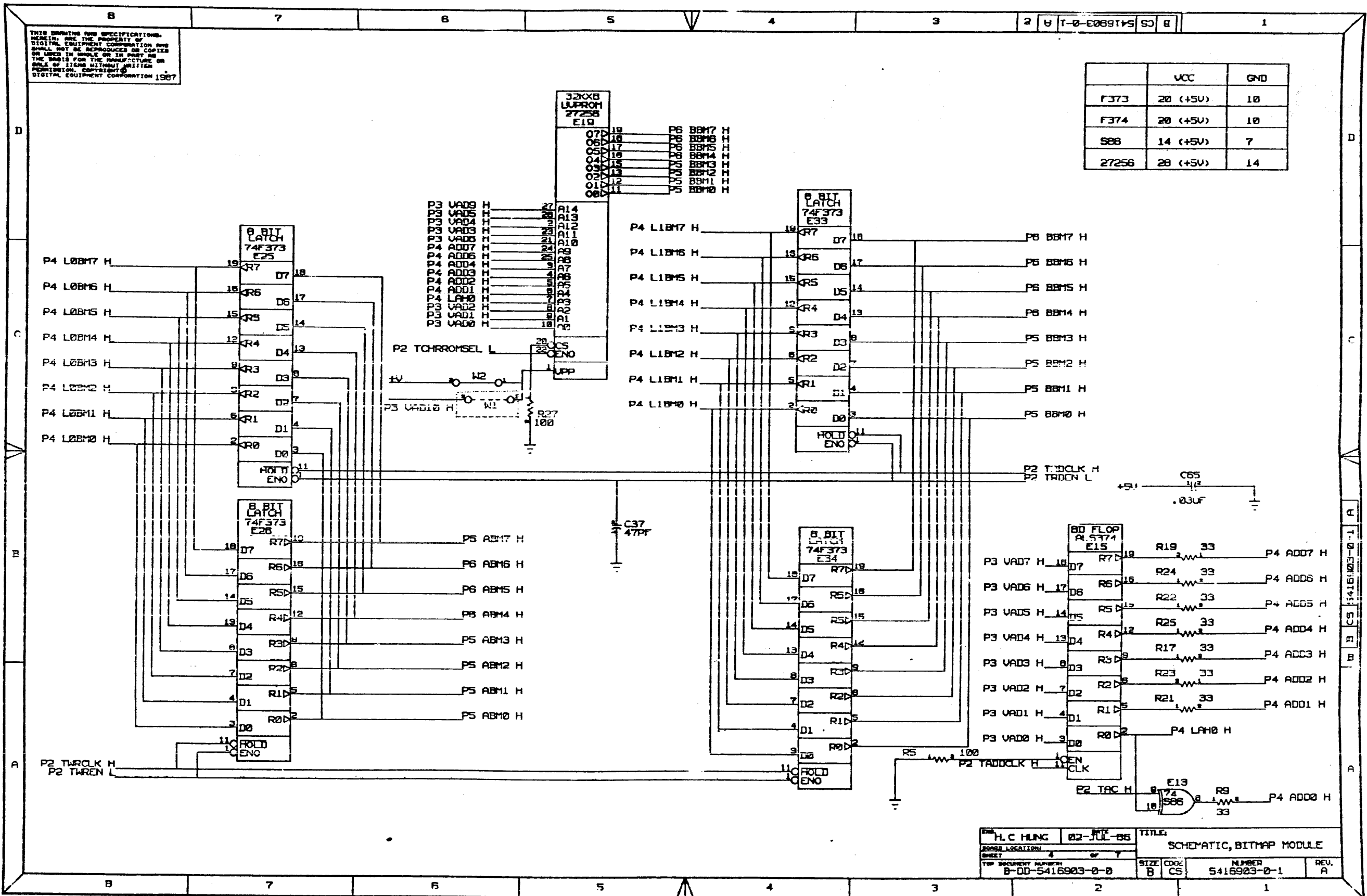
| | VCC | GND |
|-------|------------|--------------------------|
| DC322 | 62, 9, 22 | 1, 68, 67, 20 |
| | 23, 47, 48 | 21, 24, 27, 28 |
| | 53, 54, 26 | 29, 30, 34, 41 |
| | 37 (+5V) | 42, 43, 44, 45 51, 52 |
| DC323 | 3, 17, 23 | 4, 13, 24, 42 |
| | 41, 54, 62 | 56, 61, 66, 28 |
| | 67 (+5V) | |

| | | |
|---------------------------------------|-----------------|---------------------------------|
| DESIGNED BY: H. C. HUNG | DATE: 02-JUL-86 | TITLE: SCHEMATIC, BITMAP MODULE |
| ROOM LOCATION: 3 | SHEET: 5 | NUMBER: 5416903-0-1 |
| TOP DOCUMENT NUMBER: 8-DD-5416903-0-0 | SIZE: A | CODE: CS |
| | | REV: A |

BPO1

THIS DRAWING AND SPECIFICATIONS HEREIN ARE THE PROPERTY OF DIGITAL EQUIPMENT CORPORATION AND SHALL NOT BE REPRODUCED OR COPIED OR LENT IN WHOLE OR IN PART OR THE BASIS FOR THE MANUFACTURE OR SALE OF ITEMS WITHOUT WRITTEN PERMISSION. COPYRIGHT © DIGITAL EQUIPMENT CORPORATION 1987

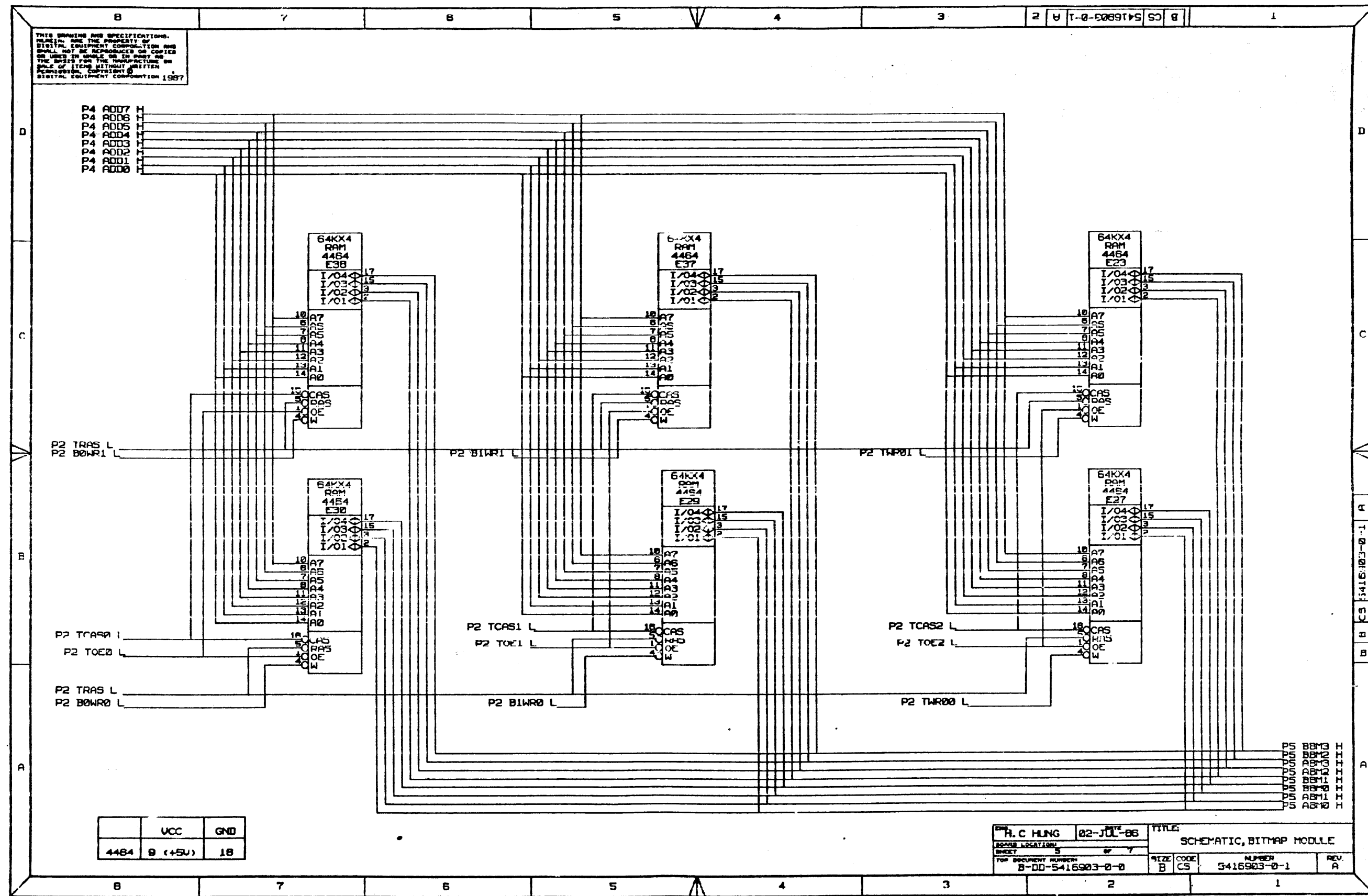
| | VCC | GND |
|-------|----------|-----|
| F373 | 20 (+5V) | 10 |
| F374 | 20 (+5V) | 10 |
| S88 | 14 (+5V) | 7 |
| 27256 | 28 (+5V) | 14 |



| | | | | | | | |
|---------------------|------------------|------|-----------|--------|--------------------------|------|------|
| DESIGNER | H. C. HUNG | DATE | 02-JUL-85 | TITLE | SCHEMATIC, BITMAP MODULE | | |
| BOARD LOCATION | SHEET 4 OF 7 | | | SIZE | B | CODE | CS |
| TOP DOCUMENT NUMBER | B-DD-5416903-0-0 | | | NUMBER | 5416903-0-1 | | REV. |
| | | | | | | | A |

BPC1

THIS DRAWING AND SPECIFICATIONS, HEREIN, ARE THE PROPERTY OF DIGITAL EQUIPMENT CORPORATION AND SHALL NOT BE REPRODUCED OR COPIED OR USED IN WHOLE OR IN PART OR THE BASIS FOR THE MANUFACTURE OR SALE OF ITEMS WITHOUT WRITTEN PERMISSION. COPYRIGHT © DIGITAL EQUIPMENT CORPORATION 1987



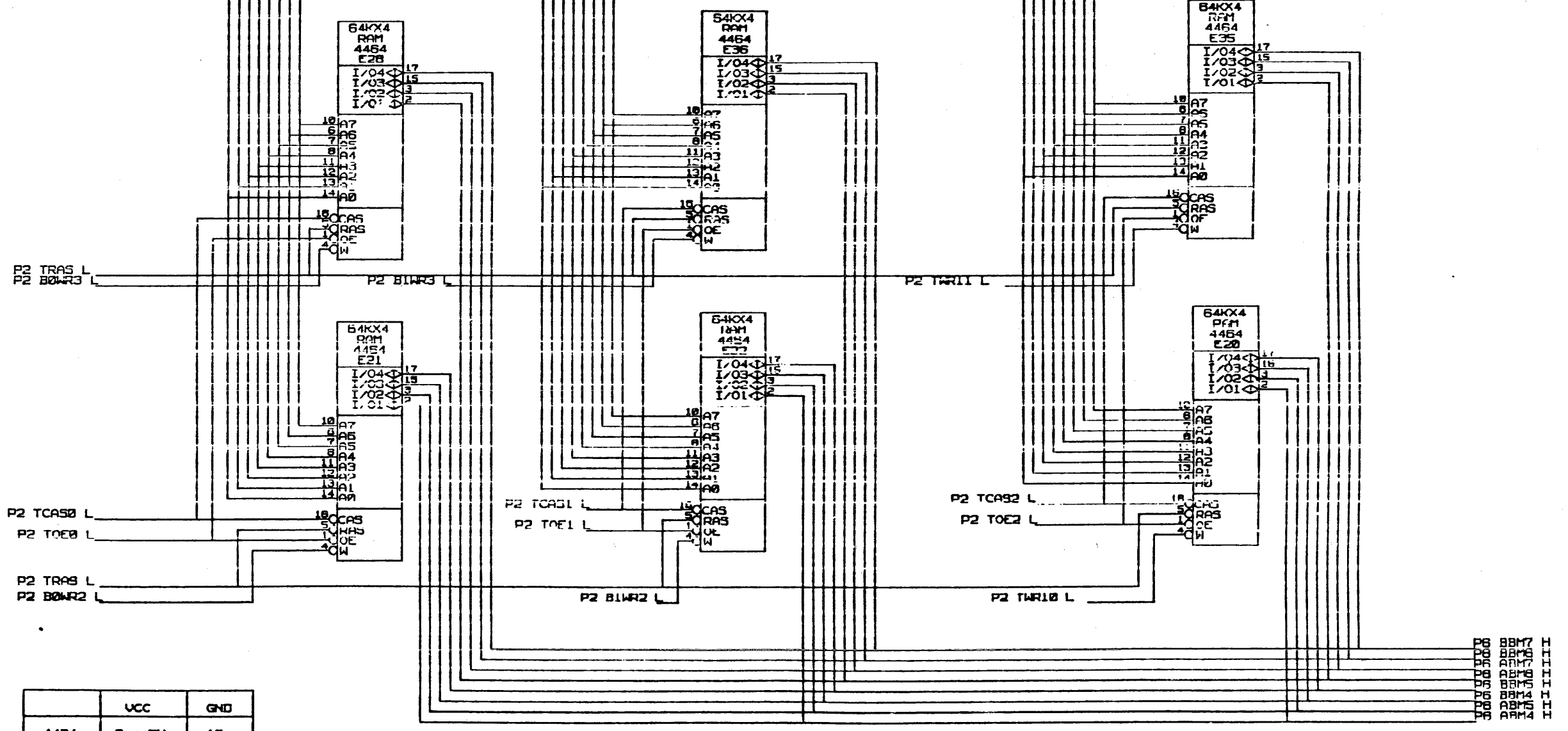
| | | |
|------|---------|-----|
| | VCC | GND |
| 4464 | 9 (+5V) | 18 |

| | | |
|---------------------------------------|---------------------|---------------------------------|
| DESIGNER: H. C. HUNG | DATE: 02-JUL-86 | TITLE: SCHEMATIC, BITMAP MODULE |
| GRADE/LOCATION: 5 | BY: Y | SIZE: B CS |
| TOP DOCUMENT NUMBER: B-DD-5416903-0-0 | NUMBER: 5416903-0-1 | REV: A |

BPOI

THIS DRAWING AND SPECIFICATIONS
HEREIN ARE THE PROPERTY OF
DIGITAL EQUIPMENT CORPORATION AND
SHALL NOT BE REPRODUCED OR COPIED
OR USED IN WHOLE OR IN PART AS
THE BASIS FOR THE MANUFACTURE OR
SALE OF EQUIPMENT WITHOUT WRITTEN
PERMISSION. COPYRIGHT ©
DIGITAL EQUIPMENT CORPORATION 1987

P4 ADD7 H
P4 ADD6 H
P4 ADD5 H
P4 ADD4 H
P4 ADD3 H
P4 ADD2 H
P4 ADD1 H
P4 ADD0 H

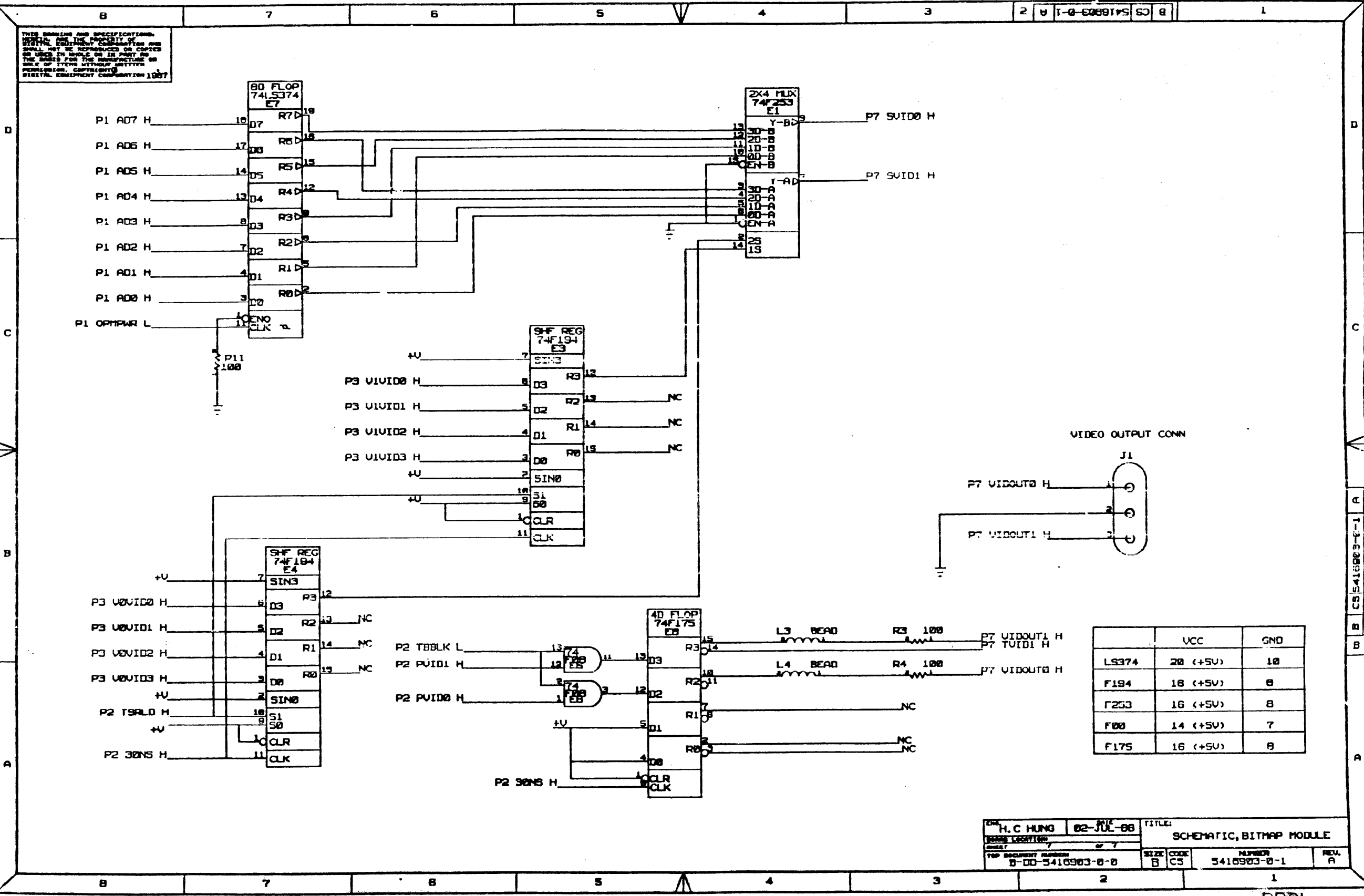


| | UCC | GND |
|------|---------|-----|
| 4464 | 9 (+5V) | 19 |

| | | | | |
|---------------------|--|--------------------------|-------|------|
| H. C HUNG | | 82-JUL-85 | TITLE | |
| DRAWN LOCATION | | SCHEMATIC, BITMAP MODULE | | |
| SHEET | | NUMBER | | |
| TOP DOCUMENT NUMBER | | SIZE | CODE | REV. |
| B-DD-5416903-0-0 | | B | CS | A |
| | | 5416903-0-1 | | |

BPO1

THIS DRAWING AND SPECIFICATIONS ARE THE PROPERTY OF DIGITAL EQUIPMENT CORPORATION AND SHALL NOT BE REPRODUCED OR COPIED OR USED IN WHOLE OR IN PART OR THE BASIS FOR THE MANUFACTURE OR SALE OF ITEMS WITHOUT WRITTEN PERMISSION. COPYRIGHT © DIGITAL EQUIPMENT CORPORATION 1987



| | VCC | GND |
|-------|----------|-----|
| LS374 | 20 (+5V) | 10 |
| F194 | 18 (+5V) | 8 |
| F253 | 16 (+5V) | 8 |
| F00 | 14 (+5V) | 7 |
| F175 | 16 (+5V) | 8 |

| | | | | | |
|---------------------|------------------|--------|-------------|-------|--------------------------|
| DESIGNER | H. C HUNG | DATE | 02-JUL-88 | TITLE | SCHEMATIC, BITMAP MODULE |
| DESIGN LOCATION | | | | | |
| PROJECT | | | | | |
| TOP DOCUMENT NUMBER | B-00-5416903-0-0 | SIZE | B | CODE | CS |
| | | NUMBER | 5416903-0-1 | REV. | A |

BPOI

AUTOMATED BY VAXKPL (V1.3)

PARTS LIST

| LINE ITEM | TOP DOCUMENT | PART NUMBER | MIN REV | DESCRIPTION | QTY PER VAR/REV | REFERENCE DESIGNATORS |
|-----------|--------------------|-------------|---------|----------------------------------|-----------------|--------------------------|
| 1 | 1 B-DD-5016906-0-0 | 50-16906-01 | J | CIRCUIT DRILL AND ETCH BOARD | 1 | |
| 2 | 2 | 10-00020-00 | | 180 PFD 100V +/- 5% 200PP | 1 | C311 |
| 3 | 3 | 10-13466-22 | | 0.10 MFD 50V +80/-20% Z5U C | 4 | C301,C303,C304,C306 |
| 4 | 4 | 10-16544-00 | | 0.10 MFD 100V +/-10% MYLAR | 1 | C309 |
| 5 | 5 | 10-16557-00 | | 470 MFD 16V +50/-20% ALU | 1 | C305 |
| 6 | 6 | 10-16570-00 | | 1000 PFD 500V +80/-20% X5S/Z | 1 | C313 |
| 7 | 7 | 10-18000-34 | | 100 MFD 100V +50/-20% ALU | 1 | C310 |
| 8 | 8 | 10-23486-02 | | 10 MFD 16V +/-20% ALU | 1 | C302 |
| 9 | 9 | 10-27628-01 | | 0.047MFD 1000V +80/-20% Z5V | 2 | C315,C316 |
| 10 | 10 | 11-20828-01 | | PIV=1000 IO= 1.50A | 1 | D301 |
| 11 | 11 | 11-21581-01 | | PIV=1500 IO= 60MA | 1 | D303 |
| 12 | 12 | 11-27611-01 | | DIA SURGE ABSORBER 300V +/-15% | 1 | D314 |
| 13 | 13 | 12-15323-05 | | PCB HEADER 03PIN(1X03).100CC STR | 1 | J303 |
| 14 | 14 | 12-15323-08 | | PCB HEADER 16PIN(1X16).100CC STR | 1 | J301 |
| 15 | 15 | 12-27032-01 | | SKT,CRT 07POS W/SPARKGAP | 1 | J103 |
| 16 | 16 | 13-00229-00 | | 100.0 .25 W 5.0 % CF | 1 | R300 |
| 17 | 17 | 13-00271-00 | | 220.0 .25 W 5.0 % CF | 7 | R304-R307,R310,R311,R333 |
| 18 | 18 | 13-00274-00 | | 220.0 .50 W 5.0 % CF | 1 | R312 |
| 19 | 19 | 13-00296-00 | | 330.0 .50 W 5.0 % CF | 1 | R328 |
| 20 | 20 | 13-00309-00 | | 390.0 .25 W 5.0 % CF | 2 | R320,R321 |
| 21 | 21 | 13-00365-00 | | 1.0 K .25 W 5.0 % CF | 4 | R322,R323,R331,R332 |
| 22 | 22 | 13-00426-00 | | 2.70 K .25 W 5.0 % CF | 1 | R309 |
| 23 | 23 | 13-01317-00 | | 10.0 .25 W 5.0 % CF | 1 | R317 |
| 24 | 24 | 13-01424-00 | | 680.0 .25 W 5.0 % CF | 3 | R308,R316,R324 |
| 25 | 25 | 13-01775-00 | | 820.0 .25 W 5.0 % CF | 1 | R334 |
| 26 | 26 | 13-01785-00 | | 22.0 K .50 W 5.0 % CF | 2 | R313,R314 |
| 27 | 27 | 13-02177-00 | | 47.0 K .25 W 5.0 % CF | 1 | R330 |
| 28 | 28 | 13-02957-00 | | 121.0 .25 W 1.0 % RN55D-F10 | 1 | R302 |
| 29 | 29 | 13-10881-01 | | 330.0 .25 W 1.0 % MF FUS | 1 | R301 |
| 30 | 30 | 13-12930-00 | | 5.10 K .25 W 5.0 % CF | 1 | R319 |
| 31 | 31 | 13-16839-00 | | 715.0 .25 W 1.0 % RN55D-F10 | 1 | R326 |
| 32 | 32 | 13-27013-07 | | 390.0 5.0 W 5.0 % M.OXIDE | 1 | R315 |

| | | | | | | | | |
|--------------------|---------------|-------------------|-------------------------|----------------------|-----------------|------------------------|--|--------|
| REVISION HISTORY | | KPL MODULE FORMAT | | SECTION A OF A | DRN: F. LIN | D I G I T A L | | |
| ENG: | ECO NUMBER | REV | SECTION/VARIATION INDEX | | DATE: 05-MAY-86 | TITLE PARTS LIST | | |
| --- | INITIAL | A | [A] | 01 | [M] | VIDEO AMPLIFIER MODULE | | |
| BB | 5416907-ML001 | B | [B] | | [N] | | | |
| | | | [C] | | [P] | | | |
| | | | [D] | | [Q] | | | |
| | | | [E] | | [R] | | | |
| | | | [F] | | [S] | | | |
| | | | [H] | | [T] | | | |
| | | | [J] | | [V] | | | |
| | | | [K] | | [W] | | | |
| | | | [L] | | [Y] | | | |
| BASIC PART NUMBER: | | ASSEMBLY NUMBER: | | TOP DOCUMENT NUMBER: | | FILE NAME: | | EDIT # |
| 5416907 | | D-UA-5416907-0-0 | | B-DD-5416907-0-0 | | GH433B.PLS | | 2 |

"THIS DRAWING AND THE SPECIFICATIONS CONTAINED HEREIN ARE CONFIDENTIAL AND PROPRIETARY. THEY ARE THE PROPERTY OF DIGITAL EQUIPMENT CORPORATION AND SHALL NOT BE REPRODUCED OR COPIED OR USED IN WHOLE OR IN PART AS THE BASIS FOR THE MANUFACTURE OR SALE OF ITEMS WITHOUT WRITTEN PERMISSION. THIS IS AN UNPUBLISHED WORK PROTECTED UNDER THE FEDERAL COPYRIGHT LAWS."

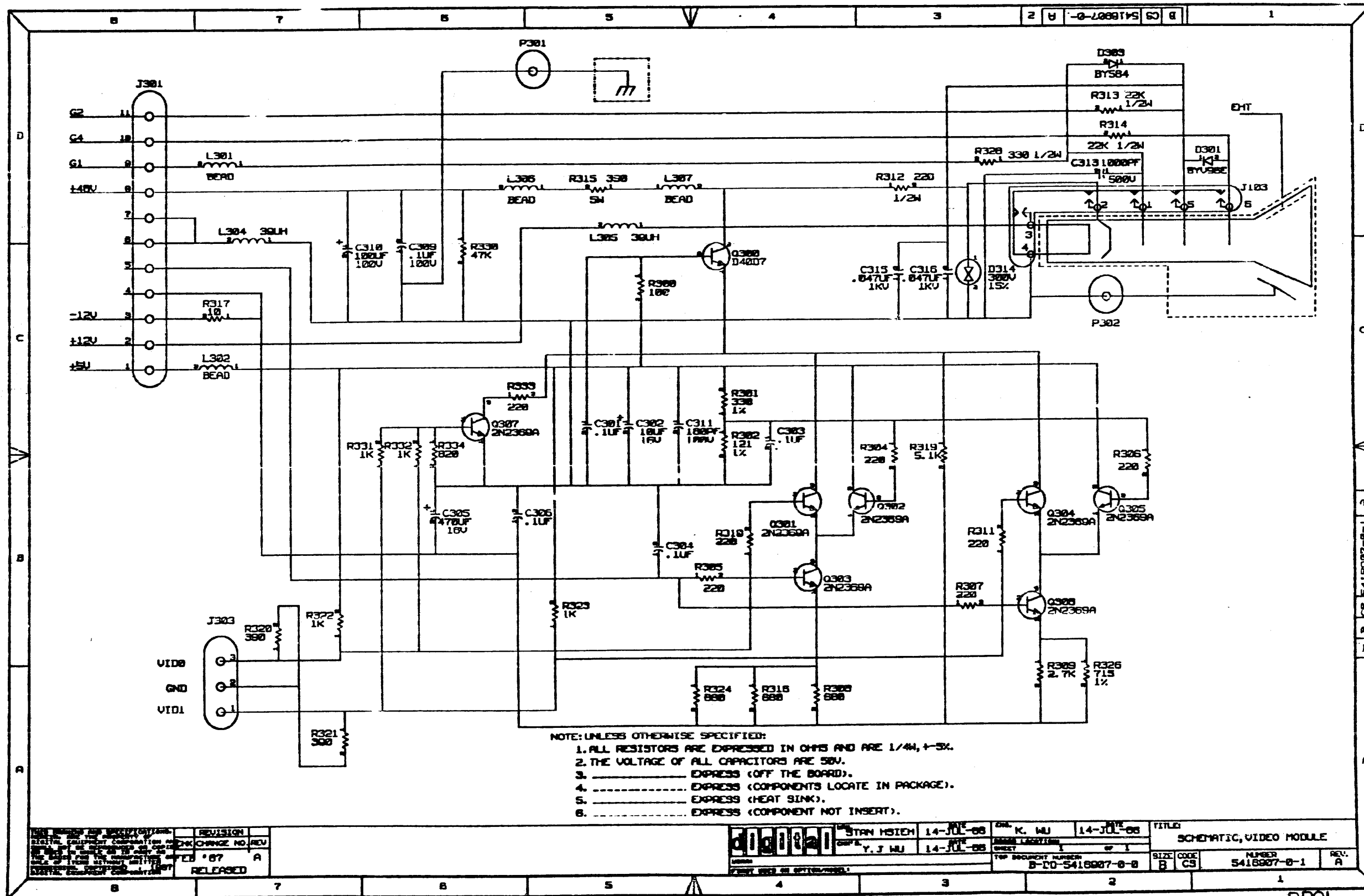
AUTOMATED BY VAXKPL (V1.3)

PARTS LIST

SHEET A2 OF A2

| LINE | ITEM | TOP DOCUMENT | PART NUMBER | MIN REV | DESCRIPTION | QTY PER VAR/REV | REFERENCE DESIGNATORS |
|------|------|--------------------|---------------|---------|-------------------------------|-----------------|-----------------------|
| | | | | | | 01 B1 | |
| 33 | 33 | | 15-19535-01 | | D40D7 NPN 50MH 60V 1A | 1 | Q300 |
| 34 | 34 | | 15-21002-01 | | 2N 2369A NPN 200MA 15V TO-18 | 7 | Q301-Q307 |
| 35 | 35 | | 16-13898-02 | | 39.0 UH INDUCTOR | 2 | L304,L305 |
| 36 | 36 | B-IA-7023276-0-DBU | 16-18238-02 | | BEAD,FERRITE .1380DX.330LG | 4 | L301,L302,L306,L307 |
| 37 | 37 | B-IA-7023276-0-DBU | 70-23276-02 | | GROUNDING WIRE | 1 | P301 |
| 38 | 38 | B-IA-7023276-0-DBU | 70-23276-03 | | *** THIS ITEM IS NOT USED *** | - | |
| 39 | 49 | B-IA-7024554-0-DBU | 70-24554-01 A | | GROUNDING WIRE | 1 | P302 |

| | | | | | | | | | | | | |
|---|---|---|---|---|---|---|------------------------|----------------|------|------|-----------------|-----|
| D | I | G | I | T | A | L | TITLE | SECTION A OF A | SIZE | CODE | DOCUMENT NUMBER | REV |
| | | | | | | | VIDEO AMPLIFIER MODULE | | K | PL | 5416907-0-DBP | P |

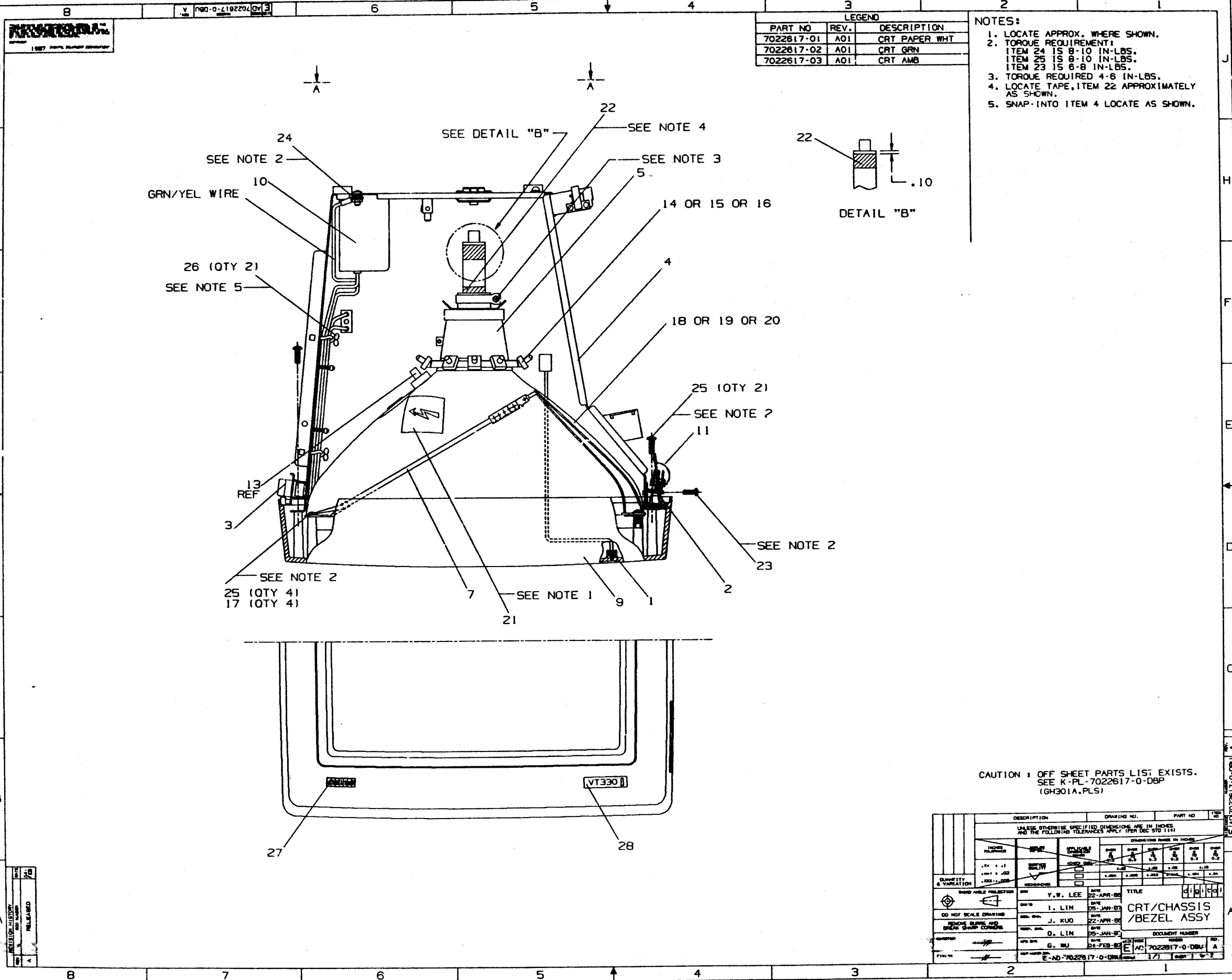


NOTE: UNLESS OTHERWISE SPECIFIED:
 1. ALL RESISTORS ARE EXPRESSED IN OHMS AND ARE 1/4W, ±5%.
 2. THE VOLTAGE OF ALL CAPACITORS ARE 50V.
 3. _____ EXPRESS (OFF THE BOARD).
 4. _____ EXPRESS (COMPONENTS LOCATE IN PACKAGE).
 5. _____ EXPRESS (HEAT SINK).
 6. _____ EXPRESS (COMPONENT NOT INSERT).

| | |
|----------|-----------|
| REVISION | DATE |
| 1 | 14-JUL-66 |
| 2 | 14-JUL-66 |
| 3 | 14-JUL-66 |
| 4 | 14-JUL-66 |
| 5 | 14-JUL-66 |
| 6 | 14-JUL-66 |
| 7 | 14-JUL-66 |
| 8 | 14-JUL-66 |
| 9 | 14-JUL-66 |
| 10 | 14-JUL-66 |

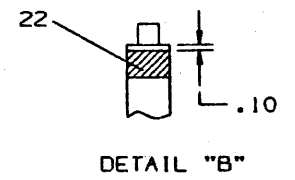
| | | | | |
|---------------------|-----------|-------------|-----------|-------------------------|
| DESIGNED BY | DATE | DRN | DATE | TITLE |
| STAN HSIEH | 14-JUL-66 | K. WU | 14-JUL-66 | SCHEMATIC, VIDEO MODULE |
| CHECKED BY | DATE | APPROVED BY | DATE | |
| Y. J. WU | 14-JUL-66 | | | |
| TOP DOCUMENT NUMBER | | SIZE | CODE | NUMBER |
| B-10-5418907-0-0 | | B | CS | 5418907-0-1 |
| REV. | | | | |
| A | | | | |

BPOI



| LEGEND | | |
|------------|------|---------------|
| PART NO | REV. | DESCRIPTION |
| 7022617-01 | A01 | CRT PAPER WHT |
| 7022617-02 | A01 | CRT GRN |
| 7022617-03 | A01 | CRT AMB |

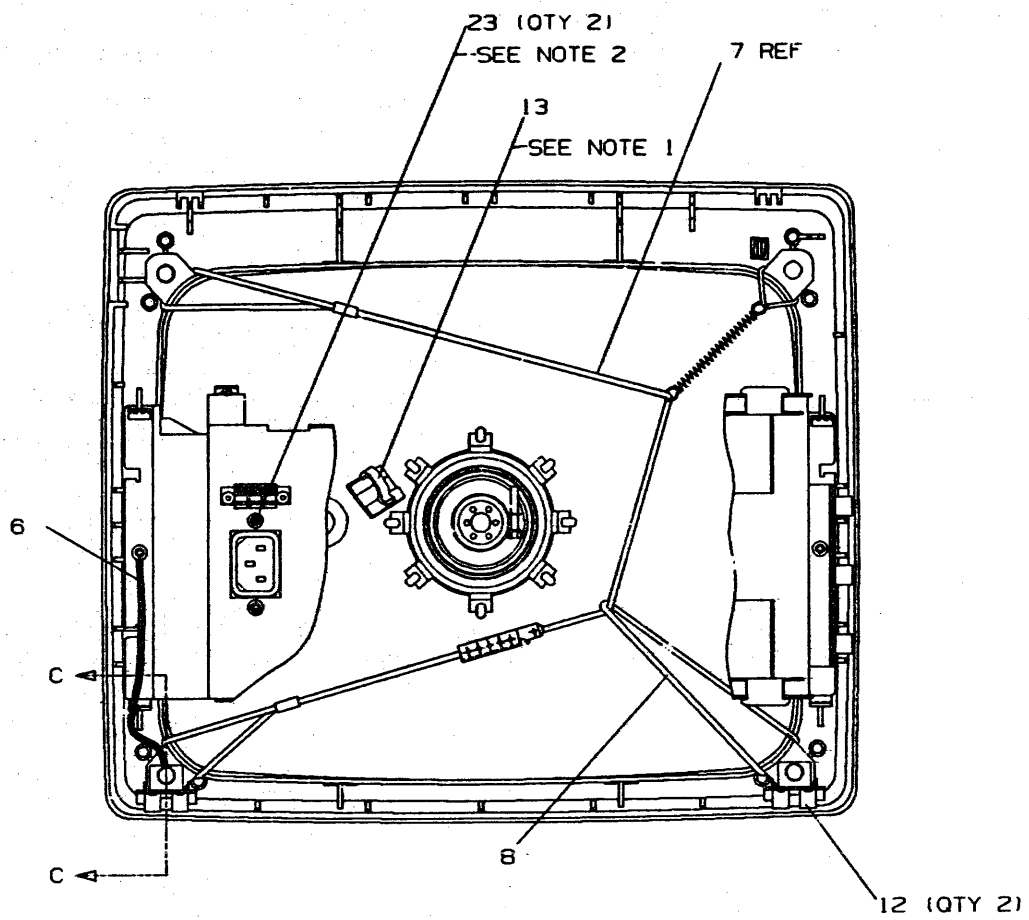
- NOTES:
1. LOCATE APPROX. WHERE SHOWN.
 2. TORQUE REQUIREMENT:
ITEM 24 IS 8-10 IN-LBS.
ITEM 25 IS 8-10 IN-LBS.
ITEM 23 IS 8-8 IN-LBS.
 3. TORQUE REQUIRED 4-6 IN-LBS.
 4. LOCATE TAPE, ITEM 22 APPROXIMATELY AS SHOWN.
 5. SNAP-INTO ITEM 4 LOCATE AS SHOWN.



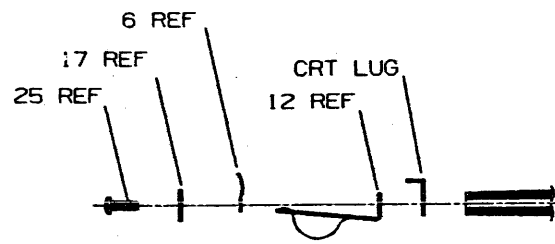
CAUTION : OFF SHEET PARTS LIST EXISTS.
SEE K-PL-7022617-0-DBP
(GH301A.PLS)

| DESCRIPTION | | DRAWING NO. | | PART NO | | REV | |
|--|-------|--------------------|-------|-----------------------------|-------|--------------------|-------|
| UNLESS OTHERWISE SPECIFIED DIMENSIONS ARE IN INCHES AND THE FOLLOWING TOLERANCES APPLY (PER DEC STD 114) | | | | | | | |
| INCHES | | FRACTIONS | | DIMENSIONS SHOWN IN FIGURES | | | |
| ±.01 | ±.01 | ±.005 | ±.005 | ±.005 | ±.005 | ±.005 | ±.005 |
| ±.005 | ±.005 | ±.005 | ±.005 | ±.005 | ±.005 | ±.005 | ±.005 |
| QUANTITY & VARIATION | | REVISIONS | | DATE | | TITLE | |
| THIRD ANGLE PROJECTION | | REV | | DATE | | DRAWN BY | |
| DO NOT SCALE DRAWING | | Y. W. LEE | | 22-APR-68 | | I. LIN | |
| REMOVE BLANKS AND BREAK SHARP CORNERS | | J. KUO | | 22-APR-68 | | O. LIN | |
| FINISH | | G. BUJ | | 24-FEB-68 | | E-NO-7022617-0-DBP | |
| | | E-NO-7022617-0-DBP | | 1/1 | | A | |

1967



VIEW "A-A"



SECTION "C-C"

| REVISION HISTORY | | |
|------------------|------------|-----|
| DATE | ECO NUMBER | REV |
| | | |

PART NAME: CRT/CHASSIS /BEZEL ASSY
 DRAWING NUMBER: EAD 7022617-0-DBU A
 SCALE: 1/1 SHEET 2 OF 2

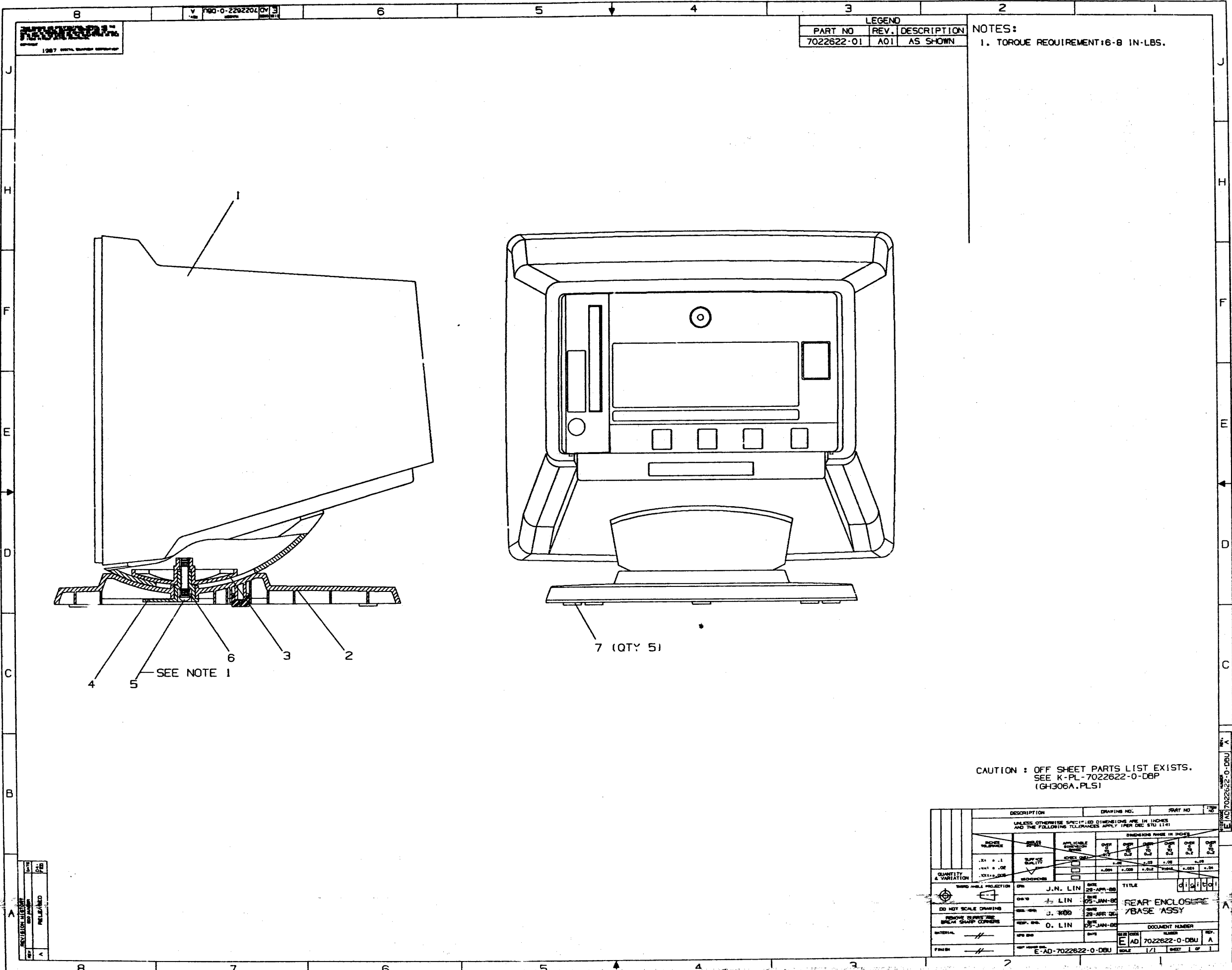
EAD 7022617-0-DBU A

| LINE | ITEM | TOP DOCUMENT | PART NUMBER | MIN REV | DESCRIPTION | QUANTITY PER VARIATION/REVISION | | |
|------|------|--------------------|-------------|---------|----------------------------------|---------------------------------|-------|-------|
| | | | | | | 01 A1 | 02 A1 | 03 A1 |
| 1 | 1 | C-IA-7020773-0-0 | 70-20773-01 | A | LED ASSY | 1 | 1 | 1 |
| 2 | 2 | C-AD-7022618-0-DBU | 70-22618-01 | A | CONTROL/BRACKET ASSY | 1 | 1 | 1 |
| 3 | 3 | C-AD-7022620-0-DBU | 70-22620-01 | A | INLET/SWITCH ASSY | 1 | 1 | 1 |
| 4 | 4 | E-AD-7022621-0-DBU | 70-22621-01 | A | CHASSIS ASSY | 1 | 1 | 1 |
| 5 | 5 | D-AD-7022619-0-DBU | 70-22619-01 | A | YOKE ASSY | 1 | 1 | 1 |
| 6 | 6 | B-IA-7023735-0-DBU | 70-23735-01 | A | CRT GROUND CABLE ASSY | 1 | 1 | 1 |
| 7 | 7 | B-IA-7024226-0-DBU | 70-24226-01 | A | STRAP/GROUND ASSY | 1 | 1 | 1 |
| 8 | 8 | B-IA-7024507-0-DBU | 70-24507-01 | A | GROUNDING BRAID ASSY | 1 | 1 | 1 |
| 9 | 9 | E-MD-7432382-0-DBU | 74-32382-01 | A | BEZEL,FRONT | 1 | 1 | 1 |
| 10 | 10 | C-MD-7434218-0-DBU | 74-34218-01 | A | SHIELD,EMI FILTER | 1 | 1 | 1 |
| 11 | 11 | E-IA-7434914-0-DBU | 74-34914-01 | A | BRACKET,GROUNDING | 1 | 1 | 1 |
| 12 | 12 | C-IA-7435082-0-DBU | 74-35082-01 | A | BRACKET,GROUNDING | 2 | 2 | 2 |
| 13 | 13 | | 12-21249-04 | | CLIP,WIRE ROUTING W/ACRYLIC ADH | 1 | 1 | 1 |
| 14 | 14 | | 12-23217-01 | | MAGNET,PINCUSHION 6.0 GAUSS | A/R | A/R | A/R |
| 15 | 15 | | 12-23217-02 | | MAGNET,PINCUSHION 8.5 GAUSS | A/R | A/R | A/R |
| 16 | 16 | | 12-23217-03 | | MAGNET,PINCUSHION 15.5 GAUSS | A/R | A/R | A/R |
| 17 | 17 | | 12-26940-01 | | WASHER,LOCK | 4 | 4 | 4 |
| 18 | 18 | | 12-27299-02 | A | CRT,14" FLAT GREEN | - | 1 | - |
| 19 | 19 | | 12-27299-03 | A | CRT,14" FLAT AMBER | - | - | 1 |
| 20 | 20 | | 12-27760-01 | A | CRT,FLAT 14" | 1 | - | - |
| 21 | 21 | | 36-10267-00 | | LABEL,DANGER HIGH VOLTAGE,SMOOTH | 1 | 1 | 1 |
| 22 | 22 | SEE NOTE 1 | 36-15670-01 | | TAPE,FIBGLAS ADH 1.0 WDX .007T | 8 | 8 | 8 |
| 23 | 23 | | 90-00049-24 | | SCREW,SEMS PAN PHIL 6-32 | 3 | 3 | 3 |
| 24 | 24 | | 90-06565-01 | | NUT,HEX EXT TOOTH LCKWSHR 10-32X | 1 | 1 | 1 |
| 25 | 25 | | 90-09800-08 | | SCREW,THD RL,PAN PHIL F/PLAS | 6 | 6 | 6 |
| 26 | 26 | | 90-10355-01 | | TIE,TWIST,W/STANDOFF | 2 | 2 | 2 |
| 27 | 27 | B-IA-7433851-0-DBU | 74-33851-01 | A | LOGO,DIGITAL | 1 | 1 | 1 |
| 28 | 28 | B-IA-7433852-0-DBU | 74-33852-01 | A | NAMEPLATE,VT330 | 1 | 1 | 1 |

1 GEN: QTY OF ITEM 22 IS IN INCHES.

| | | | | | | | | |
|--------------------|------------|--------------------|-------------------------|----------------------|-------------------|--------------------------|------|---------------|
| REVISION HISTORY | | KPL MATRIX FORMAT | | SECTION A OF A | DRN: Y. W. LEE | DIGITAL | | |
| ENG | ECO NUMBER | REV | SECTION/VARIATION INDEX | | DATE: 29-APR-86 | TITLE PARTS LIST | | |
| --- | INITIAL | A | [A] 01,02,03 | | CHK'D: I. LIN | CRT/CHASSIS/BEZEL ASSY | | |
| | | | [B] | | DATE: 29-APR-86 | | | |
| | | | [C] | | DES.ENG: J. KUO | DOCUMENT NUMBER | | |
| | | | [D] | | DATE: 29-APR-86 | SIZE | CODE | NUMBER |
| | | | [E] | | RESP.ENG.: O. LIN | K | PL | 7022617-0-DBP |
| | | | [F] | | DATE: 29-APR-86 | | | REV |
| | | | [H] | | MFG.ENG: G. WU | RELEASE DATE: 02-MAR-87 | | |
| | | | [J] | | DATE: 04-FEB-87 | RELEASE STATUS: RELEASED | | |
| BASIC PART NUMBER: | | ASSEMBLY NUMBER: | | TOP DOCUMENT NUMBER: | | FILE NAME: | | EDIT # |
| 7022617 | | E-AD-7022617-0-DBU | | E-AD-7022617-0-DBU | | GH301A.PLS | | 37 |

"THIS DRAWING AND THE SPECIFICATIONS CONTAINED HEREIN ARE CONFIDENTIAL AND PROPRIETARY. THEY ARE THE PROPERTY OF DIGITAL EQUIPMENT CORPORATION AND SHALL NOT BE REPRODUCED OR COPIED OR USED IN WHOLE OR IN PART AS THE BASIS FOR THE MANUFACTURE OR SALE OF ITEMS WITHOUT WRITTEN PERMISSION. THIS IS AN UNPUBLISHED WORK PROTECTED UNDER THE FEDERAL COPYRIGHT LAWS."



| LEGEND | | |
|------------|------|-------------|
| PART NO | REV. | DESCRIPTION |
| 7022622-01 | A01 | AS SHOWN |

NOTES:
1. TORQUE REQUIREMENT: 6-8 IN-LBS.

CAUTION : OFF SHEET PARTS LIST EXISTS.
SEE K-PL-7022622-0-DBP
(GH306A.PLS)

| | | | |
|---|-----------------------|-------------------------------|----------|
| DESCRIPTION | | DRAWING NO. | PART NO. |
| UNLESS OTHERWISE SPECIFIED DIMENSIONS ARE IN INCHES AND THE FOLLOWING TOLERANCES APPLY (PER DEC STD 11-4) | | | |
| DIMENSIONS FRACTION IN INCHES | | DIMENSIONS FRACTION IN INCHES | |
| SIZE | APPLICABLE DIMENSIONS | OVER | UNDER |
| 1/16 | ±.005 | 1/32 | ±.005 |
| 1/8 | ±.005 | 1/16 | ±.005 |
| 3/16 | ±.005 | 1/8 | ±.005 |
| 1/2 | ±.005 | 3/16 | ±.005 |
| 3/4 | ±.005 | 1/2 | ±.005 |
| 1 | ±.005 | 3/4 | ±.005 |
| 1 1/2 | ±.005 | 1 | ±.005 |
| 2 | ±.005 | 1 1/2 | ±.005 |
| 3 | ±.005 | 2 | ±.005 |
| 4 | ±.005 | 3 | ±.005 |
| 5 | ±.005 | 4 | ±.005 |
| 6 | ±.005 | 5 | ±.005 |
| 8 | ±.005 | 6 | ±.005 |
| 10 | ±.005 | 8 | ±.005 |
| 12 | ±.005 | 10 | ±.005 |
| 15 | ±.005 | 12 | ±.005 |
| 20 | ±.005 | 15 | ±.005 |
| 25 | ±.005 | 20 | ±.005 |
| 30 | ±.005 | 25 | ±.005 |
| 40 | ±.005 | 30 | ±.005 |
| 50 | ±.005 | 40 | ±.005 |
| 60 | ±.005 | 50 | ±.005 |
| 75 | ±.005 | 60 | ±.005 |
| 100 | ±.005 | 75 | ±.005 |
| 125 | ±.005 | 100 | ±.005 |
| 150 | ±.005 | 125 | ±.005 |
| 200 | ±.005 | 150 | ±.005 |
| 250 | ±.005 | 200 | ±.005 |
| 300 | ±.005 | 250 | ±.005 |
| 400 | ±.005 | 300 | ±.005 |
| 500 | ±.005 | 400 | ±.005 |
| 600 | ±.005 | 500 | ±.005 |
| 800 | ±.005 | 600 | ±.005 |
| 1000 | ±.005 | 800 | ±.005 |
| 1250 | ±.005 | 1000 | ±.005 |
| 1500 | ±.005 | 1250 | ±.005 |
| 2000 | ±.005 | 1500 | ±.005 |
| 2500 | ±.005 | 2000 | ±.005 |
| 3000 | ±.005 | 2500 | ±.005 |
| 4000 | ±.005 | 3000 | ±.005 |
| 5000 | ±.005 | 4000 | ±.005 |
| 6000 | ±.005 | 5000 | ±.005 |
| 8000 | ±.005 | 6000 | ±.005 |
| 10000 | ±.005 | 8000 | ±.005 |
| 12500 | ±.005 | 10000 | ±.005 |
| 15000 | ±.005 | 12500 | ±.005 |
| 20000 | ±.005 | 15000 | ±.005 |
| 25000 | ±.005 | 20000 | ±.005 |
| 30000 | ±.005 | 25000 | ±.005 |
| 40000 | ±.005 | 30000 | ±.005 |
| 50000 | ±.005 | 40000 | ±.005 |
| 60000 | ±.005 | 50000 | ±.005 |
| 80000 | ±.005 | 60000 | ±.005 |
| 100000 | ±.005 | 80000 | ±.005 |
| 125000 | ±.005 | 100000 | ±.005 |
| 150000 | ±.005 | 125000 | ±.005 |
| 200000 | ±.005 | 150000 | ±.005 |
| 250000 | ±.005 | 200000 | ±.005 |
| 300000 | ±.005 | 250000 | ±.005 |
| 400000 | ±.005 | 300000 | ±.005 |
| 500000 | ±.005 | 400000 | ±.005 |
| 600000 | ±.005 | 500000 | ±.005 |
| 800000 | ±.005 | 600000 | ±.005 |
| 1000000 | ±.005 | 800000 | ±.005 |
| 1250000 | ±.005 | 1000000 | ±.005 |
| 1500000 | ±.005 | 1250000 | ±.005 |
| 2000000 | ±.005 | 1500000 | ±.005 |
| 2500000 | ±.005 | 2000000 | ±.005 |
| 3000000 | ±.005 | 2500000 | ±.005 |
| 4000000 | ±.005 | 3000000 | ±.005 |
| 5000000 | ±.005 | 4000000 | ±.005 |
| 6000000 | ±.005 | 5000000 | ±.005 |
| 8000000 | ±.005 | 6000000 | ±.005 |
| 10000000 | ±.005 | 8000000 | ±.005 |
| 12500000 | ±.005 | 10000000 | ±.005 |
| 15000000 | ±.005 | 12500000 | ±.005 |
| 20000000 | ±.005 | 15000000 | ±.005 |
| 25000000 | ±.005 | 20000000 | ±.005 |
| 30000000 | ±.005 | 25000000 | ±.005 |
| 40000000 | ±.005 | 30000000 | ±.005 |
| 50000000 | ±.005 | 40000000 | ±.005 |
| 60000000 | ±.005 | 50000000 | ±.005 |
| 80000000 | ±.005 | 60000000 | ±.005 |
| 100000000 | ±.005 | 80000000 | ±.005 |
| 125000000 | ±.005 | 100000000 | ±.005 |
| 150000000 | ±.005 | 125000000 | ±.005 |
| 200000000 | ±.005 | 150000000 | ±.005 |
| 250000000 | ±.005 | 200000000 | ±.005 |
| 300000000 | ±.005 | 250000000 | ±.005 |
| 400000000 | ±.005 | 300000000 | ±.005 |
| 500000000 | ±.005 | 400000000 | ±.005 |
| 600000000 | ±.005 | 500000000 | ±.005 |
| 800000000 | ±.005 | 600000000 | ±.005 |
| 1000000000 | ±.005 | 800000000 | ±.005 |
| 1250000000 | ±.005 | 1000000000 | ±.005 |
| 1500000000 | ±.005 | 1250000000 | ±.005 |
| 2000000000 | ±.005 | 1500000000 | ±.005 |
| 2500000000 | ±.005 | 2000000000 | ±.005 |
| 3000000000 | ±.005 | 2500000000 | ±.005 |
| 4000000000 | ±.005 | 3000000000 | ±.005 |
| 5000000000 | ±.005 | 4000000000 | ±.005 |
| 6000000000 | ±.005 | 5000000000 | ±.005 |
| 8000000000 | ±.005 | 6000000000 | ±.005 |
| 10000000000 | ±.005 | 8000000000 | ±.005 |
| 12500000000 | ±.005 | 10000000000 | ±.005 |
| 15000000000 | ±.005 | 12500000000 | ±.005 |
| 20000000000 | ±.005 | 15000000000 | ±.005 |
| 25000000000 | ±.005 | 20000000000 | ±.005 |
| 30000000000 | ±.005 | 25000000000 | ±.005 |
| 40000000000 | ±.005 | 30000000000 | ±.005 |
| 50000000000 | ±.005 | 40000000000 | ±.005 |
| 60000000000 | ±.005 | 50000000000 | ±.005 |
| 80000000000 | ±.005 | 60000000000 | ±.005 |
| 100000000000 | ±.005 | 80000000000 | ±.005 |
| 125000000000 | ±.005 | 100000000000 | ±.005 |
| 150000000000 | ±.005 | 125000000000 | ±.005 |
| 200000000000 | ±.005 | 150000000000 | ±.005 |
| 250000000000 | ±.005 | 200000000000 | ±.005 |
| 300000000000 | ±.005 | 250000000000 | ±.005 |
| 400000000000 | ±.005 | 300000000000 | ±.005 |
| 500000000000 | ±.005 | 400000000000 | ±.005 |
| 600000000000 | ±.005 | 500000000000 | ±.005 |
| 800000000000 | ±.005 | 600000000000 | ±.005 |
| 1000000000000 | ±.005 | 800000000000 | ±.005 |
| 1250000000000 | ±.005 | 1000000000000 | ±.005 |
| 1500000000000 | ±.005 | 1250000000000 | ±.005 |
| 2000000000000 | ±.005 | 1500000000000 | ±.005 |
| 2500000000000 | ±.005 | 2000000000000 | ±.005 |
| 3000000000000 | ±.005 | 2500000000000 | ±.005 |
| 4000000000000 | ±.005 | 3000000000000 | ±.005 |
| 5000000000000 | ±.005 | 4000000000000 | ±.005 |
| 6000000000000 | ±.005 | 5000000000000 | ±.005 |
| 8000000000000 | ±.005 | 6000000000000 | ±.005 |
| 10000000000000 | ±.005 | 8000000000000 | ±.005 |
| 12500000000000 | ±.005 | 10000000000000 | ±.005 |
| 15000000000000 | ±.005 | 12500000000000 | ±.005 |
| 20000000000000 | ±.005 | 15000000000000 | ±.005 |
| 25000000000000 | ±.005 | 20000000000000 | ±.005 |
| 30000000000000 | ±.005 | 25000000000000 | ±.005 |
| 40000000000000 | ±.005 | 30000000000000 | ±.005 |
| 50000000000000 | ±.005 | 40000000000000 | ±.005 |
| 60000000000000 | ±.005 | 50000000000000 | ±.005 |
| 80000000000000 | ±.005 | 60000000000000 | ±.005 |
| 100000000000000 | ±.005 | 80000000000000 | ±.005 |
| 125000000000000 | ±.005 | 100000000000000 | ±.005 |
| 150000000000000 | ±.005 | 125000000000000 | ±.005 |
| 200000000000000 | ±.005 | 150000000000000 | ±.005 |
| 250000000000000 | ±.005 | 200000000000000 | ±.005 |
| 300000000000000 | ±.005 | 250000000000000 | ±.005 |
| 400000000000000 | ±.005 | 300000000000000 | ±.005 |
| 500000000000000 | ±.005 | 400000000000000 | ±.005 |
| 600000000000000 | ±.005 | 500000000000000 | ±.005 |
| 800000000000000 | ±.005 | 600000000000000 | ±.005 |
| 1000000000000000 | ±.005 | 800000000000000 | ±.005 |
| 1250000000000000 | ±.005 | 1000000000000000 | ±.005 |
| 1500000000000000 | ±.005 | 1250000000000000 | ±.005 |
| 2000000000000000 | ±.005 | 1500000000000000 | ±.005 |
| 2500000000000000 | ±.005 | 2000000000000000 | ±.005 |
| 3000000000000000 | ±.005 | 2500000000000000 | ±.005 |
| 4000000000000000 | ±.005 | 3000000000000000 | ±.005 |
| 5000000000000000 | ±.005 | 4000000000000000 | ±.005 |
| 6000000000000000 | ±.005 | 5000000000000000 | ±.005 |
| 8000000000000000 | ±.005 | 6000000000000000 | ±.005 |
| 10000000000000000 | ±.005 | 8000000000000000 | ±.005 |
| 12500000000000000 | ±.005 | 10000000000000000 | ±.005 |
| 15000000000000000 | ±.005 | 12500000000000000 | ±.005 |
| 20000000000000000 | ±.005 | 15000000000000000 | ±.005 |
| 25000000000000000 | ±.005 | 20000000000000000 | ±.005 |
| 30000000000000000 | ±.005 | 25000000000000000 | ±.005 |
| 40000000000000000 | ±.005 | 30000000000000000 | ±.005 |
| 50000000000000000 | ±.005 | 40000000000000000 | ±.005 |
| 60000000000000000 | ±.005 | 50000000000000000 | ±.005 |
| 80000000000000000 | ±.005 | 60000000000000000 | ±.005 |
| 100000000000000000 | ±.005 | 80000000000000000 | ±.005 |
| 125000000000000000 | ±.005 | 100000000000000000 | ±.005 |
| 150000000000000000 | ±.005 | 125000000000000000 | ±.005 |
| 200000000000000000 | ±.005 | 150000000000000000 | ±.005 |
| 250000000000000000 | ±.005 | 200000000000000000 | ±.005 |
| 300000000000000000 | ±.005 | 250000000000000000 | ±.005 |
| 400000000000000000 | ±.005 | 300000000000000000 | ±.005 |
| 500000000000000000 | ±.005 | 400000000000000000 | ±.005 |
| 600000000000000000 | ±.005 | 500000000000000000 | ±.005 |
| 800000000000000000 | ±.005 | 600000000000000000 | ±.005 |
| 1000000000000000000 | ±.005 | 800000000000000000 | ±.005 |
| 1250000000000000000 | ±.005 | 1000000000000000000 | ±.005 |
| 1500000000000000000 | ±.005 | 1250000000000000000 | ±.005 |
| 2000000000000000000 | ±.005 | 1500000000000000000 | ±.005 |
| 2500000000000000000 | ±.005 | 2000000000000000000 | ±.005 |
| 3000000000000000000 | ±.005 | 2500000000000000000 | ±.005 |
| 4000000000000000000 | ±.005 | 3000000000000000000 | ±.005 |
| 5000000000000000000 | ±.005 | 4000000000000000000 | ±.005 |
| 6000000000000000000 | ±.005 | 5000000000000000000 | ±.005 |
| 8000000000000000000 | ±.005 | 6000000000000000000 | |

AUTOMATED BY VAXKPL (V1.3)

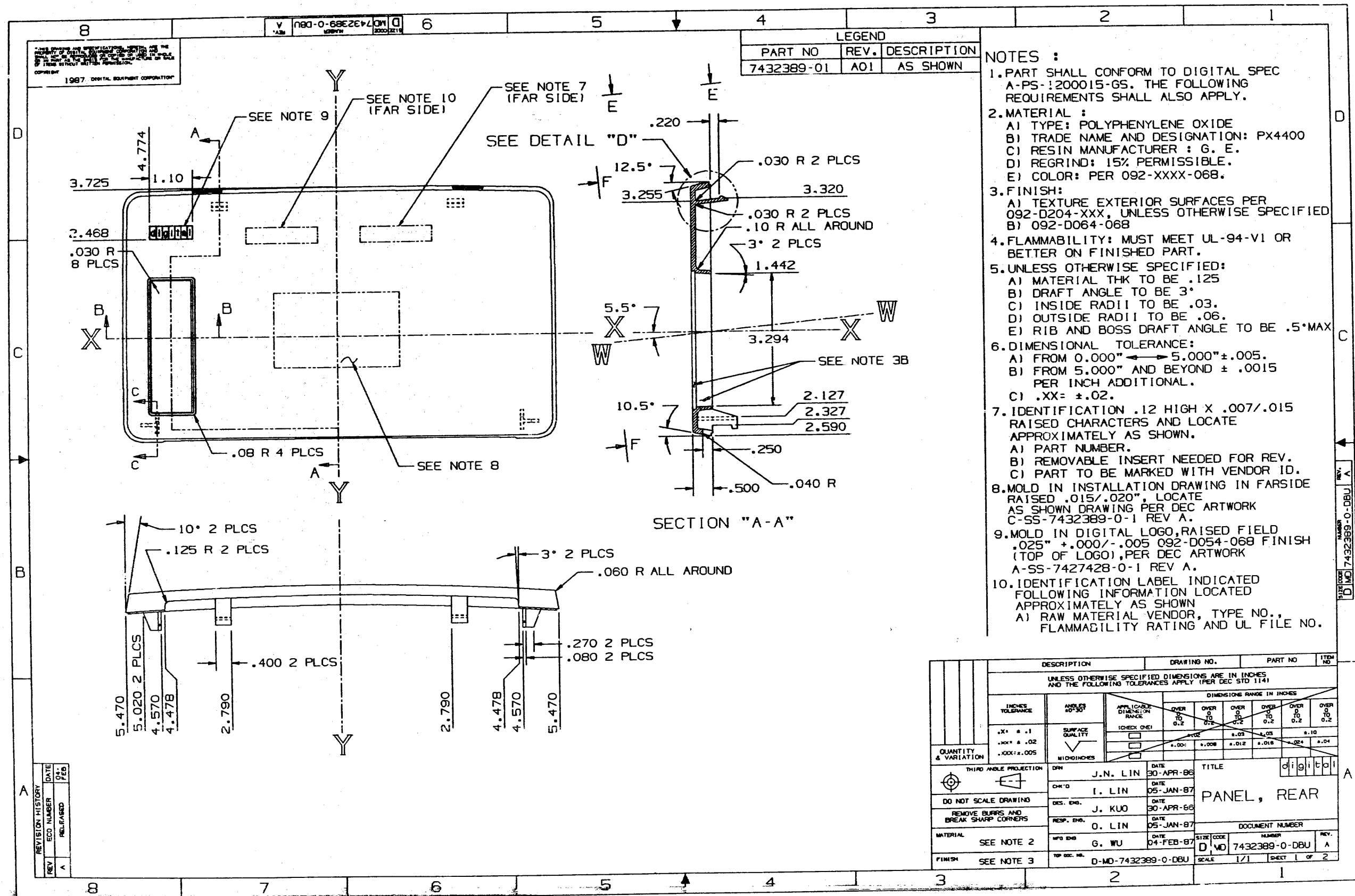
PARTS LIST

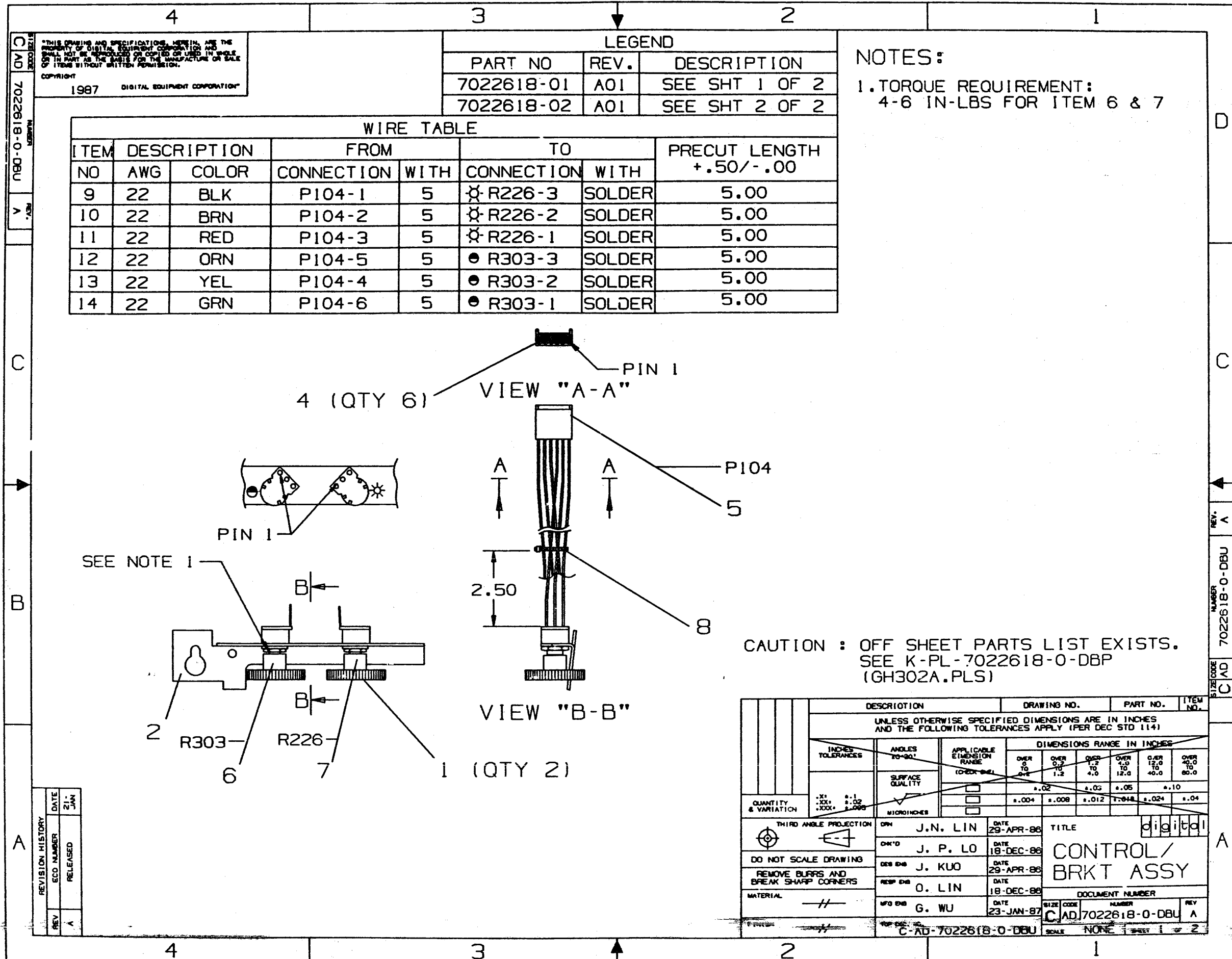
SHEET A1 OF A1
 QUANTITY PER VARIATION/REVISION

| LINE | ITEM | TOP DOCUMENT | PART NUMBER | MIN REV | DESCRIPTION | 01 A1 |
|------|------|--------------------|-------------|---------|----------------------------|-------|
| 1 | 1 | E-IA-7023761-0-DBU | 70-23761-01 | A | REAR ENCLOSURE/SCREEN ASSY | 1 |
| 2 | 2 | E-MD-7432386-0-DBU | 74-32386-01 | A | BASE, SWIVEL | 1 |
| 3 | 3 | D-IA-7432392-0-DBU | 74-32392-01 | A | BRAKE, SWIVEL | 1 |
| 4 | 4 | C-MD-7432557-0-DBU | 74-32557-01 | A | PIVOT, SWIVEL | 1 |
| 5 | 5 | | 12-26952-01 | | SCREW, THD RL PHIL F/METAL | 1 |
| 6 | 6 | | 12-26967-01 | | SPRING, SWIVEL | 1 |
| 7 | 7 | | 12-26968-01 | | BUMPER RUBBER | 5 |

| REVISION HISTORY | | KPL MATRIX FORMAT | | SECTION A OF A | | DRN: J.N. LIN | | DIGITAL | | |
|--------------------|------------|--------------------|-------------------------|----------------------|-----------|---------------|--------------------------|---------|---------------|-----|
| ENG | ECO NUMBER | REV | SECTION/VARIATION INDEX | | DATE | CHK'D | TITLE PARTS LIST | | | |
| --- | INITIAL | A | [A] | 01 | 19-APR-86 | I. LIN | REAR ENCLOSURE/BASE ASSY | | | |
| | | | [B] | | 05-JAN-87 | J. KUO | DOCUMENT NUMBER | | | |
| | | | [C] | | 19-APR-86 | O. LIN | SIZE | CODE | NUMBER | REV |
| | | | [D] | | 05-JAN-87 | G. WU | K | PL | 7022622-0-DBP | A |
| | | | [E] | | 04-FEB-87 | | RELEASE DATE: 18-FEB-87 | | | |
| | | | [F] | | | | RELEASE STATUS: RELEASED | | | |
| | | | [H] | | | | | | | |
| | | | [J] | | | | | | | |
| BASIC PART NUMBER: | | ASSEMBLY NUMBER: | | TOP DOCUMENT NUMBER: | | FILE NAME: | | EDIT # | | |
| 7022622 | | E-AD-7022622-0-DBU | | E-AD-7022622-0-DBU | | GH306A.PLS | | 23 | | |

"THIS DRAWING AND THE SPECIFICATIONS CONTAINED HEREIN ARE CONFIDENTIAL AND PROPRIETARY. THEY ARE THE PROPERTY OF DIGITAL EQUIPMENT CORPORATION AND SHALL NOT BE REPRODUCED OR COPIED OR USED IN WHOLE OR IN PART AS THE BASIS FOR THE MANUFACTURE OR SALE OF ITEMS WITHOUT WRITTEN PERMISSION. THIS IS AN UNPUBLISHED WORK PROTECTED UNDER THE FEDERAL COPYRIGHT LAWS."





THIS DRAWING AND SPECIFICATIONS HEREIN ARE THE PROPERTY OF DIGITAL EQUIPMENT CORPORATION AND SHALL NOT BE REPRODUCED OR COPIED OR USED IN WHOLE OR IN PART AS THE BASIS FOR THE MANUFACTURE OF SALE ITEMS WITHOUT WRITTEN PERMISSION.
 COPYRIGHT 1987 DIGITAL EQUIPMENT CORPORATION

| LEGEND | | |
|------------|------|----------------|
| PART NO | REV. | DESCRIPTION |
| 7022618-01 | A01 | SEE SHT 1 OF 2 |
| 7022618-02 | A01 | SEE SHT 2 OF 2 |

NOTES:
 1. TORQUE REQUIREMENT:
 4-6 IN-LBS FOR ITEM 6 & 7

| WIRE TABLE | | | | | | | |
|------------|-------------|------|------------|------|-----------------------------|--------|------|
| ITEM NO | DESCRIPTION | FROM | TO | | PRECUT LENGTH +.50/- .00 | | |
| | | | CONNECTION | WITH | | | |
| 9 | 22 | BLK | P104-1 | 5 | ⊗ R226-3 | SOLDER | 5.00 |
| 10 | 22 | BRN | P104-2 | 5 | ⊗ R226-2 | SOLDER | 5.00 |
| 11 | 22 | RED | P104-3 | 5 | ⊗ R226-1 | SOLDER | 5.00 |
| 12 | 22 | ORN | P104-5 | 5 | ● R303-3 | SOLDER | 5.00 |
| 13 | 22 | YEL | P104-4 | 5 | ● R303-2 | SOLDER | 5.00 |
| 14 | 22 | GRN | P104-6 | 5 | ● R303-1 | SOLDER | 5.00 |

| REVISION HISTORY | | DATE | BY |
|------------------|---|--------|----------|
| REV | A | 21-JAN | RELEASED |

CAUTION : OFF SHEET PARTS LIST EXISTS.
 SEE K-PL-7022618-0-DBP
 (GH302A.PLS)

| DESCRIPTION | DRAWING NO. | PART NO. | ITEM NO. |
|--|----------------------------|--------------------|-------------------|
| UNLESS OTHERWISE SPECIFIED DIMENSIONS ARE IN INCHES AND THE FOLLOWING TOLERANCES APPLY (PER DEC STD 114) | | | |
| INCHES TOLERANCES | DIMENSIONS RANGE IN INCHES | | |
| ANGLES 20-90° | APPLICABLE DIMENSION RANGE | OVER 0 TO 1.2 | OVER 1.2 TO 4.0 |
| SURFACE QUALITY | LOCUS | OVER 4.0 TO 12.0 | OVER 12.0 TO 40.0 |
| QUANTITY & VARIATION | MICROINCHES | OVER 40.0 TO 80.0 | |
| THIRD ANGLE PROJECTION | DATE 29-APR-88 | DATE 18-DEC-88 | DATE 29-APR-88 |
| DO NOT SCALE DRAWING | DATE 18-DEC-88 | DATE 29-APR-88 | DATE 18-DEC-88 |
| REMOVE BURRS AND BREAK SHARP CORNERS | DATE 18-DEC-88 | DATE 23-JAN-87 | |
| MATERIAL | DATE 23-JAN-87 | | |
| TITLE | | DOCUMENT NUMBER | |
| CONTROL / BRKT ASSY | | C-AD-7022618-0-DBU | |
| C-AD-7022618-0-DBU | | SCALE | NONE |

4

V

7022618-0-DBU

CAD

3

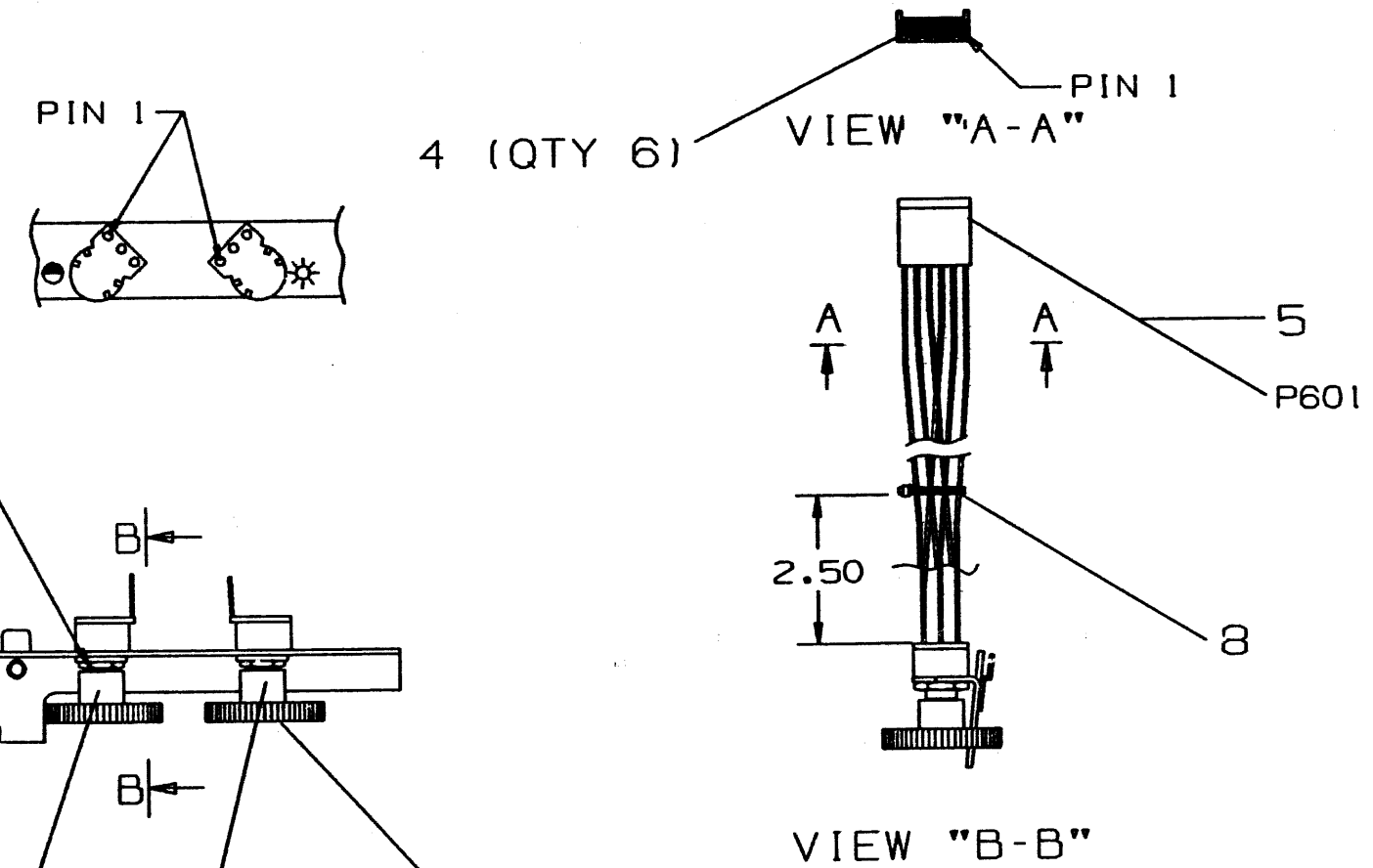
2

1

"THIS DRAWING AND SPECIFICATIONS HEREIN, ARE THE PROPERTY OF DIGITAL EQUIPMENT CORPORATION AND SHALL NOT BE REPRODUCED OR COPIED OR USED IN WHOLE OR IN PART AS THE BASIS FOR THE MANUFACTURE OR SALE OF ITEMS WITHOUT WRITTEN PERMISSION."
 COPYRIGHT 1987 DIGITAL EQUIPMENT CORPORATION

WIRE TABLE

| ITEM NO | DESCRIPTION | FROM | | TO | | PRECUT LENGTH +.50/- .00 |
|---------|-------------|------------|------|------------|--------|-----------------------------|
| | | CONNECTION | WITH | CONNECTION | WITH | |
| 9 | 22 BLK | P601-6 | 5 | Ø R622-3 | SOLDER | 8.50 |
| 10 | 22 BRN | P601-5 | 5 | Ø R622-2 | SOLDER | 8.50 |
| 11 | 22 RED | P601-4 | 5 | Ø R622-1 | SOLDER | 8.50 |
| 12 | 22 ORN | P601-1 | 5 | Ø R631-3 | SOLDER | 8.50 |
| 13 | 22 YEL | P601-2 | 5 | Ø R631-2 | SOLDER | 8.50 |
| 14 | 22 GRN | P601-3 | 5 | Ø R631-1 | SOLDER | 8.50 |



| DATE | ECO NUMBER | REV |
|------------------|------------|-----|
| REVISION HISTORY | | |

TITLE CONTROL BRKT ASSY

| DOCUMENT NUMBER | | | |
|-----------------|------|---------------|------|
| SIZE | CODE | NUMBER | REV. |
| C | AD | 7022618-0-DBU | A |
| SCALE NONE | | SHEET 2 OF 2 | |

4

3

2

1

REV. A
 NUMBER 7022618-0-DBU
 SIZE CODE C AD

AUTOMATED BY VAXKPL (V1.3)

PARTS LIST

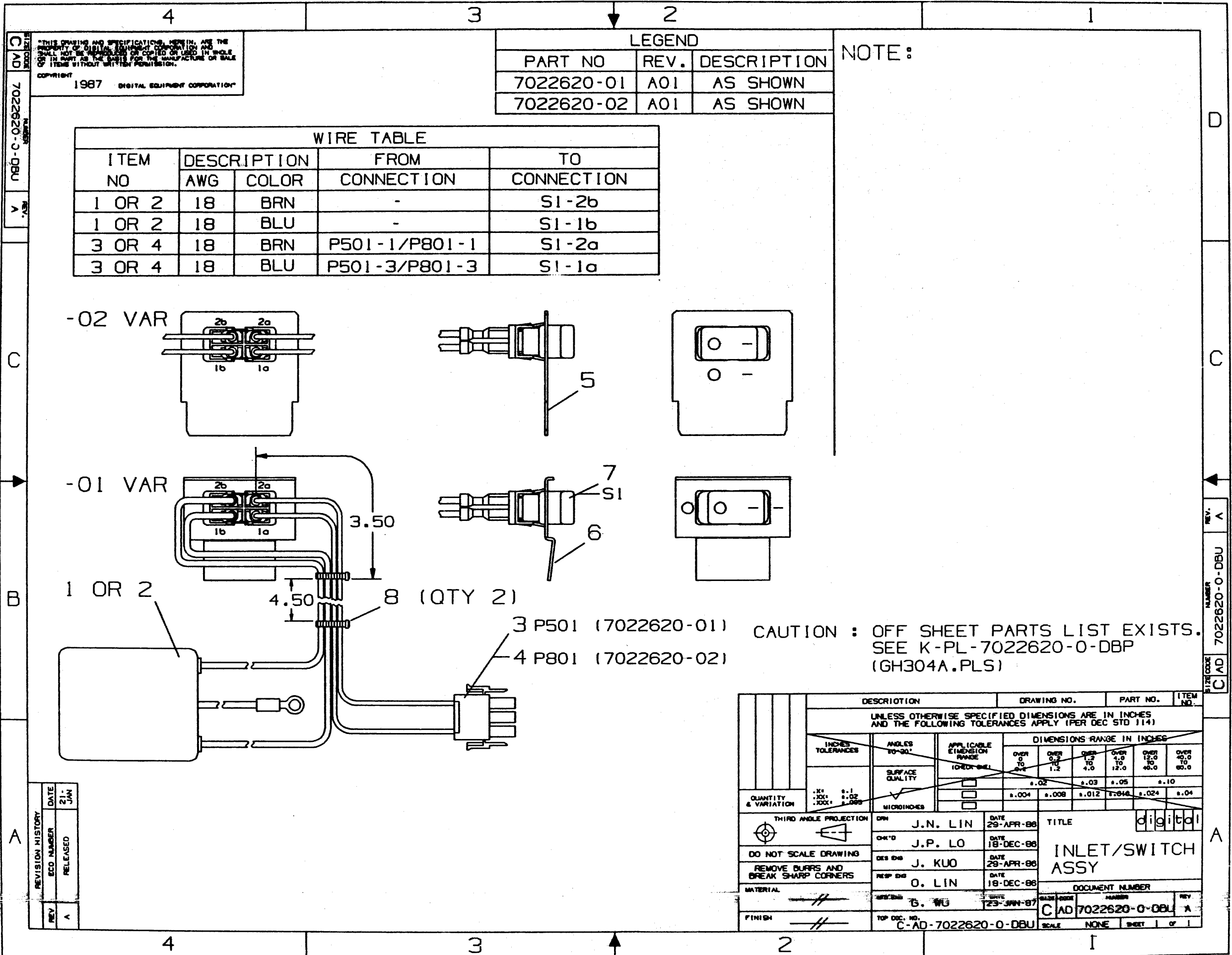
SHEET A1 OF A1

| LINE ITEM | TOP DOCUMENT | PART NUMBER | MIN REV | DESCRIPTION | QUANTITY PER VARIATION/REVISION | |
|-----------|--------------------|-------------|---------|----------------------------------|---------------------------------|-------|
| | | | | | 01 A1 | 02 A1 |
| 1 | C-MD-7432393-0-DBU | 74-32393-01 | A | THUMBWHEEL | 2 | 2 |
| 2 | C-IA-7432396-0-DBU | 74-32396-01 | A | BRKT W/O CONN | 1 | - |
| 3 | C-IA-7432396-0-DBU | 74-32396-02 | A | BRACKET, W/CONNECTOR | - | 1 |
| 4 | | 12-14979-01 | | CONN, P+S 02PIN 30-22AWG .06 | 6 | 6 |
| 5 | | 12-15322-00 | | CONN, P+S 06POS(1X06) .100CC HSG | 1 | 1 |
| 6 | | 13-27574-01 | | 10.0 K .05 W20.0 % POT | 1 | 1 |
| 7 | | 13-27574-02 | | 50.0 K .05 W20.0 % POT | 1 | 1 |
| 8 | | 90-09996-00 | | TIE, CABLE PRELOADED MAG. 100 EA | 1 | 1 |
| 9 | SEE NOTE 1 | 91-07900-00 | | WIRE, 22AWG(07/30) PVC 300V 8 | 6 | 9 |
| 10 | SEE NOTE 1 | 91-07900-11 | | WIRE, 22AWG(07/30) PVC 300V 8 | 6 | 9 |
| 11 | SEE NOTE 1 | 91-07900-22 | | WIRE, 22AWG(07/30) PVC 300V 8 | 6 | 9 |
| 12 | SEE NOTE 1 | 91-07900-33 | | WIRE, 22AWG(07/30) PVC 300V 8 | 6 | 9 |
| 13 | SEE NOTE 1 | 91-07900-44 | | WIRE, 22AWG(07/30) PVC 300V 8 | 6 | 9 |
| 14 | SEE NOTE 1 | 91-07900-55 | | WIRE, 22AWG(07/30) PVC 300V 8 | 6 | 9 |

1 GEN: QTY FOR ITEMS 9 THRU 14 IS IN INCHES.

| REVISION HISTORY | | KPL MATRIX FORMAT | SECTION A OF A | DRN: J.N. LIN | D I G I T A L | | |
|--------------------|------------|--------------------|-------------------------|---------------------|--------------------------|------|---------------|
| ENG | ECO NUMBER | REV | SECTION/VARIATION INDEX | DATE: 29-APR-86 | TITLE PARTS LIST | | |
| --- | INITIAL | A | [A] 01,02 | CHK'D: J. P. LO | CONTROL/BRACKET ASSY | | |
| | | | [B] | DATE: 18-DEC-86 | | | |
| | | | [C] | DES. ENG: J. KUO | DOCUMENT NUMBER | | |
| | | | [D] | DATE: 29-APR-86 | SIZE | CODE | NUMBER |
| | | | [E] | RESP. ENG.: O. LIN | | | REV |
| | | | [F] | DATE: 18-DEC-86 | K | PL | 7022618-0-DBP |
| | | | [H] | MFG. ENG: GORDON WU | RELEASE DATE: 18-FEB-87 | | |
| | | | [J] | DATE: 26-JAN-87 | RELEASE STATUS: RELEASED | | |
| BASIC PART NUMBER: | | ASSEMBLY NUMBER: | TOP DOCUMENT NUMBER: | FILE NAME: | EDIT # | | |
| 7022618 | | C-AD-7022618-0-DBU | C-AD-7022618-0-DBU | GH302A.PLS | 33 | | |

"THIS DRAWING AND THE SPECIFICATIONS CONTAINED HEREIN ARE CONFIDENTIAL AND PROPRIETARY. THEY ARE THE PROPERTY OF DIGITAL EQUIPMENT CORPORATION AND SHALL NOT BE REPRODUCED OR COPIED OR USED IN WHOLE OR IN PART AS THE BASIS FOR THE MANUFACTURE OR SALE OF ITEMS WITHOUT WRITTEN PERMISSION. THIS IS AN UNPUBLISHED WORK PROTECTED UNDER THE FEDERAL COPYRIGHT LAWS."

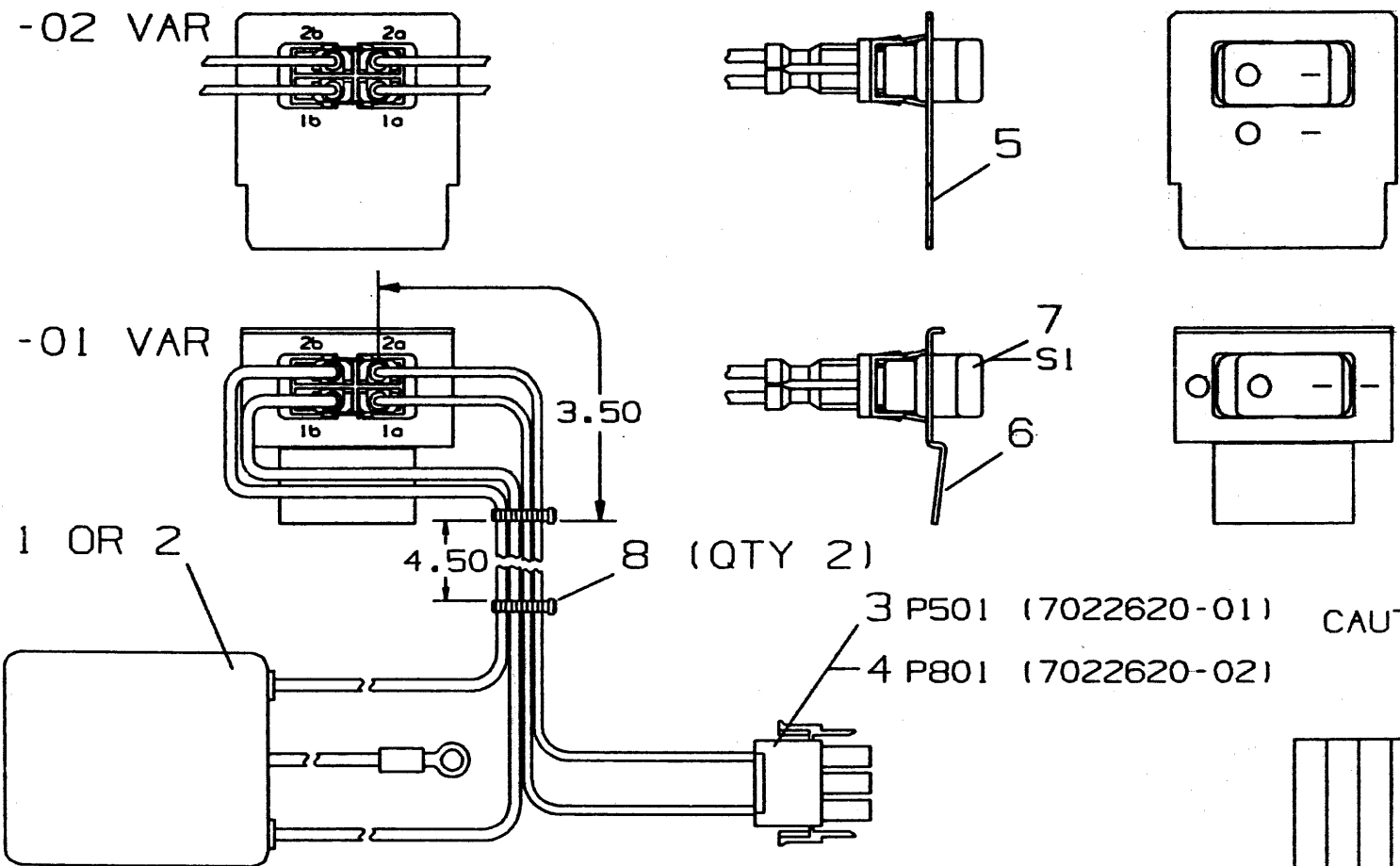


THIS DRAWING AND SPECIFICATIONS HEREIN, ARE THE PROPERTY OF DIGITAL EQUIPMENT CORPORATION AND SHALL NOT BE REPRODUCED OR COPIED OR USED IN WHOLE OR IN PART AS THE BASIS FOR THE MANUFACTURE OR SALE OF ITEMS WITHOUT WRITTEN PERMISSION.
 COPYRIGHT 1987 DIGITAL EQUIPMENT CORPORATION

| LEGEND | | |
|------------|------|-------------|
| PART NO | REV. | DESCRIPTION |
| 7022620-01 | A01 | AS SHOWN |
| 7022620-02 | A01 | AS SHOWN |

NOTE:

| WIRE TABLE | | | | |
|------------|-------------|-------|-----------------|---------------|
| ITEM NO | DESCRIPTION | | FROM CONNECTION | TO CONNECTION |
| | AWG | COLOR | | |
| 1 OR 2 | 18 | BRN | - | S1-2b |
| 1 OR 2 | 18 | BLU | - | S1-1b |
| 3 OR 4 | 18 | BRN | P501-1/P801-1 | S1-2a |
| 3 OR 4 | 18 | BLU | P501-3/P801-3 | S1-1a |



CAUTION : OFF SHEET PARTS LIST EXISTS. SEE K-PL-7022620-0-DBP (GH304A.PLS)

| REVISION HISTORY | | DATE |
|------------------|----------|--------|
| REV | RELEASED | 21 JAN |
| A | | |

| DESCRIPTION | DRAWING NO. | PART NO. | ITEM NO. |
|--|------------------|----------------------------|-------------------|
| UNLESS OTHERWISE SPECIFIED DIMENSIONS ARE IN INCHES AND THE FOLLOWING TOLERANCES APPLY (PER DEC STD 114) | | | |
| INCHES TOLERANCES | ANGLES 90-90° | APPLICABLE DIMENSION RANGE | |
| | | DIMENSIONS RANGE IN INCHES | |
| SURFACE QUALITY | MICROINCHES | OVER 0 TO .125 | OVER 1.2 TO 4.0 |
| | | OVER .125 TO .375 | OVER 4.0 TO 12.0 |
| QUANTITY & VARIATION | | OVER 12.0 TO 40.0 | OVER 40.0 TO 80.0 |
| THIRD ANGLE PROJECTION | DATE 29-APR-88 | DATE 18-DEC-88 | DATE 29-APR-88 |
| DO NOT SCALE DRAWING | DESIGNER J.P. LO | DATE 29-APR-88 | DATE 18-DEC-88 |
| REMOVE BURRS AND BREAK SHARP CORNERS | DATE 29-APR-88 | DATE 18-DEC-88 | |
| MATERIAL | DATE 18-DEC-88 | | |
| FINISH | | | |
| TITLE | | DOCUMENT NUMBER | |
| INLET/SWITCH ASSY | | C AD 7022620-0-DBU | |
| SCALE NONE | | SHEET 1 OF 1 | |

AUTOMATED BY VAXKPL (V1.3)

PARTS LIST

SHEET A1 OF A1

| LINE ITEM | TOP DOCUMENT | PART NUMBER | MIN REV | DESCRIPTION | QUANTITY PER VARIATION/REVISION | |
|-----------|--------------------|-------------|---------|--------------------------------|---------------------------------|-------|
| | | | | | 01 A1 | 02 A1 |
| 1 | B-IA-7023755-0-DBU | 70-23755-01 | A | FILTER ASSY | 1 | - |
| 2 | B-IA-7023755-0-DBU | 70-23755-02 | A | FILTER ASSY | - | 1 |
| 3 | C-IA-7024292-0-DBU | 70-24292-01 | A | PWR WIRE ASSY | 1 | - |
| 4 | C-IA-7024292-0-DBU | 70-24292-02 | A | PWR WIRE ASSY | - | 1 |
| 5 | B-MD-7432631-0-DBU | 74-32631-01 | A | BRACKET, POWER SWITCH | - | 1 |
| 6 | C-MD-7432952-0-DBU | 74-32952-01 | A | BRACKET, POWER SWITCH | 1 | - |
| 7 | | 12-26116-01 | | SW,RKR, DPST | 1 | 1 |
| 8 | | 90-09996-00 | | TIE,CABLE PRELOADED MAG.100 EA | 2 | - |

| REVISION HISTORY | | | KPL MATRIX FORMAT | | SECTION A OF A | | DRN: J. N. LIN | | DIGITAL | | | |
|------------------|------------|-----|-------------------------|-------|----------------------------|--|-------------------------------------|--|---|------|-----------------------|-----|
| ENG | ECO NUMBER | REV | SECTION/VARIATION INDEX | | DATE: 29-APR-86 | | CHK'D: J. P. LO | | TITLE PARTS LIST | | | |
| --- | INITIAL | A | [A] | 01,02 | DATE: 18-DEC-86 | | DATE: 18-DEC-86 | | INLET/SWITCH ASSY | | | |
| | | | [B] | | DES.ENG: J. KUO | | DATE: 29-APR-86 | | DOCUMENT NUMBER | | | |
| | | | [C] | | RESP.ENG.: O. LIN | | DATE: 18-DEC-86 | | SIZE | CODE | NUMBER | REV |
| | | | [D] | | MFG.ENG: G. WU | | DATE: 26-JAN-87 | | K | PL | 7022620-0-DBP | A |
| | | | [E] | | RELEASE DATE: 18-FEB-87 | | RELEASE STATUS: RELEASED | | | | | |
| | | | [F] | | BASIC PART NUMBER: 7022620 | | ASSEMBLY NUMBER: C-AD-7022620-0-DBU | | TOP DOCUMENT NUMBER: C-AD-7022620-0-DBU | | FILE NAME: GH304A.PLS | |
| | | | [G] | | | | | | | | EDIT # 12 | |
| | | | [H] | | | | | | | | | |
| | | | [I] | | | | | | | | | |
| | | | [J] | | | | | | | | | |

"THIS DRAWING AND THE SPECIFICATIONS CONTAINED HEREIN ARE CONFIDENTIAL AND PROPRIETARY. THEY ARE THE PROPERTY OF DIGITAL EQUIPMENT CORPORATION AND SHALL NOT BE REPRODUCED OR COPIED OR USED IN WHOLE OR IN PART AS THE BASIS FOR THE MANUFACTURE OR SALE OF ITEMS WITHOUT WRITTEN PERMISSION. THIS IS AN UNPUBLISHED WORK PROTECTED UNDER THE FEDERAL COPYRIGHT LAWS."