

DRAWING NO.	NO. OF SHTS.	PART NO.	DESCRIPTION	REVISIONS																
K-PL-VT320-0-DBP			PARTS LIST	A																
E-UA-VT320-0-DBU			UNIT ASSY	A																
K-SP-VT320-0-DBU			ENGINEERING SPEC		<i>Need Spec - generate by ?</i>															
K-TC-VT320-0-DBU			TABLE OF CONTENTS	A																
<i>NEED NO.</i>			FM PRINT SET	REF																
		EK-VT320-UG-001	INSTALLING AND USING VT320,																	
			NORTH AMERICAN																	
		EK-VT320-UU-001	INSTALLING AND USING VT320,																	
			INTERATIONAL																	
		EK-VT320-RM-001	VT320 PROGRAMMER REFERENCE MANUAL																	
		EK-VT320-PS-001	VT320 POCKET SERVICE GUIDE																	
		EK-VT320-TP-001	VT320 ILLUSTRATED PARTS BREAK DOWN																	

*MISSING
LYNDA*

These parts will be on a higher level in order to be general as it's same & (VT320-PL) (VT320-UG) (VT320-UU) (VT320-RM) (VT320-PS) (VT320-TP)

CONFIDENTIAL

NOTES:

REVISION HISTORY

DATE	ECO NO.	REV.

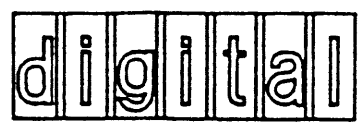
Device will need on K-DO

APR 24 1987
PCA CONTROL

OK

THIS DRAWING AND THE SPECIFICATIONS CONTAINED HEREIN ARE CONFIDENTIAL AND PROPRIETARY. THEY ARE THE PROPERTY OF DIGITAL EQUIPMENT CORPORATION AND SHALL NOT BE REPRODUCED OR COPIED OR USED IN WHOLE OR IN PARTS AS THE BASIS FOR THE MANUFACTURE OR SALES OF ITEMS WITHOUT WRITTEN PERMISSION. THIS IS AN UNPUBLISHED WORK PROTECTED UNDER THE FEDERAL COPYRIGHT LAWS.

1987



DRN. C.H. CHEN	DATE 22-SEP-88	TITLE	
CHK'D	DATE	TEXT TERMINAL	
DES. ENG. J. KUO	DATE 22-SEP-88	DOCUMENT NUMBER	
RESP. ENG.	DATE	SIZE B	CODE DD
MFG. ENG.	DATE	NUMBER VT320-0	REV. AX01
		SHEET 2 OF 2	



PARTS LIST

QUANTITY/VARIATION

NOTES:

DRN. DATE: C.J. LEE 17-SEP-86
 DES. ENG. DATE: J. KOU 17-SEP-86
 MFG. ENG.
 CHK'D DATE: _____
 RESP. ENG. DATE: _____
 TOP DOC. NO.: E-AD-7024555-0-DBU

7024555-01
 7024555-02
 7024555-03
 7024555-04
 7024555-05
 7024555-08
 7024555-07
 7024555-08
 7024555-09

REFERENCE DESIGNATORS
MUST BE TO CLASS
 Module Assy to 59
 Shields etc added @ 70 level.

LYNDA



MOVE TO COVER/BEZEL/YOKE ASSY CRT
 NON-CAPTIVE COVER FINISH
 SEE NOTE ON COVER FINISH

CONFIDENTIAL
 where is this used?

Add items
 16 thru 30
 from Old
 K-PC-UT320

ITEM NO.	DRAWING NO.	PART NO.	DESCRIPTION	7024555-01	7024555-02	7024555-03	7024555-04	7024555-05	7024555-08	7024555-07	7024555-08	7024555-09
1	B-DB-5417189-0-0 70	5417189-01	LOGIC/MONITOR MODULE, US N. PAPER	1	-	-	1	-	-	1	-	-
2	B-DB-5417277-0-0 70	5417277-01	LOGIC/MONITOR MODULE, W/ 1/2" MOUNTING	-	1	1	-	1	1	-	1	-
3	E-AD-7024240-0-DBU	7024240-01	CRT/BEZEL/YOKE ASSY WHT	1	1	1	-	-	-	-	-	-
4	E-AD-7024240-0-DBU	7024240-02	CRT/BEZEL/YOKE ASSY GRN	-	-	-	1	1	1	-	-	-
5	E-AD-7024240-0-DBU	7024240-03	CRT/BEZEL/YOKE ASSY AMB	-	-	-	-	-	-	1	1	1
6	E-AD-7024242-0-DBU	7024242-01	COVER ASSY	1	1	1	1	1	1	1	1	1
7	D-AD-7024244-0-DBU	7024244-01	PS 120V W/ ATTACHED PWR CORD POWER SUPPLY ASSY 110V, US	1	-	-	1	-	-	1	-	-
8	D-AD-7024244-0-DBU	7024244-02	PS 120-240V W/O PWR CORD POWER SUPPLY ASSY 110V, WW	-	1	1	-	1	1	-	1	1
9	E-AD-7024245-0-DBU	7024245-01	BOTTOM ASSY	1	1	1	1	1	1	1	1	1
10	B-IA-7435732-0-DBU	7435732-01	LOGO, DIGITAL	1	1	1	1	1	1	1	1	1
11	B-IA-7435733-0-DBU	7435733-01	NAMEPLATE, VT320	1	1	1	1	1	1	1	1	1
12	C-MD-7434816-0-DBU	7434816-01	COVER	1	-	-	1	-	-	1	-	-
13	C-MD-7434531-0-DBU	7434531-01	BAFFLE	1	1	1	1	1	1	1	1	1
14		9000049-10	PHILIPS SCREW, #6-32, FLAT HEAD	2	2	2	2	2	2	2	2	2
15		9009996-00	CABLE TIE	1	1	1	1	1	1	1	1	1

ECN NO. _____

TITLE: ~~UNIT ASSY~~ ~~TERMINAL SUB ASSY~~

ASSY. NO. _____

SIZE: B CODE: PL NUMBER: 7024555-0-0 REV. X07

SECTION _____ OF _____ SHEET 1 OF 1

UT320-0-0

1987



PARTS LIST

QUANTITY/VARIATION

NOTES:

DRN. DATE	J.N. LIN 17-SEP-86	DES. ENG. DATE	J. KOU 17-SEP-86	MFG. ENG.
CHK'D DATE		RESP. ENG. DATE		TOP DOC. NO. B-00-VT320-0-0

ITEM NO.	DRAWING NO.	PART NO.	DESCRIPTION
1	E-AD-7024555-0-DBU	7024555-01	TERMINAL SUB-ASSY, WHT, 110V, US
2	E-AD-7024555-0-DBU	7024555-02	TERMINAL SUB-ASSY, WHT, 110V, WW
3	E-AD-7024555-0-DBU	7024555-03	TERMINAL SUB-ASSY, WHT, 220V, WW
4	E-AD-7024555-0-DBU	7024555-04	TERMINAL SUB-ASSY, GRN, 110V, US
5	E-AD-7024555-0-DBU	7024555-05	TERMINAL SUB-ASSY, GRN, 110V, WW
6	E-AD-7024555-0-DBU	7024555-06	TERMINAL SUB-ASSY, GRN, 220V, WW
7	E-AD-7024555-0-DBU	7024555-07	TERMINAL SUB-ASSY, AMB, 110V, US
8	E-AD-7024555-0-DBU	7024555-08	TERMINAL SUB-ASSY, AMB, 110V, WW
9	E-AD-7024555-0-DBU	7024555-09	TERMINAL SUB-ASSY, AMB, 220V, WW

VT320-A2	VT320-A3	VT320-G2	VT320-B2	VT320-B3	VT320-H2	VT320-C2	VT320-C3	VT320-J2
1	X	1						
	1	X						
			1					
				X	X			
				1	X			
						1		
							X	1
							1	X

Combine as marked w/ K-PL-7024555
Do not need "Terminal Sub Assy"

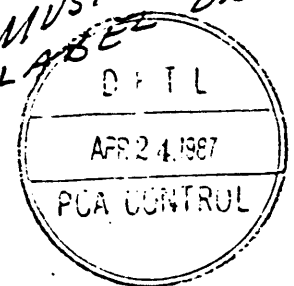
REFERENCE DESIGNATORS

10		3628183-01	LABEL, VT320 NORTH AMERICAN
11	16	3618283-02	LABEL, VT320 INTERNATIONAL
12	17	3626331-17	SERIAL LABEL (VT320 A2)
13	18	3626331-18	SERIAL LABEL (VT320 A3)
14	19	3626331-19	SERIAL LABEL (VT320 G2)
15	20	3626331-20	SERIAL LABEL (VT320 B2)
16	21	3626331-21	SERIAL LABEL (VT320 B3)
17	22	3626331-22	SERIAL LABEL (VT320 H2)
18	23	3626331-23	SERIAL LABEL (VT320 C2)
19	24	3626331-24	SERIAL LABEL (VT320 C3)
20	25	3626331-25	SERIAL LABEL (VT320 J2)
21	26	37	PACKAGE
22	27	1228172-01	ADAPTOR
23	28	1700811-02	CABLE ASSY

Add to
"New"
K-PL-VT320-0-0

CONFIDENTIAL

MUST INCLUDE BAR CODE LABEL ON OUTSIDE OF BOX



VT320 SW 2

ECN NO.	TITLE UNIT ASSY		ASSY. NO.	SIZE B	CODE PL	NUMBER VT320-0-0	REV. AX01
	SECTION		OF	SHEET		1	OF 2

THIS DRAWING AND SPECIFICATIONS CONTAINED HEREIN ARE CONFIDENTIAL AND PROPRIETARY. THEY ARE THE PROPERTY OF DIGITAL EQUIPMENT CORPORATION AND SHALL NOT BE REPRODUCED OR COPIED OR USED IN WHOLE OR IN PART AS THE BASIS FOR THE MANUFACTURE OR SALE OF ITEMS WITHOUT WRITTEN PERMISSION. THIS IS AN UNPUBLISHED WORK PROTECTED UNDER THE FEDERAL COPYRIGHT LAWS
1987



PARTS LIST

QUANTITY/VARIATION

NOTES:

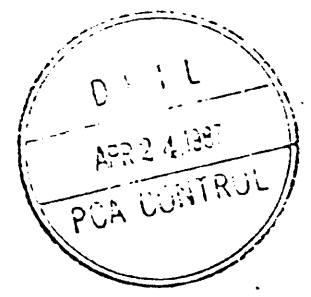
DRN. DATE: J.N. LIN 17-SEP-86
 DES. ENG. DATE: J. KOU 17-SEP-86
 MFG. ENG.

CHK'D DATE: _____
 RESP. ENG. DATE: _____
 TOP DOC. NO.: B-DD-VT320-0-0

ITEM NO.	DRAWING NO.	PART NO.	DESCRIPTION	QUANTITY/VARIATION										REFERENCE DESIGNATORS	
				VT320-A2	VT320-A3	VT320-G2	VT320-B2	VT320-B3	VT320-H2	VT320-C2	VT320-C3	VT320-J2			
24		3620220-A1	LEGEND STRIP	1	-	-	1	-	-	1	-	-			
25		EK-VT320-LG-001	INSTALLING AND USING VT320, NORTH AMERICAN	1	1	1	1	1	1	1	1	1			2 MAYBE
26		3618460-01	LABEL, BLANK BAR CODE	1	1	1	1	1	1	1	1	1			2 Note - SN label.

Add to "New" K-PL-VT320-0-0

CONFIDENTIAL



VT320 Sht 3

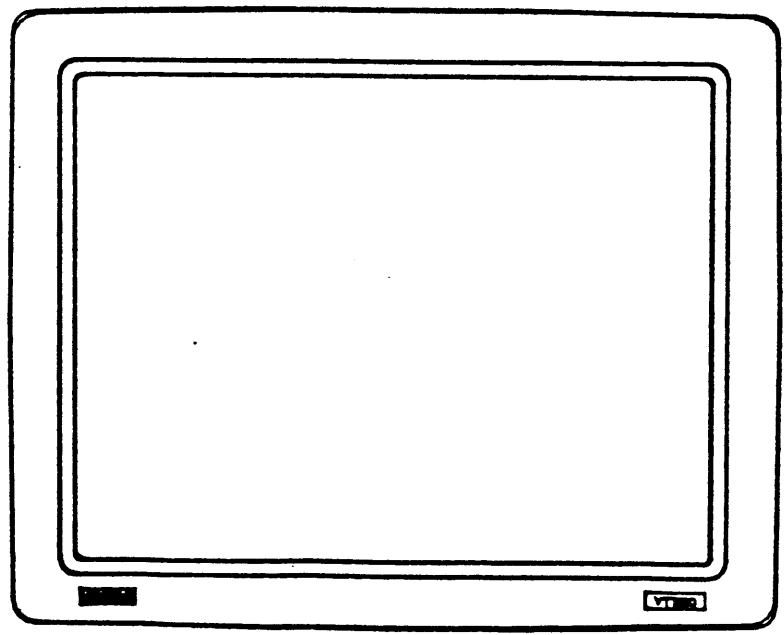
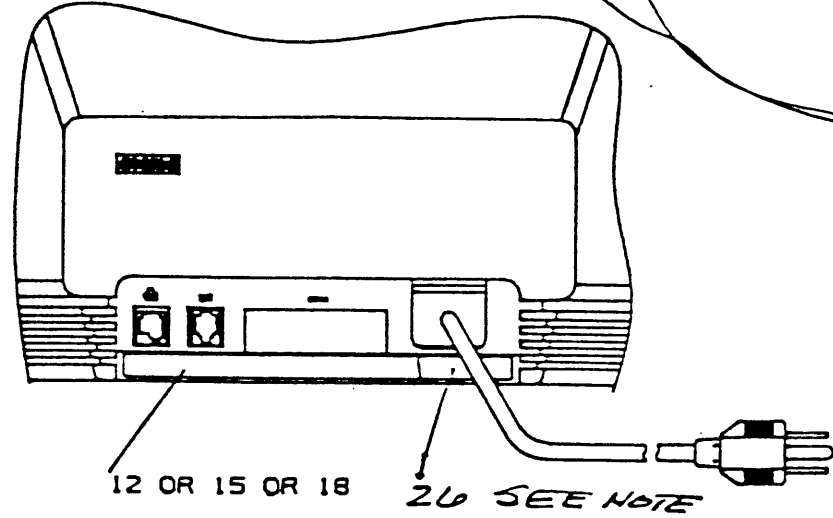
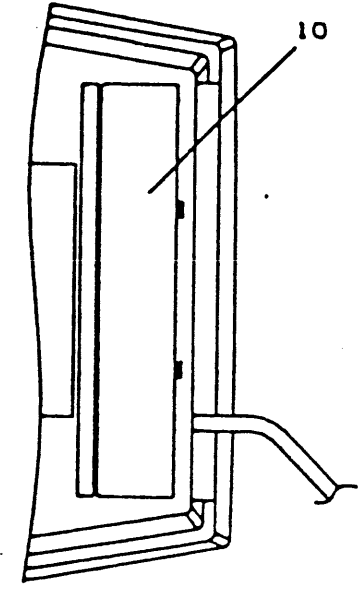
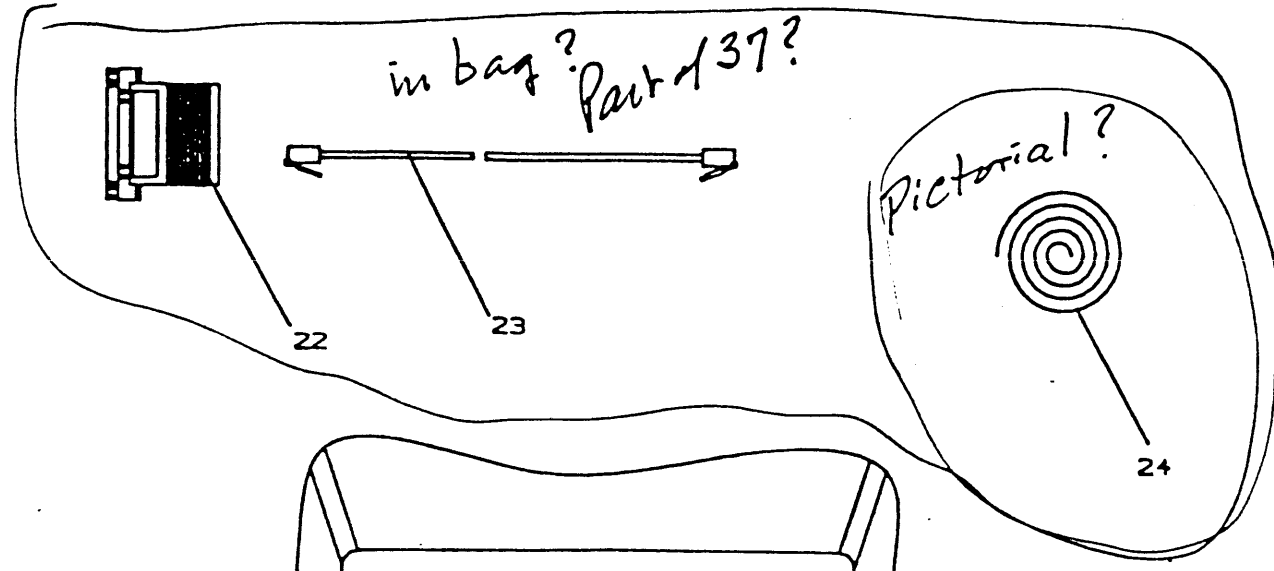
ECN NO.

THIS DRAWING AND SPECIFICATIONS CONTAINED HEREIN ARE CONFIDENTIAL AND PROPRIETARY. THEY ARE THE PROPERTY OF DIGITAL EQUIPMENT CORPORATION AND SHALL NOT BE REPRODUCED OR COPIED OR USED IN WHOLE OR IN PART AS THE BASIS FOR THE MANUFACTURE OR SALE OF ITEMS WITHOUT WRITTEN PERMISSION. THIS IS AN UNPUBLISHED WORK PROTECTED UNDER THE FEDERAL COPYRIGHT LAWS.

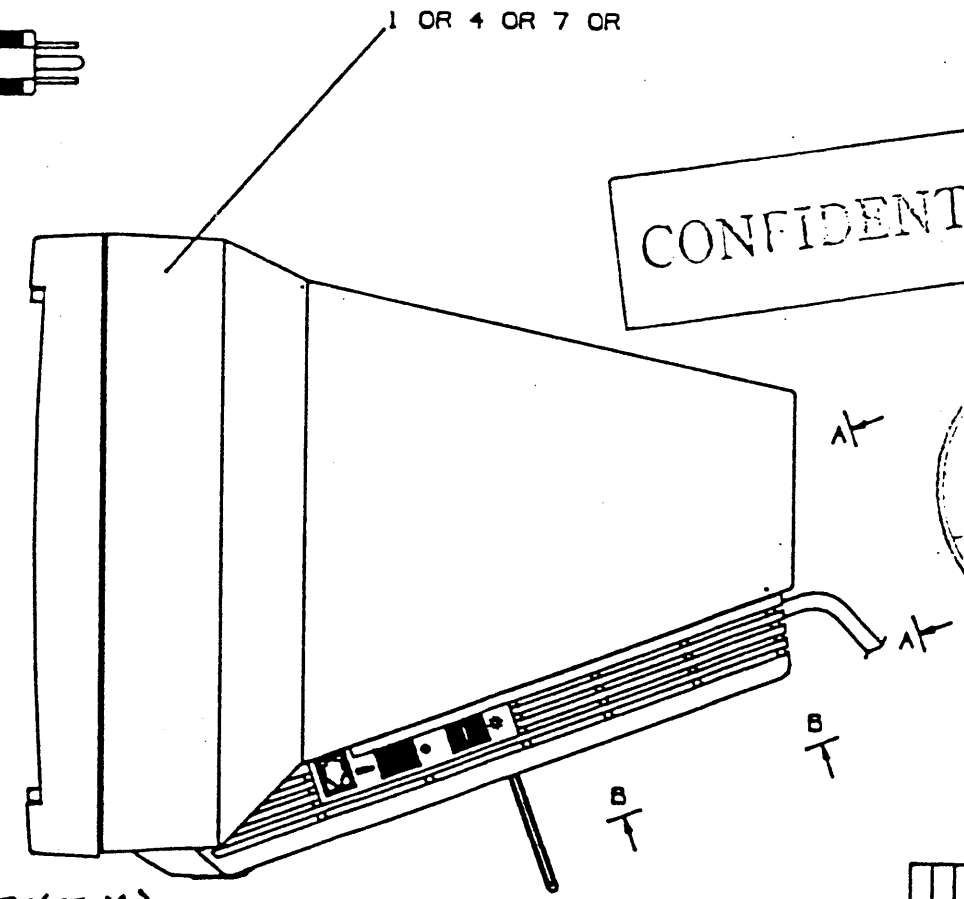
TITLE: UNIT ASSY

ASSY. NO. _____
SECTION of _____

SIZE: B CODE: PL NUMBER: ~~VT320-0-0~~ REV. AX01
SHEET 2 of 2



-A2, -B2, -C2 AS SHOWN



NOTES:
 11. A) VT320-A2/B2/C2 ARE SHOWN AS SHIT 1/2
 B) VT320-A3/B3/C3/A2 ARE SHOWN AS SHIT 2/2

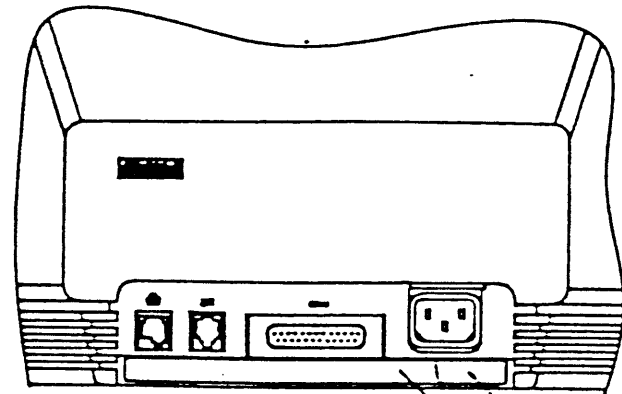
Note increase all items
 no. 10 and higher by 6
 i.e. 10 → 16
 11 → 17
 etc.
 Shit 1 & 2

CAUTION! OFF SHEET PARTS LIST EXISTS
 SEE K-PL-VT320-0-DGP

REV	DESCRIPTION	DATE	BY	CHKD	APP'D
1	INITIAL				
2	REVISED				
3	REVISED				
4	REVISED				
5	REVISED				
6	REVISED				
7	REVISED				
8	REVISED				
9	REVISED				
10	REVISED				
11	REVISED				
12	REVISED				
13	REVISED				
14	REVISED				
15	REVISED				
16	REVISED				
17	REVISED				
18	REVISED				
19	REVISED				
20	REVISED				
21	REVISED				
22	REVISED				
23	REVISED				
24	REVISED				
25	REVISED				
26	REVISED				
27	REVISED				
28	REVISED				
29	REVISED				
30	REVISED				
31	REVISED				
32	REVISED				
33	REVISED				
34	REVISED				
35	REVISED				
36	REVISED				
37	REVISED				
38	REVISED				
39	REVISED				
40	REVISED				
41	REVISED				
42	REVISED				
43	REVISED				
44	REVISED				
45	REVISED				
46	REVISED				
47	REVISED				
48	REVISED				
49	REVISED				
50	REVISED				
51	REVISED				
52	REVISED				
53	REVISED				
54	REVISED				
55	REVISED				
56	REVISED				
57	REVISED				
58	REVISED				
59	REVISED				
60	REVISED				
61	REVISED				
62	REVISED				
63	REVISED				
64	REVISED				
65	REVISED				
66	REVISED				
67	REVISED				
68	REVISED				
69	REVISED				
70	REVISED				
71	REVISED				
72	REVISED				
73	REVISED				
74	REVISED				
75	REVISED				
76	REVISED				
77	REVISED				
78	REVISED				
79	REVISED				
80	REVISED				
81	REVISED				
82	REVISED				
83	REVISED				
84	REVISED				
85	REVISED				
86	REVISED				
87	REVISED				
88	REVISED				
89	REVISED				
90	REVISED				
91	REVISED				
92	REVISED				
93	REVISED				
94	REVISED				
95	REVISED				
96	REVISED				
97	REVISED				
98	REVISED				
99	REVISED				
100	REVISED				

where did you
 get this format?
 It is very old

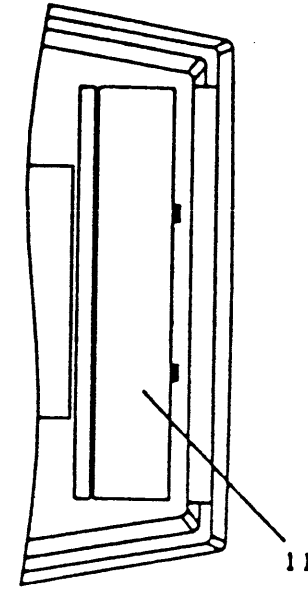
J
I
F
M
D
C
B
A



VIEW "C-C"

26

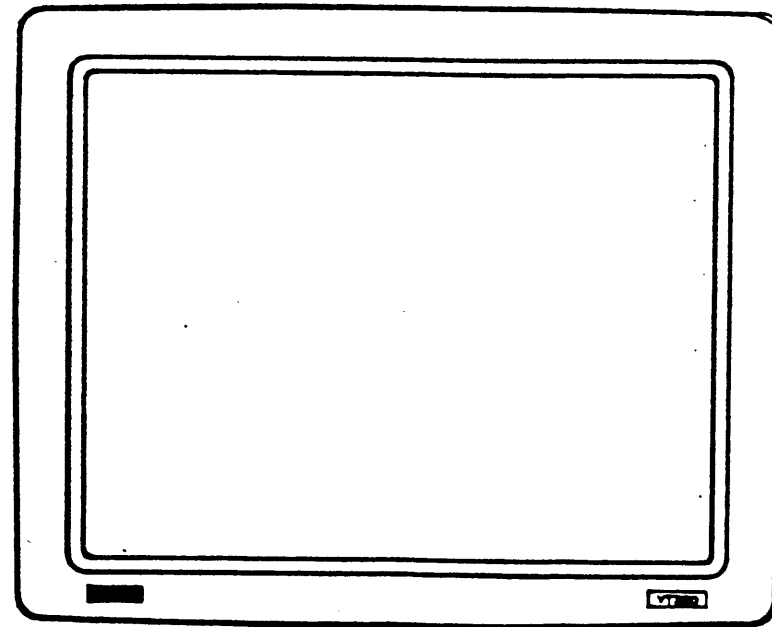
13 OR 14 OR 16 OR
17 OR 19 OR 20



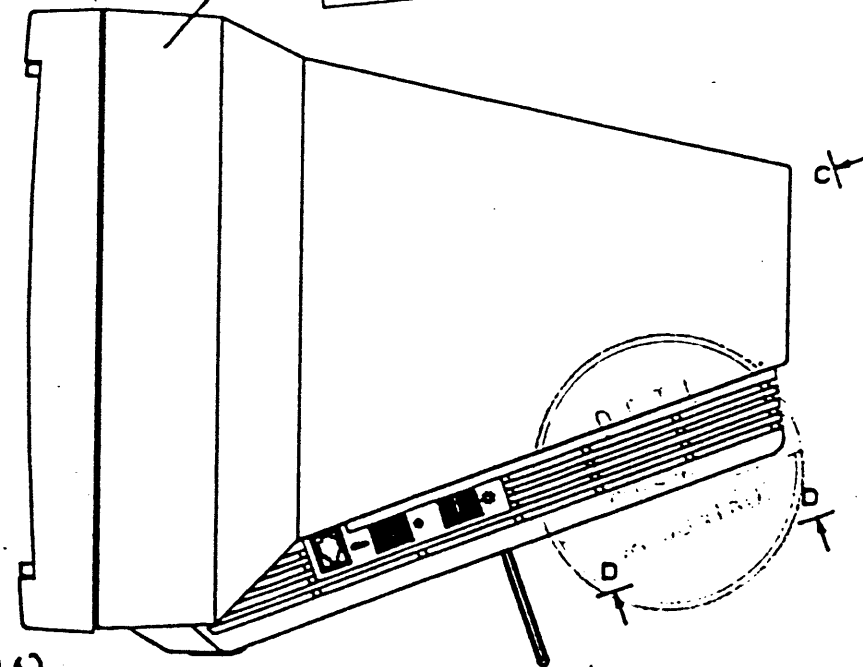
VIEW "D-D"

11

2 OR 3 OR 5 OR
6 OR 8 OR 9
CONFIDENTIAL



-A3, -G2, -B3, -H2, -C3, -J2 AS SHOWN



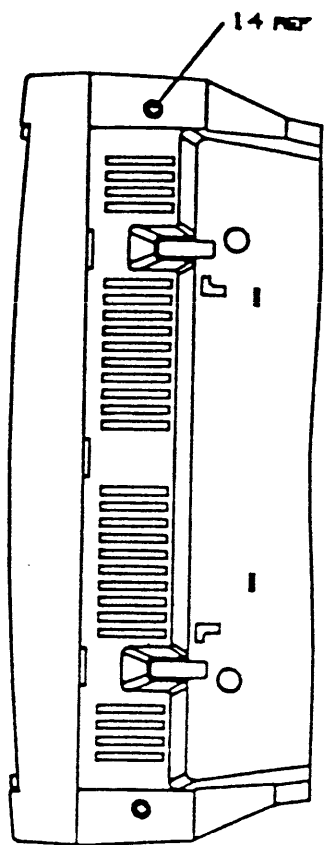
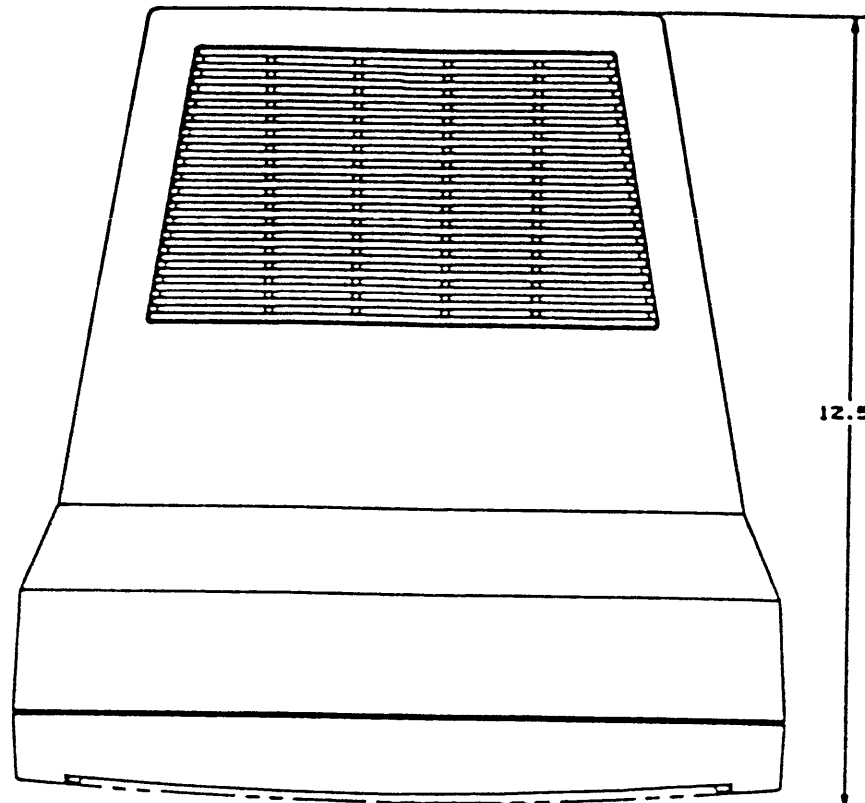
cf

cf

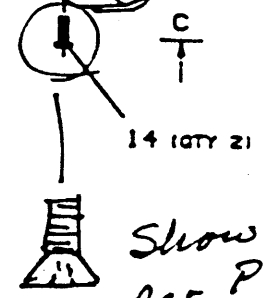
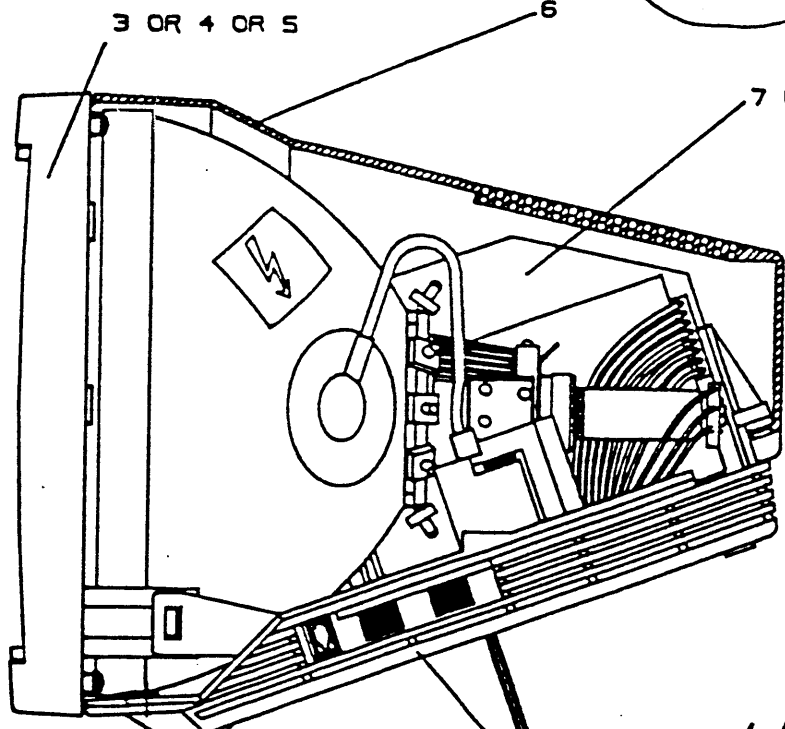
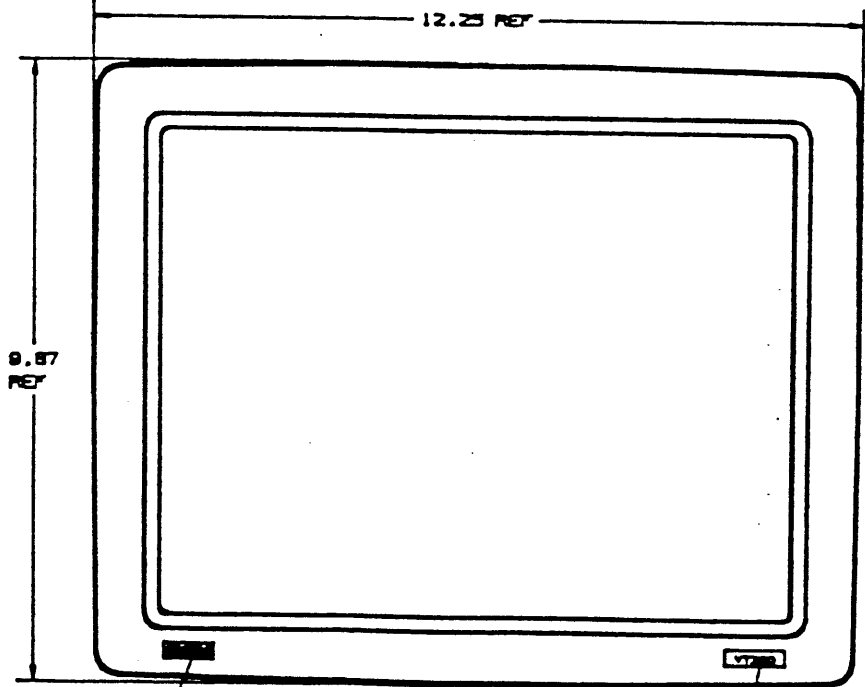
J
I
F
M
D
C
B
A

VT800-0-000 (A30)

2/4



SECTION "C-C"



LEGEND

PART NO	REV.	DESCRIPTION
7024555-01	A01	WHT, 110V, WV
7024555-02	A01	WHT, 110V, US
7024555-03	A01	WHT, 220V, US
7024555-04	A01	GRN, 110V, WV
7024555-05	A01	GRN, 110V, US
7024555-06	A01	GRN, 220V, US
7024555-07	A01	AMB, 110V, WV
7024555-08	A01	AMB, 110V, US
7024555-09	A01	AMB, 220V, US

NOTES:

- TORQUE REQUIREMENT: ITEM 14: 8 IN-LBS
- POSITION VOLTAGE SELECTION JUMPER AS REQUIRED

PART NO	VOLTAGE	MODEL
7024555-01	N/A	VT320-A2
7024555-02	240V	VT320-A3
7024555-03	120V	VT320-A2
7024555-04	N/A	VT320-A2
7024555-05	240V	VT320-B2
7024555-06	120V	VT320-B3
7024555-07	N/A	VT320-H2
7024555-08	240V	VT320-C2
7024555-09	120V	VT320-C3
7024555-09	120V	VT320-J2

2. POSITION VOLTAGE SELECTION JUMPER ON POWER SUPPLY (ITEM 8) AS REQUIRED.

DET L
APR 24 1987
PCA CONTROL

MOVE NOTES TO SHEET 1

NOTE 3: MARK ITEM 26 WITH SERIAL NUMBER PER DEC STD 047

CONFIDENTIAL

Move to CRT BEZEL (YORK ASSY)

Add this info to E-VA-VT320 (Sht 3?)

CAUTION: OFF SHEET PARTS LIST EXISTS. SEE K-PL-7024555-0-00P

DESCRIPTION	QUANTITY	PART NO
TERMINAL SUB-ASSY	1	7024555-09

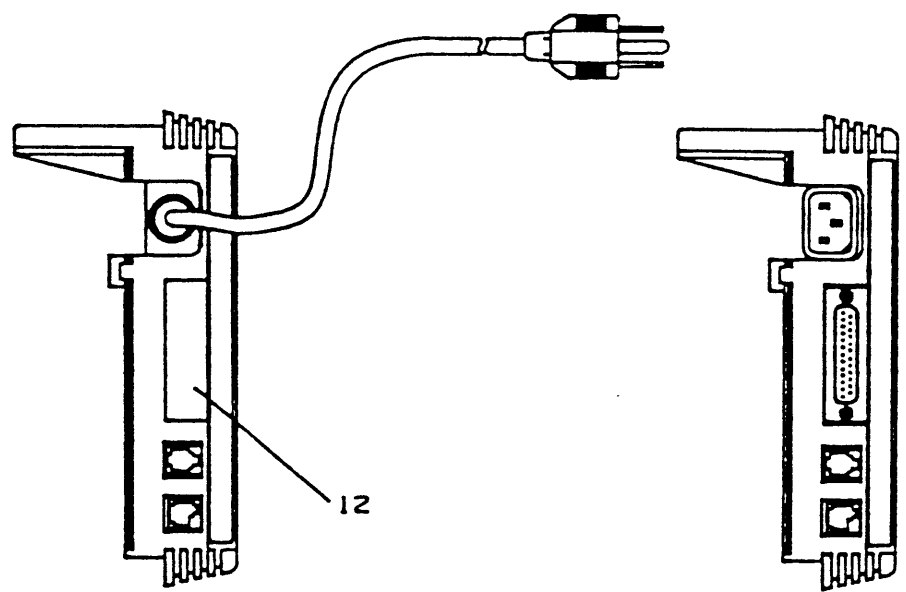
INTERCONNECTION

FROM		TO	
ITEM	DESCRIPTION	ITEM	DESCRIPTION
1 OR 2	LOGICAL/MONITOR MODULE ANODE LEAD	3 OR 4 OR 5	CRT/BEZEL/YOKE ASSY CRT ANODE
1 OR 2	LOGICAL/MONITOR MODULE CRT SOCKET	3 OR 4 OR 5	CRT/BEZEL/YOKE ASSY CRT
1 OR 2	LOGICAL/MONITOR MODULE GND WIRE W/FAST-ON	3 OR 4 OR 5	CRT/BEZEL/YOKE ASSY GND TAB
1 OR 2	LOGICAL/MONITOR MODULE PWR WIRE ASSY	7 OR 8 OR 9	POWER SUPPLY ASSY JS02
3 OR 4 OR 5	CRT/BEZEL/YOKE ASSY YOKE CABLE P1	1 OR 2	LOGICAL/MONITOR MODULE J102

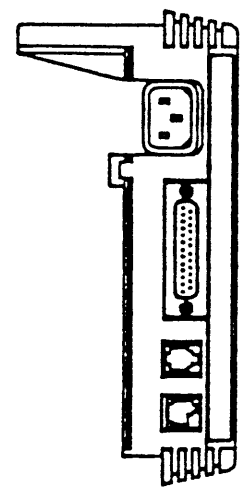
WHERE?
ON PS MODULE?

LOGICAL/MONITOR MODULE

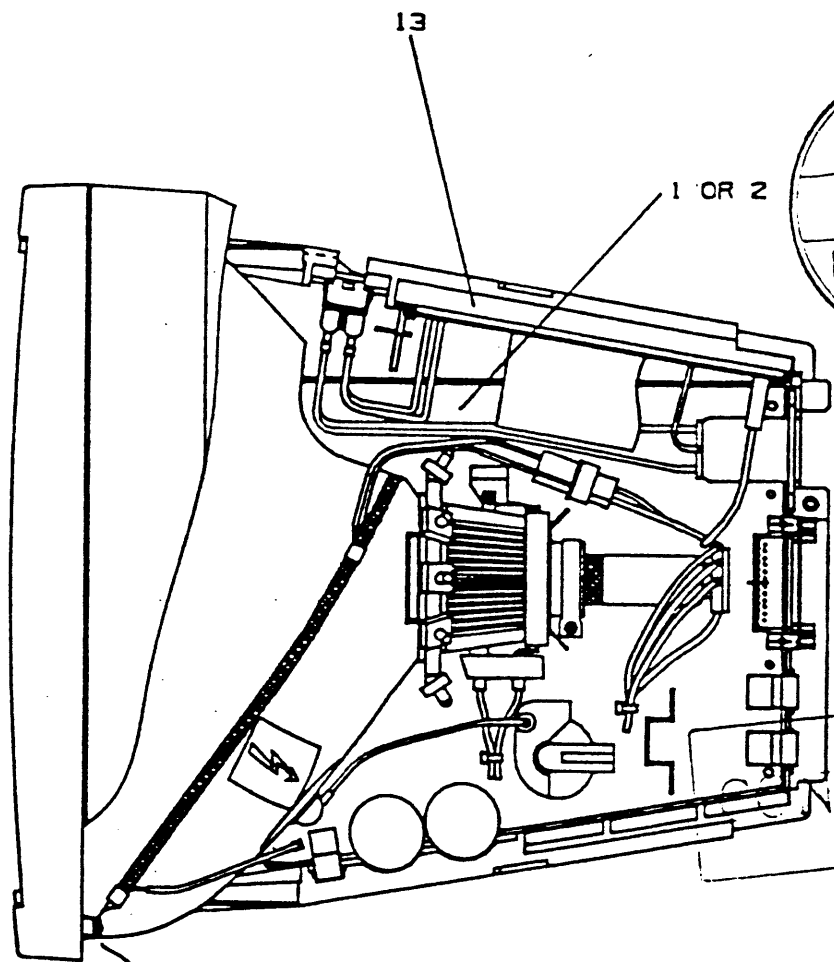
Check table
Incomplete and wires?
from Gnd Strap?
See CRT/Yoke Assy.



VIEW "B-B"
7024355-01/04/07
AS SHOWN
-A2, -B2, -C2



VIEW "B-B"
7024355-02/03/05
08/08/08
AS SHOWN
-A3, -G2, -B3, -H2, -C3, -J2



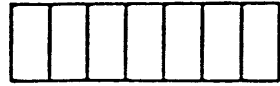
DETL
APR 24 1987
PCA CONTROL

CONFIDENTIAL

Add
Mounting
Ear etc
to pictorial

VIEW "A-A"

E-WA-VT320 A/4



PARTS LIST

QUANTITY/VARIATION

NOTES:
1. QTY FOR ITEM 10 IN INCHES.

DRN. DATE	C. J. LEE 17-SEP-86	DES. ENG. DATE	J. KOU 17-SEP-86	MFG. ENG.
CHK'D DATE		RESP. ENG. DATE		TOP DOC. NO. E-AD-7024240-0-DBU

7024240-01	7024240-02	7024240-03																	
------------	------------	------------	--	--	--	--	--	--	--	--	--	--	--	--	--	--	--	--	--

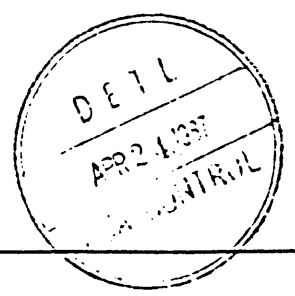
REFERENCE DESIGNATORS

Does this include mounting ears?
Is this the Panda CRT?
Smaller mtg ears must be a different PN.

SEE NOTE 1

CONFIDENTIAL

See Panda



ITEM NO.	DRAWING NO.	PART NO.	DESCRIPTION
1	D-AD-7024306-0-DBU	7024306-01	YOKE ASSY
2		1228178-01	CRT, WHT
3		1228178-02	CRT, GRN
4		1228178-03	CRT, AMB
5	C-1A-7024537-0-DBU	7024537-01	GROUNDING STRAP ASSY
6		1223217-01	MAGNET
7		1223217-02	MAGNET
8		1223217-03	MAGNET
9		3610267-00	DANGER HIGH VOLTAGE LABEL
10		3615670-01	TAPE
11		36	LABEL, BAR CODE
12		9009800-08	SCREW, SELF-TAPPING, #8
13	E-MD-7434073-0-DBU	7434073-01	BEZEL
14	B-MD-7435851-0-DBU	7435851-01	ENCLOSURE, TAB
15	B-IA-7433851-0-DBU	7433851-02	WASHED, DOME, LOCK
16			LOGO DIGITAL
17	B-IA-7435733-0-DBU	7435733-01	NAME PLATE

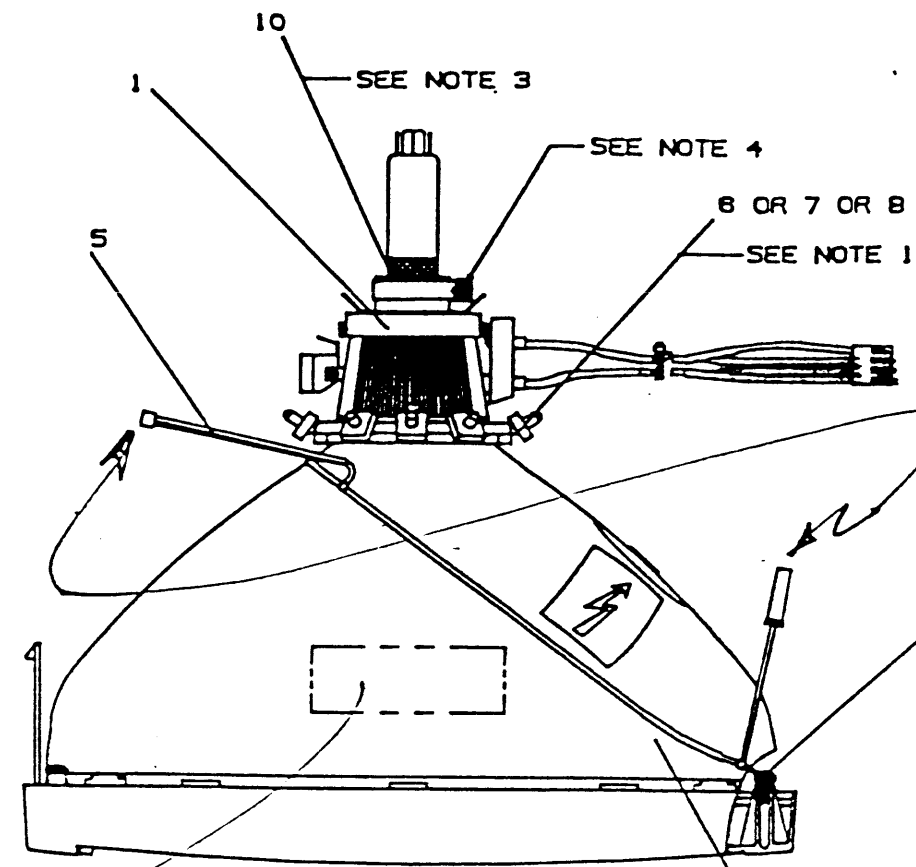
ECN NO.

THIS DRAWING AND SPECIFICATIONS CONTAINED HEREIN ARE CONFIDENTIAL AND PROPRIETARY. THEY ARE THE PROPERTY OF DIGITAL EQUIPMENT CORPORATION AND SHALL NOT BE REPRODUCED OR COPIED OR USED IN WHOLE OR IN PART AS THE BASIS FOR THE MANUFACTURE OR SALE OF ITEMS WITHOUT WRITTEN PERMISSION. THIS IS AN UNPUBLISHED WORK PROTECTED UNDER THE FEDERAL COPYRIGHT LAWS 1987

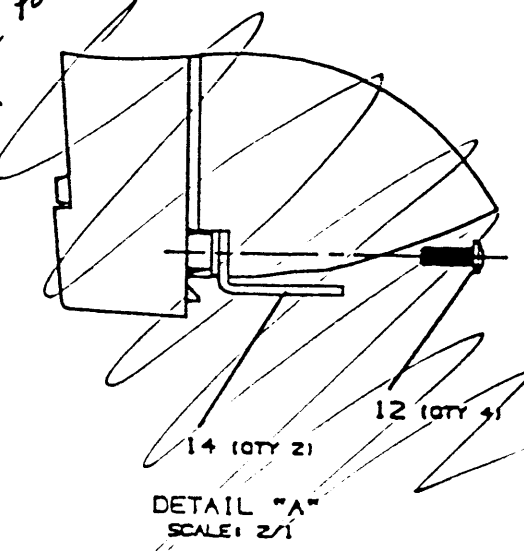
TITLE	ASSY. NO.	SIZE	CODE	NUMBER	REV.
CRT/BEZEL/YOKE ASSY		B	PL	7024240-0-0	AX01
SECTION	OF	SHEET		1	OF 1

7024240-01	AD1	W/WHY CRT
7024240-02	AD1	W/SPN CRT
7024240-03	AD1	W/AMS CRT

1. USE MAGNETS AS REQUIRED FOR PINCUSION CORRECTION. MAINTAIN SETTINGS OF MAGNETS WITH HOT WAX OR SEAL.
2. LOCATE APPROXIMATE WHERE SHOWN WITH ARROW POINTING TO ANODE CONNECTION AS SHOWN. (UNDER YOKE CLAMP)
3. LOCATE TAPE, ITEM 10 APPROXIMATELY AS SHOWN. (UNDER YOKE CLAMP)
4. TORQUE REQUIRED 4-6 IN-LBS.
5. ITEM 11 BAR CODE LABEL TO CONTAIN PART NUMBER (INCLUDING VARIATION) AND PART REVISION. PER DEC STD 047 LOCATE APPROXIMATELY AS SHOWN



Connections must be added to wire table @ NHA.

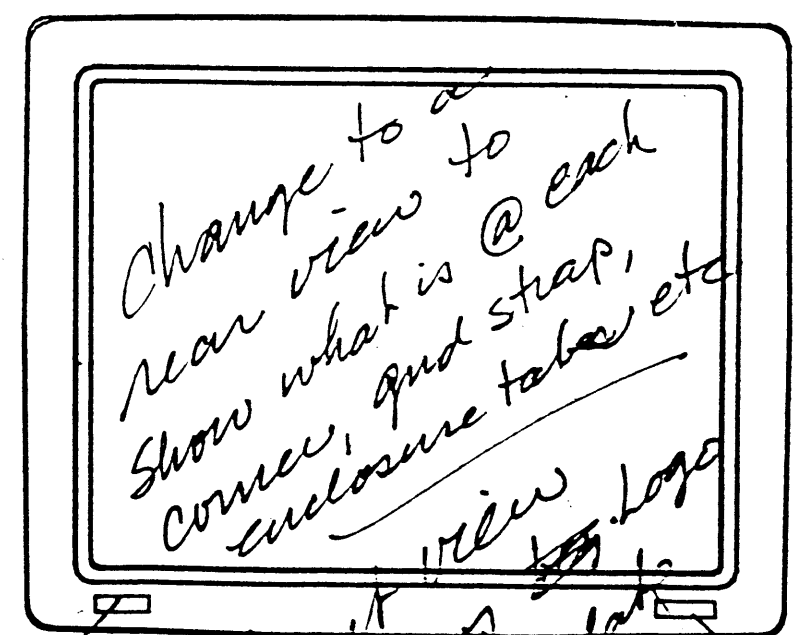


4. TORQUE REARM
~~4-6~~ 4-6 IN-LBS.
YOKE CLAMP
ITEM 12 ?

(Make same format as Panda Torque note.)

What is this vendor label?

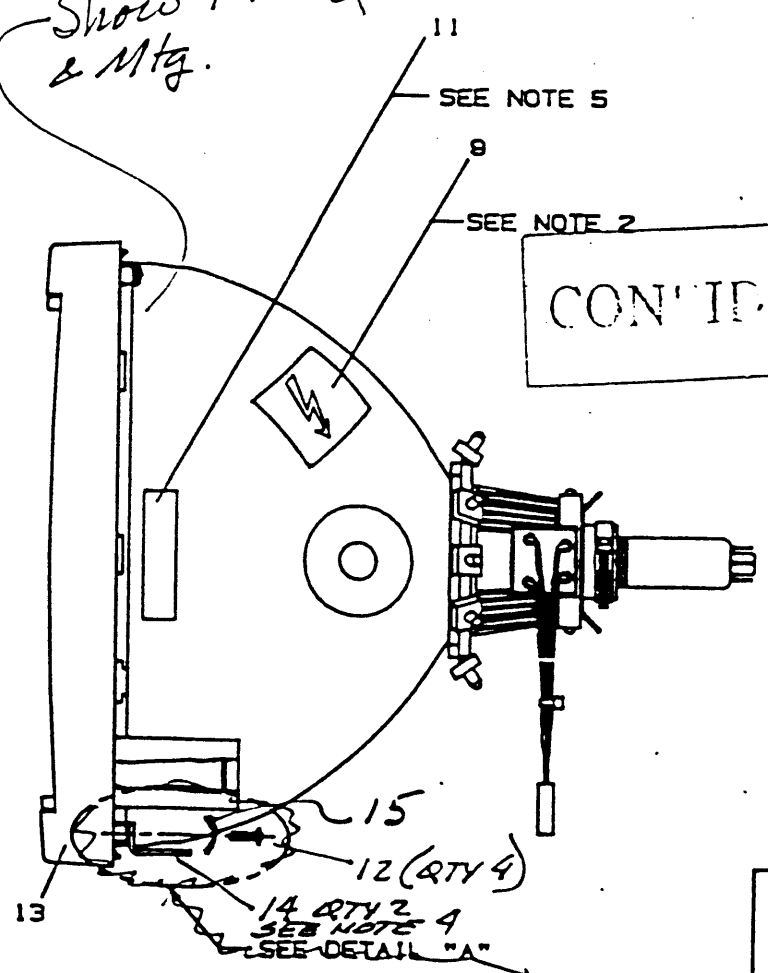
Show T band & Mtg.



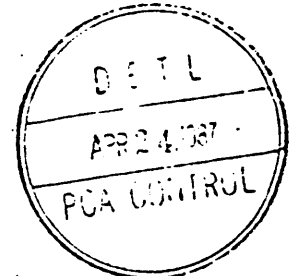
Change to a rear view to show what is @ each corner, quad strap, enclosure tabs, etc

Front view shows logo & nameplate

only. Catcher for base will show bezel orientation



CONFIDENTIAL



CAUTION: OFF SHEET PARTS LIST EXISTS. SEE K-PL-7024240-0-DOP (MLA0714A.PLS)

REV	DATE	BY	CHKD	DESCRIPTION
1				CRT/BEZEL/YOKE/ASSY
2				
3				
4				
5				
6				
7				

.06



PARTS LIST

QUANTITY/VARIATION

NOTES:

DRN. DATE	C. J. LEE 17-SEP-86	DES. ENG. DATE	J. KOU 17-SEP-86	MFG. ENG.
CHK'D DATE		RESP. ENG. DATE		TOP DOC. NO. E-AD-7024242-0-DBU

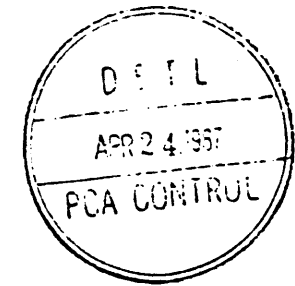
7024242-01

ITEM NO.	DRAWING NO.	PART NO.	DESCRIPTION
----------	-------------	----------	-------------

REFERENCE DESIGNATORS

1	E-MD-7434074-0-DBU	7434074-01	COVER, TOP
2	B-MD-7434862-0-DBU	7434862-01	SCREEN, TOP <i>LOUVER</i>

CONFIDENTIAL



OK

ECN NO.

THIS DRAWING AND SPECIFICATIONS CONTAINED HEREIN ARE CONFIDENTIAL AND PROPRIETARY. THEY ARE THE PROPERTY OF DIGITAL EQUIPMENT CORPORATION AND SHALL NOT BE REPRODUCED OR COPIED OR USED IN WHOLE OR IN PART AS THE BASIS FOR THE MANUFACTURE OR SALE OF ITEMS WITHOUT WRITTEN PERMISSION. THIS IS AN UNPUBLISHED WORK PROTECTED UNDER THE FEDERAL COPYRIGHT LAW 1987

TITLE
COVER ASSY

ASSY. NO.
SECTION OF

SIZE CODE
B PL

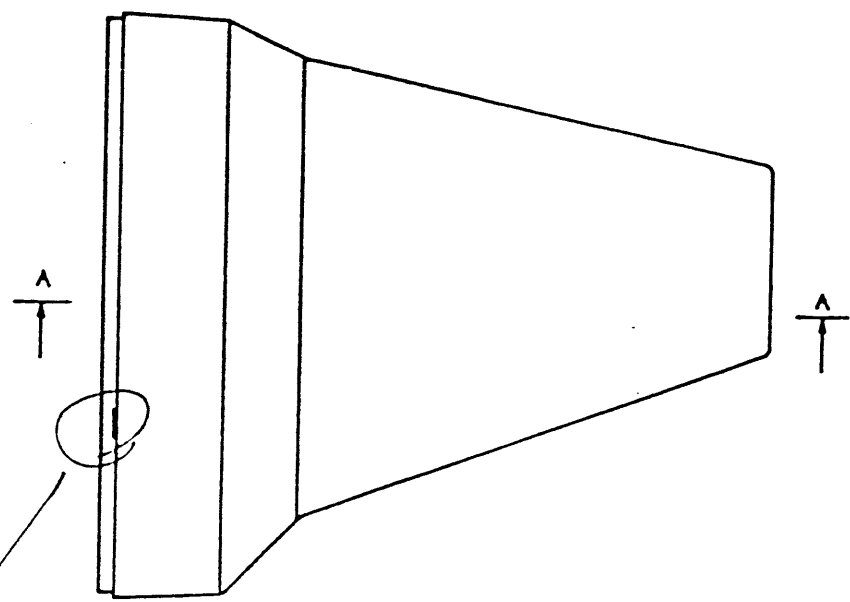
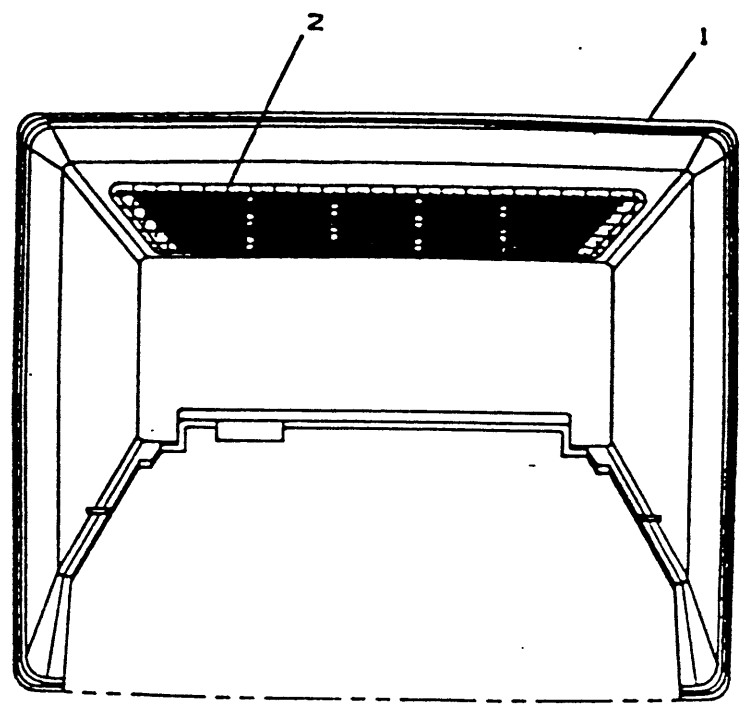
NUMBER
7024242-0-0
SHEET 1 OF 1

REV.
AX01

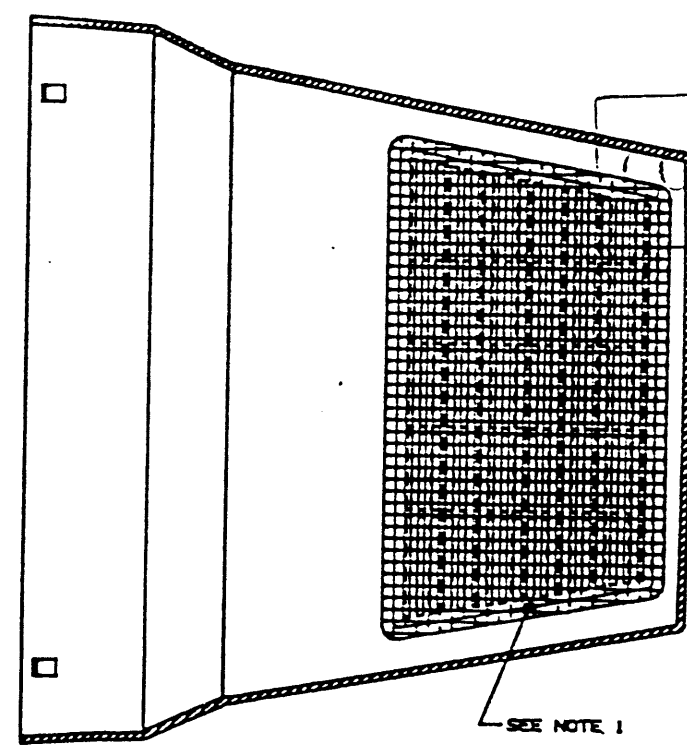
CONFIDENTIAL

LEAD-0		
PART NO	REV.	DESCRIPTION
7024242-01	AQ1	AS SHOWN

NOTES:
 1. HEAT STAKE ITEM 2 TO ITEM 1. MUSHROOM OF HEAT STAKING MUST EXTEND NO MORE THAN .20 BEYOND THE INDICATED SURFACE. SCREEN ASSEMBLY SHOULD BE CAPABLE TO WITHSTAND 2 LBS PULL FORCE PERPENDICULAR TO THE INDICATED SURFACE.
 SCREEN MUST OVERLAP OPENINGS .00 MIN.



Remove hole



CONFIDENTIAL

DETAIL
 APR 24 1987
 PCA CONTROL

CAUTION: OFF SHEET PARTS LIST EXISTS. SEE K-PL-7024242-0-DOP (MLA0716A.PLS)

VIEW "A-A"

REV.	DATE	BY	CHKD.	DESCRIPTION
1				COVER ASSY
2				
3				
4				
5				
6				
7				



PARTS LIST

QUANTITY/VARIATION

NOTES:

DRN. DATE	C. J. LEE 17-SEP-86	DES. ENG. DATE	J. KOU 17-SEP-86	MFG. ENG.
CHK'D DATE		RESP. ENG. DATE		TOP DOC. NO. D-AD-7024244-0-DBU

7024244-01	7024244-02																		
------------	------------	--	--	--	--	--	--	--	--	--	--	--	--	--	--	--	--	--	--

REFERENCE DESIGNATORS

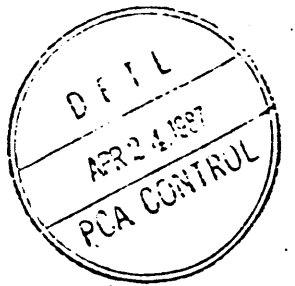
111

ITEM NO.	DRAWING NO.	PART NO.	DESCRIPTION
1	B-DD-5417191-0-0	5417191-01	P/S MODULE US NORTH AMERICAN
2	B-DD-5417279-0-0	5417279-01	P/S MODULE WW INTERNATIONAL
3	B-1A-7024296-0-DBU	7024296-01	POWER CORD ASSY
4	B-1A-7024298-0-DBU	7024298-01	FILTER ASSY
5	C-MD-7435247-0-DBU	7435247-01	SHIELD, INSULATED
6	C-MD-7435247-0-DBU	7435247-02	SHIELD, INSULATED
7		1223381-02	POWER SWITCH
8		1223598-02	SCREW, #4-40X1/4"
9		36	LABEL, BAR CODE BLANK
10	B-1A-7023276-0-DBU	7023276-05	BLU WIRE W/FASTON
11	B-1A-7023276-0-DBU	7023276-06	BRN WIRE W/FASTON

Does not match Detail Doc Is it still "insulated"

Is this part of 54 Assy?

CONFIDENTIAL



ECN NO.

THIS DRAWING AND SPECIFICATIONS CONTAINED HEREIN ARE CONFIDENTIAL AND PROPRIETARY. THEY ARE THE PROPERTY OF DIGITAL EQUIPMENT CORPORATION AND SHALL NOT BE REPRODUCED OR COPIED OR USED IN WHOLE OR IN PART AS THE BASIS FOR THE MANUFACTURE OR SALE OF ITEMS WITHOUT WRITTEN PERMISSION. THIS IS AN UNPUBLISHED WORK PROTECTED UNDER THE FEDERAL COPYRIGHT 1987

TITLE POWER SUPPLY ASSY

ASSY. NO.	SIZE	CODE	NUMBER	REV.
	B	PL	7024244-0-0	AX01
SECTION	OF	SHEET	1	OF 1

1987

LEGEND		
PART NO	REV.	DESCRIPTION
7024244-01	A01	120V W/ATTACHED PWR CORD
7024244-02	A01	120/240V W/O PWR CORD

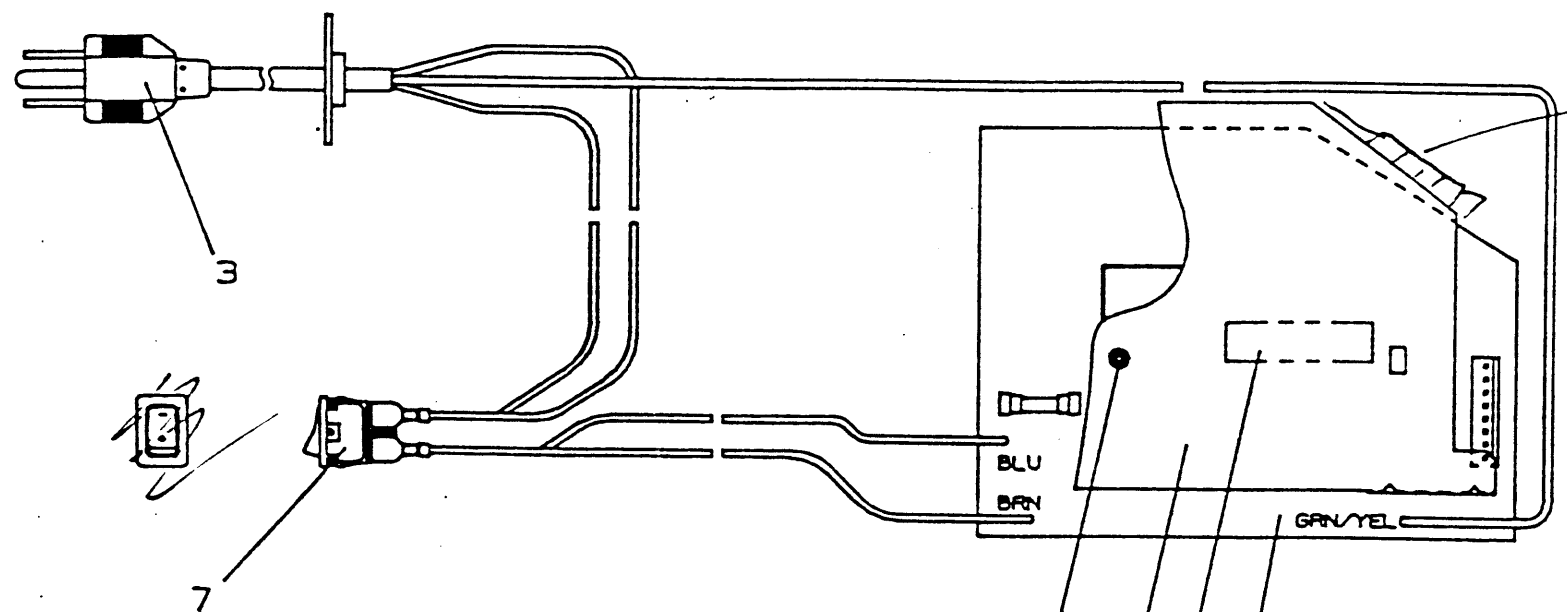
- NOTES:
1. POSITION VOLTAGE SELECTION JUMPER FOR 240V ON -02 VAR.
 2. TORQUE REQUIREMENT:
ITEM 8 : 4-6 IN-LBS
 3. ITEM 9 BAR CODE LABEL TO CONTAIN PART NUMBER (INCLUDING VARIATION) AND PART REVISION PER DEC-STD-047 LOCATE APPROXIMATELY AS SHOWN

WIRE TABLE -01 VAR						
ITEM NO.	AWG	COLOR	FROM		TO	
			CONNECTION	WITH	CONNECTION	WITH
3	-	BLU	-	-	PWR SW 2	-
3	-	BRN	-	-	PWR SW 4	-
3	-	GRN/YEL	-	-	ITEM 1 "GRN/YEL" SOLDER	-
9	18	BLU	ITEM 1 "BLU"	SOLDER	PWR SW 1	-
10	18	BRN	ITEM 1 "BRN"	SOLDER	PWR SW 3	-

Maybe these 2 items are part of item 1, if so - table changes.



ITEM 7 PWR SW.....



wrong pictorial

CONFIDENTIAL



CAUTION: OFF SHEET PARTS LIST EXISTS. SEE K-PL-7024244-0-DBP (MLA0718A.PLS)

-01 AS SHOWN

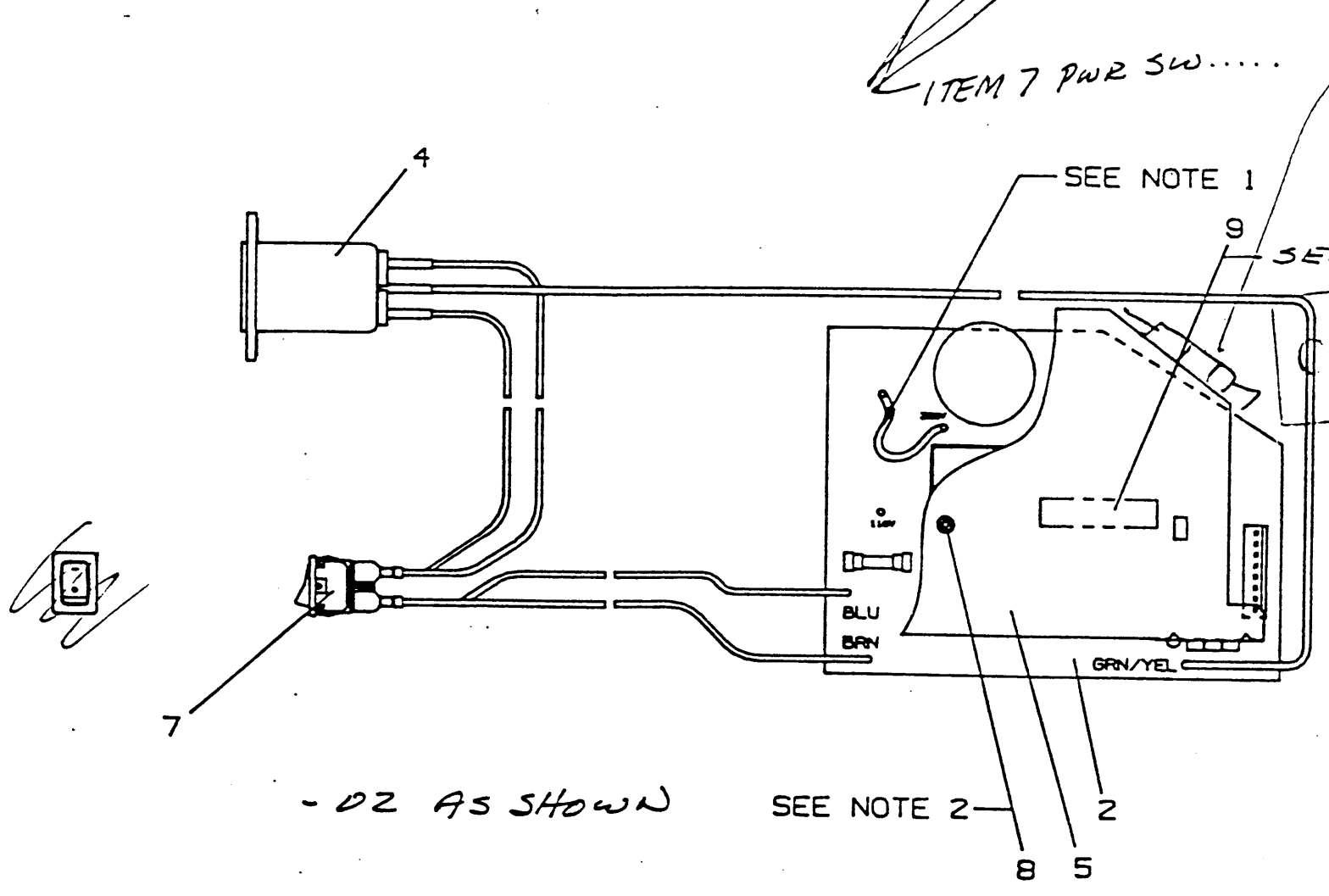
6 SEE NOTE 2
9 1 SEE NOTE 3

DATE	REV	DESCRIPTION

DESCRIPTION	DRAWING NO.	PART NO	REV																																																
UNLESS OTHERWISE SPECIFIED DIMENSIONS ARE IN INCHES AND THE FOLLOWING TOLERANCES APPLY (PER DEC STD 114)																																																			
<table border="1"> <tr> <th>FRONT</th> <th>TOP</th> <th>SIDE</th> <th>DIAMETER</th> <th>RADIUS</th> <th>ANGLE</th> </tr> <tr> <td>±0.005</td> <td>±0.005</td> <td>±0.005</td> <td>±0.005</td> <td>±0.005</td> <td>±0.005</td> </tr> </table>	FRONT	TOP	SIDE	DIAMETER	RADIUS	ANGLE	±0.005	±0.005	±0.005	±0.005	±0.005	±0.005	<table border="1"> <tr> <th>FRONT</th> <th>TOP</th> <th>SIDE</th> <th>DIAMETER</th> <th>RADIUS</th> <th>ANGLE</th> </tr> <tr> <td>±0.005</td> <td>±0.005</td> <td>±0.005</td> <td>±0.005</td> <td>±0.005</td> <td>±0.005</td> </tr> </table>	FRONT	TOP	SIDE	DIAMETER	RADIUS	ANGLE	±0.005	±0.005	±0.005	±0.005	±0.005	±0.005	<table border="1"> <tr> <th>FRONT</th> <th>TOP</th> <th>SIDE</th> <th>DIAMETER</th> <th>RADIUS</th> <th>ANGLE</th> </tr> <tr> <td>±0.005</td> <td>±0.005</td> <td>±0.005</td> <td>±0.005</td> <td>±0.005</td> <td>±0.005</td> </tr> </table>	FRONT	TOP	SIDE	DIAMETER	RADIUS	ANGLE	±0.005	±0.005	±0.005	±0.005	±0.005	±0.005	<table border="1"> <tr> <th>FRONT</th> <th>TOP</th> <th>SIDE</th> <th>DIAMETER</th> <th>RADIUS</th> <th>ANGLE</th> </tr> <tr> <td>±0.005</td> <td>±0.005</td> <td>±0.005</td> <td>±0.005</td> <td>±0.005</td> <td>±0.005</td> </tr> </table>	FRONT	TOP	SIDE	DIAMETER	RADIUS	ANGLE	±0.005	±0.005	±0.005	±0.005	±0.005	±0.005
FRONT	TOP	SIDE	DIAMETER	RADIUS	ANGLE																																														
±0.005	±0.005	±0.005	±0.005	±0.005	±0.005																																														
FRONT	TOP	SIDE	DIAMETER	RADIUS	ANGLE																																														
±0.005	±0.005	±0.005	±0.005	±0.005	±0.005																																														
FRONT	TOP	SIDE	DIAMETER	RADIUS	ANGLE																																														
±0.005	±0.005	±0.005	±0.005	±0.005	±0.005																																														
FRONT	TOP	SIDE	DIAMETER	RADIUS	ANGLE																																														
±0.005	±0.005	±0.005	±0.005	±0.005	±0.005																																														
<table border="1"> <tr> <th>FRONT</th> <th>TOP</th> <th>SIDE</th> <th>DIAMETER</th> <th>RADIUS</th> <th>ANGLE</th> </tr> <tr> <td>±0.005</td> <td>±0.005</td> <td>±0.005</td> <td>±0.005</td> <td>±0.005</td> <td>±0.005</td> </tr> </table>	FRONT	TOP	SIDE	DIAMETER	RADIUS	ANGLE	±0.005	±0.005	±0.005	±0.005	±0.005	±0.005	<table border="1"> <tr> <th>FRONT</th> <th>TOP</th> <th>SIDE</th> <th>DIAMETER</th> <th>RADIUS</th> <th>ANGLE</th> </tr> <tr> <td>±0.005</td> <td>±0.005</td> <td>±0.005</td> <td>±0.005</td> <td>±0.005</td> <td>±0.005</td> </tr> </table>	FRONT	TOP	SIDE	DIAMETER	RADIUS	ANGLE	±0.005	±0.005	±0.005	±0.005	±0.005	±0.005	<table border="1"> <tr> <th>FRONT</th> <th>TOP</th> <th>SIDE</th> <th>DIAMETER</th> <th>RADIUS</th> <th>ANGLE</th> </tr> <tr> <td>±0.005</td> <td>±0.005</td> <td>±0.005</td> <td>±0.005</td> <td>±0.005</td> <td>±0.005</td> </tr> </table>	FRONT	TOP	SIDE	DIAMETER	RADIUS	ANGLE	±0.005	±0.005	±0.005	±0.005	±0.005	±0.005	<table border="1"> <tr> <th>FRONT</th> <th>TOP</th> <th>SIDE</th> <th>DIAMETER</th> <th>RADIUS</th> <th>ANGLE</th> </tr> <tr> <td>±0.005</td> <td>±0.005</td> <td>±0.005</td> <td>±0.005</td> <td>±0.005</td> <td>±0.005</td> </tr> </table>	FRONT	TOP	SIDE	DIAMETER	RADIUS	ANGLE	±0.005	±0.005	±0.005	±0.005	±0.005	±0.005
FRONT	TOP	SIDE	DIAMETER	RADIUS	ANGLE																																														
±0.005	±0.005	±0.005	±0.005	±0.005	±0.005																																														
FRONT	TOP	SIDE	DIAMETER	RADIUS	ANGLE																																														
±0.005	±0.005	±0.005	±0.005	±0.005	±0.005																																														
FRONT	TOP	SIDE	DIAMETER	RADIUS	ANGLE																																														
±0.005	±0.005	±0.005	±0.005	±0.005	±0.005																																														
FRONT	TOP	SIDE	DIAMETER	RADIUS	ANGLE																																														
±0.005	±0.005	±0.005	±0.005	±0.005	±0.005																																														
<table border="1"> <tr> <th>FRONT</th> <th>TOP</th> <th>SIDE</th> <th>DIAMETER</th> <th>RADIUS</th> <th>ANGLE</th> </tr> <tr> <td>±0.005</td> <td>±0.005</td> <td>±0.005</td> <td>±0.005</td> <td>±0.005</td> <td>±0.005</td> </tr> </table>	FRONT	TOP	SIDE	DIAMETER	RADIUS	ANGLE	±0.005	±0.005	±0.005	±0.005	±0.005	±0.005	<table border="1"> <tr> <th>FRONT</th> <th>TOP</th> <th>SIDE</th> <th>DIAMETER</th> <th>RADIUS</th> <th>ANGLE</th> </tr> <tr> <td>±0.005</td> <td>±0.005</td> <td>±0.005</td> <td>±0.005</td> <td>±0.005</td> <td>±0.005</td> </tr> </table>	FRONT	TOP	SIDE	DIAMETER	RADIUS	ANGLE	±0.005	±0.005	±0.005	±0.005	±0.005	±0.005	<table border="1"> <tr> <th>FRONT</th> <th>TOP</th> <th>SIDE</th> <th>DIAMETER</th> <th>RADIUS</th> <th>ANGLE</th> </tr> <tr> <td>±0.005</td> <td>±0.005</td> <td>±0.005</td> <td>±0.005</td> <td>±0.005</td> <td>±0.005</td> </tr> </table>	FRONT	TOP	SIDE	DIAMETER	RADIUS	ANGLE	±0.005	±0.005	±0.005	±0.005	±0.005	±0.005	<table border="1"> <tr> <th>FRONT</th> <th>TOP</th> <th>SIDE</th> <th>DIAMETER</th> <th>RADIUS</th> <th>ANGLE</th> </tr> <tr> <td>±0.005</td> <td>±0.005</td> <td>±0.005</td> <td>±0.005</td> <td>±0.005</td> <td>±0.005</td> </tr> </table>	FRONT	TOP	SIDE	DIAMETER	RADIUS	ANGLE	±0.005	±0.005	±0.005	±0.005	±0.005	±0.005
FRONT	TOP	SIDE	DIAMETER	RADIUS	ANGLE																																														
±0.005	±0.005	±0.005	±0.005	±0.005	±0.005																																														
FRONT	TOP	SIDE	DIAMETER	RADIUS	ANGLE																																														
±0.005	±0.005	±0.005	±0.005	±0.005	±0.005																																														
FRONT	TOP	SIDE	DIAMETER	RADIUS	ANGLE																																														
±0.005	±0.005	±0.005	±0.005	±0.005	±0.005																																														
FRONT	TOP	SIDE	DIAMETER	RADIUS	ANGLE																																														
±0.005	±0.005	±0.005	±0.005	±0.005	±0.005																																														
<table border="1"> <tr> <th>FRONT</th> <th>TOP</th> <th>SIDE</th> <th>DIAMETER</th> <th>RADIUS</th> <th>ANGLE</th> </tr> <tr> <td>±0.005</td> <td>±0.005</td> <td>±0.005</td> <td>±0.005</td> <td>±0.005</td> <td>±0.005</td> </tr> </table>	FRONT	TOP	SIDE	DIAMETER	RADIUS	ANGLE	±0.005	±0.005	±0.005	±0.005	±0.005	±0.005	<table border="1"> <tr> <th>FRONT</th> <th>TOP</th> <th>SIDE</th> <th>DIAMETER</th> <th>RADIUS</th> <th>ANGLE</th> </tr> <tr> <td>±0.005</td> <td>±0.005</td> <td>±0.005</td> <td>±0.005</td> <td>±0.005</td> <td>±0.005</td> </tr> </table>	FRONT	TOP	SIDE	DIAMETER	RADIUS	ANGLE	±0.005	±0.005	±0.005	±0.005	±0.005	±0.005	<table border="1"> <tr> <th>FRONT</th> <th>TOP</th> <th>SIDE</th> <th>DIAMETER</th> <th>RADIUS</th> <th>ANGLE</th> </tr> <tr> <td>±0.005</td> <td>±0.005</td> <td>±0.005</td> <td>±0.005</td> <td>±0.005</td> <td>±0.005</td> </tr> </table>	FRONT	TOP	SIDE	DIAMETER	RADIUS	ANGLE	±0.005	±0.005	±0.005	±0.005	±0.005	±0.005	<table border="1"> <tr> <th>FRONT</th> <th>TOP</th> <th>SIDE</th> <th>DIAMETER</th> <th>RADIUS</th> <th>ANGLE</th> </tr> <tr> <td>±0.005</td> <td>±0.005</td> <td>±0.005</td> <td>±0.005</td> <td>±0.005</td> <td>±0.005</td> </tr> </table>	FRONT	TOP	SIDE	DIAMETER	RADIUS	ANGLE	±0.005	±0.005	±0.005	±0.005	±0.005	±0.005
FRONT	TOP	SIDE	DIAMETER	RADIUS	ANGLE																																														
±0.005	±0.005	±0.005	±0.005	±0.005	±0.005																																														
FRONT	TOP	SIDE	DIAMETER	RADIUS	ANGLE																																														
±0.005	±0.005	±0.005	±0.005	±0.005	±0.005																																														
FRONT	TOP	SIDE	DIAMETER	RADIUS	ANGLE																																														
±0.005	±0.005	±0.005	±0.005	±0.005	±0.005																																														
FRONT	TOP	SIDE	DIAMETER	RADIUS	ANGLE																																														
±0.005	±0.005	±0.005	±0.005	±0.005	±0.005																																														
<table border="1"> <tr> <th>FRONT</th> <th>TOP</th> <th>SIDE</th> <th>DIAMETER</th> <th>RADIUS</th> <th>ANGLE</th> </tr> <tr> <td>±0.005</td> <td>±0.005</td> <td>±0.005</td> <td>±0.005</td> <td>±0.005</td> <td>±0.005</td> </tr> </table>	FRONT	TOP	SIDE	DIAMETER	RADIUS	ANGLE	±0.005	±0.005	±0.005	±0.005	±0.005	±0.005	<table border="1"> <tr> <th>FRONT</th> <th>TOP</th> <th>SIDE</th> <th>DIAMETER</th> <th>RADIUS</th> <th>ANGLE</th> </tr> <tr> <td>±0.005</td> <td>±0.005</td> <td>±0.005</td> <td>±0.005</td> <td>±0.005</td> <td>±0.005</td> </tr> </table>	FRONT	TOP	SIDE	DIAMETER	RADIUS	ANGLE	±0.005	±0.005	±0.005	±0.005	±0.005	±0.005	<table border="1"> <tr> <th>FRONT</th> <th>TOP</th> <th>SIDE</th> <th>DIAMETER</th> <th>RADIUS</th> <th>ANGLE</th> </tr> <tr> <td>±0.005</td> <td>±0.005</td> <td>±0.005</td> <td>±0.005</td> <td>±0.005</td> <td>±0.005</td> </tr> </table>	FRONT	TOP	SIDE	DIAMETER	RADIUS	ANGLE	±0.005	±0.005	±0.005	±0.005	±0.005	±0.005	<table border="1"> <tr> <th>FRONT</th> <th>TOP</th> <th>SIDE</th> <th>DIAMETER</th> <th>RADIUS</th> <th>ANGLE</th> </tr> <tr> <td>±0.005</td> <td>±0.005</td> <td>±0.005</td> <td>±0.005</td> <td>±0.005</td> <td>±0.005</td> </tr> </table>	FRONT	TOP	SIDE	DIAMETER	RADIUS	ANGLE	±0.005	±0.005	±0.005	±0.005	±0.005	±0.005
FRONT	TOP	SIDE	DIAMETER	RADIUS	ANGLE																																														
±0.005	±0.005	±0.005	±0.005	±0.005	±0.005																																														
FRONT	TOP	SIDE	DIAMETER	RADIUS	ANGLE																																														
±0.005	±0.005	±0.005	±0.005	±0.005	±0.005																																														
FRONT	TOP	SIDE	DIAMETER	RADIUS	ANGLE																																														
±0.005	±0.005	±0.005	±0.005	±0.005	±0.005																																														
FRONT	TOP	SIDE	DIAMETER	RADIUS	ANGLE																																														
±0.005	±0.005	±0.005	±0.005	±0.005	±0.005																																														
<table border="1"> <tr> <th>FRONT</th> <th>TOP</th> <th>SIDE</th> <th>DIAMETER</th> <th>RADIUS</th> <th>ANGLE</th> </tr> <tr> <td>±0.005</td> <td>±0.005</td> <td>±0.005</td> <td>±0.005</td> <td>±0.005</td> <td>±0.005</td> </tr> </table>	FRONT	TOP	SIDE	DIAMETER	RADIUS	ANGLE	±0.005	±0.005	±0.005	±0.005	±0.005	±0.005	<table border="1"> <tr> <th>FRONT</th> <th>TOP</th> <th>SIDE</th> <th>DIAMETER</th> <th>RADIUS</th> <th>ANGLE</th> </tr> <tr> <td>±0.005</td> <td>±0.005</td> <td>±0.005</td> <td>±0.005</td> <td>±0.005</td> <td>±0.005</td> </tr> </table>	FRONT	TOP	SIDE	DIAMETER	RADIUS	ANGLE	±0.005	±0.005	±0.005	±0.005	±0.005	±0.005	<table border="1"> <tr> <th>FRONT</th> <th>TOP</th> <th>SIDE</th> <th>DIAMETER</th> <th>RADIUS</th> <th>ANGLE</th> </tr> <tr> <td>±0.005</td> <td>±0.005</td> <td>±0.005</td> <td>±0.005</td> <td>±0.005</td> <td>±0.005</td> </tr> </table>	FRONT	TOP	SIDE	DIAMETER	RADIUS	ANGLE	±0.005	±0.005	±0.005	±0.005	±0.005	±0.005	<table border="1"> <tr> <th>FRONT</th> <th>TOP</th> <th>SIDE</th> <th>DIAMETER</th> <th>RADIUS</th> <th>ANGLE</th> </tr> <tr> <td>±0.005</td> <td>±0.005</td> <td>±0.005</td> <td>±0.005</td> <td>±0.005</td> <td>±0.005</td> </tr> </table>	FRONT	TOP	SIDE	DIAMETER	RADIUS	ANGLE	±0.005	±0.005	±0.005	±0.005	±0.005	±0.005
FRONT	TOP	SIDE	DIAMETER	RADIUS	ANGLE																																														
±0.005	±0.005	±0.005	±0.005	±0.005	±0.005																																														
FRONT	TOP	SIDE	DIAMETER	RADIUS	ANGLE																																														
±0.005	±0.005	±0.005	±0.005	±0.005	±0.005																																														
FRONT	TOP	SIDE	DIAMETER	RADIUS	ANGLE																																														
±0.005	±0.005	±0.005	±0.005	±0.005	±0.005																																														
FRONT	TOP	SIDE	DIAMETER	RADIUS	ANGLE																																														
±0.005	±0.005	±0.005	±0.005	±0.005	±0.005																																														
<table border="1"> <tr> <th>FRONT</th> <th>TOP</th> <th>SIDE</th> <th>DIAMETER</th> <th>RADIUS</th> <th>ANGLE</th> </tr> <tr> <td>±0.005</td> <td>±0.005</td> <td>±0.005</td> <td>±0.005</td> <td>±0.005</td> <td>±0.005</td> </tr> </table>	FRONT	TOP	SIDE	DIAMETER	RADIUS	ANGLE	±0.005	±0.005	±0.005	±0.005	±0.005	±0.005	<table border="1"> <tr> <th>FRONT</th> <th>TOP</th> <th>SIDE</th> <th>DIAMETER</th> <th>RADIUS</th> <th>ANGLE</th> </tr> <tr> <td>±0.005</td> <td>±0.005</td> <td>±0.005</td> <td>±0.005</td> <td>±0.005</td> <td>±0.005</td> </tr> </table>	FRONT	TOP	SIDE	DIAMETER	RADIUS	ANGLE	±0.005	±0.005	±0.005	±0.005	±0.005	±0.005	<table border="1"> <tr> <th>FRONT</th> <th>TOP</th> <th>SIDE</th> <th>DIAMETER</th> <th>RADIUS</th> <th>ANGLE</th> </tr> <tr> <td>±0.005</td> <td>±0.005</td> <td>±0.005</td> <td>±0.005</td> <td>±0.005</td> <td>±0.005</td> </tr> </table>	FRONT	TOP	SIDE	DIAMETER	RADIUS	ANGLE	±0.005	±0.005	±0.005	±0.005	±0.005	±0.005	<table border="1"> <tr> <th>FRONT</th> <th>TOP</th> <th>SIDE</th> <th>DIAMETER</th> <th>RADIUS</th> <th>ANGLE</th> </tr> <tr> <td>±0.005</td> <td>±0.005</td> <td>±0.005</td> <td>±0.005</td> <td>±0.005</td> <td>±0.005</td> </tr> </table>	FRONT	TOP	SIDE	DIAMETER	RADIUS	ANGLE	±0.005	±0.005	±0.005	±0.005	±0.005	±0.005
FRONT	TOP	SIDE	DIAMETER	RADIUS	ANGLE																																														
±0.005	±0.005	±0.005	±0.005	±0.005	±0.005																																														
FRONT	TOP	SIDE	DIAMETER	RADIUS	ANGLE																																														
±0.005	±0.005	±0.005	±0.005	±0.005	±0.005																																														
FRONT	TOP	SIDE	DIAMETER	RADIUS	ANGLE																																														
±0.005	±0.005	±0.005	±0.005	±0.005	±0.005																																														
FRONT	TOP	SIDE	DIAMETER	RADIUS	ANGLE																																														
±0.005	±0.005	±0.005	±0.005	±0.005	±0.005																																														
<table border="1"> <tr> <th>FRONT</th> <th>TOP</th> <th>SIDE</th> <th>DIAMETER</th> <th>RADIUS</th> <th>ANGLE</th> </tr> <tr> <td>±0.005</td> <td>±0.005</td> <td>±0.005</td> <td>±0.005</td> <td>±0.005</td> <td>±0.005</td> </tr> </table>	FRONT	TOP	SIDE	DIAMETER	RADIUS	ANGLE	±0.005	±0.005	±0.005	±0.005	±0.005	±0.005	<table border="1"> <tr> <th>FRONT</th> <th>TOP</th> <th>SIDE</th> <th>DIAMETER</th> <th>RADIUS</th> <th>ANGLE</th> </tr> <tr> <td>±0.005</td> <td>±0.005</td> <td>±0.005</td> <td>±0.005</td> <td>±0.005</td> <td>±0.005</td> </tr> </table>	FRONT	TOP	SIDE	DIAMETER	RADIUS	ANGLE	±0.005	±0.005	±0.005	±0.005	±0.005	±0.005	<table border="1"> <tr> <th>FRONT</th> <th>TOP</th> <th>SIDE</th> <th>DIAMETER</th> <th>RADIUS</th> <th>ANGLE</th> </tr> <tr> <td>±0.005</td> <td>±0.005</td> <td>±0.005</td> <td>±0.005</td> <td>±0.005</td> <td>±0.005</td> </tr> </table>	FRONT	TOP	SIDE	DIAMETER	RADIUS	ANGLE	±0.005	±0.005	±0.005	±0.005	±0.005	±0.005	<table border="1"> <tr> <th>FRONT</th> <th>TOP</th> <th>SIDE</th> <th>DIAMETER</th> <th>RADIUS</th> <th>ANGLE</th> </tr> <tr> <td>±0.005</td> <td>±0.005</td> <td>±0.005</td> <td>±0.005</td> <td>±0.005</td> <td>±0.005</td> </tr> </table>	FRONT	TOP	SIDE	DIAMETER	RADIUS	ANGLE	±0.005	±0.005	±0.005	±0.005	±0.005	±0.005
FRONT	TOP	SIDE	DIAMETER	RADIUS	ANGLE																																														
±0.005	±0.005	±0.005	±0.005	±0.005	±0.005																																														
FRONT	TOP	SIDE	DIAMETER	RADIUS	ANGLE																																														
±0.005	±0.005	±0.005	±0.005	±0.005	±0.005																																														
FRONT	TOP	SIDE	DIAMETER	RADIUS	ANGLE																																														
±0.005	±0.005	±0.005	±0.005	±0.005	±0.005																																														
FRONT	TOP	SIDE	DIAMETER	RADIUS	ANGLE																																														
±0.005	±0.005	±0.005	±0.005	±0.005	±0.005																																														
<table border="1"> <tr> <th>FRONT</th> <th>TOP</th> <th>SIDE</th> <th>DIAMETER</th> <th>RADIUS</th> <th>ANGLE</th> </tr> <tr> <td>±0.005</td> <td>±0.005</td> <td>±0.005</td> <td>±0.005</td> <td>±0.005</td> <td>±0.005</td> </tr> </table>	FRONT	TOP	SIDE	DIAMETER	RADIUS	ANGLE	±0.005	±0.005	±0.005	±0.005	±0.005	±0.005	<table border="1"> <tr> <th>FRONT</th> <th>TOP</th> <th>SIDE</th> <th>DIAMETER</th> <th>RADIUS</th> <th>ANGLE</th> </tr> <tr> <td>±0.005</td> <td>±0.005</td> <td>±0.005</td> <td>±0.005</td> <td>±0.005</td> <td>±0.005</td> </tr> </table>	FRONT	TOP	SIDE	DIAMETER	RADIUS	ANGLE	±0.005	±0.005	±0.005	±0.005	±0.005	±0.005	<table border="1"> <tr> <th>FRONT</th> <th>TOP</th> <th>SIDE</th> <th>DIAMETER</th> <th>RADIUS</th> <th>ANGLE</th> </tr> <tr> <td>±0.005</td> <td>±0.005</td> <td>±0.005</td> <td>±0.005</td> <td>±0.005</td> <td>±0.005</td> </tr> </table>	FRONT	TOP	SIDE	DIAMETER	RADIUS	ANGLE	±0.005	±0.005	±0.005	±0.005	±0.005	±0.005	<table border="1"> <tr> <th>FRONT</th> <th>TOP</th> <th>SIDE</th> <th>DIAMETER</th> <th>RADIUS</th> <th>ANGLE</th> </tr> <tr> <td>±0.005</td> <td>±0.005</td> <td>±0.005</td> <td>±0.005</td> <td>±0.005</td> <td>±0.005</td> </tr> </table>	FRONT	TOP	SIDE	DIAMETER	RADIUS	ANGLE	±0.005	±0.005	±0.005	±0.005	±0.005	±0.005
FRONT	TOP	SIDE	DIAMETER	RADIUS	ANGLE																																														
±0.005	±0.005	±0.005	±0.005	±0.005	±0.005																																														
FRONT	TOP	SIDE	DIAMETER	RADIUS	ANGLE																																														
±0.005	±0.005	±0.005	±0.005	±0.005	±0.005																																														
FRONT	TOP	SIDE	DIAMETER	RADIUS	ANGLE																																														
±0.005	±0.005	±0.005	±0.005	±0.005	±0.005																																														
FRONT	TOP	SIDE	DIAMETER	RADIUS	ANGLE																																														
±0.005	±0.005	±0.005	±0.005	±0.005	±0.005																																														
<table border="1"> <tr> <th>FRONT</th> <th>TOP</th> <th>SIDE</th> <th>DIAMETER</th> <th>RADIUS</th> <th>ANGLE</th> </tr> <tr> <td>±0.005</td> <td>±0.005</td> <td>±0.005</td> <td>±0.005</td> <td>±0.005</td> <td>±0.005</td> </tr> </table>	FRONT	TOP	SIDE	DIAMETER	RADIUS	ANGLE	±0.005	±0.005	±0.005	±0.005	±0.005	±0.005	<table border="1"> <tr> <th>FRONT</th> <th>TOP</th> <th>SIDE</th> <th>DIAMETER</th> <th>RADIUS</th> <th>ANGLE</th> </tr> <tr> <td>±0.005</td> <td>±0.005</td> <td>±0.005</td> <td>±0.005</td> <td>±0.005</td> <td>±0.005</td> </tr> </table>	FRONT	TOP	SIDE	DIAMETER	RADIUS	ANGLE	±0.005	±0.005	±0.005	±0.005	±0.005	±0.005	<table border="1"> <tr> <th>FRONT</th> <th>TOP</th> <th>SIDE</th> <th>DIAMETER</th> <th>RADIUS</th> <th>ANGLE</th> </tr> <tr> <td>±0.005</td> <td>±0.005</td> <td>±0.005</td> <td>±0.005</td> <td>±0.005</td> <td>±0.005</td> </tr> </table>	FRONT	TOP	SIDE	DIAMETER	RADIUS	ANGLE	±0.005	±0.005	±0.005	±0.005	±0.005	±0.005	<table border="1"> <tr> <th>FRONT</th> <th>TOP</th> <th>SIDE</th> <th>DIAMETER</th> <th>RADIUS</th> <th>ANGLE</th> </tr> <tr> <td>±0.005</td> <td>±0.005</td> <td>±0.005</td> <td>±0.005</td> <td>±0.005</td> <td>±0.005</td> </tr> </table>	FRONT	TOP	SIDE	DIAMETER	RADIUS	ANGLE	±0.005	±0.005	±0.005	±0.005	±0.005	±0.005
FRONT	TOP	SIDE	DIAMETER	RADIUS	ANGLE																																														
±0.005	±0.005	±0.005	±0.005	±0.005	±0.005																																														
FRONT	TOP	SIDE	DIAMETER	RADIUS	ANGLE																																														
±0.005	±0.005	±0.005	±0.005	±0.005	±0.005																																														
FRONT	TOP	SIDE	DIAMETER	RADIUS	ANGLE																																														
±0.005	±0.005	±0.005	±0.005	±0.005	±0.005																																														
FRONT	TOP	SIDE	DIAMETER	RADIUS	ANGLE																																														
±0.005	±0.005	±0.005	±0.005	±0.005	±0.005																																														
<table border="1"> <tr> <th>FRONT</th> <th>TOP</th> <th>SIDE</th> <th>DIAMETER</th> <th>RADIUS</th> <th>ANGLE</th> </tr> <tr> <td>±0.005</td> <td>±0.005</td> <td>±0.005</td> <td>±0.005</td> <td>±0.005</td> <td>±0.005</td> </tr> </table>	FRONT	TOP	SIDE	DIAMETER	RADIUS	ANGLE	±0.005	±0.005	±0.005	±0.005	±0.005	±0.005	<table border="1"> <tr> <th>FRONT</th> <th>TOP</th> <th>SIDE</th> <th>DIAMETER</th> <th>RADIUS</th> <th>ANGLE</th> </tr> <tr> <td>±0.005</td> <td>±0.005</td> <td>±0.005</td> <td>±0.005</td> <td>±0.005</td> <td>±0.005</td> </tr> </table>	FRONT	TOP	SIDE	DIAMETER	RADIUS	ANGLE	±0.005	±0.005	±0.005	±0.005	±0.005	±0.005	<table border="1"> <tr> <th>FRONT</th> <th>TOP</th> <th>SIDE</th> <th>DIAMETER</th> <th>RADIUS</th> <th>ANGLE</th> </tr> <tr> <td>±0.005</td> <td>±0.005</td> <td>±0.005</td> <td>±0.005</td> <td>±0.005</td> <td>±0.005</td> </tr> </table>	FRONT	TOP	SIDE	DIAMETER	RADIUS	ANGLE	±0.005	±0.005	±0.005	±0.005	±0.005	±0.005	<table border="1"> <tr> <th>FRONT</th> <th>TOP</th> <th>SIDE</th> <th>DIAMETER</th> <th>RADIUS</th> <th>ANGLE</th> </tr> <tr> <td>±0.005</td> <td>±0.005</td> <td>±0.005</td> <td>±0.005</td> <td>±0.005</td> <td>±0.005</td> </tr> </table>	FRONT	TOP	SIDE	DIAMETER	RADIUS	ANGLE	±0.005	±0.005	±0.005	±0.005	±0.005	±0.005
FRONT	TOP	SIDE	DIAMETER	RADIUS	ANGLE																																														
±0.005	±0.005	±0.005	±0.005	±0.005	±0.005																																														
FRONT	TOP	SIDE	DIAMETER	RADIUS	ANGLE																																														
±0.005	±0.005	±0.005	±0.005	±0.005	±0.005																																														
FRONT	TOP	SIDE	DIAMETER	RADIUS	ANGLE																																														
±0.005	±0.005	±0.005	±0.005	±0.005	±0.005																																														
FRONT	TOP	SIDE	DIAMETER	RADIUS	ANGLE																																														
±0.005	±0.005	±0.005	±0.005	±0.005	±0.005																																														
<table border="1"> <tr> <th>FRONT</th> <th>TOP</th> <th>SIDE</th> <th>DIAMETER</th> <th>RADIUS</th> <th>ANGLE</th> </tr> <tr> <td>±0.005</td> <td>±0.005</td> <td>±0.005</td> <td>±0.005</td> <td>±0.005</td> <td>±0.005</td> </tr> </table>	FRONT	TOP	SIDE	DIAMETER	RADIUS	ANGLE	±0.005	±0.005	±0.005	±0.005	±0.005	±0.005	<table border="1"> <tr> <th>FRONT</th> <th>TOP</th> <th>SIDE</th> <th>DIAMETER</th> <th>RADIUS</th> <th>ANGLE</th> </tr> <tr> <td>±0.005</td> <td>±0.005</td> <td>±0.005</td> <td>±0.005</td> <td>±0.005</td> <td>±0.005</td> </tr> </table>	FRONT	TOP	SIDE	DIAMETER	RADIUS	ANGLE	±0.005	±0.005	±0.005	±0.005	±0.005	±0.005	<table border="1"> <tr> <th>FRONT</th> <th>TOP</th> <th>SIDE</th> <th>DIAMETER</th> <th>RADIUS</th> <th>ANGLE</th> </tr> <tr> <td>±0.005</td> <td>±0.005</td> <td>±0.005</td> <td>±0.005</td> <td>±0.005</td> <td>±0.005</td> </tr> </table>	FRONT	TOP	SIDE	DIAMETER	RADIUS	ANGLE	±0.005	±0.005	±0.005	±0.005	±0.005	±0.005	<table border="1"> <tr> <th>FRONT</th> <th>TOP</th> <th>SIDE</th> <th>DIAMETER</th> <th>RADIUS</th> <th>ANGLE</th> </tr> <tr> <td>±0.005</td> <td>±0.005</td> <td>±0.005</td> <td>±0.005</td> <td>±0.005</td> <td>±0.005</td> </tr> </table>	FRONT	TOP	SIDE	DIAMETER	RADIUS	ANGLE	±0.005	±0.005	±0.005	±0.005	±0.005	±0.005
FRONT	TOP	SIDE	DIAMETER	RADIUS	ANGLE																																														
±0.005	±0.005	±0.005	±0.005	±0.005	±0.005																																														
FRONT	TOP	SIDE	DIAMETER	RADIUS	ANGLE																																														
±0.005	±0.005	±0.005	±0.005	±0.005	±0.005																																														
FRONT	TOP	SIDE	DIAMETER	RADIUS	ANGLE																																														
±0.005	±0.005	±0.005	±0.005	±0.005	±0.005																																														
FRONT	TOP	SIDE	DIAMETER	RADIUS	ANGLE																																														
±0.005	±0.005	±0.005	±0.005	±0.005	±0.005																																														
<table border="1"> <tr> <th>FRONT</th> <th>TOP</th> <th>SIDE</th> <th>DIAMETER</th> <th>RADIUS</th> <th>ANGLE</th> </tr> <tr> <td>±0.005</td> <td>±0.005</td> <td>±0.005</td> <td>±0.005</td> <td>±0.005</td> <td>±0.005</td> </tr> </table>	FRONT	TOP	SIDE	DIAMETER	RADIUS	ANGLE	±0.005	±0.005	±0.005	±0.005	±0.005	±0.005	<table border="1"> <tr> <th>FRONT</th> <th>TOP</th> <th>SIDE</th> <th>DIAMETER</th> <th>RADIUS</th> <th>ANGLE</th> </tr> <tr> <td>±0.005</td> <td>±0.005</td> <td>±0.005</td> <td>±0.005</td> <td>±0.005</td> <td>±0.005</td> </tr> </table>	FRONT	TOP	SIDE	DIAMETER	RADIUS	ANGLE	±0.005	±0.005	±0.005	±0.005	±0.005	±0.005	<table border="1"> <tr> <th>FRONT</th> <th>TOP</th> <th>SIDE</th> <th>DIAMETER</th> <th>RADIUS</th> <th>ANGLE</th> </tr> <tr> <td>±0.005</td> <td>±0.005</td> <td>±0.005</td> <td>±0.005</td> <td>±0.005</td> <td>±0.005</td> </tr> </table>	FRONT	TOP	SIDE	DIAMETER	RADIUS	ANGLE	±0.005	±0.005	±0.005	±0.005	±0.005	±0.005	<table border="1"> <tr> <th>FRONT</th> <th>TOP</th> <th>SIDE</th> <th>DIAMETER</th> <th>RADIUS</th> <th>ANGLE</th> </tr> <tr> <td>±0.005</td> <td>±0.005</td> <td>±0.005</td> <td>±0.005</td> <td>±0.005</td> <td>±0.005</td> </tr> </table>	FRONT	TOP	SIDE	DIAMETER	RADIUS	ANGLE	±0.005	±0.005	±0.005	±0.005	±0.005	±0.005
FRONT	TOP	SIDE	DIAMETER	RADIUS	ANGLE																																														
±0.005	±0.005	±0.005	±0.005	±0.005	±0.005																																														
FRONT	TOP	SIDE	DIAMETER	RADIUS	ANGLE																																														
±0.005	±0.005	±0.005	±0.005	±0.005	±0.005																																														
FRONT	TOP	SIDE	DIAMETER	RADIUS	ANGLE																																														
±0.005	±0.005	±0.005	±0.005	±0.005	±0.005																																														
FRONT	TOP	SIDE	DIAMETER	RADIUS	ANGLE																																														
±0.005	±0.005	±0.005	±0.005	±0.005	±0.005																																														
<table border="1"> <tr> <th>FRONT</th> <th>TOP</th> <th>SIDE</th> <th>DIAMETER</th> <th>RADIUS</th> <th>ANGLE</th> </tr> <tr> <td>±0.005</td> <td>±0.005</td> <td>±0.005</td> <td>±0.005</td> <td>±0.005</td> <td>±0.005</td> </tr> </table>	FRONT	TOP	SIDE	DIAMETER	RADIUS	ANGLE	±0.005	±0.005	±0.005	±0.005	±0.005	±0.005	<table border="1"> <tr> <th>FRONT</th> <th>TOP</th> <th>SIDE</th> <th>DIAMETER</th> <th>RADIUS</th> <th>ANGLE</th> </tr> <tr> <td>±0.005</td> <td>±0.005</td> <td>±0.005</td> <td>±0.005</td> <td>±0.005</td> <td>±0.005</td> </tr> </table>	FRONT	TOP	SIDE	DIAMETER	RADIUS	ANGLE	±0.005	±0.005	±0.005	±0.005	±0.005	±0.005	<table border="1"> <tr> <th>FRONT</th> <th>TOP</th> <th>SIDE</th> <th>DIAMETER</th> <th>RADIUS</th> <th>ANGLE</th> </tr> <tr> <td>±0.005</td> <td>±0.005</td> <td>±0.005</td> <td>±0.005</td> <td>±0.005</td> <td>±0.005</td> </tr> </table>	FRONT	TOP	SIDE	DIAMETER	RADIUS	ANGLE	±0.005	±0.005	±0.005	±0.005	±0.005	±0.005	<table border="1"> <tr> <th>FRONT</th> <th>TOP</th> <th>SIDE</th> <th>DIAMETER</th> <th>RADIUS</th> <th>ANGLE</th> </tr> <tr> <td>±0.005</td> <td>±0.005</td> <td>±0.005</td> <td>±0.005</td> <td>±0.005</td> <td>±0.005</td> </tr> </table>	FRONT	TOP	SIDE	DIAMETER	RADIUS	ANGLE	±0.005	±0.005	±0.005	±0.005	±0.005	±0.005
FRONT	TOP	SIDE	DIAMETER	RADIUS	ANGLE																																														
±0.005	±0.005	±0.005	±0.005	±0.005	±0.005																																														
FRONT	TOP	SIDE	DIAMETER	RADIUS	ANGLE																																														
±0.005	±0.005	±0.005	±0.005	±0.005	±0.005																																														
FRONT	TOP	SIDE	DIAMETER	RADIUS	ANGLE																																														
±0.005	±0.005	±0.005	±0.005	±0.005	±0.005																																														
FRONT	TOP	SIDE	DIAMETER	RADIUS	ANGLE																																														
±0.005	±0.005	±0.005	±0.005	±0.005	±0.005																																														
<table border="1"> <tr> <th>FRONT</th> <th>TOP</th> <th>SIDE</th> <th>DIAMETER</th> <th>RADIUS</th> <th>ANGLE</th> </tr> <tr> <td>±0.005</td> <td>±0.005</td> <td>±0.005</td> <td>±0.005</td> <td>±0.005</td> <td>±0.005</td> </tr> </table>	FRONT	TOP	SIDE	DIAMETER	RADIUS	ANGLE	±0.005	±0.005	±0.005	±0.005	±0.005	±0.005	<table border="1"> <tr> <th>FRONT</th> <th>TOP</th> <th>SIDE</th> <th>DIAMETER</th> <th>RADIUS</th> <th>ANGLE</th> </tr> <tr> <td>±0.005</td> <td>±0.005</td> <td>±0.005</td> <td>±0.005</td> <td>±0.005</td> <td>±0.005</td> </tr> </table>	FRONT	TOP	SIDE	DIAMETER	RADIUS	ANGLE	±0.005	±0.005	±0.005	±0.005	±0.005	±0.005	<table border="1"> <tr> <th>FRONT</th> <th>TOP</th> <th>SIDE</th> <th>DIAMETER</th> <th>RADIUS</th> <th>ANGLE</th> </tr> <tr> <td>±0.005</td> <td>±0.005</td> <td>±0.005</td> <td>±0.005</td> <td>±0.005</td> <td>±0.005</td> </tr> </table>	FRONT	TOP	SIDE	DIAMETER	RADIUS	ANGLE	±0.005	±0.005	±0.005	±0.005	±0.005	±0.005	<table border="1"> <tr> <th>FRONT</th> <th>TOP</th> <th>SIDE</th> <th>DIAMETER</th> <th>RADIUS</th> <th>ANGLE</th> </tr> <tr> <td>±0.005</td> <td>±0.005</td> <td>±0.005</td> <td>±0.005</td> <td>±0.005</td> <td>±0.005</td> </tr> </table>	FRONT	TOP	SIDE	DIAMETER	RADIUS	ANGLE	±0.005	±0.005	±0.005	±0.005	±0.005	±0.005
FRONT	TOP	SIDE	DIAMETER	RADIUS	ANGLE																																														
±0.005	±0.005	±0.005	±0.005	±0.005	±0.005																																														
FRONT	TOP	SIDE	DIAMETER	RADIUS	ANGLE																																														
±0.005	±0.005	±0.005	±0.005	±0.005	±0.005																																														
FRONT	TOP	SIDE	DIAMETER	RADIUS	ANGLE																																														
±0.005	±0.005	±0.005	±0.005	±0.005	±0.005																																														
FRONT	TOP	SIDE	DIAMETER	RADIUS	ANGLE																																														
±0.005	±0.005	±0.005	±0.005	±0.005	±0.005																																														
<table border="1"> <tr> <th>FRONT</th> <th>TOP</th> <th>SIDE</th> <th>DIAMETER</th> <th>RADIUS</th> <th>ANGLE</th> </tr> <tr> <td>±0.005</td> <td>±0.005</td> <td>±0.005</td> <td>±0.005</td> <td>±0.005</td> <td>±0.005</td> </tr> </table>	FRONT	TOP	SIDE	DIAMETER	RADIUS	ANGLE	±0.005	±0.005	±0.005	±0.005	±0.005	±0.005	<table border="1"> <tr> <th>FRONT</th> <th>TOP</th> <th>SIDE</th> <th>DIAMETER</th> <th>RADIUS</th> <th>ANGLE</th> </tr> <tr> <td>±0.005</td> <td>±0.005</td> <td>±0.005</td> <td>±0.005</td> <td>±0.005</td> <td>±0.005</td> </tr> </table>	FRONT	TOP	SIDE	DIAMETER	RADIUS	ANGLE	±0.005	±0.005	±0.005	±0.005	±0.005	±0.005	<table border="1"> <tr> <th>FRONT</th> <th>TOP</th> <th>SIDE</th> <th>DIAMETER</th> <th>RADIUS</th> <th>ANGLE</th> </tr> <tr> <td>±0.005</td> <td>±0.005</td> <td>±0.005</td> <td>±0.005</td> <td>±0.005</td> <td>±0.005</td> </tr> </table>	FRONT	TOP	SIDE	DIAMETER	RADIUS	ANGLE	±0.005	±0.005	±0.005	±0.005	±0.005	±0.005	<table border="1"> <tr> <th>FRONT</th> <th>TOP</th> <th>SIDE</th> <th>DIAMETER</th> <th>RADIUS</th> <th>ANGLE</th> </tr> <tr> <td>±0.005</td> <td>±0.005</td> <td>±0.005</td> <td>±0.005</td> <td>±0.005</td> <td>±0.005</td> </tr> </table>	FRONT	TOP	SIDE	DIAMETER	RADIUS	ANGLE	±0.005	±0.005	±0.005	±0.005	±0.005	±0.005
FRONT	TOP	SIDE	DIAMETER	RADIUS	ANGLE																																														
±0.005	±0.005	±0.005	±0.005	±0.005	±0.005																																														
FRONT	TOP	SIDE	DIAMETER	RADIUS	ANGLE																																														
±0.005	±0.005	±0.005	±0.005	±0.005	±0.005																																														
FRONT	TOP	SIDE	DIAMETER	RADIUS	ANGLE																																														
±0.005	±0.005	±0.005	±0.005	±0.005	±0.005																																														
FRONT	TOP	SIDE	DIAMETER	RADIUS	ANGLE																																														
±0.005	±0.005	±0.005	±0.005	±0.005	±0.005																																														
<table border="1"> <tr> <th>FRONT</th> <th>TOP</th> <th>SIDE</th> <th>DIAMETER</th> <th>RADIUS</th> <th>ANGLE</th> </tr> <tr> <td>±0.005</td> <td>±0.005</td> <td>±0.005</td> <td>±0.005</td> <td>±0.005</td> <td>±0.005</td> </tr> </table>	FRONT	TOP	SIDE	DIAMETER	RADIUS	ANGLE	±0.005	±0.005	±0.005	±0.005	±0.005	±0.005	<table border="1"> <tr> <th>FRONT</th> <th>TOP</th> <th>SIDE</th> <th>DIAMETER</th> <th>RADIUS</th> <th>ANGLE</th> </tr> <tr> <td>±0.005</td> <td>±0.005</td> <td>±0.005</td> <td>±0.005</td> <td>±0.005</td> <td>±0.005</td> </tr> </table>	FRONT	TOP	SIDE	DIAMETER	RADIUS	ANGLE	±0.005	±0.005	±0.005	±0.005	±0.005	±0.005	<table border="1"> <tr> <th>FRONT</th> <th>TOP</th> <th>SIDE</th> <th>DIAMETER</th> <th>RADIUS</th> <th>ANGLE</th> </tr> <tr> <td>±0.005</td> <td>±0.005</td> <td>±0.005</td> <td>±0.005</td> <td>±0.005</td> <td>±0.005</td> </tr> </table>	FRONT	TOP	SIDE	DIAMETER	RADIUS	ANGLE	±0.005	±0.005	±0.005	±0.005	±0.005	±0.005	<table border="1"> <tr> <th>FRONT</th> <th>TOP</th> <th>SIDE</th> <th>DIAMETER</th> <th>RADIUS</th> <th>ANGLE</th> </tr> <tr> <td>±0.005</td> <td>±0.005</td> <td>±0.005</td> <td>±0.005</td> <td>±0.005</td> <td>±0.005</td> </tr> </table>	FRONT	TOP	SIDE	DIAMETER	RADIUS	ANGLE	±0.005	±0.005	±0.005	±0.005	±0.005	±0.005
FRONT	TOP	SIDE	DIAMETER	RADIUS	ANGLE																																														
±0.005	±0.005	±0.005	±0.005	±0.005	±0.005																																														
FRONT	TOP	SIDE	DIAMETER	RADIUS	ANGLE																																														
±0.005	±0.005	±0.005	±0.005	±0.005	±0.005																																														
FRONT	TOP	SIDE	DIAMETER	RADIUS	ANGLE																																														
±0.005	±0.005	±0.005	±0.005	±0.005	±0.005																																														
FRONT	TOP	SIDE	DIAMETER	RADIUS	ANGLE																																														
±0.005	±0.005	±0.005	±0.005	±0.005	±0.005																																														
<table border="1"> <tr> <th>FRONT</th> <th>TOP</th> <th>SIDE</th> <th>DIAMETER</th> <th>RADIUS</th> <th>ANGLE</th> </tr> <tr> <td>±0.005</td> <td>±0.005</td> <td>±0.005</td> <td>±0.005</td> <td>±0.005</td> <td>±0.005</td> </tr> </table>	FRONT	TOP	SIDE	DIAMETER	RADIUS	ANGLE	±0.005	±0.005	±0.005	±0.005	±0.005	±0.005	<table border="1"> <tr> <th>FRONT</th> <th>TOP</th> <th>SIDE</th> <th>DIAMETER</th> <th>RADIUS</th> <th>ANGLE</th> </tr> <tr> <td>±0.005</td> <td>±0.005</td> <td>±0.005</td> <td>±0.005</td> <td>±0.005</td> <td>±0.005</td> </tr> </table>	FRONT	TOP	SIDE	DIAMETER	RADIUS	ANGLE	±0.005	±0.005	±0.005	±0.005	±0.005	±0.005	<table border="1"> <tr> <th>FRONT</th> <th>TOP</th> <th>SIDE</th> <th>DIAMETER</th> <th>RADIUS</th> <th>ANGLE</th> </tr> <tr> <td>±0.005</td> <td>±0.005</td> <td>±0.005</td> <td>±0.005</td> <td>±0.005</td> <td>±0.005</td> </tr> </table>	FRONT	TOP	SIDE	DIAMETER	RADIUS	ANGLE	±0.005	±0.005	±0.005	±0.005	±0.005	±0.005	<table border="1"> <tr> <th>FRONT</th> <th>TOP</th> <th>SIDE</th> <th>DIAMETER</th> <th>RADIUS</th> <th>ANGLE</th> </tr></table>	FRONT	TOP	SIDE	DIAMETER	RADIUS	ANGLE						
FRONT	TOP	SIDE	DIAMETER	RADIUS	ANGLE																																														
±0.005	±0.005	±0.005	±0.005	±0.005	±0.005																																														
FRONT	TOP	SIDE	DIAMETER	RADIUS	ANGLE																																														
±0.005	±0.005	±0.005	±0.005	±0.005	±0.005																																														
FRONT	TOP	SIDE	DIAMETER	RADIUS	ANGLE																																														
±0.005	±0.005	±0.005	±0.005	±0.005	±0.005																																														
FRONT	TOP	SIDE	DIAMETER	RADIUS	ANGLE																																														

1967

WIRE TABLE -02 VAR						
ITEM NO.	AWG	COLOR	FROM		TO	
			CONNECTION	WITH	CONNECTION	WITH
4	-	BLU	-	-	PWR SW 2	-
4	-	BRN	-	-	PWR SW 4	-
4	-	GRN/YEL	-	-	ITEM 2 "GRN/YEL"	SOLDER
9	18	BLU	ITEM 2 "BLU"	SOLDER	PWR SW 1	-
10	18	BRN	ITEM 2 "BRN"	SOLDER	PWR SW 3	-



CONFIDENTIAL

DETAIL
APR 24 1967
PDA CONTROL

ADM MONTH GDS BAYC
AMLSH MSLAM

TITLE POWER SUPPLY ASSY DOCUMENT NUMBER AD 7024244-0-DBU AX01 SCALE 1/1 SHEET 2 OF 2



PARTS LIST

QUANTITY/VARIATION

NOTES:

DRN. DATE	C.J. LEE 17-SEP-86	DES. ENG. DATE	J. KOU 17-SEP-86	MFG. ENG.
CHK'D DATE		RESP. ENG. DATE		TOP DOC. NO. E-AD-7024245-0-DBU

7024245-01																			
------------	--	--	--	--	--	--	--	--	--	--	--	--	--	--	--	--	--	--	--

REFERENCE DESIGNATORS

ITEM NO.	DRAWING NO.	PART NO.	DESCRIPTION
1	E-MD-7434075-0-DBU	7434075-01	BOTTOM
2	D-MD-7434076-0-DBU	7434076-01	ARM, TILT, LEFT
3	B-MD-7434077-0-DBU	7434077-01	SHAFT, TILT
4	D-MD-7434078-0-DBU	7434078-01	ARM, TILT, RIGHT
5		12TA243-1A	SPRING, TORSION
6		12TA244-1A	SPRING, COMPRESSION
7		12TA245-1A	BUMPER, FRONT
8		12TA269-1A	WASHER, SPECIAL
9			<i>LABEL, BLANK BAR CODE</i>

1																			
1																			
1																			
1																			
2																			
1																			
2																			
2																			
1																			

CONFIDENTIAL



ECN NO.

THIS DRAWING AND SPECIFICATIONS CONTAINED HEREIN ARE CONFIDENTIAL AND PROPRIETARY. THEY ARE THE PROPERTY OF DIGITAL EQUIPMENT CORPORATION AND SHALL NOT BE REPRODUCED OR COPIED OR USED IN WHOLE OR IN PART AS THE BASIS FOR THE MANUFACTURE OR SALE OF ITEMS WITHOUT WRITTEN PERMISSION. THIS IS AN UNPUBLISHED WORK PROTECTED UNDER THE FEDERAL COPYRIGHT LAW 1986

TITLE
BOTTOM ASSY

ASSY. NO.
SECTION OF

SIZE CODE
B PL

NUMBER
7024245-0-0

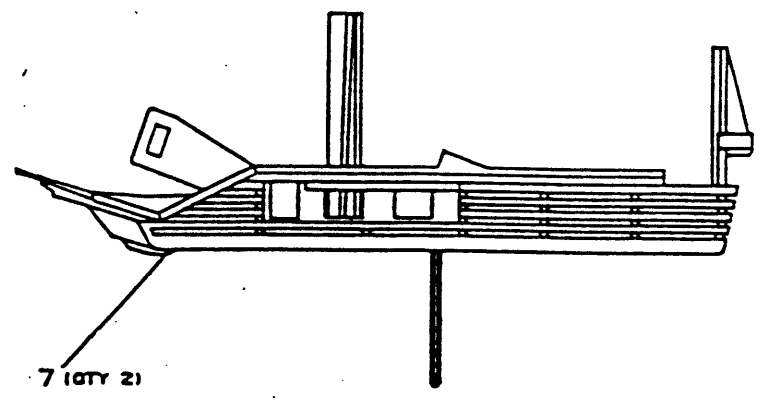
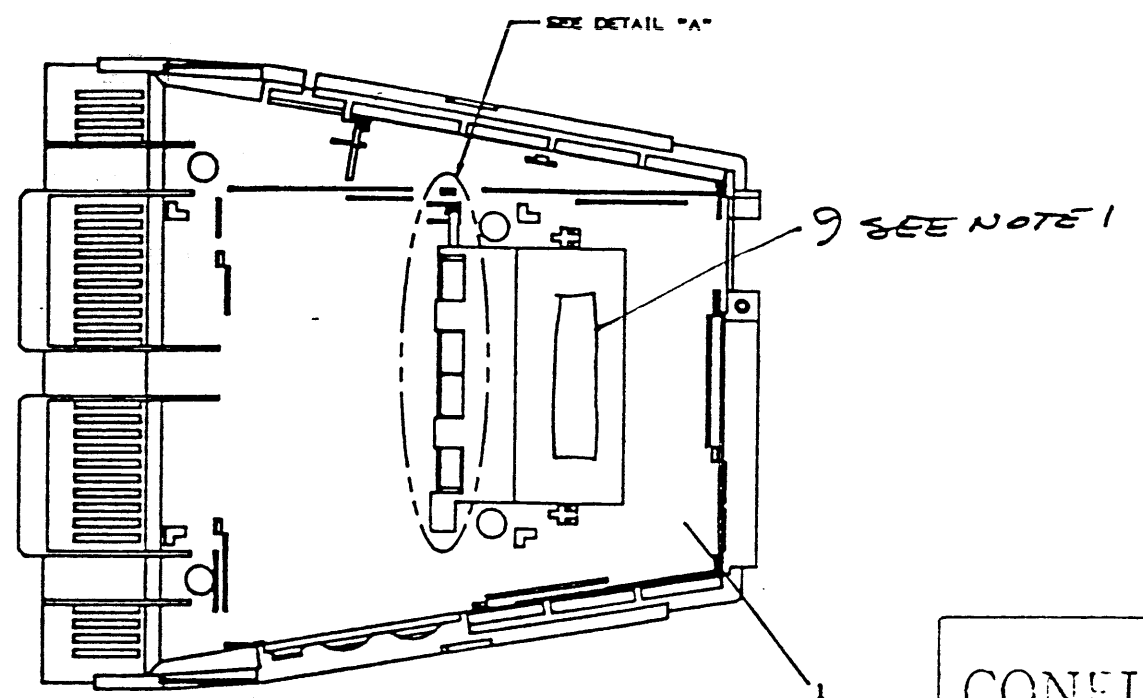
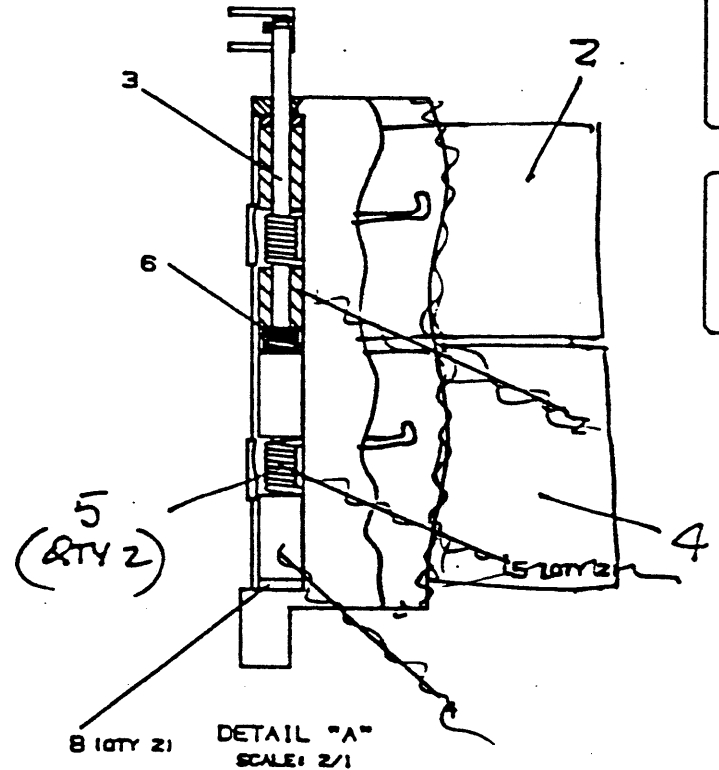
REV.
AX01

SHEET 1 OF 1

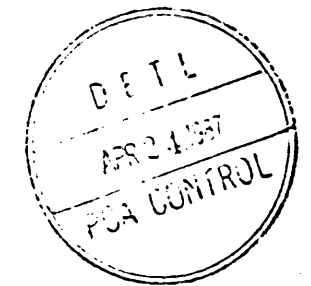
REVISIONS

LEGEND		
PART NO	REV.	DESCRIPTION
7024245-01	A01	AS SHOWN

NOTES:
 1. MARK LABEL, ITEM 9 WITH PART NO. AND REV PER DEC STD 047



CONFIDENTIAL



CAUTION: OFF SHEET PARTS LIST EXISTS.
 SEE K-PL-7024245-0-DSP
 (MLA0718A.PLS)

DESCRIPTION		QUANTITY	UNIT	REVISION	DATE	BY	CHKD
BOTTOM ASSY		1					
PARTS LIST		1					
C.N. CONTROL		1					
J. W. W.		1					
E. J. W.		1					

PART LIST

LINE	ITEM	TOP DOCUMENT	PART NUMBER	DESCRIPTION	QTY PER VARIATION	REFERENCE DESIGNATOR
				VAR.REV LEVEL :	01	
1	1		5017278-01	POWER SUPPLY BOARD	1	
2	2		1010274-02	CAP 1UF 50V +-20%	1	C523
3	3		1010973-60	CAP .1UF 50V +-20%	3	C513.C519.C524
4	4		1012312-01	CAP .47UF 50V +-20%	1	C522
5	5		1013466-06	CAP 100PF 50V 5%	1	C508
6	6		1013466-22	CAP .1UF 50V	2	C527.C528
7	7		1013466-29	CAP 1500PF 50V 5%	1	C511
8	8		1016572-00	CAP 200PF 500V	2	C532.C533
9	9		1016639-00	CAP .01UF 200V 10%	1	C509
10	10		1019413-06	CAP 220UF 250V +-20%	1	C507
11	11		1022298-01	CAP 470UF 10V +-20%	1	C513
12	12		1024317-01	*THIS ITEM IS NOT USED*		
13	13		1024317-02	CAP .47UF 250V	1	C501
14	14		1024375-02	CAP .0047UF 250V	2	C503.C504
15	15		1024422-01	CAP 220UF 35V +-20%	1	C514
16	16		1026959-01	CAP 2200PF 100V 5%	1	C510
17	17		1027193-02	CAP 270PF 1KV P.P	1	C512
18	18		1027912-01	CAP 47UF 25V 20% LOW ESR	1	C515
19	19		1027942-01	CAP 220UF 25V LOW ESR	1	C526
20	20		1027944-01	CAP 220UF 400V	1	C506
21	21		1027955-01	CAP 33UF 25V	1	C525
22	22		1028104-01	CAP 47UF 10V +-20%	1	C519
23	23		1028114-01	CAP 220UF 35V LOW ESR	1	C517
24	24		1102808-00	DIODE 5.6V ZENER 1/2W 5%	1	D531
25	25		1105796-00	DIODE 1N4004	1	D504
26	26		1112595-01	DIODE RB1D PIV=200 I=1A	1	D505
27	27		1114384-00	LED 105MW 35MA GREEN	1	D509
28	28		1116475-00	DIODE 1N4148 PIV=75 4NS	1	D502
29	29		1117490-00	DIODE FES8CT 150V	1	D508
30	30		1119411-00	DIODE 13V 1%	1	D532
31	31		1120828-01	DIODE PIV=1000 IO=1.5A BYV96E	1	D503
32	32		1121435-01	RECTIFIER 600V 2A	1	D501
33	33		1125363-04	DIODE RB2D 2A 200V	1	D506
34	34		11TA141-1A	DIODE FES3 3A 100V	1	D507
35	35		1213071-06	INSULATOR SILICON RUBBER	2	
36	36		1215228-03	HEAT SINK	1	H507

CONFIDENTIAL

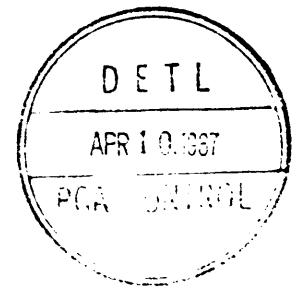
REVISION HISTORY		BASIC PART NO :		DRN:	DATE:	P I S T A L				
ENG	ECO NUMBER	REV	SECTION A_ OF A_	CHK'D:	DATE:	TITLE				
			SECTION.VARIATION INDEX	DES.ENG:	DATE:	POWER SUPPLY MODULE				
			[A] 01	RESP.ENG:	DATE:	DOCUMENT NUMBER				
			[B]	MEG.ENG:	DATE:	SIZE CODE	NUMBER		REV	
			[C]	TOP DOCUMENT NUMBER: B-DD-5417279-0-0		K	PL	5417279-0-DBP		X02
			[D]	ASSEMBLY NUMBER:		RELEASE DATE:				

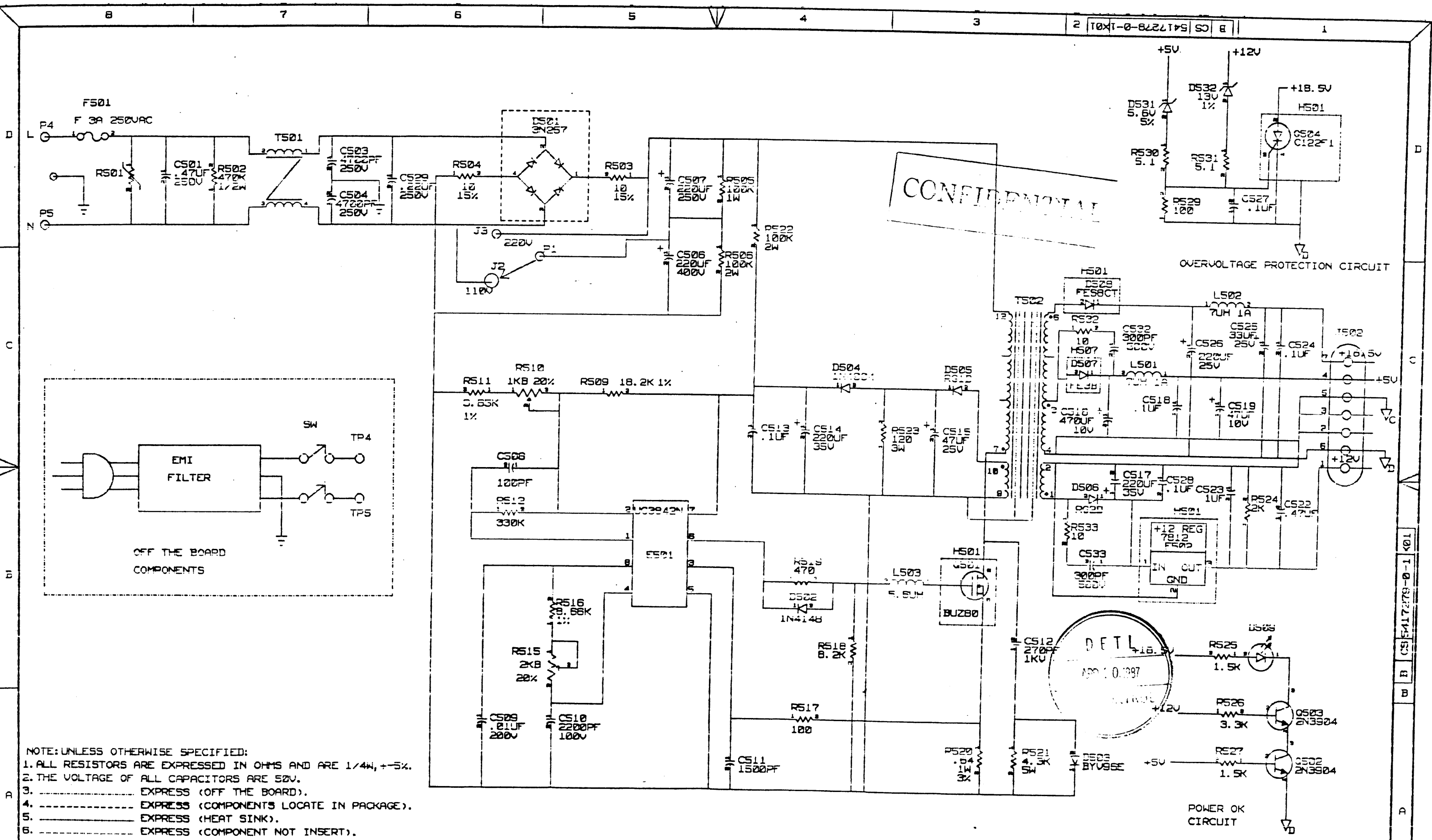
*THIS DRAWING AND THE SPECIFICATIONS CONTAINED HEREIN ARE CONFIDENTIAL AND PROPRIETARY. THEY ARE THE PROPERTY OF DIGITAL EQUIPMENT CORPORATION AND SHALL NOT BE REPRODUCED OR COPIED OR USED IN WHOLE OR IN PART AS THE BASIC FOR THE MANUFACTURE OR SALE OF ITEMS WITHOUT WRITTEN PERMISSION. THIS IS AN UNPUBLISHED WORK PROTECTED UNDER THE FEDERAL COPYRIGHT LAWS.*1986

PART LIST

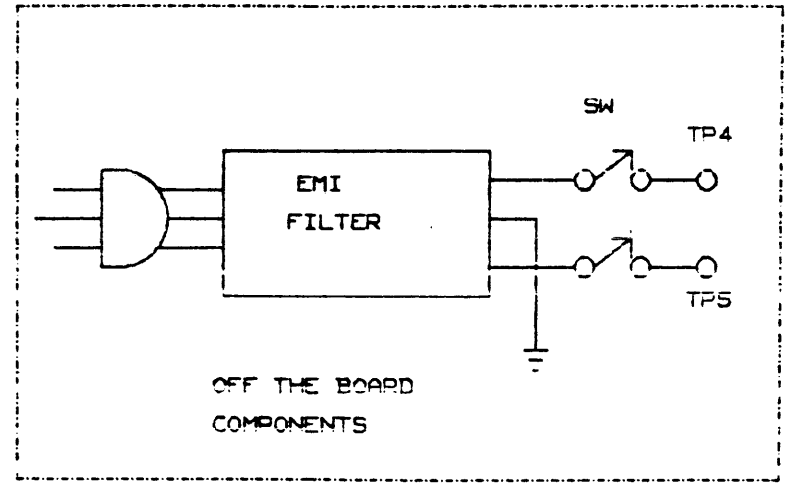
LINE	ITEM	TOP DOCUMENT	PART NUMBER	DESCRIPTION	QTY PER VARIATION	REFERENCE DESIGNATOR
				VAR. REV LEVEL :	01	
37	37		1218949-00	**THIS ITEM IS NOT USED**		
38	38		1223598-02	**THIS ITEM IS NOT USED**		
39	39		1224261-01	2.360 CIRCLE PIN SUR G2	2	J2.J3
40	40		1228096-01	5MEP3 3A 250V	1	R501
41	41		12TA257-2B	.156 CENTER PCB HEADER 7 PIN	1	J502
42	42		12TA250-1A	INSULATOR SILICON RUBBER	1	
43	43		1300229-00	RESISTOR 100 OHM 1/4W 5%	2	R517.R528
44	44		1300316-00	RESISTOR 470 OHM 1/4W 5%	1	R519
45	45		1300391-00	RESISTOR 1.5K OHM 1/4W 5%	2	R525.R527
46	46		1300439-00	RESISTOR 3.3K OHM 1/4W 5%	1	R523
47	47		1301317-00	RESISTOR 10 OHM 1/4W 5%	1	R522.R523
48	48		1302091-00	RESISTOR 330K OHM 1/4W 5%	1	R512
49	49		1302388-00	RESISTOR 2K OHM 1/4W 5%	1	R524
50	50		1303179-00	RESISTOR 3.2K OHM 1/4W 5%	1	R518
51	51		1305337-00	RESISTOR 3.65K OHM 1/4W 1%	1	R511
52	52		1309412-00	RESISTOR 13.2K OHM 1%	1	R509
53	53		1311996-02	VARISTOR 275V AC	1	R501
54	54		1318341-44	RESISTOR 3.66K OHM 1/4W 1%	1	R516
55	55		1319470-53	RESISTOR 100K OHM 1W	1	R505
56	56		1319471-44	RESISTOR 100K OHM 2W 5%	2	R522.R506
57	57		1320715-01	RESISTOR 470K OHM 1/2W 5%	1	R502
58	58		1327007-01	NTC 10 OHM +-15%	2	R503.R504
59	59		1328026-01	POT 2K OHM +-20%	1	R515
60	60		13TA171-2A	RESISTOR 4.3K OHM 5W 5%	1	R521
61	61		13TA174-1A	RESISTOR 120 OHM 3W 5%	1	R523
62	62		13TA176-2A	POT 1K OHM +-20%	1	R510
63	63		13TA178-2A	RESISTOR .64 OHM 1W 3%	1	R520
64	64		1509524-00	TRANSISTOR 2N3904	2	Q502.Q503
65	65		1519536-01	SCR C122F1 PIV=50 ID=8.00A	1	Q504
66	66		1521377-01	TRANSISTOR FET BUZ30 850V 2A	1	Q501
67	67		1612946-03	5.6 UH CHOKE	1	L502
68	68		16TA168-1A	TRANSFORMER	1	T502
69	69		16TA169-1B	CHOKE COIL 7UH	2	L501.L502
70	70		16TA171-2B	TRANSFORMER FILTER	1	T501
71	71		1912048-05	IC 7812	1	E502
72	72		1923626-01	IC UC3842	1	E501
73	73		3618460-01	LABEL FOR BAR CODE	1	
74	74		7022361-0C	WIRE ASSY 110/220V SELECT	1	
75	75		7024294-01	GROUNDING WIRE	1	
76	76		7024294-02	GROUNDING WIRE	1	
77	77		7024553-01	BRACKET POWER SUPPLY ASSY	1	H501
78	78		9006010-01	SCREW PAN PHIL #4-40 X 5/16	3	
79	79		9006557-00	**THIS ITEM IS NOT USED**		
80	80		9009708-00	**THIS ITEM IS NOT USED**		
81	81		9009800-02	SCREW. SEL-TAPING #6	1	
82	82		9107560-01	WIRE JUMPER	10	
83	83		7435248-01	CLIP	1	
84	84		9010057-00	WASHER SHOUDER	2	
85	85		1024317-03	CAP .22UF 250V	1	C529
86	86		1309422-00	RESISTOR 5.1 OHM 1/4W 5%	2	R530.R531
87	87		90TA159-1A	EYELET	9	

CONFIDENTIAL





CONFIDENTIAL

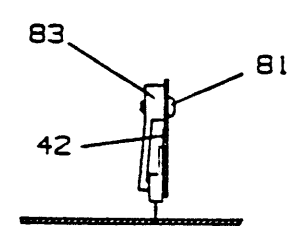


- NOTE: UNLESS OTHERWISE SPECIFIED:
1. ALL RESISTORS ARE EXPRESSED IN OHMS AND ARE 1/4W, +5%.
 2. THE VOLTAGE OF ALL CAPACITORS ARE 50V.
 3. ----- EXPRESS (OFF THE BOARD).
 4. ----- EXPRESS (COMPONENTS LOCATE IN PACKAGE).
 5. ----- EXPRESS (HEAT SINK).
 6. ----- EXPRESS (COMPONENT NOT INSERT).

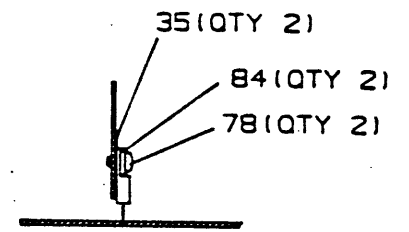
THIS DRAWING AND THE SPECIFICATIONS CONTAINED HEREIN ARE CONFIDENTIAL AND PROPRIETARY. THEY ARE THE PROPERTY OF THE COMPANY AND ARE NOT TO BE REPRODUCED OR DISCLOSED IN ANY MANNER WITHOUT THE WRITTEN PERMISSION OF THE COMPANY. THE COMPANY ASSUMES NO LIABILITY FOR THE USE OF THIS DRAWING FOR THE MANUFACTURE OF ANY PARTS OR ASSEMBLIES OTHER THAN THOSE SPECIFICALLY IDENTIFIED HEREIN. © 1987

- NOTE:**
1. TORQUE REQUIREMENT 3-5 IN-LBS FOR ITEM 78, 81.
 2. THIS BOARD MUST MEET SAFETY REQUIREMENT FOR HPWR.
 3. R539, R502, R532, L504 & C534 ARE NOT INSERTED.
 4. ITEM 87 INSERTED IN THE PIN-HOLES OF C506 & C507.

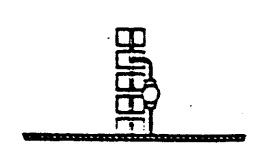
D
C
B
A



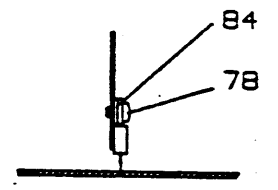
SECTION "A-A"



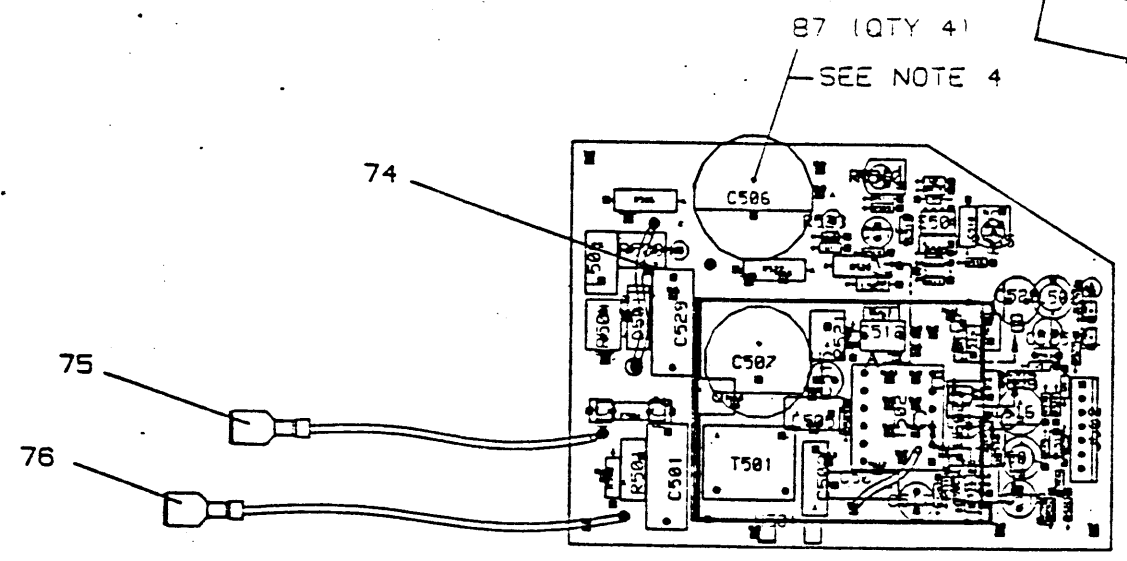
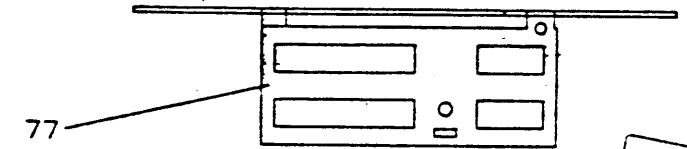
SECTION "B-B"



SECTION "C-C"

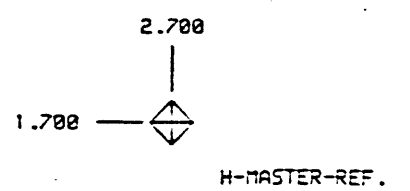


SECTION "D-D"



CONFIDENTIAL

DETL
APR 10 1987
PWA CONTROL



CHK	DRAWN BY	ENGINEER	CHANGE NO	DATE	REV

CHK	DRAWN BY	ENGINEER	CHANGE NO	DATE	REV

NOTES 50/PART REV: A(1)

STEP	+	Y	AXIS	STEP	TIMES
REPEAT	+	X <td>AXIS</td> <td>STEP</td> <td>TIMES</td>	AXIS	STEP	TIMES

SIGNATURES	DATE	TITLE
DRAWN G. K. LIAO		UNIT ASSY.
CHECKED S. CHEN		POWER SUPPLY MODULE
MECH ENG J. KOU		
PROJ ENG J. B. LOU		
PROD		
SCALE 1/1		
SHEET 1 of 1		
TOP DOC NO 8-00-5417279-0-0		

5417279-0-0 X02
D JA

P A R T L I S T

LINE	ITEM	TOP DOCUMENT	PART NUMBER	DESCRIPTION	QTY PER VARIATION	REFERENCE DESIGNATOR
					01	
				VAR.REV LEVEL :		
1	1		5017190-01	POWER SUPPLY BOARD	1	
2	2		1010274-02	CAP 1UF 50V +80-20%	1	C523
3	3		1010978-60	CAP .1UF 50V +80-20%	3	C513.C512.C524
4	4		1012312-01	CAP .47UF 50V +80-20%	1	C522
5	5		1013466-06	CAP 100PF 50V 5%	1	C508
6	6		1013466-22	CAP .1UF 50V	2	C527.C533
7	7		1013466-24	CAP 1500PF 50V 5%	1	C511
8	8		1013639-00	CAP .01UF 200V 10%	1	C509
9	9		1019413-06	CAP 220UF 250V +50-10%	1	C507
10	10		1022398-01	CAP 470UF 10V +50-10%	1	C516
11	11		1024317-01	CAP .33UF 250V	1	C501
12	12		1024375-02	CAP .0033UF 250V	2	C503.C504
13	13		1024422-01	CAP 220UF 35V +-20%	1	C514
14	14		1026959-01	CAP 2200PF 100V 5%	1	C510
15	15		1027912-01	CAP 47UF 25V 20% LOW ESR	1	C515
16	16		1027942-01	CAP 220UF 25V LOW ESR	1	C526
17	17		1027955-01	CAP 33UF 25V	1	C525
18	18		1028104-01	CAP 47UF 10V +-20%	1	C519
19	19		1028114-01	CAP 220UF 35V LOW ESR	1	C517
20	20		10TA205-1A	CAP 680PF 630V 20% P.P	1	C512
21	21		1102808-00	DIODE 5.6V ZENER 1/2W 5%	1	D531
22	22		1105796-00	DIODE 1N4004	1	D504
23	23		1112595-01	DIODE RG1D PIV=200 I=1A	1	D505
24	24		1112592-02	DIODE RG1J 1A 600V	1	D503
25	25		1114384-00	LED 105MW 35MA GREEN	1	D509
26	26		1116475-00	DIODE 1N4148 PIV=75 4MS	1	D502
27	27		1117490-00	DIODE FES8CT 9A 150V	1	D508
28	28		1118411-00	DIODE 13V 1%	1	D532
29	29		1121435-01	RECTIFIER 600V 2A	1	D501
30	30		1125363-04	DIODE RG2D 2A 200V	1	D506
31	31		11TA141-1A	DIODE FESB 3A 100V	1	D507
32	32		1213071-06	INSULATOR SILICON RUBBER	2	
33	33		1215228-03	HEAT SINK	1	H507
34	34		1218949-00	**THIS ITEM IS NOT USED**		
35	35		1223599-02	**THIS ITEM IS NOT USED**		
36	36		1228096-01	5MEP3 3A 250V	1	F501

CONFIDENTIAL



REVISION HISTORY		BASIC PART NO :		DRN:	DATE:	D I G I T A L				
ENG	ECO NUMBER	REV	SECTION A OF A	CHK'D:	DATE:	TITLE				
						POWER SUPPLY MODULE				
			SECTION.VARIATION INDEX	DES.ENG:	DATE:	DOCUMENT NUMBER				
			[A] 01	RESP.ENG:	DATE:					
			[B]	MFG.ENG:	DATE:	SIZE	CODE	NUMBER	REV	
			[C]	TOP DOCUMENT NUMBER: B-DD-5417191-0-0		K	PL	5417191-0-DBP	X14	
			[D]	ASSEMBLY NUMBER:		RELEASE DATE:				

*THIS DRAWING AND THE SPECIFICATIONS CONTAINED HEREIN ARE CONFIDENTIAL AND PROPRIETARY. THEY ARE THE PROPERTY OF DIGITAL EQUIPMENT CORPORATION AND SHALL NOT BE REPRODUCED OR COPIED OR USED IN WHOLE OR IN PART AS THE BASIC FOR THE MANUFACTURE OR SALE OF ITEMS WITHOUT WRITTEN PERMISSION. THIS IS AN UNPUBLISHED WORK PROTECTED UNDER THE FEDERAL COPYRIGHT LAWS. 1986

PART LIST

SHEET A2 OF A2

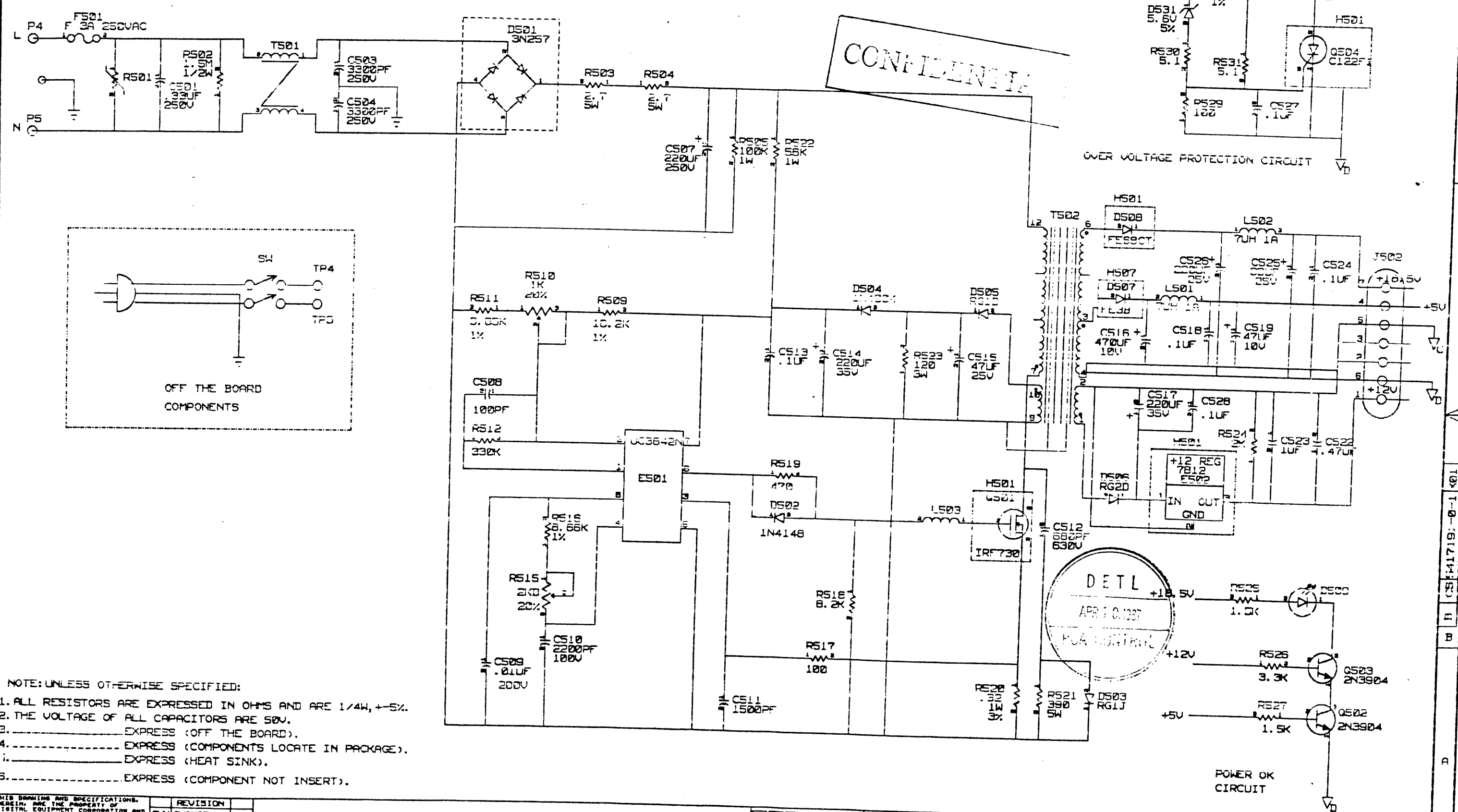
LINE	ITEM	TOP DOCUMENT	PART NUMBER	DESCRIPTION VAR. REV LEVEL :	QTY 01	PER VARIATION	REFERENCE DESIGNATOR
37	37		12TA257-2A	.156 CENTER PCB HEADER 7 PIN	1		J502
38	38		12TA230-1A	INSULATOR SILICON RUBBER	1		
39	39		1300229-00	RESISTOR 100 OHM 1/4W 5%	2		R517.R529
40	40		1300318-00	RESISTOR 470 OHM 1/4W 5%	1		R519
41	41		1300391-00	RESISTOR 1.5K OHM 1/4W 5%	2		R525.R527
42	42		1300439-00	RESISTOR 3.3K OHM 1/4W 5%	1		R526
43	43		1301317-00	**THIS ITEM IS NOT USED**			
44	44		1302091-00	RESISTOR 330K OHM 1/4W 5%	1		R512
45	45		1302398-00	RESISTOR 2K OHM 1/4W 5%	1		R524
46	46		1303179-00	RESISTOR 8.2K OHM 1/4W 5%	1		R518
47	47		1305337-00	RESISTOR 3.65K OHM 1/4W 1%	1		R511
48	48		1309412-00	RESISTOR 18.2K OHM 1/4W 1%	1		R500
49	49		1311996-00	VARISTOR AC	1		R501
50	50		1318341-44	RESISTOR 8.66K OHM 1/4W 1%	1		R516
51	51		1319470-50	RESISTOR 56K OHM 1W	1		R522
52	52		1319470-52	RESISTOR 100K OHM 1W	1		R505
53	53		1320725-01	RESISTOR 1.5M OHM 1/2W 5%	1		R502
54	54		1327013-07	RESISTOR 390 OHM 5W 5%	1		R521
55	55		1328026-01	POT 2K OHM +-20%	1		R515
56	56		13TA171-3A	RESISTOR 2.7 OHM 5W 5%	2		R503.R504
57	57		13TA174-1A	RESISTOR 120 OHM 3W 5%	1		R523
58	58		13TA176-2A	POT 1K OHM +-20%	1		R510
59	59		13TA178-1A	RESISTOR .32 OHM 1W 3%	1		R520
60	60		1509524-00	TRANSISTOR 2N3904	2		Q502.Q503
61	61		1519536-01	SCR C122F1 PIV=50 IO=8.00A	1		Q504
62	62		15TA135-1A	TRANSISTOR IRF730	1		Q501
63	63		1618238-02	BEAD FERRITE	1		L503
64	64		16TA138-3A	TRANSFORMER (USA)	1		T502
65	65		16TA169-1F	CHOKE COIL 7UH	2		L501.L502
66	66		16TA171-1B	TRANSFORMER FILTER	1		T501
67	67		1912049-05	IC 7812	1		E502
68	68		1923626-01	IC UC3842	1		E501
69	69		3618460-01	LABEL FOR BAR CODE	1		
70	70		7024294-01	GROUNDING WIRE	1		
71	71		7024294-02	GROUNDING WIRE	1		
72	72		7024553-01	BRACKET, POWER SUPPLY ASSY	1		
73	73		9006010-01	SCREW PAN PHIL #4-40 X 5/16	2		H501
74	74		9006557-00	**THIS ITEM IS NOT USED**			
75	75		9009708-00	**THIS ITEM IS NOT USED**			
76	76		9009800-02	SCREW. SEL-TAPING #6	1		
77	77		9107560-01	WIRE JUMPER	10		
78	78		7435248-01	CLIP	1		
79	79		9010057-00	WASHER SHOULDER	2		
80	80		1309422-00	RESISTOR 5.1 OHM 1/4W 5%	2		R530.R531
81	81		90TA159-1A	EYELET	7		

CONFIDENTIAL

DETL
APR 10 1987
PWA CONTROL

D	I	G	I	T	A	L	TITLE	SECTION	A	OF	A	SIZE	CODE	DOCUMENT NUMBER	REV
							POWER SUPPLY MODULE					K	PL	5417191-0-DBP	X14

CONFIDENTIAL



OFF THE BOARD COMPONENTS

DETL
APR 10 1987
PCA CONTINUED

- NOTE: UNLESS OTHERWISE SPECIFIED:
1. ALL RESISTORS ARE EXPRESSED IN OHMS AND ARE 1/4W, +5%.
 2. THE VOLTAGE OF ALL CAPACITORS ARE 50V.
 3. _____ EXPRESS (OFF THE BOARD).
 4. _____ EXPRESS (COMPONENTS LOCATE IN PACKAGE).
 5. _____ EXPRESS (HEAT SINK).
 6. _____ EXPRESS (COMPONENT NOT INSERT).

THIS DRAWING AND SPECIFICATIONS, HEREIN, ARE THE PROPERTY OF DIGITAL EQUIPMENT CORPORATION AND SHALL NOT BE REPRODUCED OR COPIED OR USED IN WHOLE OR IN PART AS THE BASIS FOR THE MANUFACTURE OR SALE OF ITEMS WITHOUT WRITTEN PERMISSION. COPYRIGHT © 1987, DIGITAL EQUIPMENT CORPORATION.

REVISION	CHANGE NO.	REV

	DRW: STAN HSEIH CHW: S.F. LU	04-JUL-86 04-JUL-86	ENR: Victor Lin DATE: 04-JUL-86	TITLE: SCHEMATIC, POWER SUPPLY MODULE (USA)
SHEET: 1 OF 1	BOARD LOCATION:	TOP DOCUMENT NUMBER: B-00-5417191-0-0	SIZE:	CODE:
FIRST USED ON OPTION/MODEL:	NUMBER:	REV:	NUMBER:	REV:

PART LIST

SHEET A1 OF A4

LINE	ITEM	TOP DOCUMENT	PART NUMBER	DESCRIPTION	QTY PER VARIATION 01	REFERENCE DESIGNATOR
1	1		5017276-01	MONITOR.LOGIC CONTROL BOARD	1	
2	2		1000010-00	CAP 39PF 100V 5%	1	C8
3	3		1001610-00	CAP .01UF 50V +80-20%	12	C9.C10.C14-C18.C21.C25-C27.C30
4	4		1002608-00	CAP 18PF 100V 5%	1	C3
5	5		1010279-01	CAP .47UF 25V 20% CER	2	C19.C20
6	6		1013466-04	CAP 33PF 50V 5% CER	1	C106
7	7		1013466-12	CAP 2200PF 50V 10%	1	C107
8	8		1013466-22	CAP .1UF 50V +80-20%	3	C101.C209.C301
9	9		1016544-00	CAP .1UF 100V 10%	1	C111
10	10		1016553-00	CAP 4.7UF 25V +75-10%	1	C201
11	11		1016570-00	CAP .001UF 500V	1	C215
12	12		1016572-00	CAP 300PF 500V	1	C206
13	13		1018000-15	CAP 10UF 250V +50-10%	1	C216
14	14		1018000-17	CAP 470UF 25V +50-10%	3	C100.C208.C213
15	15		1018000-29	CAP 10UF 25V 20%	4	C202.C211.C302.C601
16	16		1018000-31	CAP 470UF 16V RADIAL	1	C112
17	17		1018000-33	CAP 100UF 25V RADIAL	1	C102
18	18		1018000-34	CAP 100UF 100V +50-10%	1	C214
19	19		1018000-40	CAP 47UF 25V	1	C7
20	20		1019058-11	CAP .022UF 100V P.D.	1	C221
21	21		1019559-02	CAP .01UF 1000V	1	C219
22	22		1020446-11	CAP 470UF 6.3V +50-10%	1	C22
23	23		1020604-03	CAP .1UF 100V 5% MET	3	C103.C108.C109
24	24		1021480-07	CAP .012UF 400V 5%	1	C203
25	25		1022087-01	CAP 1000PF 100V	2	C304.C305
26	26		1023486-03	CAP 22UF 16V	1	C110
27	27		1026289-04	**THIS ITEM IS NOT USED**		
28	28		1026646-01	CAP 0.1UF 250V	1	C113
29	29		10TA187-1A	CAP 5.6UF 35V NP	1	C207
30	30		1100114-00	DIODE D664 PIV=25 ID=135MA	3	D5,D21,D22
31	31		1105796-00	DIODE 1N4004 PIV=400 I=1A	6	D31-D34,D100,D202
32	32		1109990-00	DIODE ZENER VZ=9.1	1	D501

CONFIDENTIAL

DITL
APR 10 1987
PCA CONTROL

REVISION HISTORY		BASIC PART NO :		DRN:	DATE:	D I G I T A L				
ENG	ECO NUMBER	REV	SECTION A_ OF A_	CHK'D:	DATE:	TITLE				
			SECTION.VARIATION INDEX	DES.ENG:	DATE:	MONITOR. LOGIC CONTROL MODULE				
			[A] 01	RESP.ENG:	DATE:	DOCUMENT NUMBER				
			[B]	MEG.ENG:	DATE:	SIZE	CODE	NUMBER	REV	
			[C]	TOP DOCUMENT NUMBER: B-DD-5417277-0-0		K	PL	5417277-0-DBP	X02	
			[D]	ASSEMBLY NUMBER:	RELEASE DATE:					

*THIS DRAWING AND THE SPECIFICATIONS CONTAINED HEREIN ARE CONFIDENTIAL AND PROPRIETARY. THEY ARE THE PROPERTY OF DIGITAL EQUIPMENT CORPORATION AND SHALL NOT BE REPRODUCED OR COPIED OR USED IN WHOLE OR IN PART AS THE BASIC FOR THE MANUFACTURE OR SALE OF ITEMS WITHOUT WRITTEN PERMISSION. THIS IS AN UNPUBLISHED WORK PROTECTED UNDER THE FEDERAL COPYRIGHT LAWS. 1986

PART LIST

LINE	ITEM	TOP DOCUMENT	PART NUMBER	DESCRIPTION	QTY PER VARIATION 01	REFERENCE DESIGNATOR	VAR. REV. LEVEL :
33	33		1112594-02	DIODE RG3J PIV=600 IO=3.00A	1	D201	
34	34		1112595-01	DIODE RG1D PIV=200 I=1A	1	D206	
35	35		1112595-02	DIODE RG1J PIV=600 IO=1.0A	2	D204,D207	
36	36		1116475-00	DIODE 1N4148	3	D200,D301,D302	
37	37		1121581-01	DIODE PIV=1500 BY584	1	D203	
38	38		1124037-01	ZENER DIODE 36V 1N974B	18	D6-D12,D15-D20,D23,D29,D36-D38	
39	39		1126743-01	PGKE10CA TRANS SUPP 600W 10V	2	D26,D27	
40	40		1126743-02	PGKE22CA TRANS SUPP 600W 22V	3	D24,D25,D28	
41	41		1213071-06	INSULATOR SILICON RUBBER	1		
42	42		1215006-07	IC SOCKET 28 PIN	1	XE9	
43	42		1215006-08	**THIS ITEM IS NOT USED**			
44	44		1216521-00	SOCKET 4 PIN FOR YOKE	1	J102	
45	45		1218826-07	CONN TELE 4 POS GRAY	1	J2	
46	46		1220128-01	HEAT SINK	1	H202	
47	47		1220840-01	GROUNDING FINGER	1		
48	48		1223433-02	CONNECTOR 6 PIN	2	J3,J5	
49	49		1223598-02	**THIS ITEM IS NOT USED**			
50	50		1224261-01	PIN	2		
51	51		1226314-01	CONNECTOR 25 PIN EIA	1	J4	
52	52		12TA263-1A	INSERT	9		
53	53		1300219-00	RESISTOR 68 OHM 1/4W 5%	2	R311,R315	
54	54		1300228-00	RESISTOR 100 OHM 1/2W	1	R308	
55	55		1300247-00	RESISTOR 120 OHM 1/4W	1	R312	
56	56		1300250-00	RESISTOR 150 OHM 1/4W 5%	2	R17,R313	
57	57		1300364-00	RESISTOR 1K OHM 1/2W 5%	1	R222	
58	58		1300365-00	RESISTOR 1K OHM 1/4W 5%	1	R15	
59	59		1300439-00	RESISTOR 3.3K OHM 1/4 5%	2	R100,R120	
60	60		1300444-00	RESISTOR 3.9K OHM 1/4 5%	2	R11,R14	
61	61		1300445-00	RESISTOR 4.7K OHM 1/2W 1%	1	R306	
62	62		1300447-00	RESISTOR 4.7K OHM 1/4 5%	1	R12	
63	63		1300479-00	RESISTOR 10K OHM 1/4W 5%	1	R33	
64	64		1300496-00	RESISTOR 15K 1/4W 5%	1	R108	
65	65		1301320-00	RESISTOR 1.2K OHM 1/4W 5%	1	R121	
66	66		1301322-00	RESISTOR 180 OHM 1/4W	1	R314	
67	67		1301401-00	**THIS ITEM IS NOT USED**			
68	68		1301423-00	RESISTOR 6.8K OHM 1/4W	1	R119	
69	69		1301424-00	RESISTOR 680 OHM 1/4W 5%	2	R201,R505	
70	70		1301775-00	RESISTOR 820 OHM 1/4W	1	R307	
71	71		1301785-00	**THIS ITEM IS NOT USED**			
72	72		1301874-00	RESISTOR 5.6K OHM 1/4W 5%	1	R114	
73	73		1302092-00	RESISTOR 220K OHM 1/4W 5%	3	R106,R211,R217	
74	74		1302177-00	**THIS ITEM IS NOT USED**			
75	75		1302379-00	RESISTOR 75 OHM 1/4W 5%	1	R303	

CONFIDENTIAL

DETL
APR 10 1967
PCA CONTROL

D I G I T A L	TITLE	SECTION A OF A
	MONITOR, LOGIC CONTROL MODULE	

SIZE	CODE	DOCUMENT NUMBER	REV
K	PL	5417277-0-DBP	X02

P A R T L I S T

SHEET A3 OF A4

LINE	ITEM	TOP DOCUMENT	PART NUMBER	DESCRIPTION	QTY PER VARIATION		REFERENCE DESIGNATOR
					01		
76	76		1302395-00	RESISTOR 56K OHM 1/4W 5%	1		R109
77	77		1302397-00	RESISTOR 120K OHM 1/4W 5%	1		R104
78	78		1303177-00	RESISTOR 2.4K OHM 1/4W 5%	2		R501.R502
79	79		1304838-00	RESISTOR 43K OHM 1/4W 5%	1		R110
80	80		1305346-00	RESISTOR 27K OHM 1/4W 5%	1		R34
81	81		1309405-00	RESISTOR 68 OHM 1/2W 5%	2		R204.R221
82	82		1312930-00	RESISTOR 5.1K OHM 1/4W 5%	1		R13
83	83		1312931-00	RESISTOR 6.20K OHM 1/4W 5%	1		R113
84	84		1313349-00	RESISTOR 33K OHM 1/4W 5%	2		R31.R32
85	85		1314673-00	**THIS ITEM IS NOT USED**			
86	86		1315437-00	RESISTOR 237K OHM 1/4W 5%	1		R102
87	87		1316441-00	RESISTOR 2.4M OHM 1/4 W 5%	1		R216
88	88		1316507-00	RESISTOR 2.7 OHM 1/2W 5%	1		R103
89	89		1319242-00	RESISTOR 750K OHM 1/4W 5%	1		R112
90	90		1319471-16	RESISTOR 150 OHM 2W 5%	1		R203
91	91		1319471-25	RESISTOR 560 OHM 2W	1		R309
92	92		1319583-01	POT 5M OHM .33W 20%	2		R218.R225
93	93		1320608-01	RESISTOR 3.3 OHM 1/4W 5%	1		R107
94	94		1320632-01	RESISTOR 1.3K OHM 1/4W 5%	2		R503.R504
95	95		1320713-01	RESISTOR 390K OHM 1/2W	1		R220
96	96		1327943-02	POT 100K OHM 1/4W W/O THUMPWHEEL	1		R210
97	97		1327943-03	POT 500 OHM 1/4W	1		R301
98	98		13TA162-1A	**THIS ITEM IS NOT USED**			
99	99		13TA164-1A	POT 100K OHM 20%	2		R111.R105
100	100		13TA165-1A	**THIS ITEM IS NOT USED**			
101	101		1509524-00	2N3904	1		Q502
102	102		1509525-00	TRANSISTOR 2N3906	1		Q303
103	103		1510705-00	TRANSISTOR MPSA05	1		Q201
104	104		1510706-00	A55	1		Q501
105	105		1512976-00	MPSA43	1		Q101
106	106		1521002-01	TRANSISTOR 2N2369A	1		Q301
107	117		1527595-01	TRANSISTOR 2SC3592	1		Q302
108	108		1527609-01	TRANSISTOR BU406	1		Q202
109	109		1613898-02	COIL 39UH	1		L205
110	110		1618238-02	BEAD FERRITE .1380D	11		L1-L3.L6-L8.L17.L20-L23
111	111		1621807-01	COIL WIDTH VARIABLE INDUCTOR	1		L201
112	112		1627761-01	10UH CHOKE	3		L5.L14.L16
113	112		1627975-01	FPT 18.9K HZ	1		T101
114	114		16TA131-01	CHUKE 2.2UH 10%	7		L9-L13.L15.L601
115	115		16TA163-1A	H. LINERTY COIL	1		L202
116	116		16TA164-1A	HOR. BUFFER TRANS.	1		T201
117	117		16TA175-1A	DYNAMIC FOCUS TRANSFORMER	1		T202
118	118		16TA176-1A	RF COATED CHOKE 3.3UH	1		L304
119	119		18TA106-1A	26.366MHZ 45-55% XTAL	1		Y3
120	120		1912347-00	IC LS157 MUX 1 OF 2 (QUAD)	1		E15
121	121		1915219-00	IC LS373 OCTAL-TRANSPARE	1		E8
122	122		1923889-01	OCTAL LINE DRIVER	1		E13
123	123		1923890-01	OCTAL LINE RECEIVER 5180	1		E14

CONFIDENTIAL

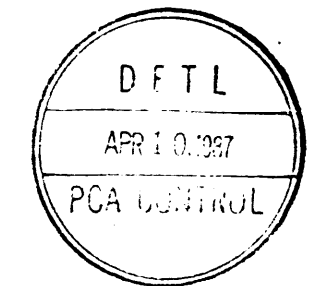


D I G I T A L		TITLE	SECTION A OF A		SIZE	CODE	DOCUMENT NUMBER	REV
		MONITOR. LOGIC CONTROL MODULE			K	PL	5417277-0-DRP	X02

P A R T L I S T

LINE	ITEM	TOP DOCUMENT	PART NUMBER	DESCRIPTION	QTY PER VARIATION		REFERENCE DESIGNATOR
					01		
124	124		1927631-01	IC 1170N 14 PIN	1		E100
125	125		1927782-01	SN75146 DUAL LINE RECEIVER	1		E16
126	126		2120068-01	IC SC2681 DUART	1		E12
127	127		2120115-02	8031 15MHZ	1		E5
128	128		2121324-03	6264 120NS	2		E3.E4
129	129		2127705-01	GATE ARRAY DC7081 68 PIN	1		E3
130	130		23000H4-01	IC SR5911	1		E6
131	131		23000E7-02	IC 27512	1		E9
132	132		3618460-01	LABEL FOR BAR CODES	1		
133	133		7024307-02	POWER WIRE ASSY	1		
134	134		7024537-01	**THIS ITEM IS NOT USED**			
135	135		7024552-01	CRT SOCKET ASSY	1		
136	136		7434090-01	THUMPWHEEL	2		
137	137		7435221-01	INSULATOR	1		
138	138		7435250-01	BRACKET, FRONT	1		
139	139		7435394-01	COVER, EMI	1		
140	140		9006010-01	SCREW PAN PHIL #4-40 X 5/16	24		
141	141		9006557-00	NUT KEP #4-40 X 1/4 AF	1		
142	142		9009185-00	MACHINE INSERTABLE JUMPER	5		W200
143	143		90TA158-1A	WIRING ACCESSORIES	1		
144	144		9010057-00	WASHER SHOULDER	1		
145	145		1000015-00	CAP 82PF 100V 5%	1		C4
146	146		1301522-00	RESISTOR 27 OHM 1/4W 5%	1		R304
147	147		1613898-01	COIL, 33 UH	1		L204
148	148		13TA179-1A	POT 1M OHM 20%	1		R207
149	149		1303219-00	RESISTOR 82K OHM 1/4W 5%	2		R212.R223
150	150		1314650-00	RESISTOR 91K OHM 1/4W 5%	1		R224
151	151		1309595-00	RESISTOR 1M OHM 1/4W 5%	1		R226
152	152		10TA206-1A	CAP 4700PF 2KV	2		C217.C218
153	153		1300271-00	RESISTOR 220 OHM 1/4W 5%	1		R320
154	154		1328026-01	POT 2K OHM 20%	1		R316
155	155		1300332-00	RESISTOR 560 OHM 1/2W 5%	1		R208

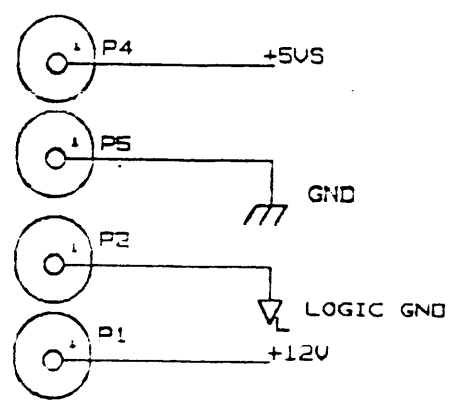
CONFIDENTIAL



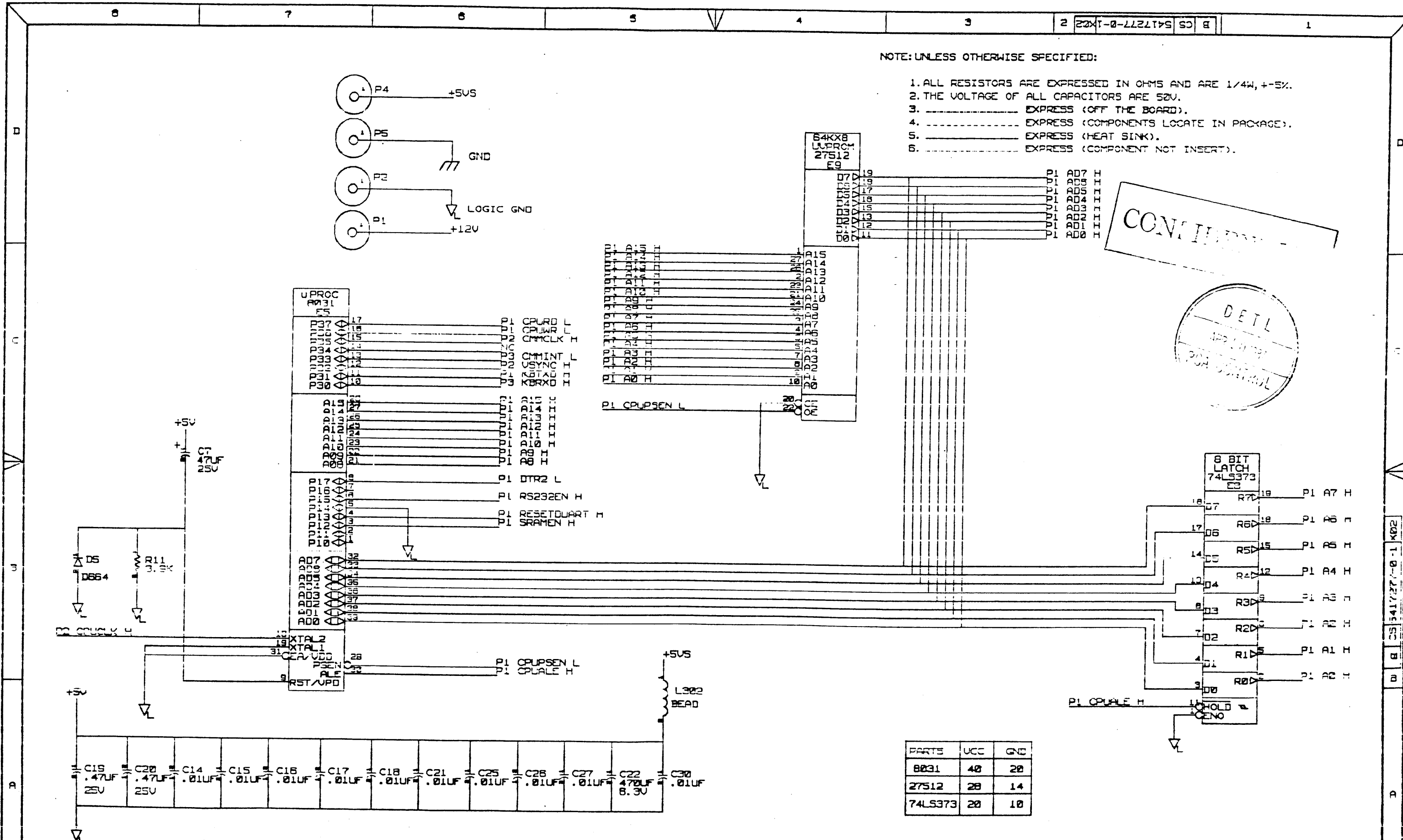
D I G I T A L	TITLE	SECTION A OF A	SIZE	CODE	DOCUMENT NUMBER	REV
	MONITOR. LOGIC CONTROL MODULE		K	PL	5417277-0-DBP	X02

NOTE: UNLESS OTHERWISE SPECIFIED:

1. ALL RESISTORS ARE EXPRESSED IN OHMS AND ARE 1/4W, +-5%.
2. THE VOLTAGE OF ALL CAPACITORS ARE 50V.
3. ----- EXPRESS (OFF THE BOARD).
4. ----- EXPRESS (COMPONENTS LOCATE IN PACKAGE).
5. ----- EXPRESS (HEAT SINK).
6. ----- EXPRESS (COMPONENT NOT INSERT).



CONTINUED



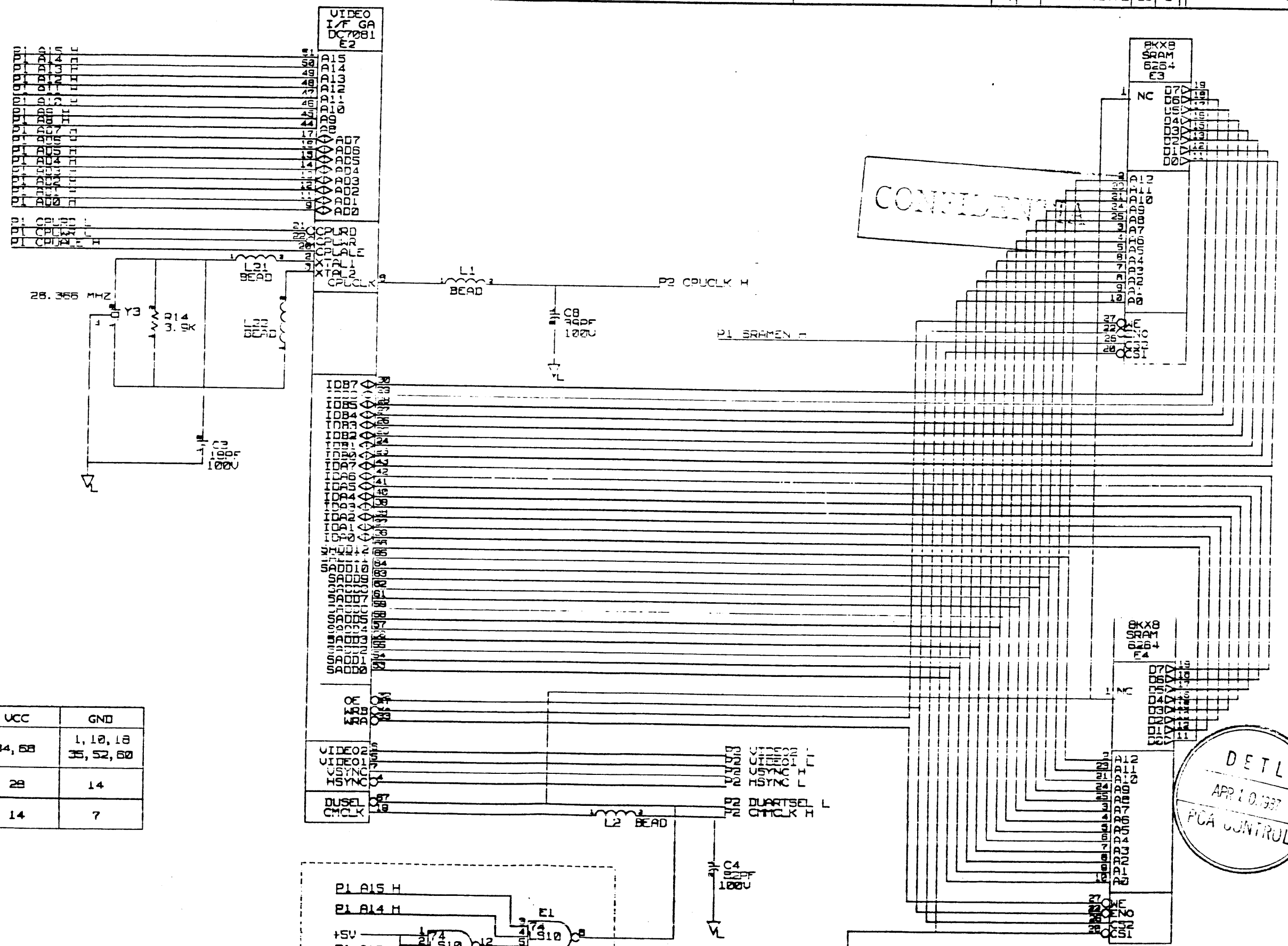
PARTS	UCC	GND
8031	40	20
27512	28	14
74LS373	20	10

THIS DRAWING AND SPECIFICATIONS, HEREIN, ARE THE PROPERTY OF DIGITAL EQUIPMENT CORPORATION AND SHALL NOT BE REPRODUCED OR COPIED OR USED IN WHOLE OR IN PART AS THE BASIS FOR THE MANUFACTURE OR SALE OF ITEMS WITHOUT WRITTEN PERMISSION. COPYRIGHT © 1987, DIGITAL EQUIPMENT CORPORATION

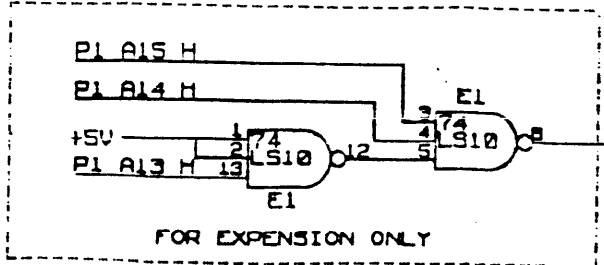
REVISION	CHK	CHANGE NO.	REV

digital	DESIGNER: STAN HSIEH	DATE: 8/5/1988	ENG: S.W. CHENG	DATE: 8/5/1988	TITLE: SCHEMATIC, MONITOR & TERMINAL CONTROL MODULE (INTERNATIONAL)
	DESIGN: CM/T/S	DATE: 8/5/1988	DESIGN LOCATION: SHEET 1 of 4	TOP DOCUMENT NUMBER: B-DD-5417277-0-0	SIZE: B CODE: CS NUMBER: 5417277-0-1 REV: X02
USDA:	FIRST USED ON OPTION/MODEL:				

THIS DRAWING AND SPECIFICATIONS, HEREIN, ARE THE PROPERTY OF DIGITAL EQUIPMENT CORPORATION AND SHALL NOT BE REPRODUCED OR COPIED OR USED IN WHOLE OR IN PART AS THE BASIS FOR THE MANUFACTURE OR SALE OF ITEMS WITHOUT WRITTEN PERMISSION. COPYRIGHT © DIGITAL EQUIPMENT CORPORATION 1987

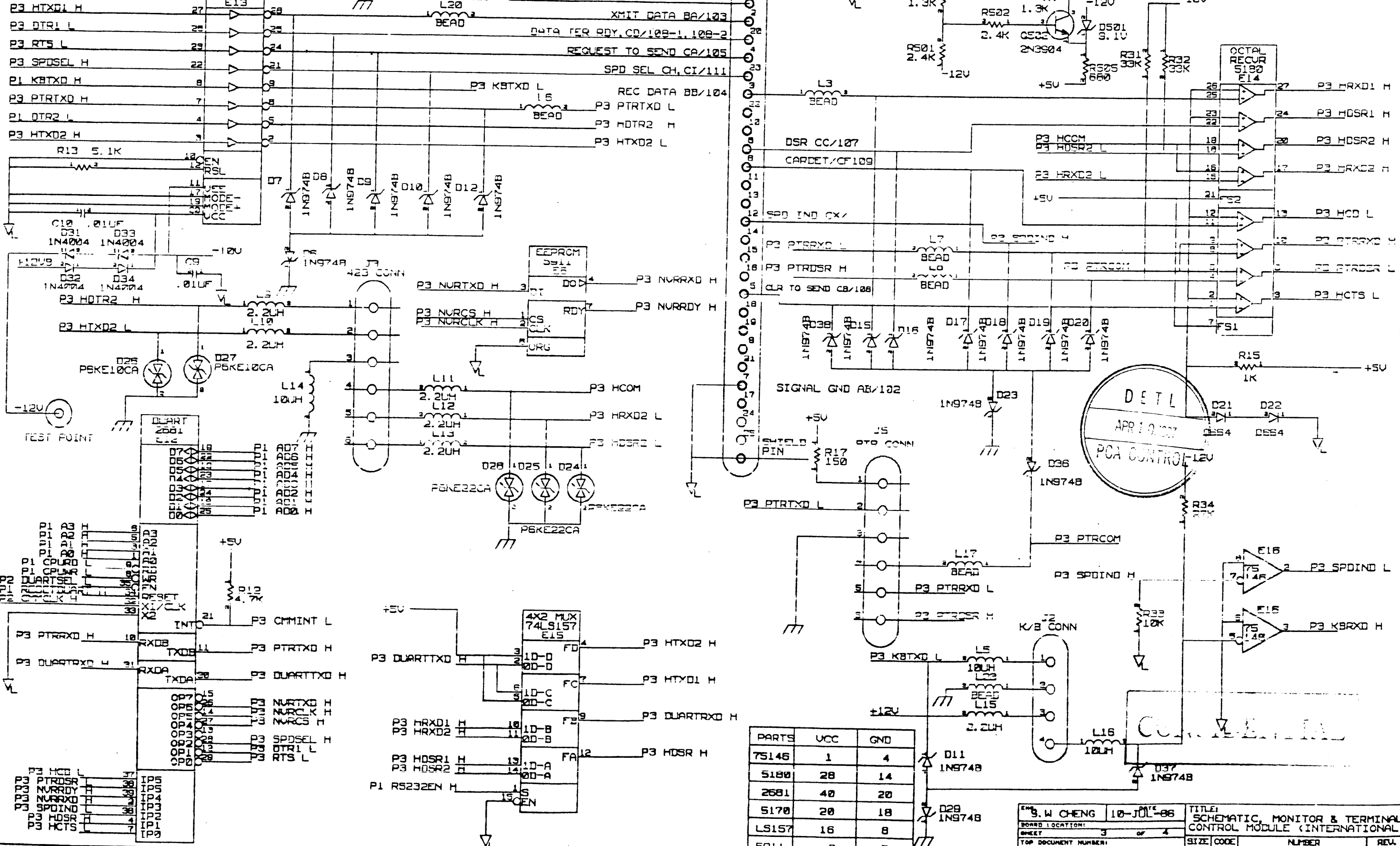


PARTS	VCC	GND
DC7081	34, 68	1, 10, 18
6264	28	14
74LS10	14	7



DETL
APR 10 1987
PCA CONTROL

THIS DRAWING AND SPECIFICATIONS, HEREIN, ARE THE PROPERTY OF DIGITAL EQUIPMENT CORPORATION AND SHALL NOT BE REPRODUCED OR COPIED OR USED IN WHOLE OR IN PART AS THE BASIS FOR THE MANUFACTURE OR SALE OF ITEMS WITHOUT WRITTEN PERMISSION. COPYRIGHT © DIGITAL EQUIPMENT CORPORATION 1987



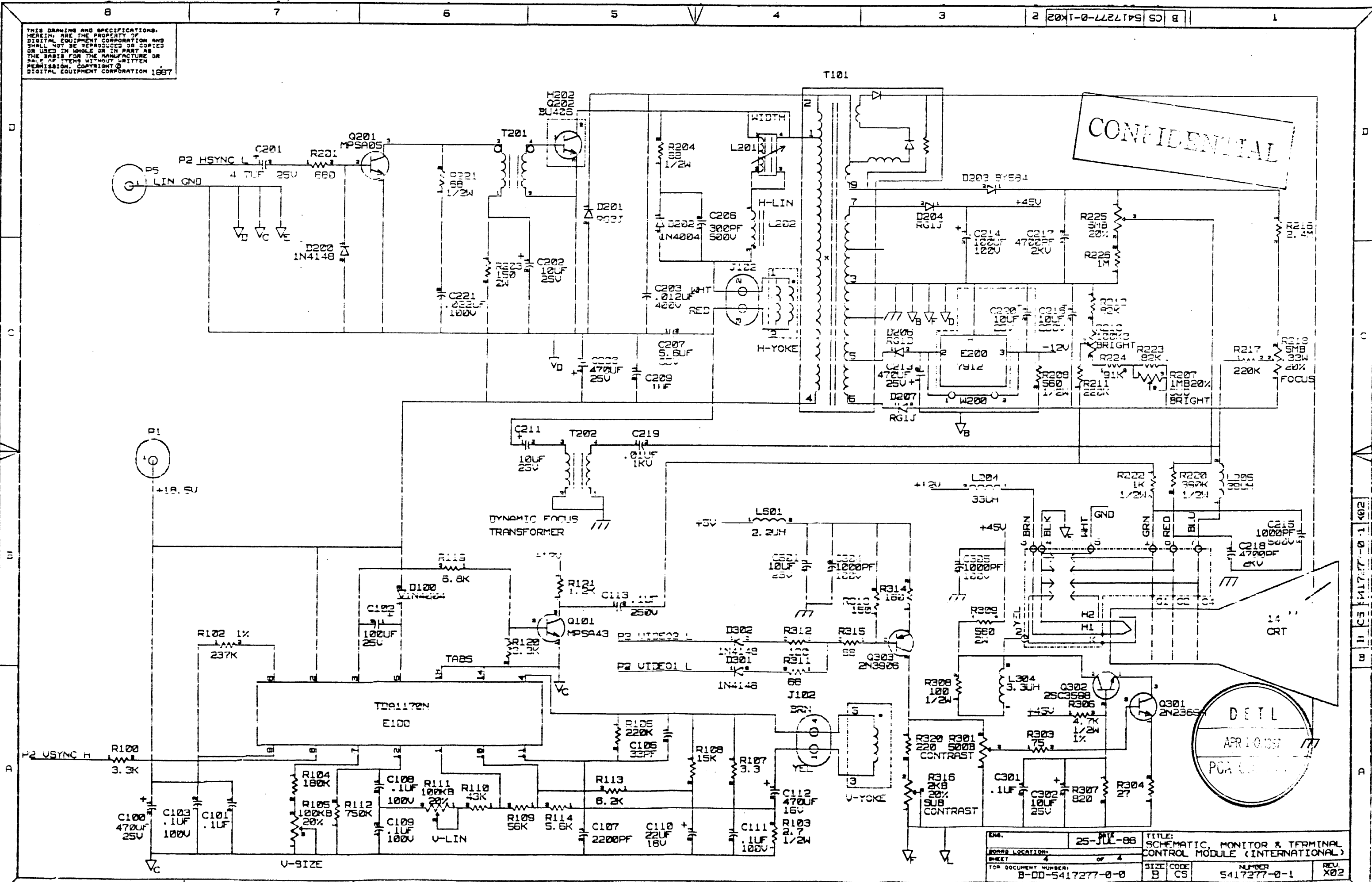
PARTS	UCC	GND
75145	1	4
5180	28	14
2681	40	20
5170	20	18
LS157	16	8
5911	8	5

ENG. S. W. CHENG 10-JUL-86
 BOARD LOCATION: 3 of 4
 SHEET 3 of 4
 TOP DOCUMENT NUMBER: B-DD-5417277-0-0
 TITLE: SCHEMATIC, MONITOR & TERMINAL CONTROL MODULE (INTERNATIONAL)
 SIZE: B CS
 NUMBER: 5417277-0-1
 REV: X02

3 CS 5417277-0-1 X02

THIS DRAWING AND SPECIFICATIONS HEREIN ARE THE PROPERTY OF DIGITAL EQUIPMENT CORPORATION AND SHALL NOT BE REPRODUCED OR COPIED OR USED IN WHOLE OR IN PART AS THE BASIS FOR THE MANUFACTURE OR SALE OF ITEMS WITHOUT WRITTEN PERMISSION. COPYRIGHT © DIGITAL EQUIPMENT CORPORATION 1987

CONFIDENTIAL



DATE	25-JUL-88	TITLE	SCHEMATIC, MONITOR & TERMINAL CONTROL MODULE (INTERNATIONAL)	
ROOM LOCATION		SIZE	B	CODE
TOP DOCUMENT NUMBER	B-DD-541727-0-0	NUMBER	5417277-0-1	
		REV	X02	

THIS DRAWING AND THE SPECIFICATIONS CONTAINED HEREIN ARE CONFIDENTIAL AND PROPRIETARY. THEY ARE THE PROPERTY OF HELIX CORPORATION AND SHALL NOT BE REPRODUCED OR COPIED OR USED IN WHOLE OR IN PART AS THE BASIS FOR THE MANUFACTURE OF ANY PRODUCT WITHOUT WRITTEN PERMISSION. THIS IS AN UNCLASSIFIED AND UNCONTROLLED COPY OF THE ORIGINAL DRAWING. HELIX CORPORATION, CONTRACT # 1987 HELIX, EQUIPMENT CORPORATION.

COMPONENTS ADD SIDE TWO (AS SHOWN).
 1-09. ADD L23 PN 16-18238-02
 L23 PIN 1 TO J2 PIN 2
 L23 PIN 2 TO GND.

- NOTE:
1. C2, E1, C306, L302, C211, C2, D24, D25, D26, D27, D28 & R2 ARE NOT INSERTED.
 2. TORQUE REQUIREMENT 3-5 IN-LE FOR ITEM 49 & 140.
 3. THIS BOARD MUST MEET SAFETY REQUIREMENT FOR HPWR.
 4. MOUNT Q-PAC PN 10-26289-04 ON E5 & E12.
 5. C204 & R305 ARE NOT INSERTED.
 6. SUBSTITUTE PN 13-27943-01 & 13-02962-00 FOR R301 PN 13-27943-03.

REWORK INSTRUCTIONS:

COMPONENTS ADD SIDE ONE (AS SHOWN).

- 1-01. ADD T202 PN 16-TA175-1A
 T202 PIN 1 TO L203 PIN 4
 T202 PIN 2 TO C211 PIN 2
 T202 PIN 3 TO L203 PIN 2.
- 1-02. ADD L304 PN 16TA176-1A
 L304 PIN 1 TO R308 PIN 1
 L304 PIN 2 TO MH4.
- 1-08. ADD L205 PN 16-13898-02
 L205 PIN 1 TO R219 PIN 1
 L205 PIN 2 TO R219 PIN 2.

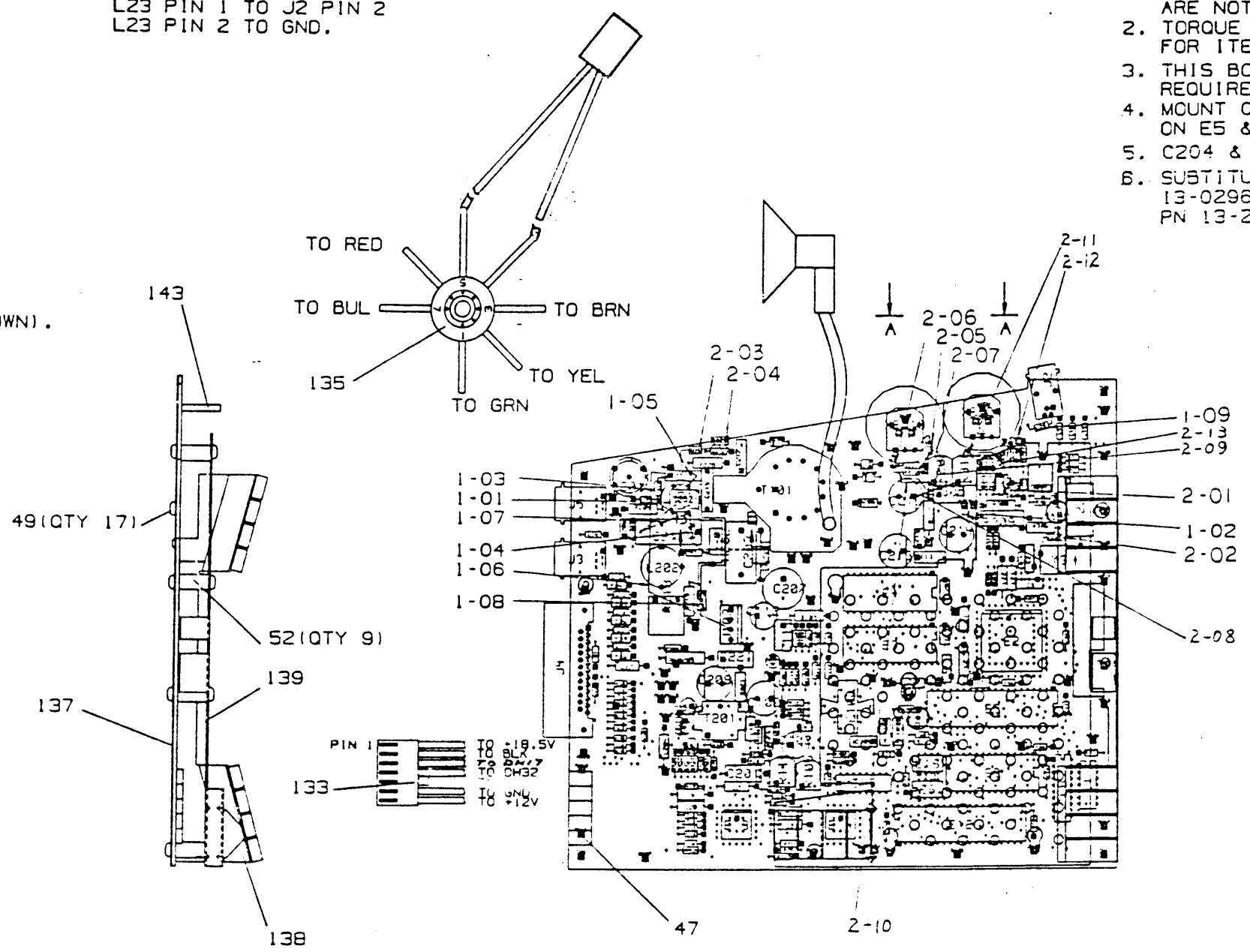
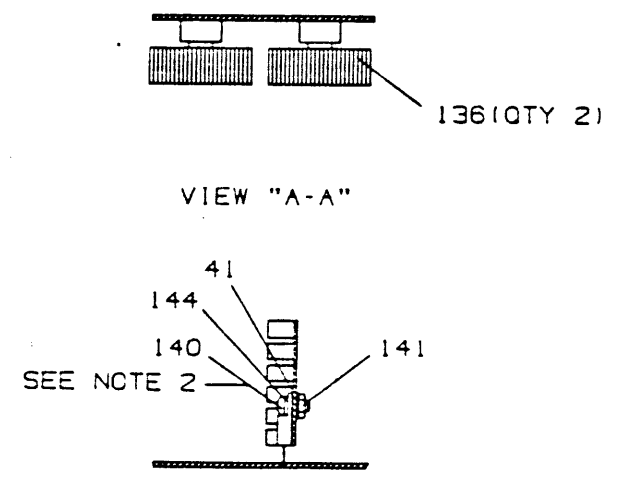
COMPONENTS RELOCATED SIDE ONE (AS SHOWN).

- 1-03. C211 PIN 1 TO L203 PIN 3
 C211 PIN 2 TO L203 PIN 4.
- 1-04. C219 PIN 1 TO L203 PIN 1
 C219 PIN 2 TO R217 PIN 2.

WIRE ADDS SIDE TWO (AS SHOWN).

- 1-05. FROM L203 PIN 2 TO C218 PIN 2.
- 1-06. FROM J102 PIN 3 TO C218 PIN 1.
- 1-07. FROM L203 PIN 1 TO C211 PIN 2.

CUT ETCH REFER D-EC-5017277-0-0.



CONFIDENTIAL

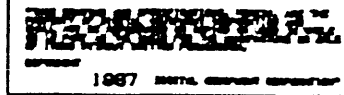
CHK	DRAWN BY	ENGINEER	CHANGE NO	DATE	REV

CHK	DRAWN BY	ENGINEER	CHANGE NO	DATE	REV

NOTES 50/PART REV: A01

SIGNATURES		DATE	digital
DRAWN	C. K. LIAD		
CHECKED	B. CHEN		UNIT ASSY. MONITOR/LOGIC MOD
MECH ENG	J. KOU		
PROJ ENG	B. CHEN/C. L. CHANG		SIZE CODE NUMBER D UA 5417277-0-0
SCALE	1/1		
SHEET	1 OF 2		
TOP DOC NO	B-00-5417277-0-0		

172766CHI-PL01 2-NPR-1987 15:19:48 **DOC SCRI 0.96 PEN 0 BENSUN V3.0



D
C
B
A

REWORK INSTRUCTIONS:

- COMPONENTS ADD SIDE ONE (AS SHOWN).
- 2-01. ADD C601 PN 10-18000-29
C601 PIN 1 TO C304 PIN 2
C601 PIN 2 TO C304 PIN 1.
 - 2-02. ADD L601 PN 16-TA131-01
L601 PIN 1 TO C22 PIN 1
L601 PIN 2 TO C304 PIN 2.
 - 2-03. ADD R225 PN 13-19563-01
R225 PIN 1 TO R216 PIN 1
R225 PIN 2 TO R220 PIN 1
R225 PIN 3 TO R226 PIN 2.
 - 2-04. ADD R226 PN 13-09595-00
R226 PIN 1 TO C218 PIN 2
R226 PIN 2 TO R225 PIN 3.

- COMPONENTS ADD SIDE ONE (AS SHOWN).
- 2-05. ADD R223 PN 13-03219-00
R223 PIN 1 TO R210 PIN 3
R223 PIN 2 TO C216 PIN 1.
 - 2-06. ADD R224 PN 13-14650-00
R224 PIN 1 TO R210 PIN 1
R224 PIN 2 TO R212 PIN 2.

- WIRE ADDS SIDE TWO (AS SHOWN).
- 2-07. FROM R212 PIN 2 TO R207 PIN 3.
 - 2-08. FROM R316 PIN 1 TO R212 PIN 1.
 - 2-09. FROM R207 PIN 1 TO R207 PIN 2.
 - 2-10. FROM R207 PIN 1 TO R212 PIN 2.
 - 2-11. FROM R316 PIN 2 TO R320 PIN 2.

CUT ETCH REFER D-EC-5017276-0-0.

- COMPONENTS RELOCATED SIDE ONE (AS SHOWN).
- 2-12. R304 PIN 1 MOVE TO R305 PIN 1
R304 PIN 2 MOVE TO R305 PIN 2.
 - 2-13. R320 PIN 1 MOVE TO R304 PIN 2.

CONFIDENTIAL

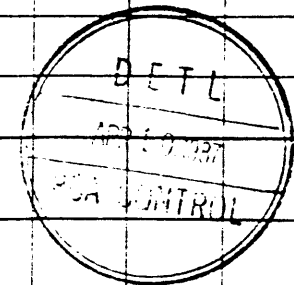


ADM	MEMPHIS OGD	DAVOS
AMOLETH NOISIAJN		

20X
0-0-112719S
DUA

DRAWING NO.	NO. OF SHTS.	PART NO.	DESCRIPTION	REVISIONS																			
				XH1	XH1	XJ1																	
		54-17189-01	MONITOR/LOGIC CONTROL MODULE																				
D-UA-5417189-0-0	2		UNIT ASSY	X00	X01	X02																	
B-CS-5417189-0-1	4		SCHEMATIC	X00	X01	X02																	
K-PL-5417189-0-DBP	4		PARTS LIST	X14	X15	X16																	
K-PC-5417189-0-DBV	N/A		P.C. DESIGN DATA BASE																				
K-CS-5417189-0-DBX	N/A		VALID DATA BASE																				
		50-17188-01	ETCH CIRCUIT BOARD	C01	C01	C01																	
B-DD-5017188-0-0	1		DRAWING DIRECTORY	X09	X10	X11																	

CONFIDENTIAL



NOTES:

REVISION HISTORY	REV.																					
	ECO NO.																					
	DATE																					

THIS DRAWING AND THE SPECIFICATIONS CONTAINED HEREIN ARE CONFIDENTIAL AND PROPRIETARY. THEY ARE THE PROPERTY OF DIGITAL EQUIPMENT CORPORATION AND SHALL NOT BE REPRODUCED OR COPIED OR USED IN WHOLE OR IN PART AS THE BASIS FOR THE MANUFACTURE OR SALE OF ITEMS WITHOUT WRITTEN PERMISSION. THIS IS AN UNPUBLISHED WORK PROTECTED UNDER THE FEDERAL COPYRIGHT LAWS.



1987

DRN.	F. LIU	DATE	20-NOV-86
CHK'D	B. CHEN	DATE	20-NOV-86
DES. ENG.	L. C. CHEN/H. C. HONG	DATE	20-NOV-86
RESP. ENG.	C. L. CHUANG/S. W. CHENG	DATE	20-NOV-86
MFG. ENG.		DATE	

TITLE		DWG DIR, MONITOR/LOGIC CONTROL MODULE	
DOCUMENT NUMBER			
SIZE	CODE	NUMBER	REV
B	DD	5417189-0-0	X12
SHEET		1 OF 1	

P A R T L I S T

LINE	ITEM	TOP DOCUMENT	PART NUMBER	DESCRIPTION	QTY PER VARIATION 01	REFERENCE DESIGNATOR
				VAR. REV LEVEL :		
1	1		5017188-01	LOGIC/MONITOR BOARD	1	
2	2		1001610-00	CAP .01UF 50V +80-20%	13	C9.C10.C14-C18.C21.C23-C29
3	3		1002608-00	CAP 18PF 100V 5%	1	C3
4	4		1010278-01	CAP .47UF 25V 20% CER	2	C19.C20
5	5		1013466-01	CAP 33PF 50V 5% CER	1	C106
6	6		1013466-12	CAP 2200PF 50V 10%	1	C107
7	7		1013466-22	CAP .1UF 50V +80-20%	3	C101.C209.C301
8	8		1016544-00	CAP .1UF 100V 10%	1	C111
9	9		1016553-00	CAP 4.7UF 25V +75-10%	1	C201
10	10		1016570-00	CAP .001UF 500V	1	C215
11	11		1016572-01	CAP 300PF 500V	1	C206
12	12		1018000-15	CAP 10UF 250V +50-10%	1	C216
13	13		1018000-17	CAP 470UF 25V +50-10%	3	C100.C203.C213
14	14		1018000-29	CAP 10UF 25V 20%	4	C202.C211.C202.C300
15	15		1018000-31	CAP 470UF 16V RADIAL	1	C112
16	16		1018000-33	CAP 100UF 25V RADIAL	1	C102
17	17		1018000-34	CAP 100UF 100V +50-10%	1	C214
18	18		1018000-40	CAP 47UF 25V	1	C7
19	19		1019058-11	CAP .022UF 100V P.P.	1	C221
20	20		1019559-02	CAP .01UF 1000V	1	C219
21	21		1020446-11	CAP 470UF 6.3V +50-10%	1	C22
22	22		1020604-03	CAP .1UF 100V 5% MET	3	C103.C108.C109
23	23		1021480-07	CAP .012UF 400V 5%	1	C203
24	24		1022087-01	CAP 1000PF 100V	2	C204.C303
25	25		1023486-03	CAP 22UF 16V	1	C110
26	26		1026646-01	**THIS ITEM IS NOT USED**		
27	27		10TA187-1A	CAP 5.6UF 35V NP	1	C207
28	28		1100114-00	DIODE D664 PIV=25 IO=135MA	1	D5
29	29		1105796-00	DIODE 1N4004 PIV=400 I=1A	3	D31.D100.D202
30	30		1109990-00	DIODE ZENER VZ=9.1	1	D501

CONFIDENTIAL

DETL
APR 10 1986
PCA CONTROL

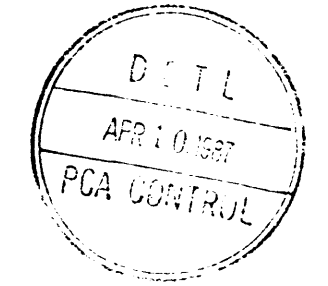
REVISION HISTORY		BASIC PART NO :		DRN:	DATE:	D I G I T A L				
ENG	ECC NUMBER	REV	SECTION A OF A	CHK'D:	DATE:	TITLE				
			SECTION VARIATION INDEX	DES.ENG:	DATE:	MONITOR. LOGIC CONTROL MODULE				
			[A] 01	RESP.ENG:	DATE:	DOCUMENT NUMBER				
			[B]	MEG.ENG:	DATE:	SIZE	CODE	NUMBER	REV	
			[C]	TOP DOCUMENT NUMBER: P-DD-5417189-0-0		K	PL	5417189-0-DBP	X16	
			[D]	ASSEMBLY NUMBER:		RELEASE DATE:				

*THIS DRAWING AND THE SPECIFICATIONS CONTAINED HEREIN ARE CONFIDENTIAL AND PROPRIETARY. THEY ARE THE PROPERTY OF DIGITAL EQUIPMENT CORPORATION AND SHALL NOT BE REPRODUCED OR COPIED OR USED IN WHOLE OR IN PART AS THE BASIC FOR THE MANUFACTURE OR SALE OF ITEMS WITHOUT WRITTEN PERMISSION. THIS IS AN UNPUBLISHED WORK PROTECTED UNDER THE FEDERAL COPYRIGHT LAWS. 1986

PART LIST

LINE	ITEM	TOP DOCUMENT	PART NUMBER	DESCRIPTION	QTY PER VARIATION	REFERENCE DESIGNATOR
				VAR. REV. LEVEL :	01	
31	31		1112594-02	DIODE RG2J PIV=300 ID=3.00A	1	D201
32	32		1112595-01	DIODE RG1D PIV=200 I=1A	1	D206
33	33		1112595-02	DIODE RG1J PIV=300 ID=1.0A	2	D204.D207
34	34		1116475-00	DIODE 1N4148	2	D200.D201.D202
35	35		1121581-01	DIODE PIV=1500 BY584	1	D203
36	36		1124037-01	ZENER DIODE 36V 1W974F	8	D6.D9.D11.D19.D20.D25.D38.D37
37	37		1126743-01	PK6E10CA TRANS SUPP 600W 10V	2	D23.D27
38	38		1126743-02	PK6E22CA TRANS SUPP 600W 22V	3	D24.D25.D28
39	39		1213071-06	INSULATOR SILICON RUBBER	1	
40	40		1215006-07	IC SOCKET 28 PIN	1	XE9
41	41		1215006-08	IC SOCKET 40 PIN	1	XE5
42	42		1216531-00	SOCKET 4 PIN FOR YOKE	1	J102
43	43		1218823-07	CONN TELE 4 POS GRAY	1	J2
44	44		1220123-01	HEAT SINK	1	H200
45	45		1223433-02	CONNECTOR 6 PIN	2	J3.J5
46	46		1223598-02	**THIS ITEM IS NOT USED**		
47	47		1224261-01	PIN	2	
48	48		12TA263-1A	INSERT	9	
49	49		1300219-00	RESISTOR 68 OHM 1/4W 5%	2	R311.R315
50	50		1300223-00	RESISTOR 100 OHM 1/2W	1	R308
51	51		1300247-00	RESISTOR 120 OHM 1/4W	1	R312
52	52		1300250-00	RESISTOR 150 OHM 1/4W 5%	2	R17.R313
53	53		1300364-00	RESISTOR 1K OHM 1/2W 5%	1	R222
54	54		1300439-00	RESISTOR 3.3K OHM 1/4 5%	1	R100
55	55		1300444-00	RESISTOR 3.9K OHM 1/4 5%	2	R11.R14
56	56		1300445-00	RESISTOR 4.7K OHM 1/2W 1%	1	R206
57	57		1300447-00	RESISTOR 4.7K OHM 1/4 5%	3	R12.R38.R39
58	58		1300479-00	RESISTOR 10K OHM 1/4W 5%	2	R13.R33
59	59		1300496-00	RESISTOR 15K 1/4W 5%	1	R108
60	60		1301320-00	**THIS ITEM IS NOT USED**		
61	61		1301322-00	RESISTOR 120 OHM 1/4W	1	R314
62	62		1301401-00	**THIS ITEM IS NOT USED**		
63	63		1301423-00	**THIS ITEM IS NOT USED**		
64	64		1301424-00	RESISTOR 680 OHM 1/4W 5%	2	R201.R505
65	65		1301775-00	RESISTOR 820 OHM 1/4W	1	R307
66	66		1301785-00	**THIS ITEM IS NOT USED**		
67	67		1301874-00	RESISTOR 5.6K OHM 1/4W 5%	1	R114
68	68		1302092-00	RESISTOR 220K OHM 1/4W 5%	3	R106.R211.R217
69	69		1302177-00	RESISTOR 47K OHM 1/4W 5%	2	R15.R40
70	70		1302379-00	RESISTOR 75 OHM 1/4W 5%	1	R303

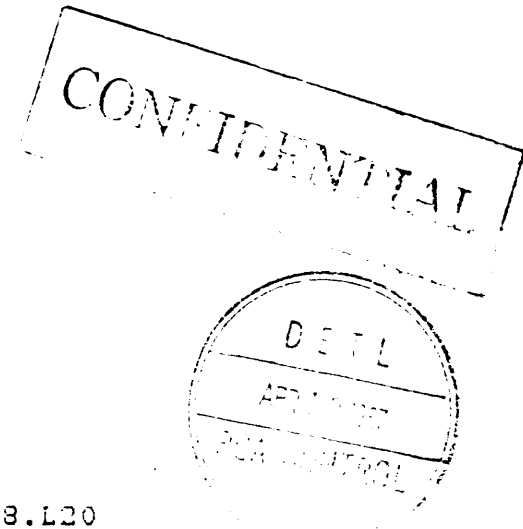
CONFIDENTIAL



D	I	G	I	T	A	L	TITLE	SECTION	A	OF	A	SIZE	CODE	DOCUMENT NUMBER	REV
							MONITOR, LOGIC CONTROL MODULE					K	PL	5417189-0-DBP	X16

PART LIST

LINE	ITEM	TOP DOCUMENT	PART NUMBER	DESCRIPTION	QTY PER VARIATION	REFERENCE DESIGNATOR
				VAR. REV. LEVEL :	01	
71	71		1302395-00	RESISTOR 56K OHM 1/4W 5%	1	R109
72	72		1302397-00	RESISTOR 180K OHM 1/4W 5%	1	R104
73	73		1303177-00	RESISTOR 2.1K OHM 1/4W 5%	2	R501.R502
74	74		1304238-00	RESISTOR 43K OHM 1/4W 5%	1	R110
75	75		1305346-00	RESISTOR 27K OHM 1/4W 5%	3	R04-R07
76	76		1309405-00	RESISTOR 68 OHM 1/2W 5%	2	R204.R221
77	77		1312931-00	RESISTOR 6.20K OHM 1/4W 5%	1	R113
78	78		1314673-00	**THIS ITEM IS NOT USED**		
79	79		1315437-00	RESISTOR 237K OHM 1/4W 1%	1	R102
80	80		1316441-00	RESISTOR 2.4M OHM 1/4 W 5%	1	R216
81	81		1316507-00	RESISTOR 2.7 OHM 1/2W 5%	1	R103
82	82		1318242-00	RESISTOR 750K OHM 1/4W 5%	1	R112
83	83		1319471-15	RESISTOR 150 OHM 2W 5%	1	R202
84	84		1319471-25	RESISTOR 560 OHM 2W	1	R309
85	85		1319563-01	POT 5M OHM .25W 20%	2	R218.R225
86	86		1320608-01	RESISTOR 3.3 OHM 1/4W 5%	1	R107
87	87		1320632-01	RESISTOR 1.0K OHM 1/4W 5%	2	R502.R504
88	88		1320713-01	RESISTOR 390K OHM 1/2W	1	R220
89	89		1327943-02	POT 100K OHM 1/4W W/O THUMBWHEEL	1	R210
90	90		1327943-03	POT 500 OHM 1/4W	1	R301
91	91		13TA162-1A	**THIS ITEM IS NOT USED**		
92	92		13TA164-1A	POT 100K OHM 20%	2	R111.R105
93	93		13TA165-1A	**THIS ITEM IS NOT USED**		
94	94		1509338-00	TRANSISTOR DEC 6531B NPN	1	Q1
95	95		1509524-00	2N3904	1	Q502
96	96		1509525-00	TRANSISTOR 2N3906	1	Q303
97	97		1510705-00	TRANSISTOR MPSA05	1	Q201
98	98		1510706-00	A55	1	Q501
99	99		1512976-00	**THIS ITEM IS NOT USED**		
100	100		1521002-01	TRANSISTOR 2N2369A	1	Q301
101	101		1527595-01	TRANSISTOR 2SC3598	1	Q302
102	102		1527609-01	TRANSISTOR BU406	1	Q202
103	103		1613898-02	COIL, 39 UH	1	L205
104	104		1618238-02	BEAD FERRITE .1380D	5	L1.L2.L6.L13.L20
105	105		1621807-01	COIL WIDTH VARIABLE INDUCTOR	1	L201
106	106		1627761-01	10UH CHOKE	4	L5.L7.L8.. L17
107	117		1627975-01	FBT 18.9K HZ	1	T101
108	108		16TA131-01	CHOKE 2.2UH 10%	8	L9-L13.L15.L18.L201
109	109		16TA163-1A	H. LINERTY COIL	1	L202
110	110		16TA164-1A	HOR. BUFFER TRANS.	1	T201
111	111		16TA175-1A	DYNAMIC FOCUS TRANSFORMER	1	T202
112	112		16TA176-1A	RF COATED CHOKE 3.3UH	1	L304
113	113		18TA106-1A	26.366MHZ 45-55% XTAL	1	Y3
114	114		1915219-00	IC LS373 OCTAL-TRANSPARE	1	E8
115	115		1915415-00	IC 9636 DUAL EIA DRIVER	2	E7.E10
116	116		1927621-01	IC 1170N 14 PIN	1	E100
117	117		1927782-01	SN75146 DUAL LINE RECEIVER	2	E11,E16
118	118		2120068-01	IC SC2681 DUART	1	E12



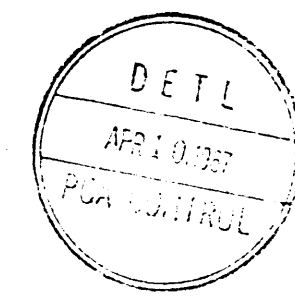
D	I	G	I	T	A	L	TITLE	SECTION	A	OF	A	SIZE	CODE	DOCUMENT NUMBER	REV
							MONITOR, LOGIC CONTROL MODULE					K	PL	5417189-0-DBP	X16

PART LIST

SHEET A4 OF A4

LINE	ITEM	TOP DOCUMENT	PART NUMBER	DESCRIPTION	QTY PER VARIATION 01	REFERENCE DESIGNATOR
						VAR. REV. LEVEL :
119	119		2120115-02	8031 15MHZ	1	E5
120	120		2121394-03	6264 120NS	2	E3,E4
121	121		2127705-01	GATE ARRAY DC7081 68 PIN	1	E2
122	122		23000N4-01	IC BR5911	1	E6
123	123		23000E7-02	IC 27512	1	E9
124	124		3612460-01	LABEL FOR BAR CODE	1	
125	125		7024307-01	POWER WIRE ASSY	1	
126	126		7024537-01	**THIS ITEM IS NOT USED**		
127	127		7024552-01	DRT SOCKET ASSY	1	
128	128		7434090-01	THUMBWHEEL	2	
129	129		7435221-01	INSULATOR	1	
130	130		7435250-01	BRACKET, FRONT	1	
131	131		7435394-01	COVER, ENI	1	
132	132		9006010-01	SCREW PAN PHIL #4-40 X 5/16	24	
133	133		9006557-00	NUT KEP #4-40 X 1/4 AF	1	
134	134		9009135-00	MACHINE INSERTABLE JUMPER	3	
135	135		90TA159-1A	WIRING ACCESSORIES	1	
136	136		1220840-01	**THIS ITEM IS NOT USED**		
137	137		9010057-00	WASHER SHOULDER	1	
138	138		1000010-00	CAP 39PF 1000V 5%	1	C8
139	139		1301522-00	RESISTOR 27 OHM 1/4W 5%	1	R304
140	140		1613898-01	COIL, 33 UH	1	L204
141	141		13TA179-1A	POT 1M OHM 20%	1	R207
142	142		1303219-00	RESISTOR 82K OHM 1/4W 5%	2	R212,R223
143	143		1314650-00	RESISTOR 91K OHM 1/4W 5%	1	R224
144	144		1309595-00	RESISTOR 1M OHM 1/4W 5%	1	R226
145	145		10TA206-1A	CAP 4700PF 2KV	2	C217,C218
146	146		1300271-00	RESISTOR 220 OHM 1/4W 5%	1	R320
147	147		1323026-01	POT 2K OHM 20%	1	R316
148	148		1300333-00	RESISTOR 560 OHM 1/2W 5%	1	R208

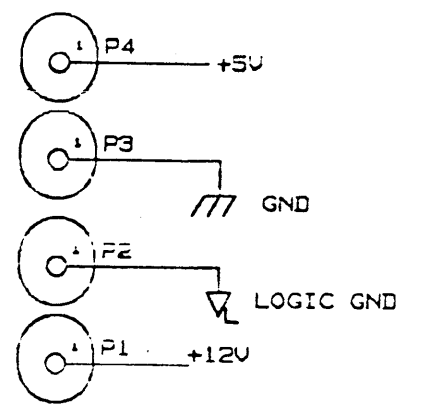
CONFIDENTIAL



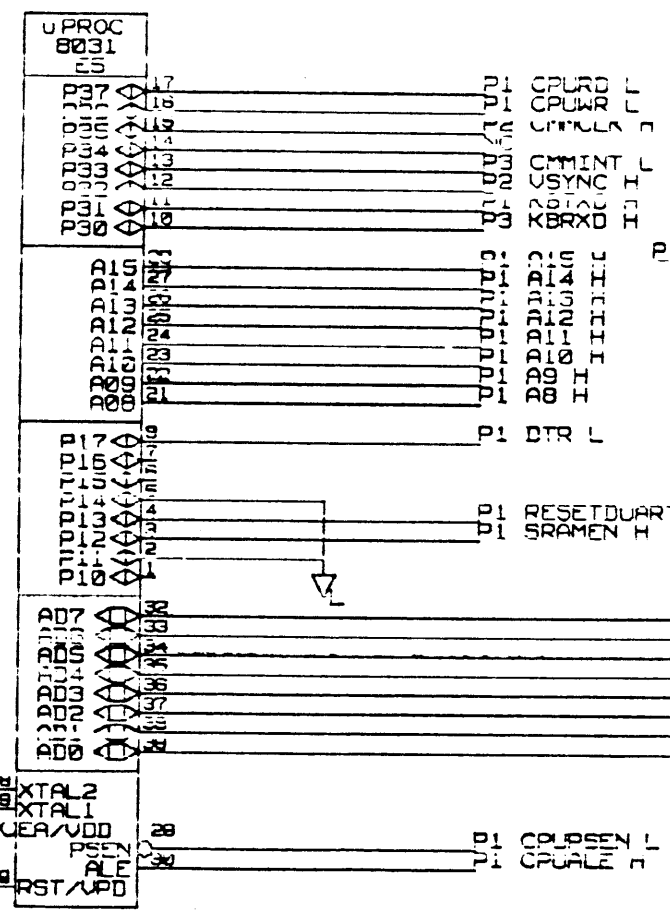
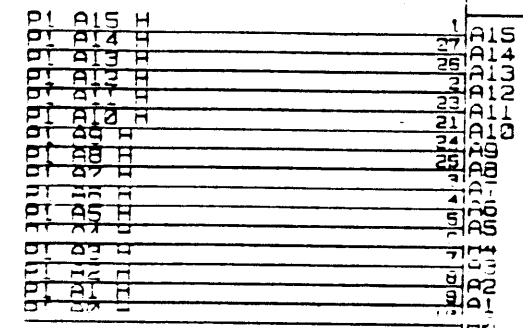
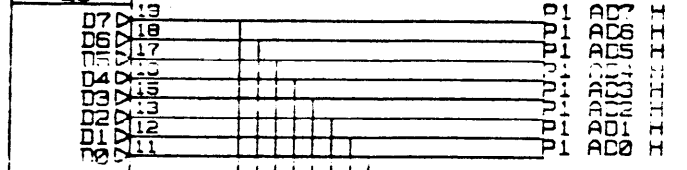
D	I	G	I	T	A	L	TITLE	SECTION	A	OF	A	SIZE	CODE	DOCUMENT NUMBER	REV
							MONITOR, LOGIC CONTROL MODULE					K	PL	5417189-0-DBP	X16

NOTE: UNLESS OTHERWISE SPECIFIED:

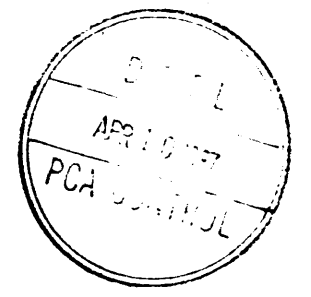
1. ALL RESISTORS ARE EXPRESSED IN OHMS AND ARE 1/4W, +-5%.
2. THE VOLTAGE OF ALL CAPACITORS ARE 50V.
3. ----- EXPRESS (OFF THE BOARD).
4. ----- EXPRESS (COMPONENTS LOCATE IN PACKAGE).
5. ----- EXPRESS (HEAT SINK).
6. ----- EXPRESS (COMPONENT NOT INSERT).



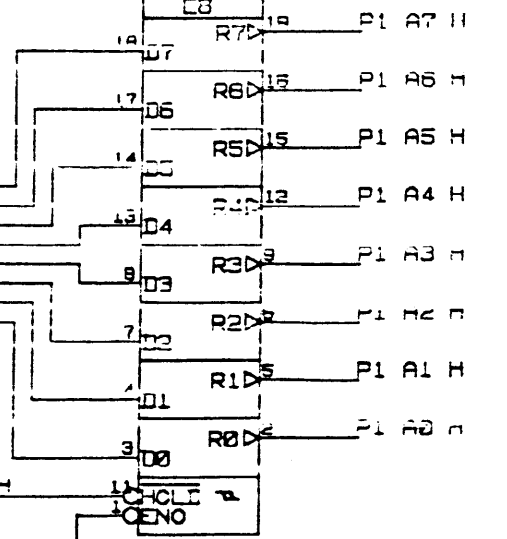
64KX8
LUPROM
27512
E9



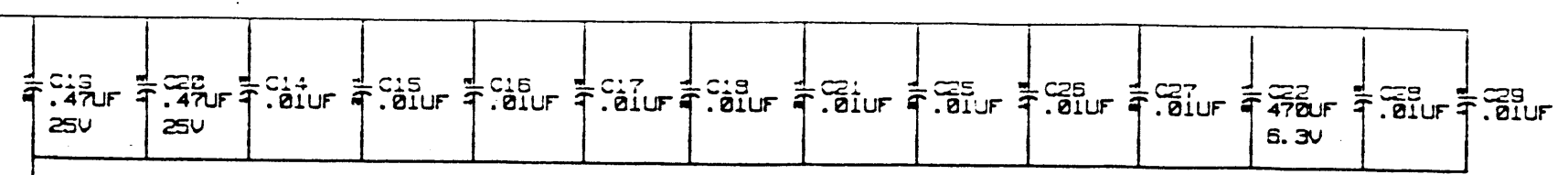
CONFIDENTIAL



8 BIT
LATCH
74LS373
C8

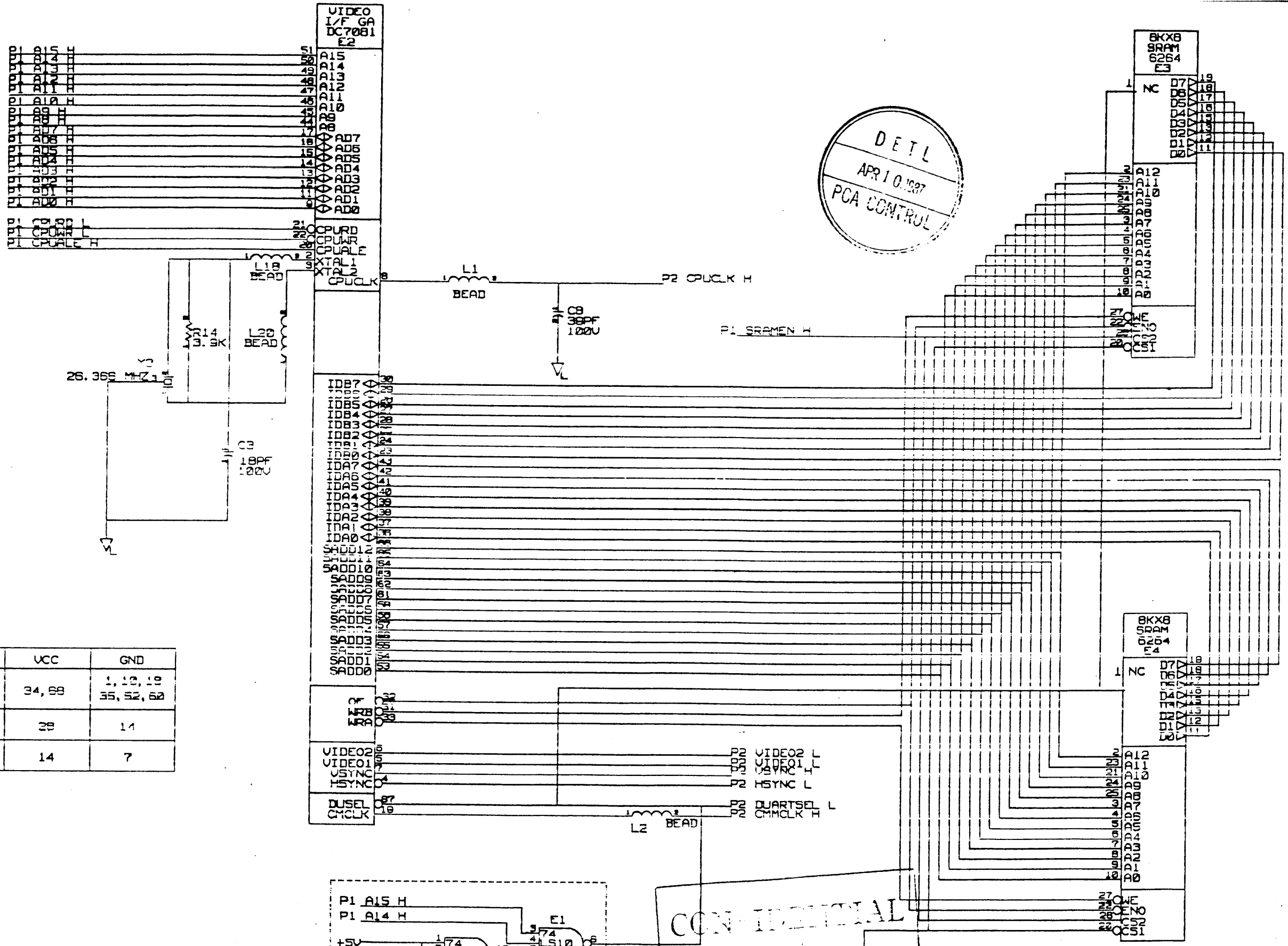


PARTS	UCC	GND
8031	40	20
27512	28	14
74LS373	20	10



HEREIN ARE THE PROPERTY OF DIGITAL EQUIPMENT CORPORATION AND SHALL NOT BE REPRODUCED OR COPIED OR USED IN WHOLE OR IN PART AS THE BASIS FOR THE MANUFACTURE OR SALE OF ITEMS WITHOUT WRITTEN PERMISSION. COPYRIGHT © DIGITAL EQUIPMENT CORPORATION 1987

DET L
APR 10 1987
PCA CONTROL



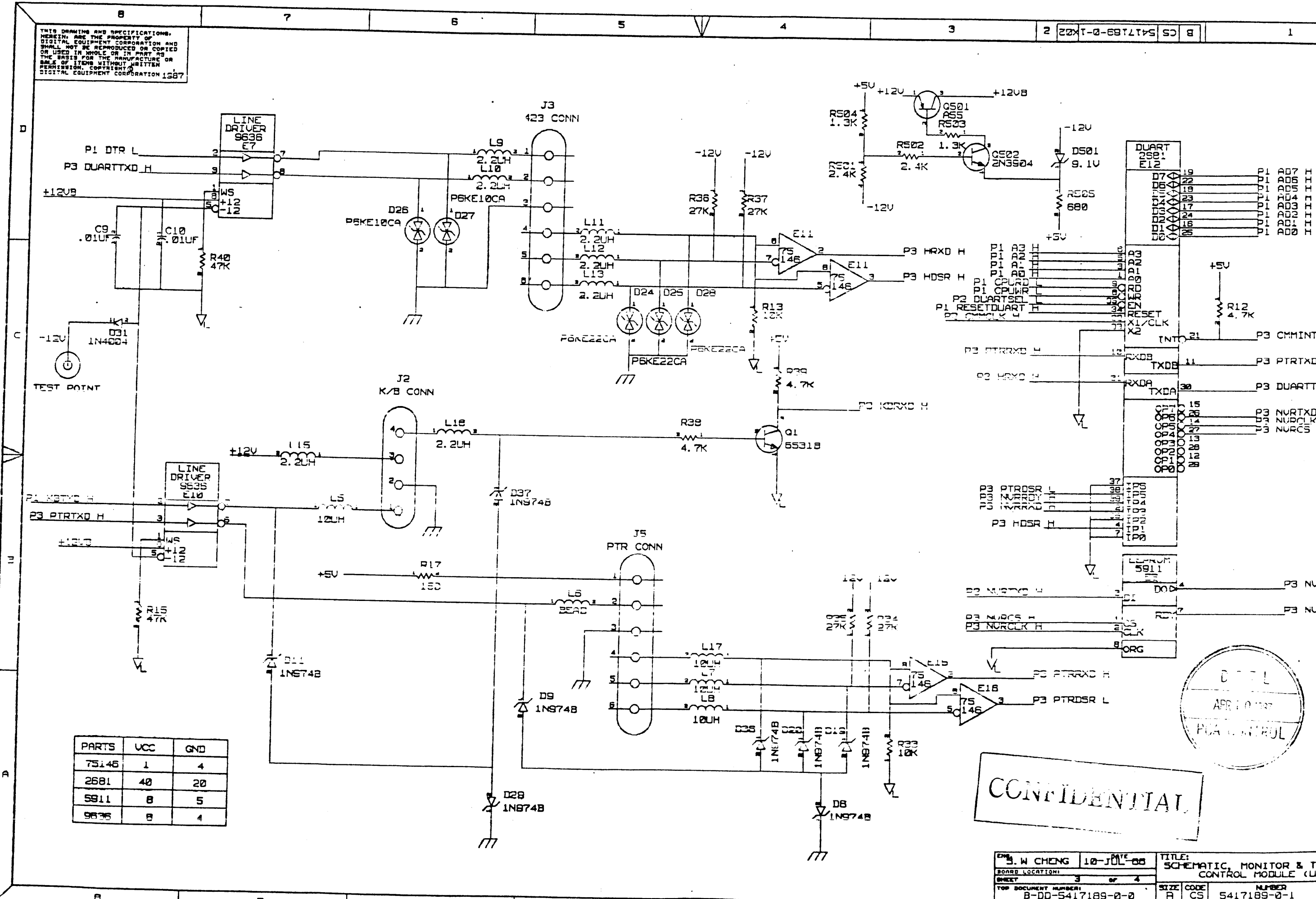
PARTS	VCC	GND
DC7081	34, 68	1, 13, 19 35, 52, 60
5251	28	14
74LS10	14	7

DESIGNED BY: S.W. CHENG	DATE: 6/5/1986	TITLE: SCHEMATIC, MONITOR & TERMINAL CONTROL MODULE (USA)
DRAWN BY: [blank]		SIZE: B CS
SHEET: 2 of 4		NUMBER: 5417189-0-1
TOP DOCUMENT NUMBER: B-DD-5417189-0-0		REV: X02

CONFIDENTIAL

B CS 5417189-0-1 X02

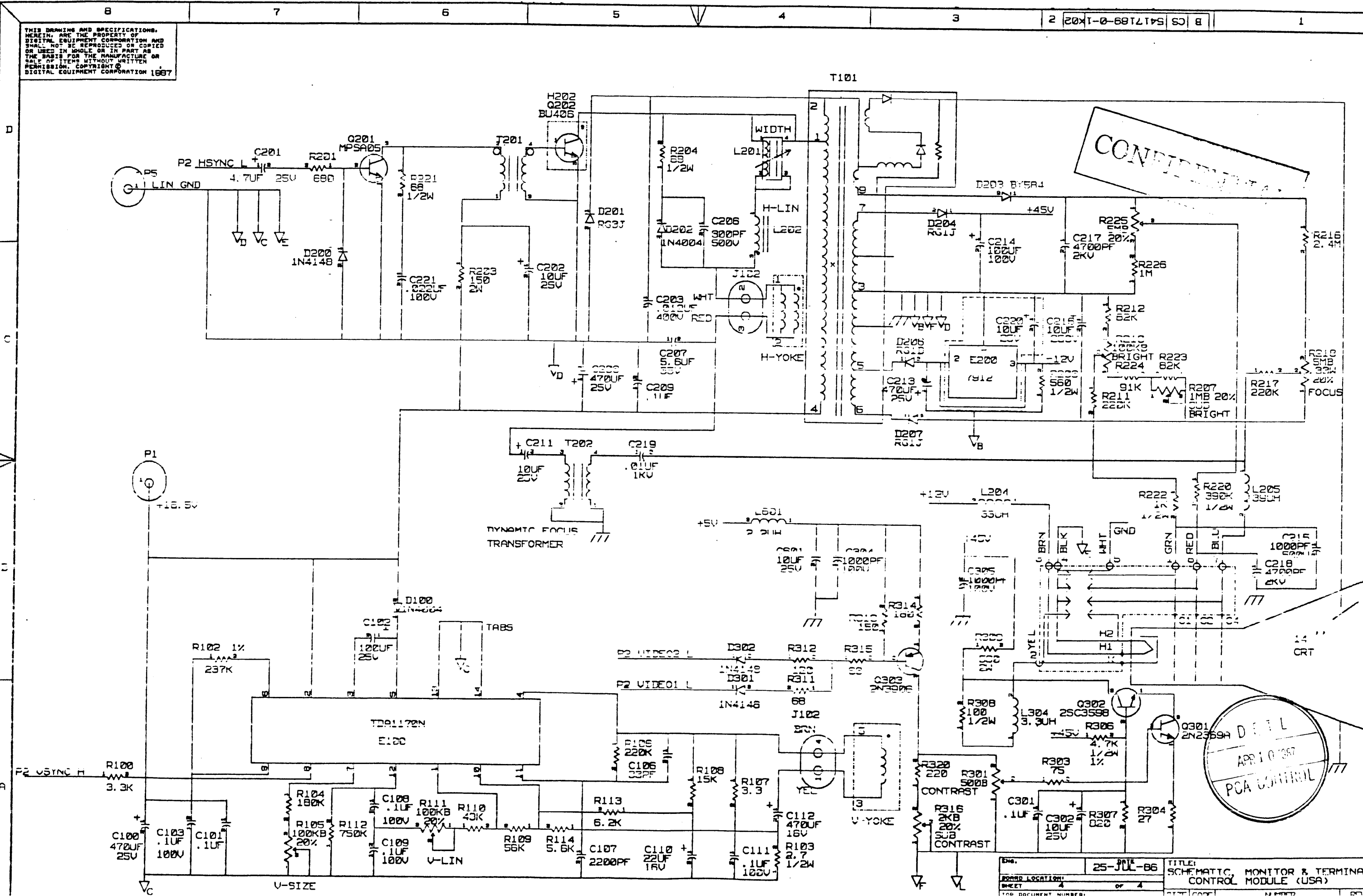
THIS DRAWING AND SPECIFICATIONS, HEREIN, ARE THE PROPERTY OF DIGITAL EQUIPMENT CORPORATION AND SHALL NOT BE REPRODUCED OR COPIED OR USED IN WHOLE OR IN PART AS THE BASIS FOR THE MANUFACTURE OR SALE OF ITEMS WITHOUT WRITTEN PERMISSION. COPYRIGHT © DIGITAL EQUIPMENT CORPORATION 1987



CONFIDENTIAL



THIS DRAWING AND SPECIFICATIONS, HEREIN, ARE THE PROPERTY OF DIGITAL EQUIPMENT CORPORATION AND SHALL NOT BE REPRODUCED OR COPIED OR USED IN WHOLE OR IN PART AS THE BASIS FOR THE MANUFACTURE OR SALE OF ITEMS WITHOUT WRITTEN PERMISSION. COPYRIGHT © DIGITAL EQUIPMENT CORPORATION 1987



CONFIDENTIAL

DETAIL
APR 10 1987
PCA CONTROL

THIS DRAWING AND THE SPECIFICATIONS CONTAINED HEREIN ARE CONFIDENTIAL AND PROPRIETARY. THEY ARE THE PROPERTY OF DIGITAL EQUIPMENT CORPORATION AND SHALL NOT BE REPRODUCED OR COPIED OR USED IN WHOLE OR IN PART AS THE BASIS FOR THE MANUFACTURE OF SUCH OF ITEMS WITHOUT WRITTEN PERMISSION. THIS IS AN UNPUBLISHED WORK PROTECTED UNDER THE ITT/DAI COMPANY LAW. COPYRIGHT © 1987 DIGITAL EQUIPMENT CORPORATION.

- NOTE:**
- E1, R16, R320, L203, R219 & C219 ARE NOT INSERTED.
 - TORQUE REQUIREMENT 3-5 IN-LBS FOR ITEM 46, 132.
 - THIS BOARD MUST MEET SAFETY REQUIREMENT FOR HPWR.
 - MOUNT O-PAC PN 10-26289-04 ON E5 & E12.
 - C113, C204, Q101, R119, R120, R121 & R305 ARE NOT INSERTED.
 - SUBSTITUTE PN 13-27943-01 & 13-02962-00 FOR R301. PN 13-27943-03.

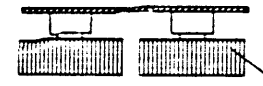
REWORK INSTRUCTIONS:

- COMPONENTS ADD SIDE ONE (AS SHOWN).**
- 1-01. ADD T202 PN 16-TA175-1A
T202 PIN 1 TO L203 PIN 4
T202 PIN 2 TO C211 PIN 1
T202 PIN 3 TO L203 PIN 2.
 - 1-02. ADD L304 PN 16TA176-1A
L304 PIN 1 TO R308 PIN 1
L304 PIN 2 TO MH4.
 - 1-09. ADD L205 PN 16-13898-02
L205 PIN 1 TO R219 PIN 1
L205 PIN 2 TO R219 PIN 2.

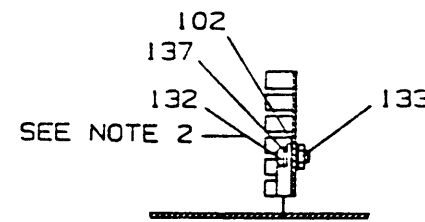
- COMPONENTS RELOCATED SIDE ONE (AS SHOWN).**
- 1-03. C211 PIN 1 TO L203 PIN 3
C211 PIN 2 TO L203 PIN 4.
 - 1-04. C219 PIN 1 TO L203 PIN 1
C219 PIN 2 TO R217 PIN 2.

- WIRE PN 91-07350-22 ADDS SIDE TWO (AS SHOWN).**
- 1-05. FROM L203 PIN 2 TO C218 PIN 2.
 - 1-06. FROM J102 PIN 3 TO L203 PIN 3.
 - 1-07. FROM L203 PIN 1 TO C211 PIN 1.
 - 1-08. FROM L202 PIN 2 TO C204 PIN 1.

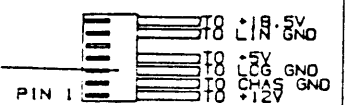
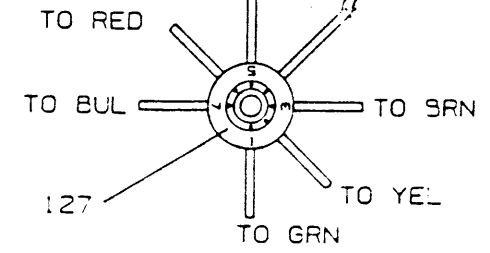
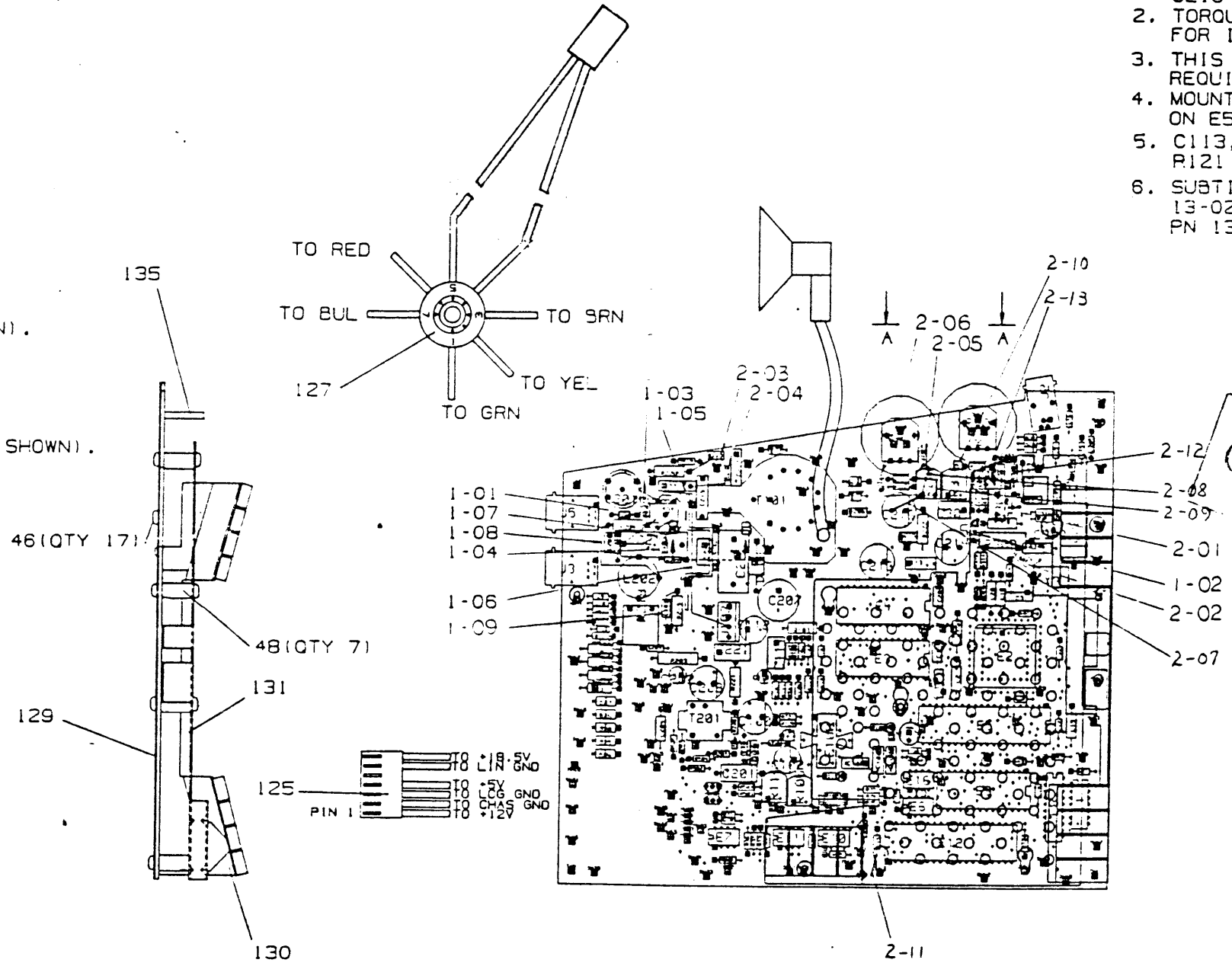
CUT ETCH REFER D-EC-5017189-0-0.



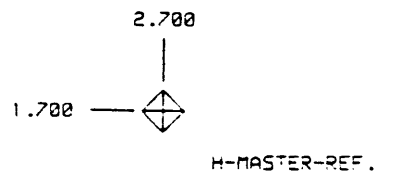
VIEW "A-A"



SECTION "B-B"



CONFIDENTIAL



CHK	DRAWN BY	ENGINEER	CHANGE NO	DATE	REV

CHK	DRAWN BY	ENGINEER	CHANGE NO	DATE	REV

NOTES 50/PART REV: C01

STEP → Y AXIS STEP TIMES
REPEAT → X AXIS STEP TIMES

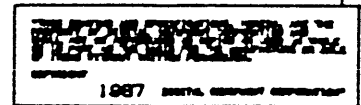
SIGNATURES		DATE
DRAWN	C. H. YU	
CHECKED	B. CHEN	
MECH ENG	J. KOU	
PROJ ENG	B. CHEN / C. L. CHANG	
SCALE	1/1	
SHEET	1 OF 2	
TOP DOC NO	B-DD-5417189-0-0	

TITLE: UNIT ASSY. MONITOR/LOGIC MODULE

SIZE: CODE NUMBER REV
D: JA 5417189-0-0 X02

17189CH1, PLO.1 2 APR 1987 16:10:10 **DUC SECREF 4.96 PER: W BINGOH V3.B

User: none



D
C
B
A

REWORK INSTRUCTIONS:

- COMPONENTS ADD SIDE ONE (AS SHOWN).
- 2-01. ADD C601 PN 10-18000-29
C601 PIN 1 TO C304 PIN 2
C601 PIN 2 TO C304 PIN 1.
 - 2-02. ADD L601 PN 16-TA131-01
L601 PIN 1 TO C22 PIN 1
L601 PIN 2 TO C304 PIN 2.
 - 2-03. ADD R225 PN 13-19563-01
R225 PIN 1 TO R216 PIN 1
R225 PIN 2 TO C220 PIN 1
R225 PIN 3 TO R226 PIN 2.
 - 2-04. ADD R226 PN 13-09595-00
R226 PIN 1 TO C218 PIN 2
R226 PIN 2 TO R225 PIN 3.

- COMPONENTS RELOCATED SIDE ONE (AS SHOWN).
- 2-12. R304 PIN 1 MOVE TO R305 PIN 1
R304 PIN 2 MOVE TO R305 PIN 2.
 - 2-13. R320 PIN 1 MOVE TO R304 PIN 2.

- COMPONENTS ADD SIDE ONE (AS SHOWN).
- 2-05. ADD R223 PN 13-03219-00
R223 PIN 1 TO R210 PIN 3
R223 PIN 2 TO C216 PIN 1.
 - 2-06. ADD R224 PN 13-14650-00
R224 PIN 1 TO R210 PIN 1
R224 PIN 2 TO R207 PIN 1.
- CUT ETCH REFER D-EC-5017276-0-0.

- WIRE PN 91-07350-22 ADDS SIDE TWO (AS SHOWN).
- 2-07. FROM C216 PIN 2 TO R207 PIN 1.
 - 2-08. FROM R207 PIN 1 TO R207 PIN 2.
 - 2-09. FROM R207 PIN 3 TO R212 PIN 1.
 - 2-10. FROM R320 PIN 1 TO R316 PIN 2.
 - 2-11. FROM VIRITO R16 PIN 2 TO GRD ETCH.

CONFIDENTIAL

DE
APR 1987
PCA CONTROL

ADM	MEMPH OGD	ALVO
AMOLETH MO181AM		