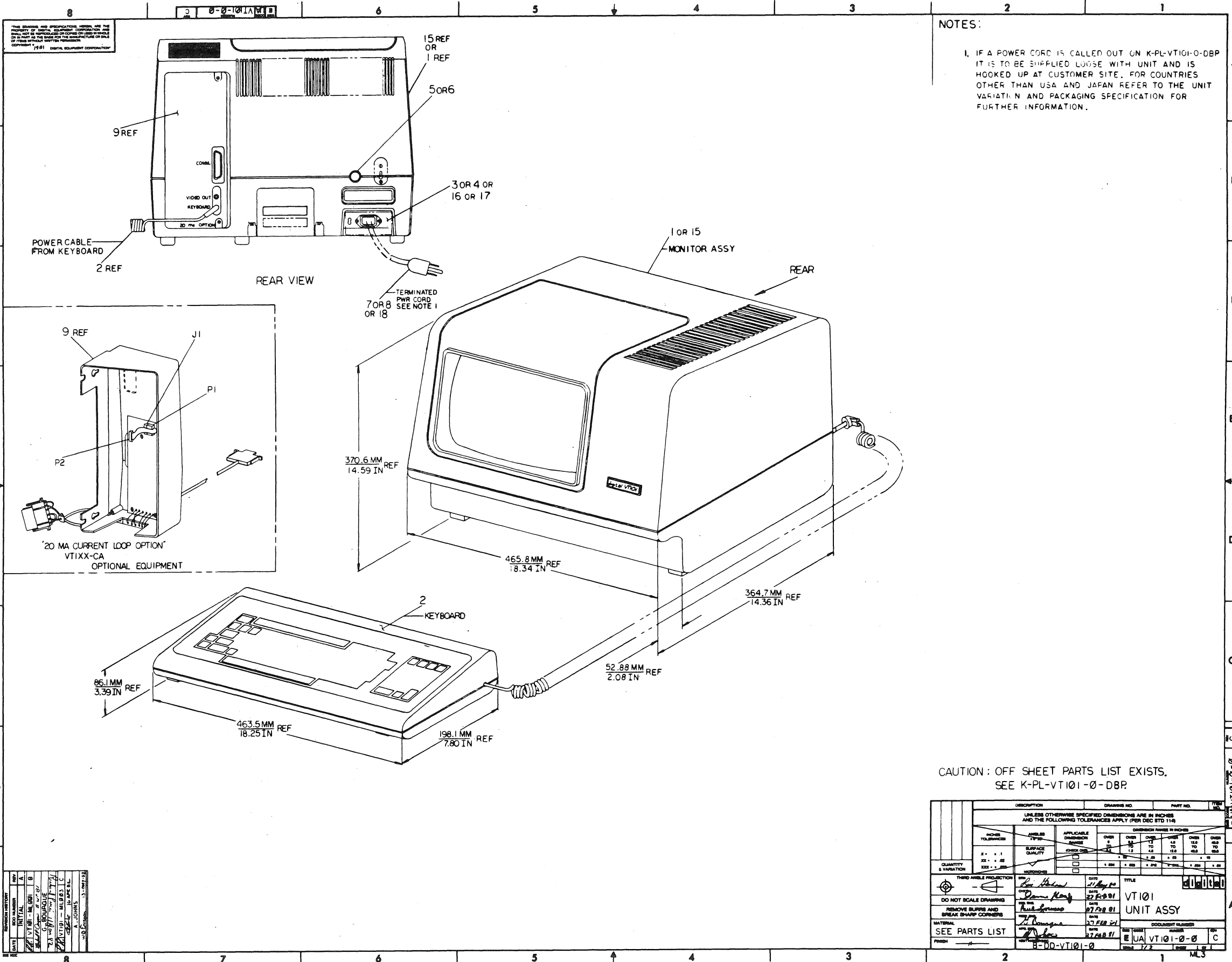


FIELD MAINTENANCE PRINT SET (CONTINUED FROM SHEET 1)

B-DD-5414185-0	VT1Ø1 TERMINAL CONTROL (DWG. DIRECTORY ONLY)
D-UA- 5415185-0-0	VT1Ø1 TERMINAL CONTROL
K-PL-5414185-0-DBP	VT1Ø1 TERMINAL CONTROL (PL)
D-CS-5414185-0-1	VT1Ø1 TERMINAL CONTROL
B-DD-5414245-0	H7838-A POWER SUPPLY (DWG. DIR. ONLY)
E-UA-5414245-0-0	H7838-A POWER SUPPLY
K-PL-5414245-0-DBP	H7838-A POWER SUPPLY (PL)
D-CS-5414245-0-1	H7838-A POWER SUPPLY
D-UA-5414131-0-0	MONITOR
B-PL-5414131-0-0	MONITOR (PL)
D-CS-5414131-0-1	MONITOR
MP-01098-ØØ	PRINT SET VT1XX-CA (20 MA CURRENT LOOP OPTION)
B-PL-VT1Ø1-Ø	SHIPPING LIST VT1Ø1
B-PL-VT1Ø2-Ø	SHIPPING LIST VT1Ø2
B-PL-VT131-Ø	SHIPPING LIST VT131
D-AD-7018349-0-0	MONITOR ASSY CRT, DIRECT DRIVE
K-PL-7018349-0-DBP	MONITOR ASSY CRT, DIRECT DRIVE
D-IA-7017149-0-0	AC INPUT BOX ASSY
K-PL-7017149-0-DBP	AC INPUT BOX ASSY

TITLE	SIZE	CODE	NUMBER	REV.
VT1Ø1 UNIT ASSY	B	TC	VT1Ø1-Ø-1	C
SHEET 2 OF 2				



REV	DATE	BY	CHKD	DESCRIPTION
1	11/11/81	W. J. BOUQUAULT		VT101 - ML983 C
2	11/11/81	A. JOHNS		VT101 - ML983 C
3	11/11/81			VT101 - ML983 C

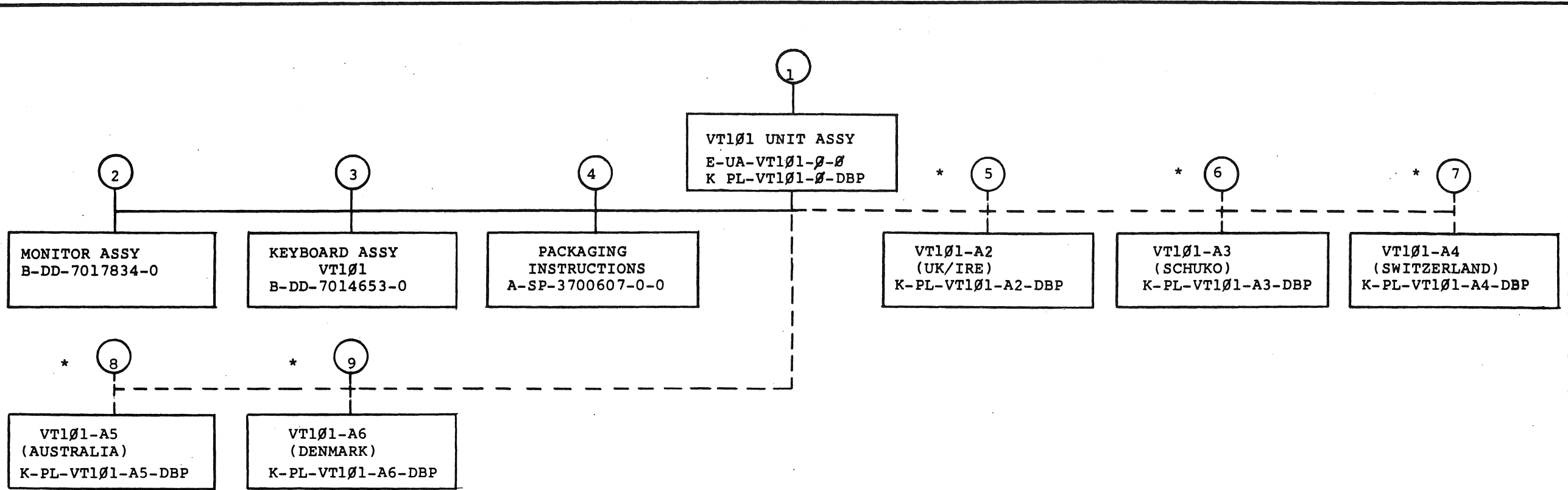
DESCRIPTION		DRAWING NO.	PART NO.	TITLE
UNLESS OTHERWISE SPECIFIED DIMENSIONS ARE IN INCHES AND THE FOLLOWING TOLERANCES APPLY (PER DEC STD 114)				
DIMENSIONS	ANGLES	APPLICABLE DIMENSION	DIMENSION NAME IN INCHES	
	TYP.	RANGE	OVER	UNDER
QUANTITY & VARIATION	1	1.2	0.005	0.005
THIRD ANGLE PROJECTION	DATE	21 Aug 81	TITLE	
DO NOT SCALE DRAWING	BY	Donna Kelly	VT101	
REMOVE BURRS AND BREAK SHARP CORNERS	DATE	07 Feb 81	UNIT ASSY	
SEE PARTS LIST	DATE	27 Feb 81	DOCUMENT RELEASED	
	DATE	27 Feb 81	EUA VT101-0-0	
	DATE	27 Feb 81	B-D0-VT101-0	

LINE	ITEM	DOCUMENT NUMBER	PART NUMBER	DESCRIPTION	QUANTITY PER VARIATION	
					AA	AB
1	1	E-AD-7017834-0-0	7017834-00	MONITOR ASSY	1	1
2	2	D-UA-7014653-0-0	7014653-11	KEYBOARD ASSY VT101	1	1
3	3		3617905-01	LABEL,WARNING 120 V60HZ	1	-
4	4		3617905-02	LABEL,WARNING 220-240V50HZ	-	1
5	5		9000020-01	FUSE,REG BLOW 1.25 A,250V GLASS	1	-
6	6		1211237-00	FUSE, SLO BLOW, .750A, 250V, G	-	1
7	7		1700083-09	PWR CORD,TERM. 75IN,18-3,125V 10	1	-
8	8		1700083-10	PWR CORD,TERM. 75IN,18-3,250V 6	-	1
9	9	E-UA-UT1XX-CA-0	UT1XX-CA	VT101/102/131 20MA CURRENT LOOP	REF	REF
10	10	A-SP-3700607-0-0	3700607-00	PKG TERMINAL VT101	1	1

11 NOTE: ITEM 7 OR 8 ARE FOR USA USE ONLY FOR USE OUTSIDE USA REFER TO ASSY (NOTE 1) ON E-UA-VT101-0-0.

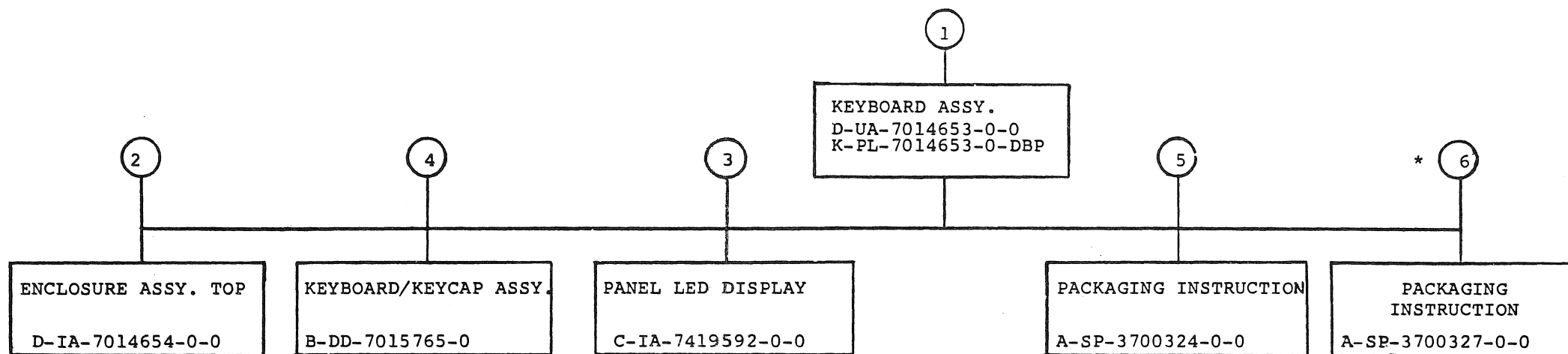
REVISION HISTORY		BASIC PART NO: VT101		DRN: LISE GRAHAM		DATE: 04-JUN-80		D I G I T A L	
ENG	ECO NUMBER	REV	SECTION A OF A	CHK'D:		DATE:		TITLE	PARTS LIST
	INITIAL	A	SECTION. VARIATION INDEX	D. HEALY		18-FEB-81		VT101 UNIT ASSY	
			[A] AA,AB						
			[B]	PAUL LORUSSO		18-FEB-81			
			[C]	G. BOURQUE		18-FEB-81			DOCUMENT NUMBER
			[D]					SIZE	CODE
			[E]	AL JOHNS		18-FEB-81		K	PL
			[F]					VT101-0-DBP	REV
				ASSEMBLY NUMBER:					EDIT #
				E-UA-VT101-0-0				TOP DOCUMENT NUMBER:	FILE NAME:
									Z0821A.PLS
									15

"THIS DRAWING AND SPECIFICATIONS HEREIN, ARE THE PROPERTY OF DIGITAL EQUIPMENT CORPORATION AND SHALL NOT BE REPRODUCED OR COPIED OR USED IN WHOLE OR IN PART AS THE BASIS FOR THE MANUFACTURE OR SALE OF ITEMS WITHOUT WRITTEN PERMISSION. COPYRIGHT (C) 1981. DIGITAL EQUIPMENT CORPORATION"



* FIND NUMBERS 5 THRU 9 ARE OPTIONAL
POWER CORDS FOR FOREIGN COUNTRIES.

TITLE	VT101 UNIT ASSY	SIZE	CODE	NUMBER	REV.
SHEET	2 OF 3	B	DD	VT101-Ø	C



*USED TO SHIP E-IA-7419028-0-0 ONLY
(PART OF FIND #1)

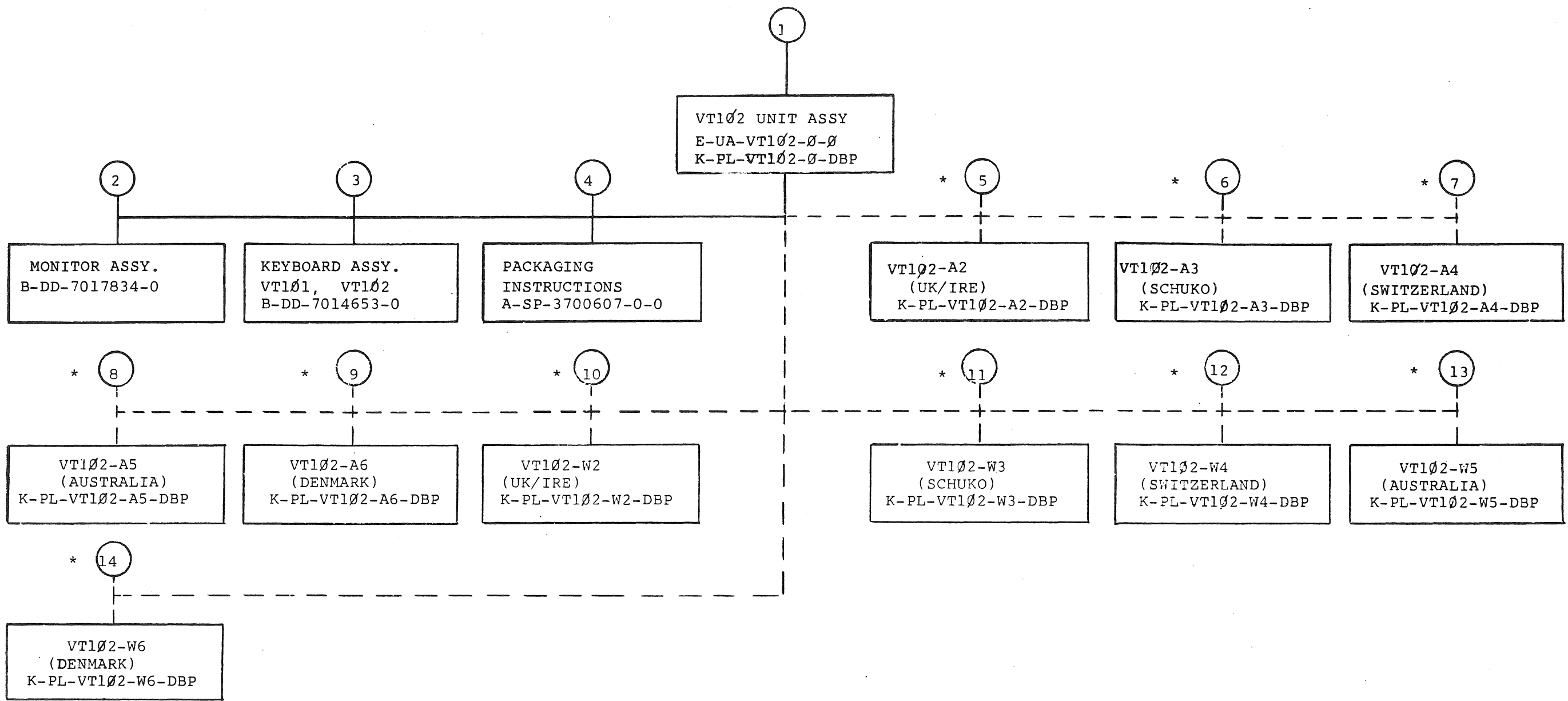
TITLE	KEYBOARD (DWG. DIRECTORY)	SHEET 2 OF 3	SIZE	CODE	NUMBER	REV.
			B	DD	7014653-0	F

LINE	ITEM	DOCUMENT NUMBER	PART NUMBER	DESCRIPTION	QUANTITY PER VARIATION			
					AA	AB	WA	WB
1	1	E-AD-7017834-0-0	7017834-01	MONITOR ASSY(VT102)	1	1	1	1
		D-UA-7014653-0-0	7014653-12	KEYBOARD ASSY VT102	1	1	-	-
			3617905-01	LABEL, WARNING 120 V60HZ	1	-	1	-
			3617905-02	LABEL, WARNING 220-240V50HZ	-	1	-	1
			9000020-01	FUSE, REG BLOW 1.25 A, 250V GLASS	1	-	1	-
			1211237-00	FUSE, SLO BLOW, .750A, 250V, G	-	1	-	1
			1700083-09	PWR CORD, TERM. 75IN, 18-3, 125V 10	1	-	1	-
			1700083-10	PWR CORD, TERM. 75IN, 18-3, 250V 6	-	1	-	1
		E-UA-VT1XX-CA-0	VT1XX-CA	VT101/102/125/131 20MA CURRENT L	REF	REF	REF	REF
10	10		3700607-00	*** THIS ITEM IS NOT USED ***	-	-	-	-
11	11	D-UA-7014653-0-0	7014653-20	KEYBOARD ASSY	-	-	1	1
12	12		3700607-02	PKG TERMINAL VT101 (VT102-AA/AB)	1	1	1	1

13 NOTE: ITEM 7 OR 8 ARE FOR USA USE ONLY FOR USE OUTSIDE USA REFER TO ASSY (NOTE 1) ON E-UA-VT102-0-0

REVISION HISTORY			BASIC PART NO: VT102		DRN: LISE GRAHAM		DATE: 15-JUL-80		D I G I T A L	
ENG:	ECO NUMBER	REV	SECTION A OF A	CHK'D:	D. HEALY	DATE:	18-FEB-81	TITLE	PARTS LIST	
GB	VT102-MLOO1	B	SECTION. VARIATION INDEX (A) AA, AB, WA, WB	DES. ENG.:	PAUL LORUSSO	DATE:	27-FEB-81	VT102 UNIT ASSY		
			(B)	RESP. ENG.:	G. BOURQUE	DATE:	27-FEB-81	DOCUMENT NUMBER		
			(C)	MFG. ENG.:	AL JOHNS	DATE:	27-FEB-81	SIZE CODE NUMBER	REV	
			(D)	ASSEMBLY NUMBER:	E-UA-VT102-0-0	TOP DOCUMENT NUMBER:	#B-DD-VT102-0	K PL	VT102-0-DBP	B
			(E)			FILE NAME:	Z0922B.PLS	EDIT #	10	
			(F)							

"THIS DRAWING AND SPECIFICATIONS HEREIN, ARE THE PROPERTY OF DIGITAL EQUIPMENT CORPORATION AND SHALL NOT BE REPRODUCED OR COPIED OR USED IN WHOLE OR IN PART AS THE BASIS FOR THE MANUFACTURE OR SALE OF ITEMS WITHOUT WRITTEN PERMISSION. COPYRIGHT (C) 1981. DIGITAL EQUIPMENT CORPORATION"



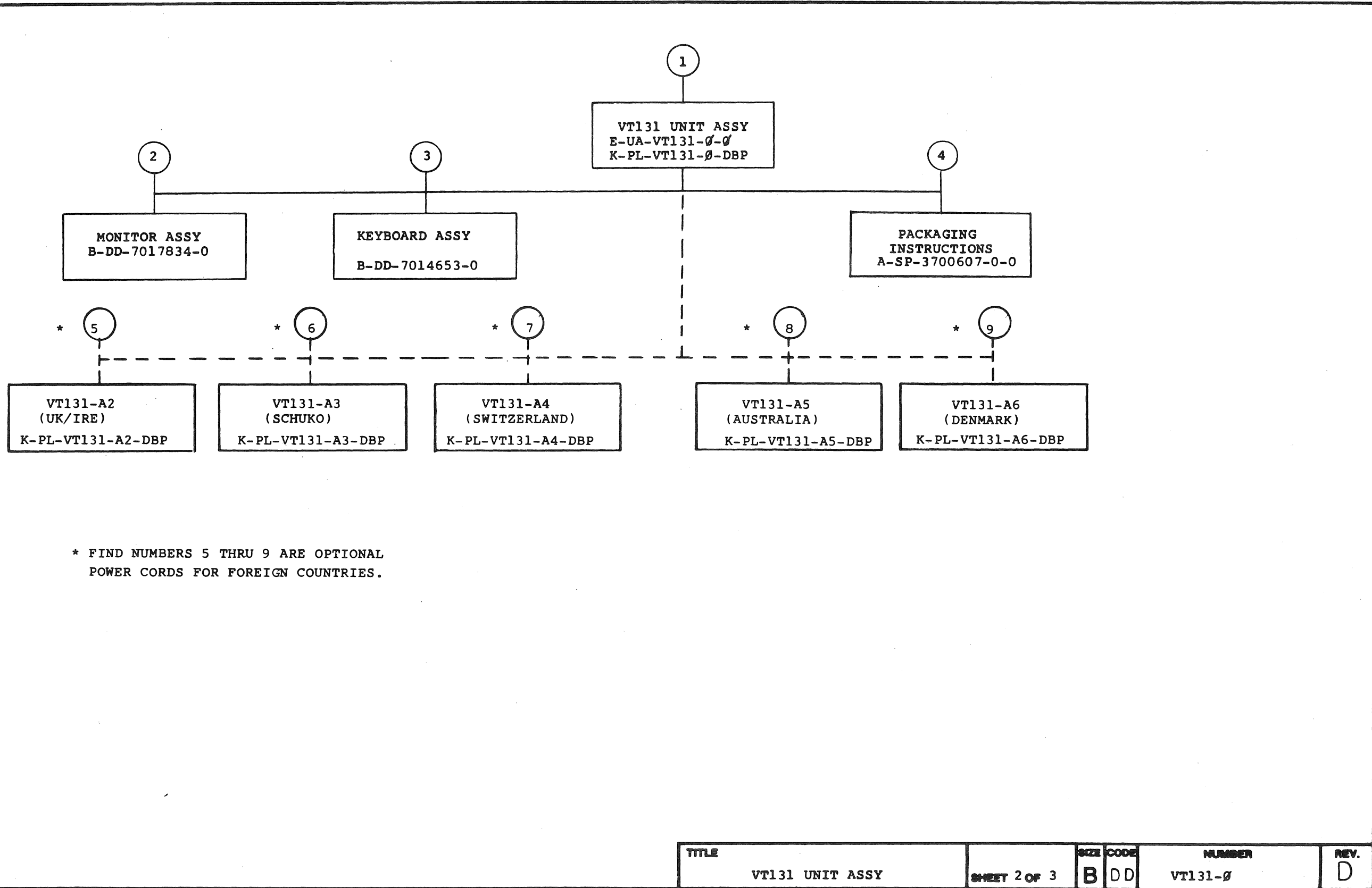
* FIND NUMBERS 5 THRU 14 ARE OPTIONAL
POWER CORDS FOR FOREIGN COUNTRIES.

TITLE	VT102 UNIT ASSY.	SHEET 2 OF 3	SIZE	CODE	NUMBER	REV.
			B	DD	VT102-0	C

LINE	ITEM	DOCUMENT NUMBER	PART NUMBER	DESCRIPTION	QUANTITY PER VARIATION			
					AA	AB	AC	AD
1	1	E-AD-7017834-0-0	7017834-02	MONITOR ASSY(VT131)	1	1	-	-
2	2	D-UA-7014653-0-0	7014653-18	KEYBOARD, KEYCAP ASSY.	1	1	1	1
3	3		3617905-01	LABEL,WARNING 120V 60HZ	1	-	-	-
4	4		3617905-02	LABEL,WARNING 220-240V50HZ	-	1	-	-
5	5		9000020-01	FUSE,REG BLOW 1.25 A,250V GLASS	1	-	1	-
6	6		1211237-00	FUSE, SLO BLOW, .750A, 250V, G	-	1	-	1
7	7	SEE NOTE	1700083-09	PWR CORD,TERM. 75IN,18-3,125V 10	1	-	-	-
8	8	SEE NOTE	1700083-10	PWR CORD,TERM. 75IN,18-3,250V 6	-	1	-	1
9	9	E-UA-VT1XX-CA-0	VT1XX-CA	VT101/102/125/131 20MA CURRENT L	REF	REF	REF	REF
10	10		3700607-00	*** THIS ITEM IS NOT USED ***	-	-	-	-
11	11		3700607-03	*** THIS ITEM IS NOT USED ***	-	-	-	-
12	12		3700607-14	PKG TERMINAL VT131-AB	-	1	-	-
13	13		3700607-15	PKG TERMINAL VT131-AC	-	-	1	-
14	14		3700607-16	PKG TERMINAL VT131-AD	-	-	-	1
15	15	E-AD-7017834-0-0	7017834-07	MONITOR ASSY (VT131) 100/250V	-	-	1	1
16	16		3617905-05	LABEL,WARNING 100V 60HZ	-	-	1	-
17	17		3617905-06	LABEL,WARNING 250V 50HZ	-	-	-	1
18	18		3700607-13	PKG TERMINAL VT131-AA	1	-	-	-
19	19	SEE NOTE	1700083-25	PWR CORD,TERM. 75IN,18-3,250V 6A	-	-	1	-

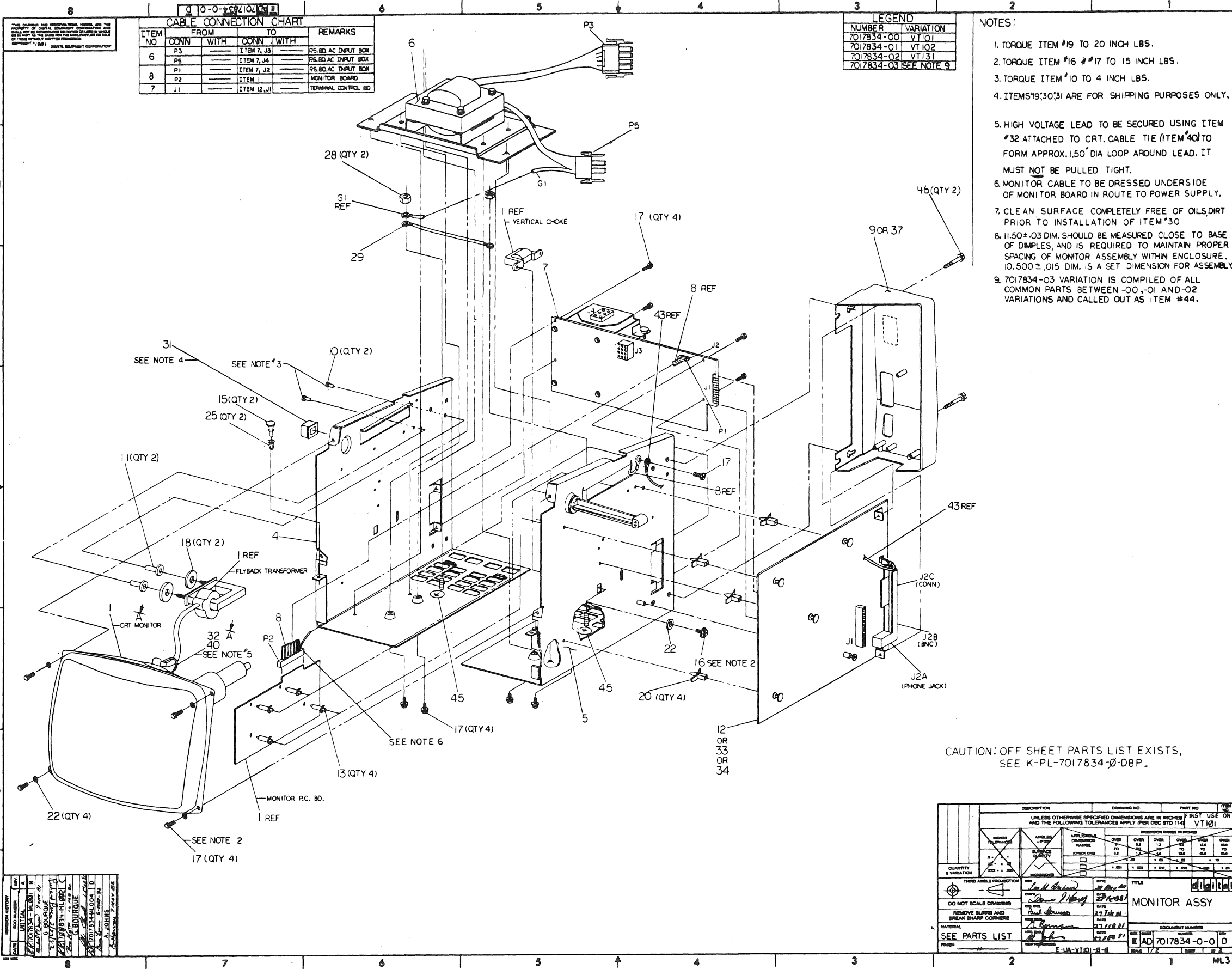
20 NOTE: ITEM 7, 8, OR 19 ARE FOR USA USE ONLY. FOR USE OUTSIDE USA REFER TO ASSY (NOTE 1) ON E-UA-VT131-0-0
 21 NOTE: ABOVE NOTE ALSO APPLIES FOR JAPAN

REVISION HISTORY			BASIC PART NO: VT131		DRN:	LISE GRAHAM	DATE:	15-JUL-80	DIGITAL			
ENG	ECO NUMBER	REV	SECTION A OF A						TITLE PARTS LIST			
---	INITIAL	IA	SECTION. VARIATION INDEX		CHK'D:	D. HEALY	DATE:	18-FEB-81	VT131 UNIT ASSY			
GB	VT131-ML003	IB	[A] AA,AB,AC,AD									
GB	VT131-ML004	IC										
AJ	VT131-ML006	ID	[B]		DES.ENG.:	P. LORUSSO	DATE:	27-FEB-81				
			[C]						DOCUMENT NUMBER			
			[D]		RESP.ENG.:	G. BOURQUE	DATE:	27-FEB-81	SIZE	CODE	NUMBER	REV
			[E]		MFG.ENG.:	AL JOHNS	DATE:	27-FEB-81	K	PL	VT131-0-DBP	D
			[F]		ASSEMBLY NUMBER:	E-UA-VT131-0-0	TOP DOCUMENT NUMBER:	#B-DD-VT131-0	FILE NAME:	Z0823D.PLS	EDIT #	4
"THIS DRAWING AND SPECIFICATIONS HEREIN, ARE THE PROPERTY OF DIGITAL EQUIPMENT CORPORATION AND SHALL NOT BE REPRODUCED OR COPIED OR USED IN WHOLE OR IN PART AS THE BASIS FOR THE MANUFACTURE OR SALE OF ITEMS WITHOUT WRITTEN PERMISSION. COPYRIGHT (C) 1982. DIGITAL EQUIPMENT CORPORATION "												



* FIND NUMBERS 5 THRU 9 ARE OPTIONAL
POWER CORDS FOR FOREIGN COUNTRIES.

TITLE	VT131 UNIT ASSY	SHEET 2 OF 3	SIZE CODE	B DD	NUMBER	VT131-Ø	REV.	D
-------	-----------------	--------------	-----------	------	--------	---------	------	---



CABLE CONNECTION CHART

ITEM NO	CONN FROM	WITH	CONN TO	WITH	REMARKS
6	P3		ITEM 7, J3		PS.BD AC INPUT BOX
	P5		ITEM 7, J4		PS.BD AC INPUT BOX
	P1		ITEM 7, J2		PS.BD AC INPUT BOX
8	P2		ITEM 1		MONITOR BOARD
7	J1		ITEM 12, J1		TERMINAL CONTROL BD

LEGEND

NUMBER	VARIATION
7017834-00	VT101
7017834-01	VT102
7017834-02	VT131
7017834-03	SEE NOTE 9

- NOTES:**
- TORQUE ITEM #19 TO 20 INCH LBS.
 - TORQUE ITEM #16 #17 TO 15 INCH LBS.
 - TORQUE ITEM #10 TO 4 INCH LBS.
 - ITEMS 19, 30, 31 ARE FOR SHIPPING PURPOSES ONLY.
 - HIGH VOLTAGE LEAD TO BE SECURED USING ITEM #32 ATTACHED TO CRT. CABLE TIE (ITEM #40) TO FORM APPROX. 1.50" DIA LOOP AROUND LEAD. IT MUST NOT BE PULLED TIGHT.
 - MONITOR CABLE TO BE DRESSED UNDERSIDE OF MONITOR BOARD IN ROUTE TO POWER SUPPLY.
 - CLEAN SURFACE COMPLETELY FREE OF OILS, DIRT PRIOR TO INSTALLATION OF ITEM #30
 - 11.50 ± .03 DIM. SHOULD BE MEASURED CLOSE TO BASE OF DIMPLES, AND IS REQUIRED TO MAINTAIN PROPER SPACING OF MONITOR ASSEMBLY WITHIN ENCLOSURE. 10.500 ± .015 DIM. IS A SET DIMENSION FOR ASSEMBLY.
 - 7017834-03 VARIATION IS COMPILED OF ALL COMMON PARTS BETWEEN -00, -01 AND -02 VARIATIONS AND CALLED OUT AS ITEM #44.

CAUTION: OFF SHEET PARTS LIST EXISTS, SEE K-PL-7017834-0-DBP.

REVISION HISTORY

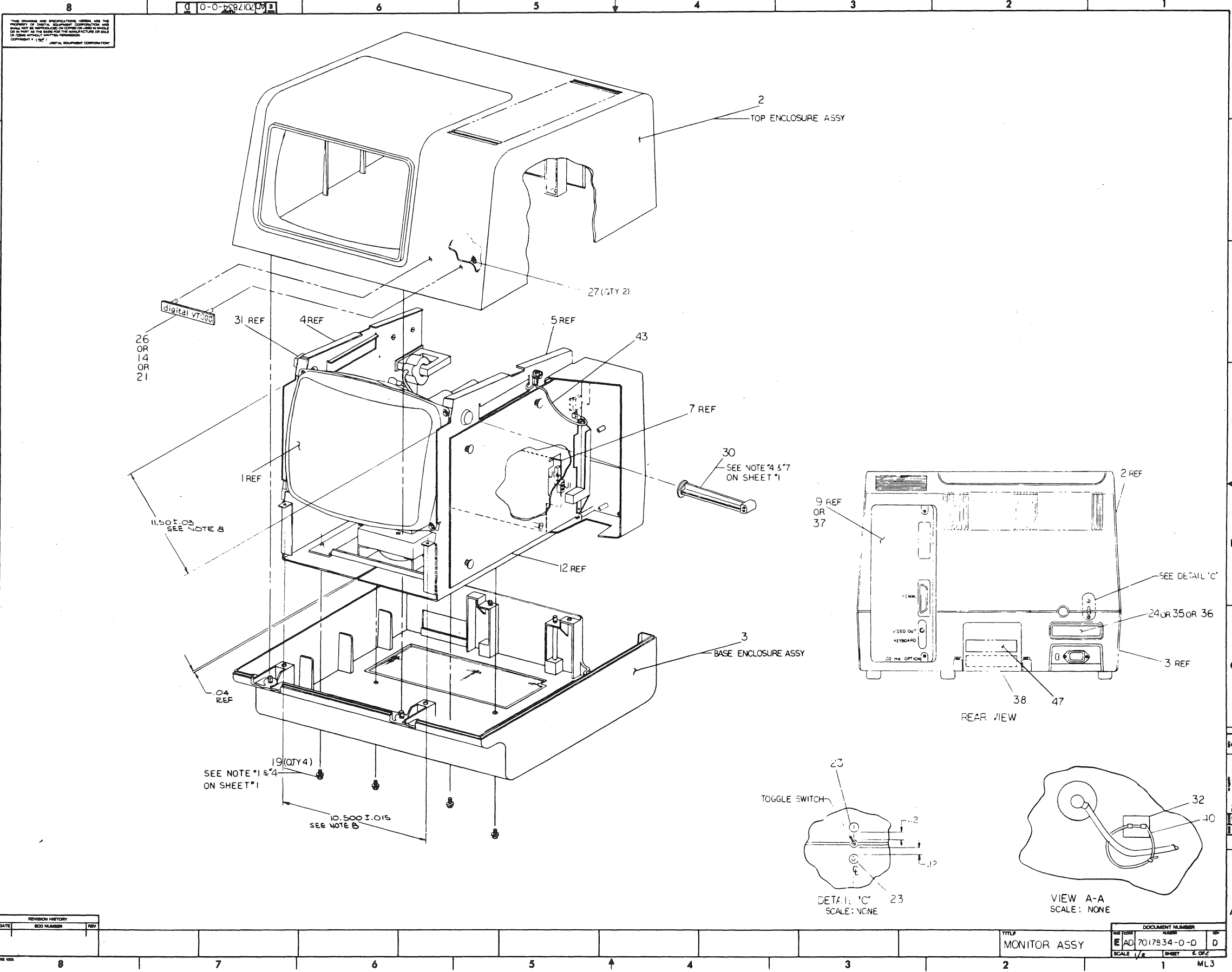
REV	DESCRIPTION	DATE
A	INITIAL	
B	...	
C	...	
D	...	
E	...	
F	...	
G	...	
H	...	
I	...	
J	...	

UNLESS OTHERWISE SPECIFIED DIMENSIONS ARE IN INCHES FIRST USE ON AND THE FOLLOWING TOLERANCES APPLY (PER DEC STD 114)		VT101	
INCHES	FRACTIONS	DECIMALS	DIAMETERS
1/16	1/32	0.005	0.002
1/8	3/32	0.010	0.004
3/16	1/8	0.015	0.005
1/4	3/16	0.020	0.006
5/16	1/4	0.025	0.007
3/4	3/8	0.030	0.008
1	1/2	0.035	0.009
1.5	3/4	0.040	0.010
2	1	0.045	0.011
3	1 1/4	0.050	0.012
4	1 1/2	0.055	0.013
5	2	0.060	0.014
6	2 1/2	0.065	0.015
8	3	0.070	0.016
10	3 1/2	0.075	0.017
12	4	0.080	0.018
15	5	0.090	0.019
20	6	0.100	0.020
25	7	0.110	0.021
30	8	0.120	0.022
40	10	0.130	0.023
50	12	0.140	0.024
60	15	0.150	0.025
70	18	0.160	0.026
80	20	0.170	0.027
90	24	0.180	0.028
100	30	0.190	0.029
120	36	0.200	0.030
150	45	0.210	0.031
200	60	0.220	0.032
250	75	0.230	0.033
300	90	0.240	0.034
400	120	0.250	0.035
500	150	0.260	0.036
600	180	0.270	0.037
800	240	0.280	0.038
1000	300	0.290	0.039
1200	360	0.300	0.040

MONITOR ASSY

DATE: 11/10/68
 BY: J. B. [Signature]
 CHECKED: [Signature]
 APPROVED: [Signature]

DOCUMENT NUMBER: 7017834-0-01 D



THIS DRAWING AND SPECIFICATIONS HEREBY ARE THE PROPERTY OF DIGITAL EQUIPMENT CORPORATION AND SHALL NOT BE REPRODUCED OR COPIED IN WHOLE OR IN PART WITHOUT THE WRITTEN PERMISSION OF DIGITAL EQUIPMENT CORPORATION.

REVISION HISTORY		
DATE	ECO NUMBER	REV

TITLE	DOCUMENT NUMBER
MONITOR ASSY	7017834-0-D
SCALE 1/8"	SHEET 1 OF 2

7017834-0-D

ML3

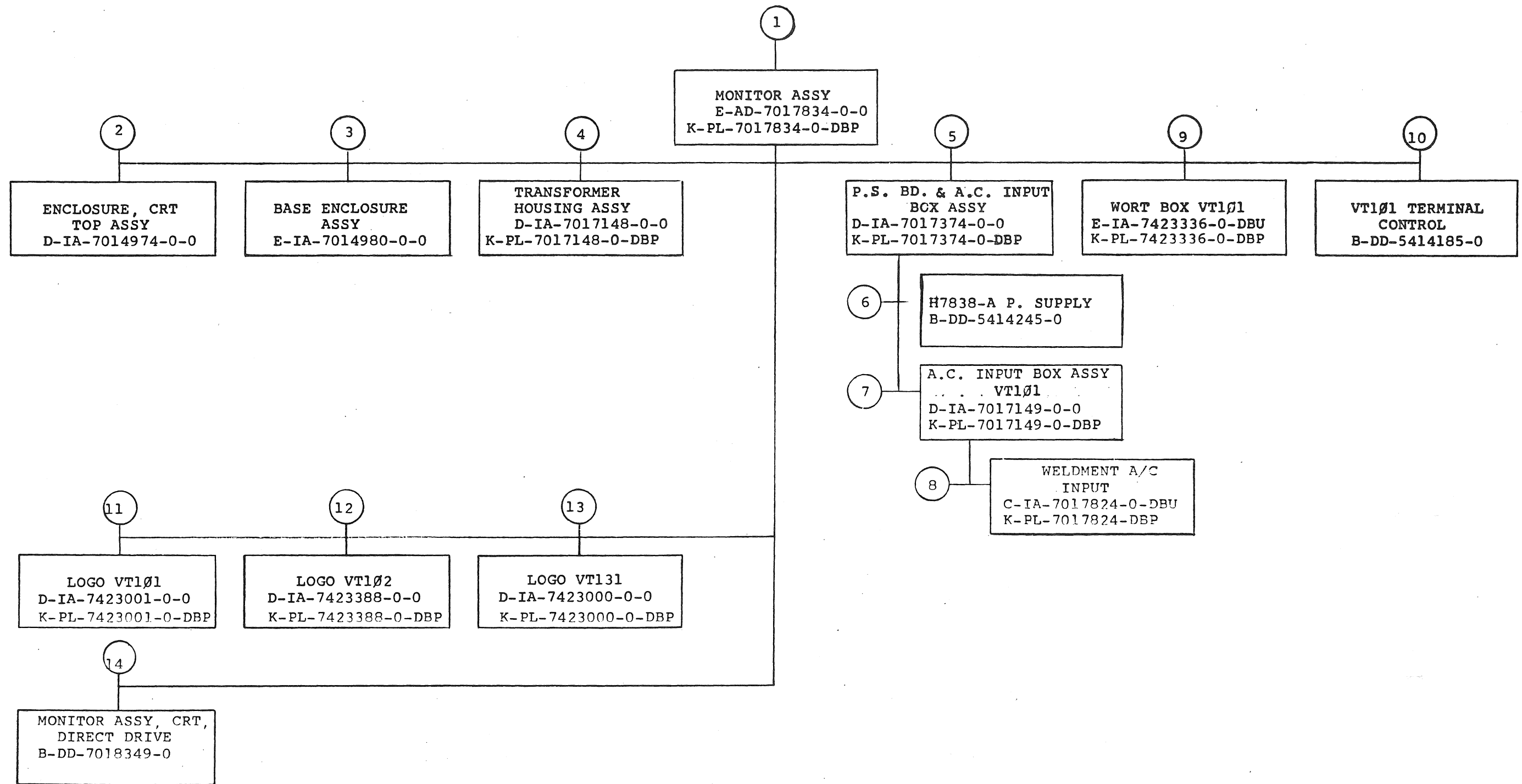
LINE ITEM	DOCUMENT NUMBER	PART NUMBER	DESCRIPTION	QUANTITY PER VARIATION			
				00	01	02	03
1	D-AD-7018349-0-0	7018349-01	MONITOR ASSY, CRT, DIRECT DRIVE	-	-	-	1
2	D-IA-7014974-0-0	7014974-01	ENCLOSURE, CRT TOP ASSY	1	1	1	-
3	E-IA-7014980-0-0	7014980-04	BASE, ENCLOSURE ASSY	1	1	1	-
4	E-IA-7423335-0-DBU	7423335-02	CHASSIS	-	-	-	1
5	E-IA-7423335-0-DBU	7423335-03	CHASSIS	-	-	-	1
6	D-IA-7017148-0-0	7017148-00	TRANSFORMER HOUSING ASSY VT101	-	-	-	1
7	D-AD-7017374-0-0	7017374-00	P.S. BD. + AC INPUT BOX ASSY.	-	-	-	1
8	D-IA-7017189-0-0	7017189-0L	MONITOR CABLE	-	-	-	1
9	E-IA-7423336-0-DBU	7423336-00	WORT BOX VT101	1	-	-	-
10	B-MD-7423006-0-0	7423006-00	SCREW, HEX WASHER HD, 4-40	-	-	-	2
11	B-IA-7423018-0-0	7423018-00	ISOLATION MOUNT,	-	-	-	2
12	E-UA-5414185-0-0	5414185-00	VT101 TERMINAL CONTROL	1	-	-	-
13		9009747-01	SUPPORT, CKT. BD, SNAP-IN 1/4	-	-	-	4
14	D-IA-7423388-0-0	7423388-00	LOGO VT102	-	1	-	-
15		9009964-00	PLUNGER, 5/16 DIA	-	-	-	2
16		9010112-00	SCREW, TAPPING, TYPE B, HEX, SLOT,	-	-	-	1
17		9000049-08	SCREW, HEX, SENS 6-32X 5/16	-	-	-	13
18		9003193-00	WASHER, NYLON, FLAT .312 X .812	-	-	-	2
19		9010135-00	SCREW, FLAT, SLOT 8-32X 1/2	4	4	4	-
20		1217894-00	SPACER, NYLON .625"HGT	4	4	4	-
21	D-IA-7423000-0-0	7423000-00	LOGO, VT131	-	-	1	-
22		9006666-00	WASHER, FLAT, .500 OD X .187 ID	-	-	-	5
23		3615680-00	LABEL, ADHESIVE BACK, SWITCH POSIT	1	1	1	-
24	A-PS-3617674-0-0	3617674-02	LABEL, VT101 VOLTAGE RATING	1	-	-	-
25		9009966-01	GROMMET, SNAP-IN, 5/16 DIA	-	-	-	2
26	D-IA-7423001-0-0	7423001-00	LOGO, VT101	1	-	-	-
27		9009257-00	RING, RETAINING, REINFORCED, .35	2	2	2	-
28		9006565-00	NUT, KEP, 10-32X 3/8 AF	-	-	-	2
29	B-MD-7424677-0-0	7424677-00	STRAP, GROUND	-	-	-	1
30	C-MD-7424960-0-DBU	7424960-00	BUMPER	1	1	1	-

REVISION HISTORY			BASIC PART NO: 7017834		DRN: B. KOPPENAL <i>BK</i>		DATE: 27-MAY-80				INITIALS			
ENG	ECO NUMBER	REV	SECTION A OF A		CHK'D:	D. HEALY <i>D.H.</i>	DATE: 27-MAY-80				TITLE PARTS LIST			
	INITIAL	A	SECTION, VARIATION INDEX				DATE: 27-MAY-80				MONITOR ASSY.			
			[A] 00,01,02,03				DATE: 27-MAY-80				DOCUMENT NUMBER			
			[B]			DES. ENG.: PAUL LORUSSO <i>P.L.</i>	DATE: 27-MAY-80				SIZE! CODE! NUMBER ! REV			
			[C]			RESP. ENG.: G. BOURQUE <i>G.B.</i>	DATE: 27-MAY-80				K ! PL ! 7017834-0-DBP ! A			
			[D]				DATE: 27-FEB-81				FILE NAME: ! EDIT #			
			[E]			MFG. ENG.: AL JOHNS <i>A.J.</i>	DATE: 27-FEB-81				E-AD-7017834-0-0 ! E-UA-VT101-0-0 ! Z1496A.PLS ! 8			
			[F]			ASSEMBLY NUMBER:	TOP DOCUMENT NUMBER:				FILE NAME: ! EDIT #			
			[F]			E-AD-7017834-0-0	E-UA-VT101-0-0				Z1496A.PLS ! 8			

"THIS DRAWING AND SPECIFICATIONS HEREIN, ARE THE PROPERTY OF DIGITAL EQUIPMENT CORPORATION AND SHALL NOT BE REPRODUCED OR COPIED OR USED IN WHOLE OR IN PART AS THE BASIS FOR THE MANUFACTURE OR SALE OF ITEMS WITHOUT WRITTEN PERMISSION. COPYRIGHT (C) 1981. DIGITAL EQUIPMENT CORPORATION"

LINE ITEM	DOCUMENT NUMBER	PART NUMBER	DESCRIPTION	QUANTITY PER VARIATION			
				00	01	02	03
31	31	9009624-00	BUMPR, SQ., ADH. BACK RUB-POLYU	1	1	1	-
32	32	9008264-00	MOUNT, CABLE TIE, ADHESIVE BACKE	-	-	-	1
33	33	E-UA-5414185-0-0	5414185-01	VT102	1	-	-
34	34	E-UA-5414185-0-0	5414185-02	VT131	-	1	-
35	35	A-PS-3617674-0-0	3617674-06	LABEL, VT102 MADE IN USA	-	1	-
36	36	A-PS-3617674-0-0	3617674-07	LABEL, VT131 MADE IN USA	-	-	1
37	37	E-IA-7423336-0-DBU	7423336-01	BOX, WORT	-	1	1
38	38	A-SP-3617544-0-0	3617544-00	LABEL, X-RAY RADIATION	1	1	1
39	39	D-BU-7017834-0-1	MONITOR ASSY BLOCK DIAGRAM	REF	REF	REF	REF
40	40	9007032-00	TIE, CABLE BUNDL. DIA 0-1-3/4"=101	-	-	-	1
41	41	A-SP-1216682-0-0	1216682-02	SCREW, CAPTIVE, SLTD HEX HD, 6-32 X	2	2	2
42	42	A-SP-3617880-0-0	3617880-06	LABEL, FCC CLASS B CERTIFICATION	1	1	1
43	43	C-IA-7017969-0-0	7017969-0F	CABLE GROUNDING	-	-	1
44	44	E-IA-7017834-0-0	7017834-03	MONITOR ASSY(CHASSIS)	1	1	1

DI	GI	IT	AL	TITLE	SECTION A OF A	SIZE	CODE	DOCUMENT NUMBER	REV
				MONITOR ASSY.		K	PL	7017834-0-DBP	A



TITLE	SIZE	CODE	NUMBER	REV.
MONITOR ASSY	B	DD	7017834-0	C

SHEET 2 OF 3

11/3

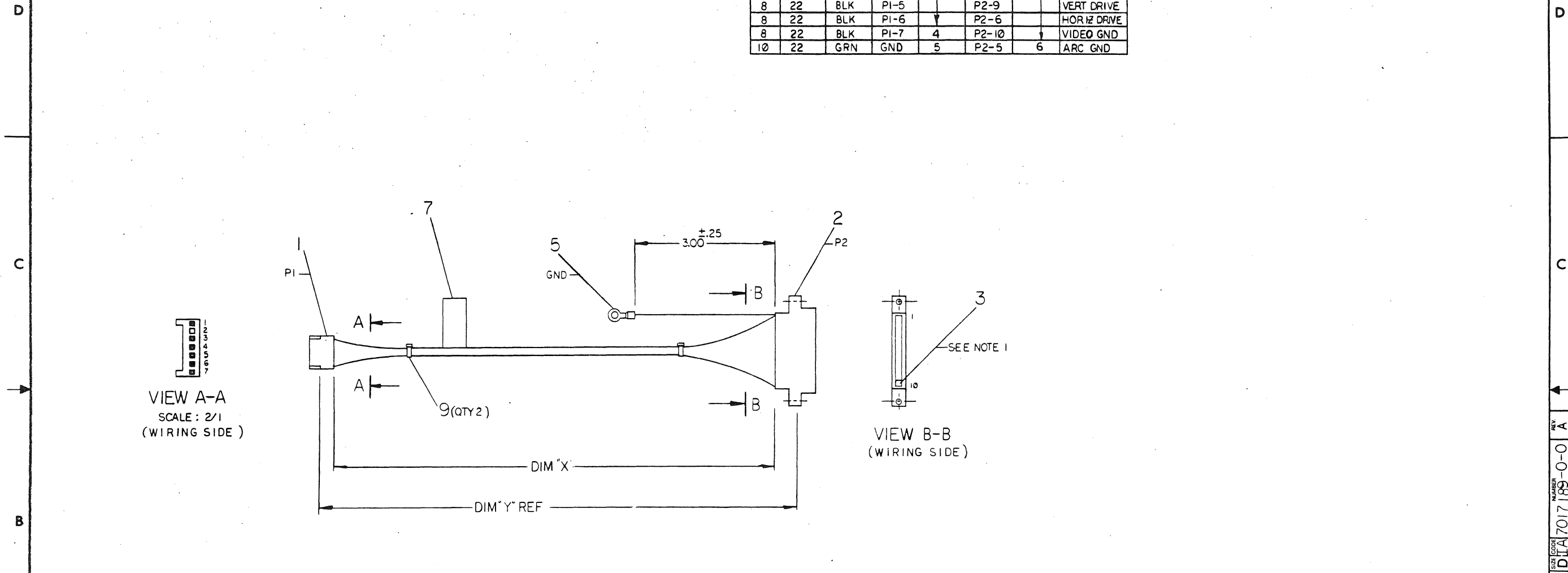
THIS DRAWING AND SPECIFICATIONS HEREIN ARE THE PROPERTY OF DIGITAL EQUIPMENT CORPORATION AND SHALL NOT BE REPRODUCED OR COPIED OR USED IN WHOLE OR IN PART AS THE BASIS FOR THE MANUFACTURE OR SALE OF ITEMS WITHOUT WRITTEN PERMISSION. COPYRIGHT © 1981 DIGITAL EQUIPMENT CORPORATION

SIZE CODE DTA 7017189-0-0 A

LEGEND		
NUMBER	DIM X VARIATION	DIM Y (PRECUT) REF
7017189-0L	10.00 ± .50 IN	11.00 IN

WIRE LIST						
ITEM NO.	DESCRIPTION	FROM		TO		REMARKS
		CONN	WITH	CONN	WITH	
8	22 BLK	PI-1	4	P2-1	6	HORIZ GND
8	22 BLK	PI-3	4	P2-8	6	VIDEO IN
8	22 BLK	PI-4	4	P2-7	6	+12V DC
8	22 BLK	PI-5	4	P2-9	6	VERT DRIVE
8	22 BLK	PI-6	4	P2-6	6	HORIZ DRIVE
8	22 BLK	PI-7	4	P2-10	6	VIDEO GND
10	22 GRN	GND	5	P2-5	6	ARC GND

NOTES:
 1. KEY PLUG INSERTED BETWEEN CONTACT PINS 9 & 10.
 2. STRIP ALL LEADS (ITEMS 1 & 2) .25.



VIEW A-A
SCALE: 2/1
(WIRING SIDE)

VIEW B-B
(WIRING SIDE)

REVISION HISTORY	
DATE	ECO NUMBER
	INITIAL
	REV. A

CAUTION: OFF SHEET PARTS LIST EXISTS, SEE K-PL-7017189-0-DBP.

DESCRIPTION	DRAWING NO.	PART NO.	ITEM NO.
UNLESS OTHERWISE SPECIFIED DIMENSIONS ARE IN INCHES AND THE FOLLOWING TOLERANCES APPLY (PER DEC STD 114)			FIRST USED ON VTI01
INCHES TOLERANCES		APPLICABLE DIMENSION RANGE	
ANGLES ± 0° 30'		SURFACE QUALITY	
X ± .1		MICROINCHES	
XX ± .02		THIRD ANGLE PROJECTION	
XXX ± .05		DO NOT SCALE DRAWING	
REMOVE BURRS AND BREAK SHARP CORNERS		MATERIAL	
SEE PARTS LIST		FINISH	
QUANTITY & VARIATION		TITLE	
THIRD ANGLE PROJECTION		MONITOR CABLE	
DO NOT SCALE DRAWING		DOCUMENT NUMBER	
REMOVE BURRS AND BREAK SHARP CORNERS		DIA 7017189-0-0 A	
MATERIAL		SCALE 1/1	
SEE PARTS LIST		SHEET 1 OF 1	
FINISH		NEXT HIGHER DOC. E-AD-7017834-0-0	

SIZE CODE DTA 7017189-0-0 A

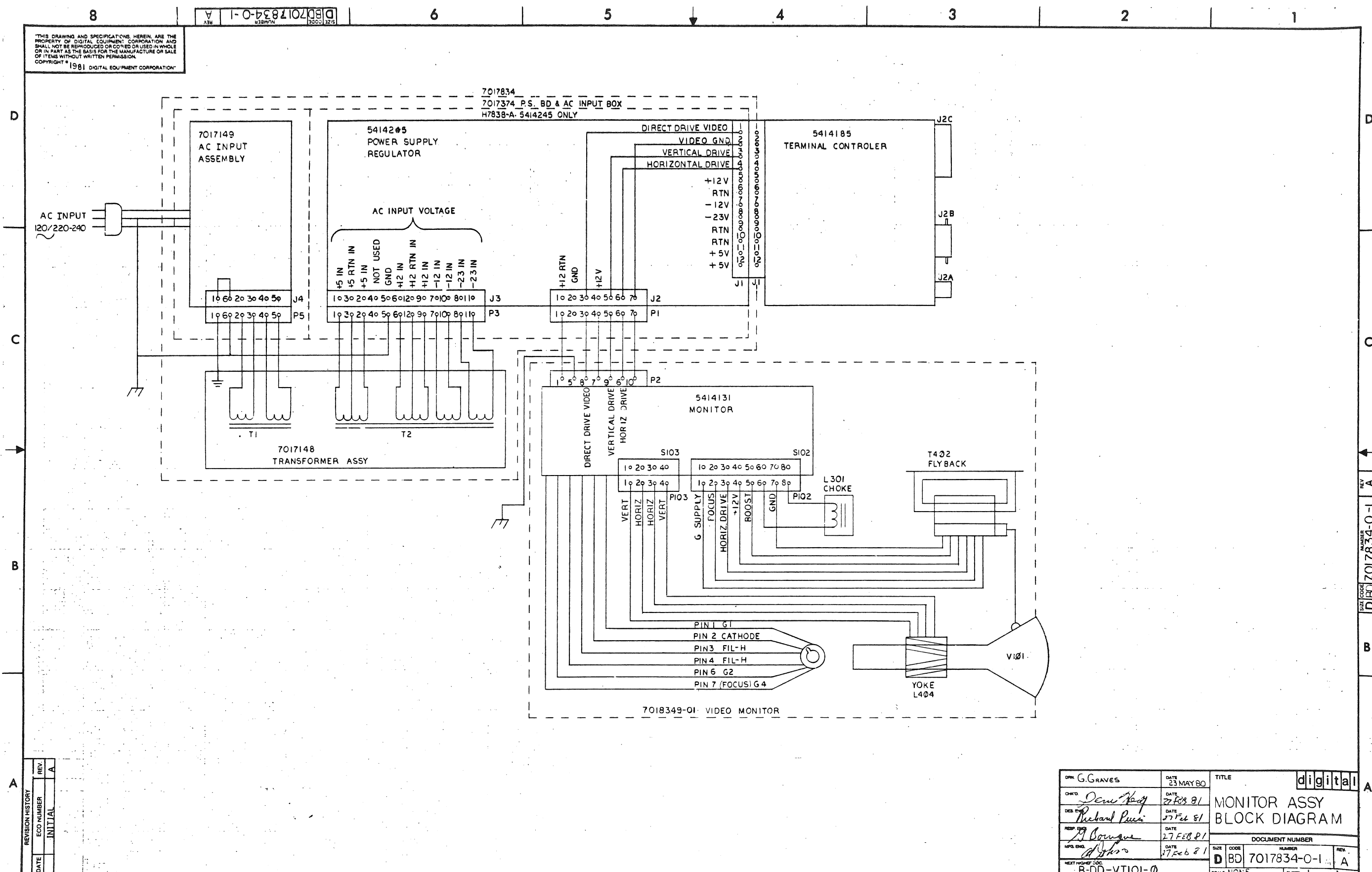
LINE	ITEM	DOCUMENT NUMBER	PART NUMBER	DESCRIPTION	QUANTITY PER VARIATION	OL
1	1		1215047-01	CONN 7POS HOUSING	1	
2	2		1213803-00	HEADER.156 10POS MOD. FORK	1	
3	3		1213909-00	CONN KEYING PLUG	1	
4	4		1214979-00	PIN 1POS CRIMP	6	
5	5		9007929-00	TERM RING 1POS INSULATED,22-16	1	
6	6		1213806-07	PIN 1POS 20-24AWG,MOD FO	7	
7	7		3617546-00	LABEL, ID FOR 70-17189	1	
8	8		9107350-00	WIRE,STRND,22AWG,IPVC UL1429	66	
9	9		9007031-00	TIE,CABLE BUNDL.DIA 0- 3/4"=101	2	
10	10		9107350-55	WIRE,STRND,22AWG,IPVC UL1429	A/R	

11 NOTE: ITEM #8 IS GIVEN IN (TOTAL INCHES)
 12 NOTE: LENGTH OF ITEM #8 TO BE 3.5 IN. (TOTAL INCHES)

REVISION HISTORY			BASIC PART NO: 7017189		DRN: LISE GRAHAM		DATE: 4-SEP-79		DIGITAL		
ENG	ECD NUMBER	REV	SECTION A OF A	CHK'D:	D. HEALY	DATE:	3-OCT-79	TITLE	PARTS LIST		
---	INITIAL	A	SECTION. VARIATION INDEX	[A] OL				MONITOR CABLE			
			[B]		DES.ENG.:	PAUL LORUSSO	DATE:	17-FEB-81			
			[C]		RESP.ENG.:	G. BOURQUE	DATE:	17-FEB-81	DOCUMENT NUMBER		
			[D]					SIZE	CODE	NUMBER	
			[E]		MFG.ENG.:	AL JOHNS	DATE:	17-FEB-81	K	PL	7017189-0-DBP
			[F]		ASSEMBLY NUMBER:		TOP DOCUMENT NUMBER:		FILE NAME:	EDIT #	
					E-IA-7017189-0-0		E-AD-7017834-0-0		Z2337A.PLS	5	

*THIS DRAWING AND SPECIFICATIONS HEREIN, ARE THE PROPERTY OF DIGITAL EQUIPMENT CORPORATION AND SHALL NOT BE REPRODUCED OR COPIED OR USED IN WHOLE OR IN PART AS THE BASIS FOR THE MANUFACTURE OR SALE OF ITEMS WITHOUT WRITTEN PERMISSION. COPYRIGHT (C) 1981, DIGITAL EQUIPMENT CORPORATION *

THIS DRAWING AND SPECIFICATIONS HEREIN ARE THE PROPERTY OF DIGITAL EQUIPMENT CORPORATION AND SHALL NOT BE REPRODUCED OR COPIED OR USED IN WHOLE OR IN PART AS THE BASIS FOR THE MANUFACTURE OR SALE OF ITEMS WITHOUT WRITTEN PERMISSION. COPYRIGHT © 1961 DIGITAL EQUIPMENT CORPORATION



REVISION HISTORY		REV.	INITIAL
DATE	ECO NUMBER	A	

DRW G.GRAVES	DATE 23 MAY 80	TITLE	digital
CHKD <i>Don King</i>	DATE 27 Feb 81	MONITOR ASSY BLOCK DIAGRAM	
DESIGN <i>Richard Pucci</i>	DATE 27 Feb 81	DOCUMENT NUMBER	
REP <i>M. Bourque</i>	DATE 27 FEB 81	SIZE	CODE
WFL <i>D. King</i>	DATE 27 Feb 81	D	BD
TEST POINTS	B-DD-VT101-0	NUMBER	7017834-0-1
SCALE NONE	SHEET 1	REV.	A

THIS DRAWING AND SPECIFICATIONS HEREIN ARE THE PROPERTY OF DIGITAL EQUIPMENT CORPORATION AND SHALL NOT BE REPRODUCED OR COPIED OR USED IN WHOLE OR IN PART AS THE BASIS FOR THE MANUFACTURE OR SALE OF ITEMS WITHOUT WRITTEN PERMISSION. COPYRIGHT © 1978 DIGITAL EQUIPMENT CORPORATION

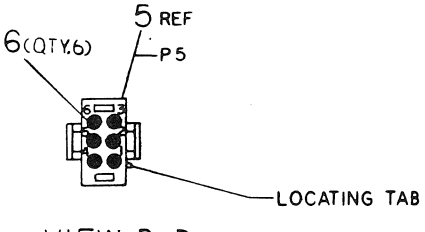
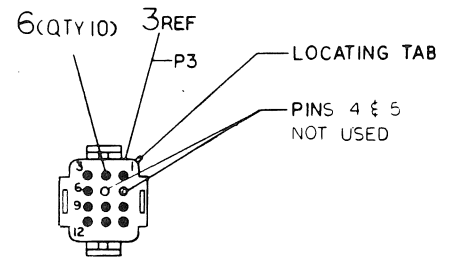
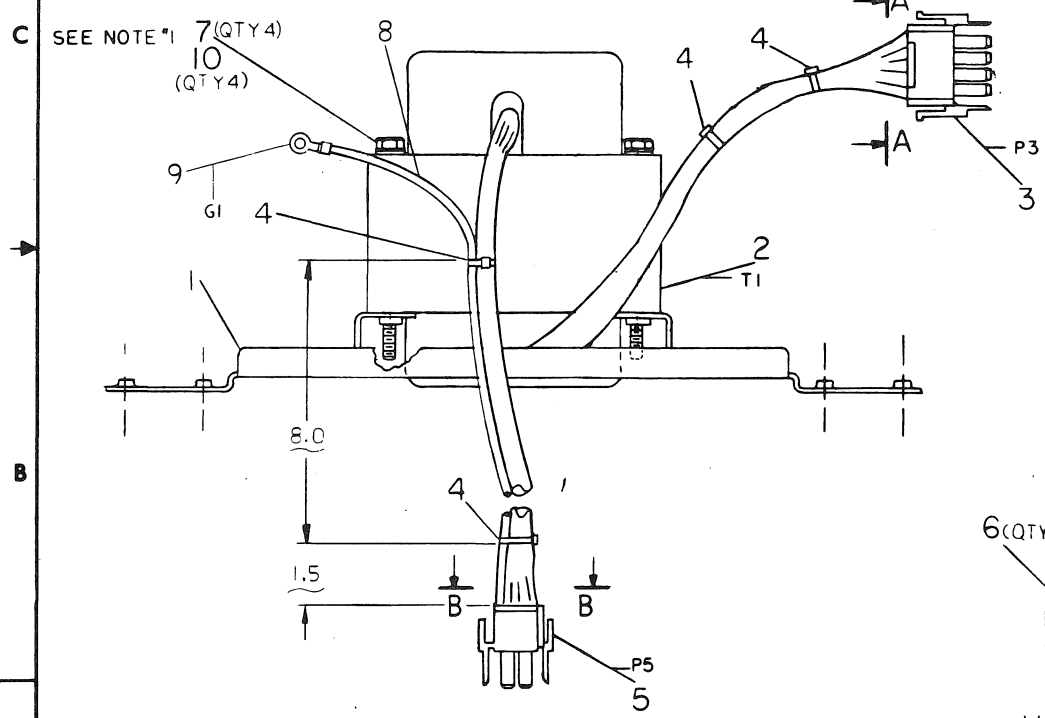
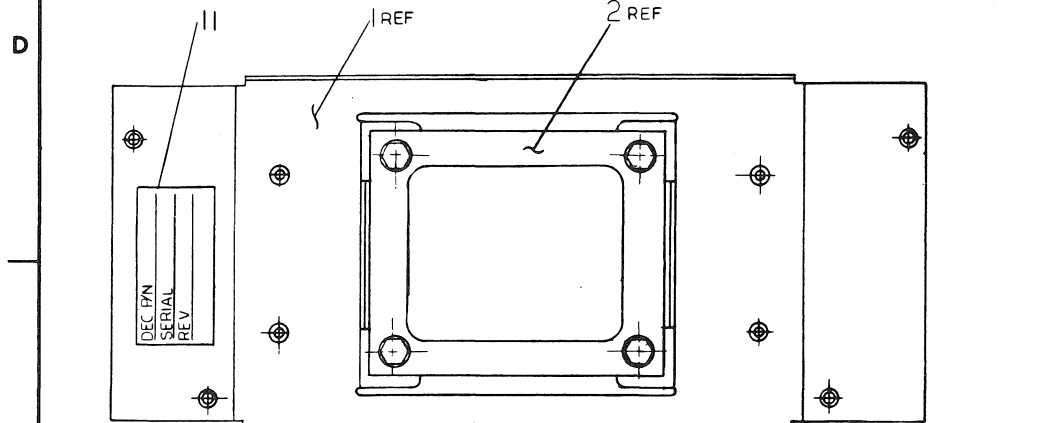
LEGEND

PART NUMBER	VARIATION
7017148-00	115V- SEE SHEET 1
7017148-01	100V-SEE SHEET 2

WIRE TABLE

ITEM NO.	DESCRIPTION	FROM		TO		REMARKS	WIRE LENGTH		
		AWG	COLOR	CONN	WITH			CONN	WITH
2	ORANGE			T1-12		P3-2	6	+5 VOLTS	
	ORG-BLK			T1-13		P3-3		+5 VOLTS RTN	
	ORANGE			T1-14		P3-1		+5 VOLTS	
	BLUE			T1-7		P3-6		+12 VOLTS	
	BLUE-BLK			T1-8		P3-12		+12 VOLTS RTN	
	BLUE			T1-9		P3-9		+12 VOLTS	
	YELLOW			T1-10		P3-7		-12 VOLTS	
	YELLOW			T1-11		P3-10		-12 VOLTS	
	RED			T1-5		P3-8		-23 VOLTS	
	RED			T1-6		P3-11		-23 VOLTS	
	GRN/YEL			T1-SHLD		P5-1		SHIELD	
	BLACK			T1-1		P5-2		PRIMARY	
	BLK-YEL			T1-2		P5-3		PRIMARY	
	BROWN			T1-3		P5-4		PRIMARY	
2	BRN-YEL			T1-4		P5-5		PRIMARY	
8	18	GRN-YEL	G1	9		P5-6	6	CHAS. GND.	13.00 ± .25

NOTES
1 - TORQUE ITEM 7 TO 20 INCH-LBS



VIEW B-B
SCALE 1/1
(WIRING SIDE)
THIS SHEET FOR VARIATION -00 ONLY

CAUTION: OFF SHEET PARTS LIST EXISTS
REFER TO K-PL-7017148-0-DBP

REVISION HISTORY

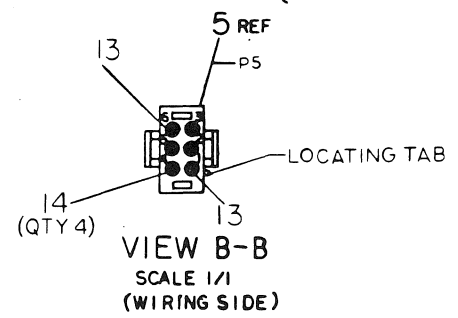
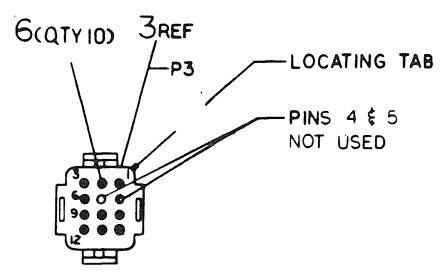
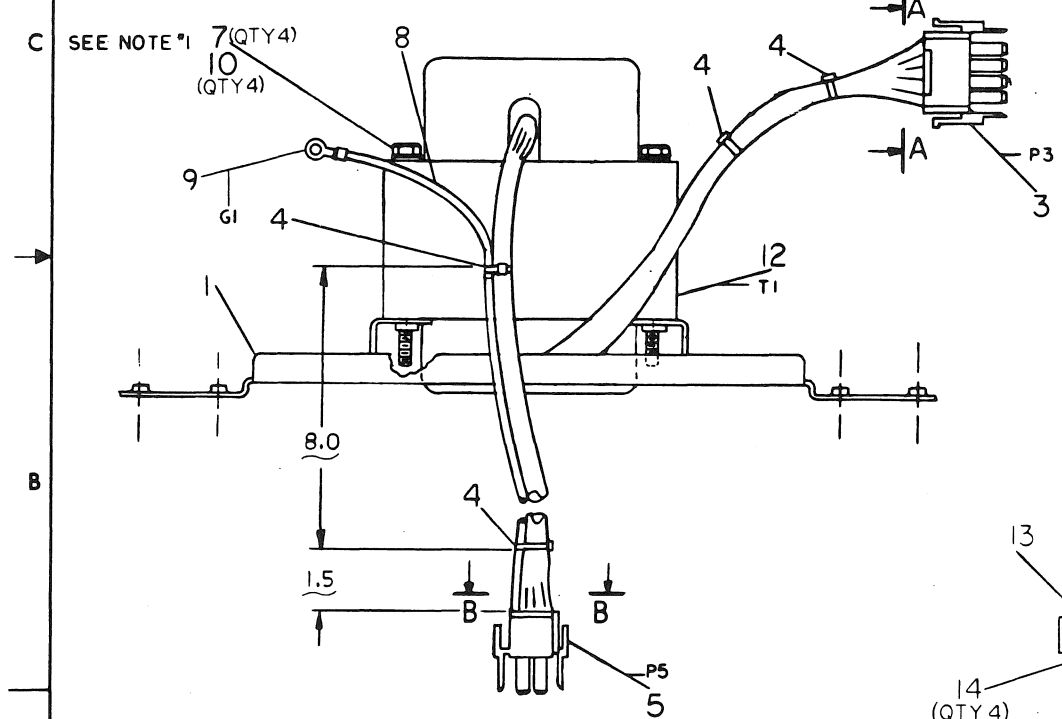
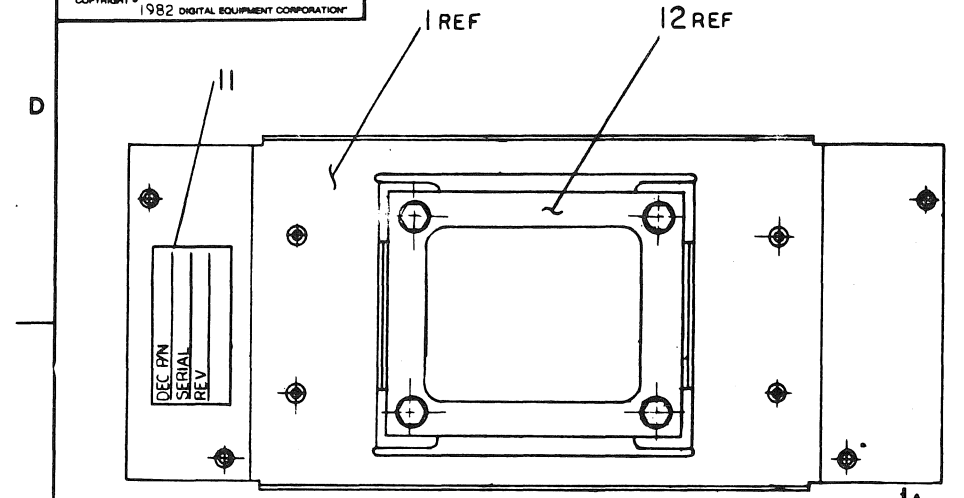
DATE	INITIAL	REVISION
12/12/79	A	INITIAL
02/08/81	B	7017148-00 ML001
02/27/81	C	7017148-00 ML001
02/27/81	D	7017148-00 ML002
02/27/81	E	7017148-00 ML003

DESCRIPTION	DRAWING NO.	PART NO.	ITEM NO.
UNLESS OTHERWISE SPECIFIED DIMENSIONS ARE IN INCHES AND THE FOLLOWING TOLERANCES APPLY (PER DEC STD 114)			
FIRST USED ON VT101			
DIMENSION RANGE IN INCHES	OVER 0.2	OVER 1.2	OVER 12.0
	TO 0.2	TO 1.2	TO 12.0
APPLICABLE DIMENSION RANGE			
(CHECK ONE)			
<input type="checkbox"/> ± .004 <input type="checkbox"/> ± .005 <input type="checkbox"/> ± .012 <input type="checkbox"/> ± .015 <input type="checkbox"/> ± .020 <input type="checkbox"/> ± .040			
QUANTITY & VARIATION	THIRD ANGLE PROJECTION	DATE	TITLE
DO NOT SCALE DRAWING	REMOVE BURRS AND BREAK SHARP CORNERS	DATE	DATE
MATERIAL	SEE PARTS LIST	DATE	DATE
FINISH		DATE	DATE
E-AD-7017834-0-0			
SCALE 1/1		ML3	

THIS DRAWING AND SPECIFICATIONS HEREIN ARE THE PROPERTY OF DIGITAL EQUIPMENT CORPORATION AND SHALL NOT BE REPRODUCED OR COPIED OR USED IN WHOLE OR IN PART AS THE BASIS FOR THE MANUFACTURE OR SALE OF ITEMS WITHOUT WRITTEN PERMISSION. COPYRIGHT © 1982 DIGITAL EQUIPMENT CORPORATION.

REV 0-0-8-7017148-0-0

WIRE TABLE								
ITEM NO.	AWG	COLOR	FROM		TO		REMARKS	WIRE LENGTH
			CONN	WITH	CONN	WITH		
12		ORANGE	T1-12		P3-2	6	+5 VOLTS	
		ORG-BLK	T1-13		P3-3	6	+5 VOLTS	
		ORANGE	T1-14		P3-1		+5 VOLTS	
		BLUE	T1-7		P3-6		+12 VOLTS	
		BLUE-BLK	T1-8		P3-12		+12 VOLTS	
		BLUE	T1-9		P3-9		+12 VOLTS	
		YELLOW	T1-10		P3-7		-12 VOLTS	
		YELLOW	T1-11		P3-10		-12 VOLTS	
		RED	T1-5		P3-8		-23 VOLTS	
		RED	T1-6		P3-11	6	-23 VOLTS	
		GRN/YEL	T1-SHLD		P5-1	13	SHIELD	
		BLACK	T1-1		P5-2	14	PRIMARY	
		BLK-YEL	T1-2		P5-3	14	PRIMARY	
		BROWN	T1-3		P5-4	14	PRIMARY	
12		BRN-YEL	T1-4		P5-5	14	PRIMARY	
8	18	GRN-YEL	G1	9	P5-6	13	CHAS. GND.	13.00 ± .25



THIS SHEET FOR VARIATION -01 ONLY

REVISION HISTORY		
DATE	ECO NUMBER	REV.

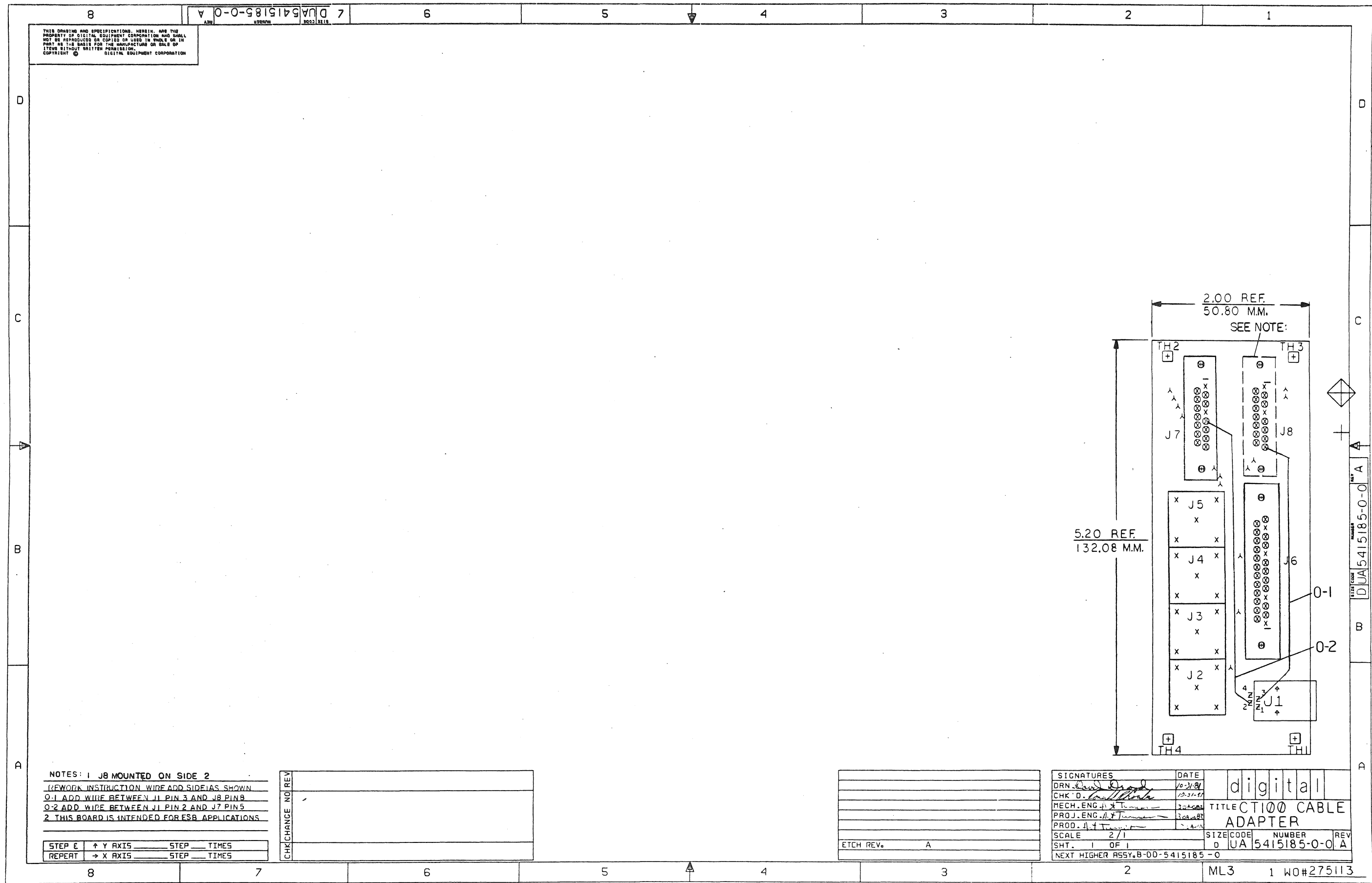
LINE	ITEM	DOCUMENT NUMBER	PART NUMBER	DESCRIPTION	QUANTITY PER VARIATION	
					00	01
1		D-IA-7423384-0-DBU	7423384-00	MOUNTING TRANSFORMER	1	1
10		A-PS-1617186-0-0	1617186-01	XFMR P=A S=5/+12/-23V0.5A	1	-
11			1212167-03	MATE-N-LOK 12POS UNIV HSG SKT	1	1
12			9007031-00	TIE CABLE BUNDL DIA 0- 3/4"=101	4	4
13			1212167-06	MATE-N-LOK 6POS UNIV HSG SKT	1	1
14			1212170-00	MATE-N-LOK SKT UNIV 20-14AWG REE	16	10
		SEE NOTE	1218137-00	SCREW HEX WASH HD 8-32X 2.62"	4	4
			9107410-54	WIRE STRND, 18AWG, IPVC UL1429	A/R	A/R
			9007930-00	TERM RING #10STUD CRIMP 16-2	1	1
			9008278-10	INSULATOR, NYLON, MACHINE SCREW.	4	4
			3616512-00	LABEL SERIAL	1	1
			1618707-00	XFMR P=100/245V 55W	-	-
			1217519-00	MATE-N-LOK PIN UNIV 20-14AWG STR	-	-
			1212169-00	MATE-N-LOK PIN 14-20AWG	-	-

15 NOTE: ITEM #8 TO BE TOTAL OF 13.5 INCHES.

REVISION HISTORY			BASIC PART NO: 7017148		DRN: S. KOPFENAL		DATE: 24-SEP-79		DIGITAL	
ENG	ECO NUMBER	REV	SECTION A OF A	CHK'D: D. HEALY	DATE: 02-OCT-79	TITLE PARTS LIST				
	INITIAL	A	SECTION VARIATION INDEX			TRANSFORMER HSG ASSY VT101				
GB	7017834-ML001	B	[A] 00,01							
GB	7017148-ML001	C	[B]	DES.ENG.: PAUL LORUSSO	DATE: 27-FEB-81					
GC	7017148-ML002	D	[C]	RESP.ENG.: G. BOURQUE	DATE: 27-FEB-81	DOCUMENT NUMBER				
GC	7017148-ML003	E	[D]			SIZE	CODE	NUMBER	REV	
			[E]	MFG.ENG.: AL JOHNS	DATE: 27-FEB-81	K	PL	7017148-0-DBP	E	
			[F]	ASSEMBLY NUMBER: D-IA-7017148-0-0	TOP DOCUMENT NUMBER: E-AD-7017834-0-0	FILE NAME: Z0825E.PLS		EDIT #		5

"THIS DRAWING AND SPECIFICATIONS HEREIN, ARE THE PROPERTY OF DIGITAL EQUIPMENT CORPORATION AND SHALL NOT BE REPRODUCED OR COPIED OR USED IN WHOLE OR IN PART AS THE BASIS FOR THE MANUFACTURE OR SALE OF ITEMS WITHOUT WRITTEN PERMISSION. COPYRIGHT (C) 1982. DIGITAL EQUIPMENT CORPORATION"

THIS DRAWING AND SPECIFICATIONS HEREIN ARE THE PROPERTY OF DIGITAL EQUIPMENT CORPORATION AND SHALL NOT BE REPRODUCED OR COPIED OR USED IN WHOLE OR IN PART AS THE BASIS FOR THE MANUFACTURE OR SALE OF ITEMS WITHOUT WRITTEN PERMISSION. COPYRIGHT © DIGITAL EQUIPMENT CORPORATION



NOTES: 1 J8 MOUNTED ON SIDE 2
 NETWORK INSTRUCTION WIRE ADD SIDE AS SHOWN
 0-1 ADD WIRE BETWEEN J1 PIN 3 AND J8 PIN 8
 0-2 ADD WIRE BETWEEN J1 PIN 2 AND J7 PIN 5
 2 THIS BOARD IS INTENDED FOR ESB APPLICATIONS

STEP E	↑ Y AXIS	STEP	TIMES
REPEAT	→ X AXIS	STEP	TIMES

CHK	CHANGE	NO	REV

ETCH	REV.	A

SIGNATURES	DATE	digital	TITLE	CABLE ADAPTER
DRN. <i>[Signature]</i>	10-31-81			
CHK'D. <i>[Signature]</i>	12-31-81	SIZE	CODE	NUMBER
MECH. ENG. <i>[Signature]</i>	3-25-82			
PROJ. ENG. <i>[Signature]</i>	3-25-82	REV	UA	5415185-0-0
PROD. <i>[Signature]</i>	3-25-82			
SCALE	2/1	ML3	1	WO#275113
SHT.	1 OF 1	NEXT HIGHER ASSY. B-00-5415185-0		

DRAWING NUMBER DUA 5415185-0-0

LINE ITEM	DOCUMENT NUMBER	PART NUMBER	DESCRIPTION	QTY PER VARIATION			REFERENCE DESIGNATOR
				00	01	02	
1	4	1000014-00	68.0 MMF 100V 5%200PPM MICA	1	1	1	C78
2	8	1001610-00	.01 MFD 50V +80-20% Z5U CER	23	-	-	C4,C6,C8,C11,C13,C17,C18, CONT C21-C25,C30,C33,C35,C36,C42,C44, CONT C48,C51,C59,C62,C73
		CONT		-	34	34	C1,C4,C6,C8,C11,C13,C17,C18, CONT C21-C25,C30,C33,C35-C38,C42,C44, CONT C48,C50,C51,C56,C59,C62,C63,C65, CONT C66,C69,C73-C75
3	5	1001776-00	1 MFD 35V 10% S.TANT	1	1	1	C76
4	7	1010274-00	.22 MFD 50V +80-20% Z5U CER	9	9	9	C79-C83,C85,C87,C91,C84
5	3	1013466-05	56.0 MMF 50V 5% CER	1	1	1	C77
6	95	1013466-08	680.0 MMF 50V 10% X7R CER	4	4	4	C9,C2,C3,C5
7	111	1013466-17	150.0 MMF 50V 5% CER	1	1	1	C10
8	6	1017472-00	10 MFD 35V +50-10% AL EL	3	3	3	C86,C88,C90
9	9	1100114-00	D 664 QS\75PCB PIV= 25V SP	5	5	5	D1-D5
10	94	1102421-00	1N 753A VZ= 6.2 5% .40W P	1	1	1	D7
11	93	1105796-00	1N 4004 PIV=400 1= 1A D041 SP	1	1	1	D6
12	96	1211164-06	SW,DIP 10POS/1PST 5VDC100MA F	-	1	1	E11
13	13	1214460-00	CONN,D SUB 25PIN ASSY RT ANGLE P	-	1	1	J4
14	11	1214828-03	CONN,D SUB COMPOSITE ASSY	1	1	1	J2
15	10	1215006-06	SKT,IC 24PIN DIP 1IN SOLD	2	-	-	XE4,XE71
		CONT		-	4	4	XE4,XE67,XE69,XE71
16	12	1215015-00	PCB,HEADER 07POS(1X07).100CC STR	1	1	1	J3
17	14	1217104-00	CONN,ASSY 12POS PARALLEL BOTTOM	1	1	1	J1
18	51	1300005-02	R NETWORK 13-6.8K 5.0 % 14PIN	-	1	1	E51
19	18	1300219-00	68.0 .25 W 5.0 % CC	2	2	2	R68,R86
20	34	1300229-00	100.0 .25 W 5.0 % CC	1	1	1	R71
21	19	1300250-00	150.0 .25 W 5.0 % CC	1	1	1	R57
22	20	1300295-00	330.0 .25 W 5.0 % CC	1	1	1	R31
23	22	1300316-00	470.0 .25 W 5.0 % CC	2	2	2	R29,R45

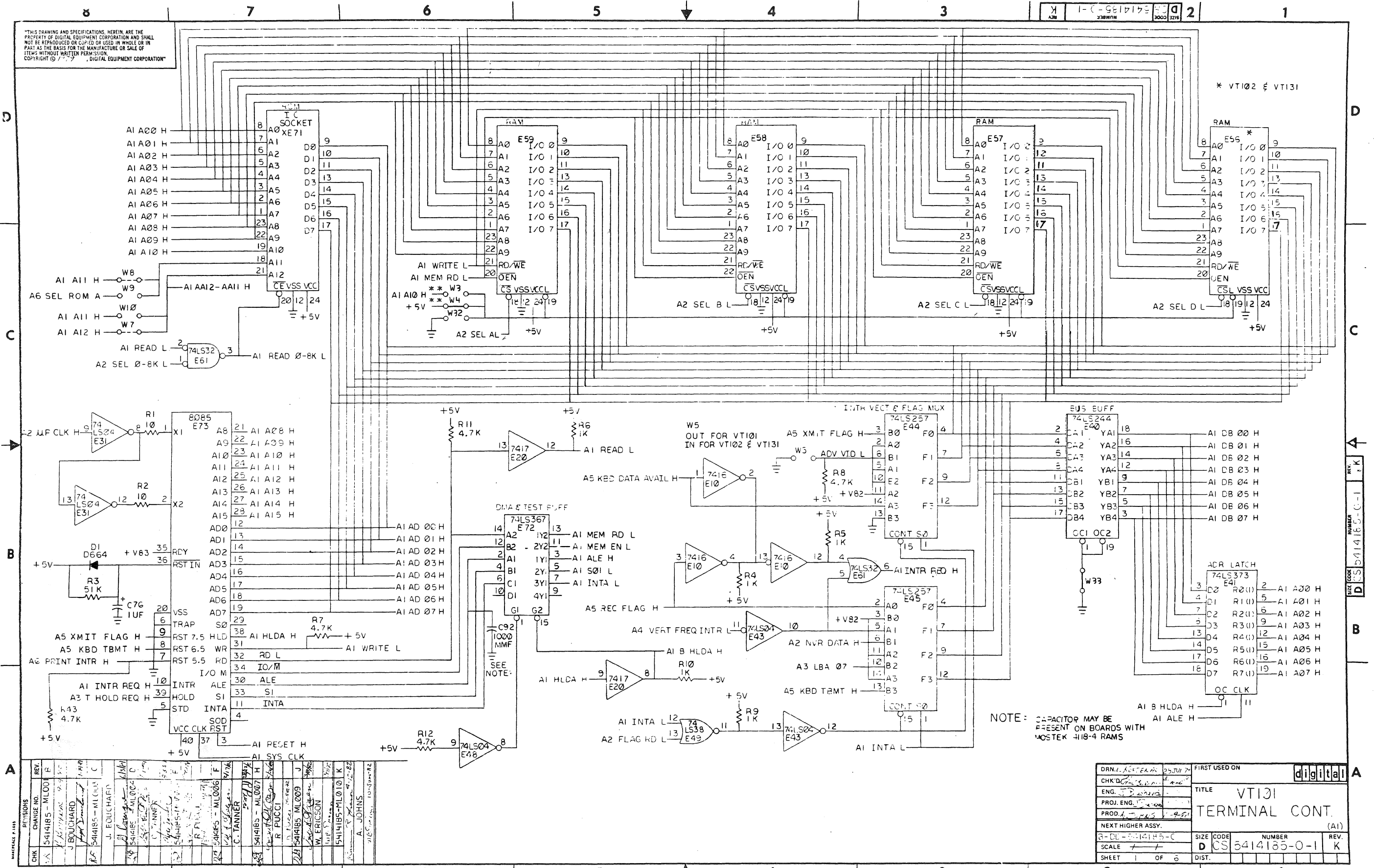
REVISION HISTORY			BASIC PART NO: 5414185			DRN: W. CSERPES			DATE: 29-APR-82			D I G I T A L				
ENG	ECO NUMBER	REV	SECTION A OF A			CHK'D: F. LLANDS			DATE: 29-APR-82			TITLE PARTS LIST				
---	INITIAL	A	SECTION VARIATION INDEX			DES.ENG: J. BOUCHARD			DATE: 10-AUG-79			DOCUMENT NUMBER				
JD	5414185-ML001	B	[A]	00,01,02	RESP.ENG.: J. BOUCHARD			DATE: 25-SEP-79			SIZE!CODE! NUMBER ! REV					
JR	5414185-ML003	C	[B]		MFG.ENG.: A. JOHNS			DATE: 9-JUN-80			K ! PL ! 5414185-0-DBP ! J					
CT	5414185-ML004	D	[C]		ASSEMBLY NUMBER:			TOP DOCUMENT NUMBER:			FILE NAME: ! EDIT #					
JR	5414185-ML005	E	[D]		E-UA-5414185-0-0			B-DD-5414185-0-0			Z0566J.PLS ! 65					
RP	5414185-ML007	F	[E]													
WE	5414185-ML009	H	[F]													
AJ	5414185-ML010	J	[G]													
			[J]													
			[K]													
			[L]													
			[M]													
			[N]													

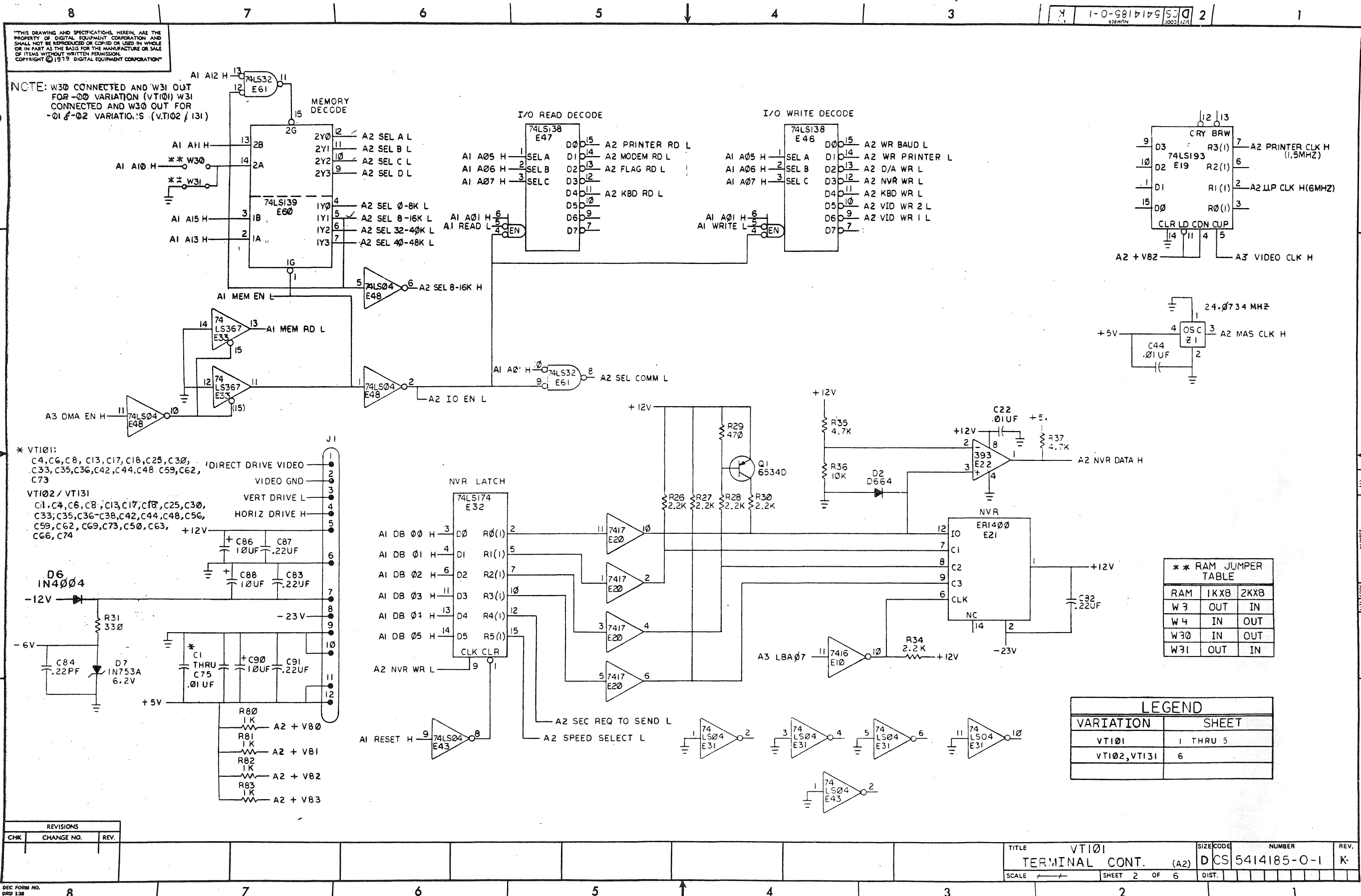
"THIS DRAWING AND SPECIFICATIONS HEREIN, ARE THE PROPERTY OF DIGITAL EQUIPMENT CORPORATION AND SHALL NOT BE REPRODUCED OR COPIED OR USED IN WHOLE OR IN PART AS THE BASIS FOR THE MANUFACTURE OR SALE OF ITEMS WITHOUT WRITTEN PERMISSION. COPYRIGHT (C) 1982. DIGITAL EQUIPMENT CORPORATION"

LINE	ITEM	DOCUMENT NUMBER	PART NUMBER	DESCRIPTION	CC	QTY PER VARIATION			REFERENCE DESIGNATOR
						00	01	02	
24	21		1300364-00	1.0 K .50 W 5.0 %	CC	1	1	1	R17
25	49		1300365-00	1.0 K .25 W 5.0 %	CC	11	-	-	R4-R6,R9,R10,R62,R80-R83,R85
			CONT			-	13	13	R4-R6,R9,R10,R62,R75,R79, R80-R83,R85
26	46		1300398-00	1.80 K .25 W 5.0 %	CC	1	1	1	R60
27	24		1300417-00	2.20 K .25 W 5.0 %	CC	7	7	7	R26-R28,R30,R34,R73,R74,
28	25		1300426-00	2.70 K .25 W 5.0 %	CC	1	1	1	R22
29	48		1300447-00	4.70 K .25 W 5.0 %	CC	17	17	17	R7,R8,R11,R12,R21,R35,R37, CONT R46-R52,R53,R54,R43
30	27		1300479-00	10.0 K .25 W 5.0 %	CC	1	1	1	R36
31	97		1300488-00	12.0 K .25 W 5.0 %	CC	2	-	-	R32,R33
			CONT			-	8	8	R32,R33,R38-R41,R77,R78
32	17		1301317-00	10.0 .25 W 5.0 %	CC	4	4	4	R23,R1,R2,R84
33	45		1301320-00	1.20 K .25 W 5.0 %	CC	1	1	1	R69
34	35		1301322-00	180.0 .25 W 5.0 %	CC	1	1	1	R70
35	26		1301424-00	680.0 .25 W 5.0 %	CC	1	1	1	R63
36	28		1301425-00	300.0 .25 W 5.0 %	CC	1	-	-	R58
			CONT			-	2	2	R58,R13
37	44		1301475-00	1.10 K .25 W 5.0 %	CC	1	1	1	R61
38	36		1301874-00	5.60 K .25 W 5.0 %	CC	1	1	1	R14
39	29		1301972-00	270.0 .25 W 5.0 %	CC	1	1	1	R65
40	30		1302379-00	75.0 .25 W 5.0 %	CC	3	3	3	R56,R66,R72
41	42		1302391-00	20.0 K .25 W 5.0 %	CC	1	1	1	R67
42	40		1303155-00	21.50 K .25 W 1.0 %	RN55D-F10	1	1	1	R20
43	31		1303178-00	620.0 .25 W 5.0 %	CC	1	1	1	R59
44	37		1303187-00	820.0 K .25 W 5.0 %	CC	1	1	1	R19
45	41		1303312-00	10.0 K .25 W 1.0 %	RN55D-F10	1	1	1	R16
46	38		1304833-00	1.96 K .25 W 1.0 %	RN55D-F10	1	1	1	R15
47	47		1304839-00	51.0 K .25 W 5.0 %	CC	1	1	1	R3
48	43		1304841-00	75.0 K .25 W 5.0 %	CC	2	-	-	R24,R25
			CONT			-	3	3	R24,R25,R76
49	39		1309412-00	18.20 K .25 W 1.0 %	RN55D-F10	1	1	1	R18
50	33		1313580-00	360.0 .25 W 5.0 %	CC	1	1	1	R64
51	32		1314673-00	36.0 .25 W 5.0 %	CC	1	1	1	R55
52	16		1501913-00	2N 2904A PNF 600MW SI 60 40 Y		2	2	2	Q2,Q3
53	15		1503409-00	DEC6534D PNF 310MW SI 40 90		1	1	1	Q1
54	52		1814830-00	OSCILLATOR, XTAL 24.073 MHZ		1	1	1	Z1
55	72		1909928-00	7416 INVERTER GATE-HEX 1I		2	2	2	E8,E10
56	73		1909929-00	7417 BUFFER GATE-HEX 1INP		1	1	1	E20
57	74		1910236-00	DEC 7426 NAND GATE-QUAD 2IN,0		1	1	1	E7
58	77		1912647-00	LS257 MUX 1 OF 2 (QUAD)		2	2	2	E44,E45
59	76		1912697-00	LS174 FF-D HEX W/CLEAR		2	2	2	E9,E32
60	60		1912803-00	LS04 INVERTER GATE,HEX		3	3	3	E43,E48,E31
61	61		1912815-00	LS30 NAND GATE-SINGLE 8IN		1	1	1	E25
62	78		1912816-00	LS32 OR GATE-QUAD 2IN,POS		1	-	-	F61
			CONT			-	2	2	E61,E63
63	62		1912818-00	LS38 NAND BUFFER-QUAD 2IN		1	-	-	E49
			CONT			-	2	2	E49,E66

D	I	G	I	T	A	L	TITLE	VT101/VT102/VT131 TERM. CONT.	SECTION A OF A	SIZE	CODE	DOCUMENT NUMBER	REV
										K	PL	5414185-0-DBP	J

THIS DRAWING AND SPECIFICATIONS, HEREIN, ARE THE PROPERTY OF DIGITAL EQUIPMENT CORPORATION AND SHALL NOT BE REPRODUCED OR COPIED OR USED IN WHOLE OR IN PART AS THE BASIS FOR THE MANUFACTURE OR SALE OF ITEMS WITHOUT WRITTEN PERMISSION. COPYRIGHT © 1979, DIGITAL EQUIPMENT CORPORATION.



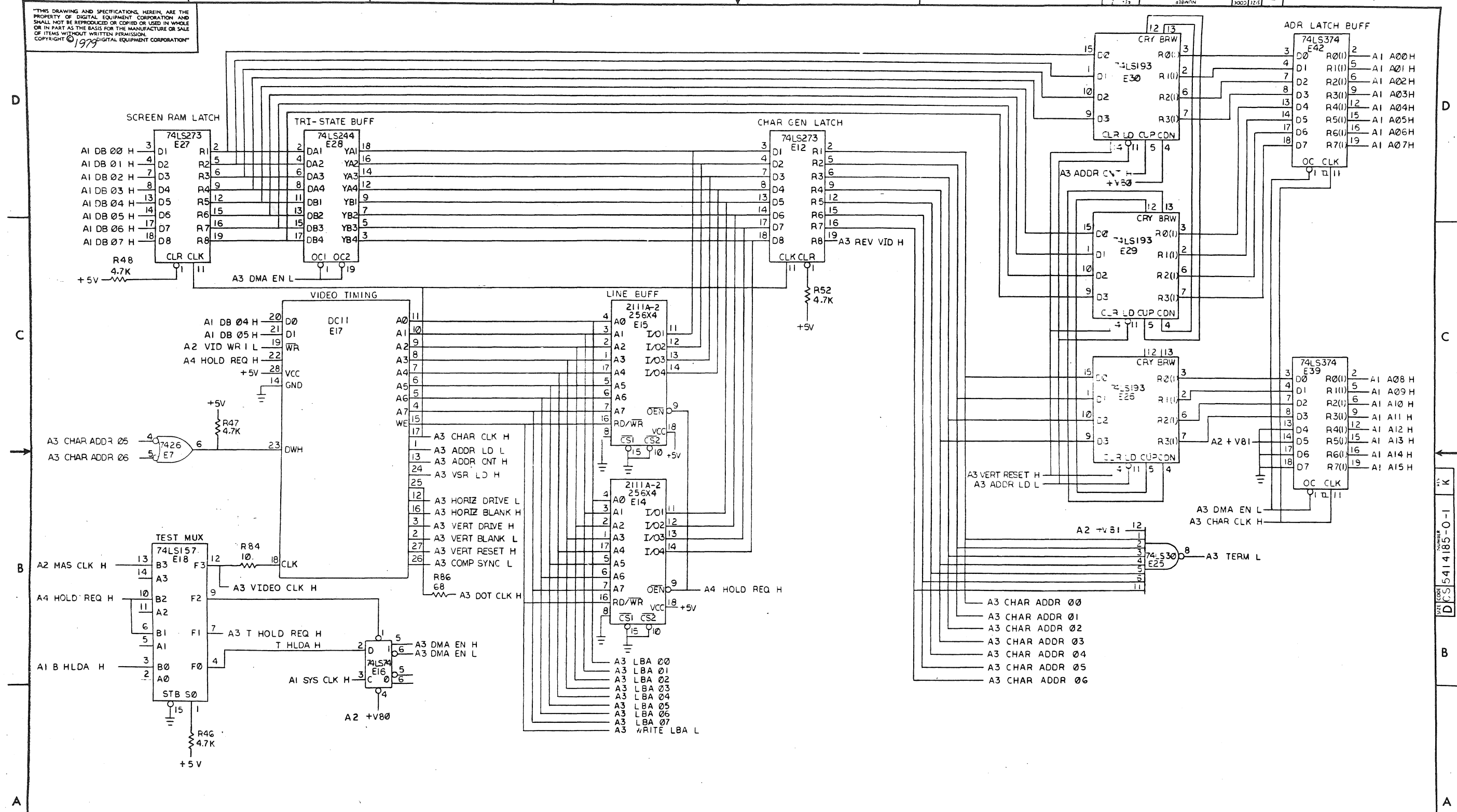


REVISIONS		
CHK	CHANGE NO.	REV.

TITLE	VT101	SIZE CODE	NUMBER	REV.
TERMINAL CONT.	(A2)	D CS	5414185-0-1	K
SCALE	SHEET 2 OF 6	DIST.		

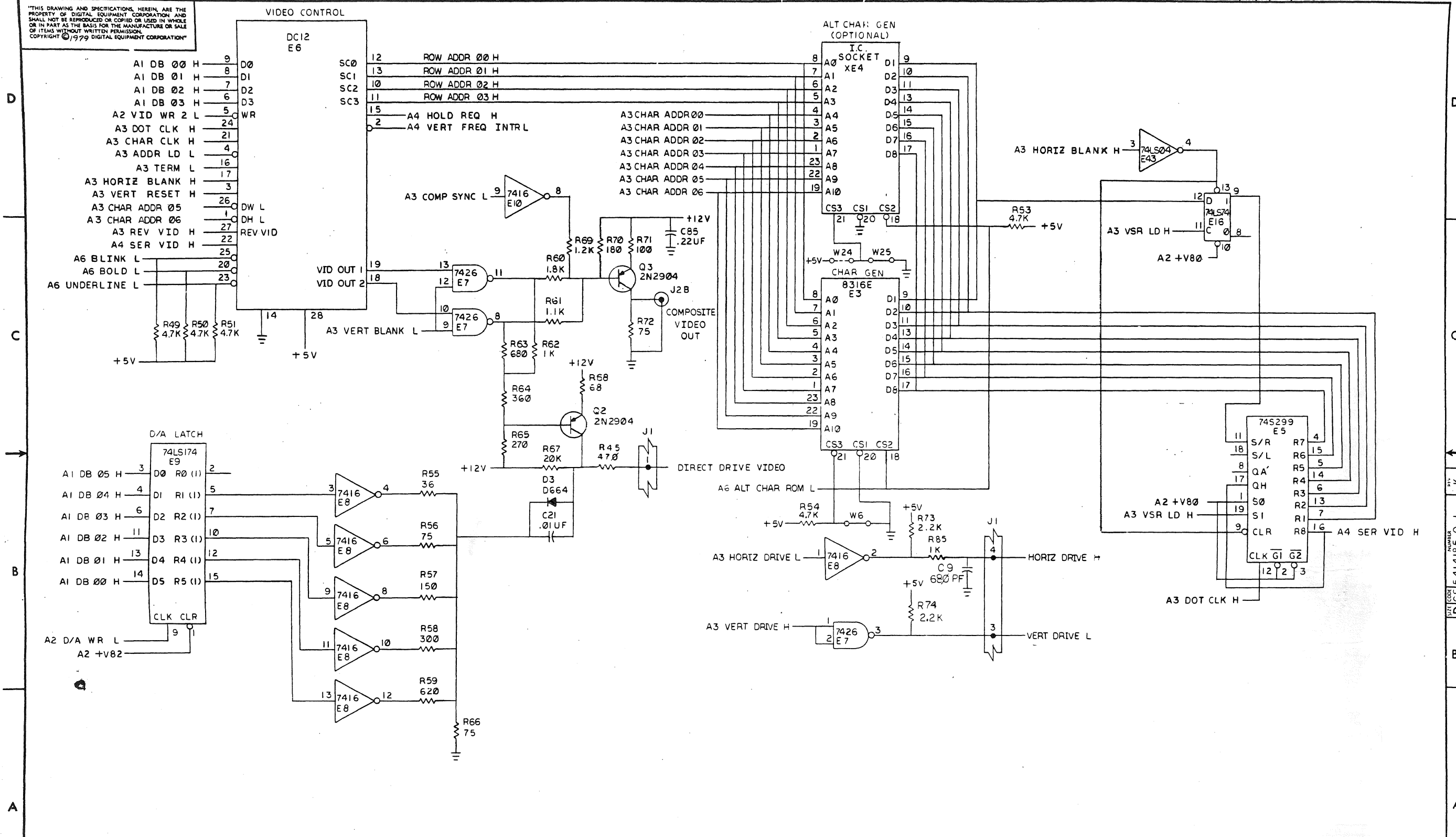
DEC FORM NO. 500 138

THIS DRAWING AND SPECIFICATIONS HEREIN ARE THE PROPERTY OF DIGITAL EQUIPMENT CORPORATION AND SHALL NOT BE REPRODUCED OR COPIED OR USED IN WHOLE OR IN PART AS THE BASIS FOR THE MANUFACTURE OR SALE OF ITEMS WITHOUT WRITTEN PERMISSION. COPYRIGHT © 1977 DIGITAL EQUIPMENT CORPORATION



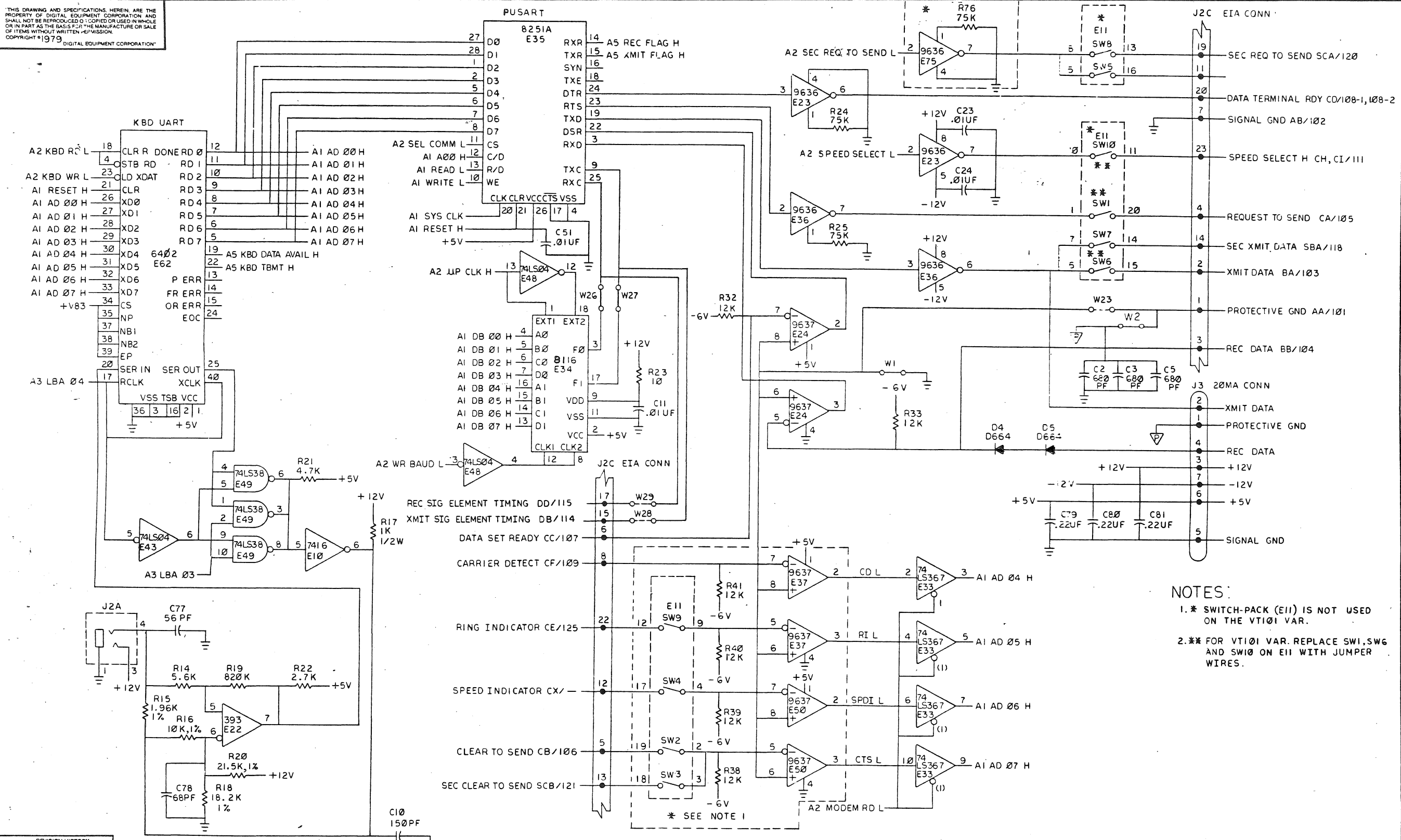
REVISIONS		
CHK	CHANGE NO.	REV.

"THIS DRAWING AND SPECIFICATIONS, HEREIN, ARE THE PROPERTY OF DIGITAL EQUIPMENT CORPORATION AND SHALL NOT BE REPRODUCED OR COPIED OR USED IN WHOLE OR IN PART AS THE BASIS FOR THE MANUFACTURE OR SALE OF ITEMS WITHOUT WRITTEN PERMISSION. COPYRIGHT © 1979 DIGITAL EQUIPMENT CORPORATION"



REVISIONS		
CHK	CHANGE NO.	REV.

THIS DRAWING AND SPECIFICATIONS, HEREIN, ARE THE PROPERTY OF DIGITAL EQUIPMENT CORPORATION AND SHALL NOT BE REPRODUCED OR COPIED OR USED IN WHOLE OR IN PART AS THE BASIS FOR THE MANUFACTURE OR SALE OF ITEMS WITHOUT WRITTEN PERMISSION. COPYRIGHT © 1979 DIGITAL EQUIPMENT CORPORATION



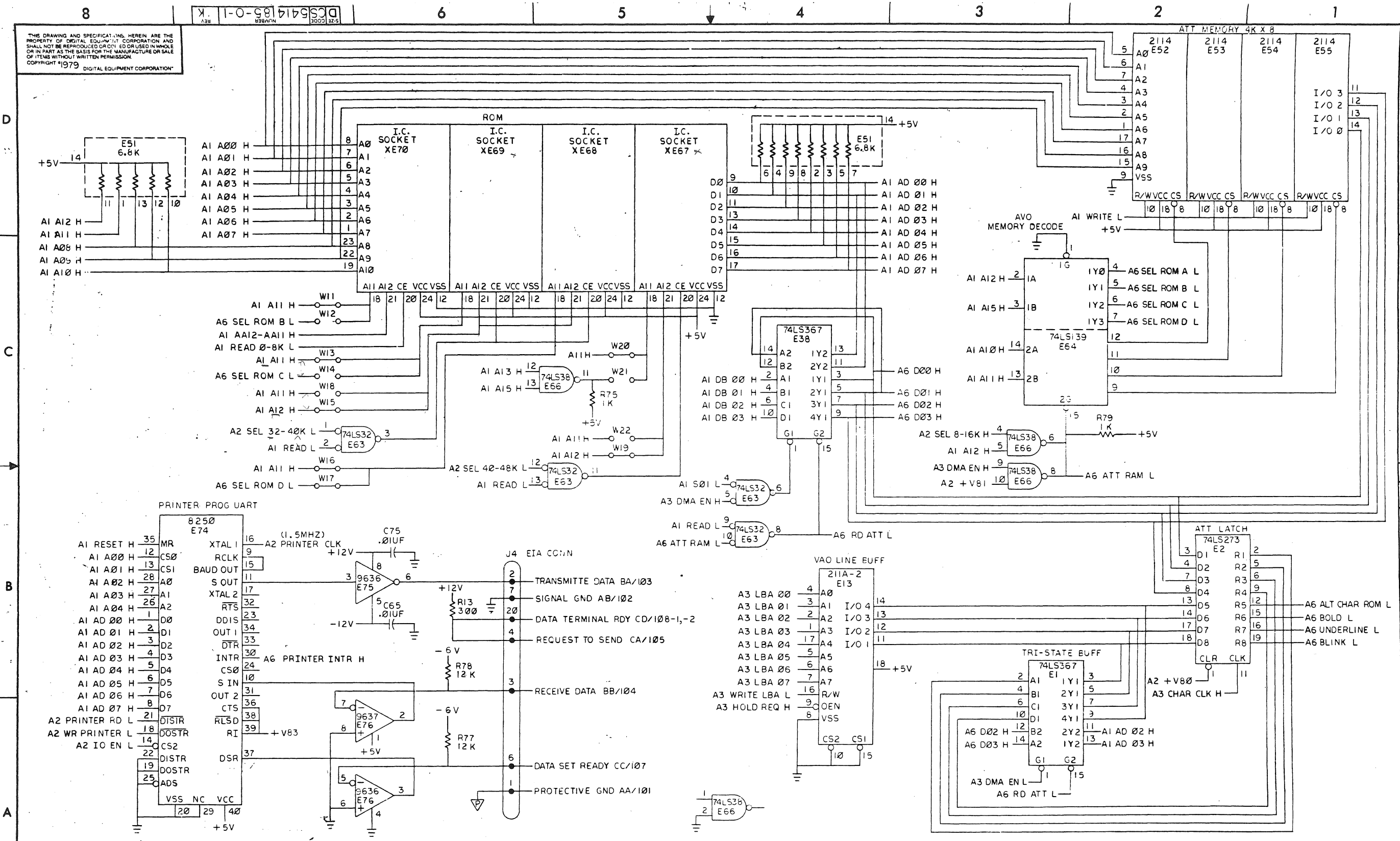
- NOTES:
- * SWITCH-PACK (E11) IS NOT USED ON THE VT101 VAR.
 - ** FOR VT101 VAR. REPLACE SW1, SW6 AND SW10 ON E11 WITH JUMPER WIRES.

REVISION HISTORY		
DATE	ECO NUMBER	REV.

TITLE		DOCUMENT NUMBER	
VT101 TERMINAL CONT.		DCS 5414185-0-1	
SCALE	SHEET	REV.	
(A5)	5 OF 6	K	

REV. NUMBER DCS 5414185-0-1 K

THIS DRAWING AND SPECIFICATIONS, HEREIN ARE THE PROPERTY OF DIGITAL EQUIPMENT CORPORATION AND SHALL NOT BE REPRODUCED OR COPIED OR USED IN WHOLE OR IN PART AS THE BASIS FOR THE MANUFACTURE OR SALE OF ITEMS WITHOUT WRITTEN PERMISSION.
 COPYRIGHT © 1979 DIGITAL EQUIPMENT CORPORATION

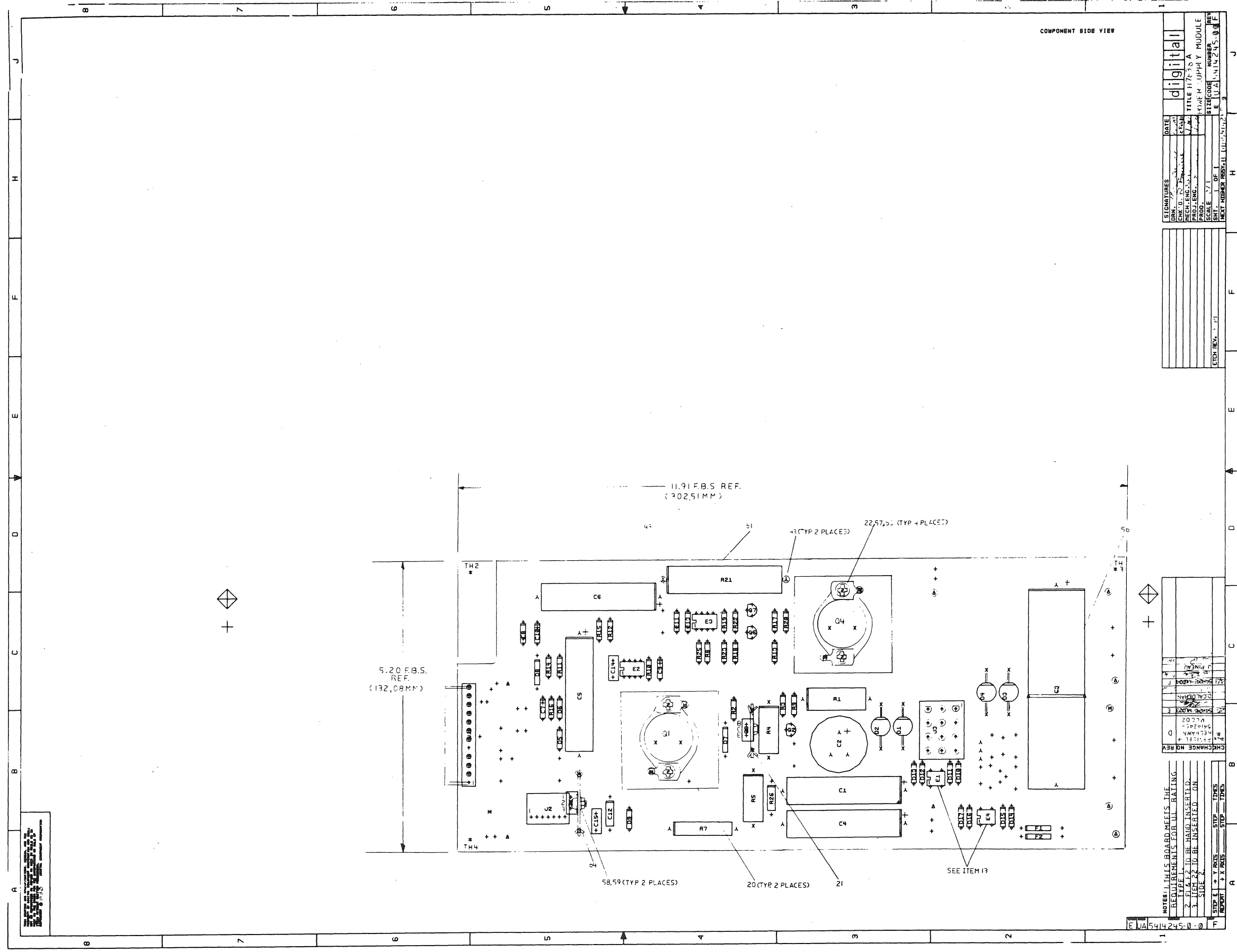


REVISION HISTORY		
DATE	ECO NUMBER	REV.

NOTE THIS SHEET IS USED ON THE VT102/VT131 VAR. ONLY.

TITLE	VT101 TERMINAL CONT. (A6)	DOCUMENT NUMBER	DCS 5414185-0-1	REV.	1K
SCALE	+	SHEET	6	OF	6

DCS 5414185-0-1
 SIZE CODE NUMBER REV
 K



COMPONENT SIDE VIEW

DATE	digital
CHK'D BY	
RECH. ENG.	
PROJ. ENG.	
SCALE	
SHEET	
TITLE	TITLE H7-35A
PROJECT	PROJECT H7-35A
STAGE	STAGE H7-35A
NUMBER	NUMBER H7-35A
REV	REV H7-35A
ETCH REV.	ETCH REV. H7-35A

NO.	DESCRIPTION
1	DESIGN
2	CHECK
3	ETCH
4	ASSEMBLY
5	TEST
6	REWORK
7	REPAIR
8	REPLACE
9	REWORK
10	REPAIR
11	REPLACE
12	REWORK
13	REPAIR
14	REPLACE
15	REWORK
16	REPAIR
17	REPLACE
18	REWORK
19	REPAIR
20	REPLACE
21	REWORK
22	REPAIR
23	REPLACE
24	REWORK
25	REPAIR
26	REPLACE
27	REWORK
28	REPAIR
29	REPLACE
30	REWORK
31	REPAIR
32	REPLACE
33	REWORK
34	REPAIR
35	REPLACE
36	REWORK
37	REPAIR
38	REPLACE
39	REWORK
40	REPAIR
41	REPLACE
42	REWORK
43	REPAIR
44	REPLACE
45	REWORK
46	REPAIR
47	REPLACE
48	REWORK
49	REPAIR
50	REPLACE
51	REWORK
52	REPAIR
53	REPLACE
54	REWORK
55	REPAIR
56	REPLACE
57	REWORK
58	REPAIR
59	REPLACE
60	REWORK
61	REPAIR
62	REPLACE
63	REWORK
64	REPAIR
65	REPLACE
66	REWORK
67	REPAIR
68	REPLACE
69	REWORK
70	REPAIR
71	REPLACE
72	REWORK
73	REPAIR
74	REPLACE
75	REWORK
76	REPAIR
77	REPLACE
78	REWORK
79	REPAIR
80	REPLACE
81	REWORK
82	REPAIR
83	REPLACE
84	REWORK
85	REPAIR
86	REPLACE
87	REWORK
88	REPAIR
89	REPLACE
90	REWORK
91	REPAIR
92	REPLACE
93	REWORK
94	REPAIR
95	REPLACE
96	REWORK
97	REPAIR
98	REPLACE
99	REWORK
100	REPAIR

NOTES: 1. THIS BOARD SHEET IS THE
 2. TYPE ELEMENTS FOR W.L. RATING.
 3. FLAME TO BE HARD INSERTED.
 4. ITEM 22 TO BE INSERTED ON
 SIDE 2.

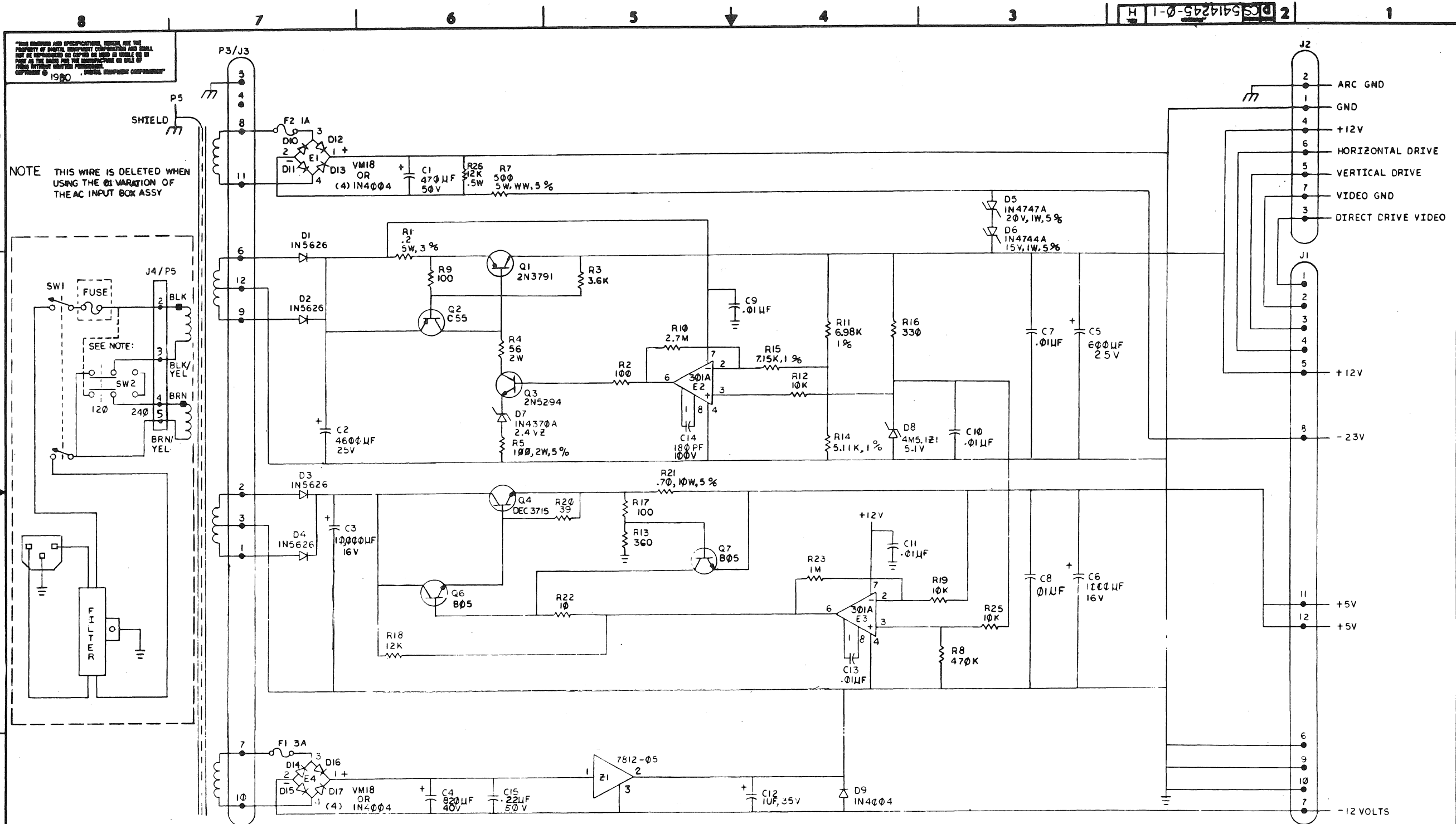
STEP	REPORT	Y	RAS	STEP	TYPES
1				1	
2				2	
3				3	
4				4	
5				5	
6				6	
7				7	
8				8	
9				9	
10				10	

0-5424153

LINE	ITEM	DOCUMENT NUMBER	PART NUMBER	DESCRIPTION	QTY PER VARIATION	REFERENCE DESIGNATOR
					00	
1	1	E-UA-5414245-0-0		H7838-A POWER SUPPLY MODULE	REF	
2	2	E-EC-5014244-0-0		ETCH CUT DRAWING	REF	
3	3	D-CS-5414245-0-1		CIRCUIT SCHEMATIC	REF	
4	4		1011849-01	600 MFD 25V +75-10% AL EL	1	C5
5	5		1001610-01	.01 MFD50/100V +80-20% DISC	6	C7-C11,C13
6	6		1014883-00	470 MFD 50V +75-10% AL EL	1	C1
7	7		1015377-00	4600 MFD 25V +75-10% AL EL	1	C2
8	8		1016102-00	10,000 MFD 16V +75-10% AL EL	1	C3
9	9		1001776-00	1 MFD 35V 10% S.TANT	1	C12
10	10		1010274-01	.22 MFD 50V +80-20% Z5U CER	1	C15
11	11		1011849-02	1000 MFD 16V +75-10% AL EL	1	C6
12	12		1000020-00	180.0 MMF 100V 5%200PPM MICA	1	C14
13	13	SEE NOTES	1115369-00	VM 18 FIV=100 I=1A	2	E1,E4
14	14		1105796-00	1N 4004 FIV=400 I= 1A D041 SF	1	D9
15	15		1115182-00	1N 5626 FIV=600 I= 3A	4	D1-04
16	16		1114892-00	1N 4747A VZ= 20.0 5% 1W	1	D5
17	17		1105648-01	1N 4744A VZ= 15.0 5% 1W	1	D6
18	18		1101938-00	1N 4370A VZ= 2.4 5% .40W	1	D7
19	19		1105873-00	4MS-1AZ1 VZ= 5.1 1% .400W	1	D8
20	20		1211987-03	HEAT SINK,TO-3 1.750X01.7	2	HS1,HS2
21	21		1215228-00	HEAT SINKS,TO-220 01.25X0.87	1	HS3
22	22		1214789-00	INSERT,THREAD	4	
23	23		1215048-01	PCB,HEADER 05PIN(1X07).09800 90D	1	J2
24	24		1217103-01	PCB,HEADER 12POS(1X12).15600 90D	1	J1
25	25		1212297-06	MATE-N-LOK 12PIN(2X06).25000 HDR	1	J3
26	26		1313358-00	.20 5.0 W 3.0 % WW	1	R1
27	27		1300229-00	100.0 .25 W 5.0 % CF	3	R2,R9,R17
28	28		1300365-00	*** THIS ITEM IS NOT USED ***	-	
29	29		1302465-00	*** THIS ITEM IS NOT USED ***	-	
30	30		1302836-00	56.0 2.0 W 5.0 % CC	1	R4

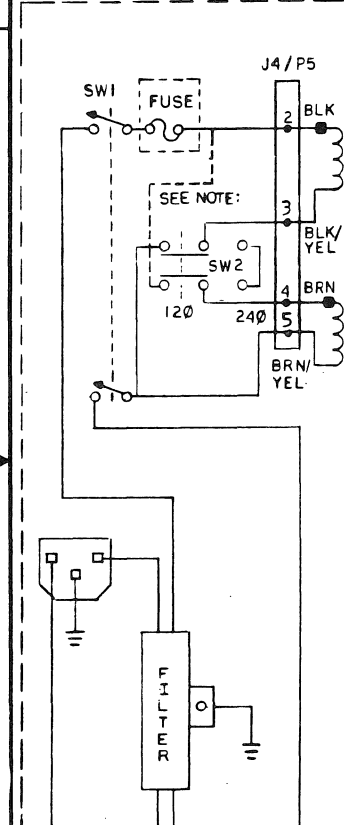
REVISION HISTORY			BASIC PART NO: 5414245				
ENG	ECO NUMBER	REV	SECTION A OF A	DRN:	DAVID DROZD	DATE: 03-DEC-79	D I G I T A L
----	INITIAL	B	SECTION VARIATION INDEX	CHK'D:	F. BOSSMAN	DATE: 05-MAR-80	TITLE PARTS LIST
DC	5414245-ML001	C	[A] 00				H7838-A POWER SUPPLY MODULE
DC	5414245-ML002	D	[B]				
DC	5414245-ML003	E	[C]	DES.ENG:	D. CALDERAN	DATE: 05-MAR-80	
JF	5414245-ML004	F	[D]				DOCUMENT NUMBER
CT	5414245-ML008	H	[E]	RESP.ENG.:	D. CALDERAN	DATE: 05-MAR-80	
			[F]				SIZE CODE NUMBER REV
			[G]				
			[H]	MFG.ENG.:	CLYDE TANNER	DATE: 05-MAR-80	K FL 5414245-0-DBP H
			[I]				
			[J]	ASSEMBLY NUMBER:		TOP DOCUMENT NUMBER:	FILE NAME: EDIT #
			[K]	E-UA-5414245-0-0		EB-DD-5414245-0	Z0799H.PLS 22
			[L]				
			[M]				
			[N]				

"THIS DRAWING AND SPECIFICATIONS HEREIN, ARE THE PROPERTY OF DIGITAL EQUIPMENT CORPORATION AND SHALL NOT BE REPRODUCED OR COPIED OR USED IN WHOLE OR IN PART AS THE BASIS FOR THE MANUFACTURE OR SALE OF ITEMS WITHOUT WRITTEN PERMISSION. COPYRIGHT (C) 1982. DIGITAL EQUIPMENT CORPORATION"



THIS DRAWING AND SPECIFICATIONS SHALL BE THE PROPERTY OF DIGITAL EQUIPMENT CORPORATION AND SHALL NOT BE REPRODUCED OR COPIED IN WHOLE OR IN PART OR IN ANY MANNER WITHOUT THE WRITTEN PERMISSION OF DIGITAL EQUIPMENT CORPORATION. © 1980 DIGITAL EQUIPMENT CORPORATION

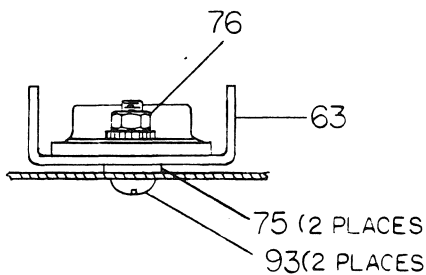
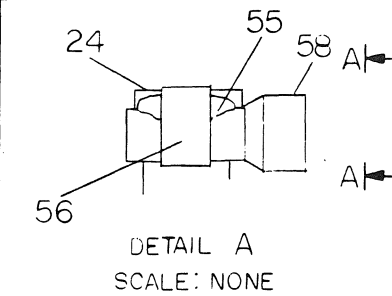
NOTE THIS WIRE IS DELETED WHEN USING THE 01 VARIATION OF THE AC INPUT BOX ASSY



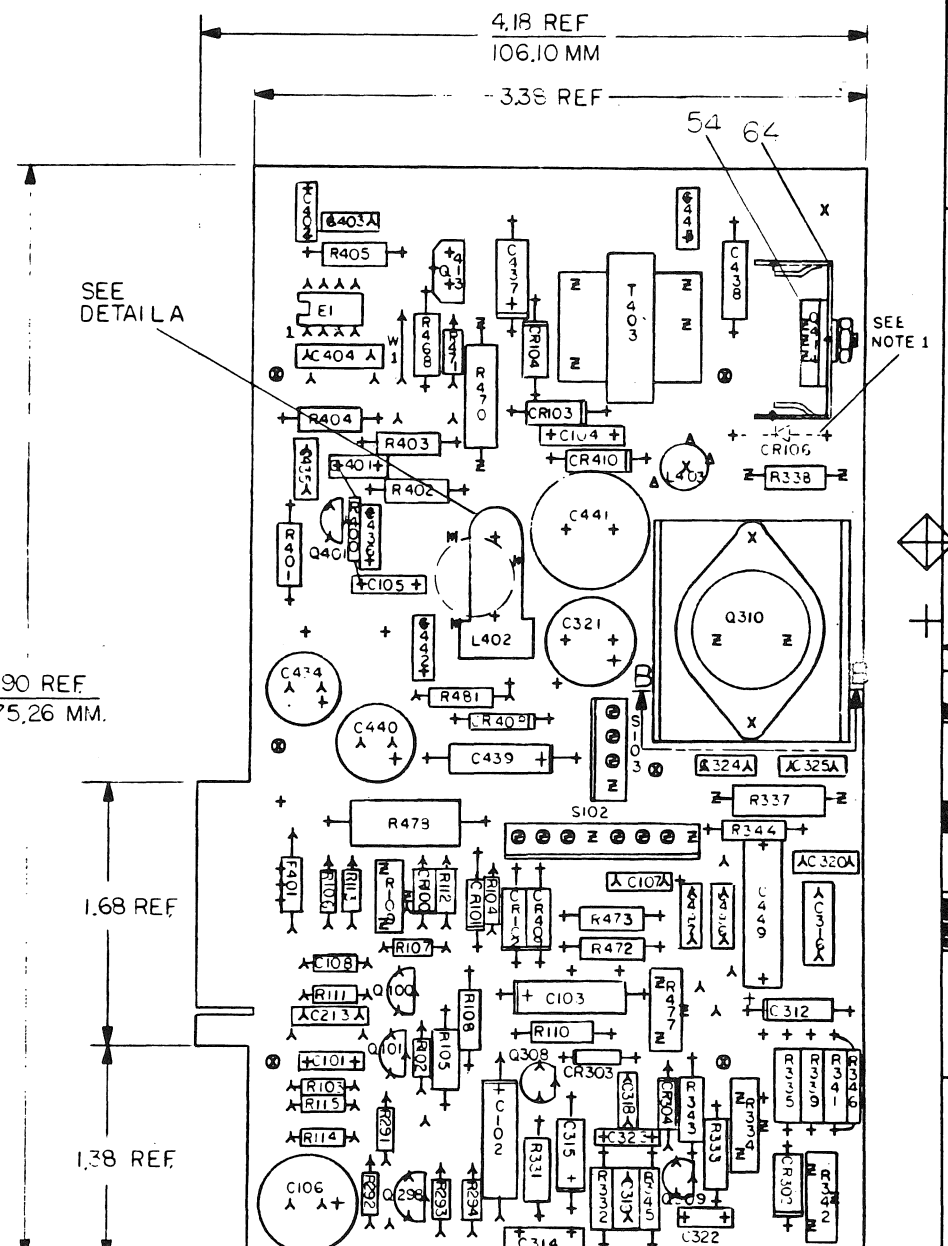
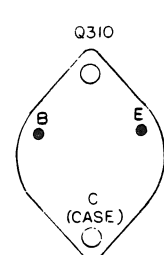
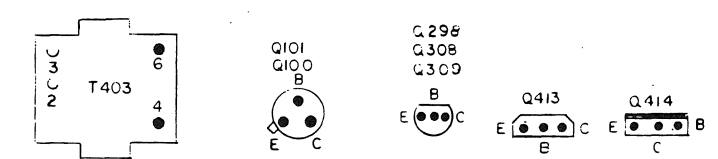
REV.	CHG.	BY	DATE
1	5414245-ML1	C	
2	5414245-ML2	D	
3	5414245-ML0001	F	
4	5414245-ML0002	F	
5	5414245-ML0003	E	
6	5414245-ML0004	F	
7	5414245-ML0005	F	
8	5414245-ML0006	F	
9	5414245-ML0007	H	
10	5414245-ML0008	H	
11	5414245-ML0009	H	
12	5414245-ML0010	H	

DRN. J. G. ...	12/27/79	FIRST USED ON	VT101
CHK'D S. ...	11/11/79	TITLE	H7838-A
ENG. ...			POWER SUPPLY
PROJ. ...			MODULE
NEXT HIGHER ASSY.		SIZE	CODE
7017834-0		D	CS 5414245-0-1
SCALE		NUMBER	REV.
			H
SHEET	1 OF 1	DIST.	

THIS DRAWING AND INFORMATION HEREON ARE THE PROPERTY OF DIGITAL EQUIPMENT CORPORATION AND SHALL NOT BE REPRODUCED OR TRANSMITTED IN ANY FORM OR BY ANY MEANS, ELECTRONIC OR MECHANICAL, INCLUDING PHOTOCOPYING, RECORDING, OR BY ANY INFORMATION STORAGE AND RETRIEVAL SYSTEM, WITHOUT THE WRITTEN PERMISSION OF DIGITAL EQUIPMENT CORPORATION.



TRANSISTORS BOTTOM VIEW



NOTES: 1 CR106 DO NOT USE
2 MAXIMUM LEAD LENGTH PROTRUSION .150 INCH ON SIDE 2

STEP E	+ Y AXIS	STEP	TIMES
REPEAT	+ X AXIS	STEP	TIMES

CHANGE NO	REV	DATE	BY	CHKD	APP'D
1					
2					
3					
4					
5					
6					
7					
8					

ETCH REV. D-PI

SIGNATURES	DATE	digital
DRN. [Signature]	12-24-70	
CHK'D [Signature]	12-24-70	TITLE VT100 MONITOR
MECH. ENG. [Signature]	11-9-71	
PROJ. ENG. [Signature]	11-9-71	SIZE CODE NUMBER REV D UA 5414131-0-0 T
SCALE 2/1		
SHT. 1 OF 1		
NEXT HIGHER REV. B-DD-5414131-0		

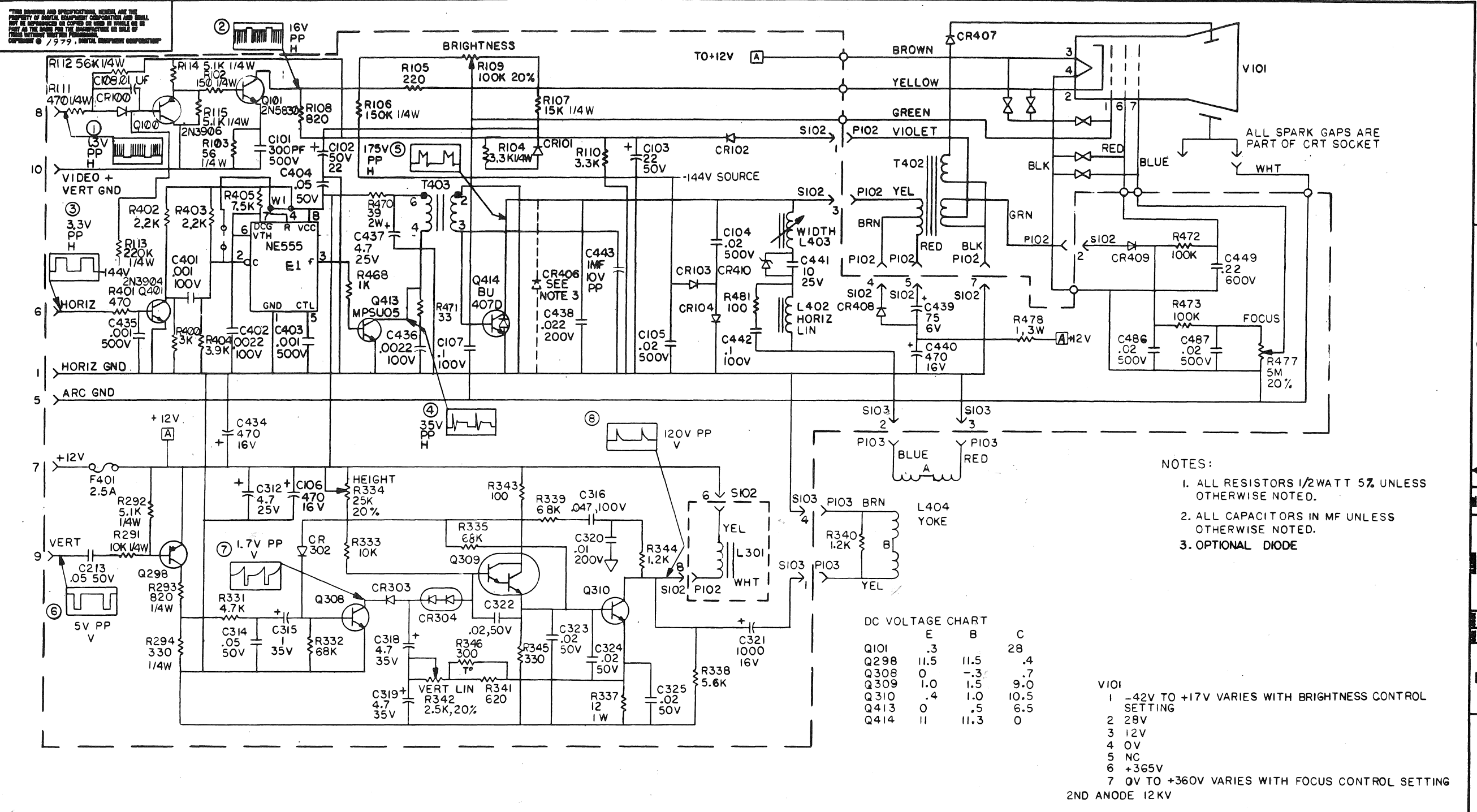
LINE	ITEM	DOCUMENT NUMBER	PART NUMBER	DESCRIPTION	QTY PER VARIATION		REFERENCE DESIGNATOR
					00	01	
1	1	E-MD-5014130-0-0	5014130-00	DRILLED AND ETCH BOARD FOR VT100	1	1	
2	2		1016544-00	.1 MFD 100V 10% MYLR	2	2	C107,C442
3	3		1016546-00	.22 MFD 660V 10% MET. MYLR	1	1	C449
4	4		1016569-00	.0022 MFD 100V 10% MYLR	2	2	C436,C402
5	5		1016639-00	.01 MFD 200V 10% MYLR	1	1	C320
6	6		1016547-00	.022 MFD 200V 10% MYLR	1	1	C438
7	7		1016548-00	1000 MFD 16V +50-10% AL EL	1	1	C321
8	8		1010274-02	1 MFD 50V +80-20% CER	1	1	C443
9	9		1016555-00	22 MFD 50V +50-10% AL EL	2	2	C102,C103
10	10		1016496-00	4.7MFD 35V 20% S.TANT	2	2	C318,C319
11	11		1016554-00	75 MFD 6V +75-10% AL EL	1	1	C439
12	12		1016553-00	4.7MFD 25V +75-10% AL EL	2	2	C312,C437
13	13		1016558-00	10 MFD 25V 20% AL EL	1	1	C441
14	14		1016557-00	470 MFD 16V +50-10% AL EL	3	3	C106,C434,C440
15	15		1016556-00	.05 MFD 100V +80-20%Z5U DISC	3	3	C213,C314,C404
16	16		1016570-00	.001 MFD 500V +80-20%Z5U DISC	2	2	C435,C403
17	17		1016571-00	.02 MFD 500V +80-20%Z5U DISC	4	4	C104,C105,C486,C487
18	18		1016572-00	300.0 MMF 500V 10% X5P DISC	1	1	C101
19	19		1000004-00	.02 MFD 100V 20% Z5U DISC	4	4	C322,C323,C324,C325
20	20		1116474-00	1N 4007 PIV=1000 I=1A D041	4	4	CR101,CR102,CR103,CR104
21	21		1116477-00	1N 4156 PIV= 20 D035	1	1	CR304
22	22		1114892-00	1N 4747A VZ= 20.0 5% 1W	1	1	CR410
23	23		1116476-00	PIV=400	1	1	CR408
24	24		1216530-04	MAGNET,PINCUSHION 10 GAUSS	1	1	
25	25	SEE NOTE	1003053-00	.047 MFD 250V 20% MET. MYLR	1	1	C316
26	26		1316522-00	2.50 K .25 W20.0 % POT	1	1	R342
27	27		1316522-02	5.0 M .25 W20.0 % POT	1	1	R477
28	28		1316522-01	100.0 K .25 W20.0 % POT	1	1	R109
29	29		1317528-00	39.0 2.0 W10.0 % CC	1	1	R470
30	30		1300479-00	10.0 K .25 W 5.0 % CF	1	1	R291

REVISION HISTORY			BASIC PART NO: 5414131			DRN: KENT GLEEZEN DATE: 24-MAR-81			D I G I T A L		
ENG	ECO NUMBER	REV	SECTION A OF A	CHK'D:	KENT GLEEZEN	DATE:	24-MAR-81	TITLE	PARTS LIST		
	INITIAL	P	SECTION VARIATION INDEX	CHK'D:	KENT GLEEZEN	DATE:	24-MAR-81	VT100 MONITOR			
DP	5414131-ML007	R	[A] 00,01								
DP	5414131-ML008	S	[B]								
CT	5414131-ML010	T	[C]	DES.ENG:	DICK PUCCI	DATE:	24-MAR-81				
WB	5414131-ML011	U	[D]								
			[E]					DOCUMENT NUMBER			
			[F]	RESP.ENG.:	DICK PUCCI	DATE:	24-MAR-81	SIZE CODE NUMBER REV			
			[H]								
			[J]								
			[K]	MFG.ENG.:	AL JOHNS	DATE:	24-MAR-81	K PL 5414131-0-DBP U			
			[L]								
			[M]	ASSEMBLY NUMBER:		TOP DOCUMENT NUMBER:		FILE NAME:	EDIT #		
			[N]	D-UA-5414131-0-0		B-DD-5414131-0-0		Z2387U.PLS	15		

"THIS DRAWING AND SPECIFICATIONS HEREIN, ARE THE PROPER / OF DIGITAL EQUIPMENT CORPORATION AND SHALL NOT BE REPRODUCED OR COPIED OR USED IN WHOLE OR IN PART AS THE BASIS FOR THE MANUFACTURE OR SALE OF ITEMS WITHOUT WRITTEN PERMISSION. COPYRIGHT (C) 1982. DIGITAL EQUIPMENT CORPORATION"

LINE	ITEM	DOCUMENT NUMBER	PART NUMBER	DESCRIPTION	QTY PER VARIATION		REFERENCE DESIGNATOR
					00	01	
31	31		1300445-00	4.70 K .50 W 5.0 % CF	1	1	R331
32	32		1316504-00	68.0 K .50 W 5.0 % CF	1	1	R332
33	33		1300385-00	1.20 K .50 W 5.0 % CF	1	1	R344
34	34		1316506-00	100.0 K .50 W 5.0 % CF	2	2	R472,R473
35	35		1316508-00	5.60 K .50 W 5.0 % CF	1	1	R338
36	36		1316509-00	*** THIS ITEM IS NOT USED ***	-	-	
37	37		1302396-00	150.0 K .25 W 5.0 % CF	1	1	R106
38	38		1300228-00	100.0 .50 W 5.0 % CF	2	2	R481,R343
39	39		1300364-00	1.0 K .50 W 5.0 % CF	1	1	R468
40	40		1300296-00	330.0 .50 W 5.0 % CF	1	1	R345
41	41		1300356-00	820.0 .50 W10.0 % CF	1	1	R108
42	42		1300461-00	6.80 K .50 W 5.0 % CF	1	1	R339
43	43		1300440-00	3.30 K .50 W 5.0 % CF	1	1	R110
44	44		1300496-00	15.0 K .25 W 5.0 % CF	1	1	R107
45	45		1300274-00	220.0 .50 W 5.0 % CF	1	1	R105
46	46		1300285-00	*** THIS ITEM IS NOT USED ***	-	-	
47	47		1316525-00	1.0 3.0 W10.0 % WW	1	1	R478
48	48		1509525-00	2N 3906 PNP 310MW SI 40100 Y	1	-	Q298
			CONT		-	2	Q298,Q100
49	49		1516492-00	2N 5830 NPN 1W SI100 1	1	1	Q101
50	50		1509524-00	2N 3904 NPN 310MW SI 40 40 M	2	2	Q308,Q401
51	51		1516491-00	2N 6427 NPN 1.5W SI 40 1.5	1	1	Q309
52	52		1516532-00	NPN 125W SI250 25	1	1	Q310
53	53		1516490-00	MPSU05 NPN 10W SI	1	1	Q413
54	54		1517534-00	BU 407D NPN POWER TRANS T0220	1	1	Q414
55	55		4901303-00	WAX	A/R	A/R	
56	56		9107685-00	TUBING,SHRINK .500ID EXP	A/R	A/R	
57	57		1616309-00	XFMR,HORIZONTAL DRIVE	1	1	T403
58	58		1616538-00	COIL,HORIZONTAL,LINEAR	1	1	L402
59	59		1616536-00	XFMR HORIZONTAL WIDTH	1	1	L403
60	60		1210929-05	FUSE, SUB-MINI, 2.500A, 125V, A	1	1	F401
61	61		1216521-01	PCB,HEADER 08PIN(1X08).156CC STR	1	1	S102
62	62		1216521-00	PCB,HEADER 04PIN(1X04).156CC STR	1	1	S103
63	63		1216471-00	HEAT SINKS,TO-3/TO-66 1.531X1.25	1	1	
64	64		1217561-00	HEAT SINKS,TO-220 1.390X1.00	1	1	
65	65		4901304-00	COMPOUND, SILICONE THERMAL, VISC	A/R	A/R	
66	66		9006022-01	*** THIS ITEM IS NOT USED ***	-	-	
67	67		1001776-00	1 MFD 35V 10% S.TANT	1	1	C315
68	68		1304837-00	*** THIS ITEM IS NOT USED ***	-	-	
69	69		1300315-00	470.0 .50 W 5.0 % CF	1	1	R401
70	70		1300415-00	2.20 K .50 W 5.0 % CF	2	2	R402,R403
71	71		1300443-00	3.90 K .50 W 5.0 % CF	1	1	R404
72	72		1300467-00	7.50 K .50 W 5.0 % CF	1	1	R405
73	73		1000042-00	1000.0 MMF 100V 5%200PPM MICA	1	1	C401
74	74		1911944-00	555CN TIMER,FUNCT.BLOCK	1	1	E1
75	75		9006659-00	WASHER,FLAT STEEL	2	2	
76	76		9008185-00	NUT,HEX EXT TOOTH LCKWSHR 6-32	3	3	
77	77		1300197-00	33.0 .25 W 5.0 % CF	1	1	R471

! D ! I ! G ! I ! T ! A ! L !	! T I T L E	! S E C T I O N A O F A	! S I Z E ! C O D E !	! D O C U M E N T N U M B E R	! R E V
	VT100 MONITOR		K ! P L !	5414131-0-DBP	U



- NOTES:
1. ALL RESISTORS 1/2WATT 5% UNLESS OTHERWISE NOTED.
 2. ALL CAPACITORS IN MF UNLESS OTHERWISE NOTED.
 3. OPTIONAL DIODE

DC VOLTAGE CHART

	E	B	C
Q101	.3		28
Q298	11.5	11.5	.4
Q308	0	-.3	.7
Q309	1.0	1.5	9.0
Q310	.4	1.0	10.5
Q413	0	.5	6.5
Q414	11	11.3	0

- VT100
- V101
- 1 -42V TO +17V VARIES WITH BRIGHTNESS CONTROL SETTING
 - 2 28V
 - 3 12V
 - 4 0V
 - 5 NC
 - 6 +365V
 - 7 0V TO +360V VARIES WITH FOCUS CONTROL SETTING
- 2ND ANODE 12KV

REV.	DATE	BY	CHKD.	APP.
1	1/15/77	R. PUCCI	R. PUCCI	
2	2/2/77	R. PUCCI	R. PUCCI	
3	2/2/77	R. PUCCI	R. PUCCI	
4	2/2/77	R. PUCCI	R. PUCCI	
5	2/2/77	R. PUCCI	R. PUCCI	
6	2/2/77	R. PUCCI	R. PUCCI	
7	2/2/77	R. PUCCI	R. PUCCI	
8	2/2/77	R. PUCCI	R. PUCCI	

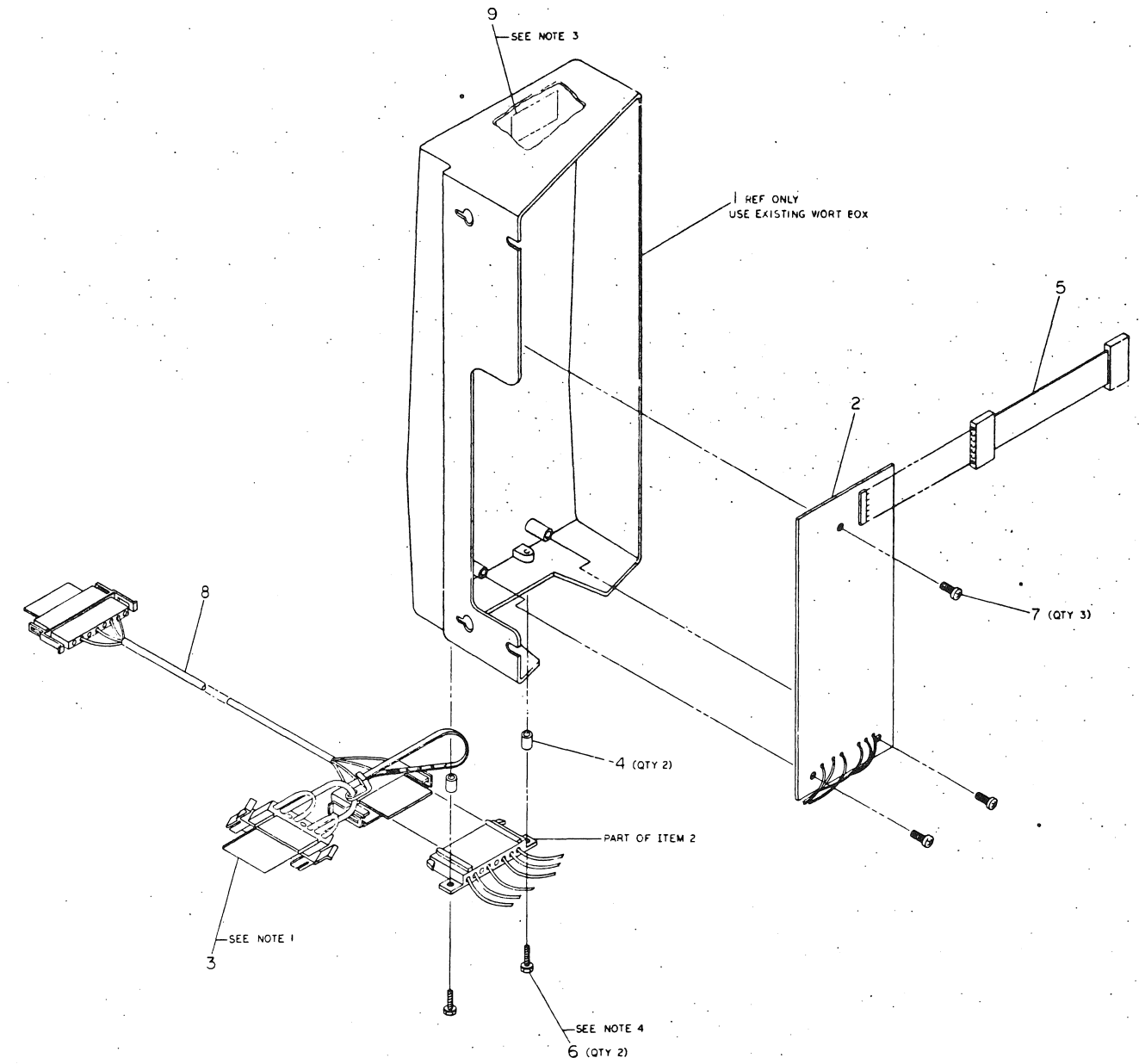
DRN. P. PUCCI	1 MAR 77	FIRST USED ON	VT100
CHKD. R. PUCCI	2/2/77	TITLE	VT100 MONITOR
ENGR. R. PUCCI	2/2/77	SCALE	D CS 5414131-0-1
PROJ. ENG. R. PUCCI	2/2/77	SHEET	1 OF 1
NEXT HIGHER ASSY.		DIST.	

0-70-XXIXA-1

THIS DRAWING AND SPECIFICATIONS HERETO ARE THE PROPERTY OF DIGITAL EQUIPMENT CORPORATION AND SHALL BE REPRODUCED OR TRANSMITTED IN ANY FORM OR BY ANY MEANS WITHOUT THE WRITTEN PERMISSION OF DIGITAL EQUIPMENT CORPORATION.

NOTES:

- 1. INSERT CONNECTOR (ITEM 3) INTO CONNECTOR OF (ITEM 2) FOR TESTING OPTION.
- 2. PACKAGING: WHEN SHIPPED MATERIAL SHALL BE ADEQUATELY PROTECTED FROM HANDLING AND SHIPPING DAMAGE.
- 3. LOCATE (ITEM 11) LABEL APPROX. AS SHOWN.
- 4. TORQUE (ITEM 6) TO 2.5 IN LBS ±.5 IN-LBS.



CAUTION OFF SHEET PARTS LIST EXISTS
SEE K-PL-VTIXX-CA-DBP

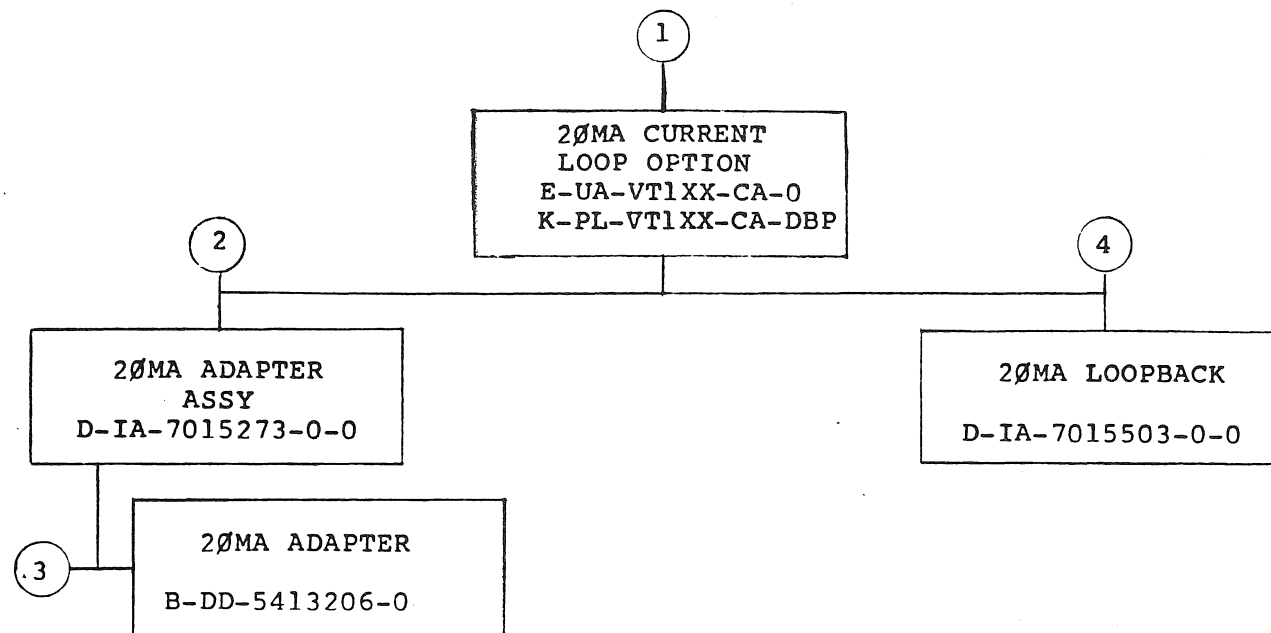
QUANTITY & VARIATION	DESCRIPTION	DRAWING NO	PART NO	REV	UNLESS OTHERWISE SPECIFIED DIMENSIONS ARE IN INCHES AND THE FOLLOWING TOLERANCES APPLY (PER DEC STD 114)		DIMENSION RANGE IN INCHES		
					INCHES	FRACTIONS	INCHES	FRACTIONS	
AS SHOWN						0.000	0.000	0.000	0.000
±.015						0.000	0.000	0.000	0.000
±.010						0.000	0.000	0.000	0.000
±.005						0.000	0.000	0.000	0.000
±.002						0.000	0.000	0.000	0.000
±.001						0.000	0.000	0.000	0.000
±.0005						0.000	0.000	0.000	0.000
±.0002						0.000	0.000	0.000	0.000
±.0001						0.000	0.000	0.000	0.000
±.00005						0.000	0.000	0.000	0.000

THIRD ANGLE PROJECTION	DATE	2/27/91	TITLE	20MA CURRENT LOOP OPTION
DO NOT SCALE DRAWING	DESIGNED BY	W. J. B. / J. B. S.	DATE	2/27/91
REMOVE BURRS AND BREAK SHARP CORNERS	CHECKED BY	J. B. S.	DATE	2/27/91
MATERIAL	PREP BY	J. B. S.	DATE	2/27/91
FRESH	REV	0	DATE	2/27/91
	REV	1	DATE	2/27/91
	REV	2	DATE	2/27/91
	REV	3	DATE	2/27/91
	REV	4	DATE	2/27/91
	REV	5	DATE	2/27/91
	REV	6	DATE	2/27/91
	REV	7	DATE	2/27/91
	REV	8	DATE	2/27/91
	REV	9	DATE	2/27/91
	REV	10	DATE	2/27/91
	REV	11	DATE	2/27/91
	REV	12	DATE	2/27/91
	REV	13	DATE	2/27/91
	REV	14	DATE	2/27/91
	REV	15	DATE	2/27/91
	REV	16	DATE	2/27/91
	REV	17	DATE	2/27/91
	REV	18	DATE	2/27/91
	REV	19	DATE	2/27/91
	REV	20	DATE	2/27/91

LINE ITEM	DOCUMENT NUMBER	PART NUMBER	DESCRIPTION	QUANTITY PER VARIATION	CA
1	E-IA-7423336-0-0		WORT BOX VT101	REF	
2	D-IA-7015273-0-0	7015273-00	20 MA-ADAPTER ASSY	1	
3	D-IA-7015503-0-0	7015503-00	20MA LOOPBACK	1	
4		9009672-02	SPACER, PLASTIC, .147 X .250 X .2	2	
5	D-IA-7017391-0-0	7017391-0F	CABLE, INTERNAL 20MA ADAPTER (6"	1	
6		9010097-00	SCREW, HEX WASHER HD. SELF-TAP T	2	
7		9009701-00	SCREW, PAN, PHIL, SEMS 6-32X 5/1	3	
8	C-UA-BC05F-0-0	BC05F-15	CABLE, INTERFACE LA30-S	1	
9	A-PS-3613210-0-0	3613210-02	LABEL, ELECTRICAL DATA	1	
10	B-PL-VT1XX-CA-0	VT1XX-CA	VT101/102/131 20MA CURRENT LOOP	1	

REVISION HISTORY			BASIC PART NO: VT1XX	DRN: B. KOPPENAL	DATE: 04-OCT-79	DIGITAL				
ENG	ECO NUMBER	REV	SECTION A OF A	CHK'D: D. HEALY	DATE: 27-FEB-81	TITLE	PARTS LIST			
	INITIAL	A	SECTION. VARIATION INDEX			20 MA CURRENT LOOP OPTION				
			[A] CA							
			[B]	DES.ENG.: PAUL LORUSSO	DATE: 27-FEB-81					
			[C]				DOCUMENT NUMBER			
			[D]	RESP.ENG.: G. BOURQUE	DATE: 27-FEB-81		SIZE	CODE	NUMBER	REV
			[E]	MFG.ENG.: AL JOHNS	DATE: 27-FEB-81	K	PL	VT1XX-CA-DBP	A	
			[F]	ASSEMBLY NUMBER:	TOP DOCUMENT NUMBER:	FILE NAME:	EDIT #			
				E-UA-VT1XX-CA-0	#B-DD-VT1XX-CA	Z0959A.PLS	7			

"THIS DRAWING AND SPECIFICATIONS HEREIN, ARE THE PROPERTY OF DIGITAL EQUIPMENT CORPORATION AND SHALL NOT BE REPRODUCED OR COPIED OR USED IN WHOLE OR IN PART AS THE BASIS FOR THE MANUFACTURE OR SALE OF ITEMS WITHOUT WRITTEN PERMISSION. COPYRIGHT (C) 1981. DIGITAL EQUIPMENT CORPORATION "



TITLE	SHEET 2 OF 3	SIZE	CODE	NUMBER	REV.
20 MA CURRENT LOOP OPTION	SHEET 2 OF 3	B	DD	VT1XX-CA	B

8

0-0-902615 UA D 7

6

5

4

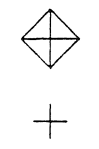
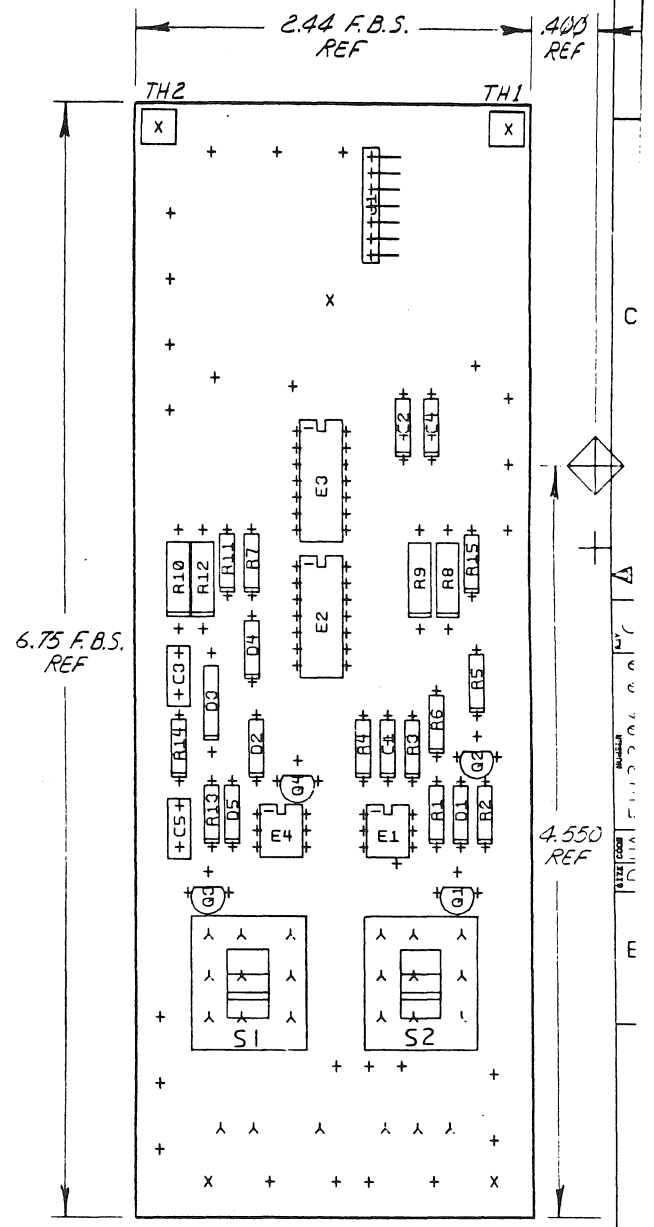
3

2

1

THIS DRAWING AND SPECIFICATIONS, HEREIN, AND THE PROPERTY OF DIGITAL EQUIPMENT CORPORATION AND SHALL NOT BE REPRODUCED OR COPIED OR USED IN WHOLE OR IN PART AS THE BASIS FOR THE MANUFACTURE OR SALE OF ITEMS WITHOUT WRITTEN PERMISSION.
 COPYRIGHT © 1980 DIGITAL EQUIPMENT CORPORATION

COMPONENT SIDE VIEW



D
C
B
A

NOTES:

CHK CHANGE NO	REV	DATE
5413206-1	C	
REVISED & REDRAWN		
J. DEMARINIS		10-11-80

ETCH REV. D

SIGNATURES	DATE	TITLE
DRN. V. PARECHANIAN	11-77	digital
CHK. D. M. MORTENSEN	11-77	
MECH. ENG. M. MORTENSEN	4-78	
PROJ. ENG. N. FORRESTER	5-78	20 MA ADAPTER
PROD. R. PUCCI	6-78	
SCALE 2/1	SIZE CODE 0	NUMBER UA 5413206-0-01
SHT. 1 OF 1		REV
NEXT HIGHER ASSY. BDD-5413206-0		

STEP 0	↑ Y AXIS	STEP 0	TIMES
REPEAT	→ X AXIS	2.750 / 2.5 / 2.750	

8

7

6

5

4

3

2

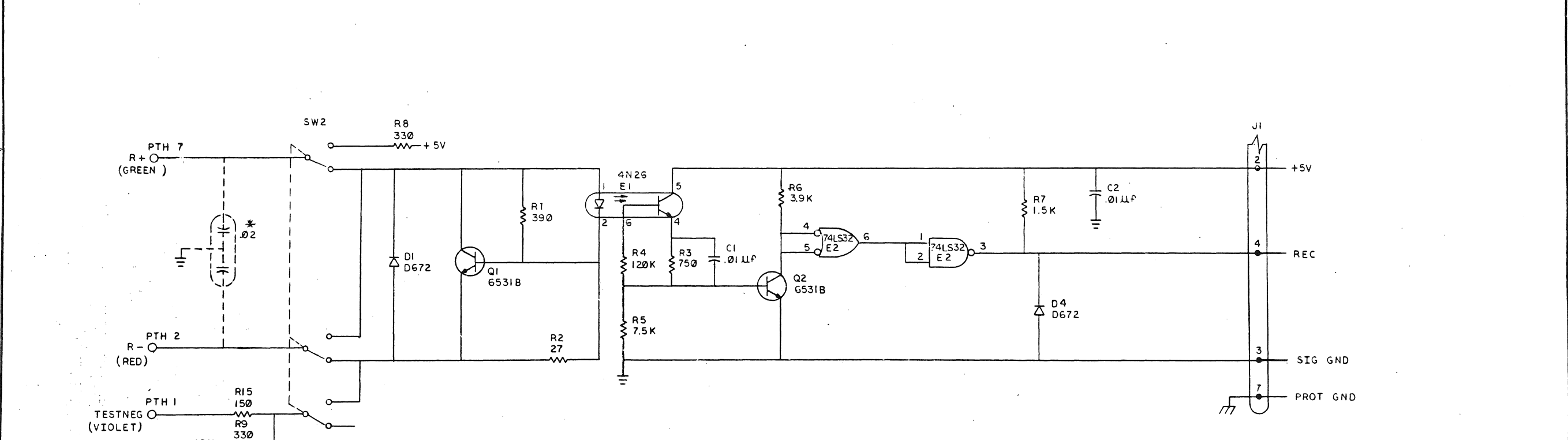
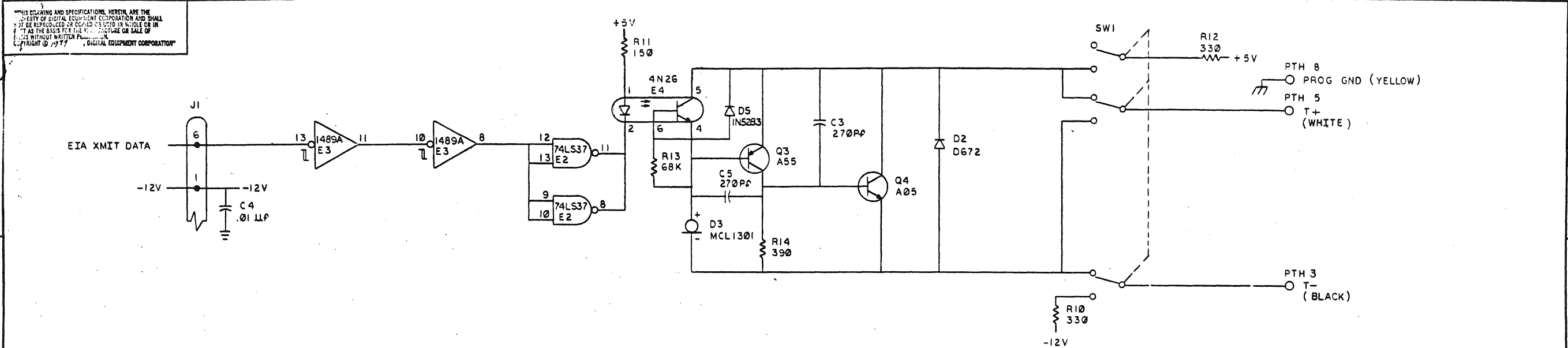
1 WO#150-20

LINE	ITEM	DOCUMENT NUMBER	PART NUMBER	DESCRIPTION	QTY	PER VARIATION	REFERENCE DESIGNATOR
					00		
1	1	D-MD-5013205-0-0	5013205-00	ETCH BOARD FOR 5413206	1		
2	2		1000022-00	270.0 MMF 100V 5%200PPM MICA	2		C3,C5
3	3		1001610-00	.01 MFD 50V +80-20% 25U CER	3		C1,C2,C4
4	4		1105275-00	D 672 TR= 15NS PIV= 60V SI	3		D1,D2,D4
5	5		1105610-00	MCL1301 CL@1MA FROM10-80V	1		D3
6	6		1215048-01	CONN 7POS RT ANGLE	1		J1
7	7		1215089-00	SW,SLIDE 3P 1A DBLE THROW	2		S1,S2
8	8		1301522-00	27.0 .25 W 5.0 % CC	1		R2
9	9		1300250-00	150.0 .25 W 5.0 % CC	2		R11,R15
10	10		1300296-00	330.0 .50 W 5.0 % CC	4		R8,R9,R10,R12
11	11		1300309-00	390.0 .25 W 5.0 % CC	2		R1,R14
12	12		1300391-00	1.50 K .25 W 5.0 % CC	1		R7
13	13		1300444-00	3.90 K .25 W 5.0 % CC	1		R6
14	14		1300539-00	120.0 K .25 W 5.0 % CC	1		R4
15	15		1301327-00	68.0 K .25 W 5.0 % CC	1		R13
16	16		1301401-00	750.0 .25 W 5.0 % CC	1		R3
17	17		1301422-00	7.50 K .25 W 5.0 % CC	1		R5
18	18		1509338-00	DEC6531B NPN 310MA SI 40 90 P	2		Q1,Q2
19	19		1510705-00	XA 05 NPN 500MA SI 60 50 P	1		Q4
20	20		1510706-00	XA 55 PNP 500MA SI 60 50 P	1		Q3
21	21		1916959-00	POTOTRANSISTOR	2		E1,E4
22	22		1912817-00	LS37 NAND GATE=QUAD 2IN,P	1		E2
23	23		1913130-00	DEC 14#9A RECEIVER,LINE,QUAD,	1		E3
24	24		1113003-00	IN 5282 PIV=55 I=500M D035	1		D5

REVISION HISTORY			BASIC PART NO: 5413206			DRN: T. SHETRAWSKI DATE: 30-MAR-78			D I G I T A L		
ENG	ECO NUMBER	REV	SECTION A OF A	CHK'D:	T. SHETRAWSKI	DATE:	30-MAR-78	TITLE	PARTS LIST		
---	INIT	B	SECTION VARIATION INDEX	CHK'D:	T. SHETRAWSKI	DATE:	30-MAR-78	20 MA ADAPTER			
JB	5413206-PN001	C	[A] 00	DES.ENG:	M. MORGENSTERN	DATE:	30-MAR-78	DOCUMENT NUMBER			
			[B]	RESP.ENG.:	M. MORGENSTERN	DATE:	30-MAR-78	SIZE CODE NUMBER REV			
			[C]	MFG.ENG.:	T. CORCIARI	DATE:	30-MAR-78	K PL 5413206-0-DBP C			
			[D]	ASSEMBLY NUMBER:		TOP DOCUMENT NUMBER:		FILE NAME:	EDIT #		
			[E]	D-UA-5413206-0-0		IV100		13206C.PLS	6		
			[F]								
			[G]								
			[H]								
			[I]								
			[J]								
			[K]								
			[L]								
			[M]								
			[N]								

"THIS DRAWING AND SPECIFICATIONS HEREIN, ARE THE PROPERTY OF DIGITAL EQUIPMENT CORPORATION AND SHALL NOT BE REPRODUCED OR COPIED OR USED IN WHOLE OR IN PART AS THE BASIS FOR THE MANUFACTURE OR SALE OF ITEMS WITHOUT WRITTEN PERMISSION, COPYRIGHT (C) 1980, DIGITAL EQUIPMENT CORPORATION"

THIS DRAWING AND SPECIFICATIONS, HEREIN, ARE THE PROPERTY OF DIGITAL EQUIPMENT CORPORATION AND SHALL NOT BE REPRODUCED OR COPIED OR USED IN WHOLE OR IN PART AS THE BASIS FOR THE DESIGN OR SALE OF EQUIPMENT WITHOUT WRITTEN PERMISSION OF DIGITAL EQUIPMENT CORPORATION. COPYRIGHT © 1977



NOTE:
I. * OPTIONAL

REV.	CHANGE NO.	DATE	BY	CHK
C	1	10-16-82	J. DEMARINIS	

DRN	5413206-0-1	FIRST USED ON	VT103
CHK'D		TITLE	20 MA ADAPTOR
PROJ. ENG.		PROD. DATE	1/13/78
NEXT HIGHER ASSY.		SIZE	D
D-UA-5413206-C-0		CODE	CS
SCALE		NUMBER	5413206-0-1
SHEET	1	OF	1
		DIST.	

digital

PARTS LIST

QUANTITY / VARIATION

NOTES:

DRN. D. HEALY
DATE 6 NOV 80

DES. ENG. Paul Louiso
DATE 27 FEB 81

MFG. ENG.
DATE 27 FEB 81

CHK'D. Done
DATE 27 FEB 81

RESP. ENG. M. Bourque
DATE 27 FEB 81

NEXT HIGHER DOC.

ITEM NO.

DRAWING NO.

PART NO.

DESCRIPTION

VT1XX-CA

REFERENCE DESIGNATORS

1

B-TC-VT1XX-CA-1

MP-01098-00

PRINT SET VT1XX-CA

1

ECO NO.

"THIS DRAWING AND SPECIFICATIONS, HEREIN, ARE THE PROPERTY OF DIGITAL EQUIPMENT CORPORATION AND SHALL NOT BE REPRODUCED OR COPIED OR USED IN WHOLE OR IN PART AS THE BASIS FOR THE MANUFACTURE OR SALE OF ITEMS WITHOUT WRITTEN PERMISSION. COPYRIGHT © 1981 DIGITAL EQUIPMENT CORPORATION"

TITLE

VT1XX-CA SHIPPING LIST

ASSY. NO.
NONE

SECTION A OF A

SIZE
B

CODE
PL

NUMBER
VT1XX-CA

SHEET A1 OF A1

REV.
A

digital

PARTS LIST

QUANTITY / VARIATION

NOTES:

DRN. D. HEALY DATE 21 JAN 81	DES. ENG. P. LORUSSO DATE 27 FEB 81	MFG. ENG. A. JOHNS 27 FEB 81
CHK'D. D. HEALY DATE 27 FEB 81	RESP. ENG. G. BOURQUE DATE 27 FEB 81	NEXT HIGHER DOC. B-DD-VT101-0

ITEM NO.	DRAWING NO.	PART NO.	DESCRIPTION	QUANTITY / VARIATION											REFERENCE DESIGNATORS		
				VT101-AA	VT101-AB	VT101-AC	VT101-AD										
1		EK-VT101-UG	VT101 VIDEO TERM USERS GUIDE	1	1	1	1										
2		EK-VT101-RC	VT101 PROGRAMMING REFERENCE CARD	1	1	1	1										
3		3618499-01	LABEL, SET UP VT101	1	1	1	1										
4	E-UA-VT101-0-0	VT101-AA	TERM VIDEO W/115V PLUG	1	-	-	-										
5	E-UA-VT101-0-0	VT101-AB	TERM VIDEO W/230V PLUG	-	1	-	-										
6	E-UA-VT101-0-0	VT101-AC	TERM VIDEO W/120V PLUG	-	-	1	-										
7	E-UA-VT101-0-0	VT101-AD	TERM VIDEO(W/240V) NO PLUG	-	-	-	1										

ECO NO. ML003

"THIS DRAWING AND SPECIFICATIONS, HEREIN, ARE THE PROPERTY OF DIGITAL EQUIPMENT CORPORATION AND SHALL NOT BE REPRODUCED OR COPIED OR USED IN WHOLE OR IN PART AS THE BASIS FOR THE MANUFACTURE OR SALE OF ITEMS WITHOUT WRITTEN PERMISSION. COPYRIGHT © 1981 DIGITAL EQUIPMENT CORPORATION"	TITLE	ASSY. NO.	SIZE	CODE	NUMBER	REV.
	SHIPPING LIST	NONE	B	PL	VT101-0	B
	SECTION A OF A				SHEET A1 OF A1	



PARTS LIST

DRN. D. HEALY DATE 21-JAN-81	DES. ENG. P. LORUSSO DATE 27-FEB-81	MFG. ENG. A. JOHNS 27-FEB-81
CHK'D. D. HEALY DATE 27-FEB-81	RESP. ENG. G. BOURQUE DATE 27-FEB-81	NEXT HIGHER DOC. B-DD-VT1Ø2-Ø

QUANTITY / VARIATION

NOTES:

ITEM NO.	DRAWING NO.	PART NO.	DESCRIPTION	QUANTITY / VARIATION								REFERENCE DESIGNATORS
				VT1Ø2-AA	VT1Ø2-AB	VT1Ø2-WA	VT1Ø2-WB	VT1Ø2-AC	VT1Ø2-AD	VT1Ø2-WC	VT1Ø2-WD	
1		EK-VT1Ø2-UG	VT1Ø2 VIDEO TERM USERS GUIDE	1	1	1	1	1	1	1	1	
2		EK-VT1Ø2-RC	VT1Ø2 PROGRAMMING REFERENCE CARD	1	1	1	1	1	1	1	1	
3		3618621-02	LABEL, SETUP VT1Ø2	1	1	1	1	-	-	-	-	
4	E-UA-VT1Ø2-Ø-Ø	VT1Ø2-AA	TERM VIDEO w/115V PLUG	1	-	-	-	-	-	-	-	
5	E-UA-VT1Ø2-Ø-Ø	VT1Ø2-AB	TERM VIDEO w/23ØV PLUG	-	1	-	-	-	-	-	-	
6	E-UA-VT1Ø2-Ø-Ø	VT1Ø2-WA	TERM VIDEO WORD PROCESSING w/115V CORD	-	-	1	-	-	-	-	-	
7	E-UA-VT1Ø2-Ø-Ø	VT1Ø2-WB	TERM VIDEO WORD PROCESSING w/23ØV CORD	-	-	-	1	-	-	-	-	
8		3618621-01	LABEL, SETUP VT1Ø2	1	1	1	1	1	1	1	1	
9	E-UA-VT1Ø2-Ø-Ø	VT1Ø2-AC	TERM VIDEO (1ØØV)	-	-	-	-	1	-	-	-	
10	E-UA-VT1Ø2-Ø-Ø	VT1Ø2-AD	TERM VIDEO (25ØV)	-	-	-	-	-	1	-	-	
11	E-UA-VT1Ø2-Ø-Ø	VT1Ø2-WC	TERM VIDEO (1ØØV)	-	-	-	-	-	-	1	-	
12	E-UA-VT1Ø2-Ø-Ø	VT1Ø2-WD	TERM VIDEO (25ØV)	-	-	-	-	-	-	-	1	

ECO NO. VT1Ø2-MLØØ1 VT1Ø2-MLØØ2

"THIS DRAWING AND SPECIFICATIONS, HEREIN, ARE THE PROPERTY OF DIGITAL EQUIPMENT CORPORATION AND SHALL NOT BE REPRODUCED OR COPIED OR USED IN WHOLE OR IN PART AS THE BASIS FOR THE MANUFACTURE OR SALE OF ITEMS WITHOUT WRITTEN PERMISSION. COPYRIGHT © 1981 DIGITAL EQUIPMENT CORPORATION"

TITLE
SHIPPING LIST VT 1Ø2

ASSY. NO.
NONE

SECTION A OF A

SIZE
B PL

NUMBER
VT1Ø2-Ø

SHEET A1 OF A1

REV.
C

digital PARTS LIST

NOTES:

DRN. D. HEALY DATE 21 JAN 81	DES. ENG. Paul Lousoo DATE 27 Feb 81	MFG. ENG. [Signature] DATE 27 FEB 81
CHK'D. [Signature] DATE 27 FEB 81	RESP. ENG. H. Bourque DATE 27 FEB 81	NEXT HIGHER DOC. B-DD-VT131-0

QUANTITY / VARIATION

ITEM NO.	DRAWING NO.	PART NO.	DESCRIPTION	QUANTITY / VARIATION												REFERENCE DESIGNATORS	
				VT131-AA	VT131-AB	VT131-AC	VT131-AD										
1		EK-VT131-UG	VT131 VIDEO TERM USERS GUIDE	1	1	1	1										
2		EK-VT131-RC	VT131 PROGRAMMING REFERENCE CARD	1	1	1	1										
3		3618620-01	LABEL SETUP VT131	1	1	1	1										
4	E-UA-VT131-0-0	VT131-AA	TERM VIDEO w/115V PLUG	1	-	-	-										
5	E-UA-VT131-0-0	VT131-AB	TERM VIDEO w/230V PLUG	-	1	-	-										
6	E-UA-VT131-0-0	VT131-AC	TERM VIDEO (100V)	-	-	1	-										
7	E-UA-VT131-0-0	VT131-AD	TERM VIDEO (250V)	-	-	-	1										

ECO NO. ML006

<small>THIS DRAWING AND SPECIFICATIONS, HEREIN, ARE THE PROPERTY OF DIGITAL EQUIPMENT CORPORATION AND SHALL NOT BE REPRODUCED OR COPIED OR USED IN WHOLE OR IN PART AS THE BASIS FOR THE MANUFACTURE OR SALE OF ITEMS WITHOUT WRITTEN PERMISSION. COPYRIGHT © 1981 DIGITAL EQUIPMENT CORPORATION</small>	TITLE	ASSY. NO.	SIZE	CODE	NUMBER	REV.
	SHIPPING LIST VT131	NONE	B	PL	VT131-0	B

SECTION A OF A SHEET A1 OF A1

LINE ITEM	DOCUMENT NUMBER	PART NUMBER	DESCRIPTION	QUANTITY PER VARIATION					
				00	01	02	03	04	05
1	D-AD-7017362-0-0	7017362-00	MONITOR P.C.B. ASSY.	1	-	1	1	-	-
2	D-AD-7017363-0-0	7017363-00	FLYBACK AND CHOKE ASSEMBLY	1	1	1	1	1	11
3	D-AD-7017364-0-0	7017364-00	CRT AND YOKE ASSY.	1	1	-	-	-	-
4	D-AD-7017364-0-0	7017364-01	CRT AND YOKE ASSEMBLY	-	-	-	1	1	-
5	D-AP-7017364-0-0	7017364-02	CRT AND YOKE ASSEMBLY	-	-	1	-	-	1
6	D-AD-7017362-0-0	7017362-01	MONITOR PC BD. ASSY./EMITTER FOL	-	1	-	-	1	1

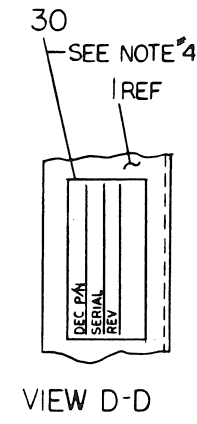
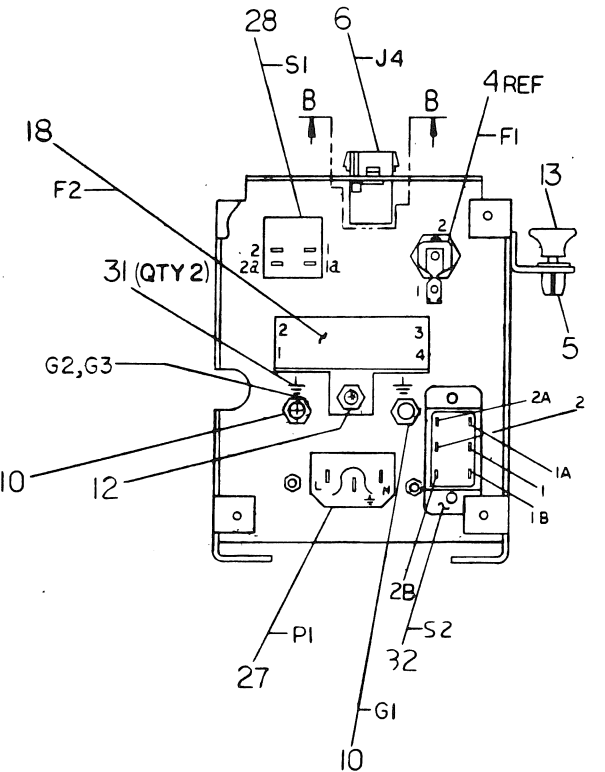
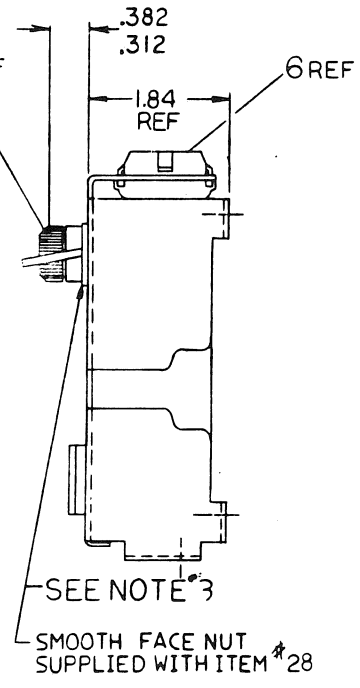
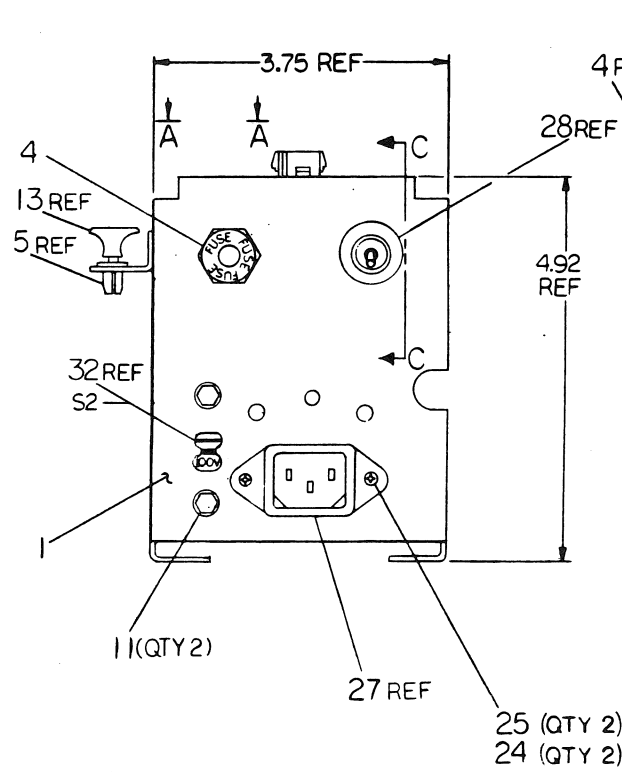
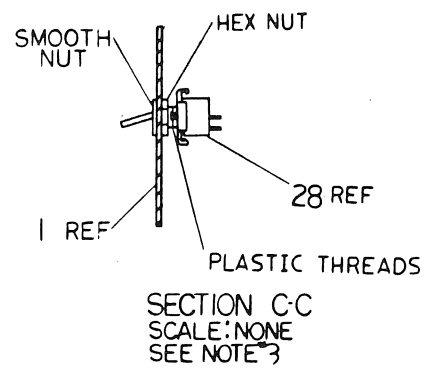
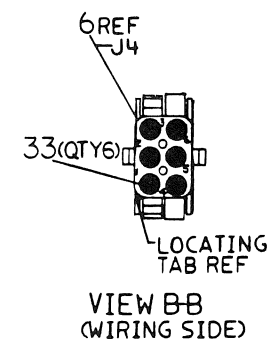
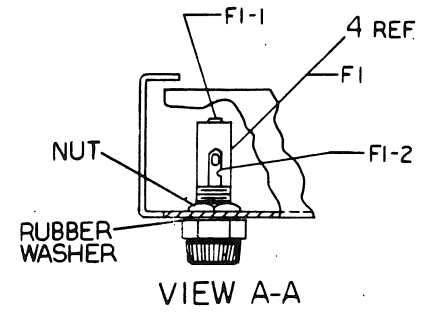
REVISION HISTORY			BASIC PART NO: 7018349			P. BROSNIHAN			DATE: 21-JAN-81			D I G I T A L		
ENG	ECO NUMBER	REV	SECTION A OF A	DRN:	P. BROSNIHAN	DATE:	21-JAN-81	TITLE PARTS LIST						
---	INITIAL	A	SECTION. VARIATION INDEX	CHK'D:	D. HEALY	DATE:	27-FEB-81	MONITOR ASSY						
			[A] 00,01,02,03,04,05					DOCUMENT NUMBER						
			[B]	DES.ENG.:	R. PUCCI	DATE:	27-FEB-81	SIZE CODE NUMBER REV						
			[C]	RESP.ENG.:	G. BOURQUE	DATE:	27-FEB-81	K	PL	7018349-0-DBP	A			
			[D]	MFG.ENG.:	C. TANNER	DATE:	27-FEB-81	FILE NAME: Z2107A.PLS						
			[E]	ASSEMBLY NUMBER:	D-AD-7018349-0-0	TOP DOCUMENT NUMBER:	EB-DD-7018349-0	EDIT # 8						
			[F]	*THIS DRAWING AND SPECIFICATIONS HEREIN, ARE THE PROPERTY OF DIGITAL EQUIPMENT CORPORATION AND SHALL NOT BE REPRODUCED OR COPIED OR USED IN WHOLE OR IN PART AS THE BASIS FOR THE MANUFACTURE OR SALE OF ITEMS WITHOUT WRITTEN PERMISSION. COPYRIGHT (C) 1981, DIGITAL EQUIPMENT CORPORATION *										

THIS DRAWING AND SPECIFICATIONS HEREIN ARE THE PROPERTY OF DIGITAL EQUIPMENT CORPORATION AND SHALL NOT BE REPRODUCED OR COPIED OR USED IN WHOLE OR IN PART AS THE BASIS FOR THE MANUFACTURE OR SALE OF ITEMS WITHOUT WRITTEN PERMISSION.
 COPYRIGHT © 1972 DIGITAL EQUIPMENT CORPORATION

REV. F
 NUMBER 7017149-0-0
 DATE 12/11/71

WIRE TABLE

ITEM NO	AWG	COLOR	FROM		TO		REMARKS
			CONN	WITH	CONN	WITH	
18		BLACK	F2-1		F1-1	35	
18			F2-2		S1-2	35	
18			F2-3		S1-1	35	
18		BLACK	F2-4		PI-N	35	
7	18	BROWN	S2-1	22	J4-3	33	5.00±.25
			J4-5	33	F1-2	21(SEE NOTE 1)	3.50±.25
			S2-1B	22	S2-2B	22	1.50±.25
7		BROWN	S2-2	22	J4-4	33	5.00±.25
8		BLUE	S1-1a	34	J4-2	33	4.00±.25
9		GRN/YEL	G3	14	J4-6	33	4.00±.25
9		GRN/YEL	PI-±	SEE NOTE 1	G1	14	2.50±.25
7		BROWN	F1-1	2	S1-2a	34	5.00±.25
9	18	GRN/YEL	G2	14	J4-1	33	4.00±.25



THIS SHEET FOR VARIATION-01 ONLY

REVISION HISTORY		
DATE	ECO NUMBER	REV.

TITLE
 AC INPUT BOX ASSEMBLY

DOCUMENT NUMBER		
SIZE CODE	NUMBER	REV.
DIA	7017149-0-0	F
SCALE 1/1	SHEET 2 OF 2	

LINE ITEM	DOCUMENT NUMBER	PART NUMBER	DESCRIPTION	QUANTITY PER VARIATION
1	1	C-IA-7017824-0-DBU	7017824-00 WELDMNT,AC INPUT	1
2	2	A-PS-1217855-0-0	1217855-03 TERM,QUICK .235TAB FLAG 18-2	1
3	3		1217632-01 *** THIS ITEM IS NOT USED ***	-
4	4	A-PS-1212893-0-0	1212893-00 FUSE HOLDER, 20A, 300V, PNL MNT	1
5	5	A-PS-9009966-0-0	9009966-01 GROMMET, SNAP-IN, 5/16 DIA	1
6	6	A-PS-1212168-0-0	1212168-05 MATE-N-LOK GPOS UNIV HSG,PIN OR	1
7	7	SEE NOTE	9107786-11 WIRE,STRND,18AWG UL1430 B	25
8	8	SEE NOTE	9107786-66 WIRE,STRND,18AWG UL1430 B	9
9	9	SEE NOTE	9107410-54 WIRE,STRND,18AWG,IPVC UL1429	A/R
10	10		9006565-01 NUT,KEP W/WASH 10-32	2
11	11		9010193-00 SCREW, HEX WASHER HD. TYPE 17, 8	2
12	12		9010154-00 NUT,KEP 8-32 X.302/ .312	1
13	13	A-PS-9009964-0-0	9009964-00 PLUNGER, 5/16 DIA	1
14	14	A-PS-9007930-0-0	9007930-00 TERM,RING #10STUD CRIMP 16-2	3
15	15	A-PS-1212169-0-0	1212169-00 MATE-N-LOK PIN 14-20AWG	4
16	16		3612680-01 *** THIS ITEM IS NOT USED ***	-
17	17	A-PS-1216901-0-0	1216901-00 SW,SLIDE 2PDT 5A	1
18	18		1218428-00 RFI SUPPRESSION MULTISECTION	1
19	19		1217855-04 *** THIS ITEM IS NOT USED ***	-
20	20	A-PS-1217519-0-0	1217519-00 MATE-N-LOK PIN UNIV 20-14AWG STR	2
21	21	A-PS-9107253-0-0	9107253-00 TUSING,SHRINK 1/4 DIA.EXP UL	A/R
22	22	A-PS-1217000-0-0	1217000-05 TERM,QUICK .235TAB CRIMP 18-2	6
23	23		1217874-00 *** THIS ITEM IS NOT USED ***	-
24	24		9006557-00 NUT,KEP 4-40X 1/4 AF	2
25	25		9006011-02 SCREW,FLAT,PHIL, 4-40X 3/8	2
26	26		1217000-06 TERM,QUICK .300TAB CRIMP 14-1	5
27	27		1217874-01 CONN,POWER 3PIN RCPT	1
28	28		1218785-00 SW,TOG 2P 15A ON/NONE/OFF	1
29	29		1217000-09 TERM,QUICK .187TAB CRIMP 18-2	1
30	30	SEE NOTE	3616513-00 LABEL,SERIAL	1

REVISION HISTORY		BASIC PART NO: 7017149		DRN:	B. KOPPENAL	DATE:	24-SEP-79	DIGITAL	
ENG!	ECO NUMBER	REV	SECTION A OF A	CHK'D:	D. HEALY	DATE:	02-OCT-79	TITLE PARTS LIST	
	INITIAL	A	SECTION. VARIATION INDEX						
AJ	7017149-ML001	B	[A] 00						AC INPUT BOX ASSY, VT101
AJ	7017374-ML001	C							
GC	7017374-ML002	D	[B]	DES.ENG.:	PAUL LORUSSO	DATE:	27-FEB-81		
			[C]						DOCUMENT NUMBER
			[D]	RESP.ENG.:	G. BOURQUE	DATE:	27-FEB-81		
			[E]	MFG.ENG.:	AL JOHNS	DATE:	27-FEB-81	K	PL 7017149-0-DBP
			[F]	ASSEMBLY NUMBER:		TOP DOCUMENT NUMBER:		FILE NAME:	EDIT #
				D-IA-7017149-0-0		D-AD-7017374-0-0		Z0891D.PLS	29

"THIS DRAWING AND SPECIFICATIONS HEREIN, ARE THE PROPERTY OF DIGITAL EQUIPMENT CORPORATION AND SHALL NOT BE REPRODUCED OR COPIED OR USED IN WHOLE OR IN PART AS THE BASIS FOR THE MANUFACTURE OR SALE OF ITEMS WITHOUT WRITTEN PERMISSION. COPYRIGHT (C) 1982. DIGITAL EQUIPMENT CORPORATION "

ML3

LINE	ITEM	DOCUMENT NUMBER	PART NUMBER	DESCRIPTION	QUANTITY	PER VARIATION
					00	
31	31		3612680-00	DECAL, GROUND SIGN PER 3E6 *	2	

32 NOTE: ITEM #7 & 8 ARE IN INCHES (TOTAL INCHES).
 33 NOTE: ITEM #9 IS 10.50 IN. LONG (TOTAL INCHES). REFER TO D-IA-7017149-0-0 FOR INDIVIDUAL LENGTHS.
 34 NOTE: ITEM #30 (LABEL) IS OPTIONAL, IF USED QUANTITY WILL BE 1

DIGITAIL				TITLE	SECTION A OF A	SIZE	CODE	DOCUMENT NUMBER	REV
				AC INPUT BOX ASSY, VT101				7017149-0-DBP	D
						K	PL		

ML3

