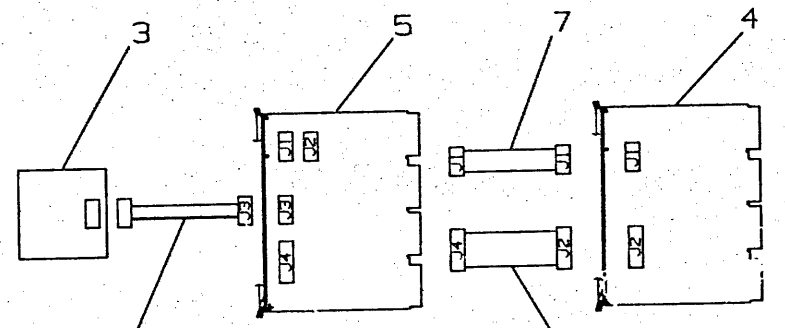
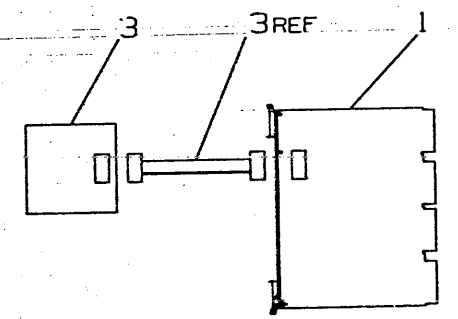


*THIS DRAWING AND THE SPECIFICATIONS CONTAINED HEREIN ARE CONFIDENTIAL AND PROPRIETARY. THEY ARE THE PROPERTY OF DIGITAL EQUIPMENT CORPORATION AND SHALL NOT BE REPRODUCED OR COPIED OR USED IN WHOLE OR IN PART AS THE BASIS FOR THE MANUFACTURE OR SALE OF ITEMS WITHOUT WRITTEN PERMISSION. THIS IS AN UNPUBLISHED WORK PROTECTED UNDER THE FEDERAL COPYRIGHT LAWS. 1986

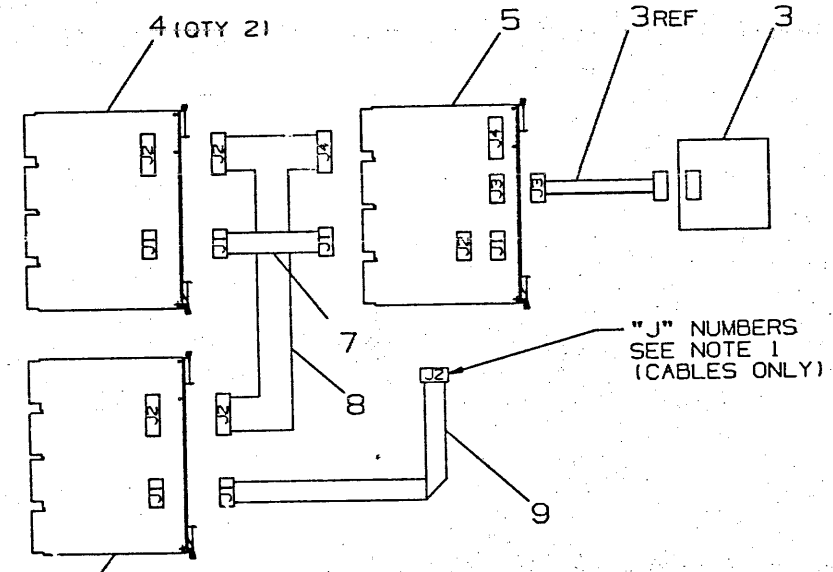
NOTES:
1. "J" NUMBERS SHOWN ARE FOR ASSY PURPOSES ONLY.



VCB02-B
(COLOR 4 PLANE)



VCB02-A
(MONO)



VCB02-C
(COLOR 8 PLANE)

"J" NUMBERS
SEE NOTE 1
(CABLES ONLY)

FILE NAME: VCB02-0-DBUB
CAUTION: OFF SHEET PARTS LIST EXIST
SEE K-PL-VCB(2-0-DBP
(GH096)
PLOT AT .5000

REV.	CHG. NO.	INITIAL
A		J. BITTIO
B		J. GRAVEL

DESCRIPTION	DRAWING NO.	PART NO.	ITEM NO.																
UNLESS OTHERWISE SPECIFIED DIMENSIONS ARE IN INCHES AND THE FOLLOWING TOLERANCES APPLY (PER DEC STD 114)																			
DIMENSION RANGE IN INCHES																			
<table border="1"> <tr> <th>TOLERANCES</th> <th>APPLICABLE DIMENSION RANGE</th> <th>OVER .001 TO .01</th> <th>OVER .01 TO .02</th> <th>OVER .02 TO .05</th> <th>OVER .05 TO .10</th> <th>OVER .10 TO .50</th> <th>OVER .50 TO 60.0</th> </tr> <tr> <td>.001</td> <td>.001</td> <td>.002</td> <td>.003</td> <td>.004</td> <td>.005</td> <td>.007</td> <td>.010</td> </tr> </table>				TOLERANCES	APPLICABLE DIMENSION RANGE	OVER .001 TO .01	OVER .01 TO .02	OVER .02 TO .05	OVER .05 TO .10	OVER .10 TO .50	OVER .50 TO 60.0	.001	.001	.002	.003	.004	.005	.007	.010
TOLERANCES	APPLICABLE DIMENSION RANGE	OVER .001 TO .01	OVER .01 TO .02	OVER .02 TO .05	OVER .05 TO .10	OVER .10 TO .50	OVER .50 TO 60.0												
.001	.001	.002	.003	.004	.005	.007	.010												
QUANTITY & VARIATION	022																		
THIRD ANGLE PROJECTION	DATE 04 MAR 85	TITLE VCB02, digital 4 OR 8 PLANE COLOR/MONO + CONTROLLER																	
DO NOT SCALE DRAWING	DATE 22 JAN 86	DOCUMENT NUMBER																	
REMOVE BURRS AND BREAK SHARP CORNERS	DATE 22 JAN 86	D U A VCB02-0-DBU B																	
MATERIAL SEE PARTS LIST	DATE 22 JAN 86	SCALE 1 OF 2																	
FINISH	TOP DOC: B-DD-VCB02-0-DBU	SHEET 1 OF 2																	

8 7 6 5 4 3 2 1

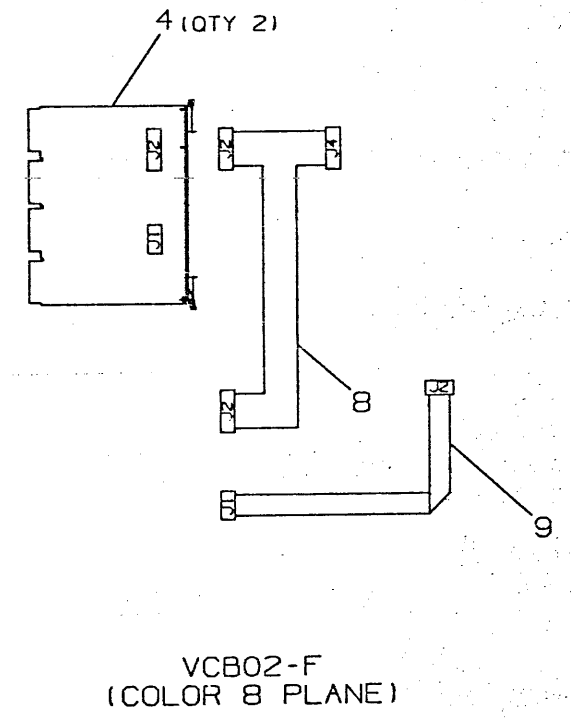
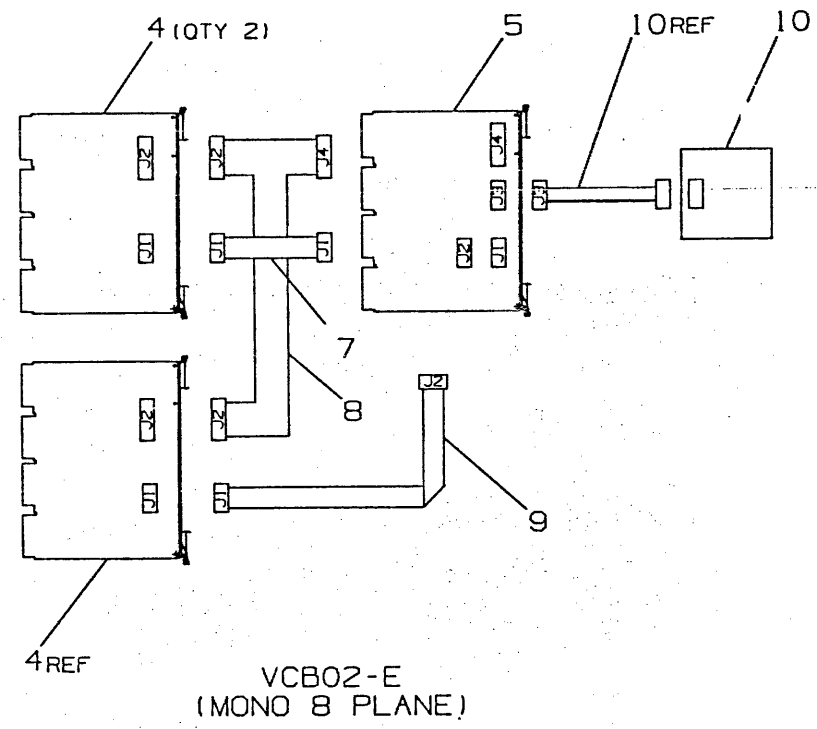
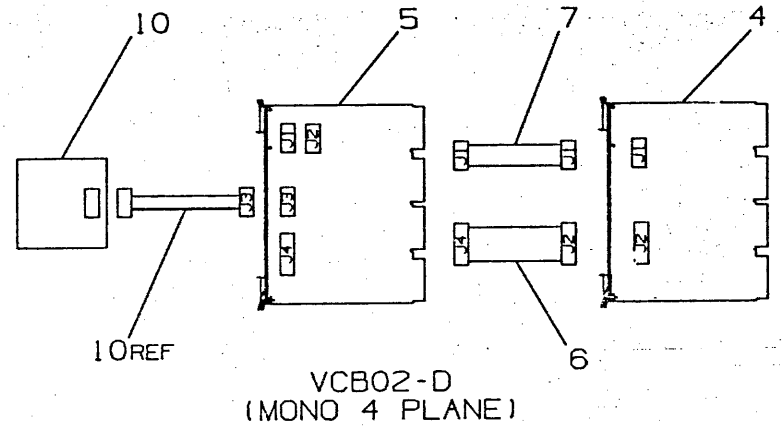
"THIS DRAWING AND THE SPECIFICATIONS CONTAINED HEREIN ARE CONFIDENTIAL AND PROPRIETARY. THEY ARE THE PROPERTY OF DIGITAL EQUIPMENT CORPORATION AND SHALL NOT BE REPRODUCED OR COPIED OR USED IN WHOLE OR IN PART AS THE BASIS FOR THE MANUFACTURE OR SALE OF ITEMS WITHOUT WRITTEN PERMISSION. THIS IS AN UNPUBLISHED WORK PROTECTED UNDER THE FEDERAL COPYRIGHT LAWS. 1986

DUAL VCB02-0-DBU

C

B

A



D

C

B

A

DUAL VCB02-0-DBU

REVISIONS		
CHK	CHANGE NO	REV

TITLE	VCB02, 4 OR 8 PLANE COLOR/MONO CONTROLLER	SIZE/SCALE	DUAL	NUMBER	VCB02-0-DBU	REV	B
SCALE	SHEET	2 OF 2	DIST				

8 7 6 5 4 3 2 1 MLO1

PLOT AT .5000

LINE ITEM	TOP DOCUMENT	PART NUMBER	MIN REV	DESCRIPTION	QUANTITY PER VARIATION/REVISION					
					A A1	B A1	C A1	D A1	E A1	F A1
1	1	M7615-00		MONOCHROME GRAPHICS MODULE FOR VCB	1	-	-	-	-	-
2	A-PA-3700719-0-0	37-00719-05		PKG MODULE OPTION VCB01-M CUST.	-	-	-	-	-	1
3	C-AD-7022661-0-DBU	70-22661-01		QDSS BULKHEAD ASSY	-	1	1	-	-	-
4	B-DD-M7168-0-0	M7168-00		4 PLANE COLOR BITMAP	-	1	2	1	2	1
5	B-DD-M7169-0-0	M7169-00		Q22 BUS VIDEO CONTROLLER MODULE F0	-	1	1	1	1	-
6	A-PS-1701268-0-0	17-01268-01	A	CABLE ASSY,50COND,FLAT,50(2X25)REC	-	1	-	1	-	-
7	A-PS-1701053-0-0	17-01053-02	A	CABLE ASSY,20COND,FLAT,20 REC	-	1	1	1	1	-
8	A-PS-1700716-0-0	17-00716-02	A	CABLE ASSY,50COND,FLAT,50(2X25)REC	-	-	1	-	1	1
9	A-PS-1701053-0-0	17-01053-01	A	CABLE ASSY,20 COND,FLAT,20 RE	-	-	1	-	1	1
10	C-AD-7022661-0-DBU	70-22661-02		QDSS BULKHEAD ASSY	1	-	-	1	1	-
11	A-PA-3700719-0-0	37-00719-04		PKG MODULE OPTION KD32-AA CUST.	-	1	-	1	-	-
12	A-PA-3700719-0-0	37-00719-13		PKG MODULE OPTION VCB02-CE/E CUST.	-	-	1	-	1	-

1 GEN: 1: ITEM #3,(7022661-01) FOR COLOR
 2 GEN: 2: ITEM #10,(7022661-02) FOR COLOR TO MONO

REVISION HISTORY			KPL MATRIX FORMAT			SECTION A OF A			DRN: PAUL GAGNE			D I G I T A L		
ENG	ECO NUMBER	REV	SECTION/VARIATION INDEX			DATE: 06-NOV-85			TITLE			PARTS LIST		
---	INITIAL	A	[A]	A , B , C , D , E , F	DATE: 22-JAN-86			VCB02, 4 OR 8 PLANE			COLOR/MONO + CONTROLLER			
			[B]		DES.ENG: L. KIZINA			DOCUMENT NUMBER						
			[C]		DATE: 22-JAN-86			SIZE	CODE	NUMBER	REV			
			[D]		RESP.ENG.: C. SHIPPEE			K	PL	VCB02-0-DBP	A			
			[E]		DATE: 22-JAN-86			RELEASE DATE: 24-JAN-86			RELEASE STATUS: RELEASED			
			[F]		MFG.ENG: J. CRABTREE			BASIC PART NUMBER:			ASSEMBLY NUMBER:			
			[H]		DATE: 22-JAN-86			VCB02			D-UA-VCB02-0-DBU			
			[J]					TOP DOCUMENT NUMBER:			FILE NAME:			
								B-DD-VCB02-0-DBU			GH096A.PLS			
											EDIT #			
											28			

"THIS DRAWING AND THE SPECIFICATIONS CONTAINED HEREIN ARE CONFIDENTIAL AND PROPRIETARY. THEY ARE THE PROPERTY OF DIGITAL EQUIPMENT CORPORATION AND SHALL NOT BE REPRODUCED OR COPIED OR USED IN WHOLE OR IN PART AS THE BASIS FOR THE MANUFACTURE OR SALE OF ITEMS WITHOUT WRITTEN PERMISSION. THIS IS AN UNPUBLISHED WORK PROTECTED UNDER THE FEDERAL COPYRIGHT LAWS."

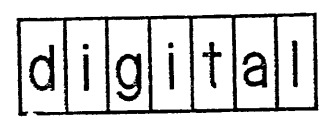
DRAWING NO.	NO. OF SHTS.	PART NO.	DESCRIPTION	REVISIONS															
				A1	A1														
		VCB02-A	PATCH PANEL/ CABLE + M7615 (MONO)	A1	A1														
		VCB02-B	PATCH PANEL/ CABLE + M7168 + M7169 INTERCONN CABLES (COLOR 4 PLANE)	A1	A1														
		VCB02-C	PATCH PANEL/ CABLE + (2) M7168 + M7169 + INTERCONN CABLES (COLOR 3 PLANE)	A1	A1														
		VCB02-D	PATCH PANEL/ CABLE + M7168 + M7169 + INTERCONN CABLES (4 PLANE MONO)	A1	A1														
		VCB02-E	PATCH PANEL/ CABLE + (2) M7168 + M7169 + INTERCONN CABLES (8 PLANE MONO)	A1	A1														

NOTES:

FILE NAME: DD-VCB02-0-DBUB

REVISION HISTORY		REV.
DATE	ECO NO.	INITIAL
		A
		B

THIS DRAWING AND THE SPECIFICATIONS CONTAINED HEREIN ARE CONFIDENTIAL AND PROPRIETARY. THEY ARE THE PROPERTY OF DIGITAL EQUIPMENT CORPORATION AND SHALL NOT BE REPRODUCED OR COPIED OR USED IN WHOLE OR IN PART AS THE BASIS FOR THE MANUFACTURE OR SALE OF ITEMS WITHOUT WRITTEN PERMISSION. THIS IS AN UNPUBLISHED WORK PROTECTED UNDER THE FEDERAL COPYRIGHT LAWS.



DRN. PAUL GAGNE	DATE 04-MAR-85	TITLE VCB02, 4 OR 8 PLANE COLOR/MONO + CONTROLLER
CHK'D D. HEALY	DATE 22-JAN-86	
DES. ENG. L. KIZINA	DATE 22-JAN-86	
RESP. ENG. C. SHIPPEE	DATE 22-JAN-86	
MFG. ENG. J. CRABTREE	DATE 22-JAN-86	
SIZE CODE B DD		NUMBER VCB02-0-DBU
		REV. B
		SHEET 1 OF 4

DRAWING NO.	NO. OF SHTS.	PART NO.	DESCRIPTION	REVISIONS															
				1	2	3	4	5	6	7	8	9	10	11	12				
		VCB02-F	M7168 + INTERCONN CABLES (4 PLANE COLOR)	A1		A1													
D-UA-VCB02-0-DBU	1		VCB02, 4 OR 8 PLANE COLOR/MONO + CONTROLLER	A		B													
K-PL-VCB02-0-DBP	1		VCB02, 4 OR 8 PLANE COLOR/MONO + CONTROLLER	A		B													
		VCB02-H	4 PLANE MONO			A1													
		VCB02-J	8 PLANE COLOR			A1													

NOTES:

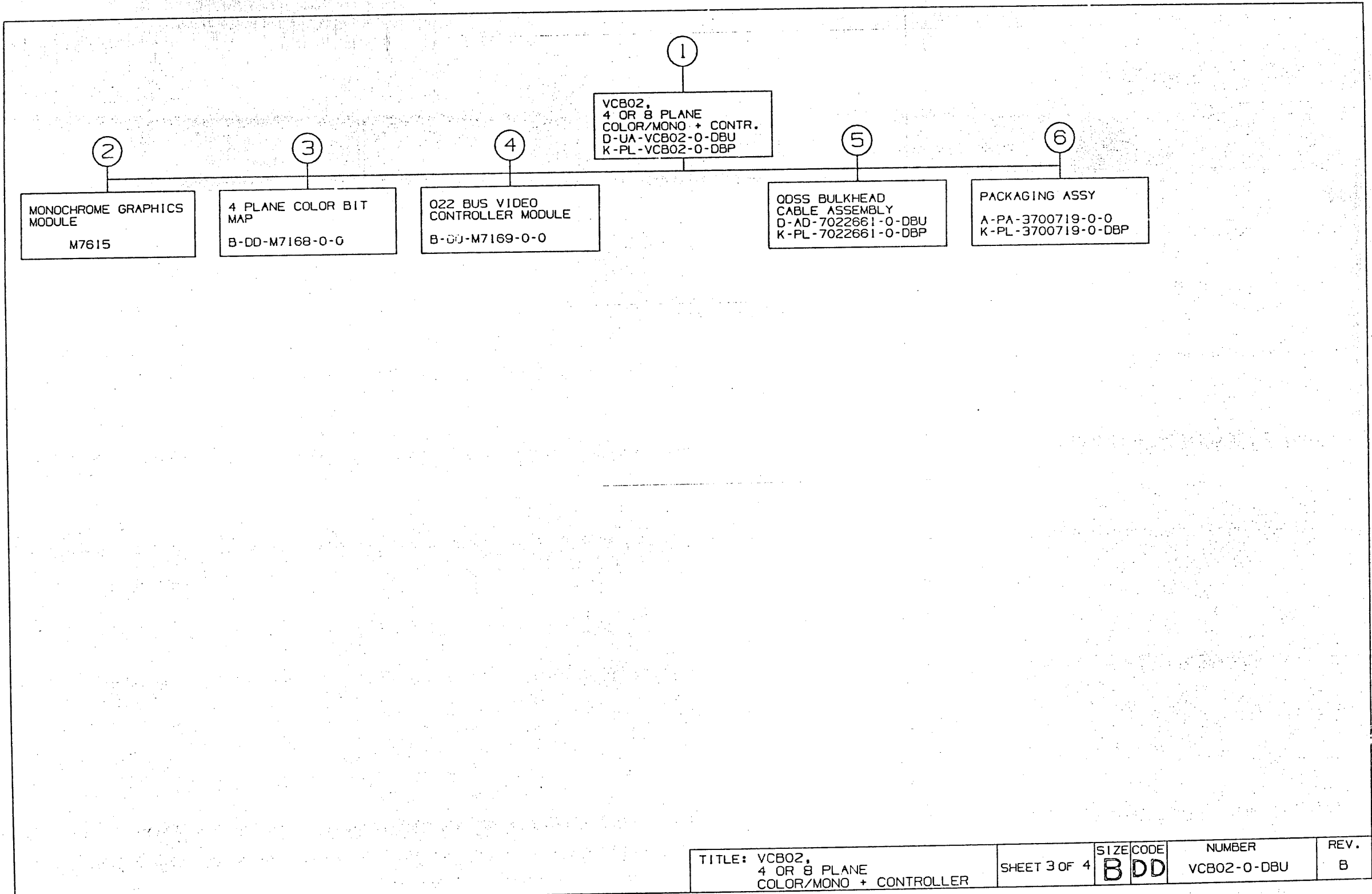
REVISION HISTORY	DATE	ECO NO.	REV.																	
				1	2	3	4	5	6	7	8	9	10	11	12					

digital

TITLE
 VCB02,
 4 OR 8 PLANE
 COLOR/MONO + CONTROLLER

DOCUMENT NUMBER
 NUMBER VCB02-0-DBU
 SHEET 2 OF 4
 SIZE CODE B DD
 REV. B

ENR 1200
 EN-01242-16-REVA13061



TITLE: VCB02, 4 OR 8 PLANE COLOR/MONO + CONTROLLER	SHEET 3 OF 4	SIZE CODE B DD	NUMBER VCB02-0-DBU	REV. B
--	--------------	--------------------------	-----------------------	-----------

FIND NO.	DRAWING NO.	DESCRIPTION	TYPE	FIND NO.	DRAWING NO.	DESCRIPTION	TYPE
1	MP-02083-01	VCB02, 4 OR 8 PLANE COLOR/MONO CONTR. (MP)	-				
	B-TC-VCB02-0-DBU	VCB02, 4 OR 8 PLANE COLOR/MONO CONTR. (TC)	-				
	D-UA-VCB02-0-DBU	VCB02, 4 OR 8 PLANE COLOR/MONO CONTR.	E/M				
	K-PL-VCB02-0-DBP	VCB02, 4 OR 8 PLANE COLOR/MONO CONTR. (PL)	E/M				
	A-PS-1701053-0-0	CABLE ASSY, 20 COND, FLAT	E/M				
	A-PS-1701268-0-0	CABLE ASSY, 50 COND, FLAT	E/M				
	A-PS-1700716-0-0	CABLE ASSY, 50 COND, FLAT	E/M				
2	M7615	MONOCHROME GRAPHICS MODULE	E				
3	B-DD-M7168-0-0	4 PLANE COLOR BITMAP	E				
4	B-DD-M7169-0-0	022 BUS VIDEO CONTROLLER MODULE	E				
5	D-AD-7022661-0-DBU	ODSS BULKHEAD CABLE ASSEMBLY	E/M				
	K-PL-7022661-0-DBP	ODSS BULKHEAD CABLE ASSEMBLY	E/M				
	D-1A-7432220-0-DBU	PLATE CONNECTOR	M				
	K-PL-7432220-0-DBP	PLATE CONNECTOR, (PL)	M				
	A-PS-1701201-0-0	CABLE ASSY, 9 COND	E/M				
6	A-PA-3700719-0-0	PACKAGING ASSY	M				
	K-PL-3700719-0-0	PACKAGING ASSY (PL)	M				


TYPE: E ELECTRICAL
M MECHANICAL
E/M ELECTRO/MECHANICAL

digital

TITLE: VCB02,
4 OR 8 PLANE COLOR/MONO
+ CONTROLLER

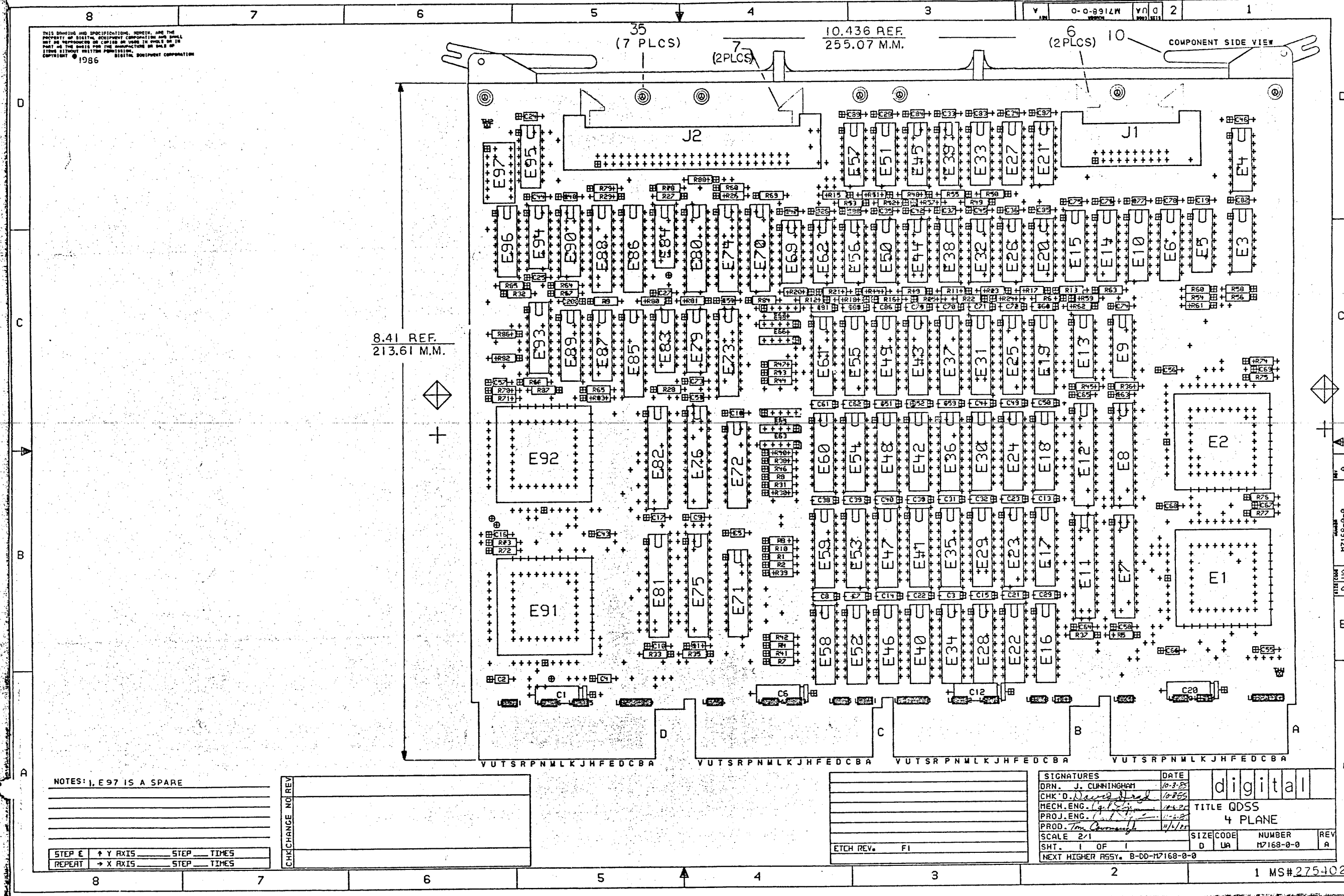
SHEET 4 OF 4	SIZE CODE BDD	NUMBER VCB02-0-DBU	REV. B
--------------	-------------------------	-----------------------	-----------

REV D M7168-0-0 DD B
NUMBER CODE SIZE

DRAWING NO.	NO. OF SHTS.	PART NO.	DESCRIPTION	REVISIONS															
				AI	AI	AI	AI												
		M7168-00	QDSS 4PLANE UPGRADE	AI	AI	AI	AI												
D-UA-M7168-0-0	1		QDSS 4PLANE UPGRADE UNIT ASSEMBLY	A	A	A	A												
B-CS-M7168-0-1	20		QDSS 4PLANE UPGRADE SCHEMATIC	A	A	A	A												
K-PL-M7168-0-DBP	2		QDSS 4PLANE UPGRADE PARTS LIST	A	B	C	D												
K-PC-M7168-0-DBJ	1		P.C. DESIGN DATA BASE	F	F	F	F												
		5016745-01	ETCHED CIRCUIT BOARD	F1	F1	F1	F1												
B-DD-5016745-0-0	1		DRAWING DIRECTORY	A	A	A	A												
K-CS-M7168-0-DBX	1		VALID SCHEMATIC DATABASE	A	A	A	A												
NOTES:				REVISION HISTORY	REV.	A	B	C	D										
				ECO NO.	INIT	MLOO1	MLOO2	MLOO3											
				DATE	10/85	7/86	10/86	1/88											
<p>THIS DRAWING AND THE SPECIFICATIONS CONTAINED HEREIN ARE CONFIDENTIAL AND PROPRIETARY. THEY ARE THE PROPERTY OF DIGITAL EQUIPMENT CORPORATION AND SHALL NOT BE REPRODUCED OR COPIED OR USED IN WHOLE OR IN PART AS THE BASIS FOR THE MANUFACTURE OR SALE OF ITEMS WITHOUT WRITTEN PERMISSION. THIS IS AN UNPUBLISHED WORK PROTECTED UNDER THE FEDERAL COPYRIGHT LAWS. 1986</p> 				DRN.	E.LANDRY	DATE	10/8/85	TITLE											
				CHK'D	B.CORMIER	DATE	20/8/85	QDSS 4PLANE UPGRADE											
				DES. ENG.	C.SHIPPEE	DATE	10/8/85	DOCUMENT NUMBER											
				RESP. ENG.	<i>[Signature]</i>	DATE	11/6/85	SIZE	CODE	NUMBER	REV.								
				MFG. ENG.	Tom Capovilla	DATE	11-2-85	B	DD	M7168-0-0	D	SHEET 1 OF 1							

DRB 126C
EN-01242-16-REVA(396)

THIS DRAWING AND SPECIFICATIONS, HEREIN, ARE THE PROPERTY OF DIGITAL EQUIPMENT CORPORATION AND SHALL NOT BE REPRODUCED OR COPIED IN WHOLE OR IN PART OR THE BASIS FOR THE MANUFACTURE OR SALE OF ITEMS WITHOUT WRITTEN PERMISSION.
 COPYRIGHT © 1986 DIGITAL EQUIPMENT CORPORATION



NOTES: 1, E97 IS A SPARE

STEP E	↑ Y AXIS	STEP	TIMES
REPEAT	→ X AXIS	STEP	TIMES

CHG	NO	REV

ETCH REV.	F1
-----------	----

SIGNATURES		DATE	digital
DRN. J. CUNNINGHAM		10-3-85	
CHK. D. [Signature]		10/2/85	
MECH. ENG. [Signature]		10/2/85	
PROJ. ENG. [Signature]		10/2/85	
TITLE QDSS			4 PLANE
SCALE 2:1			
SHT. 1 OF 1	SIZE CODE	NUMBER	REV
NEXT HIGHER ASSY. B-DD-M7168-0-0	D UA	M7168-0-0	A

1 MS# 275-102

LINE	ITEM	TOP DOCUMENT	PART NUMBER	MIN REV	DESCRIPTION	QTY PER VAR/REV	REFERENCE DESIGNATORS
						00 A1	
1	1	D-MD-5016745-0-0	50-16745-01		CIRCUIT DRILL AND ETCH M7168	1	
2	2		10-01610-00		0.010MFD 50V +80/-20% Z5U C	53	C2,C4,C5,C9-C11,C16-C19, CONT C24-C28,C33-C37,C42-C48, CONT C53-C58,C63-C69,C73-C78, CONT C82-C85,C87-C89
3	3		10-12784-00		0.047MFD 50V +80/-20% Z5U C	1	C200
4	4		10-14265-00		0.22 MFD 50V +80/-20% Z5U C	32	C3,C7,C8,C13-C15,C21-C23, CONT C29-C32,C38-C41,C49-C52, CONT C59-C62,C70-C72,C79-C81,C86
5	5		10-17472-00		10 MFD 35V +75/-10% ALU	4	C1,C6,C12,C20
6	6		12-09941-03		PCB,HEADER LATCH	2	
7	7		12-09941-04		PCB,HEADER LATCH	2	
8	8		12-09941-07		PCB,HEADER 50PIN(2X25).100CC 90D	1	J2
9	9		12-09941-13		FCB,HEADER 19PIN(2X10).100CC 90D	1	J1
10	10		12-13113-03		HANDLE,MODULE	1	
11	11		13-00202-00		47.0 .25 W 5.0 % CF	3	R81-R83
12	12		13-00365-00		1.0 K .25 W 5.0 % CF	1	R32
13	13		13-00432-00		3.0 K .25 W 5.0 % CF	2	R78,R79
14	14		13-00479-00		10.0 K .25 W 5.0 % CF	4	R64-R67
15	15		13-01322-00		180.0 .25 W 5.0 % CF	21	R5,R9,R26-R31,R33,R35-R37,R45, CONT R70-R77
16	16		13-01522-00		27.0 .25 W 5.0 % CF	33	R6,R11-R25,R48-R63,R80
17	17		13-02124-00		18.0 .25 W 5.0 % CF	21	R1-R4,R7,R8,R10,R38-R44,R46, CONT R47,R84-R88
18	18		13-04858-00		348.0 .25 W 1.0 % RN55D-F10	2	R68,R69
19	19		13-17989-00		R. NET 27.0 - 2 360.0 - 2 5.0	6	E63-E68
20	20		19-10532-00		74S00 NAND GATE-GUAD 2IN	1	E13
21	21		19-10550-00		74S174 FF-D HEX	2	E87,E90
22	22		19-20442-01		74F374 FF-D,OCTAL,TRI-STATE	4	E74,E80,E85,E86
23	23		19-21009-01		74F241 BUFFER/LINE DRIVER,N	4	E70-E73
24	24		19-21305-01		74F00 NAND GATE,QUAD,2-IN	8	E4,E21,E27,E39,E44,E62,E94,E95
25	25		19-21307-01		74F04 HEX INVERTER	1	E9

REVISION HISTORY			KPL MODULE FORMAT		SECTION A OF A		DRN: J. CUNNINGHAM		DIGITAL				
ENG	ECO NUMBER	REV	SECTION/VARIATION INDEX		DATE: 06-NOV-85		CHK'D: D. DROZD		TITLE PARTS LIST				
---	INITIAL	A	[A]	00	[M]	DATE: 06-NOV-85		DES.ENG: C. SHIPPEE		DOCUMENT NUMBER			
JB	M7168-ML001	B	[B]		[N]	DATE: 06-NOV-85		DATE: 06-NOV-85		SIZE: CODE: NUMBER: REV			
JB	M7168-ML002	C	[C]		[P]	RESP.ENG.: C. SHIPPEE		DATE: 06-NOV-85		K PL M7168-0-DBP C			
			[D]		[Q]	MFG.ENG: T. CAVANAUGH		DATE: 06-NOV-85		RELEASE DATE: 16-OCT-86			
			[E]		[R]	DATE: 06-NOV-85		RELEASE STATUS: RELEASED					
			[F]		[S]								
			[H]		[T]								
			[J]		[V]								
			[K]		[W]								
			[L]		[Y]								
			BASIC PART NUMBER: M7168		ASSEMBLY NUMBER: D-UA-M7168-0-0		TOP DOCUMENT NUMBER: B-DD-M7168-0-0		FILE NAME: ML781C.PLS		EDIT # 1		

"THIS DRAWING AND THE SPECIFICATIONS CONTAINED HEREIN ARE CONFIDENTIAL AND PROPRIETARY. THEY ARE THE PROPERTY OF DIGITAL EQUIPMENT CORPORATION AND SHALL NOT BE REPRODUCED OR COPIED OR USED IN WHOLE OR IN PART AS THE BASIS FOR THE MANUFACTURE OR SALE OF ITEMS WITHOUT WRITTEN PERMISSION. THIS IS AN UNPUBLISHED WORK PROTECTED UNDER THE FEDERAL COPYRIGHT LAWS."

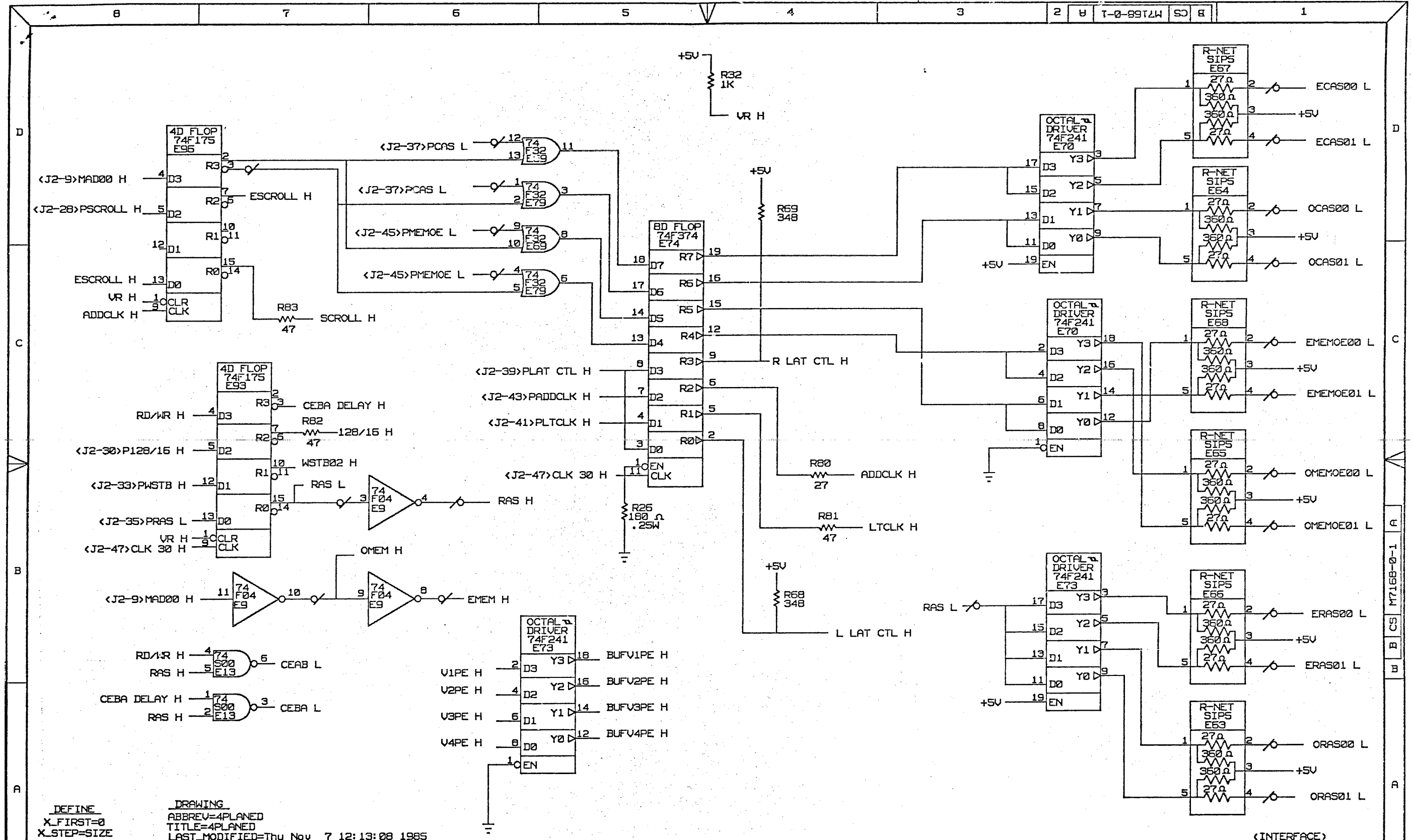
AUTOMATED BY VAXKPL (V1.2)

P A R T S L I S T

LINE	ITEM	TOP DOCUMENT	PART NUMBER	MIN REV	DESCRIPTION	QTY PER VAR/REV	REFERENCE DESIGNATORS
26	26		19-21309-01		74F10 NAND GATE, TRIPLE, 3-1	11	E3, E5, E20, E26, E32, E33, E38, E45, E50, E51, E56
27	27		19-21312-01		74F32 OR GATE, QUAD, 2-IN	5	E57, E69, E79, E83, E84
28	28		19-21320-01		74F157 MUX, QUAD, 2-IN	1	E89
29	29		19-21324-01		74F175 FF-D, QUAD	2	E93, E96
30	30		19-21327-01		74F194 SHIFT REG, UNIV, BIDIR	4	E6, E10, E14, E15
31	31		19-23311-01		74F543 OCTAL REG TRANSCEIVE	8	E7, E8, E11, E12, E75, E76, E81, E82
32	32		19-23439-02		74ALS244 OCTAL BUFFER/LINE DR	1	E88
33	33	SEE NOTE 1	21-21552-01	DC	322 VIDEO PROCESSOR	4	E1, E2, E91, E92
34	34	SEE NOTE 2	21-24412-03		RAM, 64KX4, DYNAMIC	12	E16-E19, E22-E25, E28-E31, E34-E37, E40-E43, E46-E49,
35	35		90-00024-01		EYELET, ROLLED	0.1210DX0.192	7

1 GEN: 21-21552-03 AND 21-21552-05 ARE ACCEPTABLE ALTERNATE PARTS
 2 GEN: 21-24414-03 IS AN ACCEPTABLE ALTERNATE PART. DO NOT INTERMIX WITH 21-24412-03.

D	I	G	I	T	A	L	TITLE	SECTION A	OF A	SIZE	CODE	DOCUMENT NUMBER	REV
							QDSS 4PLANE UPGRADE			K	PL	M7168-0-DBP	C



DEFINE
 X_FIRST=0
 X_STEP=SIZE

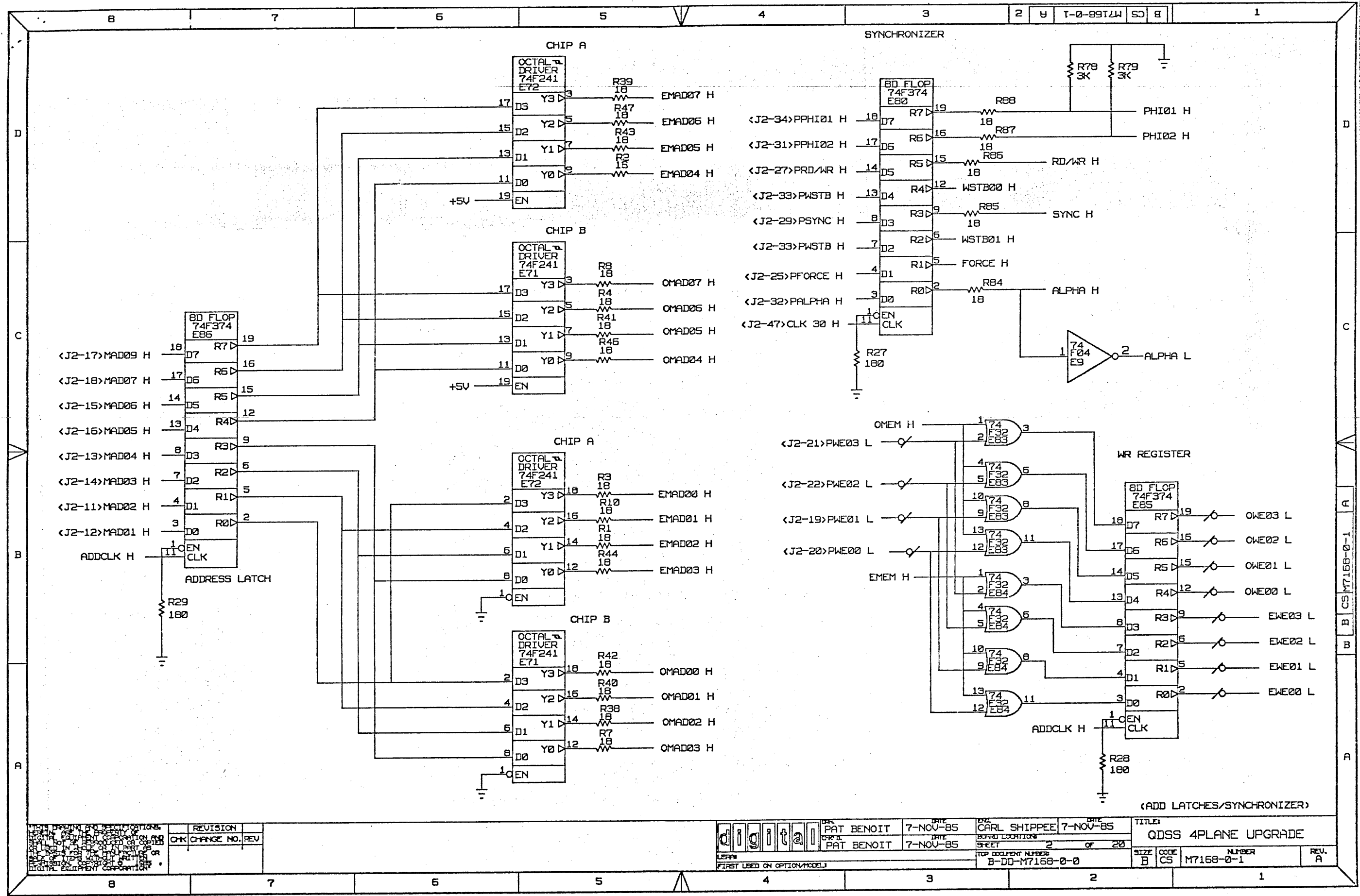
DRAWING
 ABBREV=4PLANED
 TITLE=4PLANED
 LAST_MODIFIED=Thu Nov 7 12:13:08 1985

REVISION	NO.	DATE

DESIGNED BY	DATE	DESIGNED BY	DATE
PAT BENOIT	7-NOV-85	CARL SHIPPEE	7-NOV-85
CHECKED BY	DATE	CHECKED BY	DATE
PAT BENOIT	7-NOV-85		

TITLE	QDSS 4PLANE UPGRADE
BOARD LOCATION	
SHEET	1 OF 20
TOP DOCUMENT NUMBER	B-DD-M7168-0-0
SIZE	B
CODE	CS
NUMBER	M7168-0-1
REV.	A

(INTERFACE)



THIS DRAWING AND SPECIFICATIONS
 ARE THE PROPERTY OF DIGITAL EQUIPMENT CORPORATION
 AND ARE NOT TO BE REPRODUCED OR COPIED
 IN ANY MANNER WITHOUT THE WRITTEN
 PERMISSION OF DIGITAL EQUIPMENT CORPORATION

REVISION	CHK	CHANGE NO.	REV

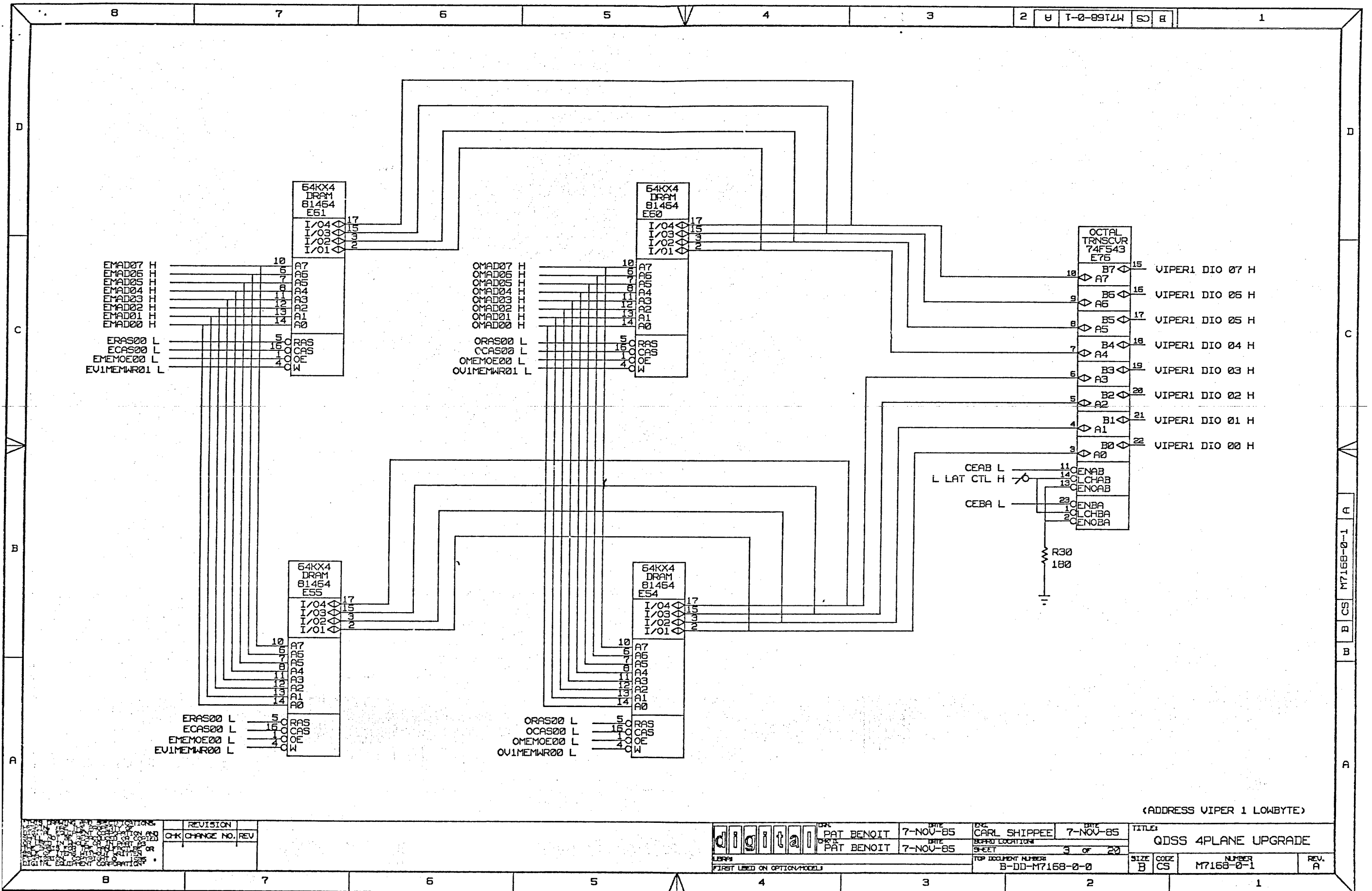
digital
 PAT BENOIT 7-NOV-85
 PAT BENOIT 7-NOV-85

DATE 7-NOV-85
 DATE 7-NOV-85
 SHEET 2 OF 20

CARL SHIPPEE 7-NOV-85
 BOARD LOCATION
 TOP DOCUMENT NUMBER
 B-DD-M7168-0-0

TITLE
 QDSS 4PLANE UPGRADE
 SIZE B CODE CS NUMBER M7168-0-1 REV. A

(ADD LATCHES/SYNCHRONIZER)



(ADDRESS VIPER 1 LOWBYTE)

THIS DRAWING AND SPECIFICATIONS
 ARE THE PROPERTY OF DIGITAL
 EQUIPMENT CORPORATION
 AND ARE NOT TO BE REPRODUCED
 OR TRANSMITTED IN ANY FORM
 OR BY ANY MEANS, ELECTRONIC
 OR MECHANICAL, INCLUDING
 PHOTOCOPYING, RECORDING,
 OR BY ANY INFORMATION
 STORAGE AND RETRIEVAL
 SYSTEMS, WITHOUT PERMISSION
 IN WRITING FROM DIGITAL
 EQUIPMENT CORPORATION.

REVISION	DATE
CHK CHANGE NO. REV	

digital

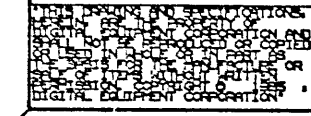
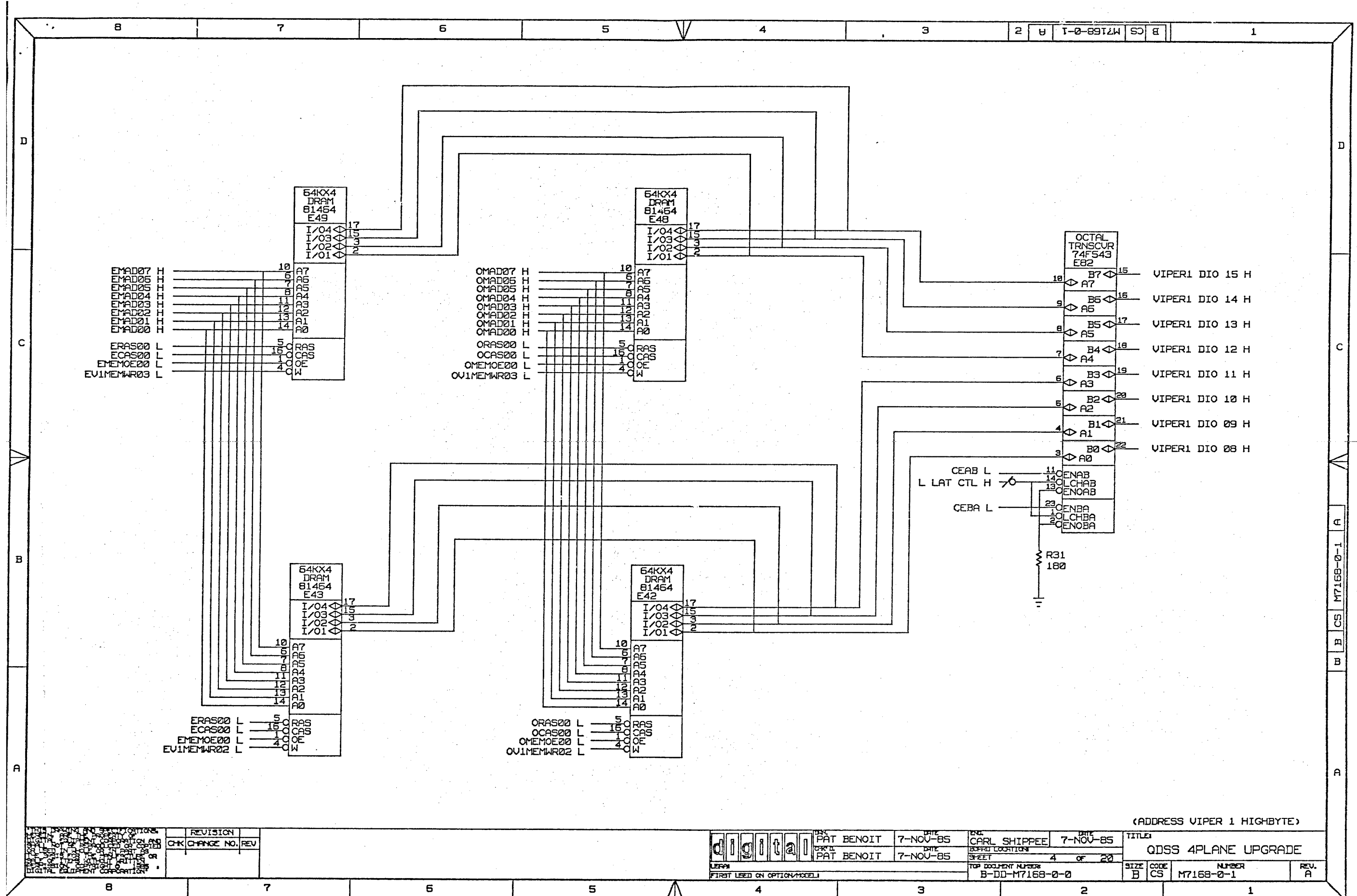
DATE: 7-NOV-85
 BY: PAT BENOIT
 DATE: 7-NOV-85
 BY: PAT BENOIT

DATE: 7-NOV-85
 BY: CARL SHIPPEE
 SHEET: 3 OF 20

TITLE: QDSS 4PLANE UPGRADE
 NUMBER: M7168-0-1
 REV: A

TOP DOCUMENT NUMBER: B-DD-M7168-0-0

FIRST LINED ON OPTION MODEL



REVISION	
CHK	CHANGE NO. REV

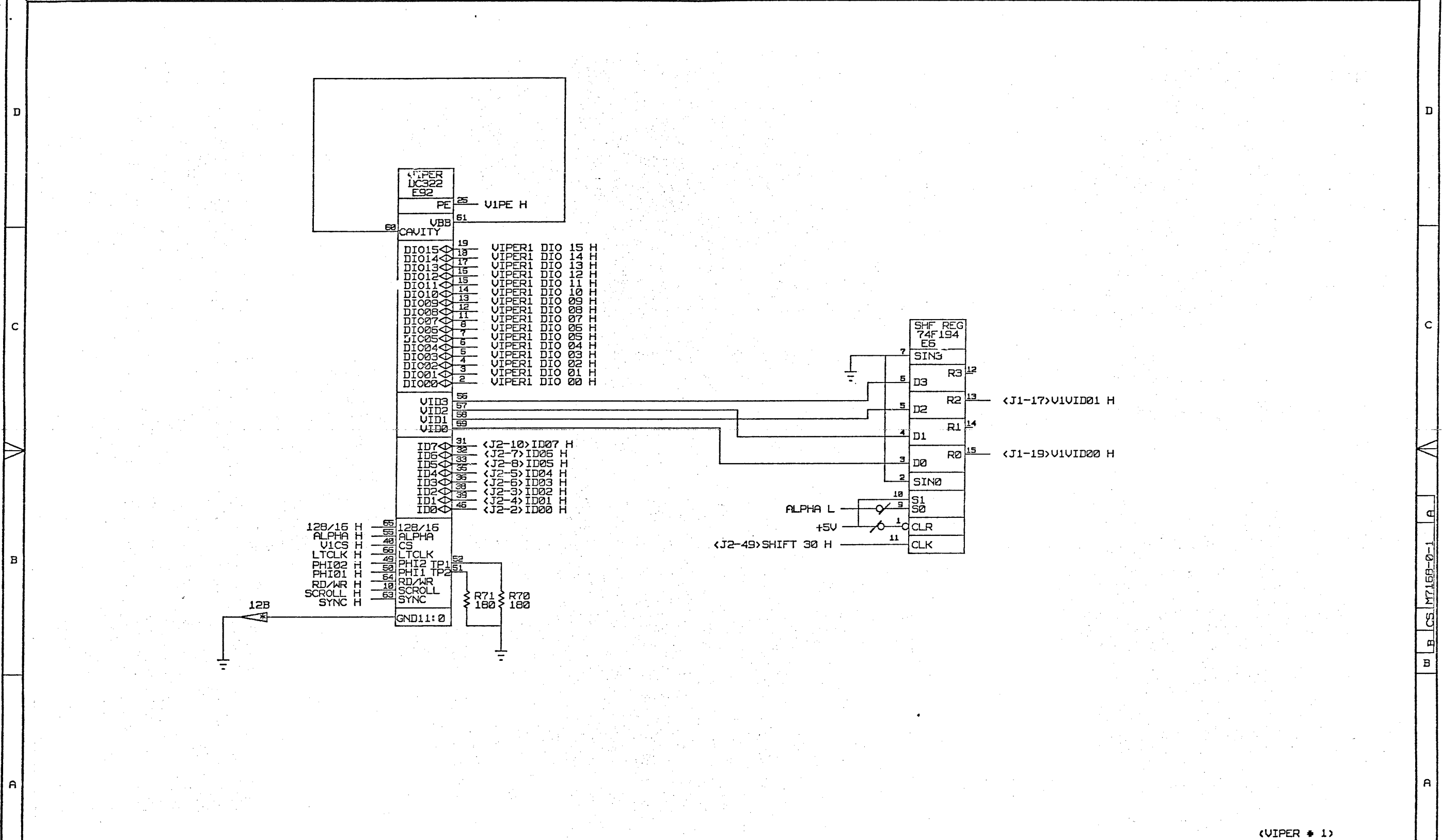
DATE	7-NOV-85	DATE	7-NOV-85
DESIGNER	PAT BENOIT	DESIGNER	PAT BENOIT
CHECKED	PAT BENOIT	CHECKED	PAT BENOIT
DATE	7-NOV-85	DATE	7-NOV-85

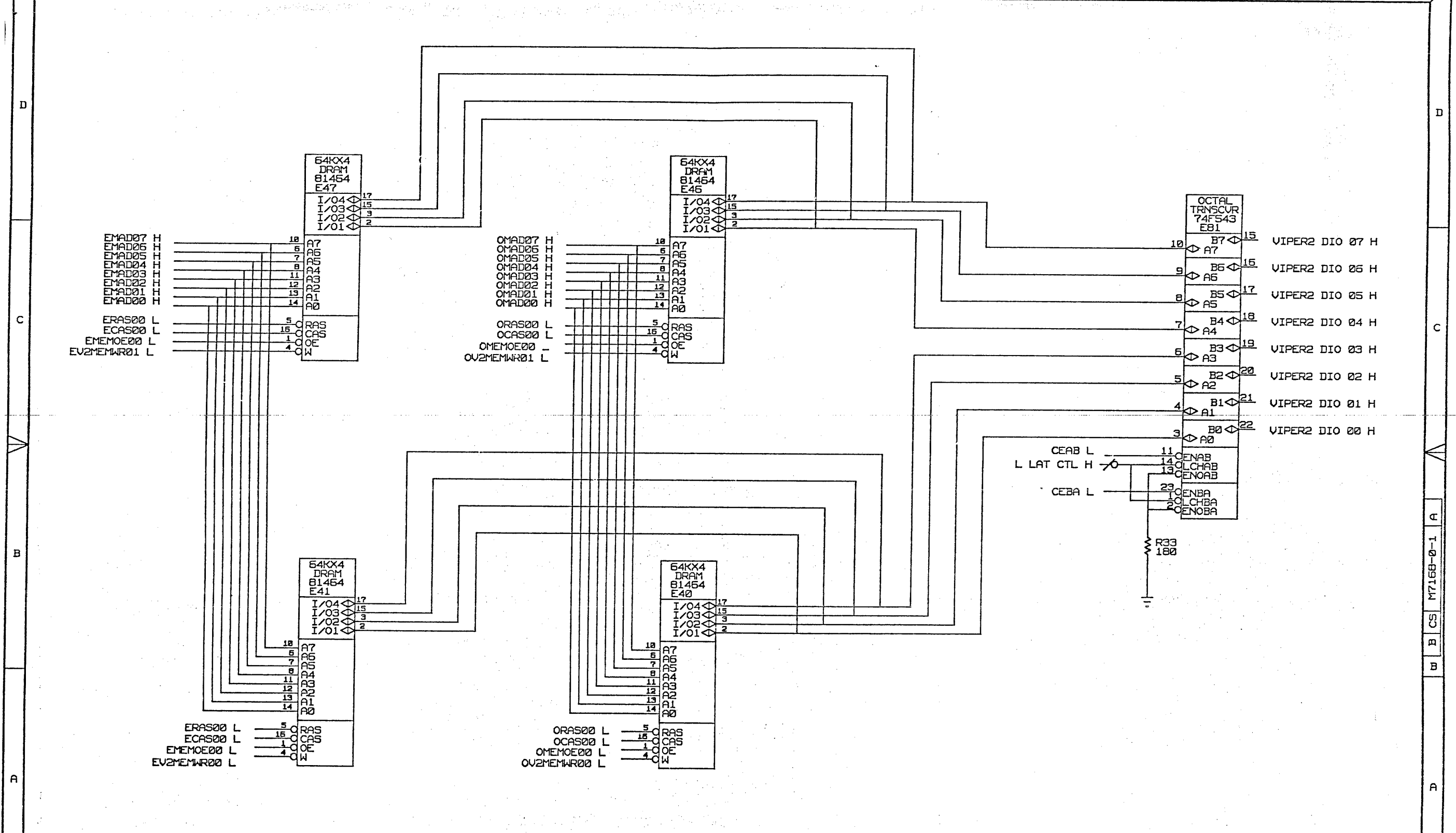
DATE	7-NOV-85	DATE	7-NOV-85
DESIGNER	PAT BENOIT	DESIGNER	PAT BENOIT
CHECKED	PAT BENOIT	CHECKED	PAT BENOIT
DATE	7-NOV-85	DATE	7-NOV-85

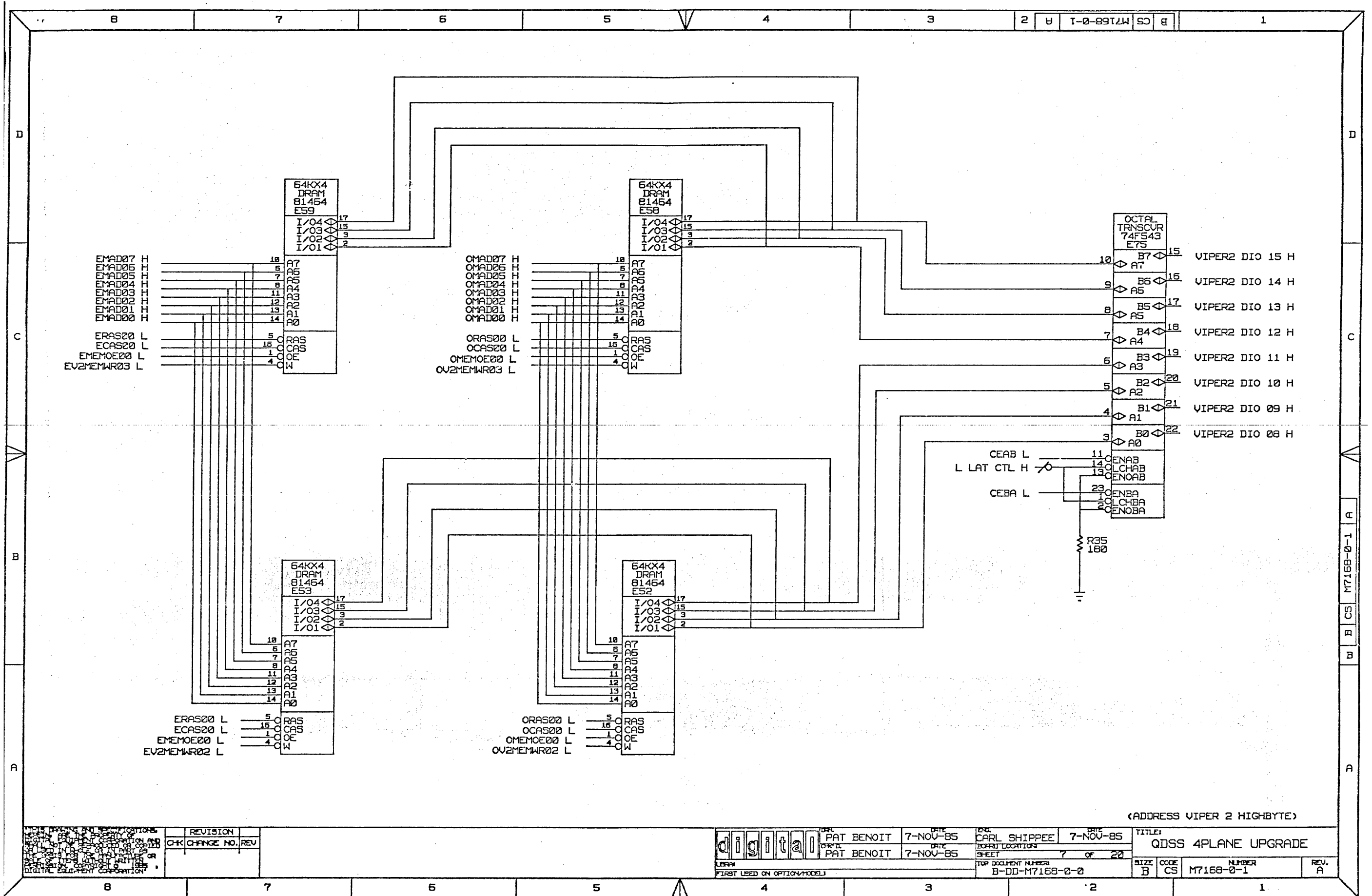
DATE	7-NOV-85	DATE	7-NOV-85
DESIGNER	PAT BENOIT	DESIGNER	PAT BENOIT
CHECKED	PAT BENOIT	CHECKED	PAT BENOIT
DATE	7-NOV-85	DATE	7-NOV-85

(ADDRESS VIPER 1 HIGHBYTE)			
TITLE			
QDSS 4PLANE UPGRADE			
SIZE	CODE	NUMBER	REV.
B	CS	M7168-0-1	A

M7168-0-1







(ADDRESS VIPER 2 HIGHBYTE)

THIS DRAWING AND SPECIFICATIONS ARE THE PROPERTY OF DIGITAL EQUIPMENT CORPORATION AND ARE NOT TO BE REPRODUCED OR TRANSMITTED IN ANY FORM OR BY ANY MEANS, ELECTRONIC OR MECHANICAL, INCLUDING PHOTOCOPYING, RECORDING, OR BY ANY INFORMATION STORAGE AND RETRIEVAL SYSTEM.

REVISION	DATE
CHK CHANGE NO. REV	

DATE	BY	DATE	BY
7-NOV-85	PAT BENOIT	7-NOV-85	CARL SHIPPEE
7-NOV-85	PAT BENOIT		

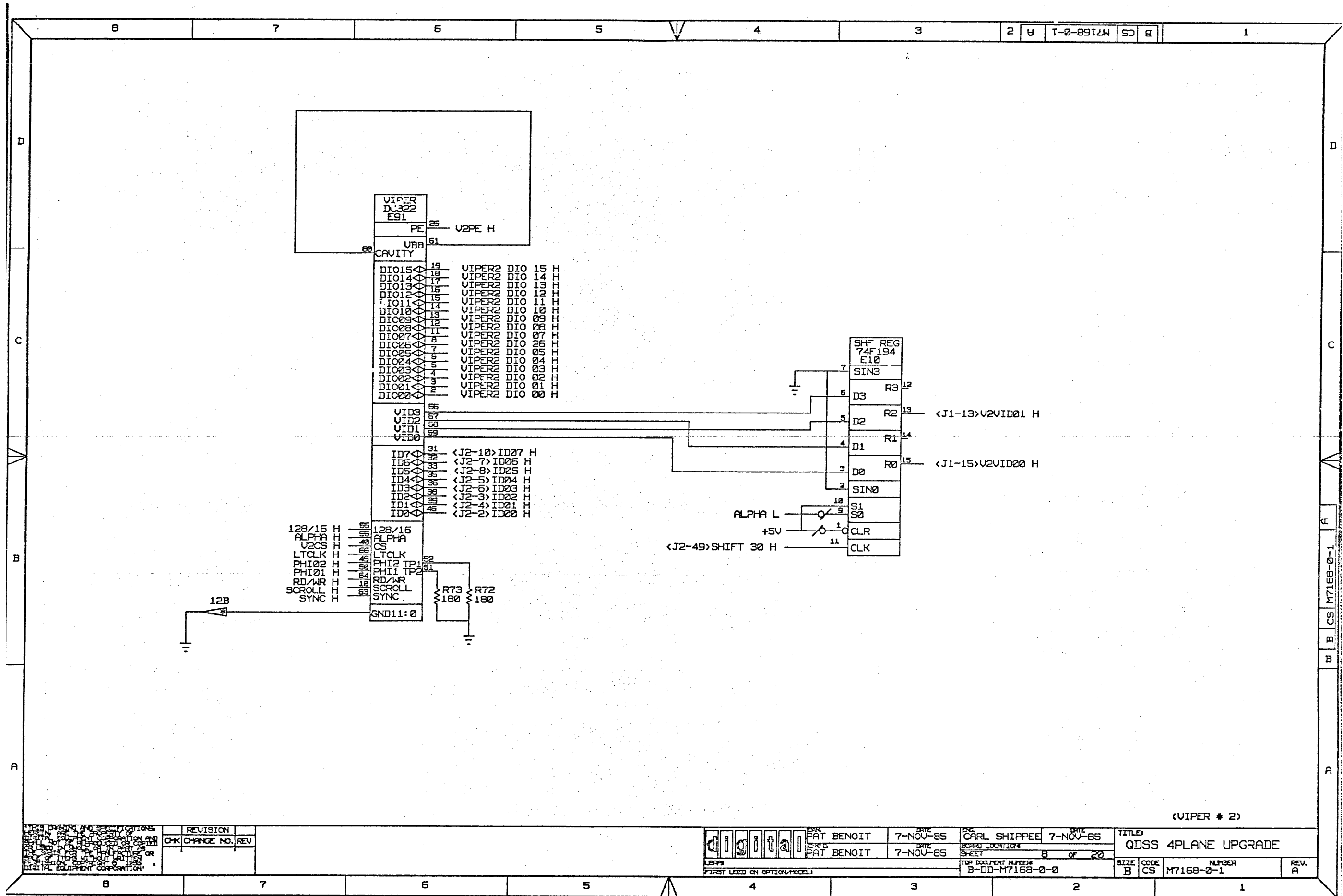
digital
FIRST USED ON OPTION/MODEL

TOP DOCUMENT NUMBER
B-DD-M7168-0-0

SIZE B CODE CS NUMBER M7168-0-1 REV. A

TITLE: QDSS 4PLANE UPGRADE

A B CS M7168-0-1 A



(VIPER # 2)

REVISION
CHK CHANGE NO. REV

DATE	DESIGNER	DATE	CHKD	DATE	DESIGNER
7-NOV-85	PAT BENOIT	7-NOV-85	CARL SHIPPEE	7-NOV-85	
7-NOV-85	PAT BENOIT	7-NOV-85			

TITLE: QDSS 4PLANE UPGRADE

SHEET: B OF 20

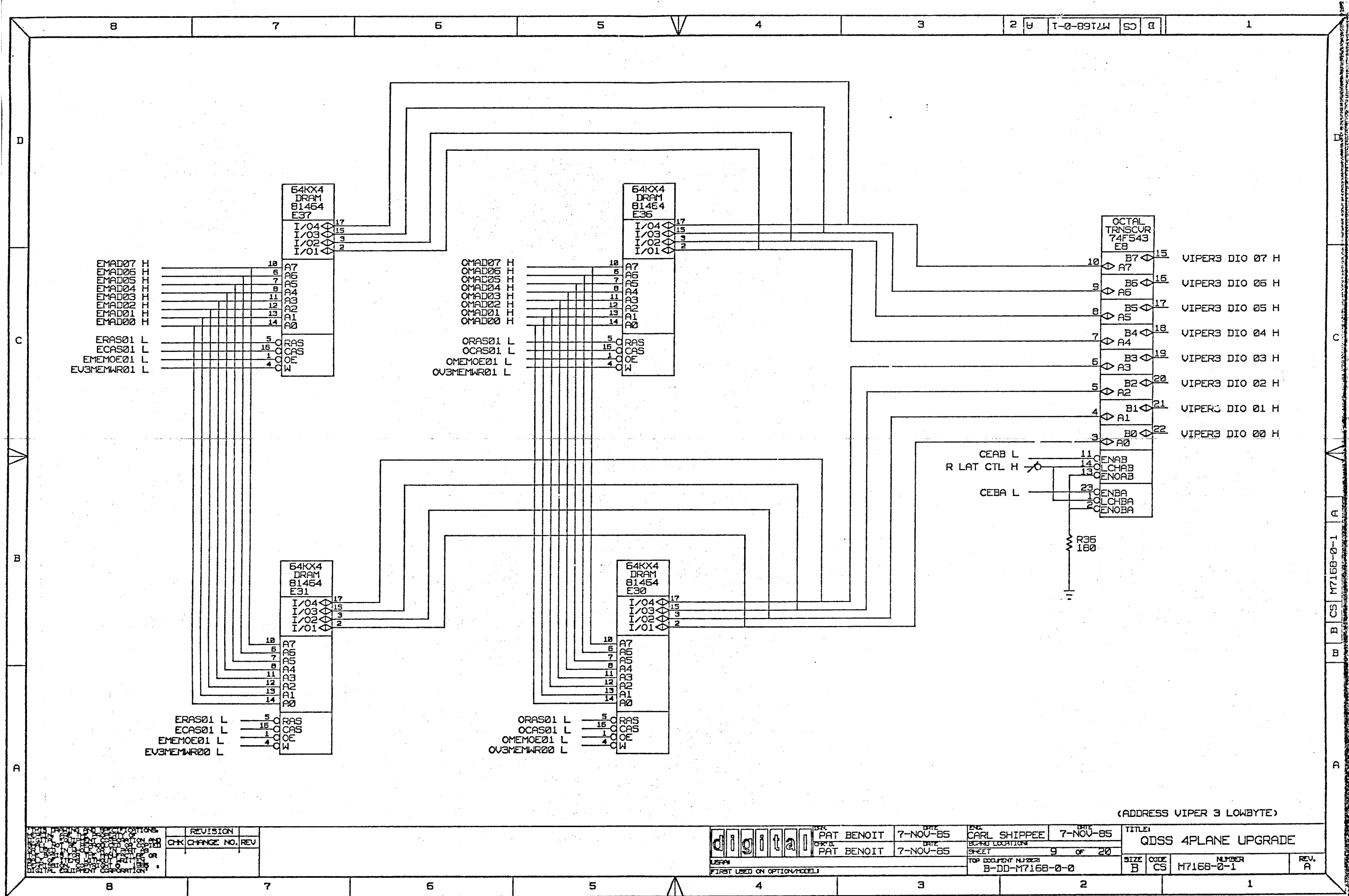
TOP DOCUMENT NUMBER: B-DD-M7168-0-0

SIZE: B

CODE: CS

NUMBER: M7168-0-1

REV: A

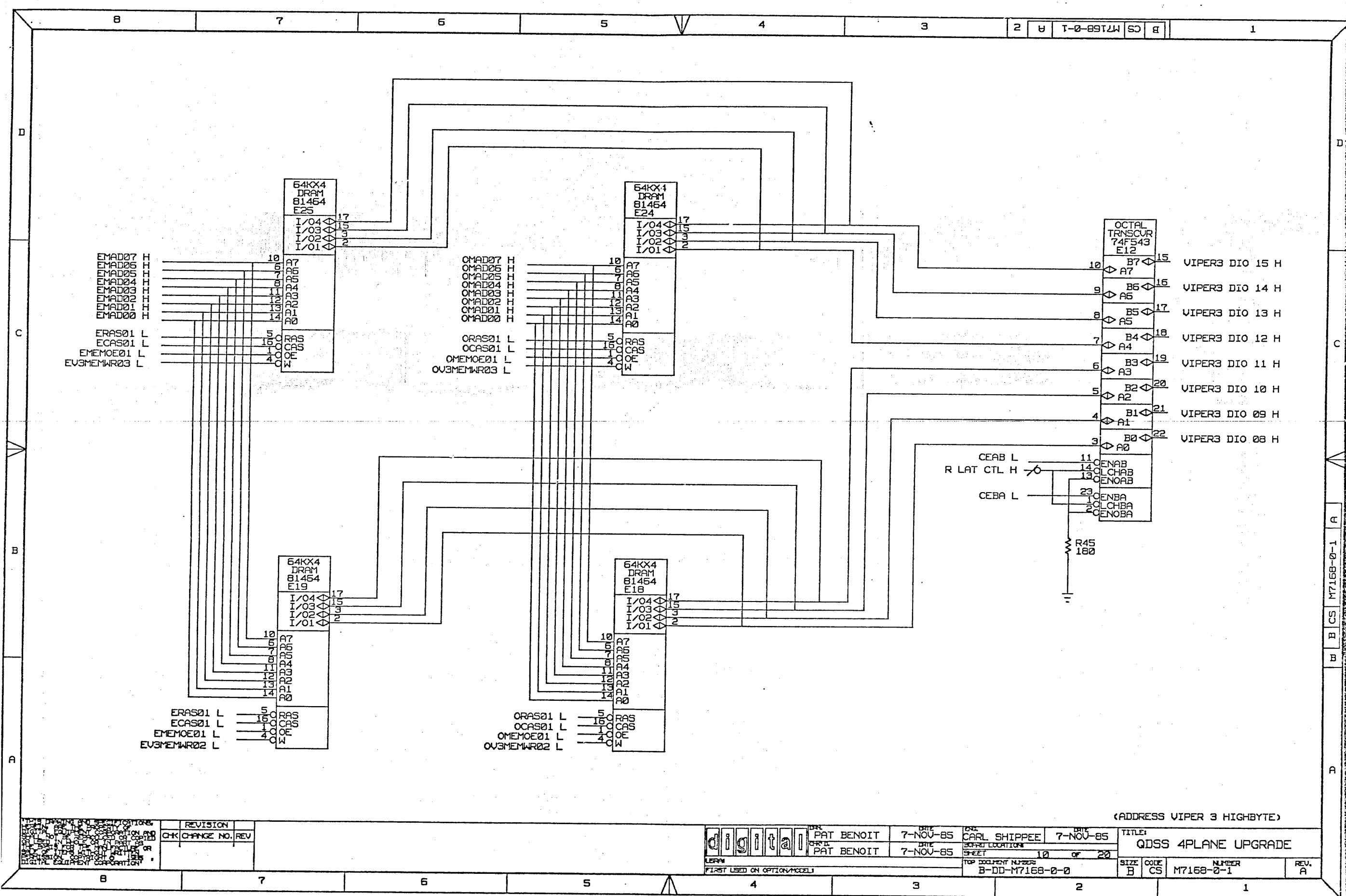


(ADDRESS VIPER 3 LOWBYTE)

THIS DRAWING AND SPECIFICATIONS
 ARE THE PROPERTY OF DIGITAL EQUIPMENT CORPORATION
 AND ARE NOT TO BE REPRODUCED OR TRANSMITTED IN ANY FORM OR BY ANY MEANS
 WITHOUT THE WRITTEN PERMISSION OF DIGITAL EQUIPMENT CORPORATION

REVISION	
CHK	CHANGE NO. REV

	DESIGNED BY PAT BENOIT	DATE 7-NOV-85	ENG. CARL SHIPPEE	DATE 7-NOV-85	TITLE QDSS 4PLANE UPGRADE
	CHECKED BY PAT BENOIT	DATE 7-NOV-85	SHEET 9 OF 20	SIZE B	CODE CS
FIRST USED ON OPTION MODEL#	TOP DOCUMENT NUMBER B-DD-M7168-0-0	REV. A			



THIS DRAWING OR SPECIFICATION IS THE PROPERTY OF DIGITAL EQUIPMENT CORPORATION. IT IS TO BE USED ONLY FOR THE PROJECT AND FOR THE CUSTOMER'S USE. IT IS NOT TO BE REPRODUCED OR TRANSMITTED IN ANY FORM OR BY ANY MEANS, ELECTRONIC OR MECHANICAL, INCLUDING PHOTOCOPYING, RECORDING, OR BY ANY INFORMATION STORAGE AND RETRIEVAL SYSTEM, WITHOUT PERMISSION IN WRITING FROM DIGITAL EQUIPMENT CORPORATION.

CHK	CHANGE NO.	REV

REVISION	DATE	BY	DATE	BY	TITLE

digital	PAT BENOIT	7-NOV-85	CARL SHIPPEE	7-NOV-85
	PAT BENOIT	7-NOV-85		

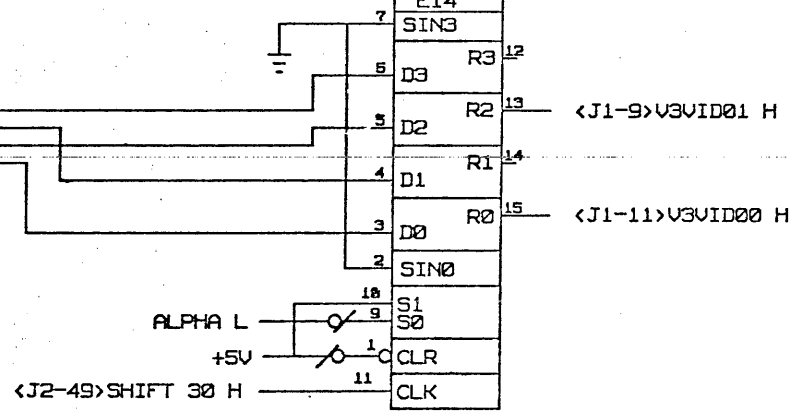
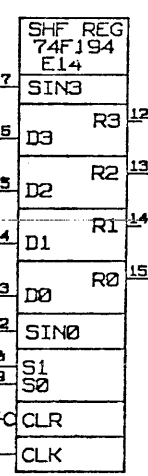
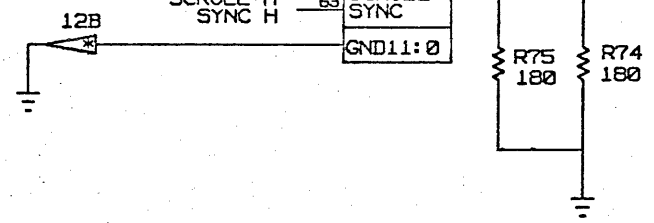
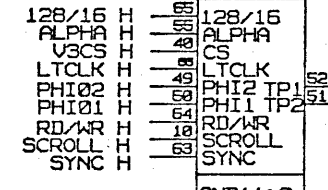
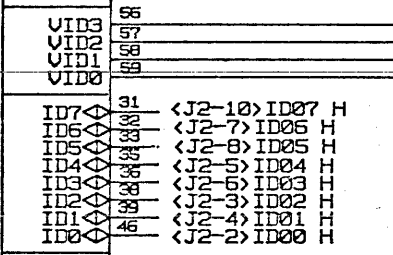
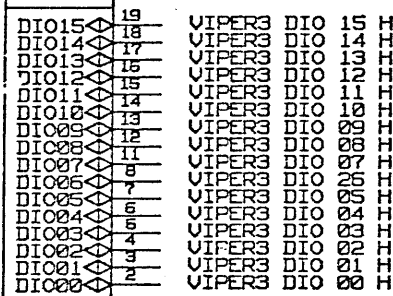
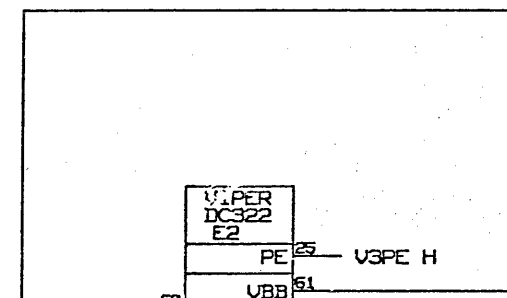
SHEET	10	OF	20
TOP DOCUMENT NUMBER	B-DD-M7168-0-0		

SIZE	CODE	NUMBER	REV.
B	CS	M7168-0-1	A

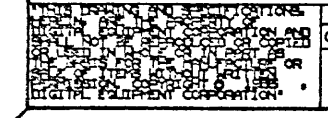
(ADDRESS VIPER 3 HIGHBYTE)

QDSS 4PLANE UPGRADE

A
B
B
CS
M7168-0-1
A



(VIPER * 3)

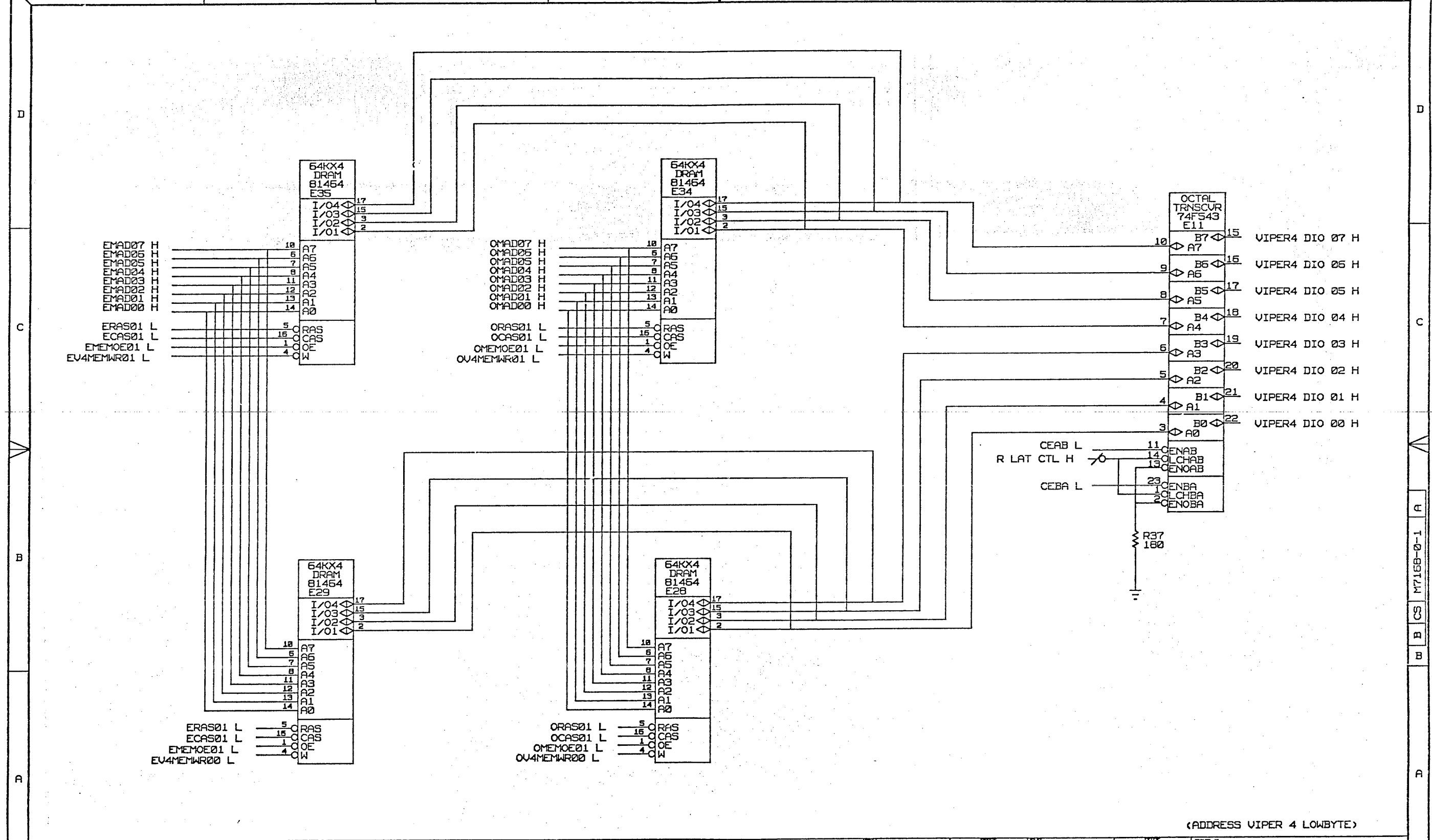


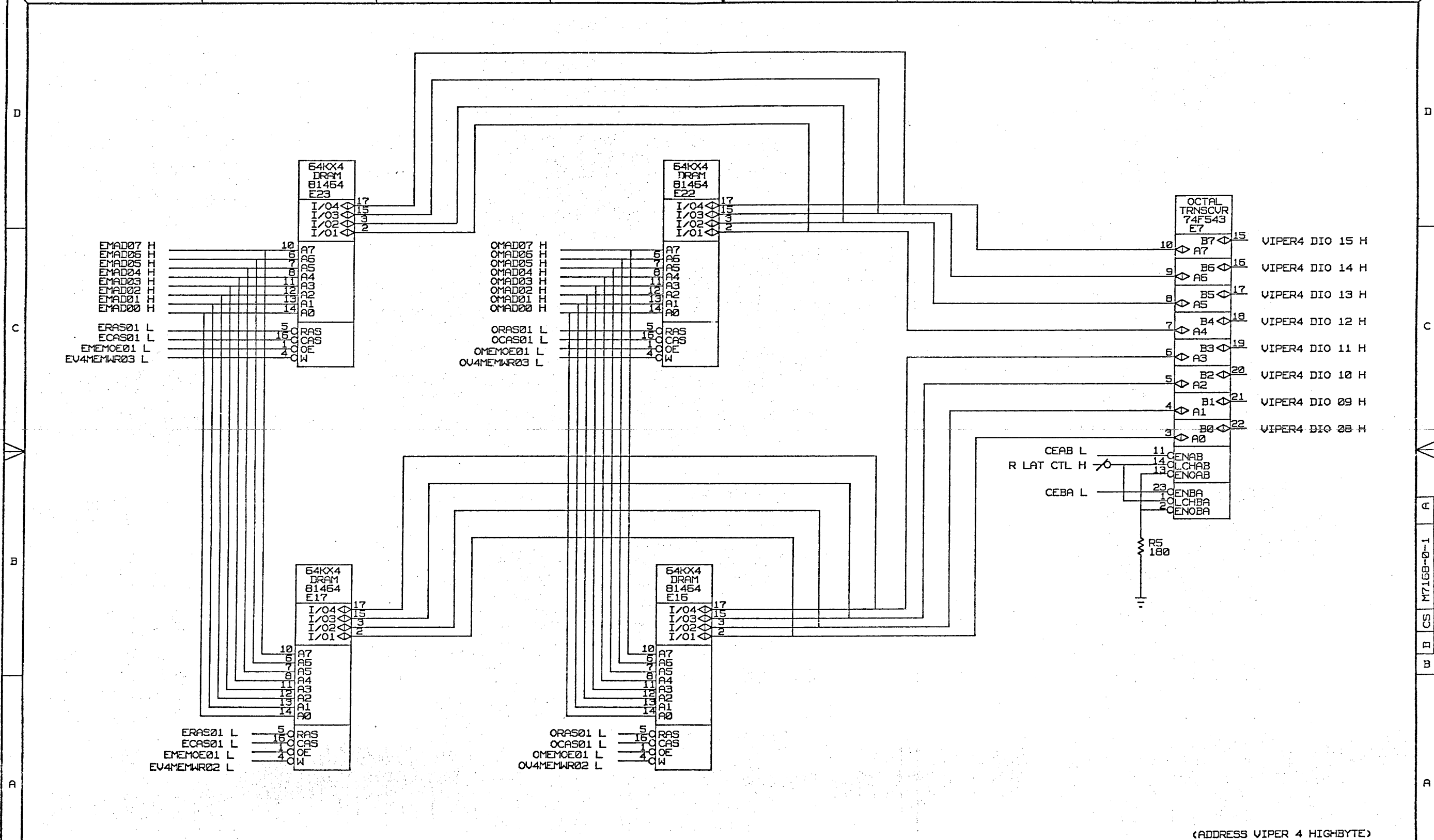
REVISION	CHK	CHANGE NO.	REV

digital	PAT BENOIT	7-NOV-85	CARL SHIPPEE	7-NOV-85
	PAT BENOIT	7-NOV-85		

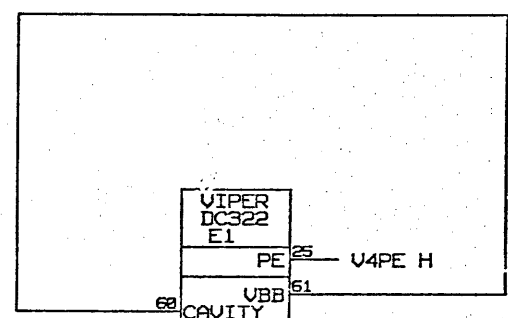
TITLE	QDSS 4PLANE UPGRADE
SHEET	11 OF 20

SIZE	B	CODE	CS	NUMBER	M7168-0-1	REV.	A
------	---	------	----	--------	-----------	------	---



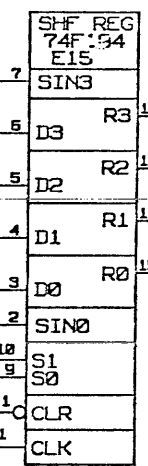
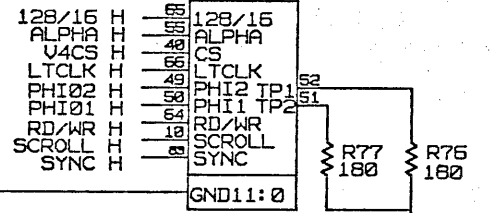


(ADDRESS VIPER 4 HIGHBYTE)



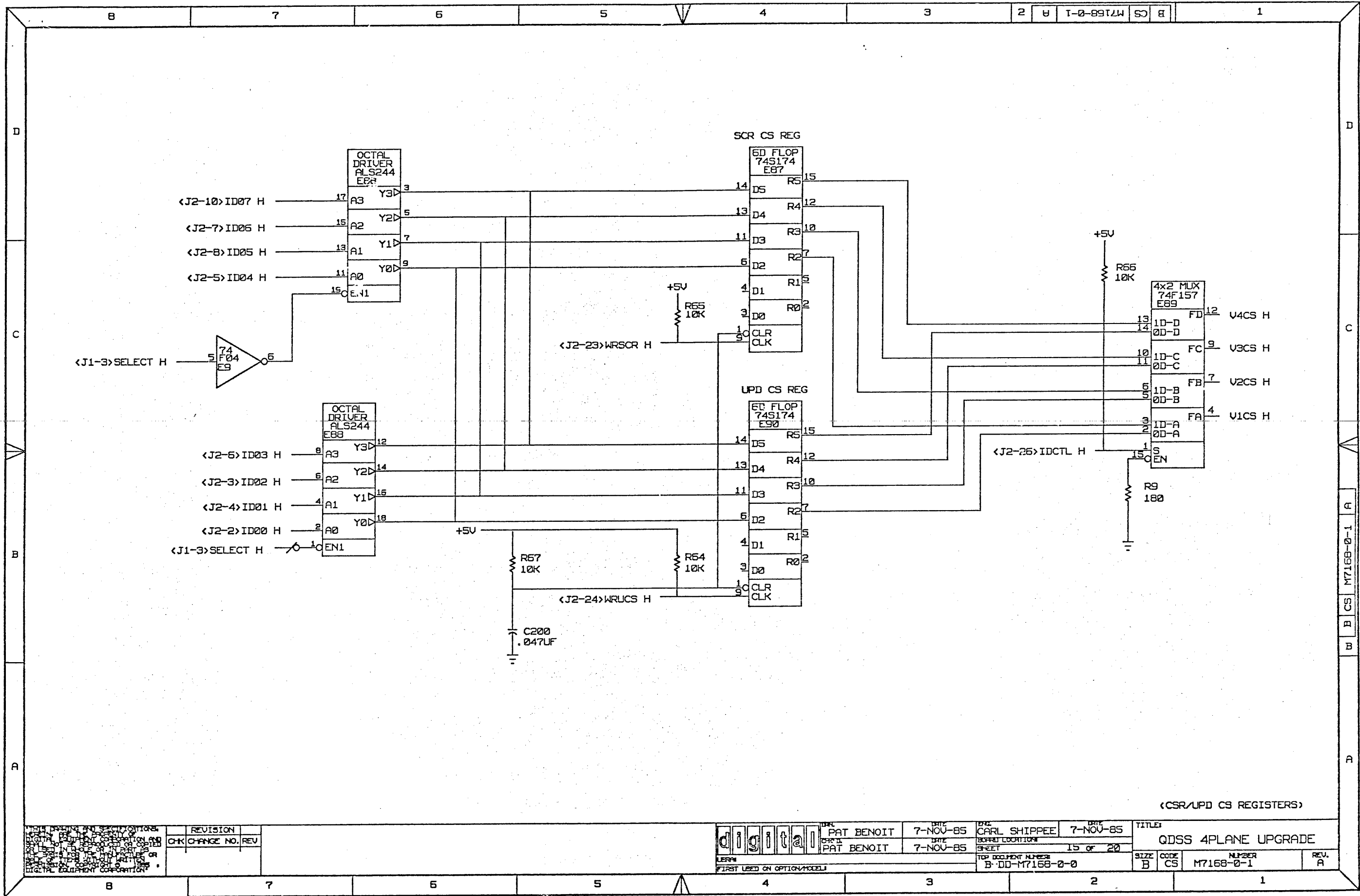
DIO15	19	VIPER4	DIO	15	H
DIO14	18	VIPER4	DIO	14	H
DIO13	17	VIPER4	DIO	13	H
DIO12	16	VIPER4	DIO	12	H
DIO11	15	VIPER4	DIO	11	H
DIO10	14	VIPER4	DIO	10	H
DIO09	13	VIPER4	DIO	09	H
DIO08	12	VIPER4	DIO	08	H
DIO07	11	VIPER4	DIO	07	H
DIO06	10	VIPER4	DIO	06	H
DIO05	9	VIPER4	DIO	05	H
DIO04	8	VIPER4	DIO	04	H
DIO03	7	VIPER4	DIO	03	H
DIO02	6	VIPER4	DIO	02	H
DIO01	5	VIPER4	DIO	01	H
DIO00	4	VIPER4	DIO	00	H

VID3	18				
VID2	17				
VID1	16				
VID0	15				
ID7	31	<J2-10>	ID07	H	
ID6	30	<J2-7>	ID06	H	
ID5	29	<J2-8>	ID05	H	
ID4	28	<J2-5>	ID04	H	
ID3	27	<J2-6>	ID03	H	
ID2	26	<J2-3>	ID02	H	
ID1	25	<J2-4>	ID01	H	
ID0	24	<J2-2>	ID00	H	



<J1-5>U4VID01 H
 <J1-7>U4VID00 H

(VIPER # 4)

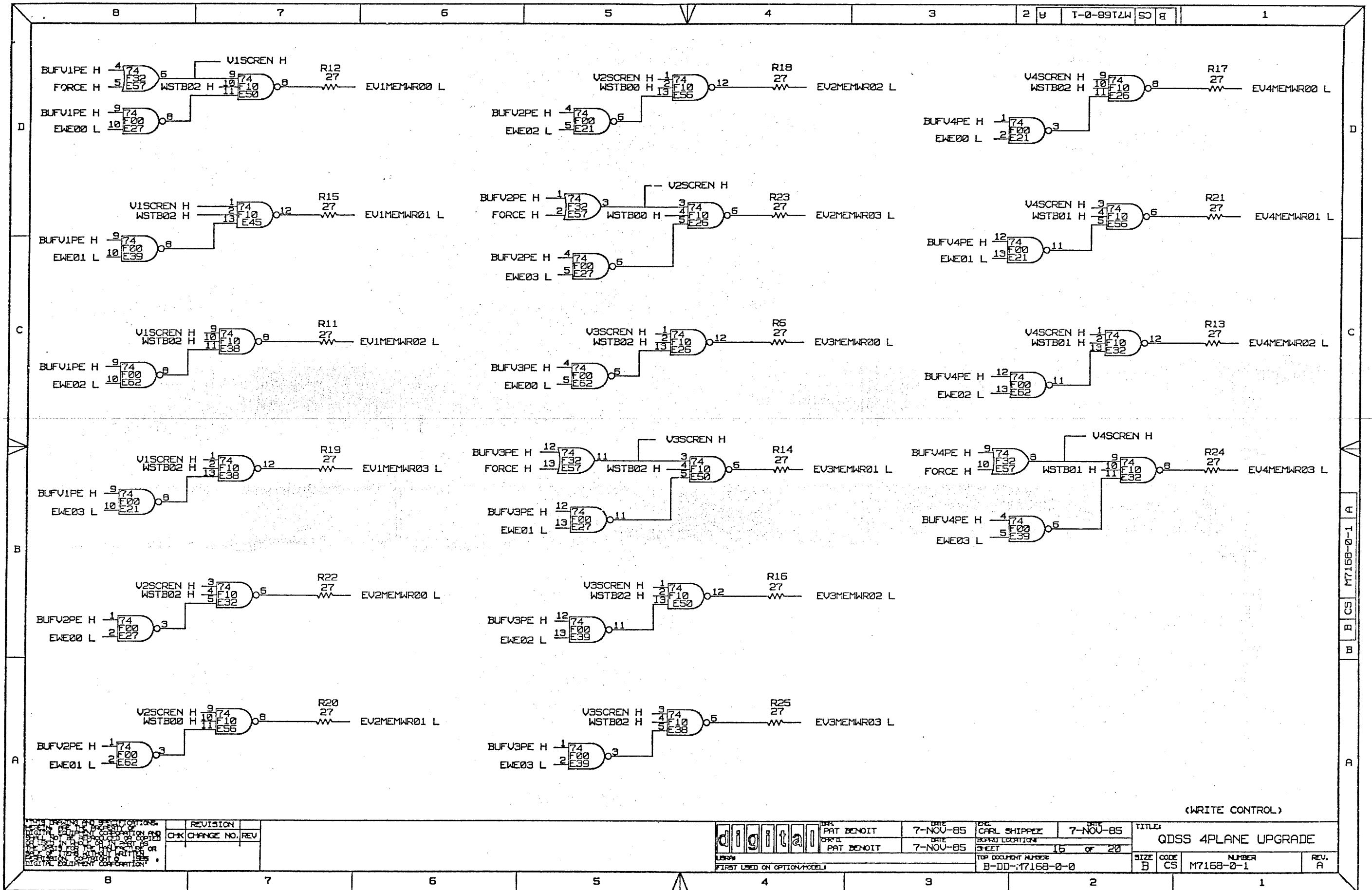


<CSRA/UPD CS REGISTERS>

THIS DRAWING AND SPECIFICATIONS
 ARE THE PROPERTY OF DIGITAL
 EQUIPMENT CORPORATION
 AND ARE NOT TO BE REPRODUCED
 OR TRANSMITTED IN ANY FORM
 OR BY ANY MEANS, ELECTRONIC
 OR MECHANICAL, INCLUDING
 PHOTOCOPYING, RECORDING,
 OR BY ANY INFORMATION
 STORAGE AND RETRIEVAL
 SYSTEMS, WITHOUT PERMISSION
 IN WRITING FROM DIGITAL
 EQUIPMENT CORPORATION.

REVISION	DATE	BY	CHK	CHANGE NO.	REV

	DATE: 7-NOV-85 BY: PAT BENOIT	DATE: 7-NOV-85 BY: CARL SHIPPEE	TITLE:
	TOP DOCUMENT NUMBER: B-DD-M7168-0-0	SHEET: 15 of 20	BOARD LOCATION: CS
FIRST USED ON OPTION/MODEL:	SIZE: B	CODE: CS	NUMBER: M7168-0-1 REV: A



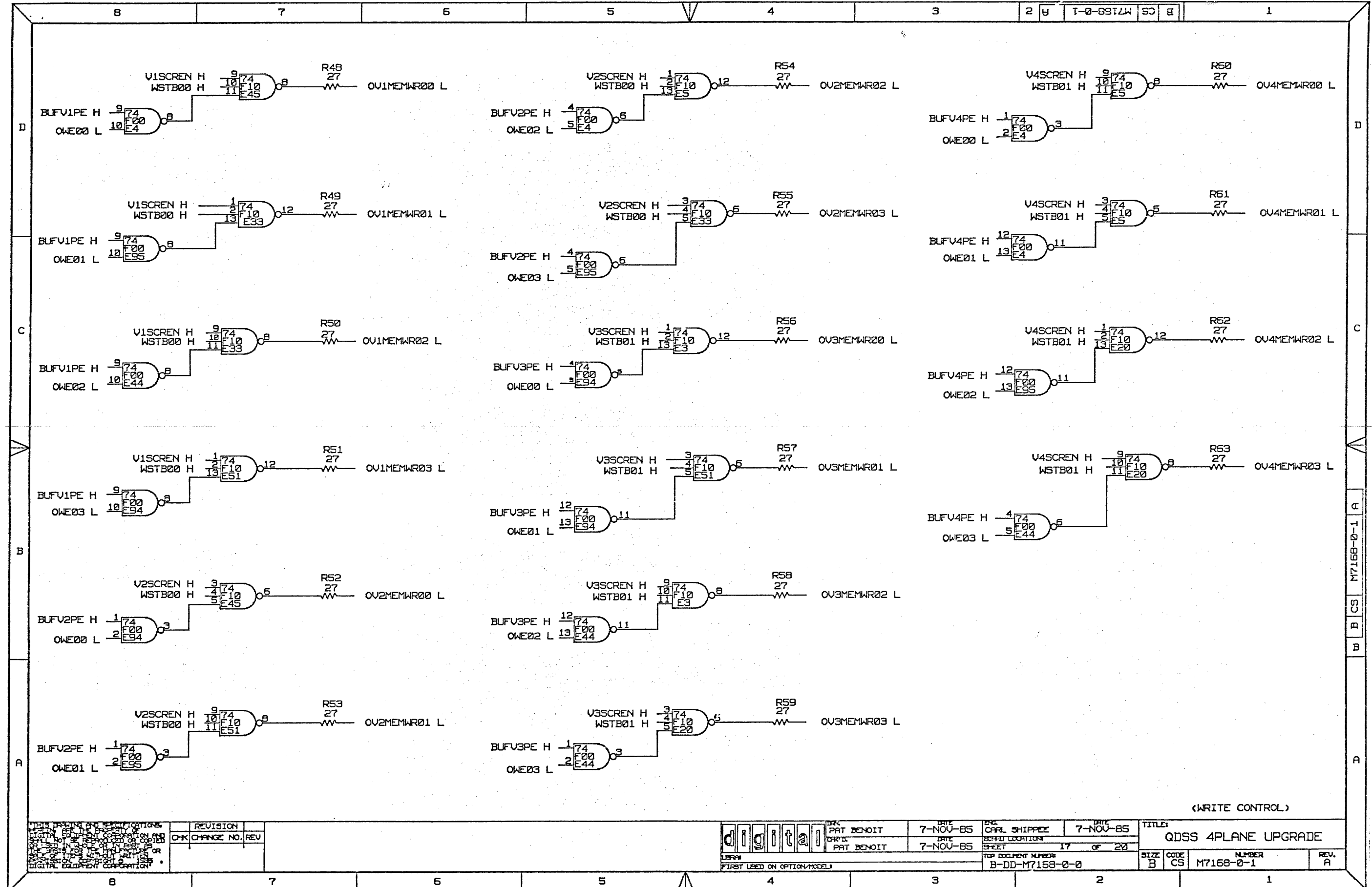
(WRITE CONTROL)

THIS DRAWING AND SPECIFICATIONS ARE THE PROPERTY OF DIGITAL EQUIPMENT CORPORATION. IT IS TO BE USED ONLY FOR THE PROJECT AND FOR THE QUANTITY SPECIFIED. IT IS NOT TO BE REPRODUCED OR COPIED IN ANY MANNER WITHOUT THE WRITTEN PERMISSION OF DIGITAL EQUIPMENT CORPORATION.

REVISION	
CHK	CHANGE NO. REV

	DESIGNER	PAT BENOIT	DATE	7-NOV-85
	CHECKED	PAT BENOIT	DATE	7-NOV-85
	TOP DOCUMENT NUMBER	B-DD-17168-0-0		

	DATE	7-NOV-85	TITLE	QDSS 4PLANE UPGRADE
	DATE	7-NOV-85	BOARD LOCATION	
	DATE	7-NOV-85	SHEET	16 OF 20
	DATE	7-NOV-85	SIZE	B
	DATE	7-NOV-85	CODE	CS
	DATE	7-NOV-85	NUMBER	M7168-0-1
	DATE	7-NOV-85	REV.	A

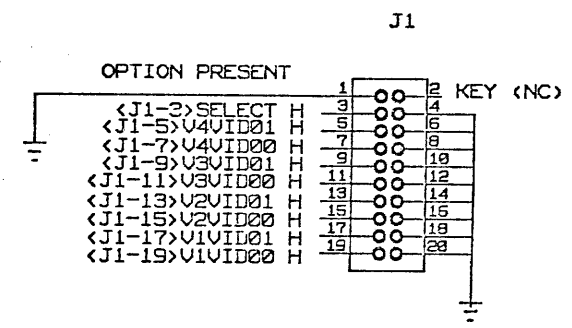
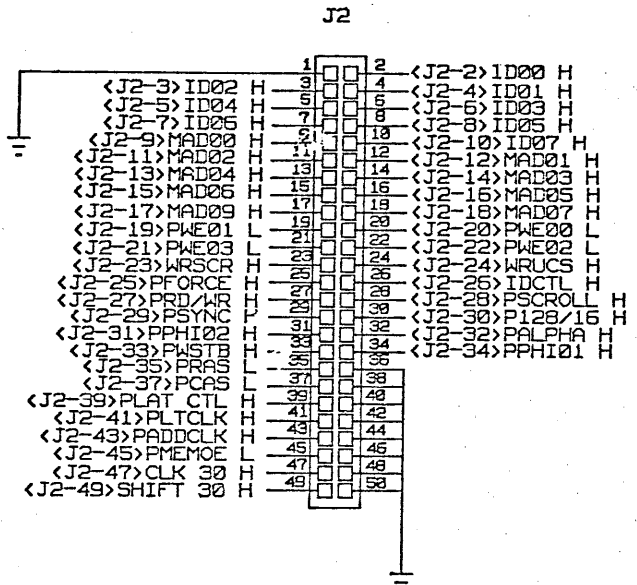


(WRITE CONTROL)

THIS DESIGN IS THE PROPERTY OF DIGITAL EQUIPMENT CORPORATION. IT IS TO BE KEPT IN CONFIDENTIALITY AND IS NOT TO BE REPRODUCED OR COPIED IN ANY MANNER WITHOUT THE WRITTEN PERMISSION OF DIGITAL EQUIPMENT CORPORATION.

REVISION	
CHK	CHANGE NO. REV

digital	DATE: 7-NOV-85	ENC: CARL SHIPPEE	DATE: 7-NOV-85	TITLE: QDSS 4PLANE UPGRADE
	DATE: 7-NOV-85	DRTR: PAT BENOIT	SHEET: 17 OF 20	SIZE: B
TOP DOCUMENT NUMBER: B-DD-M7168-0-0	NUMBER: M7168-0-1	REV: A		

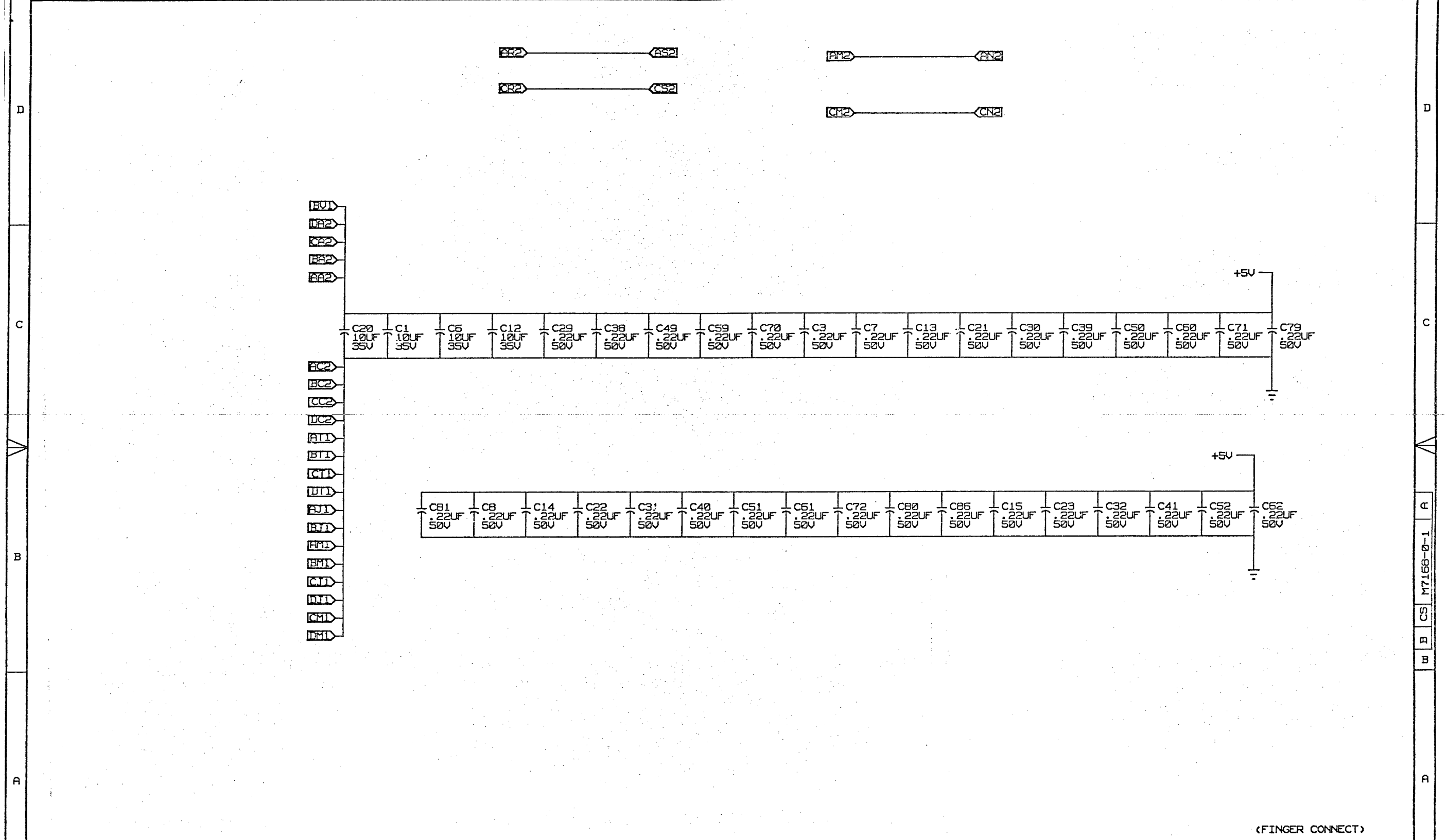


(CONNECTORS)

THIS DRAWING AND SPECIFICATIONS ARE THE PROPERTY OF DIGITAL EQUIPMENT CORPORATION. IT IS TO BE USED ONLY FOR THE PROJECT AND FOR WHICH IT WAS PREPARED. IT IS NOT TO BE REPRODUCED OR TRANSMITTED IN ANY FORM OR BY ANY MEANS, ELECTRONIC OR MECHANICAL, INCLUDING PHOTOCOPYING, RECORDING, OR BY ANY INFORMATION STORAGE AND RETRIEVAL SYSTEM, WITHOUT PERMISSION IN WRITING FROM DIGITAL EQUIPMENT CORPORATION.

REV	CHG	NO.	REV

digital	DESIGNER	PAT BENOIT	DATE	7-NOV-85	DRN	CARL SHIPPEE	DATE	7-NOV-85	TITLE	QDSS 4PLANE UPGRADE					
	CHECKED	PAT BENOIT	DATE	7-NOV-85	BOARD LOCATION		SHEET	18	OF	20					
					TOP DOCUMENT NUMBER	B-DD-M7168-0-0		SIZE	B	CODE	CS	NUMBER	M7168-0-1	REV.	A



(FINGER CONNECT)

FOR DRAWING AND SCHEMATIC OPTIONS
 DIGITAL EQUIPMENT CORPORATION
 1985

REVISION	
CHK	CHANGE NO. REV

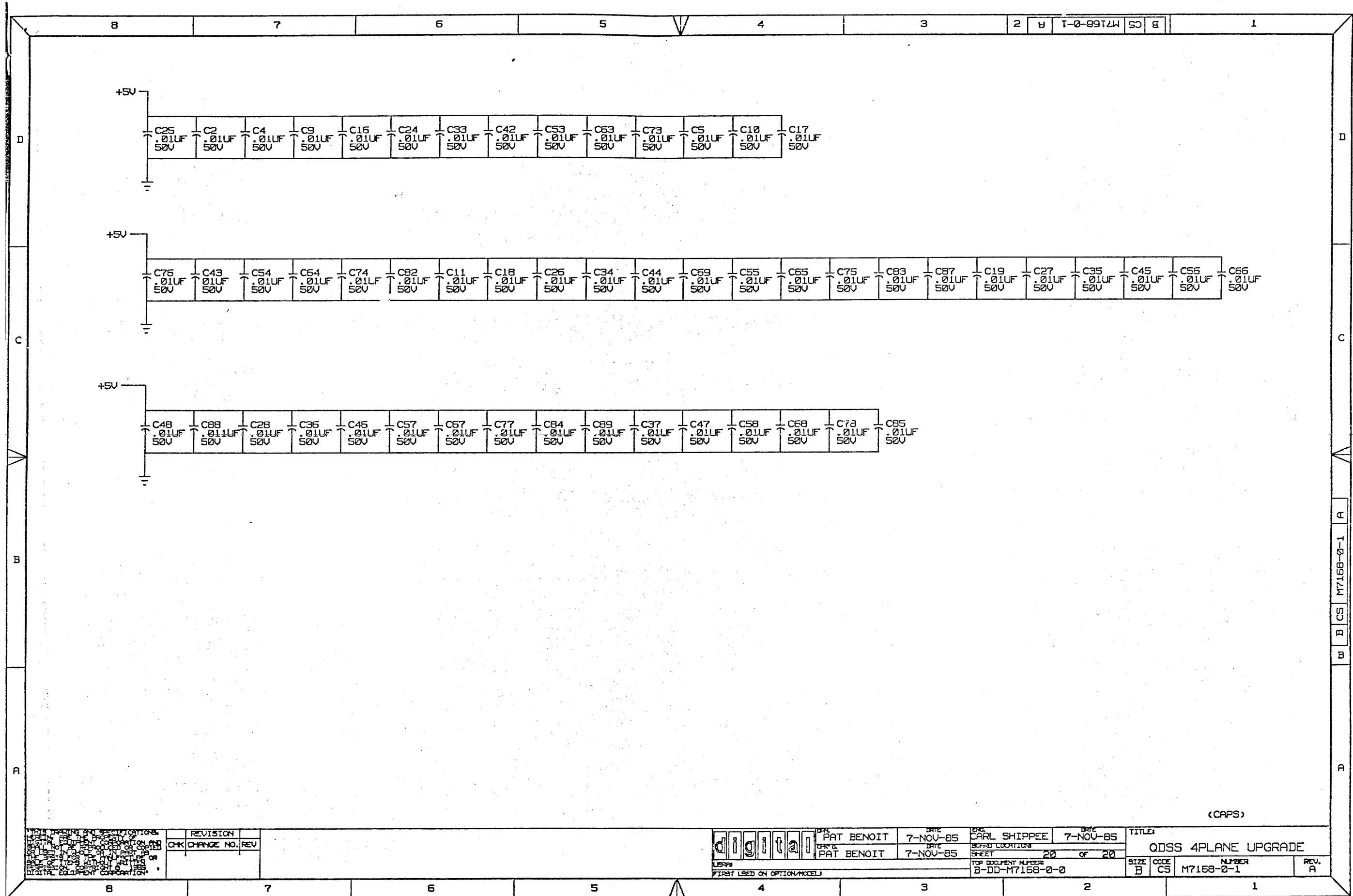
DATE	BY	DATE	BY
7-NOV-85	PAT BENOIT	7-NOV-85	CARL SHIPPEE
7-NOV-85	PAT BENOIT	7-NOV-85	CARL SHIPPEE

digital
 FIRST USED ON OPTION MODEL

TOP DOCUMENT NUMBER
 B-DD-M7168-0-0

SHEET 19 OF 20

TITLE			
QDSS 4PLANE UPGRADE			
SIZE	CODE	NUMBER	REV.
B	CS	M7168-0-1	A



(CAPS)

THIS DRAWING AND SPECIFICATIONS ARE THE PROPERTY OF DIGITAL EQUIPMENT CORPORATION. NO PART OF THIS DRAWING OR SPECIFICATIONS IS TO BE REPRODUCED OR TRANSMITTED IN ANY FORM OR BY ANY MEANS, ELECTRONIC OR MECHANICAL, INCLUDING PHOTOCOPYING, RECORDING, OR BY ANY INFORMATION STORAGE AND RETRIEVAL SYSTEM, WITHOUT PERMISSION IN WRITING FROM DIGITAL EQUIPMENT CORPORATION.

REVISION	
CHK	CHANGE NO. REV

digital
 FIRST USED ON OPTION/MODEL

DESIGNED BY	PAT BENOIT	DATE	7-NOV-85
CHECKED BY	PAT BENOIT	DATE	7-NOV-85

ENGR	CARL SHIPPEE	DATE	7-NOV-85
BOARD LOCATION		SHEET 20 OF 20	
TOP DOCUMENT NUMBER B-DD-M7168-0-0			

TITLE: QDSS 4PLANE UPGRADE			
SIZE	CODE	NUMBER	REV.
B	CS	M7168-0-1	A

DRAWING NO.	NO. OF SHTS.	PART NO.	DESCRIPTION	REVISIONS															
				A1	B1	C1	C2	D2	D3										
		M7169-00	QDSS BASE MODULE BOARD	A	B	C	C	D	E										
D-UA-M7169-0-0	1		QDSS BASE MODULE UNIT ASSEMBLY	A	B	C	C	D	E										
B-CS-M7169-0-1	20		QDSS BASE MODULE SCHEMATIC	A	B	INA	INA	INA	INA										
K-PL-M7169-0-DBP	3		QDSS BASE MODULE PARTS LIST	A	B	C	D	E	F										
K-PC-M7169-0-DBJ	1		P.C. DESIGN DATA BASE	E	E	E	E	E	E										
		5016779-01	ETCHED CIRCUIT BOARD	E1	E1	E1	E1	E1	E1										
B-DD-5016779-0-0	1		DRAWING DIRECTORY	A	A	A	A	A	A										
K-CS-M7169-0-DBX	1		VALID DATA BASE	A	B	C	C	D	E										
K-CS-M7169-0-1	20		QDSS BASE MODULE SCHEMATIC			C	C	D	E										

NOTES:

REVISION HISTORY		REV.	A	B	C	D	E	F
DATE	ECO NO.							
10/85	INIT							
3/86	M7169 MLO01							
1/87	M7169 MLO02							
6/87	M7169 MLO03							
7/87	M7169 MLO04							
1/88	M7169 MLO05							

THIS DRAWING AND THE SPECIFICATIONS CONTAINED HEREIN ARE CONFIDENTIAL AND PROPRIETARY. THEY ARE THE PROPERTY OF DIGITAL EQUIPMENT CORPORATION AND SHALL NOT BE REPRODUCED OR COPIED OR USED IN WHOLE OR IN PART AS THE BASIS FOR THE MANUFACTURE OR SALE OF ITEMS WITHOUT WRITTEN PERMISSION. THIS IS AN UNPUBLISHED WORK PROTECTED UNDER THE FEDERAL COPYRIGHT LAWS. 1985



DRN. E. LANDRY	DATE 10/7/85	TITLE	
CHK'D B. CORMIER	DATE 10/7/85	QDSS BASE MODULE	
DES. ENG. C. SHIPPEE	DATE 1-7/85	DOCUMENT NUMBER	
RESP. ENG. [Signature]	DATE 11/6/85	SIZE B	CODE DD
MFG. ENG. Tom Cannon	DATE 11/6/85	NUMBER M7169-0-0	
		REV. F	
		SHEET 1 OF 1	

THIS DRAWING AND SPECIFICATIONS, HEREIN, ARE THE PROPERTY OF DIGITAL EQUIPMENT CORPORATION AND SHALL NOT BE REPRODUCED OR COPIED OR USED IN WHOLE OR IN PART AS THE BASIS FOR THE MANUFACTURE OR SALE OF ITEMS WITHOUT WRITTEN PERMISSION.
 COPYRIGHT © 1986 DIGITAL EQUIPMENT CORPORATION

REWORK INSTRUCTIONS

- COMPONENT ADDS SIDE 1 (AS SHOWN)
 1-1 MOUNT C139 ACROSS E41 FROM E41-1 TO E41-8
 2-1 MOUNT C112 ACROSS E39-14 AND E39-15
 KEEP LEAD LENGTH AS SHORT AS POSSIBLE.
 2-2 MOUNT C113 ACROSS E39-16 AND E39-20
 KEEP LEAD LENGTH AS SHORT AS POSSIBLE.

PART DELETES

- 4-1 REMOVE 10C1510-00 REF DES C3
 4-2 REMOVE 13C0365-00 REF DES R9

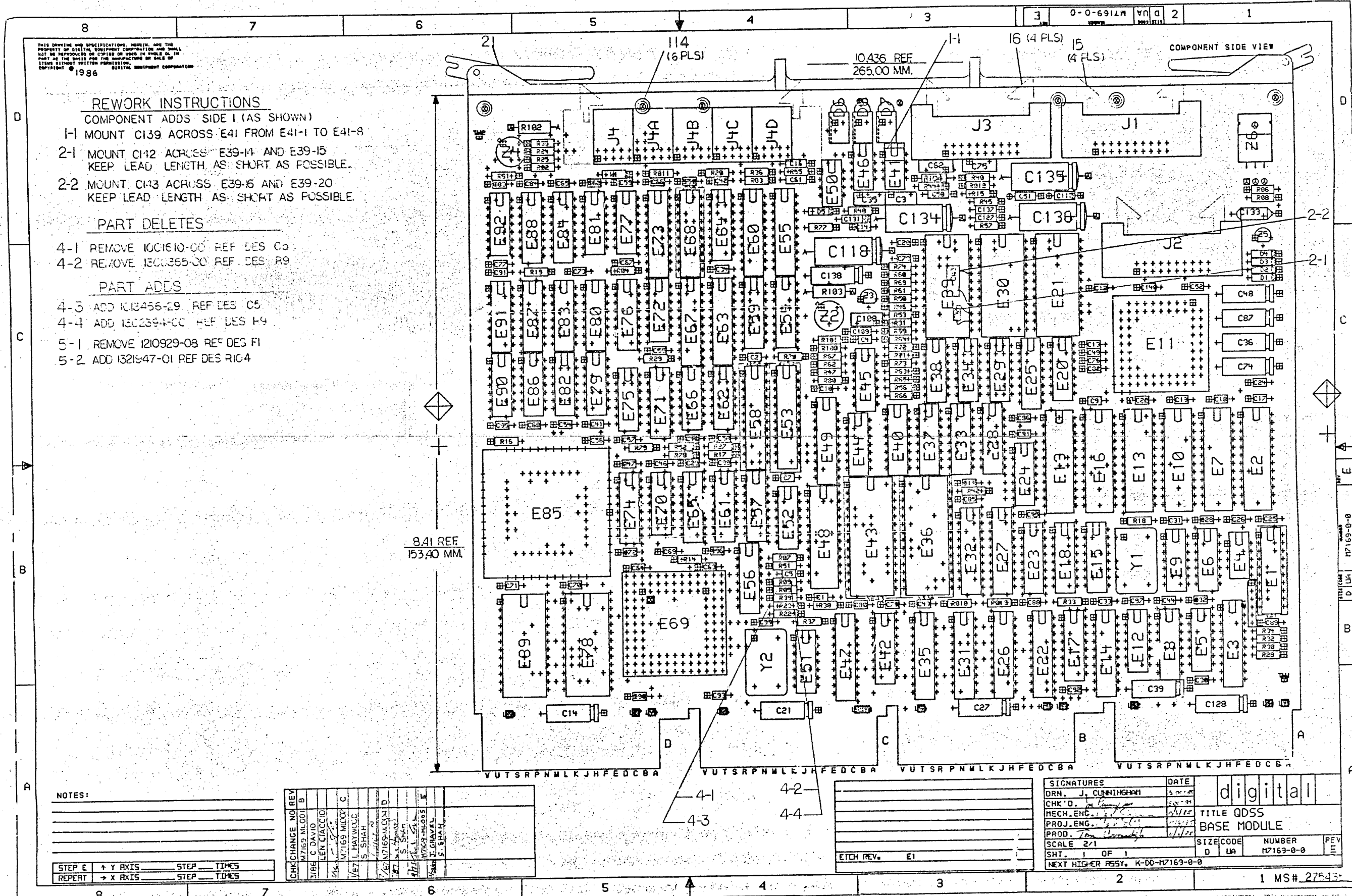
PART ADDS

- 4-3 ADD 10C13456-29 REF DES C5
 4-4 ADD 13C0394-00 REF DES F4
 5-1 REMOVE 12I0929-08 REF DES F1
 5-2 ADD 1321947-01 REF DES R14

NOTES:

STEP E	→ Y AXIS	STEP	TIMES
REPEAT	→ X AXIS	STEP	TIMES

CHK	CHANGE NO	REV
1/16	M7169	ALCOI B
1/16	C DAVID	LEN CIACCIO
1/16	M7169	MILOR C
1/16	L HAYKUC	S SHAIH
1/16	M7169	MILOR D
1/16	M7169	MILOR E
1/16	M7169	MILOR F
1/16	M7169	MILOR G
1/16	M7169	MILOR H
1/16	M7169	MILOR I
1/16	M7169	MILOR J
1/16	M7169	MILOR K
1/16	M7169	MILOR L
1/16	M7169	MILOR M
1/16	M7169	MILOR N
1/16	M7169	MILOR O
1/16	M7169	MILOR P
1/16	M7169	MILOR Q
1/16	M7169	MILOR R
1/16	M7169	MILOR S
1/16	M7169	MILOR T
1/16	M7169	MILOR U
1/16	M7169	MILOR V
1/16	M7169	MILOR W
1/16	M7169	MILOR X
1/16	M7169	MILOR Y
1/16	M7169	MILOR Z



SIGNATURES		DATE	digital
DRN. J. CUNNINGHAM		5/22/86	
CHK'D.		5/22/86	TITLE QDSS
MECH. ENG.		5/22/86	BASE MODULE
PROJ. ENG.		5/22/86	SIZE CODE
PROD. Tom		5/22/86	NUMBER
SCALE 2:1			D UA M7163-0-0
SHT. 1 OF 1			REV
NEXT HIGHER ASSY. K-00-M7169-0-0			E

ETCH REV. E1

AUTOMATED BY VAXKPL (V1.3)

PARTS LIST

SHEET A1 OF A3

LINE ITEM	TOP DOCUMENT	PART NUMBER	MIN REV	DESCRIPTION	QTY PER VAR/REV	REFERENCE DESIGNATORS
					00	
					D2	
1	1 B-DD-5016779-0-0	50-16779-01		CIRCUIT DRILL AND ETCH BOARD	1	
2		10-00011-00		47 PFD 100V +/- 5% 200PP	2	C62,C75
3		10-00055-00 A		2200 PFD 250V +/-20% Y5S	3	C3,C35,C143
4		10-01610-00		0.010MFD 50V +80/-20% Z5U C	5	C1,C13,C20,C49,C76
5		10-01776-00		1.0 MFD 35V +/-10% S0L	1	C133
6		10-10274-05		1.0 MFD 50V +80/-20% Z5U C	1	C108
7		10-12084-03		150 MFD 15V +75/-10% ALU	4	C118,C134-C136
8		10-13466-02		18 PFD 50V +/- 5% NPO C	3	C127,C131,C137
9		10-13466-09		1000 PFD 50V +/-10% X7R C	1	C16
10		10-13466-22		0.10 MFD 50V +80/-20% Z5U C	6	C50,C51,C61,C109,C117,C139
11		10-14265-00		0.22 MFD 50V +80/-20% Z5U C	72	C2,C4,C7,C9,C10,C12,C15, CONT C17-C19,C22,C24-C26,C28-C34, CONT C40-C47,C52-C60,C63-C73, CONT C77-C86,C88-C93,C95-C99,C140, CONT C141 C14,C21,C27,C36,C39,C48,C74, CONT C87,C128,C138
12		10-17472-00		10 MFD 35V +75/-10% ALU	10	D1-D5 D6-D8
13		11-05275-00		PIV= 60 IO=300 MA -15NS	5	
14		11-17373-01		LED ASSY RED	3	
15		12-09941-03		PCB,HEADER LATCH	4	
16		12-09941-04		PCB,HEADER LATCH	4	
17		12-09941-07		PCB,HEADER 50PIN(2X25).100CC 90D	1	J4
18		12-09941-13		PCB,HEADER 19PIN(2X10).100CC 90D	2	J1,J2
19		12-09941-14		PCB,HEADER,20PIN(2X10).100CC 90D	1	J3
20		12-10929-08		FUSE PICO 1.50 A 125V AXIAL LEA	1	F1
21		12-13113-03		HANDLE,MODULE	1	
22		12-15006-04		SKT,IC 20PIN DIP TIN SOLD	2	XE1,XE68
23		12-15006-07		SKT,IC 28PIN DIP TIN SOLD	2	XE36,XE43
24		12-15006-13		SKT,IC 24PIN DIP TIN SOLD	2	XE53,XE58
25	SEE NOTE 2	12-22741-03		SW,DIP 04POS F	1	E4
26		13-00005-05		R. NET 82.0 -13 5.0	5	E20,E24,E29,E34,E38
27		13-00179-00		15.0 .50 W 5.0 % CF	1	R102

REVISION HISTORY			KPL MODULE FORMAT		SECTION A OF A	DRN: J. CUNNINGHAM	DIGITAL			
ENG	ECO NUMBER	REV	SECTION/VARIATION INDEX		DATE: 04-FEB-85	CHK'D: D. DROZD	TITLE PARTS LIST			
			[A]	00	[M]	DATE: 04-FEB-85	QDSS BASE MODULE			
---	INITIAL	A	[B]		[N]	DES.ENG: C. SHIPPEE	DOCUMENT NUMBER			
LC	M7169-ML001	B	[C]		[P]	DATE: 04-FEB-85	SIZE	CODE	NUMBER	REV
SS	M7169-ML002	C	[D]		[Q]	RESP.ENG.: C. SHIPPEE	K	PL	M7169-0-DBP	E
SS	M7169-ML003	D	[E]		[R]	DATE: 24-OCT-85	RELEASE DATE: 01-SEP-87			
SS	M7169-ML004	E	[F]		[S]	MFG.ENG: T. CAVANAUGH	RELEASE STATUS: RELEASED			
			[G]		[T]	DATE: 24-OCT-85				
			[H]		[U]					
			[I]		[V]					
			[J]		[W]					
			[K]		[X]					
			[L]		[Y]					
			BASIC PART NUMBER: M7169		ASSEMBLY NUMBER: D-MD-M7169-0-0	TOP DOCUMENT NUMBER: K-DD-M7169-0-0	FILE NAME: ML890E.PLS	EDIT # 7		

"THIS DRAWING AND THE SPECIFICATIONS CONTAINED HEREIN ARE CONFIDENTIAL AND PROPRIETARY. THEY ARE THE PROPERTY OF DIGITAL EQUIPMENT CORPORATION AND SHALL NOT BE REPRODUCED OR COPIED OR USED IN WHOLE OR IN PART AS THE BASIS FOR THE MANUFACTURE OR SALE OF ITEMS WITHOUT WRITTEN PERMISSION THIS IS AN UNPUBLISHED WORK PROTECTED UNDER THE FEDERAL COPYRIGHT LAWS."

AUTOMATED BY VAXKPL (V1.3)

PARTS LIST

SHEET A2 OF A3

LINE	ITEM	TOP DOCUMENT	PART NUMBER	MIN REV	DESCRIPTION	QTY	PER VAR/REV	REFERENCE DESIGNATORS
						00		
						D2		
28	28		13-00195-00	33.0	.50 W 5.0 % CF	1		R103
29	29		13-00197-00	33.0	.25 W 5.0 % CF	4		R47,R52,R78,R79
30	30		13-00229-00	100.0	.25 W 5.0 % CF	2		R22,R23
31	31		13-00271-00	220.0	.25 W 5.0 % CF	1		R101
32	32		13-00316-00	470.0	.25 W 5.0 % CF	2		R15,R44
33	33		13-00365-00	1.0 K	.25 W 5.0 % CF	9		R5,R10,R13,R14,R16,R18,R19,R51, CONT R80
34	34		13-00447-00	4.70 K	.25 W 5.0 % CF	2		R7,R39
35	35		13-00479-00	10.0 K	.25 W 5.0 % CF	8		R28,R30,R32-R34,R45,R48,R57
36	36		13-01322-00	180.0	.25 W 5.0 % CF	9		R3,R4,R11,R17,R20,R27,R29,R38, CONT R42
37	37		13-01424-00	680.0	.25 W 5.0 % CF	1		R37
38	38		13-02391-00	20.0 K	.25 W 5.0 % CF	2		R12,R40
39	39		13-02466-00	100.0 K	.25 W 5.0 % CF	1		R36
40	40		13-02957-00	121.0	.25 W 1.0 % RN55D-F10	1		R6
41	41		13-03064-00	75.0	.25 W 1.0 % RN55D-F10	5		R60,R61,R69,R70,R77
42	42		13-04805-00	750.0	.25 W 1.0 % RN55C-F 5	1		R100
43	43		13-04854-00	5.11 K	.25 W 1.0 % RN55D-F10	1		R73
44	44		13-04857-00	237.0	.25 W 1.0 % RN55D-F10	1		R81
45	45		13-04866-00	2.0 K	.25 W 1.0 % RN55D-F10	3		R31,R59,R64
46	46		13-10633-00	2.55 K	.25 W 1.0 % RN55D-F10	1		R53
47	47		13-11522-00	200.0	.25 W 5.0 % CF	3		R24,R25,R35
48	48		13-12930-00	5.10 K	.25 W 5.0 % CF	4		R62,R67,R71,R72
49	49		13-13349-00	33.0 K	.25 W 5.0 % CF	1		R55
50	50		13-13581-00	110.0	.25 W 1.0 % RN55D-F10	1		R63
51	51		13-13588-00	768.0	.25 W 1.0 % RN55D-F10	1		R82
52	52		13-18150-73	37.40	.25 W 1.0 % RN55D-F10	3		R56,R65,R66
53	53		13-18150-92	73.20	.25 W 1.0 % RN55D-F10	1		R8
54	54		13-20400-01		R. NET MULTI VALUE SPEC-18 2.0	2		E15,E18
55	55		13-21219-01		R. NET 330.0 - 4 680.0 - 4 2.0	1		Z1
56	56		13-21855-04	2.23 K	.25 W 0.1 % RN55E-B 2	3		R46,R50,R74
57	57		18-11660-52		OSCILLATOR, XTAL 3.6864 MHZ	1		Y2
58	58		18-11660-61		OSCILLATOR, XTAL 69.1968 MHZ	1		Y1
59	59		19-10532-00		74S00 NAND GATE-QUAD 2IN	1		E77
60	60		19-10545-00		74S112 FF-JK DUAL,EDGE TRIG	4		E57,E71,E76,E83
61	61		19-11469-00		DEC 8640 RECEIVER,BUS,QUAD,UN	1		E5
62	62		19-11675-00		74S138 DECODER/DEMUX 3-8 LI	1		E23
63	63		19-11914-01		555-1 TIMER FUNCT.BLOCK,5	1		E41
64	64		19-12108-00		LM339 VOLT CMPRTR,QUAD	1		E45
65	65		19-12389-00		74S08 AND GATE-QUAD 2IN,PO	1		E92
66	66		19-12697-00		LS174 FF-D HEX W/CLEAR	1		E42
67	67		19-12799-00		LS00 NAND-GATE-QUAD 2IN,P	1		E51
68	68		19-12801-00		LS02 NOR-GATE-QUAD 2IN	1		E6
69	69		19-12803-00		LS04 INVERTER GATE,HEX	2		E52,E75
70	70		19-12805-00		LS08 AND GATE-QUAD 2IN,PO	2		E12,E79
71	71		19-12807-00		LS10 NAND GATE-TRIPLE 3IN	1		E44
72	72		19-12816-00		LS32 OR GATE-QUAD 2IN,POS	1		E70
73	73		19-12824-00		LS74 FF-D DUAL,EDGE TRIGG	1		E82
74	74		19-14082-00		74S163 COUNTER,SYNCH UP/DOW	1		E87
75	75		19-14987-00		8641-2 TRANSCEIVER,UNIBUS,	2		E8,E17

! ! ! ! ! TITLE

QDSS BASE MODULE

SECTION A OF A

! SIZE ! CODE ! DOCUMENT NUMBER ! REV !
! K ! PI ! M7169-0-DBP ! E !

AUTOMATED BY VAXKPL (V1.3)

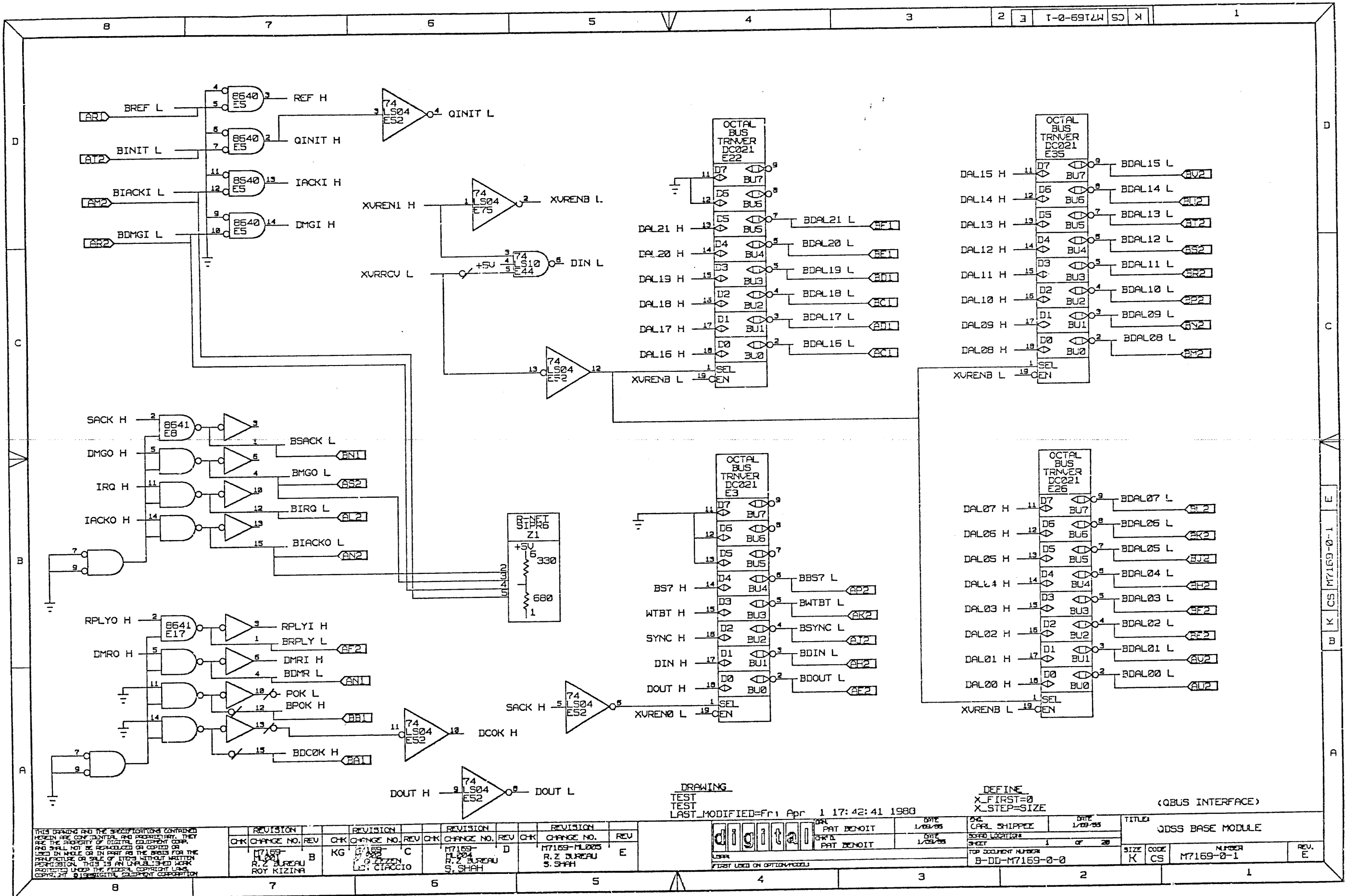
PARTS LIST

SHEET A3 OF A3

LINE	ITEM	TOP DOCUMENT	PART NUMBER	MIN REV	DESCRIPTION	QTY PER VAR/REV	REFERENCE DESIGNATORS
						00 D2	
76	76		19-15193-00		LS244 DRIVER, LINE, OCTAL, TR	1	E31
77	77		19-15219-00		LS373 FF-D OCTAL-TRANSPARE	1	E47
78	78		19-15415-00		9636 DRIVER, DUAL, EIA RS-4	1	E50
79	79		19-16244-02		LM317H VOLT REG, VAR	2	Z2, Z4
80	80		19-17001-00		337 VOLT REG, VAR -1/-37V	1	Z6
81	81		19-17207-01		10422 RAM, 256X4	6	E2, E7, E10, E13, E16, E19
82	82		19-19006-00	LM	336A VOLT REF. 2.49V 1%	1	Z3
83	83		19-19015-00	DC	021 BUS TRANSCEIVER, 20PI	4	E3, E22, E26, E35
84	84		19-19542-01		9639 RECEIVER, LINE, DUAL	1	E46
85	85		19-20442-01		74F374 FF-D, OCTAL, TRI-STATE	5	E55, E60, E63, E67, E73
86	86		19-20461-01		LS173 REG., D-TYPE 4BIT	1	E40
87	87		19-21305-01		74F00 NAND GATE, QUAD, 2-IN	1	E9
88	88		19-21306-01		74F02 NOR GATE, QUAD, 2-IN	3	E62, E72, E81
89	89		19-21307-01		74F04 HEX INVERTER	1	E66
90	90		19-21308-01		74F08 AND GATE, QUAD, 2-IN	1	E90
91	91		19-21314-01		74F74 FF-D, DUAL, POS., EDGE	1	E86
92	92		19-21320-01		74F157 MUX, QUAD, 2-IN	4	E54, E59, E84, E88
93	93		19-21323-01		74F174 FF-D, HEX	2	E64, E74
94	94		19-21324-01		74F175 FF-D, QUAD	1	E91
95	95		19-21327-01		74F194 SHIFT REG, UNIV, BIDIR	3	E56, E61, E65
96	96		19-21621-01		74ALS573 TRANSPARENT D-TYPE L	2	E27, E32
97	97		19-21786-01		10H176 HEX D-TYPE FLIP-FLOP	4	E25, E28, E33, E37
98	98		19-22163-01		79L12 VOLT REG 12V	1	Z5
99	99		19-22915-01		74ALS688 8-BIT IDENTITY COMPA	1	E14
100	100		19-23437-02		74ALS175 FLIP-FLOP, QUAD-D-TYP	1	E80
101	101		19-24586-01		CONVERTER, D/A 8-BIT	3	E21, E30, E39
102	102		19-24747-02		VIDEO DATA PATH CHIP	1	E11
103	103		19-24940-01		74AS804B HEX 2-INPUT NAND DRI	1	E49
104	104		21-17872-02		RAM 2KX8 I/O MUXD 12	2	E78, E89
105	105		21-20068-02		2681 REC./TRANS., ASYNC., D	1	E48
106	106		21-21553-02	DC	323-CA ADDER II ZMOS	1	E85
107	107		21-24516-01		GATE ARRAY	1	E69
108	108		23-134K5-00	K5-07	PAL	1	E68
109	109		23-153D2-00	D2-03		1	E58
110	110		23-154D2-00	D2-03		1	E53
111	111		23-419E4-00	E4-06		U 1	E36
112	112		23-420E4-00	E4-06		U 1	E43
113	113		37-00689-30		UNIVERSAL MODULE INDIVIDUAL	A/R	
114	114		90-00024-01		EYELET, ROLLED 0.1210DX0.192	6	
115	115		90-09185-00		JUMPER, WIRE, INSULATED, BLACK B	1	W1
116	116		10-00054-00 A	1500	PFD 250V +/-10% Z5P	1	C142
117	117		10-13466-29 A	1500	PFD 50V +/-5% NPO C	1	C5
118	118		13-02394-00 A	30.0 K	.25 W 5.0 % CF	1	R9

1 GEN: 3700689-30 SHALL BE USED AS REQUIRED FOR FIELD SERVICE SPARES.
 2 GEN: PART NUMBER 12-11164-00 IS AN ALLOWABLE SUBSTITUTE FOR ITEM #25 12-22741-03.

D	I	G	I	T	A	L	TITLE	QDSS BASE MODULE	SECTION A OF A	SIZE	CODE	DOCUMENT NUMBER	REV
										K	PL	M7169-0-DBP	E



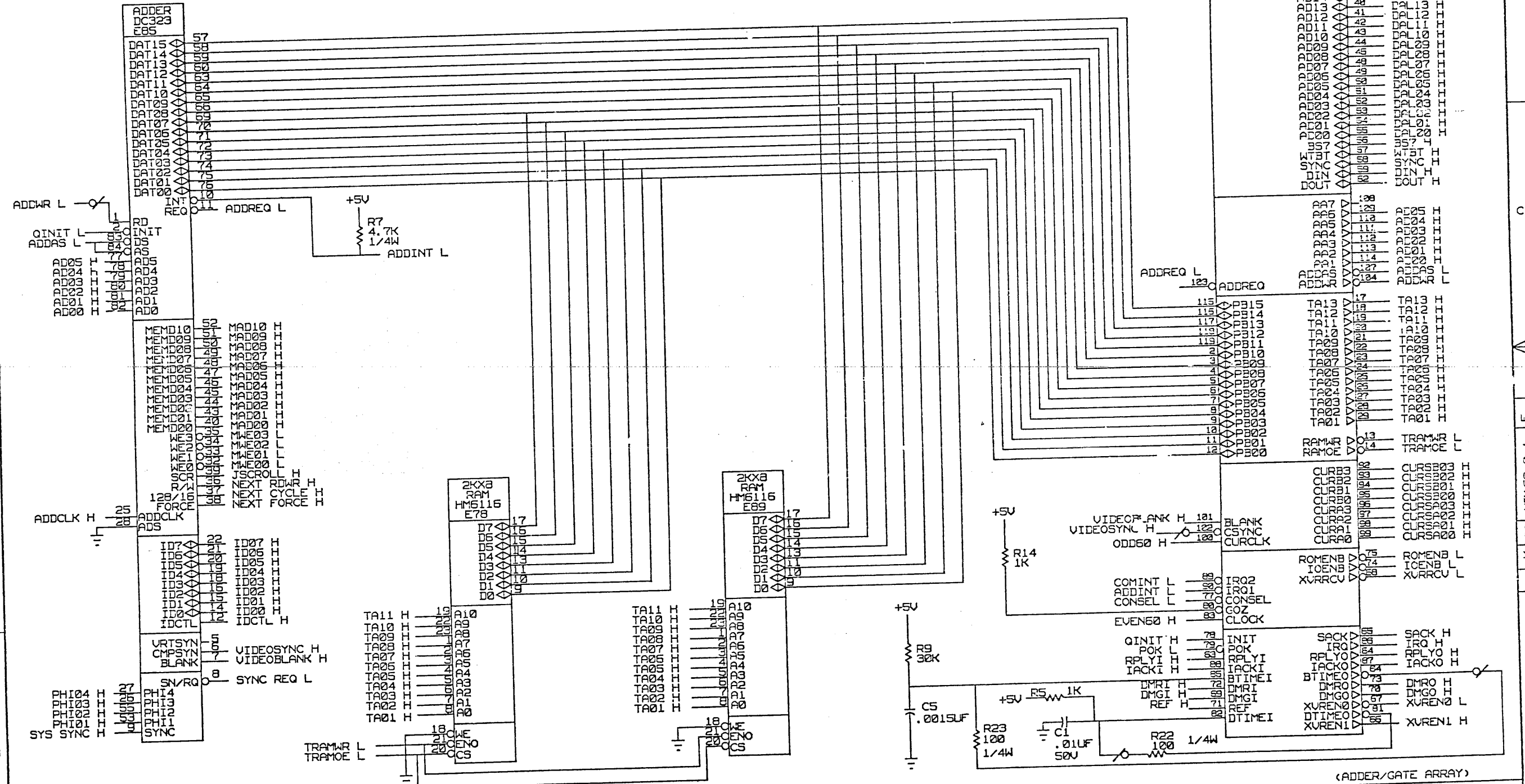
THIS DRAWING AND THE SPECIFICATIONS CONTAINED HEREIN ARE CONFIDENTIAL AND PROPRIETARY. THEY ARE THE PROPERTY OF DIGITAL EQUIPMENT CORP. AND SHALL NOT BE REPRODUCED OR COPIED OR USED IN WHOLE OR IN PART AS THE BASIS FOR THE MANUFACTURE OR SALE OF ITEMS WITHOUT WRITTEN PERMISSION. THIS IS AN UNPUBLISHED WORK PROTECTED UNDER THE PATENT COPYRIGHT LAWS OF THE U.S.A. © 1980 DIGITAL EQUIPMENT CORPORATION

REVISION	REV	CHK	CHANGE NO.	REV	CHK	CHANGE NO.	REV	CHK	CHANGE NO.	REV	CHK	CHANGE NO.	REV
M7169-01	B	KG	1	M7169-01	C	1	M7169-01	D	1	M7169-01	E	1	M7169-01
R. Z. BUREAU ROY KIZINA				L. J. CIPICCO				R. Z. BUREAU S. SHAH					

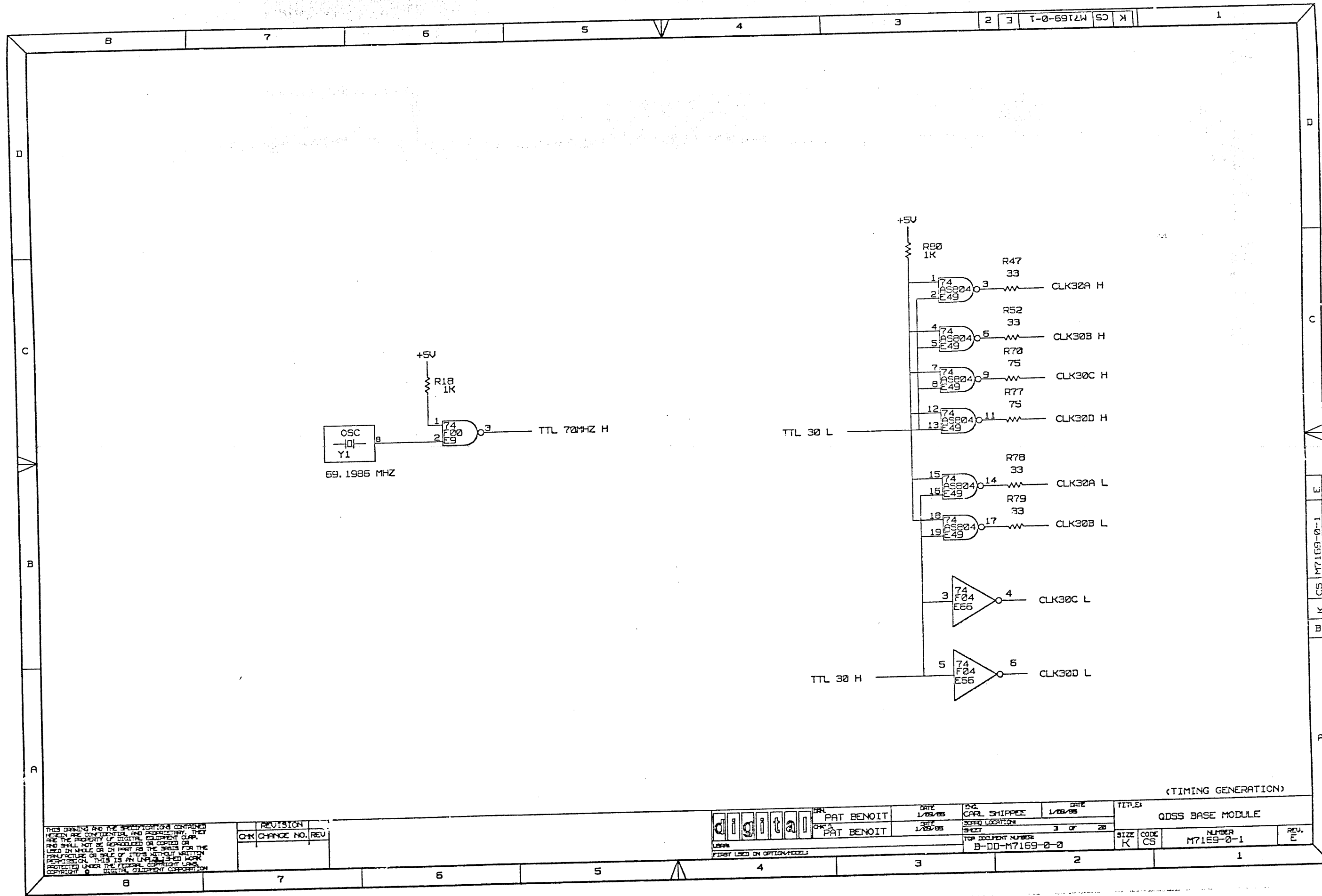
DRAWING
TEST
TEST
LAST_MODIFIED=Fri Apr 1 17:42:41 1980

DEFINE
X_FIRST=0
X_STEP=SIZE
(QBUS INTERFACE)

	DATE	1/08/85	DATE	1/09/85	TITLE	QDSS BASE MODULE	
	BY	PAT BENOIT	BY	PAT BENOIT	SIZE	K CS	
TOP DOCUMENT NUMBER		B-DD-M7169-0-0		NUMBER	M7169-0-1	REV.	E



THIS DRAWING AND THE SPECIFICATIONS CONTAINED HEREIN ARE THE PROPERTY OF DIGITAL CORPORATION. IT IS TO BE USED BY YOU OR BY ANY OTHER PERSON OR ENTITY ONLY IN CONNECTION WITH THE CONTRACT UNDER WHICH IT WAS ISSUED. IT IS NOT TO BE REPRODUCED OR TRANSMITTED IN ANY FORM OR BY ANY MEANS, ELECTRONIC OR MECHANICAL, INCLUDING PHOTOCOPYING, RECORDING, OR BY ANY INFORMATION STORAGE AND RETRIEVAL SYSTEM, WITHOUT THE EXPRESS WRITTEN PERMISSION OF DIGITAL CORPORATION.		REVISION CHG. CHANGE NO. REV.	DATE 1/29/75 DATE 1/29/75	BY CARL SHIPPEE BOARD LOCATION 2 OF 28 SHEET	TITLE QDSS BASE MODULE
digital FIRST USED ON OPTION MODULES	BY PAT BENNETT BY PAT BENNETT	SIZE K CODE CS	NUMBER M7169-0-1	REV. F	(ADDER/GATE ARRAY)



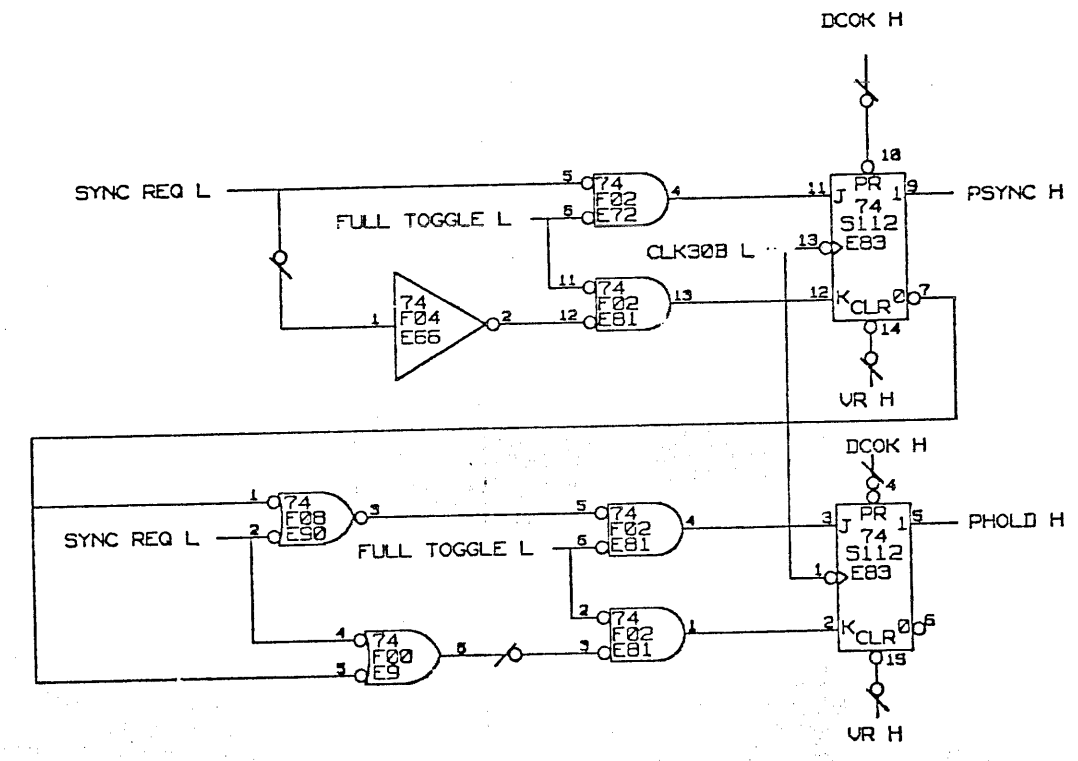
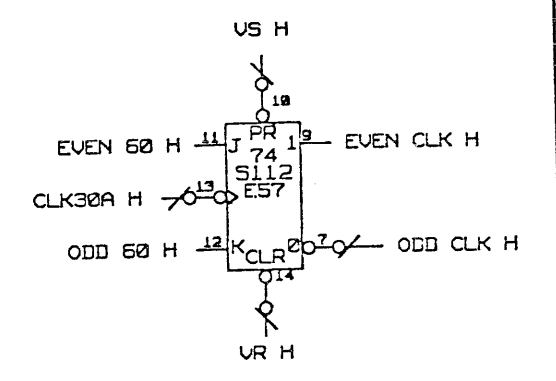
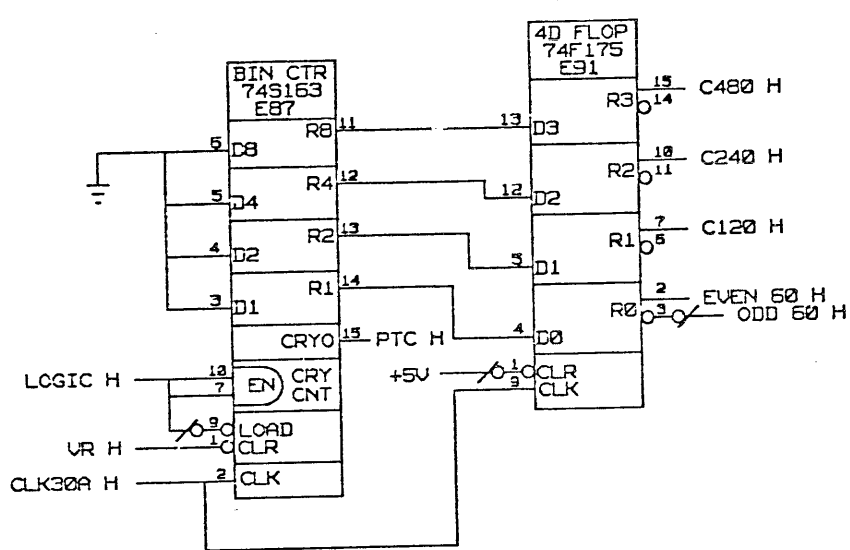
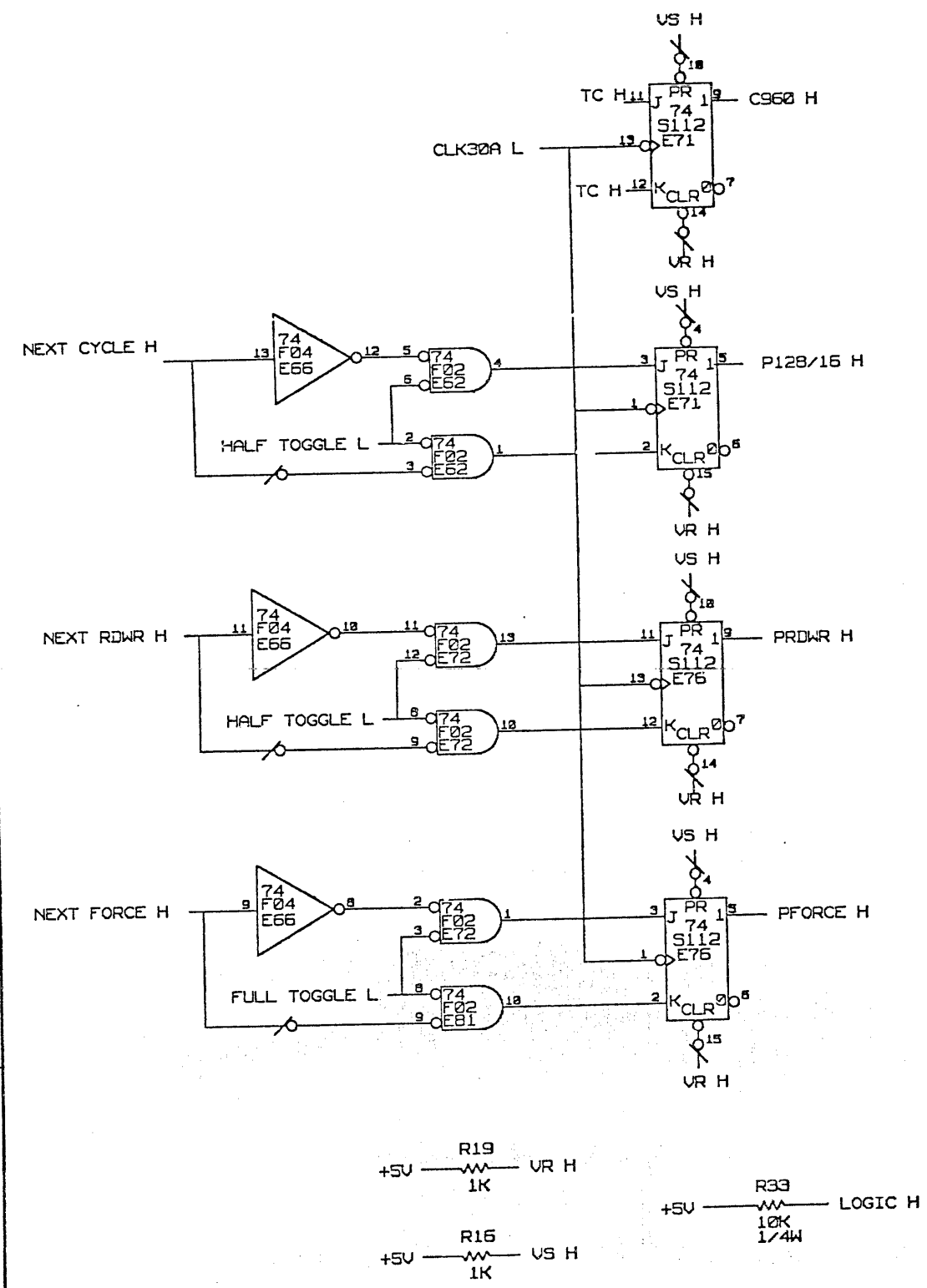
THIS DRAWING AND THE SPECIFICATIONS CONTAINED HEREIN ARE CONFIDENTIAL AND PROPRIETARY. THEY ARE THE PROPERTY OF DIGITAL EQUIPMENT CORP. AND SHALL NOT BE REPRODUCED OR COPIED OR USED IN WHOLE OR IN PART AS THE BASIS FOR THE MANUFACTURE OR SALE OF ITEMS WITHOUT WRITTEN PERMISSION. THIS IS AN UNCLASSIFIED WORK PROTECTED UNDER THE FEDERAL COPYRIGHT LAWS. COPYRIGHT © DIGITAL EQUIPMENT CORPORATION

REVISION	
CHK	CHANGE NO. REV

	DATE 1/28/85 CHK'D PAT BENOIT	DATE 1/28/85 DATE 1/28/85	SGC CARL SHIPPEE BOARD LOCATION 3 OF 28 SHEET	TITLE QDSS BASE MODULE
	FIRST USED ON OPTION MODEL	TOP DOCUMENT NUMBER B-DD-M7169-0-0	SIZE K CODE CS	NUMBER M7169-0-1

(TIMING GENERATION)

E
 B
 K
 CS
 M7169-0-1
 A



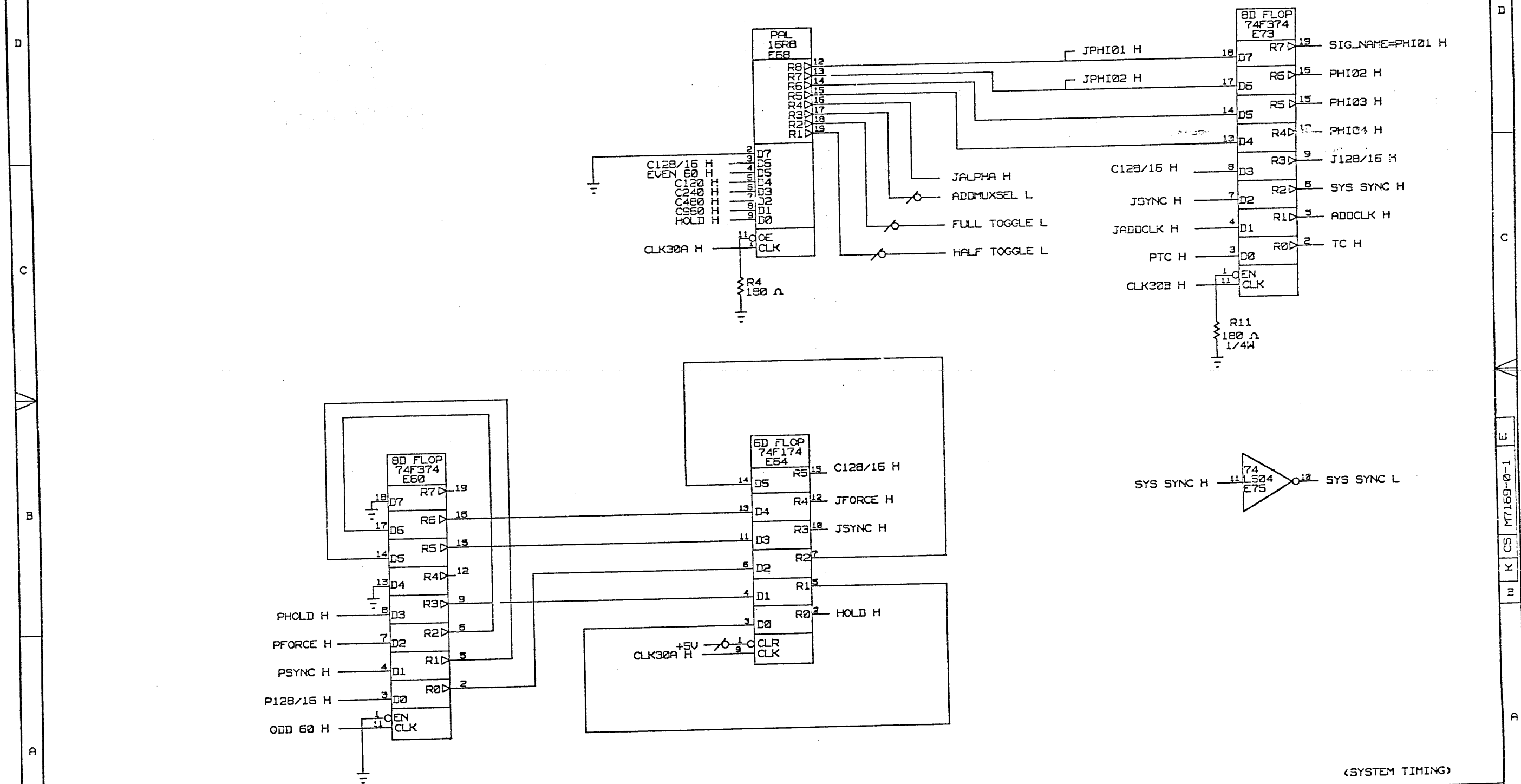
(TIMING SYNCHRONIZER)

THIS DRAWING AND THE SPECIFICATIONS CONTAINED HEREIN ARE CONFIDENTIAL AND PROPRIETARY. THEY ARE THE PROPERTY OF DIGITAL EQUIPMENT CORP. AND SHALL NOT BE REPRODUCED OR COPIED OR USED IN WHOLE OR IN PART AS THE BASIS FOR THE MANUFACTURE OR SALE OF ITEMS WITHOUT WRITTEN PERMISSION. THIS IS AN UNCLASSIFIED WORK PROTECTED UNDER THE FEDERAL COPYRIGHT LAW. COPYRIGHT © DIGITAL EQUIPMENT CORPORATION

REV	CHANGE NO.	REV
7		

DATE	BY	CHK	APP
1/19/85	PAT BENOIT		
1/19/85	PAT BENOIT		

DATE	DATE	TITLE	SIZE	CODE	NUMBER	REV.
1/19/85	1/19/85	QDSS BASE MODULE	K	CS	M7169-0-1	E

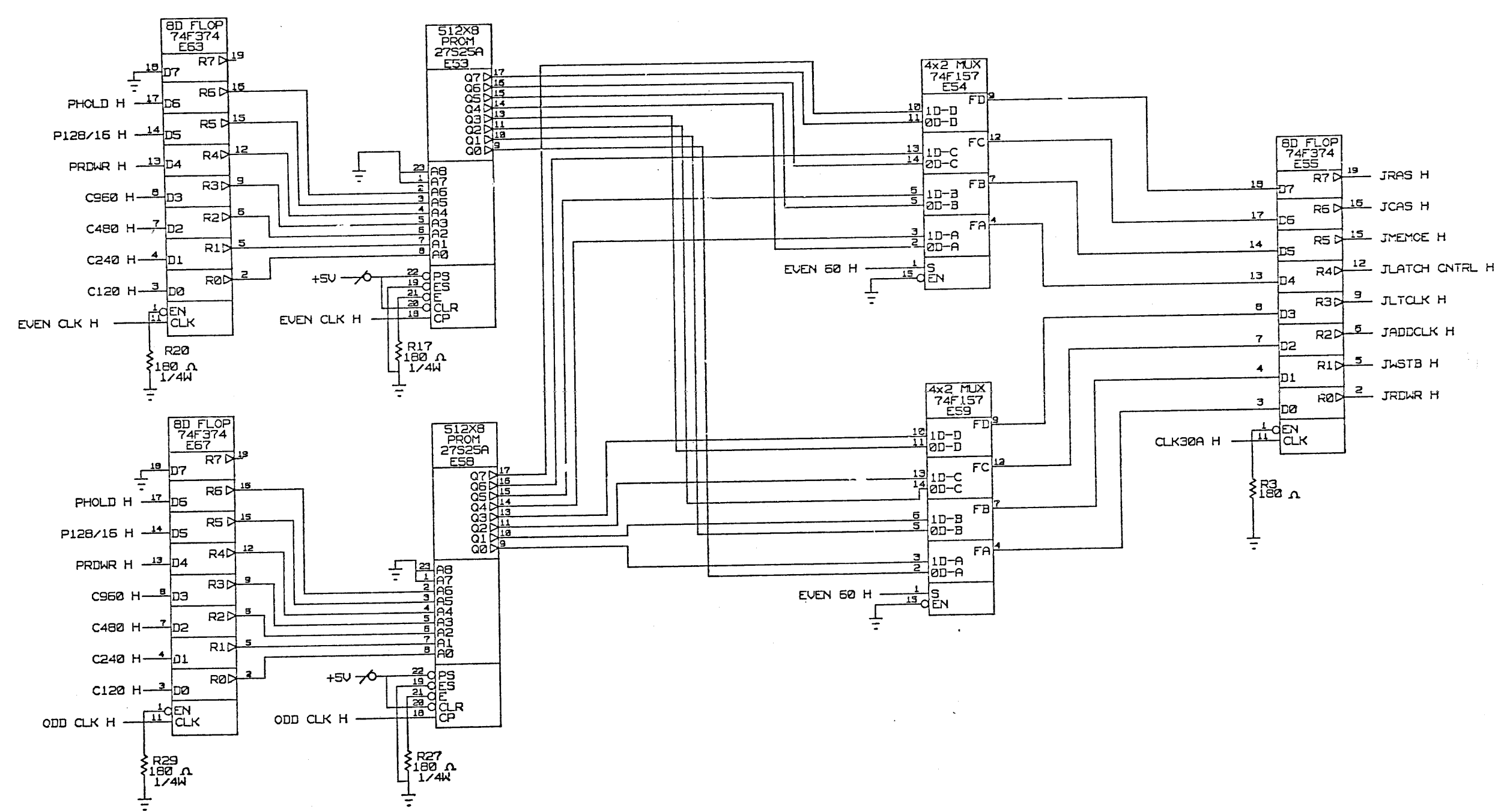


(SYSTEM TIMING)

THIS DRAWING AND THE SPECIFICATIONS CONTAINED HEREIN ARE CONFIDENTIAL AND PROPRIETARY. THEY ARE THE PROPERTY OF DIGITAL EQUIPMENT CORP. AND SHALL NOT BE REPRODUCED OR COPIED OR USED IN WHOLE OR IN PART AS THE BASIS FOR THE MANUFACTURE OR SALE OF ITEMS WITHOUT WRITTEN PERMISSION. THIS IS AN UNCLASSIFIED WORK PROTECTED UNDER THE PATENT AND COPYRIGHT LAWS. COPYRIGHT © DIGITAL EQUIPMENT CORPORATION

REVISION	CHK	CHANGE NO.	REV

	DESIGNED BY	PAT BENOIT	DATE	1/28/85	CHKD BY	DATE	1/28/85	TITLE	QDSS BASE MODULE
	DATE	1/28/85	DATE	1/28/85	BOARD LOCATION	5 of 20	SIZE	K CS	NUMBER
TOP DOCUMENT NUMBER	B-DD-M7169-0-0			REV.	E				



(MEMORY STATE MACHINE)

THIS DRAWING AND THE SPECIFICATIONS CONTAINED HEREIN ARE CONFIDENTIAL AND PROPRIETARY. THEY ARE THE PROPERTY OF DIGITAL EQUIPMENT CORP. AND WILL NOT BE REPRODUCED OR COPIED OR USED IN WHOLE OR IN PART AS THE BASIS FOR THE MANUFACTURE OR SALE OF ITEMS WITHOUT WRITTEN PERMISSION. THIS IS AN UNCLASSIFIED WORK PROVIDED UNDER THE FEDERAL COPYRIGHT LAW. COPYRIGHT © DIGITAL EQUIPMENT CORPORATION

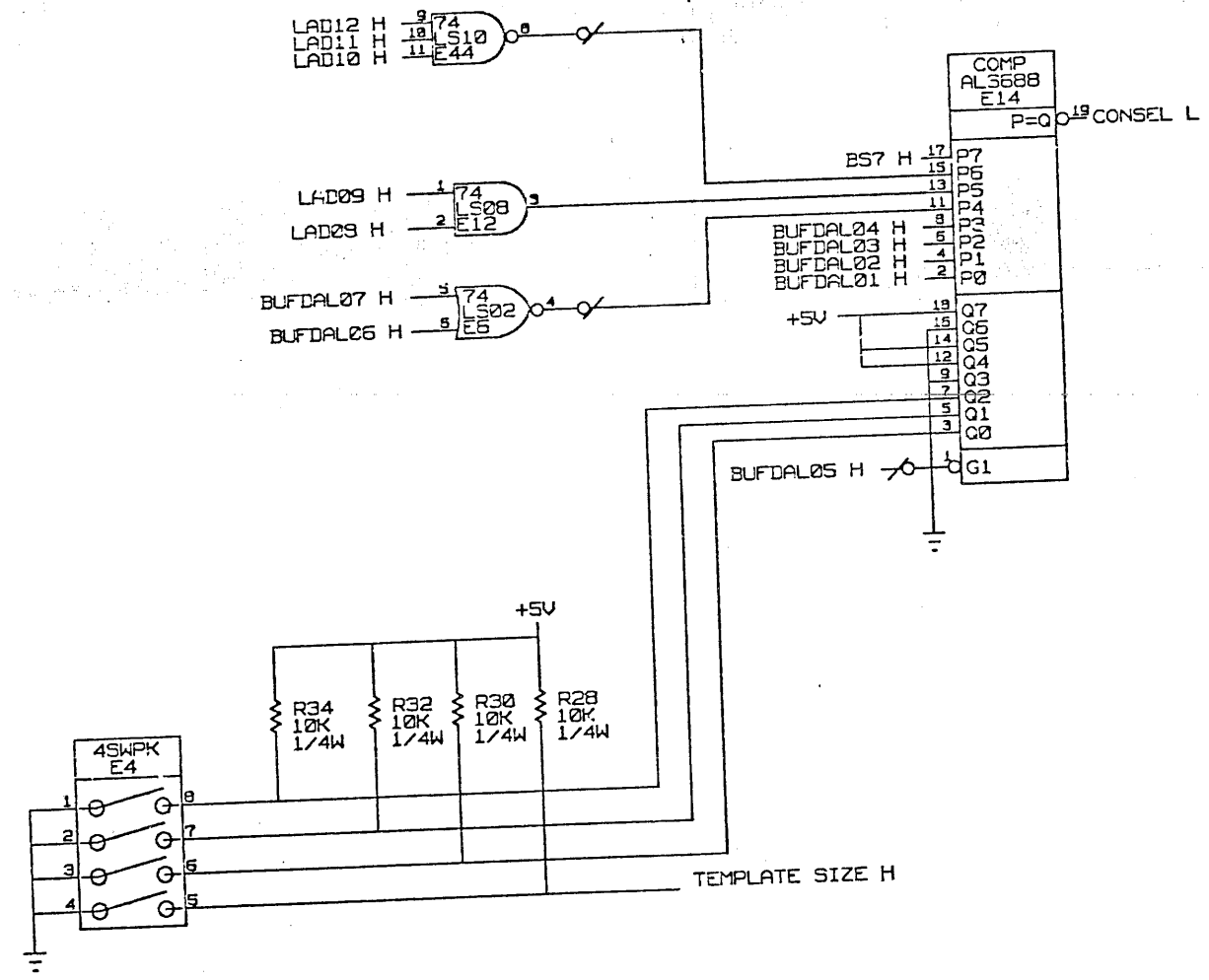
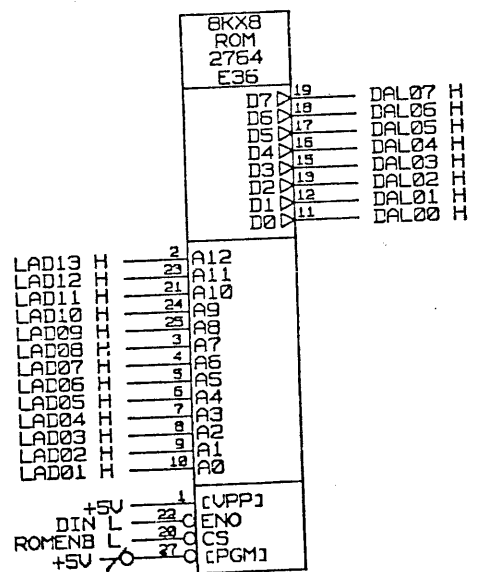
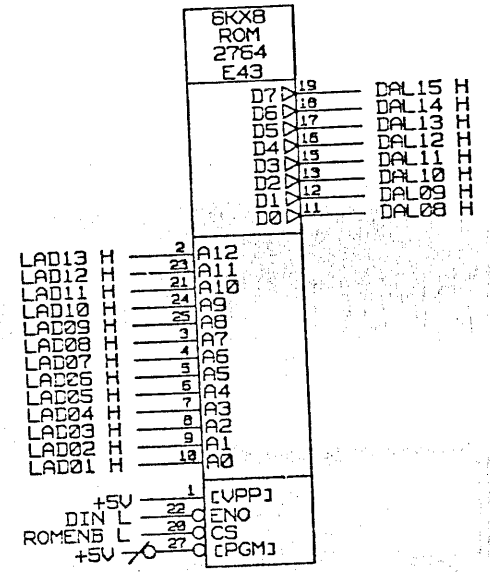
REVISION
CHK CHANGE NO. REV

digital INC. PAT BENOIT
 DATE 1/28/85
 INC. PAT BENOIT
 DATE 1/28/85

DATE 1/28/85
 DATE 1/28/85
 DRG. CARL SHIPPEE
 BOARD LOCATION
 SHEET 8 OF 28
 TOP DOCUMENT NUMBER
 B-DD-M7169-0-0

TITLE: QDSS BASE MODULE
 SIZE CODE NUMBER REV.
 K CS M7169-0-1 E

E
 K
 CS
 M7169-0-1
 A



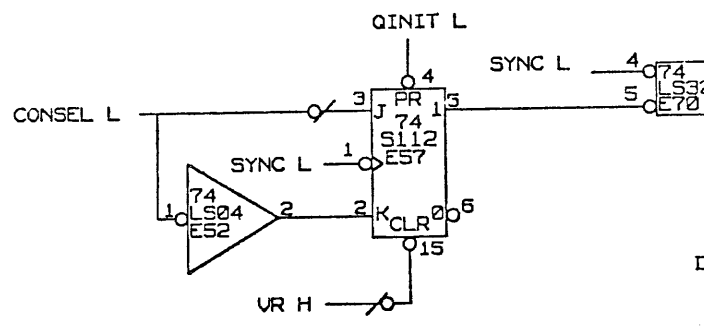
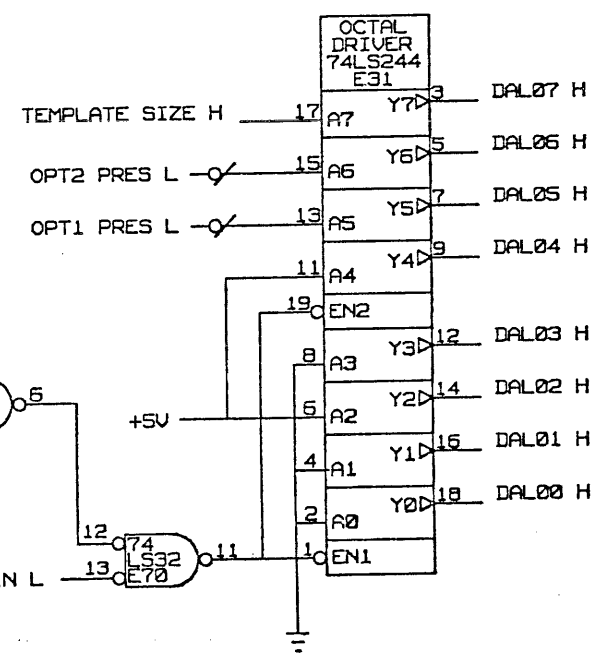
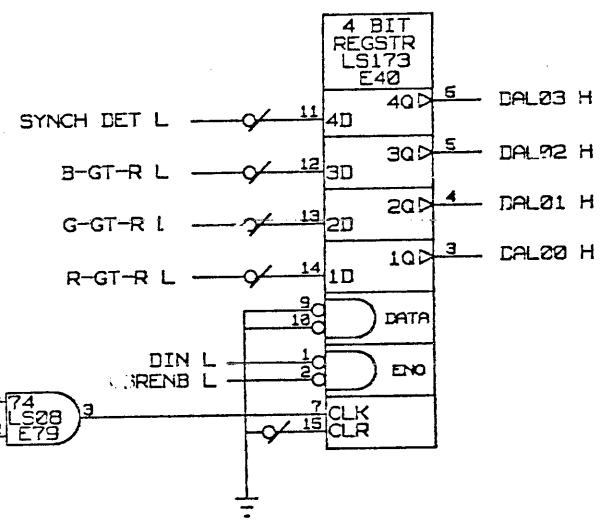
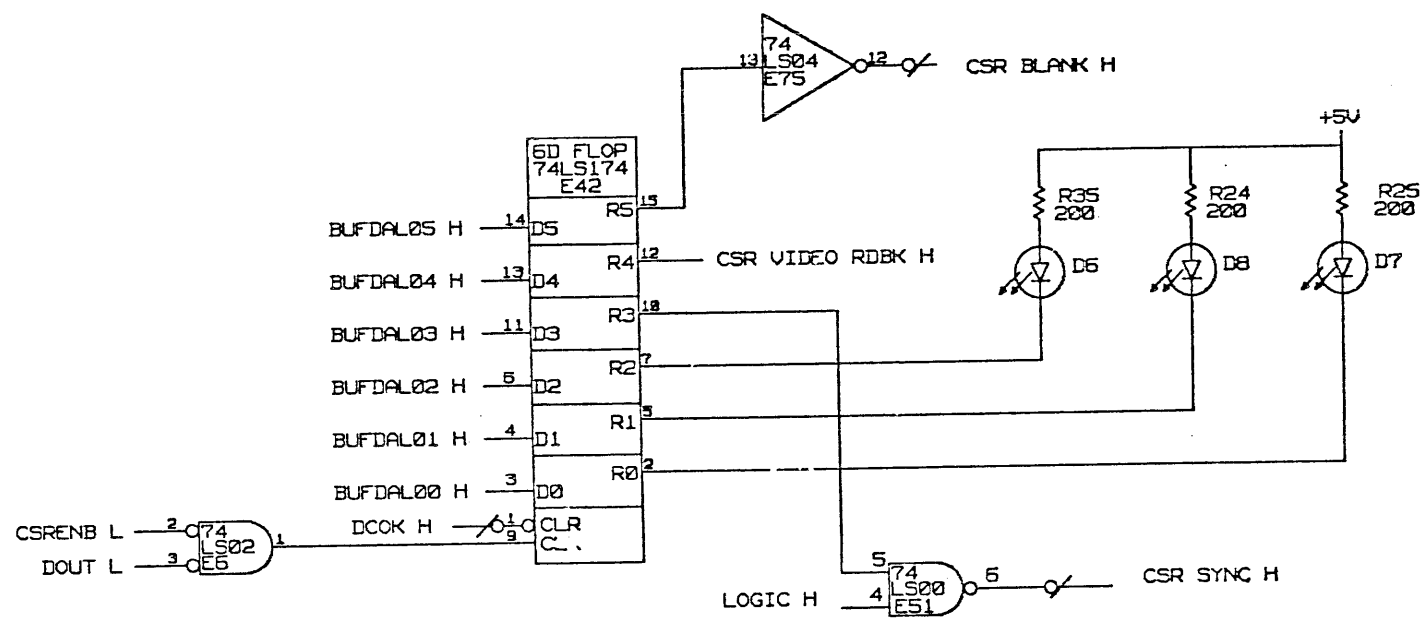
THIS DRAWING AND THE SPECIFICATIONS CONTAINED HEREIN ARE CONFIDENTIAL AND PROPRIETARY. THEY ARE THE PROPERTY OF DIGITAL EQUIPMENT CORP. AND SHALL NOT BE REPRODUCED OR COPIED OR USED IN WHOLE OR IN PART AS THE BASIS FOR THE MANUFACTURE OR SALE OF ITEMS WITHOUT WRITTEN PERMISSION. THIS IS AN UNCLASSIFIED WORK PROTECTED UNDER THE FEDERAL COPYRIGHT LAW. COPYRIGHT © DIGITAL EQUIPMENT CORPORATION

REVISION	
CHK	CHANGE NO. REV

digital
 FIRST USED ON OPTION MODEL

DATE	BY	DATE	BY
1/09/85	PAT BENOIT	1/09/85	CARL SHIPPEE
1/09/85	PAT BENOIT	7 of 26	

TITLE: (ROM / CONSEL DECODE)			
QDSS BASE MODULE			
SIZE	CODE	NUMBER	REV
K	CS	M7169-0-1	E



(CSRs)

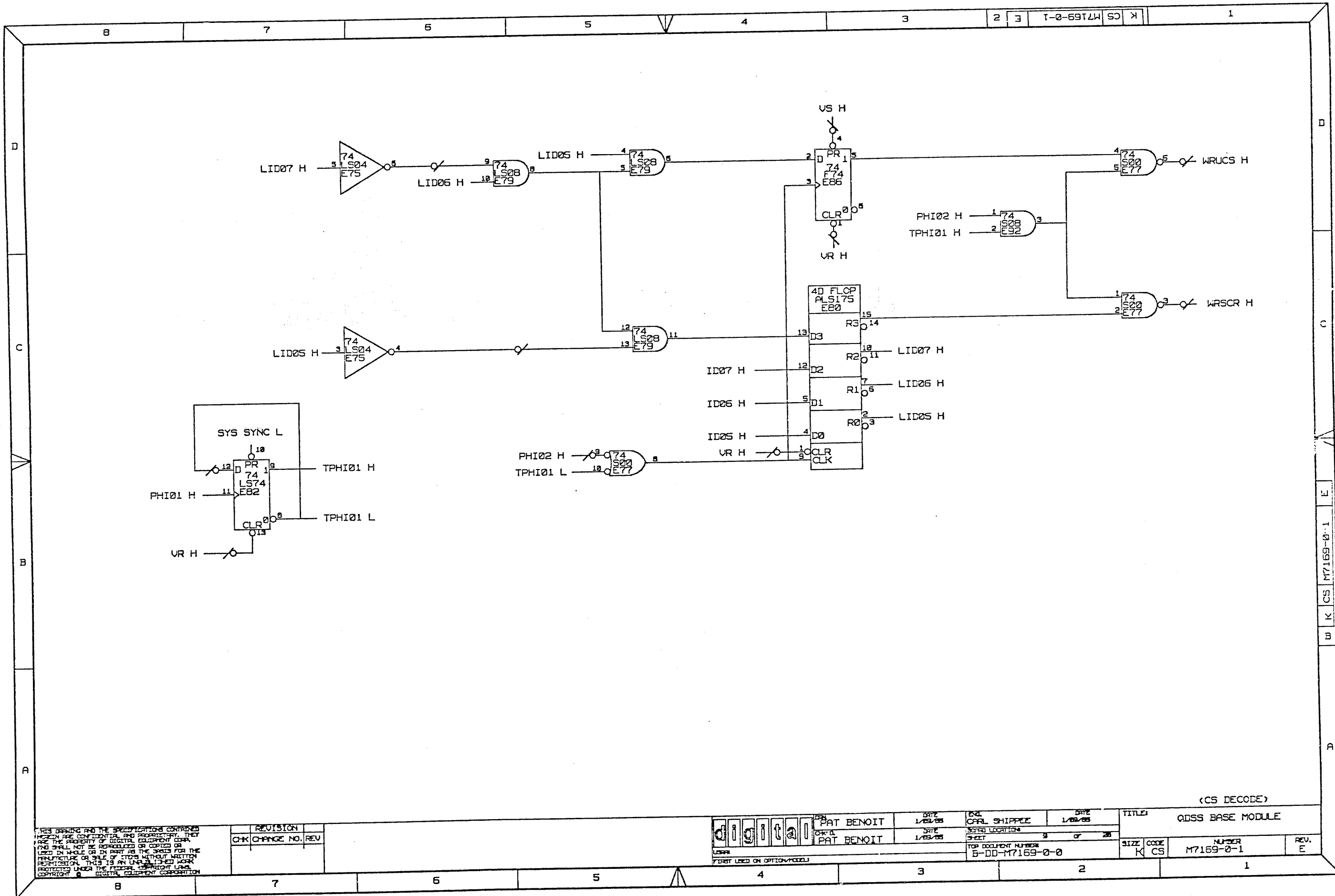
THIS DRAWING AND THE SPECIFICATIONS CONTAINED HEREIN ARE CONFIDENTIAL AND PROPRIETARY. THEY ARE THE PROPERTY OF DIGITAL EQUIPMENT CORP. AND SHALL NOT BE REPRODUCED OR COPIED OR USED IN WHOLE OR IN PART AS THE BASIS FOR THE MANUFACTURE OR SALE OF ITEMS WITHOUT WRITTEN PERMISSION. THIS IS AN UNCLASSIFIED WORK PROTECTED UNDER THE FEDERAL COPYRIGHT LAW. COPYRIGHT © DIGITAL EQUIPMENT CORPORATION

REV	CHANGE NO.	REV

digital PAT BENOIT
 DATE 1/08/85
 OR'D
 DATE 1/08/85
 FIRST USED ON OPTION MODEL

ENG. CHAL SHUPPE
 DATE 1/08/85
 BOARD LOCATION B OF 20
 SHEET
 TOP EQUIPMENT NUMBER B-DD-M7169-0-0

TITLE: QDSS BASE MODULE
 SIZE K CODE CS NUMBER M7169-0-1 REV. E



THIS DRAWING AND THE SPECIFICATIONS CONTAINED HEREIN ARE CONFIDENTIAL AND PROPRIETARY. THEY ARE THE PROPERTY OF DIGITAL EQUIPMENT CORP. AND SHALL NOT BE REPRODUCED OR COPIED OR USED IN WHOLE OR IN PART AS THE BASIS FOR THE MANUFACTURE OR SALE OF ITEMS WITHOUT WRITTEN PERMISSION. THIS IS AN UNCLASSIFIED WORK PROTECTED UNDER THE PROPR. COPYRIGHT LAWS. COPYRIGHT © DIGITAL EQUIPMENT CORPORATION

REVISION	CHK	CHANGE NO.	REV.

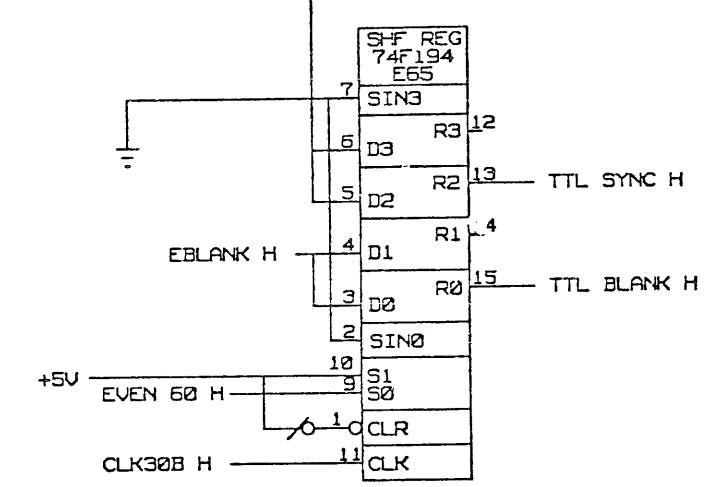
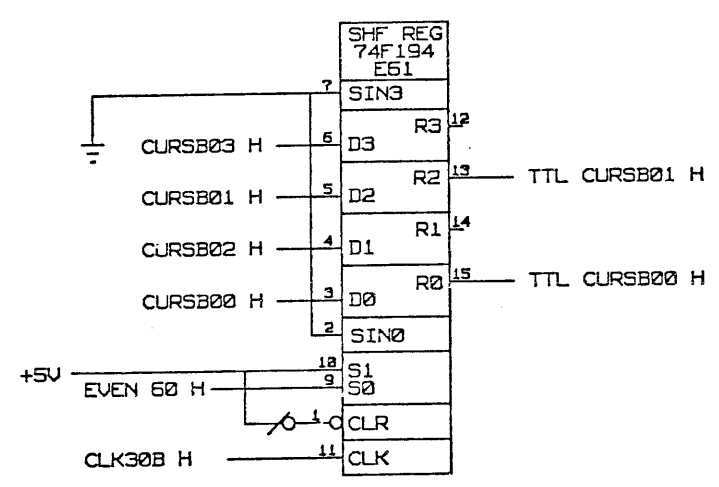
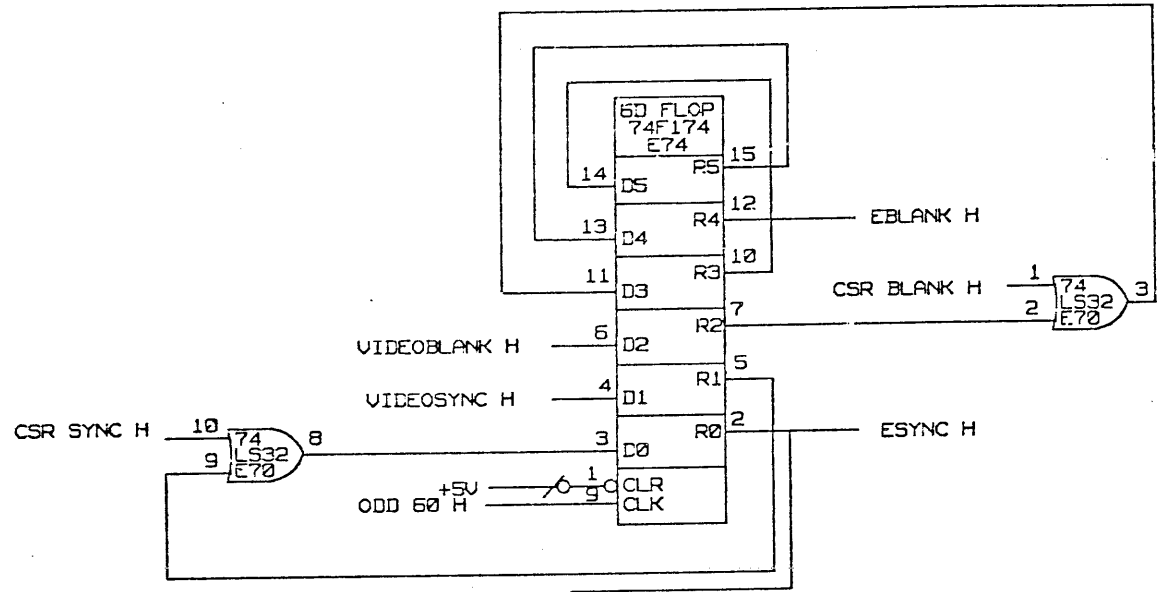
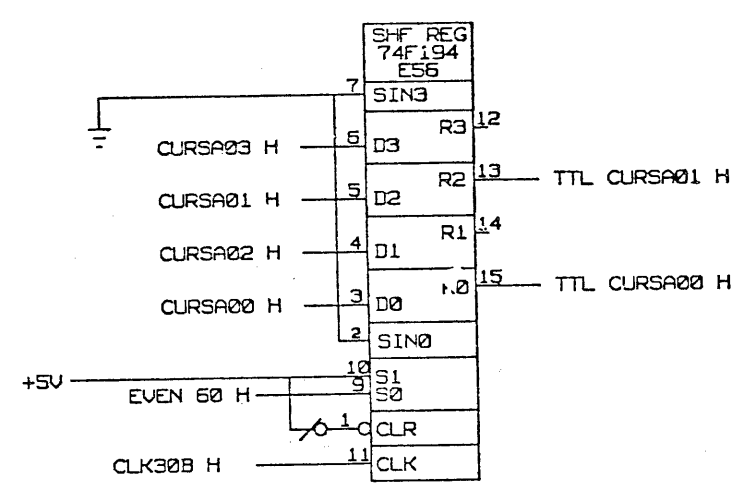
digital
 FIRST USED ON OPTION MODEL

DESIGNER PAT BENOIT	DATE 1/23/65	ENGR CARL SHIPPEE	DATE 1/23/65
CHK'D PAT BENOIT	DATE 1/23/65	TESTED LOCATION 3	OF 28
TOP DOCUMENT NUMBER 5-DD-M7169-0-0		SHEET	

TITLE QDSS BASE MODULE			
SIZE K	CODE CS	NUMBER M7169-0-1	REV. E

(CS DECODE)

E
B
K
CS
M7169-0-1

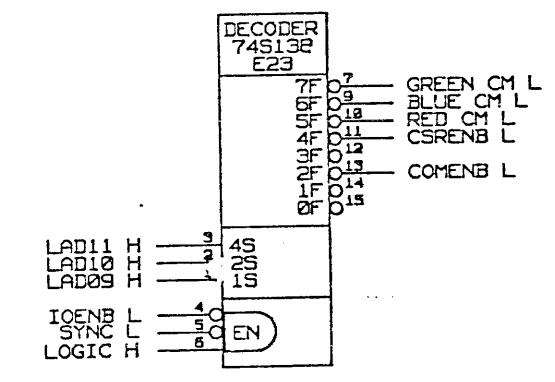
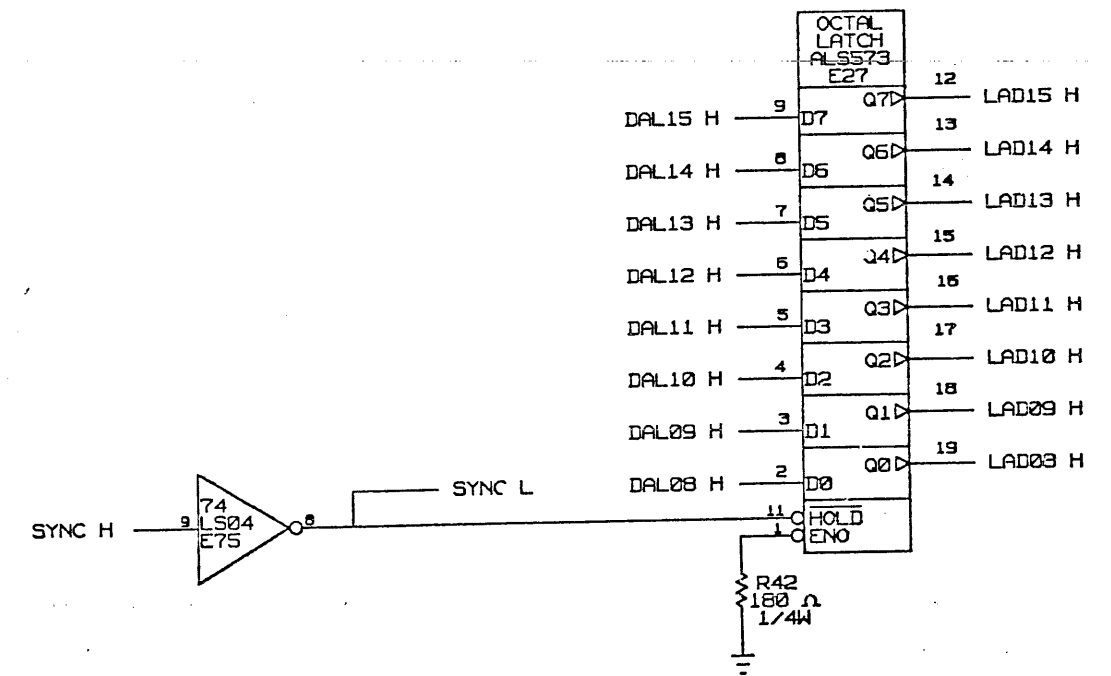
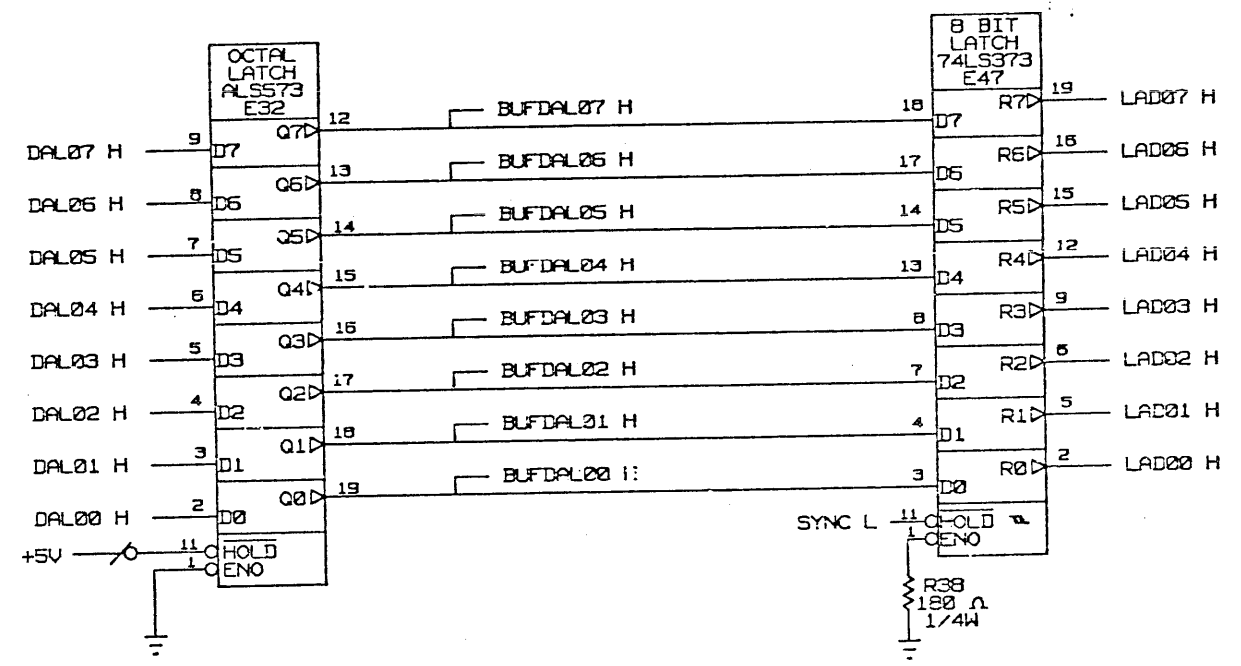


(TTL VIDEO SHIFTERS)

THIS DRAWING AND THE SPECIFICATIONS CONTAINED HEREIN ARE CONFIDENTIAL AND PROPRIETARY. THEY ARE THE PROPERTY OF DIGITAL EQUIPMENT CORP. AND SHALL NOT BE REPRODUCED OR COPIED OR USED IN WHOLE OR IN PART AS THE BASIS FOR THE MANUFACTURE OR SALE OF ANY DEVICE WITHOUT WRITTEN PERMISSION. THIS IS AN UNCLASSIFIED WORK PROTECTED UNDER THE FEDERAL COPYRIGHT LAW, COPYRIGHT © 1974, DIGITAL EQUIPMENT CORPORATION.

REV	CHANGE NO.	DATE

	DESIGNED BY	DATE	DESIGNED BY	DATE	TITLE
	CHECKED BY	L/RS/85	CARL SHIPPEE	L/RS/85	QDSS BASE MODULE
DESIGNED BY	DATE	DESIGNED BY	DATE	SIZE	CODE
CARL SHIPPEE	L/RS/85	CARL SHIPPEE	L/RS/85	K	CS
TOP DOCUMENT NUMBER	18 OF 28	TOP DOCUMENT NUMBER	18 OF 28	NUMBER	REV.
B-DD-M7169-0-0		B-DD-M7169-0-0		M7169-0-1	E



THIS DRAWING AND THE SPECIFICATIONS CONTAINED HEREIN ARE CONFIDENTIAL AND PROPRIETARY. THEY ARE THE PROPERTY OF DIGITAL EQUIPMENT CORP. AND SHALL NOT BE REPRODUCED OR COPIED OR USED IN WHOLE OR IN PART AS THE BASIS FOR THE MANUFACTURE OR SALE OF ITEMS WITHOUT WRITTEN PERMISSION. THIS IS AN UNCLASSIFIED WORK PROTECTED UNDER THE FEDERAL COPYRIGHT LAWS. COPYRIGHT © DIGITAL EQUIPMENT CORPORATION

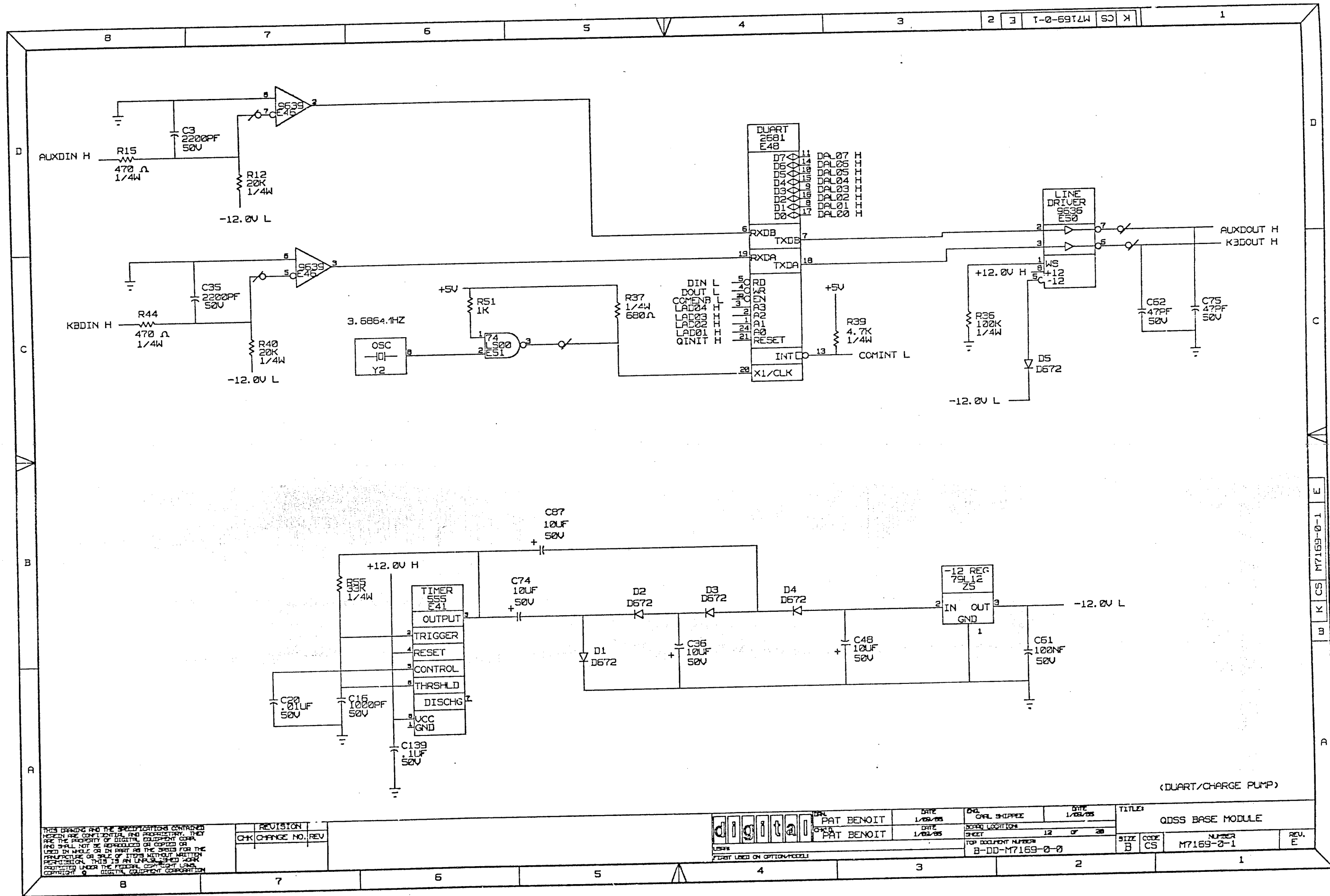
REV	NO.	CHANGE	CHK

REVISION	DATE	BY	CHKD

digital PAT BENOIT
 DATE: 1/08/85
 DATE: 1/08/85

ONE SHIPPER: 1/08/85
 SHIP LOCATION: 11 OF 20
 TOP DOCUMENT NUMBER: B-DD-M7169-0-0

TITLE: QDSS BASE MODULE
 SIZE: K CODE: CS NUMBER: M7169-0-1 REV: E



(DUART/CHARGE PUMP)

THIS DRAWING AND THE SPECIFICATIONS CONTAINED HEREIN ARE CONFIDENTIAL AND PROPRIETARY. THEY ARE THE PROPERTY OF DIGITAL EQUIPMENT CORP. AND SHALL NOT BE REPRODUCED OR COPIED OR TRANSMITTED IN ANY FORM OR BY ANY MEANS, ELECTRONIC OR MECHANICAL, INCLUDING PHOTOCOPYING, RECORDING, OR BY ANY INFORMATION STORAGE AND RETRIEVAL SYSTEM, WITHOUT WRITTEN PERMISSION. THIS IS AN UNCLASSIFIED WORK PRODUCT OF DIGITAL EQUIPMENT CORPORATION.

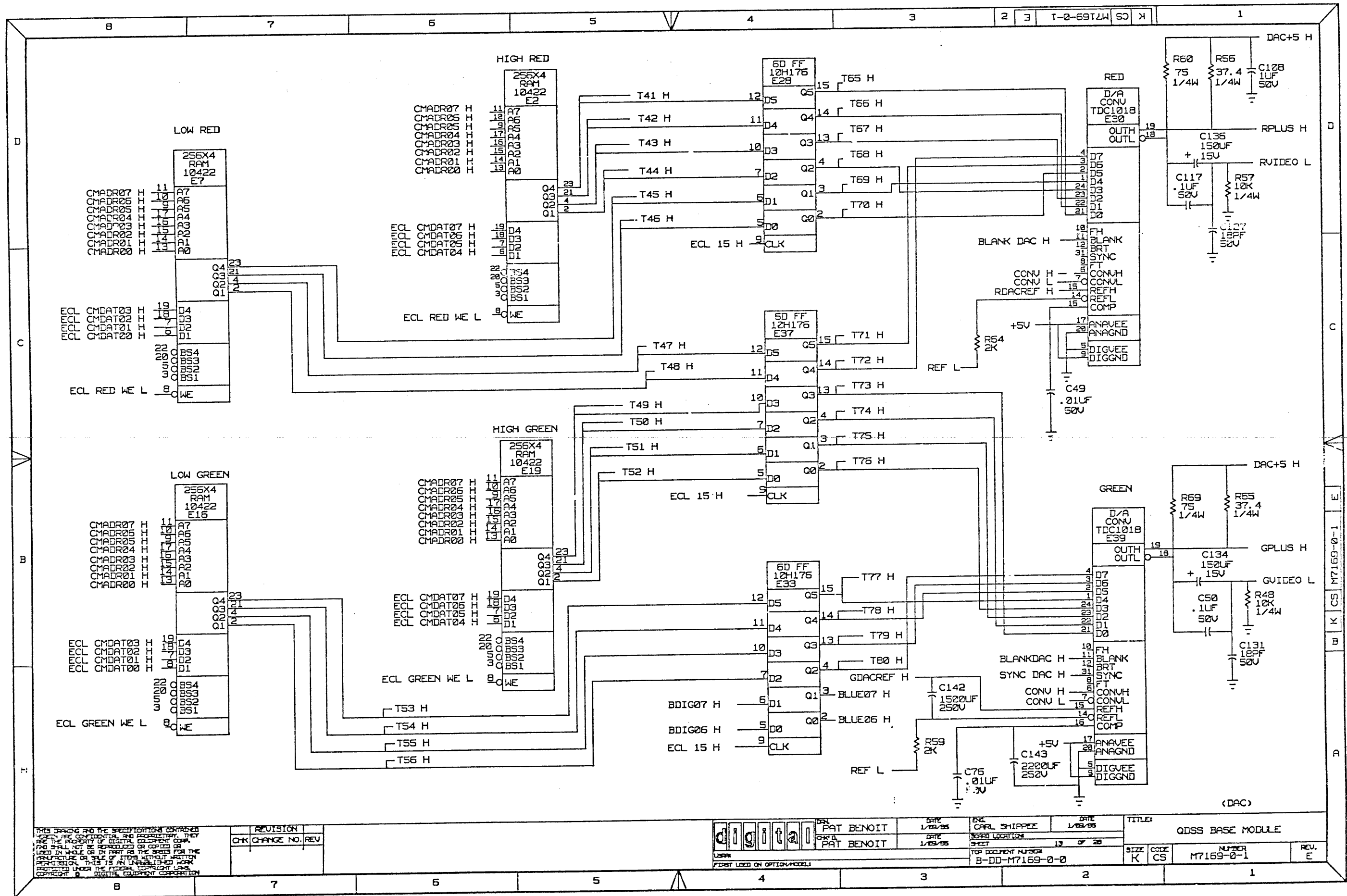
REV	CHANGE NO.	REV
7		

digital
 PAT BENOIT
 DATE 1/03/85
 PAT BENOIT
 DATE 1/03/85

DATE 1/03/85	DATE 1/03/85
DRG. CARL SHIPPER	DRG. CARL SHIPPER
DATE 1/03/85	DATE 1/03/85
SHEET 12 OF 20	SHEET 12 OF 20
TOP DOCUMENT NUMBER B-DD-M7169-0-0	TOP DOCUMENT NUMBER B-DD-M7169-0-0

TITLE	QDSS BASE MODULE
SIZE	B
CODE	CS
NUMBER	M7169-0-1
REV.	E

E
 CS M7169-0-1
 K
 CS M7169-0-1
 B
 A



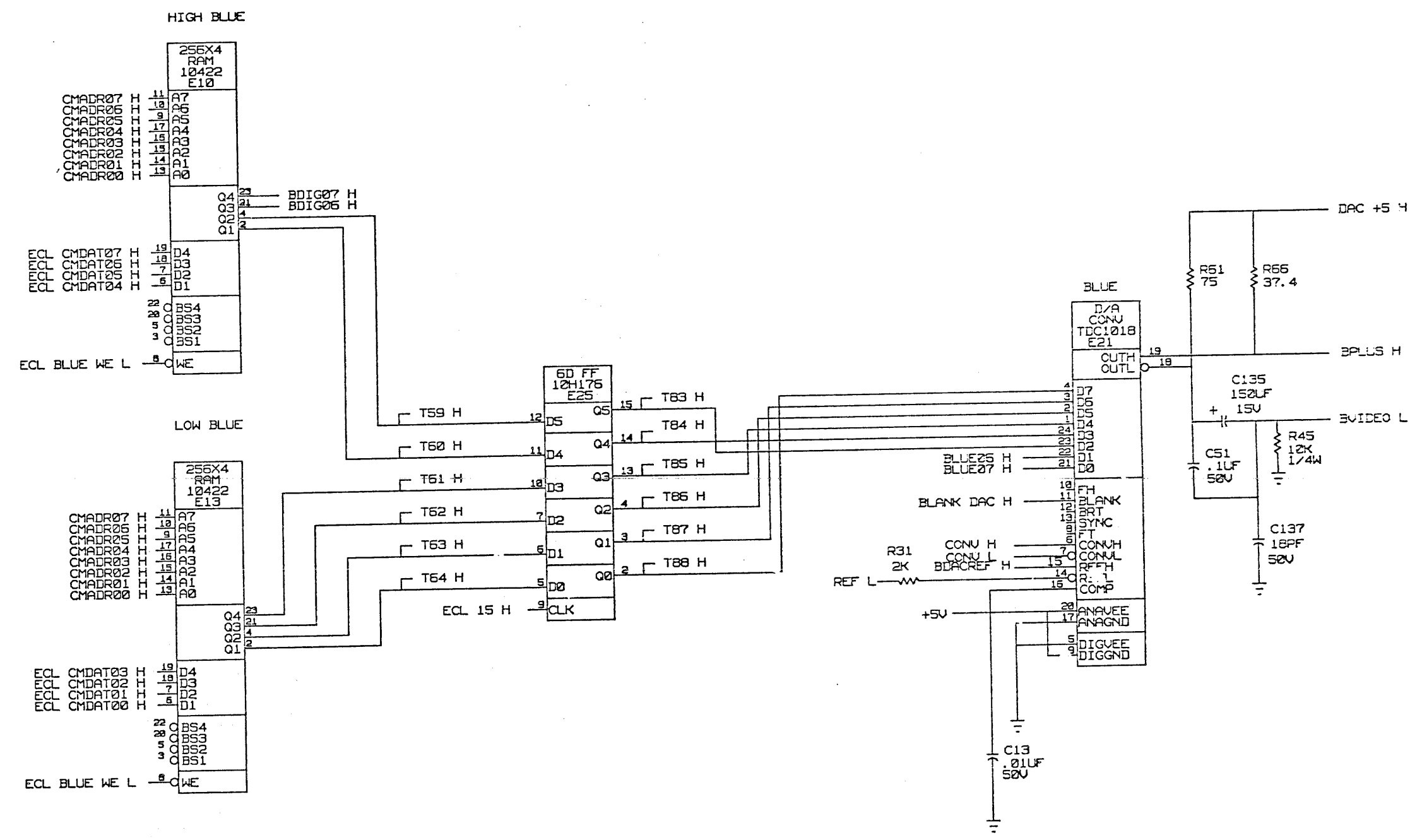
THIS DRAWING AND THE SPECIFICATIONS CONTAINED HEREIN ARE CONFIDENTIAL AND PROPRIETARY. THEY ARE THE PROPERTY OF DIGITAL EQUIPMENT CORP. NO PART SHALL BE REPRODUCED OR COPIED OR USED IN WHOLE OR IN PART AS THE BASIS FOR THE MANUFACTURE OR SALE OF ITEMS WITHOUT WRITTEN PERMISSION UNDER THE FEDERAL COPYRIGHT LAW. COPYRIGHT © DIGITAL EQUIPMENT CORPORATION

REVISION	CHK	CHANGE NO.	REV

digital
FIRST USED ON OPTION MODELS

DESIGNED BY PAT BENOIT	DATE 1/29/75	ENG. CHECKED BY CARL SHIPPEE	DATE 1/29/75
CHECKED BY PAT BENOIT	DATE 1/29/75	SHED LOCATION 13 OF 28	
TOP DOCUMENT NUMBER B-DD-M7169-0-0			

TITLE QDSS BASE MODULE			
SIZE K	CODE CS	NUMBER M7169-0-1	REV. E

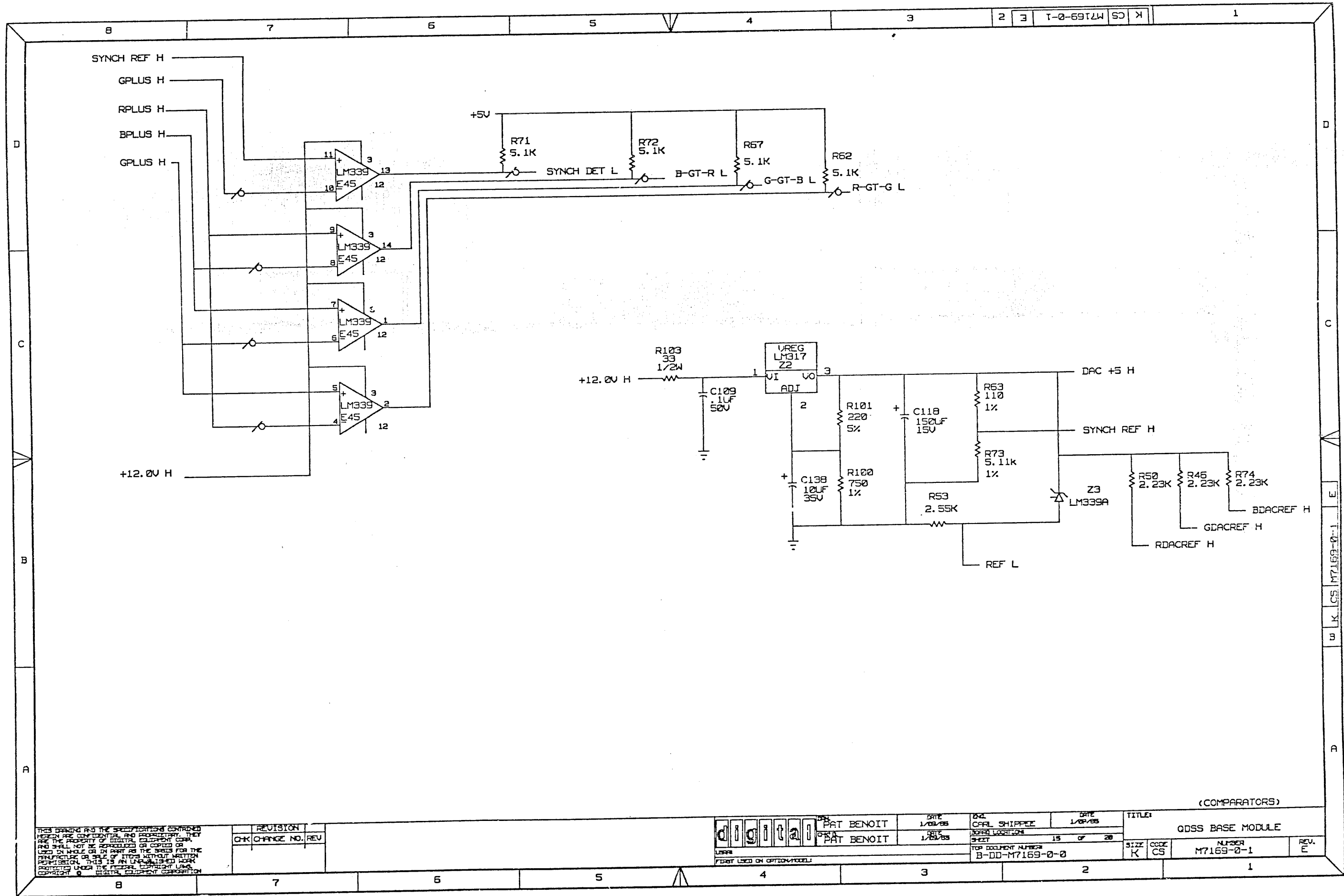


THIS DRAWING AND THE SPECIFICATIONS CONTAINED HEREIN ARE CONFIDENTIAL AND PROPRIETARY. THEY ARE THE PROPERTY OF DIGITAL EQUIPMENT CORP. AND SHALL NOT BE REPRODUCED OR COPIED OR USED IN WHOLE OR IN PART AS THE BASIS FOR THE MANUFACTURE OR SALE OF ITEMS WITHOUT WRITTEN PERMISSION. THIS IS AN UNCLASSIFIED WORK PROTECTED UNDER THE FEDERAL COPYRIGHT LAW. COPYRIGHT © DIGITAL EQUIPMENT CORPORATION

REV	CHANGE NO.	REV

digital	PAT BENOIT	DATE 1/29/85	DESIGN SHIPPER	DATE 1/29/85
	PAT BENOIT	DATE 1/29/85	DESIGN LOCATION	14 OF 20
TOP DOCUMENT NUMBER			B-DD-M7169-0-0	

(BLUE DAC)			
QDSS BASE MODULE			
SIZE	CODE	NUMBER	REV.
K	CS	M7169-0-1	1



THIS DRAWING AND THE SPECIFICATIONS CONTAINED HEREIN ARE CONFIDENTIAL AND PROPRIETARY. THEY ARE THE PROPERTY OF DIGITAL EQUIPMENT CORP. AND SHALL NOT BE REPRODUCED OR COPIED OR USED IN WHOLE OR IN PART AS THE BASIS FOR THE MANUFACTURE OR SALE OF ITEMS WITHOUT WRITTEN PERMISSION. THIS IS AN UNCLASSIFIED WORK CONTAINED UNDER THE PATENT, COPYRIGHT AND COPYRIGHT © DIGITAL EQUIPMENT CORPORATION

REV	CHANGE NO.	DATE

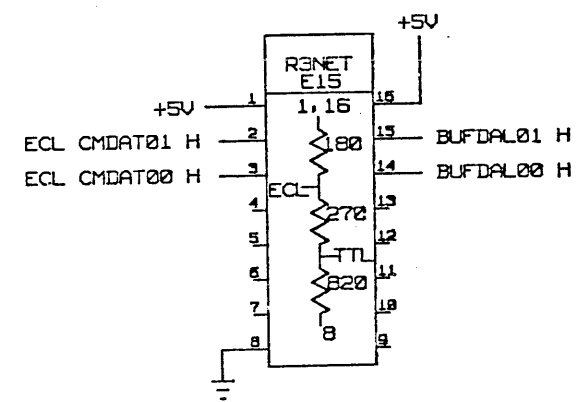
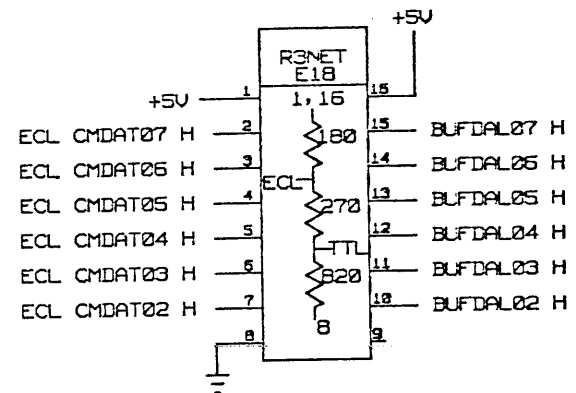
digital
 FIRST USED ON OPTION-MODELS

DATE	1/29/83
DATE	1/29/83
TOP DOCUMENT NUMBER	B-DD-M7169-0-0

DATE	1/29/83
DATE	1/29/83
TOP DOCUMENT NUMBER	B-DD-M7169-0-0

TITLE	QDSS BASE MODULE
SIZE	K
CODE	CS
NUMBER	M7169-0-1
REV.	E

(COMPARATORS)



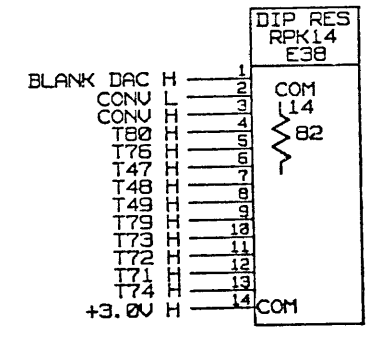
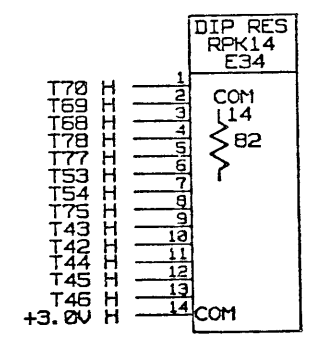
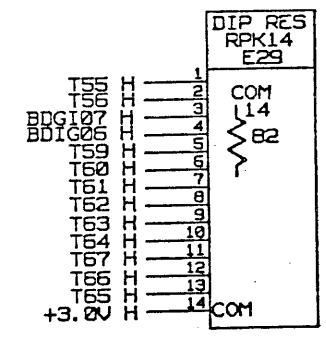
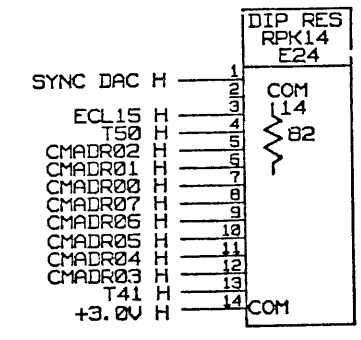
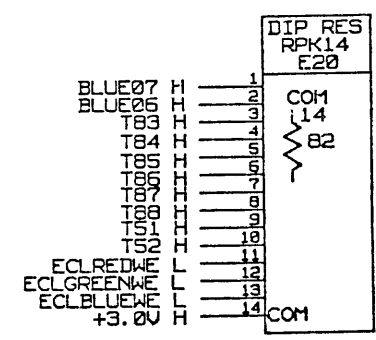
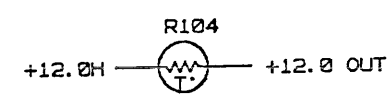
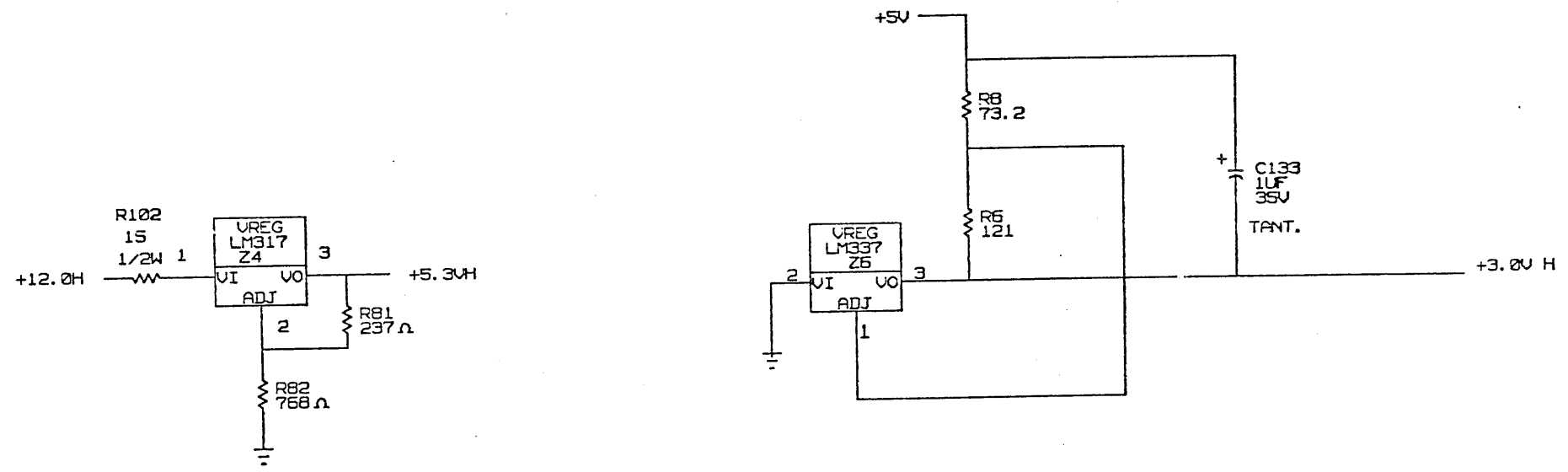
(ECL-TTL)

THIS DRAWING AND THE SPECIFICATIONS CONTAINED HEREIN ARE CONFIDENTIAL AND PROPRIETARY. THEY ARE THE PROPERTY OF DIGITAL EQUIPMENT CORP. AND SHALL NOT BE REPRODUCED OR COPIED OR USED IN WHOLE OR IN PART AS THE BASIS FOR THE MANUFACTURE OR SALE OF ITEMS WITHOUT WRITTEN PERMISSION. THIS IS AN UNCLASSIFIED WORK PROTECTED UNDER THE FEDERAL COPYRIGHT LAWS. COPYRIGHT © DIGITAL EQUIPMENT CORPORATION

REVISION	
CHK	CHANGE NO. REV

digital	DATE	1/08/85	ENG.	CARL SHIPPEE	DATE	1/08/85
	DATE	1/09/85	DRG. LOC.	16	OF 28	
PAT BENOIT		PAT BENOIT		TOP DOCUMENT NUMBER		
PAT BENOIT		PAT BENOIT		B-DD-M7169-0-0		

TITLE:			
QDSS BASE MODULE			
SIZE	CODE	NUMBER	REV.
K	CS	M7169-0-1	E



(TERMINATORS)

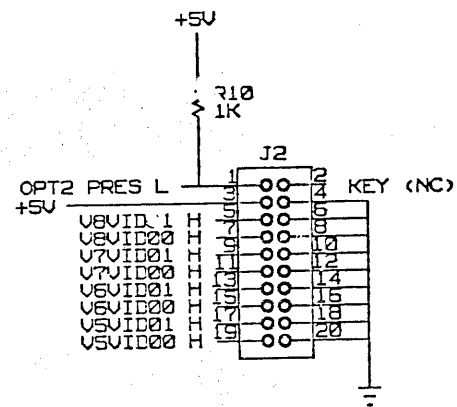
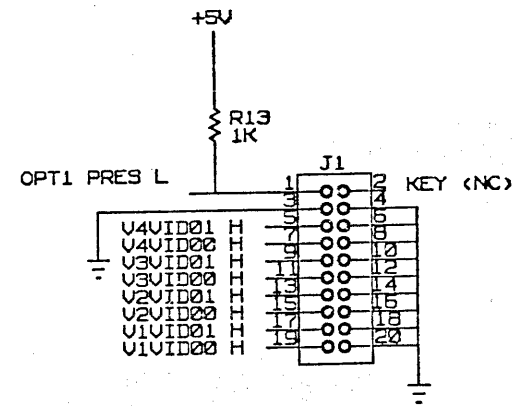
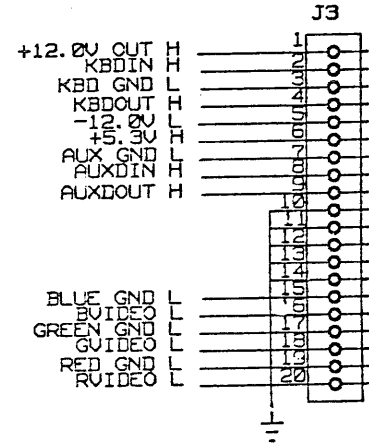
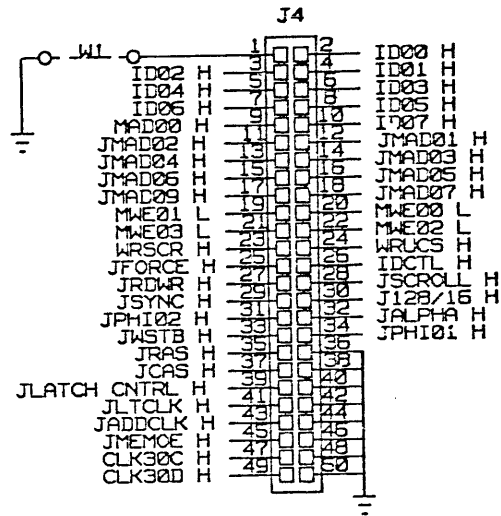
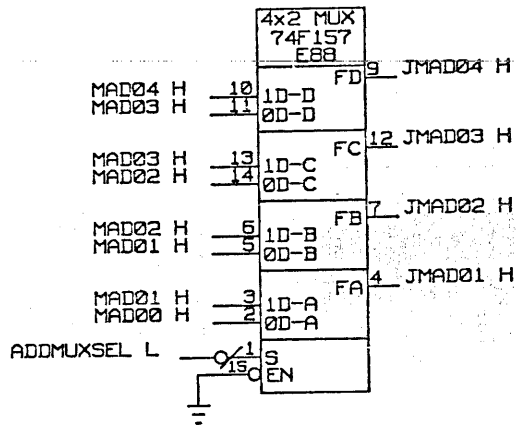
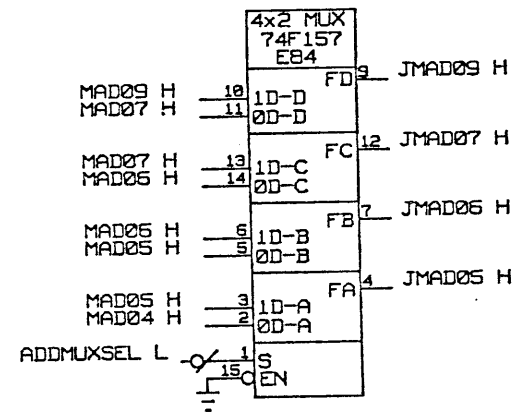
THIS DRAWING AND THE SPECIFICATIONS CONTAINED HEREIN ARE CONFIDENTIAL AND PROPRIETARY. THEY ARE THE PROPERTY OF DIGITAL EQUIPMENT CORP. AND SHALL NOT BE REPRODUCED OR COPIED OR USED IN WHOLE OR IN PART AS THE BASIS FOR THE REPRODUCTION OR SALE OF ITEMS WITHOUT WRITTEN PERMISSION. THIS IS AN UNCLASSIFIED WORK PROTECTED UNDER THE FEDERAL COPYRIGHT LAW CONTRACT # 00000000000000000000000000000000

CHK	CHANGE NO.	REV

DATE	BY	DATE	BY
1/29/65	PAT BENOIT	1/29/65	CARL SHIPPEE
1/29/65	PAT BENOIT		

17	OF	20
TOP DOCUMENT NUMBER		
B-DD-M7169-0-0		

TITLE	QDSS BASE MODULE
SIZE	K
CODE	CS
NUMBER	M7169-0-1
REV.	E



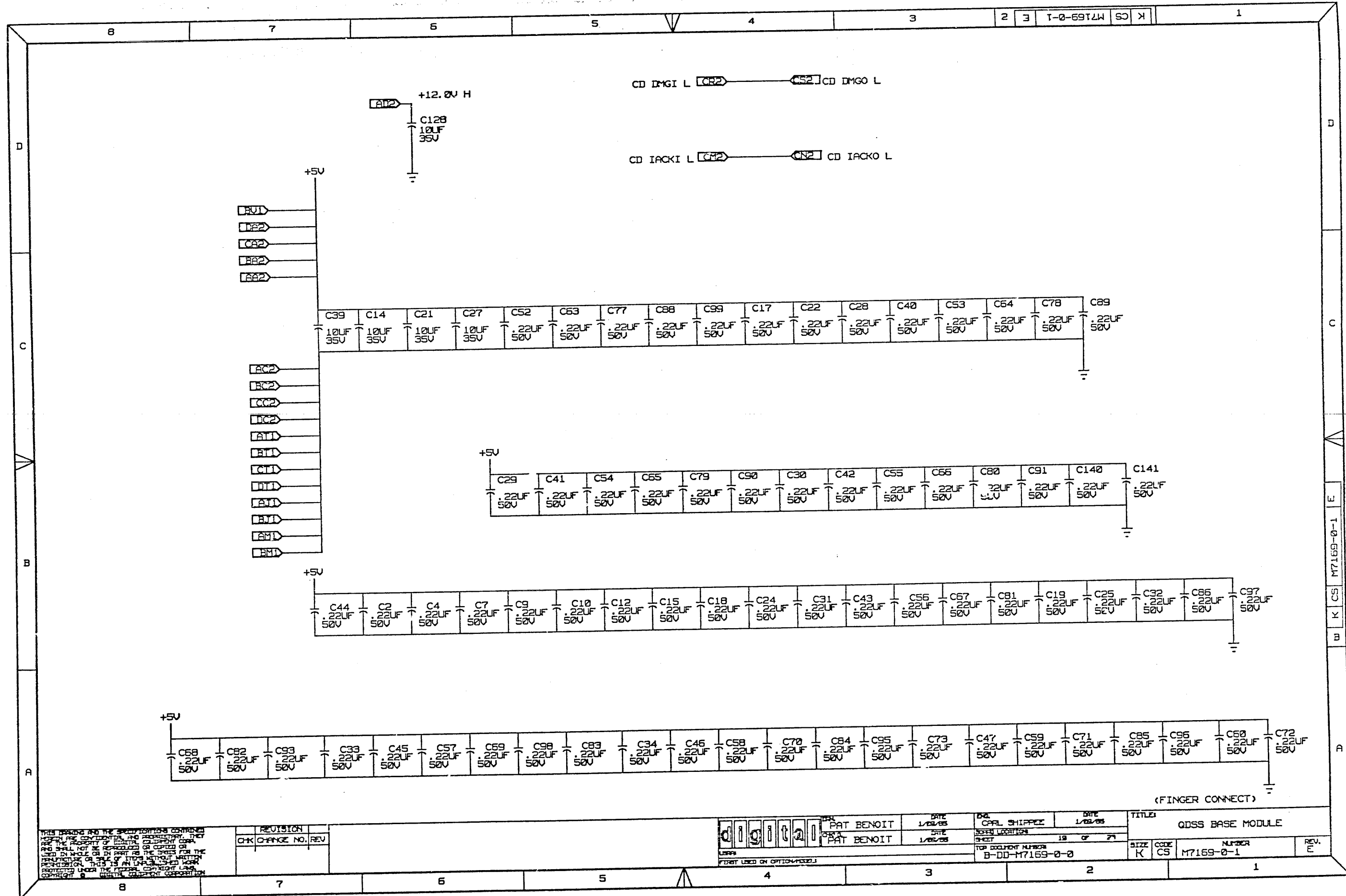
(CONNECTORS)

THIS DRAWING AND THE SPECIFICATIONS CONTAINED HEREIN ARE CONFIDENTIAL AND PROPRIETARY. THEY ARE THE PROPERTY OF DIGITAL EQUIPMENT CORPORATION AND SHALL NOT BE REPRODUCED OR COPIED IN ANY MANNER WITHOUT THE WRITTEN PERMISSION OF DIGITAL EQUIPMENT CORPORATION. THIS IS AN UNCLASSIFIED WORK PRODUCT OF DIGITAL EQUIPMENT CORPORATION.

REVISION	
CHK	CHANGE NO. REV

digital
 PAT BENoit
 PAT BENoit
 DATE 1/28/85
 DATE 1/28/85

DATE 1/28/85	BY CARL SHIPPER	DATE 1/28/85	TITLE
SHEET LOCATION			QDSS BASE MODULE
SHEET 18 OF 28			SIZE K CS
TOP DOCUMENT NUMBER			NUMBER M7169-0-1
B-DD-M7169-0-0			REV. E



THIS DRAWING AND THE SPECIFICATIONS CONTAINED HEREIN ARE CONFIDENTIAL AND PROPRIETARY. THEY ARE THE PROPERTY OF DIGITAL EQUIPMENT CORP. AND SHALL NOT BE REPRODUCED OR COPIED OR USED IN WHOLE OR IN PART AS THE BASIS FOR THE MANUFACTURE OR SALE OF ITEMS WITHOUT WRITTEN PERMISSION. THIS IS AN UNCLASSIFIED WORK PROTECTED UNDER THE FEDERAL COPYRIGHT LAW. COPYRIGHT © DIGITAL EQUIPMENT CORPORATION

REVISION	
CHK	CHANGE NO. REV

digital
FIRST USED ON OPTION #001

DESIGNED BY PAT BENOIT	DATE 1/23/85
CHECKED BY PAT BENOIT	DATE 1/25/85

DRG. CARL SHIPPEE	DATE 1/23/85
DESIGN LOCATION SHEET	19 OF 27
TOP DOCUMENT NUMBER B-DD-M7169-0-0	

TITLE QDSS BASE MODULE			
SIZE K	CODE CS	NUMBER M7169-0-1	REV. E

