







FIND NO.	DRAWING NO.	DESCRIPTION	TYPE	FIND NO.	DRAWING NO.	DESCRIPTION	TYPE
1	MP00462	DZV11 FIELD MAINTENANCE PRINT SET (MP)	-				
	B-TC-DZV11-0-1	DZV11 FIELD MAINTENANCE PRINT SET (TC)	-				
	D-UA-DZV11-0-0	UNIT ASSEMBLY (DZV11)	E/M				
	A-SP-DZV11-0-2	ENGINEERING SPEC.	-				
	A-SP-DZV11-0-3	ACCEPTANCE PROCEDURE	-				
	E-UA-BC11U-0-0	CABLE ASSY (BC11U)	E/M				
	C-UA-H329-0-0	DZV11 TEST CONNECTOR	E/M				
	K-PL-7018253-0-0	SHIPPING LIST DZV11	-				
	D-AR-DZV11-0-4	DZV11-C INSTALLATION	E/M				
2	B-DD-M7957-0	ASYN MUX	E/M				
3	D-CS-H325-0-1	H325 TEST CONNECTOR	E/M				
	K-CO-H325-0-4	X-Y COORDINATE HOLE LOCATION	-				
	D-AH-H325-0-5	ASSY/DRILLING HOLE LAYOUT	-				
	B-MH-H325-0-6	MODULE ECO HISTORY	-				
4	A-SP-3700297-42-0	PACKAGING INSTRUCTIONS	-				
5	A-SP-3700297-44-0	PACKAGING INSTRUCTIONS	-				
6	D-AD-7018219-0-0	DZV11 DISTRIBUTION ASSY	E/M				
	K-PL-7018219-0-0	DZV11 DISTRIBUTION ASSY	E/M				
	D-IA-7018203-0-0	DZV11 DIST. CABLE ASSY	E/M				
	C-MD-7423236-0-0	PANEL MTG DZV11	M				

TYPE: E ELECTRICAL  
M MECHANICAL  
E/M ELECTRO/MECHANICAL



TITLE  
UNIT ASSY (DZV11)

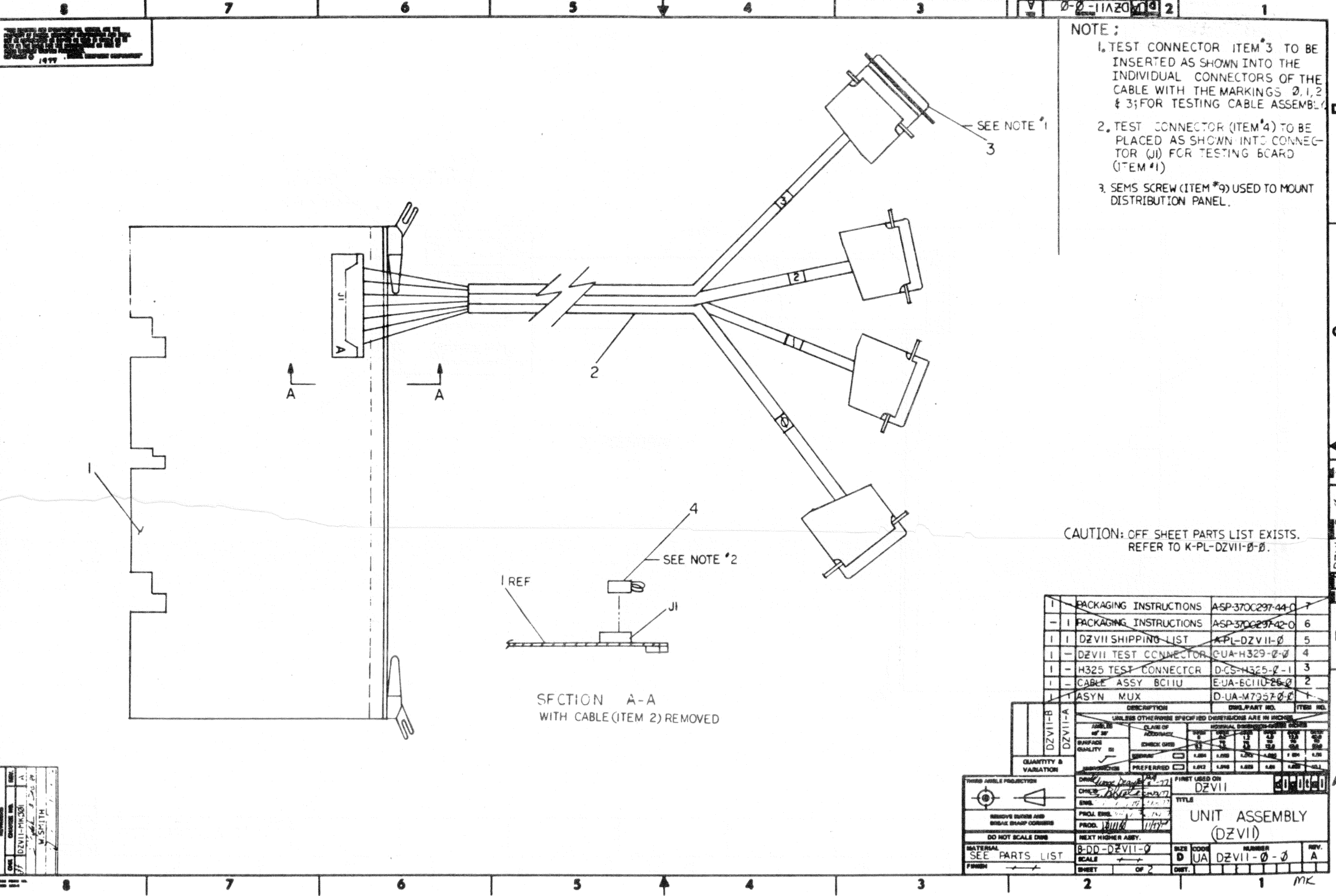
SHEET 2 OF 2  
SIZE CODE  
B DD

NUMBER  
DZV11-0

REV.  
A

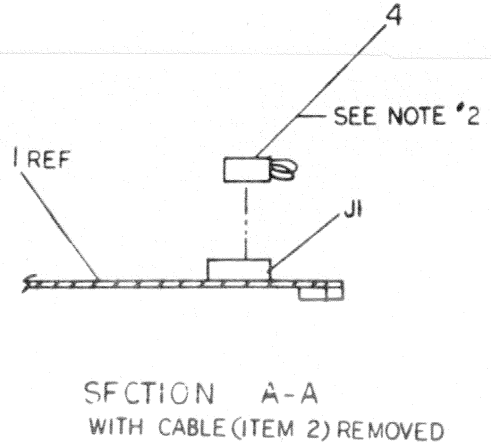
NIK

X



- NOTE:
- TEST CONNECTOR ITEM 3 TO BE INSERTED AS SHOWN INTO THE INDIVIDUAL CONNECTORS OF THE CABLE WITH THE MARKINGS 0, 1, 2 & 3; FOR TESTING CABLE ASSEMBLY.
  - TEST CONNECTOR (ITEM 4) TO BE PLACED AS SHOWN INTO CONNECTOR (JI) FOR TESTING BOARD (ITEM 4)
  - SEMS SCREW (ITEM 9) USED TO MOUNT DISTRIBUTION PANEL.

CAUTION: OFF SHEET PARTS LIST EXISTS. REFER TO K-PL-DZVII-B-0.



1	PACKAGING INSTRUCTIONS	ASP-3700297-44-0	7
1	PACKAGING INSTRUCTIONS	ASP-3700297-42-0	6
1	DZVII SHIPPING LIST	A-PL-DZVII-0	5
1	DZVII TEST CONNECTOR	C-UA-H329-0-0	4
1	H325 TEST CONNECTOR	D-CS-H325-0-1	3
1	CABLE ASSY BC11U	E-UA-EC11U-25-0	2
1	ASYN MUX	D-UA-M7957-0-0	1

DZVII-B		DZVII-A	
UNLESS OTHERWISE SPECIFIED DIMENSIONS ARE IN INCHES			
ASSEMBLY NO.	CLASS OF ADDRESS	MATERIAL DIMENSIONS - DECIMAL INCHES	
SURFACE QUALITY	CHECK OPS	1.0	0.5
QUANTITY & VARIATION	PREPARED	1.00	1.00
FINISH ASSEMBLY PRODUCTION	DRG. DATE	1.00	1.00
ENGINEER'S SIGNATURE	PROJ. ENG.	1.00	1.00
PROJ. ENG. SIGNATURE	PROJ. DATE	1.00	1.00
DO NOT SCALE DIMS	NEXT HIGHER ASSY.	1.00	1.00
MATERIAL SEE PARTS LIST	SCALE	1.00	1.00
FINISH	SHEET	1.00	1.00

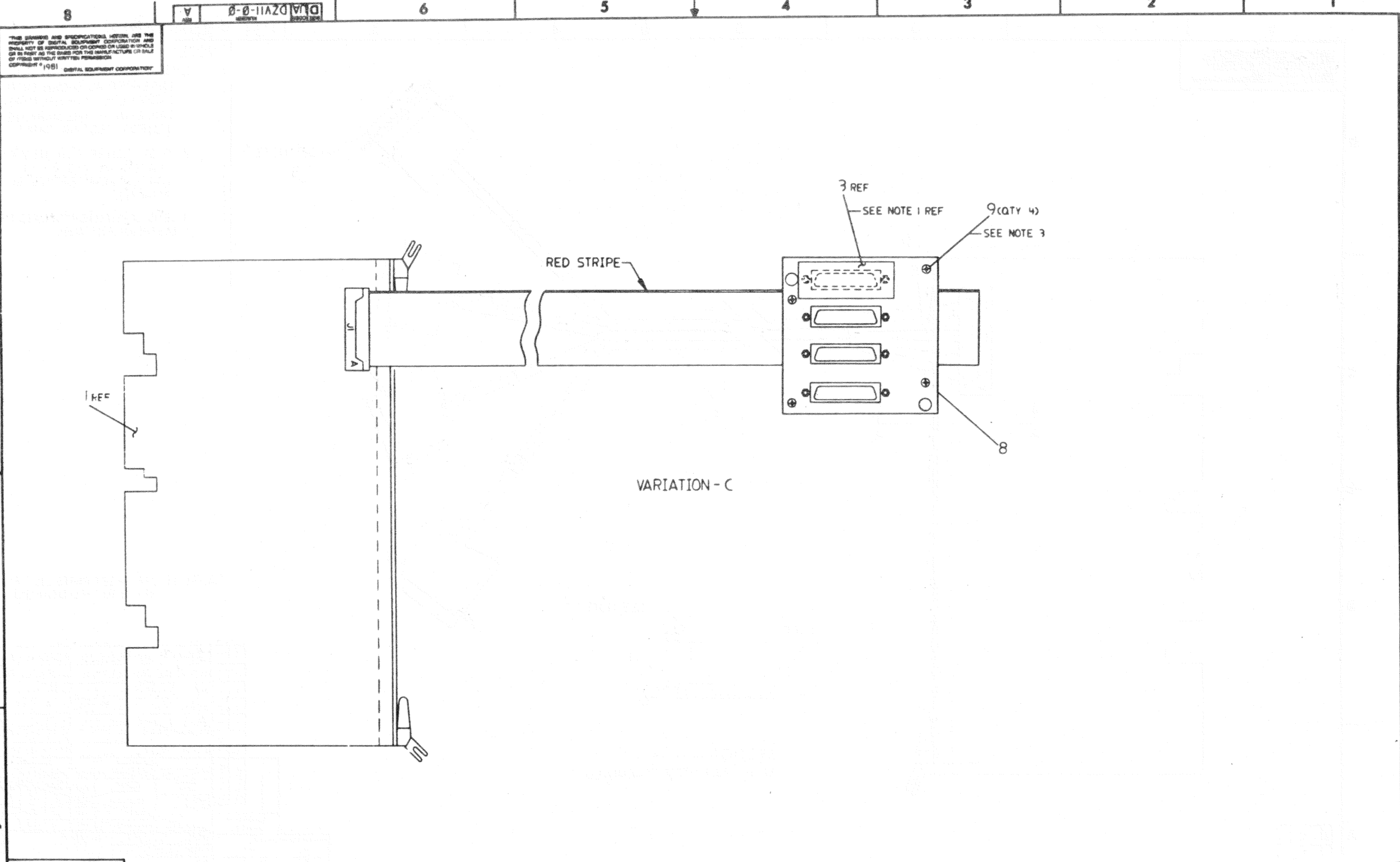
UNIT ASSEMBLY (DZVII)

SIZE CODE: D UA DZVII-0-0

REV. A

2 1 MK

REV.	DATE	BY
1		
2		
3		
4		
5		
6		
7		
8		



THIS DRAWING AND SPECIFICATIONS HEREON ARE THE PROPERTY OF DIGITAL EQUIPMENT CORPORATION AND SHALL NOT BE REPRODUCED OR COPIED OR USED IN WHOLE OR IN PART AS THE BASIS FOR THE MANUFACTURE OR SALE OF THIS WITHOUT WRITTEN PERMISSION.  
 COPYRIGHT © 1981 DIGITAL EQUIPMENT CORPORATION

REVISION HISTORY		
DATE	ECO NUMBER	REV.

DOCUMENT NUMBER		
ORG	DOC#	REV.
D	UA	DZVII-0-0
SCALE	NONE	SHEET 2 OF 2

TITLE UNIT ASSEMBLY (DZVII)

8 7 6 5 4 3 2 1 MK

DUA DZVII-0-0

LINE ITEM	DOCUMENT NUMBER	PART NUMBER	DESCRIPTION	QUANTITY PER VARIATION		
				A	B	C
1	B-TC-DZV11-0-1	MP00462-00	DZV11 CUSTOMER PRINT SET	1	1	1
2		ZJ251-RB	DZV11 DOC/PT KIT#	1	1	1
3		EKDZV11-UG	DZV-11 ASYNCHRONOUS MULTIPLEXER	1	1	1
4	SEE NOTE 1	EKDZV11-TM	DZV-11 ASYNCHRONOUS MULTIPLEXER	REF	REF	REF
5	SEE NOTE 1	ZJ251-PB	DZV11 PT ONLY KIT#	REF	REF	REF
6	SEE NOTE 1	ZJ251-FR	DZV11 DIAG MCRF ONLYU KIT#	REF	REF	REF

7 NOTE: 1. OPTIONAL SOFTWARE ITEMS 4,5&6 AVAILABLE UPON REQUEST.

REVISION HISTORY		BASIC PART NO: 7018253		DRN: G DRAYTON	DATE: 21-NOV-77	DIGITAL			
ENG	ECO NUMBER	REV	SECTION A OF A	CHK'D: <i>92</i> S ROBERTS	DATE: <i>8 JAN 82</i> 23-NOV-77	TITLE	PARTS LIST		
WS	DZV11-MK001	A	SECTION. VARIATION INDEX [A] A ,B ,C	DES.ENG.: W SMITH	DATE: 23-NOV-77	SHIPPING LIST, DZV11			
			[B]	RESP.ENG.: <i>J. Backes</i> W SMITH	DATE: 23-NOV-77	DOCUMENT NUMBER			
			[C]	MFG.ENG.: K MERCADO	DATE: <i>14-JAN-82</i> 23-NOV-77	SIZE	CODE	NUMBER	REV
			[E]	ASSEMBLY NUMBER: D-UA-DZV11-0-0	TOP DOCUMENT NUMBER: #R-DD-DZV11-0	K	PL	7018253-0-0	A
			[F]			FILE NAME:	MK0590.PLS		EDIT # 3
<p>*THIS DRAWING AND SPECIFICATIONS HEREIN, ARE THE PROPERTY OF DIGITAL EQUIPMENT CORPORATION AND SHALL NOT BE REPRODUCED OR COPIED OR USED IN WHOLE OR IN PART AS THE BASIS FOR THE MANUFACTURE OR SALE OF ITEMS WITHOUT WRITTEN PERMISSION. COPYRIGHT (C) 1982, DIGITAL EQUIPMENT CORPORATION *</p>									







LINE	ITEM	DOCUMENT NUMBER	PART NUMBER	DESCRIPTION	QTY PER VARIATION 00	REFERENCE DESIGNATOR
1	1	D-MD-5012754-0-0	5012754-00	M7957	1	
2	2		1010279-00	.47 MFD 25V 20% CER	6	C29-C34
3	3		1000009-00	33.0 MMF 100V 5%200PPM MICA	1	C1
4	4		1000012-00	56.0 MMF 100V 5%200PPM MICA	1	C2
5	5		1000016-00	100.0 MMF 100V 5%200PPM MICA	2	C3,C4
6	6		1000021-00	220.0 MMF 100V 5%200PPM MICA	1	C5
7	7		1000022-00	270.0 MMF 100V 5%200PPM MICA	1	C7
8	8		1000024-00	470.0 MMF 100V 5%200PPM MICA	12	C9-C20
9	9		1000026-00	680.0 MMF 100V 5%200PPM MICA	3	C6,C27,C28
10	10		1001610-01	.01 MFD50/100V +80-20% DISC	48	C35-C82
11	11		1005306-00	6.8MFD 35V 10% S.TANT	6	C21-C26
12	12		1100114-00	D 664 QS\75PCB FIV= 25V SP	6	D4-D9
13	13		1109990-00	1N 757A VZ= 9.1 5% .40W P	1	D3
14	14		1110836-00	1N 759A VZ= 12.0 5% .40W	2	D1,D2
15	15		1209941-02	HEADER 100 40POS RT ANGLE	1	J1
16	16		1211164-04	SW,DIP 1P 1A 8POS	1	E2
17	17		1211164-06	SW,DIP 1P 1A 10POS	1	E30
18	18		1300229-00	100.0 .25 W 5.0 % CC	2	R1,R2
19	19		1300243-00	120.0 .50 W 5.0 % CC	1	R28
20	20		1300295-00	330.0 .25 W 5.0 % CC	7	R4-R10
21	21		1300365-00	1.0 K .25 W 5.0 % CC	8	R14-R19,R3,R29
22	22		1300391-00	1.50 K .25 W 5.0 % CC	1	R27
23	23		1301401-00	750.0 .25 W 5.0 % CC	1	R13
24	24		1301424-00	680.0 .25 W 5.0 % CC	2	R11,R12
25	25		1301874-00	5.60 K .25 W 5.0 % CC	6	R21-R26
26	26		1309413-00	3.83 K .25 W 1.0 % RN55D-F10	1	R20
27	27		1609428-00	DELAY= 50NS,0TAPS D0150	2	E79,E76
28	28		1811660-02	OSCILLATOR, XTAL 5.0688 MHZ	1	E78
29	29		1909705-00	DEC 8881 NAND GATE-QUAD 2IN 0	1	E40
30	30		1910322-00	DEC 1488L DRIVER,LINE,QUAD,EI	3	E57,E73,E80

REVISION HISTORY		BASIC PART NO: M7957		DRN:	RITA BUREAU	DATE: 06-APR-77	DBP	DIGITAL			
ENG	ECO NUMBER	REV	SECTION A OF A	CHK'D:	K.GLEEZEN	DATE: 10-AUG-77	TITLE	PARTS LIST			
RH	M7957-MK001	C	SECTION VARIATION INDEX				ASYN MUX				
			[A] 00	DES.ENG:	W SMITH	DATE: 10-AUG-77					
			[B]								
			[C]	RESP.ENG.:	R.HARRINGTON	DATE: 26-OCT-81	DOCUMENT NUMBER				
			[D]				SIZE	CODE	NUMBER	REV	
			[E]								
			[F]	MFG.ENG.:	B.WOODARD	DATE: 26-OCT-81	K	PL	M7957-0-0	C	
			[G]								
			[H]	ASSEMBLY NUMBER:		TOP DOCUMENT NUMBER:	FILE NAME:	EDIT #:			
			[I]	D-UA-M7957-0-0		B-DD-M7957-0	MK0522.PLS	3			
			[J]								
			[K]								
			[L]								
			[M]								
			[N]								

\*THIS DRAWING AND SPECIFICATIONS HEREIN, ARE THE PROPERTY OF DIGITAL EQUIPMENT CORPORATION AND SHALL NOT BE REPRODUCED OR COPIED OR USED IN WHOLE OR IN PART AS THE BASIS FOR THE MANUFACTURE OR SALE OF ITEMS WITHOUT WRITTEN PERMISSION. COPYRIGHT (C) 1981. DIGITAL EQUIPMENT CORPORATION \*

MK

LINE	ITEM	DOCUMENT NUMBER	PART NUMBER	DESCRIPTION	QTY PER VARIATION 00	REFERENCE DESIGNATOR
31	31		1910534-00	74S04 INVERTER GATE-HEX 1I	1	E75
32	32		1911469-00	DEC 8640 RECEIVER,BUS,QUAD,U	1	E1
33	33		1911911-00	DEC 74S124 OSCILLATOR,DUAL VOLT	1	E81
34	34		1912098-00	0026 DRIVER,MOS CLOCK,2	2	E82,E83
35	35		1912646-00	LS253 MUX 1 OF 4 (DUAL)	8	E13,E14,E21,E42-E46
36	36		1912729-00	DC 004 PROTOCOL,REG. SELECT	1	E12
37	37		1912730-00	DC 003 INTERRUPT,2 CIRCUIT	1	E11
38	38		1913040-00	DC 005 TRANSCEIVER 4BIT	4	E19,E20,E29,E37
39	39		1912799-00	LS00 NAND-GATE-QUAD 2IN,P	1	E23
40	40		1912801-00	LS02 NOR-GATE-QUAD 2IN	3	E38,E39,E69
41	41		1912803-00	74LS04 INVERTER GATE,HEX	3	E47,E48,E72
42	42		1912805-00	LS08 AND GATE-QUAD 2IN,PO	4	E4,E24,E55,E71
43	43		1912808-00	LS11 AND GATE-TRIPLE 3IN	1	E64
44	44		1912811-00	LS21 AND GATE-DUAL 4IN,PO	2	E28,E41
45	45		1912813-00	LS27 NOR GATE-TRIPLE 3IN	1	E49
46	46		1912816-00	LS32 OR GATE-QUAD 2IN,POS	1	E59
47	47		1912817-00	LS37 NAND GATE-QUAD 2IN,P	1	E63
48	48		1912824-00	LS74 FF-D DUAL,EDGE TRIGG	3	E50,E62,E70
49	49		1912830-00	LS90 COUNTER,ASYNCH UP,DE	1	E66
50	50		1912845-00	LS153 MUX 1 OF 4 (DUAL)	3	E3,E9,E10
51	51		1912846-00	LS155 DECODER,2 OF 4(DUAL)	2	E5,E16
52	52		1912847-00	LS157 MUX 1 OF 2(QUAD)	1	E56
53	53		1912853-00	LS175 FF-D QUAD	6	E15,E22,E52,E53,E54,E65
54	54		1912854-00	LS193 COUNTER,SYNCHR,4BIT,	2	E36,E68
55	55		1912858-00	LS221 ONE SHOT-DUAL,SCHMIT	3	E51,E60,E61
56	56		1912860-00	LS259 LATCH 8BIT	2	E33,E34
57	57		2111198-00	3341 64X4 FIFO MEMORY	4	E17,E18,E27,E35
58	58		2112623-00	DUAL BAUD RATE GEN/PROG DIVIDER,	2	E31,E32
59	59		2113937-00	UART 125K BUAD	4	E7,E8,E25,E26
60	60		9009185-00	JUMPER, WIRE, INSULATED, BLACK B	16	W1-W16
61	61		9000024-01	EYELET,ROLL FLANGE .1210DX .192	8	
62	62		1213113-01	HANDLE,MODULE,	1	
63	63		1913130-00	DEC 1489A RECEIVER,LINE,QUAD,	3	E58,E67,E74
64	64		1300316-00	470.0 .25 W 5.0 % CC	2	R30,R31
65	65		1300479-00	10.0 K .25 W 5.0 % CC	10	R32-R41
66	66		1300005-03	R NETWORK 13-10K 5.0 % 14PIN	1	E6
67	67		9107256-11	TUBING,THIN WALL:.027ID UL	A/R	

D	I	G	I	T	A	L	TITLE	SECTION A OF A	SIZE	CODE	DOCUMENT NUMBER	REV
							ASYN MUX		K	PL	M7957-0-0	C

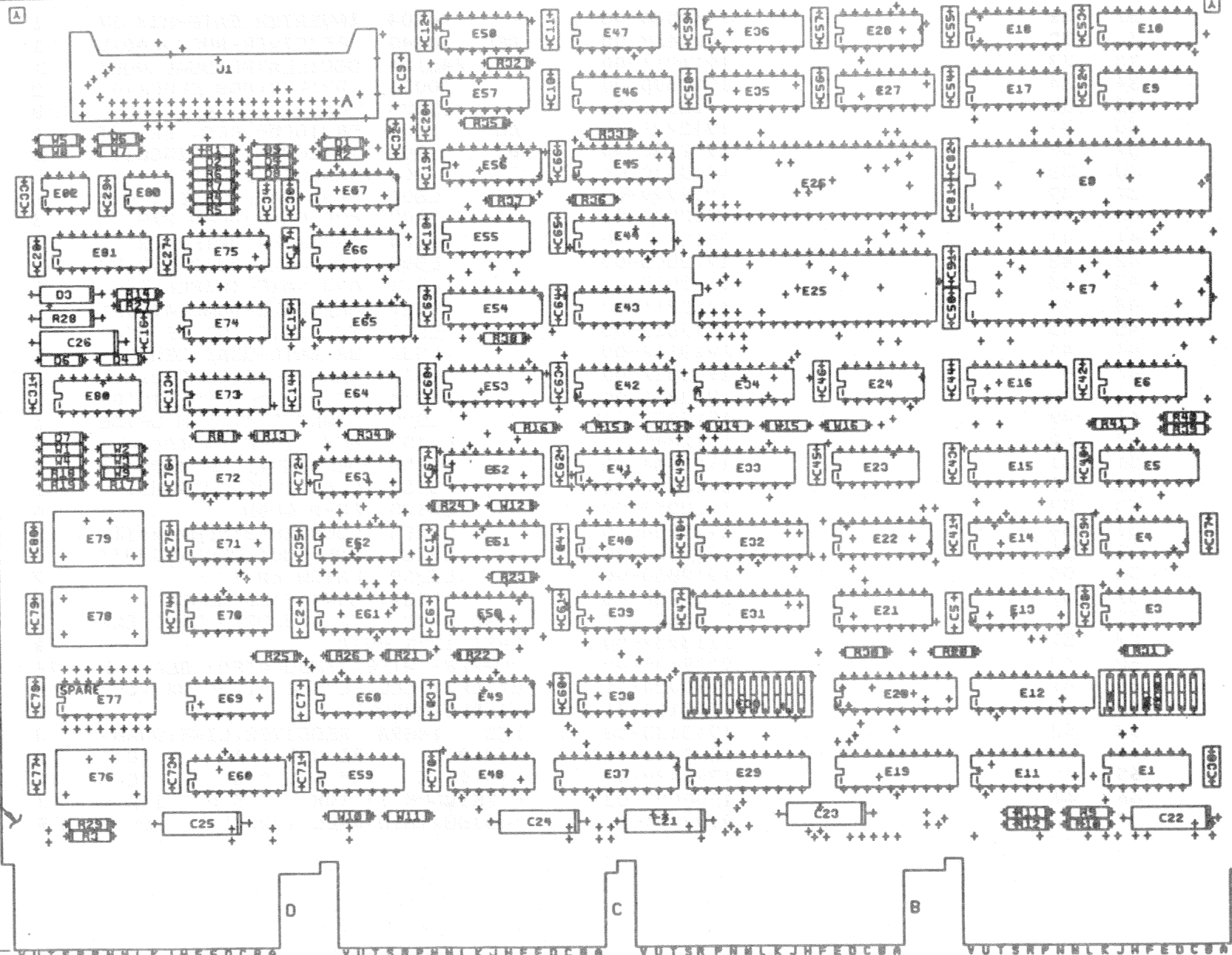
THIS DRAWING OR INFORMATION CONTAINED HEREIN IS UNCLASSIFIED EXCEPT WHERE SHOWN OTHERWISE. DATE 10-11-81 BY 1981

10.44  
(265.17 MM)  
REF

COMPONENT SIDE VIEW

8.41  
(213.61 MM)  
REF

62  
61  
8 PLACES



NOTES:  
1. E77 IS A SPARE LOCATION.

STEP 1	+ Y AXIS	STEP	TIMES
REPEAT	+ X AXIS	STEP	TIMES

CHECKCHANGE NO	REV	DATE
J7	M7957-MK001	C
R. PLATT		
WASHINGTON		
7/11/77		

SIGNATURES	DATE
DRN. N. LANDRY	6-1-77
CHK'D. W. SMITH	5-4-77
MECH. ENG. W. SMITH	8-10-77
PROJ. ENG. W. SMITH	8-10-77
PROD.	8-10-77
SCALE 2/1	
SHT. 1 OF 1	
ETCH REV. D-P1	

TITLE	digital
TITLE	ASYN MUX
SIZE CODE	NUMBER
0	UA M7957-0-0 C
REV	
1	NO# 301716

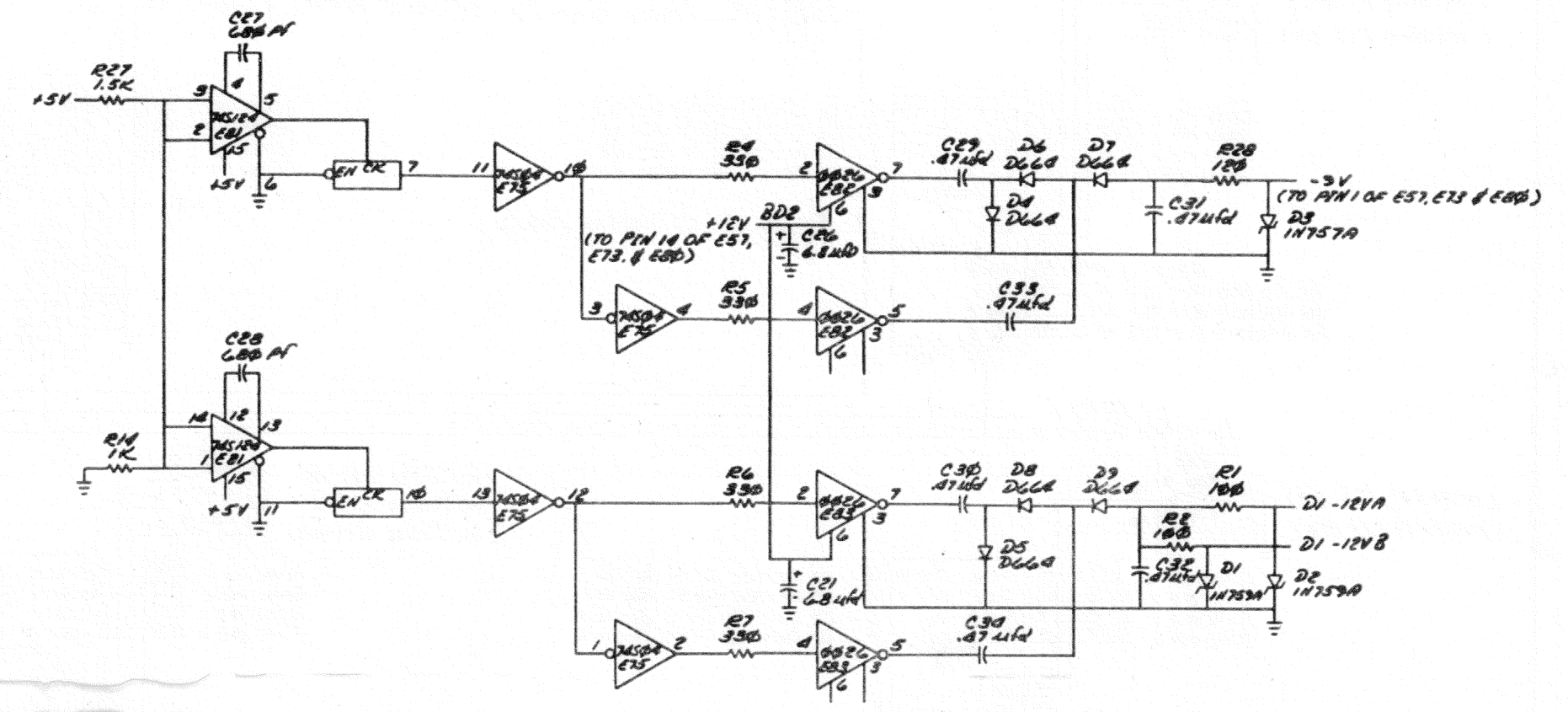
MK.

12

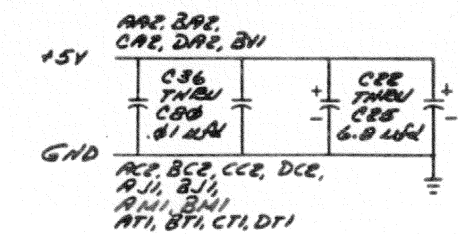
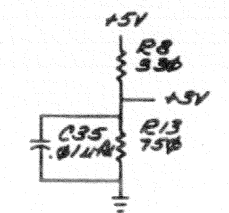
THIS DRAWING AND SPECIFICATIONS HEREIN ARE THE PROPERTY OF THE UNITED STATES GOVERNMENT AND SHALL NOT BE REPRODUCED OR CAPTURED OR USED IN MANNER AS TO INFRINGE THE PATENT RIGHTS OR AS TO BE USED IN MANNER AS TO INFRINGE THE PATENT RIGHTS OR AS TO BE USED IN MANNER AS TO INFRINGE THE PATENT RIGHTS.

**BERG PINNING CHART**

A	GROUND
B	EIA XMIT DATA 00
C	EIA RECEIVED DATA 00
D	EIA DATA TERM RDY 00
E	EIA RING 00
F	EIA FORCED BUSY 00
G	EIA REQ TO SEND 00
H	GROUND
I	EIA CARRIER 00
J	GROUND
K	EIA XMIT DATA 01
L	EIA RECEIVED DATA 01
M	EIA DATA TERM RDY 01
N	EIA RING 01
O	EIA FORCED BUSY 01
P	EIA REQ TO SEND 01
Q	GROUND
R	EIA CARRIER 01
S	EIA CARRIER 02
T	GROUND
U	EIA REQ TO SEND 02
V	EIA FORCED BUSY 02
W	EIA RING 02
X	EIA DATA TERM RDY 02
Y	EIA RECEIVED DATA 02
Z	EIA XMIT DATA 02
AA	GROUND
AB	EIA CARRIER 03
AC	GROUND
AD	EIA REQ TO SEND 03
AE	EIA FORCED BUSY 03
AF	EIA RING 03
AG	EIA DATA TERM RDY 03
AH	EIA RECEIVED DATA 03
AI	EIA XMIT DATA 03
AJ	GROUND
AK	EIA CARRIER 03
AL	GROUND
AM	EIA REQ TO SEND 03
AN	EIA FORCED BUSY 03
AO	EIA RING 03
AP	EIA DATA TERM RDY 03
AQ	EIA RECEIVED DATA 03
AR	EIA XMIT DATA 03
AS	GROUND
AT	GROUND
AU	GROUND
AV	GROUND



CLOCK ADDRESS	BAUD RATE	PERIOD (USEC)
0000	50	1250.00
0001	75	833.33
0010	110	568.18
0011	154.5	460.60
0100	150	416.67
0101	300	208.33
0110	600	104.17
0111	1200	52.08
1000	1800	34.72
1001	2000	31.25
1010	2400	26.00
1011	3600	17.36
1100	4800	13.02
1101	7200	8.68
1110	9600	6.51
1111	INVALID	



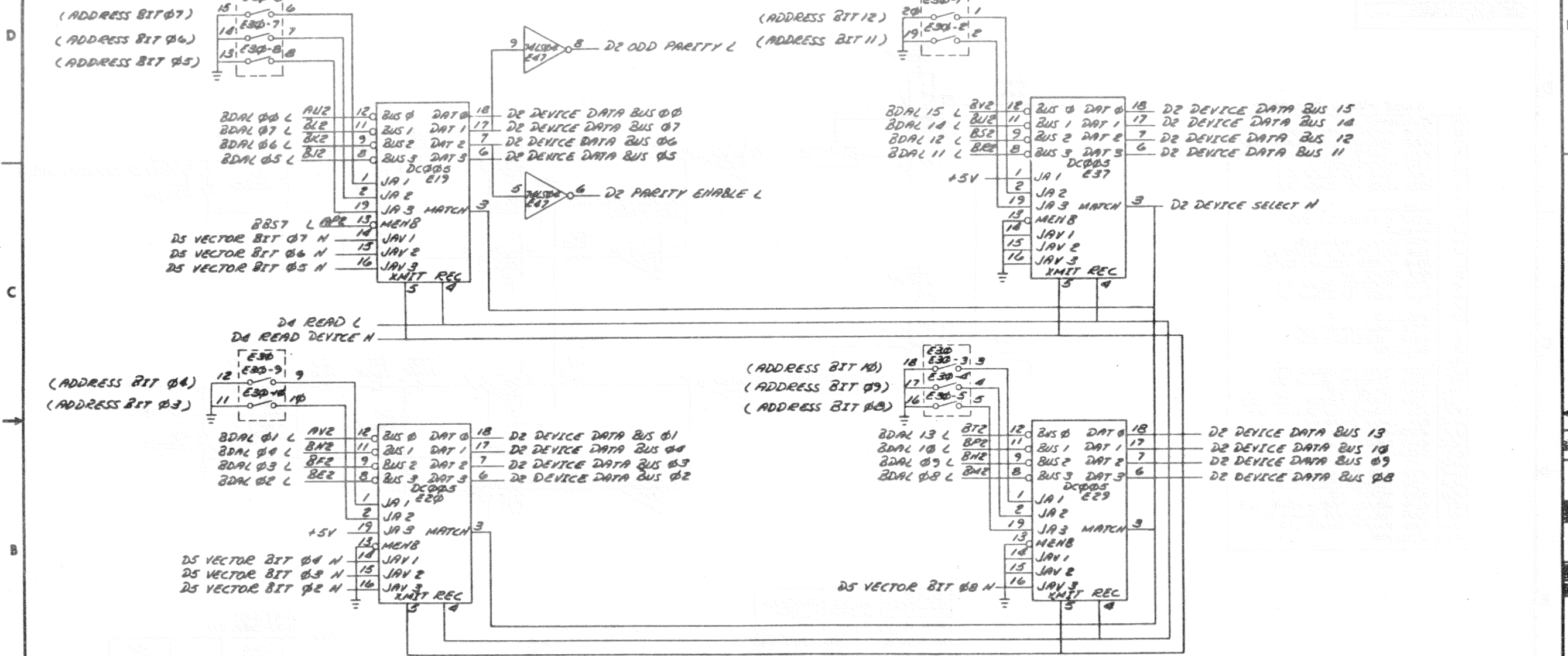
REV.	1
CHKD.	1
ENGR.	1
PROJ. ENGR.	1
PROD. PLAN.	1
NEXT HIGHER ASSY.	
SCALE	
SHEET	1 OF 14

(CHARTS)

DRAWN	1	FIRST USED ON	DZVII
CHKD.	1	TITLE	ASYN MUX
ENGR.	1	NUMBER	(01)
PROJ. ENGR.	1	SIZE	D
PROD. PLAN.	1	CODE	CS
NEXT HIGHER ASSY.		NUMBER	M7957-0-1
SCALE		REV.	C
SHEET	1 OF 14	DIST.	

THIS DRAWING AND SPECIFICATIONS HEREON ARE THE PROPERTY OF DIGITAL EQUIPMENT CORPORATION AND SHALL NOT BE REPRODUCED OR COPIED IN WHOLE OR IN PART AS THE BASIS FOR THE MANUFACTURE OF THIS OR OTHER DIGITAL EQUIPMENT. COPYRIGHT © 1977 DIGITAL EQUIPMENT CORPORATION.

NOTE:  
DEVICE ADDRESS IS DETERMINED BY SWITCH PACK E30. SWITCH CLOSED (ON) FOR QBUS LOGICAL ONE (LOW).

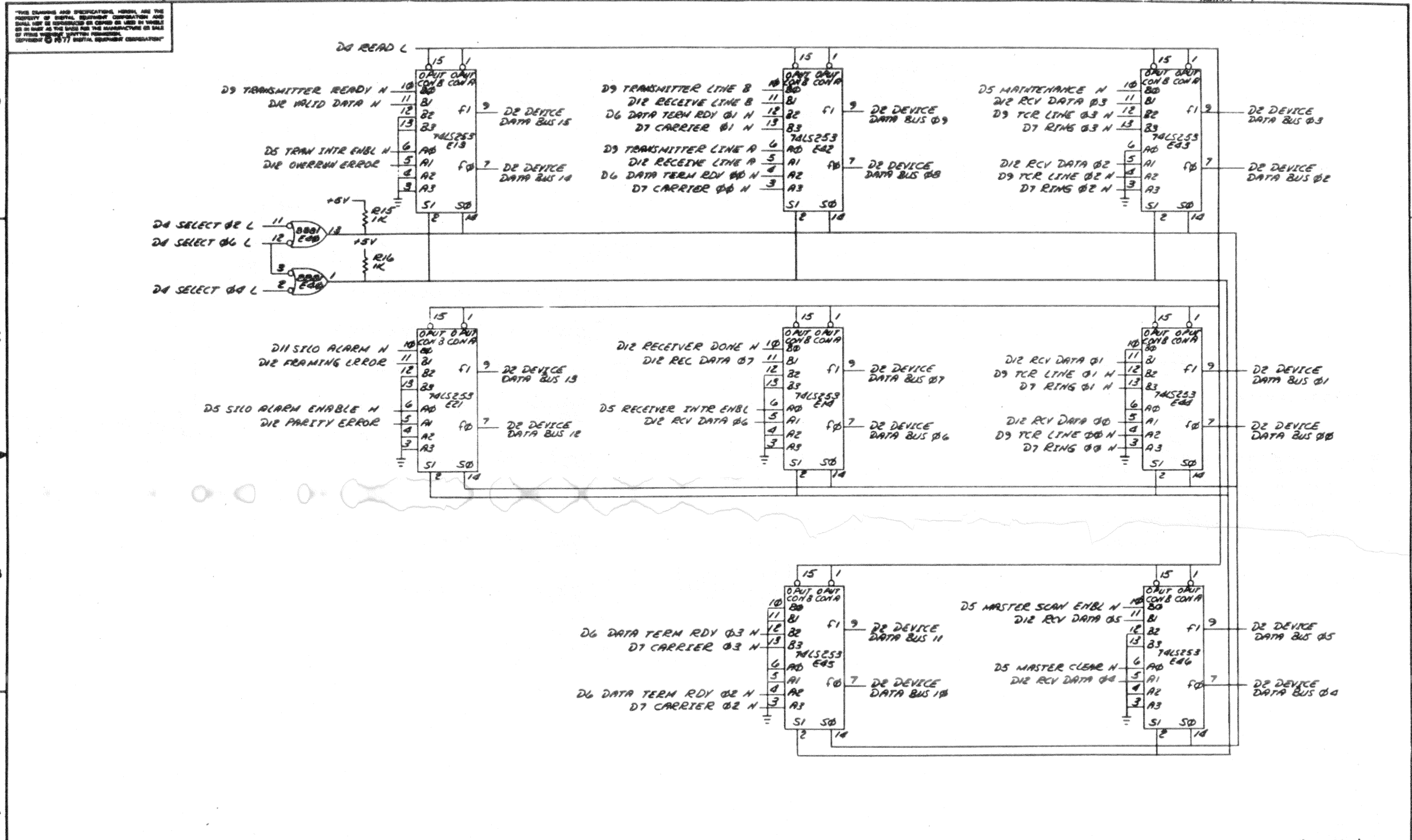


REVISIONS		
CHK	CHANGE NO.	REV.

(TRANSCEIVERS)		TITLE	ASYN MUX (D2)	SIZE CODE	NUMBER	REV.
SCALE	1	SHEET	2 OF 14	DIST.	DCS M7957-0-1	C

DCS M7957-0-1 C

NIK

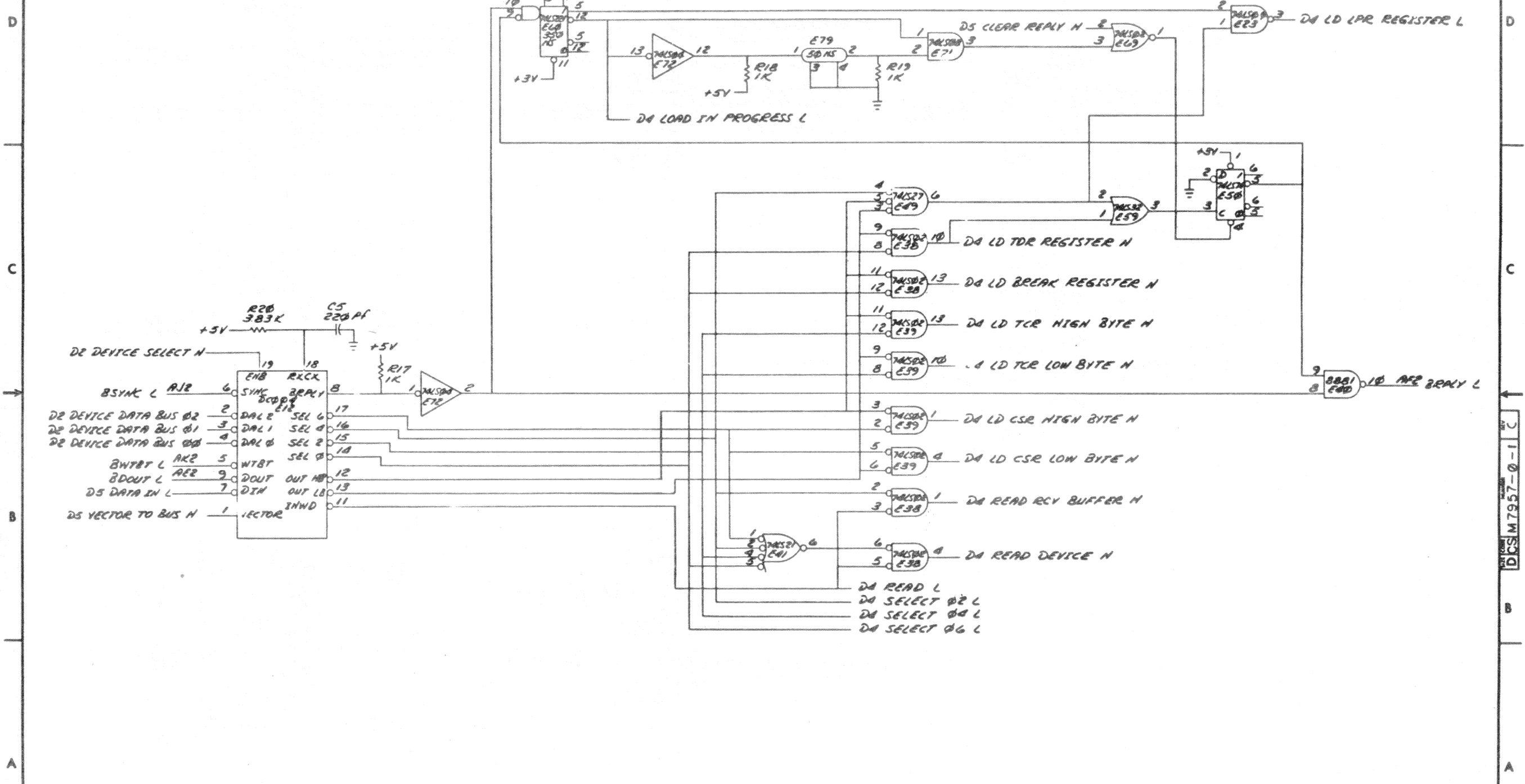


REVISIONS			TITLE				SIZE CODE		NUMBER		REV.
CHK	CHANGE NO.	REV.	ASYN MUX (03)				D	CS	M7957-0-1		C
			SCALE		SHEET	3	OF	14	DIST		

15

DCS M7957-0-1 C

THIS DRAWING AND SPECIFICATIONS HEREBY ARE THE PROPERTY OF DIGITAL EQUIPMENT CORPORATION AND SHALL NOT BE REPRODUCED OR COPIED OR USED IN WHOLE OR IN PART AS THE BASIS FOR THE MANUFACTURE OR SALE OF ITEMS WITHOUT WRITTEN PERMISSION OF DIGITAL EQUIPMENT CORPORATION

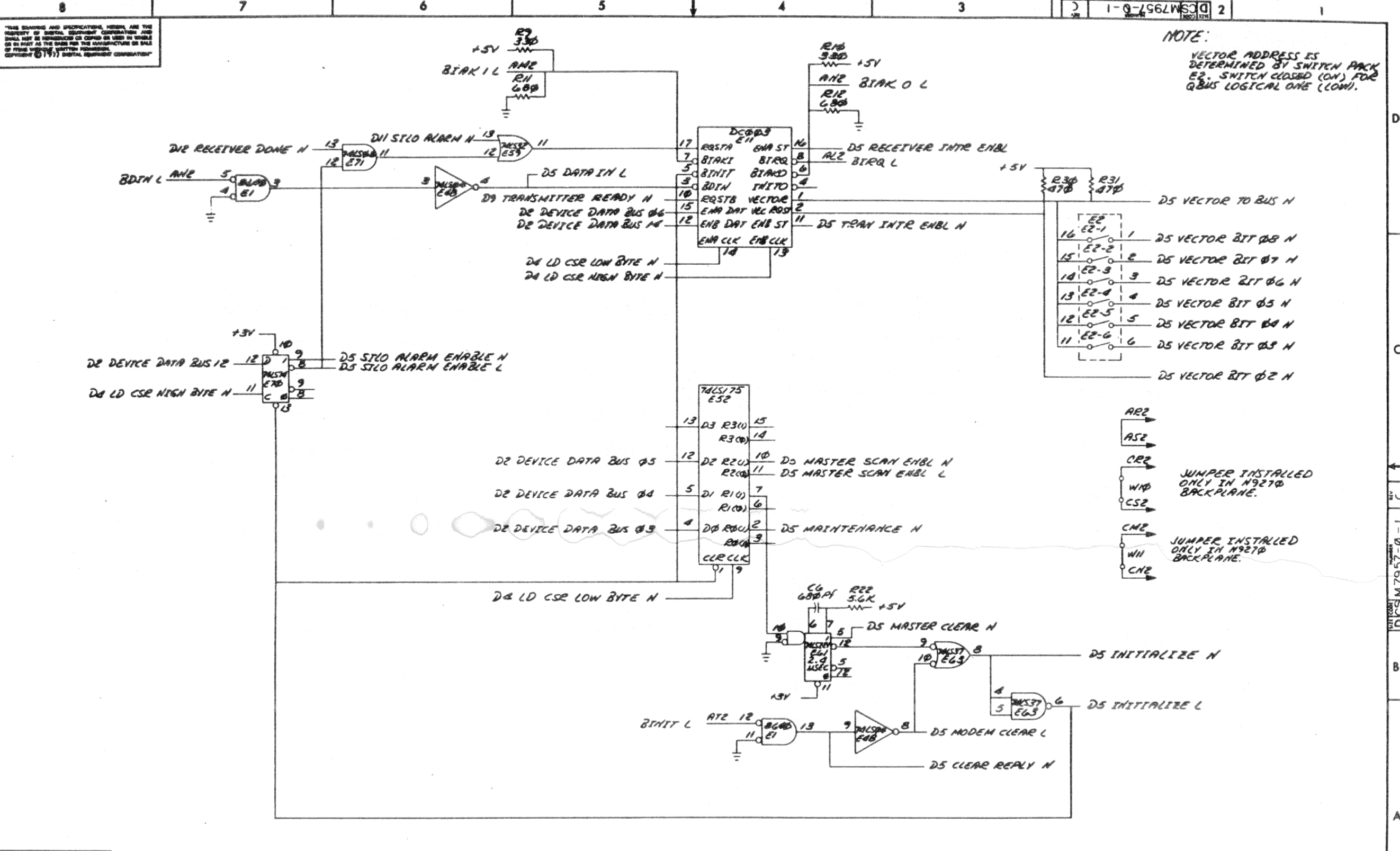


REVISIONS		
CHK	CHANGE NO.	REV.

(ADDRESS SELECT & DECODE)

TITLE	4SYN MUX (D4)	SIZE CODE	DCS M7957-0-1	NUMBER	C	REV.	
SCALE		SHEET	1	OF	14	DIST.	





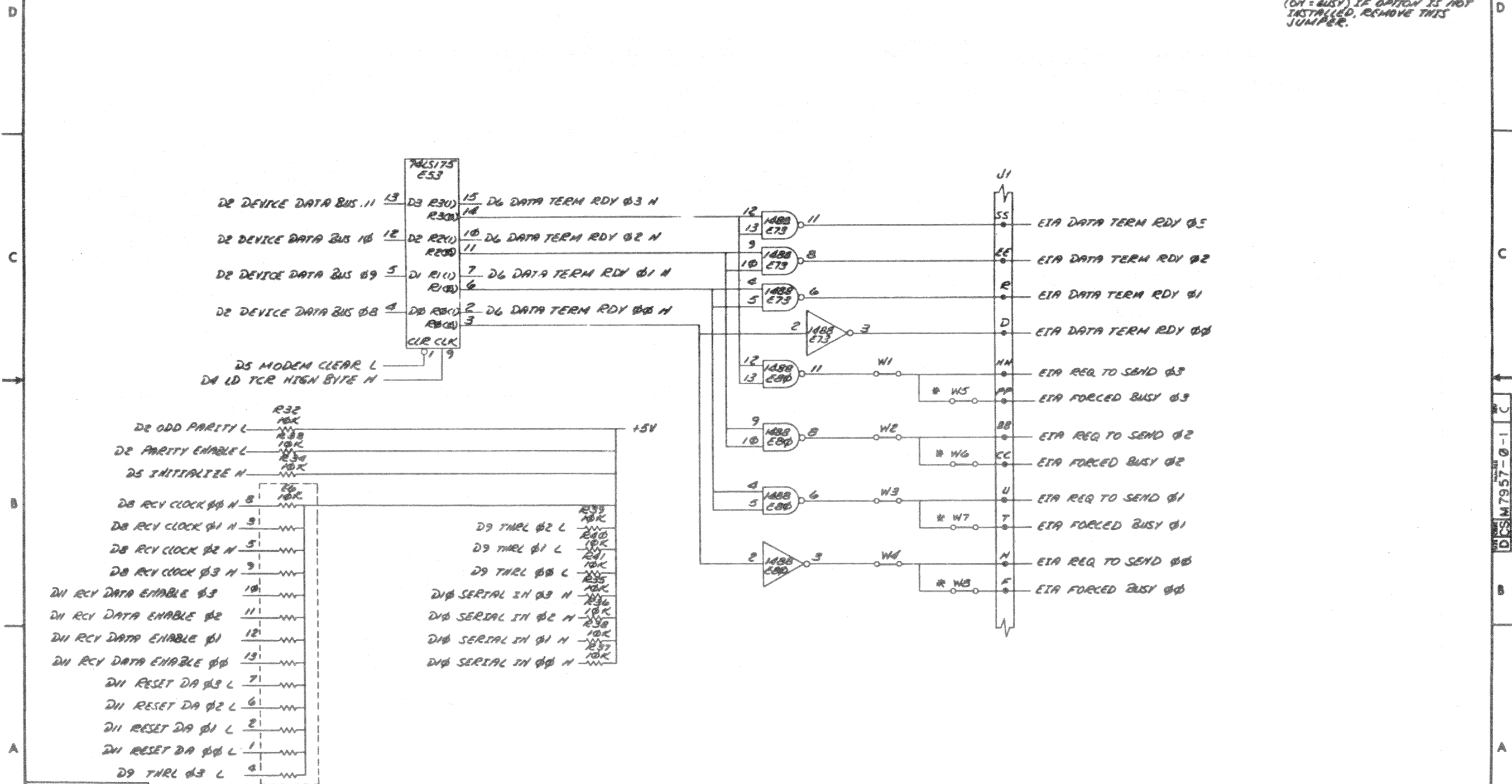
THIS SCHEMATIC AND SPECIFICATIONS HEREIN ARE THE PROPERTY OF DIGITAL EQUIPMENT CORPORATION AND SHALL NOT BE REPRODUCED OR COPIED OR USED IN WHOLE OR IN PART AS THE BASIS FOR THE MANUFACTURE OR SALE OF PRODUCTS WITHOUT THE WRITTEN PERMISSION OF DIGITAL EQUIPMENT CORPORATION.

NOTE:  
VECTOR ADDRESS IS DETERMINED BY SWITCH PACK E2. SWITCH CLOSED (LOW) FOR BUS LOGICAL ONE (LOW).

REVISIONS			TITLE		SIZE/COOD		NUMBER		REV.
CHK	CHANGE NO.	REV.	ASYN MUX (D5)		DCS		M7957-0-1		C
			SCALE	SHEET	5	OF	14	DIST.	

THIS DRAWING AND SPECIFICATIONS, HEREIN, ARE THE PROPERTY OF DIGITAL EQUIPMENT CORPORATION AND SHALL NOT BE REPRODUCED OR COPIED OR USED IN WHOLE OR IN PART AS THE BASIS FOR THE MANUFACTURE OR SALE OF ITEMS WITHOUT WRITTEN PERMISSION. COPYRIGHT © 1977 DIGITAL EQUIPMENT CORPORATION

**NOTE:**  
 \* FOR MSB AND LSB MODEMS WITH THE FORCED BUSY OPTION, THIS JUMPER MUST BE INSTALLED TO ALLOW REQUEST TO SEND TO CONTROL FORCED BUSY. (OH = BUSY) IF OPTION IS NOT INSTALLED, REMOVE THIS JUMPER.



REVISIONS		
CHK	CHANGE NO.	REV.

(EIA DRIVER & RECEIVERS)

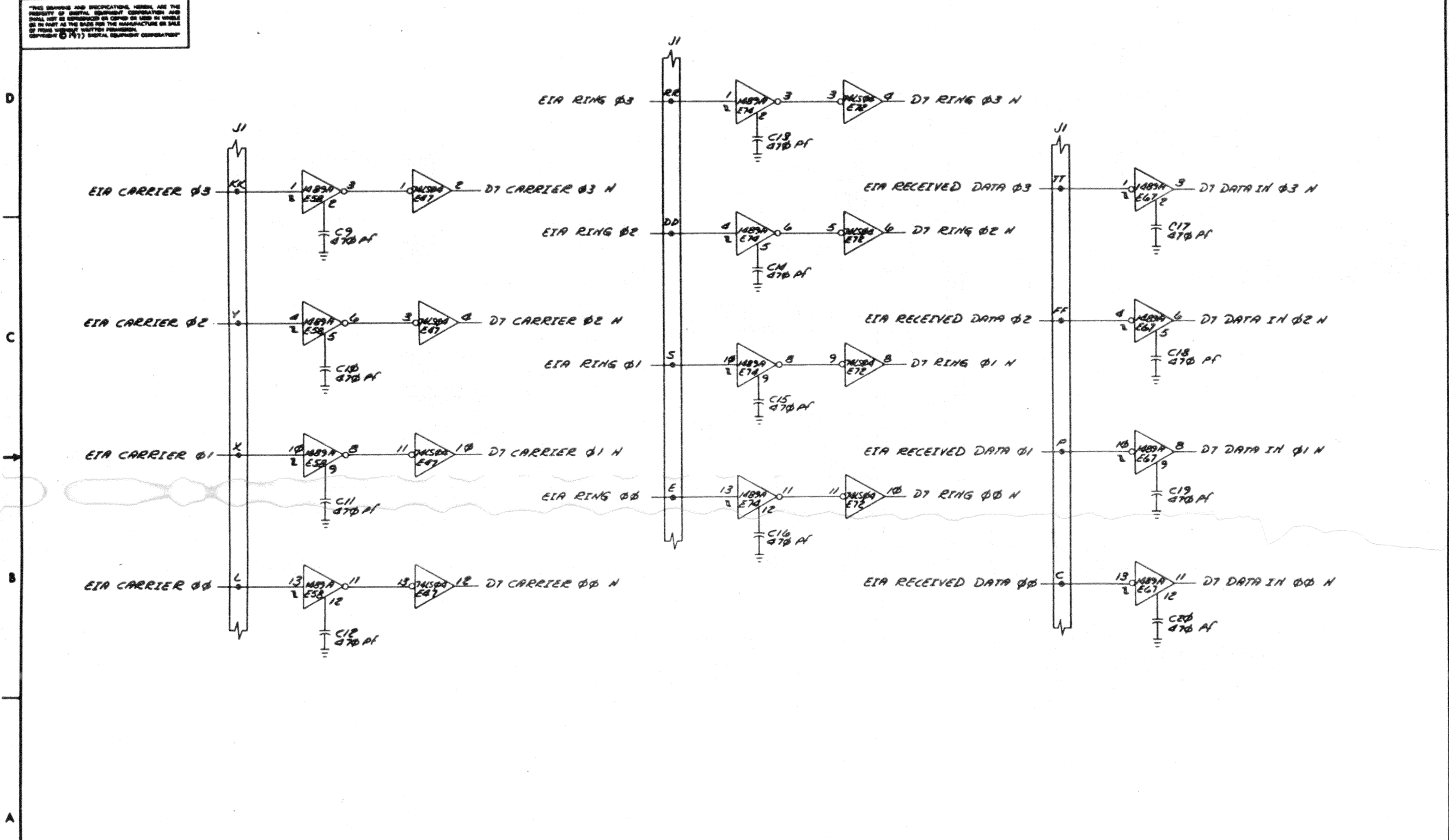
TITLE	ASYN MUX (D6)	SIZE CODE	D CS	NUMBER	M7957-0-1	REV.	C
SCALE	1:1	SHEET	6	OF	14	DIST.	

DCS M7957-0-1 C

81

THE DIMENSIONS AND SPECIFICATIONS HEREIN ARE THE PROPERTY OF DIGITAL EQUIPMENT CORPORATION AND SHALL NOT BE REPRODUCED OR COPIED OR USED IN WHOLE OR IN PART AS THE BASIS FOR THE MANUFACTURE OR SALE OF PRODUCTS WITHOUT WRITTEN PERMISSION. (SEPTEMBER 1971) DIGITAL EQUIPMENT CORPORATION

DCS M7957-0-1 C 2



REVISIONS		
CHK	CHANGE NO.	REV.

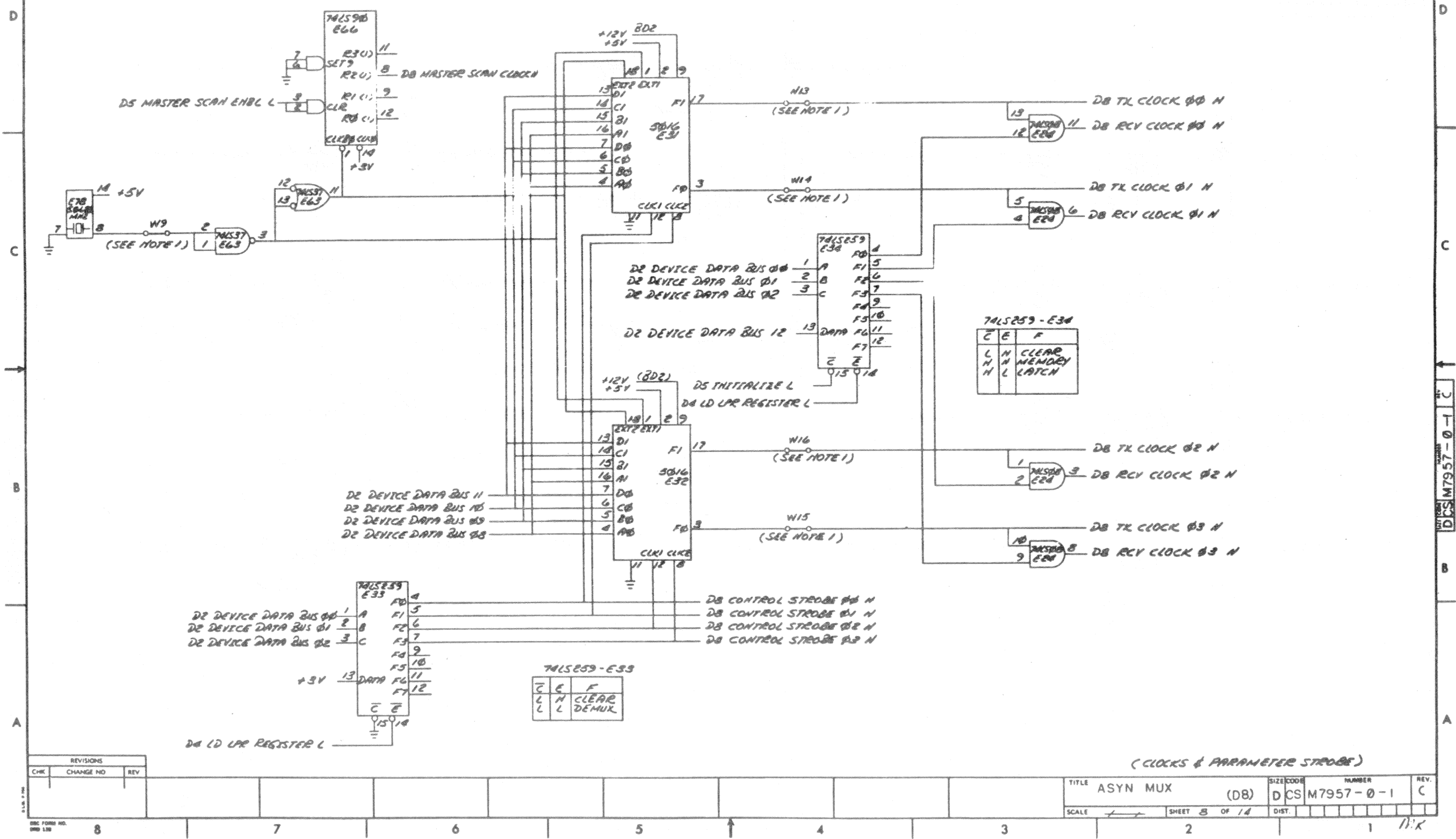
(EIA RECEIVERS)

TITLE	ASYN MUX (D7)	SIZE	CODE	NUMBER	REV.
SCALE	SHEET 7 OF 10	DIST	DCS	M7957-0-1	C

DCS M7957-0-1 C

NOTE:  
1. REMOVE JUMPERS FOR AUTOMATED MODULE TEST.

"THE DESIGN AND SPECIFICATIONS HEREIN ARE THE PROPERTY OF DIGITAL EQUIPMENT CORPORATION AND SHALL NOT BE REPRODUCED OR COPIED IN WHOLE OR IN PART AS THE BASIS FOR THE MANUFACTURE OR SALE OF ITEMS WITHOUT WRITTEN PERMISSION. COPYRIGHT © 1977 DIGITAL EQUIPMENT CORPORATION"



(CLOCKS & PARAMETER STROBE)

REVISIONS		
CHK	CHANGE NO	REV

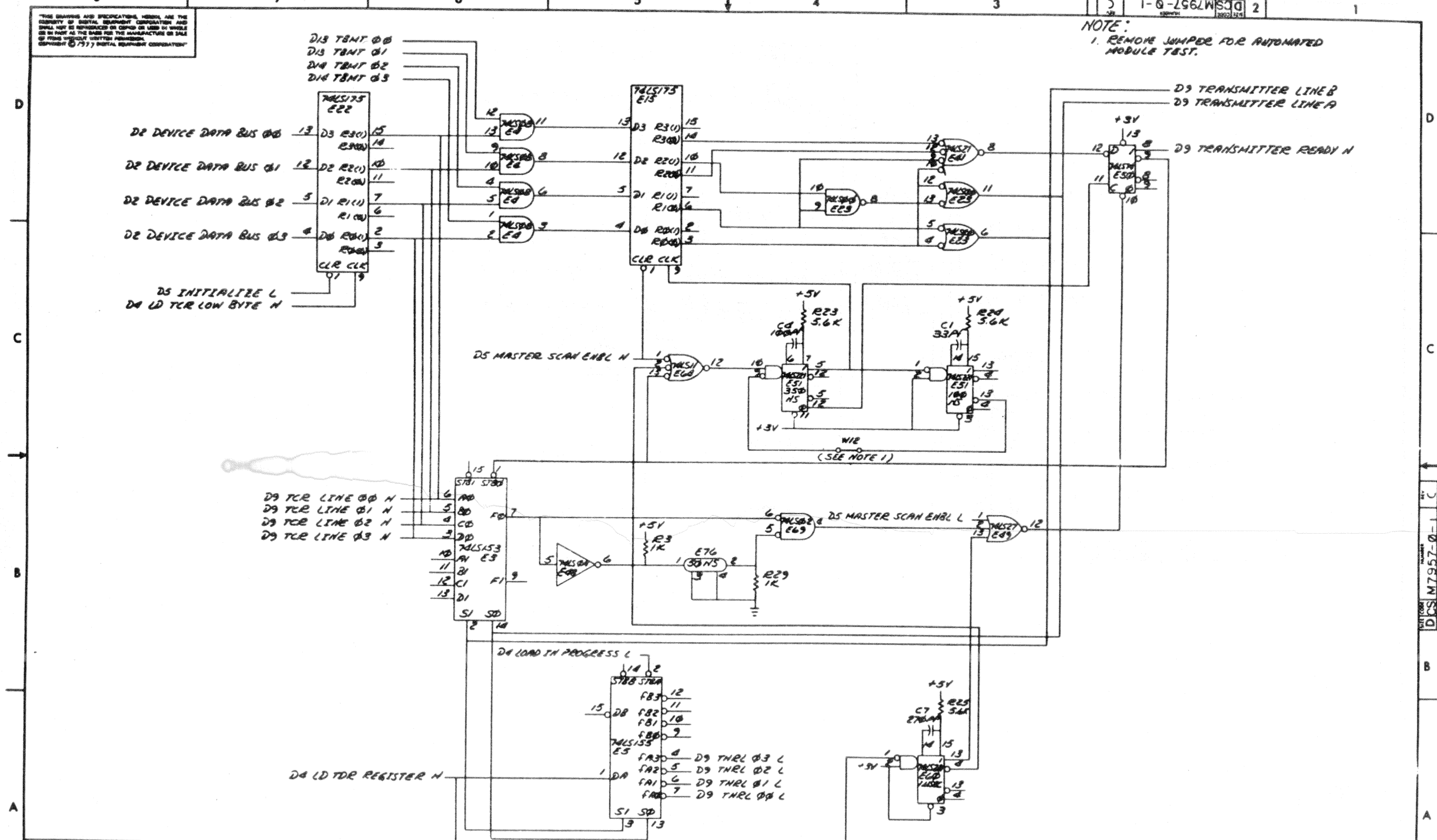
TITLE	ASYN MUX (DB)	SIZE CODE	D CS	NUMBER	M7957-0-1	REV.	C
SCALE	1:1	SHEET	8	OF	14	DIST.	

of

THE DRAWING AND SPECIFICATIONS HEREIN ARE THE PROPERTY OF DIGITAL EQUIPMENT CORPORATION AND SHALL NOT BE REPRODUCED OR COPIED OR USED IN WHOLE OR IN PART AS THE BASIS FOR THE MANUFACTURE OR SALE OF OTHER EQUIPMENT WITHOUT PERMISSION. DEPARTMENT 1777 DIGITAL EQUIPMENT CORPORATION

1-0-2962 WSC 2

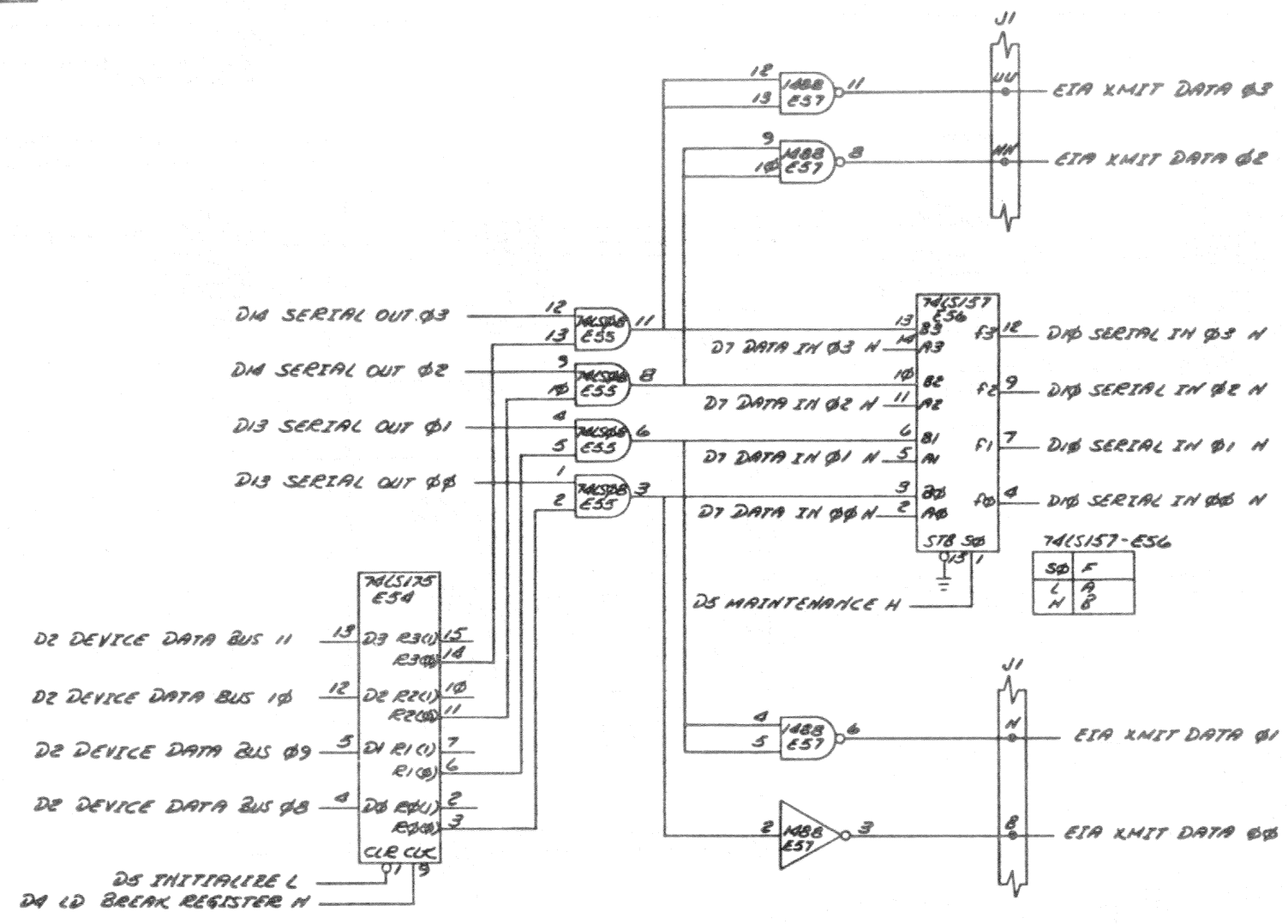
NOTE:  
1. REMOVE JUMPER FOR AUTOMATED MODULE TEST.



REVISIONS		
CHK	CHANGE NO	REV

TITLE ASYN MUX (D9)		SIZE CODE	NUMBER	REV.
SCALE		DIST	DCS M7957-0-1	C
SHEET 9 OF 14		REV. 1/1		

"THIS DRAWING AND SPECIFICATIONS HEREIN ARE THE PROPERTY OF DIGITAL EQUIPMENT CORPORATION AND SHALL NOT BE REPRODUCED OR COPIED OR USED IN WHOLE OR IN PART AS THE BASIS FOR THE MANUFACTURE OR SALE OF ITEMS WITHOUT WRITTEN PERMISSION. COPYRIGHT © 1977 DIGITAL EQUIPMENT CORPORATION"



REVISIONS		
CHR.	CHANGE NO.	REV.

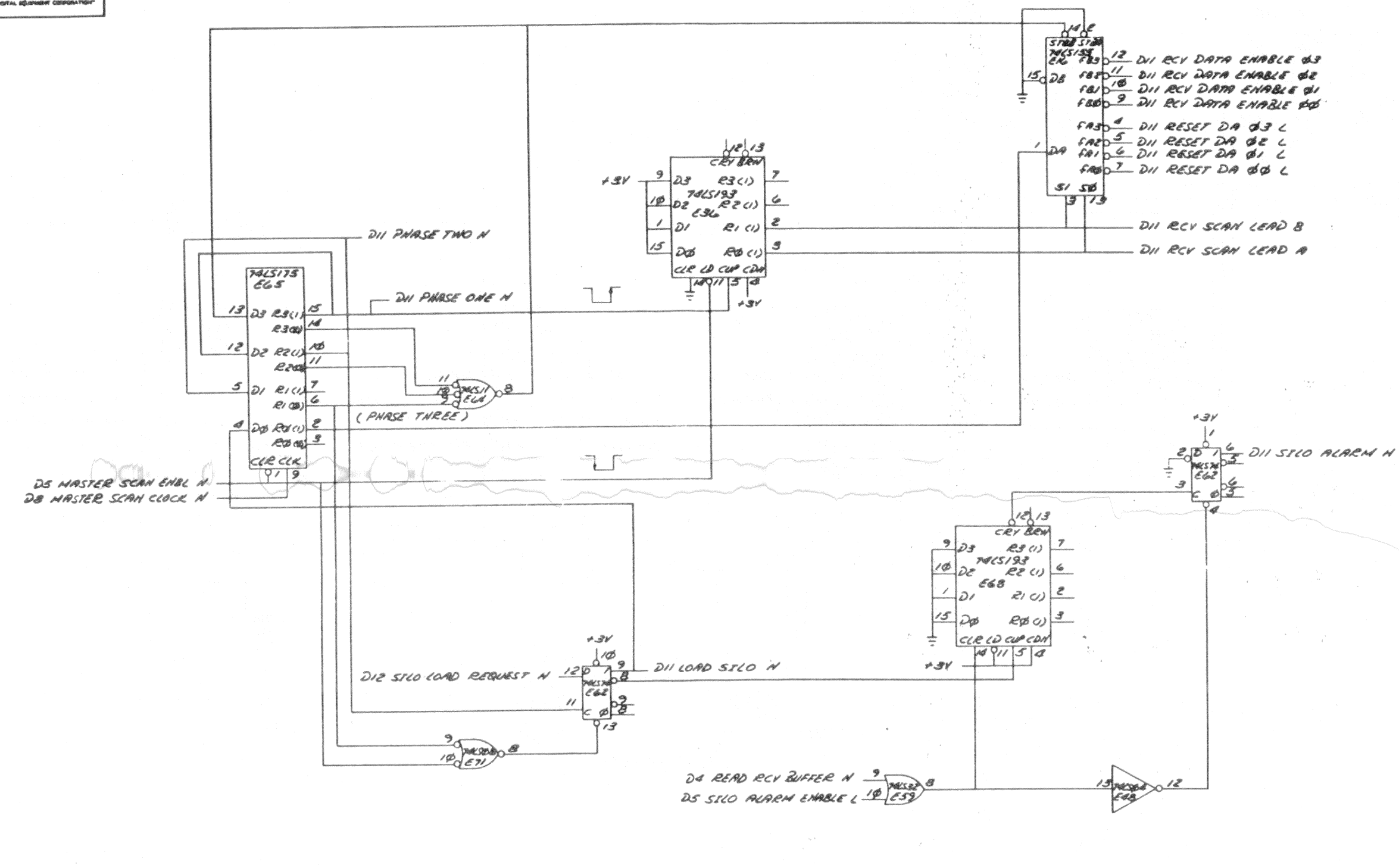
(BREAK, TRANSMIT DATA, MAINTENANCE)

TITLE	ASYN MUX	SIZE CODE	(D10)	NUMBER	DCS M7957-0-1	REV.	C
SCALE	SHEET 10 OF 16		DRY.				

66

THE DRAWING AND SPECIFICATIONS HEREIN ARE THE PROPERTY OF SPITAL EQUIPMENT CORPORATION AND SHALL NOT BE REPRODUCED OR COPIED OR USED IN WHOLE OR IN PART AS THE BASIS FOR THE MANUFACTURE OR SALE OF THIS EQUIPMENT WITHOUT PERMISSION. DEPARTMENT OF DEFENSE, SPITAL EQUIPMENT CORPORATION

DCS M7957-0-1 2



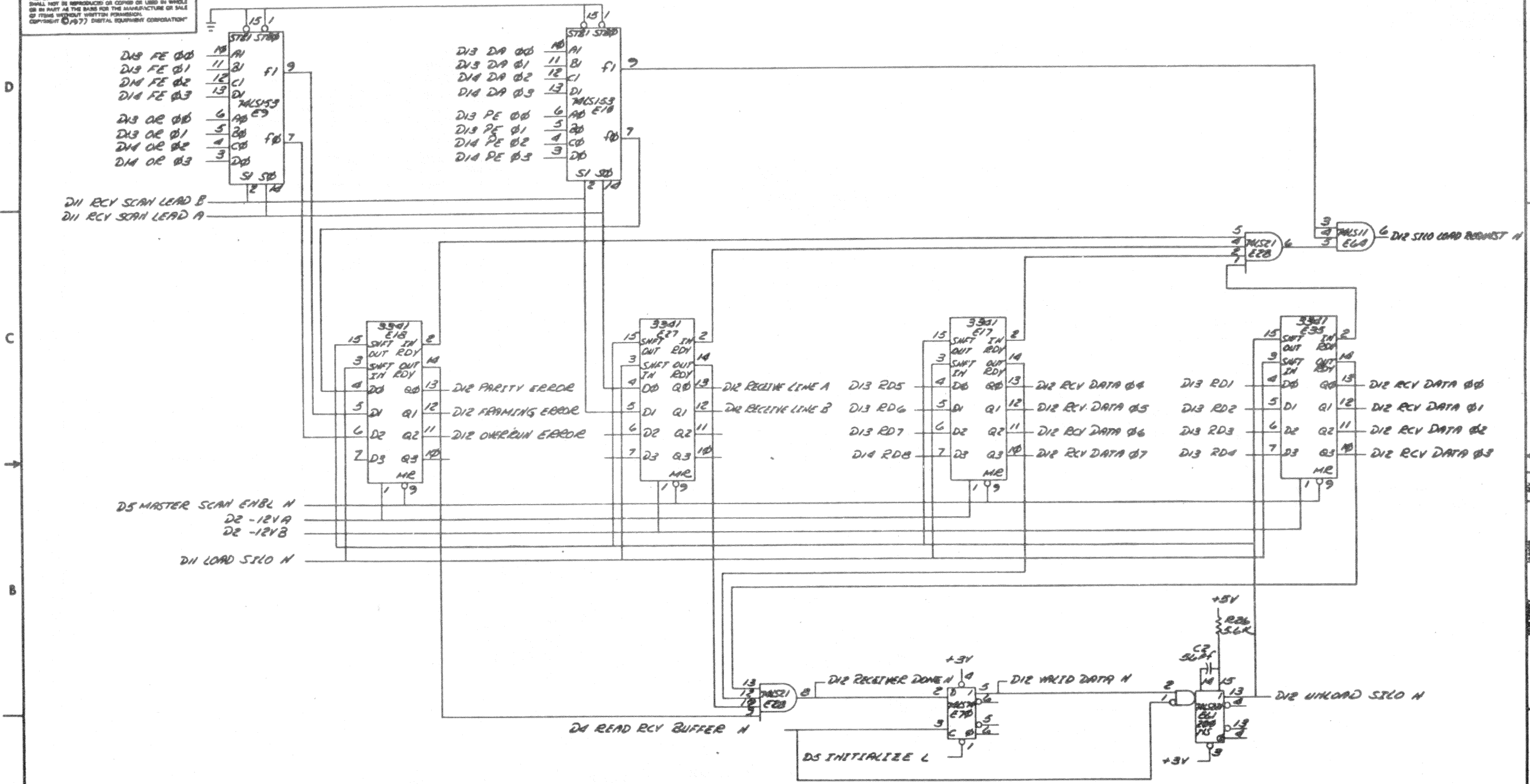
(RECEIVER CONTROL)

REVISIONS		
CHK	CHANGE NO	REV

TITLE	ASYN MUX (DII)	SIZE CODE	DCS	NUMBER	M7957-0-1	REV.	C
SCALE		SHEET	11	OF	14	DIST	

M/K

THIS DRAWING AND SPECIFICATION HEREIN ARE THE PROPERTY OF DIGITAL EQUIPMENT CORPORATION AND SHALL NOT BE REPRODUCED OR COPIED OR USED IN WHOLE OR IN PART AS THE BASIS FOR THE MANUFACTURE OR SALE OF ITEMS WITHOUT WRITTEN PERMISSION. COPYRIGHT © 1977 DIGITAL EQUIPMENT CORPORATION



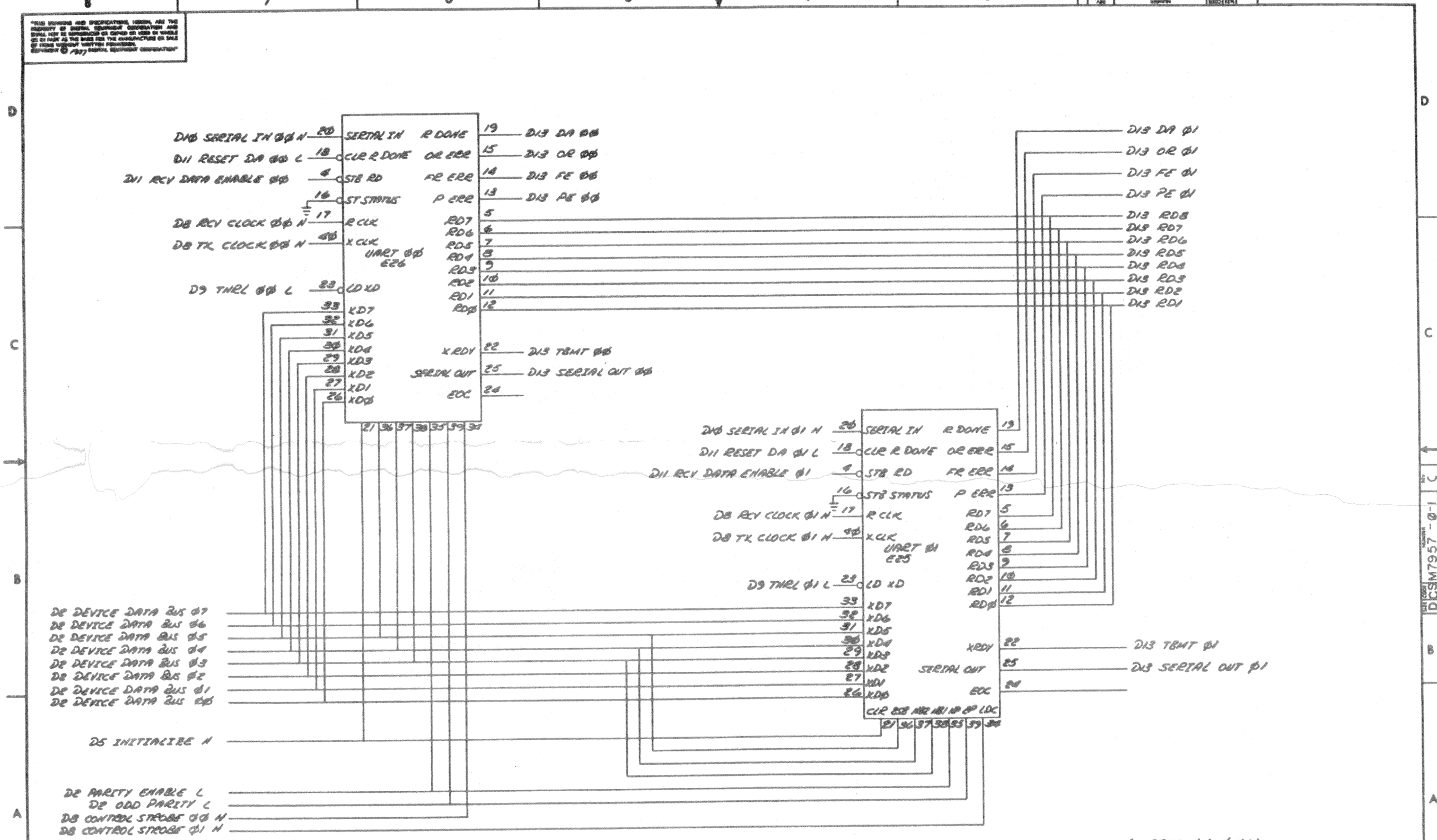
REVISIONS		
CHK	CHANGE NO.	REV.

TITLE		ASYN MUX (D12)		DRAWING NO.		DCS M7957-0-1		REVISION		REV.	
SCALE		1:1		SHEET		12 OF 18		DST.		MK	

htc

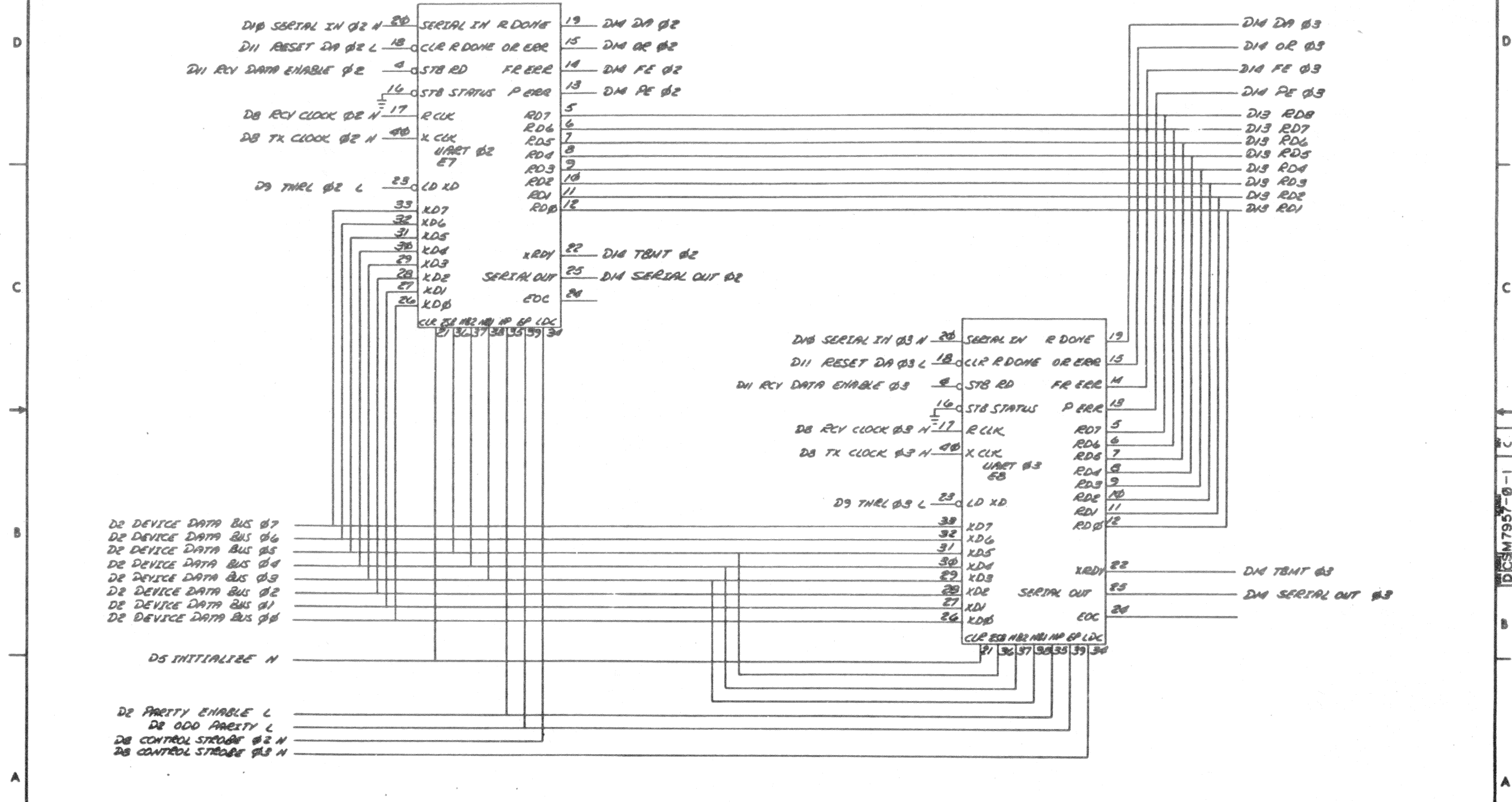


THIS DRAWING AND SPECIFICATIONS HEREIN ARE THE PROPERTY OF DIGITAL EQUIPMENT CORPORATION AND SHALL NOT BE REPRODUCED OR COPIED IN WHOLE OR IN PART AS THE BASIS FOR THE MANUFACTURE OR SALE OF ITEMS WITHOUT WRITTEN PERMISSION. REVISED © 1977 DIGITAL EQUIPMENT CORPORATION



REVISIONS			TITLE		SIZE CODE	NUMBER	REV.
OK	CHANGE NO.	REV.	ASYN MUX (D13)		DCS	M7957-0-1	C
			SCALE	SHEET 13 OF 14	DIST.		

THIS DRAWING AND SPECIFICATIONS HEREIN ARE THE PROPERTY OF DIGITAL EQUIPMENT CORPORATION AND SHALL NOT BE REPRODUCED OR COPIED OR USED IN WHOLE OR IN PART AS THE BASIS FOR THE MANUFACTURE OR SALE OF ITEMS WITHOUT DIGITAL EQUIPMENT CORPORATION'S WRITTEN PERMISSION.  
COPYRIGHT © 1977 DIGITAL EQUIPMENT CORPORATION



REVISIONS		
CHK	CHANGE NO.	REV.

(UARTS #2 & #3)

TITLE	ASYN MUX	NUMBER	DCSM7957-0-1 C
SCALE	1:1	SHEET	14 OF 14

DATE: 11/77

20

**DIGITAL EQUIPMENT CORPORATION  
MAYNARD, MASSACHUSETTS**

**ENGINEERING SPECIFICATION**

DATE 4/25/77

TITLE DZV11 ASYNCHRONOUS MULTIPLEXOR

REVISIONS

REV	DESCRIPTION	CHG NO	ORIG	DATE	APPD BY	DATE

ENG	Willis Smith	APPD <i>W. Smith</i>	SIZE A	CODE SP	NUMBER DZV11-0-2	REV
-----	--------------	-------------------------	-----------	------------	---------------------	-----

**ENGINEERING SPECIFICATION**

CONTINUATION SHEET

TITLE DZV11 ASYNCHRONOUS MULTIPLEXOR

TABLE OF CONTENTS

- 1.0 General Description
  - 1.1 Available Options
- 2.0 Performance Specifications
  - 2.1 Bus Loading
  - 2.2 Power Consumption
  - 2.3 Environmental
  - 2.4 Maximum Configuration
  - 2.5 Available Interrupts
  - 2.6 Receivers
  - 2.7 Transmitters
  - 2.8 Baud Rate Generator
- 3.0 Hardware Description
  - 3.1 Receiver Control
  - 3.2 Transmitter Control
  - 3.3 Maintenance Provisions
  - 3.4 BCU, Interface Cable
  - 3.5 Throughput
- 4.0 Programming
  - 4.1 Address Allocation
  - 4.2 Interrupt Allocation
  - 4.3 Control and Status Register
  - 4.4 Receiver Buffer Register
  - 4.5 Line Parameter Register
  - 4.6 Transmitter Control Register
  - 4.7 Modem Status Register
  - 4.8 Transmit Data Register

SIZE A	CODE SP	NUMBER DZV11-0-2	REV
-----------	------------	---------------------	-----

# ENGINEERING SPECIFICATION

digital

CONTINUATION SHEET

TITLE DZV11 ASYNCHRONOUS MULTIPLEXOR

## 1.0 General Description

The DZV11 is a multiplexor interface between four asynchronous serial data communications channels and the LSI-11 bus. The DZV11 provides an EIA level interface and enough data-set control to permit dial up (auto answer) operation with modems capable of full duplex operation such as the Bell models 103, 113, 212 or equivalent. The DZV11 does not support half duplex operations or the secondary transmit and receive operations available with some modems such as the Bell model 202. Program compatibility is maintained with the Unibus option, DZ11-A. The only compatibility exception being the number of serial channels supported. The DZV11 has applications in data concentration and collection systems in front-end systems interfacing to a host computer, and for use in a cluster controller for terminal applications.

The following is a summary of the programmable features offered for each line:

Character length:	5,6,7 or 8 level code
Number of stop bits:	1 or 2 for 6,7,8 level code 1 or 1.5 for 5 level code
Parity generation and detection:	Odd, even or none
Operating speed:	50, 75, 110, 134.5, 150, 300 600, 1200, 1800, 2000, 2400, 3600, 4800, 7200 and 9600.
Breaks:	Generation and detection

## 1.1 Available Options:

The DZV11 can be supplied in two different configurations, each designated by a suffix letter (A or B). Each multiplexor configuration utilizes a quad height module designated as the M7957. All input and output leads of the M7957 conform to EIA Standard RS232C and are available on a Berg header.

The required hardware for the DZV11-A option is just the M7957 module. Cabling assemblies to terminals and modem channels are not supplied with this option, but are available in the DZV11-B configuration. Each DZV11-B configuration consists of an M7957 module, BC11U-25 cable assembly, and two accessory test connectors, H329 and H325.

SIZE	CODE	NUMBER	REV
A	SP	DZV11-0-2	

# ENGINEERING SPECIFICATION

digital

CONTINUATION SHEET

TITLE DZV11 ASYNCHRONOUS MULTIPLEXOR

## 2.0 Performance Specifications

### 2.1 Bus Loading:

The DZV11 represents one unit load to the LSI-11 bus.

### 2.2 Power Consumption

1.15 Amps @ +5 Volts  
0.39 Amps @ +12 Volts

### 2.3 Environmental:

The DZV11 operates in an environment from 5 to 50 degrees centigrade with a relative humidity of 10% or less to 95%.

### 2.4 Maximum Configurations:

The DZV11 multiplexor is assigned a device address in the floating address space. The floating address space starts at 760010 and extends to 764000. A maximum configuration of DZV11's would not be limited by floating address space, but would be limited by the rules governing an intermediate size system configuration. Therefore, a maximum of seven DZV11 multiplexors may reside in a nine by four backplane. Refer to Section 3.5 for throughput limitations.

### 2.5 Available Interrupts:

- A. Receiver Done Interrupt - occurs every time a character appears at the output of the Receiver Buffer Register and the Silo Alarm is disabled. Can be enabled or disabled from the bus.
- B. Silo Alarm Interrupt - occurs after sixteen entries have been made into the Receive Buffer Register by the scanner. This interrupt disables Receiver Done Interrupt and is rearmed when the Receive Buffer Register has been read.
- C. Transmit Interrupt - occurs everytime the scanner finds a Uart buffer empty condition, and the Transmitter Control Register bit is set for that line. Can be enabled or disabled from the bus.

### 2.5 Receivers:

The receivers provide serial to parallel conversion of 5,6,7, 8 level code with one start space and at least one stop mark. The character length, number of stops bits,

SIZE	CODE	NUMBER	REV
A	SP	DZV11-0-2	

26

**ENGINEERING SPECIFICATION**

010110

CONTINUATION SHEET

TITLE DZV11 ASYNCHRONOUS MULTIPLEXOR

parity generation and operating speed are programmable parameters for each line. A Receiver and Transmitter of a corresponding line share the same operating speed with provisions for enabling/disabling of that receive line.

Each receiver is double-buffered and has an allowable input distortion of 43.75% on any bit. Also, the accumulated character distortion must not exceed 43.75%. This limits the speed distortion to 4.8% for an eight bit character. Break detection is provided on each receiver.

**2.7 Transmitters:**

The transmitters provide parallel to serial conversion of 5,6,7,8 level code with or without parity. The parity sense when selected can be either odd or even. The stop code can be either 1 or 2 units except when 5 level code is selected. When 5 level code is selected, the stop code can be set to 1 or 1.5 units. The character length, number of stop units, parity generation and sense, and operating speed are programmable parameters for each line. The operating speed for the transmitter is common with the receiver. Breaks are capable of being transmitted on any line. The gross start-stop distortion for a transmitter's TTL output will be less than 2.5% for an eight bit character.

**2.8 Baud Rate Generator:**

The baud rate generator is a MOS/LSI device, which provides the DZV11 multiplexor with full programmable capability for operating speed selection. Each line has an independent generator capable of producing one of fifteen selectable baud rates. Speed tolerance for all rates is less 0.3% with a clock duty of 50% ± 5%.

**3.0 Hardware Description**

**3.1 Receiver Control:**

The receiver control section utilizes a forty pin MOS/LSI device for each line to provide serial to parallel assembly of received characters. These devices are designated as a Universal Asynchronous Receiver/Transmitters (UART). In addition to receive character assembly, the UART provides parity checking, break detection and overrun detection. The UART is double buffered, allowing a full character time to remove the received character to a hardware buffer. The UARTS are serviced by a four phase scanner, which runs at a nominal one megahertz rate. Each cycle of the scanner sequentially checks for a new UART Data Available

SIZE	CODE	NUMBER	REV
A	SP	DZV11-0-2	

**ENGINEERING SPECIFICATION**

010110

CONTINUATION SHEET

TITLE DZV11 ASYNCHRONOUS MULTIPLEXOR

flag. When a flag is found, the scanner deposits the character into a sixteen by sixty-four First In/First Out buffer. This buffer has the following characteristics: If space is available in the FI/FO buffer, the character will be written into the buffer. It will then automatically propagate down to the first available open slot. It will be stored there until a character is removed from the output side, remaining characters propagate toward the output. The character is stored with the following format. The data bits are stored in the low byte or first eight bits, the channel number is stored in two bits, and the status information is stored in three bits (parity, overrun and framing error). Bit 15 indicates a valid entry when it is present. Once any character reaches the output of the buffer, a Receiver Done occurs, thus indicating the service routine must read the buffer to obtain the character. As the character is read, the FI/FO buffer output is incremented, causing the contents to propagate down, now providing the next character stored in the buffer.

The software services the Receiver Done flag on either an interrupt or flag checking basis. In either case, characters are serviced out of the FI/FO buffer. As each character is read from the buffer, the next character is presented at the output (assuming that one was in the buffer). The service routine should process all characters in the FI/FO to avoid overhead involved in entering and leaving the service routine. The service routine deals with only the output of the FI/FO buffer and cannot alter or affect the scanner phases.

**3.2 Transmitter Control:**

The transmitter control section utilized UARTS for parallel to serial conversion of transmit characters for each line. The transmitter uses four bits of the low byte of the Transmitter Control Register (TCR) for the enabling of each transmitter of a per-line basis. Setting the bit for a particular line will cause the "pseudo-scanner" to stop at this line if Transmit Buffer Empty (TBMT) is set and thus set the Transmitter Ready bit. If the Transmitter Interrupt Enable bit is set, an interrupt will be generated. Note, that if all TCR bits are clear, the Transmitter Ready bit will be clear, this is a departure from conventional single line unit ready flags.

If the TCR bit is set for a particular line, the "pseudo-scanner" will stop when it detects the AND condition of TCR and TBMT for this particular line. Transmitter Ready will then set. An interrupt will be generated if Transmitter Interrupt Enable is set. The service routine should read the TRANSMITTER LINE bits located in the high byte

SIZE	CODE	NUMBER	REV
A	SP	DZV11-0-2	

**ENGINEERING SPECIFICATION**

digital

CONTINUATION SHEET

TITLE DZV11 ASYNCHRONOUS MULTIPLEXOR

of the Control and Status Register. The routine then loads the appropriate character into the low byte of the Transmit Data Register, and the "pseudo scanner" automatically clears Transmitter Ready and begins searching for another AND condition of TBMT and TCR. The "pseudo-scan" is a four level priority encoder. A sampling clock records the respective states of the AND conditions of TBMT and TCR for the lines. The states are then presented to a priority encoder which produces the Transmitter Line bits and Ready Flag. The clock then stops, waiting for the character to be loaded. Once loading of the Transmit Data Register has occurred, the clock is restarted and a new sample is produced for the priority encoder. Transmitter Line Number three has the highest priority, while line number zero has the lowest.

When operating in interrupt mode, the service routine should check to assure no other lines require servicing before exiting. This would reduce the number of times that the service routine would have to be entered, thus reducing the overhead per character.

Breaks may be transmitted on any line by asserting the corresponding bit in the high byte of the Transmit Data Register. This pulls the output line to a space and holds it there until the bit is cleared. Timing of the breaks must be done by the software.

**3.3 Maintenance Provisions:**

Three methods of maintenance testing are provided with the DZV11. For systems testing, the multiplexor has a maintenance bit (CSR03) which will internally loopback all the data leads. In this mode, only the data leads are disconnected from the EIA drivers and receivers.

For complete line testing of the EIA logic, an H329 module test connector can be installed on the socket housing of the M7957. This provides staggered loopback in the following manner:

Transmitted Data Line 00 to Received Data Line 01  
 Transmitted Data Line 01 to Received Data Line 00  
 Transmitted Data Line 02 to Received Data Line 03  
 Transmitted Data Line 03 to Received Data Line 02

Data Term Rdy Line 00 to Ring & Carrier Line 01  
 Data Term Rdy Line 01 to Ring & Carrier Line 00  
 Data Term Rdy Line 02 to Ring & Carrier Line 03  
 Data Term Rdy Line 03 to Ring & Carrier Line 02

SIZE	CODE	NUMBER	REV
A	SP	DZV11-0-2	

**ENGINEERING SPECIFICATION**

digital

CONTINUATION SHEET

TITLE DZV11 ASYNCHRONOUS MULTIPLEXOR

The third level of maintenance testing is offered at the option acceptance level. An H325 cable test connector can be used with the BC11U cable assembly to provide single line loopback capabilities. The H329 and H325 test connectors are supplied as a basic item of the DZV11-B option only.

**3.4 BC11U, Interface Cable:**

The interfacing cable for modem and terminal connections to the DZV11-B is provided by the BC11U cable assembly. It consists of four separate cables. Each cable is terminated by a separate DB25-P type connector and a common Berg housing. The housing connects the EIA input/output leads of the module to the appropriate pinning of a DB25-P connector. The following list of connector pins are typical for each line on the assembly.

PIN NUMBER	DESCRIPTION
1	Protective Ground *
2	Transmitted Data
3	Received Data
4	Request to Send
7	Signal Ground *
8	Carrier
20	Data Terminal Ready
22	Ring Indicator
25	Forced Busy **

- \* Common Connection
- \*\* Optionally Controlled by Request to Send

Request to Send is connected to Data Terminal Ready through a jumper on the module. This allows Request to Send control for full duplex 202 Modem applications. Additional per line jumpers are also provided to allow Request to Send to control Forced Busy.

**3.5 Throughput:**

Each DZV11 is capable of a throughput rate of 10,970 characters per second. This rate is calculated as follows:

(Bits/Seconds x No. Lines X Direction) divided by Bits/Character. (9600 x 4 x 2) 1/7 equals 10,970 Character/Second.

For a character service routing of 100 μsec or less, the device throughput rate can be sustained.

SIZE	CODE	NUMBER	REV
A	SP	DZV11-0-2	

02

**ENGINEERING SPECIFICATION**

digital

CONTINUATION SHEET

TITLE DZV11 ASYNCHRONOUS MULTIPLEXOR

**4.0 Programming**

The DZV11 contains six addressable registers. They are listed as follows:

- A. Control & Status Register
- B. Receiver Buffer Register
- C. Line Parameter Register
- D. Transmitter Control Register
- E. Modem Status Register
- F. Transmit Data Register

**4.1 Address Allocation:**

The device address assigned to the DZV11 resides in the floating address space of the LSI-11. This address space ranges from 160010<sub>8</sub> to 163776<sub>8</sub>. Each DZV11 requires increments of 10<sub>8</sub> address locations. Since program compatibility is maintained with the Unibus counterpart DZ11, the DZV11 multiplexor must use the space allocated for the DZ11. This imposes that address gaps occur for those Unibus counterpart devices that may or may not be designed for the LSI bus. With this restriction, the DZV11 is arranged as the eighth device in the floating address space. Other LSI bus devices that have counterpart Unibus devices and which occupy the floating address space are the DUV11 and DPV11. These are arranged as the fourth and fifth devices respectively.

**4.2 Interrupt Allocation:**

The DZV11 device vector address is selected from the floating vector space. This space ranges from address 300<sub>8</sub> to address 776<sub>8</sub>. Vector address compatibility with the DZ11 must also be adhered to by the DZV11. The multiplexor is thus assigned as the twenty-sixth device in the floating vector space. The DUV11 and DPV11 are assigned as the twentieth and twenty-first device respectively.

Each DZV11 requires two interrupt vectors, one for the transmitter section and one for the receiver section. If simultaneous interrupt requests were generated from each section, the receiver section would have priority in placing its vector onto the LSI bus. A receiver interrupt to address XX0 will be generated from having either a Receiver Done (CSR 07) or Silo Alarm (CSR13) occurrence. A transmitter interrupt to address XX4 will be generated by Transmitter Ready (CSR15). Additional prerequisites for generating interrupts are that the individual interrupt enable bits (CSR 06 and CSR 14) be set. The recommended method of clearing interrupt enable bits is to first raise the Processor Status Word to level four, next clear these interrupt

SIZE	CODE	NUMBER	REV
A	SP	DZV11-0-2	

**ENGINEERING SPECIFICATION**

digital

CONTINUATION SHEET

TITLE DZV11 ASYNCHRONOUS MULTIPLEXOR

enable bits and then lower the Processor Status Word to zero. Using this method prevents false interrupts from being generated.

**4.3 Control & Status Register: (CSR) 76XXX0**

The Control and Status Register is a byte and word addressable register. All bits in the CSR are cleared by an occurrence of BINIT or by setting device Master Clear (CSR 04). The bit assignment is as follows:

Bit	Description
00-02	Unused. Read as zero
03	<u>Maintenance</u> This bit, when set, loops all the transmitter's serial output leads to the corresponding receiver's serial input leads on a TTL basis. While operating in maintenance mode, the EIA received data leads are disabled. Normal operating mode is assumed when this bit is cleared. This bit is Read/Write.
04	<u>Master Clear</u> When written to a one, generates "Initialize" within the DZV11. A read back of the CSR with this bit set, indicates initialize in progress within the device. This bit is self-clearing. All register, silos and UARTS are cleared with the following exceptions:  A. Only bit 15 of the Receiver Buffer Register (VALID DATA), the remaining bits 00 through 14 are not.  B. The high byte of the Transmitter Control Register is not cleared by Master Clear.  C. The Modem Status Register is not cleared by Master Clear.
05	<u>Master Scan Enable</u> This Read/Write bit must be set to permit the receiver and transmitter control sections to begin scanning. When cleared, Transmitter Ready

SIZE	CODE	NUMBER	REV
A	SP	DZV11-0-2	





ENGINEERING SPECIFICATION



CONTINUATION SHEET

TITLE DZV11 ASYNCHRONOUS MULTIPLEXOR

3. At the conclusion of the load instruction of the Transmit Data Register (low byte only).

If additional transmit lines require service, Transmitter Ready will reappear within a min. of 1.4 usec from the completion of the Transmit Data Register load instruction. The occurrence of Transmitter Ready with Transmitter Interrupt Enable set, will generate a transmitter interrupt request.

4.4 Receiver Buffer Register: (RBUF) 76XXX2 READ ONLY

This is a 16 bit read only register which contains the received character at the output of the FI/FO buffer. A read of the register causes the character entry to be extracted from the buffer and all other entries to bubble down to the lowest unoccupied location. Only the Valid Data bit (RBUF 15) is cleared by BINIT or by setting device Master Clear (CSR 04). Bits 00-14 are not affected. The format of the RBUF register is defined as follows:

Bit	Description
00-07	<u>Received Character</u> These bits contain the received character, right justified. The least significant bit is bit 00. Unused bits are 0. The parity bit is not shown.
08-09	<u>Received Character Line Number</u> These bits contain the line number upon which the aforementioned character was received. Bit 08 is the least significant bit.
10-11	Unused. Read as zero.
12	<u>Parity Error</u> This bit is set if the sense of the parity of the received character does not agree with that designated for that line.

SIZE A	CODE SP	NUMBER DZV11-0-2	REV
-----------	------------	---------------------	-----

ENGINEERING SPECIFICATION



CONTINUATION SHEET

TITLE DZV11 ASYNCHRONOUS MULTIPLEXOR

13

Framing Error

This bit is set if the received character did not have a stop bit present at the proper time. This bit is usually interpreted as indicating the reception of a break.

14

Overrun Error

This bit is set if the received character was preceded by a character that was lost due to the inability of the receiver scanner to service the UART receiver holding buffer on that line.

15

Valid Data

This bit, when set, indicates that the data presented in bits 00-14 is valid. This bit permits the use of a character handling program that takes characters from the FI/FO buffer until there are no more available. This is done by reading this register and checking bit 15 until the program obtains a word for which bit 15 is zero.

4.5 Line Parameter Register: (LPR) 76XXX2 WRITE ONLY

This register controls the operating parameters associated with each line in the DZV11. The LPR register is a word addressable, write only register. The line parameters for all lines must be reloaded following an occurrence of either BINIT or device Master Clear.

Bit	Description
00-01	<u>Parameter Line Number</u> These bits specify the line number for which the parameter information (bits 3 through 12) is to apply. Bit 00 is the least significant bit.

SIZE A	CODE SP	NUMBER DZV11-0-2	REV
-----------	------------	---------------------	-----

ENGINEERING SPECIFICATION



CONTINUATION SHEET

TITLE DZV11 ASYNCHRONOUS MULTIPLEXOR

02 Unused. Must always be written as a zero when specifying the Parameter Line Number. Writing this bit as a one will extend the Parameter Line Number field into non-existent lines. Parameters for lines 00 through 03 will not be affected.

03-04 Character Length  
These bits are set to receive and transmit characters of the length (excluding parity) as shown below.

04	03	
0	0	5 bit
0	1	6 bit
1	0	7 bit
1	1	8 bit

05 Two Stop Bits  
This bit, when set, conditions a line transmitting with 6,7 or 8 bit code to transmit characters having two stop marks. If the line is transmitting 5 bit code, assertion of this bit causes the characters to be transmitted with 1.5 stop marks. If this bit is not asserted, 1 stop mark is sent.

06 Parity Enable  
If this bit is set, characters transmitted on the line have an appropriate parity bit affixed; and characters received on the line have their parity checked.

07 Odd Parity  
If this bit is set and bit 06 is set, characters of odd parity are generated on the line and incoming characters are expected to have odd parity. If this bit is not set, but bit 06 is set, characters of even parity are generated on the line and incoming characters are expected to have even parity. If bit 06 is not set, the setting of this bit is immaterial.

SIZE	CODE	NUMBER	REV
A	SP	DZV11-0-2	

ENGINEERING SPECIFICATION



CONTINUATION SHEET

TITLE DZV11 ASYNCHRONOUS MULTIPLEXOR

08-11

Speed Code

The state of these bits determine the operating speed for the transmitter and receiver of the selected line.

11	10	09	08	Baud Rate
0	0	0	0	50
0	0	0	1	75
0	0	1	0	110
0	0	1	1	134.5
0	1	0	0	150
0	1	0	1	300
0	1	1	0	600
0	1	1	1	1200
1	0	0	0	1800
1	0	0	1	2000
1	0	1	0	2400
1	0	1	1	3600
1	1	0	0	4800
1	1	0	1	7200
1	1	1	0	9600
1	1	1	1	Invalid

12

Receiver Enable

This bit must be set before the UART receiver logic can assemble characters from the serial input line. This bit will be cleared following a BINIT or device Master Clear.

13-15

Unused

4.6 Transmitter Control Register: (TCR) 76XXX4

The TCR register is a byte and word addressable register. The low byte of the TCR register contains the transmitter control bits which must be set to initiate transmission on a line. Each TCR bit position corresponds to a line number. For example, TCR bit 00 corresponds to line 00, bit 01 to line 01, etc. Setting of a TCR bit causes the transmitter scanner clock to stop if the UART for this line has a transmit buffer empty condition. An interrupt will then be generated if Transmitter Interrupt Enable is set. The scanner clock will restart when either the Transmit Data Register is loaded with a character or the TCR bit is cleared for the line on which the clock has stopped. TCR bits must only be cleared when the scanner is not running, i.e., Transmitter Ready is set or Master Scan Enable is cleared.

SIZE	CODE	NUMBER	REV
A	SP	DZV11-0-2	

HE

**ENGINEERING SPECIFICATION**

CONTINUATION SHEET

TITLE DZV11 ASYNCHRONOUS MULTIPLEXOR

The TCR bits are represented in bits 00 through 03. These bits are Read/Write and cleared by BINIT or device Master Clear. Bits 04 through 07 are unused and read as zero.

The high byte of the TCR register contains the writeable modem control lead, Data Terminal Ready (DTR). Bit designations are as follows:

Bit	Name
08	DTR Line 00
09	DTR Line 01
10	DTR Line 02
11	DTR Line 03
12-15	Unused. Read as zero

Assertion of a Data Terminal Ready bit puts an ON condition on the appropriate modem circuit for that line. Data Terminal Ready bits are Read/Write and cleared only by BINIT. Jumpers have been provided to allow the Request to Send circuits to be asserted with Data Terminal Ready assertions.

4.7 Modem Status Register: (MSR) 76XXX6 READ ONLY

This is a sixteen bit read only register. A read to this register results in the status of the readable modem control leads, Ring and Carrier. The ON condition of a modem control lead is interpreted as a logical one. Bits 04 through 07 and 12 through 15 are unused and read as a zero. Remaining bit designations are as follows:

Bit	Name
00	Ring Line 00
01	Ring Line 01
02	Ring Line 02
03	Ring Line 03
04-07	Unused. Read as zero.
08	Carrier Line 00
09	Carrier Line 01
10	Carrier Line 02
11	Carrier Line 03
12-15	Unused. Read as zero.

SIZE A	CODE SP	NUMBER DZV11-0-2	REV
-----------	------------	---------------------	-----

**ENGINEERING SPECIFICATION**

CONTINUATION SHEET

TITLE DZV11 ASYNCHRONOUS MULTIPLEXOR

4.8 Transmit Data Register: (TDR) 76XXX6 WRITE ONLY

The TDR Register is a byte and word addressable, write only register. Characters for transmission are loaded into the low byte. TDR bit 00 is the least significant bit. Loading of a character should occur only when Transmitter Ready (CSR 15) is set. That character which is loaded into this register is directed to the line defined in CSR bits 08 and 09. The high byte of the Transmit Data Register is designated as the Break Control Register.

Each of the four multiplexor lines has a corresponding break bit for that line. TDR bit 08 represents the break bit for line 00, TDR bit 09 for line 01, etc. TDR bits 12 through 15 are unused. Setting a break bit will force that lines output to space. This condition will remain until cleared by the program. This register is cleared by BINIT or device Master Clear. The Break Control Register can be utilized regardless of the state of the device Maintenance bit (CSR 03).

SIZE A	CODE SP	NUMBER DZV11-0-2	REV
-----------	------------	---------------------	-----

This drawing and specifications, herein, are the property of Digital Equipment Corporation and shall not be reproduced or copied or used in whole or in part as the basis for the manufacture or sale of items without written permission.

**DIGITAL EQUIPMENT CORPORATION**  
MAYNARD, MASSACHUSETTS

**ENGINEERING SPECIFICATION**

DATE 11 Nov 1977

TITLE DZV11 Test and Acceptance Procedure

REVISIONS

REV	DESCRIPTION	CHG NO	ORIG	DATE	APPD BY	DATE

ENG <i>Willis R. Smith</i>	APPD <i>Willis R. Smith</i>	SIZE <b>A</b>	CODE SP	NUMBER DZV11-β-3	REV
----------------------------	-----------------------------	---------------	---------	------------------	-----

DEC 16 (1972)-1079-N971  
DRA 107

1 OF 15

**ENGINEERING SPECIFICATION**

CONTINUATION SHEET

TITLE DZV11 Test and Acceptance Procedure

Index

- Introduction
- 1. DZV11 Device Address Page 3
  - 1.1 Setting The Device Address
- 2. DZV11 Interrupt Vector Page 4
  - 2.1 Setting The Interrupt Vector
- 3. Jumper Configuration Page 6
  - 3.1 Module Test
  - 3.2 Device Operation
  - 3.3 Modem Control Support
- 4. Power Requirements Page 7
- 5. Environmental Specifications
- 6. Maintenance Philosophy
  - 6.1 Visual Inspection
  - 6.2 Internal Loopback
  - 6.3 Staggered Loopback
  - 6.4 External Test
  - 6.5 On Line Test With Terminal
- 7. Diagnostics Page 8
  - 7.1 Maindec Operation
  - 7.2 Operation
    - 7.2.1 Autosizing
    - 7.2.2 Parameter Input
    - 7.2.3 Status Table
- 8. Test Procedure Page 12
  - 8.1 Module Checkout
  - 8.2 Option Checkout
    - 8.2.1 Preliminary Setup
    - 8.2.2 DZV11-A Testing
    - 8.2.3 DZV11-B Testing
  - 8.3 System Test and Acceptance

SIZE <b>A</b>	CODE SP	NUMBER DZV11-β-3	REV
---------------	---------	------------------	-----

DEC FORM NO DEC 16-(381)-1022-N370  
DRA 108

SHEET 2 OF 15

92

**ENGINEERING SPECIFICATION**

CONTINUATION SHEET

TITLE DZV11 Test and Acceptance Procedure

The following paragraphs provide testing procedures for the DZV11 option in all its variations. It is assumed that the user has a good working knowledge of the LS111 QBUS and the DZV11. If not, the following references are required reading:

1. DZV11 User's Guide (ED-DZV11-UG-xxx)
2. Microcomputer Handbook
3. LS111, PDP11/03 User's Manual (ED-LS111-TM-xxx)

The DZV11 is a four line asynchronous interface that is used with the LS111 processor. It provides an EIA interface and enough data set control to permit dial-up operation with full duplex modems such as the Bell series 103, 113 and equivalent.

The DZV11 can be supplied in two different configurations, each designated by a suffix letter (A or B). Each multiplexor configuration utilizes a quad height module designated the M7957. All input and output leads of the M7957 conform to EIA standard RS232C and are available on a Berg header.

The required hardware for the DZV11-A option is just the M7957 module. Cabling assemblies to terminals and modem channels are not supplied with this option, but are available in the DZV11-B configuration. Each DZV11-B configuration consists of an M7957 module, BC11U-25 cable assembly, and two accessory test connectors, H329 and H325.

1. DZV11 Device Address

The device address assigned to the DZV11 resides in the floating address space of the LS111. This address space ranges from 160010 (8) to 163776 (8). Each DZV11 requires increments of 10 (8) address locations and the first option should be configured with an address of 160010. The initial configured address assumes that the system consists of only DZV11's in the floating address field. If the DUV11 option is also configured in the floating address field, assign the DZV11 an address which establishes a gap of 10 (8) address locations between the last DUV11 and the first DZV11. For example: If the system consisted of one DUV11 located at 160010 (8), then the DZV11 should be configured with an address of 160030.

1.1 Setting the Device Address

Once the position of the DZV11 has been established in the floating address scheme, the QBUS address is selected by a switch pack on the M7957 module. The IC designator for the ten position dip pack is E30. For a logical one (1) on a QBUS address line, set the rocker switch that corresponds to the particular address bit to the ON (closed) position. The ON

SIZE	CODE	NUMBER	REV
A	SP	DZV11-β-3	

**ENGINEERING SPECIFICATION**

CONTINUATION SHEET

TITLE DZV11 Test and Acceptance Procedure

position is when the rocker is depressed at the ON side of the switch. Rocker #1 corresponds to the most significant address bit, bit 12, rocker #10 is the least significant address bit selector. The following figures represent the address selector, E30, and the switch settings for some example device addresses.

Address Selector E30

	A12	A11	A10	A09	A08	A07	A06	A05	A04	A03
on	1	2	3	4	5	6	7	8	9	10
off										

ADDRESS	A12	A11	A10	A09	A08	A07	A06	A05	A04	A03
160000	-	-	-	-	-	-	-	-	-	-
160010	-	-	-	-	-	-	-	-	-	X
160020	-	-	-	-	-	-	-	-	X	-
160030	-	-	-	-	-	-	-	-	X	X
160040	-	-	-	-	-	-	-	X	-	-
etc										
.										
163760	-	-	X	X	X	X	X	X	X	-
163770	-	-	X	X	X	X	X	X	X	X

Note: X=ON  
-=-OFF

2. DZV11 Interrupt Vector

Similar to the device address, the vector address of the DZV11 resides in the floating vector space of the LS111. The vector space ranges from address 300 (8) to address 776 (8). Each DZV11 requires increments of 10 (8) address locations for its two contiguous interrupt vectors. If the DZV11 is the only option in the floating vector area, configure it for a vector of 300 (8). If there are options other than the DZV11 residing in the floating vector area, other configuration rules must be applied. When configuring the device vector, only the first vector address must be considered. The first vector, or base vector, must start on a zero boundary.

SIZE	CODE	NUMBER	REV
A	SP	DZV11-β-3	

TITLE DZV11 Test and Acceptance Procedure

A zero boundary is one which has the three least significant bits equal to zero. The second vector is controlled by the first vector and data bit 02. Data bit 02 is generated by the M7957 hardware.

2.1 Setting the Interrupt Vector

Once the position of the DZV11 has been established in the floating vector scheme, the QBUS vector is selected by a switch pack on the M7957 module. The IC designator for the eight position dip pack is E2. To generate a logical one (1) for the QBUS vector bit, set the rocker switch that corresponds to that particular bit to the ON (closed) position. The ON position is when the rocker is depressed at the ON side of the switch. Rocker #1 corresponds to the most significant vector bit, bit 08, rocker #6 is the least significant vector bit selector. The following figures represent the vector selector, E2, and the switch settings for some example vector addresses.

Vector Selector E2

	V08	V07	V06	V05	V04	V03	NOT USED
on	1	2	3	4	5	6	7 8
off							

VECTOR	V08	V07	V06	V05	V04	V03
300	-	X	X	-	-	-
310	-	X	X	-	-	X
320	-	X	X	-	X	-
330	-	X	X	-	X	X
etc						
760	X	X	X	X	X	-
770	X	X	X	X	X	X

Note: X=ON  
--=OFF

SIZE	CODE	NUMBER	REV
A	SP	DZV11-g-3	

TITLE DZV11 Test and Acceptance Procedure

3. Jumper Configuration

There are sixteen jumpers located on the M7957 module. Insertion or removal of a jumper is dependent on its function. Jumper locations can be found on the Unit Assembly drawing of the M7957 module. Jumpers are categorized as those required for:

3.1 Module Test

There are six (6) jumpers specified to be removed only during module test time at the General Radio test level. At all other levels of testing and for device operation these jumpers must be installed. These jumpers are designated as W9, W12, W13, W14, W15, and W16.

3.2 Device Operation

Two (2) jumpers, W10 and W11, are specified as those which are required for device operation. These jumpers must be installed only when the module is used in an H9270 backplane, or a backplane that applies the QBUS signals to the C and D sections of the module. When installed or tested in a C/D Bus type LS111 backplane, these jumpers are required to be removed.

3.3 Modem Control Support

There are eight (8) jumpers which are used for modem control support. These jumpers, W1 thru W8, are required to be installed at module test, option test and acceptance time. Jumpers W1 thru W4, when installed, allow assertion of the Request to Send lead to the modem by the setting of Data Terminal Ready in a DZV11 device register. Each line is provided with a jumper option. W1 represents the jumper option for line 3, W2 for line 2, W3 for line 1 and W4 for line 0. The remaining four jumpers, W5 thru W8, allow the Request to Send lead to control the Forced Busy lead to the modem. The assertion of a Request to Send lead applies an ON or Busy condition to the Forced Busy lead. Each line is provided with a jumper option, W5 represents line 3, W6 represents line 2, etc. The Forced Busy option is available with 103E and 113B modems.

SIZE	CODE	NUMBER	REV
A	SP	DZV11-g-3	

82

**ENGINEERING SPECIFICATION**

CONTINUATION SHEET

TITLE DZV11 Test and Acceptance Procedure

4. Power Requirements

1.15 Amps @+5 Volts  
0.39 Amps @+12 Volts

5. Environmental Specifications

The DZV11 operates in an environment from 5 to 50 degrees Centigrade (41 to 122 degrees F) with a relative humidity of 10% or less to 95% without condensation.

6. Maintenance Philosophy

Maintenance of the DZV11 is accomplished by following this test procedure while using the device diagnostics. The testing can be divided into five areas.

6.1 Visual Inspection

This is a visual check for solder shorts and damaged or missing components. A visual inspection can often save needless checkout time.

6.2 Internal Loopback

This is the simplest maintenance mode provided and it is the first logical mode used in this procedure. With bit 03 of the DZV11's Control and Status Register set, the output serial data from the Uarts are looped back into their respective serial data inputs. All lines are looped around simultaneously.

6.3 Staggered Loopback

In this mode of operation, the output signals from line 0 connect back to the inputs of line 1 and the output signals of line 1 connect back to the inputs of line 0. Lines 2 and 3 are looped back in the same manner. To operate in this mode, the H329 test connector is required and the device maintenance bit (CSR 03) is kept cleared.

6.4 External Test

This maintenance mode tests the lines to the point where the customer attaches the modem or terminal. Testing in this mode requires that the H325 test connector be attached to one individual line of the BC11U cable assembly. In external mode, each line of the DZV11 can be tested by changing the H325 to a new line required for each test.

SIZE	CODE	NUMBER	REV
A	SP	DZV11-0-3	

**ENGINEERING SPECIFICATION**

CONTINUATION SHEET

TITLE DZV11 Test and Acceptance Procedure

6.5 On Line Test with Terminal

In this mode of operation, an EIA terminal is connected to a single line of the BC11U cable assembly. All lines are individually checked out with the aid of a device diagnostic.

7. Diagnostics

Four device diagnostics have been created for checkout of the DZV11. These are available as libkit #ZJ251. In addition to the diagnostics, a DEC/X11 exercisor module, Maindec-11-DXDZB, is available. The following is a short description of each program.

7.1 Maindec Introduction

A) Maindec-11-DVDZA. This is the first diagnostic of a two part series which is used for basic option checkout. This program exercises the read/write bits of the registers, performs simple transmission and reception exercises for each line and verifies the interrupt capabilities of the option.

B) Maindec-11-DVDZB. This diagnostic continues the series of basic option diagnostics. Exercises of the transmitters and receivers in all possible operating modes and at all possible data rates are performed. Error conditions are induced on the line and the option is then checked for its ability to recognize these errors.

C) Maindec-11-DVDZC. Maindec-DVDZC verifies the cable interface connection between the module and the EIA connector. The diagnostic provides the operator a choice of testing the cable interface assembly or testing the actual connection of a line to an EIA supported terminal.

D) Maindec-11-DVDZD. This program is designed as a verification aid for the field service personnel in establishing a communication link from the DZV11 to another LS111 or to a communications test center. It is used with the Interprocessor Test Program (Maindec-11-DZITP) as an overlay to the monitor.

E) Maindec-11-DXDZB. DXDZB is a systems exercisor module used with DEC/X11. It can operate up to eight consecutively addressed DZV11 multiplexors. Internal maintenance mode is implemented for transmission and reception of character bursts of data. All lines of each selected multiplexor are enabled for running.

SIZE	CODE	NUMBER	REV
A	SP	DZV11-0-3	

**ENGINEERING SPECIFICATION**

CONTINUATION SHEET

TITLE DZV11 Test and Acceptance Procedure

**7.2 Operation of Diagnostics**

The basic checkout programs, Maindec DVDZA, DVDZB, and DVDZC, each require 4K of memory for operation. All programs are in absolute format and can be loaded using the absolute loader. Other media, such as disks, may also be used.

Once a diagnostic has been loaded into memory, it is started at location 200 (8). The diagnostics will either autosize the system or request operating parameters before execution of the tests. The value contained in the software switch register determines the startup mode of the program. Address 176 (8) is reserved as the software switch register. The writeups for each diagnostic provide a more detailed explanation of their operation.

**7.2.1 Autosizing**

When a diagnostic is initially started and the software switch register location is cleared, autosizing will be performed. The autosizer routine is designed to detect all DZV11 device and vector addresses within the floating address and vector area. Other parameters required for device testing are given defaulted values. These values include testing of all four lines, with internal maintenance mode selected and at a baud rate of 19.2K baud.

The autosized values used during testing will be displayed on the console in the form of a DZV11 status table. The status table values must be verified for their correctness by the operator. Maindec's DZDVA and DZDVB are the only diagnostics to have autosizing capabilities. The remaining diagnostics require either a monitor or manual intervention for execution and do not autosize.

**7.2.2 Parameter Input**

An operator may also supply specific parameters for testing if it is desired. This feature is provided by having the software switch register bit 00 set when Maindec DVDZA or Maindec DVDZB is started. The operator must then input a response to the following dialogue on the console terminal:

- 1st CSR ADDRESS (16000:163770):  
(You must type in the first DZV11 CSR in the system you wish testing to begin at. Range: 16000:163770.)
- 1st VECTOR ADDRESS (300:770):  
(You must type in the vector of the first DZV11 in the system under test. Range: 300:770.)

SIZE	CODE	NUMBER	REV
A	SP	DZV11-β-3	

**ENGINEERING SPECIFICATION**

CONTINUATION SHEET

TITLE DZV11 Test and Acceptance Procedure

**MAINTENANCE MODE**

- (EXTERNAL (H325) (E))
- (INTERNAL (DZCSR03=1) (I))
- (STAGGERED (H329) (S))

(Type "E" or "I" or "S" depending on which mode you wish to run in. If running "EXTERNAL", all selected lines must be terminated by H325 test connectors.)

**# OF DZV11's (IN OCTAL)**

{1:20}:  
(Type the total number of DZV11 to be tested in the system. Range is 1 thru 20 in octal.)

All responses are terminated by typing a carriage return. It is important to note that all the DZV11's must be contiguous for both address and vector. Also all the extra parameters such as the default baud rate and the number of active lines for each device are given to the existing DZV11's in the system.

Operation of Maindec DVDZC always requires an opening dialogue. Special software switch register settings are not required when this diagnostic is started. Since this program provides both a cable interface test and a terminal echo test, the response depends on the specific test required by the operator. The following is printed on the console terminal when the cable test is selected:

**VECTOR ADDRESS-**

(You type a vector followed by a carriage return.)

**CONTROL REGISTER ADDRESS-**

(You type in the DZV11 CSR address under test followed by a carriage return.)

**WHICH TEST? ECHO OR CABLE (E OR C)**

(Type C and a carriage return.)

**BAUD RATE-**

(Type either 50, 110, 135, 150, 300, 600, 1200, 1800, 2000, 2400, 3600, 4800, 7200, 9600 followed by a carriage return.)

**LINE-**

(You type the line which has the H325 test connector. Type either 0, 1, 2, 3). Program will then print:)

**CABLE TEST-**

(The diagnostic is now exercising the selected line.)

SIZE	CODE	NUMBER	REV
A	SP	DZV11-β-3	



**ENGINEERING SPECIFICATION** CONTINUATION SHEET

TITLE DZV11 Test and Acceptance Procedure

Selection of the terminal echo test will repeat the vector and control register address questions and print out the following:

- WHICH TEST? ECHO OR CABLE (E OR C)  
(Type E and a carriage return.)
- BAUD RATE-  
(Type a baud rate value followed by a carriage return.)
- LINE-  
(Type a line number followed by a carriage return. The program will print:)

**TERMINAL ECHO TEST**  
**TYPE A CHARACTER ON THE DZV11 TERMINAL**  
 (The program has now transmitted an output message to the DZV11 terminal and is waiting for a printable character to be typed on the terminal. The program will then echo all printable characters that are received.)

By typing any printing key on the console terminal, a request for a new line number will be asked. At this time the operator should attach either the H325 test connector or the output terminal to a new line and continue operating the program until all lines are checked.

**7.2.3 Status Table**

This is the description given to a reserved area of memory, addresses 1500 thru 1740, that DZDVA and DZDVB use for storing the operating parameters of the tests. Each DZV11 on the system requires five consecutive address locations for storage and a total status table support of sixteen DZV11s. The methods described previously, autosizing or console input, are used to configure this input table. The following represents a typical status table printout:

MAP OF DZV11 STATUS

1500	160100
1502	000300
1504	000017
1506	017470
1510	100000

SIZE	CODE	NUMBER	REV
A	SP	DZV11-0-3	

**ENGINEERING SPECIFICATION** CONTINUATION SHEET

TITLE DZV11 Test and Acceptance Procedure

The previous information will be repeated for each of up to 16 DZV11's in the system. Explanation.

1500	160100	This is the system control register for the first DZV11 in the system.
1502	000300	This is the receiver interrupt vector for the first DZV11 in the system.
1504	000017	This is the bit representation of the active lines to be tested.
1506	017470	This is the parameter location used in most of the tests. It signifies the following: Receiver Enabled, 19.2K Baud, Eight bits per character, and Two stop bits. This value is loaded into the Line Parameter Register of the device.
1510	000000	This location contains the type of maintenance selected for testing. 000000=Internal Maintenance Mode 000200=External Maintenance Mode H325 100000=Staggered Mode (H329)

**8. Test Procedure**

**8.1 Module Checkout**

All DZV11 modules are General Radio tested and require no further testing at this level. Jumpers W9, W12, W13, W14, W15, and W16 must be removed for this level of testing. When module checkout is complete, all jumpers must be installed for the level of checkout.

**8.2 Option Checkout**

This procedure checks both variations of the DZV11 (DZV11-A & B). Any differences in the checkout procedure due to the different options are noted where applicable.

**8.2.1 Preliminary Setup:**

- a) Visually inspect the module for broken or damaged components and make any necessary replacements.
- b) Verify that all current ECO's, if any, are installed.
- c) Set the address dipswitch to 160010 and the vector dipswitch to 300. Refer to the DZV11 Address and Interrupt Vector sections for assistance. Note also that all jumpers

SIZE	CODE	NUMBER	REV
A	SP	DZV11-0-3	

TITLE DZV11 Test and Acceptance Procedure

should be installed before testing. Jumpers W10 and W11 are exceptions as they apply to the type of QBUS backplane to be used.

d) Check for power shorts to ground and for shorts between different voltages. The power distribution on the module pins is as follows:

+5v pins BV1 or A2 of all sections

+12v pin BD2

gnd pins C2 or T1 of all sections

## 8.2.2 DZV11-A Testing

a) Install the DZV11-A option in the QBUS backplane. When inserting the module, make sure that the power is off and be careful to avoid snagging the components on the card guides and adjacent module.

b) Turn on power and load Maindec-11-DVDZA into memory.

c) Open location 176 (8) and enter the value 000001. This location is the software switch register and the value entered represents a request to input parameters from the console. Refer to section, Operation of Diagnostic, for assistance. Close the location with a carriage return.

d) Type 200G on the console. The introductory title for DVDZA will be printed and the parameter input dialogue will be entered. Respond appropriately to all questions, making sure that I is typed when selecting maintenance mode. Note that all DZV11-A options can only be tested with internal maintenance mode selected. Step C may be omitted if autosizing is desired. Internal maintenance mode operation is then defaulted to.

e) The program will then print RUNNING on the console and proceed to execute the various tests. First pass execution time is approximately 20 seconds. Subsequent passes require approximately 90 seconds. Three error free end of pass printouts are required for each selected DZV11-A

f) At the completion of step E, load Maindec-11-DVDZB into memory.

g) The status table for the selected devices has not been modified by the loading of DVDZB. Open location 176 (8) and enter the value 000200. This indicates that the existing table can be used, as built, without the need for console input. Internal maintenance mode operation is then defaulted to.

h) Type 200G on the console. The introductory title for DVDZB will be printed, followed by RUNNING. Program execution will now begin. First pass run time is approximately 1½ minutes. Subsequent passes require 2½ minutes. Three error free end of pass printouts are required for each selected DZV11-A. DZV11-A option checkout is now complete.

SIZE	CODE	NUMBER	REV
A	SP	DZV11-0-3	

TITLE DZV11 Test and Acceptance Procedure

## 8.2.3 DZV11-B Testing

a) Insert the H329 module test connector in the 40 pin housing of the module. It should be connected with the letter side facing up. Next install the option in the QBUS backplane. When inserting the module, make sure the power is off. Be careful to avoid snagging the components on the card guide edges and on adjacent modules.

b) Turn on power and load Maindec-11-DVDZA into memory.

c) Open location 176 (8) and enter the value 000001.

This represents a request to input parameters from the console. Close the location by typing a carriage return.

d) Type 200G on the console. The introductory title for DVDZA will be printed and the parameter input dialogue will be entered. Respond appropriately to all questions, making sure that S is typed when selecting maintenance mode. All DZV11-B options are to be tested with staggered maintenance mode selected.

e) The program will print RUNNING on the console and proceed to execute the various tests. First pass execution time is approximately 20 seconds. Subsequent passes require approximately 90 seconds. Three error free end of pass printouts are required for each selected DZV11-B.

f) At the completion of step E, load Maindec-11-DVDZB into memory.

g) The status table for the selected device has not been modified by the loading of DVDZB. Open location 176 (8) and enter the value 000200. This indicates that the existing table can be used as built, without the need for a console input. Close the location by typing a carriage return.

h) Type 200G on the console. The introductory title for DVDZB will be printed, followed by RUNNING. Program execution will now begin. First pass run time is approximately 1½ minutes. Subsequent passes require 2½ minutes. Again, three error free end of pass printouts are required for each selected DZV11-B.

i) At the completion of step H, stop the program and power down. Remove the module from its backplane slot. Replace the H329 test connector with the Berg end of the BC11U acble assembly. Terminate line 0 of the cable with an H325 connector. Install the module in the backplane and apply power.

j) Load Maindec-11-DVDZC into memory. Type 200G on the console terminal. Select the cable test, at 9600 baud for line 0.

SIZE	CODE	NUMBER	REV
A	SP	DZV11-0-3	

GH

**ENGINEERING SPECIFICATION**

00000

CONTINUATION SHEET

TITLE DZV11 Test and Acceptance Procedure

k) The program will execute the cable test and printout the end of pass message within 15 seconds. Three error free end of pass printouts are required for each line. Longer execution times can be expected at lower baud rates.

l) Complete the checkout of the remaining lines by typing any printing key on the console terminal. This requests that a new line number be entered and that the H325 terminate the new line. Continue testing until all lines are successfully checked. DZV11-B option checkout is now complete.

**8.3 System Test and Acceptance**

The first level of system checkout for the DZV11(s) shall include a successful completion of that particular option using its option level testing procedure. The final level of system test will be to run the DEC/X11 systems exercisor module. Other options on the system should be exercised in addition to the DZV11 option(s) under test. Run the exercisor for three completions without error. If the DZV11 is an add-on and does not ship as part of a system, the exercisor is not required as part of the system acceptance. Check the shipping list (A-PL-DZV11-0-4) and verify nothing is missing. Acceptance is complete.

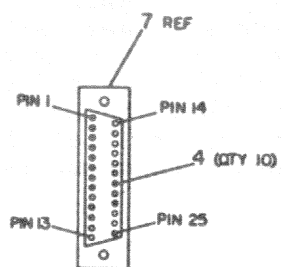
SIZE	CODE	NUMBER	REV
A	SP	DZV11- <del>0</del> -3	

WIRE TABLE										
ITEM NO.	DESCRIPTION	FROM				TO				REMARKS
		WIRING	COLOR	POINT	CONNECTION	TERM.	POINT	CONNECTION	TERM.	
22	BLK			P1-1				P5-A	3	
	BRN			P1-2				P5-B		
	GRY			P1-3				P5-C		
	BLU			P1-4				P5-M		
	ORN			P1-5				P5-J		
	RED			P1-8				P5-L		
	YEL			P1-25				P5-F		
	VIO			P1-7				P5-K		
	WHT			P1-20				P5-D		
	ORN			P1-12				P5-E		
	BLA			P2-1				P5-H		
	BRN			P2-2				P5-N		
	GRY			P2-3				P5-P		
	BLU			P2-4				P5-U		
	ORN			P2-5				P5-V		
	RED			P2-8				P5-X		
	YEL			P2-25				P5-Y		
	VIO			P2-7				P5-W		
	WHT			P2-20				P5-R		
	ORN			P2-22				P5-S		
	BLK			P3-1				P5-JJ		
	BRN			P3-2				P5-MH		
	GRY			P3-3				P5-FF		
	BLU			P3-4				P5-BB		
	ORN			P3-5				P5-AA		
	RED			P3-8				P5-Y		
	YEL			P3-25				P5-CC		
	VIO			P3-7				P5-Z		
	WHT			P3-20				P5-EE		
	ORN			P3-22				P5-OO		
	BLK			P4-1				P5-VV		
	BRN			P4-2				P5-UU		
	GRY			P4-3				P5-TT		
	BLU			P4-4				P5-NN		
	ORN			P4-5				P5-RR		
	RED			P4-8				P5-KK		
	YEL			P4-25				P5-PP		
	VIO			P4-7				P5-LL		
	WHT			P4-20				P5-S5		
22	ORN			P4-22				P5-RR	3	

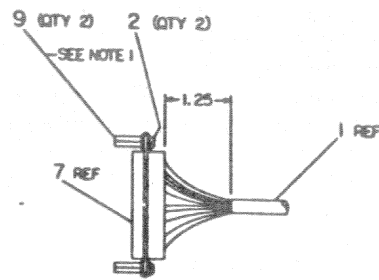
LEGEND		
NUMBER	DIM "X" VARIATION	DIM "Y" (PRECUT) REF
BC11U-25	25 FT. ± 3 INCHES	25 FT. 2 INCHES ± 3 INCHES

NOTES:

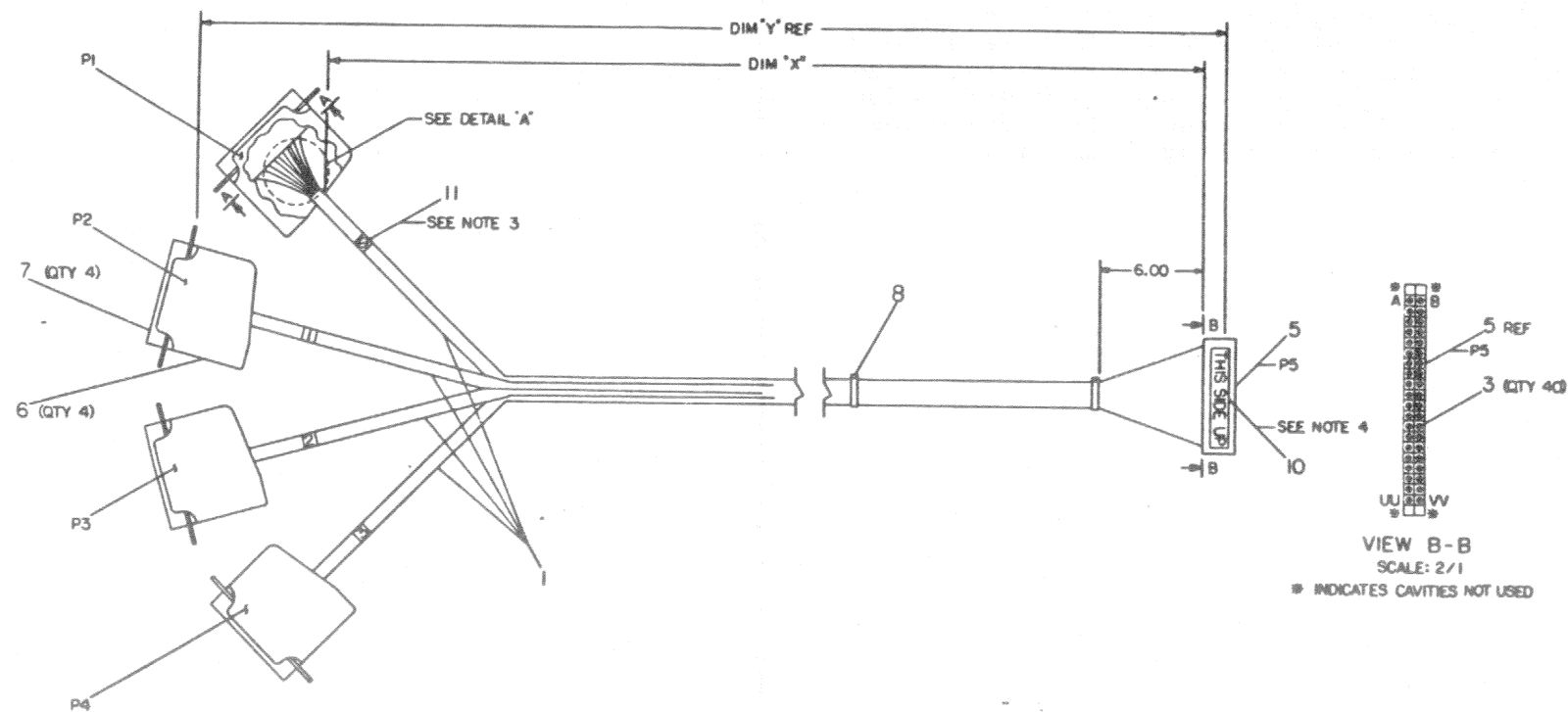
- SPACER (ITEM 8) TO BE DISCARDED IF NOT REQUIRED FOR CABLE CONNECTION.
- CABLE TIES (ITEM 6) TO BE USED APPROXIMATELY EVERY 3 INCHES FOR 4 FEET STARTING AT P5 (ITEM 5).
- MARKERS (ITEM 11) TO BE USED TO IDENTIFY CABLES (ITEM 1).
- LABEL (ITEM 10) TO BE PLACED ON LETTERED SIDE OF TERMINATOR (ITEM 3).



VIEW A-A  
SCALE: NONE  
(P1, P2, P3, P4)



DETAIL 'A'  
(P1, P2, P3, P4)



VIEW B-B  
SCALE: 2/1

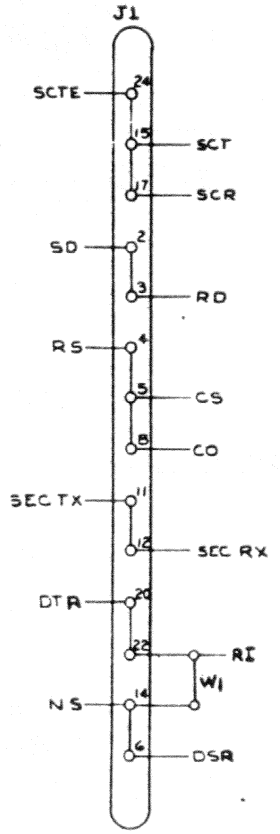
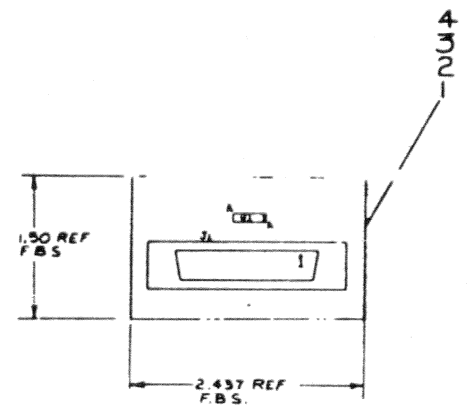
\* INDICATES CAVITIES NOT USED

4	WIRELESS TERMINAL	9008356-01	11
1	LABEL, (THIS SIDE UP)	3611567-00	10
8	SPACER, HEX. 4-40 X .25	9008456-00	3
17	THE CABLE	9007580-00	8
4	CONN. SHELL PAIR	1210493-51	7
4	CONN. HOOD W/STRAIN RELIEF	1210453-50	6
1	TERMINATOR 44 POS. NUCLEAR	1210918-15	5
40	CONN. PIN. 20-24 AWG	1210495-33	4
10	SOCKET, CRIMP	1210089-05	3
8	SCREW, CAP ASSY. 4-40 X .25	1210495-51	2
1	CABLE, 10 CONDUCTOR	3107621-00	1

REV.	DATE	BY	CHKD.	APP.
1				
<p>BC11U-25</p> <p>BC11U-0-0</p> <p>BC11U-0-0</p>				

THIS DRAWING AND SPECIFICATIONS, HEREIN, ARE THE PROPERTY OF DIGITAL EQUIPMENT CORPORATION AND SHALL NOT BE REPRODUCED OR COPIED IN WHOLE OR IN PART WITHOUT THE WRITTEN PERMISSION OF DIGITAL EQUIPMENT CORPORATION.

NOTES:



REF	X-Y COORDINATE HOLE LOC	KCO-H325-0-4	1
REF	ASSY/DRILLING HOLE LAYOUT	D-AH-H325-0-8	2
REF	MODULE ECO HISTORY	S-MH-H325-0-6	3
I	ETCHED CIRCUIT BOARD	8011679	4
I J1	CONNECTOR	1210247	5
I WI	INSULATED JUMPER WIRE	9009195	6

QTY	REF. DESIGNATION	DESCRIPTION	PART NO.	ITEM NO.
PARTS LIST				
	DVII	ETCH BOARD REV	C	

DATE	DATE	DATE	DATE	DATE	DATE
1/1/72	1/1/72	1/1/72	1/1/72	1/1/72	1/1/72
DATE	DATE	DATE	DATE	DATE	DATE
1/1/72	1/1/72	1/1/72	1/1/72	1/1/72	1/1/72
DATE	DATE	DATE	DATE	DATE	DATE
1/1/72	1/1/72	1/1/72	1/1/72	1/1/72	1/1/72

DEC NO.	EIA NO.	DEC NO.	EIA NO.

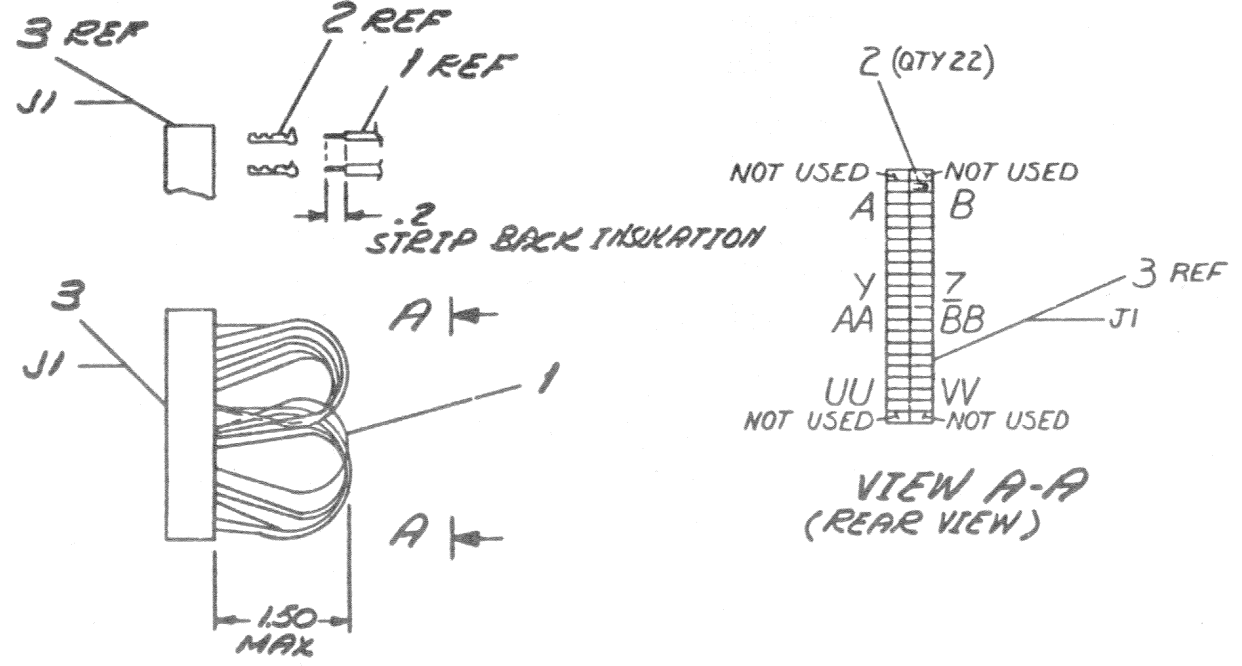
SIZE CODE	NUMBER	REV.
DCS	H325-0-1	B

IC TYPE	QND	+W
QND AND W ARE USUALLY PIN 7 AND 14 RESPECTIVELY EXCEPTIONS ARE STATED ABOVE		
IC PIN LOCATIONS		

"THIS DRAWING AND SPECIFICATIONS, HEREIN, ARE THE PROPERTY OF DIGITAL EQUIPMENT CORPORATION AND SHALL NOT BE REPRODUCED OR COPIED OR USED IN WHOLE OR IN PART AS THE BASIS FOR THE MANUFACTURE OR SALE OF ITEMS WITHOUT WRITTEN PERMISSION. COPYRIGHT © 1977 DIGITAL EQUIPMENT CORPORATION"

### WIRE TABLE

ITEM NO.	DESCRIPTION		FROM		TO	
	AWG	COLOR	CONN	WITH	CONN	WITH
1	26	BLK	J1-A	2	J1-VV	2
			J1-B		J1-P	
			J1-C		J1-H	
			J1-S		J1-D	
					J1-X	
			J1-L		J1-E	
					J1-R	
			J1-HH		J1-TT	
			J1-FF		J1-UU	
			J1-DD		J1-Y	
					J1-SS	
					J1-EE	
1	26	BLK	J1-KK	2	J1-RR	2



REV.	CHG. NO.	DATE	BY
A	H329-00001	13 Oct. 77	W. SMITH
			W. SMITH

QTY.	DESCRIPTION	PART NO.	ITEM NO.
1	HOUSING, SOCKET	1210928-15	3
22	SOCKET, CRIMP	1210089-05	2
	AIR WIRE #26 AWG, (BLK)	9107636-00	1

PARTS LIST

DR. <i>R. L. ...</i>	DATE	<b>digital</b>
CHK'D <i>S. ...</i>	DATE 3/28/77	
ENG. <i>W. Smith</i>	DATE 3/24/77	
PROJ. ENG. <i>W. Smith</i>	DATE 3/24/77	
PROD. <i>W. Smith</i>	DATE 10/14/77	
NEXT HIGHER ASSY.		TITLE
B-DD-H329-0		DZVII
SCALE NONE	SIZE CODE CUA	TEST CONNECTOR
SHEET 1 OF 1	NUMBER H329-0-0	REV. A

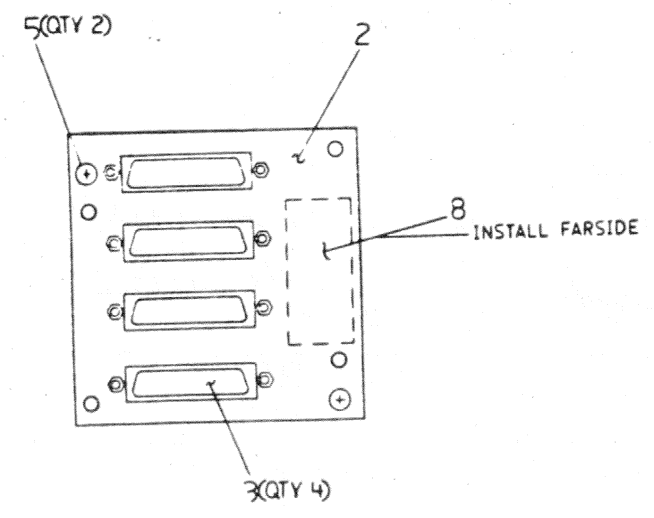
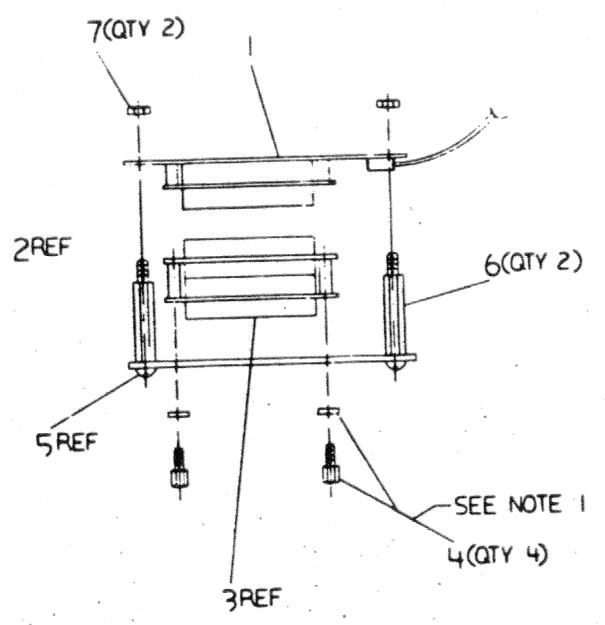
FIRST USED ON OPTION/MODEL  
M7957

THIS DRAWING AND SPECIFICATIONS HEREIN ARE THE PROPERTY OF DIGITAL EQUIPMENT CORPORATION AND SHALL NOT BE REPRODUCED OR COPIED OR USED IN WHOLE OR IN PART AS THE BASIS FOR THE MANUFACTURE OR SALE OF ANY EQUIPMENT WITHOUT WRITTEN PERMISSION OF DIGITAL EQUIPMENT CORPORATION.

0-0-612810Z  
AD 7018219-0-0

NOTES:

- ITEM 4: DISCARD "NUTS" AND "FLAT WASHERS" THAT ARE SUPPLIED WITH THE PACKAGE.



CAUTION: OFF SHEET PARTS LIST  
REFER TO K-PL-7018219-0-0

DESCRIPTION		DWG. PART NO.		ITEM NO.	
UNLESS OTHERWISE SPECIFIED DIMENSIONS ARE IN INCHES					
ANGLES	CLASS OF ACCURACY	NOMINAL DIMENSION RANGE INCHES			
NO. 30°	(CHECK ONE)	OVER 0	OVER 0.2	OVER 0.5	OVER 1.0
SURFACE QUALITY	IN	0.004	0.008	0.012	0.016
QUANTITY & VARIATION	MICROINCHES	PREFERRED	1.012	1.016	1.020
THIRD ANGLE PROJECTION	DRN. <i>[Signature]</i>	REV. B1	FIRST USED ON		
REMOVE BURRS AND BREAK SHARP CORNERS	CHK. <i>[Signature]</i>	ENG. <i>[Signature]</i>	DZVII		
DO NOT SCALE DWG.	PROJ. ENG. <i>[Signature]</i>	PROD. <i>[Signature]</i>	TITLE		
MATERIAL SEE PARTS LIST	NEXT HIGHER ASSY.		DZVII DISTRIBUTION ASSY		
FINISH	SCALE NONE	SIZE D	CODE AD	NUMBER 7018219-0-0	REV. A
	SHEET OF	DIST			

REV. A	ORIGINATED
REV. B1	CHG.
REV. C	CHG.
REV. D	CHG.

LINE	ITEM	DOCUMENT NUMBER	PART NUMBER	DESCRIPTION	QUANTITY PER VARIATION
1	1	D-IA-7018203-0-0	7018203-00	DZV11 DIST CABLE ASSY	1
2	2	C-MD-7423235-0-0	7423235-00	PLATE,MTG DISTB.PANEL	1
3	3		1217431-01	CONN,D SUB 25PIN ASSY STRAIGHT W	4
4	4		9008451-00	SCREW LOCK,ASSY	4
5	5		9009701-00	SCREW,PAN,PHIL,SEMS 6-32X .312L	2
6	6		9000001-05	STANDOFF,HEX,M/F 6-32X 1	2
7	7		9008185-00	NUT,KEP 6-32X 1/4 AF	2
8	8		9009255-00	LABEL, POWER SUPPLY, 2-15/16 * L	1

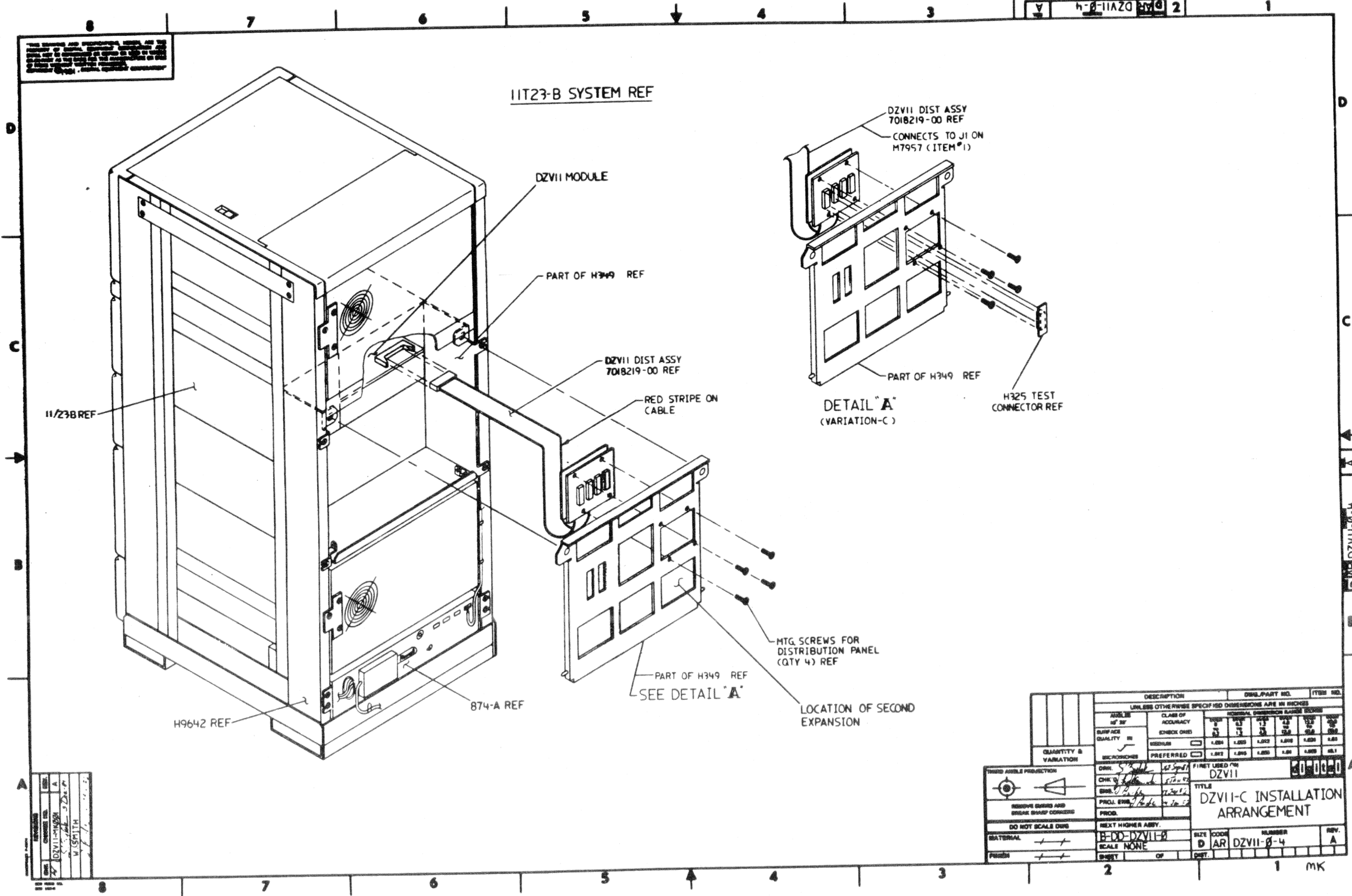
REVISION HISTORY		BASIC PART NO: 7018219		DRN:	M. DUGGAN	DATE:	13-MAY-81	DBP DIGITAL			
ENG	ECO NUMBER	REV	SECTION A OF A	CHK'D:	J FALKOWSKI	DATE:	24-AUG-81	TITLE	PARTS LIST		
---	INITIAL	A	SECTION, VARIATION INDEX	[A] 00				DZV11 DISTRIBUTION ASSY			
			[B]	DES.ENG.:	J STANLEY	DATE:	24-AUG-81				
			[C]	RESP.ENG.:	J STANLEY	DATE:	24-AUG-81	DOCUMENT NUMBER			
			[D]					SIZE	CODE	NUMBER	REV
			[E]	MFG.ENG.:	J DOUGHERTY	DATE:	24-AUG-81	K	PL	7018219-0-0	A
			[F]	ASSEMBLY NUMBER:		TOP DOCUMENT NUMBER:		FILE NAME:	MK0429.PLS		EDIT #
				D-AD-7018219-0-0							6

\*THIS DRAWING AND SPECIFICATIONS HEREIN, ARE THE PROPERTY OF DIGITAL EQUIPMENT CORPORATION AND SHALL NOT BE REPRODUCED OR COPIED OR USED IN WHOLE OR IN PART AS THE BASIS FOR THE MANUFACTURE OR SALE OF ITEMS WITHOUT WRITTEN PERMISSION. COPYRIGHT (C) 1981. DIGITAL EQUIPMENT CORPORATION \*

MK

24





THIS DRAWING AND INFORMATION CONTAINED HEREIN IS UNCLASSIFIED EXCEPT WHERE SHOWN OTHERWISE. DATE 08-01-01 BY 60322 UCBAW

IIT23-B SYSTEM REF

h-0-11AZ0 2

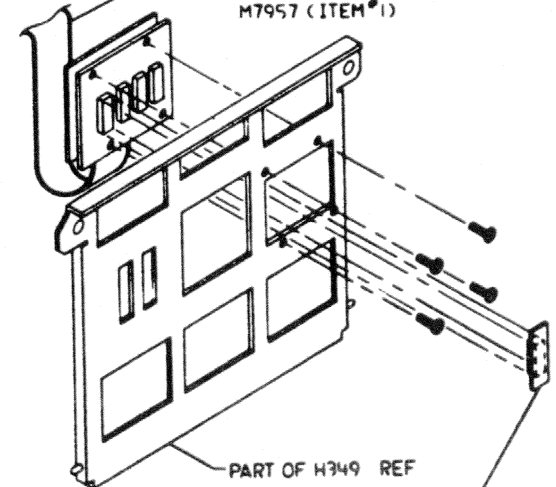
DZVII DIST ASSY  
7018219-00 REF  
CONNECTS TO J1 ON  
M7957 (ITEM #1)

DZVII MODULE

PART OF H349 REF

DZVII DIST ASSY  
7018219-00 REF

RED STRIPE ON  
CABLE



DETAIL "A"  
(VARIATION-C)

H325 TEST  
CONNECTOR REF

IIT23B REF

MTG SCREWS FOR  
DISTRIBUTION PANEL  
(QTY 4) REF

PART OF H349 REF  
SEE DETAIL "A"

LOCATION OF SECOND  
EXPANSION

H9642 REF

874-A REF

REV	DATE	BY	CHKD
1			
2			
3			
4			

DESCRIPTION		DRWG. PART NO.	ITM NO.
UNLESS OTHERWISE SPECIFIED DIMENSIONS ARE IN INCHES			
ANGLE OF REE	CLASS OF ACCURACY	TOLERANCE DIMENSION SURFACE FINISH	
	CHECK ONE	0.1	0.2
SURFACE QUALITY	FINISH	1.000	1.000
	FINISH	1.000	1.000
QUANTITY & VARIATION	MICROFINISH	1.000	1.000
	PREFERRED	1.000	1.000
THIRD ANGLE PROJECTION	DRW. <i>S. Smith</i>	FIRST USED IN	
REVERSE EDGES AND SHARP CORNERS	CHK. <i>S. Smith</i>	DZVII	
DO NOT SCALE DRG	ENG. <i>S. Smith</i>	TITLE	
MATERIAL	PROL. ENG. <i>S. Smith</i>	DZVII-C INSTALLATION ARRANGEMENT	
FINISH	PROD.	SIZE	NUMBER
	DO NOT SCALE DRG	D	AR
	SCALE NONE	DZVII-0-4	A
	SHEET	OF	DWT.
	1		mk

