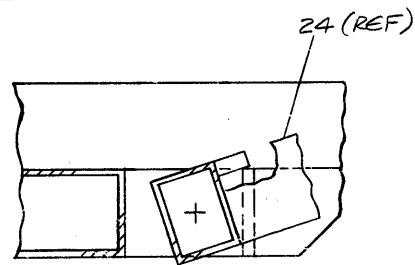
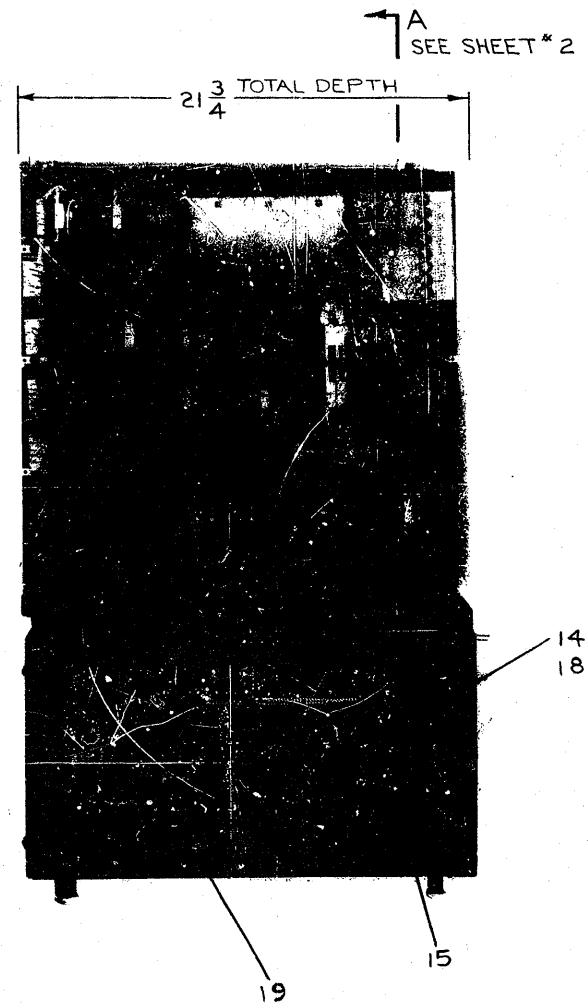
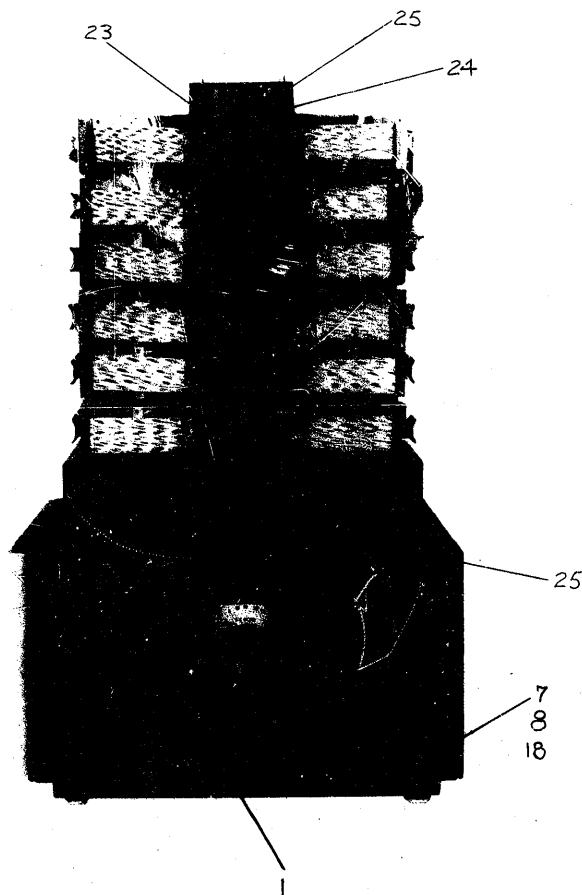
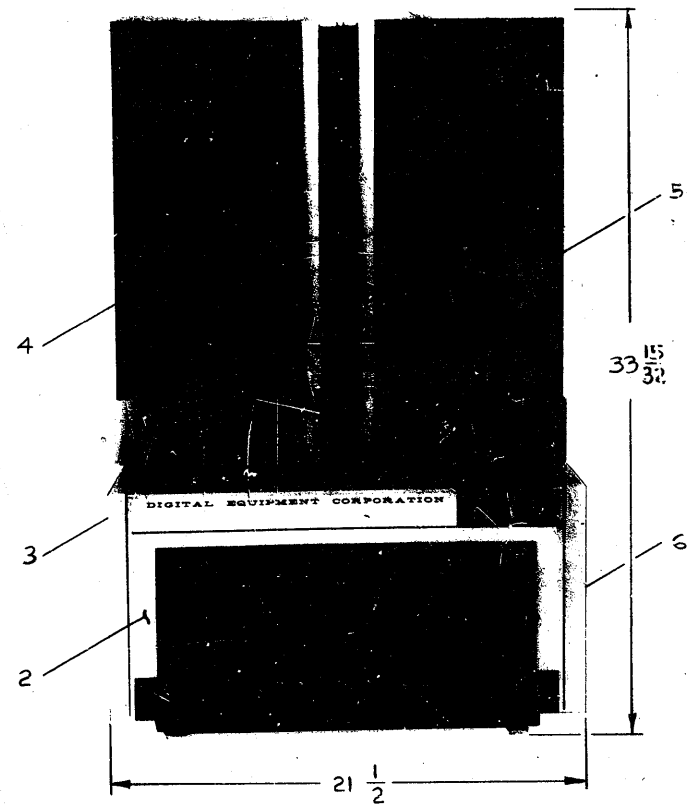


CODE MA D-8-0-1 REV. LTR. A



SECTION B-B
SCALE: 1/1



NOTES:

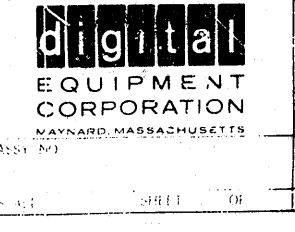
QTY.	DESCRIPTION	DRWG. NO.	ITEM NO.
*	INDICATES OPTION		
4	NYLON WASHER 5/16 I.D. X 7/8 O.D. X 1/16 THK		25
1	HINGED DOOR (LEFT)	MA-E-8-0-24	24
1	HINGED DOOR (RIGHT)	MA-D-8-0-23	23
1	HANDLE (LEFT)	MD-C-8-1-23-0-3	22
1	HANDLE (RIGHT)	MD-C-8-0-23-0-3	21
6	PHILLIPS FLAT HD. MACH. SCREW # 10-32 X 5/8 LG. SST.		20
1	PDP-8 SUB ASSY	A-PL-8-0-1-4	19
10	INTERNAL TOOTH LOCK WASHER #10 HOLE		18
4	INTERNAL TOOTH LOCK WASHER #6 HOLE		17
1	WINGED TABLE ASSY. (FLOOR MODEL)	MA-D-8-0-45	16
1	AIR FILTER 7/16 THK. 17 9/16 SQUARE PHILLIPS TRUSS HEAD MACH. SCREW #10-32 X 1 3/8 LG. SST.		15
4	PHILLIPS TRUSS HEAD MACH. SCREW #10-32 X 1 3/8 LG. SST.		14
1	UPPER FRAME	MA-E-8-0-20	13
4	PHILLIPS PAN HEAD MACH. SCREW #10-32 X 3/8 LG. SST.		12
4	SPACER 5/32 I.D. X 1/4 O.D. X 1/2 LG.		11
4	LEVELER WRENCH ROBERT E. MILLER		10
1	LOWER FRAME WELDMENT	MMA-E-8-C-1-1	9
6	PHILLIPS TRUSS HEAD MACH. SCREW #10-32 X 5/8 LG. SST.		8
1	708 POWER SUPPLY	MA-D-708-0-1	7
1	SIDE COVER (RIGHT)	MAD-D-8-0-42	6
1	TOP COVER (RIGHT)	MD-E-8-0-1-0-1	5
1	TOP COVER (LEFT)	MD-E-8-0-1-0-2	4
1	SIDE COVER (LEFT)	MAD-D-8-0-43	3
1	CONTROL PANEL	MA-E-8-0-21	2
1	FILTER COVER PANEL	MD-B-8-0-1-0-3	1

REV. LTR.	REVISIONS
A	* 2672 EXT. CHGS. SEE PREV. REV. 7-7-66

SIZE	QTY	SIZE	QTY
G		A	
H		B	
J		C	
K		D	
L		E	
M		F	

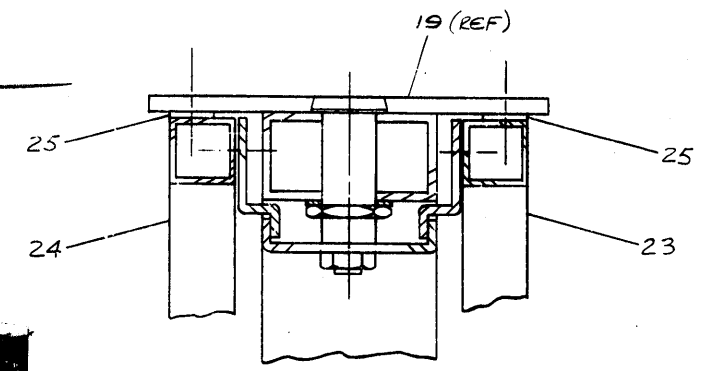
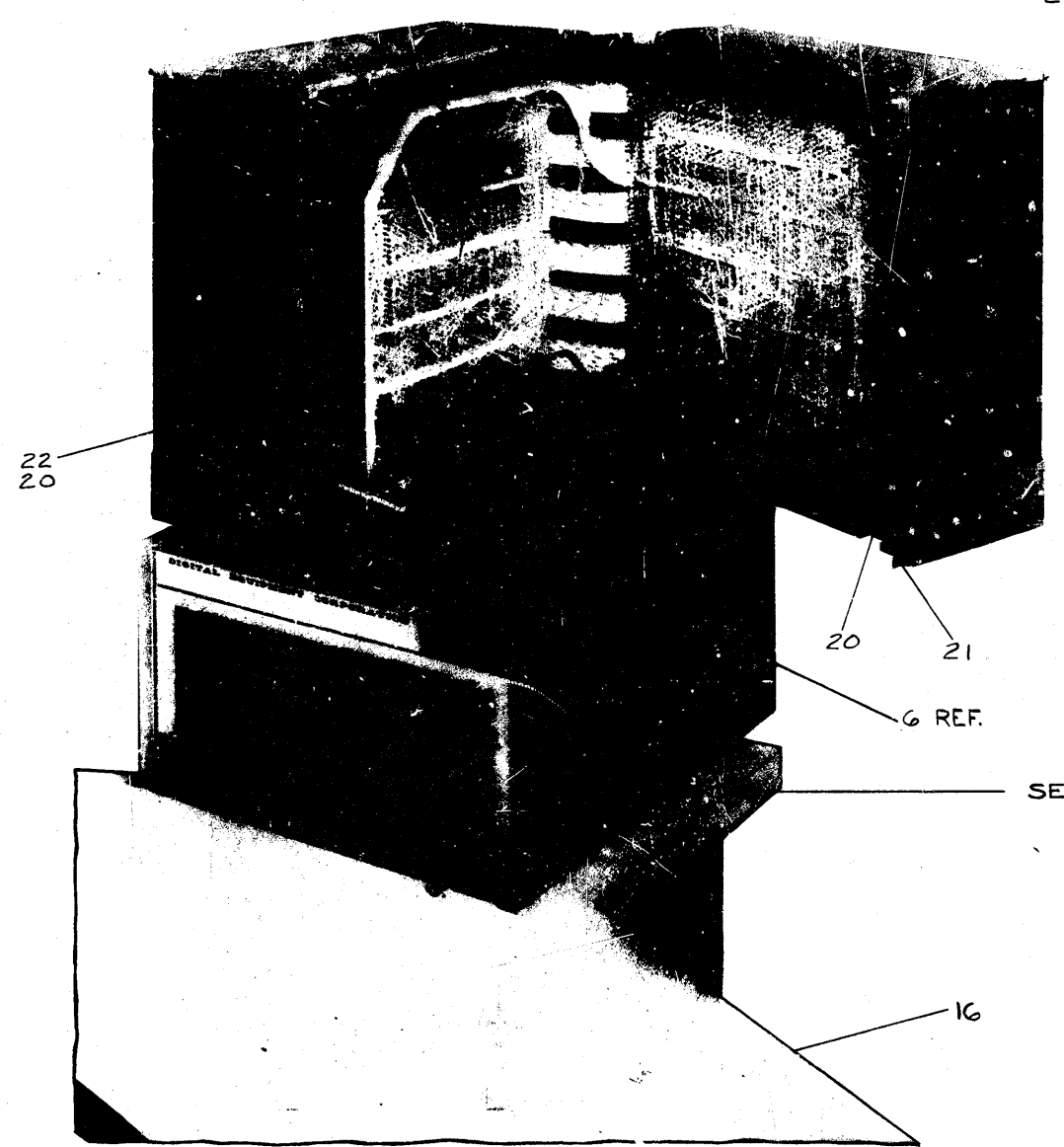
HOLE LEGEND			UNLESS OTHERWISE SPECIFIED		
GRINDING IRRESPECTIVE OF THE LAY			MICROINCHES		
TOLERANCES			FRACTIONS ± 1/64		
			DECIMALS ± .005		
			ANGLES ± 1/2°		
MATERIAL			ROCKWELL		
			SURF TREAT		

FINISH (AFTER FABRICATION)	STEP	DATE
1		4/15/65
2		4/15/65
3		4-16
4		1-16
5		
6		



TITLE		CODE		DRWG. NO.		REV. LTR.	
PDP-8 TABLE MODEL		MA		D-8-0-1		A	
FOR		DIST.					

CODE MA DRWG. NO. D-8-0-1 REV. LTR. A



SECTION A-A
SCALE: 1/1

NOTES:
1. TABLE HEIGHT TO BE 26 3/4 FROM FLOOR

SEE NOTE 1

REV. LTR.	A
REVISIONS	#2672 SEE SHEET #1 7-7-66
CHK	

SIZE	QTY	SIZE	QTY
G		A	
H		B	
J		C	
K		D	
L		E	
M		F	

UNLESS OTHERWISE SPECIFIED
GRINDING-IRRESPECTIVE OF THE LAY ✓
MICROINCHES TOLERANCES

FRACTIONS ± 1/64 DECIMALS ± .008 ANGLES ± 1/2°

MATERIAL _____

ROCKWELL _____ SURF TREAT _____

FINISH (AFTER FABRICATION)
STEP 1 _____
STEP 2 _____
STEP 3 _____
STEP 4 _____
STEP 5 _____
STEP 6 _____

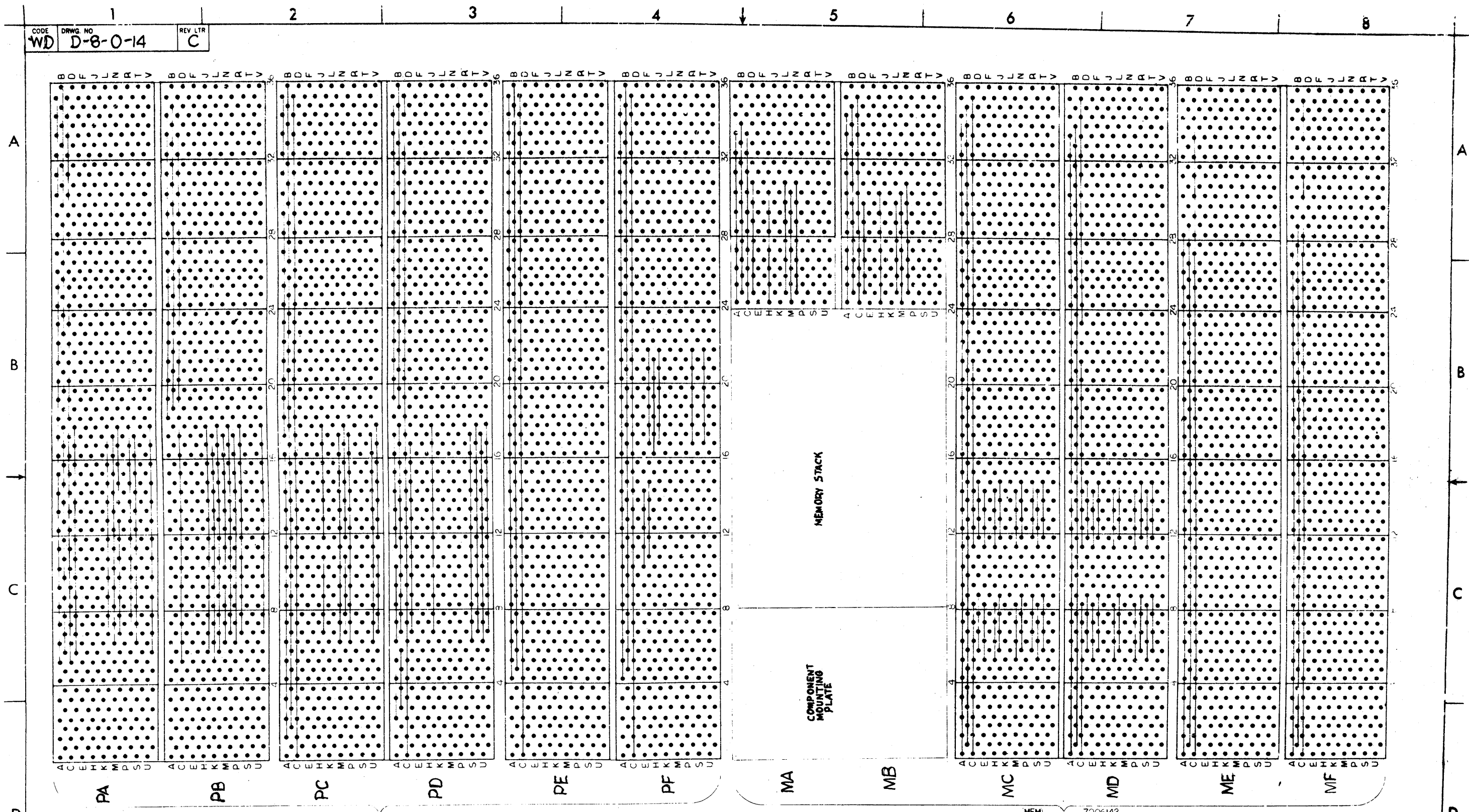
DRAWN	DATE
4/15/65	
CHECKED	DATE
4/15/65	
ENG	DATE
4-16-65	
PROJ ENG	DATE
4-16-65	
DATE	

digital
EQUIPMENT CORPORATION
MAYNARD, MASSACHUSETTS


TITLE	PDP-8 TABLE MODEL
FOR	
CODE	DRWG. NO.
MA D-8-0-1	
REV LTR.	A

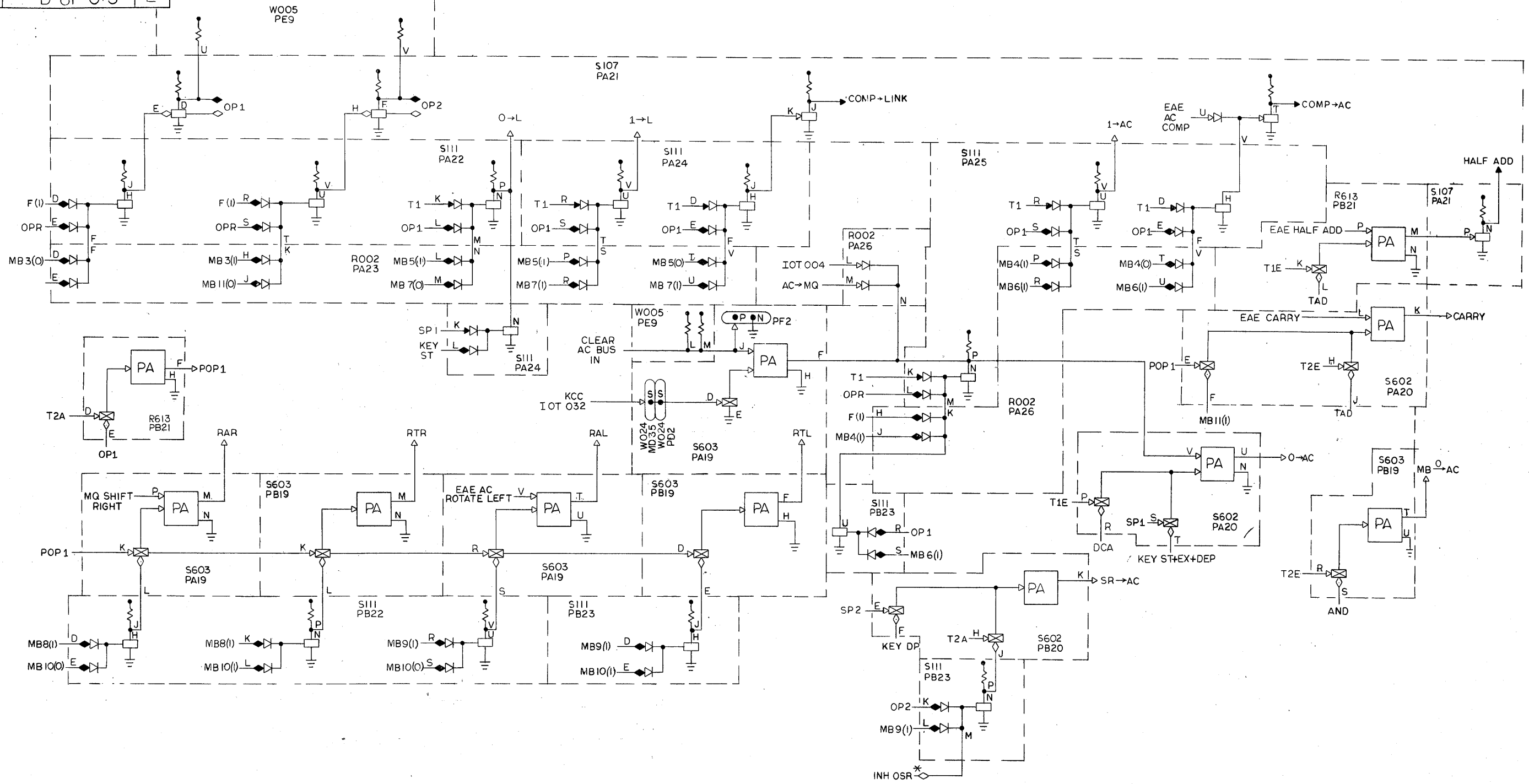
QTY	DESCRIPTION	DRWG. NO.	ITEM NO.
-----	-------------	-----------	----------

ASSY NO	SCALE	SHEET	OF
---------	-------	-------	----



700643
(C.P.)

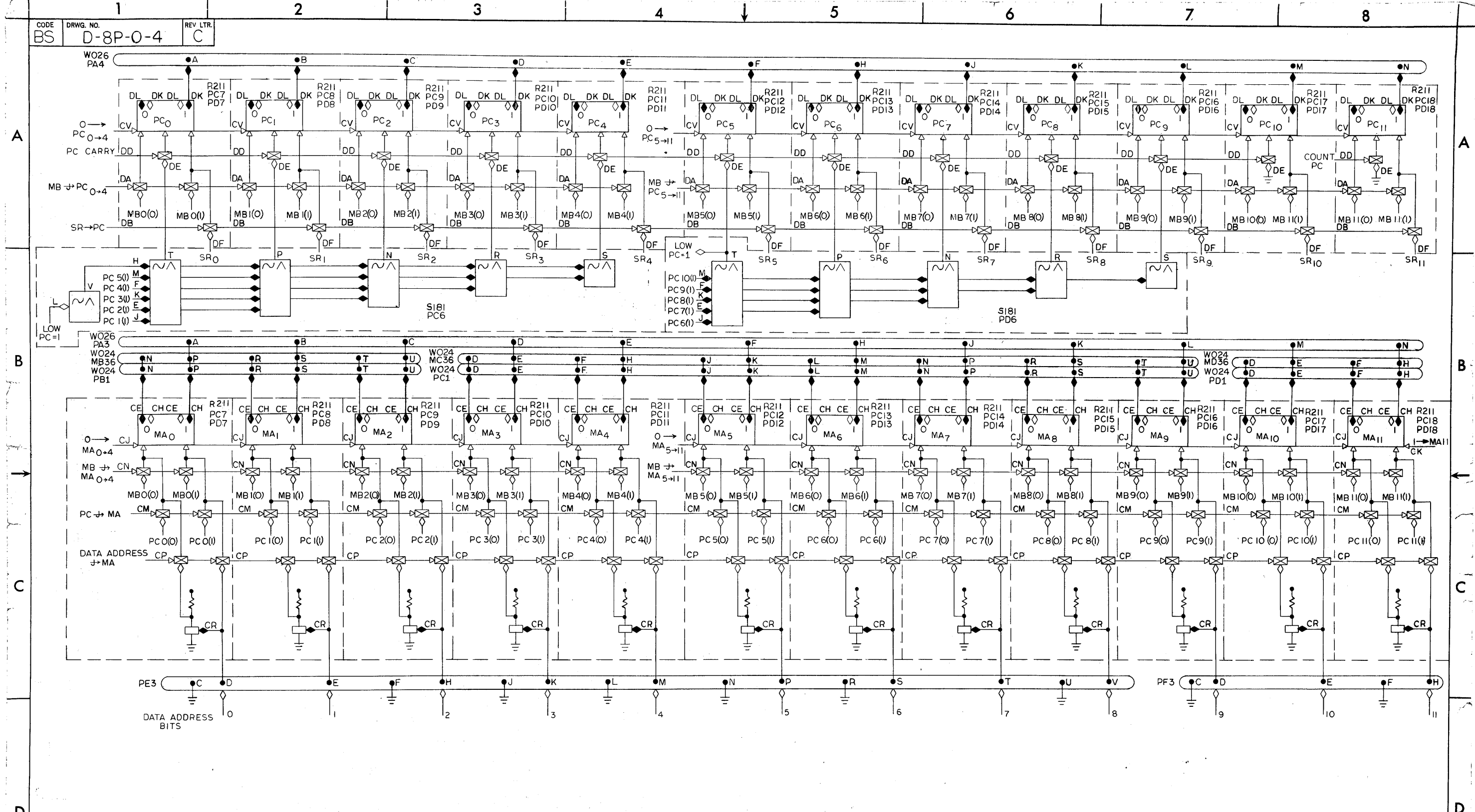
MEM. 7006142		DATE 10-5-64		 <p>digital EQUIPMENT CORPORATION MAYNARD, MASSACHUSETTS</p>	TITLE BUS BAR FOR POWER AND LOGIC WIRING	
DRW. DATE	10-5-64	CHECKED DATE	10-5-64		FOR	
ENG. DATE		PROJ. ENG. DATE		ASSY. NO.	CODE	DRWG. NO.
PROG. DATE					WD	D-8-0-14
REVISIONS				SHEET	OF	REV. LTR.
A	4	DATE				D
B	5	DATE				
C	6	DATE				
D	7	DATE				



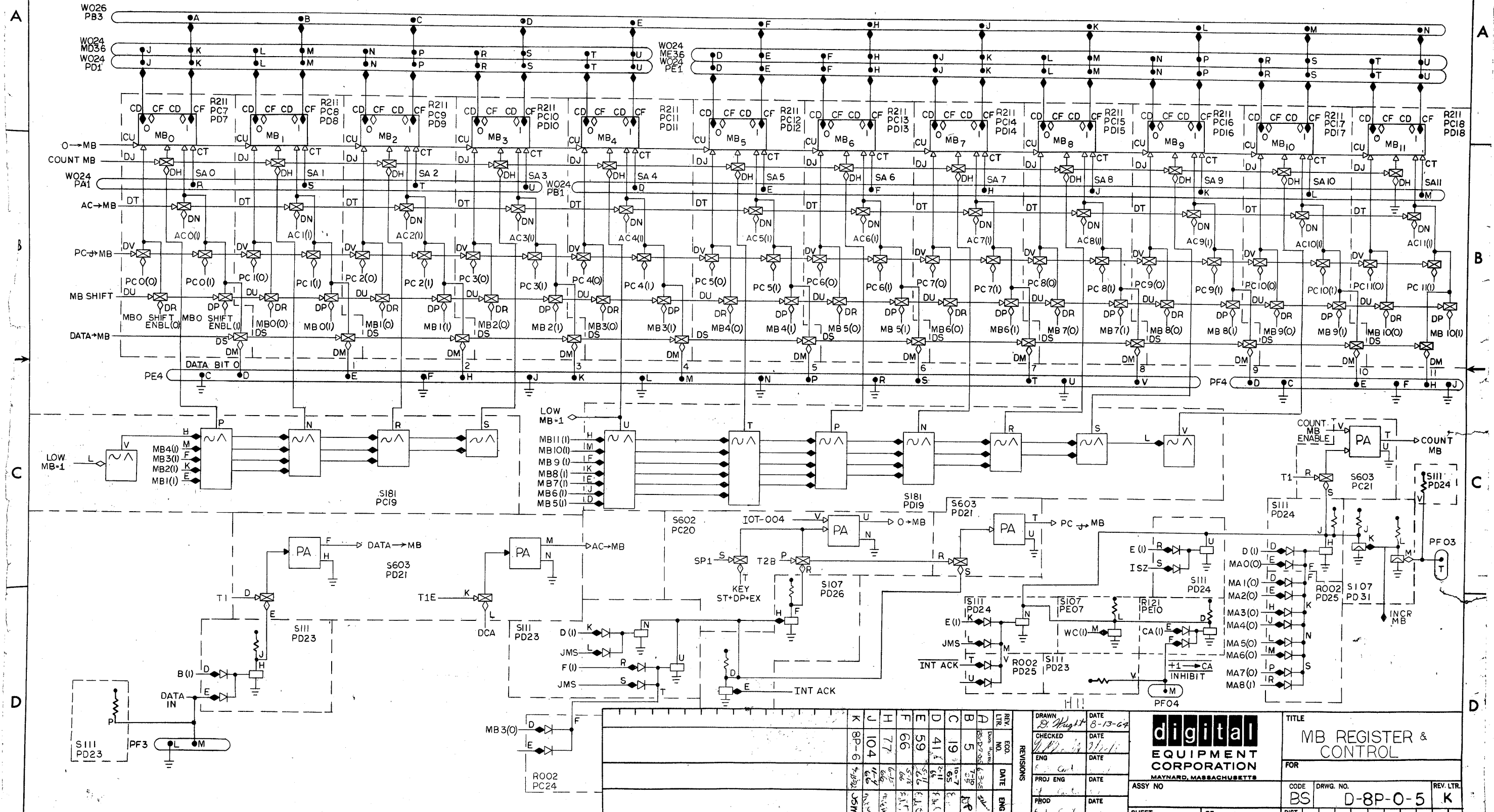
* KTOB OPTION CONNECTION

REV. LTR.		DRAWN <i>B. Wright</i>		DATE 8-10-64		TITLE AC CONTROL	
ECO. NO.		CHECKED <i>M. Hardy</i>		DATE 3/2/66		FOR	
DATE		ENG. DATE 5/1/66		PROJ. ENG. DATE 5/1/66		CODE BS DRWG. NO. D-8P-0-3 REV. LTR. E	
DATE		PROJ. DATE 5/1/66		PROJ. DATE 5/1/66		ASSY. NO.	
DATE		PROJ. DATE 5/1/66		PROJ. DATE 5/1/66		SHEET OF	

CODE BS
 DRWG. NO. D-8P-0-4
 REV. LTR. C



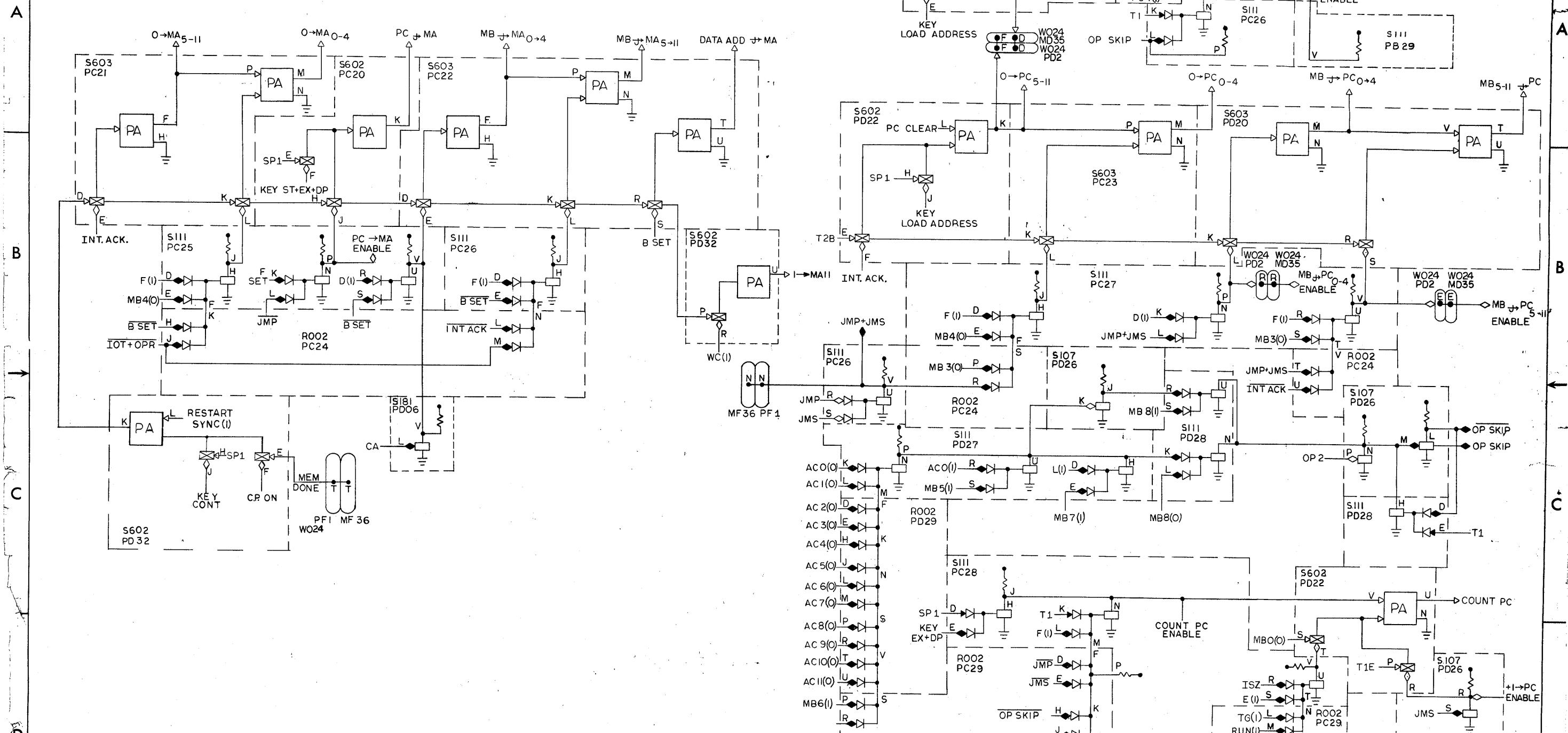
REV. LTR.		DATE	 digital EQUIPMENT CORPORATION <small>MAYNARD, MASSACHUSETTS</small>	TITLE
E.O. NO.		DATE		PC+MA REGISTERS
DATE		DATE		FOR
DATE		DATE		CODE
DATE		DATE		DRWG. NO.
REV. LTR.		DATE	ASSY NO.	REV. LTR.
DATE		DATE	SHEET	OF
DATE		DATE	DIST.	



REVISIONS REV. NO. DATE 1 8-13-64 2 10-1-64 3 10-7-64 4 10-7-64 5 10-7-64 6 10-7-64 7 10-7-64 8 10-7-64		DRAWN: B. Hight CHECKED: [Signature] ENG: [Signature] PROJ ENG: [Signature] PROD: [Signature]	DATE: 8-13-64 DATE: [Signature] DATE: [Signature] DATE: [Signature] DATE: [Signature]	digital EQUIPMENT CORPORATION MAYNARD, MASSACHUSETTS	TITLE: MB REGISTER & CONTROL FOR: [Blank] CODE: BS DRWG. NO.: D-8P-0-5 REV. LTR.: K
---	--	---	---	--	---

MA CONTROL

PC CONTROL



REV. LTR.		NO.		DATE		DRAWN		DATE		TITLE	
A		1		6-3-64		D. Night		9-3-64		MA, PC CONTROL	
B		2		7-9-64		D. Night		3/11/65		FOR	
C		3		8-1-64		D. Night		3/11/65		ASSY NO	
D		4		8-1-64		D. Night		3/11/65		CODE	
E		5		8-1-64		D. Night		3/11/65		DRWG. NO.	
F		6		8-1-64		D. Night		3/11/65		REV. LTR.	
G		7		8-1-64		D. Night		3/11/65		U	
H		8		8-1-64		D. Night		3/11/65		SHEET	
I		9		8-1-64		D. Night		3/11/65		OF	
J		10		8-1-64		D. Night		3/11/65		DIST.	
K		11		8-1-64		D. Night		3/11/65		DIST.	
L		12		8-1-64		D. Night		3/11/65		DIST.	
M		13		8-1-64		D. Night		3/11/65		DIST.	
N		14		8-1-64		D. Night		3/11/65		DIST.	
O		15		8-1-64		D. Night		3/11/65		DIST.	
P		16		8-1-64		D. Night		3/11/65		DIST.	
Q		17		8-1-64		D. Night		3/11/65		DIST.	
R		18		8-1-64		D. Night		3/11/65		DIST.	
S		19		8-1-64		D. Night		3/11/65		DIST.	
T		20		8-1-64		D. Night		3/11/65		DIST.	
U		21		8-1-64		D. Night		3/11/65		DIST.	
V		22		8-1-64		D. Night		3/11/65		DIST.	
W		23		8-1-64		D. Night		3/11/65		DIST.	
X		24		8-1-64		D. Night		3/11/65		DIST.	
Y		25		8-1-64		D. Night		3/11/65		DIST.	
Z		26		8-1-64		D. Night		3/11/65		DIST.	

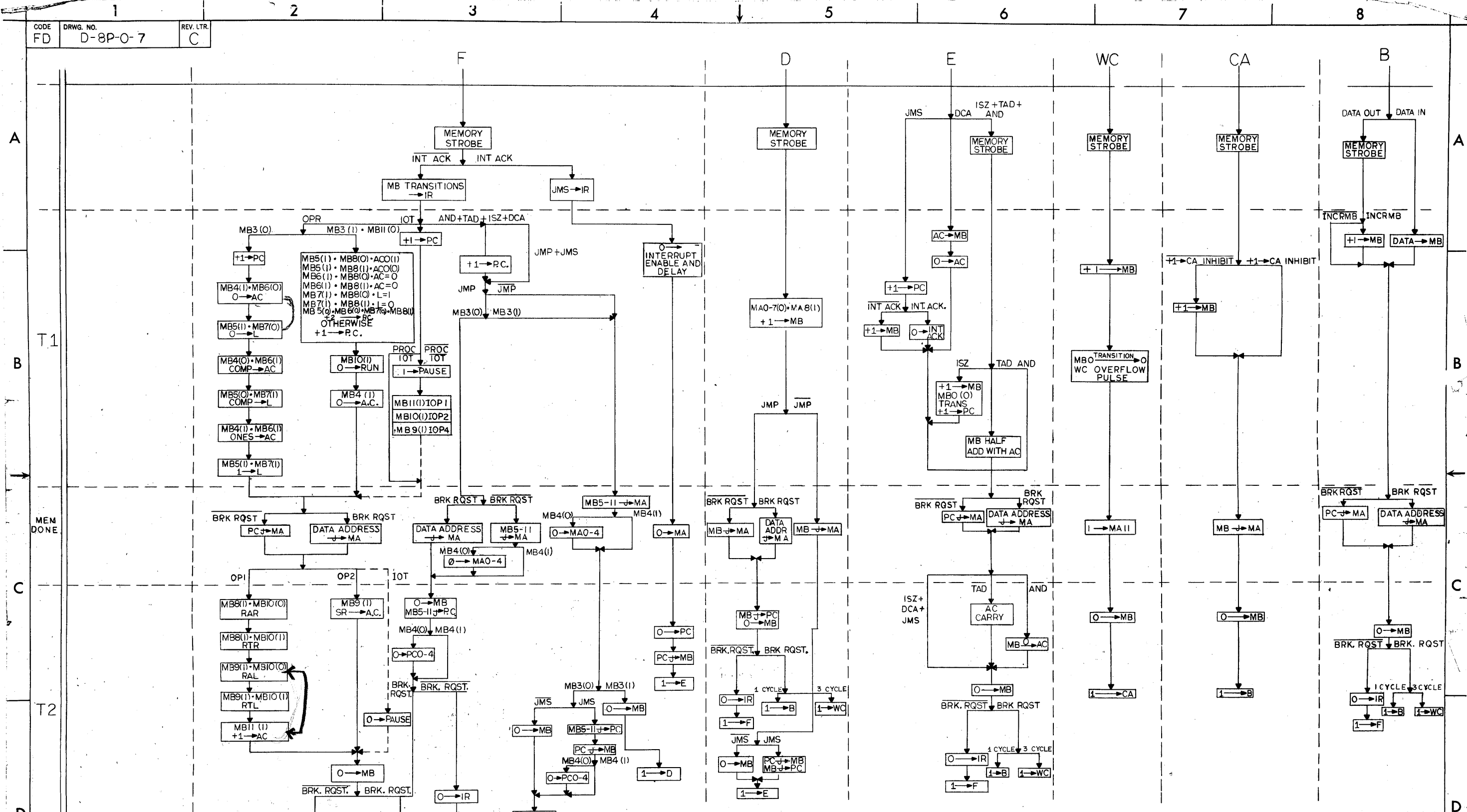


MA, PC CONTROL

FOR

ASSY NO

CODE BS DRWG. NO. D-8P-0-8 REV. LTR. U

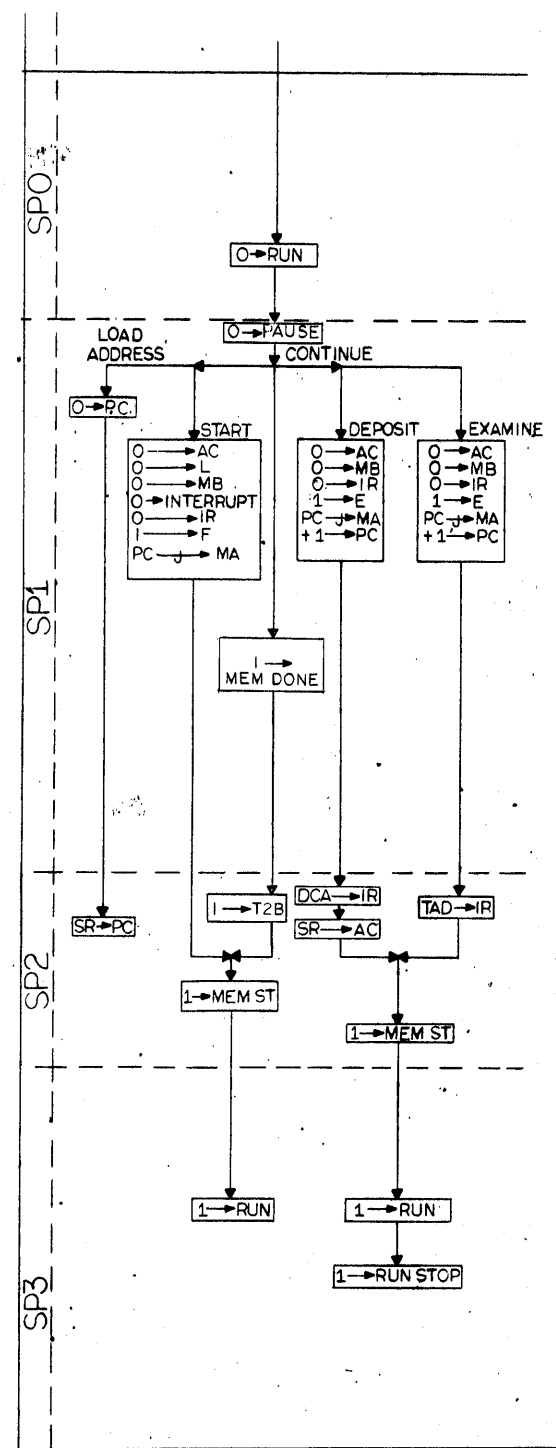


MEM DONE

T2

T1


REV. LTR.		DATE			TITLE FLOW DIAGRAM AUTOMATIC OPERATIONS
C		8-24-64			
E.O. NO.		DATE		FOR	CODE DRWG. NO. REV. LTR. FD D-8P-0-7 C
19		3-22-65			
NO. OF CHANGES		DATE		ASSY NO.	SHEET OF 2
4		5-6-65			
DATE		DATE		DIST.	
6-5-66		5-6-65			
DATE		DATE			
6-5-66		5-6-65			



REV. LTR.		DATE		 digital EQUIPMENT CORPORATION MAYNARD, MASSACHUSETTS	TITLE	
A		8-24-64			FLOW DIAGRAM	
B		5-22-65		MANUAL OPERATIONS		
C		5-6-65		FOR		
REPLACED - NO CHANGE		5-6-65		ASSY NO.		
E. DeCASTRO		5-6-65		CODE		
E. DeCASTRO		5-6-65		DRWG. NO.		
E. DeCASTRO		5-6-65		FD D-8P-0-7		
E. DeCASTRO		5-6-65		REV LTR		
E. DeCASTRO		5-6-65		C		
E. DeCASTRO		5-6-65		SCALE		
E. DeCASTRO		5-6-65		SHEET 2 OF 2		
E. DeCASTRO		5-6-65		DIST.		

DRWG NO	REV LTR
B-8P-0-17	AP

REVISIONS			
REV LTR	ECO NO	DATE	ENG
AK 243		2-20-68	RAM
REDRAWN & REVISED			
AL	00001	7-3-68	RAM
AM	8P-00002	1-17-70	RAM
AN	8P-00004	11-12-70	RAM
AP	8P-00005	2-16-71	RAM

DRAWN D. WRIGHT	DATE 12-1-64	 digital EQUIPMENT CORPORATION <small>MAYNARD, MASSACHUSETTS</small>	TITLE WIRING LIST PDP8-0 (PROC)
CHECKED N. RHEULT	DATE 4-9-65		FOR TAPE # PDP8-0 FILE # 1
ENG E. DECASTRO	DATE 5-6-65		SIZE K
PROJ ENG E. DECASTRO	DATE 5-6-65		CODE WL
PROD E. DECASTRO	DATE 5-6-65		DWG. NO. 8P-0-17
ASSY NO	REV LTR AP		
SCALE	SHEET	OF	DIST.


	1	2	3	4	5	6	7	8	9	10	11	12	13	14	15	16	17	18	19	20	21	22	23	24	25	26	27	28	29	30	31	32	33	34	35	36		
PA	W024	W025	W026	W026	W026	R210	R210	R210	R210	R210	R210	R210	R210	R210	R210	R210	R210	R210	R210	5603	5602	5107	5111	R002	5111	5111	R002	5111	5602	5603	5111	5111	R002	5603	R302	R302	R302	W501
	MEMORY CHASSIS CONNECTOR	INDICATOR CONNECTOR AC 0-11	INDICATOR CONNECTOR MA 0-11	INDICATOR CONNECTOR PC 0-11	INDICATOR CONNECTOR SR 0-5	LINC	AC 0	AC 1	AC 2	AC 3	AC 4	AC 5	AC 6	AC 7	AC 8	AC 9	AC 10	AC 11	CL AC BUS	CARRY	OP 1	OP 2	OP 1	OP 2	COMP L	COMP AC	0 → IR 2	0 → IR 2	0 → F	0 → D	0 → F	0 → D	0 → F	0 → D	TIE	SP3	SP1	SP0
PB	W024	5603	W026	W026	W026															5603	5602	5603	5111	5111	5111	5204	5107	5151	5203	5111	5107	5111	5107	5202	R002	R002	5603	
	MEMORY CHASSIS CONNECTOR	T1B	INDICATOR CONNECTOR MB 0-11	INDICATOR CONNECTOR MA 0-11	INDICATOR CONNECTOR LINK RUN P2955 ION SING STEP SING INST	LINC	AC 0	AC 1	AC 2	AC 3	AC 4	AC 5	AC 6	AC 7	AC 8	AC 9	AC 10	AC 11	RTL	SR → AC	POP 1	RAR	RTL	LSR 1	MAJOR STATES	TAD	IR 0	IR 1	IR 2	IR 1	IR 1	IR 1	IR 1	IR 1	IR 1	IR 1	IR 1	IR 1
PC	W024	5204	5603	R121	5111	5101	R211	R211	R211	R211	R211	R211	R211	R211	R211	R211	R211	R211	R211	5603	5602	5603	5603	R002	5111	5111	5111	5111	R002	5602	5111	5203	5603	R302	5111	5203		
	MEMORY CHASSIS CONNECTOR	S	1 → S	+1 → PC	COUNT MB	HIGH PC CARRY	MB 0 MA 0	MB 1 MA 1	MB 2 MA 2	MB 3 MA 3	MB 4 MA 4	MB 5 MA 5	MB 6 MA 6	MB 7 MA 7	MB 8 MA 8	MB 9 MA 9	MB 10 MA 10	MB 11 MA 11	HIGH MB CARRY	PC → MA	0 → MA 0-11	0 → MA 0-11	0 → MA 0-11	0 → MA 0-11	0 → MA 0-11	0 → MA 0-11	0 → MA 0-11	0 → MA 0-11	0 → MA 0-11	0 → MA 0-11	0 → MA 0-11	0 → MA 0-11	0 → MA 0-11	0 → MA 0-11	0 → MA 0-11	0 → MA 0-11	0 → MA 0-11	0 → MA 0-11
PD	W024	W024	R113	R002	5603	5101														5603	5602	5603	5602	5111	5111	5111	5111	R002	R002	5602	5602	5602	R002	R002	5111			
	MEMORY CHASSIS CONNECTOR	S SET	TT INST	WC SET	CA SET	LOW PC CARRY	MB 0 MA 0	MB 1 MA 1	MB 2 MA 2	MB 3 MA 3	MB 4 MA 4	MB 5 MA 5	MB 6 MA 6	MB 7 MA 7	MB 8 MA 8	MB 9 MA 9	MB 10 MA 10	MB 11 MA 11	LOW MB CARRY	PC CARRY	DATA MB	DATA MB	DATA MB	DATA MB	DATA MB	DATA MB	DATA MB	DATA MB	DATA MB	DATA MB	DATA MB	DATA MB	DATA MB	DATA MB	DATA MB	DATA MB	DATA MB	DATA MB
PE	W024	W011	W011	W011	R123	5107	5107	R050	W005	R121	5602	5203	R001	R302	5603	A704	5111	R123	R123	5111	R002	5107	5603	R002	5205	5111	5111	R002	5603	5107	5603	5203	5203	5111	5111	5111		
	MEMORY CHASSIS CONNECTOR	IN-OUT CONNECTOR IN 0-8	IN-OUT CONNECTOR DATA ADDRESS 0-8	IN-OUT CONNECTOR DATA BITS 0-8	MB 0	MB 3	B SET	B RUN	LOADS THROUGH R	B SET	COMPARATOR	AD ENABL	AD CONV.	AD CONV.	AD CONV.	AD CONV.	REF. SUPPLY	ACSL 0	IM 4	IM 5	IM 6	IM 7	IM 8	IM 9	IM 10	IM 11	IM 4	IM 5	IM 6	IM 7	IM 8	IM 9	IM 10	IM 11	IM 4	IM 5		
PF	W024	W011	W011	W011	5107	R002	R302	W501	5602	W504	A604	A604	A604	A601	A601	5111	R212	R212	R212	R212	R212	R212	R212	5602	5111	5205	5205	5205	5603	5111	5602	5111	R002	R002	R002	R002		
	MEMORY CHASSIS CONNECTOR	IN-OUT CONNECTOR IN 9-11	IN-OUT CONNECTOR DATA ADDRESS 9-11	IN-OUT CONNECTOR DATA BITS 9-11	INTERRUPT PWR OK	SKIP	RESTART	POWER STATUS	PWR RESTART	ADDRESS ACCEPTED	WC OVERFLOW	D-A CONV. 2 BITS	D-A CONV. 2 BITS	D-A CONV. 2 BITS	D-A CONV. 3 BITS	D-A CONV. 3 BITS	REF. SUPPLY OP WC OR INCR DRK	HQ 0	HQ 2	HQ 4	HQ 6	HQ 8	HQ 10	HQ 12	HQ 14	HQ 16	HQ 18	HQ 20	HQ 22	HQ 24	HQ 26	HQ 28	HQ 30	HQ 32	HQ 34	HQ 36		

* USED ONLY WITH #102 EAE.
 △ USED ONLY WITH #109 A-D CONVERTER
 □ USED ONLY WITH #101 POWER INTERRUPT
 ☆ USED ONLY WITH #01 DATA LINE INTERFACE
 + INSERT #111 IN THIS COLUMN AND WISE PLP# 200 NUMBER TO THE LEFT OF THE PREFIX TO WORK IN A PWR CONVERTER

DRAWN BY: A. I. CHECKED BY: R. H. BAULT DATE: 3-27-65 ENG: J. S. BAULT DATE: 5-6-65 PROJ ENG: J. S. BAULT DATE: 5-6-65 PROG: J. S. BAULT DATE: 5-6-65	DATE: 3-27-65 TIME: 1:42 PM EQUIPMENT CORPORATION ASSY NO: UML SHEET: 5 OF 6	TITLE: PROCESSOR UML DRAWG NO: E-8P-0-19 W
---	--	--

JACK <input type="checkbox"/>	PLUG <input checked="" type="checkbox"/>	LOCATION, LENGTH, ROUTE PB 03
FEMALE <input type="checkbox"/>	MALE <input checked="" type="checkbox"/>	

COLOR	LOCATION	PIN	NAME	REMARKS
W/ BLK (X)	PB 03	A	MB 0 (1) →	
W/ BRN (Z)	↑	B	↑ 1 (1) ↑	
W/ RED (R)		C	2 (1)	
W/ ORN (O)		D	3 (1)	
W/ YEL (Y)		E	4 (1)	
W/ GRN (N)		F	5 (1)	
W/ BLU (B)		H	6 (1)	
W/ VIO (V)		J	7 (1)	
W/ GRY (G)		K	8 (1)	
WHT (W)		L	9 (1)	
W/ BLK (X)	↓	M	↓ 10 (1) ↓	
W/ BRN (Z)	PB 03	N	MB 11 (1) →	
W/ RED (R)		P		
W/ ORN (O)		R		
W/ YEL (Y)		S		
W/ GRN (N)		T		
W/ BLU (B)		U		
W/ VIO (V)		V		
W/ GRY (G)		W		
WHT (W)		X		
		Y		
		Z		

DRAWN P.J. Priest 3-9-65		 digital EQUIPMENT CORPORATION MAYNARD, MASSACHUSETTS	INDICATOR CONNECTOR	
CHECKED <i>[Signature]</i>			TITLE INDICATOR CONNECTOR FOR MB BITS	
ENG <i>[Signature]</i>				
		APPRV <i>[Signature]</i>	DWG NO A-8P-0-25	REV. LTR. A
		ECO. NO. REV. LTR.	SHEET OF	CODE CL

JACK <input type="checkbox"/>	PLUG <input checked="" type="checkbox"/>	LOCATION, LENGTH, ROUTE
FEMALE <input type="checkbox"/>	MALE <input checked="" type="checkbox"/>	PA 02

COLOR	LOCATION	PIN	NAME	REMARKS
W/BLK (X)	PA 02	A	AC 0 (1) →	
W/BRN (Z)	↑	B	↑ 1 (1) ↑	
W/RED (R)	↓	C	↓ 2 (1)	
W/ORN (O)		D	3 (1)	
W/YEL (Y)		E	4 (1)	
W/GRN (N)		F	5 (1)	
W/BLU (B)		H	6 (1)	
W/VIQ (V)		J	7 (1)	
W/GRY (G)		K	8 (1)	
WHT (W)		L	9 (1)	
W/BLK (X)	↓	M	↓ 10 (1) ↓	
W/BRN (Z)	PA 02	N	AC 11 (1) →	
W/RED (R)		P		
W/ORN (O)		R		
W/YEL (Y)		S		
W/GRN (N)		T		
W/BLU (B)		U		
W/VIO (V)		V		
W/GRY (G)		W		
WHT (W)		X		
		Y		
		Z		

DRAWN P.J. Priest 3-9-65 CHECKED <i>[Signature]</i> 3/9/65 ENG <i>[Signature]</i>	digital EQUIPMENT CORPORATION MAYNARD, MASSACHUSETTS	INDICATOR CONNECTOR TITLE INDICATOR CONNECTOR FOR AC BITS
APPV <i>[Signature]</i>	ECO. NO. REV. LTR.	DWG NO A-8P-0-26 SHEET OF
		REV. LTR. A CODE CL

A-DWGS No. 145
 CL-A-8-0-26


JACK <input type="checkbox"/>	PLUG <input checked="" type="checkbox"/>	LOCATION, LENGTH, ROUTE
FEMALE <input type="checkbox"/>	MALE <input checked="" type="checkbox"/>	PA 04

COLOR	LOCATION	PIN	NAME	REMARKS
W/BLK (X)	PA 04	A	PC 0 (1) →	
W/BRN (Z)	↑	B	↑ 1 (1) ↑	
W/RED (R)	↑	C	↑ 2 (1)	
W/QRN (O)	↑	D	↑ 3 (1)	
W/YEL (Y)	↑	E	↑ 4 (1)	
W/GRN (N)	↑	F	↑ 5 (1)	
W/BLU (B)	↑	H	↑ 6 (1)	
W/VIO (V)	↑	J	↑ 7 (1)	
W/GRY (G)	↑	K	↑ 8 (1)	
WHT (W)	↑	L	↑ 9 (1)	
W/BLK (X)	↑	M	↓ 10 (1) ↓	
W/BRN (Z)	↑	N	PC 11 (1) →	
W/RED (R)	↑	P	SR 0	
W/QRN (O)	↑	R	↑ 1	
W/YEL (Y)	↑	S	↑ 2	
W/GRN (N)	↑	T	↑ 3	
W/BLU (B)	↓	U	↓ 4	
W/VIO (V)	PA 04	V	SR 5	
W/GRY (G)		W		
WHT (W)		X		
		Y		
		Z		

DRAWN P.J. Priest 3-9-65 CHECKED <i>[Signature]</i> ENG	digital EQUIPMENT CORPORATION <small>MAYNARD, MASSACHUSETTS</small>	INDICATOR CONNECTOR TITLE INDICATOR CONNECTOR FOR PC & SR BITS
ECO. NO. REV. LTR.	DWG NO A-8P-0-28	REV. LTR. A
SHEET OF	CODE CL	

JACK <input type="checkbox"/>	PLUG <input checked="" type="checkbox"/>	LOCATION, LENGTH, ROUTE
FEMALE <input type="checkbox"/>	MALE <input checked="" type="checkbox"/>	PB 04


COLOR	LOCATION	PIN	NAME	REMARKS
W/BLK (X)	PB 04	A	MQ 0 (1) →	
W/BRN (Z)	↑	B	↑ 1 (1)	
W/RED (R)	↑	C	↑ 2 (1)	
W/ORN (O)	↑	D	↑ 3 (1)	
W/YEL (Y)	↑	E	↑ 4 (1)	
W/GRN (N)	↑	F	↑ 5 (1)	
W/BLU (B)	↑	H	↑ 6 (1)	
W/VIO (V)	↑	J	↑ 7 (1)	
W/GRY (G)	↑	K	↑ 8 (1)	
WHT (W)	↑	L	↑ 9 (1)	
W/BLK (X)	↑	M	↓ 10 (1) →	
W/BRN (Z)	↑	N	MQ 11 (1)	
W/RED (R)	↑	P	SR 6	
W/ORN (O)	↑	R	↑ 7	
W/YEL (Y)	↑	S	↑ 8	
W/GRN (N)	↑	T	↑ 9	
W/BLU (B)	↑	U	↓ 10	
W/VIO (V)	PB 04	V	SR 11	
W/GRY (G)		W		
WHT (W)		X		
		Y		
		Z		


DRAWN P.J. Priest 3-9-65 CHECKED <i>[Signature]</i> ENG <i>[Signature]</i>	 digital EQUIPMENT CORPORATION MAYNARD, MASSACHUSETTS	INDICATOR CONNECTOR TITLE INDICATOR CONNECTOR FOR MQ & SR BITS
APPLV <i>[Signature]</i>	ECO. NO. REV. LTR.	DWG NO A-8P-0-31 REV. LTR. A
SHEET OF	CODE CL	

A-Disc Newlines
 01-9-8-0-31

COLOR	NAME	PIN	LOCATION	LOCATION	REMARKS
		A			BLANK
		B			BLANK
W/BLK	GND	C	PE 03		
W/BRN	DATA ADD 0	D	↑		
W/RED	GND	×			
W/ORN	DATA ADD 1	E			
W/YEL	GND	F			
W/GRN	DATA ADD 2	H			
W/BLU	GND	J			
W/VIO	DATA ADD 3	K			
W/GRY	GND	L			
WHT	DATA ADD 4	M			
W/BLK	GND	N			
W/BRN	DATA ADD 5	P			
W/RED	GND	R			
W/ORN	DATA ADD 6	S			
W/YEL	GND	×			
W/GRN	DATA ADD 7	T			
W/BLU	GND	U			
W/VIO	DATA ADD 8	V	↓		
W/GRY	GND	×	PE 03		

COLOR	NAME	PIN	LOCATION	LOCATION	REMARKS
		A			BLANK
		B			BLANK
W/BLK	GND	C	PF 03		
W/BRN	DATA ADD 9	D	↑		
W/RED	GND	×			
W/ORN	DATA ADD 10	E			
W/YEL	GND	F			
W/GRN	DATA ADD 11	H			
W/BLU	GND	J			
W/VIO	BRK. REQUEST	K			
W/GRY	GND	L			
WHT	DATA DIRCT.	M			
W/BLK	GND	N			
W/BRN	BREAK (B)	P			
W/RED	GND	R			
W/ORN	ADD ACCEPTED	S			
W/YEL	GND	×			
W/GRN	MB INCREMENT	T			
W/BLU	GND	U			
W/VIO		V	↓		
W/GRY	GND	×	PF 03		

REV. LTR.	ECO. NO.	DATE	ENG.	 EQUIPMENT CORPORATION MAYNARD, MASSACHUSETTS	SIGNAL CABLE CONNECTOR				
A	Dwg No. W-8036 CL-A-8-0-36	6-7-65	P. J. Priest		TITLE DATA ADDRESS				
				DRAWN P. J. Priest	FOR				
					CHECKED <i>[Signature]</i>	CODE	DRWG. NO.	REV.	
				ENG.		CL	A-8P-0-36	A	
				PROD.	SHEET	1 OF 2			
					DIST.				

REV. LTR.	ECO. NO.	DATE	ENG.	 EQUIPMENT CORPORATION MAYNARD, MASSACHUSETTS	SIGNAL CABLE CONNECTOR				
A	Dwg No. W-8036 CL-A-8-0-36	6-7-65	P. J. Priest		TITLE DATA ADDRESS				
				DRAWN P. J. Priest	FOR				
					CHECKED <i>[Signature]</i>	CODE	DRWG. NO.	REV.	
				ENG.		CL	A-8P-0-36	A	
				PROD.	SHEET	2 OF 2			
					DIST.				


COLOR	NAME	PIN	LOCATION	LOCATION	REMARKS
		A			BLANK
		B			BLANK
W/BLK	GND	C	PE 02		
W/BRN	IM 0	D	↑		
W/RED	GND	×			
W/ORN	IM 1	E			
W/YEL	GND	F			
W/GRN	IM 2	H			
W/BLU	GND	J			
W/VIO	IM 3	K			
W/GRY	GND	L			
WHT	IM 4	M			
W/BLK	GND	N			
W/BRN	IM 5	P			
W/RED	GND	R			
W/ORN	IM 6	S			
W/YEL	GND	×			
W/GRN	IM 7	T			
W/BLU	GND	U			
W/VIO	IM 8	V	↓		
W/GRY	GND	×	PE 02		

COLOR	NAME	PIN	LOCATION	LOCATION	REMARKS
		A			BLANK
		B			BLANK
W/BLK	GND	C	PF 02		
W/BRN	IM 9	D	↑		
W/RED	GND	×			
W/ORN	IM 10	E			
W/YEL	GND	F			
W/GRN	IM 11	H			
W/BLU	GND	J			
W/VIO	SKIP	K			
W/GRY	GND	L			
WHT	INTERRUPT	M			
W/BLK	GND	N			
W/BRN	AC CLEAR	P			
W/RED	GND	R			
W/ORN	RUN (1)	S			
W/YEL	GND	×			
W/GRN		T			
W/BLU	GND	U			
W/VIO		V	↓		
W/GRY	GND	×	PF 02		


REV. LTR.	ECO. NO.	DATE	ENG.	digital EQUIPMENT CORPORATION MAYNARD, MASSACHUSETTS	SIGNAL CABLE CONNECTOR			
A	Dwg. No. WPS CL-A-8-0-34	4/10/65	E. de Castro		TITLE INPUT MIXER			
					DRAWN 3-9-65 P.J. Priest			
					FOR			
					CHECKED	CODE	DRWG. NO.	REV.
					<i>[Signature]</i>	CL	A-8P-0-34	A
					ENG.			
					PROD.			
					SHEET	1 OF 2		
					DIST.			

REV. LTR.	ECO. NO.	DATE	ENG.	digital EQUIPMENT CORPORATION MAYNARD, MASSACHUSETTS	SIGNAL CABLE CONNECTOR			
A	Dwg. No. WPS CL-A-8-0-34				TITLE INPUT MIXER			
					DRAWN 3-9-65 P.J. Priest			
					FOR			
					CHECKED	CODE	DRWG. NO.	REV.
					<i>[Signature]</i>		A-8P-0-34	A
					ENG.			
					PROD.			
					SHEET	2 OF 2		
					DIST.			


JACK <input type="checkbox"/>		PLUG <input checked="" type="checkbox"/>		LOCATION LENGTH, ROUTE	
FEMALE <input type="checkbox"/>		MALE <input checked="" type="checkbox"/>		PA01 & MA36	
COLOR	PIN	PIN	NAME	REMARKS	
W/BLK (X)	PA01A	MA36A	AC0(1)		
W/BRN (Z)	PA01B	MA36B	AC1(1)		
W/RED (R)	↑ C	↑ C	GND		
W/ORN (O)	D	D	AC2(1)		
W/YEL (Y)		E	3(1)		
W/GRN (N)	F	F	4(1)		
W/BLU (B)	H	H	5(1)		
W/VIO (V)	J	J	6(1)		
W/GRY (G)	K	K	7(1)		
WHT (W)	L	L	8(1)		
W/BLK (X)	M	M	9(1)		
W/BRN (Z)	N	N	10(1)		
W/RED (R)	P	P	AC11(1)		
W/ORN (O)	R	R	SA 0		
W/YEL (Y)	S	S	↑ 1		
W/GRN (N)	T	T	↓ 2		
W/BLU (B)	↓ U	↓ U	SA 3		
W/VIO (V)	PA01V	MA36V	GND		

DRAWN		 DIGITAL EQUIPMENT CORPORATION MAYNARD, MASSACHUSETTS	INTERCHASSIS CONNECTOR	
CHECKED			TITLE	
ENG			PROCESSOR & MEMORY CHASSIS CONNECTORS	
APPRV		6/3/65 REV #1 00001 REV B	DWG NO	REV. LTR.
ECO. NO.			A-8-0-30	B
SHEET		1	OF	7
			CODE	CL


JACK <input type="checkbox"/>		PLUG <input checked="" type="checkbox"/>		LOCATION LENGTH, ROUTE	
FEMALE <input type="checkbox"/>		MALE <input checked="" type="checkbox"/>		PB01 & MB36	
COLOR	PIN	PIN	NAME	REMARKS	
W/BLK (X)	PB01A	MB36A	TTI 0(1)		
W/BRN (Z)	↑ B	↑ B	TTI 1(1)		
W/RED (R)	C	C	GND		
W/ORN (O)	D	D	SA 4		
W/YEL (Y)	E	E	↑ 5		
W/GRN (N)	F	F	6		
W/BLU (B)	H	H	7		
W/VIO (V)	J	J	8		
W/GRY (G)	K	K	9		
WHT (W)	L	L	↓ 10		
W/BLK (X)	M	M	SA 11		
W/BRN (Z)	N	N	MA 0(0)		
W/RED (R)	P	P	MA 0(1)		
W/ORN (O)	R	R	MA 1(0)		
W/YEL (Y)	S	S	MA 1(1)		
W/GRN (N)	T	T	MA 2(0)		
W/BLU (B)	↓ U	↓ U	MA 2(1)		
W/VIO (V)	PB01V	MB36V	GND		

DRAWN		 DIGITAL EQUIPMENT CORPORATION MAYNARD, MASSACHUSETTS	INTERCHASSIS CONNECTOR	
CHECKED			TITLE	
ENG			PROCESSOR & MEMORY CHASSIS CONNECTOR	
APPRV		3/15/65 S Clippinger	DWG NO	REV. LTR.
ECO. NO.			A-8-0-30	B
SHEET		2	OF	7
			CODE	CL


JACK <input type="checkbox"/> - PLUG <input checked="" type="checkbox"/>		LOCATION, LENGTH, ROUTE		
FEMALE <input type="checkbox"/> MALE <input checked="" type="checkbox"/>		PCØ1 & MC36		
COLOR	PIN	PIN	NAME	REMARKS
W/BLK (X)	PCØ1A	MC36A	TTI2(1)	
W/BRN (Z)	↑ B	↑ B	TTI3(1)	
W/RED (R)	C	C	GND	
W/ORN (O)	D	D	MA 3(0)	
W/YEL (Y)	E	E	↑ 3(1)	
W/GRN (N)	F	F	↑ 4(0)	
W/BLU (B)	H	H	4(1)	
W/VIO (V)	J	J	5(0)	
W/GRY (G)	K	K	5(1)	
WHT (W)	L	L	6(0)	
W/BLK (X)	M	M	6(1)	
W/BRN (Z)	N	N	7(0)	
W/RED (R)	P	P	7(1)	
W/ORN (O)	R	R	8(0)	
W/YEL (Y)	S	S	8(1)	
W/GRN (N)	T	T	↓ 9(0)	
W/BLU (B)	↓ U	↓ U	MA 9(1)	
W/VIO (V)	PCØ1V	MC36V	GND	

DRAWN 3/15/65 S Clippinger		 DIGITAL EQUIPMENT CORPORATION MAYNARD, MASSACHUSETTS	INTERCHASSIS CONNECTOR	
CHECKED <i>[Signature]</i>			TITLE PROCESSOR & MEMORY CHASSIS CONNECTOR	
ENG				
		APPV	DWG NO	REV. LTR.
			A-8-0-30	B
		REV. LTR.	SHEET	CODE
			3 OF 7	CL


JACK <input type="checkbox"/> - PLUG <input checked="" type="checkbox"/>		LOCATION, LENGTH, ROUTE		
FEMALE <input type="checkbox"/> MALE <input checked="" type="checkbox"/>		PDØ1 & MD36		
COLOR	PIN	PIN	NAME	REMARKS
W/BLK (X)	PDØ1A	MD36A	TTI 4(1)	
W/BRN (Z)	↑ B	↑ B	TTI 5(1)	
W/RED (R)	C	C	GND	
W/ORN (O)	D	D	MA 10(0)	
W/YEL (Y)	E	E	↑ 10(1)	
W/GRN (N)	F	F	↓ 11(0)	
W/BLU (B)	H	H	MA 11(1)	
W/VIO (V)	J	J	MB 0(0)	
W/GRY (G)	K	K	↑ 0(1)	
WHT (W)	L	L	1(0)	
W/BLK (X)	M	M	1(1)	
W/BRN (Z)	N	N	2(0)	
W/RED (R)	P	P	2(1)	
W/ORN (O)	R	R	3(0)	
W/YEL (Y)	S	S	3(1)	
W/GRN (N)	T	T	↓ 4(0)	
W/BLU (B)	↓ U	↓ U	MB 4(1)	
W/VIO (V)	PDØ1V	MD36V	GND	

DRAWN 3/15/65 S Clippinger		 DIGITAL EQUIPMENT CORPORATION MAYNARD, MASSACHUSETTS	INTERCHASSIS CONNECTOR	
CHECKED <i>[Signature]</i>			TITLE PROCESSOR & MEMORY CHASSIS CONNECTOR	
ENG				
		APPV	DWG NO	REV. LTR.
			A-8-0-30	B
		REV. LTR.	SHEET	CODE
			4 OF 7	CL

JACK <input type="checkbox"/>		PLUG <input checked="" type="checkbox"/>		LOCATION, LENGTH, ROUTE			
FEMALE <input type="checkbox"/>		MALE <input checked="" type="checkbox"/>		PEØ1 & ME36			
COLOR	PIN	PIN	NAME	REMARKS			
W/BLK (X)	PEØ1A	ME36A	TTI 6(1)				
W/BRN (Z)	↑ B	↑ B	TTI 7(1)				
W/RED (R)	C	C	GND				
W/ORN (O)	D	D	MB 5(0)				
W/YEL (Y)	L	E	↑ 5(1)				
W/GRN (N)	F	F	6(0)				
W/BLU (B)	H	H	6(1)				
W/VIO (V)	J	J	7(0)				
W/GRY (G)	K	K	7(1)				
WHT (W)	L	L	8(0)				
W/BLK (X)	M	M	8(1)				
W/BRN (Z)	N	N	9(0)				
W/RED (R)	P	P	9(1)				
W/ORN (O)	R	R	10(0)				
W/YEL (Y)	S	R	10(1)				
W/GRN (N)	T	T	↓ 11(0)				
W/BLU (B)	↓ U	↓ U	MB 11(1)				
W/VIO (V)	PEØ1V	ME36V	GND				

DRAWN 3/15/65 S Clippinger		 DIGITAL EQUIPMENT CORPORATION MAYNARD, MASSACHUSETTS	INTERCHASSIS CONNECTOR	
CHECKED <i>[Signature]</i> 3/15/65			TITLE	
ENG			PROCESSOR & MEMORY CHASSIS CONNECTOR	
		APPV		
		ECO. NO.	DWG NO	REV. LTR.
		REV. LTR.	A-8-0-30	B
		SHEET	5 OF 7	CODE CL

JACK <input type="checkbox"/>		PLUG <input checked="" type="checkbox"/>		LOCATION, LENGTH, ROUTE			
FEMALE <input type="checkbox"/>		MALE <input checked="" type="checkbox"/>		PFØ1 & MF36			
COLGR	PIN	PIN	NAME	REMARKS			
W/BLK (X)	PFØ1A	MF36A	FETCH (F)				
W/BRN (Z)	↑ B	↑ B	B SET				
W/RED (R)	C	C	MEMORY STROBE ENB				
W/ORN (O)	E	E	MEM START				
W/YEL (Y)	F	F	T 1B				
W/GRN (N)	H	H	T 2A				
W/BLU (B)	J	J	IOP 1				
W/VIO (V)	K	K	IOP 2				
W/GRY (G)	L	L	IOP 4				
WHT (W)	M	M	PWR CLR				
W/BLK (X)	N	N	E SET				
W/BRN (Z)	P	P	TTI AC				
W/RED (R)	R	R	SKIP				
W/ORN (O)	S	S	INTERRUPT				
W/YEL (Y)	T	T	MEM DONE				
W/GRN (N)	↓ U	↓ U	IOT 032				
W/BLU (B)	PFØ1V	MF36V	GND				
W/VIO (V)							

DRAWN 3/15/65 S Clippinger		 DIGITAL EQUIPMENT CORPORATION MAYNARD, MASSACHUSETTS	INTERCHASSIS CONNECTOR	
CHECKED <i>[Signature]</i> 3/15/65			TITLE	
ENG			PROCESSOR & MEMORY CHASSIS CONNECTOR	
		APPV		
		ECO. NO.	DWG NO	REV. LTR.
		REV. LTR.	A-8-0-30	B
		SHEET	6 OF 7	CODE CL

JACK <input type="checkbox"/>	PLUG <input checked="" type="checkbox"/>	LOCATION, LENGTH, ROUTE			
FEMALE <input type="checkbox"/>	MALE <input checked="" type="checkbox"/>	PDØ2 & MD35			
COLOR	PIN	PIN	NAME	REMARKS	
W/BLK (X)	PDØ2A	MD35A	JMS		
W/BRN (Z)	↑ B	↑ B	INT ACK		
W/RED (R)	↘ C	↘ C	GND		
W/ORN (O)	D	D	SR → PC		
W/YEL (Y)	E	E	MB → PC ENABLE 0-4		
W/GRN (N)	F	F	0 → PC5-11		
W/BLU (B)	H	H	OPR		
W/VIO (V)	J	J	IM 6		
W/GRY (G)	K	K	↑ 9		
WHT (W)	L	L	↓ 7		
W/BLK (X)	M	M	10		
W/BRN (Z)	N	N	↓ 8		
W/RED (R)	P	P	IM 11		
W/ORN (O)	R	R	MB → PC ENABLE 0-4		
W/YEL (Y)	S	S	MEM. EXT.		
W/GRN (N)	T	T	IOT		
W/BLU (B)	↓ U	↓ U	INT. INHIBIT		
W/VIO (V)	PDØ2V	MD35V	GND		
DRAWN S Clippinger 3/15/65.		digital EQUIPMENT CORPORATION MAYNARD, MASSACHUSETTS		TITLE INTERCHASSIS CONNECTOR PROCESSOR & MEMORY CHASSIS CONNECTOR	
CHECKED <i>[Signature]</i>		AppV		DWG NO A-8-0-30 SHEET 7 OF 7	
ENG		ECO. NO. REV. LTR.			
				REV. LTR. B	
				CODE CL	