

## PDP-15 Systems

**LT19 Multi-Station  
Teletype Control  
Instruction Manual  
Volume 2**



1540 + 30

**LT19**  
MULTI-STATION  
TELETYPE CONTROL  
INSTRUCTION MANUAL  
VOLUME 2

1st Printing December 1968  
2nd Printing May 1971

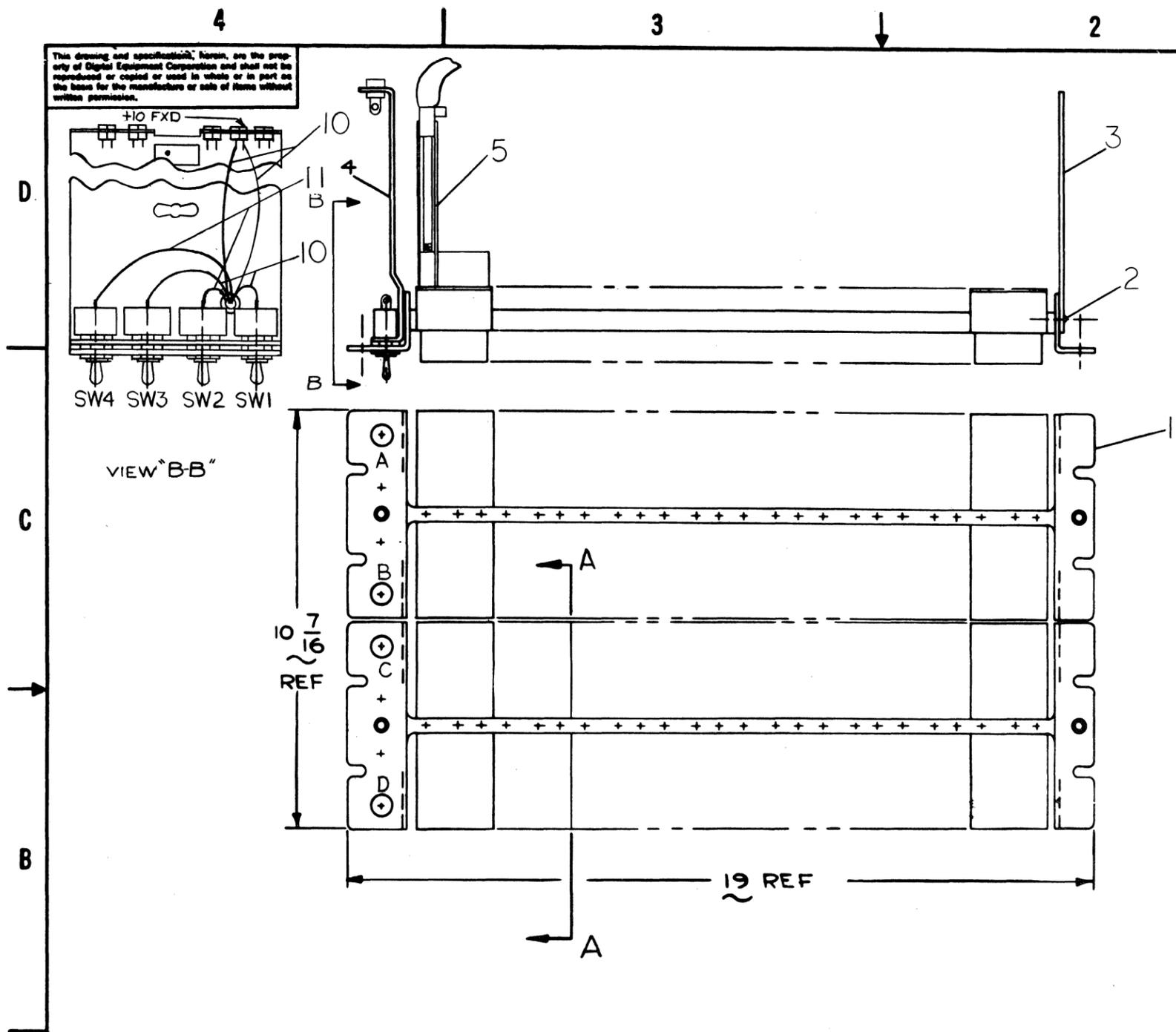
Copyright © 1968, 1971 by Digital Equipment Corporation

The material in this manual is for informational purposes and is subject to change without notice.

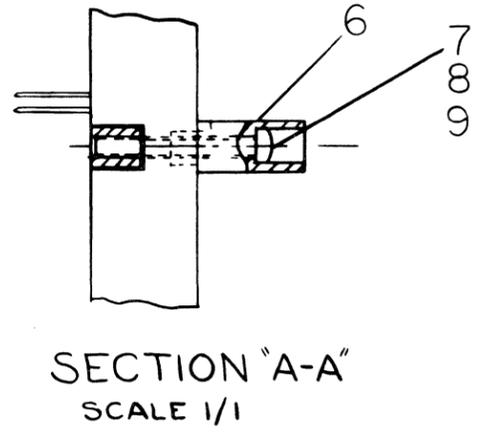
The following are registered trademarks of Digital Equipment Corporation, Maynard, Massachusetts:

DEC	PDP
FLIP CHIP	FOCAL
DIGITAL	COMPUTER LAB

This drawing and specification herein, are the property of Digital Equipment Corporation and shall not be reproduced or copied or used in whole or in part as the basis for the manufacture or sale of items without written permission.



WIRE TABLE				
ITEM NO.	AWG	COLOR	FROM	TO
10	*18	RED	SW1	AO1A
11		BLU	SW2	AO1B
10		RED	SW3	BO1A
11		BLU	SW4	BO1B
		BARE	GND	BO1C
10		RED	SW1	CO1A
11		BLU	SW2	CO1B
10		RED	SW3	DO1A
11		BLU	SW4	DO1B
		BARE	GND	DO1C
10,12		RED	+10 FXD	AO3A
10,12		RED	AO3A	A11A
10,12		RED	A11A	A19A
10,12		RED	+10 FXD	C14A
10,12	*18	RED	C14A	C22A



REV.	CHANGE NO.	BY	DATE
A	LT19D-00001	T. Quinn	12-21-69
B	LT19D-00002	T. Dieter	1-6-70
C	MISC-00081	T. Dieter	8-5-70
		T. Quinn	10-20-70
		VONADA	
		D. S. Horvath	10-21-70

FIRST USED ON OPTION/MODEL	QTY.	DESCRIPTION	PART NO.	ITEM NO.
PDP-9				
UNLESS OTHERWISE SPECIFIED				
DIMENSION IN INCHES				
DECIMALS ± .005	FRACTIONS ± 1/64	ANGLES ± 0°30'		
FINAL SURFACE QUALITY REMOVE BURRS AND BREAK SHARP CORNERS				
MATERIAL	NEXT HIGHER ASSY			
FINISH	SCALE			
	SHEET 1 OF 1			
PARTS LIST				
TITLE			TELETYPE CONTROL (LT19D)	
SIZE/CODE	NUMBER	REV.		
C UA	LT19-D-Ø	C		
DIST. G				

LT19-D-Ø  
 C UA  
 B

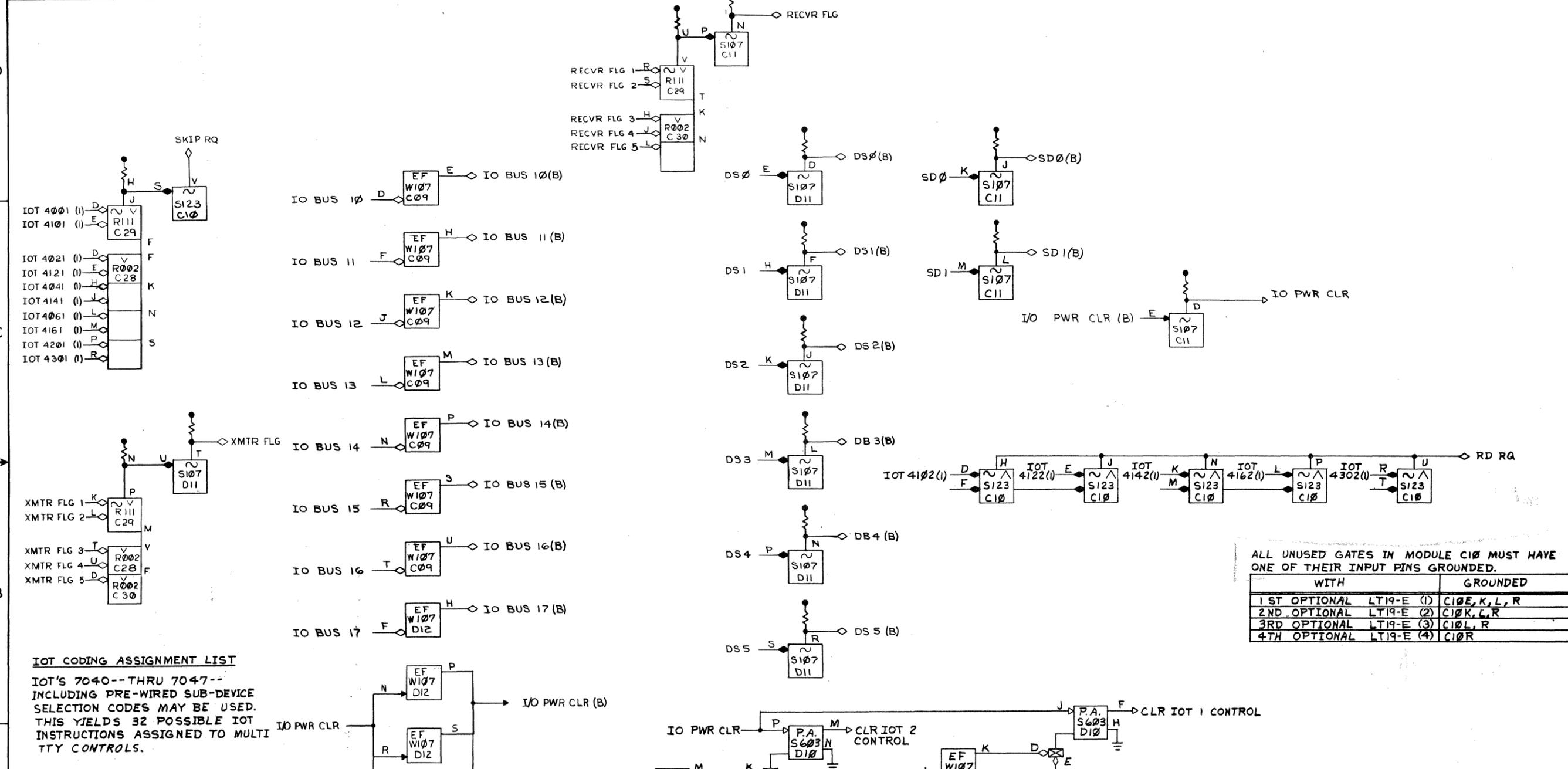
DIGITAL EQUIPMENT CORPORATION MAYNARD, MASSACHUSETTS					QUANTITY / VARIATION										
PARTS LIST					LT19-D	LT19-E (1)	LT19-E (2)	LT19-E (3)	LT19-E (4)	LT19-E (5)	LT19-F (1)	LT19-F (2)	LT19-F (3)	LT19-F (4)	LT19-F (5)
MADE BY J. FERGUSON		CHECKED PFYFFER		SECTION											
DATE 8/6/69		DATE 8/12/69		1											
ENG <i>[Signature]</i>		PROD <i>[Signature]</i>		ISSUED SECT.											
DATE 7-11-69		DATE 9/11/69		1											
ITEM NO.	DWG NO. / PART NO.	DESCRIPTION			LT19-D	LT19-E (1)	LT19-E (2)	LT19-E (3)	LT19-E (4)	LT19-E (5)	LT19-F (1)	LT19-F (2)	LT19-F (3)	LT19-F (4)	LT19-F (5)
1	D-AD-7006452-0-0	WIRED ASSY (LT19-D)			1										
2	9006460	POP RIVETS #AD43ABS			8										
3	C-MD-5302486-0-0	PANEL, RIGHT END			2										
4	D-AD-5402526-0-0	MARGINAL CHECK PANEL ASSY			2										
5	D-UA-BC09A-0-0	BC09A CABLE ASSY			4										
6	D-SC-1209850-0-0	RET BLOCK			2										
7	9006045-1	SCR PHL HD #8-32 x 1 1/2 SST			2										
8	9006634	WASH INT TOOTH #8			2										
9	9006660	WASH, FLAT #8			2										
10	9107278-3	#18 TUBING, TEFLON, RED			A/R										
11	9107278-7	#18 TUBING, TEFLON, BLU			A/R										
	<del>D-AD-7005288-0-0</del>	<del>4915 TO W070 CABLES</del>													
	C-IA-7005717-0-0	DATA SET CABLE									1	1	1	1	1
	0913	JUMPER, 4" (RED)				2	2	2	2	2					
TITLE TELETYPE CONTROL (LT19-D)				ASSY NO. C-UA-LT19-D-0	SIZE A	CODE PL	NUMBER LT19-D-0					REV. C	ECO NO. MISC-00081		
SHEET 1 OF 1				DIST. G											

DEC FORM NO. DRA 110

X

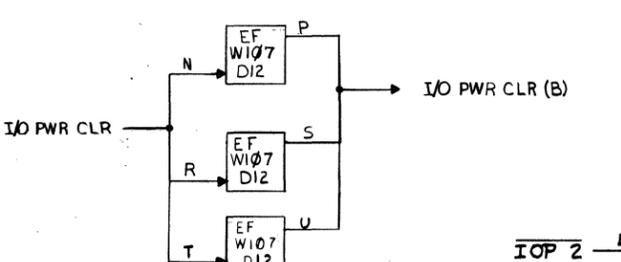
This drawing and specifications, herein, are the property of Digital Equipment Corporation and shall not be reproduced or copied or used in whole or in part as the basis for the manufacture or sale of items without written permission.

D  
C  
B  
A



**IOT CODING ASSIGNMENT LIST**

IOT'S 7040--THRU 7047-- INCLUDING PRE-WIRED SUB-DEVICE SELECTION CODES MAY BE USED. THIS YIELDS 32 POSSIBLE IOT INSTRUCTIONS ASSIGNED TO MULTI TTY CONTROLS.



ALL UNUSED GATES IN MODULE C10 MUST HAVE ONE OF THEIR INPUT PINS GROUNDED.

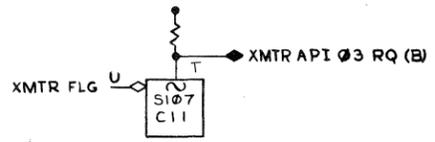
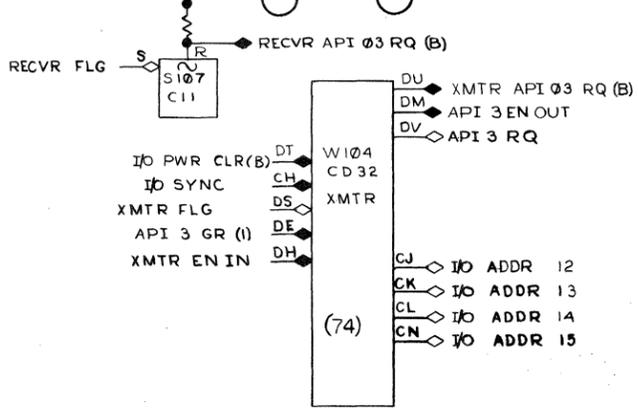
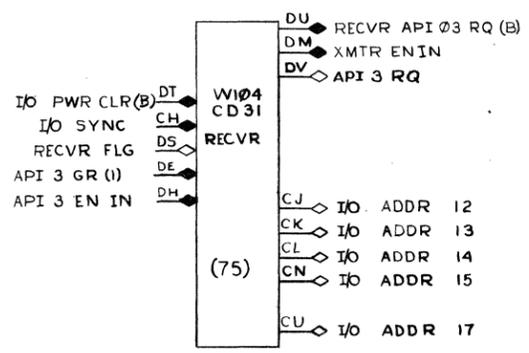
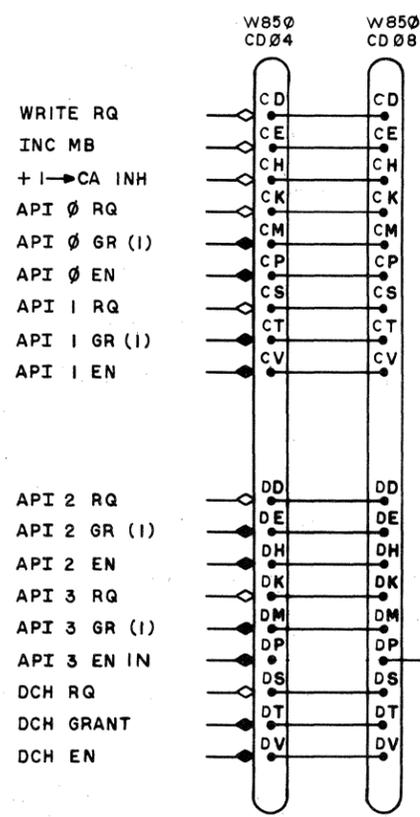
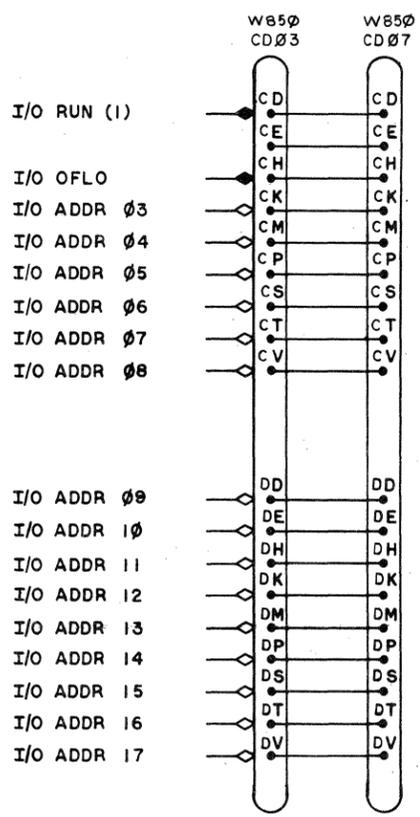
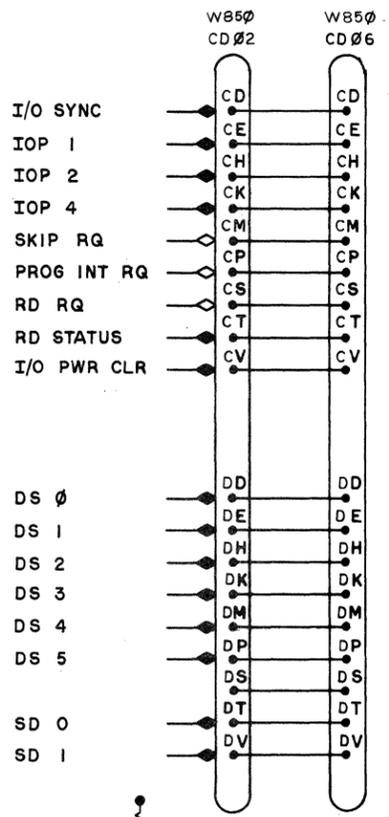
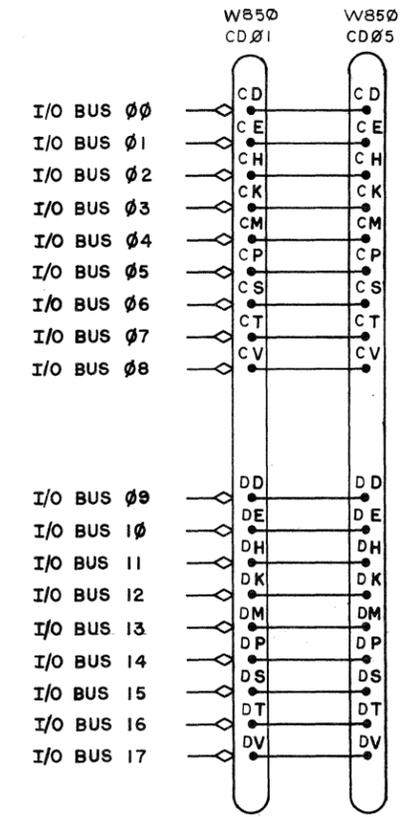
	WITH	GROUNDED
1ST OPTIONAL	LT19-E (1)	C10E, K, L, R
2ND OPTIONAL	LT19-E (2)	C10K, L, R
3RD OPTIONAL	LT19-E (3)	C10L, R
4TH OPTIONAL	LT19-E (4)	C10R

REV.	DATE	BY	CHKD.
1	7-13-69	R. Dieter	R. Dieter
2	8-5-70	R. Dieter	R. Dieter
3	8-11-69	R. Dieter	R. Dieter
4	9-11-69	R. Dieter	R. Dieter
5	10-2-70	R. Dieter	R. Dieter

FIRST USED ON OPTION/MODEL	QTY.	DESCRIPTION	PART NO.	ITEM NO.
PDP-9				
PARTS LIST				
UNLESS OTHERWISE SPECIFIED	DRN	DATE	digital EQUIPMENT CORPORATION	
DIMENSION IN INCHES	CHKD.	DATE	MAYNARD, MASSACHUSETTS	
TOLERANCES	ENG.	DATE	TITLE	
DECIMALS FRACTIONS ANGLES	PROJ. ENG.	DATE	I/O BUS	
= .005 = 1/64 ± 0°30'	PROD. ENG.	DATE	INTERFACE LOGIC	
FINAL SURFACE QUALITY REMOVE BURRS AND BREAK SHARP CORNERS	PROD.	DATE	SIZE CODE	
			DBS LT19-D-1	
MATERIAL	NEXT HIGHER ASSY		NUMBER	
	A-ML- LT19-D		REV.	
FINISH	SCALE	SHEET		B
	1 OF 1	DIST.		

LT19-D-1

This drawing and specifications, herein, are the property of Digital Equipment Corporation and shall not be reproduced or copied or used in whole or in part as the basis for the manufacture or sale of items without written permission.

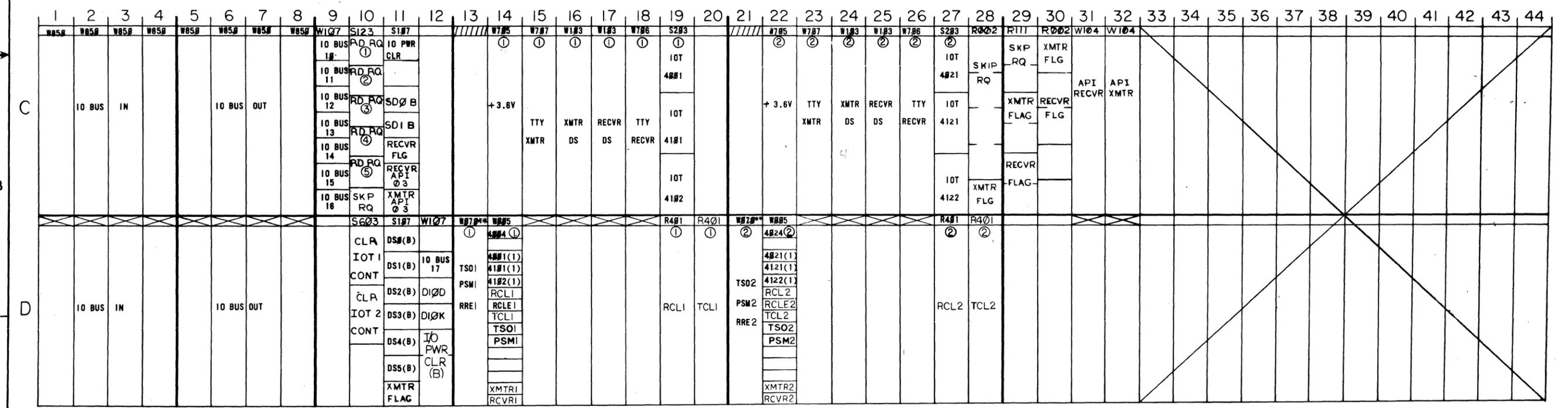
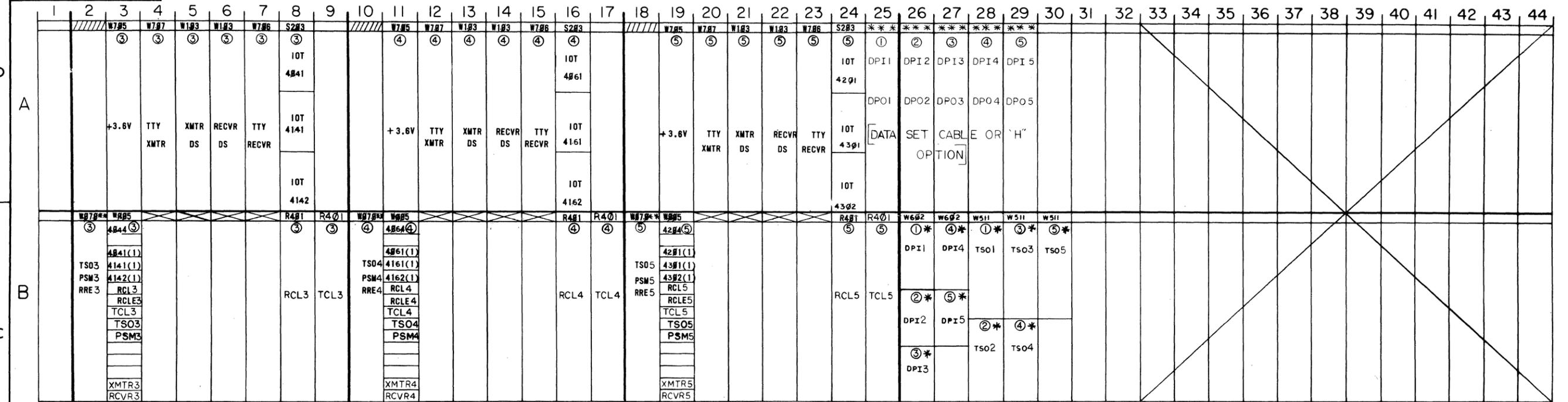


REV.	
CHANGE NO.	
CHK	

FIRST USED ON OPTION/MODEL	QTY.	DESCRIPTION	PART NO.	ITEM NO.
PDP-9				
PARTS LIST				
UNLESS OTHERWISE SPECIFIED				
DIM. 7/30/69				
UNLESS OTHERWISE SPECIFIED				
DIMENSION IN INCHES				
TOLERANCES				
DECIMALS	FRACTIONS	ANGLES		
± .05	± 1/64	± 0°30'		
FINAL SURFACE QUALITY				
REMOVE BURRS AND BREAK SHARP CORNERS				
MATERIAL				
NEXT HIGHER ASSY				
A-ML-LT19-D				
FINISH				
SCALE				
SHEET 1 OF 1				
TITLE			NUMBER	
I/O BUS INTERFACE			REV.	
SIZE/CODE			REV.	
DBS			LT19-D-2	
DST.			REV.	

REV. LT19-D-2

This drawing and specifications herein are the property of Digital Equipment Corporation and shall not be reproduced or copied or used in whole or in part as the basis for the manufacture or sale of items without written permission.

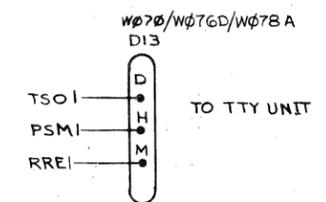
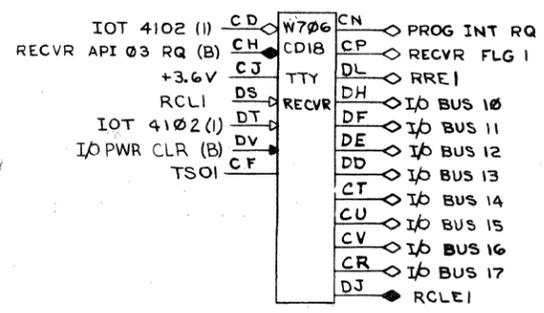
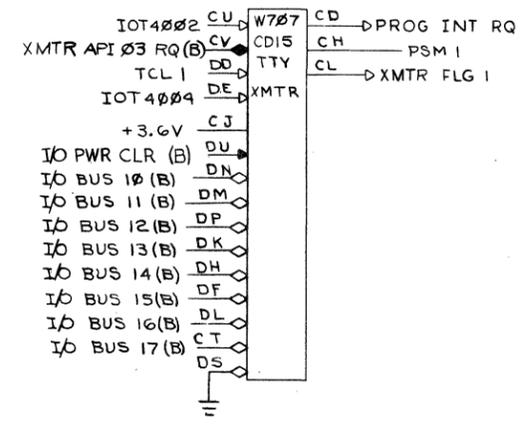
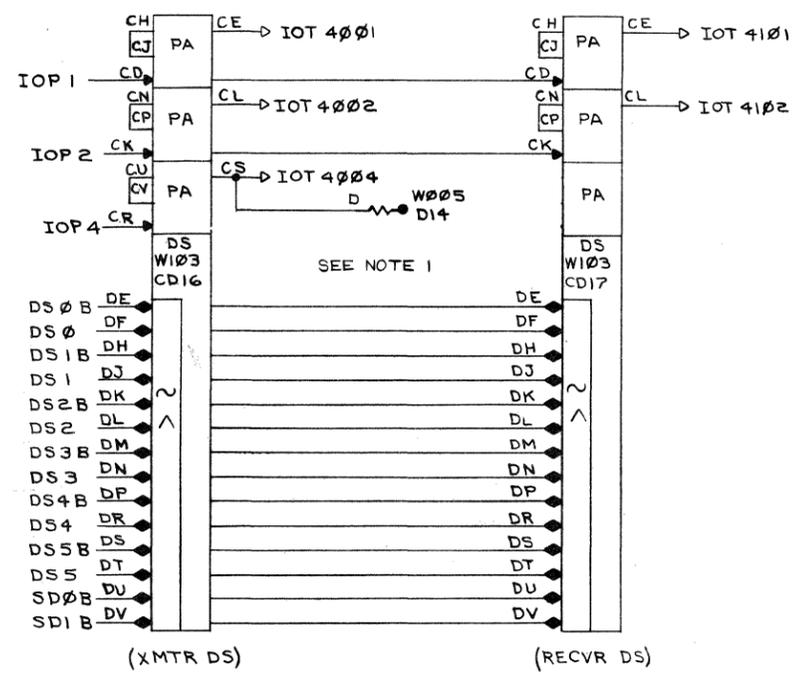
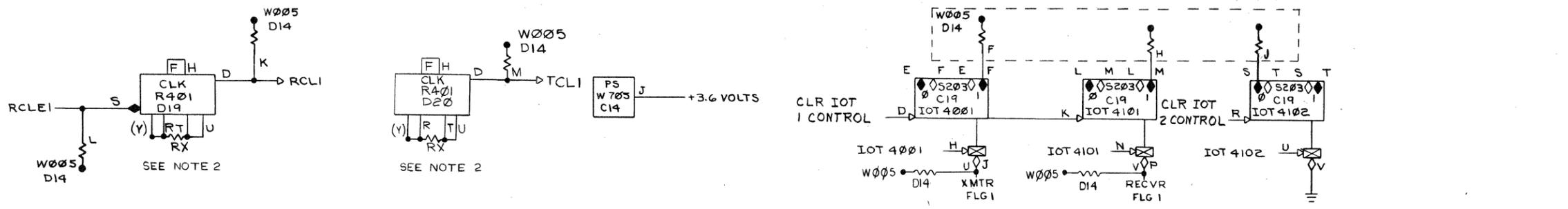


REV.	CHANGE NO.	BY	DATE
1	LT19D-00001	A	7-31-68
2	LT19D-00002	B	8-1-68
3	LT19D-00003	C	8-5-70
4	LT19D-00004	D	10-23-70

NOTE:  
 ① DESIGNATES 1ST OPTIONAL LT09E (1)  
 ② DESIGNATES 2ND OPTIONAL LT09E (2)  
 ③ DESIGNATES 3RD OPTIONAL LT09E (3)  
 ④ DESIGNATES 4TH OPTIONAL LT09E (4)  
 ⑤ DESIGNATES 5TH OPTIONAL LT09E (5)  
 \* LT19-F ONLY  
 \*\* W070 OR W076D OR W078  
 \*\*\* W023 OR W028

UNLESS OTHERWISE SPECIFIED		DRN: <i>R. DeLoan</i>	DATE: 7/30/68
UNLESS OTHERWISE SPECIFIED		CHKD: <i>W. J. ...</i>	DATE: 7-31-68
DIMENSION IN INCHES		ENG: <i>R. Dieter</i>	DATE: 7-1-69
DECIMALS FRACTIONS ANGLES		PBOL: <i>R. Dieter</i>	DATE: 7-1-69
± .005 ± 1/64 ± 0°30'		PROD: <i>R. Dieter</i>	DATE: 7/1/69
FINAL SURFACE QUALITY		NEXT HIGHER ASSY	
REMOVE BURRS AND BREAK SHARP CORNERS		A-ML- LT19-D	
MATERIAL: <i>1-1</i>	FINISH: <i>1-1</i>	SCALE: <i>1-1</i>	SHEET: <i>1</i> OF <i>1</i>
FIRST USED ON OPTION/MODEL: PDP-9		SIZE CODE: D1MU	NUMBER: LT19-D-3
		DIST.	REV. C

This drawing and specifications, herein, are the property of Digital Equipment Corporation and shall not be reproduced or copied or used in whole or in part as the basis for the manufacture or sale of items without written permission.

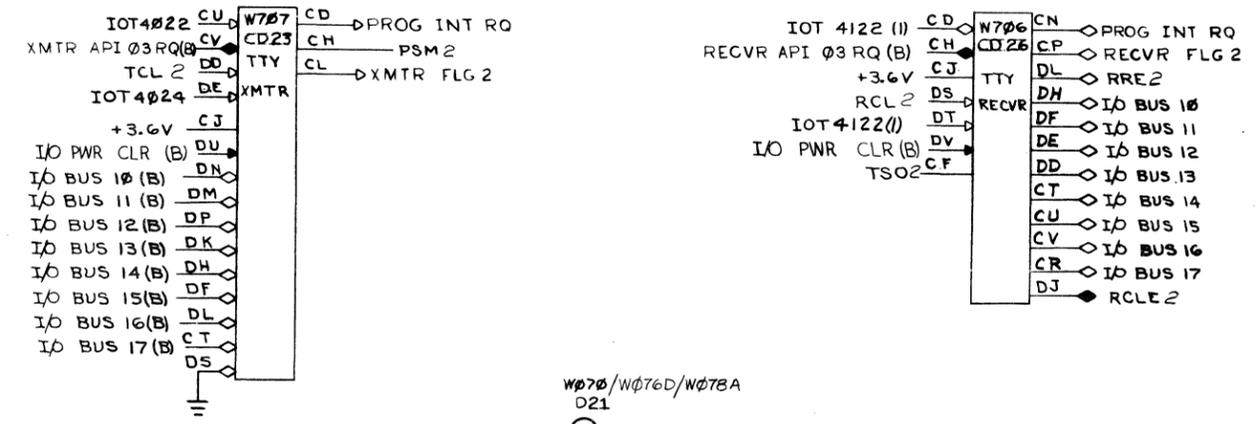
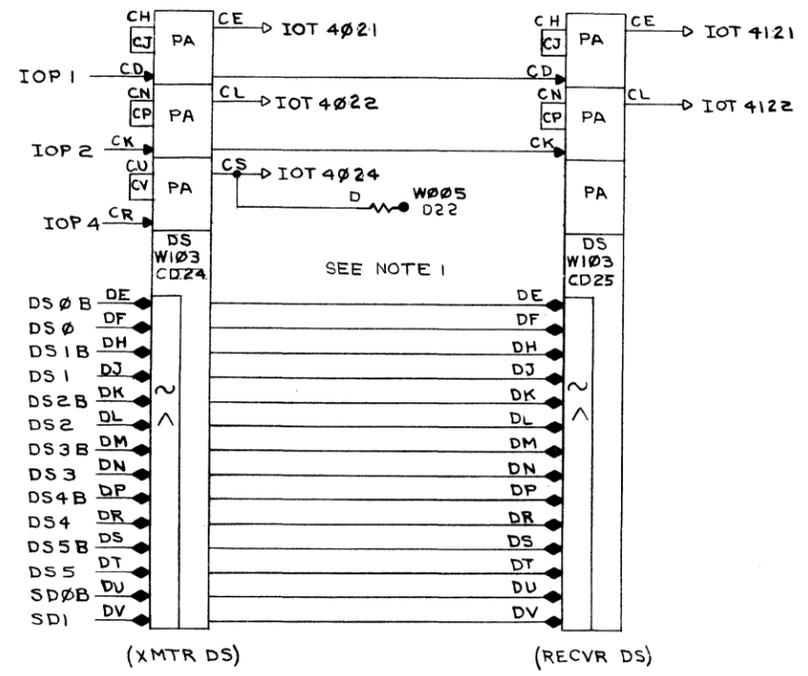
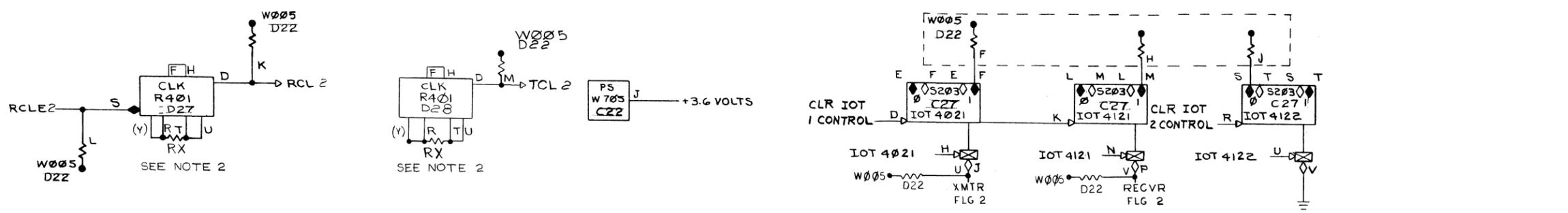


- NOTES:
1. APPROPRIATE DIODES MUST BE REMOVED FROM W103 DEVICE SELECTOR MODULES TO OBTAIN PROPER SELECTOR CODES.
  2. SEE BAUDRATE TABLE (DWG# A-CP-LT19-D-8) FOR SELECTION OF EXTERNAL RESISTOR (RX) AND TIMING CAPACITOR JUMPER PIN(Y).

REVISIONS	CHANGE NO.	REV.
CHK	LT19D-00001	A
DIETER	1-6-70	
FV	LT19D-00002	B
DIETER	8-3-70	
DIETER	8-5-70	

FIRST USED ON OPTION/MODEL	QTY.	DESCRIPTION	PART NO.	ITEM NO.
LT19-D				
PARTS LIST				
UNLESS OTHERWISE SPECIFIED	DRN	DATE	digital EQUIPMENT CORPORATION MAYNARD, MASSACHUSETTS	
UNLESS OTHERWISE SPECIFIED	CHK B	DATE	TITLE	
TOLERANCES	ENG	DATE	TTY CONTROL UNIT CHANNEL I	
DECIMALS FRACTIONS ANGLES	PROB	DATE	SIZE/CODE	NUMBER
± 0.05 ± 1/64 ± 0°30'	PROD	DATE	DBS	LT19-E-1
FINAL SURFACE QUALITY				REV. B
REMOVE BURRS AND BREAK SHARP CORNERS				
MATERIAL				
NEXT HIGHER ASSY				
A-ML-LT19-E				
FINISH				
SHEET 1 OF 1				

This drawing and specifications, herein, are the property of Digital Equipment Corporation and shall not be reproduced or copied in whole or in part as the basis for the manufacture or sale of items without written permission.



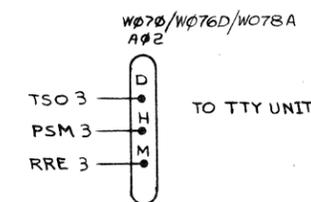
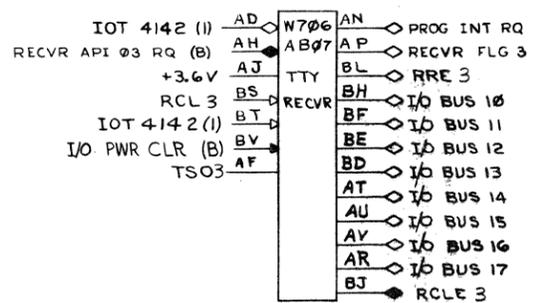
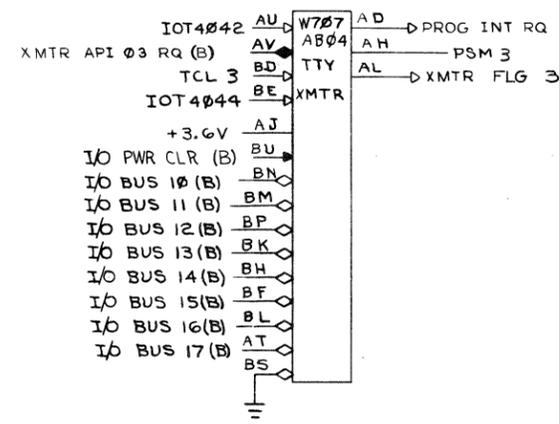
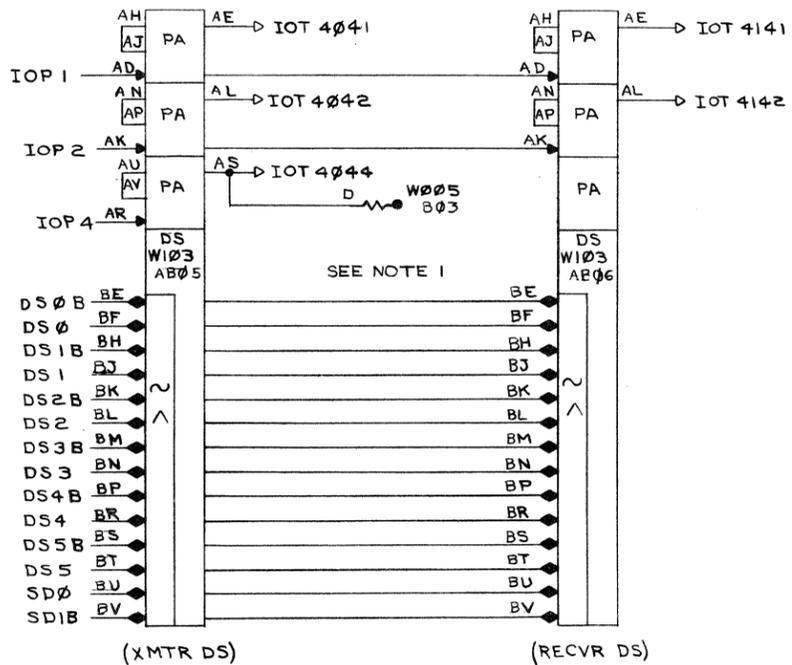
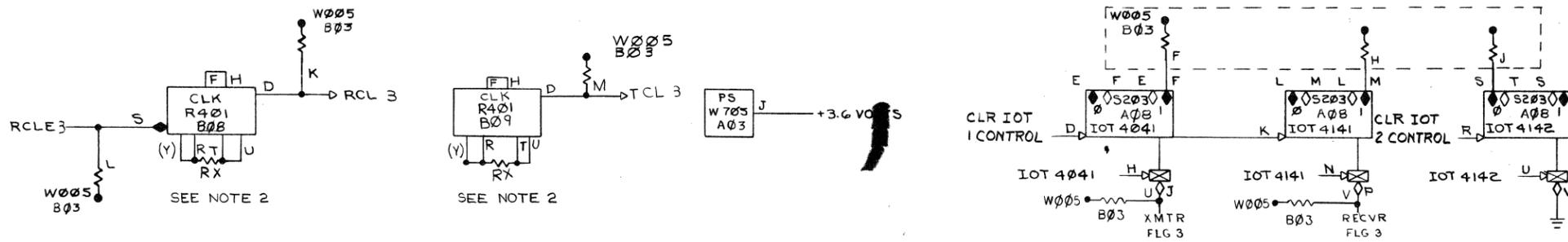
- NOTES:
1. APPROPRIATE DIODES MUST BE REMOVED FROM W103 DEVICE SELECTOR MODULES TO OBTAIN PROPER SELECTOR CODES.
  2. SEE BAUD RATE TABLE FOR SELECTION OF EXTERNAL RESISTOR (RX) AND TIMING CAPACITOR JUMPER PIN (Y). (A-CP-LT19-D-8)

REV	CHANGE NO.	REV
A	LT19D-00001	A
	DIETER	
	DIETER	
	DIETER	
	DIETER	
	DIETER	

FIRST USED ON OPTION MODEL	QTY.	DESCRIPTION	PART NO.	ITEM NO.
LT19-D				
UNLESS OTHERWISE SPECIFIED				
DRN		DATE	PARTS LIST	
CHK'D		DATE	digital EQUIPMENT CORPORATION	
ENG		DATE	MAYNARD, MASSACHUSETTS	
PRD		DATE	TITLE	
PROD		DATE	TTY CONTROL UNIT CHANNEL 2	
MATERIAL		NEXT HIGHER ASSY	SIZE/CODE	NUMBER
FINISH		A-ML-LT19-E	DBS	LT19-E-2
SCALE		SHEET	1	OF 1
SHEET		1	OF 1	DIST.

This drawing and specifications, herein, are the property of Digital Equipment Corporation and shall not be reproduced or copied or used in whole or in part as the basis for the manufacture or sale of items without written permission.

REV B LT19-E-3 DBS 2

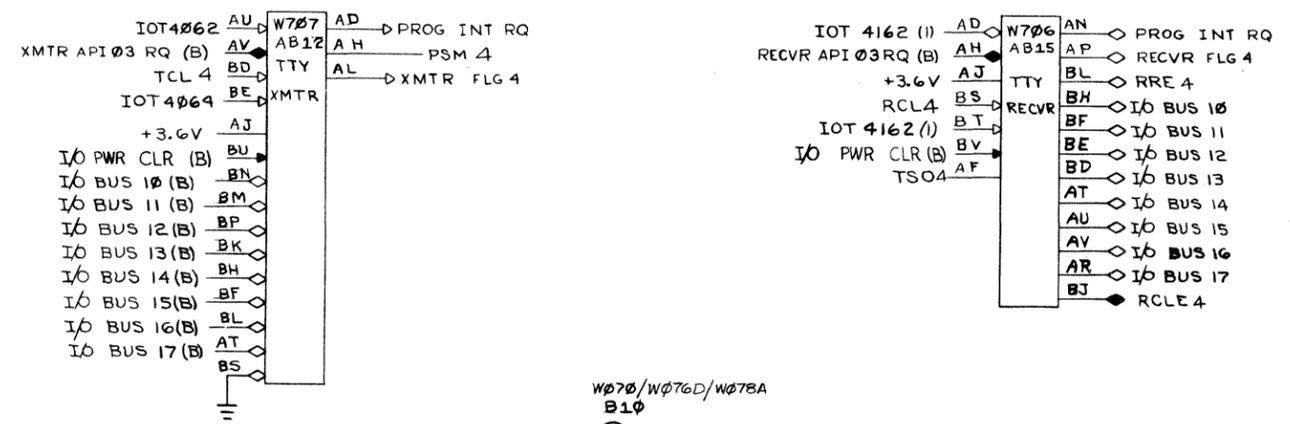
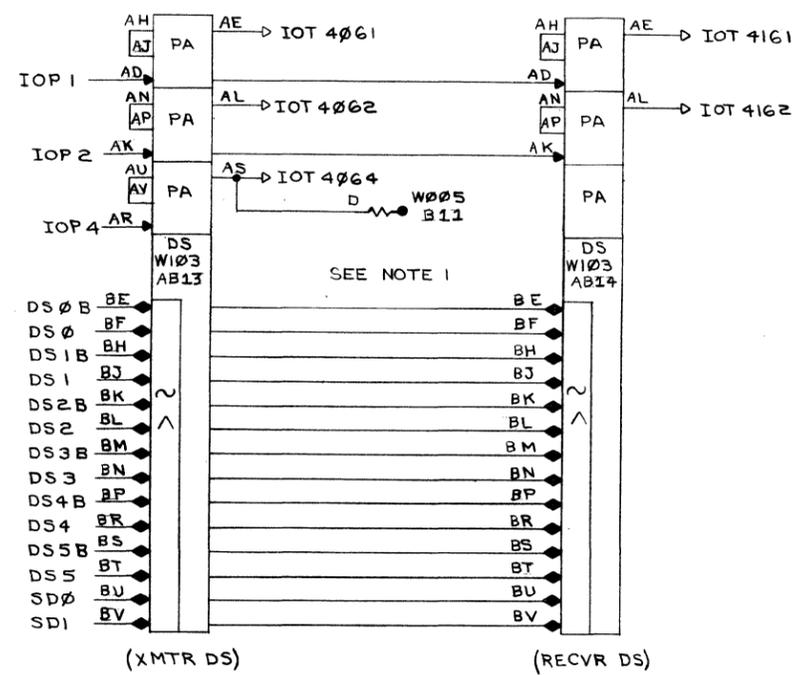
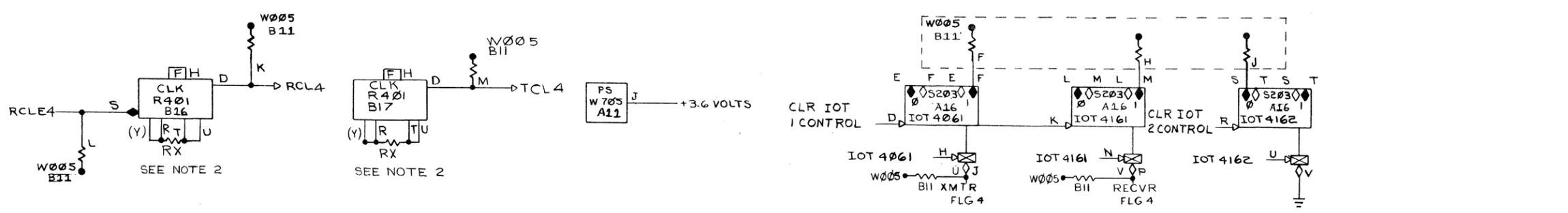


NOTES:  
 1. APPROPRIATE DIODES MUST BE REMOVED FROM W103 DEVICE SELECTOR MODULES TO OBTAIN PROPER SELECTOR CODES.  
 2. SEE BAUDRATE TABLE FOR SELECTION OF EXTERNAL RESISTOR (RX) AND TIMING CAPACITOR, JUMPER, PIN (Y). (A-CP-LT19-D-8)

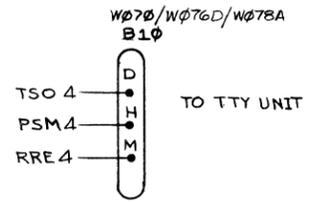
REV.	CHG.	NO.	DATE	BY	REV.
A		12-31-69			
B		7-7-70			
		8-7-70			
		8-5-70			

FIRST USED ON OPTION MODEL	QTY.	DESCRIPTION	PART NO.	ITEM NO.
LT19-D				
PARTS LIST				
UNLESS OTHERWISE SPECIFIED		DRN	DATE	<b>digital</b> EQUIPMENT CORPORATION MAYNARD, MASSACHUSETTS
DIMENSION IN INCHES		CHK'D	DATE	
TOLERANCES		ENG.	DATE	
DECIMALS	FRACTIONS	ANGLES	DATE	
± .005	± 1/64	± 0°30'	DATE	
FINAL SURFACE QUALITY		PROD. EMP.	DATE	TITLE <b>TTY CONTROL UNIT CHANNEL 3</b>
REMOVE BURRS AND BREAK SHARP CORNERS		PROD.	DATE	
MATERIAL		NEXT HIGHER ASSY		
FINISH		A-ML-LT19-E		
SCALE		SIZE CODE	NUMBER	REV.
SHEET 1 OF 1		DBS	LT19-E-3	B

This drawing and specifications herein are the property of Digital Equipment Corporation and shall not be reproduced or copied or used in whole or in part as the basis for the manufacture or sale of items without written permission.



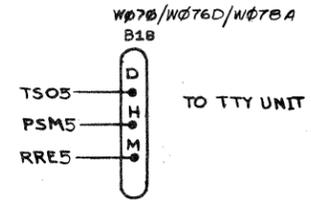
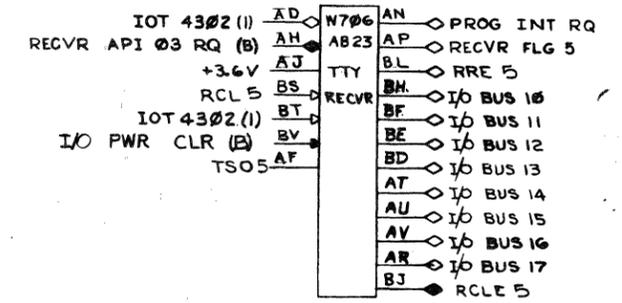
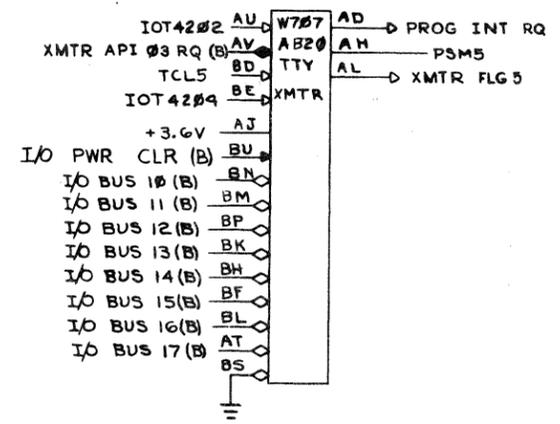
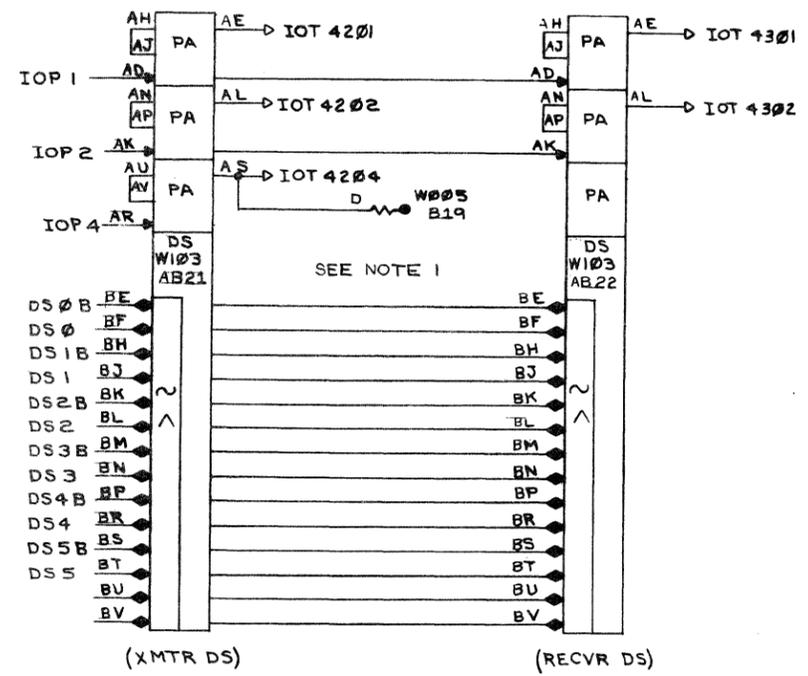
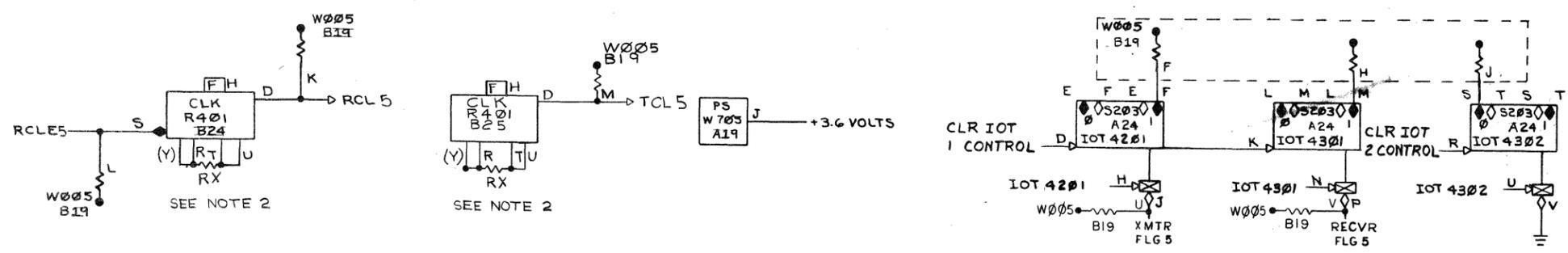
- NOTES:
1. APPROPRIATE DIODES MUST BE REMOVED FROM W103 DEVICE SELECTOR MODULES TO OBTAIN PROPER SELECTOR CODES.
  2. SEE BAUD RATE TABLE FOR SELECTION OF EXTERNAL RESISTOR (RX) AND TIMING CAPACITOR JUMPER PIN (Y). (A-CP-LT19-D-8)



REV	CHANGE NO.	REV
A	LT19D-0001	A
B	LT19D-0002	B

FIRST USED OPTION/MODEL	QTY.	DESCRIPTION	PART NO.	ITEM NO.
LT19-D				
PARTS LIST				
TITLE: TTY CONTROL UNIT CHANNEL 4				
SIZE CODE: DBS NUMBER: LT19-E-4 REV: B				

This drawing and specifications, herein, are the property of Digital Equipment Corporation and shall not be reproduced or copied or used in whole or in part as the basis for the manufacture or sale of items without written permission.

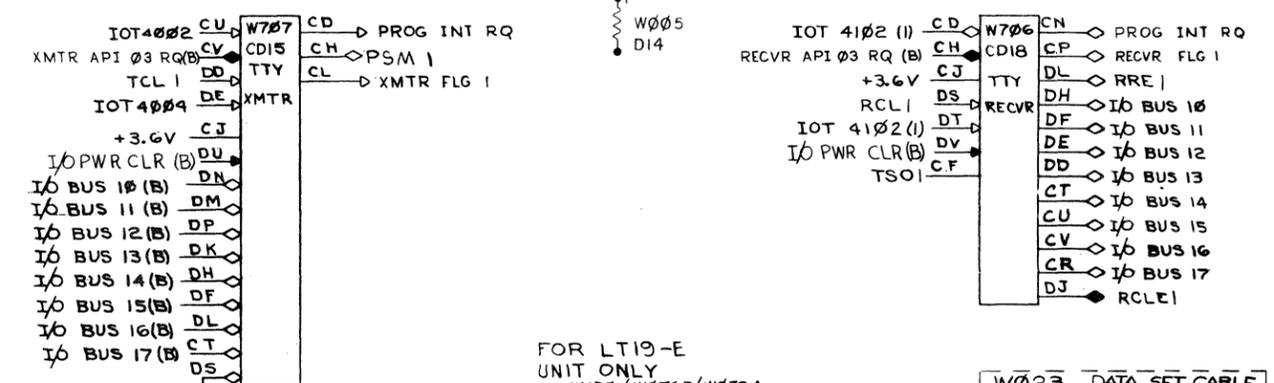
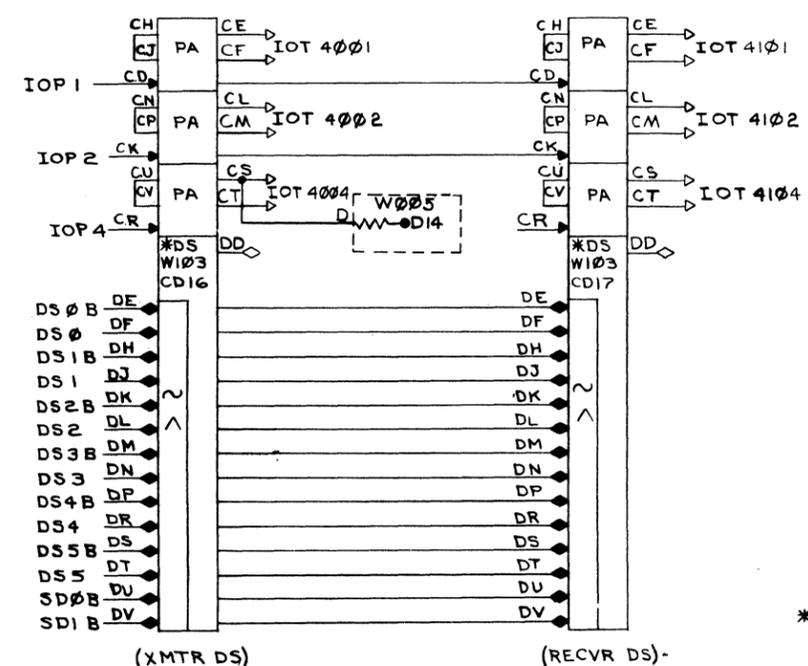
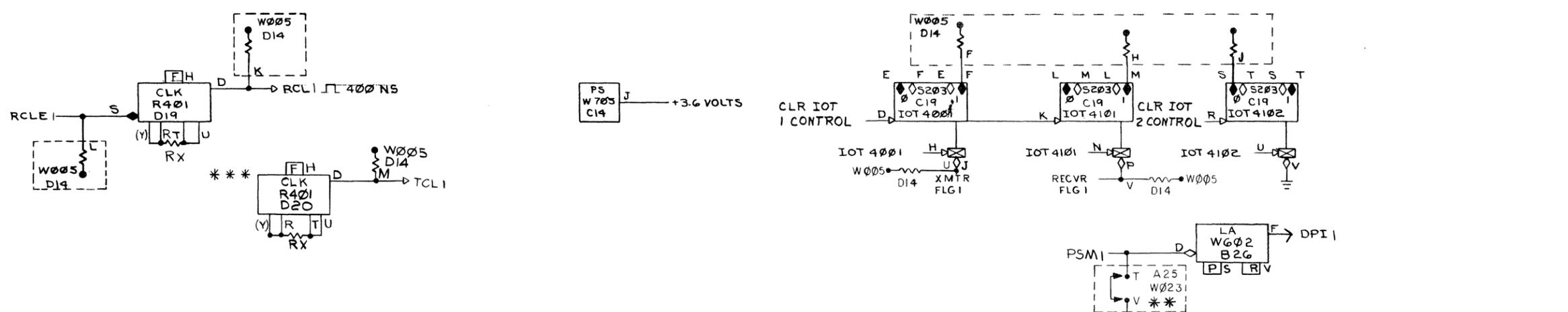


- NOTES:
- APPROPRIATE DIODES MUST BE REMOVED FROM W103 DEVICE SELECTOR MODULES TO OBTAIN PROPER SELECTION CODES. IOT DEVICE SELECTION CODES ARE OPTIONALLY ASSIGNABLE FROM STANDARD PDP-9 DESIGNATION LIST. (SEE LT19-D FOR ASSIGNABLE LISTING) SUB DEVICE SELECTION CODE IS NOT ASSIGNED TO THIS UNIT AND MUST BE JUMPED IN IF REQUIRED.
  - SEE BAUDRATE TABLE FOR SELECTION OF EXTERNAL RESISTOR (RX) AND TIMING CAPACITOR JUMPER PIN (Y) (A-CP-LT19-D-8)

REV.	CHANGE NO.	DATE
A	00001	12-31-69
B	00002	1-7-70
C	00003	7-11-69
D	00004	8-1-70
E	00005	8-5-70

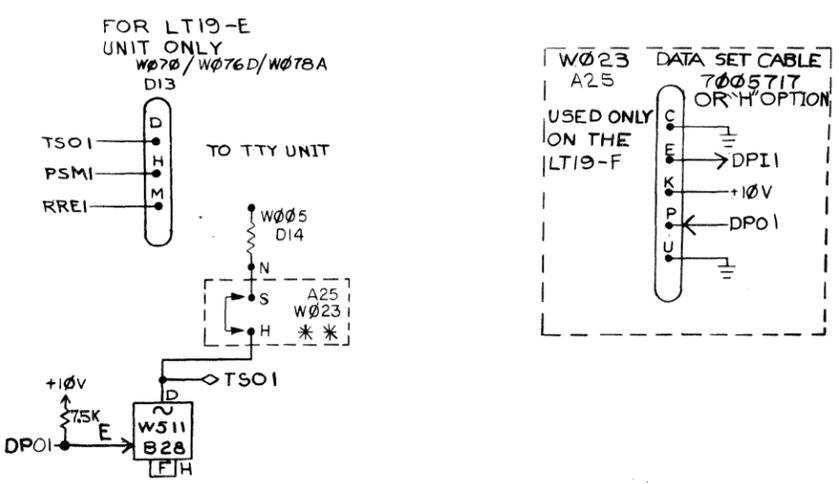
FIRST USED ON OPTION/MODEL	QTY.	DESCRIPTION	PART NO.	ITEM NO.
LT19-D				
PARTS LIST				
UNLESS OTHERWISE SPECIFIED	DRN. <i>F. Ingram</i>	DATE <i>7-31-69</i>	DIGITAL EQUIPMENT CORPORATION MAYNARD, MASSACHUSETTS	
UNLESS OTHERWISE SPECIFIED	CHKD. <i>W. H. H.</i>	DATE <i>9-5-69</i>	TITLE TTY CONTROL UNIT CHANNEL 5	
TOLERANCES	ENG. <i>R. Dieter</i>	DATE <i>7-11-69</i>	SIZE/CODE DBS LT19-E-5	
DECIMALS ± .005	PROL/ERR. <i>R. Dieter</i>	DATE <i>7-11-69</i>	NUMBER B	
FRACTIONS ± 1/64	PROD. <i>A. Call</i>	DATE <i>9/1/69</i>	DIST.	
ANGLES ± 0°30'				
MATERIAL				
NEXT HIGHER ASSY A-ML-LT19-E				
FINISH				
SCALE				
SHEET 1 OF 1				

This drawing and specifications, herein, are the property of Digital Equipment Corporation and shall not be reproduced or copied in whole or in part as the basis for the manufacture or sale of items without written permission.



\* NOTES:  
 APPROPRIATE DIODES MUST BE REMOVED FROM W103 DEVICE SELECTOR MODULES TO OBTAIN PROPER SELECTOR CODES.

\*\* THESE CLAMPED LOADS ARE JUMPERED IN FOR F UNITS ONLY WHEN CABLE IS INSERTED.  
 \*\*\* SEE BAUD RATE TABLE (DWG #A-CP-LT19-D-8) FOR SELECTION OF EXTERNAL RESISTOR (RX) AND TIMING CAPACITOR JUMPER PIN (Y).

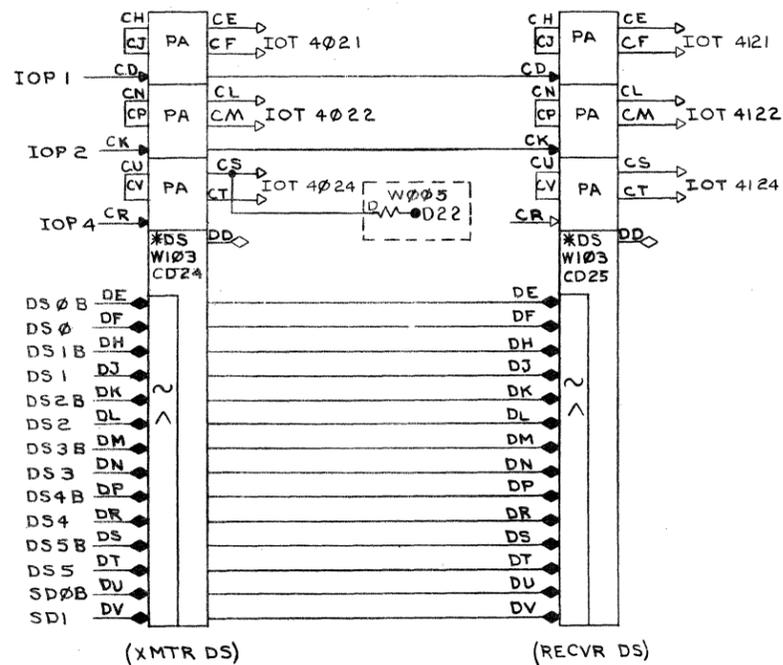
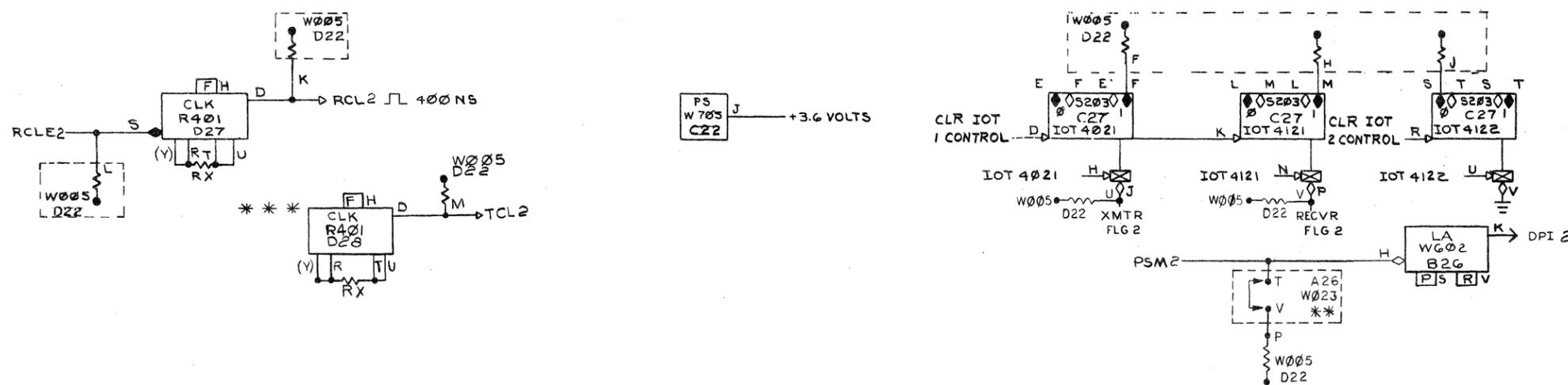


REV	CHANGE NO.	DATE
A	1-5-70	
B	1-7-70	
C	8-4-70	
D	8-5-70	

FIRST USED ON OPTION/MODEL	QTY.	DESCRIPTION	PART NO.	ITEM NO.
LT19-D				
PARTS LIST				
UNLESS OTHERWISE SPECIFIED				
DIMENSION IN INCHES				
TOLERANCES				
DECIMALS FRACTIONS ANGLES				
= .008 ± 1/64 ± 0°				
FINAL SURFACE QUALITY				
REMOVE BURRS AND BREAK SHARP CORNERS				
MATERIAL				
NEXT HIGHER ASSY				
A-ML-LT19-F				
FINISH				
SCALE				
SHEET 1 OF 1				

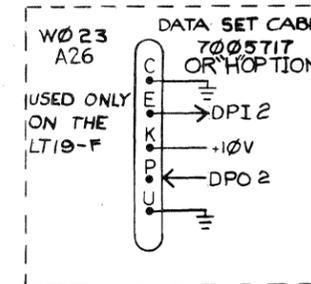
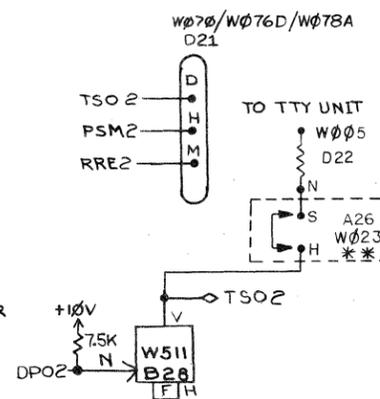
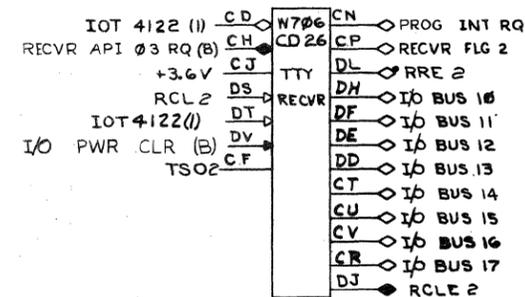
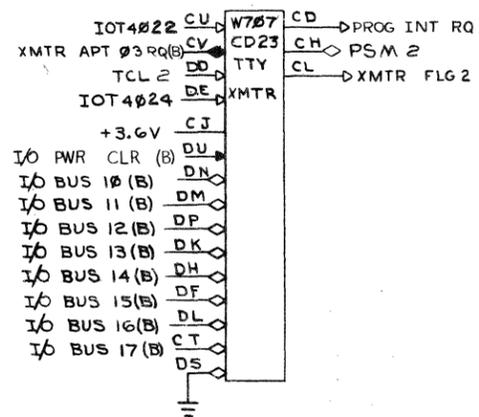
digital EQUIPMENT CORPORATION MAYNARD, MASSACHUSETTS	
TITLE TTY CONTROL UNIT CHANNEL I	
SIZE CODE DBS	NUMBER LT19-F-1
REV B	

This drawing and specifications, herein, are the property of Digital Equipment Corporation and shall not be reproduced or copied or used in whole or in part as the basis for the manufacture or sale of items without written permission.



\*\* THESE CLAMPED LOAD ARE JUMPED IN FOR 'F' UNITS ONLY WHEN CABLE IS INSERTED.  
 \*\*\* SEE BAUD RATE TABLE FOR SELECTION OF EXTERNAL RESISTOR (RX) AND TIMING CAPACITOR JUMPER PIN (Y). (A-CP-LT19-D-8)

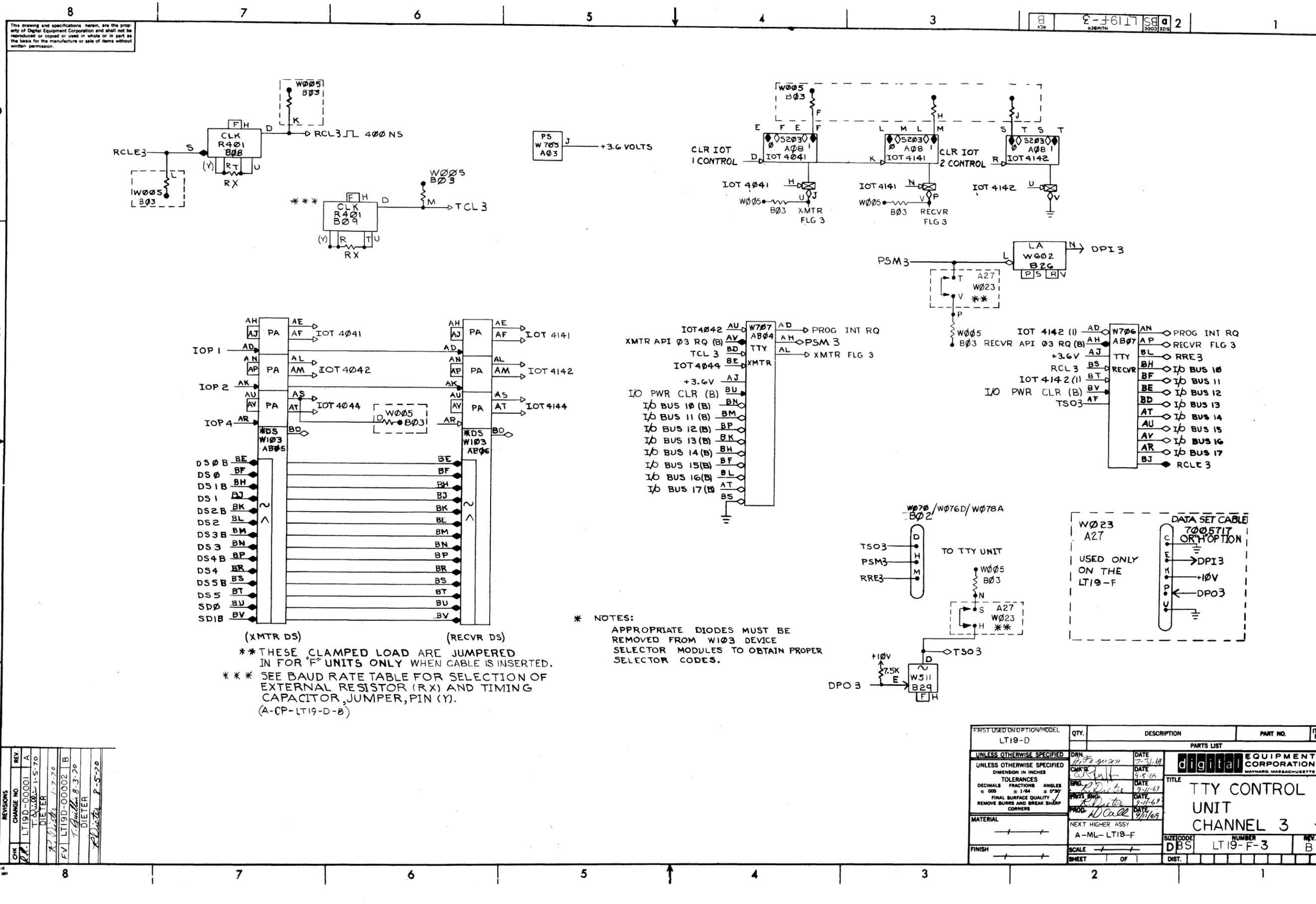
\* NOTES:  
 APPROPRIATE DIODES MUST BE REMOVED FROM W103 DEVICE SELECTOR MODULES TO OBTAIN PROPER SELECTOR CODES.



REV	CHANGE NO.	REV
A	LT19D-00001	A
B	LT19D-00002	B
C	LT19D-00003	C
D	LT19D-00004	D
E	LT19D-00005	E
F	LT19D-00006	F
G	LT19D-00007	G
H	LT19D-00008	H
I	LT19D-00009	I
J	LT19D-00010	J

FIRST USED ON OPTION/MODEL	QTY.	DESCRIPTION	PART NO.	ITEM NO.
LT19-D				
PARTS LIST				
UNLESS OTHERWISE SPECIFIED				
DIMENSION IN INCHES				
TOLERANCES				
DECIMALS FRACTIONS ANGLES				
± 0.005 ± 1/64 ± 0°30'				
FINAL SURFACE QUALITY				
REMOVE BURRS AND BREAK SHARP CORNERS				
MATERIAL				
NEXT HIGHER ASSY				
A-ML-LT19-F				
FINISH				
SCALE				
SHEET 1 OF 1				
TITLE				
TTY CONTROL UNIT CHANNEL 2				
SIZE CODE				
DBS				
NUMBER				
LT19-F-2				
REV.				
B				

This drawing and specifications herein, are the property of Digital Equipment Corporation and shall not be reproduced or copied or used in whole or in part as the basis for the manufacture or sale of items without written permission.



IOP 1	AH	PA	AE	IOT 4041	AH	PA	AE	IOT 4141
	AJ	PA	AF	IOT 4041	AJ	PA	AF	IOT 4141
	AN	PA	AL	IOT 4042	AN	PA	AL	IOT 4142
	AP	PA	AM	IOT 4042	AP	PA	AM	IOT 4142
IOP 2	AK	PA	AS	IOT 4044	AK	PA	AS	IOT 4144
	AU	PA	AT	IOT 4044	AU	PA	AT	IOT 4144
	AV	PA	AW	IOT 4044	AV	PA	AW	IOT 4144
IOP 4	AR	PA	BD		AR	PA	BD	
	W103	AB05			W103	AB06		
DS 0 B	BE				BE			
DS 0	BF				BF			
DS 1 B	BH				BH			
DS 1	BJ				BJ			
DS 2 B	BK				BK			
DS 2	BL				BL			
DS 3 B	BM				BM			
DS 3	BN				BN			
DS 4 B	BP				BP			
DS 4	BR				BR			
DS 5 B	BS				BS			
DS 5	BT				BT			
SD 0	BV				BV			
SD 1 B	BV				BV			

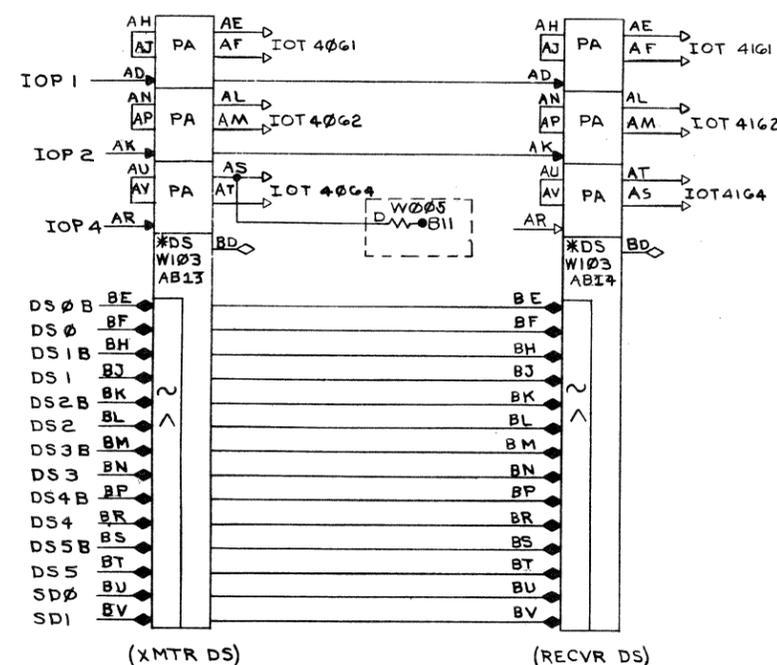
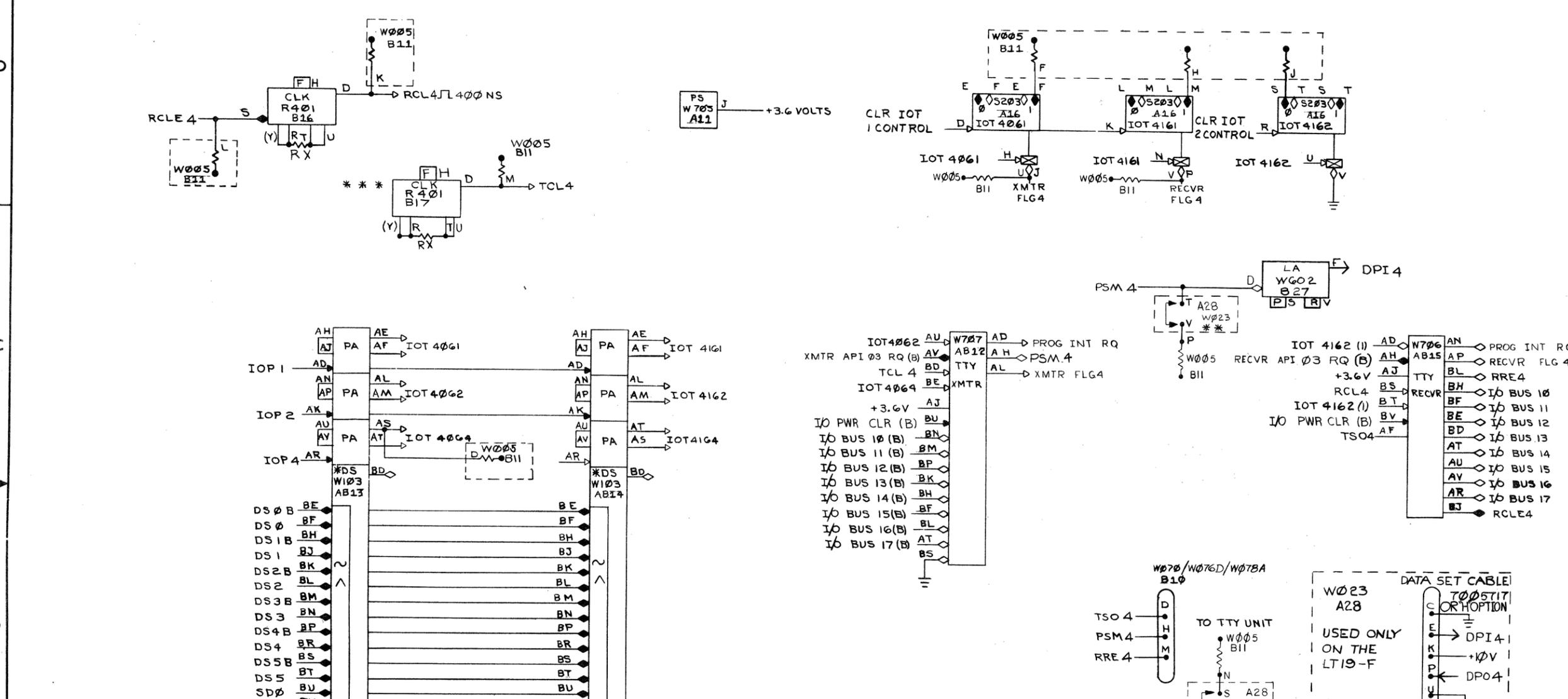
(XMTR DS) (RECVR DS)  
 \*\* THESE CLAMPED LOAD ARE JUMPERED IN FOR "F" UNITS ONLY WHEN CABLE IS INSERTED.  
 \*\*\* SEE BAUD RATE TABLE FOR SELECTION OF EXTERNAL RESISTOR (RX) AND TIMING CAPACITOR, JUMPER, PIN (Y).  
 (A-CP-LT19-D-B)

\* NOTES:  
 APPROPRIATE DIODES MUST BE REMOVED FROM W103 DEVICE SELECTOR MODULES TO OBTAIN PROPER SELECTOR CODES.

FIRST USED OR OPTION/MODEL LT19-D	QTY.	DESCRIPTION	PART NO.	ITEM NO.
UNLESS OTHERWISE SPECIFIED	DRN	DATE	PARTS LIST	
UNLESS OTHERWISE SPECIFIED	CHK'D	DATE	digital EQUIPMENT CORPORATION MAYNARD, MASSACHUSETTS	
TOLERANCES	ENG	DATE	TITLE	
DIMENSION IN INCHES	PRO'D	DATE	TTY CONTROL UNIT CHANNEL 3	
DECIMALS	FRAC	DATE	SIZE CODE	NUMBER
FRACTIONS	ANGLES	DATE	A-ML-LT19-F	LT19-F-3
± 005	± 1/64	± 0°30'	SCALE	REV.
FINAL SURFACE QUALITY REMOVE BURRS AND BREAK SHARP CORNERS			OF	B
MATERIAL	NEXT HIGHER ASSY	SHEET	DIST.	
FINISH				

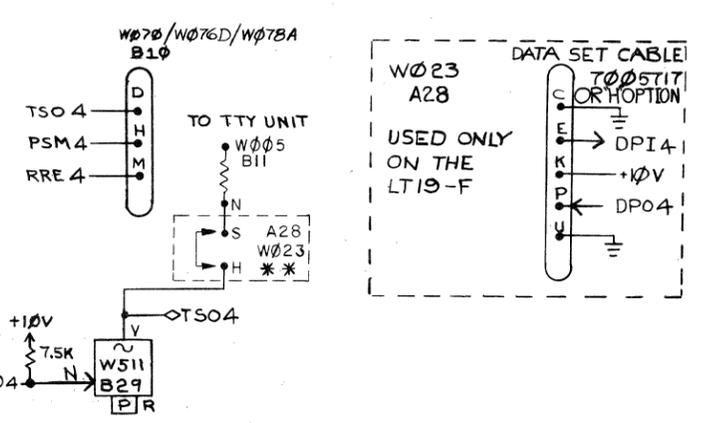
REVISIONS	CHK	CHANGE NO.	REV.
1	LT19-D	0001	A
2	LT19-D	0002	B
3	LT19-D	0003	C
4	LT19-D	0004	D
5	LT19-D	0005	E

This drawing and specifications, herein, are the property of Digital Equipment Corporation and shall not be reproduced or copied or used in whole or in part as the basis for the manufacture or sale of items without written permission.



\* NOTES:  
 APPROPRIATE DIODES MUST BE REMOVED FROM W103 DEVICE SELECTOR MODULES TO OBTAIN PROPER SELECTOR CODES.

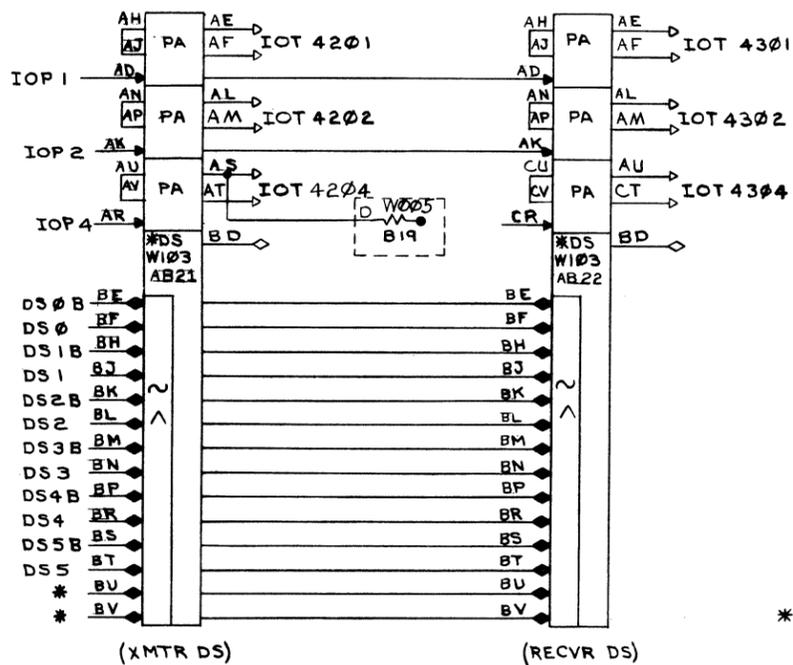
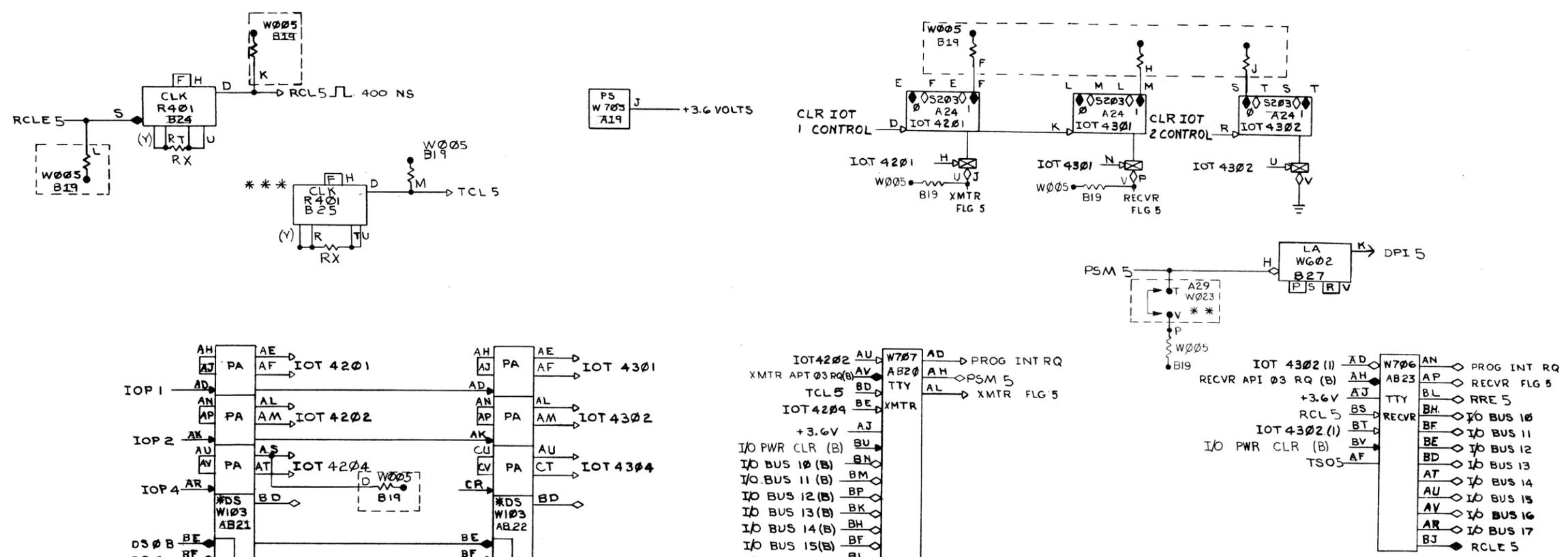
\*\* THESE CLAMPED LOADS ARE JUMPED IN FOR 'F' UNITS ONLY WHEN CABLE IS INSERTED.  
 \*\*\* SEE BAUD RATE TABLE FOR SELECTION OF EXTERNAL RESISTOR (RX) AND TIMING CAPACITOR, JUMPER, PIN (Y). (A-CP-LT19-D-8)



REV.	CHANGE NO.	BY
A	0001	LT19-D
B	0002	LT19-D
C	0003	LT19-D
D	0004	LT19-D

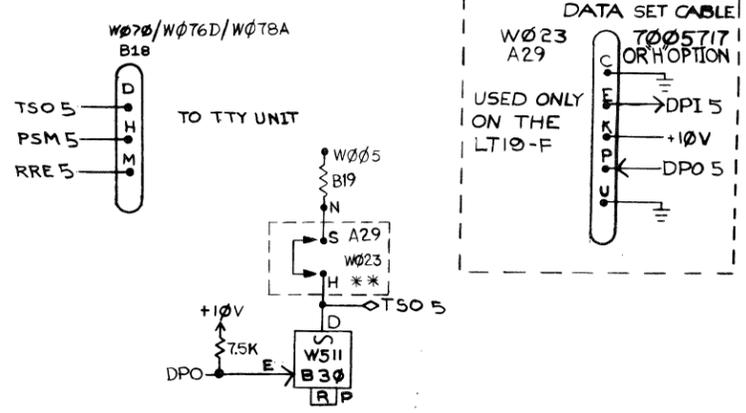
FIRST USED ON OPTION/MODEL	QTY.	DESCRIPTION	PART NO.	ITEM NO.
LT19-D				
PARTS LIST				
UNLESS OTHERWISE SPECIFIED				
DIMENSION IN INCHES				
TOLERANCES				
DECIMALS	FRACTIONS	ANGLES		
± .005	± 1/64	± 0°30'		
FINAL SURFACE QUALITY				
REMOVE BURRS AND BREAK SHARP CORNERS				
MATERIAL				
FINISH				
NEXT HIGHER ASSY				
A-ML-LT19-F				
SCALE				
SHEET OF				
TITLE				
TTY CONTROL UNIT CHANNEL 4				
SIZE/CODE				
DIBS				
NUMBER				
LT19-F-4				
REV.				
B				

This drawing and specifications, herein, are the property of Digital Equipment Corporation and shall not be reproduced or copied or used in whole or in part as the basis for the manufacture or sale of items without written permission.



\*\* THESE CLAMPED LOAD ARE JUMPED IN FOR "F" UNIT ONLY WHEN CABLE IS INSERTED.  
 \*\*\* SEE BAUD RATE TABLE FOR SELECTION OF EXTERNAL RESISTOR (RX) AND TIMING CAPACITOR, JUMPER, PIN (Y). (A-CP-LT19-D-8)

\* NOTES:  
 APPROPRIATE DIODES MUST BE REMOVED FROM W103 DEVICE SELECTOR MODULES TO OBTAIN PROPER SELECTION CODES. IOT DEVICE SELECTION CODES ARE OPTIONALLY ASSIGNABLE FROM STANDARD PDP-9 DESIGNATION LIST. (SEE LT19-D FOR ASSIGNABLE LISTING)  
 SUB DEVICE SELECTION CODE IS NOT ASSIGNED TO THIS UNIT AND MUST BE JUMPED IN IF REQUIRED.



REV. A	DATE 1-5-70
REV. B	DATE 1-7-70
REV. C	DATE 3-9-70
REV. D	DATE 8-5-70

FIRST USED ON OPTION/MODEL LT19-D	QTY.	DESCRIPTION	PART NO.	ITEM NO.
PARTS LIST				
UNLESS OTHERWISE SPECIFIED DIMENSION IN INCHES TOLERANCES DECIMALS FRACTIONS ANGLES = .005 = 1/64 = 0°00'	DRN DATE 8-1-69	CHKD DATE 1-5-69	digital EQUIPMENT CORPORATION MAYNARD, MASSACHUSETTS	
MATERIAL	ENG DATE 3-11-61	PROJ. ENG DATE 7-11-61	TITLE TTY CONTROL UNIT CHANNEL 5	
FINISH	PROD DATE 7/1/69	NEXT HIGHER ASSY A-NL-LT19-F	SIZE CODE DBS	NUMBER LT19-F-5
SCALE			SHEET	DIST.

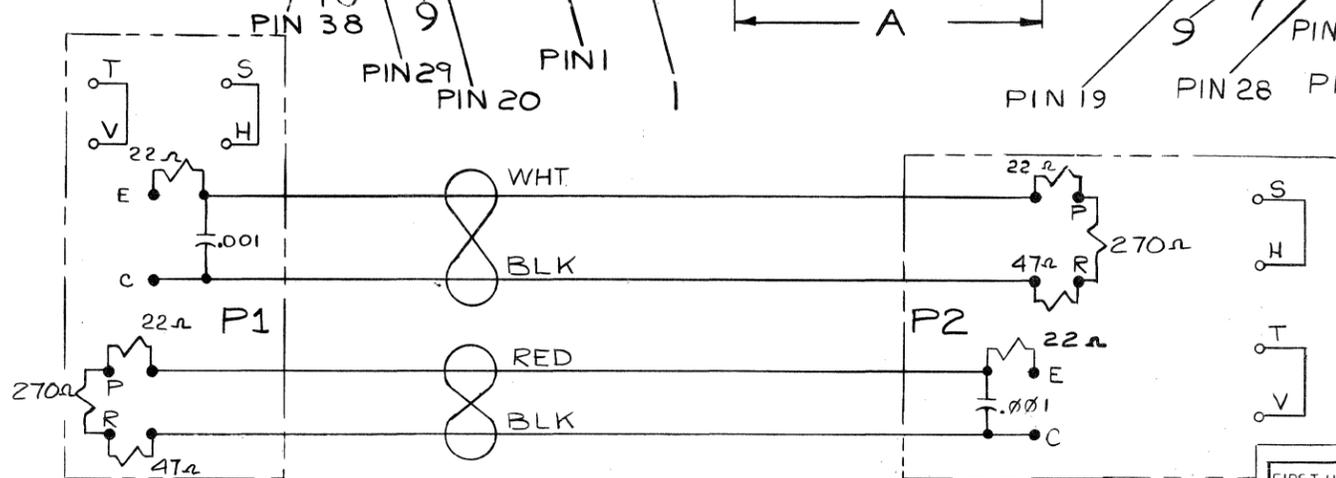
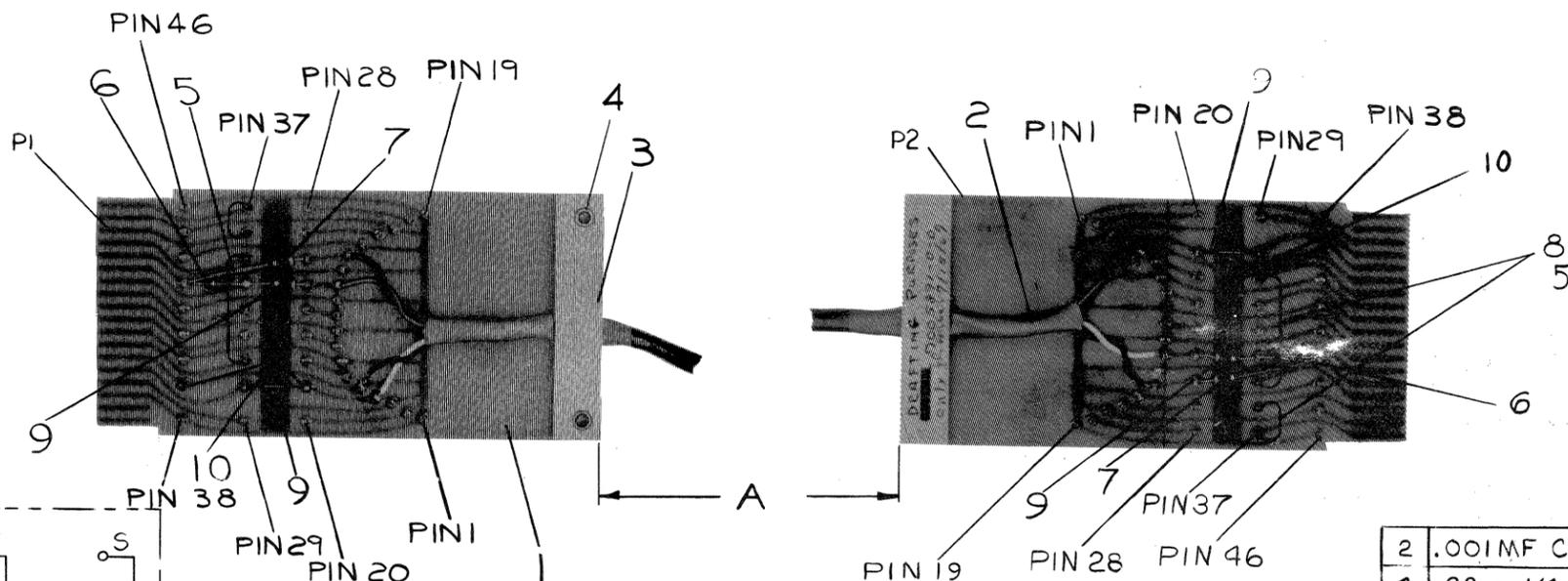
This drawing and specifications, herein, are the property of Digital Equipment Corporation and shall not be reproduced or copied or used in whole or in part as the basis for the manufacture or sale of items without written permission.

### LEGEND

NUMBER	VARIATION
7005891-1	DIM "A"
↑ -2	50'±10"
↑ -3	100'±12"
↑ -4	150'±12"
7005891-5	250'±12"

### NOTE:

- WITH AN OHMMETER MEASURE THE FOLLOWING APPROXIMATE VALUES
- E1 TO C1 - 300 $\Omega$
  - E2 TO C2 - 300
  - P1 TO R1 - 250
  - P2 TO R2 - 250
  - E1 TO P2 - 433
  - P1 TO E2 - 433
  - C1 TO R2 - 233
  - R1 TO C2 - 233



QTY.	DESCRIPTION	PART NO.	ITEM NO.
2	.001MF CAP. 250V 20%	10-00043	10
4	22 $\Omega$ 1/4 10%	13-00188	9
A/R	#22 AWG BUSS WIRE	91-07560-01	8
2	47 $\Omega$ 1/4W ±10%	13-00204	7
2	270 $\Omega$ 1/4W ±10%	13-00286	6
A/R	#22AWG TEFLON WIRE (BLUE)	91-07256-6	5
4	EYELET GS-4-7 (STIMPSON)	9006732	4
2	CABLE CLAMP	1202704	3
A/R	CABLE 4 CONDUCTOR-GRAY	91-07699	2
2	CABLE CONNECTOR	W028	1

REVISIONS	CHANGE NO.	REV.
CHK	LT19H-00001	A
CHK	LT19H-00002	B

FIRST USED ON OPTION/MODEL  
**LT19-H**

UNLESS OTHERWISE SPECIFIED  
DIMENSION IN INCHES  
TOLERANCES  
DECIMALS ±.005 FRACTIONS ±1/64 ANGLES ±0°30'  
FINAL SURFACE QUALITY REMOVE BURRS AND BREAK SHARP CORNERS

MATERIAL: + + +  
FINISH: + + +

DRN. *J. Ferguson* DATE 8-5-69  
CHK'D. *ec Geller* DATE 8-11-69  
ENG. *R. Dieter* DATE 7-1-69  
PROJ. ENG. *R. Dieter* DATE 7-1-69  
PROD. *D. Call* DATE 9/11/69

NEXT HIGHER ASSY.  
**A-ML-LT19-H**

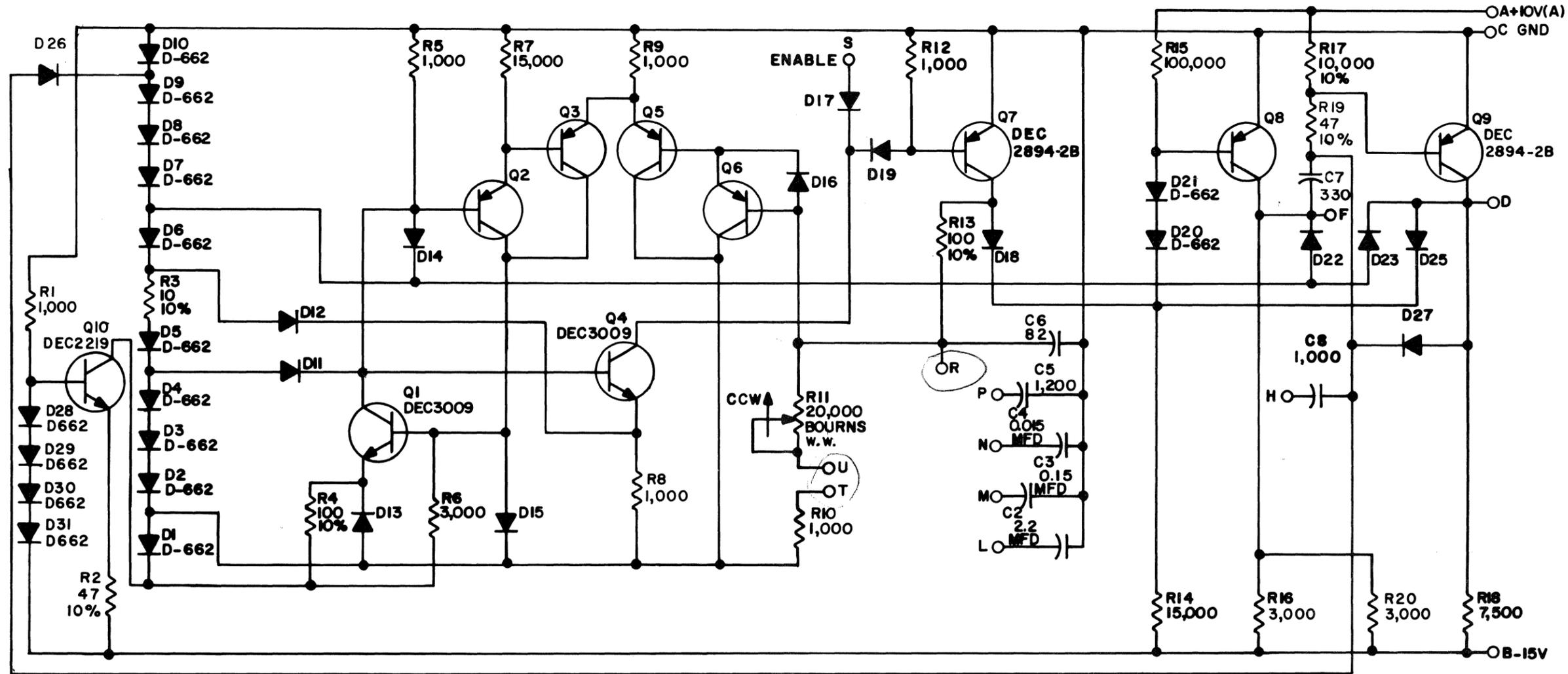
SCALE: + + +  
SHEET: 1 OF 2

digital EQUIPMENT CORPORATION  
MAYNARD, MASSACHUSETTS

TITLE: **DATA COMMUNICATIONS CABLE**

SIZE CODE: **CIA** NUMBER: **7005891-0-0** REV. **B**

THIS SCHEMATIC IS FURNISHED ONLY FOR TEST AND MAINTENANCE PURPOSES. THE CIRCUITS ARE PROPRIETARY IN NATURE AND SHOULD BE TREATED ACCORDINGLY. COPYRIGHT 1964 BY DIGITAL EQUIPMENT CORPORATION



UNLESS OTHERWISE INDICATED:  
 RESISTORS ARE 1/4W, 5%  
 CAPACITORS ARE MMFD  
 DIODES ARE D-664  
 TRANSISTORS ARE DEC 3639-0  
 R11 IS A #275P

-----  
 < 1 2 3 4 5 6 7 8 9 10 11 12 13 14 15 16 17 18 19 20 >

REVISIONS	CHK	CHG NO.	REV.
1	DAW	5355	0
2	REV	5908	K
3	REV	6004	L
4	REV	6004	M

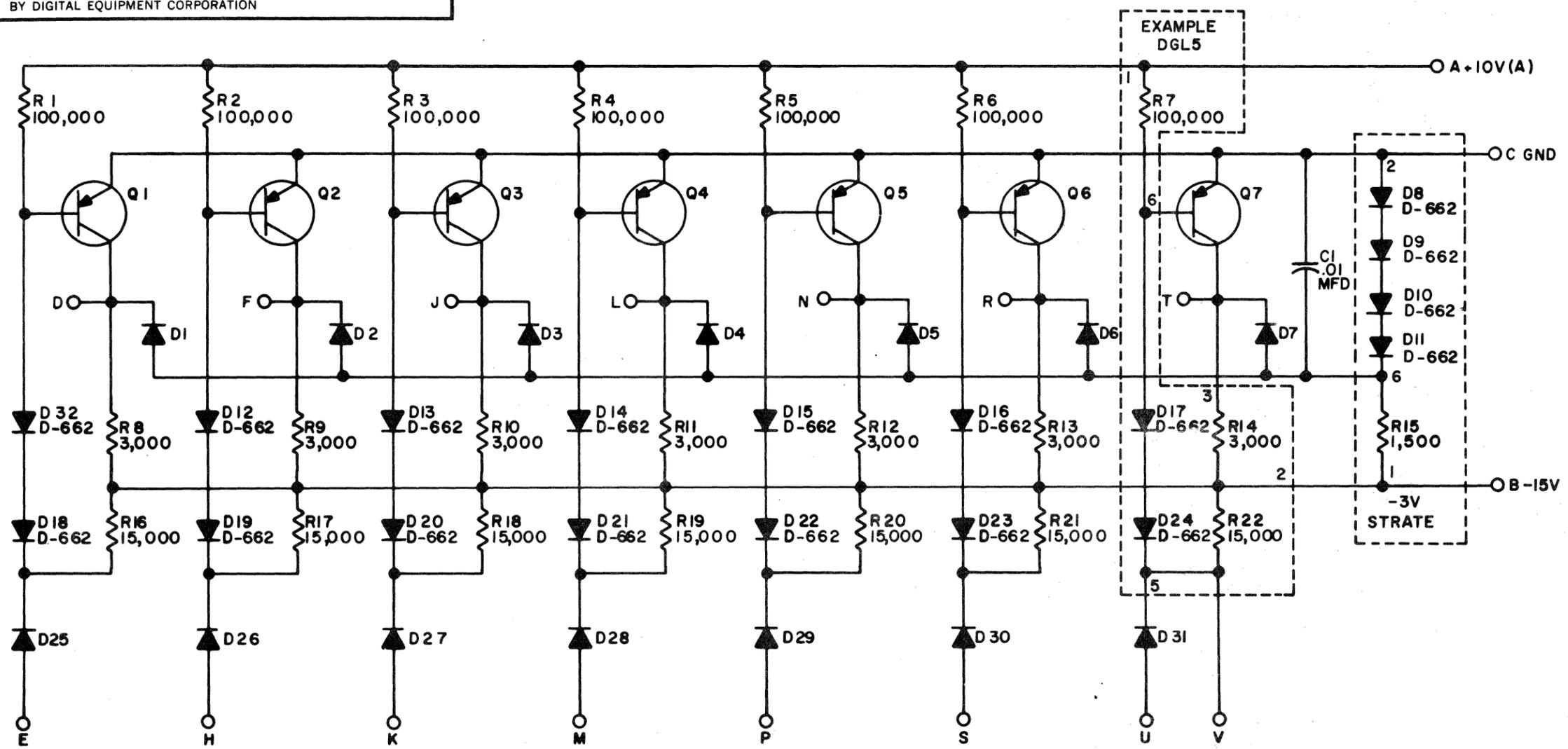
DRN. H.W. PORTER	DATE 10-23-64
CHK'D M. PERRYMAN	DATE 10-23-64
ENG. D. O'CONNOR	DATE 10-23-64
PROD. 2	DATE

TRANSISTOR & DIODE CONVERSION CHART			
DEC	EIA	DEC	EIA
DEC3639-0	2N3639	DEC2219	2N2219
DEC3009	2N3009		
DEC2894-2B	NONE		
D662	1N645		
D664	1N3606		

**digital**  
 EQUIPMENT CORPORATION  
 MAYNARD, MASSACHUSETTS

TITLE CLOCK R401			
SIZE B	CODE CS	NUMBER R401-0-1	REV. M
PRINTED CIRCUIT REV.			H

THIS SCHEMATIC IS FURNISHED ONLY FOR TEST AND MAINTENANCE PURPOSES. THE CIRCUITS ARE PROPRIETARY IN NATURE AND SHOULD BE TREATED ACCORDINGLY. COPYRIGHT 1965 BY DIGITAL EQUIPMENT CORPORATION



UNLESS OTHERWISE INDICATED:  
 RESISTORS ARE 1/4 W; 5%  
 DIODES ARE D-664  
 TRANSISTORS ARE DEC 3639B  
 PRINTED CIRCUIT REV. FOR  
 DGL BOARD IS SIA

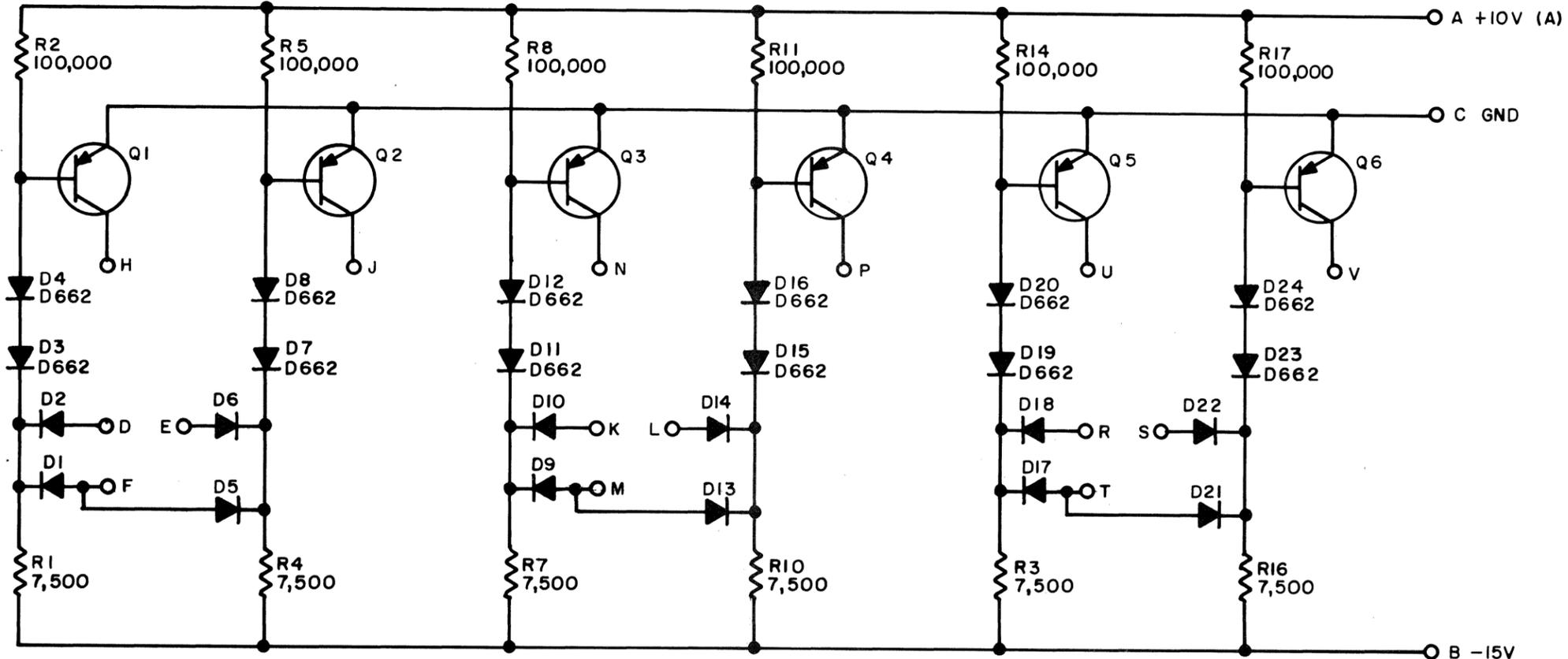
USE THE ETCH BOARD OF THE R107  
 <----->

PARTS LIST A-PL-SI07-0-0

REVISIONS CHK CHG NO REV REV 5384 B 5458 C 6857 D	DRN. I HAHN	DATE 6-11-65	TRANSISTOR & DIODE CONVERSION CHART				TITLE INVERTER SI07				
	CHK'D R SILVERMAN	DATE 6-18-65	DEC	EIA	DEC	EIA	digital	SIZE B	CODE CS	NUMBER SI07-0-1	REV. D
	ENG. R SOGGE	DATE 6-18-65	DEC 3639B	2N3639			EQUIPMENT CORPORATION	PRINTED CIRCUIT REV.			
	PROD.	DATE	D662	IN645			MAYNARD, MASSACHUSETTS				

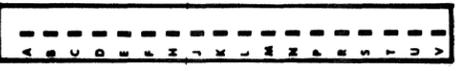
PINK DIST 324 434 433

THIS SCHEMATIC IS FURNISHED ONLY FOR TEST AND MAINTENANCE PURPOSES. THE CIRCUITS ARE PROPRIETARY IN NATURE AND SHOULD BE TREATED ACCORDINGLY. COPYRIGHT 1967 BY DIGITAL EQUIPMENT CORPORATION



UNLESS OTHERWISE INDICATED:  
 TRANSISTORS ARE DEC3639  
 RESISTORS ARE 1/4W, 5%  
 DIODES ARE D664

USE THE ETCH BOARD OF THE W101



REVISIONS	CHK	CHG NO.	REV.

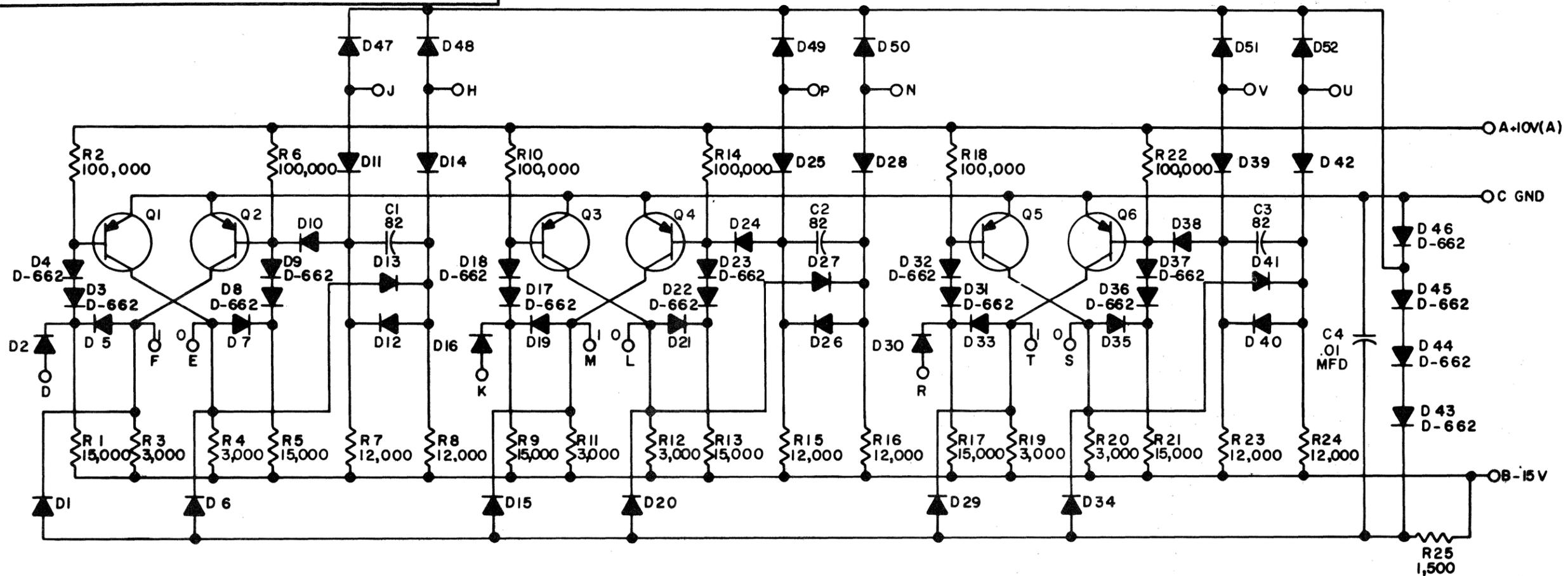
DRN.	DATE
<i>M. Waller</i>	6-6-67
CHK'D	DATE
<i>[Signature]</i>	6-14-67
ENG.	DATE
<i>[Signature]</i>	6-14-67
PROD.	DATE

TRANSISTOR & DIODE CONVERSION CHART	
DEC	EIA
DEC3639	2N3639
D662	1N645
D664	1N3606

**digital**  
 EQUIPMENT CORPORATION  
 MAYNARD, MASSACHUSETTS

TITLE			
DIODE GATE S123			
SIZE	CODE	NUMBER	REV.
B	CS	S123-0-1	
PRINTED CIRCUIT REV.			B

THIS SCHEMATIC IS FURNISHED ONLY FOR TEST AND MAINTENANCE PURPOSES. THE CIRCUITS ARE PROPRIETARY IN NATURE AND SHOULD BE TREATED ACCORDINGLY. COPYRIGHT 1965 BY DIGITAL EQUIPMENT CORPORATION



UNLESS OTHERWISE INDICATED:  
 RESISTORS ARE 1/4W; 5%  
 CAPACITORS ARE MMFD  
 DIODES ARE D-664  
 TRANSISTORS ARE DEC 3639C

USE THE ETCH BOARD OF THE R203

1	2	3	4	5	6	7	8	9	10	11	12	13	14	15	16	17	18	19	20	21	22	23	24	25
---	---	---	---	---	---	---	---	---	----	----	----	----	----	----	----	----	----	----	----	----	----	----	----	----

REV. NO.	CHK	CHG NO.	REV.
1	DAW	4990	
2	REV. & REDR.	5468	B
3		6494	C

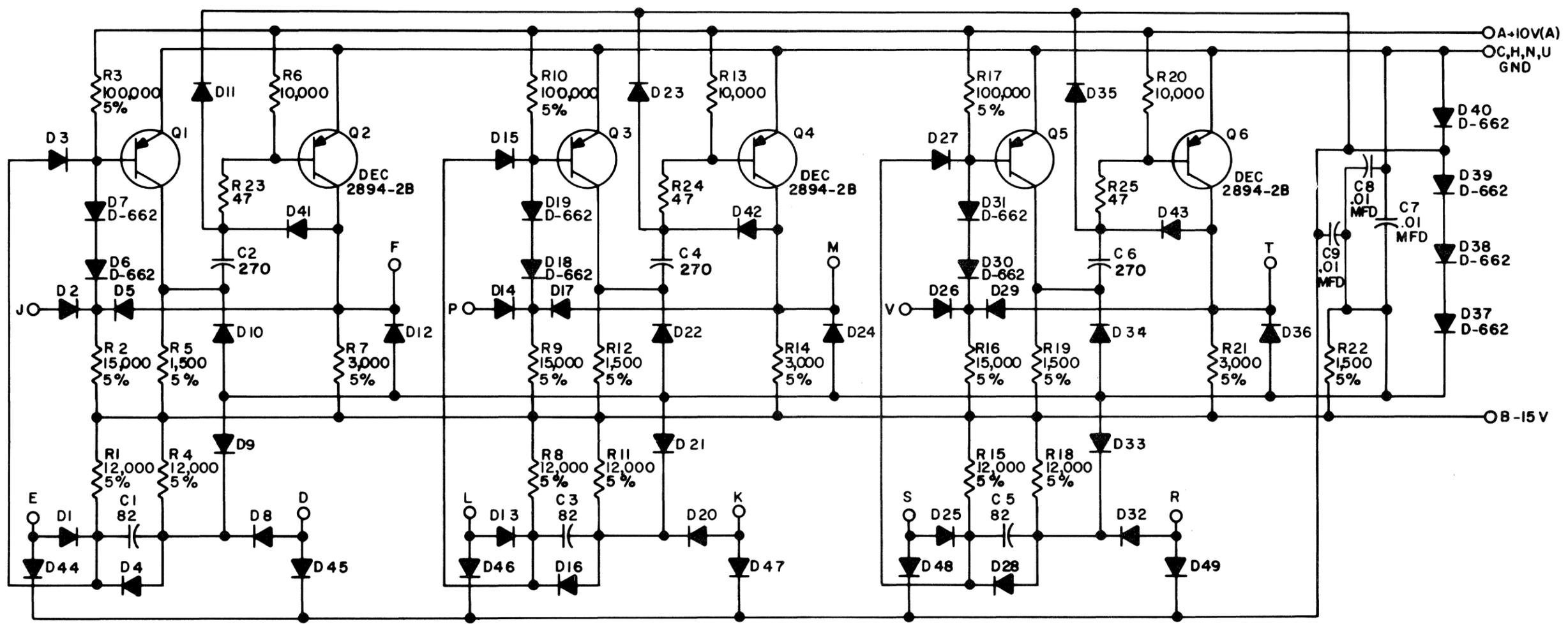
DRN.	I. HAHN	DATE	6-11-65
CHK'D	R. SILVERMAN	DATE	6-18-65
ENG.	R. SOGGE	DATE	6-18-65
PROD.		DATE	

TRANSISTOR & DIODE CONVERSION CHART			
DEC		EIA	
DEC3639C		2N3639	
D662		IN645	
D664		IN3606	

**digital**  
 EQUIPMENT CORPORATION  
 MAYNARD, MASSACHUSETTS

TITLE			
TRIPLE FLIP-FLOP S203			
SIZE	CODE	NUMBER	REV.
B	CS	S203-0-1	C
PRINTED CIRCUIT REV.			D

THIS SCHEMATIC IS FURNISHED ONLY FOR TEST AND MAINTENANCE PURPOSES. THE CIRCUITS ARE PROPRIETARY IN NATURE AND SHOULD BE TREATED ACCORDINGLY. COPYRIGHT 1965 BY DIGITAL EQUIPMENT CORPORATION



UNLESS OTHERWISE INDICATED:  
 RESISTORS ARE 1/4W; 10%  
 CAPACITORS ARE MMFD  
 DIODES ARE D-664  
 TRANSISTORS ARE DEC 3639-C

USE THE ETCH BOARD OF THE R603

PARTS LIST A-PL-S603-0-0

REV.	CHK	CHG NO.	REV.
2	DAW	5273	
C	REV. & REDR.	5371	
D		5923	
E		6859	

DRN. I HAHN	DATE 6-14-65
CHK'D R SILVERMAN	DATE 6-18-65
ENG. R. SOGGE	DATE 6-18-65
PROD.	DATE

TRANSISTOR & DIODE CONVERSION CHART.	
DEC	EIA
DEC 2894-2B	NONE
DEC 3639C	2N3639
D662	1N645
D664	1N3608

**digital**  
 EQUIPMENT CORPORATION  
 MAYNARD, MASSACHUSETTS

TITLE PULSE AMPLIFIER S603			
SIZE B	CODE CS	NUMBER S603-0-1	REV. E
PRINTED CIRCUIT REV.			D

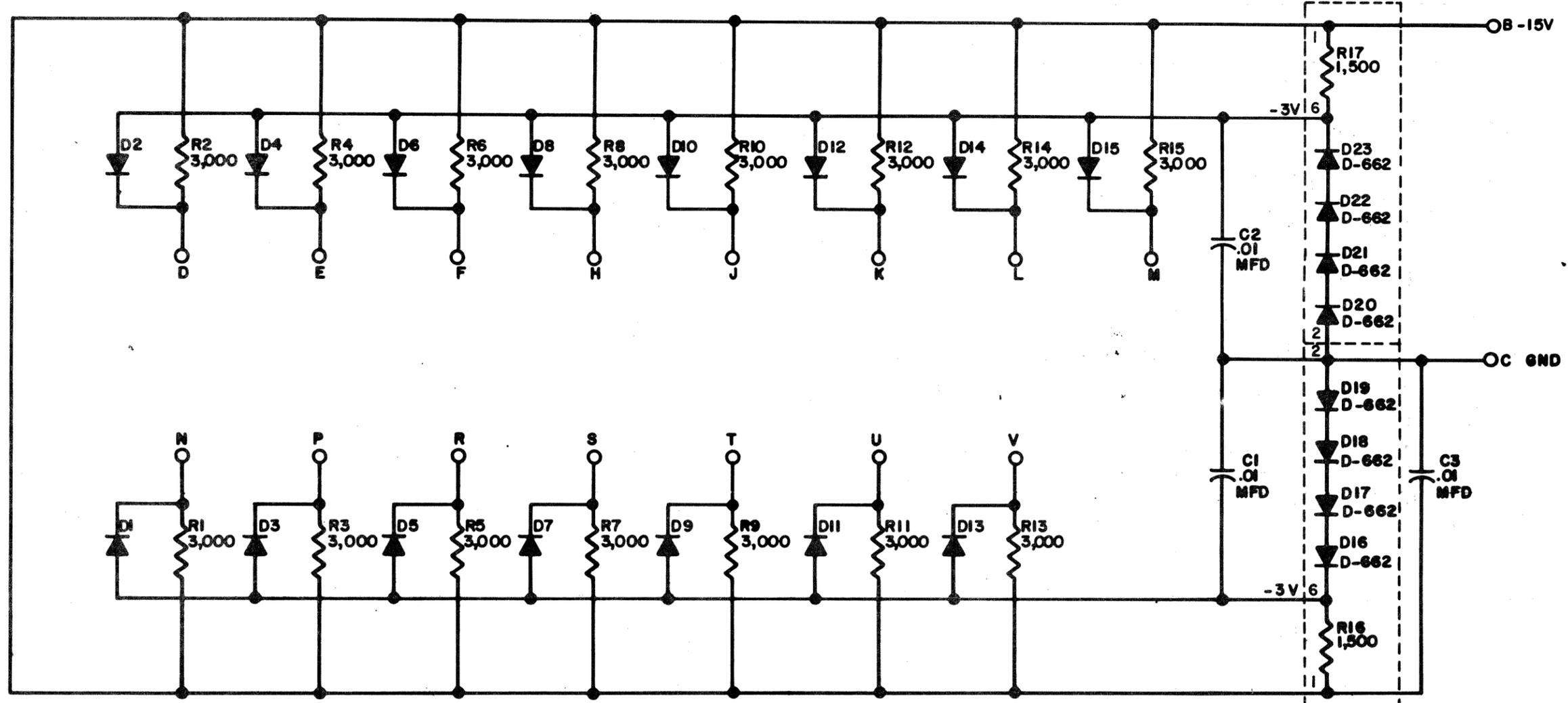
DEC FORM NO. DRB 102

↑

PINK

DIST. 324 434 435<sup>2</sup>

THIS SCHEMATIC IS FURNISHED ONLY FOR TEST AND MAINTENANCE PURPOSES. THE CIRCUITS ARE PROPRIETARY IN NATURE AND SHOULD BE TREATED ACCORDINGLY. COPYRIGHT 1964 BY DIGITAL EQUIPMENT CORPORATION



UNLESS OTHERWISE INDICATED:  
RESISTORS ARE 1/4W, 5%  
DIODES ARE D-664

-----  
< 4 0 0 0 1 2 3 4 5 6 7 8 9 0 1 2 3 >

REVISIONS	CHK CHG NO. REV.	1
	DAW 5037	
	REV. (REDR.)	B
	5397	

DRN.	H. PORTER	DATE	4-27-64
CHK'D	N. PERRYMAN	DATE	5-4-64
ENG.	B. SCUDNEY	DATE	5-4-64
PROD.		DATE	

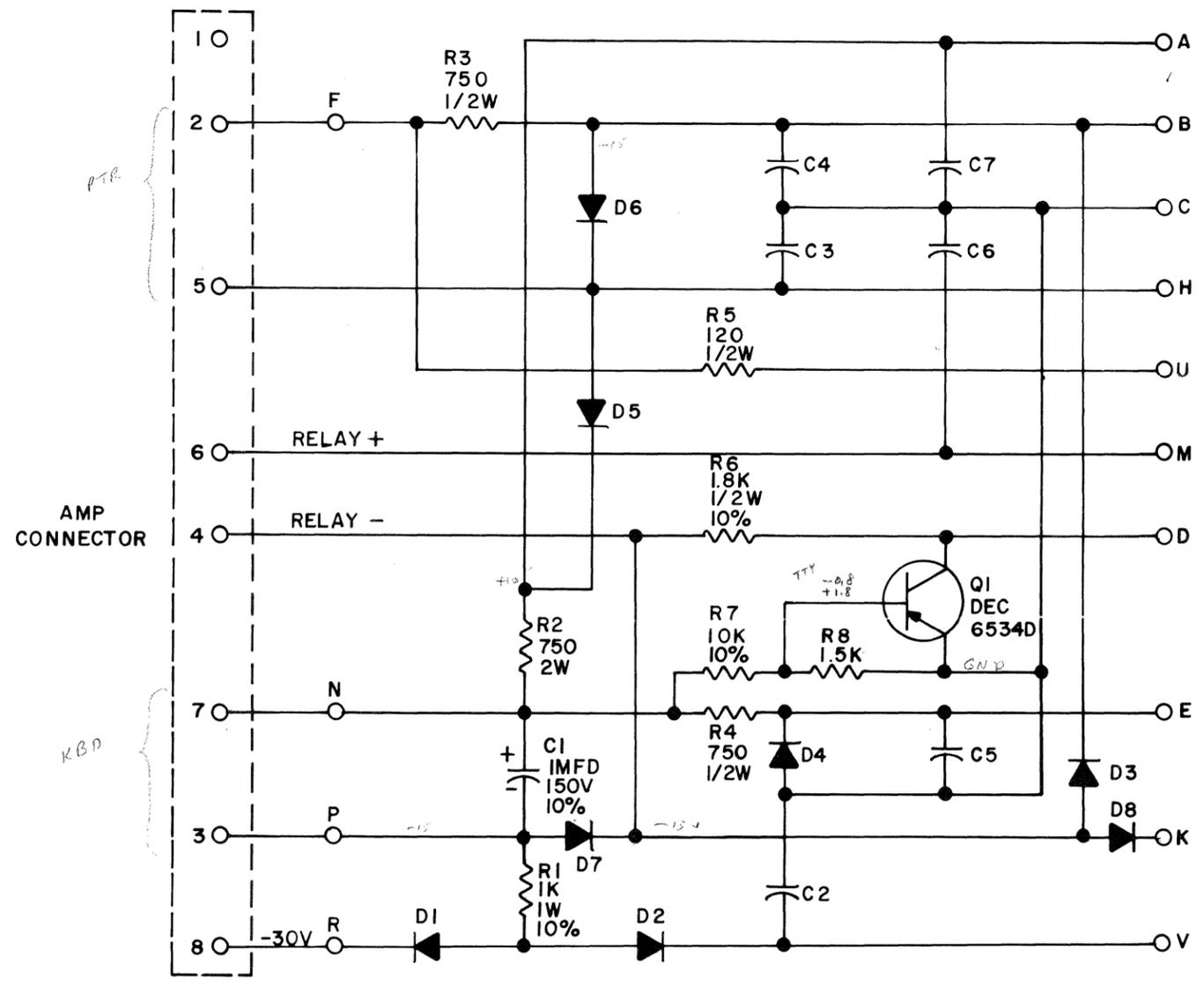
TRANSISTOR & DIODE CONVERSION CHART			
DEC	EIA	DEC	EIA
D662	IN645		
D664	IN3606		

**digital**  
EQUIPMENT CORPORATION  
MAYNARD, MASSACHUSETTS

TITLE			
CLAMPED LOADS W005			
SIZE	CODE	NUMBER	REV.
B	CS	W005-0-1	B
PRINTED CIRCUIT REV.			B

THIS SCHEMATIC IS FURNISHED ONLY FOR TEST AND MAINTENANCE PURPOSES. THE CIRCUITS ARE PROPRIETARY IN NATURE AND SHOULD BE TREATED ACCORDINGLY. COPYRIGHT 1969 BY DIGITAL EQUIPMENT CORPORATION

TYPICAL PIN ASSIGNMENTS			
PIN	8	8 I, 8 L	DC08
A	+10V	+5V	+5V
B	-15V	-15V	+5V
C	GND	GND	GND
H	LOGIC INPUT	LOGIC INPUT	—
U	—	—	LOGIC INPUT
M	READER ENABLE	READER ENABLE	READER ENABLE
D	LOGIC OUTPUT	—	—
E	—	LOGIC OUTPUT	LOGIC OUTPUT
K	—	—	-15V
V	-30V OPTIONAL	-30V OPTIONAL	-30V OPTIONAL



UNLESS OTHERWISE INDICATED:  
 CAPACITORS ARE .01MFD 100V, 20%  
 DIODES ARE D671  
 RESISTORS ARE 1/4W, 5%  
 CONNECTOR IS DEC# 1209456

REVISIONS	CHK	CHG NO.	REV.

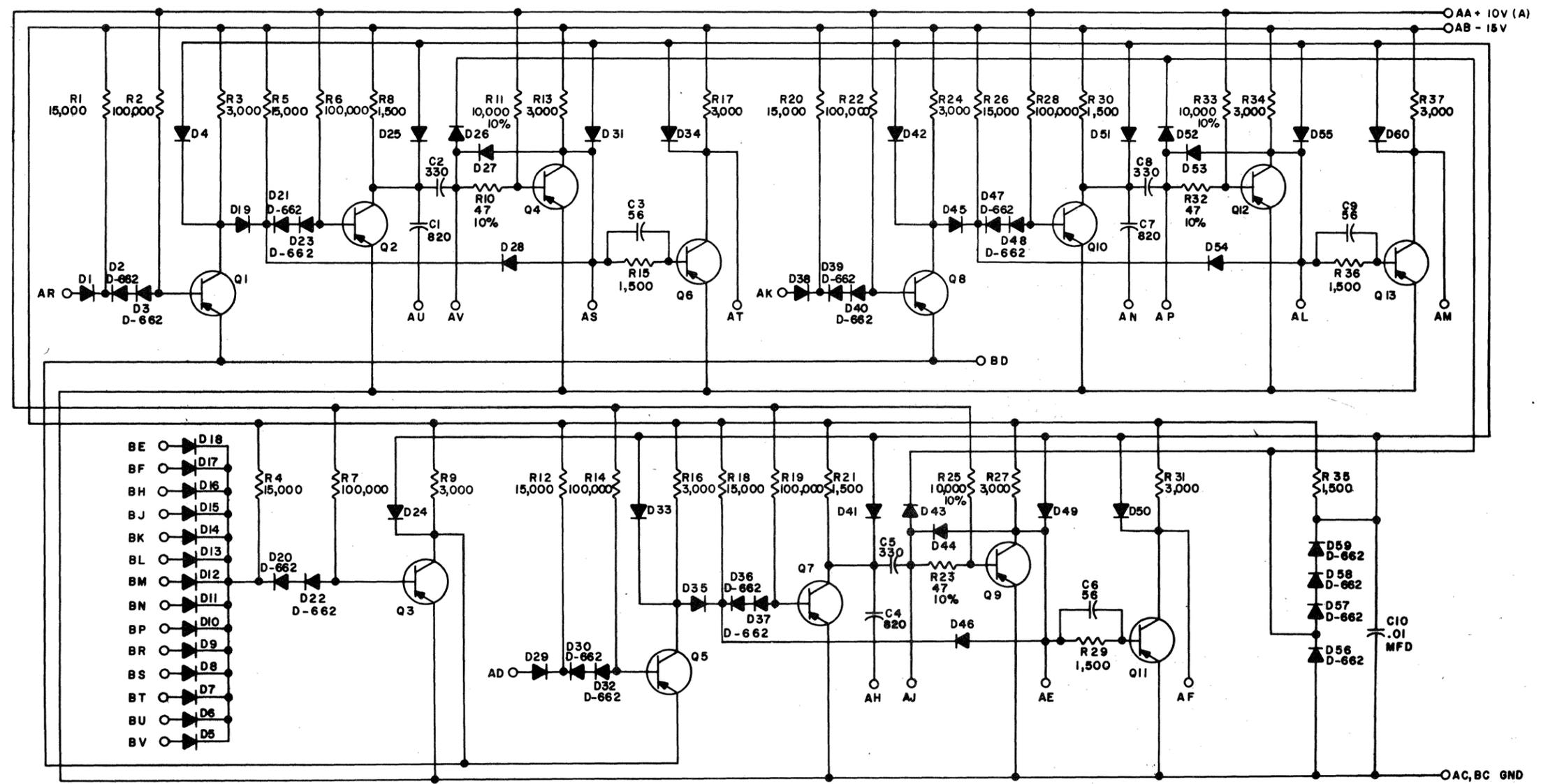
DRN.	DATE
<i>R. Clum</i>	9-26-69
CHK'D	DATE
<i>M. J. Hallett</i>	10/13/69
ENG.	DATE
<i>R. Clum</i>	10/27/69
PROD.	DATE

TRANSISTOR & DIODE CONVERSION CHART			
DEC	EIA	DEC	EIA
D671	1N3653		
DEC6534D	MPS6534D		

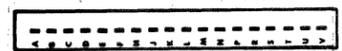
**digital**  
 EQUIPMENT CORPORATION  
 MAYNARD, MASSACHUSETTS

TITLE			
TELETYPE CONNECTOR W078			
SIZE	CODE	NUMBER	REV.
B	CS	W078-0-1	
PRINTED CIRCUIT REV.			A

THIS SCHEMATIC IS FURNISHED ONLY FOR TEST AND MAINTENANCE PURPOSES. THE CIRCUITS ARE PROPRIETARY IN NATURE AND SHOULD BE TREATED ACCORDINGLY. COPYRIGHT 1965 BY DIGITAL EQUIPMENT CORPORATION



UNLESS OTHERWISE INDICATED:  
 TRANSISTORS ARE DEC 3639  
 RESISTORS ARE 1/4 W, 5%  
 CAPACITORS ARE MMFD  
 DIODES ARE D-664



REV.	CHG NO.	REV.
1	4792	2
2	5178	D
3	00001	E

DEC FORM NO. DRC 102

DRN. I. HAHN	DATE 4-21-65
CHK'D R. SILVERMAN	DATE 4-22-65
ENG. R. SOGGE	DATE 4-22-65
PROD.	DATE

TRANSISTOR & DIODE CONVERSION CHART			
DEC	EIA	DEC	EIA
DEC3639	2N3639		
D662	IN643		
D664	IN3606		

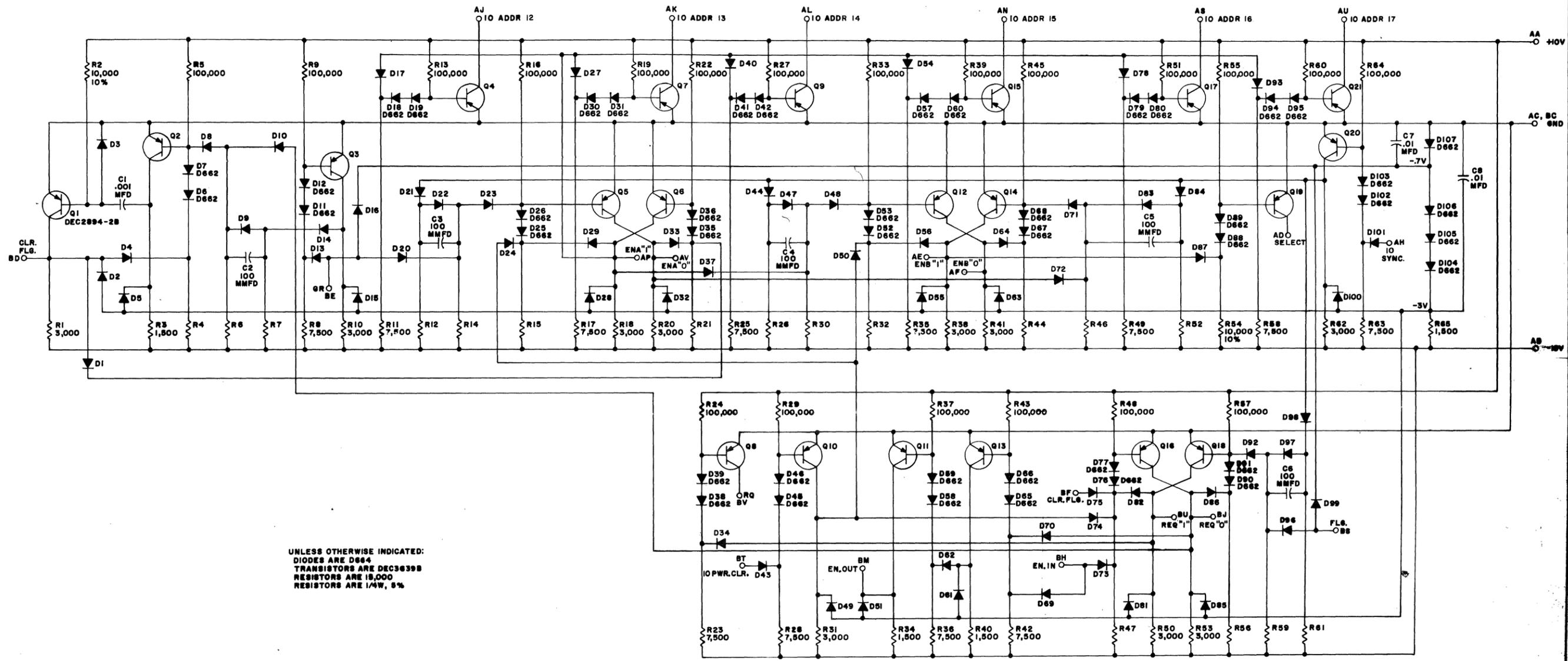
**digital**  
 EQUIPMENT CORPORATION  
 MAYNARD, MASSACHUSETTS

TITLE DEVICE SELECTOR W103		
SIZE C	CODE CS	NUMBER W103-0-1
PRINTED CIRCUIT REV. C		REV. E

DIST: 324 434 435 PINK

REV. E  
 NUMBER  
 W103-0-1  
 SIZE CODE C CS

THIS SCHEMATIC IS FURNISHED ONLY FOR TEST AND MAINTENANCE PURPOSES. THE CIRCUITS ARE PROPRIETARY IN NATURE AND SHOULD BE TREATED ACCORDINGLY. COPYRIGHT 1967 BY DIGITAL EQUIPMENT CORPORATION



UNLESS OTHERWISE INDICATED:  
 DIODES ARE D662  
 TRANSISTORS ARE DEC3639B  
 RESISTORS ARE 1/4W, 5%

REV.	CHG. NO.	REV.

TRANSISTOR & DIODE CONVERSION CHART	
DEC	EIA
DEC2894-28	NONE
DEC3639B	2N3639
D662	1N645
D664	1N5606

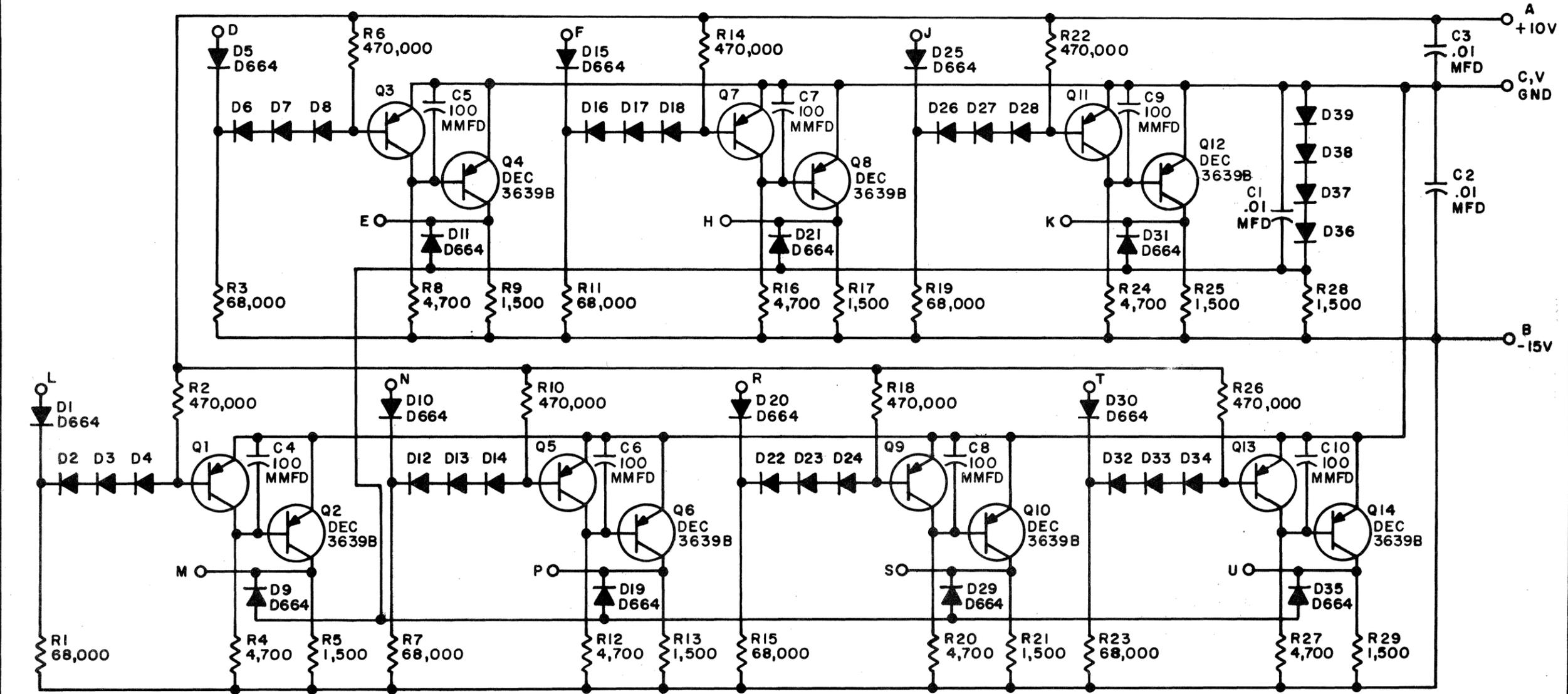
**digital** EQUIPMENT CORPORATION  
 MAYNARD, MASSACHUSETTS

TITLE: PDP-9 I.O. BUS MULTI-  
 PLEXER CONTROL W104

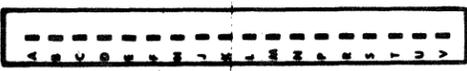
SIZE: D CODE: CS NUMBER: W104-0-1 REV: B

PRINTED CIRCUIT REV. C

THIS SCHEMATIC IS FURNISHED ONLY FOR TEST AND MAINTENANCE PURPOSES. THE CIRCUITS ARE PROPRIETARY IN NATURE AND SHOULD BE TREATED ACCORDINGLY. COPYRIGHT 1967 BY DIGITAL EQUIPMENT CORPORATION



UNLESS OTHERWISE INDICATED:  
RESISTORS ARE 1/4W; 5%  
DIODES ARE D662  
TRANSISTORS ARE DEC3639C



REVISIONS	CHK	CHG NO.	REV
		6827	A

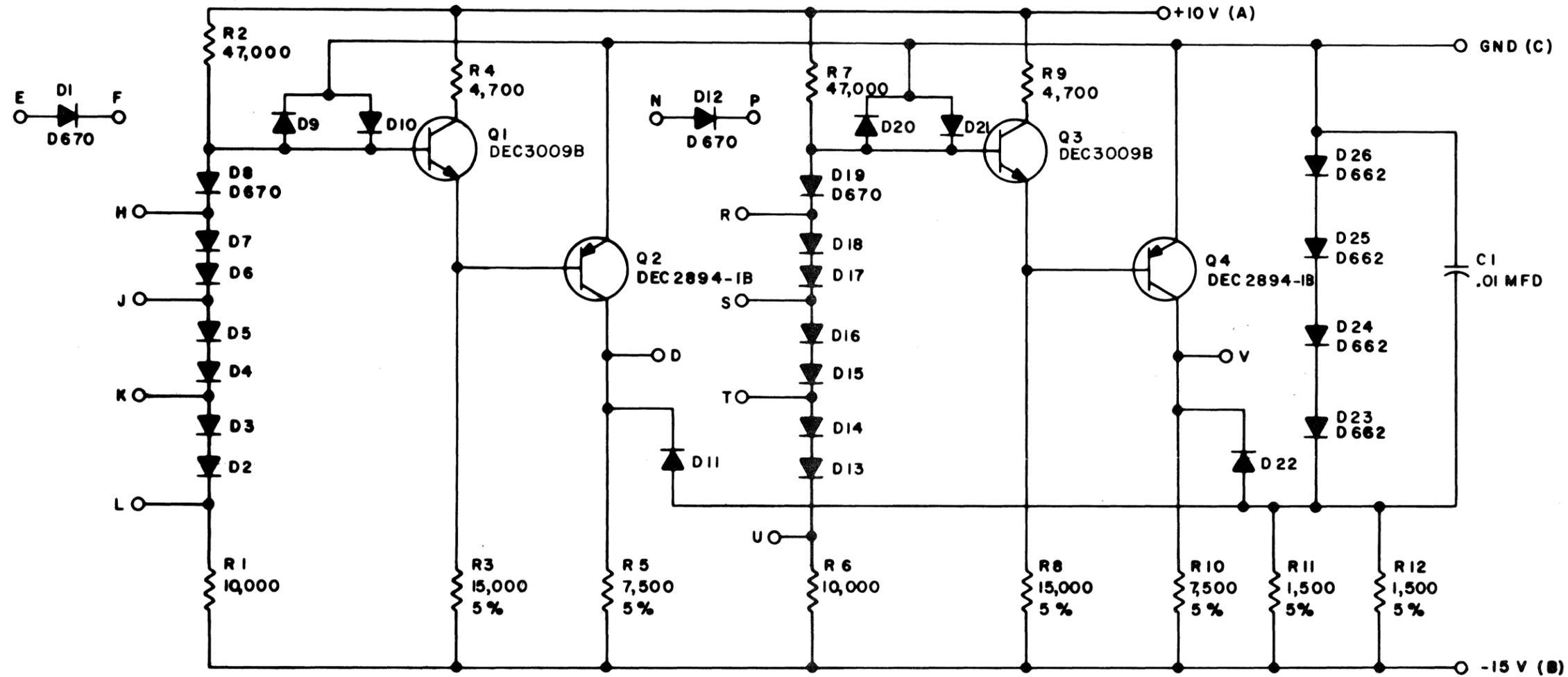
DRN <i>M. Waller</i>	DATE 3-13-67
CHK'D <i>R. Silberman</i>	DATE 3/15/67
ENG <i>K. B. ...</i>	DATE 3/21/67
PROD.	DATE

TRANSISTOR & DIODE CONVERSION CHART			
DEC	EIA	DEC	EIA
D662	1N645		
D664	1N3606		
DEC3639B	2N3639		
DEC3639C	2N3639		

**digital**  
EQUIPMENT CORPORATION  
MAYNARD, MASSACHUSETTS

TITLE I/O BUS RECEIVER CKT. W107			
SIZE B	CODE CS	NUMBER W107-0-1	REV. A
PRINTED CIRCUIT REV.			B

THIS SCHEMATIC IS FURNISHED ONLY FOR TEST AND MAINTENANCE PURPOSES. THE CIRCUITS ARE PROPRIETARY IN NATURE AND SHOULD BE TREATED ACCORDINGLY. COPYRIGHT 1965 BY DIGITAL EQUIPMENT CORPORATION



UNLESS OTHERWISE INDICATED:  
 RESISTORS ARE 1/4 W 10%  
 DIODES ARE D-664



PARTS LIST IS A-PL-W511-0-0

REVISONS	CHK	CHG NO.	REV.
	REV	5744	A
	REV	7039	B

DRN.	I. HAHN	DATE	2-10-65
CHK'D	N. PERRYMAN	DATE	2-16-65
ENG.	D. O'CONNOR	DATE	2-16-65
PROD.		DATE	

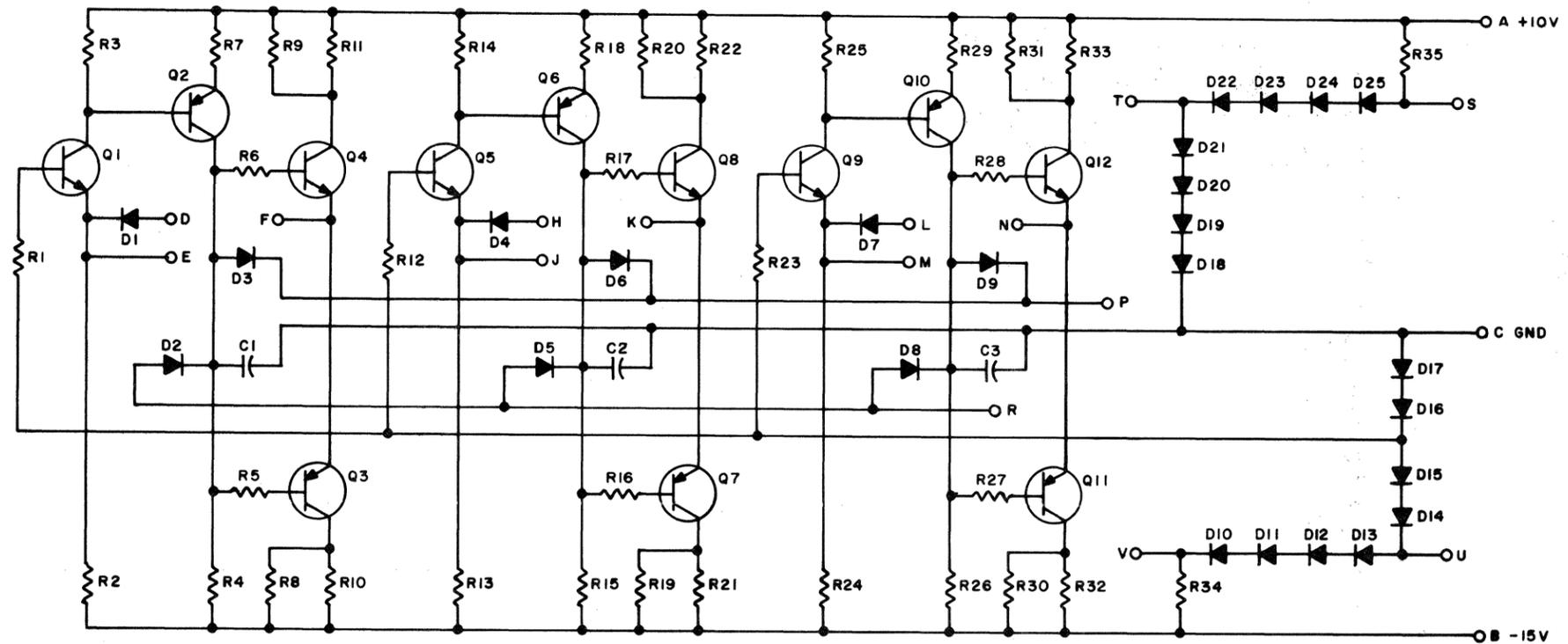
TRANSISTOR & DIODE CONVERSION CHART	
DEC	EIA
D-662	1N645
D-664	1N3606
D-670	1N3653
DEC3009B	2N3009
DEC2894-1B	NONE

digital	
EQUIPMENT CORPORATION	
MAYNARD, MASSACHUSETTS	

SIZE	CODE	NUMBER	REV.
B	CS	W511-0-1	B

TITLE				NEGATIVE LEVEL CONVERTER W511			
PRINTED CIRCUIT REV.				A			

THIS SCHEMATIC IS FURNISHED ONLY FOR TEST AND MAINTENANCE PURPOSES. THE CIRCUITS ARE PROPRIETARY IN NATURE AND SHOULD BE TREATED ACCORDINGLY. COPYRIGHT 1965 BY DIGITAL EQUIPMENT CORPORATION



Q2, Q3, Q6, Q7, Q10, Q11	TRANSISTOR DEC6534D	1503409
Q1, Q4, Q5, Q8, Q9, Q12	TRANSISTOR DEC3009B	1503100
D1 - D9	DIODE D664	1100114
D10 - D25	DIODE D662	1100113
R8, R10, R19, R21, R30, R32, R34	RES. 750 1/4W 5% CC	1301401
R5, R6, R16, R17, R27, R28	RES. 100 1/4W 5% CC	1300229
R4, R15, R26	RES. 7.5K 1/4W 5% CC	1301422
R3, R14, R25	RES. 3K 1/4W 5% CC	1300432
R2, R13, R24	RES. 15K 1/4W 5% CC	1300496
R23, R29, R31, R33, R35	RES. 390 1/4W 5% CC	1300309
R1, R7, R9, R11, R12, R18, R20, R22,		
C1 - C3	CAP. 27MMF 100V 5% MICA	1001739
	PARTS LIST	A-PL-W602-0-0
REFERENCE DESIGNATION	DESCRIPTION	PART NO.

TRANSISTOR & DIODE CONVERSION CHART		PARTS LIST	
DEC	EIA	DESCRIPTION	PART NO.
D662	1N645		
D664	1N3606		
DEC3009B	2N3009		
DEC6534D	MPS6534		

REV.	CHG. NO.	CHK'D	DATE
A	7037	R. DOANE	4-27-65

DRN. I. HAHN	DATE 4-26-65
CHK'D R. SILVERMAN	DATE 4-27-65
ENG. R. DOANE	DATE 4-27-65
PROD.	DATE

**digital**  
EQUIPMENT CORPORATION  
MAYNARD, MASSACHUSETTS

TITLE BIPOLAR LEVEL AMPLIFIER W602			
SIZE	CODE	NUMBER	REV.
C	CS	W602-0-1	A

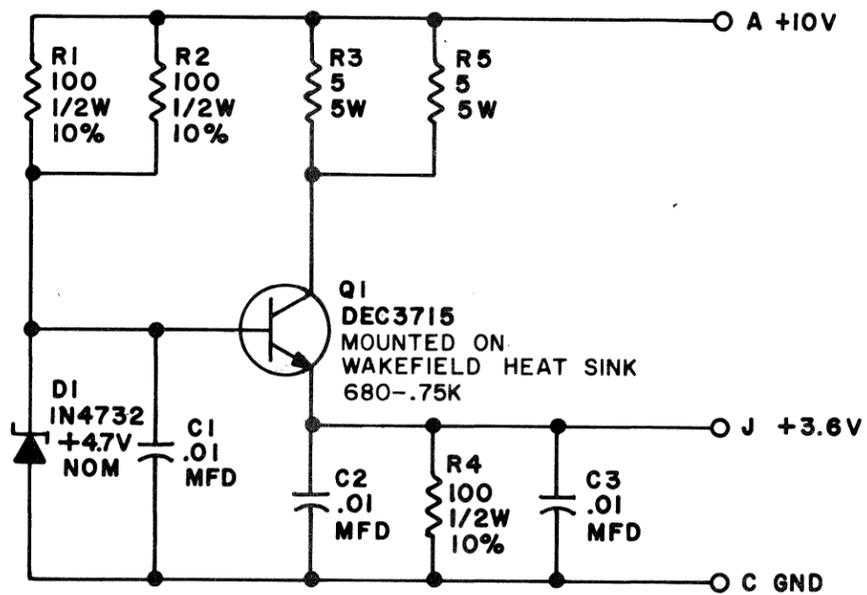
DEC FORM NO. DRG 102

DIST. 324 434 435<sup>2</sup> P I N K

REV. A  
NUMBER W602-0-1  
SIZE CODE C CS

THIS SCHEMATIC IS FURNISHED ONLY FOR TEST AND MAINTENANCE PURPOSES. THE CIRCUITS ARE PROPRIETARY IN NATURE AND SHOULD BE TREATED ACCORDINGLY. COPYRIGHT 1967 BY DIGITAL EQUIPMENT CORPORATION

REV. B  
NUMBER W705-0-1  
CODE CS  
SIZE B



UNLESS OTHERWISE INDICATED:  
R3 & R5 ARE WARD LEONARD 5XM5



REV. NO.	CHG. NO.	CHK.
A	5974	RMS
B	6438	REV. & REDR.

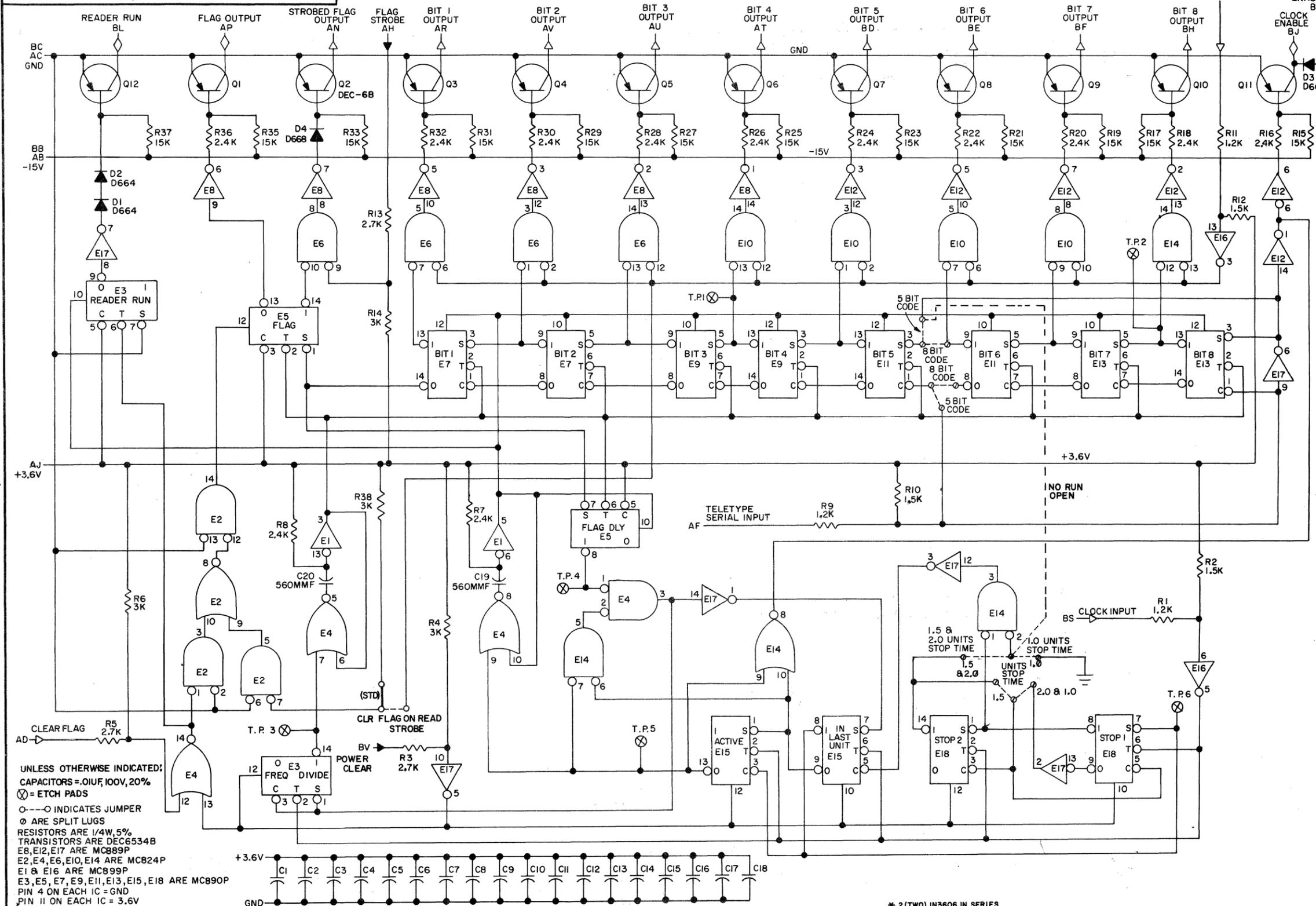
DRN. M. HALLER	DATE 10-66
CHK'D N. PERRYMAN	DATE 10-66
ENG. A. RICKETTS	DATE
PROD.	DATE

TRANSISTOR & DIODE CONVERSION CHART			
DEC		EIA	
DEC3715	SAME		
IN4732	SAME		

**digital**  
EQUIPMENT CORPORATION  
MAYNARD, MASSACHUSETTS

TITLE			
+3.6V POWER SUPPLY W705			
SIZE	CODE	NUMBER	REV.
B	CS	W705-0-1	B
PRINTED CIRCUIT REV.			B

THIS SCHEMATIC IS FURNISHED ONLY FOR TEST AND MAINTENANCE PURPOSES. THE CIRCUITS ARE PROPRIETARY IN NATURE AND SHOULD BE TREATED ACCORDINGLY. COPYRIGHT 1966 BY DIGITAL EQUIPMENT CORPORATION



UNLESS OTHERWISE INDICATED:  
 CAPACITORS = .01UF, 100V, 20%  
 ⊗ = ETCH PADS  
 ○---○ INDICATES JUMPER  
 ∅ ARE SPLIT LUGS  
 RESISTORS ARE 1/4W, 5%  
 TRANSISTORS ARE DEC6534B  
 E8, E12, E17 ARE MC889P  
 E2, E4, E6, E10, E14 ARE MC824P  
 E1 & E16 ARE MC899P  
 E3, E5, E7, E9, E11, E13, E15, E18 ARE MC890P  
 PIN 4 ON EACH IC = GND  
 PIN 11 ON EACH IC = 3.6V

REV	CHG NO.	REV
1	1	1

DEC FORM NO. DRC 102

DRN. HALLER	DATE 10-27-66
CHK'D PERRYMAN	DATE 10-27-66
ENG. RICKETTS	DATE 10-27-66
PROD.	DATE

TRANSISTOR & DIODE CONVERSION CHART			
DEC	EIA	DEC	EIA
DEC6534B	MPS6534	D668 *	
D664	IN3606		

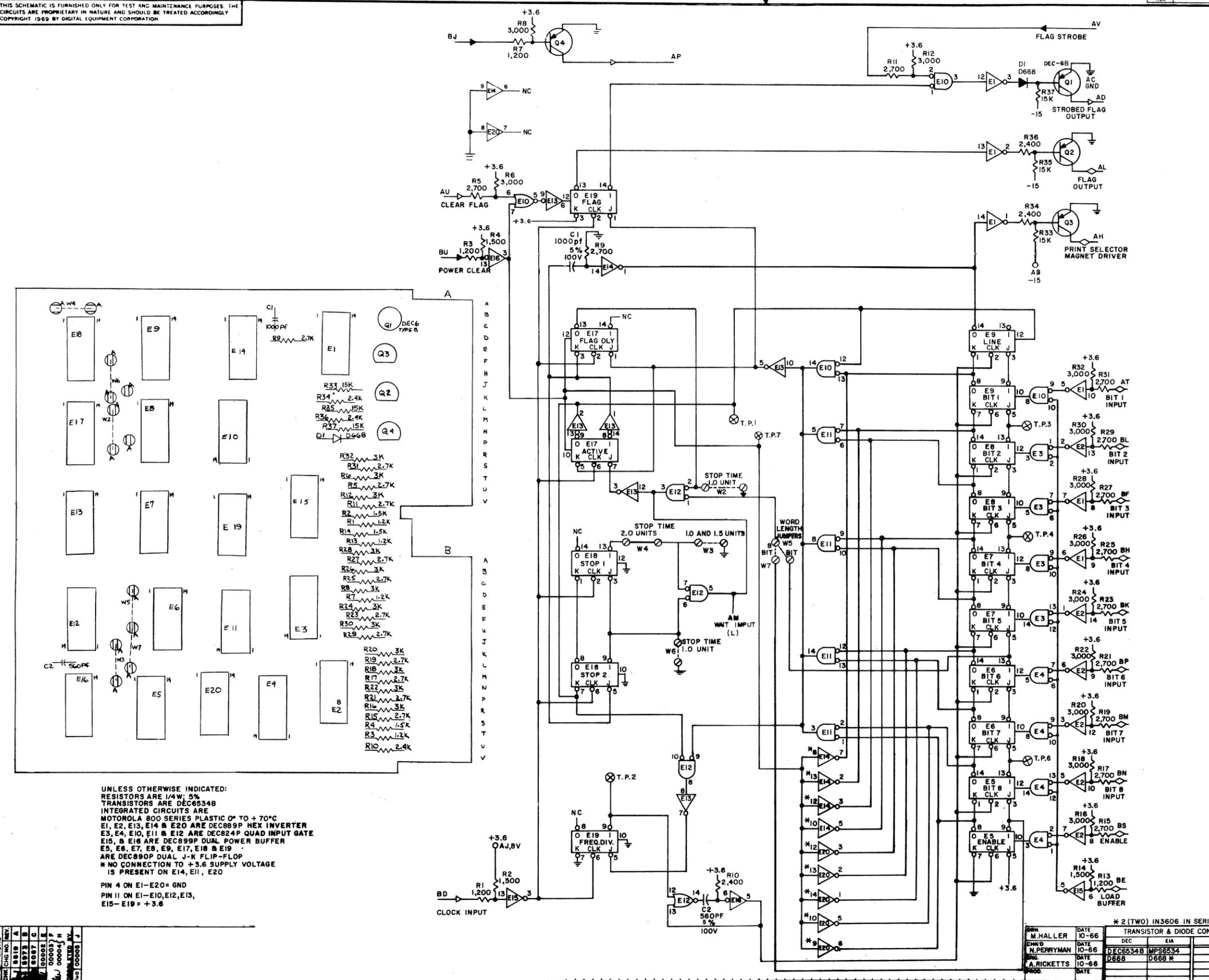
**digital**  
 EQUIPMENT CORPORATION  
 MAYNARD, MASSACHUSETTS

TITLE TELETYPE RECEIVER W706			
SIZE C	CODE CS	NUMBER W706-0-1	REV. F
PRINTED CIRCUIT REV. D			

REV. F  
 NUMBER W706-0-1  
 SIZE CODE C CS

5 DIST. 324.434.4353 PINK

THIS SCHEMATIC IS FURNISHED ONLY FOR TEST AND MAINTENANCE PURPOSES. THE CIRCUITS ARE PROPRIETARY IN NATURE AND SHOULD BE TREATED ACCORDINGLY. COPYRIGHT 1969 BY DIGITAL EQUIPMENT CORPORATION.



UNLESS OTHERWISE INDICATED:  
 RESISTORS ARE 1/4W; 5%  
 TRANSISTORS ARE DEC6534B  
 INTEGRATED CIRCUITS ARE  
 MOTOROLA 800 SERIES PLASTIC 0° TO +70°C  
 E1, E2, E13, E14 & E20 ARE DEC889P HEX INVERTER  
 E3, E4, E10, E11 & E12 ARE DEC824P QUAD INPUT GATE  
 E15, & E16 ARE DEC899P DUAL POWER BUFFER  
 E5, E6, E7, E8, E9, E17, E18 & E19  
 ARE DEC890P DUAL J-K FLIP-FLOP  
 \*NO CONNECTION TO +3.6V SUPPLY VOLTAGE  
 IS PRESENT ON E14, E11, E20

PIN 4 ON E1-E20 = GND  
 PIN 11 ON E1-E10, E12, E13,  
 E15-E19 = +3.6

ITEM NO.	DEC PART NO.	DESCRIPTION	QTY
22	9006337-03	HANDLE, FLIP CHIP - WHITE	2
21	9006731	FEED THRU EYELET	138
20	9006735	SPLIT LUG	13
19	9006732	EYELET #GS4-7	4
18	1905290	I.C. DEC 899P	2
17	1904822	I.C. DEC 889P	5
16	1904821	I.C. DEC 824P	5
15	1904820	I.C. DEC 890P	8
14	1509090-01	TRANS. DEC-6 TYPE B EPOXY CAN TO-18	1
13	1503409-01	TRANS. DEC 6534B	3
12	1303177	RES. 2.4K 1/4W 5%	3
11	1301320	RES. 1.2K 1/4W 5%	4
10	1300496	RES. 15K 1/4W 5%	3
9	1300432	RES. 3K 1/4W 5%	12
8	1300426	RES. 2.7K 1/4W 5%	12
7	1300391	RES. 1.5K 1/4W 5%	3
6	1102161	DIODE D668	1
5	1000042	CAP. 1000PF 100V 5% MICA	1
4	1000025	CAP. 560PF 100V 5% D.M.	1
3	5003976	ETCHED CIRCUIT BOARD	1
2	B-MH-W707-0-6	MODULE ECO HISTORY	
1	D-AH-W707-0-5	ASSY/DRILLING HOLE LAYOUT	

\* 2 (TWO) IN3606 IN SERIES  
 TRANSISTOR & DIODE CONVERSION CHART

DATE	BY	DEC	EIA	DEC	EIA
10-66	M. HALLER	DEC	EIA	DEC	EIA
10-66	N. PERRYMAN	DEC6534B	MPS6534		
10-66	A. RICKETTS	D668	D668 *		

TITLE: TELETYPE TRANSMITTER  
 NUMBER: D CS W707-0-1  
 PRINTED CIRCUIT REV: HLP

REVISIONS	DATE	BY	DESCRIPTION
1	10-66	M. HALLER	INITIAL DESIGN
2	10-66	N. PERRYMAN	REVISED FOR MANUFACTURE
3	10-66	A. RICKETTS	REVISED FOR MANUFACTURE
4	10-66	A. RICKETTS	REVISED FOR MANUFACTURE
5	10-66	A. RICKETTS	REVISED FOR MANUFACTURE
6	10-66	A. RICKETTS	REVISED FOR MANUFACTURE
7	10-66	A. RICKETTS	REVISED FOR MANUFACTURE
8	10-66	A. RICKETTS	REVISED FOR MANUFACTURE
9	10-66	A. RICKETTS	REVISED FOR MANUFACTURE
10	10-66	A. RICKETTS	REVISED FOR MANUFACTURE