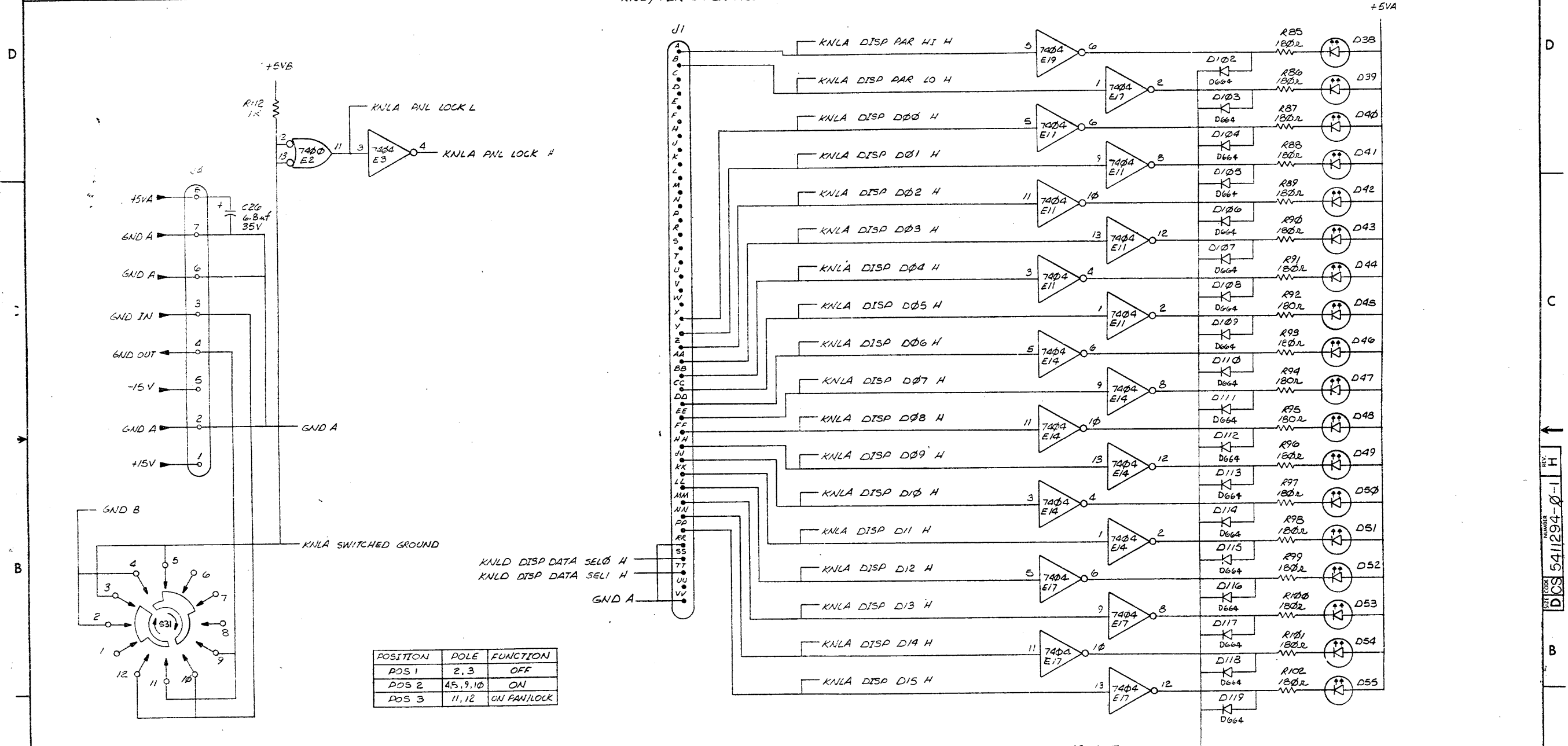


"THIS DRAWING AND SPECIFICATIONS HEREIN ARE THE PROPERTY OF DIGITAL EQUIPMENT CORPORATION AND SHALL NOT BE REPRODUCED OR COPIED OR USED IN WHOLE OR IN PART AS THE BASIS FOR THE MANUFACTURE OR SALE OF ITEMS WITHOUT WRITTEN PERMISSION. COPYRIGHT © 1972 DIGITAL EQUIPMENT CORPORATION"

KNL/PDR INTERFACE



KNLD DISP DATA SEL0 H
 KNLD DISP DATA SEL1 H
 GND A

POSITION	POLE	FUNCTION
POS 1	2,3	OFF
POS 2	4,5,9,10	ON
POS 3	11,12	ON PAN/LOCK

- NOTES:
 1. BC06R CABLES USED TO CONNECT CONSOLE TO PDR AND SCC BOARDS.
 2. CASE OF S31 = GND A

REVISIONS		
CHK	CHANGE NO.	REV.

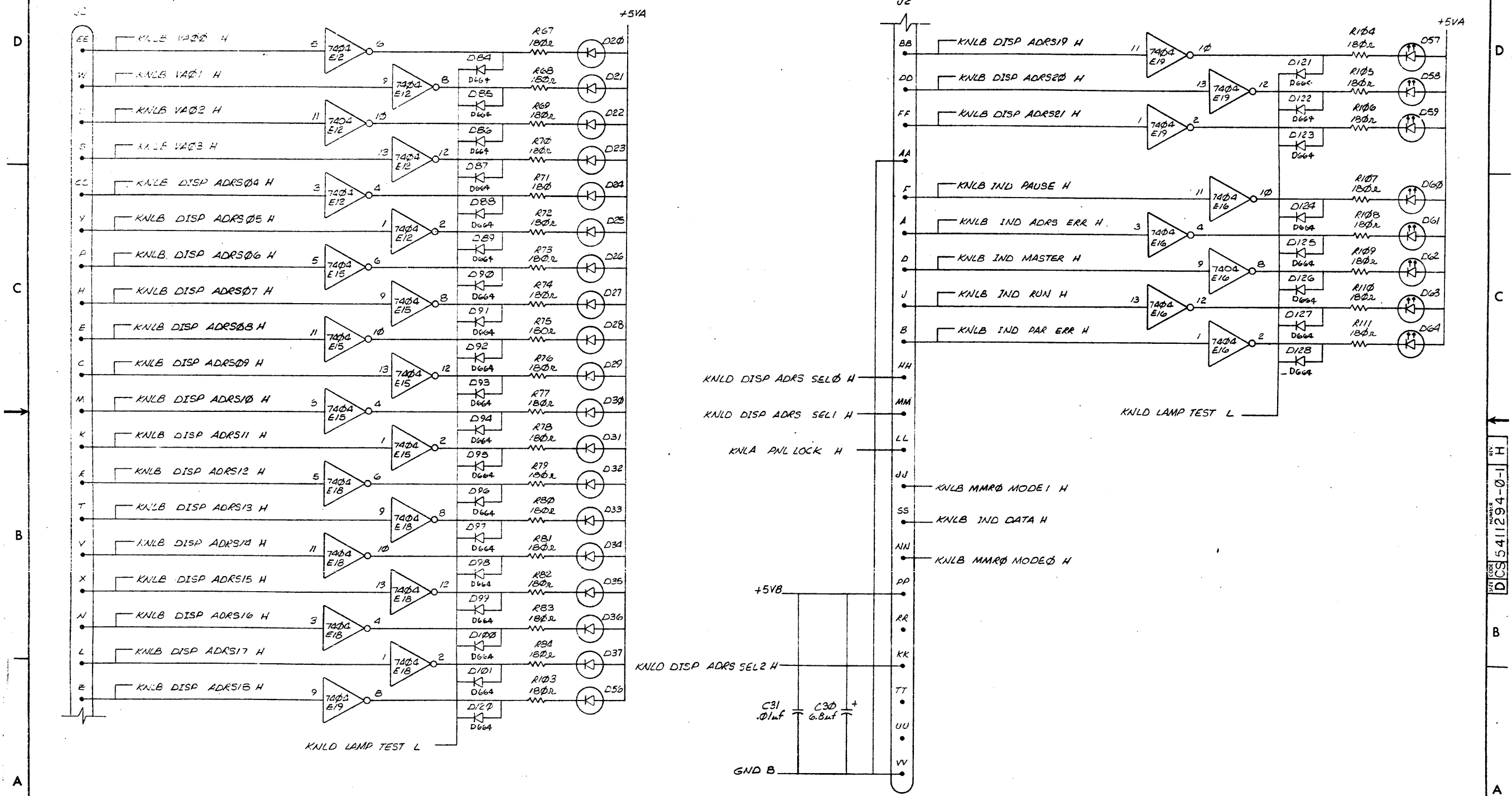
TITLE: CONSOLE BOARD (KNLA)
 SIZE CODE: DCS
 NUMBER: 5411294-0-1
 REV: H
 SCALE: -H- SHEET 2 OF 5 DIST. TW 1

143

"THIS DRAWING AND SPECIFICATIONS, HEREIN, ARE THE PROPERTY OF DIGITAL EQUIPMENT CORPORATION AND SHALL NOT BE REPRODUCED OR COPIED OR USED IN WHOLE OR IN PART AS THE BASIS FOR THE MANUFACTURE OR SALE OF ITEMS WITHOUT WRITTEN PERMISSION. COPYRIGHT © 1974 DIGITAL EQUIPMENT CORPORATION"

KNL/SCC INTERFACE

DCS 5411294-0-1



REVISIONS		
CHK	CHANGE NO.	REV.

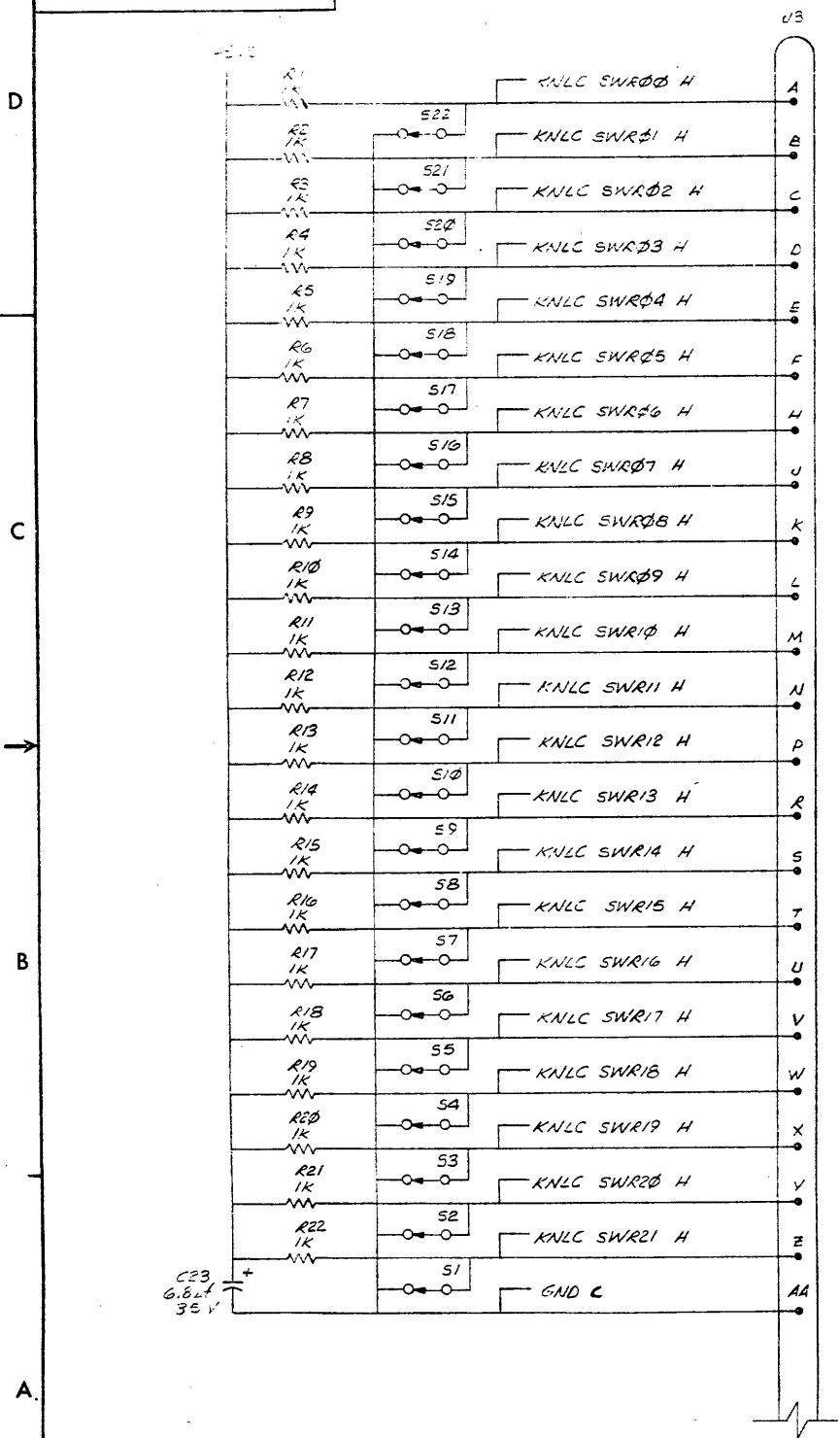
52

8	7	5	4	3	2	1		
TITLE CONSOLE BOARD (KNLB)						SIZE CODE DCS	NUMBER 5411294-0-1	REV. H
SCALE 1/16		SHEET 3 OF 5		DIST.		TW		

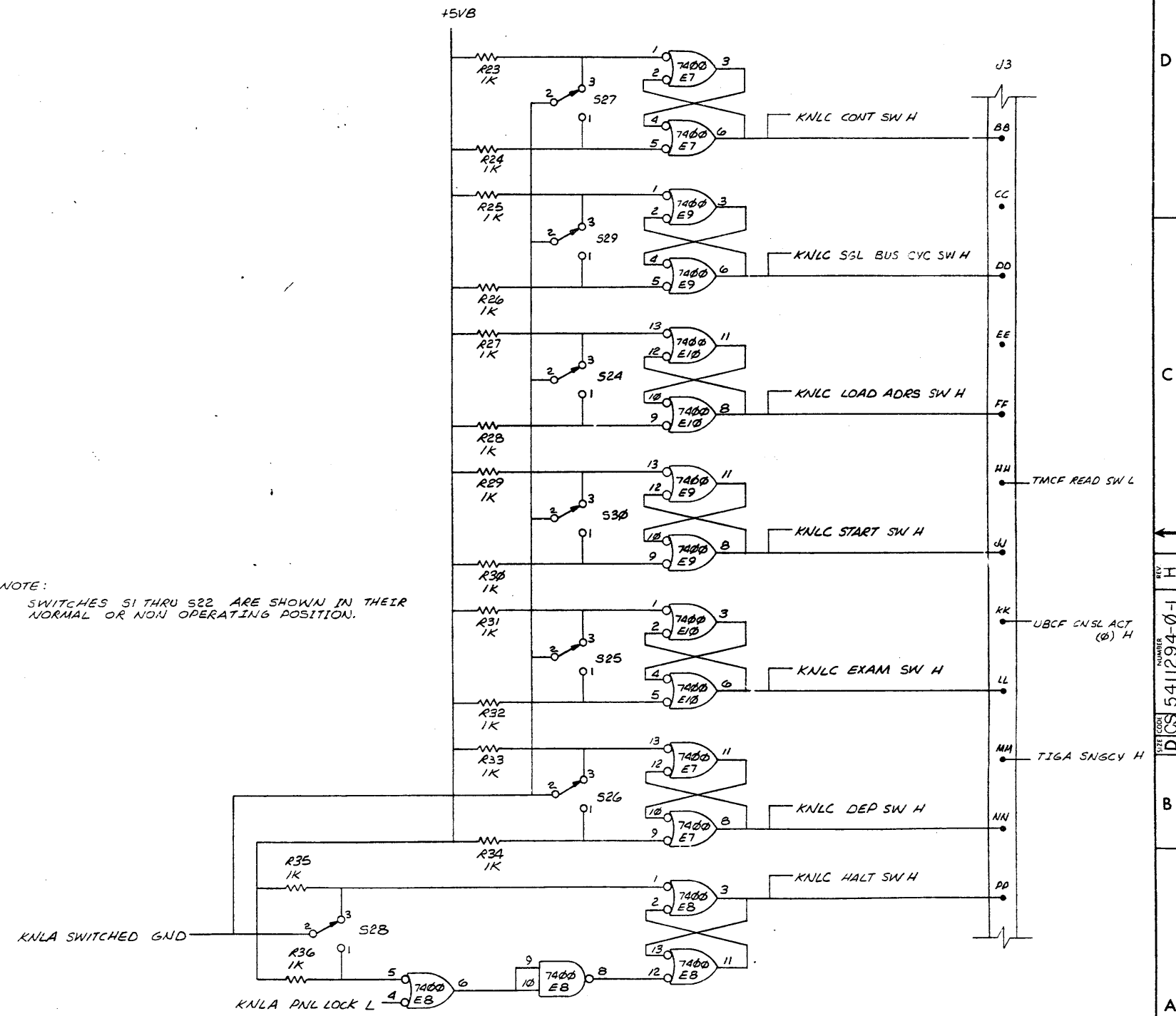
144

THIS DRAWING AND SPECIFICATION RETURN AS THE PROPERTY OF DIGITAL EQUIPMENT CORPORATION AND SHALL BE RETURNED TO THE COMPANY WITHIN 30 DAYS OF THE DATE OF THE ORIGINAL ISSUE. NO PART OF THIS DRAWING OR SPECIFICATION IS TO BE REPRODUCED OR TRANSMITTED IN ANY FORM OR BY ANY MEANS, ELECTRONIC OR MECHANICAL, INCLUDING PHOTOCOPYING, RECORDING, OR BY ANY INFORMATION STORAGE AND RETRIEVAL SYSTEM, WITHOUT WRITTEN PERMISSION OF DIGITAL EQUIPMENT CORPORATION.

KNLC SSC INTERFACE



NOTE:
SWITCHES S1 THRU S22 ARE SHOWN IN THEIR NORMAL OR NON OPERATING POSITION.



CONSOLE SWITCHES

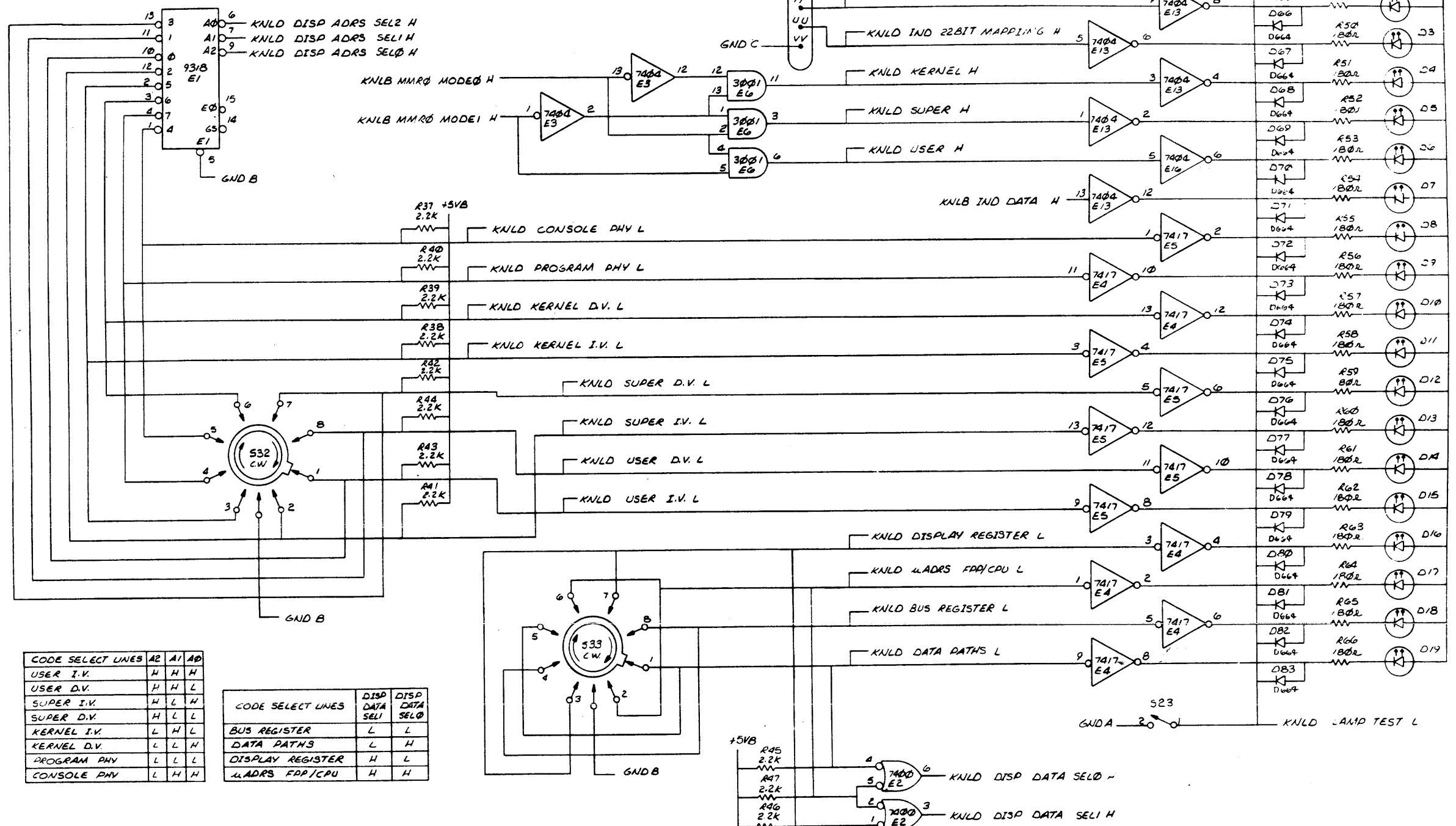
REVISIONS		
CHK	CHANGE NO.	REV.

TITLE	SIZE CODE	NUMBER	REV.
CONSOLE BOARD (KNLC)	D CS	5411294-0-1	H
SCALE	SHEET	OF	DIST.
	4	5	

145

THIS DRAWING AND SPECIFICATIONS HEREIN ARE THE PROPERTY OF DIGITAL EQUIPMENT CORPORATION AND SHALL NOT BE REPRODUCED OR COPIED OR USED IN WHOLE OR IN PART AS THE BASIS FOR THE MANUFACTURE OR SALE OF ITEMS WITHOUT WRITTEN PERMISSION. COPYRIGHT © 1974, DIGITAL EQUIPMENT CORPORATION

DCS 5411294-0-1



CODE SELECT LINES	A2	A1	A0
USER I.V.	H	H	H
USER D.V.	H	H	L
SUPER I.V.	H	L	H
SUPER D.V.	H	L	L
KERNEL I.V.	L	H	L
KERNEL D.V.	L	L	H
PROGRAM PHY	L	L	L
CONSOLE PHY	L	H	H

CODE SELECT LINES	DISP DATA SEL1	DISP DATA SEL0
BUS REGISTER	L	L
DATA PATHS	L	H
DISPLAY REGISTER	H	L
ADDR FFP/CPU	H	H

REVISIONS		
CHK	CHANGE NO.	REV.

TITLE: CONSOLE BOARD (KNLD) SIZE CODE: DCS 5411294-0-1 NUMBER: 146
 SCALE: 1/1 SHEET: 5 OF 5 DIST: TW 1