

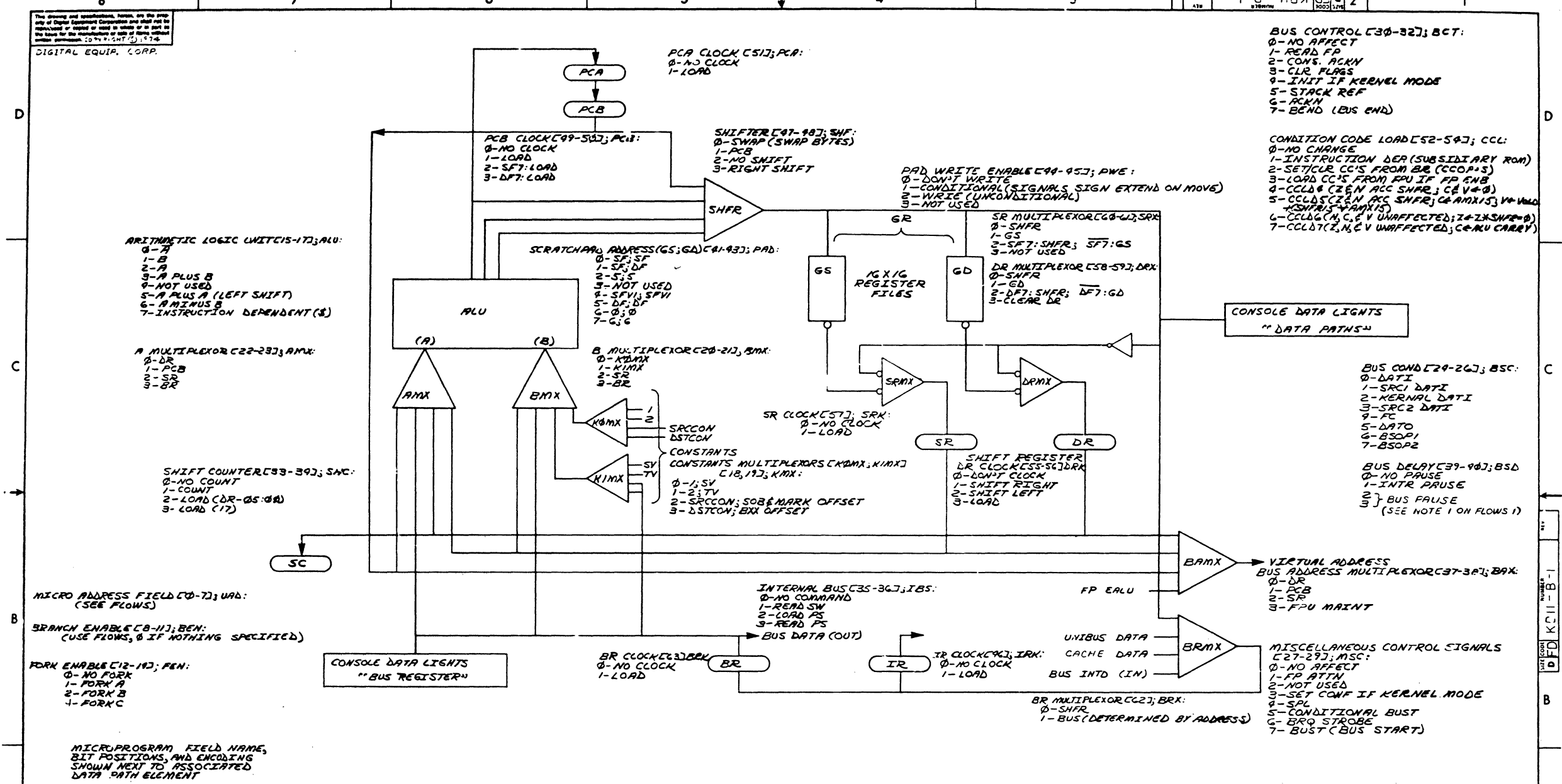


DIGITAL EQUIPMENT CORPORATION MAYNARD, MASSACHUSETTS <b>PARTS LIST</b>					QUANTITY / VARIATION										
MADE BY G. MARINI		CHECKED D. HEALY		SECTION											
DATE 2/7/75		DATE 2/10/75		1											
ENG <i>Ronald A. [Signature]</i>		PROD DON WEAVE		ISSUED SECT.											
DATE <i>3/21/75</i>		DATE 3/24/75		1											
ITEM NO.	DWG NO. / PART NO.	DESCRIPTION													
	D-CS-M8130-0-1	DATA PATHS			1										
	D-CS-M8131-0-1	GEN REG. PLUS ALU. CONTROLS			1										
	D-CS-M8132-0-1	I R DECODE			1										
	D-CS-M8133-0-1	ROM PLUS ROM CONTROL			1										
	D-CS-M8134-0-1	PROCESSOR DATA & UNIBUS CONTROL			1										
	D-CS-M8135-0-1	TRAPS & MISC. CONTROL			1										
	D-CS-M8136-0-1	UNIBUS & CONSOLE CONTROL			1										
	D-CS-M8137-0-1	SYSTEM ADDRESS PATHS			1										
	D-CS-M8138-0-1	SYSTEM STATUS REGISTERS			1										
	D-CS-M8139-0-1	TIMING GENERATOR			1										
	D-CS-M8140-0-1	SYS. DESCRIPTOR & CONS. CABLES			1										
	D-CS-M8141-0-1	UNIBUS MAP			1										
	D-CS-M8142-0-1	CACHE CONTROL BOARD			1										
	D-CS-M8143-0-1	ADDRESS MEMORY BOARD			1										
	D-CS-M8144-0-1	DATA MEMORY BOARD			1										
	D-CS-M8145-0-1	CACHE DATA PATHS			1										
	E-AD-7010329-0-0	PROCESSOR BACK PLANE ASSY.			1										
	B-MD-7414087-0-0	BLANK, MODULE			1										
	D-CS-5411294-0-1	CONSOLE BOARD			1										
		NOTE: FOR MODULE LOCATIONS REFER TO D-UA-11/70-0-0 SHEET 3													
TITLE		ASSY NO.		SIZE CODE	NUMBER					REV.	ECO NO.				
16 BIT PROCESSOR (KB11-B)				A PL	KB11-B-0					A	KB11 B-00004				
		SHEET 1 OF 1		DIST.											

DEC FORM DEC 16-(325)-1031-N870  
DRA 110

This drawing and specifications, herein, are the property of Digital Equipment Corporation and shall not be reproduced or used in whole or in part as the basis for the manufacture of any product without written permission. (077) (SMT) 1074  
DIGITAL EQUIP. CORP.

1-8-118X 03 2



REV	CHANGE NO

FIRST USED ON OPTION MODEL	QTY.	DESCRIPTION	PART NO.	ITEM NO.
11/70				
PARTS LIST				
UNLESS OTHERWISE SPECIFIED DIMENSION IN INCHES TOLERANCES				
DECIMALS	ANGLES	DATE	EQUIPMENT CORPORATION	
XXX + .005	10° 30'	10/25/75	MATHIAS HANSEN-081116	
X - .005				
TITLE				
KBII-B FLOW DIAGRAMS				
MATERIAL				
NEXT HIGHER ASSY.				
FINISH				
B-DD-KBII-B		SIZE CODE	NUMBER	REV.
SCALE		D FD	KBII-B-1	
SHEET 1 OF 15		DIST		

5

This drawing and specifications, herein, are the property of Digital Equipment Corporation and shall not be reproduced or copied in whole or in part on any other medium without the prior written permission of Digital Equipment Corporation. COPY-1141 (1974)  
DIGITAL EQUIP. CORP.

NOTE:  
1. t<sub>1</sub> BUS PAUSE =  
2. t<sub>2</sub> FOR UNIBUS CYCLES  
3. t<sub>3</sub> FOR CACHE CYCLES

FET.00 (217)  
FET.01 (331)  
FET.02 (332)  
FET.03 (334)  
FET.04 (164)  
FET.05 (126)  
FET.06 (373)  
FET.07 (237)  
FET.08 (350)  
FET.09 (265)

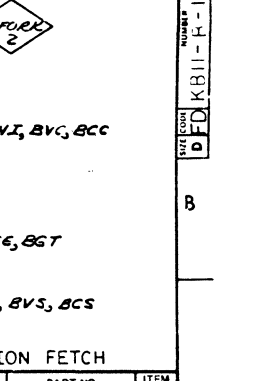
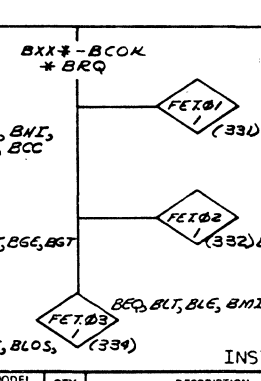
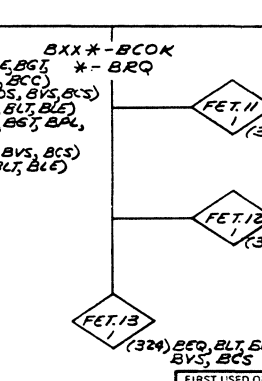
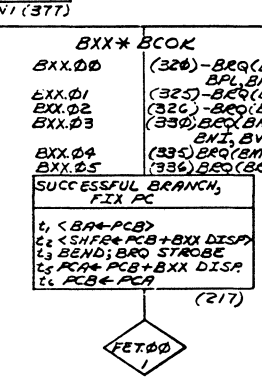
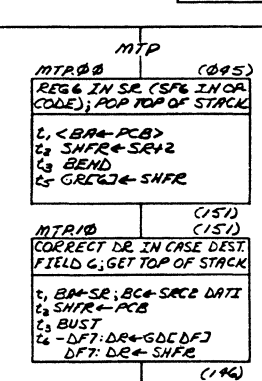
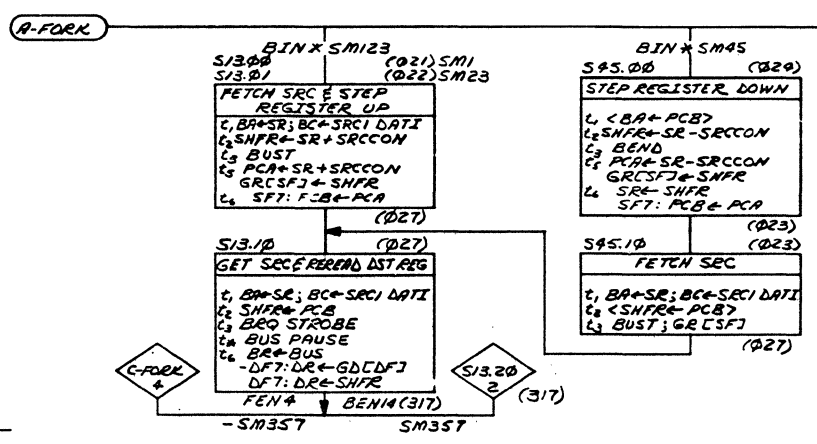
START FETCH NEXT INSTR.  
CLEAR INSTR. ECS  
t<sub>1</sub> BA+PCB; BC+DATI  
t<sub>2</sub> SNFR+SR-SR  
t<sub>3</sub> BUST; CLEAR FLAGS  
t<sub>4</sub> IR+SNFR

BENB(240)  
BRQ

FET.10 (260)  
FET.11 (321)  
FET.12 (322)  
FET.13 (329)  
GET INSTR. STEP PC  
BEYOND  
t<sub>1</sub> BA+PCB; BC+DATI  
t<sub>2</sub> <SNFR+PCB+2>  
t<sub>3</sub> BRQ STROBE  
t<sub>4</sub> BUS PAUSE  
t<sub>5</sub> PCA+PCB+2  
t<sub>6</sub> IR+BUS; BR+B. S  
PCB+PCA

IRL.00 (393)  
IRL.00 (393)  
DECODE THIS INSTR. STEP  
FOR BEYOND SRCD SRCE  
DST FIELD GEN REGS  
t<sub>1</sub> BA+PCB; BC+DATI  
t<sub>2</sub> SNFR+PCB  
t<sub>3</sub> CONDITIONAL BUST  
t<sub>4</sub> PCA+PCB+2  
t<sub>5</sub> -SFT: SR+GSCSFJ  
t<sub>6</sub> -SFT: SR+SNFR  
-DFT: DR+GDCDFJ  
DFT: DR+SNFR

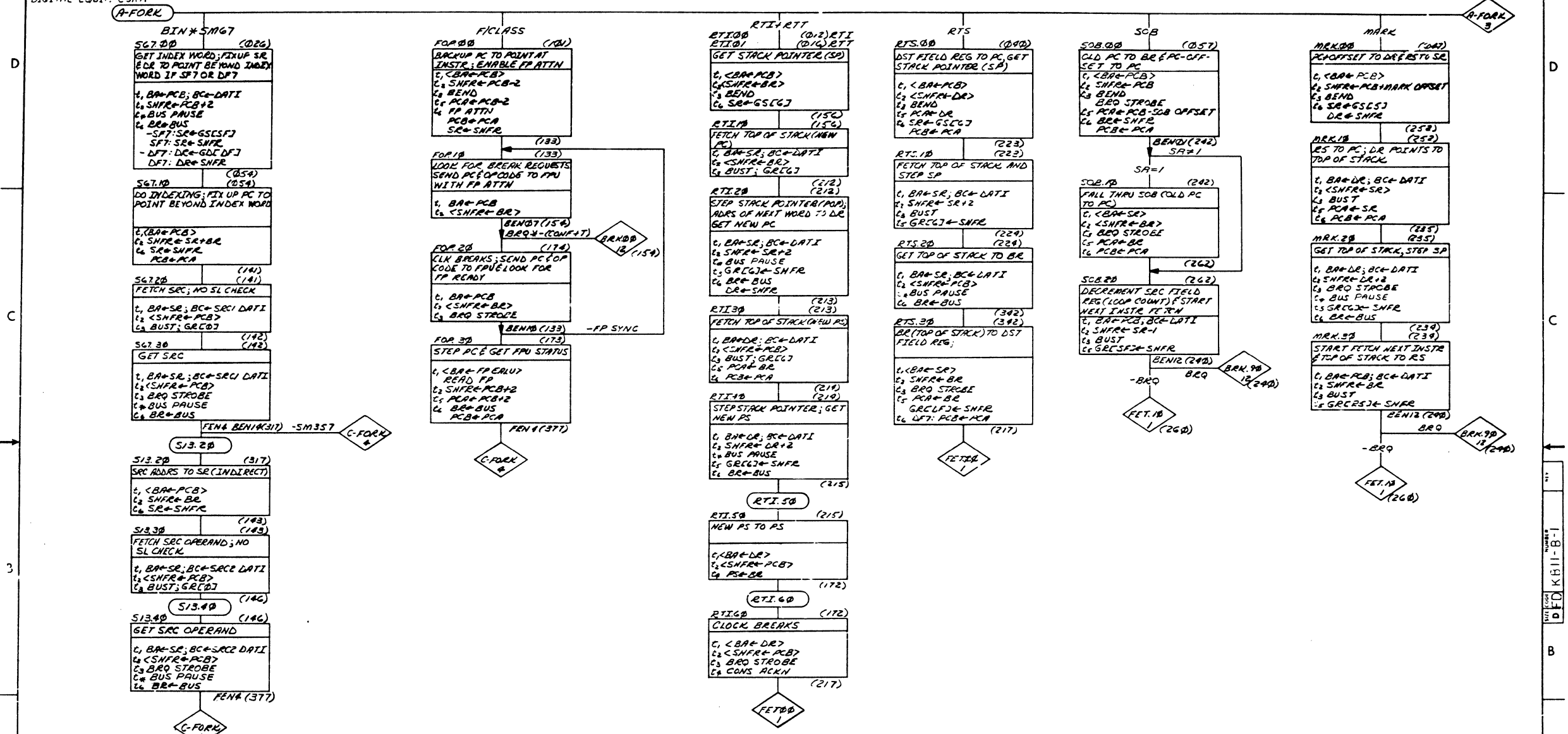
FENI(377)



FIRST USED ON OPTION/MODEL	QTY.	DESCRIPTION	PART NO.	ITEM NO.
11/70				
UNLESS OTHERWISE SPECIFIED DIMENSION IN INCHES TOLERANCES				
DECIMALS	ANGLES	PARTS LIST		
.XXX ± .008	10° 30'	DRN	DATE	<b>Digital</b> EQUIPMENT CORPORATION TITLE: KBII-B FLOW DIAGRAMS (FLOWS 1) NUMBER: DFD KBII-B-1 REV.: SCALE: 1:1 SHEET: 2 OF 15
.XX ± .01		CHK	DATE	
.X ± .1		ENG	DATE	
		PROJ. ENGR.	DATE	
REMOVE BURRS AND BREAK SHARP CORNERS SURFACE QUALITY				
MATERIAL				
FINISH				

REVISIONS  
NO. CHANGE NO.

This drawing and specifications, herein, are the property of Digital Equipment Corporation and shall not be reproduced or copied or used in whole or in part as the basis for the manufacture or sale of items without written permission. COPYRIGHT © 1974  
DIGITAL EQUIP. CORP.

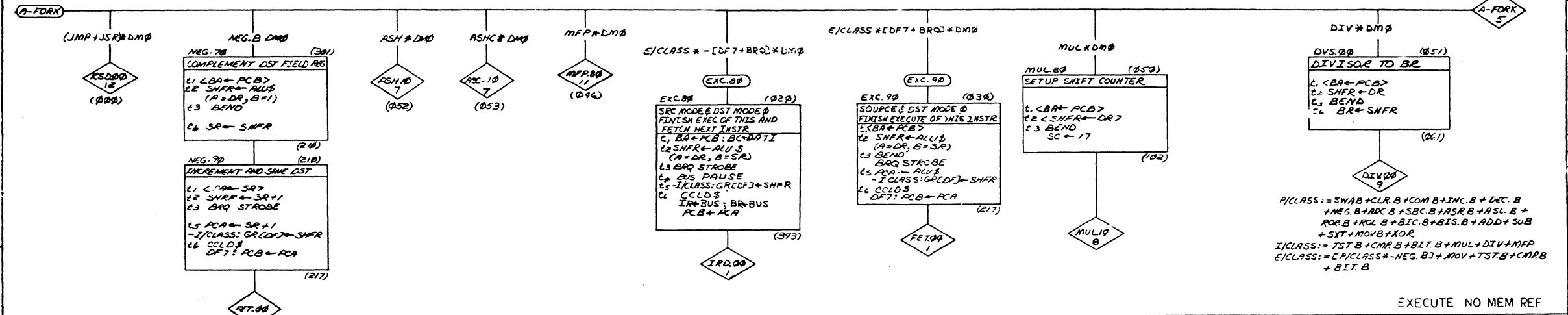
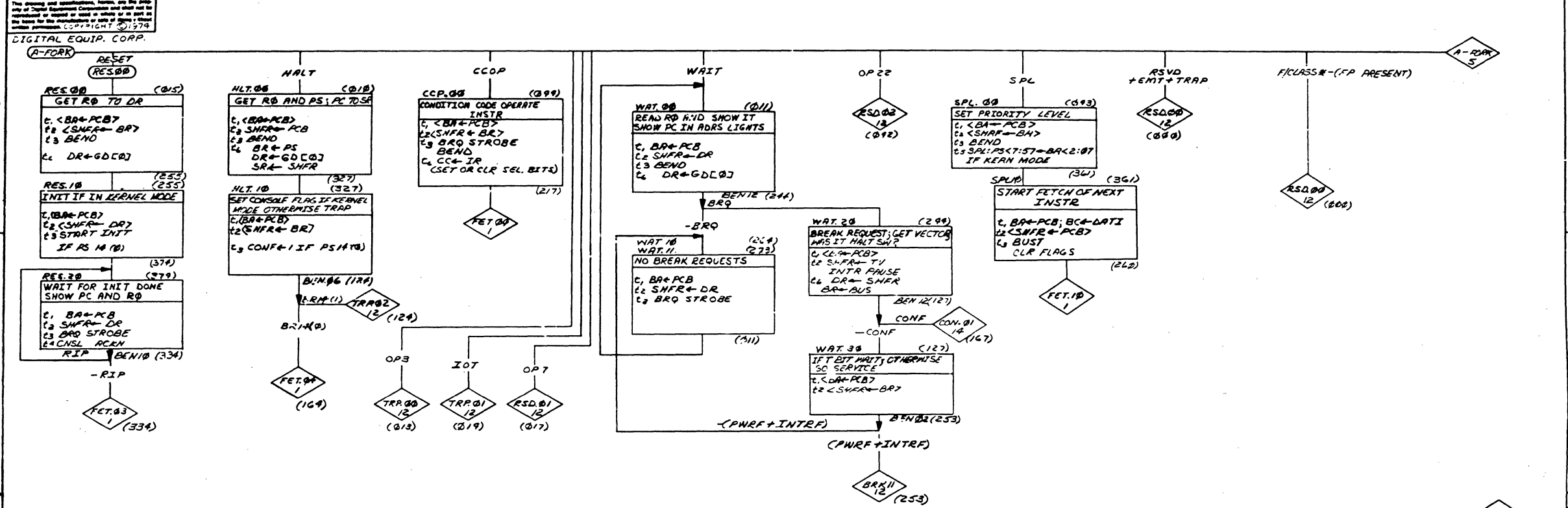


REV	CHANGE NO

DEC 104W NO  
ORD 102-B

CONTROL; FLOATING; INDEXED SOURCE

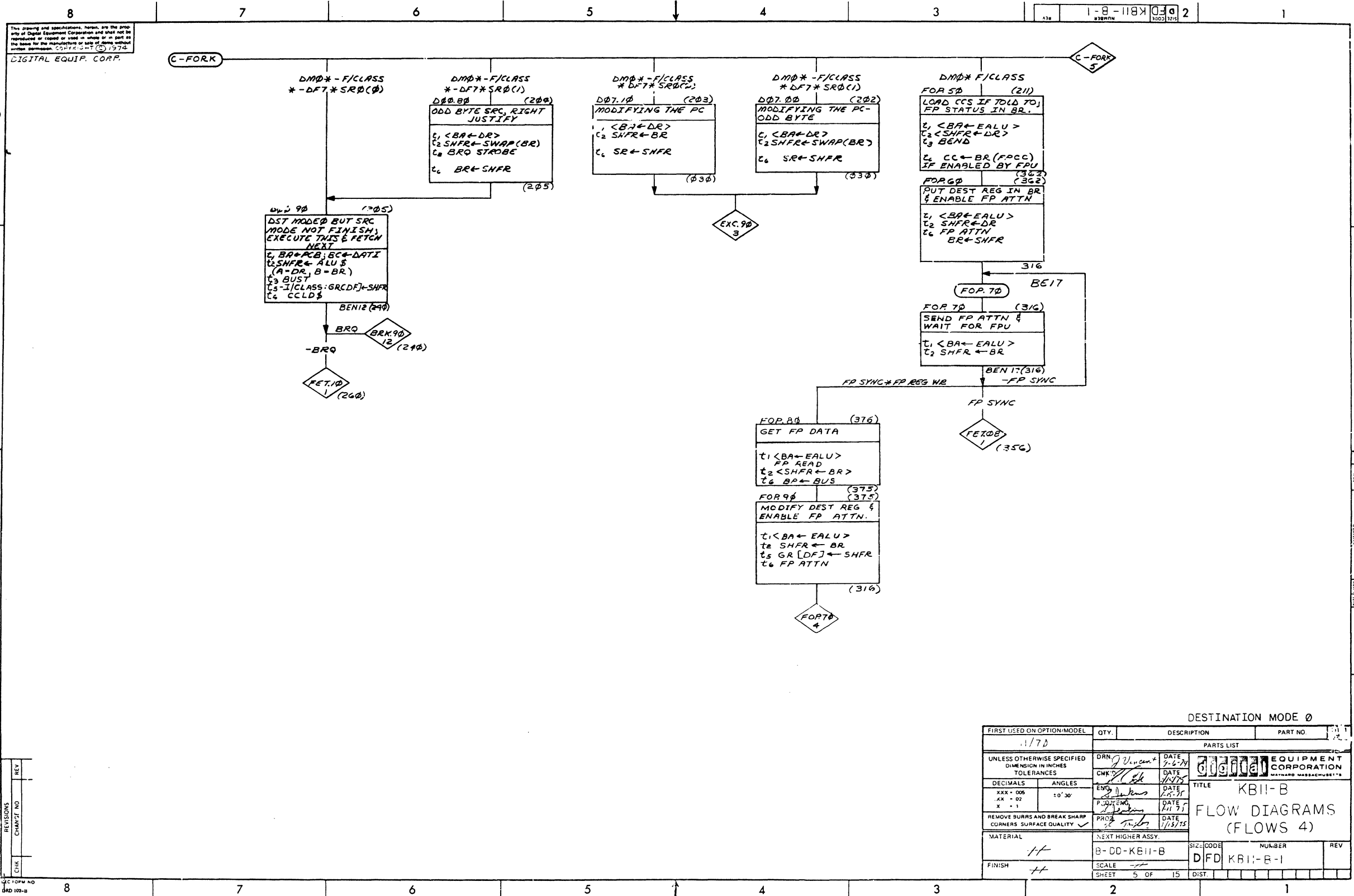
FIRST USED ON OPTION MODEL	QTY.	DESCRIPTION	PART NO	ITEM NO
11/70				
PARTS LIST				
UNLESS OTHERWISE SPECIFIED DIMENSION IN INCHES TOLERANCES	DRN. <i>J. Lucini</i>	DATE 11/27/74	DIGITAL EQUIPMENT CORPORATION WATUARD MASSACHUSETTS	
DECIMALS ANGLES XXX - 005 10' 30"	CHK'D <i>J. Lucini</i>	DATE 11/27/74	TITLE KBII-B FLOW DIAGRAMS (FLOWS ?)	
REMOVE BURRS AND BREAK SHARP CORNERS SURFACE QUALITY	ENG. <i>J. Lucini</i>	DATE 11/27/74	MATERIAL	
FINISH	PROD. <i>J. Lucini</i>	DATE 11/27/74	NEXT HIGHER ASSY.	
			B-00-KBII-B	SIZE CODE
			SCALE	NUMBER
			SHEET 3 OF 15	DIST. KEII-B-1



EXECUTE NO MEM REF

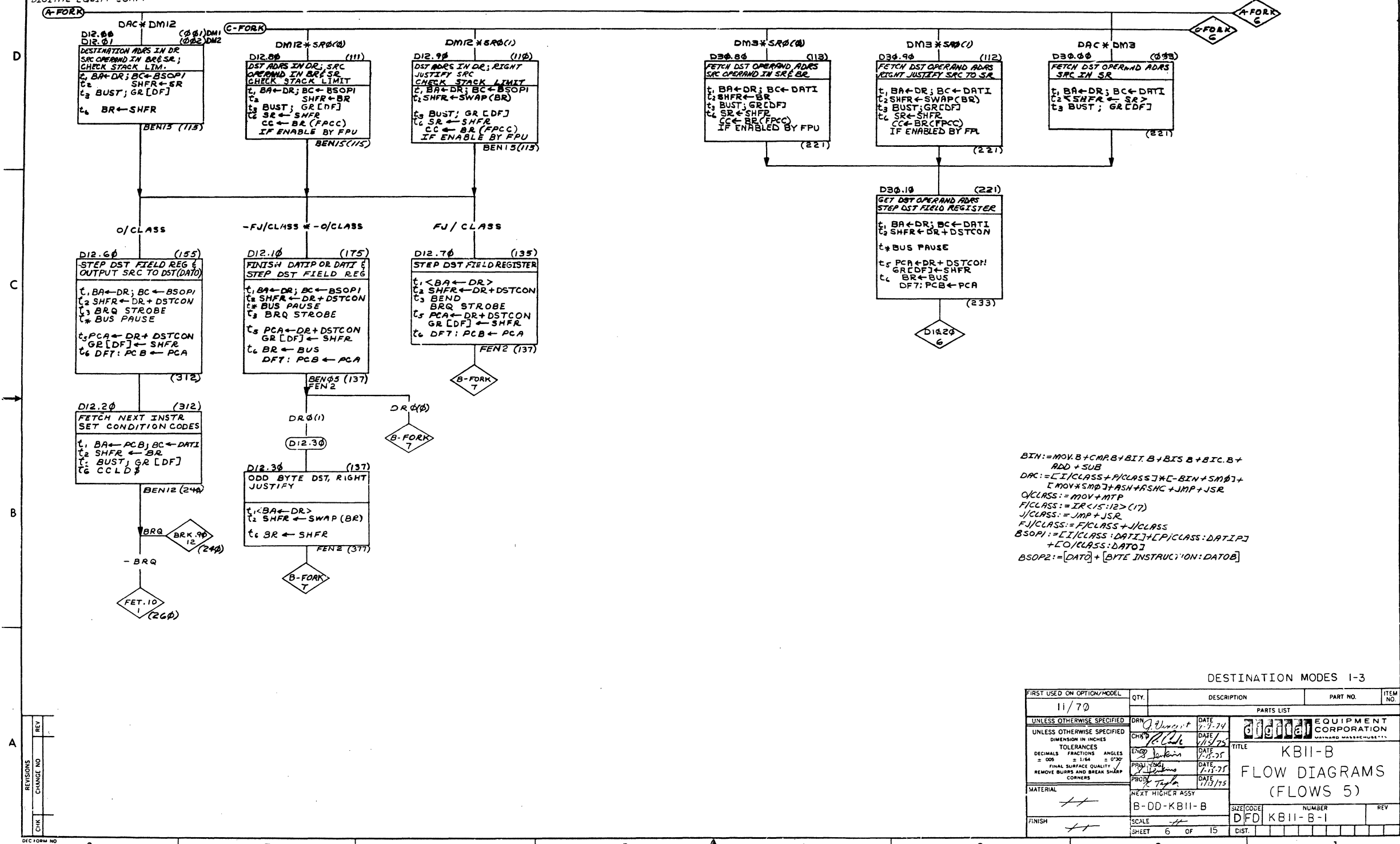
FIRST USED ON OPTION/MODEL	QTY	DESCRIPTION	PART NO.	ITEM NO.
11/70				
UNLESS OTHERWISE SPECIFIED				
DRN: J. J. J.		DATE: 1-6-74	PARTS LIST	
CHKD: J. J. J.		DATE: 1/15/75	TITLE: KB11-3 FLOW DIAGRAMS (FLOWS 3)	
ENG: J. J. J.		DATE: 1/15/75	DRAWN BY: J. J. J.	
PHYS: J. J. J.		DATE: 1/15/75	SCALE: 1/16" = 1"	
MATERIAL: --		DATE: 1/15/75	SHEET: 4 OF 15	
FINISH: --			DIST: --	

REV  
CHANGE NO  
CHK



FIRST USED ON OPTION/MODEL	QTY.	DESCRIPTION	PART NO.
1170			
PARTS LIST			
UNLESS OTHERWISE SPECIFIED DIMENSION IN INCHES TOLERANCES	DRN: J. Vincent	DATE: 9-6-74	DIGITAL EQUIPMENT CORPORATION MAYNARD MASSACHUSETTS
DECIMALS: .006 XX - .02 X - .1	CHK: J. K. K.	DATE: 11/17/75	
ANGLES: ±0° 30'	ENG: J. Vincent	DATE: 1-15-75	TITLE: KBII-B
REMOVE BURRS AND BREAK SHARP CORNERS SURFACE QUALITY ✓	P. J. J. ENG.	DATE: 1/17/75	TITLE: FLOW DIAGRAMS (FLOWS 4)
MATERIAL: H	FINISH: H	SCALE: 5 OF 15	NUMBER: DFD KBII-B-1
NEXT HIGHER ASSY.		SIZE CODE	REV
		SHEET	

This drawing and specifications, herein, are the property of Digital Equipment Corporation and shall not be reproduced or copied in whole or in part or the basis for the manufacture of any of them without written permission. COPYRIGHT © 1974  
DIGITAL EQUIP. CORP.



DESTINATION MODES 1-3

REV	
CHANGE NO	
CHK	

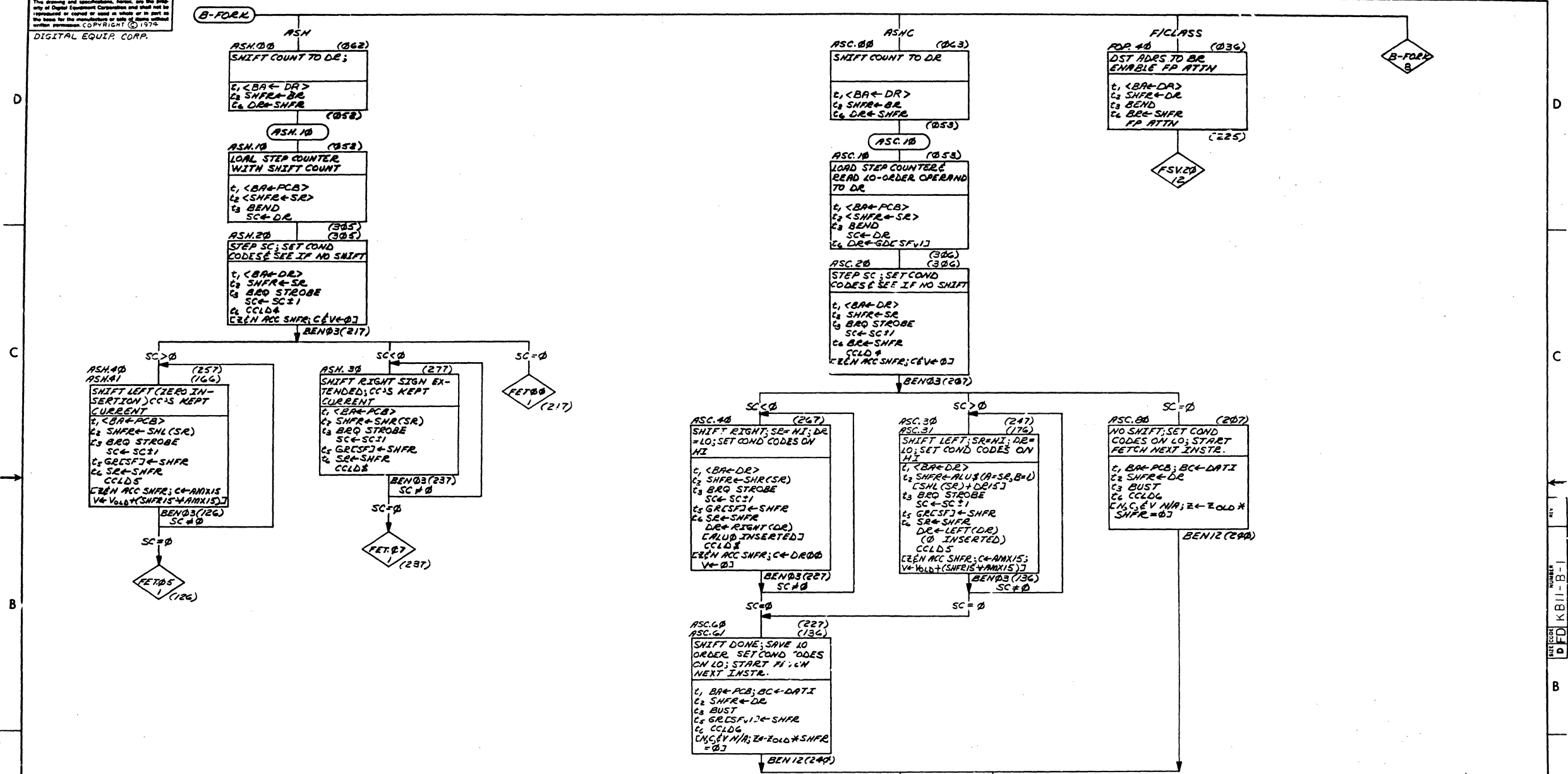
11  
 NUMBER  
 DFD KBII-B-1  
 DATE LOAN





The drawing and specifications herein are the property of Digital Equipment Corporation and shall not be reproduced in whole or in part or in any form without written permission. COPYRIGHT © 1974 DIGITAL EQUIP. CORP.

1-8-116K 2

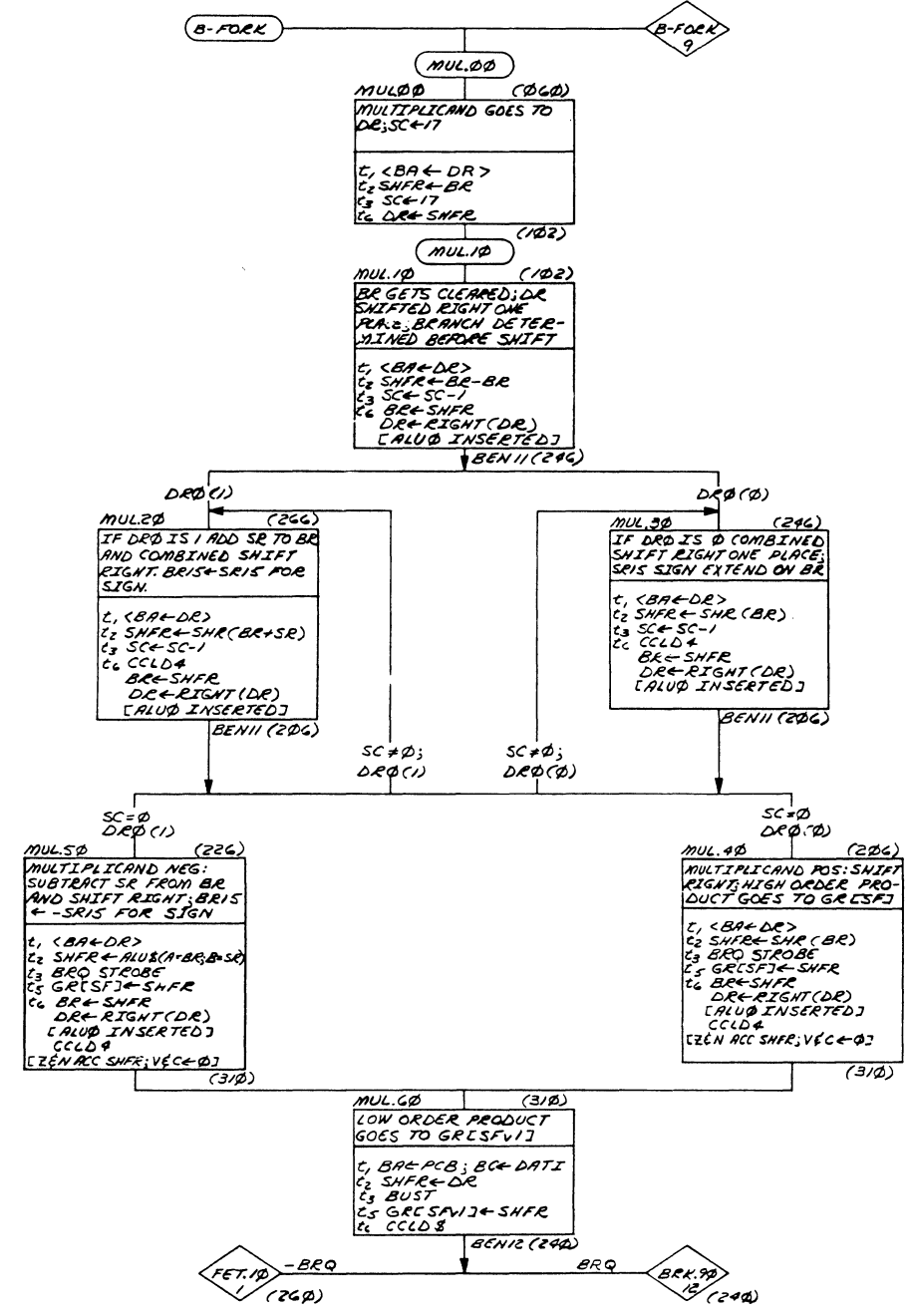


REV	NO
CHG	NO
DATE	BY

FIRST USED ON OPTION/MODEL	QTY.	DESCRIPTION	PART NO.	ITEM NO.
11/70				
PARTS LIST				
UNLESS OTHERWISE SPECIFIED	DRN	DATE	DIGITAL EQUIPMENT CORPORATION	
DIMENSION IN INCHES	CHKD	DATE	NATIONAL INSTRUMENTS	
TOLERANCES				
DECIMALS				
ANGLES				
.XXX - .006	ENG	DATE	TITLE	
.XX - .02			KBII-B	
.X - .1			FLOW DIAGRAMS	
REMOVE BURRS AND BREAK SHARP	PRD	DATE	(FLOWS 7)	
CORNERS SURFACE QUALITY				
MATERIAL	NEXT HIGHER ASSY.	SIZE CODE	NUMBER	REV.
	B-00-KBII-B	D	FD	KBII-B-1
FINISH	SCALE	SHEET	3 OF 15	DIST.

This drawing and specifications, herein, are the property of Digital Equipment Corporation and shall not be reproduced or copied in whole or in part for the purpose of the manufacture or sale of parts without written permission. COPYRIGHT © 1970 DIGITAL EQUIP. CORP.

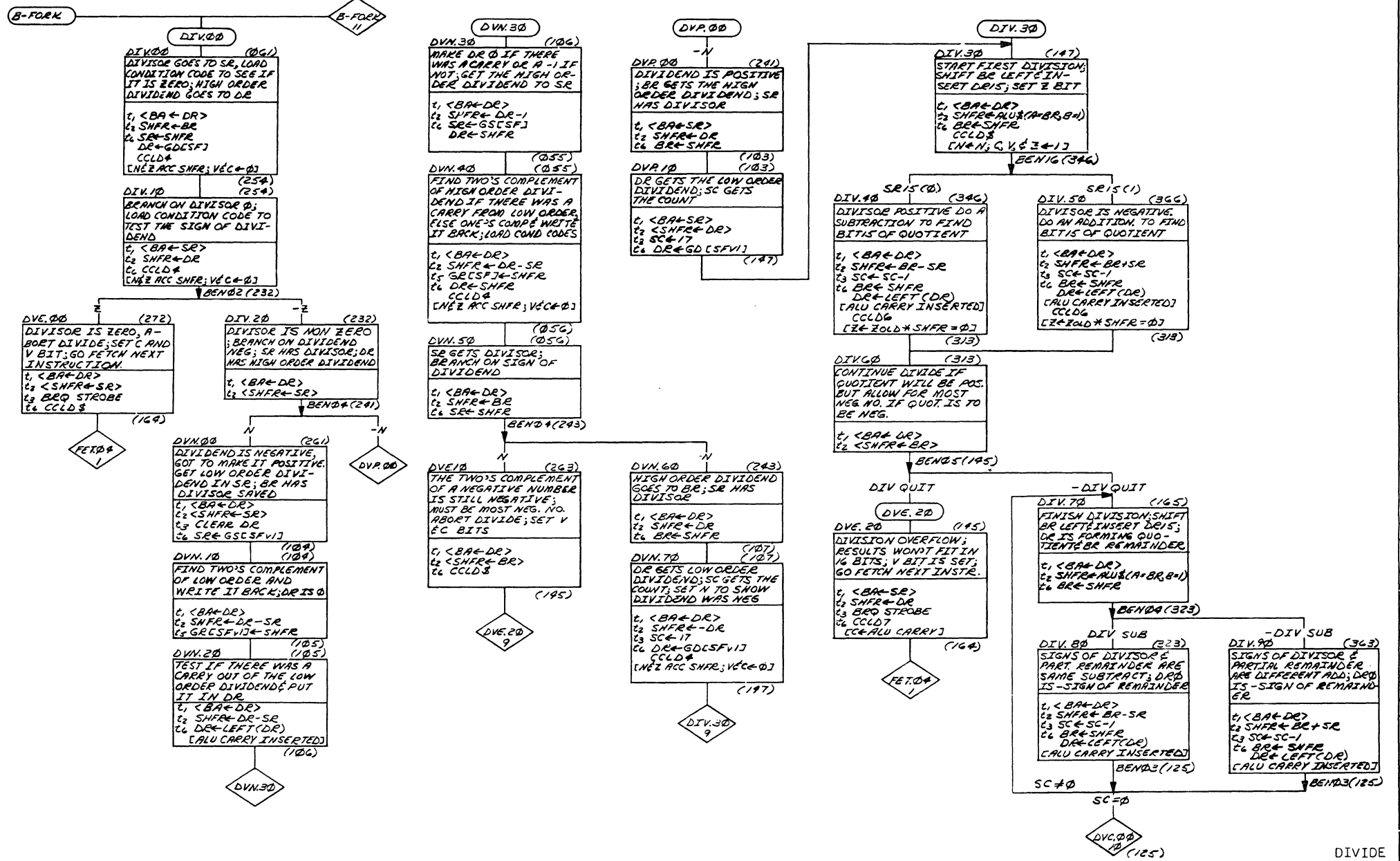
1-8-118X 2



FIRST USED ON OPTION/MODEL		QTY.	DESCRIPTION	PART NO	ITEM NO
11/70					
PARTS LIST					
UNLESS OTHERWISE SPECIFIED DIMENSION IN INCHES TOLERANCES		DRN. <i>J. Unice</i>	DATE 1-10-71		
DECIMALS	ANGLES	CHK'D <i>R. Clark</i>	DATE 1/15/71		
XXX - 005	XX - 02	ENG. <i>S. Johnson</i>	DATE 1-15-71	TITLE <b>KBII-B</b> <b>FLOW DIAGRAMS</b> <b>(FLOWS 8)</b>	
REMOVE BURRS AND BREAK SHARP CORNERS SURFACE QUALITY		PROV'G <i>S. Johnson</i>	DATE 1-15-71		
MATERIAL	NEXT HIGHER ASSY	SCALE	SHEET 9 OF 15	SIZE CODE	NUMBER
FINISH	B-D0-KBII-B	DIST.		DJF	KBII-B-1

REV.	CHANGE NO.

This drawing and specifications, herein, are the property of Digital Equipment Corporation and shall not be reproduced or copied or used in whole or in part as the basis for the manufacture or sale of items without written permission. COPYRIGHT © 1974 DIGITAL EQUIP. CORP.



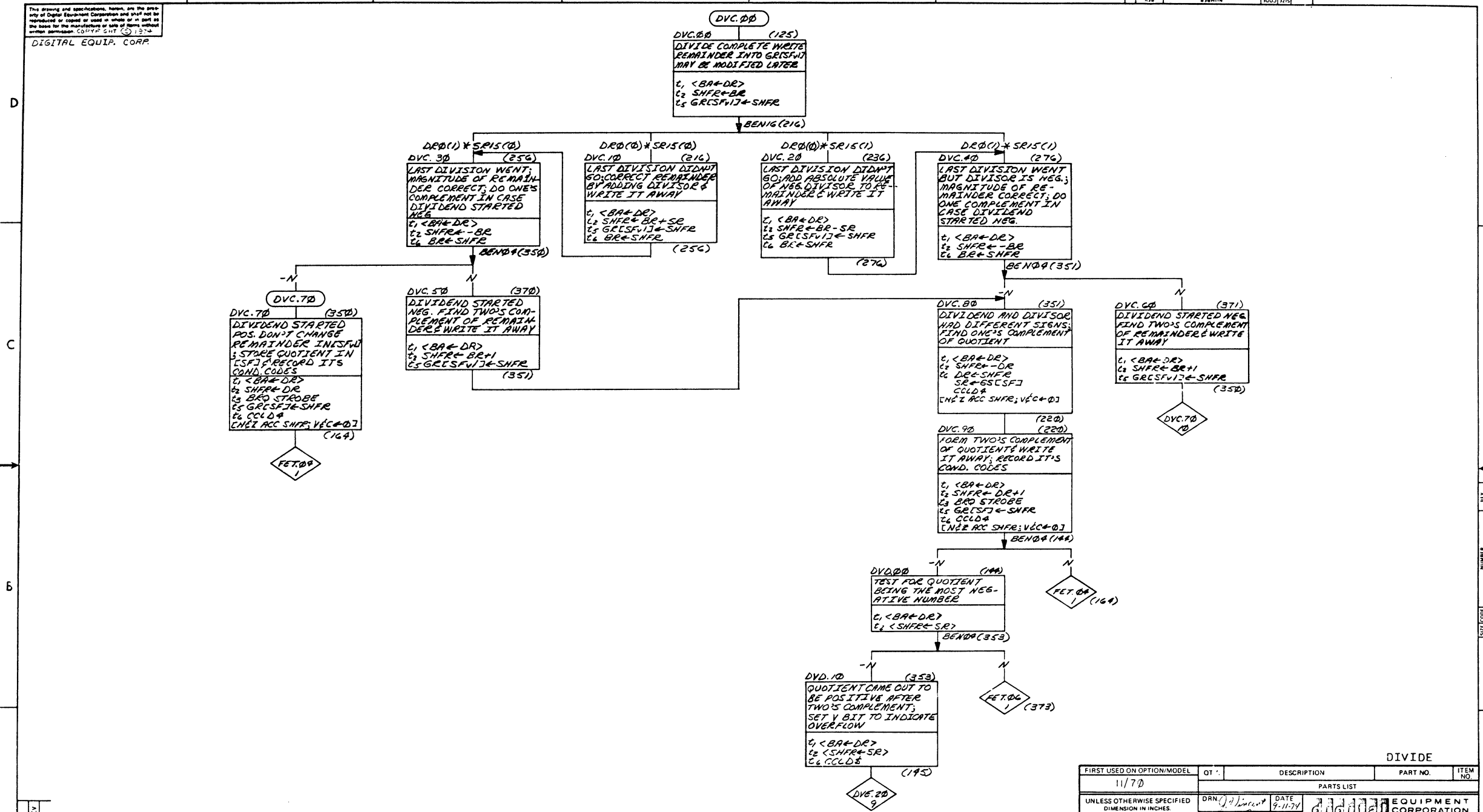
FIRST USED ON OPTION/MODEL	QTY.	DESCRIPTION	PART NO.	ITEM NO.
11/70				
PARTS LIST				
UNLESS OTHERWISE SPECIFIED DIMENSION IN INCHES TOLERANCES		DRN: J. Vincent	DATE: 9-11-74	DIGITAL EQUIPMENT CORPORATION MAYNARD MASSCHUSETTS
DECIMALS ANGLES		CHK: C. Cook	DATE: 11/75	
REMOVED BURRS AND BREAK SHARP CORNERS SURFACE QUALITY		ENG: J. Vincent	DATE: 1-15-75	TITLE KBII-B FLOW DIAGRAMS (FLOWS 9)
MATERIAL		APP: J. Vincent	DATE: 11/13/75	
FINISH		NEXT HIGHER ASSY	SIZE/CODE	NUMBER
		B-00-KBII-B	D F D	KBII-B-1
		SCALE	SHEET	DIST
		10 OF 15		

REV.	CHANGE NO.	REVISIONS

HA

This drawing and specifications, herein, are the property of Digital Equipment Corporation and shall not be reproduced or copied in whole or in part as the basis for the manufacture or sale of items without written permission. COPYR. INT. © 1974  
DIGITAL EQUIP. CORP.

1-8-118X  
REV. 12/75

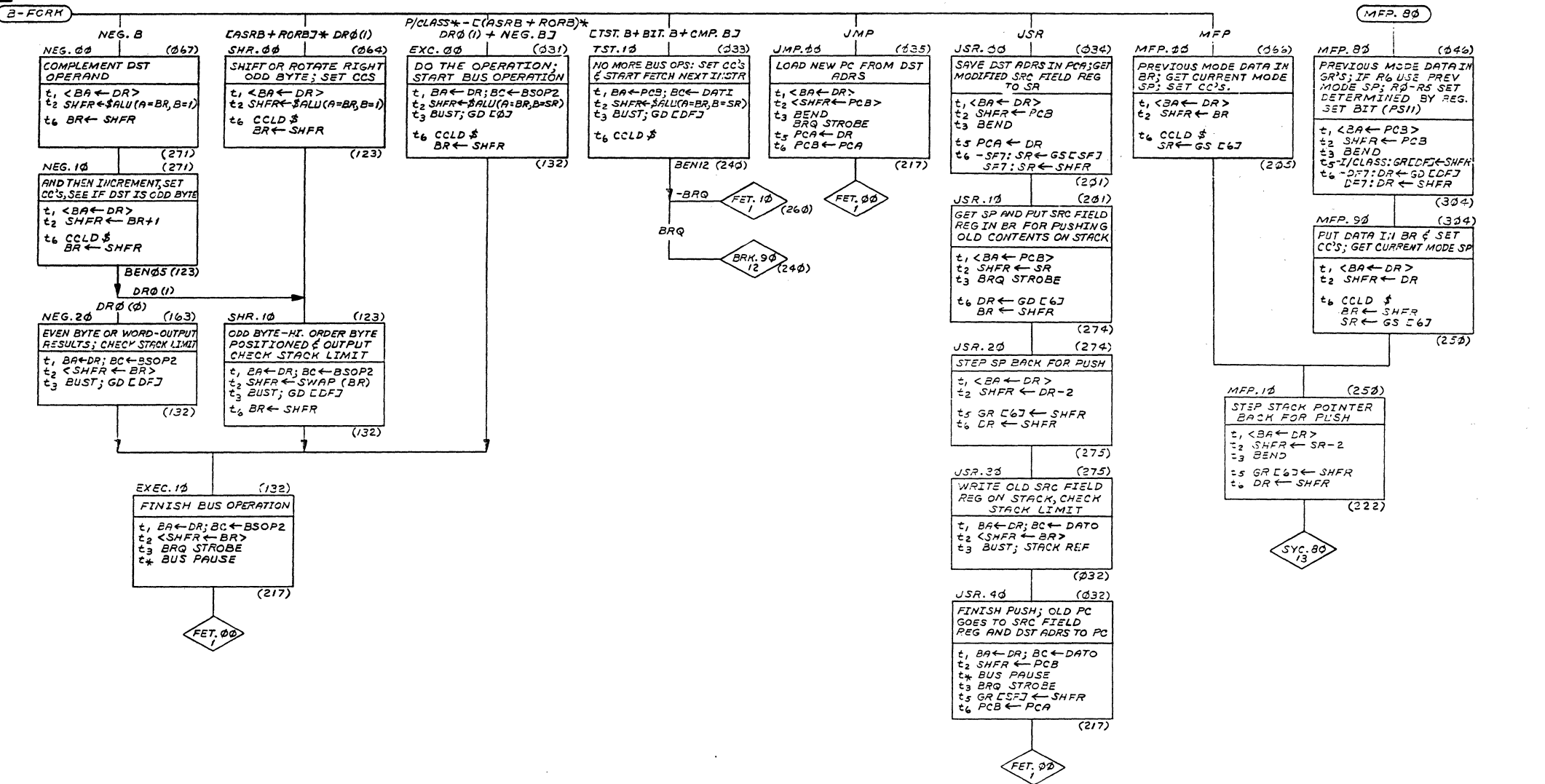


BRUNING 40-522 18840  
DVC FORM NO. DMD 102-9

REV	CHANGE NO

DIVIDE			
FIRST USED ON OPTION/MODEL	QT	DESCRIPTION	PART NO. ITEM NO.
11/70			
PARTS LIST			
UNLESS OTHERWISE SPECIFIED DIMENSION IN INCHES TOLERANCES	DRN: J. L. L...	DATE: 9-11-74	DIGITAL EQUIPMENT CORPORATION MAYNARD MASSACHUSETTS
DECIMALS .XXX - .005	CHK: J. L. L...	DATE: 1/15/75	
ANGLES .XX - .02	ESG: J. L. L...	DATE: 1-15-75	
.X - .1	PRV: J. L. L...	DATE: 1-15-75	
REMOVE BURRS AND BREAK SHARP CORNERS SURFACE QUALITY	PRD: J. L. L...	DATE: 1/15/75	
MATERIAL	NEXT HIGHER ASSY.	TITLE	
FINISH	B-DD-KBII-B	FLOW DIAGRAMS (FLOWS IQ)	
	SCALE	SIZE CODE	NUMBER
	SHEET 11 OF 15	DFD	KBII-B-1
	DIST		REV.

"THIS DRAWING AND SPECIFICATIONS HEREIN ARE THE PROPERTY OF DIGITAL EQUIPMENT CORPORATION AND SHALL NOT BE REPRODUCED OR COPIED OR USED IN WHOLE OR IN PART AS THE BASIS FOR THE MANUFACTURE OR SALE OF ITEMS WITHOUT WRITTEN PERMISSION. COPYRIGHT © 1974, DIGITAL EQUIPMENT CORPORATION"

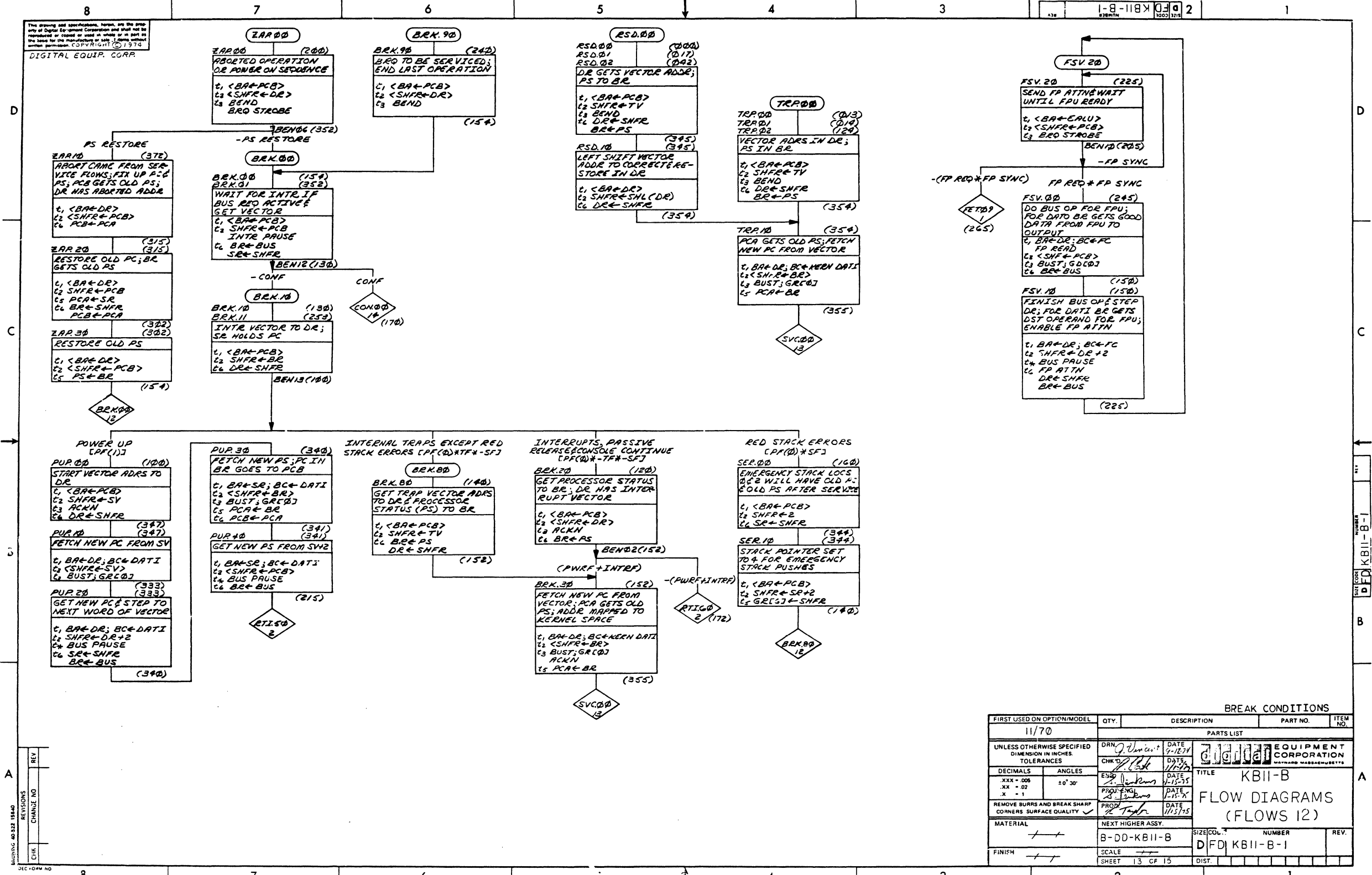


REV. 1  
 CHANGE NO. 1  
 DATE 11/70

EXECUTE-MEM REF

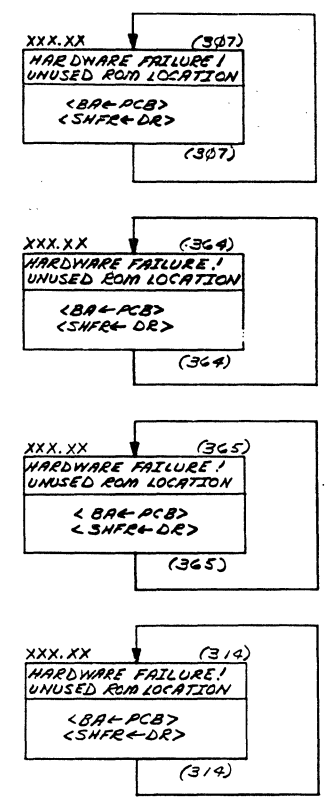
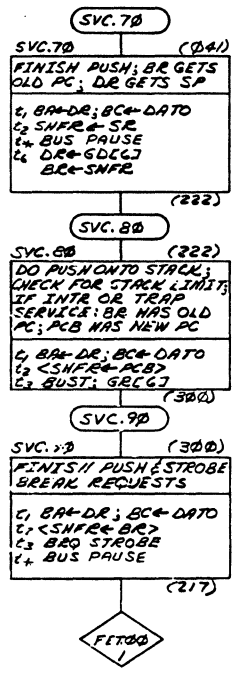
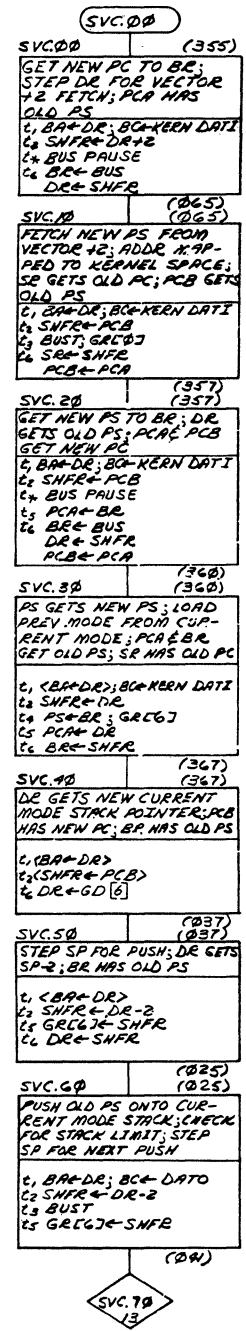
FIRST USED ON OPTION/MODEL	QTY.	DESCRIPTION	PART NO.	ITEM NO.
11/70				
DIMENSIONAL TOLERANCE				
DIMENSIONS ARE		MILLIMETERS	INCHES	DATE
UNLESS OTHERWISE SPECIFIED				
MILLIMETERS	INCHES	ANGLES	DATE	
XXX ±0.10	XXX ±0.05	±0°30'	DATE	
XX ±0.05	XX ±0.02		DATE	
X ±0.2	X ±0.1		DATE	
THIRD ANGLE PROJECTION		REMOVE BURRS AND BREAK SHARP CORNERS SURFACE QUALITY	NEXT HIGHER ASSY.	
MATERIAL		FINISH	SIZE/CODE	NUMBER
			B-D0-KBII-B	D-FD-KBII-B-1
		SCALE	1/16"	
		SHEET	12 OF 15	

The drawing and specifications, herein, are the property of Digital Equipment Corporation and shall not be reproduced or copied in whole or in part or the name for the manufacturing of any other product without written permission. COPYRIGHT © 1974 DIGITAL EQUIP. CORP.



BREAK CONDITIONS				
FIRST USED ON OPTION/MODEL	QTY.	DESCRIPTION	PART NO.	ITEM NO.
11/70				
UNLESS OTHERWISE SPECIFIED DIMENSIONS IN INCHES				
TOLERANCES				
DECIMALS	ANGLES	PARTS LIST		
.XX - .006	± 0° 30'	DRN: J. J. J.	DATE: 4-1974	 TITLE: KBII-B FLOW DIAGRAMS (FLOWS 12)
.XX - .02		CHK'D: J. J. J.	DATE: 11-74	
.X - .1		ENGR: J. J. J.	DATE: 1-15-75	
		PROF'NG: J. J. J.	DATE: 1-15-75	
REMOVE BURRS AND BREAK SHARP CORNERS SURFACE QUALITY				
MATERIAL		NEXT HIGHER ASSY.		
FINISH		B-DD-KBII-B	SIZE COL. 3	NUMBER
		SCALE		REV.
		SHEET 13 OF 15	DIST.	

This drawing and specifications, herein, are the property of Digital Equipment Corporation and shall not be reproduced or copied or used in whole or in part in the base for the manufacture of any product without written permission. COPYRIGHT © 1974 DIGITAL EQUIP. CORP.



SERVICE SEQUENCE				
FIRST USED ON OPTION/MODEL	QTY.	DESCRIPTION	PART NO.	ITEM NO.
11/70				
PARTS LIST				
UNLESS OTHERWISE SPECIFIED DIMENSION IN INCHES TOLERANCES		DRN. <i>W. Vincent</i>	DATE 7-12-71	DIGITAL EQUIPMENT CORPORATION MAYNARD MASSACHUSETTS
DECIMALS .XXX - .006	ANGLES ± 0° 30'	CHK. <i>W. Vincent</i>	DATE 11/70	
ENGR. <i>W. Vincent</i>	DATE 1-15-71	PROD. ENGR. <i>W. Vincent</i>	DATE 1-15-71	
REMOVE BURRS AND BREAK SHARP CORNERS SURFACE QUALITY ✓		TRCK. <i>W. Vincent</i>	DATE 1-15-71	
MATERIAL		NEXT HIGHER ASSY.	SIZE CODE	NUMBER
FINISH		B-DD-KBII-B	DFD	KBII-B-1
		SCALE		REV.
		SHEET 14 OF 15		

REVISIONS  
NO. CHANGE NO.  
CHK. CHANGE NO.  
REV. CHANGE NO.  
DSC FORM NO. DRD 102 B

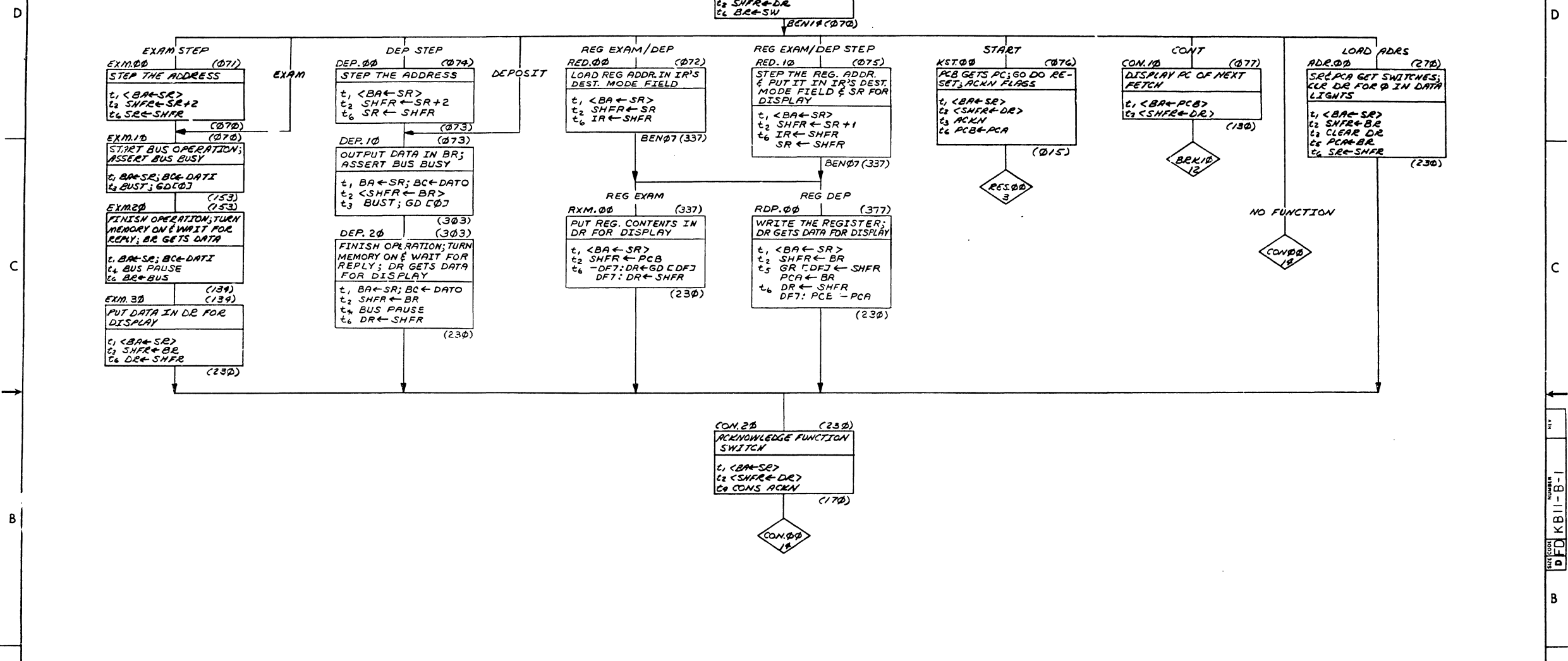
SIZE CODE  
DFD KBII-B-1

18



This drawing and specifications, Form, are the property of Digital Equipment Corporation and shall not be reproduced or copied or used in whole or in part as the basis for the manufacture or sale of items without written permission. COPYRIGHT © 1974 DIGITAL EQUIP. CORP.

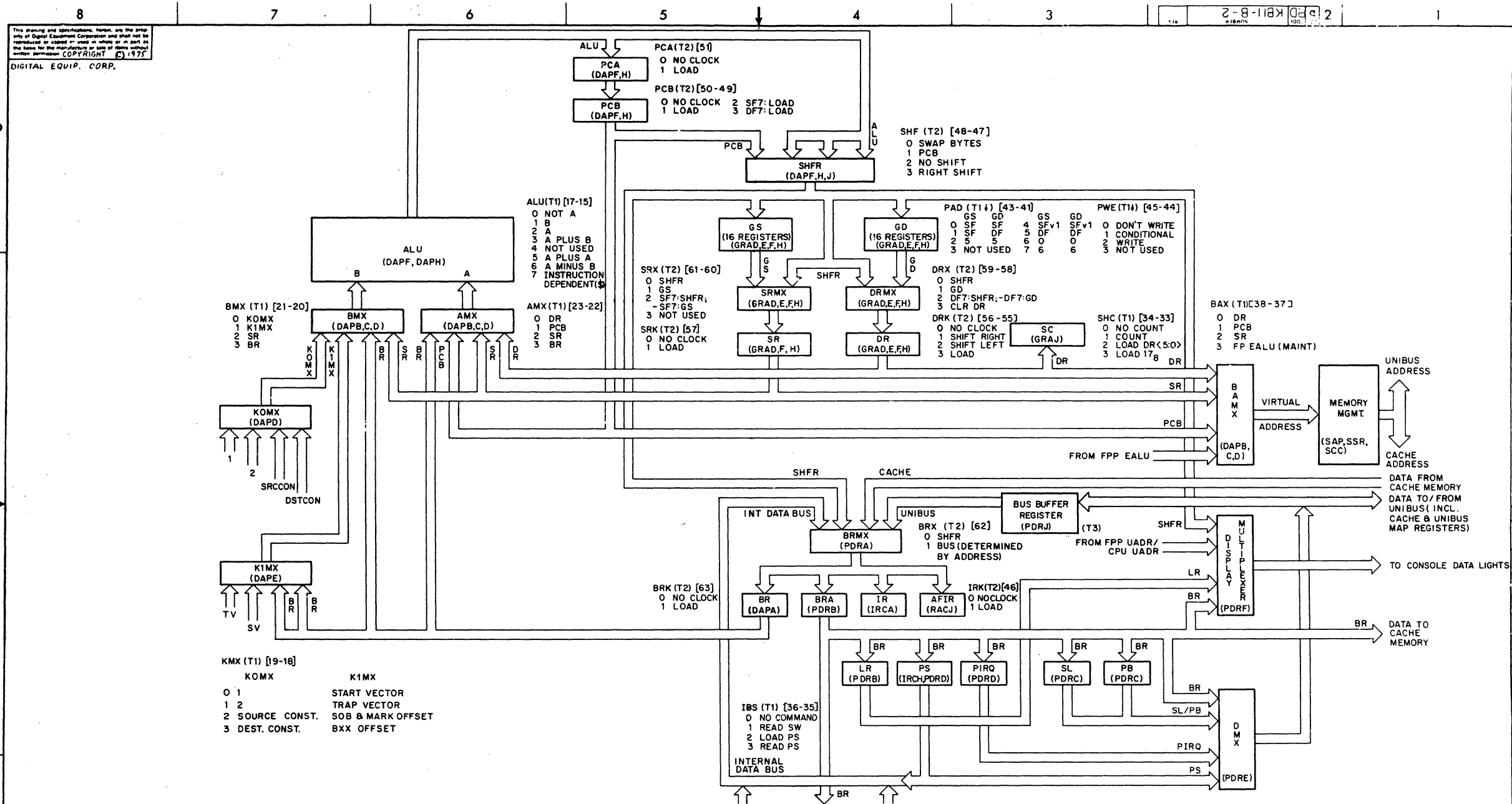
1-8-118X 0102



REV.	CHANGE NO.

CONSOLE			
FIRST USED ON OPTION/MODEL	QTY.	DESCRIPTION	PART NO. ITEM NO.
11/70			
UNLESS OTHERWISE SPECIFIED DIMENSION IN INCHES TOLERANCES			
DECIMALS .005	ANGLES ±0°30'	DATE 9-13-74	 DIGITAL EQUIPMENT CORPORATION MAYNARD MASSACHUSETTS
XX +.02	X - .1	DATE 11-15-75	
REMOVE BURRS AND BREAK SHARP CORNERS SURFACE QUALITY	✓	DATE 11-15-75	
MATERIAL	NEXT HIGHER ASSY.	DATE 11-15-75	
FINISH	B-DD-KB11-B	SIZE CODE	NUMBER
	SCALE	DFD	KB11-B-1
	SHEET 15 OF 15	DIST.	

PART NO. B-DD-KB11-B-1  
 SHEET 15 OF 15



This drawing and specifications, herein, are the property of Digital Equipment Corporation and shall not be reproduced or copied in whole or in part or the like for the manufacturing or use of items without written permission. COPYRIGHT © 1975 DIGITAL EQUIP. CORP.

BMX (T1) [21-20]  
 0 KOMX  
 1 K1MX  
 2 SR  
 3 BR

KOMX (DAPD)  
 1  
 2  
 SRCOON  
 DSTCON

K1MX (DAPE)  
 TV  
 SV  
 BR  
 BR

KMX (T1) [19-18]  
 KOMX  
 0 1  
 1 2  
 2 SOURCE CONST.  
 3 DEST. CONST.

K1MX  
 START VECTOR  
 TRAP VECTOR  
 SOB & MARK OFFSET  
 BXX OFFSET

ALU (T1) [7-15]  
 0 NOT A  
 1 B  
 2 A PLUS B  
 3 A PLUS A  
 4 NOT USED  
 5 A PLUS A  
 6 A MINUS B  
 7 INSTRUCTION DEPENDENT

AMX (T1) [23-22]  
 0 DR  
 1 PCB  
 2 SR  
 3 BR

PCA (T2) [51]  
 0 NO CLOCK  
 1 LOAD

PCB (T2) [50-49]  
 0 NO CLOCK  
 1 LOAD  
 2 SF7: LOAD  
 3 DF7: LOAD

SHF (T2) [48-47]  
 0 SWAP BYTES  
 1 PCB  
 2 NO SHIFT  
 3 RIGHT SHIFT

GS (16 REGISTERS) (GRADE, E, F, H)  
 GS

GD (16 REGISTERS) (GRADE, E, F, H)  
 GD

PAD (T1) [43-41]  
 0 SF GS  
 1 SF SF  
 2 SF DF  
 3 NOT USED

PWE (T1) [45-44]  
 0 DON'T WRITE  
 1 CONDITIONAL  
 2 WRITE  
 3 NOT USED

SRX (T2) [61-60]  
 0 SHFR  
 1 GS  
 2 SF7: SHFR;  
 -SF7: GS  
 3 NOT USED

SRK (T2) [57]  
 0 NO CLOCK  
 1 LOAD

DRM (6RAD, E, F, H)  
 GS

DR (6RAD, E, F, H)  
 GS

DRX (T2) [59-58]  
 0 SHFR  
 1 GD  
 2 DF7: SHFR; -DF7: GD  
 3 CLR DR

DRK (T2) [56-55]  
 0 NO CLOCK  
 1 SHIFT RIGHT  
 2 SHIFT LEFT  
 3 LOAD

SC (GRAJ)  
 DR

SHC (T1) [34-33]  
 0 NO COUNT  
 1 COUNT  
 2 LOAD DR (<5:0>  
 3 LOAD 178

BAX (T1) [38-37]  
 0 DR  
 1 PCB  
 2 SR  
 3 FP EALU (MAINT)

BRM (PDRB)  
 BR

BR (DAPA)  
 BR

BRA (PDRB)  
 BR

IR (IRCA)  
 BR

AFIR (RACJ)  
 BR

LR (PDRB)  
 BR

PS (IRCH, PDRD)  
 BR

PIRQ (PDRD)  
 BR

SL (PDRC)  
 BR

PB (PDRC)  
 BR

IBS (T1) [36-35]  
 0 NO COMMAND  
 1 READ SW  
 2 LOAD PS  
 3 READ PS

BRX (T2) [62]  
 0 SHFR  
 1 BUS (DETERMINED BY ADDRESS)

BRK (T2) [63]  
 0 NO CLOCK  
 1 LOAD

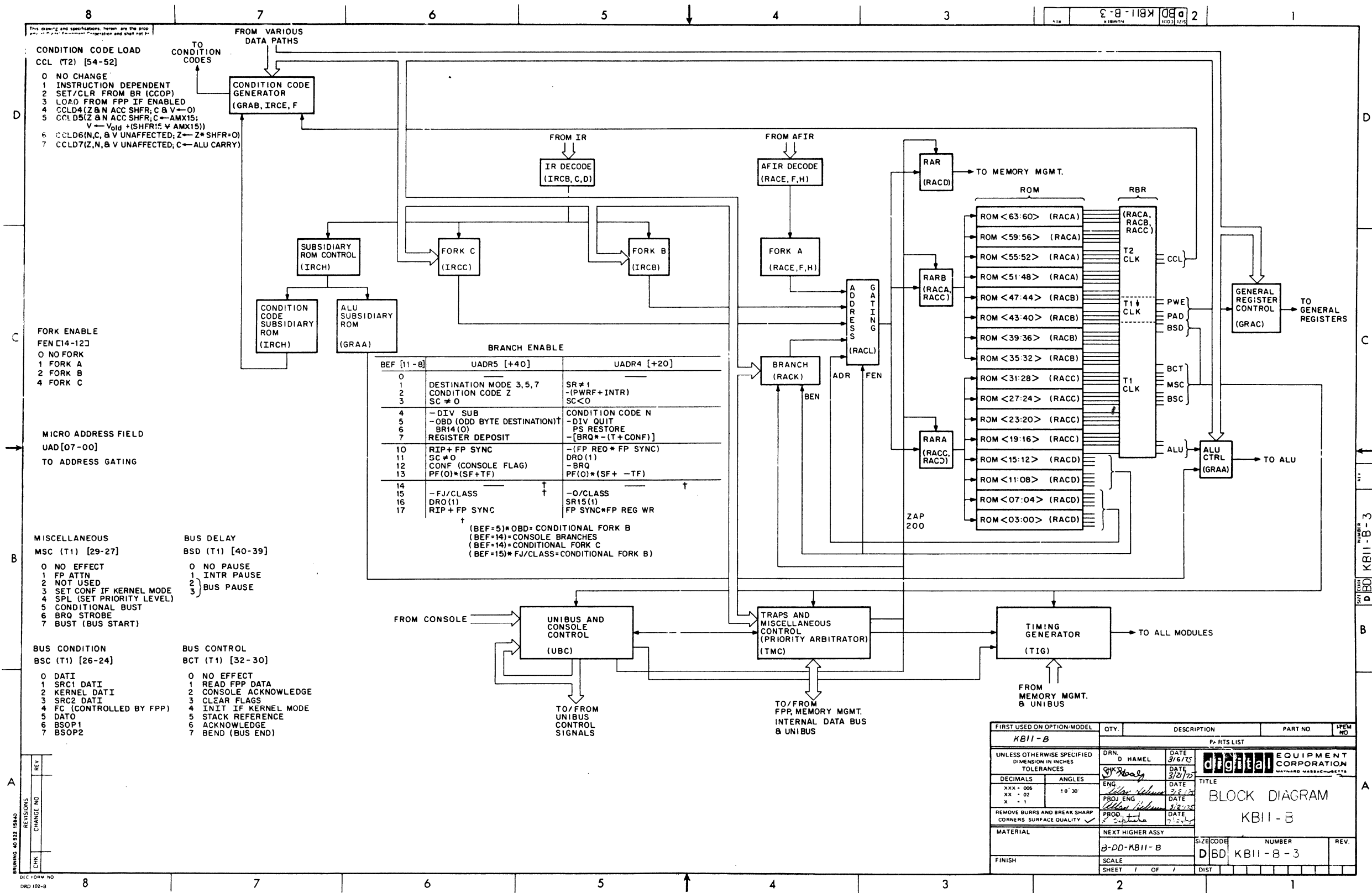
DMX (PDRE)  
 PIRQ  
 PS

DATA FROM FPP  
 DATA TO MEMORY MGMT. REGISTER, AND FPP DATA  
 DATA FROM MEMORY MGMT., SWITCH, CPU ERROR, AND SYSTEM SIZE & ID REGISTERS.

FIRST USED ON OPTION MODEL	QTY.	DESCRIPTION	PART NO.	ITEM NO.
KB11-B				
UNLESS OTHERWISE SPECIFIED DIMENSION IN INCHES TOLERANCES				
DECIMALS	ANGLES	DRN: P. Lynd	DATE: 1/75	PARTS LIST <b>digital</b> EQUIPMENT CORPORATION MAYNARD MASSACHUSETTS
xxx - 005	± 0'30	CHKD: [Signature]	DATE: 3/75	
xx - 02		ENG: [Signature]	DATE: 3/75	
x - 1		PROJ ENG: [Signature]	DATE: 3/75	
REMOVE BURRS AND BREAK SHARP CORNERS SURFACE QUALITY				
MATERIAL	NEXT HIGHER ASSY	PRGD: [Signature]	DATE: 3/75	TITLE BLOCK DIAGRAM KB11-B
FINISH	B-DD-KB11-B	SCALE	SHEET 1 OF 1	
		SIZE CODE	NUMBER	REV.
		DBD	KB11-B-2	
		DIST.		

REVISIONS  
 CHANGE NO.  
 REV.  
 CHK.  
 DATE

DWG. NO. 40-222-18A-0  
 DEC 1974  
 DRD 102-B

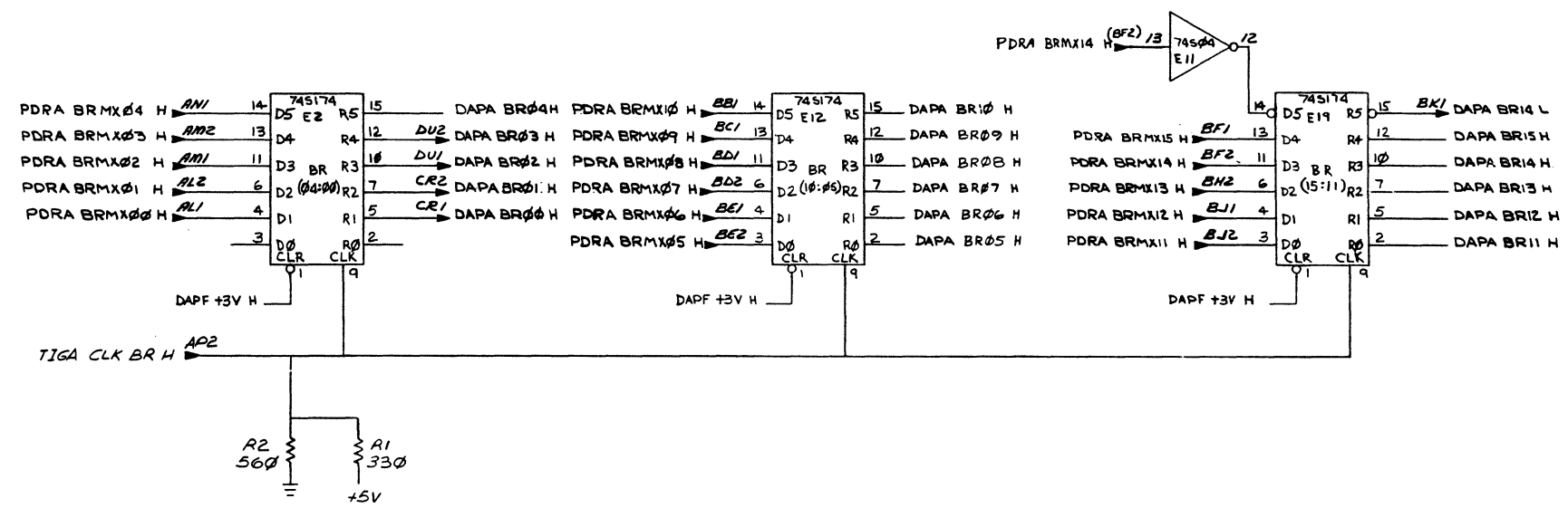


FIRST USED ON OPTION/MODEL	QTY.	DESCRIPTION	PART NO.	ITEM NO.
KB11-B				
UNLESS OTHERWISE SPECIFIED DIMENSION IN INCHES TOLERANCES				
DECIMALS	ANGLES	TITLE		
XXX - 006	10' 30"	BLOCK DIAGRAM		
XX - 02		KB11-B		
X - 1				
REMOVE BURRS AND BREAK SHARP CORNERS SURFACE QUALITY				
MATERIAL	NEXT HIGHER ASSY	SIZE/CODE	NUMBER	REV
FINISH		DSD	KB11-B-3	
	SCALE	SHEET	OF	DIST





This drawing and specifications, herein, are the property of Digital Equipment Corporation and shall not be reproduced or copied in whole or in part or the same for the manufacture or sale of items without written permission. COPYRIGHT © 1974  
DIGITAL EQUIPMENT CORPORATION

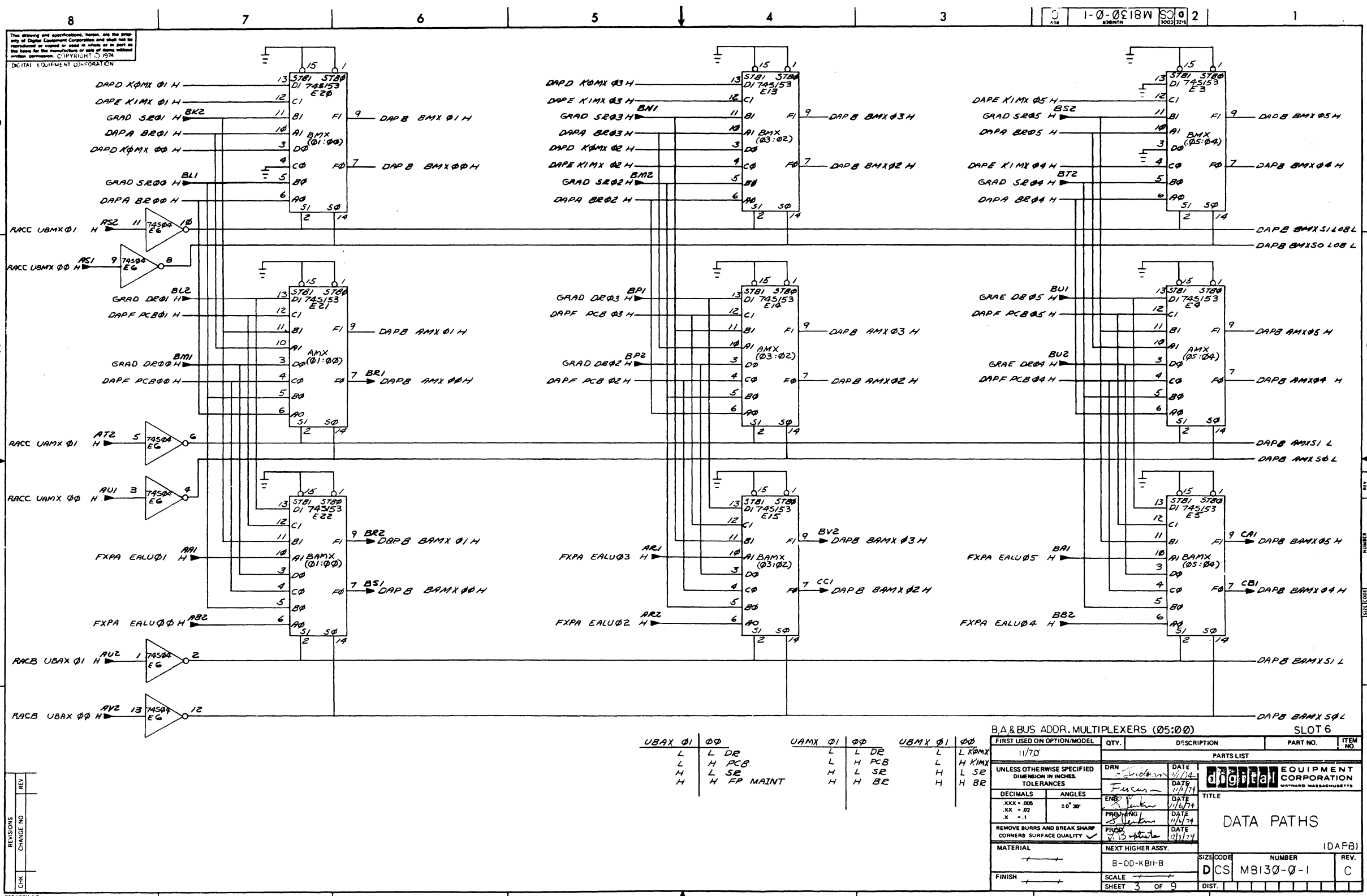


FIRST USED ON OPTION/MODEL		QTY.	DESCRIPTION	PART NO.	ITEM NO.
11/70			BUS REGISTER		
UNLESS OTHERWISE SPECIFIED DIMENSION IN INCHES. TOLERANCES		DRN	DATE	PARTS LIST	
DECIMALS	ANGLES	<i>Stadman</i>	<i>11/70</i>	DIGITAL EQUIPMENT CORPORATION MAYFORD MASSACHUSETTS	
.XXX - .006	±0° 30'	<i>Ferguson</i>	<i>11/17/70</i>	TITLE	
.XX - .02		<i>Edg</i>	<i>1/16/71</i>	DATA PATHS	
.X - .1		<i>Proctor</i>	<i>1/16/71</i>	MATERIAL	
REMOVE BURRS AND BREAK SHARP CORNERS SURFACE QUALITY		<i>W. B. Smith</i>	<i>1/23/71</i>	NEXT HIGHER ASSY.	
MATERIAL		B-00-KB11-B		SIZE CODE	NUMBER
FINISH		SCALE		DCS	M8130-0-1
		SHEET 2 OF 9		DIST.	REV. C

REV	
CHANGE NO	
CHK	

DCS M8130-0-1  
 REV. C

24



This drawing and specifications, herein, are the property of Digital Equipment Corporation and shall not be reproduced or copied or used in whole or in part in any manner without the written permission of Digital Equipment Corporation. COPYRIGHT © 1974 DIGITAL EQUIPMENT CORPORATION

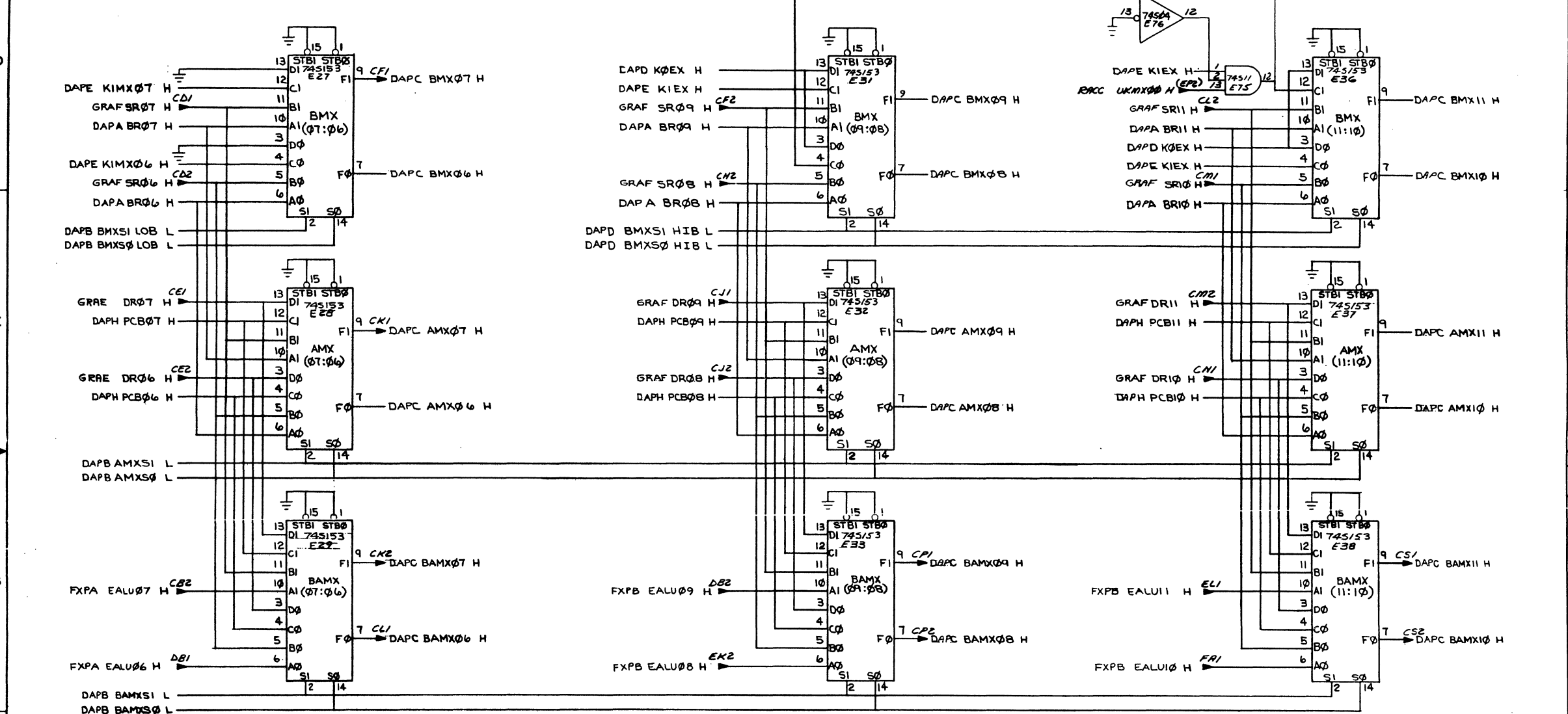
UBAX 01	00	UAMX 01	00	UBMX 01	00
L	L DE	L	L DE	L	L K0MX
L	H PCB	L	H PCB	L	H K1MX
H	L SE	H	L SE	H	L SE
H	H FP MAINT	H	H BR	H	H BR

FIRST USED ON OPTION/MODEL		QTY.	DESCRIPTION	PART NO.	ITEM NO.
11/70					
PARTS LIST					
UNLESS OTHERWISE SPECIFIED	DRN	DATE	DIGITAL EQUIPMENT CORPORATION		
DIMENSION IN INCHES	Fusion	1/1/74	MAYNARD MASSACHUSETTS		
TOLERANCES	ENG	DATE	TITLE		
.XXX - .000	1/16/74	1/16/74	DATA PATHS		
.XX - .02	PROJ. ENG	DATE	MATERIAL		
.X - .1	1/1/74	1/1/74	NEXT HIGHER ASSY.		
REMOVE BURRS AND BREAK SHARP CORNERS SURFACE QUALITY	PROB	DATE	SCALE		
	1/3/74	1/3/74	B - DD-KBI-B		
			FINISH		
			SHEET 3 OF 9		
			SIZE CODE		
			D CS MB130-0-1		
			NUMBER		
			REV.		
			C		

REV	CHG	NO

DEC FORM NO 080 100-B

This drawing and specifications, herein, are the property of Digital Equipment Corporation and shall not be reproduced or copied or used in whole or in part as the basis for the manufacture or sale of items without written permission. © 1974 DIGITAL EQUIPMENT CORPORATION



REV	CHANGE NO	DATE	BY	DESCRIPTION

FIRST USED ON OPTION/MODEL	QTY.	DESCRIPTION	PART NO.	ITEM NO.
11/78				

UNLESS OTHERWISE SPECIFIED DIMENSION IN INCHES TOLERANCES		DATE		PARTS LIST
DECIMALS	ANGLES			
.XXX - .006	±0° 30'			
.XX - .02				TITLE DATA PATHS
.X - .3				
REMOVE BURRS AND BREAK SHARP CORNERS SURFACE QUALITY				

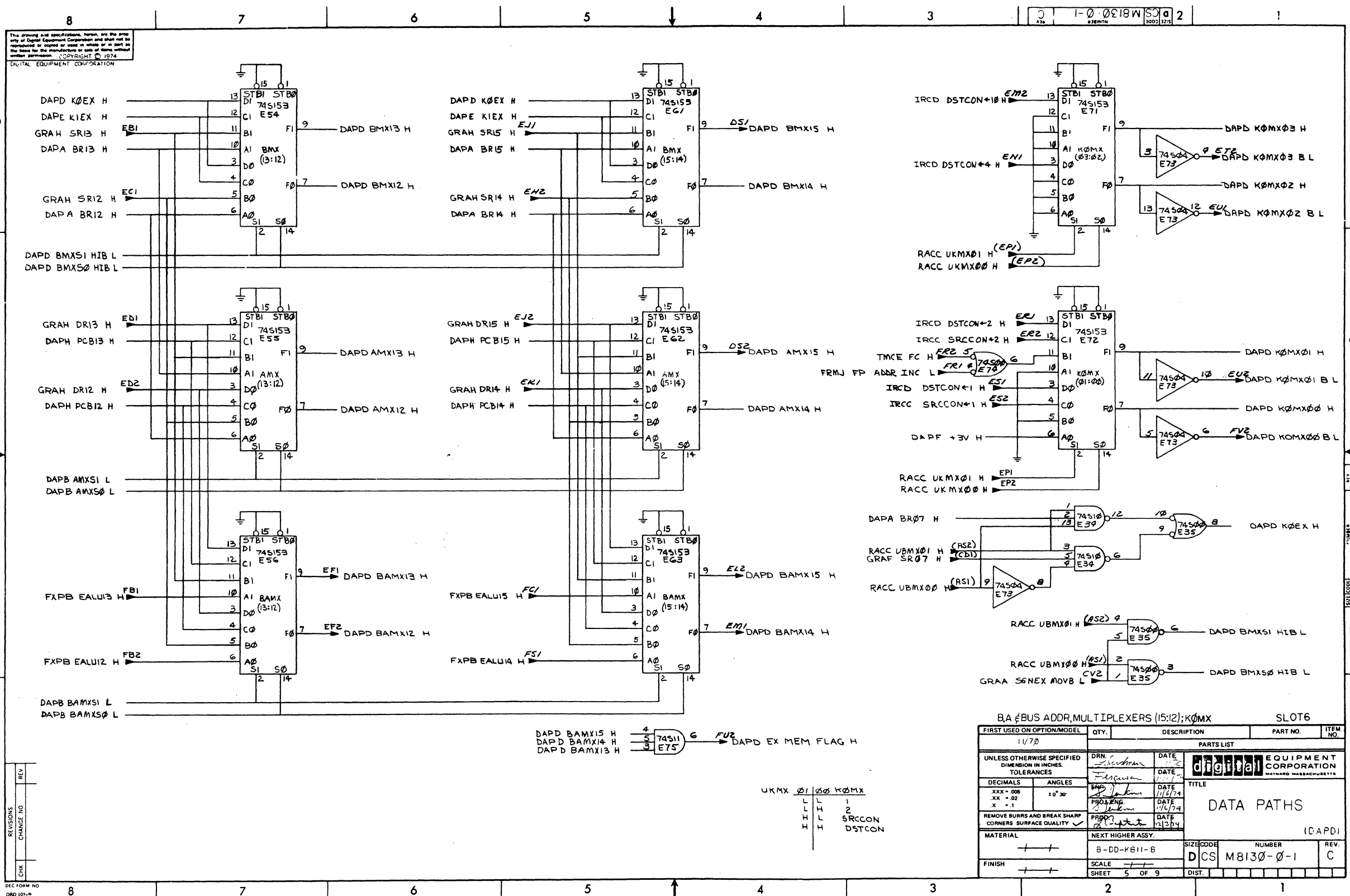
MATERIAL	NEXT HIGHER ASSY.	SIZE CODE	NUMBER	REV.
		8-00-K11-B	D CS M8130-0-1	C

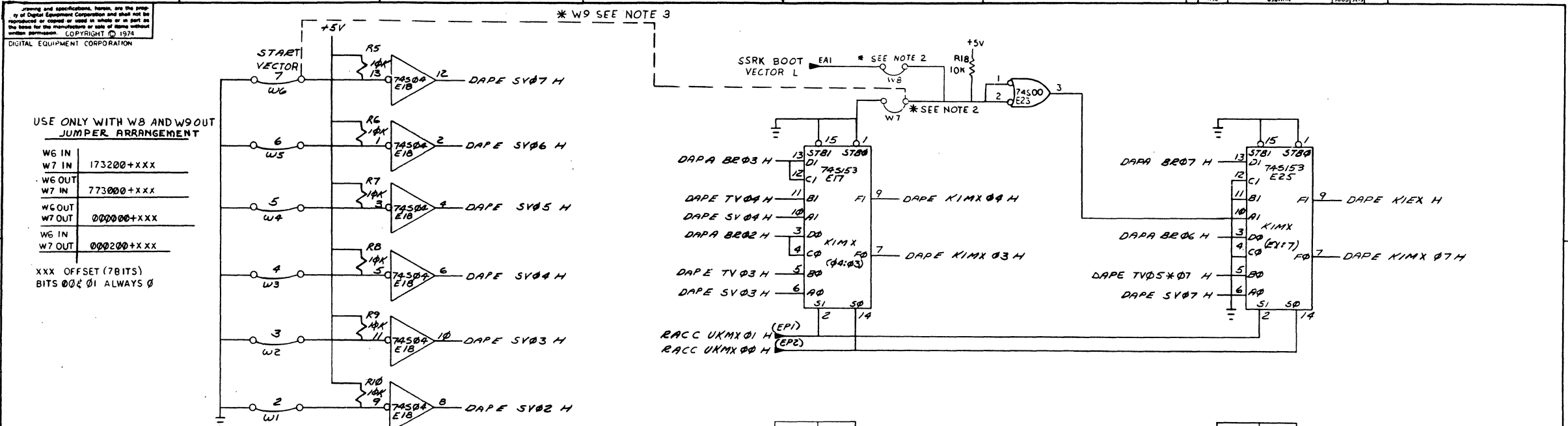
FINISH	SCALE	SHEET	OF	DIST.
		4	OF 9	

26





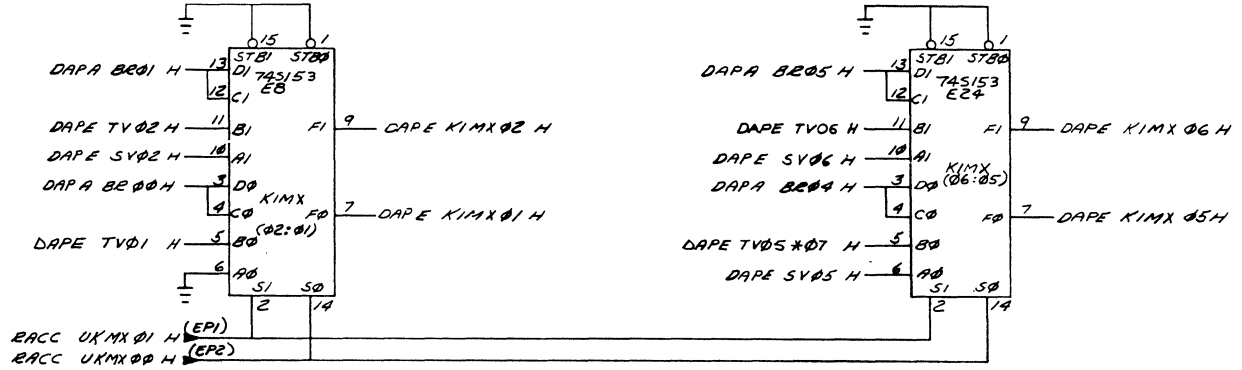
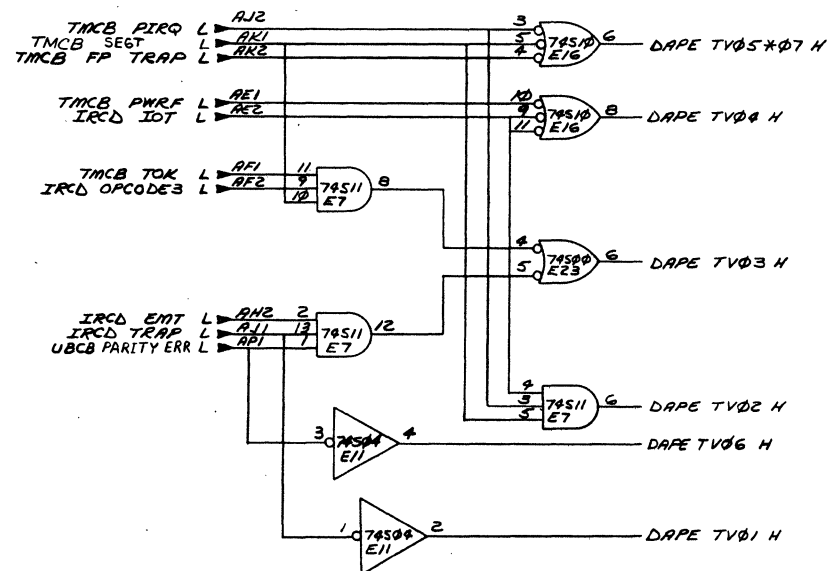
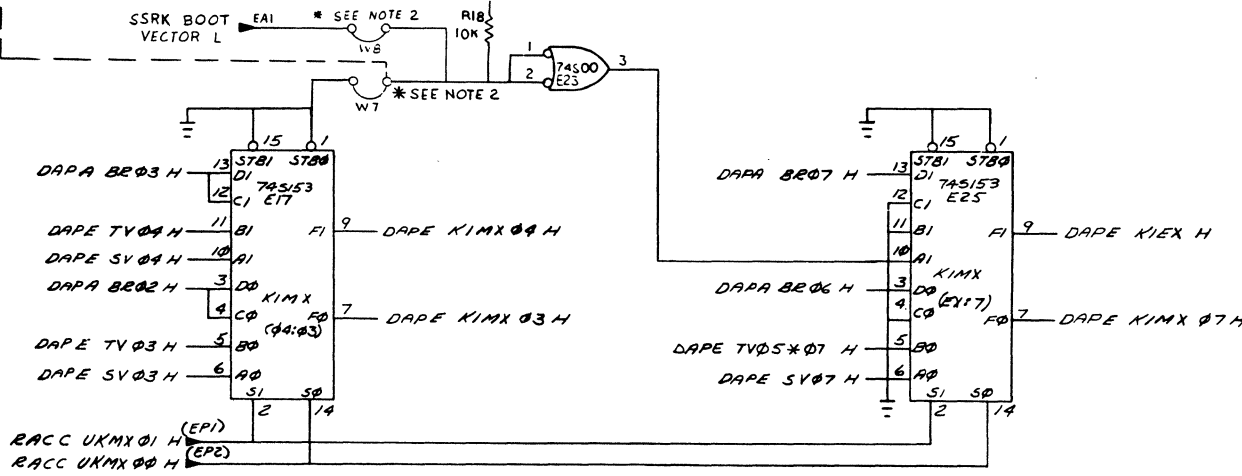
Drawing and specifications herein are the property of Digital Equipment Corporation and shall not be reproduced or copied in whole or in part as the basis for the manufacture or sale of items without written permission. COPYRIGHT © 1974 DIGITAL EQUIPMENT CORPORATION



USE ONLY WITH W8 AND W9 OUT JUMPER ARRANGEMENT

W6 IN	
W7 IN	173200+XXX
W6 OUT	
W7 OUT	773000+XXX
W6 OUT	
W7 OUT	000000+XXX
W6 IN	
W7 OUT	000200+XXX

XXX OFFSET (7BITS)  
BITS 00 & 01 ALWAYS 0



TRAP VECTOR	UKMX 01	00	KIMX
RSVD INST	L	L	SV
TOK+3	L	H	TV
IOT	H	L	SOB&MARK DISPLACEMENT
PWRF	H	H	BEXX DISPLACEMENT
ENT	L	L	
TRAP	L	L	
RECD	L	L	
FP TRAP	L	L	
KT TRAP	L	L	
PERF	L	L	

NOTE: 1  
LEFT SHIFTING TAKES PLACE ON FLOWSIZ RSD.10

NOTE: 2  
W8 OUT IF: AN M930 IS INSTALLED IN CPU SLOT 1, W7 IS IN, W6 AND W9 ARE IN OR M9301 ECO #5 IS NOT INSTALLED.  
W8 IN IF: M9301 ECO #5 FEATURE IS TO BE USED, W7 IS OUT, AND (W6 IS OUT IF W9 IS IN).

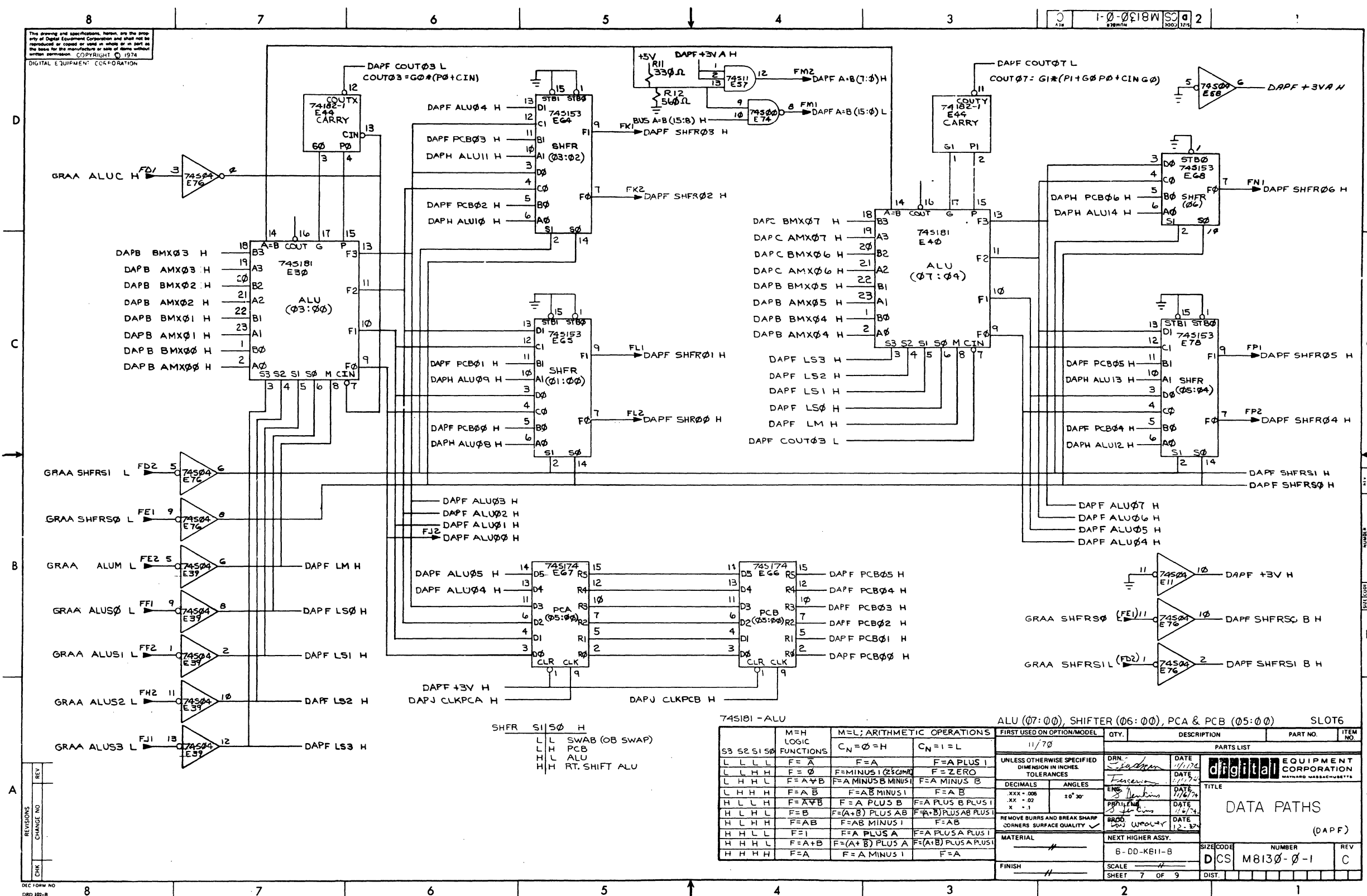
NOTE: 3  
W9 IN FOR 773200 (FROM EA1) + XXX (7 BIT OFFSET FROM W4-W5 INCLUDING BITS 00 AND 01 WHICH ARE ALWAYS 0) IF W6 AND W7 ARE OUT.

NOTE: 4  
A TYPICAL 11/70 CONFIGURATION WITH M9301 ECO #5 INSTALLED AND AN M9301-YC IS W1, W3, W8, W9 IN AND W2, W4, W5, W6 AND W7 OUT.

FIRST USED ON OPTION/MODEL		QTY.	DESCRIPTION	PART NO.	ITEM NO.										
11/70															
PARTS LIST															
UNLESS OTHERWISE SPECIFIED DIMENSION IN INCHES TOLERANCES		<table border="1"> <tr><td>DATE</td><td>11/1/70</td></tr> <tr><td>DATE</td><td>11/1/70</td></tr> <tr><td>DATE</td><td>11/6/74</td></tr> <tr><td>DATE</td><td>11/1/74</td></tr> <tr><td>DATE</td><td>12-578</td></tr> </table>				DATE	11/1/70	DATE	11/1/70	DATE	11/6/74	DATE	11/1/74	DATE	12-578
DATE	11/1/70														
DATE	11/1/70														
DATE	11/6/74														
DATE	11/1/74														
DATE	12-578														
DECIMALS .006		<table border="1"> <tr><td>DRN</td><td>11/1/70</td></tr> <tr><td>DATE</td><td>11/1/70</td></tr> <tr><td>DATE</td><td>11/6/74</td></tr> <tr><td>DATE</td><td>11/1/74</td></tr> <tr><td>DATE</td><td>12-578</td></tr> </table>				DRN	11/1/70	DATE	11/1/70	DATE	11/6/74	DATE	11/1/74	DATE	12-578
DRN	11/1/70														
DATE	11/1/70														
DATE	11/6/74														
DATE	11/1/74														
DATE	12-578														
ANGLES 10° 30'		<table border="1"> <tr><td>DATE</td><td>11/1/70</td></tr> <tr><td>DATE</td><td>11/1/70</td></tr> <tr><td>DATE</td><td>11/6/74</td></tr> <tr><td>DATE</td><td>11/1/74</td></tr> <tr><td>DATE</td><td>12-578</td></tr> </table>				DATE	11/1/70	DATE	11/1/70	DATE	11/6/74	DATE	11/1/74	DATE	12-578
DATE	11/1/70														
DATE	11/1/70														
DATE	11/6/74														
DATE	11/1/74														
DATE	12-578														
REMOVE BURRS AND BREAK SHARP CORNERS SURFACE QUALITY		<table border="1"> <tr><td>DATE</td><td>11/1/70</td></tr> <tr><td>DATE</td><td>11/1/70</td></tr> <tr><td>DATE</td><td>11/6/74</td></tr> <tr><td>DATE</td><td>11/1/74</td></tr> <tr><td>DATE</td><td>12-578</td></tr> </table>				DATE	11/1/70	DATE	11/1/70	DATE	11/6/74	DATE	11/1/74	DATE	12-578
DATE	11/1/70														
DATE	11/1/70														
DATE	11/6/74														
DATE	11/1/74														
DATE	12-578														
MATERIAL		NEXT HIGHER ASSY.													
FINISH		B-DD-KB11-E													
		SCALE													
		SHEET 6 OF 9													
		DIST.													
		SIZE CODE													
		NUMBER													
		REV													
		D CS M8130-0-1 C													

REV	
CHANGE NO	
CHK	

DEC FORM NO 080 102-P



SHFR SI S0 H  
 L L SWAB (OB SWAP)  
 L H PCB  
 H L ALU  
 H H RT. SHIFT ALU

74151 - ALU

M=H LOGIC FUNCTIONS	M=L; ARITHMETIC OPERATIONS	FIRST USED ON OPTION/MODEL	QTY.	DESCRIPTION	PART NO.	ITEM NO.
S3 S2 S1 S0	C <sub>N</sub> = 0 = H C <sub>N</sub> = 1 = L	11/70				
L L L L	F = A	F = A		F = A PLUS 1		
L L H L	F = 0	F = MINUS 1 (2'S COMP)		F = ZERO		
L H L H	F = A ⊕ B	F = A MINUS B MINUS 1		F = A MINUS B		
L H H H	F = A ⊙ B	F = AB MINUS 1		F = A B		
H L L H	F = A ⊕ B	F = A PLUS B		F = A PLUS B PLUS 1		
H L H L	F = B	F = (A+B) PLUS AB		F = (A+B) PLUS AB PLUS 1		
H L H H	F = AB	F = AB MINUS 1		F = AB		
H H L L	F = 1	F = A PLUS A		F = A PLUS A PLUS 1		
H H H L	F = A + B	F = (A+B) PLUS A		F = (A+B) PLUS A PLUS 1		
H H H H	F = A	F = A MINUS 1		F = A		

ALU (07:00), SHIFTER (06:00), PCA & PCB (05:00) SLOTS

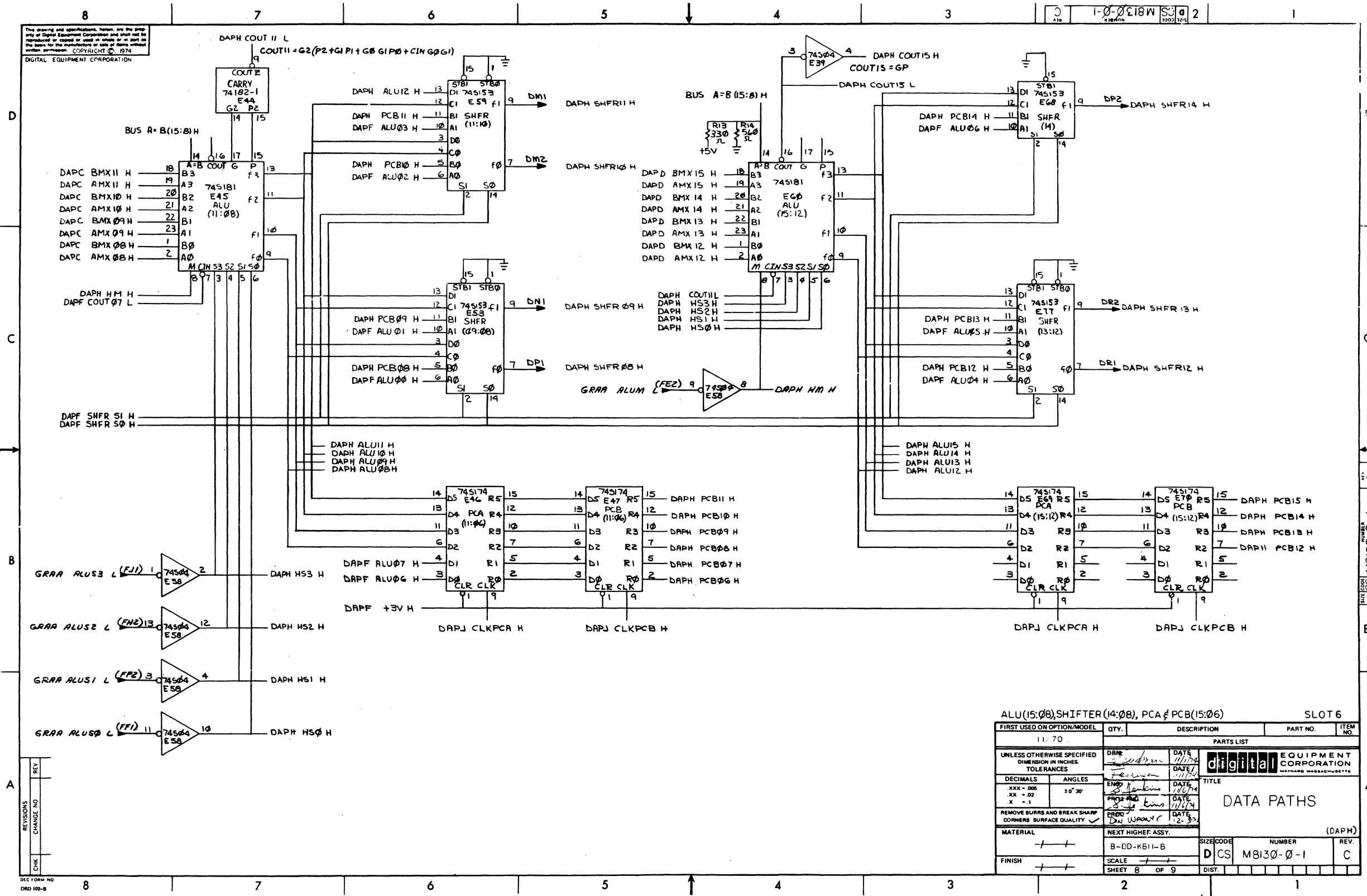
UNLESS OTHERWISE SPECIFIED DIMENSION IN INCHES TOLERANCES	DATE	DRN.	DATE	DRN.	DATE
DECIMALS .XXX - .008	11/70	11/70	11/70	11/70	11/70
ANGLES 10° 30'					
X .3					
REMOVE BURRS AND BREAK SHARP CORNERS SURFACE QUALITY					
MATERIAL	NEXT HIGHER ASSY.				
FINISH	SCALE				
	SHEET 7 OF 9				

DATA PATHS (DAPF)

SIZE CODE: B-00-KE11-B  
 NUMBER: DCS M8130-0-1  
 REV: C

REVISIONS  
 CHANGE NO.  
 CHK

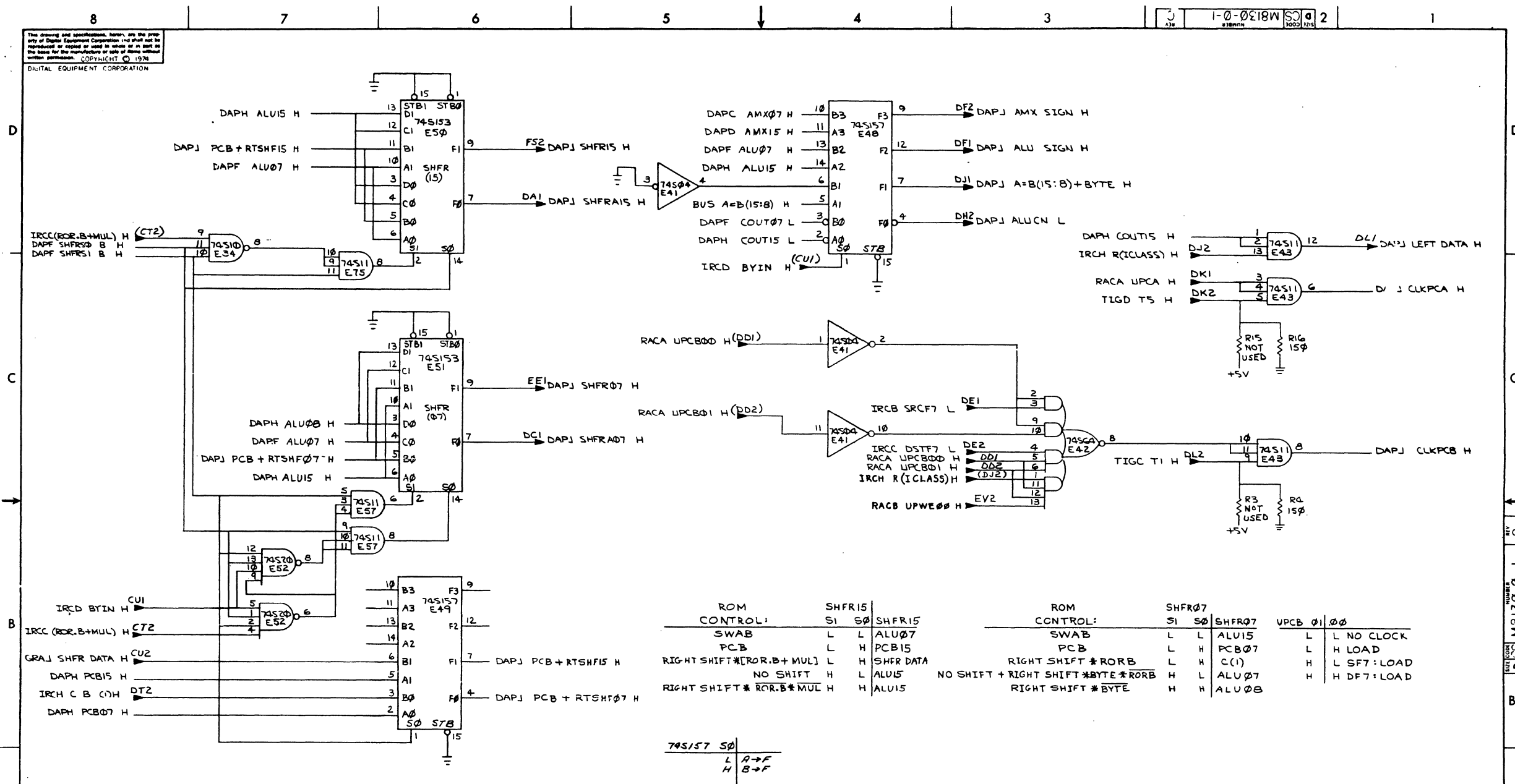
DATE CODE NUMBER  
 DCS M8130-0-1



FIRST USED ON OPTION/MODEL		QTY.	DESCRIPTION	PART NO.	ITEM NO.
11.70					
PARTS LIST					
UNLESS OTHERWISE SPECIFIED DIMENSION IN INCHES TOLERANCES		DATE	DATE	digital EQUIPMENT CORPORATION	
DECIMALS		11/74	11/74	PARTS LIST	
ANGLES		10° 30'	10° 30'	TITLE	
.XXX - .005		10° 30'	10° 30'	DATA PATHS	
.XX - .02		10° 30'	10° 30'	REVISIONS	
.X - .1		10° 30'	10° 30'	DATE	
REMOVE BURRS AND BREAK SHARP CORNERS SURFACE QUALITY		10° 30'	10° 30'	DATE	
MATERIAL		NEXT HIGHER ASSY.		(DAPH)	
FINISH		B-DD-KB11-B	SCALE	SIZE CODE	NUMBER
		SCALE	SCALE	D CS	M8130-0-1
		SHEET 8 OF 9	DIST	REV.	C

This drawing and specifications, however, are the property of Digital Equipment Corporation and shall not be reproduced or copied or used in whole or in part as the basis for the manufacture or sale of items without written permission. COPYRIGHT © 1974 DIGITAL EQUIPMENT CORPORATION

1-0-0818W 50 2



ROM	SHFR15	SHFR07
CONTROL:	S1 S0	SHFR07
SWAB	L L	ALU07
PCB	L H	PCB15
RIGHT SHIFT * ROR.B + MUL	L H	SHFR DATA
NO SHIFT	H L	ALU15
RIGHT SHIFT * ROR.B * MUL	H H	ALU15

ROM	SHFR07	UPCB 01	00
CONTROL:	S1 S0	SHFR07	UPCB 01 00
SWAB	L L	ALU15	L L NO CLOCK
PCB	L H	PCB07	L L H LOAD
RIGHT SHIFT * ROR.B	L H	C(1)	H L SF7:LOAD
NO SHIFT + RIGHT SHIFT * BYTE * ROR.B	H L	ALU07	H H DF7:LOAD
RIGHT SHIFT * BYTE	H H	ALU08	

74S157 S0  
L A → F  
H B → F

REV.	CHANGE NO.

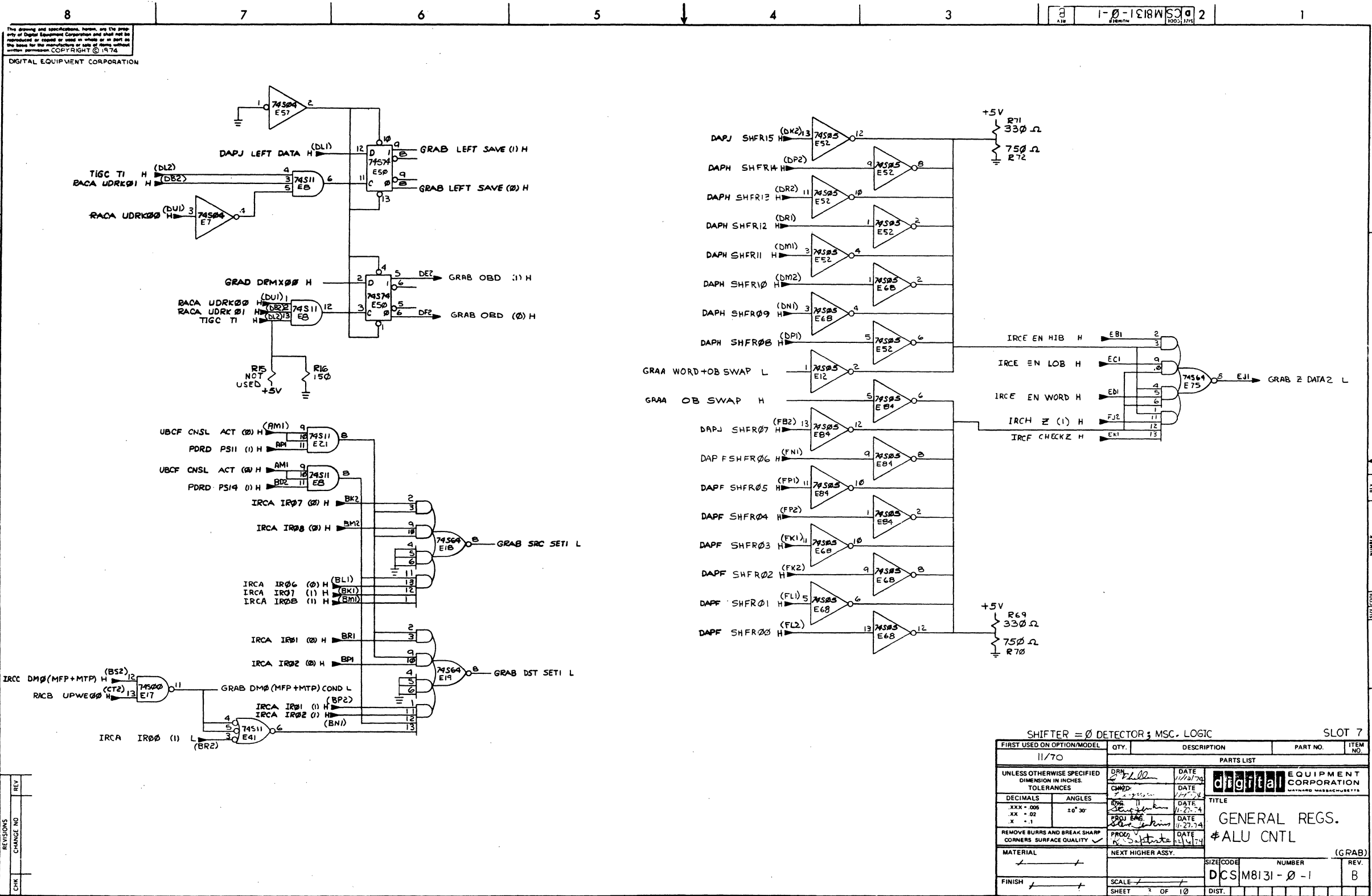
FIRST USED ON OPTION/MODEL		QTY.	DESCRIPTION	PART NO.	ITEM NO.
11/70					
UNLESS OTHERWISE SPECIFIED		PARTS LIST			
DIMENSION IN INCHES		DRN <i>[Signature]</i> DATE 11/74			
TOLERANCES		CHKD <i>[Signature]</i> DATE 11/74			
DECIMALS	ANGLES	ENG <i>[Signature]</i> DATE 11/74			
.XXX - .008	±0° 30'	PBD <i>[Signature]</i> DATE 11/74			
.XX - .02		PRD <i>[Signature]</i> DATE 12-30-74			
.X - .1		REMOVE BURRS AND BREAK SHARP CORNERS SURFACE QUALITY			
MATERIAL		NEXT HIGHER ASSY.			
FINISH		B-DD-K611-B			
		SCALE		SIZE CODE	
		SHEET 9 OF 9		D CS M8130-0-1	
				NUMBER	
				REV. C	

REV. C  
NUMBER M8130-0-1  
D CS





The drawing and specifications herein are the property of Digital Equipment Corporation and shall not be reproduced or copied in whole or in part as the basis for the manufacture or sale of items without written permission. COPYRIGHT © 1974  
DIGITAL EQUIPMENT CORPORATION



SHIFTER = 0 DETECTOR; MSC. LOGIC SLOT 7

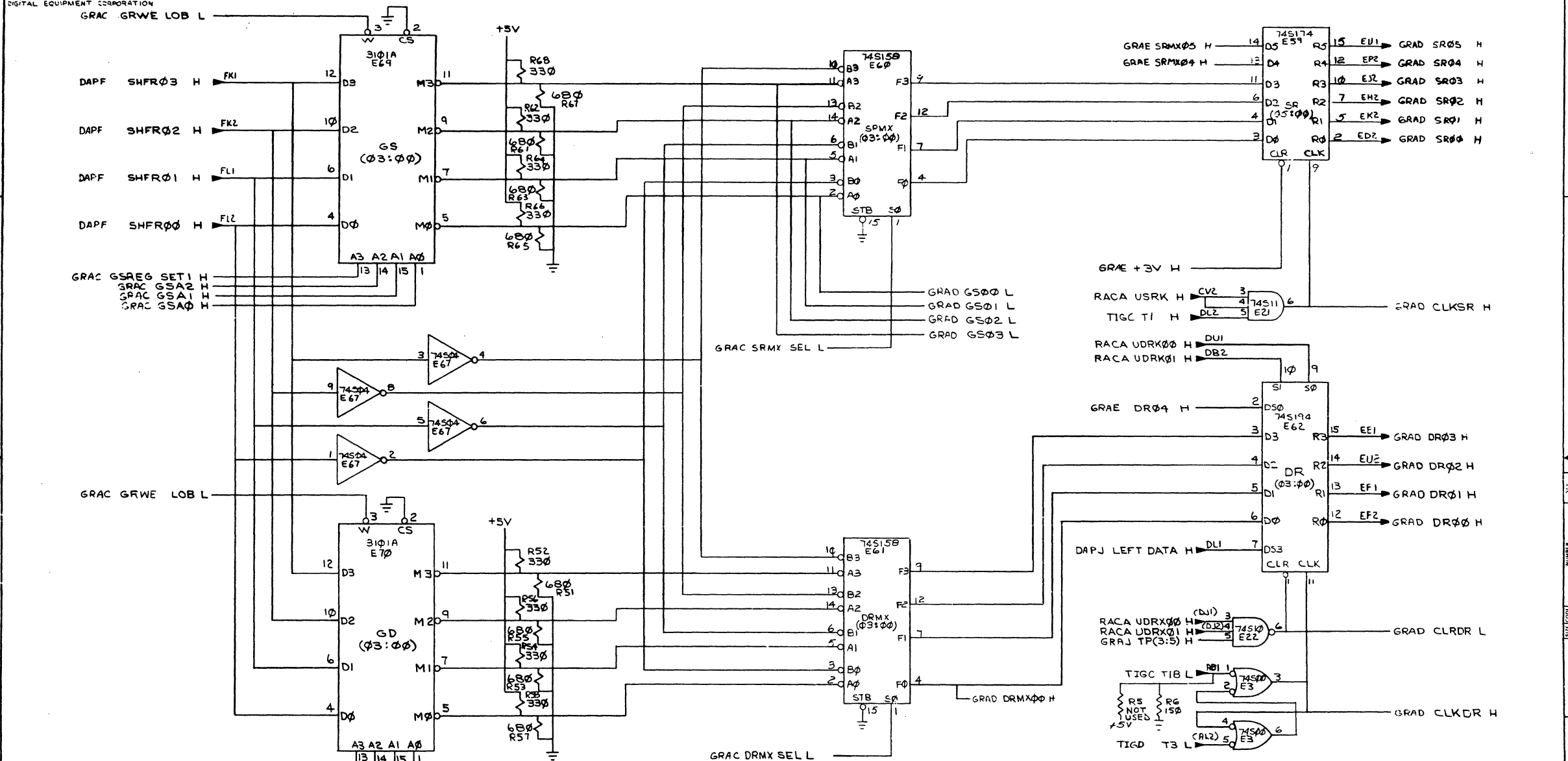
FIRST USED ON OPTION/MODEL	QTY.	DESCRIPTION	PART NO.	ITEM NO.
11/70				
UNLESS OTHERWISE SPECIFIED DIMENSION IN INCHES TOLERANCES				
DECIMALS	ANGLES	DATE	PARTS LIST	
.XX - .005	± 0° 30'	11/27/70	DIGITAL EQUIPMENT CORPORATION NATICK, MASSACHUSETTS	
.XX - .02		11/27/74	TITLE	
X - .1		11/27/74	GENERAL REGS. #ALU CNTL	
REMOVE BURRS AND BREAK SHARP CORNERS SURFACE QUALITY		11/27/74	MATERIAL	
			NEXT HIGHER ASSY.	
FINISH	SCALE	DATE	SIZE/CODE	NUMBER
	1" = 1"	11/27/74	DCS M8131-0-1	(GRAB)
	SHEET 2 OF 10		DIST.	REV. B

34





This drawing and specifications, herein, are the property of Digital Equipment Corporation and shall not be reproduced or copied in whole or in part for any purpose without the written permission of Digital Equipment Corporation. COPYRIGHT © 1974



GRAC GSREG SET 1 H  
GRAC GSREG SET 2 H  
GRAC GSREG SET 3 H  
GRAC GSREG SET 4 H

GRAC GDREG SET 1 H  
GRAC GDREG SET 2 H  
GRAC GDREG SET 3 H  
GRAC GDREG SET 4 H

74158B S0 OUTPUT  
L NO-OP  
L H SHIFT RIGHT (DS0)  
L H SHIFT LEFT (DS3)  
H H LOAD

GS, GD, SRMX, DRMX, DR, (03:00) & SR (05:00) SLOT 7

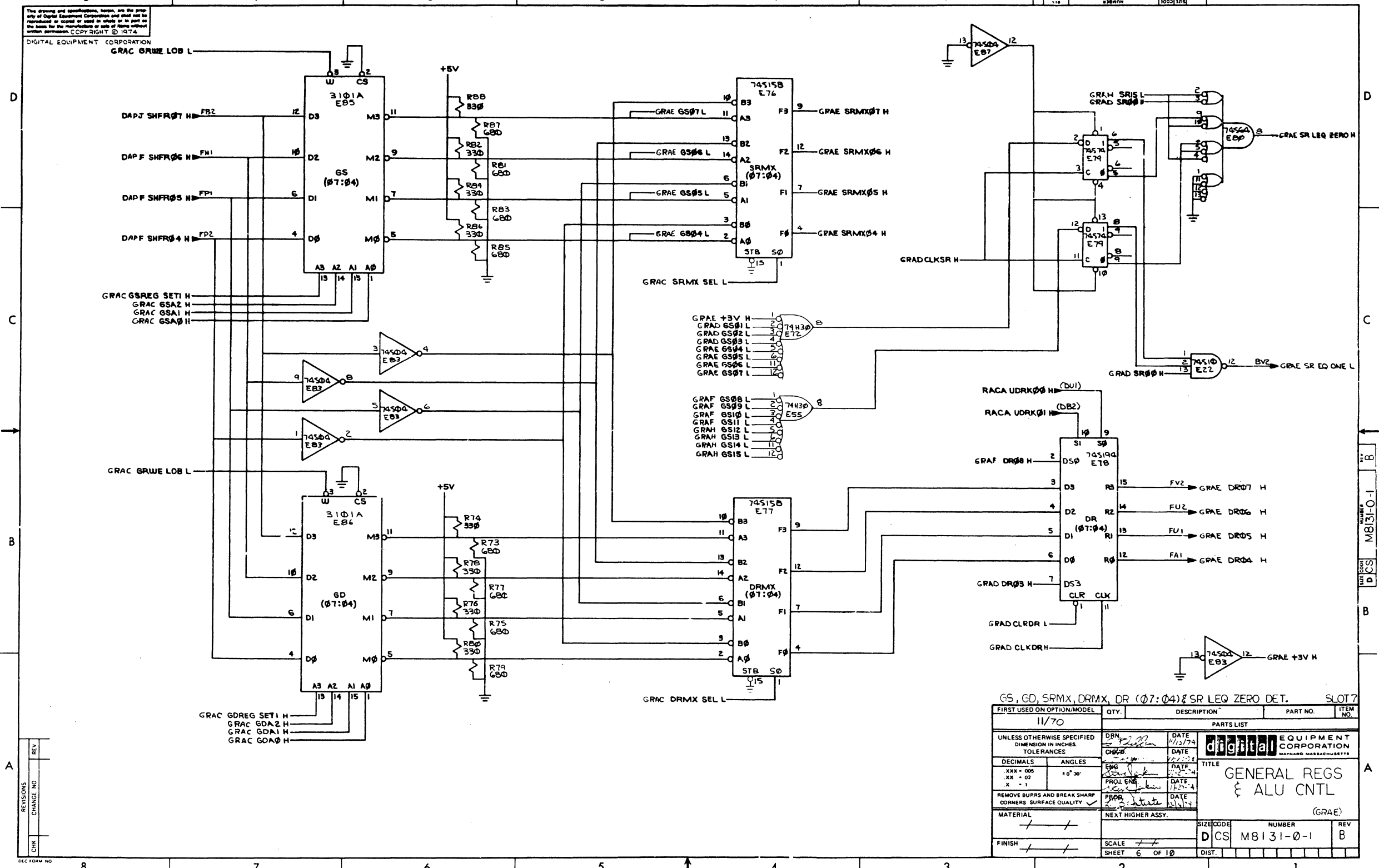
FIRST USED ON OPTION/MODEL	QTY.	DESCRIPTION	PART NO.	ITEM NO.
11/70				
UNLESS OTHERWISE SPECIFIED DIMENSION IN INCHES.				
TOLERANCES				
DECIMALS	ANGLES	TITLE		
XXX + .005	± 0° 30'	GENERAL REGS. & ALU. CNTL (GRAC)		
XX - .02		SIZE CODE NUMBER REV.		
X - .1		DCS M8131-0-1 B		
REMOVE BURRS AND BREAK SHARP CORNERS SURFACE QUALITY				
MATERIAL NEXT HIGHER ASSY.				
FINISH				
SCALE				
SHEET 5 OF 10				

REVISIONS

REV	CHANGE NO

DIGITAL EQUIPMENT CORPORATION  
DIP 102-B

The drawings and specifications, herein, are the property of Digital Equipment Corporation and shall not be reproduced or copied or used in whole or in part as the basis for the manufacture of parts of items without written permission. COPYRIGHT © 1974

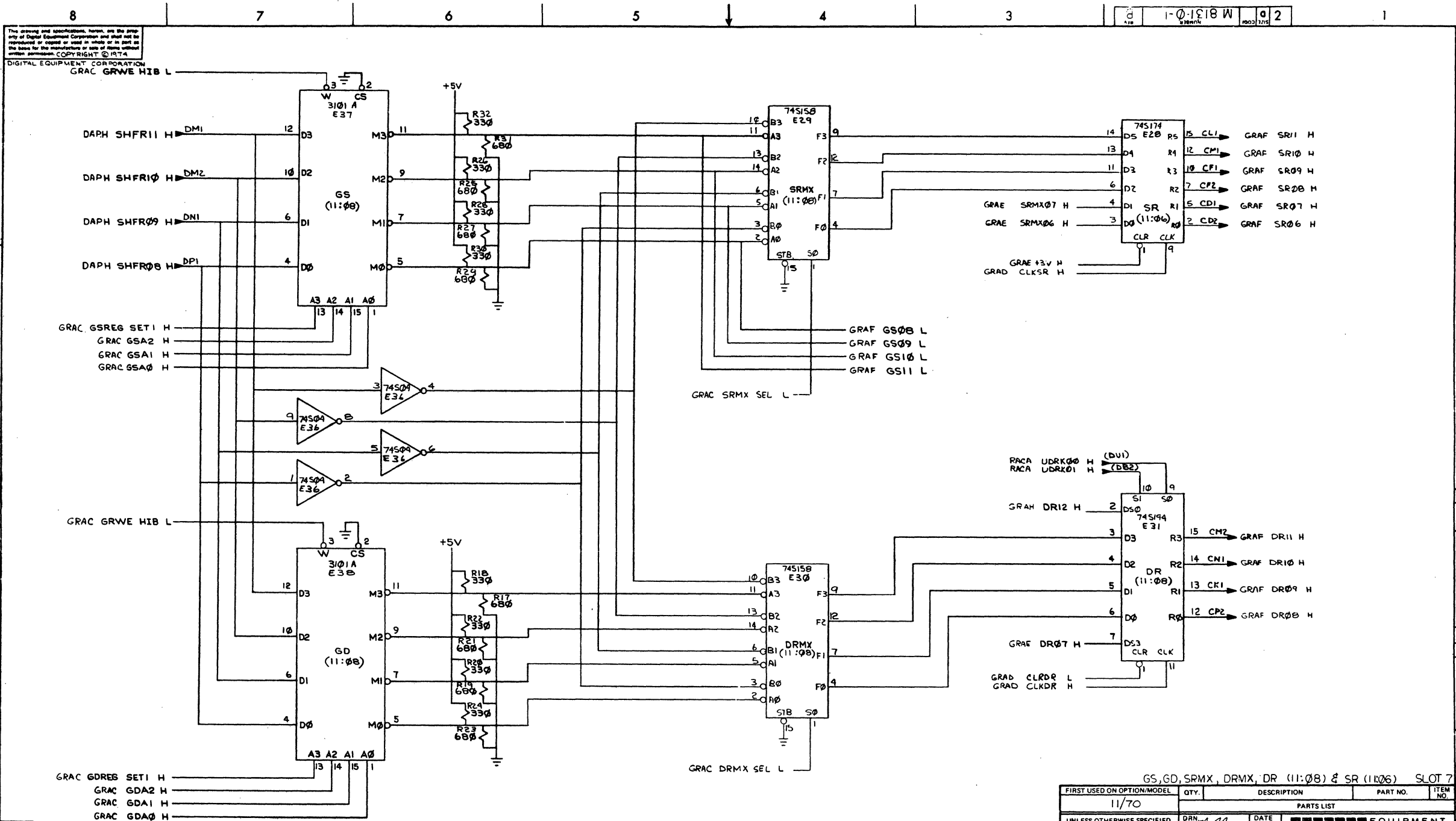


GS, GD, SRMX, DRMX, DR (07:04) & SR LEQ ZERO DET. SLOT 7

FIRST USED ON OPTION/MODEL	QTY.	DESCRIPTION	PART NO.	ITEM NO.
11/70				
PARTS LIST				
UNLESS OTHERWISE SPECIFIED	DRN	DATE	PARTS LIST	
DIMENSION IN INCHES	CHKD	DATE	digital EQUIPMENT CORPORATION	
TOLERANCES	ENG	DATE	MAYNARD MASSACHUSETTS	
DECIMALS	PROJ ENR	DATE	TITLE	
ANGLES	PROB	DATE	GENERAL REGS	
XXX = 005			& ALU CNTL	
XX = 02			(GRAE)	
X = 1			MATERIAL	
REMOVE BURRS AND BREAK SHARP CORNERS. SURFACE QUALITY			NEXT HIGHER ASSY.	
			SIZE CODE	NUMBER
			D CS	M8131-0-1
			SCALE	REV
			6 OF 10	B
			SHEET	DIST.

REV	
CHANGE NO	
REVISIONS	

DEC FORM NO DND 102-B



The drawing and specifications herein are the property of Digital Equipment Corporation and shall not be reproduced or used in whole or in part as the basis for the manufacture or sale of items without written permission. COPYRIGHT © 1974 DIGITAL EQUIPMENT CORPORATION

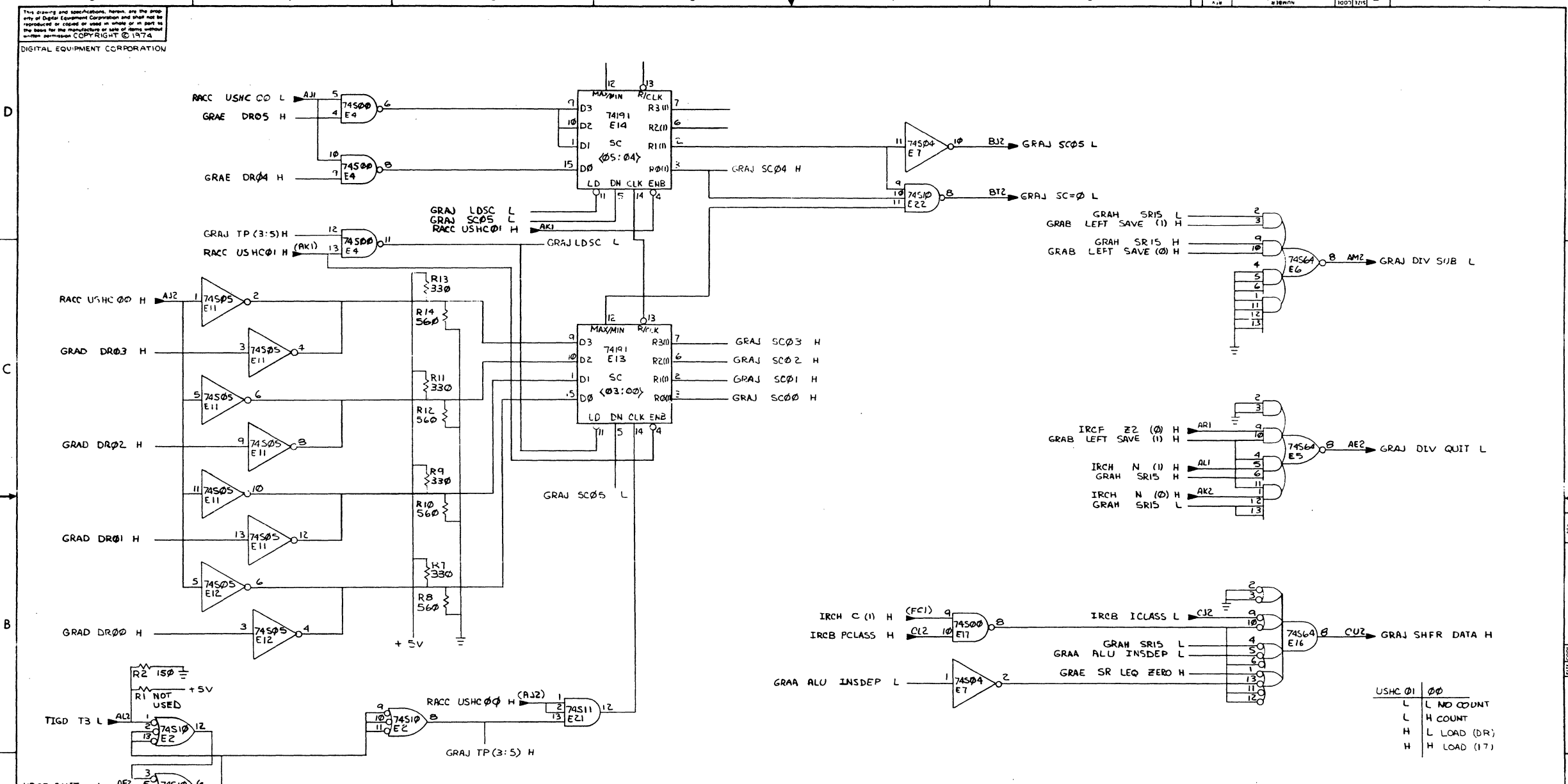
REV	NO.
CHK	NO.

FIRST USED ON OPTION/MODEL	QTY.	DESCRIPTION	PART NO.	ITEM NO.
11/70				
UNLESS OTHERWISE SPECIFIED DIMENSION IN INCHES TOLERANCES				
DECIMALS	ANGLES	PARTS LIST		
XXX - .005	± 0° 30'	digital EQUIPMENT CORPORATION		
XX - .02		MAYNARD MASSACHUSETTS		
X - .1		TITLE		
REMOVE BURRS AND BREAK SHARP CORNERS SURFACE QUALITY		GENERAL REGS & ALU CNTL (GRAF)		
MATERIAL		NEXT HIGHER ASSY.	SIZE CODE	NUMBER
FINISH		SCALE	DCS M8131-0-1	B
		SHEET 7 OF 10	DIST.	



This drawing and specifications, herein, are the property of Digital Equipment Corporation and shall not be reproduced or copied or used in whole or in part in the form for the manufacture or sale of items without written permission. COPYRIGHT © 1974  
DIGITAL EQUIPMENT CORPORATION

1-0-1818 W SC 2



USHC 01 00  
L L NO COUNT  
L H COUNT  
H L LOAD (DR)  
H H LOAD (17)

SHIFT COUNT REG (SC) SLOT 7

FIRST USED ON OPTION/MODEL	QTY.	DESCRIPTION	PART NO.	ITEM NO.
11/70				
PARTS LIST				
UNLESS OTHERWISE SPECIFIED DIMENSION IN INCHES	DATE 11/27/74	DIGITAL EQUIPMENT CORPORATION		
TOLERANCES	DATE	MILWAUKEE WISCONSIN		
DECIMALS .XX + .02	DATE 11/27/74	TITLE GENERAL REGS & ALU CNTL (GRAJ)		
ANGLES 16' 30"	DATE 11/27/74			
REMOVE BURRS AND BREAK SHARP CORNERS SURFACE QUALITY	DATE 11/17/74	SIZE CODE NUMBER REV. DCS M8131-0-1 B		
MATERIAL	NEXT HIGHER ASSY.	SCALE SHEET 9 OF 10		
FINISH		DIST.		

BRUNING 40-922 15840  
REV. NO. CHANGE NO.  
CHK







8

7

6

5

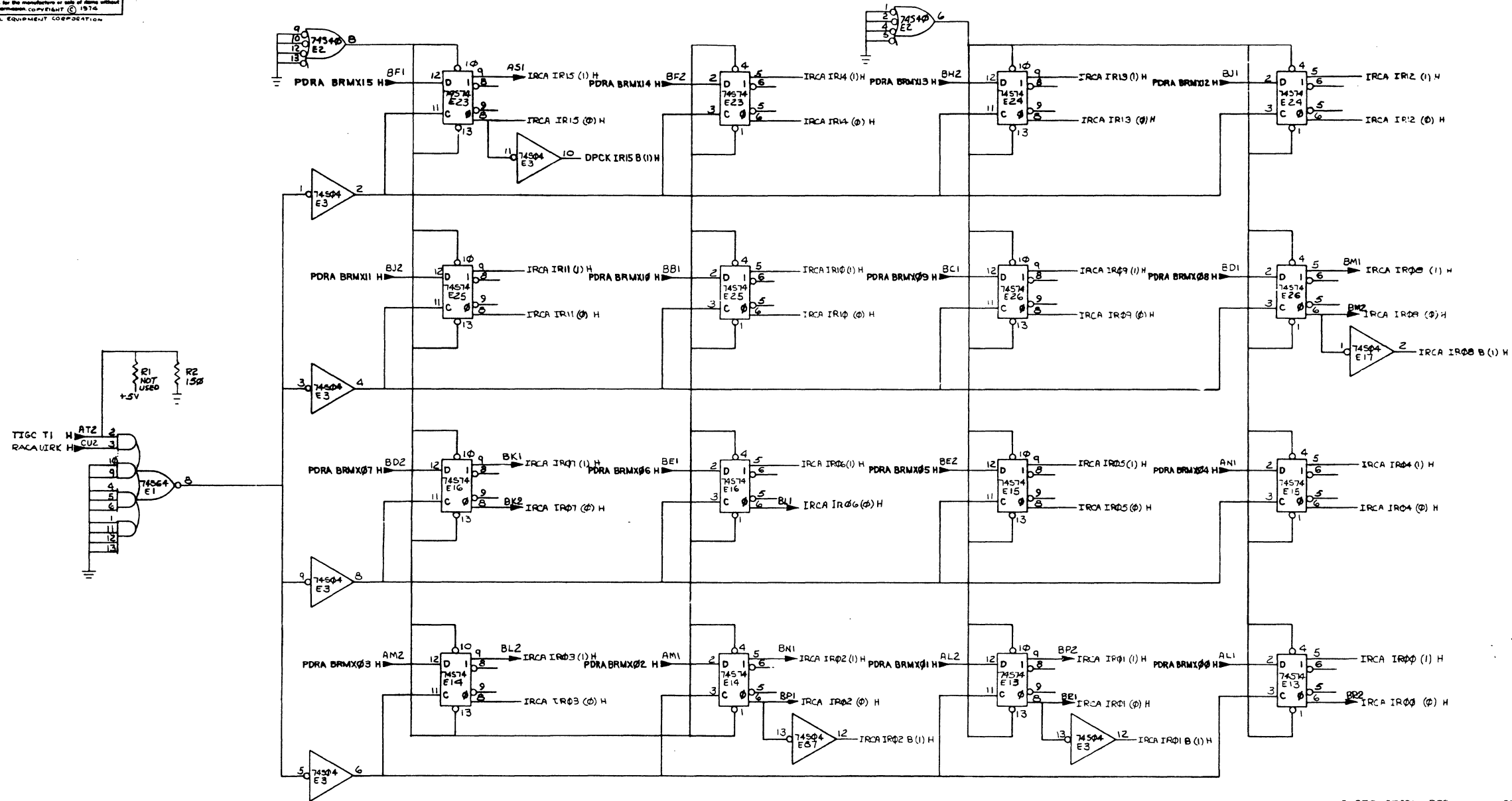
4

3

1-0-2218W S01 2

1

This drawing and specifications, herein, are the property of Digital Equipment Corporation and shall not be reproduced or copied or used in whole or in part on any basis for the manufacture or sale of items without written permission. COPYRIGHT © 1974. DIGITAL EQUIPMENT CORPORATION.



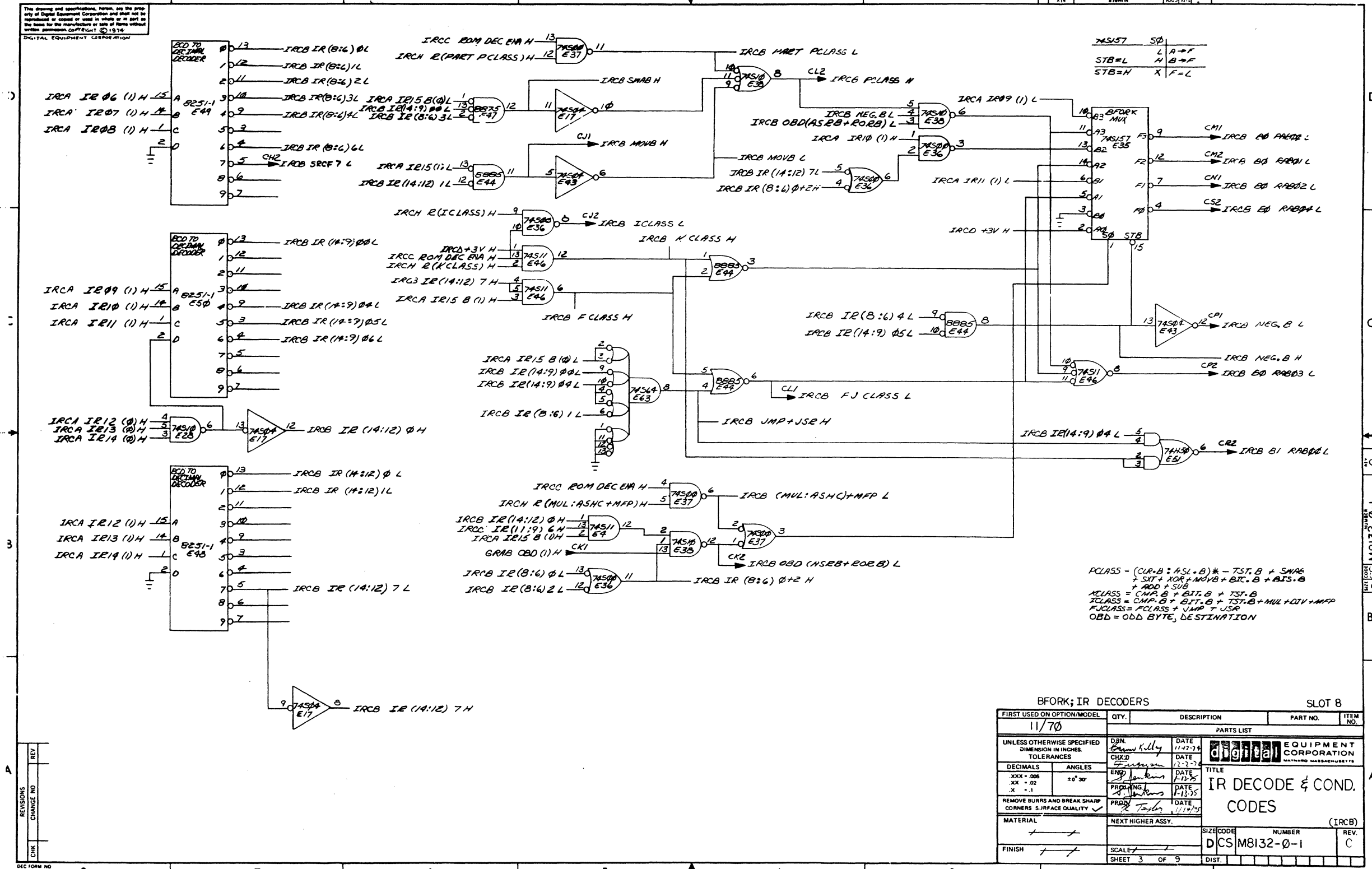
REVISIONS	REV
CHANGE NO	
CHK	

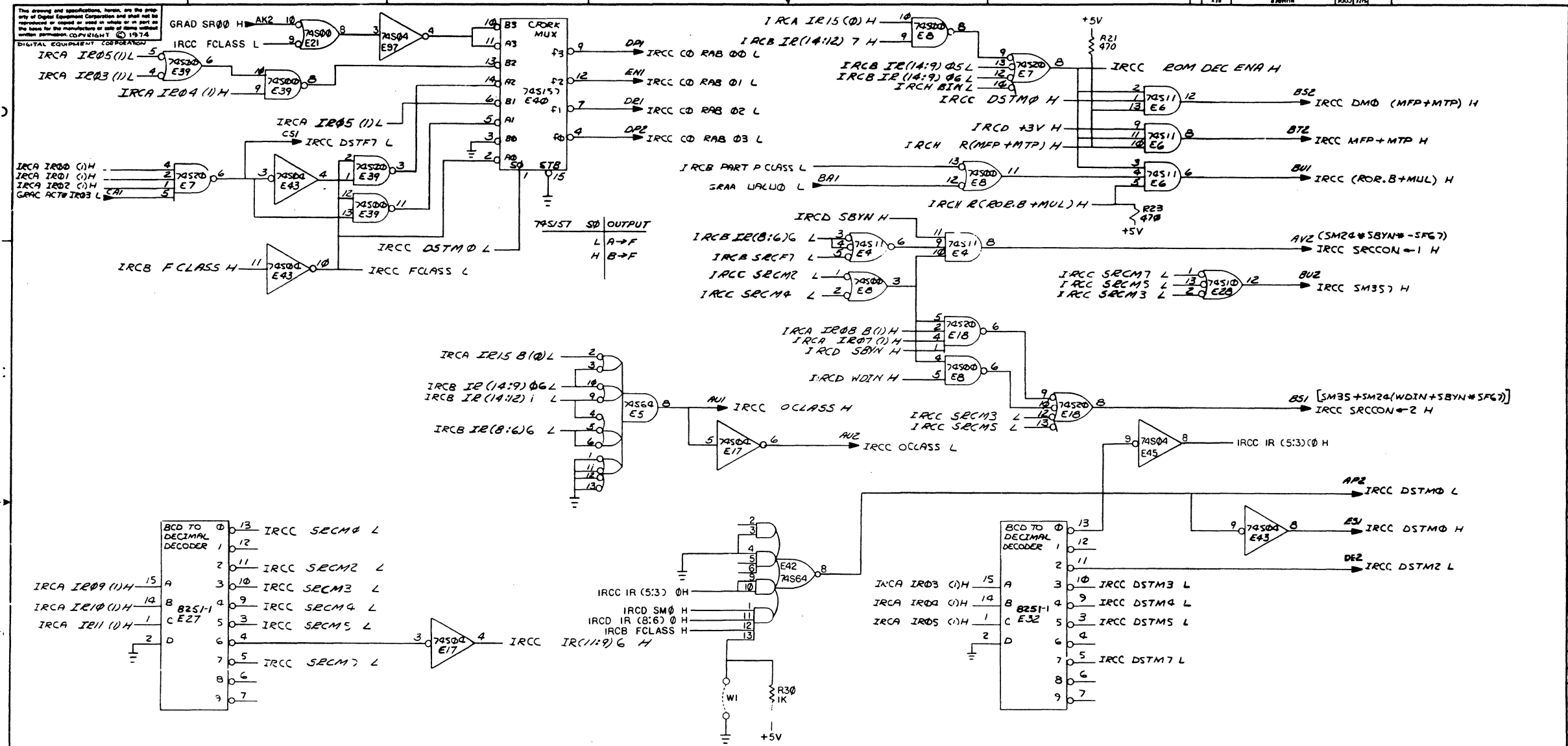
DEC FORM NO

FIRST USED ON OPTION/MODEL		QTY.	DESCRIPTION	PART NO.	ITEM NO.
11/70					
UNLESS OTHERWISE SPECIFIED DIMENSION IN INCHES TOLERANCES		DRN	DATE	PARTS LIST	
DECIMALS		CHK	DATE	digital EQUIPMENT CORPORATION	
ANGLES		ENG	DATE	WATFORD MASSACHUSETTS	
XXX - 000		PROJ. ENG	DATE	TITLE	
.XX - 00		PROJ	DATE	IR DECODE & COND. CODES	
X - 1		PROJ	DATE	(IRCA)	
REMOVE BURRS AND BREAK SHARP CORNERS SURFACE QUALITY				SIZE CODE	NUMBER
MATERIAL		NEXT HIGHER ASSY.		DCSM8132-0-1	REV
FINISH		SCALE	SHEET 2 OF 9	DIST.	C

This drawing and specifications herein are the property of Digital Equipment Corporation and shall not be reproduced or used in whole or in part for the benefit of the manufacturer or user of items without written permission. Copyright © 1974. DIGITAL EQUIPMENT CORPORATION

1-0-218W (S) 2





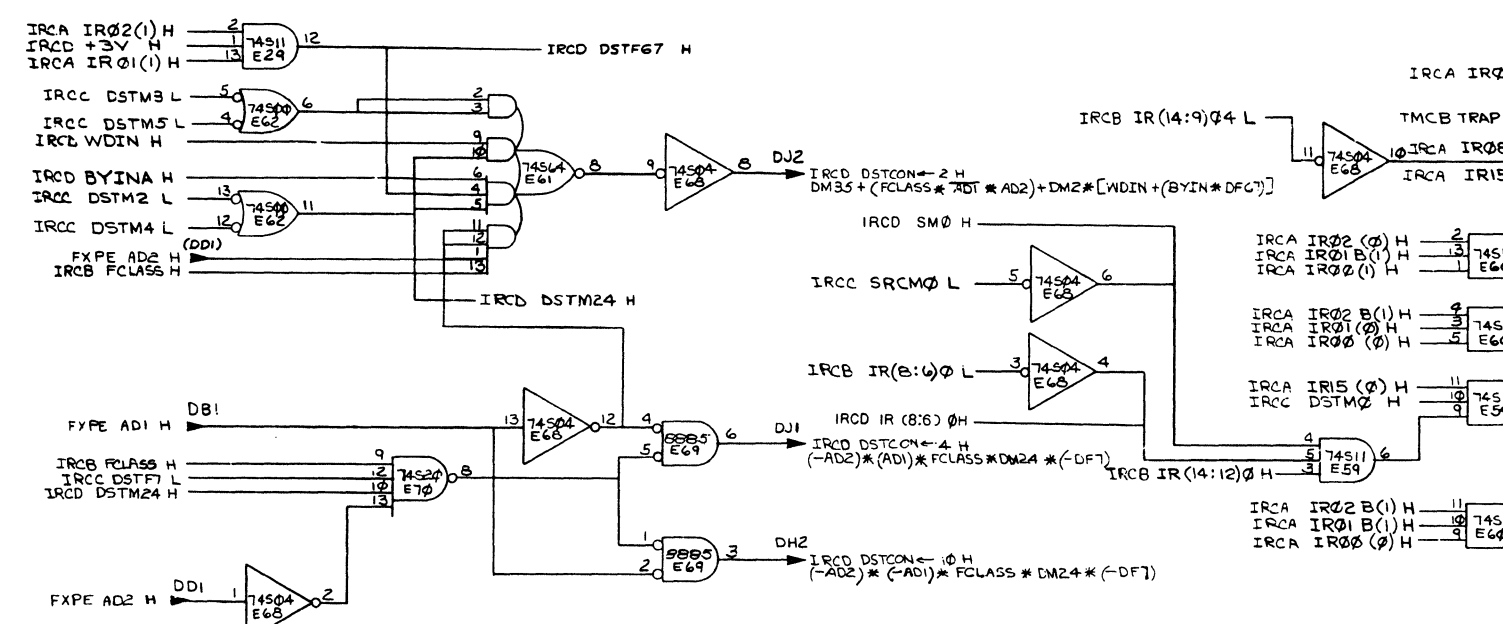
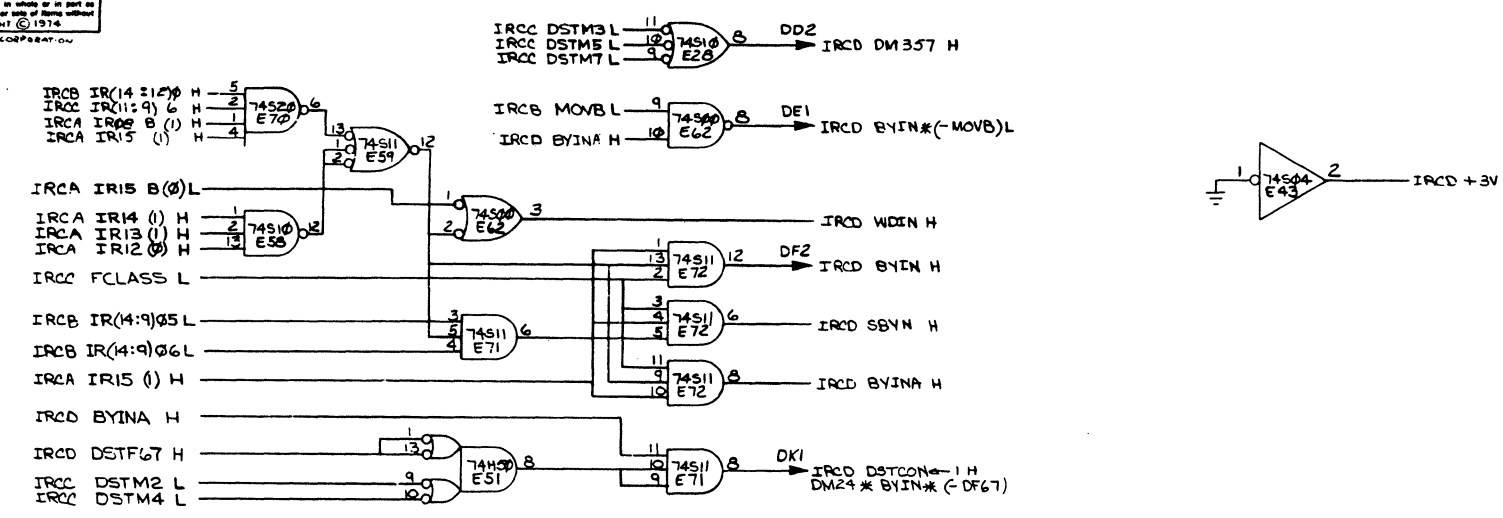
INSTALL JUMPER W1 FOR USE WITH FPII-B

NOTE: OCLASS = MOV + MTP  
 SBYN = MOV + CMP + BIT + BIC + BIS  
 SR00 = OBS (ODD BYTE, SOURCE)  
 FCLASS = FPU OPCODES

FIRST USED ON OPTION/MODEL		QTY.	DESCRIPTION	PART NO.	ITEM NO.
11170					
PARTS LIST					
UNLESS OTHERWISE SPECIFIED	DRN	DATE	DIGITAL EQUIPMENT CORPORATION MAYNARD, MASSACHUSETTS		
DIMENSION IN INCHES	CHK'D	DATE			
TOLERANCES	ENG	DATE			
DECIMALS	PRV' ENGR	DATE			
.XXX - .008			TITLE	IR DECODE & COND. CODES (IRCC)	
.XX - .02			IRCC		
.X - .1			SIZE CODE	NUMBER	REV.
REMOVE BURRS AND BREAK SHARP CORNERS SURFACE QUALITY			SCALE	DCS M8132-0-1	C
MATERIAL	NEXT HIGHER ASSY.		SHEET	4 OF 9	DIST

REVISIONS	CHANGE NO.	REV.

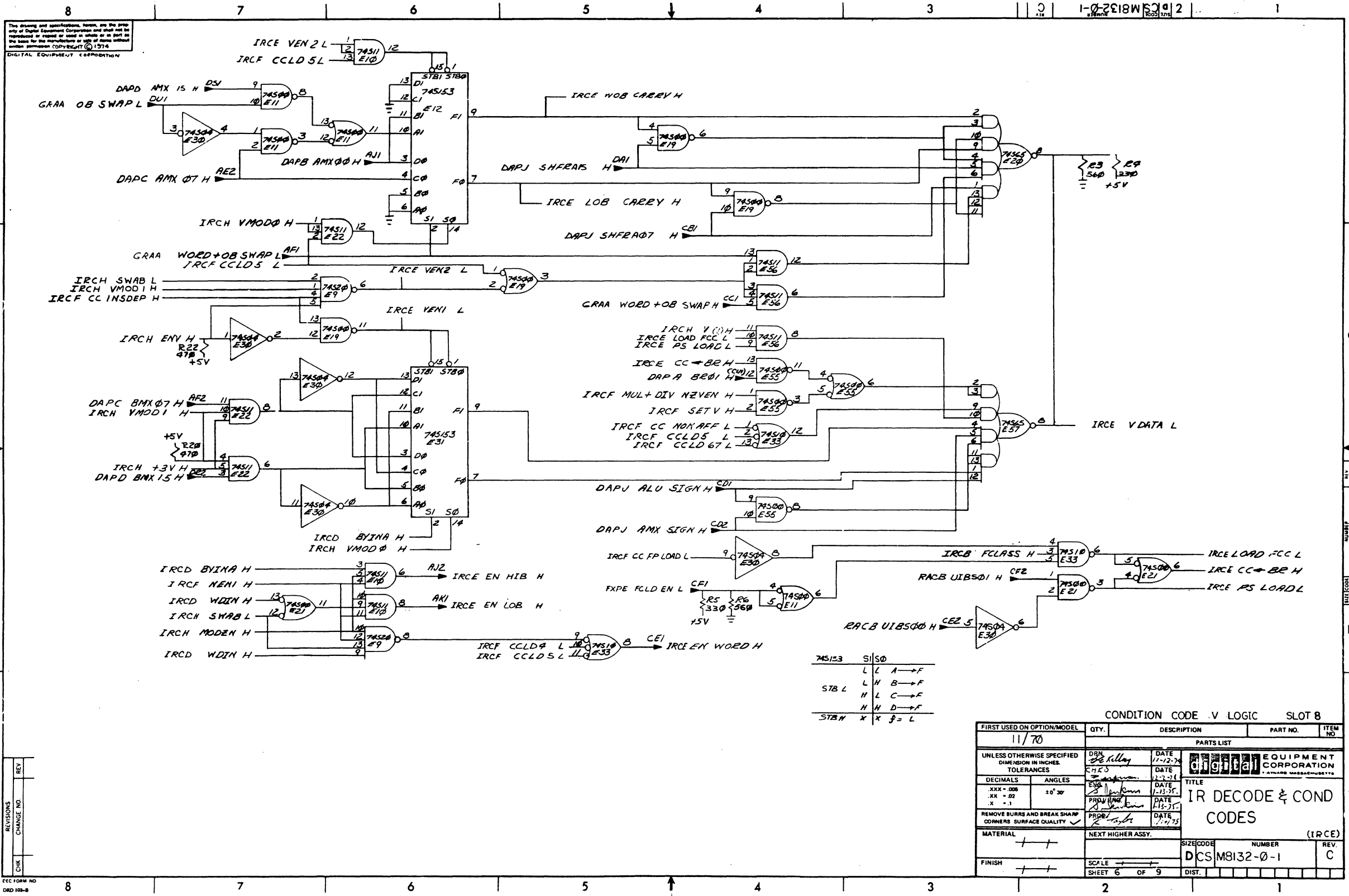
The drawing and specifications herein are the property of Digital Equipment Corporation and shall not be reproduced or used in whole or in part as the basis for the manufacture or sale of items without written permission. Copyright © 1974. DIGITAL EQUIPMENT CORPORATION



REVISIONS  
KEY  
CHANGE NO.

DEC FORM NO  
DSD 100-B

INSTRUCTION TRAPS & DESTINATION CONSTANTS				SLOT 8	
FIRST USED ON OPTION/MODEL	QTY.	DESCRIPTION	PART NO.	ITEM NO.	
11/70					
UNLESS OTHERWISE SPECIFIED DIMENSION IN INCHES TOLERANCES					
DECIMALS	ANGLES	DATE	PARTS LIST		
.XXX - .006	10° 30'	11-12-74	DIGITAL EQUIPMENT CORPORATION		
X - .1		DATE	CORPORATION		
REMOVE BURRS AND BREAK SHARP CORNERS. SURFACE QUALITY					
MATERIAL					
NEXT HIGHER ASSY.					
FINISH					
SCALE					
SHEET 5 OF 9					
TITLE			REV.		
IR DECODE & COND. CODES			C		
SIZE CODE			NUMBER		
DCS M8132-0-1			74511		
DIST.					



The drawing and specifications herein are the property of Digital Equipment Corporation and shall not be reproduced or copied in whole or in part or the same for the manufacture or sale of items without written permission (COPYRIGHT © 1974) DIGITAL EQUIPMENT CORPORATION

1-02818W5012

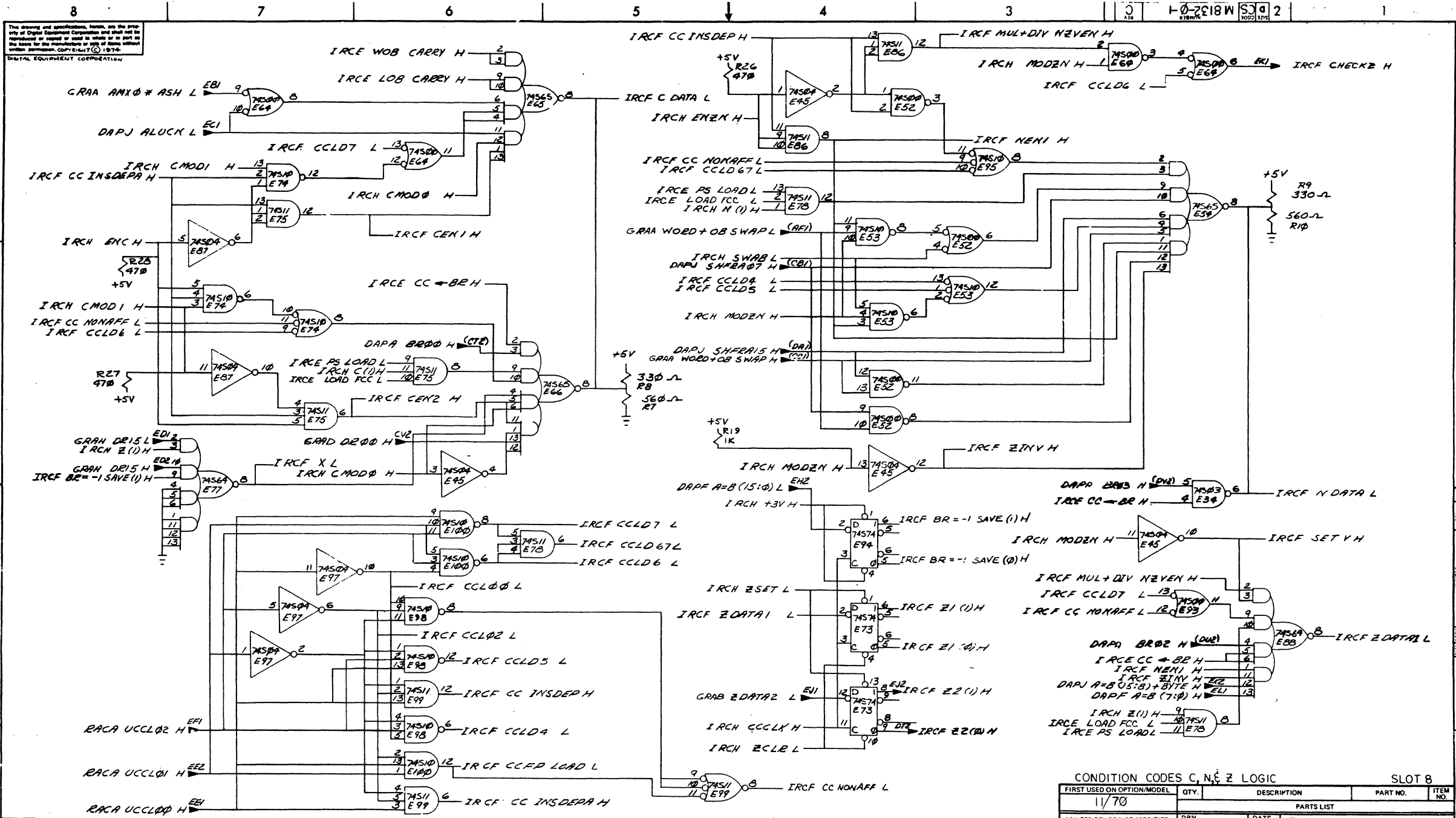
DCS M8132-0-1

74S153	S1S0
L L	A → F
S7B L	L H B → F
	H L C → F
	H H D → F
S7B H	X X β = L

CONDITION CODE .V LOGIC SLOT 8

FIRST USED ON OPTION/MODEL	QTY.	DESCRIPTION	PART NO.	ITEM NO.
11/70				
PARTS LIST				
UNLESS OTHERWISE SPECIFIED DIMENSION IN INCHES TOLERANCES	DRN SRE	DATE 11-12-74	 DIGITAL EQUIPMENT CORPORATION MAYFIELD MASSACHUSETTS	
DECIMALS	ENG	DATE 1-27-74		
ANGLES	PROJ ENG	DATE 1-23-75	TITLE <b>IR DECODE &amp; COND CODES</b> (IRCE)	
.XXX - .008 .XX - .02 .X - .1	PRG	DATE 1-15-75		
REMOVE BURRS AND BREAK SHARP CORNERS SURFACE QUALITY	PROJ	DATE 1-17-75	SIZE CODE NUMBER <b>DCS M8132-0-1</b> REV. C	
MATERIAL				
FINISH			DIST.	

REV. NO. CHANGE NO. CHK



FIRST USED ON OPTION/MODEL		QTY.	DESCRIPTION	PART NO.	ITEM NO.
11/70					
UNLESS OTHERWISE SPECIFIED DIMENSION IN INCHES TOLERANCES					
DECIMALS	ANGLES		DATE	PARTS LIST	
.XXX - .005	±0°30'		11/21/70	digital EQUIPMENT CORPORATION	
X - .1			2-2-78	MAYNARD MASSACHUSETTS	
REMOVE BURRS AND BREAK SHARP CORNERS SURFACE QUALITY					
MATERIAL NEXT HIGHER ASSY.					
FINISH					
TITLE					
IR DECODE & COND. CODES (IRCF)					
SIZE CODE		NUMBER		REV.	
DCS M8132-0-1				C	
SHEET 7 OF 9					

REV.	CHANGE NO.





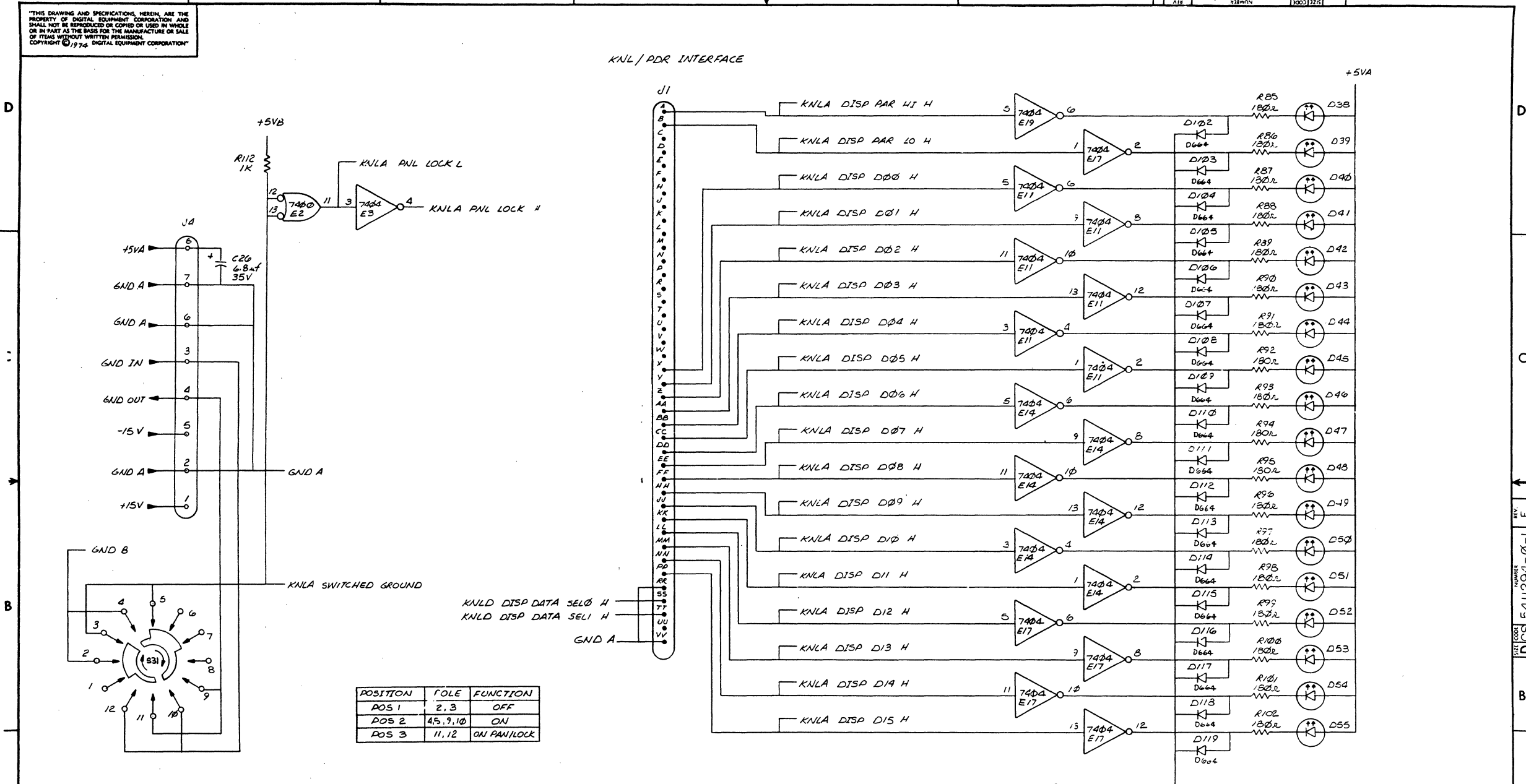




THIS DRAWING AND SPECIFICATIONS, HEREIN, ARE THE PROPERTY OF DIGITAL EQUIPMENT CORPORATION AND SHALL NOT BE REPRODUCED OR COPIED OR USED IN WHOLE OR IN PART AS THE BASIS FOR THE MANUFACTURE OR SALE OF ITEMS WITHOUT WRITTEN PERMISSION. COPYRIGHT © 1974 DIGITAL EQUIPMENT CORPORATION

CS 5411294-0-1 E

KNL/PDR INTERFACE



POSITION	SOLE	FUNCTION
POS 1	2, 3	OFF
POS 2	4, 5, 9, 10	ON
POS 3	11, 12	ON PAN/LOCK

- NOTES:
1. BC06R CABLES USED TO CONNECT CONSOLE TO PDR AND SCC BOARDS.
  2. CASE OF S31 = GND A

REVISIONS		
CHK	CHANGE NO.	REV.

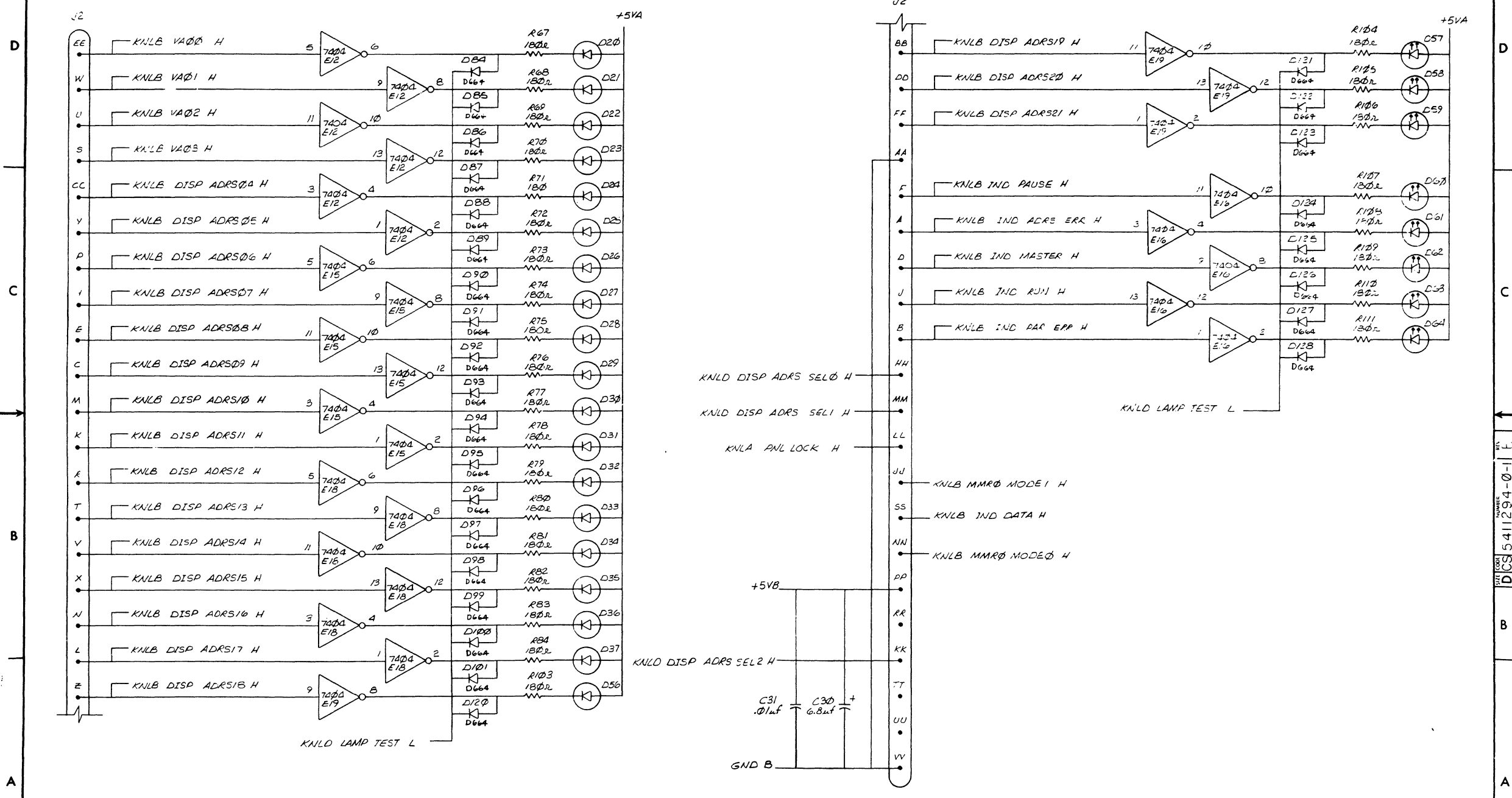
TITLE: CONSOLE BOARD (KNLA) SIZE CODE: DCS NUMBER: 5411294-0-1 REV: E  
 SCALE: -- SHEET 2 OF 5 DIST:     

52

THIS DRAWING AND SPECIFICATIONS HEREIN ARE THE PROPERTY OF DIGITAL EQUIPMENT CORPORATION AND SHALL NOT BE REPRODUCED OR COPIED OR USED IN WHOLE OR IN PART AS THE BASIS FOR THE MANUFACTURE OR SALE OF ITEMS WITHOUT WRITTEN PERMISSION. COPYRIGHT © 1974 DIGITAL EQUIPMENT CORPORATION

KNL/SCC INTERFACE

D CS 5411294-0-1

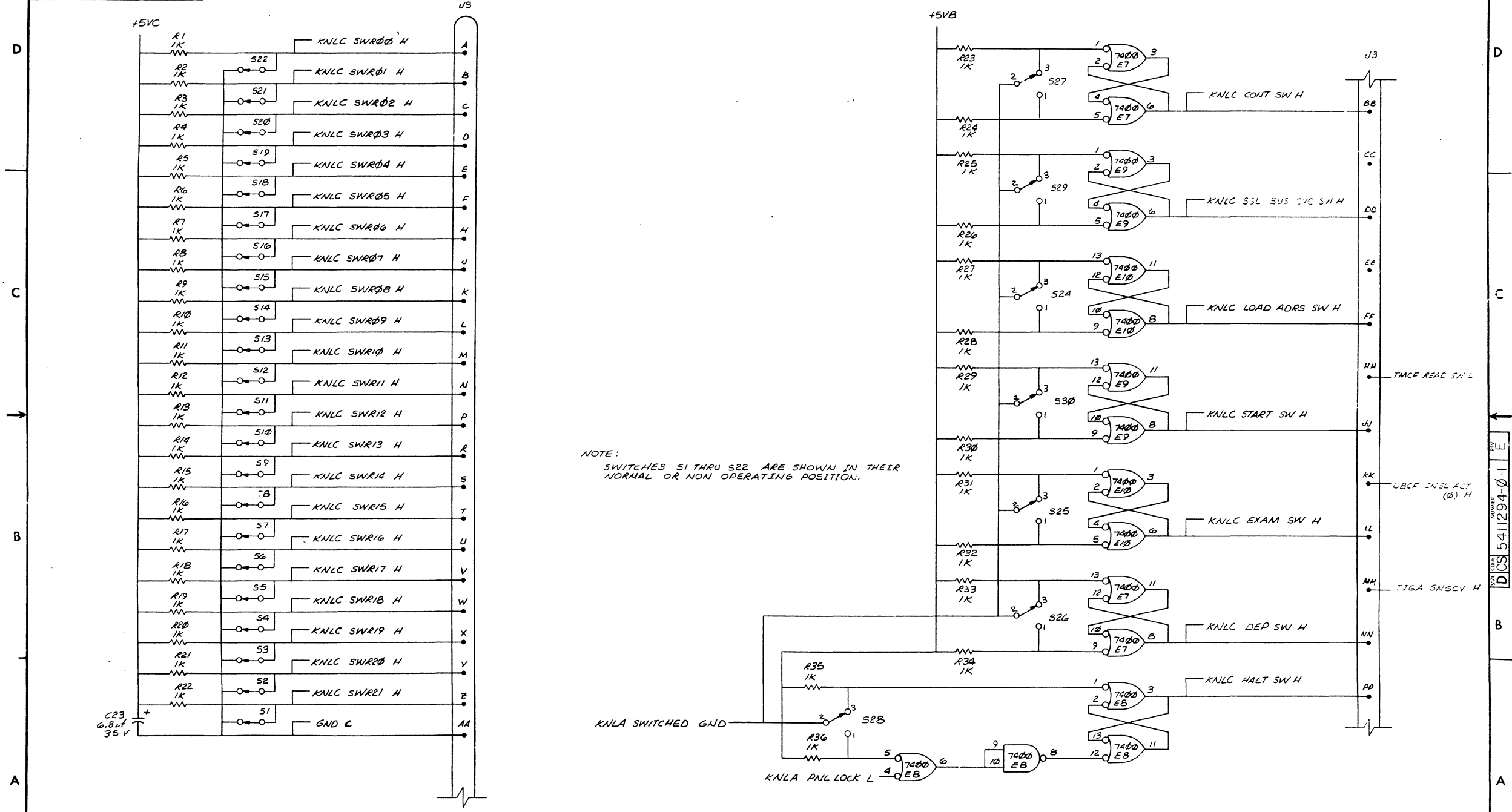


REVISIONS		
CHK	CHANGE NO.	REV.

TITLE	SIZE CODE	NUMBER	REV.
CONSOLE BOARD (KNLB)	D CS	5411294-0-1	E
SCALE	SHEET	DIST.	
H	3 OF 5		

THIS DRAWING AND SPECIFICATIONS HEREIN ARE THE PROPERTY OF DIGITAL EQUIPMENT CORPORATION AND SHALL NOT BE REPRODUCED OR COPIED OR USED IN WHOLE OR IN PART AS THE BASIS FOR THE MANUFACTURE OR SALE OF ITEMS WITHOUT WRITTEN PERMISSION. COPYRIGHT © 1974 DIGITAL EQUIPMENT CORPORATION

KNL / SCC INTERFACE

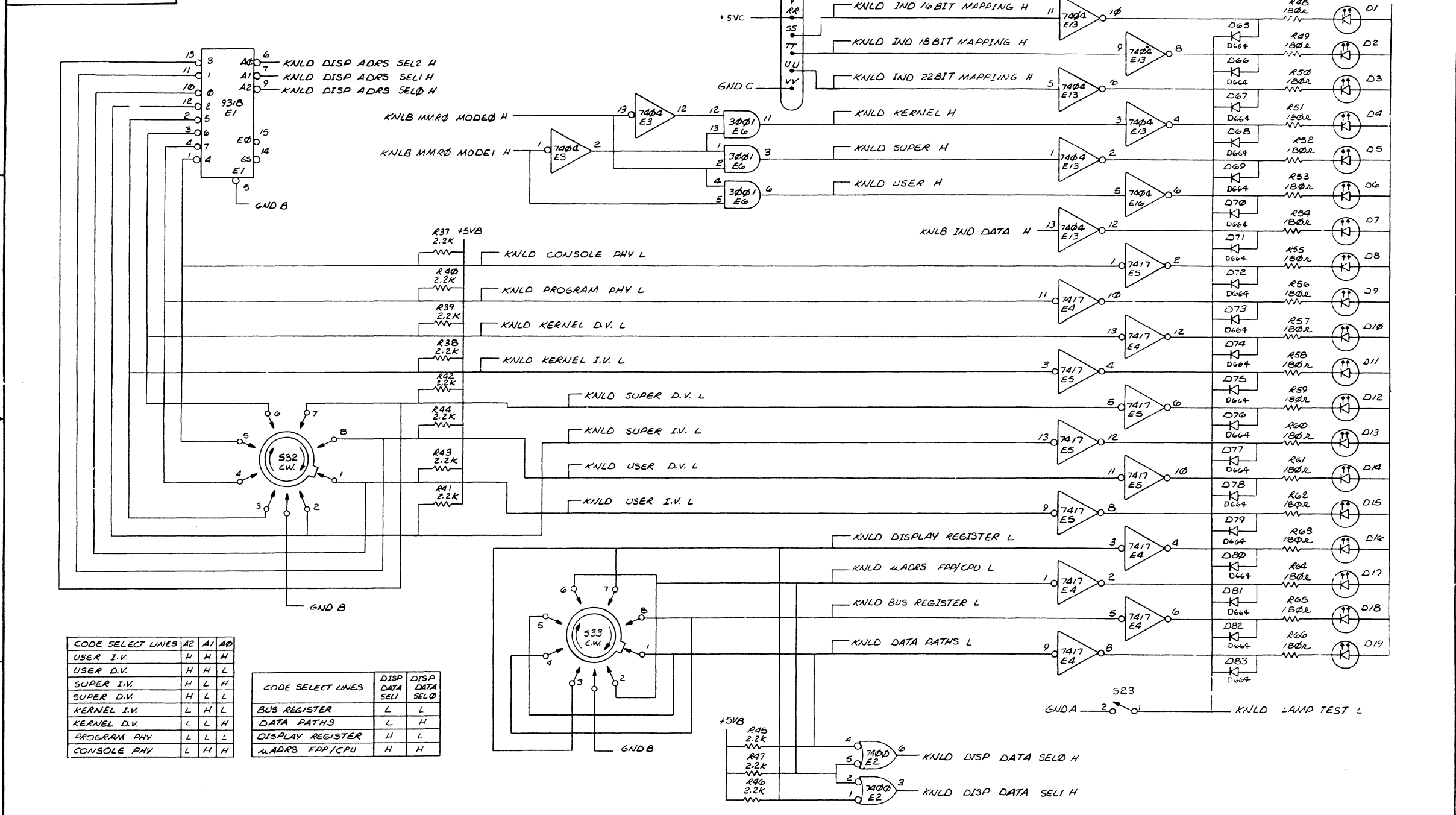


NOTE:  
SWITCHES S1 THRU S22 ARE SHOWN IN THEIR NORMAL OR NON OPERATING POSITION.

REVISIONS		
CHK	CHANGE NO.	REV.

TITLE		SIZE	CODE	NUMBER	REV.
CONSOLE BOARD (KNLC)		D	CS	5411294-0-1	E
SCALE		SHEET		OF	DIST.
//		4		5	

THIS DRAWING AND SPECIFICATIONS HEREIN ARE THE PROPERTY OF DIGITAL EQUIPMENT CORPORATION AND SHALL NOT BE REPRODUCED OR COPIED OR USED IN WHOLE OR IN PART AS THE BASIS FOR THE MANUFACTURE OR SALE OF ITEMS WITHOUT WRITTEN PERMISSION. COPYRIGHT © 1974 DIGITAL EQUIPMENT CORPORATION



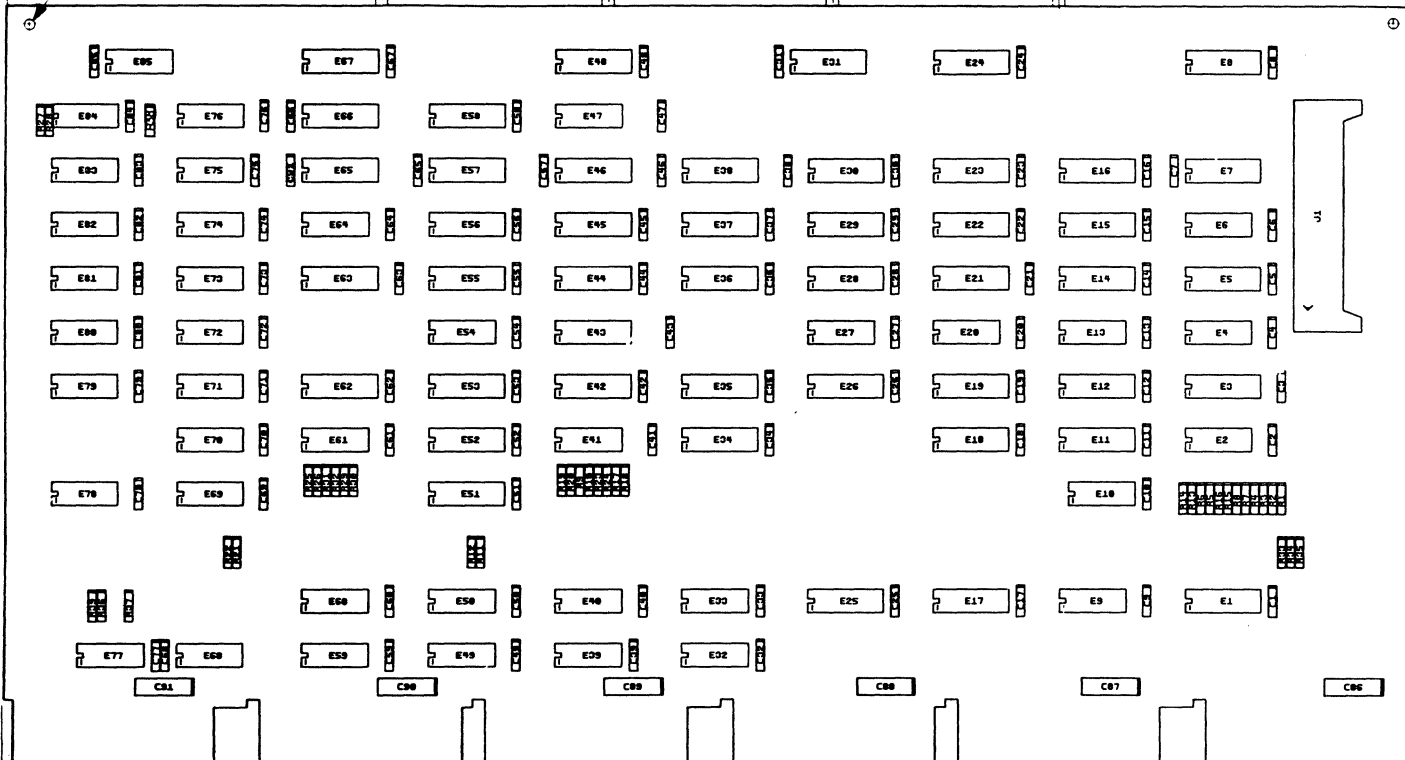
CODE SELECT LINES	A2	A1	A0
USER I.V.	H	H	H
USER D.V.	H	H	L
SUPER I.V.	H	L	H
SUPER D.V.	H	L	L
KERNEL I.V.	L	H	L
KERNEL D.V.	L	L	H
PROGRAM PHY	L	L	L
CONSOLE PHY	L	H	H

CODE SELECT LINES	DISP DATA SEL1	DISP DATA SEL0
BUS REGISTER	L	L
DATA PATHS	L	H
DISPLAY REGISTER	H	L
μADRS FPP/CPU	H	H

REVISIONS		
CHK	CHANGE NO.	REV.

THIS DRAWING AND SPECIFICATIONS HEREIN ARE THE PROPERTY OF DIGITAL EQUIPMENT CORPORATION AND SHALL NOT BE REPRODUCED OR COPIED OR USED IN WHOLE OR IN PART AS THE BASIS FOR THE MANUFACTURE OR SALE OF ITEMS WITHOUT WRITTEN PERMISSION. COPYRIGHT © 1976, DIGITAL EQUIPMENT CORPORATION.

**NOTES:**  
1. E31, E51 AND E84 ARE SPARE REFERENCE DESIGNATIONS



IC	QTY	REF
IC DEC 8640	1	8
IC DEC 74175	8	16
IC DEC 74S175	8	16
IC DEC 74S174	8	16
IC DEC 74S157	8	16
IC DEC 74S153	8	16
IC DEC 9318	8	16
IC DEC 7485	8	16
IC TYPE	GND	+5V

GND AND 5V ARE USUALLY PIN 7 AND 14 RESPECTIVELY. EXCEPTIONS ARE STATED ABOVE.

IC PIN LOCATIONS

REVISIONS

CHK	CHANGE NO.	REV
P. SCHINDLER	1	B
D. BOUCHER	2	C
A. HELENIUS	3	D

QTY	REF DESIGNATION	DESCRIPTION	PART NO	ITEM NO.
1	E73	I.C. DEC 74H50	1909060	13
4	E32, E39, E49, E59	I.C. DEC 8881	1908705	14
4	E13, E77, E80, E83	I.C. DEC 74H01	1909849-00	15
4	E8, E24, E48, E67	I.C. DEC 74H05	1910224	16
1	E37	I.C. DEC 9318	1910454	17
1	E71	I.C. DEC 74S00	1910532	18
9	E2, E4, E10, E27, E41, E54, E61, E64, E74	I.C. DEC 74S04	1910534	19
3	E69, E72, E85	I.C. DEC 74S10	1910536	20
1	E76	I.C. DEC 74S11	1910537	21
1	E70	I.C. DEC 74S20	1910539	22
2	E78, E75	I.C. DEC 74S40	1910541	23
8	E6, E9, E20, E47, E68, E79, E81, E82	I.C. DEC 74S74	1910544	24
24	E3, E5, E7, E12, E14, E16, E19, E21, E23, E26, E28, E30, E35, E36, E38, E42, E44, E46, E53, E55, E57, E62, E63, E65	I.C. DEC 74S153	1910547	25
1	E29	I.C. DEC 74S157	1910548	26
12	E1, E11, E15, E17, E18, E22, E25, E34, E43, E52, E56, E66	I.C. DEC 74S174	1910550	27
2	E45, E58	I.C. DEC 74175	1910651	28
4	E33, E40, E50, E60	I.C. DEC 8840	1911469	29
12		EYELET	9006732	30
1		CABLE RETAINER	1209841-03	31
1		CABLE RETAINER	1209841-04	32

DEC NO.	EIA NO.	DEC NO.	EIA NO.

**digital** EQUIPMENT CORPORATION

TITLE: PROCESSOR DATA & UNIBUS REGS

SIZE CODE: DCS M8134-0-1

NUMBER: 1

REV: E

FIRST USED ON OPTION MODEL

ETCH BOARD REV C

DRN. DATE: 1/27/77

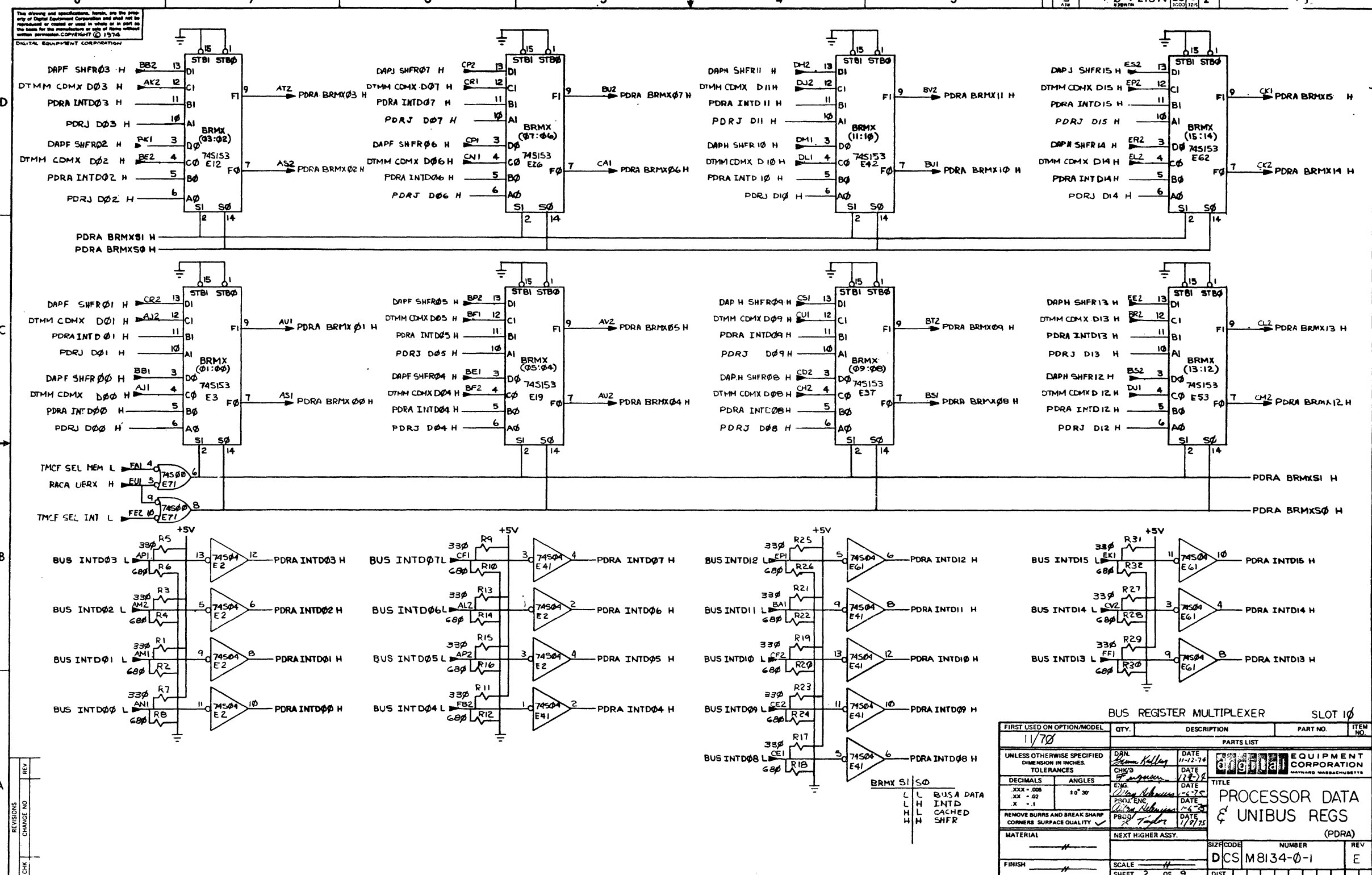
CHK. DATE: 12/2/77

ENG. DATE: 6-77

PROD. DATE: 11/8/75

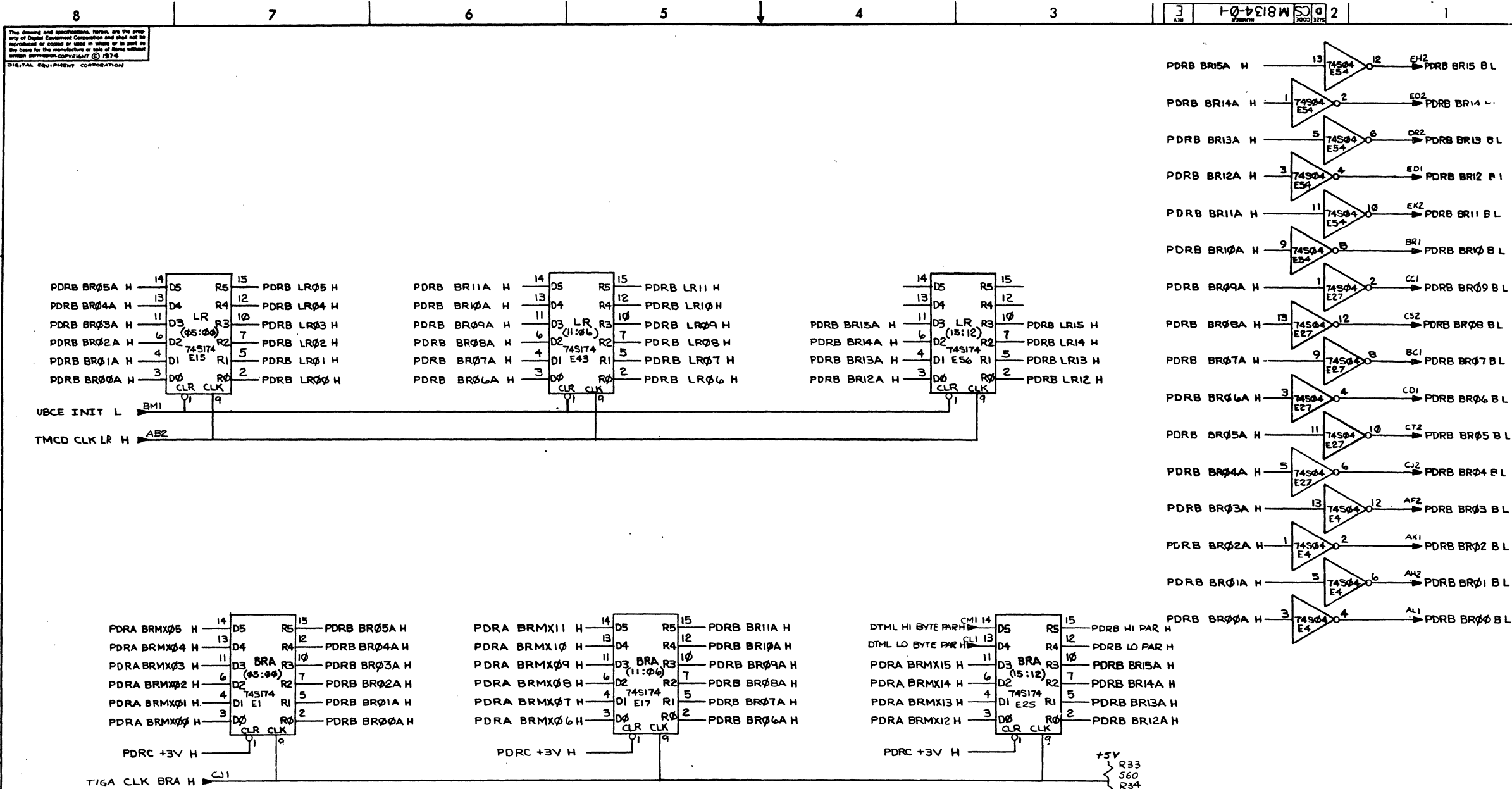
NEXT HIGHER ASSY

SCALE: SHEET 1 OF 9



This drawing and specifications, herein, are the property of Digital Equipment Corporation and shall not be reproduced or used in whole or in part as the basis for the manufacture or sale of items without written permission. COPYRIGHT © 1974. DIGITAL EQUIPMENT CORPORATION

REV	
CHANGE NO	
CHK	



REV	
CHG	
NO	

BUS REGISTER A; LIGHT REGISTER		SLOT 10										
FIRST USED ON OPTION/MODEL	QTY.	DESCRIPTION	PART NO. ITEM NO.									
11/70												
UNLESS OTHERWISE SPECIFIED DIMENSION IN INCHES TOLERANCES												
DECIMALS	ANGLES	PARTS LIST										
.XXX - .000	±0° 30'	<table border="1"> <tr> <td>DATE</td> <td>11-2-74</td> <td rowspan="4"> </td> </tr> <tr> <td>DATE</td> <td>12-9-74</td> </tr> <tr> <td>DATE</td> <td>5-7-75</td> </tr> <tr> <td>DATE</td> <td>5-7-75</td> </tr> </table>		DATE	11-2-74		DATE	12-9-74	DATE	5-7-75	DATE	5-7-75
DATE	11-2-74											
DATE	12-9-74											
DATE	5-7-75											
DATE	5-7-75											
TITLE												
PROCESSOR DATA & UNIBUS REGS												
MATERIAL												
NEXT HIGHER ASSY. (PDRB)												
FINISH		SCALE	SIZE/CODE NUMBER									
			DCS M8134-0-1									
SHEET 3 OF 9		DIST.	REV E									

58



This drawing and specifications, herein, are the property of Digital Equipment Corporation and shall not be reproduced or copied or used in whole or in part as the basis for the manufacture or sale of items without written permission. COPYRIGHT © 1974. DIGITAL EQUIPMENT CORPORATION

D

C

B

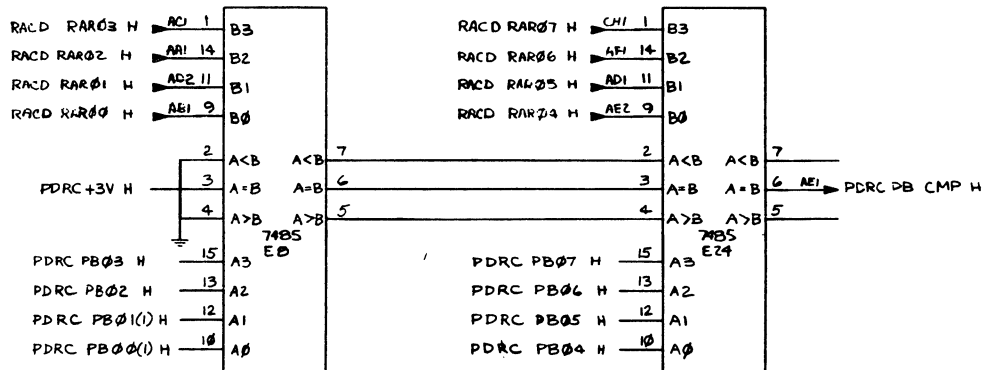
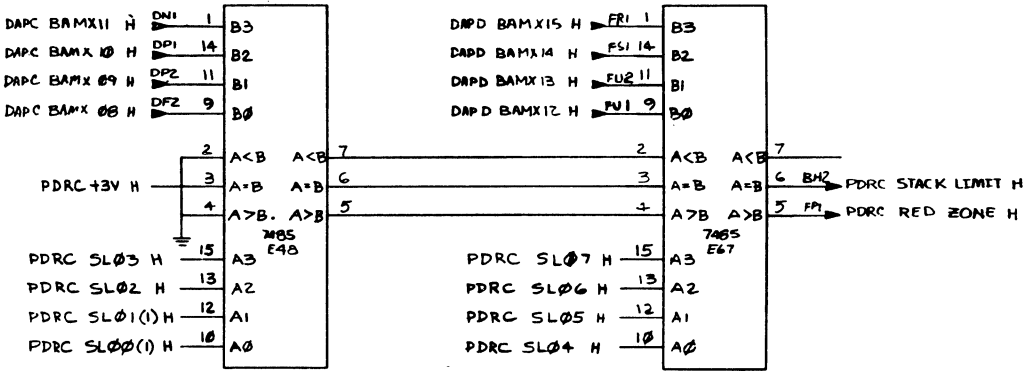
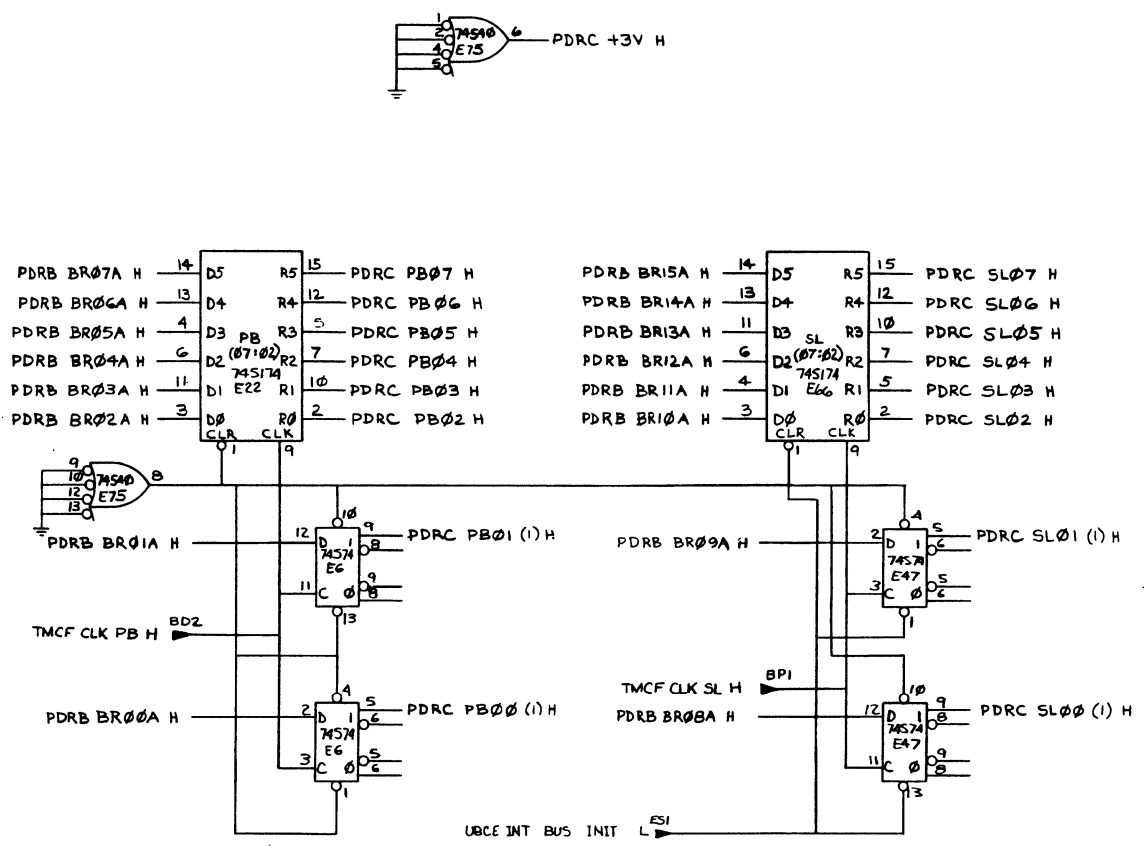
A

D

C

B

A



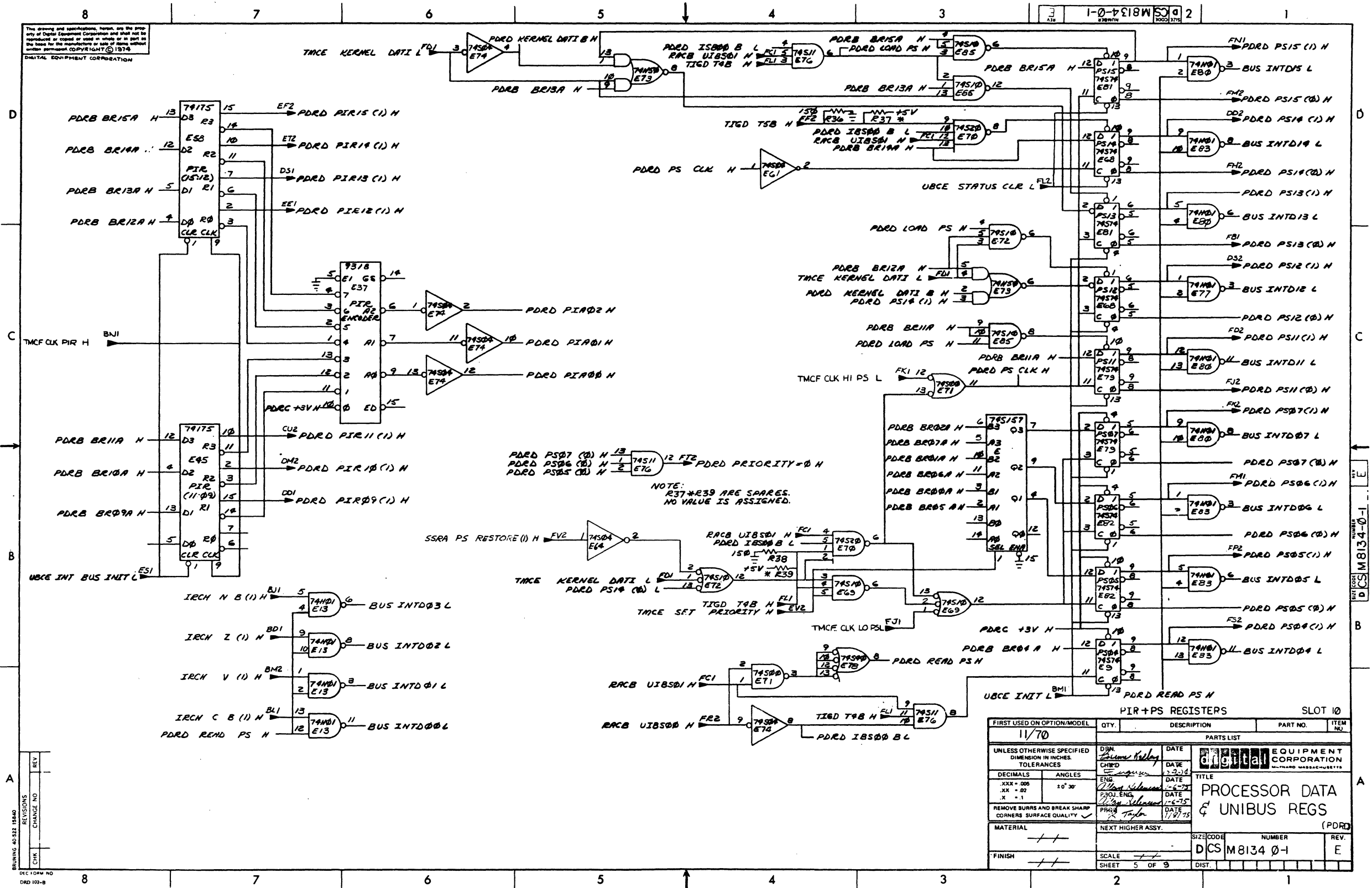
PROGRAM BREAK & STACK LIMIT REGISTERS SLOT 10

FIRST USED ON OPTION/MODEL	QTY.	DESCRIPTION	PART NO.	ITEM NO.
11/70				
PARTS LIST				
UNLESS OTHERWISE SPECIFIED DIMENSION IN INCHES TOLERANCES	DRW Benn Kelley	DATE 11-12-74		
DECIMALS	ENG Ferguson	DATE 12-2-74		
ANGLES	ENG W. J. Sullivan	DATE 1-6-75	TITLE PROCESSOR DATA & UNIBUS REGS (PDRC)	
XXX - .008 XX - .02 X - .1	PROJ. ENG W. J. Sullivan	DATE 1-6-75		
REMOVE SURRS AND BREAK SHARP CORNERS SURFACE QUALITY	PROD. E. Taylor	DATE 11/17/75	SIZE CODE DCS M8134-0-1	
MATERIAL ++	NEXT HIGHER ASSY.	SCALE SHEET 4 OF 9	NUMBER	REV. E
FINISH ++		DIST.		

REV.	CHANGE NO.

DEC FORM NO. 002 102-B

This drawing and specifications herein are the property of Digital Equipment Corporation and shall not be reproduced or copied or used in whole or in part as the basis for the manufacture or sale of items without written permission. COPYRIGHT © 1974 DIGITAL EQUIPMENT CORPORATION



FIRST USED ON OPTION/MODEL	QTY.	DESCRIPTION	PART NO.	ITEM NO.
11/70				

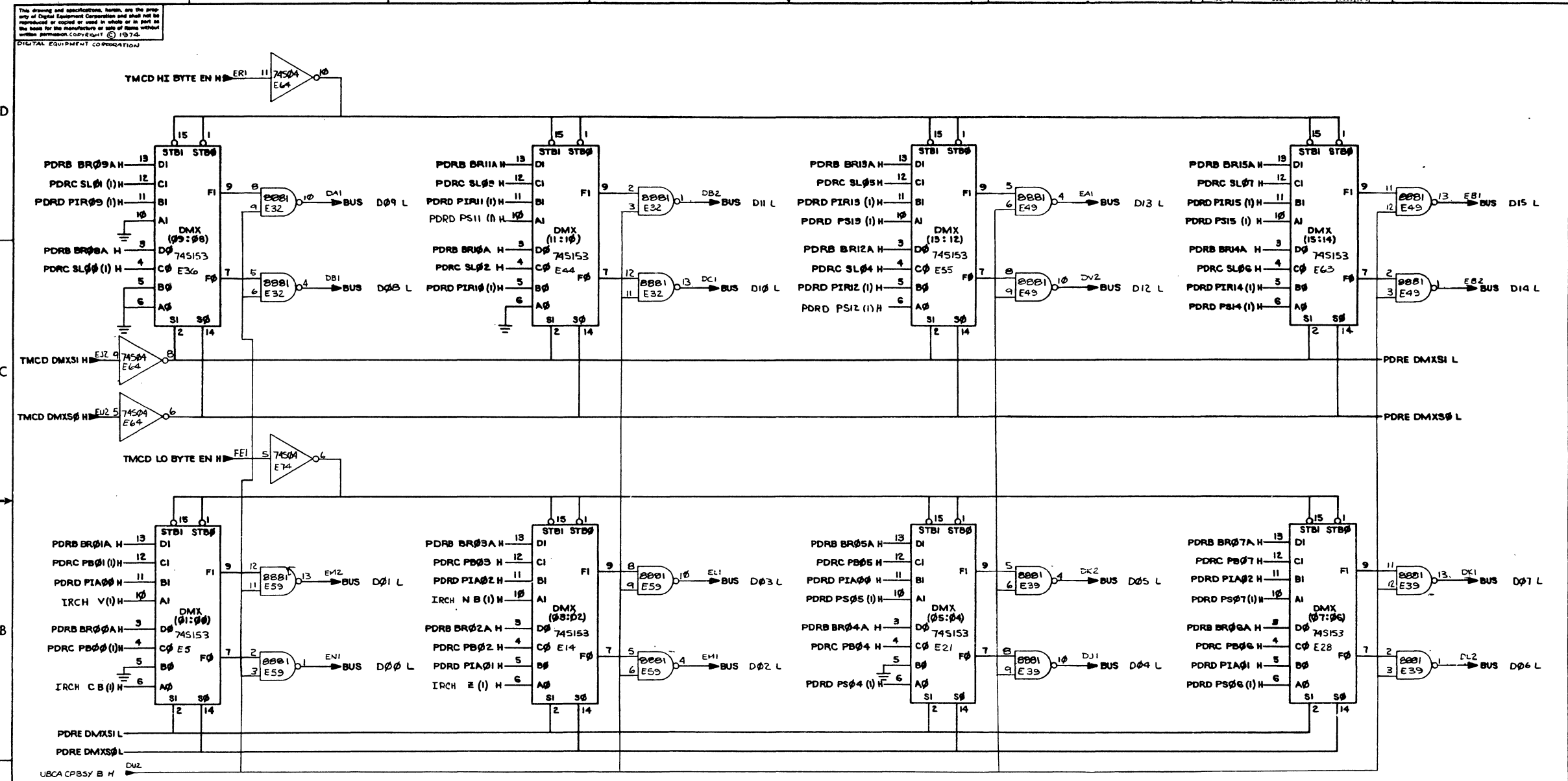
  

PARTS LIST		EQUIPMENT CORPORATION	
UNLESS OTHERWISE SPECIFIED DIMENSION IN INCHES	DATE	MULTI-PART MACHINES	
TOLERANCES	DATE		
DECIMALS	DATE		
ANGLES	DATE		
.XX + .00	DATE		
.X + .1	DATE		
REMOVE BURRS AND BREAK SHARP CORNERS SURFACE QUALITY	DATE		
MATERIAL	DATE		
FINISH	DATE		

SIZE CODE	NUMBER	REV.
DCS M8134 0-1		E

BRUNING 00322 15840  
 DEC 10PM NO  
 DRD 102-B

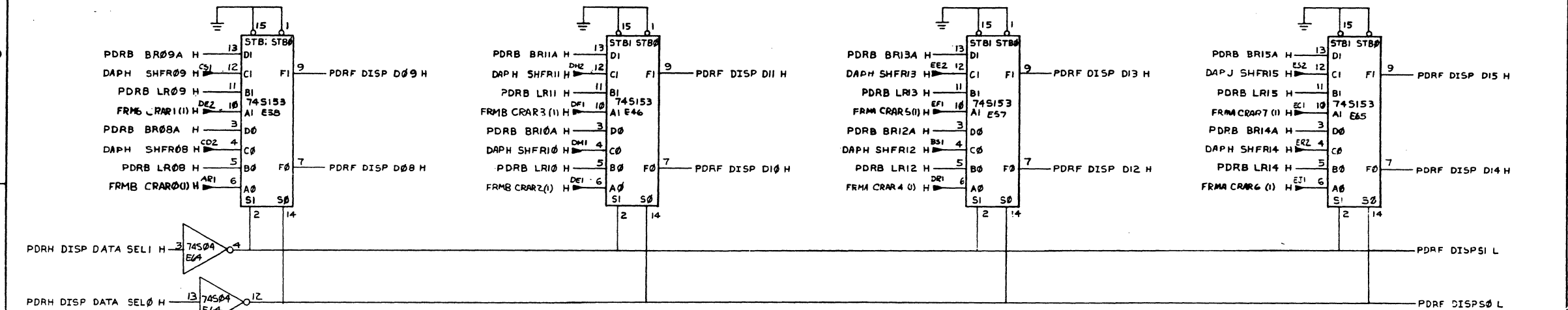


DMX	S1	S0	OUTPUT
L	L	L	STATUS
L	H	L	PIR; PIA
H	L	L	SL; PB
H	H	L	BR

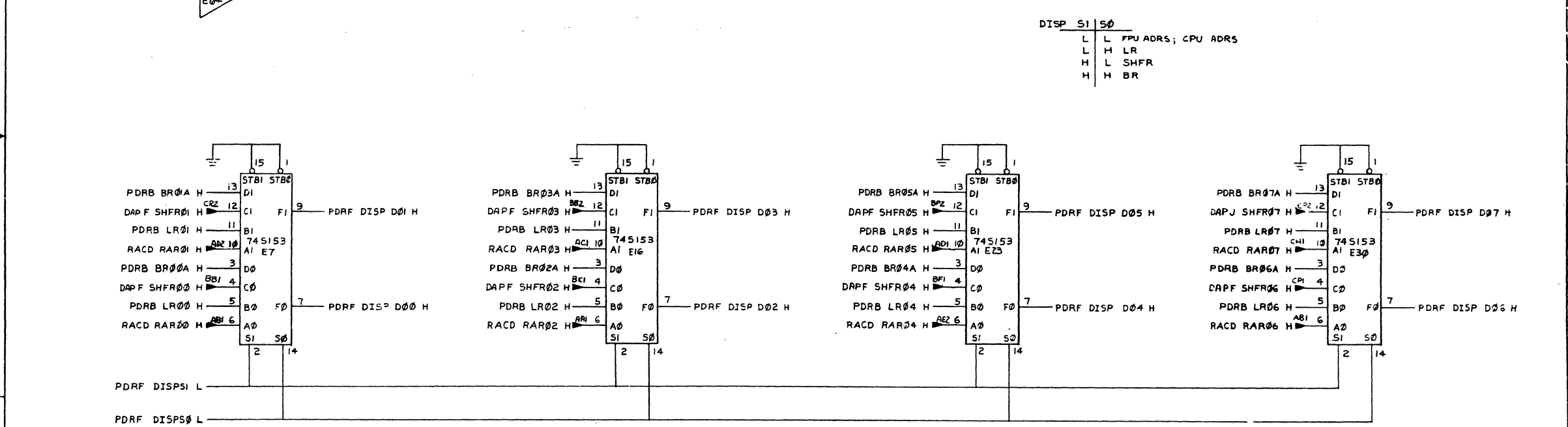
FIRST USED ON OPTION/MODEL		QTY.	DESCRIPTION	PART NO.	ITEM NO.
11/70					
PARTS LIST					
UNLESS OTHERWISE SPECIFIED		DATE			
DIMENSION IN INCHES		11-22-70			
TOLERANCES		DATE			
		12-2-70			
DECIMALS	ANGLES	DATE			
.XXX - .005	10° 30'	11-22-70			
.XX - .02		DATE			
.X - .1		11-22-70			
REMOVE BURRS AND BREAK SHARP CORNERS SURFACE QUALITY		DATE			
		11-27-70			
MATERIAL	NEXT HIGHER ASSY.	SIZE CODE	NUMBER	REV.	
FINISH		D	CS	M8134-0-1	E
		SCALE	SHEET 6 OF 9		
		DIST.			

REV	CHANGE NO	DATE

This drawing and specifications, herein, are the property of Digital Equipment Corporation and shall not be reproduced or copied or used in whole or in part as the basis for the manufacture of any of items without written permission. Copyright © 1974. DIGITAL EQUIPMENT CORPORATION



DISP S1 S0  
 L L FPU ADRS; CPU ADRS  
 L H LR  
 H L SHFR  
 H H BR

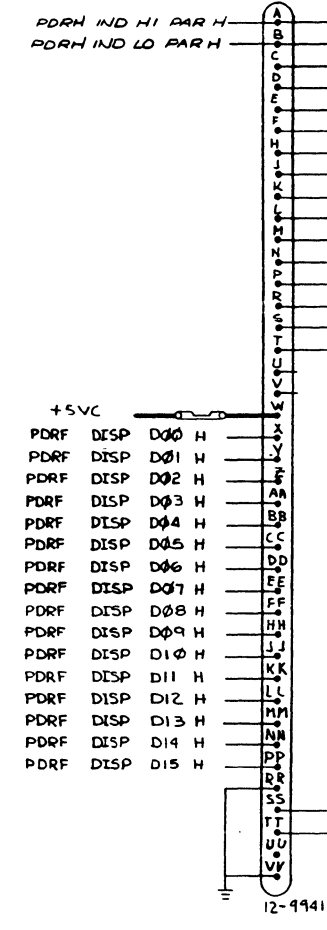
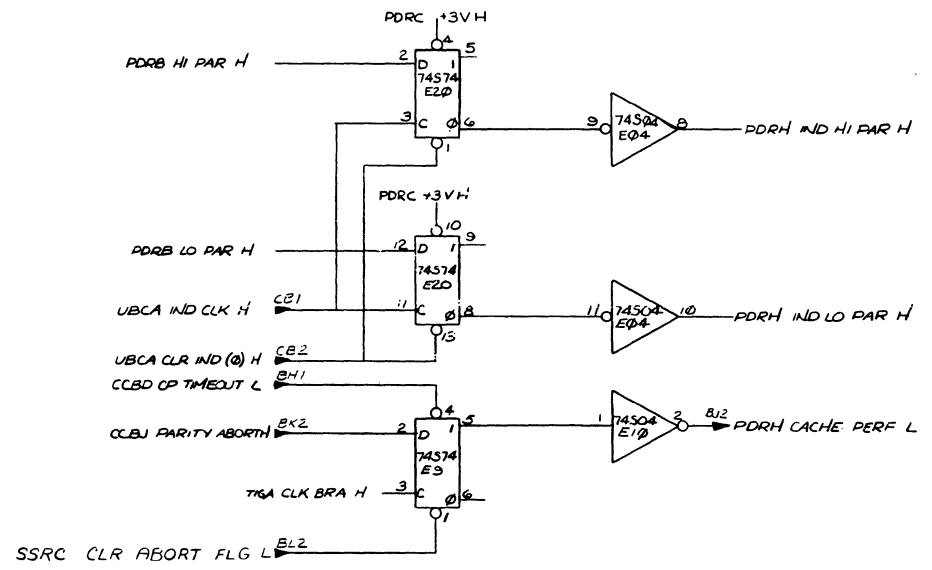


DATA DISPLAY MULTIPLEXER SLOT 10

FIRST USED ON OPTION/MODEL	QTY.	DESCRIPTION	PART NO.	ITEM NO.
11/70				
PARTS LIST				
UNLESS OTHERWISE SPECIFIED DIMENSION IN INCHES. TOLERANCES		DATE	EQUIPMENT CORPORATION	
DECIMALS	ANGLES	DATE	TITLE	
.XXX - .000	± 0° 30'	DATE	PROCESSOR DATA	
.XX - .00		DATE	& UNIBUS REGS	
.X - .1		DATE	(PDRF)	
REMOVE BURRS AND BREAK SHARP CORNERS SURFACE QUALITY				
MATERIAL	NEXT HIGHER ASSY.	SIZE CODE	NUMBER	REV.
FINISH	SCALE	DCS	M8134-0-1	E
	SHEET 7 OF 9	DIST.		

REVISIONS  
 CHANGE NO.  
 CHK

The drawing and specifications, herein, are the property of Digital Equipment Corporation and shall not be reproduced or used in whole or in part as the basis for the manufacture or sale of items without written permission copyright © 1974 DIGITAL EQUIPMENT CORPORATION



PDR/KNL INTERFACE  
 SIGNALS TO CONSOLE      SIGNALS FROM CONSOLE

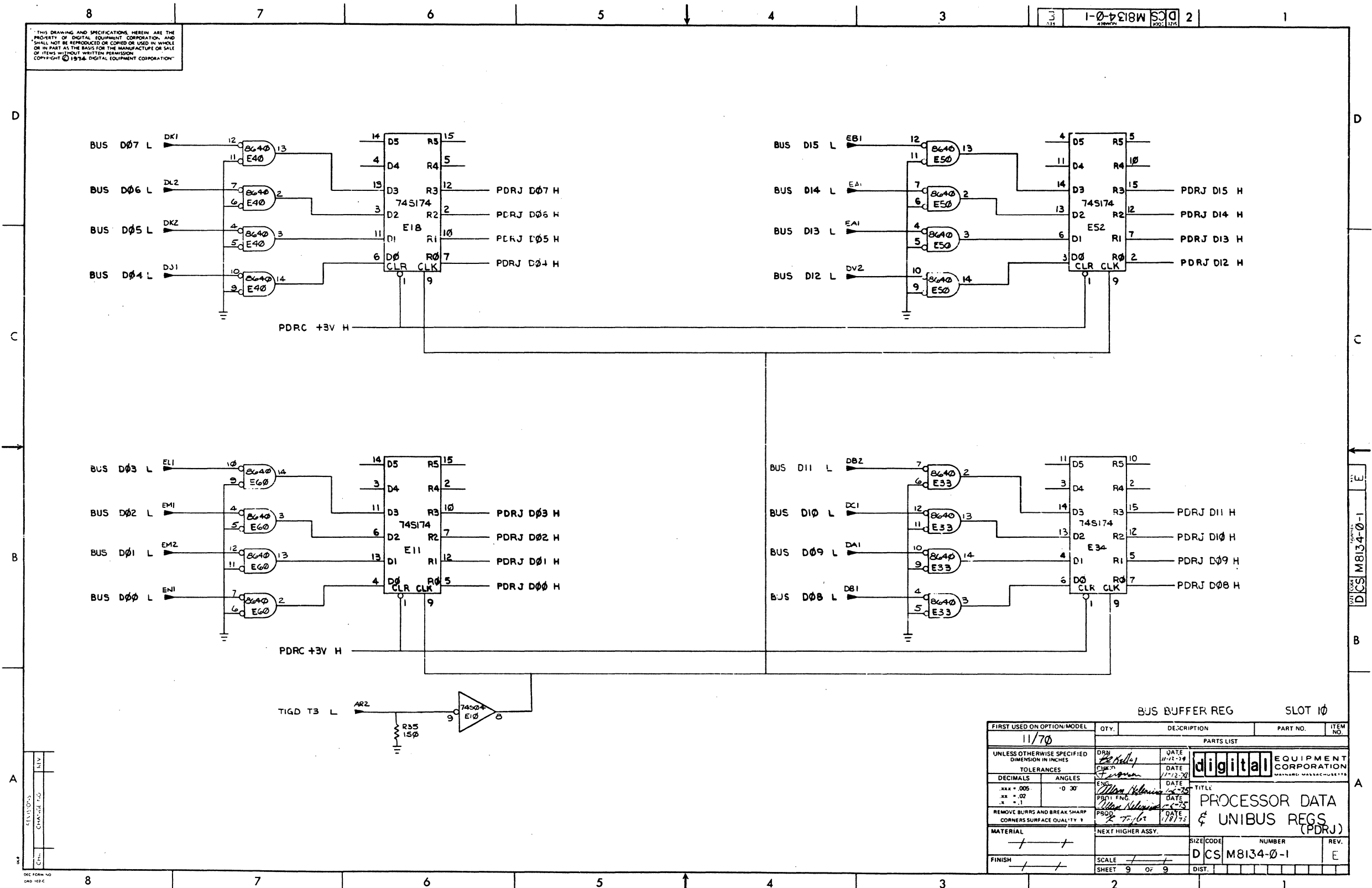
REVISIONS	REV
CHK	CHANGE NO
DIC DPL NO	080 100-0

SWITCH REGISTER AND CONSOLE CABLE SLOT 0			
FIRST USED ON OPTION/MODEL	QTY.	DESCRIPTION	PART NO.
11/70			
PARTS LIST			
UNLESS OTHERWISE SPECIFIED DIMENSION IN INCHES TOLERANCES		DATE 11-27-74	DIGITAL EQUIPMENT CORPORATION MAYFIELD MASSACHUSETTS
DECIMALS	ANGLES	DATE	
.XXX - .006	± 0° 30'	DATE	TITLE PROCESSOR DATA & UNIBUS REGS
.XX - .02		DATE	
.X - .1		DATE	
REMOVE BURRS AND BREAK SHARP CORNERS SURFACE QUALITY		DATE	
MATERIAL	NEXT HIGHER ASSY.	DATE	
FINISH	SCALE	DATE	
	SHEET 8 OF 9	DIST	

PART LOCUS M8134-0-1  
 DRAWING NO. M8134-0-1

THIS DRAWING AND SPECIFICATIONS, HEREIN ARE THE PROPERTY OF DIGITAL EQUIPMENT CORPORATION, AND SHALL NOT BE REPRODUCED OR COPIED OR USED IN WHOLE OR IN PART AS THE BASIS FOR THE MANUFACTURE OR SALE OF ITEMS WITHOUT WRITTEN PERMISSION. COPYRIGHT © 1974 DIGITAL EQUIPMENT CORPORATION.

DCS M8134-0-1

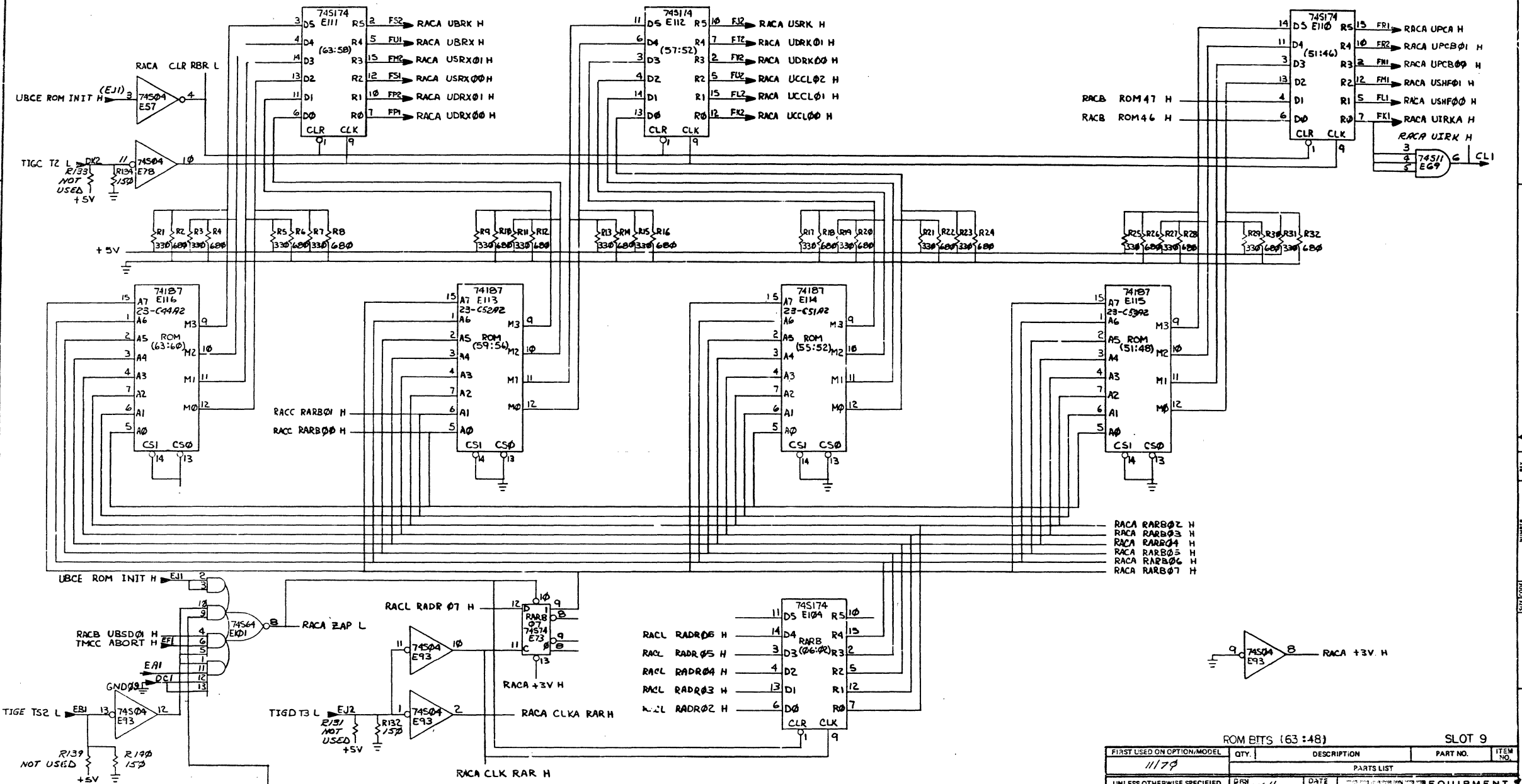


FIRST USED ON OPTION/MODEL	QTY.	DESCRIPTION	PART NO.	ITEM NO.
11/70				
UNLESS OTHERWISE SPECIFIED DIMENSION IN INCHES				
TOLERANCES				
DECIMALS	ANGLES	DATE	PARTS LIST	
.xxx = .005	.0 30'	11/12/74	digital EQUIPMENT CORPORATION MAYFIELD, MASSACHUSETTS	
.x = .1		11/12/74	TITLE	
REMOVE BLURBS AND BREAK SHARP CORNERS SURFACE QUALITY 1		11/12/74	PROCESSOR DATA & UNIBUS REGS (PDRJ)	
MATERIAL	NEXT HIGHER ASSY.	DATE	SIZE CODE	NUMBER
FINISH	SCALE	11/12/74	DCS M8134-0-1	REV. E
	SHEET 9 OF 9		DIST.	

GA



This drawing and specifications, herein, are the property of Digital Equipment Corporation and shall not be reproduced or copied or used in whole or in part as the basis for the manufacture or sale of items without written permission. COPYRIGHT © 1974 DIGITAL EQUIPMENT CORPORATION

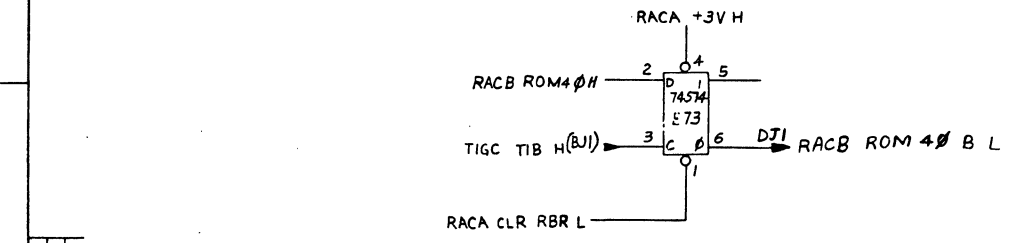
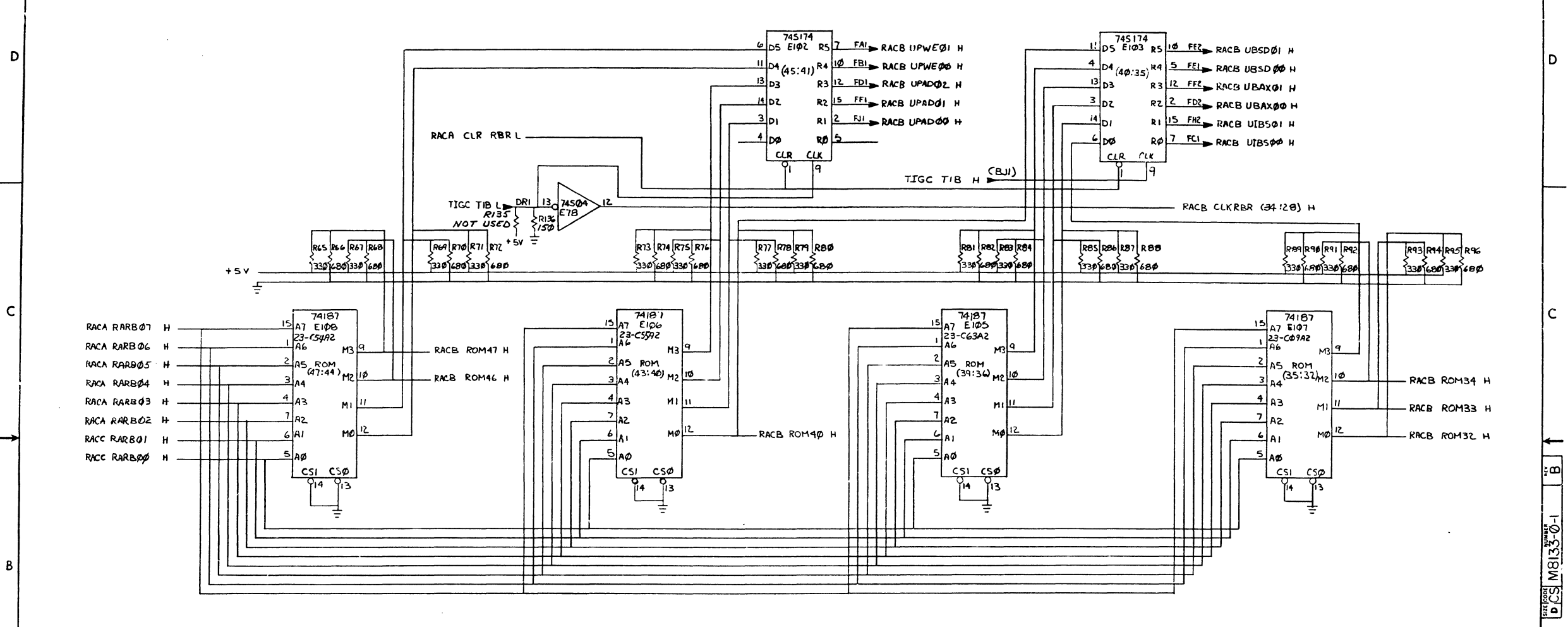


REV	CHANGE NO

FIRST USED ON OPTION/MODEL		QTY.	DESCRIPTION	PART NO.	ITEM NO.
1178			ROM BITS (63:48)	SLOT 9	
UNLESS OTHERWISE SPECIFIED DIMENSION IN INCHES					
DECIMALS	ANGLES	DATE			
.XX - .008	± 0° 30'	11-17-74			
.XX - .02		DATE			
X - .1		1-18-75			
REMOVE BURRS AND BREAK SHARP CORNERS SURFACE QUALITY					
MATERIAL					
NEXT HIGHER ASSY.					
FINISH					
		SCALE	SIZ. CODE		NUMBER
		SHEET 2 OF 13	DCS M8133-0-1		REV. B



The drawing and specifications herein are the property of Digital Equipment Corporation and shall not be reproduced or copied or used in whole or in part as the basis for the manufacture or sale of items without written permission. COPYRIGHT © 1974  
DIGITAL EQUIPMENT CORPORATION

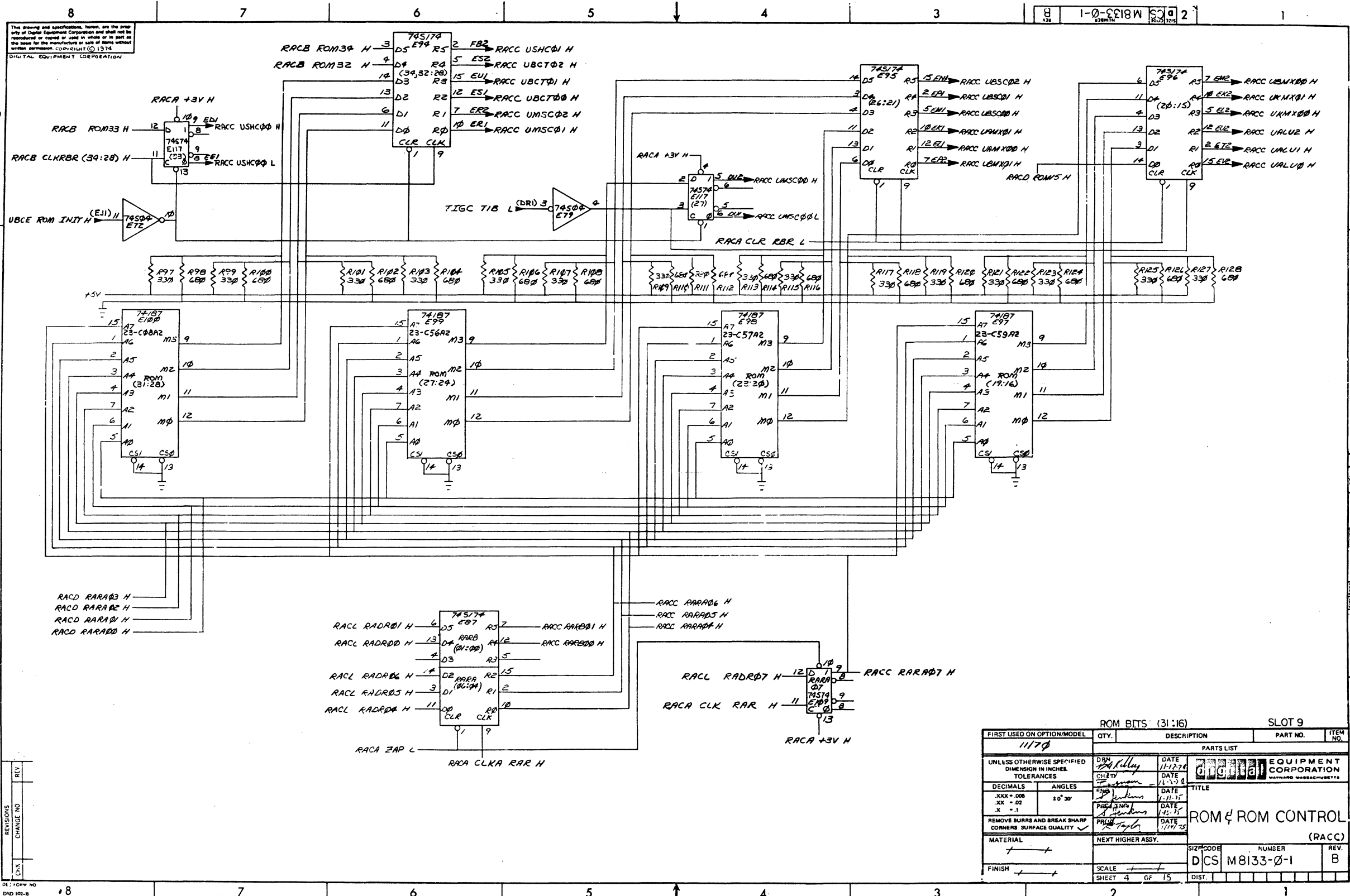


REVISIONS	REV
CHANGE NO	
CHE	

DEC FORM NO DND 102-B

FIRST USED ON OPTION/MODEL		QTY.	DESCRIPTION	PART NO.	ITEM NO.
1170					
PARTS LIST					
UNLESS OTHERWISE SPECIFIED DIMENSION IN INCHES TOLERANCES		DATE	EQUIPMENT CORPORATION		
DECIMALS		11-12-74	MAYNARD MASSACHUSETTS		
ANGLES		DATE	TITLE		
.XXX + .006		1-12-75	ROM & ROM CONTROL		
.XX + .02		1-12-75	(RACB)		
.X + .1		1-12-75	D.C.S. M8133-0-1		
REMOVE BURRS AND BREAK SHARP CORNERS SURFACE QUALITY		DATE	REV. B		
MATERIAL		NEXT HIGHER ASSY.	SHEET 3 OF 15		
FINISH		SCALE	DIST.		

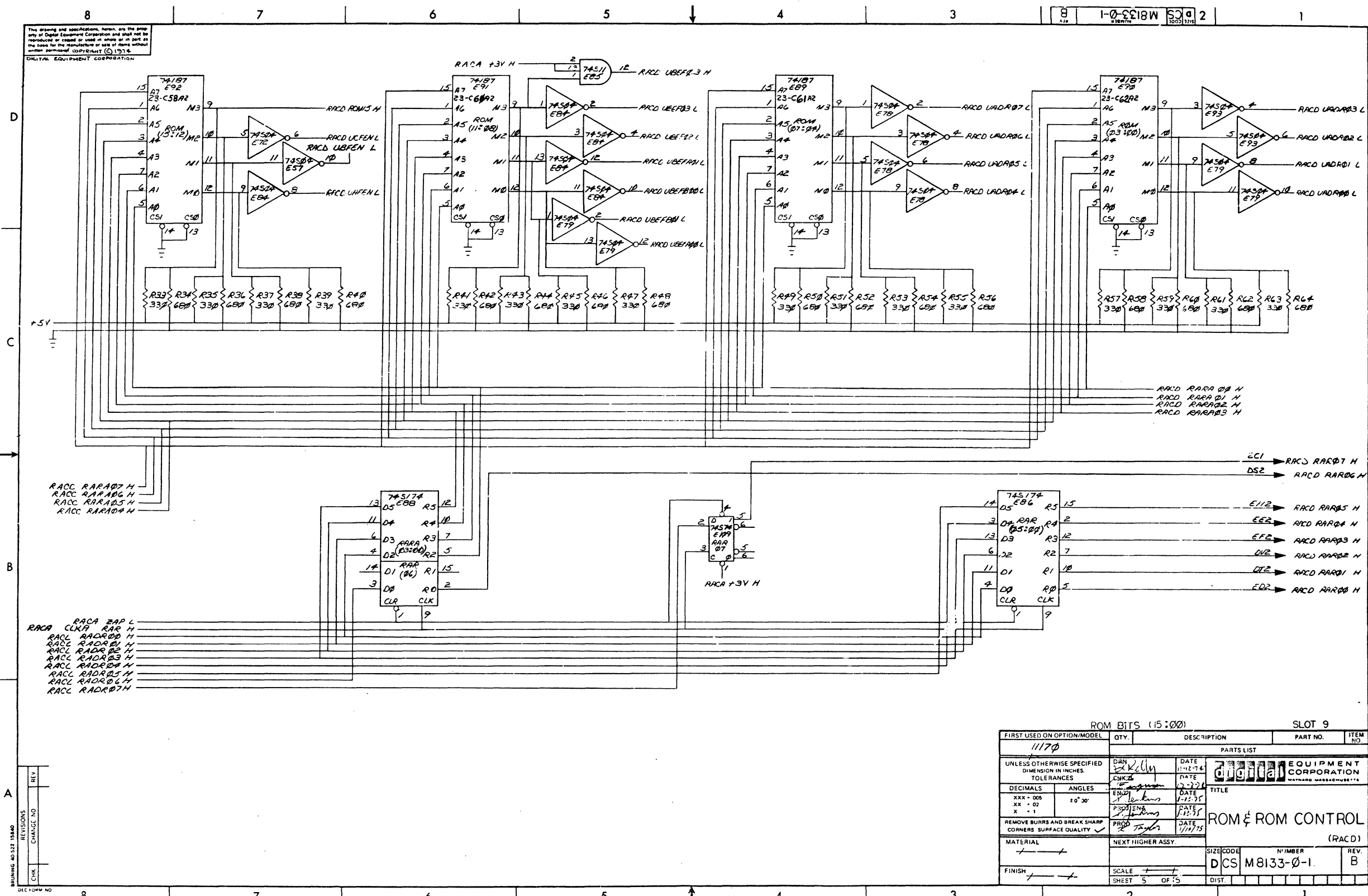
REV B  
D.C.S. M8133-0-1



This drawing and specifications, herein, are the property of Digital Equipment Corporation and shall not be reproduced or copied or used in whole or in part as the basis for the manufacture or sale of items without written permission. COP-RIGHT (C) 1974  
DIGITAL EQUIPMENT CORPORATION

REV	
CHANGE NO	
DATE	

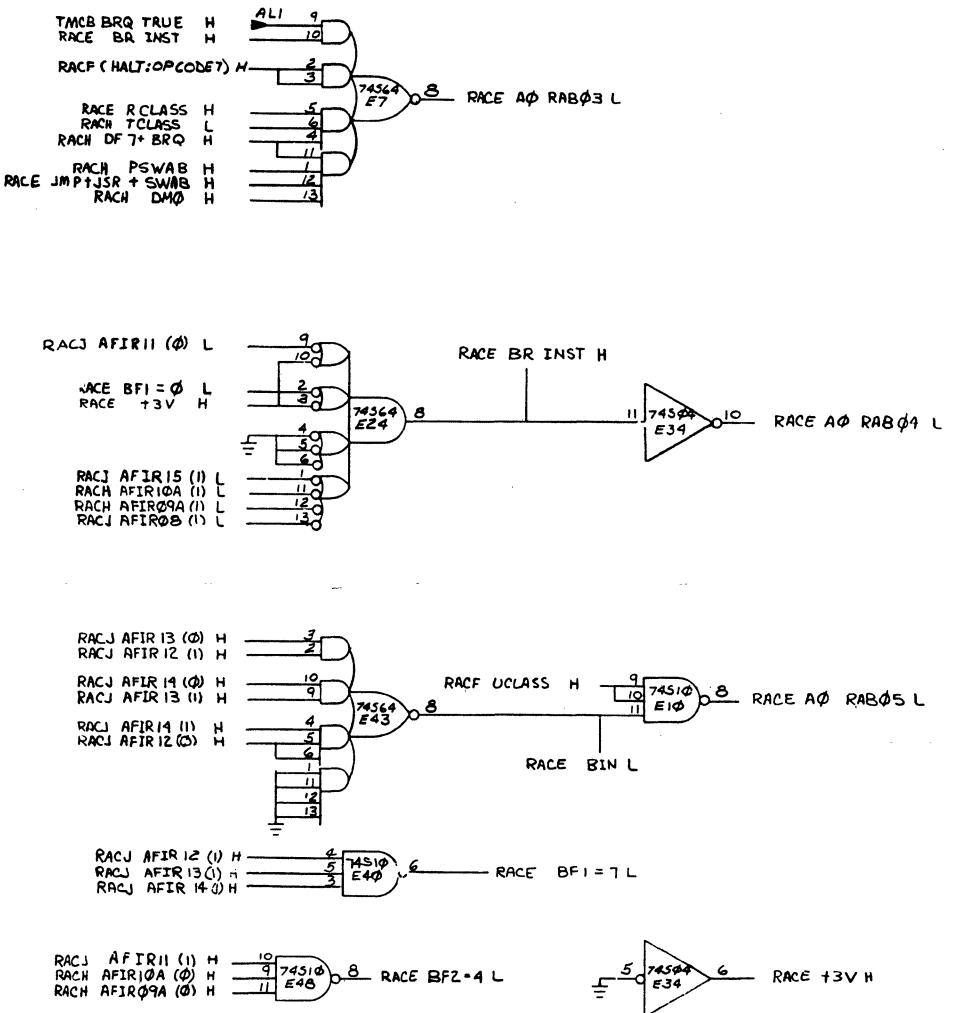
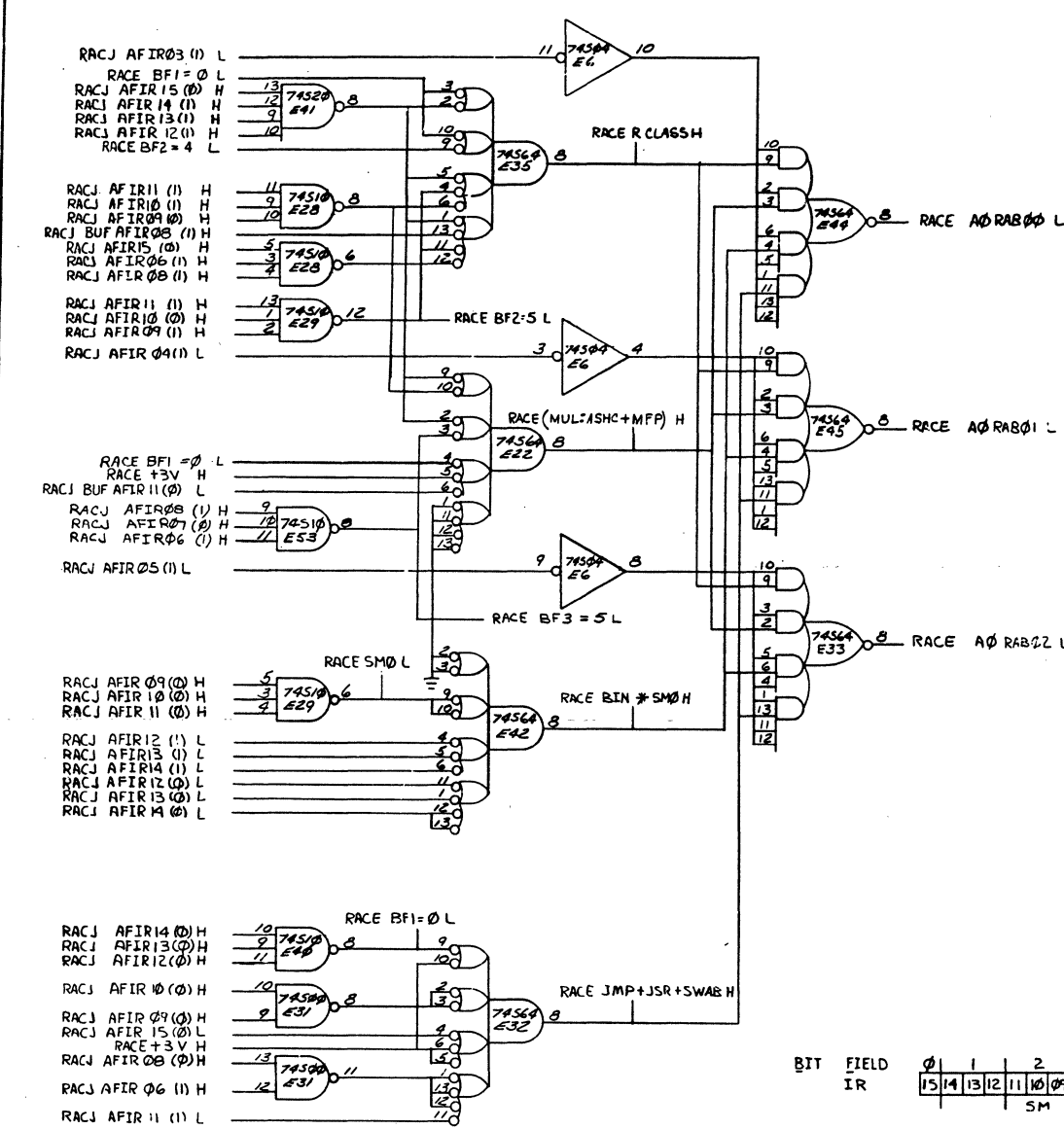
FIRST USED ON OPTION/MODEL		QTY.	DESCRIPTION	PART NO.	ITEM NO.
1170					
PARTS LIST					
UNLESS OTHERWISE SPECIFIED	DATE	DIGITAL EQUIPMENT CORPORATION			
DIMENSION IN INCHES	11-12-74	MAYFIELD MASSACHUSETTS			
TOLERANCES	DATE				
DECIMALS	12-1-78				
ANGLES	DATE				
.XXX = .006	1-12-75				
.XX = .02	DATE				
.X = .1	1-12-75				
REMOVE BURRS AND BREAK SHARP CORNERS SURFACE QUALITY	DATE				
PHILIP Taylor	11-11-75				
MATERIAL	NEXT HIGHER ASSY.	SIZE CODE	NUMBER	REV.	
		DCS	M8133-0-1	B	
FINISH	SCALE	SHEET	4 OF 15	DIST.	



FIRST USED ON OPTION/MODEL	QTY.	DESCRIPTION	PART NO.	ITEM NO.
11170				
PARTS LIST				
UNLESS OTHERWISE SPECIFIED DIMENSION IN INCHES TOLERANCES		DRN Kelly DATE 11-12-74	DIGITAL EQUIPMENT CORPORATION MILITARY MARKING	
DECIMALS	ANGLES	CHKD DATE 12-22-74		
XXX - 005	10° 30'	ENVD DATE 1-12-75	TITLE <b>ROM &amp; ROM CONTROL (RACD)</b>	
XX - 02		SYSTEMS DATE 1-12-75		
REMOVE BURRS AND BREAK SHARP CORNERS SURFACE QUALITY		PRD Taylor DATE 1/11/75	SIZE CODE <b>DCS M8133-0-1</b>	
MATERIAL		NEXT HIGHER ASSY.		
FINISH		SCALE	NUMBER <b>B</b>	
		SHEET 5 OF 5		

BRUJING 40-522 15840  
REV. NO. 1  
REV. NO. 2  
REV. NO. 3  
REV. NO. 4  
REV. NO. 5  
REV. NO. 6  
REV. NO. 7  
REV. NO. 8  
REV. NO. 9  
REV. NO. 10  
REV. NO. 11  
REV. NO. 12  
REV. NO. 13  
REV. NO. 14  
REV. NO. 15  
REV. NO. 16  
REV. NO. 17  
REV. NO. 18  
REV. NO. 19  
REV. NO. 20  
REV. NO. 21  
REV. NO. 22  
REV. NO. 23  
REV. NO. 24  
REV. NO. 25  
REV. NO. 26  
REV. NO. 27  
REV. NO. 28  
REV. NO. 29  
REV. NO. 30  
REV. NO. 31  
REV. NO. 32  
REV. NO. 33  
REV. NO. 34  
REV. NO. 35  
REV. NO. 36  
REV. NO. 37  
REV. NO. 38  
REV. NO. 39  
REV. NO. 40  
REV. NO. 41  
REV. NO. 42  
REV. NO. 43  
REV. NO. 44  
REV. NO. 45  
REV. NO. 46  
REV. NO. 47  
REV. NO. 48  
REV. NO. 49  
REV. NO. 50

This drawing and specifications, herein, are the property of Digital Equipment Corporation and shall not be reproduced or copied in whole or in part as the basis for the manufacturing or sale of items without written permission. © 1974 DEW  
 DIGITAL EQUIPMENT CORPORATION



BIT FIELD IR

0	1	2	3	4	5
15	14	13	12	11	10
09	08	07	06	05	04
03	02	01	00		
SM	SF	DM	DF		

NOTE: UCLASS = (MUL:ASHC)\*DM0+SOB+BIN  
 RCLASS = (CLR.B:ASL.B)+MFP+SXT+XOR  
 TCLASS EXCLUDES [MFP+NEG.B+(-DM0)] FROM RCLASS WHEN COMBINED

REVISIONS

NO.	DATE	DESCRIPTION

DEC FORM NO. DED 109-B

A-FORK LOGIC SLOT 9

FIRST USED ON OPTION/MODEL	QTY.	DESCRIPTION	PART NO.	ITEM NO.
1170				
PARTS LIST				
UNLESS OTHERWISE SPECIFIED	DATE	DIGITAL EQUIPMENT CORPORATION		
DIMENSION IN INCHES	11-12-74			
TOLERANCES	DATE			
DECIMALS	1-2-74			
ANGLES	DATE			
.XXX - .005	1-1-74			
.XX - .02	DATE			
.X - .1	1-1-74			
REMOVE BURRS AND BREAK SHARP CORNERS SURFACE QUALITY	DATE			
MATERIAL	1-1-74			
NEXT HIGHER ASSY.	DATE			
FINISH	1-1-74			
SCALE	DATE			
SHEET 5 OF 15	DATE			
TITLE		SIZE CODE	NUMBER	REV.
ROM & ROM CONTROL (RACE)		DCS	M8133-0-1	B
DIST.				

8

7

6

5

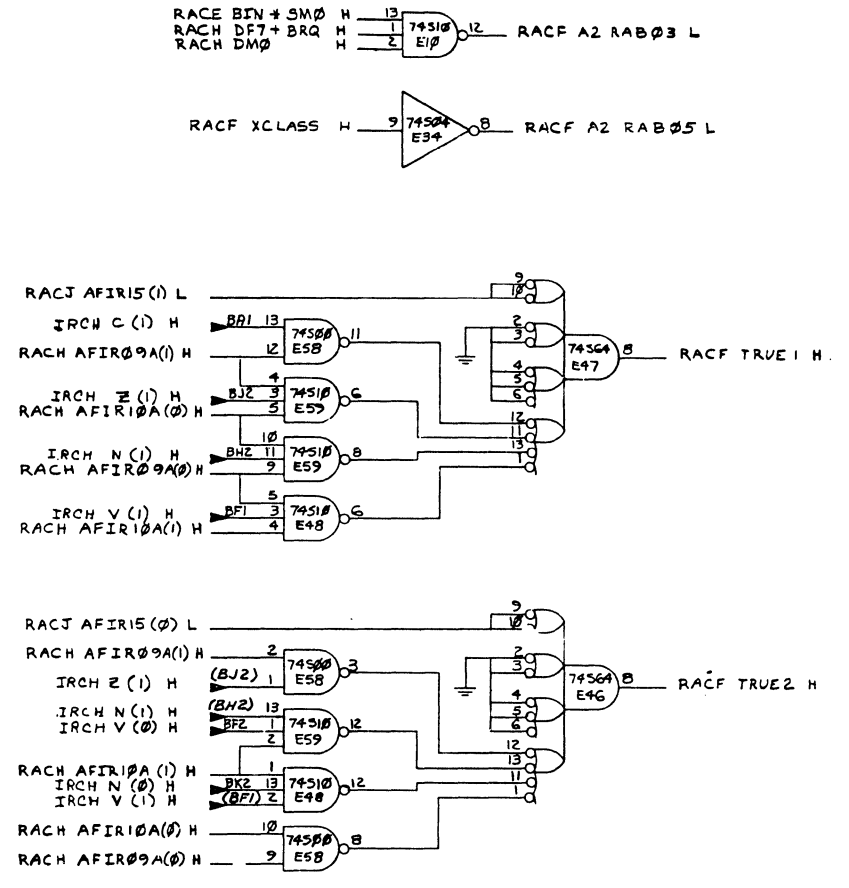
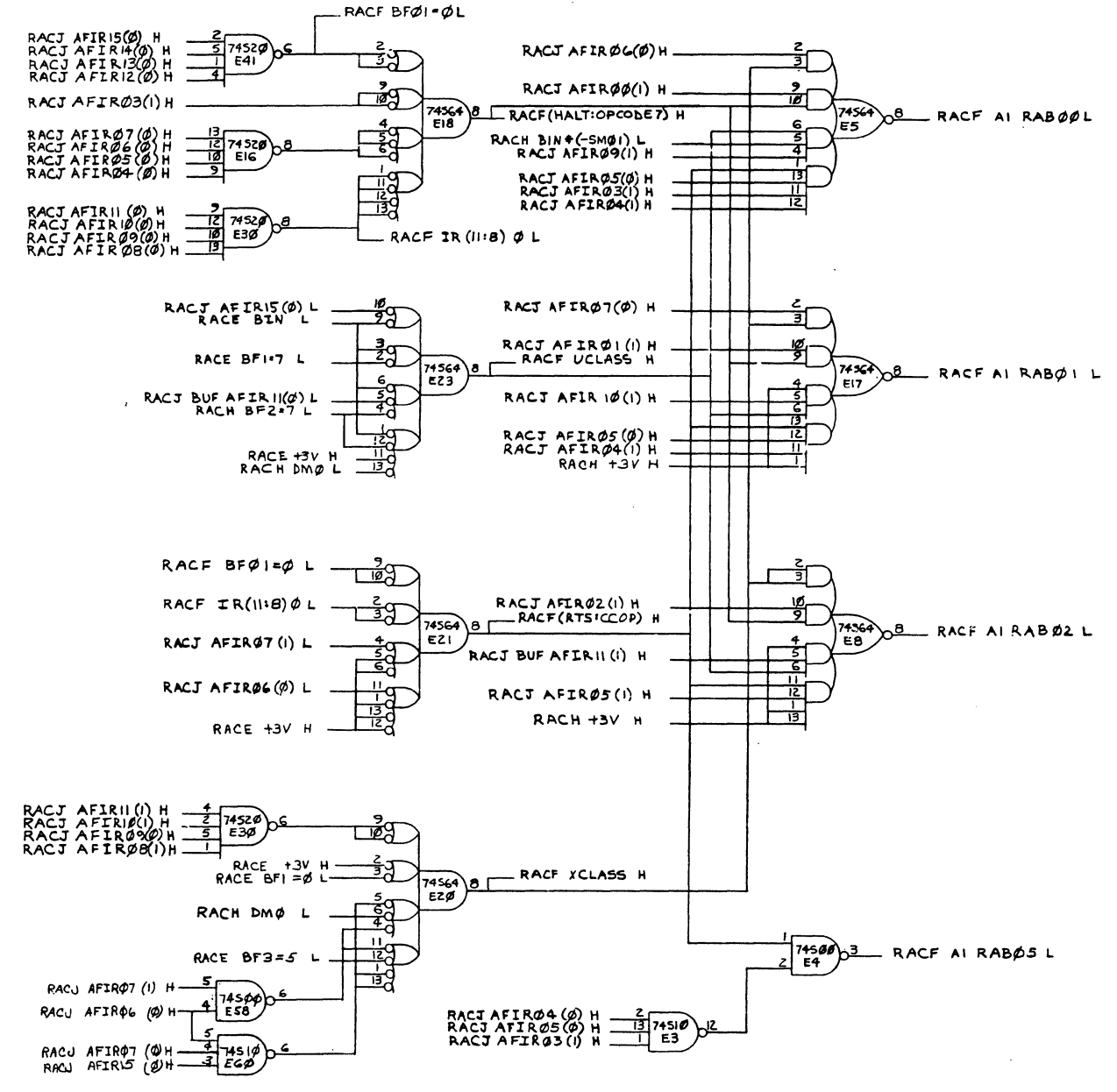
4

3

1-0-0018W JJa 2

1

This drawing and specifications, herein, are the property of Digital Equipment Corporation and shall not be reproduced or copied or used in whole or in part as the basis for the manufacture or sale of items without written permission. COPYRIGHT © 1974  
DIGITAL EQUIPMENT CORPORATION



UCLASS = (MUL:ASHC)\*DM0+SOB+BIN  
XCLASS = MARK+MTP+MFP+DM0

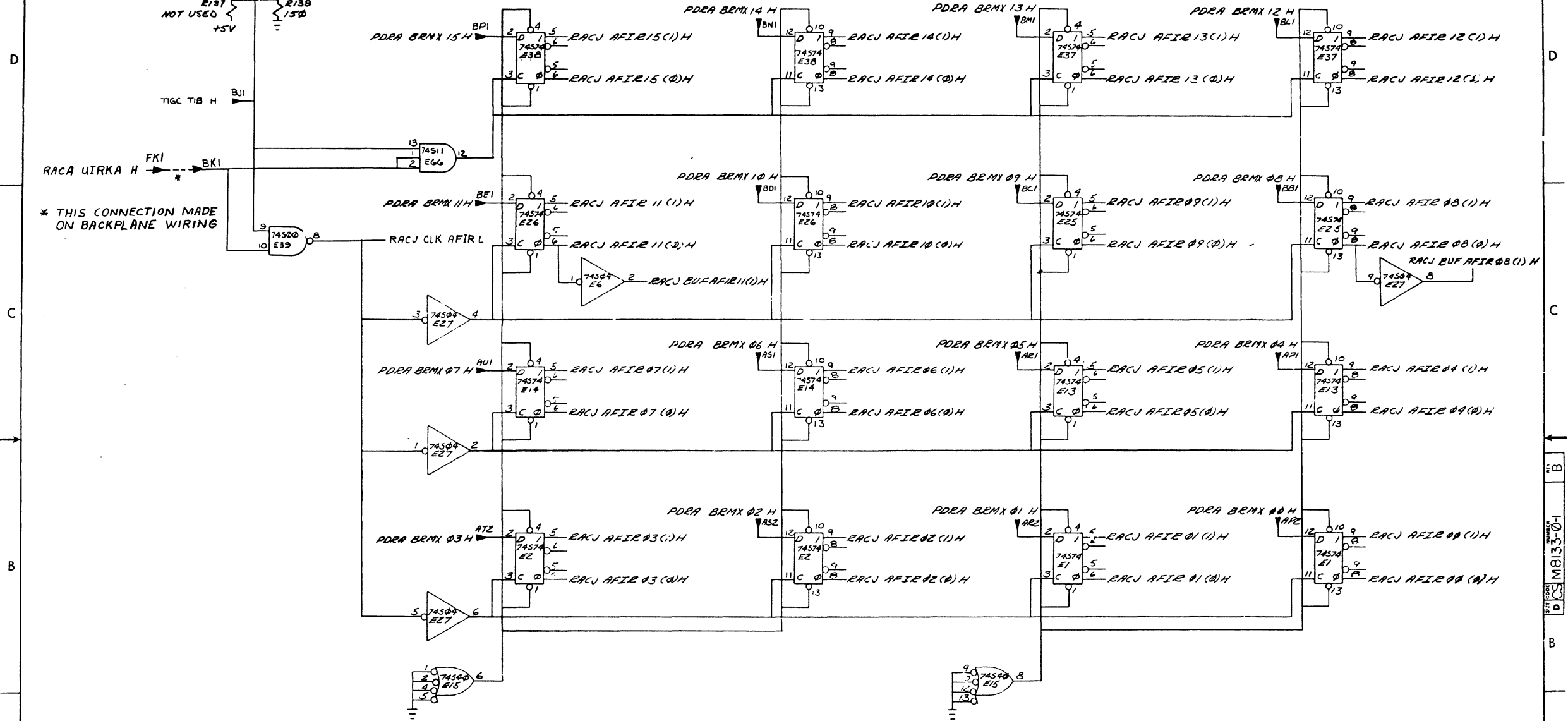
REV	
CHG	
REVISIONS	

FIRST USED ON OPTION/MODEL		QTY.	DESCRIPTION	PART NO.	ITEM NO.
11170					
PARTS LIST					
UNLESS OTHERWISE SPECIFIED DIMENSION IN INCHES. TOLERANCES					
DECIMALS	ANGLES	FINISH	DATE	DIGITAL EQUIPMENT CORPORATION	
.XXX - .008	±0°30'	PR3	1/13/75	MAYNARD MASSACHUSETTS	
.XX - .02		PR2	1/13/75	TITLE	
.X - .1		PR1	1/13/75	ROM & ROM CONTROL	
REMOVE BURRS AND BREAK SHARP CORNERS SURFACE QUALITY					
MATERIAL	NEXT HIGHER ASSY.			SIZ CODE	REV.
FINISH	SCALE	DATE	1/13/75	D/CS M8133-0-1	B

REV. B  
M8133-0-1  
D/CS



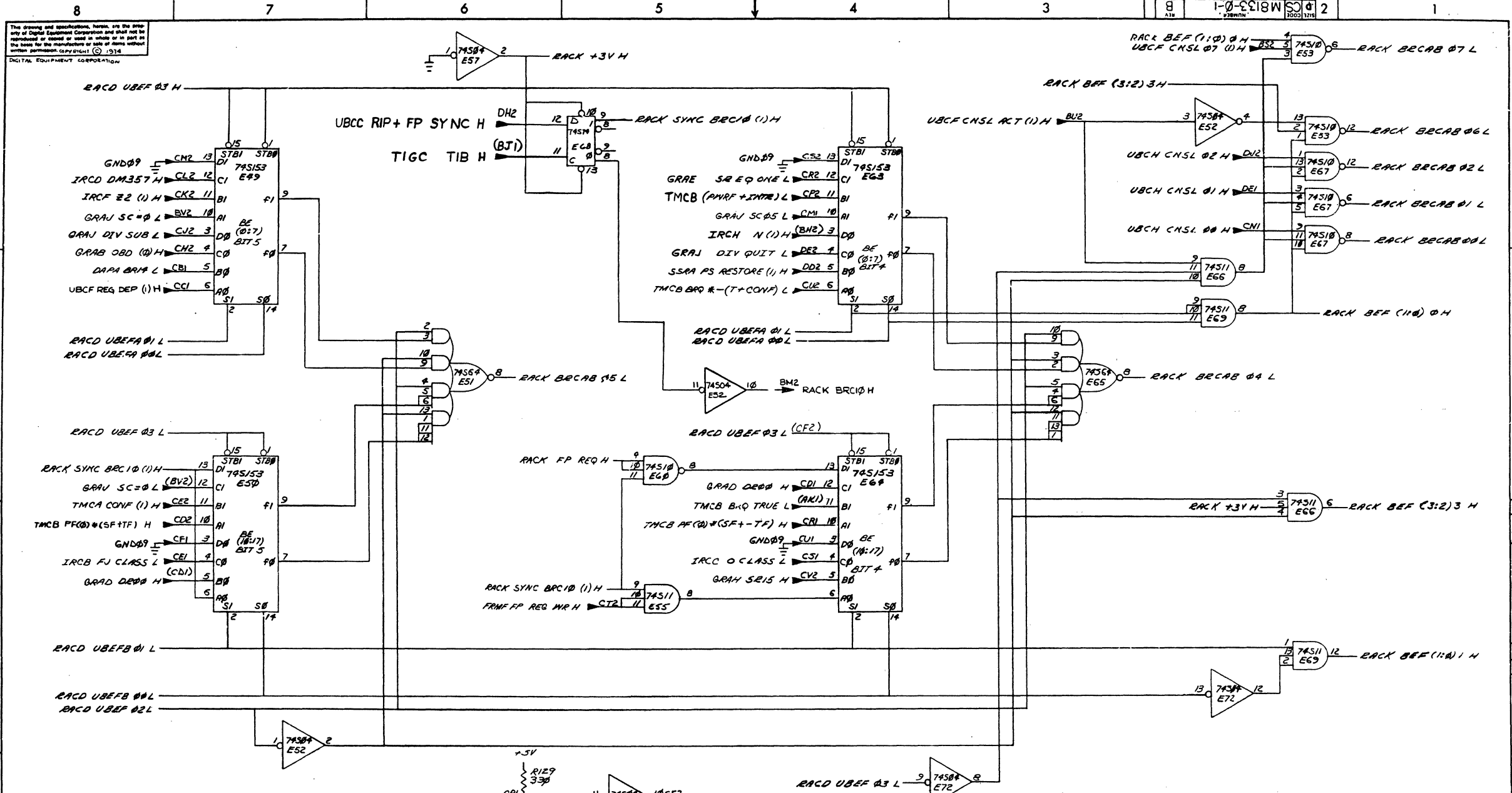
This drawing and specifications, herein, are the property of Digital Equipment Corporation and shall not be reproduced or copied in whole or in part for the basis for the manufacture or sale of items without written permission. (FORM 100-1) (12/74)  
DIGITAL EQUIPMENT CORPORATION



REV	
CHANGE NO	
CHK	

INSTRUCTION REG. (A-FORK COPY)		SLOT 9	
FIRST USED ON OPTION/MODEL	QTY.	DESCRIPTION	PART NO. ITEM NO.
117P			
UNLESS OTHERWISE SPECIFIED DIMENSION IN INCHES TOLERANCES			
DECIMALS	ANGLES	TITLE	
.XXX - .008	±0° 30'	ROM & ROM CONTROL (RACJ)	
.XX - .02		DICS M8133-0-1	
X - .1		REV B	
REMOVE BURRS AND BREAK SHARP CORNERS SURFACE QUALITY			
MATERIAL		NEXT HIGHER ASSY.	
FINISH		SCALE	
		SHEET 9 OF 15	

This drawing and specifications, herein, are the property of Digital Equipment Corporation and shall not be reproduced or copied or used in whole or in part as the basis for the manufacture of any of items without written permission of Digital Equipment Corporation.



74S153

SI	S0	OUTPUT
L	L	A=F
L	H	B=F
H	L	C=F
H	H	D=F
X	X	F=L

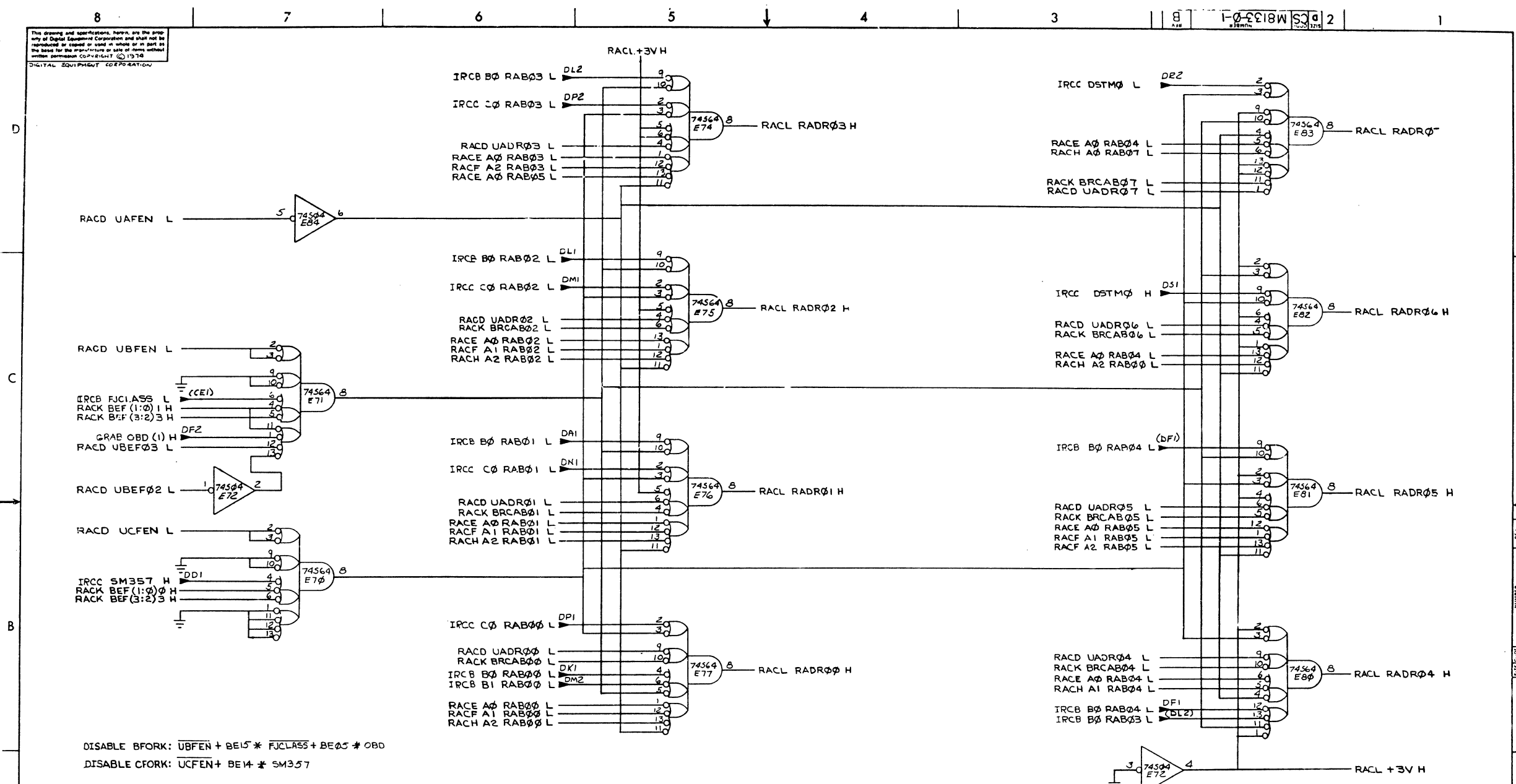
BRANCH CONDITIONS (ROM ADDRESS MODIFICATION) SLOT 9

FIRST USED ON OPTION/MODEL	QTY.	DESCRIPTION	PART NO.	ITEM NO.
11170		PARTS LIST		
UNLESS OTHERWISE SPECIFIED DIMENSION IN INCHES TOLERANCES	DRN: <i>gally</i> CHKD: <i>gally</i>	DATE: 11-17-74	DIGITAL EQUIPMENT CORPORATION 300 BRIDGE STREET BOSTON, MASSACHUSETTS	
DECIMALS	ANGLES	DATE: 11-22-74	TITLE	
.XXX = .008	10° 30'	DATE: 1-12-75	ROM & ROM CONTROL	
.XX = .02		DATE: 1-12-75	(RACK)	
.X = .1		DATE: 11/14/75	NUMBER	
REMOVE BURRS AND BREAK SHARP CORNERS SURFACE QUALITY	PREC: <i>gally</i>	DATE: 11/14/75	REV	
MATERIAL	NEXT HIGHER ASSY.		D CS M8133-0-1	
FINISH			REV B	
		SCALE: 1:1	SHEET 13 OF 15	

REV	CHANGE NO



This drawing and specifications, herein, are the property of Digital Equipment Corporation and shall not be reproduced or copied or used in whole or in part as the basis for the production or sale of items without written permission of Digital Equipment Corporation.



DISABLE BFORK:  $\overline{UBFEN} + BE15 * \overline{FUCLASS} + BE05 * 0BD$   
 DISABLE CFORK:  $\overline{UCFEN} + BE14 * SM357$

ROM ADDRESS SELECTION				SLOT 9	
FIRST USED ON OPTION/MODEL	QTY.	DESCRIPTION	PART NO.	ITEM NO.	
11170					
PARTS LIST					
UNLESS OTHERWISE SPECIFIED DIMENSION IN INCHES TOLERANCES		DRN	DATE	DIGITAL EQUIPMENT CORPORATION	
DECIMALS	ANGLES	DATE	DATE	TITLE	
.XXX - .005	±0°30'	1/17/74	1/17/74	ROM & ROM CONTROL	
.XX - .02		1/17/74	1/17/74	(RACL)	
X - .1		1/17/74	1/17/74		
REMOVE BURRS AND BREAK SHARP CORNERS SURFACE QUALITY		PROJ	DATE		
		1/17/74	1/17/74		
MATERIAL	NEXT HIGHER ASSY.	SIZE/ CODE	NUMBER	REV.	
		DICS	M8133-0-1	B	
FINISH	SCALE	SHEET	OF	D. ST.	
		11	OF 13		

REV	CHANGE NO

DEC FORM NO DAD 100-B



QTY	DESCRIPTION	ADR	BRK	BRX	SRX	DRX	SRK	DRK	CCL	PCA	PCB	SHF	IRK	PHE	PAD	DSD	QAX	IBS	SHC	BCT	MSC	BSC	AMX	BHX	KHX	ALU	FEN	BEN	UAD
12	PUP,00	100	0	0	0	0	0	3	0	0	0	2	0	0	0	0	1	0	0	6	0	0	0	1	0	1	0	00	347
2	FOP,00	101	0	0	0	0	1	0	0	1	1	2	0	0	0	0	1	0	0	7	1	0	1	0	1	6	0	00	133
8	MUL,10	102	1	0	0	0	0	1	0	0	0	2	0	0	0	0	0	0	1	0	0	0	3	3	0	6	9	11	246
9	DVP,10	103	0	0	0	1	0	3	0	0	0	2	0	0	4	0	2	0	3	0	0	0	0	0	2	0	00	147	
9	DVN,10	104	0	0	0	0	0	0	0	0	0	2	0	2	4	0	0	0	0	0	0	0	0	2	0	6	0	00	105
9	DVN,20	105	0	0	0	0	0	2	0	0	0	2	0	0	0	0	0	0	0	0	0	0	0	2	0	6	0	00	106
9	DVN,30	106	0	0	1	0	1	3	0	0	0	2	0	0	0	0	0	0	0	0	0	0	0	0	6	0	00	055	
9	DVN,70	107	0	0	0	1	0	3	4	0	0	2	0	0	4	0	0	0	3	0	0	0	0	0	0	0	00	147	
5	D12,90	110	0	0	0	0	1	0	3	0	0	0	0	0	5	0	0	0	0	7	6	3	0	0	2	0	15	135	
5	D12,80	111	0	0	0	0	1	0	3	0	0	2	0	0	5	0	0	0	0	7	6	3	0	0	2	0	15	115	
5	D32,92	112	0	2	0	0	1	0	3	0	0	2	0	0	5	0	0	0	0	7	0	3	0	0	2	0	00	221	
5	D32,82	113	0	0	0	0	1	0	3	0	0	2	0	0	5	0	0	0	0	7	0	3	0	0	2	0	00	221	
6	D45,90	114	0	0	0	0	0	3	3	1	3	2	0	2	5	0	0	0	0	6	0	0	0	3	6	0	01	131	
6	D45,80	115	0	0	0	0	0	3	3	1	3	2	0	2	5	0	0	0	0	6	0	0	0	3	6	0	01	121	
6	D67,90	116	0	0	0	0	1	0	3	0	0	2	0	0	6	0	1	0	0	7	0	3	0	0	2	0	00	006	
6	D67,80	117	0	0	0	0	1	0	3	0	0	2	0	0	6	0	1	0	0	7	0	3	0	0	2	0	00	006	
12	BRK,20	120	1	1	0	0	0	0	0	0	0	2	0	0	0	0	1	3	0	6	0	0	0	0	2	0	02	152	
6	D40,20	121	0	3	0	0	1	0	0	0	0	2	0	0	5	0	0	0	0	7	6	3	0	0	2	2	15	157	
6	D10,30	122	1	0	0	0	0	0	0	0	0	2	0	0	5	0	0	0	0	7	6	2	0	0	2	2	15	157	
11	SHR,10	123	1	0	0	0	0	0	0	0	0	0	0	0	5	0	0	0	0	7	7	3	0	0	2	0	00	132	
12	TRP,02	124	1	1	0	0	0	3	0	0	0	2	0	0	0	0	1	3	0	7	0	0	0	1	1	1	0	00	354
10	DVC,00	125	0	0	0	0	0	0	0	0	0	2	0	2	4	6	0	0	0	0	0	0	3	0	0	2	0	16	216
1	FET,35	126	0	0	0	0	0	0	0	0	0	2	1	0	0	0	1	0	0	3	7	0	2	2	6	0	12	240	
3	WAT,30	127	0	0	0	0	0	0	0	0	0	2	0	0	0	0	1	0	0	0	0	0	2	3	0	0	02	253	
12	BRK,10	130	0	0	0	0	0	3	0	0	0	2	0	0	0	0	1	0	0	0	0	0	3	0	0	2	0	13	100
6	D40,30	131	0	0	0	0	1	0	0	3	0	0	0	0	5	0	0	0	0	7	6	3	0	0	2	2	15	177	
11	EXC,10	132	0	0	0	0	0	0	0	0	0	2	0	0	0	3	0	0	0	6	7	3	0	0	2	0	00	217	
2	FOP,10	133	0	0	0	0	0	0	0	0	0	2	0	0	0	0	1	0	0	0	0	0	3	0	0	2	0	07	154
14	EXH,30	134	0	0	0	0	0	3	0	0	0	2	0	0	0	0	2	0	0	0	0	0	3	0	0	2	0	00	230
5	D12,70	135	0	0	0	0	0	0	1	3	2	0	0	2	5	0	0	0	0	7	6	0	0	3	3	2	00	137	
7	ASC,61	136	0	0	0	0	0	0	6	0	0	2	0	2	4	0	1	0	0	0	7	0	0	0	2	0	12	240	
5	D12,30	137	1	0	0	0	0	0	0	0	0	2	0	0	0	0	0	0	0	0	0	3	0	0	2	2	00	377	

QTY	DESCRIPTION	ADR	BRK	BRX	SRX	DRX	SRK	DRK	CCL	PCA	PCB	SHF	IRK	PHE	PAD	DSD	QAX	IBS	SHC	BCT	MSC	BSC	AMX	BHX	KHX	ALU	FEN	BEN	UAD
12	BRK,00	140	1	1	0	0	0	3	0	0	0	2	0	0	0	0	1	3	0	0	0	0	1	1	1	0	00	152	
2	S67,20	141	0	0	0	0	0	0	0	0	0	1	0	0	6	0	2	0	0	7	1	0	0	0	0	0	00	142	
2	S67,30	142	1	1	0	0	0	0	0	0	0	1	0	0	0	3	2	0	0	6	1	0	0	0	3	4	14	317	
2	S13,30	143	0	0	0	0	0	0	0	0	0	1	0	0	6	0	2	0	0	7	3	0	0	0	0	0	00	146	
10	DVD,00	144	0	0	0	0	0	0	0	0	0	2	0	0	0	0	0	0	0	0	0	0	2	0	0	2	0	04	353
9	DVE,20	145	0	0	0	0	0	0	7	0	0	2	0	0	0	0	2	0	0	6	0	0	0	0	2	0	00	164	
2	S13,40	146	1	1	0	0	0	0	0	0	0	1	0	0	0	3	2	0	0	6	3	0	0	0	0	4	00	377	
9	DIV,30	147	1	0	0	0	0	1	0	0	0	2	0	0	0	0	0	0	0	0	0	0	3	0	0	7	0	16	346
12	FV,10	150	1	1	0	0	0	3	0	0	0	2	0	0	0	3	0	0	0	1	4	0	0	1	3	0	00	225	
1	MTP,10	151	0	0	0	2	0	3	0	0	0	1	0	0	5	0	2	0	0	7	3	0	0	0	0	0	00	146	
12	BRK,30	152	0	0	0	0	0	0	0	1	0	2	0	0	6	0	0	0	6	7	2	3	0	0	2	0	00	355	
14	EXH,20	153	1	1	0	0	0	0	0	0	0	0	0	0	0	3	2	0	0	0	0	0	0	0	0	0	00	134	
12	BRK,00	154	0	1	0	0	1	0	0	0	0	2	0	0	0	1	1	0	0	0	0	0	1	0	0	2	0	12	130
5	D12,60	155	0	0	0	0	0	0	0	1	3	2	0	2	5	3	0	0	0	6	6	0	0	3	3	0	00	312	
2	RTI,10	156	0	0	0	0	0	0	0	0	0	2	0	0	7	0	2	0	0	7	0	3	0	0	2	0	00	212	
6	D10,40	157	0	0	0	0	0	1	0	0	0	2	0	0	0	3	0	0	0	6	6	3	0	0	2	0	00	331	
12	SER,00	160	0	0	0	0	1	0	0	0	0	2	0	0	0	0	1	0	0	0	0	0	0	1	1	0	00	344	
6	D50,20	161	0	0	0	0	1	0	0	0	0	2	0	0	5	0	0	0	0	7	0	3	0	0	1	2	00	231	
6	D10,00	162	0	0	0	0	0	0	0	0	0	1	0	0	5	0	0	0	0	7	0	0	0	0	0	0	00	231	
11	NEG,20	163	0	0	0	0	0	0	0	0	0	2	0	0	5	0	0	0	0	7	7	3	0	0	2	0	00	132	
1	FET,04	164	0	0	0	0	0	0	0	0	0	2	1	0	0	0	1	0	0	3	7	0	2	2	6	0	12	240	
9	DIV,70	165	1	0	0	0	0	0	0	0	0	2	0	0	0	0	0	0	0	0	0	0	3	0	0	7	0	04	323
7	ASH,41	166	0	0	0	0	1	0	5	0	0	2	0	0	0	0	1	0	1	0	0	0	0	0	5	0	03	126	
14	CON,01	167	1	1	0	0	0	0	0	0	0	2	0	0	0	0	2	1	0	0	0	0	0	0	2	0	14	070	
14	CON,00	170	1	1	0	0	0	0	0	0	0	2	0	0	0	0	2	1	0	0	0	0	0	0	2	0	14	070	
6	D50,30	171	0	0	0	0	1	0	0	0	0	0	0	0	5	0	0	0	0	7	0	3	0	0	2	0	00	231	
2	RTI,60	172	0	0	0	0	0	0	0	0	0	1	0	0	0	0	0	0	2	6	9	0	0	0	0	0	00	217	
2	FOP,30	173	1	1	0	0	0	0	0	1	1	2	0	0	0	0	3	0	0	1	0	0	1	0	1	3	4	00	377
2	FOP,20	174	0	0	0	0	0	0	0	0	0	2	0	0	0	0	1	0	0	6	0	3	0	0	2	0	10	133	
5	D12,10	175	1	1	0	0	0	0	0	1	3	2	0	2	5	2	0	0	0	6	6	0	0	3	3	2	05	137	
7	ASC,31	176	0	0	0	0	1	2	5	0	0																		

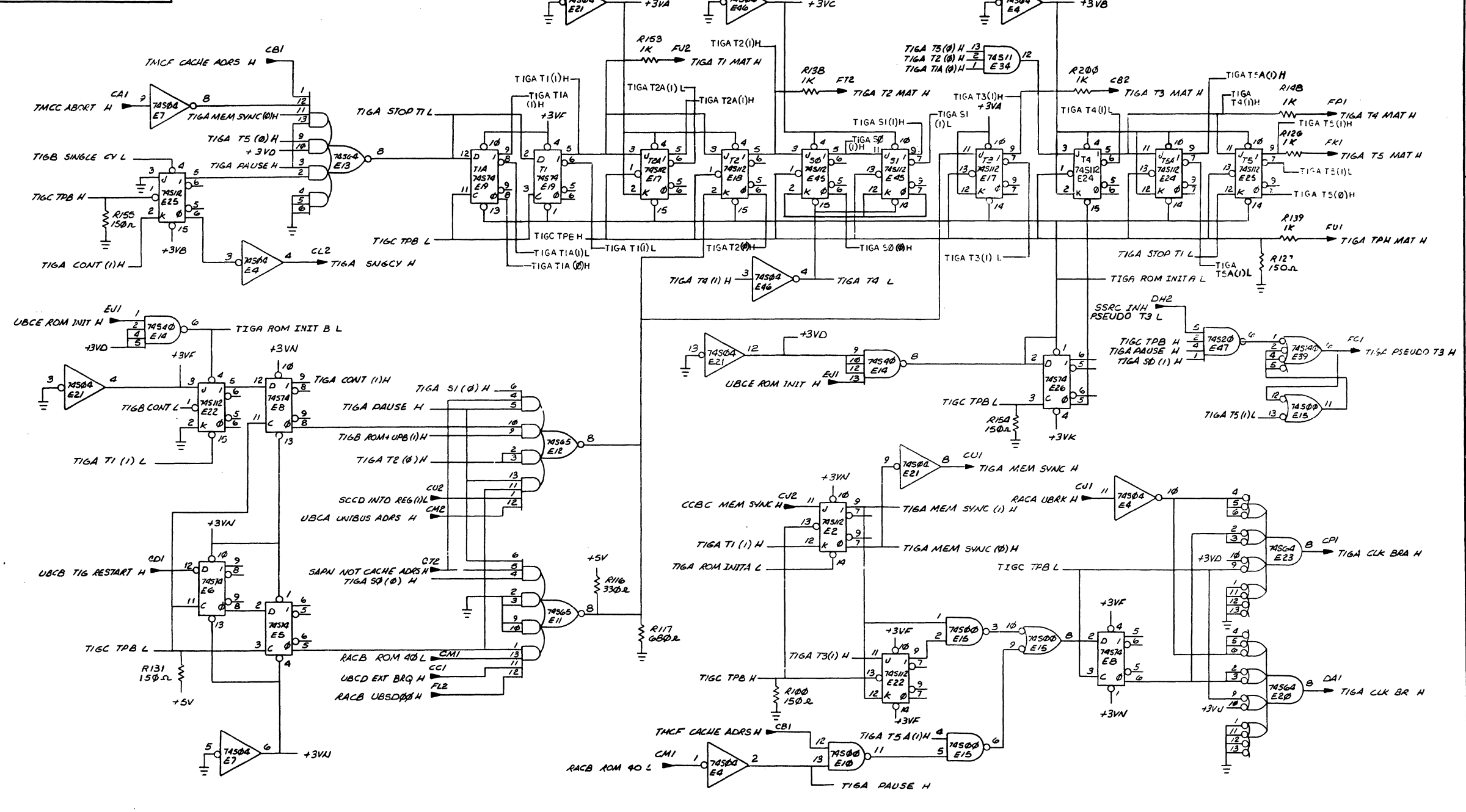








THIS DRAWING AND SPECIFICATIONS HEREIN ARE THE PROPERTY OF DIGITAL EQUIPMENT CORPORATION AND SHALL NOT BE REPRODUCED OR COPIED OR USED IN WHOLE OR IN PART AS THE BASIS FOR THE MANUFACTURE OR SALE OF ITEMS WITHOUT WRITTEN PERMISSION. COPYRIGHT © 1974 DIGITAL EQUIPMENT CORPORATION

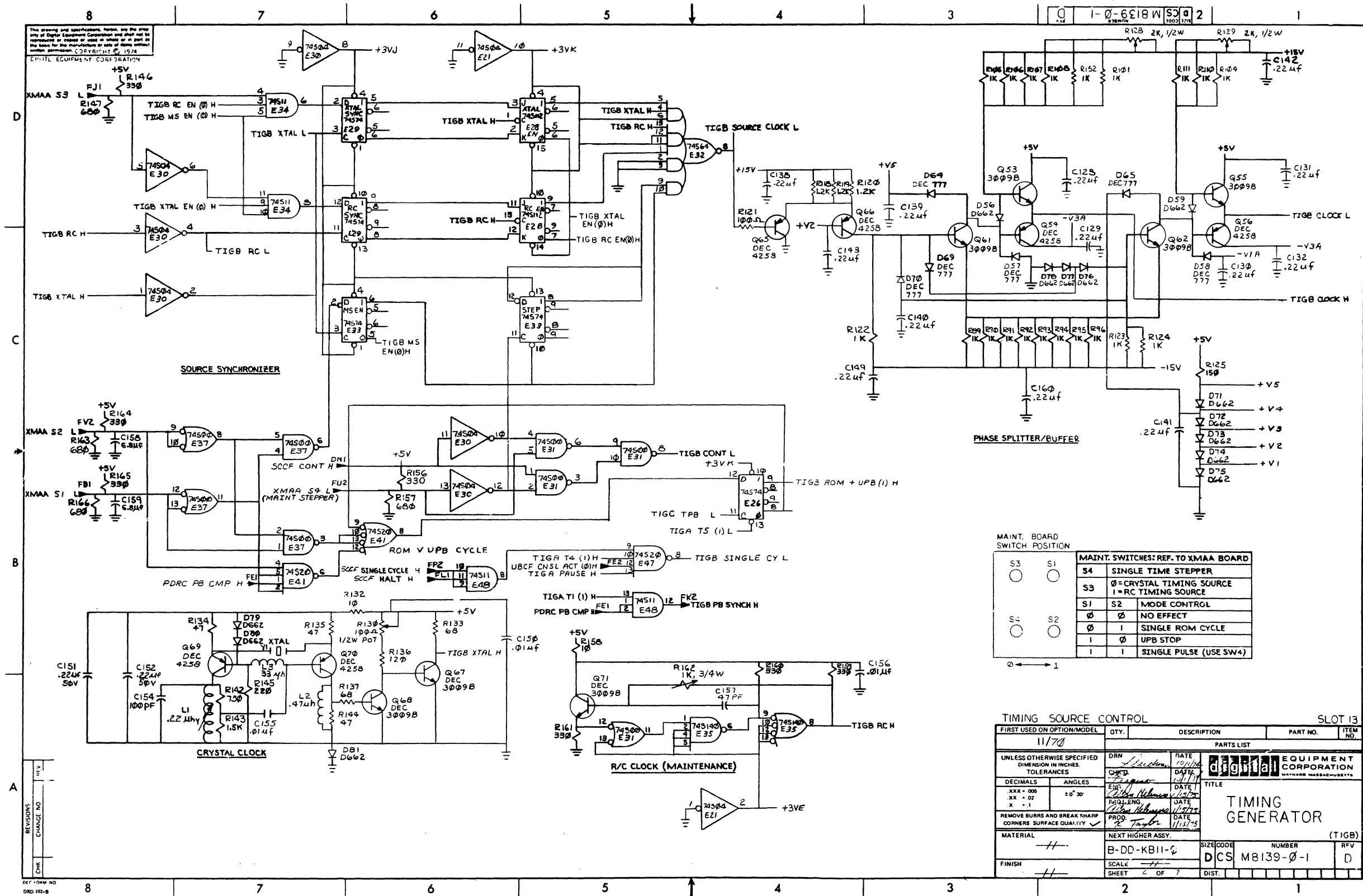


CHK	CHANGE NO.	REV.

REVISIONS			TITLE			SIZE CODE			NUMBER			REV.		
			TIMING GENERATOR (TIGA)			D	CS	M8139-0-1			D			
			SCALE		SHEET	3	OF	7	DIST.					

82





MAINT. BOARD SWITCH POSITION

SWITCH	POSITION	MAINT. SWITCHES: REF. TO XMAA BOARD
S4	○	SINGLE TIME STEPPER
S3	○	Ø = CRYSTAL TIMING SOURCE I = RC TIMING SOURCE
S1	○	S2 MODE CONTROL
Ø	Ø	Ø NO EFFECT
Ø	I	SINGLE ROM CYCLE
I	Ø	UPB STOP
I	I	SINGLE PULSE (USE SW4)

TIMING SOURCE CONTROL

FIRST USED ON OPTION/MODEL	QTY.	DESCRIPTION	PART NO.	ITEM NO.
11/70				

PARTS LIST

UNLESS OTHERWISE SPECIFIED DIMENSION IN INCHES	DRN	DATE	DATE	DATE	DATE	DATE	DATE	DATE
DECIMALS	XXX - 006	XX - 02	X - 1					
ANGLES		±0° 30'						

REMOVE BURRS AND BREAK SHARP CORNERS SURFACE QUALITY

MATERIAL: --

NEXT HIGHER ASSY.: B-DD-KB11-6

FINISH: --

SIZE CODE: DCS M8139-Ø-1

NUMBER: 1

SCALE: --

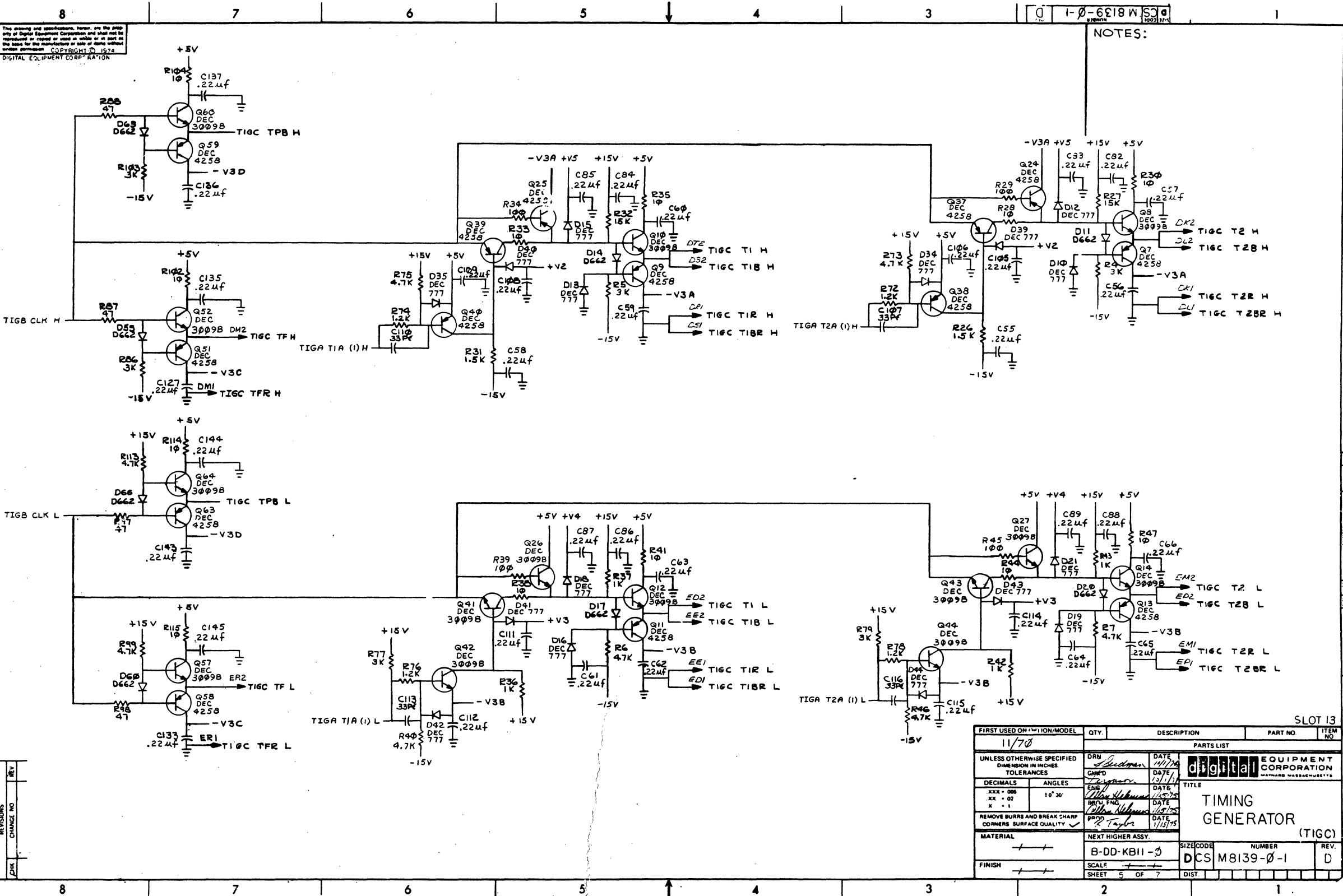
SHEET: 2 OF 7

DIST.:

TITLE: TIMING GENERATOR (TIGB)

REV: D

The drawing and specifications herein are the property of Digital Equipment Corporation and shall not be reproduced or copied or used in whole or in part as the basis for the manufacture or sale of items without written permission. COPYRIGHT © 1974 DIGITAL EQUIPMENT CORPORATION



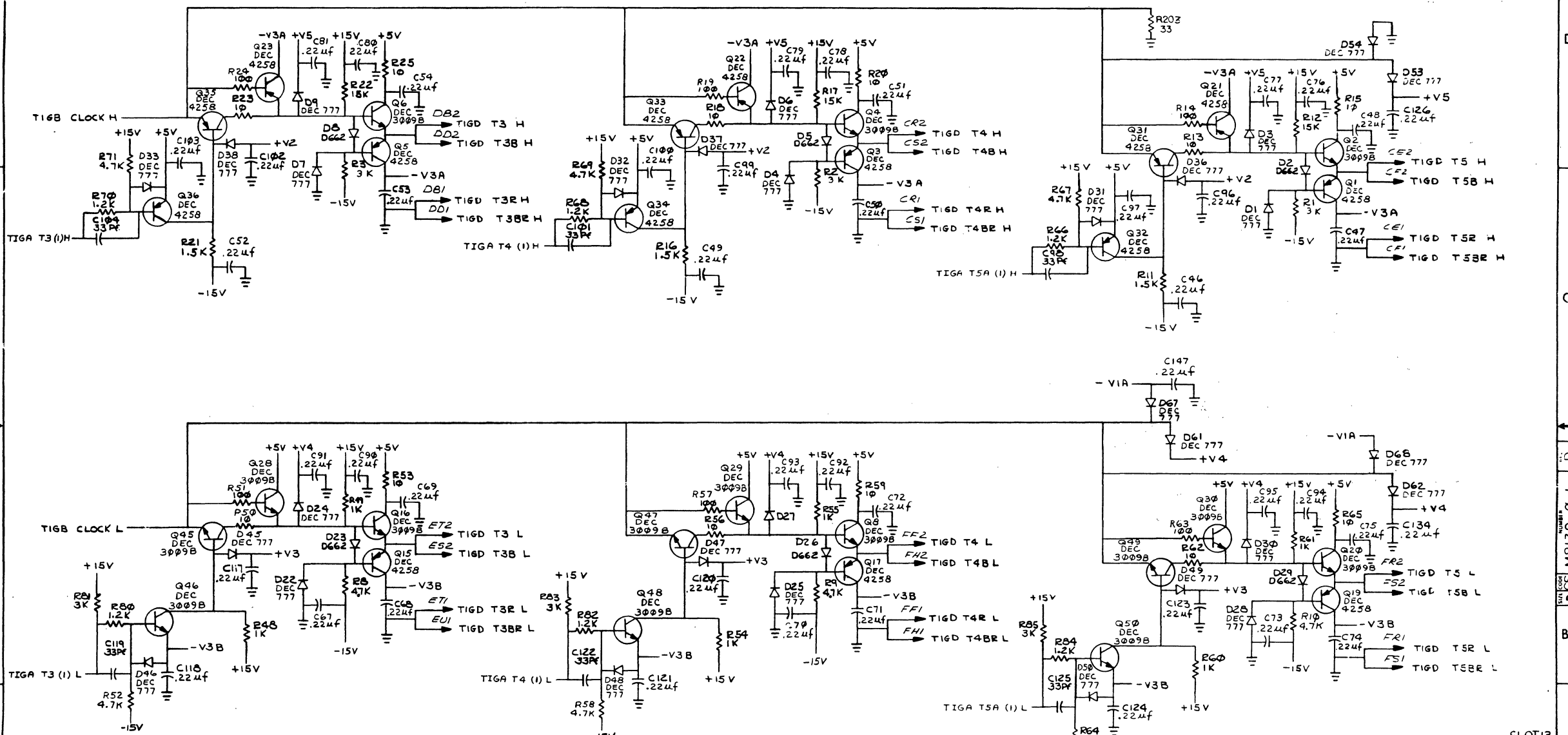
NOTES:

FIRST USED ON	DATE	QTY.	DESCRIPTION	PART NO.	ITEM NO.
11/70					
PARTS LIST					
UNLESS OTHERWISE SPECIFIED					
DIMENSION IN INCHES					
TOLERANCES					
DECIMALS	ANGLES	DATE			
XXX - .008	10° 30'	11/11/70			
XX - .02		DATE			
X - .1		11/17/75			
REMOVE BURRS AND BREAK SHARP CORNERS SURFACE QUALITY					
MATERIAL					
NEXT HIGHER ASSY.					
FINISH					
B-DD-KB11-0		SIZE CODE	NUMBER	REV.	
SCALE		DCS	M8139-0-1	D	
SHEET 5 OF 7		DIST.			

DCS M8139-0-1  
 REV. 11/75  
 DATE 11/17/75  
 BY R. Taylor  
 CHECKED BY R. Taylor  
 DRAWN BY R. Taylor  
 DATE 11/11/70

84

This drawing and associated items are the property of Digital Equipment Corporation and shall not be reproduced or copied in whole or in part on any form for the manufacture or sale of items without written permission. COPYRIGHT © 1974 DIGITAL EQUIPMENT CORPORATION

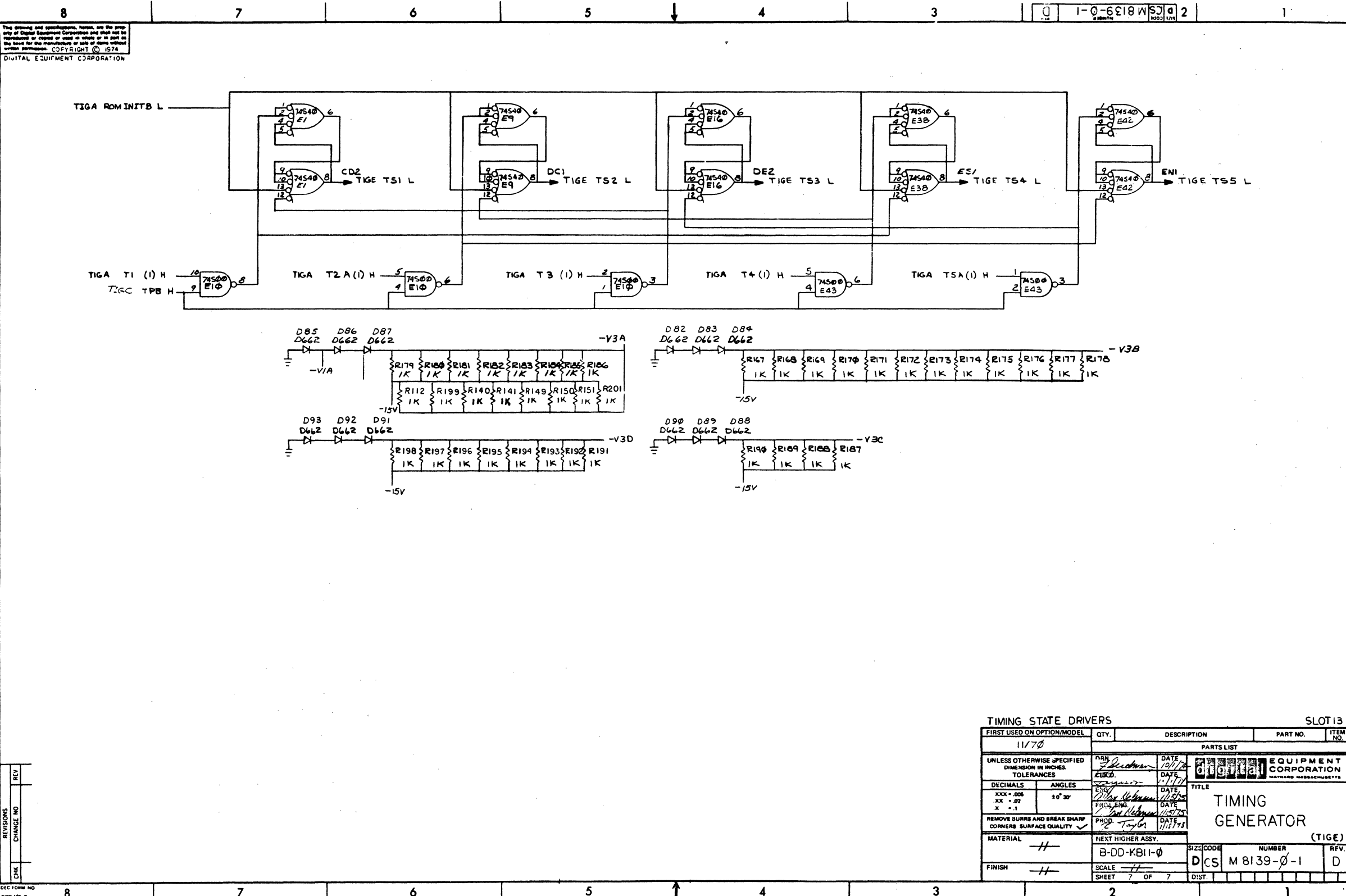


REV	CHANGE NO

FIRST USED ON OPTION/MODEL	QTY.	DESCRIPTION	PART NO.	ITEM NO.
11/70				
UNLESS OTHERWISE SPECIFIED DIMENSION IN INCHES TOLERANCES				
DECIMALS	ANGLES	TITLE		
xxx - 006	10' 30"	TIMING GENERATOR (TIGD)		
xx - 02		NEXT HIGHER ASSY.		
x - 1		B-DD-KB11-0		
REMOVE BURRS AND BREAK SHARP CORNERS SURFACE QUALITY		SCALE		
MATERIAL		SHEET E OF 7		
FINISH		DISTRIBUTION		

DCS M8139-0-1

This drawing and specifications, herein, are the property of Digital Equipment Corporation and shall not be reproduced or copied in whole or in part or the base for the manufacture or sale of items without written permission. COPYRIGHT © 1974  
DIGITAL EQUIPMENT CORPORATION



TIMING STATE DRIVERS

SLOT 13

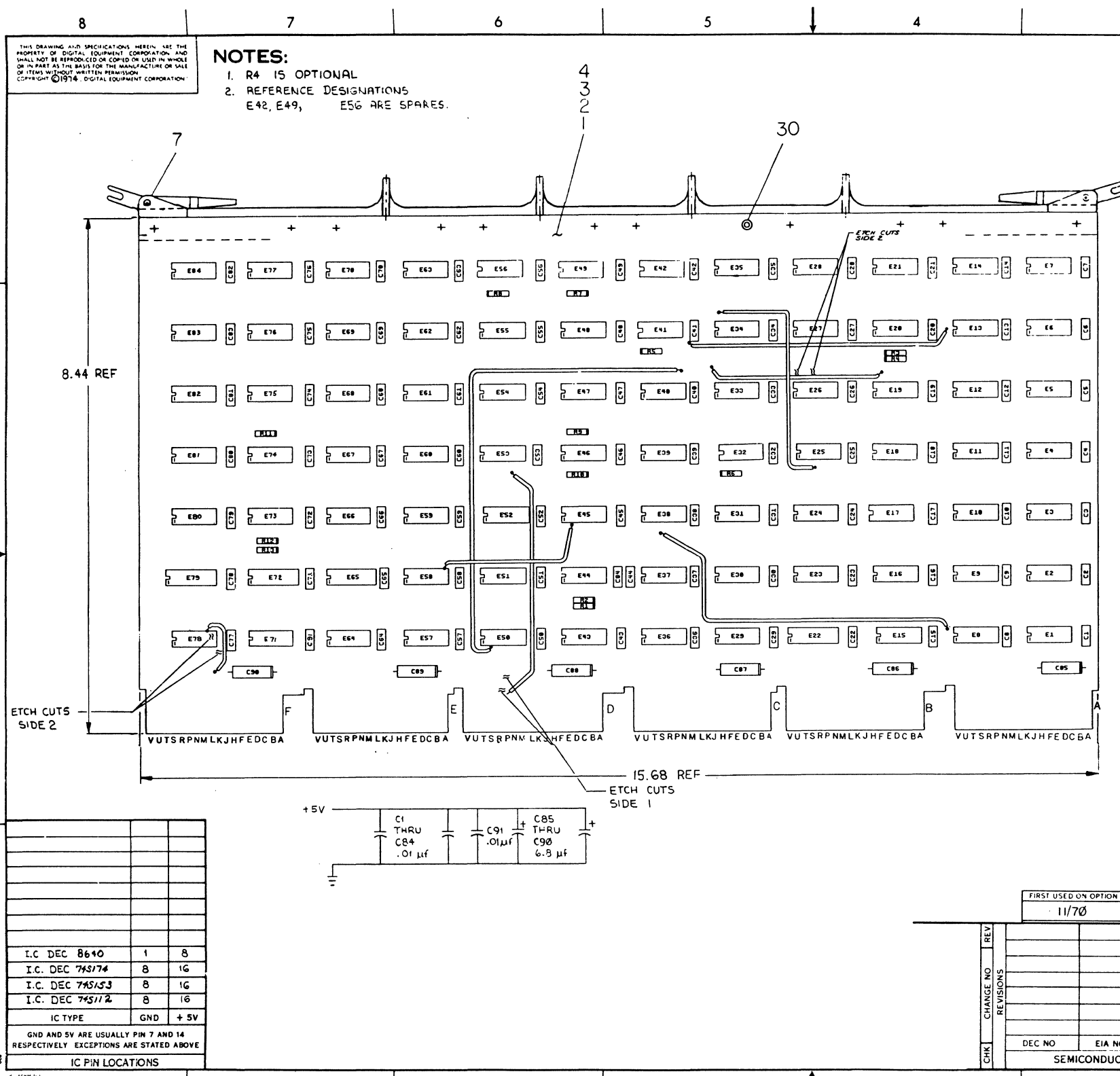
FIRST USED ON OPTION/MODEL	QTY.	DESCRIPTION	PART NO.	ITEM NO.
11170				
PARTS LIST				
UNLESS OTHERWISE SPECIFIED DIMENSION IN INCHES TOLERANCES		DRN <i>[Signature]</i>	DATE 10/1/74	 DIGITAL EQUIPMENT CORPORATION MAYNARD, MASSACHUSETTS
DECIMALS	ANGLES	ENG. <i>[Signature]</i>	DATE 11/1/74	
XXX - .008	10° 30'	DESIGN <i>[Signature]</i>	DATE 11/5/74	
.XX - .02		PROD. <i>[Signature]</i>	DATE 11/17/74	
REMOVE BURRS AND BREAK SHARP CORNERS SURFACE QUALITY		PHOD. <i>[Signature]</i>	DATE 11/17/74	
MATERIAL	—//—	NEXT HIGHER ASSY.		
FINISH	—//—	B-DD-KB11-0	SIZE CODE	NUMBER
		SCALE	—//—	DCS M 8139-0-1
		SHEET	7 OF 7	DIST.

TIMING GENERATOR (TIGE)

SIZE CODE: B-DD-KB11-0  
NUMBER: DCS M 8139-0-1  
REV. NO.: D

REVISIONS	REV.
CHANGE NO.	
CHK	

DEC FORM NO. RFD 103-B



THIS DRAWING AND SPECIFICATIONS HEREIN ARE THE PROPERTY OF DIGITAL EQUIPMENT CORPORATION AND SHALL NOT BE REPRODUCED OR COPIED OR USED IN WHOLE OR IN PART AS THE BASIS FOR THE MANUFACTURE OR SALE OF ITEMS WITHOUT WRITTEN PERMISSION. COPYRIGHT © 1974, DIGITAL EQUIPMENT CORPORATION.

- NOTES:**
- R4 IS OPTIONAL
  - REFERENCE DESIGNATIONS E42, E49, E56 ARE SPARES.

REF	X-Y COORDINATE HOLE LOCATION	K-CO-M8135-0-4	1
REF	ASSY/DRILLING HOLE LAYOUT	D-AM-M8135-0-5	2
REF	MODULE ECO HISTORY	B-MH-M8135-0-6	3
1	ETCHED CIRCUIT BOARD	5011321	4
5	C1 THRU C84, C91	CAPACITOR, 01uf, 100V DISC	1001610-01
6	C85 THRU C90	CAPACITOR, 6 Buf, 35V, 10*	1005306
1	HANDLE HEX MODULE	1210711-2	7
2	R5, R6	RESISTOR, 120 OHM 1/4W, 5%	1300247
1	R3	RESISTOR, 150 OHM 1/4W, 5%	1300250
1	R7	RESISTOR, 180 OHM 1/4W, 5%	1301322
2	R1, R13	RESISTOR, 330 OHM 1/4W, 5%	1300295
1	R8	RESISTOR, 390 OHM 1/4W, 5%	1300309
2	R2, R12	RESISTOR, 680, 1/4W, 5%	1301424
3	R9, R10, R11	RESISTOR, 1K 1/4W, 5%	1300365
6	E21, E30, E45, E57, E64, E5	I.C. DEC 74S09	1910532
12	E1, E3, E12, E19, E27, E28, E29, E47, E55, E66, E73, E80	I.C. DEC 74S04	1910534
7	E11, E14, E23, E24, E37, E54, E61	I.C. DEC 74S10	1910536
19	E2, E6, E10, E13, E15, E20, E25, E26, E33, E35, E43, E51, E67, E68, E74, E75, E81, E82, E71	I.C. DEC 74S11	1910537
8	E8, E16, E80, E89, E76, E77, E83, E84	I.C. DEC 74S20	1910539
4	E53, E62, E63, E70	I.C. DEC 74H30	1909059
2	E9, E34	I.C. DEC 74S40	1910541
4	E44, E46, E50, E59	I.C. DEC 74H50	1909060
4	E7, E31, E36, E38	I.C. DEC 74S64	1910542
4	E4, E39, E40, E58	I.C. DEC 74S74	1910544
4	E17, E18, E32, E41	I.C. DEC 74S112	1910545
1	E22	I.C. DEC 74S153	1910547
3	E65, E72, E79	I.C. DEC 74S174	1910550
1	E78	I.C. DEC 8640	1911489
2	E48, E52	I.C. DEC 8885	1910649
12	EYELET	9006732	30
35	WIRE #30 AWG BUSS (RETROFIT)	9105740-55	31

QTY	REF DESIGNATION	DESCRIPTION	PART NO	ITEM NO

CHG	NO	REV	DESCRIPTION	DATE

DEC NO	EIA NO	DEC NO	EIA NO

DRN	DATE	CHK'D	DATE	ENG	DATE	PROJ ENG	DATE	PROD	DATE
P. Beans	12-5-74			FERGUSON	1-2-74				

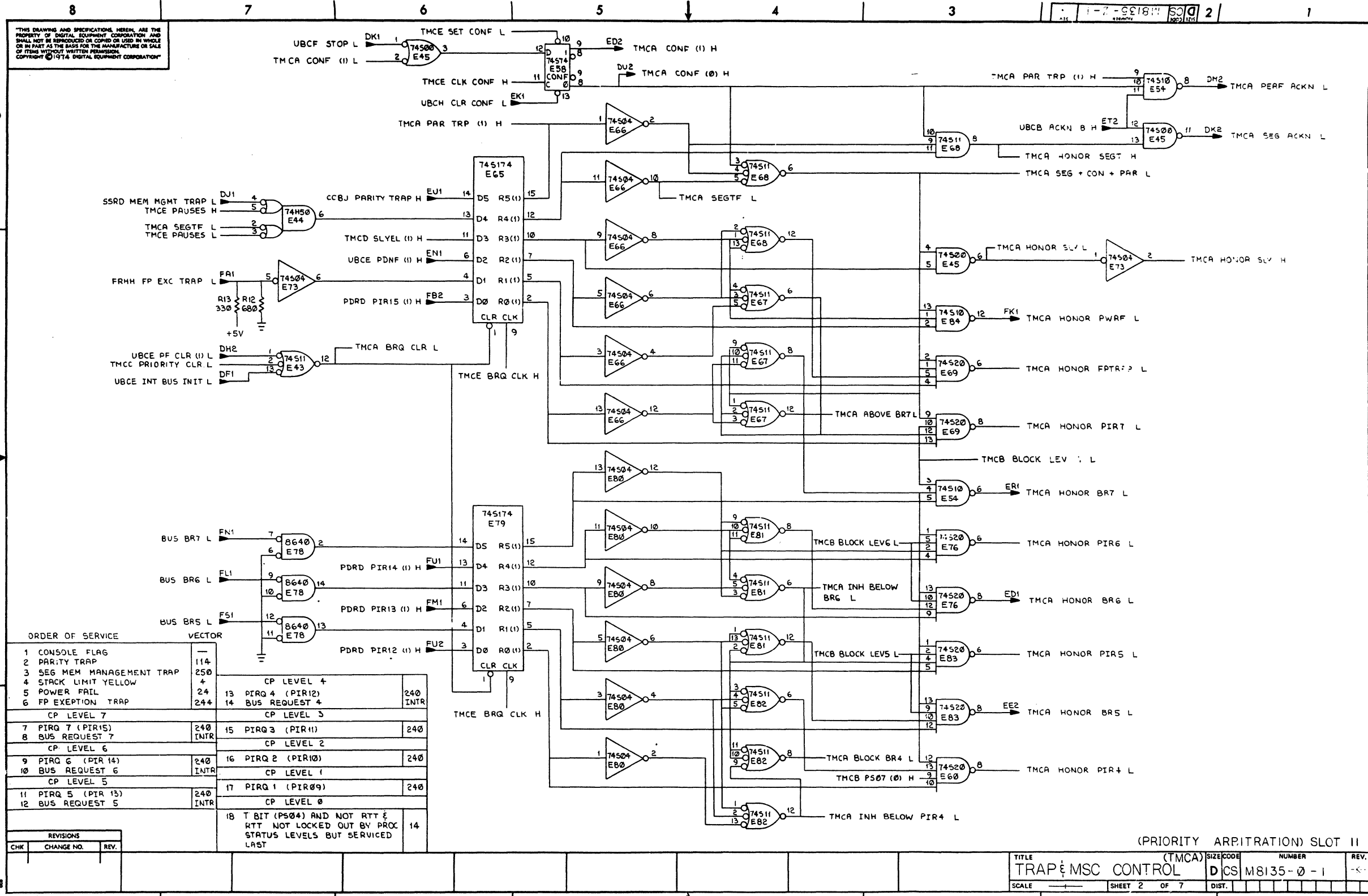
  

SCALE	SHEET	OF	TITLE	SIZE	CODE	NUMBER	DIST
	1	OF	7	DIGITAL	M8135-0-1	*	

I.C. TYPE	GND	+5V
I.C. DEC 8640	1	8
I.C. DEC 74S174	8	16
I.C. DEC 74S153	8	16
I.C. DEC 74S172	8	16
I.C. TYPE	GND	+5V

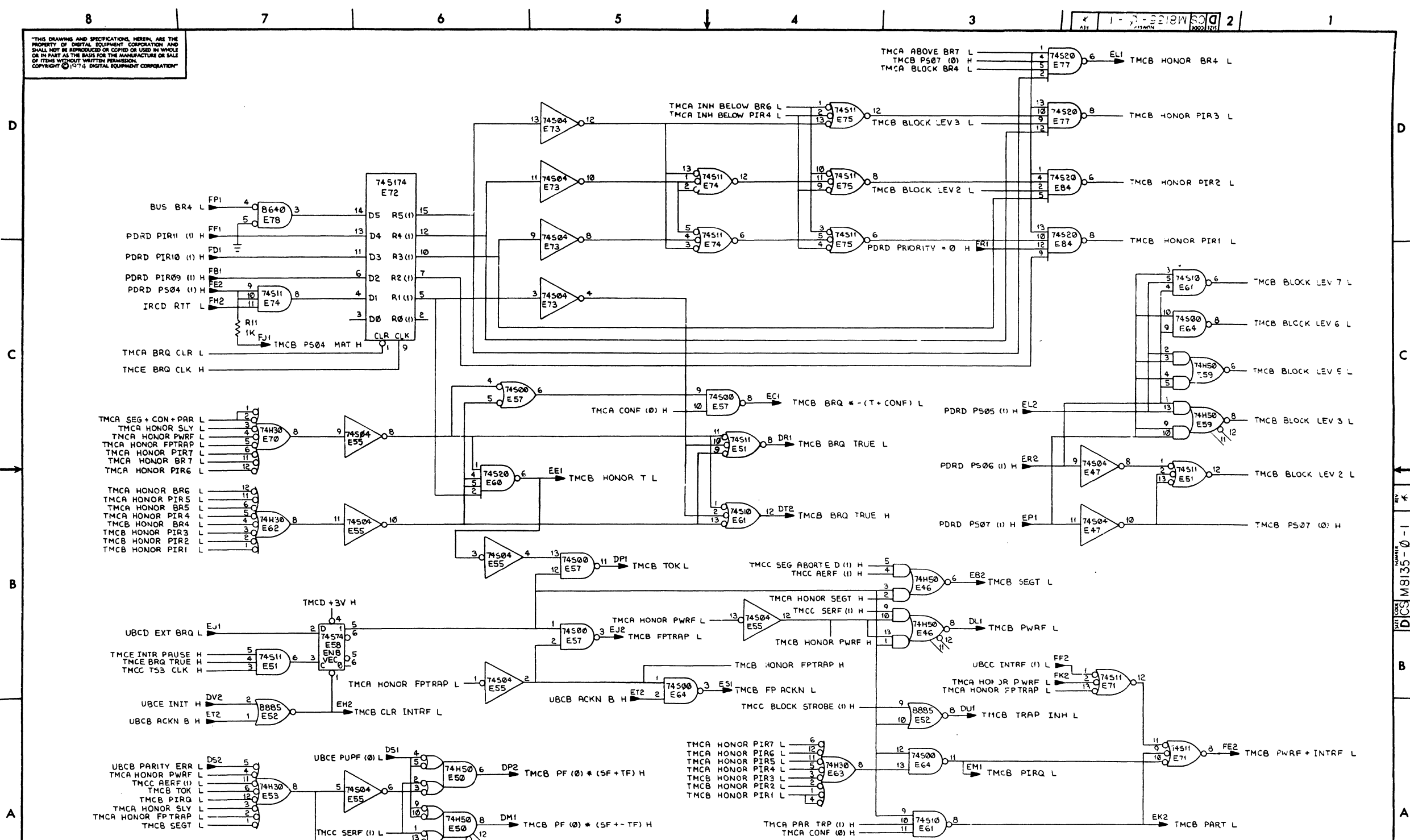
GND AND 5V ARE USUALLY PIN 7 AND 14 RESPECTIVELY. EXCEPTIONS ARE STATED ABOVE.

IC PIN LOCATIONS



88

THIS DRAWING AND SPECIFICATIONS HEREIN ARE THE PROPERTY OF DIGITAL EQUIPMENT CORPORATION AND SHALL NOT BE REPRODUCED OR COPIED OR USED IN WHOLE OR IN PART AS THE BASIS FOR THE MANUFACTURE OR SALE OF ITEMS WITHOUT WRITTEN PERMISSION. COPYRIGHT © 1974 DIGITAL EQUIPMENT CORPORATION



REVISIONS		
CHK	CHANGE NO.	REV.

(PRIORITY ARBITRATION; TRAP VECTORS) SLOT 11  
 TITLE TRAP & MSC CONTROL (TMCB) SIZE CODE NUMBER  
 SCALE 1:1 SHEET 3 OF 7 DIST. DCS M8135-0-1 REV. \*

89



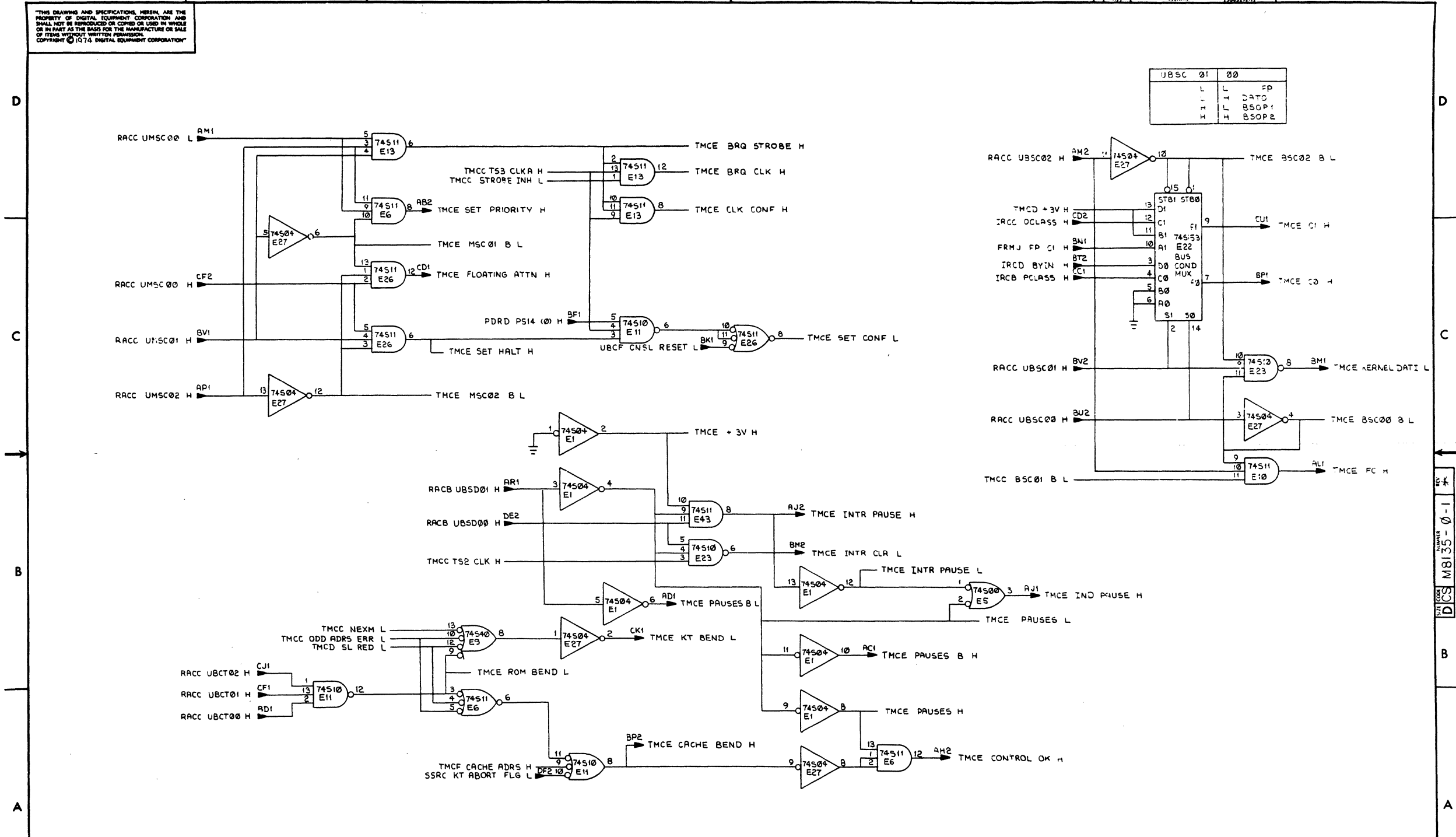




THIS DRAWING AND SPECIFICATIONS HEREIN ARE THE PROPERTY OF DIGITAL EQUIPMENT CORPORATION AND SHALL NOT BE REPRODUCED OR COPIED OR USED IN WHOLE OR IN PART AS THE BASIS FOR THE MANUFACTURE OR SALE OF ITEMS WITHOUT WRITTEN PERMISSION. COPYRIGHT © 1974 DIGITAL EQUIPMENT CORPORATION

1-0-5519W SCS 2

UBSC 01	00
L	L
L	L
H	L
H	H



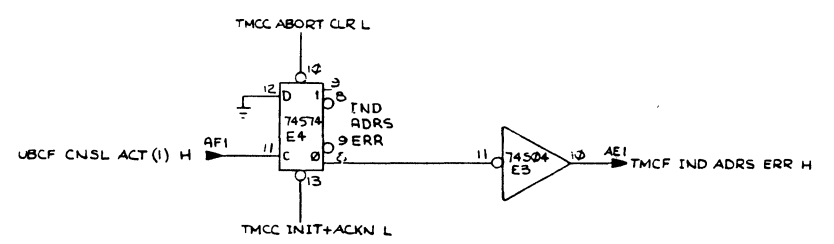
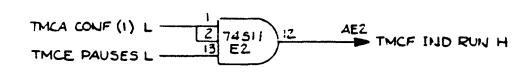
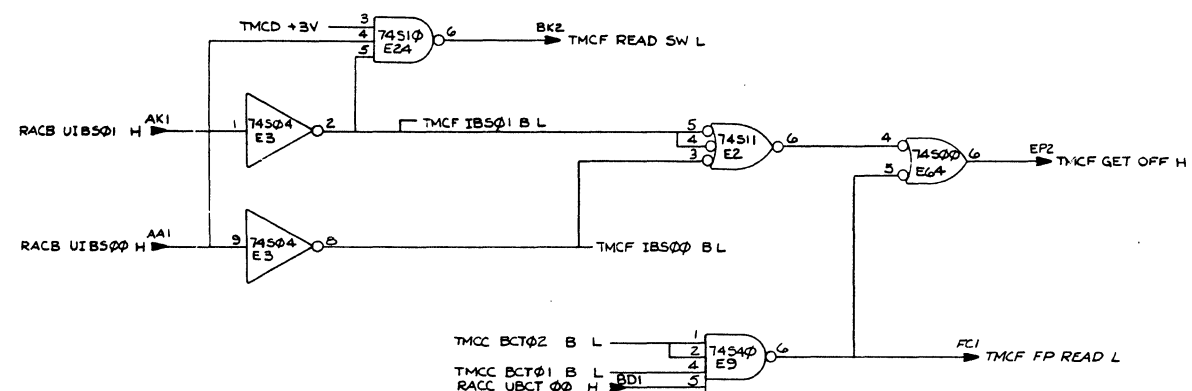
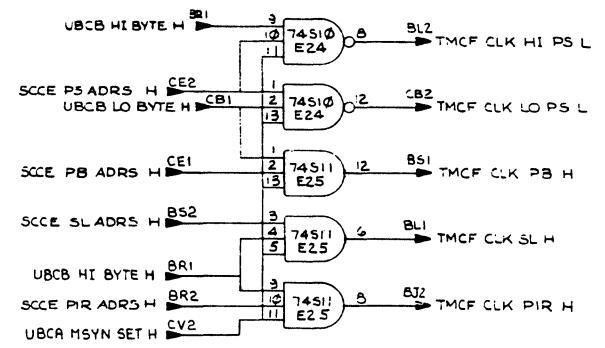
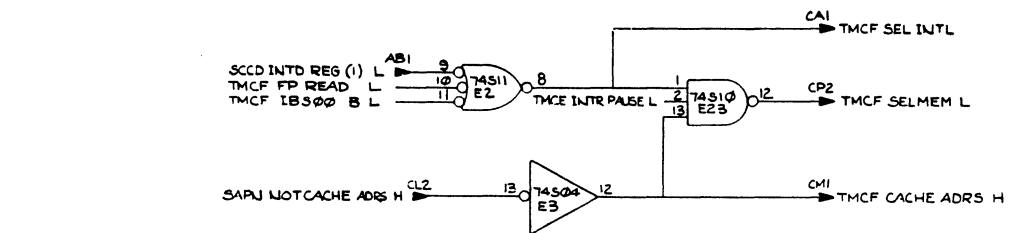
REVISIONS		
CHK	CHANGE NO.	REV.

(MSC, BCT, BSC DECODE) SLOT 11

TITLE	TRAP & MSC CONTROL (TMCE)	SIZE CODE	DCS	NUMBER	M8135-0-1	REV.	
SCALE		SHEET	6	OF	7	DIST.	

THIS DRAWING AND SPECIFICATIONS HEREIN ARE THE PROPERTY OF DIGITAL EQUIPMENT CORPORATION AND SHALL NOT BE REPRODUCED OR COPIED OR USED IN WHOLE OR IN PART AS THE BASIS FOR THE MANUFACTURE OR SALE OF ITEMS WITHOUT WRITTEN PERMISSION. COPYRIGHT © 1974 DIGITAL EQUIPMENT CORPORATION

1-4-9018W SCD 2



REVISIONS		
CHK	CHANGE NO.	REV.

(BRMX SELECTION FP READ) SLOT 11

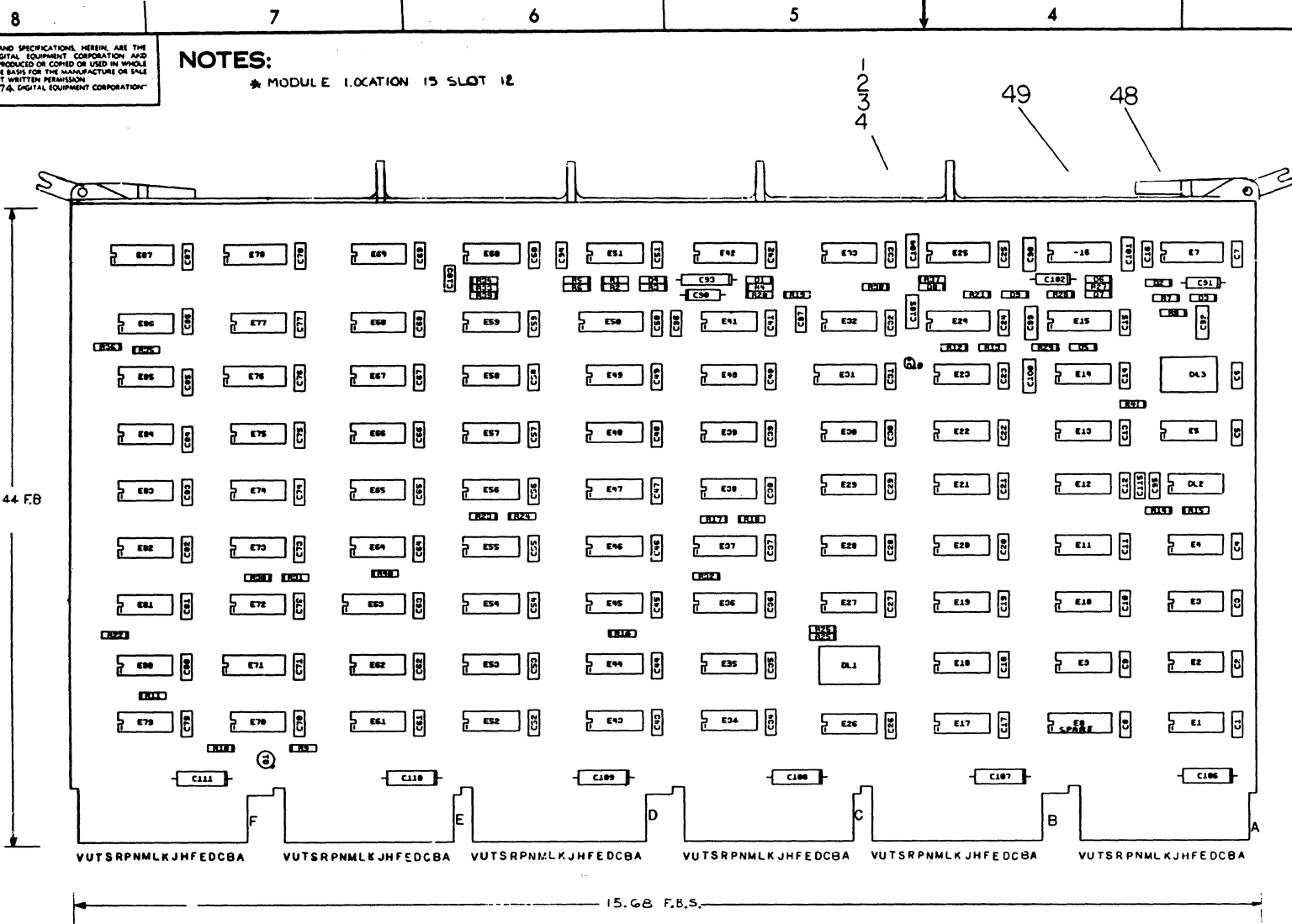
TITLE	(TMCF)	SIZE CODE	NUMBER	REV.
TRAP & MSC CONTROL	DCS	M8135-0-1	X	
SCALE	SHEET 7 OF 7	DIST.		

REV. 1  
NUMBER M8135-0-1  
DCS

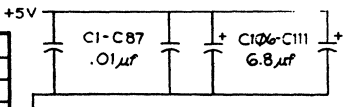
THIS DRAWING AND SPECIFICATIONS, HEREIN, ARE THE PROPERTY OF DIGITAL EQUIPMENT CORPORATION AND SHALL NOT BE REPRODUCED OR COPIED OR USED IN WHOLE OR IN PART AS THE BASIS FOR THE MANUFACTURE OR SALE OF ITEMS WITHOUT WRITTEN PERMISSION. COPYRIGHT © 1974, DIGITAL EQUIPMENT CORPORATION.

**NOTES:**

\* MODULE LOCATION IS SLOT 12



REF	X-Y COORDINATE HOLE LOCATION	K-CO-M8136-B-4	1
REF	ASSY/DRILLING HOLE LAYOUT	D-AH-M8136-B-5	2
REF	MODULE ECO HISTORY	B-WH-M8136-B-6	3
1	ETCHED CIRCUIT BOARD	5011340	4
2	C92, C101	CAPACITOR 330pf 100V 5%	1000023
7	C93, C108 THRU C111	CAPACITOR 6.8uf 35V 10%	1005306
93	C1 THRU C87, C94, C96, C97, C100, C103, C105	CAPACITOR .01uf 100V 20%	1001610-01
4	C98, C99, C104, C105	CAPACITOR 1200pf 100V 5%	1002424
1	C102	CAPACITOR 2.2uf 20V 10%	1002627
1	C95	CAPACITOR 82pf 100V 5%	1000015
2	C90, C91	CAPACITOR .47uf 35V 10%	1005965
9	D1 THRU D9	DIODE DB84	1100114
1	D18	DIODE, LIGHT EMITTING MV5054-2	1110864
2	R32, R16	RESISTOR 100 OHM 1/4W 5%	1300229
2	R15, R40	RESISTOR 150 OHM 1/4W 5%	1300250
3	R3, R24, R31	RESISTOR 390 OHM 1/4W 5%	1300309
5	R11, R10, R22, R39, R41	RESISTOR 1K 1/4W 5%	1300365
6	R1, R5, R17, R19, R33, R35	RESISTOR 330 OHM 1/4W 5%	1300295
5	R8, R21, R27, R28, R37	RESISTOR 15K 1/4W 5%	1300496
1	R9	RESISTOR 3.9K 1/4W 5%	1300444
3	R12, R30, R23	RESISTOR 180 OHM 1/4W 5%	1301322
6	R2, R6, R18, R20, R34, R36	RESISTOR 680 OHM 1/4W 5%	1301424
1	R14	RESISTOR 300 OHM 1/4W 5%	1301425
2	R3, R7	RESISTOR 20K 1/4W 5%	1302391
2	R4, R29	RESISTOR 30K 1/4W 5%	1302394
1	R38	RESISTOR 470 OHM 1/4W 5%	1300316
1	Q1	TRANSISTOR DEC 30090	1503100
2	E14, E73	IC DEC 74H30	1909059
2	E1, E86	IC DEC 74H50	1909060
4	E61, E62, E70, E79	IC DEC 8881	1909705
13	E3, E22, E26, E34, E39, E27, E43, E58, E88, E89, E75, E77, E84	IC DEC 74S00	1910532
9	E2, E4, E9, E38, E52, E56, E57, E72, E85	IC DEC 74S04	1910534
3	E20, E44, E48	IC DEC 74S10	1910536
9	E18, E19, E23, E30, E32, E48, E54, E66, E67	IC DEC 74S11	1910537
3	E10, E65, E74	IC DEC 74S20	1910539
16	E13, E11, E17, E21, E29, E29, E33, E41, E45, E51, E59, E81, E82, E83, E80, E84	IC DEC 74S74	1910544
4	E24, E31, E36, E50	IC DEC 74S112	1910545
4	E12, E35, E49, E55	IC DEC 74S140	1910546
1	E63	IC DEC 74S157	1910548
5	E7, E15, E16, E25, E42	IC DEC 74123	1910435
1	E37	IC DEC 74193	1910018
1	E40	IC DEC 8885	1910649
2	E78, E87	IC DEC 7442	1910046
2	E71, E76	IC DEC 74S175	1910957
4	E80, E53, E47, E5	IC DEC 8640	1911469
1	DL1	DELAY LINE (50ns)	1609428
1	DL2	DELAY LINE (tapped)	1611243
1	HANDLE ASSY	1210711-02	48
12	EYELETS	9008732	49
	TIMING DIAGRAM	D-TD-M8136-O-7	50
			51



QTY	REF DESIGNATION	DESCRIPTION	PART NO.	ITEM NO.
1	R25	RESISTOR, 620Ω, 1/4W, 5%	1303178	56
1	R26	RESISTOR, 120Ω, 1/4W, 5%	1300247	55
A/R		WIRE, BUSS #30 AWG	9105740-55	54
REF		FLOW DIAGRAM	D-FD-M8136-O-8	53
1	DL3	DELAY LINE 100NS	1609559	52

FIRST USED ON OPTION MODEL		PARTS LIST	
11/70		ETCH BOARD REV	C
<p>DRN: W. AMQUILLI DATE: 10-29-74            CHK'D: JENNY VINCENT DATE: 12-3-74            ENGR: [Signature] DATE: 1-6-75            PROJ. ENG: [Signature] DATE: 1-12-75            PRCT: [Signature] DATE: 1/9/75</p>		<p>TITLE: UNIBUS CONSOLE CONTROL (UBC)            SIZE CODE: DCS M8136-O-1            NUMBER: F</p>	
<p>DEC NO. EIA NO. DEC NO. EIA NO.</p>		<p>SCALE: SHEET 1 OF 8</p>	
SEMICONDUCTOR CONVERSION CHART			

IC TYPE	GND	+5V
IC DEC 74S175	B	1G
IC DEC 74S157	B	1G
IC DEC 74S112	B	1G
IC DEC 74193	E	1G
IC DEC 74123	B	1G
IC DEC 8640	I	8
IC DEC 7442	B	1G

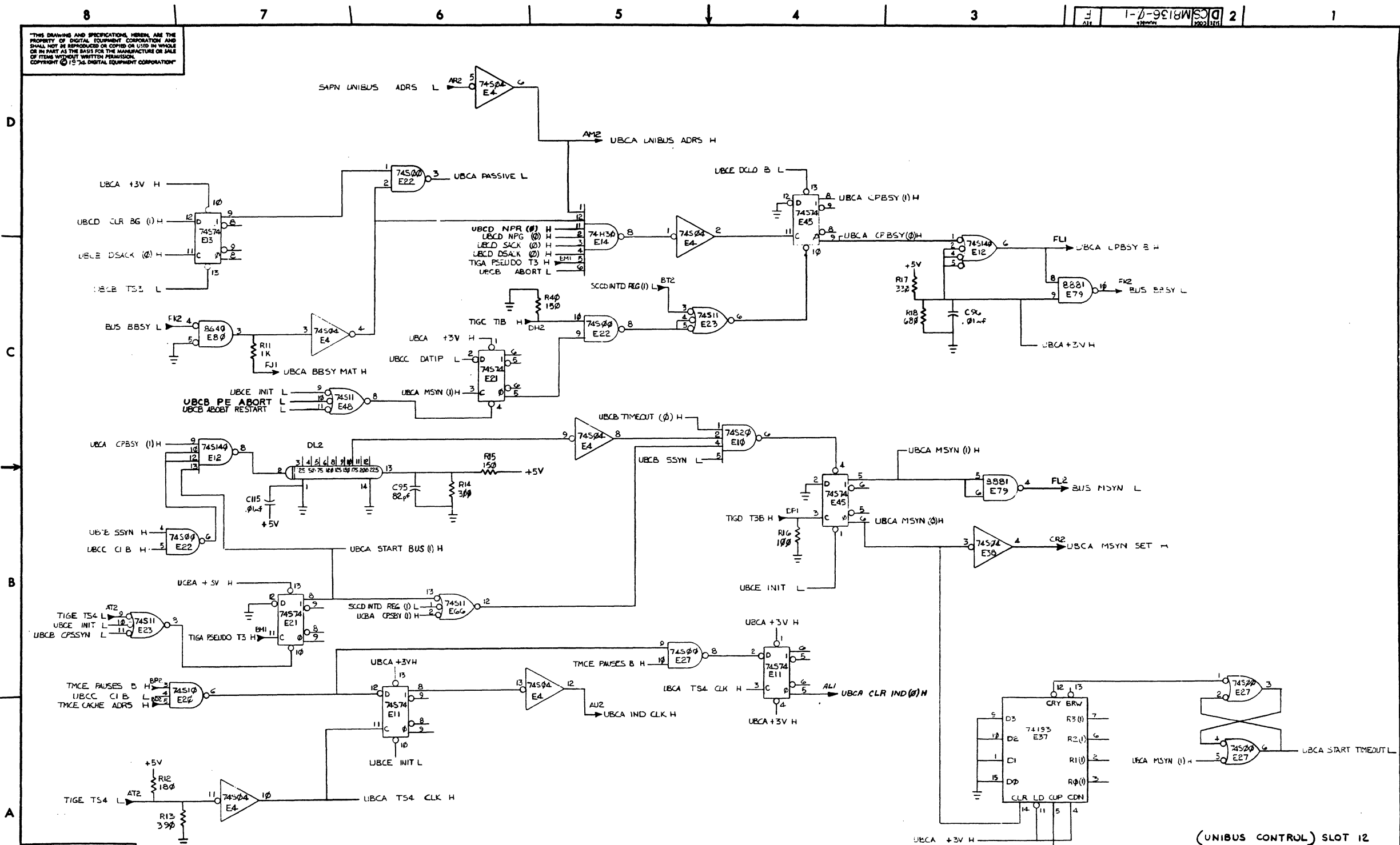
GND AND 5V ARE USUALLY PIN 7 AND 14 RESPECTIVELY. EXCEPTIONS ARE STATED ABOVE.

IC PIN LOCATIONS

94

THIS DRAWING AND SPECIFICATIONS HEREIN ARE THE PROPERTY OF DIGITAL EQUIPMENT CORPORATION AND SHALL NOT BE REPRODUCED OR COPIED OR USED IN WHOLE OR IN PART AS THE BASIS FOR THE MANUFACTURE OR SALE OF ITEMS WITHOUT WRITTEN PERMISSION. COPYRIGHT © 1976 DIGITAL EQUIPMENT CORPORATION

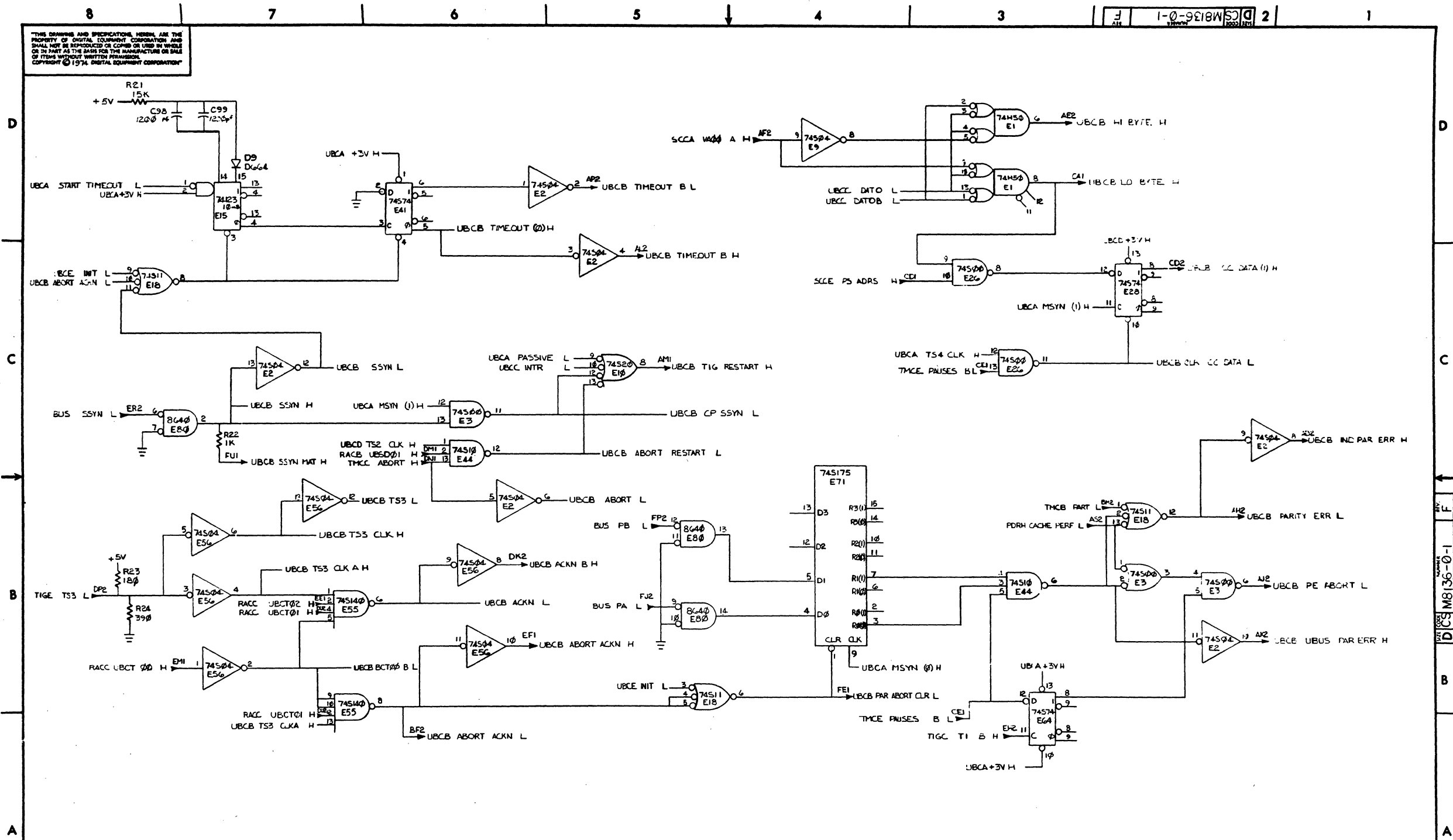
DCS M8136-0-1 2



REVISIONS		
CHK	CHANGE NO.	REV.

TITLE	UNIBUS+CONSOLE CONT.	SIZE CODE	D CS	NUMBER	M8136-0-1	REV.	F
SCALE	1/1	SHEET	2	OF	8	DIST.	

THIS DRAWING AND SPECIFICATIONS HEREIN ARE THE PROPERTY OF DIGITAL EQUIPMENT CORPORATION AND SHALL NOT BE REPRODUCED OR COPIED OR USED IN WHOLE OR IN PART AS THE BASIS FOR THE MANUFACTURE OR SALE OF ITEMS WITHOUT WRITTEN PERMISSION. COPYRIGHT © 1974, DIGITAL EQUIPMENT CORPORATION.



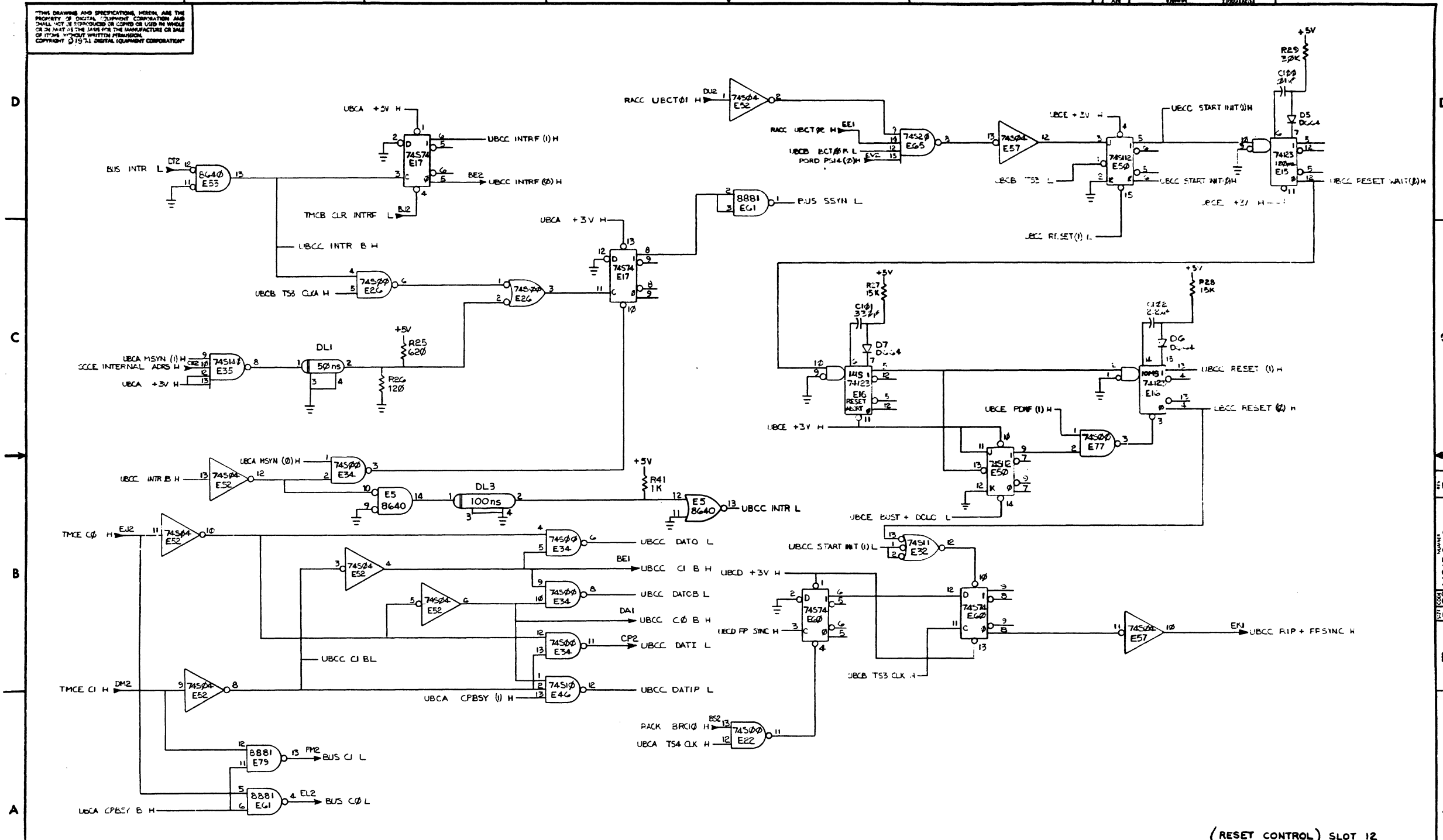
(PARITY AND TIMING CONTROL) SLOT 12

CHK	CHANGE NO.	REV.

TITLE	(UBCB) UNIBUS/CONSOLE CONT	SIZE/CODE	D/CS	NUMBER	M8136-0-1	REV.	F
SCALE		SHEET	3	OF	8	DIST.	

THIS DRAWING AND SPECIFICATIONS HEREIN ARE THE PROPERTY OF DIGITAL EQUIPMENT CORPORATION AND SHALL NOT BE REPRODUCED OR COPIED OR USED IN WHOLE OR IN PART IN THE SAME OR FOR THE MANUFACTURE OR SALE OF IT, WITHOUT WRITTEN PERMISSION. COPYRIGHT © 1971 DIGITAL EQUIPMENT CORPORATION.

1-0-9918W53 D 2



(RESET CONTROL) SLOT 12

REVISIONS		
CHK	CHANGE NO.	REV.

TITLE (UBCC) UNIBUS & CONSOLE CONT. DCS M8136-0-1 NUMBER REV. SHEET 4 OF 8







8

7

6

5

4

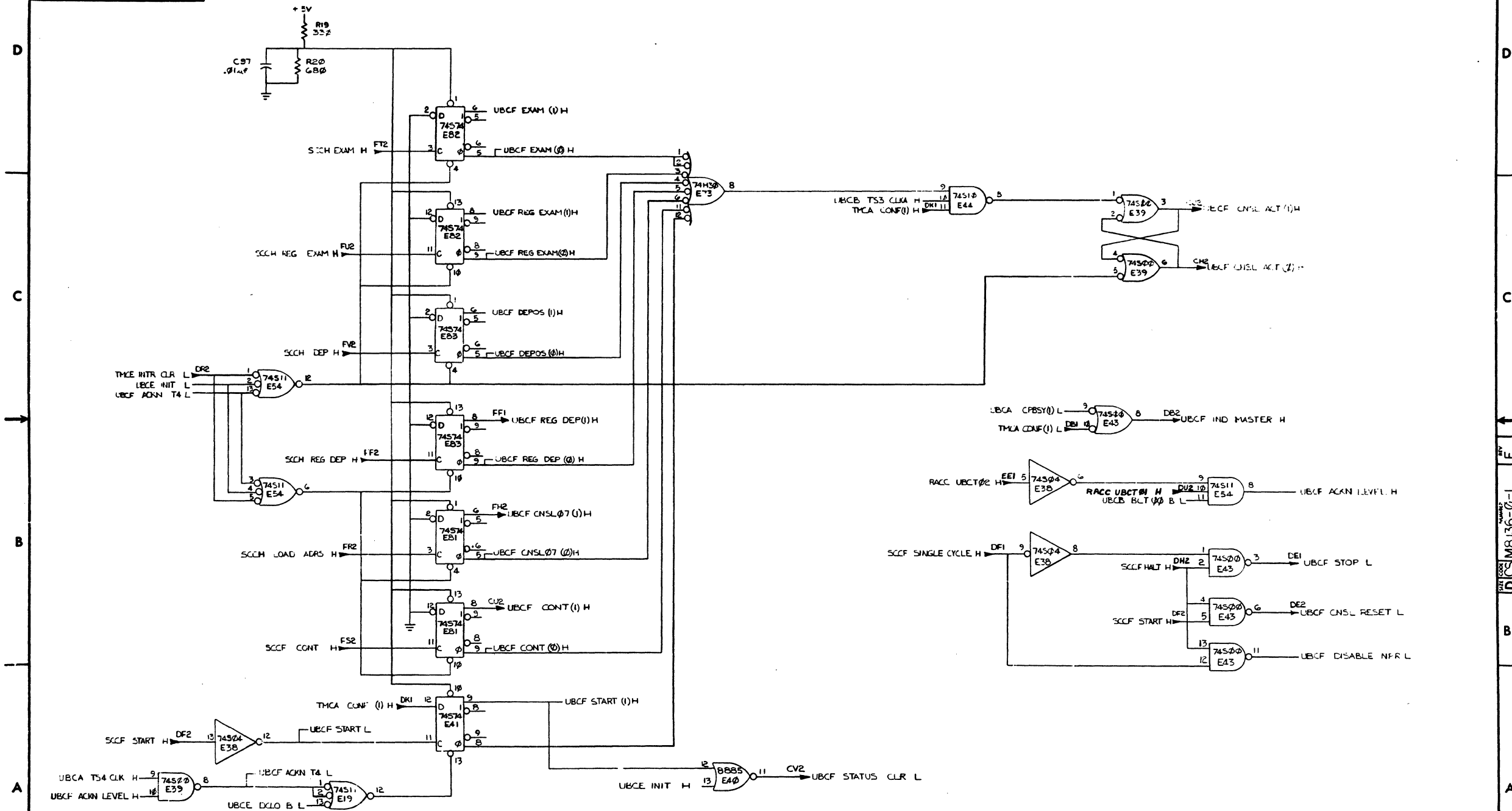
3

2

1

1-0-0-018W SCID 2

THIS DRAWING AND SPECIFICATIONS HEREAFTER ARE THE PROPERTY OF DIGITAL EQUIPMENT CORPORATION AND SHALL NOT BE REPRODUCED OR COPIED OR USED IN WHOLE OR IN PART AS THE BASIS FOR THE MANUFACTURE OR SALE OF ITEMS WITHOUT WRITTEN PERMISSION. COPYRIGHT © 1974 DIGITAL EQUIPMENT CORPORATION



REVISIONS		
CHK	CHANGE NO.	REV.

(CONSOLE CONTROL) SLOT 12

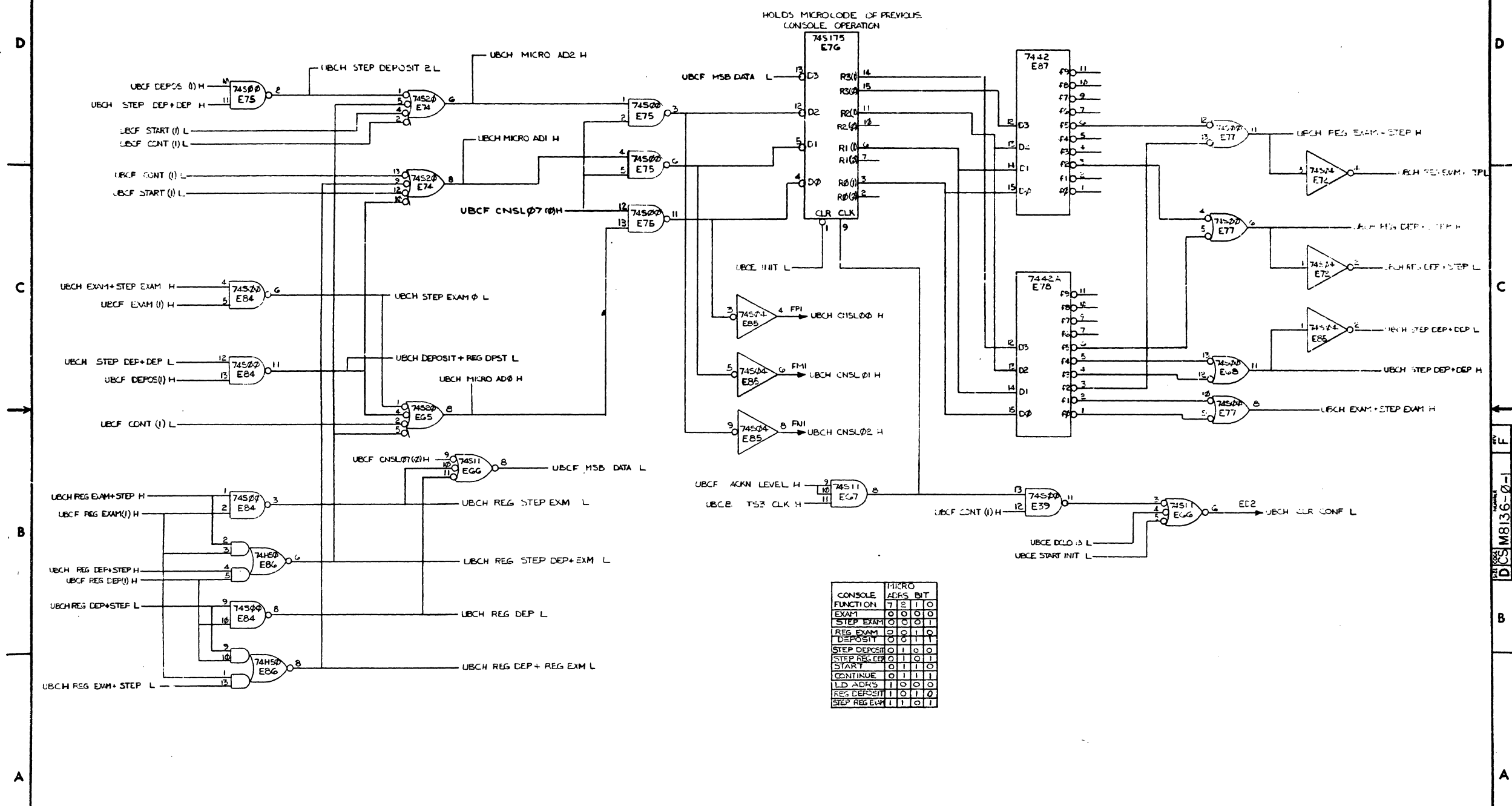
TITLE	UNIBUS/CONSOLE CONT	SIZE	D CS	CODE	NUMBER	M8136-0-1	REV.	F
SCALE		SHEET	7	OF	8	DIST.		

D CS M8136-0-1

100

THIS DRAWING AND SPECIFICATIONS HEREIN ARE THE PROPERTY OF DIGITAL EQUIPMENT CORPORATION AND SHALL NOT BE REPRODUCED OR COPIED OR USED IN WHOLE OR IN PART AS THE BASIS FOR THE MANUFACTURE OR SALE OF ITEMS WITHOUT WRITTEN PERMISSION. COPYRIGHT © 1974 DIGITAL EQUIPMENT CORPORATION

1-0-9218W SC 2

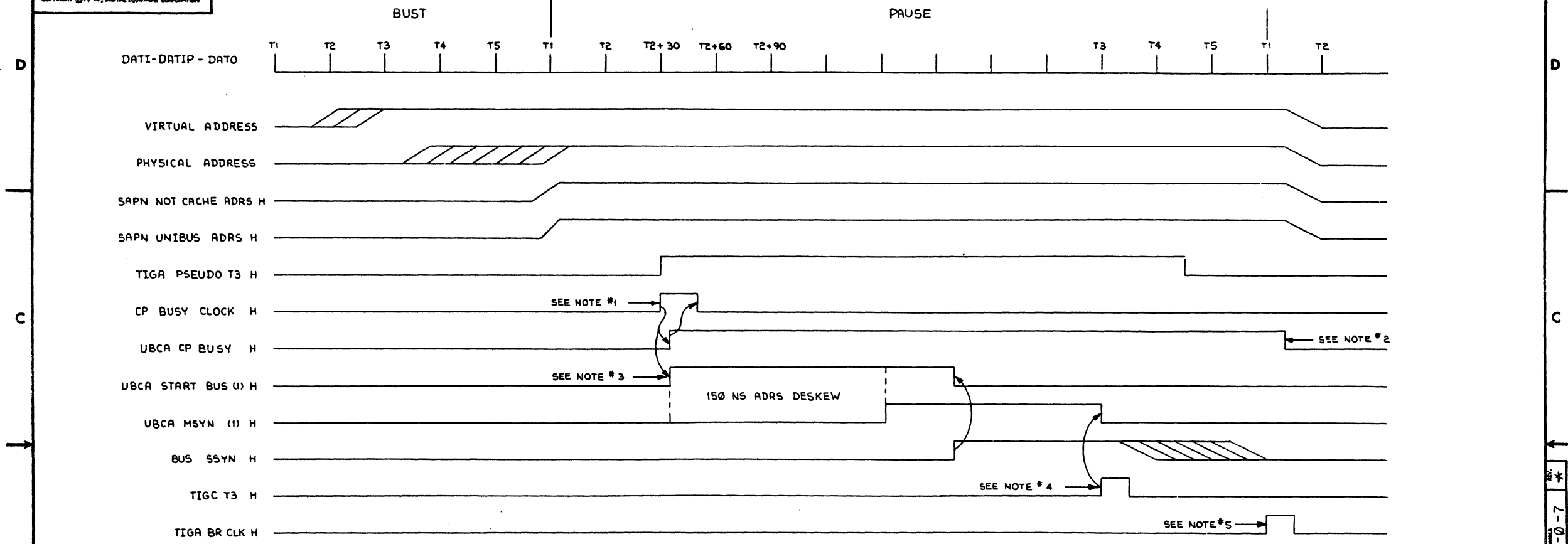


CONSOLE FUNCTION	MICRO ADDR	BIT 7	BIT 6	BIT 5	BIT 4
EXAM	0	0	0	0	0
STEP EXAM	0	0	0	1	0
REG EXAM	0	0	1	0	0
DEPOSIT	0	1	0	1	1
STEP DEPOSIT	0	1	0	0	0
STEP REGISTER	0	1	1	0	1
START	0	1	1	1	0
CONTINUE	0	1	1	1	1
LD ADDR	1	0	0	0	0
REG DEPOSIT	1	0	1	0	0
STEP REG EXAM	1	1	0	0	1

REVISIONS		
CHK	CHANGE NO.	REV.

(CONSOLE JL ADRS) SLOT 12  
 TITLE UNIBUS CONSOLE CONT. (UBCH) SIZE CODE NUMBER REV.  
 SCALE SHEET 3 OF 8 DIST. DCS M8136-0-1 F

THIS DRAWING AND SPECIFICATIONS HEREIN ARE THE PROPERTY OF DIGITAL EQUIPMENT CORPORATION AND SHALL NOT BE REPRODUCED OR COPIED IN WHOLE OR IN PART AT THE SALES FOR THE MANUFACTURE OR SALE OF ITEMS WITHOUT WRITTEN PERMISSION. COPYRIGHT © 1974, DIGITAL EQUIPMENT CORPORATION



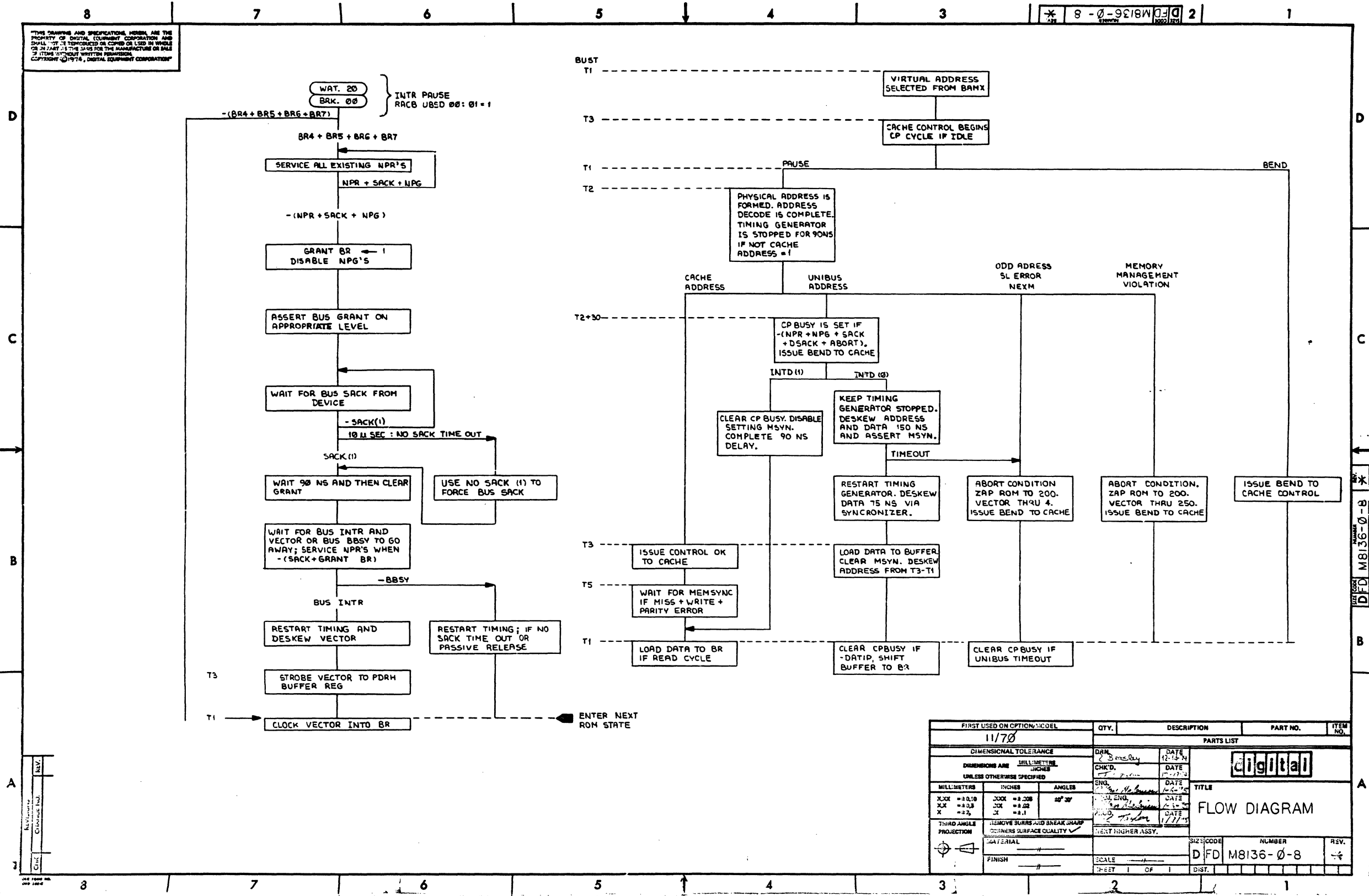
- NOTES :**
1. SET CP BUSY IF - (NPR + NP6 + SACK + DSACK + ABORT + BBUSY)
  2. CP BUSY IS NOT CLEARED IF DATIP CYCLE. IT IS CLEARED ON DATO PORTION OF DATIP/DATO
  3. USED TO START DATO ADDRESS DESKEW ON DATIP/DATO OPERATION
  4. 75 NS DATA DESKEW IS OBTAINED BY 2 STAGE SYNCHRONIZER ON TIGA. UNIBUS DATA IS LOADED INTO PDRH BUFFER REGISTER AT T3
  5. ADDRESS & CONTROL ARE DESKEWED FROM T3 TO T1. PDRH BUFFER REGISTER LOADED TO BR AT T1.

REV.	
DATE	
BY	
CHKD	
APP'D	

FIRST USED ON OPTION/MODEL 11/70	QTY.	DESCRIPTION	PART NO.	ITEM NO.
PARTS LIST				
DIMENSIONAL TOLERANCE		QRM	DATE	
DIMENSIONS ARE MILLIMETERS		CHKD.	DATE	
UNLESS OTHERWISE SPECIFIED		ENG.	DATE	
MILLIMETERS	INCHES	ANGLES	DATE	
XX = 0.10	XX = 0.008	40° 30'	DATE	
XX = 0.03	XX = 0.02		DATE	
X = 0.2	X = 0.1		DATE	
THIRD ANGLE PROJECTION	REMOVE SURFS AND BREAK SHARP	NEXT HIGHER ASSY.	TITLE	
	DEFINERS SURFACE QUALITY		TIMING DIAGRAM	
MATERIAL	FINISH	SCALE	SIZES CODE	NUMBER
			DTD	M8136-0-7
		SHEET 1 OF 1	DIST.	REV. *

\* 7 - DTD M8136-0-7

THIS DRAWING AND SPECIFICATIONS HEREIN ARE THE PROPERTY OF DIGITAL EQUIPMENT CORPORATION AND SHALL NOT BE REPRODUCED OR COPIED OR LOANED OR RENTED OR IN ANY MANNER BE MADE A PART OF THE DATA FOR THE MANUFACTURE OR SALE OF ITEMS WITHOUT WRITTEN PERMISSION. COPYRIGHT © 1974, DIGITAL EQUIPMENT CORPORATION.

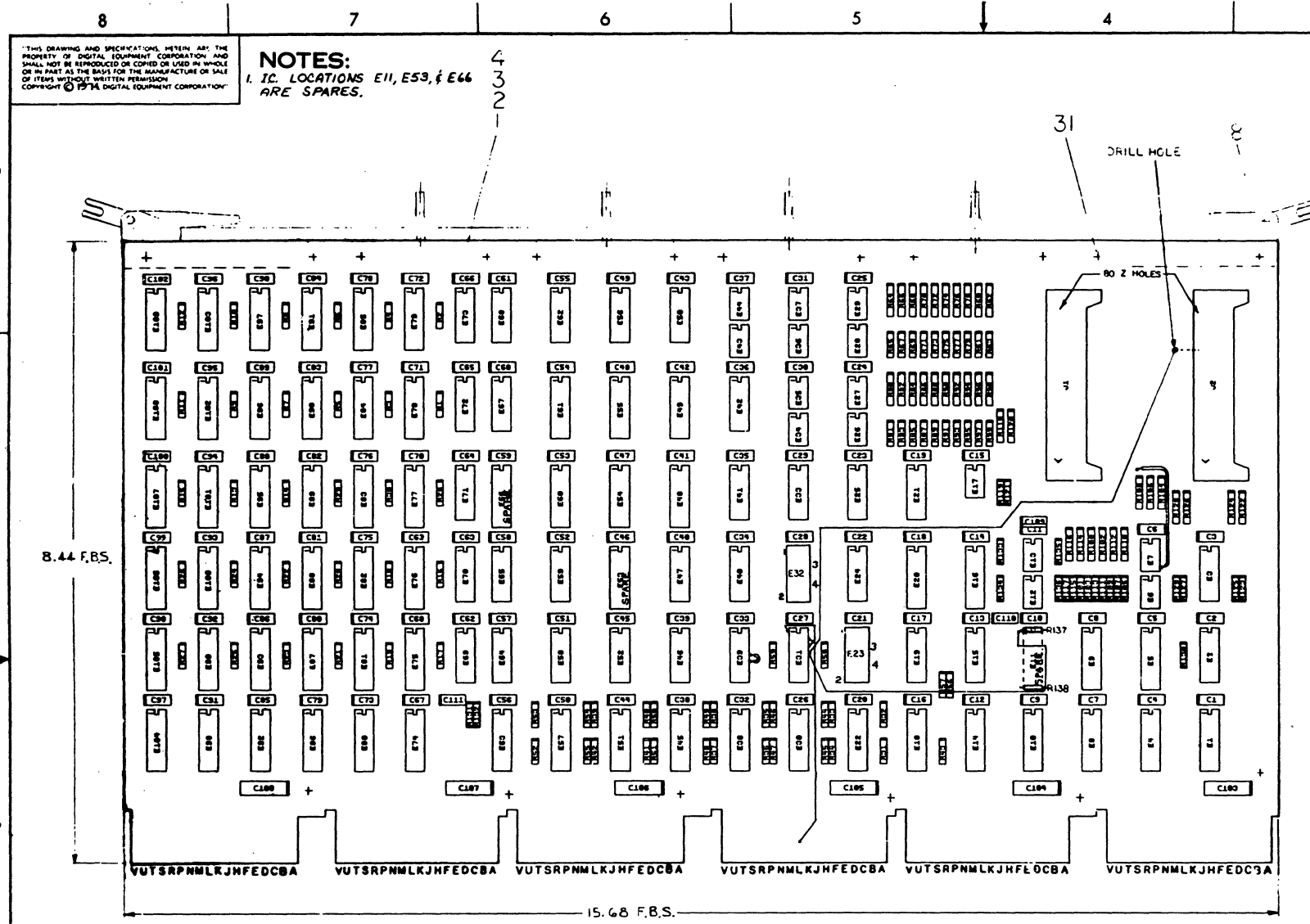


FIRST USED ON OPTION/MODEL	QTY.	DESCRIPTION	PART NO.	ITEM NO.
11/70				
DIMENSIONAL TOLERANCE				
DIMENSIONS ARE		MILLIMETERS	INCHES	DATE
UNLESS OTHERWISE SPECIFIED				
MILLIMETERS	INCHES	ANGLES	FIN.	DATE
XXX = ±0.10	XXX = ±0.08	20° ±		
XX = ±0.3	XX = ±0.02			
X = ±0.5	X = ±0.1			
THIRD ANGLE PROJECTION	REMOVE SURFS AND BREAK SHARP	DESIGNS SURFACE QUALITY	NEXT HIGHER ASSY.	
FINISH	MATERIAL	SCALE	SHEET	OF
			1	1

PARTS LIST		TITLE	
DRAWN	DATE	digital	
CHK'D.	DATE		
ENG.	DATE		
APP'D.	DATE		
REV.	DATE		
SIZE CODE		NUMBER	
D/FD		M8136-0-8	
SCALE		REV.	
		1	

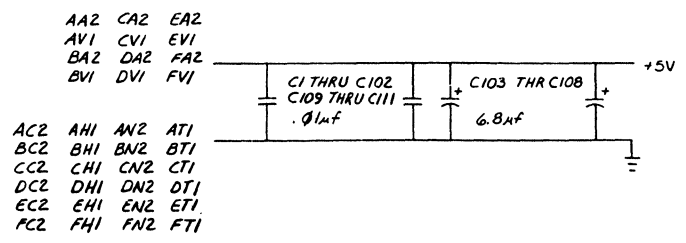
103



THIS DRAWING AND SPECIFICATIONS HEREIN ARE THE PROPERTY OF DIGITAL EQUIPMENT CORPORATION AND SHALL NOT BE REPRODUCED OR COPIED OR USED IN WHOLE OR IN PART AS THE BASIS FOR THE MANUFACTURE OR SALE OF ITEMS WITHOUT WRITTEN PERMISSION. COPYRIGHT © 1974, DIGITAL EQUIPMENT CORPORATION.

**NOTES:**  
1. IC LOCATIONS E11, E53, & E64 ARE SPARES.

IC TYPE	QTY	LOCATIONS
IC DEC 74585	8	16
IC DEC 1912069	8	10
IC DEC 8640	1	8
IC DEC 745175	8	16
IC DEC 745152	4	8
IC DEC 745153	8	16
IC DEC 74193	8	16
IC TYPE	GND	+5V



REF	DESIGNATION	DESCRIPTION	PART NO	ITEM NO
REF		X-Y COORDINATE HOLE LOCATION	K-CO-M8143-0-4	1
REF		ASSY-DRILLING HOLE LAYOUT	D-AH-M8134-0-5	2
1		MODULE ECO HISTORY	B-MH-M8134-0-6	3
1		ETCHED CIRCUIT BOARD	5011385	4
6	C103 THRU C108	CAPACITOR, 6.8uf, 35V, 20%	1005306	5
105	C1 THRU C102, C109 THRU C111	CAPACITOR, .01uf, 100V, 20%	1001810-04	6
2		CONNECTOR, 40 PIN	1209941	7
1		HANDLE, HEX MODULE	1210711-2	8
3	R131, R133, R135	RESISTOR, 330 OHM, 1/4W, 5%	1300295	9
28	R31 THRU R55, R130, R54, R59	RESISTOR, 1K, 1/4W, 5%	1300385	10
3	R132, R134, R136	RESISTOR, 680 OHM, 1/4W, 5%	1301424	11
36	R60, R62, R64, R66, R69, R70, R72, R74, R76, R78, R80, R82, R84, R86, R88, R90, R92, R94, R96, R98, R100, R102, R104, R106, R108, R110, R112, R114, R116, R118, R120, R122, R124, R126, R128, R130	RESISTOR, 121 OHM, 1/4W, 1%	1301782	12
36	R61, R63, R65, R67, R69, R71, R73, R75, R77, R79, R81, R83, R85, R87, R89, R91, R93, R95, R97, R99, R101, R103, R105, R107, R109, R111, R113, R115, R117, R119, R121, R123, R125, R127, R129, R131	RESISTOR, 196 OHM, 1/4W, 1%	1302956	13
20	R1 THRU R30	RESISTOR, 620 OHM, 1/4W, 5%	1303178	14
2	E23, E32	D10100 DELAY LINE	1809559	15
1	E2	I.C. DEC 74H74	1909667	16
2	E5, E9	I.C. DEC 74193	1910018	17
1	E40	I.C. DEC 74S00	1910532	18
4	E19, E50, E56, E62	I.C. DEC 74S04	1910534	19
1	E39	I.C. DEC 74S10	1910536	20
2	E24, E52	I.C. DEC 74S11	1910537	21
1	E46	I.C. DEC 74S64	1910542	22
9	E64, E65, E67 THRU R73	I.C. DEC 74S140	1910546	23
14	E1, E4, E8, E10, E14, E20, E63, E74, E80, E86, E92, E98, E104, E18	I.C. DEC 74S153	1910547	24
15	E12, E13, E17, E26 THRU E29, E34 THRU E37, E43, E44, E7, E6	I.C. DEC 75452	1910645	25
7	E18, E22, E30, E33, E45, E51, E57	I.C. DEC 74S175	1910957	26
9	E15, E21, E25, E33, E41, E42, E47, E50, E59	I.C. DEC 82S62	1911291	27
2	E3, E31	I.C. DEC 8640	1911469	28
6	E48, E49, E54, E55, E60, E61	I.C. DEC 74S85	1912087-00	29
30	E75 THRU E79, E81 THRU E85, E87 THRU E91, E93 THRU E97, E99 THRU E103, E105 THRU E109	I.C. DEC 1912069	1912069	30
12		EYELET	9006732	31
4		WIRE #30 AWG BUSS (RETROFIT)	91-05740-55	32
1	R56	RESISTOR, 270 OHM, 1/4W, 5%	1301972	33
1	R57	RESISTOR, 390 OHM, 1/4W, 5%	1300309	34

FIRST USED ON OPTION MODEL 11/70

ETCH BOARD REV B

CHK	NAME	DATE
DRN	T. Aronelli	12/2/74
CHKD.	FERGUSON	12-7-74
ENG.		
DESIGN		
PACG.		

digital EQUIPMENT CORPORATION

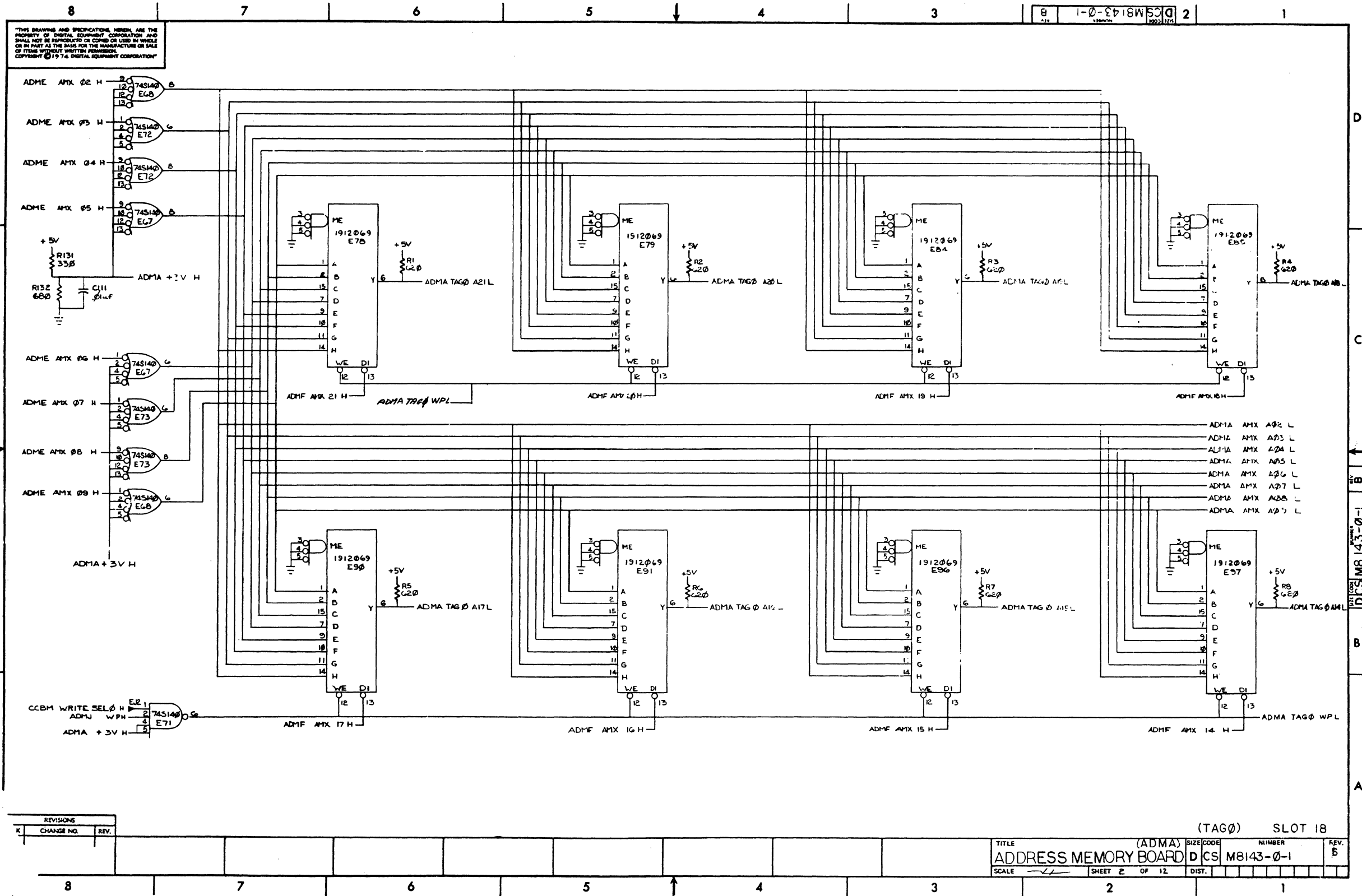
TITLE ADDRESS MEMORY BD

SIZE CODE NUMBER REV DCS M8143-0-1 8

SCALE 1 OF 12 DIST.

SEMICONDUCTOR CONVERSION CHART

DEC 1000-10 000 121-B



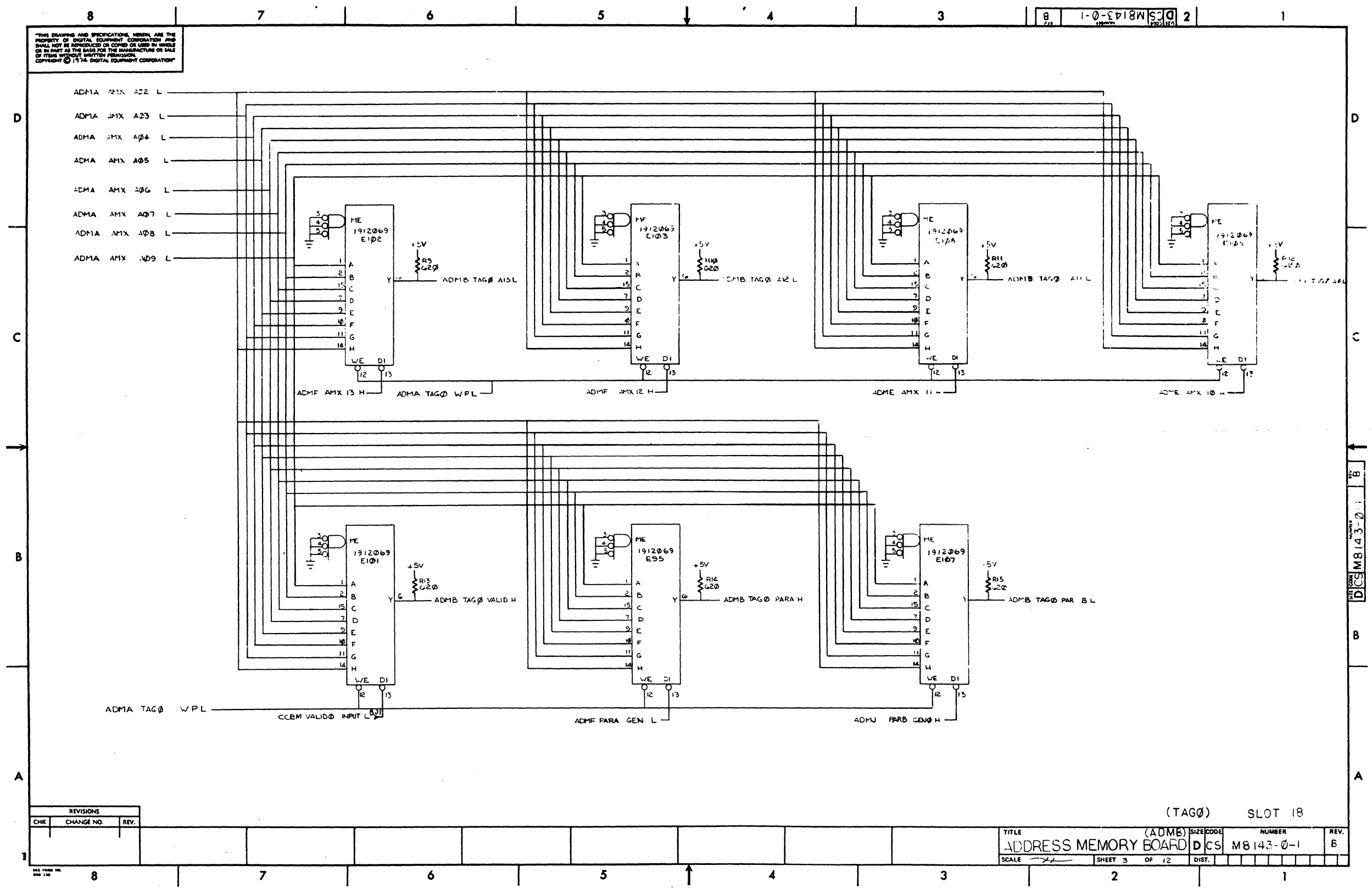
THIS DRAWING AND SPECIFICATIONS HEREAFTER ARE THE PROPERTY OF DIGITAL EQUIPMENT CORPORATION AND SHALL NOT BE REPRODUCED OR COPIED OR USED IN WHOLE OR IN PART AS THE BASIS FOR THE MANUFACTURE OR SALE OF ITEMS WITHOUT WRITTEN PERMISSION. COPYRIGHT © 1974 DIGITAL EQUIPMENT CORPORATION

REVISIONS		
K	CHANGE NO.	REV.

TITLE	(ADMA) ADDRESS MEMORY BOARD	SIZE CODE	D CS	NUMBER	M8143-0-1	REV.	5
SCALE		SHEET	2	OF	12	DIST.	

THIS DRAWING AND SPECIFICATIONS HEREIN ARE THE PROPERTY OF DIGITAL EQUIPMENT CORPORATION AND SHALL NOT BE REPRODUCED OR COPIED OR USED IN WHOLE OR IN PART AS THE BASIS FOR THE MANUFACTURE OR SALE OF ITEMS WITHOUT WRITTEN PERMISSION. COPYRIGHT © 1974 DIGITAL EQUIPMENT CORPORATION

DCS M8143-0-1



REVISIONS		
CHK	CHANGE NO.	REV.

(TAG0) SLOT 18

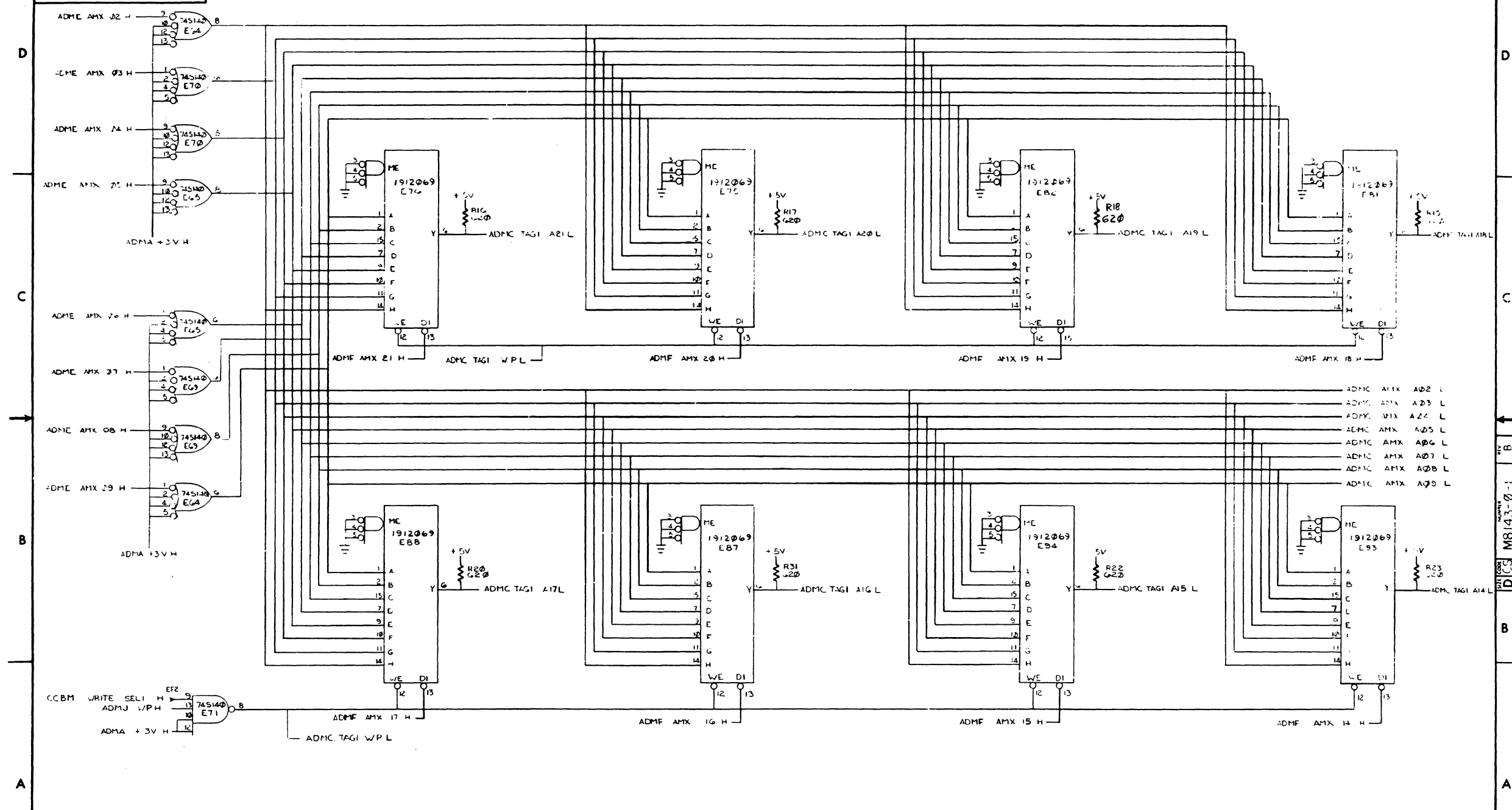
TITLE ADDRESS MEMORY BOARD (ADMB) SIZE CODE DCS NUMBER M8143-0-1 REV. B

SCALE SHEET 3 OF 12 DIST.

106



THIS DRAWING AND SPECIFICATIONS HEREAFTER ARE THE PROPERTY OF DIGITAL EQUIPMENT CORPORATION AND SHALL NOT BE REPRODUCED OR COPIED OR USED IN WHOLE OR IN PART AS THE BASIS FOR THE MANUFACTURE OR SALE OF ITEMS WITHOUT WRITTEN PERMISSION. COPYRIGHT © 1974 DIGITAL EQUIPMENT CORPORATION



- ADME AMX A02 L
- ADME AMX A03 L
- ADME AMX A04 L
- ADME AMX A05 L
- ADME AMX A06 L
- ADME AMX A07 L
- ADME AMX A08 L
- ADME AMX A09 L

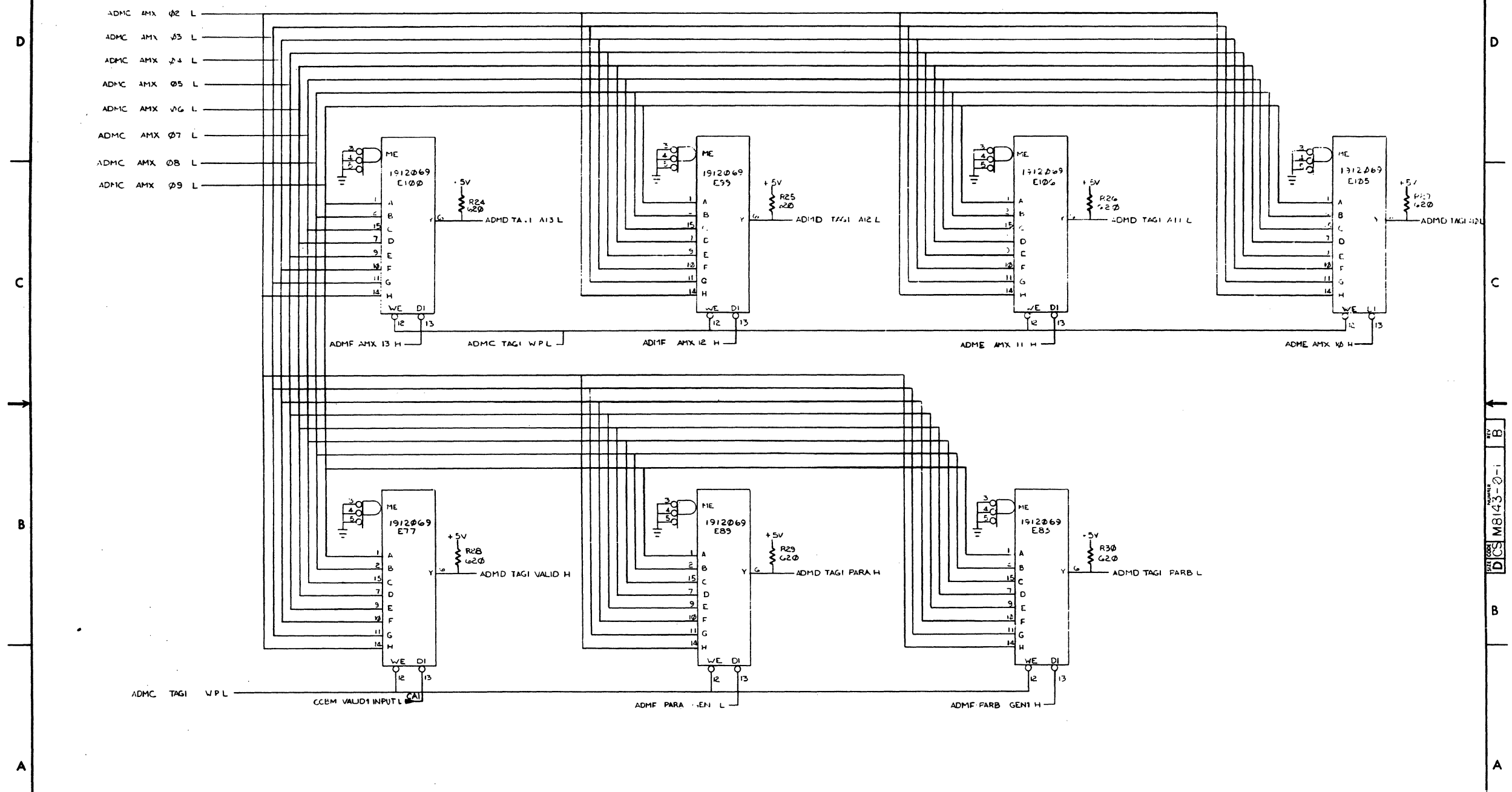
REVISIONS		
CHK	CHANGE NO.	REV.

(TAGI) SLOT 18

TITLE	ADDRESS MEMORY BOARD	SIZE CODE	D CS	NUMBER	M8143-0-1	REV.	B
SCALE		SHEET	4	OF	12	DIST.	

10

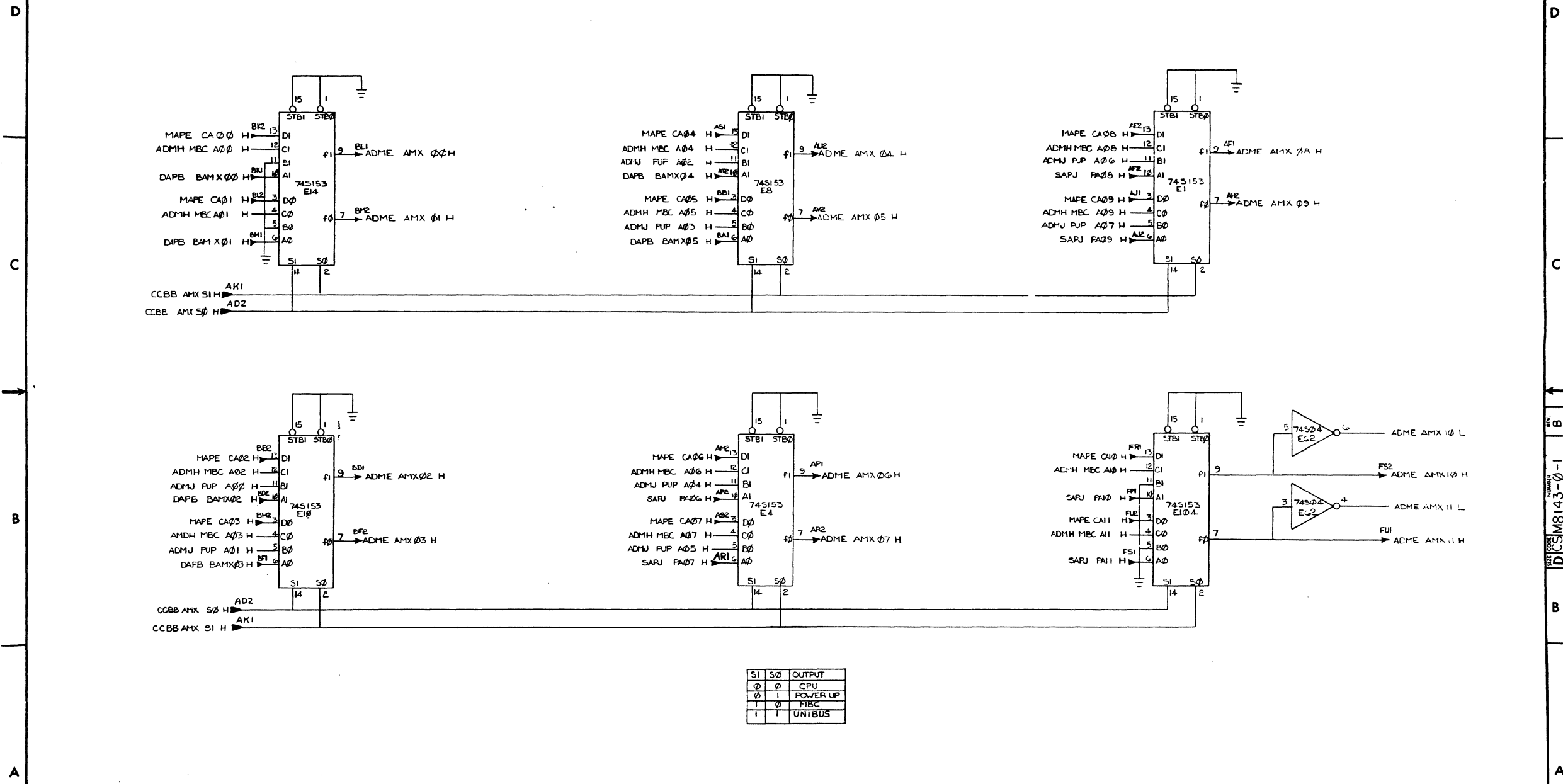
THIS DRAWING AND SPECIFICATIONS HEREIN ARE THE PROPERTY OF DIGITAL EQUIPMENT CORPORATION AND SHALL NOT BE REPRODUCED OR COPIED OR USED IN WHOLE OR IN PART AS THE BASIS FOR THE MANUFACTURE OR SALE OF ITEMS WITHOUT WRITTEN PERMISSION. COPYRIGHT © 1974 DIGITAL EQUIPMENT CORPORATION



REVISIONS		
CHK	CHANGE NO.	REV.

108

THE DRAWING AND SPECIFICATIONS HEREIN ARE THE PROPERTY OF DIGITAL EQUIPMENT CORPORATION AND SHALL NOT BE REPRODUCED OR COPIED OR USED IN WHOLE OR IN PART AS THE BASIS FOR THE MANUFACTURE OR SALE OF ITEMS WITHOUT WRITTEN PERMISSION. COPYRIGHT © 1974 DIGITAL EQUIPMENT CORPORATION



S1	S0	OUTPUT
0	0	CPU
0	1	POWER UP
1	0	MISC
1	1	UNIBUS

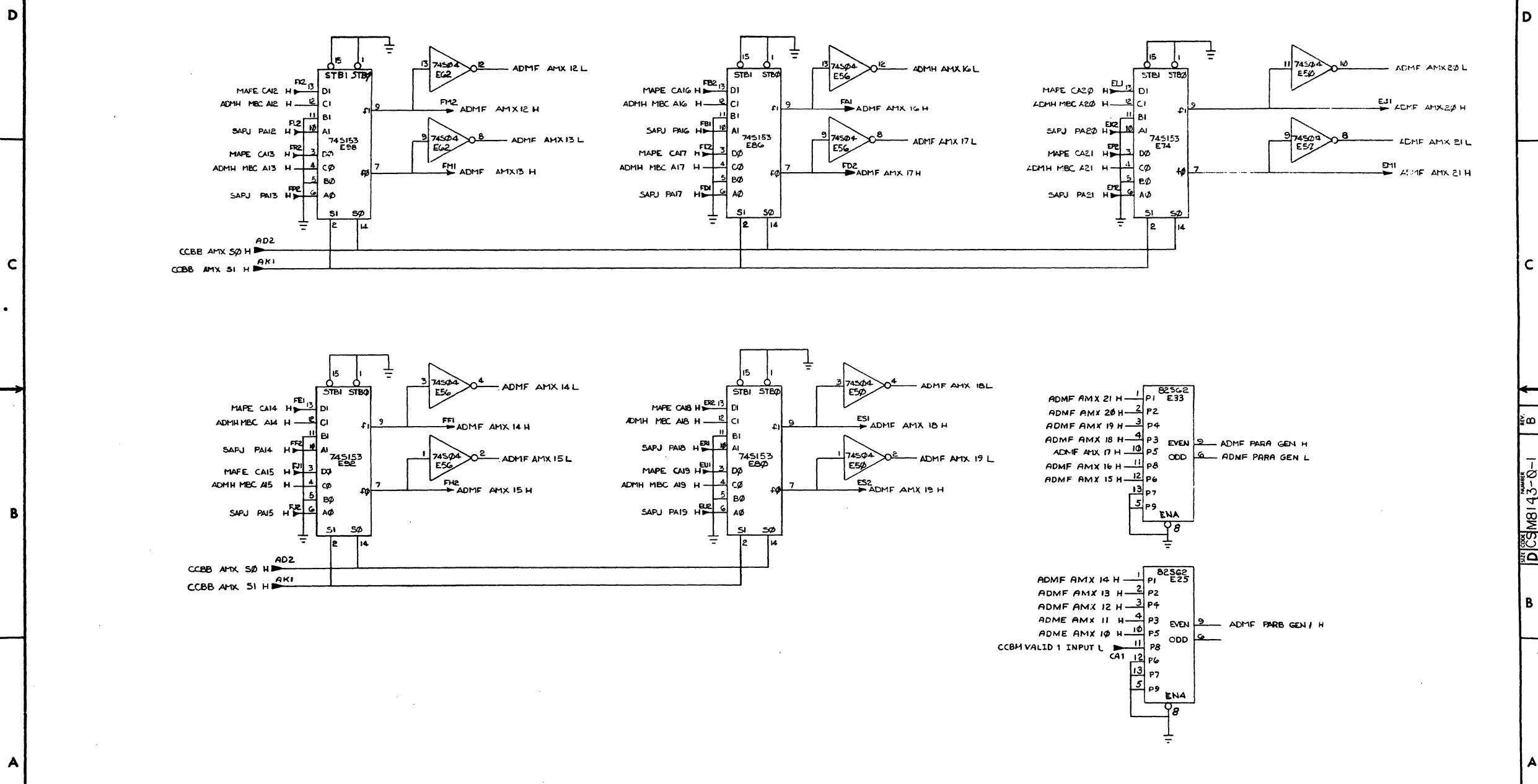
REVISIONS		
CHK	CHANGE NO.	REV.

(ADDRESS MULTIPLEXOR) SLOT 18

TITLE	(ADME)	SIZE/CODE	NUMBER	REV.
ADDRESS MEMORY BOARD	DCS	M8143-0-1	B	
SCALE	SHEET	OF	DIST.	
	6	12		

106

THIS DRAWING AND SPECIFICATIONS HEREIN ARE THE PROPERTY OF DIGITAL EQUIPMENT CORPORATION AND SHALL NOT BE REPRODUCED OR COPIED OR USED IN WHOLE OR IN PART AS THE BASIS FOR THE MANUFACTURE OR SALE OF ITEMS WITHOUT WRITTEN PERMISSION. COPYRIGHT © 1974, DIGITAL EQUIPMENT CORPORATION.



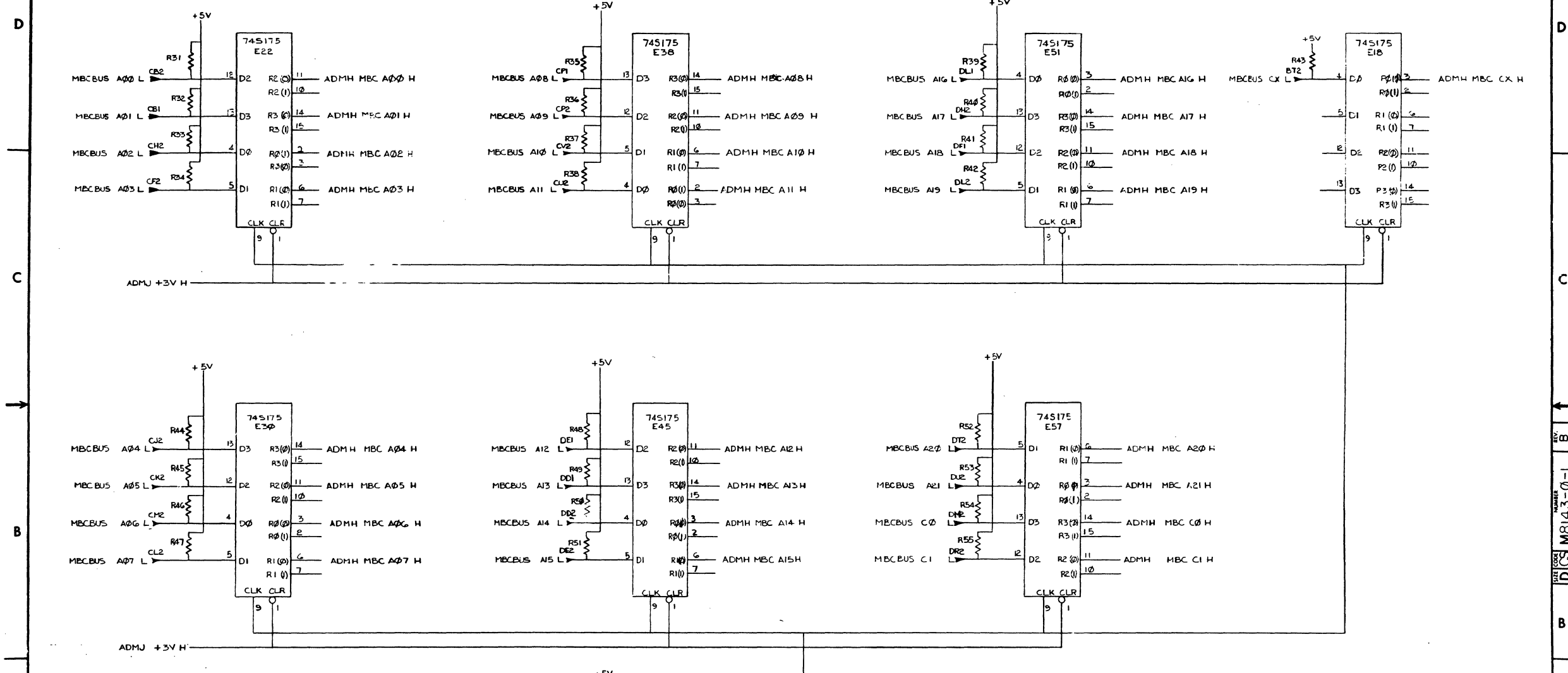
(ADDRESS MULTIPLEXOR) SLOT 18

REVISIONS		
CHK	CHANGE NO.	REV.

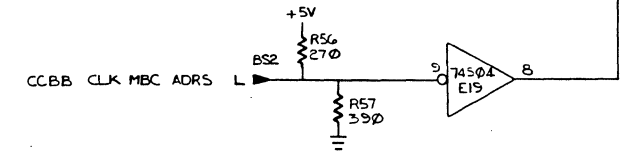
TITLE	(ADMF) SIZE CODE	NUMBER	REV.
ADDRESS MEMORY BOARD	D CS	M8143-0-1	B
SCALE	SHEET 7 OF 12	DIST.	

118

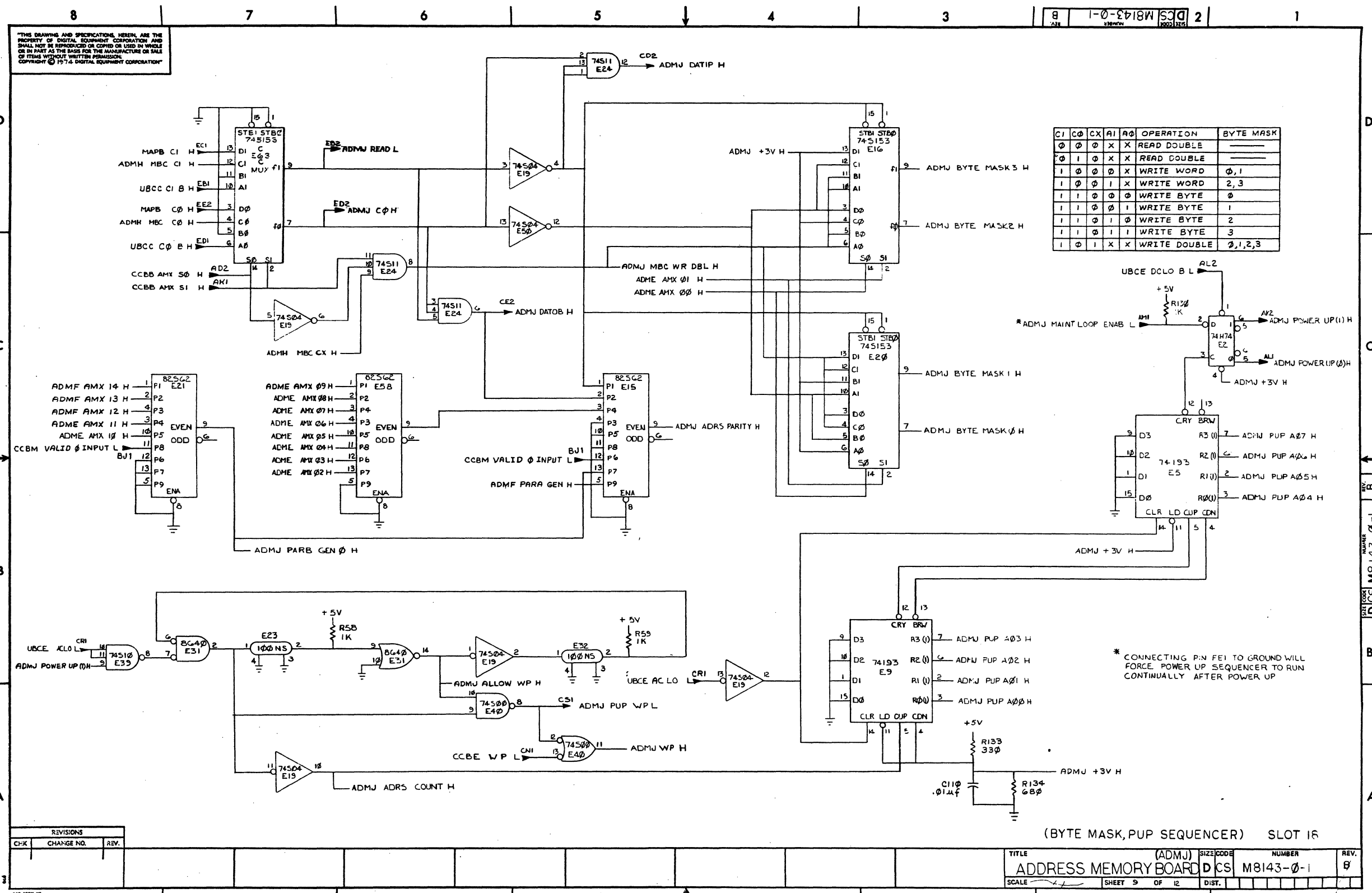
THIS DRAWING AND SPECIFICATIONS HEREIN ARE THE PROPERTY OF DIGITAL EQUIPMENT CORPORATION AND SHALL NOT BE REPRODUCED OR COPIED OR USED IN WHOLE OR IN PART AS THE BASIS FOR THE MANUFACTURE OR SALE OF ITEMS WITHOUT WRITTEN PERMISSION. COPYRIGHT © 1974, DIGITAL EQUIPMENT CORPORATION.



\* NOTE ALL PULLUP RESISTORS ARE 1K 1/4W 5%



REVISIONS		
CHK	CHANGE NO.	REV.

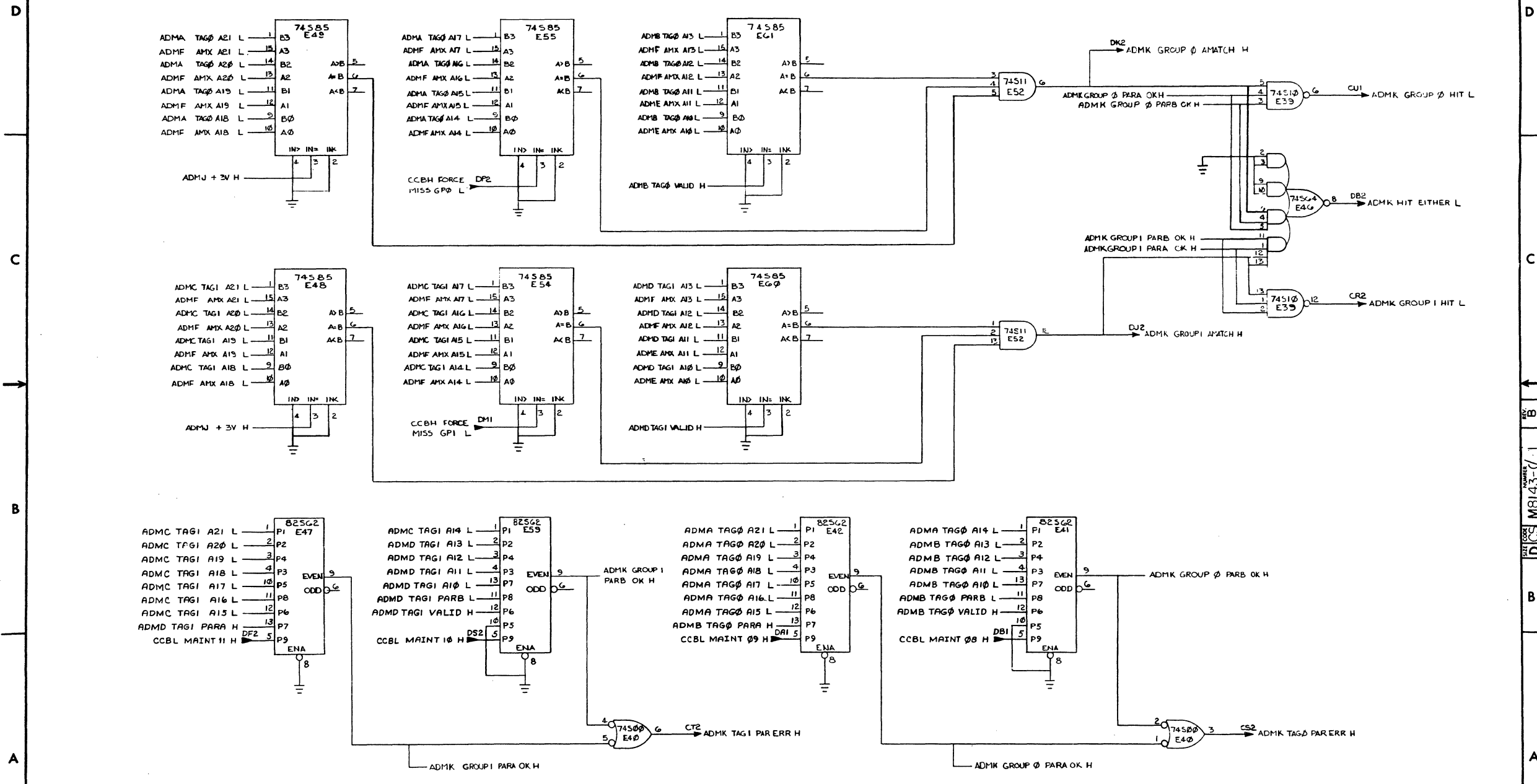


REVISIONS		
CHG	CHANGE NO.	REV.

TITLE	(ADMJ)	SIZE	CODE	NUMBER	REV.
ADDRESS MEMORY BOARD	DCS	M8143-0-1	8	8	8
SCALE	SHEET 9	OF 12	DIST.		

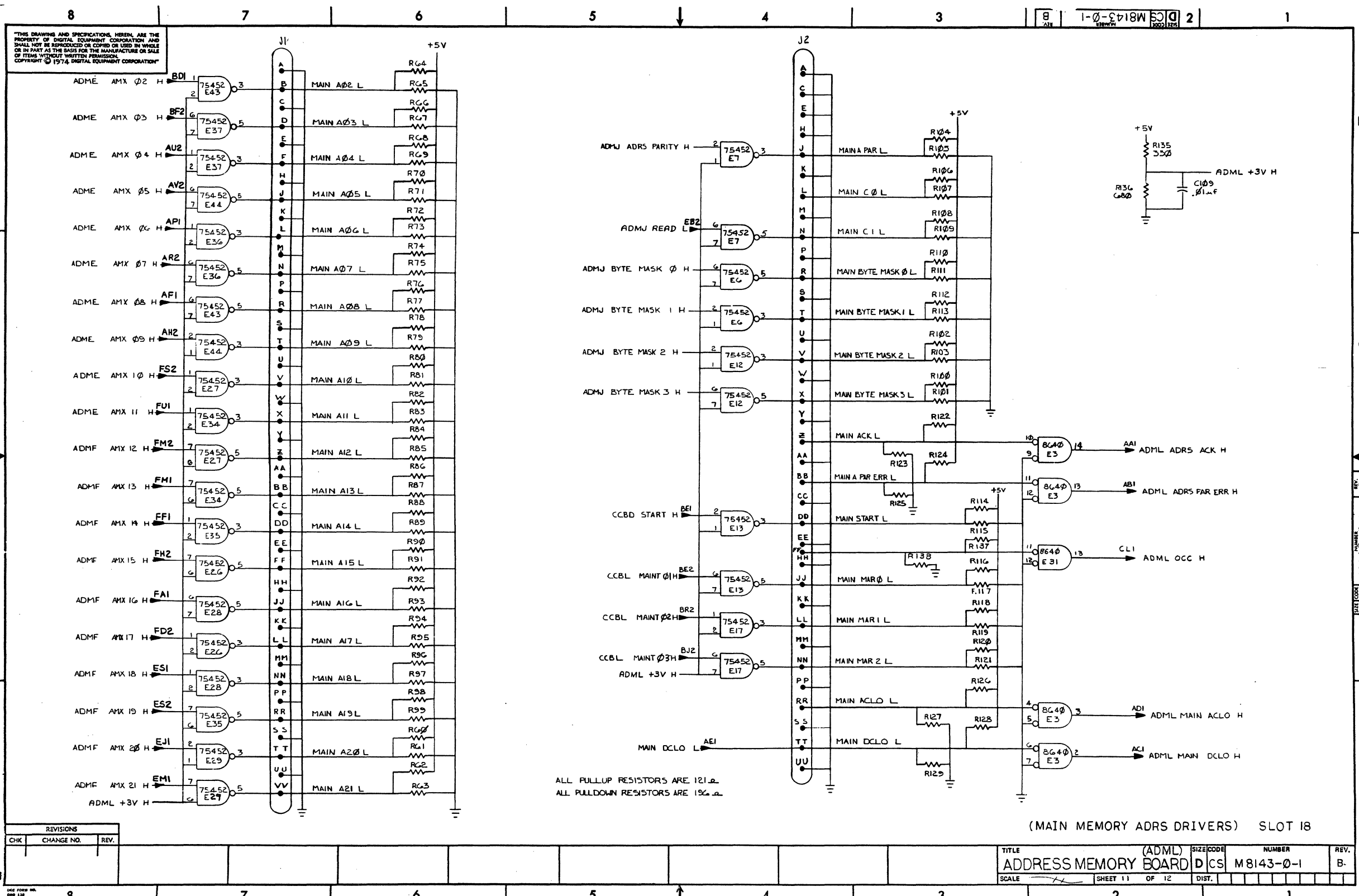
(BYTE MASK, PUP SEQUENCER) SLOT 16

THIS DRAWING AND SPECIFICATIONS, HEREIN, ARE THE PROPERTY OF DIGITAL EQUIPMENT CORPORATION AND SHALL NOT BE REPRODUCED OR COPIED OR USED IN WHOLE OR IN PART AS THE BASIS FOR THE MANUFACTURE OR SALE OF ITEMS WITHOUT WRITTEN PERMISSION. COPYRIGHT © 1974 DIGITAL EQUIPMENT CORPORATION



REVISIONS		
CHK	CHANGE NO.	REV.

11



THIS DRAWING AND SPECIFICATIONS, HEREIN, ARE THE PROPERTY OF DIGITAL EQUIPMENT CORPORATION AND SHALL NOT BE REPRODUCED OR COPIED OR USED IN WHOLE OR IN PART AS THE BASIS FOR THE MANUFACTURE OR SALE OF ITEMS WITHOUT WRITTEN PERMISSION. COPYRIGHT © 1974, DIGITAL EQUIPMENT CORPORATION.

ALL PULLUP RESISTORS ARE 121Ω  
ALL PULLDOWN RESISTORS ARE 192Ω

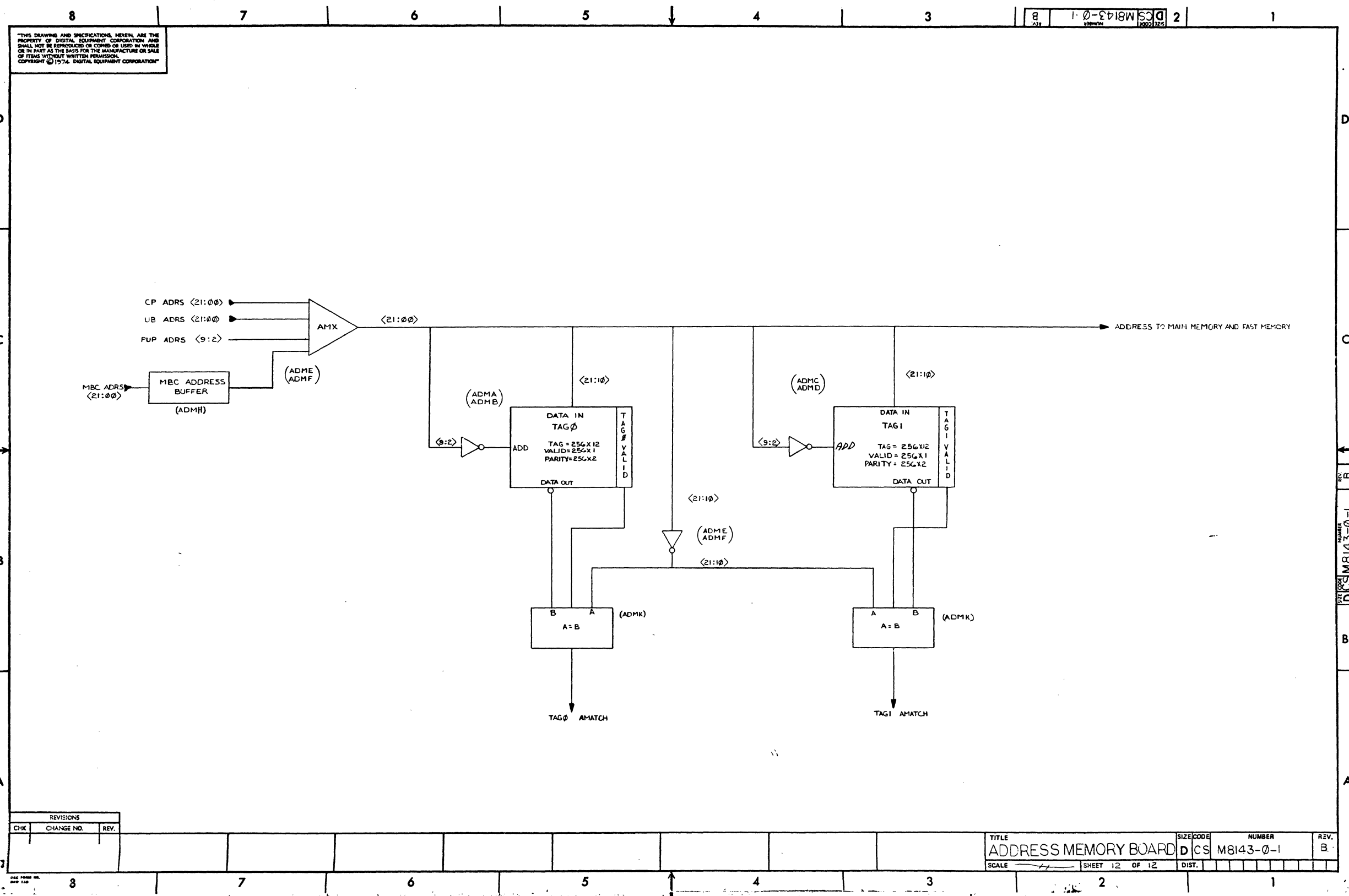
(MAIN MEMORY ADRS DRIVERS) SLOT 18

REVISIONS		
CHK	CHANGE NO.	REV.

TITLE	(ADML)	SIZE	CODE	NUMBER	REV.
ADDRESS MEMORY BOARD	D CS	M8143-0-1		B-	
SCALE	SHEET 11	OF 12	DIST.		

114





THIS DRAWING AND SPECIFICATIONS HEREIN ARE THE PROPERTY OF DIGITAL EQUIPMENT CORPORATION AND SHALL NOT BE REPRODUCED OR COPIED OR USED IN WHOLE OR IN PART AS THE BASIS FOR THE MANUFACTURE OR SALE OF ITEMS WITHOUT WRITTEN PERMISSION. COPYRIGHT © 1974 DIGITAL EQUIPMENT CORPORATION

8 7 6 5 4 3 2 1  
 DCS M8143-0-1  
 12021110

REVISIONS		
CHK	CHANGE NO.	REV.

TITLE ADDRESS MEMORY BOARD SIZE CODE DCS NUMBER M8143-0-1 REV. B  
 SCALE SHEET 12 OF 12 DIST.

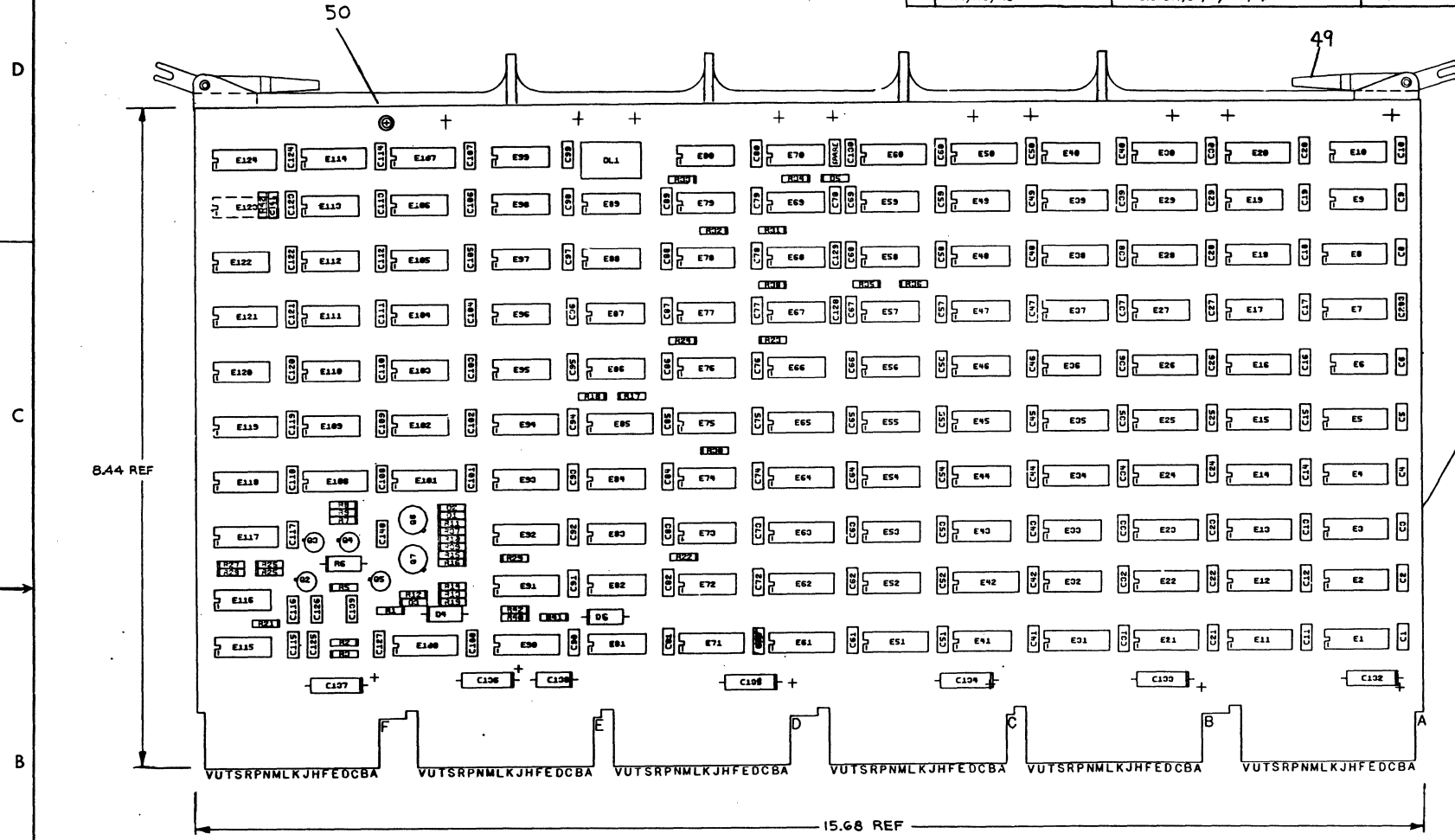
8 7 6 5 4 3 2 1

11

THIS DRAWING AND SPECIFICATIONS HEREIN ARE THE PROPERTY OF DIGITAL EQUIPMENT CORPORATION AND SHALL NOT BE REPRODUCED OR COPIED OR USED IN WHOLE OR IN PART AS THE BASIS FOR THE MANUFACTURE OR SALE OF ITEMS WITHOUT WRITTEN PERMISSION. COPYRIGHT © 1974, DIGITAL EQUIPMENT CORPORATION

NOTES: 1. E1, E5, E10, E14, E12, E13, E14 ARE SPARES

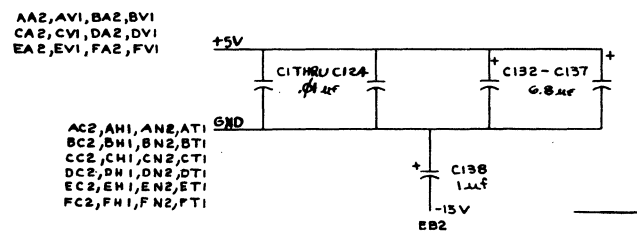
5	E4, E2, E14, E51, E42	I.C. DEC 74175	1910651	48	REF
1		HANDLE ASSY	1210711-2	49	REF
12		EYELET	9006732	50	REF
3	R7, R8, R9	RESISTOR, 511, 1/4W, 1%	1302411	51	1



QTY	REF DESIGNATION	DESCRIPTION	PART NO.	ITEM NO.
		X-Y COORDINATE HOLE LOCATION	K-CO-M8142-#-4	1
		ASSY/DRILLING HOLE LAYOUT	D-AH-M8142-#-5	2
		MODULE ECO HISTORY	B-MH-M8142-#-6	3
		ETCHED CIRCUIT BOARD	5011393	4
8	C132 THRU C137	CAPACITOR, 8.8uf, 35V, 20%	1005308	5
126	C1 THRU C124, C128 THRU C29	CAPACITOR, .01uf, 100V, 20%	1001610-01	6
1	C125	CAPACITOR, 56pf, 100V	1000012	7
1	C138	CAPACITOR, 1uf, 35V, 10%	1001776	8
4	D1, D2, D3, D5	DIODE D664	1100114	9
2	D4, D6	DIODE 1N4733A	1109943	10
2	R10, R37	RESISTOR, 133 1/8W, 5%	1303038	11
4	R31, R17, R26, R27	RESISTOR, 150, 1/4W, 5%	1300250	12
4	R23, R35, R39, R32	RESISTOR, 330, 1/4W, 5%	1300295	13
5	R38, R19, R22, R21, R33	RESISTOR, 1K, 1/4W, 5%	1300365	14
1	R34	RESISTOR, 15K, 1/4W, 5%	1300496	15
2	R24, R36	RESISTOR, 680, 1/4W, 5%	1301424	16
3	R18, R25, R28	RESISTOR, 220 1/4W, 5%	1300271	17
1	R3	RESISTOR, 5.6K, 1/4W, 5%	1301874	18
1	R2	RESISTOR, 820 OHM, 1/4W, 5%	1301775	19
1	R6	RESISTOR, 3.32K, 1/4W, 1%	1302311	20
1	R12	RESISTOR, 2K, 1/4W, 5%	1302388	21
1	R5	RESISTOR, 1.47K, 1/8W, 1%	1305108	22
5	R11, R13, R14, R15, R16	RESISTOR, 5.1 OHM, 1/4W, 5%	1309422	23
4	.02, .03, .04, .05	TRANSISTOR, DEC3009A	1501939	24
1	Q7	TRANSISTOR, DEC3762	1509849	25
1	Q6	TRANSISTOR, DEC3734	1510062	26
1	DL1	DELAYLINE 100NS	1609559	27
2	E76, E85	I.C. DEC 74H50	1809060	28
4	E3, E7, E24, E25	I.C. DEC 8266	1909934	29
8	E28, E84, E31, E62, E63, E34, E29, E8	I.C. DEC 74151	1909936	30
4	E13, E16, E15, E18	I.C. DEC 74153	1909937	31
1	E37	I.C. DEC 7442	1910046	32
1	E74	I.C. DEC 7437	1910091	33
1	E60	I.C. DEC 74123	1910436	34
13	E95, E109, E106, E111, E88, E56, E48, E49, E32, E41, E44, E66, E71	I.C. DEC 74S80	1910532	35
7	E97, E36, E75, E46, E17, E53, E10	I.C. DEC 74S84	1910534	36
6	E87, E102, E98, E99, E47, E54	I.C. DEC 74S18	1910536	37
10	E89, E96, E69, E120, E67, E6, E40, E52, E43, E103	I.C. DEC 74S11	1910537	38
2	E104, E78	I.C. DEC 74S28	1910539	39
11	E113, E105, E79, E110, E112, E122, E88, E58, E27, E55, E45	I.C. DEC 74S64	1910542	40
13	E72, E82, E115, E116, E94, E59, E70, E81, E9, E19, E33, E57, E77	I.C. DEC 74S74	1910544	41
18	E23, E20, E22, E26, E18, E92, E50, E30, E90, E91, E85, E94, E101, E100, E108, E93, E117, E119	I.C. DEC 74S112	1910545	42
2	E83, E73	I.C. DEC 74S140	1910546	43
2	E35, E39	I.C. DEC 74S175	1910957	44
1	E12	I.C. DEC 74S133	1911983	45
5	E21, E38, E11, E61, E65	I.C. DEC 74174	1910652	46
1	E80	I.C. DEC 8640	1911469	47

IC TYPE	GND	+5V
8640	1	8
8266	8	16
74123	8	16
745133	8	16
74174	8	16
74151	8	16
7442	8	16
74153	8	16
74175	8	16
745112	8	16
IC TYPE	GND	+5V

GND AND 5V ARE USUALLY PIN 7 AND 14 RESPECTIVELY. EXCEPTIONS ARE STATED ABOVE.



3	R40, R41, R42	RESISTOR, 56, 1/4W, 5%	1302602	58
1	C141	CAP 680pf, 100V, 5%	1000026	59
A/R		*30 WIRE (RETROFIT)	9105740-55	53
2	Q6, Q7	TRANSIPADS	9007201	54
4	R1, R29, R30, R42	RESISTOR 100K 1/4W 5%	1300229	55
4	C126, C127, C139, C140	CAPACITOR .22 uF 50V	IC10274-0-1	56
1	C130	CAPACITOR 1200pf, 100V 5%	1002424-44	57

FIRST USED ON OPTION MODEL 1170

ETCH BOARD REV	B
----------------	---

PARTS LIST

DEC NO.	EIA NO.	DEC NO.	EIA NO.
---------	---------	---------	---------

SCALE NONE SHEET 1 OF 13

SEMICONDUCTOR CONVERSION CHART

digital EQUIPMENT CORPORATION  
MAYNARD MASSACHUSETTS

TITLE: CACHE CONTROL

SIZE CODE: DCS M8142-0-1

REV: D

DATE: 12/21/74

CHKD: R. BOUCHER

DATE: 12/25

ENG: M. WILSON

DATE: 12/27

PROJ ENG: M. WILSON

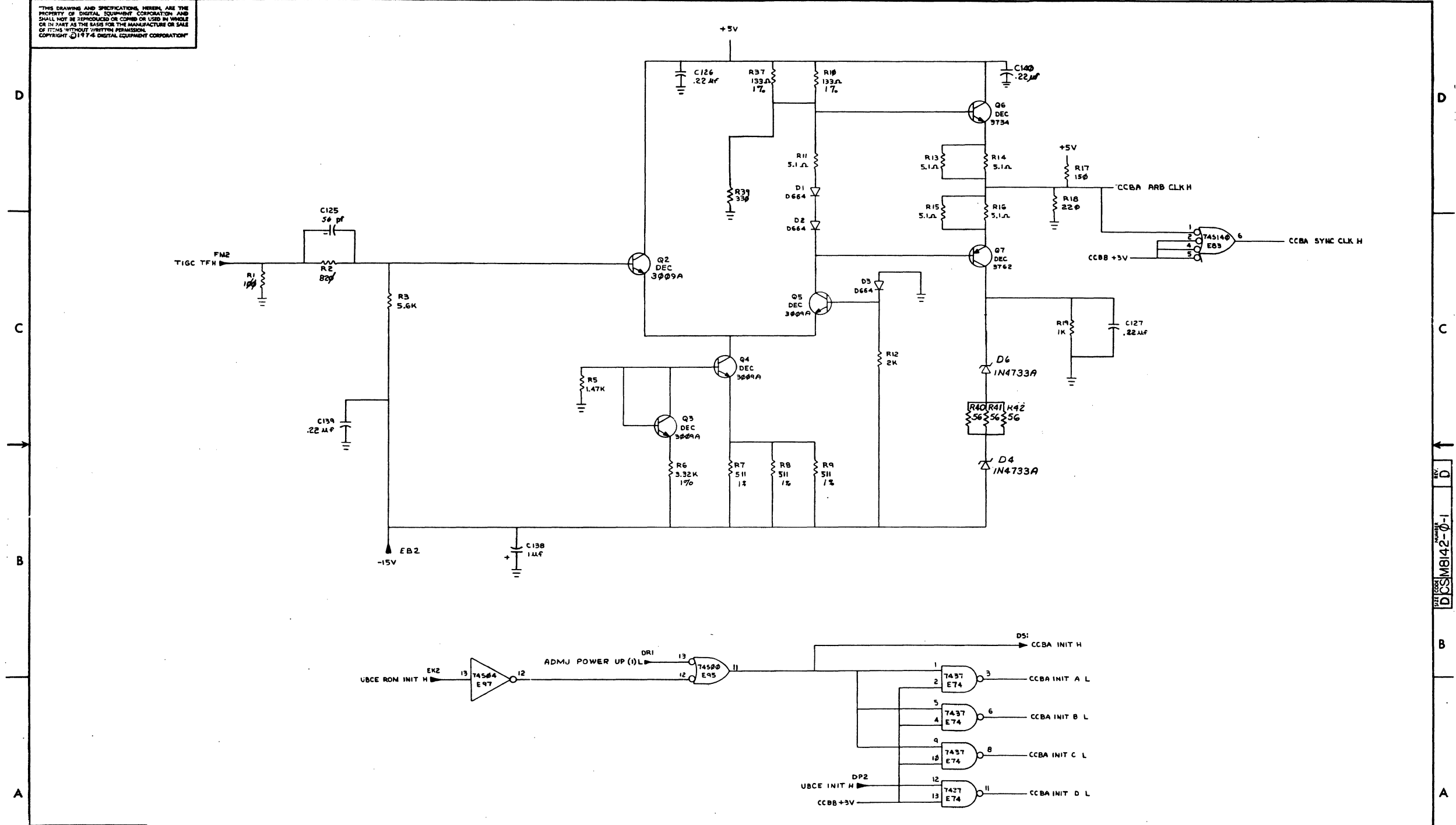
DATE: 12/27

PRD: T. J. B. JR.

DATE: 12/21/75

NEXT HIGHER ASSY

THIS DRAWING AND SPECIFICATIONS, HEREIN, ARE THE PROPERTY OF DIGITAL EQUIPMENT CORPORATION AND SHALL NOT BE REPRODUCED OR COPIED OR USED IN WHOLE OR IN PART AS THE BASIS FOR THE MANUFACTURE OR SALE OF ITEMS WITHOUT WRITTEN PERMISSION. COPYRIGHT © 1974 DIGITAL EQUIPMENT CORPORATION



REVISIONS		
CHK	CHANGE NO.	REV.

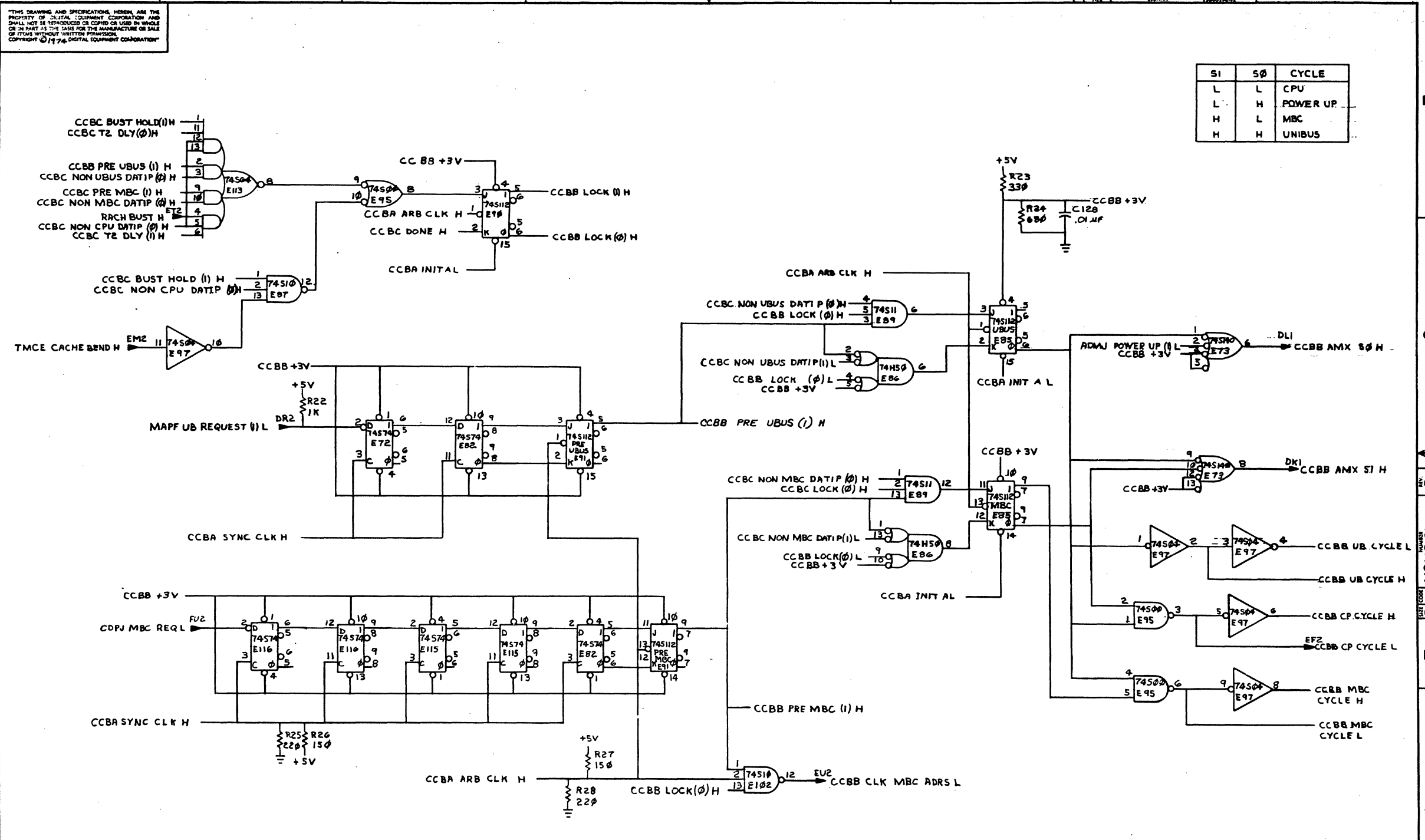
TITL		INIT + CLK LOGIC (SLOT 17)	
SIZE CODE	NUMBER	REV.	
D CS	M8142-0-1	D	
SCALE	SHEET 2 OF 13	DIST.	

REV. D  
D CS M8142-0-1

11'

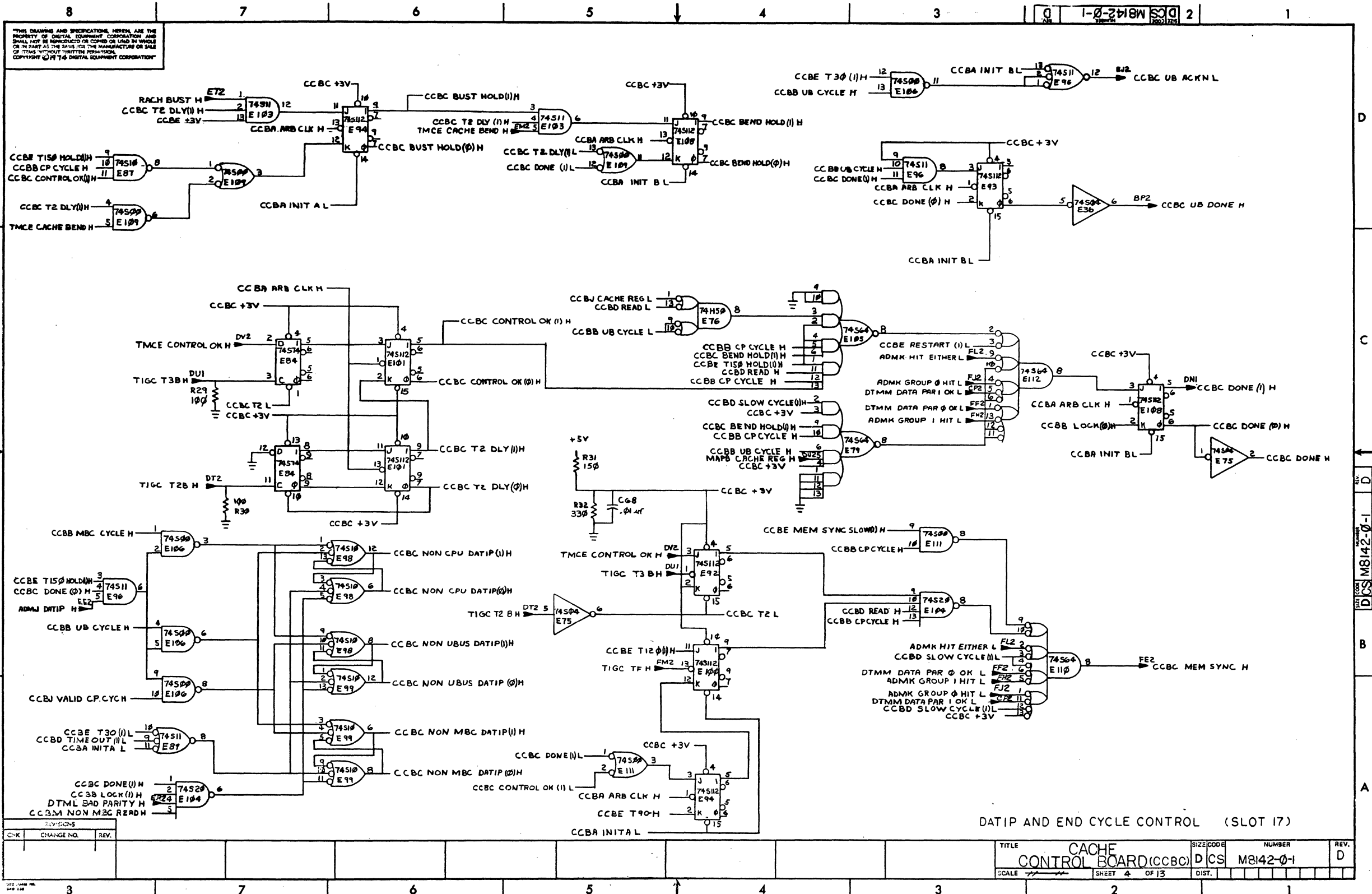
THIS DRAWING AND SPECIFICATIONS HEREIN ARE THE PROPERTY OF DIGITAL EQUIPMENT CORPORATION AND SHALL NOT BE REPRODUCED OR COPIED OR USED IN WHOLE OR IN PART AS THE BASIS FOR THE MANUFACTURE OR SALE OF ITEMS WITHOUT WRITTEN PERMISSION. COPYRIGHT © 1974 DIGITAL EQUIPMENT CORPORATION

SI	S0	CYCLE
L	L	CPU
L	H	POWER UP
H	L	MBC
H	H	UNIBUS



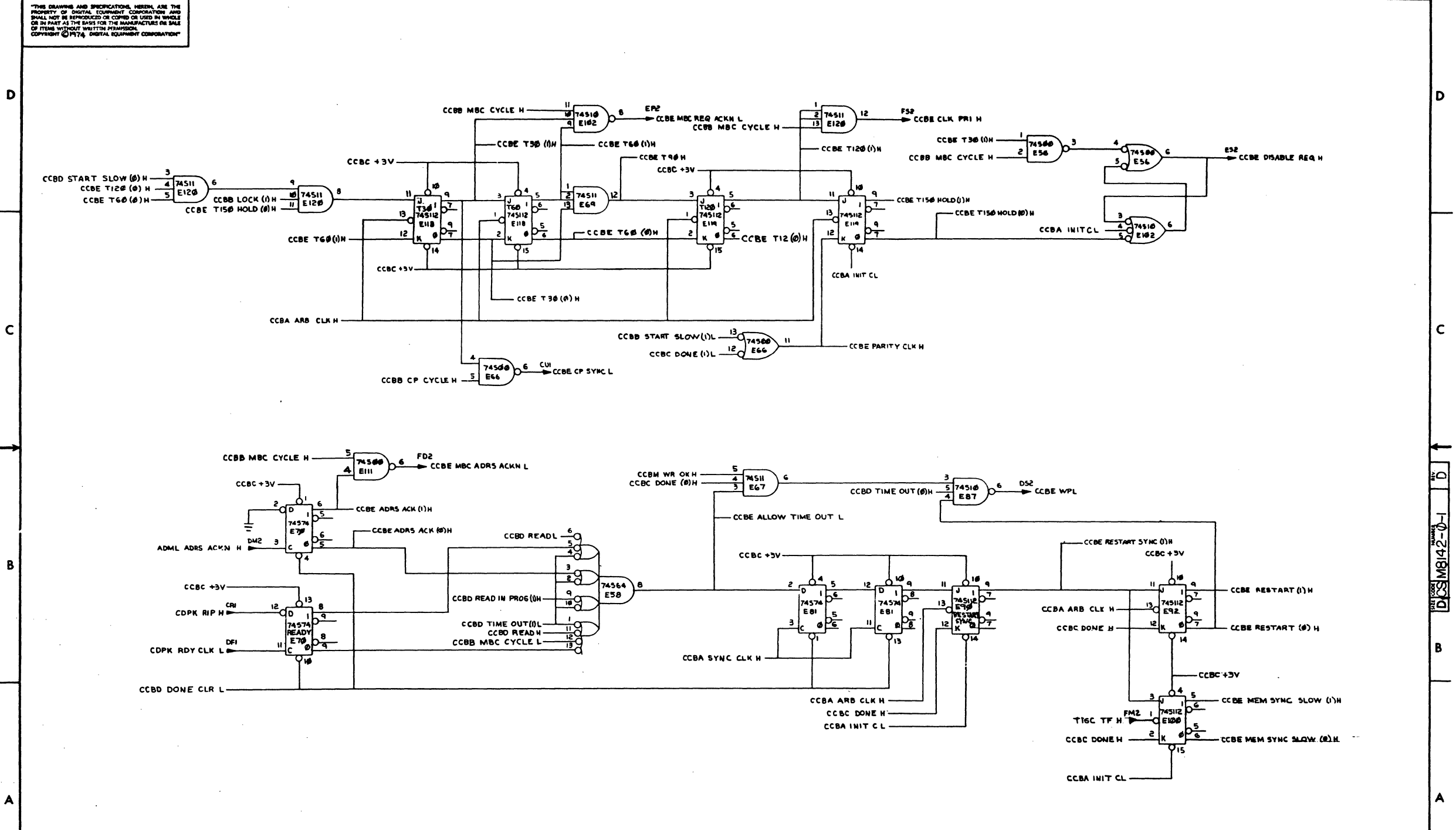
REVISIONS		
CHK	CHANGE NO.	REV.

REQUEST ARBITRATOR (SLOT 17)  
 TITLE CACHE CONTROL BOARD (CCB)  
 SIZE CODE DCS NUMBER M8142-01 R.V. D  
 SCALE SHEET 3 OF 13 DIST.



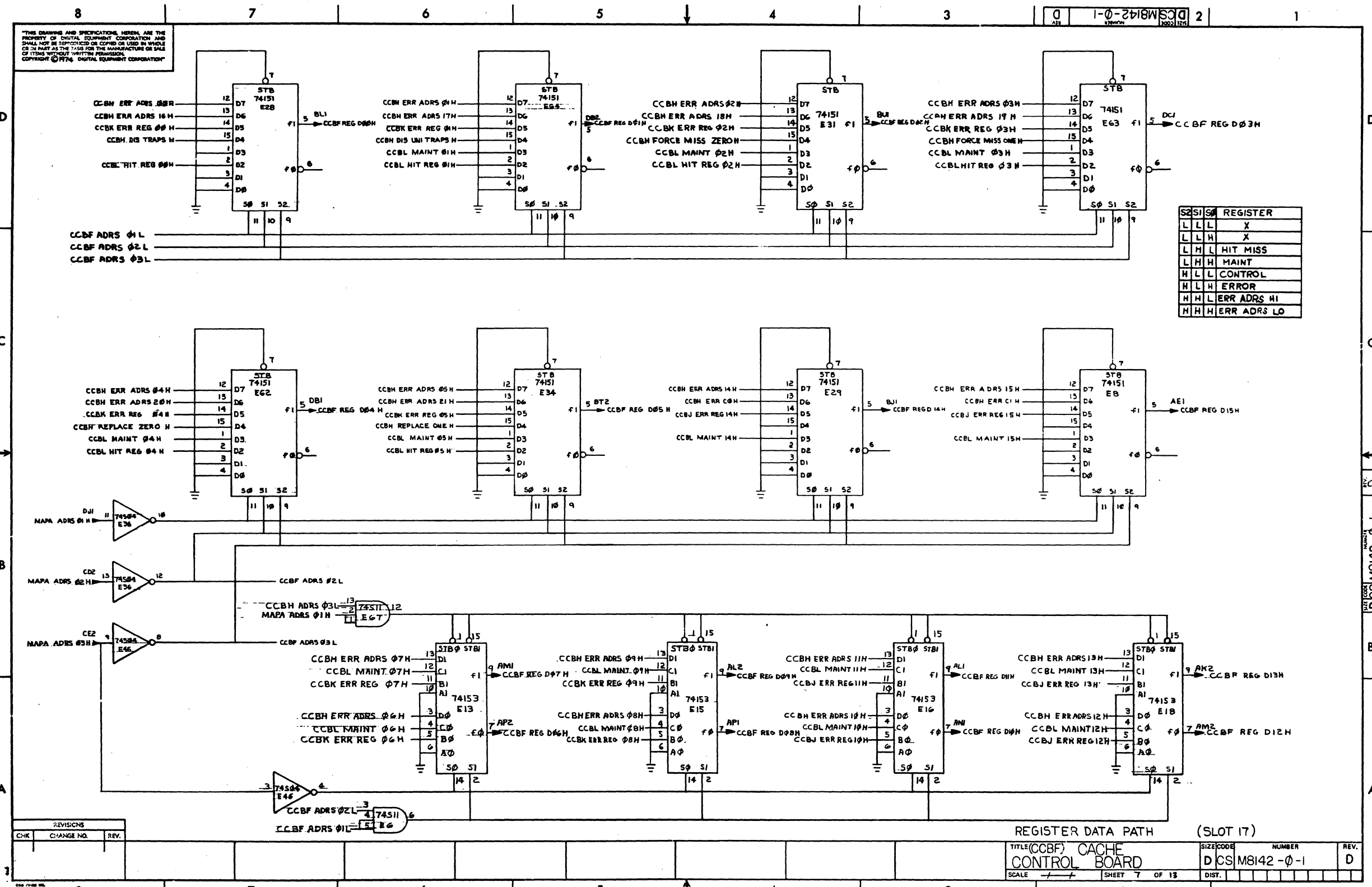


"THIS DRAWING AND SPECIFICATIONS HEREIN ARE THE PROPERTY OF DIGITAL EQUIPMENT CORPORATION AND SHALL NOT BE REPRODUCED OR COPIED OR USED IN WHOLE OR IN PART AS THE BASIS FOR THE MANUFACTURE OR SALE OF ITEMS WITHOUT WRITTEN PERMISSION OF DIGITAL EQUIPMENT CORPORATION © 1974, DIGITAL EQUIPMENT CORPORATION"



REVISIONS		
CHK	CHANGE NO.	REV.

121



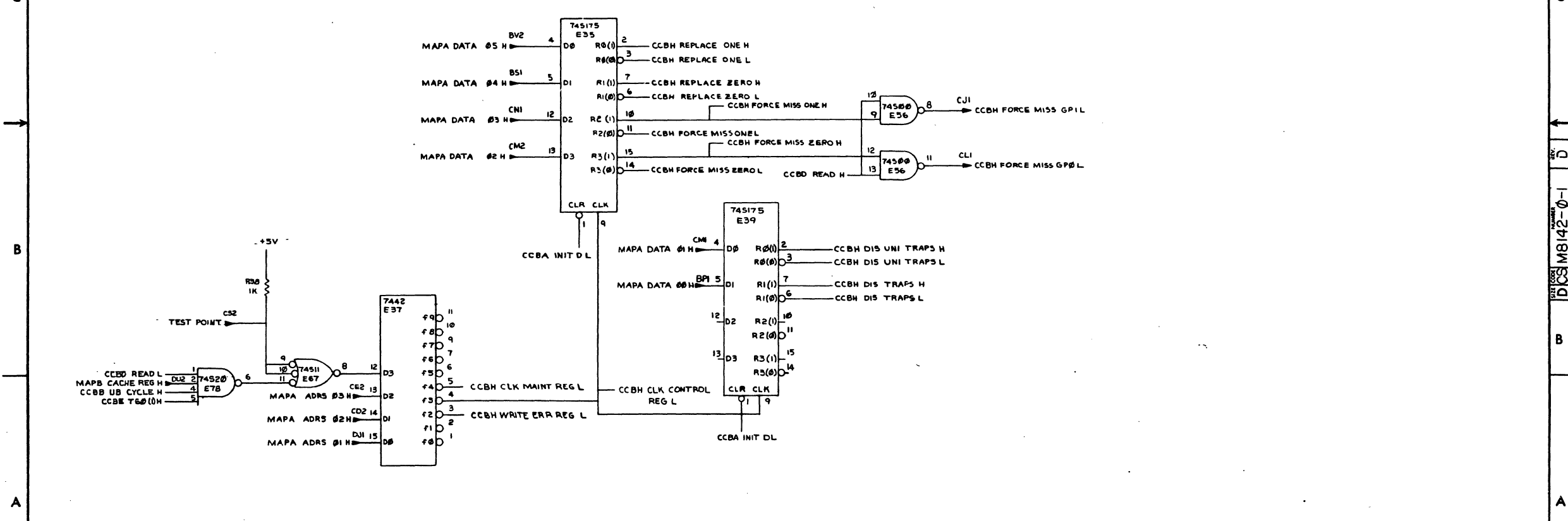
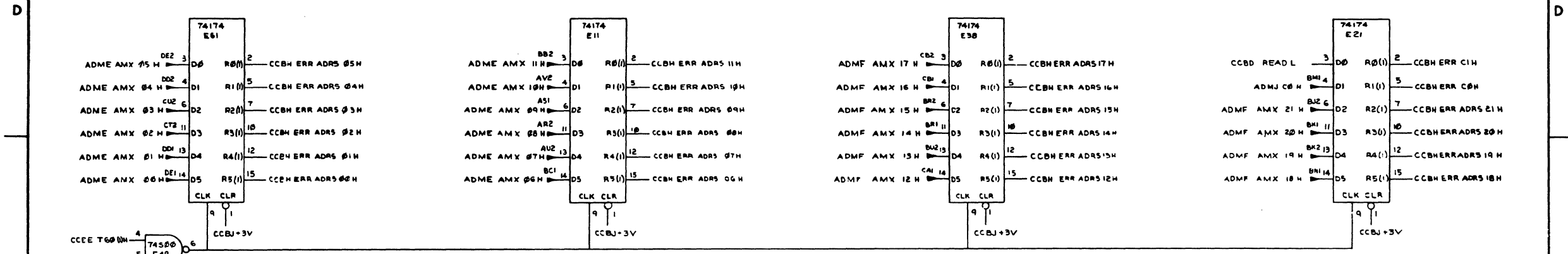
REVISIONS		
CHK	CHANGE NO.	REV.

REGISTER DATA PATH (SLOT 17)		TITLE (CCBF) CACHE CONTROL BOARD	SIZE CODE	NUMBER	REV.
SCALE		SHEET 7 OF 13	DIST.	D CS M8142-0-1	D

122



"THIS DRAWING AND SPECIFICATIONS, HEREIN ARE THE PROPERTY OF DIGITAL EQUIPMENT CORPORATION AND SHALL NOT BE REPRODUCED OR COPIED OR USED IN WHOLE OR IN PART AS THE BASIS FOR THE MANUFACTURE OR SALE OF ITEMS WITHOUT WRITTEN PERMISSION. COPYRIGHT © 1974 DIGITAL EQUIPMENT CORPORATION"

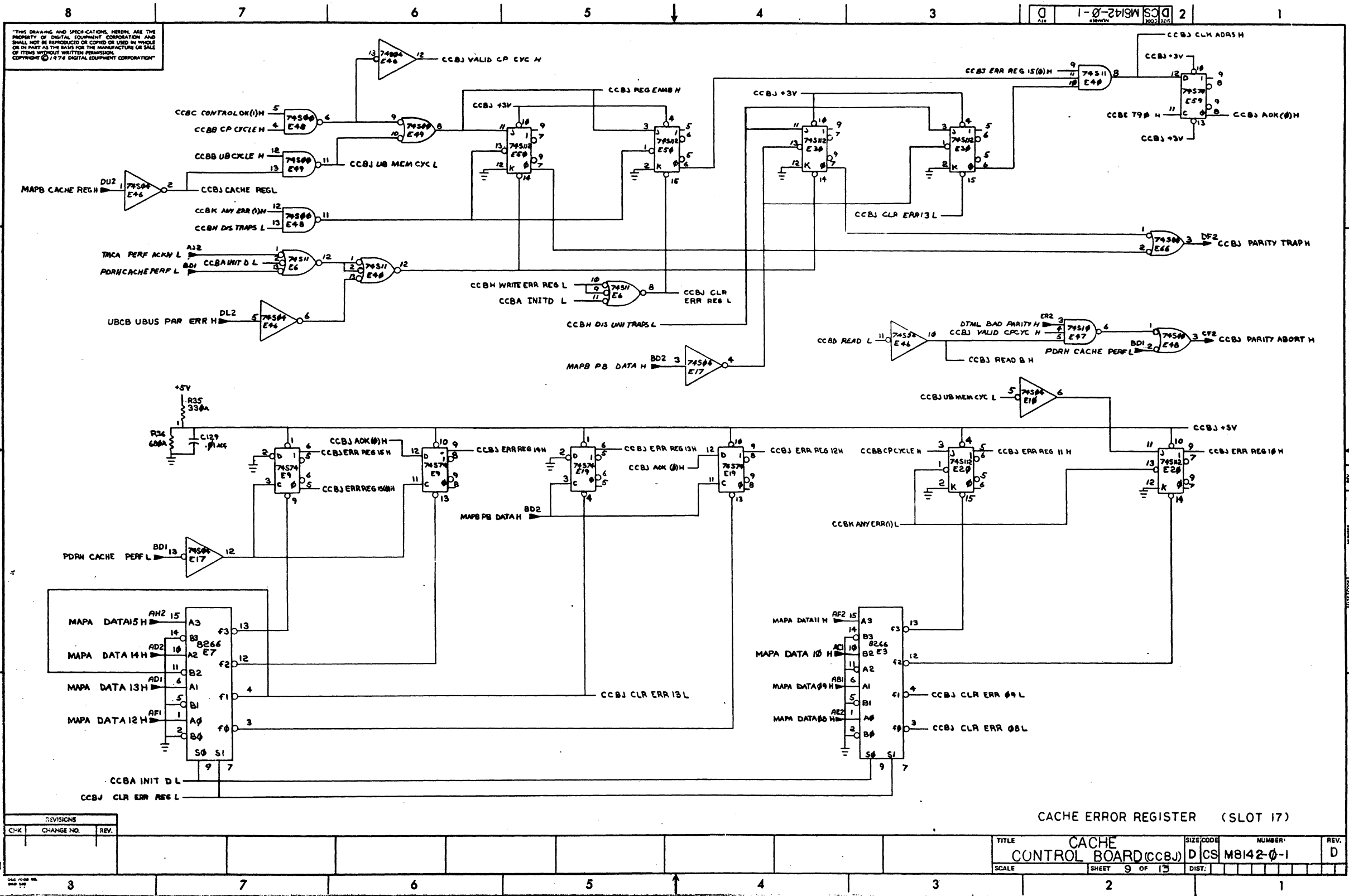


REVISIONS		
CHK	CHANGE NO.	REV.

ERROR ADRS REG & DECODE (SLOT 17)

TITLE	CACHE CONTROL BOARD (CCBH)	SIZE CODE	DCS M8142-0-1	NUMBER	1	REV.	D
SCALE	++	SHEET	8 OF 13	DIST.			

12



THIS DRAWING AND SPECIFICATIONS HEREIN ARE THE PROPERTY OF DIGITAL EQUIPMENT CORPORATION AND SHALL NOT BE REPRODUCED OR COPIED OR USED IN WHOLE OR IN PART AS THE BASIS FOR THE MANUFACTURE OR SALE OF ITEMS WITHOUT WRITTEN PERMISSION. COPYRIGHT © 1978 DIGITAL EQUIPMENT CORPORATION

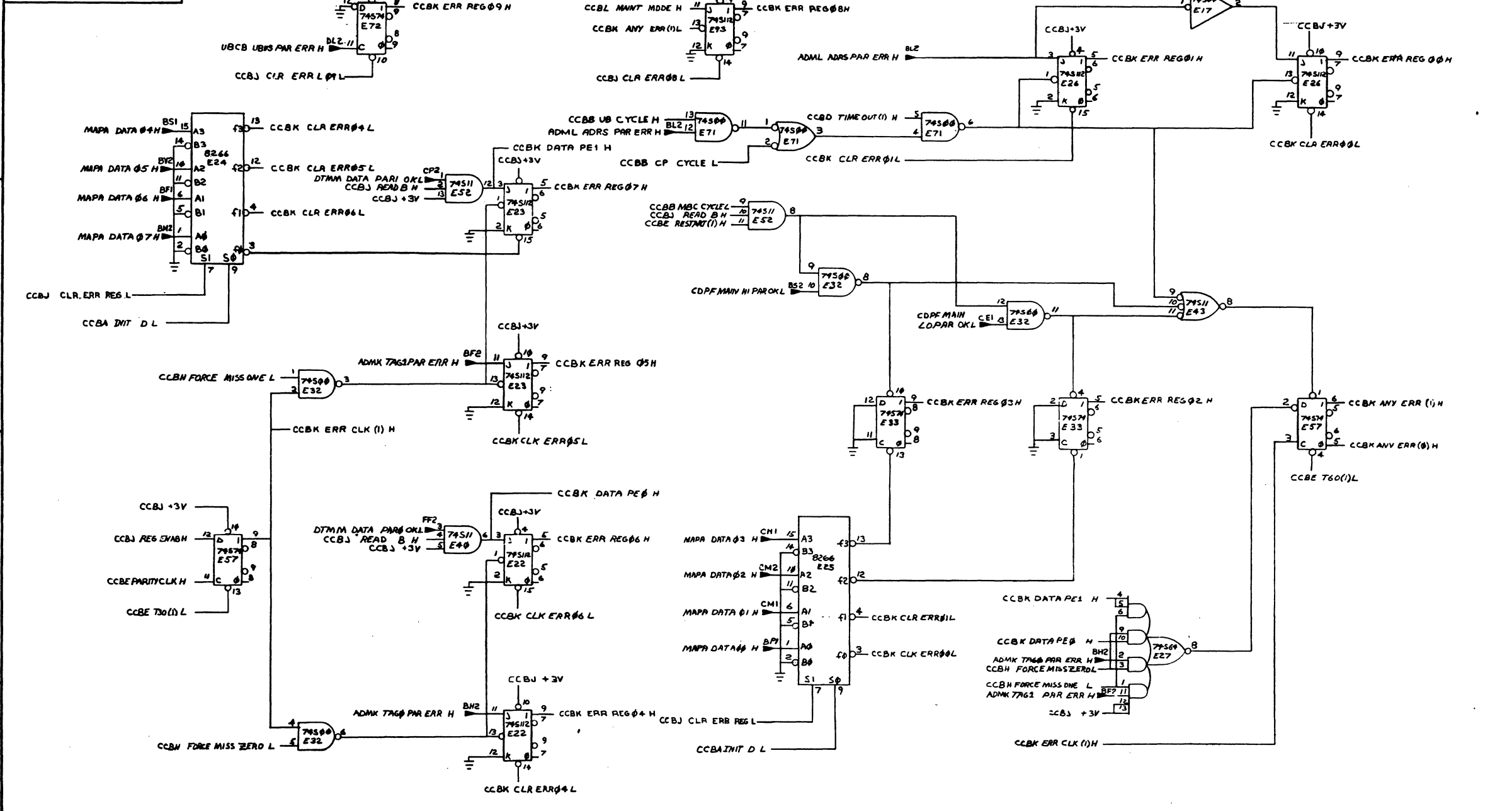
D CS MB142-0-1

REVISIONS		
CHK	CHANGE NO.	REV.

CACHE ERROR REGISTER (SLOT 17)  
 TITLE: CACHE CONTROL BOARD (CCBJ) SIZE/ CODE: D CS MB142-0-1 NUMBER: REV. D  
 SCALE: SHEET 9 OF 13 DIST:  

124

THE DRAWING AND SPECIFICATIONS HEREAFTER ARE THE PROPERTY OF DIGITAL EQUIPMENT CORPORATION AND SHALL NOT BE REPRODUCED OR COPIED OR USED IN WHOLE OR IN PART AS THE BASIS FOR THE MANUFACTURE OR SALE OF ITEMS WITHOUT WRITTEN PERMISSION. COPYRIGHT © 1979 DIGITAL EQUIPMENT CORPORATION.



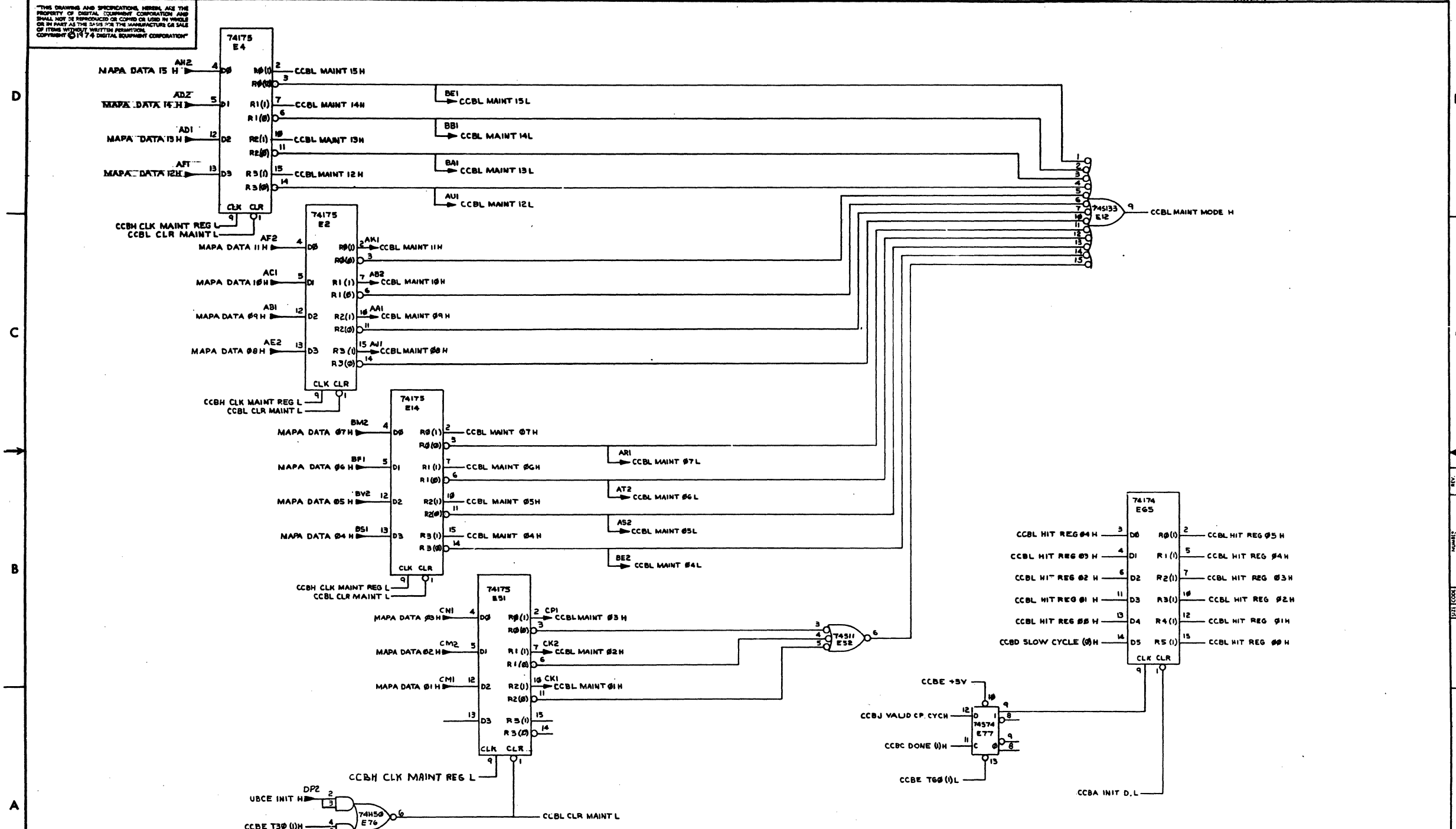
REVISIONS		
CHK	CHANGE NO.	REV.

CACHE ERROR REGISTER (SLOT 17)

TITLE	CACHE CONTROL BOARD (CCBJ)	SIZE CODE	D CS	NUMBER	M8142-0-1	REV.	D
SCALE	SHEET 10 OF 13	DIST.					

125

THIS DRAWING AND SPECIFICATIONS HEREIN ARE THE PROPERTY OF DIGITAL EQUIPMENT CORPORATION AND SHALL NOT BE REPRODUCED OR COPIED OR USED IN WHOLE OR IN PART AS THE BASIS FOR THE MANUFACTURE OR SALE OF ITEMS WITHOUT WRITTEN PERMISSION OF DIGITAL EQUIPMENT CORPORATION.



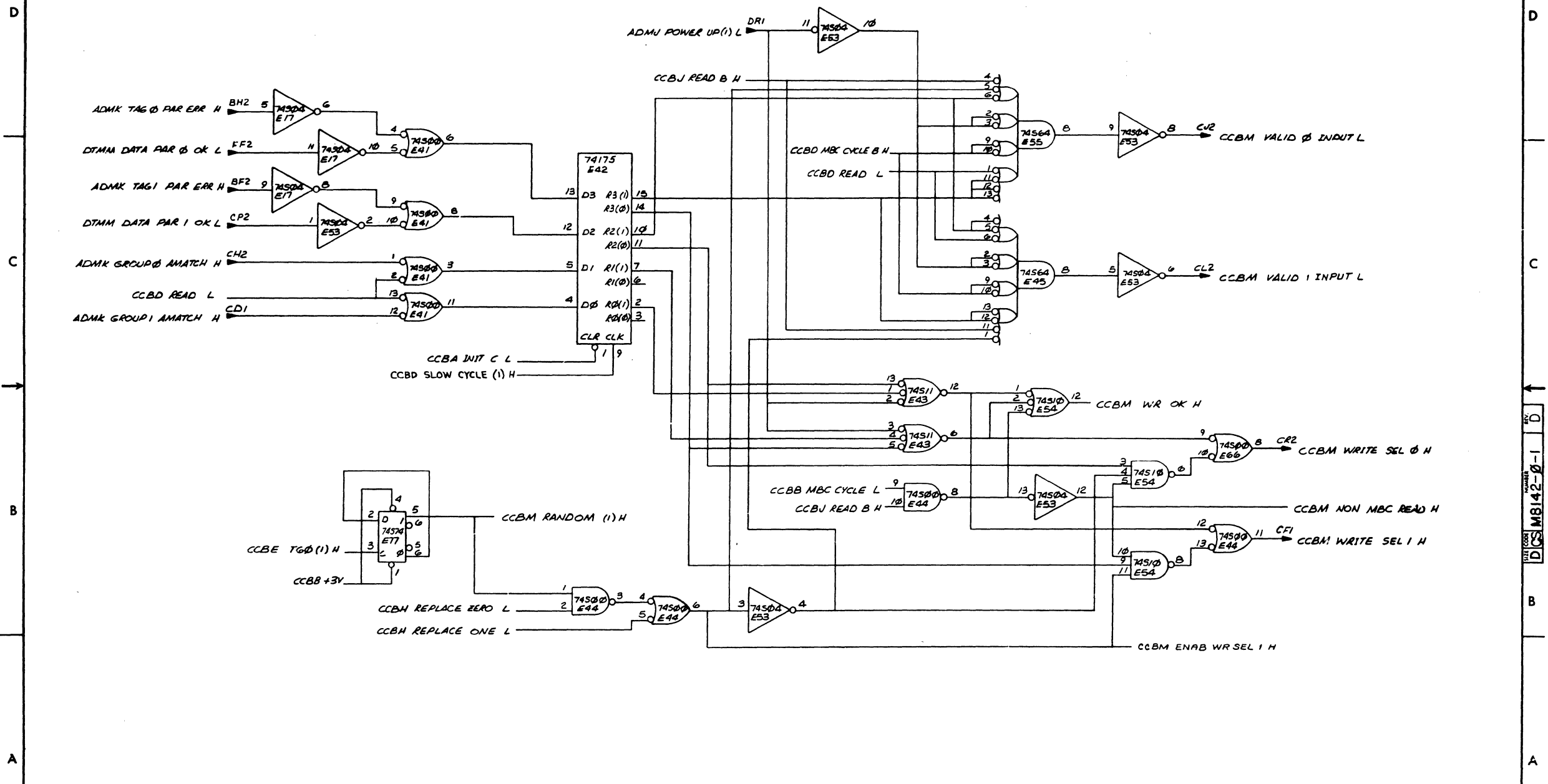
CACHE MAINTENANCE + HIT REG. (SLOT 17)

REVISIONS			TITLE	SIZE CODE	NUMBER	REV.
CHK	CHANGE NO.	REV.	CACHE CONTROL BOARD (CCBL)	D CS	M8142-0-1	D
			SCALE	SHEET	11 OF 13	DIST.

REV. D  
PART CODE: DCS M8142-0-1

124

THIS DRAWING AND SPECIFICATIONS HEREIN ARE THE PROPERTY OF DIGITAL EQUIPMENT CORPORATION AND SHALL NOT BE REPRODUCED OR COPIED OR USED IN WHOLE OR IN PART AS THE BASIS FOR THE MANUFACTURE OR SALE OF ITEMS WITHOUT WRITTEN PERMISSION. COPYRIGHT © 1974 DIGITAL EQUIPMENT CORPORATION



REVISIONS		
CHK	CHANGE NO.	REV.

VALID AND WRITE SELECT LOGIC (SLOT 17)

TITLE	SIZE CODE	NUMBER	REV.
CACHE CONTROL BOARD (CCBM)	D CS	M8142-0-1	D
SCALE	SHEET	OF	DIST.
1/1	12	13	

THIS DRAWING AND SPECIFICATIONS HEREIN ARE THE PROPERTY OF DIGITAL EQUIPMENT CORPORATION AND SHALL NOT BE REPRODUCED OR COPIED OR USED IN WHOLE OR IN PART AS THE BASIS FOR THE MANUFACTURE OR SALE OF ITEMS WITHOUT WRITTEN PERMISSION. COPYRIGHT © 1974, DIGITAL EQUIPMENT CORPORATION.

0 1-0-2718W DCS 2

- 1777740 ERROR ADDRESS LOW
- 1777742 ERROR ADDRESS HI
- 1777744 ERROR REGISTER
- 1777746 CONTROL REGISTER
- 1777750 MAINTENANCE REGISTER
- 1777752 HIT MISS

**CACHE ERROR REGISTER**

BIT	DESCRIPTION
ERR REG 15	CPU ABORT
ERR REG 14	CPU ABORT AFTER ADRS LOCK
ERR REG 13	PARITY ERROR ON DATA TO UNIBUS
ERR REG 12	PARITY ERROR ON DATA TO UNIBUS AFTER ADRS LOCK
ERR REG 11	ERROR DURING CP CYCLE
ERR REG 10	ERROR DURING UNIBUS CYCLE
ERR REG 09	CPU RECEIVED PARITY ERROR FROM UNIBUS CYCLE
ERR REG 08	ERROR IN MAINTENANCE MODE
ERR REG 07	FAST DATA MEMORY PARITY ERROR GROUP 1
ERR REG 06	FAST DATA MEMORY PARITY ERROR GROUP 0
ERR REG 05	ADDRESS MEMORY PARITY ERROR GROUP 1
ERR REG 04	ADDRESS MEMORY PARITY ERROR GROUP 0
ERR REG 03	MAIN MEMORY PARITY ERROR ODD WORD
ERR REG 02	MAIN MEMORY PARITY ERROR EVEN WORD
ERR REG 01	MAIN MEMORY ADDRESS PARITY ERROR
ERR REG 00	MAIN MEMORY TIMEOUT

**CONTROL REGISTER**

BIT	DESCRIPTION
05	FORCE REPLACEMENT TO GROUP 1
04	FORCE REPLACEMENT TO GROUP 0
03	FORCE MISS GROUP 1 (READ CYCLES)
02	FORCE MISS GROUP 0 (READ CYCLES)
01	DISABLE UNIBUS PB TRAPS
00	DISABLE CPU AND FAST MEMORY TRAPS

**CACHE MAINTENANCE REGISTER**

BIT	DESCRIPTION		
MAINT 15	FORCE MAIN MEMORY ODD WORD, HI BYTE PARITY BIT TO 1		
MAINT 14	FORCE MAIN MEMORY ODD WORD, LO BYTE PARITY BIT TO 1		
MAINT 13	FORCE MAIN MEMORY EVEN WORD, HI BYTE PARITY BIT TO 1		
MAINT 12	FORCE MAIN MEMORY EVEN WORD, LO BYTE PARITY BIT TO 1		
MAINT 11	FORCE WRONG ADDRESS MEMORY PARITY GROUP 1		
MAINT 10	FORCE WRONG ADDRESS MEMORY PARITY GROUP 0		
MAINT 09	FORCE WRONG ADDRESS MEMORY PARITY GROUP 0		
MAINT 08	FORCE WRONG ADDRESS MEMORY PARITY GROUP 0		
MAINT 07	FORCE FAST DATA MEMORY, GROUP 1 HI BYTE PARITY BIT TO 1		
MAINT 06	FORCE FAST DATA MEMORY GROUP 1 LO BYTE PARITY BIT TO 1		
MAINT 05	FORCE FAST DATA MEMORY GROUP 0 HI BYTE PARITY BIT TO 1		
MAINT 04	FORCE FAST DATA MEMORY GROUP 0 LO BYTE PARITY BIT TO 1		
MAINT 03	MAIN MEMORY MARGIN CODE		
MAINT 02			
MAINT 01			
MAINT 00	NOT USED		
MAINT 3	MAINT 2	MAINT 1	
0	0	0	NORMAL OPERATION
0	0	1	CHECK WRONG ADDRESS PARITY
0	1	0	EARLY STROBE MARGIN
0	1	1	LATE STROBE MARGIN
1	0	0	LOW CURRENT MARGIN
1	0	1	HIGH CURRENT MARGIN
1	1	0	NOT USED
1	1	1	NOT USED

**11/70 PARITY ERROR RESPONSE**

SOURCE OF CYCLE	CYCLE TYPE	TYPE OF ERROR	ACTION*			BITS SET IN ERROR REGISTER	
			ALL TRAPS ENABLED	DISABLE WARNING TRAPS (CR00 1)	DISABLE ALL TRAPS (CR 01:00 3)		
CPU to CACHE	DATI/P	MAIN BUS TIMEOUT	ABORT	ABORT	ABORT	15,11,0	
		MAIN BUS PARITY	ABORT	ABORT	ABORT	15,11,1	
		MAIN MEM WANTED WORD	ABORT	ABORT	ABORT	15,11,2 or 3	
	CPU to CACHE	DATO/B	MAIN MEM OTHER WORD	TRAP	NO ACTION	NO ACTION	11,2 or 3
			FAST MEM ADDRESS	TRAP	NO ACTION	NO ACTION	11,4 or 5
			FAST MEM DATA	TRAP	NO ACTION	NO ACTION	11,8 or 7
			MAIN BUS TIMEOUT	ABORT	ABORT	ABORT	15,11,0
	UNIBUS (thru MAP to CACHE)	DATI/P	MAIN BUS PARITY	UNIBUS TIMEOUT	UNIBUS TIMEOUT	UNIBUS TIMEOUT	NONE
			MAIN BUS PARITY	UNIBUS TIMEOUT, TRAP	UNIBUS TIMEOUT	UNIBUS TIMEOUT	10,1
			MAIN MEM WANTED WORD	UNIBUS PB, TRAP	UNIBUS PB, TRAP	UNIBUS PB	13,10,2 or 3
UNIBUS (thru MAP to CACHE)		DATO/B	MAIN MEM OTHER WORD	TRAP	NO ACTION	NO ACTION	10,2 or 3
			FAST MEM ADDRESS	TRAP	NO ACTION	NO ACTION	10,4 or 5
			FAST MEM DATA	TRAP	NO ACTION	NO ACTION	10,6 or 7
			MAIN BUS TIMEOUT	UNIBUS TIMEOUT, TRAP	UNIBUS TIMEOUT	UNIBUS TIMEOUT	10,0
CPU to UNIBUS thru MAP to CACHE		DATI/P	MAIN BUS PARITY	UNIBUS TIMEOUT, TRAP	UNIBUS TIMEOUT	UNIBUS TIMEOUT	10,1
			MAIN BUS PARITY	UNIBUS TIMEOUT	UNIBUS TIMEOUT	UNIBUS TIMEOUT	10,1
			MAIN MEM WANTED WORD	UNIBUS PARITY	UNIBUS PARITY	UNIBUS PARITY	13,10,9,2 or 3
	CPU to UNIBUS thru MAP to CACHE	DATO/B	FAST MEM ADDRESS	UNIBUS PARITY	UNIBUS PARITY	UNIBUS PARITY	13,10,9,2 or 3
			FAST MEM DATA	UNIBUS PARITY	UNIBUS PARITY	UNIBUS PARITY	13,10,9,2 or 3
			FAST MEM DATA	TRAP	NO ACTION	NO ACTION	10,2 or 3
			FAST MEM ADDRESS	TRAP	NO ACTION	NO ACTION	10,4 or 5
	CPU to UNIBUS thru MAP to CACHE	DATO/B	MAIN BUS PARITY	UNIBUS TIMEOUT	UNIBUS TIMEOUT	UNIBUS TIMEOUT	10,1
			MAIN BUS PARITY	UNIBUS TIMEOUT, TRAP	UNIBUS TIMEOUT	UNIBUS TIMEOUT	10,1
			FAST MEM ADDRESS	UNIBUS TIMEOUT, TRAP	UNIBUS TIMEOUT	UNIBUS TIMEOUT	10,4 or 5

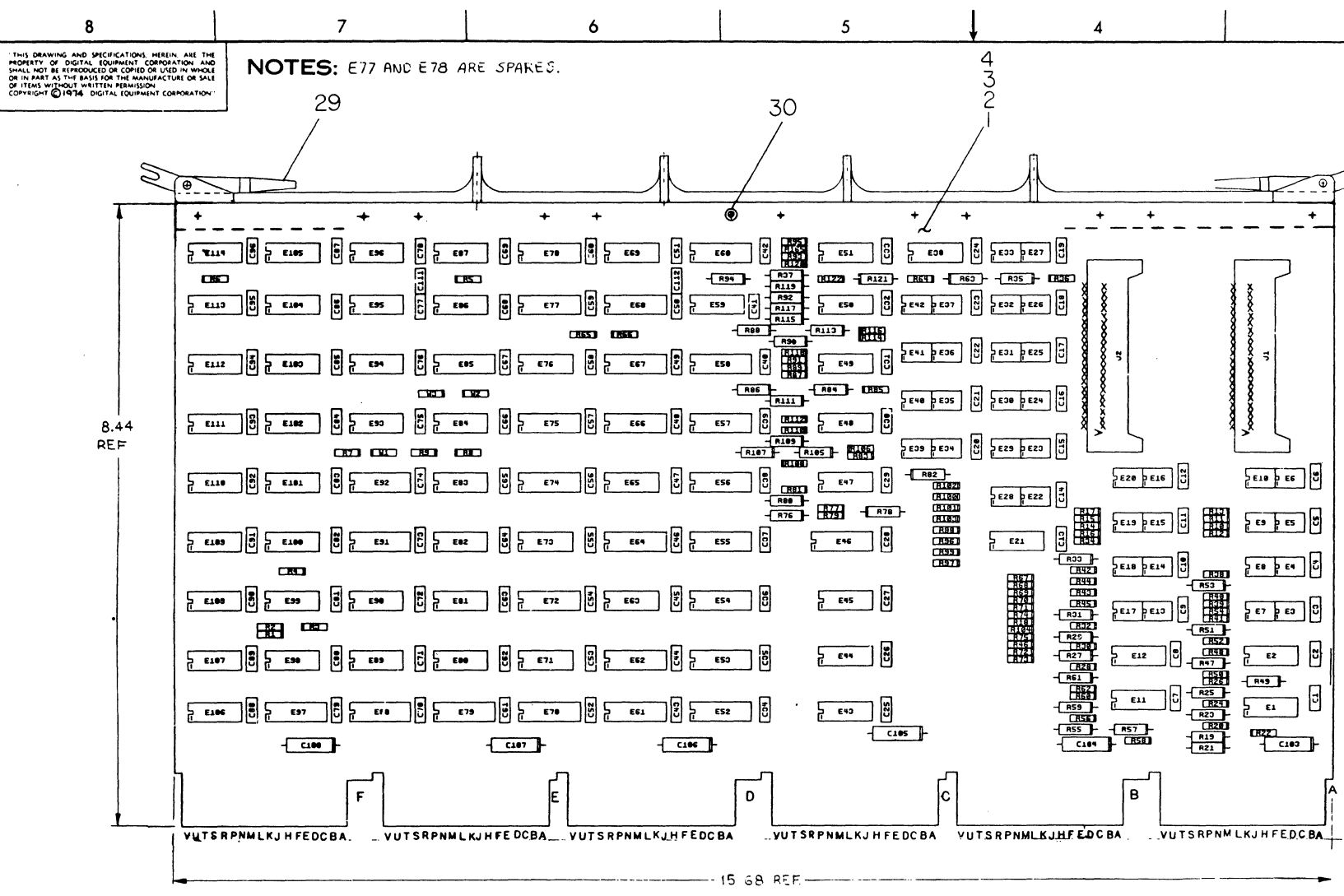
\* ALL TRAPS VECTOR TO 114

NOTES

- THESE TABLES ONLY COVER SINGLE ERRORS.
- THE PROCESSOR ALSO WILL ABORT TO 114 WHEN DOING DATI/P CYCLES ON THE UNIBUS AND THE DEVICE ASSERTS PB. IN THESE CASES, BIT 9 SETS IN THE ERROR REGISTER.
- ERRORS ON MASSBUS CYCLES ARE HANDLED BY THE MASSBUS CONTROLS, AND HAVE AN EFFECT ON THE ERROR REGISTER.

**REVISIONS**

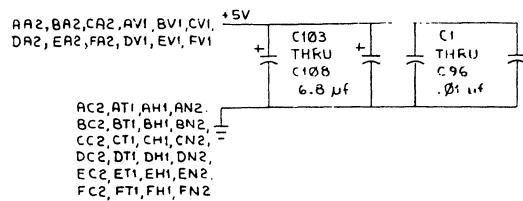
CHK	CHANGE NO.	REV.



IC TYPE	QTY	REF
IC DEC 8640	1	8
IC DEC 745175	8	16
IC DEC 745453	4	8
IC DEC 745452	4	8
IC DEC 745158	8	16
IC DEC 8266	8	16
IC TYPE	GND	+5V

GND AND 5V ARE USUALLY PIN 7 AND 14 RESPECTIVELY. EXCEPTIONS ARE STATED ABOVE.

IC PIN LOCATIONS



REF	X-Y COORDINATE HOLE LOCATION	K-CO-M8145-B-4	1
REF	ASSY/DRILLING HOLE LAYOUT	D AH-M8145-B-5	2
1	ETCHED CIRCUIT BOARD	B-MH-M8145-B-6	3
98	C1 THRU C96, C111, C112	5011386	4
6	C103 THRU C108	1001610	5
2	R5, R65	1005306	6
43	R1 THRU R4, R7 THRU R9, R10 THRU R18, R38 THRU R46, R67 THRU R75, R96 THRU R104	1300295	7
2	R6, R66	1300365	8
38	R19, R21, R23, R25, R27, R29, R31, R33, R35, R37, R47, R49, R51, R53, R55, R57, R59, R61, R63, R76, R78, R80, R82, R84, R86, R88, R90, R92, R94, R105, R107, R109, R111, R113, R115, R117, R119, R121	1301424	9
38	R20, R22, R24, R26, R28, R30, R32, R34, R36, R38, R40, R42, R44, R46, R48, R50, R52, R54, R56, R58, R60, R62, R64, R66, R68, R70, R72, R74, R76, R78, R80, R82, R84, R86, R88, R90, R92, R106, R108, R110, R112, R114, R116, R118, R120, R122, R165	1301782	10
38	R20, R22, R24, R26, R28, R30, R32, R34, R36, R38, R40, R42, R44, R46, R48, R50, R52, R54, R56, R58, R60, R62, R64, R66, R68, R70, R72, R74, R76, R78, R80, R82, R84, R86, R88, R90, R92, R106, R108, R110, R112, R114, R116, R118, R120, R122, R165	1302956	11
4	E52, E79, E88, E97	1909934	12
5	E81, E82, E84, E100, E103	1910532	13
4	E69, E80, E99, E108	1910534	14
5	E43, E84, E90, E98, E107	1910536	15
6	E73, E76, E83, E106, E109, E110	1910537	16
2	E93, E113	1910539	17
4	E86, E87, E94, E95	1910542	18
6	E96, E101, E102, E104, E111, E112	1910544	19
2	E44, E114	1910546	20
9	E55, E58, E64, E66, E67, E70, E72, E74, E75	1910549	21
18	E4, E6, E8, E10, E14, E16, E18, E20, E22, E23, E24, E25, E27, E34, E35, E36, E37, E26	1910645	22
12	E46, E53, E54, E56, E57, E60, E61, E62, E68, E85, E91, E92	1910957	23
18	E3, E5, E7, E9, E13, E15, E17, E19, E28, E29, E30, E31, E32, E33, E39, E40, E41, E42	1911036	24
6	E21, E45, E59, E63, E65, E71	1911291	25
11	E1, E2, E11, E12, E38, E47, E48, E49, E50, E51, E105	1911469	26
3	W1, W2, W3	8009185	27
2	J1, J2	1209941	28
1	HANDLE ASSY	210711-02	29
12	EYELET	8005732	30
1	BLOCK DIAGRAM	D-50-M8145-0-7	31

QTY	REF	DESIGNATION	DESCRIPTION	PART NO	ITEM NO
1170		ETCH BOARD REV B			

DRN	DATE	CHK'D	DATE	ENG	DATE	PROJ ENG	DATE	PROJ	DATE	NEXT HIGHER ASSY	
R. Boucher	12/18/74	R. Boucher	12/18/74	W. Fisher	1/23/75	W. Fisher	1/23/75	A. Heleinius	1/23/75	K. Taylor	1/23/75

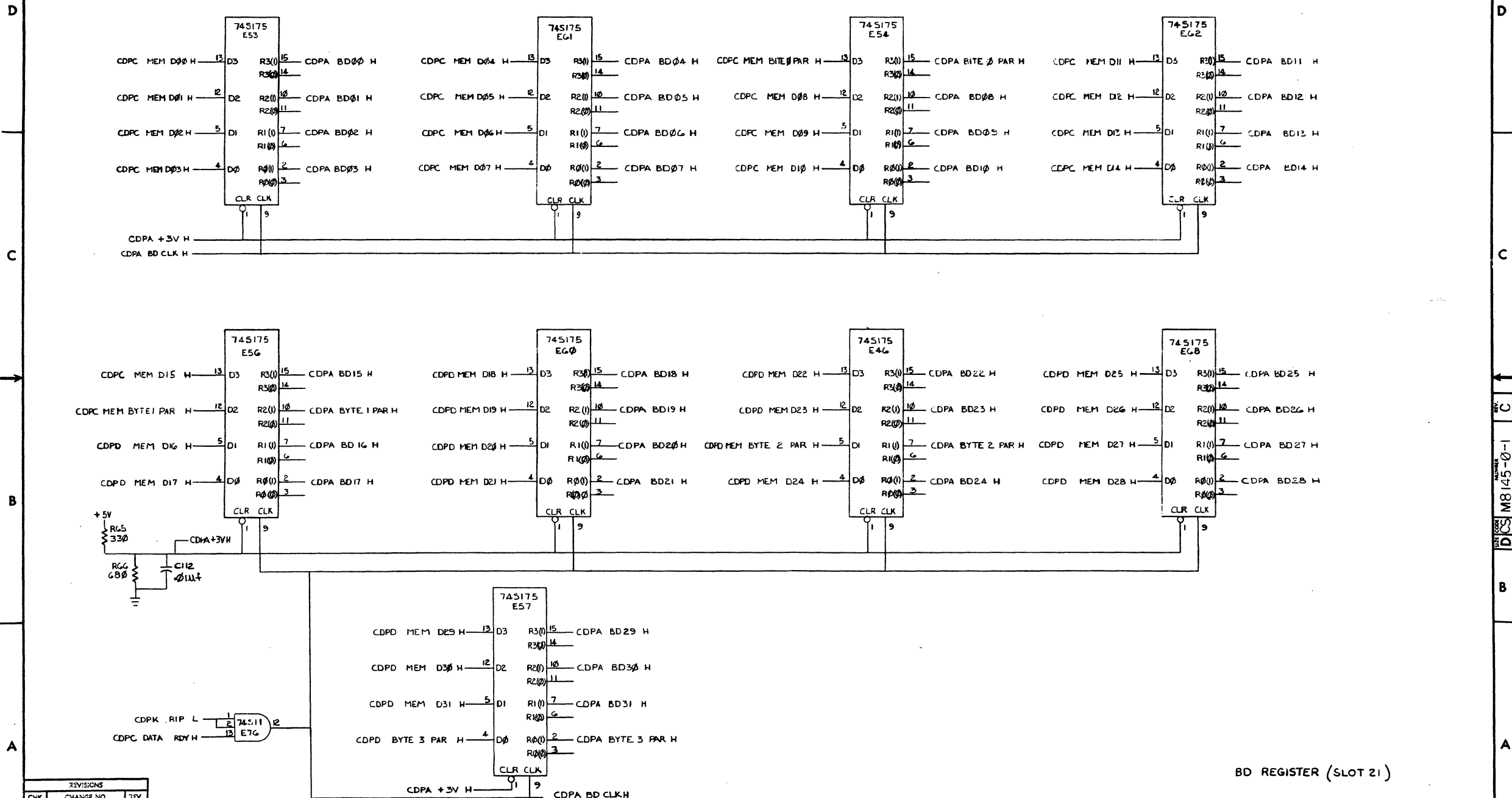
DEC NO	EIA NO	DEC NO	EIA NO

SCALE	SHEET	OF	TOTAL
	1	OF	10

SIZE	CODE	NUMBER	REV.
D	CS	M8145-0-1	C

"THIS DRAWING AND SPECIFICATIONS HEREIN ARE THE PROPERTY OF DIGITAL EQUIPMENT CORPORATION AND SHALL NOT BE REPRODUCED OR COPIED OR USED IN WHOLE OR IN PART AS THE BASIS FOR THE MANUFACTURE OR SALE OF ITEMS UNLESS WRITTEN PERMISSION IS GRANTED BY DIGITAL EQUIPMENT CORPORATION"

1-0-0718W 2

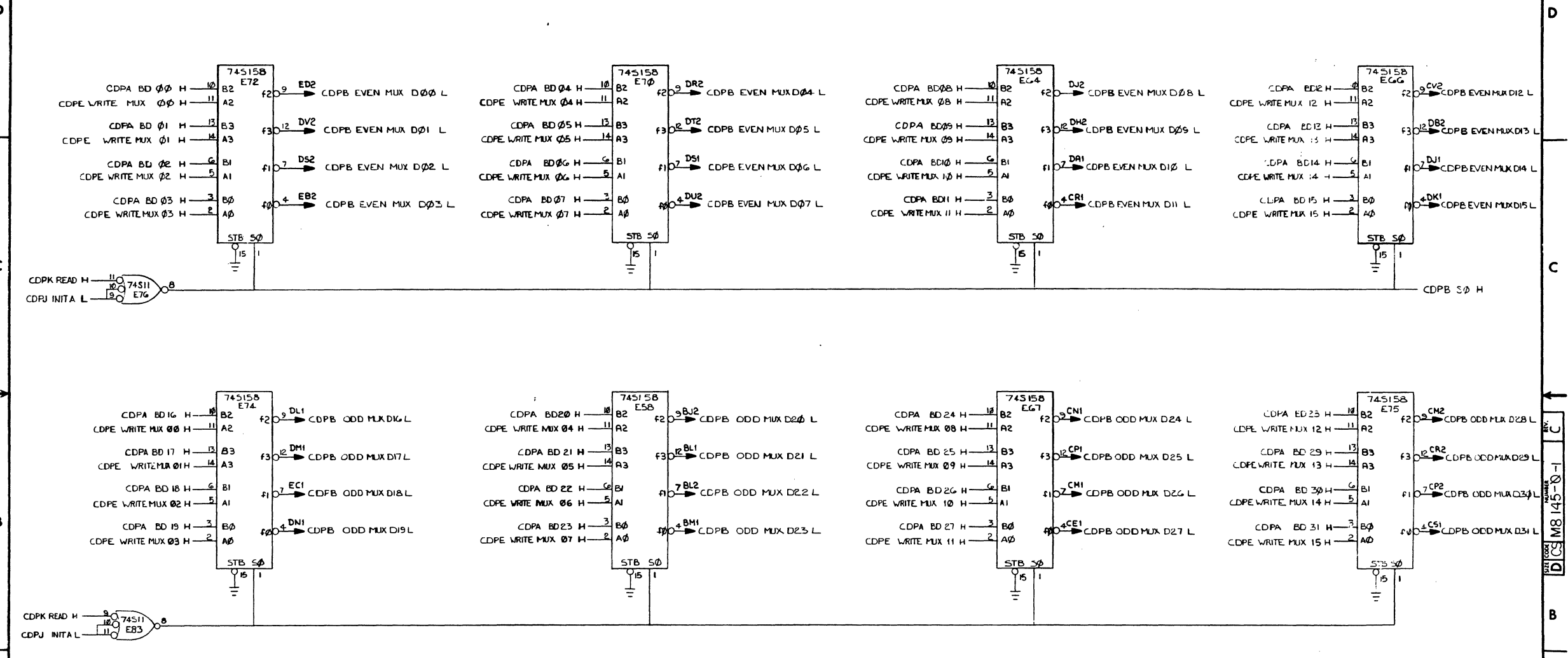


REVISIONS		
CHK	CHANGE NO.	REV.

TITLE (CDPA) SIZE CODE NUMBER REV.  
 CACHE DATA PATH DCS M8145-0-1 C  
 SCALE SHEET 2 OF 10 DIST.



THIS DRAWING AND SPECIFICATIONS HEREIN ARE THE PROPERTY OF DIGITAL EQUIPMENT CORPORATION AND SHALL NOT BE REPRODUCED OR COPIED OR USED IN WHOLE OR IN PART AS THE BASIS FOR THE MANUFACTURE OR SALE OF ITEMS WITHOUT WRITTEN PERMISSION. COPYRIGHT © 1974 DIGITAL EQUIPMENT CORPORATION



CDPK READ H 11  
CDPJ INITA L 10 74S11 E76

CDPK READ H 9 74S11 E83  
CDPJ INITA L 11

\* NOTE:  
S0 H SELECTS BD REGISTER

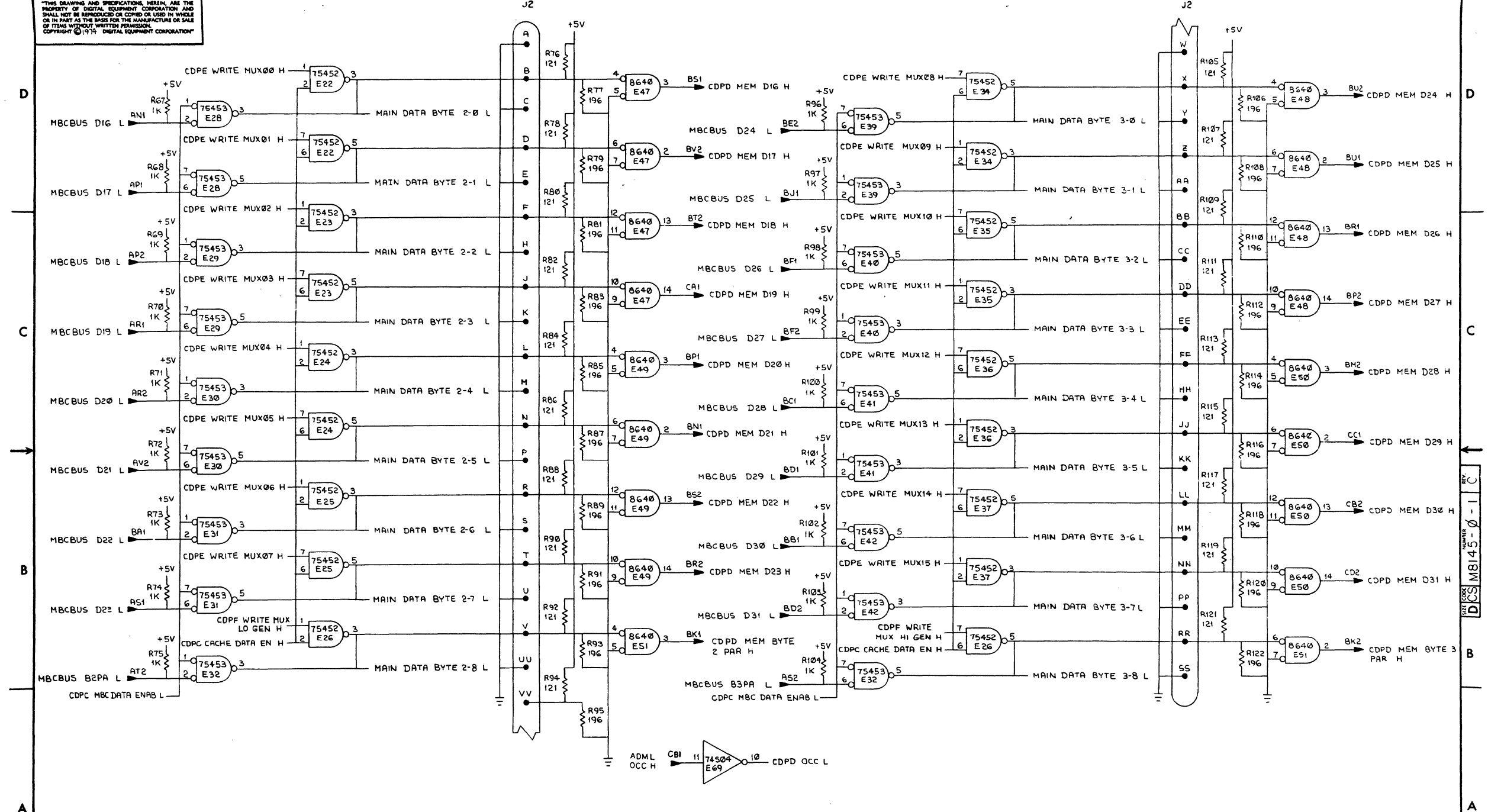
REVISIONS		
CHK	CHANGE NO.	REV.

TITLE: CACHE DATA PATH (CDPB) SIZE CODE: DCS NUMBER: M8145-0-1 REV. C  
SCALE: SHEET 3 OF 10 DIST.

131



THIS DRAWING AND SPECIFICATIONS HEREIN ARE THE PROPERTY OF DIGITAL EQUIPMENT CORPORATION AND SHALL NOT BE REPRODUCED OR COPIED OR USED IN WHOLE OR IN PART AS THE BASIS FOR THE MANUFACTURE OR SALE OF ITEMS WITHOUT WRITTEN PERMISSION. COPYRIGHT © 1974 DIGITAL EQUIPMENT CORPORATION



MAIN MEMORY ODD WORD (SLOT 21)

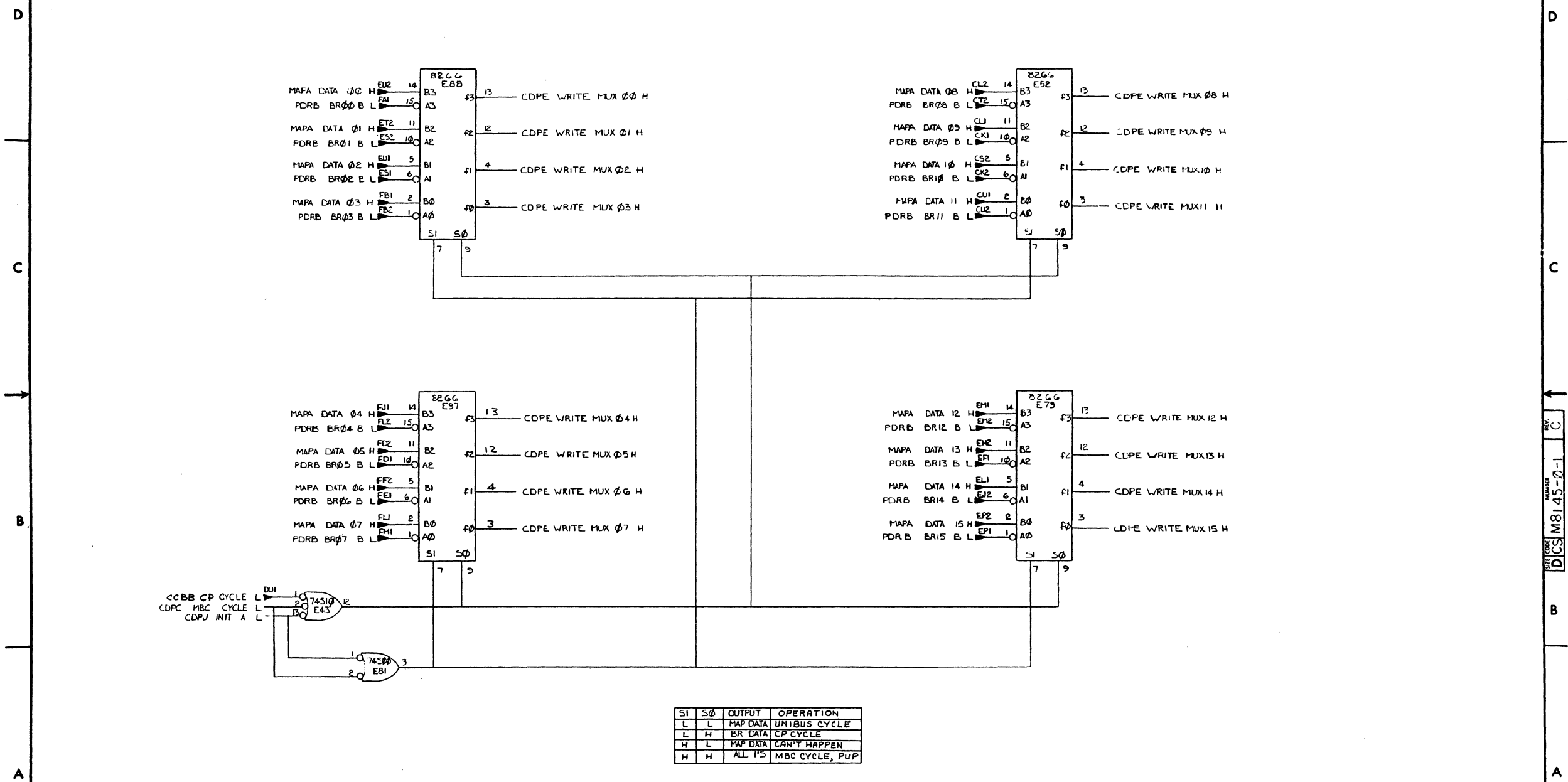
REVISIONS		
CHK	CHANGE NO.	REV.

TITLE	CACHE DATA PATH (CDPD)	SIZE CODE	D	NUMBER	M8145-0-1	REV.	C
SCALE		SHEET	5	OF	10	DIST.	

DCS M8145-0-1

"THIS DRAWING AND SPECIFICATIONS HEREIN ARE THE PROPERTY OF DIGITAL EQUIPMENT CORPORATION AND SHALL NOT BE REPRODUCED OR COPIED OR USED IN WHOLE OR IN PART AS THE BASIS FOR THE MANUFACTURE OR SALE OF ITEMS WITHOUT WRITTEN PERMISSION. COPYRIGHT © 1974 DIGITAL EQUIPMENT CORPORATION"

DIGITAL EQUIPMENT CORPORATION  
M8145-0-1



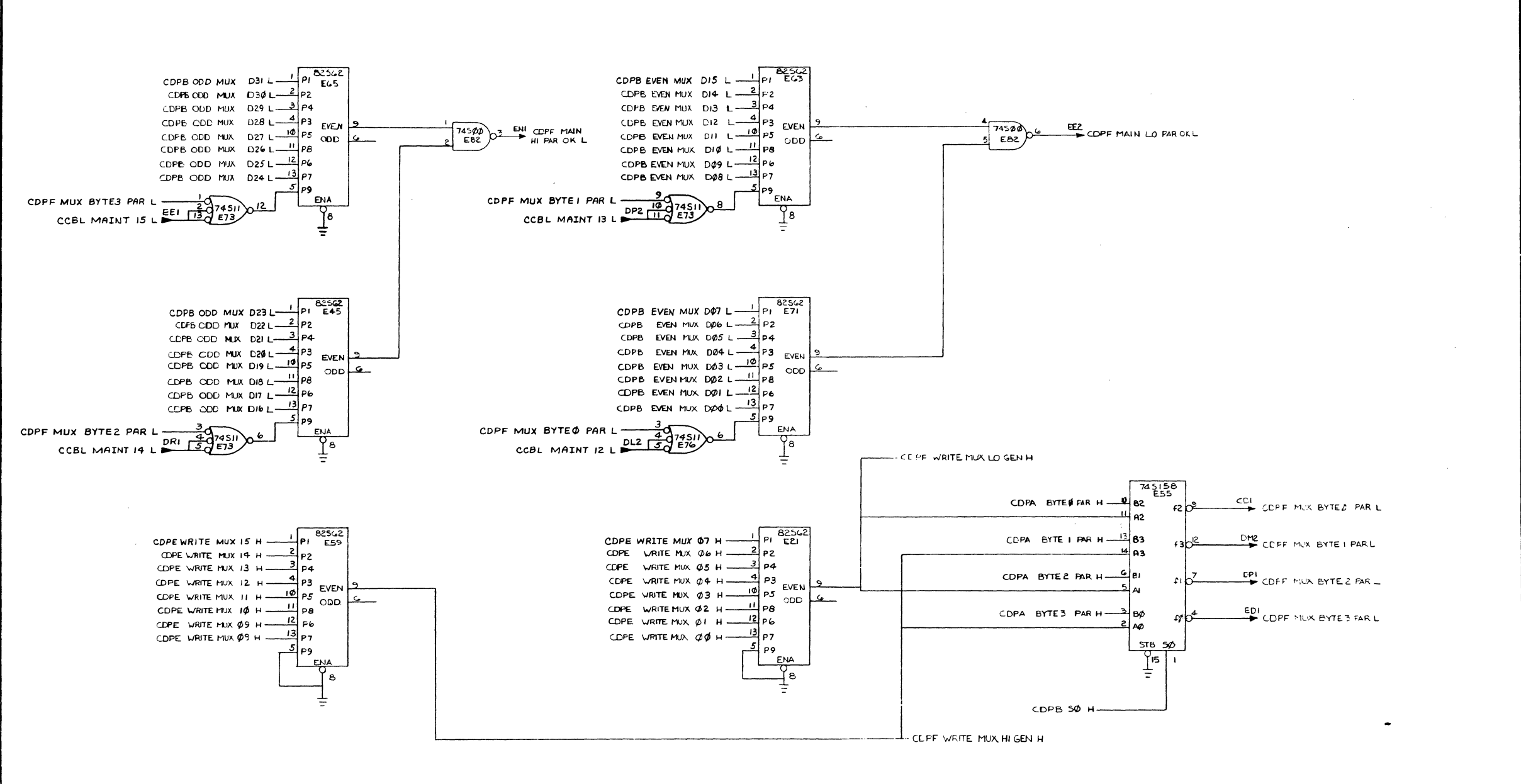
SI	S0	OUTPUT	OPERATION
L	L	MAP DATA	UNIBUS CYCLE
L	H	BR DATA	CP CYCLE
H	L	MAP DATA	CAN'T HAPPEN
H	H	ALL 1'S	MBC CYCLE, PUP

WRITE MULTIPLEXER (SLOT 21)

REVISIONS		
CHK	CHANGE NO.	REV.

TITLE	(CDPE)	SIZE/CODE	NUMBER	REV.
CACHE DATA PATH	D CS	M8145-0-1	C	
SCALE	SHEET 6 OF 10	DIST.		

"THIS DRAWING AND SPECIFICATIONS HEREIN ARE THE PROPERTY OF DIGITAL EQUIPMENT CORPORATION AND SHALL NOT BE REPRODUCED OR USED IN WHOLE OR IN PART AS THE BASIS FOR THE MANUFACTURE OR SALE OF ITEMS WITHOUT WRITTEN PERMISSION. COPYRIGHT © 1974, DIGITAL EQUIPMENT CORPORATION"



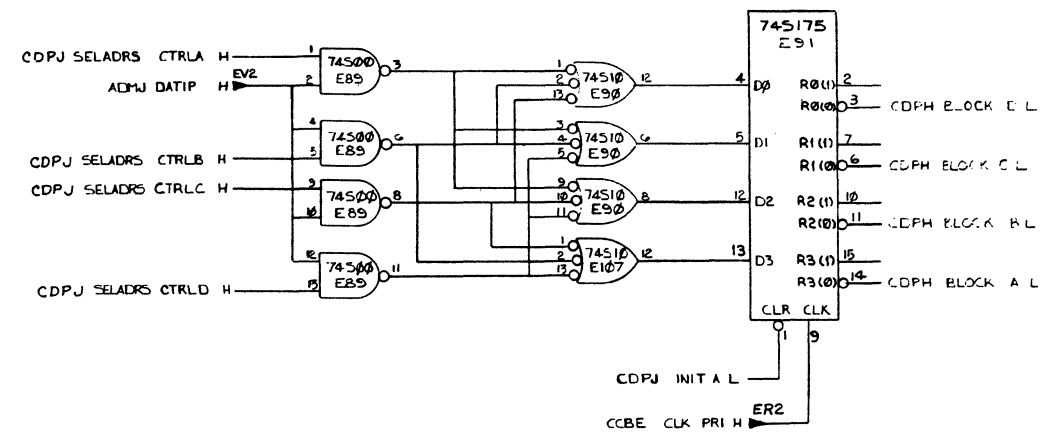
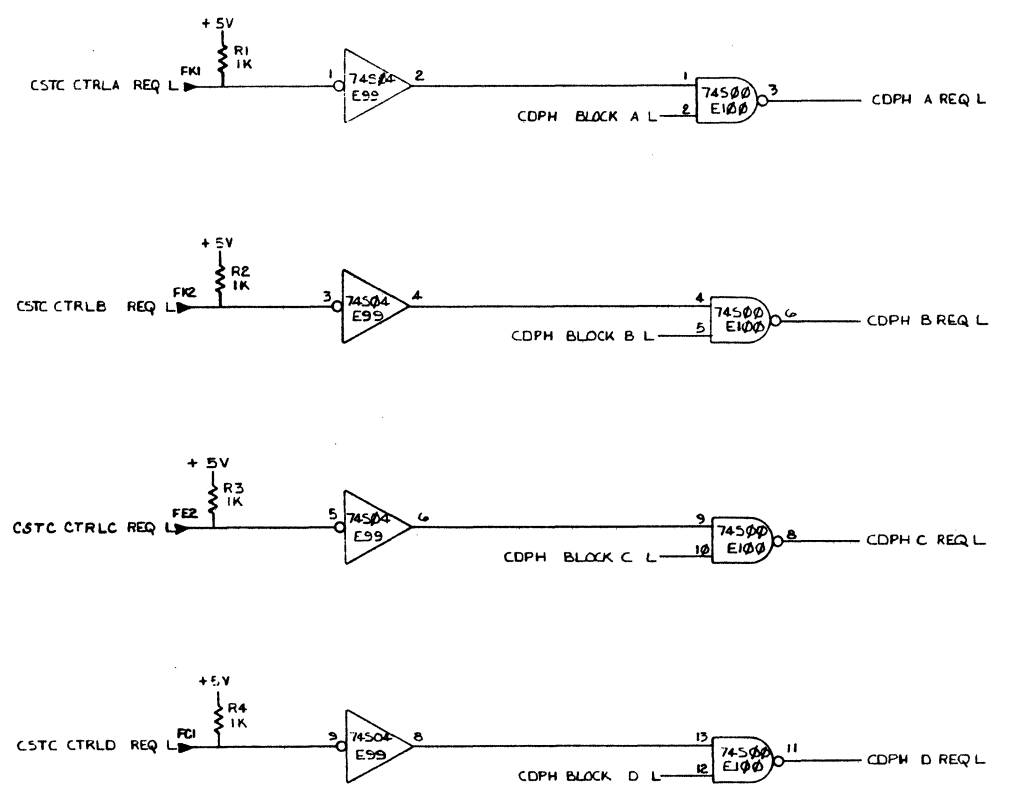
REVISIONS		
CHK	CHANGE NO.	REV.

TITLE	(CDF-)	SIZE CODE	NUMBER	REV.
CACHE DATA PATH	DCS	M8145-0-1		
SCALE	SHEET 7 OF 10	DIST.		

M8145-0-1

THIS DRAWING AND SPECIFICATIONS, HEREIN, ARE THE PROPERTY OF DIGITAL EQUIPMENT CORPORATION AND SHALL NOT BE REPRODUCED OR COPIED OR USED IN WHOLE OR IN PART AS THE BASIS FOR THE MANUFACTURE OR SALE OF ITEMS WITHOUT WRITTEN PERMISSION. COPYRIGHT © 1974 DIGITAL EQUIPMENT CORPORATION

1-0-5618W 50 2



MBC REQUEST (SLOT 21)

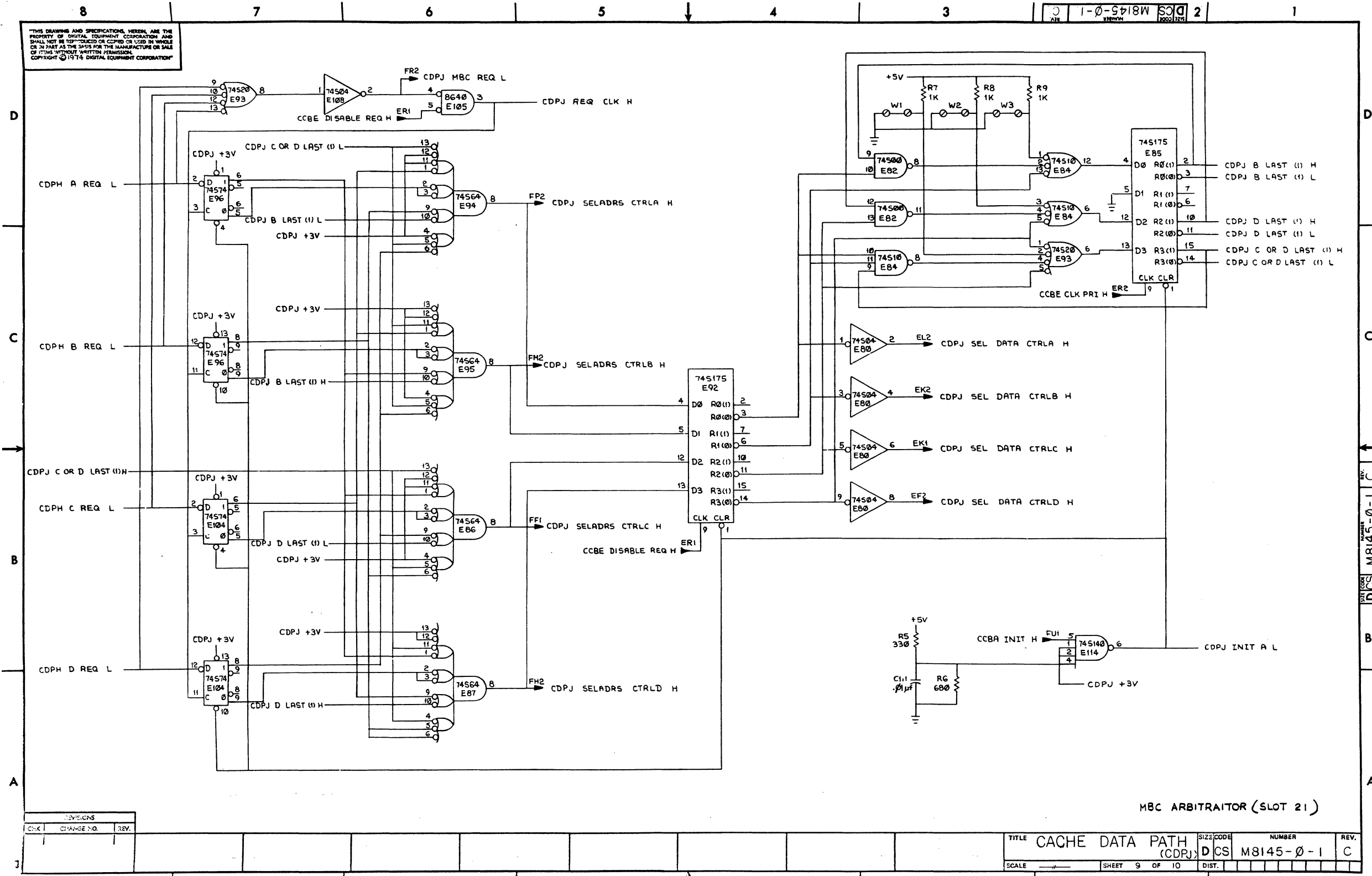
REV	DATE	BY	CHK	CHANGE NO.	REV.

TITLE	SIZE	CODE	NUMBER	REV.
CACHE DATA PATH (CDPH)	D	CS	M8145-0-1	C
SCALE	SHEET	OF	DIST.	
	5	10		

REV. C  
M8145-0-1  
DCS

THIS DRAWING AND SPECIFICATIONS, HEREIN, ARE THE PROPERTY OF DIGITAL EQUIPMENT CORPORATION AND SHALL NOT BE REPRODUCED OR COPIED OR USED IN WHOLE OR IN PART AS THE BASIS FOR THE MANUFACTURE OR SALE OF ITEMS WITHOUT WRITTEN PERMISSION. COPYRIGHT © 1974 DIGITAL EQUIPMENT CORPORATION

1-0-9718W SOD 2

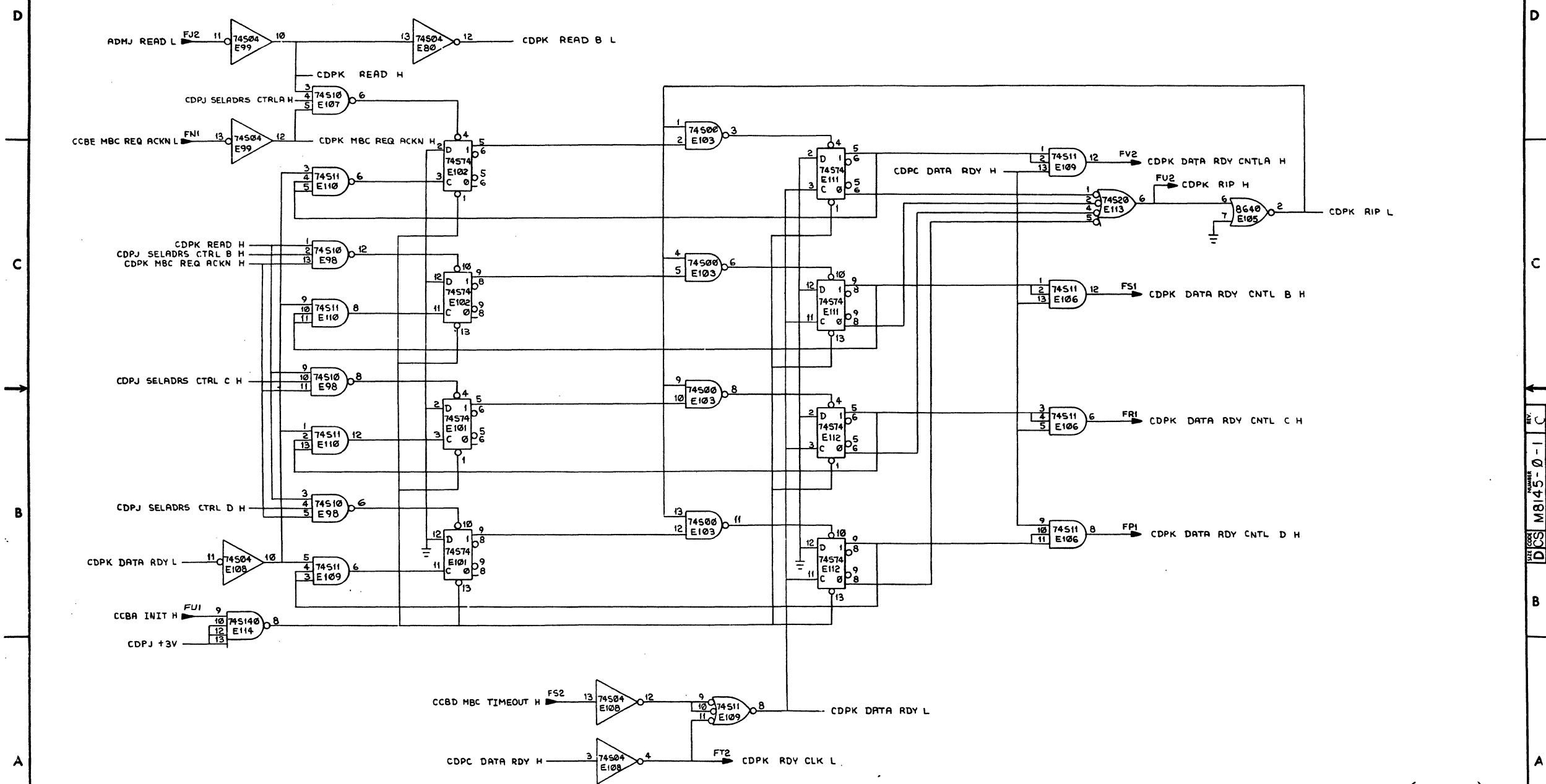


MBC ARBITRATOR (SLOT 21)

REVISIONS		
CHK	CHANGE NO.	REV.

TITLE	CACHE DATA PATH (CDPJ)	SIZE CODE	D CS	NUMBER	M8145-0-1	REV.	C
SCALE		SHEET	9 OF 10	DIST.			

"THIS DRAWING AND SPECIFICATIONS HEREIN ARE THE PROPERTY OF DIGITAL EQUIPMENT CORPORATION AND SHALL NOT BE REPRODUCED OR COPIED OR USED IN WHOLE OR IN PART AS THE BASIS FOR THE MANUFACTURE OR SALE OF ITEMS WITHOUT WRITTEN PERMISSION. COPYRIGHT © 1974 DIGITAL EQUIPMENT CORPORATION"



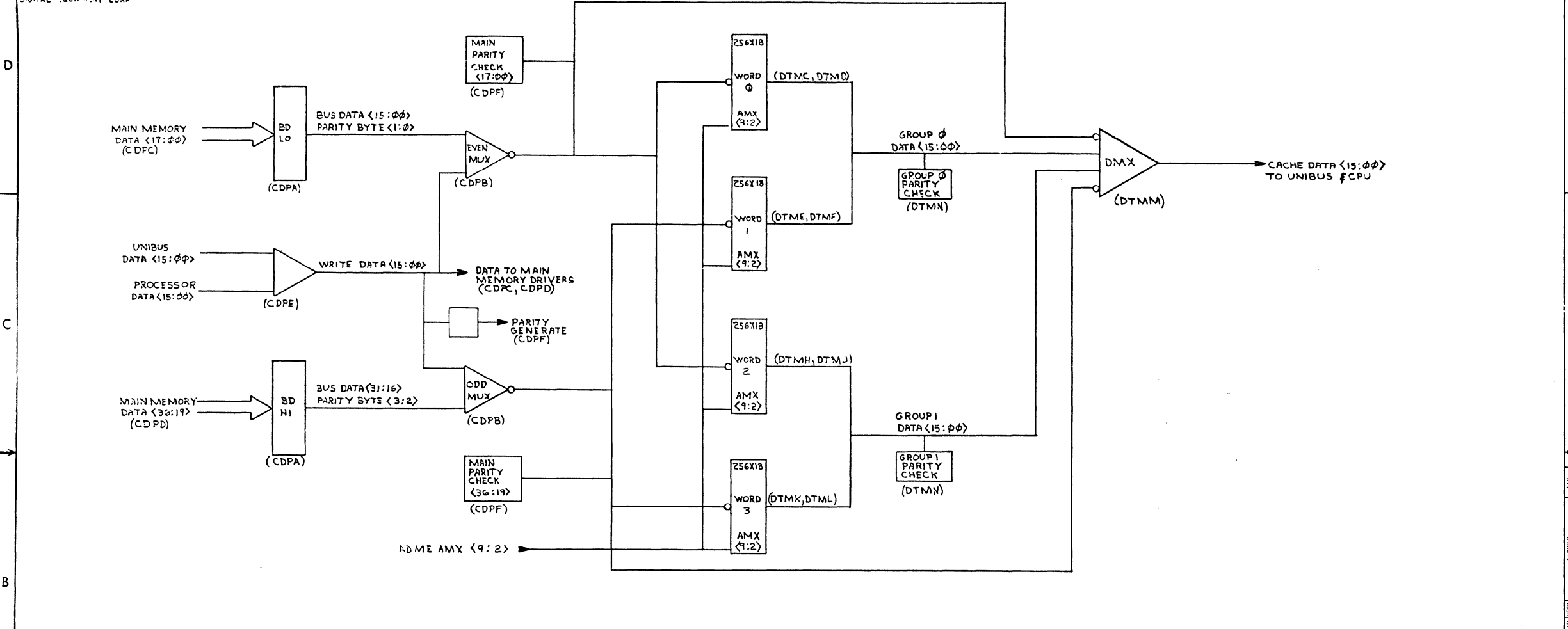
MBC DATA CONTROL (SLOT 21)

REVISIONS		
CHK	CHANGE NO.	REV.

TITLE	CACHE DATA PATH (CDPK)	SIZE/CODE	D/CS	NUMBER	M8145-0-1	REV.	C
SCALE		SHEET	10	OF	10	DIST.	



and specifications, herein, are the property of Digital Equipment Corporation and shall not be used or copied or used in whole or in part without the written permission of Digital Equipment Corporation. © 1971



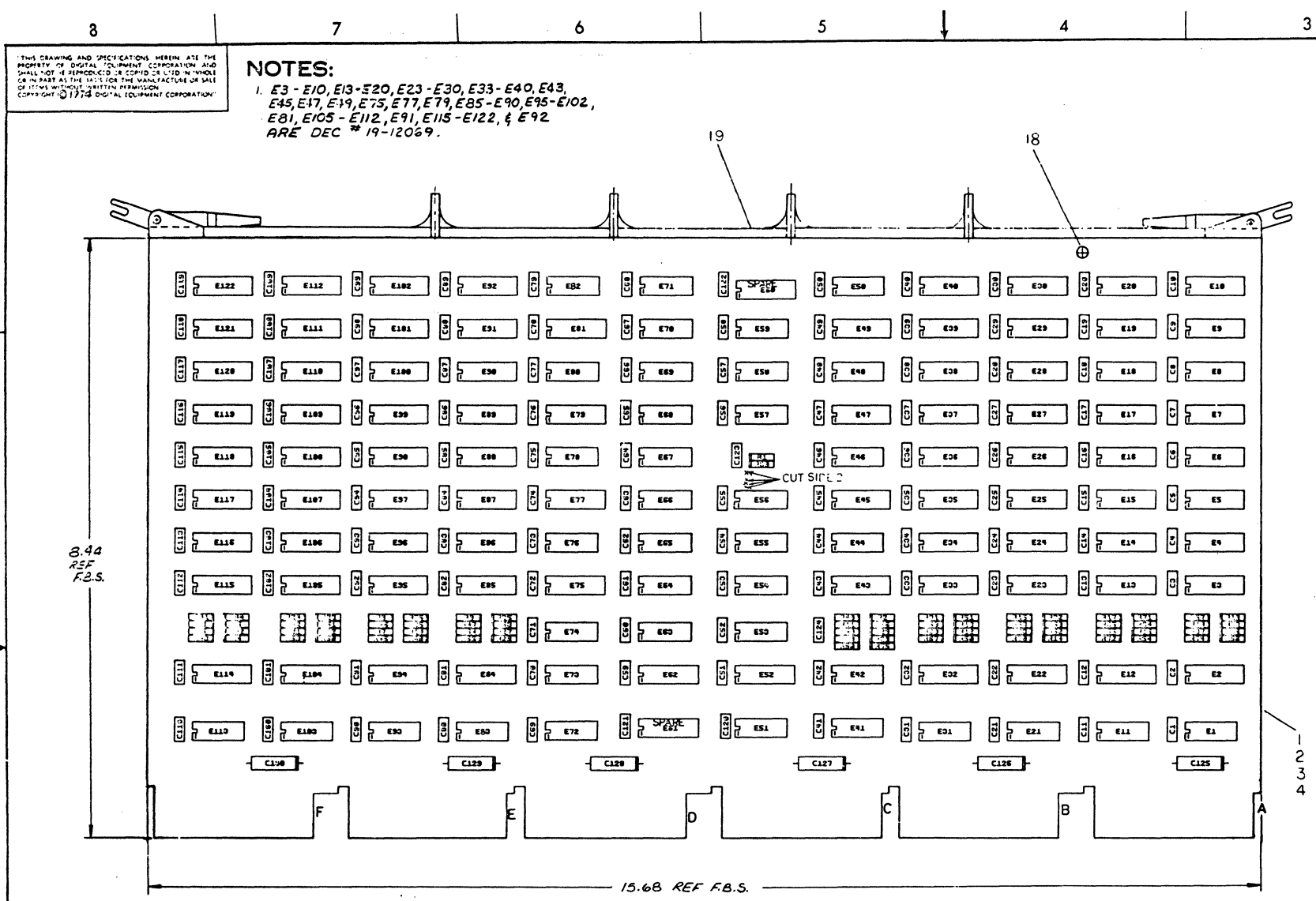
WORD SELECT

READ	A01	MISS	RANDOM	WORD SELECT	FUNCTION
0	0	0	X	0, 2	WRITE HIT
0	1	0	X	1, 3	WRITE HIT
1	0	0	X	0, 2	READ HIT
1	1	0	X	1, 3	READ HIT
1	X	1	0	0, 1	READ MISS
1	X	1	1	2, 3	READ MISS

REV  
REV  
REV  
REV

QTY.	DESCRIPTION	PART NO.	ITEM NO.
PARTS LIST			
FIRST USED ON OPTION/MODEL 11/70		EQUIPMENT CORPORATION MAYNARD, MASSACHUSETTS	
TITLE CACHE DATA PATH		DRAWN BY J-05-M3145-3-1	
CHECKED BY		DATE	
DIMENSION IN INCHES		SCALE	
TOLERANCES		SHEET 1 OF 1	
DECIMALS FRACTIONS ANGLES		DATE	
±.005 ±.004 ±.000		NO. 1	
FINAL SURFACE QUALITY		REV	
REMOVE BURRS AND CHAMF SHARP		* 1	

REV 11/70  
PART NO. 050 M3145-0-7

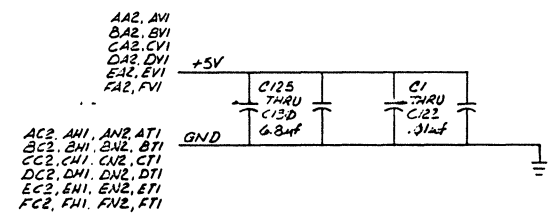


THIS DRAWING AND SPECIFICATIONS HEREIN ARE THE PROPERTY OF DIGITAL EQUIPMENT CORPORATION AND SHALL NOT BE REPRODUCED OR COPIED OR TRANSMITTED IN ANY FORM OR BY ANY MEANS, ELECTRONIC OR MECHANICAL, INCLUDING PHOTOCOPYING, RECORDING, OR BY ANY INFORMATION STORAGE AND RETRIEVAL SYSTEM, WITHOUT THE WRITTEN PERMISSION OF DIGITAL EQUIPMENT CORPORATION.

**NOTES:**  
 1. E3 - E10, E13 - E20, E23 - E30, E33 - E40, E43, E45, E17, E19, E75, E77, E79, E85 - E90, E95 - E102, E81, E105 - E112, E91, E115 - E122, & E92 ARE DEC # 19-12069.

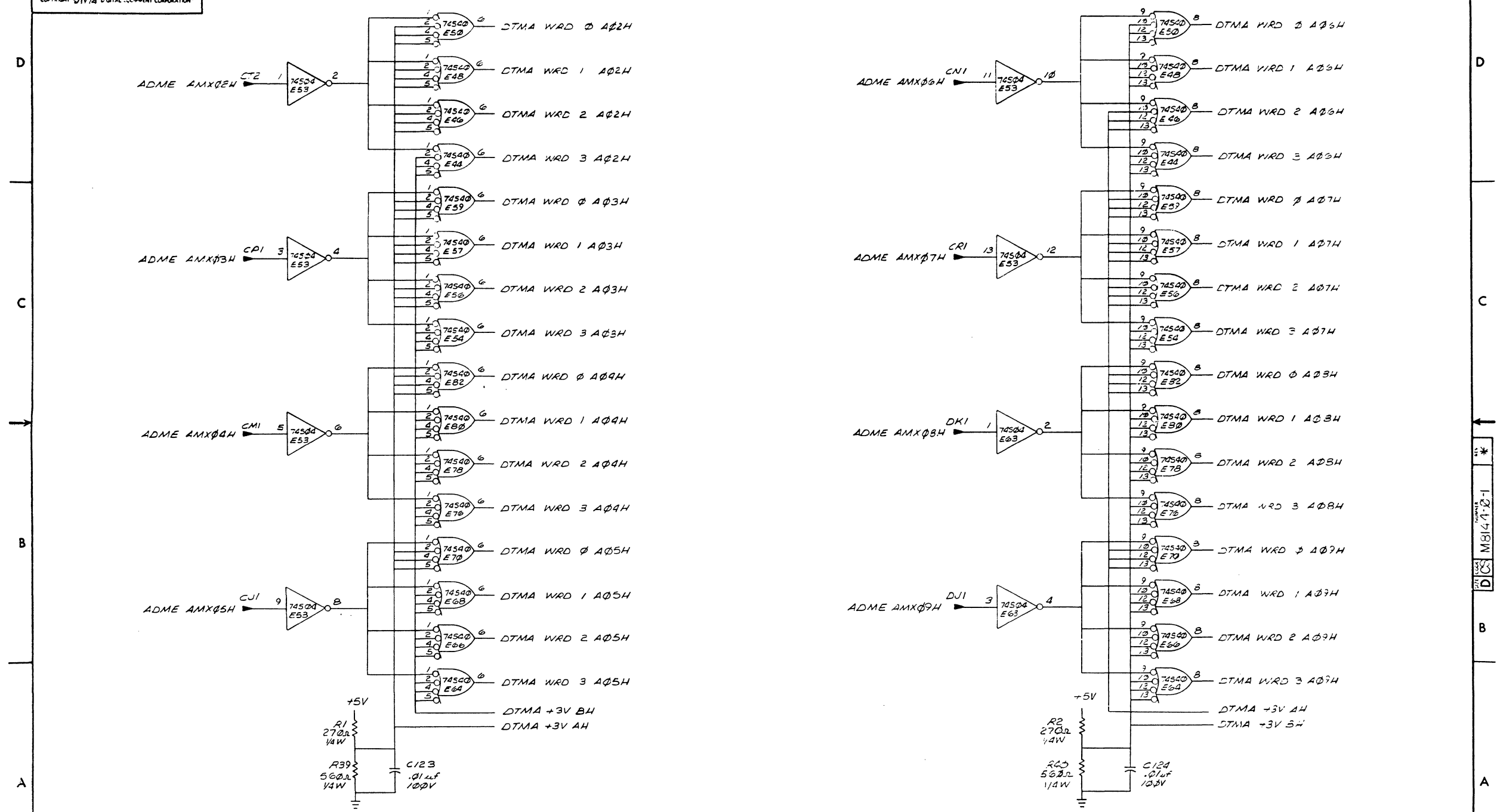
REF	DESCRIPTION	QTY	ITEM NO
	X-Y COORDINATE HOLE LOC		K-CD-65041-0-4 1
	ASSY DRILLING HOLE LAYOUT		D-AH-65041-0-5 2
	MODULE ECO HISTORY		B-MH-65041-0-6 3
1	ETCHED CIRCUIT BOARD	50/112 B6	4
124	C1 THRU C124	CAP. .01uf, 100V. DISC	1001610-01 5
6	C125 THRU C130	CAP. 0.8uf, 35V. 10% TANT	1000530-06 6
2	R1, R2	RES. 270-ohm, 1/4W, 5%	1301972 7
36	R3 THRU R38	RES. 330-ohm, 1/4W, 5%	1300295 8
2	R39, R40	RES. 500-ohm, 1/4W, 5%	1301890 9
36	R41 THRU R76	RES. 1000-ohm, 1/4W, 5%	1301424 10
8	E1, E21, E41, E53, E63, E72, E93, E113	IC DEC 74504	1910534 11
10	E2, E12, E22, E32, E52, E62, E84, E94, E104, E114	IC DEC 745153	1910547 12
72	E3 THRU E10, E13 THRU E20, E23 THRU E30, E33 THRU E40, E43, E45, E47, E49, E75, E77, E79, E85 THRU E90, E95 THRU E102, E81, E105 THRU E112, E91, E115 THRU E122, E92	SEE NOTE 1	19-12069 13
4	E11, E31, E83, E103	IC DEC 02502	1911271 14
3	E42, E73, E74	IC DEC 74500	1910532 15
18	E44, E46, E48, E50, E54 THRU E59, E64, E66, E68, E70, E76, E78, E80, E82	IC DEC 74540	1910541 16
5	E51, E65, E67, E69, E71	IC DEC 74564	1910542 17
12	EYELET HANDLE	9006732	18
1	HEX HANDLE ASSY	1210711-2	19

IC TYPE	QTY	REV
IC DEC 743153	3	1/6
IC DEC 743301	3	1/3
IC TYPE	QTY	REV



QTY	REF DESIGNATION	DESCRIPTION	PART NO.	ITEM NO
PARTS LIST				
ETCH BOARD REV A				
DATE: 12/17/75				
DRAWN: [Signature]				
CHECKED: [Signature]				
TITLE: DATA MEMORY				
DICS M8144-0-1				
SEMICONDUCTOR CONVERSION CHART				
PAGE 1 OF 14				

THIS DRAWING AND SPECIFICATIONS HEREIN ARE THE PROPERTY OF DIGITAL EQUIPMENT CORPORATION AND SHALL NOT BE REPRODUCED OR COPIED IN WHOLE OR IN PART AS TO THE MANUFACTURE OR SALE OF ITEMS WITHOUT WRITTEN PERMISSION. COPYRIGHT © 1974 DIGITAL EQUIPMENT CORPORATION



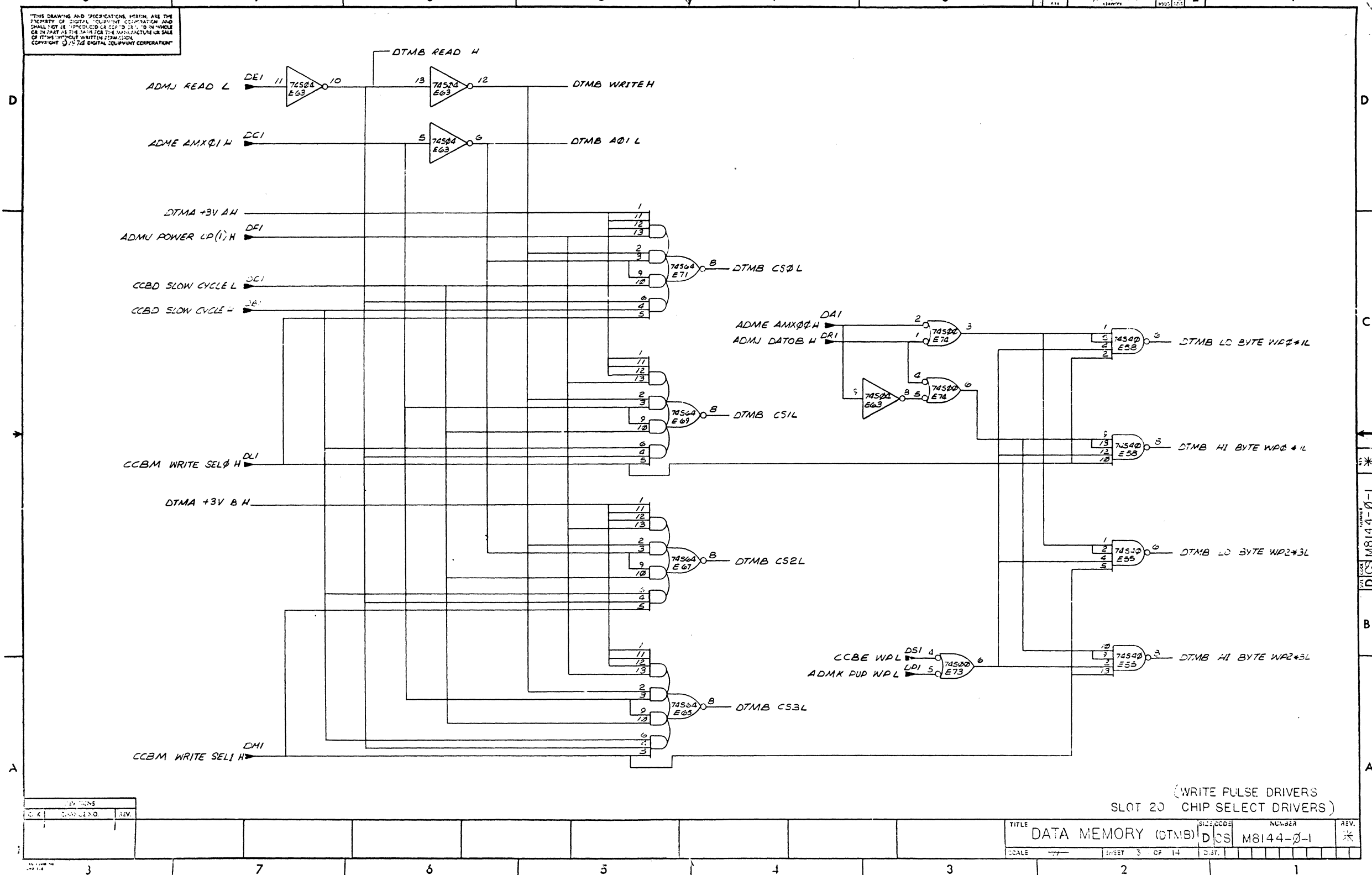
REV.	CHANGE NO.	REV.

TITLE		SIZE CODE	NUMBER	REV.
DATA MEMORY (DTMA)		D CS	M8144-0-1	*
SCALE	SHEET 2 OF 14	DIST.		

M8144-0-1

THIS DRAWING AND SPECIFICATIONS HEREIN ARE THE PROPERTY OF DIGITAL EQUIPMENT CORPORATION AND SHALL NOT BE REPRODUCED OR TRANSMITTED IN ANY FORM OR BY ANY MEANS, ELECTRONIC OR MECHANICAL, INCLUDING PHOTOCOPYING, RECORDING, OR BY ANY INFORMATION STORAGE AND RETRIEVAL SYSTEM, WITHOUT PERMISSION IN WRITING FROM DIGITAL EQUIPMENT CORPORATION.

1-0-0713W 2



(WRITE PULSE DRIVERS  
SLOT 20 CHIP SELECT DRIVERS)

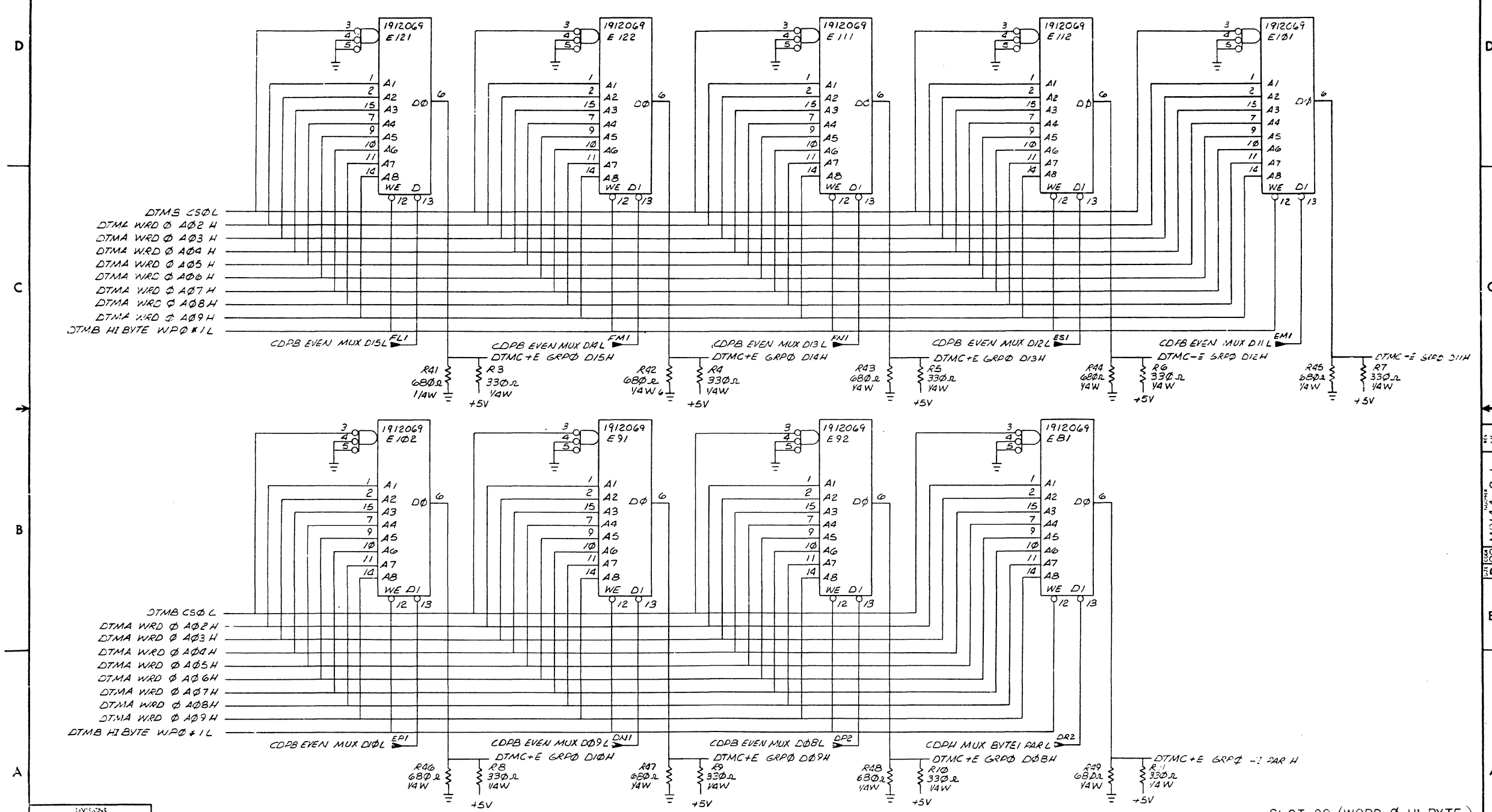
REV.	DESCRIPTION	DATE
1		

TITLE	DATA MEMORY (DTMB)	SHEET	3	OF	14	REV.	*
SCALE		DIST.				NUMBER	M8144-0-1

142

THIS DRAWING AND SPECIFICATIONS HEREIN ARE THE PROPERTY OF DIGITAL EQUIPMENT CORPORATION AND SHALL NOT BE REPRODUCED OR TRANSMITTED IN ANY FORM OR BY ANY MEANS, ELECTRONIC OR MECHANICAL, INCLUDING PHOTOCOPYING, RECORDING, OR BY ANY INFORMATION STORAGE AND RETRIEVAL SYSTEM, WITHOUT PERMISSION IN WRITING FROM DIGITAL EQUIPMENT CORPORATION.

1-0-0015W SC 2



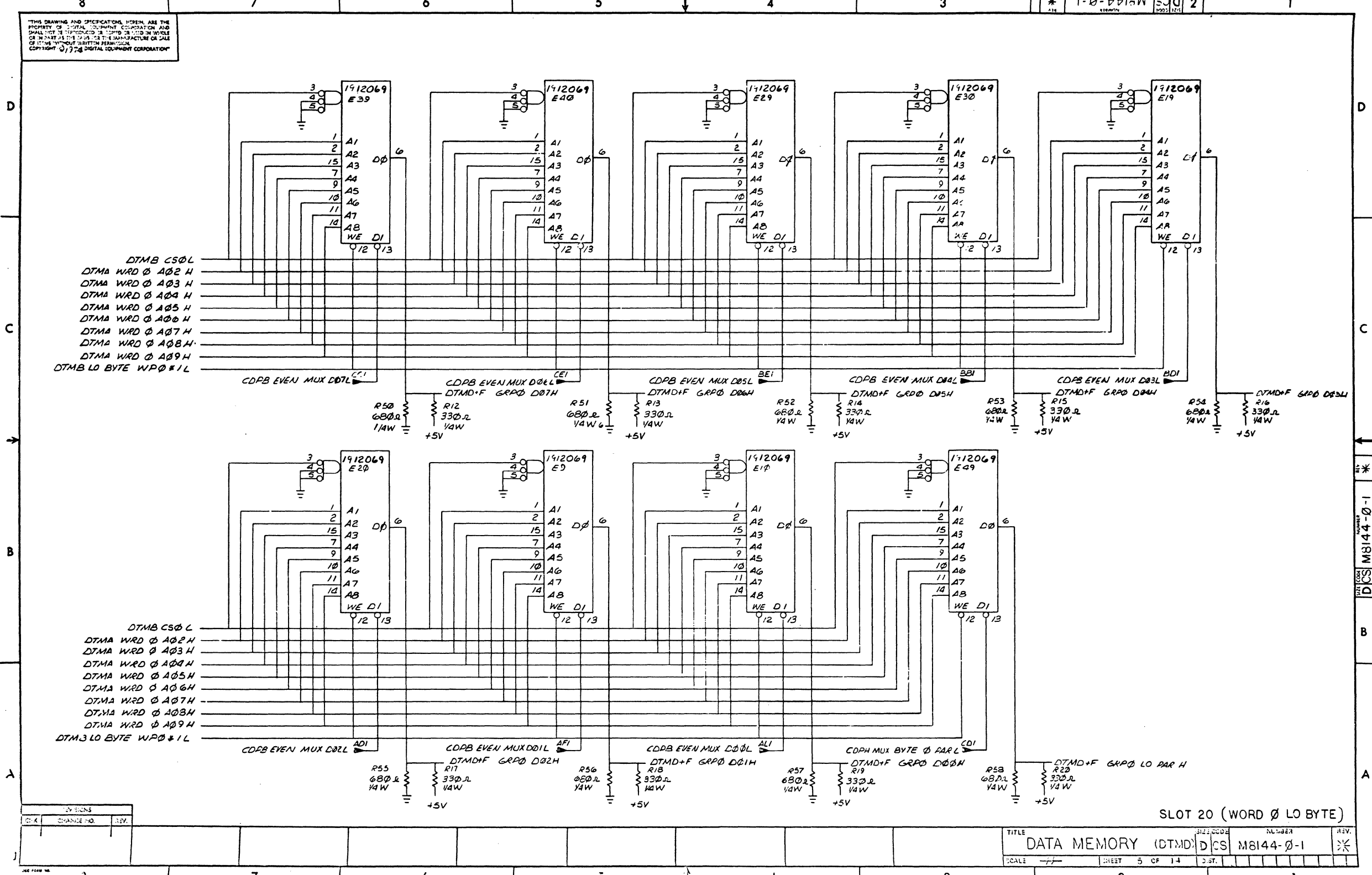
REVISIONS		
CHG.	CHANGE NO.	REV.

SLOT 20 (WORD 0 HI BYTE)

TITLE	DATA MEMORY (DTMC)	SIC CODE	DCS	NUMBER	M8144-0-1	REV.	*
SCALE	1/1	SHEET	4	OF	14	DIST.	

THIS DRAWING AND SPECIFICATIONS HEREIN ARE THE PROPERTY OF DIGITAL EQUIPMENT CORPORATION AND SHALL NOT BE REPRODUCED OR COPIED IN WHOLE OR IN PART AS THE BASIS FOR THE MANUFACTURE OR SALE OF OTHERS WITHOUT WRITTEN PERMISSION. COPYRIGHT © 1974 DIGITAL EQUIPMENT CORPORATION

1-0-001AW 2



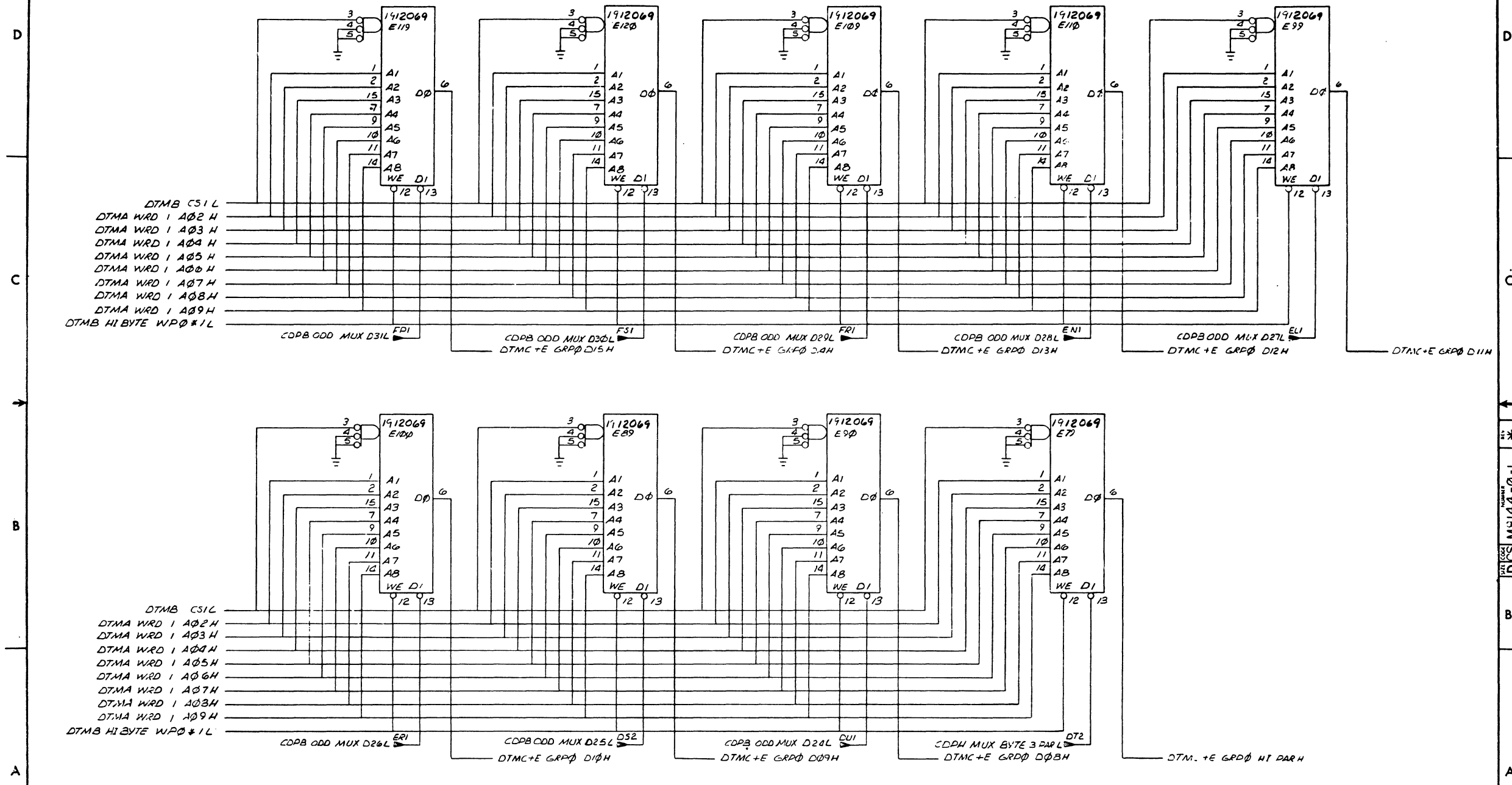
REV	CHANGE NO.	REV.

TITLE	DATA MEMORY (DTMD)	SIZE CODE	DCS	NUMBER	M8144-0-1	REV.	*
SCALE	1:1	SHEET	5 OF 14	DIST.			

DCS M8144-0-1

THIS DRAWING AND SPECIFICATIONS HEREIN ARE THE PROPERTY OF DIGITAL EQUIPMENT CORPORATION AND SHALL NOT BE REPRODUCED OR COPIED IN WHOLE OR IN PART AS TO THE MANUFACTURE OR SALE OF ITEMS WITHOUT WRITTEN PERMISSION. COPYRIGHT © 1974 DIGITAL EQUIPMENT CORPORATION

\* 1-0-0715M 2



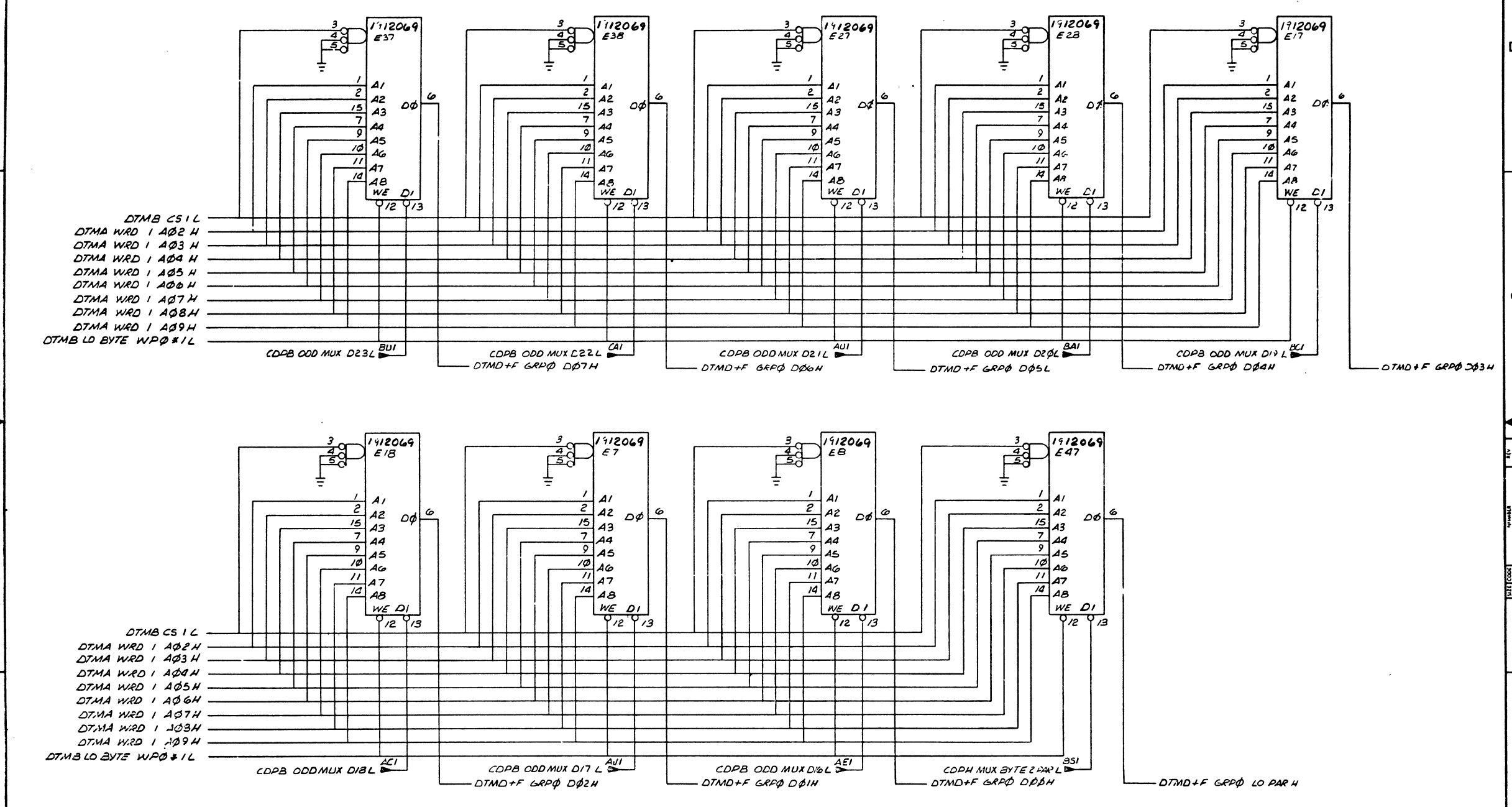
D E C S I M 8 1 4 4 - 0 - 1

REVISIONS		
CHK	CHANGE NO.	REV.

SLOT 20 (WORD 1 HI BYTE)

TITLE	DATA MEMORY (DTME)	SIZE CODE	D E C S	NUMBER	M 8 1 4 4 - 0 - 1	REV.	*
SCALE		SHEET	6 OF 14	D.ST.			

THIS DRAWING AND SPECIFICATIONS HEREIN ARE THE PROPERTY OF DIGITAL EQUIPMENT CORPORATION AND SHALL NOT BE REPRODUCED OR TRANSMITTED IN ANY FORM OR BY ANY MEANS FOR THE CONSTRUCTION OR SALE OF ITEMS WITHOUT WRITTEN PERMISSION. COPYRIGHT © 1977 DIGITAL EQUIPMENT CORPORATION



REV. NO.		REV. DATE		REV. BY		REV. NO.		REV. DATE		REV. BY	

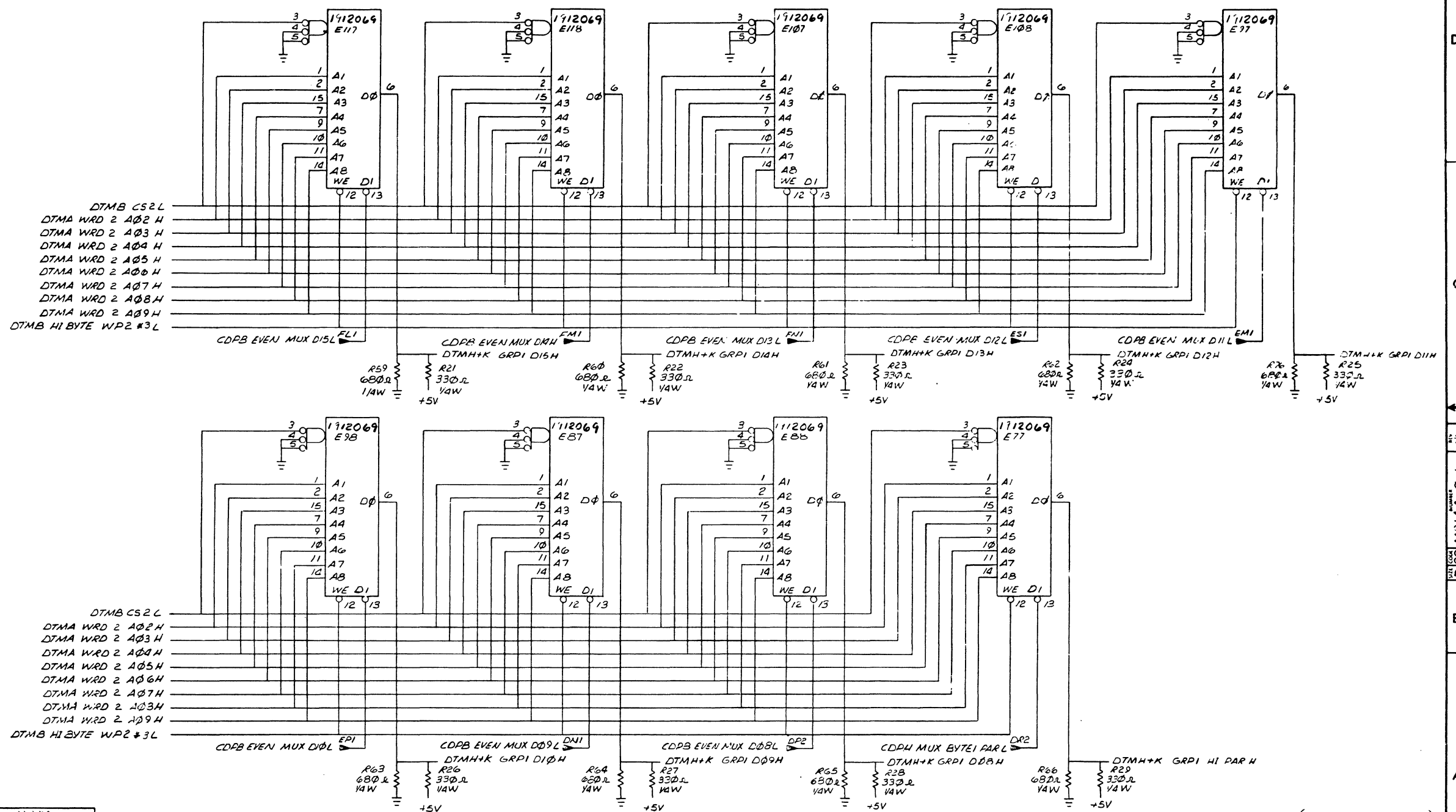
SLOT 20 (WORD 1 LO BYTE)

TITLE	DATA MEMORY (DTMF)	SIZE CODE	DCS	NUMBER	M8144-0-1	REV.	*
SCALE		SHEET	7	OF	14	D.ST.	



THIS DRAWING AND SPECIFICATIONS HEREIN ARE THE PROPERTY OF DIGITAL EQUIPMENT CORPORATION AND SHALL NOT BE REPRODUCED, COPIED, OR IN WHOLE OR IN PART AS THE BASIS FOR THE MANUFACTURE OR SALE OF ITEMS WITHOUT THE WRITTEN PERMISSION. COPYRIGHT © 1972 DIGITAL EQUIPMENT CORPORATION

1-12-5514W [SD] 2

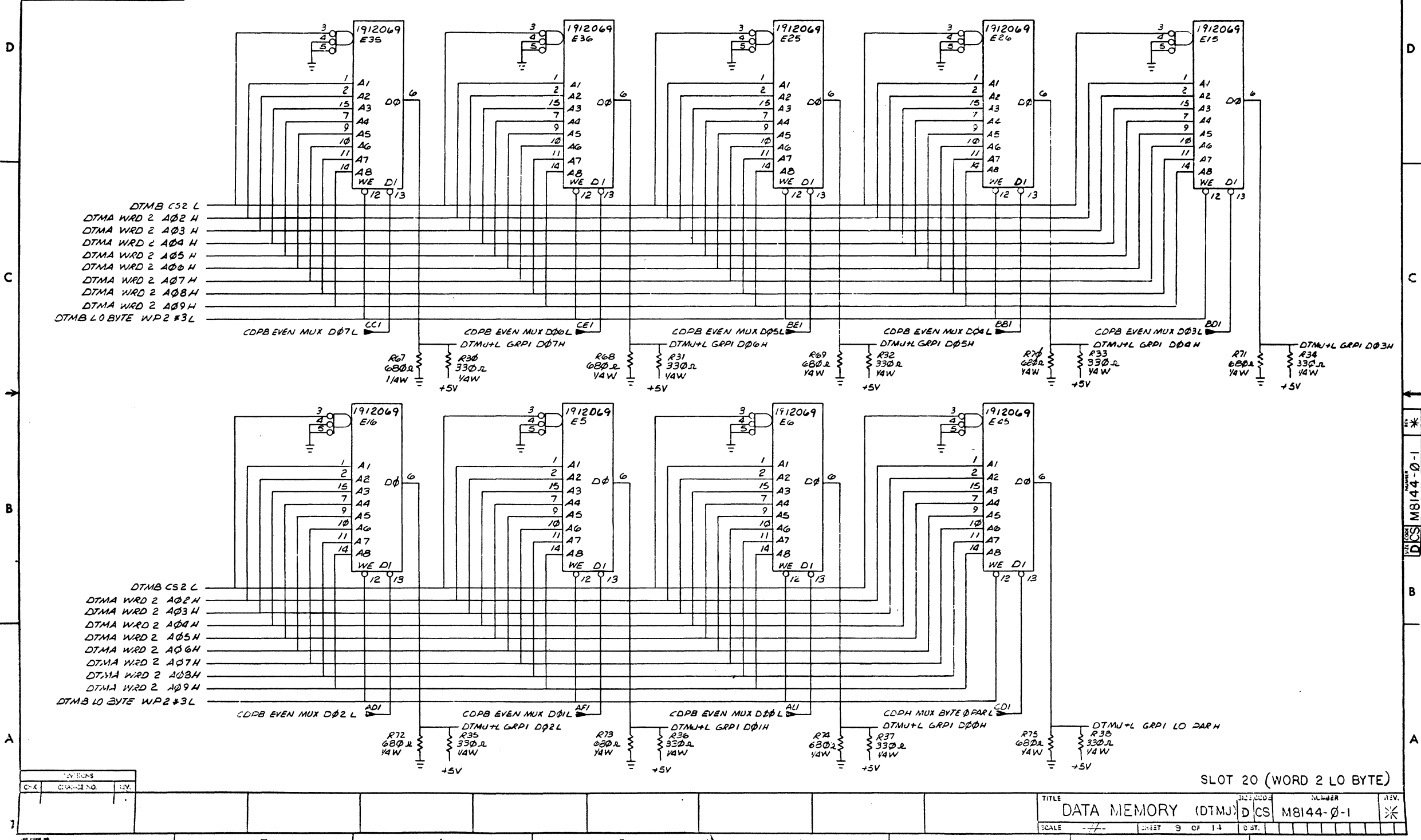


REV	DATE	CHANGE NO	BY

SLOT 20 (WORD 2 HI BYTE)  
 TITLE DATA MEMORY (DTMH) DCS M8144-0-1  
 SCALE // SHEET 8 OF 14 D.ST.

147

THIS DRAWING AND SPECIFICATIONS, HEREIN, ARE THE PROPERTY OF DIGITAL EQUIPMENT CORPORATION AND SHALL NOT BE REPRODUCED OR COPIED OR USED IN WHOLE OR IN PART AS THE BASIS FOR THE MANUFACTURE OR SALE OF ITEMS WITHOUT WRITTEN PERMISSION. COPYRIGHT © 1974 DIGITAL EQUIPMENT CORPORATION

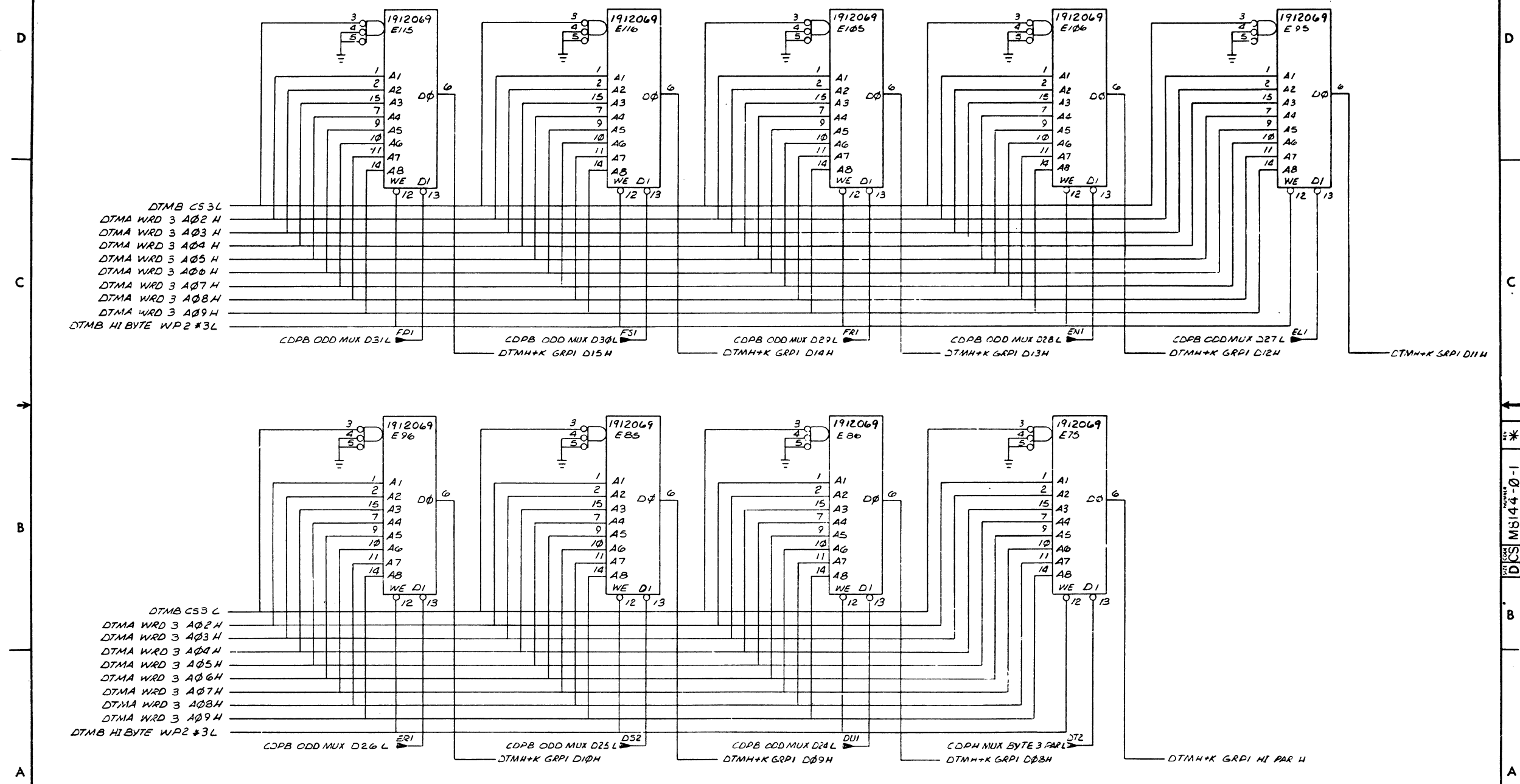


REV	DATE	BY
1		

SLOT 20 (WORD 2 LO BYTE)

TITLE	DATA MEMORY (DTMJ) DCS	NUMBER	M8144-0-1	REV.	*
SCALE		SHEET	9 OF 14	D ST.	

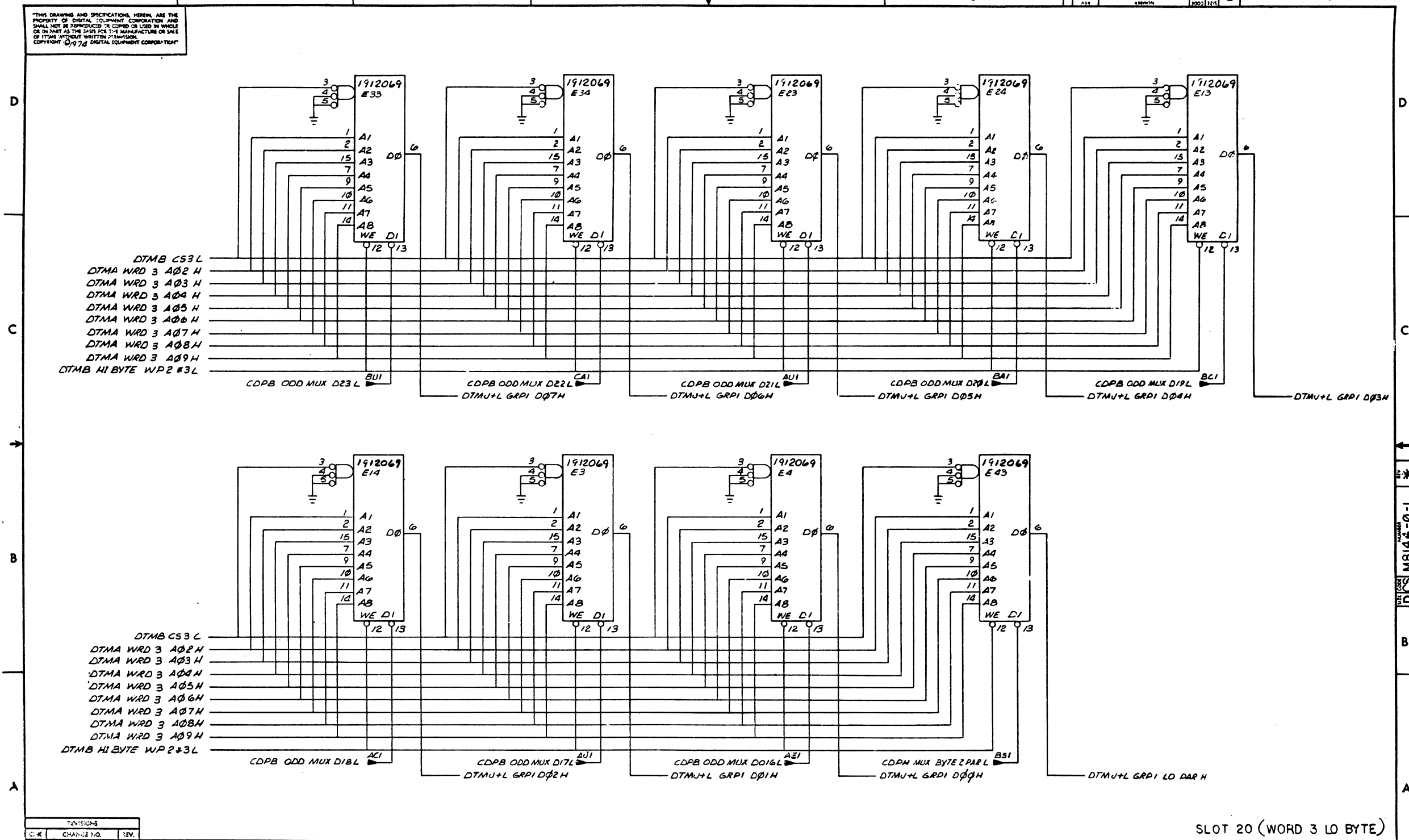
THIS DRAWING AND SPECIFICATIONS, HEREIN, ARE THE PROPERTY OF DIGITAL EQUIPMENT CORPORATION AND SHALL NOT BE REPRODUCED OR COPIED IN WHOLE OR IN PART AS TO THE BASIS FOR THE MANUFACTURE OR SALE OF ITEMS WITHOUT WRITTEN PERMISSION. COPYRIGHT © 1974 DIGITAL EQUIPMENT CORPORATION



REVISIONS			SLOT 20 (WORD 3 HI BYTE)			
CHK	CHANGE NO.	REV.	TITLE	SIZE CODE	NUMBER	REV.
			DATA MEMORY (DTMK)	D CS	M8144-0-1	*
			SCALE	SHEET 13 OF 14	DIST.	

THIS DRAWING AND SPECIFICATIONS HEREIN ARE THE PROPERTY OF DIGITAL EQUIPMENT CORPORATION AND SHALL NOT BE REPRODUCED OR COPIED OR USED IN WHOLE OR IN PART AS THE BASIS FOR THE MANUFACTURE OR SALE OF ITEMS WITHOUT WRITTEN PERMISSION. COPYRIGHT © 1974 DIGITAL EQUIPMENT CORPORATION

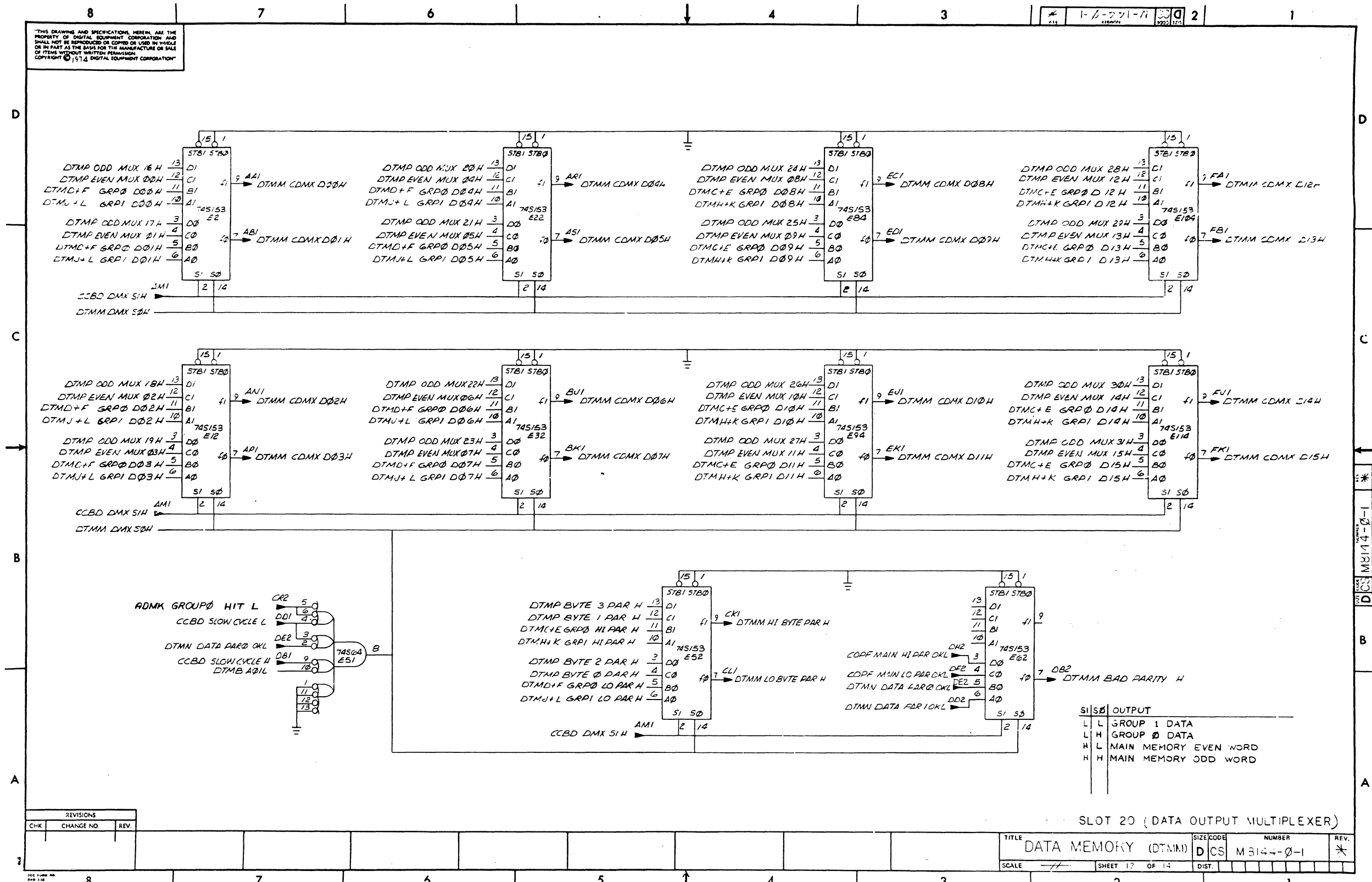
\* 1-0-1 M8144-0-1 DCS 2



SLOT 20 (WORD 3 LO BYTE)  
 TITLE DATA MEMORY (DTML) DCS M8144-0-1  
 SCALE SHEET 11 OF 14 D.J.T.

150

THIS DRAWING AND SPECIFICATIONS HEREIN ARE THE PROPERTY OF DIGITAL EQUIPMENT CORPORATION AND SHALL NOT BE REPRODUCED OR COPIED OR USED IN WHOLE OR IN PART AS THE BASIS FOR THE MANUFACTURE OR SALE OF ITEMS WITHOUT WRITTEN PERMISSION. COPYRIGHT © 1974 DIGITAL EQUIPMENT CORPORATION

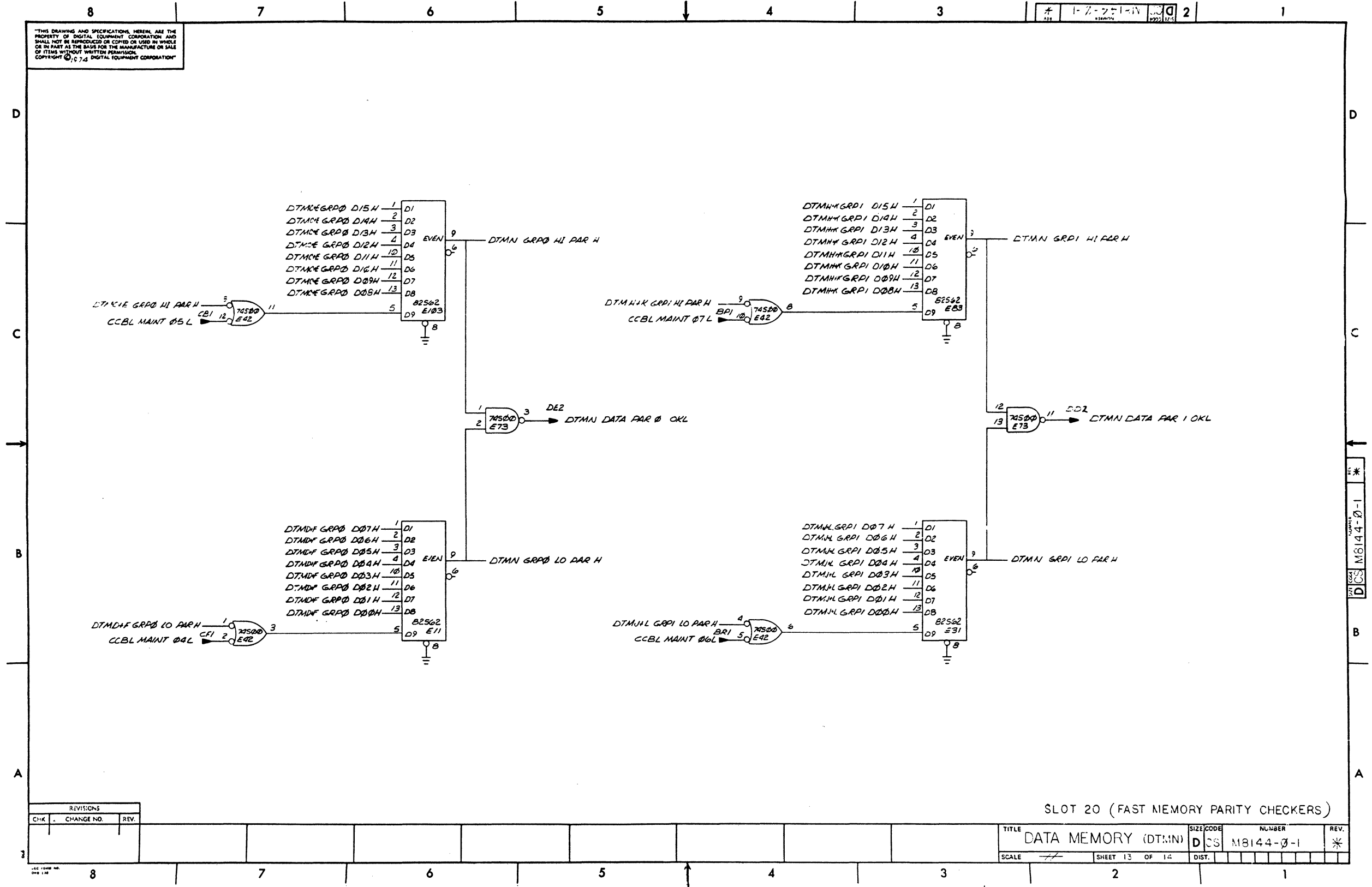


REVISIONS		
CHK	CHANGE NO.	REV.

SLOT 20 (DATA OUTPUT MULTIPLEXER)  
 TITLE DATA MEMORY (DTMM) SIZE CODE D CS NUMBER M3144-0-1 REV. \*  
 SCALE --- SHEET 12 OF 14 DIST.

THIS DRAWING AND SPECIFICATIONS HEREIN ARE THE PROPERTY OF DIGITAL EQUIPMENT CORPORATION AND SHALL NOT BE REPRODUCED OR COPIED OR USED IN WHOLE OR IN PART AS THE BASIS FOR THE MANUFACTURE OR SALE OF ITEMS WITHOUT WRITTEN PERMISSION. COPYRIGHT © 1974 DIGITAL EQUIPMENT CORPORATION

# 1-7-75-1-14 2



REVISIONS		
CHK	CHANGE NO.	REV.

SLOT 20 (FAST MEMORY PARITY CHECKERS)

TITLE	DATA MEMORY (DTMN)	SIZE CODE	D CS	NUMBER	M8144-0-1	REV.	*
SCALE	1/1	SHEET	13	OF	14	DIST.	

M8144-0-1

152

THIS DRAWING AND SPECIFICATIONS HEREIN ARE THE PROPERTY OF DIGITAL EQUIPMENT CORPORATION AND SHALL NOT BE REPRODUCED OR COPIED OR USED IN WHOLE OR IN PART AS THE BASIS FOR THE MANUFACTURE OR SALE OF ANY PRODUCT WITHOUT WRITTEN PERMISSION. COPYRIGHT © 1974 DIGITAL EQUIPMENT CORPORATION

\* I-0-1 SC 2



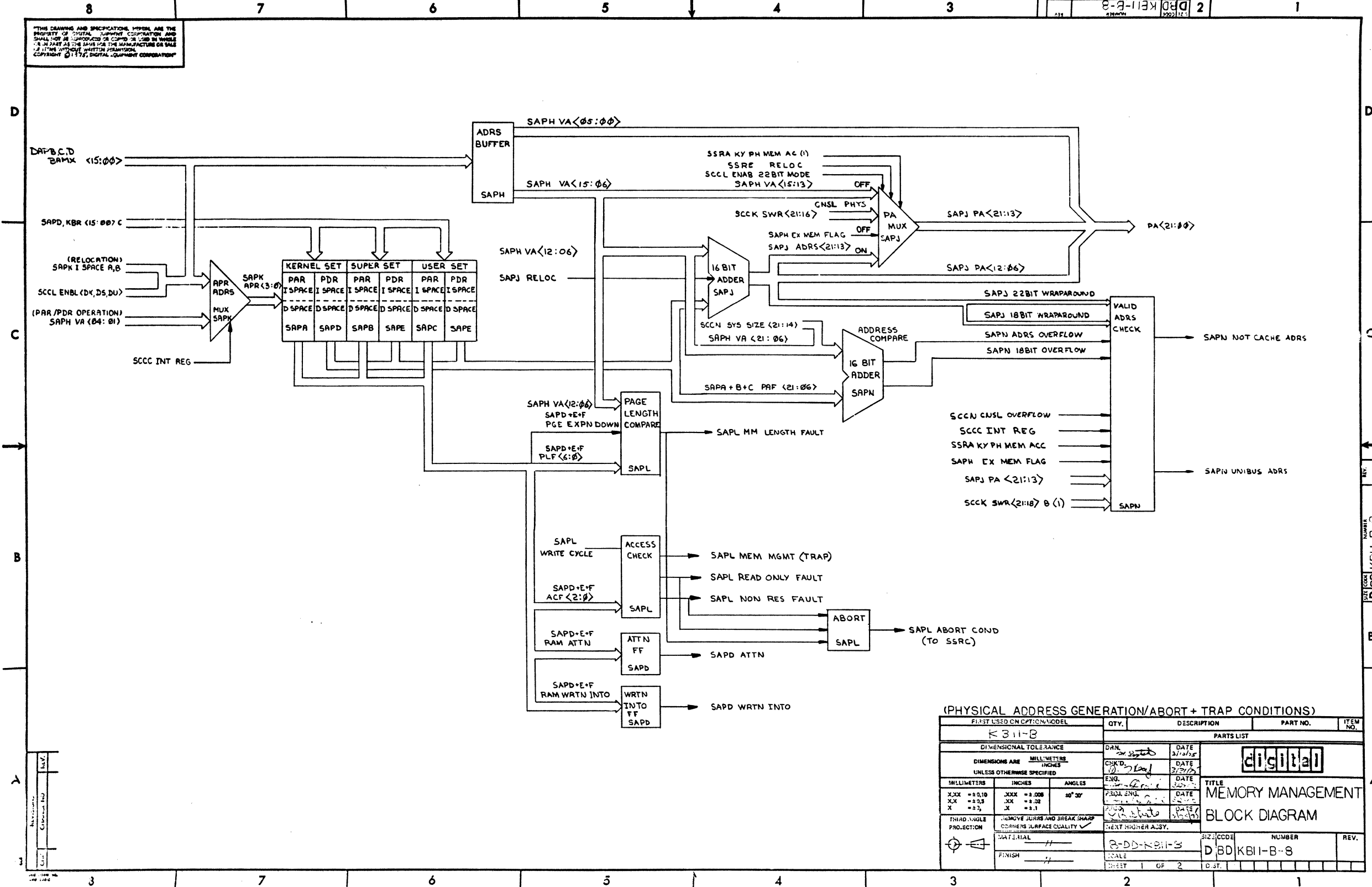
SLOT 20 (MAIN MEMORY DATA INVERTERS)

REVISIONS	
CHK	CHANGE NO.

TITLE	DATA MEMORY (DTMP)	SIZE CODE	D CS	NUMBER	M3144-0-1	REV.	*
SCALE	1/4	SHEET	14	OF	14	DIST.	

153

THIS DRAWING AND SPECIFICATIONS HEREIN ARE THE PROPERTY OF DIGITAL EQUIPMENT CORPORATION AND SHALL NOT BE REPRODUCED OR COPIED IN WHOLE OR IN PART AS THE BASIS FOR THE MANUFACTURE OR SALE OF ITEMS WITHOUT WRITTEN PERMISSION. COPYRIGHT © 1975, DIGITAL EQUIPMENT CORPORATION



(PHYSICAL ADDRESS GENERATION/ABORT + TRAP CONDITIONS)

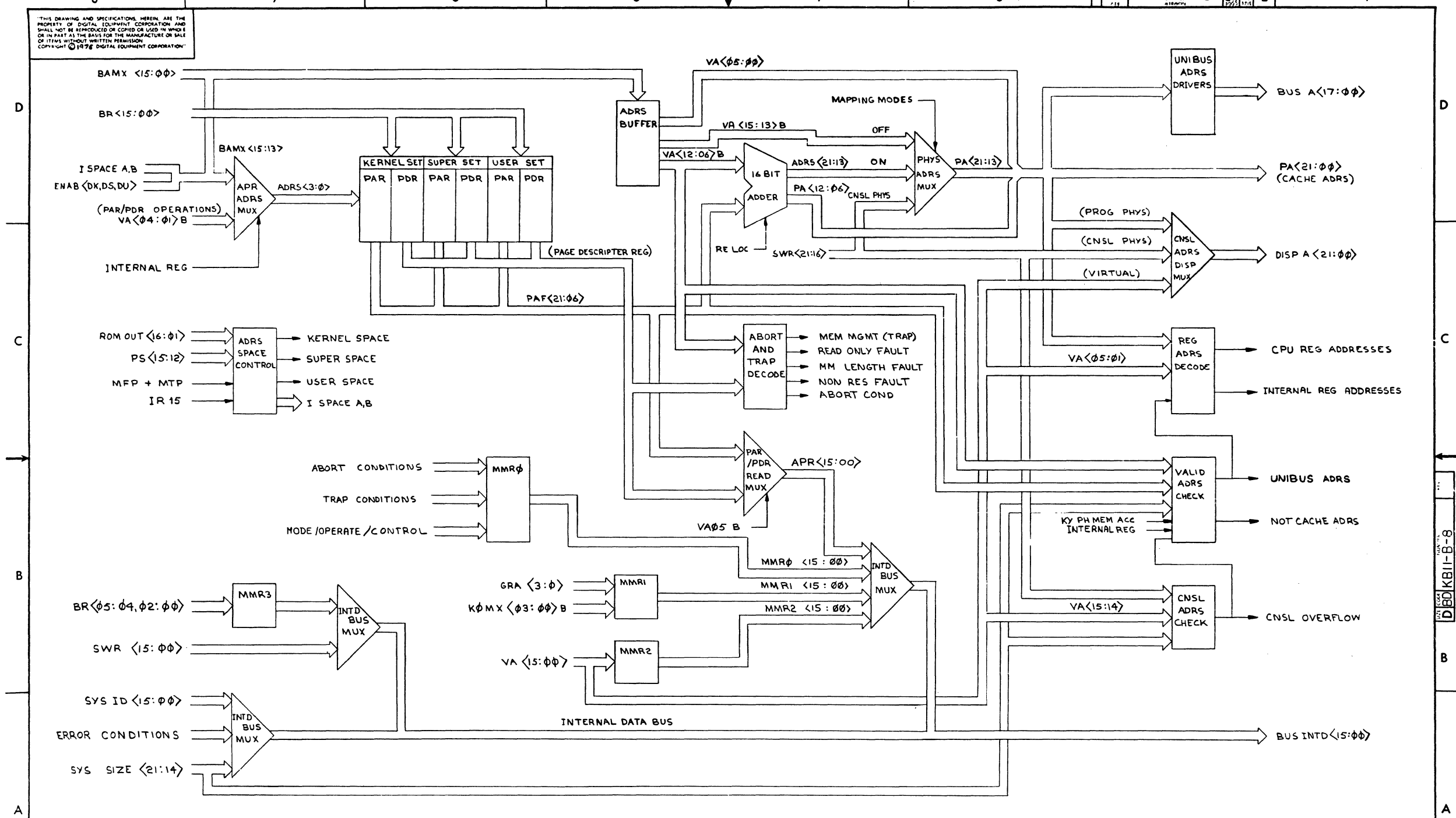
FIRST USED ON OPTION/MODEL	QTY.	DESCRIPTION	PART NO.	ITEM NO.
K311-B		PARTS LIST		
DIMENSIONAL TOLERANCE		DRAWN	DATE	digital
DIMENSIONS ARE MILLIMETERS UNLESS OTHERWISE SPECIFIED		CHECKED	DATE	
		ENG.	DATE	
MILLIMETERS	INCHES	ANGLES	TITLE	MEMORY MANAGEMENT BLOCK DIAGRAM
XXX = ±0.10 XX = ±0.25 X = ±0.5	XXX = ±0.008 XX = ±0.02 X = ±0.1	40° 30'	DATE	
THIRD ANGLE PROJECTION	REMOVE DIMES AND BREAK SHARP CORNERS SURFACE QUALITY		DATE	
MATERIAL	FINISH	SCALE	SIZE CODE	NUMBER
			D3D KBI1-B-8	REV.
		SHEET 1 OF 2	D.S.T.	

15



THIS DRAWING AND SPECIFICATIONS HEREIN ARE THE PROPERTY OF DIGITAL EQUIPMENT CORPORATION AND SHALL NOT BE REPRODUCED OR COPIED OR USED IN WHOLE OR IN PART AS THE BASIS FOR THE MANUFACTURE OR SALE OF ITEMS WITHOUT WRITTEN PERMISSION. COPYRIGHT © 1978 DIGITAL EQUIPMENT CORPORATION.

8-8-118X 2

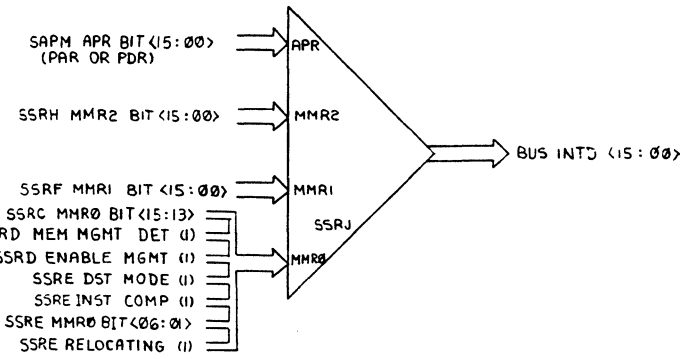
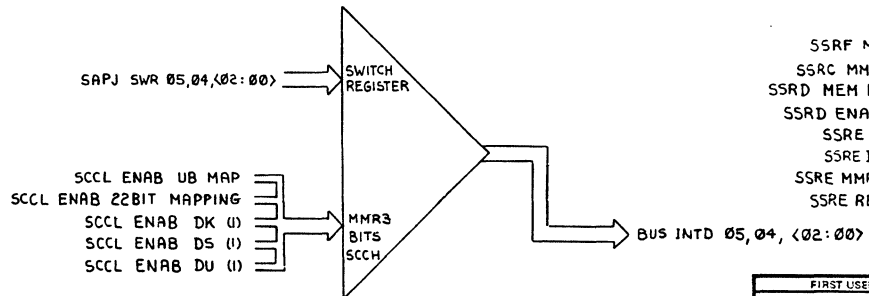
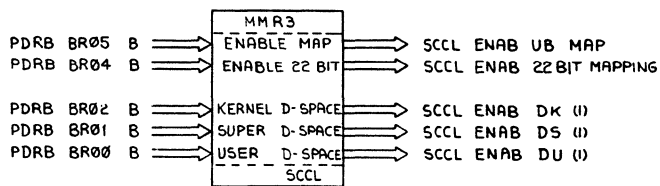
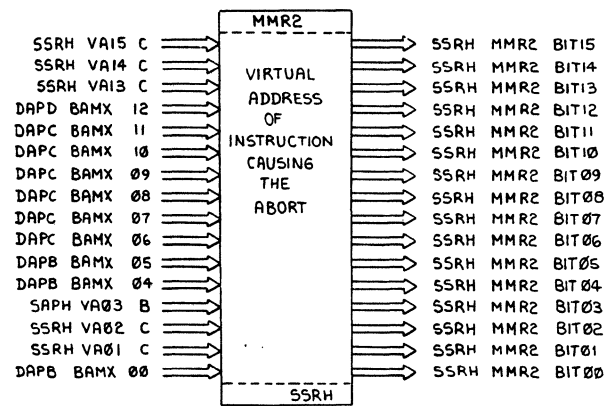
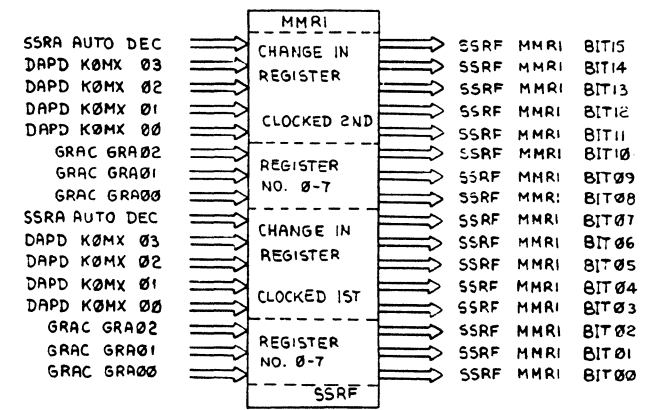
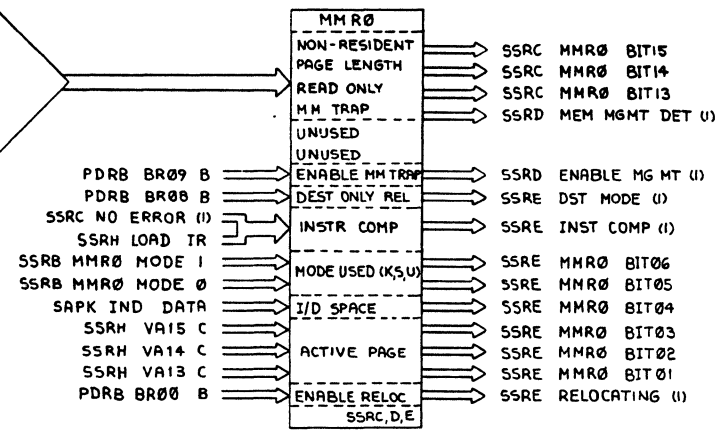
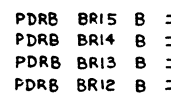
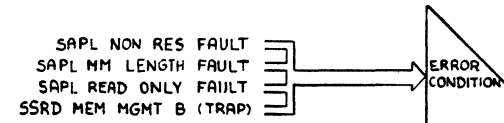


REVIS/ONS		
CHK	CHANGE NO	REV

TITLE	MEMORY MANAGEMENT BLOCK DIAGRAM	SIZE CODE	D BD	NUMBER	KB11-B-8	REV.	
SCALE		SHEET	2 OF 2	DIST.			

155

THIS DRAWING AND SPECIFICATIONS HEREIN ARE THE PROPERTY OF DIGITAL EQUIPMENT CORPORATION AND SHALL NOT BE REPRODUCED OR COPIED OR USED IN WHOLE OR IN PART AS THE BASIS FOR THE MANUFACTURE OR SALE OF ITEMS WITHOUT WRITTEN PERMISSION. COPYRIGHT © 1975, DIGITAL EQUIPMENT CORPORATION



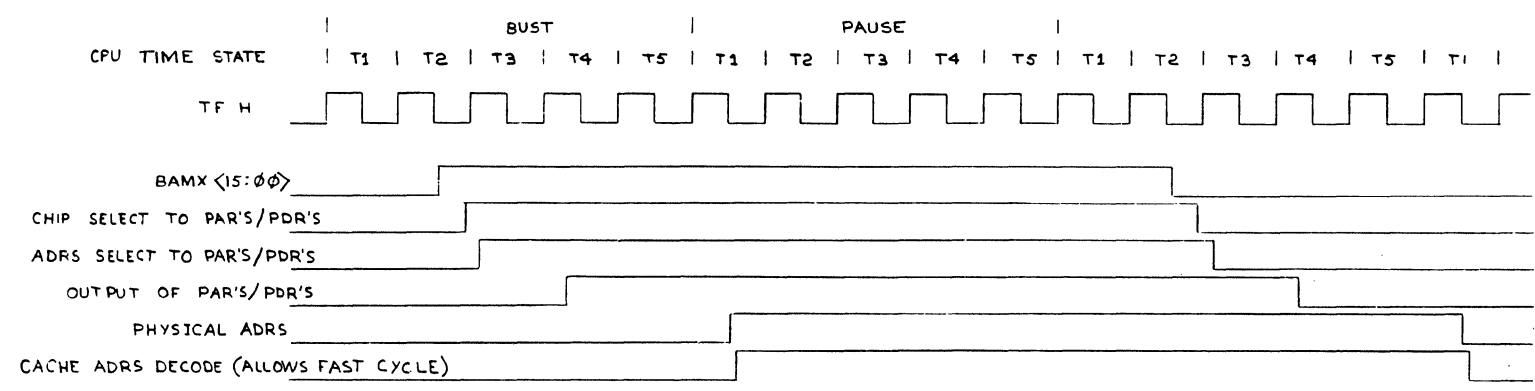
REV. 1  
CIR  
MAY 1975

FIRST USED ON OPTION/MODEL	QTY.	DESCRIPTION	PART NO.	ITEM NO.
KBI1-B				
PARTS LIST				
DIMENSIONAL TOLERANCE		DRN	DATE	
DIMENSIONS ARE MILLIMETERS		2 Steady	3-13-75	
UNLESS OTHERWISE SPECIFIED		CHKD.	DATE	
		3-13-75	3/13/75	
MILLIMETERS	INCHES	ANGLES	DATE	
XXX = ±0.10	XXX = ±0.08	30° 30'	DATE	
XX = ±0.5	XX = ±0.02		DATE	
X = ±2	X = ±0.1		DATE	
THIRD ANGLE PROJECTION	REMOVE BURRS AND BREAK SHARP CORNERS SURFACE QUALITY	NEXT HIGHER ASSY.		
MATERIAL				
FINISH				
TITLE		SIZE CODE	NUMBER	REV.
MEM MANAGEMENT REGISTERS		B-DD-KBI1-B	D BD KBI1-B-4	
SCALE		SHEET	OF	DIST.
		1	1	

THIS DRAWING AND SPECIFICATIONS HEREIN ARE THE PROPERTY OF DIGITAL EQUIPMENT CORPORATION AND SHALL NOT BE REPRODUCED OR COPIED OR USED IN WHOLE OR IN PART AS THE BASIS FOR THE MANUFACTURE OR SALE OF ITEMS WITHOUT WRITTEN PERMISSION. COPYRIGHT © 1975 DIGITAL EQUIPMENT CORPORATION

01-3-108X DTD 2

NOTES:  
 1. THE PURPOSE OF THIS DIAGRAM IS TO ILLUSTRATE THE FLOW OF DATA. THE TIME DELAYS INDICATED ARE WORST CASE PROPAGATION DELAYS OF GATES AND MAY VARY  
 2. THE TIMING DIAGRAM REPRESENTS THE TIME PERIOD IN WHICH THE CHANGE TAKES PLACE BUT NOT NECESSARILY THE ACTUAL CHANGE IN POLARITY OF THE SIGNAL. A HIGH LEVEL OR PULSE ON THE DIAGRAM REPRESENTS AN ASSERTED SIGNAL.



THIRD ANGLE PROJECTION		DESCRIPTION		DWG./PART NO.	ITEM NO.
UNLESS OTHERWISE SPECIFIED DIMENSIONS ARE IN INCHES					
ANGLES 10° 30'	CLASS OF ACCURACY (CHECK ONE)	NOMINAL DIMENSION RANGE INCHES			
SURFACE QUALITY IN MICROINCHES	MEDIUM <input type="checkbox"/>	OVER 0 TO 0.3	OVER 0.3 TO 0.6	OVER 0.6 TO 1.2	OVER 1.2 TO 4.0
		0.3	0.6	1.2	4.0
QUANTITY & VARIATION	PREFERRED <input type="checkbox"/>	1.004	1.008	1.012	1.016
		1.024	1.028	1.032	1.036
REMOVE SURRS AND BREAK SHARP CORNERS		FIRST USED ON		DIGITAL	
DO NOT SCALE DWG		TITLE		CACHE ADDRESS TIMING	
MATERIAL		SIZE CODE		NUMBER	
FINISH		SCALE		REV.	
		3-DD-KB11-B		D T D KB11-B-10	
		SHEET 1 OF 1		DIST.	

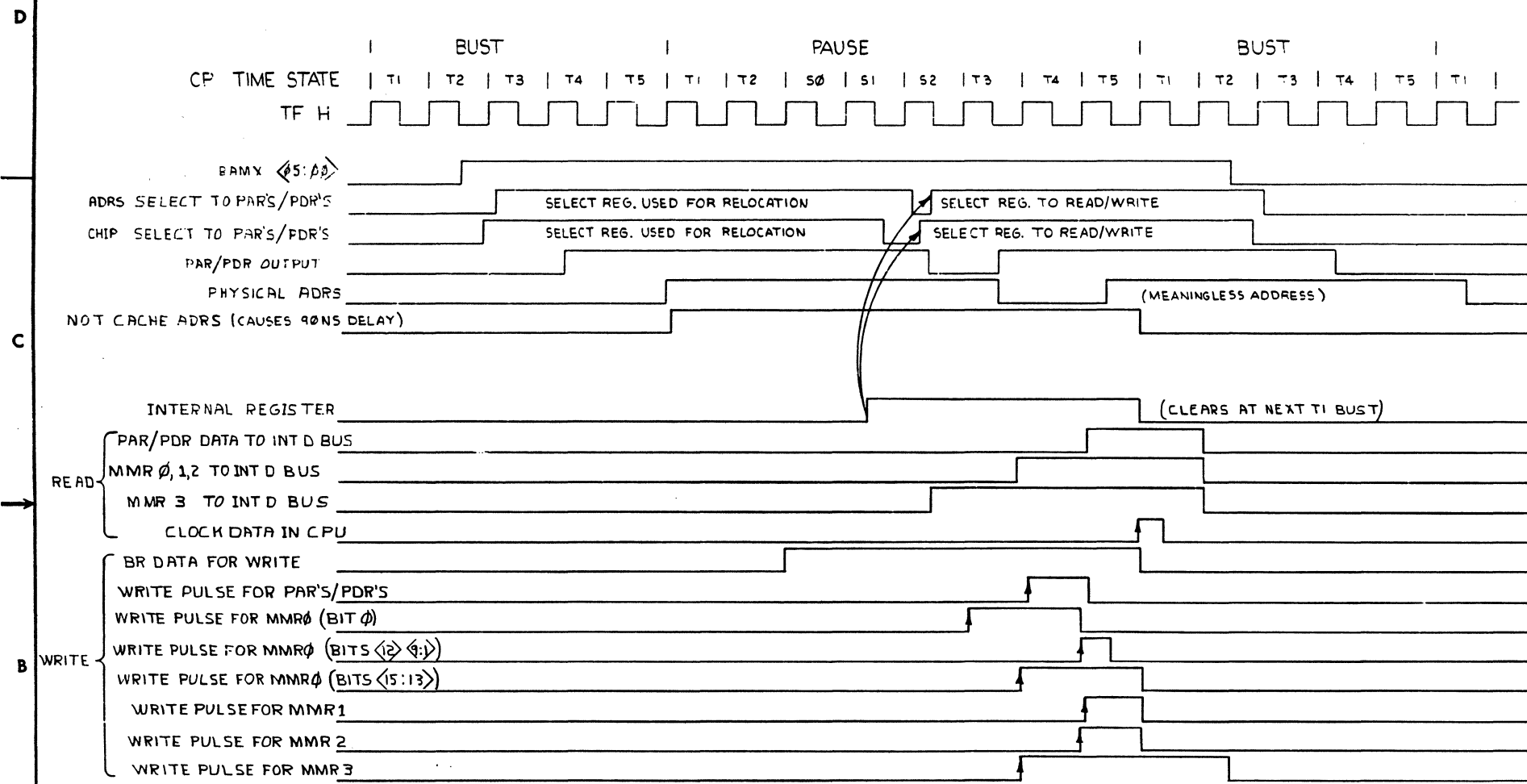
DEC FORM NO. DTD 100C

THIS DRAWING AND SPECIFICATIONS HEREIN ARE THE PROPERTY OF DIGITAL EQUIPMENT CORPORATION AND SHALL NOT BE REPRODUCED OR COPIED OR USED IN WHOLE OR IN PART AS THE BASIS FOR THE MANUFACTURE OR SALE OF ITEMS WITHOUT WRITTEN PERMISSION. COPYRIGHT © 1975, DIGITAL EQUIPMENT CORPORATION

6-8-118 011 2

NOTES:

- 1 THE PURPOSE OF THIS DIAGRAM IS TO ILLUSTRATE THE FLOW OF DATA. THE TIME DELAYS INDICATED ARE WORST CASE PROPAGATION DELAYS OF GATES AND MAY VARY
- 2 CLOCKED SIGNALS ARE INDICATED BY AN ↓
- 3 THE TIMING DIAGRAM REPRESENTS THE TIME PERIOD IN WHICH THE CHANGE TAKES PLACE BUT NOT NECESSARILY THE ACTUAL CHANGE IN POLARITY OF THE SIGNAL. A HIGH LEVEL OR PULSE ON THE DIAGRAM REPRESENTS AN ASSERTED SIGNAL.



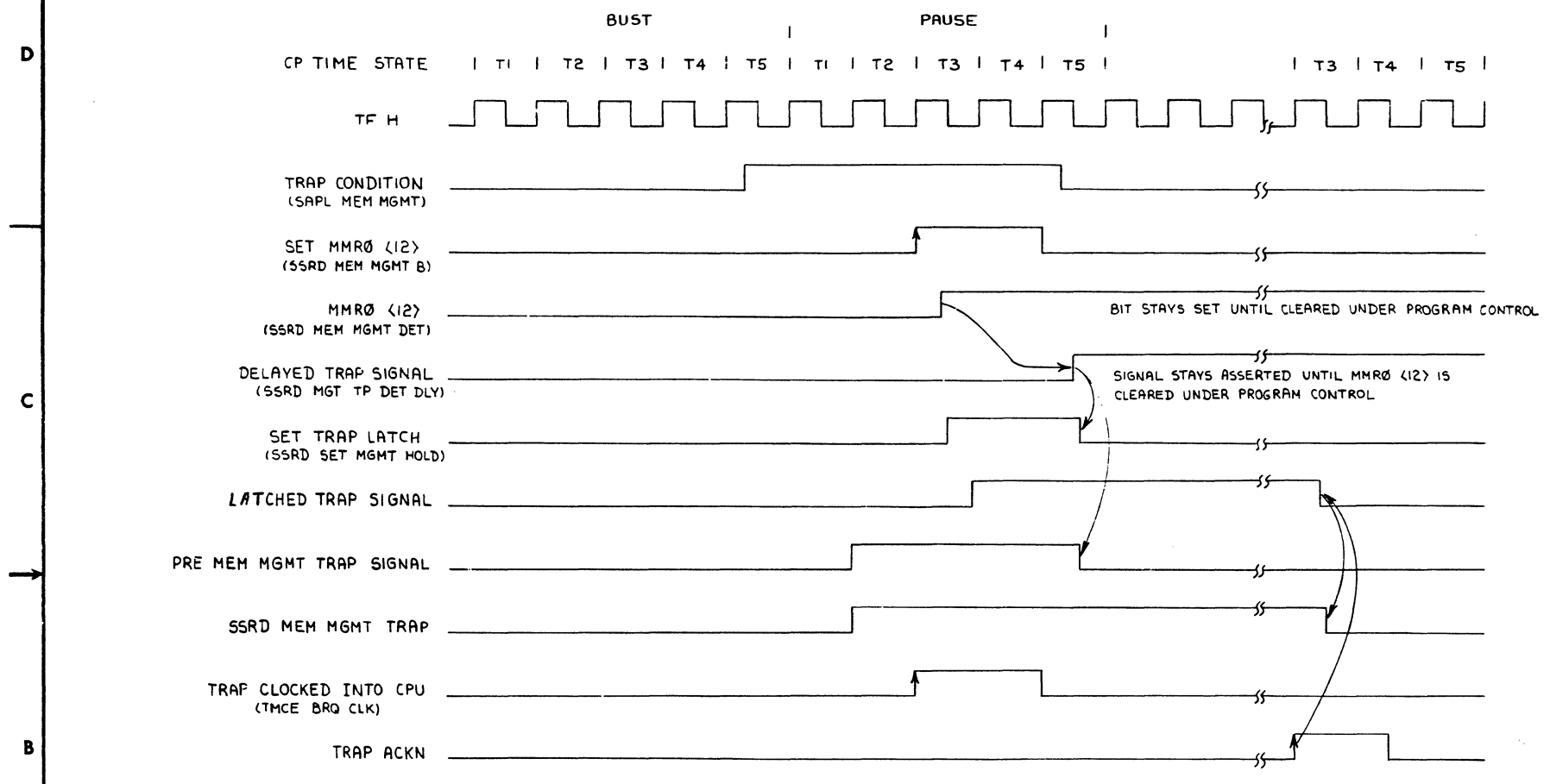
REV. 1 DTD KB11-B-9

FIRST USED ON OPTION/MODEL			QTY.	DESCRIPTION	PART NO.	ITEM NO.
KB11-B						
DIMENSIONAL TOLERANCE			PARTS LIST			
DIMENSIONS ARE MILLIMETERS UNLESS OTHERWISE SPECIFIED			DRN. John Doyle	DATE 3/17/75	digital	
			CHK'D. J. Doyle	DATE 3-2-75		
			ENG. J. Doyle	DATE 3-2-75	TITLE INTERNAL REGISTERS CYCLE TIMING	
			PROJ. ENG. J. Doyle	DATE 3-2-75		
THIRD ANGLE PROJECTION			NEXT HIGHER ASSY.			
MATERIAL			B-DD-KB11-B		SIZE/ CODE	NUMBER
FINISH			SCALE		DTD	KB11-B-9
			SHEET 1 OF 1		DIST.	

"THIS DRAWING AND SPECIFICATIONS HEREIN ARE THE PROPERTY OF DIGITAL EQUIPMENT CORPORATION AND SHALL NOT BE REPRODUCED OR COPIED OR USED IN WHOLE OR IN PART AS THE BASIS FOR THE MANUFACTURE OR SALE OF ITEMS WITHOUT WRITTEN PERMISSION. COPYRIGHT © 1975, DIGITAL EQUIPMENT CORPORATION"

NOTES:

1. THE PURPOSE OF THIS DIAGRAM IS TO ILLUSTRATE THE FLOW OF DATA. THE TIME DELAYS INDICATED ARE WORST CASE PROPAGATION DELAYS OF GATES AND MAY VARY.
2. CLOCKED SIGNALS ARE INDICATED BY AN ↑
3. THE TIMING DIAGRAM REPRESENTS THE TIME PERIOD IN WHICH THE CHANGE TAKES PLACE BUT NOT NECESSARILY THE ACTUAL CHANGE IN POLARITY OF THE SIGNAL. A HIGH LEVEL OR PULSE ON THE DIAGRAM REPRESENTS AN ASSERTED SIGNAL.



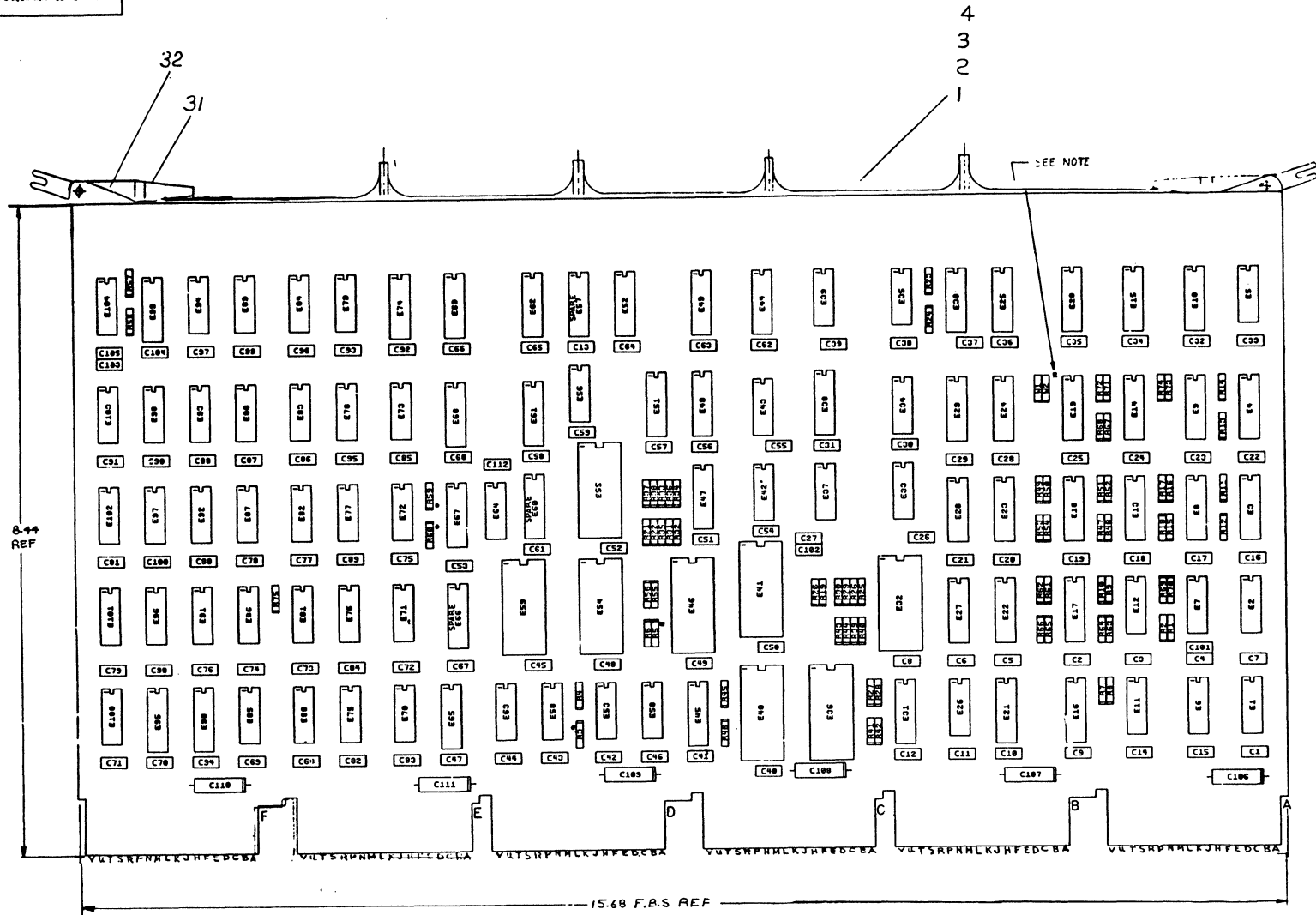
FIRST USED ON OPTION/MODEL KB11-B		QTY.	DESCRIPTION	PART NO.	ITEM NO.
PARTS LIST					
DIMENSIONAL TOLERANCE		DRAWN R. Brasley	DATE 3-14-75	<b>digital</b>	
DIMENSIONS ARE MILLIMETERS UNLESS OTHERWISE SPECIFIED		CHECKED D. Wood	DATE 3-14-75		
MILLIMETERS	INCHES	ANGLES	ENG. P. A. B. / J. S. G.	DATE 3-14-75	TITLE MEM MGMT TRAP TIMING
XXX ±0.38	XXX ±0.01	XXX ±0.08	PROJ. ENG. P. A. B. / J. S. G.	DATE 3-14-75	SIZE/CODE D/TD KB11-B-3
XX ±0.1	XX ±0.02	XX ±0.1	PROD. K. T. / J. S. G.	DATE 3-14-75	
THIRD ANGLE PROJECTION	REMOVE JUNKS AND BREAK SHARP CORNERS SURFACE QUALITY	NEXT HIGHER ASSY.	MATERIAL B-DD-KB11-B	SCALE	REV.
FINISH		SHEET 1 OF 1	DIST.		

REV. NO. 1  
CHANGE NO. 1  
DATE 3-14-75

REV. NO. 1  
CHANGE NO. 1  
DATE 3-14-75

THIS DRAWING AND SPECIFICATIONS HEREIN ARE THE PROPERTY OF DIGITAL EQUIPMENT CORPORATION AND SHALL NOT BE REPRODUCED OR COPIED OR USED IN WHOLE OR IN PART AS THE BASIS FOR THE MANUFACTURE OR SALE OF ITEMS WITHOUT WRITTEN PERMISSION. COPYRIGHT © 1974, DIGITAL EQUIPMENT CORPORATION.

NOTES: \* OPTIONAL COMPONENTS



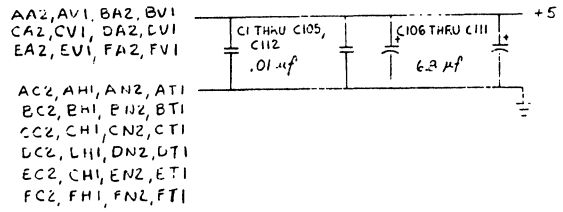
REF	X-Y COORDINATE HOLE LOCATION	K-CO-M8137-0-4	1
REF	ASSY DRILLING HOLE LAYOUT	D-AM-M8137-0-5	2
REF	MODULE ECO HISTORY	B-MH-M8137-0-8	3
1	ETCHED CIRCUIT BOARD	5011313	4
108	C1 THRU C105	CAP .01uf 100V 20%	5
	C112		
6	C106 THRU C111	CAP 6.8uf 35V 10%	6
2	R4, R6	RESISTOR 150 OHM 1/4W 5%	7
24	R1, R7, R9, R11, R13, R15, R17, R19, R21, R23, R25, R27, R29, R31, R33, R35, R37, R39, R41, R43, R45, R47, R49, R51, R53, R55, R57, R59, R61, R63, R65, R67, R69, R71, R73	RESISTOR 330 OHM 1/4W 5%	8
1	R75	RESISTOR 1K 1/4W 5%	9
34	R2, R8, R10, R12, R14, R16, R18, R20, R22, R24, R26, R28, R30, R32, R34, R36, R38, R40, R42, R44, R46, R48, R50, R52, R54, R56, R58, R62, R64, R66, R68, R70, R72, R74	RESISTOR 680 OHM 1/4W 5%	10
1	E100	IC DEC 74H21	11
1	E101	IC DEC 7437	12
4	E50, E5R, E70, E79	IC DEC 7408	13
2	E17, E13	IC DEC 7485	14
8	E36, E40, E55, E54, E32, E41, E59, E46	IC DEC 74S101	15
5	E103, E76, E93, E73, E85	IC DEC 74S00	16
9	E97, E78, E5, E43, E39, E71, E37, E91, E35	IC DEC 74S84	17
1	E96	IC DEC 74S85	18
2	E75, E83	IC DEC 74S1W	19
11	E82, E87, E26, E98, E2, E7, E80, E11, E8, E1, E92	IC DEC 74S11	20
3	E34, E33, E42	IC DEC 74S20	21
6	E64, E77, E72, E84, E89, E94	IC DEC 74S40	22
6	E53, E88, E12, E81, E86, E104	IC DEC 74S64	23
3	E58, E102, E63	IC DEC 74S74	24
3	E65, E90, E95	IC DEC 74S153	25
7	E27, E21, E18, E1R, E8, E22, E31	IC DEC 74S157	26
3	E3, E99, E4	IC DEC 74S158	27
2	E45, E47	IC DEC 74182-1	28
24	E69, E74, E44, E38, E68, E82, E52, E49, E67, E61, E51, E48, E14, E30, E29, E28, E9, E20, E19, E23, E10, E15, E25, E24	IC DEC 3101A	29
1	W1	INSULATED JUMPER	30
1		HANDLE ASSEMBLY	31
12		EYELET HANDLE	32

D E S M8137-0-1

IC TYPE	GND	+5V
IC DEC 3101A	8	16
IC DEC 74182-1	8	16
IC DEC 74S158	8	16
IC DEC 74S157	8	16
IC DEC 74S153	8	16
IC DEC 74S181	12	24
IC DEC 7435	8	16

GND AND 5V ARE USUALLY PIN 7 AND 14 RESPECTIVELY. EXCEPTIONS ARE STATED ABOVE.

IC PIN LOCATIONS



FIRST USED ON OPTION MODEL 11/70

ETCH BOARD REV B

DRN: D.E. KELLOGG DATE: 10-22-74  
 CHFB: E. ERGUSON DATE: 11-22-74  
 ENG: SHANNON A. SMITH DATE: 1-20-75  
 PROJ. ENG: GILBERT A. SMITH DATE: 1-20-75  
 PROD: DATE: 1-21-75

REVISIONS

DEC NO. EIA NO. DEC NO. EIA NO.

SCALE: 1 OF 13

SHEET: 1 OF 13

SEMICONDUCTOR CONVERSION CHART

digital EQUIPMENT CORPORATION

TITLE: SYS ADRS PATH

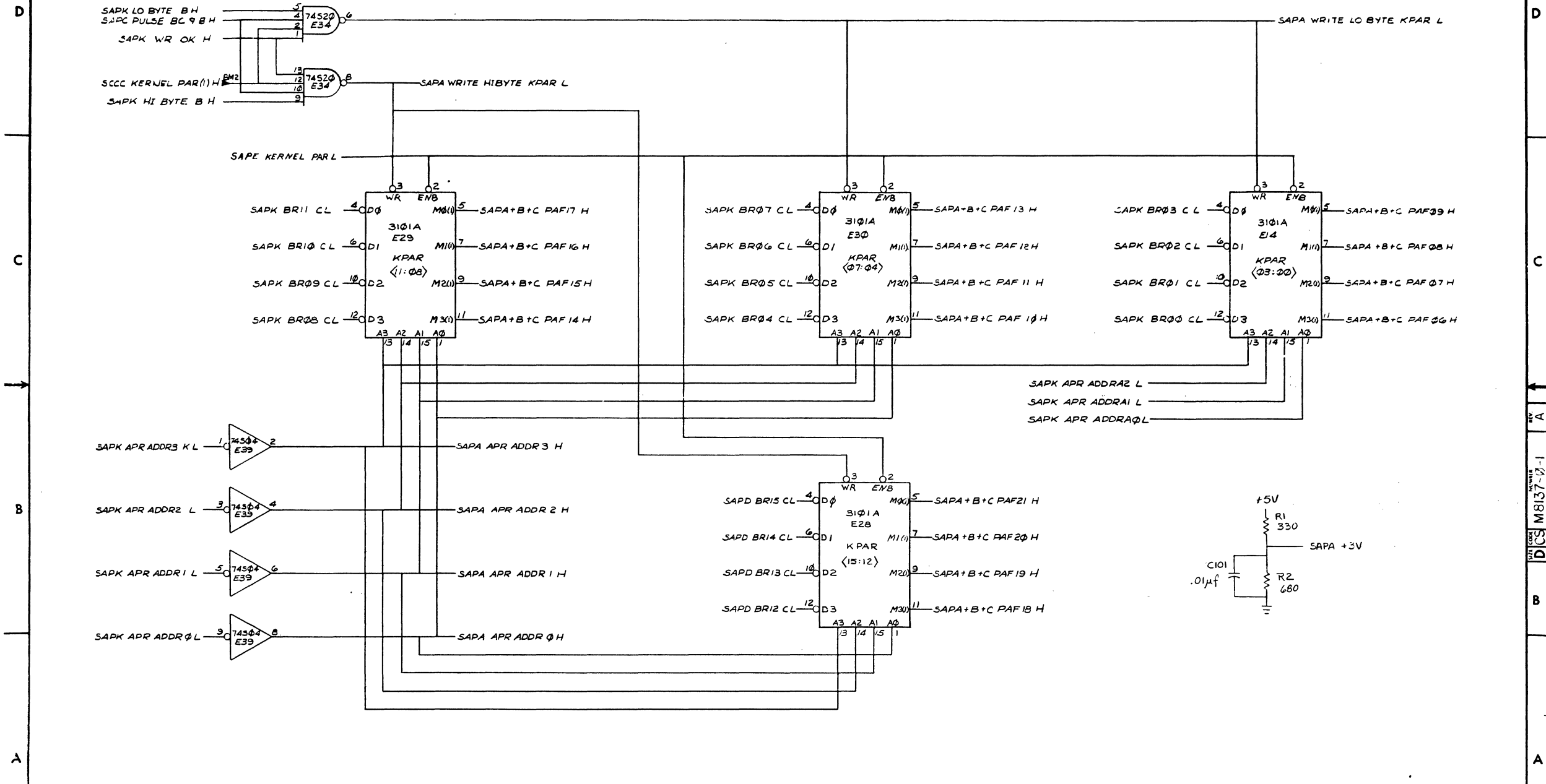
SIZE CODE: DCS M8137-0-1

NUMBER: A

REV: A

160

THIS DRAWING AND SPECIFICATIONS HEREAFTER ARE THE PROPERTY OF DIGITAL EQUIPMENT CORPORATION AND SHALL NOT BE REPRODUCED OR COPIED OR USED IN WHOLE OR IN PART AS THE BASIS FOR THE MANUFACTURE OR SALE OF ITEMS WITHOUT WRITTEN PERMISSION. COPYRIGHT © 1974 DIGITAL EQUIPMENT CORPORATION

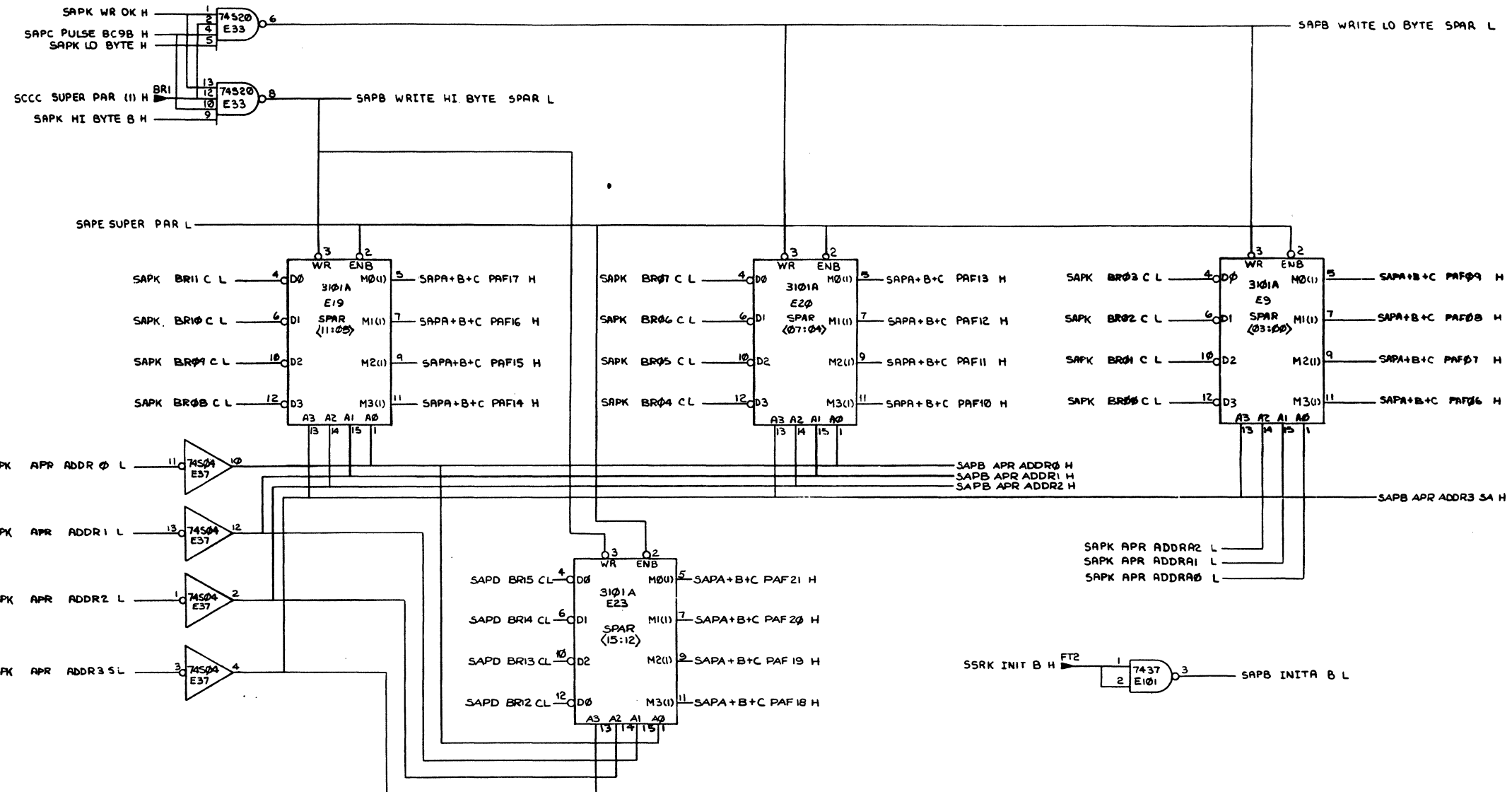


REV.	CHANGE NO.	DATE

TITLE		KERNEL PAGE ADDRESS REGISTERS (PAR) SLOT 14	
SY. ADRS PATH (SAPA)		DESIGN CODE	NUMBER
SCALE		D CS	M8137-0-1
SHEET 2 OF 13		DIST.	REV. A

The drawings and specifications herein are the property of Digital Equipment Corporation and shall not be reproduced or copied or used in whole or in part as the basis for the manufacture of parts of items without written permission. COPYRIGHT © 1974

DIGITAL EQUIPMENT CORPORATION



SUPERVISOR PAGE ADDRESS REGISTERS (PAR) SLOT 14

FIRST USED ON OPTION/MODEL	QTY.	DESCRIPTION	PART NO.	ITEM
11/78				
PARTS LIST				
UNLESS OTHERWISE SPECIFIED DIMENSION IN INCHES TOLERANCES				
DECIMALS	ANGLES	TITLE		
.XXX + .006	10° 30'	SYS. ADRS. PATH		
.XX + .02		EQUIPMENT CORPORATION		
X + .1		MATERIAL		
FINISH				
SCALE		NUMBER		REV.
3 OF 13		DCS M8137-0-1		A

11/78  
REV. 1  
LINK  
UNLESS OTHERWISE SPECIFIED  
DIMENSION IN INCHES  
TOLERANCES  
DECIMALS ANGLES  
.XXX + .006 10° 30'  
.XX + .02  
X + .1  
FINISH  
SCALE 3 OF 13  
NUMBER DCS M8137-0-1  
REV. A

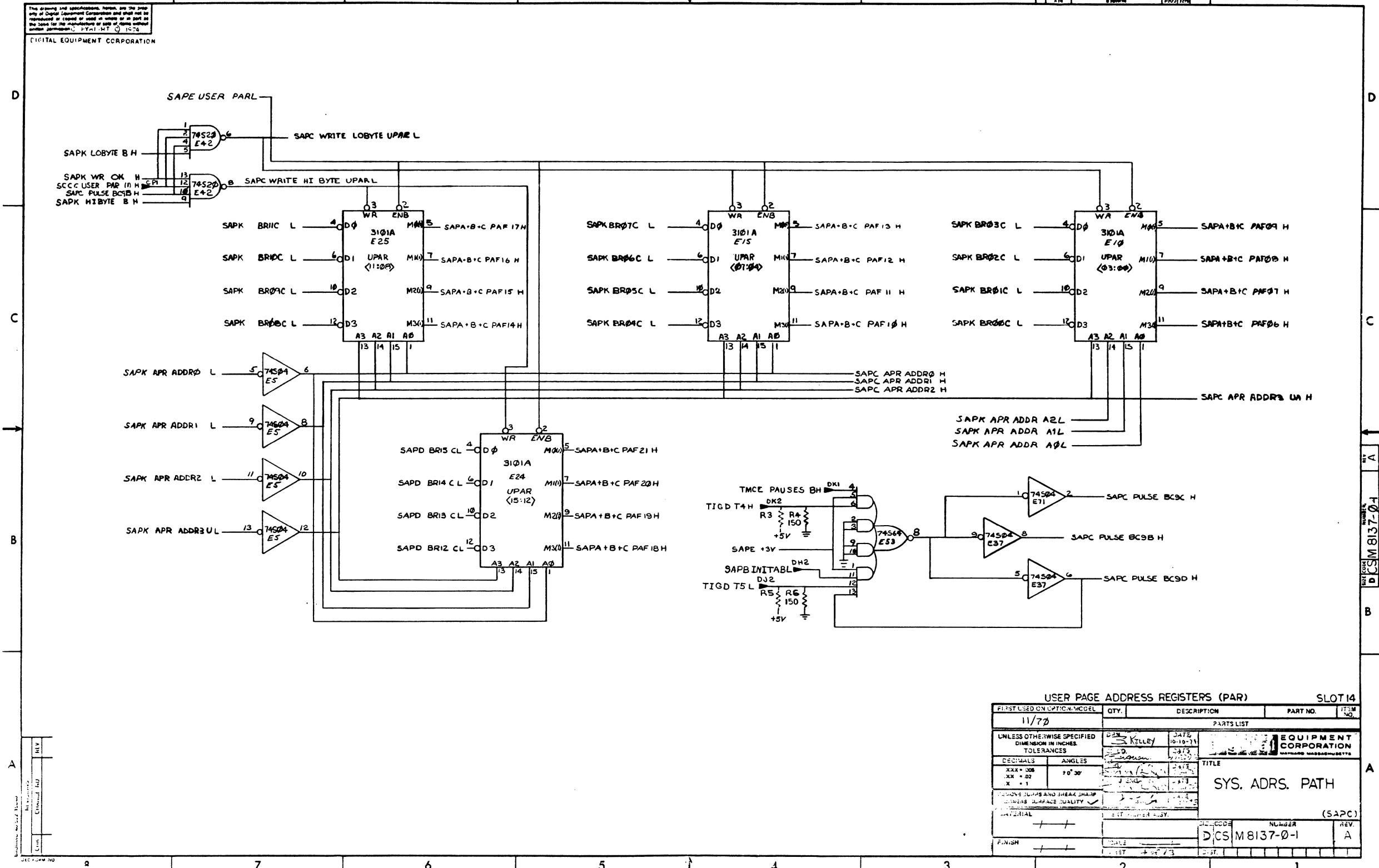
DCS M8137-0-1

160

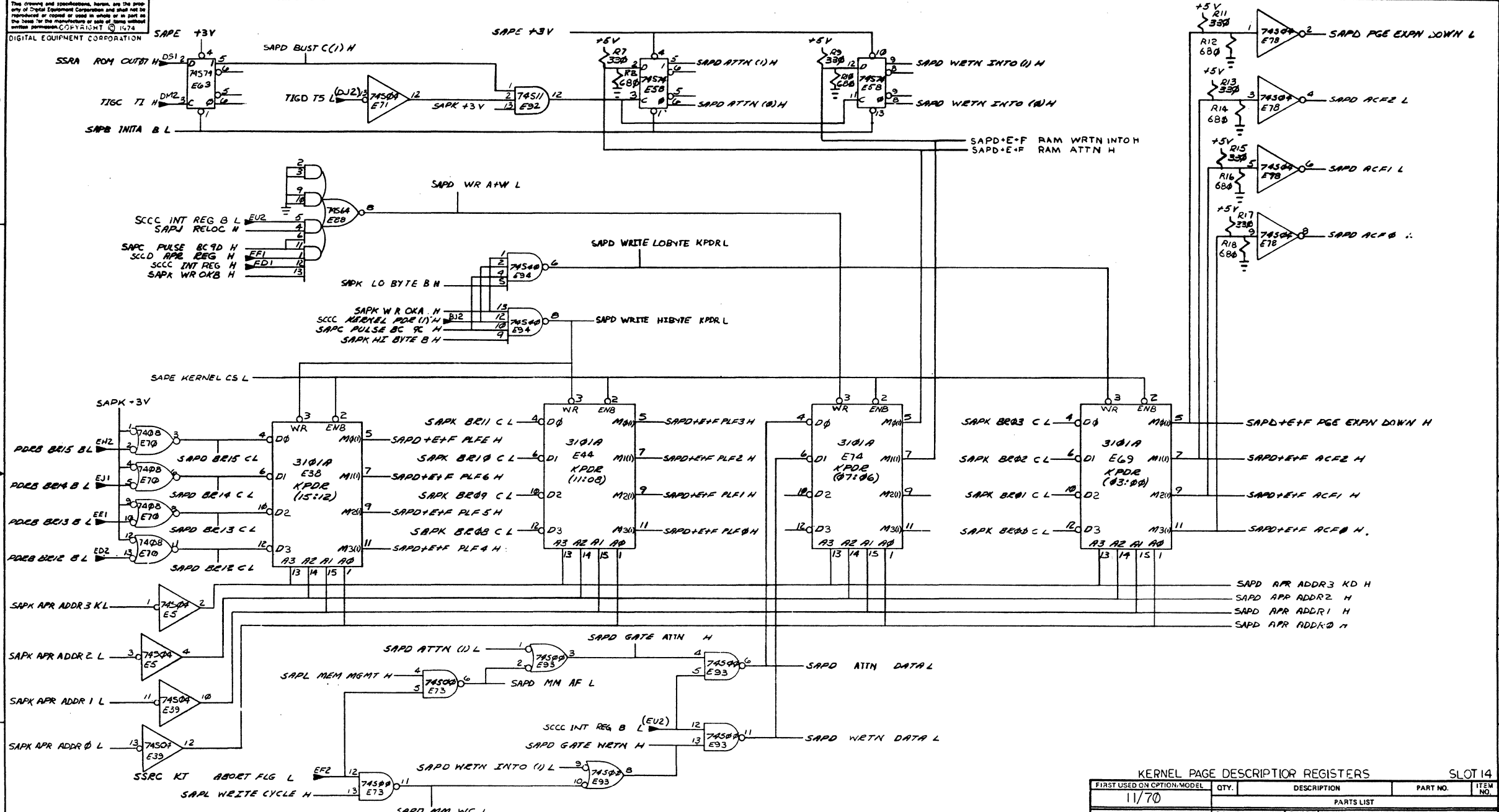


This drawing and specifications, herein, are the property of Digital Equipment Corporation and shall not be reproduced or copied or used in whole or in part as the basis for the manufacture of any of items without written permission. 17-01-1817 © 1975  
DIGITAL EQUIPMENT CORPORATION

1-0-218W5202



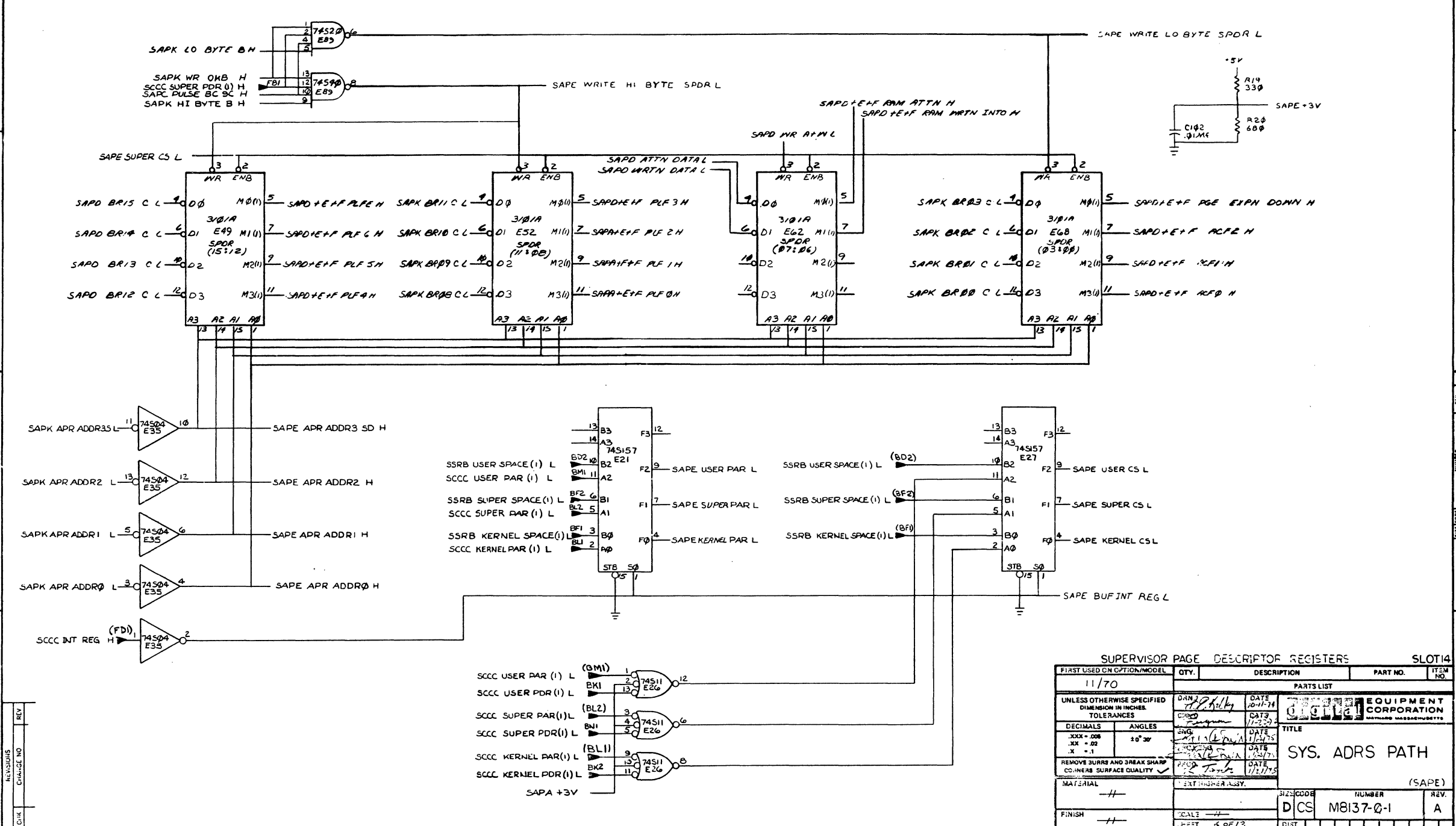
USER PAGE ADDRESS REGISTERS (PAR) SLOT 14			
FIRST USED ON OPTION MODEL	QTY.	DESCRIPTION	PART NO.
11/75			
UNLESS OTHERWISE SPECIFIED DIMENSION IN INCHES TOLERANCES			
DECIMALS	ANGLES	TITLE	
XXX + 008	10° 30'	SYS. ADRS. PATH	
XX + 02		EQUIPMENT CORPORATION	
X + 1		MATERIAL	
FINISH		NUMBER	
		D/C S M 8137-0-1	
		REV. A	



REV	DESCRIPTION	DATE

KERNEL PAGE DESCRIPTOR REGISTERS				SLOT 14	
FIRST USED ON OPTION/MODEL	QTY.	DESCRIPTION	PART NO.	ITEM NO.	
11/70					
PARTS LIST					
UNLESS OTHERWISE SPECIFIED	DIN	DATE	EQUIPMENT CORPORATION		
DIMENSION IN INCHES	CHKD	DATE	DIGITAL MANUFACTURING		
TOLERANCES			TITLE		
DECIMALS	ANGLES		SYS. ADRS. PATH		
XXX = .006	10° 30'		MATERIAL		
.XX = .02			NEXT HIGHER ASSY.		
.X = .1			FINISH		
REMOVE BURRS AND BREAK SHARP CORNERS SURFACE QUALITY			SCALE		
			SHEET 5 of 13		
			SIZE/CODE	NUMBER	REV
			DCS	M8137-0-1	A

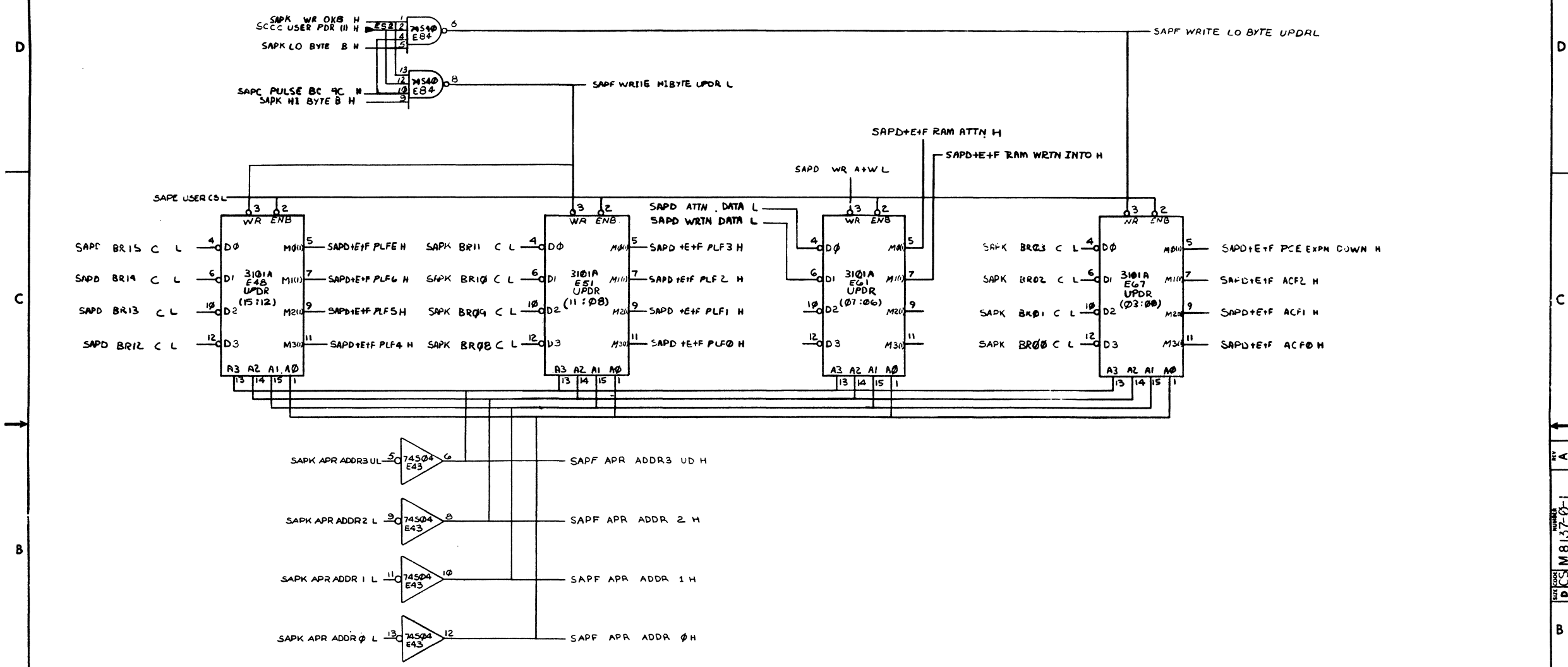
The drawing and specifications herein are the property of Digital Equipment Corporation and shall not be reproduced or used in whole or in part as the basis for the manufacture of any product without written permission. © 1974 DIGITAL EQUIPMENT CORPORATION



SUPERVISOR PAGE DESCRIPTOR REGISTERS				SLOT14	
FIRST USED ON OPTION/MODEL	QTY.	DESCRIPTION	PART NO.	ITEM NO.	
11/70					
UNLESS OTHERWISE SPECIFIED DIMENSION IN INCHES TOLERANCES		PARTS LIST			
DECIMALS		EQUIPMENT CORPORATION			
ANGLES		TITLE			
XXX = .008		SYS. ADRS PATH			
.XX = .02		DATE 1/2/75			
.X = .1		DATE 1/2/75			
REMOVE BURRS AND BREAK SHARP CORNER SURFACE QUALITY		DATE 1/2/75			
MATERIAL		PART NUMBER ASSY.			
FINISH		SCALE		SIZE CODE NUMBER REV.	
		1/8"		DCS M8137-0-1 A	
		SHEET 6 OF 13		DIST.	

This drawing and specifications, herein, are the property of Digital Equipment Corporation and shall not be reproduced or copied in whole or in part as the basis for the manufacture or sale of items without written permission. COPYRIGHT © 1974 DIGITAL EQUIPMENT CORPORATION

V 1-0-Z-018 W SCS 2



USER PAGE DESCRIPTOR REGISTERS SLOT 14

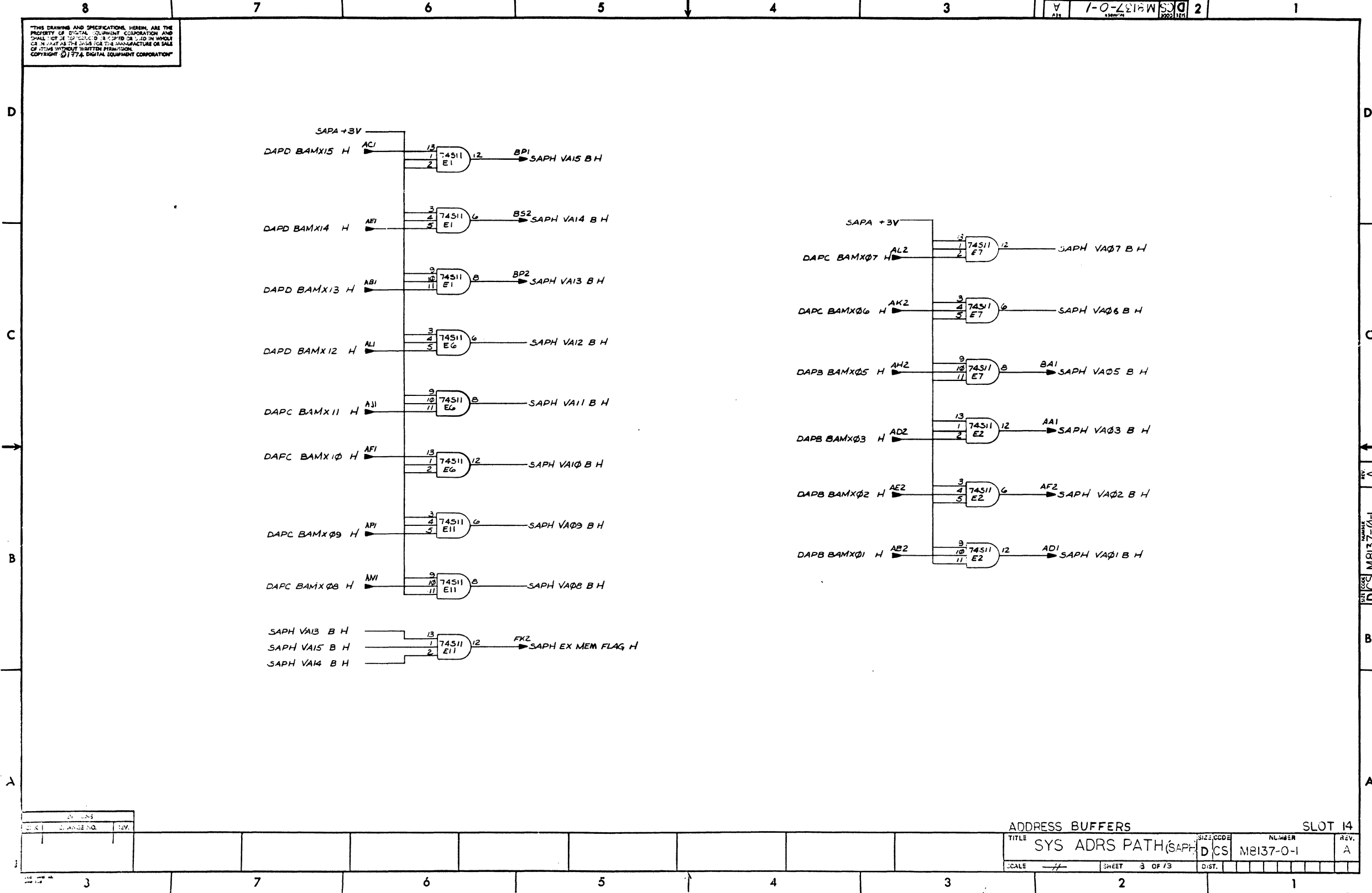
FIRST USED ON OPTION/MODEL	QTY.	DESCRIPTION	PART NO.	ITEM NO.
11/70		PARTS LIST		
UNLESS OTHERWISE SPECIFIED DIMENSION IN INCHES. TOLERANCES	DSM	DATE	EQUIPMENT CORPORATION	
DECIMALS	ANGLES	DATE	MAYNARD MASSACHUSETTS	
.XXX - .008	± 0° 30'	DATE	TITLE	
.XX - .02		DATE	SYS. ADPR. PATH	
.X - .1		DATE	(SAPF)	
MATERIAL	WEAT. NUMBER A.S.Y.	SCALE	SIZE CODE	NUMBER
FINISH		SHEET	DCS	M 8137-0-1
				REV A

REV  
CHG  
DATE

DEC FORM NO  
D-AD 102-0

THIS DRAWING AND SPECIFICATIONS, HEREIN, ARE THE PROPERTY OF DIGITAL EQUIPMENT CORPORATION AND SHALL NOT BE REPRODUCED OR TRANSMITTED IN ANY FORM OR BY ANY MEANS, ELECTRONIC OR MECHANICAL, INCLUDING PHOTOCOPYING, RECORDING, OR BY ANY INFORMATION STORAGE AND RETRIEVAL SYSTEM, WITHOUT WRITTEN PERMISSION. COPYRIGHT © 1974, DIGITAL EQUIPMENT CORPORATION

1-0-2818W DCS 2

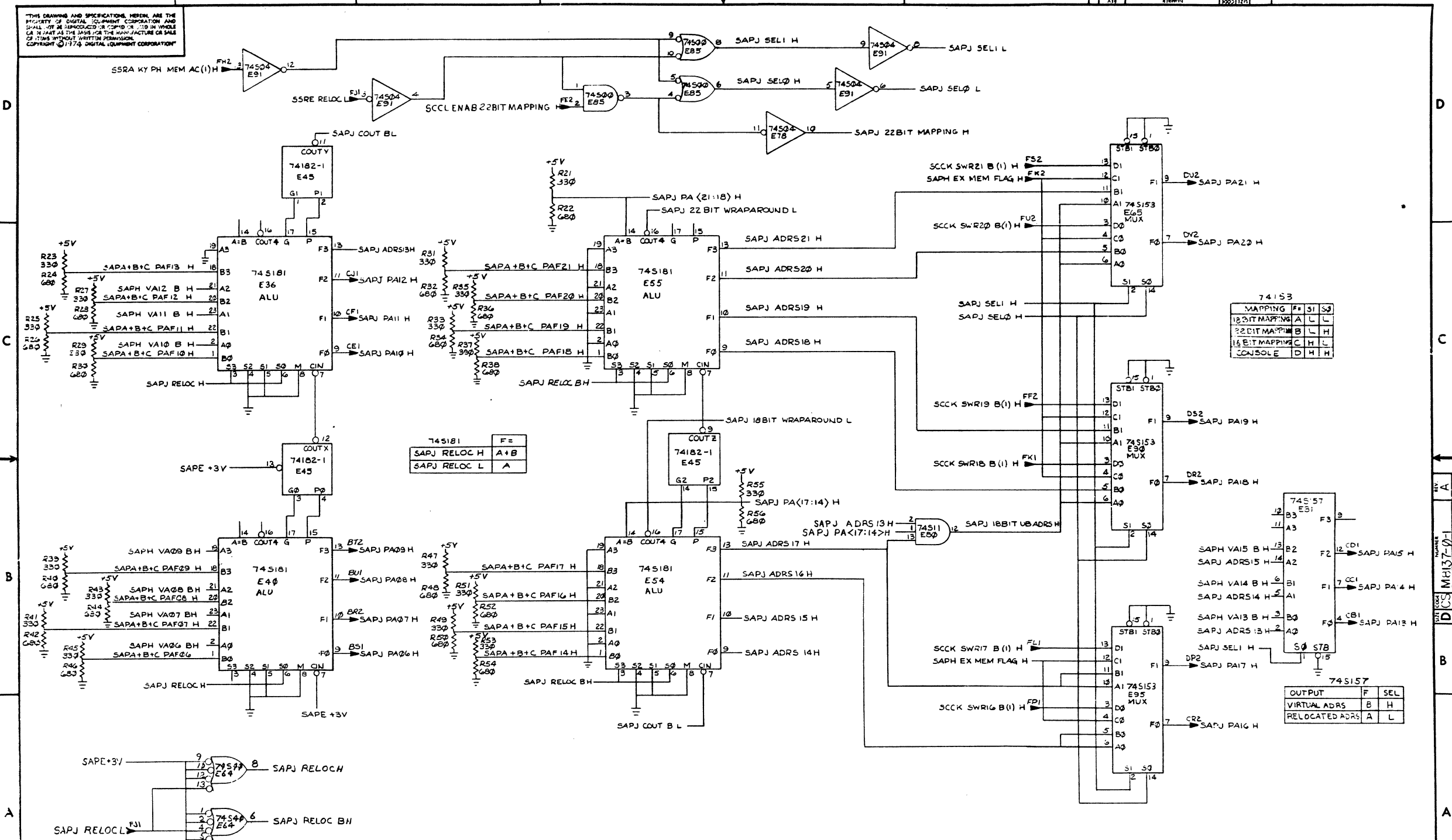


REV.	DATE	BY	CHKD	CHANGE NO.

ADDRESS BUFFERS		SLOT 14	
TITLE	SIZE CODE	NUMBER	REV.
SYS ADRS PATH(SAPH)	DCS	M8137-0-1	A
SCALE	SHEET	DIST.	
1	3 OF 13		

167

THIS DRAWING AND SPECIFICATIONS HEREIN ARE THE PROPERTY OF DIGITAL EQUIPMENT CORPORATION AND SHALL NOT BE REPRODUCED OR COPIED IN WHOLE OR IN PART AS THE BASIS FOR THE MANUFACTURE OR SALE OF THIS OR ANY OTHER EQUIPMENT WITHOUT THE WRITTEN PERMISSION OF DIGITAL EQUIPMENT CORPORATION.



74S153

MAPPING	F#	S1	S0
18 BIT MAPPING	A	L	L
22 BIT MAPPING	B	L	H
16 BIT MAPPING	C	H	L
CONSOLE	D	H	H

74S181

F#	F=
SAPJ RELOC H	A+B
SAPJ RELOC L	A

74S157

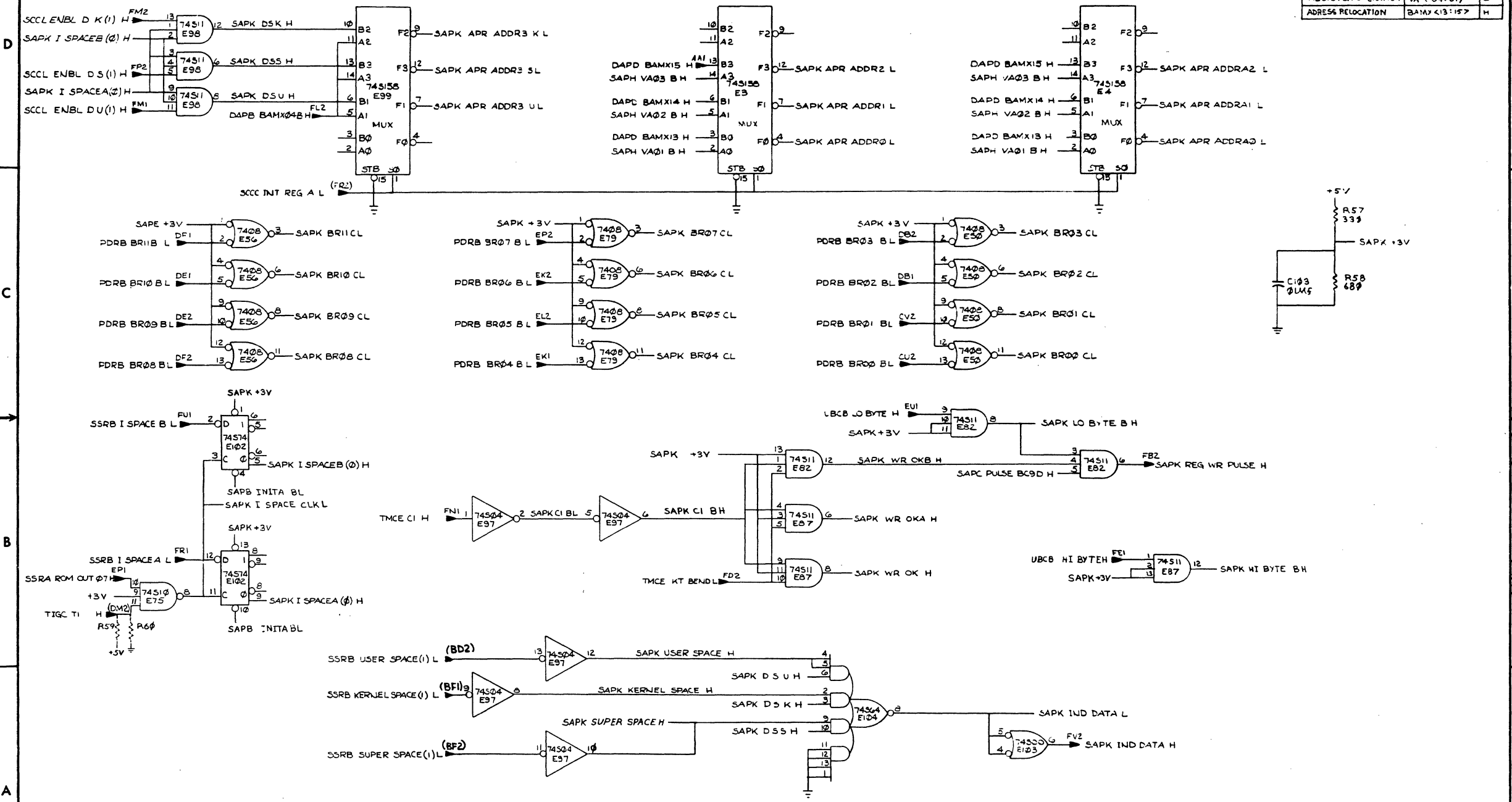
OUTPUT	F	SEL
VIRTUAL ADRS	B	H
RELOCATED ADRS	A	L

RELOCATION LOGIC		SLOT 14	
TITLE	SYS ADRS PATH(SAPJ)	SIZE CODE	NUMBER
SCALE	SHEET 9 OF 13	D.C.S.	M8137-0-1
		REV.	A

168

THIS DRAWING AND SPECIFICATIONS HEREIN ARE THE PROPERTY OF DIGITAL EQUIPMENT CORPORATION AND SHALL NOT BE REPRODUCED OR COPIED OR USED IN WHOLE OR IN PART AS THE BASIS FOR THE MANUFACTURE OR SALE OF ITEMS WITHOUT WRITTEN PERMISSION. COPYRIGHT © 1974 DIGITAL EQUIPMENT CORPORATION

74S158		
FUNCTION	APR ADDR SELECT SEL	
MEM MGMT REGISTER OPERATION	VA < 04:01	L
ADDRESS RELOCATION	BA1A7 < 13:157	H



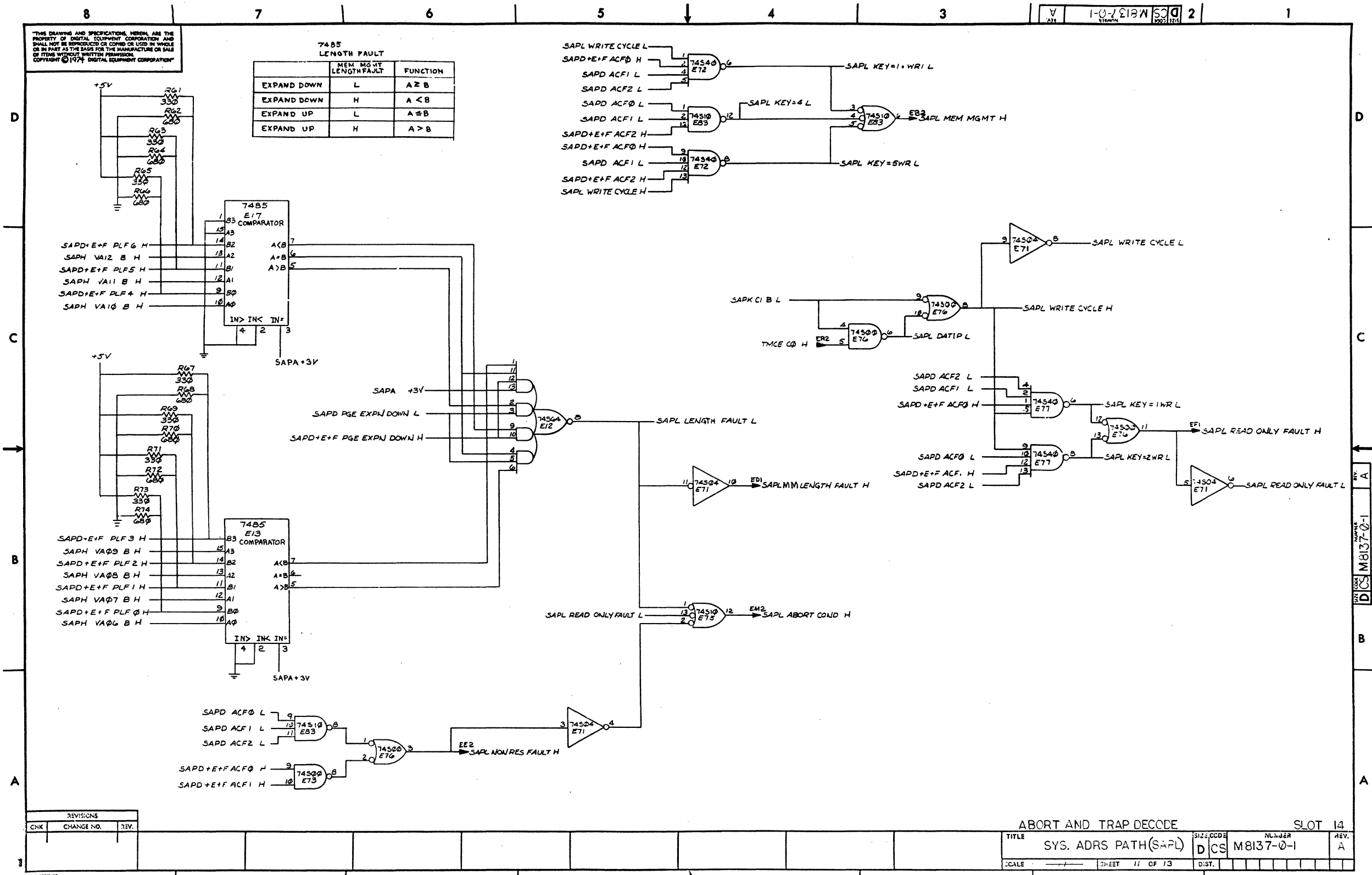
REVISIONS		
CHK	CHANGE NO.	REV.

REGISTER SELECT AND CONTROL		SLOT i4	
TITLE SYS. ADRS PATH(SAPK)		SIZE CODE D CS	NUMBER M8137-0-1
SCALE 1/1	SHEET 13 OF 13	DIST.	REV. A

THE DRAWINGS AND SPECIFICATIONS HEREIN ARE THE PROPERTY OF DIGITAL EQUIPMENT CORPORATION AND SHALL NOT BE REPRODUCED OR COPIED OR USED IN WHOLE OR IN PART AS THE BASIS FOR THE MANUFACTURE OR SALE OF ITEMS WITHOUT WRITTEN PERMISSION. COPYRIGHT © 1974, DIGITAL EQUIPMENT CORPORATION.

7485 LENGTH FAULT

	MEM MGMT LENGTH FAULT	FUNCTION
EXPAND DOWN	L	A ≥ B
EXPAND DOWN	H	A < B
EXPAND UP	L	A ≤ B
EXPAND UP	H	A > B



REVISIONS

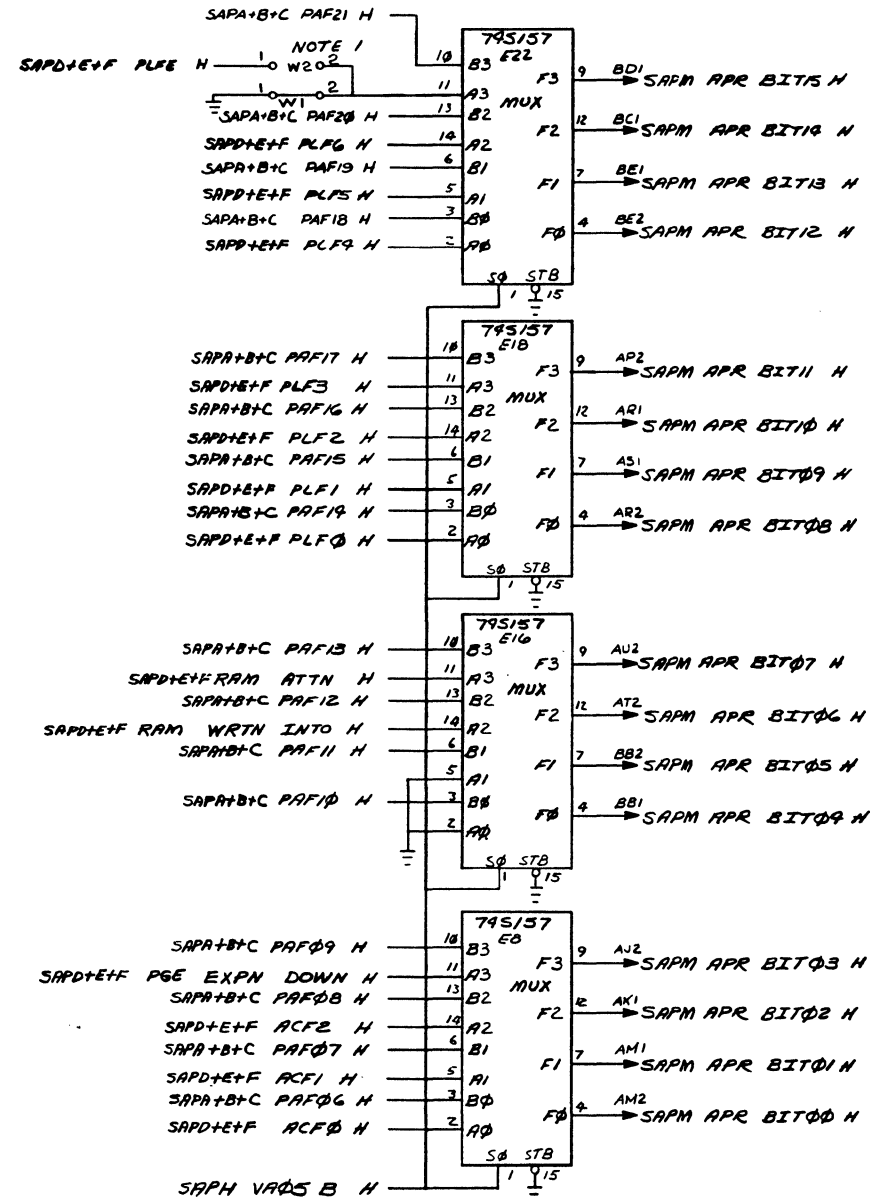
CHK	CHANGE NO.	REV.

ABORT AND TRAP DECODE SLOT 14  
 TITLE SYS. ADRS PATH(SAPL) SIZE CODE DCS NUMBER M8137-0-1 REV. A  
 SCALE SHEET 11 OF 13 DIST.

170



This drawing and specifications, herein, are the property of Digital Equipment Corporation and shall not be reproduced or copied or used in whole or in part in the form for the manufacture or sale of items without written permission. COPYRIGHT © 1974  
DIGITAL EQUIPMENT CORPORATION



79S157

OUTPUT	INPUT LINES SELECTED				
PDR'S	A3	A2	A1	A0	0
PAR'S	B3	B2	B1	B0	1

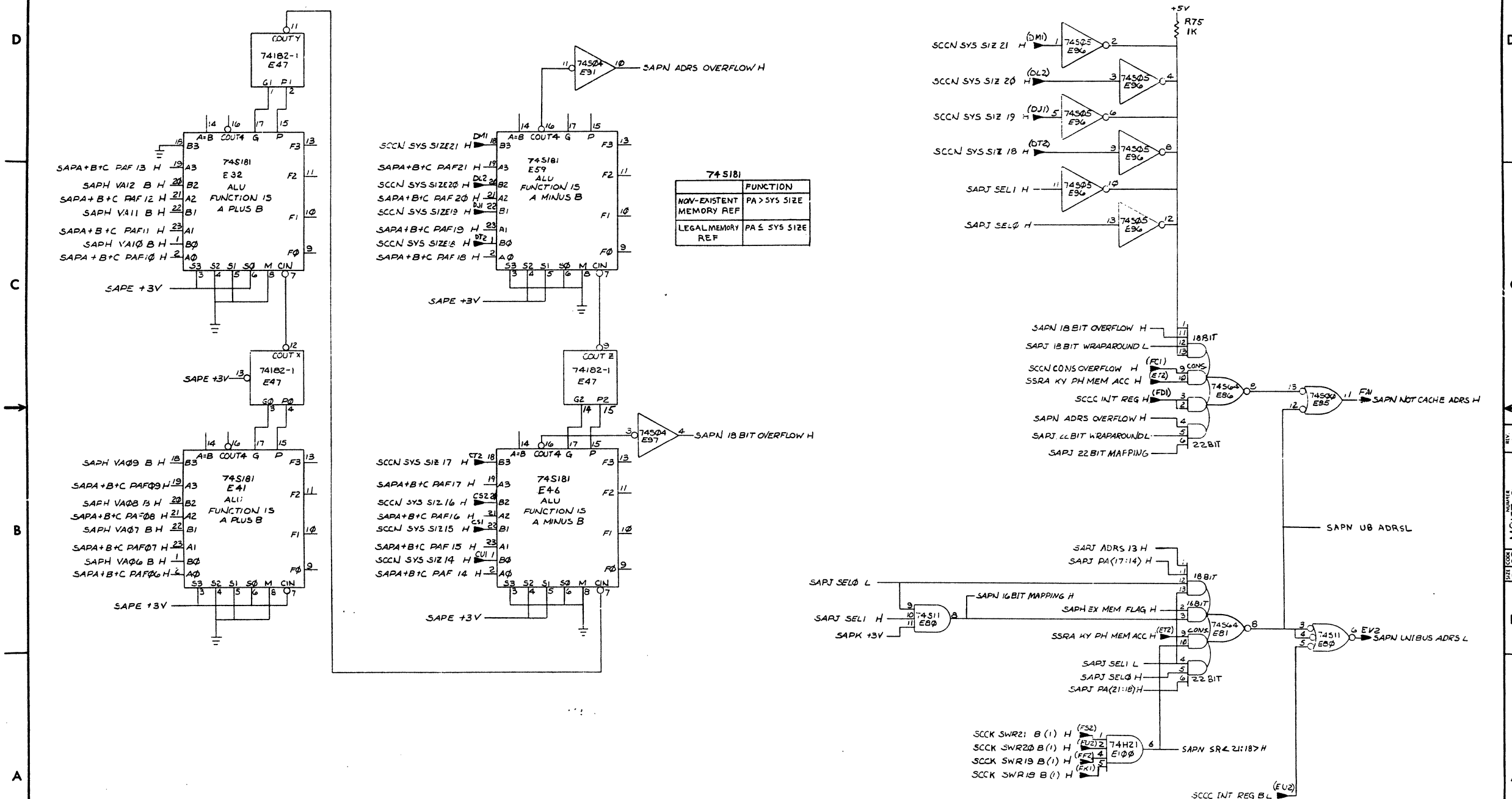
NOTES:  
L PROVISIONS FOR WIRE JUMPER. JUMPER 15 NORMALLY INSERTED TO CONNECT "A3" TO GROUND.

PAR/PDR READ MULTIPLEXERS SLOT 14

FIRST USED ON OPTION/MODEL	QTY.	DESCRIPTION	PART NO.	ITEM NO.
11/70				
UNLESS OTHERWISE SPECIFIED DIMENSION IN INCHES				
TOLERANCES				
DECIMALS	ANGLES	DATE		
.XXX - .000	± 0° 30'	DATE	EQUIPMENT CORPORATION	
.XX - .00		DATE	METHOD MESSAGE/LETTER	
.X - .1		DATE	TITLE	
REMOVE BURRS AND BREAK SHARP CORNERS SURFACE QUALITY		DATE	SYS. ADRS. PATH	
MATERIAL	TEXT NUMBER ASSY.	(SAPM)		
FINISH	SCALE	SIZE CODE	NUMBER	REV.
	SHEET 12 of 13	DCS	M8137-0-1	A

THIS DRAWING AND SPECIFICATIONS, HEREIN, ARE THE PROPERTY OF DIGITAL EQUIPMENT CORPORATION AND SHALL NOT BE REPRODUCED OR COPIED OR USED IN WHOLE OR IN PART AS THE BASIS FOR THE MANUFACTURE OR SALE OF ITEMS WITHOUT WRITTEN PERMISSION. COPYRIGHT © 1974 DIGITAL EQUIPMENT CORPORATION.

1-0-219W SC 2



74S181	
NON-EXISTENT MEMORY REF	FUNCTION
LEGAL MEMORY REF	PA > SYS SIZE
	REF

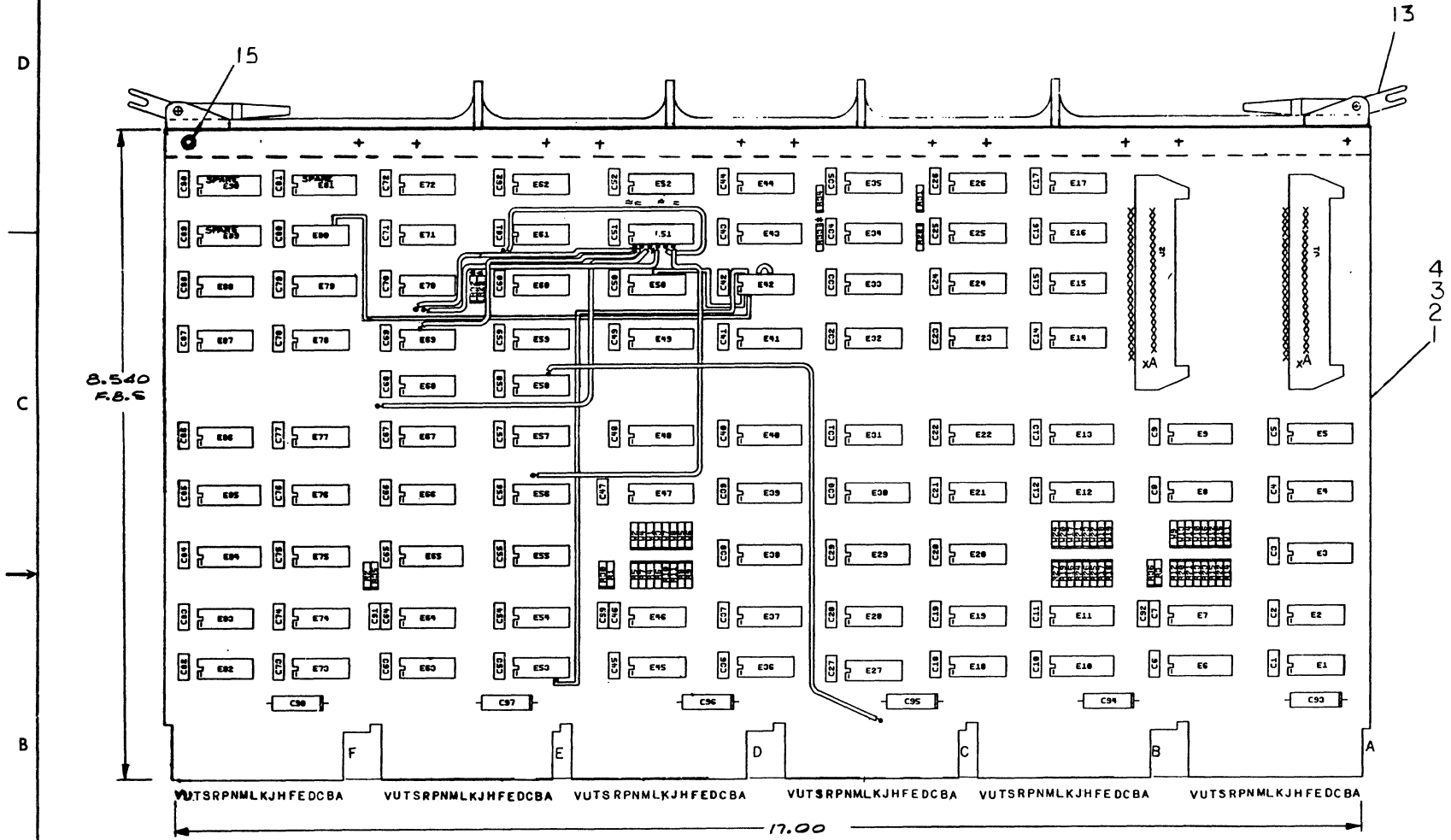
REVISIONS		
CHK	CHANGE NO.	REV.

VALID ADDRESS CHECK SLOT 14  
 TITLE SYS ADRS PATH (SAPN) SIZE CODE DCS NUMBER M8137-0-1 REV. A  
 SCALE 1/3 SHEET 13 OF 13 DIST.

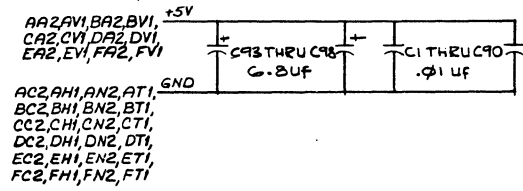
170

THIS DRAWING AND SPECIFICATIONS, HEREIN, ARE THE PROPERTY OF DIGITAL EQUIPMENT CORPORATION AND SHALL NOT BE REPRODUCED OR COPIED OR USED IN WHOLE OR IN PART AS THE BASIS FOR THE MANUFACTURE OR SALE OF ITEMS WITHOUT WRITTEN PERMISSION. COPYRIGHT © 1974, DIGITAL EQUIPMENT CORPORATION.

**NOTES:**  
 1. \* OPTIONAL COMPONENTS.  
 2. E81, E89, & E90 ARE SPARE IC LOCATIONS.



IC DEC 74157	8	16
IC DEC 74S139	8	16
IC DEC 8234	8	16
IC DEC 74155	8	16
IC DEC 74S174	8	16
IC DEC 74S153	8	16
IC DEC 74133	8	16
IC DEC 7433	12	5
IC TYPE	GND	+5V
GND AND 5V ARE USUALLY PIN 7 AND 14 RESPECTIVELY EXCEPTS ARE STATED ABOVE		
IC PIN LOCATIONS		

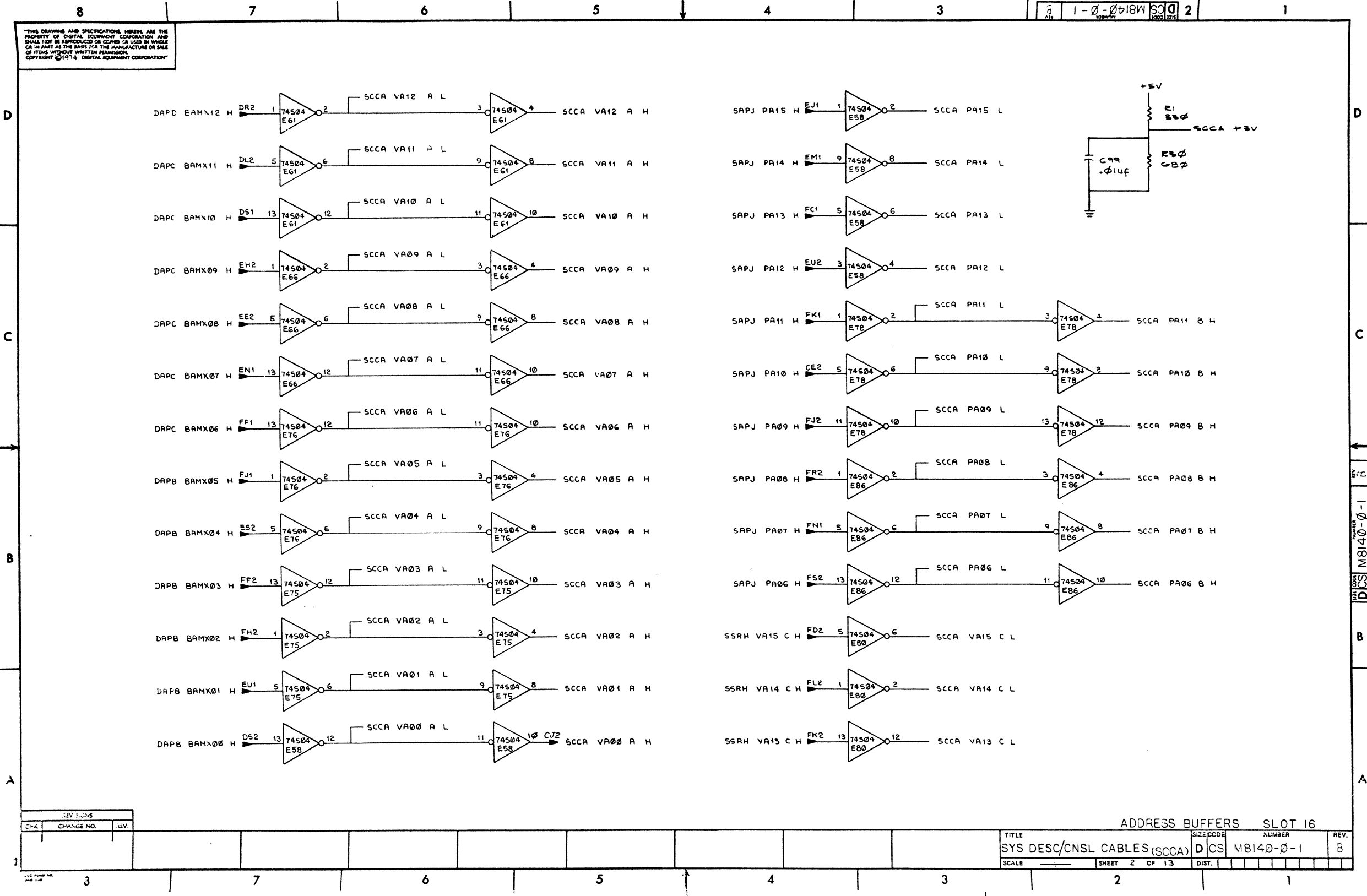


REF	X-Y COORDINATE HOLE LOCATION	K-CO-M8140-0-4	1
REF	ASSY/DRILLING HOLE LAYOUT	D-AH-M8140-0-5	2
REF	MODULE ECO HISTORY	B-MH-M8140-0-6	3
1	ETCHED CIRCUIT BOARD	5011355	4
6	C93 THRU C98	CAPACITOR 6.8uf 35V 20% TANT	5
93	C1 THRU C92, C99	CAPACITOR .01uf 100V DISC 20%	6
2	J1, J2	CONN. RIGHT ANGLE HEADER, BERG	7
1	R34	RESISTOR 150, 1/4W, 5%	8
3	R1, R2, R3	RESISTOR 330, 1/4W, 5%	9
1	R20	RESISTOR 390, 1/4W, 5%	10
25	R4 THRU R27, R31	RESISTOR 1K, 1/4W, 5%	11
3	R30, R35, R38	RESISTOR 880 1/4W 5%	12
1	HANDLE ASSY HEX	1210711-02	13
3	W1 THRU W24	SW, PKR DIP PKG W/B SW	14
12	EYELET HANDLE	9006732	15
1	E24	IC DEC 7474	16
3	E1, E2, E14	IC 7404	17
5	E63, E73, E74, E82, E83	IC DEC 8881	18
1	E23	IC DEC 8815	19
7	E18, E19, E27, E28, E36, E45, E48	IC DEC 74H01	20
2	E6, E7	IC 7423	21
7	E3, E4, E5, E39, E40, E47, E48	IC 74153	22
3	E15, E16, E17	IC 7408	23
2	E60, E77	IC 74500	24
12	E20, E50, E58, E61, E66, E67, E75, E76, E78, E80, E88, E87	IC 74504	25
1	E62	IC 74510	26
9	E64, E25, E26, E31, E33, E42, E44, E54, E59	IC 74511	27
5	E21, E70, E71, E72, E88	IC 74520	28
1	E57	IC 74540	29
3	E32, E34, E35	IC 74564	30
3	E8, E9, E12	IC 74515B	31
2	E13, E29	IC 745174	32
1	E79	IC 74155	33
2	E37, E38	IC 8234	34
10	E22, E30, E41, E43, E51, E52, E65, E84, E85, E49	IC 74S133	35
2	E10, E11	IC 74157	36
5	E53, E55, E56, E68, E69	IC 74574	37
40	WIPE .30 AWG BUSS (RETROFIT)	9105740-55	38
3	SWITCH COVER	1211264-4	39

FIRST USED ON OPTION MODEL		PARTS LIST	
11/70	ETCH BOARD REV	A	
DRN		DATE	10/11/74
CHKD		DATE	12/27/77
DES		DATE	12/27/77
PROJ ENG		DATE	12/27/77
SHARON A. SMITH		DATE	1/23/78
SHARON A. SMITH		DATE	1/23/78
NEXT HIGHER ASSY		DATE	11/29/75
TITLE		SYS DESC/ CNLS CABLES	
SCALE		DIST	
SEMICONDUCTOR CONVERSION CHART		D E S M 8 1 4 0 - 0 - 1 B	
DEC NO.	EIA NO.	DEC NO.	EIA NO.
SHEET		1 OF 13	

THIS DRAWING AND SPECIFICATIONS HEREIN ARE THE PROPERTY OF DIGITAL EQUIPMENT CORPORATION AND SHALL NOT BE REPRODUCED OR COPIED OR USED IN WHOLE OR IN PART AS THE BASIS FOR THE MANUFACTURE OR SALE OF ITEMS WITHOUT WRITTEN PERMISSION. COPYRIGHT © 1974, DIGITAL EQUIPMENT CORPORATION.

D E S I G N N O T E  
M8140-0-1 2



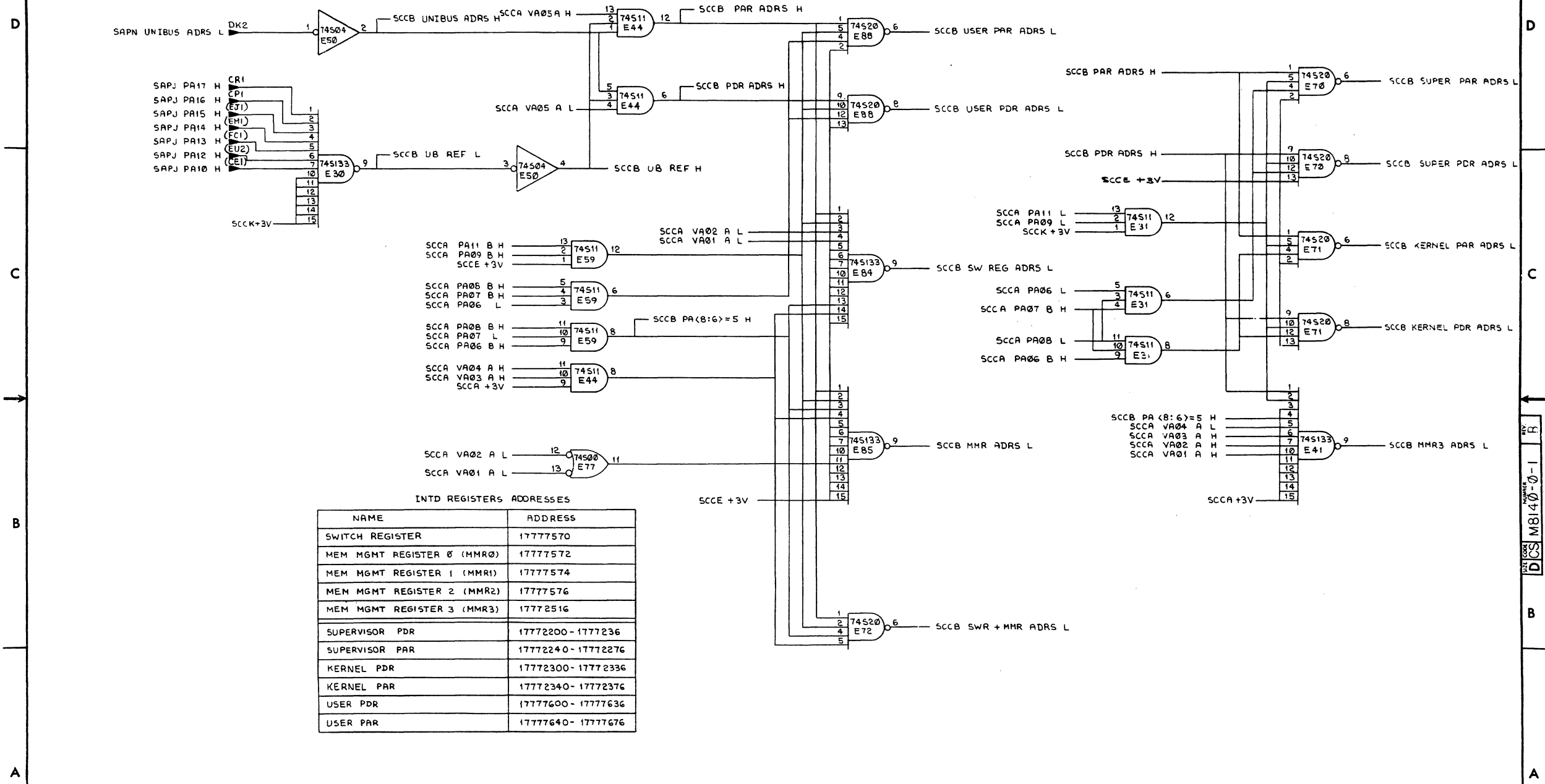
REV. LOGS		
CHK	CHANGE NO.	REV.

TITLE		SIZE	CODE	NUMBER	REV.
SYS DESC/CNSL CABLES (SCCA)		D	CS	M8140-0-1	B
SCALE	SHEET 2 OF 13	DIST.			

174

"THIS DRAWING AND SPECIFICATIONS HEREIN ARE THE PROPERTY OF DIGITAL EQUIPMENT CORPORATION AND SHALL NOT BE REPRODUCED OR COPIED OR USED IN WHOLE OR IN PART AS THE BASIS FOR THE MANUFACTURE OR SALE OF ITEMS WITHOUT WRITTEN PERMISSION. COPYRIGHT © 1974 DIGITAL EQUIPMENT CORPORATION"

1-0-0-1818 DCS M8140-0-1 2



INTD REGISTERS ADDRESSES

NAME	ADDRESS
SWITCH REGISTER	17777570
MEM MGMT REGISTER 0 (MMR0)	17777572
MEM MGMT REGISTER 1 (MMR1)	17777574
MEM MGMT REGISTER 2 (MMR2)	17777576
MEM MGMT REGISTER 3 (MMR3)	17772516
SUPERVISOR PDR	17772200-1777236
SUPERVISOR PAR	17772240-17772276
KERNEL PDR	17772300-17772336
KERNEL PAR	17772340-17772376
USER PDR	17776000-1777636
USER PAR	17776400-1777676

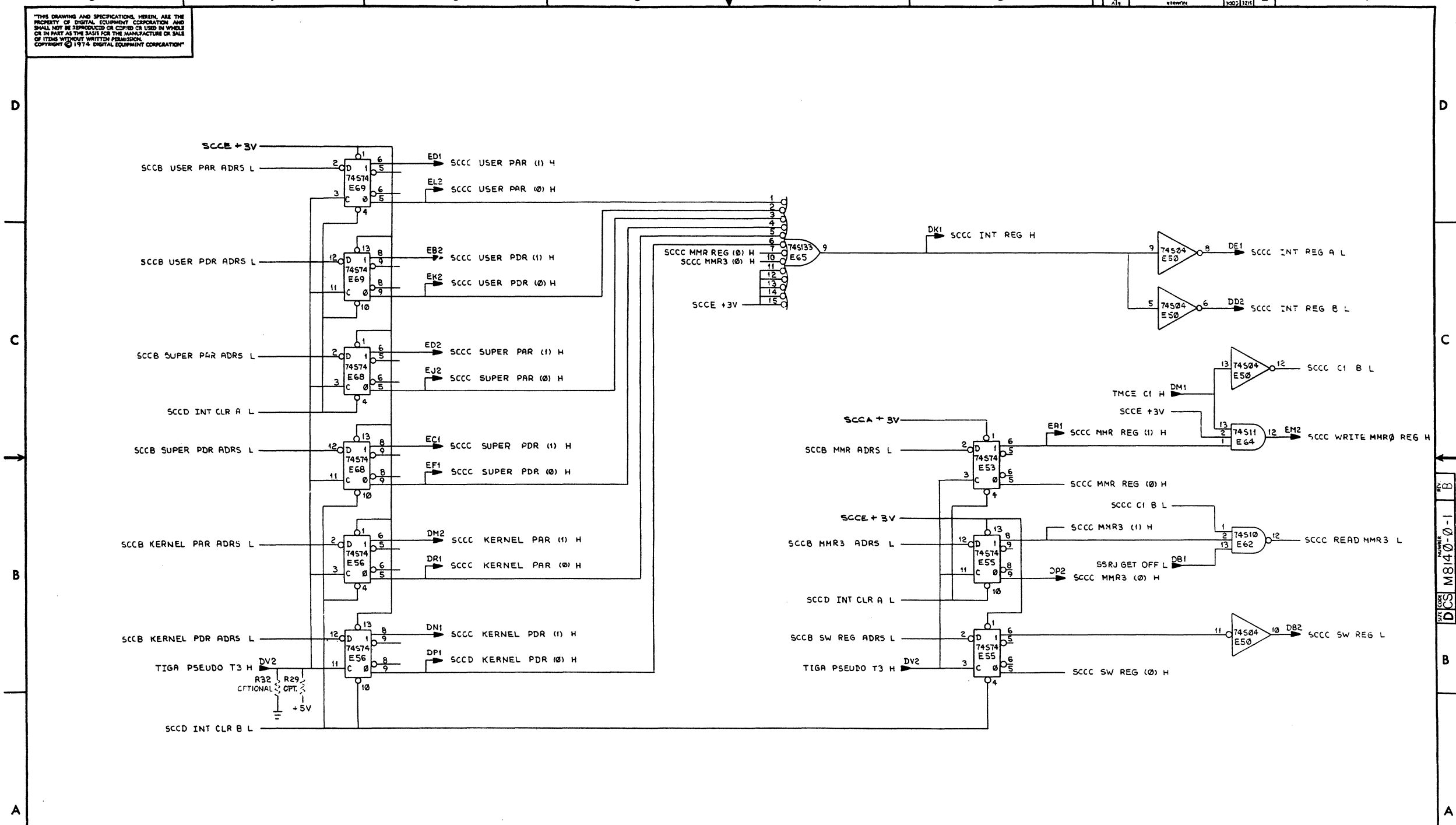
REVISIONS

CHK	CHANGE NO.	REV.

REG ADDRESS DECODER SLOT 16  
 TITLE: SYS DESC/CNSL CABLES (SCCB) DCS M8140-0-1  
 SHEET 3 OF 13

THIS DRAWING AND SPECIFICATIONS HEREIN ARE THE PROPERTY OF DIGITAL EQUIPMENT CORPORATION AND SHALL NOT BE REPRODUCED OR COPIED OR USED IN WHOLE OR IN PART AS THE BASIS FOR THE MANUFACTURE OR SALE OF ITEMS WITHOUT WRITTEN PERMISSION. COPYRIGHT © 1974 DIGITAL EQUIPMENT CORPORATION

1-0-0718W DCS M8140-0-1 2



REVISIONS		
CHK	CHANGE NO.	REV.

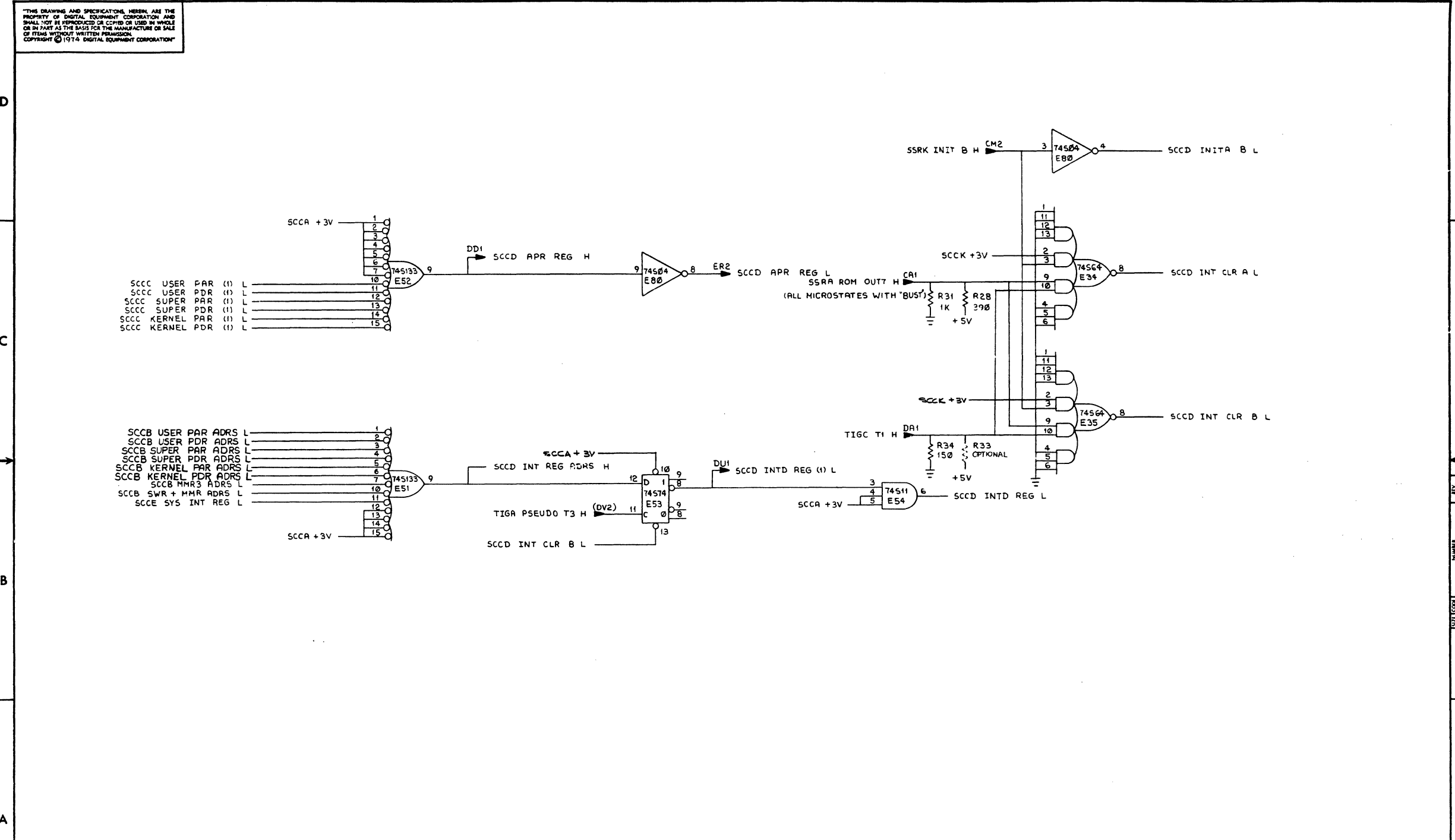
REG ADDRESS DECODE SLOT 16

TITLE	SIZE CODE	NUMBER	REV.
SYS DESC/CNSL CABLES (SCCC)	DCS	M8140-0-1	6
SCALE	SHEET 4 OF 13	DIST.	

DEC FORM NO. 040 130

THIS DRAWING AND SPECIFICATIONS HEREIN ARE THE PROPERTY OF DIGITAL EQUIPMENT CORPORATION AND SHALL NOT BE REPRODUCED OR COPIED OR USED IN WHOLE OR IN PART AS THE BASIS FOR THE MANUFACTURE OR SALE OF ITEMS WITHOUT WRITTEN PERMISSION. COPYRIGHT © 1974 DIGITAL EQUIPMENT CORPORATION

1-0-0718W SCS 2



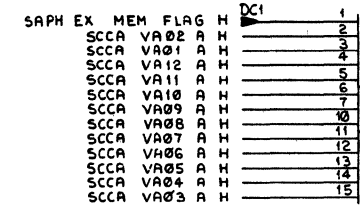
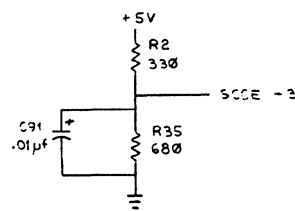
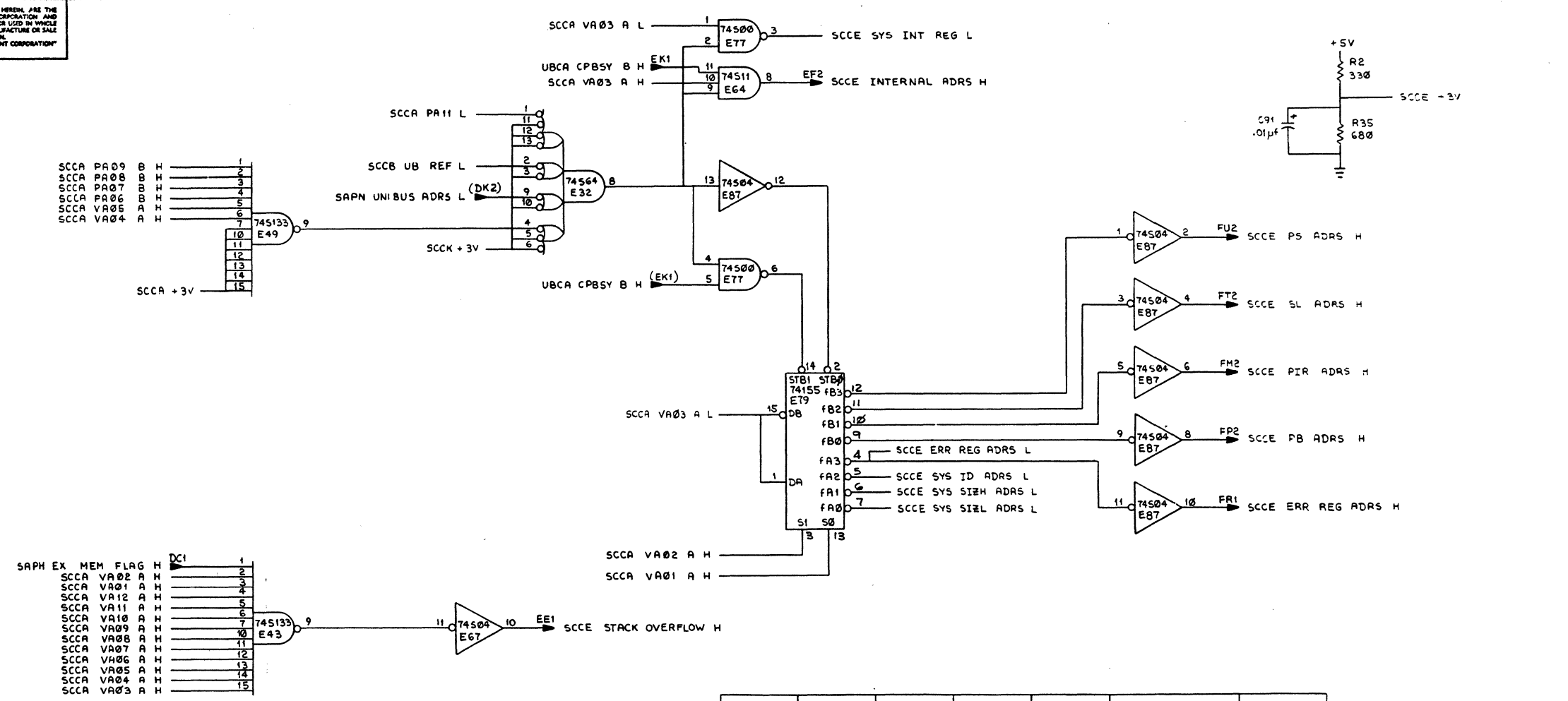
REVISIONS		
CHK	CHANGE NO.	REV.

REG ADDRESS DECODE SLOT 16		TITLE	SIZE CODE	NUMBER	REV.
SYS DESC/CNSL CABLES (SCCD)		D CS	M8140-0-1	B	
SCALE	SHEET 5 OF 13	DIST.			

REV. B  
NUMBER M8140-0-1  
D CS

"THIS DRAWING AND SPECIFICATIONS HEREIN ARE THE PROPERTY OF DIGITAL EQUIPMENT CORPORATION AND SHALL NOT BE DISCLOSED OR COPIED OR USED IN WHOLE OR IN PART AS THE BASIS FOR THE MANUFACTURE OR SALE OF ITEMS WITHOUT WRITTEN PERMISSION. COPYRIGHT © 1974 DIGITAL EQUIPMENT CORPORATION"

1-0-018W DCS 2



SYSTEM REG (STB0)	UNIBUS REG (STB1)	SCCA VA03 A	SCCA VA02 A (S1)	SCCA VA01 A (S0)	TRUE OUTPUT SIGNAL (F OUTPUTS)	REGISTER ADDRESS
H	H	X	X	X	NONE	NONE
L	L	H	L	L	SCCE PB ADRS	1777770
L	L	H	L	H	SCCE PIR ADRS	1777772
L	L	H	H	L	SCCE SL ADRS	1777774
L	L	H	H	H	SCCE PS ADRS	1777776
L	H	L	L	L	SCCE SYS SIZL ADRS	1777760
L	H	L	L	H	SCCE SYS SIZH ADRS	1777762
L	H	L	H	L	SCCE SYS ID ADRS	1777764
L	H	L	H	H	SCCE ERR REG ADRS	1777766

TITLE CODE DCS M8140-0-1 REV. B

REVISIONS		
CHK	CHANGE NO.	REV.

SYSTEM REG ADDRESS DECODE SLOT 16

TITLE: SYS DESC/CNSL CABLES(SCCE) SIZE CODE: DCS NUMBER: M8140-0-1 REV. B

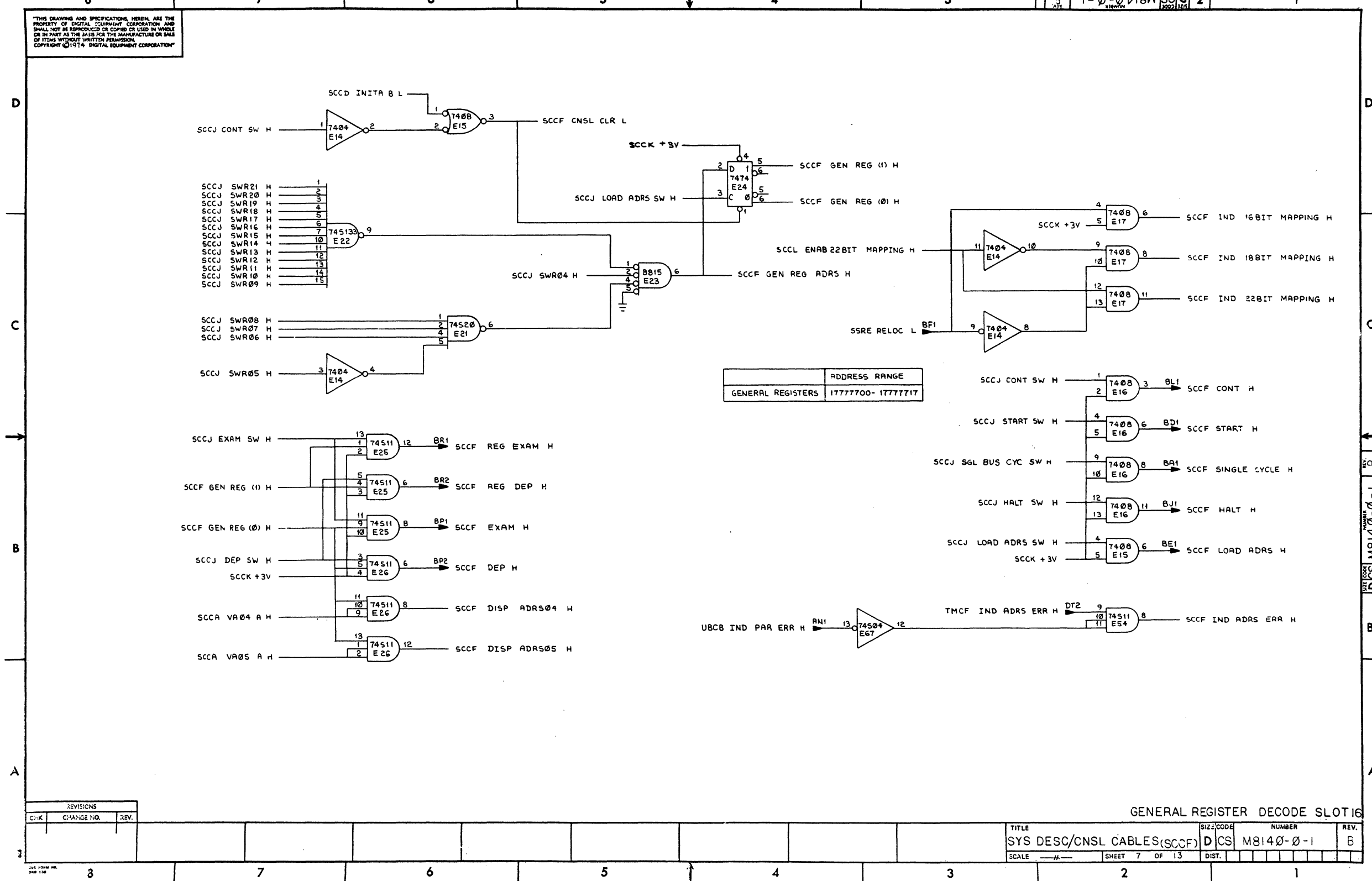
SCALE: SHEET 6 OF 13 DIST.:

3 7 6 5 4 3 2 1



THIS DRAWING AND SPECIFICATIONS HEREIN ARE THE PROPERTY OF DIGITAL EQUIPMENT CORPORATION AND SHALL NOT BE REPRODUCED OR COPIED OR USED IN WHOLE OR IN PART AS THE BASIS FOR THE MANUFACTURE OR SALE OF ITEMS WITHOUT WRITTEN PERMISSION. COPYRIGHT © 1974, DIGITAL EQUIPMENT CORPORATION

1-0-0718W SCDF 2

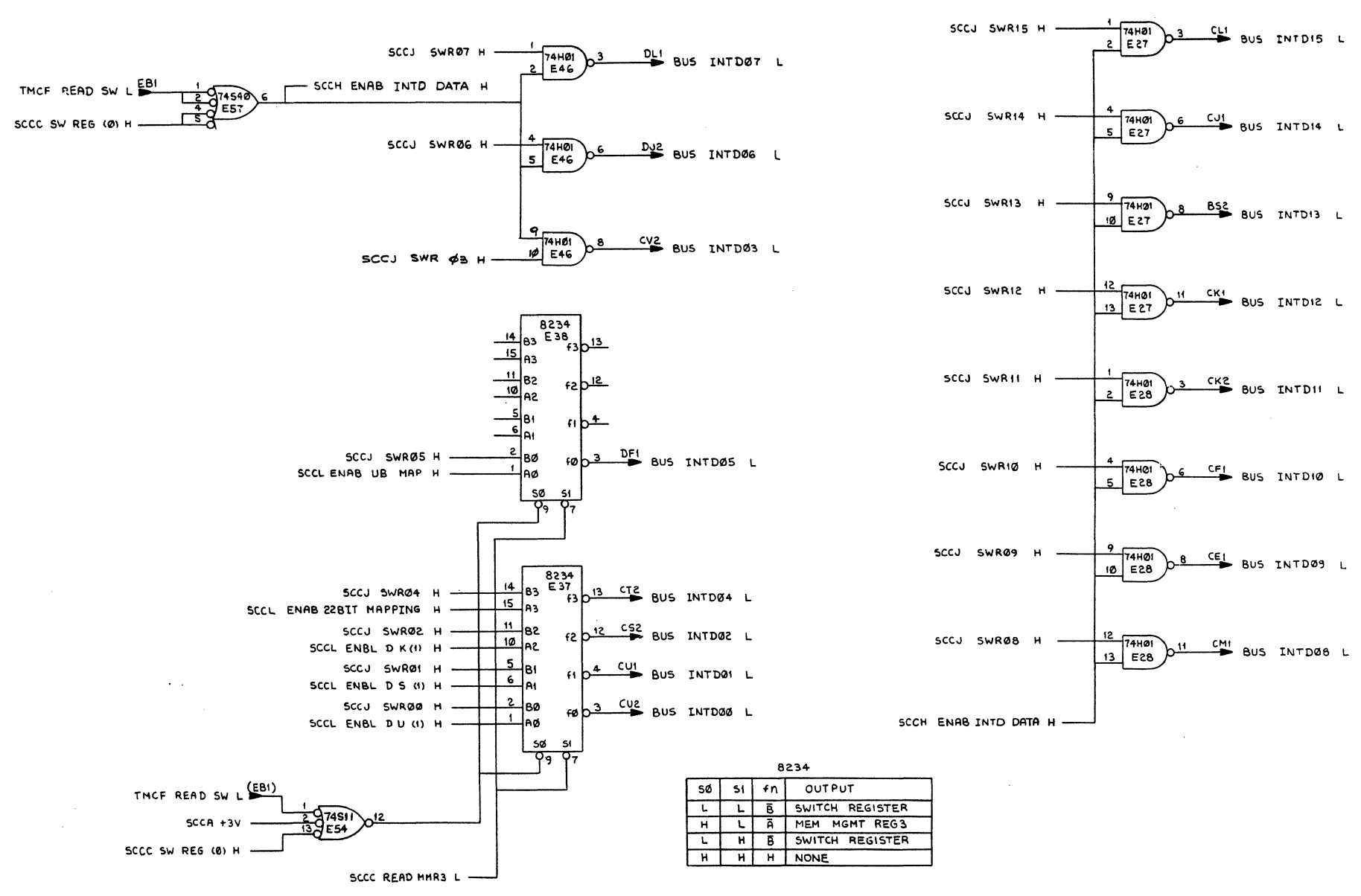


REVISIONS		
CHK	CHANGE NO.	REV.

GENERAL REGISTER DECODE SLOT 16			
TITLE	SIZE CODE	NUMBER	REV.
SYS DESC/CNSL CABLES(SCCF)	D CS	M8140-0-1	B
SCALE	SHEET 7 OF 13	DIST.	

THIS DRAWING AND SPECIFICATIONS HEREIN ARE THE PROPERTY OF DIGITAL EQUIPMENT CORPORATION AND SHALL NOT BE REPRODUCED OR COPIED OR USED IN WHOLE OR IN PART AS THE BASIS FOR THE MANUFACTURE OR SALE OF ITEMS WITHOUT WRITTEN PERMISSION. COPYRIGHT © 1974 DIGITAL EQUIPMENT CORPORATION

1-0-0718W SC D 2



8234

S0	S1	fn	OUTPUT
L	L	B	SWITCH REGISTER
H	L	A	MEM MGMT REG 3
L	H	B	SWITCH REGISTER
H	H	H	NONE

REVISIONS		
CHK	CHANGE NO.	REV.

INTERNAL BUS DRIVERS SLOT IG

TITLE	SIZE/CODE	NUMBER	REV.
SYS DESC/CNSL CABLES(SCCH)	D CS	M8140-0-1	B
SCALE	SHEET 8 OF 13	DIST.	

3

7

6

5

4

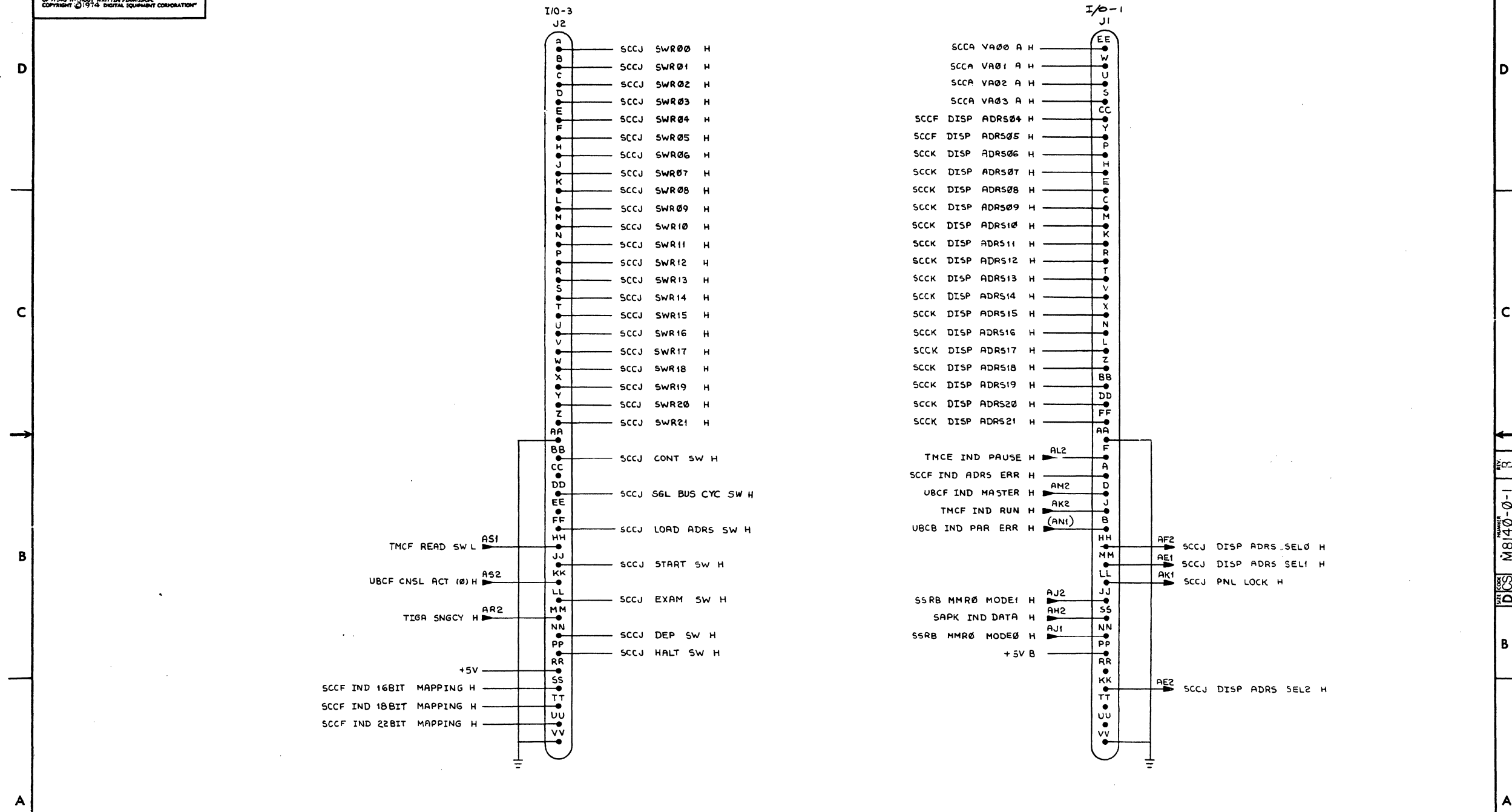
3

2

1

180

THIS DRAWING AND SPECIFICATIONS HEREIN ARE THE PROPERTY OF DIGITAL EQUIPMENT CORPORATION AND SHALL NOT BE REPRODUCED OR COPIED OR USED IN WHOLE OR IN PART AS THE BASIS FOR THE MANUFACTURE OR SALE OF ITEMS WITHOUT WRITTEN PERMISSION. COPYRIGHT © 1974 DIGITAL EQUIPMENT CORPORATION



REVISIONS		
NO.	CHANGE NO.	REV.

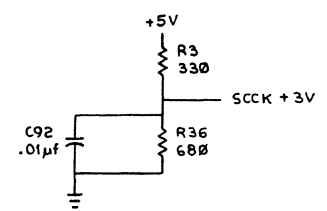
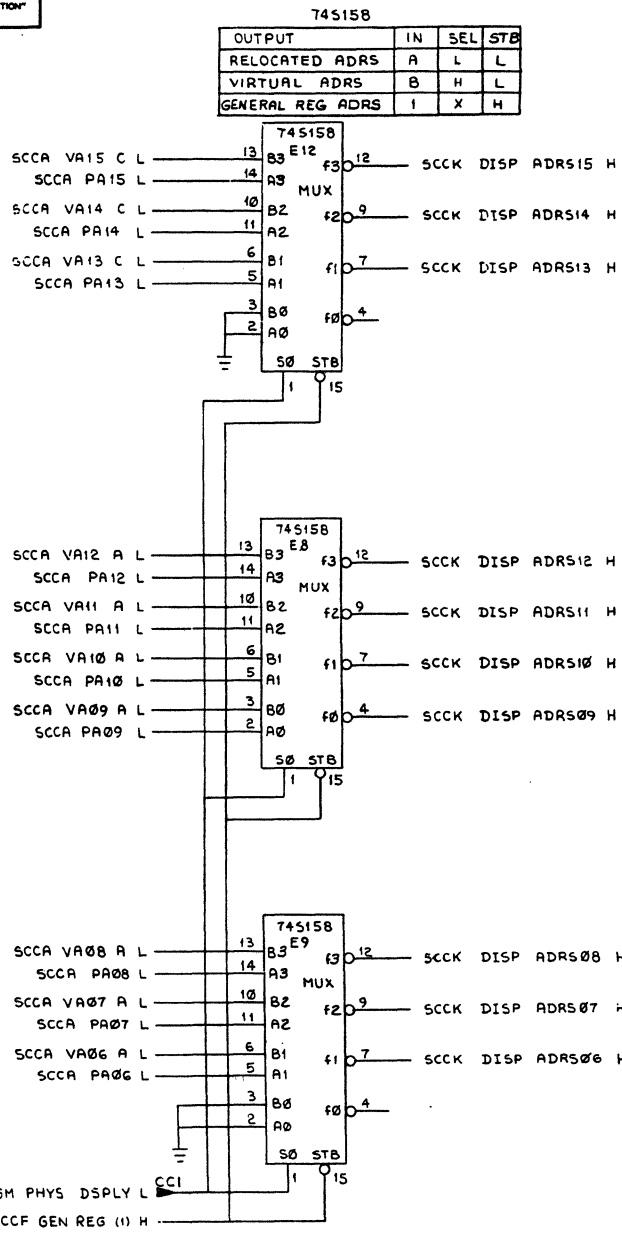
SCC/CNSL CABLES SLOT 16

TITLE	SIZE CODE	NUMBER	REV.
SYS DESC/CNSL CABLES(SCCJ)	D CS	M8140-0-1	B
SCALE	SHEET	OF	DIST.
	9	13	

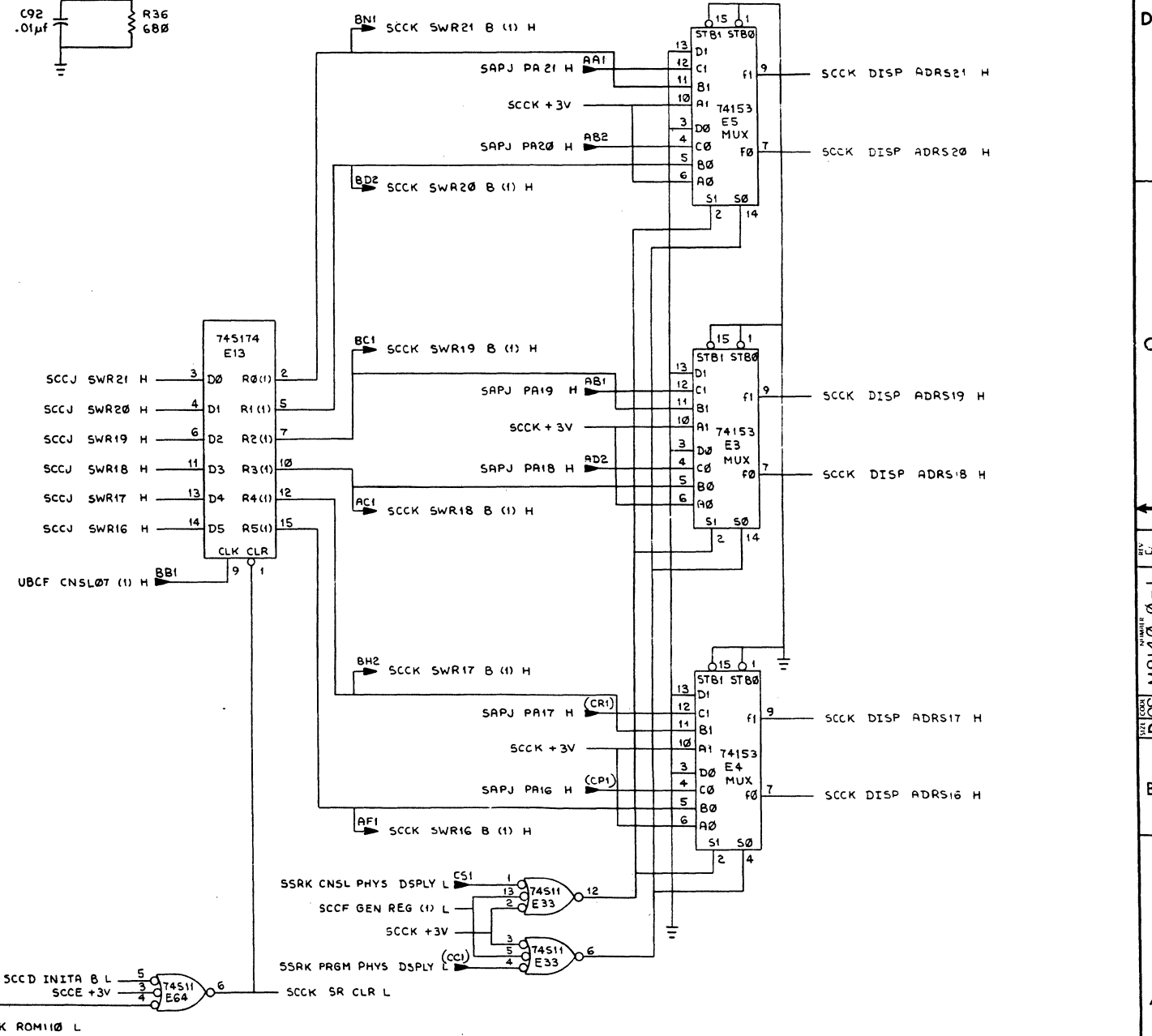
181

"THIS DRAWING AND SPECIFICATIONS, HEREIN, ARE THE PROPERTY OF DIGITAL EQUIPMENT CORPORATION AND SHALL NOT BE REPRODUCED OR COPIED OR USED IN WHOLE OR IN PART AS THE BASIS FOR THE MANUFACTURE OR SALE OF ITEMS WITHOUT WRITTEN PERMISSION. COPYRIGHT © 1974, DIGITAL EQUIPMENT CORPORATION"

1-0-0-018W DCS 2



74153			
OUTPUT	INPUT LINES SELECTED	S1	S0
GEN REG	A1	A0	L L
CONSOLE PHYS	B1	B0	L H
PROGRAM PHYS	C1	C0	H L
VIRTUAL	D1	D0	H H



REVISIONS		
CHK	CHANGE NO.	REV.

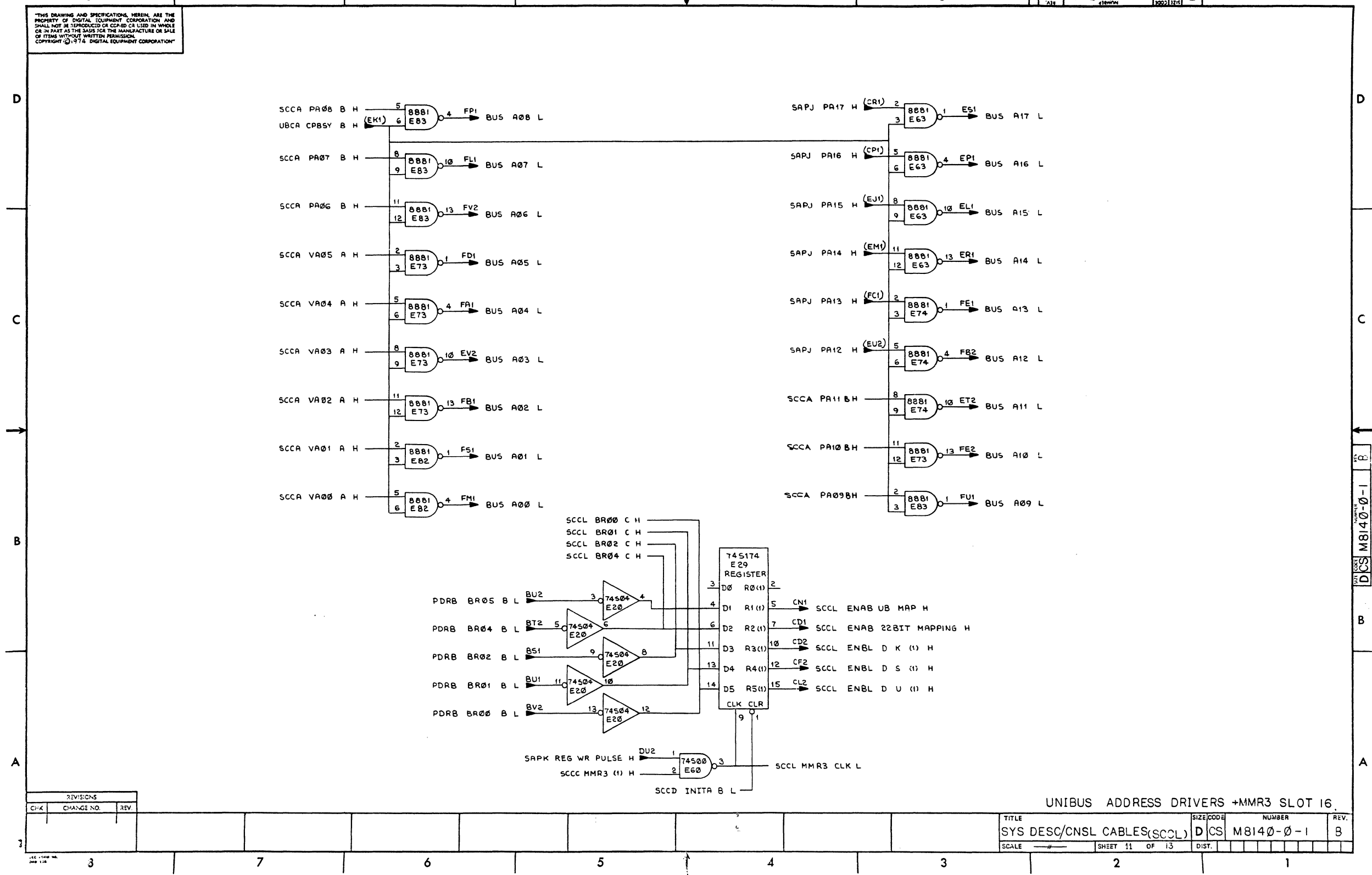
CONSOLE ADDRESS DISPLAY SLOT 16

TITLE	SIZE CODE	NUMBER	REV.
SYS DESC/CNSL CABLES(SCKK)	DCS	M8140-0-1	B
SCALE	SHEET 10 OF 13	DIST.	

182

THIS DRAWING AND SPECIFICATIONS, HEREIN, ARE THE PROPERTY OF DIGITAL EQUIPMENT CORPORATION AND SHALL NOT BE REPRODUCED OR COPIED OR USED IN WHOLE OR IN PART AS THE BASIS FOR THE MANUFACTURE OR SALE OF ITEMS WITHOUT WRITTEN PERMISSION. COPYRIGHT © 1974 DIGITAL EQUIPMENT CORPORATION

DCS M8140-0-1 2

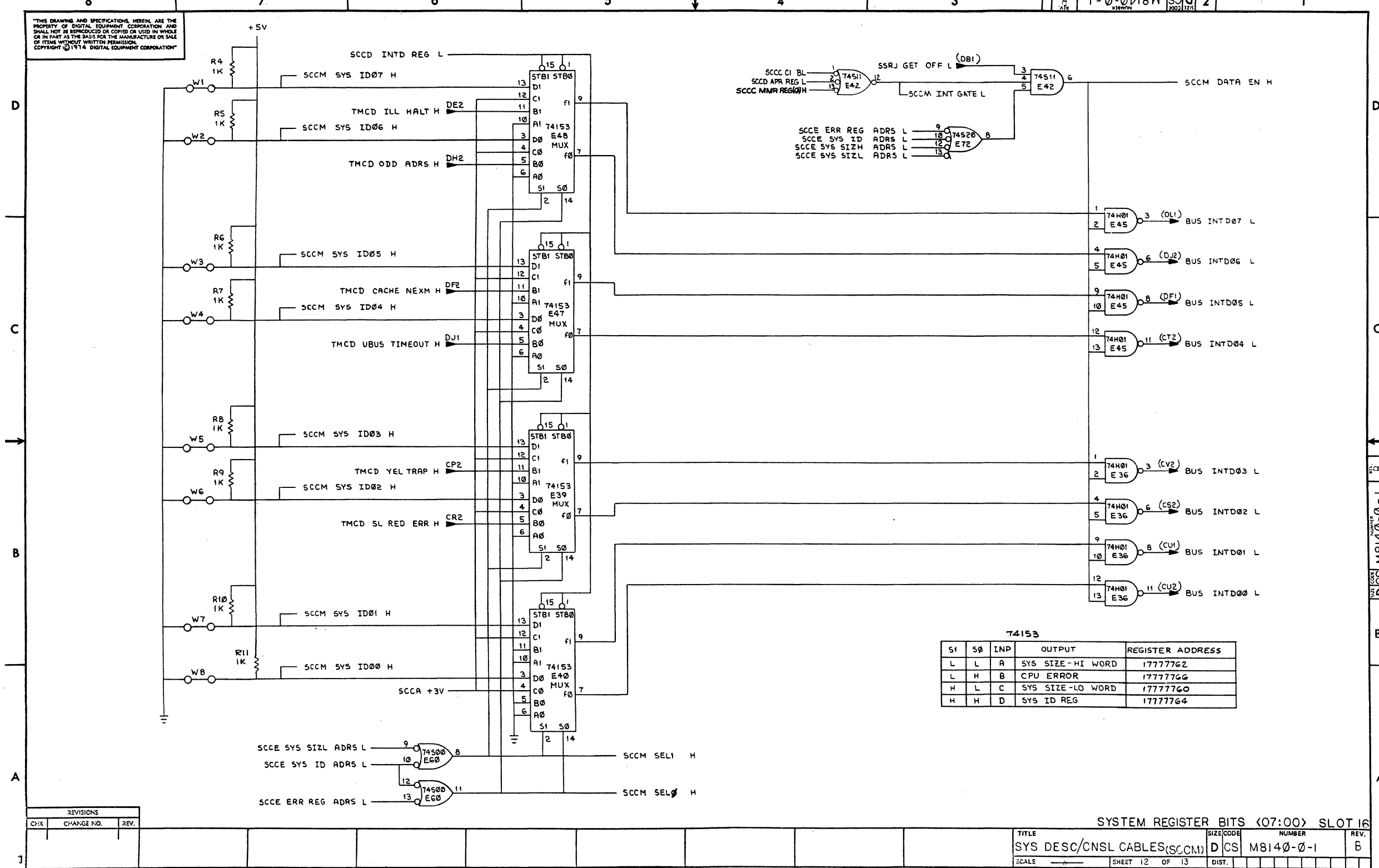


REVISIONS		
CHK	CHANGE NO.	REV.

UNIBUS ADDRESS DRIVERS +MMR3 SLOT 16

TITLE	SIZE/CODE	NUMBER	REV.
SYS DESC/CNSL CABLES(SCCL)	DCS	M8140-0-1	B
SCALE	SHEET 11 OF 13	DIST.	

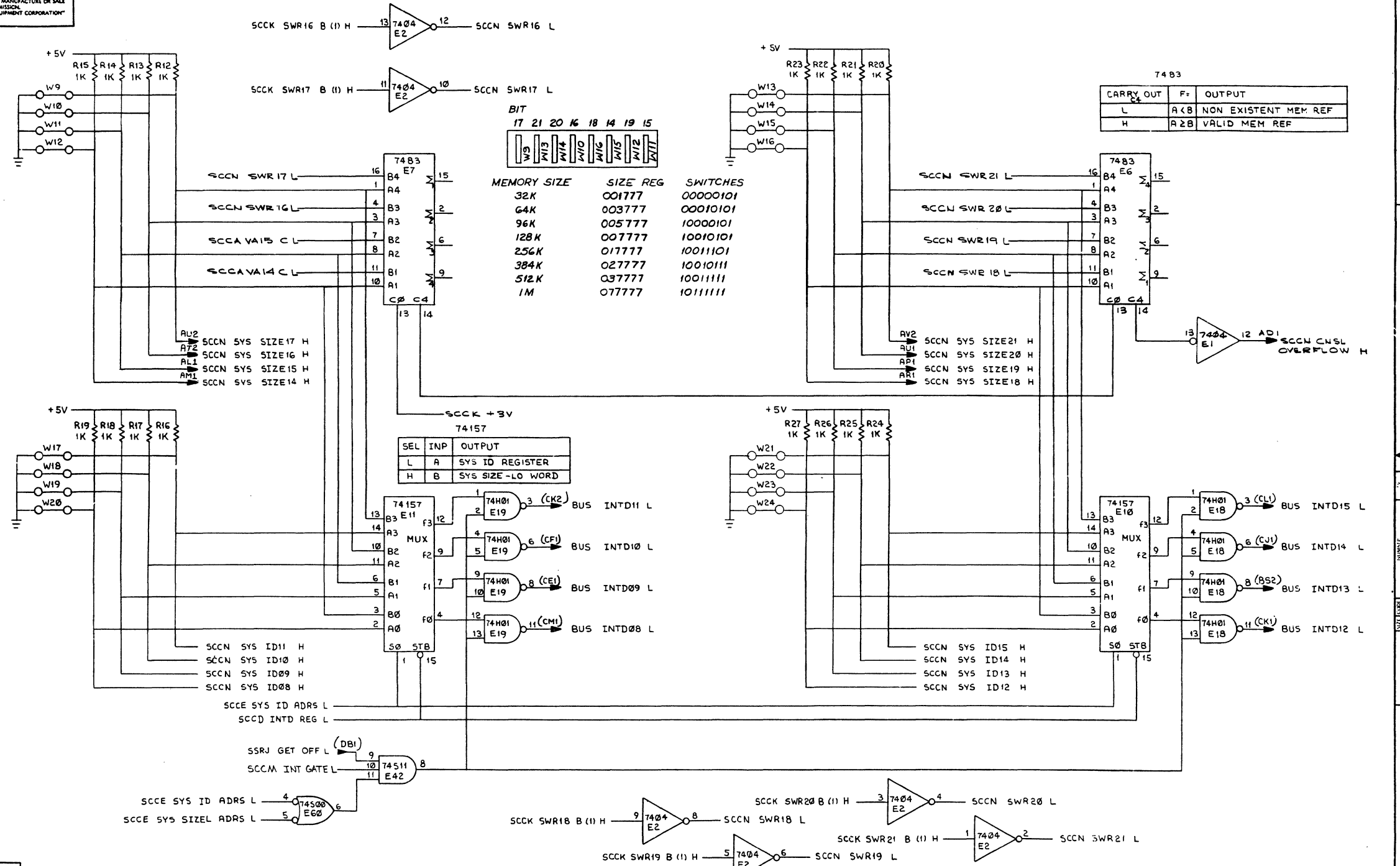
"THIS DRAWING AND SPECIFICATIONS, HEREIN, ARE THE PROPERTY OF DIGITAL EQUIPMENT CORPORATION AND SHALL NOT BE REPRODUCED OR COPIED OR USED IN WHOLE OR IN PART AS THE BASIS FOR THE MANUFACTURE OR SALE OF ITEMS WITHOUT WRITTEN PERMISSION. COPYRIGHT © 1974 DIGITAL EQUIPMENT CORPORATION"



REVISIONS		
CHK	CHANGE NO.	REV.

SYSTEM REGISTER BITS (07:00) SLOT 16				
TITLE	SIZE CODE	NUMBER	REV.	
SYS DESC/CNSL CABLES(SCCM)	D/CS	M8140-0-1	B	
SCALE	SHEET 12 OF 13	DIST.		

"THIS DRAWING AND SPECIFICATIONS HEREIN ARE THE PROPERTY OF DIGITAL EQUIPMENT CORPORATION AND SHALL NOT BE REPRODUCED OR COPIED OR USED IN WHOLE OR IN PART AS THE BASIS FOR THE MANUFACTURE OR SALE OF ITEMS WITHOUT WRITTEN PERMISSION. COPYRIGHT © 1974, DIGITAL EQUIPMENT CORPORATION"



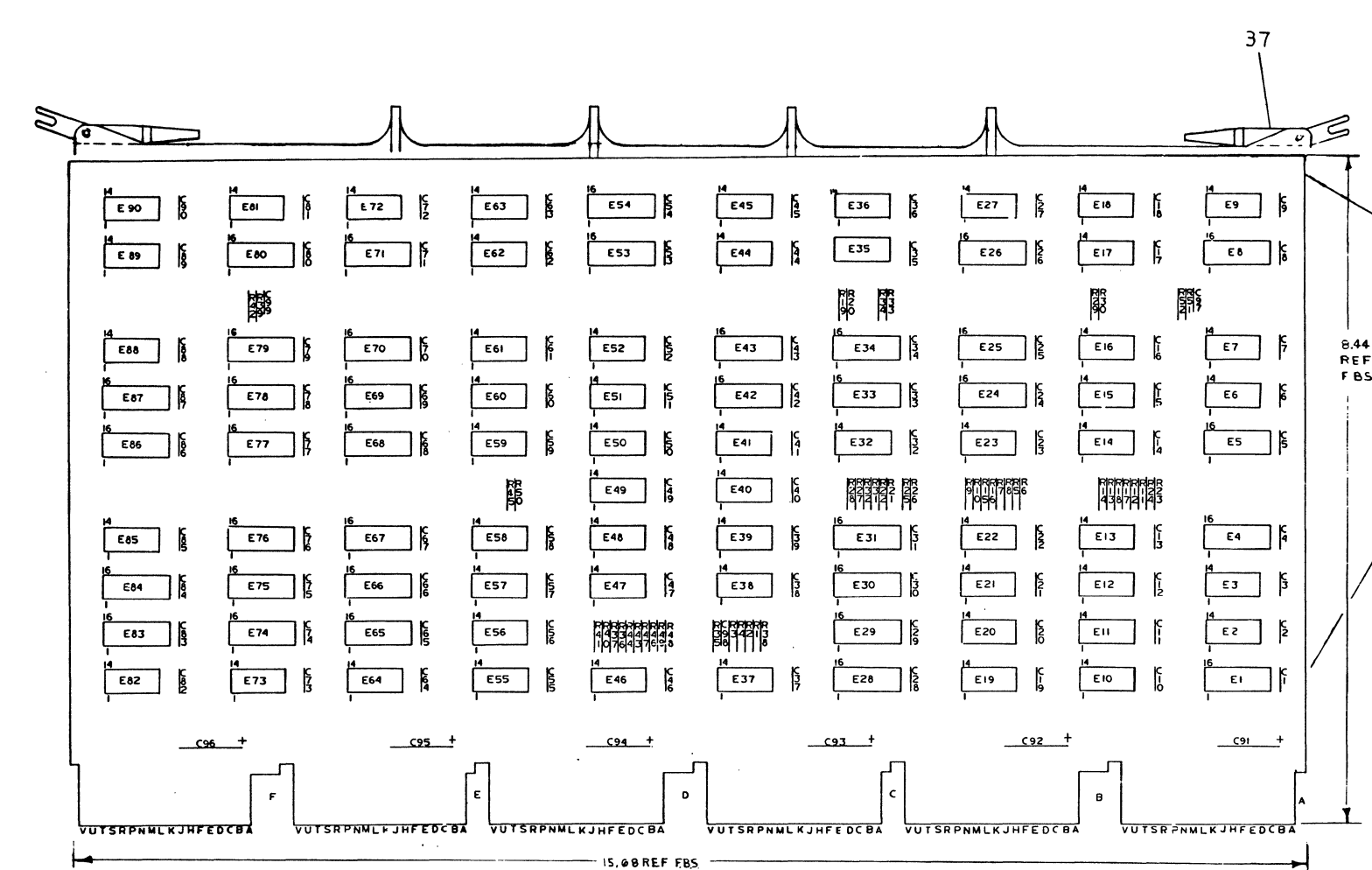
REVISIONS		
CHK	CHANGE NO.	REV.

SYSTEM REGISTER BITS (15:08) SLOT 16			
TITLE	SIZE CODE	NUMBER	REV.
SYS DESC/CNSL CABLES (SCCN)	DCS	M8140-0-1	B
SCALE	SHEET 13 OF 13	DIST.	

185

THIS DRAWING AND SPECIFICATIONS, HEREIN, ARE THE PROPERTY OF DIGITAL EQUIPMENT CORPORATION AND SHALL NOT BE REPRODUCED OR COPIED OR USED IN WHOLE OR IN PART AS THE BASIS FOR THE MANUFACTURE OR SALE OF ITEMS WITHOUT WRITTEN PERMISSION. COPYRIGHT © 1978 DIGITAL EQUIPMENT CORPORATION.

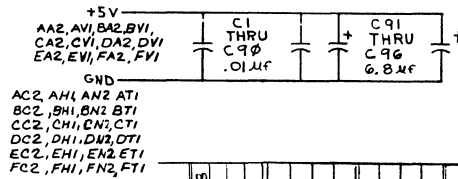
**NOTES:**  
 1. \* OPTIONAL COMPONENTS.  
 2. E9, E5, E8, E26, E53, & E80 ARE SPARE I.C. LOCATIONS.



IC TYPE	GND	+5V
IC DEC 7442	B	16
IC DEC 74153	B	16
IC DEC 74157	B	16
IC DEC 745157	B	16
IC DEC 74174	B	16
IC DEC 745174	B	16
IC DEC 74175	B	16
IC DEC 74187	B	16
IC TYPE	GND	+5V

GND AND 5V ARE USUALLY PIN 7 AND 14 RESPECTIVELY. EXCEPTIONS ARE STATED ABOVE.

IC PIN LOCATIONS



REVISIONS

REV	CHG	DATE	BY	DESCRIPTION
1		6 APR 78	R. THOMPSON	INITIAL DESIGN
2		11 APR 78	R. THOMPSON	REVISED FOR MANUFACTURE
3		11 APR 78	R. THOMPSON	REVISED FOR MANUFACTURE
4		11 APR 78	R. THOMPSON	REVISED FOR MANUFACTURE
5		11 APR 78	R. THOMPSON	REVISED FOR MANUFACTURE
6		11 APR 78	R. THOMPSON	REVISED FOR MANUFACTURE
7		11 APR 78	R. THOMPSON	REVISED FOR MANUFACTURE
8		11 APR 78	R. THOMPSON	REVISED FOR MANUFACTURE
9		11 APR 78	R. THOMPSON	REVISED FOR MANUFACTURE
10		11 APR 78	R. THOMPSON	REVISED FOR MANUFACTURE
11		11 APR 78	R. THOMPSON	REVISED FOR MANUFACTURE
12		11 APR 78	R. THOMPSON	REVISED FOR MANUFACTURE
13		11 APR 78	R. THOMPSON	REVISED FOR MANUFACTURE
14		11 APR 78	R. THOMPSON	REVISED FOR MANUFACTURE
15		11 APR 78	R. THOMPSON	REVISED FOR MANUFACTURE
16		11 APR 78	R. THOMPSON	REVISED FOR MANUFACTURE
17		11 APR 78	R. THOMPSON	REVISED FOR MANUFACTURE
18		11 APR 78	R. THOMPSON	REVISED FOR MANUFACTURE
19		11 APR 78	R. THOMPSON	REVISED FOR MANUFACTURE
20		11 APR 78	R. THOMPSON	REVISED FOR MANUFACTURE
21		11 APR 78	R. THOMPSON	REVISED FOR MANUFACTURE
22		11 APR 78	R. THOMPSON	REVISED FOR MANUFACTURE
23		11 APR 78	R. THOMPSON	REVISED FOR MANUFACTURE
24		11 APR 78	R. THOMPSON	REVISED FOR MANUFACTURE
25		11 APR 78	R. THOMPSON	REVISED FOR MANUFACTURE
26		11 APR 78	R. THOMPSON	REVISED FOR MANUFACTURE
27		11 APR 78	R. THOMPSON	REVISED FOR MANUFACTURE
28		11 APR 78	R. THOMPSON	REVISED FOR MANUFACTURE
29		11 APR 78	R. THOMPSON	REVISED FOR MANUFACTURE
30		11 APR 78	R. THOMPSON	REVISED FOR MANUFACTURE
31		11 APR 78	R. THOMPSON	REVISED FOR MANUFACTURE
32		11 APR 78	R. THOMPSON	REVISED FOR MANUFACTURE
33		11 APR 78	R. THOMPSON	REVISED FOR MANUFACTURE
34		11 APR 78	R. THOMPSON	REVISED FOR MANUFACTURE
35		11 APR 78	R. THOMPSON	REVISED FOR MANUFACTURE
36		11 APR 78	R. THOMPSON	REVISED FOR MANUFACTURE
37		11 APR 78	R. THOMPSON	REVISED FOR MANUFACTURE
38		11 APR 78	R. THOMPSON	REVISED FOR MANUFACTURE
39		11 APR 78	R. THOMPSON	REVISED FOR MANUFACTURE
40		11 APR 78	R. THOMPSON	REVISED FOR MANUFACTURE
41		11 APR 78	R. THOMPSON	REVISED FOR MANUFACTURE
42		11 APR 78	R. THOMPSON	REVISED FOR MANUFACTURE
43		11 APR 78	R. THOMPSON	REVISED FOR MANUFACTURE
44		11 APR 78	R. THOMPSON	REVISED FOR MANUFACTURE

REF	REF	X-Y COORDINATE HOLE LOCATION	K-CO-M8138-Y-4	1
REF	REF	ASSY/DRILLING HOLE LAYOUT	D-AH-M8138-Y-5	2
REF	REF	MODULE ECO HISTORY	B-WH-M8138-Y-6	3
1	1	ETCHED CIRCUIT BOARD	5011341	4
93	93	C1 THRU C90, C97, C98, C99	CAP .01uf 100V 20%	5
6	6	C91 THRU C96	CAP 6.8uf 35V 10% TANT	6
4	4	R1, R33, R44, R50	RESISTOR 150 1/4W 5%	7
3	3	R35, R38, R51	RESISTOR 330 1/4W 5%	8
12	12	R4, R6, R8, R10, R12, R14, R16, R18, R20, R22, R26, R32	RESISTOR 1K 1/4W 5%	9
3	3	R24, R28, R30	RESISTOR 1.5K 1/4W 5%	10
3	3	R23, R27, R29	RESISTOR 750 1/4W 5%	11
3	3	R39, R42, R52	RESISTOR 680 1/4W 5%	12
1	1	R34	RESISTOR 300 1/4W 5%	13
12	12	R3, R5, R7, R11, R13, R15, R9, R17, R19, R21, R25, R31	RESISTOR 560 1/4W 5%	14
1	1	E35	DELAY LINE	15
8	8	E65, E66, E67, E74, E75, E76, E83, E84	IC 74153	16
1	1	E1	IC 7442	17
2	2	E81, E85	IC DEC 7437	18
1	1	E7	IC 7439	19
6	6	E2, E15, E18, E45, E47, E58	IC 74500	20
9	9	E12, E14, E17, E23, E32, E46, E59, E61, E89	IC 74504	21
4	4	E10, E27, E48, E88	IC 74510	22
8	8	E3, E6, E11, E16, E36, E50, E57, E72	IC 74511	23
3	3	E64, E73, E82	IC 74505	24
5	5	E41, E44, E51, E60, E90	IC 74540	25
8	8	E13, E19, E20, E21, E22, E55, E56, E63	IC 74564	26
3	3	E33, E34, E79	IC 745157	27
6	6	E42, E43, E69, E70, E78, E87	IC 745174	28
4	4	E25, E54, E71, E86	IC DEC 74175	29
2	2	E68, E77	IC 74174	30
1	1	E24	IC 74157	31
8	8	E9, E37, E38, E39, E40, E49, E52, E62	IC 74574	32
1	1	E28	IC DEC 74187	33
1	1	E29	IC 74187	34
1	1	E30	IC 74187	35
1	1	E31	IC 74187	36
1	1		HANDLE, HEX MODULE	37
12	12		EYELET HANDLE	38
				39
1	1	E28	I.C. 74187	40
1	1	E29	I.C. 74187	41
1	1	E30	I.C. 74187	42
1	1	E31	I.C. 74187	43
W/R	W/R		WIRE, #30 AWG	44

DCS M8138-YA  
M8138

FIRST USED ON OPTION MODEL  
11/70

ETCH BOARD REV B

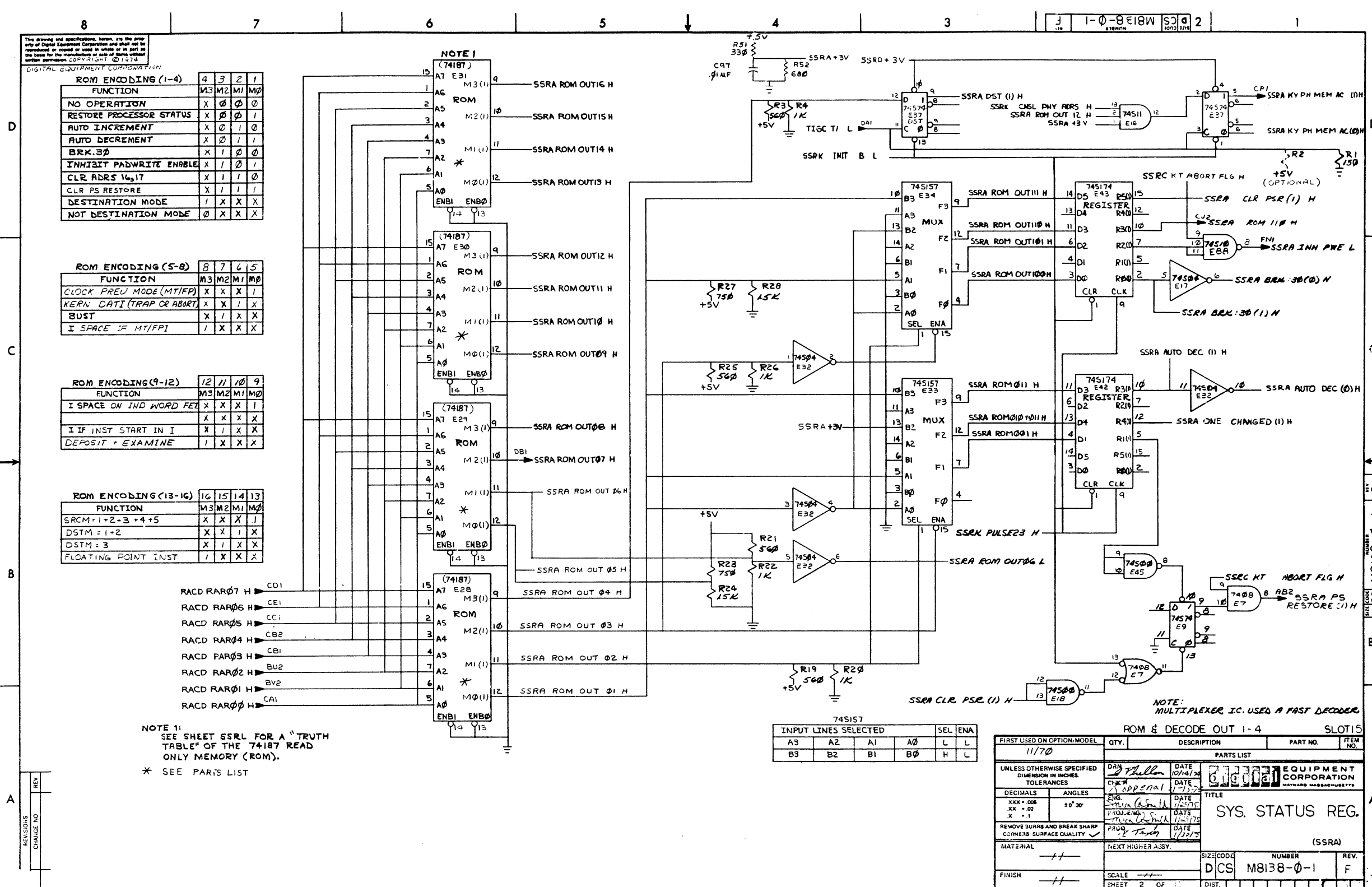
DRN J. THELLEN DATE 10/15/74  
CHKD K. PENNELL DATE 11/14/75  
ENG SHARON A SMITH DATE 11/29/75  
PROJ ENG SHARON A SMITH DATE 11/29/75  
PROC E. TAYLOR DATE 11/30/75  
NEXT HIGHER ASSY

digital EQUIPMENT CORPORATION  
TITLE: SYS. STATUS REG.

SIZE CODE DCS M8138-0-1  
NUMBER F  
SCALE 1 OF 12  
SHEET DIST.

SEMICONDUCTOR CONVERSION CHART





NOTE 1:  
SEE SHEET SSRL FOR A "TRUTH TABLE" OF THE 74187 READ ONLY MEMORY (ROM).  
\* SEE PARTS LIST

ROM ENCODING (1-4)

FUNCTION	M3	M2	M1	M0
NO OPERATION	X	0	0	0
RESTORE PROCESSOR STATUS	X	0	0	1
AUTO INCREMENT	X	0	1	0
AUTO DECREMENT	X	0	1	1
BRK. 30	X	1	0	0
INHIBIT PADWRITE ENABLE	X	1	0	1
CLR ADRS 16,17	X	1	1	0
CLR PS RESTORE	X	1	1	1
DESTINATION MODE	1	X	X	X
NOT DESTINATION MODE	0	X	X	X

ROM ENCODING (5-8)

FUNCTION	M3	M2	M1	M0
CLOCK PREV MODE (MT/FP)	X	X	X	1
KERN. DATA (TRAP OR ABORT)	X	X	1	X
BUST	X	1	X	X
I SPACE IF MT/FP1	1	X	X	X

ROM ENCODING (9-12)

FUNCTION	M3	M2	M1	M0
I SPACE ON IND WORD FE1	X	X	X	1
I IF INST START IN I	X	1	X	X
DEPOSIT + EXAMINE	1	X	X	X

ROM ENCODING (13-16)

FUNCTION	M3	M2	M1	M0
SRCM = 1+2+3+4+5	X	X	X	1
DSTM = 1+2	X	X	1	X
DSTM = 3	X	1	X	X
FLOATING POINT INST	1	X	X	X

74517

INPUT LINES SELECTED	SEL	ENA
A3 A2 A1 A0	L	L
B3 B2 B1 B0	H	L

ROM & DECODE OUT 1-4 SLOT15

FIRST USED ON OPTION/MODEL	QTY.	DESCRIPTION	PART NO.	ITEM NO.
11/70				

PARTS LIST

UNLESS OTHERWISE SPECIFIED DIMENSION IN INCHES TOLERANCES	DATE 10/1/70	DATE 1/1/72
DECIMALS .005	ANGLES 30° 30'	DATE 7/20/70
XXX = DIM	PROBLEMS	DATE 11/27/70
X = 1	FRUG	DATE 7/22/70

TITLE: SYS. STATUS REG. (SSRA)

MATERIAL: --

FINISH: --

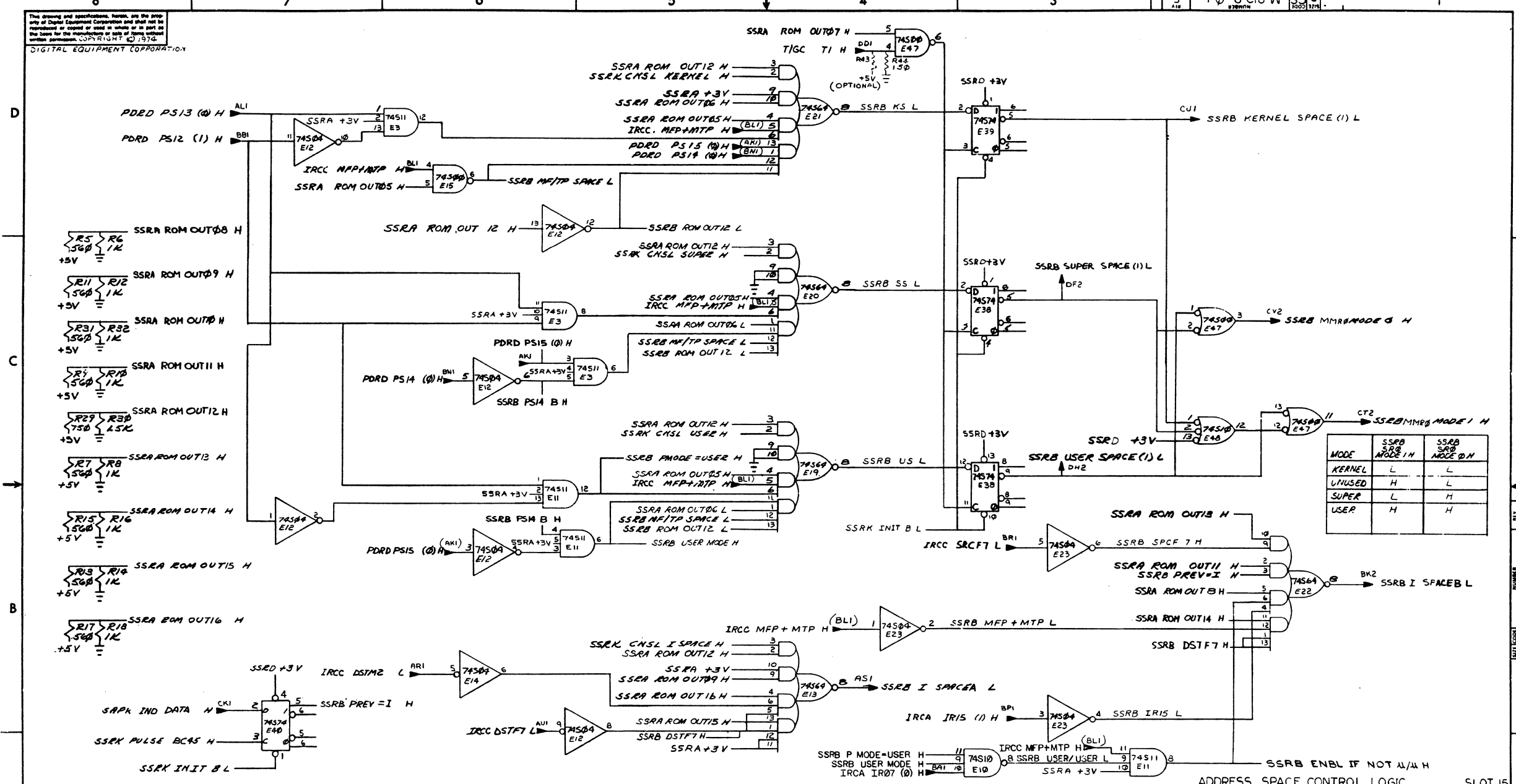
SCALE: --

SHEET 2 OF 2

SIZE: CODE NUMBER REV. DCS M8138-0-1 F

This drawing and specifications, herein, are the property of Digital Equipment Corporation and shall not be reproduced or copied or used in whole or in part as the basis for the manufacture or sale of items without written permission. COPYRIGHT © 1974  
DIGITAL EQUIPMENT CORPORATION

1-0-8 E18 W 50



MODE	SSRB SUPER NODE 1 H	SSRB SUPER NODE 0 H
KERNEL	L	L
UNUSED	H	L
SUPER	L	H
USER	H	H

ADDRESS SPACE CONTROL LOGIC SLOT 15

FIRST USED ON OPTION/MODEL	QTY.	DESCRIPTION	PART NO.	ITEM NO.
11/70				

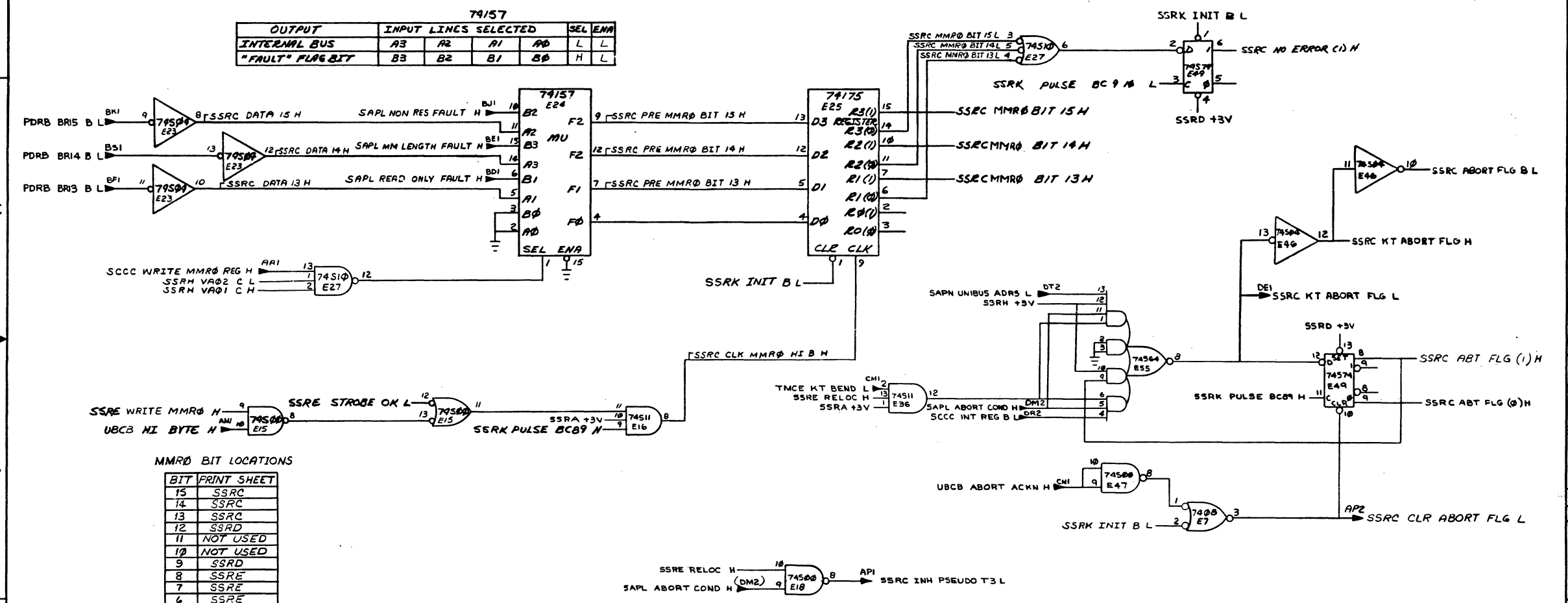
UNLESS OTHERWISE SPECIFIED		DIMENSION IN INCHES		TOLERANCES	
DECIMALS	ANGLES	DRN	DATE	PARTS LIST	
.XXX - .008	30° 30'	Chyd	10/17/74	DIGITAL EQUIPMENT CORPORATION	
.X - .1		ENG	DATE	CORPORATION	
		SAVILE	1/15/75	BOSTON, MASSACHUSETTS	
REMOVE BURRS AND BREAK SHARP CORNERS TO SURFACE QUALITY		PROJ ENG	DATE	TITLE	
✓		STALKE	1/24/75	SYS. STATUS REG.	
MATERIAL		PACD	DATE	MATERIAL	
++		12 Taylor	1/20/75	NEXT HIGHER ASSY.	
FINISH		SCALE		SIZE CODE	
++		3 OF 12		NUMBER	
		SHEET		DCSM8138-0-1	
		DIST.		REV.	
				F	

REV.	CHANGE NO.	DATE

188

This drawing and specifications, herein, are the property of Digital Equipment Corporation and shall not be reproduced or copied in whole or in part without the prior written permission of Digital Equipment Corporation. COPYRIGHT © 1974 DIGITAL EQUIPMENT CORPORATION

74157						
OUTPUT	INPUT LINES SELECTED				SEL	ENA
INTERNAL BUS	A3	A2	A1	A0	L	L
"FAULT" FLAG BIT	B3	B2	B1	B0	H	L



MMR0 BIT LOCATIONS

BIT	PRINT SHEET
15	SSRC
14	SSRC
13	SSRC
12	SSRD
11	NOT USED
10	NOT USED
9	SSRD
8	SSRE
7	SSRE
6	SSRE
5	SSRE
4	SSRE
3	SSRE
2	SSRE
1	SSRE
0	SSRE

MEM MGMT REGISTER \*0-ABORT FLAGS SLOT 15

FIRST USED ON C/P/C/N/M/C/C/L	QTY.	DESCRIPTION	PART NO.	ITEM NO.
11/75				

PARTS LIST

UNLESS OTHERWISE SPECIFIED DIMENSION IN INCHES	DATE	TOLERANCES	DATE	TITLE
DECIMALS		ANGLES		
.XXX ± .008		10° ± 30'		
.XX ± .005				
.X ± .003				

REMOVE BURRS AND BREAK SHARP CORNERS SURFACE QUALITY

MATERIAL: // EXT HIGHER ASSY.

FINISH: // SCALE: 1:1

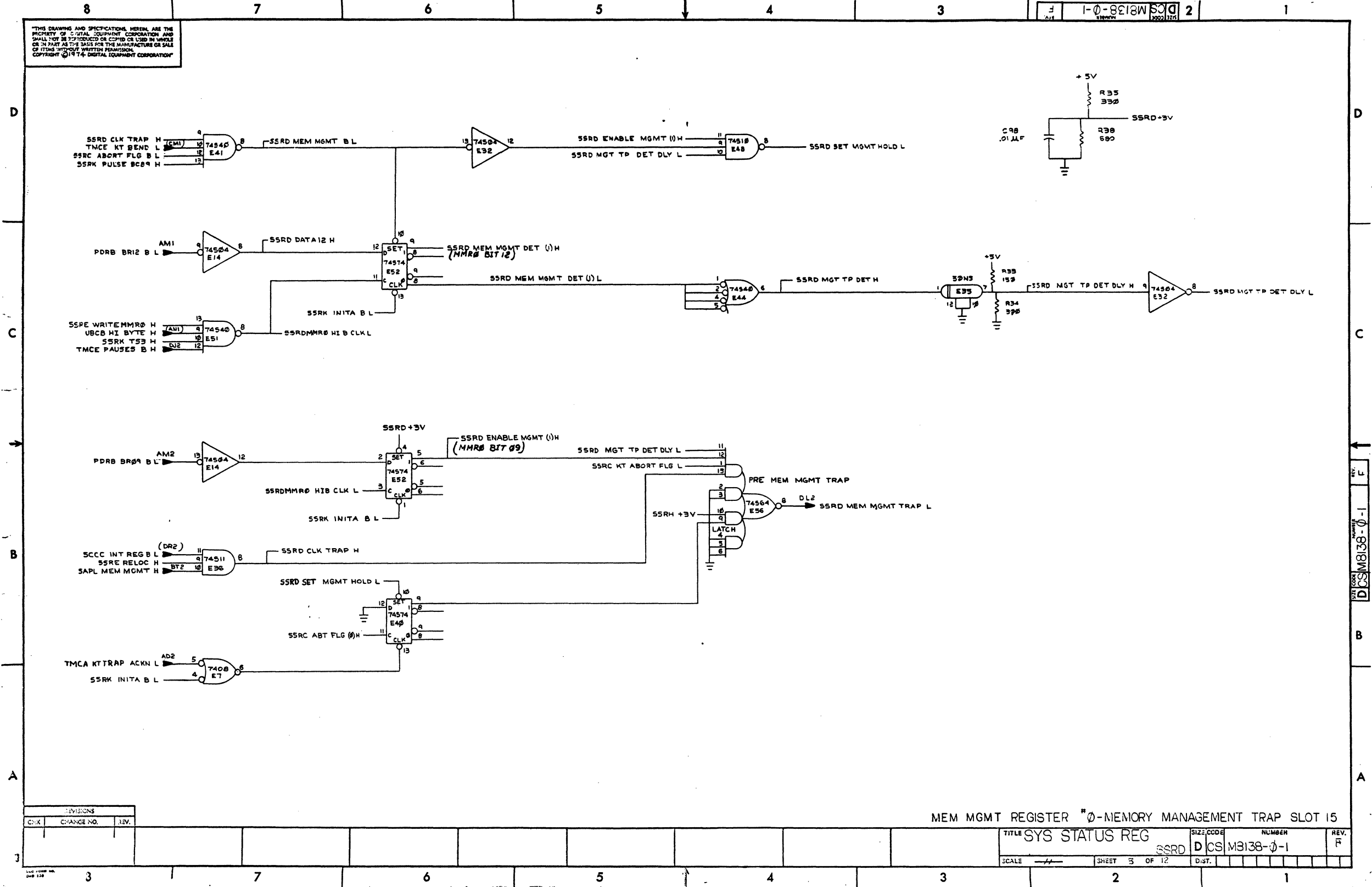
SYSD CODE: DCS M8138-0-1 NUMBER: F

SHEET 4 OF 12

REV. NO. 1  
 DATE 11/75

THIS DRAWING AND SPECIFICATIONS HEREIN ARE THE PROPERTY OF DIGITAL EQUIPMENT CORPORATION AND SHALL NOT BE REPRODUCED OR COPIED IN WHOLE OR IN PART AS THE BASIS FOR THE MANUFACTURE OR SALE OF ITEMS WITHOUT WRITTEN PERMISSION. COPYRIGHT © 1974, DIGITAL EQUIPMENT CORPORATION.

DIGITAL EQUIPMENT CORPORATION  
 1-0-8818W 2

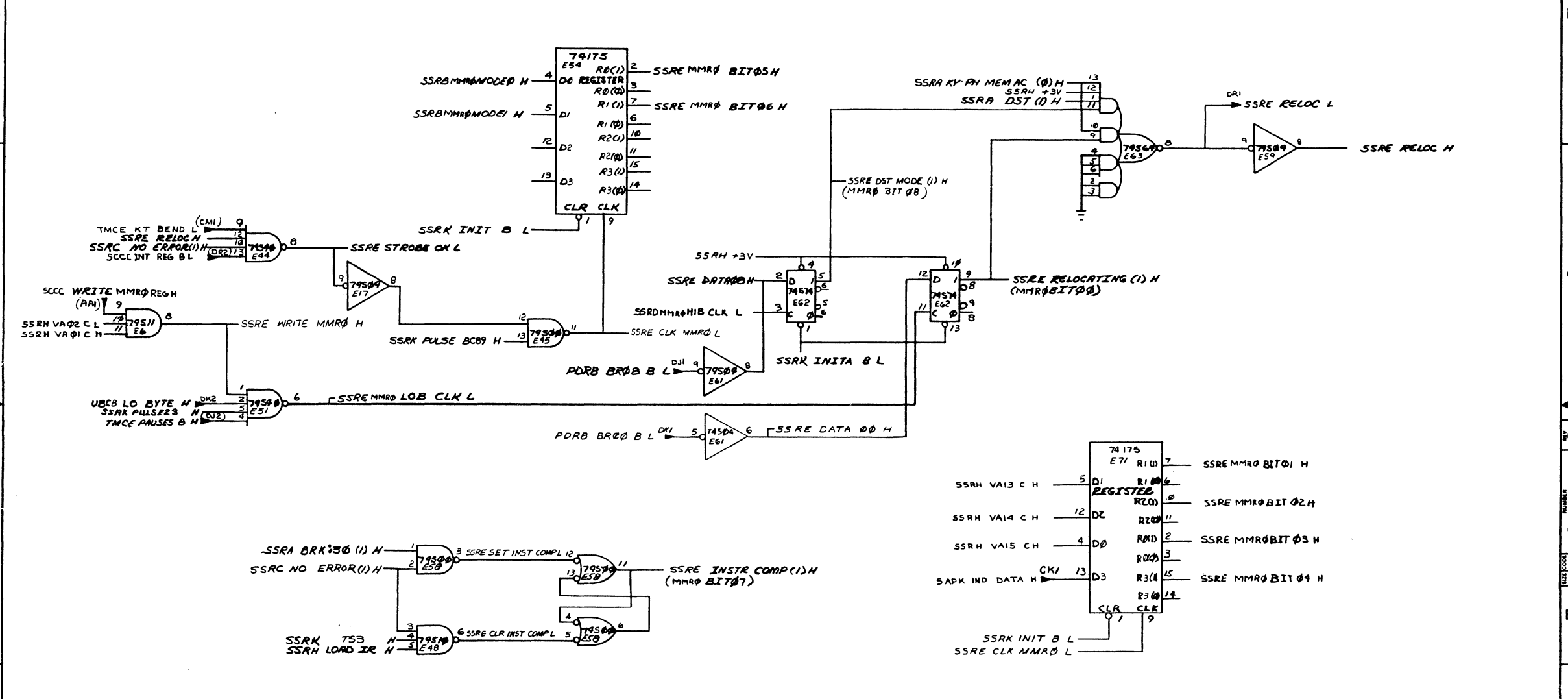


REVISIONS		
CHK	CHANGE NO.	REV.

MEM MGMT REGISTER #0-MEMORY MANAGEMENT TRAP SLOT 15

TITLE	SIZE CODE	NUMBER	REV.
SYS STATUS REG	SSRD DCS M3138-0-1	F	F
SCALE	SHEET 5 OF 12	DIST.	

This drawing and specifications, herein, are the property of Digital Equipment Corporation and shall not be reproduced or copied in whole or in part or be used as the basis for the manufacture or sale of items without written permission. COPYRIGHT © 1974  
DIGITAL EQUIPMENT CORPORATION



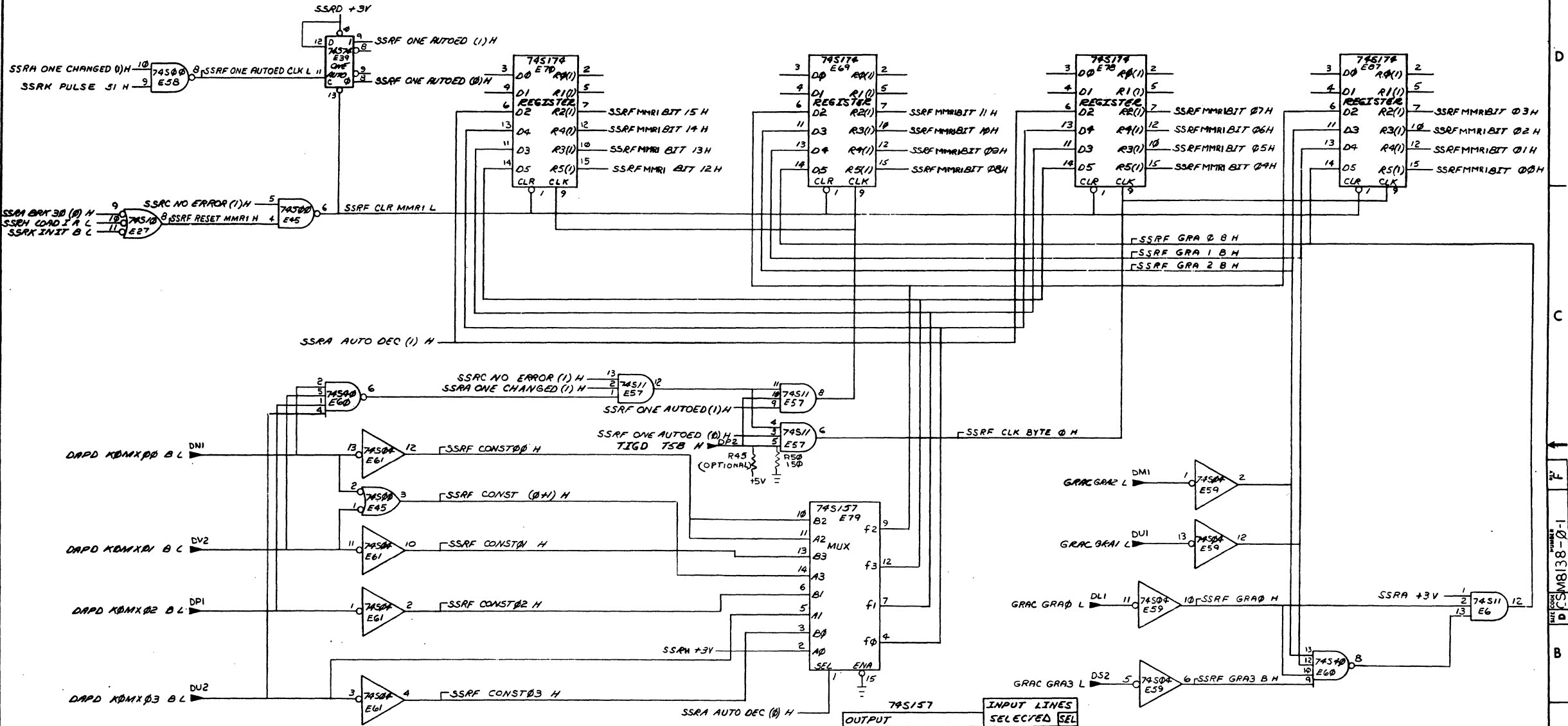
MEM MGMT REGISTER #0-MODE, OPERATE CONTROL SLOT 15

FIRST USED ON OPTION/MODEL	QTY.	DESCRIPTION	PART NO.	ITEM NO.
11/70				
PARTS LIST				
UNLESS OTHERWISE SPECIFIED DIMENSION IN INCHES TOLERANCES	DRAWN <i>J. Fuller</i>	DATE 10/1/74	DIGITAL EQUIPMENT CORPORATION MAYFIELD MASSACHUSETTS	
DECIMALS .008 .015 .030 ANGLES 20° 30'	APPENDIX 1-11-75	DATE 11/27/75	TITLE SYS. STATUS REG.	
REMOVE BURRS AND BREAK SHARP CORNERS SURFACE QUALITY	PRECIS <i>E. Toth</i>	DATE 11/27/75	(SSRE)	
MATERIAL	NEXT HIGHER ASSY.	SIZE CODE	NUMBER DCS M8138-0-1	REV. F
FINISH	SCALE	SHEET 3 OF 12	DIST.	

REV	DESCRIPTION
1	REVISED
2	CHANGE NO.
3	DATE

REV. F  
NUMBER M8138-0-1  
DCS

This drawing and specifications, herein, are the property of Digital Equipment Corporation and shall not be reproduced or used in whole or in part as the basis for the manufacture of any device without written permission. COPYRIGHT © 1974 DIGITAL EQUIPMENT CORPORATION



74S157	INPUT LINES
OUTPUT	SELECTED SEL
NEGATIVE CONSTANT	A3 A2 A1 A0 L
POSITIVE CONSTANT	B3 B2 B1 B0 H

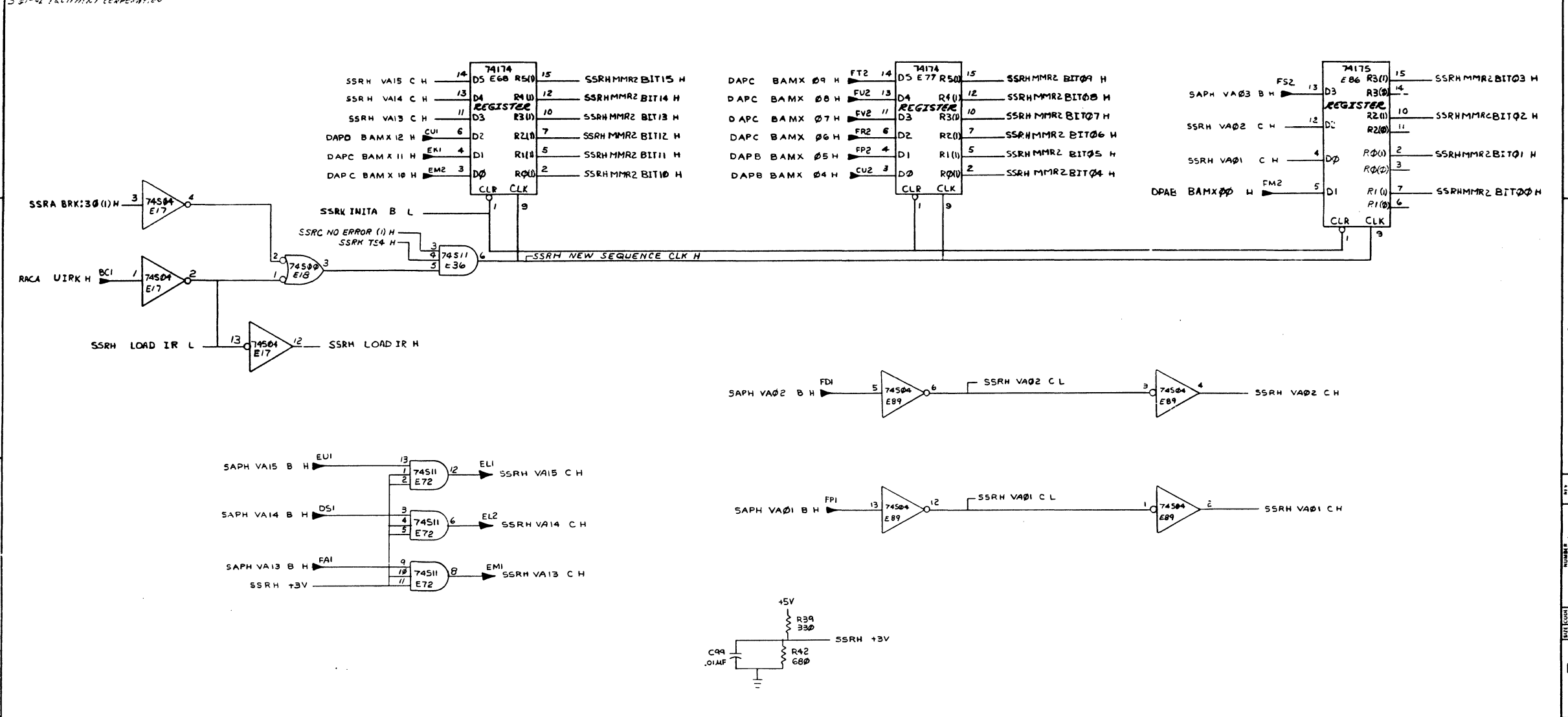
MEM MGMT REGISTER #1-AUTO INC/DEC INFO. SLOT 15			
FIRST USED ON OPTION/MODEL	QTY.	DESCRIPTION	PART NO.
11/70			
PARTS LIST			
UNLESS OTHERWISE SPECIFIED DIMENSION IN INCHES TOLERANCES			
DECIMALS	ANGLES	DATE	
XXX + 008	10' 30"	01/14/74	
XX + 02		DATE	
X + 1		DATE	
REMOVE BURRS AND BREAK SHARP CORNERS SURFACE QUALITY			
MATERIAL	NEXT HIGHER ASSY.	SIZE CODE	NUMBER
			(SSRF)
FINISH	SCALE	SHEET	DIST
	OF 12	7	

REV	CHANGE NO

11/70-8  
CRD 102-B

DCS M8138-0-1

This drawing and specifications, herein, are the property of Digital Equipment Corporation and shall not be reproduced or used in whole or in part as the basis for the manufacture or sale of items without written permission. COMPANY: DEC 1978

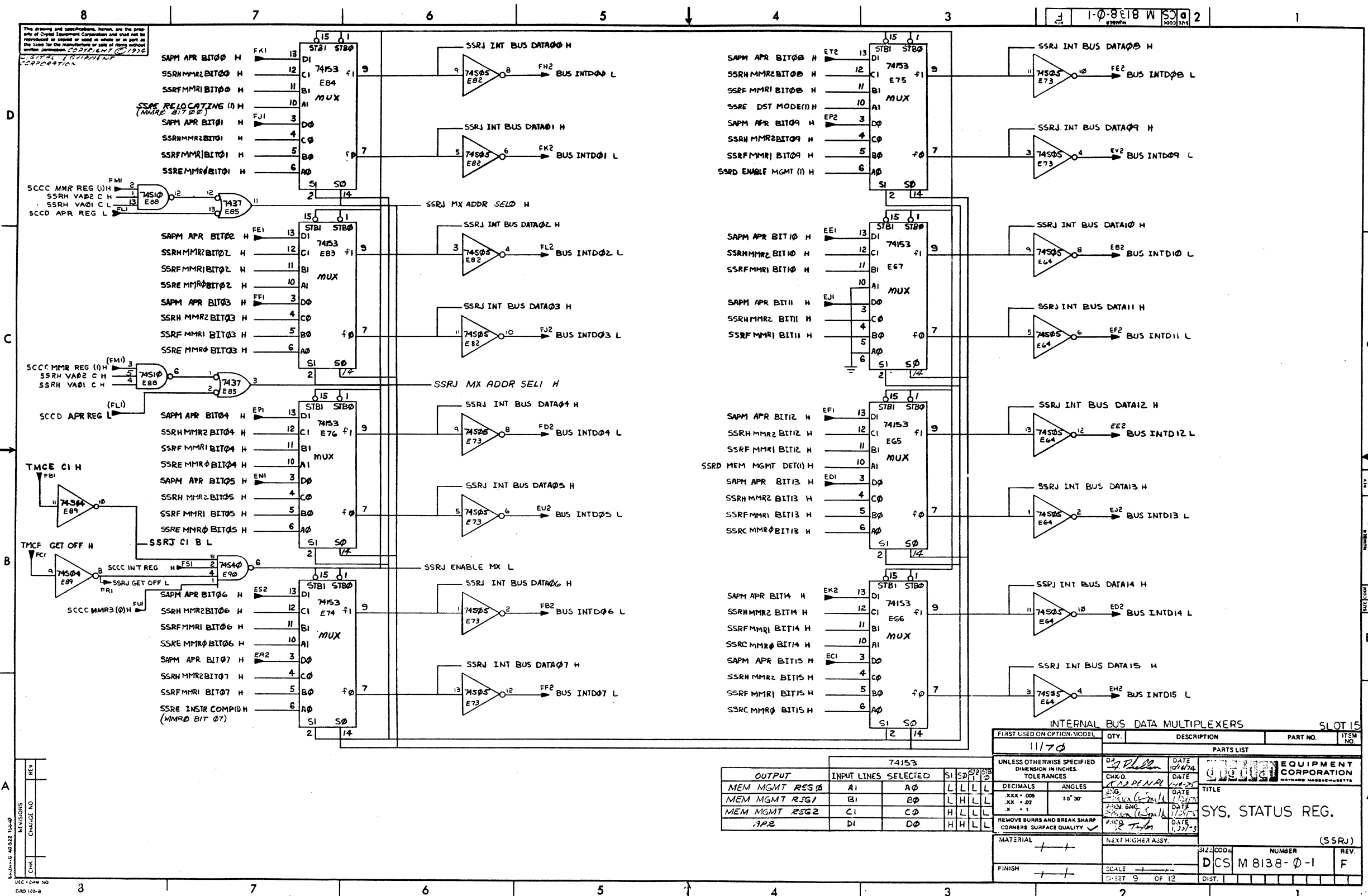


REV	DATE	BY	CHKD

MEM MGMT REGISTER #2 INST OR TRAP VECTOR ADDRESS SLOT 15

FIRST USED ON OPTION MODEL	QTY.	DESCRIPTION	PART NO	ITEM NO
11/70				
PARTS LIST				
UNLESS OTHERWISE SPECIFIED DIMENSION IN INCHES TOLERANCES	DRAWN <i>D. Phelan</i> DATE 10/4/78	DATE 10/4/78	DIGITAL EQUIPMENT CORPORATION MAYNARD MASS 01901	
DECIMALS	ANGLES	DATE	TITLE	
XXX - 008 XX - 02 X - 1	±0° 30'	DATE 10/2/78	SYS. STATUS REG.	
REMOVE BURRS AND BREAK SHARP CORNERS SURFACE QUALITY	DATE 10/2/78	DATE 10/2/78	(SSRH)	
MATERIAL	NEXT HIGHER ASSY.	SIZE CODE	NUMBER	REV
FINISH	SCALE	DCS	M8138-0-1	F
	SHEET 3 OF 12	DIST.		

PART NO. DCS M8138-0-1



OUTPUT	INPUT LINES SELECTED	SI	SD	STBI	STBO
MEM MGMT REG 0	A1	A0	L	L	L
MEM MGMT REG 1	B1	B0	L	H	L
MEM MGMT REG 2	C1	C0	H	L	L
APR	D1	D0	H	H	L

FIRST USED ON OPTION-MODEL	QTY.	DESCRIPTION	PART NO.	ITEM NO.
11170				

UNLESS OTHERWISE SPECIFIED		DIMENSION IN INCHES		TOLERANCES	
DECIMALS	ANGLES				
XXX - 006	XX - 02		±0°30'		
.X - 1					

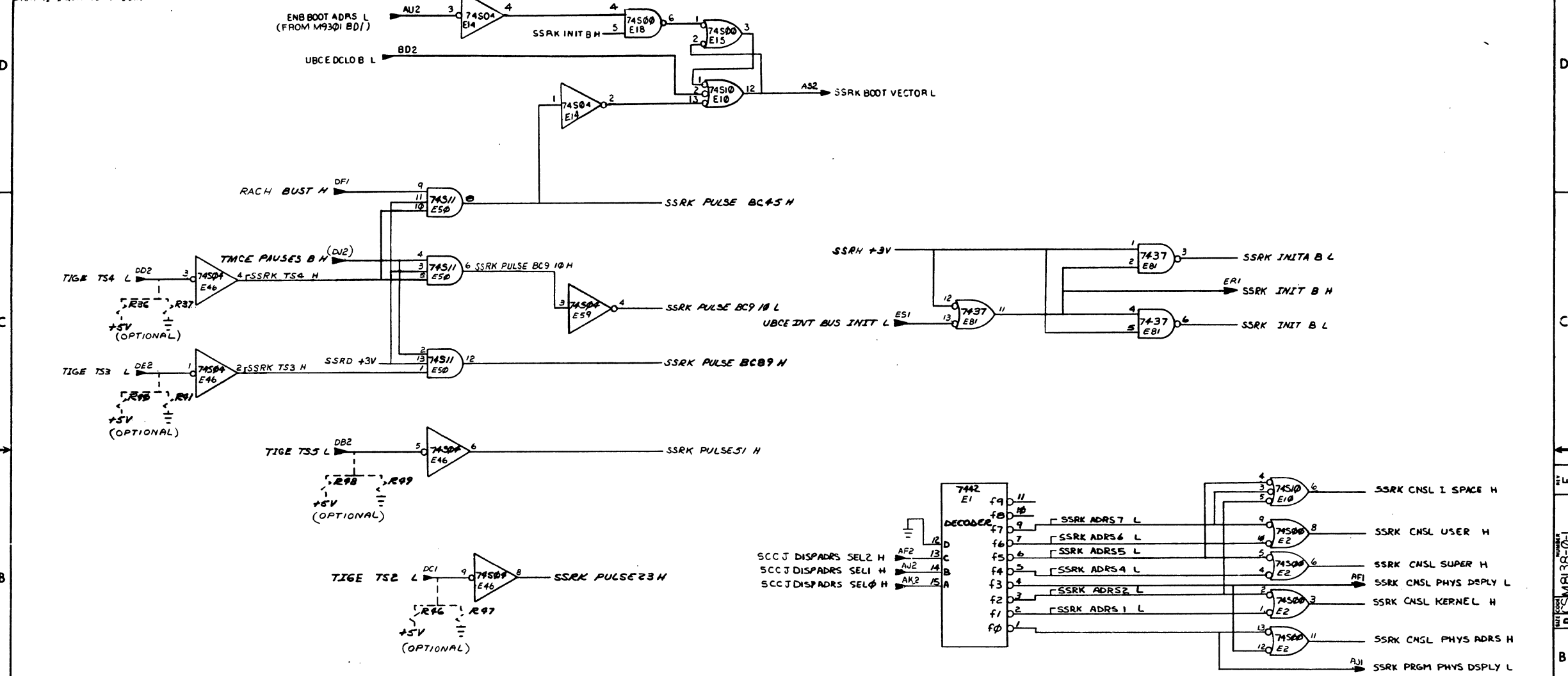
MATERIAL	NEXT HIGHER ASSY.	SIZE CODE	NUMBER	REV.
+		DCS M 8138-0-1		F

INTERNAL BUS DATA MULTIPLEXERS  
 PARTS LIST  
 EQUIPMENT CORPORATION  
 TITLE: SYS. STATUS REG.  
 DATE: 1/25/75  
 DRAWN BY: [Signature]  
 CHECKED BY: [Signature]  
 DATE: 1/25/75

REV. NO. CHANGE NO.  
 DEC 7 1974  
 CAD 103-B



The drawings and specifications herein are the property of Digital Equipment Corporation and shall not be reproduced or copied in whole or in part in any form or by any means without the prior written permission of Digital Equipment Corporation.



ADDRESS SELECT SWITCH POSITION	UBCJ DIS ADRS SEL2	UBCJ DIS ADRS SEL1	UBCJ DIS ADRS SEL0
PROGRAM PHYSICAL	L	L	L
KERNEL D VIRTUAL	L	L	H
KERNEL I VIRTUAL	L	H	L
CONSOLE PHYSICAL	L	H	H
SUPERVISOR D VIRTUAL	H	L	L
SUPERVISOR I VIRTUAL	H	L	H
USER D VIRTUAL	H	H	L
USER I VIRTUAL	H	H	H

CNSL.ADRS.SEL.SWITCH, TIMING LOGIC, INIT SLOT 15

PLT USED ON OPT. CN. MODEL	QTY.	DESCRIPTION	PART NO.	ITEM NO.
11/78				

UNLESS OTHERWISE SPECIFIED DIMENSION IN INCHES TOLERANCES

DECIMALS	ANGLES
.XXX - .008	±0°30'
.XX - .02	
.X - .1	

REMOVE BURRS AND BREAK SHARP CORNERS SURFACE QUALITY

MATERIAL: NEXT HIGHER ASSY.

FINISH: + +

SCALE: SHEET 1 OF 12

DRAWN: *[Signature]* DATE: 10/4/78  
 CHECKED: *[Signature]* DATE: 1/25/79  
 DESIGNED: *[Signature]* DATE: 1/25/78  
 APPROVED: *[Signature]* DATE: 1/25/79

TITLE: SYS. STATUS REG. (SSRK)

SIZES CODE: NUMBER: DCS M8138-0-1 REV: F

REV  
 CHK  
 DEC 10 AM '78  
 PWD 109-B

DCS M8138-0-1

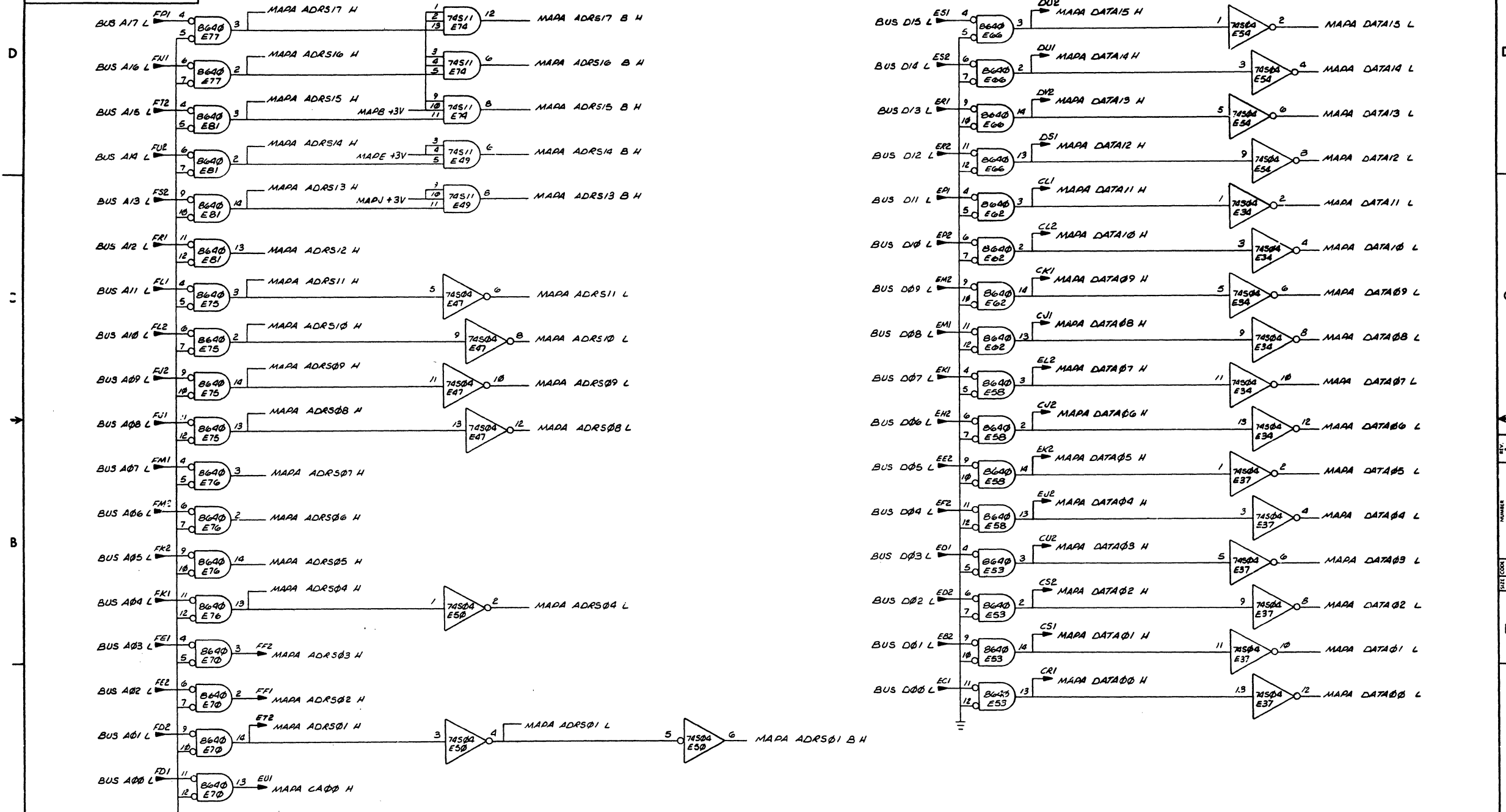








"THIS DRAWING AND SPECIFICATIONS HEREIN ARE THE PROPERTY OF DIGITAL EQUIPMENT CORPORATION AND SHALL NOT BE REPRODUCED OR COPIED OR USED IN WHOLE OR IN PART AS THE BASIS FOR THE MANUFACTURE OR SALE OF ITEMS WITHOUT WRITTEN PERMISSION. COPYRIGHT © 1974 DIGITAL EQUIPMENT CORPORATION"

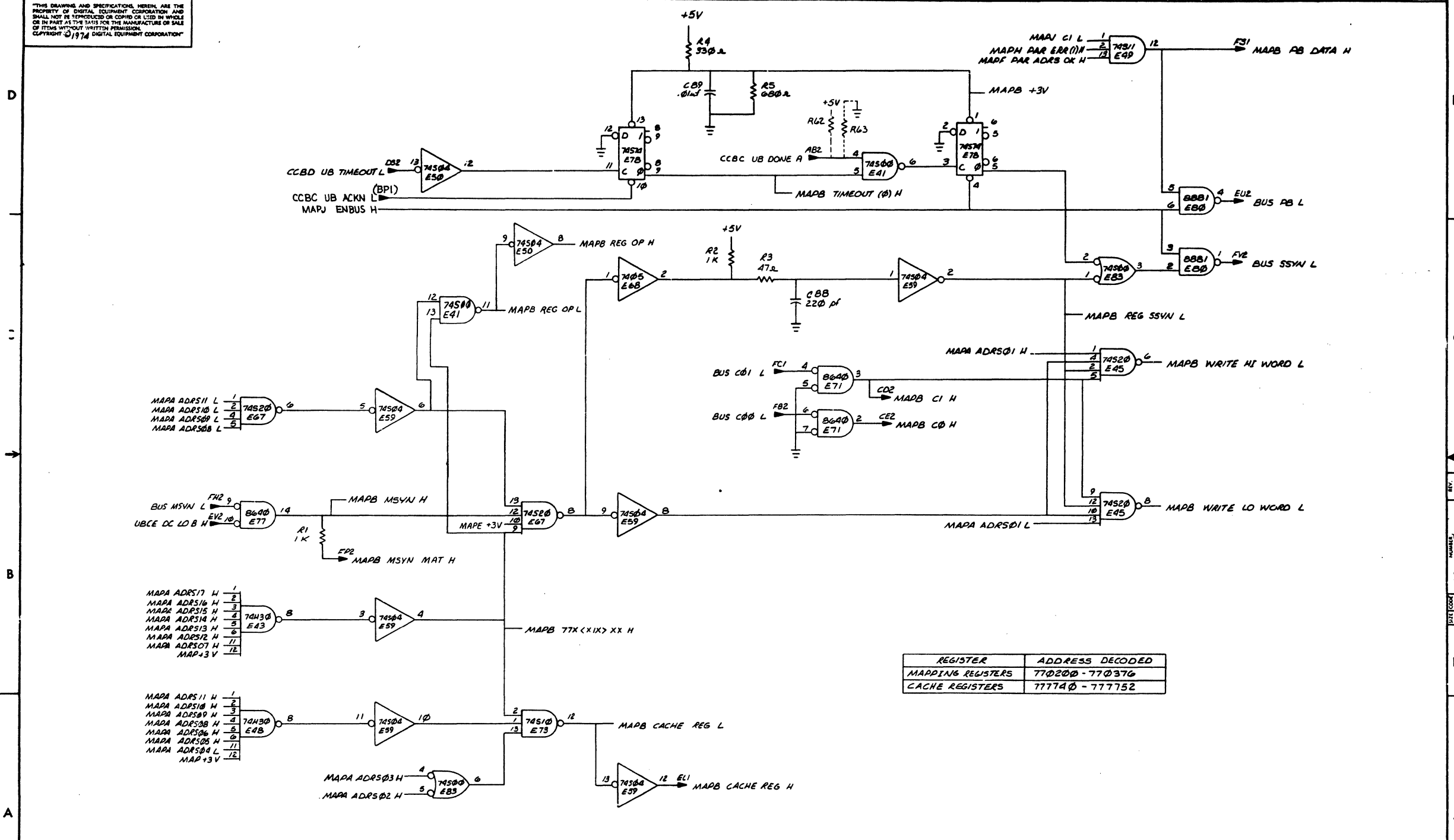


REVISIONS		
CHK	CHANGE NO.	REV.

BUS ADDRESS AND DATA RECEIVERS		SLOT 22	
TITLE	UNIBUS MAP (MAPA)	SIZE CODE	D CS
NUMBER	M8141-0-1	REV.	A
SCALE	1/1	SHEET	2 OF 9

700

"THIS DRAWING AND SPECIFICATIONS, HEREIN, ARE THE PROPERTY OF DIGITAL EQUIPMENT CORPORATION AND SHALL NOT BE REPRODUCED OR COPIED OR USED IN WHOLE OR IN PART AS THE BASIS FOR THE MANUFACTURE OR SALE OF ITEMS WITHOUT WRITTEN PERMISSION. COPYRIGHT © 1974 DIGITAL EQUIPMENT CORPORATION"



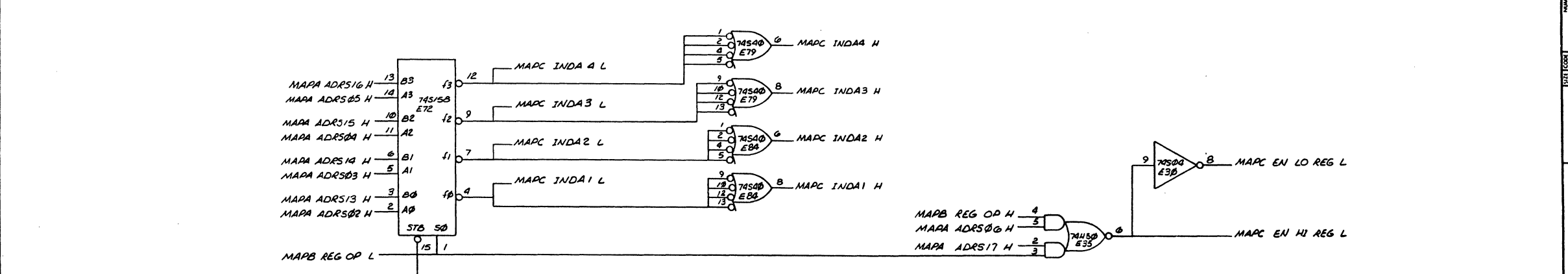
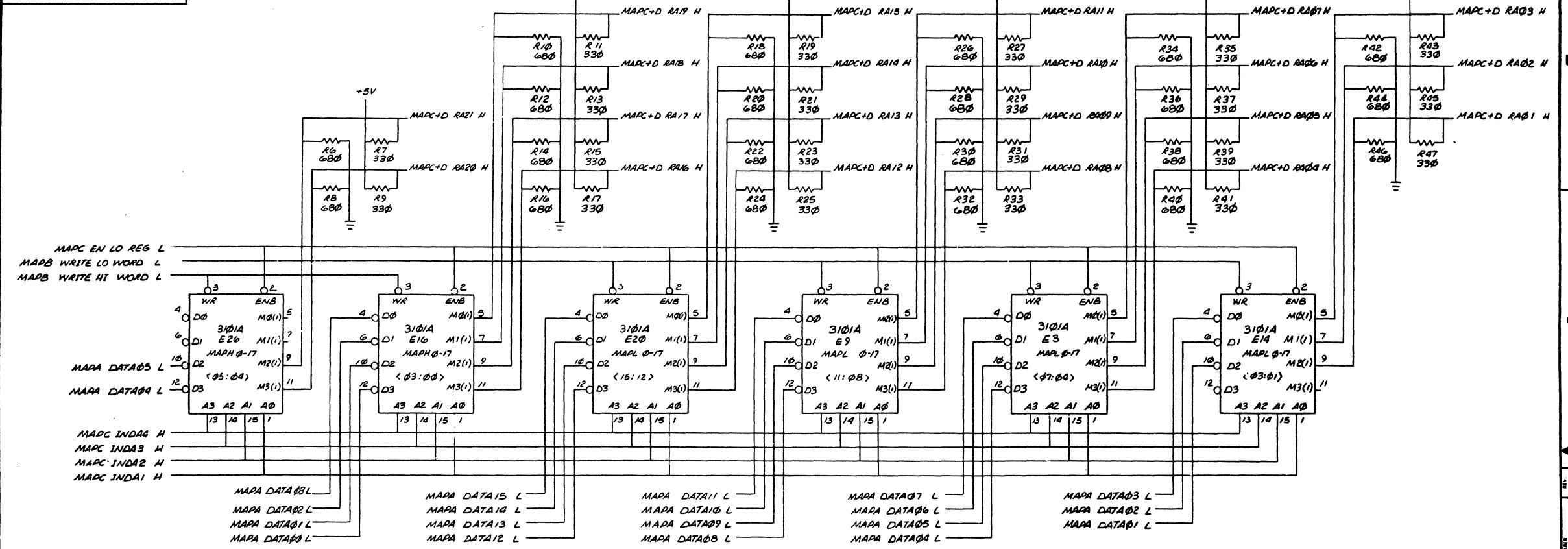
REGISTER	ADDRESS DECODED
MAPPING REGISTERS	770200 - 770376
CACHE REGISTERS	77740 - 77752

REVISIONS		
CHK	CHANGE NO.	REV.

MAP ENABLE-BUS CONTROL LINES-ADDRESS DECODE SLOT 22

TITLE	UNIBUS MAP (MAPB)	SIZE CODE	D CS	NUMBER	M 8141-0-1	REV.	A
SCALE	1/1	SHEET	3 OF 9	DIST.			

THIS DRAWING AND SPECIFICATIONS HEREIN ARE THE PROPERTY OF DIGITAL EQUIPMENT CORPORATION AND SHALL NOT BE REPRODUCED OR COPIED OR USED IN WHOLE OR IN PART AS THE BASIS FOR THE MANUFACTURE OR SALE OF ITEMS WITHOUT WRITTEN PERMISSION. COPYRIGHT © 1971 DIGITAL EQUIPMENT CORPORATION



74S158			
S $\bar{0}$	INP	OUTPUT	FUNCTION
L	$\bar{A}$	MAPA AD $\bar{R}$ 3 (<05:02>)	MAPPING REGISTER REFERENCE
H	$\bar{B}$	MAPA AD $\bar{R}$ 3 (<16:13>)	UNIBUS ADDRESS RELOCATION

REVISIONS		
CHK	CHANGE NO.	REV.

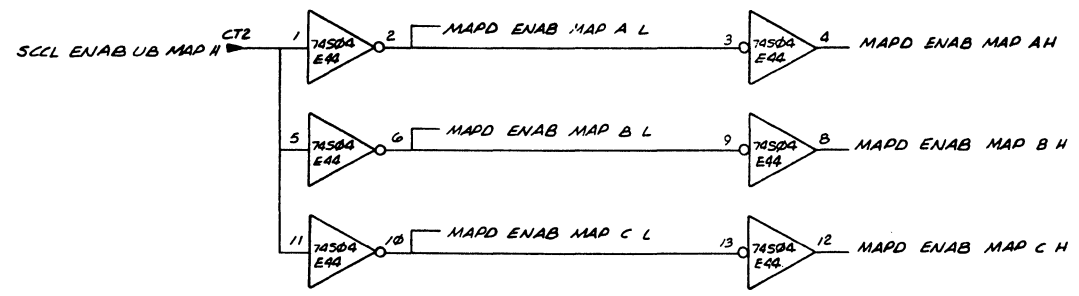
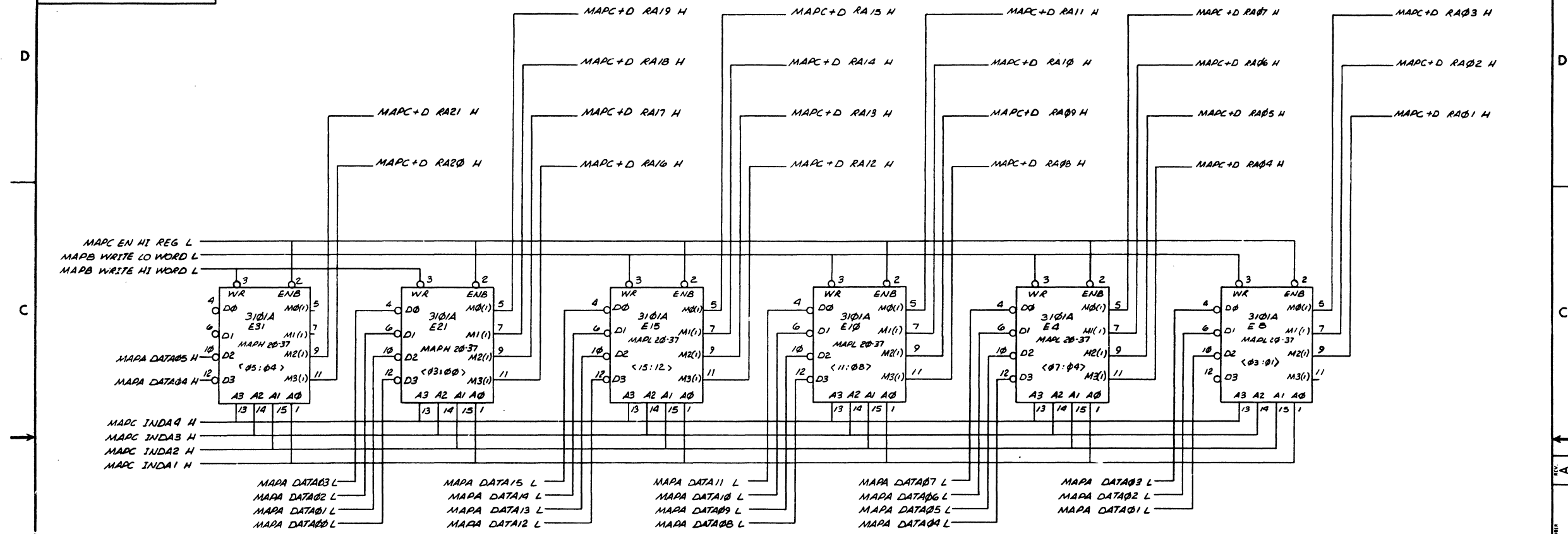
LOWER MAPPING REGISTER SLOT 22

TITLE	SIZE CODE	NUMBER	REV.
UNIBUS MAP (MAPC)	DCS	M8141-0-1	A
SCALE	SHEET	OF	DIST.
#	4	9	

202



THIS DRAWING AND SPECIFICATIONS HEREIN ARE THE PROPERTY OF DIGITAL EQUIPMENT CORPORATION AND SHALL NOT BE REPRODUCED OR COPIED OR USED IN WHOLE OR IN PART AS THE BASIS FOR THE MANUFACTURE OR SALE OF ITEMS WITHOUT WRITTEN PERMISSION. COPYRIGHT © 1974 DIGITAL EQUIPMENT CORPORATION



REVISIONS		
CHK	CHANGE NO.	REV.

UPPER MAPPING REGISTER		SLOT 22	
TITLE	UNIBUS MAP (MAPD)	SIZE CODE	D CS
NUMBER	M 8141-0-1	REV.	A
SCALE	1/1	SHEET	5 OF 9

"THIS DRAWING AND SPECIFICATIONS, HEREIN, ARE THE PROPERTY OF DIGITAL EQUIPMENT CORPORATION AND SHALL NOT BE REPRODUCED OR COPIED OR USED IN WHOLE OR IN PART AS THE BASIS FOR THE MANUFACTURE OR SALE OF ITEMS WITHOUT WRITTEN PERMISSION. COPYRIGHT © 1974 DIGITAL EQUIPMENT CORPORATION"

ALU (E42)

S0/S3	FUNCT
0	A
1	A PLUS B

ALU (E3B)

M	S1/S3	FUNCT
1	1	B
0	0	A + CARRY

ALU (E2B)

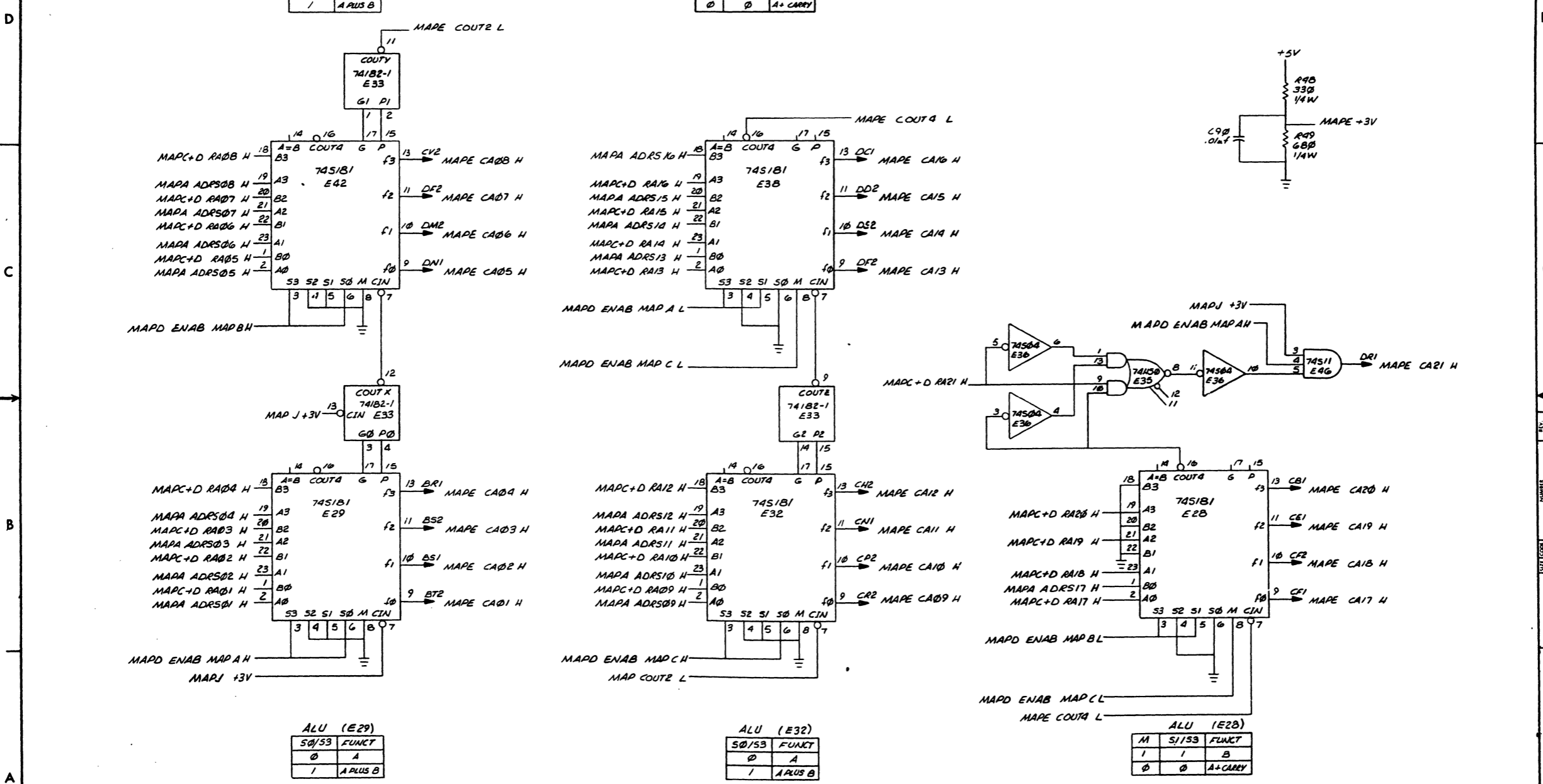
M	S1/S3	FUNCT
1	1	B
0	0	A + CARRY

ALU (E29)

S0/S3	FUNCT
0	A
1	A PLUS B

ALU (E32)

S0/S3	FUNCT
0	A
1	A PLUS B



REVISIONS

CHK	CHANGE NO.	REV.

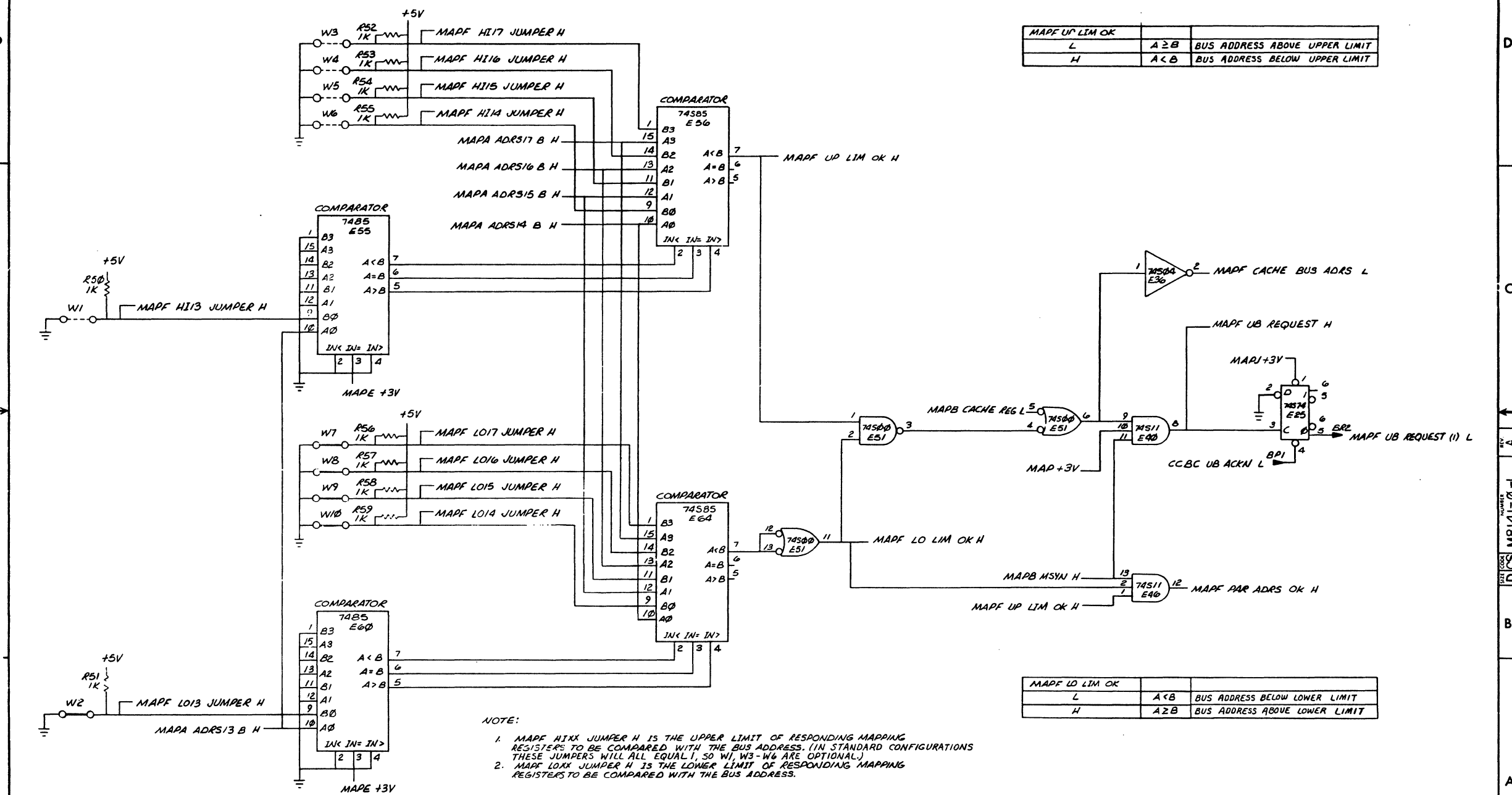
CACHE ADRS SLOT 22

TITLE	SIZE CODE	NUMBER	REV.
UNIBUS MAP (MAPE)	D CS	M8141-0-1	A

SCALE: 1/16" = 1" SHEET 6 OF 9 DIST.

204

"THIS DRAWING AND SPECIFICATIONS HEREIN ARE THE PROPERTY OF DIGITAL EQUIPMENT CORPORATION AND SHALL NOT BE REPRODUCED OR COPIED OR USED IN WHOLE OR IN PART AS THE BASIS FOR THE MANUFACTURE OR SALE OF ITEMS WITHOUT WRITTEN PERMISSION. COPYRIGHT © 1974 DIGITAL EQUIPMENT CORPORATION"



MAPF UP LIM OK		
L	$A \geq B$	BUS ADDRESS ABOVE UPPER LIMIT
H	$A < B$	BUS ADDRESS BELOW UPPER LIMIT

MAPF LO LIM OK		
L	$A < B$	BUS ADDRESS BELOW LOWER LIMIT
H	$A \geq B$	BUS ADDRESS ABOVE LOWER LIMIT

NOTE:  
 1. MAPF NIXX JUMPER H IS THE UPPER LIMIT OF RESPONDING MAPPING REGISTERS TO BE COMPARED WITH THE BUS ADDRESS. (IN STANDARD CONFIGURATIONS THESE JUMPERS WILL ALL EQUAL 1, SO W1, W3-W6 ARE OPTIONAL.)  
 2. MAPF LOXX JUMPER H IS THE LOWER LIMIT OF RESPONDING MAPPING REGISTERS TO BE COMPARED WITH THE BUS ADDRESS.

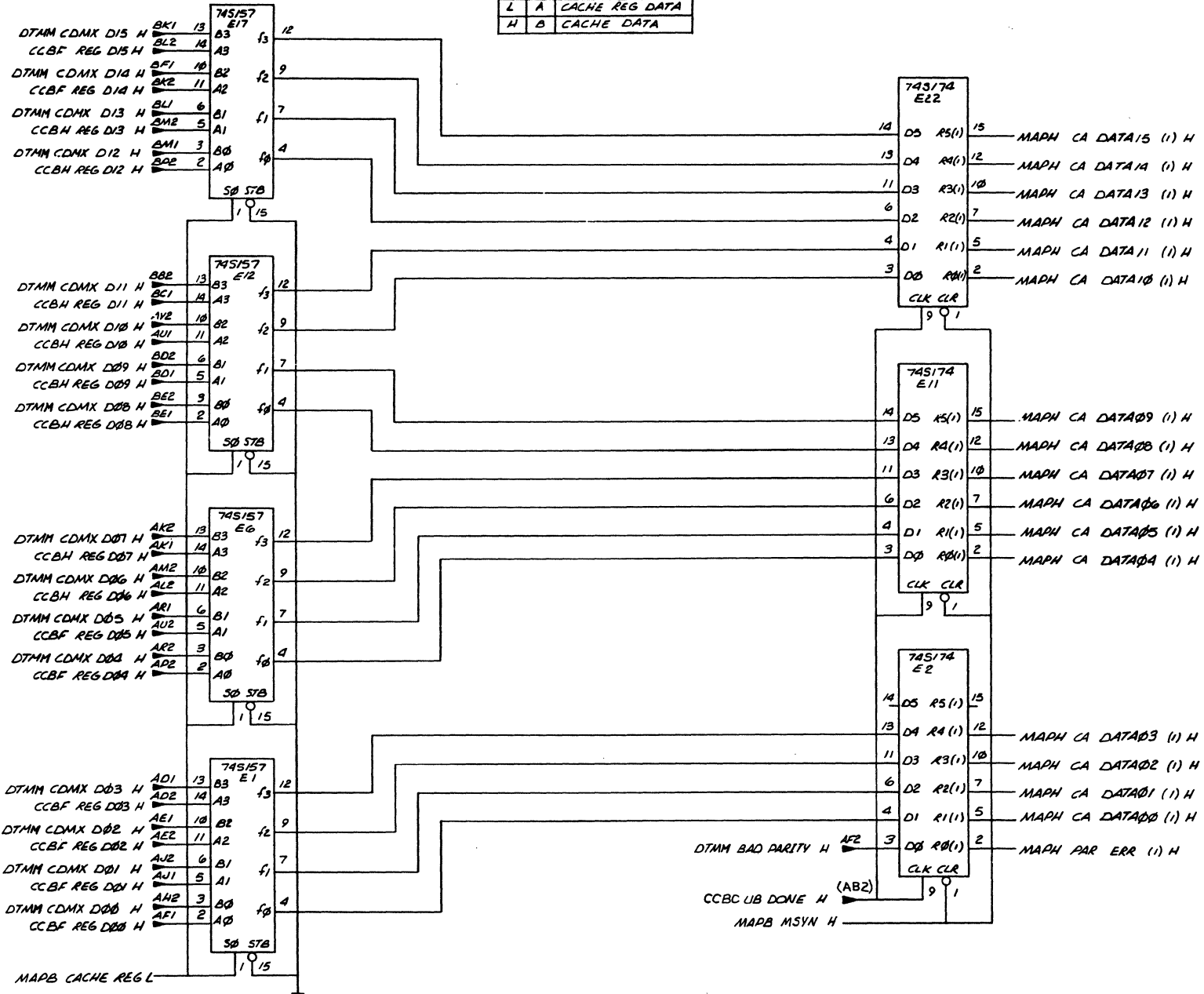
REVISIONS		
CHK	CHANGE NO.	REV.

MAP LIMIT COMPARATOR		SLOT 22	
TITLE	UNIBUS MAP (MAPF)	SIZE CODE	D CS
NUMBER	M 8141-0-1	REV.	A
SCALE	1/8"	SHEET	7 OF 9

205

THIS DRAWING AND SPECIFICATIONS HEREIN ARE THE PROPERTY OF DIGITAL EQUIPMENT CORPORATION AND SHALL NOT BE REPRODUCED OR COPIED OR USED IN WHOLE OR IN PART AS THE BASIS FOR THE MANUFACTURE OR SALE OF ITEMS WITHOUT WRITTEN PERMISSION. COPYRIGHT © 1974 DIGITAL EQUIPMENT CORPORATION

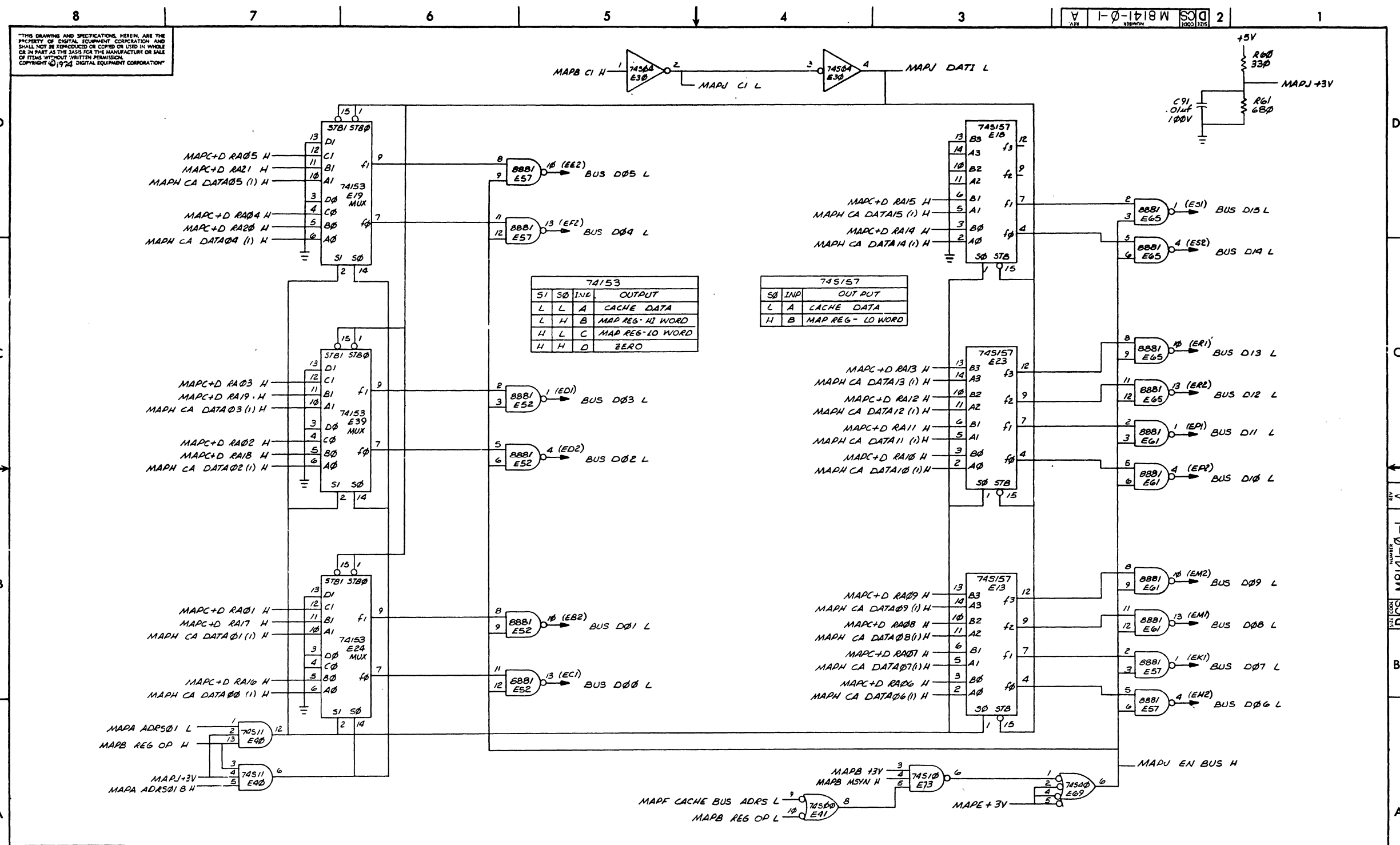
SD	INP	OUTPUT
L	A	CACHE REG DATA
H	B	CACHE DATA



REVISIONS		
CHK	CHANGE NO.	REV.

CACHE DATA MUX		SLOT 22	
TITLE	UNIBUS MAP (MAPH)	SIZE CODE	D CS
NUMBER	M 8141-0-1	REV.	A
SCALE	1/8	SHEET	8 OF 9

206



"THIS DRAWING AND SPECIFICATIONS HEREIN ARE THE PROPERTY OF DIGITAL EQUIPMENT CORPORATION AND SHALL NOT BE REPRODUCED OR COPIED OR USED IN WHOLE OR IN PART AS THE BASIS FOR THE MANUFACTURE OR SALE OF ITEMS WITHOUT WRITTEN PERMISSION. COPYRIGHT © 1974 DIGITAL EQUIPMENT CORPORATION"

74153			
S1	S0	INP	OUTPUT
L	L	A	CACHE DATA
L	H	B	MAP REG - HI WORD
H	L	C	MAP REG - LO WORD
H	H	D	ZERO

74157		
S0	INP	OUTPUT
L	A	CACHE DATA
H	B	MAP REG - LO WORD

REVISIONS		
CHK	CHANGE NO.	REV.

DATA MUX AND DRIVERS		SLOT 22	
TITLE	UNIBUS MAP (MAPJ)	SIZE/CODE	D CS
NUMBER	M8141-0-1	DIST.	
SCALE		SHEET	9 OF 9

DEC 10888 INC. 100 128

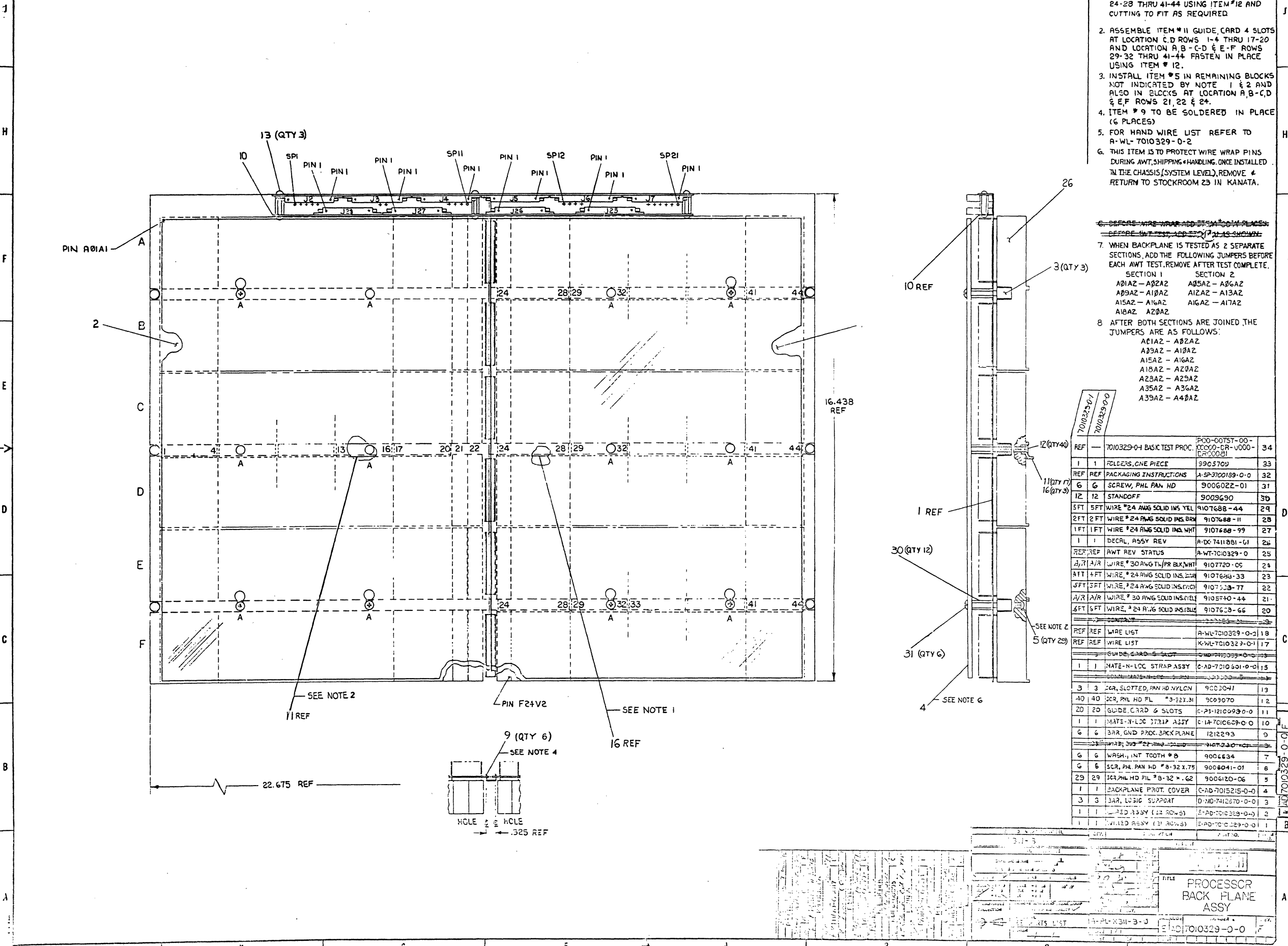
20

WIRE WRAP AND SHIPMENT. REFER TO THE WIRE WRAP INSTRUCTIONS FOR THE LOCATION OF THE WIRE WRAP AND THE LOCATION OF THE WIRE WRAP PINS. THE WIRE WRAP PINS ARE TO BE LOCATED IN THE CHASSIS AS SHOWN IN THE DRAWING. THE WIRE WRAP PINS ARE TO BE LOCATED IN THE CHASSIS AS SHOWN IN THE DRAWING.

9. IF KWII-L IS USED FOR LINE CLOCK REMOVE WIRE PIN DØ1R2 TO PIN DØ1V2.

- NOTES:**
- ASSEMBLE ITEM #11 CARD GUIDE, AT LOCATION C-D, ROWS 1-4 THRU 17-20 AND AT LOCATIONS A-B, C-D, E-F, ROWS 24-28 THRU 41-44 USING ITEM #12 AND CUTTING TO FIT AS REQUIRED.
  - ASSEMBLE ITEM #11 GUIDE, CARD 4 SLOTS AT LOCATION C-D, ROWS 1-4 THRU 17-20 AND LOCATION A-B, C-D & E-F, ROWS 29-32 THRU 41-44 FASTEN IN PLACE USING ITEM #12.
  - INSTALL ITEM #5 IN REMAINING BLOCKS NOT INDICATED BY NOTE 1 & 2 AND ALSO IN BLOCKS AT LOCATION A-B, C-D & E-F, ROWS 21, 22 & 24.
  - ITEM #9 TO BE SOLDERED IN PLACE (6 PLACES).
  - FOR HAND WIRE LIST REFER TO A-WL-7010329-0-2.
  - THIS ITEM IS TO PROTECT WIRE WRAP PINS DURING AWT, SHIPPING & HANDLING. ONCE INSTALLED IN THE CHASSIS (SYSTEM LEVEL), REMOVE & RETURN TO STOCKROOM 23 IN KANATA.

- ~~BEFORE WIRE WRAP ADD ITEM #10 IN PLACES BEFORE AWT TEST, ADD TEST JUMPER AS SHOWN~~
7. WHEN BACKPLANE IS TESTED AS 2 SEPARATE SECTIONS, ADD THE FOLLOWING JUMPERS BEFORE EACH AWT TEST. REMOVE AFTER TEST COMPLETE.
- | SECTION 1     |               | SECTION 2 |  |
|---------------|---------------|-----------|--|
| AØ1A2 - AØ2A2 | AØ5A2 - AØ6A2 |           |  |
| AØ3A2 - A1ØA2 | A1A2 - A13A2  |           |  |
| A15A2 - A16A2 | A16A2 - A17A2 |           |  |
| A18A2 - A2ØA2 |               |           |  |
8. AFTER BOTH SECTIONS ARE JOINED, THE JUMPERS ARE AS FOLLOWS:
- |               |
|---------------|
| AØ1A2 - AØ2A2 |
| AØ3A2 - A1ØA2 |
| A15A2 - A16A2 |
| A18A2 - A2ØA2 |
| A23A2 - A25A2 |
| A35A2 - A36A2 |
| A39A2 - A4ØA2 |




REF	QTY	DESCRIPTION	REF	QTY	DESCRIPTION
REF		7010329-0-1 BASIC TEST PROC.	REF		7010329-0-2
1	1	FOLDERS, ONE PIECE	9905709		33
REF	REF	PACKAGING INSTRUCTIONS	A-SP-7010329-0-0		32
6	6	SCREW, PHL PAN HD	9006022-01		31
12	12	STANDOFF	9009690		30
5FT	5FT	WIRE #24 AWG SOLID INS YEL	9107688-44		29
2FT	2FT	WIRE #24 AWG SOLID INS BRN	9107688-11		28
1FT	1FT	WIRE #24 AWG SOLID INS WHT	9107688-99		27
1	1	DECAL, ASSY REV	A-DC-7411881-01		26
REF	REF	AWT REV STATUS	A-WT-7010329-0		25
A/R	A/R	WIRE #30 AWG TL/PR BLK/WHT	9107720-05		24
ATT	4FT	WIRE #24 AWG SOLID INS BRN	9107690-33		23
JFT	3FT	WIRE #24 AWG SOLID INS WHT	9107528-77		22
A/R	A/R	WIRE #30 AWG SOLID INS BRN	9105740-44		21
4FT	5FT	WIRE #24 AWG SOLID INS BLU	9107620-66		20
REF	REF	WIRE LIST	A-WL-7010329-0-3		18
REF	REF	WIRE LIST	K-WL-7010329-0-1		17
1	1	MATE-N-LOC STRAP ASSY	C-AD-7010601-0-0		15
3	3	SCR, SLOTTED, PAN HD NYLON	9003041		13
40	40	SCR, PHL HD FL #8-32 X.31	9009070		12
20	20	GUIDE, CARD 6 SLOTS	C-PS-1210999-0-0		11
1	1	MATE-N-LOC STRAP ASSY	C-1A-7010609-0-0		10
6	6	BAR, GND PROC BACK PLANE	1212293		9
6	6	WASH, INT TOOTH #8	9006634		7
6	6	SCR, PHL PAN HD #8-32 X.75	9008041-01		8
29	29	SCR, PHL HD FIL #8-32 X.62	9006120-06		5
1	1	BACKPLANE PROT. COVER	C-AD-7015215-0-0		4
3	3	BAR, LOGIC SUPP DAT	D-ND-7412870-0-0		3
1	1	WIRE ASSY (12 ROWS)	E-AD-7010329-0-0		2
1	1	WIRE ASSY (31 ROWS)	E-AD-7010329-0-0		1

208

This drawing and specifications, herein, are the property of Digital Equipment Corporation and shall not be reproduced or copied or used in whole or in part as the basis for the manufacture or sale of items without written permission.

DRAWING NUMBER	INIT REL	AUTOMATIC WIRE TESTER (AWT) REVISION STATUS																REV S			
	T7	A	B	C	D	E	F	H	J	K	L	M	N	P	R	S					
E-AD-7010829-0-0	*	*	*	*	*	*	*	*	*	*	*	*	*	*	*	*	*				
E-AD-7010828-0-0	*	*	*	*	*	*	*	*	*	*	*	*	*	*	*	*	*				
K-WL-7010329-0-1	*	A	B	B	C	C	C	D	E	F	H	J	K	K	L	M					
A-WL-7010329-0-2	*	*	*	A	A	B	E	B	B	B	C	C	C	C	D	D					
E-AD-7010329-0-0	*	*	*	*	*	A	B	B	B	B	C	C	D	E	F	F					
D-CS-5411337-0-1	C	C	C	C	C	C	C	C	C	C	C	C	C	C	C	C					
D-CS-5411339-0-1	B	B	B	B	B	B	B	B	B	B	B	B	B	B	B	B					
E-IA-7010510-0-0	*	*	*	*	*	*	*	*	*	*	*	*	A	A	A	A					
E-IA-7010511-0-0	*	*	*	*	*	*	*	*	*	*	*	A	A	B	B	B					

REV	CHANGE NO.	CHK
A	KB11-B-00001	Z.H.
B	KB11-B-00002	Z.H.
C	7010329-0002A	Z.H.
D	KB11-B-00003	Z.H.
E	7010329-00003	K.D.
F	7010329-00004	Z.H.
H	7010329-00005	Z.H.
J	7010329-00006	R.B.
K	1170-00007	Z.H.
L	KB11-B-00005	R.F.B.
M	7010329-8	R.F.B.
N	7010329-9	E.G.C.
P	1170-00017	P.S.
R	7010329-00010	J.A.
S	7010329-00011	P.G.

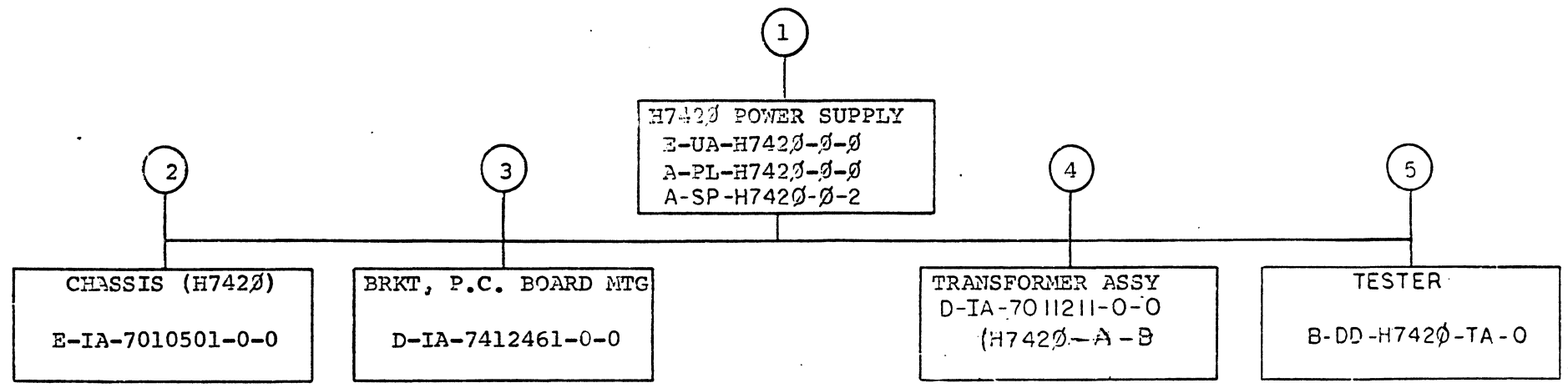
DRN D. HEALY	DATE 1/20/71		EQUIPMENT CORPORATION MAYNARD MASSACHUSETTS
CHK'D D. HEALY	DATE 1/20/71		
ENG <i>D. Healy</i>	DATE 3/5/75	TITLE PROC BACK PLANE 7010329	
PROJ. ENG. <i>D. Healy</i>	DATE 3/13/75	AWT REVISION STATUS	
PROD. <i>D. Healy</i>	DATE 3/5/75	FIRST USED ON KB11-B	REV. S
SCALE 1 OF 1		SIZE CODE A WT	NUMBER 7010329-0
SHEET 1 OF 1		DIST	

DRA 123

DEC 16, 3251-1097-N:11







TITLE	SHEET	OF	REV	NUMBER	REV
H7420 POWER SUPPLY	3	3	DD	H7420-0	J

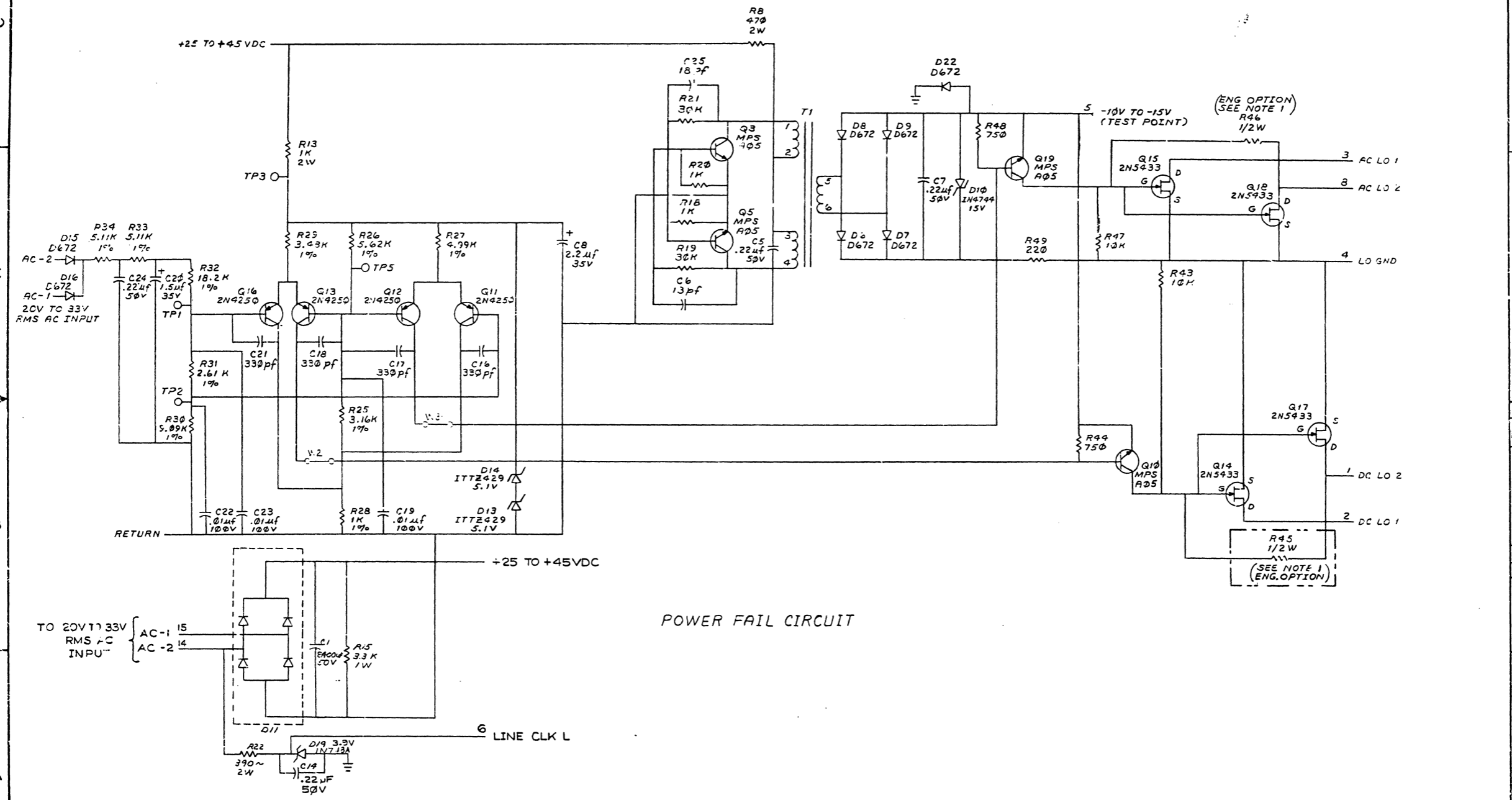








THIS DRAWING AND SPECIFICATIONS, HEREIN, ARE THE PROPERTY OF DIGITAL EQUIPMENT CORPORATION AND SHALL NOT BE REPRODUCED OR COPIED OR USED IN WHOLE OR IN PART AS THE BASIS FOR THE MANUFACTURE OR SALE OF ITEMS WITHOUT WRITTEN PERMISSION. COPYRIGHT © 1976, DIGITAL EQUIPMENT CORPORATION



POWER FAIL CIRCUIT

REVISIONS		
CHK	CHANGE NO.	REV.

TITLE	PWR. LINE MONITOR/15V REG.	SIZE CODE	NUMBER	REV.
SCALE	SHEET 3 OF 4	DIST.	DCS 5411086-0-1	L







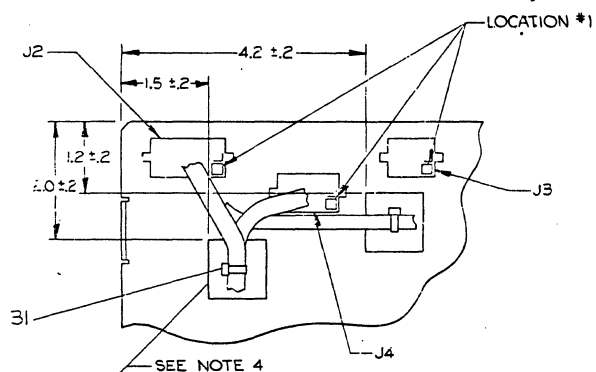
THIS DRAWING AND SPECIFICATIONS HEREIN ARE THE PROPERTY OF DIGITAL EQUIPMENT CORPORATION AND SHALL NOT BE REPRODUCED OR COPIED OR USED IN WHOLE OR IN PART AS THE BASIS FOR THE MANUFACTURE OR SALE OF ITEMS WITHOUT WRITTEN PERMISSION. COPYRIGHT © 1975, DIGITAL EQUIPMENT CORPORATION

WIRE TABLE

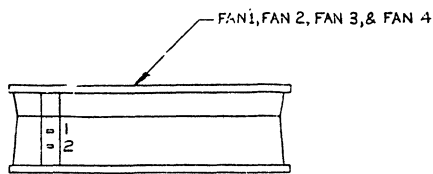
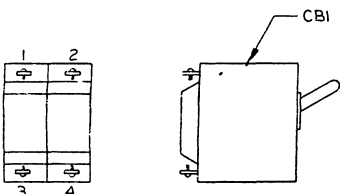
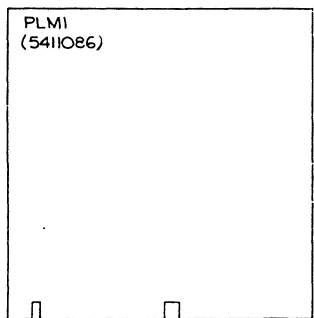
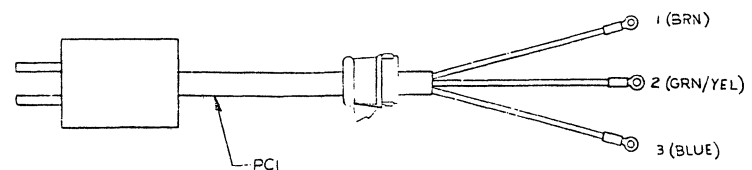
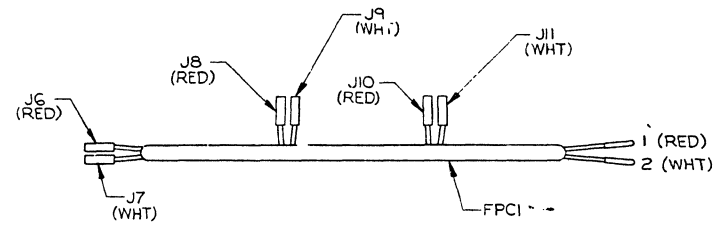
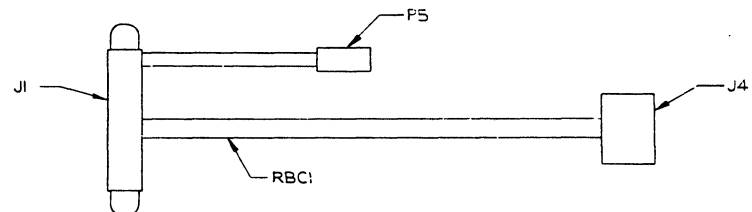
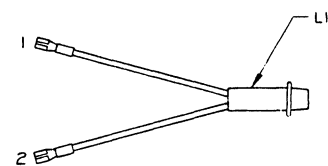
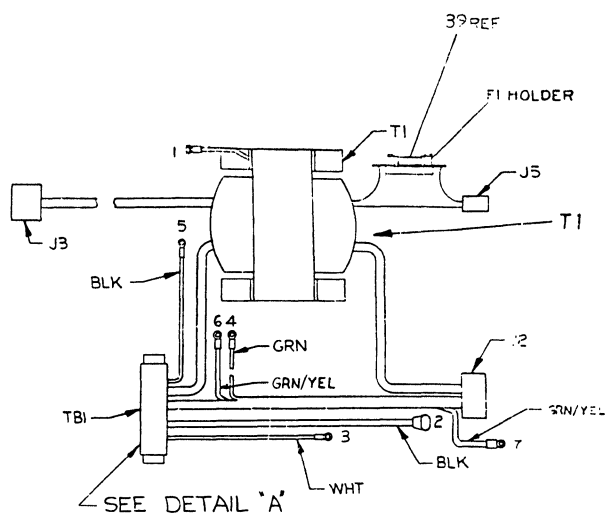
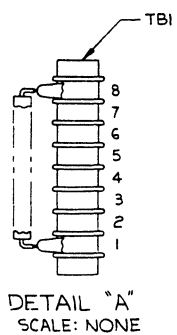
ITEM NO	DESCRIPTION	FROM CONNECTION	TO CONNECTION	REMARKS
14	GRN	T1-1	G1	SEE NOTE 2, 7
14	BLK	T1-2	FAN1-1 & 2	
14	WHT	T1-3	CBI-1	
14	GRN	T1-4	G1	SEE NOTE 7
14	BLK	T1-5	CBI-2	
22	BLK	L1-1	TBI-5	
22	BLK	L1-2	TBI-7	
18	RED	FPC1-J6	FAN 4-1	
	WHT	FPC1-J7	FAN 4-2	
	RED	FPC1-J8	FAN 3-1	
	WHT	FPC1-J9	FAN 3-2	
	RED	FPC1-J10	FAN 2-1	
	WHT	FPC1-J11	FAN 2-2	
	RED	FPC1-1	J2-3	
18	WHT	FPC1-2	J2-7	
8/9	BRN	PCI-1	CBI-4	
8/9	GRN/YEL	PCI-2	G1	SEE NOTE 7
8/9	BLU	PCI-3	CBI-3	
11		PLM1	RBC1-J1	
14	GRN/YEL	T1-6	G1	SEE NOTE 7
14	GRN/YEL	T1-7	G2	SEE NOTE 7

JUMPER TABLE

ITEM NO	DESCRIPTION	FROM		TO		VARIATION
		AWG	COLOR	CONNECTION WITH	CONNECTION WITH	
29	14	BLK	TBI-2	RBC1-P5	TBI-6	H7420E 1A
29	14	BLK	TBI-4		TBI-8	
29	14	BLK	TBI-4		TBI-6	H7420E 1B



SECTION B-B  
SCALE: NONE



DIGITAL EQUIPMENT CORPORATION MAYNARD, MASSACHUSETTS			QUANTITY/VARIATION					
PARTS LIST			H7420-A	H7420-B	H7420-H			
MADE BY R. THELLEN	CHECKED P. CAPPABIANCA	SECTION 1						
DATE 1/17/75	DATE 2/3/75	ISSUED SECT. 1						
ENG R. WOLF	PROD J. BORENSTEIN	ISSUED SECT. 1						
DATE 2/3/75	DATE 2/3/75							
ITEM NO.	DWG NO. / PART NO.	DESCRIPTION						
1	E-IA-7010501-0-0	CHASSIS (H7420)	1	1		1		
2	D-MD-7412459-0-0	COVER, CONTROL BOX	1	1		1		
3	D-IA-7412461-0-0	BRKT, P.C. BOARD MTG.	1	1		1		
4	<del>C-IA-7413135-0-0</del>	<del>PLATE, ADAPTER (H7420)</del>						
5	C-IA-7010730-0-0	POWER INDICATOR ASSEMBLY	1	1		1		
6	D-IA-7010729-0-0	CABLE, REGULATOR BOARD	1	1		1		
7	D-IA-7010728-0-0	CABLE, FAN POWER	1	1		1		
8	C-IA-7010727-1-0	POWER CORD ASSY (120V)	1	-		-		
9	C-IA-7010727-2-0	POWER CORD ASSY (240V)	-	1		-		
10	C-IA-7010727-5-0	POWER CORD ASSY (120V)	-	-		1		
11	D-CS-5411086-0-1	POWER LINE MONITOR	1	1		1		
12	1209403-01	FAN	4	4		4		
13	<del>1210121-01</del>	<del>CIRCUIT BREAKER (30A)</del>						
14	<del>1210121-02</del>	<del>CIRCUIT BREAKER (15A)</del>						
15	9006020-01	SCR, PHL PAN HD #6-32 x .25	8	8		8		
16	9006025-01	SCR, PHL PAN HD #6-32 x .62	13	13		13		
17	<del>9006555-00</del>	<del>NUT, KEP #10-32</del>						
18	9005563-00	NUT, KEP #8-32	3	3		3		
19	9009185-00	NUT, KEP #6-32	5	5		5		
20	9005840-00	SPACER, #6-32 x .19	2	2		2		
21	9006851-00	SPACER, #6-32 x .50	2	2		2		
22	9006633-00	WASHER, INT. TOOTH LOCK #6	24	24		24		

TITLE POWER SUPPLY H7420  
 ASSY NO. E-UA-H7420-0-0  
 SIZE CODE A PL  
 NUMBER H7420-0-0  
 REV. H H7420-00007  
 SHEET 1 OF 3  
 DEC FORM DEC 16-(325)-1031-N870  
 DRA 110

DIGITAL EQUIPMENT CORPORATION MAYNARD, MASSACHUSETTS			QUANTITY/VARIATION					
PARTS LIST			H7420-A	H7420-B	H7420-H			
MADE BY R. THELLEN	CHECKED P. CAPPABIANCA	SECTION 1						
DATE 17-JAN-75	DATE 3-FEB-75	ISSUED SECT. 1						
ENG R. WOLF	PROD J. BORENSTEIN	ISSUED SECT. 1						
DATE 3-FEB-75	DATE 3-FEB-75							
ITEM NO.	DWG NO. / PART NO.	DESCRIPTION						
45	9006026-1	SCR PH PAN HD #6-32 x 3/4	3	3		3		
46	9007033	TIE CABLE	3	3		3		
47	9006933	BLOCK, TERM MARKER STRIP	1	1		1		

TITLE POWER SUPPLY H7420  
 ASSY NO. E-UA-H7420-0-0  
 SIZE CODE A PL  
 NUMBER H7420-0-0  
 REV. H H7420-00007  
 SHEET 3 OF 3  
 DEC FORM DEC 16-(325)-1031-N870  
 DRA 110

DIGITAL EQUIPMENT CORPORATION MAYNARD, MASSACHUSETTS			QUANTITY/VARIATION					
PARTS LIST			H7420-A	H7420-B	H7420-H			
MADE BY R. THELLEN	CHECKED P. CAPPABIANCA	SECTION 1						
DATE 1/17/75	DATE 2/3/75	ISSUED SECT. 1						
ENG R. WOLF	PROD J. BORENSTEIN	ISSUED SECT. 1						
DATE 2/3/75	DATE 2/3/75							
ITEM NO.	DWG NO. / PART NO.	DESCRIPTION						
23	<del>9009503-00</del>	<del>RELAY, STRAIN</del>						
24	9009165-00	CLIP, FAN MOUNTING	16	16		16		
25	A-DC-7413184-0-0	POWER SUPPLY DECAL (H7420)	1	1		1		
26	7420763-0-0	POWER SUPPLY DECAL (H7420H)	-	-		1		
27	<del>A-DC-7413183-0-0</del>	<del>POWER SUPPLY DECAL (H7420)</del>						
28	<del>9009093-00</del>	<del>TERMINAL, QUICK CONNECT</del>						
29	7014353	JUMPER	2	1		2		
30	9009254-00	MOUNT, CABLE TIE, ADHESIVE	2	2		2		
31	9007930-00	TIE, CABLE	2	2		2		
32	D-IA-7011211-0-0	TRANSFORMER ASSY	1	1		1		
33	3512680-01	SAFETY GROUND DECAL	1	1		1		
34	9005074-3	SCR, PH. HD. TRUSS 10x32x5/8	4	4		4		
35	9006536	TINNERMAN SPEED NUT 10-32	4	4		4		
36	A-DC-7413966-0-0	POWER SUPPLY DECAL (H7420A)	1	-		-		
37	A-DC-7413967-0-0	POWER SUPPLY DECAL (H7420B)	-	1		-		
38	9006021-1	SCR, PAN HD. 6-32x5/16	1	1		1		
39	9007224	FUSE 7 AMP SLOW BLOW	1	1		1		
40	<del>9006072</del>	<del>WASHER INT. TOOTH</del>						
41	9006072	WASHER INT. TOOTH	1	1		1		
42	9001173-01	CONDUCTIVE GRENSE	M	M		M		
43	1212124-01	CIRCUIT BREAKER (30A) SCREW TERM	1	-		1		
44	1212124-02	CIRCUIT BREAKER (15A) SCREW TERM	-	1		-		

TITLE POWER SUPPLY H7420  
 ASSY NO. E-UA-H7420-0-0  
 SIZE CODE A PL  
 NUMBER H7420-0-0  
 REV. H H7420-00007  
 SHEET 2 OF 3  
 DEC FORM DEC 16-(325)-1031-N870  
 DRA 110

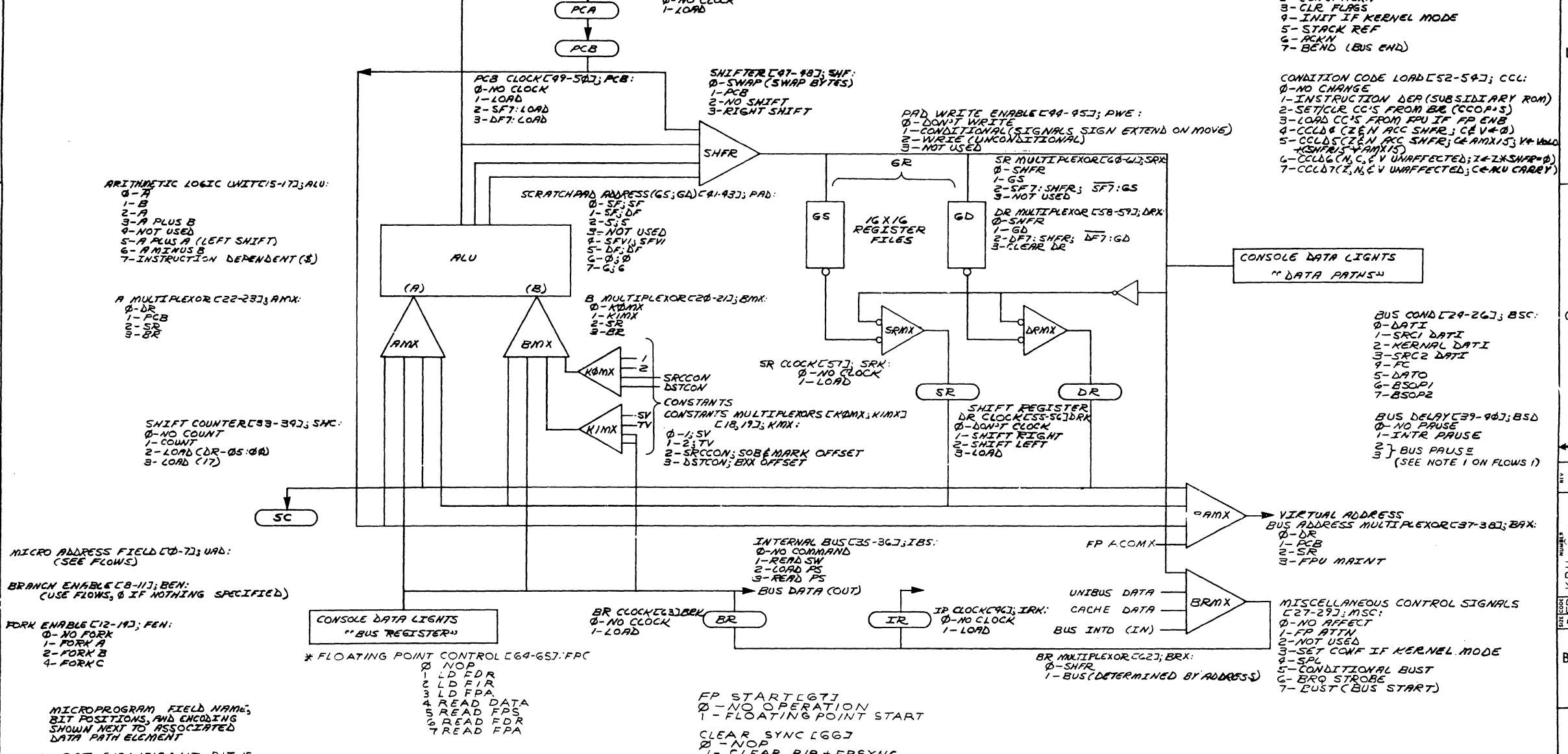


DIGITAL EQUIPMENT CORPORATION MAYNARD, MASSACHUSETTS <b>PARTS LIST</b>					QUANTITY / VARIATION															
MADE BY TOM NOTHRUP		CHECKED D. HEALY		SECTION																
DATE 9/11/75		DATE 9/18/75		1																
ENG <i>Thomas</i>		PROD <i>R Taylor</i>		ISSUED SECT.																
DATE 11/25/75		DATE 12/1/75		1																
ITEM NO.	DWG NO. / PART NO.	DESCRIPTION																		
	D-CS-M8130-0-1	DATA PATHS				1														
	D-CS-M8131-0-1	GEN REG. PLUS ALU. CONTROLS				1														
	D-CS-M8132-0-1	I R DECODE				1														
	D-CS-M8123-0-1	ROM AND ADDRESS CONTROL				1														
	D-CS-M8134-0-1	PROCESSOR DATA & UNIBUS CONTROL				1														
	D-CS-M8135-0-1	TRAPS & MISC. CONTROL				1														
	D-CS-M8136-0-1	UNIBUS & CONSOLE CONTROL				1														
	D-CS-M8137-0-1	SYSTEM ADDRESS PATHS				1														
	D-CS-M8138-YA-1	SYSTEM STATUS REGISTERS				1														
	D-CS-M8139-0-1	TIMING GENERATOR				1														
	D-CS-M8140-0-1	SYS. DESCRIPTOR & CONS. CABLES				1														
	D-CS-M8141-0-1	UNIBUS MAP				1														
	D-CS-M8142-0-1	CACHE CONTROL BOARD				1														
	D-CS-M8143-0-1	ADDRESS MEMORY BOARD				1														
	D-CS-M8144-0-1	DATA MEMORY BOARD				1														
	D-CS-M8145-0-1	CACHE DATA PATHS				1														
	E-AD-7010329-0-0	PROCESSOR BACK PLANE ASSY.				1														
	<del>D-MD-7414067-0-0</del>	<del>BLANK MODULE</del>				<del>1</del>														
	D-CS-5411294-0-1	CONSOLE BOARD				1														
	B-MD-7414067	BLANK, MODULE				1														
	NOTE: FOR MODULE LOCATIONS REFER TO D-UA-11/70-0-0 SHEET 3																			
TITLE		ASSY NO.		SIZE CODE		NUMBER				REV.		ECO NO.								
16 BIT PROCESSOR (KB11-C)		NONE		A PL		KB11-C-0				A										
SHEET 1 OF 1		DIST.																		

DEC FORM DEC 16-(325)-1031-N870  
DRA 110

This drawing and specifications, herein, are the property of Digital Equipment Corporation and shall not be reproduced or copied or used in whole or in part as the basis for the manufacture or sale of items without written permission. © 1974

DIGITAL EQUIP. CORP.



**ARITHMETIC LOGIC UNIT (5-17); ALU:**  
 0 - A  
 1 - B  
 2 - A PLUS B  
 3 - A PLUS B  
 4 - NOT USED  
 5 - A PLUS A (LEFT SHIFT)  
 6 - A MINUS B  
 7 - INSTRUCTION DEPENDENT (S)

**A MULTIPLEXOR (22-23); AMX:**  
 0 - DR  
 1 - PCB  
 2 - SR  
 3 - BR

**SHIFT COUNTER (33-39); SMC:**  
 0 - NO COUNT  
 1 - COUNT  
 2 - LOAD (DR-05:00)  
 3 - LOAD (17)

**MICRO ADDRESS FIELD (0-7); UAB:**  
 (SEE FLOWS)

**BRANCH ENABLE (8-11); BEN:**  
 (USE FLOWS, 0 IF NOTHING SPECIFIED)

**FORK ENABLE (12-14); FEN:**  
 0 - NO FORK  
 1 - FORK A  
 2 - FORK B  
 4 - FORK C

**MICROPROGRAM FIELD NAME, BIT POSITIONS, AND ENCODING SHOWN NEXT TO ASSOCIATED DATA PATH ELEMENT**

\* MOST SIGNIFICANT BIT IS BCT FIELD = 1 (READ FP)

**\* FLOATING POINT CONTROL (64-65); FPC**  
 0 - NOP  
 1 - LD FDR  
 2 - LD FIA  
 3 - LD FPA  
 4 - READ DATA  
 5 - READ FPS  
 6 - READ FDR  
 7 - READ FPA

**FP START (67)**  
 0 - NO OPERATION  
 1 - FLOATING POINT START

**CLEAR SYNC (66)**  
 0 - NOP  
 1 - CLEAR RIP + FPSYNC

**BUS CONTROL (30-32); BCT:**  
 0 - NO AFFECT  
 1 - READ FP  
 2 - CONS. ACKN  
 3 - CLR. FLAGS  
 4 - INIT IF KERNEL MODE  
 5 - STACK REF  
 6 - ACKN  
 7 - BEND (BUS END)

**CONDITION CODE LOAD (52-54); CCL:**  
 0 - NO CHANGE  
 1 - INSTRUCTION DEP (SUBSIDIARY ROM)  
 2 - SET/CLR CC'S FROM BR (CCOP'S)  
 3 - LOAD CC'S FROM FPU IF FP ENB  
 4 - CCLD & CLEN ACC SHFR; CE V=0  
 5 - CCLD & CLEN ACC SHFR; CE AMX; VA=0  
 6 - CCLD & CLEN UNAFFECTED; Z=1; SHAR=0  
 7 - CCLD & CLEN UNAFFECTED; CE=0; CARRY

**BUS COND (24-26); BSC:**  
 0 - DATA  
 1 - SRC1 DATA  
 2 - KERNEL DATA  
 3 - SRC2 DATA  
 4 - FC  
 5 - DATO  
 6 - BSOP1  
 7 - BSOP2

**BUS DELAY (39-40); BSD**  
 0 - NO PAUSE  
 1 - INTR PAUSE  
 2 - BUS PAUSE  
 3 - (SEE NOTE 1 ON FLOWS 1)

FIRST USED ON OPTION/MODEL	QTY.	DESCRIPTION	PART NO.	ITEM NO.
11/70				
PARTS LIST				
UNLESS OTHERWISE SPECIFIED DIMENSION IN INCHES				
TOLERANCES				
DECIMALS	ANGLES	DATE		
.XXX ± .006	± 0° 30'	12/17/73		
.XX ± .02		DATE		
X ± .1		12/27/73		
REMOVE BURRS AND BREAK SHARP CORNERS SURFACE QUALITY				
MATERIAL				
NEXT HIGHER ASSY.				
FINISH				
SHEET 1 OF 15				

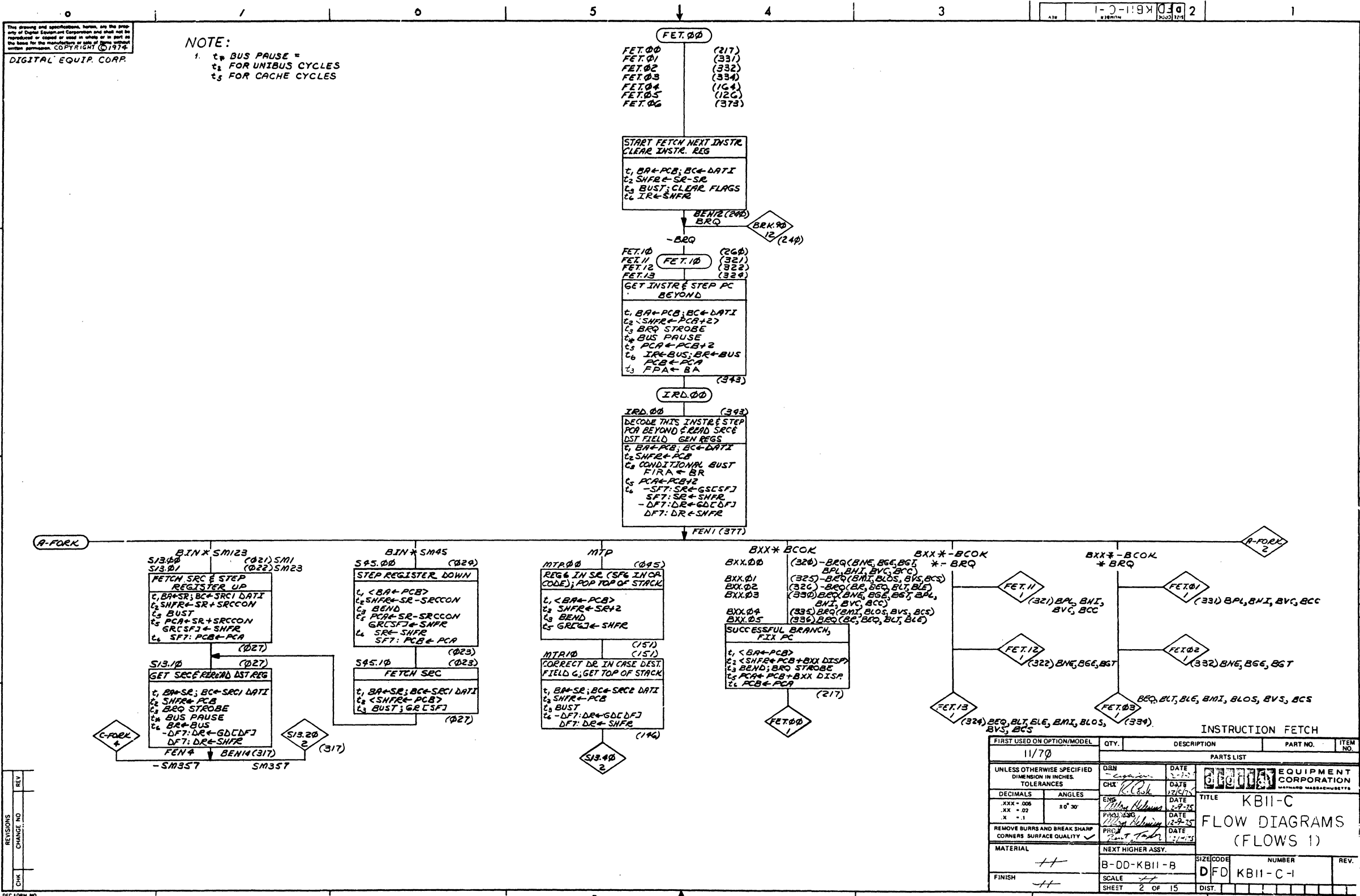
DATA PATHS			
SIZE CODE	NUMBER	REV.	DIST.
B-DD-KBII-B	D	DFD	KBII-C-1

REV.	CHANGE NO.

DEC FORM NO. 100-1084-01

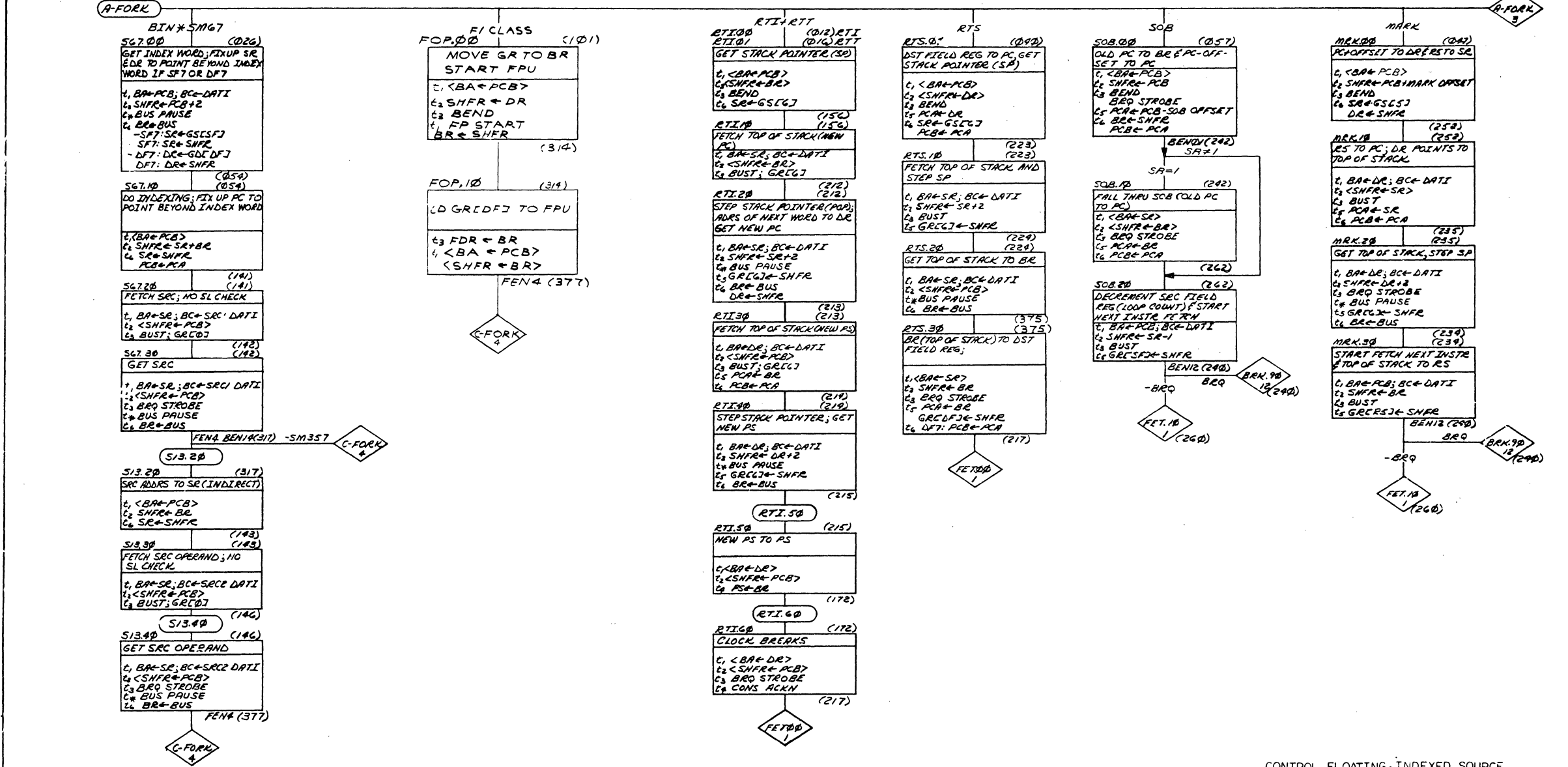
The drawing and specifications herein are the property of Digital Equipment Corporation and shall not be reproduced or copied or used in whole or in part as the basis for the manufacture or sale of any product without permission. COPYRIGHT © 1974 DIGITAL EQUIP. CORP.

NOTE:  
 1.  $t_1$  BUS PAUSE =  
 $t_2$  FOR UNIBUS CYCLES  
 $t_3$  FOR CACHE CYCLES



FIRST USED ON OPTION/MODEL	QTY.	DESCRIPTION	PART NO.	ITEM NO.
11/70				
UNLESS OTHERWISE SPECIFIED DIMENSION IN INCHES				
TOLERANCES				
DECIMALS	ANGLES	PARTS LIST		
.XX + .06	± 0' 30"	EQUIPMENT CORPORATION		
.XX - .02		MAYNARD MASSACHUSETTS		
X - .1		TITLE KBII-C		
REMOVE BURRS AND BREAK SHARP CORNERS SURFACE QUALITY		DATE 12/9/75		
		DATE 12/9/75		
		DATE 12/9/75		
MATERIAL	NEXT HIGHER ASSY.	SIZE CODE		
FINISH		NUMBER		
		REV.		
		SCALE		
		SHEET 2 OF 15		
		DIST.		

This drawing and specifications, herein, are the property of Digital Equipment Corporation and shall not be reproduced or copied in whole or in part without the written permission of Digital Equipment Corporation. COPYRIGHT © 1974. DIGITAL EQUIP. CORP.



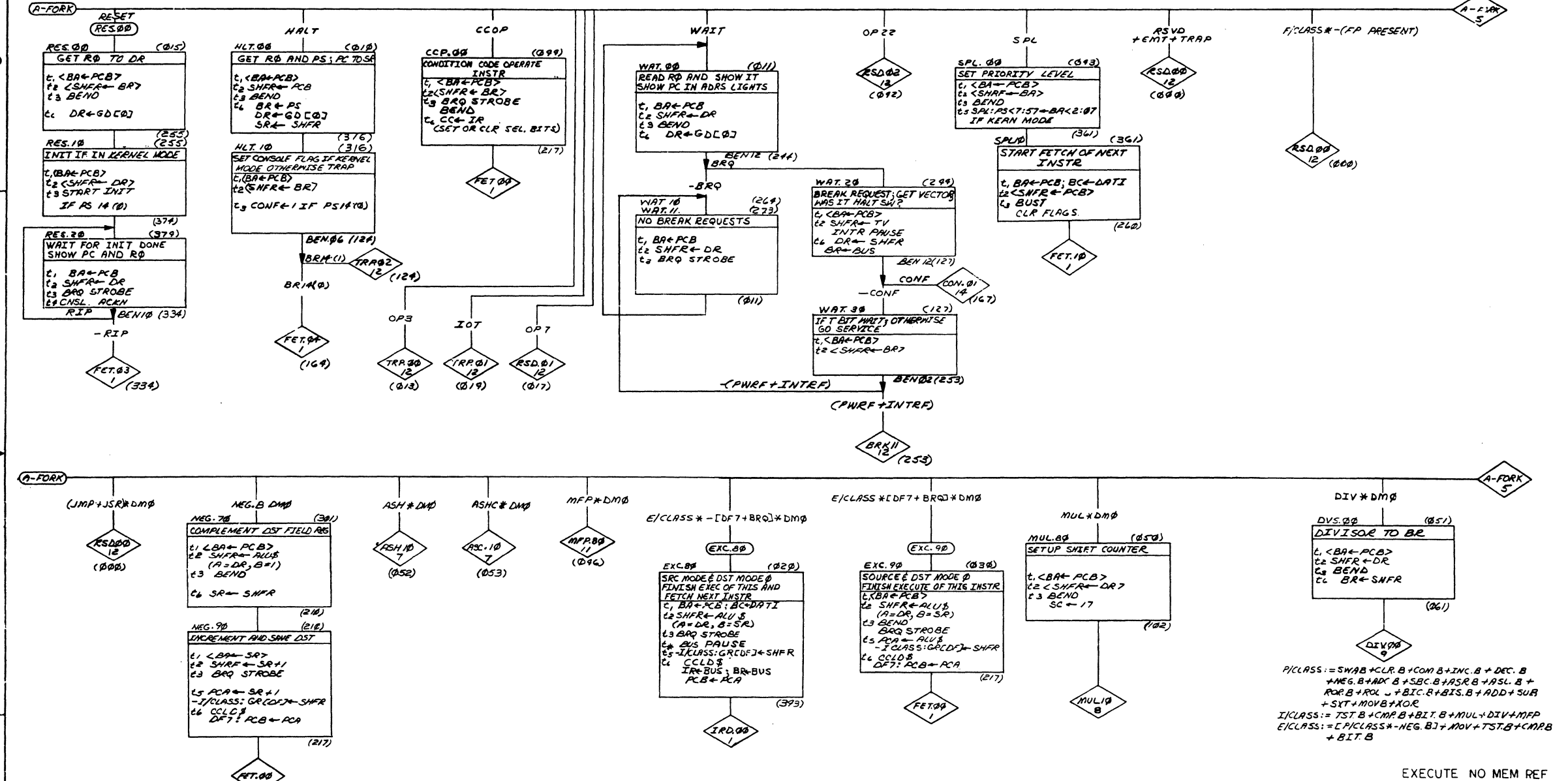
REV	CHANGE NO

DEC FORM NO. 100-108

FIRST USED ON OPTION/MODEL	QTY.	DESCRIPTION	PART NO.	ITEM NO.
11/70		CONTROL; FLOATING; INDEXED SOURCE		
PARTS LIST				
UNLESS OTHERWISE SPECIFIED	DRN	DATE	DIGITAL EQUIPMENT CORPORATION	
DIMENSION IN INCHES	CHK'D	DATE	QUALIFIED MICROGRAPHY	
TOLERANCES			TITLE	
DECIMALS	ANGLES		KBII-C	
XXX - 006	10° 30'		FLOW DIAGRAMS	
XX - 02			(FLOWS 2)	
X - 1				
REMOVE BURRS AND BREAK SHARP CORNERS SURFACE QUALITY				
MATERIAL	NEXT HIGHER ASSY			
FINISH	B-DD-KBII-B	SIZE CODE	NUMBER	REV.
	SALE	DFD	KBII-C-1	
	EET 3 OF 15	DIST		

This drawing and specifications, herein, are the property of Digital Equipment Corporation and shall not be reproduced or transmitted in any form or by any means, electronic, mechanical, photocopying, recording, or by any information storage and retrieval system, without the prior written permission of Digital Equipment Corporation. COPYRIGHT © 1974

DIGITAL EQUIP. CORP.

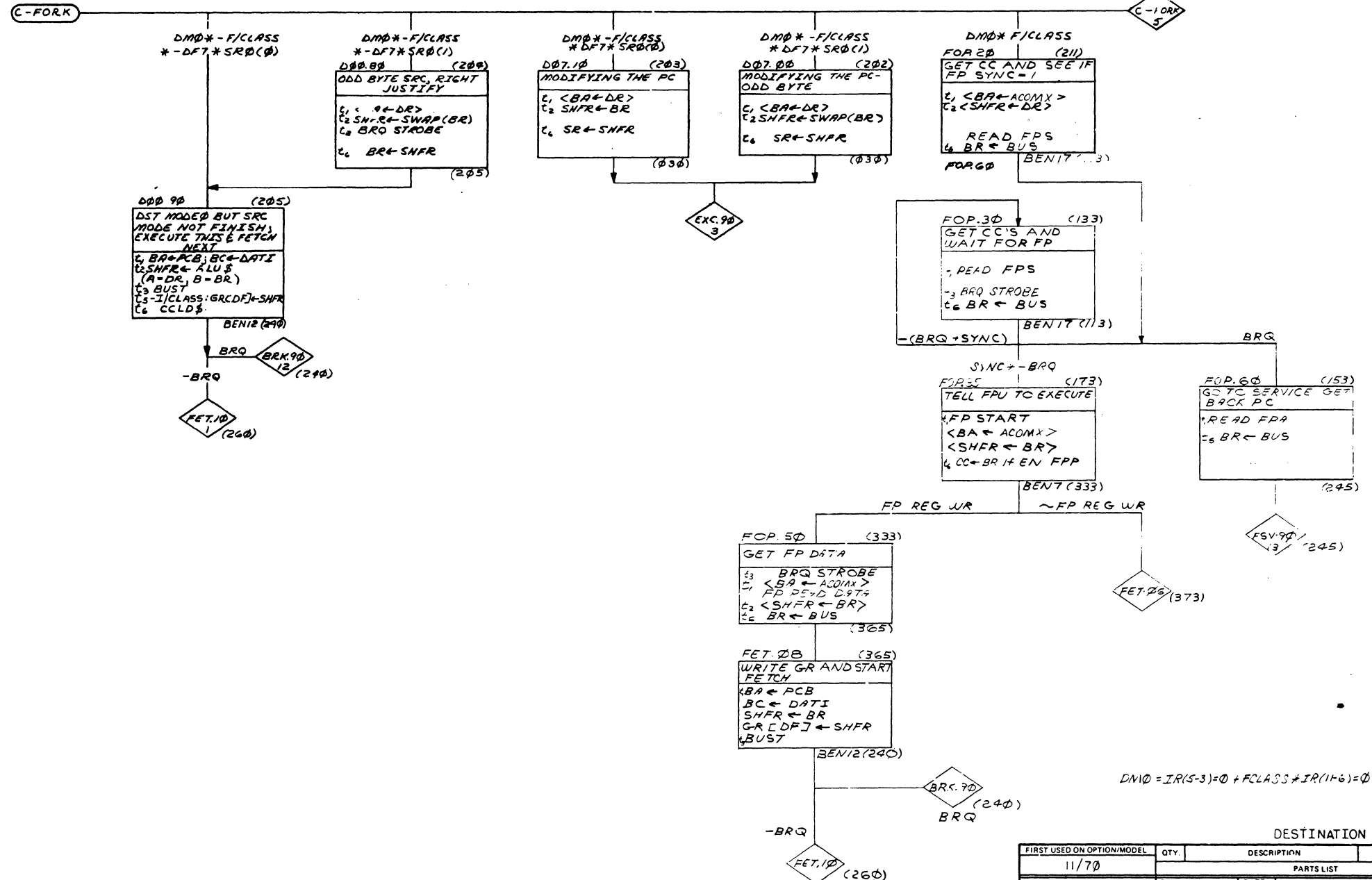


REV	CHG	NO

FIRST USED ON OPTION/MODEL 11/70	QTY.	DESCRIPTION	PART NO.	ITEM NO.
UNLESS OTHERWISE SPECIFIED				
DIMENSIONS IN INCHES				
TOLERANCES				
DECIMALS	FRACTIONS	ANGLES		
= .004	= 1/64	= 0°00'		
REMOVE BURRS AND BREAK SHARP CORNERS				
MATERIAL	NEXT HIGHER ASSY			
	B-DD-KBII-B			
FINISH	SCALE	SIZE CODE	NUMBER	REV
		DFD	KBII-C-1	
SHEET 4 OF 15		DIST.		



This drawing and specifications, herein, are the property of Digital Equipment Corporation and shall not be reproduced or copied in whole or in part or be the basis for the manufacture or sale of items without written permission. COPYRIGHT © 1974 DIGITAL EQUIP. CORP.



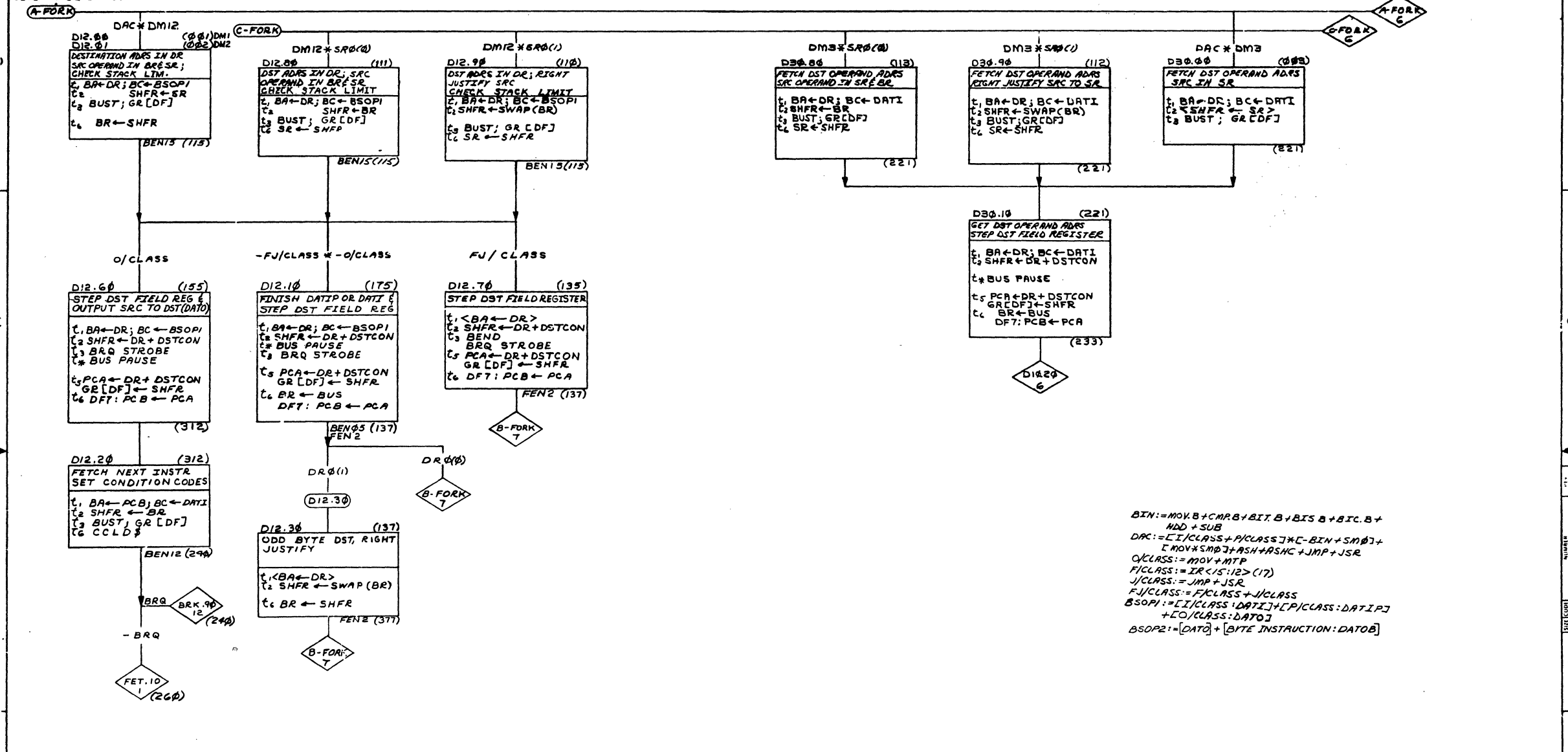
$$DND = IR(S-3) = 0 + FCLASS * IR(1-6) = 0$$

DESTINATION MODE 0

FIRST USED ON OPTION/MODEL	QTY.	DESCRIPTION	PART NO.	ITEM NO.
11/70		PARTS LIST		
UNLESS OTHERWISE SPECIFIED DIMENSION IN INCHES TOLERANCES	GRN	DATE	DIGITAL EQUIPMENT CORPORATION MAYNARD MASSACHUSETTS	
DECIMALS	CHK'D	DATE	TITLE	
ANGLES	DATE	DATE	KBII-C	
XXX - 006	DATE	DATE	FLOW DIAGRAMS	
XX - 02	DATE	DATE	(FLOWS 4)	
X - 1	DATE	DATE		
REMOVE BURRS AND BREAK SHARP CORNERS SURFACE QUALITY	DATE	DATE		
MATERIAL	NEXT HIGHER ASSY.	DATE		
FINISH	B- DD-KBII-B	DATE	SIZE CODE	NUMBER
	SCALE	DATE	DFD	KBII-C-1
	SHEET	DATE	OF	15
	DIST			

REVISIONS	REV
CHANGE NO	
CHK	

The drawing and specifications herein are the property of Digital Equipment Corporation and shall not be reproduced or used in whole or in part as the basis for the manufacture or sale of items without written permission. COPYRIGHT © 1970 DIGITAL EQUIP. CORP.



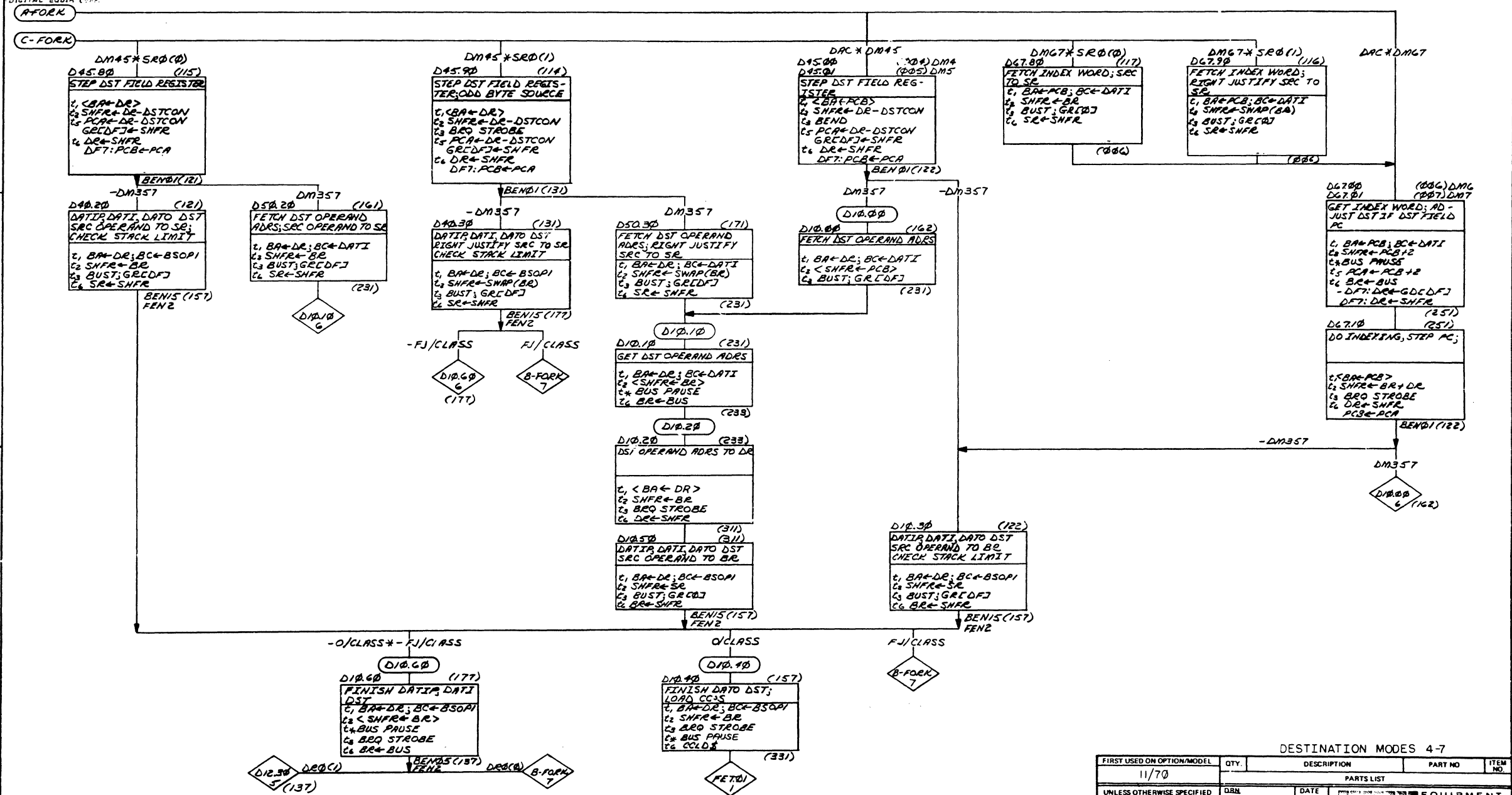
BIN := MOV.B + CMP.B + BIT.B + BIS.B + BIC.B +  
 ADD + SUB  
 DAC := I/CLASS + P/CLASS \* C - BIN + SM07 +  
 C MOV \* SM07 + ASH + ASHC + JMP + JSR  
 O/CLASS := MOV + MTP  
 P/CLASS := IR < 15 > (17)  
 J/CLASS := JMP + JSR  
 FJ/CLASS := F/CLASS + J/CLASS  
 BSOP1 := I/CLASS : DATI + P/CLASS : DATIP +  
 EO/CLASS : DATO  
 BSOP2 := [DATO] + [BYTE INSTRUCTION : DATOB]

DESTINATION MODES 1-3

FIRST USED ON OPTION/MODEL	QTY.	DESCRIPTION	PART NO.	ITEM NO.
11/70				
PARTS LIST				
UNLESS OTHERWISE SPECIFIED	DRN	DATE	EQUIPMENT CORPORATION	
UNLESS OTHERWISE SPECIFIED	CHK	DATE	WAYLAND MASSACHUSETTS	
UNLESS OTHERWISE SPECIFIED	END	DATE	TITLE	
DECIMALS FRACTIONS ANGLES			KBII-C	
± .009 ± .124 ± .072			FLOW DIAGRAMS	
FINAL SURFACE QUALITY			(FLOWS 5)	
REMOVE BURRS AND BREAK SHARP CORNERS				
MATERIAL	NEXT HIGHER ASSY		SIZE CODE	NUMBER
FINISH	B-DD-KBII-B		DFD	KBII-C-1
	SCALE		SHEET	DIST.
			6	OF 15

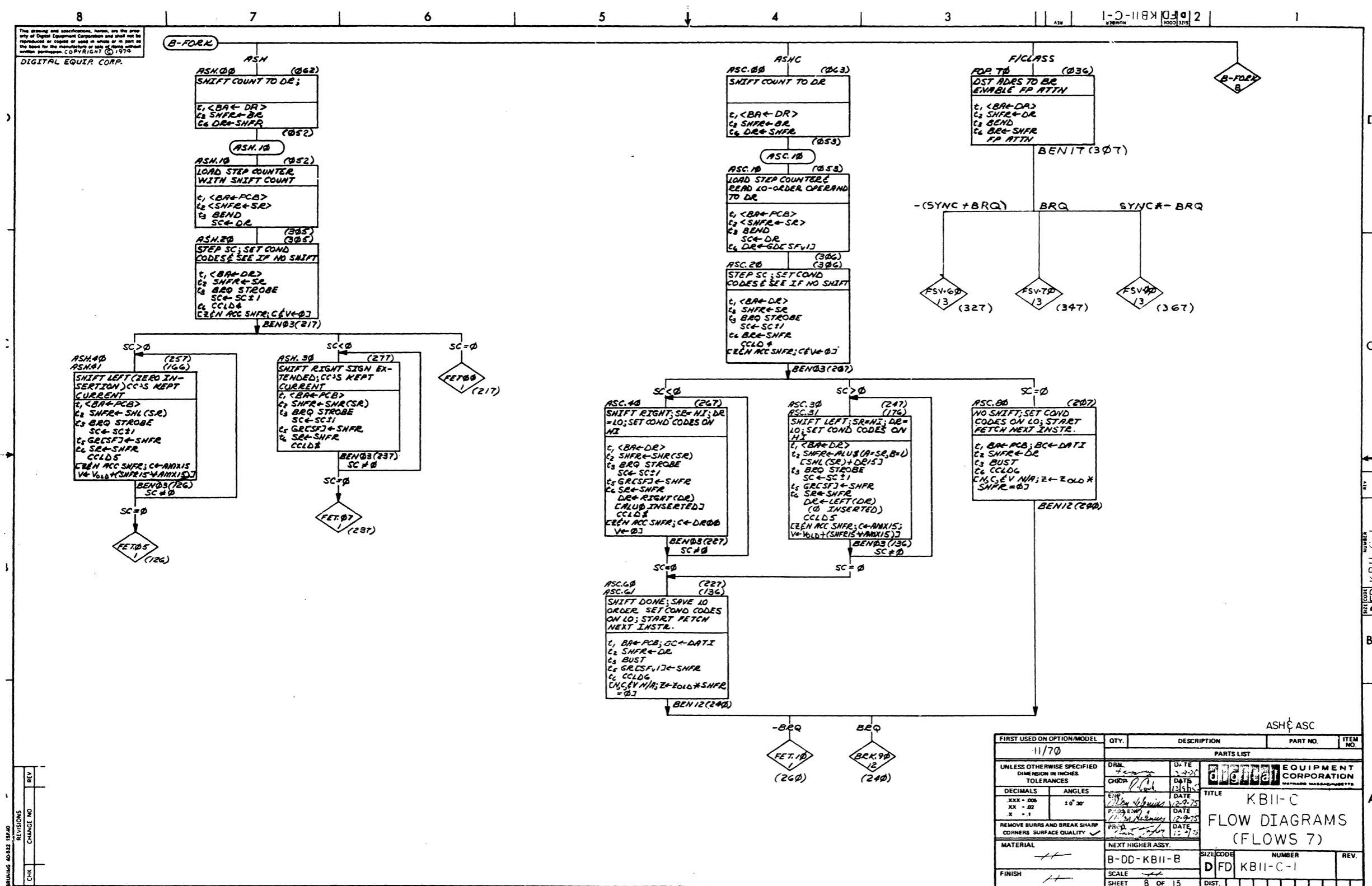
REVISIONS	REV
CHANGE NO.	
CHK	

This drawing and specifications herein are the property of Digital Equipment Corporation and shall not be reproduced or copied in whole or in part or the basis for the manufacture of any of items without written permission. COPYRIGHT © 1974



REV	REVISIONS

DESTINATION MODES 4-7			
FIRST USED ON OPTION/MODEL	QTY.	DESCRIPTION	PART NO. ITEM NO.
11/70			
PARTS LIST			
UNLESS OTHERWISE SPECIFIED DIMENSION IN INCHES	DRN	DATE	EQUIPMENT CORPORATION
TOLERANCES	CHPN	DATE	
DECIMALS	XXX + .00	16° 30'	TITLE KBII-C FLOW DIAGRAMS (FLOWS 6)
ANGLES	X + .1		
REMOVE BURRS AND BREAK SHARP CORNERS SURFACE QUALITY	DATE	DATE	MATERIAL B-DD-KBII-B
	DATE	DATE	
	NEXT HIGHER ASSY.	SIZE CODE	NUMBER
FINISH	SCALE	DFD	KBII-C-1
	SHEET 7 OF 15	DIST.	

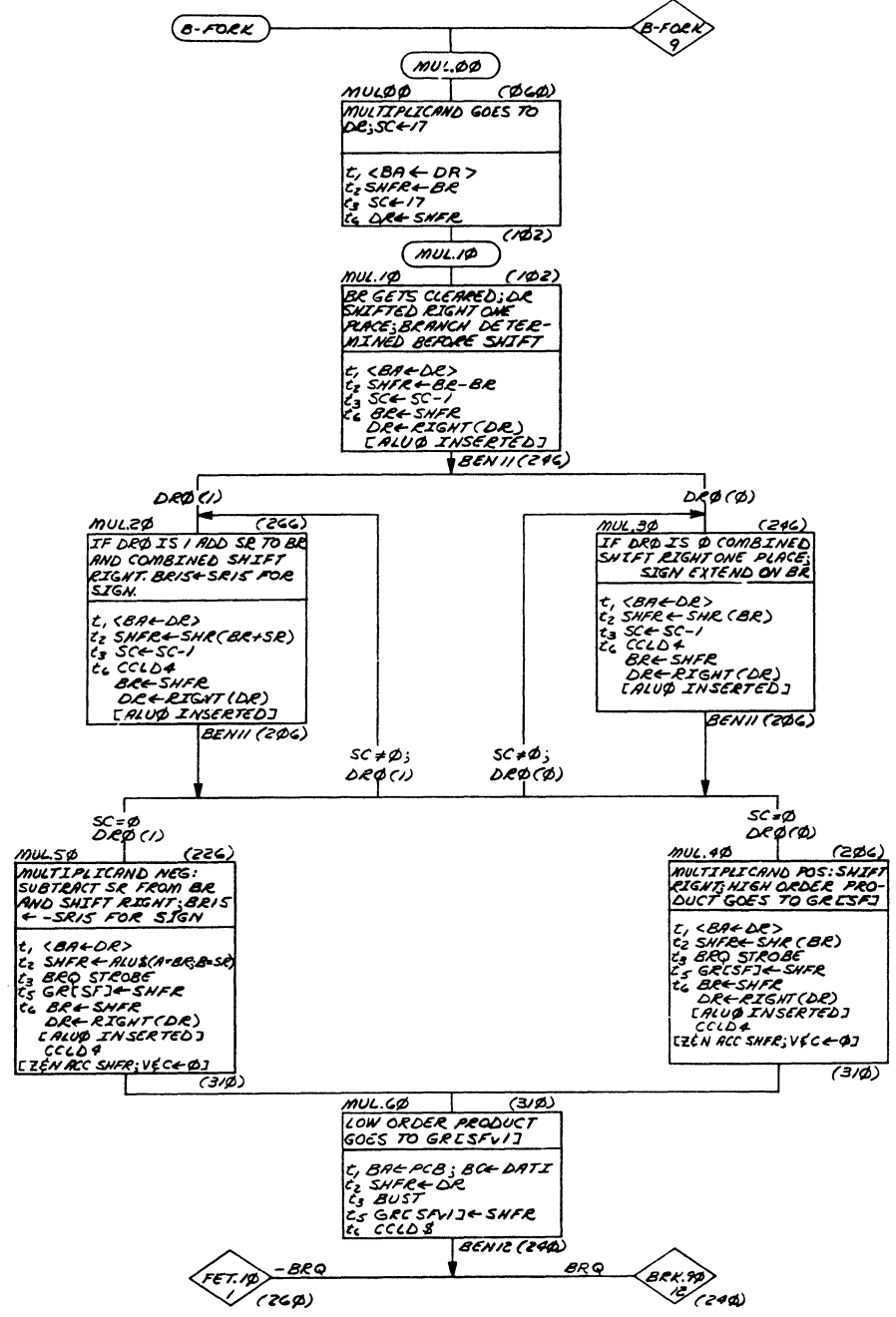


This drawing and specifications, herein, are the property of Digital Equipment Corporation and shall not be reproduced or copied or used in whole or in part as the basis for the manufacture of any of any equipment without permission. COPYRIGHT © 1974. DIGITAL EQUIP. CORP.

REV	NO
CHG	NO
CHK	NO
REV	NO
CHG	NO
CHK	NO
REV	NO
CHG	NO
CHK	NO

FIRST USED ON OPTION/MODEL	QTY.	DESCRIPTION	PART NO.	ITEM NO.
11/70				
PARTS LIST				
UNLESS OTHERWISE SPECIFIED DIMENSIONS IN INCHES TOLERANCES				
DECIMALS	ANGLES	DATE		
.XXX - .006	± 0° 30'	DATE	12/27/75	
XX - .02		DATE	12/27/75	
X - .1		DATE	12/27/75	
REMOVE BURRS AND BREAK SHARP CORNERS SURFACE QUALITY				
MATERIAL				
NEXT HIGHER ASSY.				
FINISH				
B-DD-KBII-B				
SCALE				
SHEET 8 OF 15				
D F D KBII-C-1				
TITLE				
KBII-C				
FLOW DIAGRAMS				
(FLOWS 7)				
SIZE CODE				
NUMBER				
REV.				

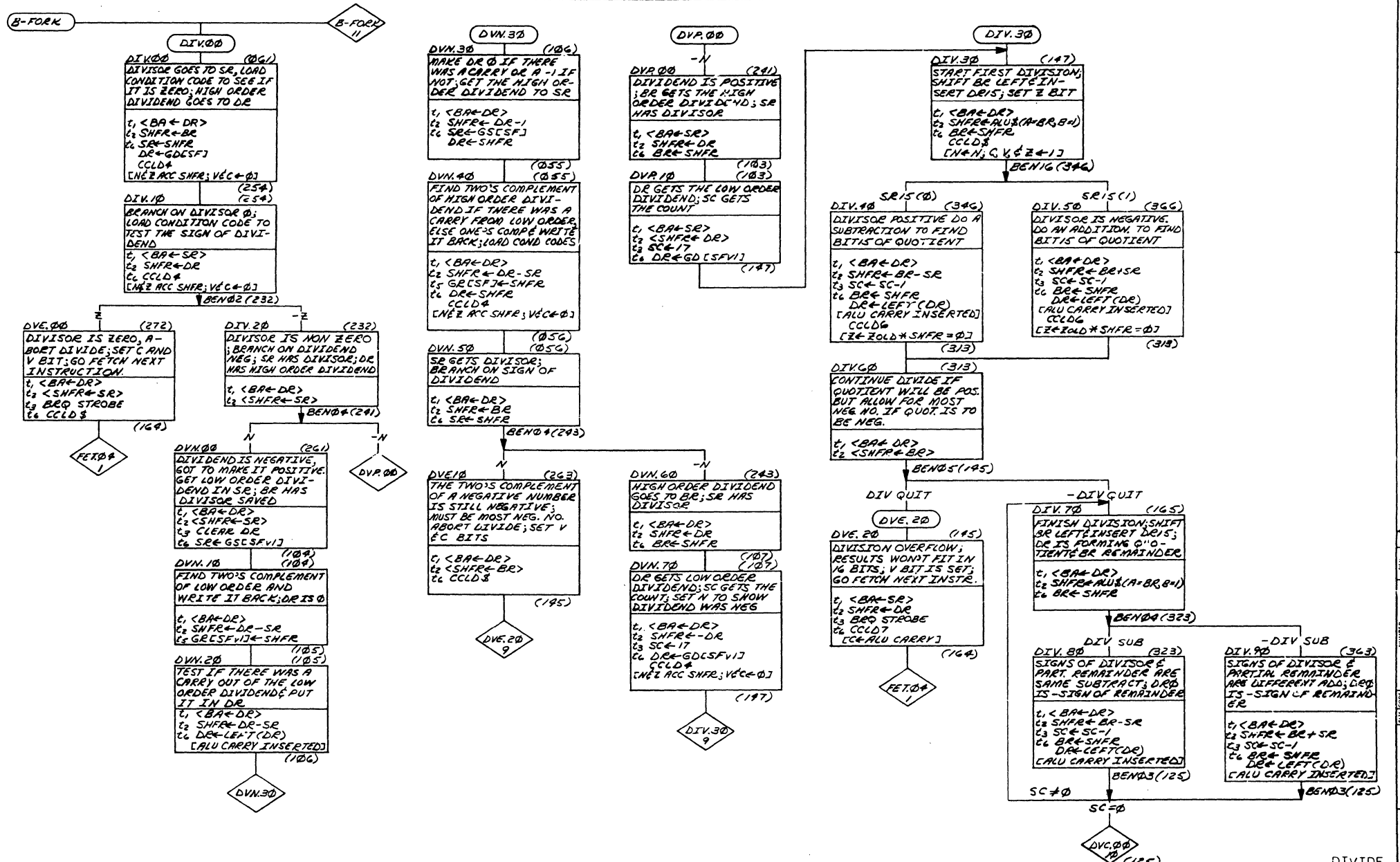
The drawing and specifications herein are the property of Digital Equipment Corporation and shall not be reproduced or copied in whole or in part or the basis for the manufacture or sale of items without written permission. COPYRIGHT © 1974 DIGITAL EQUIP. CORP.



FIRST USED ON OPTION/MODEL		QTY	DESCRIPTION	PART NO	ITEM NO
11/70					
PARTS LIST					
UNLESS OTHERWISE SPECIFIED DIMENSION IN INCHES TOLERANCES		DATE	digital EQUIPMENT CORPORATION		
DECIMALS	ANGLES	DATE	TITLE		
XXX - 006	XX - 02	DATE	KBII-C		
X - 1	± 0' 30"	DATE	FLOW DIAGRAMS		
REMOVE BURRS AND BREAK SHARP CORNERS SURFACE QUALITY		DATE	(FLOWS 8)		
MATERIAL		DATE	SIZE CODE		
FINISH		DATE	NUMBER		
		DATE	REV.		
		DATE	D/FD KBII-C-1		
		DATE	SCALE		
		DATE	SHEET 9 OF 15		
		DATE	DIST		

REV	CHANGE NO
1	

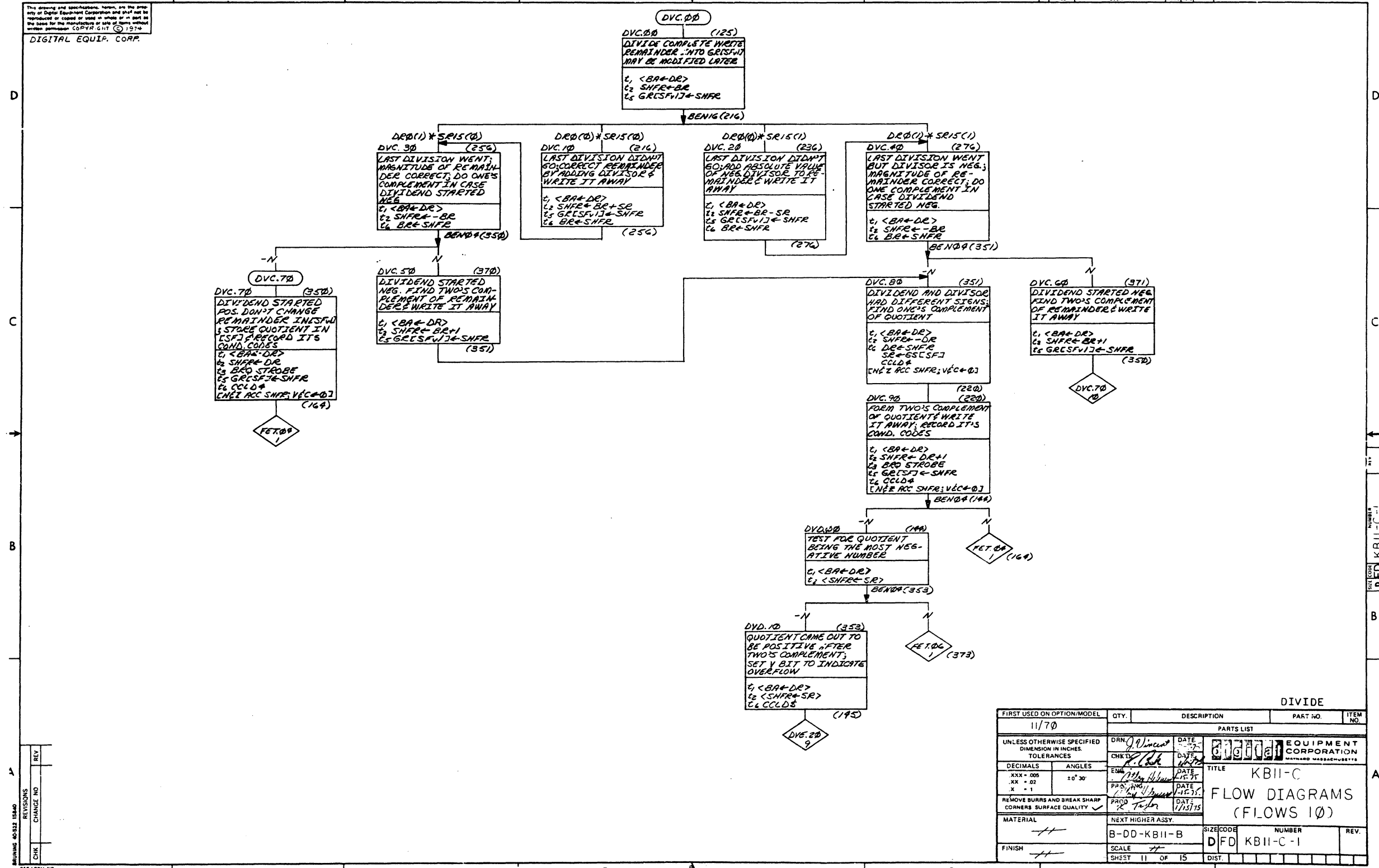
This drawing and specifications, herein are the property of Digital Equipment Corporation and shall not be reproduced or copied in whole or in part for the purpose of the manufacture of any of items without written permission. COPYRIGHT © 1974  
DIGITAL EQUIP. CORP.



FIRST USED ON OPTION/MODEL	QTY.	DESCRIPTION	PART NO.	ITEM NO.
11/70				
PARTS LIST				
UNLESS OTHERWISE SPECIFIED DIMENSION IN INCHES TOLERANCES	DRM	DATE	DIGITAL EQUIPMENT CORPORATION	
DECIMALS ANGLES	CMF	DATE	MAYNARD MASSACHUSETTS	
XXX - 005	ENR	DATE	TITLE	
XX - 02	PARJ, ERG	DATE	KBII-C	
X - 1	PRCD	DATE	FLOW DIAGRAMS	
REMOVE BURRS AND BREAK SHARP CORNERS SURFACE QUALITY		DATE	(FLOWS 9)	
MATERIAL	NEXT HIGHER ASSY.	SIZE CODE	NUMBER	REV.
#	B-DD-KBII-B	D	FD	KBII-C-I
FINISH	SCALE	SHEET	10	OF 15

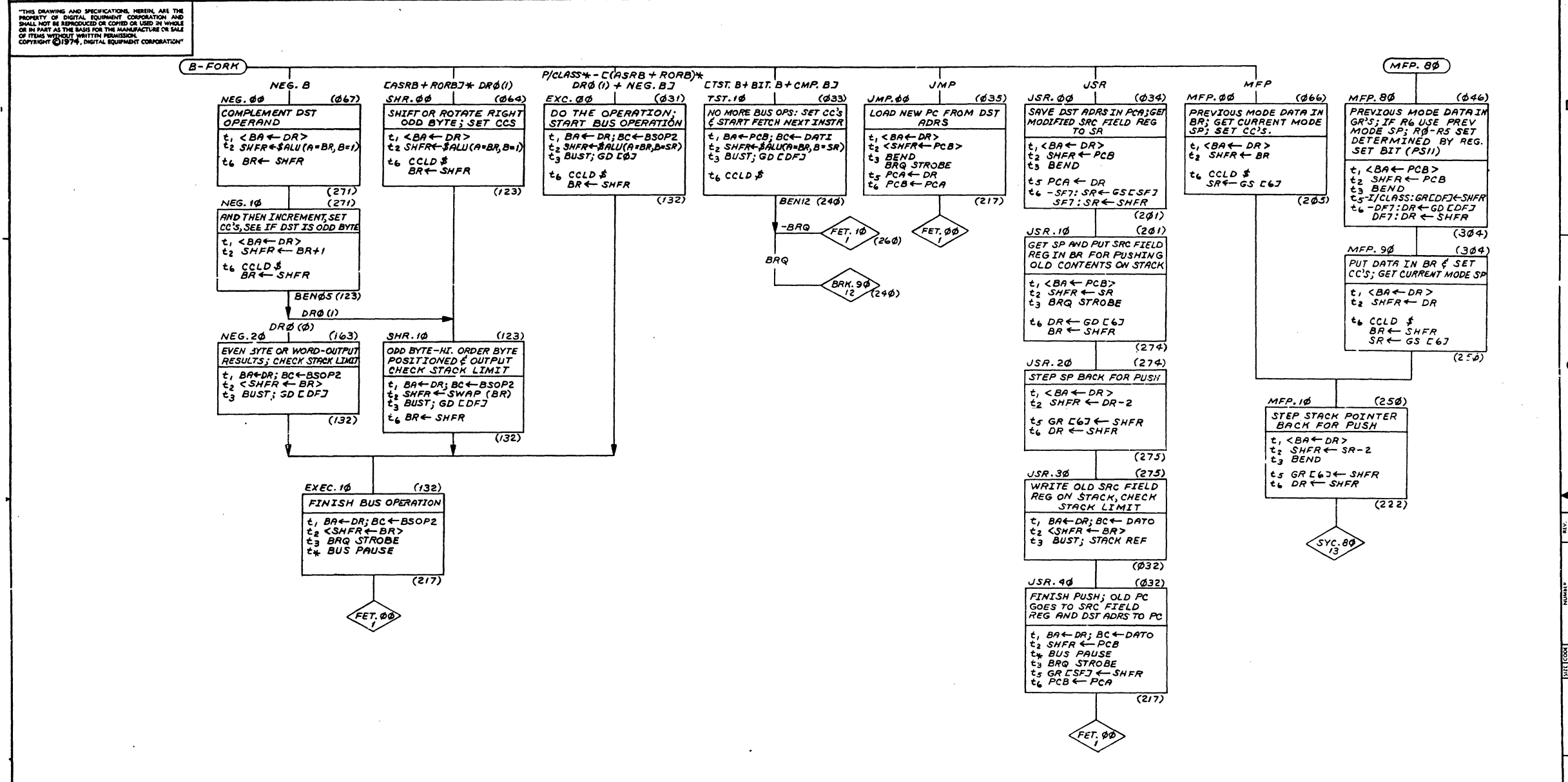
REVISIONS  
CHANGE NO.  
CHK

The drawing and specifications herein are the property of Digital Equipment Corporation and shall not be reproduced or copied in whole or in part for any other purpose without the written permission of Digital Equipment Corporation. © 1974  
DIGITAL EQUIP. CORP.



DIVIDE				
FIRST USED ON OPTION/MODEL	QTY.	DESCRIPTION	PART NO.	ITEM NO.
11/70				
UNLESS OTHERWISE SPECIFIED DIMENSION IN INCHES. TOLERANCES				
DECIMALS	ANGLES	PARTS LIST		
.XX ± .008	± 0° 30'	DRN: J. Vincent	DATE: 11/70	<b>DIGITAL</b> EQUIPMENT CORPORATION BOSTON, MASSACHUSETTS TITLE: KBII-C FLOW DIAGRAMS (FLOWS 10)
.X ± .01		CHK: R. Bell	DATE: 11/70	
X ± .1		ENG: J. Vincent	DATE: 11/70	
		PRD: J. Vincent	DATE: 11/70	
REMOVE BURRS AND BREAK SHARP CORNERS SURFACE QUALITY				
MATERIAL	NEXT HIGHER ASSY.			
FINISH	SCALE			
	SHEET 11 OF 15			
	SIZE CODE	NUMBER	REV.	
	D F D	KBII-C-1		

REV.	NO.
CHG.	NO.
CHANGE	NO.
REVISIONS	NO.
15840	8

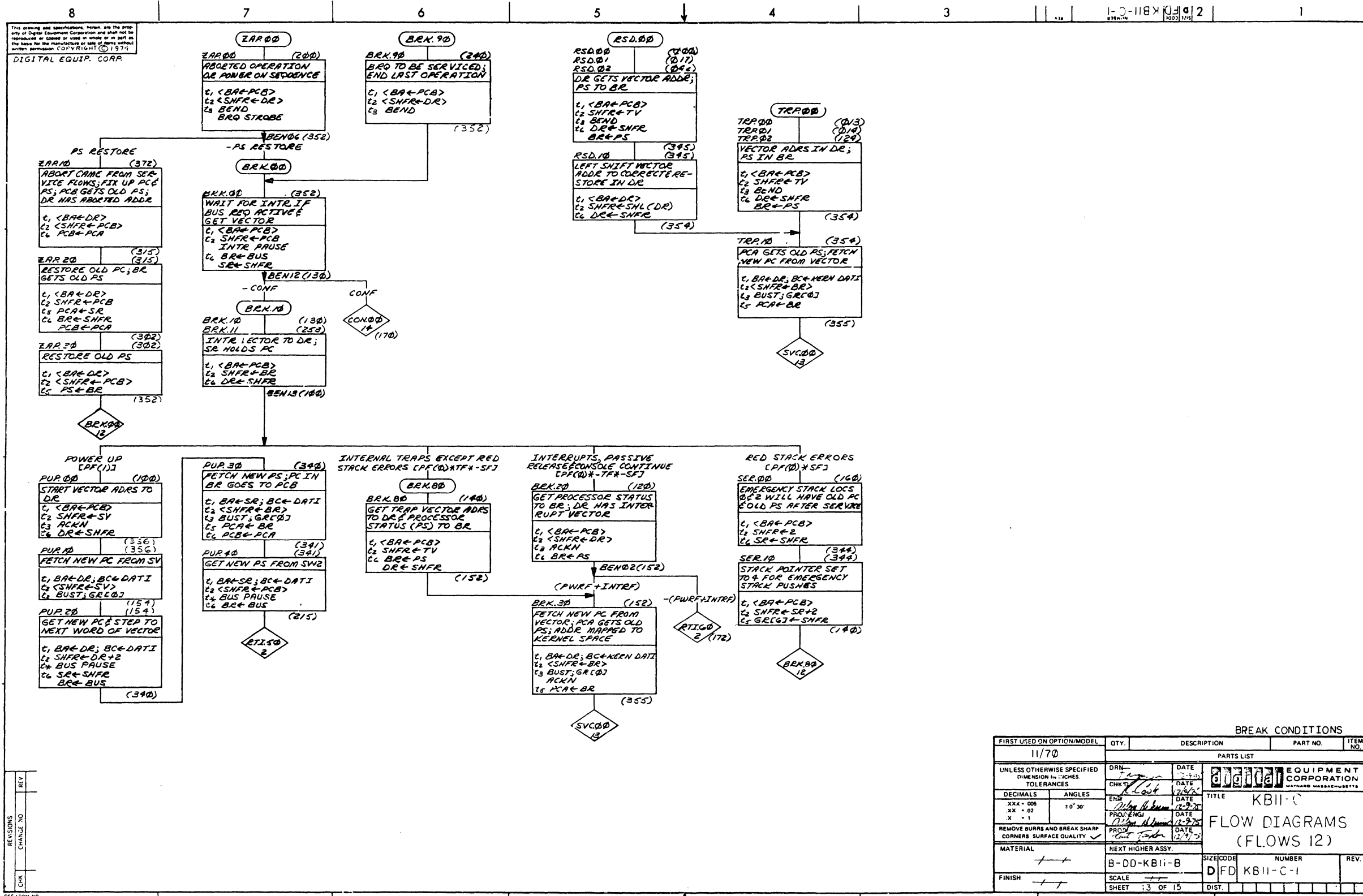


REV.	NO.
CHK	NO.
REV.	NO.
CHK	NO.

EXECUTE - MEM REF

FIRST USED ON OPTION/MODEL	QTY.	DESCRIPTION	PART NO.	ITEM NO.
11/70				
PARTS LIST				
DIMENSIONAL TOLERANCE		DRN:	DATE:	
DIMENSIONS ARE MILLIMETERS UNLESS OTHERWISE SPECIFIED		CHK'D:	DATE:	
MILLIMETERS	INCHES	ANGLES		
XXX ±0.10	XXX ±0.006	±0°30'		
XX ±0.2	XX ±0.02			
X ±0.2	X ±0.1			
THIRD ANGLE PROJECTION	REMOVE BURRS AND BREAK SHARP CORNERS SURFACE QUALITY			
MATERIAL				
FINISH				
TITLE		SIZE	CODE	NUMBER
KBII-C FLOW DIAGRAMS (FLOWS II)		B-DD	KBII-B	
REV.		SCALE		
		NONE		
SHEET 12 OF 15		DIST.		

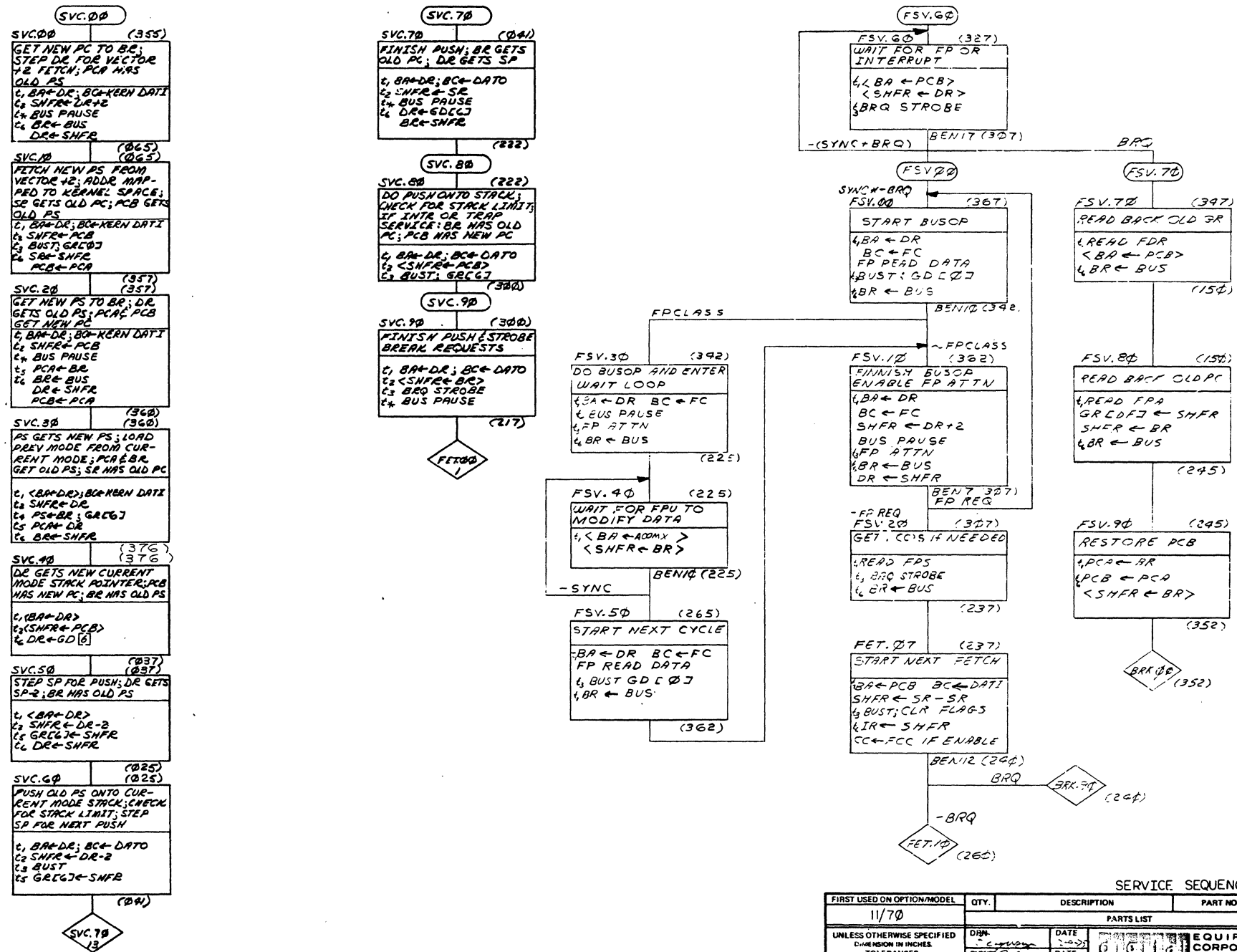




BREAK CONDITIONS				
FIRST USED ON OPTION/MODEL	QTY.	DESCRIPTION	PART NO.	ITEM NO.
11/70				
PARTS LIST				
UNLESS OTHERWISE SPECIFIED	DRN	DATE	DIGITAL EQUIPMENT CORPORATION	
DIMENSION IN INCHES	CHK'D	DATE	NATUARD MASSACHUSETTS	
TOLERANCES			TITLE KBII-C	
DECIMALS			FLOW DIAGRAMS	
ANGLES			(FLOWS 12)	
XXX - 006			SIZE CODE	
XX - 02			NUMBER	
X - 1			REV.	
REMOVE BURRS AND BREAK SHARP CORNERS SURFACE QUALITY			SCALE	
			SHEET 13 OF 15	
MATERIAL	NEXT HIGHER ASSY.			
	B-DD-KBII-B			
FINISH	DIST			

235

The drawing and specifications herein are the property of Digital Equipment Corporation and shall not be reproduced or used in whole or in part on any other drawing without the written permission of Digital Equipment Corporation. COPYRIGHT © 1974 DIGITAL EQUIP. CORP.

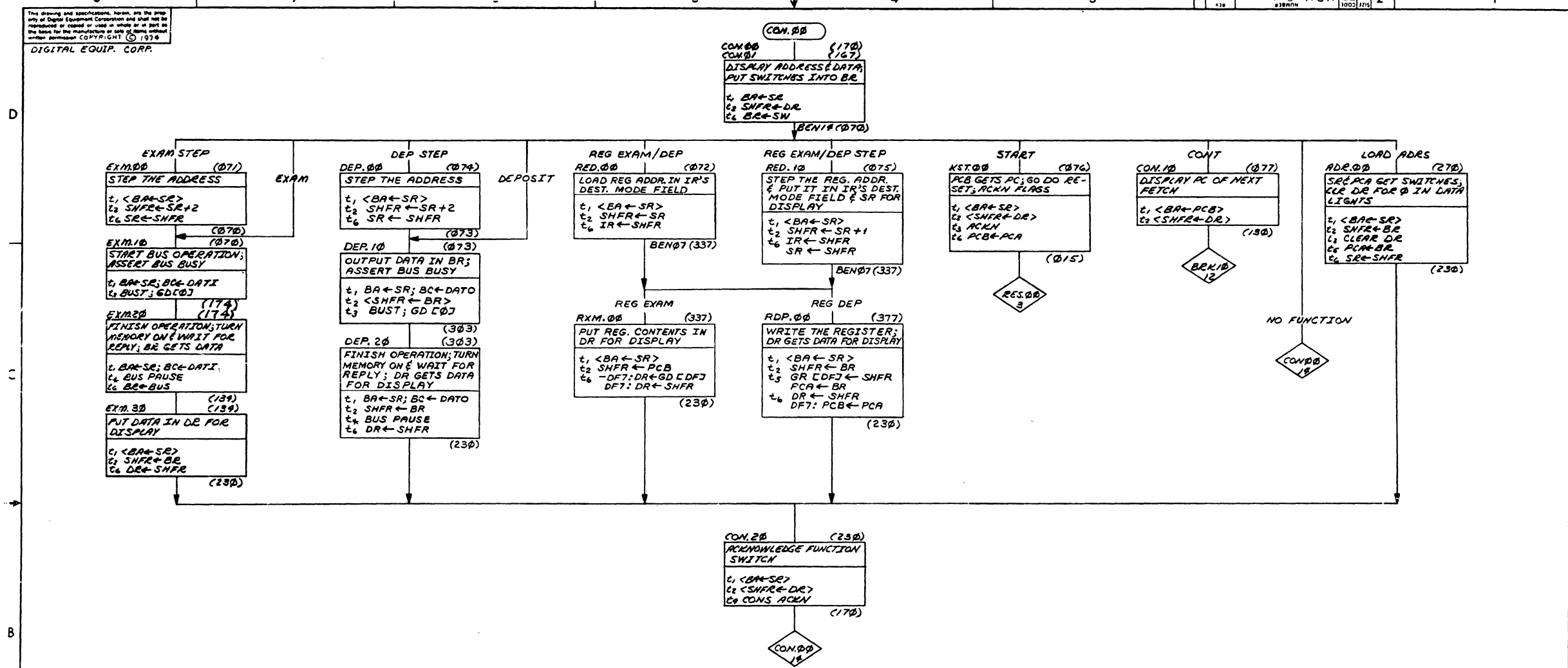


SERVICE SEQUENCE			
FIRST USED ON OPTION/MODEL	QTY.	DESCRIPTION	PART NO.
11/70			
PARTS LIST			
UNLESS OTHERWISE SPECIFIED DIMENSION IN INCHES TOLERANCES	DATE 12-27-75	DIGITAL EQUIPMENT CORPORATION	
DECIMALS	ANGLES	DATE 2-9-75	TITLE KBII-C
XXX - 0.05	10° 30'	DATE 12-27-75	NUMBER D F D KBII-C-1
REMOVE BURRS AND BREAK SHARP CORNERS SURFACE QUALITY	DATE 12-27-75	DATE 12-27-75	REV.
MATERIAL	NEXT HIGHER ASSY.	SIZE CODE	
FINISH	B-DD-KBII-B	SCALE	
		SHEET 14 OF 15	

REVISIONS  
CHANGE NO.  
CHK

DIG FORM NO 8

This drawing and specifications, herein, are the property of Digital Equipment Corporation and shall not be reproduced or copied or used in whole or in part as the basis for the manufacture or sale of items without written permission. COPYRIGHT © 1976  
DIGITAL EQUIP. CORP.

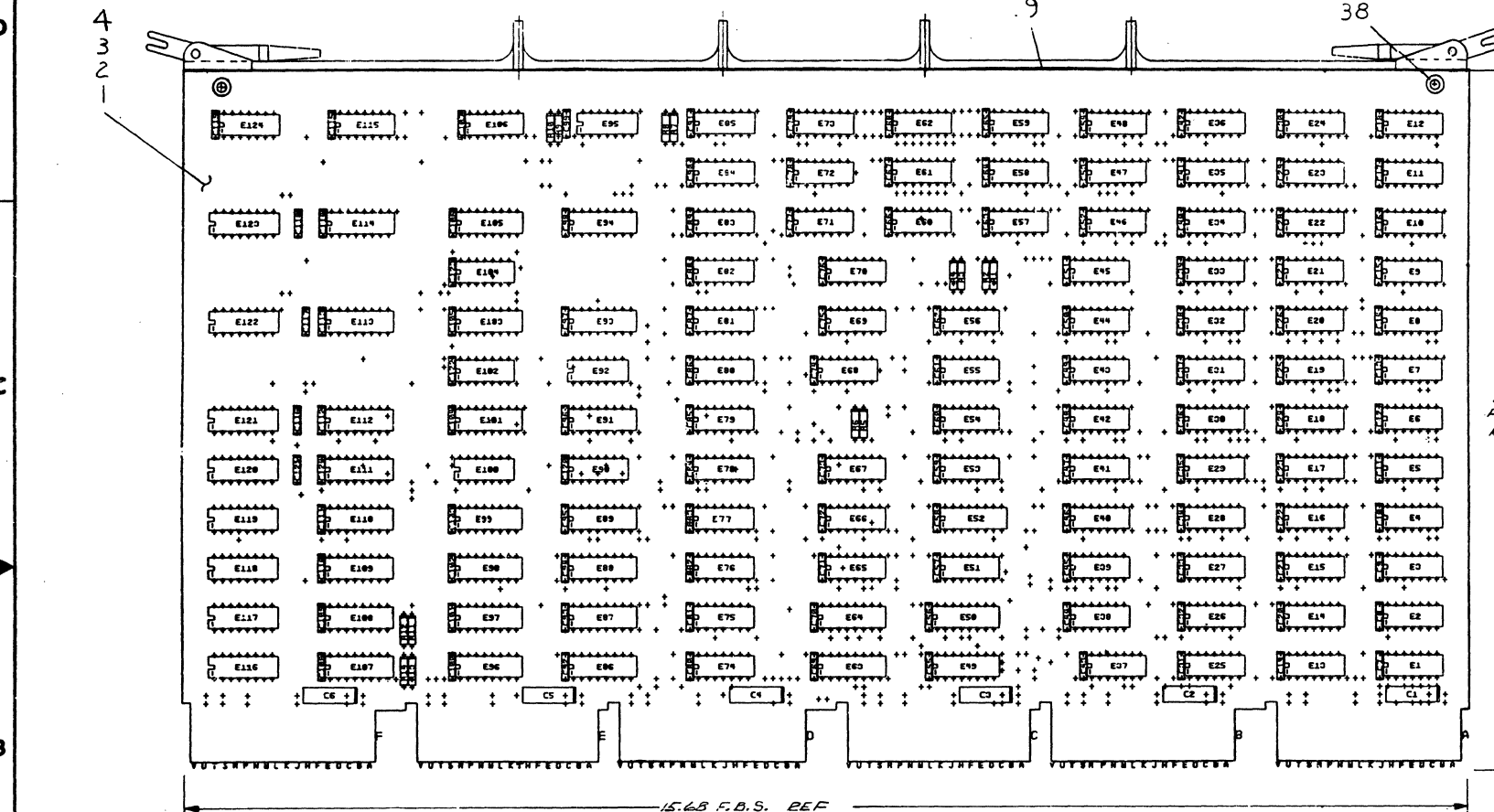


BRUNING 40 522 11/76  
REV. 1  
CHK. 1  
JONES  
PAGE NO.  
DEC 1976

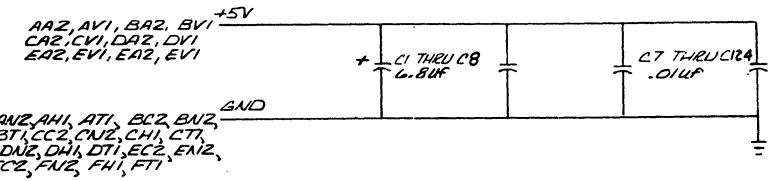
CONSOLE			
FIRST USED ON OPTION/MODEL	QTY.	DESCRIPTION	PART NO. ITEM NO.
11/70			
UNLESS OTHERWISE SPECIFIED DIMENSION IN INCHES TOLERANCES			
DECIMALS	ANGLES	PARTS LIST	
.XX ± .02	± 0° 30'	DATE 2-7-75	DIGITAL EQUIPMENT CORPORATION MAYNARD MASSACHUSETTS
X ± .1		DATE 11/17/75	
REMOVE BURRS AND BREAK SHARP CORNERS SURFACE QUALITY		DATE 11/17/75	TITLE
MATERIAL		DATE 11/17/75	KBII-C
FINISH			FLOW DIAGRAMS (FLOWS 14)
NEXT HIGHER ASSY.		SIZE CODE	NUMBER
B-DD-KBII-S		DFD	KBII-C-1
SCALE		SHEET	15 OF 15
DIST.			

THIS DRAWING AND SPECIFICATIONS, HEREIN, ARE THE PROPERTY OF DIGITAL EQUIPMENT CORPORATION AND SHALL NOT BE REPRODUCED OR COPIED OR USED IN WHOLE OR IN PART AS THE BASIS FOR THE MANUFACTURE OR SALE OF ITEMS WITHOUT WRITTEN PERMISSION.  
 COPYRIGHT © 1975 DIGITAL EQUIPMENT CORPORATION

**NOTES:** 1. UNLESS OTHERWISE NOTED RESISTANCE IS IN OHMS AND CAPACITANCE IS IN PICOFARADS. CAPS WITH OUT VALUE NOTED ARE .01 MFD  
 2. E61 & E62 ARE SPARE I.C. LOCATIONS.  
 3. R5, R7, R9, R12 & R13 ARE NOT USED



REF	QTY	REF. DESIGNATION	DESCRIPTION	PART NO.	ITEM NO.
			X-Y COORDINATE HOLE LOCATION	K-CO-M8123-W-4	1
			ASSY/DRILLING HOLE LAYOUT	D-AH-M8123-W-5	2
			MODULE ECO HISTORY	B-MH-M8123-W-5	3
			ETCHED CIRCUIT BOARD	5011869	4
118	1	C7 THRU C124	CAPACITOR, .01uf, 50V	1001610-2	5
6	1	C1 THRU C6	CAPACITOR, 6.8uf, 35V, 10%	1005306	6
5	1	R6, R8, R10, R11, R14	RESISTOR, 150 OHM, 1/4W, 5%	1300250	7
5	1	E4, E31, E58, E99, E104	I.C. DEC 74S00	1910532	8
12	1	E6, E27, E34, E52, E58, E57, E72, E78, E79, E84, E95, E100	I.C. DEC 74S04	1910534	9
12	1	E3, E10, E28, E29, E40, E48, E53, E59, E60, E67, E92, E102	I.C. DEC 74S10	1910536	10
4	1	E55, E66, E68, E85	I.C. DEC 74S11	1910537	11
3	1	E16, E30, E41	I.C. DEC 74S20	1910539	12
1	1	E15	I.C. DEC 74S40	1910541	13
37	1	E5, E7, E9, E8, E11, E12, E17, E18, E19, E20, E21, E22, E23, E24, E33, E35, E42, E43, E44, E45, E46, E47, E51, E54, E65, E70, E71, E74, E75, E76, E77, E80, E81, E82, E83, E83, E106	I.C. DEC 74S64	1910542	14
4	1	E49, E50, E63, E64	I.C. DEC 74S153	1910547	15
12	1	E66, E88, E96, E97, E98, E107, E108, E109, E116, E117, E119, E87	I.C. DEC 74S174	1910550	16
14	1	E1, E2, E13, E14, E25, E26, E36, E37, E38, E73, E115, E124, E68, E90	I.C. DEC 74S74	1910544	17
2	1	R1, R3	RES 680 Ω 1/4W 5%	1301424	18
2	1	R2, R4	RES 330 Ω 1/4W 5%	1300295	19
1	1	E99	ROM 256x4	23C77A2	20
1	1	E94	ROM 256x4	23C78A2	21
1	1	E93	ROM 256x4	23C79A2	22
1	1	E89	ROM 256x4	23C80A2	23
1	1	E91	ROM 256x4	23C81A2	24
1	1	E120	ROM 256x4	23C82A2	25
1	1	E111	74S175	1910957	26
1	1	E123	ROM 256x4	23C66A2	27
1	1	E119	ROM 256x4	23C67A2	28
1	1	E121	ROM 256x4	23C68A2	29
1	1	E122	ROM 256x4	23C69A2	30
1	1	E114	ROM 256x4	23C70A2	31
1	1	E112	ROM 256x4	23C71A2	32
1	1	E110	ROM 256x4	23C72A2	33
1	1	E113	ROM 256x4	23C73A2	34
1	1	E105	ROM 256x4	23C74A2	35
1	1	E103	ROM 256x4	23C75A2	36
1	1	E101	ROM 256x4	23C76A2	37
12	1		EYELET	9006732	38
1	1		HANDLE MODULE	1210711-2	39



IC TYPE	QTY	REF. DESIGNATION	DESCRIPTION
IC DEC 74S175	1	B	16
IC DEC 74S174	1	B	16
IC DEC 74S153	1	B	16
256x4 ROM	1	B	16

IC PIN LOCATIONS

SEMICONDUCTOR CONVERSION CHART

DEC NO.	EIA NO.	DEC NO.	EIA NO.

REVISIONS

REV.	DATE	DESCRIPTION
A	1/25/76	ORIGINAL

DATE: 1/25/76  
 DRAWN: [Signature]  
 CHECKED: [Signature]  
 ENGR: [Signature]  
 PROD: [Signature]

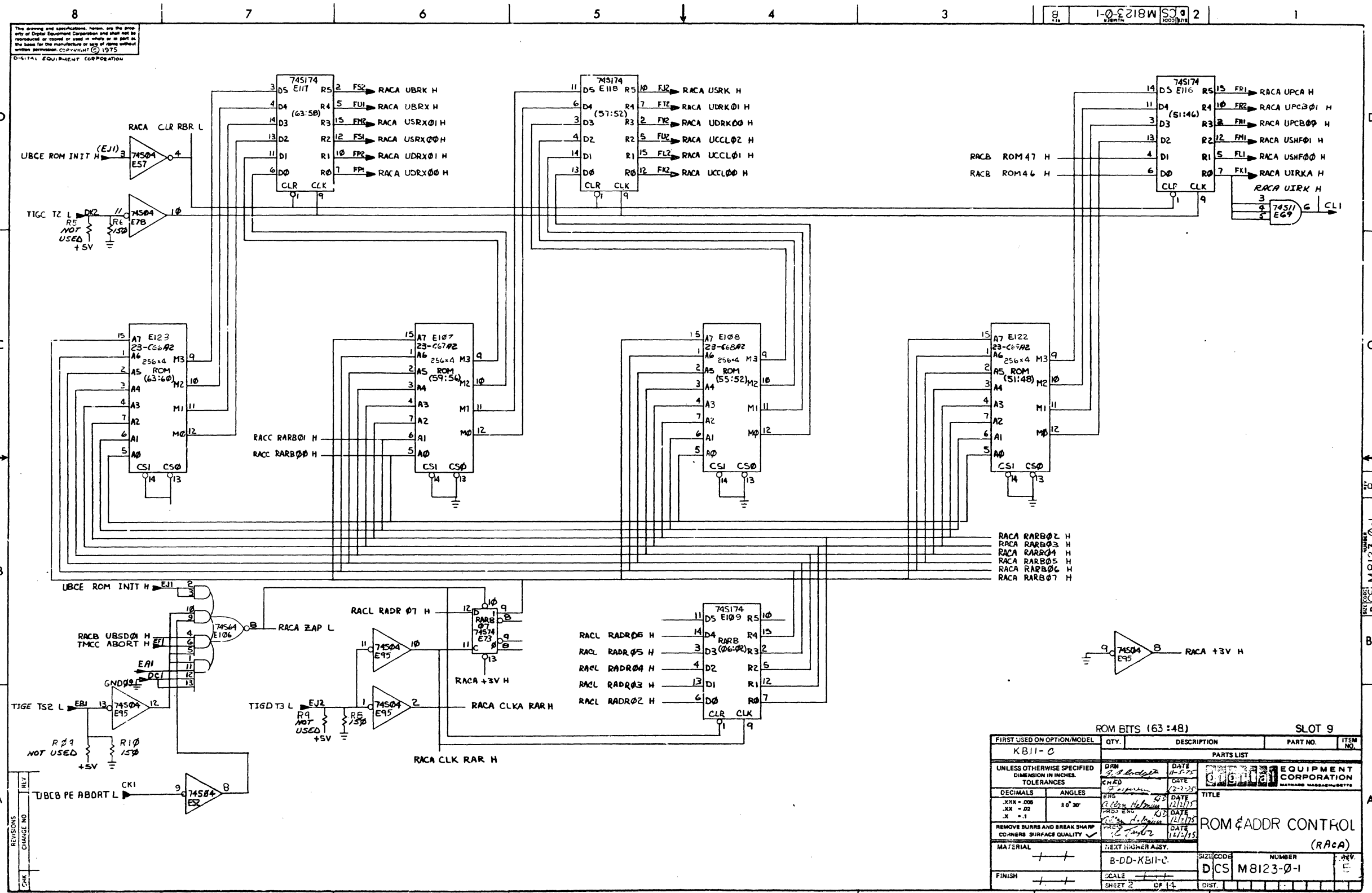
digital

TITLE: ROM & ADDR CONTROL (RAC)

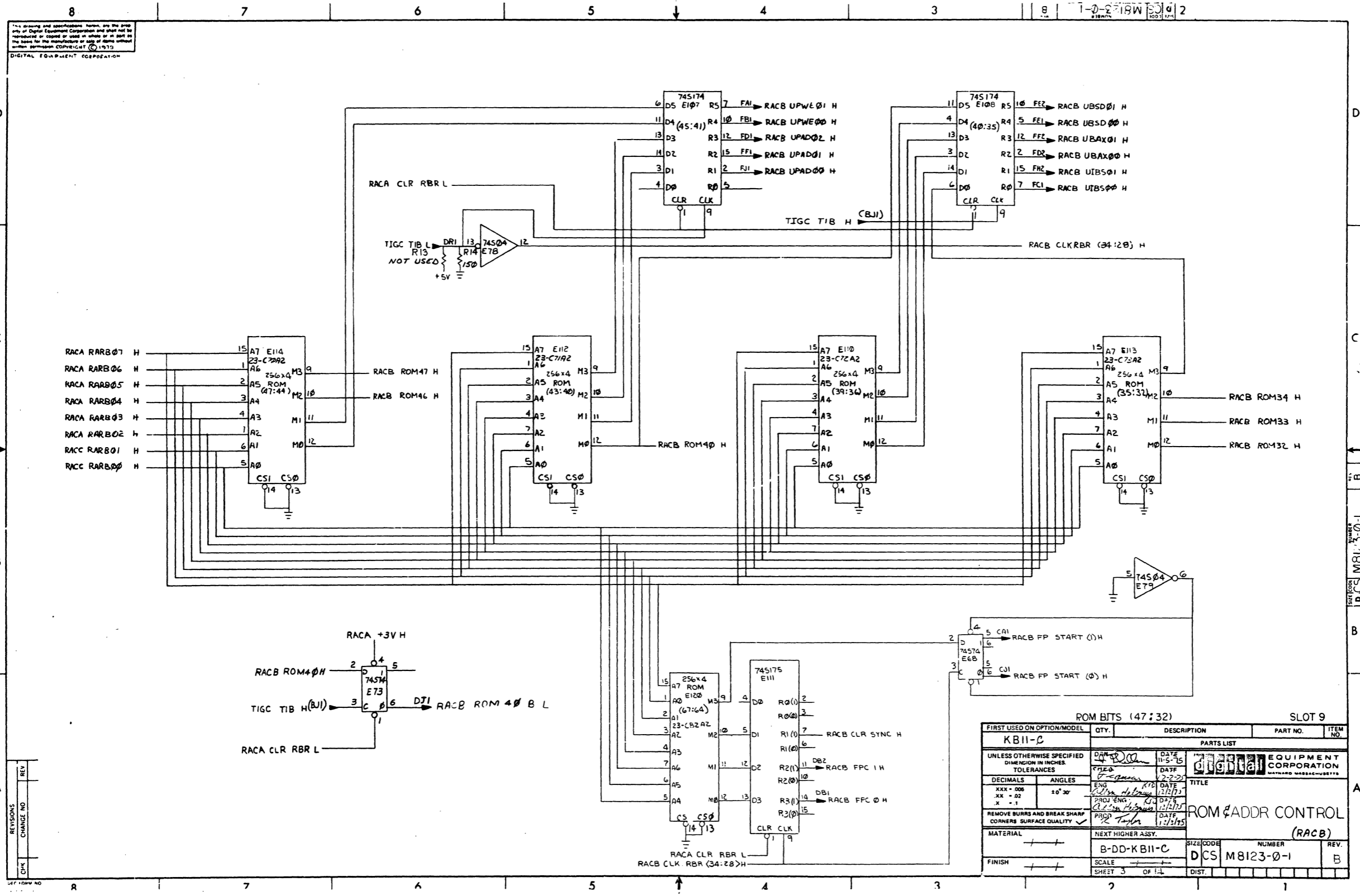
SIZE CODE: D CSIM8123-0-1

SCALE: 1 OF 14

DIG FORM NO. 010 128



FIRST USED ON OPTION/MODEL		QTY.	DESCRIPTION	PART NO.	ITEM NO.
KB11-C					
PARTS LIST					
UNLESS OTHERWISE SPECIFIED DIMENSION IN INCHES TOLERANCES		DATE	DIGITAL EQUIPMENT CORPORATION		
DECIMALS	ANGLES	DATE	TITLE		
.XXX - .006	±0°30'	DATE	ROM & ADDR CONTROL		
.XX - .02		DATE	(RACA)		
.X - .1		DATE			
REMOVE BURRS AND BREAK SHARP CORNERS SURFACE QUALITY					
MATERIAL		NEXT HIGHER ASSY.		SIZE/CODE	NUMBER
FINISH		SCALE		D/CS	M8123-0-1
		SHEET 2 OF 14		DIST.	

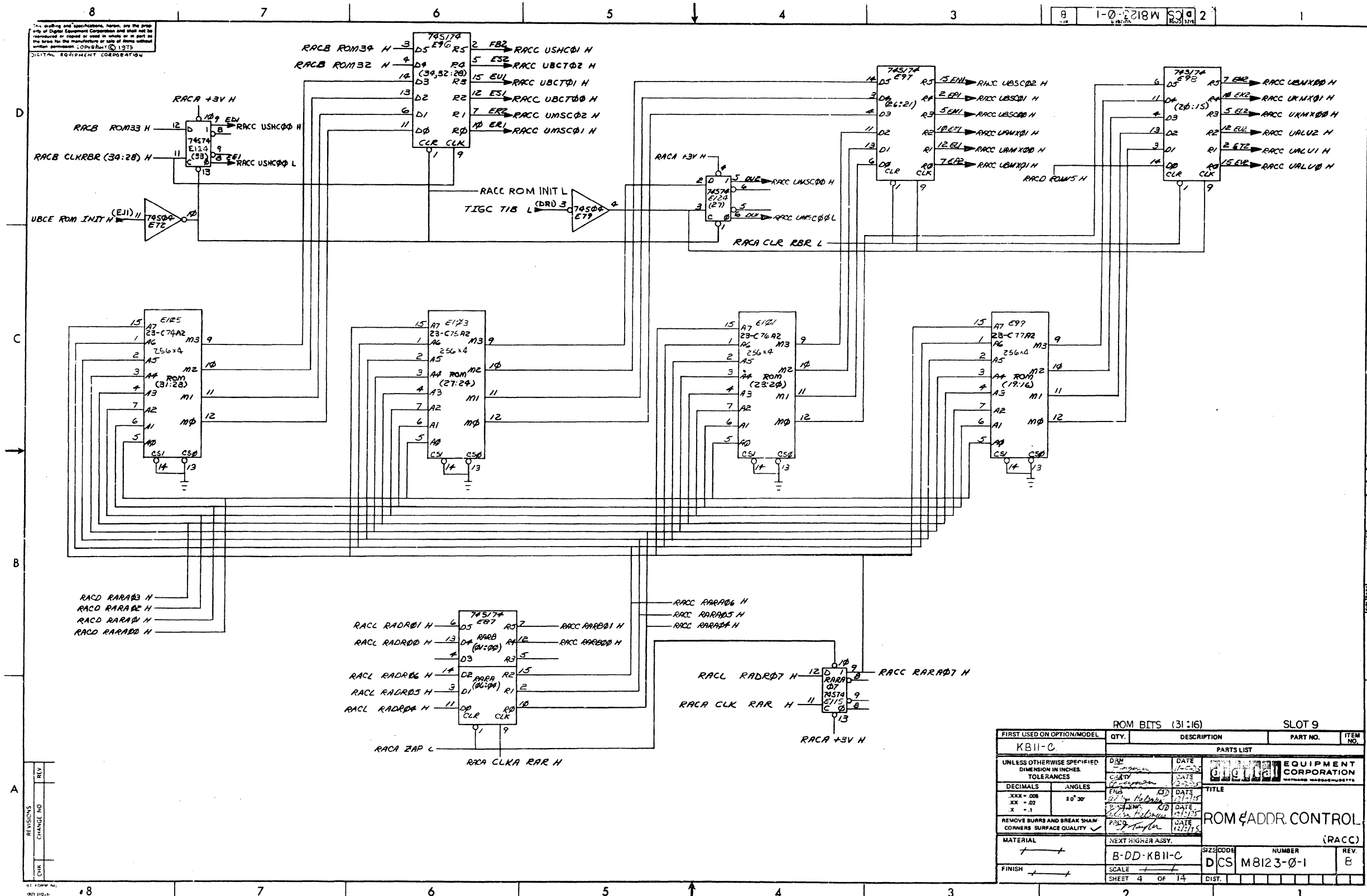


THIS drawing and specifications herein, are the property of Digital Equipment Corporation and shall not be reproduced or copied or used in whole or in part as the basis for the manufacture or sale of items without written permission. COPYRIGHT © 1975 DIGITAL EQUIPMENT CORPORATION

RPM BITS (47:32) SLOT 9

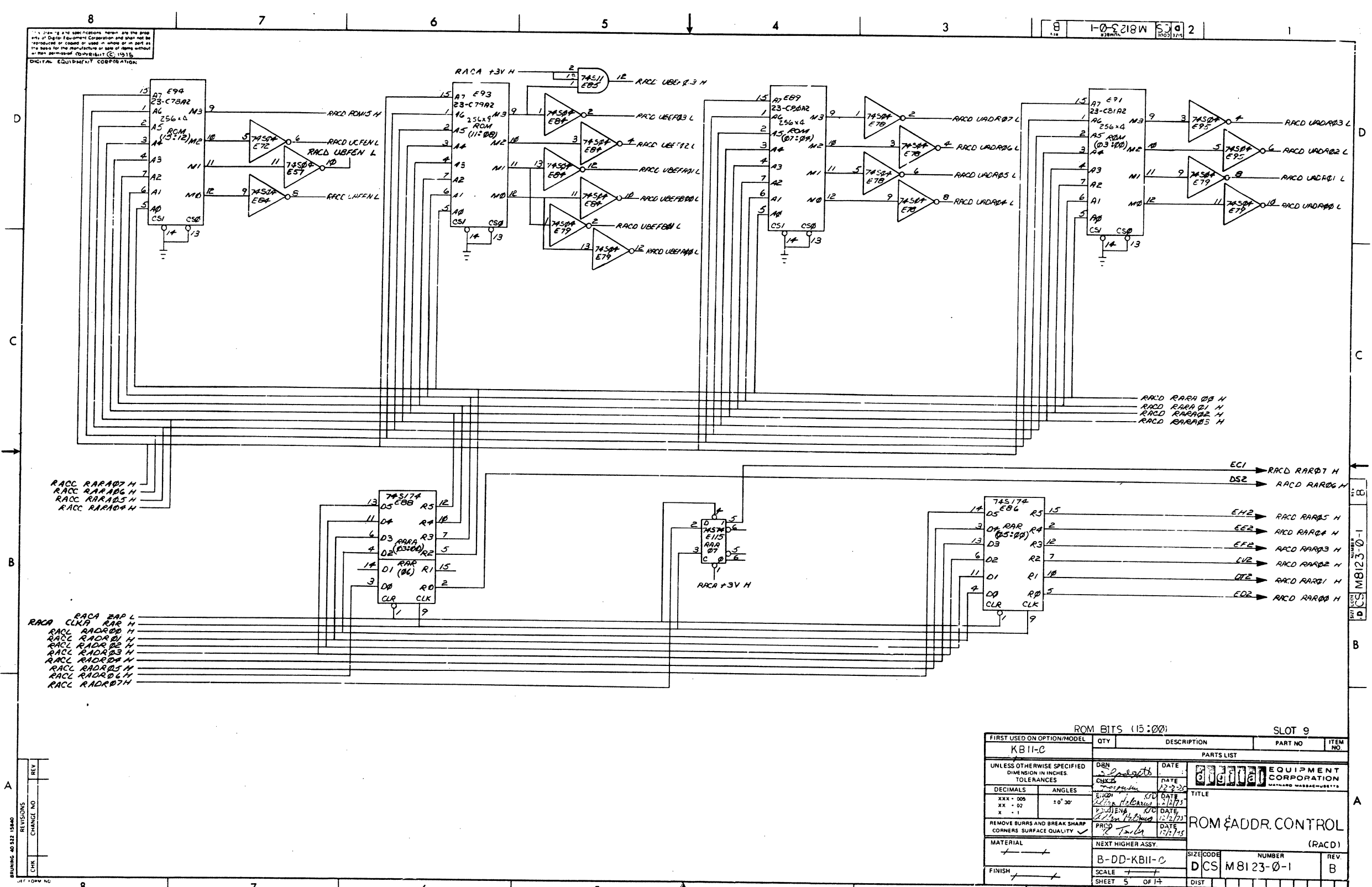
FIRST USED ON OPTION/MODEL	QTY.	DESCRIPTION	PART NO.	ITEM NO.
KB11-C				
PARTS LIST				
UNLESS OTHERWISE SPECIFIED DIMENSION IN INCHES TOLERANCES				
DECIMALS	ANGLES	TITLE		
XXX - 006		ROM ADDR CONTROL (RACB)		
XX - 02	±0°30'	REMOVE BURRS AND BREAK SHARP CORNERS SURFACE QUALITY		
MATERIAL		NEXT HIGHER ASSY.	SIZE/SCALE	NUMBER
		B-DD-KB11-C	D CS	M8123-0-1
FINISH			SHEET 3 OF 1-1	DIST.

REVISIONS	REV.
CHK	CHANGE NO.



The drawing and specifications herein are the property of Digital Equipment Corporation and shall not be reproduced or copied or used in whole or in part as the basis for the manufacture or sale of items without written permission. © 1975 Digital Equipment Corporation

FIRST USED ON OPTION/MODEL		ROM BITS (31:16)		SLOT 9	
QTY.	DESCRIPTION	PART NO.	ITEM NO.	PARTS LIST	
KB11-C					
UNLESS OTHERWISE SPECIFIED DIMENSION IN INCHES TOLERANCES		DATE	DATE	DIGITAL EQUIPMENT CORPORATION	
DECIMALS	ANGLES	DATE	DATE	TITLE	
.XXX - .008	30° 30'	12/17/75	12/17/75	ROM ADDR. CONTROL	
.X - .1		12/17/75	12/17/75	(RACC)	
REMOVE BURRS AND BREAK SHARP CORNERS SURFACE QUALITY		DATE	DATE		
MATERIAL		NEXT HIGHER ASSY.			
FINISH		B-DD-KB11-C	SIZE CODE	NUMBER	REV.
			DCS	M8123-0-1	E
		SCALE	SHEET 4 OF 14		DIST.



ALL DIMENSIONS AND SPECIFICATIONS herein are the property of Digital Equipment Corporation and shall not be reproduced or used in whole or in part as the basis for the manufacture or sale of items without written permission of Digital Equipment Corporation. © 1975. DIGITAL EQUIPMENT CORPORATION.

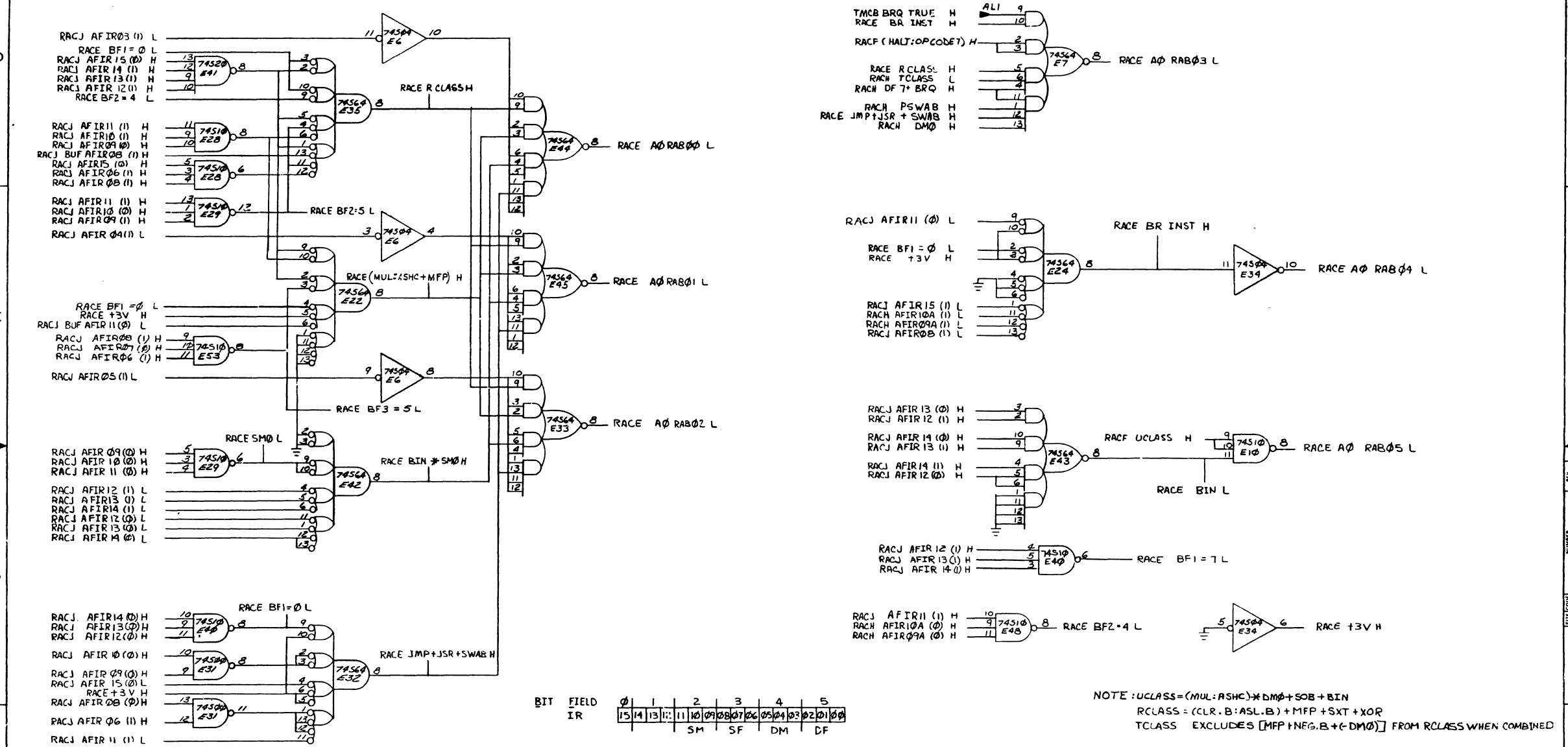
REV	CHANGE NO

FIRST USED ON OPTION/MODEL	QTY	DESCRIPTION	PART NO	ITEM NO
KB11-C				
PARTS LIST				
UNLESS OTHERWISE SPECIFIED DIMENSION IN INCHES TOLERANCES		DRN DATE 2/2/75	DIGITAL EQUIPMENT CORPORATION	
DECIMALS	ANGLES	CHKD DATE 2/2/75	TITLE	
xxx . 005	± 0° 30'	ESTD DATE 12/2/75	ROM & ADDR. CONTROL	
REMOVES BURRS AND BREAK SHARP CORNERS SURFACE QUALITY		PRCD DATE 12/2/75	(RACD)	
MATERIAL	NEXT HIGHER ASSY.		SIZE CODE	NUMBER
FINISH	B-DD-KB11-C		DCS	M8123-0-1
SCALE		SHEET 5 OF 14	DIST	REV B

242



This drawing and specifications herein are the property of Digital Equipment Corporation and shall not be reproduced or copied in whole or in part for the purpose of the manufacture of any item without written permission. COPYRIGHT © 1974  
DIGITAL EQUIPMENT CORPORATION



BIT FIELD IR

0	1	2	3	4	5
15	14	13	12	11	10
				09	08
				07	06
				05	04
				03	02
				01	00
				SM	SF
				DM	DF

NOTE: UCLASS = (MUL:ASHC)\*DM0+SOB+BIN  
 RCLASS = (CLR:B:ASL:B)+MFP+SXT+XOR  
 TCLASS EXCLUDES [MFP+NEG:B+(C-DM0)] FROM RCLASS WHEN COMBINED

REVISIONS

REV	CHANGE NO

A-FORK LOGIC SLOT 9

FIRST USED ON OPTION/MODEL	QTY.	DESCRIPTION	PART NO.	ITEM NO.
KB11-C				
PARTS LIST				
UNLESS OTHERWISE SPECIFIED		DATE	DATE	
DIMENSION IN INCHES		11/1/75	12/1/75	
TOLERANCES		COX	DATE	
DECIMALS	ANGLES	ENG	DATE	
.XXX - .008	±0°30'	12/1/75	12/1/75	
.XX - .02		12/1/75	12/1/75	
.X - .1		12/1/75	12/1/75	
REMOVE BURRS AND BREAK SHARP CORNERS SURFACE QUALITY		PROG	DATE	
		12/1/75	12/1/75	
MATERIAL		NEXT HIGHER ASSY.		
FINISH		SCALE		
		SHEET 6 OF 14		
		DIST.		
		TITLE		
		ROM & ADDR CONTROL (RACE)		
		SIZE CODE		
		B-DD-KB11-C		
		NUMBER		
		DCS M8123-0-1		
		REV.		
		B		

8

7

6

5

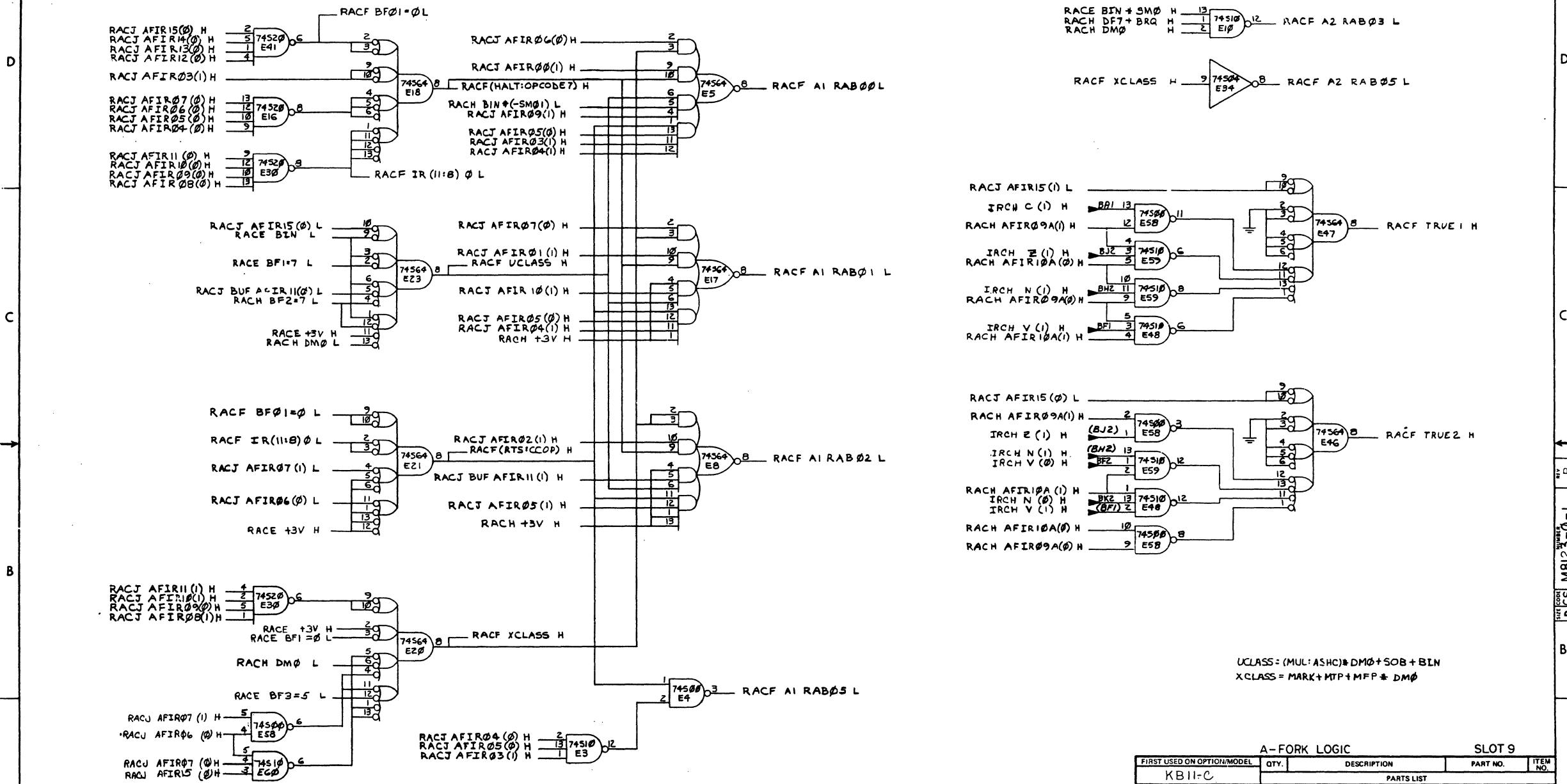
4

3

1-0-2218W SC 2

This drawing and specifications, herein, are the property of Digital Equipment Corporation and shall not be reproduced or used in whole or in part as the basis for the manufacture of any item without written permission. © 1975

DIGITAL EQUIPMENT CORPORATION

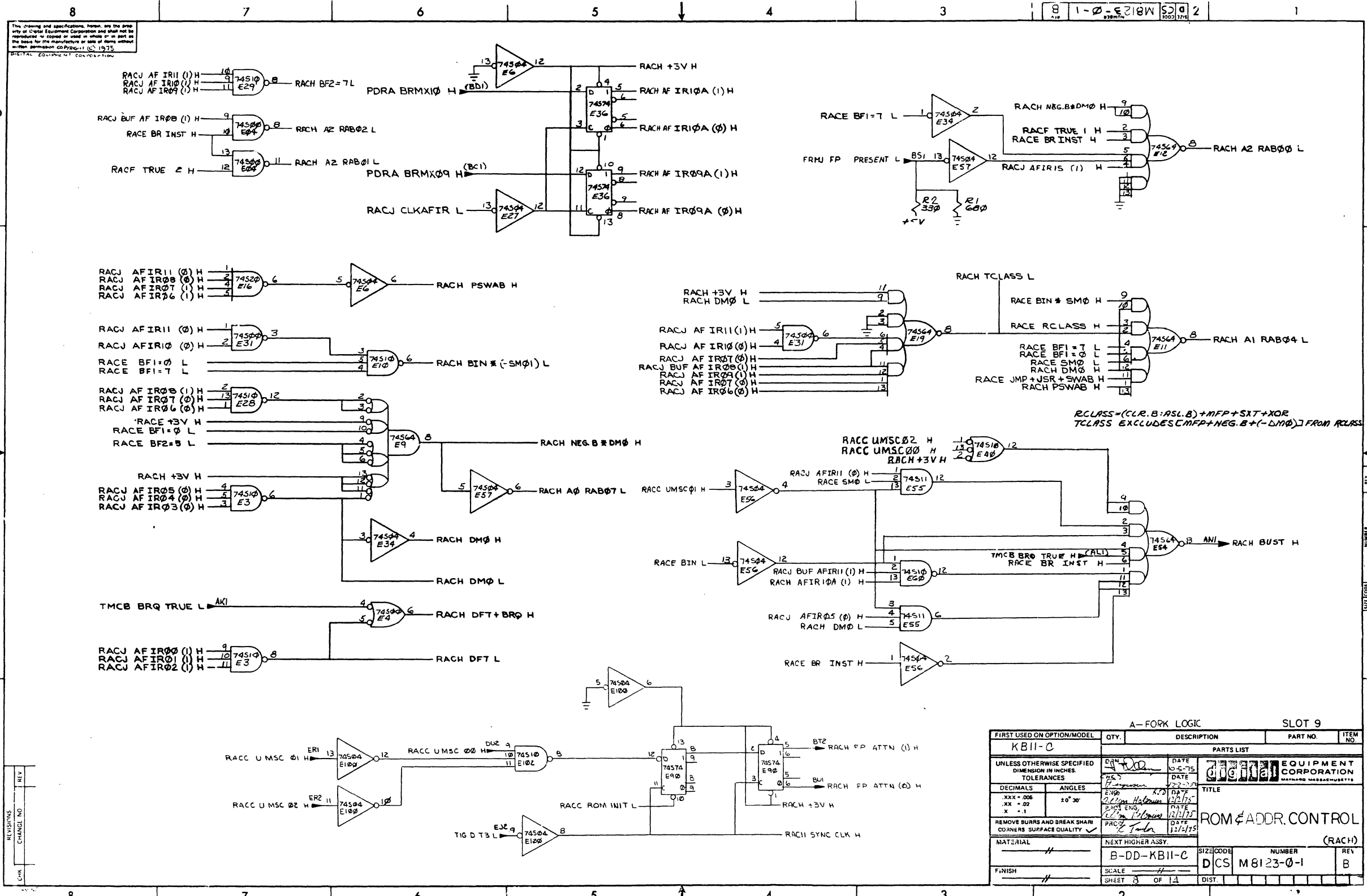


UCLASS = (MUL:ASHC)\*DM0+SOB+BIN  
 XCLASS = MARK+MTP+MFP+DM0

FIRST USED ON OPTION/MODEL		QTY.	DESCRIPTION	PART NO.	ITEM NO.
KB11-C					
UNLESS OTHERWISE SPECIFIED DIMENSION IN INCHES TOLERANCES					
DECIMALS	ANGLES	DATE			
XXX + 008	±0°30'	12-22-75			
XX + 02		DATE			
X + .1		12/17/75			
REMOVE BURRS AND BREAK SHARP CORNERS SURFACE QUALITY					
MATERIAL		NEXT HIGHER ASSY.		SIZE CODE	REV.
H		B-DD-KB11-C		D/CS M8123-0-1	B
FINISH		SCALE		DIST	
H		7 1/8" ± .015			

REVISIONS	REV
CHANGE NO	

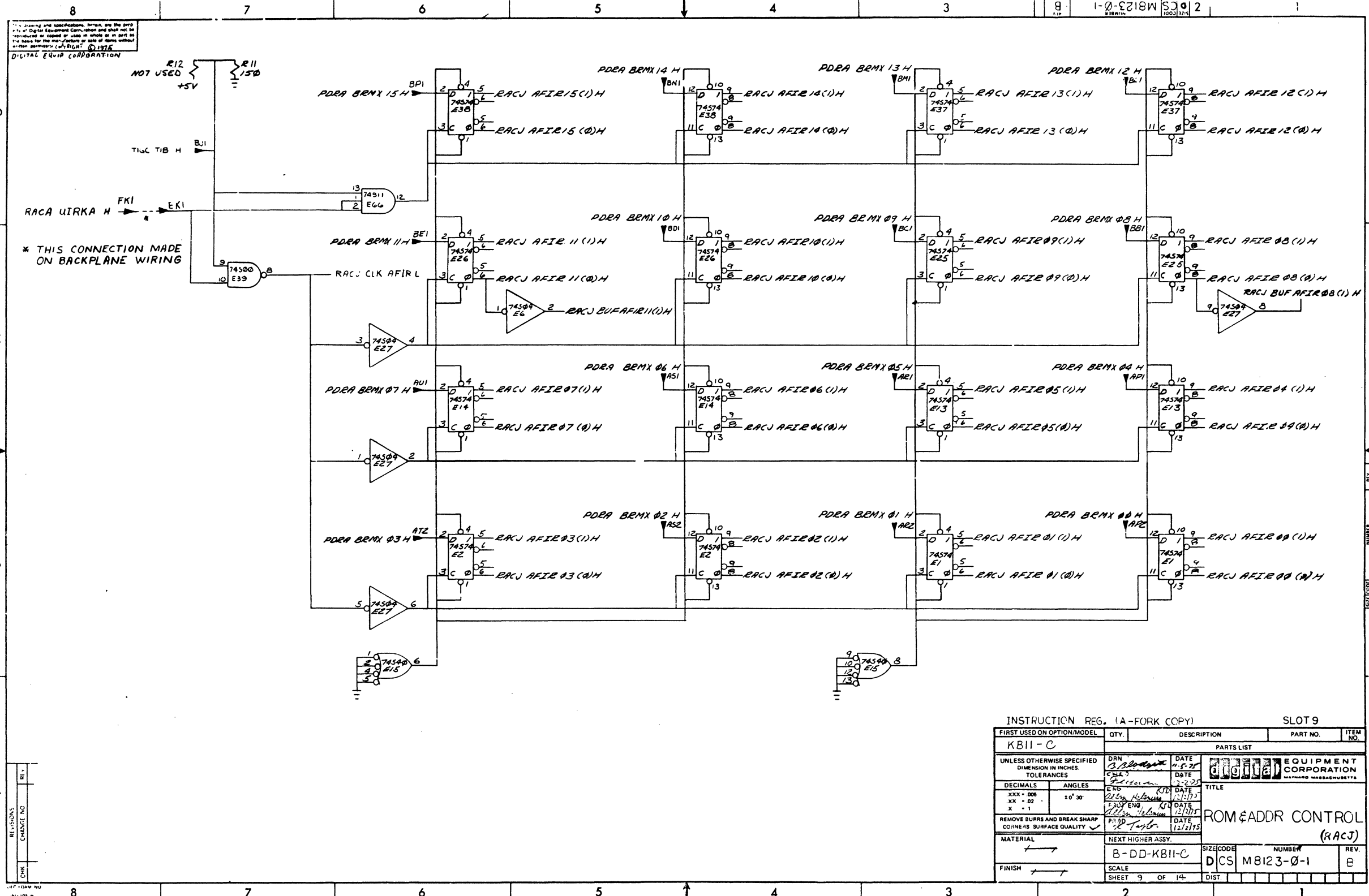
244

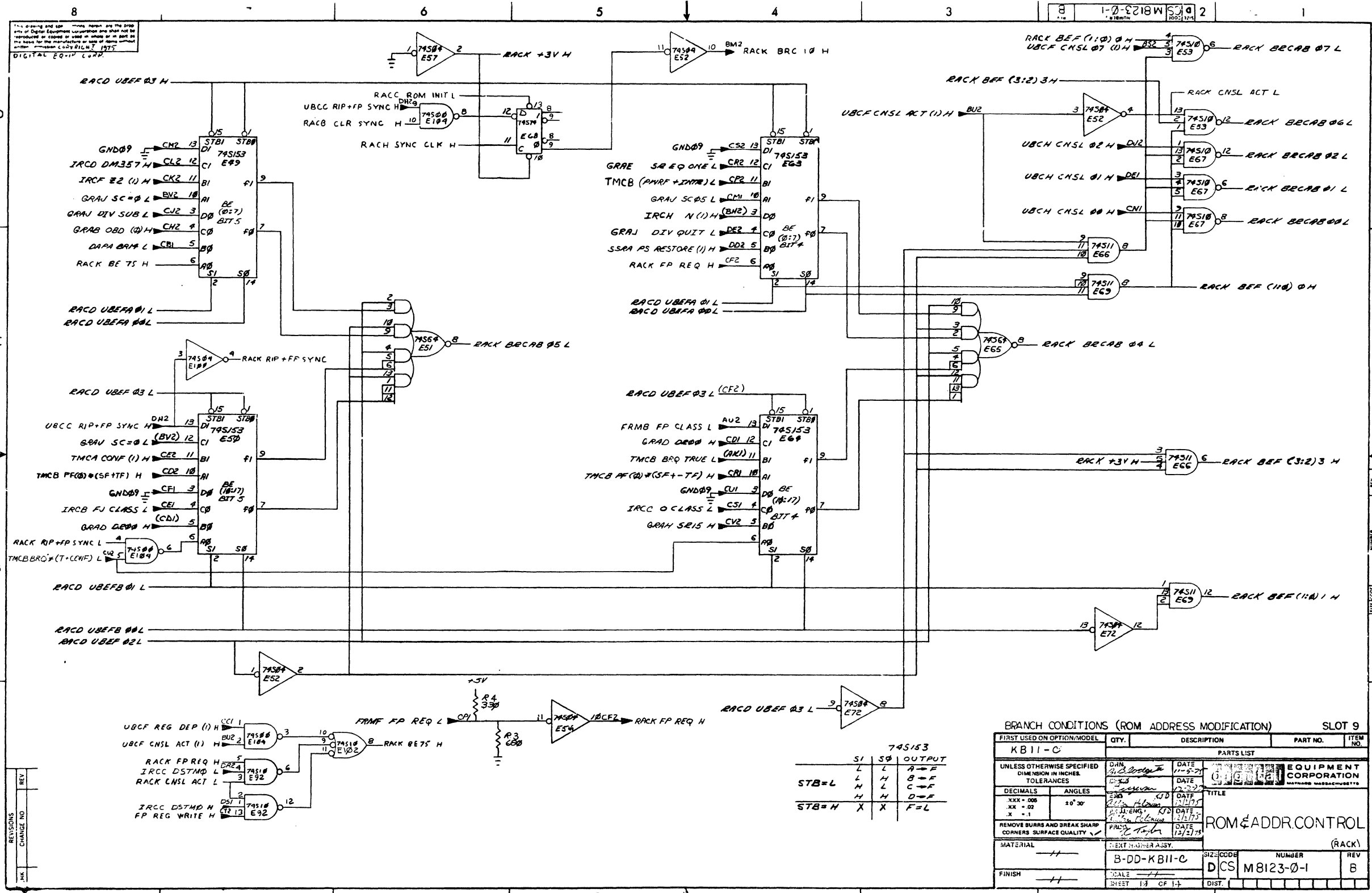


This drawing and specifications herein are the property of Digital Equipment Corporation and shall not be reproduced, copied or used in whole or in part as the basis for the manufacture or sale of items without written permission of Digital Equipment Corporation. © 1975

FIRST USED ON OPTION/MODEL		QTY.	DESCRIPTION	PART NO.	ITEM NO.
KB11-C					
PARTS LIST					
UNLESS OTHERWISE SPECIFIED DIMENSION IN INCHES TOLERANCES					
DECIMALS	ANGLES				
.XXX - .006	±0° 30'				
.XX - .02					
X - .1					
REMOVE BURRS AND BREAK SHARP CORNERS SURFACE QUALITY					
MATERIAL		NEXT HIGHER ASSY.			
		B-DD-KB11-C			
FINISH		SCALE	SHEET	OF	
			8	14	
		DIST.			

**Digital Equipment Corporation**  
**ROM & ADDR. CONTROL (RACH)**  
 DATE: 12/2/75  
 DRAWN: [Signature]  
 CHECKED: [Signature]  
 TITLE: ROM & ADDR. CONTROL  
 SIZE CODE: DCS  
 NUMBER: M8123-0-1  
 REV: B  
 SHEET: 8 OF 14





BRANCH CONDITIONS (ROM ADDRESS MODIFICATION) SLOT 9

FIRST USED ON OPTION/MODEL	QTY.	DESCRIPTION	PART NO.	ITEM NO.
KB11-C				
UNLESS OTHERWISE SPECIFIED DIMENSION IN INCHES. TOLERANCES				
DECIMALS	ANGLES			
.XXX = .006	.XX = .02	.X = .1		
REMOVE BURRS AND BREAK SHARP CORNERS SURFACE QUALITY				
MATERIAL	FINISH			

**TITLE**  
ROM ADDR CONTROL (RACK)

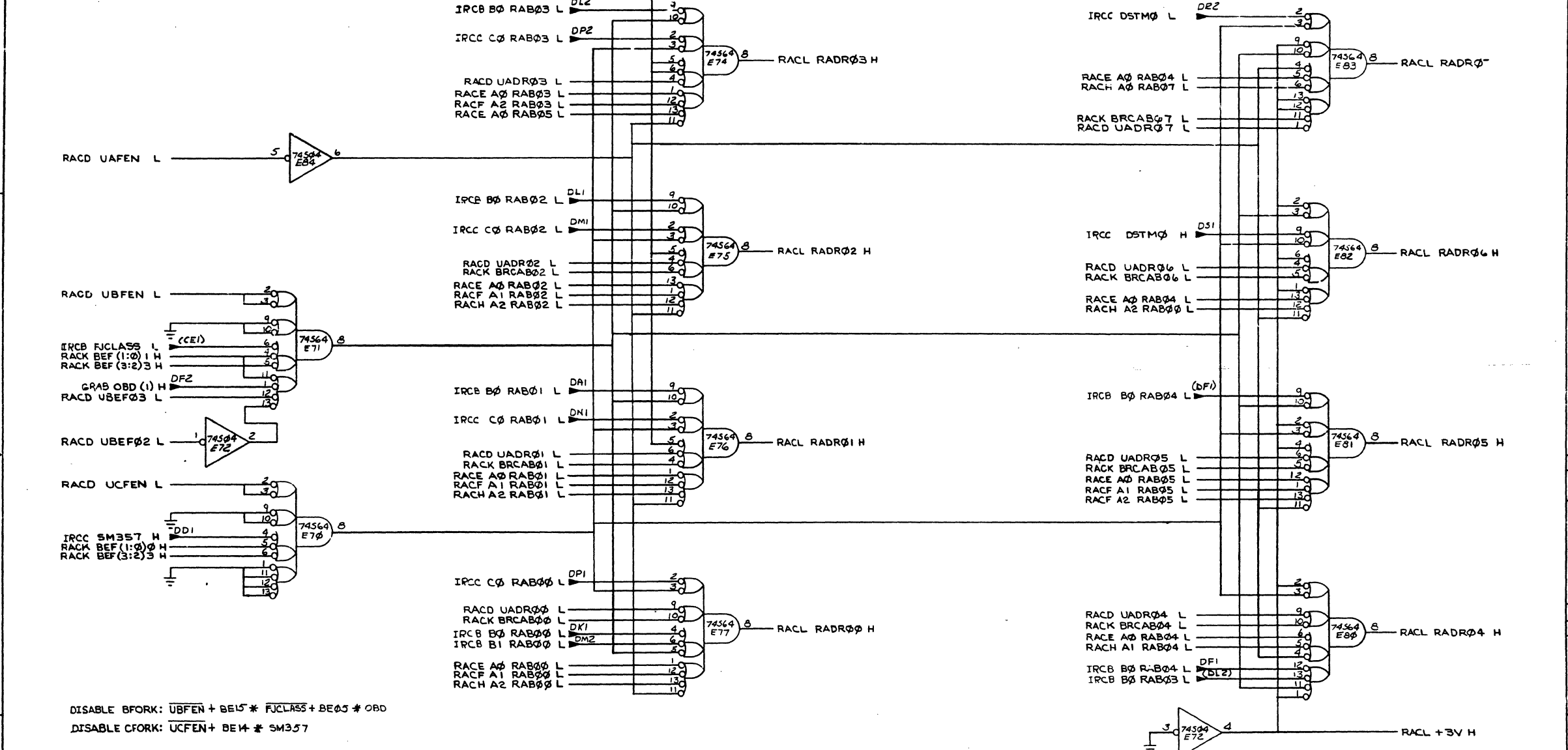
**SIZE CODE**  
D CS M8123-0-1

**NUMBER**  
REV B

**SHEET** 13 OF 14

247

This drawing and specifications, hereinafter, are the property of Digital Equipment Corporation and shall not be reproduced or copied in whole or in part for the use of any other person without the written permission of Digital Equipment Corporation.



DISABLE BFORK: UBFEF + BE15 \* FJCLASS + BE05 \* OR0  
 DISABLE CFORK: UCFEN + BE14 \* SM357

FIRST USED ON OPTION/MODEL		QTY.	DESCRIPTION	PART NO.	ITEM NO.
KB11-C					
PARTS LIST					
UNLESS OTHERWISE SPECIFIED		DATE	DIGITAL EQUIPMENT CORPORATION		
DIMENSION IN INCHES		DATE	CORPORATION		
TOLERANCES		DATE	CORPORATION		
DECIMALS	ANGLES	DATE	CORPORATION		
.XXX + .006		DATE	CORPORATION		
.XX + .02	± 0° 30'	DATE	CORPORATION		
.X + .1		DATE	CORPORATION		
REMOVE BURRS AND BREAK SHARP CORNERS SURFACE QUALITY		DATE	CORPORATION		
MATERIAL		DATE	CORPORATION		
NEXT HIGHER ASSY.		DATE	CORPORATION		
FINISH		DATE	CORPORATION		
B-DD-KB11-C		DATE	CORPORATION		
SCALE		DATE	CORPORATION		
SHEET 11 OF 14		DATE	CORPORATION		
DIST.		DATE	CORPORATION		
TITLE		DATE	CORPORATION		
ROM ADDR CONTROL (RACL)		DATE	CORPORATION		
SIZE CODE		DATE	CORPORATION		
NUMBER		DATE	CORPORATION		
DICS M8123-0-1		DATE	CORPORATION		
REV.		DATE	CORPORATION		
B		DATE	CORPORATION		

REV.	CHANGE NO.	DATE







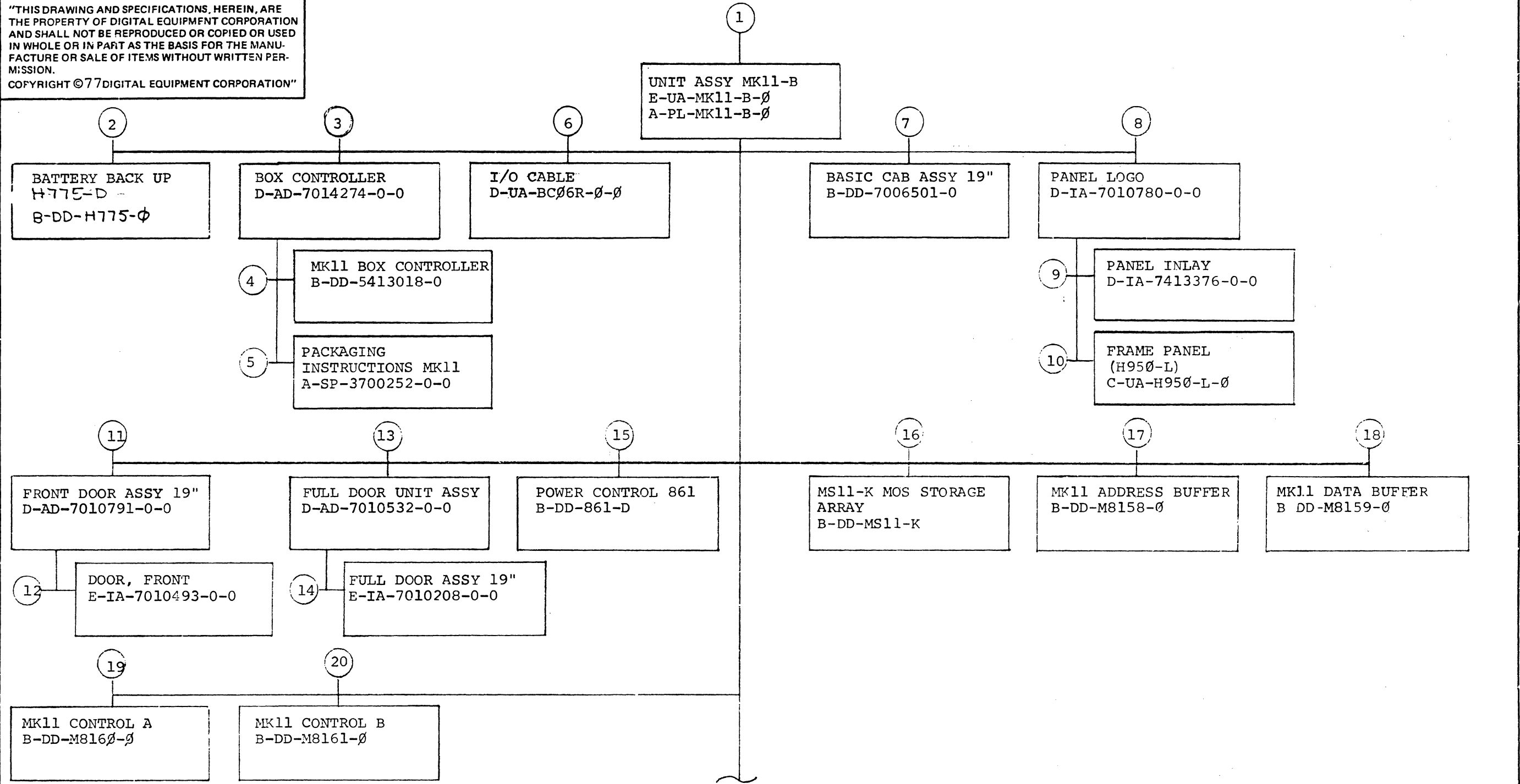








"THIS DRAWING AND SPECIFICATIONS, HEREIN, ARE THE PROPERTY OF DIGITAL EQUIPMENT CORPORATION AND SHALL NOT BE REPRODUCED OR COPIED OR USED IN WHOLE OR IN PART AS THE BASIS FOR THE MANUFACTURE OR SALE OF ITEMS WITHOUT WRITTEN PERMISSION.  
COPYRIGHT ©77DIGITAL EQUIPMENT CORPORATION"

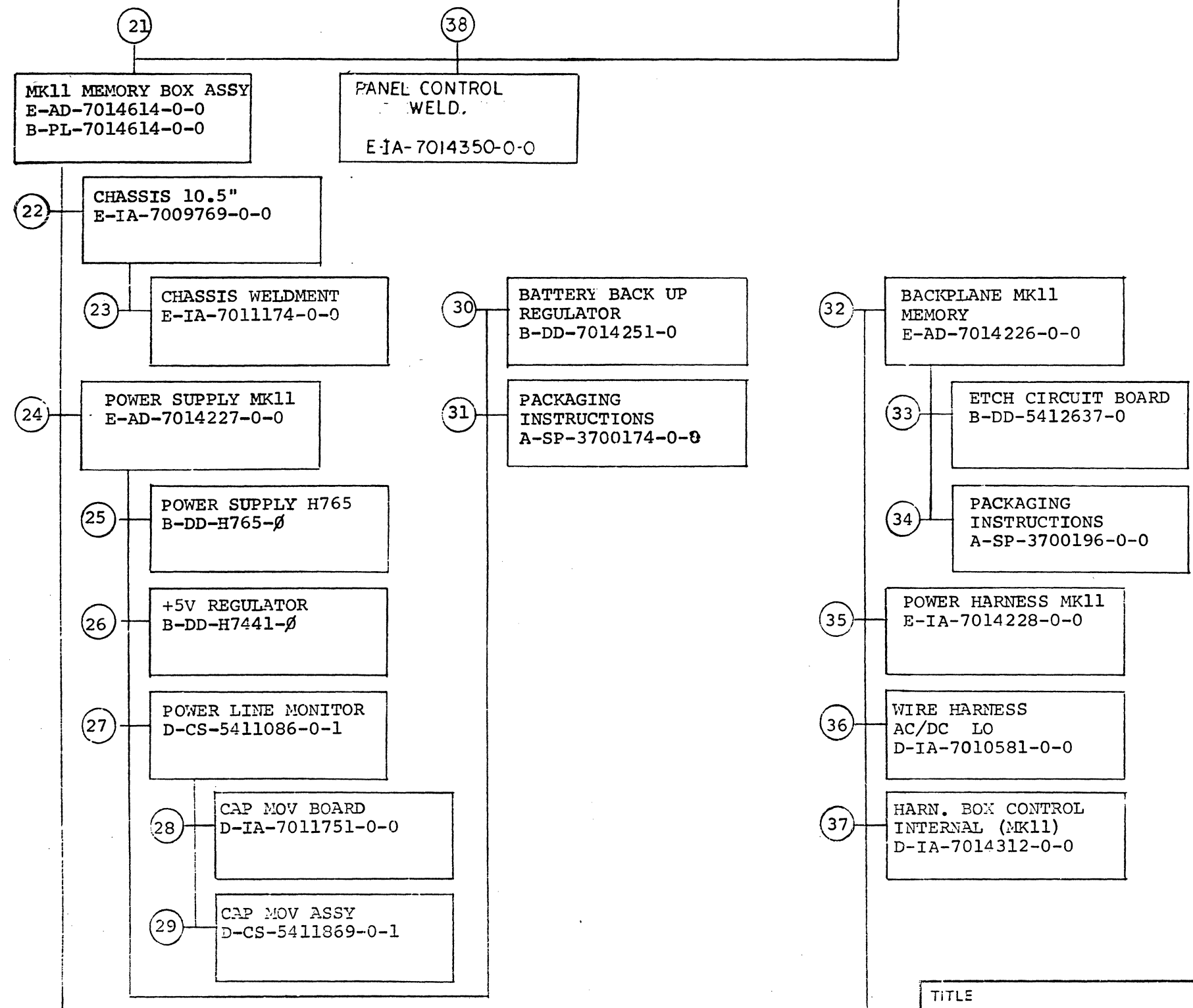


SEE SHEET #3

TITLE	UNIT ASSY MK11	SIZE CODE	NUMBER	REV
		300	MK11-B	A
SHEET 2 OF 6				

"THIS DRAWING AND SPECIFICATIONS, HEREIN, ARE THE PROPERTY OF DIGITAL EQUIPMENT CORPORATION AND SHALL NOT BE REPRODUCED OR COPIED OR USED IN WHOLE OR IN PART AS THE BASIS FOR THE MANUFACTURE OR SALE OF ITEMS WITHOUT WRITTEN PERMISSION.  
COPYRIGHT © 77 DIGITAL EQUIPMENT CORPORATION"

CONTINUED FROM SHEET #2



TITLE	UNIT ASSY MK11	SIZE CODE	300	NUMBER	MK11-B	REV	A
		SHEET 3 OF 6					

FIND NO.	DRAWING NO.	DESCRIPTION	TYPE	FIND NO.	DRAWING NO.	DESCRIPTION	TYPE
1	MP00523	UNIT ASSY MK11 (PRINT SET ORDER NO)	-	4	B-DD-5413018-0	MK11 BOX CONTROLLER	E/M
	B-TC-MK11-E-1	UNIT ASSY MK11 (FIELD MAINTENANCE PRINT SET)	-				
	E-UA-MK11-E-0	UNIT ASSY MK11	E/M				
	A-PL-MK11-E-0	UNIT ASSY MK11 (PL)	E/M				
	E-AR-11/70-0-5	11/70 SYSTEM EXPANSION (MK11)	E/M				
	D-BS-MF11S-K-3	MF11S BLOCK DIAGRAM	E	5	A-SP-3700252-0-0	PACKAGING INSTRUCTIONS MK11	M
	D-BD-MK11-0-3	MK11 BLOCK DIAGRAM	E				
	D-TD-MK11-0-4	MK11 TIMING DIAGRAMS	E				
	A-PS-3612427-22	DECAL (M8158-J1)	M				
	A-PS-3612427-23	DECAL (M8158-J2)	M				
	A-PS-3612427-24	DECAL (M8158-J3)	M				
	A-PS-3612427-25	DECAL (M8158-J4)	M				
	A-PS-3612427-26	DECAL (M8159-J5)	M	6	D-UA-BC06R-0-0	I/O CABLE BC06R	E/M
	D-IA-7014311-0-0	CABLE, BOX CONTROLLER	E/M				
	D-IA-7014520-0-0	CABLE, POWER BATTERY BACK UP	E/M				
	D-UA-BC08R-0-0	I/O CABLE BC08R	E/M				
	C-MD-7419162-0-0	BAR, CABLE	M	7	B-DD-7006501	BASIC CAB ASSY 19"	M
	C-PS-1214578-0-0	BLANK PANEL	M				
	D-IA-7011223-0-0	BASKET WIRE CABLE	M				
	C-IA-7011222-0-0	BAR ASSY BASKET	M				
	C-MD-7413983-0-0	CLAMP, WIRE BASKET	M	8	D-IA-7010870-0-0	PANEL LOGO	M
	C-MD-7419249-0-0	BAR STRAIN RELIEF (FRONT)	M				
	C-MD-7419176-0-0	BAR STRAIN RELIEF (REAR)	M				
	C-IA-7010695-0-0	861-D TO 861-D HARNESS	E/M				
	C-MD-7413659-0-0	BRACKET SHIPPING	E/M				
	C-MD-7419482-0-0	CABLE HOLDER	E/M	9	D-IA-7413376-0-0	PANEL, INLAY	M
	A-DC-7409873-0-0	DECAL, POWER CONN.	M		C-SS-7413376-0-4	SILK SCREEN (WHITE)	M
	A-PS-3612427-27	DECAL (M8159-J1)	M		C-SS-7413376-0-3	SILK SCREEN (BRITE ROSE)	M
	A-PS-3612427-28	DECAL (M8159-J2)	M		C-SS-7413376-0-2	SILK SCREEN (BRITE ROSE)	M
	A-PS-3612427-29	DECAL (M8159-J3)	M		C-SS-7413376-0-1	SILK SCREEN (MAGNETA)	M
	A-PS-3612427-30	DECAL (M8159-J4)	M				
	A-PS-3612427-31	DECAL (7014274-J1)	M				
2	B-DD-H775-0	BATTERY BACK UP H775-D	E/M	10	C-UA-H950-L-0	FRAME PANEL (H950-L)	M
					A-PL-H950-L-0	FRAME PANEL (H950-L)	M
					D-SC-1209693-0-0	FRAME PANEL (PLASTIC)	M
3	C-AD-7014274-0-0	BOX CONTROLLER	E/M				
	C-PS-7412577-0-0	CONSOLE	M				
				11	D-AD-7010791-0-0	FRONT DOOR ASSY 19"	M
					D-MD-7406763-0-0	PIN SHORT DOOR	M
					D-MD-7406816-0-0	PIN SHORT DOOR	M

TYPE: E ELECTRICAL  
M MECHANICAL  
E/M ELECTRO MECHANICAL

digital

TITLE


UNIT ASSY MK11

SHEET 4 OF 6

SIZE CODE  
B DD

NUMBER  
MK11-B

REV  
A

FIND NO.	DRAWING NO.	DESCRIPTION	TYPE	FIND NO.	DRAWING NO.	DESCRIPTION	TYPE				
	D-MD-7406807-0-0	SHORT DOOR PIVOT SUPPORT	M								
12	E-IA-7010498-0-0	DOOR FRONT	M	19	B-DD-M8160-0	MK11 CONTROL A	E/M				
	D-MD-7413209-0-0	HAT SECTION	M								
	D-MD-7413210-0-0	SUPPORT SIDE	M								
	D-MD-7412947-0-0	SUPPORT DOOR	M	20	B-DD-M8161-0	MK11 CONTROL B	E/M				
	E-IA-7412945-0-0	DOOR FRONT	M								
13	D-AD-7010532-0-0	FULL DOOR UNIT ASSY	M	21	E-AD-7014614-0-0	MK11 MEMORY BOX ASSY	E/M				
	B-MD-7406816-0-0	PIN SHORT DOOR	M		B-PL-7014614-0-0	MK11 MEMORY BOX ASSY (PL)	E/M				
	B-MD07406671-0-0	PIN DOOR	M		C-MD-7413975-0-0	SPACER SHIM	M				
	C-MD-7406807-0-0	PIVOT SUPPORT, SHORT DOOR	M		C-MD-7414018-0-0	PROTECTOR, RIGHT METAL EDGE	M				
					C-MD-7414016-0-0	PROTECTOR, LEFT METAL EDGE	M				
					D-IA-7009768-0-0	COVER CHASSIS					
14	E-IA-7010208-0-0	FULL DOOR ASSY 19"	M	22	E-IA-7009769-0-0	CHASSIS 10.5	M				
	E-IA-7412520-0-0	FULL DOOR 19"	M		D-IA-7411703-0-0	CHASSIS FRONT	M				
	C-MD-7412523-0-0	HAT SECTION	M		D-MD-7411705-0-0	BRACKET CARD GUIDE	M				
	C-MD-7412522-0-0	SUPPORT UPPER	M								
	C-MD-7412947-0-0	SUPPORT	M								
15	B-DD-861-D	POWER CONTROL 861	E/M	23	E-IA-7011174-0-0	CHASSIS WELDMENT	M				
					E-IA-7411707-0-0	CHASSIS SIDE	M				
					D-MD-7411706-0-0	BRACKET, HAT	M				
16	B-DD-MS11-K	MS11-K MOS STORAGE ARRAY	E/M	24	E-AD-7014227-0-0	POWER SUPPLY MK11	E/M				
					A-DC-5309414-0-0	DECAL UL	M				
					A-DC-5309413-0-0	DECAL NFPA	M				
17	B-DD-M8158-0	MK11 ADDRESS BUFFER	E/M		A-DC-7409872-0-0	DECAL (P)	M				
18	B-DD-M8159-0	MK11 DATA BUFFER	E/M	25	B-DD-H765-0	POWER SUPPLY H765	E/M				
TYPE: E ELECTRICAL M MECHANICAL E/M ELECTRO MECHANICAL						TITLE UNIT ASSY MK11		SHEET 5 OF 6	SIZE CODE B DD	NUMBER MK11-B	REV A

DRB 108A



FIND NO.	DRAWING NO.	DESCRIPTION	TYPE	FIND NO.	DRAWING NO.	DESCRIPTION	TYPE
					A-WT-7014226-0	AWT REV STATUS	M
					A-DC-7409873-0-0	DECAL ASSY REV	M
					K-WL-7014226-0-1	WIRE LIST	E
26	B-DD-H7441-Ø	+5V REGULATOR	E/M				
				33	B-DD-5412637-0	ETCH CIRCUIT BOARD	E/M
27	D-CS-5411086-0-1	POWER LINE MONITOR/15V REGULATOR	E/M				
	A-SP-11/45-TA-2	TEST PROCEDURE	M				
	A-SP-5411086-0-3	ENGINEERING SPECIFICATION	M				
	D-IA-7010138-0-0	HARNESS INTERCONNECTION	E/M	34	A-SP-3700196-0-0	PACKAGING INSTRUCTIONS	M
28	D-IA-7011751-0-0	CAP MOV BOARD	E/M	35	E-IA-7014228-0-0	POWER HARNESS MK11	E/M
					A-DC-7409872-0-0	DECAL (P) BLK/CLR	M
					A-DC-7409873-0-0	DECAL (J) BLK/CLR	M
29	D-CS-5411689-0-1	CAP MOV ASSY	E/M				
				36	D-IA-7010581-0-0	WIRE HARNESS AC/DC LO	E/M
30	B-DD-7014251-0	BATTERY BACK UP REGULATOR	E/M				
				37	D-IA-7014312-0-0	HARNESS, BOX CONTROL INTERNAL (MK11)	E/M
					A-DC-7409872-0-0	DECALS (P)	M
				38	E-IA-7014350-0-0	PANEL CONTROL WELD,	M
					E-MD-7419085-0-0	MTG PANEL CONTROL	M
					E-MD-7419087-0-0	REAR COVER	M
31	A-SP-3700174-0-0	PACKAGING INSTRUCTION	M				
32	E-AD-7014226-0-0	BACKPLANE (MK11 MEMORY)	E/M				
	C-MD-7412933-0-0	MEMORY MTG BRACKET	M				
	C-MD07412943-0-0	MEMORY MTG BAR	M				
	A-DC-7409873-0-0	DECALS (J)	M				

TYPE: E ELECTRICAL  
M MECHANICAL  
E/M ELECTRO/MECHANICAL

digital

TITLE UNIT ASSY MK11

SHEET 6 OF 6

SIZE CODE  
8 DD

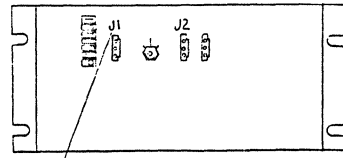
NUMBER  
MK11 B

REV  
A

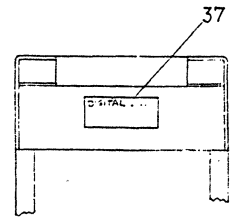
DRB 108A

THIS DRAWING AND SPECIFICATIONS, GENERAL AND THE PROPERTY OF MILITARY ELECTRONIC CORPORATION SHALL NOT BE REPRODUCED OR COPIED IN ANY MANNER WITHOUT WRITTEN PERMISSION OF MILITARY ELECTRONIC CORPORATION.

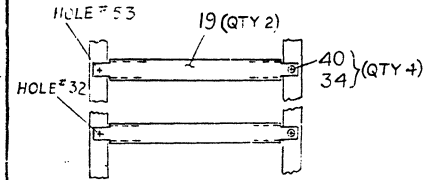
MKII (EXP)



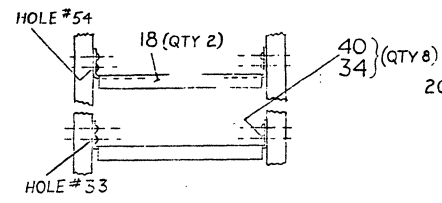
52 9 DETAIL B



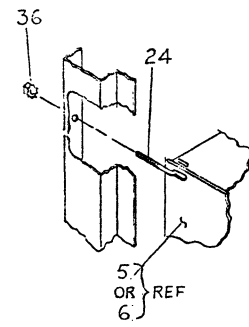
VIEW J-J (DOOR REMOVED)



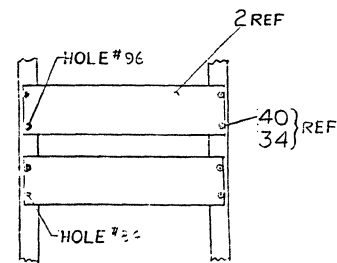
VIEW C-C



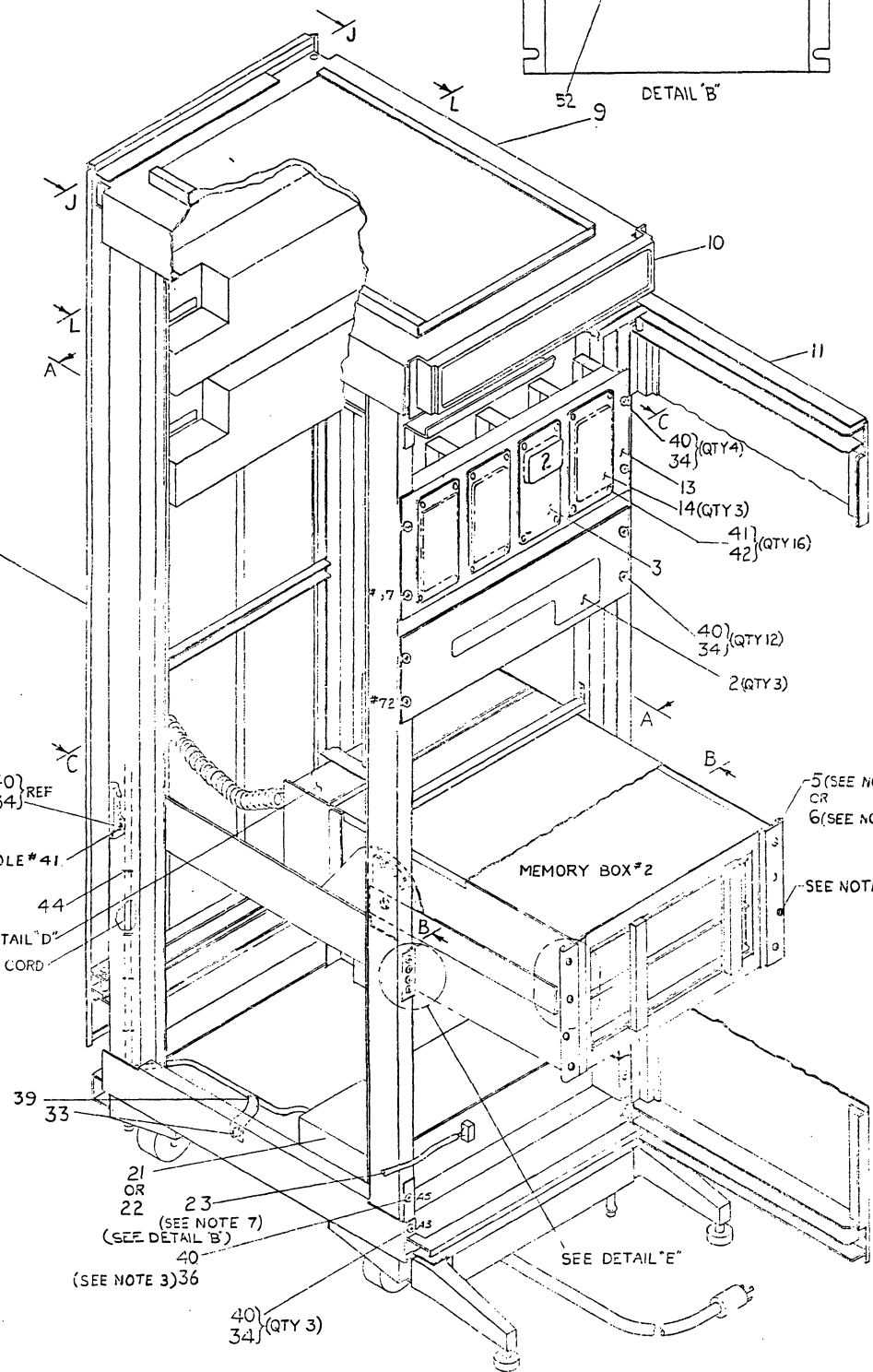
VIEW B-B



DETAIL D



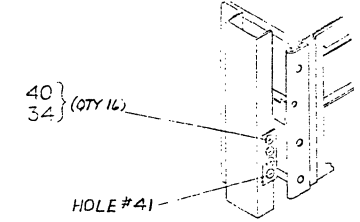
VIEW L-L



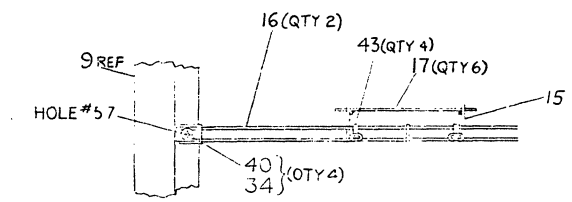
LEGEND		
PART NO	DESCRIPTION	VARIATION
MKII-BA	64K WORD ECC MGS MEM CONT & PS SPACE FOR 7 MKII-BE 115V	115V 50/60 HZ
MKII-BB	SAME AS MKII-BA EXCEPT 230V	230V 50/60 HZ
MKII-BC	MKII-BA + CAB	115V 50/60 HZ
MKII-BD	MKII-BB + CAB	230V 50/60 HZ
MKII-BE	(2)MSII-KE 64K WORD (M7984)	
MKII-BF	(8)MSII-KE 256K WORD (M7934)	
MKII-BG	MKII-BA + 3 MKII-BE + (1)MKII-BF FULL BOX/CABLES BOX 512 K W	115V 50/60 HZ
MKII-BH	MKII-BB + 3 MKII-BE + (1)MKII-BF FULL BOX/CABLES BOX 512 K W	230V 50/60 HZ
MKII-BY	MKII-BA WITH NO CABLES, BTRY + CONTROLLER	115V 50/60 HZ
MKII-BZ	MKII-BB WITH NO CABLES, BTRY + CONTROLLER	230V 50/60 HZ

NOTES:

- HARDWARE CALLED OUT IN VIEW A-A TO BE SUPPLIED LOOSE IN A PLASTIC BAG.
- REMOVE SHIPPING HARDWARE BOTH SIDES.
- KEEP NUT ITEM #36 TO BE USED TO BREAK THRU CABINET FINISH WHERE NEEDED FOR A STATIC GROUND.
- ITEM #26, 28 THRU 31 (2) ITEM #25 ARE PART OF ITEM #6 (SEE PARTS LIST).
- ITEM #27, 28 THRU 30 (2) ITEM #25 ARE PART OF ITEM #6 (SEE PARTS LIST).
- HOLES SHOWN FOR COURSE SLIDE, HOLES FOR CHASSIS TRACK SLIDE SEE E-AR-11/70-0-5
- ITEM #23 (84-DET-2-D-E) TO BE SUPPLIED WITH EACH MKII-BC, BD IN PLASTIC BAG.
- ITEMS 53-60 TO BE ATTACHED TO CABINET AS THEY ARE CONFIGURED INTO THE SYSTEM.



DETAIL E (BOTH SIDES) (FRONT & REAR)



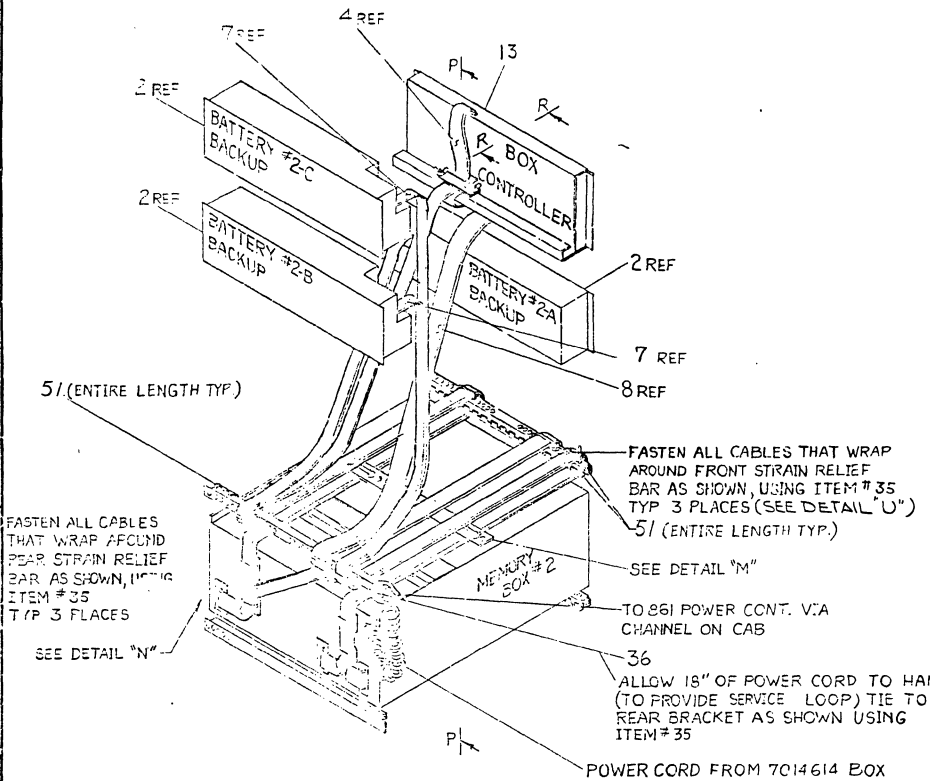
VIEW A-A (SEE NOTE 1)

FOR PARTS LIST SEE APP. MKII-15-2

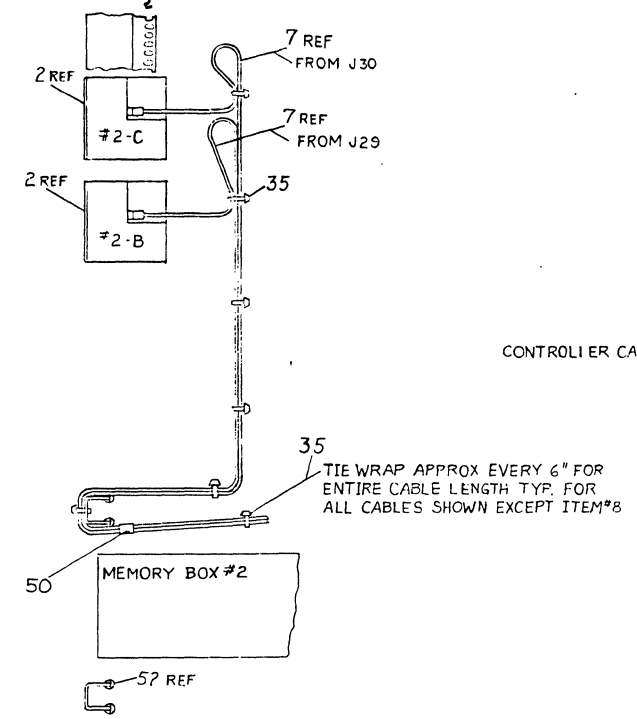
ITEM NO	DESCRIPTION	QTY	UNIT
1	...	...	...
2	...	...	...
3	...	...	...
4	...	...	...
5	...	...	...
6	...	...	...
7	...	...	...
8	...	...	...
9	...	...	...
10	...	...	...
11	...	...	...
12	...	...	...
13	...	...	...
14	...	...	...
15	...	...	...
16	...	...	...
17	...	...	...
18	...	...	...
19	...	...	...
20	...	...	...
21	...	...	...
22	...	...	...
23	...	...	...
24	...	...	...
25	...	...	...
26	...	...	...
27	...	...	...
28	...	...	...
29	...	...	...
30	...	...	...
31	...	...	...
32	...	...	...
33	...	...	...
34	...	...	...
35	...	...	...
36	...	...	...
37	...	...	...
38	...	...	...
39	...	...	...
40	...	...	...
41	...	...	...
42	...	...	...
43	...	...	...
44	...	...	...
45	...	...	...
46	...	...	...
47	...	...	...
48	...	...	...
49	...	...	...
50	...	...	...
51	...	...	...
52	...	...	...
53	...	...	...
54	...	...	...
55	...	...	...
56	...	...	...
57	...	...	...
58	...	...	...
59	...	...	...
60	...	...	...
61	...	...	...
62	...	...	...
63	...	...	...
64	...	...	...
65	...	...	...
66	...	...	...
67	...	...	...
68	...	...	...
69	...	...	...
70	...	...	...
71	...	...	...
72	...	...	...
73	...	...	...
74	...	...	...
75	...	...	...
76	...	...	...
77	...	...	...
78	...	...	...
79	...	...	...
80	...	...	...
81	...	...	...
82	...	...	...
83	...	...	...
84	...	...	...
85	...	...	...
86	...	...	...
87	...	...	...
88	...	...	...
89	...	...	...
90	...	...	...
91	...	...	...
92	...	...	...
93	...	...	...
94	...	...	...
95	...	...	...
96	...	...	...
97	...	...	...
98	...	...	...
99	...	...	...
100	...	...	...

NOT BE REPRODUCED OR COPIED IN WHOLE OR IN PART WITHOUT THE WRITTEN PERMISSION OF THE MANUFACTURER OR USER OF THIS DRAWING. CONSULT THE ORIGINAL DRAWING FOR THE LATEST REVISIONS.

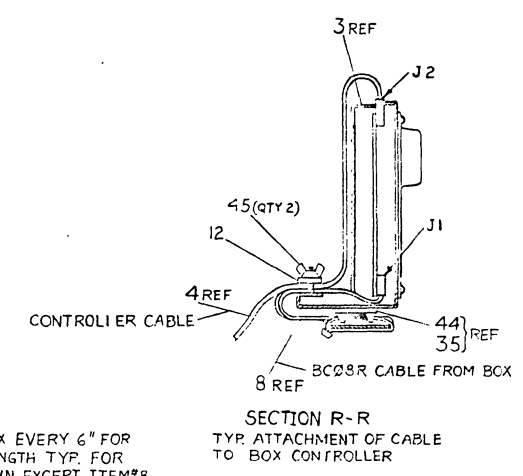
**POWER CORD**  
REFER TO 11/70-0-E SHEET FOR TOTAL HOOKUP



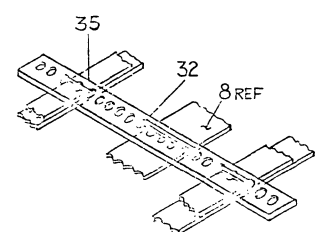
DETAIL Z



VIEW P-P  
TYP METHOD OF DRESSING BATTERY CABLES AT REAR OF MKII

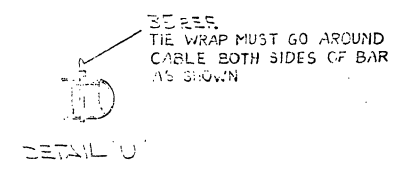


SECTION R-R  
TYP. ATTACHMENT OF CABLE TO BOX CONTROLLER

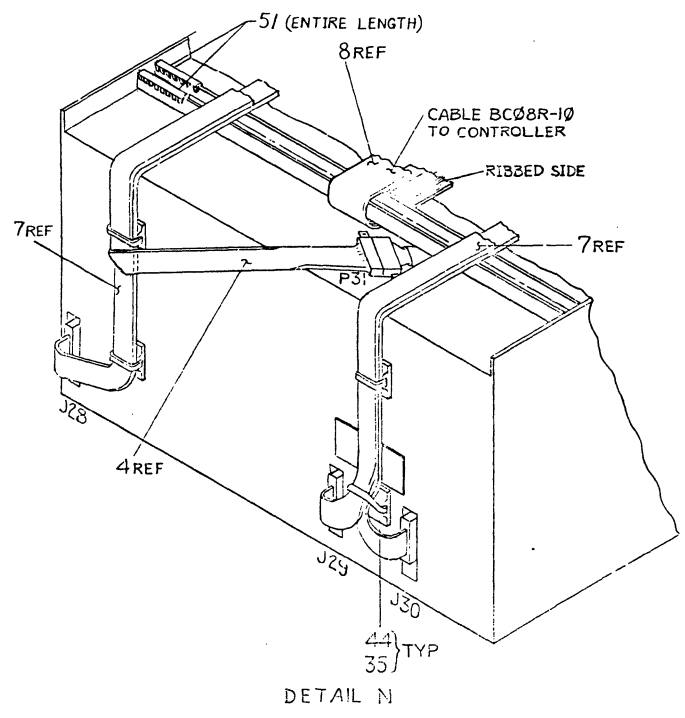


TIE BOTTOM 2 SETS OF CABLES, BOTTOM OF ITEM 8 TO ITEM #32 USING ITEM #35

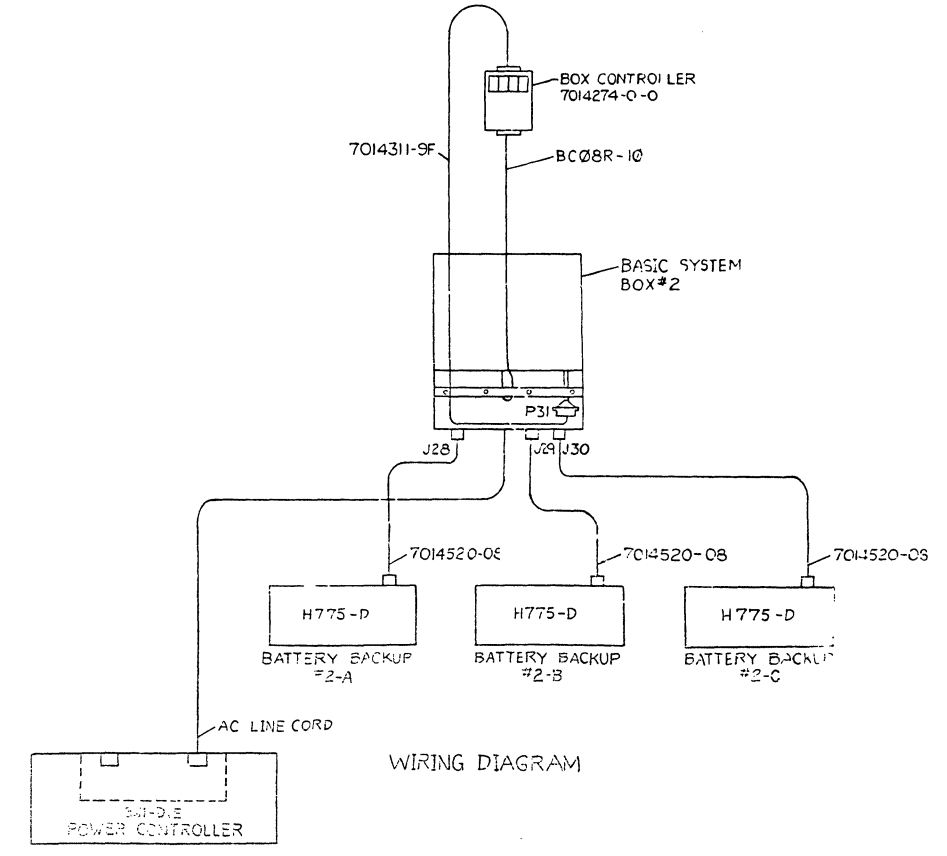
DETAIL M



DETAIL U



DETAIL N

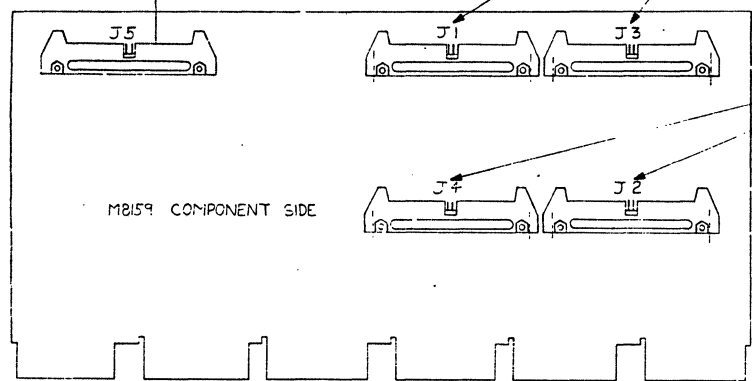


WIRING DIAGRAM

REV	DATE	DESCRIPTION	BY	CHK
1	11/70	UNIT ASSEMBLY MKII	MA	MKH-S-C

THIS DRAWING AND SPECIFICATIONS, HEREIN, ARE THE PROPERTY OF ANALOG EQUIPMENT CORPORATION AND SHALL NOT BE REPRODUCED OR COPIED IN WHOLE OR IN PART FOR ANY USE, FOR THE MANUFACTURE OR SALE OF EQUIPMENT, WITHOUT THE WRITTEN PERMISSION OF ANALOG EQUIPMENT CORPORATION.

CABLE EC08R-10  
TO J1 OF BOX CONTROL  
7014274

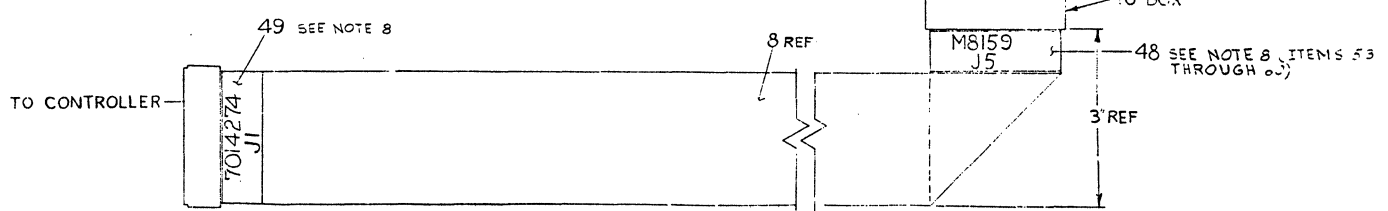
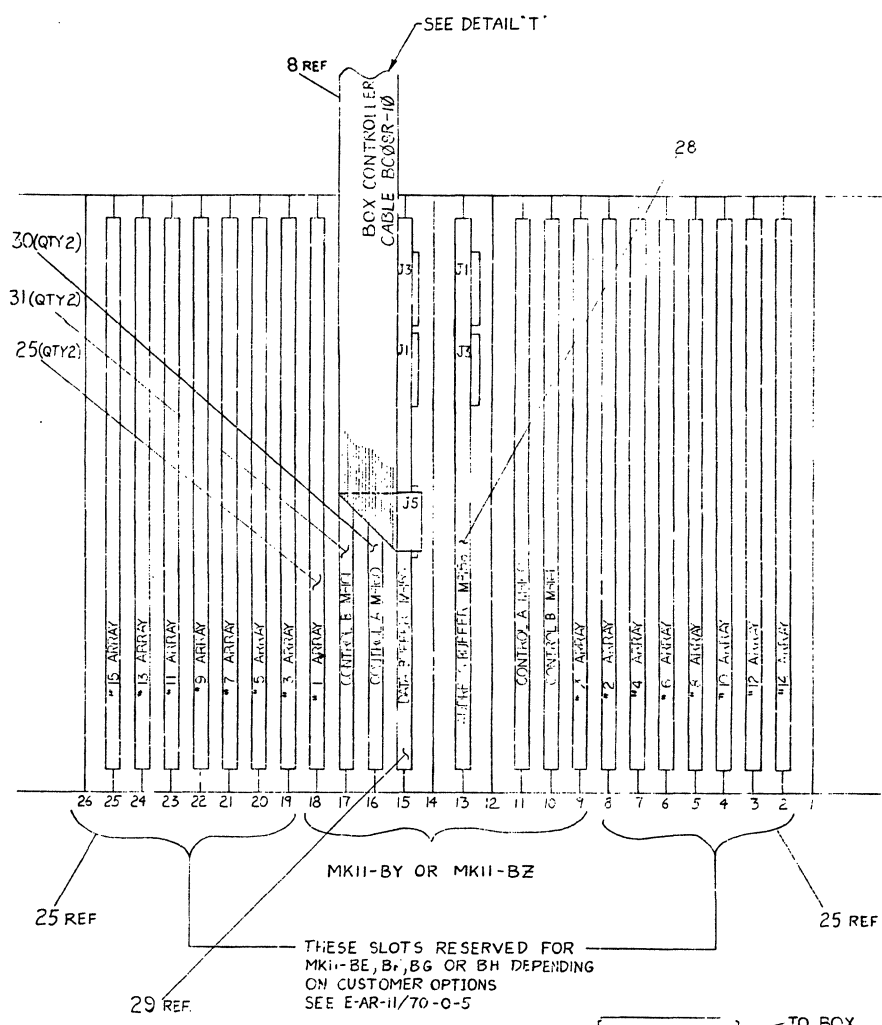
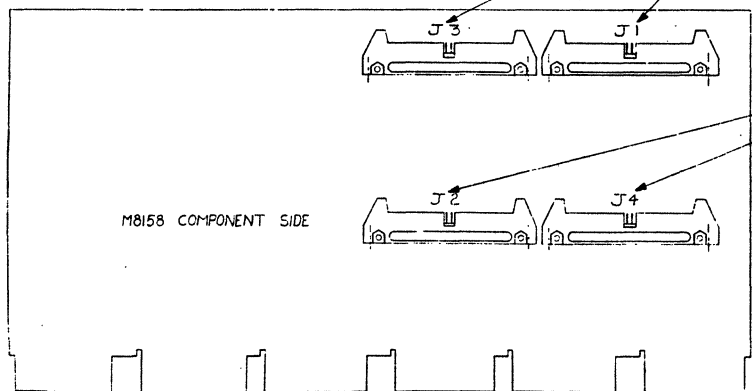


DATA IN FROM OTHER BOX THESE CABLES PART OF EXPANSION SEE E-AR-11/70-0-5

TERMINATOR OR DATA OUT TO NEXT BOX. THESE CABLES PART OF EXPANSION. SEE E-AR-11/70-0-5

ADDRESS IN FROM OTHER BOX THESE CABLES PART OF EXPANSION SEE E-AR-11/70-0-5

TERMINATOR OR ADDRESS OUT TO NEXT BOX. THESE CABLES PART OF EXPANSION SEE E-AR-11/70-0-5



DETAIL T

REV.	DATE	BY	CHK.	CHANGE NO.	REV.	DATE	BY	CHK.	CHANGE NO.	REV.	DATE	BY	CHK.	CHANGE NO.

UNIT ASSY MKII  
MKII-B-3  
REV. A

DIGITAL EQUIPMENT CORPORATION MAYNARD, MASSACHUSETTS				QUANTITY VARIATION																
PARTS LIST				MK11-BA	MK11-BB	MK11-BC	MK11-BD	MK11-BE	MK11-BF	MK11-BG	MK11-BH	MK11-BY	MK11-BZ							
MADE BY	M. CHOINIÈRE	CHECKED	D. HEALY	SECTION																
DATE	6 SEPT 77	DATE	20 SEPT 77	1																
ENG	A. N. Zaccari	PROD	110	ISSUED SECT.																
DATE	11-1-77	DATE	11-1-77	1																
ITEM NO.	DWG NO./PART NO.	DESCRIPTION		REF	REF	REF	REF	REF	REF	REF	REF	REF	REF							
1	E-AR-11/70-0-5	11/70 SYSTEM EXPANSION (MK11)		REF	REF	REF	REF	REF	REF	REF	REF	REF	REF							
2	E-UA-H775-D-0	BATTERY BACK UP		3	3	3	3	-	-	3	3	-	-							
3	C-AD-7014274-0-0	BOX CONTROLLER		1	1	1	1	-	-	1	1	-	-							
4	D-IA-7014311-9E-0	CABLE, BOX CONTROLLER		1	1	1	1	-	-	1	1	-	-							
5	E-UA-MK11-BY-0	UNIT ASSY MK11 115V 50/60 HZ		1	-	1	-	-	-	1	-	*	-							
6	E-UA-MK11-BZ-0	UNIT ASSY MK11 230V 50/60 HZ		-	1	-	1	-	-	-	1	-	*							
7	D-IA-7014520-08-0	CABLE, POWER BATTERY BACK UP		3	3	3	3	-	-	3	3	-	-							
8	D-UA-BC08R-10-0	I/O CABLE BC08R		1	1	1	1	-	-	1	1	-	-							
9	C-PL-7006501-35-0	BASIC CAB ASSY 19"		-	-	1	1	-	-	-	-	-	-							
10	D-IA-7010780-1-0	PANEL, LOGO		-	-	1	1	-	-	-	-	-	-							
11	D-AD-7010791-0-0	FRONT DOOR ASSY		-	-	1	1	-	-	-	-	-	-							
12	C-MD-7419162-0-0	BAR, CABLE		1	1	1	1	-	-	1	1	-	-							
13	E-IA-7014350-0-0	MTG PANEL CONTROL		-	-	1	1	-	-	-	-	-	-							
14	C-PS-1214578-0-0	BLANK PANEL		-	-	3	3	-	-	-	-	-	-							
15	D-IA-7011223-1-0	BASKET WIRE CABLE (2 BAY)		-	-	1	1	-	-	-	-	-	-							
16	C-IA-7011222-0-0	BAR ASSY BASKET		-	-	2	2	-	-	-	-	-	-							
17	C-MD-7413983-0-0	CLAMP, WIRE BASKET		-	-	6	6	-	-	-	-	-	-							
18	C-MD-7419249-0-0	BAR, STRAIN RELIEF (FRONT)		-	-	2	2	-	-	-	-	-	-							
19	C-MD-7419176-0-0	BAR, STRAIN RELIEF (REAR)		-	-	2	2	-	-	-	-	-	-							
20	D-AD-7010532-0-0	FULL DOOR UNIT ASSY		-	-	1	1	-	-	-	-	-	-							
21	E-UA-861-D-0	POWER CONTROL 115V		-	-	1	-	-	-	-	-	-	-							
22	E-UA-861-E-0	POWER CONTROL 230V		-	-	1	-	-	-	-	-	-	-							
TITLE UNIT ASSY MK11				ASSY NO.	E-UA-MK11-0-0		SIZE	A PL		NUMBER	MK11-B-0		REV	A		ECO NO.	00001			
SHEET 1 OF 3				DIST																

DEC FORM  
DRA 110

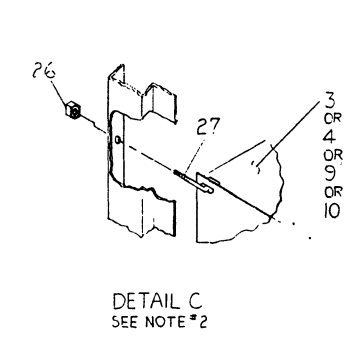
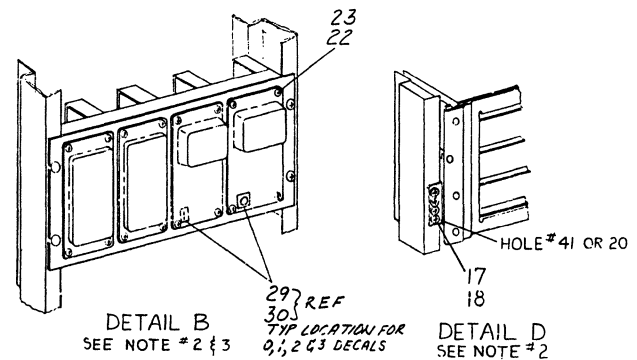
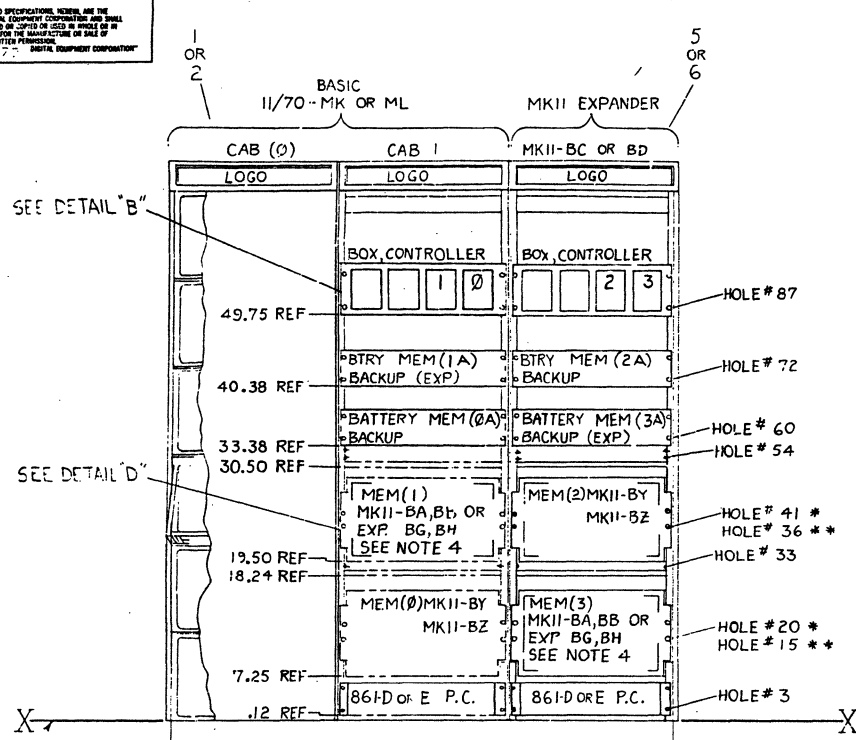
DIGITAL EQUIPMENT CORPORATION MAYNARD, MASSACHUSETTS				QUANTITY VARIATION																
PARTS LIST				MK11-BA	MK11-BB	MK11-BC	MK11-BD	MK11-BE	MK11-BF	MK11-BG	MK11-BH	MK11-BY	MK11-BZ							
MADE BY	M. CHOINIÈRE	CHECKED	D. HEALY	SECTION																
DATE	6 SEPT 77	DATE	20 SEPT 77	1																
ENG	A. N. Zaccari	PROD	110	ISSUED SECT.																
DATE	11-1-77	DATE	11-1-77	1																
ITEM NO.	DWG NO./PART NO.	DESCRIPTION		REF	REF	REF	REF	REF	REF	REF	REF	REF	REF							
45	9006570-00	NUT, WING #6 - 32		2	2	2	2	-	-	2	2	-	-							
46	D-UA-BC06R-8F-0	CABLE (8' - 6") (BOX TO BOX)		4	4	-	-	-	-	4	4	-	-							
47	D-UA-BC06R-10-0	CABLE (10' - 0") (CAR TO CAR)		-	-	4	4	-	-	-	-	-	-							
48	3612427-26	DECAL, (M8159-J5)		1	1	1	1	-	-	1	1	-	-							
49	3612427-31	DECAL, (7014274-J1)		1	1	1	1	-	-	1	1	-	-							
50	9008880-00	TAPE, FIBRE GLASS .50 w		A/R	A/R	A/R	A/R	-	-	A/R	A/R	-	-							
51	9007036-00	GROMMET ALLIGATOR		A/R	A/R	A/R	A/R	-	-	A/R	A/R	-	-							
52	A-DC-7409873-1-0	DECAL, POWER CONN.		-	-	A/R	A/R	-	-	-	-	-	-							
53	A-PS-3612427-22	DECAL (M8158-J1)		1	1	1	1	-	-	1	1	-	-							
54	A-PS-3612427-23	DECAL (M8158-J2)		1	1	1	1	-	-	1	1	-	-							
55	A-PS-3612427-24	DECAL (M8158-J3)		1	1	1	1	-	-	1	1	-	-							
56	A-PS-3612427-25	DECAL (M8158-J4)		1	1	1	1	-	-	1	1	-	-							
57	A-PS-3612417-27	DECAL (M8159-J1)		1	1	1	1	-	-	1	1	-	-							
58	A-PS-3612427-28	DECAL (M8159-J2)		1	1	1	1	-	-	1	1	-	-							
59	A-PS-3612427-29	DECAL (M8159-J3)		1	1	1	1	-	-	1	1	-	-							
60	A-PS-3612427-30	DECAL (M8159-J4)		1	1	1	1	-	-	1	1	-	-							
NOTE: MK11-BY, BZ ARE UNIT SUB ASSEMBLIES OF MK11-BA, BB																				
TITLE UNIT ASSY MK11				ASSY NO.	E-UA-MK11-0-0		SIZE	A PL		NUMBER	MK11-B-0		REV	A		ECO NO.				
SHEET 3 OF 3				DIST																

DEC FORM  
DRA 110

DIGITAL EQUIPMENT CORPORATION MAYNARD, MASSACHUSETTS				QUANTITY VARIATION																
PARTS LIST				MK11-BA	MK11-BB	MK11-BC	MK11-BD	MK11-BE	MK11-BF	MK11-BG	MK11-BH	MK11-BY	MK11-BZ							
MADE BY	M. CHOINIÈRE	CHECKED	D. HEALY	SECTION																
DATE	6 SEPT 77	DATE	20 SEPT 77	1																
ENG	A. N. Zaccari	PROD	110	ISSUED SECT.																
DATE	11-1-77	DATE	11-1-77	1																
ITEM NO.	DWG NO./PART NO.	DESCRIPTION		REF	REF	REF	REF	REF	REF	REF	REF	REF	REF							
23	C-IA-7010695-0-0	861-D TO 861-D HARNESS		-	-	1	1	-	-	-	-	-	-							
24	C-MD-7413659-0-0	BRACKET SHIPPING		-	-	1	1	-	-	-	-	-	-							
25	D-UA-MS11-KE-0	MS11-K MOS STORAGE ARRAY 32K WORDS		-	-	-	-	2	8	14	14	2	2							
26	E-AD-7014614-00-0	MK11 MEMORY BOX ASSY 115V 50/60 HZ		-	-	-	-	-	-	-	-	1	-							
27	E-AD-7014614-01-0	MK11 MEMORY BOX ASSY 230V 50/60 HZ		-	-	-	-	-	-	-	-	1	-							
28	D-UA-M8158-0-0	M811 ADDRESS BUFFER		-	-	-	-	-	-	-	-	1	1							
29	D-UA-M8159-0-0	MK11 DATA BUFFER		-	-	-	-	-	-	-	-	1	1							
30	D-UA-M8160-0-0	MK11 CONTROL A		-	-	-	-	-	-	-	-	2	2							
31	D-UA-M8161-0-0	MK11 CONTROL B		-	-	-	-	-	-	-	-	2	2							
32	C-MD-7419482-0-0	CABLE HOLDER		1	1	1	1	-	-	1	1	-	-							
33	9006568-00	NUT, KEPS, 5/16-18		-	-	1	1	-	-	-	-	-	-							
34	9007786-00	NUT TINNEMAN #10 - 32		-	-	51	51	-	-	-	-	-	-							
35	9007031-00	TIE WRAP		-	-	-	-	-	-	-	-	-	-							
36	9006565-00	NUT, KEPS #10 - 32		A/R	A/R	A/R	A/R	-	-	-	-	-	-							
37		DECAL CABINET DESIGNATION		-	-	-	-	-	-	-	-	-	-							
38																				
39	9008887-00	JUMPER ASSY																		
40	9009700-00	SCREW, SEMS PH HD TRUSS #10 - 32 x .50		-	-	52	52	-	-	-	-	-	-							
41	9008301-03	SCR PH HD TRUSS #4 - 40 x .25		-	-	16	16	-	-	-	-	-	-							
42	9006632-00	WASH. EXT. TOOTH LOCK #4		-	-	16	16	-	-	-	-	-	-							
43	9009760-00	CLIP		-	-	4	4	-	-	-	-	-	-							
44	9008264-00	MOUNT, CABLE ADHESIVE BACK		A/R	A/R	A/R	A/R	-	-	A/R	A/R	-	-							
TITLE UNIT ASSY MK11				ASSY NO.	E-UA-MK11-0-0		SIZE	A PL		NUMBER	MK11-B-0		REV	A		ECO NO.				
SHEET 2 OF 3				DIST																

DEC FORM  
DRA 110

THIS DRAWING AND SPECIFICATIONS, HEREIN ARE THE PROPERTY OF ANALOG EQUIPMENT CORPORATION AND SHALL NOT BE REPRODUCED OR COPIED IN ANY MANNER OR FOR ANY PURPOSE WITHOUT WRITTEN PERMISSION. ANALOG EQUIPMENT CORPORATION © 1977

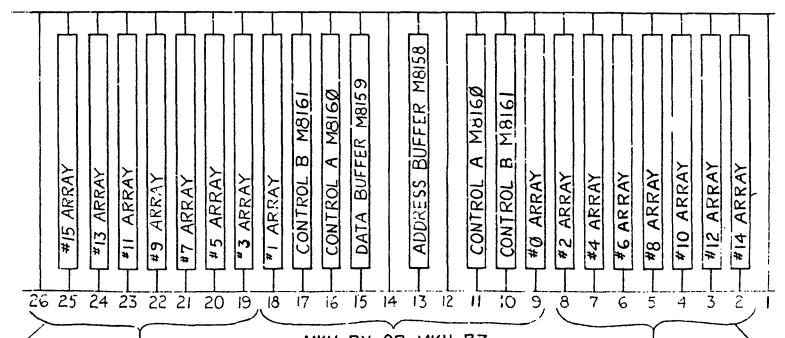
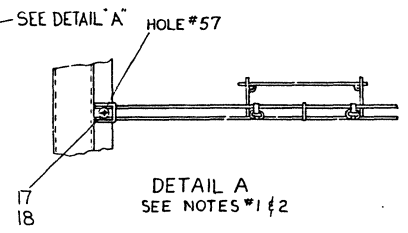
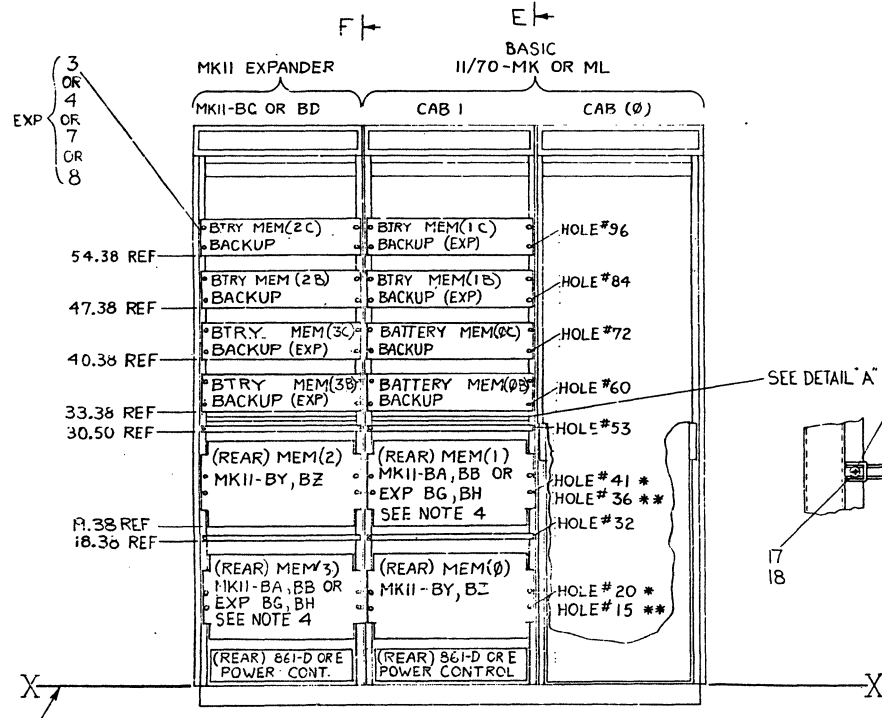


- NOTES:
- CABLE HOLDER SUPPLIED WITH ITEM # 5 OR 6 TO BE MOUNTED IN HOLES # 57 BETWEEN CAB # 1 & MKII-BC OR BD EXP CAB.
  - FOR VIEW ORIENTATION SEE E-UA-MKII-B-0 SH#1.
  - FOR MKII EXPANDER CAB ADD BOX 3. FOR 11/70 EXPANSION ADD BOX 1, USING EXISTING HARDWARE SUPPLIED TO MOUNT IN PLACE.
  - THIS EXPANSION BOX USED FOR EITHER MEMORY # 1 OR # 3 WILL BE MKII-BY OR BZ WITH CUSTOMER OPTIONS
  - ALL BC06R OUTPUT INPUT CABLES MUST BE PLUGGED INTO THE INTERFACE MODULE CARDS WITH THE RED STRIPE VIEWED FROM MODULE SIDE 1 TO THE LEFT OF THE CONNECTOR.
  - ON BC06R CABLES PIBBED SIDE WILL BE VISIBLE ON OUT CABLES AND SMOOTH SIDE ON IN CABLES AS VIEWED FROM SIDE 1 OF BOARD.

PANEL DESIGNATION	DECAL NAME	ITEM NO.
* MKII-BY BZ	MEM 0	29
* BATTERY MEM BACKUP	BAT 0-A	29
* BATTERY MEM BACKUP	BAT 0-B	29
* BATTERY MEM BACKUP	BAT 0-C	29
* MKII-BA, BB OR EXP BG, BH	MEM 1	30
* BTRY MEM BACKUP (EXP)	BAT 1-A	30
* BTRY MEM BACKUP (EXP)	BAT 1-B	30
* BTRY MEM BACKUP (EXP)	BAT 1-C	30
* MKII-BY, BZ	MEM 2	31
* BTRY MEM BACKUP	BAT 2-A	31
* BTRY MEM BACKUP	BAT 2-B	31
* BTRY MEM BACKUP	BAT 2-C	31
* MKII-BA, BB OR EXP BG, BH	MEM 3	32
* BTRY MEM BACKUP (EXP)	BAT 3-A	32
* BTRY MEM BACKUP (EXP)	BAT 3-B	32
* BTRY MEM BACKUP (EXP)	BAT 3-C	32

NOTE: \* = ACURIDE SLIDE  
 \*\* = CHASSIS TRACK SLIDE  
 FRONT OF SYSTEM  
 DOORS & TRIM REMOVED  
 FOR CLARITY

\* INDICATES DECALS APPLIED TO FRONT PANELS  
 ALL OTHERS - REAR PANELS & AS NOTED

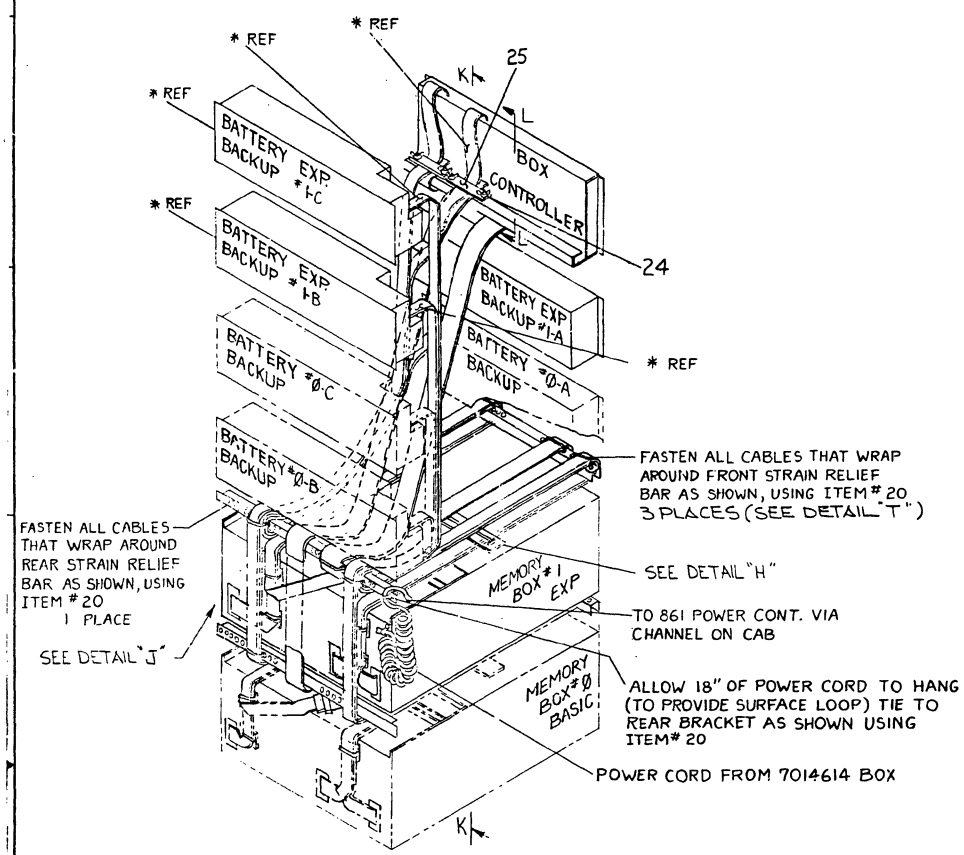


NOTE: \* = ACCURIDE SLIDE  
 \*\* = CHASSIS TRACK SLIDE  
 REAR OF SYSTEM  
 DOORS & TRIM REMOVED  
 FOR CLARITY

DESCRIPTION	QTY	ITEM NO.
AIR CABLE 10'-0"	BC08 R10	33
1 MKII MEMORY BOX DECAL	3614976-03	32
1 MKII MEMORY BOX DECAL	3614976-02	31
1 MKII MEMORY BOX DECAL	3614976-01	30
1 MKII MEMORY BOX DECAL	3114976-00	29
AIR TAPE, FIBRE GLASS .50W	3008880-0-0	28
BRACKET, SHIPPING	CMD-7418559-0-0	27
ARI NUT, KEPS #10-32	9006565-00	26
ARIBAR, CABLE	CMD-7419162-0-0	25
ARI NUT, WING #6-32	9006570-00	24
REF WASH, EXT TOOTH LOCK #4	9006632-00	23
REF SCR, PH HD TRUSS #4-40X.25	9009100-03	22
ARI MOUNT, CABLE, ADH. BACK	9008264-00	21
TIE WRAP	9007031-00	20
CABLE HOLDER	CMD-7419482-0-0	19
NUT, TINNEMAN #10-32	9007786-00	18
SCR SEMS PH HD TRUSS #0-32.50	9009700-00	17
UNIT ASSY LA 36	E-UA-LA36-0-0	16
CABLE (10'-0")	BC06R-10'	15
CABLE (8'-6")	BC06R-8'	14
CABLES, DATA SET B	D-AD-7010824-03-0	13
UNIT ASSY MKII	E-UA-MKII-BZ-0	12
UNIT ASSY MKII	E-UA-MKII-BY-0	11
UNIT ASSY MKII	E-UA-MKII-BH-0	10
UNIT ASSY MKII	E-UA-MKII-BG-0	9
UNIT ASSY MKII	E-UA-MKII-BF-0	8
UNIT ASSY MKII	E-UA-MKII-BE-0	7
UNIT ASSY MKII	E-UA-MKII-BD-0	6
UNIT ASSY MKII	E-UA-MKII-BC-0	5
UNIT ASSY MKII	E-UA-MKII-BB-0	4
UNIT ASSY MKII	E-UA-MKII-BA-0	3
UNIT ASSY 11/70 (MKII BASIC)	E-UA-11/70-ML-0	2
UNIT ASSY 11/70 (MKII BASIC)	E-UA-11/70-MK-0	1

DESCRIPTION	QTY	PART NO.	ITEM NO.
UNLESS OTHERWISE SPECIFIED DIMENSIONS ARE IN INCHES			
FINISH	SCALE	DATE	REV.
11/70 SYSTEM EXPANSION (MKII)	3	AR11/70-0-5	

THIS DRAWING AND SPECIFICATIONS, HEREIN, ARE THE PROPERTY OF DIGITAL EQUIPMENT CORPORATION AND SHALL NOT BE REPRODUCED OR COPIED IN WHOLE OR IN PART AS THE BASIS FOR THE MANUFACTURE OR SALE OF ITEMS WITHOUT WRITTEN PERMISSION.  
 COPYRIGHT © 1977, DIGITAL EQUIPMENT CORPORATION



FASTEN ALL CABLES THAT WRAP AROUND REAR STRAIN RELIEF BAR AS SHOWN, USING ITEM # 20 IN PLACE  
 SEE DETAIL "J"

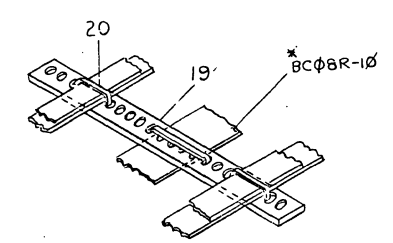
FASTEN ALL CABLES THAT WRAP AROUND FRONT STRAIN RELIEF BAR AS SHOWN, USING ITEM # 20 IN 3 PLACES (SEE DETAIL "T")

TO 861 POWER CONT. VIA CHANNEL ON CAB

ALLOW 18" OF POWER CORD TO HANG (TO PROVIDE SURFACE LOOP) TIE TO REAR BRACKET AS SHOWN USING ITEM # 20

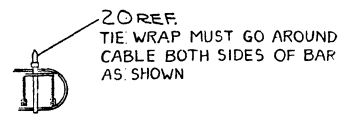
POWER CORD FROM 7014614 BOX

\* PART OF 3 OR 4, 9 OR 10  
 VIEW E-E



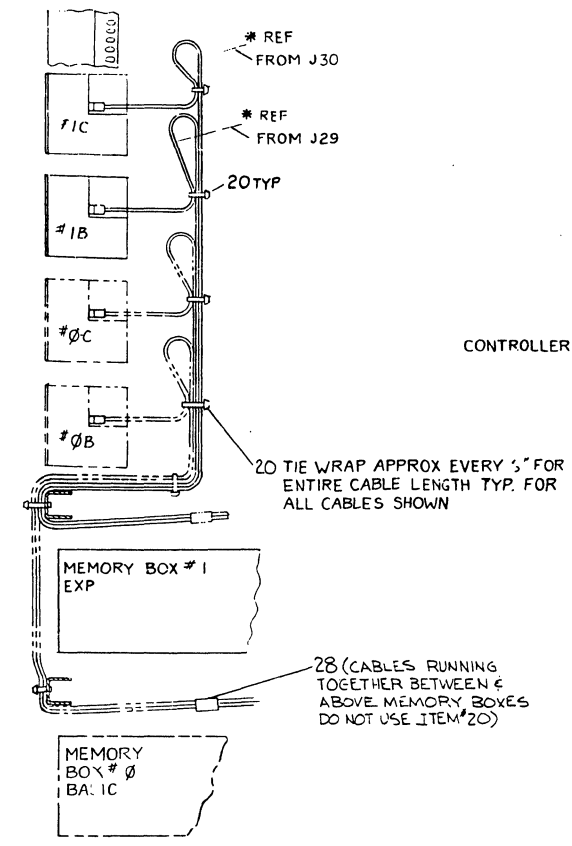
TIE 2 BOTTOM SETS OF CABLES, BC0BR-10 TO ITEM # 19 USING ITEM # 20

DETAIL "H"



DETAIL "T"

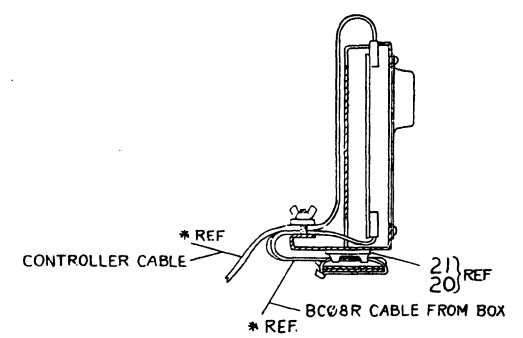
20 REF TIE WRAP MUST GO AROUND CABLE BOTH SIDES OF BAR AS SHOWN



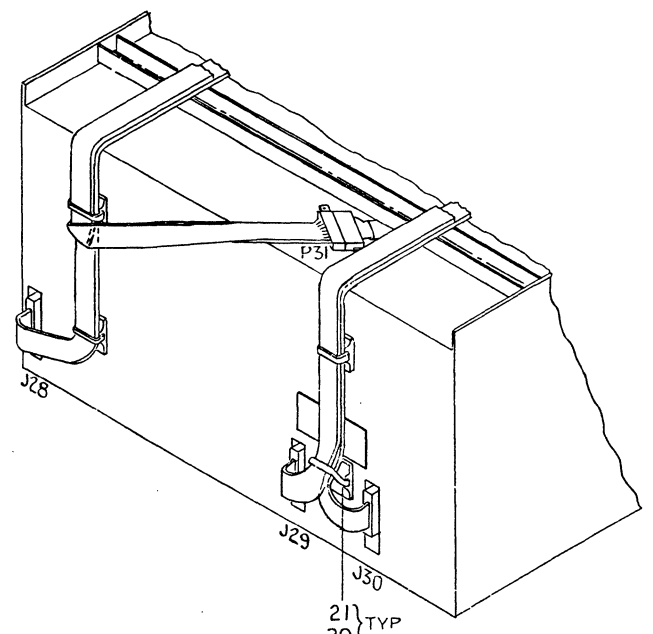
20 TIE WRAP APPROX EVERY 5" FOR ENTIRE CABLE LENGTH TYP. FOR ALL CABLES SHOWN

28 (CABLES RUNNING TOGETHER BETWEEN & ABOVE MEMORY BOXES DO NOT USE ITEM # 20)

VIEW K-K  
 TYP METHOD OF DRESSING BATTERY CABLES AT REAR F 11/70  
 \* PART OF 3 OR 4, 9 OR 10



SECTION L-L  
 TYP ATTACHMENT OF CABLE TO BOX CONTROLLER  
 \* PART OF 3 OR 4, 9 OR 10

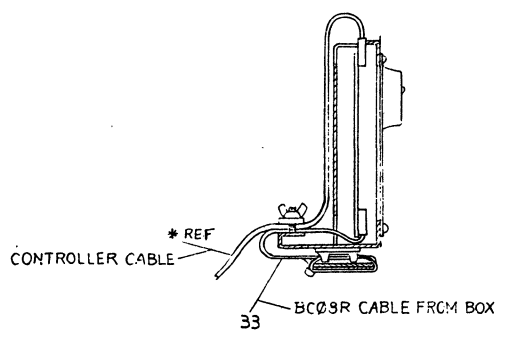
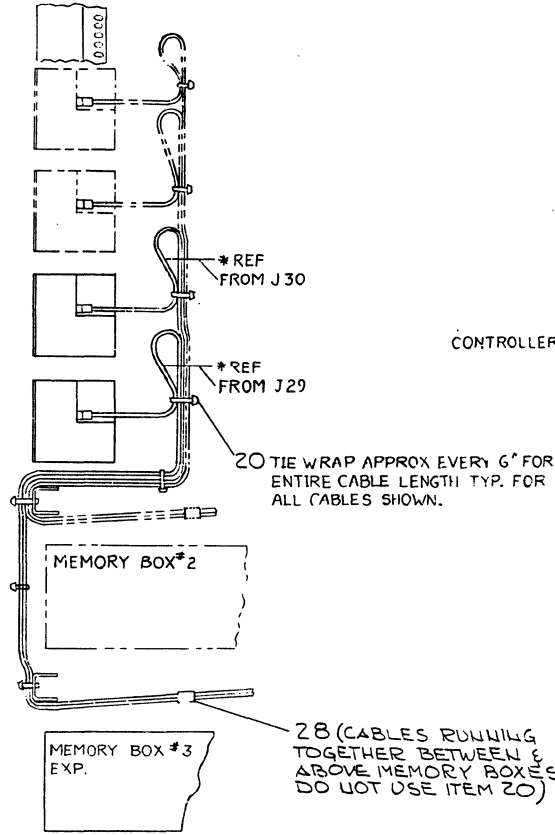
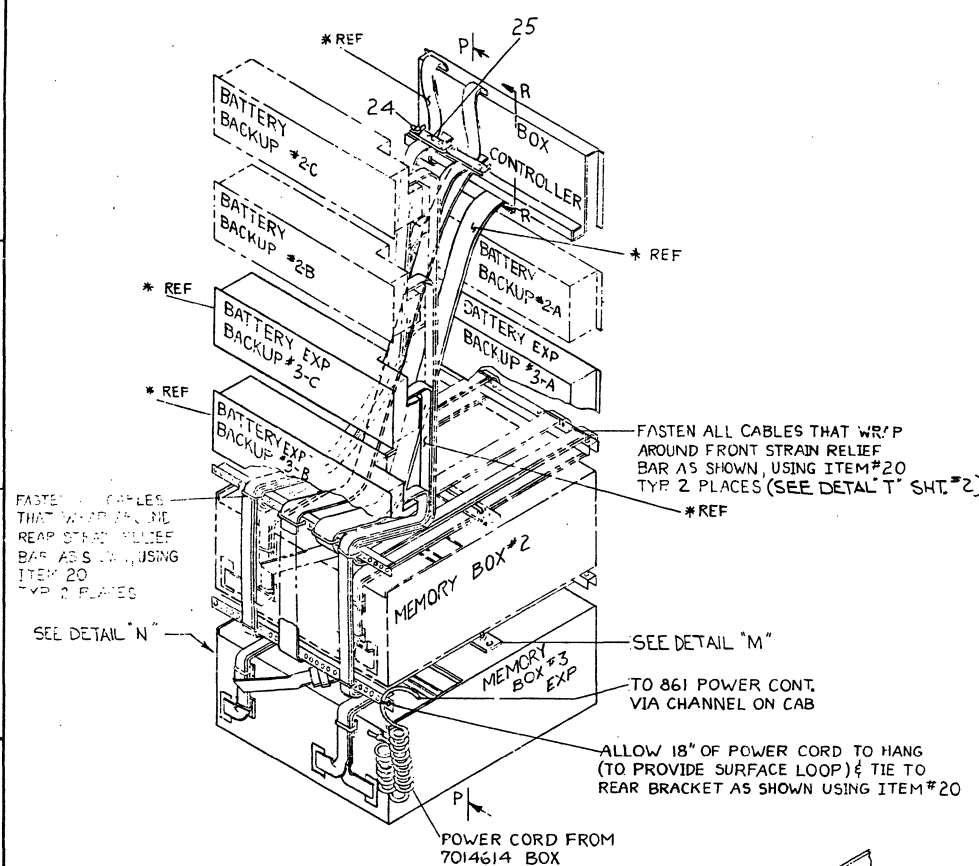


DETAIL "J"  
 (TYP 2 PLACES)

REVISIONS		
CHK	CHANGE NO.	REV.

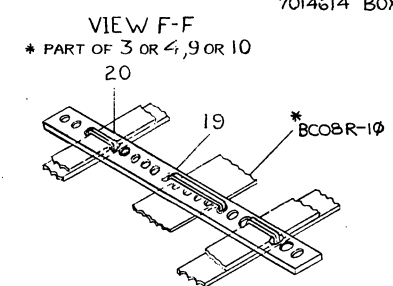
TITLE	11/70 SYSTEM EXPANSION (MK I)	SIZE	CCCB	NUMBER	REV.
SCALE	1:1	SHEET	2 OF 5	DIST.	

THIS DRAWING AND SPECIFICATIONS HEREIN ARE THE PROPERTY OF DIGITAL EQUIPMENT CORPORATION AND SHALL NOT BE REPRODUCED OR COPIED IN WHOLE OR IN PART AS THE BASIS FOR THE MANUFACTURE OR SALE OF ITEMS WITHOUT WRITTEN PERMISSION.  
 EQUIPMENT NO. 11/70-0-5, PARTS EQUIPMENT CORPORATION



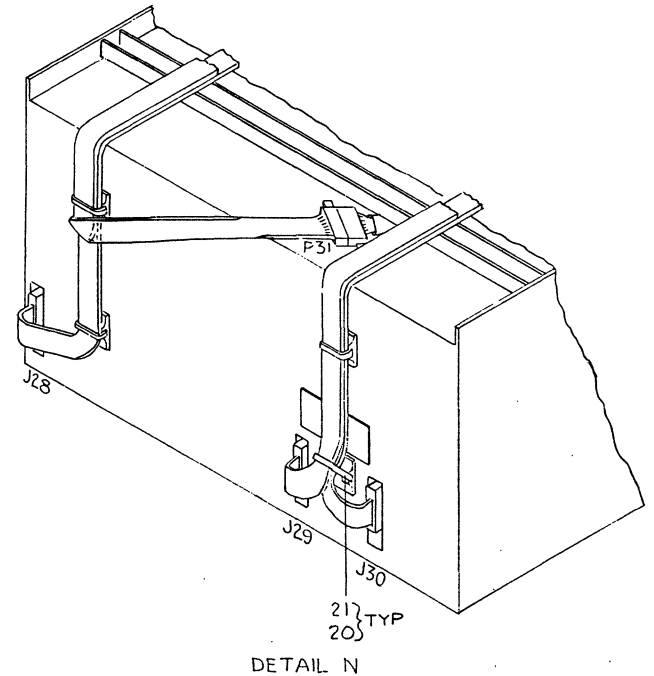
SECTION R-R  
 TYP ATTACHMENT OF CABLE TO BOX CONTROLLER  
 \* PART OF 3 OR 4, 9 OR 10

VIEW F-P  
 TYP METHOD OF DRESSING BATTERY CABLES AT REAR OF MKII  
 \* PART OF 3 OR 4, 9 OR 10



TIE 2 BOTTOM SETS OF CABLES, BCØ8R-1Ø TO ITEM #19 USING ITEM #20

DETAIL M



REV.	CHANGE NO.	REV.

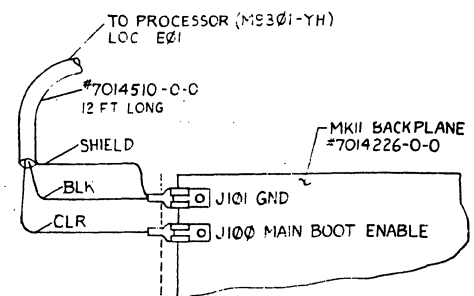
TITLE	11/70 SYSTEM EXPANSION (MKII)	SIZE CODE	NUMBER	REV.
SCALE	AS SHOWN	SHEET	3 OF 5	DIST.

266

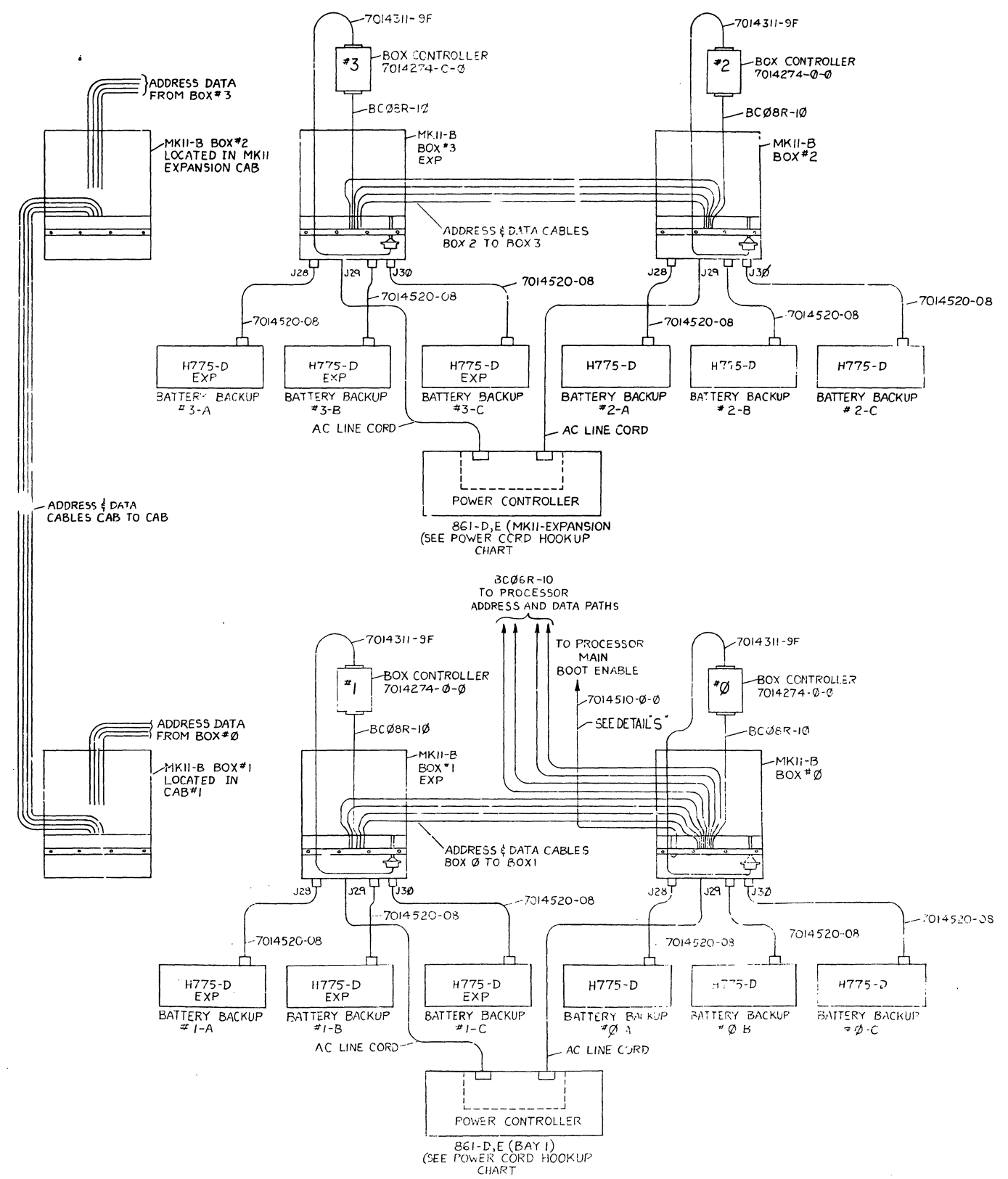


THIS DRAWING AND SPECIFICATIONS, HEREIN, ARE THE PROPERTY OF DIGITAL EQUIPMENT CORPORATION AND SHALL NOT BE REPRODUCED OR COPIED IN WHOLE OR IN PART AT THE BASIS FOR THE MANUFACTURE OR SALE OF ITEMS WITHOUT WRITTEN PERMISSION. COPYRIGHT © 1977. DIGITAL EQUIPMENT CORPORATION.

POWER CORD HOOKUP	
FROM	TO
MKII-B BOX 0	861 PHASE B (SWITCHED)
MKII-B BOX 1	861 PHASE 1 (SWITCHED)
MKII-B BOX 2	861 PHASE 2 (SWITCHED)
MKII-B BOX 3	861 PHASE 3 (SWITCHED)

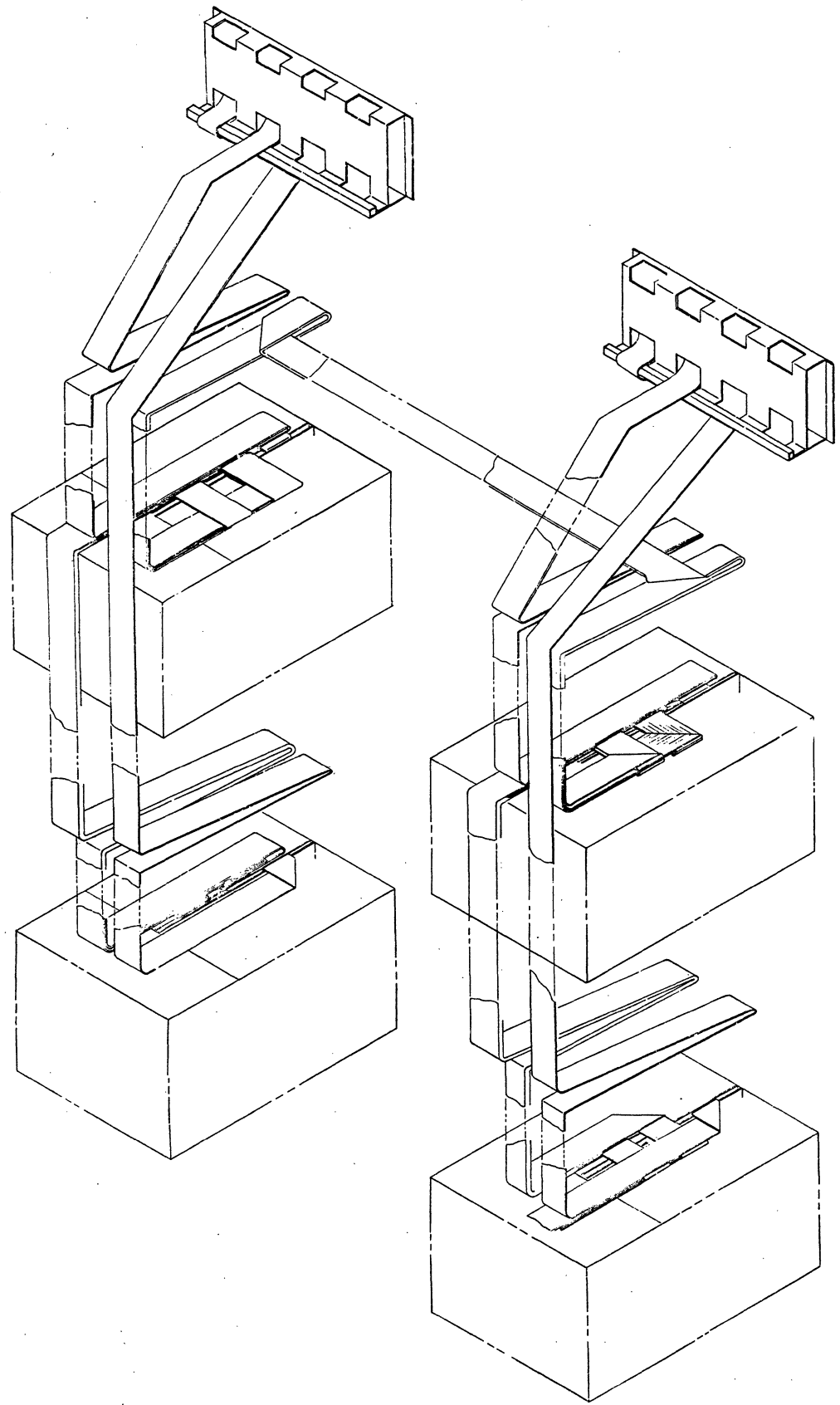


DETAIL 5  
(SEE E-IC-MKII-0-2 FOR REF)

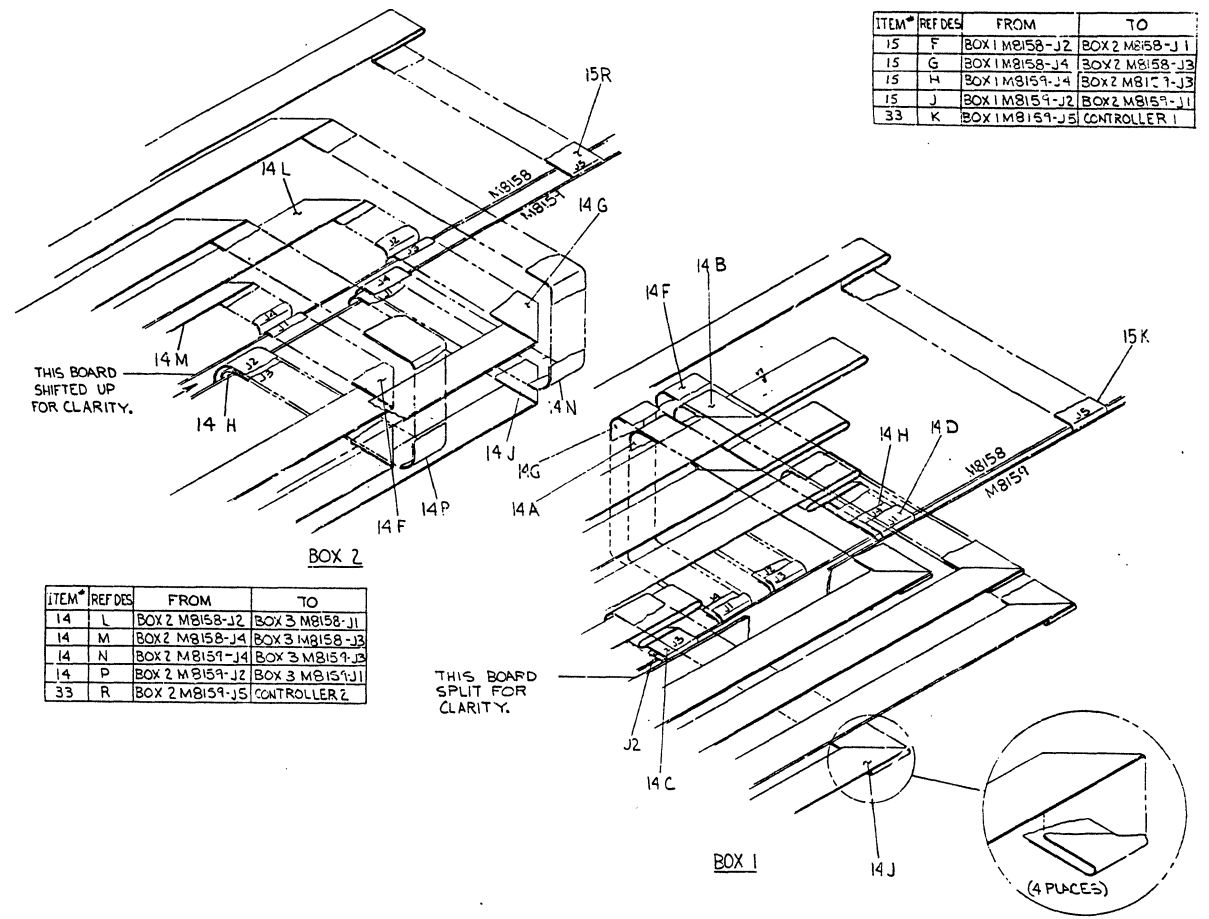


REV.	CHANGE NO.	REV.

THIS DRAWING AND SPECIFICATIONS HEREAFTER ARE THE PROPERTY OF DIGITAL EQUIPMENT CORPORATION AND SHALL NOT BE REPRODUCED OR COPIED IN WHOLE OR IN PART AS THE BASIS FOR THE MANUFACTURE OR SALE OF ITEMS WITHOUT WRITTEN PERMISSION.  
 COPYRIGHT © 1970, DIGITAL EQUIPMENT CORPORATION

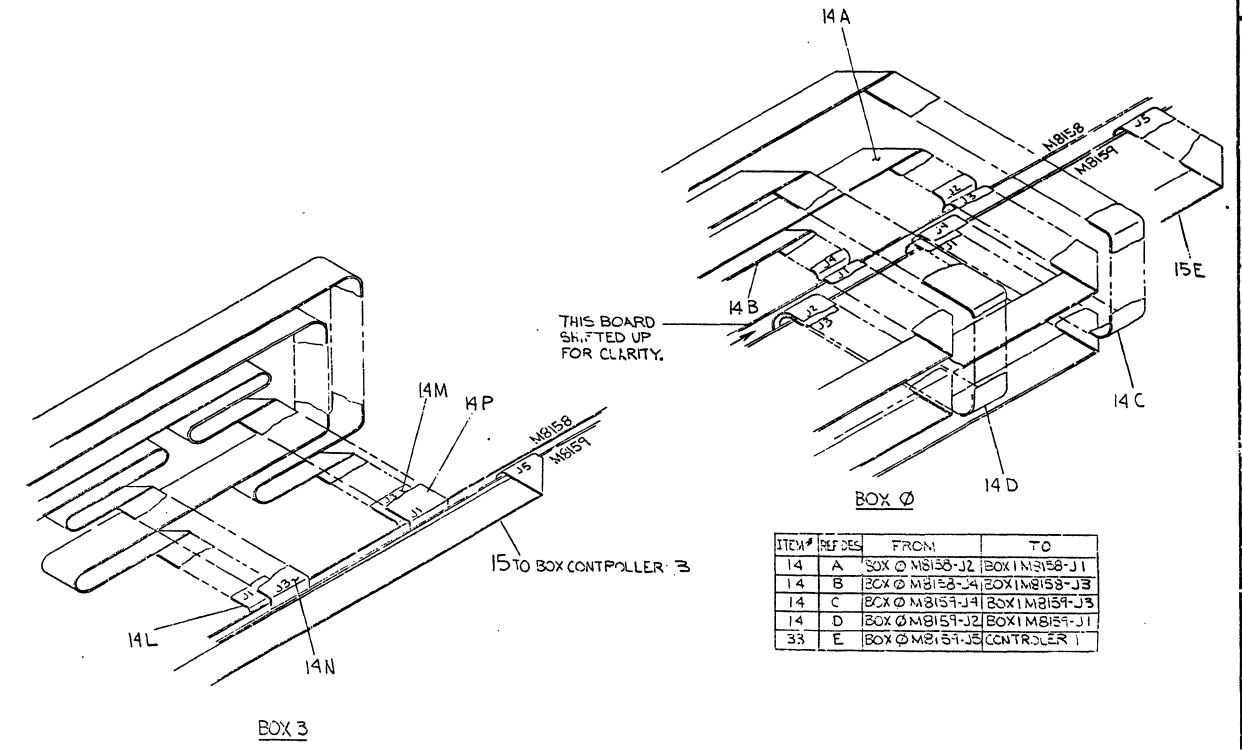


ITEM#	REF DES	FROM	TO
15	F	BOX 1 MB158-J2	BOX 2 MB158-J1
15	G	BOX 1 MB158-J4	BOX 2 MB158-J3
15	H	BOX 1 MB159-J4	BOX 2 MB159-J3
15	J	BOX 1 MB159-J2	BOX 2 MB159-J1
33	K	BOX 1 MB159-J5	CONTROLLER 1



BOX 2

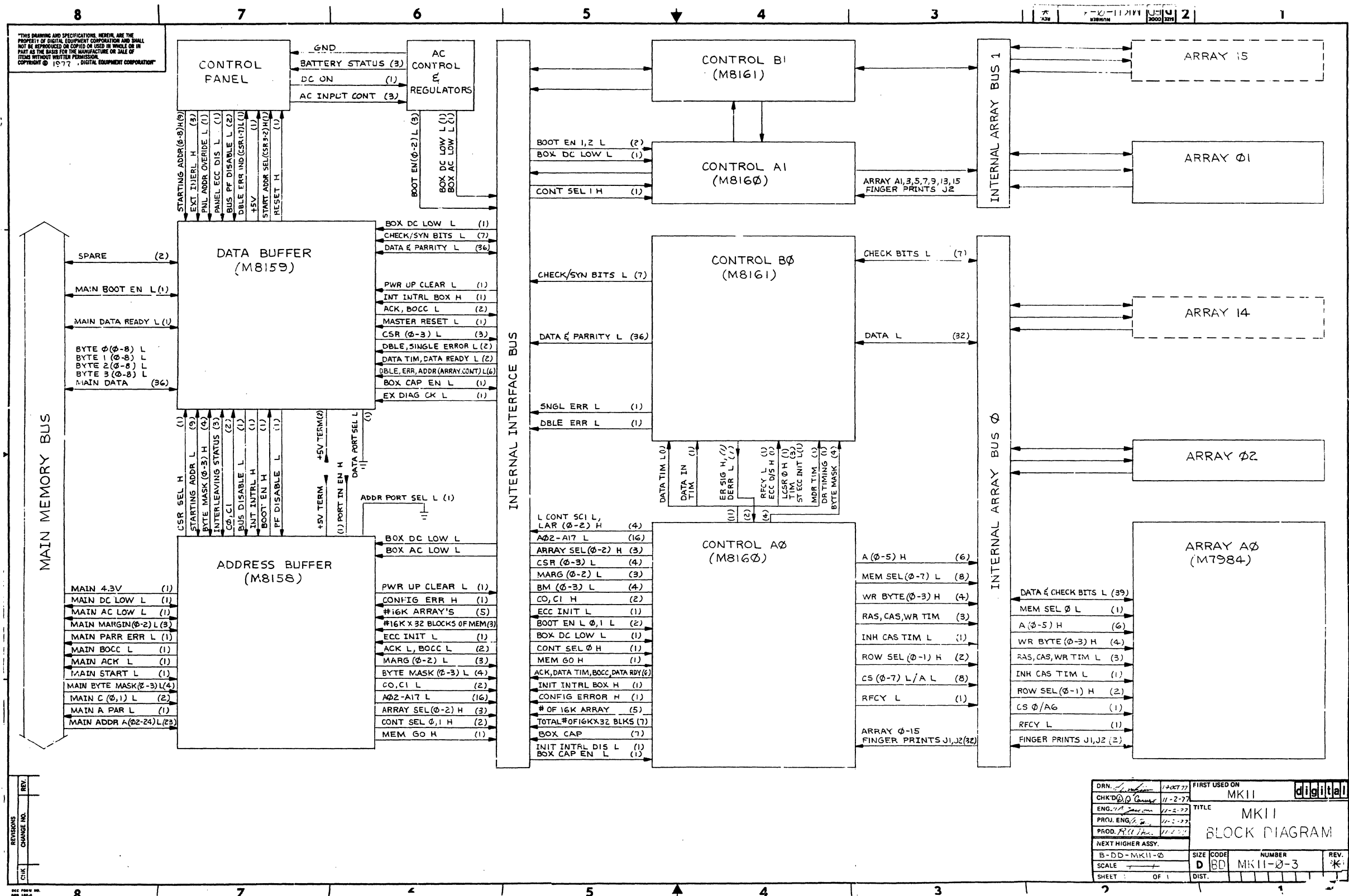
ITEM#	REF DES	FROM	TO
14	L	BOX 2 MB158-J2	BOX 3 MB158-J1
14	M	BOX 2 MB158-J4	BOX 3 MB158-J3
14	N	BOX 2 MB159-J4	BOX 3 MB159-J3
14	P	BOX 2 MB159-J2	BOX 3 MB159-J1
33	R	BOX 2 MB159-J5	CONTROLLER 2

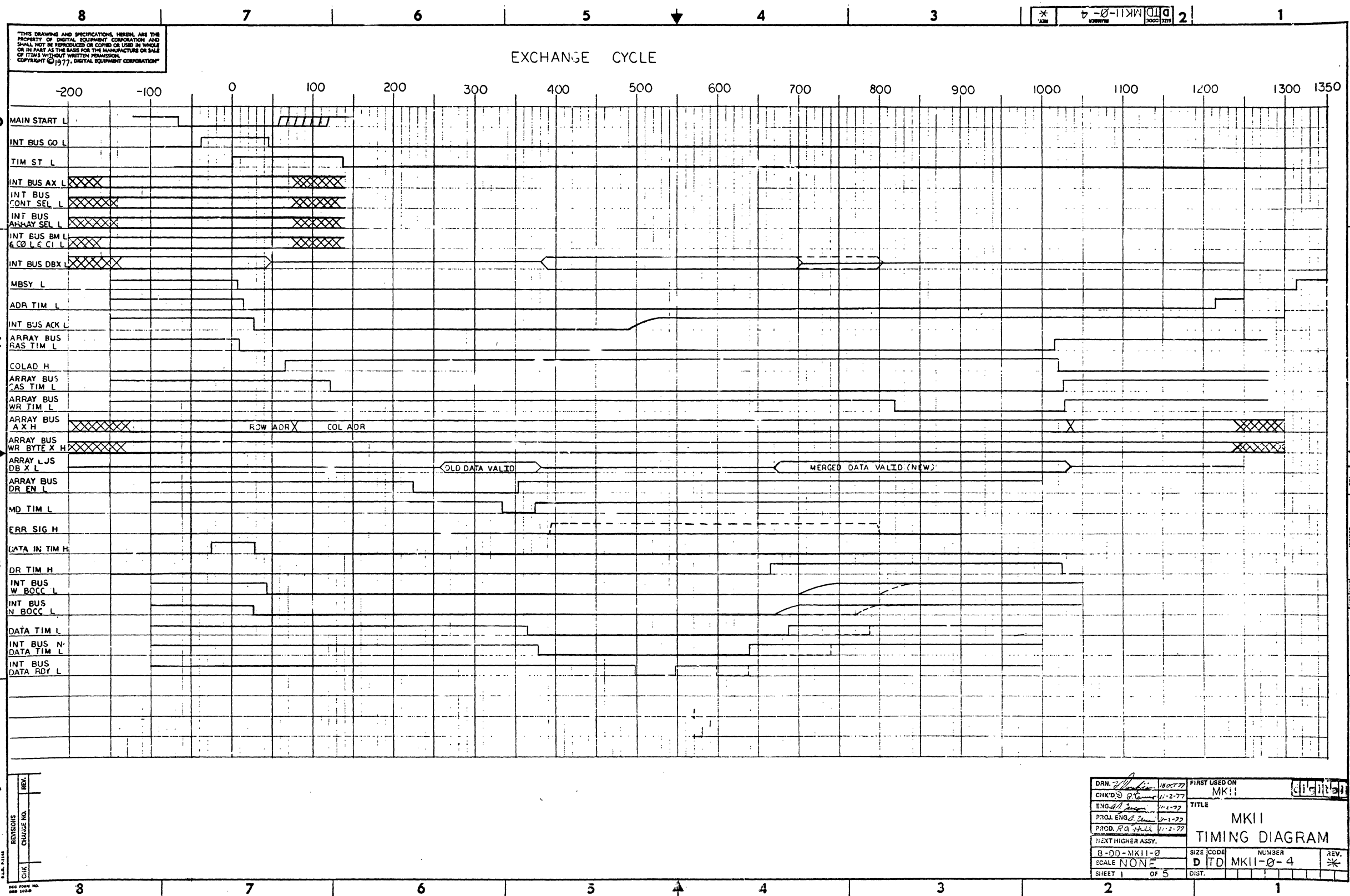


BOX 0

ITEM#	REF DES	FROM	TO
14	A	BOX 0 MB158-J2	BOX 1 MB158-J1
14	B	BOX 0 MB158-J4	BOX 1 MB158-J3
14	C	BOX 0 MB159-J4	BOX 1 MB159-J3
14	D	BOX 0 MB159-J2	BOX 1 MB159-J1
33	E	BOX 0 MB159-J5	CONTROLLER 1

CHK	DATE	NO.	REV.





THIS DRAWING AND SPECIFICATIONS, HEREIN, ARE THE PROPERTY OF DIGITAL EQUIPMENT CORPORATION AND SHALL NOT BE REPRODUCED OR COPIED OR USED IN WHOLE OR IN PART AS THE BASIS FOR THE MANUFACTURE OR SALE OF ITEMS WITHOUT WRITTEN PERMISSION. COPYRIGHT © 1977, DIGITAL EQUIPMENT CORPORATION

EXCHANGE CYCLE

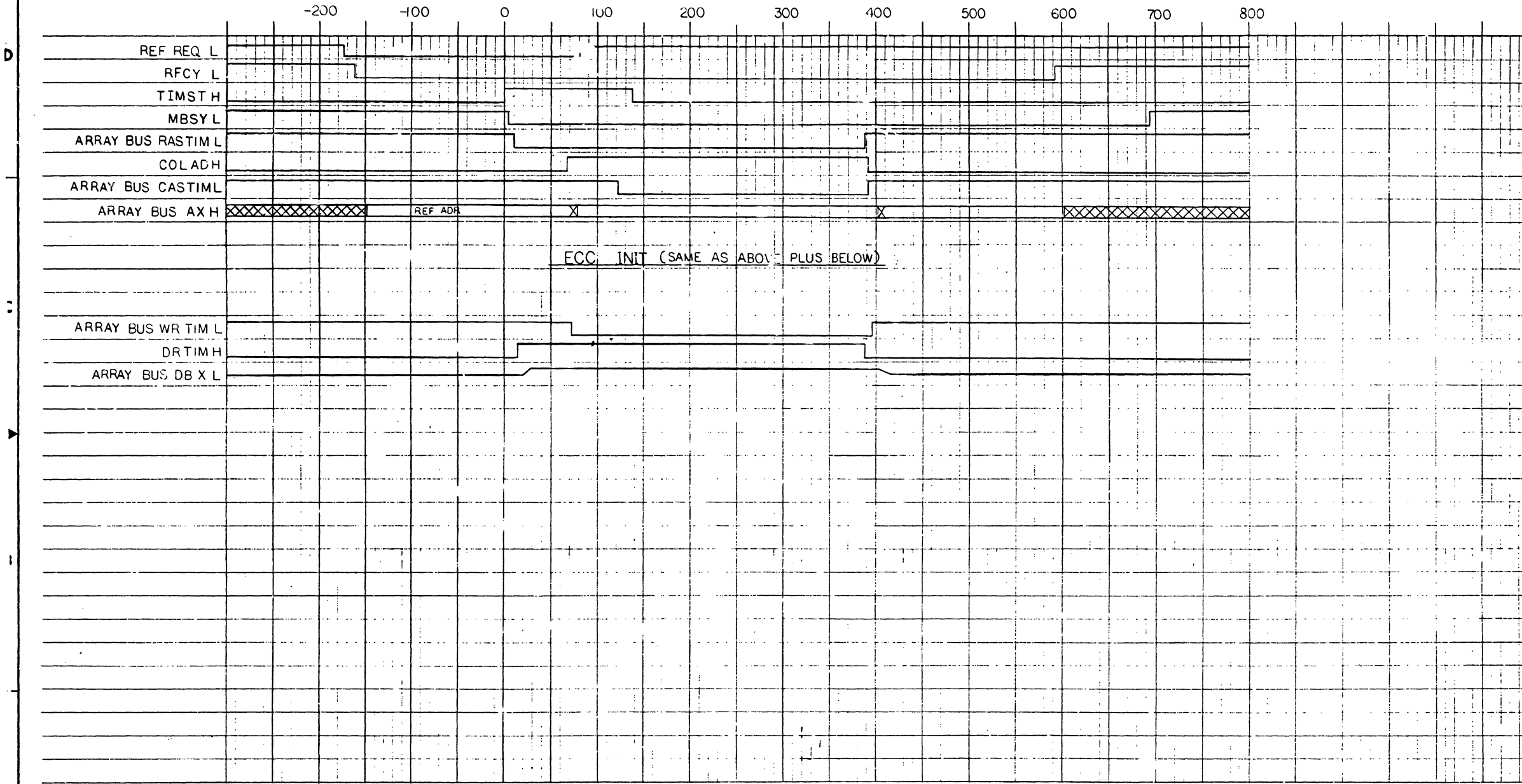
DRN. <i>[Signature]</i>	11/02/77	FIRST USED ON	MKII
CHK'D <i>[Signature]</i>	11-2-77	TITLE	MKII
ENGR <i>[Signature]</i>	11-2-77		
PROJ. ENGR <i>[Signature]</i>	11-2-77		
PROD. RA <i>[Signature]</i>	11-2-77		
NEXT HIGHER ASSY.			
B-DD-MKII-0	SIZE CODE	NUMBER	
SCALE NONE	D	TD	MKII-0-4
SHEET 1	OF 5	DIST.	1

REV.	BY	DATE

270

THIS DRAWING AND SPECIFICATIONS HEREIN ARE THE PROPERTY OF DIGITAL EQUIPMENT CORPORATION AND SHALL NOT BE REPRODUCED OR COPIED OR USED IN WHOLE OR IN PART AS THE BASIS FOR THE MANUFACTURE OR SALE OF ITEMS WITHOUT WRITTEN PERMISSION. COPYRIGHT © 1977, DIGITAL EQUIPMENT CORPORATION

### REFRESH CYCLE

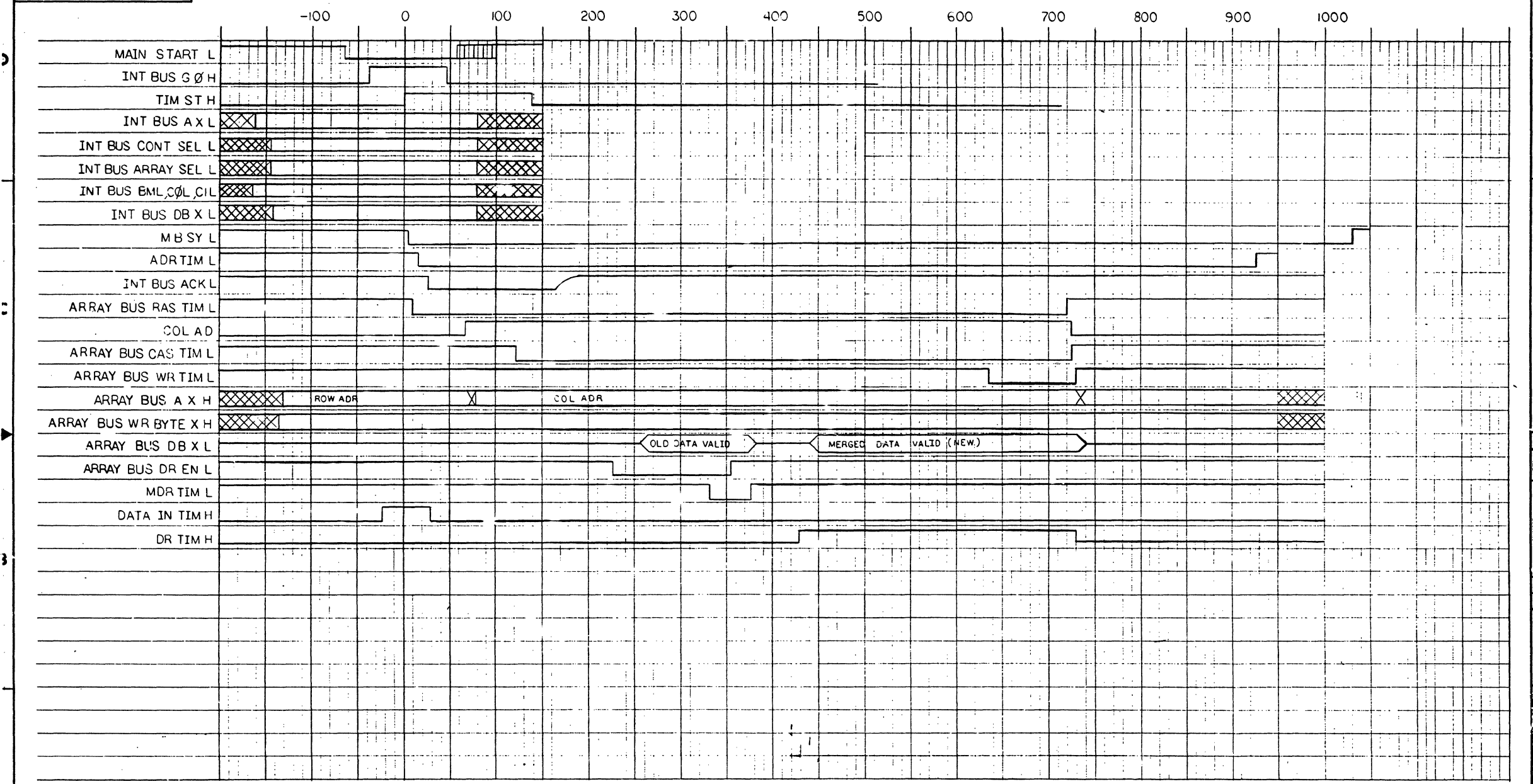


REV.	
CHG. NO.	
CHK.	

DR. E. Devesco (cont'd)	FIRST USED ON	MKII
CHK'D S. G. Gower 11-2-77	TITLE	MKII
ENG. J. J. J. 11-2-77		
PROJ. ENG. J. J. J. 11-2-77		
PROD. R. A. J. 11-2-77		
NEXT HIGHER ASSY.		
8-DD-MKII - 3	SIZE	CCD
SCALE NONE	NUMBER	DITDMKII-0-4
SHEET 2 OF 5	DIST.	

THIS DRAWING AND SPECIFICATIONS HEREIN ARE THE PROPERTY OF DIGITAL EQUIPMENT CORPORATION AND SHALL NOT BE REPRODUCED OR COPIED OR USED IN WHOLE OR IN PART AS THE BASIS FOR THE MANUFACTURE OR SALE OF ITEMS WITHOUT WRITTEN PERMISSION. COPYRIGHT © 1977, DIGITAL EQUIPMENT CORPORATION

WRITE (Ø-3 BYTE) INTERNAL RMW CYCLE



REV.	
CHG	
NO.	

DRN. E DeVito	13 Oct 77	FIRST USED ON	MKII	digital
CHK'D D. G. Gano	11-2-77	TITLE	MKII	
ENGR J. J. Gano	11-2-77	TIMING DIAGRAM		
PROJ. ENGR J. J. Gano	11-2-77	SIZE CODE	NUMBER	REV.
PROD. ? G. Gano	11-2-77	D TD	MKII - Ø - 4	*
NEXT HIGHER ASSY.		SCALE	NONE	SHEET
B-DD-MKII - Ø		3 OF 5		

8

7

6

5

4

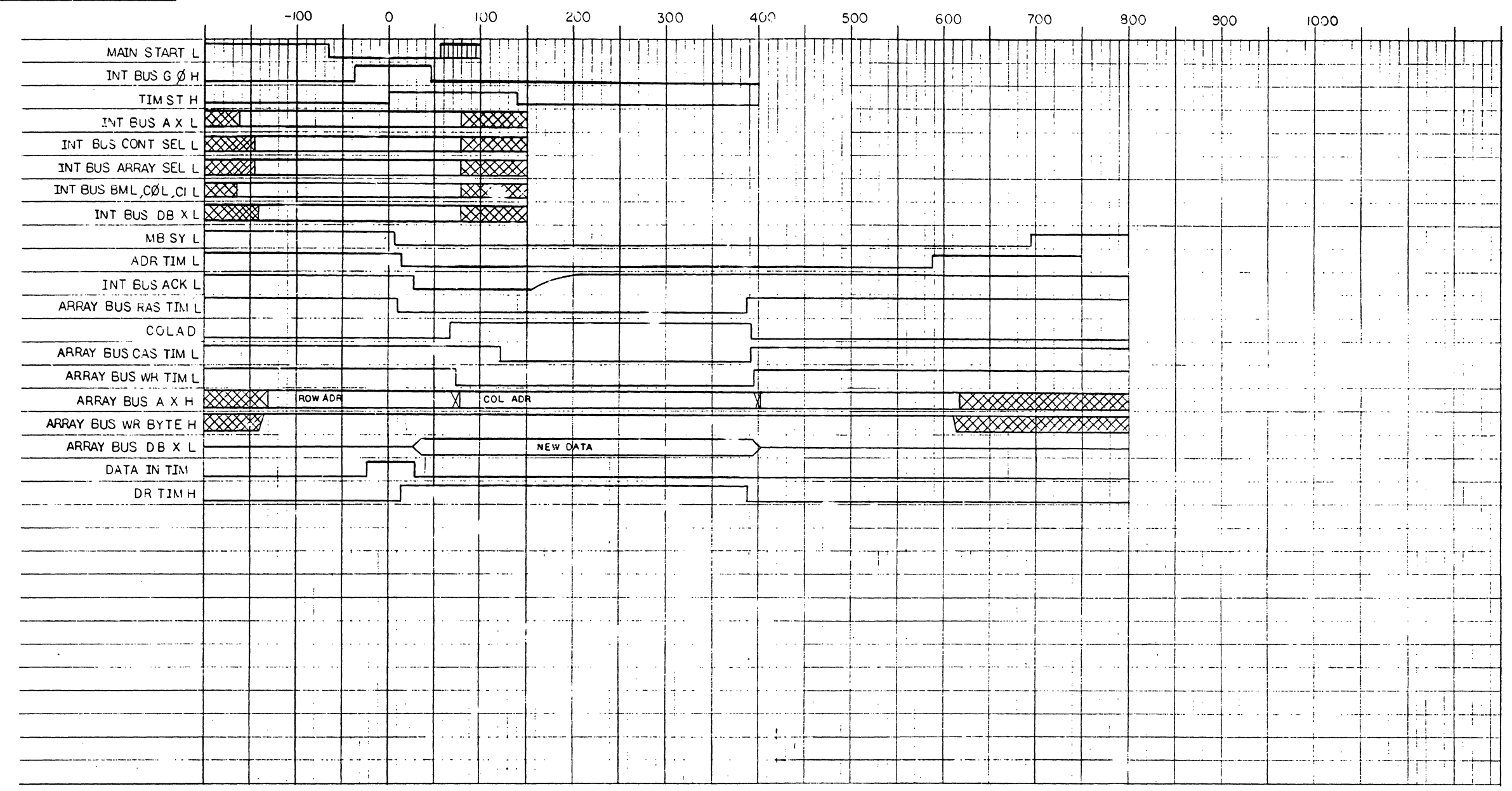
3

1

2  
DIGITAL  
MKII-0-4

"THIS DRAWING AND SPECIFICATIONS HEREIN ARE THE PROPERTY OF DIGITAL EQUIPMENT CORPORATION AND SHALL NOT BE REPRODUCED OR COPIED OR USED IN WHOLE OR IN PART AS THE BASIS FOR THE MANUFACTURE OR SALE OF ITEMS WITHOUT WRITTEN PERMISSION. COPYRIGHT © 1977, DIGITAL EQUIPMENT CORPORATION"

### WRITE (4 BYTE) CYCLE



REV.	
CHANGE NO.	
CHK	

DRN. E. DeVries	1/10/77	FIRST USED ON	MKII	DIGITAL
CHK'D. G. Gower	11-2-77	TITLE	MKII	
ENG. J. J. J.	11-3-77	TIMING DIAGRAM		
PROJ. ENG. J. J. J.	11-1-77	SIZE	CODE	
PRICD. R. L. L.	11-2-77	NUMBER	REV.	
NEXT HIGHER ASSY.		D	TD MKII-0-4	*
B=DD-MKII-0		SCALE	NONE	
SHEET	4 OF 5	DIST.		

8

7

6

5

4

3

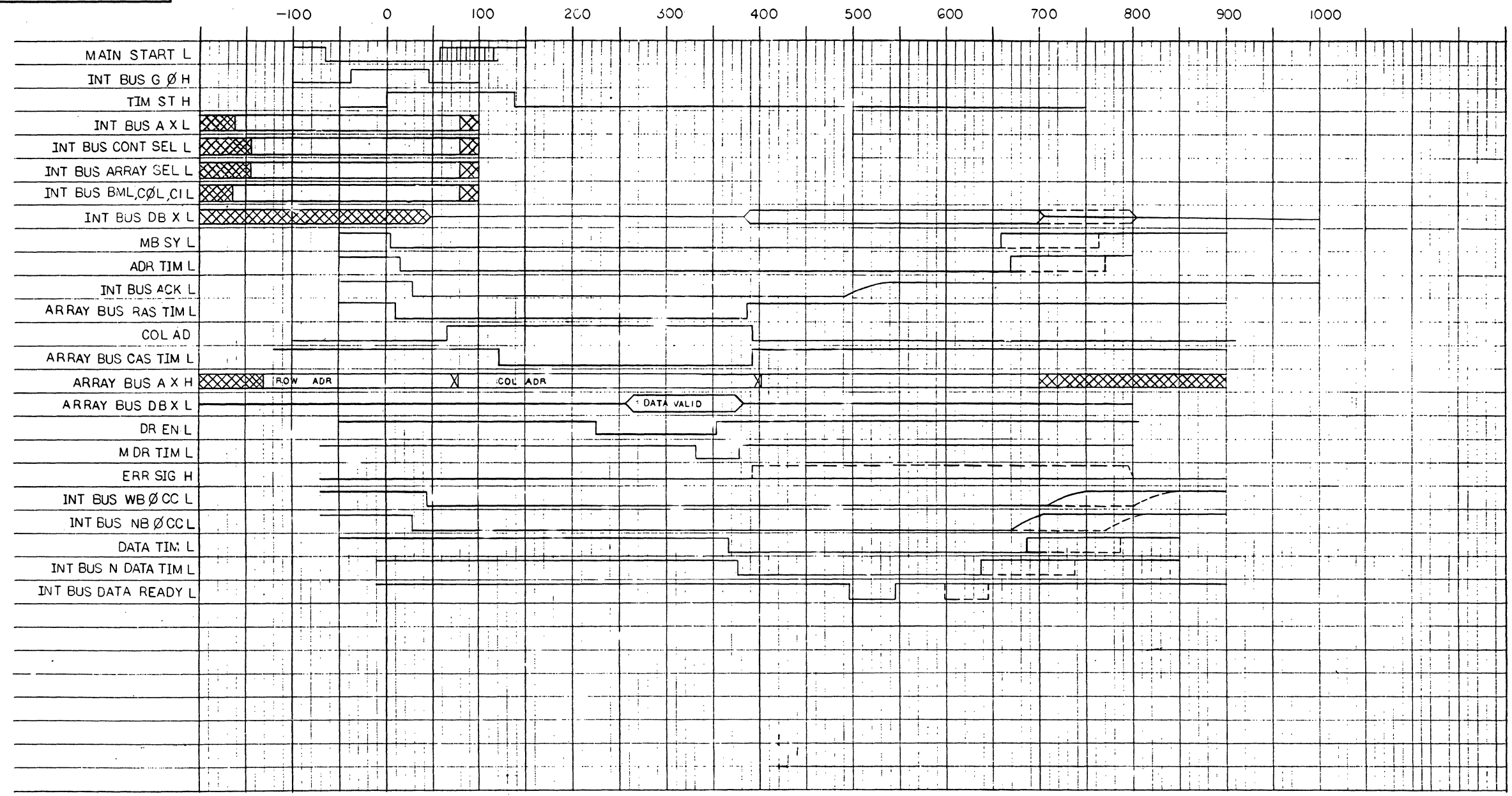
2

1

273

THIS DRAWING AND SPECIFICATIONS HEREIN ARE THE PROPERTY OF DIGITAL EQUIPMENT CORPORATION AND SHALL NOT BE REPRODUCED OR COPIED OR USED IN WHOLE OR IN PART AS THE BASIS FOR THE MANUFACTURE OR SALE OF ITEMS WITHOUT WRITTEN PERMISSION. COPYRIGHT © 1977, DIGITAL EQUIPMENT CORPORATION

READ CYCLE



REV.	
CHG.	
NO.	

DRN. E. DeVries	4-1-77	FIRST USED ON	MKII	Digital
CHK'D S. J. Carter	11-2-77	TITLE	MKII TIMING DIAGRAM	
ENG. J. J. Zeman	11-1-77	SIZE	D	CODE
PROJ. ENG. J. J. Zeman	11-1-77	NUMBER	5	REV.
PROD. P. G. Hill	11-2-77	DIST.	TD: MKII-Ø-4	*
NEXT HIGHER ASSY.				
B-DD-MKII-Ø				
SCALE NONE				
SHEET 5 OF 5				



4

3

REV. BS CODE SIZE B 2 | MFIIS-K-3

1

"THIS DRAWING AND SPECIFICATIONS, HEREIN, ARE THE PROPERTY OF DIGITAL EQUIPMENT CORPORATION AND SHALL NOT BE REPRODUCED OR COPIED OR USED IN WHOLE OR IN PART AS THE BASIS FOR THE MANUFACTURE OR SALE OF ITEMS WITHOUT WRITTEN PERMISSION.

COPYRIGHT © 1977, DIGITAL EQUIPMENT CORPORATION

### MODIFIED HAMMING CODE MATRIX

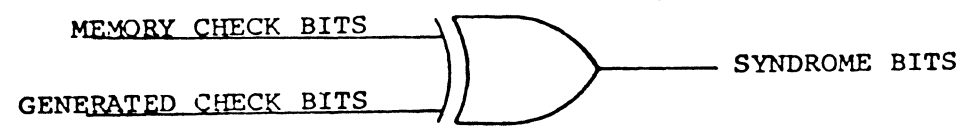
DATA BITS

SYNDROME BITS

	BYTE 0							BYTE 1							BYTE 2							BYTE 3							CHECK BITS										
	0	1	2	3	4	5	6	7	8	9	10	11	12	13	14	15	16	17	18	19	20	21	22	23	24	25	26	27	28	29	30	31	C1	C2	C4	C8	C16	C32	Ct
S1		X		X		X		X		X		X		X		X		X		X		X		X		X		X		X		X	X						
S2			X	X			X	X			X	X			X	X			X	X			X	X			X	X			X	X		X					
S4					X	X	X	X					X	X	X	X					X	X	X	X					X	X	X	X			X				
S8	X	X	X	X	X	X	X	X	X	X	X	X	X	X	X	X									X	X	X	X	X	X	X	X				X			
S16	X	X	X	X	X	X	X	X									X	X	X	X	X	X	X	X	X	X	X	X	X	X	X	X						X	
S32									X	X	X	X	X	X	X	X	X	X	X	X	X	X	X	X	X	X	X	X	X	X	X	X							X
S7	X			X		X	X	X			X	X	X	X	X			X	X	X			X	X	X	X	X	X							X				

#### NOTES:

- EACH CHECK BIT IS THE RESULT OF ODD PARITY GENERATED ON THE DATA BITS DESIGNATED BY X. i.e. C1 IS  $\sum(1,3,5,7,9,\dots,29,31)$ . C32 IS  $\sum(8 \text{ thru } 31)$ . THE EXCEPTION IS Ct, WHICH IS THE RESULT OF EVEN PARITY.
- SYNDROME BITS (S1 etc.) ARE FORMED BY A COMPARISON OF THE CHECK BITS READ FROM MEMORY AND THE NEW CHECK BITS GENERATED ON THE DATA READ FROM MEMORY.
- A SINGLE ERROR WILL CAUSE AN ODD NUMBER OF SYNDROME BITS TO GO HIGH  
 e.g. IF BIT 1 FAILS S1, S8, & S16 WILL GO HIGH.  
 IF BIT 15 FAILS S1, S2, S4, S8, & S32 WILL GO HIGH.  
 A DOUBLE ERROR WILL CAUSE AN EVEN NUMBER OF SYNDROME BITS TO GO HIGH.  
 e.g. IF BITS 0 & 1 FAIL S1 & S7 WILL GO HIGH; BUT S8 & S16 WILL NOT SINCE C8 & C16 ARE COMMON TO BITS 0 & 1 AND THE PARITY REMAINS UNCHANGED.



REV.
CHANGE NO.
CHK

THIRD ANGLE PROJECTION 	DRN <i>H. K...</i> 2/14/77 CHK'D <i>J. C. ...</i> 5/14/77 ENG. <i>J. ...</i> 4/17/77 PROJ. ENG. <i>J. ...</i> PROD. <i>J. ...</i> NEXT HIGHER ASSY.	DESCRIPTION UNLESS OTHERWISE SPECIFIED DIMENSIONS ARE IN INCHES ANGLES $\pm 0^\circ 30'$ SURFACE QUALITY IN MICROINCHES CLASS OF ACCURACY (CHECK ONE) MEDIUM <input type="checkbox"/> $\pm .004$ $\pm .008$ $\pm .012$ $\pm .016$ $\pm .024$ $\pm .04$ PREFERRED <input type="checkbox"/> $\pm .012$ $\pm .016$ $\pm .025$ $\pm .04$ $\pm .063$ $\pm .01$	DWG./PART NO. MFIIS-K ITEM NO.	
	REMOVE BURRS AND BREAK SHARP CORNERS DO NOT SCALE DWG MATERIAL <i>++</i> FINISH <i>++</i>	FIRST USED ON MFIIS-K <b>digital</b> TITLE MFIIS-K ERROR CHECK CODE	SCALE <i>++</i> SHEET 1 OF 1 SIZE CODE NUMBER REV. <b>B</b> BS MFIIS-K-3	DIST.

DRB 100A

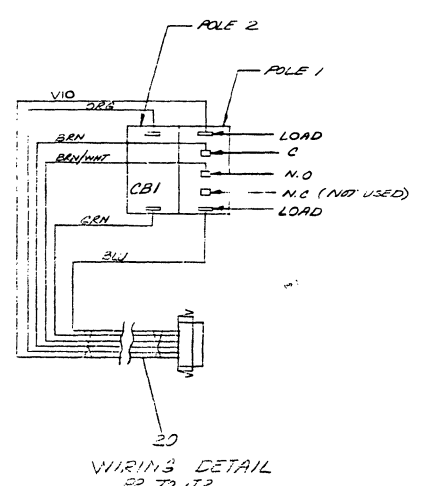
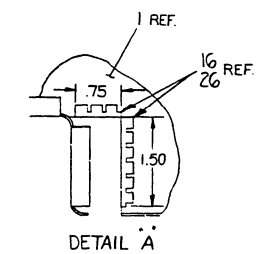
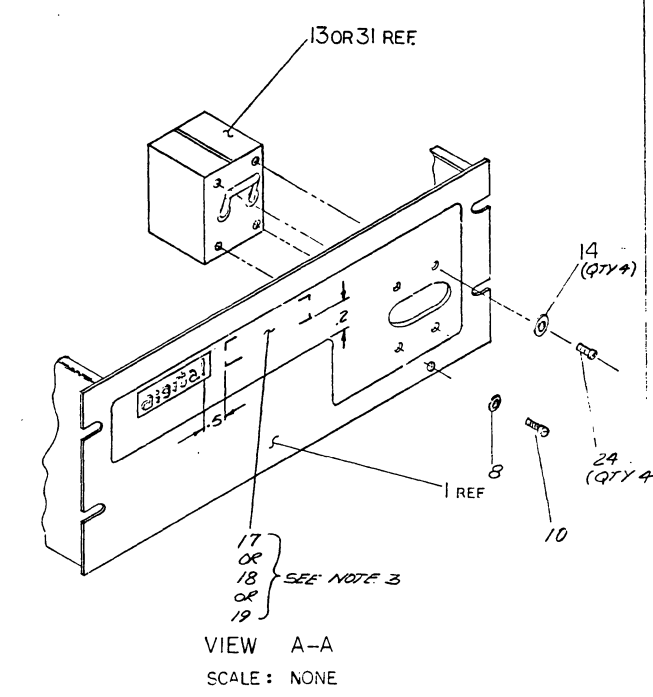
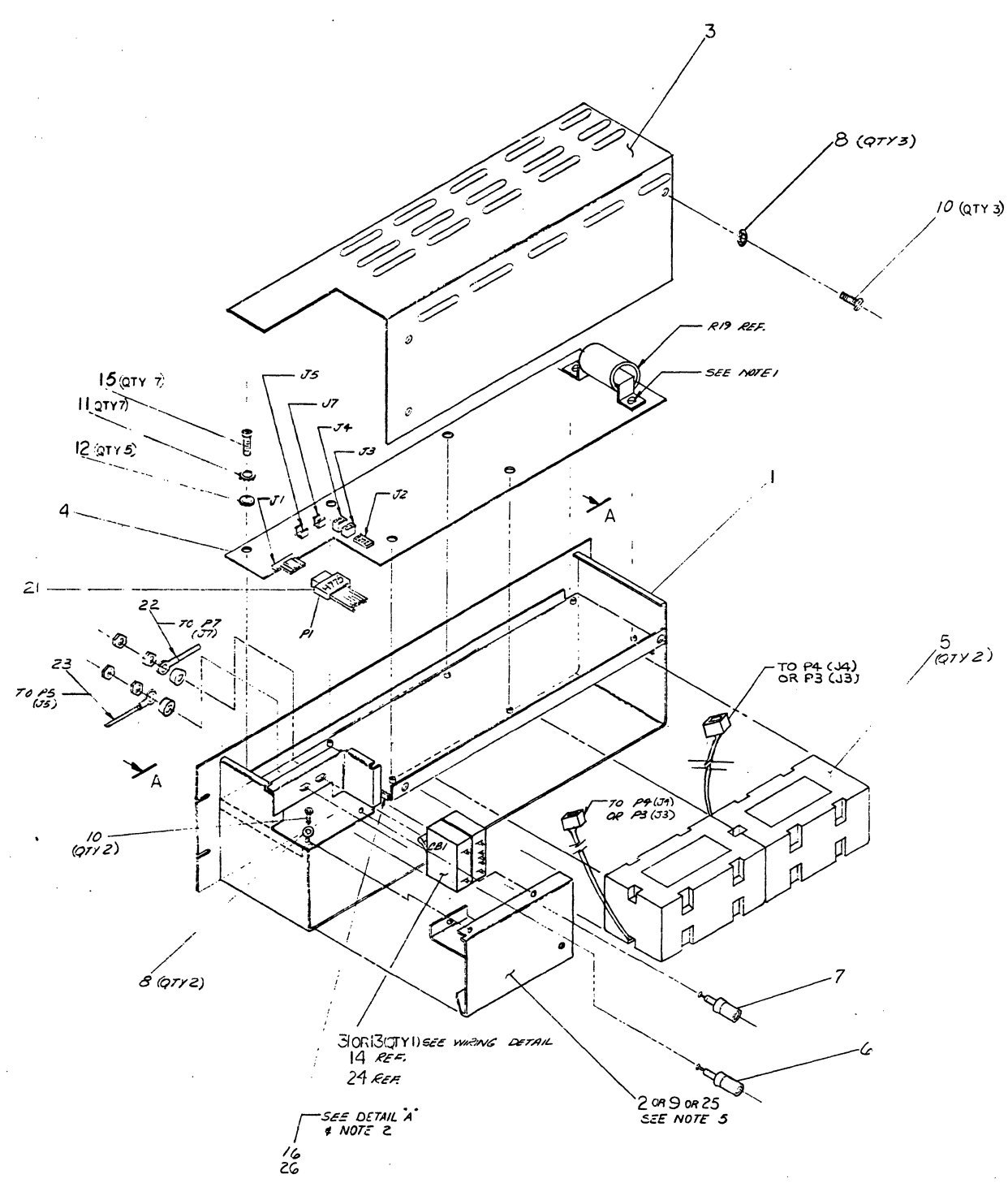
4

3

2

1





- NOTES:
- ITEM 11 IS ALSO USED TO MOUNT POWER RESISTOR (R19) DO NOT USE FLAT WASHER (ITEM 12).
  - INSTALL GRIMMET (ITEM 14) ON BOTH ENDS OF CABLE ACCESS OPENING
  - CENTER DECAL ON SIDE SCREEN & PLACE APPROX. PER DIM. INDICATED IN VIEW A-A
  - ASSEMBLY OF H705 TO H775-BB OR BA ARE NOT SHOWN ON THIS DOCUMENT SYSTEM DOCUMENTATION WILL DESIGNATE PLACEMENT OF THESE PARTS.
  - WHEN INSTALLING AC BRACKETS, ITEMS 25 OR 9 INTO UNIT, 3 WIRES FROM T1 (REF. 7013250) MUST BE ATTACHED TO P.C. BD. (ITEM 4). WIRES 5 & 7 (FITTED WITH MATE 'N' LOCK PINS) MUST BE INSERTED INTO POSITIONS 7 & 8 ON T1 (EITHER POSITION) WIRE #6 (FITTED WITH FAST-ON) MUST PLUG ONTO FREE SIDE OF J7.

1	---	---	BREAKER, CIRCUIT	1212325-1	31
1	---	---	DECAL H775-D	A-DC-741475-01	30
1	1	---	REGULATOR	H785	29
1	---	---	BATT. BACKUP 240V	H775-BB	28
1	---	---	BATT. BACKUP 120V	H775-BA	27
NR	---	---	HYBOND (B)	9007594-00	26
---	---	1	BRACKET, A.C. 220V.	E-UA-7013250-01	25
4	---	4	SCR. PH. HD. PAN. #2X.25	9006022-1	24
1	---	1	JUMPER, BATT. BACKUP (RED)	B-IA-702074-01	23
1	---	1	JUMPER, BATT. BACKUP (BLK)	B-IA-702074-00	22
---	---	1	INTERFACE CABLE	D-IA-701966-00	21
1	---	1	HARNESS, P.C. BD./CMT. BRK	C-IA-701759-00	20
---	---	1	DECAL H775-BA	A-DC-741475-00	19
---	---	1	DECAL H775-BB	A-DC-741475-00	18
---	---	1	DECAL H775A	A-DC-741476-00	17
NR	---	---	GRIMMET, CATERPILLAR	9007035	6
7	---	7	SCR. PH. HD. PAN. #2X.25	9006022-1	5
4	---	4	WASHER LK. 6 EXT. TOOTH	9006653	1
---	---	1	CIRCUIT BREAKER	1212325	13
5	---	5	WASHER FLAT #6	9006653	12
7	---	7	WASHER LK. 6 EXT. TOOTH	9007692	11
3	---	3	SCREW PH. HD. PAN. #3X.25	9006037-01	10
---	---	1	BRACKET, A.C. ASSY. 115V.	E-UA-7013250-00	9
6	---	6	WASHER, INT. PAN. LK. #6	9006634	9
7	---	7	POST BINDING (BLK)	1204352-05	7
7	---	7	POST BINDING (RED)	1204352-01	6
2	---	2	BATTERY PACK	1012495	5
7	---	7	BATTERY CHARGER	D-IA-5416250-0	4
7	---	7	BATTERY CHARGER	D-IA-70155300	3
7	---	7	BRACKET, B.C.	B-IA-7414234-00	2
7	---	7	BRASS 4534Y	D-IA-70155300	1

REV	DATE	BY	CHKD
1	11/15/75	...	...
2	...	...	...

XXX ± .005	XX ± .02	X ± .1
BATTERY BACK-UP ASS'Y		
1	1	1

8 7 6 5 4 3 2 1

THIS DRAWING AND SPECIFICATIONS HEREIN ARE THE PROPERTY OF DIGITAL EQUIPMENT CORPORATION AND SHALL NOT BE REPRODUCED OR COPIED OR USED IN WHOLE OR IN PART AS THE BASIS FOR THE MANUFACTURE OR SALE OF ITEMS WITHOUT WRITTEN PERMISSION. COPYRIGHT © DIGITAL EQUIPMENT CORPORATION 1975

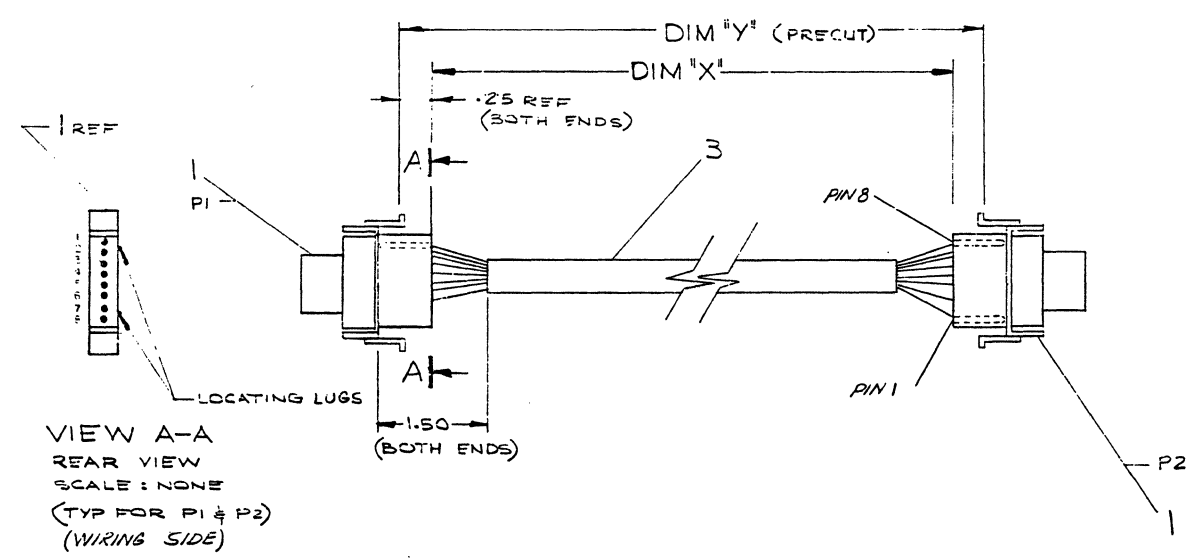
WIRE TABLE							
ITEM NO	AWG	COLOR	FROM		TO		REMARKS
			CONNECTION WITH	CONNECTION WITH	CONNECTION WITH	CONNECTION WITH	
4	14	ORN	P1-1	2	P2-1	2	
5		BLK	P1-2		P2-2		
6		BLUE	P1-3		P2-3		
7		GRAY	P1-4		P2-4		
8		RED	P1-5		P2-5		
9		WHITE	P1-6		P2-6		
10		YEL	P1-7		P2-7		
11	14	BRN	P1-8	2	P2-8	2	

LEGEND			
NUMBER	DIM "X" VARIATION	DIM "Y" (PRECUT) REF	
7011906-05	4 FT. ± 11.50 IN ± 1.0 IN	5 FT. ± 0.1 IN ± 1.0 IN	

NOTES:

D  
C  
B  
A

D  
C  
B  
A



DESCRIPTION	DWG. PART NO.	ITEM NO.
11 WIRE #14 STRD BRN	9107370-11	11
10 WIRE #14 STRD YEL	9107370-44	10
9 WIRE #14 STRD WHT	9107370-99	9
8 WIRE #14 STRD RED	9107370-22	8
7 WIRE #14 STRD GRN	9107370-88	7
6 WIRE #14 STRD BLU	9107370-66	6
5 WIRE #14 STRD BLK	9107370-00	5
4 WIRE #14 STRD ORG	9107370-33	4
3 TUBING, EXTR. BLK .50 ID	9107245	3
2 PIN, MALE	204878-00	2
1 CONN., 8 PIN	209340-01	1

REV.	DATE	BY	CHKD.	DESCRIPTION
1				
2				
3				

UNLESS OTHERWISE SPECIFIED DIMENSIONS ARE IN INCHES

CLASS OF ACCURACY	TOLERANCES			
	FRACTIONS	DECIMALS	ANGLES	SPACES
10:10	±.125	±.015	±.005	±.005
20:10	±.062	±.007	±.002	±.002
30:10	±.031	±.004	±.001	±.001
40:10	±.016	±.002	±.0005	±.0005
50:10	±.008	±.001	±.0002	±.0002
60:10	±.004	±.0005	±.0001	±.0001

THIRD ANGLE PROJECTION

REMOVE BURRS AND BREAK SHARP CORNERS

DO NOT SCALE DWG

MATERIAL SEE PARTS LIST

FINISH

DR. [Signature] FIRST USED ON [Signature]

CHK'D [Signature] H775

ENG. [Signature]

PROJ. ENG. [Signature]

TITLE INTERFACE CABLE (1/04)

DATE 11/75

SCALE

SHEET 1 OF 1

DIST. 1

NUMBER D E A 7011906-00

REV. 0

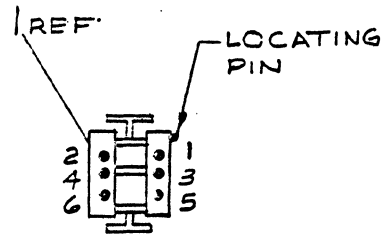
"THIS DRAWING AND SPECIFICATIONS, HEREIN, ARE THE PROPERTY OF DIGITAL EQUIPMENT CORPORATION AND SHALL NOT BE REPRODUCED OR COPIED OR USED IN WHOLE OR IN PART AS THE BASIS FOR THE MANUFACTURE OR SALE OF ITEMS WITHOUT WRITTEN PERMISSION. DIGITAL EQUIPMENT CORPORATION" COPYRIGHT © 1975

### WIRE TABLE

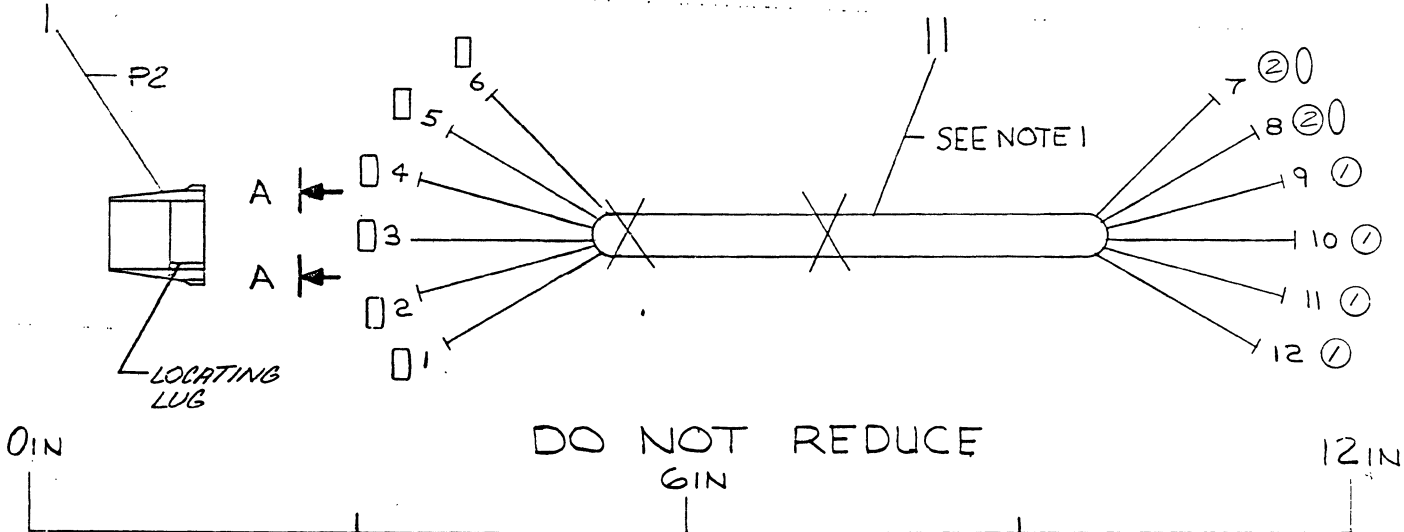
ITEM NO.	AWG	COLOR	FROM			TO		
			POINT	CONN.	WITH	POINT	CONN.	WITH
5	14	ORN	1	P2-1	2	12	-	3
6	14	GRN	2	P2-2	↑	11	↑	3
7	14	BLU	3	P2-3	↑	10	↑	3
8	14	VIO	4	P2-4	↑	9	↑	3
9	18	BRN	5	P2-5	↑	8	↑	4,12
10	18	GRY/BRN	6	P2-6	2	7	-	4,12

### NOTES:

- USE CABLE TIES (ITEM # 11) APPROX. 2.0 AND 4.0 IN. FROM P2 (ITEM #1).



VIEW A-A  
REAR VIEW  
SCALE: NONE  
(WIRING SIDE)



FOR MANUFACTURING PURPOSES ONLY

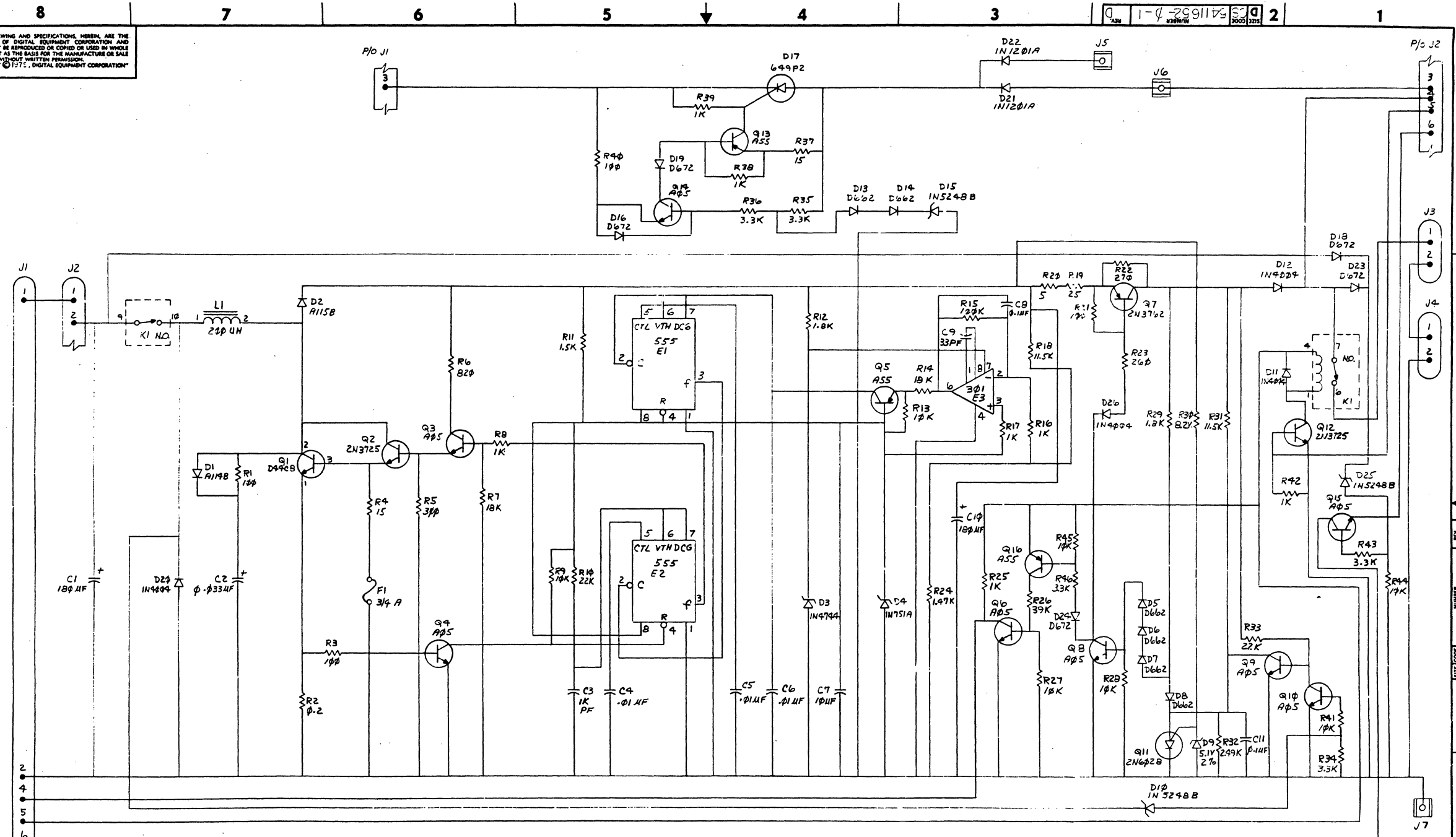
QTY	SYMBOL	DESCRIPTION	PART NO.	ITEM NO.
0	AIR	TUBING, SHRINK 3/16 ID	9107254-00	12
X 2	TIE, CABLE		4007031	11
-	AIR	WIRE #18 AWG (GRY/BRN)	9107410-81	10
-	AIR	WIRE #18 AWG (BRN)	9107360-11	9
-	AIR	WIRE #14 AWG (VIO)	9107370-77	8
-	AIR	WIRE #14 AWG (BLUE)	9107370-66	7
-	AIR	WIRE #14 AWG (GRN)	9107370-55	6
-	AIR	WIRE #14 AWG (ORN)	9107370-33	5
2	②	TERMINAL, QUICK CONN	9008488	4
4	①	TERMINAL, QUICK CONNECT	9007969	3
6	□	PIN (FEMALE)	1209379-00	2
1	1	CONN, 6 PIN (FEMALE)	1210321-06	1

REV.	CHG.	DATE
A	0001	7-2-75
	J.B. DAVIS	JR.

FIRST USED ON OPTION/MODEL		SYM	QTY.	DESCRIPTION	PART NO.	ITEM NO.
H775						
DIMENSIONAL TOLERANCE				DRN	DATE	
DIMENSIONS ARE INCHES UNLESS OTHERWISE SPECIFIED				CH'CD	DATE	
MILLIMETERS	INCHES	ANGLES	ENG.	DATE	TITLE	
X.XX ±0.10	.XXX ±.005	±0° 30'	PROJ. ENG.	DATE	HARNESS, PC BOARD/ CKT. BREAKER	
XX ±0.5	.XX ±.02		PROD.	DATE		
X ±.2	.X ±.1			DATE		
THIRD ANGLE PROJECTION	REMOVE BURRS AND BREAK SHARP CORNERS SURFACE QUALITY ✓		NEXT HIGHER ASSY.			
MATERIAL SEE PARTS LIST			E-UA-H775-00		SIZE CODE	NUMBER
FINISH			SCALE 1/1		CIA	7011759-0-0
			SHEET 1 OF 1		DIST.	

REV. A  
NUMBER 7011759-0-0  
SIZE CODE CIA

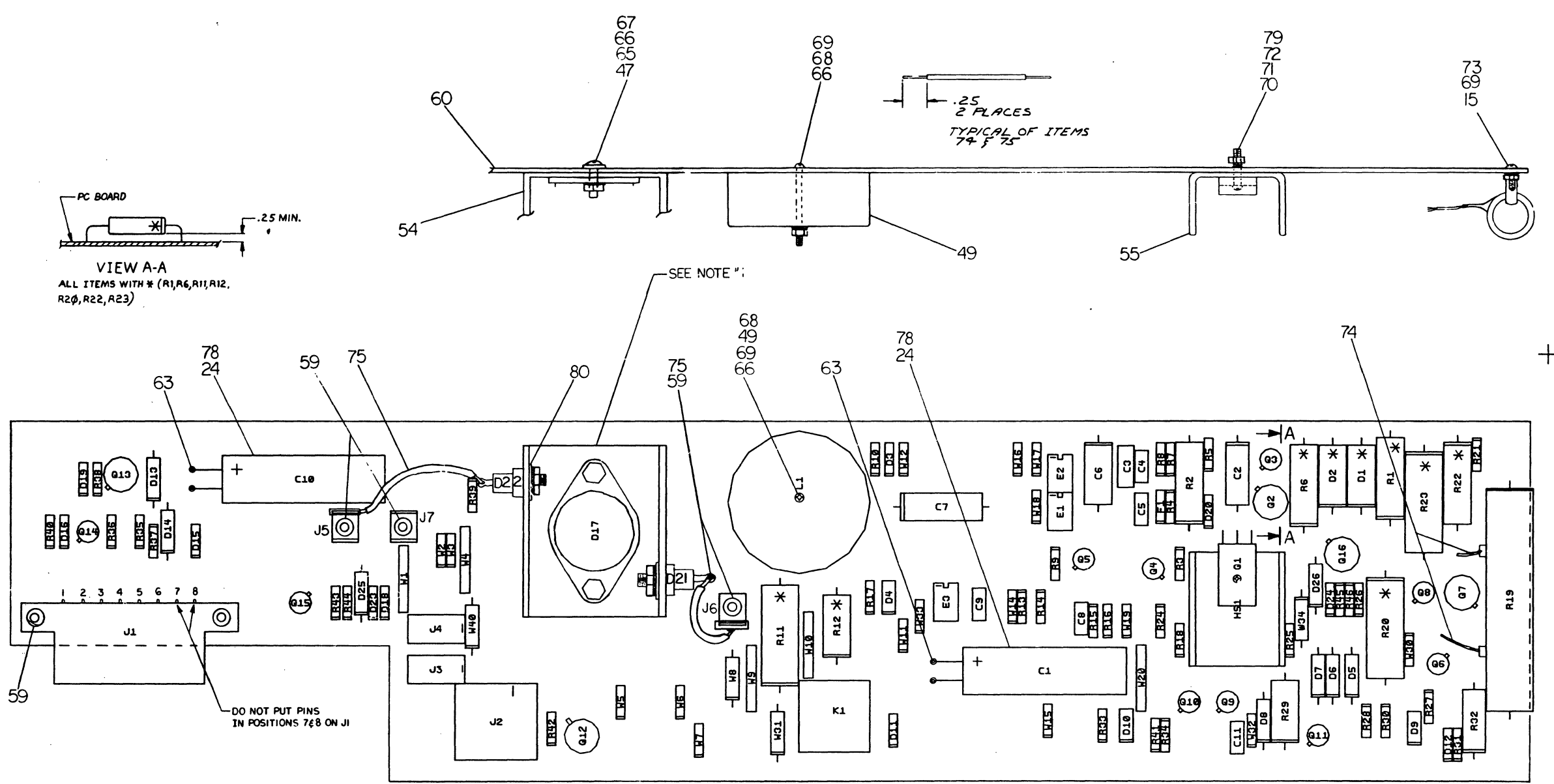
THIS DRAWING AND SPECIFICATIONS HEREIN ARE THE PROPERTY OF DIGITAL EQUIPMENT CORPORATION AND SHALL NOT BE REPRODUCED OR COPIED OR USED IN WHOLE OR IN PART AS THE BASIS FOR THE MANUFACTURE OR SALE OF ITEMS WITHOUT WRITTEN PERMISSION. COPYRIGHT © 1977, DIGITAL EQUIPMENT CORPORATION



REV.	DATE	BY	CHKD.
1	11/16/77	G. POTTER	
2	11/16/77	D. BOYD	
3	11/16/77	J. DAVIS	

ETCH BOARD KEV C		FIRST USED ON	
DRN. J. BOYD	2/1/78	H775	digital
CHKD. J. BOYD	9/29/78	TITLE	
ENG. J. BOYD	11/16/77	BATTERY CHARGER	
PROJ. ENG. J. BOYD	11/16/77	NEXT HIGHER ASSY.	
PROD. J. BOYD	7/21/78	D-1A-5411625-0-0	
SCALE	1:1	SIZE	CODE
		D	CS
SHEET	1 OF 1	NUMBER	5411625-0-1
		REV.	D

THIS DRAWING AND ASSOCIATED PARTS, ARE THE PROPERTY OF DIGITAL EQUIPMENT CORPORATION. NO PART OF THIS DRAWING IS TO BE REPRODUCED OR TRANSMITTED IN ANY FORM OR BY ANY MEANS, ELECTRONIC OR MECHANICAL, INCLUDING PHOTOCOPYING, RECORDING, OR BY ANY INFORMATION STORAGE AND RETRIEVAL SYSTEM, WITHOUT PERMISSION IN WRITING FROM DIGITAL EQUIPMENT CORPORATION. © 1975



NOTES: 1. NO THERMAL COMPOUND.

CHANGE NO	REV	DATE	BY	CHK'D
541625-000	C		G. POTTER	
541625-000	D		J. DAVIS	

SIGNATURES	DATE	TITLE
DRN <i>A. Davis</i>	SEPT 16 1975	BATTERY CHARGER
CHK'D <i>A. Davis</i>		
ENG. <i>A. Davis</i>		
PROJ. ENG. <i>A. Davis</i>		
SCALE 2:1	SIZE CODE	NUMBER
SHT. 1 OF 1	D UA 541625-0-0	REV 0
ETCH REV C	FIRST USED ON	

DIGITAL EQUIPMENT CORPORATION MAYNARD, MASSACHUSETTS				QUANTITY / VARIATION																			
PARTS LIST																							
MADE BY JIM DAVIS		CHECKED P. BOSSMAN		SECTION 1																			
DATE 4-18-75		DATE 11-4-75		ISSUED SECT. 1																			
ENG JIM DAVIS		PROD D. DEROME		ISSUED SECT. 1																			
DATE 4-18-75		DATE 9-25-75		ISSUED SECT. 1																			
ITEM NO.	DWG NO. / PART NO.	DESCRIPTION																					
1	1302380	RESISTOR 100 OHM, 2W 5%		1	R1																		
2	1311604	RESISTOR 0.2 OHM, 2W 3%		1	R2																		
3	1300229	RESISTOR 100 OHM, 1/2W 5%		3	R3	R21	R40																
4	1301421	RESISTOR 15 OHM, 1/4 10%		2	R4	R37																	
5	1301425	RESISTOR 300 OHM, 1/2W 5%		1	R5																		
6	1301966	RESISTOR 820 OHM, 2W 10%		1	R6																		
7	1302465	RESISTOR 18K, 1/2W 5%		2	R7	R14																	
8	1300365	RESISTOR 1K, 1/2W 5%		7	R8	R16	R17	R25	R38	R39	R42												
9	1300479	RESISTOR 10K, 1/2W 5%		7	R9	R13	R27	R28	R41	R44	R45												
10	1301808	RESISTOR 22K, 1/2W 5%		2	R10	R33																	
11	1301897	RESISTOR 1.5K, 5W 5%		1	R11																		
12	1303122	RESISTOR 1.8K, 1W 5%		2	R12	R29																	
13	1302466	RESISTOR 100K, 1/2W 5%		1	R15																		
14	1305108	RESISTOR 1.47K, 1%, 1/2W		1	R24																		
15	1300190	RESISTOR 25 OHM 25W WITH BRACKETS 1%		1	R19																		
16	1305815	RESISTOR 5 OHM, 5W 5%		1	R20																		
17	1305380	RESISTOR 270 OHM, 2W 5%		1	R22																		
18	1309963	RESISTOR 260 OHM, 5W 1%		1	R23																		
19	1303179	RESISTOR 8.2K 1/2W 5%		2	R26	R30																	
20	1309415	RESISTOR 11.5K, 1/2W 1%		2	R18	R31																	
21	1300424	RESISTOR 2.49K 3/4W 1%		1	R32																		
22	1300439	RESISTOR 3.3K, 1/2W 5%		5	R34	R35	R36	R43	R46														

DEC FORM DEC 16 (325) 1031 N870  
DRA 110

DIGITAL EQUIPMENT CORPORATION MAYNARD, MASSACHUSETTS				QUANTITY / VARIATION																			
PARTS LIST																							
MADE BY JIM DAVIS		CHECKED P. BOSSMAN		SECTION 1																			
DATE 4-18-75		DATE 11-4-75		ISSUED SECT. 1																			
ENG JIM DAVIS		PROD D. DEROME		ISSUED SECT. 1																			
DATE 4-18-75		DATE 9-25-75		ISSUED SECT. 1																			
ITEM NO.	DWG NO. / PART NO.	DESCRIPTION																					
45	1105275	DIODE D672		5	D16	D19	D18	D23	D24														
46	1110006	DIODE 1201A RECT		2	D21	D22																	
47	1109465	SCR MCR649P2		1	D17																		
48	1210929-03	3/4 AMP. PICOFUSE		1	F1																		
49	1612500	INDUCTOR 200 UH		1	L1																		
50	1211138-01	RELAY DPDT 6VDC		1	K1																		
51	1211139	RELAY SOCKET HOUSING		1	KK1																		
52	1211342-06	CONN. MATE-N-LOCK 6 PIN		1	J2																		
53	1211342-02	HEADER MATE-N-LOCK 2 PIN		2	J3	J4																	
54	1212645	HEAT SINK		1	HS2																		
55	1212487	HEAT SINK		1	HS1																		
56	1911944	IC LM555 TIMER		2	E1	E2																	
57	1910282	IC LM301A OP AMP		1	E3																		
58	9008219	QUICK CONNECT 1/4 IN. SINGLE MALE 90°		1	J6																		
59	9009000	EYELETS		5																			
60	5011624	ETCHED CIRCUIT BOARD		1																			
61	1209340	8 PIN MATE-N-LOCK		1	J1																		
62	1209456-01	SOCKETS FOR 1209340		6	J1-1	J1-2	J1-3	J1-4	J1-5	J1-6													
63	9009118-03	TERMINAL, SOLDER		4																			
64	9007113	DOUBLE MALE QUICK CONNECT 90°		2	J5	J7																	

DEC FORM DEC 16 (325) 1031 N870  
DRA 110

DIGITAL EQUIPMENT CORPORATION MAYNARD, MASSACHUSETTS				QUANTITY / VARIATION																			
PARTS LIST																							
MADE BY JIM DAVIS		CHECKED P. BOSSMAN		SECTION 1																			
DATE 4-18-75		DATE 11-4-75		ISSUED SECT. 1																			
ENG JIM DAVIS		PROD D. DEROME		ISSUED SECT. 1																			
DATE 4-18-75		DATE 9-25-75		ISSUED SECT. 1																			
ITEM NO.	DWG NO. / PART NO.	DESCRIPTION																					
23	1005784	CAPACITOR 0.01 MFD, 100V, MYLAR		1	C6																		
24	1012607-02	CAPACITOR 180 MFD, 50V, 672D SPRAGUE		2	C1	C10																	
25	1000050	CAPACITOR .033 MFD, 100V		1	C2																		
26	1000042	CAPACITOR 1KPF, 100V		1	C3																		
27	1001610-01	CAPACITOR .01 MFD, 100V		2	C4	C5																	
28	1004813	CAPACITOR 10 MFD, 20V		1	C7																		
29	1000030	CAPACITOR 0.1 MFD 100V		2	C8	C11																	
30	1000009	CAPACITOR 33PF, 100V		1	C9																		
31	1510421	TRANSISTOR D44C8		1	Q1																		
32	1510959	TRANSISTOR 2N3725		2	Q2	Q12																	
33	1510705	TRANSISTOR A05		8	Q3	Q4	Q6	Q8	Q9	Q10	Q14	Q15											
34	1510706	TRANSISTOR A55		3	Q5	Q13	Q16																
35	1509649	TRANSISTOR 2N3762		1	Q7																		
36	1510877	TRANSISTOR 2N6028		1	Q11																		
37	1112595-01	DIODE GE A114B FAST REC RECT.		1	D1																		
38	1112594-01	DIODE GE A115E FAST REC RECT.		1	D2																		
39	1105648	DIODE IN4744 15V ZENER		1	D3																		
40	1110994	DIODE IN751A 5.1V ZENER		1	D4																		
41	1100113	DIODE D662		6	D5	D6	D7	D8	D13	D14													
42	1110713	DIODE 5.1V 2% ZENER		1	D9																		
43	1105796	DIODE IN4004 RECT.		4	D11	D12	D20	D26															
44	1110766	DIODE IN5248B 18V ZENER		3	D15	D25	D10																

DEC FORM DEC 16 (325) 1031 N870  
DRA 110

DIGITAL EQUIPMENT CORPORATION MAYNARD, MASSACHUSETTS				QUANTITY / VARIATION																			
PARTS LIST																							
MADE BY JIM DAVIS		CHECKED P. BOSSMAN		SECTION 1																			
DATE 4-18-75		DATE 11-4-75		ISSUED SECT. 1																			
ENG JIM DAVIS		PROD D. DEROME		ISSUED SECT. 1																			
DATE 4-18-75		DATE 9-25-75		ISSUED SECT. 1																			
ITEM NO.	DWG NO. / PART NO.	DESCRIPTION																					
65	9006024-1	6-32 x 1/2 PPH SCREW		2																			
66	9006653	FLAT WASHER		3																			
67	9008185	6-32 KEP NUT (1/2 AF)		2																			
68	9007853-1	6-32 x 1 1/8 PPH SCREW		1																			
69	9006560	6-32 KEP NUT (5/16 AF)		3																			
70	9006010-1	4-40 x 5/16 PPH SCREW		1																			
71	9006655	FLAT WASHER		1																			
72	9006557	4-40 KEP NUT		1																			
73	9006020-1	6-32 x 1/2 PPH SCREW		2																			
74	9107350-99	WIRE #22 AWG STRANDED IPVC x 1 1/2" L		2																			
75	9107360-22	WIRE #18 AWG STRANDED IPVC x 2 1/2" L		2																			
77	9007970	FEMALE FAST-ON INSULATED		2																			
78	9007834	DOUBLE BACK STICKY TAPE		A/F																			
79	9008268	THERMAL COMPOUND		A/F																			
80	9006664	FLAT WASHER		2																			
81	D-CS-5411625-0-1	CIRCUIT SCHEMATIC		REF																			
82	D-AH-5411625-0-5	ASSY/DRILLING H																					





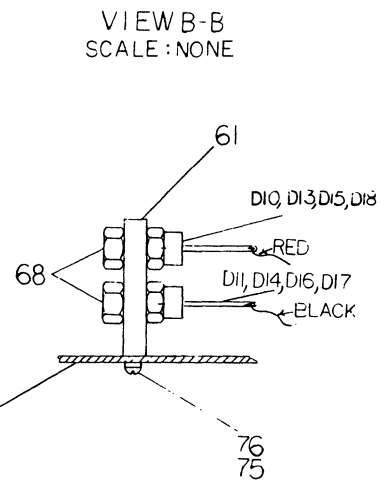
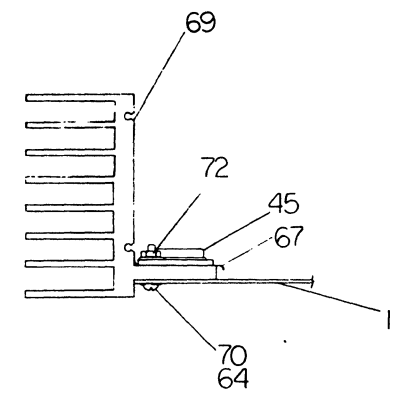
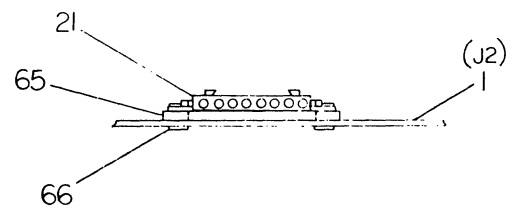
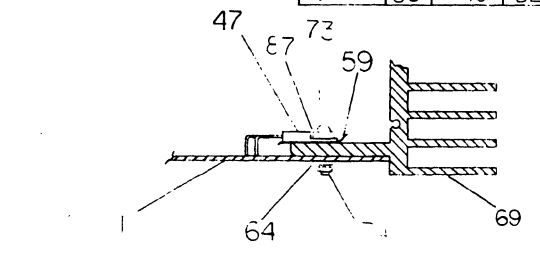


8 7 6 5 4 3 2 1

THIS SHEET IS AN INSTRUMENT PANEL AND THE PROPERTY OF THE U.S. AIR FORCE. IT IS TO BE KEPT IN THE ORIGINAL CONDITION AND SHALL NOT BE REPRODUCED OR TRANSMITTED IN ANY FORM OR BY ANY MEANS, ELECTRONIC OR MECHANICAL, INCLUDING PHOTOCOPYING, RECORDING, OR BY ANY INFORMATION STORAGE AND RETRIEVAL SYSTEM. © 1977

WIRE TABLE						
ITEM NO.	RUN NO.	DESCRIPT.	FROM	TO	LENGTH	
77	75	18TWP	BLK D 11 ANODE	H785 PAD 1	H7850 PAD 1	4.50
	76	18TWP	RED D 10 ANODE	PAD 2	PAD 2	4.50
	77	18	RED D 9 CATHODE	PAD 3	PAD 3	3.00
	78	18	RED D 12 CATHODE	PAD 10	PAD 10	3.75
77	79	18TWP	BLK D 16 ANODE	PAD 11	PAD 11	1.50
	80	18TWP	RED D 15 ANODE	PAD 6	PAD 6	2.00
	81	18	BLK D 17 CATHODE	PAD 8	PAD 7	2.75
77	82	18TWP	RED D 18 CATHODE	PAD 4	PAD 5	2.75
	83	18TWP	RED D 13 ANODE	D 18 CATHODE	D 18 CAT	3.50
	84	18TWP	BLK D 14 ANODE	D 17 CATHODE	D 17 CAT	3.50
	85	18	BLK D 9 ANODE	PAD 9	PAD 9	3.00

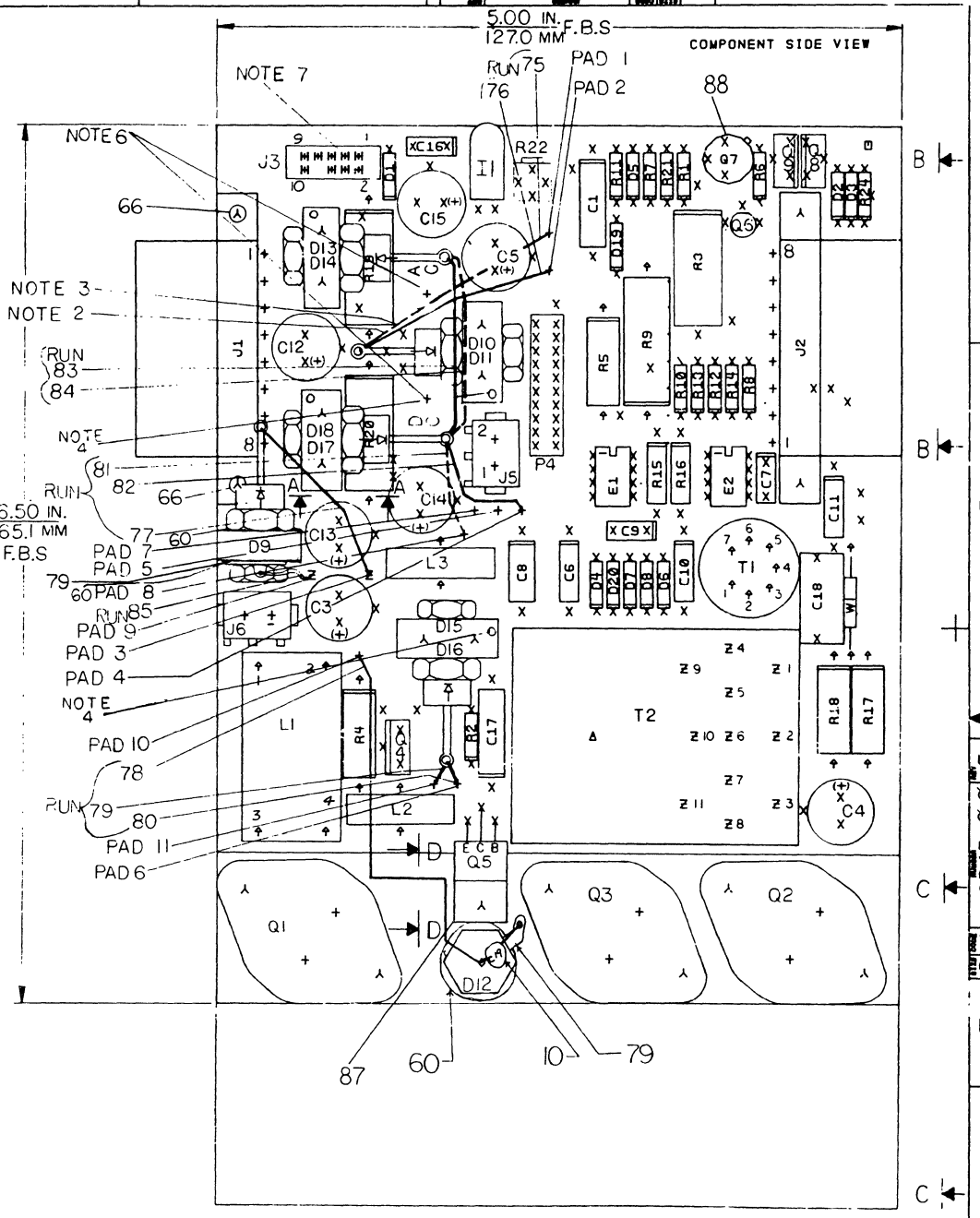
UNTWIST ITEM NO. 77 AND USE PROPER COLOR.



NOTES:  
 1. SEE SHEET 4 OF 4 FOR DIODE WIRING.  
 2. SOLID LINE INDICATES WIRE FROM THE TOP DIODE.  
 3. DASHED LINE INDICATES WIRE FROM BOTTOM DIODE.  
 4. TAPPED HOLE AT TOP OF HEATSINKS MUST FACE PROPER WAY TO ALLOW INSERTION OF CARD GUIDE.  
 5. TORQUE SPECIFICATIONS:  
 31-33 IN-LBS. INSPECT TO MIN. OF 9 TORQUE FROM SCREW HEAD  
 12.5 IN-LBS. INSPECT TO MIN. OF 9 TORQUE FROM SCREW HEAD  
 25-DIE 1/4 IN-LBS. INSPECT TO MIN. OF 12 TORQUE FROM NUT SIDE

NOTES:  
 6. SOLDER ITEM NO. 55 AC, DC CABLE TO REGULATOR BOARD RED WIRE TO PTH MARKED DC. BLACK WIRE TO PTH MARKED AC  
 7. INSERT ON TO J3 ITEM NO. 58

REV.	REVISIONS
1	INITIAL DESIGN
2	REVISED
3	REVISED
4	REVISED
5	REVISED
6	REVISED
7	REVISED
8	REVISED
9	REVISED
10	REVISED

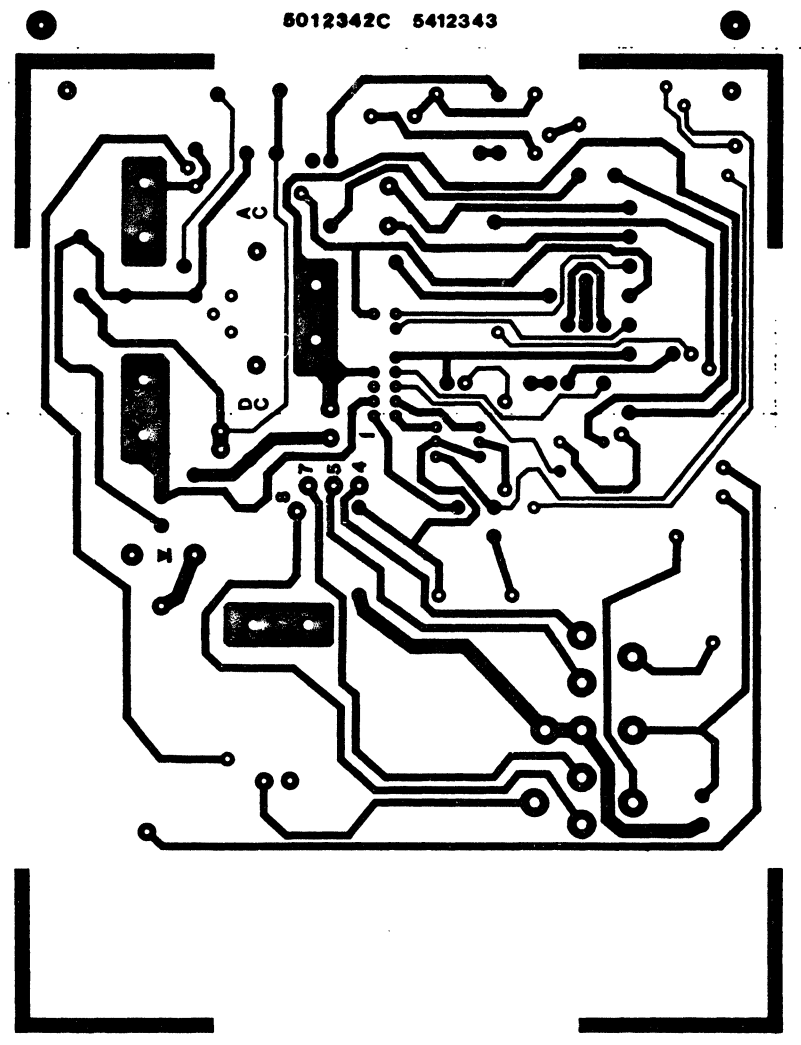


DATE	BY	CHK'D	DATE
12-8-76	...	...	...
1-3-77	...	...	...
1-3-77	...	...	...
2-8-77	...	...	...

TITLE: 11785 BATTERY BACKUP REGULATOR  
 SIZE: 2-1  
 SHT. 1 OF 5  
 NEXT HIGHER ASSY. B-DD-5412343-0

8 7 6 5 4 3 2 1  
 DUAL 5412343-0-0

THIS DRAWING AND SPECIFICATIONS HEREIN ARE THE PROPERTY OF DIGITAL EQUIPMENT CORPORATION AND SHALL NOT BE REPRODUCED OR COPIED OR USED IN WHOLE OR IN PART AS THE BASIS FOR THE MANUFACTURE OR SALE OF ITEMS WITHOUT WRITTEN PERMISSION. COPYRIGHT © 1977 DIGITAL EQUIPMENT CORPORATION.

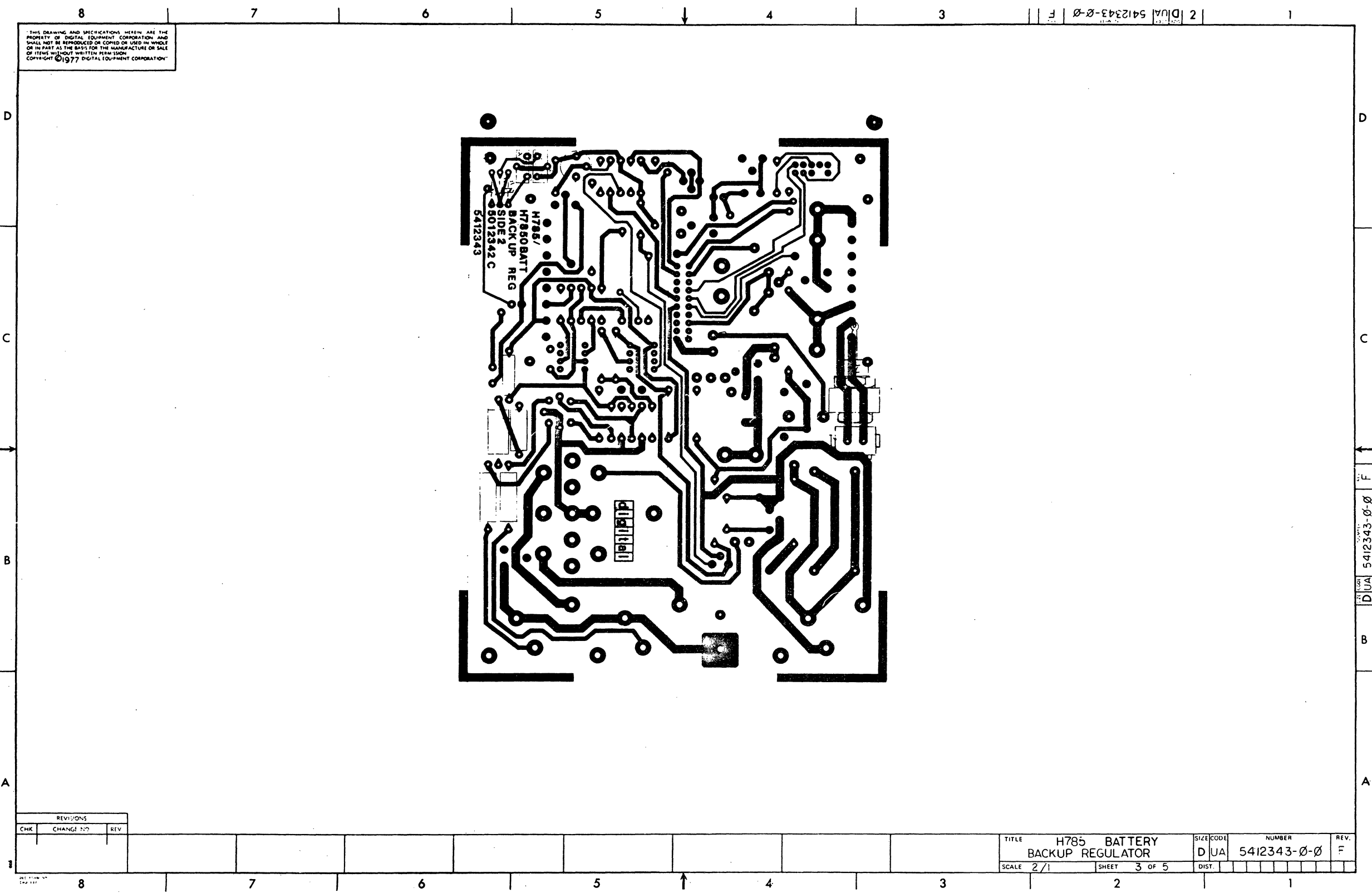
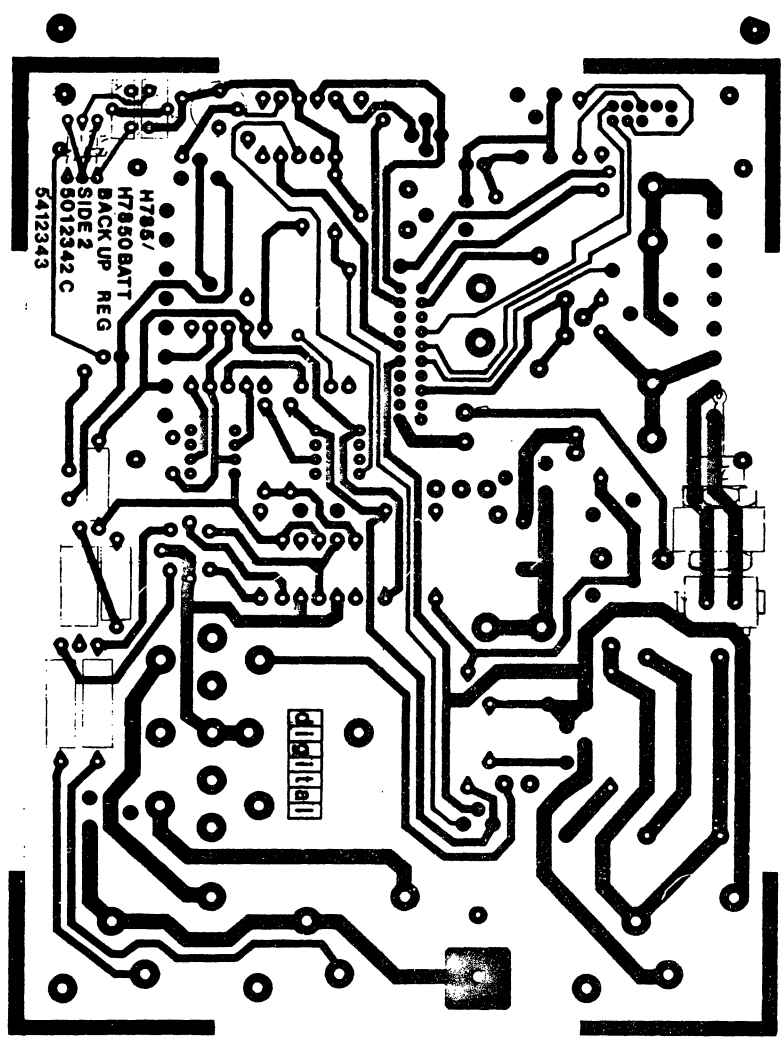


REVISIONS		
NO.	DATE	BY

8	7	6	5	4	3	2	1	
TITLE H785 BATTERY BACKUP REGULATOR						DUAL 5412343-0-0		REV. F
SCALE 2/1		SHEET 2 OF 5		DIST				

DUAL 5412343-0-0 F

THIS DRAWING AND SPECIFICATIONS HEREIN ARE THE PROPERTY OF DIGITAL EQUIPMENT CORPORATION AND SHALL NOT BE REPRODUCED OR COPIED OR USED IN WHOLE OR IN PART AS THE BASIS FOR THE MANUFACTURE OR SALE OF ITEMS WITHOUT WRITTEN PERMISSION. COPYRIGHT ©1977 DIGITAL EQUIPMENT CORPORATION.



REVISIONS		
CHK	CHANGE NO	REV

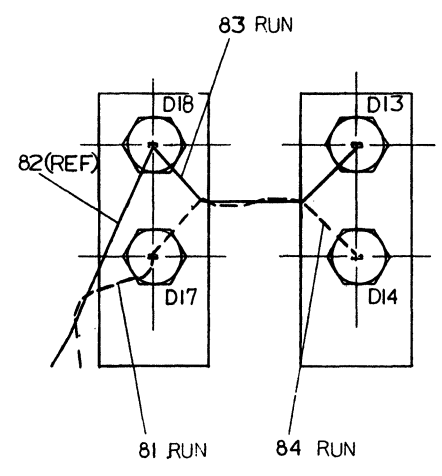
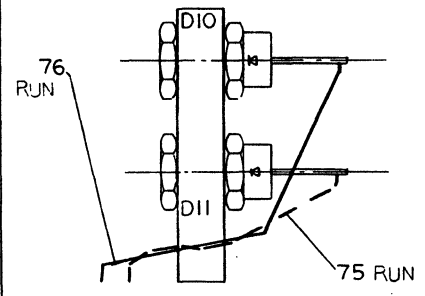
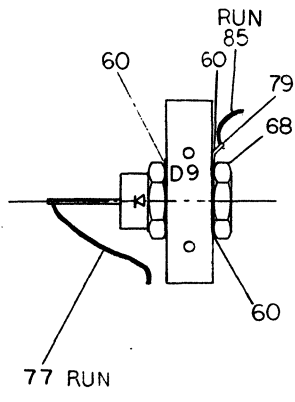
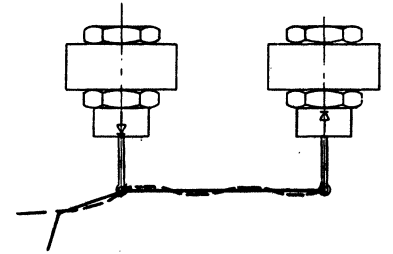
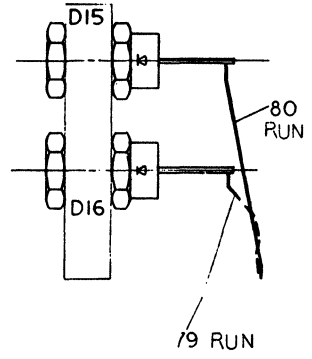
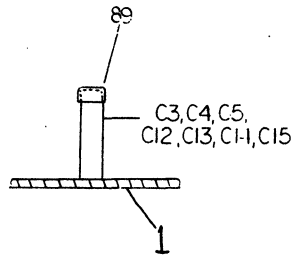
TITLE	H785 BATTERY BACKUP REGULATOR	SIZE CODE	D UA	NUMBER	5412343-0-0	REV.	F
SCALE	2/1	SHEET	3 OF 5	DIST.			

287

THIS DRAWING AND SPECIFICATIONS HEREIN ARE THE PROPERTY OF DIGITAL EQUIPMENT CORPORATION AND SHALL NOT BE REPRODUCED OR COPIED OR USED IN WHOLE OR IN PART AS THE BASIS FOR THE MANUFACTURE OR SALE OF ITEMS WITHOUT WRITTEN PERMISSION. COPYRIGHT © 1977, DIGITAL EQUIPMENT CORPORATION

REV. 10-10-77 272C17571 U 2

NOTES:  
 1 WIRING INFORMATION IS ON SHEET 1 OF 4.  
 2 DIODES TO BE ASSEMBLED TO HEAT-SINKS AND WIRED AS SHOWN BEFORE INSTALLING TO BOARD.



REVISIONS		
CHK	CHANGE NO.	REV.

TITLE	H785 BATTERY BACKUP REGULATOR	SIZE CODE	NUMBER	REV.
SCALE	2/1	SHEET	4 OF 5	DIST.
DUA 5412343-0-0		F		

PART NUMBER  
 DUA 5412343-0-0  
 REV. F

882



LINE	ITEM	DOCUMENT NO.	PART NO.	DESCRIPTION	QTY	REFERENCE DESIGNATORS
1	1	D-MD-5012342-0-0	5012342-00	ETCH BRD 54-12343	1	
2	2		1002431-00	2.2MFD 35V 10% 150S S.TA (10-00)	1	C10
3	3		1012607-02	180 MFD 50V H% 672D AL EL	3	C3-C5
4	4		1000042-00	1000.0 MMF 100V 5%200PPM DM15S (10-00)	1	C7
5	5		1010646-00	.015 MFD 50V 2% M.POLYCARB	1	C8
6	6		1000024-00	470.0 MMF 100V 5%200PPM DM15S (10-00)	1	C9
7	7		1001776-00	1 MFD 35V 10% 150D S.TA (10-00)	2	C6,C11
8	8		1012607-00	560 MFD 20V H% 672D AL EL	3	C12-C14
9	9		1012607-01	1200 MFD 6.3V H% 672D AL EL	1	C15
10	10		1010621-00	.1 MFD 50V 20% Z5U DISC	2	C16,C19
11	11		1004813-00	10 MFD 20V 10% 150D S.TA (10-00)	2	C1,C17
12	12		1000030-00	.1 MFD 100V 20% Z5U DISC	1	C18
13	13	BLANK			0	
14	14		1100125-00	1N 758A VZ= 10.0 5% .40W PPER S.A.V.EC	2	D2,D3
15	15		1105275-00	D 672 TR= 15NS PIV= 60V SP	7	D1,D4-D8,D20
16	16		1109440-00	1N 3880 PIV=100 I= 6A D04 SK	6	D10,D11,D13-D16
17	17		1113366-00	1N 3880R PIV=100 I=6A S	4	D17,D18,D9,D12
18	18		1105648-00	1N 4744 VZ= 15.0 10% 1W Y	1	D19
19	19	BLANK			0	
20	20		1211004-02	SOCKET,100 20POS EDGE MOUNT	1	P4
21	21		1209340-00	MATE-N-LOK 8PIN,HOUSING,SKT	2	J1,J2
22	22		1209456-01	MATE-N-LOK SKT PCB TAB LOOSE	16	
23	23		1211342-02	MATE-N-LOK 2PIN PC TYPE	2	J5,J6
24	24		1209219-01	LAMP 6V0200MA, T1-3/4PINS#2319	1	I1
25	25	BLANK			0	
26	26		1300202-00	47 1/4W 5% CC (13-00)	1	R2
27	27		1309639-00	200 5W 5% WW (13-00)	1	R3
28	28		1312682-00	3 3W 5% (13-00)	1	R4
29	29		1302950-00	1.2 K 1W 10% CC (13-00)	1	R5
30	30		1300426-00	2.7 K 1/4W 5% CC (13-00)	2	R6,R7

REVISION HISTORY			VARIATIONS FOR THIS ASSY.			FIRST USED ON:			DIGITAL EQUIPMENT CORPORATION MAYNARD, MASSACHUSETTS		
CHK	ECO NO	REV							TITLE		
B,N	00004	F				MADE BY:	D BILODEAU	DATE:	31-JUL-78	PARTS LIST	
						CHECKED:	R PUZZO	DATE:	31-JUL-78	H795 BATTERY BACKUP REGULATOR	
						DSN.ENG.:	J MERCURI	DATE:	31-JUL-78	SIZE:CODE:	DOCUMENT NUMBER
						PROP.:	R KING	DATE:	31-JUL-78	K   PL	5412343-0-DBP
						RESP.ENG.:	J MERCURI	DATE:	31-JUL-78	ASSY.NO.:	D-UA-5412343-0-0
										EDIT#:	3

"THIS DRAWING AND SPECIFICATIONS HEREIN, ARE THE PROPERTY OF DIGITAL EQUIPMENT CORPORATION AND SHALL NOT BE REPRODUCED OR COPIED OR USED IN WHOLE OR IN PART AS THE BASIS FOR THE MANUFACTURE OR SALE OF ITEMS WITHOUT WRITTEN PERMISSION.  
COPYRIGHT 1978, DIGITAL EQUIPMENT CORPORATION"



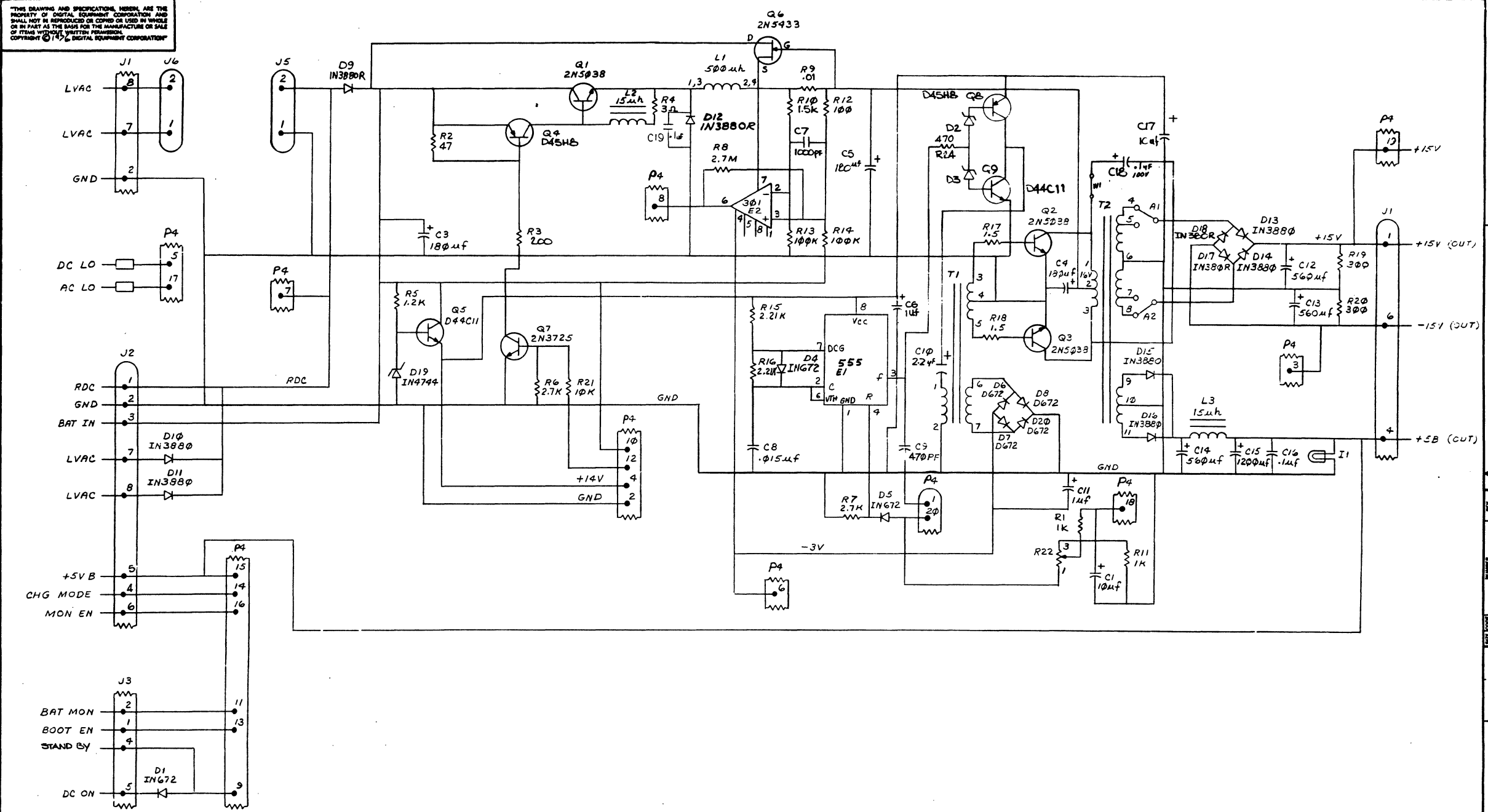
LINE	ITEM	DOCUMENT NO.	PART NO.	DESCRIPTION	QTY	REFERENCE DESIGNATORS
31	31		1309680-00	2.7 M 1/4W 5% CC (13-00)	1	R8
32	32		1313712-00	.01 5W 3% WW (13-00)	1	R9
33	33		1300365-00	1 K 1/4W 5% CC (13-00)	2	R1,R11
34	34		1300229-00	100 1/4W 5% CC (13-00)	1	R12
35	35		1302466-00	100 K 1/4W 5% CC (13-00)	2	R13,R14
36	36		1312404-00	2.21 K 1/2W 1% RN60D-F 100PPM (13-00)	2	R15,R16
37	37		1313579-00	1.5 3W 5% WW (13-00)	2	R17,R18
38	38		1309855-00	300 2W 5% CC (13-00)	2	R19,R20
39	39		1300479-00	10 K 1/4W 5% CC (13-00)	1	R21
40	40		1310852-00	200 20% POT S	1	R22
41	41		1300391-00	1.5 K 1/4W 5% CC (13-00)	1	R10
42	42		1300316-00	470 1/4W 5% CC (13-00)	1	R24
43	43	BLANK				
44	44	BLANK				
45	45		1510969-00	2N 5038 NPN 140WC SI 90 50 Y	3	Q1-Q3
46	46		1510708-00	D 45HR PNP 50AT SI 60 60 Y	2	Q4,Q8
47	47		1512790-00	D 44C11 NPN 30W SI 80 40	2	Q5,Q9
48	48		1511686-00	DEC5433 FET N 350MW 10 25 1A 20U	1	Q6
49	49		1510959-00	2N 3725 NPN 3.5WC SI 50 60 P	1	Q7
50	50	BLANK				
51	51		1612593-00	500 0H 6A S	1	L1
52	52		1613874-00	CHOC,15UH 4A	2	L2,L3
53	53		1613876-00	XFMR,POWER,RATIO 1:2 7PIN S	1	T1
54	54		1613875-00	XFMR,POWER,RATIO 1:2:3 100UH	1	T2
55	55		7013690-00	CABLE 2 PIN AC DC LOW	1	
56	56		1911944-00	555CN TIMER,FUNCT.BLOCK	1	E1
57	57		1910282-00	301AN OP AMP	1	E2
58	58		7013384-1D	10 CONDUCTOR EXTENDER CABLE	1	
59	59		1213071-06	INSULATOR,RUBBER SILICONE	1	
60	60		1213071-05	INSULATOR,RUBBER THERMAL	3	
61	61		7417414-00	HEAT SINK (DUAL)	4	
62	62		7417413-00	HEAT SINK (SINGLE)	1	
63	63		9006655-00	WASHER, FLAT, .312 O.D. X .125 ID X .025 T	1	
64	64		9006656-00	WASHER, FLAT, .312 O.D. X .156 I.D. X .027	6	
65	65		9006706-00	WASHER, NYLON, FLAT #4 .375 OD X .031 THK	2	
66	66		9006745-00	EYELET, POLLED FLANGE, .120 OD X .260 LG	4	
67	67		1213071-02	INSULATOR,RUBBER SILICONE SM	3	
68	68		9006565-00	NUT,KEP , 10-32X 3/8 AF CS/	10	
69	69		1210737-04	HEAT SINK,REGULATOR	1	
70	70		9007793-04	SCREW,BIND,SLOT, 6-32X 9/16 SS/PAS	6	
71	71		9007649-00	***** THIS ITEM IS NOT USED *****	-	
72	72		9008185-00	NUT,KEP , 6-32X1/4 AF CS/	6	
73	73		9008033-01	SCREW,FAN ,PHIL, 4-40X 9/16 SS/PAS	1	
74	74		9006557-00	NUT,KEP , 4-40X 1/4 AF CS	1	
75	75		9006632-00	WASHER,LOCK,INT,.260OD X .120ID X .015 THK	8	
76	76		9006010-04	SCREW,BIND,SLOT, 4-40X 5/16 SS/PAS	8	
77	77		9107430-02	WIRE,STRND,18AWG,IPVC (UL1429) (91-00 A/R		
78	78		9009185-00	JUMPER, WIRE, INSULATED, BLACK BAND	1	W1

TITLE	PARTS LIST	SIZE	CODE	DOCUMENT NUMBER	REV
DIGITAL EQUIPMENT CORPORATION MAYNARD, MASSACHUSETTS	H785 BATTERY BACKUP REGULATOR	K	PL	5412343-0-DBP	F

LINE ITEM	DOCUMENT NO.	PART NO.	DESCRIPTION	QTY	REFERENCE DESIGNATORS
79	79	9008506-00	TERM LUG 1POS SOLDER,FLAT	2	
80	80	9009149-00	PIN, STAKING, P.C. BOARD, .025 X .025	9	J3
81	81	9008404-02	SCREW,FLAT,PHIL, 6-32X 5/16 SS/PAS 1000	2	
82	82	9009142-02	SCREW, PHILLIPS FLAT HEAD, SELF TAP, 4-40	4	
83	83	9006010-01	SCREW,PAN ,PHIL, 4-40X 5/16 SS/PAS	2	
84	84	9008079-00	WASHER, FLAT FIBER OD. 1/4	2	
85	85	9905212-00	CARTON, DIE CUT 2412 100	1	
86	86	D-IA-7417410-0-0 7417410-00	REGULATOR BRACKET	1	
87	87	9009769-00	WASHER, RECTANGULAR .405X.225X.060	1	
88	88	9007201-00	TRANSIPADS #10253	1	
89	89	9009731-03	CAP,PLASTIC	7	

DIGITAL EQUIPMENT CORPORATION MAYNARD, MASSACHUSETTS	TITLE PARTS LIST H785 BATTERY BACKUP REGULATOR	SIZE/CODE K PL	DOCUMENT NUMBER 5412343-0-DBP	REV F
---	--	-------------------	----------------------------------	----------

THIS DRAWING AND SPECIFICATIONS HEREIN ARE THE PROPERTY OF DIGITAL EQUIPMENT CORPORATION AND SHALL NOT BE REPRODUCED OR COPIED IN WHOLE OR IN PART AS THE BASIS FOR THE MANUFACTURE OR SALE OF ITEMS WITHOUT WRITTEN PERMISSION. COPYRIGHT © 1977, DIGITAL EQUIPMENT CORPORATION.



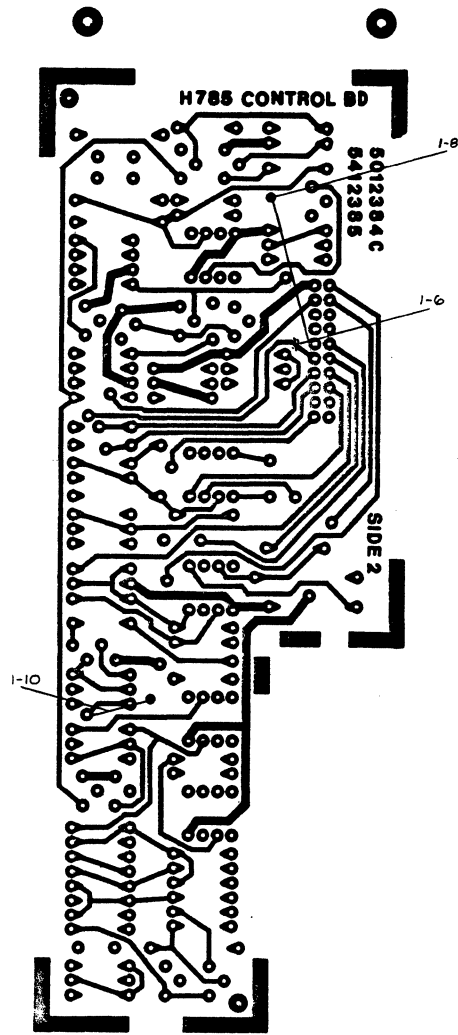
REV.	CHANGE NO.	BY	DATE
1	1	G. POTTER	7-6-77
2	1	J. MERCURI	7-20-77
3	1	J. MERCURI	7-20-77
4	1	J. MERCURI	7-20-77
5	1	J. MERCURI	7-20-77
6	1	J. MERCURI	7-20-77
7	1	J. MERCURI	7-20-77
8	1	J. MERCURI	7-20-77

DRN. Y. linear	8-20-76	FIRST USED ON	
CHK'D J. linear	7-24-77		
ENG. S. linear	7-29-77	TITLE	H785 BATTERY
PROJ. ENG. J. linear	2-0-77		BACKUP REGULATOR
PROD. R. King	2-3-77		
NEXT HIGHER ASSY.			
SCALE		SIZE CODE	NUMBER
SHEET 1 OF 1		D	CS 5412343-0-1
		DIST.	REV. F





"THIS DRAWING AND SPECIFICATIONS HEREIN ARE THE PROPERTY OF DIGITAL EQUIPMENT CORPORATION AND SHALL NOT BE REPRODUCED OR COPIED OR USED IN WHOLE OR IN PART AS THE BASIS FOR THE MANUFACTURE OR SALE OF ITEMS WITHOUT WRITTEN PERMISSION. COPYRIGHT ©1977 DIGITAL EQUIPMENT CORPORATION"



DIA 5412385-0-0 2 E

DIA 5412385-0-0 E

REVISIONS		
CHK	CHANGE NO	REV

TITLE	H785 CONTROL BD	SIZE CODE	D U/A	NUMBER	5412385-0-0	REV.	E
SCALE	2/1	SHEET	3 OF 3	DIST.			

LINE	ITEM	DOCUMENT NO.	PART NO.	DESCRIPTION	QTY	REFERENCE DESIGNATORS
1	1	D-MD-5012384-0-0	5012384-00	5412385	1	
2	2		1001610-01	.01 MFD 100V DR 50V Z5U DISC/800PF MIN	4	C1,C4,C6,C13
3	3		1004813-00	10 MFD 20V 10% 150D S.TA (10-00)	1	C2
4	4		1001776-00	1 MFD 35V 10% 150D S.TA (10-00)	3	C3,C5,C11
5	5		1000061-00	8200.0 MMF 100V 10% 663UW MYLR (10-00)	1	C7
6	6		1005965-00	.47 MFD 35V 10% 150D S.TA (10-00)	2	C8,C12
7	7		1000009-00	33.0 MMF 100V 5%200PPM DM15S (10-00)	1	C9
8	8		1005306-00	6.8MFD 35V 10% 150D S.TA (10-00)	1	C14
9	9		1105275-00	D 672 TR= 15NS PIV= 60V SP	9	D1,D2,D3,D5,D6,D9,D10,D12,D13
10	10		1109988-00	1N 964B VZ= 13.0 5% .40W Y	1	D4
11	11		1102808-00	1N 752A VZ= 5.6 5% .40W P	2	D11,D15
12	12		1110968-00	2N 5062 SCR@100V I=.8A T092	1	D14
13	13		1110713-00	SZ710910 VZ= 5.1 2% M	1	D7
14	14		1114913-00	VZ= 18.0 10% 1W	1	D16
15	15		1300398-00	1.8 K 1/4W 5% CC (13-00)	2	R32,R38
16	16		1300479-00	10 K 1/4W 5% CC (13-00)	11	R1,R13,R18,R19,R20,R21,R28, CONT R31,R42-R44
17	17		1300229-00	100 1/4W 5% CC (13-00)	5	R3,R5,R25,R29,R45
18	18		1301322-00	180 1/4W 5% CC (13-00)	1	R4
19	19		1302177-00	47 K 1/4W 5% CC (13-00)	1	R6
20	20		1302394-00	30 K 1/4W 5% CC (13-00)	1	R7
21	21		1302091-00	330 K 1/4W 5% CC (13-00)	1	R8
22	22		1300365-00	1 K 1/4W 5% CC (13-00)	6	R2,R9,R12,R14,R37,R40
23	23		1300426-00	2.7 K 1/4W 5% CC (13-00)	1	R16
24	24		1302092-00	220 K 1/4W 5% CC (13-00)	1	R15
25	25		1301423-00	6.8 K 1/4W 5% CC (13-00)	1	R17
26	26		1302871-00	1.21 K 1/4W 1% RN55D-F 100PPM (13-00)	1	R35
27	27		1302955-00	750 1/4W 1% RN55D-F 100PPM (13-00)	1	R34
28	28		1303312-00	10.0 K 1/4W 1% RN55D-F 100PPM (13-00)	1	R36
29	29		1302466-00	100 K 1/4W 5% CC (13-00)	3	R22,R39,R41

REVISION HISTORY				VARIATIONS FOR THIS ASSY.			
CHK	ECD NO	REV		FIRST USED ON:		DIGITAL EQUIPMENT CORPORATION MAYNARD, MASSACHUSETTS	
W.H	00003	E	00	MADE BY:	F.MALANSON	DATE:	21-FEB-78
				CHECKED:	F.SEIDMAN	DATE:	21-FEB-78
				DSN.ENG.:	J.MERCURI	DATE:	21-FEB-78
				PROD.:	R.B.KING	DATE:	21-FEB-78
				RESP.ENG.:	J.MERCURI	DATE:	21-FEB-78
						SIZE:	CODE:
						DOCUMENT NUMBER	REV
						K PL	5412385-0-0
						ASSY.NO.:	D-UA-5412385-0-0
						EDIT#	4

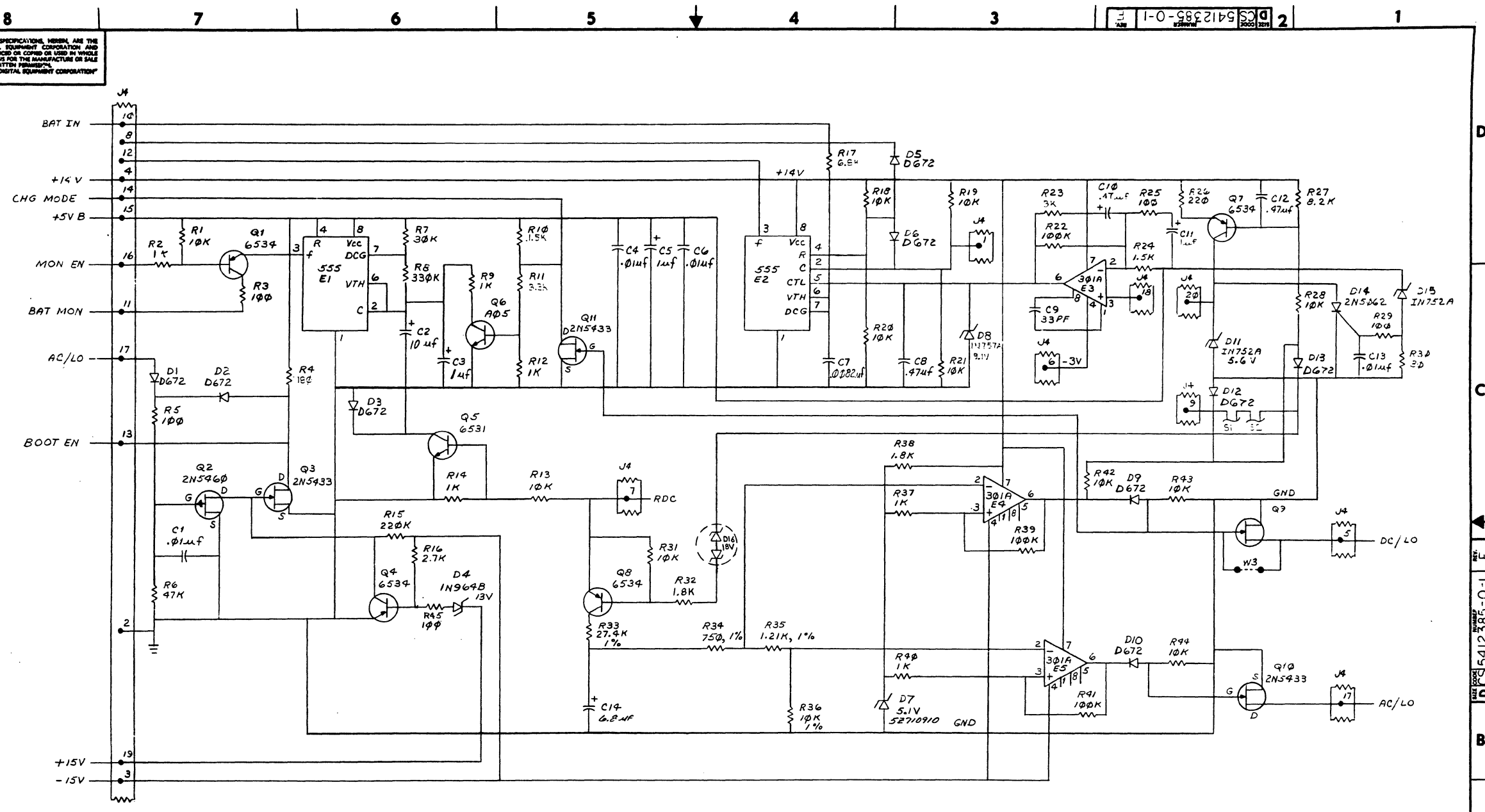
\*THIS DRAWING AND SPECIFICATIONS HEREIN, ARE THE PROPERTY OF DIGITAL EQUIPMENT CORPORATION AND SHALL NOT BE REPRODUCED OR COPIED OR USED IN WHOLE OR IN PART AS THE BASIS FOR THE MANUFACTURE OR SALE OF ITEMS WITHOUT WRITTEN PERMISSION.  
COPYRIGHT 1978. DIGITAL EQUIPMENT CORPORATION \*

LINE	ITEM	DOCUMENT NO.	PART NO.	DESCRIPTION	QTY	REFERENCE DESIGNATORS
30	30		1300271-00	220 1/4W 5% CC (13-00	1	R26
31	31		1303179-00	8.2 K 1/4W 5% CC (13-00	1	R27
32	32		1302751-00	30 1/4W 5% CC (13-00	1	R30
33	33		1309417-00	27.4 K 1/4W 1% RN55D-F 100PPM (13-00	1	R33
34	34		1503409-00	DEC6534D PNP 310MW SI 40 90 P	4	Q1,Q4,Q7,Q8
35	35		1510233-00	2N 5460 FET 310MW SIP CHNNL	1	Q2
36	36		1511686-00	DEC5433 FET N 350MW 10 25 1A 20U	4	Q3,Q9,Q10,Q11
37	37		1509338-00	DEC6531B NPN 310MW SI 40 90 P	1	Q5
38	38		1510705-00	XA 05 NPN 500MW SI 60 50 P	1	Q6
39	39		1911944-00	555CN TIMER,FUNCT.BLOCK	2	E1,E2
40	40		1910282-00	301AN OP AMP	3	E3,E4,E5
41	41		1300391-00	1.5 K 1/4W 5% CC (13-00	2	R10,R24
42	42		1213335-00	HEADER 20POS RT ANGLE FOR 12-13334	1	J4
43	43		1300439-00	3.3 K 1/4W 5% CC (13-00	1	R11
44	44		1212416-02	THERMOSTAT,0@160,N/C,SPST,AUTO RESET	2	S1,S2
45	45		1300432-00	3 K 1/4W 5% CC (13-00	1	R23
46	46		1109990-00	1N 757A VZ= 9.1 5% .40W P	1	D8
47	47		1005965-00	.47 MFD 35V 10% 150D S.TA (10-00	1	C10
48	48		9009157-00	ADHESIVE, PERMABOND #101	A/R	
49	49		9105740-55	WIRE(WRAP)30AWG UL1423 (91-00	A/R	

DIGITAL EQUIPMENT CORPORATION MAYNARD, MASSACHUSETTS	TITLE H785 CONTROL BOARD	PARTS LIST	SIZE K	CODE PL	DOCUMENT NUMBER 5412385-0-0	REV E
---	-----------------------------	------------	-----------	------------	--------------------------------	----------



THIS DRAWING AND SPECIFICATIONS HEREIN ARE THE PROPERTY OF DIGITAL EQUIPMENT CORPORATION AND SHALL NOT BE REPRODUCED OR COPIED OR USED IN WHOLE OR IN PART AS THE BASIS FOR THE MANUFACTURE OR SALE OF ITEMS WITHOUT WRITTEN PERMISSION. COPYRIGHT © 1976, DIGITAL EQUIPMENT CORPORATION.



NOTES:  
 1- H785, 15V OPERATION REMOVE JUMPER W2.  
 2- H785, 7.5V OPERATION REMOVE JUMPER W1.  
 W3 IS AN ENGINEERING OPTION TO BE DETERMINED AT A LATER DATE.

REV.	DATE	BY	CHKD.
1	11/17/76	G. POTTER	J. MERCURI
2	12/15/76	G. POTTER	J. MERCURI
3	1/15/77	G. POTTER	J. MERCURI
4	2/10/77	G. POTTER	J. MERCURI
5	3/10/77	G. POTTER	J. MERCURI
6	4/10/77	G. POTTER	J. MERCURI
7	5/10/77	G. POTTER	J. MERCURI
8	6/10/77	G. POTTER	J. MERCURI

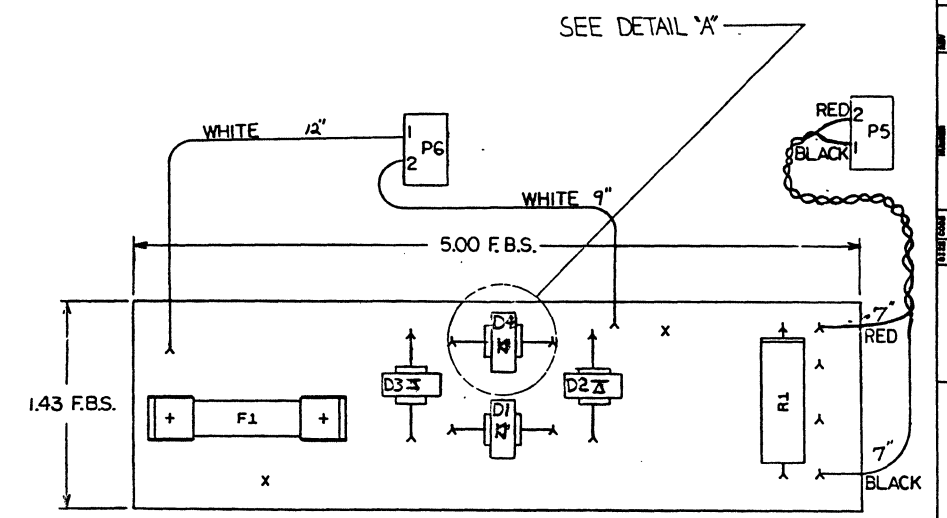
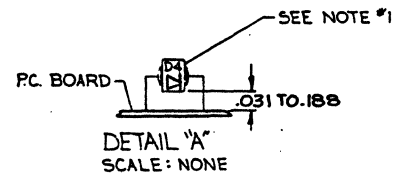
DRN. 9/16/76	8-17-76	FIRST USED ON	digital
CHK'D		TITLE	H785
ENGL.		CONTROL BOARD	
PROJ. ENGR.		NUMBER	5412385-0-1
PROD. ENGR.		REV.	E
NEXT HIGHER ASSY.		SCALE	1 OF 1
		SHEET	1 OF 1

5412411-0-0 2 1

THIS DRAWING AND SPECIFICATIONS, HEREIN, ARE THE PROPERTY OF DIGITAL EQUIPMENT CORPORATION AND WILL BE FURNISHED TO YOU ON THE BASIS OF A WRITTEN ORDER FROM THE PURCHASER. IT IS TO BE USED ONLY FOR THE PURPOSES SPECIFIED IN THE ORDER. ANY OTHER USE WITHOUT THE WRITTEN PERMISSION OF DIGITAL EQUIPMENT CORPORATION IS PROHIBITED. © 1976

COMPONENT SIDE VIEW

NOTES:  
1 DIODES D1 THRU D4 MUST BE RAISED FROM THE P.C. BOARD .031 TO .188



NOTES:

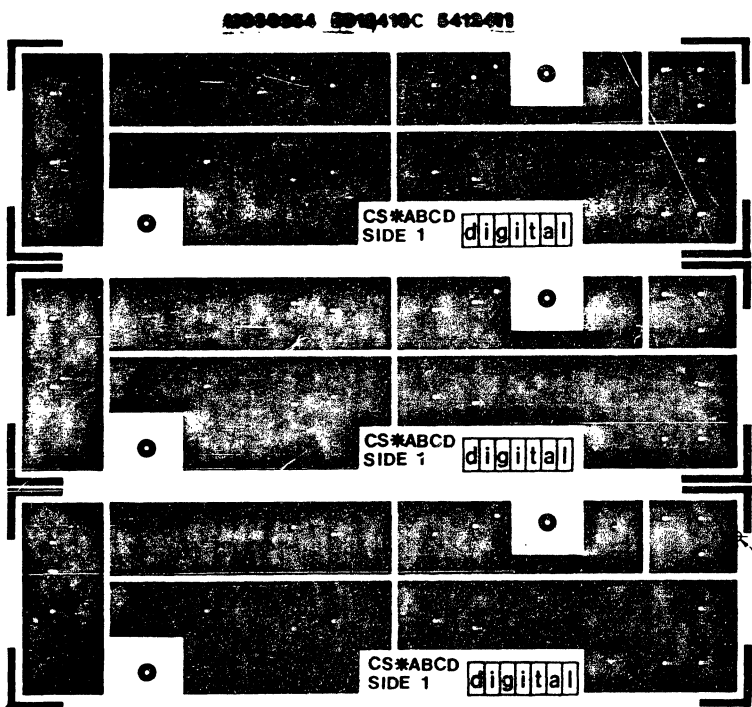
CHG.	DATE	NO.	REV.	BY	CHK.	DESCRIPTION

DATE: 3-21-74  
BY: [Signature]  
CHK'D: [Signature]  
ENG: [Signature]  
PROJ. ENG: [Signature]  
P.D. [Signature]  
SCALE: 2/1  
SHEET: 1 OF 3  
NEXT NUMBER ASSY.

SIGNATURES	DATE	TITLE	NUMBER	REV.
DRN. [Signature]	3-21-74	digital		
CHK'D. [Signature]	3-21-74	INPUT		
ENG. [Signature]	3-5-74	RECTIFIER BOARD		
PROJ. ENG. [Signature]	1-15-74			
P.D. [Signature]	1-22-74			
SCALE: 2/1		SIZE: CODE	NUMBER	REV.
SHEET: 1 OF 3		D 1 UA	5412411-0-0	E
NEXT NUMBER ASSY.				

8 7 6 5 4 3 2 1

THIS DRAWING AND SPECIFICATIONS HEREIN ARE THE PROPERTY OF DIGITAL EQUIPMENT CORPORATION AND SHALL NOT BE REPRODUCED OR COPIED OR USED IN WHOLE OR IN PART AS THE BASIS FOR THE MANUFACTURE OR SALE OF ITEMS WITHOUT WRITTEN PERMISSION. COPYRIGHT © 1976 DIGITAL EQUIPMENT CORPORATION



D  
C  
B  
A

5412411-0-0  
E

REVISIONS

CHK	CHANGE NO	REV

TITLE	INPUT RECTIFIER BOARD	REV CODE	D-1.3	NUMBER	5412411-0-0	REV.	E
SCALE	2/1	SHEET	2 OF 3	DIST			



LINE	ITEM	DOCUMENT NO.	PART NO.	DESCRIPTION	QTY	REFERENCE DESIGNATORS
1	1	D-MD-5012410-0-0	5012410-00	5412411	1	
2	2		1110615-00	MR 752 PIV=200 I=22A A244 SM	4	D1-D4
3	3		1210821-02	MATE-N-LOK 2PIN,HOUSING,SKT	2	P5,P6
4	4		1209379-01	MATE-N-LOK PIN 20-14AWG LOOSE	4	
5	5		1302609-00	4.7 K 2W 10% CC (13-00	1	R1
6	6		9009000-00	EYELET, ROLLED FLANGE, .121 OD X .156 LG	2	
7	7		9008390-00	FUSE, REG BLOW, 10.000A, 250V, CERAMIC	1	
8	8		9007203-00	CLIP, FUSE, WITH STOP, SCREW MOUNTED	2	
9	9		9107360-99	WIRE,STRND,18AWG,IPVC UL1429 (91-00 A/R		
10	10		9107430-02	WIRE,STRND,18AWG,IPVC (UL1429) (91-00 A/R		

11 NOTE: MS60954 ETCH REV C CS REV B

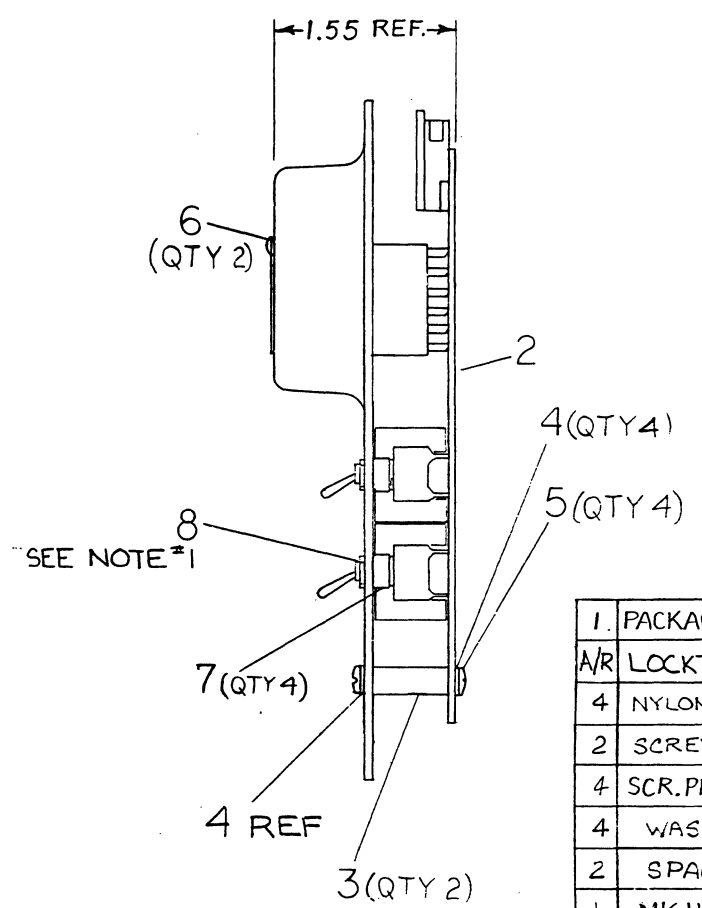
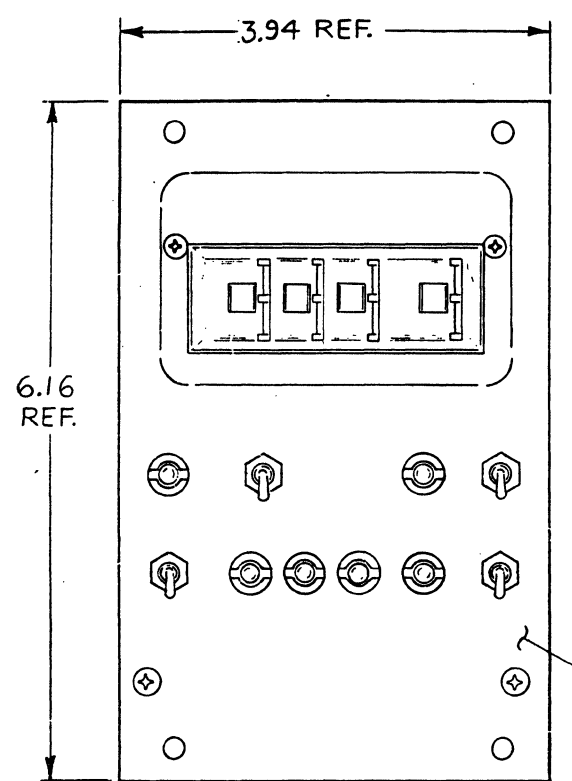
REVISION HISTORY			VARIATIONS FOR THIS ASSY.		FIRST USED ON:		DIGITAL EQUIPMENT CORPORATION MAYNARD, MASSACHUSETTS			
CHK	ECO NO	REV			MADE BY:	DATE:	TITLE			
---	00003	E	00		D.BILODEAU	08-MAR-78	PARTS LIST			
					F.GAROFALO	08-MAR-78	INPUT RECTIFIER BOARD			
					J.MERCURI	08-MAR-78	SIZE	CODE	DOCUMENT NUMBER	REV
					R.B.KING	08-MAR-78	K	PL	5412411-0-0	E
					J.MERCURI	08-MAR-78	ASSY.NO.:		D-UA-5412411-0-0	EDIT#
										3

\*THIS DRAWING AND SPECIFICATIONS HEREIN, ARE THE PROPERTY OF DIGITAL EQUIPMENT CORPORATION AND SHALL NOT BE REPRODUCED OR COPIED OR USED IN WHOLE OR IN PART AS THE BASIS FOR THE MANUFACTURE OR SALE OF ITEMS WITHOUT WRITTEN PERMISSION.  
COPYRIGHT 1978. DIGITAL EQUIPMENT CORPORATION \*



"THIS DRAWING AND SPECIFICATIONS, HEREIN, ARE THE PROPERTY OF DIGITAL EQUIPMENT CORPORATION AND SHALL NOT BE REPRODUCED OR COPIED OR USED IN WHOLE OR IN PART AS THE BASIS FOR THE MANUFACTURE OR SALE OF ITEMS WITHOUT WRITTEN PERMISSION. COPYRIGHT © 1977, DIGITAL EQUIPMENT CORPORATION"

NOTE:  
1-LOCKTITE TO BE APPLIED TO  
THREAD PORTION OF TOGGLE  
SWITCH BEFORE MOUNTING  
CONSOLE (ITEM #1)



QTY	DESCRIPTION	DWG./PART NO.	ITEM NO.
1	PACKAGING INSTR MKII	A-SP-3700252-0-0	9
NR	LOCKTITE	9009321-00	8
4	NYLON SPACER .265 ID X .125 L6	9009565-02	7
2	SCREW SELF-TAP 4X.25, BLK	9009315-01	6
4	SCR. PH HD TRUSS #6-32 X .31	9006021-03	5
4	WASHER INT TOOTH LOCK #6	9006633-00	4
2	SPACER, 6-32 X .69	9006858-00	3
1	MKII BOX CONTROLLER	D-UA-5413018-0-0	2
1	CONSOLE	C-PS-1214577-0-0	1

REV. A  
NUMBER 7014274-0-0  
SIZE CODE CAD

DESCRIPTION	DWG./PART NO.	ITEM NO.
UNLESS OTHERWISE SPECIFIED DIMENSIONS ARE IN INCHES		
ANGLES ±0° 00'	CLASS OF ACCURACY (CHECK ONE)	NOMINAL DIMENSION RANGE INCHES
SURFACE QUALITY IN	MEDIUM	OVER 0 TO 1.2
	PREFERRED	OVER 1.2 TO 4.0
		OVER 4.0 TO 12.0
		OVER 12.0 TO 40.0
		OVER 40.0 TO 80.0
		OVER 80.0 TO 100.0

THIRD ANGLE PROJECTION

REMOVE BURRS AND BREAK SHARP CORNERS

DO NOT SCALE DWG

MATERIAL SEE PARTS LIST

FINISH

DRN. L. Callis 10/25/77

CHK'D. J. Haag 23 SEP 77

ENG. R. G. [Signature]

PROD. ENG. [Signature]

PROD. [Signature]

FIRST USED ON MKII

TITLE BOX CONTROLLER ASSY MKII-0

NEXT HIGHER ASSY.

E-LA MKII-0-0

SCALE 1/1

SHEET 1 OF 1

SIZE CODE C AD

NUMBER 7014274-0-0

REV. A

REV. A  
NUMBER 7014274-0-0  
SIZE CODE CAD

REVISIONS

REV.	CHANGE NO.	DATE	BY
A	00001	20/09/77	K. BOURGEOIS

CHIK 7014274-00001 A

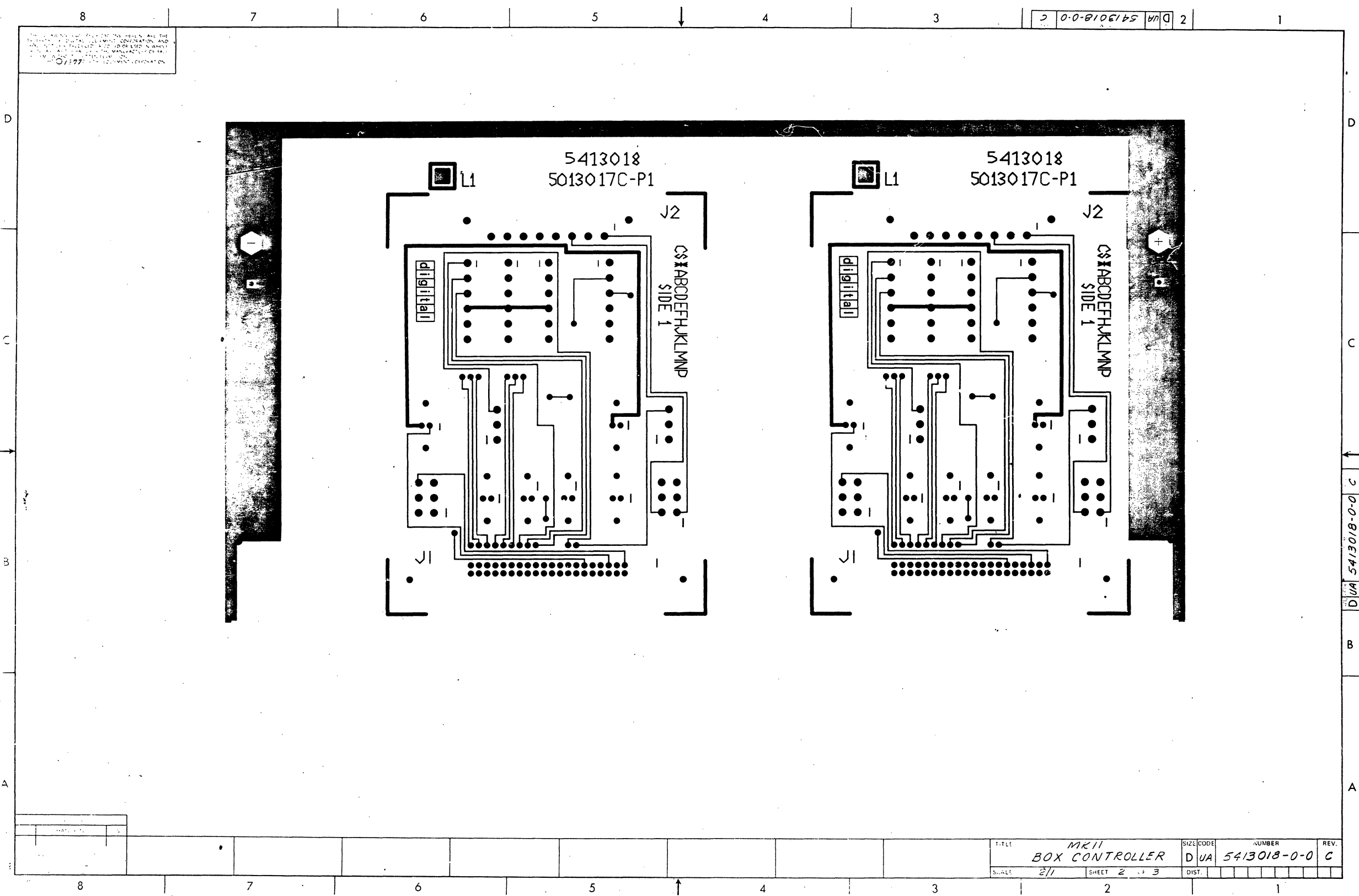
7/20/77

K. BOURGEOIS







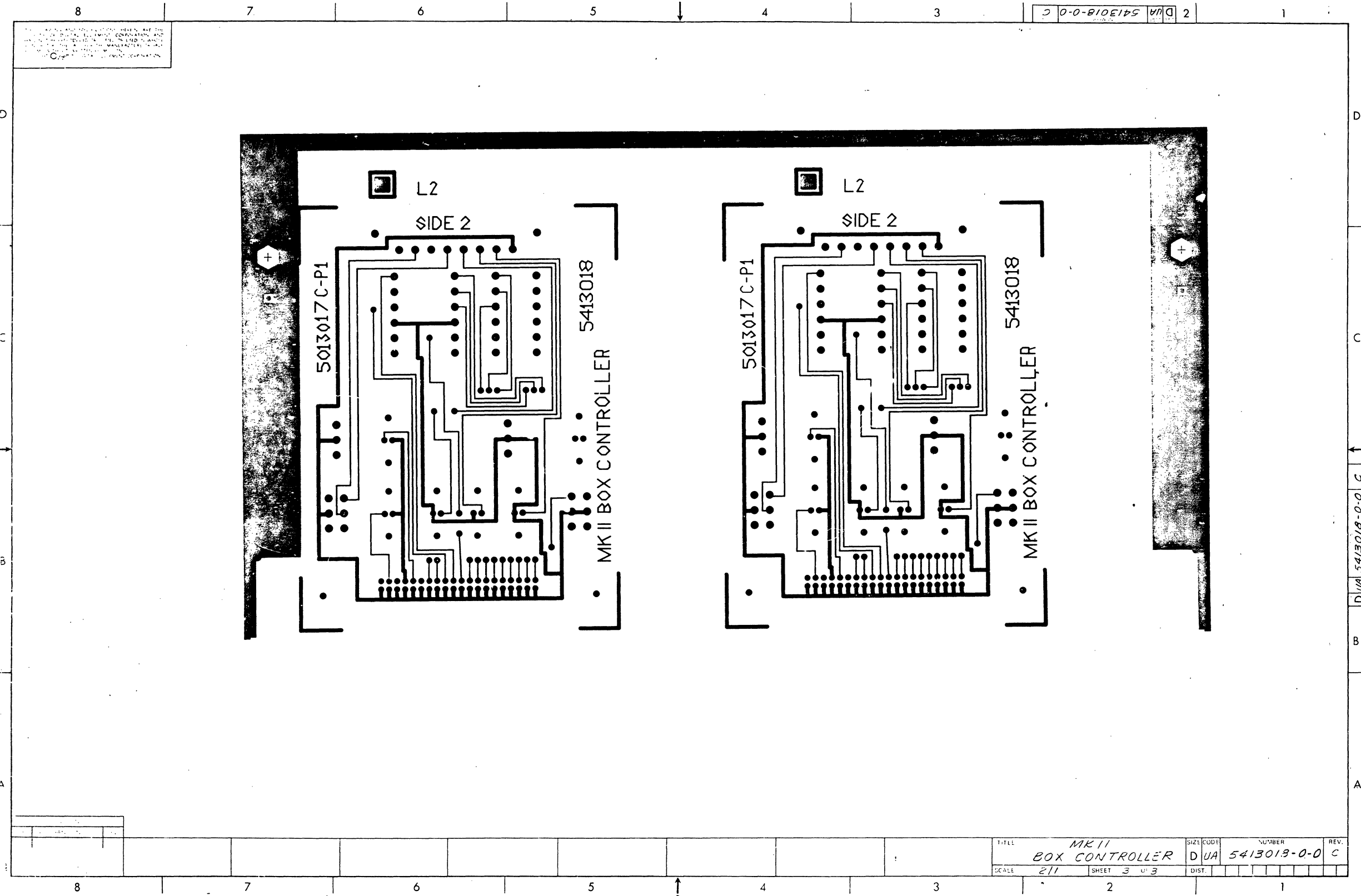


ALL DIMENSIONS ARE IN MILLIMETERS. ALL THE DIMENSIONS IN THIS DRAWING ARE APPROXIMATE AND NOT TO BE USED FOR MANUFACTURE. DIMENSIONS TO BE USED FOR MANUFACTURE ARE TO BE OBTAINED FROM THE MANUFACTURER'S DRAWING.

D UA 5413018-0-0 C 2

D UA 5413018-0-0 C

TITLE	MKII BOX CONTROLLER		SIZE CODE	D UA	NUMBER	5413018-0-0	REV.	C
SCALE	2/1	SHEET	2	OF	3	DIST.		



D UA 5413018-0-0 C 2

D UA 5413018-0-0 C

TITLE	MK II BOX CONTROLLER	SIZE CODE	D UA	NUMBER	5413018-0-0	REV.	C
SCALE	2/1	SHEET	3 OF 3	DIST.			

# DIGITAL EQUIPMENT CORPORATION PARTS LIST

QUANTITY / VARIATION

NOTES:

*USED ON: OPTION / MODEL  
MKII*

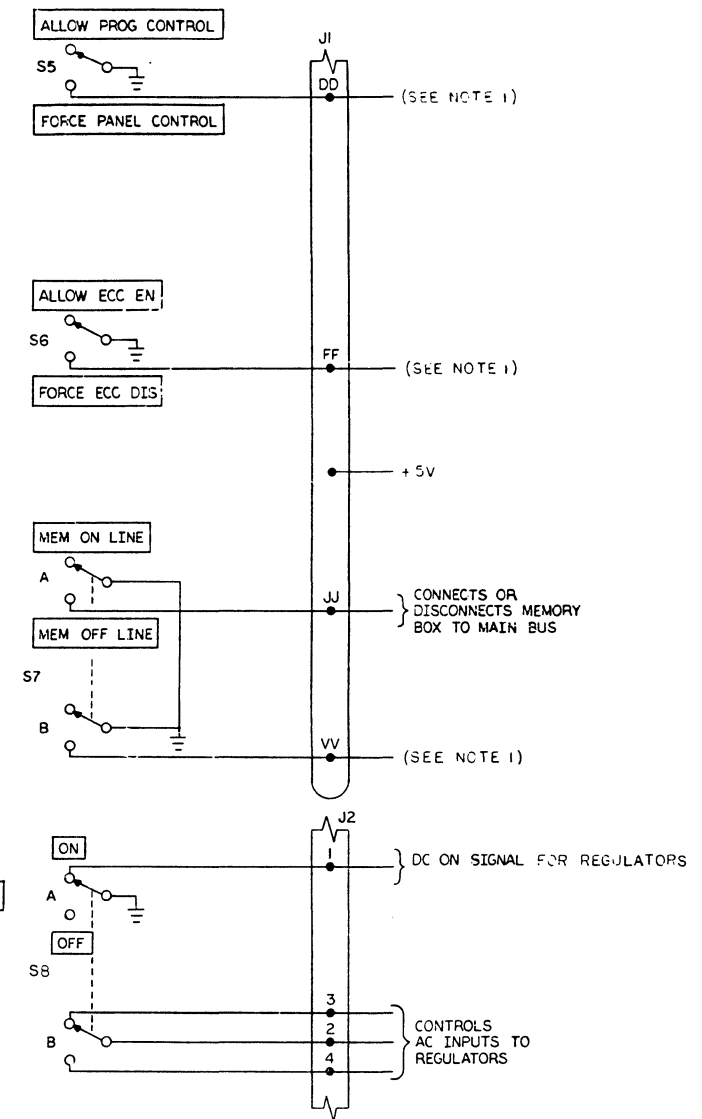
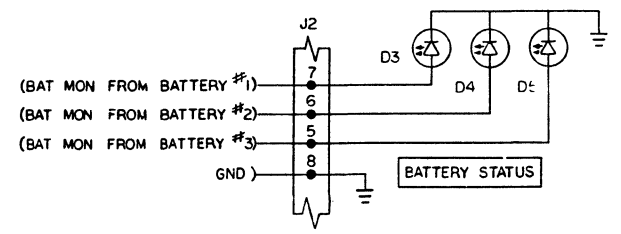
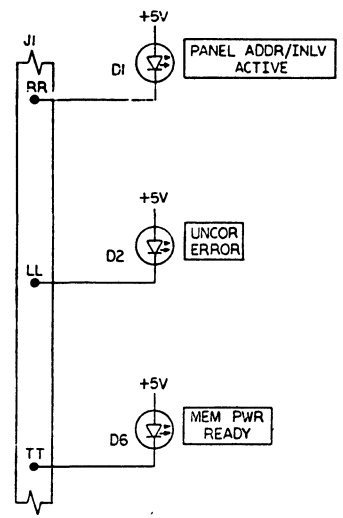
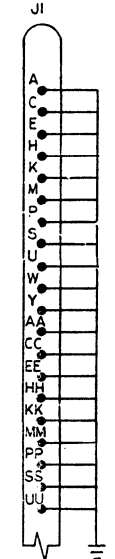
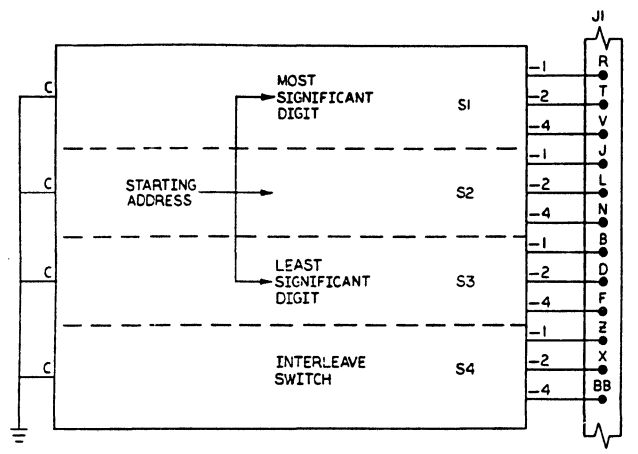
MADE BY C. BEVERLIE	CHECKED W. ANGELL	SECTION 1
DATE 5/5/77	DATE 5/17/77	
ENG <i>W. Angell</i>	PROD <i>P.C. Stephens</i>	ISSUED SECTION 1
DATE 23 AUG 77	DATE 23 AUG 77	

ITEM NO.	DRAWING NO.	PART NO.	DESCRIPTION	REF	QTY	VAR	UNIT	PRICE	TOTAL	REF DESIGNATION
	D-CS-5413018-0-1		CIRCUIT SCHEMATIC	REF						
	D-UA-5413018-0-0		UNIT ASSEMBLY	REF						
	B-DD-5413018-0		DWG. DIRECTORY	REF						
	D-MD-5013017-0-0		DRILL & ETCH DWG.	REF						
1		5013017	ETCHED BD.		1					
2		11-10324-00	LED MV5054-1		6					D1 thru D6
3		12-09590-00	SW. TOGGLE 1P		2					S5,S6
4		12-09592-00	SW. TOGGLE 2P		2					S7,S8
5		12-10848-C2	HOLDER, SINGLE, LED		6					
6		12-09456-01	SOCKET TERMINAL		8					
7		12-09340-00	SOCKET HOUSING 8 PIN		1					J2
8		12-09941-02	CONN 40 PIN RT ANG. HDR.		1					J1
9		12-09941-03	LATCH, LEFT (FOR RT ANG. HDR)		1					
10		12-09941-04	LATCH, RIGHT (FOR RT ANG. HDR.)		1					
11		12-14467-00	SWITCH, THUMBWHEEL ASSY		1					S1,S2,S3,S4
12		90-06732-00	EYELET		2					
13		90-08327-01	PAN HD. SELF TAPPING SCREW		12					
14		<del>91-05740-55</del>	<del>wire, #20 awg, green</del>		<del>1/2</del>					

E.C.O. NO. 00001 00002	<p>"THIS DRAWING AND SPECIFICATIONS, HEREIN, ARE THE PROPERTY OF DIGITAL EQUIPMENT CORPORATION AND SHALL NOT BE REPRODUCED OR COPIED OR USED IN WHOLE OR IN PART AS THE BASIS FOR THE MANUFACTURE OR SALE OF ITEMS WITHOUT WRITTEN PERMISSION. COPYRIGHT © 1977 DIGITAL EQUIPMENT CORPORATION"</p>	<p>TITLE MKII BOX CONTROLLER</p>	<p>ASSY NO. D-UA-5413018-0-0</p>	<p>SIZE B</p>	<p>CODE PL</p>	<p>NUMBER 5413018-0-0</p>	<p>REV. C</p>	
			<p>SHEET 1 OF 1</p>		<p>INSERTION PARTS LIST DATA BASE REV</p>			

THIS DRAWING AND SPECIFICATIONS HEREIN ARE THE PROPERTY OF DIGITAL EQUIPMENT CORPORATION AND SHALL NOT BE REPRODUCED OR COPIED IN WHOLE OR IN PART AS THE BASIS FOR THE MANUFACTURE OR SALE OF ITEMS WITHOUT WRITTEN PERMISSION. COPYRIGHT © 1977, DIGITAL EQUIPMENT CORPORATION.

NOTES:  
 1. J1=40 PIN BERG CONNECTOR—TO DATA BUFFER CARD IN MEMORY BACKPLANE.  
 2. J2= 8 PIN MATE-N-LOK CONNECTOR.



REV	DATE	BY	CHK'D
1	10/18/77	W. ANSEL	
2	11/15/77	W. ANSEL	
3	12/15/77	W. ANSEL	
4	1/15/78	W. ANSEL	
5	2/15/78	W. ANSEL	
6	3/15/78	W. ANSEL	
7	4/15/78	W. ANSEL	
8	5/15/78	W. ANSEL	
9	6/15/78	W. ANSEL	
10	7/15/78	W. ANSEL	
11	8/15/78	W. ANSEL	
12	9/15/78	W. ANSEL	
13	10/15/78	W. ANSEL	
14	11/15/78	W. ANSEL	
15	12/15/78	W. ANSEL	

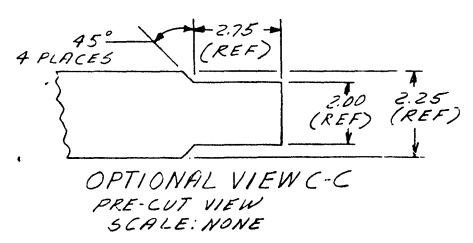
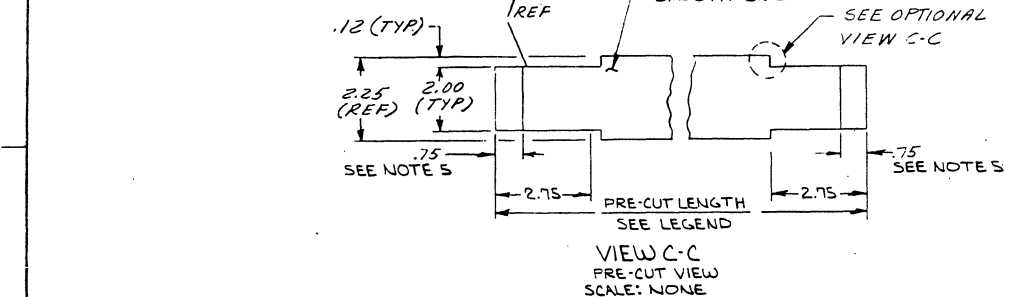
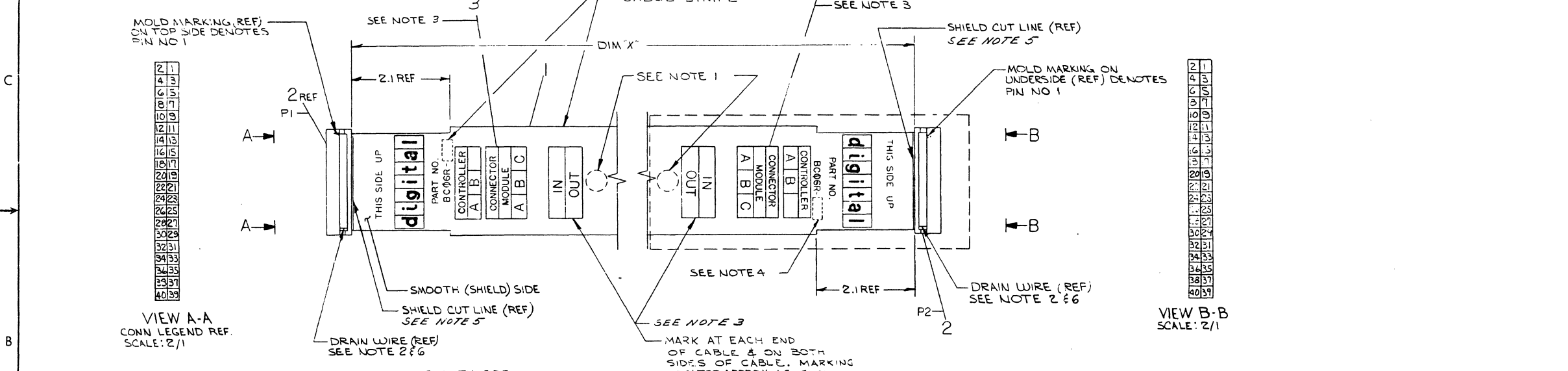
DRW	W. ANSEL	FIRST USED ON	MK11
CHK'D		TITLE	MK11
ENG.			
PROJ. ENG.			
PROD.			
NEXT HIGHER ASSY.			
SCALE	1 CS	NUMBER	5413018-0-1
SHEET	1 OF 1	REV.	C

Copyright © 1975  
DIGITAL EQUIP CORP.

WIRE TABLE			
FROM	TO	FROM	TO
P1-1	P2-1	P1-21	P2-21
P1-2	P2-2	P1-22	P2-22
P1-3	P2-3	P1-23	P2-23
P1-4	P2-4	P1-24	P2-24
P1-5	P2-5	P1-25	P2-25
P1-6	P2-6	P1-26	P2-26
P1-7	P2-7	P1-27	P2-27
P1-8	P2-8	P1-28	P2-28
P1-9	P2-9	P1-29	P2-29
P1-10	P2-10	P1-30	P2-30
P1-11	P2-11	P1-31	P2-31
P1-12	P2-12	P1-32	P2-32
P1-13	P2-13	P1-33	P2-33
P1-14	P2-14	P1-34	P2-34
P1-15	P2-15	P1-35	P2-35
P1-16	P2-16	P1-36	P2-36
P1-17	P2-17	P1-37	P2-37
P1-18	P2-18	P1-38	P2-38
P1-19	P2-19	P1-39	P2-39
P1-20	P2-20	P1-40	P2-40

LEGEND			
NUMBER	DIM X"	PRECUT LENGTH	REMARKS
BC06R-01	1 FT	1 FT 1.5 IN ± 1 IN	SEE PRE-CUT VIEW C-C
BC06R-02	2 FT	2 FT 1.5 IN ± 1 IN	
BC06R-03	3 FT	3 FT 1.5 IN ± 1 IN	
BC06R-04	4 FT	4 FT 1.5 IN ± 1 IN	
BC06R-05	4 FT 6 IN	4 FT 7.5 IN ± 1.5 IN	
BC06R-06	6 FT	6 FT 1.5 IN ± 2 IN	
BC06R-08	8 FT	8 FT 1.5 IN ± 2 IN	
BC06R-10	10 FT	10 FT 1.5 IN ± 2 IN	
BC06R-12	12 FT	12 FT 1.5 IN ± 3 IN	
BC06R-20	20 FT	20 FT 1.5 IN ± 3 IN	
BC06R-25	25 FT	25 FT 1.5 IN ± 3 IN	
BC06R-30	30 FT	30 FT 1.5 IN ± 6 IN	
BC06R-50	50 FT	50 FT 1.5 IN ± 10 FT	
BC06R-60	60 FT	60 FT 1.5 IN ± 12 FT	
BC06R-75	75 FT	75 FT 1.5 IN ± 15 FT	
BC06R-100	100 FT	100 FT 1.5 IN ± 2 FT	
BC06R-07	7 FT	7 FT 1.5 IN ± 2 IN	
BC06R-08	8 FT 6 IN	8 FT 7.5 IN ± 1 IN	SEE PRE-CUT VIEW C-C

- NOTES:
1. INSPECTION & TEST STAMPS TO BE PLACED AT EACH END OF THE CABLE ASSEMBLY.
  2. DRAIN WIRE CONNECTS TO PIN NO 40.
  3. RUBBER STAMP INFORMATION SHOWN USING INK (ITEM 3) & ART WORK DEC NO A-DC-7411699-0-0
  4. STAMP APPLICABLE OPTION DASH NO. ACCORDING TO LENGTH.
  5. REMOVE SHIELD .75 FROM END OF PRECUT CABLE (SEE VIEW C-C).
  6. COVER EXPOSED DRAIN WIRE WITH ITEM 4 PRIOR T ASSY (BOTH ENDS)



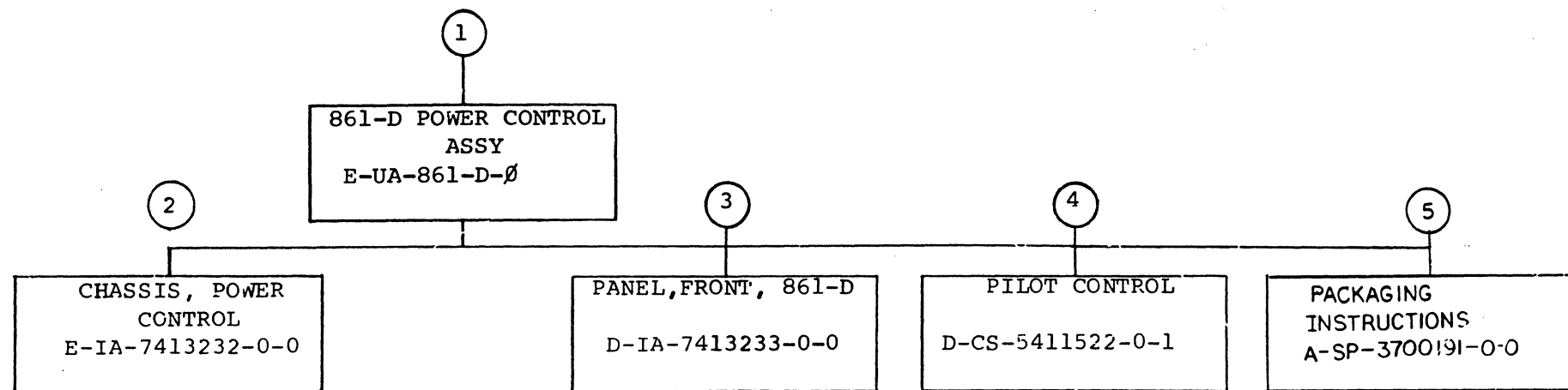
A/R	DESCRIPTION	PART NO.	QTY
A/R	PLASTIC TAPE	3612511-0	4
A/R	INK	4901150	3
Z	CONNECTOR, 40 SOCKET	1211206	2
A/R	CABLE, 40 COND FLAT W/SHIELD	17-00034	1

FIRST USED ON OPTION/MODEL		PARTS LIST	
DRN	DATE	QTY	DESCRIPTION
CHKD	DATE	PART NO.	ITEM NO.
ENG	DATE	PARTS LIST	
PROG	DATE	PARTS LIST	
PROD	DATE	PARTS LIST	
MATERIAL		SIZE	NUMBER
SEE PARTS LIST		SCALE	REV
FINISH		SHEET	DIST

digital EQUIPMENT CORPORATION  
BC06R I/O CABLE  
DUA BC06R-0-0

REV	CHG	BY	DATE
1			
2			
3			
4			
5			
6			
7			
8			





TITLE	SHEET	OF	SIZE	CODE	NUMBER	REV
861-D POWER CONTROL	2	3	B	DD	861-D	D



CUSTOMER PRINT SET		MECHANICAL					CUSTOMER PRINT SET		ELECTRICAL						
	MFG. SET	FIND NO.	DRAWING NO.	REV	NO OF SHT	DESCRIPTION	OPTION NO./FILE DATE		MFG. SET	FIND NO.	DRAWING NO.	REV	NO OF SHT	DESCRIPTION	OPTION NO./FILE DATE
X		1	E-UA-861-D-Ø	F	2	861-D POWER CONTROL ASSY		X		1	B-DD-861-D	D	2	861-D POWER CONTROL ASSY	
X			A-PL-861-D-Ø	F	3	861-D POWER CONTROL ASSY P.L.		X			D-CS-861-D-1	*	1	861-D POWER CONTROL SCHEMATIC	
			C-MD-7413234-0-0		1	COVER, POWER CONTROL					A-SP-861-D-2		4	861-D TEST PROCEDURE	
			D-MD-7413419-0-0		1	BRACKET, STRAIN RELIEF									
			C-IA-7011052-0-0		1	MOV ASSY									
			C-IA-7011053-0-0		1	PILOT LAMP ASSY									
			D-IA-7010966-0-0		1	HARNESS #1, POWER CONTROL									
			D-IA-7010967-0-0		1	HARNESS #3, POWER CONTROL									
			D-IA-7010969-0-0		1	HARNESS #5, POWER CONTROL									
			D-IA-7010970-0-0		1	HARNESS #6, POWER CONTROL									
			C-IA-7010968-0-0		1	HARNESS #8, POWER CONTROL		X		4	D-CS-5411522-0-1	*	1	PILOT CONTROL	
			D-IA-7010972-0-0		1	JUMPER, WIRE					K-CO-5411522-0-4			DRILL TAPE	
			A-DC-7416582-0-1		1	DECAL (NOT FOR EXTERNAL LOADS)					B-MH-5411522-0-6			MODULE ECO HISTORY	
			A-SP-861-0-3			ENGINEERING SPEC 861/866					A-SP-5411522-0-7			PILOT CONTROL TEST PROCEDURE	
											D-AH-5411522-0-5			ASSY DRILL HOLE LAYOUT	
		2	E-IA-7413232-0-0		2	CHASSIS, POWER CONTROL									
			B-SS-7413232-0-1		1	SILK SCREEN, CHASSIS									
		3	D-IA-7413233-0-0		2	PANEL, FRONT, 861-D									
			B-SS-7413233-0-1		1	SILK SCREEN, FRONT PANEL, 861-D									
X		5	A-SP-3700191-0-0	-	2	PACKAGING INSTRUCTIONS, 861-D									
			A-PS-9905726-0-0	-	2	FULL OVERLAP CARTON									
			A-PS-9905727-0-0	-	2	LAMINATED BUILDUP									
			A-PS-9905729-0-0	-	1	TAPE - GLASFLEX									

CUSTOMER PRINT SET CODES  
X = PRINT OF DOCUMENT INCLUDED IN PRINT SET  
C = INCLUDES ALL PRINTS INDICATED ON DOCUMENT  
S = CONFIDENTIAL AUTHORIZED SIGNATURE REQUIRED

TITLE  
861-D POWER CONTROL

SHEET 3 OF 3  
SIZE CODE 3 DD

NUMBER  
861-D

REV  
D



THIS DRAWING AND SPECIFICATIONS HEREBY ARE THE PROPERTY OF DIGITAL EQUIPMENT CORPORATION AND SHALL NOT BE REPRODUCED OR COPIED IN WHOLE OR IN PART WITHOUT THE WRITTEN PERMISSION OF DIGITAL EQUIPMENT CORPORATION.

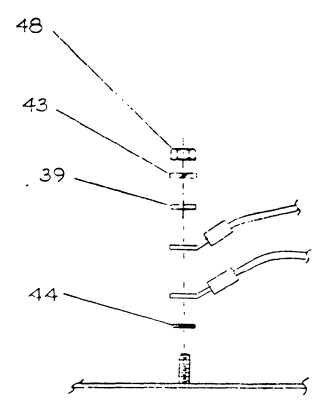
CONNECTION CHART

ITEM NO.	DESCRIPTION	FROM	TO	REMARKS
22	BLU 10	HARNESS 1-1	K1-T3	
	BLK	-2	K1-T1	
	RED	-3	K1-T2	
	RED	-4	CB7-C-LOAD	
	BLK	-5	CB7-D-LOAD	
23	BLU 10	HARNESS 1-6	CB7-B-LOAD	
	RED 10	HARNESS 3-1	CB7-C-LINE	
	BLK	-2	CB7-D-LINE	
	BLU	-3	CB7-B-LINE	
	WHT	-4	CB7-A-LINE	
	GRN	-5	GND *2	
	WHT	-6	FLTR-LOAD-PH1	
	GRN	-7	FLTR-LOAD-GND	
	BLK	-8	FLTR-LOAD-PH2	
	BLU	-9	FLTR-LOAD-PH3	
24	RED 10	HARNESS 3-10	FLTR-LOAD-PH3	
	BLK 14	HARNESS 5-1	CB2-B-LINE	
	BLK	-2	CB7-D-LOAD	
	WHT	-3	CB2-A-LINE	
	WHT	-4	CB7-A-LOAD	
	BLU	-J1	PLT CONT-J6	
	WHT	-7	CB7-A-LOAD	
	WHT	-9	CB4-A-LINE	
	RED	-10	CB3-B-LINE	
	WHT	-11	CB5-A-LINE	
	WHT/BLU	-J2	PLT CONT-J5	
	RED	-14	CB4-B-LINE	
	WHT	-15	CB4-A-LINE	
	BLU	-16	CB1-B-LINE	
	WHT	-17	CB1-A-LINE	
9	BLU	-18	CB3-B-LINE	
	WHT	-19	CB3-A-LINE	
	WHT	-20/21	CB7-A-LOAD	
	WHT	-22/23	CB7-A-LOAD	
	BLU	-24	CI-1	
	BLU	-25		
	BLU	-26	K1-L3	
	BLU	-27		
	RED	-28	C2-1	
	RED	-29		
	RED	-30	K1-L2	
	RED	-31		
	BLK	-32	CI-2	
	BLK	-33		
	BLK	-34	K1-L1	
9	WHT	-35	C2-3	
	BLU	-36	K1-B	
	RED	-37	K1-A	
	WHT	-38	CB7-A-LOAD	
	BLK	-39	CB6-B-LINE	
	BLU	-40	CB7-B-LOAD	
	RED 14	HARNESS 5-42	CB7-C-LOAD	
	BLK 22	I1-BLK	CB7-A-LINE	
	RED 22	I1-RED	CB7-D-LINE	
	BLK 22	I2-BLK	CB7-A-LINE	
	RED 22	I2-RED	CB7-C-LINE	
	BLK 22	I3-BLK	CB7-A-LINE	
	RED 22	I3-RED	CB7-B-LINE	

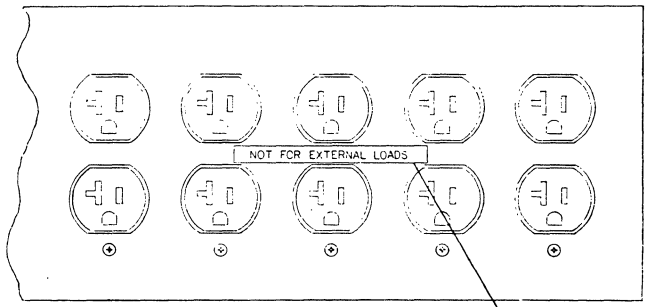
CONNECTION CHART

ITEM NO.	DESCRIPTION	FROM	TO	REMARKS	
25	WHT 14	HARNESS 6-1	J7-S		
	BLK	-2	J7-B		
	WHT	-3	J6-S		
	RED	-4	J6-B		
	WHT	-5	J5-S		
	RED	-6	J5-B		
	WHT	-7	J4-S		
	BLU	-8	J4-B		
	WHT	-9	J3-S		
	BLU	-10	J3-B		
	WHT	-11	CB1-A-LOAD		
	BLU	-12	CB1-B-LOAD		
	WHT	-13	CB3-A-LOAD		
	BLU	-14	CB3-B-LOAD		
	26	WHT	-15	CB4-A-LOAD	
RED		-16	CB4-B-LOAD		
WHT		-17	CB5-A-LOAD		
RED		-18	CB5-B-LOAD		
WHT		-19	CB6-A-LOAD		
BLK 14		HARNESS 6-20	CB6-B-LOAD		
WHT 14		HARNESS 8-P1	PLT CONT-J4		
WHT 14		HARNESS 8-P3	TS-1		
WHT 14		HARNESS 8-4	TS-2		
GRN 10		GND *1	GND *2		
WHT 14		CI-3	C2-3		
WHT 14		JI-5	J2-5		
GRN 14		PLT CONT-J7	GND *1		
BLK 14		JI-B	J2-B		
18		BRN 10	FLTR-LINE-PH1	PLUG-X	
	BLK	FLTR-LINE-PH2	PLUG-Y		
	BLK	FLTR-LINE-PH3	PLUG-Z		
	BLU	FLTR-LINE-NEUT	PLUG-W		
	GRN/BLU 10	FLTR-LINE-GND	PLUG-G		
8		KI-A	52	KI-B	52

NOTES FOR WIRING:  
1. FOR HARNESS POINT NUMBERS, REFER TO HARNESS DWG.

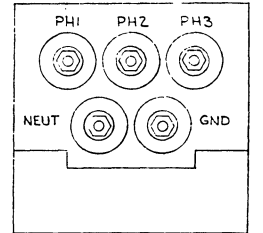


DETAIL B  
TYPICAL FOR "GND 1" & "GND 2"

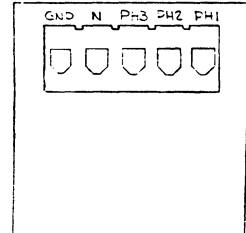


VIEW B-B

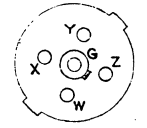
SEE NOTE #2 SHT #1



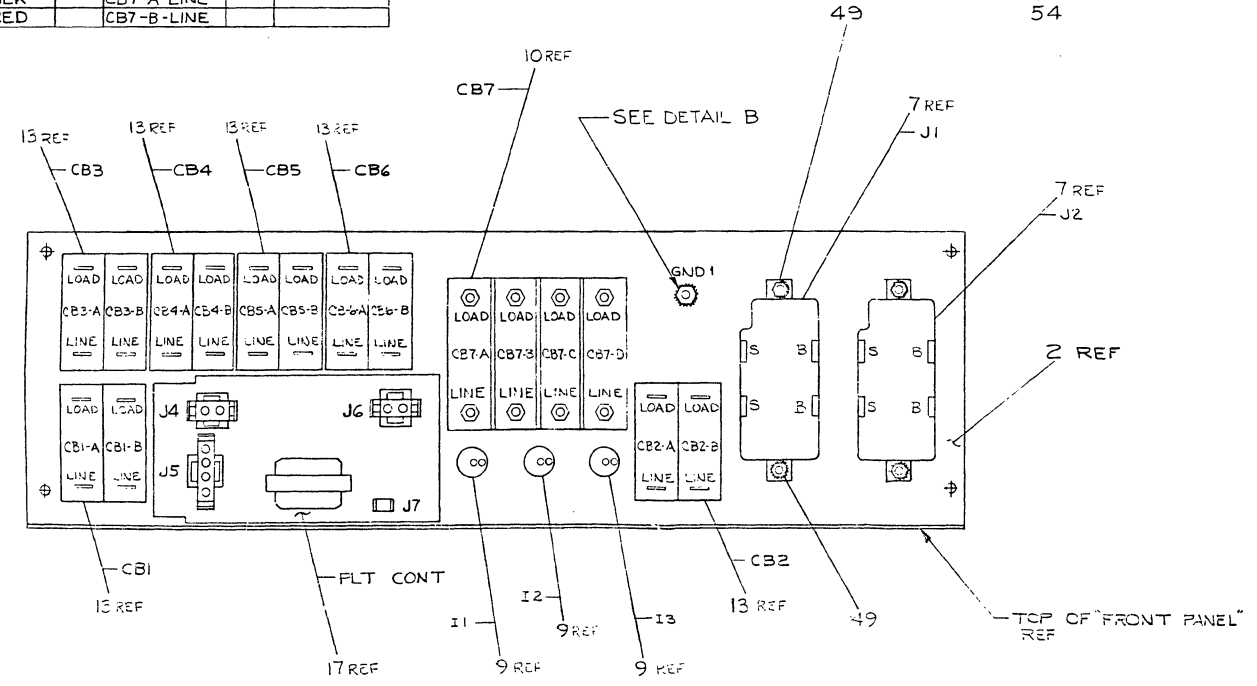
FILTER (ITEM 12)  
LOAD SIDE



FILTER (ITEM 12)  
LINE SIDE



SECTION B-B  
SCALE: NONE  
"TWIST LOCK PLUG" (ITEM 21)



VIEW A-A

REV	DESCRIPTION	DATE	BY	CHKD
1	ISSUED FOR PRODUCTION	11/15/75	J. J. ...	J. J. ...

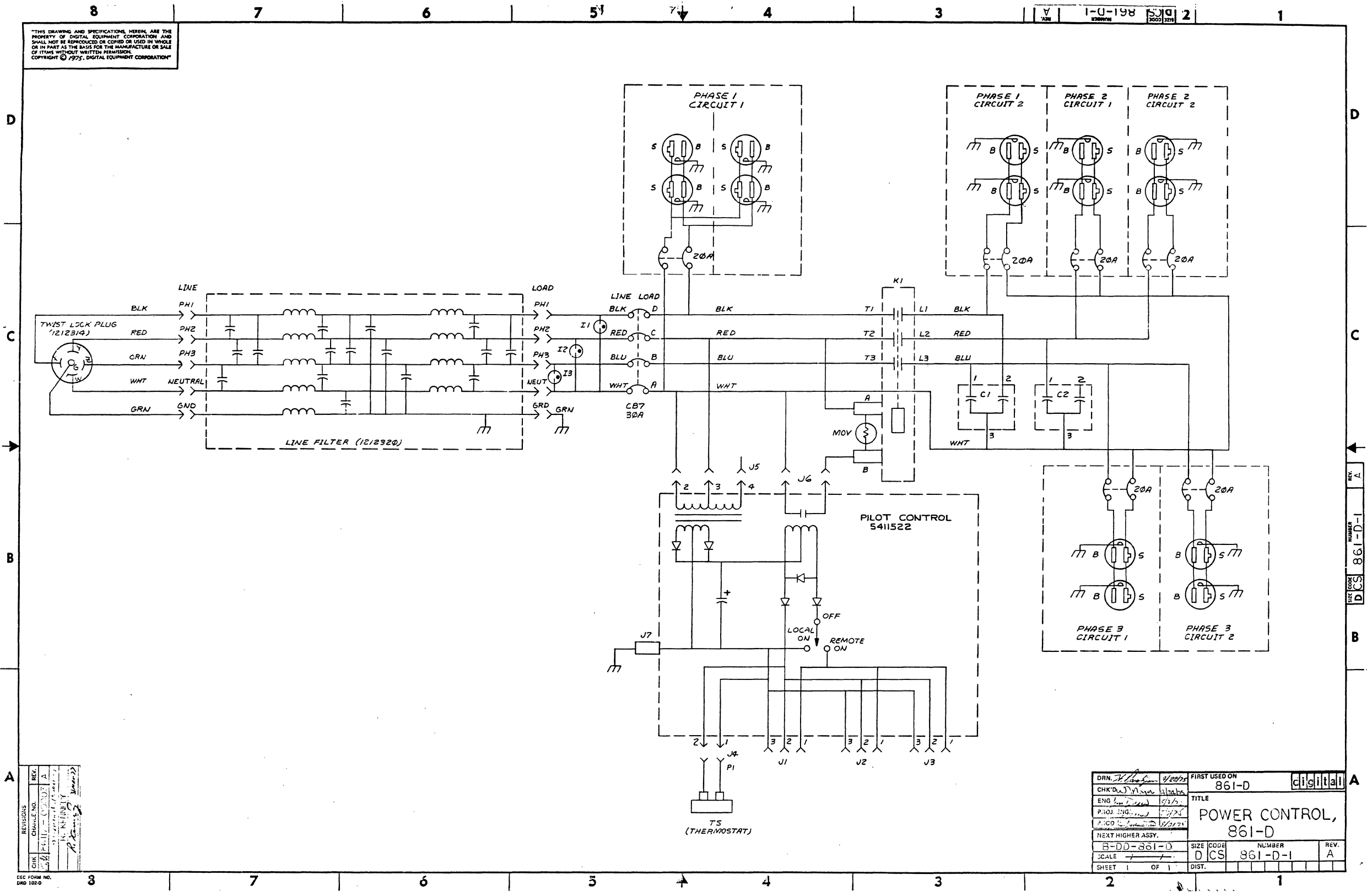
DESCRIPTION	QTY	UNIT	REVISION
POWER CONTROL	1	PCB	1

PROPERTY	VALUE
SCALE	1:1
SHEET	1 OF 1



THIS DRAWING AND SPECIFICATIONS HEREIN ARE THE PROPERTY OF DIGITAL EQUIPMENT CORPORATION AND SHALL NOT BE REPRODUCED OR COPIED OR USED IN WHOLE OR IN PART AS THE BASIS FOR THE MANUFACTURE OR SALE OF ITEMS WITHOUT WRITTEN PERMISSION. COPYRIGHT © 1975, DIGITAL EQUIPMENT CORPORATION



REV.	CHANGED BY	DATE
1	...	...
2	...	...

DRN: <i>[Signature]</i>	DATE: <i>1/28/75</i>	FIRST USED ON: 861-D	digital
CHK'D: <i>[Signature]</i>	DATE: <i>1/28/75</i>	TITLE: POWER CONTROL, 861-D	
ENG: <i>[Signature]</i>	DATE: <i>1/28/75</i>		
PROJ. ENG: <i>[Signature]</i>	DATE: <i>1/28/75</i>		
PROJ. MGR: <i>[Signature]</i>	DATE: <i>1/28/75</i>		
NEXT HIGHER ASSY: B-DD-861-D		SIZE CODE: DCS	NUMBER: 861-D-1
SCALE: <i>1</i>	OF: <i>1</i>	DIST.:	REV. A

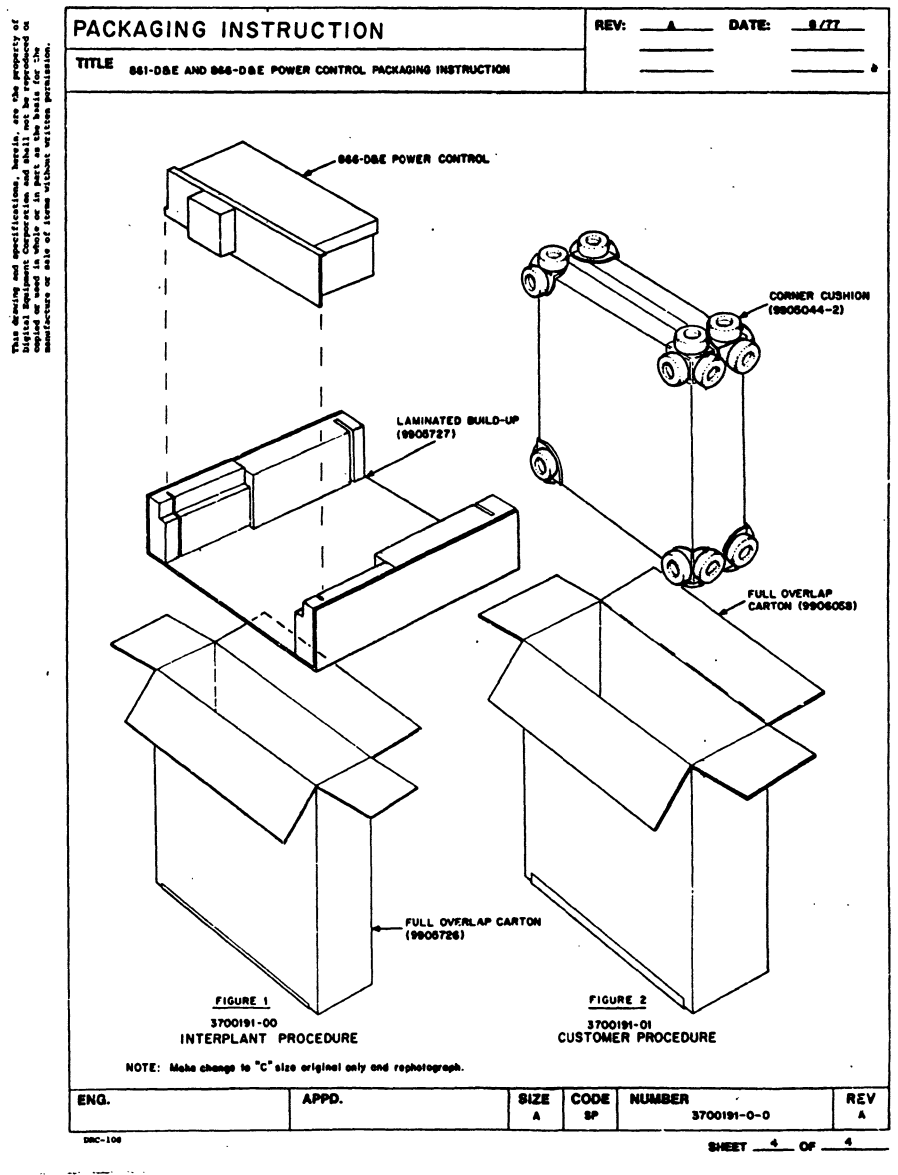
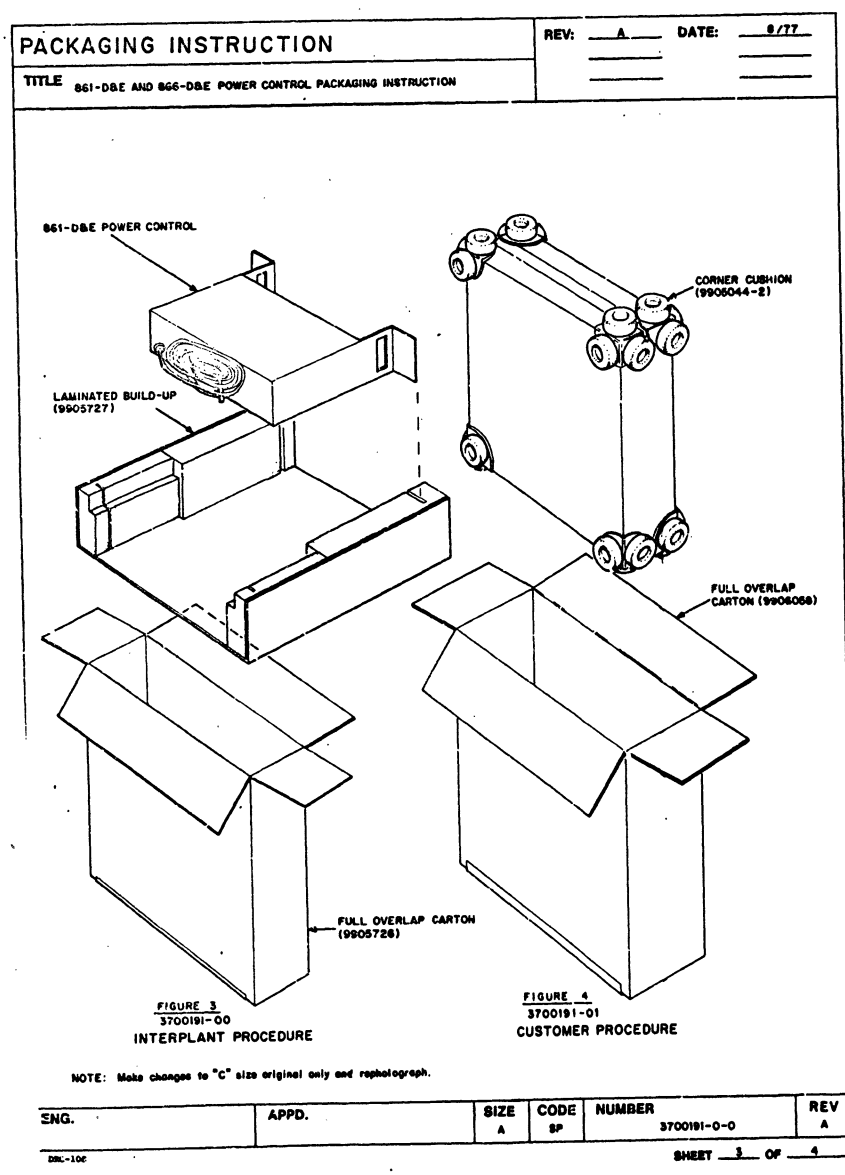
31°



This drawing and specifications remain the property of Digital Equipment Corporation and may not be reproduced or used in whole or in part without written permission.

<b>DIGITAL EQUIPMENT CORPORATION MAYNARD MASSACHUSETTS</b>								
<b>PACKAGING INSTRUCTION</b>	REV: <u>  A  </u> DATE: <u>  8/77  </u>							
<b>TITLE</b> 861-D-E AND 866-D-E POWER CONTROL								
<b>LEGEND</b>								
3700191-00	861 D & E INTERPLANT							
	866 D & E INTERPLANT							
3700191-01	861/866 D & E CUSTOMER							
<b>MATERIAL REQUIREMENTS</b>								
3700191-00 INTERPLANT								
<b>Quantity</b>	<b>Purchase Specification No.</b>	<b>Description</b>						
1	9905726	Full-Overlap Carton						
1	9905727	Laminated Buildup						
5 ft.	9905729	Tape, Carton Sealing 3 in. wide						
<b>PACKAGING INSTRUCTIONS</b>								
3700191-00								
<b>Step</b> Interplant Procedure (Refer to Figures 1 & 2)								
1	Set up and tape Full-Overlap Carton (9905726) using one strip of Carton Sealing Tape (9905729).							
2	Place 861 or 866 Power Control into Laminated Buildup (9905727) as shown in Figure 1, 2. Make sure that the slots in the Laminated Buildup align with the power control chassis.							
3	Pick up Laminated Buildup from both sides and slide it (front end first) into the Full-Overlap Carton.							
4	Coil the cable on the rear of the 861 power control or the separate 866 cable, so that it will fit into the carton.							
5	Close and seal carton with carton sealing tape.							
<table border="1" style="width: 100%; border-collapse: collapse;"> <tr> <td style="width: 15%;">ENG. <i>Submitt 5/78</i></td> <td style="width: 15%;">APPD. <i>Ken MacLean 5/78</i></td> <td style="width: 15%;">SIZE <u>  A  </u></td> <td style="width: 15%;">CODE <u>  SP  </u></td> <td style="width: 15%;">NUMBER 3700191-0-0</td> <td style="width: 15%;">REV <u>  A  </u></td> </tr> </table>			ENG. <i>Submitt 5/78</i>	APPD. <i>Ken MacLean 5/78</i>	SIZE <u>  A  </u>	CODE <u>  SP  </u>	NUMBER 3700191-0-0	REV <u>  A  </u>
ENG. <i>Submitt 5/78</i>	APPD. <i>Ken MacLean 5/78</i>	SIZE <u>  A  </u>	CODE <u>  SP  </u>	NUMBER 3700191-0-0	REV <u>  A  </u>			
<table border="1" style="width: 100%; border-collapse: collapse;"> <tr> <td style="width: 15%;">DEC 8-(851)-1031-1-R671</td> <td style="width: 15%;">DRA - 129</td> <td style="width: 15%;"></td> <td style="width: 15%;"></td> <td style="width: 15%;"></td> <td style="width: 15%;"></td> </tr> </table>			DEC 8-(851)-1031-1-R671	DRA - 129				
DEC 8-(851)-1031-1-R671	DRA - 129							
SHEET <u>  1  </u> OF <u>  4  </u>								

<b>PACKAGING INSTRUCTION</b>		<b>CONTINUATION SHEET</b>					
<b>TITLE</b> 861-D-E AND 866-D-E POWER CONTROL							
<b>MATERIAL REQUIREMENTS</b>							
3700191-01 CUSTOMER							
<b>Quantity</b>	<b>Purchase Specification No.</b>	<b>Description</b>					
1	9906058	Full-Overlap Carton					
8	9905044-02	Toro Pad, Corner Cushion					
6 ft.	9905729	Tape, Carton Sealing (3 in. wide)					
<b>Customer Procedure (Refer to Figure 2 &amp; 4)</b>							
3700191-01							
1.	Follow Interplant Procedure Steps 1 through 5.						
2.	Set up and tape Full-Overlap Carton (9906058) using Carton Sealing Tape.						
3.	Place one (1) Toro Pad (9905044-02) in the bottom of each corner of Full-Overlap Carton.						
4.	Place packaged 861 or 866 Power Control into the outer Full-Overlap Carton. Ensure that the package rests on the Toro Pads. (See Figures 2 and 4)						
5.	Place one (1) Toro Pad on top of each corner of the inner Carton.						
6.	Close and seal Carton with Carton Sealing Tape.						
<table border="1" style="width: 100%; border-collapse: collapse;"> <tr> <td style="width: 15%;"></td> <td style="width: 15%;">SIZE <u>  A  </u></td> <td style="width: 15%;">CODE <u>  SP  </u></td> <td style="width: 15%;">NUMBER 3700191-0-0</td> <td style="width: 15%;">REV <u>  A  </u></td> </tr> </table>				SIZE <u>  A  </u>	CODE <u>  SP  </u>	NUMBER 3700191-0-0	REV <u>  A  </u>
	SIZE <u>  A  </u>	CODE <u>  SP  </u>	NUMBER 3700191-0-0	REV <u>  A  </u>			
SHEET <u>  2  </u> OF <u>  4  </u>							



321











DIGITAL EQUIPMENT CORPORATION PARTS LIST					QUANTITY / VARIATION										NOTES:
MADE BY P. BOSSMAN DATE 6 DEC 76		CHECKED P. BOSSMAN DATE 15 DEC 76		SECTION 1	M7984-AA*					M7984-BA*					* M7984-AA = M7984-AB, AC, AD, ETC. WITH DIFFERENT 4K MOS DEVICES  * M7984-BA = M7984-BB, BC, BD, ETC. WITH DIFFERENT 4K MOS DEVICES
ENG J. MANTON DATE 12/20/76		PROD F.S. LIN DATE 1/18/77		ISSUED SECTION 1	M7984-AB	M7984-AC	M7984-AD	M7984-AE	M7984-AF	M7984-BB	M7984-BC	M7984-BD	M7984-BE	M7984-BF	
ITEM NO.	DRAWING NO.	PART NO.	DESCRIPTION		M7984-AB	M7984-AC	M7984-AD	M7984-AE	M7984-AF	M7984-BB	M7984-BC	M7984-BD	M7984-BE	M7984-BF	REF DESIGNATION
	D-CS-M7984-0-1		CIRCUIT SCHEMATIC		REF	REF	REF	REF	REF	REF	REF	REF	REF	REF	
	D-UA-M7984-0-0		UNIT ASSEMBLY		REF	REF	REF	REF	REF	REF	REF	REF	REF	REF	
	B-DD-M7984-0		DWG DIRECTORY		REF	REF	REF	REF	REF	REF	REF	REF	REF	REF	
	D-MD-5011997-0-0	5011997	DRILL & ETCH DRAWING		REF	REF	REF	REF	REF	REF	REF	REF	REF	REF	
1		21-13731-01	4K MOS RAM 16 PIN IN MOSTEK (275NS)		156	-	-	-	-	-	-	-	-	-	E5 thru E12, E17 thru E24, E28 thru E35, E39 thru E46, E49 thru E56, E60 thru E67, E81 thru E88, E90 thru E97, E99 thru E110, E111 thru E122, E124 thru E135, E137 thru E184, E70 THRU E77
					-	-	-	-	-	78	-	-	-	-	E5, E6, E9, E10, E17, E18, E21, E22, E28, E29, E32, E33, E39, E40, E43, E44, E49, E50, E53, E54, E60, E61, E64, E65, E70, E71, E74, E75, E81, E82, E85, E86, E90, E91, E94, E95, E99, E100, E103, E104, E107, E108, E111, E112, E115, E116, E119, E120, E124, E125, E128, E129, E132, E133, E137, E138, E141, E142, E145, E146, E149, E150, E153, E154, E157, E158, E161, E162, E165, E166, E169, E170, E173, E174, E177, E178, E181, E182
2		21-13735-01	4K MOS RAM 16 PIN IC MOSTEK (200NS)		-	156	-	-	-	-	-	-	-	-	SAME AS M7984-AB
					-	-	-	-	-	-	78	-	-	-	SAME AS M7984-BB
3		90-09185-00	JUMPER. INSULATED		5	5	5	5	5	-	-	-	-	-	W1, W2, W3, W4, X1
					-	-	-	-	-	6	6	6	6	6	W1, W2, W3, W4, W6, X1
4		50 11997	ETCH BOARD		1	1	1	1	1	1	1	1	1	1	
5		10 12084-01	CAP 8 UF 25V 10% S.TANT		13	13	13	13	13	13	13	13	13	13	C182 thru C186, C188 thru C195
6		10 01610-01	CAP .01 UF 100V DISC		23	23	23	23	23	23	23	23	23	23	C156, C157, C159 thru C174, C176 thru C179, C181
7		10 10274-01	CAP .22 UF 50V 80% 20% CER		155	155	155	155	155	155	155	155	155	155	C1 thru C155
8		11 10994-00	DIODE ZENER 1N751A 5.1V - 5%		1	1	1	1	1	1	1	1	1	1	D1
E.C.O. NO.	00003														
"THIS DRAWING AND SPECIFICATIONS, HEREIN, ARE THE PROPERTY OF DIGITAL EQUIPMENT CORPORATION AND SHALL NOT BE REPRODUCED OR COPIED OR USED IN WHOLE OR IN PART AS THE BASIS FOR THE MANUFACTURE OR SALE OF ITEMS WITHOUT WRITTEN PERMISSION. COPYRIGHT © DIGITAL EQUIPMENT CORPORATION"				TITLE MS11-K (ARRAY)					ASSY NO. D-UA-M7984-0-0			SIZE B	CODE PL	NUMBER M7984-0-0	REV. E
				SHEET 1 OF 9					INSERTION PARTS LIST DATA BASE REV						

326

DIGITAL EQUIPMENT CORPORATION PARTS LIST					QUANTITY / VARIATION										NOTES: * M7984-AA = M7984-AB, AC, AD, ETC. WITH DIFFERENT 4K MOS DEVICES * M7984-BA = M7984-BB, BC, BD, ETC. WITH DIFFERENT 4K MOS DEVICES	
					M7984-AA*					M7984-BA*						
MADE BY P. BOSSMAN DATE 6 DEC 76		CHECKED P. BOSSMAN DATE 15 DEC 76		SECTION 2	M7984-AB	M7984-AC	M7984-AD	M7984-AE	M7984-AF	M7984-BB	M7984-BC	M7984-BD	M7984-BE	M7984-BF	REF DESIGNATION	
ENG J. MANTON DATE 12/20/76		PROD F.S. LIN DATE 1/18/77		ISSUED SECTION 1												
ITEM NO.	DRAWING NO.	PART NO.	DESCRIPTION													
9		12 10711-02	HANDLE HEX		1	1	1	1	1	1	1	1	1	1		
10		13 01972-00	RES 270 1/4W 5% CC		2	2	2	2	2	2	2	2	2	2	R94, R102	
11		13 02124-00	RES 18 1/4W 5% CC		84	84	84	84	84	84	84	84	84	84	R1 thru R47, R50 thru R53, R56 thru R59, R65 thru R93	
12		13 00365-00	RES 1K 1/4W 5% CC		7	7	7	7	7	7	7	7	7	7	R63, R95, R201 thru R205	
13		13 02177-00	RES 47K 1/4W 5% CC		9	9	9	9	9	9	9	9	9	9	R48, R49, R54, R55, R60, R61, R62, R64, R103	
14		19 10091-00	IC DEC 7437		3	3	3	3	3	3	3	3	3	3	E1, E47, E48	
15		19 10533-00	IC DEC 74S03		1	1	1	1	1	1	1	1	1	1	E3	
16		19 10534-00	IC DEC 74S04		1	1	1	1	1	1	1	1	1	1	E25	
17		19 12746-00	IC DEC 74S37		10	10	10	10	10	10	10	10	10	10	E13, E14, E26, E27, E37, E57, E58, E68, E69, E89	
18		19 12068-00	IC DEC 74128		2	2	2	2	2	2	2	2	2	2	E15, E36	
19		19 11676-00	IC DEC 74S139		1	1	1	1	1	1	1	1	1	1	E2	
20		19 13777-00	IC DEC 74LS240		10	10	10	10	10	10	10	10	10	10	E4, E16, E38, E59, E78, E79, E80, E98, E123, E136	
21		90 06732-00	EYELET		12	12	12	12	12	12	12	12	12	12		
22		91 05740-55	WIRE, #30 AWG (GRN)		A/R	A/R	A/R	A/R	A/R	A/R	A/R	A/R	A/R	A/R		
23		91 07256-11	TUBING, CLEAR		A/R	A/R	A/R	A/R	A/R	A/R	A/R	A/R	A/R	A/R		
24		2113910-01	4K MOS RAM 16 PIN IC FUJITSU (250NS)		-	-	156	-	-	-	-	-	-	-	SAME AS M7984-AB	
					-	-	-	-	-	-	78	-	-		SAME AS M7984-BB	
25		21 13790-01	4K MOS RAM 16 PIN IC INTEL (250NS)		-	-	-	156	-	-	-	-	-	-	SAME AS M7984-AB	
					-	-	-	-	-	-	-	78	-		SAME AS M7984-BB	
26		21 13892-01	4K MOS RAM 16 PIN IC HITACHI (250NS)		-	-	-	-	156	-	-	-	-	-	SAME AS M7984-AB	
					-	-	-	-	-	-	-	-	78		SAME AS M7984-BB	
E.C.O. NO.																
"THIS DRAWING AND SPECIFICATIONS, HEREIN, ARE THE PROPERTY OF DIGITAL EQUIPMENT CORPORATION AND SHALL NOT BE REPRODUCED OR COPIED OR USED IN WHOLE OR IN PART AS THE BASIS FOR THE MANUFACTURE OR SALE OF ITEMS WITHOUT WRITTEN PERMISSION. COPYRIGHT © DIGITAL EQUIPMENT CORPORATION"					TITLE MS11-K (ARRAY)					ASSY NO. D-UA-M7984-0-0		SIZE B	CODE PL	NUMBER M7984-0-0		REV. E
					SHEET 2 OF 9					INSERTION PARTS LIST DATA BASE REV						

DIGITAL EQUIPMENT CORPORATION PARTS LIST					QUANTITY / VARIATION										NOTES:
MADE BY P. BOSSMAN DATE 6 DEC 76		CHECKED P. BOSSMAN DATE 15 DEC 76		SECTION 3	M7984-AA*					M7984-BA*					* M7984-AA = M7984-AB, AC, AD, ETC. WITH DIFFERENT 4K MOS DEVICES * M7984-BA = M7984-BB, BC, BD, ETC. WITH DIFFERENT 4K MOS DEVICES
ENG J. MANTON DATE 12/20/76		PROD F.S. LIN DATE 1/18/77		ISSUED SECTION 1	M7984-AB	M7984-AC	M7984-AD	M7984-AE	M7984-AF	M7984-BB	M7984-BC	M7984-BD	M7984-BE	M7984-BF	
ITEM NO.	DRAWING NO.	PART NO.	DESCRIPTION												REF DESIGNATION
27		11 14384-00	GREEN DIODE, LED		1	1	1	1	1	1	1	1	1	1	D3
28		11 09991-00	DIODE ZENER, IN754A 6.8V - 5%		1	1	1	1	1	1	1	1	1	1	D2
29		13 00202-00	RES 47 1/4W 5% CC		1	1	1	1	1	1	1	1	1	1	R100

E.C.O. NO.	"THIS DRAWING AND SPECIFICATIONS, HEREIN, ARE THE PROPERTY OF DIGITAL EQUIPMENT CORPORATION AND SHALL NOT BE REPRODUCED OR COPIED OR USED IN WHOLE OR IN PART AS THE BASIS FOR THE MANUFACTURE OR SALE OF ITEMS WITHOUT WRITTEN PERMISSION. COPYRIGHT © DIGITAL EQUIPMENT CORPORATION"			TITLE	ASSY NO.	SIZE	CODE	NUMBER	REV.	
	MS11-K (ARRAY)				D-UA-M7984-0-0	B	PL	M7984-0-0	E	
					SHEET 3 OF 9	INSERTION PARTS LIST DATA BASE REV				

DIGITAL EQUIPMENT CORPORATION PARTS LIST				QUANTITY / VARIATION								NOTES: * M7984-CA = M7984-CB, CC WITH DIFFERENT 16K MOS DEVICES * M7984-DA = M7984-DB, DC WITH DIFFERENT 16K MOS DEVICES		
MADE BY P. BOSSMAN DATE 6 DEC 76		CHECKED P. BOSSMAN DATE 15 DEC 76		SECTION 1		M7984-CA*				M7984-DA*				
ENG J. MANTON DATE 12/20/76		PROD F.S. LIN DATE 1/18/77		ISSUED SECTION 1		M7984-CB	M7984-CC						M7984-DB	M7984-DC
ITEM NO.	DRAWING NO.	PART NO.	DESCRIPTION											REF DESIGNATION
	D-CS-M7984- $\emptyset$ -1		CIRCUIT SCHEMATIC	REF	REF							REF	REF	
	D-UA-M7984- $\emptyset$ - $\emptyset$		UNIT ASSEMBLY	REF	REF							REF	REF	
	B-DD-M7984- $\emptyset$		DWG DIRECTORY	REF	REF							REF	REF	
	D-MD-5011997- $\emptyset$ - $\emptyset$	5011997	DRILL & ETCH DRAWING	REF	REF							REF	REF	
1		21-13825-01	16K MOS MEMORY 16 PIN MOSTEK (2 $\emptyset$ NS)	156	-							-	-	E5 thru E12, E17 thru E24, E28 thru E35, E39 thru E46, E49 thru E56, E6 $\emptyset$ thru E67, E7 $\emptyset$ thru E77, E81 thru E88, E9 $\emptyset$ thru E97, E99 thru E11 $\emptyset$ , E111 thru E122, E124 thru E135, E137 thru E184
				-	-							-	-	
				-	-							-	-	
				-	-							-	-	
				-	-							39	-	E5, E9, E17, E21, E28, E32, E39, E43, E49, E53, E6 $\emptyset$ , E64, E7 $\emptyset$ , E74, E81, E85, E9 $\emptyset$ , E94, E99, E1 $\emptyset$ 3, E1 $\emptyset$ 7, E111, E115, E119, E124, E128, E132, E137, E141, E145, E149, E153, E157, E161, E165, E169, E173, E177, E181
2		21-14408-01	16K MOS MEMORY 16 PIN FUJITSU (2 $\emptyset$ NS)	-	156							-	-	SAME AS M7984-CB
				-	-							-	39	SAME AS M7984-DB
3		90 09185-00	JUMPER, INSULATED	8	8							-	-	W1, W2, W3, W4, W7, W8, W9, X1
				-	-							7	7	W1, W2, W3, W4, W7, W9, X1
4		50 11997	ETCH BOARD	1	1							1	1	
5		10 12084-01	CAP 8 UF 25V 10% S.TANT	13	13							13	13	C182 thru C186, C188 thru C195
6		10 01610-01	CAP .01 UF 1 $\emptyset$ $\emptyset$ V DISC	23	23							23	23	C156, C157, C159 thru C174, C176 thru C179, C181
7		10 10274-01	CAP .22 UF 50V 80% CER	155	155							155	155	C1 thru C155
8		11 10994-00	DIODE ZENER 1N751A 5.1V - 5%	1	1							1	1	D1
9		12 10711-02	HANDLE HEX	1	1							1	1	
10		13 01972-00	RES 270 1/4W 5% CC	2	2							2	2	R94, R1 $\emptyset$ 2
E.C.O. NO.														
"THIS DRAWING AND SPECIFICATIONS, HEREIN, ARE THE PROPERTY OF DIGITAL EQUIPMENT CORPORATION AND SHALL NOT BE REPRODUCED OR COPIED OR USED IN WHOLE OR IN PART AS THE BASIS FOR THE MANUFACTURE OR SALE OF ITEMS WITHOUT WRITTEN PERMISSION. COPYRIGHT © DIGITAL EQUIPMENT CORPORATION"				TITLE MS11-K (ARRAY)				ASSY NO. D-UA-M7984- $\emptyset$ - $\emptyset$		SIZE B	CODE PL	NUMBER M7984- $\emptyset$ - $\emptyset$	REV. E	
				SHEET 4 OF 9				INSERTION PARTS LIST DATA BASE REV						





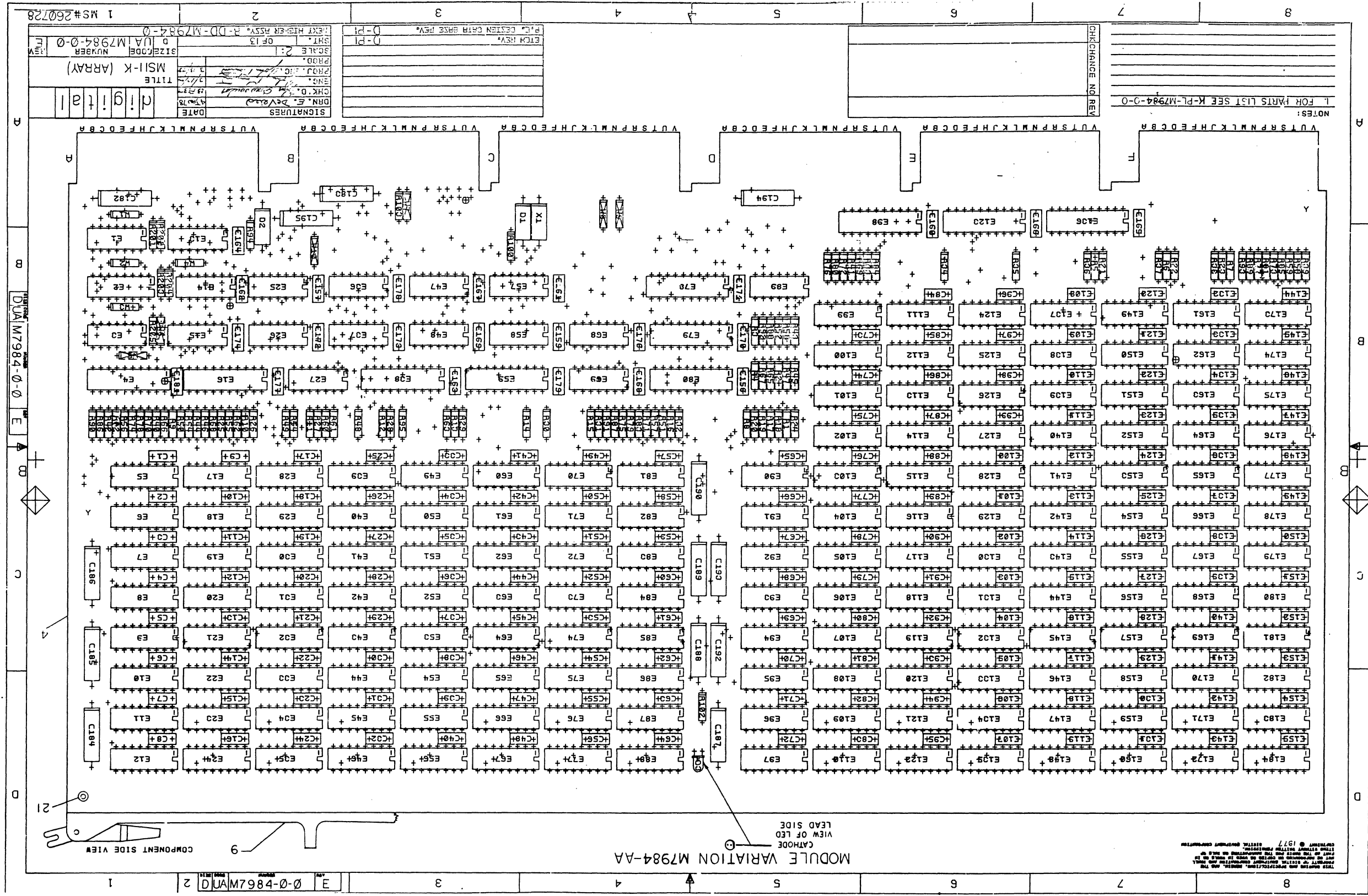
DIGITAL EQUIPMENT CORPORATION PARTS LIST				QUANTITY / VARIATION								NOTES:							
MADE BY P. BOSSMAN DATE 6 DEC 76		CHECKED P. BOSSMAN DATE 15 DEC 76		SECTION 1		M7984-EA*								* M7984-EA = M7984-EB,EC,ED,EE WITH DIFFERENT 4K MOS DEVICES					
ENG J. MANTON DATE 12/20/76		PROD F.S. LIN DATE 1/18/77		ISSUED SECTION 2		M7984-EB	M7984-EC	M7984-ED	M7984-EE										
ITEM NO.	DRAWING NO.	PART NO.	DESCRIPTION	M7984-EB	M7984-EC	M7984-ED	M7984-EE												REF DESIGNATION
	D-CS-M7984-Ø-1		CIRCUIT SCHEMATIC	REF	REF	REF	REF												
	D-UA-M7984-Ø-Ø		UNIT ASSEMBLY	REF	REF	REF	REF												
	B-DD-M7984-Ø		DWG DIRECTORY	REF	REF	REF	REF												
	D-MD-5011997-Ø-Ø	5011997	DRILL & ETCH DRAWING	REF	REF	REF	REF												
1		21 13914-01	4K MOS RAM 16 PIN IC DEC (2ØØNS)	156	-	-	-												E5 thru E12, E17 thru E24, E28 thru E35, E39 thru E46, E49 thru E56, E6Ø thru E67, E7Ø thru E77, E81 thru E88, E9Ø thru E97, E99 thru E122, E124 thru E135, E137 thru E184
2		21 13735-01	4K MOS RAM 16 PIN IC MOSTEK (2ØØNS)	-	156	-	-												SAME AS M7984-EB
3		90 09185-00	JUMPER, INSULATED	6	6	6	6												W1, W2, W3, W4, W8, X1
4		50 11997	ETCH BOARD	1	1	1	1												
5		10 12084-01	CAP, 8 UF 25V 10% S.TANT	13	13	13	13												C182 thru C186, C188 thru C195
6		10 01610-01	CAP, .01 UF 1ØØV DISC	23	23	23	23												C156, C157, C159 thru C174, C176 thru C179, C181
7		10 10274-01	CAP, .22 UF 5ØV 80% 20% CER	155	155	155	155												C1 thru C155
8		11 10994-00	DIODE ZENER 1N51A 5.1V - 5%	1	1	1	1												D1
9		12 10711-02	HANDLE HEX	1	1	1	1												
10		13 01972-00	RES 270 1/4W 5% CC	2	2	2	2												R94, R1Ø2
11		13 02124-00	RES 18 1/4W 5% CC	84	84	84	84												R1 thru R47, R5Ø thru R53, R56 thru R59, R65 thru R93
12		13 00365-00	RES 1K 1/4W 5% CC	7	7	7	7												R63, R95, R2Ø1 thru R2Ø5
13		13 02177-00	RES 47K 1/4W 5% CC	9	9	9	9												R48, R49, R54, R55, R6Ø, R61, R62, R64, R1Ø3
E.C.O. NO.																			
"THIS DRAWING AND SPECIFICATIONS, HEREIN, ARE THE PROPERTY OF DIGITAL EQUIPMENT CORPORATION AND SHALL NOT BE REPRODUCED OR COPIED OR USED IN WHOLE OR IN PART AS THE BASIS FOR THE MANUFACTURE OR SALE OF ITEMS WITHOUT WRITTEN PERMISSION. COPYRIGHT © DIGITAL EQUIPMENT CORPORATION"				TITLE MS11-K (ARRAY)				ASSY NO. D-UA-M7984-Ø-Ø				SIZE B	CODE PL	NUMBER M7984-Ø-Ø				REV. E	
				SHEET 6 OF 9				INSERTION PARTS LIST DATA BASE REV											



DIGITAL EQUIPMENT CORPORATION PARTS LIST				QUANTITY / VARIATION										NOTES:						
MADE BY P. BOSSMAN DATE 6 DEC 76		CHECKED P. BOSSMAN DATE 15 DEC 76		SECTION 1		M7984-FA*										* M7984-FA = M7984-FB, FC WITH DIFFERENT 16K MOS DEVICES				
ENG J. MANTON DATE 12/20/76		PROD F.S. LIN DATE 1/18/77		ISSUED SECTION 1		M7984-FB	M7984-FC													
ITEM NO.	DRAWING NO.	PART NO.	DESCRIPTION	M7984-FB	M7984-FC															REF DESIGNATION
	D-CS-M7984- $\phi$ -1		CIRCUIT SCHEMATIC	REF	REF															
	D-UA-M7984- $\phi$ - $\phi$		UNIT ASSEMBLY	REF	REF															
	B-DD-M7984- $\phi$		DWG DIRECTORY	REF	REF															
	D-MD-5011997- $\phi$ - $\phi$	5011997	DRILL & ETCH DRAWING	REF	REF															
1		21 13825-01	16K MOS MEMORY 16 PIN MOSTEK (2 $\phi$ NS)	78	-															E5, E6, E9, E1 $\phi$ , E17, E18, E21, E22, E28, E29, E32, E33, E39, E4 $\phi$ , E43, E44, E49, E5 $\phi$ , E53, E54, E6 $\phi$ , E61, E64, E65, E7 $\phi$ , E71, E74, E75, E81, E82, E85, E86, E9 $\phi$ , E91, E94, E95, E99, E1 $\phi$ $\phi$ , E1 $\phi$ 3, E1 $\phi$ 4, E1 $\phi$ 7, E1 $\phi$ 8, E111, E112, E115, E116, E119, E12 $\phi$ , E124, E125, E128, E129, E132, E133, E137, E138, E141, E142, E145, E146, E149, E15 $\phi$ , E153, E154, E157, E158, E151, E162, E165, E166, E169, E17 $\phi$ , E173, E174, E177, E178, E181, E182
2		21 14408-01	16K MOS MEMORY 16 PIN FUJITSU (2 $\phi$ NS)	-	78															SAME AS M7984-FB
3		90 09185-00	JUMPER, INSULATED	8	8															W1, W2, W3, W4, W7, W9, W1 $\phi$ , X1
4		50 11997	ETCH BOARD	1	1															
5		10 12084-01	CAP 8 UF 25V 10% S.TANT	13	13															C182 thru C186, C188 thru C195
6		10 01610-01	CAP .01 UF 1 $\phi$ V DISC	23	23															C156, C157, C159 thru C174, C176 thru C179, C181
7		10 10274-01	CAP .22 UF 50V 80% 20% CER	155	155															C1 thru C155
8		11 10994-00	DIODE ZENER 1N751A 5.1V - 5%	1	1															D1
9		12 10711-02	HANDLE HEX	1	1															
10		13 01972-00	RES 270 1/4W 5% CC	2	2															R94, R1 $\phi$ 2
11		13 02124-00	RES 18 1/4W 5% CC	84	84															R1 thru R47, R5 $\phi$ thru R53, R56 thru R59, R65 thru R93
E.C.C. NO.																				
"THIS DRAWING AND SPECIFICATIONS, HEREIN, ARE THE PROPERTY OF DIGITAL EQUIPMENT CORPORATION AND SHALL NOT BE REPRODUCED OR COPIED OR USED IN WHOLE OR IN PART AS THE BASIS FOR THE MANUFACTURE OR SALE OF ITEMS WITHOUT WRITTEN PERMISSION. COPYRIGHT © DIGITAL EQUIPMENT CORPORATION"				TITLE MS11-K (ARRAY)				ASSY NO. D-UA-M7984- $\phi$ - $\phi$				SIZE B	CODE PL	NUMBER M7984- $\phi$ - $\phi$			REV. E			
							SHEET 8 OF 9				INSERTION PARTS LIST DATA BASE REV									



335





8 7 6 5 4 3 2 1

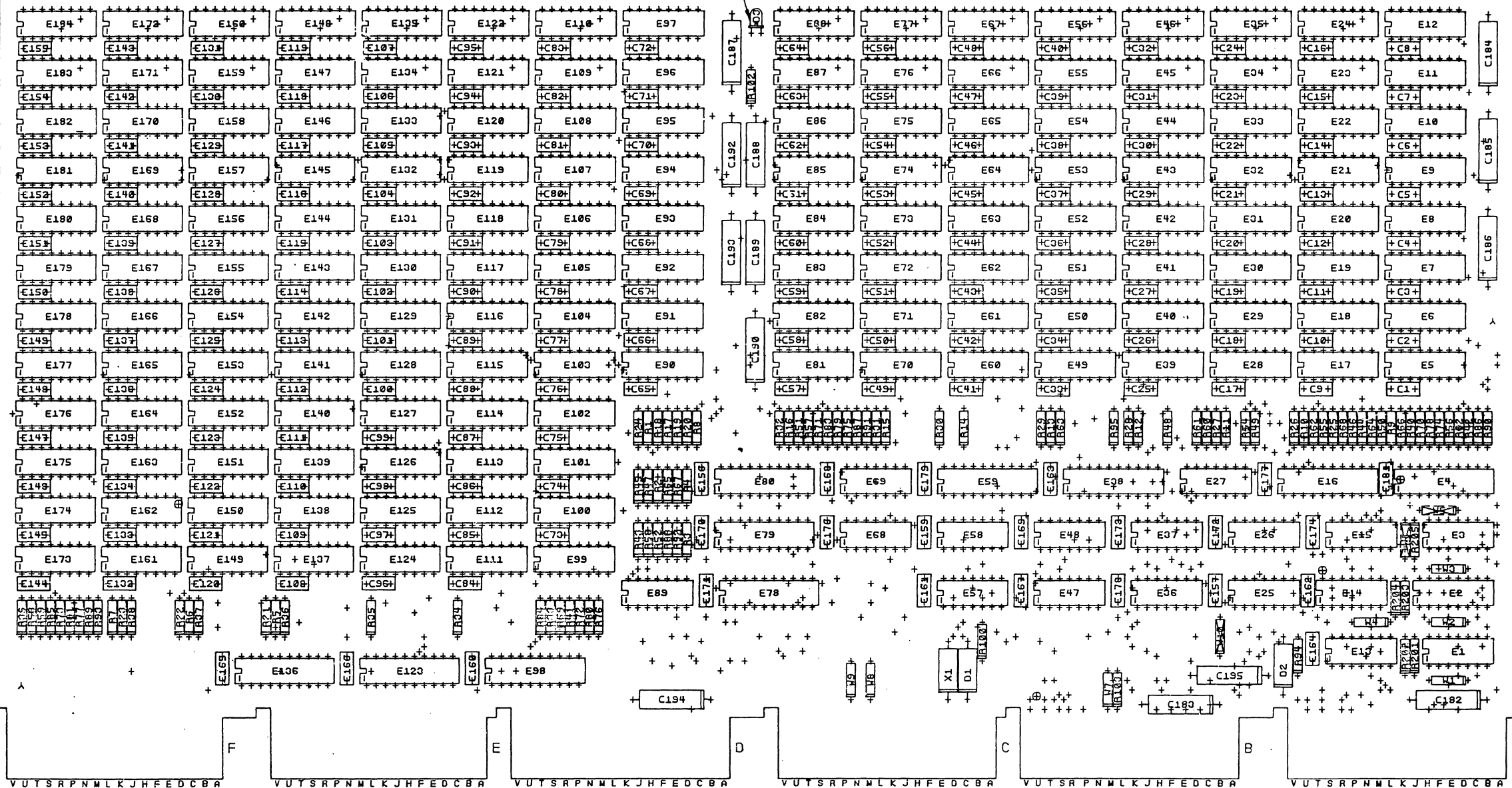
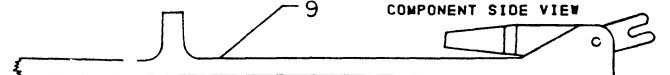
DUA M7984-0-0

THIS DRAWING AND SPECIFICATIONS, HEREIN, AND THE PROPERTY OF ELECTRONIC EQUIPMENT COMPANY AND SHALL NOT BE REPRODUCED OR COPIED IN WHOLE OR IN PART ON THE BASIS OF THE INFORMATION ON FILE OF THIS DRAWING WITHOUT PERMISSION. ELECTRONIC EQUIPMENT COMPANY © 1977

### MODULE VARIATION M7984-CA

CATHODE VIEW OF LED LEAD SIDE

COMPONENT SIDE VIEW



NOTES:

1. FOR PARTS LIST SEE K-PL-M7984-0-0

CHK	CHANGE NO	REV

ETCH REV.	D-P
P.C. DESIGN DATA ERASE REV.	D-P

SIGNATURES		DATE
DRN. E. DeValle		4-20-78
CHK'D. John Pizzompolo		2-28-78
ENG. J. P. ...		1-24-78
PROJ. ENG. J. ...		1-24-78
PROD.		
SCALE 2:1		
SHT. 3 OF 13		
NEXT HIGHER ASSY. B-DD-M7984-0		

digital	
TITLE MSII-K (ARRAY)	
SIZE	CODE
NUMBER	REV
DUA M7984-0-0	E

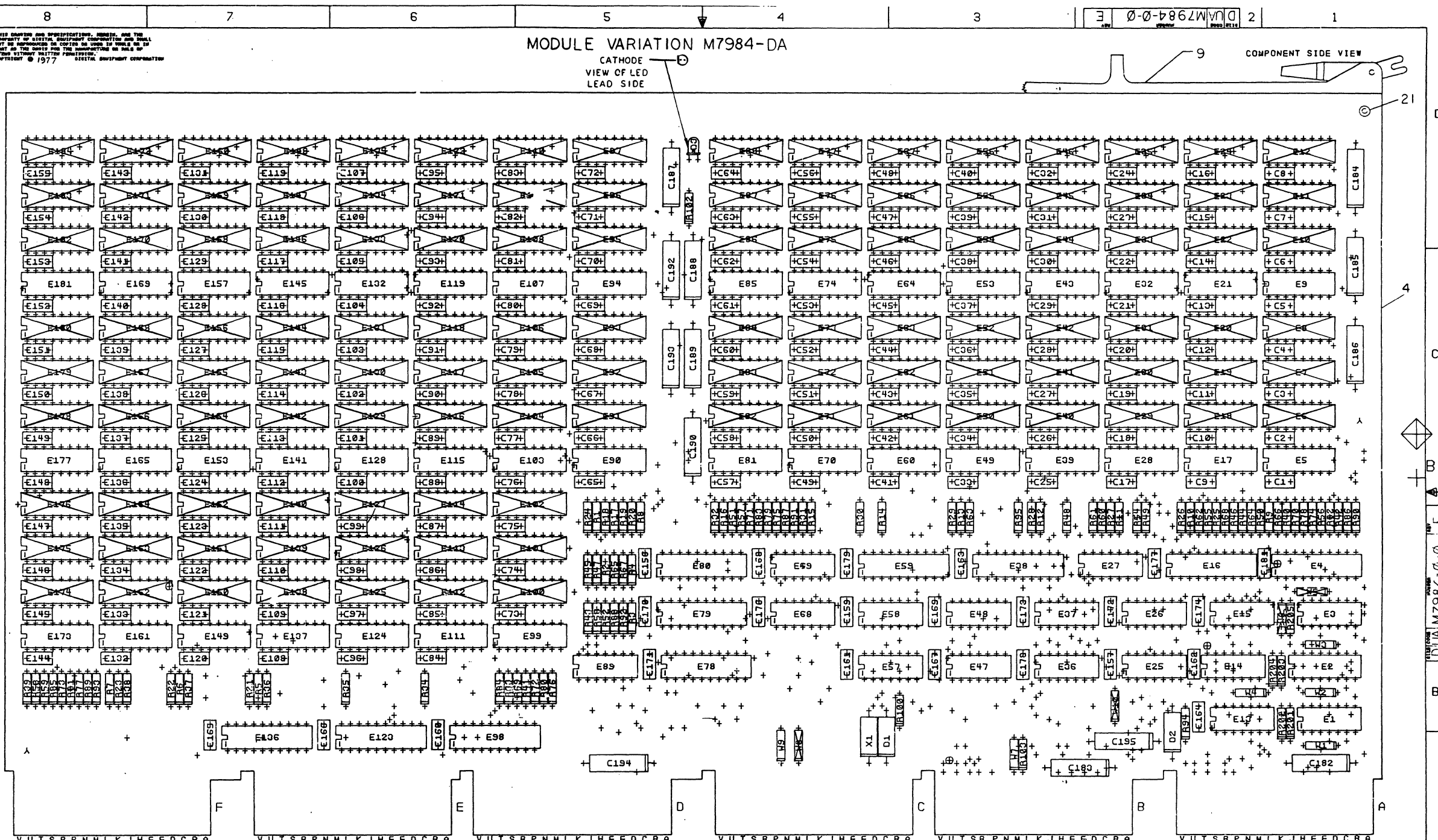
8 7 6 5 4 3 2 1 MS#260728

337

MODULE VARIATION M7984-DA

CATHODE  
VIEW OF LED  
LEAD SIDE

COMPONENT SIDE VIEW



NOTES:  
1. FOR PARTS LIST SEE K-PL-M7984-0-0

CHK	CHANGE NO	REV

ETCH REV.	D-PI
P.C. DESIGN DATA BASE REV.	D-PI

SIGNATURES	DATE	digital
DRN. E. DeVito	9/20/78	
CHK'D. <i>[Signature]</i>	2/2/79	MSII-K (ARRAY)
ENG. <i>[Signature]</i>	12-28-78	
PROJ. ENG. <i>[Signature]</i>	12-28-78	SIZE CODE NUMBER
PROD.	12-28-78	
SCALE 2:1		REV
SHT. 4 OF 13		E
NEXT HIGHER ASSY. B-DD-M7984-0		



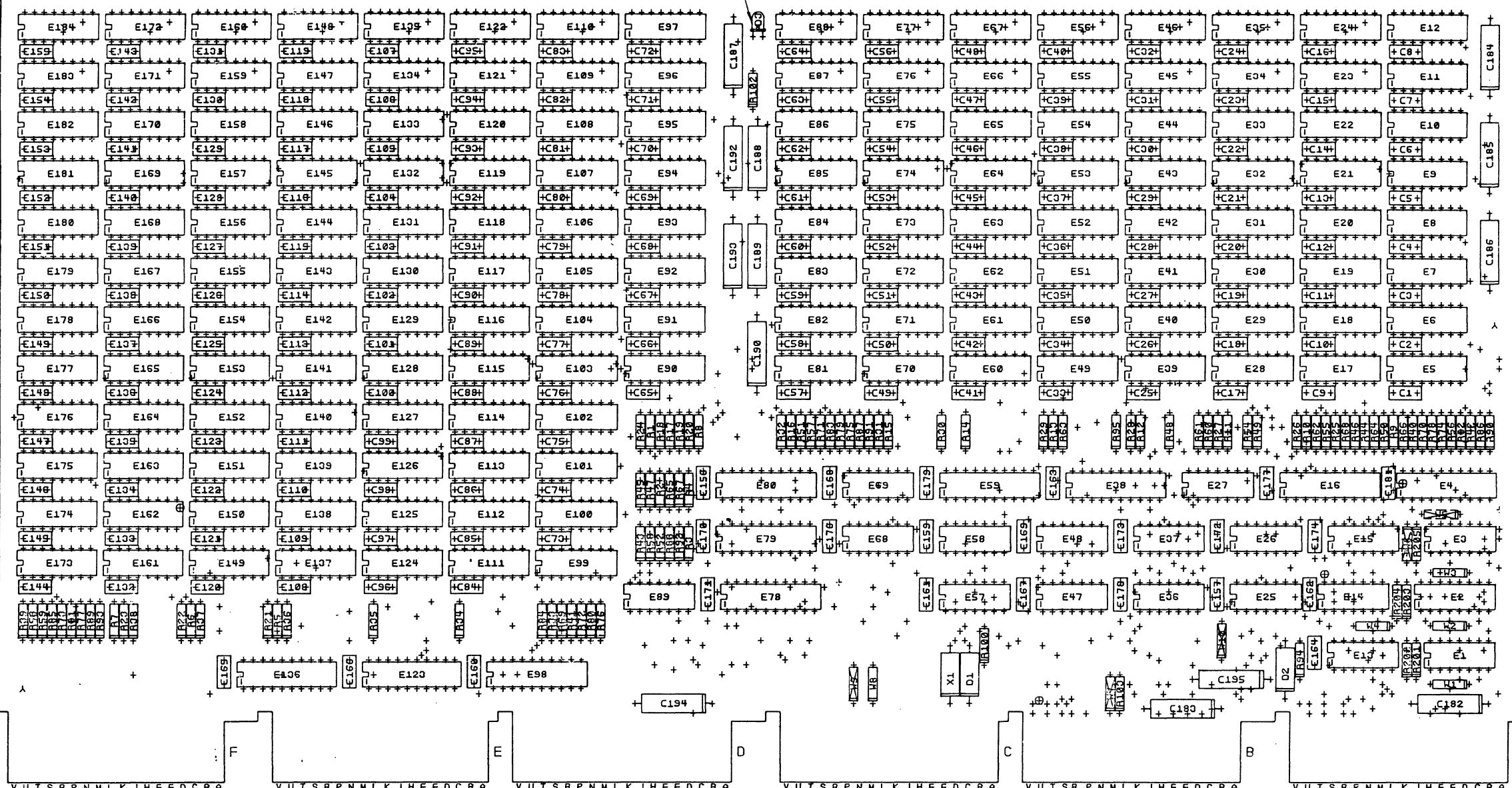
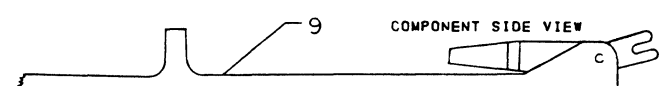
8 7 6 5 4 3 2 1

### MODULE VARIATION M7984-EA

CATHODE  
VIEW OF LED  
LEAD SIDE

COMPONENT SIDE VIEW

THIS DRAWING AND SPECIFICATIONS, HEREIN, AND THE  
PROPERTY OF DIGITAL EQUIPMENT CORPORATION AND SHALL  
NOT BE REPRODUCED OR COPIED IN WHOLE OR IN  
PART OR THE CONTENTS THEREOF OR THE INFORMATION OR DATA OF  
THEIR EXISTENCE WITHOUT PERMISSION.  
COPYRIGHT © 1977 DIGITAL EQUIPMENT CORPORATION



DJA M7984-0 0 E

NOTES:  
1. FOR PARTS LIST SEE K-PL-M7984-0-0.

CHK/CHANGE NO	REV

ETCH REV.	D-PI
P.C. DESIGN DATA BASE REV.	D-PI

SIGNATURES		DATE	digital
DRN. E. DeVeto		1/20/73	
CHK'D. <i>[Signature]</i>		1/27/73	TITLE
ENG. <i>[Signature]</i>		1/27/73	
PROJ. ENG. <i>[Signature]</i>		1/27/73	MS11-K (ARRAY)
PROD.			
SCALE 2:1			SIZE CODE NUMBER
SHT. 5 OF 13			
NEXT HIGHER ASSY. 8-DD-M7984-0			0 UA M7984-0-0

8 7 6 5 4 3 2 1 MS#260723

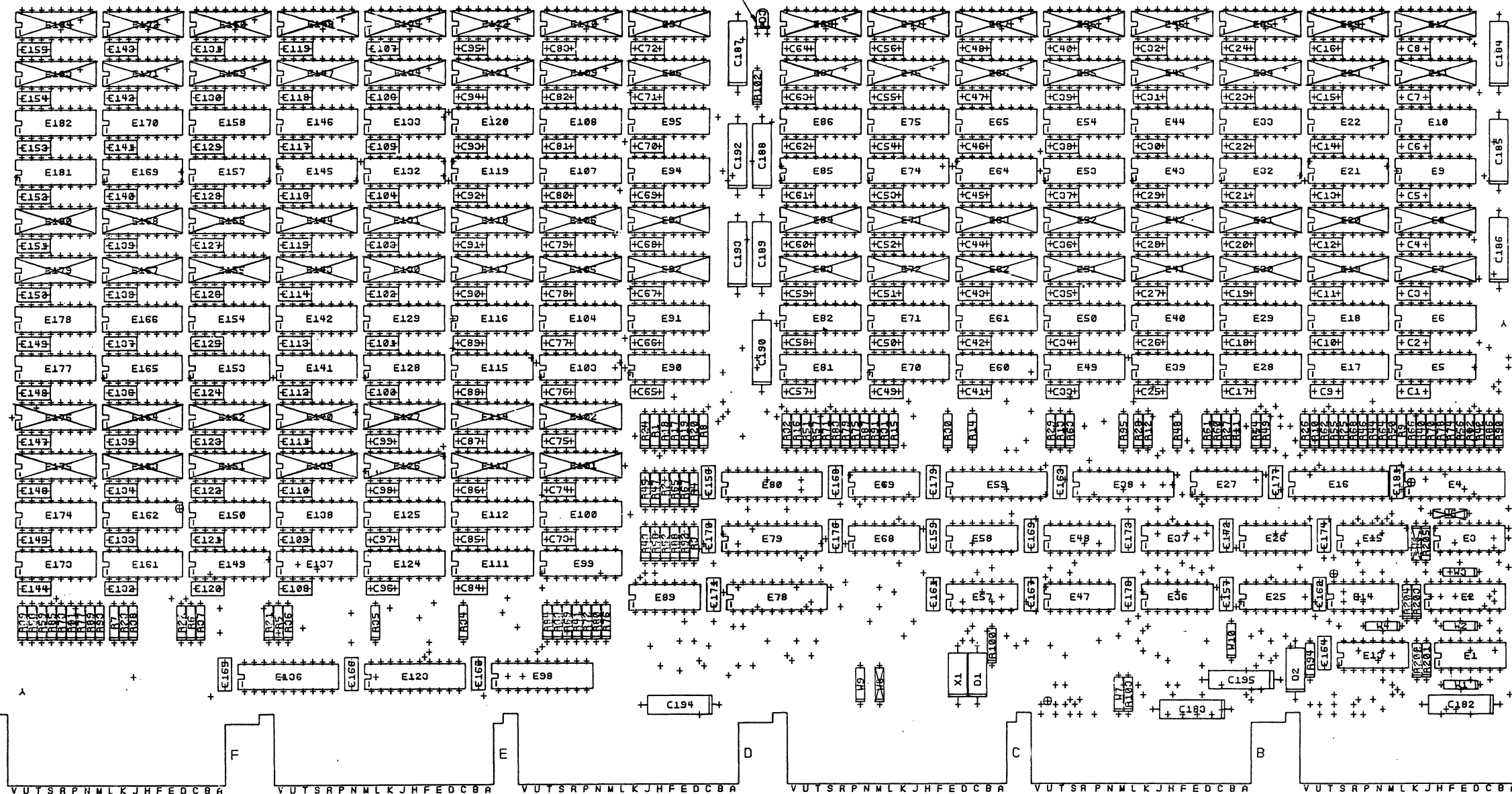
8 7 6 5 4 3 2 1

THIS DRAWING AND SPECIFICATIONS, HEREIN, ARE THE PROPERTY OF DIGITAL EQUIPMENT CORPORATION AND SHALL NOT BE REPRODUCED OR COPIED IN WHOLE OR IN PART OR THE BASIS FOR THE MANUFACTURE OR SALE OF ITEMS WITHOUT WRITTEN PERMISSION. COPYRIGHT © 1977 DIGITAL EQUIPMENT CORPORATION

### MODULE VARIATION M7984-FA

CATHODE VIEW OF LED LEAD SIDE

COMPONENT SIDE VIEW



NOTES:  
1. FOR PARTS LIST SEE K-PL-M7984-0-0

CHANGE NO	REV

ETCH REV.	0-D
P.C. DESIGN DATA BASE REV.	0-P

SIGNATURES		DATE
D.R.N. E. DeVera		4/7/78
CHK'D. by [Signature]		3/28/78
ENG. [Signature]		3/28/78
PROJ. ENG. [Signature]		3/28/78
PROD.		
SCALE 2:1		
SHT. 6 OF 13		
NEXT HIGHER ASSY. B-DD-M7984-0		

digital	
TITLE MSII-K (ARRAY)	
SIZE CODE	NUMBER
D	UA M7984-0-0
REV	E

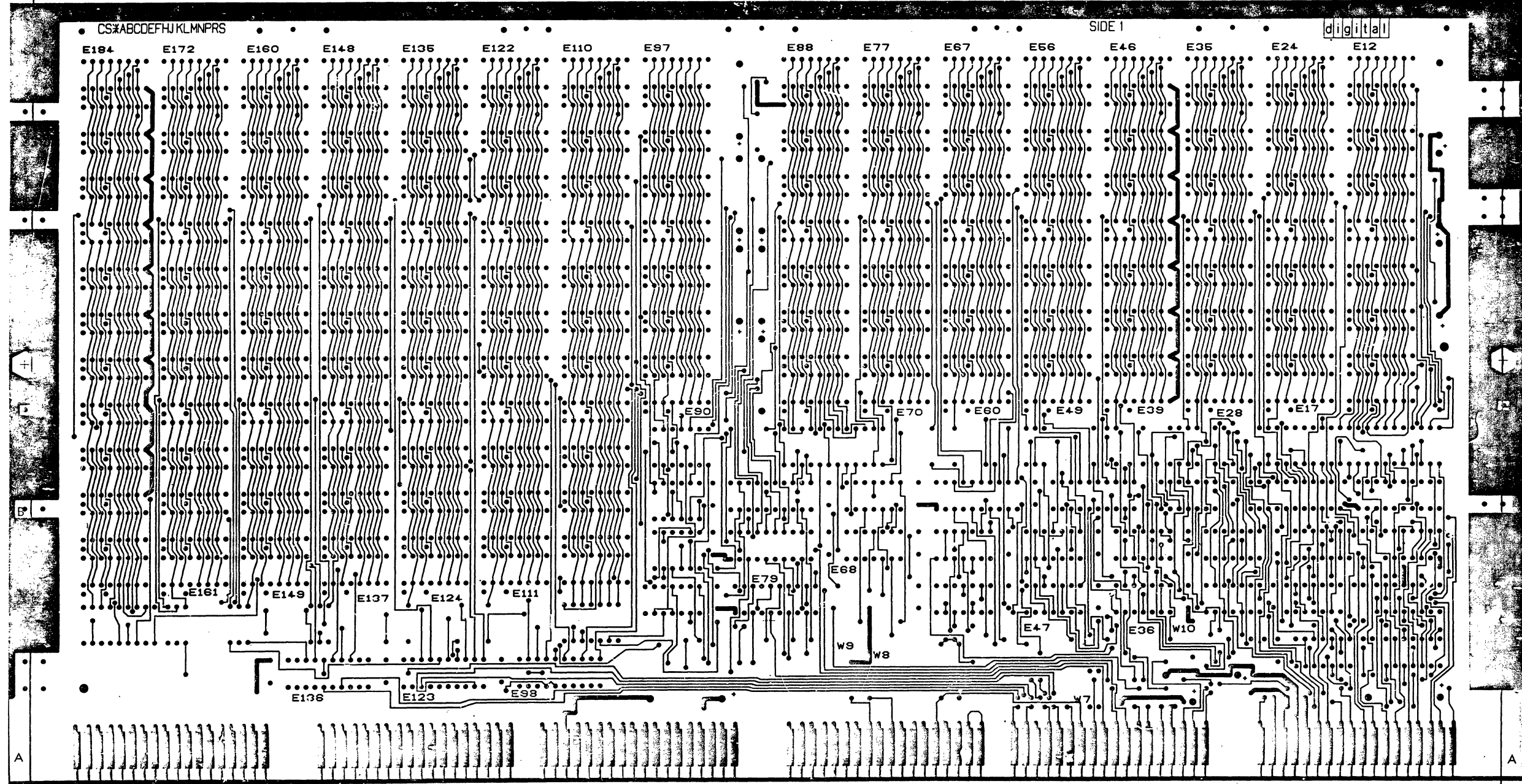
8 7 6 5 4 3 2 1 MS#260728

THIS DRAWING AND SPECIFICATIONS HEREIN ARE THE PROPERTY OF DIGITAL EQUIPMENT CORPORATION AND SHALL NOT BE REPRODUCED, COPIED OR USED IN WHOLE OR IN PART AS A BASIS FOR THE MANUFACTURE OR SALE OF ITEMS WITHOUT THE WRITTEN PERMISSION OF DIGITAL EQUIPMENT CORPORATION. COPYRIGHT © 1978 DIGITAL EQUIPMENT CORPORATION.

M7984 6011997 D-P1

LAYER 1

L1



REV	NO	DATE	BY	CHKD	APP'D	TITLE	SIZE	CODE	NUMBER	REV
						MSI K (ARRAY)	D	UA	M7984-0-0	E
						SCALE 2/1	SHEET 7 OF 13			

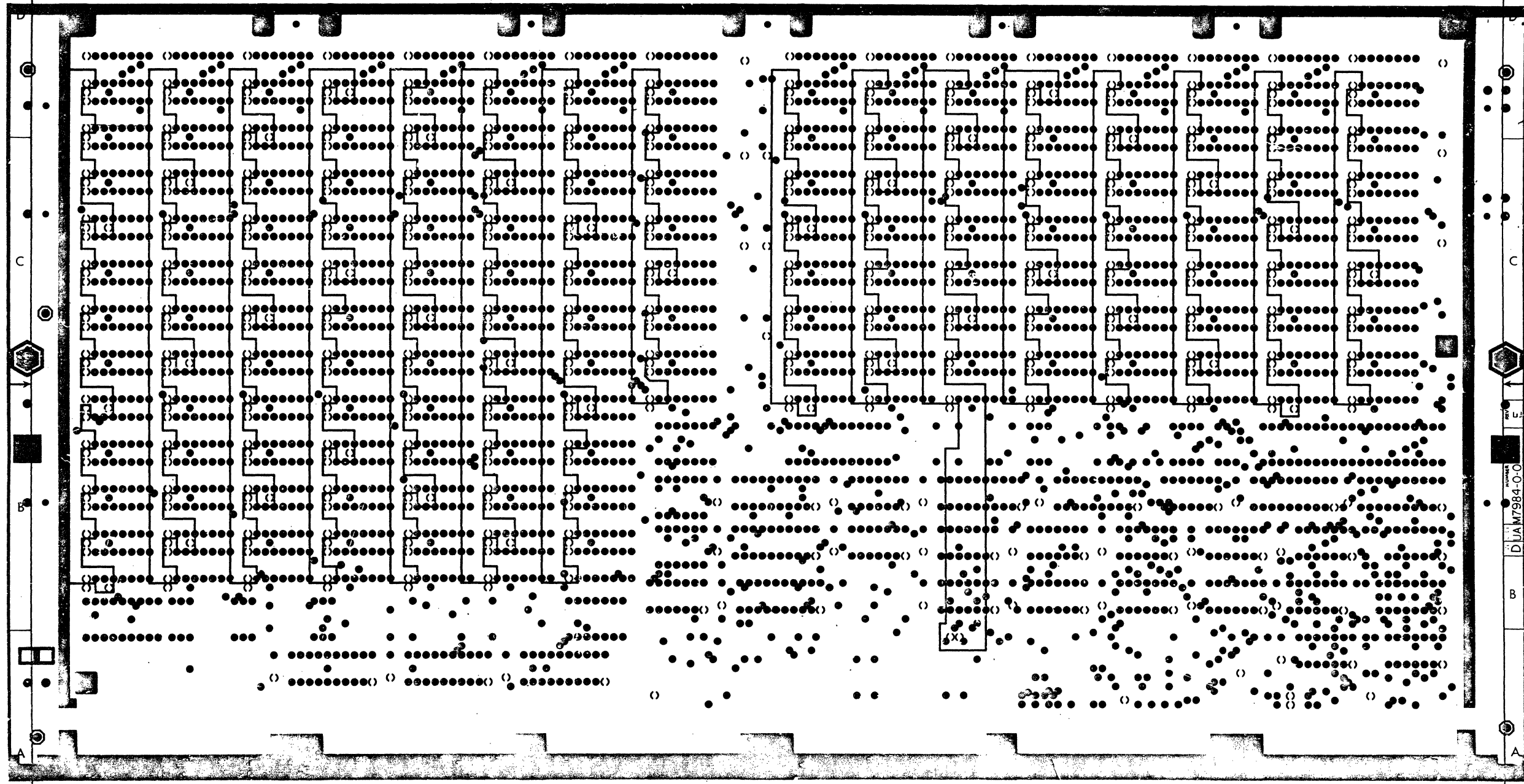
2 DUA M7984-0-0 E

L2

THIS DRAWING AND SPECIFICATIONS HEREIN ARE THE PROPERTY OF DIGITAL EQUIPMENT CORPORATION AND SHALL NOT BE REPRODUCED OR USED IN WHOLE OR IN PART AS THE BASIS FOR THE MANUFACTURE OR SALE OF ITEMS WITHOUT THE WRITTEN PERMISSION OF DIGITAL EQUIPMENT CORPORATION. COPYRIGHT © 1978 DIGITAL EQUIPMENT CORPORATION.

M7984 5011997 D-P1

ARRAY E



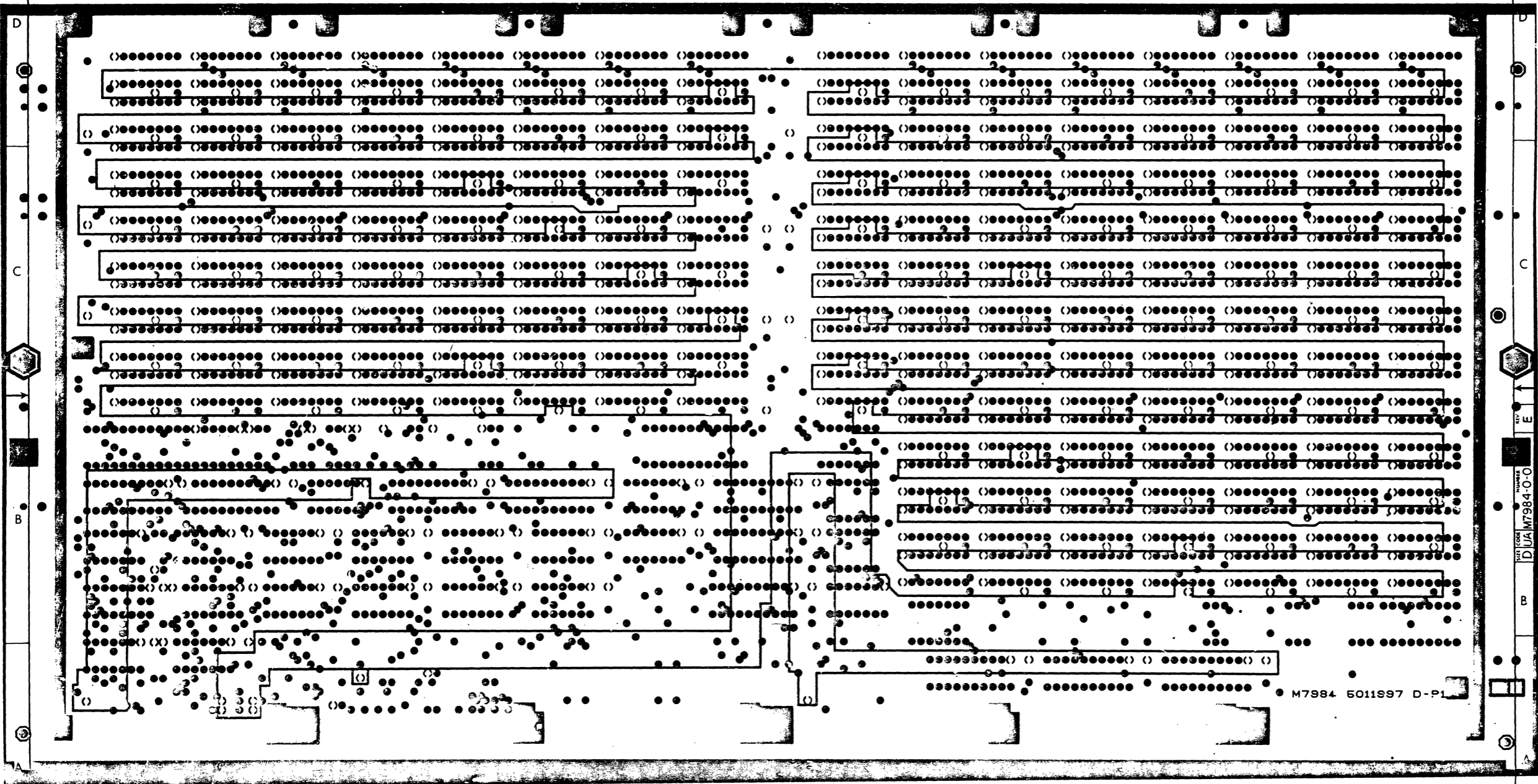
REVISIONS		
NO.	DATE	BY

TITLE	MSI IK (ARRAY)	SIZE CODE	DUA	NUMBER	M7984-0-0	REV.	E
SCALE	2/1	SHEET	8 OF 13	DIST			

THIS DRAWING IS TO SPECIFICATIONS HEREIN AND IS THE PROPERTY OF DIGITAL EQUIPMENT CORPORATION AND SHALL NOT BE REPRODUCED OR USED IN WHOLE OR IN PART AS A BASIS FOR THE MANUFACTURE OR SALE OF ITEMS WITHOUT WRITTEN PERMISSION. COPYRIGHT © 1978 DIGITAL EQUIPMENT CORPORATION.

MSI IK (ARRAY)

DUA M7984-0-0 2



M7984 5011997 D-P1

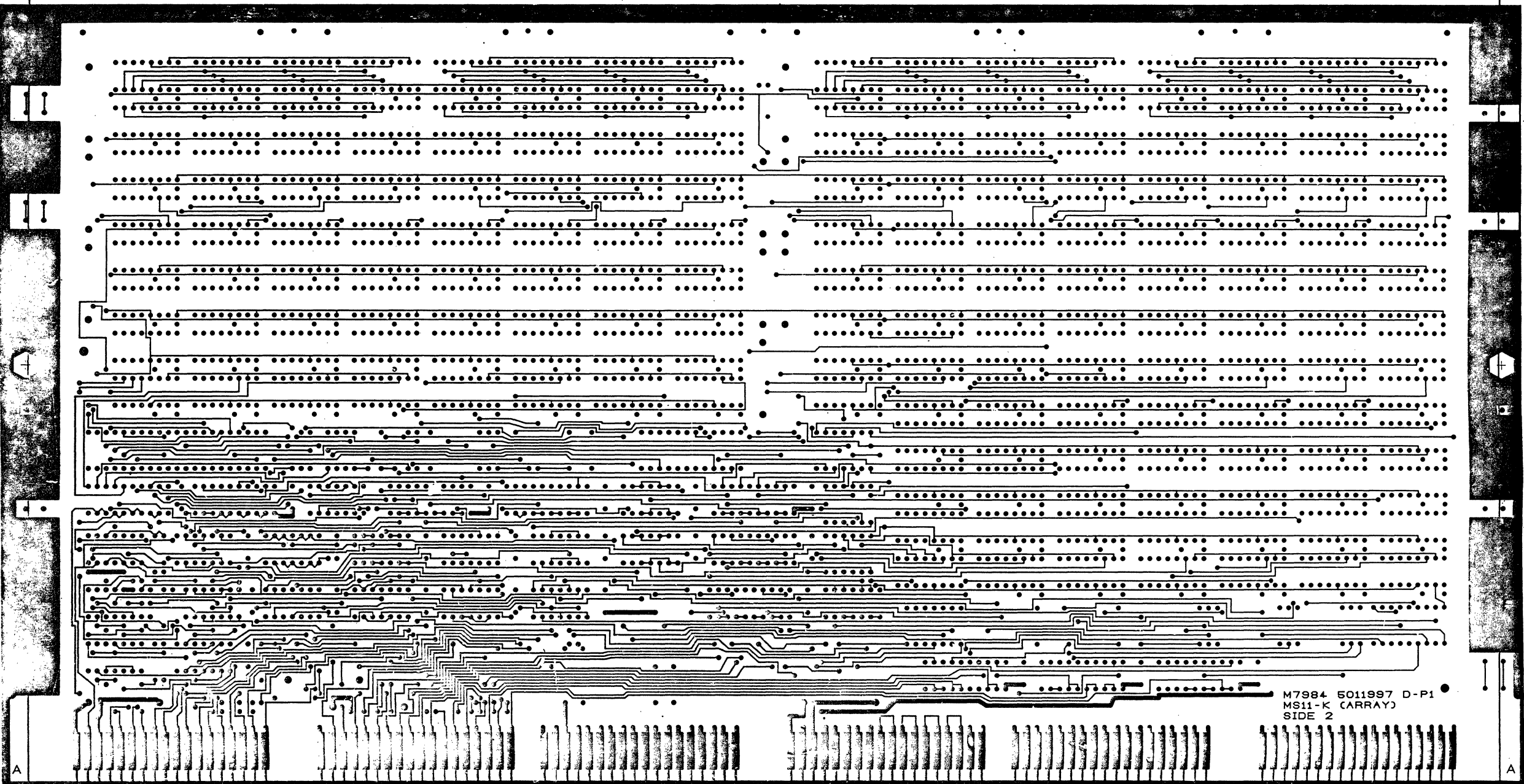
CHK	CHANGE NO	DATE

TITLE	SIZE CODE	NUMBER	REV.
MSI IK (ARRAY)	D UA	M7984-0-0	E
SCALE 2/1	SHEET 9 OF 13	DIST.	

THIS DRAWING AND SPECIFICATIONS HEREIN ARE THE PROPERTY OF DIGITAL EQUIPMENT CORPORATION AND SHALL NOT BE REPRODUCED, COPIED OR USED IN WHOLE OR IN PART AS THE BASIS FOR THE MANUFACTURE OR SALE OF ITEMS WITHOUT WRITTEN PERMISSION. COPYRIGHT © 1978 DIGITAL EQUIPMENT CORPORATION.

MS11-K (ARRAY)

DUA M7984-0-0 E 2



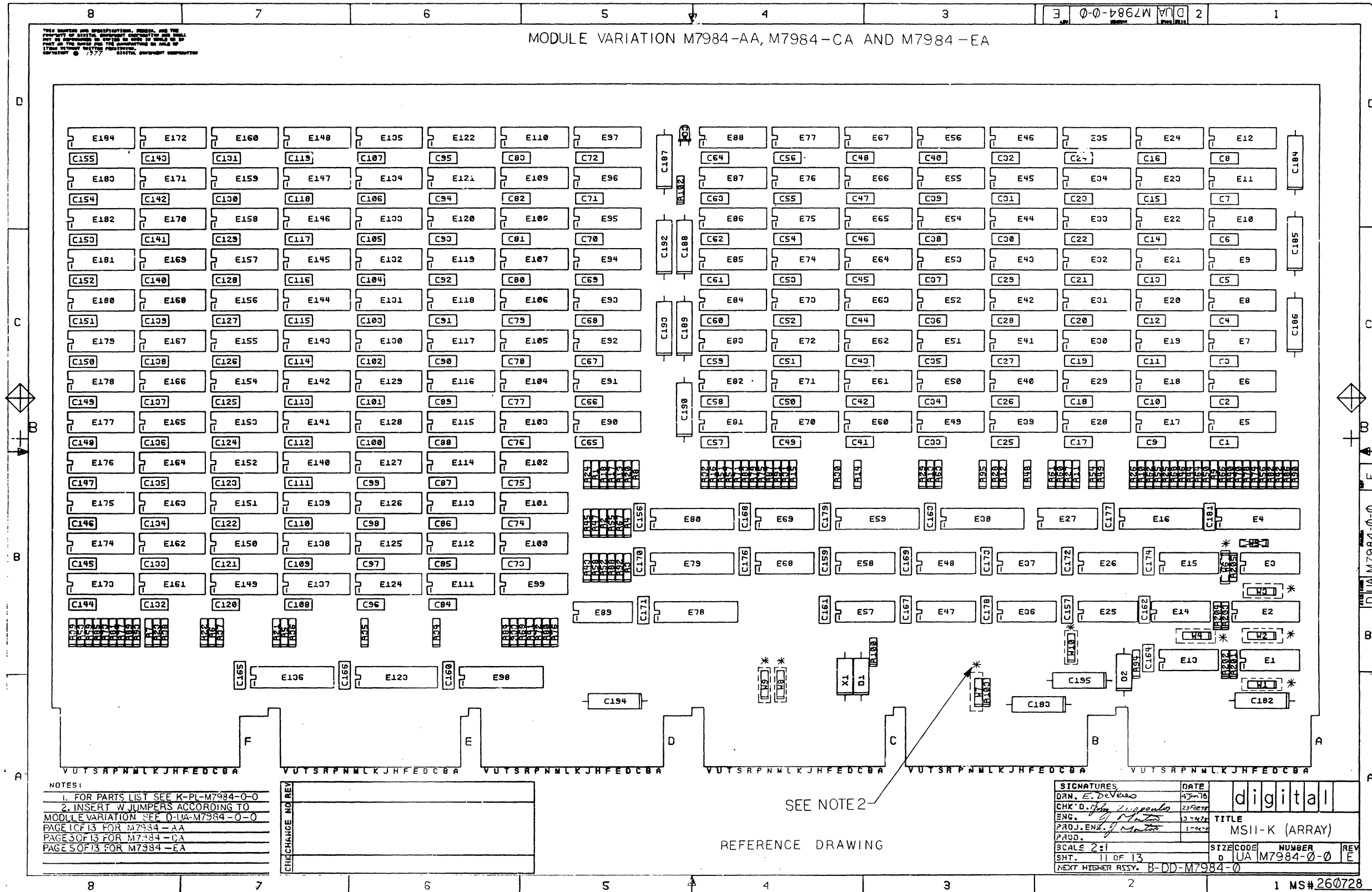
M7984 5011997 D-P1  
MS11-K (ARRAY)  
SIDE 2

REV	DATE	BY
1		

TITLE	MS11-K (ARRAY)	DATE CODE	DUA	NUMBER	M7984-0-0	REV.	E
SCALE	2/1	SHEET	10	OF	13	DIST.	

MODULE VARIATION M7984-AA, M7984-CA AND M7984-EA

THIS DRAWING AND SPECIFICATIONS, FIGURES, AND THE PROPERTY OF ASSITEC, INCORPORATED AND SHALL NOT BE REPRODUCED OR TRANSMITTED IN ANY FORM OR BY ANY MEANS, ELECTRONIC OR MECHANICAL, INCLUDING PHOTOCOPYING, RECORDING, OR BY ANY INFORMATION STORAGE AND RETRIEVAL SYSTEM, WITHOUT THE WRITTEN PERMISSION OF ASSITEC, INCORPORATED.



NOTES:  
 1. FOR PARTS LIST SEE K-PL-M7984-0-0  
 2. INSERT W JUMPERS ACCORDING TO  
 MODULE VARIATION SEE D-UA-M7984-0-0  
 PAGE 1 OF 13 FOR M7984-AA  
 PAGE 3 OF 13 FOR M7984-CA  
 PAGE 5 OF 13 FOR M7984-EA

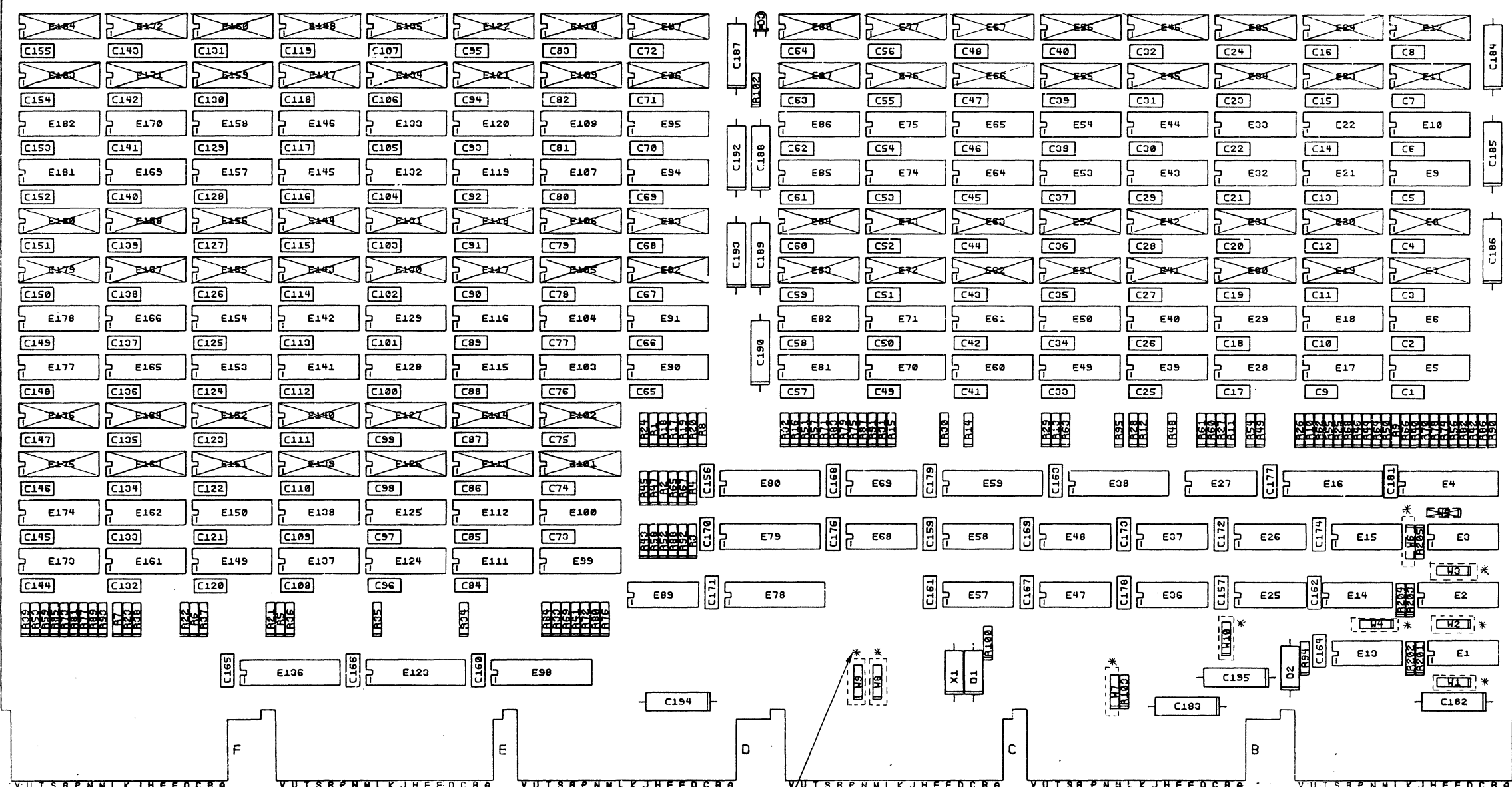
CHANGE NO	REV

REFERENCE DRAWING

SIGNATURES	DATE	
DAN. E. DeVero	4-7-78	digital
CHK'D. J. J. ...	2-2-78	
ENG. ...	3-4-78	
PROJ. ENGR. ...	1-2-78	
TITLE		MSII-K (ARRAY)
SCALE 2:1	SIZE CODE	NUMBER
SHT. 11 OF 13	0	UA M7984-0-0
NEXT HIGHER ASSY. B-DD-M7984-0		REV
		E

MODULE VARIATION M7984-BA, AND M7984-FA

THIS DRAWING AND SPECIFICATIONS, HEREIN, AND THE PROPERTY OF DIGITAL EQUIPMENT CORPORATION AND SHALL NOT BE REPRODUCED OR COPIED IN WHOLE OR IN PART OR THE SUBJECT FOR THE PURPOSES OF SALE OF THIS DRAWING WITHOUT PERMISSION. DIGITAL EQUIPMENT CORPORATION



- NOTES:
- FOR PARTS LIST SEE K-PL-M7984-0-0
  - INSERT "H" JUMPERS ACCORDING TO MODULE VARIATION SEE D-UA-M7984-0-0
- PAGE 2 OF 13 FOR M7984-BA  
PAGE 5 OF 13 FOR M7984-FA

CHECK	NO	REV

SEE NOTE 2

REFERENCE DRAWING

SIGNATURES	DATE	TITLE
DRN. E. M. V. G. O.	3/28/72	digital MSII-K (APRAY)
CHK'D. John [Signature]	29/2/72	
ENG. [Signature]	3/28/72	
PROJ. ENG. [Signature]	3/28/72	
SCALE	SIZE	CODE
SHT. 12 OF 13	D	UA M7984-0-0 E
NEXT HIGHER ASSY. B-DD-M7984-0		

1 MS# 260728



8

7

6

5

4

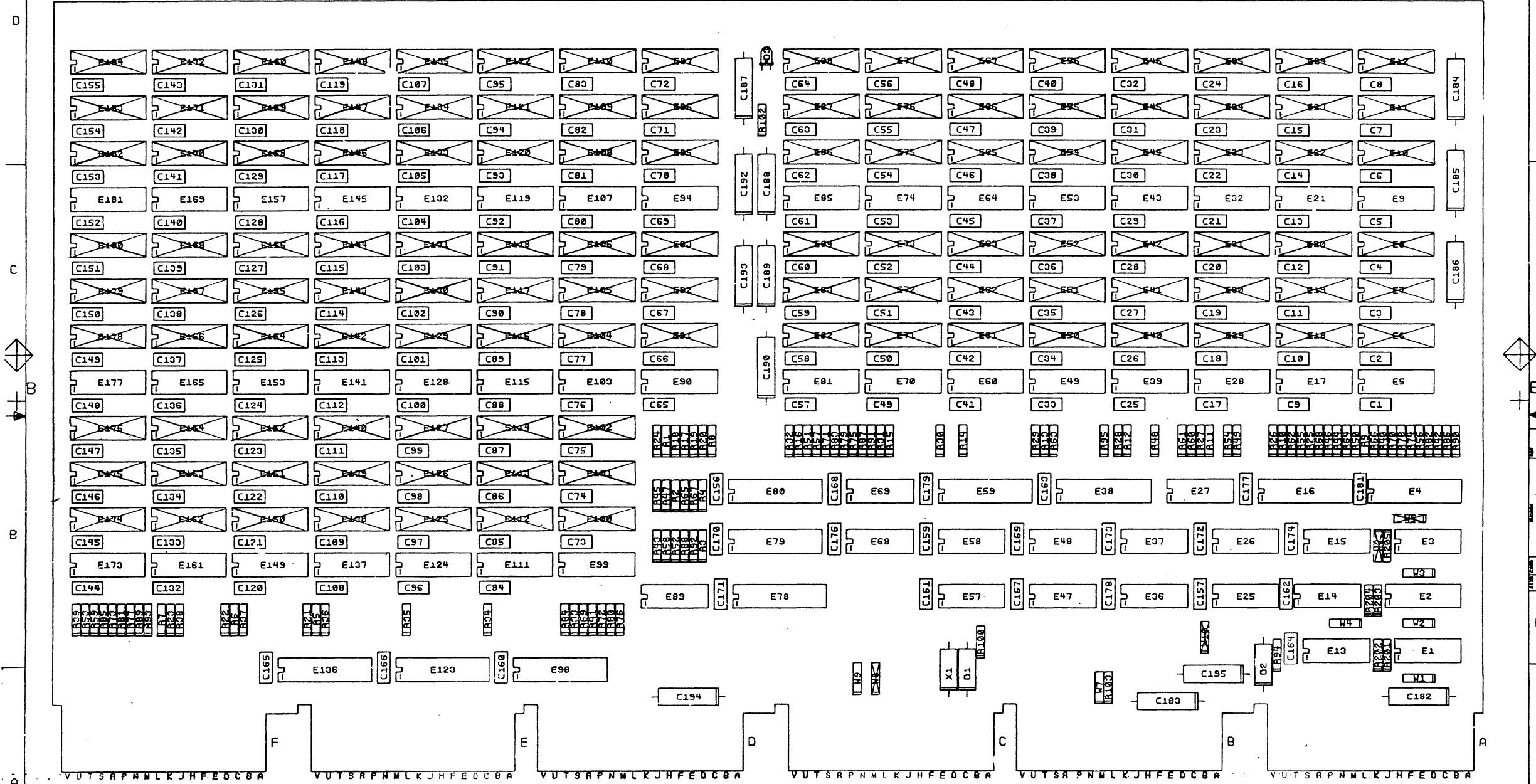
3

2 DUA M7984-0-0

1

THIS DRAWING AND SPECIFICATIONS, MODELS, AND THE PROPERTY OF DIGITAL EQUIPMENT CORPORATION AND SHALL NOT BE REPRODUCED OR TRANSMITTED IN ANY FORM OR BY ANY MEANS, ELECTRONIC OR MECHANICAL, INCLUDING PHOTOCOPYING, RECORDING, OR BY ANY INFORMATION STORAGE AND RETRIEVAL SYSTEM, WITHOUT THE WRITTEN PERMISSION OF DIGITAL EQUIPMENT CORPORATION.

MODULE VARIATION M7984--DA



NOTES:

1. FOR PARTS LIST SEE K-PL-M7984-0-0

CHANGE NO REV

REFERENCE DRAWING

SIGNATURES		DATE	digital
DAN. E. DeVries		8/24/78	
CHK'D. John Demopoulos		8/28/78	TITLE
ENG.		8/28/78	
PROJ. ENG. J. P. Matus		8/28/78	MSII-K (ARRAY)
PROD.		8/28/78	
SCALE 2:1		SIZE CODE	NUMBER
SHT. 13 OF 13		DUA M7984-0-0	REV
NEXT HIGHER ASSY. B-DD-M7984-0			

1 MS# 260728

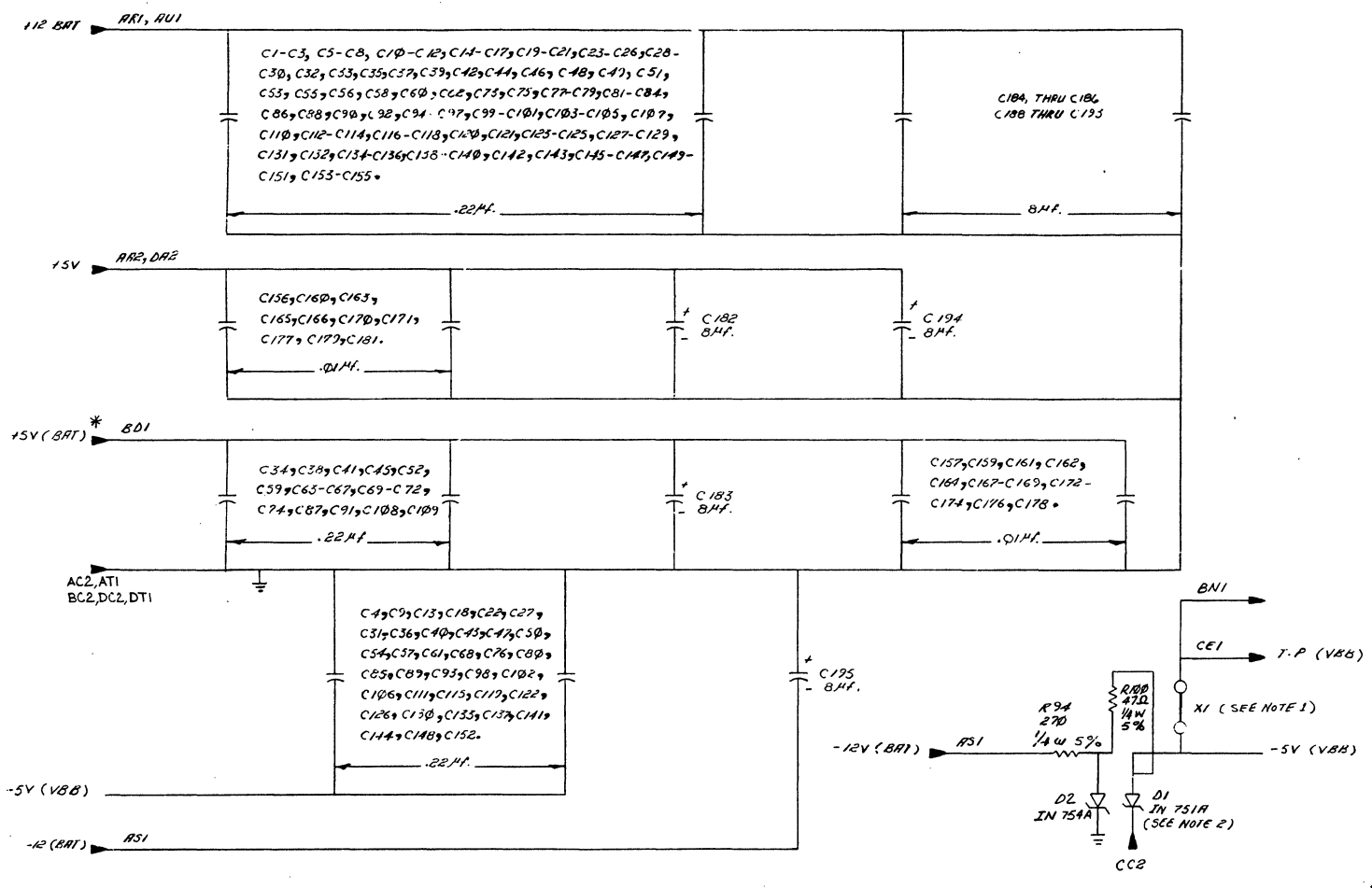
THIS DRAWING AND SPECIFICATIONS HEREIN ARE THE PROPERTY OF DIGITAL EQUIPMENT CORPORATION AND SHALL NOT BE REPRODUCED OR COPIED OR USED IN WHOLE OR IN PART AS THE BASIS FOR THE MANUFACTURE OR SALE OF ITEMS WITHOUT WRITTEN PERMISSION. COPYRIGHT © 1976, DIGITAL EQUIPMENT CORPORATION

NOTES:  
1. JUMPERS TO BE CONNECTED FOR EACH ARRAY CONFIGURATION AS FOLLOWS:

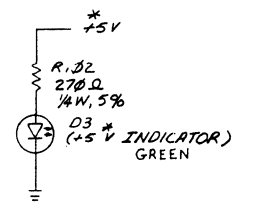
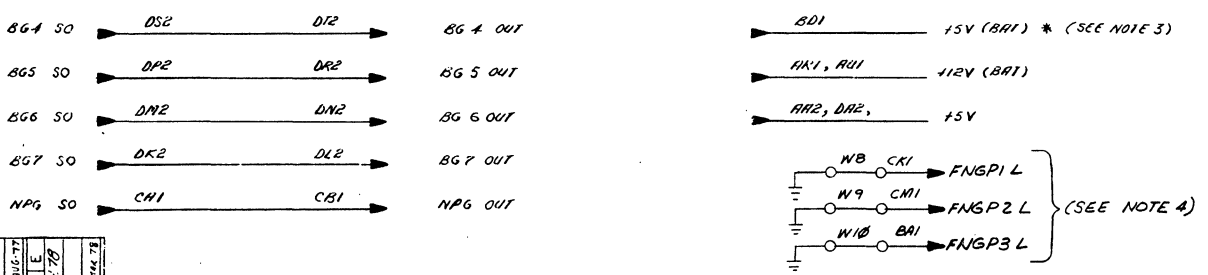
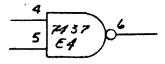
MODULE WAYS	JUMPER SETTINGS	ARRAY CONFIGURATION
AB, AC, AD, AE, AF, ETC.	W1, W2, W3, W4, X1	16K X 39, 4K RAM'S FULLY POPULATED
BB, BC, BD, ETC.	W1, W2, W3, W4, W6, X1	8K X 39, 4K RAM'S 1/2 POPULATED
CB, CC, ETC.	W1, W2, W3, W4, W7, W8, W9, X1	64K X 39, 16K RAM'S FULLY POPULATED
DB, DC, ETC.	W1, W2, W3, W4, W7, W9, X1	16K X 39, 16K RAM'S 1/4 POPULATED
EB, EC, ED, ETC.	W1, W2, W3, W4, W8, X1	16K X 39, 4K RAM'S FULLY POPULATED
FB, FC, ETC.	W1, W2, W3, W4, W7, W8, W9, W10, X1	32K X 39, 16K RAM'S 1/2 POPULATED

2. PIN CC2 MAY BE FLOATED TO VARY -5V (VBB). THE VARIABLE (VBB) IS APPLIED TO PIN CB1.  
3. (\*) INDICATES +5V BATTERY BACK-UP.  
4. JUMPERS TO BE CONNECTED FOR EACH ARRAY CONFIGURATION AS FOLLOWS:  
1=JUMPER OUT  
0=JUMPER IN

MODULE WAYS	F15E23 (W10)	F15E22 (W9)	F15E21 (W8)	ARRAY CONFIGURATION
AB, AC, ETC.	1	1	1	16K X 39, 4K RAM'S FULLY POPULATED
BB, BC, ETC.	1	1	1	8K X 39, 4K RAM'S 1/2 POPULATED
CB, CC, ETC.	1	1	0	16K X 39, 16K RAM'S FULLY POPULATED
DB, DC, ETC.	1	0	1	16K X 39, 16K RAM'S 1/4 POPULATED
EB, EC, ETC.	0	0	1	32K X 39, 16K RAM'S 1/2 POPULATED
FB, FC, ETC.	1	0	0	64K X 39, 16K RAM'S FULLY POPULATED



SPARK'S GATES



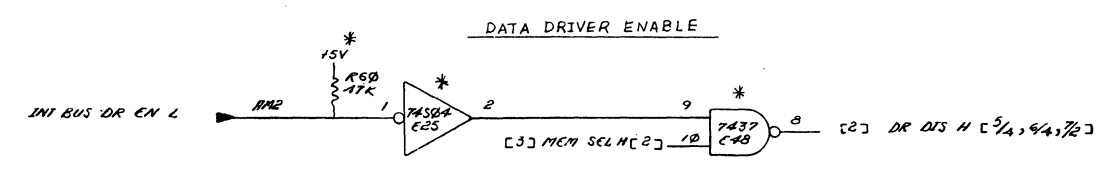
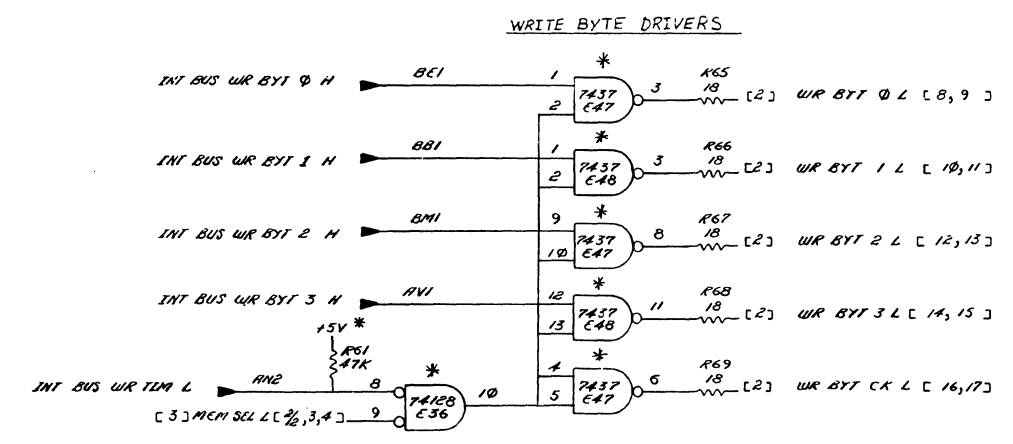
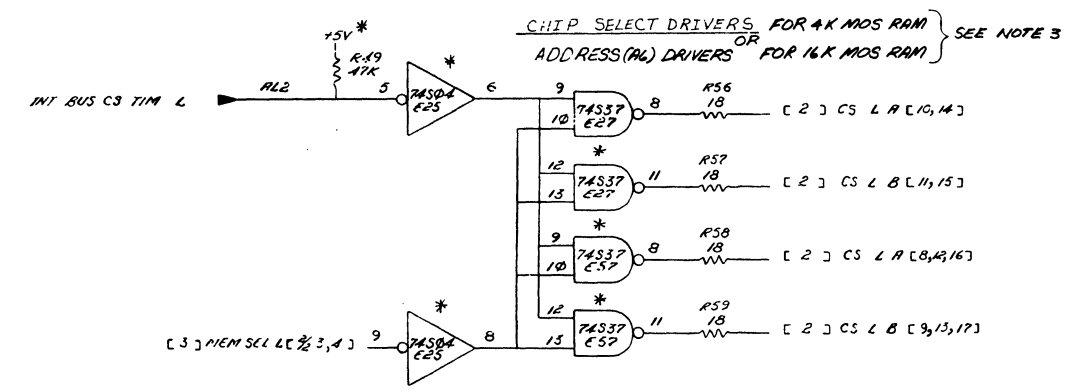
REV.	CHANGE NO.	DESCRIPTION	DATE
1	1	INITIAL DESIGN	12/15/76
2	1	REVISED FOR MANUFACTURE	1/15/77
3	1	REVISED FOR MANUFACTURE	2/15/77
4	1	REVISED FOR MANUFACTURE	3/15/77
5	1	REVISED FOR MANUFACTURE	4/15/77
6	1	REVISED FOR MANUFACTURE	5/15/77
7	1	REVISED FOR MANUFACTURE	6/15/77
8	1	REVISED FOR MANUFACTURE	7/15/77

CHK'D BY	DATE	FIRST USED ON
J. MANTON	12/15/76	MS11-K (ARRAY)
J. MANTON	1/15/77	
J. MANTON	2/15/77	
J. MANTON	3/15/77	
J. MANTON	4/15/77	
J. MANTON	5/15/77	
J. MANTON	6/15/77	
J. MANTON	7/15/77	

THIS DRAWING AND SPECIFICATIONS HEREIN ARE THE PROPERTY OF DIGITAL EQUIPMENT CORPORATION AND SHALL NOT BE REPRODUCED OR COPIED OR USED IN WHOLE OR IN PART AS THE BASIS FOR THE MANUFACTURE OR SALE OF ITEMS WITHOUT WRITTEN PERMISSION. COPYRIGHT © 1976 DIGITAL EQUIPMENT CORPORATION

NOTES:  
 1. SIGNAL NAMES WILL BE REFERENCED AS FOLLOWS:  
 [ X ] SIGNAL NAME [ Y/Z ]  
 NUMBER OF CONNECTION POINTS ON DESTINATION SHEET.  
 DESTINATION SHEET NUMBER.  
 SOURCE SHEET NUMBER.

EXAMPLE:  
 [ 3 ] MEM SEL 4 [ 2/3, 4 ]  
 DESIGNATION (E) IS AN IMPLIED ONE WHEN NOT SHOWN.  
 2. SIGNALS DESIGNATED (INT BUS) ARE CONNECTED VIA MODULE FINGERS TO INTERNAL BUS LINES.  
 3. FOR 16K MOS RAM SIGNAL CSL IS ADDRESS (A6)

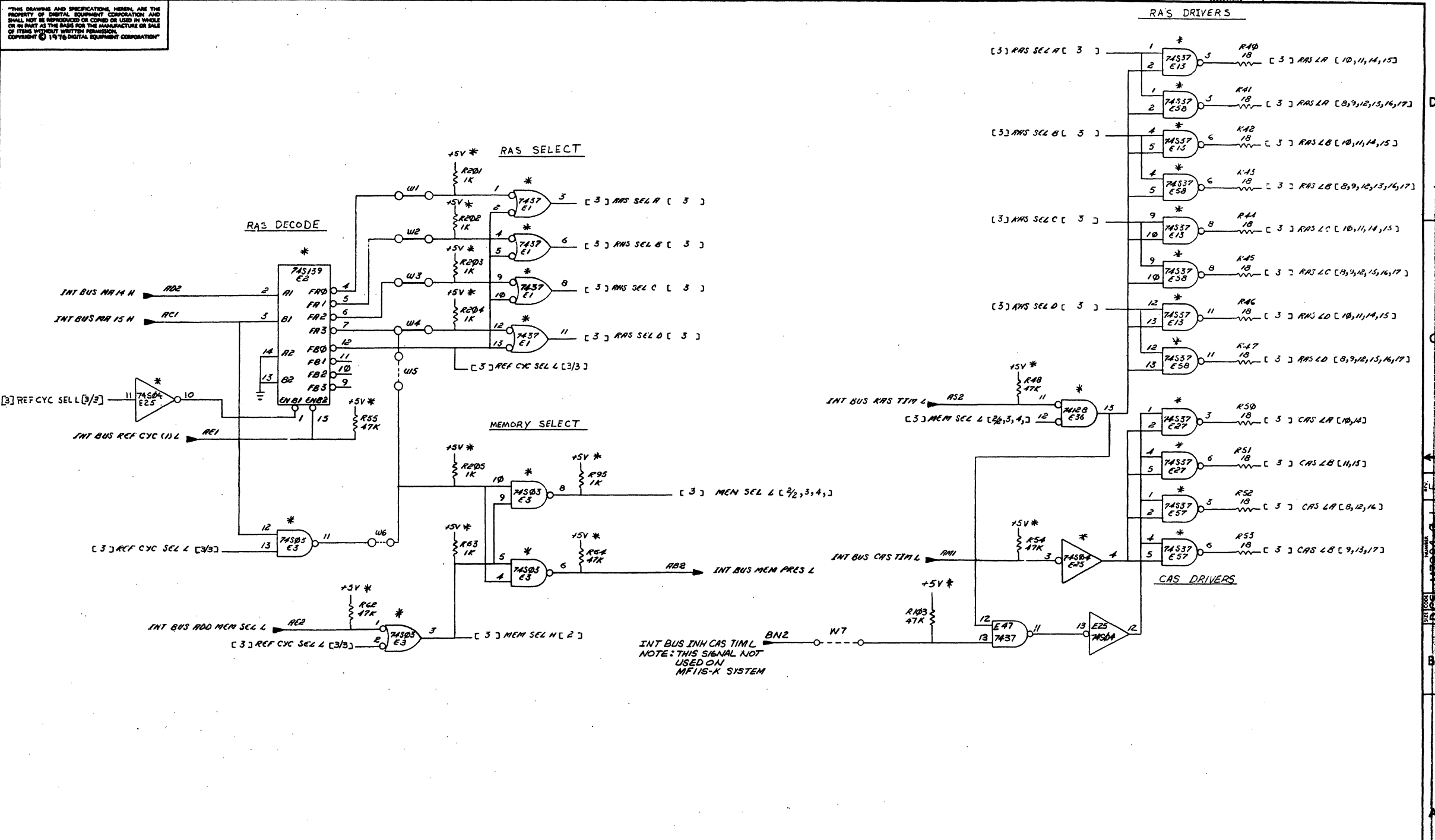


REVISIONS		
CHK	CHANGE NO.	REV.

TITLE	MS11-K (ARRAY)	SIZE CODE	D CS	NUMBER	M7984-0-1	REV.	E
SCALE	NONE	SHEET	2 OF 17	DIST.			

THIS DRAWING AND SPECIFICATIONS HEREIN ARE THE PROPERTY OF DIGITAL EQUIPMENT CORPORATION AND SHALL NOT BE REPRODUCED OR COPIED OR USED IN WHOLE OR IN PART AS THE BASIS FOR THE MANUFACTURE OR SALE OF ITEMS WITHOUT WRITTEN PERMISSION. COPYRIGHT © 1976 DIGITAL EQUIPMENT CORPORATION

1-0-0961W DCS 2

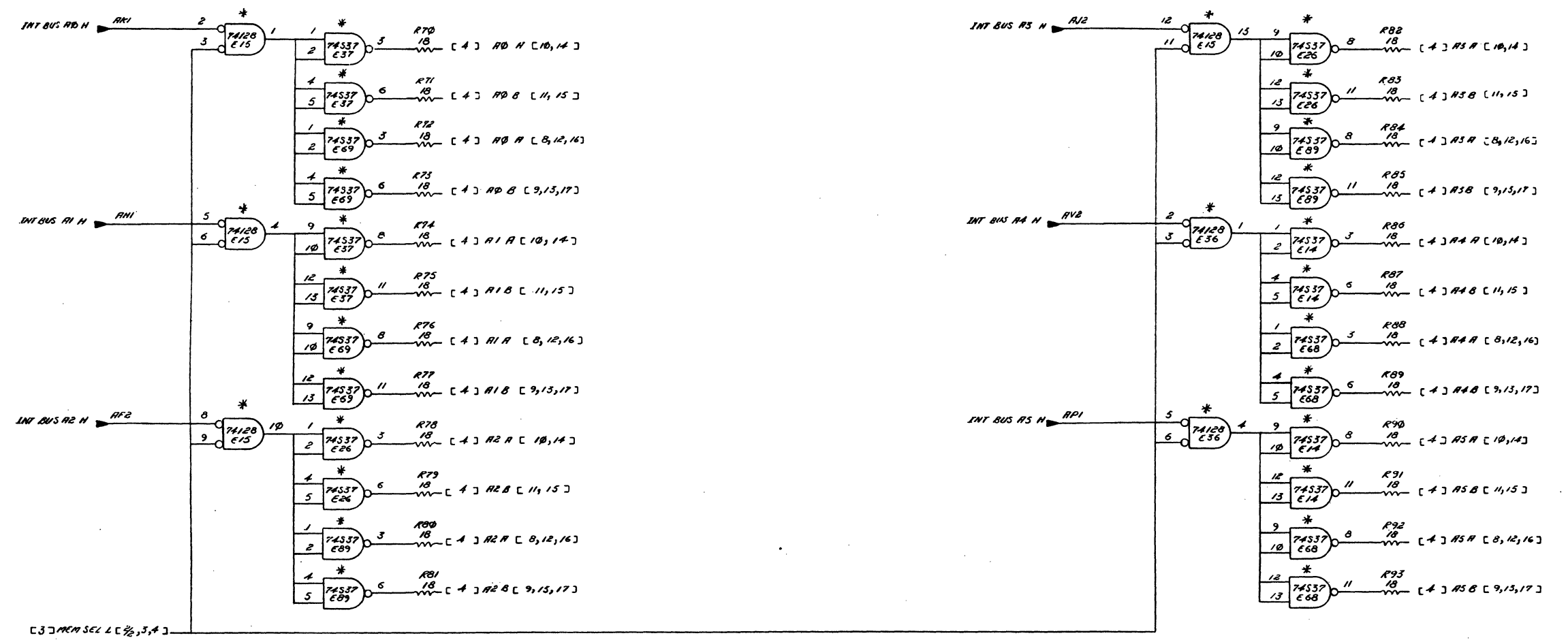


REVISIONS		
CHK	CHANGE NO.	REV.

TITLE	MS11-K (ARRAY)	SIZE CODE	DCS	NUMBER	M798-0-1	REV.	E
SCALE	NONE	SHEET	3	OF	17	DIST.	

THE DRAWING AND SPECIFICATIONS HEREIN ARE THE PROPERTY OF DIGITAL EQUIPMENT CORPORATION AND SHALL NOT BE REPRODUCED OR COPIED OR USED IN WHOLE OR IN PART AS THE BASIS FOR THE MANUFACTURE OR SALE OF ITEMS WITHOUT WRITTEN PERMISSION. COPYRIGHT © 1976 DIGITAL EQUIPMENT CORPORATION

ADDRESS DRIVERS



[3] MEN SEL L [2,3,4]

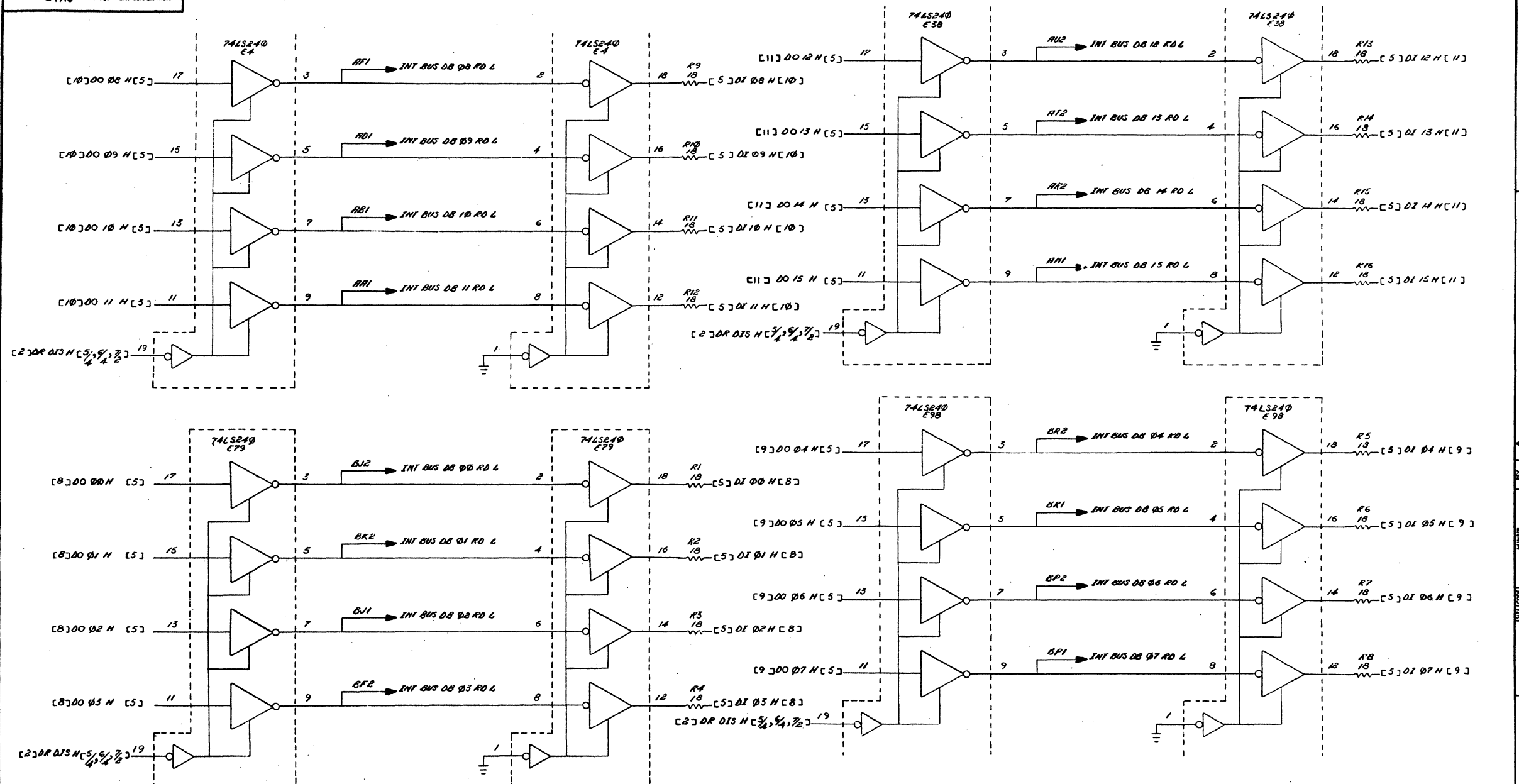
REVISIONS		
CHK	CHANGE NO.	REV.

TITLE	MS11-K (ARRAY)	SIZE CODE	D CS	NUMBER	M7984-0-1	REV.	E
SCALE	NONE	SHEET	4	OF	17	DIST.	

351

THIS DRAWING AND SPECIFICATIONS HEREIN ARE THE PROPERTY OF DIGITAL EQUIPMENT CORPORATION AND SHALL NOT BE REPRODUCED OR COPIED OR USED IN WHOLE OR IN PART AS THE BASIS FOR THE MANUFACTURE OR SALE OF ITEMS WITHOUT WRITTEN PERMISSION. COPYRIGHT © 1976 DIGITAL EQUIPMENT CORPORATION

DCS M7984-0-1 E



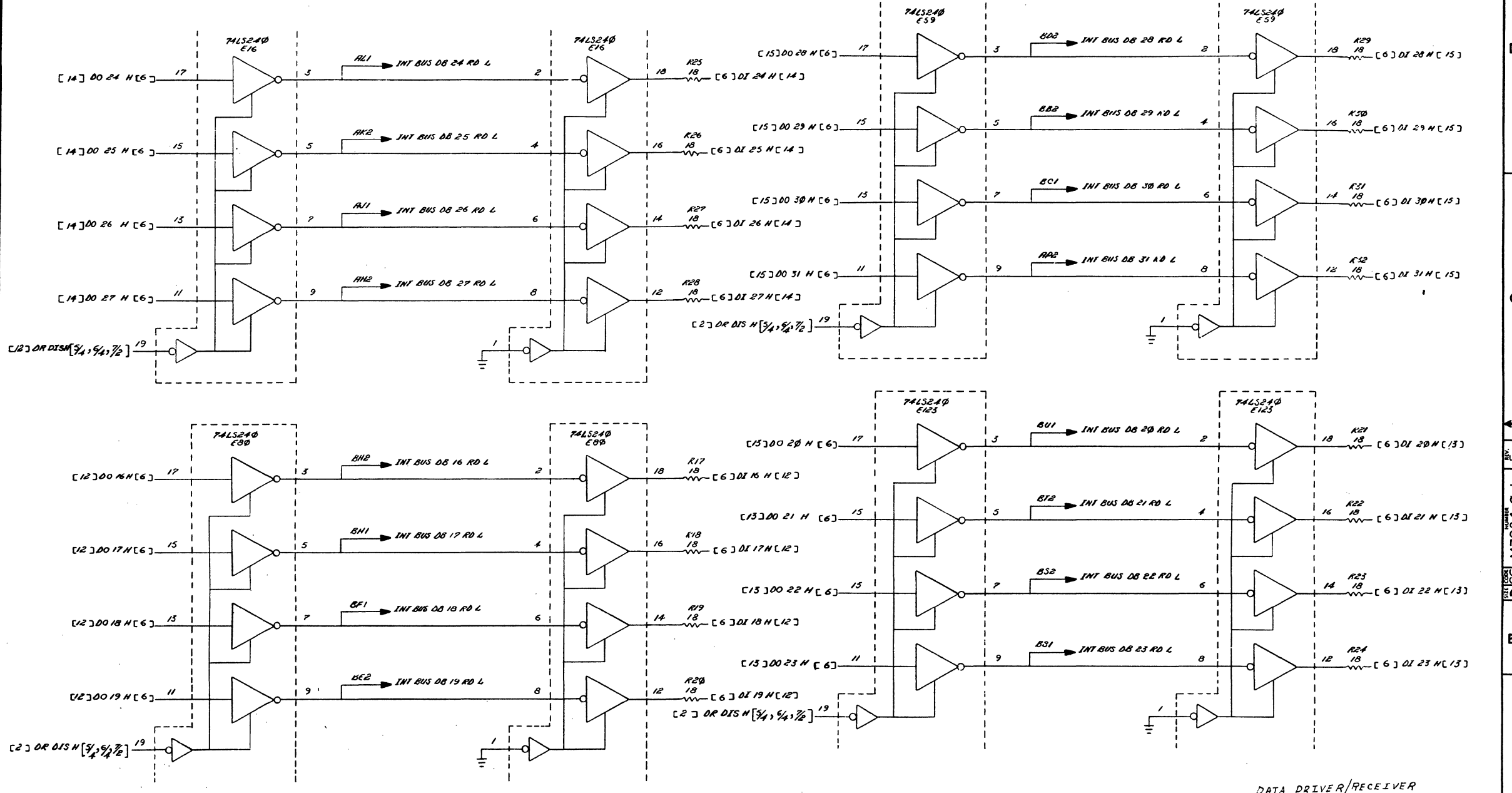
DATA DRIVER/RECEIVER

REVISIONS		
CHK	CHANGE NO.	REV.

TITLE	MS11-K (ARRAY)	SIZE CODE	DCS	NUMBER	M7984-0-1	REV.	E
SCALE	NONE	SHEET	5	OF	17	DIST.	

352

"THIS DRAWING AND SPECIFICATIONS, HEREIN, ARE THE PROPERTY OF DIGITAL EQUIPMENT CORPORATION AND SHALL NOT BE REPRODUCED OR COPIED OR USED IN WHOLE OR IN PART AS THE BASIS FOR THE MANUFACTURE OR SALE OF ITEMS WITHOUT WRITTEN PERMISSION. COPYRIGHT © 1976 DIGITAL EQUIPMENT CORPORATION"



DATA DRIVER/RECEIVER

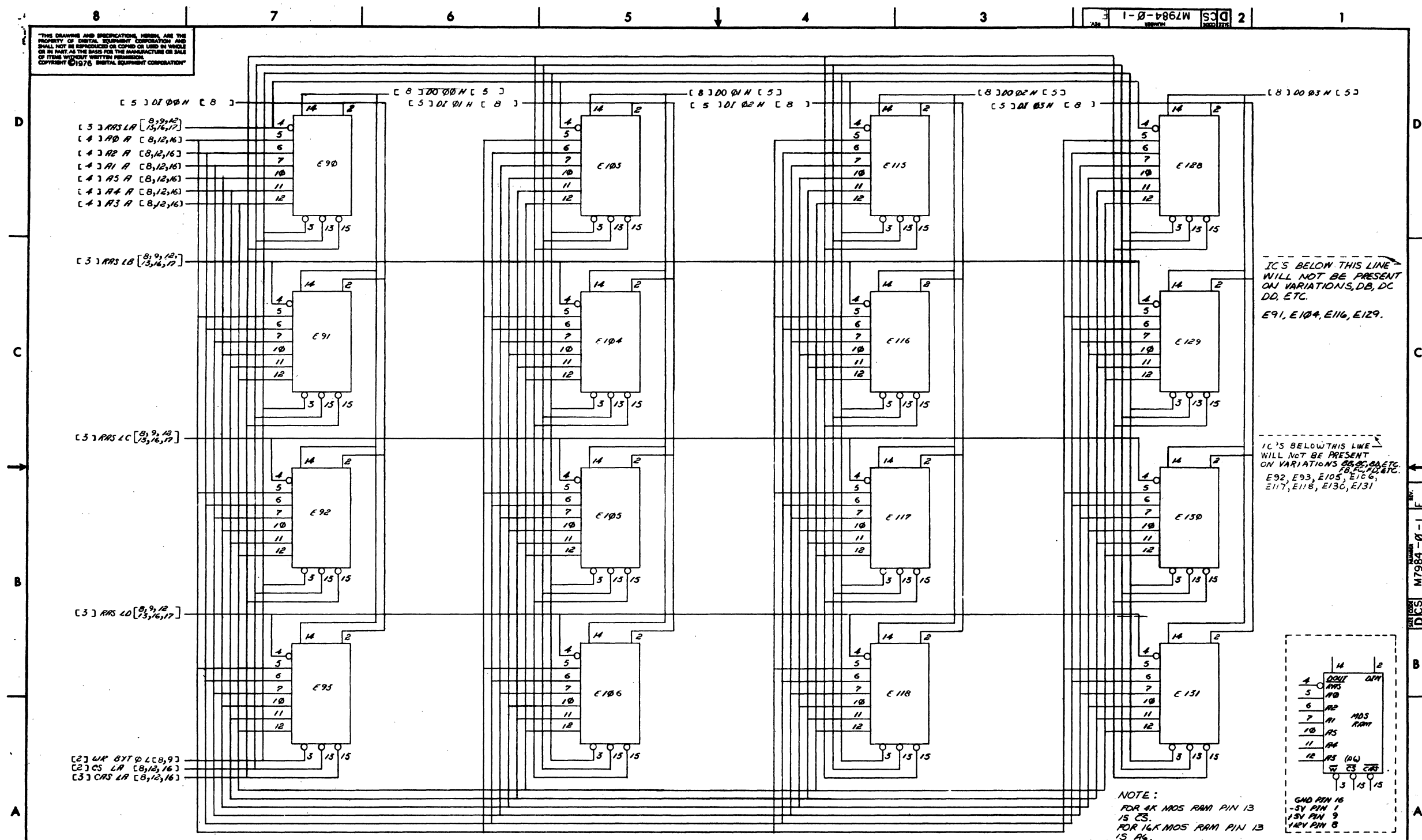
REVISIONS		
CHK	CHANGE NO.	REV.

TITLE	MS11-K (ARRAY)	SIZE CODE	DCS	NUMBER	M7984-0-1	REV.	E
SCALE	NONE	SHEET	6 OF 17	DIST.			



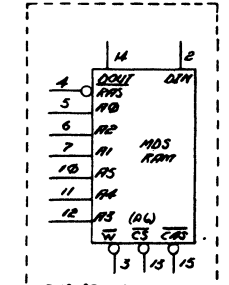


THIS DRAWING AND SPECIFICATIONS HEREIN ARE THE PROPERTY OF DIGITAL EQUIPMENT CORPORATION AND SHALL NOT BE REPRODUCED OR COPIED OR USED IN WHOLE OR IN PART AS THE BASIS FOR THE MANUFACTURE OR SALE OF ITEMS WITHOUT WRITTEN PERMISSION. COPYRIGHT © 1976 DIGITAL EQUIPMENT CORPORATION



IC'S BELOW THIS LINE WILL NOT BE PRESENT ON VARIATIONS DB, DC, DD, ETC.  
E91, E104, E116, E129.

IC'S BELOW THIS LINE WILL NOT BE PRESENT ON VARIATIONS DB, DC, DD, ETC.  
E92, E93, E105, E106, E117, E118, E130, E131



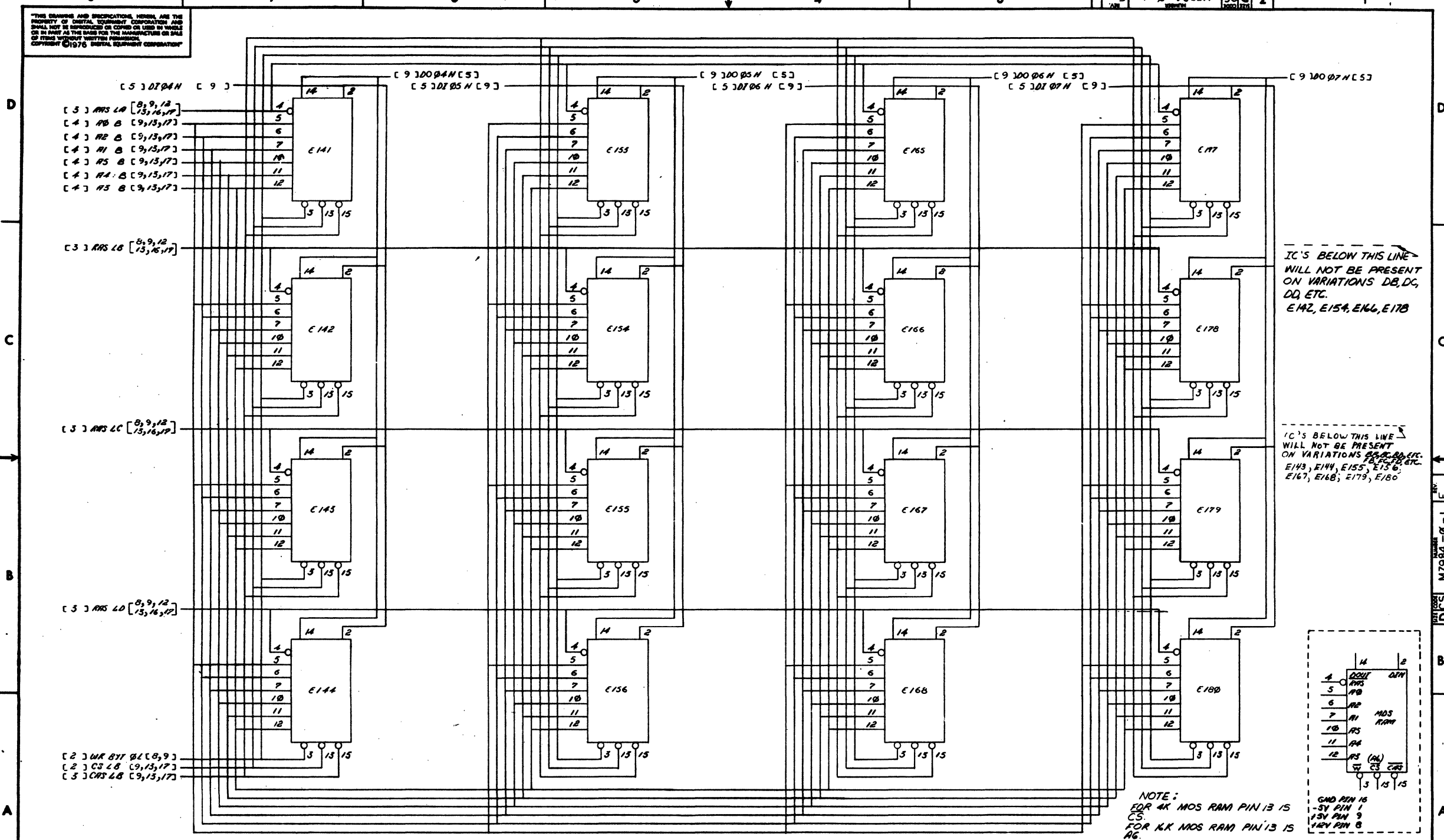
NOTE:  
FOR 4K MOS RAM PIN 13 IS CS.  
FOR 16K MOS RAM PIN 13 IS A6.

REVISIONS		
CHK	CHANGE NO.	REV.

TITLE	MS11-K (ARRAY)	SIZE CODE	DCS	NUMBER	M7984-0-1	REV.	E
SCALE	NONE	SHEET	8	OF	17	DIST.	

THIS DRAWING AND SPECIFICATIONS HEREIN ARE THE PROPERTY OF DIGITAL EQUIPMENT CORPORATION AND SHALL NOT BE REPRODUCED OR COPIED OR USED IN WHOLE OR IN PART AS THE BASIS FOR THE MANUFACTURE OR SALE OF ITEMS WITHOUT WRITTEN PERMISSION. COPYRIGHT ©1976 DIGITAL EQUIPMENT CORPORATION

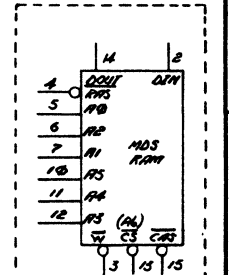
DCS M7984-0-1 E



IC'S BELOW THIS LINE WILL NOT BE PRESENT ON VARIATIONS DB, DC, DD, ETC. E142, E154, E166, E178

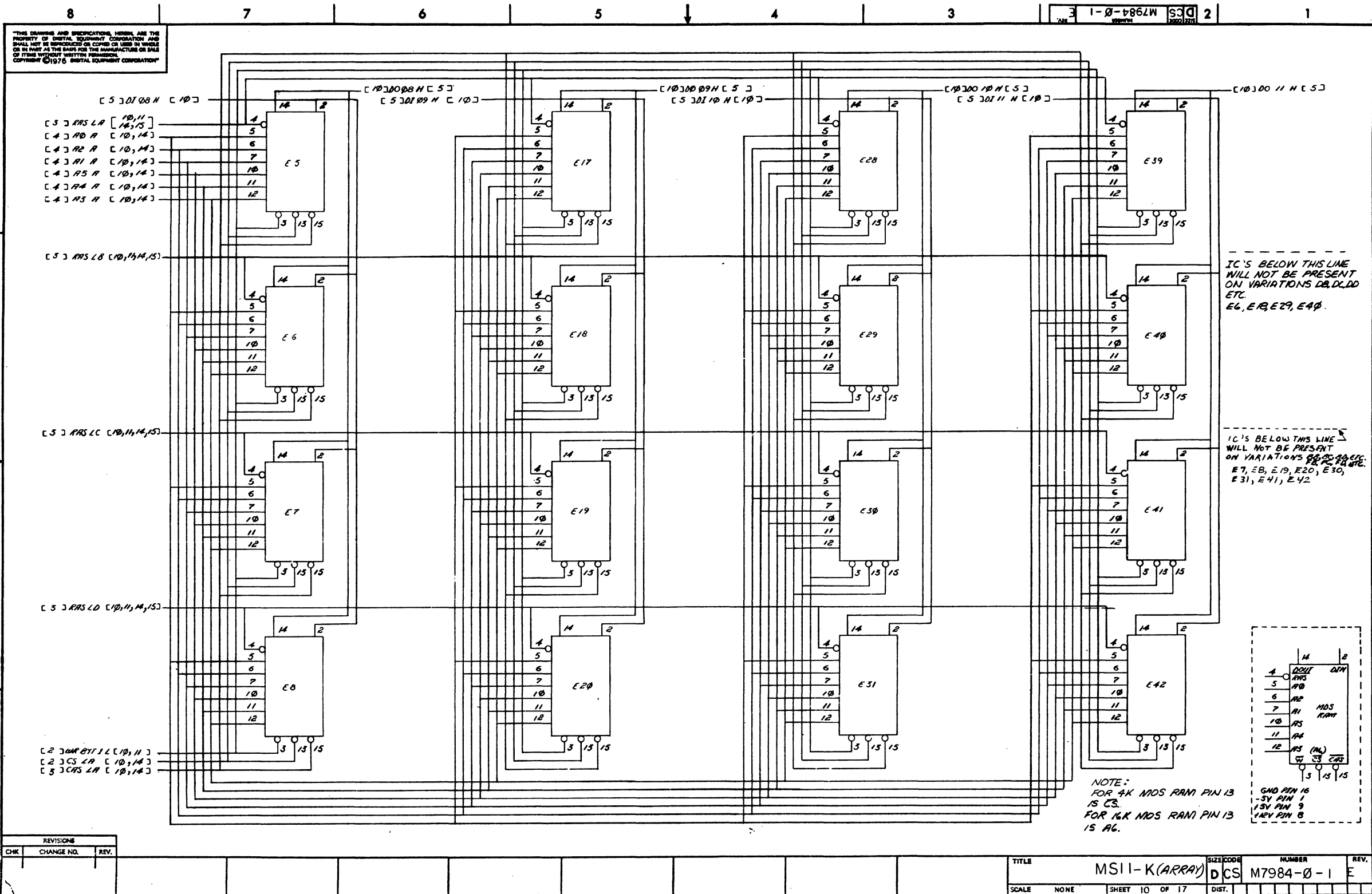
IC'S BELOW THIS LINE WILL NOT BE PRESENT ON VARIATIONS AA, AB, AC, AD, AE, ETC. E143, E144, E155, E156, E167, E168, E179, E180

NOTE:  
FOR 4K MOS RAM PIN 13 IS CS.  
FOR 8K MOS RAM PIN 13 IS AG.



REVISIONS		
CHK	CHANGE NO.	REV.

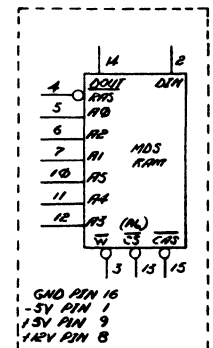
TITLE	MS11-K (ARRAY)	SIZE CODE	DCS	NUMBER	M7984-0-1	REV.	E
SCALE	NONE	SHEET	9 OF 17	DIST.			



THIS DRAWING AND SPECIFICATIONS HEREIN ARE THE PROPERTY OF DIGITAL EQUIPMENT CORPORATION AND SHALL NOT BE REPRODUCED OR COPIED OR USED IN WHOLE OR IN PART AS THE BASIS FOR THE MANUFACTURE OR SALE OF ITEMS WITHOUT WRITTEN PERMISSION. COPYRIGHT © 1975 DIGITAL EQUIPMENT CORPORATION

IC'S BELOW THIS LINE WILL NOT BE PRESENT ON VARIATIONS DB, DC, DD ETC. E6, E13, E29, E40.

IC'S BELOW THIS LINE WILL NOT BE PRESENT ON VARIATIONS DD, DD, ETC. E7, E8, E19, E20, E30, E31, E41, E42.



NOTE:  
FOR 4K MDS RAM PIN 13 IS CS.  
FOR 16K MDS RAM PIN 13 IS AG.

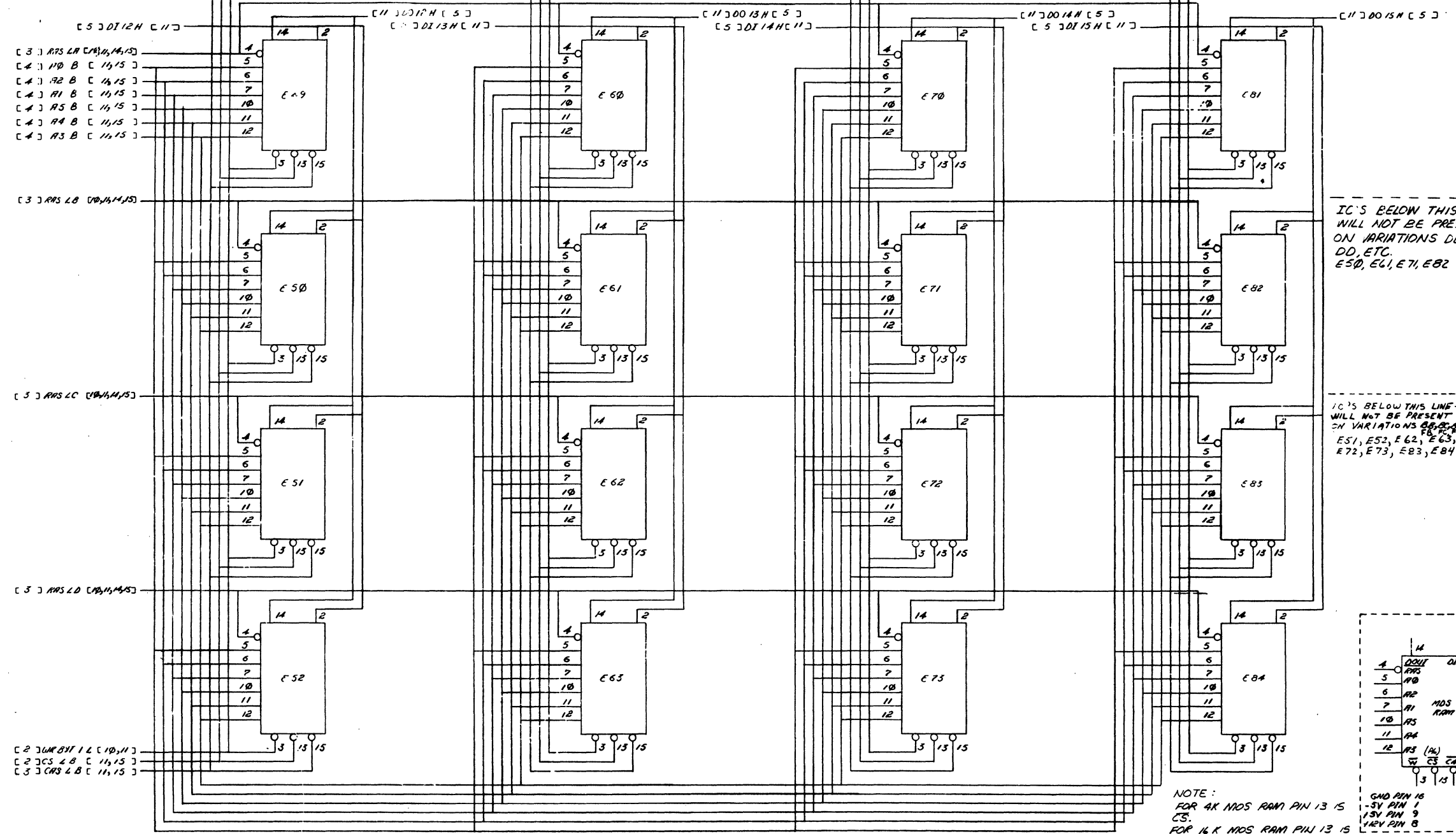
REVISIONS		
CHK	CHANGE NO.	REV.

TITLE	MS11-K (ARRAY)	SIZE CODE	DCS	NUMBER	M7984-0-1	REV.	E
SCALE	NONE	SHEET	10 OF 17	DIST.			

8 7 6 5 4 3 2 1

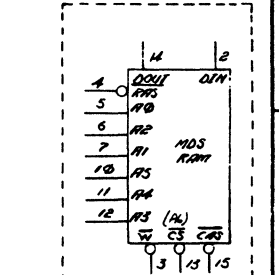
THIS DRAWING AND SPECIFICATIONS HEREIN ARE THE PROPERTY OF DIGITAL EQUIPMENT CORPORATION AND SHALL NOT BE REPRODUCED OR COPIED OR USED IN WHOLE OR IN PART AS THE BASIS FOR THE MANUFACTURE OR SALE OF ITEMS WITHOUT WRITTEN PERMISSION. COPYRIGHT © 1975 DIGITAL EQUIPMENT CORPORATION

DCS M7984-0-1



IC'S BELOW THIS LINE WILL NOT BE PRESENT ON VARIATIONS DB,DC, DD, ETC. E50, E61, E71, E82

IC'S BELOW THIS LINE WILL NOT BE PRESENT ON VARIATIONS BB,CC,EE, FF, G, H, I, J, K, L, M, N, O, P, Q, R, S, T, U, V, W, X, Y, Z, AA, AB, AC, AD, AE, AF, AG, AH, AI, AJ, AK, AL, AM, AN, AO, AP, AQ, AR, AS, AT, AU, AV, AW, AX, AY, AZ, BA, BB, BC, BD, BE, BF, BG, BH, BI, BJ, BK, BL, BM, BN, BO, BP, BQ, BR, BS, BT, BU, BV, BW, BX, BY, BZ, CA, CB, CC, CD, CE, CF, CG, CH, CI, CJ, CK, CL, CM, CN, CO, CP, CQ, CR, CS, CT, CU, CV, CW, CX, CY, CZ, DA, DB, DC, DD, DE, DF, DG, DH, DI, DJ, DK, DL, DM, DN, DO, DP, DQ, DR, DS, DT, DU, DV, DW, DX, DY, DZ, EA, EB, EC, ED, EE, EF, EG, EH, EI, EJ, EK, EL, EM, EN, EO, EP, EQ, ER, ES, ET, EU, EV, EW, EX, EY, EZ, FA, FB, FC, FD, FE, FF, FG, FH, FI, FJ, FK, FL, FM, FN, FO, FP, FQ, FR, FS, FT, FU, FV, FW, FX, FY, FZ, GA, GB, GC, GD, GE, GF, GG, GH, GI, GJ, GK, GL, GM, GN, GO, GP, GQ, GR, GS, GT, GU, GV, GW, GX, GY, GZ, HA, HB, HC, HD, HE, HF, HG, HH, HI, HJ, HK, HL, HM, HN, HO, HP, HQ, HR, HS, HT, HU, HV, HW, HX, HY, HZ, IA, IB, IC, ID, IE, IF, IG, IH, II, IJ, IK, IL, IM, IN, IO, IP, IQ, IR, IS, IT, IU, IV, IW, IX, IY, IZ, JA, JB, JC, JD, JE, JF, JG, JH, JI, JJ, JK, JL, JM, JN, JO, JP, JQ, JR, JS, JT, JU, JV, JW, JX, JY, JZ, KA, KB, KC, KD, KE, KF, KG, KH, KI, KJ, KK, KL, KM, KN, KO, KP, KQ, KR, KS, KT, KU, KV, KW, KX, KY, KZ, LA, LB, LC, LD, LE, LF, LG, LH, LI, LJ, LK, LL, LM, LN, LO, LP, LQ, LR, LS, LT, LU, LV, LW, LX, LY, LZ, MA, MB, MC, MD, ME, MF, MG, MH, MI, MJ, MK, ML, MM, MN, MO, MP, MQ, MR, MS, MT, MU, MV, MW, MX, MY, MZ, NA, NB, NC, ND, NE, NF, NG, NH, NI, NJ, NK, NL, NM, NN, NO, NP, NQ, NR, NS, NT, NU, NV, NW, NX, NY, NZ, OA, OB, OC, OD, OE, OF, OG, OH, OI, OJ, OK, OL, OM, ON, OO, OP, OQ, OR, OS, OT, OU, OV, OW, OX, OY, OZ, PA, PB, PC, PD, PE, PF, PG, PH, PI, PJ, PK, PL, PM, PN, PO, PP, PQ, PR, PS, PT, PU, PV, PW, PX, PY, PZ, QA, QB, QC, QD, QE, QF, QG, QH, QI, QJ, QK, QL, QM, QN, QO, QP, QQ, QR, QS, QT, QU, QV, QW, QX, QY, QZ, RA, RB, RC, RD, RE, RF, RG, RH, RI, RJ, RK, RL, RM, RN, RO, RP, RQ, RR, RS, RT, RU, RV, RW, RX, RY, RZ, SA, SB, SC, SD, SE, SF, SG, SH, SI, SJ, SK, SL, SM, SN, SO, SP, SQ, SR, SS, ST, SU, SV, SW, SX, SY, SZ, TA, TB, TC, TD, TE, TF, TG, TH, TI, TJ, TK, TL, TM, TN, TO, TP, TQ, TR, TS, TT, TU, TV, TW, TX, TY, TZ, UA, UB, UC, UD, UE, UF, UG, UH, UI, UJ, UK, UL, UM, UN, UO, UP, UQ, UR, US, UT, UY, UZ, VA, VB, VC, VD, VE, VF, VG, VH, VI, VJ, VK, VL, VM, VN, VO, VP, VQ, VR, VS, VT, VU, VV, VW, VX, VY, VZ, WA, WB, WC, WD, WE, WF, WG, WH, WI, WJ, WK, WL, WM, WN, WO, WP, WQ, WR, WS, WT, WU, WV, WW, WX, WY, WZ, XA, XB, XC, XD, XE, XF, XG, XH, XI, XJ, XK, XL, XM, XN, XO, XP, XQ, XR, XS, XT, XU, XV, XW, XX, XY, XZ, YA, YB, YC, YD, YE, YF, YG, YH, YI, YJ, YK, YL, YM, YN, YO, YP, YQ, YR, YS, YT, YU, YV, YW, YX, YY, YZ, ZA, ZB, ZC, ZD, ZE, ZF, ZG, ZH, ZI, ZJ, ZK, ZL, ZM, ZN, ZO, ZP, ZQ, ZR, ZS, ZT, ZU, ZV, ZW, ZX, ZY, ZZ



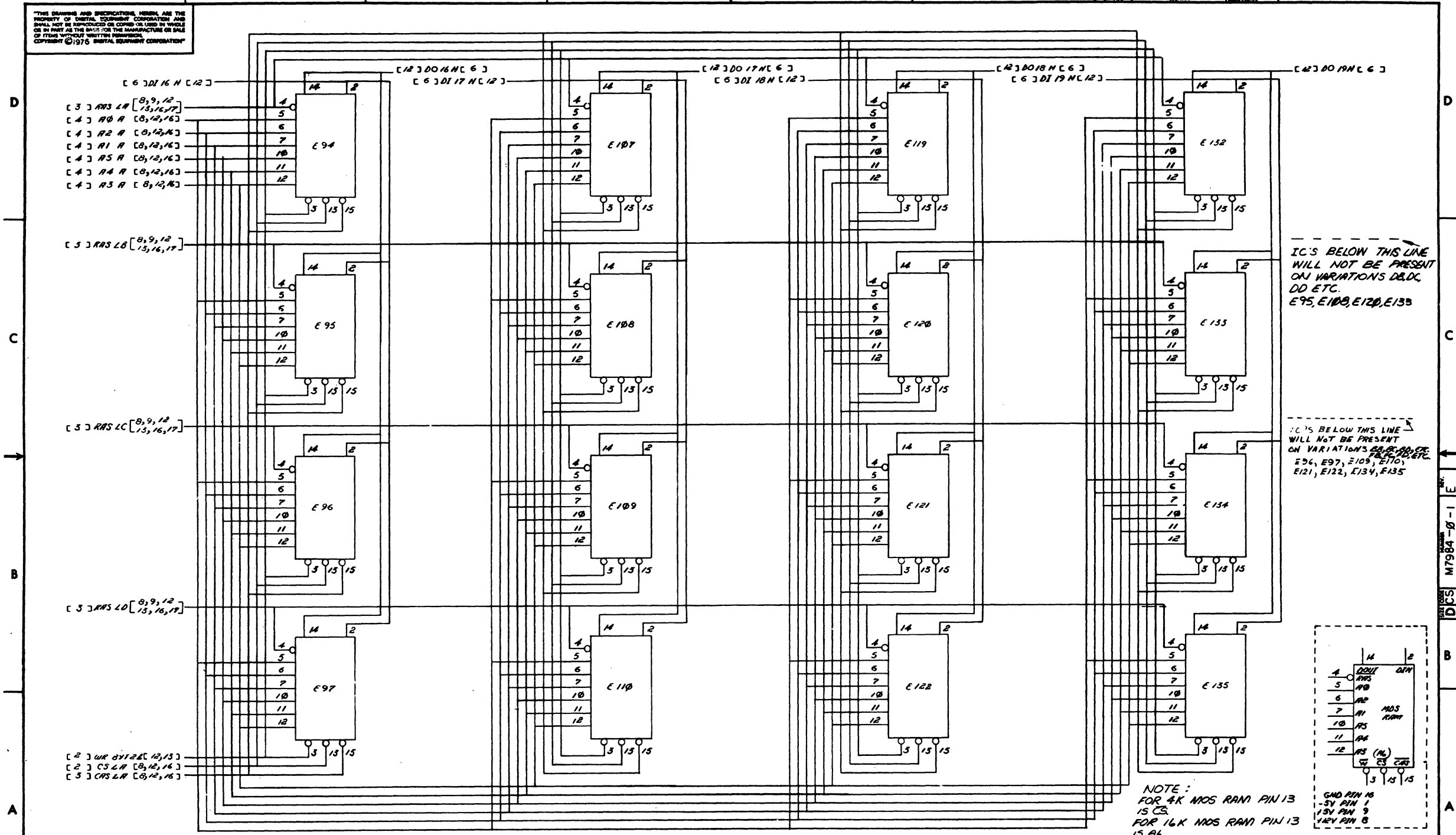
NOTE:  
FOR 4K MDS RAM PIN 13 IS CS.  
FOR 16K MDS RAM PIN 13 IS A6.

REVISIONS		
CHK	CHANGE NO.	REV.

TITLE	MS11-K (ARRAY)	SIZE CODE	DCS	NUMBER	M7984-0-1	REV.	E
SCALE	NONE	SHEET	11	OF	17	DIST	

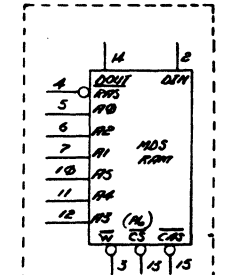
8 7 6 5 4 3 2 1

THIS DRAWING AND SPECIFICATIONS HEREIN ARE THE PROPERTY OF DIGITAL EQUIPMENT CORPORATION AND SHALL NOT BE REPRODUCED OR COPIED OR USED IN WHOLE OR IN PART AS THE BASIS FOR THE MANUFACTURE OR SALE OF ITEMS WITHOUT WRITTEN PERMISSION. COPYRIGHT © 1976 DIGITAL EQUIPMENT CORPORATION.



IC'S BELOW THIS LINE WILL NOT BE PRESENT ON VARIATIONS DB,DC, DD ETC. E95, E108, E120, E133

IC'S BELOW THIS LINE WILL NOT BE PRESENT ON VARIATIONS DB,DC, DD ETC. E96, E97, E109, E110, E121, E122, E134, E135



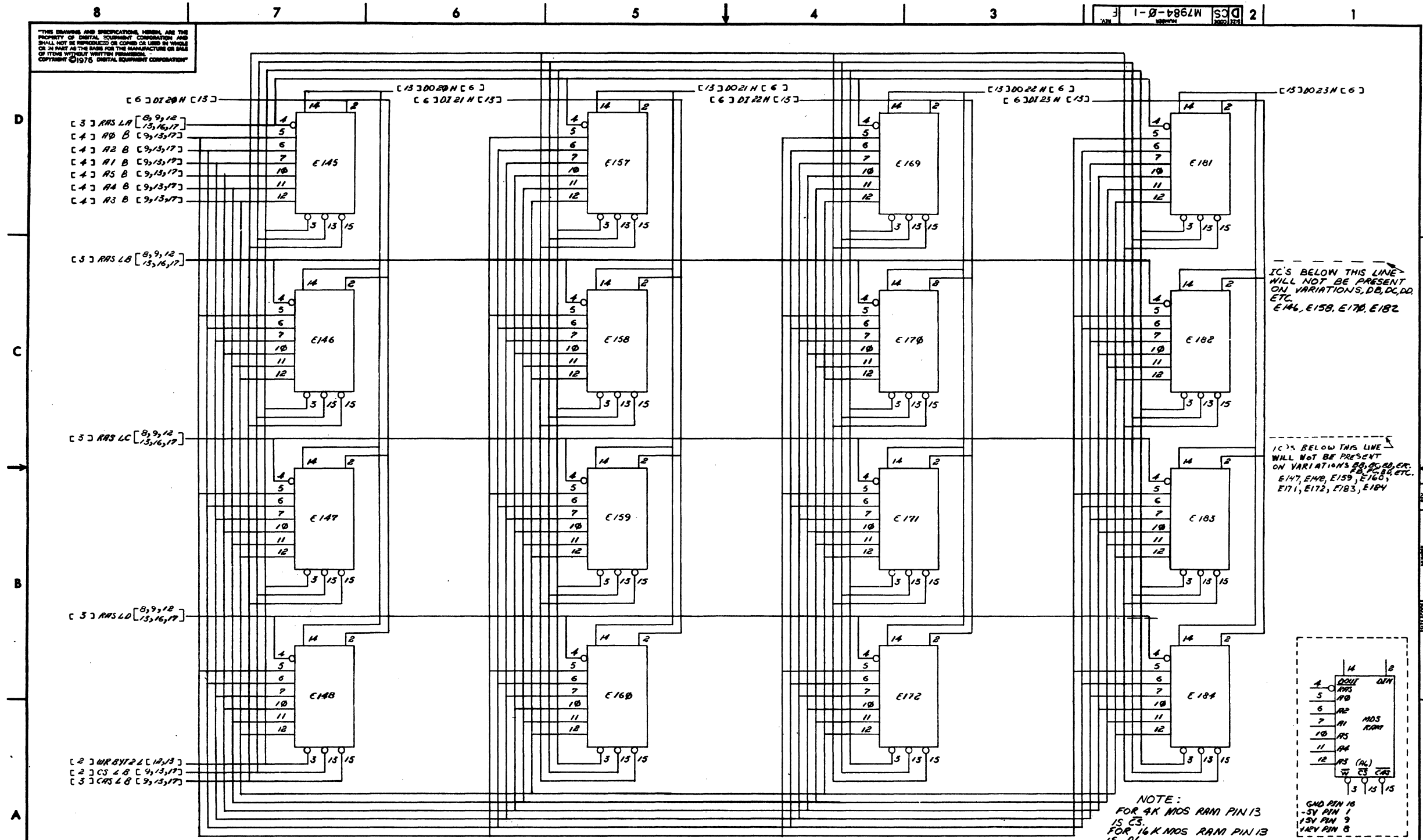
NOTE: FOR 4K MOS RAM PIN 13 IS CS. FOR 16K MOS RAM PIN 13 IS A6.

REVISIONS		
CHK	CHANGE NO.	REV.

TITLE	MS11-K (ARRAY)	SIZE CODE	DCS	NUMBER	M7984-0-1	REV.	E
SCALE	NONE	SHEET	12	OF	17	DIST.	

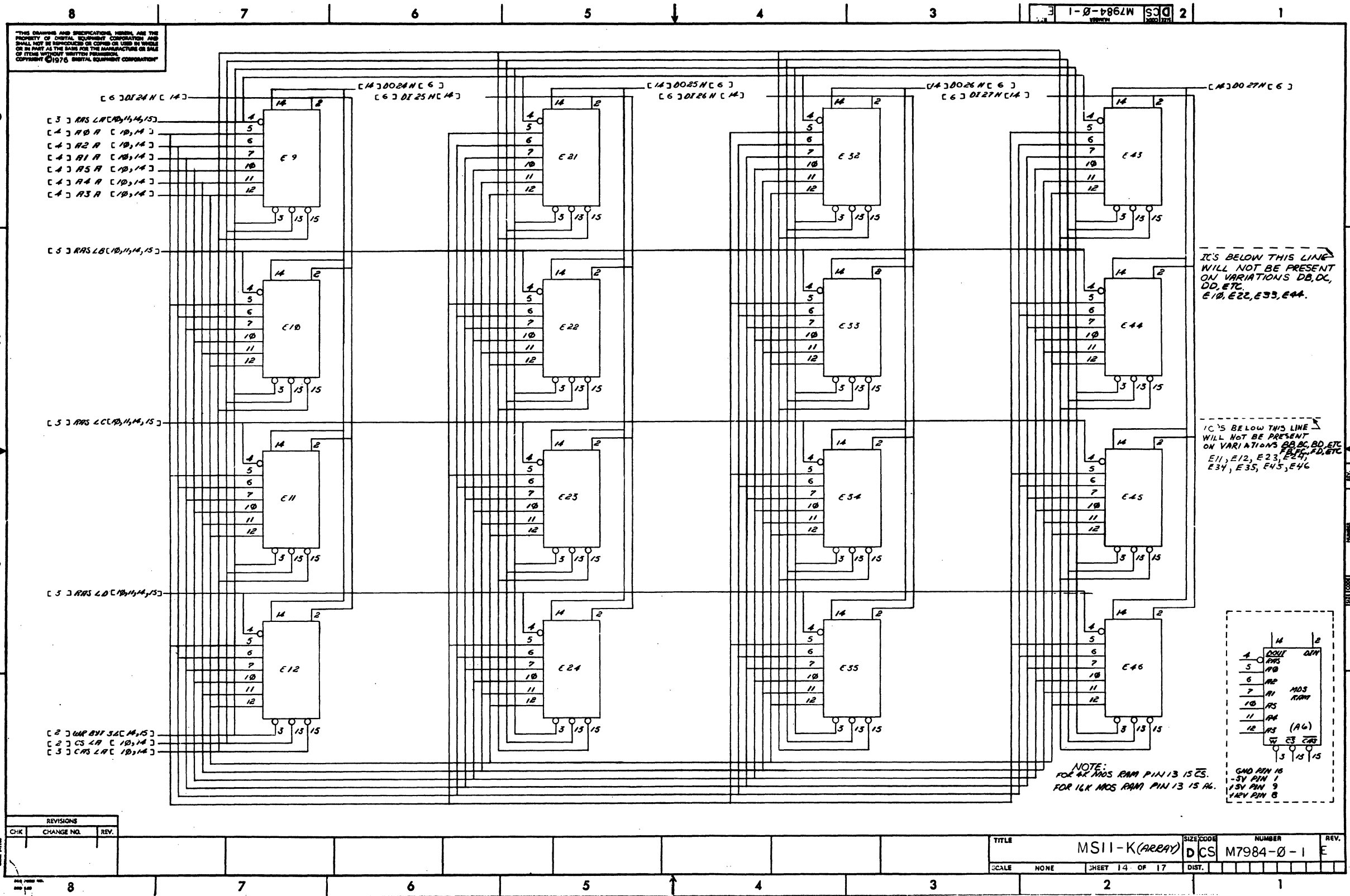
THIS DRAWING AND SPECIFICATIONS HEREIN ARE THE PROPERTY OF DIGITAL EQUIPMENT CORPORATION AND SHALL NOT BE REPRODUCED OR COPIED OR USED IN WHOLE OR IN PART AS THE BASIS FOR THE MANUFACTURE OR SALE OF ITEMS WITHOUT WRITTEN PERMISSION. COPYRIGHT © 1976 DIGITAL EQUIPMENT CORPORATION

DCS M7984-0-1



REVISIONS		
CHK	CHANGE NO.	REV.

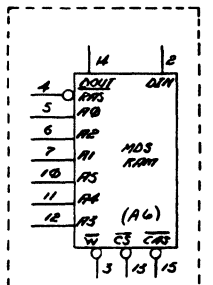
TITLE	MS11-K (ARRAY)	SIZE CODE	DCS	NUMBER	M7984-0-1	REV.	E
SCALE	NONE	SHEET	13	OF	17	DIST.	



THIS DRAWING AND SPECIFICATIONS HEREAFTER ARE THE PROPERTY OF DIGITAL EQUIPMENT CORPORATION AND SHALL NOT BE REPRODUCED OR COPIED OR USED IN WHOLE OR IN PART AS THE BASIS FOR THE MANUFACTURE OR SALE OF ITEMS WITHOUT WRITTEN PERMISSION. COPYRIGHT © 1976 DIGITAL EQUIPMENT CORPORATION.

IC'S BELOW THIS LINE WILL NOT BE PRESENT ON VARIATIONS DB, DC, DD, ETC. E10, E22, E33, E44.

IC'S BELOW THIS LINE WILL NOT BE PRESENT ON VARIATIONS BB, BC, BD, ETC. E11, E12, E23, E24, E34, E35, E45, E46.

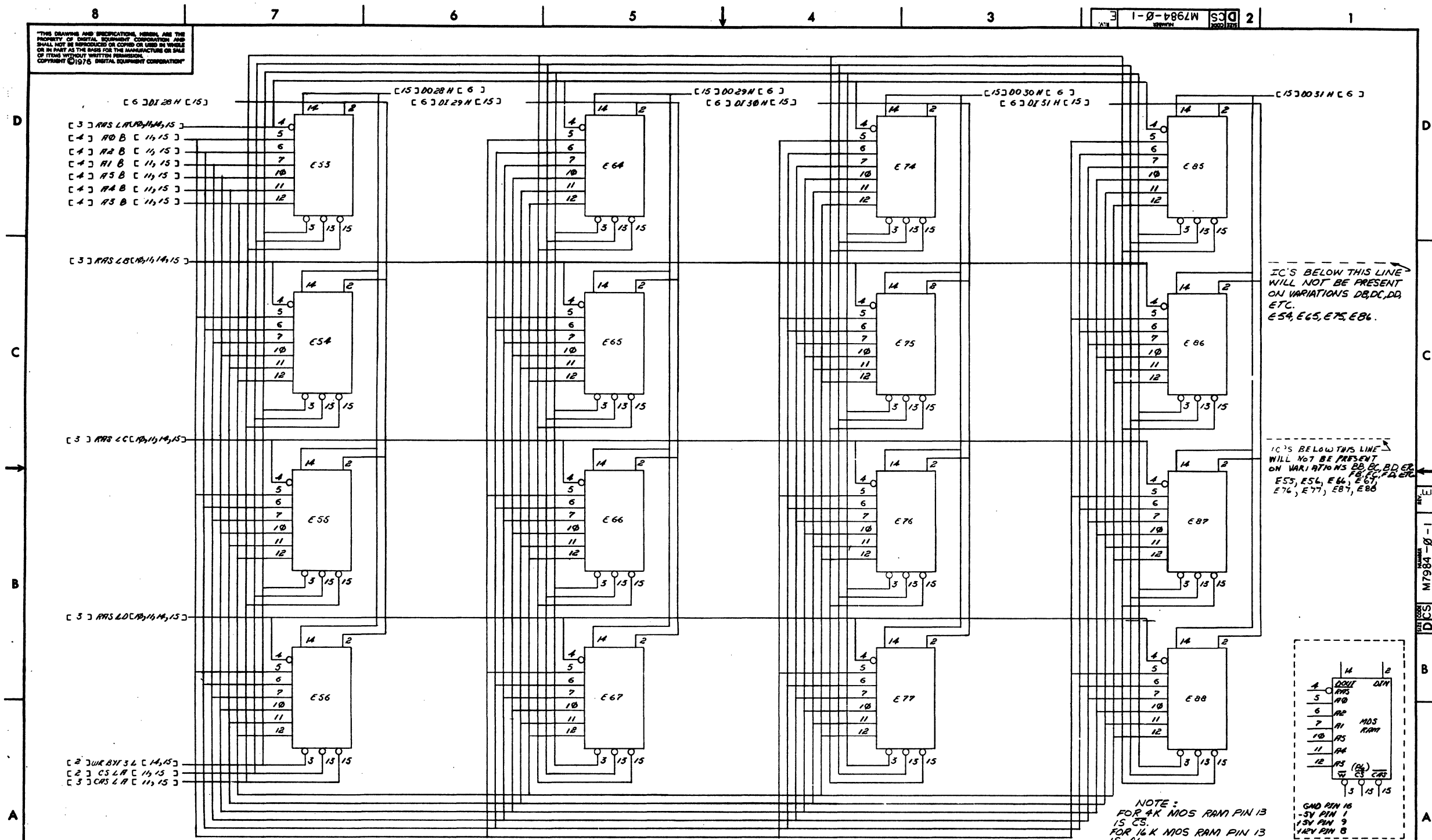


NOTE: FOR 4K MOS RAM PIN 13 IS CS. FOR 16K MOS RAM PIN 13 IS A6.

REVISIONS		
CHK	CHANGE NO.	REV.

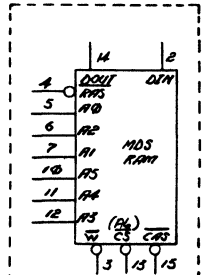
TITLE	MS11-K (ARRAY)	SIZE/COOE	DCS	NUMBER	M7984-0-1	REV.	E
SCALE	NONE	SHEET	14	OF	17	DIST.	

THIS DRAWING AND SPECIFICATIONS HEREIN ARE THE PROPERTY OF DIGITAL EQUIPMENT CORPORATION AND SHALL NOT BE REPRODUCED OR COPIED OR USED IN WHOLE OR IN PART AS THE BASIS FOR THE MANUFACTURE OR SALE OF ITEMS WITHOUT WRITTEN PERMISSION. COPYRIGHT © 1976 DIGITAL EQUIPMENT CORPORATION



IC'S BELOW THIS LINE WILL NOT BE PRESENT ON VARIATIONS DB, DC, DD, ETC. E54, E65, E75, E86.

IC'S BELOW THIS LINE WILL NOT BE PRESENT ON VARIATIONS BB, BC, BD, BE, ETC. E53, E54, E64, E65, E66, E67, E76, E77, E87, E88.



NOTE: FOR 4K MOS RAM PIN 13 IS CS FOR 16K MOS RAM PIN 13 IS A6.

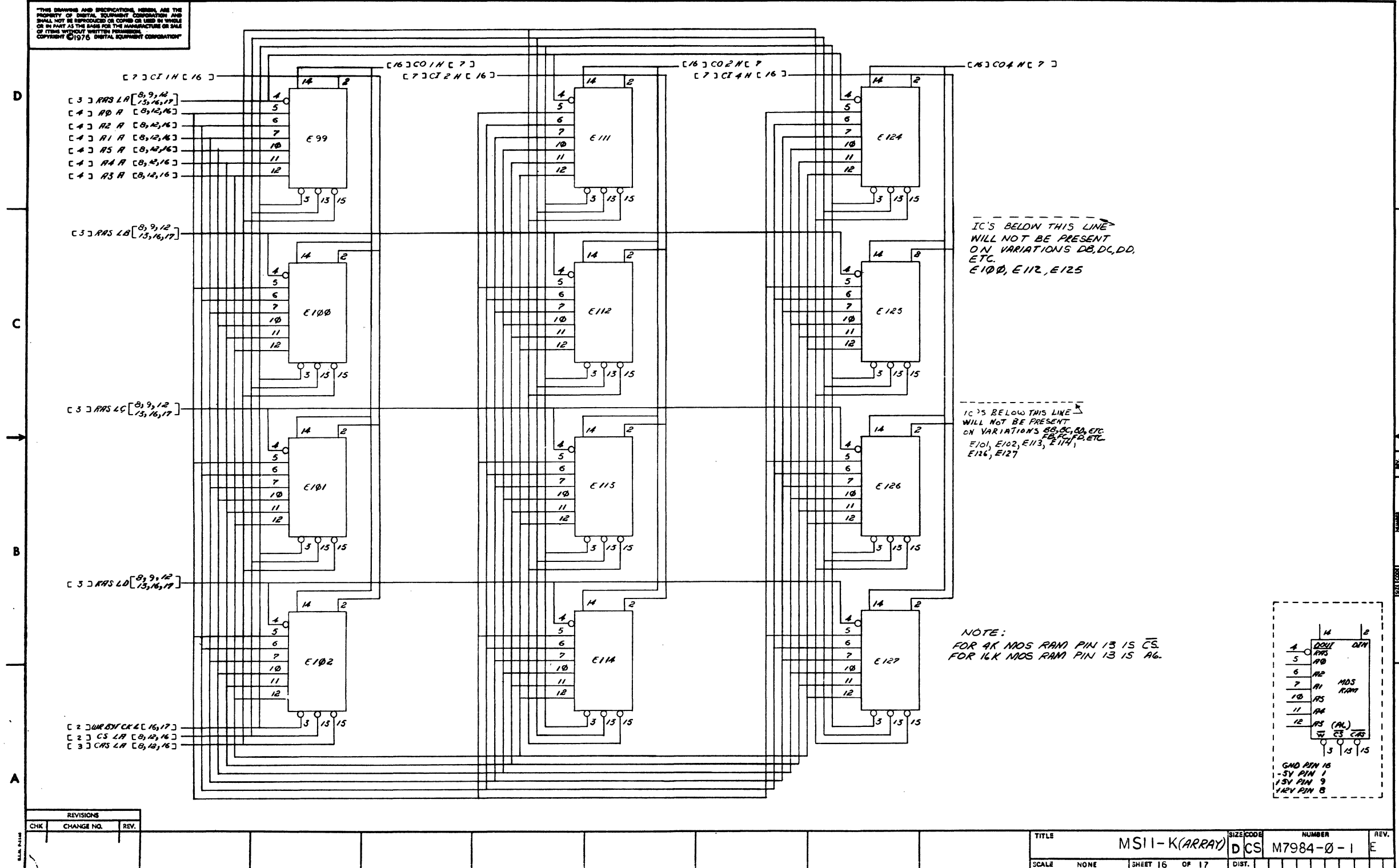
REVISIONS		
CHK	CHANGE NO.	REV.

TITLE	MS11-K (ARRAY)	SIZE CODE	DCS	NUMBER	M7984-0-1	REV.	E
SCALE	NONE	SHEET	15	OF	17	DIST.	



THIS DRAWING AND SPECIFICATIONS HEREIN ARE THE PROPERTY OF DIGITAL EQUIPMENT CORPORATION AND SHALL NOT BE REPRODUCED OR COPIED OR USED IN WHOLE OR IN PART AS THE BASIS FOR THE MANUFACTURE OR SALE OF ITEMS WITHOUT WRITTEN PERMISSION. COPYRIGHT ©1976 DIGITAL EQUIPMENT CORPORATION

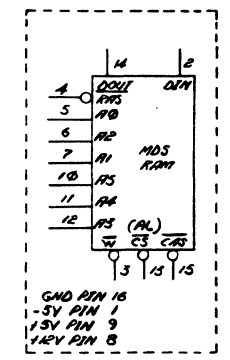
DCS M7984-0-1 2 1



IC'S BELOW THIS LINE WILL NOT BE PRESENT ON VARIATIONS DB, DC, DD, ETC. E100, E112, E125

IC'S BELOW THIS LINE WILL NOT BE PRESENT ON VARIATIONS BE, SC, BA, ETC. E101, E102, E113, E114, E116, E127

NOTE:  
FOR 4K MDS RAM PIN 13 IS CS.  
FOR 16K MDS RAM PIN 13 IS A6.

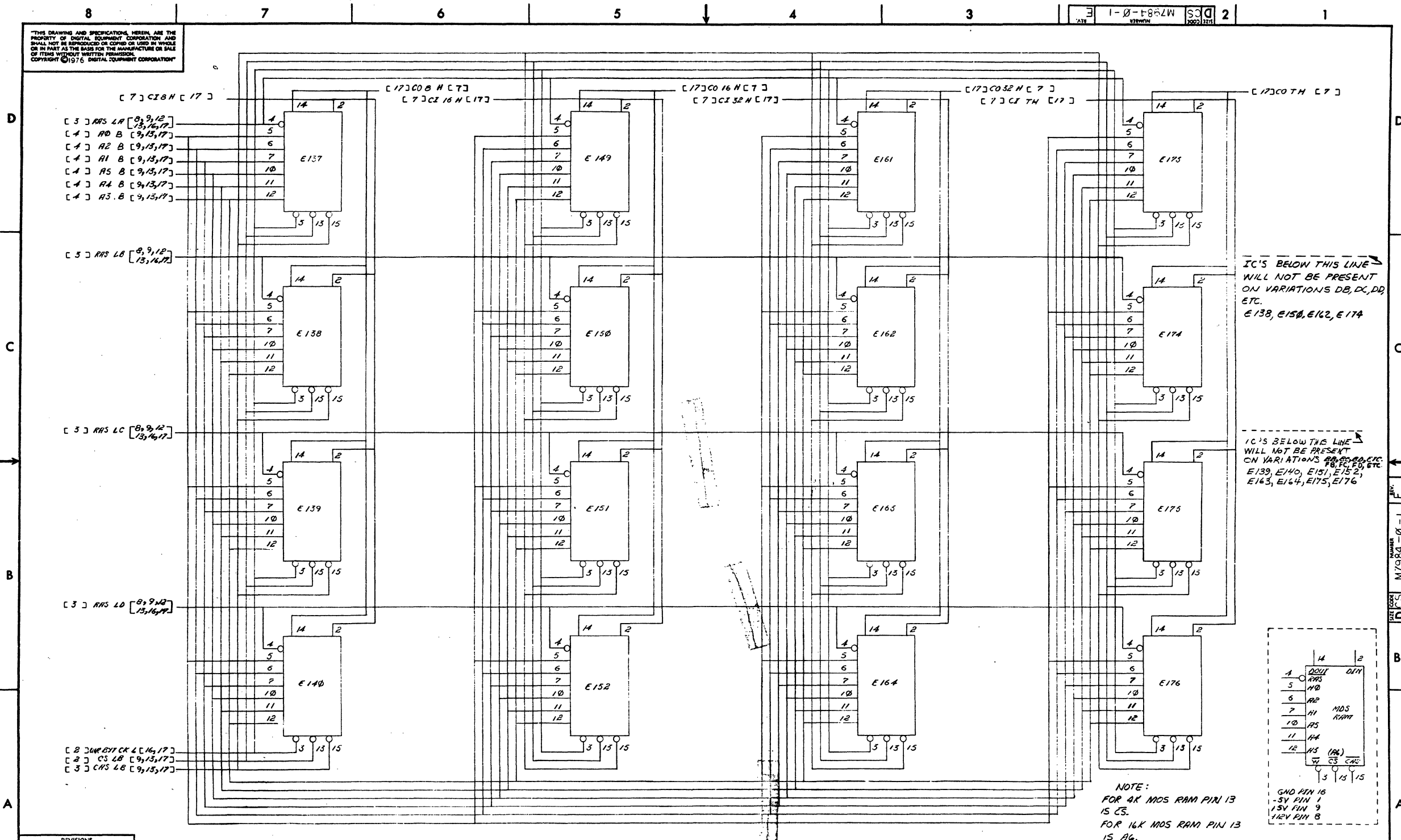


REVISIONS		
CHK	CHANGE NO.	REV.

TITLE	MS11-K (ARRAY)	SIZE CODE	DCS	NUMBER	M7984-0-1	REV.	E
SCALE	NONE	SHEET	16	OF	17	DIST.	

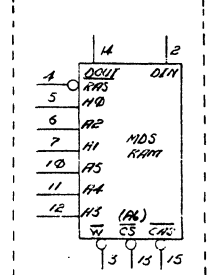
THE DRAWING AND SPECIFICATIONS HEREIN ARE THE PROPERTY OF DIGITAL EQUIPMENT CORPORATION AND SHALL NOT BE REPRODUCED OR COPIED OR USED IN WHOLE OR IN PART AS THE BASIS FOR THE MANUFACTURE OR SALE OF ITEMS WITHOUT WRITTEN PERMISSION. COPYRIGHT © 1976 DIGITAL EQUIPMENT CORPORATION

3 1-0-F86W S3D 2



IC'S BELOW THIS LINE WILL NOT BE PRESENT ON VARIATIONS DB, DC, DD, ETC. E138, E150, E162, E174

IC'S BELOW THIS LINE WILL NOT BE PRESENT ON VARIATIONS DB, DC, DD, ETC. E139, E140, E151, E152, E163, E164, E175, E176



NOTE:  
FOR 4K MDS RAM PIN 13 IS CS.  
FOR 16K MDS RAM PIN 13 IS CAS.

REVISIONS		
CHK	CHANGE NO.	REV.

TITLE	MS11-K (ARRAY)	SIZE/CODE	DCS	NUMBER	M7984-0-1	REV.	E
SCALE	NOTE	SHEET 17	OF 17	DIST.			

DRAWING NO.	NO. OF SHTS.	PART NO.	DESCRIPTION	REVISIONS																			
B-DD-M8158-0	1		MK11 ADDRESS BUFFER	*	A																		
D-UA-M8158-0-0	6		MK11 ADDRESS BUFFER	A	B																		
B-PL-M8158-0-0	3		MK11 ADDRESS BUFFER	A	B																		
D-CS-M8158-0-1	10		MK11 ADDRESS BUFFER	A	B																		
D-MD-5012647-0-0	5		DRILL & ETCH DRAWING	A	B																		
		5012647	ETCHED BOARD	B	C																		
M8158-0-L			P.C. DESIGN DATA BASE	REF																			

**NOTES:**

DATE	CHG NO.	REV.	REVISIONS																				
2-15-78	-00001	A																					

"THIS DRAWING AND SPECIFICATIONS, HEREIN, ARE THE PROPERTY OF DIGITAL EQUIPMENT CORPORATION AND SHALL NOT BE REPRODUCED OR COPIED OR USED IN WHOLE OR IN PART AS THE BASIS FOR THE MANUFACTURE OR SALE OF ITEMS WITHOUT WRITTEN PERMISSION.  
 COPYRIGHT © 1977 DIGITAL EQUIPMENT CORPORATION



USED ON OPTION/MODEL MK11	DRN. LORA METZGER OCT 13 '77	TITLE MK11 ADDRESS BUFFER	SIZE B	CODE DD	NUMBER M8158-0	REV. A
	CHK'D. <i>D. Barzman</i> OCT 13, 1977					
	ENG. <i>R. H. Amelun</i> OCT 23, 1977					
	PRCD. <i>R.A. Hill</i> OCT 25, 1977					
		SHEET 1 OF 1				



8

7

6

5

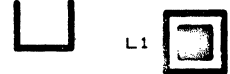
4

3

2 DUA M8158-0-0

1

THIS DRAWING AND PRESENTATION HEREIN ARE THE PROPERTY OF DIGITAL EQUIPMENT CORPORATION AND SHALL NOT BE REPRODUCED OR COPIED IN WHOLE OR IN PART BY ANY MEANS WITHOUT THE WRITTEN PERMISSION OF DIGITAL EQUIPMENT CORPORATION.  
© 1978, DIGITAL EQUIPMENT CORPORATION



M8158 5012647C-P1

# LAYER 1

CS\*ABCDEFGHIJKLMNPRS

E85

E80

E74

E88

E62

E56

E51

E45

E40

E35

E29

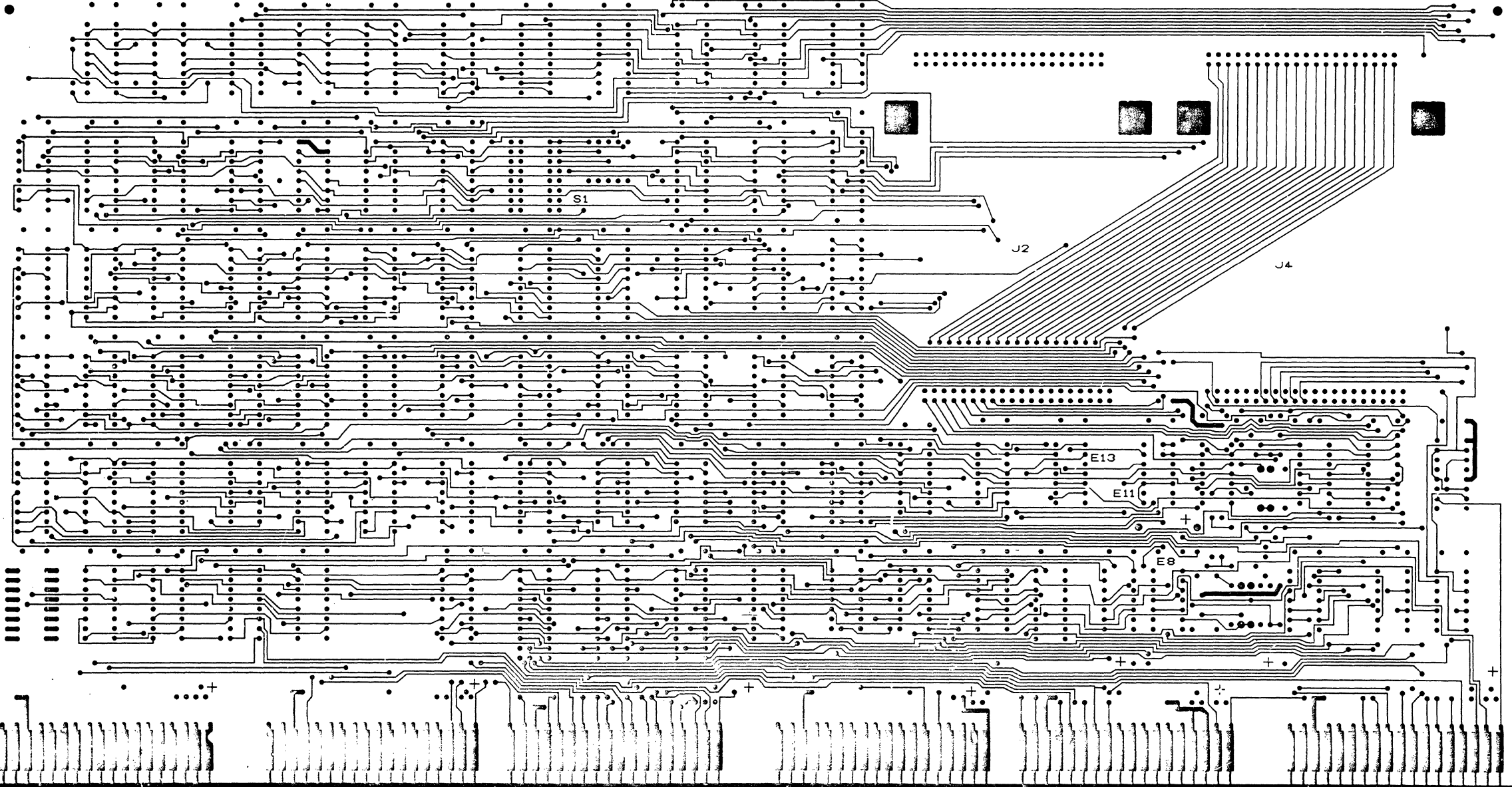
E23

J3

SIDE 1

J1

digital



REV	DATE	DESCRIPTION

8	7	6	5	4	3	2	1
M8158 5012647C-P1						MKII ADDRESS BUFFER	
DUA						M8158-0-0	
2/1						SHEET 2 OF 6	
DIST						REV B	

867

8

L2

7

6

5

4

3

8

0-0-818W DUA 2

1

© 1978

LAYER 2

M8158 5012647 C-P1

XXXXXXXXXXXXXXXXXXXX

XXXXXXXXXXXXXXXXXXXX

XXXXXXXXXXXXXXXXXXXX

XXXXXXXXXXXXXXXXXXXX

(X)

(X)

(X)

(X)

(X)

(X)

(X)

(X)

(X)

(X)

(X)

(X)

(X)

(X)

(X)

(X)

(X)

(X)

REV	DATE	BY

TITLE	MKII ADDRESS BUFFER	SIZE CODE	DUA	NUMBER	M8158-0-0	REV.	B
SCALE	2/1	SHEET	3	OF	6		

8

7

6

5

4

3

2

1

8

7

6

5

4

3

DUA M8158-O-O

1

ALL DIMENSIONS AND SPECIFICATIONS SHOWN HEREIN ARE THE PROPERTY OF DIGITAL EQUIPMENT CORPORATION AND SHALL NOT BE REPRODUCED OR COPIED OR USED IN ANY MANNER WITHOUT THE WRITTEN PERMISSION OF MANUFACTURER OR USER.  
 © 1978 DIGITAL EQUIPMENT CORPORATION

8 8 4 4 1

(X) (X) (X) (X)  
 (X) (X) (X) (X)

M8158 5012647 C-P1

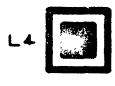
M8158 5012647C-P1 MK11 ADDRESS BUFFER SIDE 2

REV.	DATE	BY	CHKD.

TITLE	MK11 ADDRESS BUFFER	SIZE/DATE	DUA	NUMBER	M8158-O-O	REV.	B
SCALE	2/1	SHEET	4 OF 6	DIST			

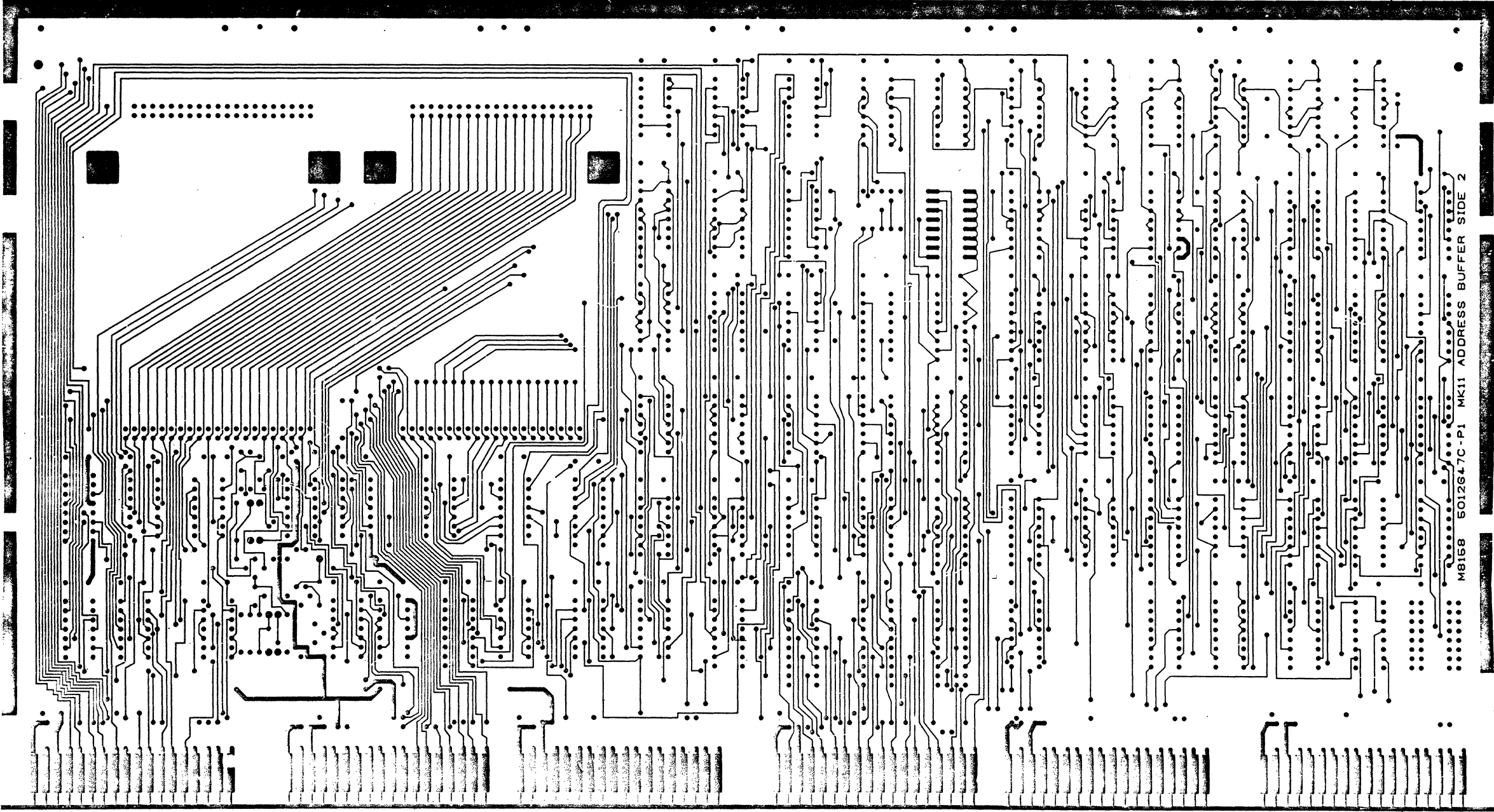
8 7 6 5 4 3 2 1

DUA M8158-0-0 B



THIS DRAWING AND SPECIFICATION HEREIN ARE THE PROPERTY OF DIGITAL EQUIPMENT CORPORATION AND SHALL NOT BE REPRODUCED OR COPIED OR USED IN WHOLE OR IN PART AS THE BASIS FOR THE MANUFACTURE OF ANY PRODUCT WITHOUT A WRITTEN LICENSE FROM DIGITAL EQUIPMENT CORPORATION.

PC 834AJ



M8158 5012647C-P1 MK11 ADDRESS BUFFER SIDE 2

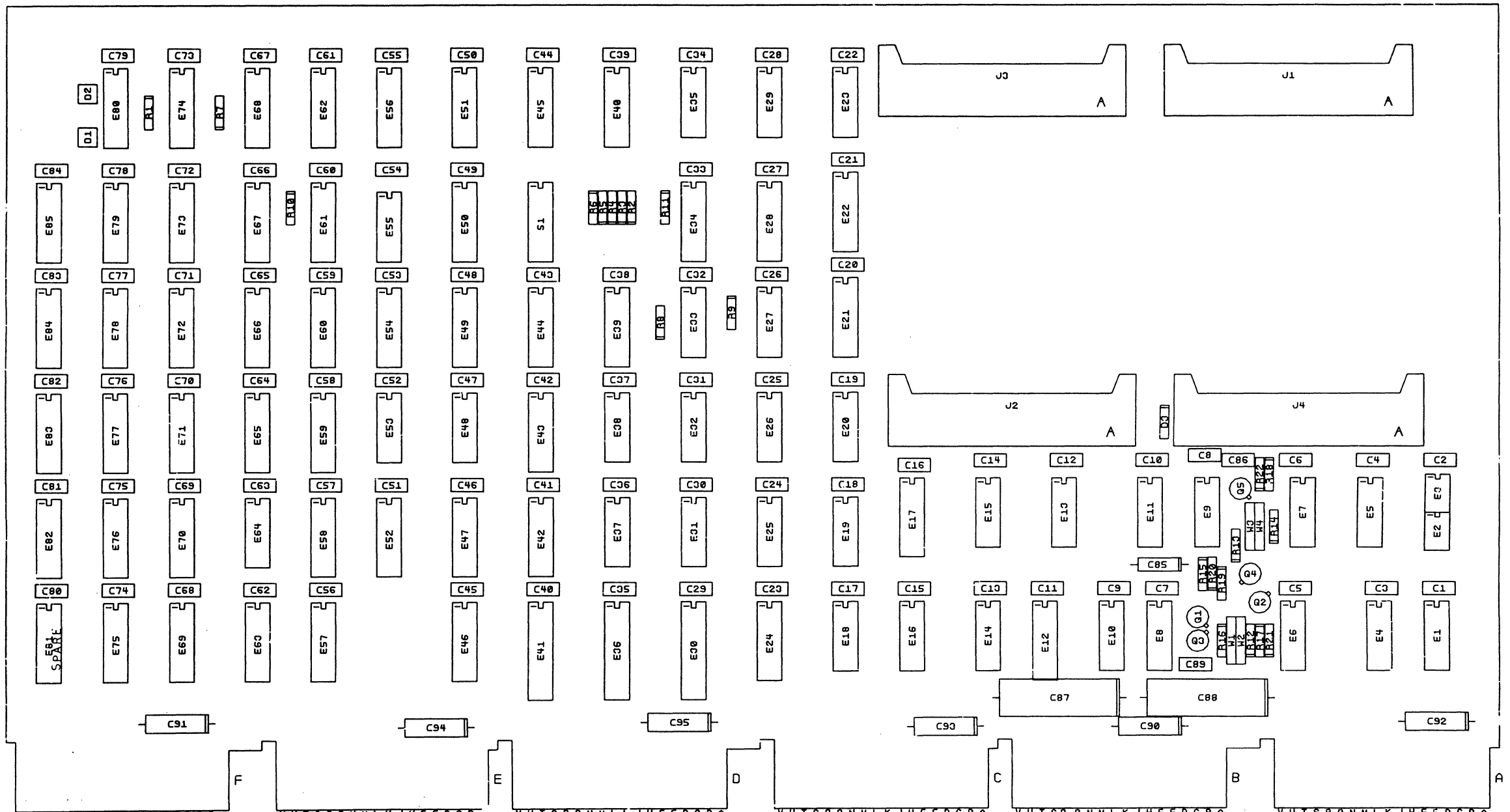
REVISIONS		
CHK	CHANGE NO	REV

TITLE	MK11 ADDRESS BUFFER	SIZE/CODE	DUA	NUMBER	M8158-0-0	REV.	B
SCALE	2/1	SHEET	5	OF	6	DIST.	

370



THIS DRAWING IS UNCLASSIFIED, EXCEPT FOR THE PORTION OF THIS DRAWING IDENTIFIED AS "SECRET" IN THE UPPER RIGHT CORNER OF THIS DRAWING. IT IS THE POLICY OF THE DEPARTMENT OF DEFENSE TO DECLASSIFY AND, WHERE APPROPRIATE, TO MAKE AVAILABLE TO THE PUBLIC INFORMATION THAT HAS BEEN IDENTIFIED AS "SECRET" OR "CONFIDENTIAL".



NOTES:

\_\_\_\_\_

\_\_\_\_\_

\_\_\_\_\_

\_\_\_\_\_

\_\_\_\_\_

CHG	NO	REV

SIGNATURES		DATE	digital
DRN. <i>Raymond E. ...</i>		11-29-77	
CHK'D. <i>D. ...</i>		11-30-77	
ENC.			TITLE
PROJ. ENG.			MK11 ADDRESS BUFFER
PROD.			
SCALE 2:1			SIZE CODE NUMBER
SHT. 6 OF 6			UAM8158-0-0
NEXT HIGHER ASSY. B-DD-M8158-0			REV B

371

# DIGITAL EQUIPMENT CORPORATION PARTS LIST

QUANTITY / VARIATION

NOTES:

*USED ON: OPTION/MODEL  
MK11*

MADE BY JOAN ROGERS DATE 19 APR 77	CHECKED S. TUTTLE DATE 12 JUL 77	SECTION 1
ENG <i>D. H. Amelker</i> DATE 10/26/77	PROD <i>R A Hill</i> DATE 26 OCT '77	ISSUED SECTION 1

104690

ITEM NO.	DRAWING NO.	PART NO.	DESCRIPTION	REF	QUANTITY	VARIATION	REF DESIGNATION
	D-CS-M8158-0-1		CIRCUIT SCHEMATIC	REF			
	D-UA-M8158-0-0		UNIT ASSEMBLY	REF			
	B-DD-M8158-0		DWG DIRECTORY	REF			
	D-MD-5012647-0-0		DRILL & ETCH DRAWING	REF			
1		5012647	ETCH BOARD		1		
2		1000064	CAP 3.9UF 10V, 10% TANT		1		C85
3		1001610-01	CAP .01UF, 100V DISK		84		C1 thru C84
4		1010274-00	CAP .22UF. 50V CER		1		C89
5		1011683-00	CAP .022UF. 50V. 10% CER		1		C86
6		1012084-01	CAP 8UF 25V AL		6		C90 thru C95
7		1012219-00	CAP 47UF. 30V AL		2		C87, C88
8		1105275-00	DIODE D672		1		D3
9		1110324-00	DIODE LED		2		D1, D2
10		1209941-02	CONN 40 PIN		4		J1, J2, J3, J4
11		1210711-02	HANDLE (HEX)		1		
12		1211164-04	SWITCH (DIP) 8 POSITION		1		S1
13		1300250-00	RES 150, 1/4W, 5% CC		1		R15
14		1300271-00	RES 220, 1/4W, 5% CC		2		R1, R7
15		1300316-00	RES 470. 1/4W, 5% CC		1		R8
16		1300426-00	RES 2.7K. 1/4W, 5% CC		2		R9, R10
17		1300447-00	RES 4.7K, 1/4W, 5% CC		6		R2, R3, R4, R5, R6, R11

E.C.O. NO. 0001

THIS DRAWING AND SPECIFICATIONS, HEREIN, ARE THE PROPERTY OF DIGITAL EQUIPMENT CORPORATION AND SHALL NOT BE REPRODUCED OR COPIED OR USED IN WHOLE OR IN PART AS THE BASIS FOR THE MANUFACTURE OR SALE OF ITEMS WITHOUT WRITTEN PERMISSION. COPYRIGHT © 1977 DIGITAL EQUIPMENT CORPORATION	TITLE MK11 ADDRESS BUFFER	ASSY NO. D-UA-M8158-0-0	SIZE <b>B</b>	CODE <b>PL</b>	NUMBER M8158-0-0	REV. <b>B</b>
		SHEET 1 OF 3	INSERTION PARTS LIST DATA BASE REV			

# DIGITAL EQUIPMENT CORPORATION PARTS LIST

QUANTITY / VARIATION

NOTES:

*USED ON: OPTION/MODEL  
MK11*

MADE BY DATE	JOAN ROGERS 19 APR 77	CHECKED DATE	S. TUTTLE 12 JUL 77	SECTION 1
ENG DATE	<i>D. W. [Signature]</i> 10/26/77	PROD DATE	R. A. Hill 26 OCT '77	ISSUED SECTION 1

ITEM NO.	DRAWING NO.	PART NO.	DESCRIPTION	104690	REF DESIGNATION
18		1300479-00	RES 10K. 1/4W. 5%	CC 1	R2Ø
19		1301424-00	RES 680, 1/4W, 5%	CC 2	R17, R18
20		1302388-00	RES 2K 1/4W, 5%	CC 2	R21, R22
21		1302391-00	RES 20K 1/4W, 5%	CC 2	R12, R14
22		1303177-00	RES 2.4K, 1/4W, 5%	CC 2	R19, R16
23		1503409-00	TRANS. DEC 6534D PNP	2	Q2, Q4
24		1509338-00	TRANS. DEC 6531B NPN	3	Q1, Q3, Q5
25		1300365-00	RES 1K 1/4W, 5%	1	R13
26		1909932-01	DEC I.C. 7483A	10	E58, E69, E7Ø, E72, E73, E76, E77, E79, E83 E84
27		1909955-00	DEC I.C. 7412	1	E33
28		1912819-00	DEC I.C. 74LS42	1	E39
29		1910091-00	DEC I.C. 7437	2	E55, E23
30		1912828-00	DEC I.C. 74LS85	1	E44
31		1910532-00	DEC I.C. 74S00	1	E38
32		1910534-00	DEC I.C. 74S04	6	E29, E31, E35, E48, E53, E64
33		1910542-00	DEC I.C. 74S64	2	E26, E37
34		1910544-00	DEC I.C. 74S74	2	E25, E27
35		1910547-00	DEC I.C. 74S153	7	E21, E22, E24, E28, E50, E54, E61
36		1910548-00	DEC I.C. 74S157	1	E34
37		1910549-00	DEC I.C. 74S158	1	E47
38		1910645-00	DEC I.C. 75452	2	E2, E3

E.C.O. NO.

"THIS DRAWING AND SPECIFICATIONS, HEREIN, ARE THE PROPERTY OF DIGITAL EQUIPMENT CORPORATION AND SHALL NOT BE REPRODUCED OR COPIED OR USED IN WHOLE OR IN PART AS THE BASIS FOR THE MANUFACTURE OR SALE OF ITEMS WITHOUT WRITTEN PERMISSION. COPYRIGHT © 1977 DIGITAL EQUIPMENT CORPORATION"

TITLE  
MK11 ADDRESS BUFFER

ASSY NO.  
D-UA-M8158-0-0  
SHEET 2 OF 3

SIZE <b>B</b>	CODE <b>PL</b>	NUMBER M8158-0-0	REV. <b>B</b>
INSERTION PARTS LIST DATA BASE REV			

DIGITAL EQUIPMENT CORPORATION PARTS LIST				QUANTITY / VARIATION								NOTES:
MADE BY JOAN ROGERS DATE 19 APR 77		CHECKED S. TUTTLE DATE 12 JUL 77										USED ON: OPTION/MODEL  MK11
ENG D.W. Amaker DATE 10/26/77		PROD RA. Hill DATE 26 OCT '77										
SECTION 1		ISSUED SECTION 1										REF DESIGNATION
ITEM NO.	DRAWING NO.	PART NO.	DESCRIPTION	104690								
39		1910878-00	DEC I.C. 7427	1								E18
40		1910956-00	DEC I.C. 74S151	2								E4Ø, E6Ø
41		1911469-00	DEC I.C. 8640	10								E4, E5, E6, E7, E8, E11, E13, E14, F2Ø, E1Ø
42		1911573-00	DEC I.C. 74S280	4								E9, E15, E16, E19
43		1911641-00	DEC I.C. 74S257	2								E46, E57
44		1911983-00	DEC I.C. 74S133	1								E17
45		1912125-00	DEC I.C. 74S135	1								E12
46		1912388-00	DEC I.C. 74S02	2								E1, E32
47		1912827-00	DEC I.C. 74LS83	13								E45, E51, E52, E59 E63, E65, E67, E68, E71, E75, E78, E82, E85
48		1912844-00	DEC I.C. 74LS151	3								E42, E43, E66
49		1912845-00	DEC I.C. 74LS153	5								E49, E56, E62, E74, E8Ø
50		1913462-00	DEC I.C. 74S240	3								E3Ø, E36, E41
51		9000024-01	EYELET (HANDLE)	12								
			I.C. SPARE	REF								E 81
52		9009135-00	JUMPER WIRE WHITE INSULATION	A/R								W1, W2, W3, W4

E.C.O. NO.

"THIS DRAWING AND SPECIFICATIONS, HEREIN, ARE THE PROPERTY OF DIGITAL EQUIPMENT CORPORATION AND SHALL NOT BE REPRODUCED OR COPIED OR USED IN WHOLE OR IN PART AS THE BASIS FOR THE MANUFACTURE OR SALE OF ITEMS WITHOUT WRITTEN PERMISSION. COPYRIGHT © 1977 DIGITAL EQUIPMENT CORPORATION"

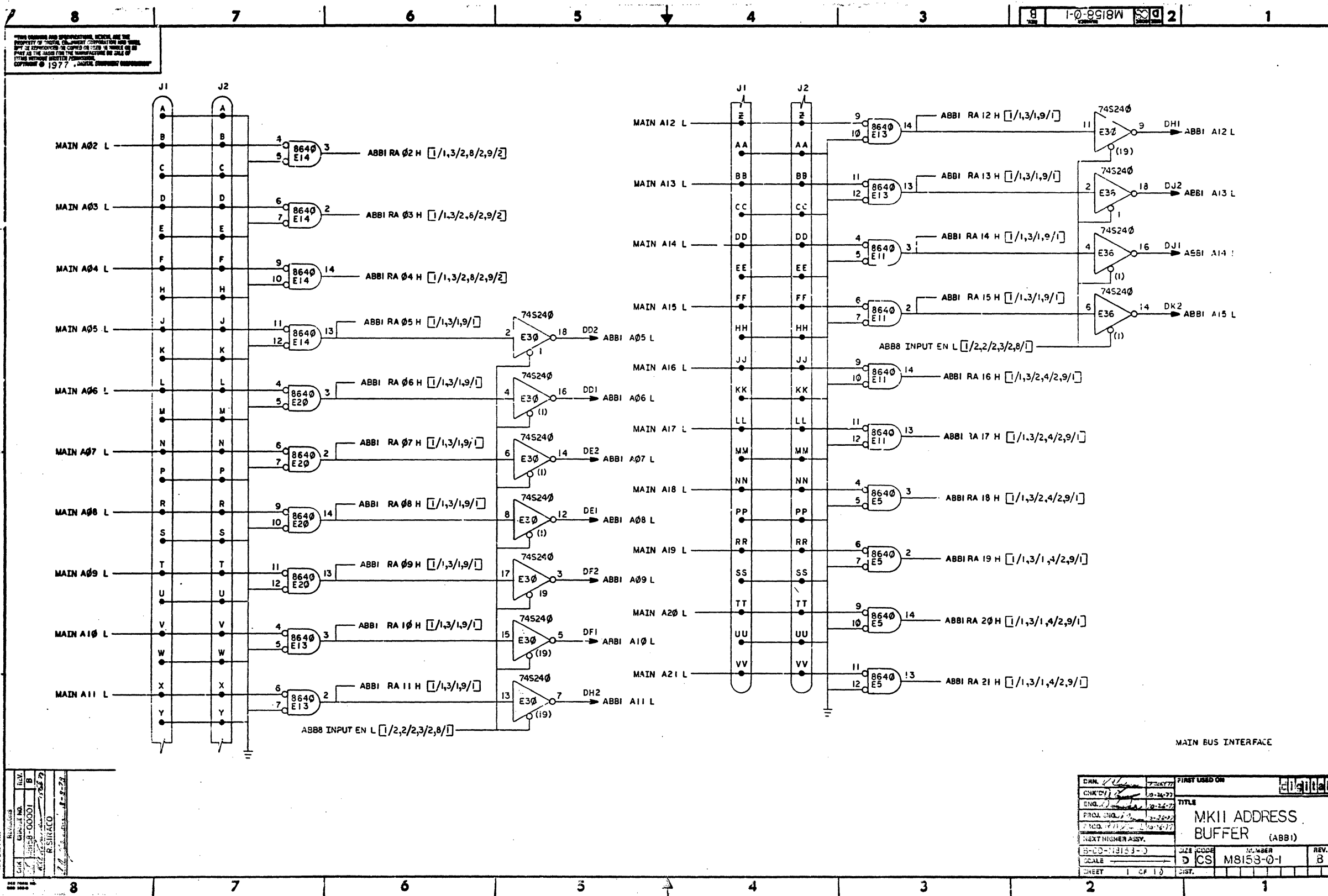
TITLE  
MK11 ADDRESS BUFFER

ASSY NO.  
D-UA-M8158-0-0  
SHEET 3 OF 3

SIZE B	CODE PL	NUMBER M8158-0-0	REV. B
-----------	------------	---------------------	-----------

INSERTION PARTS LIST DATA BASE REV

THIS DRAWING AND INFORMATION HEREON ARE THE PROPERTY OF MOTOR CONTROL CORPORATION AND SHALL NOT BE REPRODUCED OR COPIED OR USED IN WHOLE OR IN PART AS THE BASIS FOR THE MANUFACTURE OR SALE OF ITEMS WITHOUT WRITTEN PERMISSION. COPYRIGHT © 1977, MOTOR CONTROL CORPORATION



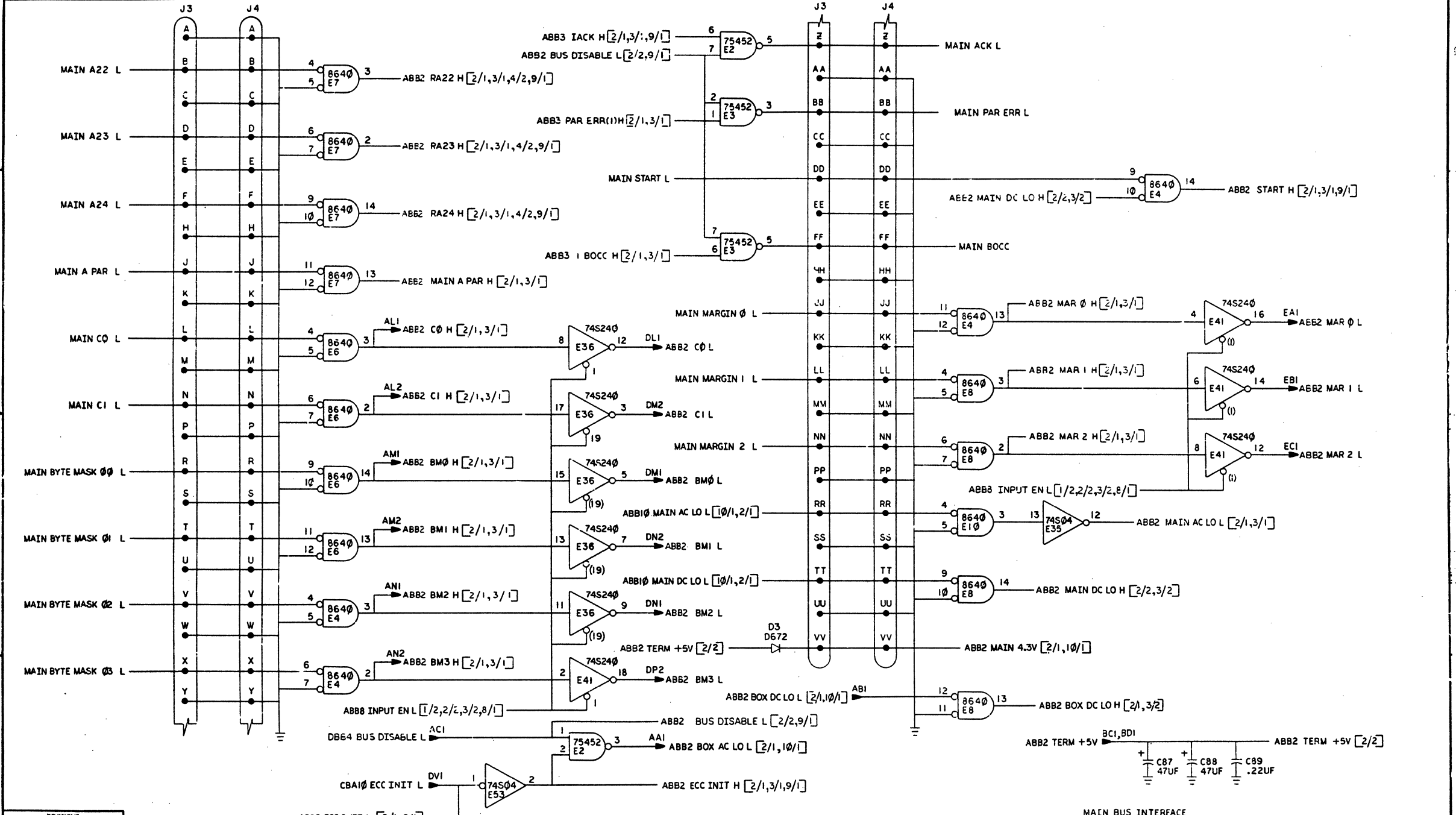
MAIN BUS INTERFACE

REV.	DATE	BY	CHK'D
B	10-24-77		
1	10-24-77		
2	10-24-77		
3	10-24-77		
4	10-24-77		
5	10-24-77		
6	10-24-77		
7	10-24-77		
8	10-24-77		

DATE	10-24-77	FIRST USED ON	
CHK'D			
ENG.			
PROJ. ENGR.			
PROJ. MGR.			
NEXT HIGHER ASSY.			
SCALE	CS	NUMBER	MB153-0-1
SHEET	1 OF 10	REV.	B

375

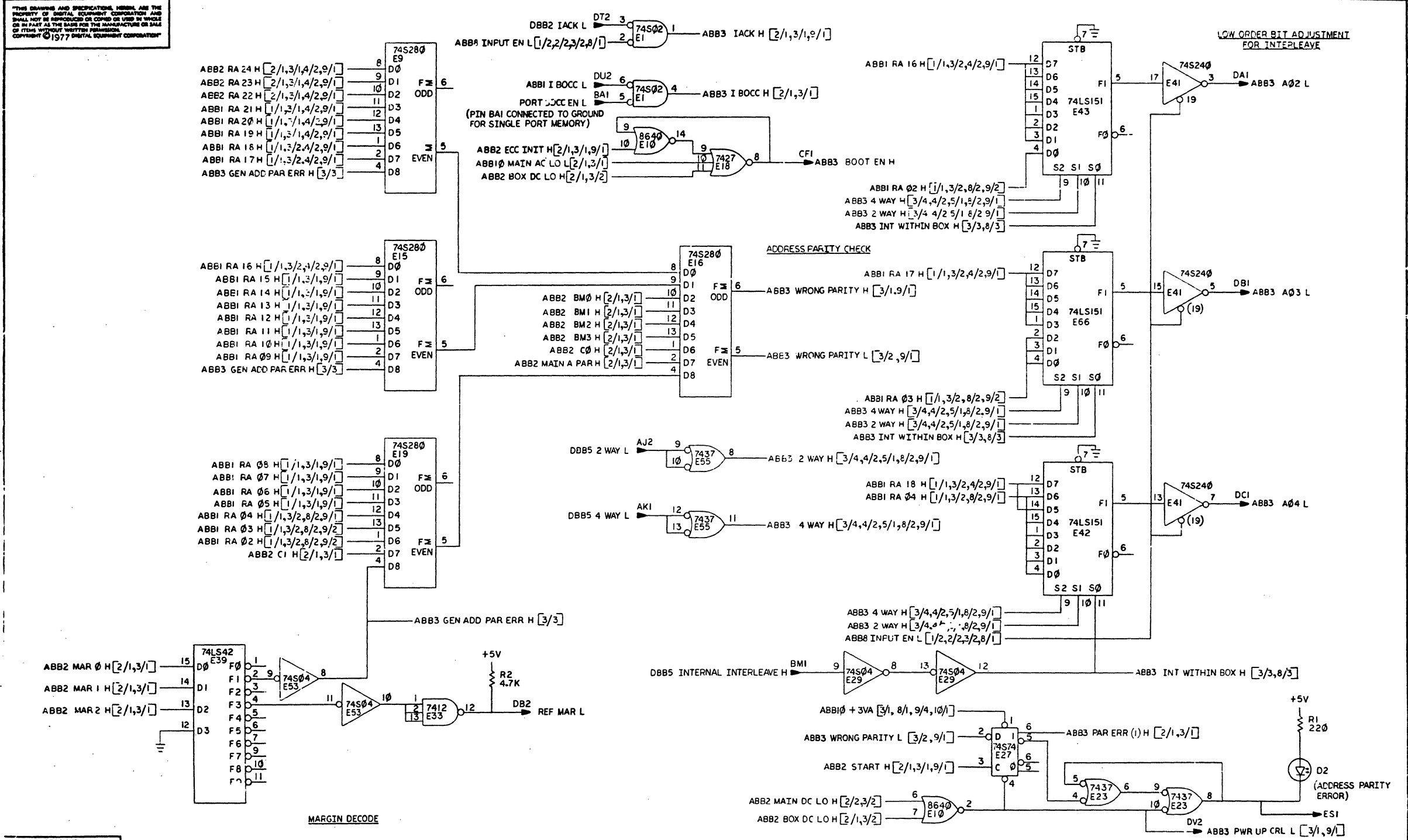
THIS DRAWING AND SPECIFICATIONS HEREIN ARE THE PROPERTY OF DIGITAL EQUIPMENT CORPORATION AND SHALL NOT BE REPRODUCED OR COPIED OR USED IN WHOLE OR IN PART AS THE BASIS FOR THE MANUFACTURE OR SALE OF ITEMS WITHOUT WRITTEN PERMISSION. COPYRIGHT © 1977 DIGITAL EQUIPMENT CORPORATION



REVISIONS		
CHK	CHANGE NO.	REV.

TITLE	(ABB2)	SIZE	CODE	NUMBER	REV.
MKII ADDRESS BUFFER	D	CS	M8158-0-1	B	
SCALE	SHEET	2	OF	10	DIST.

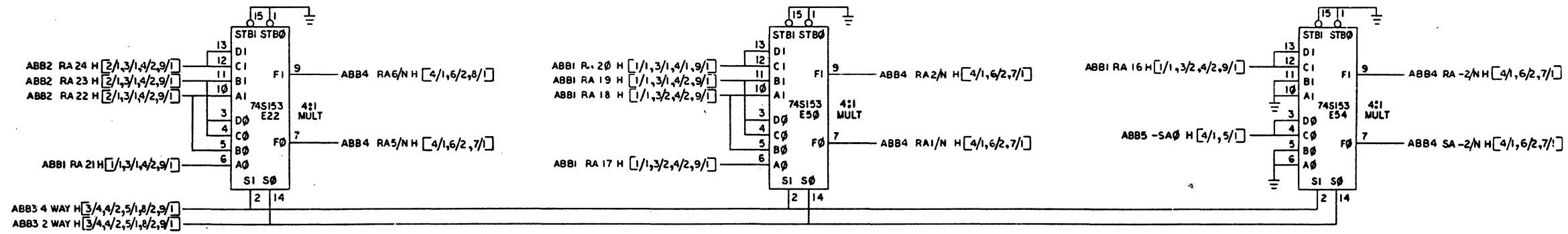
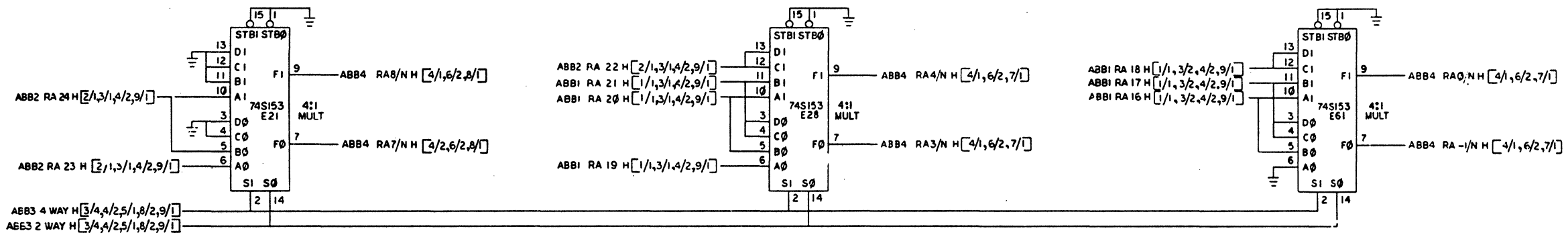
"THE DRAWING AND SPECIFICATIONS HEREIN ARE THE PROPERTY OF DIGITAL EQUIPMENT CORPORATION AND SHALL NOT BE REPRODUCED OR COPIED OR USED IN WHOLE OR IN PART AS THE BASIS FOR THE MANUFACTURE OR SALE OF ITEMS WITHOUT WRITTEN PERMISSION. COPYRIGHT © 1977 DIGITAL EQUIPMENT CORPORATION"



REVISIONS		
CHK	CHANGE NO.	REV.

TITLE	(A 3 B 3)	SHEET CODE	NUMBER	REV.
MKII ADDRESS BUFFER	D CS	M8158-0-1	B	
SCALE	SHEET	3 OF 10	DIST.	

"THIS DRAWING AND SPECIFICATIONS, HEREIN, ARE THE PROPERTY OF DIGITAL EQUIPMENT CORPORATION AND SHALL NOT BE REPRODUCED OR COPIED OR USED IN WHOLE OR IN PART AS THE BASIS FOR THE MANUFACTURE OR SALE OF ITEMS WITHOUT WRITTEN PERMISSION. COPYRIGHT © 1977 DIGITAL EQUIPMENT CORPORATION"



DIVIDE RAW (MAIN BUS) ADDRESS BY THE NUMBER OF WAYS EXTERNALLY INTERLEAVED

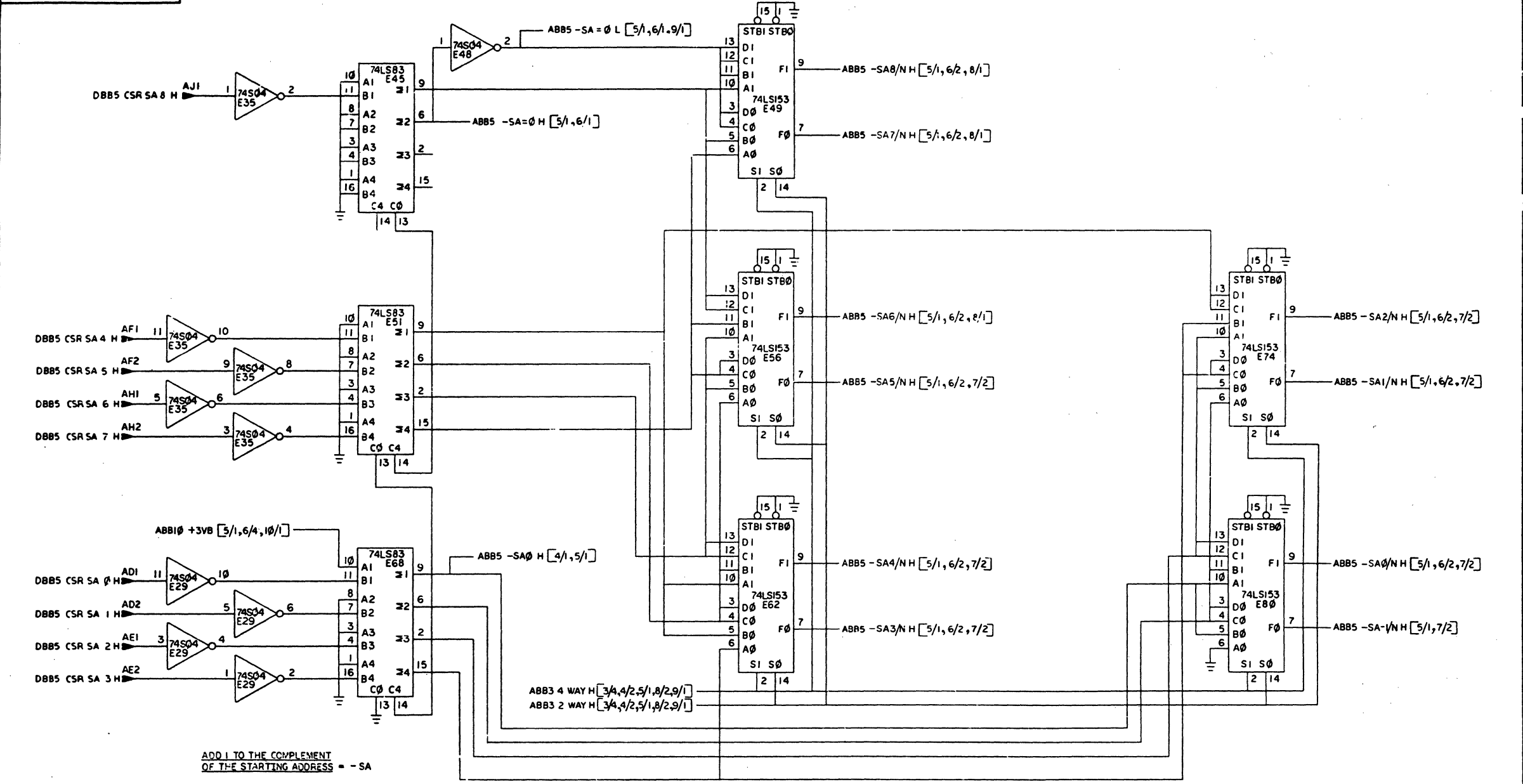
REVISIONS		
CHK	CHANGE NO.	REV.

TITLE	(ABB4)	SIZE/CODE	NUMBER	REV.
MKII ADDRESS BUFFER	DCS	M8158-0-1	B	
SCALE	SHEET 4 OF 10	DIST.		



THIS DRAWING AND SPECIFICATIONS HEREBY ARE THE PROPERTY OF DIGITAL EQUIPMENT CORPORATION AND SHALL NOT BE REPRODUCED OR COPIED OR USED IN WHOLE OR IN PART AS THE BASIS FOR THE MANUFACTURE OR SALE OF ITEMS WITHOUT WRITTEN PERMISSION. COPYRIGHT © 1977 DIGITAL EQUIPMENT CORPORATION

1-0-8919W 2



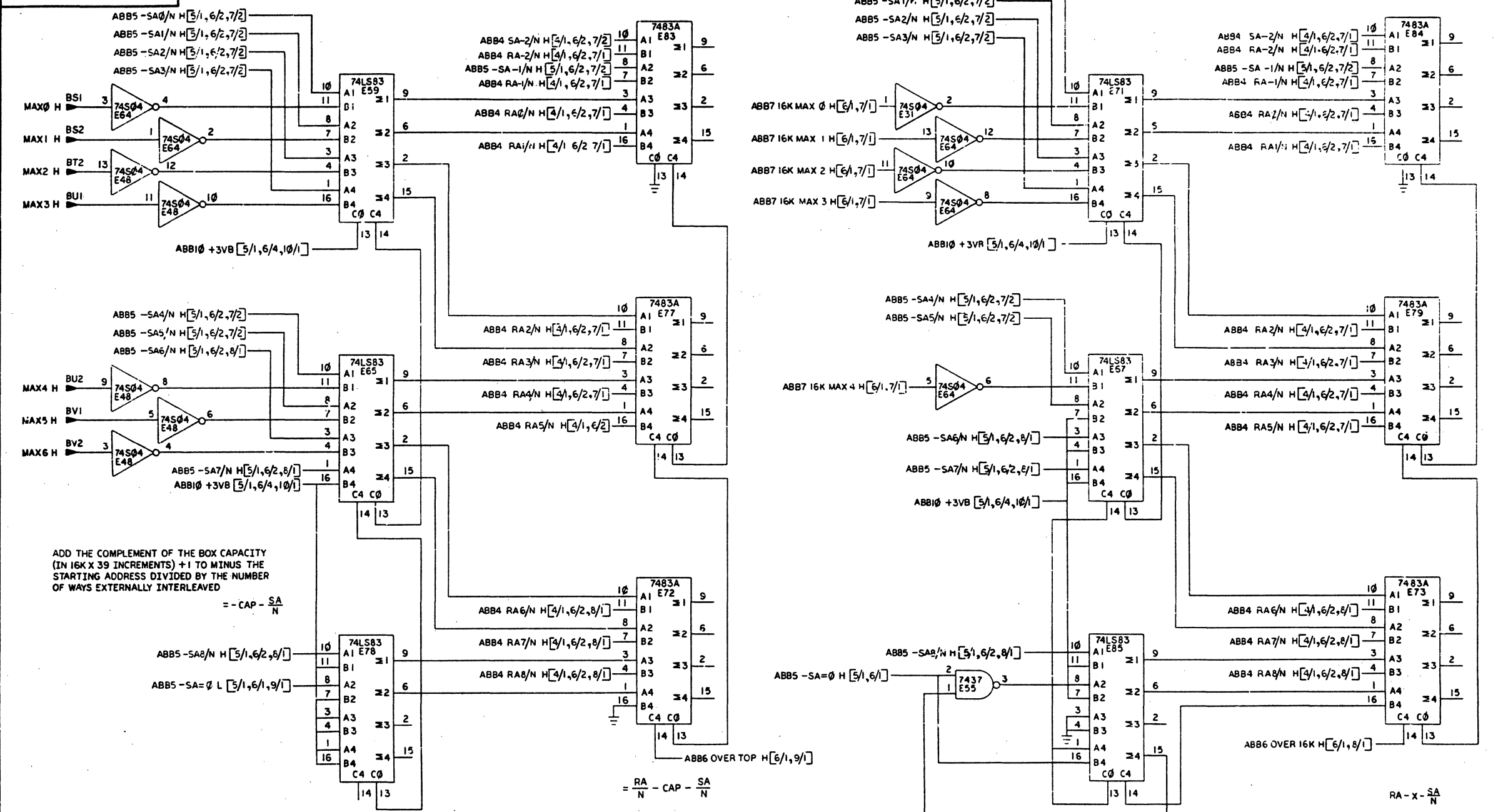
ADD 1 TO THE COMPLEMENT OF THE STARTING ADDRESS = -- SA

DIVIDE --SA BY THE NUMBER OF WAYS EXTERNALLY INTERLEAVED = -- SA / N

REVISIONS		
CHK	CHANGE NO.	REV.

TITLE	(ABB5)	SIZE CODE	NUMBER	REV.
MKII ADDRESS BUFFER	D CS	M8158-01	B	
SCALE	SHEET	DIST.		

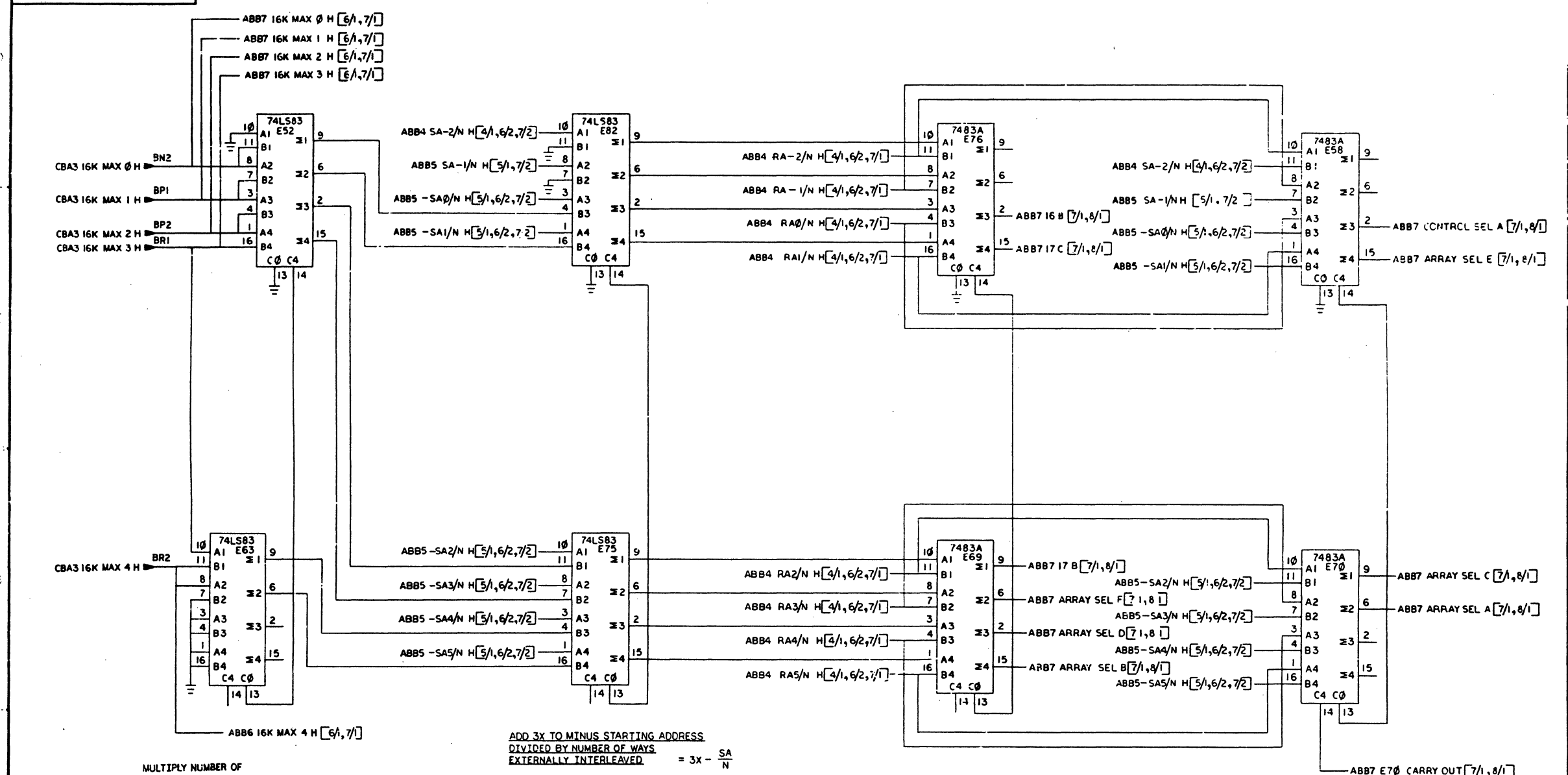
THIS DRAWING AND SPECIFICATIONS HEREON ARE THE PROPERTY OF DIGITAL EQUIPMENT CORPORATION AND SHALL NOT BE REPRODUCED OR COPIED OR USED IN WHOLE OR IN PART AS THE BASIS FOR THE MANUFACTURE OR SALE OF ITEMS WITHOUT WRITTEN PERMISSION. COPYRIGHT © 1977 DIGITAL EQUIPMENT CORPORATION



REVISIONS	
CHK	CHANGE NO.

TITLE	(ABB6)	SIZE	CODE	NUMBER	REV.
MK11 ADDRESS BUFFER	D	CS	M8158-01	B	
SCALE	SHEET	6 OF 10	DIST.		

THIS DRAWING AND SPECIFICATIONS HEREIN ARE THE PROPERTY OF DIGITAL EQUIPMENT CORPORATION AND SHALL NOT BE REPRODUCED OR COPIED OR USED IN WHOLE OR IN PART AS THE BASIS FOR THE MANUFACTURE OR SALE OF ITEMS WITHOUT WRITTEN PERMISSION. COPYRIGHT © 1977 DIGITAL EQUIPMENT CORPORATION



MULTIPLY NUMBER OF 16K X 39 ARRAYS IN BOX BY 3 - 3X

ADD 3X TO MINUS STARTING ADDRESS DIVIDED BY NUMBER OF WAYS EXTERNALLY INTERLEAVED =  $3X - \frac{SA}{N}$

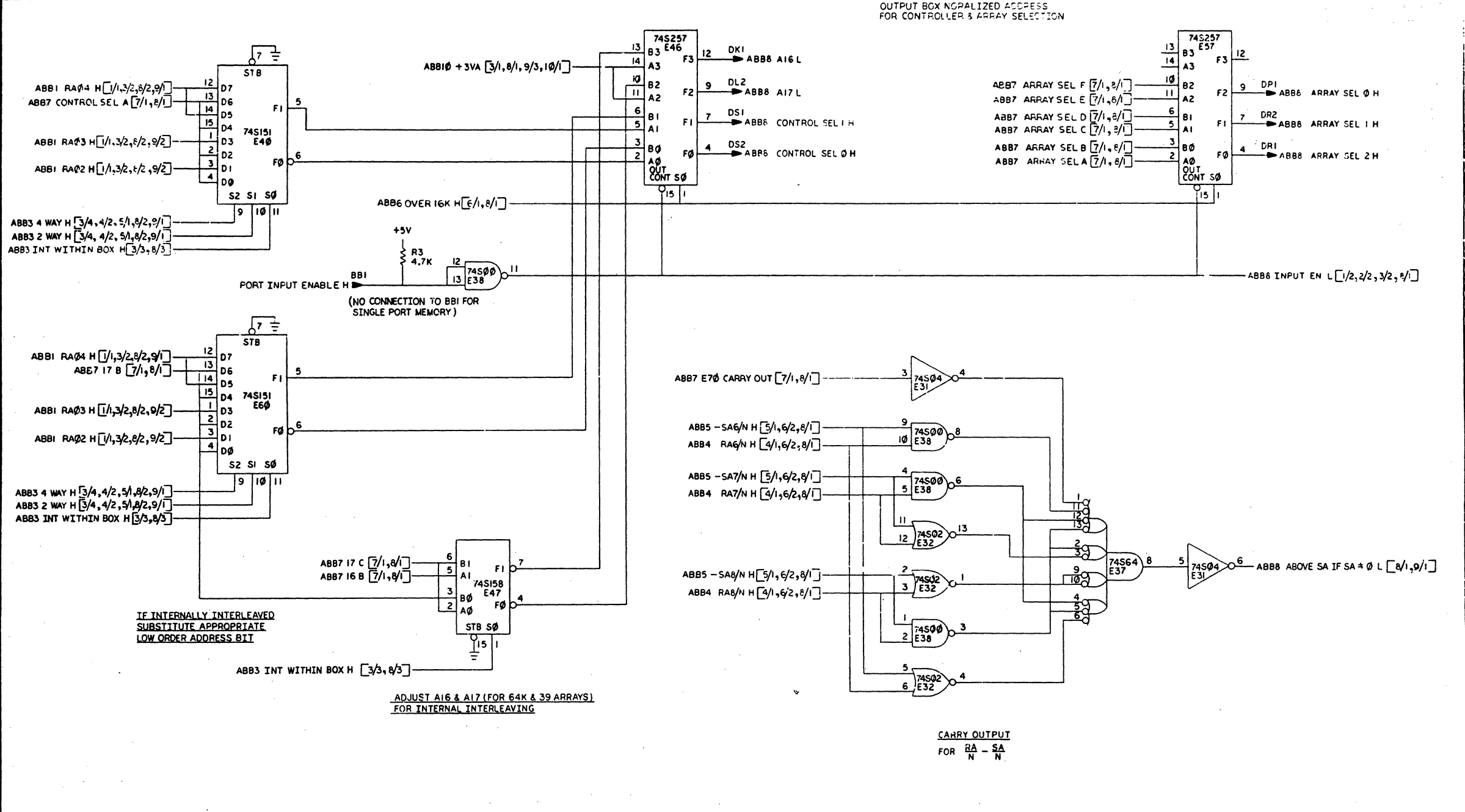
ADD  $3X - \frac{SA}{N}$  TO RAW ADDRESS, DIVIDED BY NUMBER OF WAYS EXTERNALLY INTERLEAVED =  $\frac{RA}{N} + 3X - \frac{SA}{N}$

ADD MINUS STARTING ADDRESS DIVIDED BY N TO RAW ADDRESS DIVIDED BY N =  $\frac{RA}{N} - \frac{SA}{N}$

REVISIONS		
CHK	CHANGE P.C.	REV.

TITLE	(ABB7) SIZE CODE	NUMBER	REV.
MKII ADDRESS BUFFER	D CS	M8158-0-1	B
SCALE	SHEET 7 OF 10	DIST.	

THIS DRAWING AND SPECIFICATIONS HEREIN ARE THE PROPERTY OF DIGITAL EQUIPMENT CORPORATION AND SHALL NOT BE REPRODUCED OR COPIED OR USED IN WHOLE OR IN PART AS THE BASIS FOR THE MANUFACTURE OR SALE OF ITEMS WITHOUT WRITTEN PERMISSION. COPYRIGHT © 1977 DIGITAL EQUIPMENT CORPORATION



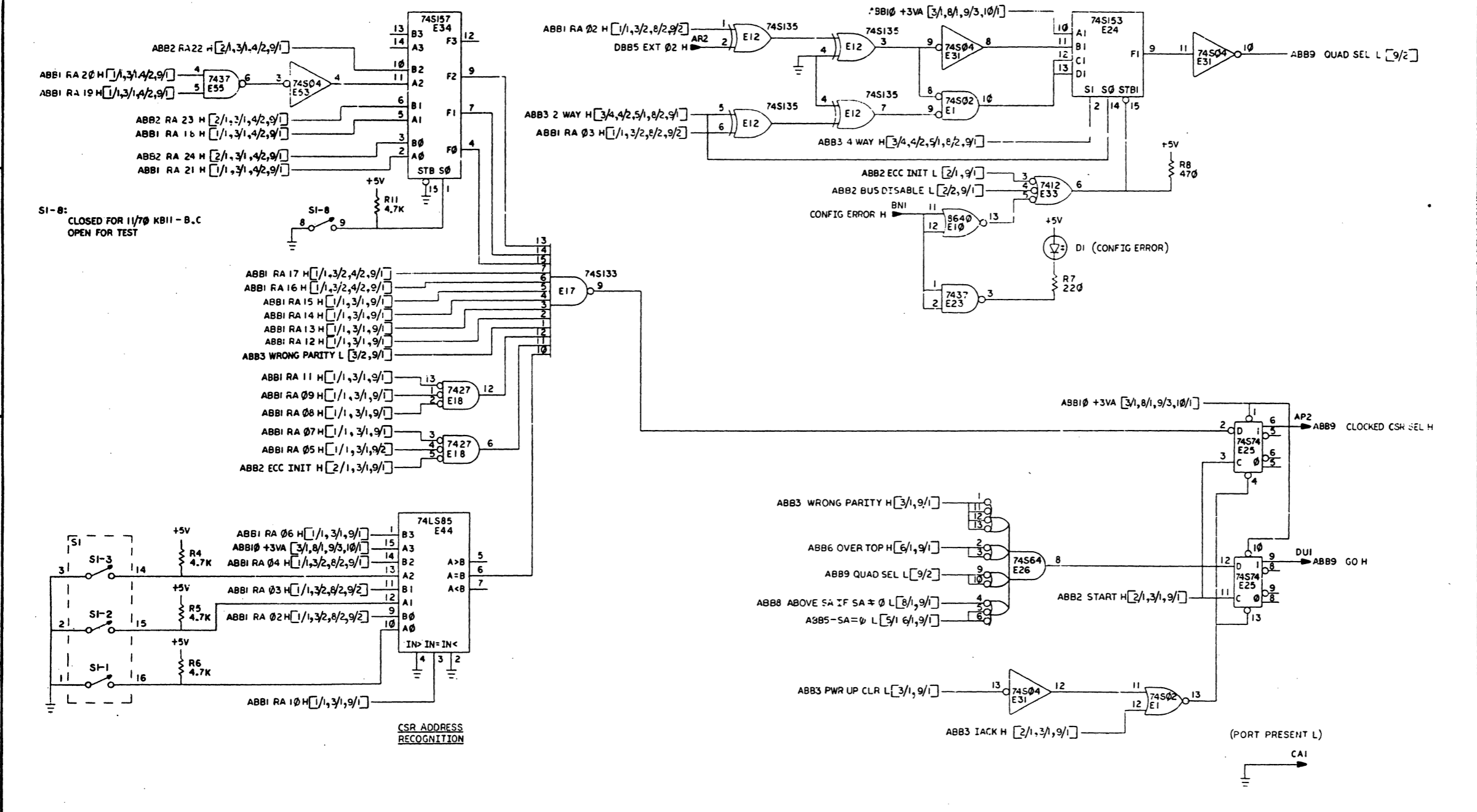
REVISIONS		
CHK	CHANGE NO.	REV.

TITLE	(ABB3)	SIZE CODE	NUMBER	REV.
MKII ADDRESS BUFFER	D CS	M8158-01	8	
SCALE	SHEET	8 OF 10	DIST.	

382

THE DRAWING AND SPECIFICATIONS HEREIN ARE THE PROPERTY OF DIGITAL EQUIPMENT CORPORATION AND SHALL NOT BE REPRODUCED OR COPIED OR USED IN WHOLE OR IN PART AS THE BASIS FOR THE MANUFACTURE OR SALE OF ITEMS WITHOUT WRITTEN PERMISSION. COPYRIGHT © 1977 DIGITAL EQUIPMENT CORPORATION.

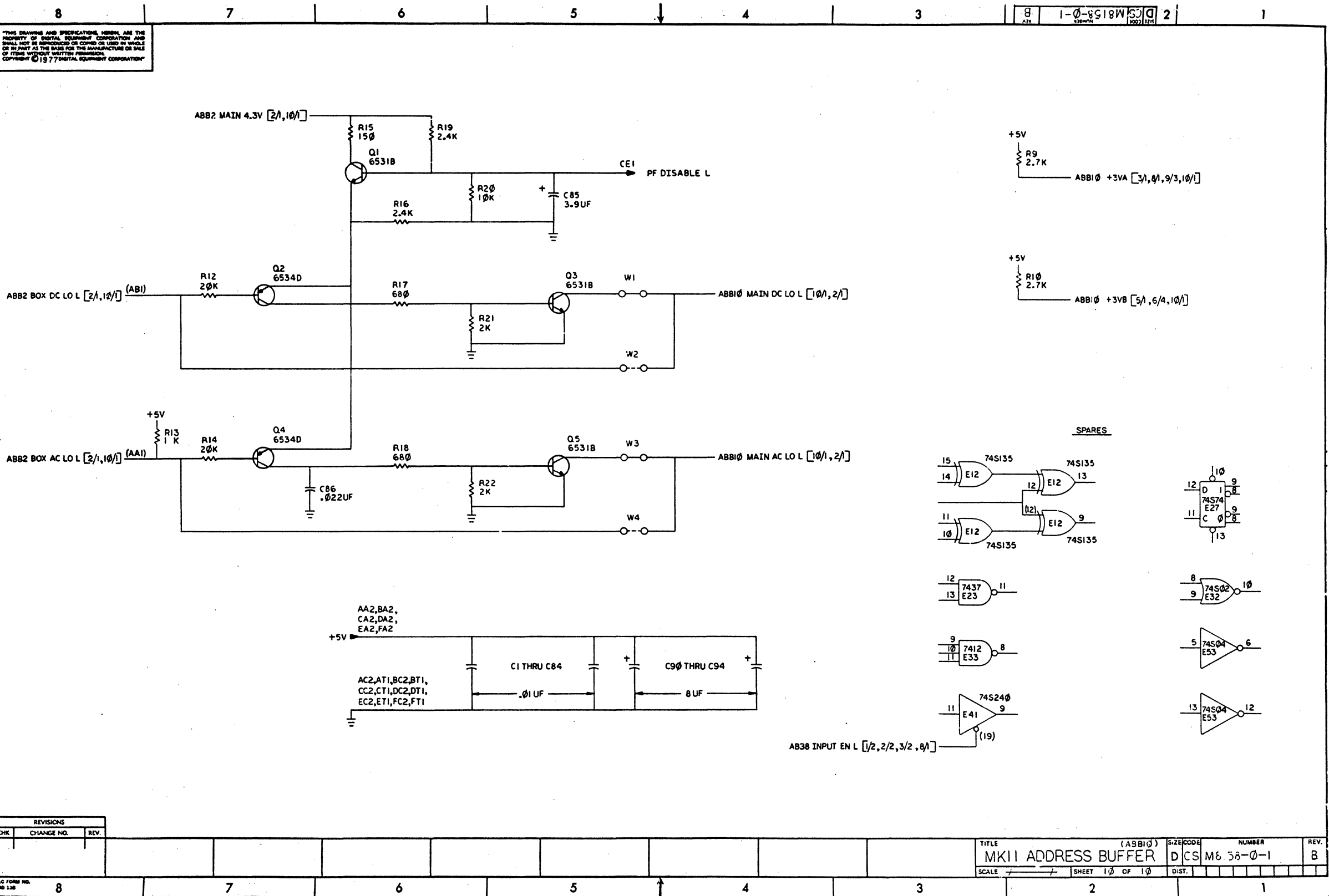
LOW ORDER ADDRESS SELECTION FOR EXTERNAL INTERLEAVE



REVISIONS		
CHK	CHANGE NO.	REV.

TITLE	(1833)	SIZE CODE	NUMBER	REV.
MKII ADDRESS BUFFER	D CS	M8158-0-1	B	
SCALE	SHEET 9 OF 10	DIST.		

THIS DRAWING AND SPECIFICATIONS HEREON ARE THE PROPERTY OF DIGITAL EQUIPMENT CORPORATION AND SHALL NOT BE REPRODUCED OR COPIED OR USED IN WHOLE OR IN PART AS THE BASIS FOR THE MANUFACTURE OR SALE OF ITEMS WITHOUT WRITTEN PERMISSION.  
 COPYRIGHT © 1977 DIGITAL EQUIPMENT CORPORATION



REVISIONS		
CHK	CHANGE NO.	REV.

TITLE	(ABB10)	SIZE CODE	NUMBER	REV.
MKII ADDRESS BUFFER	DCS M6.58-0-1		B	
SCALE	SHEET 10 OF 10	DIST.		

DWG FORM NO. 138

DRAWING NO.	NO. OF SHTS.	PART NO.	DESCRIPTION	REVISIONS																	
				1	2	3	4	5	6	7	8	9	10								
B-DD-M8159-0	1		MK11 DATA BUFFER	*	A	B	C														
D-UA-M8159-0-0	7		MK11 DATA BUFFER	c	D	E	F														
K-PL-M8159-0-DBP	2		MK11 DATA BUFFER	c	D	E	F														
D-CS-M8159-0-1	15		MK11 DATA BUFFER	c	D	E	F														
D-MD-5012664-0-0	5		DRILL & ETCH DRAWING	c	D	D	D														
		5012664	ETCHED BOARD	D	F	E	E														
K-PC-M8159-0-DBC			P.C. DESIGN DATA BASE	REF	E	-	-														

**NOTES:**

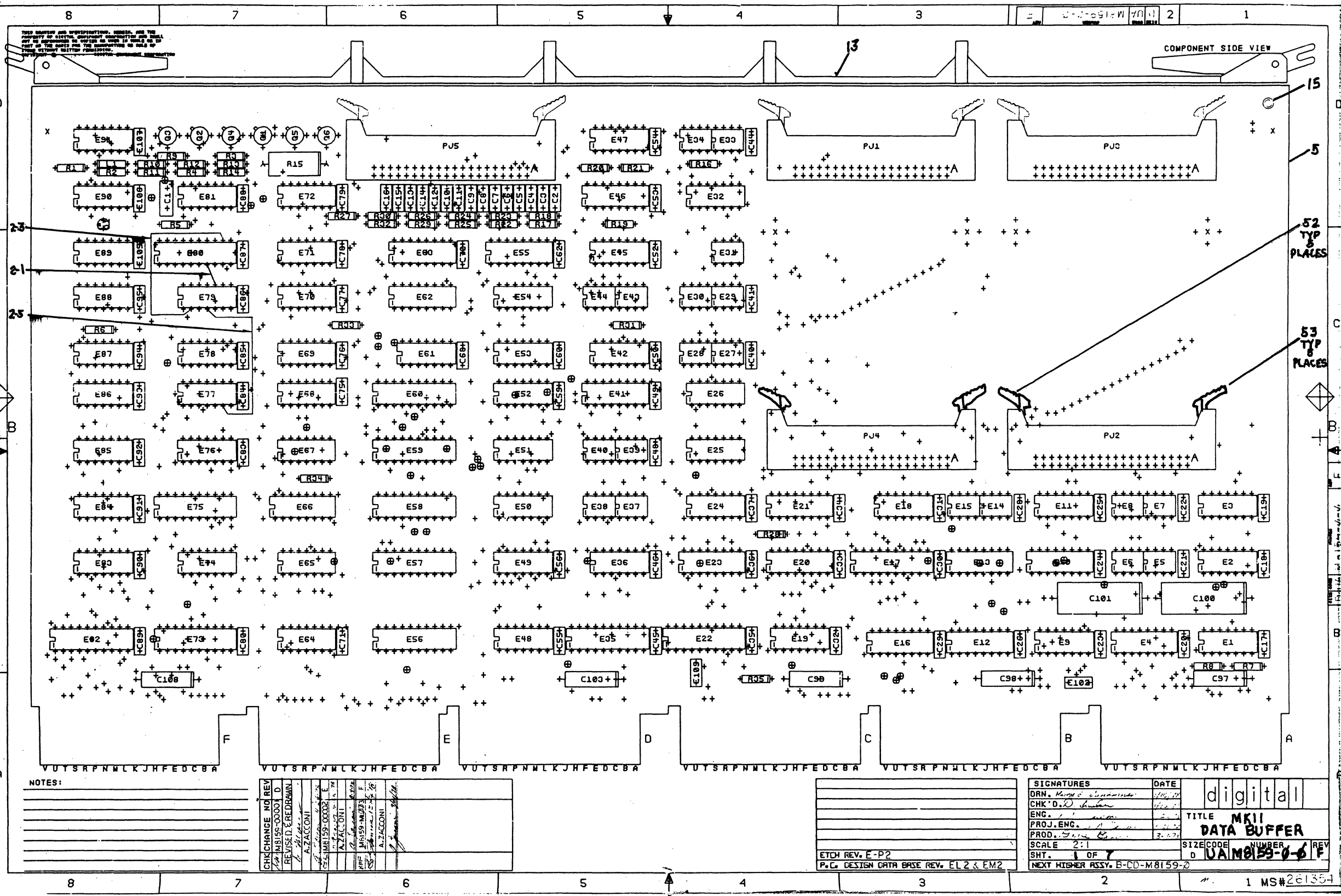
REVISIONS		DATE	CHG NO.	REV.	DESCRIPTION
	ORIG				
	00001	4-78		A	
	00002	7-78		B	
	ML003	9-78		C	

"THIS DRAWING AND SPECIFICATIONS, HEREIN, ARE THE PROPERTY OF DIGITAL EQUIPMENT CORPORATION AND SHALL NOT BE REPRODUCED OR COPIED OR USED IN WHOLE OR IN PART AS THE BASIS FOR THE MANUFACTURE OR SALE OF ITEMS WITHOUT WRITTEN PERMISSION.  
COPYRIGHT© 1977 DIGITAL EQUIPMENT CORPORATION



USED ON OPTION/MODEL MK11		DRN. LORA METZGER	OCT 13, 77	TITLE MK11 DATA BUFFER			
		CHK'D <i>J. Freeman</i>	OCT 13, 77				
		ENG <i>D. Schuler</i>	11-2-77	SIZE <b>B</b>	CODE <b>DD</b>	NUMBER M8159-0	REV. <b>C</b>
		PROD. <i>R.A. Hill</i>	NOV 2, 77	SHEET 1 OF 1			

385



THIS DRAWING IS UNCLASSIFIED, UNLESS AND UNLESS THE PROPERTY OF THE UNITED STATES GOVERNMENT OR ANY OTHER ENTITY IS INDICATED BY A NOTICE TO THE CONTRARY ON THIS DRAWING. THIS DRAWING IS THE PROPERTY OF THE UNITED STATES GOVERNMENT.

COMPONENT SIDE VIEW

52 TYP PLACES

53 TYP PLACES

NOTES:

- 
- 
- 
- 
- 
- 
- 
- 

CHK/CHANGE NO	REV	DATE	BY	APP
1	0			
2	1			
3	2			
4	3			
5	4			
6	5			
7	6			
8	7			
9	8			
10	9			

ETCH REV. E-P2
P.C. DESIGN DATA BRSE REV. E1,2 & E2

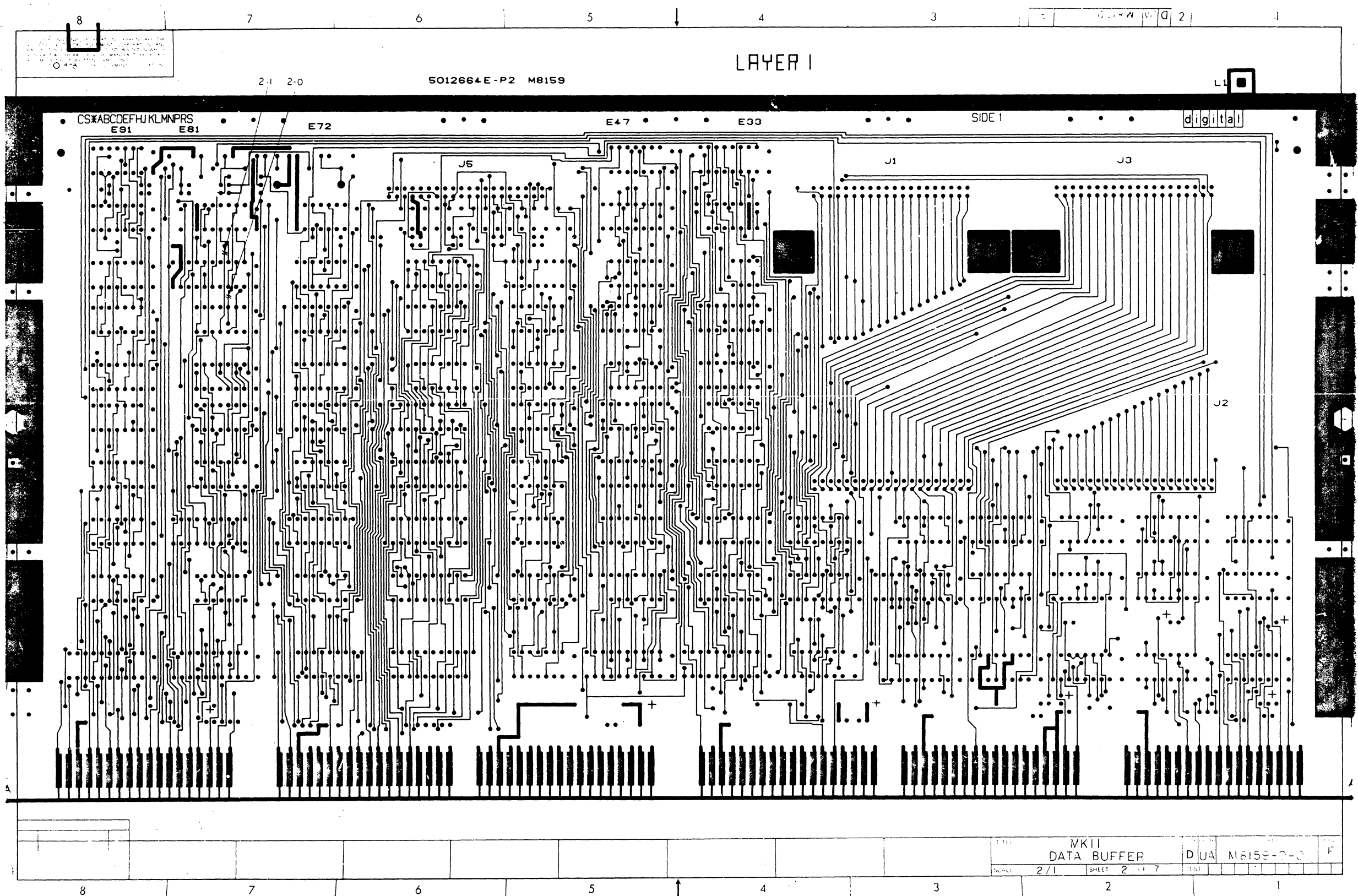
SIGNATURES	DATE
DRN. <i>[Signature]</i>	1/16/70
CHK'D. <i>[Signature]</i>	1/16/70
ENG. <i>[Signature]</i>	1/16/70
PROJ. ENG. <i>[Signature]</i>	1/16/70
SCALE 2:1	
SHT. 1 OF 7	
NEXT HIGHER ASSY. B-DD-M8159-2	

digital
TITLE MKII DATA BUFFER
SIZE CODE NUMBER REV
0 UAN0159-0-6 1F

1 MS#261354

386





8 7 6 5 4 3 2 1

LAYER 2

L2

5012864E-P2 M8159

(XXXXXXXXXXXXXXXXXXXX)

(XXXXXXXXXXXXXXXXXXXX)

(XXXXXXXXXXXXXXXXXXXX)

(XXXXXXXX)

(XXXXXXXXXXXXXXXXXXXX)

(XXXXXXXXXXXXXXXXXXXX)

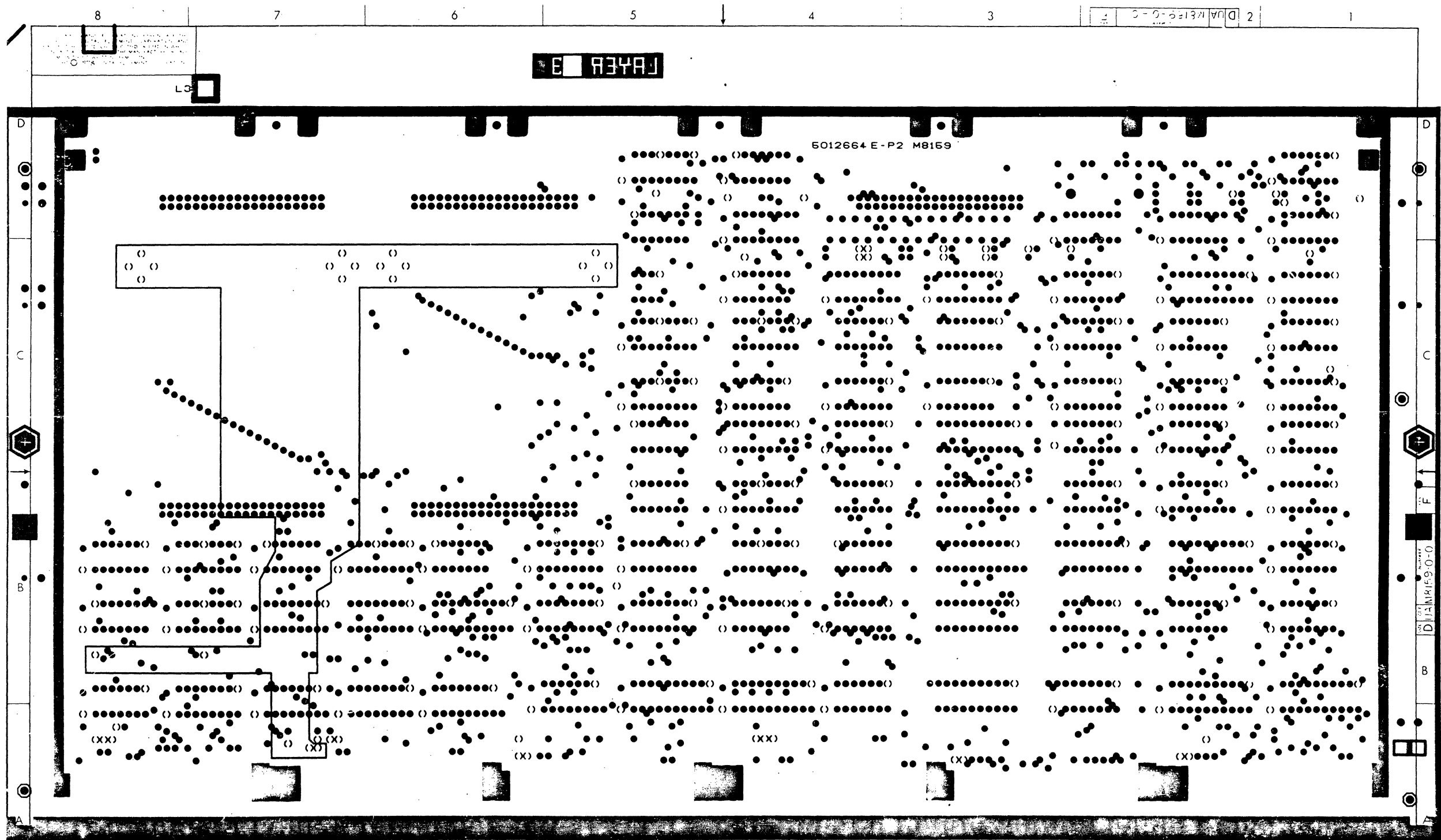
(X) (X) (X) (X) (X) (X) (X) (X) (X) (X)

D J A M 8 1 5 9 - 0 - 0 F

TITLE		MK II		PROJECT		REV	
DATA BUFFER		D J A		M 8 1 5 9		0 - 0 F	
SCALE	2 / 1	SHEET	5	OF	7	DATE	

8 7 6 5 4 3 2 1

388

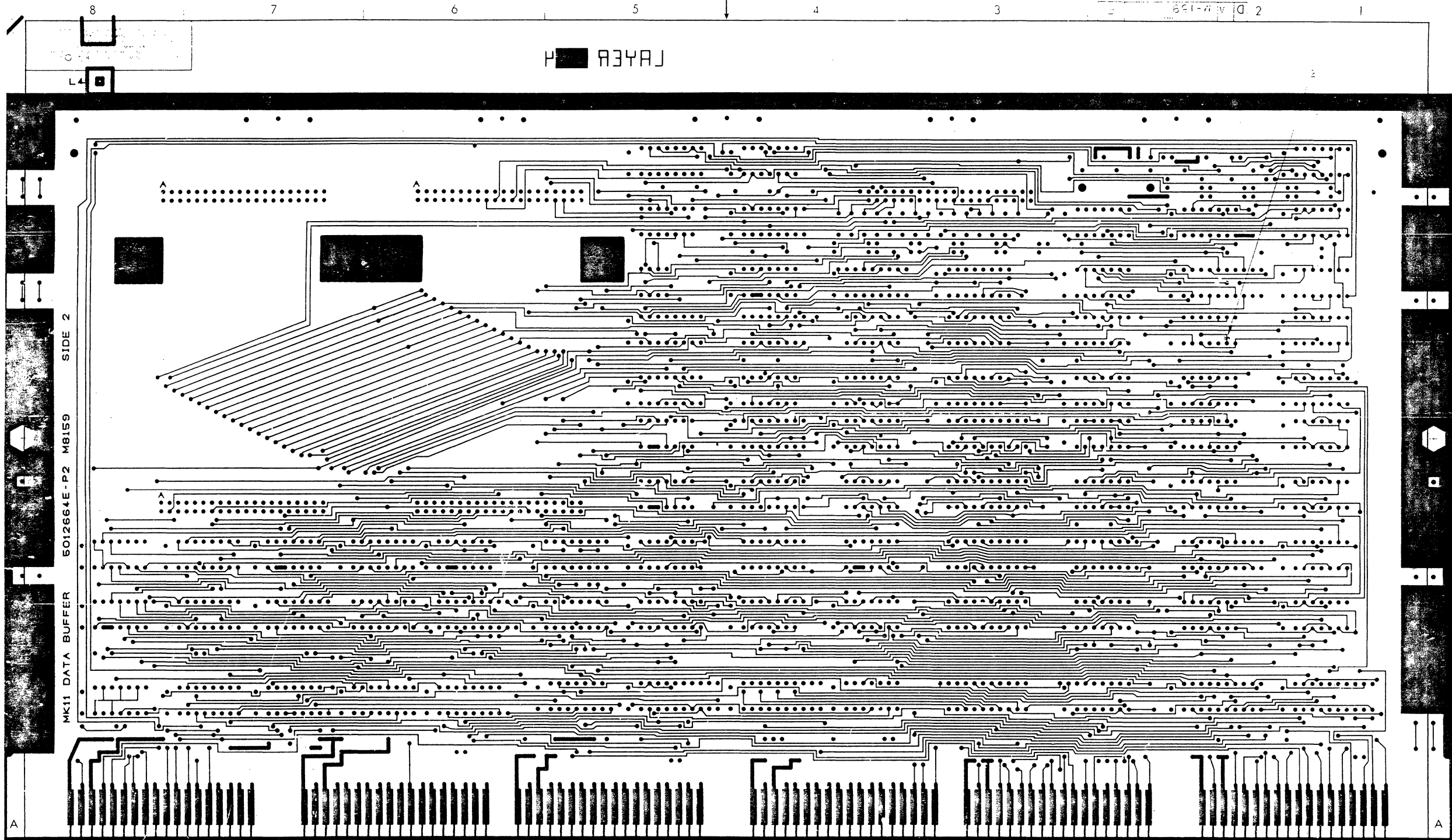


E 834A J

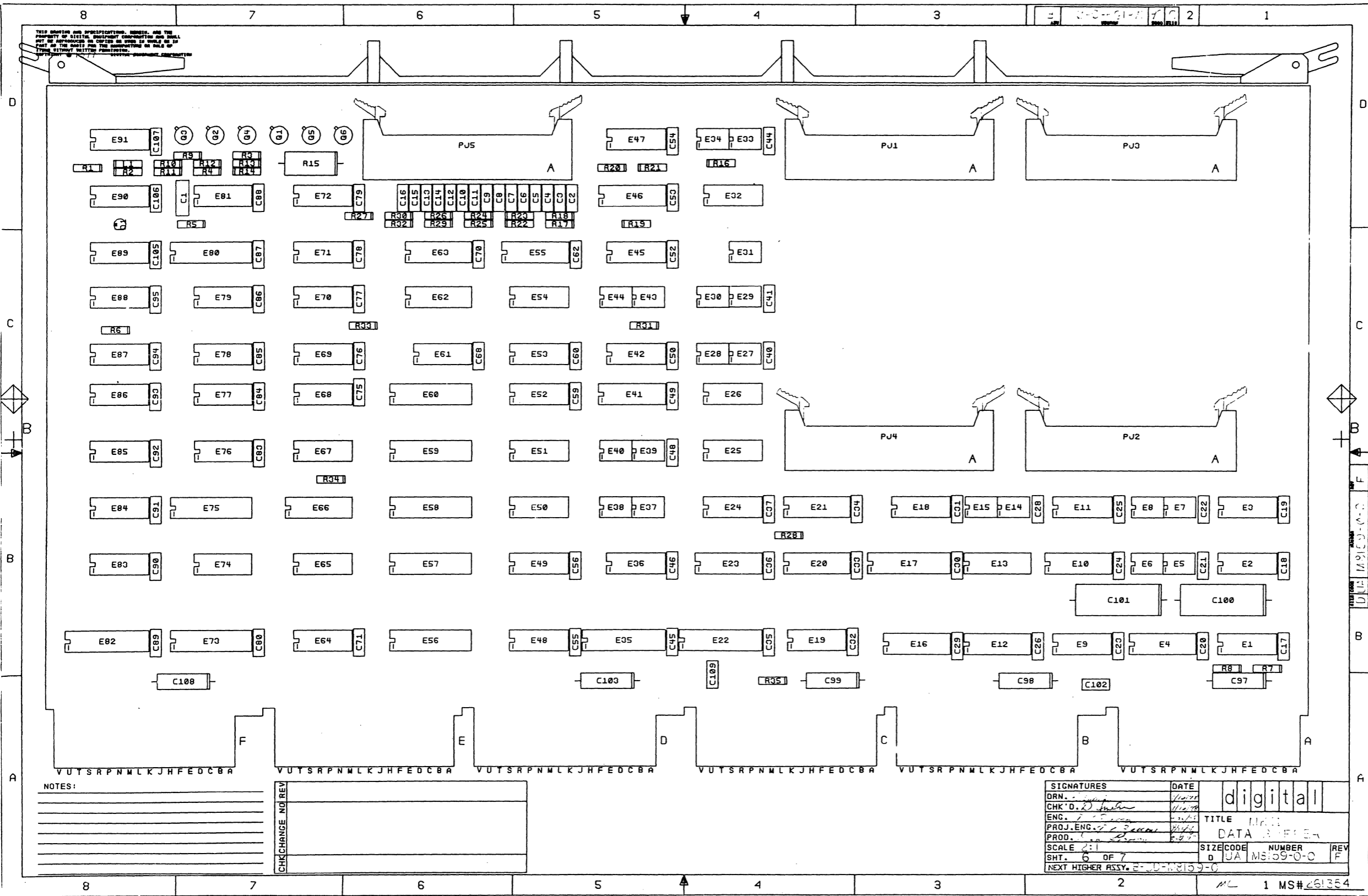
5012664 E-P2 MB159

MKII		DATA BUFFER		DUA MS159-0-0		F	
SCALE	2/1	SHEET	4 of 7	DIST			

389



MK11		DATA BUFFER		DUA MB159		F	
2	1	2	1	2	1	2	1



THIS DRAWING AND SPECIFICATIONS, HEREIN, ARE THE PROPERTY OF DIGITAL EQUIPMENT CORPORATION AND SHALL NOT BE REPRODUCED OR COPIED IN WHOLE OR IN PART WITHOUT THE WRITTEN PERMISSION OF DIGITAL EQUIPMENT CORPORATION.

NOTES:

\_\_\_\_\_

\_\_\_\_\_

\_\_\_\_\_

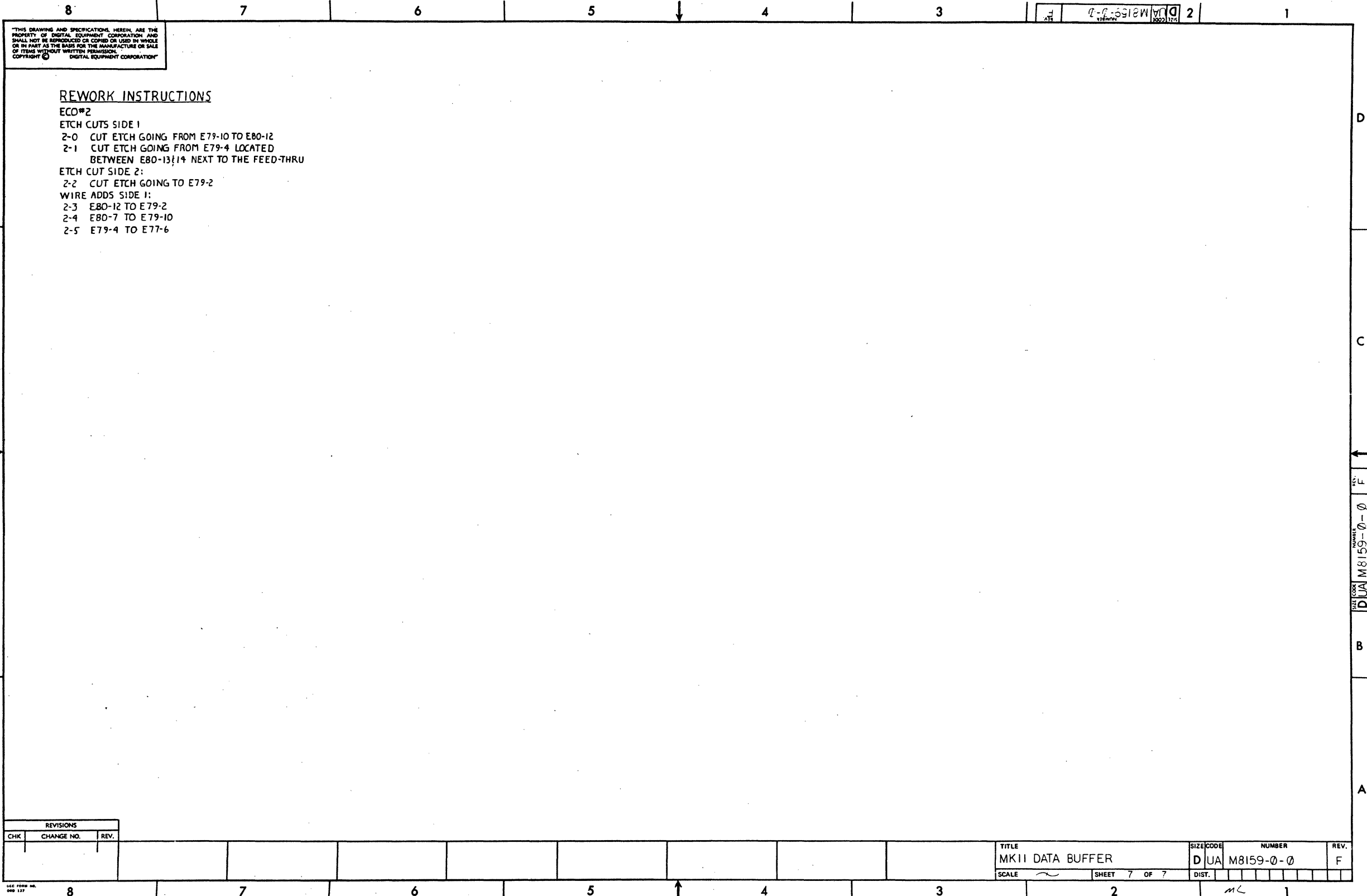
\_\_\_\_\_

\_\_\_\_\_

CHK	CHANGE	NO	REV

SIGNATURES		DATE	digital
DRN.		11/21/77	
CHK'D.	<i>D. J. ...</i>	11/22/77	
ENG.		11/22/77	
PROJ. ENG.		11/22/77	TITLE: M-11
PROD.		11/22/77	DATA: M-11-EH
SCALE	2:1		SIZE: CODE
SHT.	6 OF 7		NUMBER: 1
NEXT HIGHER ASSY.	E-1-D-21039-0		

1 MS# 261354



"THIS DRAWING AND SPECIFICATIONS HEREIN ARE THE PROPERTY OF DIGITAL EQUIPMENT CORPORATION AND SHALL NOT BE REPRODUCED OR COPIED OR USED IN WHOLE OR IN PART AS THE BASIS FOR THE MANUFACTURE OR SALE OF ITEMS WITHOUT WRITTEN PERMISSION. COPYRIGHT © DIGITAL EQUIPMENT CORPORATION"

**REWORK INSTRUCTIONS**  
 ECO#2  
 ETCH CUTS SIDE 1  
 2-0 CUT ETCH GOING FROM E79-10 TO E80-12  
 2-1 CUT ETCH GOING FROM E79-4 LOCATED BETWEEN E80-13,14 NEXT TO THE FEED-THRU  
 ETCH CUT SIDE 2:  
 2-2 CUT ETCH GOING TO E79-2  
 WIRE ADDS SIDE 1:  
 2-3 E80-12 TO E79-2  
 2-4 E80-7 TO E79-10  
 2-5 E79-4 TO E77-6

REVISIONS		
CHK	CHANGE NO.	REV.

TITLE	SIZE CODE	NUMBER	REV.
MKII DATA BUFFER	DUA	M8159-0-0	F
SCALE	SHEET 7 OF 7	DIST.	

SIZE CODE: DUA  
 NUMBER: M8159-0-0  
 REV: F

LINE ITEM	DOCUMENT NO.	PART NO.	DESCRIPTION	QTY	REFERENCE DESIGNATORS
1	D-CS-M8159-0-1		CIRCUIT SCHEMATIC		REF
2	D-UA-M8159-0-0		UNIT ASSEMBLY		REF
3	B-DD-M8159-0-0		DWG DIRECTORY		REF
4	D-MD-5012664-0-0		DRILL & ETCH DWG		REF
5		5012664-00	M8159	1	
6		1001610-01	.01 MFD 100V OR 50V Z5U DISC/800PF MIN	76	C2-C26,C40,C41,C44,C45,C46, CONT C48,C49,C50,C52,C53-C56,C59, CONT C60,C62,C68,C70,C71,C75-C80, CONT C83-C95,C105,C106,C107,C28-C37
7		1012219-00	47. MFD 30V G% 600D AL EL	2	C100,C101
8		1010274-00	.22 MFD 50V X% 7C023 CER.	2	C102,C109
9		1000015-00	82.0 MMF 100V 5%200PPM DM15S	1	C1
10		1012084-01	8 MFD 25V G% 30D AL EL	5	C97,C98,C99,C103,C108
11		1110324-00	LED 1MCD@10MA #MV5054-1#HP4882	1	D1
12		1209941-02	HEADER 100 40POS RT ANGLE	5	J1,J2,J3,J4,J5
13		1210711-02	HANDLE,HEX MODULE,10-1/2 S	1	
14		1211164-04	SW,DIP 1P 1A 8POS	2	E46,E55
15		9000024-01	EYELET, ROLLED FLANGE, .121 OD X .196 LG	12	
16		1300202-00	47 1/4W 5% CC (13-00)	1	R3
17		1300229-00	100 1/4W 5% CC (13-00)	2	R5,R35
18		1300271-00	220 1/4W 5% CC (13-00)	4	R31,R32,R33,R34
19		1300316-00	470 1/4W 5% CC (13-00)	3	R13,R14,R16
20		1300365-00	1 K 1/4W 5% CC (13-00)	6	R1,R9,R10,R11,R12,R7
21		1300479-00	10 K 1/4W 5% CC (13-00)	16	R6,R8,R17-R30
22		1301972-00	270 1/4W 5% CC (13-00)	1	R2
23		1302602-00	56 1/4W 5% CC (13-00)	1	R4
24		1305281-00	75 1W 5% CC (13-00)	1	R15
25		1503100-00	DEC3009B NPN 200MW SI 20 25 P	1	Q1
26		1503409-00	DEC6534D PNP 310MW SI 40 90 P	1	Q4
27		1509338-00	DEC6531B NPN 310MW SI 40 90 P	4	Q2,Q3,Q5,Q6

REVISION HISTORY			VARIATIONS FOR THIS ASSY.		DIGITAL EQUIPMENT CORPORATION MAYNARD, MASSACHUSETTS			
CHK	ECO NO	REV	FIRST USED ON: MK11		TITLE			
BF	00002	E			PARTS LIST			
BHF	ML003	F			MK11 DATA BUFFER			
			MADE BY: S TUTTLE	DATE: 22-JUN-78				
			CHECKED: D CARUSO	DATE: 22-JUN-78				
			DSN.ENG.: D SMELSER	DATE: 22-JUN-78				
			PROD.: R HILL	DATE: 22-JUN-78	SIZE: K	CODE: PL	DOCUMENT NUMBER: M8159-0-DBP	REV: F
			RESP.ENG.: D SMELSER	DATE: 22-JUN-78	ASSY.NO.: D-UA-M8159-0-0			EDIT#: 6

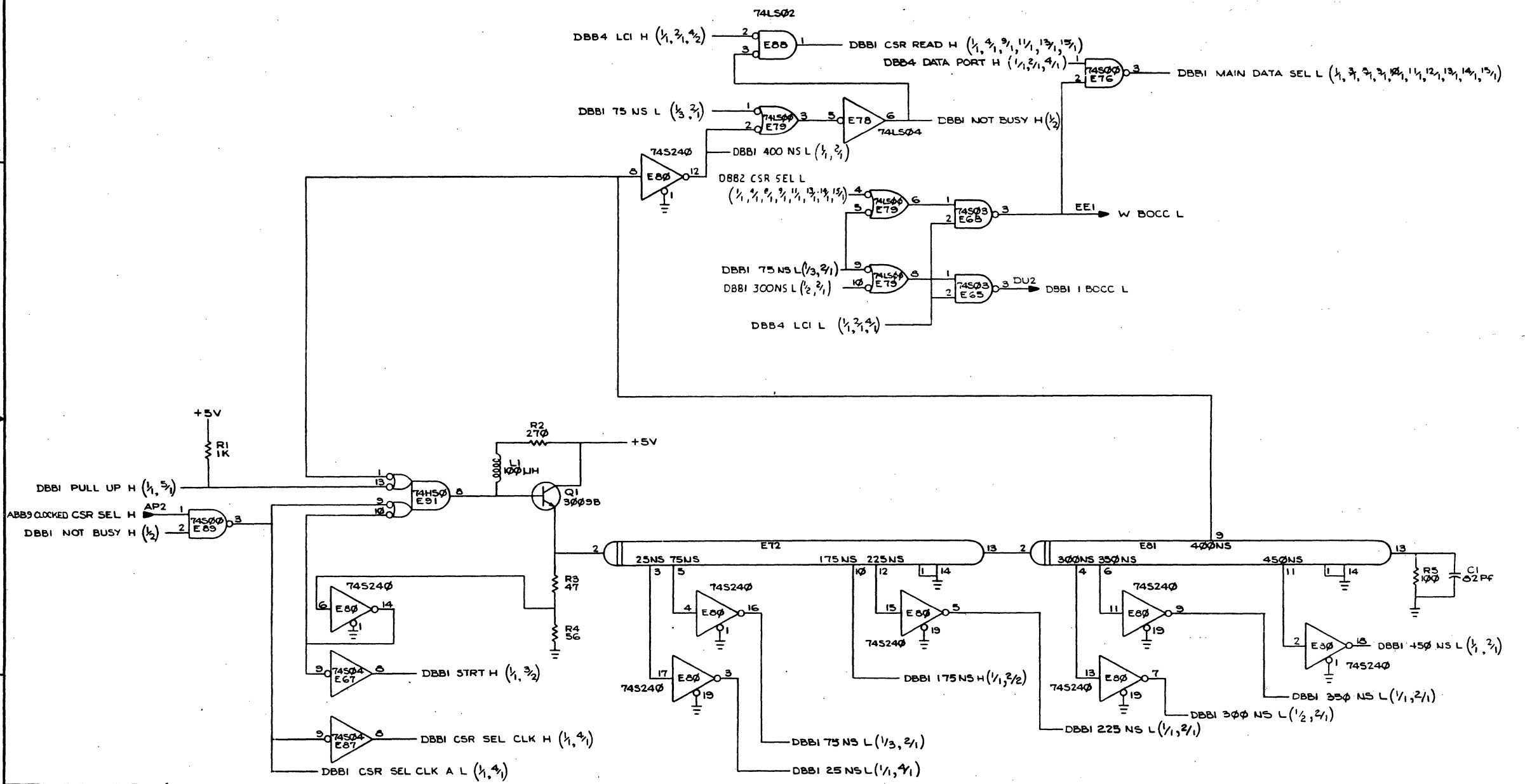
"THIS DRAWING AND SPECIFICATIONS HEREIN, ARE THE PROPERTY OF DIGITAL EQUIPMENT CORPORATION AND SHALL NOT BE REPRODUCED OR COPIED OR USED IN WHOLE OR IN PART AS THE BASIS FOR THE MANUFACTURE OR SALE OF ITEMS WITHOUT WRITTEN PERMISSION. COPYRIGHT 1978, DIGITAL EQUIPMENT CORPORATION"

LINE	ITEM	DOCUMENT NO.	PART NO.	DESCRIPTION	QTY	REFERENCE DESIGNATORS
28	28		1610662-00	100.0 UH 10% 165MA #DD1 00	1	L1
29	29		1611243-00	DELAY=25-250NS, 10TAPS RCL#L-183 E PE#9829	2	E72, E81
30	30		1909060-00	DEC 74H50 A-0-I XPNDBLE GATE-DUAL 2X2	1	E91
31	31		1910532-00	74S00 NAND GATE-QUAD 2INS	3	E76, E86, E89
32	32		1910533-00	74S03 NAND GATE-QUAD 2IN, OPN COLLECT	2	E65, E68
33	33		1910534-00	74S04 INVERTER GATE-HEX 1IN	4	E1, E54, E67, E87
34	34		1910536-00	74S10 NAND GATE-TRIPLE 3IN	1	E77
35	35		1910542-00	74S64 A-0-I XPDR GATE, 4-2-3-2 14	1	E9
36	36		1910544-00	74S74 FF-D DUAL, EDGE TRIGGER	2	E42, E69
37	37		1910550-00	74S174 FF-D HEX	1	E4
38	38		1910645-00	75452 DRIVER, PERIPH, DUAL, NAND	19	E5, E6, E7, E8, E14, E15, E27, E28, E29, E30, E31, E33, E34, E37, E38, E39, E40, E43, E44
39	39		1911469-00	DEC 8640 RECEIVER, BUS, QUAD, UNIRUS, 0-BU	9	E2, E11, E18, E25, E26, E32, E45, E47, E50
40	40		1911573-00	74S280 PARITY GEN/CHKR, 9BIT ODD/EVEN	4	E19, E48, E64, E74
41	41		1911712-00	74S51 AND-OR GATE-INVERT DUAL 2W/2IN	1	E90
42	42		1912388-00	74S02 NOR GATE-QUAD 2IN, POS	10	E3, E24, E36, E49, E51, E52, E71, E83, E84, E85
43	43		1912697-00	LS174 FF-D HEX W/CLEAR	1	E21
44	44		1912799-00	LS00 NAND-GATE-QUAD 2IN, POSITIVE	2	E53, E79
45	45		1912801-00	LS02 NOR-GATE-QUAD 2IN	1	E88
46	46		1912803-00	LS04 INVERTER GATE-HEX 1IN	2	E78, E61
47	47		1912813-00	LS27 NOR GATE-TRIPLE 3IN	1	E70
48	48		1912847-00	LS157 MUX 1 OF 2 (QUAD)	4	E20, E23, E12, E13
49	49		1912853-00	LS175 FF-D QUAD	4	E10, E16, E41, E66
50	50		1912867-00	LS298 MUX 1 OF 4, 2IN W/STORAGE	2	E62, E63
51	51		1913462-00	74S240 OCTAL BUFFER, INVERTING TRI-STA	12	E17, E22, E35, E56, E57, E58, E59, E60, E73, E75, E80, E82
52	52		1209941-03	HEADER RT ANGLE LEFT LATCH FOR	5	
53	53		1209941-04	HEADER RT ANGLE, RIGHT LATCH FOR	5	
54	54		9105740-55	WIRE(WRAP)30AWG UL1423 (91-00 A/R		

DIGITAL EQUIPMENT CORPORATION MAYNARD, MASSACHUSETTS	TITLE PARTS LIST MK11 DATA BUFFER	SIZE K	CODE PL	DOCUMENT NUMBER M8159-W-DBP	REV F
---	---	-----------	------------	--------------------------------	----------



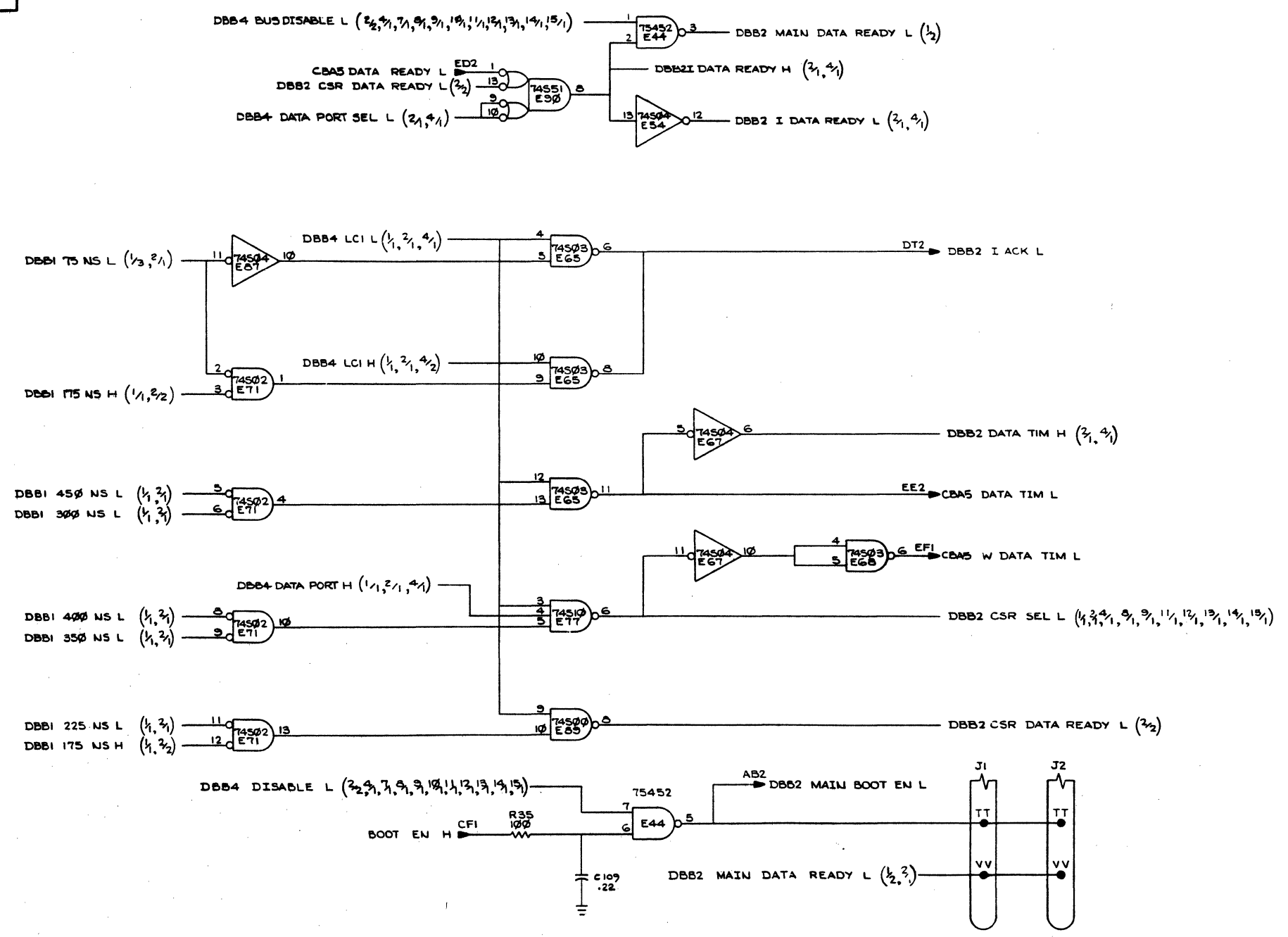
THIS DRAWING AND SPECIFICATIONS HEREBY ARE THE PROPERTY OF DIGITAL EQUIPMENT CORPORATION AND SHALL NOT BE REPRODUCED OR COPIED IN WHOLE OR IN PART AS THE BASIS FOR THE MANUFACTURE OR SALE OF OTHER WITHOUT WRITTEN PERMISSION. COPYRIGHT © 1977, DIGITAL EQUIPMENT CORPORATION



REV.	CHANGE NO.	DATE	BY	CHK'D
D	0001	4-22-77	A. ZACCONI	
E	0002	5-1-77	A. ZACCONI	
F	0003	11-2-77	A. ZACCONI	
G	0004	11-2-77	A. ZACCONI	

DRN. S. Gandy	5-24-77	FIRST USED ON	MK11
CHK'D P. Gandy	11-2-77	TITLE	MK11 (DBBI)
ENG. J. Gandy	11-2-77	DATA BUFFER	
PROJ. ENG. J. Gandy	11-2-77	SIZE	D CS
PROD. R. Gandy	11-2-77	NUMBER	M8159-0-1
NEXT HIGHER ASSY.		SCALE	
B-00-M8159-0		SHEET	OF 15

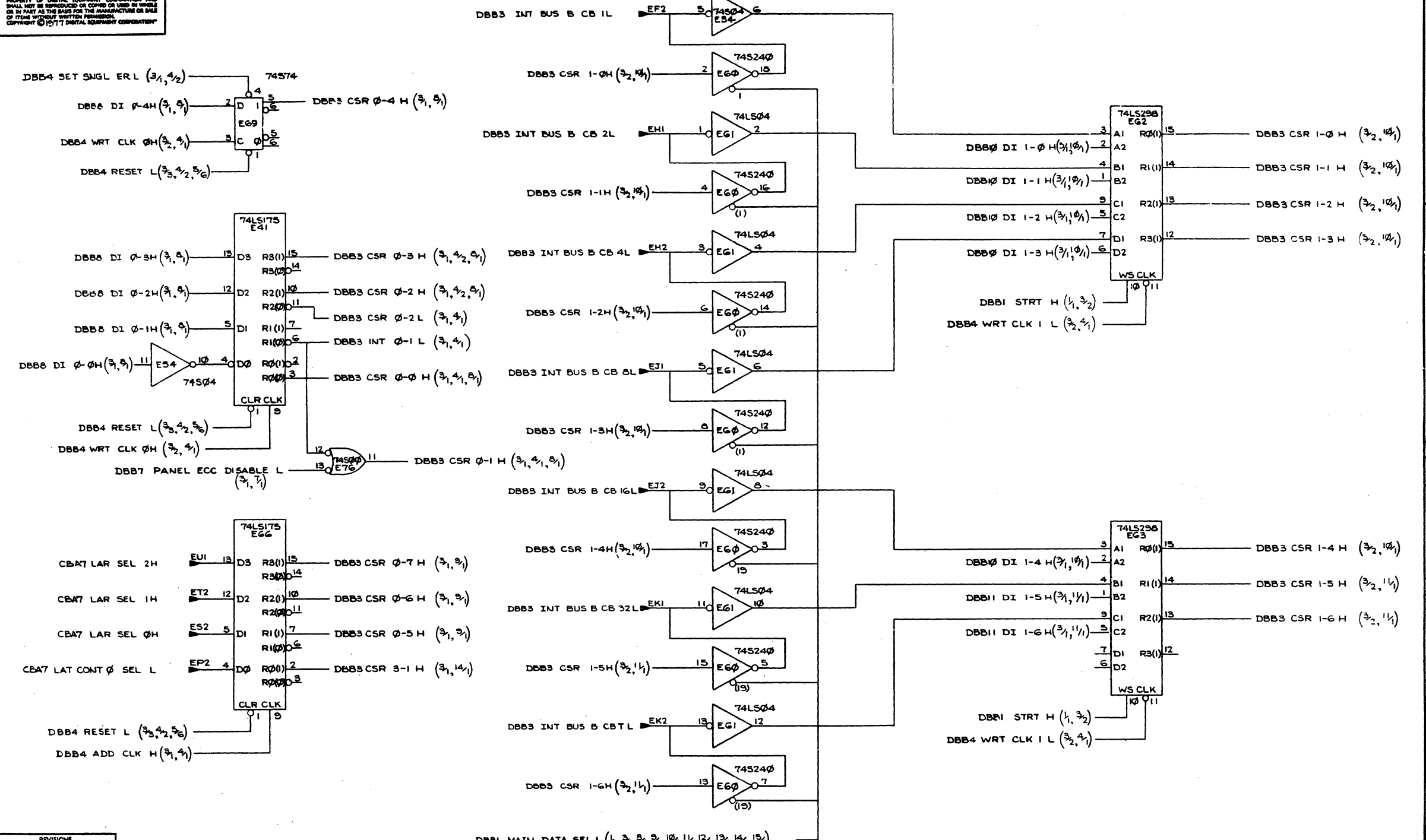
THIS DRAWING AND SPECIFICATIONS HEREAFTER ARE THE PROPERTY OF DIGITAL EQUIPMENT CORPORATION AND SHALL NOT BE REPRODUCED OR COPIED OR USED IN WHOLE OR IN PART AS THE BASIS FOR THE MANUFACTURE OR SALE OF ANY SYSTEM WITHOUT WRITTEN PERMISSION. COPYRIGHT © 1971 DIGITAL EQUIPMENT CORPORATION



REVISIONS		
CHK	CHANGE NO.	REV.

TITLE	(DBB2)	SIZE/CODR	NUMBER	REV.
MKII DATA BUFFER	D/CS	M8159-0-1	F	
SCALE	SHEET 2 OF 15	DIST.		

THIS DRAWING AND SPECIFICATIONS HEREIN ARE THE PROPERTY OF DIGITAL EQUIPMENT CORPORATION AND SHALL NOT BE REPRODUCED OR COPIED OR USED IN WHOLE OR IN PART AS THE BASIS FOR THE MANUFACTURE OR SALE OF ITEMS WITHOUT WRITTEN PERMISSION. COPYRIGHT © 1977 DIGITAL EQUIPMENT CORPORATION



REVISIONS		
CHK	CHANGE NO.	REV.

TITLE	(DBB3) MKII DATA BUFFER	SIZE CODE	NUMBER	REV.
SCALE	— / —	DCS	M8159-0-1	E
SHEET	3	DIST.		
OF	15			

8

7

6

5

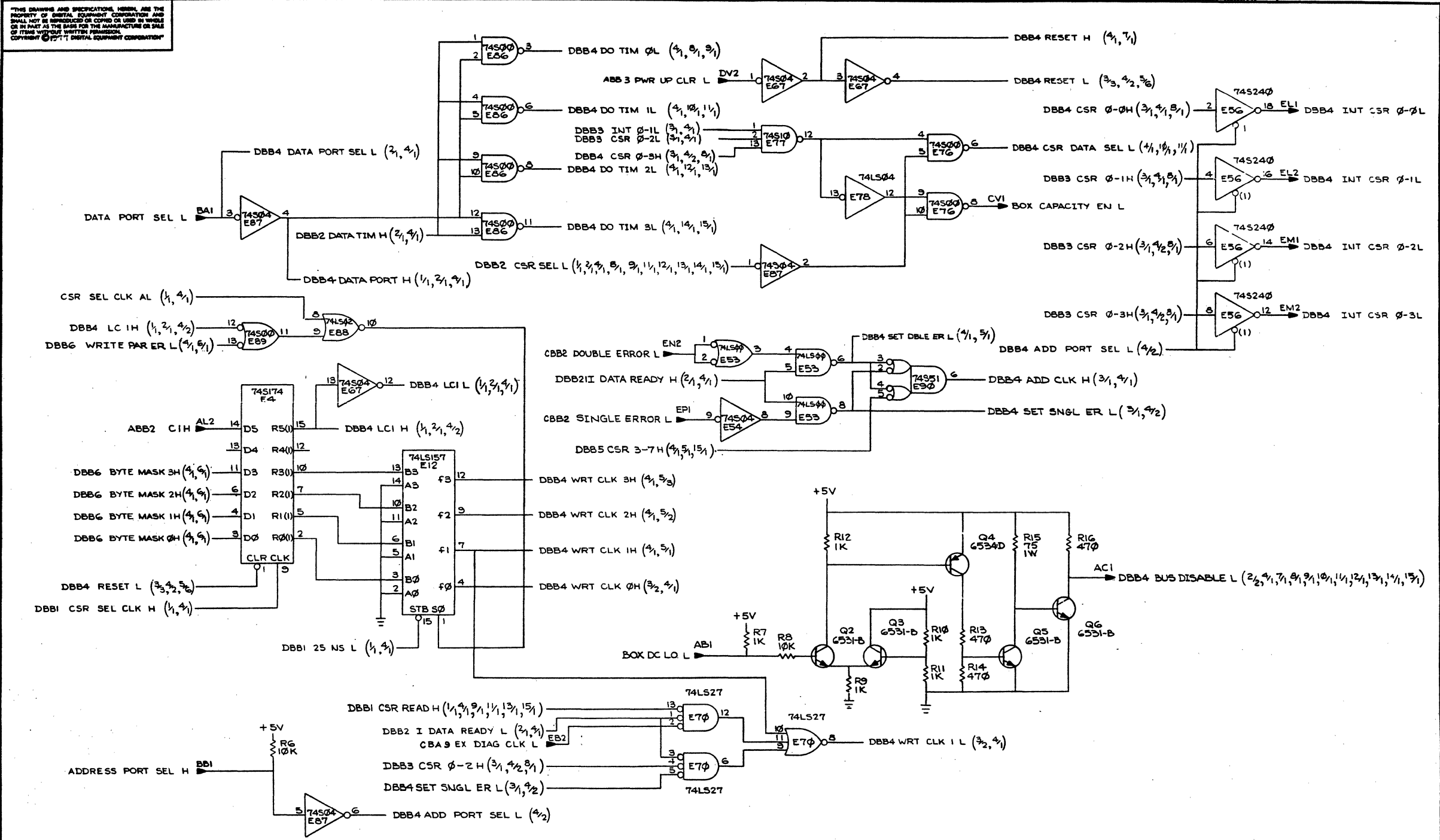
4

3

1-0-6918W S3 d 2

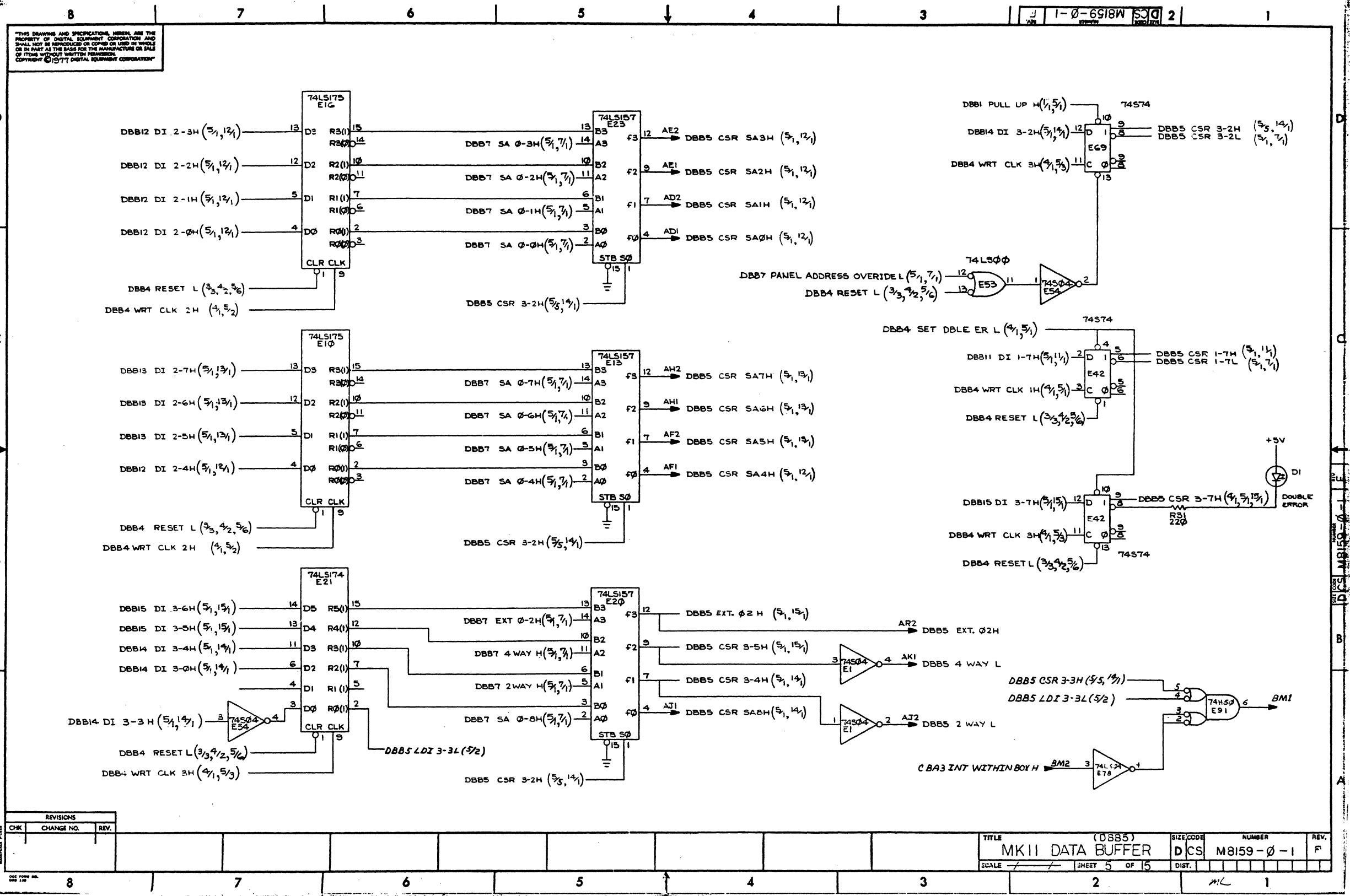
1

THIS DRAWING AND SPECIFICATIONS HEREIN ARE THE PROPERTY OF DIGITAL EQUIPMENT CORPORATION AND SHALL NOT BE REPRODUCED OR COPIED OR USED IN WHOLE OR IN PART AS THE BASIS FOR THE MANUFACTURE OR SALE OF ITEMS WITHOUT WRITTEN PERMISSION. COPYRIGHT © 1977 DIGITAL EQUIPMENT CORPORATION

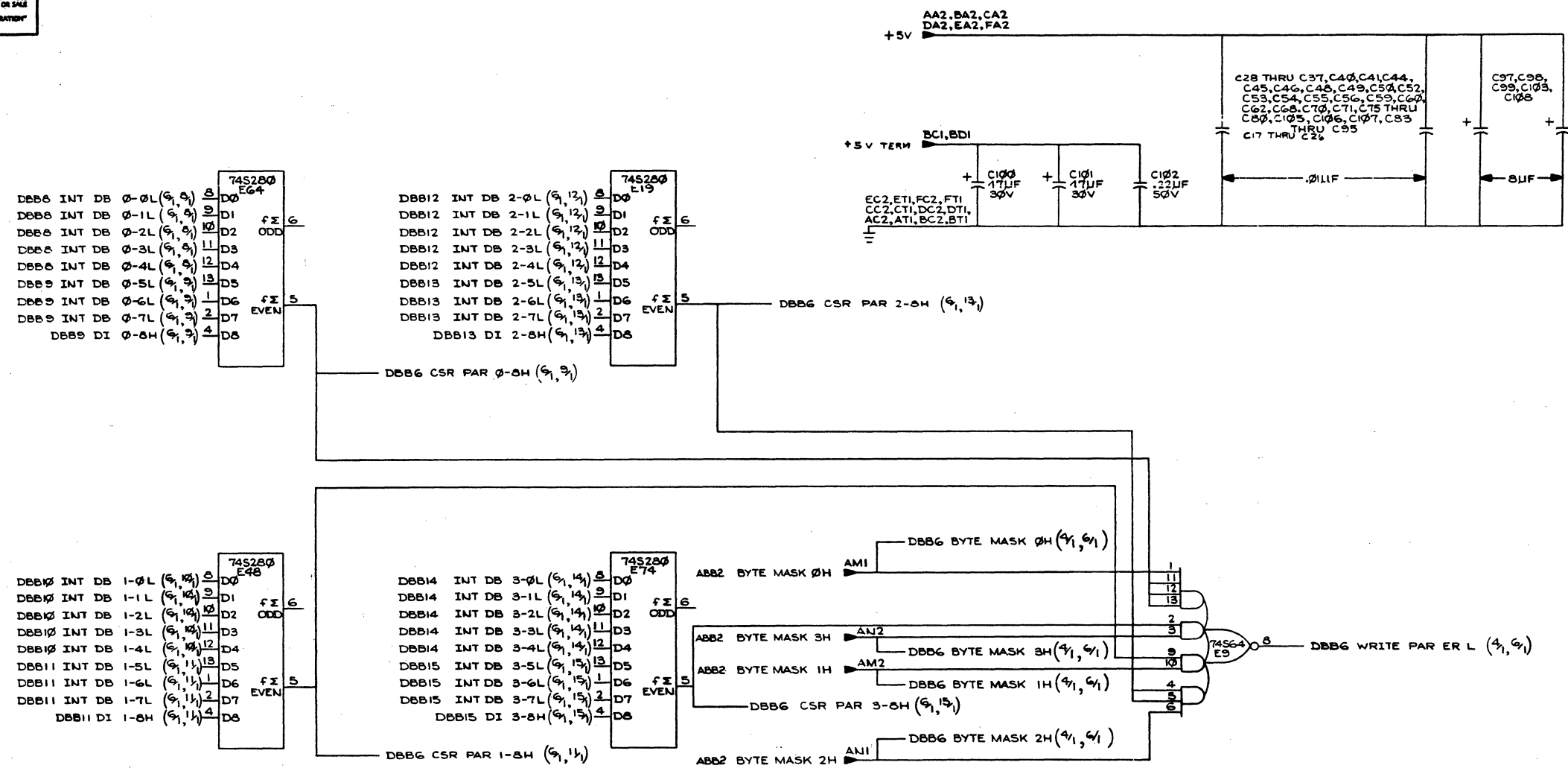


REVISIONS		
CHK	CHANGE NO.	REV.

TITLE	(DBB4)	SIZE CODE	NUMBER	REV.
MKII DATA BUFFER	D CS	M8159-0-1	E	
SCALE	SHEET 4 OF 15	DIST.		



THIS DRAWING AND SPECIFICATIONS HEREIN ARE THE PROPERTY OF DIGITAL EQUIPMENT CORPORATION AND SHALL NOT BE REPRODUCED OR COPIED OR USED IN WHOLE OR IN PART AS THE BASIS FOR THE MANUFACTURE OR SALE OF ITEMS WITHOUT WRITTEN PERMISSION. COPYRIGHT © 1971 DIGITAL EQUIPMENT CORPORATION



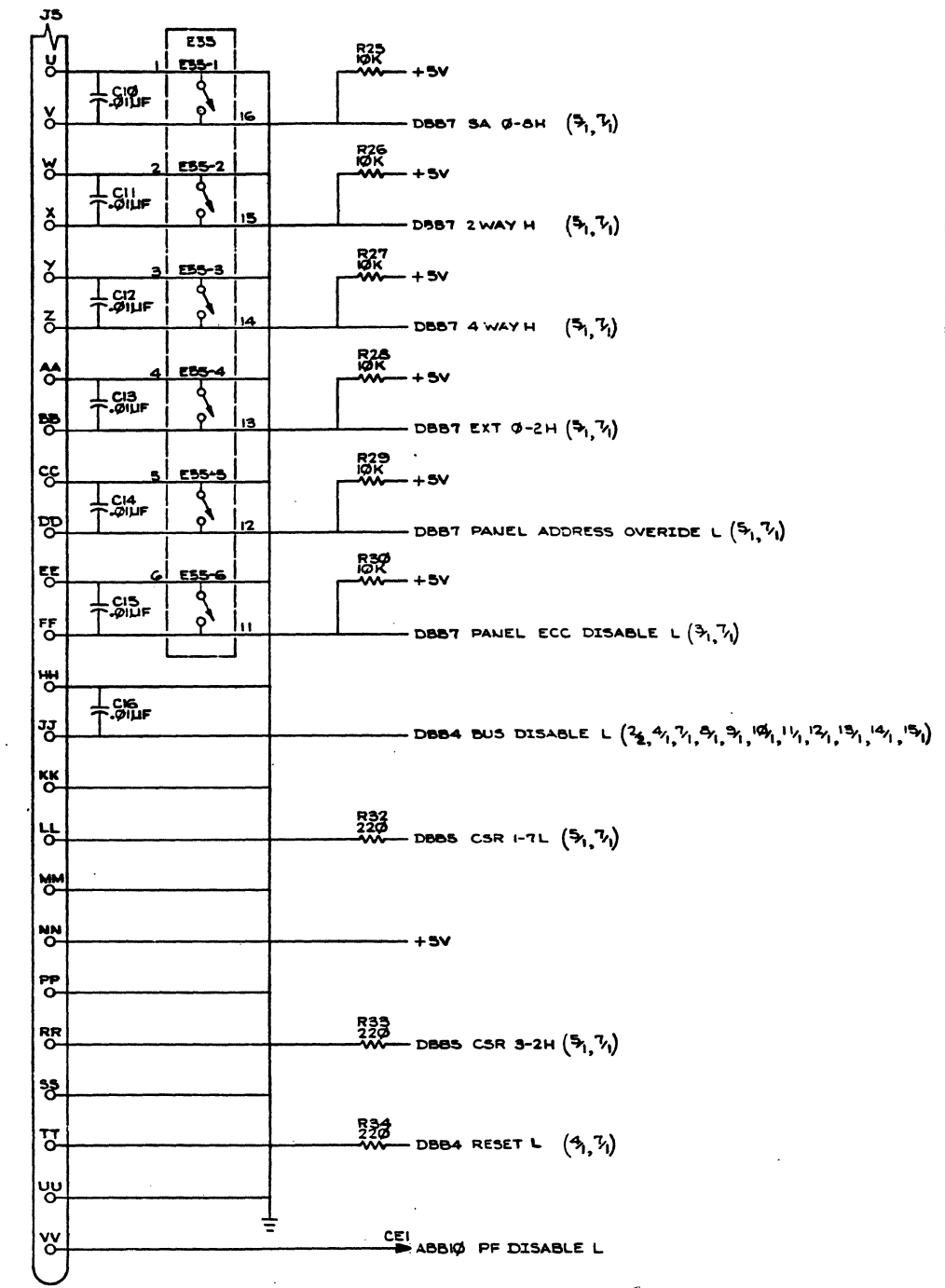
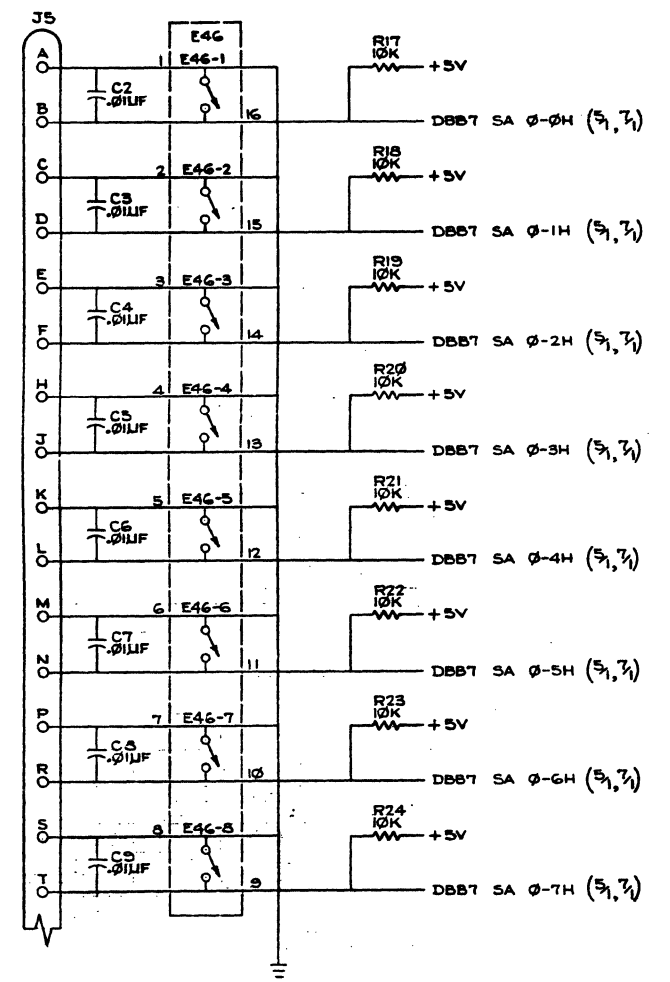
REVISIONS		
CHK	CHANGE NO.	REV.

TITLE	(DBB6) MKII DATA BUFFER	SIZE CODE	NUMBER	REV.
SCALE	1/1	D CS	M8159-0-1	F
SHEET 6 OF 15		DIST.	ML	1

100

THIS DRAWING AND SPECIFICATIONS, HEREINA, ARE THE PROPERTY OF DIGITAL EQUIPMENT CORPORATION AND SHALL NOT BE REPRODUCED OR COPIED IN WHOLE OR IN PART AS THE BASIS FOR THE MANUFACTURE OR SALE OF ITEMS WITHOUT WRITTEN PERMISSION. COPYRIGHT © 1971 DIGITAL EQUIPMENT CORPORATION

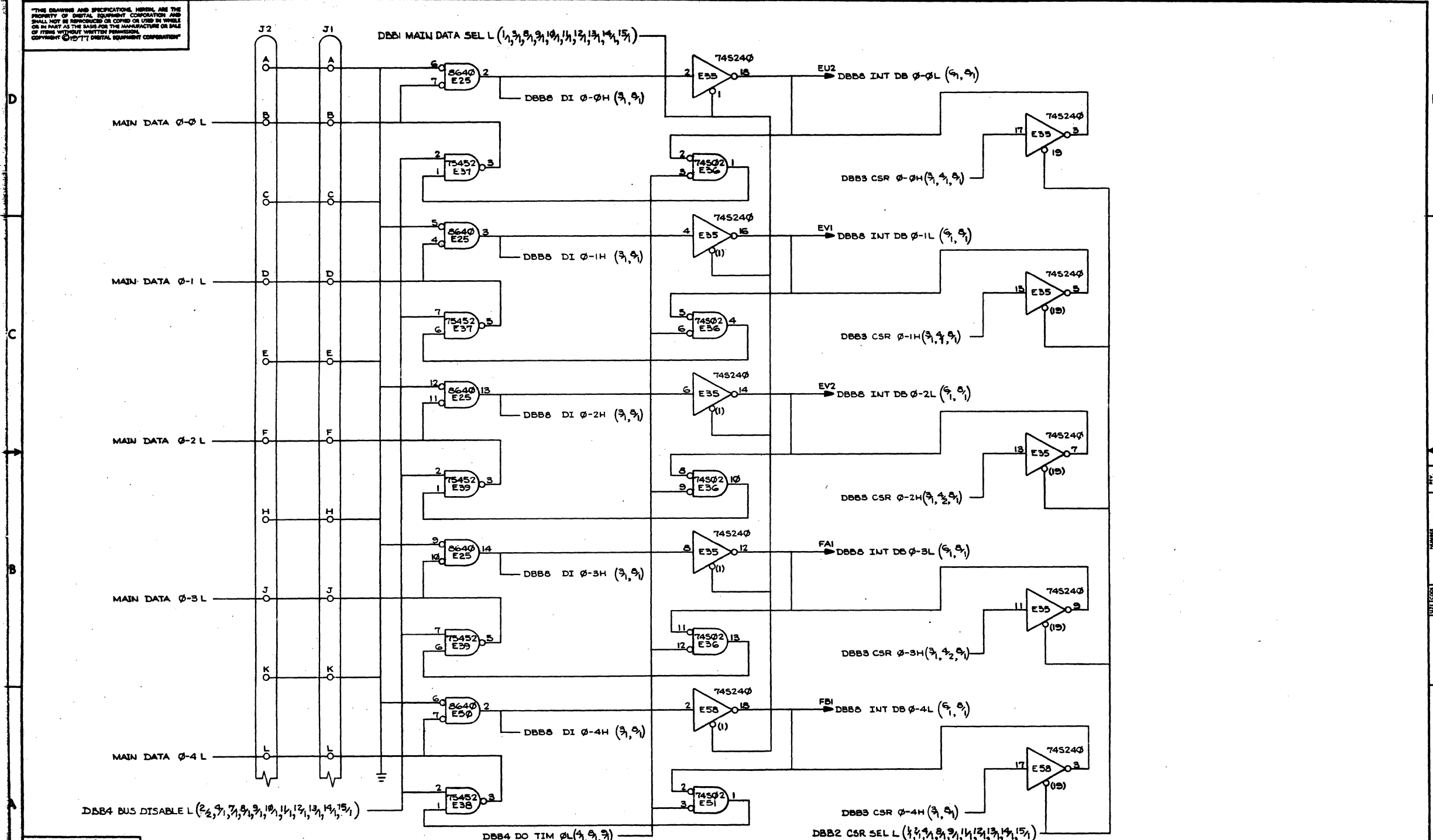
1-0-6918W SCD 2



REVISIONS		
CHK	CHANGE NO.	REV.

TITLE	(D:337) MK II DATA BUFFER	SIZE CODE	NUMBER	REV.
SCALE	1/8" = 1"	SHEET	7 OF 15	DIST.

THE DRAWING AND SPECIFICATIONS HEREIN ARE THE PROPERTY OF DIGITAL EQUIPMENT CORPORATION AND SHALL NOT BE REPRODUCED OR COPIED OR USED IN WHOLE OR IN PART AS THE BASIS FOR THE MANUFACTURE OR SALE OF ITEMS WITHOUT WRITTEN PERMISSION. COPYRIGHT © 1977, DIGITAL EQUIPMENT CORPORATION



REVISIONS		
CHK	CHANGE NO.	REV.

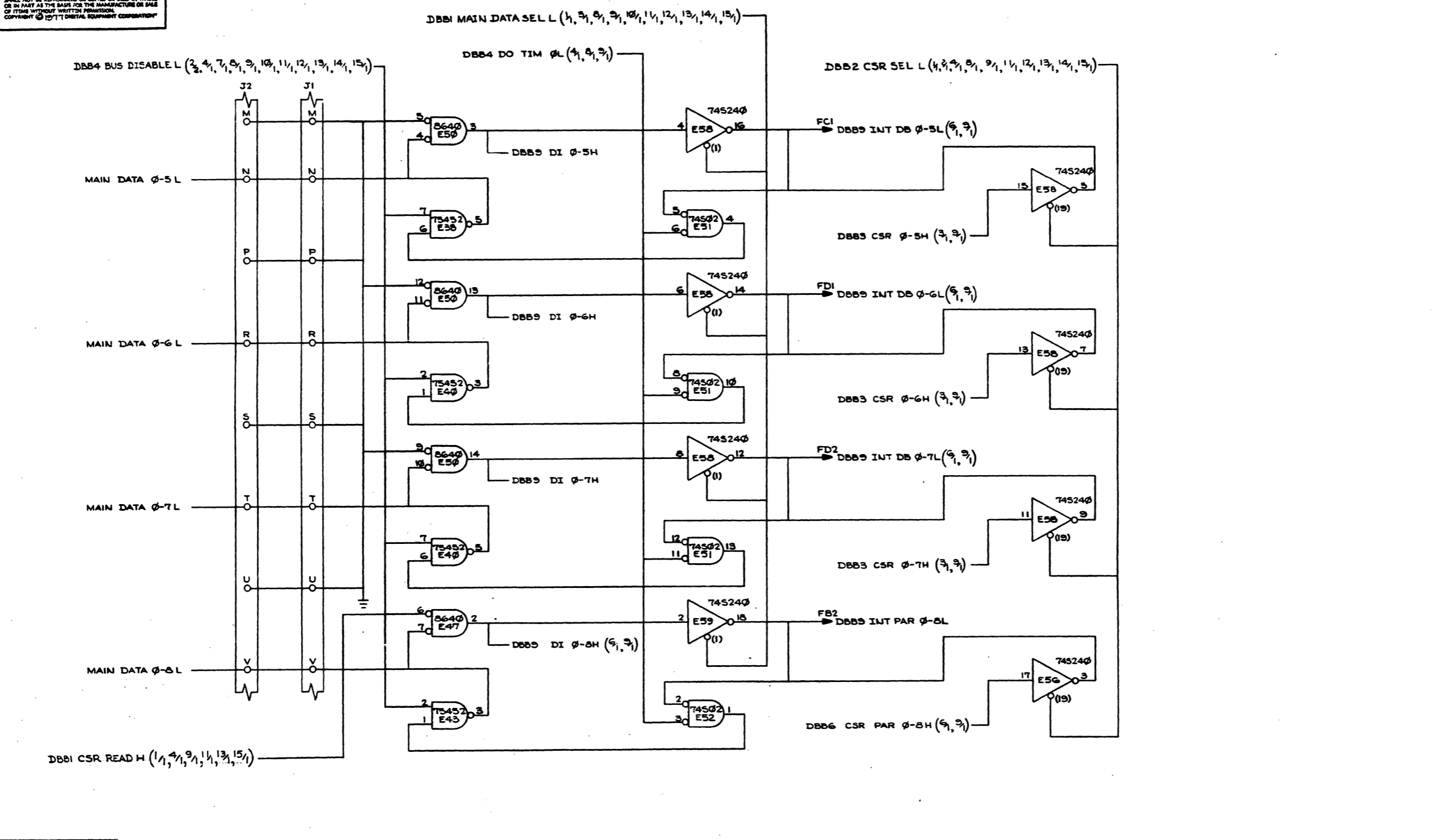
TITLE	(DBB8)	SIZE CODE	NUMBER	REV.
MK11 DATA BUFFER	DCS M8159-0-1		F	
SCALE	SHEET 8 OF 15	DIST.		
		ML		

402



THIS DRAWING AND SPECIFICATIONS HEREIN ARE THE PROPERTY OF DIGITAL EQUIPMENT CORPORATION AND SHALL NOT BE REPRODUCED OR COPIED OR USED IN WHOLE OR IN PART AS THE BASIS FOR THE MANUFACTURE OR SALE OF ITEMS WITHOUT WRITTEN PERMISSION. COPYRIGHT © 1977 DIGITAL EQUIPMENT CORPORATION

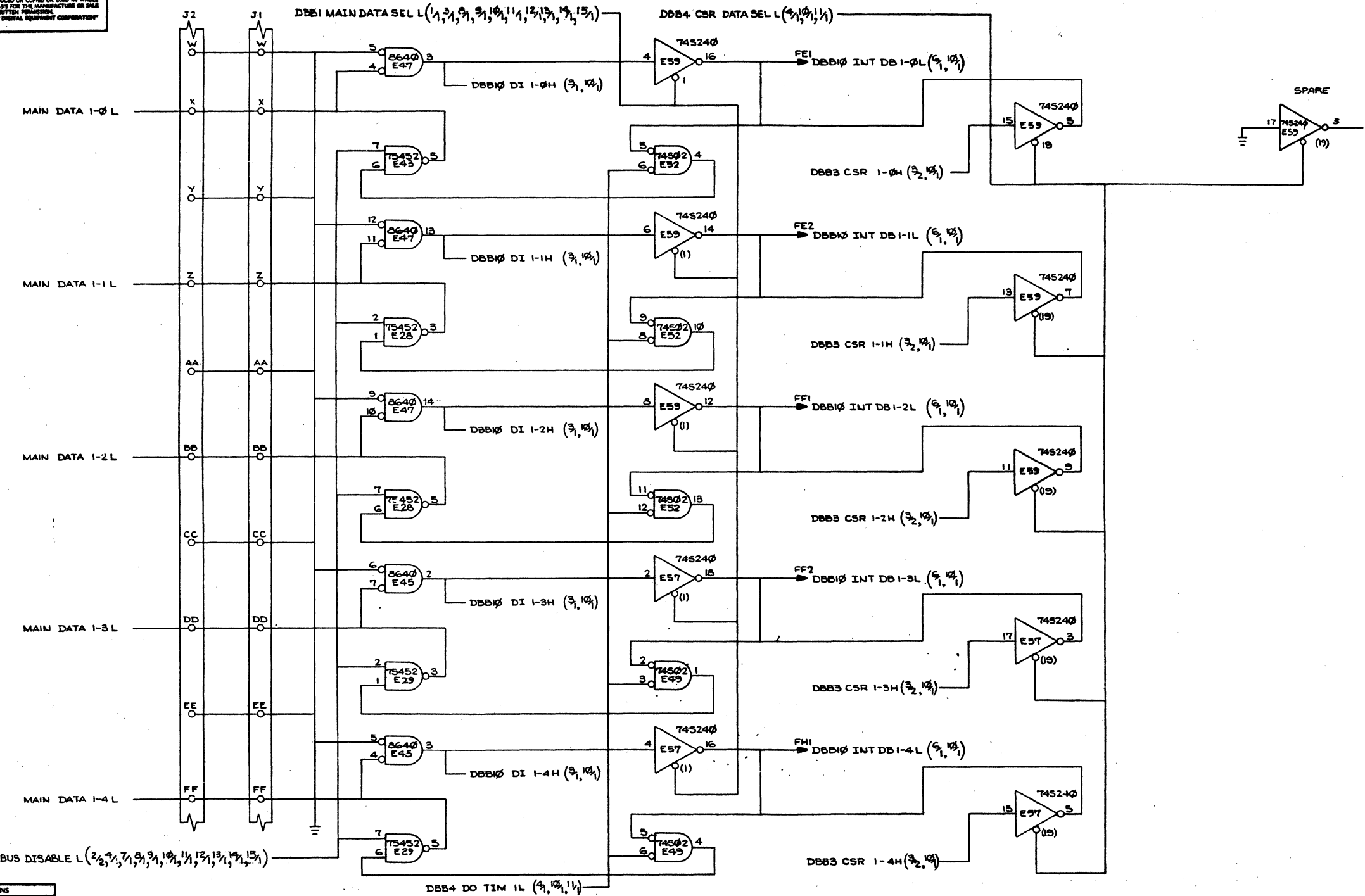
1-0-6918W SCD 2



REVISIONS		
CHK	CHANGE NO.	REV.

TITLE	(DBB5)	SIZE CODE	NUMBER	REV.
MKII DATA BUFFER	D CS	M8159-0-1	F	
SCALE	SHEET 9 OF 15	DIST.		

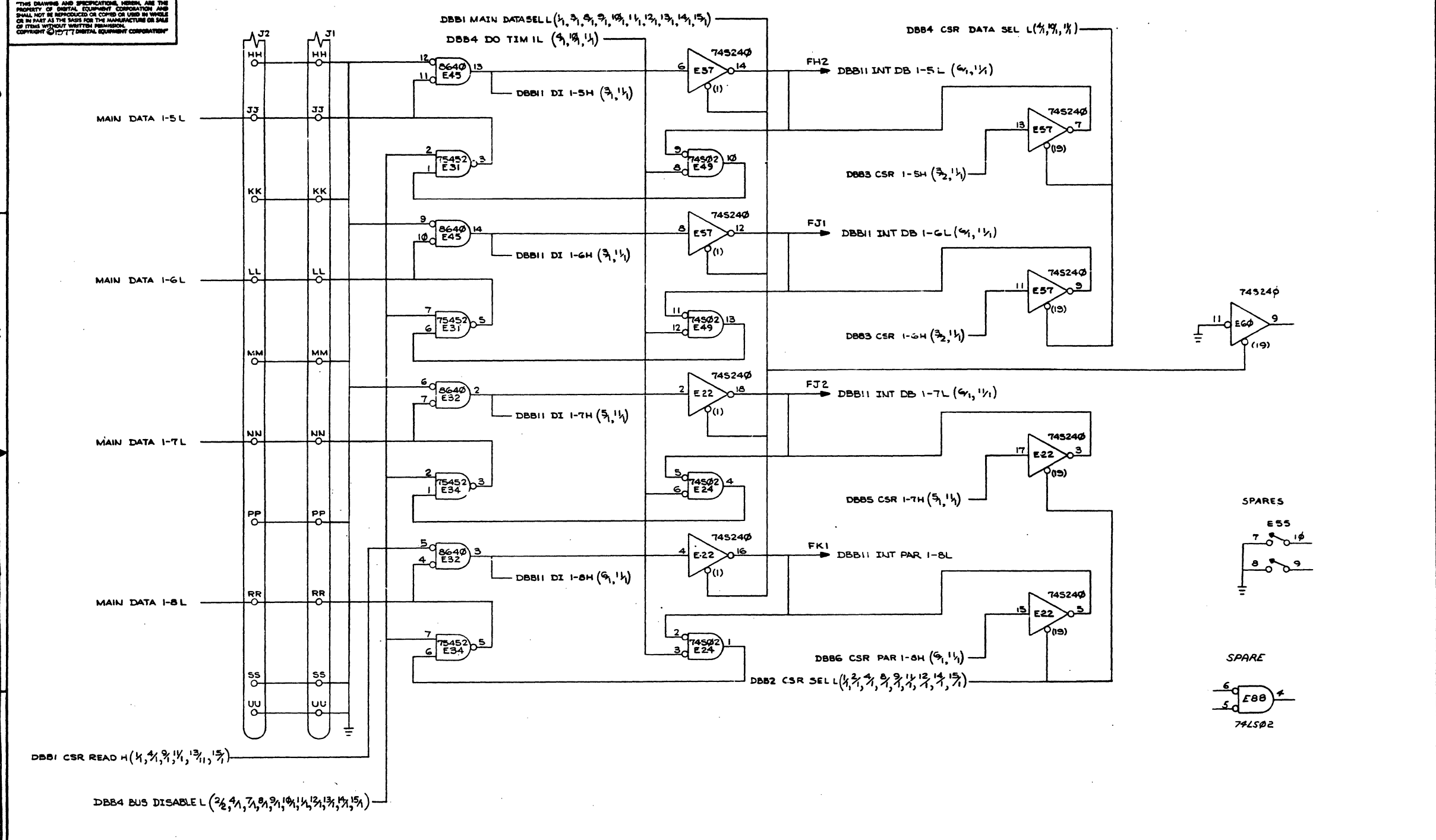
"THIS DRAWING AND SPECIFICATIONS HEREIN ARE THE PROPERTY OF DIGITAL EQUIPMENT CORPORATION AND SHALL NOT BE REPRODUCED OR COPIED OR USED IN WHOLE OR IN PART AS THE BASIS FOR THE MANUFACTURE OR SALE OF ITEMS WITHOUT WRITTEN PERMISSION. COPYRIGHT © 1977 DIGITAL EQUIPMENT CORPORATION"



REVISIONS		
CHK	CHANGE NO.	REV.

TITLE	(DBB4)	SIZE CODE	NUMBER	REV.
MKII DATA BUFFER	DCS	M8159-0-1	F	
SCALE	SHEET 10 OF 15	DIST.		

THIS DRAWING AND SPECIFICATIONS HEREIN ARE THE PROPERTY OF DIGITAL EQUIPMENT CORPORATION AND SHALL NOT BE REPRODUCED OR COPIED OR USED IN WHOLE OR IN PART AS THE BASIS FOR THE MANUFACTURE OR SALE OF ITEMS WITHOUT WRITTEN PERMISSION. COPYRIGHT © 1971 DIGITAL EQUIPMENT CORPORATION



REVISIONS		
CHK	CHANGE NO.	REV.

8

7

6

5

4

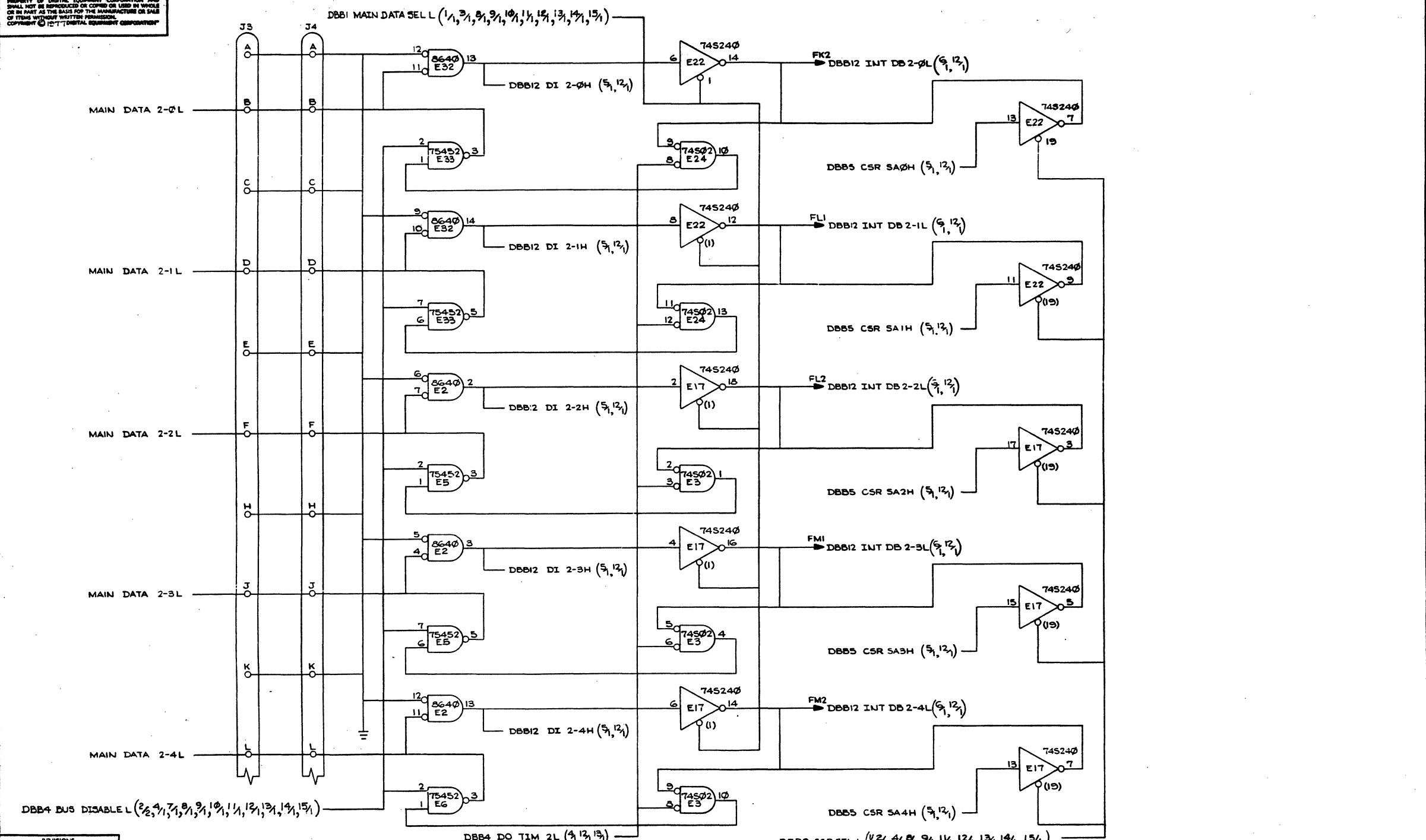
3

2

1

1-0-6918W SCD 2

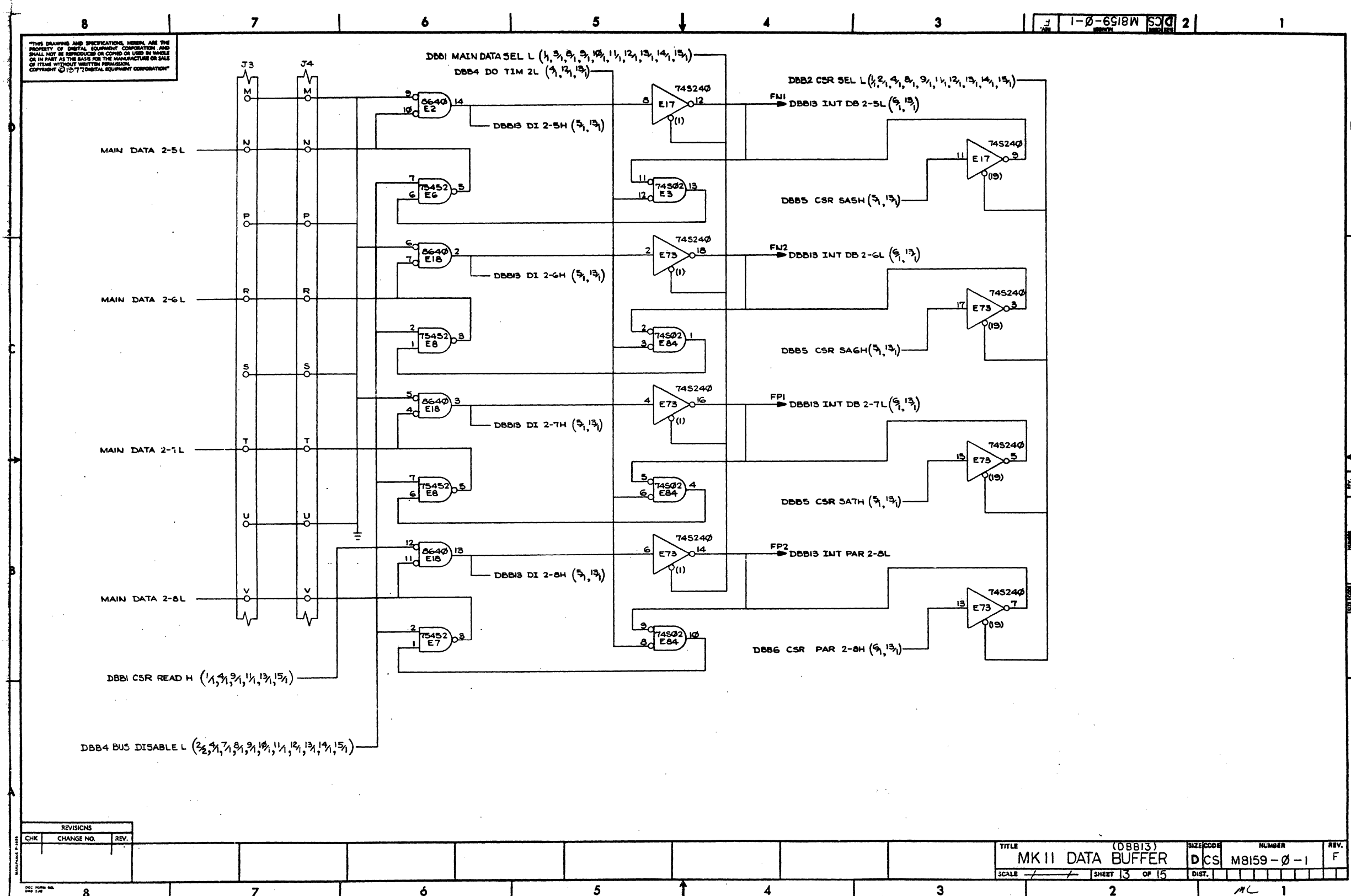
THIS DRAWING AND SPECIFICATIONS HERIN ARE THE PROPERTY OF DIGITAL EQUIPMENT CORPORATION AND SHALL NOT BE REPRODUCED OR COPIED OR USED IN WHOLE OR IN PART AS THE BASIS FOR THE MANUFACTURE OR SALE OF ITEMS WITHOUT WRITTEN PERMISSION. COPYRIGHT © 1971 DIGITAL EQUIPMENT CORPORATION



REVISIONS		
CHK	CHANGE NO.	REV.

TITLE	(DBB12) MK II DATA BUFFER	SIZE CODE	NUMBER	REV.
SCALE	SHEET 12 OF 15	DIST.	M9159-0-1	E
			ML 1	

406



THIS DRAWING AND SPECIFICATIONS HEREAFTER ARE THE PROPERTY OF DIGITAL EQUIPMENT CORPORATION AND SHALL NOT BE REPRODUCED OR COPIED OR USED IN WHOLE OR IN PART AS THE BASIS FOR THE MANUFACTURE OR SALE OF ITEMS WITHOUT WRITTEN PERMISSION. COPYRIGHT © 1977 DIGITAL EQUIPMENT CORPORATION

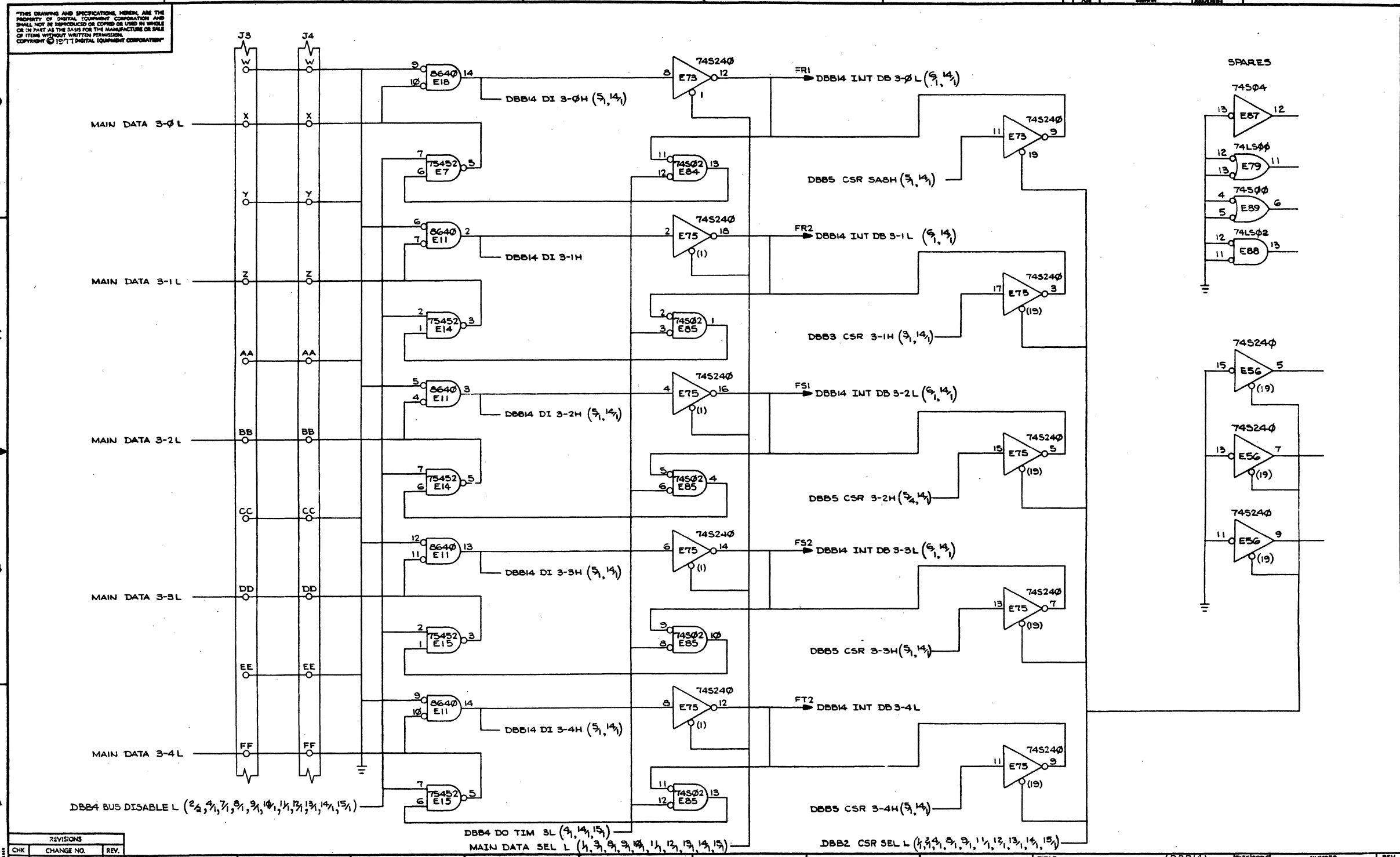
1-0-6918W SCD 2

REVISIONS		
CHK	CHANGE NO.	REV.

TITLE	(DBB13)	SIZE CODE	NUMBER	REV.
MK II DATA BUFFER	D CS	M8159-0-1	F	
SCALE	SHEET 13 OF 15	DIST.		

8 7 6 5 4 3 2 1

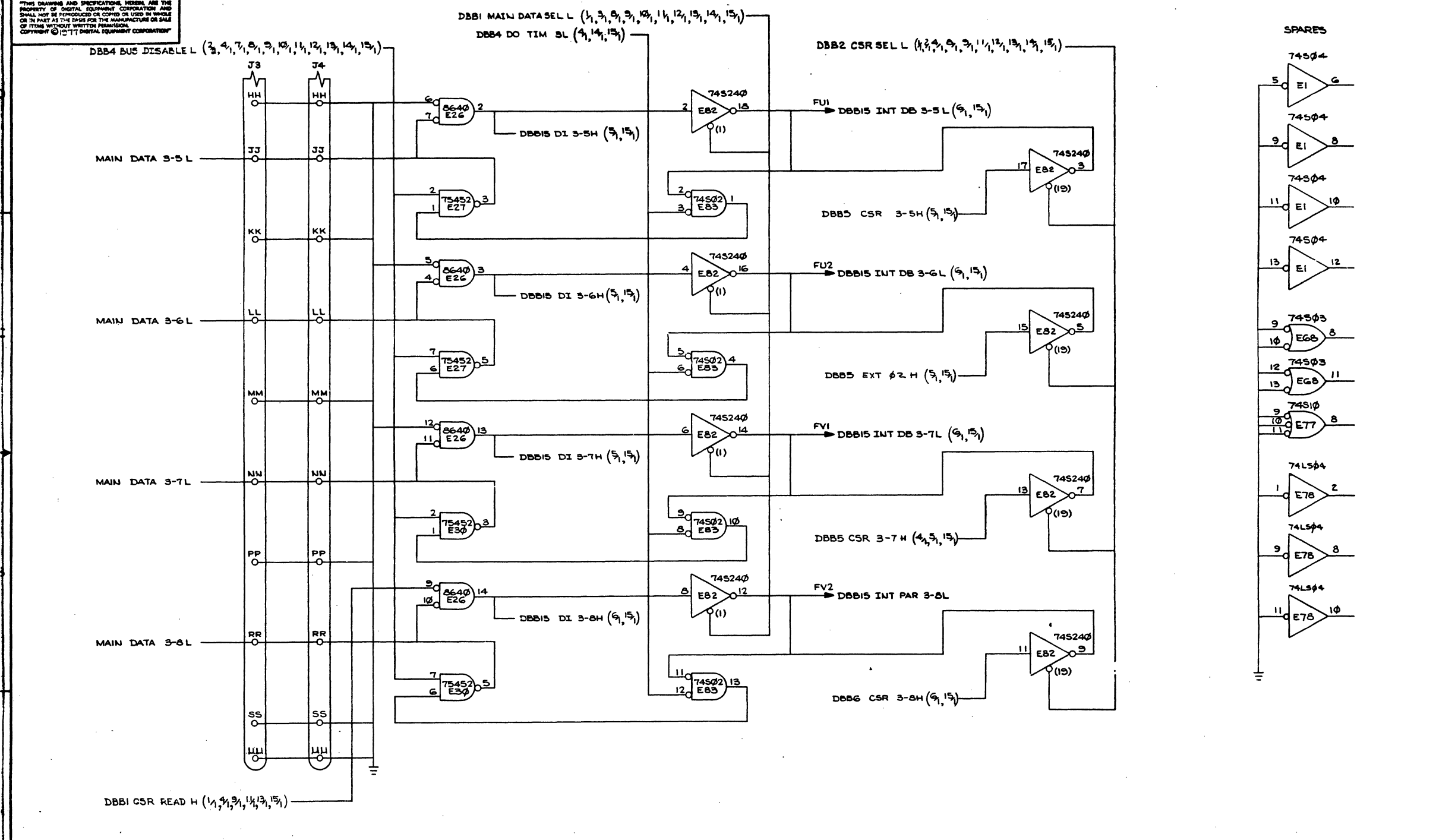
THIS DRAWING AND SPECIFICATIONS HEREAFTER ARE THE PROPERTY OF DIGITAL EQUIPMENT CORPORATION AND SHALL NOT BE REPRODUCED OR COPIED OR USED IN WHOLE OR IN PART AS THE BASIS FOR THE MANUFACTURE OR SALE OF ITEMS WITHOUT WRITTEN PERMISSION. COPYRIGHT © 1977 DIGITAL EQUIPMENT CORPORATION



REVISIONS		
CHK	CHANGE NO.	REV.

TITLE	(DBB14)	SIZE CODE	NUMBER	REV.
MK II DATA BUFFER	DCS	M8159-0-1	F	
SCALE	SHEET 14	OF 15	DIST.	

THIS DRAWING AND SPECIFICATIONS HEREIN ARE THE PROPERTY OF DIGITAL EQUIPMENT CORPORATION AND SHALL NOT BE REPRODUCED OR COPIED OR USED IN WHOLE OR IN PART AS THE BASIS FOR THE MANUFACTURE OR SALE OF ITEMS WITHOUT WRITTEN PERMISSION. COPYRIGHT © 1977 DIGITAL EQUIPMENT CORPORATION



REVISIONS		
CHR	CHANGE NO.	REV.

TITLE	(DBB15)	SIZE CODE	NUMBER	REV.
MK II DATA BUFFER	DCS	M8159-0-1	F	
SCALE	SHEET 15 OF 15	DIST.		

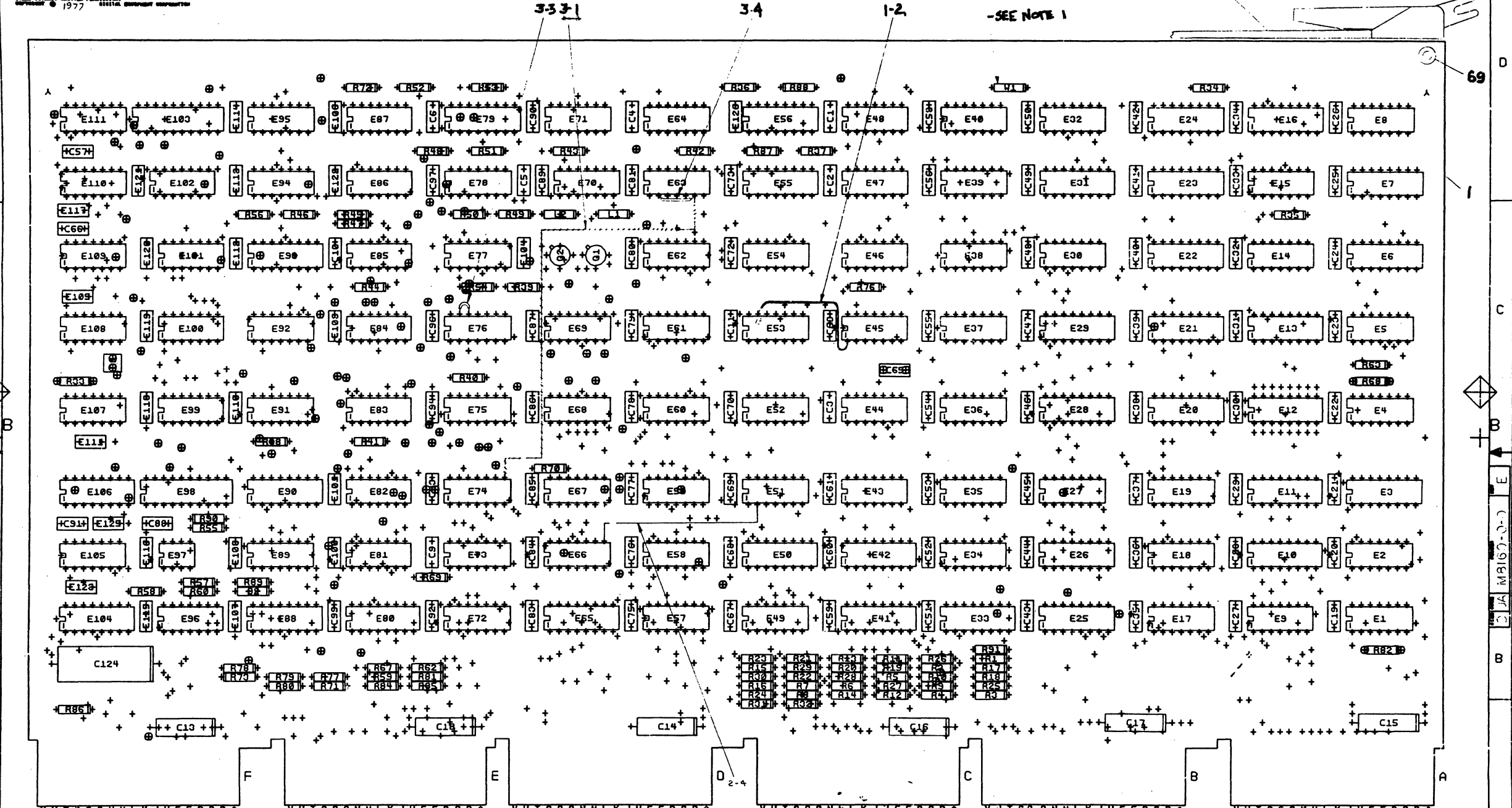




8 7 6 5 4 3 2 1

THIS DRAWING AND APPROPRIATIONS THEREON ARE THE PROPERTY OF ELECTRA ELECTRONIC CORPORATION AND WILL NOT BE REPRODUCED OR TRANSMITTED IN ANY FORM OR BY ANY MEANS, ELECTRONIC OR MECHANICAL, INCLUDING PHOTOCOPYING, RECORDING, OR BY ANY INFORMATION STORAGE AND RETRIEVAL SYSTEM, WITHOUT THE WRITTEN PERMISSION OF ELECTRA ELECTRONIC CORPORATION © 1977

COMPONENT SIDE VIEW



NOTES: 1. W/1 NOT INSTALLED AT ASSY FOR REF ONLY.

CHG	NO	REV	DATE	BY	CHK'D
1	10160-2	D		A. ZACCONI	
2	10160-3	E		A. ZACCONI	

ETCH REV. DPH	
E.C. DESIGN DATA BASE REV. 01/13/77	

SIGNATURES	DATE	TITLE
DRN.		digital
CHK'D.		
ENG.		
PROJ. ENG.		MK11 CONTROL A
SCALE		SIZE CODE NUMBER
SHT. 1 OF 7		D UA MB16000 E
NEXT HIGHER ASSY. B-D-D-VA1600		

8 7 6 5 4 3 2 1 MS#260954

8

7

6

5

4

3

C-C-0918W/17G/2

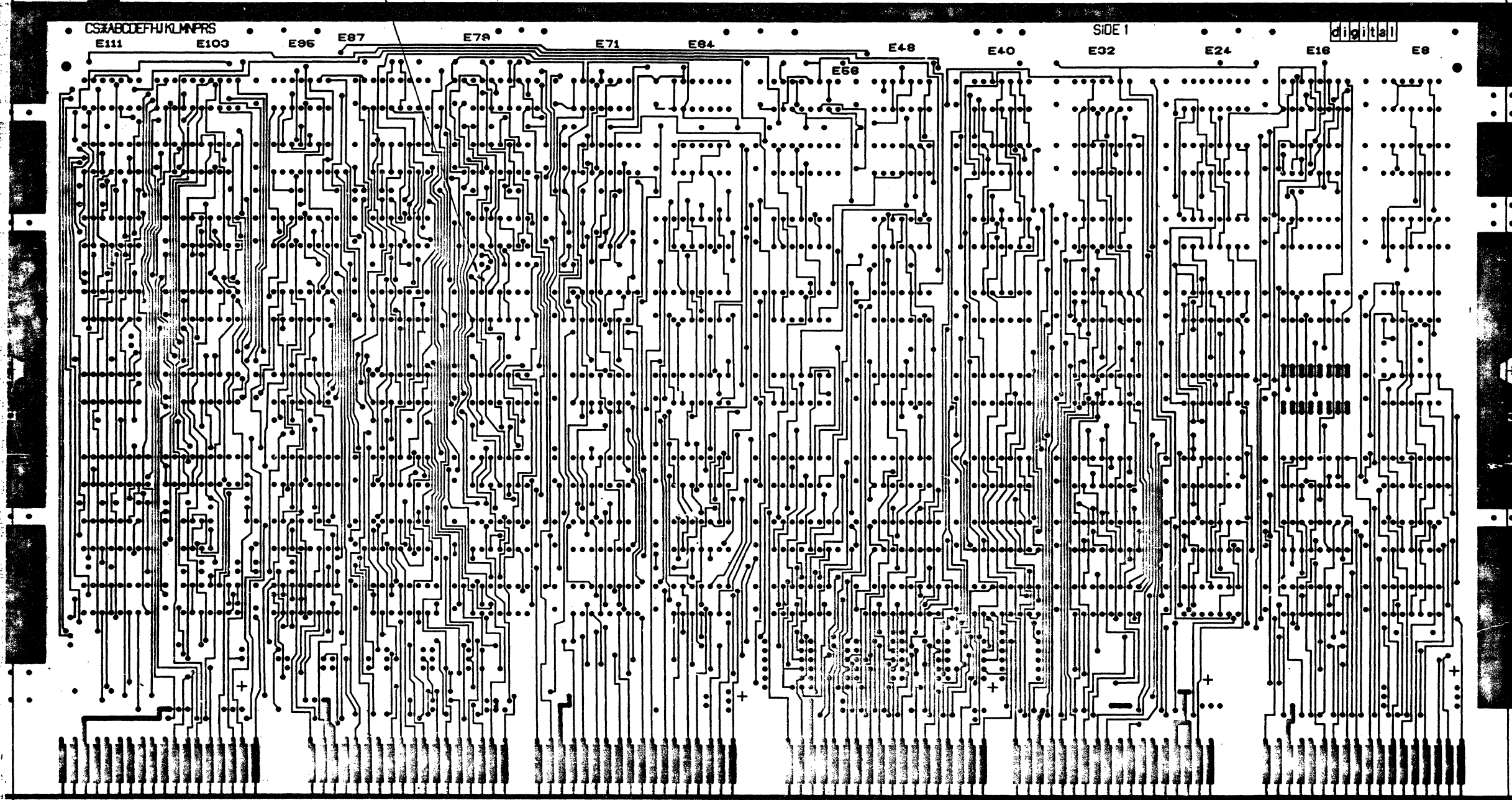
1

ALL DIMENSIONS ARE IN MILLIMETERS UNLESS OTHERWISE SPECIFIED.  
DIMENSIONS ARE TO CENTER UNLESS OTHERWISE SPECIFIED.  
DIMENSIONS ARE TO CENTER UNLESS OTHERWISE SPECIFIED.  
DIMENSIONS ARE TO CENTER UNLESS OTHERWISE SPECIFIED.  
© 1977 DIGITAL EQUIPMENT CORPORATION

M8160 5012678DP1

LAYER 1

CS:ABCDEFGHIJKLMNPRS  
E111 E103 E95 E87 E79 E71 E64 E48 E40 E32 E24 E16 E8



REV		NUMBER		SIZE CODE		TITLE	
E	1	M8160-0-2	DUA	MKII CONTROL A			
DIST		SHEET 2 OF 7		SCALE 2/1			

8

7

6

5

4

3

2

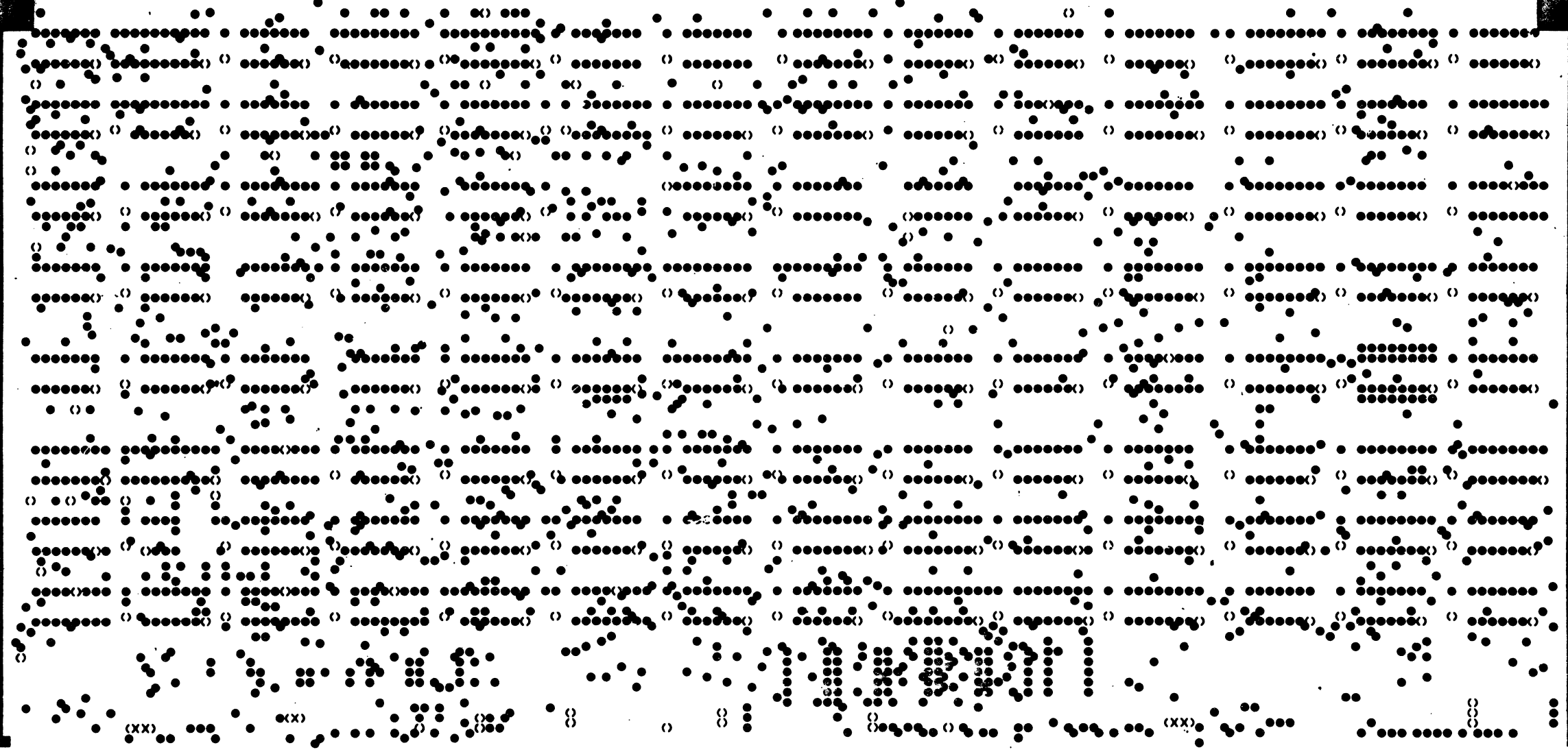
1

8 7 6 5 4 3 2 1

DJA M816J-0-0 2

LAYER 12

M8160  
50128760P1



TITLE		DRAWN		REV	
MKII CONTROL A		DJA M816J-0-0		E	
SCALE 2/1	SHEET 3	OF 7	DIST		

8 7 6 5 4 3 2 1

8

7

6

5

4

3

2 DUA M8160-0-0

1

E 8349

Lo

M8160 5012676DP1

D

C

E

B

C

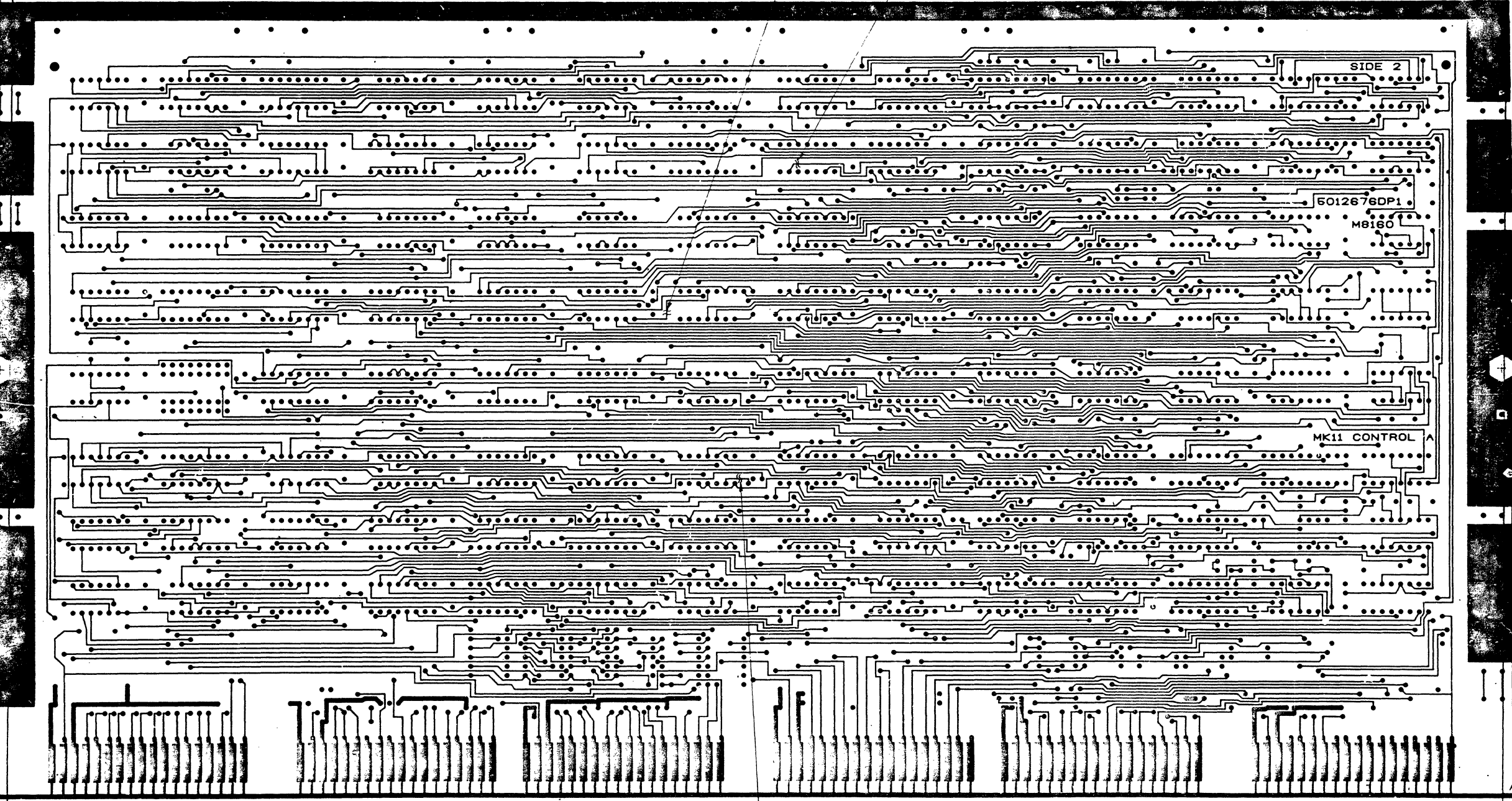
FILE	MKII CONTROL A	SCALE	2/1	SHEET	4 OF 7	DIST		NUMBER	DUA M8160-0-0	REV	E
------	----------------	-------	-----	-------	--------	------	--	--------	---------------	-----	---

0177

РЗУАЈ

1-1 2-1

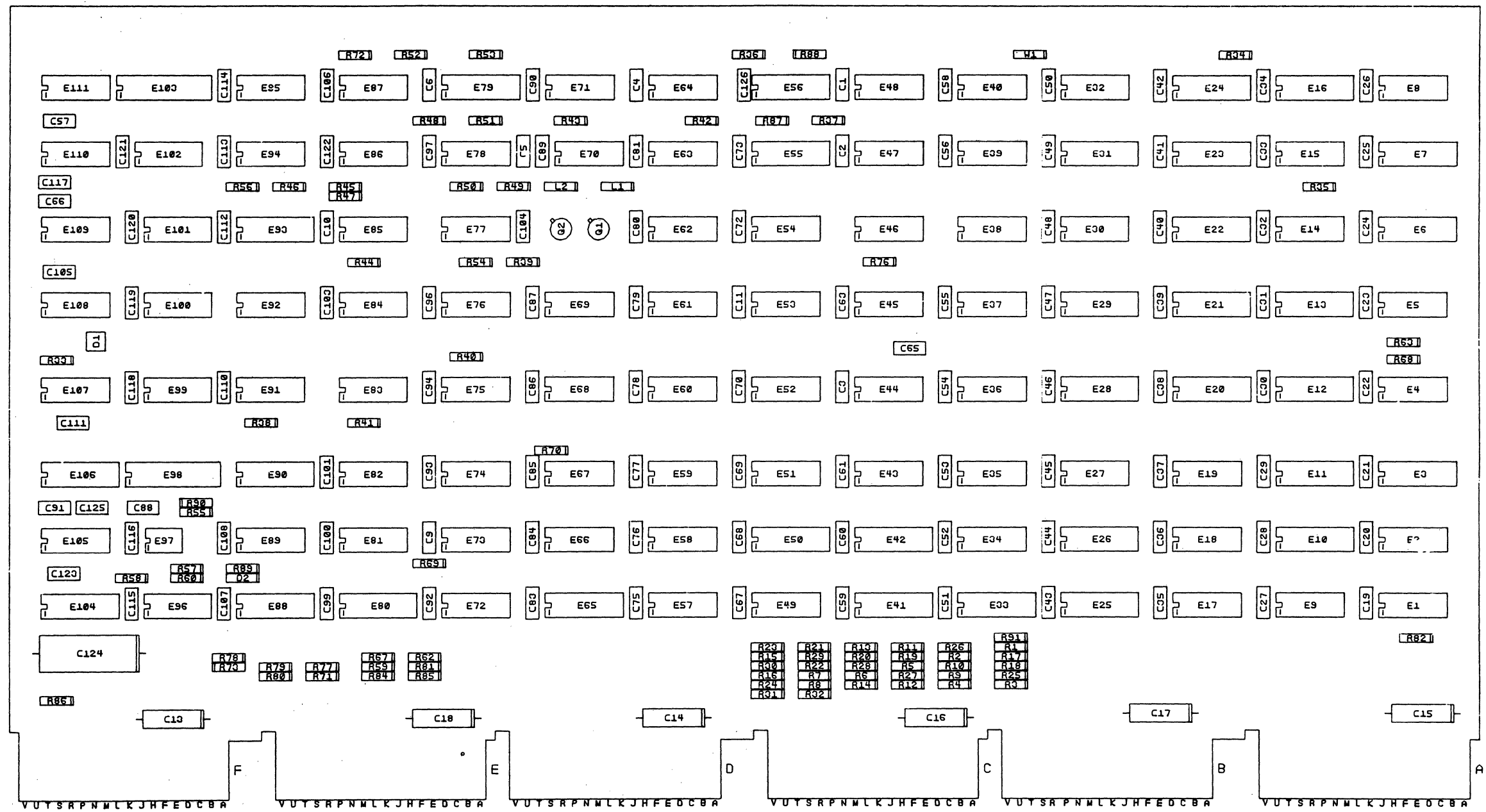
L4



2-2

				MK11 CONTROL A		DUA M8160-0-0		E	
				SHEET 5 OF 7					

THIS DRAWING IS UNCLASSIFIED, EXCEPT FOR THE PORTION OF THE DRAWING WHICH IS IDENTIFIED AS "SECRET" OR "TOP SECRET" IN THE MARGINS OF THIS DRAWING. THE PORTION OF THE DRAWING WHICH IS IDENTIFIED AS "SECRET" OR "TOP SECRET" IS TO BE CONTAINED IN THE "SECRET" OR "TOP SECRET" PORTION OF THE DRAWING.



NOTES:

\_\_\_\_\_

\_\_\_\_\_

\_\_\_\_\_

\_\_\_\_\_

\_\_\_\_\_

\_\_\_\_\_

CHANGE NO.	REV.

REF DRAWING ONLY

SIGNATURES	DATE
DRN. _____	_____
CHK'D. _____	_____
ENC. _____	_____
PROJ. ENG. _____	_____
PROD. _____	_____
SCALE 2/1	SIZE CODE 0
SHT. 6 OF 7	NUMBER DA N8160-0-0
NEXT HIGHER ASSY. B-DD-N8150-0	REV E

THE DIMENSIONS AND SPECIFICATIONS HEREIN ARE THE PROPERTY OF DIGITAL EQUIPMENT CORPORATION AND SHALL NOT BE REPRODUCED OR COPIED OR USED IN WHOLE OR IN PART AS THE BASIS FOR THE MANUFACTURE OR SALE OF ITEMS WITHOUT WRITTEN PERMISSION.  
COPYRIGHT © 1977 DIGITAL EQUIPMENT CORPORATION

3 0-0-0918W M10 2

ECO #1  
ETCH CUT, SIDE 2:  
1-1. FROM E45-1 TO E53-11.  
WIRE ADDS, SIDE 1:  
1-2. FROM E45-1 TO E53-13.

ECO #2  
ETCH CUTS SIDE 2:  
2-1. FROM E63-6 TO E74-6  
2-2. FROM E51-2 TO E66-10  
WIRE ADDS SIDE 1:  
2-3. FROM E63-6 TO E74-8  
2-4. FROM E51-2 TO E66-8

ECO #3  
WIRE DELETE SIDE 1:  
3-1 REMOVE WIRE FROM E63-6 TO E74-8  
ETCH CUT SIDE 1:  
3-2 AT E76-13  
WIRE ADDS SIDE 1:  
3-3 FROM E76-13 TO E76-12  
3-4 FROM E63-6 TO E63-2

REVISIONS		
CHK	CHANGE NO.	REV.

											TITLE	SIZE CODE	NUMBER	REV.
											MKII CONTROL A	DUA	M8160-0-0	E
											SCALE	SHEET	OF	DIST.
												7	7	

417

LINE	ITEM	DOCUMENT NO.	PART NO.	DESCRIPTION	QTY	REFERENCE DESIGNATORS
1	1	D-CS-M8160-0-1		CIRCUIT SCHEMATIC		REF
2	2	D-UA-M8160-0-0		UNIT ASSEMBLY		REF
3	3	B-DD-M8160-0-0		DWG DIRECTORY		REF
4	4		5012676-00	M8160	1	
5	5		1000042-00	1000.0 MMF 100V 5%200PPM DM15S	(10-00) 1	C65
6	6		1000015-00	82.0 MMF 100V 5%200PPM DM15S	(10-00) 6	C1,C2,C4-C6,C11
7	7		1012219-00	47. MFD 30V G% 600D AL EL	1	C124
8	8		1012121-00	220.0 MMF 100V 1%200PPM DM15S	2	C3,C88
9	9		1012084-01	8 MFD 25V G% 30D AL EL	(10-12) 6	C13-C18
10	10		1001610-01	.01 MFD 100V OR 50V Z5U DISC/800PF MIN	90	C19-C61,C63,C67-C70,C73,C72, CONT C126,C75-C81,C83-C87,C89,C90, CONT C92,C9,C93,C94,C96,C104,C97, CONT C99-C101,C103,C10,C122,C106, CONT C107,C108,C110,C112-C116,C119, CONT C118,C120,C121,C123,C125,C91, CONT C111,C105,C66,C117,C57
11	11		1105275-00	D 672 TR= 15NS PIV= 60V SP	1	D2
12	12		1110324-00	LED 1MCD@10MA #MV5054-1#HP48R2	1	D1
13	13		1210711-02	HANDLE, HEX MODULE, 10-1/2	1	
14	14		1300365-00	1 K 1/4W 5% CC	(13-00) 45	R1-R32,R59,R62,R67,R71,R73, CONT R77,R78,R79,R80,R81,R84,R85, CONT R91
15	15		1300447-00	4.7 K 1/4W 5% CC	(13-00) 15	R44,R47,R54,R55,R56,R69,R82, CONT R68,R86,R70,R87,R88,R34,R72, CONT R63
16	16		1300479-00	10 K 1/4W 5% CC	(13-00) 2	R36,R37
17	17		1300316-00	470 1/4W 5% CC	(13-00) 1	R35
18	18		1302124-00	10 1/4W 5% CC	(13-00) 1	R40
19	19		1300229-00	100 1/4W 5% CC	(13-00) 5	R42,R43,R39,R76,R90
20	20		1300271-00	220 1/4W 5% CC	(13-00) 1	R33

REVISION HISTORY			VARIATIONS FOR THIS ASSY.		
CHK	ECO NO	REV	FIRST USED ON: MK11		DIGITAL EQUIPMENT CORPORATION MAYNARD, MASSACHUSETTS
E,R	00003	E	MADE BY: D CARUSO	DATE: 28-JUN-78	TITLE PARTS LIST
			CHECKED: D CARUSO	DATE: 28-JUN-78	MK11 CONTROL A
			DSN. ENG.: A ZACCONI	DATE: 28-JUN-78	SIZE CODE  DOCUMENT NUMBER   REV
			PROD.: R HILL	DATE: 28-JUN-78	K   PL   M8160-0-DBP   E
			RESP. ENG.: A ZACCONI	DATE: 28-JUN-78	ASSY. NO.: B-DD-M8160-0-0   EDIT# 2

"THIS DRAWING AND SPECIFICATIONS HEREIN, ARE THE PROPERTY OF DIGITAL EQUIPMENT CORPORATION AND SHALL NOT BE REPRODUCED OR COPIED OR USED IN WHOLE OR IN PART AS THE BASIS FOR THE MANUFACTURE OR SALE OF ITEMS WITHOUT WRITTEN PERMISSION. COPYRIGHT 1978. DIGITAL EQUIPMENT CORPORATION"

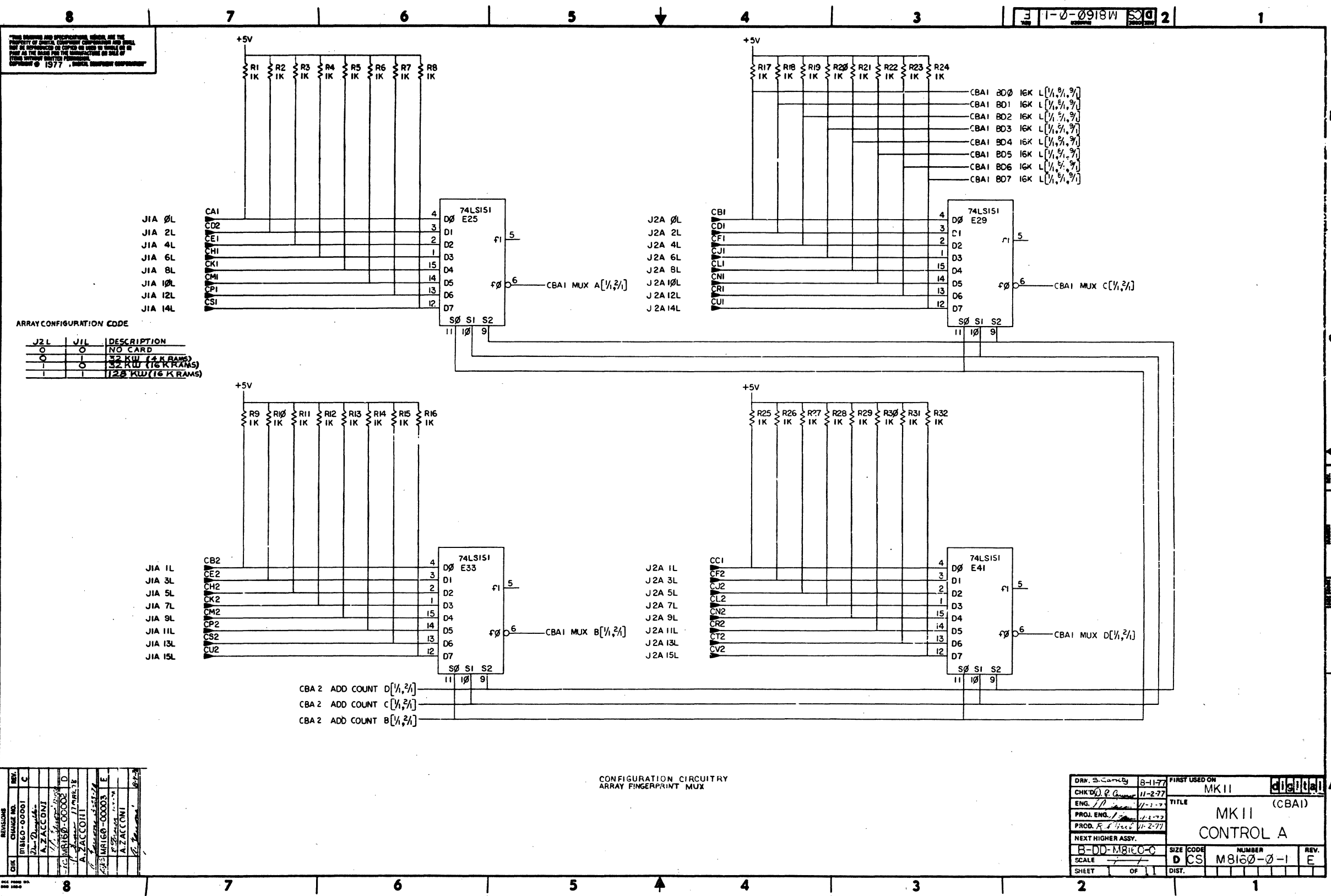


LINE	ITEM	DOCUMENT NO.	PART NO.	DESCRIPTION	QTY	REFERENCE DESIGNATORS
21	21		1300295-00	330 1/4W 5% CC (13-00	1	R41
22	22		1301890-00	560 1/4W 5% CC (13-00	1	R38
23	23		1301972-00	270 1/4W 5% CC (13-00	4	R49,R51,R53,R46
24	24		1301322-00	180 1/4W 5% CC (13-00	4	R45,R48,R50,R52
25	25		1303044-00	100 K 1/4W 1% RN55D-F 100PPM (13-00	1	R57
26	26		1302398-00	470 K 1/4W 5% CC (13-00	1	R60
27	27		1303313-00	12.1 K 1/4W 1% RN55D-F 100PPM (13-00	1	R58
28	28		1311594-00	30.1 K 1/4W 1% RN55D-F 100PPM (13-00	1	R89
29	29		1503100-00	DEC3009B NPN 200MW SI 20 25 P	2	Q1,Q2
30	30		1610662-00	100.0 UH 10% 165MA #DD1 00	2	L1,L2
31	31		1611243-00	DELAY=25-250NS,10TAPS RCL#L-183 E PE#9829	5	E53,E54,E64,E70,E71
32	32		1911469-00	DEC 8640 RECEIVER,BUS,QUAD,UNIBUS,0=BU	1	E46
33	33		1909705-00	DEC 8881-INAND GATE-QUAD 2IN,OPN COLL.	1	E95
34	34		1910649-00	8985 NOR GATE-QUAD 2IN,FAST	2	E62,E66
35	35		1910532-00	74S00 NAND GATE-QUAD 2IN	14	E9,E37,E48,E51,E69,E75,E82, CONT E100,E108,E109,E60,E105,E76, CONT E67
36	36		1912799-00	LS00 NAND-GATE-QUAD 2IN,POSITIVE	3	E45,E52,E78
37	37		1912746-00	DEC 74S37 NAND GATE-QUAD 2IN	1	E110
38	38		1912388-00	74S02 NOR GATE-QUAD 2IN,POS	3	E58,E99,E102
39	39		1910533-00	74S03 NAND GATE-QUAD 2IN,OPN COLLECT	2	E91,E96
40	40		1910534-00	74S04 INVERTER GATE-HEX 1IN	14	E4,E17,E36,E32,E47,E49,E57, CONT E59,E61,E68,E81,E89,E101,E111
41	41		1912801-00	LS02 NOR-GATE-QUAD 2IN	1	E63
42	42		1910535-00	74S05 INVERTER GATE-HEX 1IN,OPEN CO	2	E92,E15
43	43		1912808-00	LS11 AND GATE-TRIPLE 3IN	1	E40
44	44		1913777-00	LS240 DRIVER,LINE,OCTAL,TRI-ST	1	E103
45	45		1910536-00	74S10 NAND GATE-TRIPLE 3IN	2	E38,E83
46	46		1910878-00	7427 NOR GATE-TRIPLE 3IN	1	E14
47	47		1911712-00	74S51 AND-OR GATE-INVERT DUAL 2W/2IN	5	E1,E2,E9,E18,E30
48	48		1912823-00	LS73 FF-JK DUAL W/CLEAR	1	E39
49	49		1910539-00	74S20 NAND GATE-DUAL 4INPUT	1	E72
50	50		1910548-00	74S157 MUX 1 OF 2 (QUAD)	1	E79
51	51		1909713-00	DEC 8815 NOR GATE-DUAL 4IN	14	E44
52	52		1910544-00	74S74 FF-D DUAL,EDGE TRIGGER	5	E74,E84,E85,E86,E87
53	53		1912824-00	LS74 FF-D DUAL,EDGE TRIGGER,POS	3	E73,E94,E107
54	54		1909050-00	7475 LATCH 4BIT	5	E65,E80,E88,E90,E104
55	55		1909932-00	7483 ADDER-4BIT	2	E6,E28
56	56		1912843-00	LS139 DECODER, 2 OF 4(DUAL)& DEMUX	1	E24
57	57		1912844-00	LS151 MUX 1 OF 8 & DATA SELECTOR	4	E25,E29,E33,E41
58	58		1910547-00	74S153 MUX 1 OF 4 (DUAL)	6	E3,E11,E26,E42,E50,E93
59	59		1911675-00	74S138 DECODER-THREE INPUT	1	E10
60	60		1910652-00	74174 FF-D HEX	2	E7,E20
61	61		1911713-00	74163 COUNTER,SYNCHR,4-BIT	1	E31
62	62		1912837-00	LS123 ONE SHOT-DUAL,RETRIGGERABLE	1	E56
63	63		1910035-00	DEC 74197 COUNTER,ASYNCH UP,H1 SPEED 828	4	E27,E19,E43,E35
64	64		1912857-00	LS197 COUNTER,BINARY,PRESETTABLE	2	E5,E34
65	65		1913462-00	74S240 OCTAL BUFFER,INVERTING TRI=STA	1	E98

TITLE	PARTS LIST	SIZE	CODE	DOCUMENT NUMBER	REV
DIGITAL EQUIPMENT CORPORATION MAYNARD, MASSACHUSETTS	MK11 CONTROL A	K	PL	M8160-0-DBP	E

LINE	ITEM	DOCUMENT NO.	PART NO.	DESCRIPTION	QTY	REFERENCE DESIGNATORS
66	66		1912125-00	74S135 XOR/NOR GATE-QUAD 2IN	1	E106
67	67		1912864-00	LS279 LATCH,QUAD-S-R	1	E16
68	68		1910956-00	74S151 MUX 1 OF 8	1	E21
69	69		1912854-00	LS193 COUNTER,SYNCHR,4BIT,UP/DN,BINA	2	E22,E23
70	70		1910544-01	74S74-60GG-D DUAL,EDGE TRIGGER,SYNCHR	1	E77
71	71		1911944-00	555CN TIMER,FUNCT.BLOCK	1	E97
72	72		9000024-01	EYELET, ROLLED FLANGE, .121 OD X .196 LG	12	
73	73		9105740-55	WIRE(WRAP)30AWG UL1423 (91-00 A/R		

TITLE	PARTS LIST	SIZE	CODE	DOCUMENT NUMBER	REV
DIGITAL EQUIPMENT CORPORATION MAYNARD, MASSACHUSETTS	MK11 CONTROL A	K	PL	M8160-0-DBP	E



THIS DRAWING AND SPECIFICATIONS SHALL BE THE PROPERTY OF DIGITAL EQUIPMENT CORPORATION AND SHALL NOT BE REPRODUCED OR COPIED IN WHOLE OR IN PART WITHOUT THE WRITTEN PERMISSION OF DIGITAL EQUIPMENT CORPORATION © 1977 . DIGITAL EQUIPMENT CORPORATION

ARRAY CONFIGURATION CODE

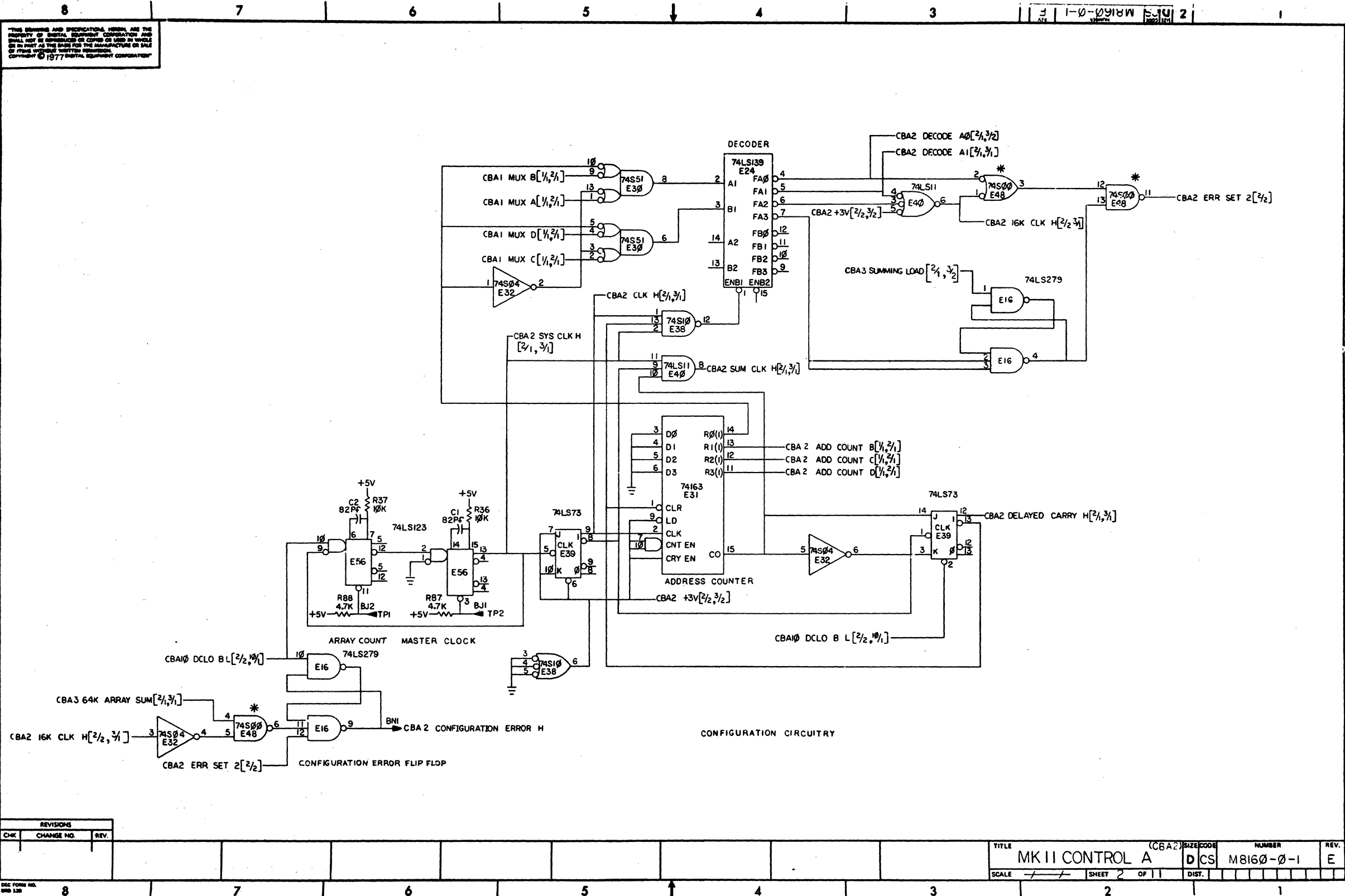
J2L	J1L	DESCRIPTION
0	0	NO CARD
0	1	32 KW (4 K RAMS)
1	0	32 KW (16 K RAMS)
1	1	128 KW (16 K RAMS)

REV.	CHANGE NO.	BY	CHK
1	0001	C	
2	0002	A. ZACCONI	
3	0003	E	
4	0004	A. ZACCONI	

DRW. S. Comby	8-1-77	FIRST USED ON	MK II
CHK'D P. G...	11-2-77	TITLE	(CBA1)
ENG. J. P...	11-2-77	MK II CONTROL A	
PROD. ENG. J. P...	11-2-77	SIZE	D CS
NEXT HIGHER ASSY.		NUMBER	M8160-0-1
B-DD-M8160-0		REV.	E
SCALE		DIST.	
SHEET	OF 1		

CONFIGURATION CIRCUITRY  
ARRAY FINGERPRINT MUX

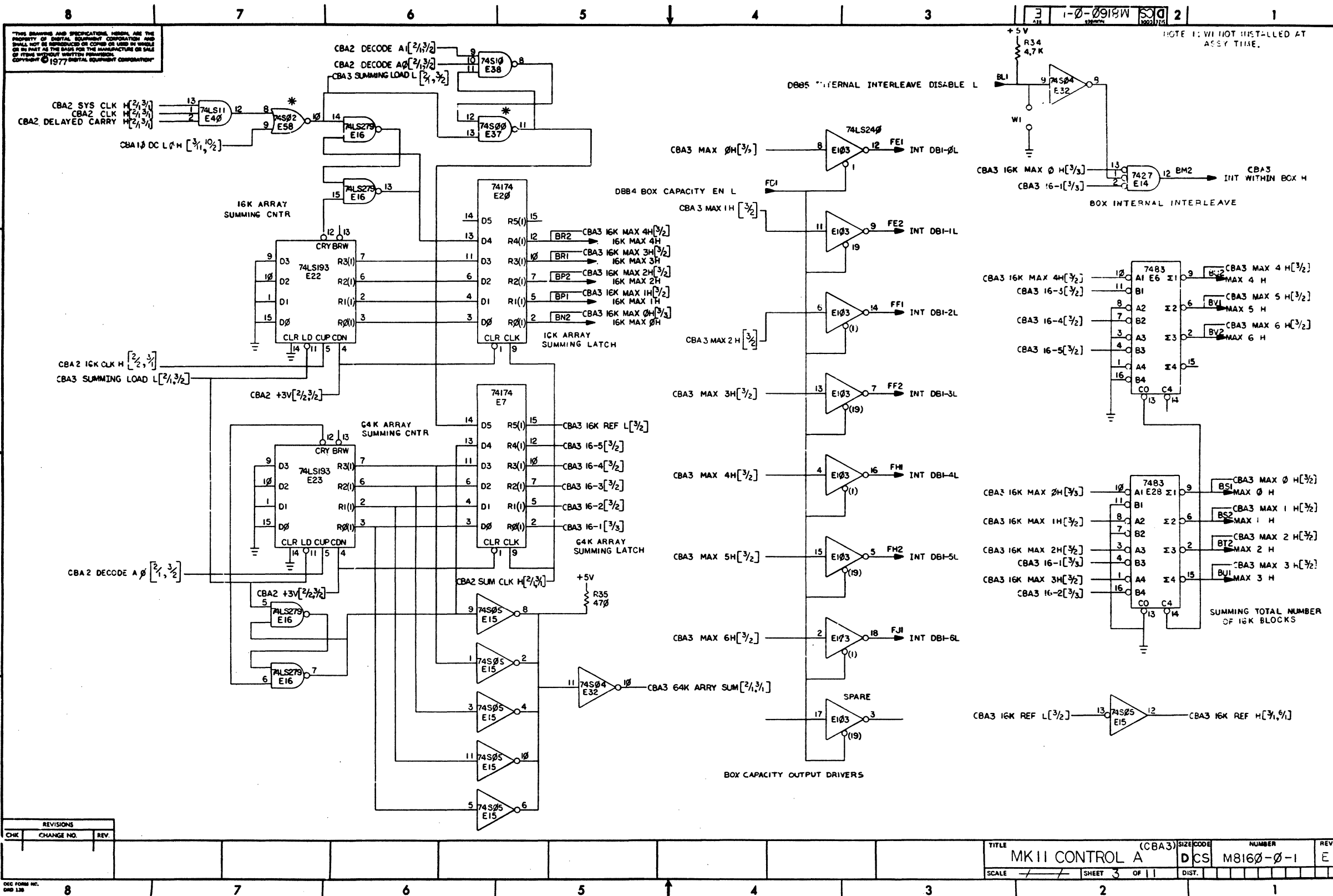
THE DESIGN AND SPECIFICATIONS HEREIN ARE THE PROPERTY OF LITTON EQUIPMENT CORPORATION AND SHALL NOT BE REPRODUCED OR COPIED OR USED IN WHOLE OR IN PART AS THE BASIS FOR THE MANUFACTURE OR SALE OF OTHER PRODUCTS WITHOUT PERMISSION. COPYRIGHT © 1977 LITTON EQUIPMENT CORPORATION



REVISIONS		
CHK	CHANGE NO.	REV.

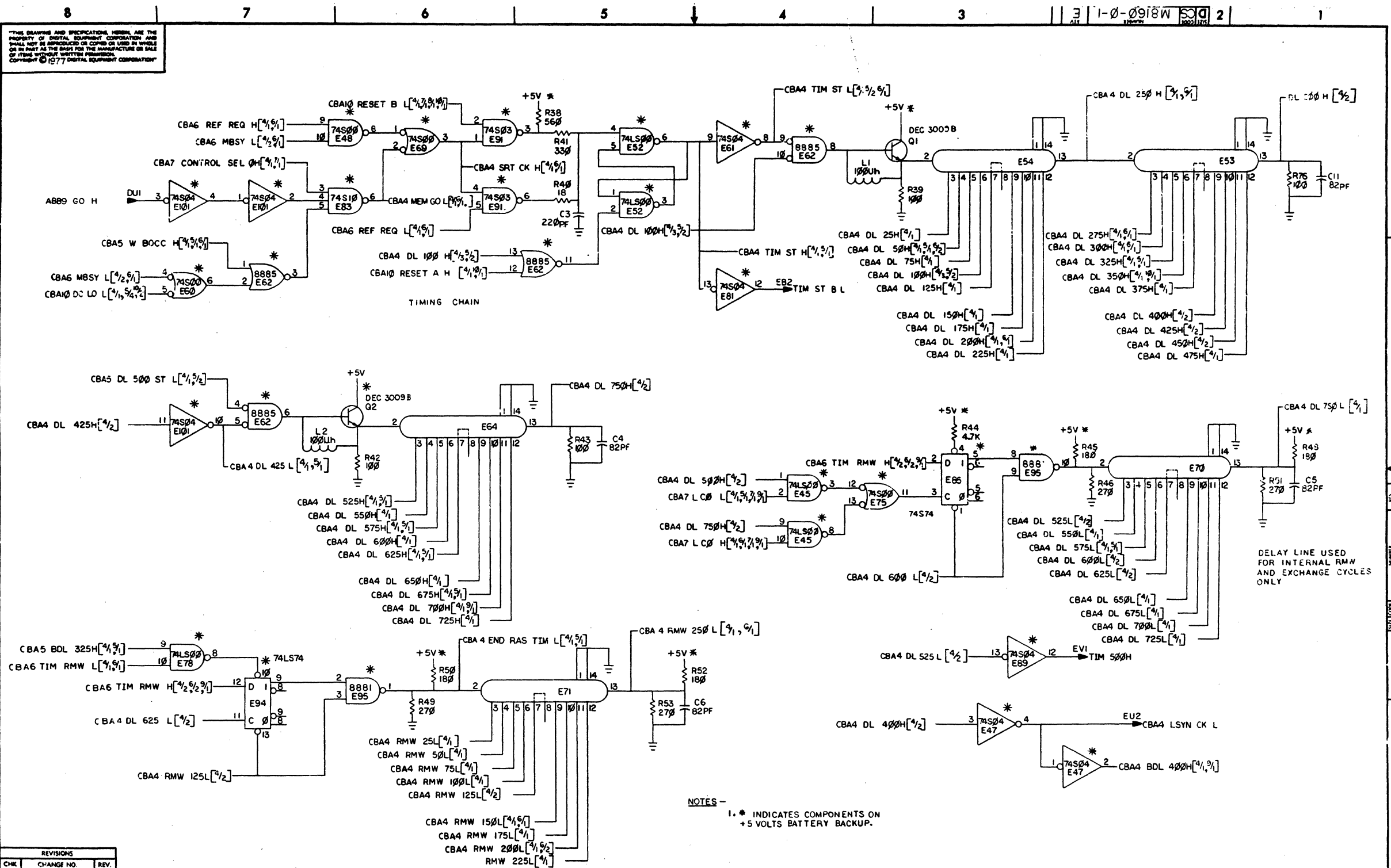
TITLE	MK II CONTROL A (CBA2)	SIZE CODE	D CS	NUMBER	M8160-0-1	REV.	E
SCALE		SHEET	2	OF	11	DIST.	

422



REVISIONS		
CHK	CHANGE NO.	REV.

TITLE	MK II CONTROL A (CBA3)	SIZE	DCS	NUMBER	M8160-0-1	REV.	E
SCALE		SHEET	3	OF	11	DIST.	



THIS DRAWING AND SPECIFICATIONS HEREIN ARE THE PROPERTY OF DIGITAL EQUIPMENT CORPORATION AND SHALL NOT BE REPRODUCED OR COPIED OR USED IN WHOLE OR IN PART AS THE BASIS FOR THE MANUFACTURE OR SALE OF ITEMS WITHOUT WRITTEN PERMISSION. COPYRIGHT © 1977 DIGITAL EQUIPMENT CORPORATION

NOTES -  
1. \* INDICATES COMPONENTS ON +5 VOLTS BATTERY BACKUP.

REVISIONS		
CHK	CHANGE NO.	REV.

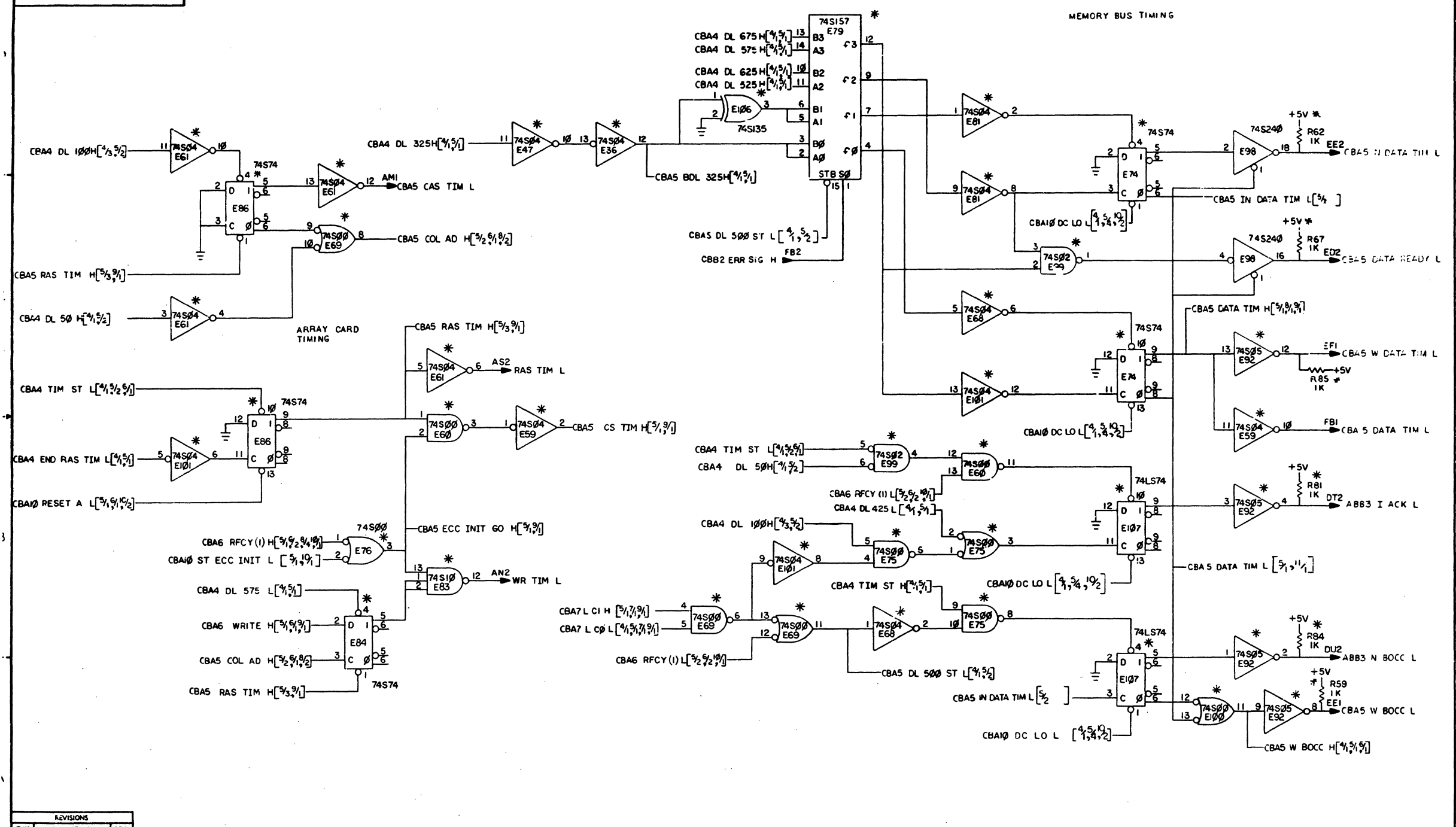
TITLE	(CBA4) MKII CONTROL A	SIZE/SCALE	DCS	NUMBER	M8160-0-1	REV.	E
SCALE		SHEET	4	OF	11	DIST.	

424

THIS DRAWING AND SPECIFICATIONS HEREBY ARE THE PROPERTY OF DIGITAL EQUIPMENT CORPORATION AND SHALL NOT BE REPRODUCED OR COPIED IN WHOLE OR IN PART AS THE BASIS FOR THE MANUFACTURE OR SALE OF ITEMS WITHOUT WRITTEN PERMISSION. COPYRIGHT © 1977 DIGITAL EQUIPMENT CORPORATION.

SINGLE ERROR TIME EXTENSION

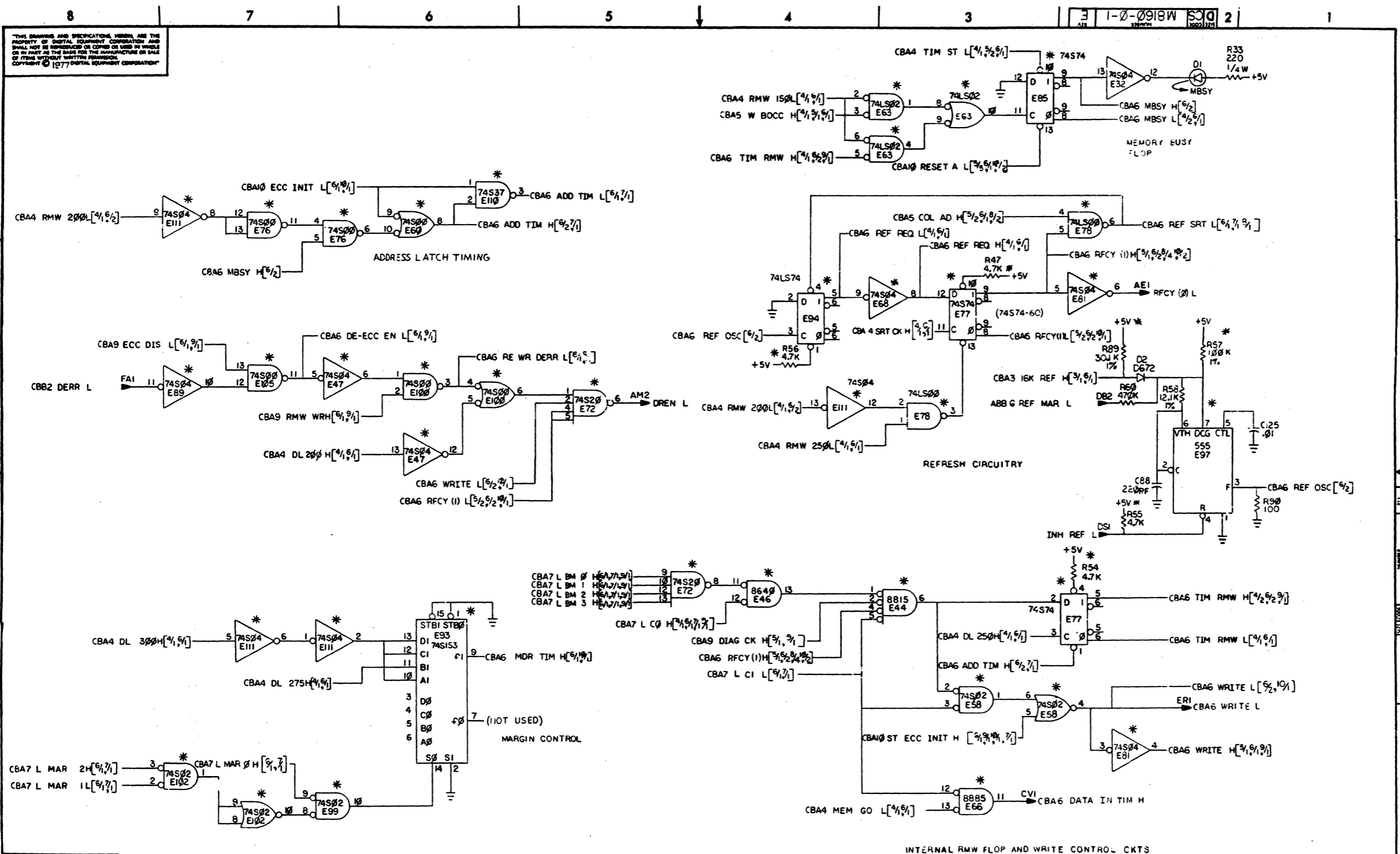
MEMORY BUS TIMING



REVISIONS

CHK	CHANGE NO.	REV.

425



THIS DRAWING AND SPECIFICATIONS HEREIN ARE THE PROPERTY OF DIGITAL EQUIPMENT CORPORATION AND SHALL NOT BE REPRODUCED OR COPIED OR USED IN WHOLE OR IN PART AS THE BASIS FOR THE MANUFACTURE OR SALE OF ITEMS WITHOUT WRITTEN PERMISSION. COPYRIGHT © 1977 DIGITAL EQUIPMENT CORPORATION

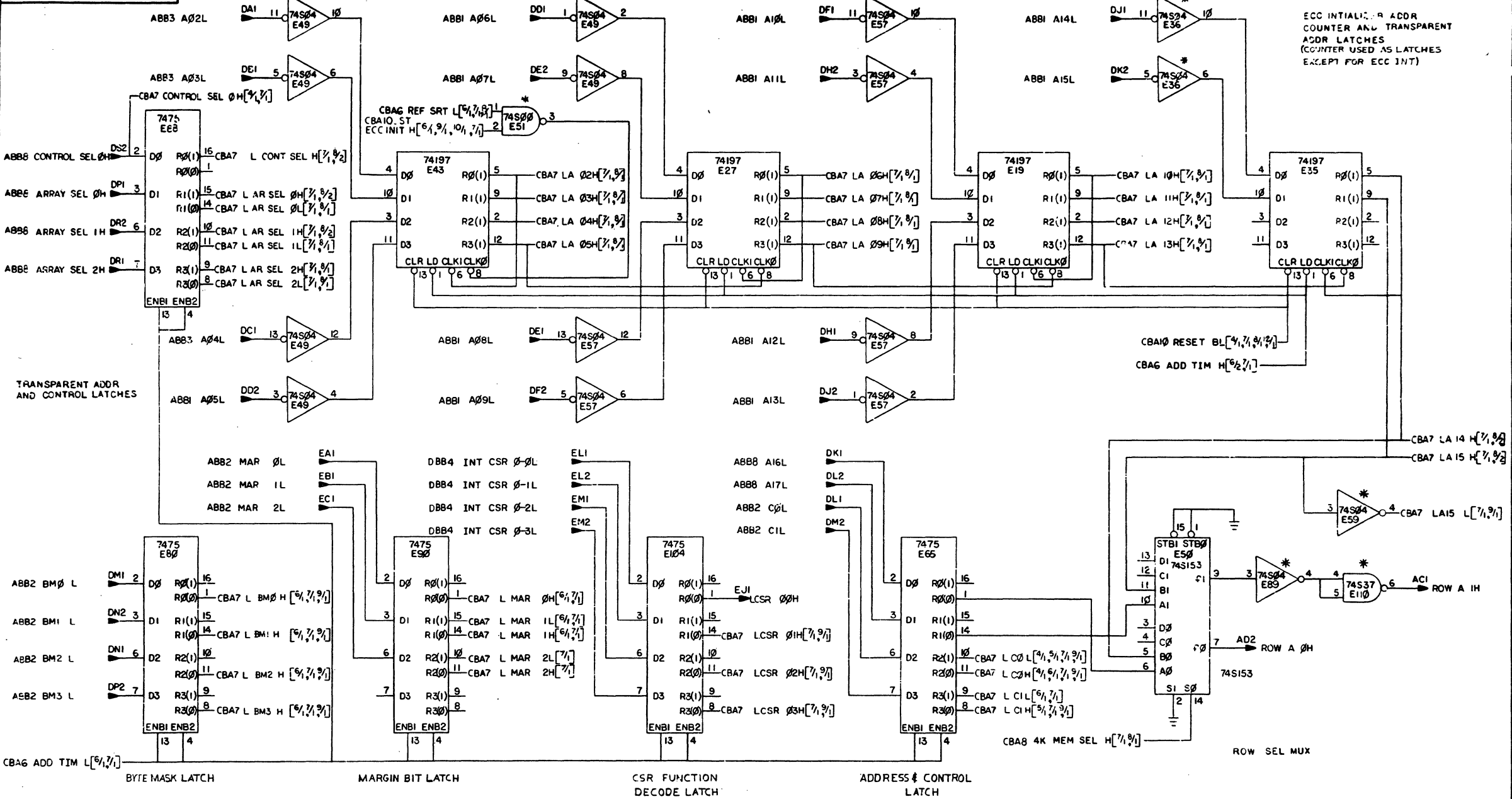
REV.	CHANGE NO.	REV.

DEC FORM NO. 080 138	8	7	6	5	4	3	2	1	
TITLE: MK II CONTROL A (CBA6)							SIZE CODE: DCS	NUMBER: M8160-0-1	REV.: E
SCALE: / /							SHEET: 6 OF 11	DIST.:	

426



THIS DRAWING AND SPECIFICATIONS HERON ARE THE PROPERTY OF DIGITAL EQUIPMENT CORPORATION AND SHALL NOT BE REPRODUCED OR COPIED OR USED IN WHOLE OR IN PART AS THE BASIS FOR THE MANUFACTURE OR SALE OF ITEMS WITHOUT WRITTEN PERMISSION. COPYRIGHT © 1977 DIGITAL EQUIPMENT CORPORATION



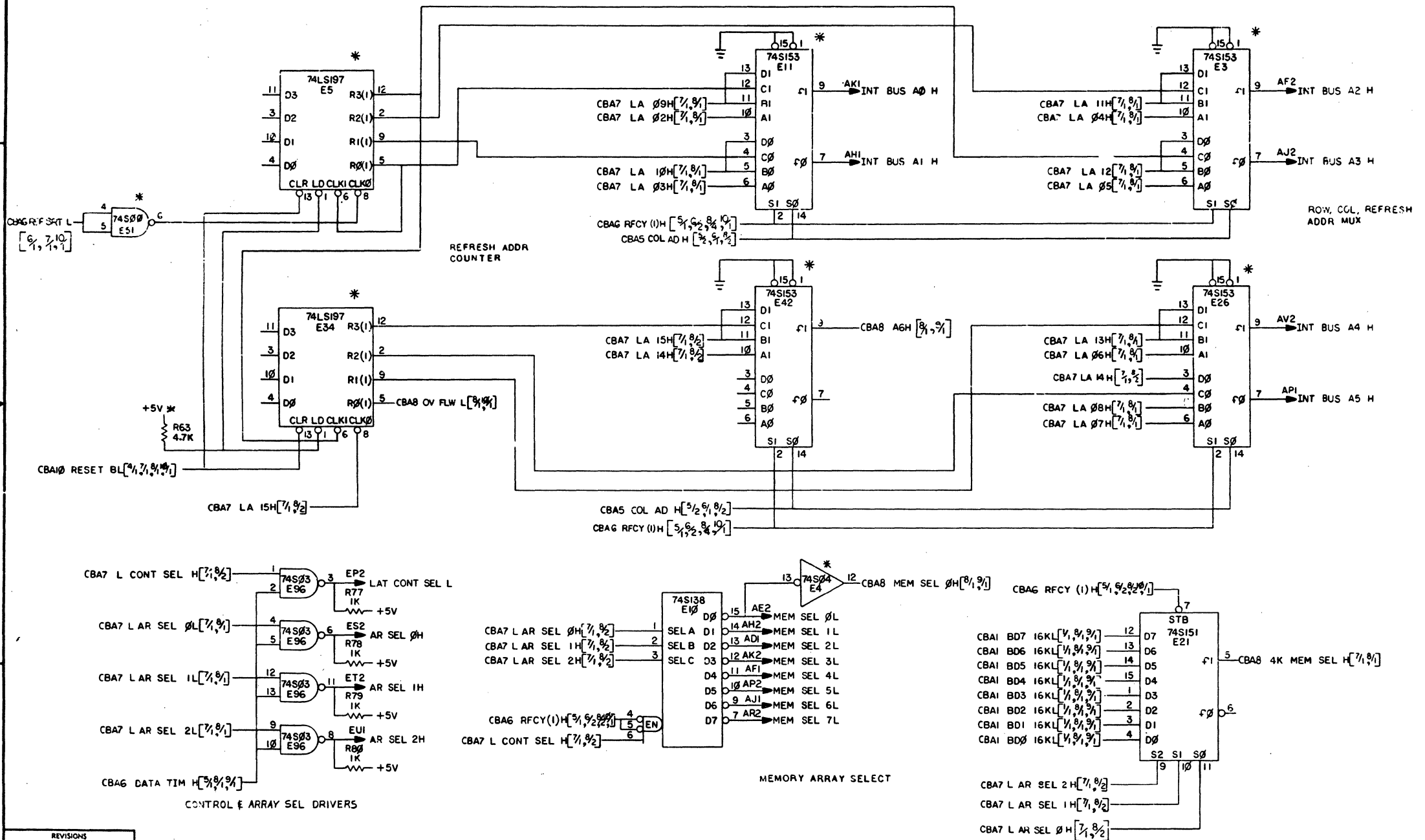
ECC INITIAL... R ADDR  
COUNTER AND TRANSPARENT  
ADDR LATCHES  
(COUNTER USED AS LATCHES  
EXCEPT FOR ECC INT)

REVISIONS		
NO.	CHANGE NO.	REV.

TITLE	(CBA7)	SIZE CODE	NUMBER	REV.
MKII CONTROL A	DCS	M8160-0-1	E	
SCALE	SHEET 7 OF 11	DIST.		

427

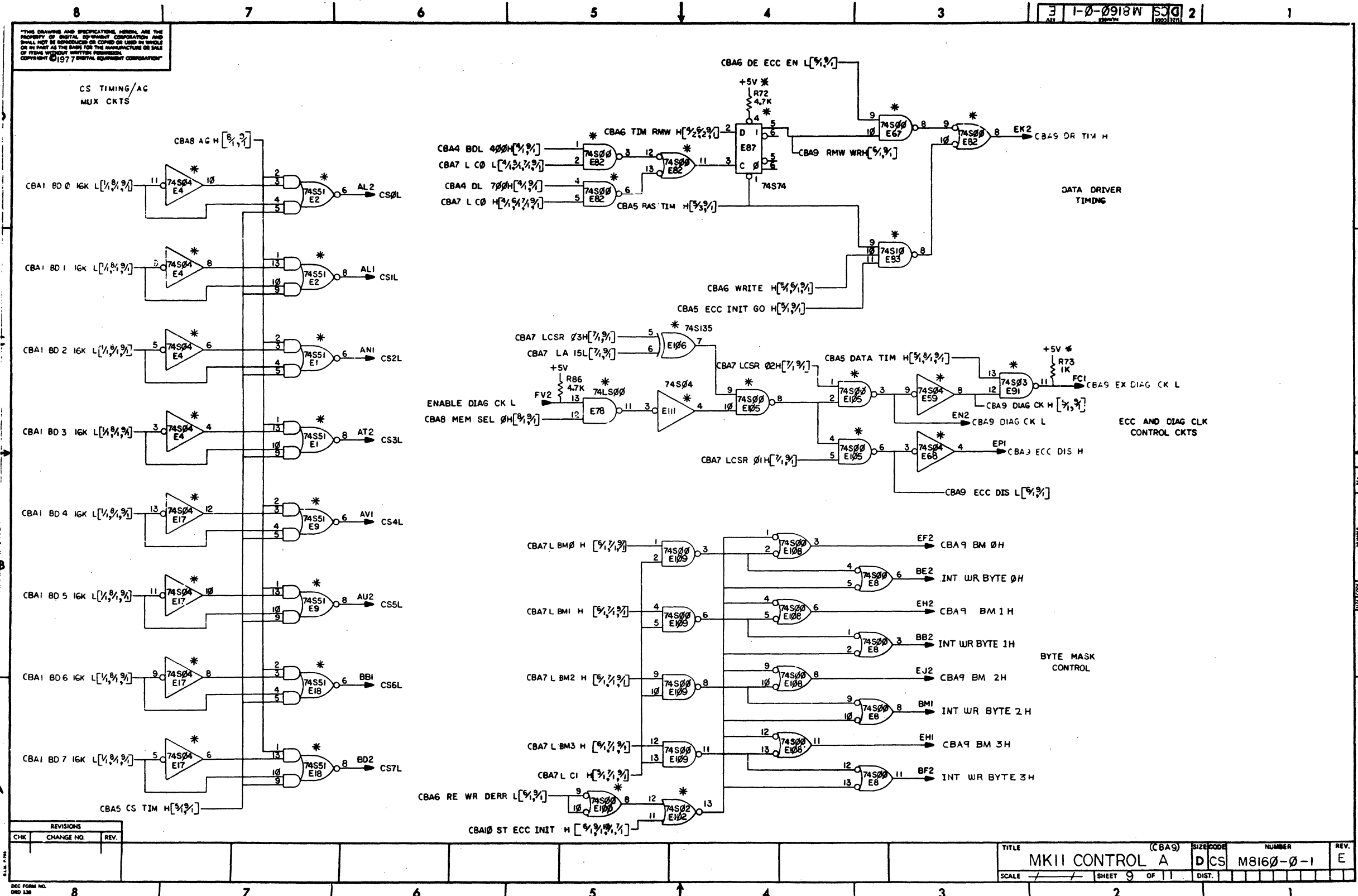
THIS DRAWING AND SPECIFICATIONS HEREIN ARE THE PROPERTY OF DIGITAL EQUIPMENT CORPORATION AND SHALL NOT BE REPRODUCED OR COPIED OR USED IN WHOLE OR IN PART AS THE BASIS FOR THE MANUFACTURE OR SALE OF ITEMS WITHOUT WRITTEN PERMISSION. COPYRIGHT © 1977 DIGITAL EQUIPMENT CORPORATION



REVISIONS		
CHK	CHANGE NO.	REV.

TITLE	(CBA8)	SIZE/CODE	NUMBER	REV.
MK II CONTROL A	DCS	M8160-0-1	E	
SCALE	SHEET	OF	DIST.	
	8	11		

428



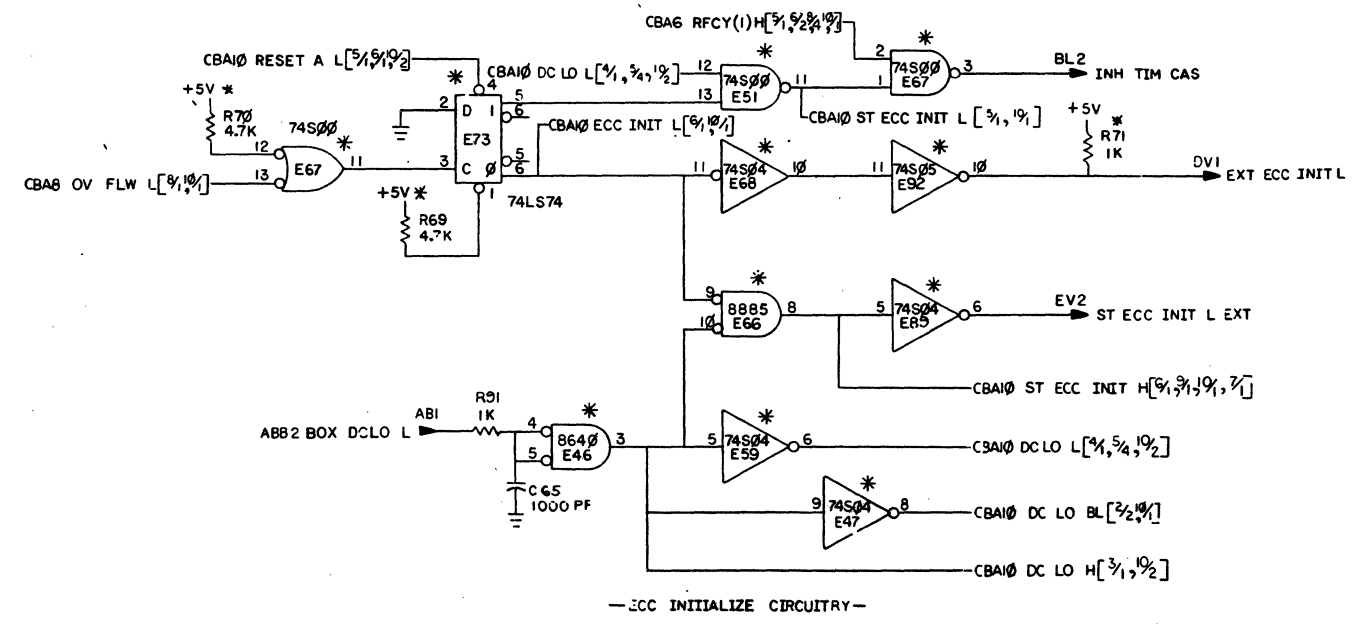
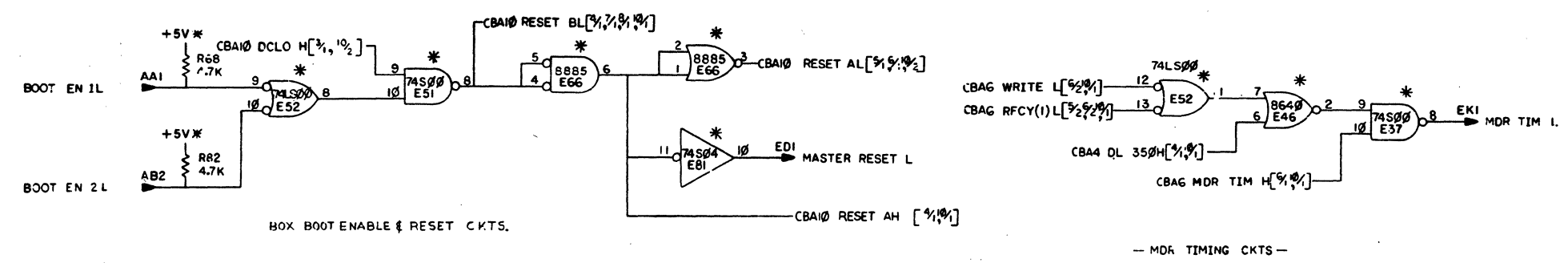
THIS DRAWING AND SPECIFICATIONS HEREIN ARE THE PROPERTY OF DIGITAL EQUIPMENT CORPORATION AND SHALL NOT BE REPRODUCED OR COPIED OR USED IN WHOLE OR IN PART AS THE BASIS FOR THE MANUFACTURE OR SALE OF ITEMS WITHOUT WRITTEN PERMISSION. COPYRIGHT © 1977 DIGITAL EQUIPMENT CORPORATION

REVISIONS		
CHK	CHANGE NO.	REV.

TITLE	(CBA9)	SIZE/CODE	NUMBER	REV.
MKII CONTROL A	D/CS	M8160-0-1	E	
SCALE	SHEET 9 OF 11	DIST.		

429

THIS DRAWING AND SPECIFICATIONS HEREIN ARE THE PROPERTY OF DIGITAL EQUIPMENT CORPORATION AND SHALL NOT BE REPRODUCED OR COPIED OR USED IN WHOLE OR IN PART AS THE BASIS FOR THE MANUFACTURE OR SALE OF ANY EQUIPMENT WITHOUT WRITTEN PERMISSION FROM DIGITAL EQUIPMENT CORPORATION.  
 © 1977 DIGITAL EQUIPMENT CORPORATION

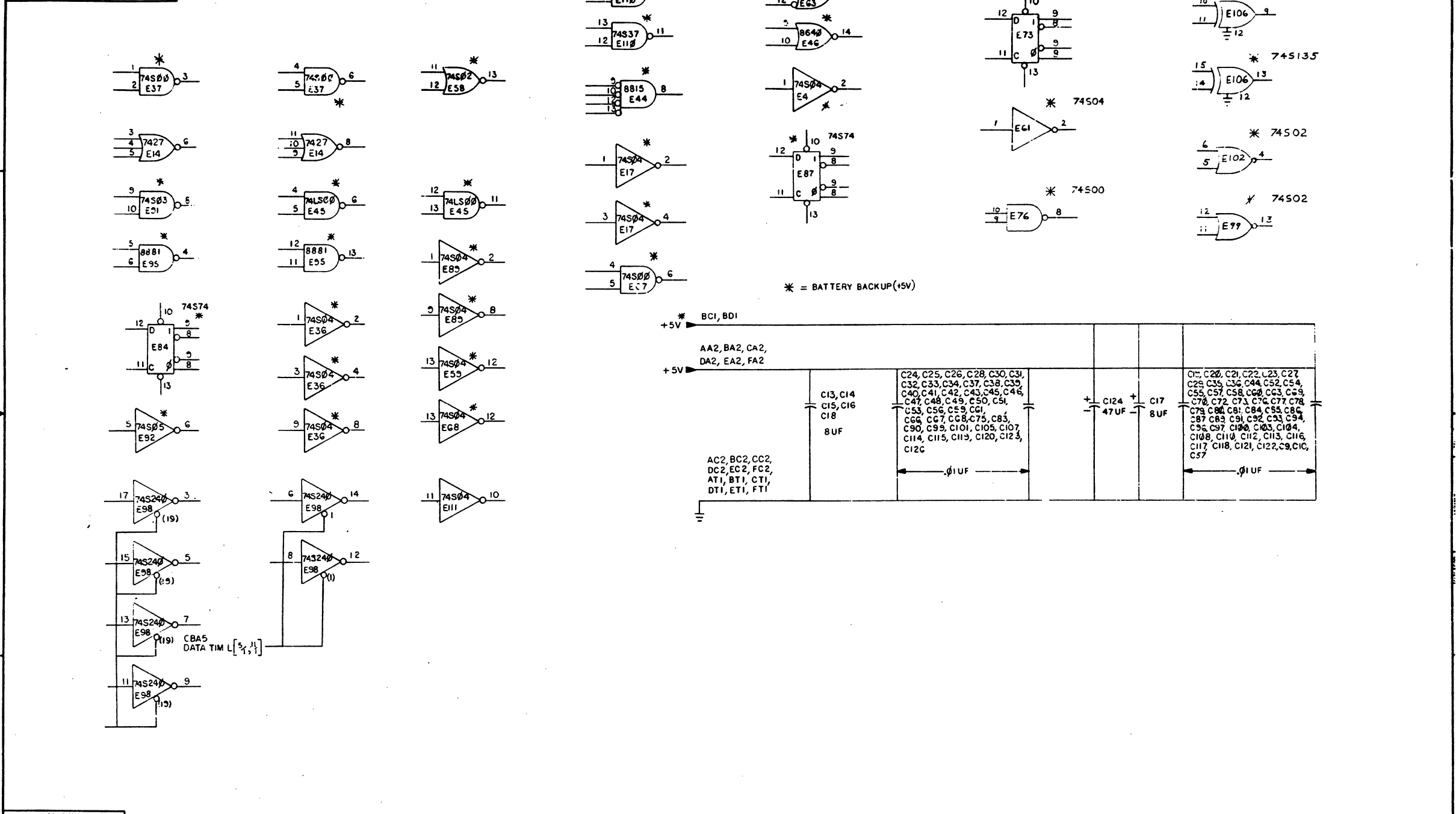


REVISIONS		
CHK	CHANGE NO.	REV.

TITLE	(CBA10)	SIZE/CODE	NUMBER	REV.
MKII CONTROL A	DCS	M8160-0-1	E	
SCALE	SHEET 10	OF 11	DIST.	

430

THE DRAWING AND SPECIFICATIONS HEREIN ARE THE PROPERTY OF DIGITAL EQUIPMENT CORPORATION AND SHALL NOT BE REPRODUCED OR COPIED OR USED IN WHOLE OR IN PART AS THE BASIS FOR THE MANUFACTURE OR SALE OF ITEMS WITHOUT WRITTEN PERMISSION. COPYRIGHT © 1977 DIGITAL EQUIPMENT CORPORATION



REVISIONS			TITLE			SIZE CODE			NUMBER			REV.		
CHK	CHANGE NO.	REV.	MKII CONTROL A (CBA11)			D	CS	M8160-0-1			E			
			SCALE			SHEET	11	OF	11	DIST.				

DRAWING NO.	NO. OF SHTS.	PART NO.	DESCRIPTION	REVISIONS																		
				1	2	3	4	5	6	7	8	9	10	11	12							
B-DD-M8161-0	1		MK11 CONTROL B	*																		
D-UA-M8161-0-0	5		MK11 CONTROL B	A																		
B-PL-M8161-0-0	2		MK11 CONTROL B	A																		
D-MD-M8161-0-0	5		DRILL & ETCH DRAWING	A																		
D-CS-M8161-0-1	9		MK11 CONTROL B	A																		
		5012677	ETCHED BOARD	B																		
M8161-0-L			P.C. DESIGN DATA BASE	REF																		

**NOTES:**

REVISIONS	DATE	CHG NO.	REV.

"THIS DRAWING AND SPECIFICATIONS, HEREIN, ARE THE PROPERTY OF DIGITAL EQUIPMENT CORPORATION AND SHALL NOT BE REPRODUCED OR COPIED OR USED IN WHOLE OR IN PART AS THE BASIS FOR THE MANUFACTURE OR SALE OF ITEMS WITHOUT WRITTEN PERMISSION.  
 COPYRIGHT © 1977 DIGITAL EQUIPMENT CORPORATION

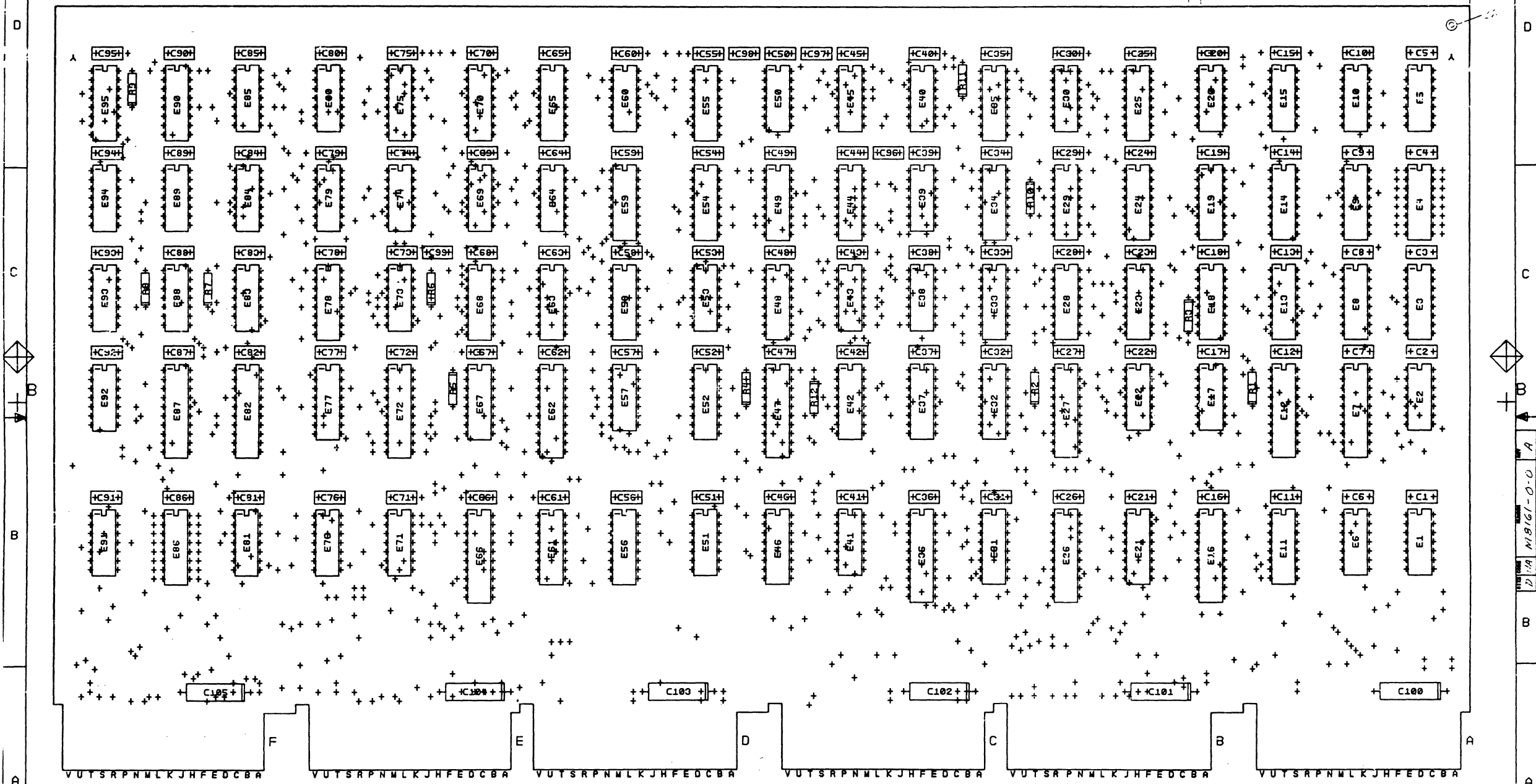


USED ON OPTION/MODEL	DRN. NEWZGER	7/7/77	TITLE	
MK11	CHK'D P. Boorman	7/13/77	MK11 CONTROL B	
	ENG. M. L. ...	10/26/77	SIZE	B DD
	PROD. R.C. Hill	10/26/77	NUMBER	M3161-C
			REV.	
			SHEET 1 OF 1	

0-0-1918W 2 1

COMPONENT SIDE VIEW

THIS DRAWING AND SPECIFICATIONS, HEREIN, ARE THE PROPERTY OF DIGITAL EQUIPMENT CORPORATION AND SHALL NOT BE REPRODUCED OR COPIED IN WHOLE OR IN PART WITHOUT THE WRITTEN PERMISSION OF DEC.



NOTES:  
1. 8 HOLES .0415 (+.000-.0015) MAYNARD ONLY

CHANGE NO.	REV.

ETCH REV.	B
P.C. DESIGN DATA BASE REV.	2, PA1

SIGNATURES		DATE	digital
DRN. <i>JOAN ROGERS</i>		<i>11/10/77</i>	
CHK'D. <i>C. SEVERUS J.S.</i>		<i>11/10/77</i>	TITLE MK11 CONTROL B
ENG. <i>J.J. ...</i>		<i>11/10/77</i>	
PROJ. ENG. <i>...</i>		<i>11/10/77</i>	SIZE CODE NUMBER REV 0 11A N18161-0-0 A
PROD. <i>...</i>		<i>11/10/77</i>	
SCALE 2/1			
SHT. 1 OF 6			
NEXT HIGHER ASSY. M-00-N18161-0			

8 7 6 5 4 3 2 1 MS# 104701

433

8

7

6

5

4

3

1

✓ 10-1517 D 2

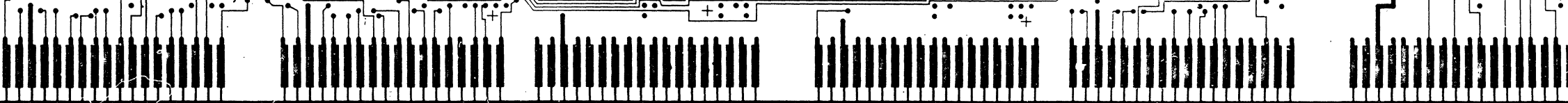
L1

0.125

M8161 6012677 B

# LAYER 1

CS\*ABCDEFGHIJKLMNPRS  
 E95 E90 E85 E80 E75 E70 E65 E60 E55 E50 E45 E40 E35 E30 SIDE 1 E25 E20 E15 digital E10 E5



CONTROL 2 D JA 11517 - 0-1 A

8

7

6

5

4

3

2

1

430



8

7

6

5

4

3

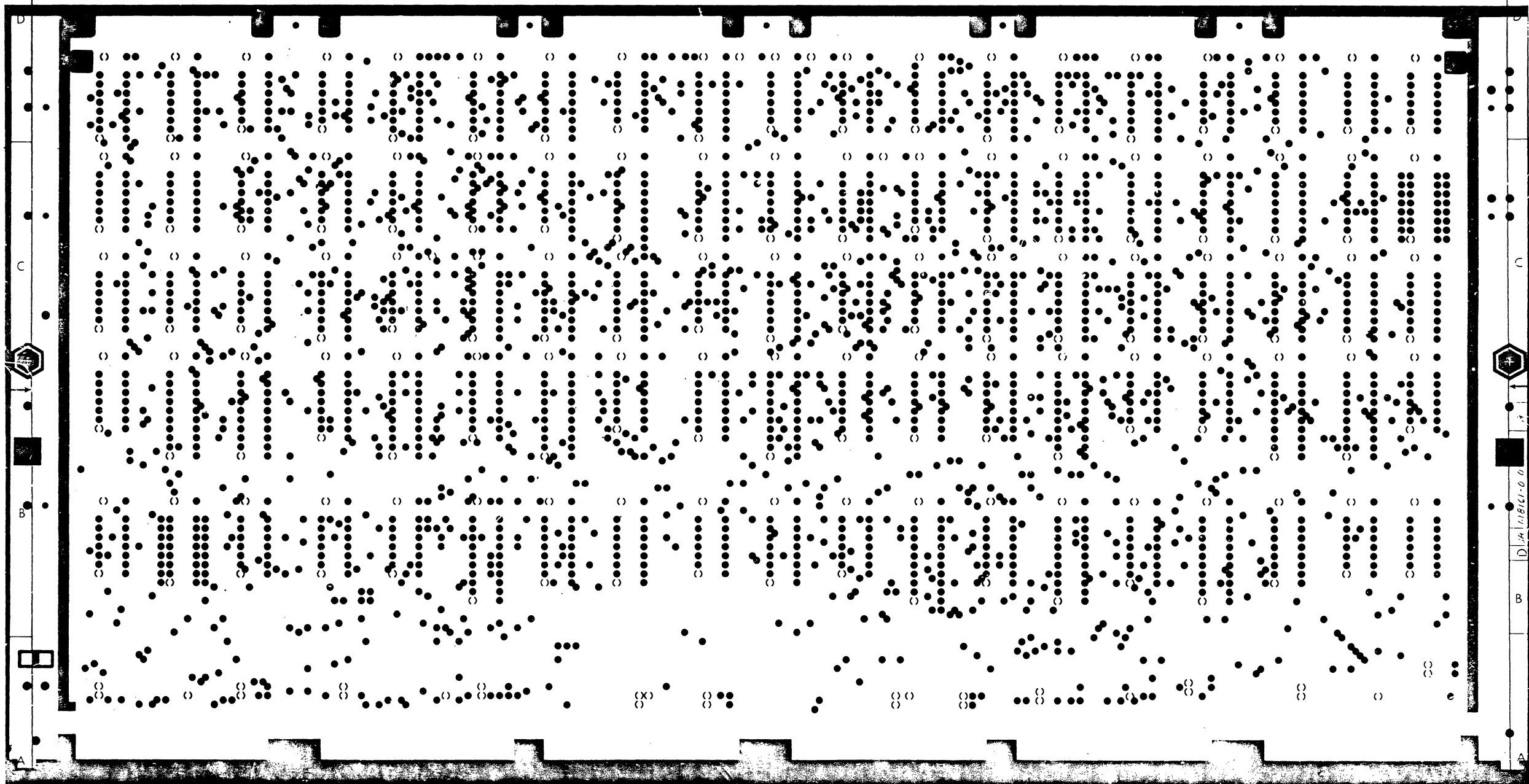
H 0-0-918W 40 2

1

M8161 6012677 B

LAYER 12

L2



8

7

6

5

4

3

2

1

AKI CONTROL 3 D.F. 150 100 100

435

8

7

6

5

4

3

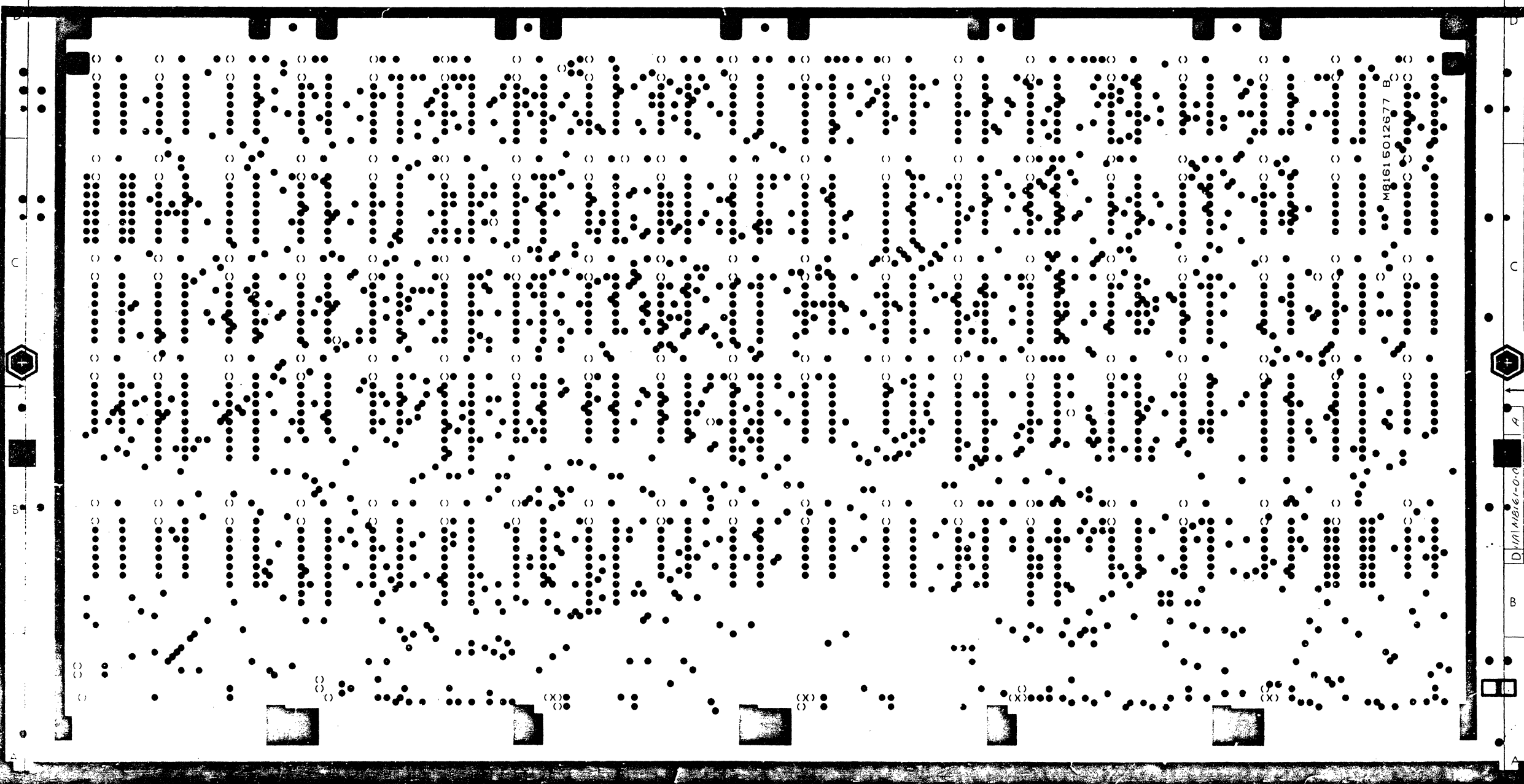
U 0-0-1215-21 VP 2

1

L3

E R3YA J

MB161 5012577 B



INK CONTROL B

436

8

7

6

5

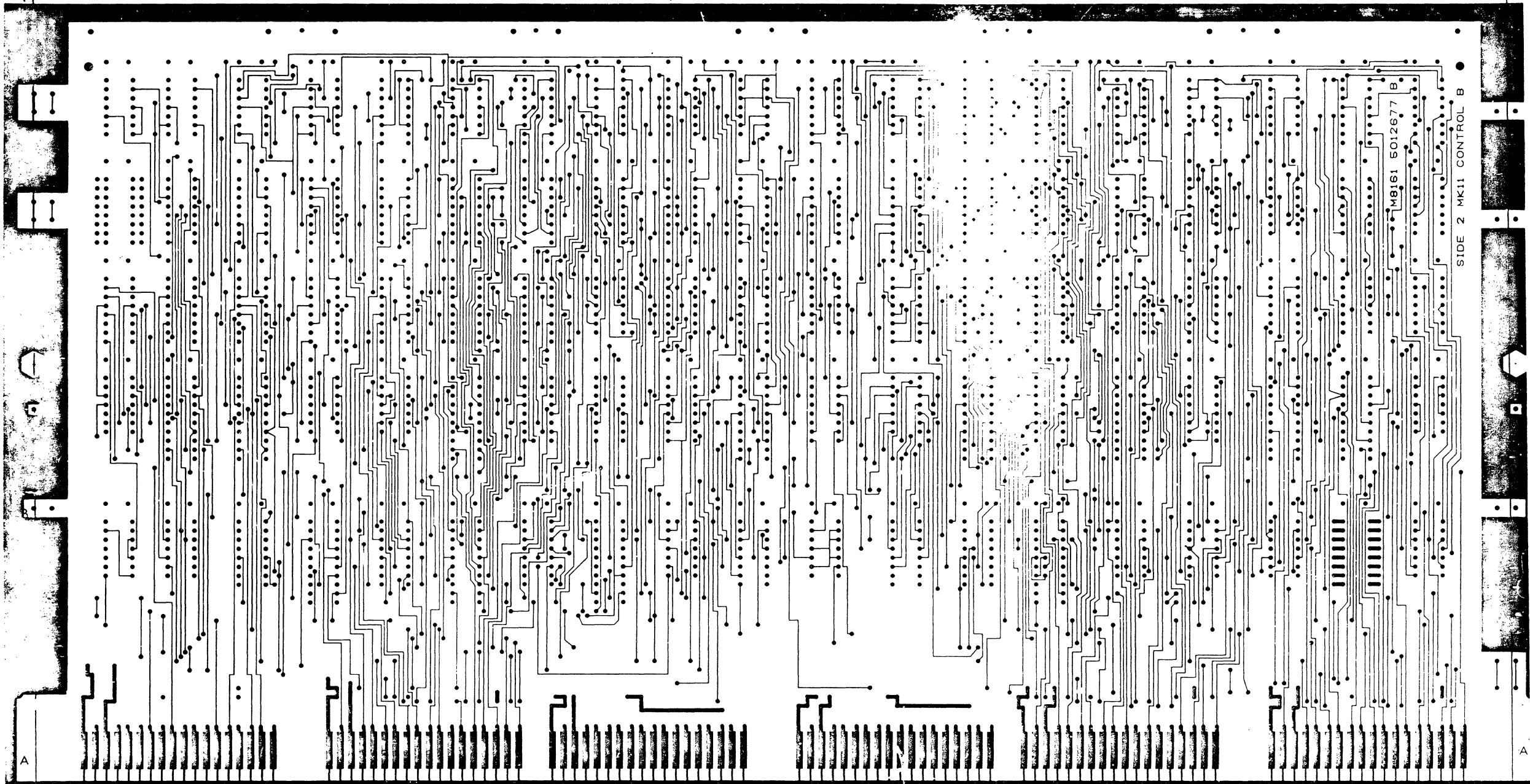
4

3

DVA M8161-0-0 A 2

1

H 834AJ



SIDE 2 MK11 CONTROL B

M8161 5012677 B

MK11 CONTROL B 5 of 6 DVA M8161-0-0 A

8

7

6

5

4

3

2

1

437



# DIGITAL EQUIPMENT CORPORATION PARTS LIST

QUANTITY / VARIATION

NOTES:

*USED ON: OPTION/MODEL  
MK 11*

MADE BY DATE	J. ROGERS 26 April 77	CHECKED C. BEVERLIE DATE	June 27, 1977	SECTION	1
ENG DATE	<i>C. P. Johnson</i> 10/26/77	PROD DATE	<i>R. A. Hill</i> October 26, 1977	ISSUED SECTION	1

ITEM NO.	DRAWING NO.	PART NO.	DESCRIPTION	REF	QTY	VAR	UNIT	MATERIAL	PRICE	TOTAL	REF DESIGNATION
	D-CS-M8161-0-1		CIRCUIT SCHEMATIC	REF							
	D-UA-M8161-0-0		UNIT ASSEMBLY	REF							
	B-DD-M8161-0		DWG. DIRECTORY	REF							
	D-MD-5012677-0-0		DRILL & ETCH DWG.	REF							
1		5012677	ETCHED BOARD	1							
2		10-01610-01	CAP .01 <del>UF</del> 100 V (DISC)	95							C1 thru C48, C50 thru C96
3		10-12084-01	CAP 8.0 35V 10% S.TANT	6							C100 thru C105
4		10-12121-00	CAP 220 PF 100V 1% (DM)	4							C49, C97, C98, C99
5		13-00229-00	RES 100 1/4W 5%	5							R1, R2, R4, R6, R9
6		13-00365-00	RES 1K 1/4W 5%	6							R3, R7, R8, R10, R11, R12
7		13-00447-00	RES 4.7K 1/4W 5%	1							R5
8		19-09713-00	DEC I.C. 8815	1							E64
9		19-10532-00	DEC I.C. 74S00	5							E50, E69, E73, E74, E89
10		19-10533-00	DEC I.C. 74S03	1							E88
11		19-10534-00	DEC I.C. 74S04	6							E1, E51, E71, E76, E85, E92
12		19-10536-00	DEC I.C. 74S10	1							E84
13		19-10539-00	DEC I.C. 74S20	1							E93
14		19-10542-00	DEC I.C. 74S64	3							E80, E81 E94
15		19-12637-00	DEC I.C. 74LS174	8							E3, E8, E11, E21, E23, E31 E46, E56
16		19-10655-00	DEC I.C. 74157	2							E77, E78
17		19-10878-00	DEC I.C. 7427	1							E83

E.C.O. NO.

"THIS DRAWING AND SPECIFICATIONS, HEREIN, ARE THE PROPERTY OF DIGITAL EQUIPMENT CORPORATION AND SHALL NOT BE REPRODUCED OR COPIED OR USED IN WHOLE OR IN PART AS THE BASIS FOR THE MANUFACTURE OR SALE OF ITEMS WITHOUT WRITTEN PERMISSION. COPYRIGHT © 1977 DIGITAL EQUIPMENT CORPORATION"	TITLE MK11 CONTROL B	ASSY NO. D-UA-M8161-0-0	SIZE B	CODE PL	NUMBER M8161-0-0	REV. A
		SHEET 1 OF 2	INSERTION PARTS LIST DATA BASE REV —			

# DIGITAL EQUIPMENT CORPORATION PARTS LIST

## QUANTITY / VARIATION

NOTES:

*USED ON: OPTION/MODEL  
MK11*

MADE BY J. ROGERS DATE 26 April 77	CHECKED C. BEVERLIE DATE June 27, 1977	SECTION 1
ENG <i>A. D. Zaccari</i> DATE 10/26/77	PROD <i>RA Hill</i> DATE OCTOBER 26, 1977	ISSUED SECTION 1

ITEM NO.	DRAWING NO.	PART NO.	DESCRIPTION	11	5	15	3	6	12	12	1	12	REF	REF DESIGNATION
18		19-11573-00	DEC I.C. 74S280	11										E5, E10, E15, E20, E30, E38, E39, E40, E43, E45, E79
19		19-11675-00	DEC I.C. 74S138	5										E19, E34, E54, E59, E75
20		19-12125-00	DEC I.C. 74S135	15										E14, E18, E29, E35, E44, E48, E49, E52, E55, E58, E63, E68, E90, E95, E32
21		19-12388-00	DEC I.C. 74302	3										E53, E60, E91
22		19-12803-00	DEC I.C. 74LS04	6										E2, E6, E17, E22, E41, E57
23		19-19957-00	DEC I.C. 74S175	12										E9, E13, E24, E25, E28, E33, E37, E42, E61, E65, E67, E70
24		19-13462-00	DEC I.C. 74S240	12										E7, E12, E16, E26, E27, E36, E47, E62, E66, E72, E82, E87
25		12-10711-02	HANDLE METAL (HEX)	1										
26		90-00024-01	EYELET	12										
			SPARE 16 PIN IC	REF										E4, E86

<p style="font-size: small;">E.C.O. NO.</p> <p style="font-size: x-small;">"THIS DRAWING AND SPECIFICATIONS, HEREIN, ARE THE PROPERTY OF DIGITAL EQUIPMENT CORPORATION AND SHALL NOT BE REPRODUCED OR COPIED OR USED IN WHOLE OR IN PART AS THE BASIS FOR THE MANUFACTURE OR SALE OF ITEMS WITHOUT WRITTEN PERMISSION. COPYRIGHT © 1977 DIGITAL EQUIPMENT CORPORATION"</p>	<p>TITLE</p> <p style="text-align: center;">MK11 CONTROL B</p>	<p>ASSY NO.</p> <p style="text-align: center;">D-UA-M8161-0-0</p>	<p>SIZE</p> <p style="text-align: center;">B</p>	<p>CODE</p> <p style="text-align: center;">PL</p>	<p>NUMBER</p> <p style="text-align: center;">M8161-0-0</p>	<p>REV.</p> <p style="text-align: center;">A</p>
		SHEET 2 OF 2	INSERTION PARTS LIST DATA BASE REV —			

3

7

6

5

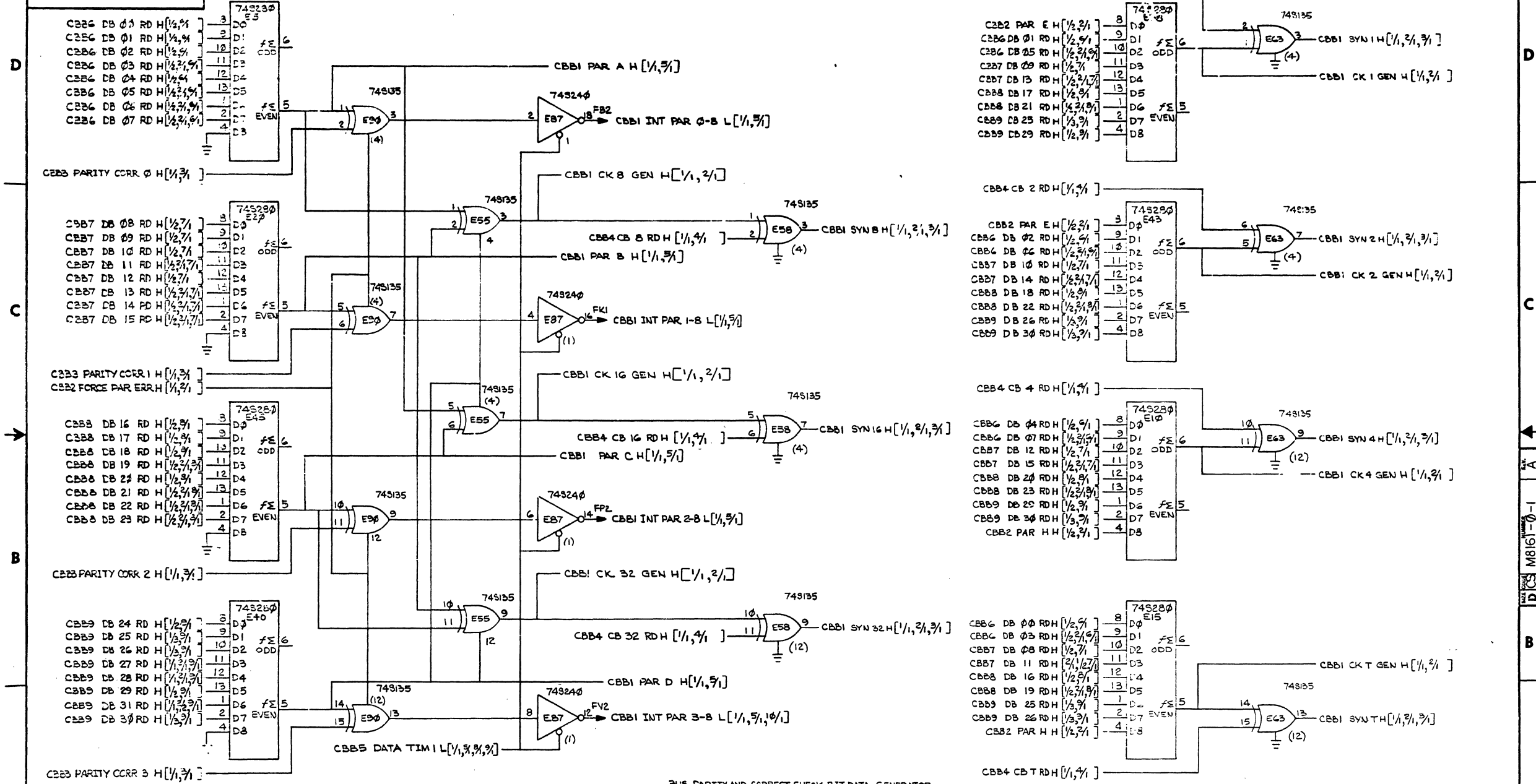
4

3

1-0-1918W SCD 2

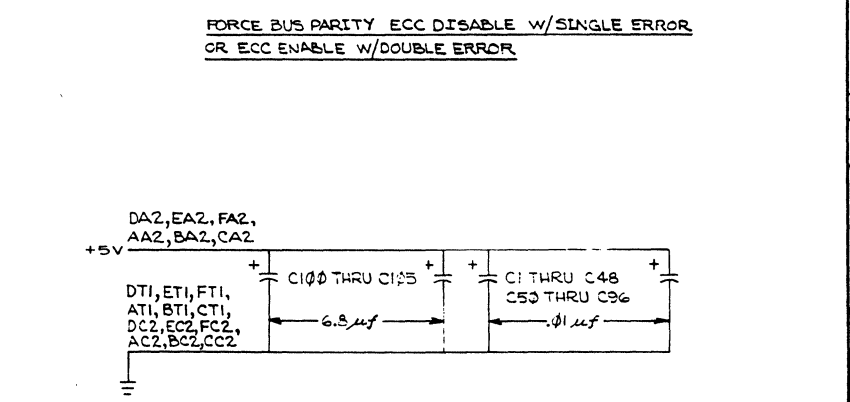
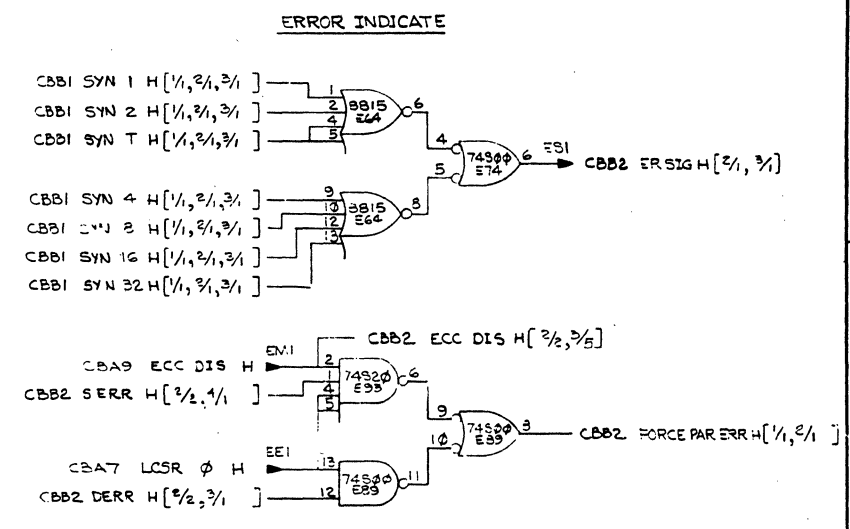
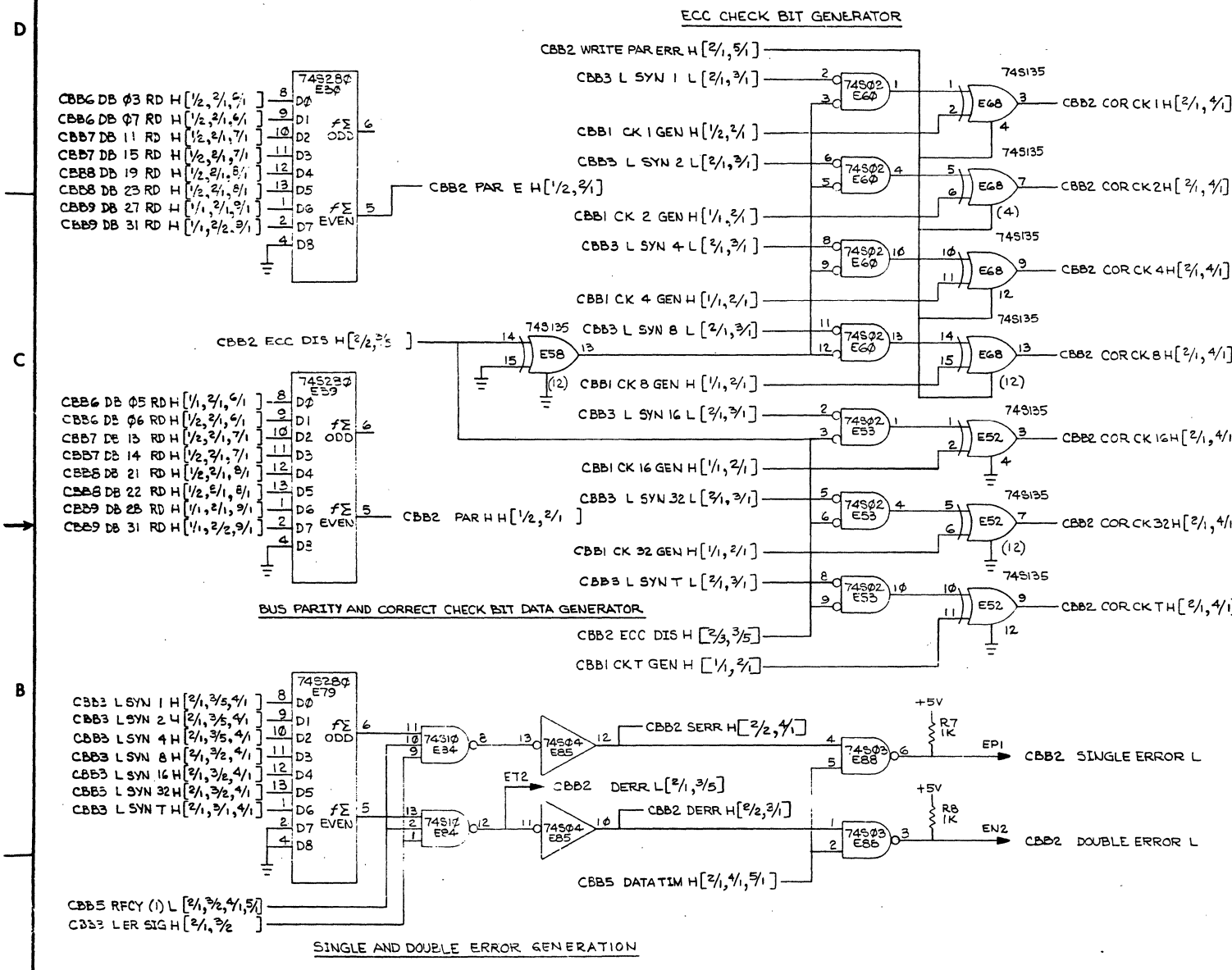
1

THIS DRAWING AND SPECIFICATIONS HEREIN ARE THE PROPERTY OF DIGITAL EQUIPMENT CORPORATION AND SHALL NOT BE REPRODUCED OR COPIED IN WHOLE OR IN PART IN ANY MANNER FOR THE MANUFACTURE OR SALE OF THIS PRODUCT WITHOUT THE WRITTEN PERMISSION OF DIGITAL EQUIPMENT CORPORATION. COPYRIGHT © 1977, DIGITAL EQUIPMENT CORPORATION



BUS PARITY AND CORRECT CHECK BIT DATA GENERATOR

DRN. 1-0-1918W	REV. 2	FIRST USED ON	MKII
CHK'D BY	DATE	TITLE	MKII CONTROL B
ENG. 1-0-1918W	DATE		(CBB1)
PROJ. ENG. 1-0-1918W	DATE		
PROC. R.L. 1-0-1918W	DATE		
NEXT HIGHER ASSY.			
3-00-3101-0	SIZE CODE	NUMBER	REV.
SCALE	D CS	M8161-0-1	A
SHEET	OF 10	DIST.	



NOTE:  
 [X] (SOURCE SHEET NUMBER) SIGNAL NAME [Y/Z]  
 DESTINATION SHEET NUMBER  
 NUMBER OF CONNECTION POINTS

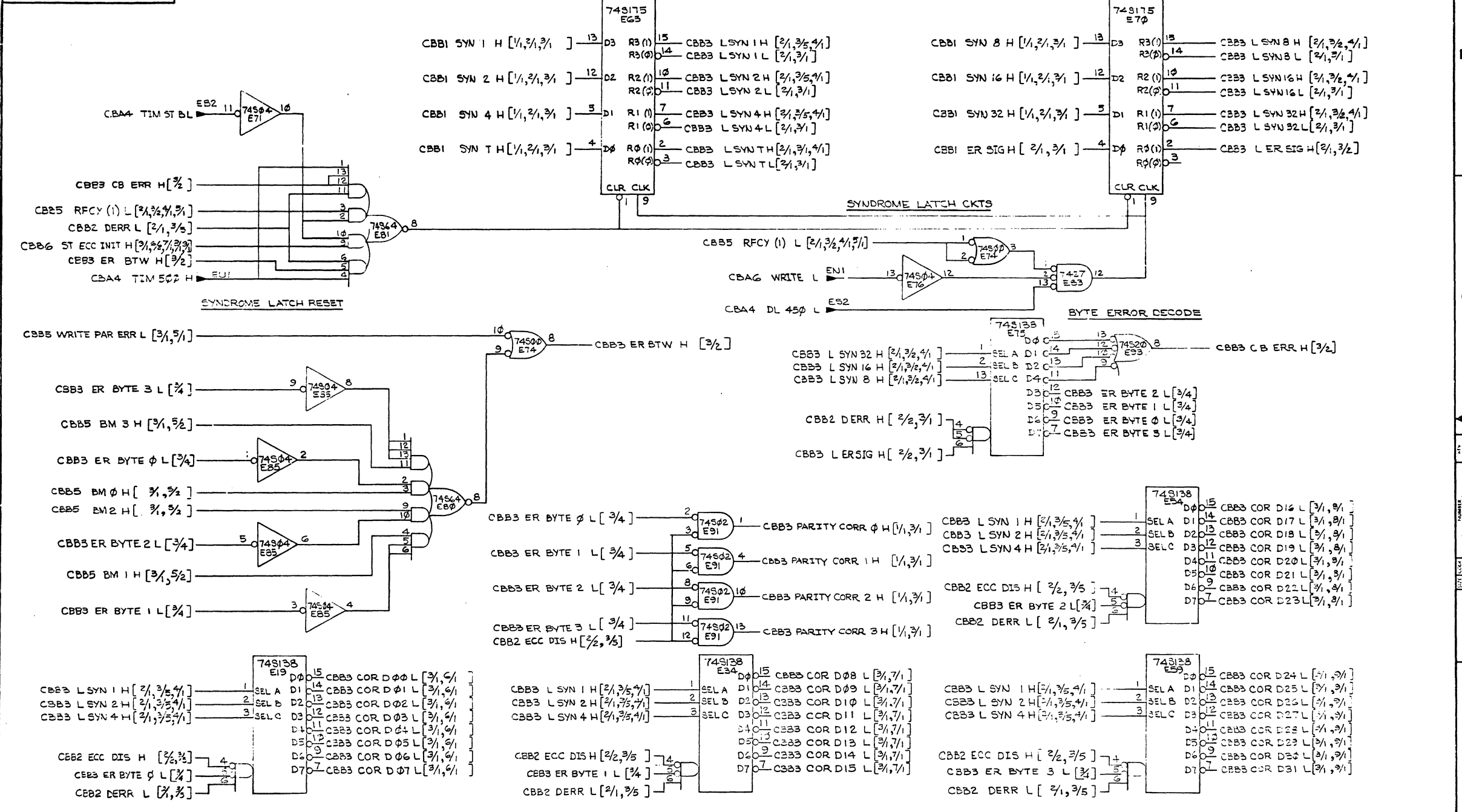
REVISIONS		
CHK	CHANGE NO.	REV.

TITLE	MKII CONTROL B (CBB2)	SIZE CODE	DCS	NUMBER	M8161-0-1	REV.	A
SCALE		SHEET	2 OF 10	DIST.			

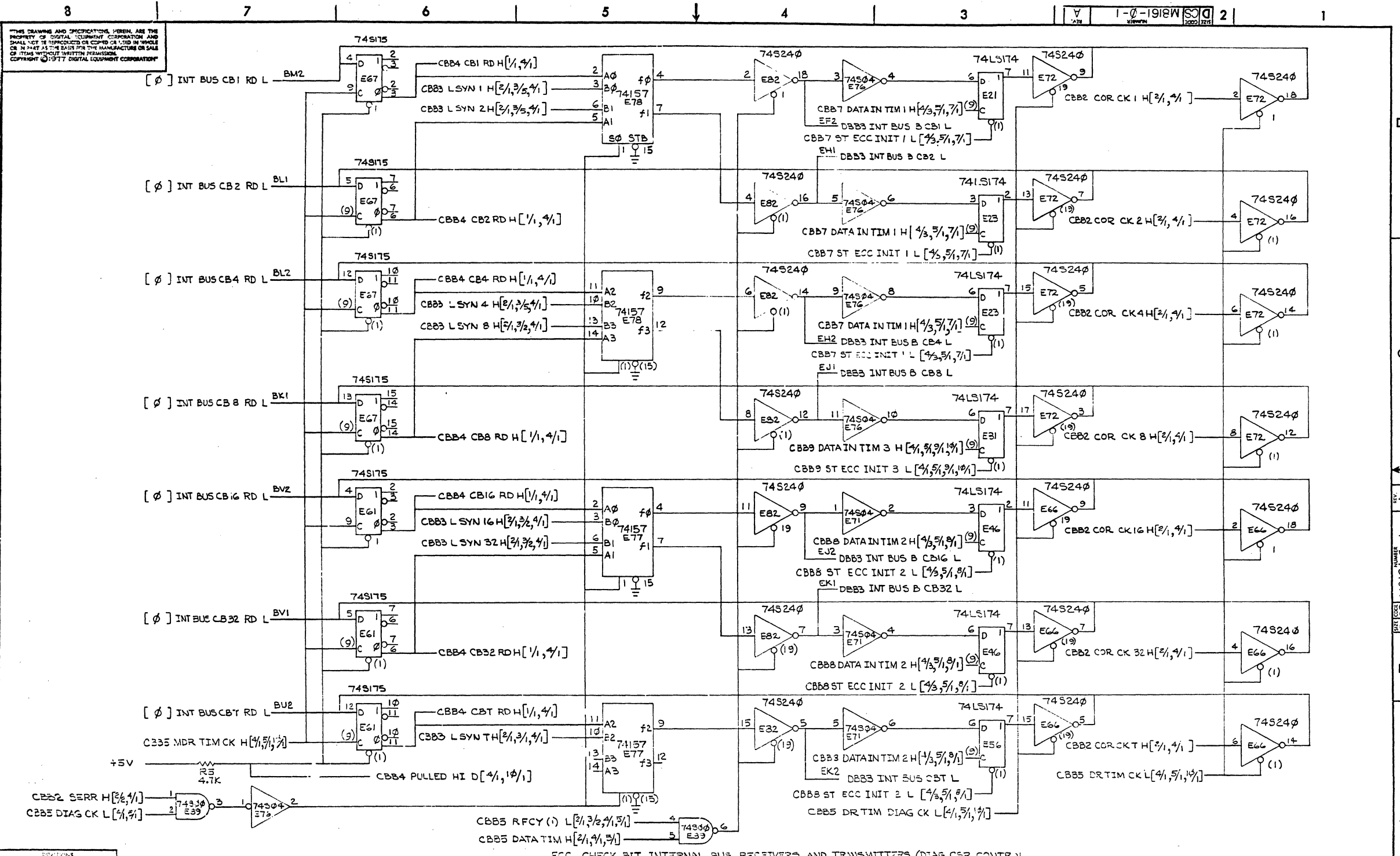
442



THIS DRAWING AND SPECIFICATIONS HEREIN ARE THE PROPERTY OF DIGITAL EQUIPMENT CORPORATION AND SHALL NOT BE REPRODUCED OR COPIED IN WHOLE OR IN PART AS THE BASIS FOR THE MANUFACTURE OR SALE OF ITEMS WITHOUT A WRITTEN PERMIT FROM DIGITAL EQUIPMENT CORPORATION.



REV	CHANGE NO.	REV.	TITLE	SIC CODE	NUMBER	REV
3			M8161 CONTROL B (CBB3)	DCS	M8161-0-1	A



THIS DRAWING AND SPECIFICATIONS HEREIN ARE THE PROPERTY OF DIGITAL EQUIPMENT CORPORATION AND SHALL NOT BE REPRODUCED OR COPIED OR USED IN WHOLE OR IN PART AS THE BASIS FOR THE MANUFACTURE OR SALE OF ITEMS WITHOUT WRITTEN PERMISSION. COPYRIGHT © 1977 DIGITAL EQUIPMENT CORPORATION

REV.	CHANGE NO.	REV.

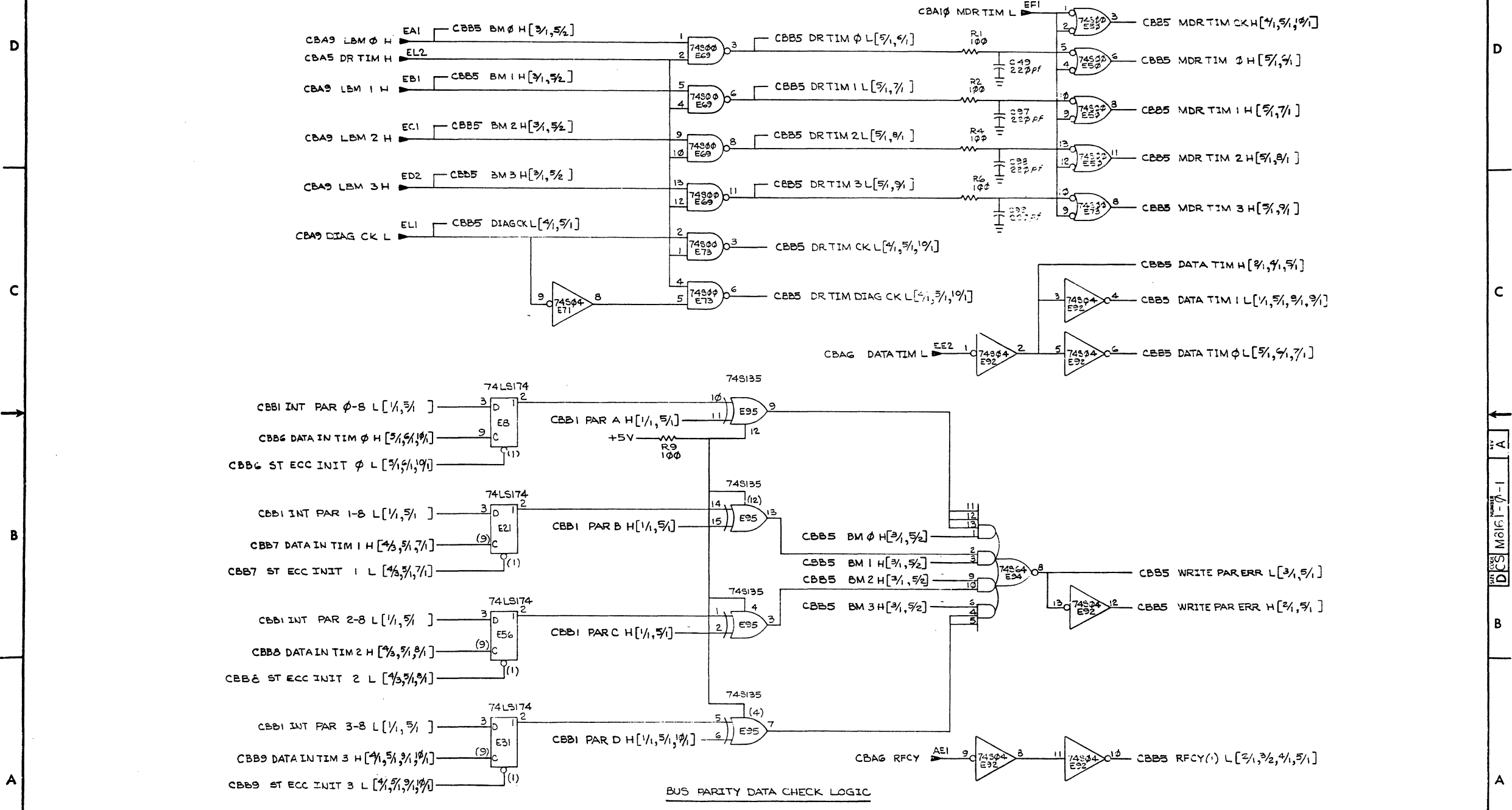
ECC CHECK BIT INTERNAL BUS RECEIVERS AND TRANSMITTERS (DIAG CSR CONTROL)

TITLE	SIZE/CCODE	NUMBER	REV.
MIKII CONTROL B (CBB4)	D	CSIM816I-0-1	A
SCALE	SHEET	CF	DIST.
	4	10	

444

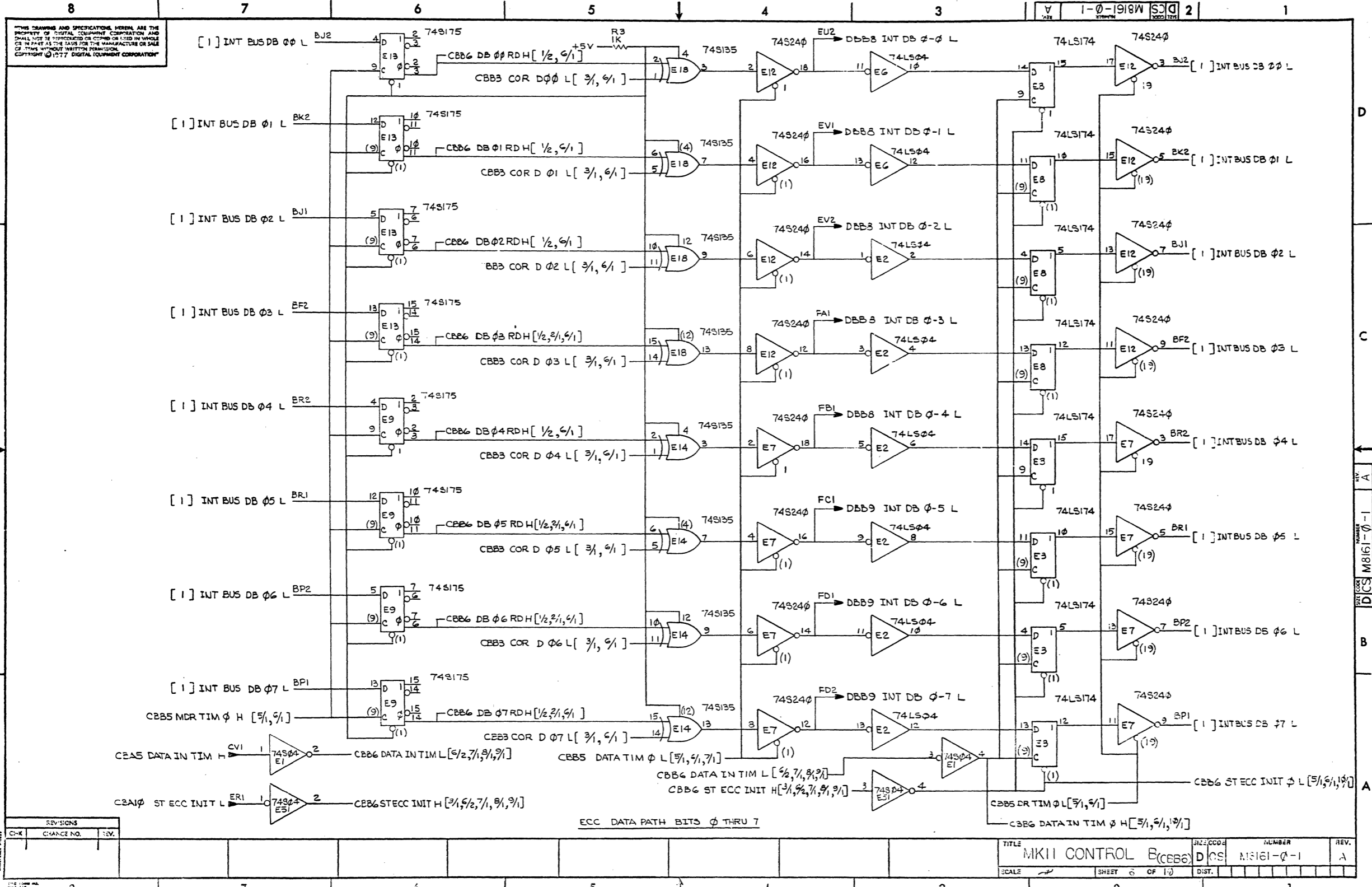
THIS DRAWING AND SPECIFICATIONS HEREIN ARE THE PROPERTY OF DIGITAL EQUIPMENT CORPORATION AND SHALL NOT BE REPRODUCED OR COPIED IN WHOLE OR IN PART AS THE BASIS FOR THE CONSTRUCTION OR SALE OF ITEMS WITHOUT WRITTEN PERMISSION. COPYRIGHT © 1977, DIGITAL EQUIPMENT CORPORATION

TIMING CONTROL FOR DATA PATHS



REVISIONS			TITLE		SIZE	CODE	NUMBER		REV.
CHK	CHANGE NO.	REV.	MKII CONTROL B (CBB5)		D	CS	MS161-0-1		A
			SCALE	SHEET	E	OF	1/2	DIST.	

445

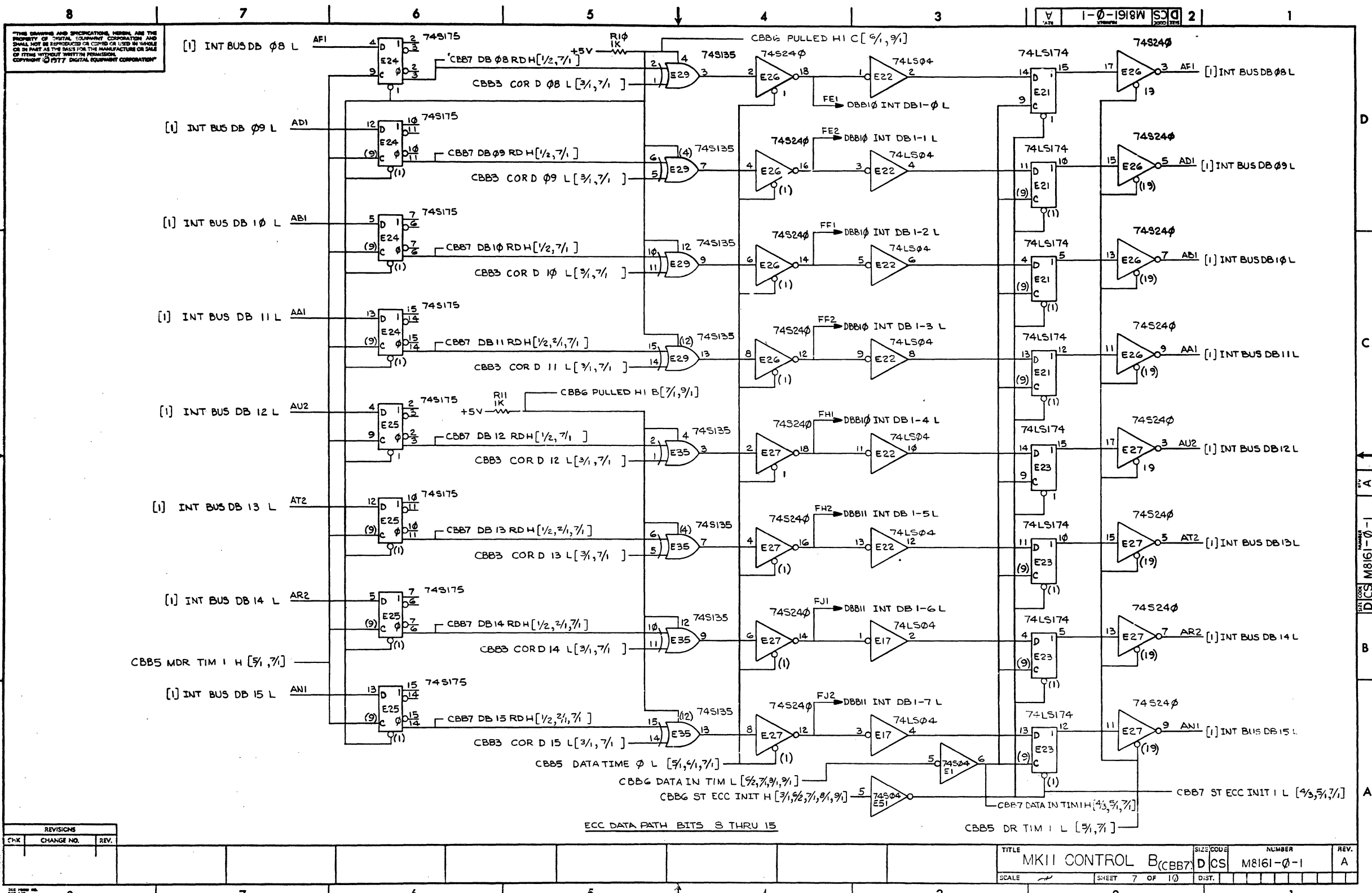


THIS DRAWING AND SPECIFICATIONS HEREIN ARE THE PROPERTY OF DIGITAL EQUIPMENT CORPORATION AND SHALL NOT BE REPRODUCED OR COPIED OR USED IN WHOLE OR IN PART AS THE BASIS FOR THE MANUFACTURE OR SALE OF THIS WITHOUT WRITTEN PERMISSION. COPYRIGHT © 1977 DIGITAL EQUIPMENT CORPORATION

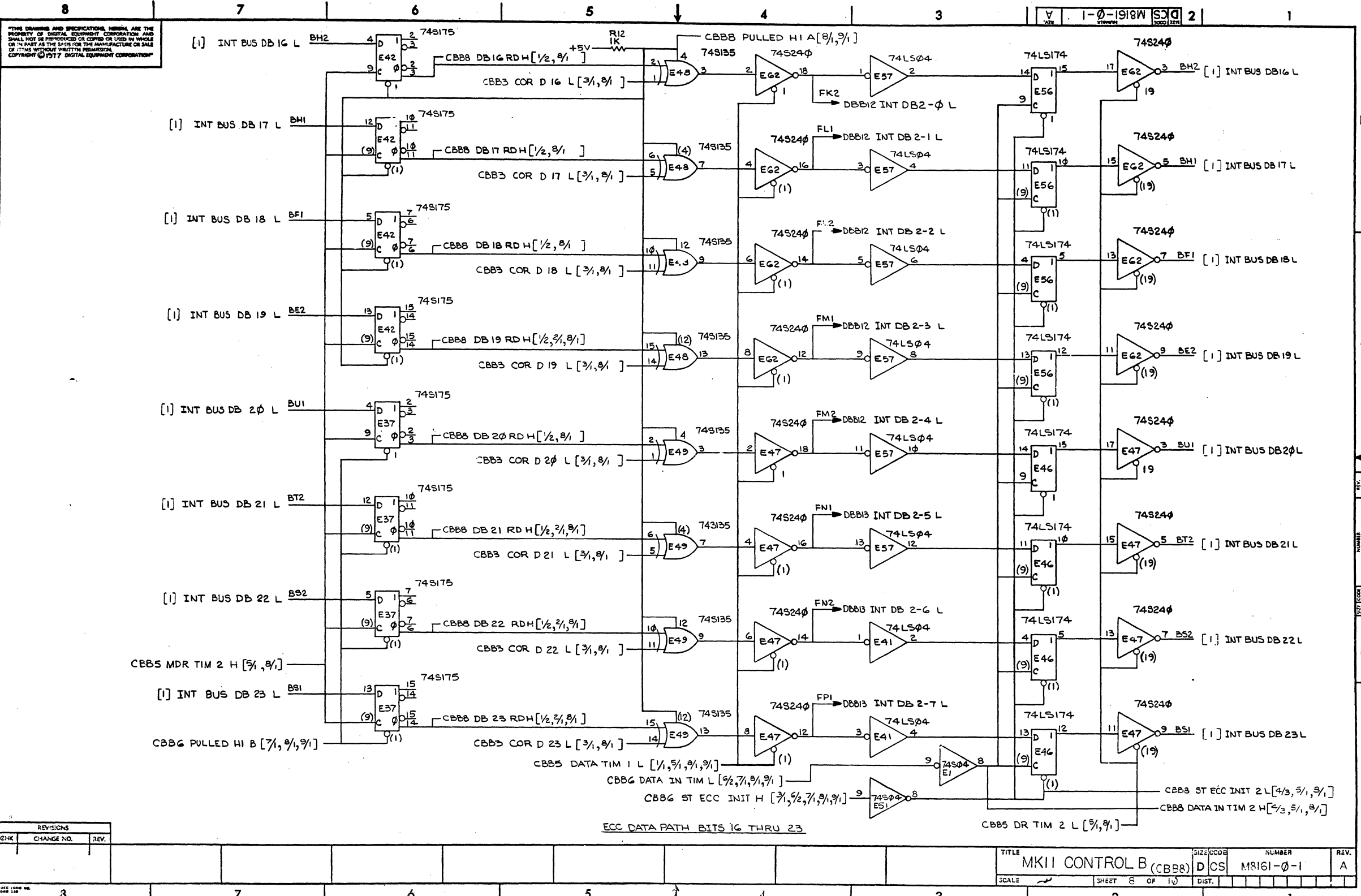
REVISIONS		
CHK	CHANGE NO.	REV.

TITLE	MKII CONTROL E(CBB6)	SHEET	6	OF	10	DIST.		NUMBER	M8161-0-1	REV.	A
-------	----------------------	-------	---	----	----	-------	--	--------	-----------	------	---

446



441

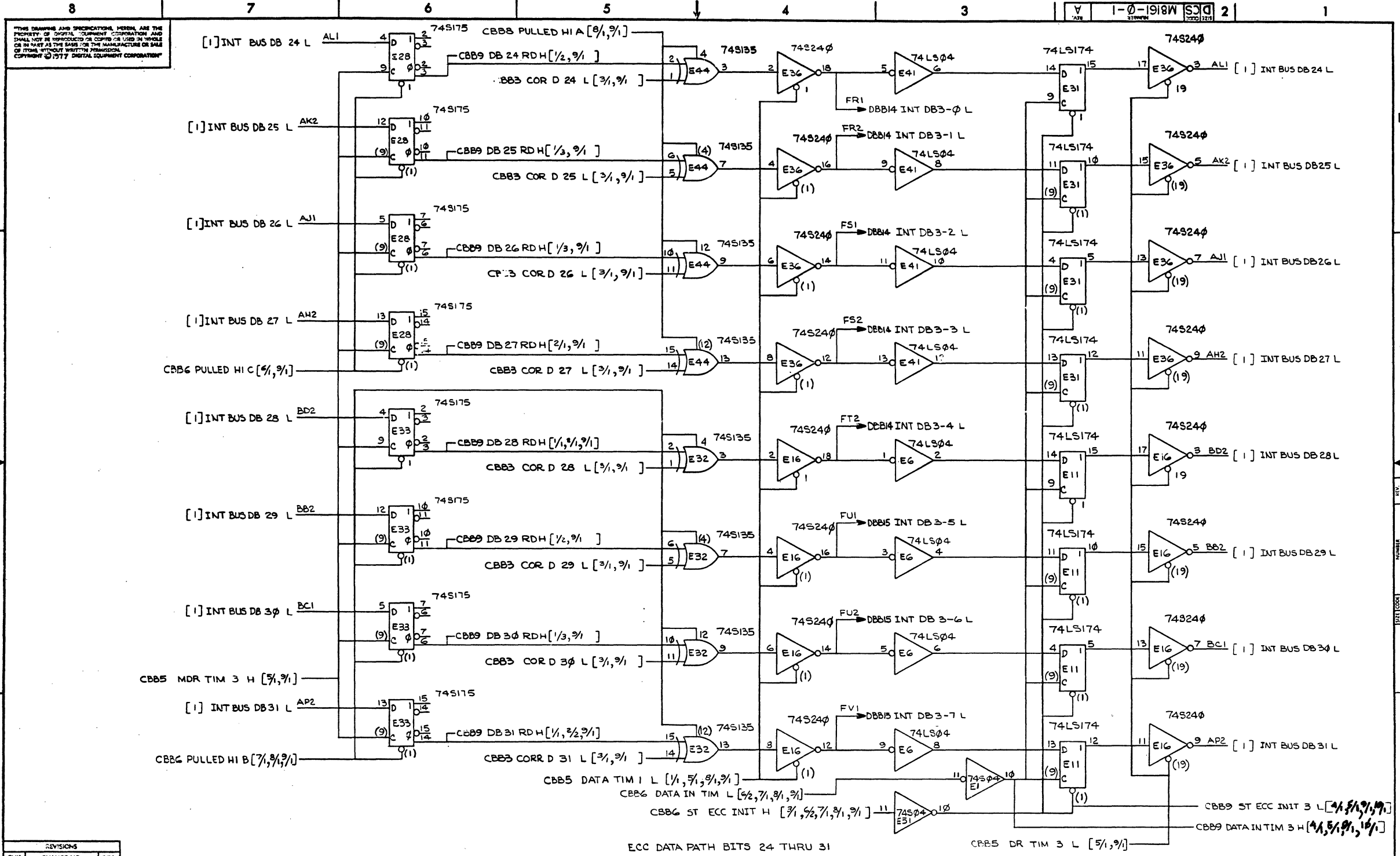


THIS DRAWING AND SPECIFICATIONS HEREIN ARE THE PROPERTY OF DIGITAL EQUIPMENT CORPORATION AND SHALL NOT BE REPRODUCED OR COPIED OR USED IN WHOLE OR IN PART AS THE BASIS FOR THE MANUFACTURE OR SALE OF ITEMS WITHOUT WRITTEN PERMISSION. COPYRIGHT © 1977 DIGITAL EQUIPMENT CORPORATION

REVISIONS		
CHK	CHANGE NO.	REV.

TITLE	MKII CONTROL B (CBB8)	SIZE/CODE	D CS	NUMBER	MR161-0-1	REV.	A
SCALE		SHEET	8	OF	10	DIST.	

448



THESE DRAWINGS AND SPECIFICATIONS HEREIN ARE THE PROPERTY OF DIGITAL EQUIPMENT CORPORATION AND SHALL NOT BE REPRODUCED OR COPIED OR USED IN WHOLE OR IN PART AS THE BASIS FOR THE MANUFACTURE OR SALE OF ITEMS WITHOUT WRITTEN PERMISSION. COPYRIGHT © 1977 DIGITAL EQUIPMENT CORPORATION

REVISIONS		
CHK	CHANGE NO.	REV.

TITLE	SIZE/CODE	NUMBER	REV.
MKII CONTROL B (CBB9)	DCS	M8161-0-1	A
SCALE	SHEET 9 OF 10	DIST.	

449

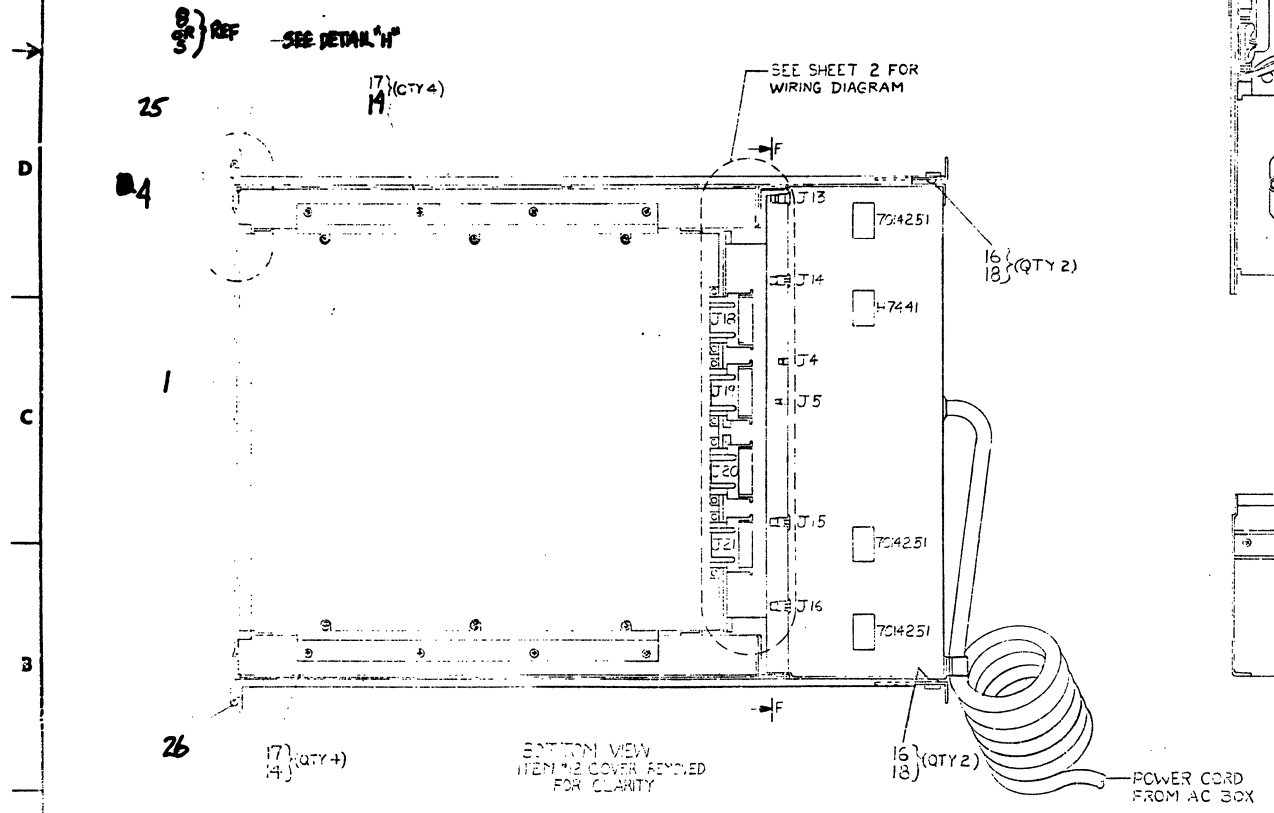
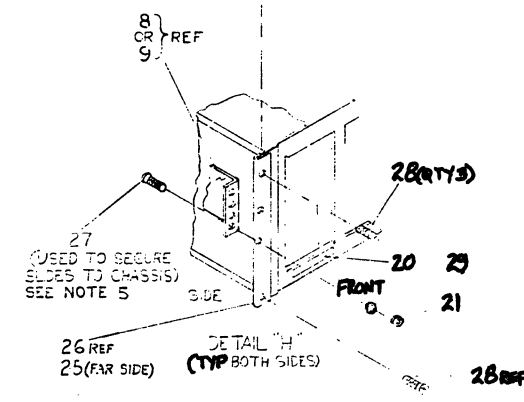
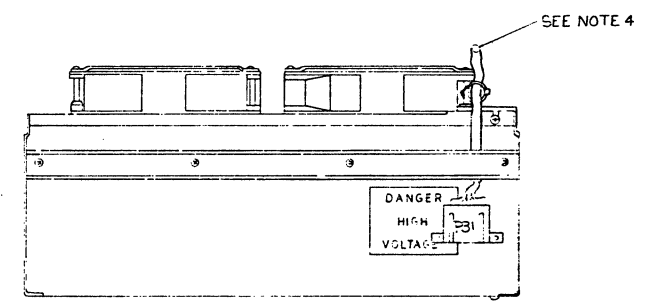
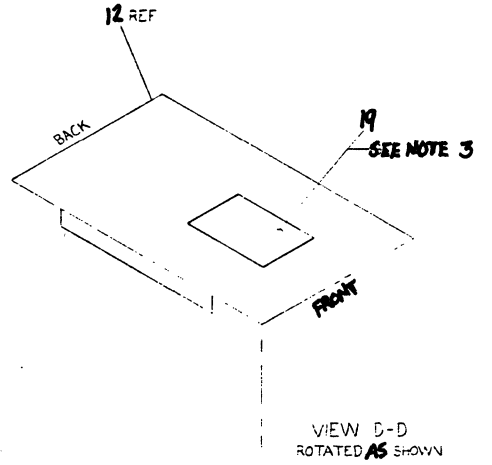
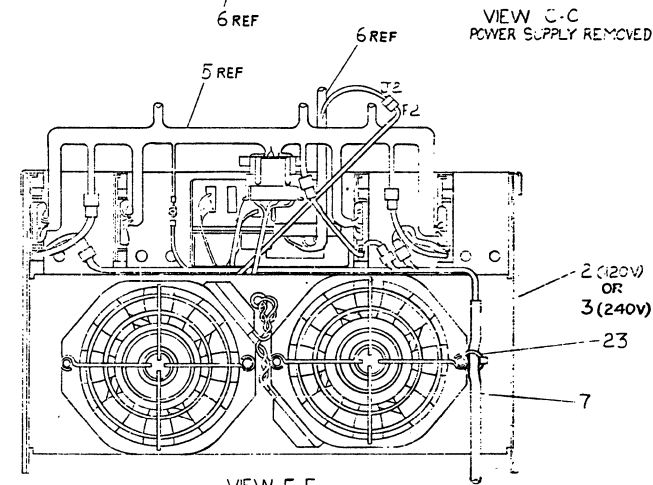
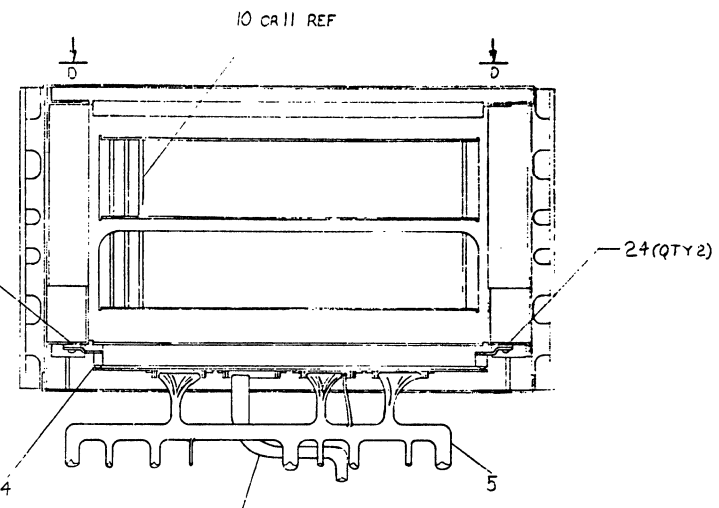
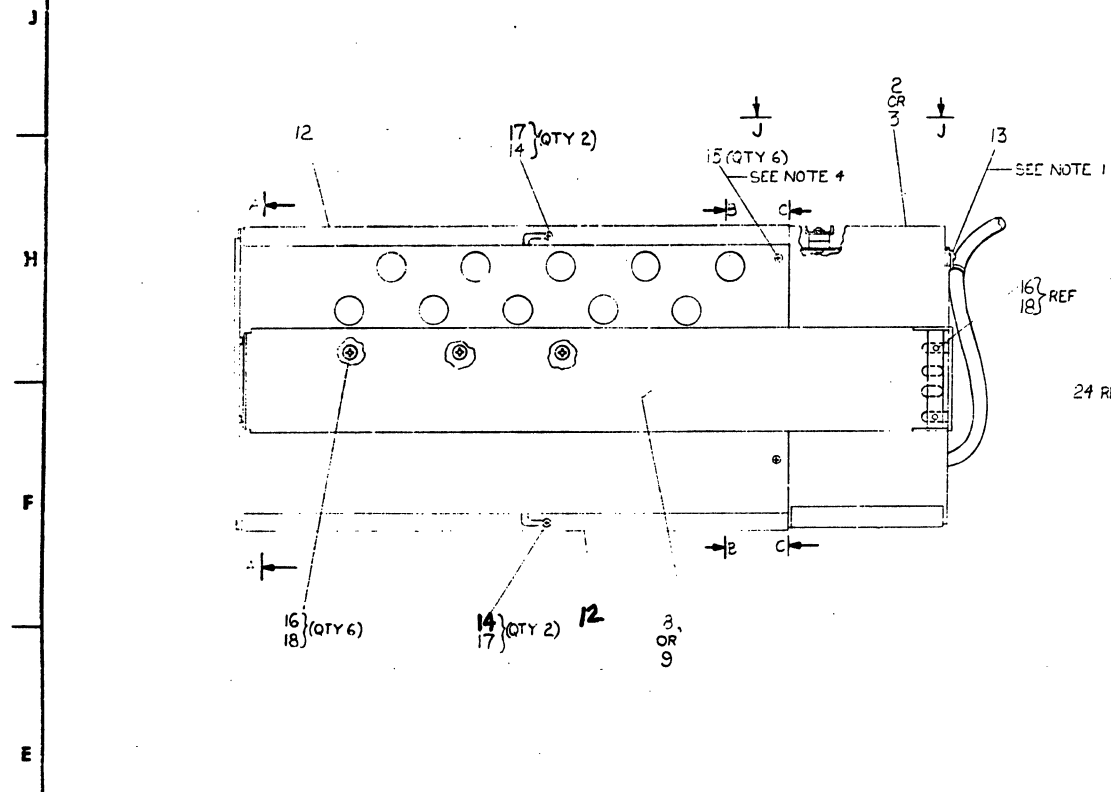




THIS DRAWING AND INFORMATION CONTAINED HEREIN IS THE PROPERTY OF THE NATIONAL AERONAUTICS AND SPACE ADMINISTRATION. IT IS TO BE REPRODUCED OR TRANSMITTED IN ANY FORM OR BY ANY MEANS, ELECTRONIC OR MECHANICAL, INCLUDING PHOTOCOPYING, RECORDING, OR BY ANY INFORMATION STORAGE AND RETRIEVAL SYSTEM, WITHOUT PERMISSION IN WRITING FROM THE NATIONAL AERONAUTICS AND SPACE ADMINISTRATION.

LEGEND	
NUMBER	VARIATION
7014614-00	120V 50/60 HZ
7014614-01	240V 50/60 HZ

- NOTES:
1. USE EXISTING HARDWARE TO MOUNT ITEM #13.
  2. INSTALL CARD GUIDES ITEM #10-11 USING TOOL NO 94-1280-2.
  3. LOCATE ITEM #9 APPROXIMATELY AS SHOWN.
  4. INSTALL ITEM #7-23 BEFORE CHASSIS AND POWER SUPPLY SECTIONS ARE SCREWED TOGETHER WITH ITEM #5.
  5. ITEMS #27, 29 & 21 ARE USED FOR HOLDING SLIDES TO BOX (FOR SHIPPING ONLY). DISCARD AT UNIT ASSEMBLY. D-UA-MKII-0-0



OFF SHEET PARTS LIST EXISTS SEE A-PL-7014614-C-0

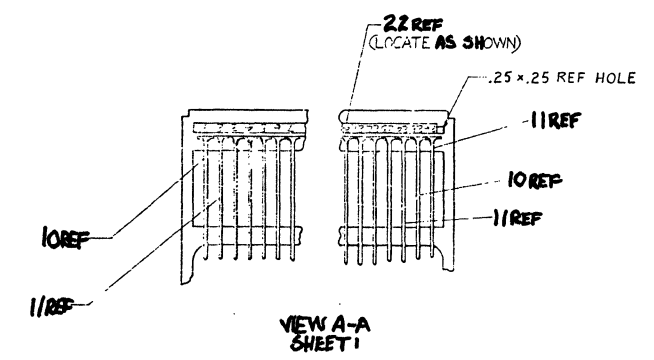
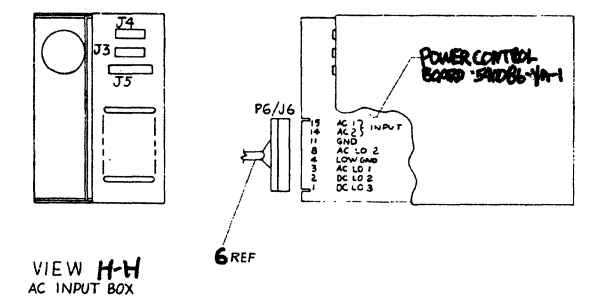
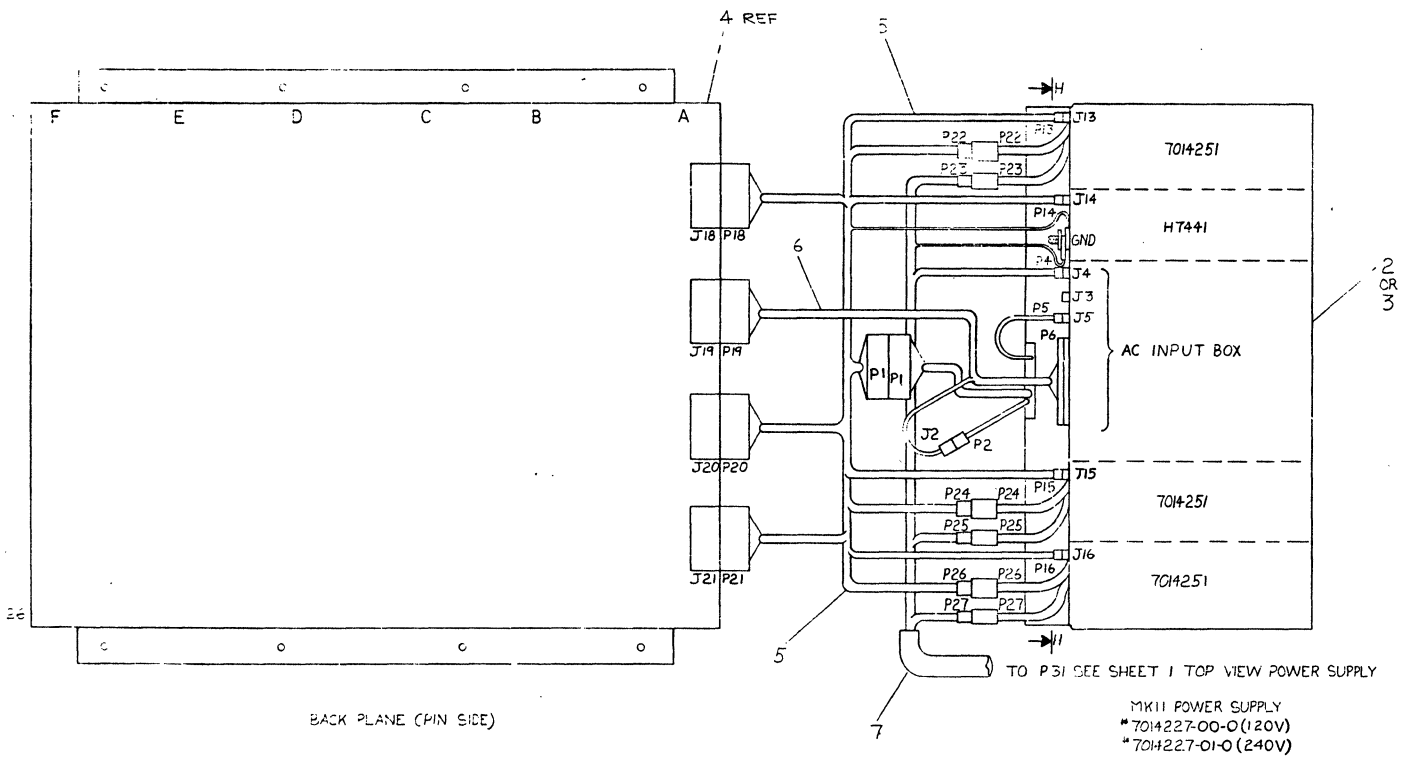
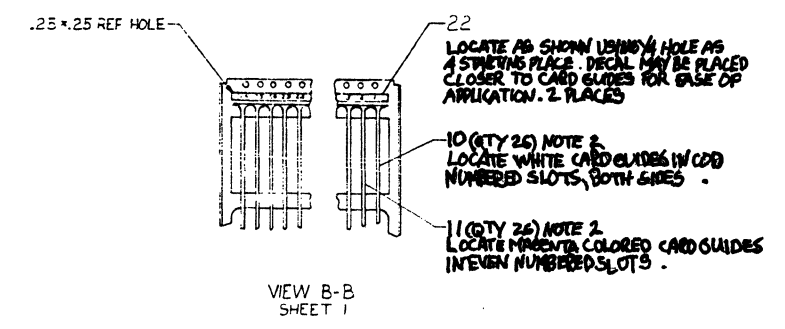
ITEM NO.	DESCRIPTION	QUANTITY	UNIT	REVISION
1	...	...	...	...
2	...	...	...	...
3	...	...	...	...
4	...	...	...	...
5	...	...	...	...
6	...	...	...	...
7	...	...	...	...
8	...	...	...	...
9	...	...	...	...
10	...	...	...	...
11	...	...	...	...
12	...	...	...	...
13	...	...	...	...
14	...	...	...	...
15	...	...	...	...
16	...	...	...	...
17	...	...	...	...
18	...	...	...	...
19	...	...	...	...
20	...	...	...	...
21	...	...	...	...
22	...	...	...	...
23	...	...	...	...
24	...	...	...	...
25	...	...	...	...
26	...	...	...	...
27	...	...	...	...
28	...	...	...	...
29	...	...	...	...

MKII MEMORY BOX ASSY  
AD 7014614-C-0

451

THIS DRAWING AND SPECIFICATIONS, WHEN USED IN CONNECTION WITH THE PROPERTY OF THE RAND CORP. OR ANY OF ITS DIVISIONS, ARE UNCLASSIFIED AND SHALL BE DECLASSIFIED OR OPENED TO THE PUBLIC AS SOON AS THE CASE FOR THE SUBSTITUTION OR CANCELLATION OF THIS DRAWING HAS BEEN APPROVED.

WIRE TABLE				REMARKS
ITEM NO	FROM	TO	CONN	
5	P1	2 CR 3	PS-P1	
	P13		PS-J13	
	P14		PS-J14	
	P15		PS-J15	
	P16		PS-J16	
	P22		PS-P22	
	P24		PS-P24	
	P26	2 CR 3	PS-P26	
	P18	4	BP-J18	
	P27	4	BP-J27	
5	P21	4	BP-J21	
6	P19	4	BP-J19	
6	P6	2 CR 3	J6	
6	J2		PS-P22	
7	P23		PS-P23	
7	P25		PS-P25	
7	P27		PS-P27	
5	GND LUG		PS-GND	
7	GND LUG		PS-GND	
7	P31	2 CR 3	TOP-PS	



WIRING DIAGRAM  
BACK PLANE TO MKII  
POWER SUPPLY

452

DIGITAL EQUIPMENT CORPORATION PARTS LIST				QUANTITY / VARIATION										NOTES:						
MADE BY Pedro Ortiz DATE 6/24/77		CHECKED <i>D. Deak</i> DATE 9 SEP 77		SECTION 1		7014614-00	7014614-01													
ENG W.H. Angell DATE 27 SEP 77		PROD Ra Hill DATE 27 SEP 77		ISSUED SECTION 1																
ITEM NO.	DRAWING NO.	PART NO.	DESCRIPTION																	REF DESIGNATION
1	E-IA-7009769-0-0		CHASSIS 10.5"	1	1															
2	E-AD-7014227-0-0		POWER SUPPLY, MK11 120V	1	-															
3	E-AD-7014227-1-0		POWER SUPPLY, MK11 240V	-	1															
4	E-AD-7014226-0-0		BACK PLANE, (MK11 MEMORY)	1	1															
5	D-IA-7014228-0-0		HARNESS, POWER MK11	1	1															
6	D-IA-7010581-0-0		HARNESS, AC/DC LO	1	1															
7	D-IA-7014312-0-0		HARNESS, BOX CONTROLLER, INTERNAL	1	1															
8	D-PS-1211825-1-0		SLIDE, 3 POSITION, TILT	LPR	LPR															
9																				
10	D-PS-1212405-0-0		CARD GUIDE, SINGLE, WHITE	26	26															
11	D-PS-1212405-1		CARD GUIDE, SINGLE, MAGENTA	26	26															
12	D-IA-7009768-0-0		COVER, CHASSIS	2	2															
13		9007086-00	CLAMP, CABLE	1	1															
14		9006022-03	SCR, PHL TRUSS HD #6-32 X .38	12	12															
15		9006073-02	SCR, PHL FLAT HD #10-32 X .50	6	6															
16		9006071-03	SCR, PHL TRUSS HD #10-32 X .38	10	10															
17		9006633-00	WASHER INT. TOOTH LOCK #6	8	8															
18		9007651-00	WASHER EXT. TOOTH LOCK #10	12	12															
19		3614422-00	MK11 MEMORY STICKER	-	1															
20		3612493-00	DECAL, WARNING, (DRAWER)	1	1															
21		9009005-00	NUT, HEX #10-32	2	2															
22		3613281-01	DECAL, (SLOT LOCATION)	2	2															

E.C.O. NO.	"THIS DRAWING AND SPECIFICATIONS, HEREIN, ARE THE PROPERTY OF DIGITAL EQUIPMENT CORPORATION AND SHALL NOT BE REPRODUCED OR COPIED OR USED IN WHOLE OR IN PART AS THE BASIS FOR THE MANUFACTURE OR SALE OF ITEMS WITHOUT WRITTEN PERMISSION. COPYRIGHT © 1977 DIGITAL EQUIPMENT CORPORATION"	TITLE	ASSY NO.	SIZE	CODE	NUMBER	REV.
		MK11 MEMORY BOX ASSY	E-AD-7014614-0-0	3	PL	7014614-0-0	
			SHEET 1 OF 2	INSERTION PARTS LIST DATA BASE REV			

DIGITAL EQUIPMENT CORPORATION

PARTS LIST

QUANTITY / VARIATION

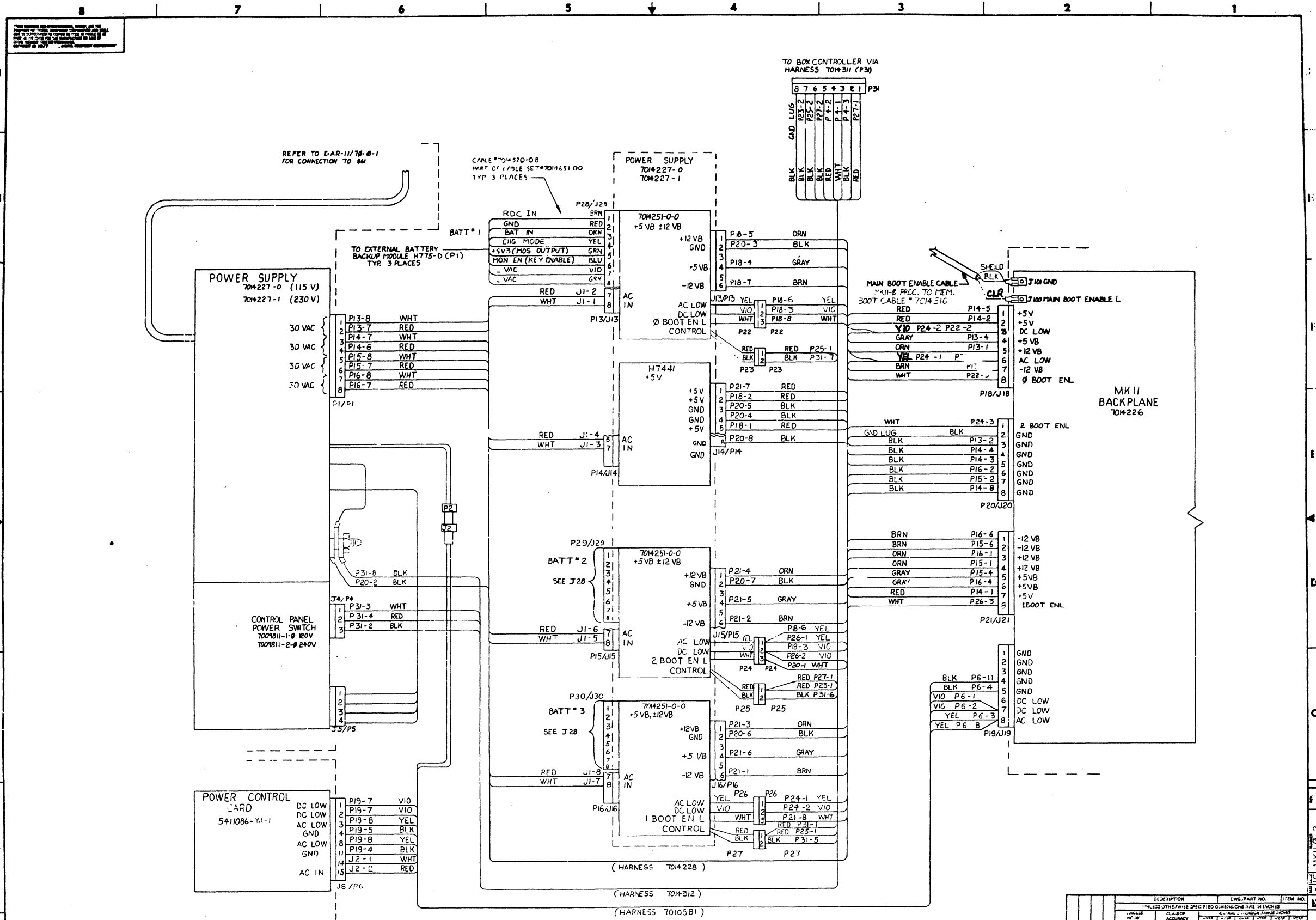
NOTES:

MADE BY PEDRO ORTIZ	CHECKED	SECTION
DATE 6/24/77	DATE	1
ENG W.H. Russell	PROD R A Hill	ISSUED SECTION
DATE 27 SEP 77	DATE 27 SEP 77	1

ITEM NO.	DRAWING NO.	PART NO.	DESCRIPTION	QUANTITY / VARIATION										REF DESIGNATION		
				7014614-00	7014614-01											
23		9007031-0	CABLE TIE	1	1											
24	C-MD-7413975-0-0		SPACER, SHIM	2	2											
25	C-MD-7414018-0-0		PROTECTOR, RIGHT METAL EDGE	1	1											
26	C-MD-7414016-0-0		PROTECTOR, LEFT METAL EDGE	1	1											
27		9006074-03	SCR, PHL. TRUSS HD. #10- 32 X .62	2	2											
28		9009715-00	SCR, PHL. TRUSS HD. #10- 32 X .25 LG. BLK OXIDE	6	6											
29		9006708-00	WASHER, .38 O.D. X .19 I.D. X .03	2	2											

ECO. NO.

THIS DRAWING AND SPECIFICATIONS, HEREIN, ARE THE PROPERTY OF DIGITAL EQUIPMENT CORPORATION AND SHALL NOT BE REPRODUCED OR COPIED OR USED IN WHOLE OR IN PART AS THE BASIS FOR THE MANUFACTURE OR SALE OF ITEMS WITHOUT WRITTEN PERMISSION. COPYRIGHT © 1977 DIGITAL EQUIPMENT CORPORATION.	TITLE	ISSUED	REV	CODE	NUMBER	REV.
	MK11 MEMORY BOX ASSY.	7-10-7014614-0-0	3	PL	7014614-0-0	
		SHEET 2 OF 2			REVISION PARTS LIST DATA BASE REV	



THIS DRAWING IS THE PROPERTY OF THE U.S. GOVERNMENT AND IS TO BE REPRODUCED AND TRANSMITTED IN ANY FORM AND BY ANY MEANS, ELECTRONIC OR MECHANICAL, INCLUDING PHOTOCOPYING, RECORDING, OR BY ANY INFORMATION STORAGE AND RETRIEVAL SYSTEM, WITHOUT PERMISSION IN WRITING FROM THE U.S. GOVERNMENT PRINTING OFFICE: 1977 O-384-884

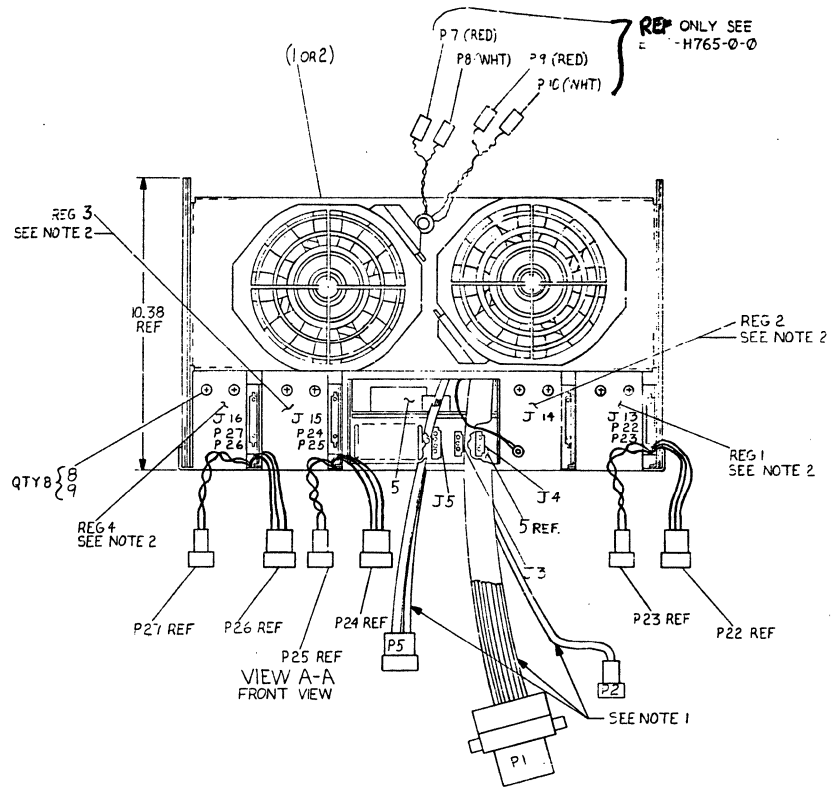
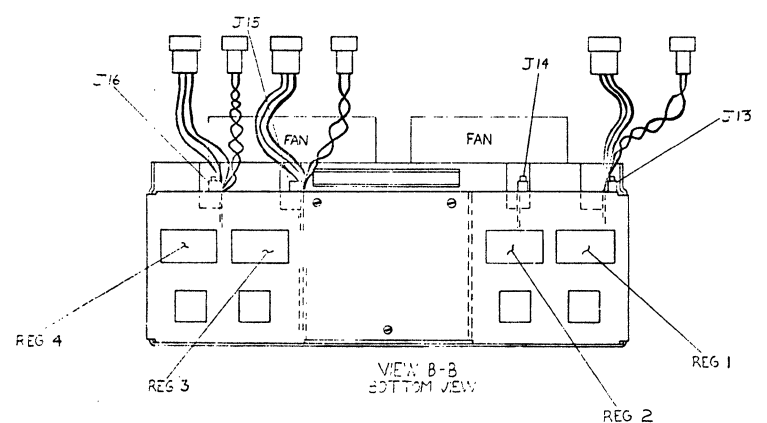
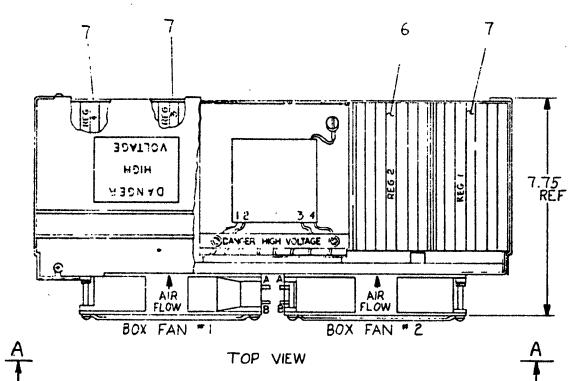
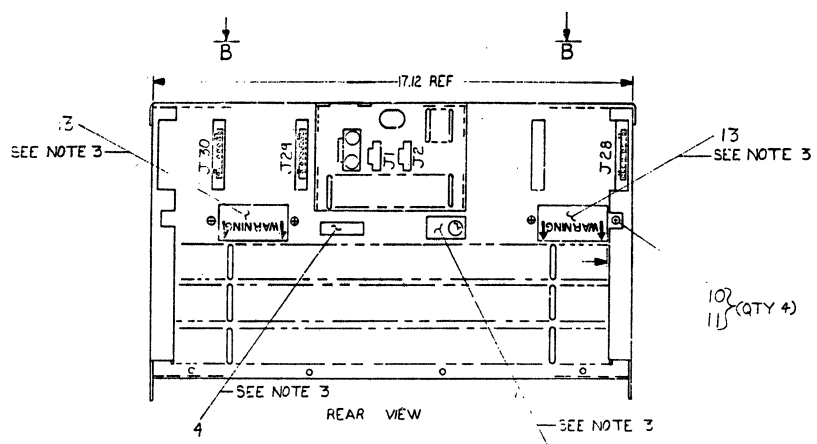
DESCRIPTION		DIMENSIONS		ITEM NO.	
UNLESS OTHERWISE SPECIFIED DIMENSIONS ARE IN INCHES					
ANGLE					
ACCURACY					
QUANTITY					
DATE					
BY					
REV.					
TITLE		MKII POWER DISTRIBUTION			
DRAWN BY		EJC		REV. 0-2	
CHECKED BY					
DATE		1977			
BY					
DATE					

455

THIS DRAWING AND SPECIFICATIONS, HEREIN, ARE THE PROPERTY OF THE U.S. GOVERNMENT AND ARE TO BE REPRODUCED IN WHOLE OR IN PART IN ANY FORM OR BY ANY MEANS WITHOUT EXPRESS PERMISSION OF THE U.S. GOVERNMENT.

LEGEND	
NUMBER	VARIATION
7014227-00	120V 50/60 HZ
7014227-01	240V 50/60 HZ

NOTES:  
 1-LEADS FROM TRANSFORMER ASSEMBLY.  
 2-LABEL CHASSIS ADJACENT TO REGULATOR OR CONNECTORS APPROXIMATELY AS SHOWN USING ITEM #14.  
 3-LOCATE LABELS ITEM #3, #4, #5 APPROXIMATELY AS SHOWN.

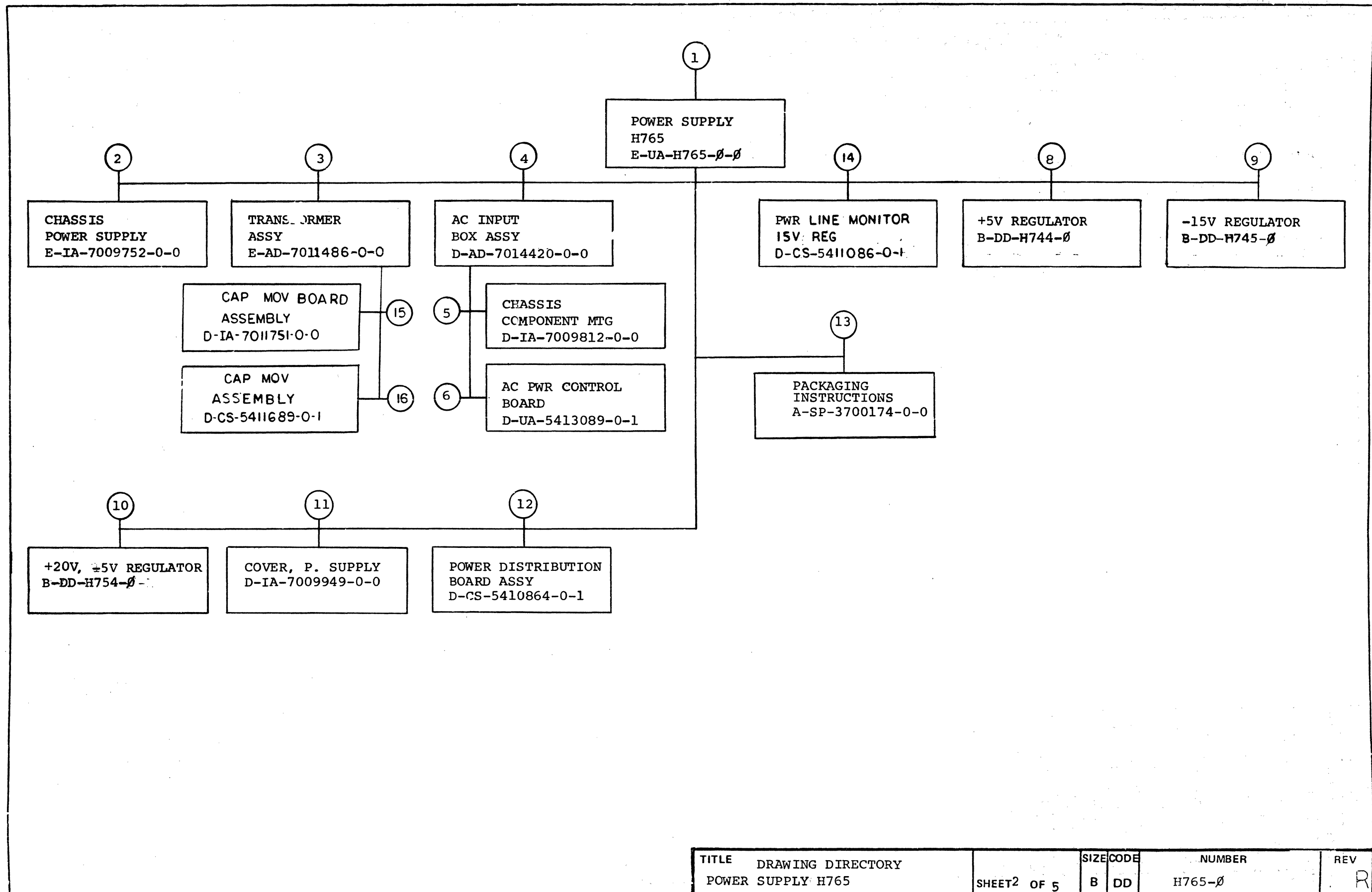


QTY	DESCRIPTION	REF. NO.	ITEM NO.
1	PACKAGING INSTRUCTION	A-52-3700740-0	15
1	DECAL (P)	A-52-3700740-14	14
2	DECAL WARNINGS	3312+22-00	13
1	DECAL (J)	ADG749875	10
4	WASH. INT TOOTH #6	9006633	11
4	SCR. PHL. #4	9006020-3	10
3	WASH. INT TOOTH #10	9006635	9
3	SCR. PHL. #25	9008007-3	8
3	BATTERY SINK P. PEN. LING. DIA. 1/8" DIA. 1/8" DIA.		7
1	-5V REGULATOR	DUA-47441-0	6
1	POWER LINE MONITOR	D-5-511026-1A-1	5
1	DECAL NFPA	A-52-332413-0	4
1	DECAL /L	A-52-332414-0	3
1	POWER SUPPLY CHASSIS CHASSIS ADJACENT TO REGULATOR	AD7014227-0-0	2
1	POWER SUPPLY CHASSIS CHASSIS ADJACENT TO REGULATOR	AD7014227-0-0	1

REV.	DESCRIPTION	DATE	BY	CHKD.
1	ISSUED FOR PRODUCTION			
2	REVISION			
3	REVISION			
4	REVISION			
5	REVISION			
6	REVISION			
7	REVISION			
8	REVISION			
9	REVISION			
10	REVISION			
11	REVISION			
12	REVISION			
13	REVISION			
14	REVISION			
15	REVISION			

456





TITLE	DRAWING DIRECTORY	SIZE	CODE	NUMBER	REV
	POWER SUPPLY H765	B	DD	H765-Ø	R
SHEET 2 OF 5					



CUSTOMER PRINT SET		ELECTRICAL					CUSTOMER PRINT SET		ELECTRICAL						
	MFG. SET	FIND NO.	DRAWING NO.	REV	NO OF SHT	DESCRIPTION	OPTION NO./FILE DATE		MFG. SET	FIND NO.	DRAWING NO.	REV	NO OF SHT	DESCRIPTION	OPTION NO./FILE DATE
X		1	E-UA-H765-0-0 A-SP-H765-0-9	R	2	POWER SUPPLY H765 H765 POWER SUPPLY ASSEMBLY PROCEDURE		X		12	D-CS-5410864-0-1 D-IA-5010863-0-0 A-SP-5410864-0-8 A-SP-5410864-0-9	#	3 1	POWER DIST. BD. ASSY ETCHED CIRCUIT BOARD TEST PROCEDURE ASSEMBLY PROCEDURE	
X		3	E-AD-7011486-0-0 A-SP-7010014-0-8 A-CS-7010014-TA-1 A-UA-7010014-TA-0 A-PL-7010014-TA-0 A-SP-7011486-0-9	# A A A		TRANSFORMER ASSY TEST PROCEDURE TESTER C.S. TESTER U.A. TESTER P.L. TRANSFORMER ASSY PROCEDURE		X		14	D-CS-5411086-0-1 A-SP-11/45-TA-2 A-SP-5411086-0-3 D-IA-7010138-0-0	#	4	PWR LINE MONITOR/15V REG TEST PROCEDURE ENGINEERING SPECIFICATION HARNES INTERCONNECTION	
X		4	D-AD-7014420-0-0 A-SP-7009811-0-8 A-CS-7009811-TA-1 A-UA-7009811-TA-0 A-PL-7009811-TA-0 A-SP-7009811-0-9	#	2	AC INPUT BOX ASSY TEST PROCEDURE TESTER C.S. TESTER U. A. TESTER P.L. AC INPUT BOX ASSY PROCEDURE				15	D-IA-7011751-0-0			CAP MOV BOARD ASSY	
X		6	D-UA-5413089-0-0			PILOT CONTROL BOARD				16	D-CS-5411689-0-1			CAP MOV ASSY	
C		8	B-DD-H744-0	#	2	DRAWING DIRECTORY H744									
C		9	B-DD-H745-0	#	2	DRAWING DIRECTORY H745									
C		10	B-DD-H754-0	#	3	DRAWING DIRECTORY H754									
CUSTOMER PRINT SET CODES X = PRINT OF DOCUMENT INCLUDED IN PRINT SET C = INCLUDES ALL PRINTS INDICATED ON DOCUMENT S = CONFIDENTIAL AUTHORIZED SIGNATURE REQUIRED							TITLE DRAWING DIRECTORY POWER SUPPLY H765		SIZE CODE SHEET 3 OF 5 B DD		NUMBER H765-0		REV R		

DRB 108

DEC 16 (325)-1062-2B-R972

459

CUSTOMER PRINT SET		MECHANICAL					CUSTOMER PRINT SET		MECHANICAL							
1	MFG. SET	FIND NO.	DRAWING NO.	REV.	NO OF SHT	DESCRIPTION	OPTION NO./FILE DATE	1	MFG. SET	FIND NO.	DRAWING NO.	REV.	NO OF SHT	DESCRIPTION	OPTION NO./FILE DATE	
		1	E-UA-H765-Ø-Ø	R	2	POWER SUPPLY H765				6	D-UA-5413089-0-0			PILOT CONTROL BOARD		
			D-IA-7009950-0-0		1	THROUGH WIRE										
		2	E-IA-7009752-0-0		1	CHASSIS, POWER SUPPLY										
			E-IA-7411682-0-0		1	CHASSIS, POWER SUPPLY										
			D-MD-7411685-0-0		1	SIDE, POWER SUPPLY										
			D-MD-7411684-0-0		1	HOUSING COMP. CHASSIS										
										8	B-DD-H744-Ø		2	DRAWING DIRECTORY H744		
		3	E-AD-7011486-0-0		2	TRANSFORMER ASSY										
			C-MD-7414301-0-0		1	COVER										
										9	B-DD-H745-Ø		2	DRAWING DIRECTORY H745		
		4	D-AD-7014420-0-0		2	AC INPUT BOX ASSY										
			A-DC-7412303-0-1		1	DECAL 115V										
X			D-AD-7012500-0-0		1	POWER CORD				10	B-DD-H754-Ø		3	DRAWING DIRECTORY H754		
			A-DC-7412380-0-1		1	DECAL 230V										
										11	D-IA-7009949-0-0		1	COVER, POWER SUPPLY		
											C-MD-7412473-0-0		1	STRIP, CLAMP		
		5	D-IA-7009812-0-0	A	1	CHASSIS COMPONENT MTG.										
			D-IA-7411765-0-0		1	PLATE SWITCH										
			D-IA-7411766-0-0	B	1	PLATE COMPONENT MTG.										
CUSTOMER PRINT SET CODES		X = PRINT OF DOCUMENT INCLUDED IN PRINT SET					TITLE		DRAWING DIRECTORY		SIZE CODE		NUMBER		REV	
		C = INCLUDES ALL PRINTS INDICATED ON DOCUMENT					POWER SUPPLY H765		B DD		H765-Ø		R			
		S = CONFIDENTIAL AUTHORIZED SIGNATURE REQUIRED							SHEET 4 OF 5							

DPB 108

DEC 16-1325-1062-2B-R972

460

CUSTOMER PRINT SET		MECHANICAL					CUSTOMER PRINT SET										
		MFG. SET	FIND NO.	DRAWING NO.	REV	NO OF SHT	DESCRIPTION	OPTION NO./FILE DATE			MFG. SET	FIND NO.	DRAWING NO.	REV	NO OF SHT	DESCRIPTION	OPTION NO./FILE DATE
1			12	D-CS-5410864-0-1		3	POWER DIST. BD. ASSY										
				C-MD-7412192-0-0		1	SHIELD										
				D-MD-7411704-0-0		1	BRACKET, CONN. MTG.										
				C-IA-9305937-0-0			MATE-N-LOK FIXTURES										
				D-IA-5010863-0-0		1	ETCHED CIRCUIT BD.										
				K-CO-5410864-0-4			X-Y COORDINATE HOLE LOC.										
				D-AH-5410864-0-5		1	ASSY DRILLING HOLE LAYOUT										
				B-MH-5410864-0-6		1	MODULE ECC HISTORY										
				5010863		REF	ETCH CIRCUIT BOARD										
		X	13	A-SP-3700174-0-0	-	2	PACKAGING INSTRUCTIONS										
				A-PS-9905664-0-0	-	2	REGULAR SLOTTED CARTON										
				A-PS-9905665-0-0	-	2	LAMINATED BUILDUP										
			14	D-AH-5411086-0-5		1	ASSY DRILLING HOLE LAYOUT										
				B-MH-5411086-0-6		1	MODULE ECO HISTORY										
			15	D-AD-7011486-0-0		1	ASSEMBLY DRAWING										
			16	D-AH-5411689-0-5		1	ASSY DRILLING HOLE LAYOUT										
				D-MH-5411689-0-6		1	MODULE ECO HISTORY										

CUSTOMER PRINT SET CODES  
X = PRINT OF DOCUMENT INCLUDED IN PRINT SET  
C = INCLUDES ALL PRINTS INDICATED ON DOCUMENT  
S = CONFIDENTIAL AUTHORIZED SIGNATURE REQUIRED

TITLE  
DRAWING DIRECTORY  
POWER SUPPLY H765

SHEET 5 OF 5  
SIZE CODE B DD  
NUMBER H765-Ø

REV  
R

661

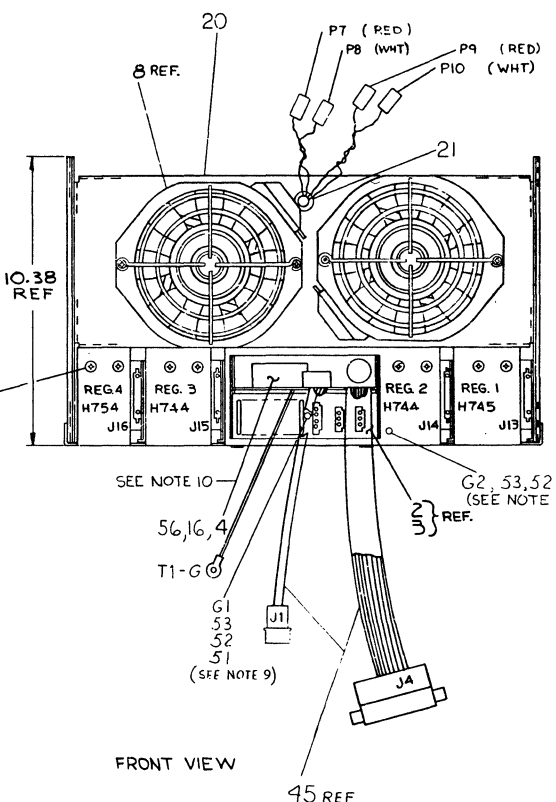
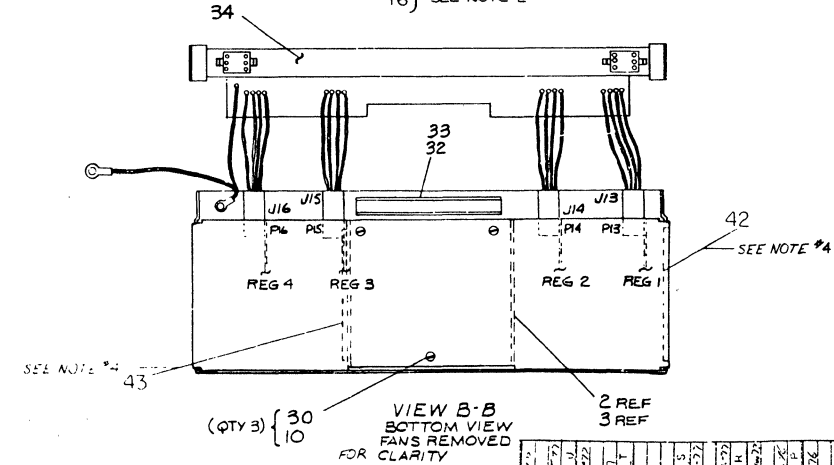
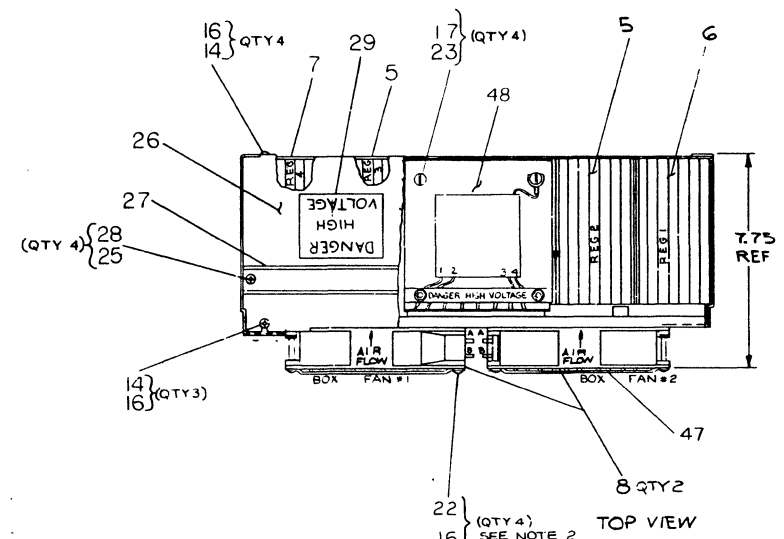
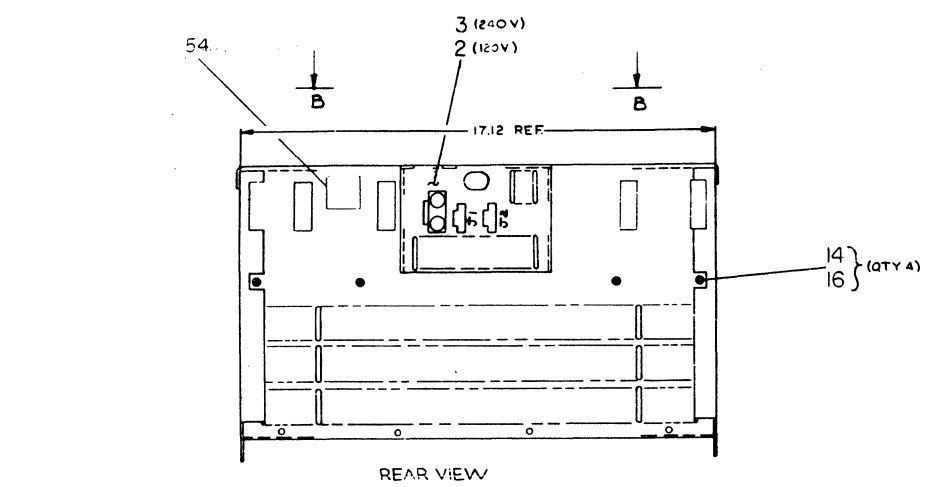
THIS DRAWING AND SPECIFICATION, HEREIN, ARE THE PROPERTY OF DIGITAL EQUIPMENT CORPORATION AND SHALL NOT BE REPRODUCED OR COPIED OR USED IN WHOLE OR IN PART AS THE BASIS FOR THE MANUFACTURE OR SALE OF ITEMS WITHOUT WRITTEN PERMISSION. COPYRIGHT © 1973, DIGITAL EQUIPMENT CORPORATION.

NUMBER	VARIATION
H765-A	120V 50/60 HZ
H765-B	240V 50/60 HZ
H765-C	120V 50/60 HZ NON754
H765-D	240V 50/60 HZ NON754
H765-P	120V 50/60 HZ 110 REG
H765-R	240V 50/60 HZ 110 REG

- NOTES
1. SEE TRANSFORMER ASSY EAD-701004.
  2. SHEET 2 FOR ISOMETRIC ORIENTATION OF CLAMP PLUG WIRES.
  3. TIGHTEN FAN SCREWS TO 10 IN-LBS WITH A TORQUE SCREW DRIVER.
  4. USE ITEM #3 IN PLACE OF ITEM #2 WHEN USING ROTARY FANS.
  5. INSTALL A.B.S VINYL VIEW B-B ITEM #42 AND #43, CENTER 1/4 INCH FROM BOTTOM AND SIDES ON INSIDE WALL.
  6. USE ITEM #14 IN PLACE OF ITEM #16 UNDER MOUNTING SCREWS OF REG. TRANSFORMERS ONLY.
  7. GREEN/YEL GROUND WIRE FROM TRANSFORMERS TO BE FASTENED UNDER REGULATOR MOUNTING SCREW.
  8. IN EARLIER VERSIONS OF THE TRANSFORMER ASSEMBLY A CABLE CLAMP WAS USED IN PLACE OF THE 5-TIE WRAPS TO DRESS THE TRANSFORMER WIRES ALONG THE TRANSFORMER BODY.
  9. ITEM 7-H754 IS NOT USED IN VARIATIONS C & D.
  10. ITEM 53 IS TO BE USED TO PREVENT CORROSION OF CHASSIS AT GROUND STUD.

NOTES (CONT)

10. ITEM #14 (56) (SCR PHD WASHER) TO BE USED TO MOUNT 54 (ITEM #4) IN AC INPUT BOX (ITEM 2 OR 3) IN A.B.C. VERSION. IN PWR VERSION, INSTALL SCREW & WASHER IN MOUNTING HOLES. THEY WILL BE USED ON A HIGHER ASSEMBLY.



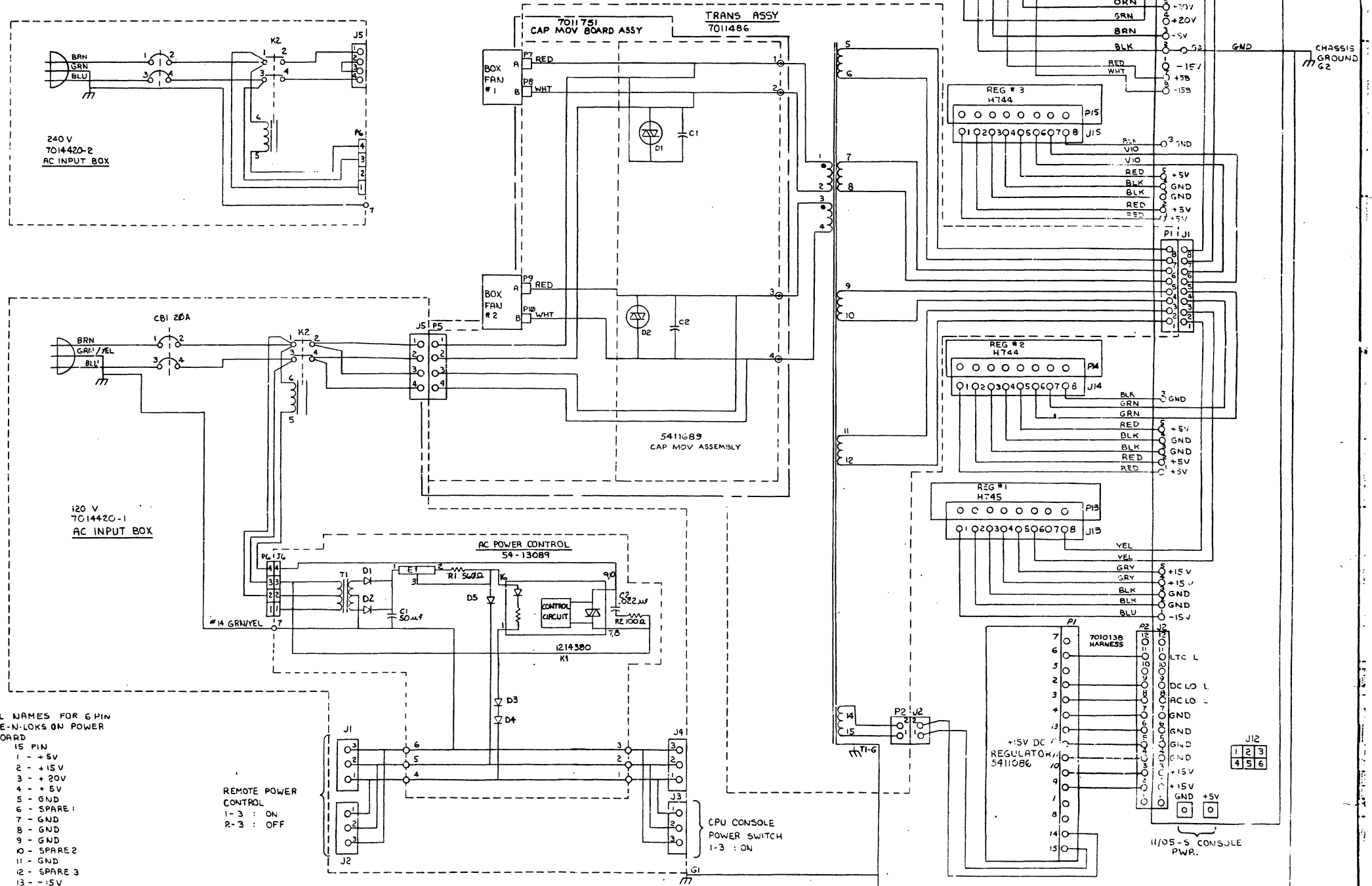
QTY	DESCRIPTION	PART NO.	ITEM NO.
4	SCR PH HD 6-32x1/4	900620-1	56
1	CABLE GND	7013825-02	55
1	DECAL	A-DC-741824-00	54
A/R	A/R GREASE CONDUCTOR	4901173-01	53
2	WASHER LOCK FAT 100TH #32	9008012	52
2	NUT, KEP #8-32	9006543	51
2	TERMINAL RING BLUE	9003928	50
A/R	A/R WIRE TAPS GRN/YEL	7007773-01	49
1	TRANSFORMER ASSEMBLY EAD-701486-0-0	1212561	48
2	FAN GUARD	1212561	47
1	HARNES INTERCONN. DIA 7010138-0-0	9006242	46
1	REF WASH INT TOOTH #10	9006635	45
1	AB S VINYL 4.75 X 3.5	1210984-03	43
1	AB S VINYL 4.75 X 4	1210984-04	42
REF	TEST PROCEDURE A-SP-H765-0-1	9006242	41
REF	TESTER C.S. A-CS-H765-TA-1	9006242	39
REF	TESTER U.A. E-UA-H765-TA-1	9006242	38
REF	TESTER P.L. A-PL-H765-TA-0	9006242	37
REF	H765 POWER SUPPLY ASSEMBLY PROCEDURE A-SP-H765-0-9	9006242	36
REF	PACKAGING INSTRUCTIONS A-SP-370074-00	9006242	35
1	PWR DISTRIBUTION BD-C5-S1684-0-1	9006242	34
A/R	A/R PERMA BOND	9005157	33
A/R	A/R GROMMET STRIP	9008291	32
4	TIE WRAP 1/8 W	9007650	31
3	WASHER, DSK #6	9008012	30
1	STICKER DANGER HIGH VOLTAGE	3210267	29
4	WASH INT TOOTHLOCK #8	9006634	28
1	ROUGH WIRE DIA 700950-0-0	9006634	27
1	COVER, POWER SUPPLY DIA 700944-0-0	9006634	26
4	SCR. PH. HD TRUSS #32x.42	9006543	25
4	SCR PHHD TRUSS 10-32x.50	9006073-3	24
4	SCR PHHD TRUSS 6-32x1.75	9006031-3	23
1	GROMMET .50 I.D.	9007016	21
1	CHASSIS, POWER SUPPLY E-IA-7004752-0-0	9006242	20
1	CLAMP CABLE E-IA-741823-0-0	9006242	19
2	SCR PHHD FL #10-32	9006013-2	18
10	WASH INT TOOTH #10	9006635	17
11	WASH INT TOOTH #6	9006633	16
6	SCR PHHD TRUSS 10-32x.25	9008007-3	15
7	SCR PHHD TRUSS 6-32x.25	9006020-3	14
1	DECAL NEBA	A-DC-5004134-0-1	13
1	DECAL UL	A-DC-5004134-0-1	12
2	SCR. PH. FL. HD #32x.30	9006042-1	11
3	SCR. PH. FL. HD #32x.31	9008404-2	10
2	FAN, 115 VAC 50/60HZ	1211714	8
1	+20V REGULATOR (H784)	B-DD-H754-0	7
1	+15V REGULATOR (H745)	B-DD-H745-0	6
2	+5V REGULATOR (H744)	B-DD-H744-0	5
1	PWR. BD. (+15V REG.)	E-TA-411086	4
1	AC INPUT BOX ASSY C30	DAD-701420-7-0	3
1	AC INPUT BOX ASSY 115V	DAD-701420-1-0	2
1	TRANSFORMER ASSY EAD-701004	1212561	1

FIRST USED ON OPTIM MODEL	QTY.	DESCRIPTION	PART NO.	ITEM NO.
H765-A				
H765-P				
H765-D				
H765-C				
H765-R				

ITEM NO.	DESCRIPTION	QTY.	UNIT
1	TRANSFORMER ASSY EAD-701004	1	EA
2	AC INPUT BOX ASSY 115V DAD-701420-1-0	1	EA
3	AC INPUT BOX ASSY C30 DAD-701420-7-0	1	EA
4	PWR. BD. (+15V REG.) E-TA-411086	1	EA
5	+5V REGULATOR (H744) B-DD-H744-0	2	EA
6	+15V REGULATOR (H745) B-DD-H745-0	1	EA
7	+20V REGULATOR (H784) B-DD-H754-0	1	EA
8	FAN, 115 VAC 50/60HZ 1211714	2	EA
9	CLAMP CABLE E-IA-741823-0-0	1	EA
10	SCR. PH. FL. HD #32x.31 9008404-2	3	EA
11	SCR. PH. FL. HD #32x.30 9006042-1	2	EA
12	DECAL UL A-DC-5004134-0-1	1	EA
13	DECAL NEBA A-DC-5004134-0-1	1	EA
14	SCR PHHD TRUSS 6-32x.25 9006020-3	7	EA
15	SCR PHHD TRUSS 10-32x.25 9008007-3	6	EA
16	WASH INT TOOTH #6 9006633	11	EA
17	WASH INT TOOTH #10 9006635	10	EA
18	SCR PHHD FL #10-32 9006013-2	2	EA
19	CLAMP CABLE E-IA-741823-0-0	1	EA
20	CHASSIS, POWER SUPPLY E-IA-7004752-0-0	1	EA
21	GROMMET .50 I.D. 9007016	1	EA
22	SCR PHHD TRUSS 6-32x1.75 9006031-3	4	EA
23	SCR PHHD TRUSS 10-32x.50 9006073-3	4	EA
24	SCR PHHD TRUSS 10-32x.25 9008007-3	6	EA
25	SCR. PH. HD TRUSS #32x.42 9006543	4	EA
26	COVER, POWER SUPPLY DIA 700944-0-0	1	EA
27	ROUGH WIRE DIA 700950-0-0	1	EA
28	WASH INT TOOTHLOCK #8 9006634	4	EA
29	STICKER DANGER HIGH VOLTAGE 3210267	1	EA
30	WASHER, DSK #6 9008012	3	EA
31	TIE WRAP 1/8 W 9007650	4	EA
32	GROMMET STRIP 9008291	1	EA
33	PERMA BOND 9005157	1	EA
34	PWR DISTRIBUTION BD-C5-S1684-0-1	1	EA
35	PACKAGING INSTRUCTIONS A-SP-370074-00	1	EA
36	H765 POWER SUPPLY ASSEMBLY PROCEDURE A-SP-H765-0-9	1	EA
37	TESTER P.L. A-PL-H765-TA-0	1	EA
38	TESTER U.A. E-UA-H765-TA-1	1	EA
39	TESTER C.S. A-CS-H765-TA-1	1	EA
40	TEST PROCEDURE A-SP-H765-0-1	1	EA
41	REF WASH INT TOOTH #10 9006635	1	EA
42	AB S VINYL 4.75 X 4 1210984-04	1	EA
43	AB S VINYL 4.75 X 3.5 1210984-03	1	EA
44	REF WASH INT TOOTH #10 9006635	1	EA
45	HARNES INTERCONN. DIA 7010138-0-0 9006242	1	EA
46	SCR. PH. HD TRUSS #32x.42 9006543	2	EA
47	FAN GUARD 1212561	2	EA
48	TRANSFORMER ASSEMBLY EAD-701486-0-0 1212561	1	EA
49	A/R WIRE TAPS GRN/YEL 7007773-01	1	EA
50	TERMINAL RING BLUE 9003928	2	EA
51	NUT, KEP #8-32 9006543	2	EA
52	WASHER LOCK FAT 100TH #32 9008012	2	EA
53	A/R GREASE CONDUCTOR 4901173-01	1	EA
54	CABLE GND 7013825-02	1	EA

THIS DRAWING AND SPECIFICATIONS SHALL BE THE PROPERTY OF THE COMPANY. IT IS TO BE USED ONLY FOR THE MANUFACTURE OF THE EQUIPMENT SPECIFIED THEREON. IT IS NOT TO BE REPRODUCED OR TRANSMITTED IN ANY FORM OR BY ANY MEANS, ELECTRONIC OR MECHANICAL, INCLUDING PHOTOCOPYING, RECORDING, OR BY ANY INFORMATION STORAGE AND RETRIEVAL SYSTEM.

CONNECTION TABLE			CONNECTION TABLE		
FROM CONNECTION	TO CONNECTION	SIGNALS	FROM CONNECTION	TO CONNECTION	SIGNALS
P2 FROM TRANS. ASSY	J2 FROM +15V REG.	28 VAC	P4 FROM +15V REG.	J2 LOCATED ON PWR DIST BD	-15V, LTC L, AC LO L, DC L, GND
J16 FROM PWR. DIST. BD.	P16 LOCATED ON REG.#4 (H754)	GND, -5V, +20V 28 VAC			
J15 FROM PWR. DIST. BD.	P15 LOCATED ON REG.#3 (H744)	GND, +5V, 28VAC	P5 FROM TRANS. ASSY	J5 LOCATED ON AC INPUT BOX	120/240 VAC
J14 FROM PWR. DIST. BD.	P14 LOCATED ON REG.#2 (H744)	GND, +5V, 28VAC	P7 (RED)	FAN #1-A	120 VAC - HOT
J13 FROM PWR. DIST. BD.	P13 LOCATED ON REG.#1 (H745)	GND, +15V, -15V 28 VAC	P8 (WHT)	FAN #1-B	120 VAC - NEUTRAL
GND LUG LOCATED ON PWR. DIST. BD. G3	G1 YEL LUG.	SAFETY GROUND	P9 (RED)	FAN #2-A	120 VAC - HOT
P1 FROM TRANS ASSY	J1 LOCATED ON PWR. DIST. BD.	28 VAC	P10 (WHT)	FAN #2-B	120 VAC - NEUTRAL
			T1-G	G1	SAFETY GROUND
			G1	G2	ITEM 55



- COMMON SIGNAL NAMES FOR 6-PIN AND 15-PIN MATE-N-LOKS ON POWER DISTRIBUTION BOARD
- |             |              |
|-------------|--------------|
| 6-PIN       | 15 PIN       |
| 1 - GND     | 1 - +5V      |
| 2 - LTC L   | 2 - +15V     |
| 3 - DC LO L | 3 - +20V     |
| 4 - AC LO L | 4 - +5V      |
| 5 - SPARE 4 | 5 - GND      |
| 6 - SPARE 5 | 6 - SPARE 1  |
|             | 7 - GND      |
|             | 8 - GND      |
|             | 9 - GND      |
|             | 0 - SPARE 2  |
|             | 11 - GND     |
|             | 12 - SPARE 3 |
|             | 13 - -15V    |
|             | 14 - -5V     |
|             | 15 - SPARE 3 |

REMOTE POWER CONTROL  
1-3 : ON  
2-3 : OFF

CPU CONSOLE POWER SWITCH  
1-3 : ON

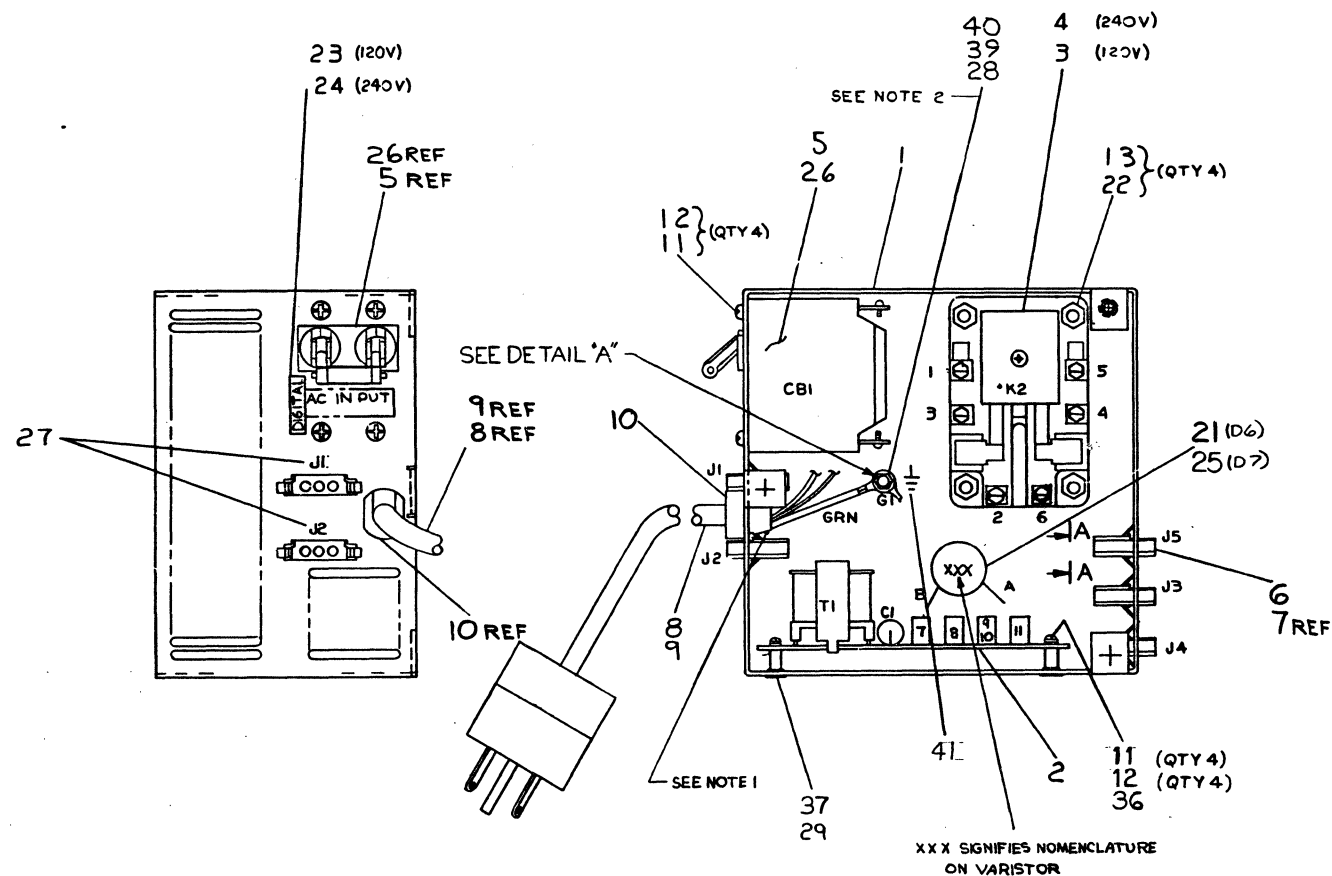
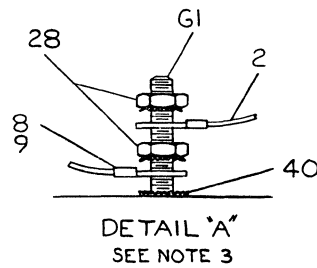
46

THE DRAWING AND SPECIFICATIONS HEREIN ARE THE PROPERTY OF DIGITAL EQUIPMENT CORPORATION AND SHALL NOT BE REPRODUCED OR COPIED OR USED IN WHOLE OR IN PART AS THE BASIS FOR THE MANUFACTURE OR SALE OF ITEMS WITHOUT WRITTEN PERMISSION. COPYRIGHT © 1972, DIGITAL EQUIPMENT CORPORATION.

**NOTES:**

1. LEAVE .5 IN ±2 IN OF OUTER INSULATION OF LINE CORD INSIDE BOX.
2. REMOVE PAINT MASK FROM G1 ONLY AND APPLY CONDUCTIVE GREASE TO AREA AROUND STUD G1 BEFORE INSTALLING ITEMS 40 (LOCKWASHER), LUG ON GRN/YEL WIRE, AND 28 (KEPNUT).
3. ENSURE THAT LUG CONNECTED TO GRN/YEL WIRE FROM LINE CORD, WASHER ITEM 40, AND KEPNUT ITEM 28 ARE THE FIRST ITEMS INSTALLED ON G1. SEE DETAIL A.

LEGEND	
NUMBER	VARIATION
7009811-1	120V 47-63HZ 12A
7009811-2	240V 47-63HZ 26A



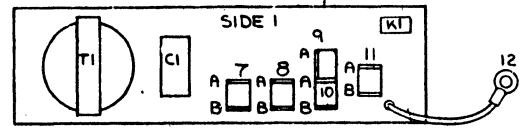
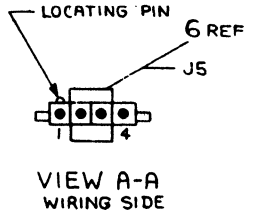
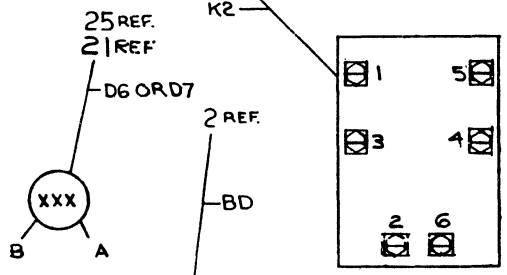
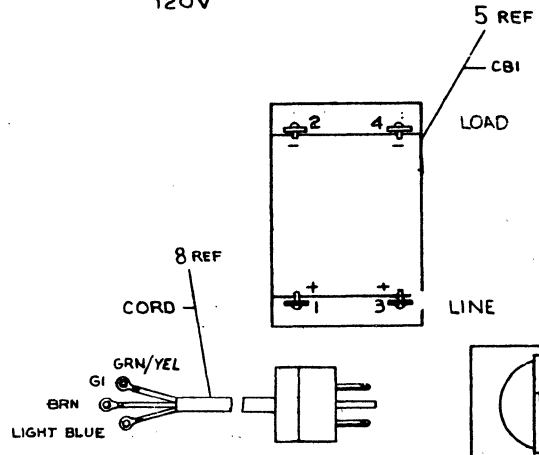
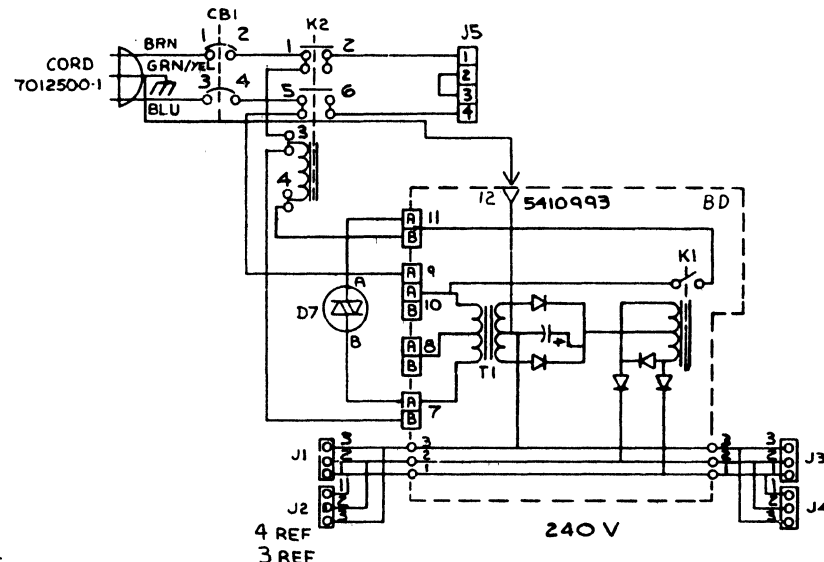
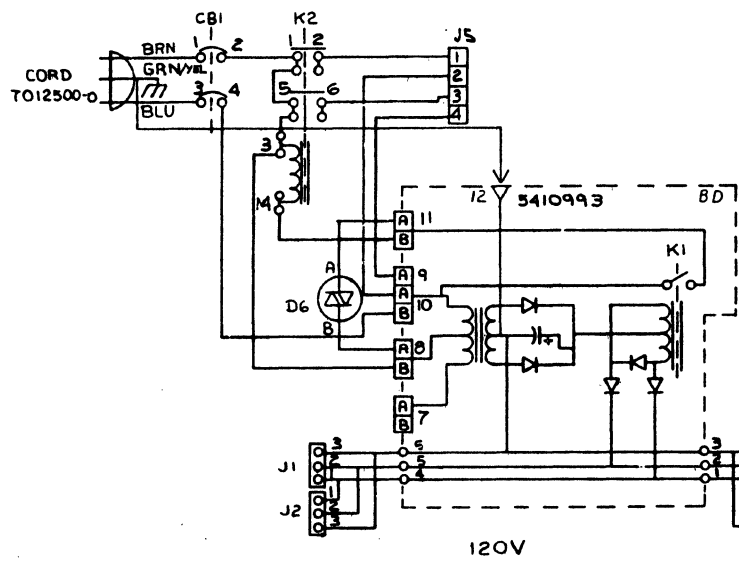
QTY.	DESCRIPTION	PART NO.	ITEM NO.
1	DECAL, SAFTY GROUND	A-DC-3612680-01	41
1	WASHER, EXT TOOTH #8	9008072	40
A/R	A/R GREASE, CONDUCTIVE	4901173-01	39
1	JUMPER, POWER (WHT)	7010301-8	38
4	4 SCR. PH. FL. HD. 6-32x1/4	9006020-02	37
4	4 WASHER, FLAT	9006653	36
REF	REF A.C. INPUT BOX ASSEMBLY PROCEDURE	A-SP-7009811-0-9	35
REF	REF TESTER PARTS LIST	A-PL-7009811-7A-0	34
REF	REF TESTER TEST PROCEDURE	A-SP-7009811-0-8	33
REF	REF TESTER U.A.	A-UA-7009811-0-8	32
REF	REF TESTER C.S.	A-CS-7009811-0-8	31
4	4 SPACER 6-32x 3/8"	9006844	29
3	3 NUT, KEPS #8-32	9006563	28
1	1 DECAL	A-DC-7409873-0-0	27
1	1 CIRCUIT BRK 10 A.	1212124-03	26
1	1 VARISTOR (D7) ASSY	C-IA-7010300-2-0	25
1	1 DECAL 230V 47-63 HZ 6A	A-DC-7412380-0-0	24
1	1 DECAL 115V 47-63 HZ 12A	A-DC-7412303-0-0	23
4	4 SCR PH FL HD #6-32 X 50	9006024-2	22
1	1 VARISTOR (D6) ASSY	C-IA-7010300-1-0	21
2	2 POWER JUMPER (BLK)	D-IA-7010301-2-0	20
1	1 POWER JUMPER (BLK)	D-IA-7010301-3-0	19
2	2 POWER JUMPER (BLK)	D-IA-7010301-4-0	18
1	1 POWER JUMPER (WHT)	D-IA-7010301-5-0	17
2	2 POWER JUMPER (WHT)	D-IA-7010301-6-0	16
1	1 POWER JUMPER (BRN)	D-IA-7010301-7-0	15
1	1 POWER JUMPER (BLK)	D-IA-7010301-1-0	14
4	4 NUT KEPS #6-32	9008185	13
8	8 WASHER, INT TOOTH #6	9006633	12
8	8 SCR PH L PAN HD #6-32X25	9006020-1	11
1	1 STRAIN RELIEF	9008509	10
1	1 POWER CORD 240V	D-AD-7012500-1	9
1	1 POWER CORD 120V	D-AD-7012500-0	8
1	1 PWR CONTROL HARN. 240V	D-IA-7010302-2-0	7
1	1 PWR CONTROL HARN 120V	D-IA-7010302-1-0	6
1	1 CIRCUIT BREAK 20A	1212124-05	5
1	1 RELAY 240V	1211222-02	4
1	1 RELAY 120V	1211222-01	3
1	1 AC PWR CONTR BOARD	D-CS-5410993-0-1	2
1	1 CHASSIS, COMP. MTG.	D-IA-7009812-0-0	1

FIRST USED ON OPTION/MODEL		QTY.	DESCRIPTION	PART NO.	ITEM NO.
BAIL-K					
DIMENSIONAL TOLERANCE		DATE		PARTS LIST	
DIMENSIONS ARE UNLESS OTHERWISE SPECIFIED		DATE		TITLE	
UNLESS OTHERWISE SPECIFIED		DATE		AC INPUT BOX ASSY.	
UNLESS OTHERWISE SPECIFIED		DATE		REV.	
UNLESS OTHERWISE SPECIFIED		DATE		DAD 7009810-0	
UNLESS OTHERWISE SPECIFIED		DATE		K	

REV.	REV. NO.	REV. DATE	REV. BY	REV. DESCRIPTION
A	1	1-10-75	R. WOLF	11455-00003
B	2	1-10-75	R. WOLF	11455-00004
C	3	1-10-75	R. WOLF	11455-00005
D	4	1-10-75	R. WOLF	11455-00006
E	5	1-10-75	R. WOLF	11455-00007
F	6	1-10-75	R. WOLF	11455-00008
G	7	1-10-75	R. WOLF	11455-00009
H	8	1-10-75	R. WOLF	11455-00010
I	9	1-10-75	R. WOLF	11455-00011
J	10	1-10-75	R. WOLF	11455-00012
K	11	1-10-75	R. WOLF	11455-00013
L	12	1-10-75	R. WOLF	11455-00014
M	13	1-10-75	R. WOLF	11455-00015
N	14	1-10-75	R. WOLF	11455-00016
O	15	1-10-75	R. WOLF	11455-00017
P	16	1-10-75	R. WOLF	11455-00018
Q	17	1-10-75	R. WOLF	11455-00019
R	18	1-10-75	R. WOLF	11455-00020
S	19	1-10-75	R. WOLF	11455-00021
T	20	1-10-75	R. WOLF	11455-00022
U	21	1-10-75	R. WOLF	11455-00023
V	22	1-10-75	R. WOLF	11455-00024
W	23	1-10-75	R. WOLF	11455-00025
X	24	1-10-75	R. WOLF	11455-00026
Y	25	1-10-75	R. WOLF	11455-00027
Z	26	1-10-75	R. WOLF	11455-00028
AA	27	1-10-75	R. WOLF	11455-00029
AB	28	1-10-75	R. WOLF	11455-00030
AC	29	1-10-75	R. WOLF	11455-00031
AD	30	1-10-75	R. WOLF	11455-00032
AE	31	1-10-75	R. WOLF	11455-00033
AF	32	1-10-75	R. WOLF	11455-00034
AG	33	1-10-75	R. WOLF	11455-00035
AH	34	1-10-75	R. WOLF	11455-00036
AI	35	1-10-75	R. WOLF	11455-00037
AJ	36	1-10-75	R. WOLF	11455-00038
AK	37	1-10-75	R. WOLF	11455-00039
AL	38	1-10-75	R. WOLF	11455-00040
AM	39	1-10-75	R. WOLF	11455-00041
AN	40	1-10-75	R. WOLF	11455-00042
AO	41	1-10-75	R. WOLF	11455-00043
AP	42	1-10-75	R. WOLF	11455-00044
AQ	43	1-10-75	R. WOLF	11455-00045
AR	44	1-10-75	R. WOLF	11455-00046
AS	45	1-10-75	R. WOLF	11455-00047
AT	46	1-10-75	R. WOLF	11455-00048
AU	47	1-10-75	R. WOLF	11455-00049
AV	48	1-10-75	R. WOLF	11455-00050
AW	49	1-10-75	R. WOLF	11455-00051
AX	50	1-10-75	R. WOLF	11455-00052
AY	51	1-10-75	R. WOLF	11455-00053
AZ	52	1-10-75	R. WOLF	11455-00054
BA	53	1-10-75	R. WOLF	11455-00055
BB	54	1-10-75	R. WOLF	11455-00056
BC	55	1-10-75	R. WOLF	11455-00057
BD	56	1-10-75	R. WOLF	11455-00058
BE	57	1-10-75	R. WOLF	11455-00059
BF	58	1-10-75	R. WOLF	11455-00060
BG	59	1-10-75	R. WOLF	11455-00061
BH	60	1-10-75	R. WOLF	11455-00062
BI	61	1-10-75	R. WOLF	11455-00063
BJ	62	1-10-75	R. WOLF	11455-00064
BK	63	1-10-75	R. WOLF	11455-00065
BL	64	1-10-75	R. WOLF	11455-00066
BM	65	1-10-75	R. WOLF	11455-00067
BN	66	1-10-75	R. WOLF	11455-00068
BO	67	1-10-75	R. WOLF	11455-00069
BP	68	1-10-75	R. WOLF	11455-00070
BQ	69	1-10-75	R. WOLF	11455-00071
BR	70	1-10-75	R. WOLF	11455-00072
BS	71	1-10-75	R. WOLF	11455-00073
BT	72	1-10-75	R. WOLF	11455-00074
BU	73	1-10-75	R. WOLF	11455-00075
BV	74	1-10-75	R. WOLF	11455-00076
BW	75	1-10-75	R. WOLF	11455-00077
BX	76	1-10-75	R. WOLF	11455-00078
BY	77	1-10-75	R. WOLF	11455-00079
BZ	78	1-10-75	R. WOLF	11455-00080
CA	79	1-10-75	R. WOLF	11455-00081
CB	80	1-10-75	R. WOLF	11455-00082
CC	81	1-10-75	R. WOLF	11455-00083
CD	82	1-10-75	R. WOLF	11455-00084
CE	83	1-10-75	R. WOLF	11455-00085
CF	84	1-10-75	R. WOLF	11455-00086
CG	85	1-10-75	R. WOLF	11455-00087
CH	86	1-10-75	R. WOLF	11455-00088
CI	87	1-10-75	R. WOLF	11455-00089
CJ	88	1-10-75	R. WOLF	11455-00090
CK	89	1-10-75	R. WOLF	11455-00091
CL	90	1-10-75	R. WOLF	11455-00092
CM	91	1-10-75	R. WOLF	11455-00093
CN	92	1-10-75	R. WOLF	11455-00094
CO	93	1-10-75	R. WOLF	11455-00095
CP	94	1-10-75	R. WOLF	11455-00096
CQ	95	1-10-75	R. WOLF	11455-00097
CR	96	1-10-75	R. WOLF	11455-00098
CS	97	1-10-75	R. WOLF	11455-00099
CT	98	1-10-75	R. WOLF	11455-00100
CU	99	1-10-75	R. WOLF	11455-00101
CV	100	1-10-75	R. WOLF	11455-00102

THE DRAWING AND SPECIFICATIONS HEREIN ARE THE PROPERTY OF DIGITAL EQUIPMENT CORPORATION AND SHALL NOT BE REPRODUCED OR COPIED OR USED IN WHOLE OR IN PART AS THE BASIS FOR THE MANUFACTURE OR SALE OF ITEMS WITHOUT WRITTEN PERMISSION. COPYRIGHT © 1974, DIGITAL EQUIPMENT CORPORATION.

D AD 7009811-0-0 2



REVISIONS		
CHK	CHANGE NO.	REV

TITLE AC INPUT BOX ASS'Y. SIZE CODE D AD NUMBER 7009811-0-0 REV. K  
SCALE NONE SHEET 2 OF 3 DISF.

46

"THE DRAWING AND SPECIFICATIONS HEREIN ARE THE PROPERTY OF DIGITAL EQUIPMENT CORPORATION AND SHALL NOT BE REPRODUCED OR COPIED OR USED IN WHOLE OR IN PART AS THE BASIS FOR THE MANUFACTURE OR SALE OF ITEMS WITHOUT WRITTEN PERMISSION. COPYRIGHT © 1974 DIGITAL EQUIPMENT CORPORATION"

WIRE TABLE (120V)

ITEM NO.	AWG	DESCRIPTION	CONNECTION		REMARKS
			FROM	TO	
8	14	BRN	CORD	CBI-1(+)	
8		BLU	CORD	CBI-3(+)	
14		BLK	CBI-2(-)		
18		BLK		K2-1	
18		BLK	K2-5		
19		BLK		K2-3	
19		BLK	BD-8B		
17		WHT	CBI-4(-)	BD-10B	
6		WHT	BD-10A	J5-2(REF)	
6		WHT	BD-9A	J5-4(REF)	
15		BRN	K2-4	BD-11B	
6		BLK	K2-6	J5-3(REF)	
6	14	BLK	K2-2	J5-1(REF)	
21	22	RED	D6-A	BD-11A	
21	22	RED	D6-B	BD-8A	
8	14	GRN/YEL	CORD	G1	SEE NOTE 2
2	14	GRN/YEL	BD-12	G1	SEE DETAIL A AND NOTE 2

WIRE TABLE (240V)

ITEM NO.	AWG	DESCRIPTION	CONNECTION		REMARKS
			FROM	TO	
8	14	BRN	CORD	CBI-1(+)	
8		BLU	CORD	CBI-3(+)	
14		BLK	CBI-2		
20		BLK		K2-1	
19		BLK	K2-3		
19		BLK		BD-7B	
38		WHT		CBI-4(-)	
14		WHT	K2-5		
15		BRN	K2-4	BD-11B	
7		BLK	K2-2	J5-1(REF)	
7		BLK	J5-2(REF)	J5-3(REF)	
7	14	WHT	K2-6	J5-4(REF)	
25	22	RED	D7-A	BD-11A	
25	22	RED	D7-B	BD-7A	
8	14	GRN/YEL	CORD	G1	SEE NOTE 2
2	14	GRN/YEL	BD-12	G1	SEE DETAIL A AND NOTE 2

REVISIONS		
CHK	CHANGE NO.	REV.

TITLE AC INPUT BOX ASSY		SIZE CODE D AD	NUMBER 7009811-0-0	REV. K
SCALE NONE	SHEET 3 OF 3	DIST.		

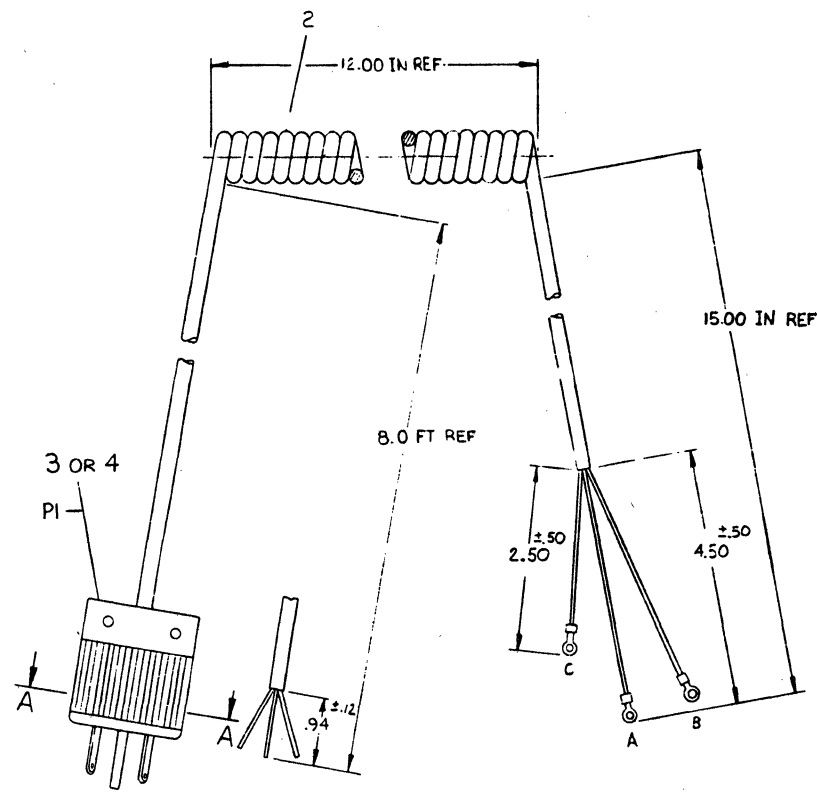
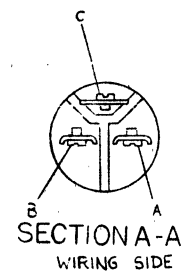




THIS DRAWING AND SPECIFICATIONS HEREIN ARE THE PROPERTY OF DIGITAL EQUIPMENT CORPORATION AND SHALL NOT BE REPRODUCED OR COPIED OR USED IN WHOLE OR IN PART AS THE BASIS FOR THE MANUFACTURE OR SALE OF ITEMS WITHOUT WRITTEN PERMISSION. COPYRIGHT © 1976, DIGITAL EQUIPMENT CORPORATION

WIRE TABLE (7012500-0)							WIRE TABLE (7012500-1)								
ITEM NO.	DESCRIPTION	AWG	COLOR	FROM CONNECTION	WITH CONNECTION	TO CONNECTION	REMARKS	ITEM NO.	DESCRIPTION	AWG	COLOR	FROM CONNECTION	WITH CONNECTION	TO CONNECTION	REMARKS
2	14	BRN	PI-B	---	B	6	AC LINE	2	14	BRN	PI-B	---	B	6	LINE
2	14	LT BLU	PI-A	---	A	6	AC NEUTRAL	2	14	LT BLU	PI-A	---	A	6	NEUTRAL
2	14	GRN/YEL	PI-C	---	C	6	AC SAFETY GND	2	14	GRN/YEL	PI-C	---	C	6	AC SAFETY GND

LEGEND	
NUMBER	VARIATION
7012500-0	12CV
7012500-1	240V



QTY	DESCRIPTION	DWG. PART NO.	ITEM NO.
3	TERMINAL, THIS TYPE	9007923	5
2	TERMINAL, QUICK CONNECT	9007919-0	5
1	PLUG, 240 V	9008653	4
1	PLUG, 120 V	9008938	3
1	POWER CORD	1700065-0	2
1	POWER CORD	1000065	1

UNLESS OTHERWISE SPECIFIED DIMENSIONS ARE IN INCHES

CLASS OF ACCURACY	NOMINAL DIMENSION RANGE INCHES					
	OVER 0.2	0.2 TO 1.2	1.2 TO 4.0	4.0 TO 12.0	12.0 TO 40.0	40.0 TO 80.0
ANGLES 10° 30'	±0.01	±0.01	±0.01	±0.01	±0.01	±0.01
SURFACE QUALITY IN	±0.004	±0.008	±0.012	±0.016	±0.024	±0.04
QUANTITY & VARIATION	PREFERRED <input type="checkbox"/> ±0.012 ±0.016 ±0.025 ±0.04 ±0.06 ±0.1					

THIRD ANGLE PROJECTION

REMOVE BURRS AND BREAK SHARP CORNERS

DO NOT SCALE DWG

MATERIAL SEE PARTS LIST

FINISH

DRN. 2 *[Signature]* 2:27-76

CHK'D *[Signature]* 5/11/76

ENG. *[Signature]* 3/26/76

PROJ. ENG. *[Signature]* 5/26/76

PROD. *[Signature]* 11/4/76

FIRST USED ON 3A11-K

TITLE POWER CORD 120V 240V

SIZE CODE D 1A

NUMBER 7012500-0-0

REV. B

SHEET 1 OF 1

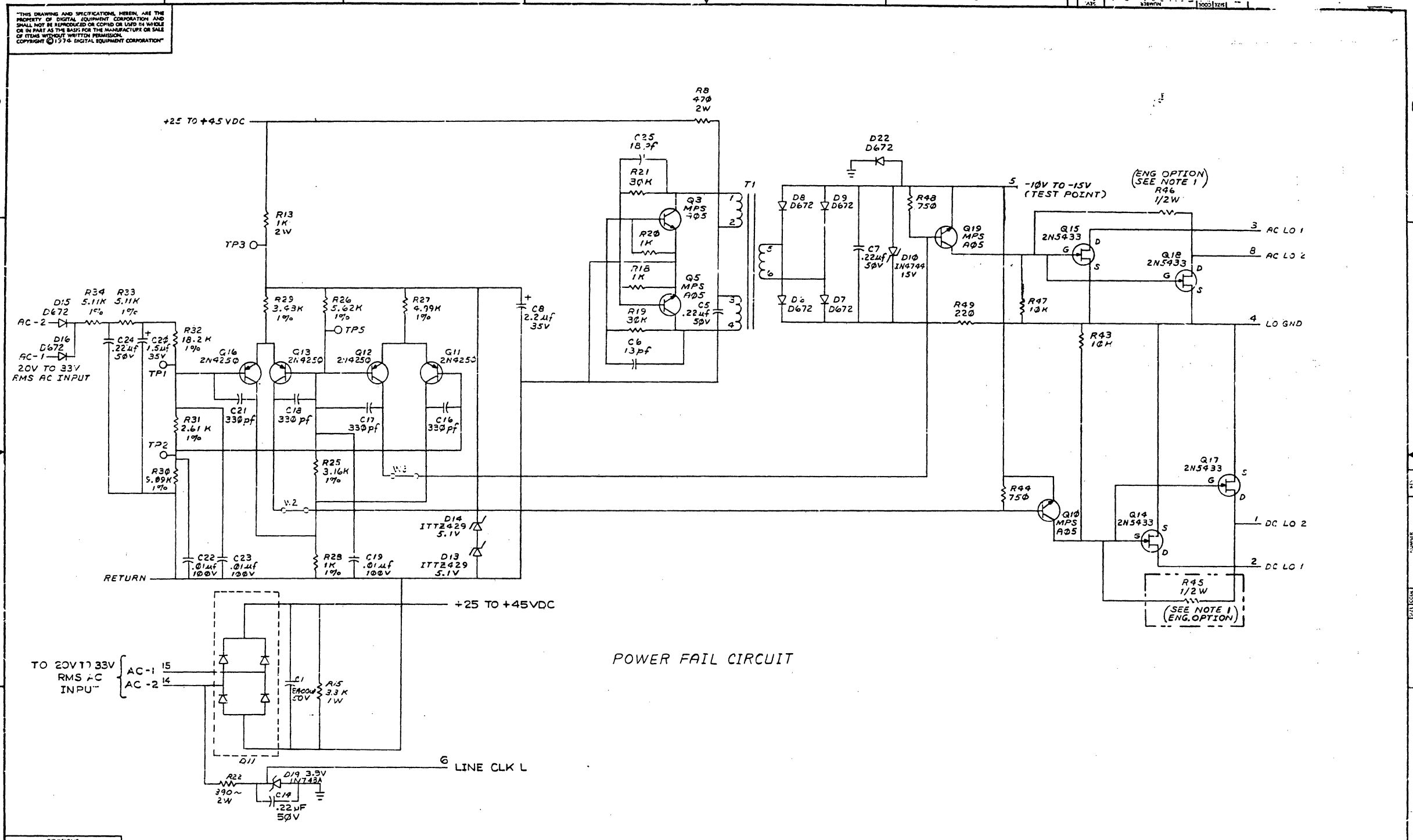
REV.	DESCRIPTION
1	CHANGE NO. 1
2	CHANGE NO. 2
3	CHANGE NO. 3
4	CHANGE NO. 4
5	CHANGE NO. 5
6	CHANGE NO. 6
7	CHANGE NO. 7
8	CHANGE NO. 8

468





THIS DRAWING AND SPECIFICATIONS HEREIN ARE THE PROPERTY OF DIGITAL EQUIPMENT CORPORATION AND SHALL NOT BE REPRODUCED OR COPIED OR USED IN WHOLE OR IN PART AS THE BASIS FOR THE MANUFACTURE OR SALE OF ITEMS WITHOUT WRITTEN PERMISSION. COPYRIGHT © 1974 DIGITAL EQUIPMENT CORPORATION

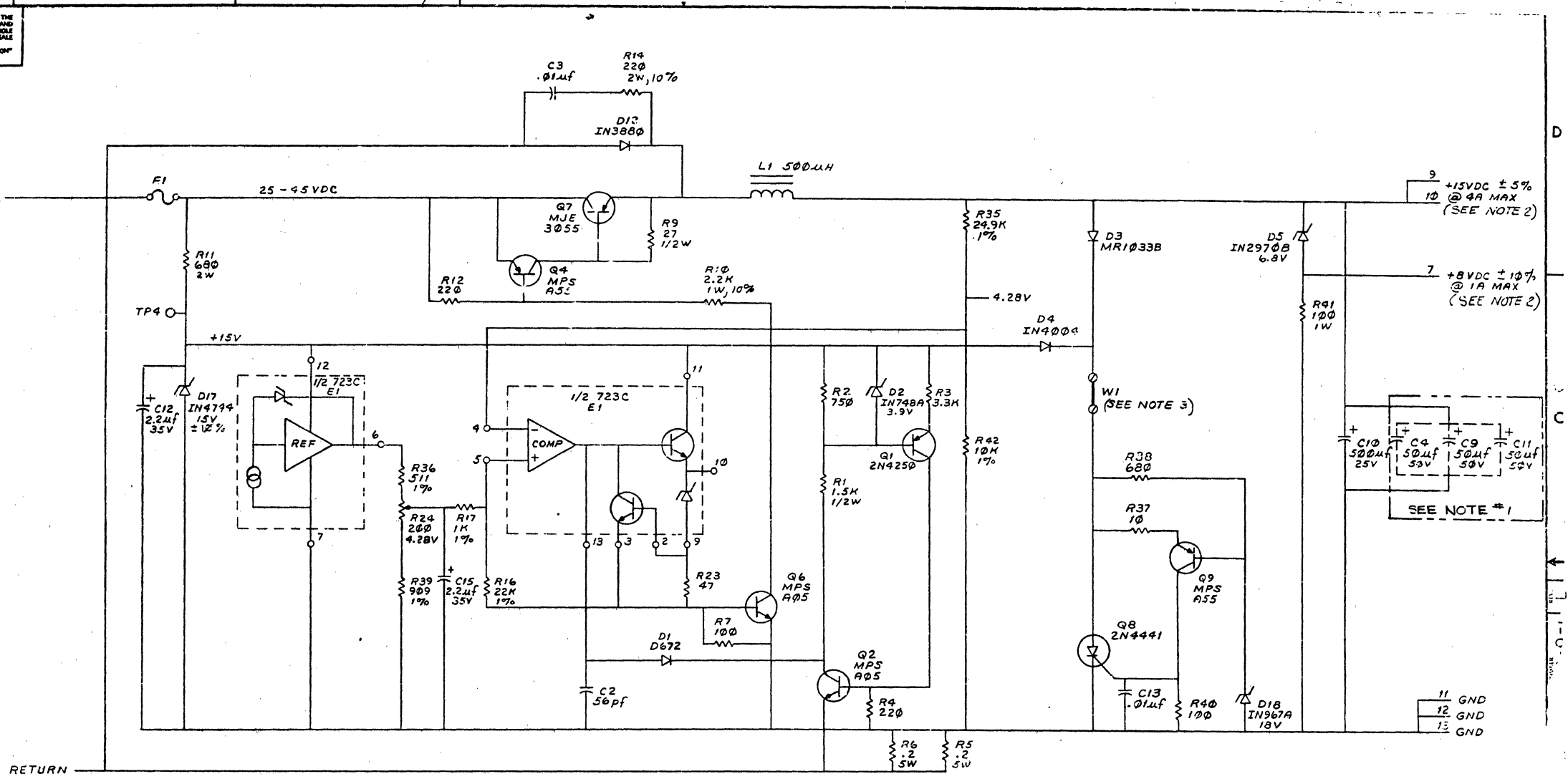


REVISIONS		
CHK	CHANGE NO.	REV.

TITLE	PWR. LINE MONITOR/15V REG.	SIZE (CCH)	NUMBER	REV.
SCALE	SHEET 3 OF 4	DIST.	DCS 5411086-0-1	L

THIS DRAWING AND SPECIFICATIONS, HEREIN, ARE THE PROPERTY OF DIGITAL EQUIPMENT CORPORATION AND SHALL NOT BE REPRODUCED OR COPIED OR USED IN WHOLE OR IN PART AS THE BASIS FOR THE MANUFACTURE OF ANY ITEM WITHOUT WRITTEN PERMISSION. COPYRIGHT © 1974 DIGITAL EQUIPMENT CORPORATION

8



15V REGULATOR  
(SEE NOTE #4)

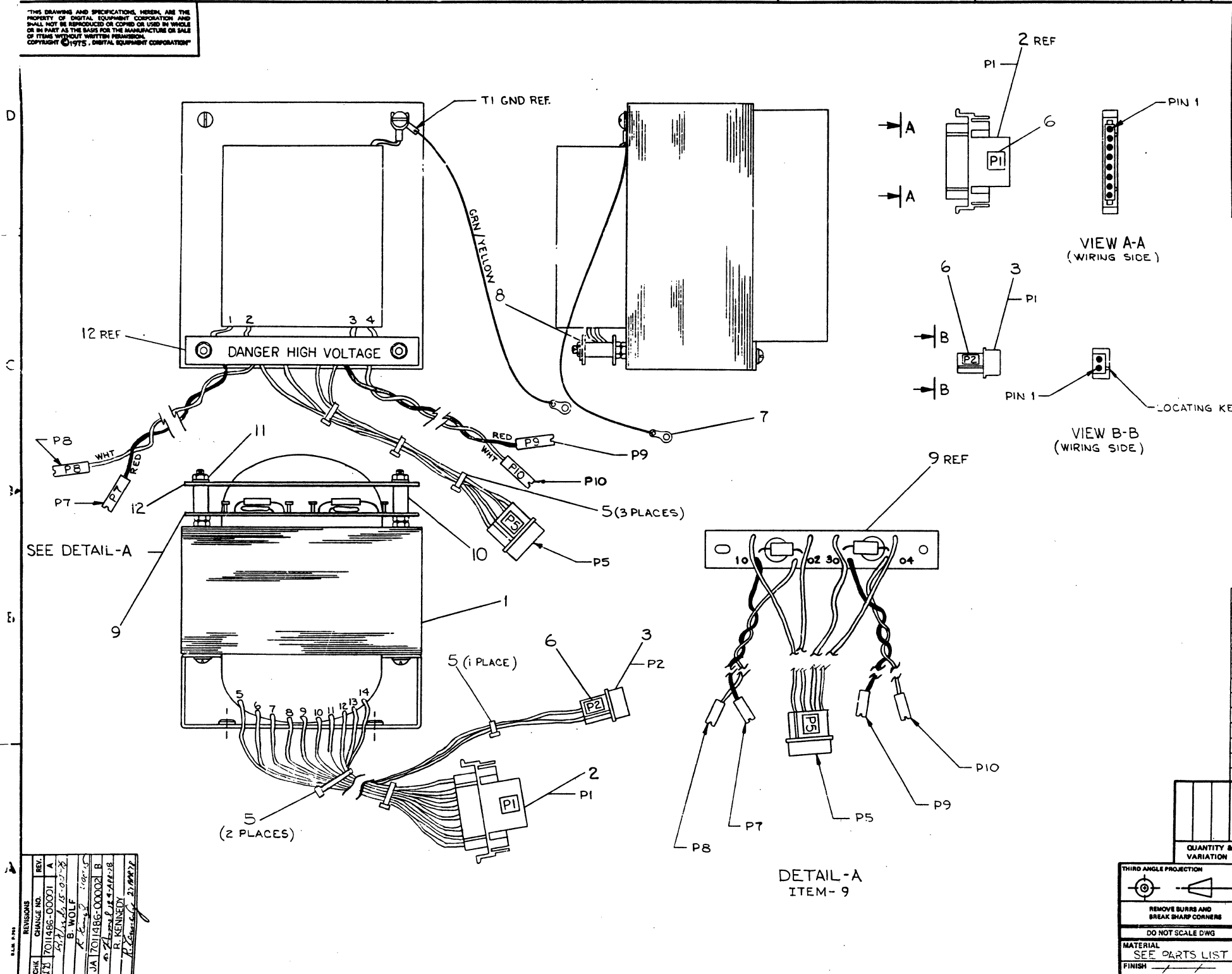
REVISIONS		
CHK	CHANGE NO.	REV.

TITLE	PWR. LINE MONITOR/15V REG.	SIZE CODE	NUMBER	REV.
SCALE	---	SHEET	GF 7	L
DIST.				

472

THIS DRAWING AND SPECIFICATIONS HEREIN ARE THE PROPERTY OF DIGITAL EQUIPMENT CORPORATION AND SHALL NOT BE REPRODUCED OR COPIED OR USED IN WHOLE OR IN PART AS THE BASIS FOR THE MANUFACTURE OR SALE OF ITEMS WITHOUT WRITTEN PERMISSION. COPYRIGHT © 1975, DIGITAL EQUIPMENT CORPORATION.

8 C-931102 10 2



REF	DESCRIPTION	DWG. PART NO.	ITEM NO.
REF	TRANSFORMER ASSY PROCEDURE	A-SP-7011482-0-9	13
1	COVER	C-1A-7414301-0-0	12
2	NUT, KEP #10-32	9006825	11
2	SPACER, 3/8 CD X 1/2 LG	9001831	10
1	CAP MOV BOARD ASSY	D-1A-7017510-0-0	9
2	WASHER, FLAT #37X.218 ID	9006864	8
1	GROUND LUG	9008150	7
1	DECAL	A-D-7409872-0-0	6
1/2	CABLE TIES 5/4 L X 1/3 W	9007880	5
10	PIN, MALE	209378-1	4
1	CONN., 2 PIN	1210822-2	3
1	CONN., 8 PIN	1209340-01	2
1	TRANSFORMER	1612524	1

UNLESS OTHERWISE SPECIFIED DIMENSIONS ARE IN INCHES	
ANGLES MFG 30°	CLASS OF ACCURACY
SURFACE QUALITY IN	MEDIUM
MICROINCHES	PREFERRED

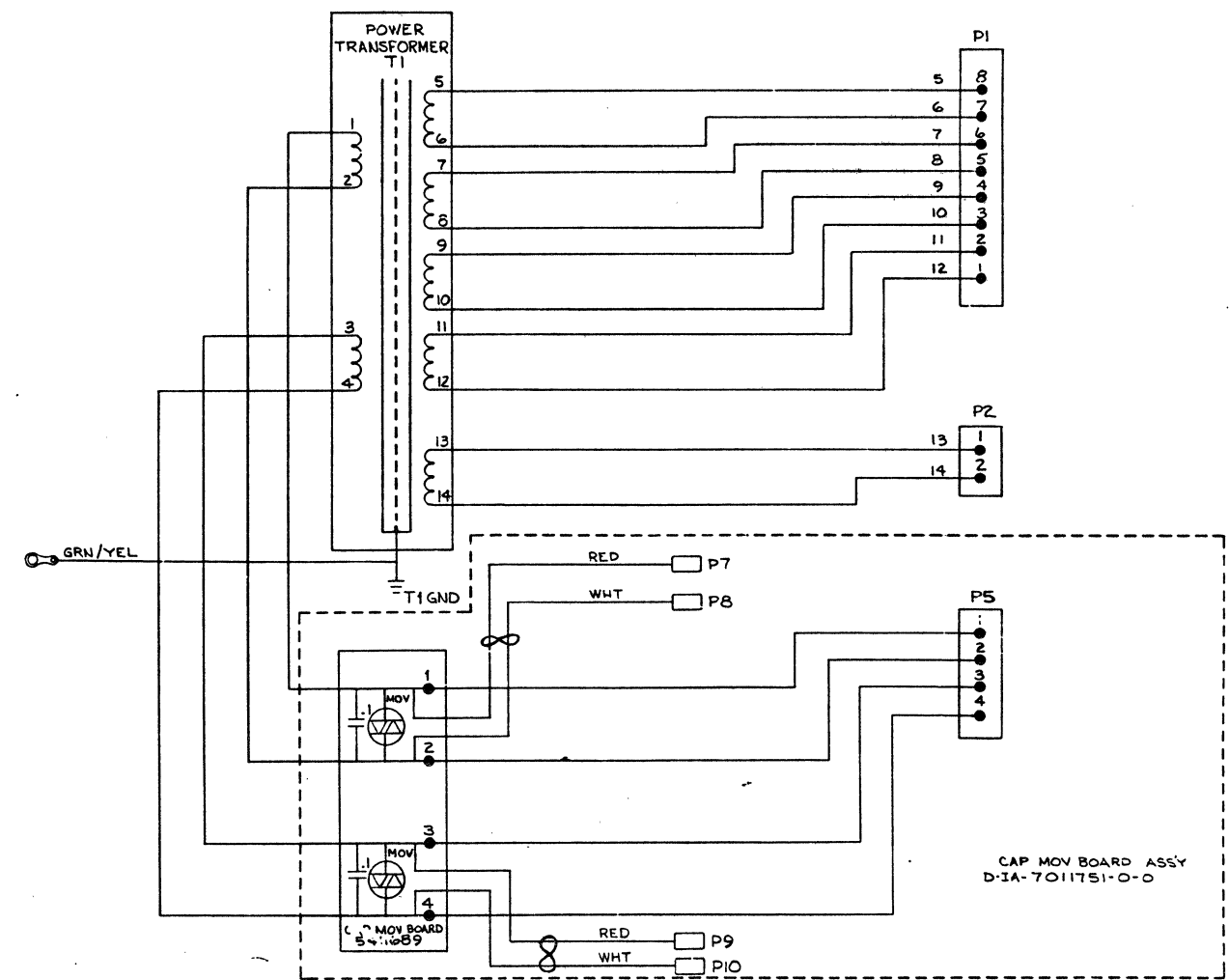
THIRD ANGLE PROJECTION	DRN'T	CHK'D	ENG. IN CHARGE	PROJ. ENGR	PROD. ENGR	DATE	FIRST USED ON	TITLE
							H:52	TRANSFORMER ASSY

MATERIAL	SCALE	SHEET	OF	SIZE	CODE	NUMBER	REV.
SEE PARTS LIST	1/1	1	2	D	AD	7011486-0-0	B

REV.	CHANGE NO.	DATE	BY	APP'D
1	7011486-00001	12-15-75	B. WOLF	
2	7011486-00002	1-14-76	R. KENNEDY	

THIS DRAWING AND SPECIFICATIONS HEREIN ARE THE PROPERTY OF DIGITAL EQUIPMENT CORPORATION AND SHALL NOT BE REPRODUCED OR COPIED OR USED IN WHOLE OR IN PART AS THE BASIS FOR THE MANUFACTURE OR SALE OF ITEMS WITHOUT WRITTEN PERMISSION. COPYRIGHT © 1975 DIGITAL EQUIPMENT CORPORATION

WIRE TABLE							
ITEM NO.	AWG	COLOR	FROM CONNECTION	WITH	TO CONNECTION	WITH	WIRE LENGTH
1	14	BLK	T1-1	---	CAP MOV BD-1	SOLDER	1.5 IN
			T1-2	---	CAP MOV BD-2	SOLDER	2.0 IN
			T1-3	---	CAP MOV BD-3	SOLDER	2.0 IN
			T1-4	---	CAP MOV BD-4	SOLDER	1.5 IN
			T1-5	---	PI-8	ITEM 4	12.0 IN
			T1-6	---	PI-7		
			T1-7	---	PI-6		
			T1-8	---	PI-5		
			T1-9	---	PI-4		
			T1-10	---	PI-3		
			T1-11	---	PI-2		
			T1-12	---	PI-1	ITEM 4	
			T1-13	---	P2-1	ITEM 4	
1	14	BLK	T1-14	---	P2-2	ITEM 4	12.0 IN
1	14	GRN/YEL	T1-GND	---	GND LUG (ITEM 7)	SOLDER	16.0 IN



REVISIONS		
CHK	CHANGE NO	REV.

TITLE: TRANSFORMER ASSY  
 SIZE CODE: D  
 NUMBER: 7011486-0-0  
 SCALE: 1/1  
 SHEET 2 OF 2  
 DIST.:

474

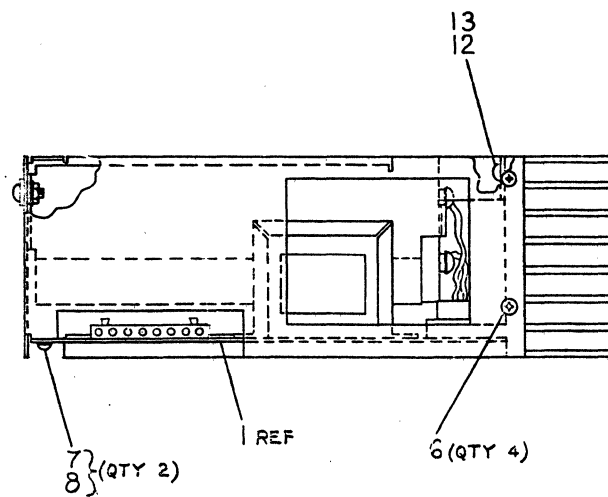
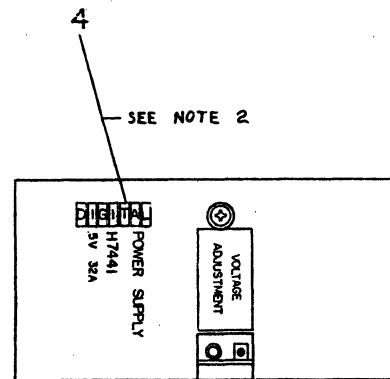
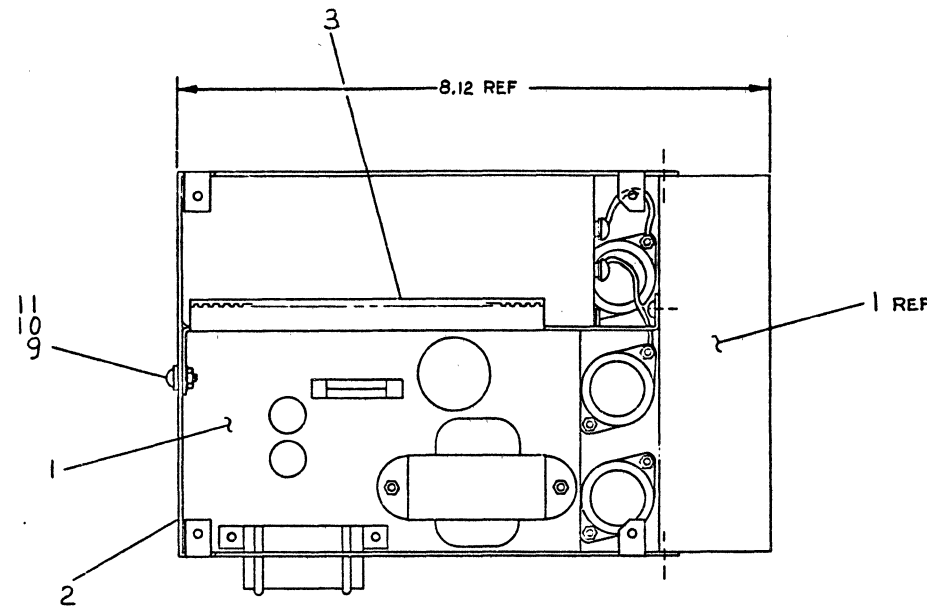




THE DRAWING AND SPECIFICATIONS HEREIN ARE THE PROPERTY OF DIGITAL EQUIPMENT CORPORATION AND SHALL NOT BE REPRODUCED OR COPIED OR USED IN WHOLE OR IN PART AS THE BASIS FOR THE MANUFACTURE OR SALE OF ITEMS WITHOUT WRITTEN PERMISSION. COPYRIGHT © 1976, DIGITAL EQUIPMENT CORPORATION

NOTES:

- ATTACH (RED) WIRE FROM ITEM (2) TO POSITIVE (+) TERMINAL OF CAPACITOR ITEM (5). ATTACH REMAINING (BLK) WIRE TO THE (-) TERMINAL OF THE CAP (ITEM 5).
- PEEL AND ATTACH ITEM 4 TO ITEM 2 AS SHOWN.



QTY	DESCRIPTION	DWG. PART NO.	ITEM NO.
1	WASHER, LOCK INT. TOOTH #6	9006633	13
1	SCR, PHL PAN HD. #6-32X.38	9006022-01	12
1	NUT, KEPS #6-32X.31	9006560	11
1	WASHER, FLAT #6	9006659	10
1	SCR, PHL PAN HD. #6-32X.31	9006021-01	9
2	WASHER FLAT #4	9008172	8
2	SCR, PHL PAN HD #4-40X.25	9008301-01	7
4	SCR, SELF TAPPING #4-40X.31	9009142-2	6
1	CAPACITOR, 22K, .1 50VDC	1010703-00	5
1	DECAL	3-1A-7416945-10	4
1	BRACKET, CAPACITOR	D-1A-7417543-0-0	3
1	BRACKET, REGULATOR	D-1A-5309756-0-0	2
1	REGULATOR, +5V, 32 A	D-1A-5412441-0-0	1

DESCRIPTION	DWG. PART NO.	ITEM NO.
UNLESS OTHERWISE SPECIFIED DIMENSIONS ARE IN INCHES		
ANGLES	30°/30°	
SURFACE QUALITY	IN	
QUANTITY & VARIATION		

THIRD ANGLE PROJECTION

SHOW BLADES AND BREAK SHAFT CONNECTIONS

DO NOT SCALE DIMS

SEE PARTS LIST

FINISH

FIRST USED ON 113-A

TITLE H7441 UNIT ASSY

SIZE DUA H7441-0-0

SHEET 1 OF 1

REV	DESCRIPTION
A	INITIAL DESIGN
B	REVISED TO ADD HOIST
C	REVISED TO ADD HOIST
D	REVISED TO ADD HOIST
E	REVISED TO ADD HOIST
F	REVISED TO ADD HOIST
G	REVISED TO ADD HOIST
H	REVISED TO ADD HOIST
I	REVISED TO ADD HOIST
J	REVISED TO ADD HOIST
K	REVISED TO ADD HOIST
L	REVISED TO ADD HOIST
M	REVISED TO ADD HOIST
N	REVISED TO ADD HOIST
O	REVISED TO ADD HOIST
P	REVISED TO ADD HOIST
Q	REVISED TO ADD HOIST
R	REVISED TO ADD HOIST
S	REVISED TO ADD HOIST
T	REVISED TO ADD HOIST
U	REVISED TO ADD HOIST
V	REVISED TO ADD HOIST
W	REVISED TO ADD HOIST
X	REVISED TO ADD HOIST
Y	REVISED TO ADD HOIST
Z	REVISED TO ADD HOIST

476

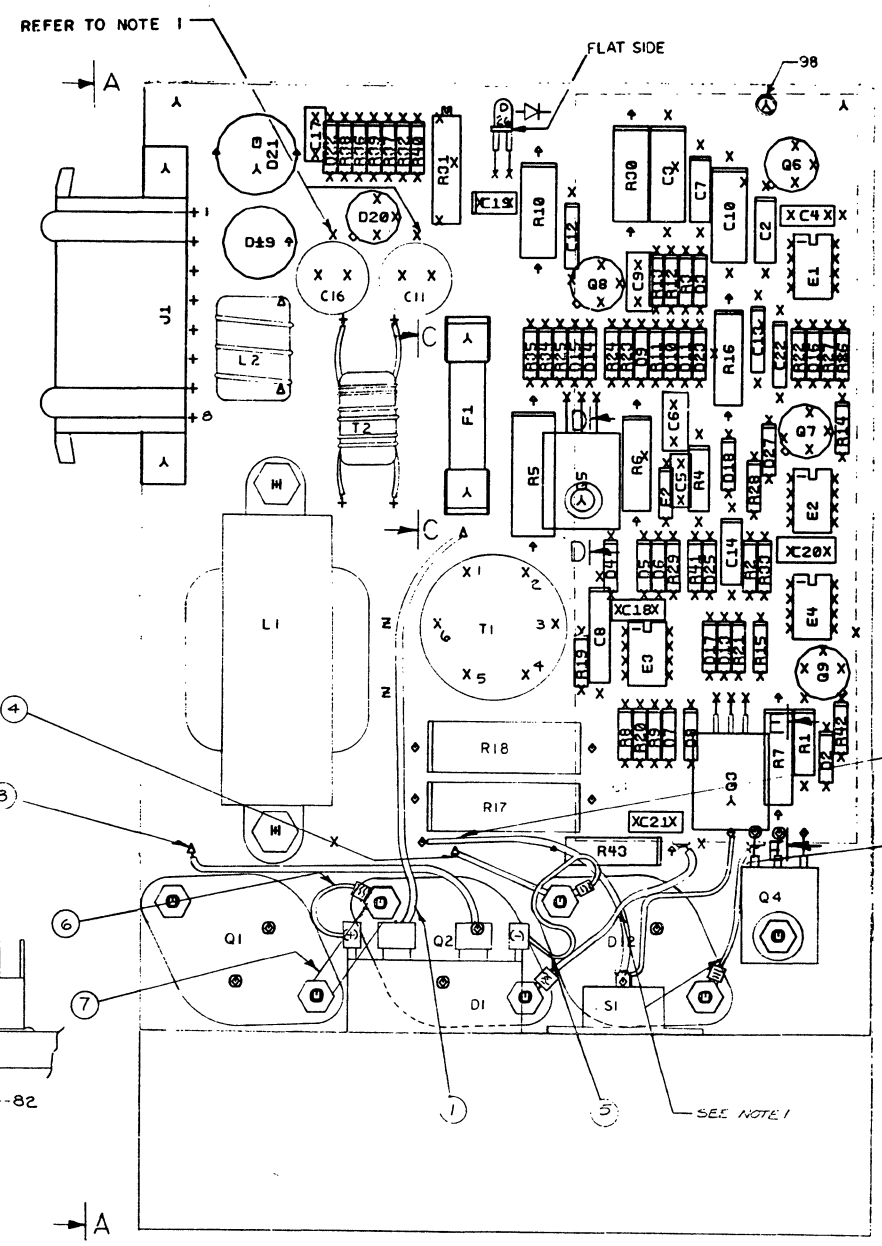
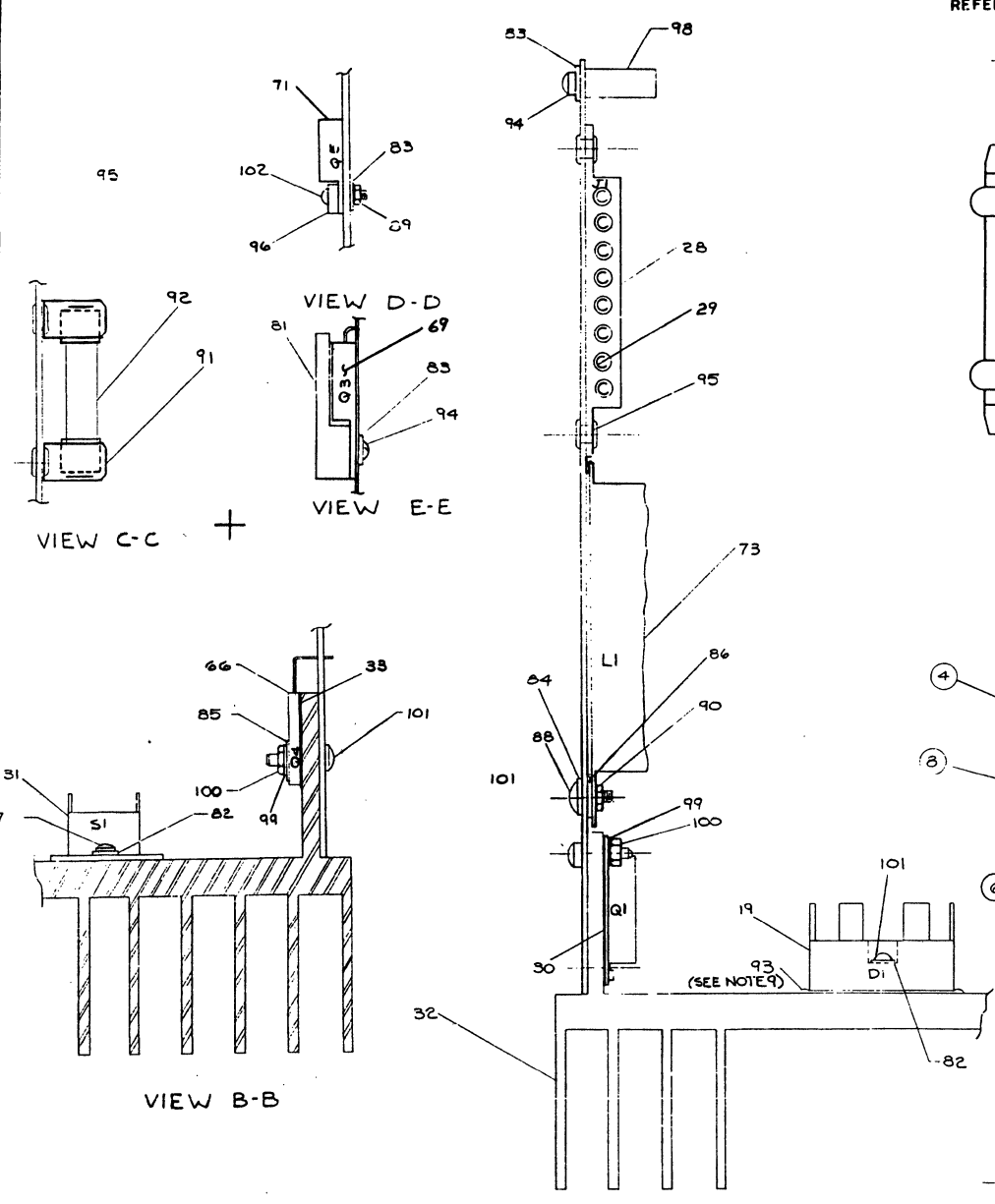
THIS DRAWING AND SPECIFICATIONS, HEREIN, ARE THE PROPERTY OF DIGITAL EQUIPMENT CORPORATION AND SHALL NOT BE REPRODUCED OR COPIED IN WHOLE OR IN PART WITHOUT THE WRITTEN PERMISSION OF DIGITAL EQUIPMENT CORPORATION. COMPANY REGISTRATION NO. 1577

COMPONENT SIDE VIEW

WIRE & BUS STRAP RUNS

NO.	FROM	TO	WIRE OR BUS LENGTH
①	FEEDTHRU AT F1	TERMINAL D1	#14 AWG 4" SEE NOTE 3
②	S1	FEEDTHRU SHOWN	#16 AWG 3"
③	S1	FEEDTHRU SHOWN	#16 AWG 2.5"
④	D12	FEEDTHRU SHOWN	DEC PT. #1214074-05 SEE NOTE 4
⑤	TERMINAL D1	D12	#14 AWG 5" SEE NOTE 5
⑥	TERMINAL D1	Q2	#14 AWG 2" SEE NOTE 6
⑦	Q2	Q1	DEC PT. #1214074-04 SEE NOTE 7
⑧	TERMINAL D1	FEEDTHRU SHOWN	#14 AWG 2.75" SEE NOTE 2

NOTES: 1. MOUNT WIRES PER I.A. DRAWING NO. IA 7013274. RED WIRE TO CASE Q2 AND POSITIVE TERMINAL C1 & BLACK WIRE TO CASE D12 AND NEGATIVE TERMINAL C1.  
 2. WIRE RUN ② IS SOLDERED AT D1.  
 3. WIRE RUN ③ IS SOLDERED AT D1.  
 4. STRAP ④ (ITEM #26) IS SOLDERED AT FEEDTHROUGH SHOWN AND MOUNTED UNDER RING LUG OF D12.  
 5. WIRE RUN ⑤ IS SOLDERED AT D1 AND CRIMPED TO RING LUG ITEM #87 OF D12.  
 6. WIRE RUN ⑥ IS SOLDERED AT D1 AND CRIMPED TO RING LUG ITEM #87 OF Q2.  
 7. BUS STRAP ⑦ (ITEM #25) IS MOUNTED UNDER RING LUG OF Q2 AND ON CASE OF Q1.  
 8. TORQUE HARDWARE ON Q1, Q2, Q4 AND D12 TO BINCH-LBS. FROM NUT SIDE ONLY. TORQUE OTHER HARDWARE TO DEC STD. VALUES.  
 9. APPLY THERMAL COMPOUND TO D1 (ITEM #19) ONLY.



NOTES:

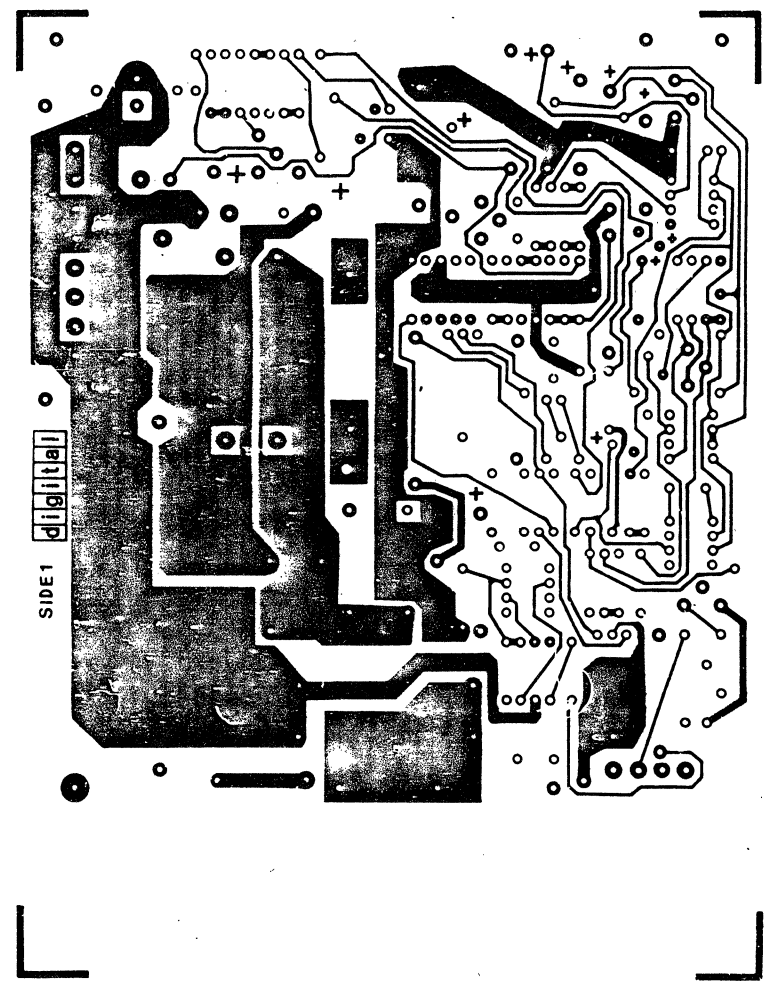
1. INDICATED DRILL POINTS AT C11 AND C16 SHOULD NOT BE USED FOR DRILL ALIGNMENT DURING MANUFACTURE. THESE OVERSIZED PADS WILL NOT CENTER WITH DRILL BORING.

CHG	NO	REV	DATE	BY	CHK'D	APP'D

ETCH REV. B	DESIGN DATA BASE REV. B-P4
-------------	----------------------------

SIGNATURES		DATE	digital
DRN. Burt G. Lee	5-20-77		
CHK'D. W. J. ...	...		
ENG. ...	...		
PROJ. ENG. ...	...		
PROD. ...	...		
SCALE 2/1	SHT. 1 OF 3	SIZE CODE	NUMBER
		D UA	5412441-0-J
			REV

THIS DRAWING AND SPECIFICATION ARE THE PROPERTY OF THE AIR FORCE. IT IS TO BE USED FOR THE DESIGN AND CONSTRUCTION OF THE PRODUCT ONLY. IT IS NOT TO BE REPRODUCED OR TRANSMITTED IN ANY FORM OR BY ANY MEANS, ELECTRONIC OR MECHANICAL, INCLUDING PHOTOCOPYING, RECORDING, OR BY ANY INFORMATION STORAGE AND RETRIEVAL SYSTEM, WITHOUT PERMISSION IN WRITING FROM THE AIR FORCE.



SIDE 1 digital

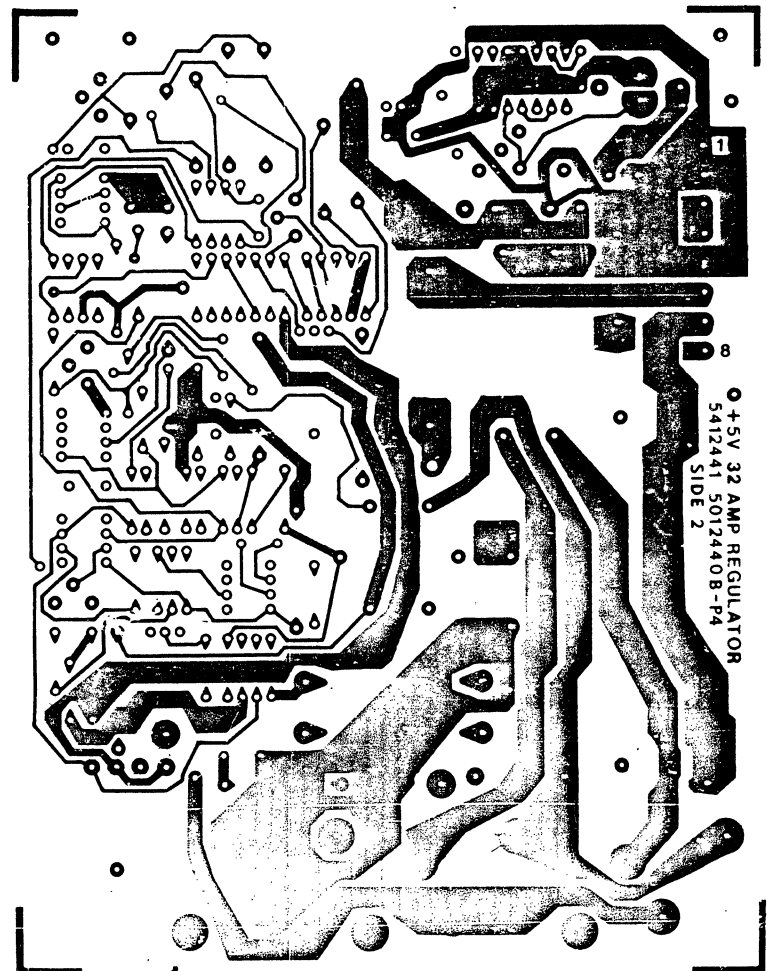
-5V, 32 AMP, REGULATOR D UA 5+12441-2-0

REVISIONS		
CHK	CHANGE NO	REV

418

THIS DRAWING AND SPECIFICATIONS HEREBY ARE THE PROPERTY OF THE COMPANY. COPIES MAY BE MADE FOR THE MANUFACTURE OF THE PRODUCT ONLY. ALL RIGHTS RESERVED.

2



REVISIONS		
CHK	CHANGE NO	REV

+5V, 32AMP REGULATOR D UA 5412441-0-0  
2/1 3 3

LINE	ITEM	DOCUMENT NO.	PART NO.	DESCRIPTION	QTY	REFERENCE DESIGNATORS
1	1	D-MD-5012440-0-0	5012440-00	5412441	1	
2	2		1000009-00	33.0 MMF 100V 5%200PPM DM15S (10-00	1	C20
3	3		1000021-00	220.0 MMF 100V 5%200PPM DM15S (10-00	1	C9
4	4		1001610-01	.01 MFD 100V DR 50V Z5U DISC/800PF MIN	5	C4,C5,C17,C18,C21
5	5		1002627-00	2.2MFD 20V 10% 150D S.TA (10	2	C2,C7
6	6		1004813-00	10 MFD 20V 10% 150D S.TA (10-00	1	C8
7	7		1010279-00	.47 MFD 25V 20% 2C023 CER.	1	C19
8	8		1010646-00	.015 MFD 50V 2% M.POLYCARB	2	C3,C10
9	9		1010702-00	24,000 MFD 50V G% 36D AL EL	1	C1
10	10		1012607-00	560 MFD 20V HZ 672D AL EL	1	C11
11	11		1012607-01	1200 MFD 6.3V HZ 672D AL EL	1	C16
12	12		1009964-00	.68 MFD 35V 10% 150D S.TA	1	C12
13	13		1001776-00	1 MFD 35V 10% 150D S.TA (10-00	3	C13,C14,C22
14	14		1000024-00	470.0 MMF 100V 5%200PPM DM15S (10-00	1	C6
15	15		1105508-00	1N 823 VZ= 6.2 5% .40W Y	1	D18
16	16		1102808-00	1N 752A VZ= 5.6 5% .40W P	1	D22
17	17		1103341-00	MR1033B PIV=300 I= 3A Z44 SM	1	D19
18	18		1105275-00	D 672 TR= 15NS FIV= 60V SP	15	D3-D6,D9-D11,D13-D17,D23,D25, CONT D27
19	19		1110051-00	DM 16 ASSY@200V & 25A #990-3	1	D1
20	20		1110324-00	LED 1MCD@10MA #MV5054-1#HP4882	1	D26
21	21		1110836-00	1N 759A VZ= 12.0 5% .40W P	1	D2
22	22		1110968-00	2N 5062 SCR@100V I=.8A T092	1	D20
23	23		1112595-01	A114B PIV=200 I= 1A	2	D7,D8
24	24		1113496-00	UES602R PIV=100 I=30A T03	1	D12
25	25		121A^74-04	STRAP,THERMAL 2 HOLE	1	
26	26		121A^74-05	STRAP,THERMAL LUG .815	1	
27	27		1209070-00	FUSE, SUB-MINI, 5.000A, 125V, RADIAL LEAD	1	F2
28	28		1209340-00	MATE-N-LOK 8PIN,HOUSING,SKT	1	J1
29	29		1209456-01	MATE-N-LOK SKT PCB TAB LOOSE	8	

REVISION HISTORY			VARIATIONS FOR THIS ASSY.			DIGITAL EQUIPMENT CORPORATION MAYNARD, MASSACHUSETTS			
CHK	ECO NO	REV	FIRST USED ON:			TITLE			
SC	00008	J				PARTS LIST			
			MADE BY: D.SIREEN			+5V 32 AMP REGULATOR			
			CHECKED: F.GAROFALO						
			DSN.ENG.: R.DAY						
			PROD.: R.B.KING			SIZE	CODE	DOCUMENT NUMBER	REV
			RESP.ENG.: R.DAY			K	PL	5412441-0-0	J
						ASSY.NO.: D-UA-5412441-0-0			EDIT#
									6

\*THIS DRAWING AND SPECIFICATIONS HEREIN, ARE THE PROPERTY OF DIGITAL EQUIPMENT CORPORATION AND SHALL NOT BE REPRODUCED OR COPIED OR USED IN WHOLE OR IN PART AS THE BASIS FOR THE MANUFACTURE OR SALE OF ITEMS WITHOUT WRITTEN PERMISSION.  
COPYRIGHT 1978, DIGITAL EQUIPMENT CORPORATION \*

980

LINE	ITEM	DOCUMENT NO.	PART NO.	DESCRIPTION	QTY	REFERENCE DESIGNATORS
30	30		1213071-02	INSULATOR,RUBBER SILICONE SM	3	
31	31		1212787-00	THERMOSTAT,00212,C0182,NC	1	S1
32	32		1210737-02	HEAT SINK,REGULATOR	1	
33	33		1213071-06	INSULATOR,RUBBER SILICONE	1	
34	34		1312626-00	2.49 K 1/4W 1% RN55D-F 100PPM	(13-00)	1 R32
35	35		1300229-00	100 1/4W 5% CC	(13-00)	2 R37,R38
36	36		1300250-00	150 1/4W 5% CC	(13-00)	2 R24,R34
37	37		1305322-00	7.5 K 1/4W 1% RN55D-F 100PPM	(13-00)	1 R19
38	38		1300295-00	330 1/4W 5% CC	(13-00)	1 R23
39	39		1301424-00	680 1/4W 5% CC	(13-00)	1 R28
40	40		1301327-00	68 K 1/4W 5% CC	(13-00)	1 R29
41	41		1300439-00	3.3 K 1/4W 5% CC	(13-00)	1 R35
42	42		1310219-00	.25 3W 1% WW	(13-00)	1 R5
43	43		1300248-00	130 1W 5% CC	(13-00)	1 R6
44	44		1302644-00	226 1/4W 1% RN55D-F 100PPM	(13-00)	2 R8,R9
45	45		1300277-00	220 1W 10% CC	(13-00)	1 R16
46	46		1300309-00	390 1/4W 5% CC	(13-00)	1 R40
47	47		1312922-00	536 1/4W 1% RN55D-F 100PPM	(13-00)	1 R33
48	48		1300365-00	1 K 1/4W 5% CC	(13-00)	3 R13,R21,R27
49	49		1300394-00	1.5 K 1/2W 5% CC	(13-00)	1 R1
50	50		1300447-00	4.7 K 1/4W 5% CC	(13-00)	2 R12,R41
51	51		1300479-00	10 K 1/4W 5% CC	(13-00)	4 R14,R15,R22,R42
52	52		1301695-00	47 1/2W 5% CC	(13-00)	1 R4
53	53		1301972-00	270 1/4W 5% CC	(13-00)	1 R11
54	54		1312747-00	56.2 K 1/4W 1% RN55D-F 100PPM	(13-00)	1 R20
55	55		1302751-00	30 1/4W 5% CC	(13-00)	2 R36,R39
56	56		1302871-00	1.21 K 1/4W 1% RN55D-F 100PPM	(13-00)	1 R2
57	57		1303179-00	8.2 K 1/4W 5% CC	(13-00)	2 R25,R26
58	58		1305337-00	3.65 K 1/4W 1% RN55D-F 100PPM	(13-00)	1 R3
59	59		1309143-07	1 K 3/4W10% POT 100PPM		1 R31
60	60		1310868-00	.39 2W 5% WW	(13-00)	1 R10
61	61		1313712-00	.01 5W 3% WW	(13-00)	2 R17,R18
62	62		1312682-00	3 3W 5%	(13-00)	1 R7
63	63		1300256-00	150 1W 10% CC	(13-00)	1 R30
64	64		1300171-00	10 1W 5% CC	(13-00)	1 R43
65	65		1510196-00	2N 5302/HSNPN 200WC SI 60 40 M		2 Q1,Q2
66	66		1510555-00	MJE3055 NPN 90WC SI 60 20 Y		1 Q4
67	67		1510705-00	XA 05 NPN 500MW SI 60 50 P		2 Q6,Q7
68	68		1510706-00	XA 55 PNP 500MW SI 60 50 P		1 Q8
69	69		1510708-00	D 45H8 PNP 50WT SI 60 60 Y		1 Q3
70	70		1510928-00	C32AX135 SCR2100V I=25A		1 D21
71	71		1512790-00	D 44C11 NPN 30W SI 80 40		1 Q5
72	72		1511686-00	DEC5433 FET N 350MW 10 25 1A 20U		1 Q9
73	73		1612584-00	50 UH 30A		1 L1
74	74		1612592-00	PULSE XFMR,RATIO 4:1		1 T1
75	75		1613713-00	CHOKER, 5 UH 32A		1 L2
76	76		1613714-00	2 UH 20A		1 T2
77	77		1910282-00	301AN OP AMP		2 E3,E4

DIGITAL EQUIPMENT CORPORATION MAYNARD, MASSACHUSETTS	TITLE PARTS LIST +5V 32 AMP REGULATOR	SIZE K	CODE PL	DOCUMENT NUMBER 5412441-0-0	REV J
---	---	-----------	------------	--------------------------------	----------

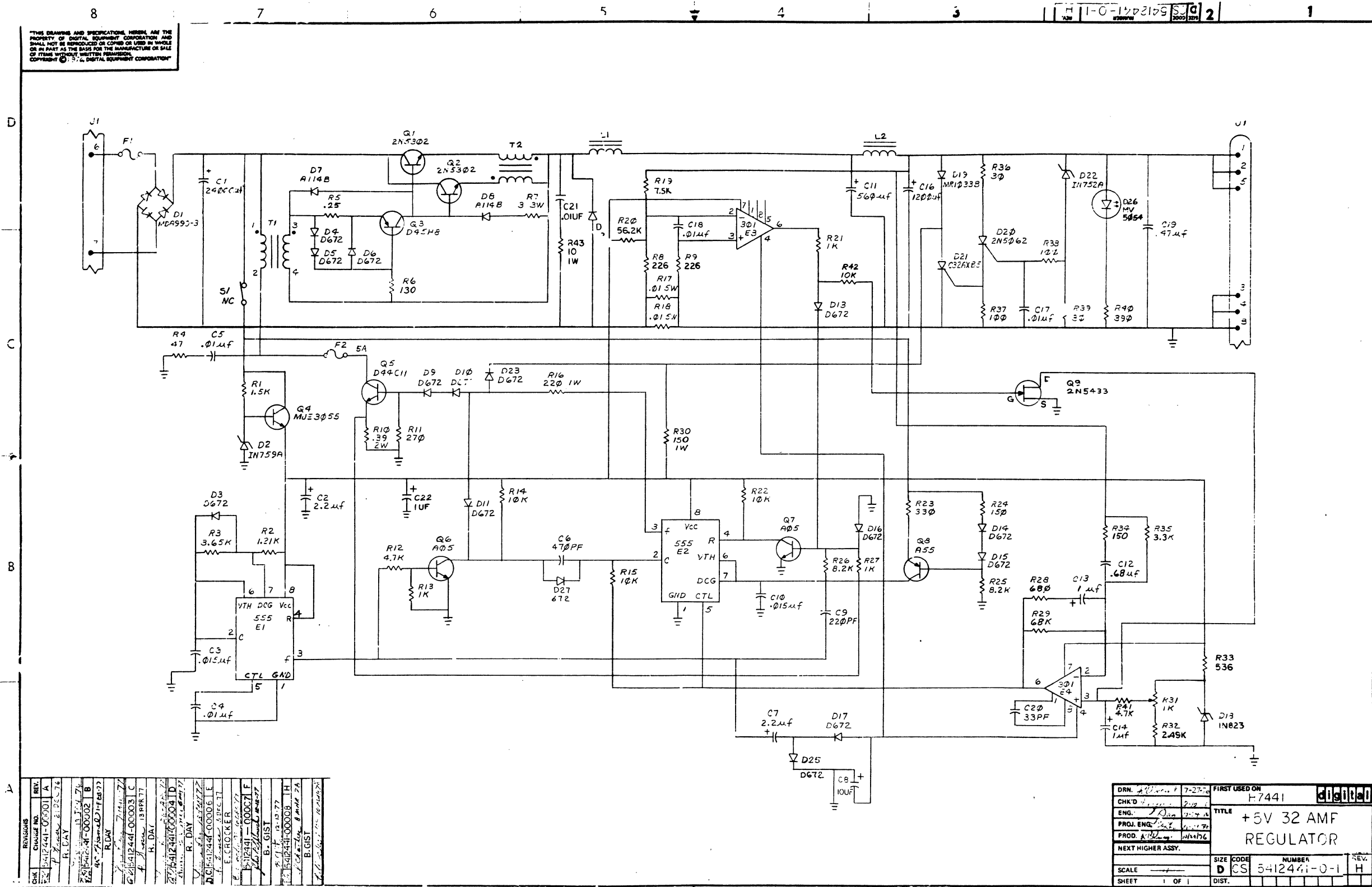
LINE	ITEM	DOCUMENT NO.	PART NO.	DESCRIPTION	QTY	REFERENCE DESIGNATORS
78	78		1911944-00	555CN TIMER,FUNCT.BLOCK	2	E1,E2
79	79		7013274-00	JUMPER CAP TRAWS	1	
80	80		7013274-01	JUMPER CAP TRAWS	1	
81	81		7414765-00	HEATSINK	1	
82	82		9006633-00	WASHER,LOCK,INT,.2800D X .146ID X .018 THK	3	
83	83		9008172-00	WASHER, FLAT,SS .250 OD X .125 ID X .022 T	3	
84	84		9006660-00	WASHER, FLAT, .375 O.D. X .187 I.D. X .036	2	
85	85		9006653-00	WASHER, FLAT, .375 O.D. X .156 I.D. X .036	1	
86	86		9008082-00	WASHER, FLAT, FIBER OD. 1/2	2	
87	87		9007927-00	TERM RING 1POS INSULATED,16-14AWG,ROLL	2	
88	88		9006037-03	SCREW,TRUS,PHIL, 8-32X 3/8 SS/PAS	2	
89	89		9006557-00	NUT,KEP , 4-40X 1/4 AF CS	1	
90	90		9006563-00	NUT,KEP , 8-32 X11/32AF CS	2	
91	91		9007203-00	CLIP, FUSE, WITH STOP, SCREW MOUNTED	2	
92	92		9007226-00	FUSE, REG BLOW, 15.000A, 32V, GLASS	1	F1
93	93		9008268-00	COMPOUND, THERMAL JOINT	A/R	
94	94		9006012-01	SCREW,PAN ,PHIL, 4-40X 7/16 SS/PAS	2	
95	95		9009000-00	EYELET, ROLLED FLANGE, .121 OD X .156 LG	4	
96	96		9009769-00	WASHER, RECTANGULAR .405X.225X.060	1	
97	97		9006021-01	SCREW,PAN ,PHIL, 6-32X 5/16 SS/PAS	2	
98	98		9007660-00	SPACER, FIBER, RND, 4-40, .250 X .500 LG	1	
99	99		9007801-00	WASHER, LOCK, S.S. #6	7	
100	100		9008957-00	NUT,HEX , 6-32X 1/4 AF X 3/32 THK SS	7	
101	101		9007793-01	SCREW,PAN ,PHIL, 6-32X 9/16 SS/PAS	8	
102	102		9006010-01	SCREW,PAN ,PHIL, 4-40X 5/16 SS/PAS	1	
103	103		9107360-99	WIRE,STRND,18AWG,IPVC UL1429 (91-00 A/R		
104	104		9107370-00	WIRE,STRND,14AWG,IPVC UL1534 (91-00 A/R		

DIGITAL EQUIPMENT CORPORATION	TITLE	PARTS LIST	SIZE	CODE	DOCUMENT NUMBER	REV
MAYNARD, MASSACHUSETTS		+5V 32 AMP REGULATOR	K	PL	5412441-0-0	J

482



THIS DRAWING AND SPECIFICATIONS HEREIN ARE THE PROPERTY OF DIGITAL EQUIPMENT CORPORATION AND SHALL NOT BE REPRODUCED OR COPIED OR USED IN WHOLE OR IN PART AS THE BASIS FOR THE MANUFACTURE OR SALE OF ITEMS WITHOUT WRITTEN PERMISSION. COPYRIGHT © 1968, DIGITAL EQUIPMENT CORPORATION

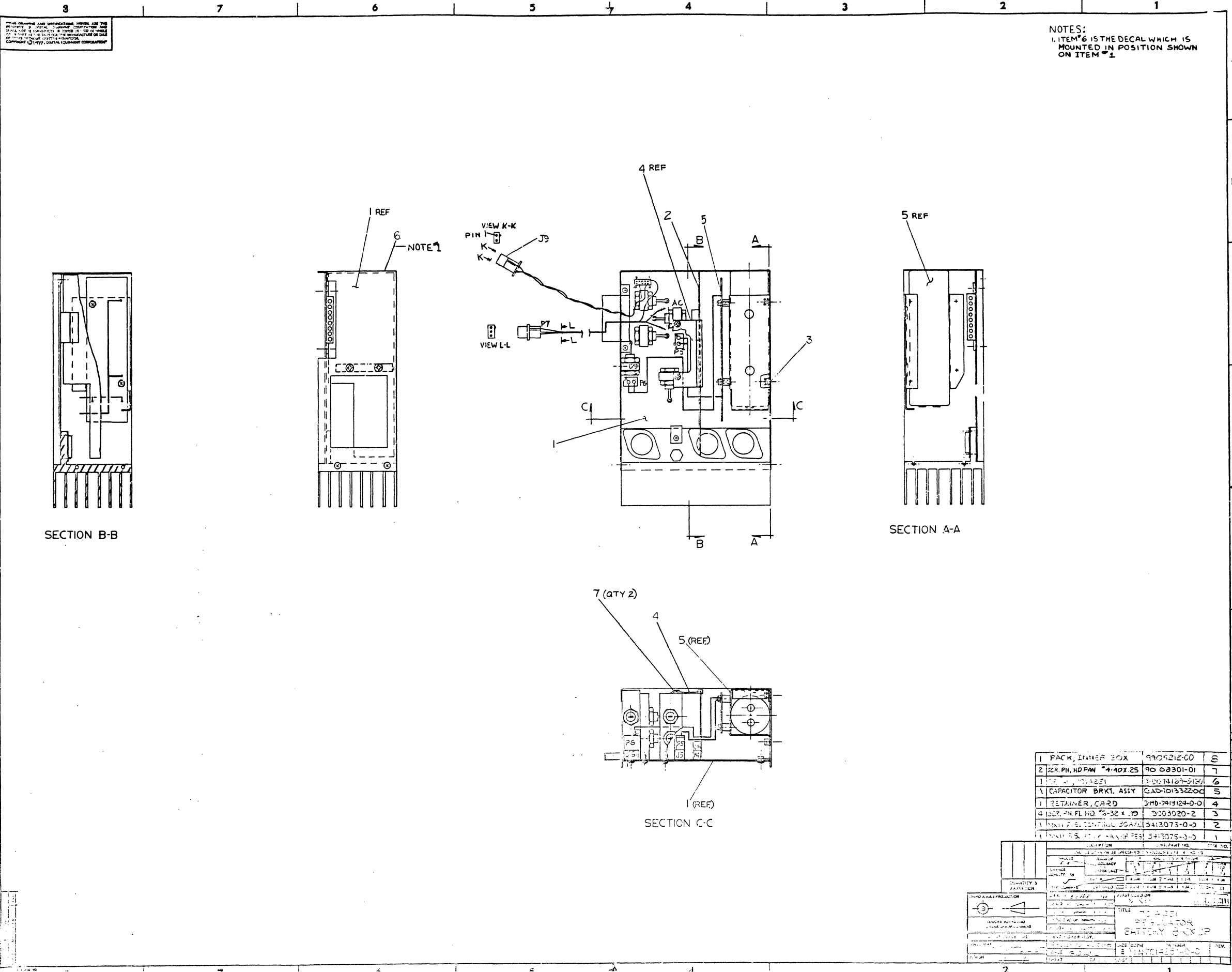


REV.	REV.	REV.	REV.	REV.	REV.	REV.	REV.	REV.	REV.
1	2	3	4	5	6	7	8	9	10
1	2	3	4	5	6	7	8	9	10
1	2	3	4	5	6	7	8	9	10
1	2	3	4	5	6	7	8	9	10
1	2	3	4	5	6	7	8	9	10
1	2	3	4	5	6	7	8	9	10
1	2	3	4	5	6	7	8	9	10
1	2	3	4	5	6	7	8	9	10
1	2	3	4	5	6	7	8	9	10

DRN. 7-27-68	FIRST USED ON H7441	Digital
CHK'D	TITLE +5V 32 AMF	
ENG. [Signature]	REGULATOR	
PROJ. ENG. [Signature]		
PROD. [Signature]		
NEXT HIGHER ASSY.		
SCALE	SIZE CODE D CS	NUMBER 5412441-0-1
SHEET 1 OF 1	DIST.	REV. H

483





THIS DRAWING AND INFORMATION HEREON ARE THE PROPERTY OF THE UNITED STATES GOVERNMENT AND SHALL NOT BE REPRODUCED IN ANY MANNER WITHOUT THE WRITTEN PERMISSION OF THE MANUFACTURER OR THE GOVERNMENT. THE GOVERNMENT MAKES NO WARRANTY, EXPRESSED OR IMPLIED, FOR THE MERCHANTABILITY OR FITNESS FOR ANY PARTICULAR PURPOSE. THE GOVERNMENT WILL NOT BE RESPONSIBLE FOR ANY DAMAGE TO PERSONS OR PROPERTY, INCLUDING CONSEQUENTIAL DAMAGES, ARISING FROM THE USE OF THIS DRAWING OR INFORMATION HEREON.

NOTES:  
 1. ITEM 6 IS THE DECAL WHICH IS MOUNTED IN POSITION SHOWN ON ITEM 1.

SECTION B-B

SECTION A-A

SECTION C-C

1	PACK, INNER BOX	9904212-00	8
2	SCR. PH. HD PAN #4-40X.25	90 08301-01	7
3	RETAINER, CARD	3MD-7919124-0-0	4
4	SCR. PH. FL. HD #2-32 X .19	9003020-2	3
5	MAIN P.S. CONTROL BOARD	3413073-0-0	2
6	PACK, OUTER BOX	9904212-00	1

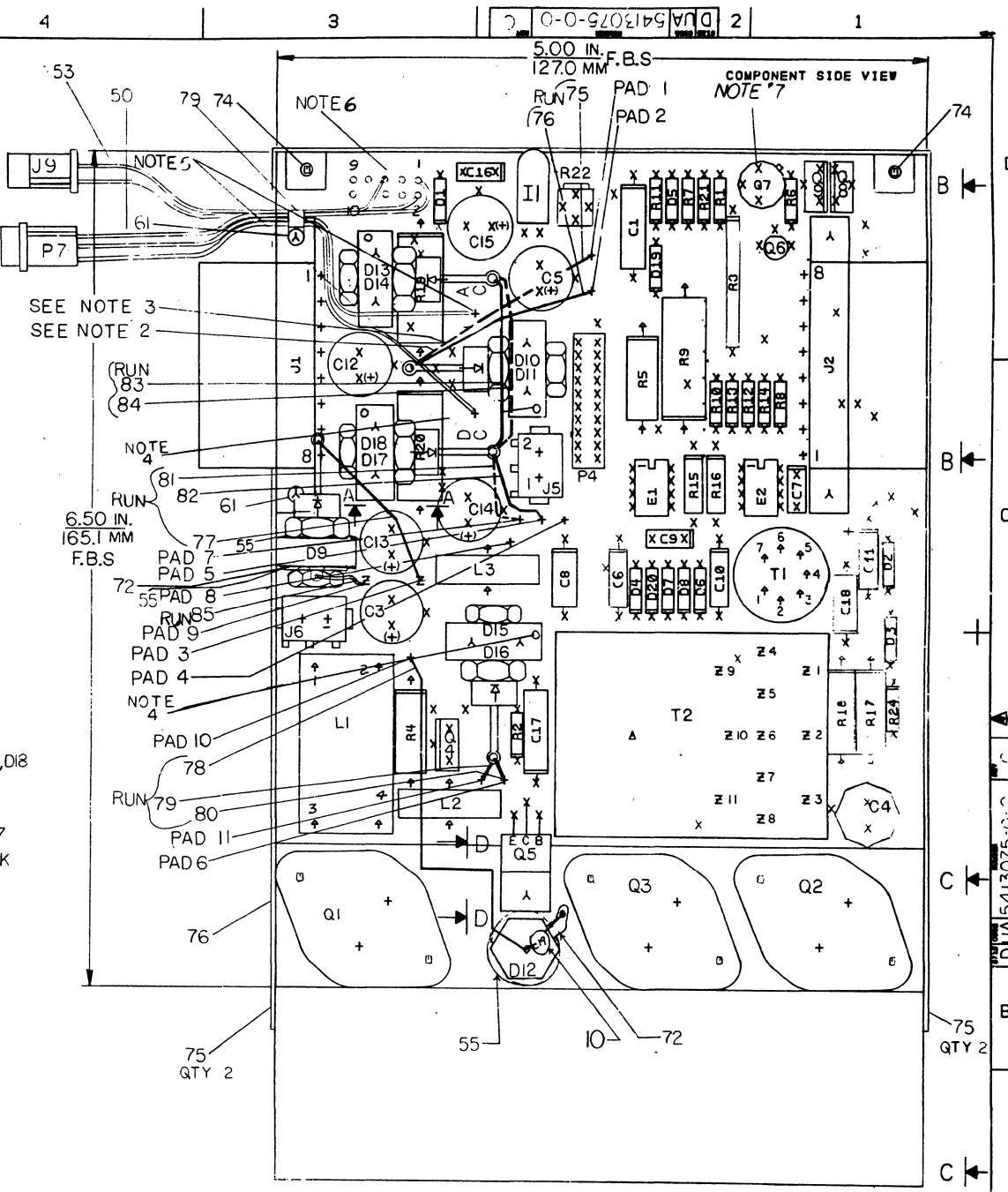
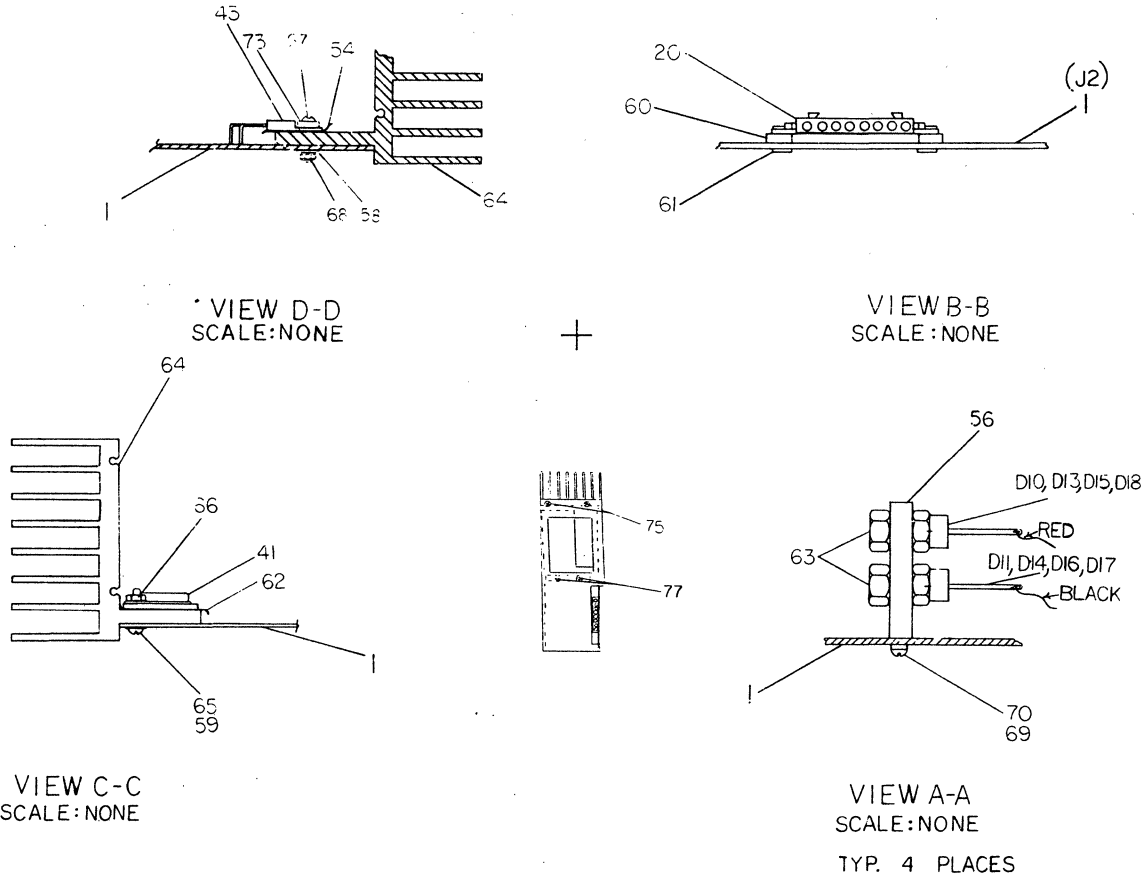
QUANTITY	1	DESCRIPTION	REGULATOR BATTERY BACKUP
DATE	10/1/51	BY	J. W. [Signature]
APPROVED	[Signature]	TITLE	DESIGN ENGINEER
DATE	10/1/51	BY	[Signature]
APPROVED	[Signature]	TITLE	MANUFACTURING ENGINEER
DATE	10/1/51	BY	[Signature]
APPROVED	[Signature]	TITLE	INSPECTOR
DATE	10/1/51	BY	[Signature]

485

THIS DRAWING IS THE PROPERTY OF THE UNITED STATES GOVERNMENT AND IS LOANED TO YOU BY THE GOVERNMENT. IT IS TO BE USED ONLY FOR THE PURPOSES AUTHORIZED BY THE GOVERNMENT. IT IS TO BE RETURNED TO THE GOVERNMENT AT THE END OF THE TERM FOR WHICH IT IS LOANED TO YOU. IT IS NOT TO BE REPRODUCED OR TRANSMITTED IN ANY FORM OR BY ANY MEANS, ELECTRONIC OR MECHANICAL, INCLUDING PHOTOCOPYING, RECORDING, OR BY ANY INFORMATION STORAGE AND RETRIEVAL SYSTEM, WITHOUT PERMISSION IN WRITING FROM THE GOVERNMENT. DATE: 11/19/77

WIRE TABLE						
ITEM NO	RUN NO	DESCRPT.	FROM	TO	7014251	LENGTH
71	75	18TWP	BLK	D11 ANODE	PAD 1	4.50
	76	18	RED	D10 ANODE	PAD 2	4.50
71	77	18	RED	D9 CATHODE	PAD 3	3.00
	78	18	RED	D12 CATHODE	PAD 10	3.75
71	79	18	RED	D16 ANODE	PAD 11	1.50
	80	18TWP	RED	D15 ANODE	PAD 6	2.00
71	81	18TWP	BLK	D17 CATHODE	PAD 7	2.75
	82	18TWP	RED	D18 CATHODE	PAD 5	2.75
71	83	18TWP	RED	D13 ANODE	D18 CAT	3.50
	84	18TWP	BLK	D14 ANODE	D17 CAT	3.50
85	18	BLK	D9 ANODE	PAD 9	3.00	

UNTWIST ITEM NO. 71 AND USE PROPER COLOR.



- NOTES:
- SEE SHEET 4 OF 4 FOR DIODE WIRING.
  - SOLID LINE INDICATES WIRE FROM THE TOP DIODE.
  - DASHED LINE INDICATES WIRE FROM BOTTOM DIODE.
  - TAPPED HOLE AT TOP OF HEATSINKS MUST FACE PROPER WAY TO ALLOW INSERTION OF CARD GUIDE.

5. CABLE #7014303 SOLDER YELLOW WIRE TO PTH MARKED AC. SOLDER WHITE WIRE TO PTH MARKED DC. SOLDER WHITE WIRE TO PTH (SEE NOTE 6 FOR LOCATION OF PTH #1)

6. SOLDER TO PTH HOLE #5, RED WIRE. SOLDER TO PTH HOLE #2, BLACK WIRE OF CABLE #7014301 ITEM #53

7. ADD TRONK PAD 90-07201 ITEM #13

8. REV # UA DOES NOT EXIST, THE CABINET IS IDENTICAL TO REV # UA.

9. TORQUE SPECIFICATIONS

Q1-Q3 10 IN-LBS. INSPECT TO MIN. OF 2 TORQUE FROM SCREW HEAD

G5 8 IN-LBS. INSPECT TO MIN. OF 5 TORQUE FROM SCREW HEAD.

D9-D18 14 IN-LBS. INSPECT TO MIN. OF 12 TORQUE FROM NUT SIDE.

REV	DATE	BY	CHKD
1			
2			
3			
4			
5			
6			
7			
8			
9			
10			

REV	DATE	BY	CHKD
1			
2			
3			
4			
5			
6			
7			
8			
9			
10			

SIGNATURES	DATE	TITLE
DRN. STEVE KITE	11/19/77	digital
CHK'D. G. GIDDINGS	11/19/77	
ENG. J. THOMAS	11/19/77	
PROJ. ENG. J. THOMAS	11/19/77	
PROD. S. B. KING	11/19/77	
SCALE 2-1		
SHT. 1 OF 4		
NEXT HIGHER ASSY: B-DD-5413075-0		

TITLE MK-11 PS. BATTERY BACKUP REGULATOR

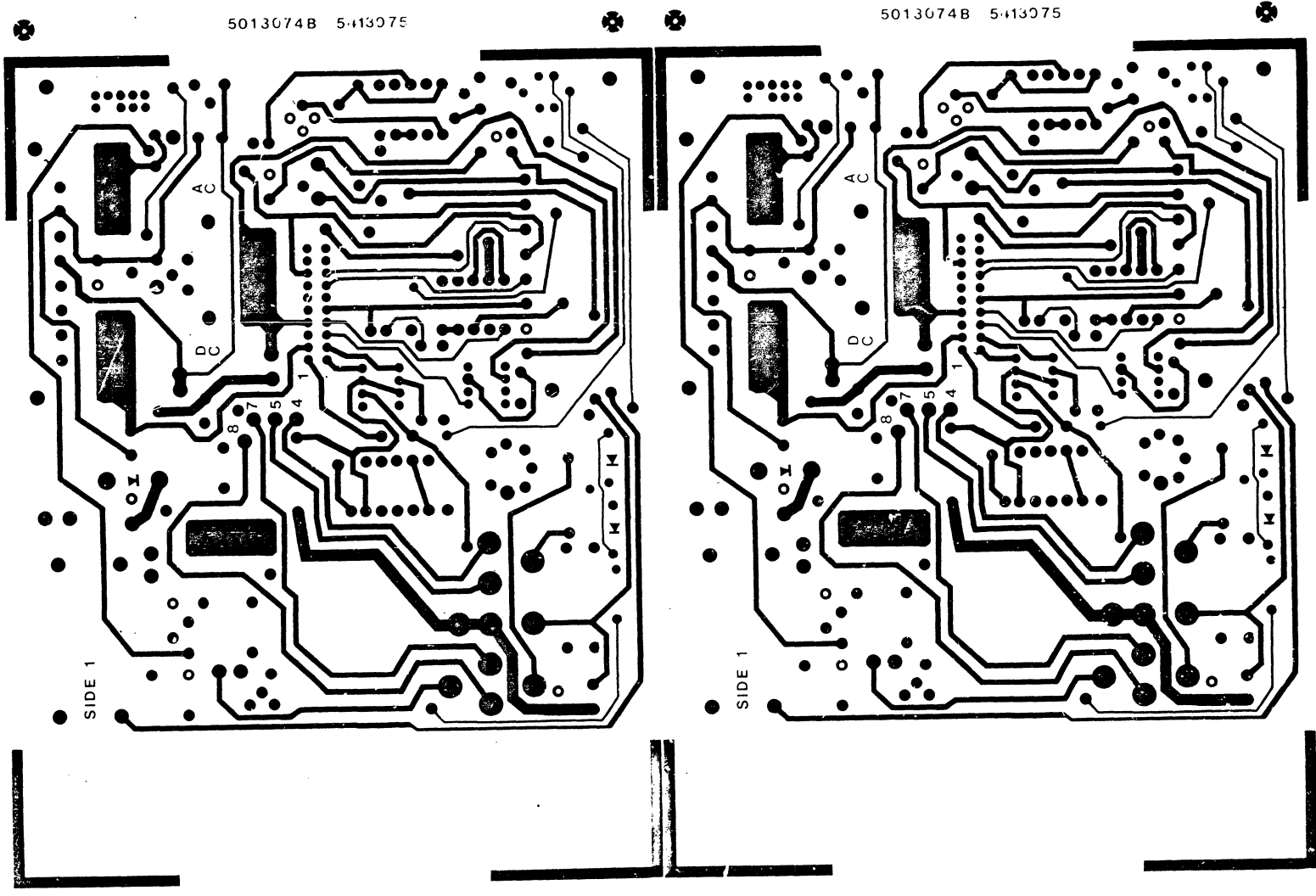
SIZE CODE NUMBER

UA 5413075-0-01C

986

THIS DRAWING AND SPECIFICATIONS HEREIN ARE THE PROPERTY OF DIGITAL EQUIPMENT CORPORATION AND SHALL NOT BE REPRODUCED OR COPIED OR USED IN WHOLE OR IN PART AS THE BASIS FOR THE MANUFACTURE OR SALE OF ITEMS WITHOUT WRITTEN PERMISSION. COPYRIGHT © DIGITAL EQUIPMENT CORPORATION

11/23/73  
11/23/73  
2



D  
C  
B  
A

D  
C  
B  
A

REVISIONS		
NO.	CHANGE NO.	REV.

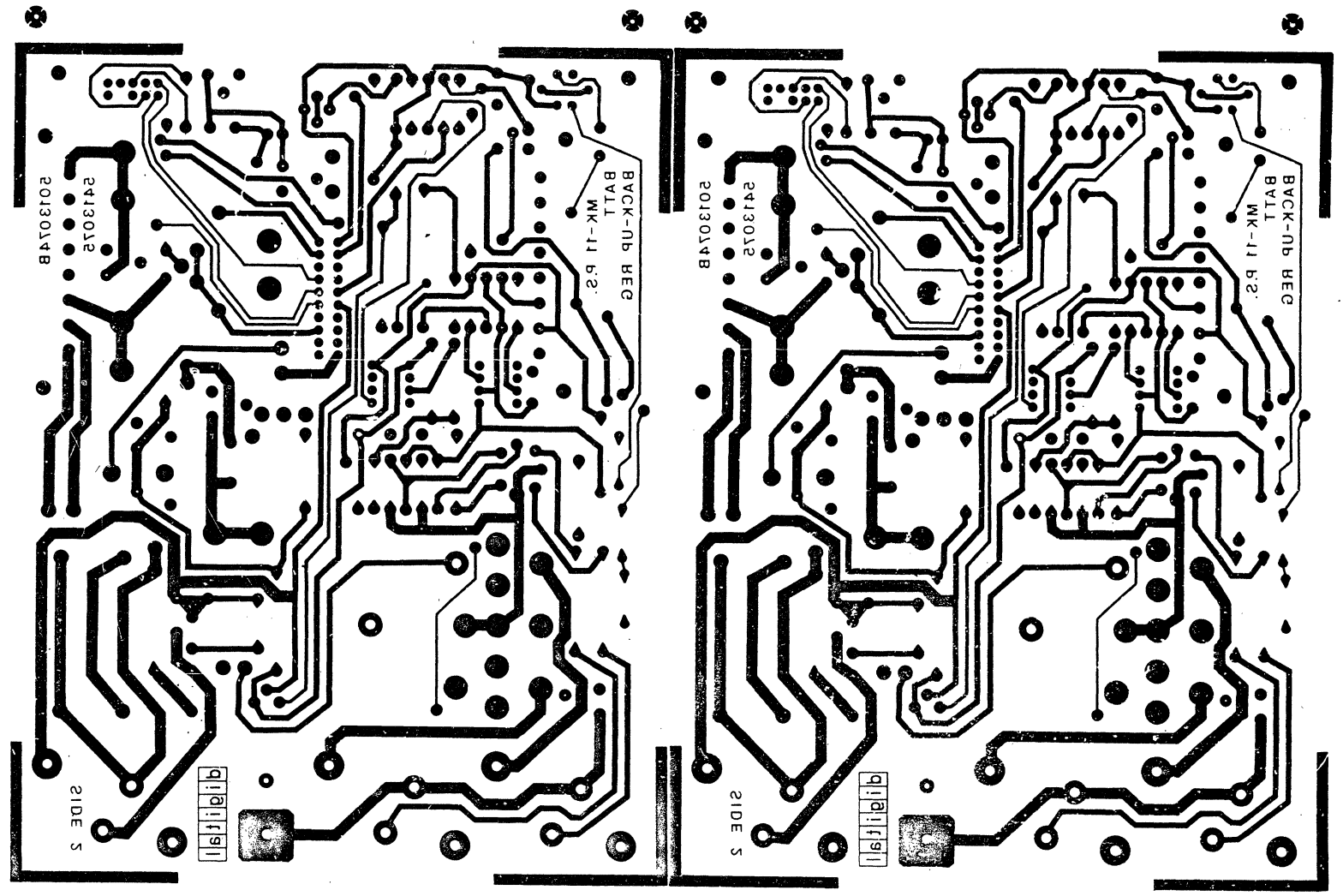
TITLE	MK-II BATTERY BACKUP REGULATOR	SIZE/CODE	NUMBER	REV.
SCALE	2 - 1	SHEET	2 OF -	DIST

DUAL 5-413075 C-0

487

THIS DRAWING AND SPECIFICATIONS, HEREIN, ARE THE PROPERTY OF DIGITAL EQUIPMENT CORPORATION AND SHALL NOT BE REPRODUCED OR COPIED OR USED IN WHOLE OR IN PART AS THE BASIS FOR THE MANUFACTURE OR SALE OF ITEMS WITHOUT WRITTEN PERMISSION. COPYRIGHT © DIGITAL EQUIPMENT CORPORATION

REV. 1  
 4147074  
 10021275



REVISIONS		
CHG.	CHANGE NO.	REV.

TITLE	MK-11 BATTERY BACKUP REGULATOR	SIZE CODE	D	NUMBER	UA5413075-0-0	REV.	C
SCALE	2-1	SHEET	3	OF	4	DIST.	

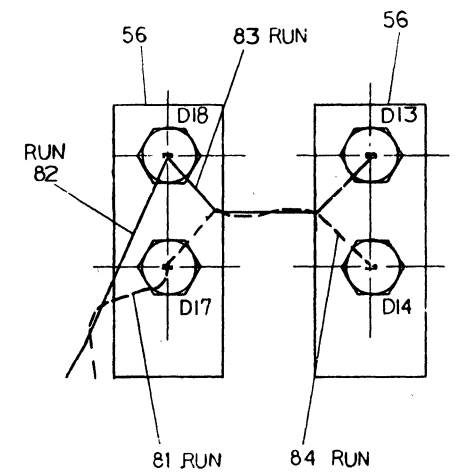
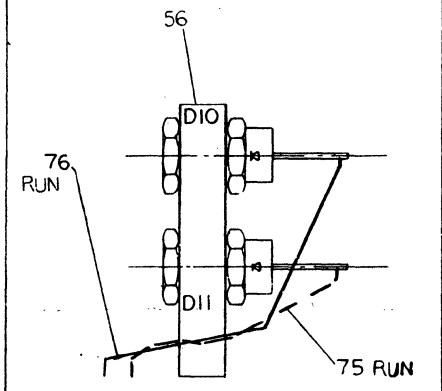
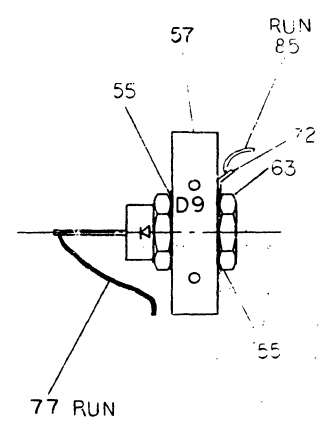
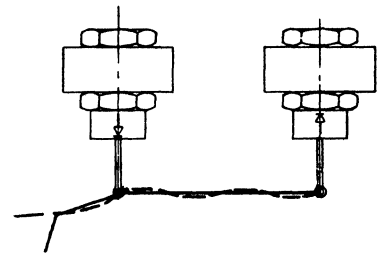
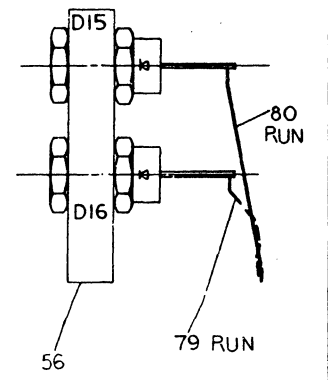
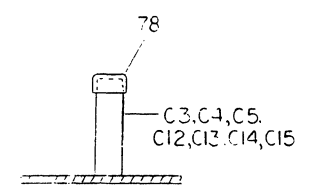
488

5413075-0-0 2

"THIS DRAWING AND SPECIFICATIONS HEREIN ARE THE PROPERTY OF DIGITAL EQUIPMENT CORPORATION AND SHALL NOT BE REPRODUCED OR COPIED OR USED IN WHOLE OR IN PART AS THE BASIS FOR THE MANUFACTURE OR SALE OF ITEMS WITHOUT WRITTEN PERMISSION. COPYRIGHT © 1977 DIGITAL EQUIPMENT CORPORATION"

NOTES:  
1 WIRING INFORMATION IS ON SHEET 1 OF 4.

2 DIODES TO BE ASSEMBLED TO HEAT-SINKS AND WIRED AS SHOWN BEFORE INSTALLING TO BOARD.



REVISIONS		
CHK	CHANGE NO.	REV.

TITLE	MK-II P.S. BATTERY BACKUP REGULATOR	SIZE CODE	D UA	NUMBER	5413075-0-0	REV.	C
SCALE	2/1	SHEET	4 OF 4	DIST.			

489

LINE	ITEM	DOCUMENT NO.	PART NO.	DESCRIPTION	QTY	REFERENCE DESIGNATORS
1	1	D-UD-5013074-0-0	5013074-00	MK11 PS BATTERY BACKUP REGULATOR	1	
2	2		1002431-00	2.2MFD 35V 10% 150S S.TA	(10-00)	1 C10
3	3		1012607-02	180 MFD 50V H% 672D AL EL		3 C3-C5
4	4		1000042-00	1000.0 MMF 100V 5%200PPM DM15S	(10-00)	1 C7
5	5		1010646-00	.015 MFD 50V 2% M.POLYCARB		1 C8
6	6		1000024-00	470.0 MMF 100V 5%200PPM DM15S	(10-00)	1 C9
7	7		1001776-00	1 MFD 35V 10% 150D S.TA	(10-00)	2 C6,C11
8	8		1012607-00	560 MFD 20V H% 672D AL EL		3 C12,C13,C14
9	9		1012607-01	1200 MFD 6.3V H% 672D AL EL		1 C15
10	10		1010621-00	.1 MFD 50V 20% 25U DISC		2 C16,C19
11	11		1004813-00	10 MFD 20V 10% 150D S.TA	(10-00)	2 C1,C17
12	12		1000030-00	.1 MFD 100V 20% 25U DISC		1 C18
13	13		9007201-00	TRANSIPADS #10253		1
14	14		1100125-00	1N 758A VZ= 10.0 5% .40W PPER S.A.V.EI		2 D2,D3
15	15		1105275-00	D 672 TR= 15NS PIV= 60V SP		7 D1,D4-D8,D20
16	16		1109440-00	1N 3880 PIV=100 I= 6A D04 SM		6 D10,D11,D13,D14,D15,D16
17	17		1113366-00	1N 3880R PIV=100 I=6A S		4 D17,D18,D19,D12
18	18		1105648-00	1N 4744 VZ= 15.0 10% 1W Y		1 D19
19	19		1211004-02	SOCKET,100 20POS EDGE MOUNT		1 P4
20	20		1209340-00	MATE-N-LOK 8PIN,HOUSING,SKT		2 J1,J2
21	21		1209456-01	MATE-N-LOK SKT PCB TAB LOOSE		16
22	22		1211342-02	MATE-N-LOK 2PIN PC TYPE		2 J5,J6
23	23		1209219-01	LAMP 6V@200MA,T1-3/4PINS#2319		1 I1
24	24		1300202-00	47 1/4W 5% CC	(13-00)	1 R2
25	25		1309639-00	200 5W 5% WW	(13-00)	1 R3
26	26		1312682-00	3 3W 5%	(13-00)	1 R4
27	27		1302950-00	1.2 K 1W 10% CC	(13-00)	1 R5
28	28		1300426-00	2.7 K 1/4W 5% CC	(13-00)	2 R6,R7
29	29		1309680-00	2.7 M 1/4W 5% CC	(13-00)	1 R8
30	30		1313712-00	.01 5W 3% WW	(13-00)	1 R9

REVISION HISTORY				VARIATIONS FOR THIS ASSY.			
CHK	ECO NO	REV		FIRST USED ON: 5413075		DIGITAL EQUIPMENT CORPORATION MAYNARD, MASSACHUSETTS	
---	INIT	A	00	MADE BY: S KITILE	DATE: 18-NOV-77	TITLE	
S.C	0001	B				PARTS LIST	
---	ML002	C		CHECKED: G GIDDINGS	DATE: 18-NOV-77	MK-11 BATTERY	
BN	ML002	C				BACKUP REGULATOR	
				DSN.ENG.: JOE MERCURI	DATE: 18-NOV-77	SIZE:CODE:	DOCUMENT NUMBER
				PROD.: BOB KING	DATE: 18-NOV-77	K	FL
				RESP.ENG.: JOE MERCURI	DATE: 18-NOV-77	ASSY.NO.:	D-UA-5413075-0-0
						REV	19

"THIS DRAWING AND SPECIFICATIONS HEREIN, ARE THE PROPERTY OF DIGITAL EQUIPMENT CORPORATION AND SHALL NOT BE REPRODUCED OR COPIED OR USED IN WHOLE OR IN PART AS THE BASIS FOR THE MANUFACTURE OR SALE OF ITEMS WITHOUT WRITTEN PERMISSION. COPYRIGHT 1978, DIGITAL EQUIPMENT CORPORATION"



LINE	ITEM	DOCUMENT NO.	PART NO.	DESCRIPTION	QTY	REFERENCE DESIGNATORS
31	31		1300365-00	1 K 1/4W 5% CC (13-00	2	R1,R11
32	32		1300229-00	100 1/4W 5% CC (13-00	1	R12
33	33		1302466-00	100 K 1/4W 5% CC (13-00	2	R13,R14
34	34		1312404-00	2.21 K 1/2W 1% RN60D-F 100PPM (13-00	2	R15,R16
35	35		1313579-00	1.5 3W 5% WW (13-00	2	R17,R18
36	36		1309855-00	300 2W 5% CC (13-00	2	R19,R20
37	37		1300479-00	10 K 1/4W 5% CC (13-00	1	R21
38	38		1310852-00	200 20% POT \$	1	R22
39	39		1360391-00	1.5 K 1/4W 5% CC (13-00	1	R10
40	40		1300316-00	470 1/4W 5% CC (13-00	1	R24
41	41		1510969-00	2N 5038 NPN 140WC SI 90 50 Y	3	Q1-Q3
42	42		1510708-00	D 45H8 PNP 50WT SI 60 60 Y	2	Q4,Q8
43	43		1512790-00	D 44C11 NPN 30W SI 80 40	2	Q5,Q9
44	44		1511686-00	DEC5433 FET N 350MW 10 25 1A 20U	1	Q6
45	45		1510959-00	2N 3725 NPN 3.5WC SI 50 60 P	1	Q7
46	46		1612593-00	500 UH 6A \$	1	L1
47	47		1613874-00	CHOKE,15UH 4A	2	L2,L3
48	48		1613876-00	XFMR,POWER,RATIO 1:2 7PIN \$	1	T1
49	49		1613875-00	XFMR,POWER,RATIO 1:2:3 100UH	1	T2
50	50		7014303-00	AC/DC LOW BOOT ENABLE CABLE	1	
51	51		1911944-00	555CN TIMER,FUNCT,BLOCK	1	E1
52	52		1910282-00	301M OP AMP	1	E2
53	53		7014301-00	DC CABLE	1	
54	54		1213071-06	INSULATOR,RUBBER SILICONE	1	
55	55		1213071-05	INSULATOR,RUBBER THERMAL	3	
56	56		7417414-00	HEAT SINK (DUAL)	4	
57	57		7417413-00	HEAT SINK (SINGLE)	1	
58	58		9006655-00	WASHER, FLAT, .312 O.D. X .125 ID X .025 F	1	
59	59		9006656-00	WASHER, FLAT, .312 O.D. X .156 I.D. X .027	6	
60	60		9006706-00	WASHER, NYLON, FLAT #4 .375 OD X .031 THK	2	
61	61		9006745-00	EYFLET, ROLLED FLANGE, .120 OD X .260 LG	4	
62	62		1213071-02	INSULATOR,RUBBER SILICONE SM	3	
63	63		9006565-00	NUT,KEP , 10-32X 3/8 AF CS/	10	
64	64		1210737-04	HEAT SINK,REGULATOR	1	
65	65		9007793-04	SCREW,BIND,SLOT, 6-32X 9/16 SS/PAS	6	
66	66		9008185-00	NUT,KEP , 6-32X1/4 AF CS/	6	
67	67		9008033-01	SCREW,PAN,PHIL, 4-40X 9/16 SS/PAS	1	
68	68		9006557-00	NUT,KEP , 4-40X 1/4 AF CS	1	
69	69		9006632-00	WASHER,LOCK,INT,.260OD X .120ID X .015 THK	8	
70	70		9006010-04	SCREW,BIND,SLOT, 4-40X 5/16 SS/PAS	8	
71	71		9107430-02	WIRE,STRND,18AWG,IPVC (UL1429) (91-00 A/R		
72	72		9009909-00	TERM LUG 1POS SOLDER,FLAT .196 HOLE	2	
73	73		9009769-00	WASHER, RECTANGULAR .405X.225X.060	1	
74	74		9006010-01	SCREW,PAN,PHIL, 4-40X 5/16 SS/PAS	2	
75	75		9009142-02	SCREW, PHILLIPS FLAT HEAD, SELF TAP, 4-40	4	
76	76		7417410-00	REGULATOR BRACKET	1	
77	77		9008404-02	SCREW,FLAT,PHIL, 6-32X 5/16 SS/PAS 1000	2	
78	78		9009731-03	CAP,PLASTIC	7	

TITLE	PARTS LIST	SIZE	CODE	DOCUMENT NUMBER	REV
DIGITAL EQUIPMENT CORPORATION MAYNARD, MASSACHUSETTS	MK-11 BATTERY BACKUP REGULATOR	K	PL	5413075-a-DBP	C

491

AUTOMATED BY PRTLST 1C(4)

PARTS LIST

SHEET 3 OF 3

LINE ITEM DOCUMENT NO.

PART NO.

DESCRIPTION

QTY REFERENCE DESIGNATORS

79 79

9007031-00

TIE, CABLE, SST1 M

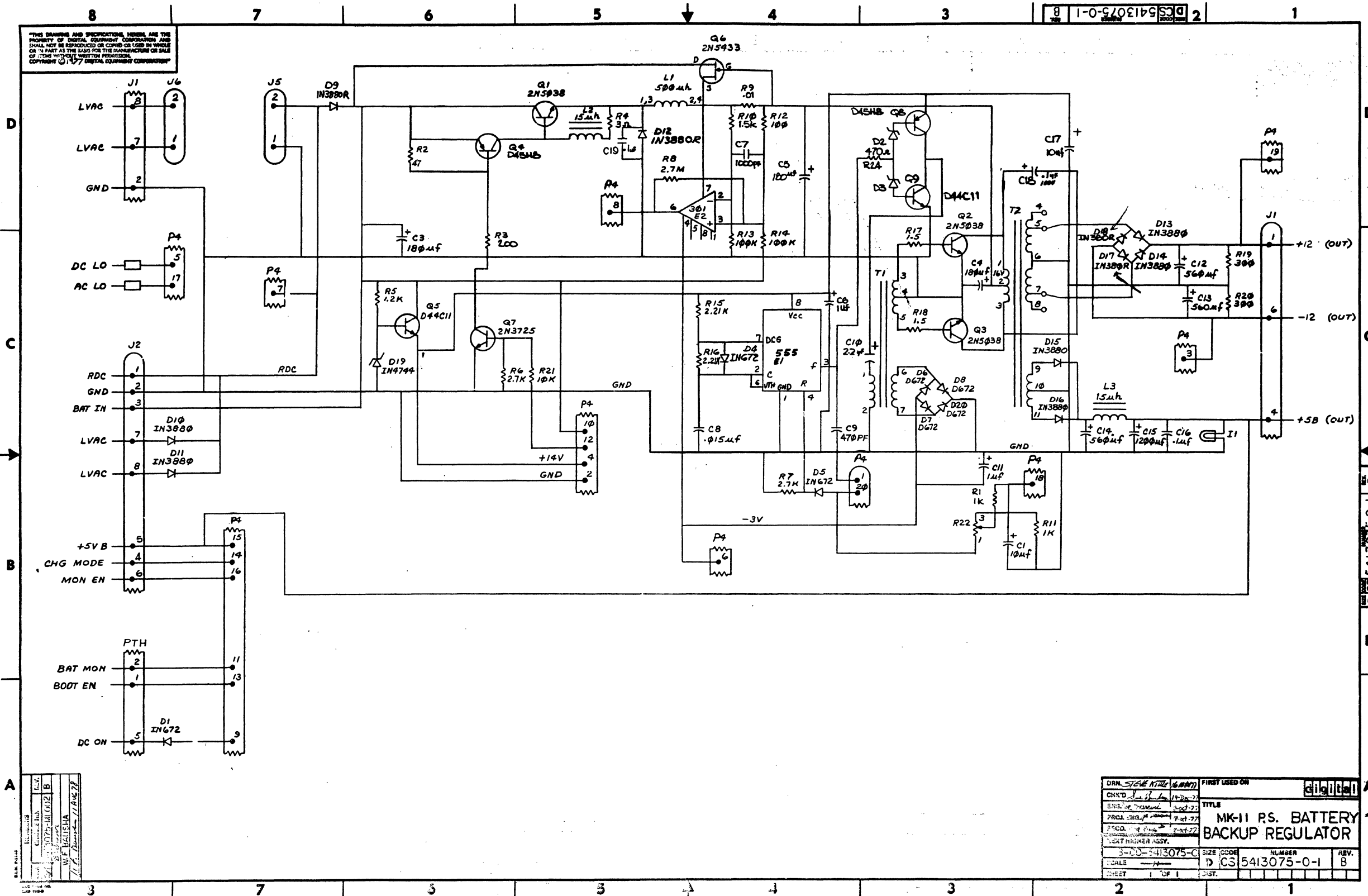
S

1

DIGITAL EQUIPMENT CORPORATION MAYNARD, MASSACHUSETTS	TITLE MK-11 BATTERY BACKUP REGULATOR	PARTS LIST	SIZE K	CODE PL	DOCUMENT NUMBER 5413075-0-DBP	REV C
---	--	------------	-----------	------------	----------------------------------	----------

492

THIS DRAWING AND SPECIFICATIONS HEREIN ARE THE PROPERTY OF DIGITAL EQUIPMENT CORPORATION AND SHALL NOT BE REPRODUCED OR COPIED OR USED IN WHOLE OR IN PART AS THE BASIS FOR THE MANUFACTURE OR SALE OF ITEMS WITHOUT WRITTEN PERMISSION. COPYRIGHT © 1977 DIGITAL EQUIPMENT CORPORATION



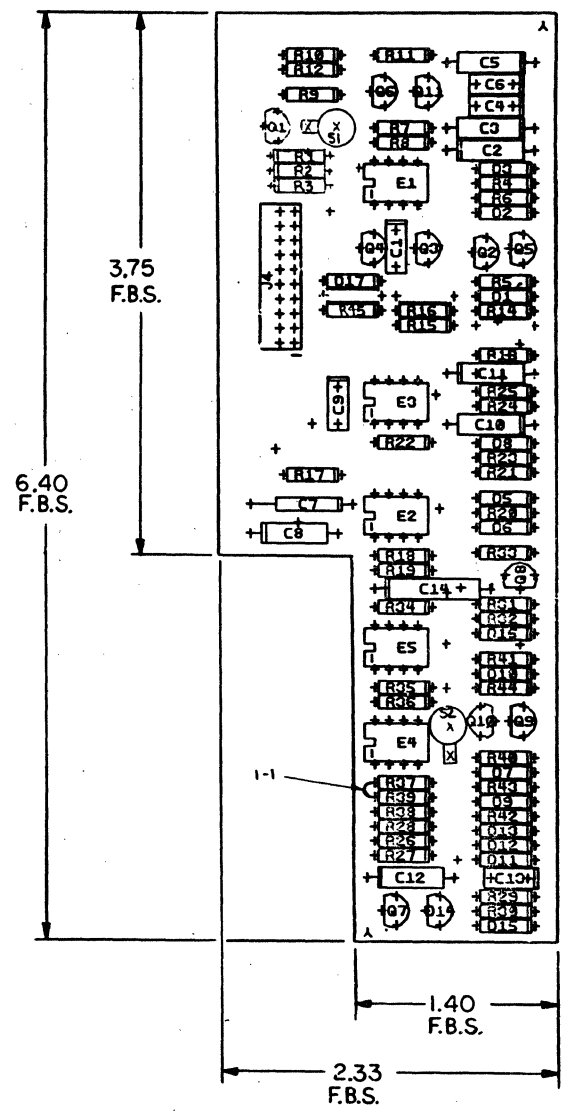
DRM	5413075-0-1	11/8/77
Checked by	W.F. BAUTERA	11/8/77
Approved by		

DRM	5413075-0-1	11/8/77	FIRST USED ON	Digital
CHK'D	11/8/77	11/8/77	TITLE	MK-II P.S. BATTERY BACKUP REGULATOR
ENGR'D	11/8/77	11/8/77	SIZE CODE	D
PROJ. ENGR.	11/8/77	11/8/77	NUMBER	5413075-0-1
PRD. ENGR.	11/8/77	11/8/77	REV.	B
TEST ENGINEER			SHEET	1 OF 1

THIS DRAWING AND ASSOCIATED DATA ARE THE PROPERTY OF THE UNITED STATES GOVERNMENT AND ARE LOANED TO YOU BY THE NATIONAL BUREAU OF STANDARDS. IT IS TO BE USED ONLY FOR THE PURPOSES AND IN THE MANNER SPECIFIED BY THE NATIONAL BUREAU OF STANDARDS. © 1977

COMPONENT SIDE VIEW

REWORK INSTRUCTIONS  
 ECO #1  
 WIRE ADDS SIDE 1:  
 1-1. BETWEEN R37 AND R39 AT THE R37  
 END THAT CONNECTS TO E4-3.



NOTES:  
 1. REV 'B' UA DOES NOT EXIST. THE LAYOUT IS IDENTICAL TO REV 'A' UA.  
 2. C10, C11, C12 TO BE HAND INSERTED.  
 3. C15, C16 NI NOT USED.

CHANGE NO	REV	DATE	BY	CHK'D	REASON
1	1	10/1/73	J. MERCURI	J. MERCURI	REWORK
2	2	10/1/73	J. MERCURI	J. MERCURI	REWORK

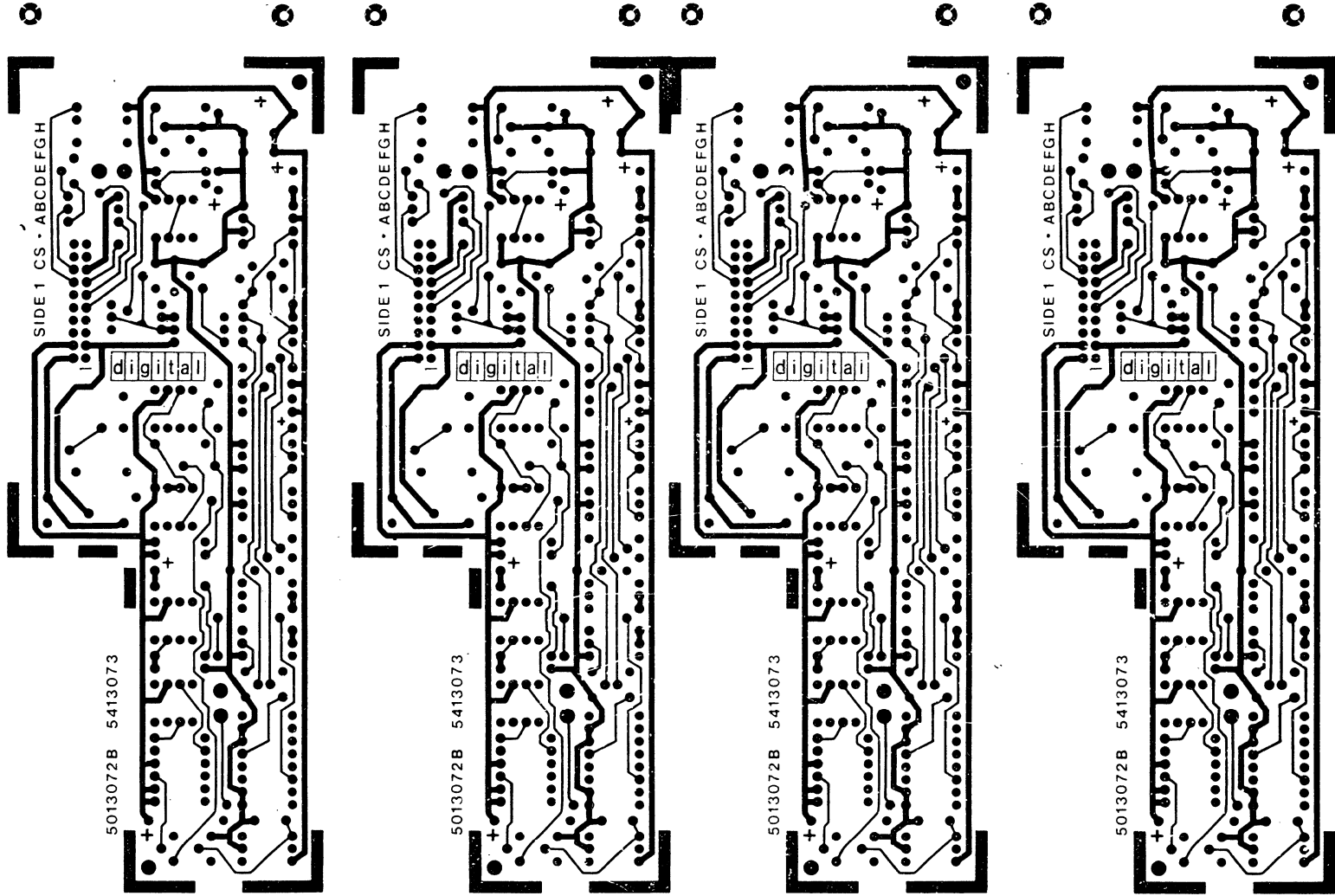
DATE	BY	CHK'D	REASON
10/1/73	J. MERCURI	J. MERCURI	REWORK
10/1/73	J. MERCURI	J. MERCURI	REWORK

SIGNATURES	DATE	TITLE
DRN. J. K. SULLIVAN	10/1/73	digital
CHK'D. J. GARDNER	10/1/73	
ENG. J. MERCURI	10/1/73	
PROD. ENG. J. MERCURI	10/1/73	
SCALE 2/1		
SHR. 1 OF 3		
EXT HIGHER ASSY. B-00-5413073-0		

TITLE MK-11 P.S.  
 CONTROL. BD.

SIZE CODE NUMBER REV  
 d UA 5413073-0-0 C

THIS DRAWING AND SPECIFICATIONS, HEREIN, ARE THE PROPERTY OF DIGITAL EQUIPMENT CORPORATION AND SHALL NOT BE REPRODUCED OR COPIED OR USED IN WHOLE OR IN PART AS THE BASIS FOR THE MANUFACTURE OR SALE OF ITEMS WITHOUT WRITTEN PERMISSION. COPYRIGHT © DIGITAL EQUIPMENT CORPORATION



REVISIONS		
CHK	CHANGE NO	REV

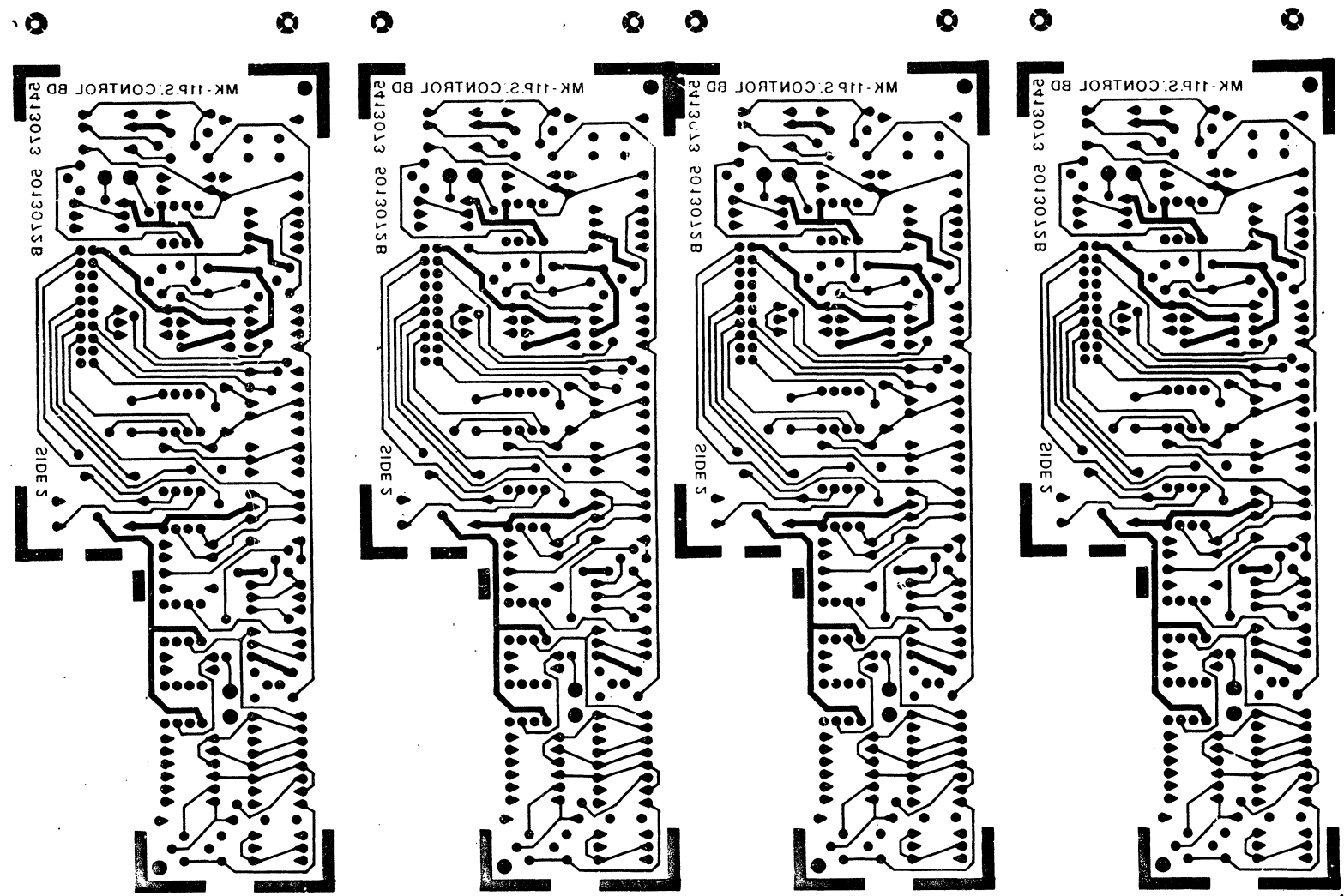
TITLE MK-11 P.S.  
CONTROL BOARD  
SCALE 2-1 SHEET 2 OF 3  
SIZE CODE D UA5-13073-0-0  
NUMBER  
REV. C

995

8 7 6 5 4 3 2 1

THIS DRAWING AND SPECIFICATIONS HEREIN ARE THE PROPERTY OF DIGITAL EQUIPMENT CORPORATION AND SHALL NOT BE REPRODUCED OR COPIED OR USED IN WHOLE OR IN PART AS THE BASIS FOR THE MANUFACTURE OR SALE OF ITEMS WITHOUT WRITTEN PERMISSION. COPYRIGHT © DIGITAL EQUIPMENT CORPORATION

0-0 5413073-0-0 2



REVISIONS		
CHK	CHANGE NO.	REV.

8 7 6 5 4 3 2 1

TITLE	MK-11 P.S. CONTROL BOARD	SIZE CODE	D	NUMBER	5413073-0-0	REV.	C
SCALE	2-1	SHEET	3	OF	3	DIST.	

496

LINE	ITEM	DOCUMENT NO.	PART NO.	DESCRIPTION	QTY	REFERENCE DESIGNATORS
1	1	D-MD-5013072-0-0	5013072-00	5413073	1	
2	2		1001610-01	.01 MFD 100V DR 50V Z5U DISC/800PF MIN	4	C1,C4,C6,C13
3	3		1004813-00	10 MFD 20V 10% 150D S.TA (10-00	1	C2
4	4		1001776-00	1 MFD 35V 10% 150D S.TA (10-00	3	C5,C11,C3
5	5		1000061-00	8200.0 MMF 100V 10% 663UW MYLR (10-00	1	C7
6	6		1005965-00	.47 MFD 35V 10% 150D S.TA (10-00	3	C8,C10,C12
7	7		1000009-00	33.0 MMF 100V 5%200PPM DM15S (10-00	1	C9
8	8		1005306-00	6.8MFD 35V 10% 150D S.TA (10-00	1	C14
9	9		1105275-00	D-672 TR= 15NS PIV= 60V SP	9	D1,D2,D3,D5,D6,D9,D10,D12,D13
10	10		1109990-00	1N 757A VZ= 9.1 5% .40W P	1	D8
11	11		1102808-00	1N 752A VZ= 5.6 5% .40W P	2	D11,D15
12	12		1110968-00	2N 5062 SCR@100V I=.8A T092	1	D14
13	13		1110713-00	SZ710910 VZ= 5.1 2% M	1	D7
14	14		1114913-00	VZ= 18.0 10% 1W	1	D16
15	15		1100125-00	1N 758A VZ= 10.0 5% .40W PPER S.A.V.E.C	1	D17
16	16		1300398-00	1.8 K 1/4W 5% CC (13-00	1	R38
17	17		1300479-00	10 K 1/4W 5% CC (13-00	11	R1,R13,R18,R19,R20,R21,R28, CONT R31,R42-R44
18	18		1300229-00	100 1/4W 5% CC (13-00	5	R3,R5,R25,R29,R45
19	19		1300432-00	3 K 1/4W 5% CC (13-00	1	R23
20	20		1301322-00	180 1/4W 5% CC (13-00	1	R4
21	21		1302177-00	47 K 1/4W 5% CC (13-00	1	R6
22	22		1302394-00	30 K 1/4W 5% CC (13-00	1	R7
23	23		1302091-00	330 K 1/4W 5% CC (13-00	1	R8
24	24		1300365-00	1 K 1/4W 5% CC (13-00	6	R9,R12,R14,R37,R40,R2
25	25		1300426-00	2.7 K 1/4W 5% CC (13-00	1	R16
26	26		1302092-00	220 K 1/4W 5% CC (13-00	1	R15
27	27		1301423-00	6.8 K 1/4W 5% CC (13-00	1	R17
28	28		1302871-00	1.21 K 1/4W 1% RN55D-F 100PPM (13-00	1	R35
29	29		1302955-00	750 1/4W 1% RN55D-F 100PPM (13-00	1	R34

REVISION HISTORY			VARIATIONS FOR THIS ASSY.		
CHK	ECO NO	REV	FIRST USED ON: 5413073		
---	INIT	A	DIGITAL EQUIPMENT CORPORATION		
F.S	00001	B	MAYNARD, MASSACHUSETTS		
PG	00002	C	MADE BY: S KITTLE	DATE: 24-OCT-77	TITLE
			PARTS LIST		
			CHECKED: F SMART	DATE: 24-OCT-77	MK11-PS CONTROL BOARD
			DSN.ENG.: JOE MERCURI	DATE: 24-OCT-77	
			SIZE   CODE   DOCUMENT NUMBER   REV		
			PROD.: BOB KING	DATE: 24-OCT-77	K   PL   5413073-0-0   C
			EDIT#		
			RESP.ENG.: JOE MERCURI	DATE: 24-OCT-77	ASSY.NO.: D-UA-5413073-0-0   11

"THIS DRAWING AND SPECIFICATIONS HEREIN, ARE THE PROPERTY OF DIGITAL EQUIPMENT CORPORATION AND SHALL NOT BE REPRODUCED OR COPIED OR USED IN WHOLE OR IN PART AS THE BASIS FOR THE MANUFACTURE OR SALE OF ITEMS WITHOUT WRITTEN PERMISSION. COPYRIGHT 1978. DIGITAL EQUIPMENT CORPORATION"

497

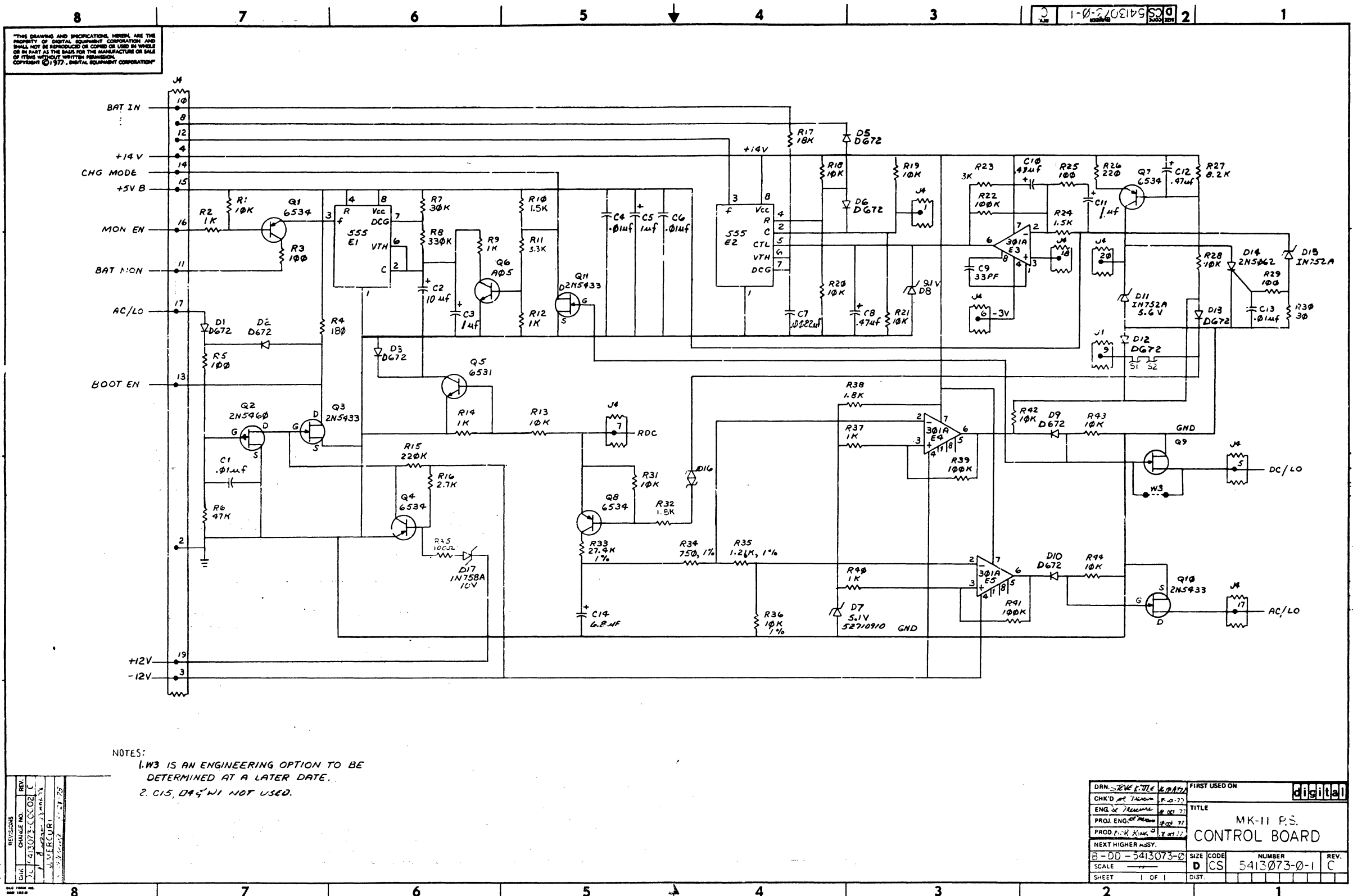
LINE	ITEM	DOCUMENT NO.	PART NO.	DESCRIPTION	QTY	REFERENCE DESIGNATORS
30	30		1303312-00	10.0 K 1/4W 1% RN55D-F 100PPM (13-00	1	R36
31	31		1302466-00	100 K 1/4W 5% CC (13-00	3	R22,R39,R41
32	32		1300271-00	220 1/4W 5% CC (13-00	1	R26
33	33		1302751-00	30 1/4W 5% CC (13-00	1	R30
34	34		1309417-00	27.4 K 1/4W 1% RN55D-F 100PPM (13-00	1	R33
35	35		1503409-00	DEC6534D PNP 310MW SI 40 90 P	4	Q1,Q4,Q7,Q8
36	36		1510233-00	2N 5460 FET 310MW SIP CHNNL	1	Q2
37	37		1511686-00	DEC5433 FET N 350MW 10 25 1A 20U	4	Q3,Q9,Q10,Q11
38	38		1509338-00	DEC6531B NPN 310MW SI 40 90 P	1	Q5
39	39		1510705-00	XA 05 NPN 500MW SI 60 50 P	1	Q6
40	40		1911944-00	555CN TIMER,FUNCT.BLOCK	2	E1,E2
41	41		1910282-00	DEC 301AN OP AMP	3	E3,E4,E5
42	42		1300398-00	1.8 K 1/4W 5% CC (13-00	1	R32
43	43		1300391-00	1.5 K 1/4W 5% CC (13-00	2	R10,R24
44	44		1213335-00	HEADER 20POS RT ANGLE FOR 12-13334	1	J4
45	45		9009185-00	***** THIS ITEM IS NOT USED *****	0	
46	46		1300439-00	3.3 K 1/4W 5% CC (13-00	1	R11
47	47		1212416-03	THERMOSTAT,00170,140,SPST	2	S1,S2
48	48		1303179-00	8.2 K 1/4W 5% CC (13-00	1	R27
49	49		9107560-01	WIRE,BUSS,22AWG	A/R	

! DIGITAL EQUIPMENT CORPORATION	! TITLE	PARTS LIST	! SIZE !	! CODE !	DOCUMENT NUMBER	! REV !
MAYNARD, MASSACHUSETTS		MK11-PS CONTROL BOARD	! K !	! PL !	5413073-0-0	! C !

498



THIS DRAWING AND SPECIFICATION HEREIN ARE THE PROPERTY OF DIGITAL EQUIPMENT CORPORATION AND SHALL NOT BE REPRODUCED OR COPIED OR USED IN WHOLE OR IN PART AS THE BASIS FOR THE MANUFACTURE OR SALE OF ITEMS WITHOUT WRITTEN PERMISSION. COPYRIGHT © 1977, DIGITAL EQUIPMENT CORPORATION



NOTES:  
 1. W3 IS AN ENGINEERING OPTION TO BE DETERMINED AT A LATER DATE.  
 2. C15, D14 & W1 NOT USED.

REV.	DATE	BY
1	4/13/73	CCOZ
2	7/27/75	W. PERCOURT

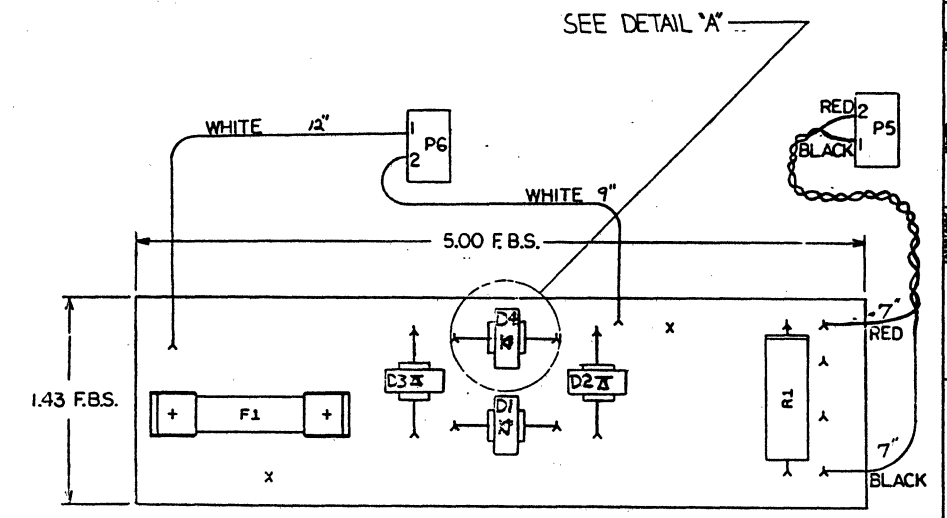
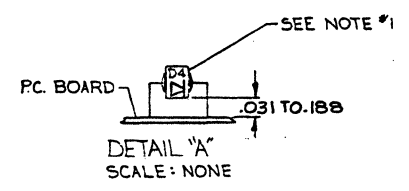
DRN. REV. TITLE	DATE	FIRST USED ON
CHK'D BY	DATE	
ENG. BY	DATE	
PROJ. ENG. BY	DATE	
PRGDR. BY	DATE	
NEXT HIGHER ASSY.		
TITLE		
MK-II P.S. CONTROL BOARD		
SIZE	CODE	NUMBER
A-DD-5413073-0	D CS	5413073-0-1
SCALE		REV.
		C
SHEET	1 OF 1	DIST.

THIS DRAWING AND SPECIFICATIONS, HEREIN, ARE THE PROPERTY OF DIGITAL EQUIPMENT CORPORATION AND SHALL NOT BE REPRODUCED OR COPIED IN WHOLE OR IN PART WITHOUT THE WRITTEN PERMISSION OF DIGITAL EQUIPMENT CORPORATION. © 1975

DJUA 5412411-0-0 2 1

COMPONENT SIDE VIEW

NOTES:  
1 DIODES D1 THRU D4 MUST BE RAISED FROM THE P.C. BOARD .031 TO .188



NOTES:

REVISION	DATE	BY	CHK'D
1			
2			
3			
4			
5			
6			
7			
8			

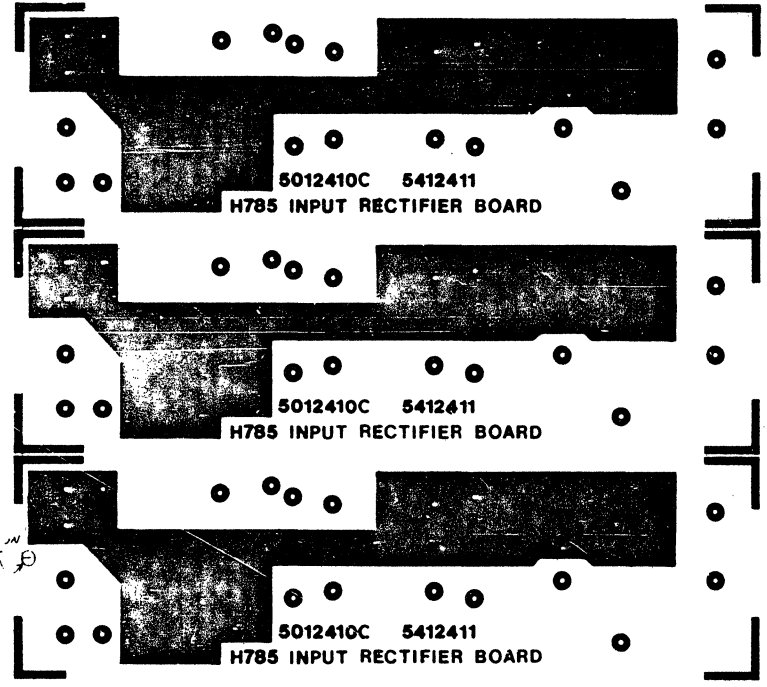
SIGNATURES		DATE	digital
DRN.		3-21-76	
CHK'D.		3-21-76	TITLE INPUT
ENG.		3-21-76	
PROJ. ENG.		3-21-76	RECTIFIER BOARD
DATE			
FILE		312-0008	NUMBER
REV.		0 10A	
PART NUMBER			DJUA 5412411-0-0 1

500



THIS DRAWING AND SPECIFICATIONS HEREIN ARE THE PROPERTY OF DIGITAL EQUIPMENT CORPORATION AND SHALL NOT BE REPRODUCED OR COPIED OR USED IN WHOLE OR IN PART AS THE BASIS FOR THE MANUFACTURE OF SALE OF ITEMS WITHOUT WRITTEN PERMISSION. COPYRIGHT © 1972 DIGITAL EQUIPMENT CORPORATION.

5412411-0-0 D J A 2



D  
C  
E  
B  
A

REVISIONS		
CHK	CHANGE NO	REV

TITLE	INFUT RETIFIER BOARD	SIZE CODE	D J A	NUMBER	5412411-0-0	REV	E
SCALE	2/1	SHEET	3 OF 3	DIST			

502

LINE	ITEM	DOCUMENT NO.	PART NO.	DESCRIPTION	QTY	REFERENCE DESIGNATORS
1	1	D-MD-5012410-0-0	5012410-00	5412411	1	
2	2		1110615-00	MR 752 PIV=200 I=22A A244 SM	4	D1-D4
3	3		1210821-02	MATE-N-LOK 2PIN,HOUSING,SKT	2	P5,P6
4	4		1209379-01	MATE-N-LOK PIN 20-14AWG LOOSE	4	
5	5		1302609-00	4.7 K 2W 10% CC (13-00	1	R1
6	6		9009000-00	EYELET, ROLLED FLANGE, .121 OD X .156 LG	2	
7	7		9008390-00	FUSE, REG BLOW, 10.000A, 250V, CERAMIC	1	
8	8		9007203-00	CLIP, FUSE, WITH STOP, SCREW MOUNTED	2	
9	9		9107360-99	WIRE,STRND,18AWG,IPVC UL1429 (91-00 A/R		
10	10		9107430-02	WIRE,STRND,18AWG,IPVC (UL1429) (91-00 A/R		

11 NOTE: MS60954 ETCH REV C CS REV B

REVISION HISTORY			VARIATIONS FOR THIS ASSY.		FIRST USED ON:		DIGITAL EQUIPMENT CORPORATION MAYNARD, MASSACHUSETTS				
CHK	ECD NO	REV					TITLE	SIZE	CODE	DOCUMENT NUMBER	REV
	00003	E	00		MADE BY: D.BILODEAU	DATE: 08-MAR-78	PARTS LIST				
					CHECKED: F.GAROFALO	DATE: 08-MAR-78	INPUT RECTIFIER BOARD				
					DSN.ENG.: J.MERCURI	DATE: 08-MAR-78					
					PROD.: R.B.KING	DATE: 08-MAR-78		K	PL	5412411-0-0	E
					RESP.ENG.: J.MERCURI	DATE: 08-MAR-78				ASSY.NO.: D-UA-5412411-0-0	EDIT#
											3

THIS DRAWING AND SPECIFICATIONS HEREIN, ARE THE PROPERTY OF DIGITAL EQUIPMENT CORPORATION AND SHALL NOT BE REPRODUCED OR COPIED OR USED IN WHOLE OR IN PART AS THE BASIS FOR THE MANUFACTURE OR SALE OF ITEMS WITHOUT WRITTEN PERMISSION.  
COPYRIGHT 1978, DIGITAL EQUIPMENT CORPORATION



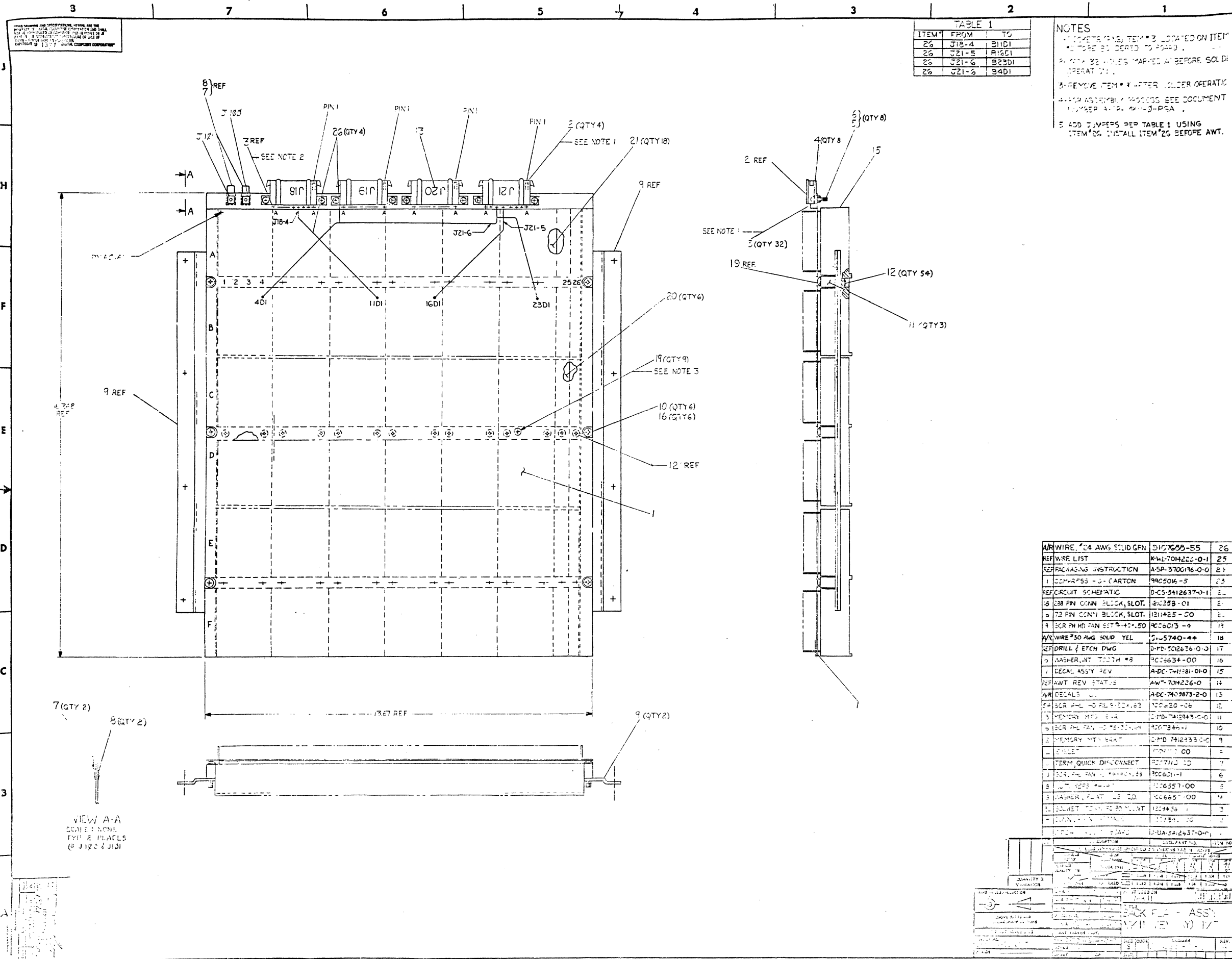


TABLE 1

ITEM*	FROM	TO
26	J18-4	B11D1
26	J21-5	B12E1
26	J21-6	B23D1
26	J21-6	B4D1

NOTES

1. SOCKET #3, ITEM #3 LOCATED ON ITEM #10 BEFORE BEING MOUNTED TO BOARD.
2. PIN #32 HOLES MARKED AT BEFORE SOLD OPERATOR.
3. REMOVE ITEM #3 AFTER SOLDER OPERATOR.
4. FOR ASSEMBLY PROCESSES SEE DOCUMENT NUMBER 44-144-10-PSA.
5. ADD JUMPERS PER TABLE 1 USING ITEM #26. INSTALL ITEM #26 BEFORE AWT.

AW/WIRE #24 AWG SOLID GRN	5107035-55	26
REF WIRE LIST	KWL-704222-0-1	25
REF PACKAGING INSTRUCTION	ASP-370016-0-0	23
1 COMPRESS - 3 - CARTON	9905016-5	23
REF CIRCUIT SCHEMATIC	D-CS-5412637-0-1	22
8 238 PIN CONN BLOCK, SLOT.	24035B-01	21
9 72 PIN CONN BLOCK, SLOT.	1211425-00	20
9 SCR PH HD PAN SET 5/16x.50	9006013-9	19
AW/WIRE #30 AWG SOLID YEL	5105740-44	18
REF DRILL & ETCH DWG	D-PR-502636-0-0	17
2 WASHER, INT TOOTH #8	9006634-00	16
1 DECAL ASSY REV	A-DC-741181-0-0	15
REF AWT REV STATUS	AWT-704226-0	14
AW DECALS	A-DC-7402873-2-0	13
24 SCR PHL HD FL 5/16x.63	1700120-06	12
5 MEMORY MFG 2HR	D-MD-7412943-0-0	11
5 SCR PHL PAN HD 5/16x.50	9007344-1	10
2 MEMORY MFG 2HR	D-MD-7412933-0-0	9
1 SHIELD	7001110-00	8
1 TERM QUICK DISCONNECT	9007110-00	7
3 SCR PHL PAN HD 5/16x.50	9006011-1	6
3 WASH WREN #4-40	1206557-00	5
3 WASHER, FLAT #8 ID	9006657-00	4
1 SOCKET CONN TO BOARD MOUNT	1207436-1	3
1 PIN, CONN ATTACH	207391-00	2
1 PIN, CONN ATTACH	D-DA-5412637-0-1	1

QUANTITY & UNIT INFORMATION

BACK FLA - ASSY

AW/WIRE #24 AWG SOLID GRN

AW/WIRE #30 AWG SOLID YEL

DATE: 11/17/77

REV: 1





# DIGITAL EQUIPMENT CORPORATION PARTS LIST

QUANTITY / VARIATION

NOTES:

*USED ON: OPTION/MODEL  
MK II*

MADE BY H. WEINBRENNER  
DATE 6/24/77

CHECKED W. ANGELL  
DATE 6/30/77

SECTION 1

ENG DATE *W. Angell 9/3/77*

PROD *RA Hill*  
DATE 8/10/77

ISSUED SECTION 1

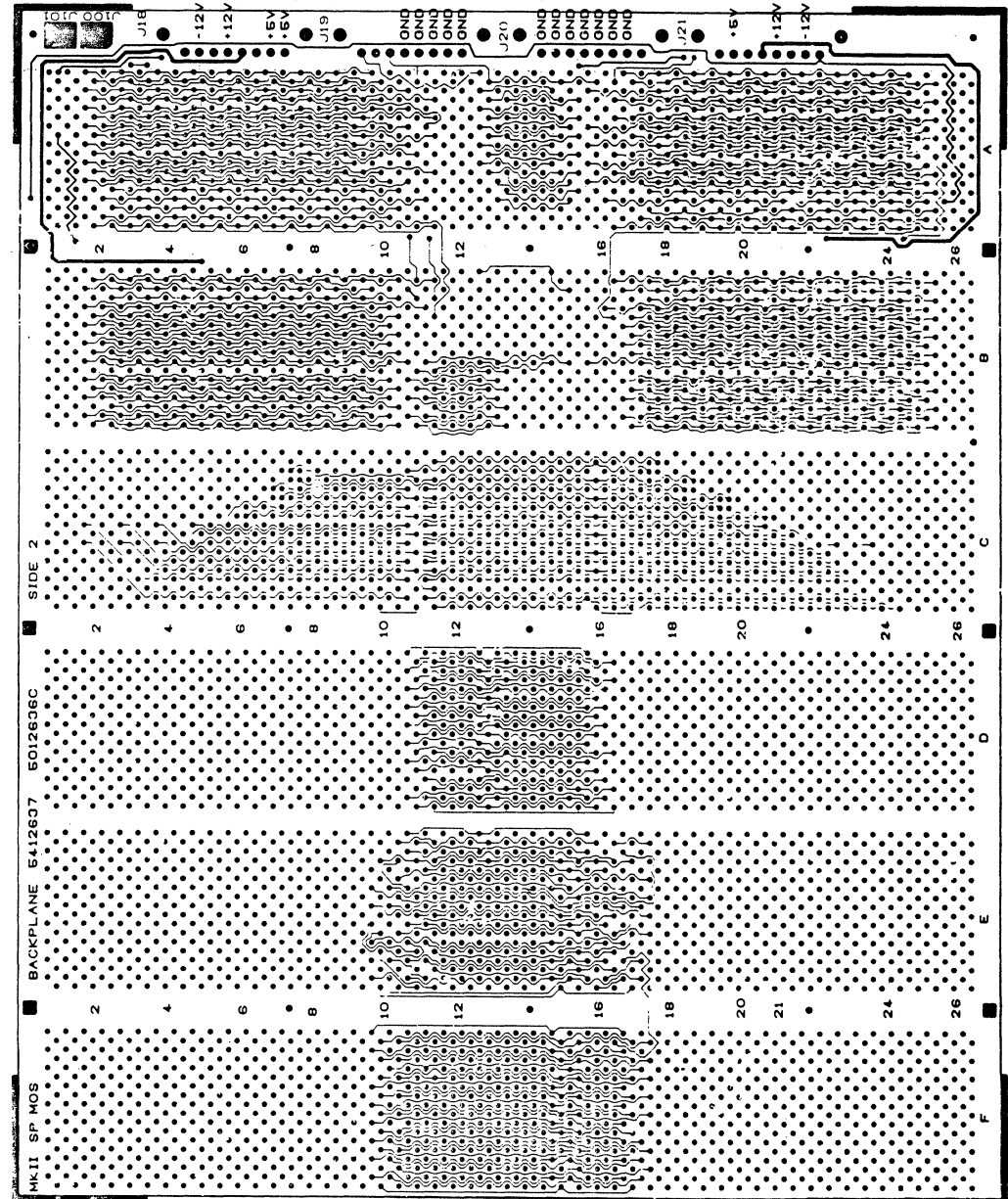
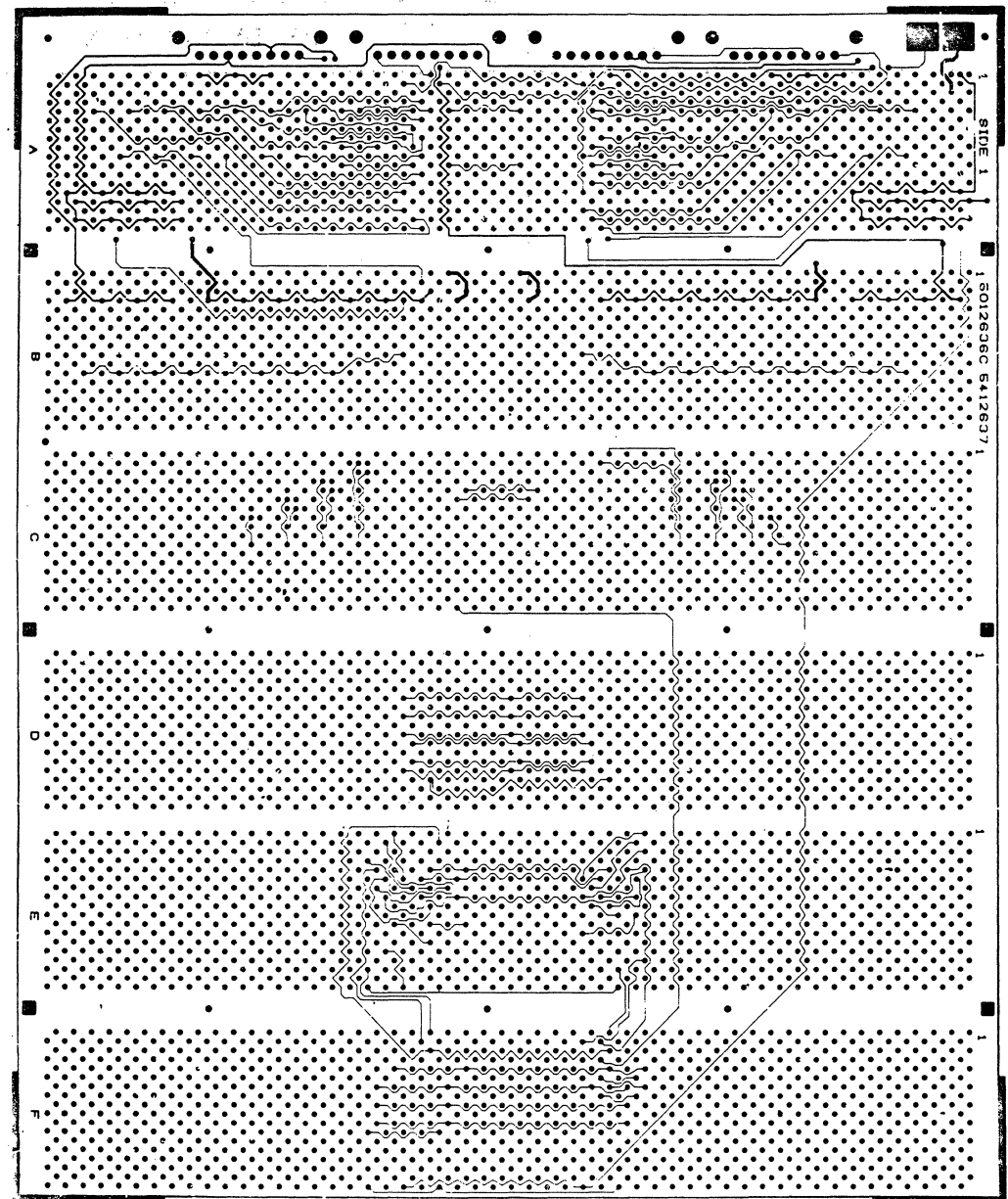
ITEM NO.	DRAWING NO.	PART NO.	DESCRIPTION	REF	QTY	VAR	UNIT	MATERIAL	FINISH	TOLERANCE	REF DESIGNATION
	D-CS-5412637-Ø-1		CIRCUIT SCHEMATIC	REF							
	E-UA-5412637-Ø-Ø		UNIT ASSEMBLY	REF							
	B-DD-5412637-Ø		DRAWING DIRECTORY	REF							
	E-MD-5012636-Ø-Ø		DRILL & ETCH DRAWING	REF							
1		5012636	ETCHED BOARD		1						

E.C.O. NO. \_\_\_\_\_

"THIS DRAWING AND SPECIFICATIONS, HEREIN, ARE THE PROPERTY OF DIGITAL EQUIPMENT CORPORATION AND SHALL NOT BE REPRODUCED OR COPIED OR USED IN WHOLE OR IN PART AS THE BASIS FOR THE MANUFACTURE OR SALE OF ITEMS WITHOUT WRITTEN PERMISSION. COPYRIGHT © 1977 DIGITAL EQUIPMENT CORPORATION"


TITLE	ASSY NO.	SIZE	CODE	NUMBER	REV.
DIGITAL EQUIPMENT CORPORATION	E-UA-5412637-Ø-Ø	B	PL	E-12637-Z-Z	1
	SHEET 1 OF 1	INSERTION PARTS LIST DATA BASE REV			

THIS DRAWING AND SPECIFICATIONS, HEREIN, AND THE PROPERTY OF DIGITAL EQUIPMENT CORPORATION AND SHALL NOT BE REPRODUCED OR COPIED IN WHOLE OR IN PART AS THE BASIS FOR THE MANUFACTURE OF SUCH ITEMS WITHOUT WRITTEN PERMISSION. DIGITAL EQUIPMENT CORPORATION



NOTES:

CHG	NO	REV

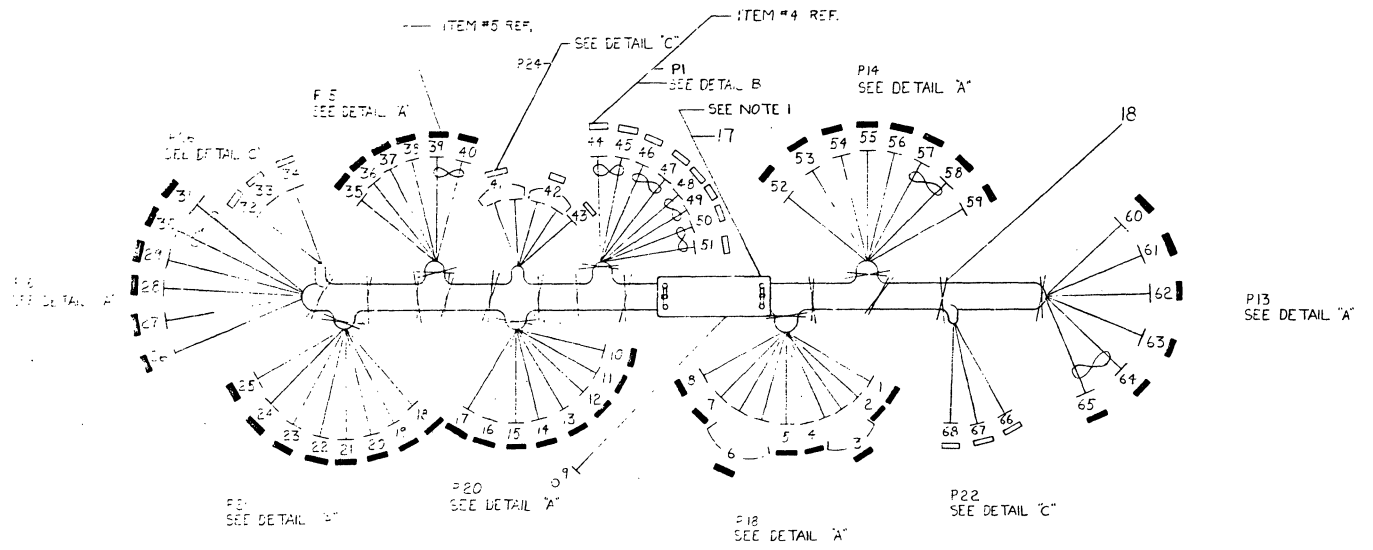
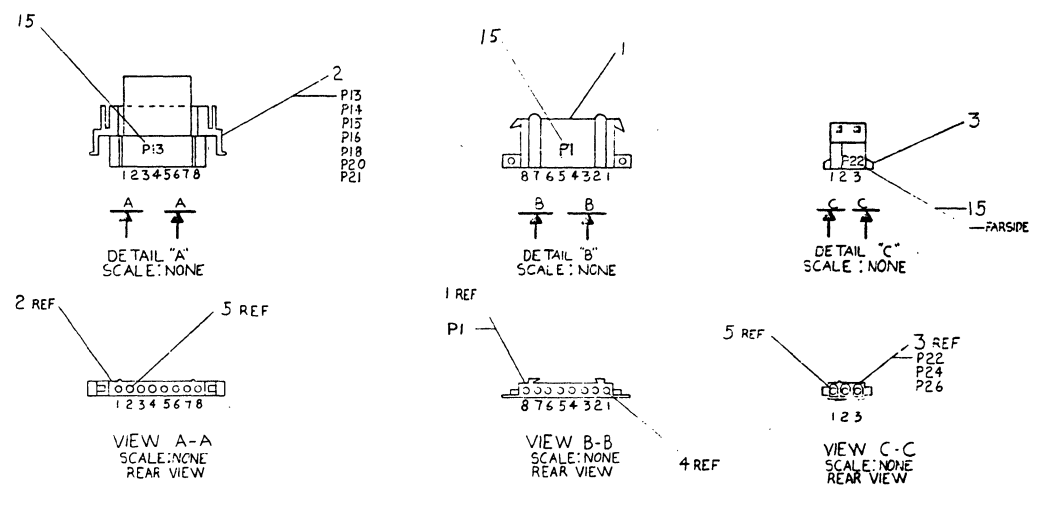
SIGNATURES	DATE	 TITLE MKII SP MOS BACKPLANE
ORN. <i>[Signature]</i>	7/24/77	
CHK. D. <i>[Signature]</i>	7/24/77	
ENG. <i>[Signature]</i>	7/24/77	
PROD. RA. <i>[Signature]</i>	7/24/77	
SCALE 1-1	SIZE CODE: NUMBER	REV
SH. 1 OF 1	D CS 5412637-0-1 B	
ETCH REV C FIRST USED ON MKII		

3 7 6 5 4 3 2 1

THIS DRAWING AND SPECIFICATION, HERETO AND THE SPECIFICATIONS TO WHICH IT REFERS SHALL BE THE PROPERTY OF THE AIR FORCE. IT IS TO BE KEPT IN THE OFFICE OF THE AIR FORCE ENGINEERING AND AIRSPACE MANAGEMENT DIVISION, WASHINGTON, D.C. 20330. IT IS TO BE RETURNED TO THE OFFICE OF ORIGIN UPON REQUEST.

WIRE TABLE								
ITEM NO.	AVIG	COLOR	POINT	CONNECTION	WITH	POINT	CONNECTION	WITH
10	14	RED	1	P18-1	2	53	P14-3	5
10	14	RED	2	P18-2	3	53	P14-2	4
10	14	RED	24	P21-7	1	52	P14-1	1
11	14	GRAY	4	P18-4	1	62	P13-4	1
11	14	GRAY	22	P21-5	1	37	P15-4	1
11	14	GRAY	23	P21-6	1	23	P6-4	1
9	14	CRN	5	P18-5	1	60	P13-1	1
9	14	CRN	20	P21-3	1	23	P16-1	1
9	14	CRN	21	P21-4	1	23	P15-1	1
6	14	BRN	7	P18-7	1	63	P13-6	1
6	14	BRN	13	P21-1	1	21	P14-6	1
6	14	BRN	14	P21-2	1	33	P15-6	1
11	14	BLK	12	P20-3	1	51	P13-2	1
11	14	BLK	13	P20-4	1	55	P14-4	1
11	14	BLK	14	P20-5	1	54	P14-3	1
11	14	BLK	15	P20-6	1	27	P16-2	1
11	14	BLK	16	P20-7	1	36	P15-2	1
19	14	BLK	17	P20-8	1	59	P14-8	5
12	14	RED	50	P16-7	1	44	P1-8	4
12	14	WHT	31	P16-8	1	45	P1-7	4
14	14	RED	39	P15-7	1	46	P1-6	4
12	14	WHT	40	P15-8	1	47	P1-5	4
14	14	RED	57	P14-6	1	48	P1-4	4
12	14	WHT	58	P14-7	1	19	P1-3	4
14	14	RED	64	P13-7	1	50	P1-2	4
12	14	WHT	65	P13-8	1	51	P1-1	4
14	18	WHT	34	P24-3	4	25	P20-8	5
14	18	WHT	43	P24-3	4	10	P20-1	5
14	18	WHT	60	P22-3	4	8	P18-8	5
7	18	BLK	11	P20-2	5	9	LUG	6
22	18	VIO	32	P26-2	4	41	P24-2	4
21	18	VIO	3	P18-3	5	68	P22-2	5
3	18	YEL	33	P26-1	4	42	P24-1	4
12	16	YEL	6	P18-6	5	57	P22-1	4

NOTES:  
 1-MOUNT LABEL-ARN (ITEM #17) APPROX. AS SHOWN ON CABLE TEST (ITEM #2)  
 2-STRIP-CRIMP PER DWG #7665267-0-0



DO NOT REDUCE SCALE  
 6IN 12IN  
 FOR MANUFACTURING PURPOSES ONLY

WIRE #	STRD.	NS	VID	QTY
1	18	BLK	CLR	20
2	18	BLK	CLR	7
3	18	BLK	CLR	5
4	18	BLK	CLR	5
5	18	BLK	CLR	5
6	18	BLK	CLR	5
7	18	BLK	CLR	5
8	18	BLK	CLR	5
9	18	BLK	CLR	5
10	18	BLK	CLR	5
11	18	BLK	CLR	5
12	18	BLK	CLR	5
13	18	BLK	CLR	5
14	18	BLK	CLR	5
15	18	BLK	CLR	5
16	18	BLK	CLR	5
17	18	BLK	CLR	5
18	18	BLK	CLR	5
19	18	BLK	CLR	5
20	18	BLK	CLR	5
21	18	BLK	CLR	5
22	18	BLK	CLR	5
23	18	BLK	CLR	5
24	18	BLK	CLR	5
25	18	BLK	CLR	5
26	18	BLK	CLR	5
27	18	BLK	CLR	5
28	18	BLK	CLR	5
29	18	BLK	CLR	5
30	18	BLK	CLR	5
31	18	BLK	CLR	5
32	18	BLK	CLR	5
33	18	BLK	CLR	5
34	18	BLK	CLR	5
35	18	BLK	CLR	5
36	18	BLK	CLR	5
37	18	BLK	CLR	5
38	18	BLK	CLR	5
39	18	BLK	CLR	5
40	18	BLK	CLR	5
41	18	BLK	CLR	5
42	18	BLK	CLR	5
43	18	BLK	CLR	5
44	18	BLK	CLR	5
45	18	BLK	CLR	5
46	18	BLK	CLR	5
47	18	BLK	CLR	5
48	18	BLK	CLR	5
49	18	BLK	CLR	5
50	18	BLK	CLR	5
51	18	BLK	CLR	5
52	18	BLK	CLR	5
53	18	BLK	CLR	5
54	18	BLK	CLR	5
55	18	BLK	CLR	5
56	18	BLK	CLR	5
57	18	BLK	CLR	5
58	18	BLK	CLR	5
59	18	BLK	CLR	5
60	18	BLK	CLR	5
61	18	BLK	CLR	5
62	18	BLK	CLR	5
63	18	BLK	CLR	5
64	18	BLK	CLR	5
65	18	BLK	CLR	5
66	18	BLK	CLR	5
67	18	BLK	CLR	5
68	18	BLK	CLR	5
69	18	BLK	CLR	5
70	18	BLK	CLR	5
71	18	BLK	CLR	5
72	18	BLK	CLR	5
73	18	BLK	CLR	5
74	18	BLK	CLR	5
75	18	BLK	CLR	5
76	18	BLK	CLR	5
77	18	BLK	CLR	5
78	18	BLK	CLR	5
79	18	BLK	CLR	5
80	18	BLK	CLR	5

WIRING HARNESS  
 MKII

REV. 1

DATE: 10/1/77

BY: [Signature]

CHKD: [Signature]

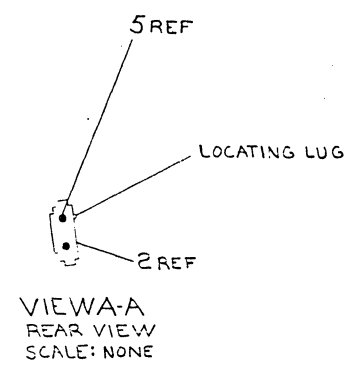
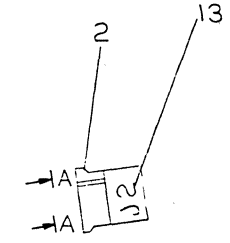
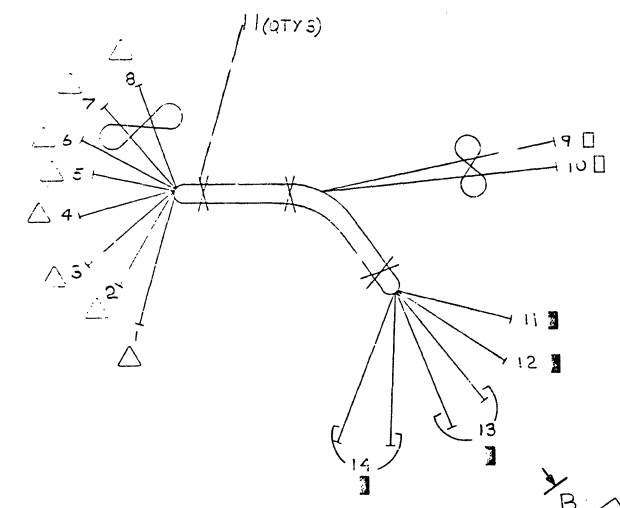
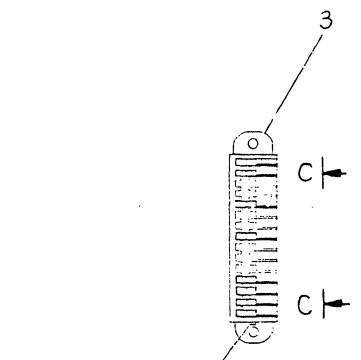
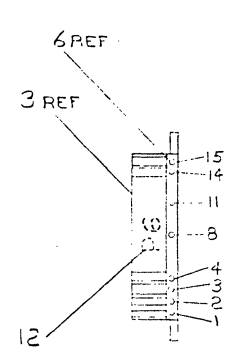
APP'D: [Signature]

SCALE: 1/2" = 1'-0"

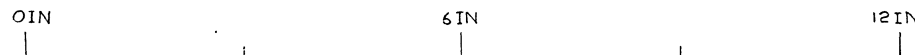
1 2 3 4 5 6 7 8 9 10 11 12 13 14 15 16 17 18 19 20 21 22 23 24 25 26 27 28 29 30 31 32 33 34 35 36 37 38 39 40 41 42 43 44 45 46 47 48 49 50 51 52 53 54 55 56 57 58 59 60 61 62 63 64 65 66 67 68 69 70 71 72 73 74 75 76 77 78 79 80

This drawing and specifications herein are the property of Digital Equipment Corporation and shall not be reproduced or copied or used in whole or in part as the basis for the manufacture or sale of items without written permission.

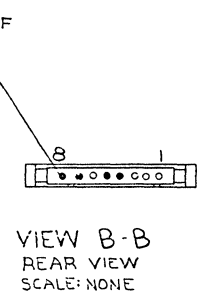
WIRE TABLE									
ITEM DESCRIPTION			FROM			TO			
NO	AWG	COLOR	POINT	CONNECTION	TERM	POINT	CONNECTION	TERM	
10	18	VIO	1	P6-1	6	13	P19-7	4	
10		VIO	2	P6-2					
9		YEL	3	P6-3		14	P19-8		
9		YEL	5	P6-8					
8		BLK	4	P6-4		12	P19-5		
8		BLK	6	P6-11		11	P19-4	4	
7		WHT	7	P6-14		10	J2-1	5	
7	18	RED	8	P6-15	6	9	J2-2	5	



DO NOT REDUCE SCALE



FOR MANUFACTURING PURPOSES ONLY



QTY	SYM	DESCRIPTION	PART NO.	ITEM NO.
1	A/R	PWR HARN. DECAL (J)	ADC7401873-00	13
1	A/R	PWR HARN. DECAL (P)	ADC7409872-00	12
1	3	TIE, CABLE	9007880	11
1	70"	WIRE, #18AWG, VIOLET	9107360-77	10
1	70"	WIRE, #18AWG, YEL	9107360-44	9
1	70"	WIRE, #18AWG, BLK	9107360-00	3
1	70"	WIRE, TWP #18AWG, RED/WHT	9107430-29	7
1	△	TERMINAL, RIGHT ANGLE	1210381	6
1	□	TERMINAL, FEMALE	1209379-01	5
1	■	TERMINAL, MALE	1209378-01	4
1	1	HOUSING, TERMINAL	1210380-07	3
1	1	CONN, 2 PIN FEMALE	1210321-2	2
1	1	CONN, 3 PIN MALE	1209340-01	1

OPTN / MODEL	SYM	QTY.	DESCRIPTION	PART NO.	ITEM NO.
MJ11-A					

UNLESS OTHERWISE SPECIFIED		DATE	
DIMENSION IN INCHES	TOLERANCES	CHK'D.	DATE
DECIMALS	ANGLES	DATE	DATE
.XXX ± .005	± 0° 30'	11/17/74	11/17/74
.XX ± .02		DATE	DATE
.X ± .1		DATE	DATE

REMOVING BURRS AND BREAK SHARP CORNERS SURFACE QUALITY		DATE	
PROD.	DATE	DATE	DATE

MATERIAL	NEXT HIGHER ASSY.	SIZE CODE	NUMBER	REV.
SEE PARTS LIST	D-UA-MJ11-A-φ	DIA	7000591-00	

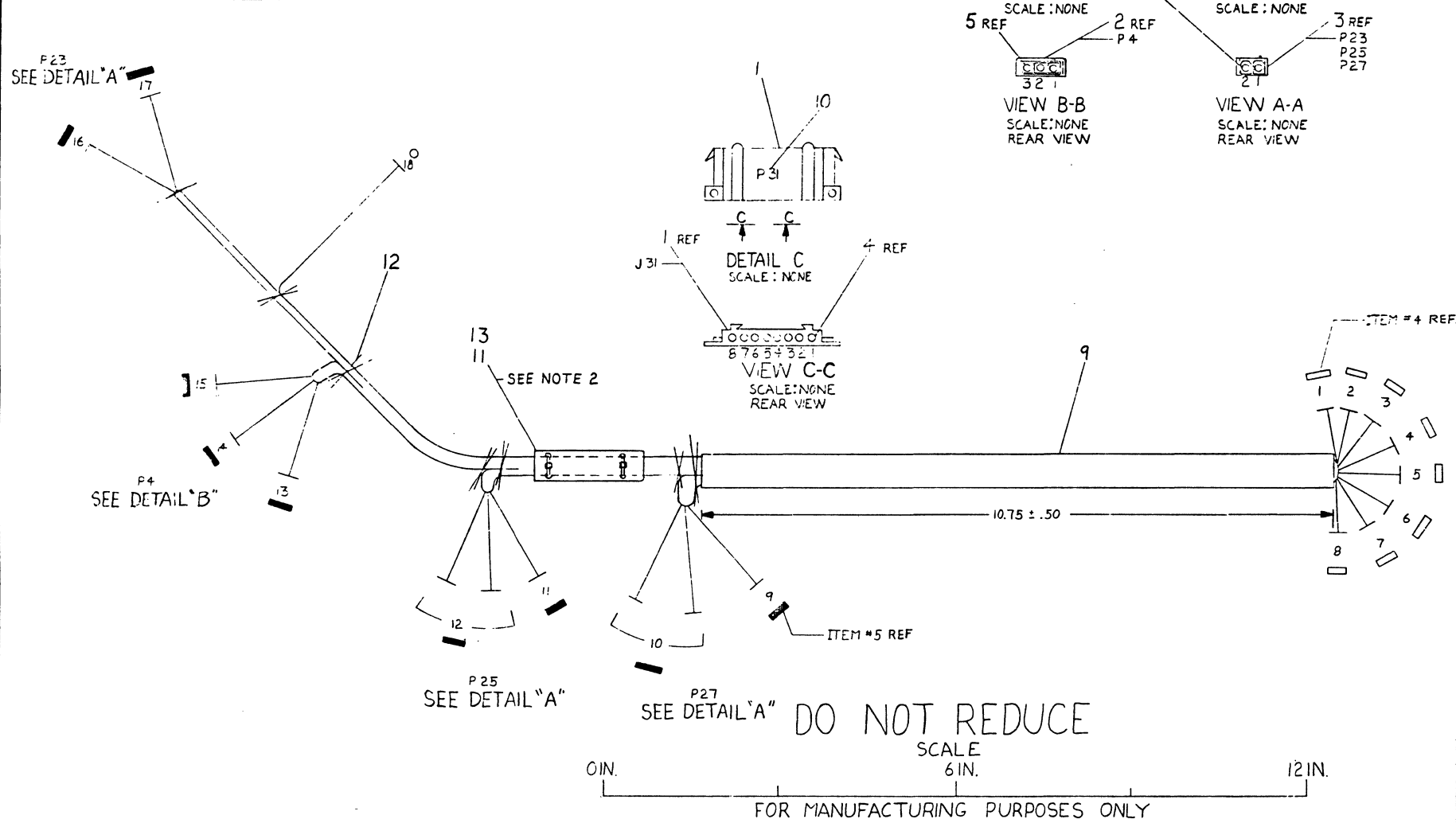
TITLE		EQUIPMENT CORPORATION	
WIRE HARNESS		MILITARY	
A.C./D.C. LOW		MILITARY	
(MJ11-A)			
SCALE	1/1	DIST.	
SHEET	1 OF 1		

8 7 6 5 4 3 2 1

THIS DRAWING AND SPECIFICATIONS, HEREIN, ARE THE PROPERTY OF DIGITAL EQUIPMENT CORPORATION AND SHALL NOT BE REPRODUCED OR LOANED IN WHOLE OR IN PART WITHOUT THE WRITTEN PERMISSION OF DIGITAL EQUIPMENT CORPORATION © 1977

WIRE TABLE									
ITEM NO	DESCRIPTION	FROM	TO	REMARKS					
NO	AWG	COLOR	POINT	CONNECTOR	WIDTH	POINT	CONNECTOR	WIDTH	REMARKS
7	18	RED	17	P23-1	5	12	P25-1	5	
4	18	RED	10	P27-1	5	8	P31-1	4	
7		RED	15	P4-2		6	P31-4		
6		BLK	16	P23-2		2	P31-7		
4		BLK	13	P4-3		7	P31-2		
		BLK	11	P25-2		3	P31-6		
		BLK	9	P27-2		4	P31-5		
6		BLK	1	P31-6		18	LUG		
8	18	WHT	14	P4-1	5	5	P31-3	4	

NOTES  
 1. STRIP + CRIMP PER DWG 765267-0-C  
 2. MOUNT SERIAL TAG (ITEM #11) APPROX. AS SHOWN USING CABLE TIES (ITEM #12) CABLE TIES TO BE SNUG, DO NOT CRUSH CABLE.



DO NOT REDUCE SCALE 6 IN.

FOR MANUFACTURING PURPOSES ONLY

ITEM NO.	DESCRIPTION	DWG. PART NO.	ITEM NO.
1	TERMINAL, 10 HOLE	9007930-00	13
X	W/TIE, CABLE	9007031-00	12
1	LABEL, HARNESS IDENT	9009532-00	11
	W/R DECALS (CP)	A-DC-7409372-2-0	10
	W/R SLEEVING, .625 DIA	9107646-00	9
	W/R WIRE, #18 STRD, INS WHT	9107360-11	8
	W/R WIRE, #18 STRD, INS RED	9107360-22	7
	W/R WIRE, #18 STRD, INS BLK	9107360-00	5
9	TERMINAL (MALE)	1209378-01	5
8	TERMINAL (FEMALE)	1209379-01	4
3	CONNECTOR (MALE) 2 PIN	1210822-02	3
1	CONNECTOR (MALE) 3 PIN	1209351-03	2
1	CONNECTOR (FEMALE) 8 PIN	1209340-00	1

SYMBOLS	DESCRIPTION		DWG. PART NO.		ITEM NO.
	DESCRIPTION	DWG. PART NO.	DESCRIPTION	DWG. PART NO.	
THIRD ANGLE PROJECTION	DRN. DRAWING	10 MAY 77	FIRST USED ON	MK II	DIGITAL
	CHK'D	10 MAY 77	TITLE	HARNESS, BOX CONTROL, INTERNAL (MK II)	
QUANTITY & VARIATION	ENG. 1/1	10 MAY 77	SCALE	1/1	SHEET 1 OF 1
	PROJ. ENG. 7/1	10 MAY 77	SIZE	CODE	
MATERIAL	PROJ. QA	10 MAY 77	NUMBER	701432-0-0	REV.
	EXT. HIGHWAY		DIST.		

REVISIONS  
 REV. CHANGE NO. DATE

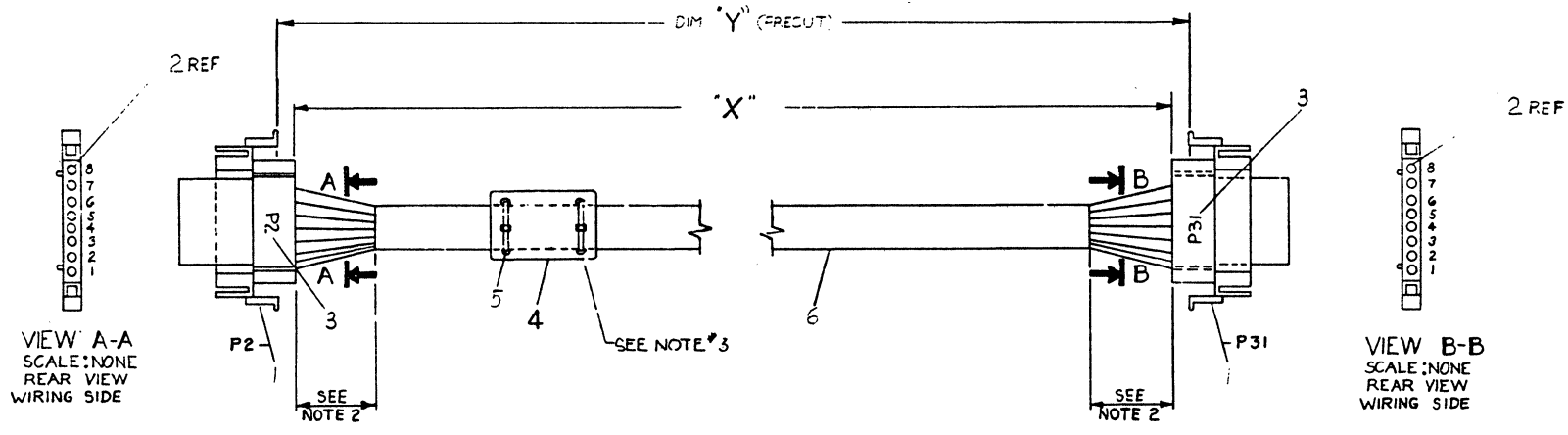
3 7 6 5 4 3 2 1

THIS DRAWING AND SPECIFICATIONS HEREAFTER ARE THE PROPERTY OF DIGITAL EQUIPMENT CORPORATION AND SHALL BE RETURNED TO THE COMPANY AT THE TIME OF SALE OR PURCHASE OF THE MANUFACTURING OR SALE OF ITEMS THEREON. THIS DRAWING IS NOT TO BE REPRODUCED OR COPIED IN ANY MANNER WITHOUT THE WRITTEN PERMISSION OF DIGITAL EQUIPMENT CORPORATION.

WIRE TABLE						
ITEM NO.	DESCRIPTION		FROM		TO	
	AWG	COLOR	CONNECTION	WITH	CONNECTION	WITH
6	18	BROWN	P2-1	2	P31-1	2
		RED	P2-2	2	P31-2	2
		ORN	P2-3		P31-3	
		YEL	P2-4		P31-4	
		GRN	P2-5		P31-5	
		BLUE	P2-6		P31-6	
		VIO	P2-7		P31-7	
	18	GREY	P2-8	2	P31-8	2

LEGEND			
NUMBER	DIM "X" VARIATION	DIM "Y" (PRECUT)	REF
7014311-1F	9 FT 6 IN ± 2 IN	9 FT 6.5 IN	
7014311-1F	1 FT 6 IN ± 2 IN	1 FT 6.5 IN	
7014311-4F	4 FT 6 IN ± 2 IN	4 FT 6.5 IN	

NOTES:  
 1. STRIP & CRIMP PER DWG NO 7665267-0-0  
 2. LENGTH OF SLIT 1.25 INCHES  
 3. MOUNT LABEL, CABLE APPROX. AS SHOWN USING CABLE TIES ITEM #5. CABLE TIES TO BE SNUG, DO NOT CRUSH CABLE



QTY.	DESCRIPTION	DWG./PART NO.	ITEM NO.
	A/R CABLE FLAT & COND. STRD #18AWG	1700099-01	6
	2 TIE, CABLE	9007091-00	5
	1 LABEL, CABLE IDENT	9009532-00	4
A/R	DECAL (P)	A-DC-7409972-2-0	3
16	TERMINAL (MALE)	1209378-01	2
2	CONNECTOR, MALE	1209340-01	1

UNLESS OTHERWISE SPECIFIED DIMENSIONS ARE IN INCHES

ANGLES 10° 30°	CLASS OF ACCURACY	NOMINAL DIMENSIONS RANGE INCHES					
		OVER 0	UNDER .005	OVER .005	UNDER .010	OVER .010	UNDER .015
	(CHECK ONE)	<input type="checkbox"/>	<input type="checkbox"/>	<input type="checkbox"/>	<input type="checkbox"/>	<input type="checkbox"/>	<input type="checkbox"/>
SURFACE QUALITY IN	(CHECK ONE)	<input type="checkbox"/> 1.25A	<input type="checkbox"/> 1.00B	<input type="checkbox"/> 0.50C	<input type="checkbox"/> 0.25D	<input type="checkbox"/> 0.125E	<input type="checkbox"/> 0.063F
QUANTITY & VARIATION	(CHECK ONE)	<input type="checkbox"/> 1.00	<input type="checkbox"/> 1.01	<input type="checkbox"/> 1.02	<input type="checkbox"/> 1.03	<input type="checkbox"/> 1.04	<input type="checkbox"/> 1.05

THIRD ANGLE PROJECTION

REMOVE BURRS AND BREAK SHARP CORNERS

DO NOT SCALE DWG

NEAT HIGHER ASSY.

MATERIAL SEE PARTS LIST

FINISH

DRN. *[Signature]* 6-10-77 FIRST USED ON  
 CHK'D. *[Signature]* 1-5-77 MK II

ENG. *[Signature]* 1-22-77

PROJ. ENG. *[Signature]* 1-22-77

PROD. *[Signature]* 1-22-77

TITLE  
 CABLE, BOX  
 CONTROLLER EXT

SIZE CODE NUMBER  
 D I A 7014311-0-0

SHEET 1 OF 1 CIST.

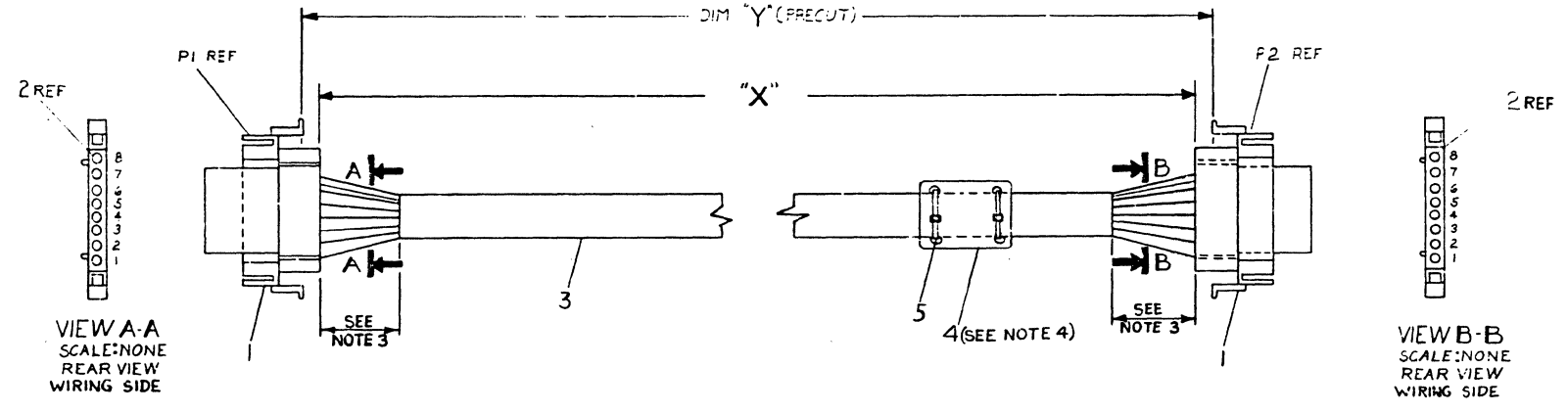
REV.	DATE	BY	CHKD.
1	10/13/77	WOLF	WOLF
2	11/17/77	WOLF	WOLF

THIS DRAWING AND SPECIFICATIONS HERON ARE THE PROPERTY OF THE COMPANY AND SHALL NOT BE REPRODUCED OR COPIED IN WHOLE OR IN PART WITHOUT THE WRITTEN PERMISSION OF THE COMPANY.

WIRE TABLE						
ITEM NO.	AWG.	COLOR	FROM CONNECTION	WITH	TO CONNECTION	WITH
1	14	BROWN	P1-1	2	P2-1	2
2		RED	-2		-2	
3		ORN	-3		-3	
4		YEL	-4		-4	
5		GRN	-5		-5	
6		BLUE	-6		-6	
7		VIO	-7		-7	
8	14	GREY	P1-8	2	P2-8	2

LEGEND		
NUMBER	DIM "X" VARIATION	DIM "Y" (PRECUT) REF.
7014520-08	8 FT 0 IN ± 2 IN	8 FT. 5 IN
7014520-05	5 FT 0 IN ± 2 IN	5 FT. 5 IN

- NOTES:
1. STRIP & CRIMP PER DWG NO 7665267-0-0
  2. SLITTING FIXTURE
  3. LENGTH OF SLIT 1.25 INCHES
  4. MOUNT LABEL, CABLE APPROX AS SHOWN USING CABLE TIES ITEM #5. CABLE TIES TO BE SNUG, DO NOT CRUSH CABLE.



VIEW A-A  
SCALE: NONE  
REAR VIEW  
WIRING SIDE

VIEW B-B  
SCALE: NONE  
REAR VIEW  
WIRING SIDE

REV	DATE	BY	CHKD
1	7014520-01	A	
2	7014520-02	B	
3	7014520-03	C	
4	7014520-04	D	

QTY	DESCRIPTION	DWG. PART NO.	ITEM NO.
2	TE. CABLE	9007031-00	5
1	LABEL, CABLE IDENT.	9009532-00	4
1	CABLE, FLAT 8 COND #14 AWG	1730098-00	3
1	TERMINAL (MALE)	1209378-01	2
2	CONNECTOR (MALE)	1209340-01	1

UNLESS OTHERWISE SPECIFIED DIMENSIONS ARE IN INCHES

ANGLES	CLASS OF ACCURACY	DIMENSIONAL DIMENSION RANGE					
		OVER 0 TO 1.25	1.25 TO 2.5	2.5 TO 4.0	4.0 TO 6.0	6.0 TO 10.0	OVER 10.0
SURFACE QUALITY	CHECK ONLY	1.004	1.008	1.012	1.016	1.020	1.024
MEDIUM	PREFERRED	1.012	1.016	1.020	1.024	1.028	1.032

THIRD ANGLE PROJECTION

REMOVE BURRS AND BREAK SHARP CORNERS

DO NOT SCALE DWG

MATERIAL SEE PARTS LIST

FINISH

DRAWN: J. D. ... 6-10-77

CHKD: J. D. ... 8-2-77

ENG. J. D. ... 8-2-77

PROJ. ENG. J. D. ... 8-2-77

PRCD. J. D. ... 8-2-77

NEXT HIGHER ASSY.

SIZE CODE: 7014520-03

NUMBER: 7014520-0-0

REV: A

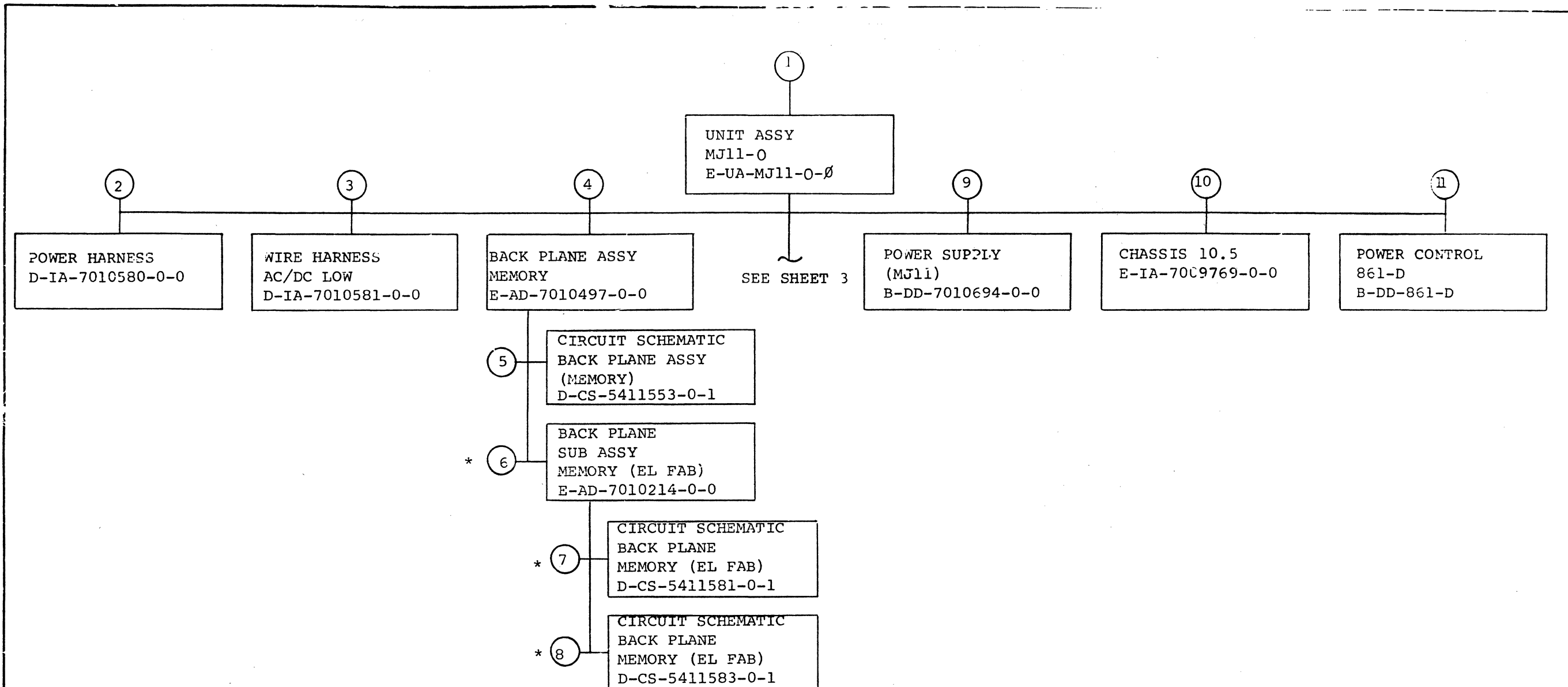
TITLE: CABLE, POWER BATTERY BACKUP

FIRST USED ON: MKII





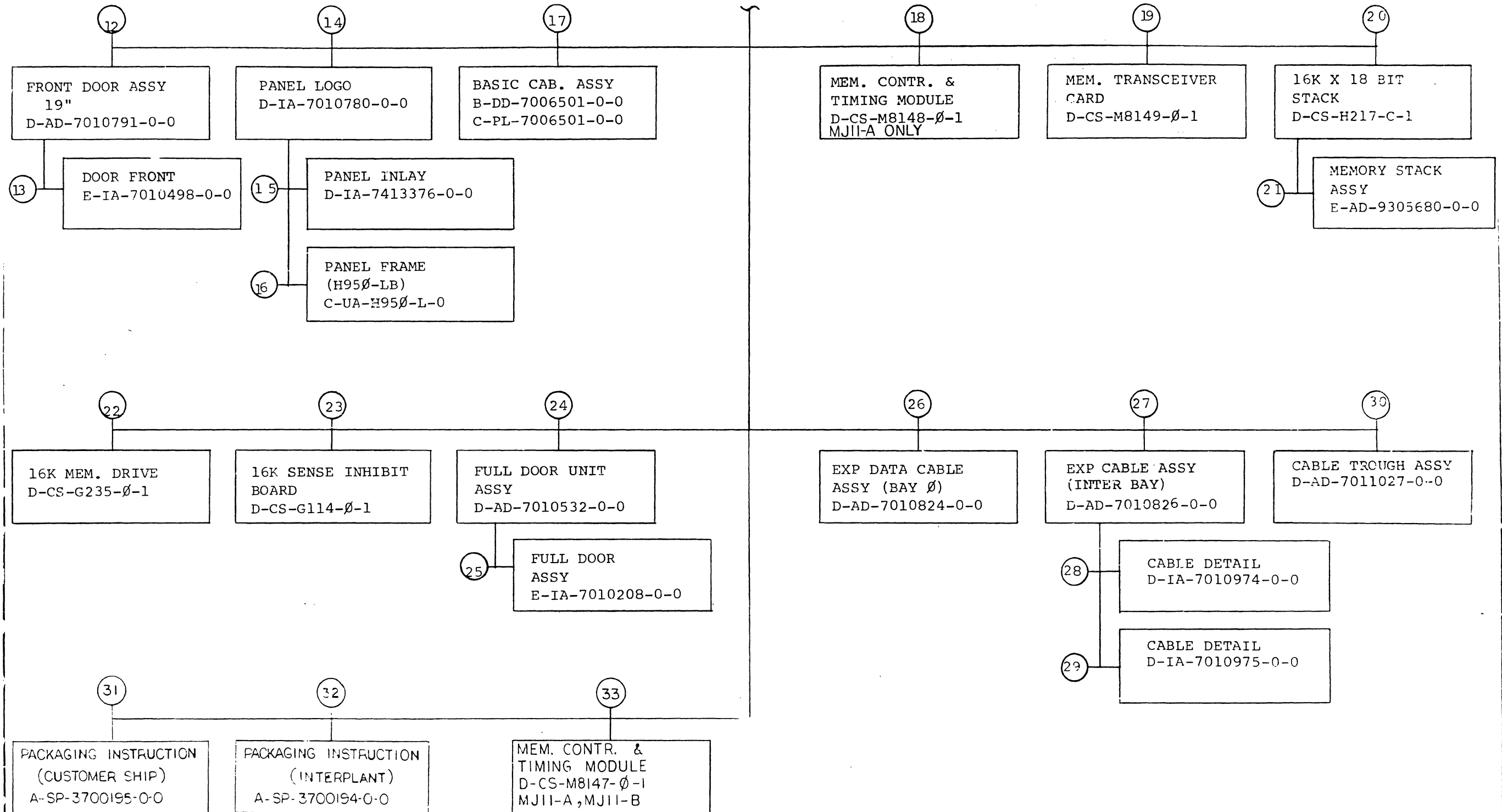




\* #6, #7, and #8 are optional and are to be used if item #5 is not available. This information pertains only to 7010497-1-0. (MJ11-A ONLY)

TITLE	SIZE	CODE	NUMBER
DRAWING DIRECTORY (MJ11-0)	B	DD	MJ11-0
SHEET 2 OF 10			

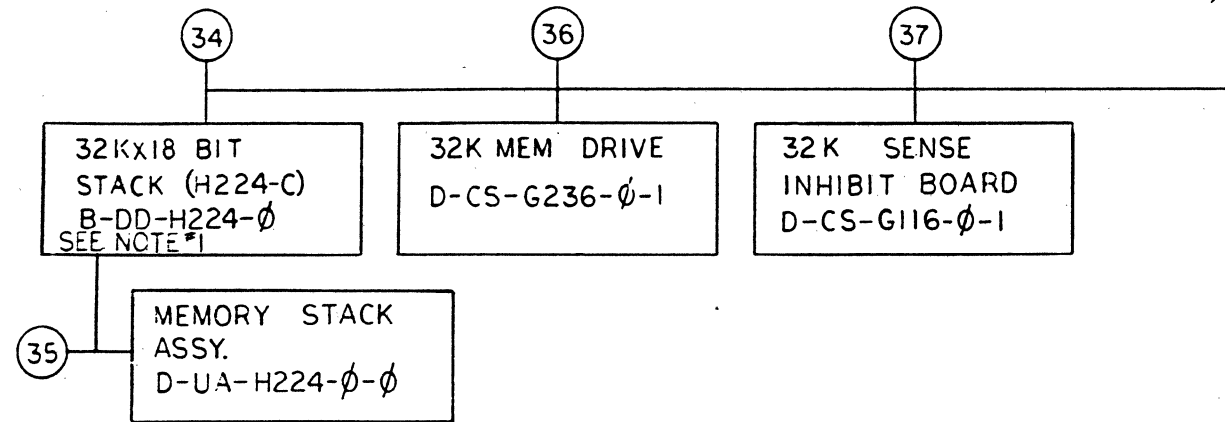
CONTINUED FROM SHEET 2



TITLE	SIZE	CODE	NUMBER	REV
DRAWING DIRECTORY MJII-Ø	B	DD	MJII-Ø	
SHEET 3 OF 10				

517

CONTINUED FROM PAGE 3



NOTES:  
1. USE H224B STACKS WHEN NECESSARY.

DRB 107  
DEC 16-(325)-1062-3-N871

TITLE	SIZE	CODE	NUMBER	REV
DRAWING DIRECTORY MJ11-0	B	DD	MJ11-0	M
SHEET 4 OF 10				

518

CUSTOMER PRINT SET		ELECTRICAL					CUSTOMER PRINT SET		ELECTRICAL						
1	MFG SET	FIND NO.	DRAWING NO.	REV	NO OF SHT	DESCRIPTION	OPTION NO./FILE DATE	1	MFG SET	FIND NO.	DRAWING NO.	REV	NO OF SHT	DESCRIPTION	OPTION NO./FILE DATE
X		1	E-UA-MJ11-0-0	L	4	UNIT ASSY MJ11-0		X		8	D-CS-5411583-0-1	#	2	CIRCUIT SCHEMATIC (MEM. EL-FAB)	
X			C-PL-MJ11-0-0	L	2	UNIT ASSY MJ11-0 (PL)									
X			B-BD-MJ11-0-BD	*	2	BLOCK DIAGRAM (MJ11) (MEMORY									
X			D-TD-MJ11-0-TD	*		TIMING CONTROL)									
			C-IA-7010695-0-0		1	TIMING DIAGRAM READ/WRITE									
					1	861-D TO 861-D HARNESS		C		9	B-DD-7010694-0	#	4	POWER SUPPLY (MJ11)	
											D-CS-H744-0-1		1	CIRCUIT SCHEMATIC H744	
											E-CS-H754-0-1		2	CIRCUIT SCHEMATIC H754	
											D-CS-5411086-0-1		4	CIR. SCHEM. PWR. LINE MONITOR 157/REC	
								C		11	B-DD-861-D	=		POWER CONTROL 861-D	
								C			B-DD-861-E			POWER CONTROL-861-E	
X		2	D-IA-7010580-0-0	#	2	POWER HARNESS									
								X		18	D-CS-M8148-0-1	#	9	MEM. CONTR. & TIMING MOD.	
X		3	D-IA-7010581-0-0	#	1	WIRE HARNESS. AC/DC LOW									
								X		19	D-CS-M8149-0-1	#	5	MEMORY TRANSCEIVER CARD	
		4	E-AD-7010497-0-0		1	BACK PLANE ASSY MEMORY									
			A-WT-7010497-0-0		1	AWT REV STATUS									
			A-WT-7010497-1		1	AWT REV STATUS EL-FAB									
			K-WL-7010497-0-1		-	AWT ETCH LIST		X		20	D-CS-H217-C-1	#	3	16K X 18 BIT STACK	
X		5	D-CS-5411553-0-1	#	4	CIRCUIT SCHEMATIC (MEMORY)				21	E-AD-9305680-0-0		1	MEMORY STACK ASSY	
											D-IA-9605973-0-0		1	1 CORE PLANE WIRING ASSY	
		6	E-AD-7010214-0-0	#	1	BACK PLANE (MEMORY EL-FAB)									
			K-WL-7010214-0-1		-	AWT ETCH LIST									
X		7	D-CS-5411581-0-1	#	2	CIRCUIT SCHEMATIC (MEM. EL-FAB)									

CUSTOMER PRINT SET CODES  
X = PRINT OF DOCUMENT INCLUDED IN PRINT SET  
C = INCLUDES ALL PRINTS INDICATED ON DOCUMENT  
S = CONFIDENTIAL AUTHORIZED SIGNATURE REQUIRED

TITLE  
DRAWING DIRECTORY (MJ11-0)

SHEET 5 OF 10  
SIZE CODE 3 DD  
NUMBER MJ11-0

CUSTOMER PRINT SET		ELECTRICAL						CUSTOMER PRINT SET									
1	MFG. SET	FIND NO.	DRAWING NO.	REV	NO OF SHT	DESCRIPTION	OPTION NO./FILE DATE	1	MFG. SET	FIND NO.	DRAWING NO.	REV	NO OF SHT	DESCRIPTION	OPTION NO./FILE DATE		
X		22	D-CS-G235-0-1	#	6	16K MEM. DRIVE BD.		X		34	B-DD-H224-0	#	3	32K X 18 BIT STACK (H224-C)			
										35	D-UA-H224-0-0	#	1	MEMORY STACK ASSY.			
											E-IA-7012189-0-0	#	2	CORE PLANE WIRING ASSY.			
X		23	D-CS-G114-0-1	#	9	16K SENSE/INHIBIT BOARD				36	D-CS-G236-0-1	#	4	32K MEM. DRIVE			
										37	D-CS-G116-0-1	#	11	32K SENSE INHIBIT			
X		26	D-AD-7010824-0-0 D-UA-BC06R-0-0	#		EXP DATA CABLE ASSY (BAY0) BC06R I/O CABLE											
X		27	D-AD-7010826-0-0	#		EXP CABLE ASSY (INTER BAY)											
X		28	D-IA-7010974-0-0 D-UA-BC06R-0-0	#	1 1	CABLE DETAIL I/O CABLE BC06R											
X		29	D-IA-7010975-0-0 D-UA-BC06R-0-0	#	1 1	CABLE DETAIL I/O CABLE BC06R											
X		33	D-CS-M8147-0-1	#		MEM. CONTR. & TIMING MOD.											
CUSTOMER PRINT SET CODES		X = PRINT OF DOCUMENT INCLUDED IN PRINT SET C = INCLUDES ALL PRINTS INDICATED ON DOCUMENT S = CONFIDENTIAL AUTHORIZED SIGNATURE REQUIRED						TITLE		DRAWING DIRECTORY MJ11-0		SHEET 6 OF 10		SIZE	CODE	NUMBER	P V
												3		DD	MJ11-0		

DBP 100

520

CUSTOMER PRINT SET					MECHANICAL					CUSTOMER PRINT SET					MECHANICAL				
CUSTOMER PRINT SET	MFG. SET	FIND NO.	REV	NO OF SHT	DESCRIPTION	OPTION NO./FILE DATE	CUSTOMER PRINT SET	MFG. SET	FIND NO.	REV	NO OF SHT	DESCRIPTION	OPTION NO./FILE DATE						
1		1																	
X					E-UA-MJ11-0-0	L 4													
X					C-PL-MJ11-0-0	L 2			6			E-AD-7010214-0-0	1	BACK PLANE (MEMORY EL-FAB)					
					D-IA-7409768-0-0	1													
					<del>B-MD-7413664-0-0</del>	<del>1</del>													
					C-IA-7010695-0-0	1													
					C-MD-7414018-0-0	1			7			D-CS-5411581-0-1	2	CIRCUIT SCHEMATIC (MEM. EL-FAB)					
					C-MD-7414016-0-0	1						K-CO-5411581-0-4	-	X-Y COORD. HOLE LOCATION					
					C-IA-7011222-0-0	1						D-AH-5411581-0-5	1	ASSY/DRILLING HOLE LAYOUT					
					D-IA-7011223-2-0	1						B-MH-5411581-0-6	1	MODULE ECO HISTORY					
					C-MD-7413983-0-0	1						D-IA-5011580-0-0	1	ETCHED CIRCUIT BOARD					
					C-MD-7413659-0-0	1													
		2			D-IA-7010580-0-0	2													
					A-DC-7409873-0-0	1			8			D-CS-5411583-0-1	2	CIRCUIT SCHEMATIC (MEM. EL-FAB)					
					A-DC-7409872-0-0	1						K-CO-5411583-0-4	-	X-Y COORD. HOLE LOCATION					
												D-AH-5411583-0-5	1	ASSY/DRILLING HOLE LAYOUT					
												B-MH-5411583-0-6	1	MODULE ECO HISTORY					
												D-IA-5011582-0-0	1	ETCHED CIRCUIT BOARD					
												D-SS-5011582-0-1	1	SCREEN WHT					
		3			D-IA-7010581-0-0	1													
					A-DC-7409873-0-0	1													
					A-DC-7409872-0-0	1													
		4			E-AD-7010497-0-0	1													
					A-DC-7411881-0-0	1													
					A-DC-7409873-0-0	1			10			E-IA-7009769-0-0	1	CHASSIS 10.5					
					C-MD-7412993-0-0	1						E-IA-7411703-0-0	1	CHASSIS FRONT					
					D-MD-7410882-0-0	1						D-MD-7411705-0-0	1	BRKT. CARD GUIDE					
					C-MD-7412933-0-0	1						D-MD-7411706-0-0	1	BRKT. HAT					
					A-SP-MJ11-0-PSA	8						E-IA-7411707-0-0	1	CHASSIS SIDE					
					A-SP-3700196-0-0	2													
					A-SP-9905016-05	2													
		5			D-CS-5411553-0-1	4													
5					D-CO-5411553-0-4	-			11			B-DD-861-D		POWER CONT. 861-D					
					D-AH-5411553-0-5	1						B-DD-861-E		POWER CONT. 861-E					
					B-MH-5411553-0-6	1													
					D-IA-5011552-0-1	1													

CUSTOMER PRINT SET CODES  
 X = PRINT OF DOCUMENT INCLUDED IN PRINT SET  
 C = INCLUDES ALL PRINTS INDICATED ON DOCUMENT  
 S = CONFIDENTIAL AUTHORIZED SIGNATURE REQUIRED

TITLE  
 DRAWING DIRECTORY (MJ11-0)

SHEET 7 OF 10  
 SIZE CODE 3 DD

NUMBER  
 MJ11-0

REV  
 M

521







CUSTOMER PRINT SET		MECHANICAL					CUSTOMER PRINT SET		
NO.	FILE	NO.	OF	DESCRIPTION	OPTION NO./FILE DATE	NO.	OF	DESCRIPTION	OPTION NO./FILE DATE
34	B-DD-H224-Ø	#	3	32 Kx18 BIT STACK (H224-C) 32 Kx19 BIT STACK (H224-B)					
35	D-UA-H224-Ø-Ø	#	1	32 Kx18 BIT MEMORY STACK ASSY					
	E-IA-7012189-Ø-Ø		2	CORE PLANE WIRING ASSY					
36	D-UA-G236-Ø-Ø		1	UNIT ASSY G236					
	D-CS-G236-Ø-1		4	32K MEM DRIVE					
	K-CO-G236-Ø-4		-	X-Y COORD HOLE LOCATION					
	D-AH-G236-Ø-5		4	ASSY DRILL HOLE LAYOUT					
	B-MH-G236-Ø-6		1	MODULE ECO HISTORY					
	A-PL-G236-Ø-Ø		5	PARTS LIST					
37	D-UA-G116-Ø-Ø		1	UNIT ASSY G116					
	A-PL-G116-Ø-Ø		5	PARTS LIST					
	D-CS-G116-Ø-1		11	32K SENSE INHIBIT					
	K-CO-G116-Ø-4		-	X-Y COORD. HOLE LOCATION					
	D-AH-G116-Ø-5		4	ASSY DRILL HOLE LAYOUT					
	B-MH-G116-Ø-6		1	MODULE ECO HISTORY					

CUSTOMER PRINT SET  
 COPIES = 10  
 DATE = 10/10/84

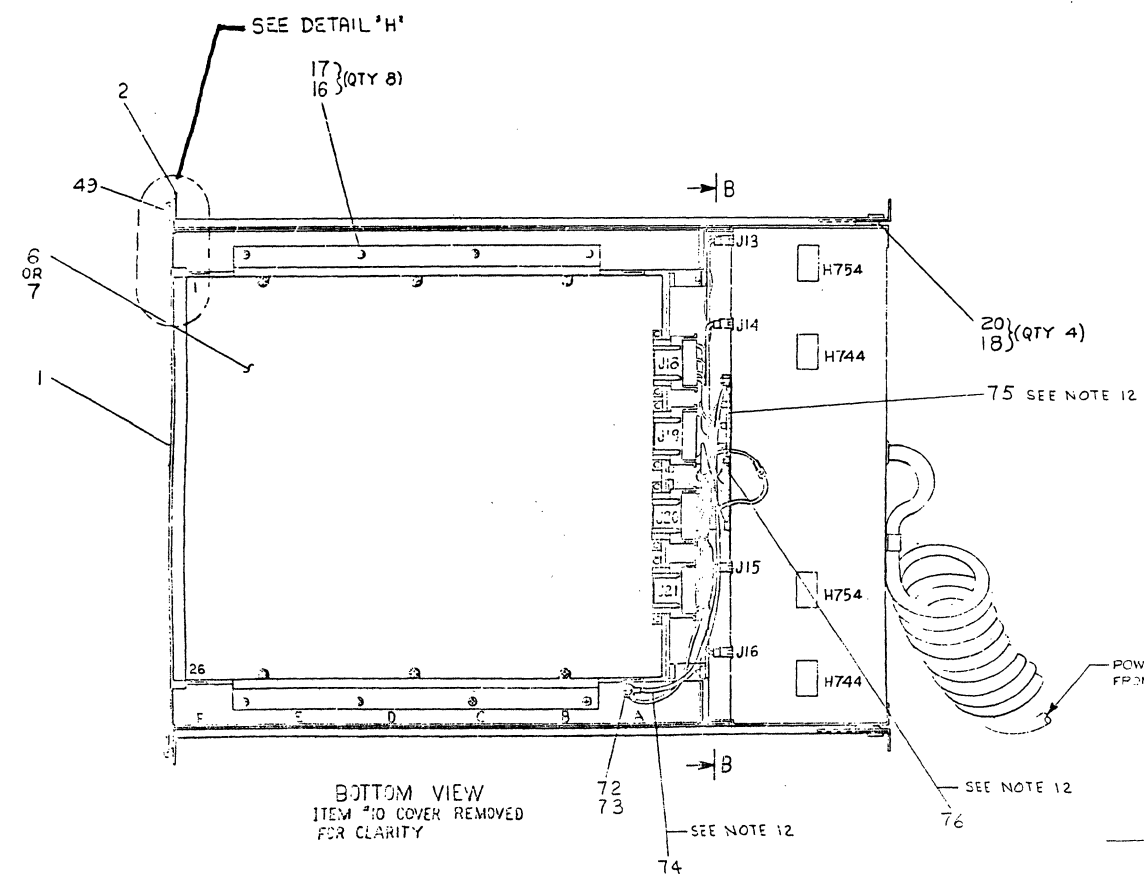
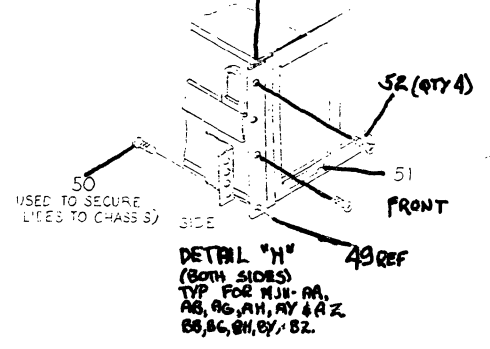
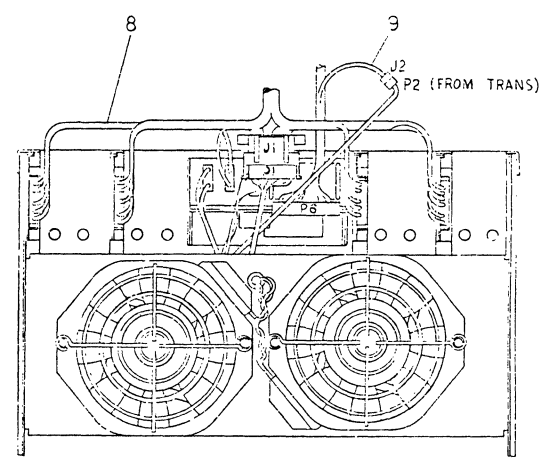
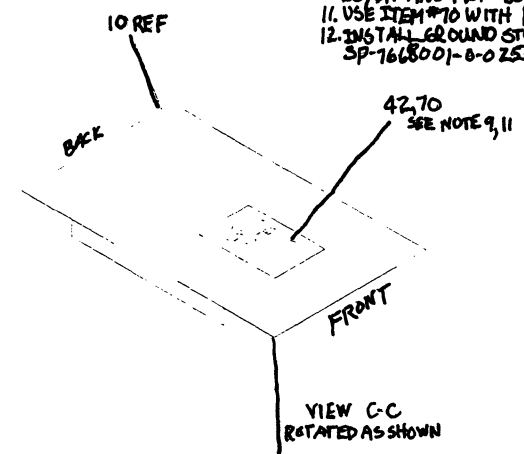
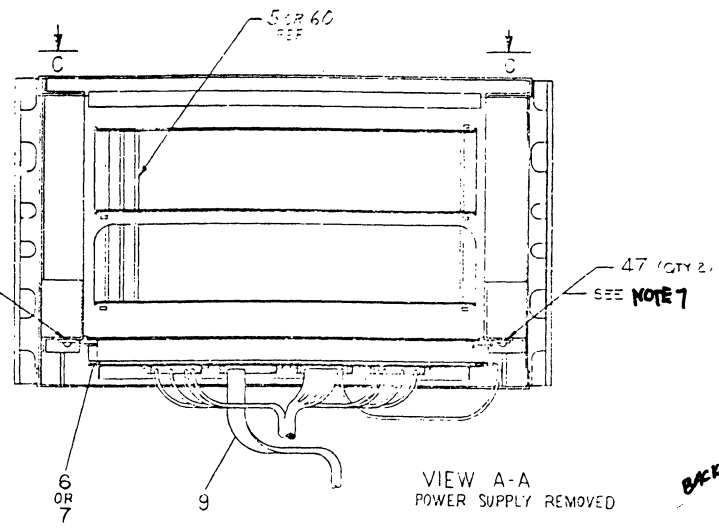
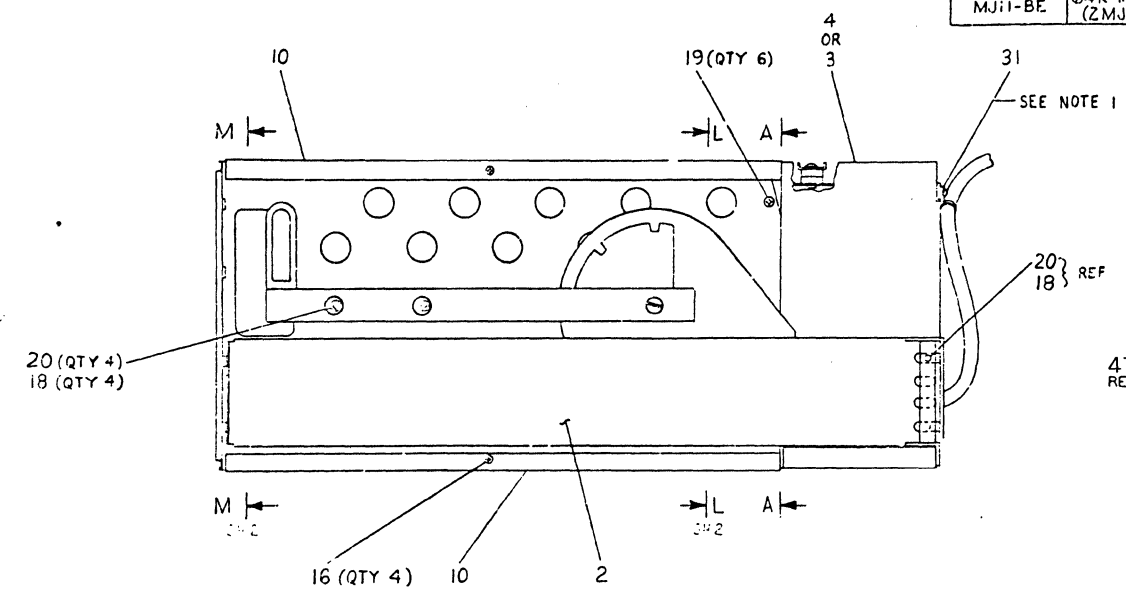
10 10 MJ11-Ø

529

THIS DRAWING AND SPECIFICATIONS, HEREIN ARE THE PROPERTY OF DIGITAL EQUIPMENT CORPORATION AND SHALL NOT BE REPRODUCED OR COPIED IN WHOLE OR IN PART AS THEY ARE THE PROPERTY OF DIGITAL EQUIPMENT CORPORATION. COPYRIGHT © 1978, DIGITAL EQUIPMENT CORPORATION.

LEGEND							
NUMBER	VARIATION	NUMBER	VARIATION	NUMBER	VARIATION	NUMBER	VARIATION
MJII-BA	64K 18 BIT MEM. 115V	MJII-BG	MJII-BA(3) MJII-BE 115V	MJII-AA	32K 18 BIT MEM. 115V	MJII-AG	MJII-AA (3) MJII-AE 115V
MJII-BB	64K 18 BIT MEM. 230V	MJII-BH	MJII-BB(3) MJII-BE 230V	MJII-AB	32K 18 BIT MEM. 230V	MJII-AH	MJII-AB (3) MJII-AE 230V
MJII-BC	MJII-BA WITH CAB 115V	MJII-BM	32K 18 BIT MEM. MODULE SET	MJII-AC	MJII-AA WITH CAB 115V	MJII-AM	16K 18 BIT MEMORY MODULE SET
MJII-BD	MJII-BB WITH CAB 230V	MJII-BY	MJII-BA-NO CABLES 115V	MJII-AD	MJII-AB WITH CAB 230V	MJII-AY	MJII-AA-NO CABLES 115V
MJII-BE	64K 18 BIT EXPAN. (ZMJII-BM)	MJII-BZ	MJII-BB-NO CABLES 230V	MJII-AE	32K 18 BIT EXPANSION (2-MJII-AM)	MJII-AZ	MJII-AB-NO CABLES 230V

- NOTES:**
- USE EXISTING HARDWARE TO MOUNT ITEM #31.
  - FOR MJII-AA/AB/AG, AH EXPANSION UNIT INSTALLATION WITH 1170 CABINET 1 USE DATA EXPANSION CABLE ASSY (200824-001) AND ADDRESS EXPANSION CABLE ASSY (200824-002) RECEIVED. FOR EXPANSION UNIT INSTALLATION WITH MAIN-BOARD REFER TO 200824-000 FOR MODIFICATION TO BE MADE TO CABLES BEFORE INSTALLATION.
  - PIN FOR DOOR INTG TO BE REMOVED REAR OF CAB (BOTTOM).
  - FOR 1170 SYSTEM EXPANSION SEE E-AR-11/70-001.
  - ADDITIONAL ITEM #40 WITH (4) PIECES OF HARDWARE ITEM #18, 20 & 30 TO BE SUPPLIED WITH EACH MJII-AC/AD. IT IS TO BE KEPT IN PLASTIC BAGS.
  - ITEM #44 (861-D TO 86-D 4RKN) TO BE SUPPLIED WITH EACH MJII-AC/AD IN PLASTIC BAGS.
  - INSTALL ITEM #47 BETWEEN ITEM #1 AND ITEM #6. DO NOT USE IF ITEM #7 (EL-PAB) BACKPLANE IS USED.
  - INSTALL CARD GUIDES ITEM #52 & 56 USING TOOL NO 94-12610-2.
  - LOCATE ITEM #49 APPROXIMATELY AS SHOWN.
  - NOTE #2 ALSO APPLYS TO MJII-BA/BB/BC/BD AND MJII-BC/BD.
  - USE ITEM #10 WITH MJII-B.
  - INSTALL GROUND STRAPS PER SP-16(800)-0-0255.



OFF SHEET PARTS LIST EXISTS SEE A-PL-MJII-0-0

PART DESCRIPTION		QTY	DESCRIPTION	PART NO	ITEM NO
1	UNIT ASSY	1			1
2	...	...	...	...	...
3	...	...	...	...	...
4	...	...	...	...	...

**Digital**

UNIT ASSY  
MJII-A

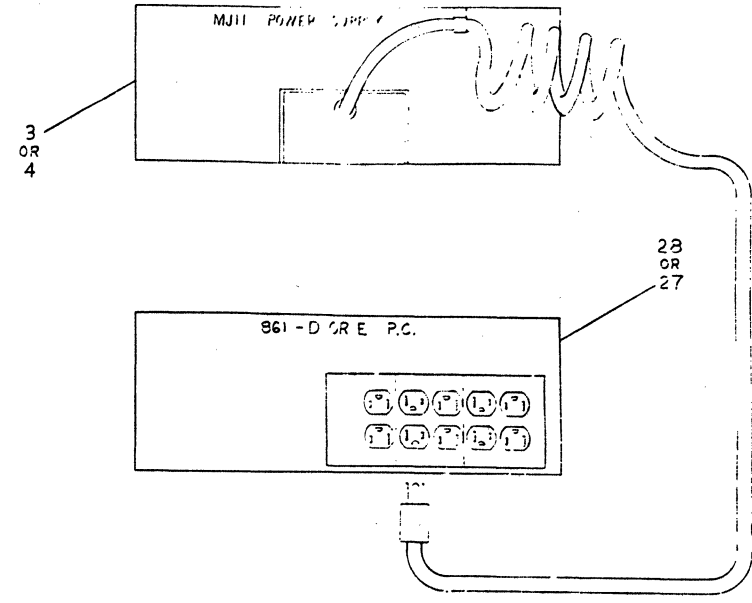
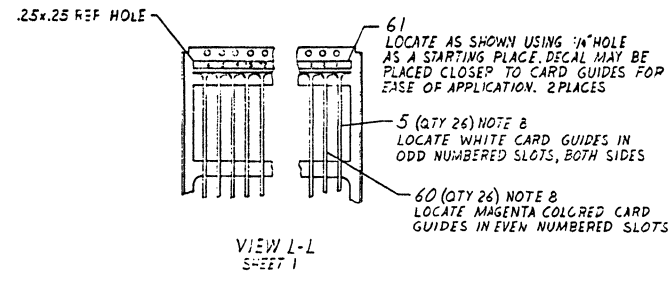
DATE: \_\_\_\_\_  
BY: \_\_\_\_\_

REVISIONS:

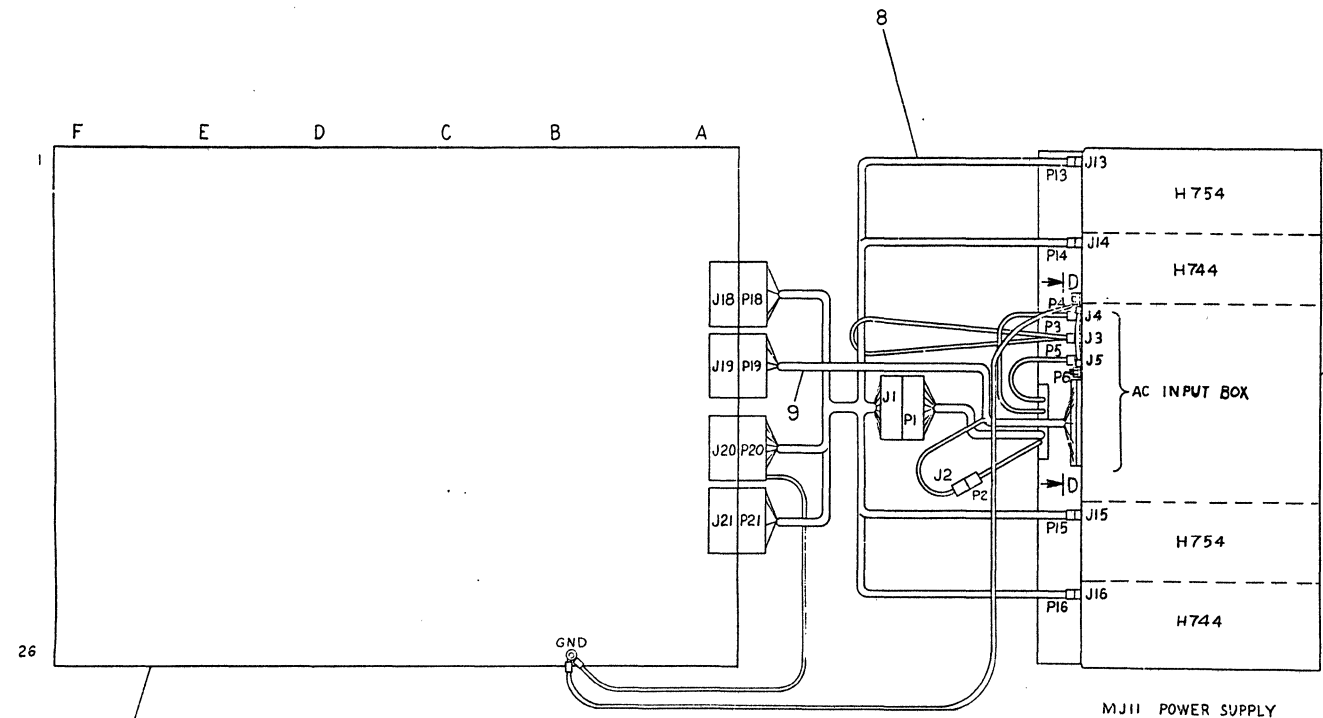
REV	DATE	DESCRIPTION
1		

THIS DRAWING AND SPECIFICATIONS, HEREIN ARE THE PROPERTY OF THE COMPANY. INFORMATION AND SHALL NOT BE DISCLOSED TO OTHERS WITHOUT THE WRITTEN CONSENT OF THE COMPANY. THE COMPANY ASSUMES NO LIABILITY FOR LOSS OF DATA OR DAMAGE TO EQUIPMENT CAUSED BY THE USE OF THIS DRAWING OR SPECIFICATIONS.

WIRE TABLE				
FROM	TO	REMARKS		
ITEM NO	CONN	ITEM NO	CONN	
8	J1	3 CR 4	P.S. - P1	
	P13		P.S. - J13	
	P14		P.S. - J14	
	P15		P.S. - J15	
	P16		P.S. - J16	
	P3	3 CR 4	P.S. - J3	
	P18	6	B.P. - J18	
	P20	5	B.P. - J20	
	P21	6	B.P. - J21	
9	P3	3 CR 4	P.V.R. - RD	
9	P13	5	B.P. - J13	
9	J2	3 CR 4	P.S. - P2	
2	5 CR 4	5	B.P.	
3 CR 4	INPUT BOX	27 CR 28		



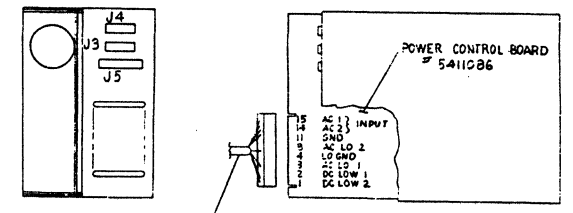
REAR VIEW  
MJ11 P.S. f 861-D OR E  
POWER CONTROL  
REFER TO E-AR-11/70-D-1  
FOR CONNECTION TO 861



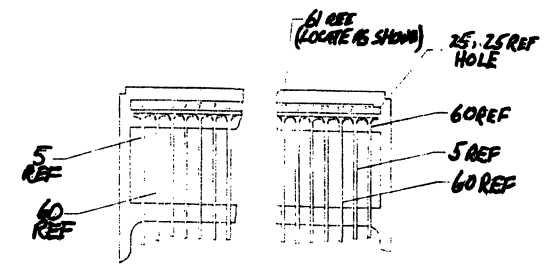
MJ11 POWER SUPPLY  
7010694-0 (115 V)  
7010694-1 (230 V)

BACK PLANE (PIN SIDE)  
7010497-0  
OR 7010497-1 (OPTIONAL)

WIRING DIAGRAM  
BACK PLANE TO MJ11  
POWER SUPPLY



VIEW D-D  
AC INPUT BOX



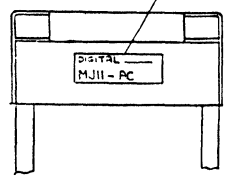
VIEW M-M  
SHEET 1

REV	DATE	BY	CHKD	APP'D	TITLE	SHEET	TOTAL	NUMBER	REV
					UNIT ASSY MJ11-6	2	4	E 111	MX1-0-0

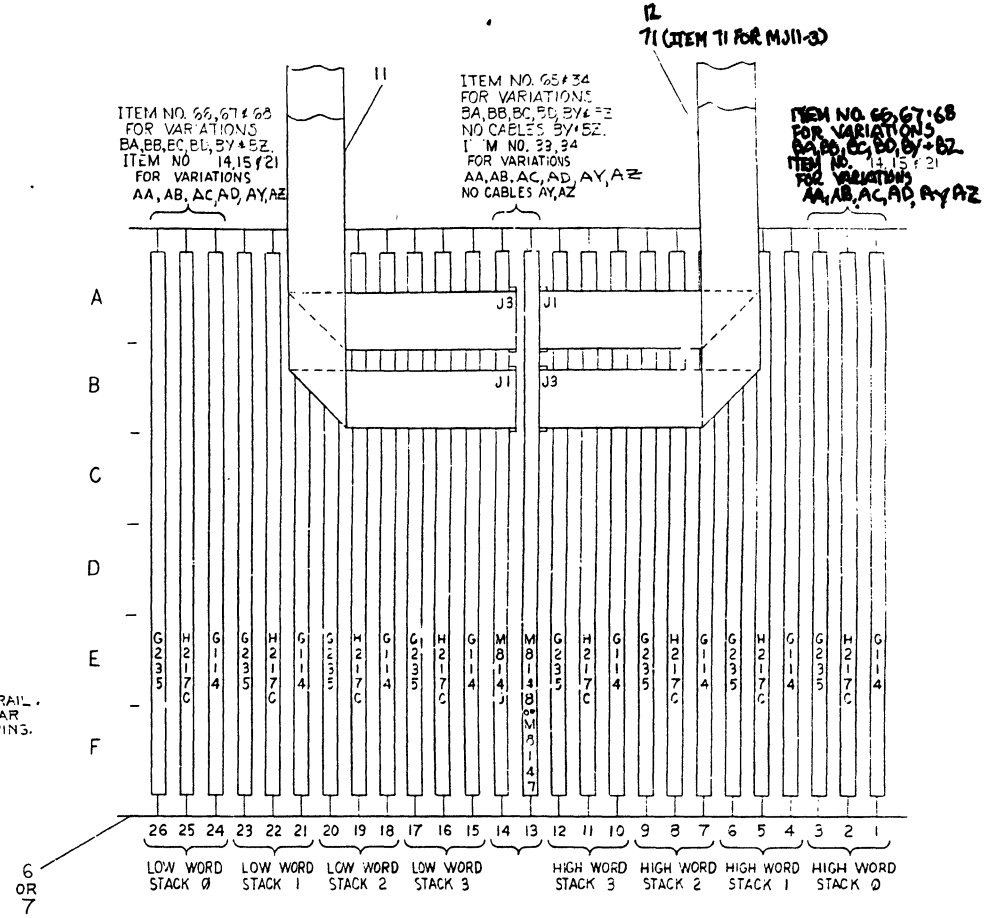
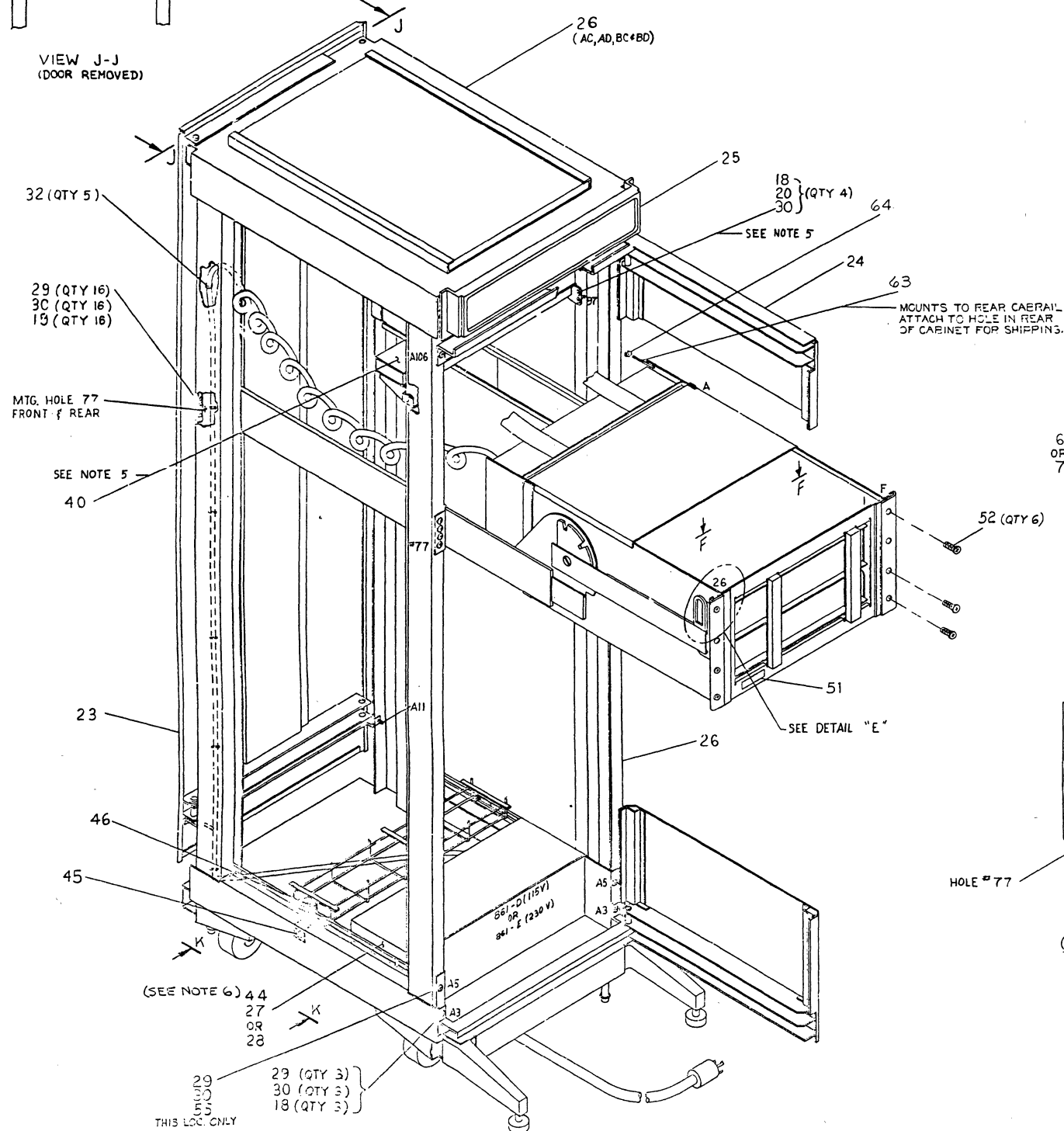
526

THESE DRAWINGS AND SPECIFICATIONS, HEREIN, ARE THE PROPERTY OF DIGITAL EQUIPMENT CORPORATION AND SHALL NOT BE REPRODUCED OR COPIED IN ANY MANNER OR PART THEREOF, WITHOUT THE WRITTEN PERMISSION OF DIGITAL EQUIPMENT CORPORATION.  
COPYRIGHT © 1975

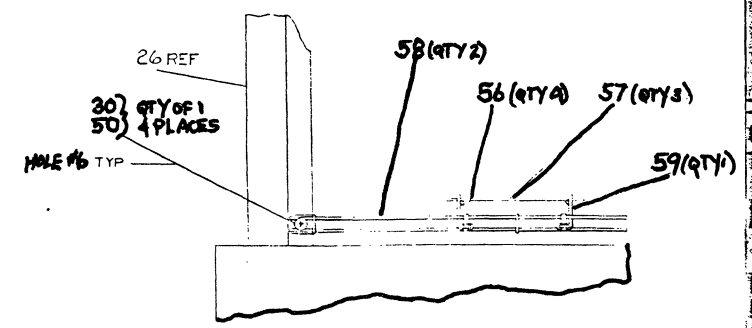
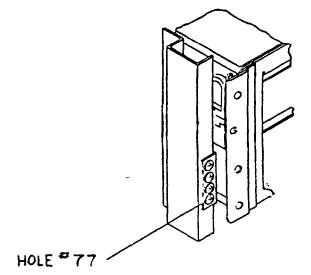
41 FOR A VARIATIONS  
66 FOR B VARIATIONS



VIEW J-J  
(DOOR REMOVED)



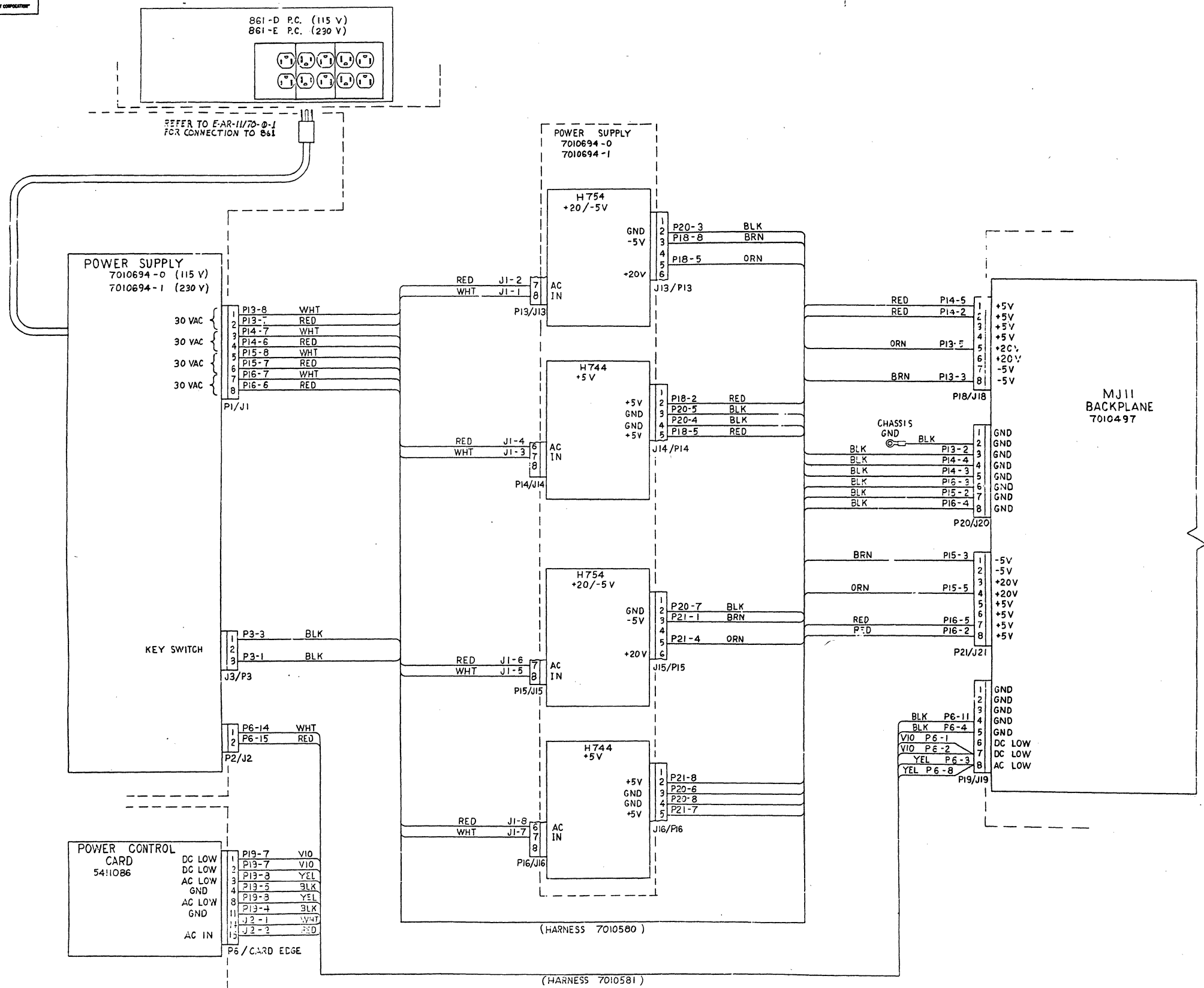
VIEW F-F  
FULL SLOTS 1...26. FOR VARIATIONS AG & AH, ITEM NO. 33, 34, 14, 15 (21) BG & BH, ITEM NO. 65, 34, 66, 67 & 68



REV	4	DATE	11/15/75	BY	DA	CHKD	DA	SCALE	1/2" = 1"	SHEET	3 OF 4	TITLE	UNIT ASSY MJ11-D	SIZE	11" x 17"	NUMBER	MJ11-0-0
-----	---	------	----------	----	----	------	----	-------	-----------	-------	--------	-------	------------------	------	-----------	--------	----------

52

THIS DRAWING AND SPECIFICATIONS HEREBY ARE THE PROPERTY OF DIGITAL EQUIPMENT CORPORATION AND SHALL NOT BE REPRODUCED OR TRANSMITTED IN ANY FORM OR BY ANY MEANS, ELECTRONIC OR MECHANICAL, INCLUDING PHOTOCOPYING, RECORDING, OR BY ANY INFORMATION STORAGE AND RETRIEVAL SYSTEM, WITHOUT PERMISSION IN WRITING FROM DIGITAL EQUIPMENT CORPORATION.  
COPYRIGHT © 1972, DIGITAL EQUIPMENT CORPORATION

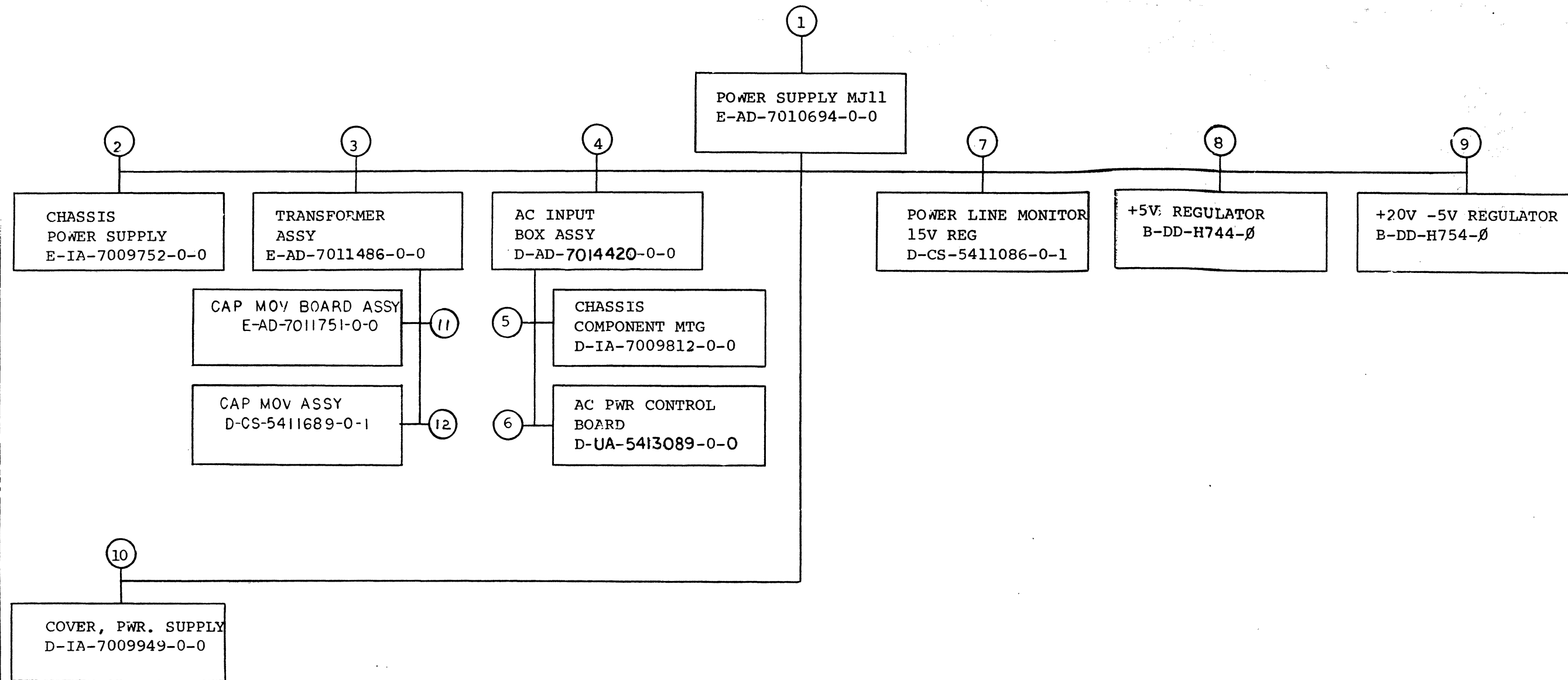


MJ11 POWER DISTRIBUTION

REV.	DATE	BY

528





TITLE	SIZE	CODE	NUMBER	REV
DRAWING DIRECTORY POWER SUPPLY MJ11	SHEET 2 OF 4	B DD	7010694-0	C



CUSTOMER PRINT SET		ELECTRICAL					CUSTOMER PRINT SET		ELECTRICAL							
1	MFG. SET	FIND NO.	DRAWING NO.	REV	NO OF SHT	DESCRIPTION	OPTION NO./FILE DATE	1	MFG. SET	FIND NO.	DRAWING NO.	REV	NO OF SHT	DESCRIPTION	OPTION NO./FILE DATE	
X		1	E-AD-7010694-0-0	#	2	POWER SUPPLY MJ11										
X		3	E-AD-7011486-0-0 A-SP-7011486-0-9 A-CS-7010014-TA-1 A-SP-7010014-0-8	#	2	TRANSFORMER ASSY ASSEMBLY PROCEDURE TESTER CS TEST PROCEDURE										
X		4	D-AD-7014420-0-0	#	2	AC INPUT BOX ASSY										
X		6	D-UA-5413089-0-0	#	1	AC POWER CONTROL BD.										
X		7	D-CS-5411086-0-1	#	4	PWR. LINE MONITOR/ 15V REG										
C		8	B-DD-H744-0	#	2	DRAWING DIRECTORY H744										
C		9	B-DD-H754-0	#	3	DRAWING DIRECTORY H754										
		11	D-IA-7011751-0-0		1	CAP MOV BOARD ASSEMBLY										
		12	D-CS-5411689-0-1		1	CAP MOV ASSEMBLY										
CUSTOMER PRINT SET CODES		X = PRINT OF DOCUMENT INCLUDED IN PRINT SET C = INCLUDES ALL PRINTS INDICATED ON DOCUMENT S = CONFIDENTIAL AUTHORIZED SIGNATURE REQUIRED					TITLE DRAWING DIRECTORY POWER SUPPLY MJ11		SHEET 3 OF 4		SIZE CODE B DD		NUMBER 7010694-0		REV C	

DRB 108

DEC 16-1325-1062-2B-R972

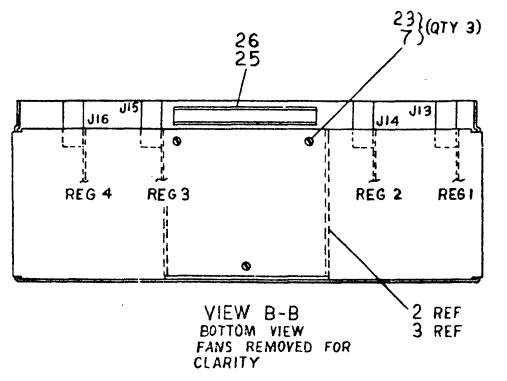
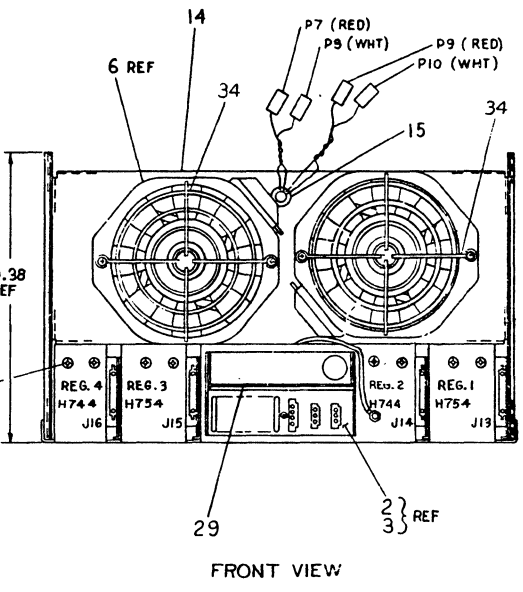
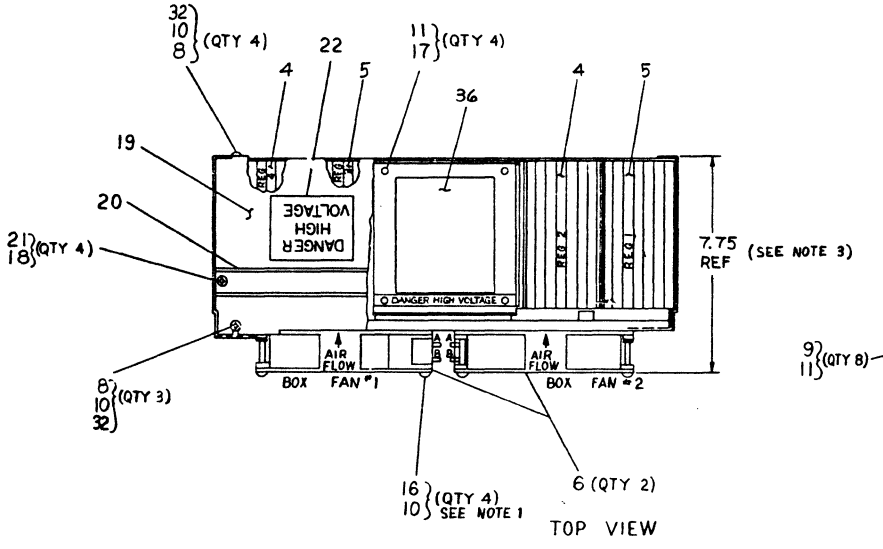
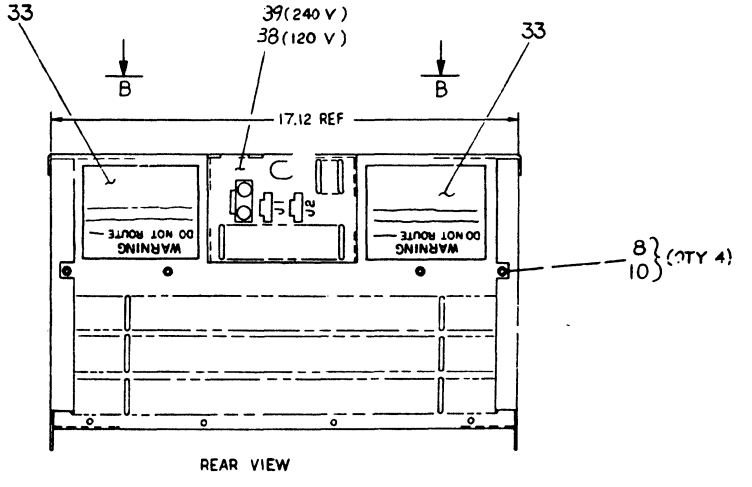
531



THIS DRAWING AND SPECIFICATION HEREBY ARE THE PROPERTY OF BENTON ELECTRONIC CORPORATION AND SHALL REMAIN AS SUCH IN THE EVENT OF LOSS OR THEFT. IT IS TO BE USED ONLY FOR THE MANUFACTURE OF THIS PRODUCT AND NOT BE REPRODUCED OR TRANSMITTED IN ANY FORM OR BY ANY MEANS, ELECTRONIC OR MECHANICAL, INCLUDING PHOTOCOPYING, RECORDING, OR BY ANY INFORMATION STORAGE AND RETRIEVAL SYSTEM.

LEGEND	
NUMBER	VARIATION
7010694-0	120V 50/60 HZ
7010694-1	240V 50/60 HZ

- NOTES:
- TIGHTEN FAN SCREWS TO 10 IN-LBS WITH A TORQUE SCREW DRIVER.
  - USE ITEM # 27 IN PLACE OF ITEM # 10 WHEN USING ROTRON FANS.
  - FOR ITEM # 6 (DEC SPEC # 121174-00) USE ONLY 1-1/2" HIGH FAN IN THIS ASSY. DO NOT USE 2" HIGH FAN.
  - ATTACH GROUND WIRE FROM TRANSFORMER (GIVE YELLOW) USING EXISTING HARDWARE.
  - USE ITEM # 37 (QTY 4) & ITEM # 9 (QTY 4) FOR MOUNTING ITEM # 29 (POWER LINE MONITOR/15V REG.)



QTY	DESCRIPTION	DWG PART NO.	ITEM NO.
1	AC INPUT BOX ASSY 240V	D-AD-7014220-2-0	39
1	AC INPUT BOX ASSY 120V	D-AD-7014220-1-0	38
4	SCR. PAN HD PH 6-32 X 1/4	9006020-01	37
1	TRANSFORMER ASSY	E-1A-7014486-0-0	36
4	WASHER, CON. EX. 10-32 X 1/4	9006030-0	35
2	FAN GUARD	1212561-0-0	34
2	DECAL, MJI POWER SUPPLY	3612422-00	33
7	WASHER, FLAT #6	9006658	32
1	DECAL, MJI	9006659-0-0	31
1	DECAL, VOL	9006660-0-0	30
1	PWR. LINE MONITOR/15V REG	D-CS-5411086-0-1	29
4	WASHER, FLAT, SCW X 200 LD	9006840	28
REF	SCR. PHL. HD #8-32 X 3.95	9007019-1	27
AR/VR	PERMA BOND	9009157	26
10	GROMMET STRIP	9008291	25
4	WRAP, TIE 1/8 W	9007880	24
3	WASH, CSK #6	9008270	23
1	STICKER, DANGER HIGH VOLTAGE	3610267	22
4	WASH, INT. TOOTH LOCK #8	9006634	21
1	TROUGH, WIRE	D-1A-7009950-0-0	20
1	COVER, POWER SUPPLY	D-1A-7009949-0-0	19
4	SCR. PHL. HD. TRUSS #8-32 X .62	9006040-3	18
4	SCR. PHL. HD. TRUSS #8-32 X .50	9006073-03	17
4	SCR. PHL. HD. TRUSS #8-32 X 1.75	9006031-3	16
1	GROMMET .50 I.D.	9007016	15
1	CHASSIS, POWER SUPPLY	E-1A-7009752-0-0	14
2	SCR. PHL. FLT. HD #4-10 X .50	9006013-2	12
12	WASH, INT TOOTH #10	9006635	11
17	WASH, INT TOOTH #8	9006633	10
8	SCR. PHL. HD. TRUSS #10-32 X .25	9008007-1	9
11	SCR. PHL. HD. TRUSS #8-32 X .38	9006022-3	8
3	SCR. PHL. FLT. HD #8-32 X .31	9008404-2	7
2	FAN, 115VAC 50/60 HZ (H754)	1211714-00	6
2	20V REGULATOR (H754)	B-DD-H754-0	5
2	5V REGULATOR (H744)	B-DD-H744-0	4
1	AC INPUT BOX ASSY 240V	D-AD-7009811-2-0	3
1	AC INPUT BOX ASSY 120V	D-AD-7009811-1-0	2
1	TRANSFORMER	D-AD-7009811-0-0	1

(SEE NOTE 3)

THIRD ANGLE PROJECTION

REMOVE SURF AND BREAK SHARP CORNERS

DO NOT SCALE DWG

MATERIAL: SEE PARTS LIST

FINISH: ---

UNLESS OTHERWISE SPECIFIED DIMENSIONS ARE IN INCHES

ANGLE	CLASS. IF	ACCURACY	TOLERANCE	FINISH	PLACEMENT
0	1	0.005	0.005	0.005	0.005
0	2	0.010	0.010	0.010	0.010
0	3	0.015	0.015	0.015	0.015
0	4	0.020	0.020	0.020	0.020
0	5	0.030	0.030	0.030	0.030
0	6	0.040	0.040	0.040	0.040
0	7	0.050	0.050	0.050	0.050
0	8	0.060	0.060	0.060	0.060
0	9	0.070	0.070	0.070	0.070
0	10	0.080	0.080	0.080	0.080
0	11	0.090	0.090	0.090	0.090
0	12	0.100	0.100	0.100	0.100
0	13	0.120	0.120	0.120	0.120
0	14	0.150	0.150	0.150	0.150
0	15	0.200	0.200	0.200	0.200
0	16	0.250	0.250	0.250	0.250
0	17	0.300	0.300	0.300	0.300
0	18	0.375	0.375	0.375	0.375
0	19	0.450	0.450	0.450	0.450
0	20	0.560	0.560	0.560	0.560
0	21	0.700	0.700	0.700	0.700
0	22	0.875	0.875	0.875	0.875
0	23	1.125	1.125	1.125	1.125
0	24	1.500	1.500	1.500	1.500
0	25	1.875	1.875	1.875	1.875
0	26	2.375	2.375	2.375	2.375
0	27	3.000	3.000	3.000	3.000
0	28	3.750	3.750	3.750	3.750
0	29	4.750	4.750	4.750	4.750
0	30	6.000	6.000	6.000	6.000
0	31	7.500	7.500	7.500	7.500
0	32	9.375	9.375	9.375	9.375
0	33	11.750	11.750	11.750	11.750
0	34	14.750	14.750	14.750	14.750
0	35	18.750	18.750	18.750	18.750
0	36	23.750	23.750	23.750	23.750
0	37	30.000	30.000	30.000	30.000
0	38	37.500	37.500	37.500	37.500
0	39	47.500	47.500	47.500	47.500
0	40	59.375	59.375	59.375	59.375
0	41	75.000	75.000	75.000	75.000
0	42	93.750	93.750	93.750	93.750
0	43	118.750	118.750	118.750	118.750
0	44	150.000	150.000	150.000	150.000
0	45	187.500	187.500	187.500	187.500
0	46	237.500	237.500	237.500	237.500
0	47	300.000	300.000	300.000	300.000
0	48	375.000	375.000	375.000	375.000
0	49	475.000	475.000	475.000	475.000
0	50	593.750	593.750	593.750	593.750

QUANTITY & VARIATION

DWG NO. 7010694-0

REV. 1

DATE 12-1-77

ENGR. J. J. ...

PROJ. ENG. ...

PROD. ...

NEXT HIGHER ASSY

TITLE: POWER SUPPLY MJ11

SCALE: NONE

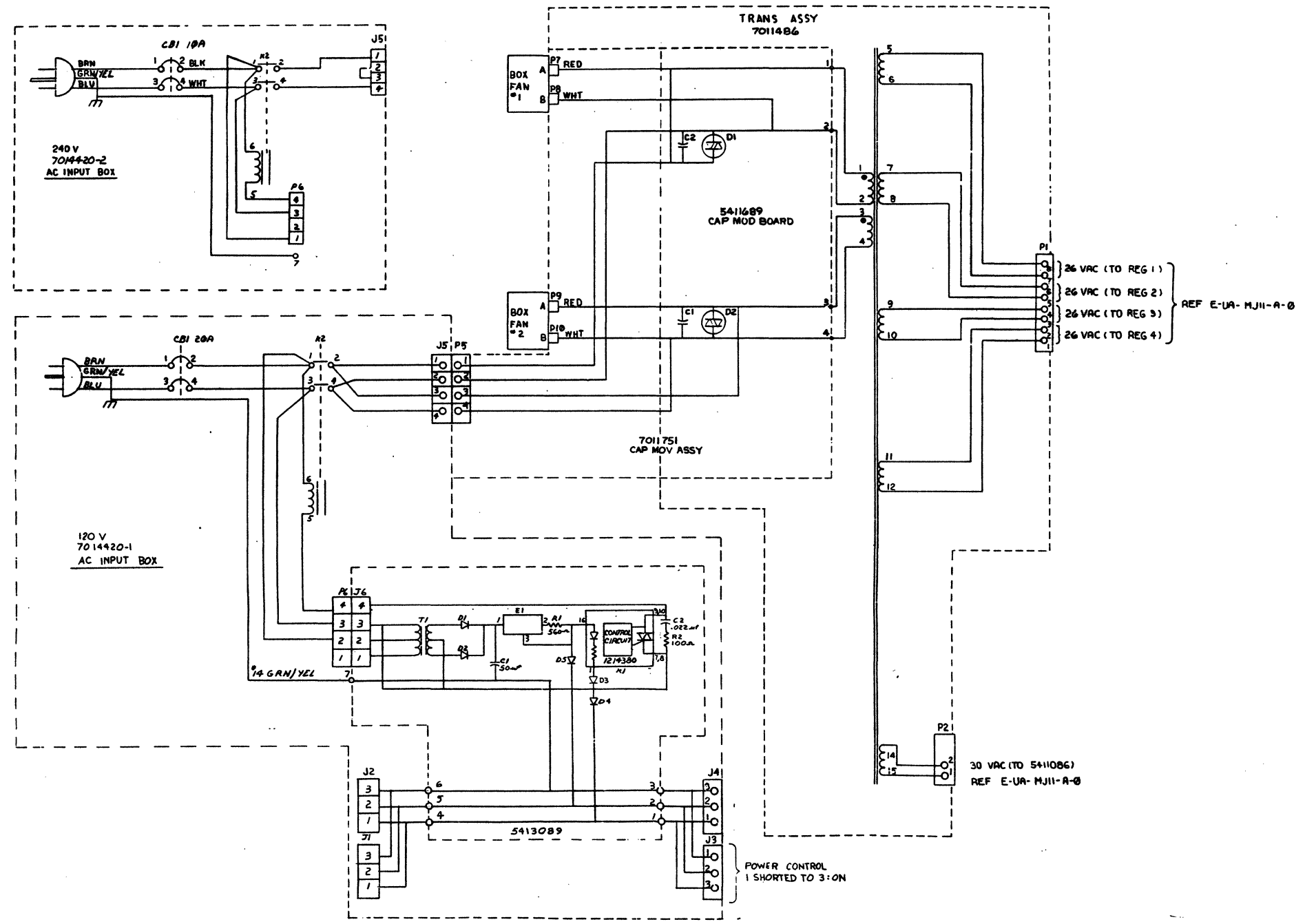
SHEET 1 OF 2

REV	DATE	DESCRIPTION
1	12-1-77	INITIAL RELEASE
2	12-1-77	REVISION
3	12-1-77	REVISION
4	12-1-77	REVISION
5	12-1-77	REVISION
6	12-1-77	REVISION
7	12-1-77	REVISION
8	12-1-77	REVISION
9	12-1-77	REVISION
10	12-1-77	REVISION
11	12-1-77	REVISION
12	12-1-77	REVISION
13	12-1-77	REVISION
14	12-1-77	REVISION
15	12-1-77	REVISION
16	12-1-77	REVISION
17	12-1-77	REVISION
18	12-1-77	REVISION
19	12-1-77	REVISION
20	12-1-77	REVISION
21	12-1-77	REVISION
22	12-1-77	REVISION
23	12-1-77	REVISION
24	12-1-77	REVISION
25	12-1-77	REVISION
26	12-1-77	REVISION
27	12-1-77	REVISION
28	12-1-77	REVISION
29	12-1-77	REVISION
30	12-1-77	REVISION
31	12-1-77	REVISION
32	12-1-77	REVISION
33	12-1-77	REVISION
34	12-1-77	REVISION
35	12-1-77	REVISION
36	12-1-77	REVISION
37	12-1-77	REVISION
38	12-1-77	REVISION
39	12-1-77	REVISION
40	12-1-77	REVISION
41	12-1-77	REVISION
42	12-1-77	REVISION
43	12-1-77	REVISION
44	12-1-77	REVISION
45	12-1-77	REVISION
46	12-1-77	REVISION
47	12-1-77	REVISION
48	12-1-77	REVISION
49	12-1-77	REVISION
50	12-1-77	REVISION

533

THIS DRAWING AND INFORMATION HEREON ARE THE PROPERTY OF THE UNITED STATES GOVERNMENT AND ARE TO BE REPRODUCED AND TRANSMITTED IN ANY FORM AND BY ANY MEANS, ELECTRONIC OR MECHANICAL, INCLUDING PHOTOCOPYING, RECORDING, OR BY ANY INFORMATION STORAGE AND RETRIEVAL SYSTEM, WITHOUT PERMISSION IN WRITING FROM THE HEADQUARTERS OF THE AIR FORCE, WASHINGTON, D.C. 20330.

CONNECTION TABLE		
FROM CONNECTION	TO CONNECTION	SIGNALS
P5 FROM TRANS. ASSY	J5 LOCATED ON AC INPUT BOX	120/140 VAC
P7 (RED)	FAN #1-A	120 VAC- HOT
P8 (WHT)	FAN #1-B	120 VAC- NEUTRAL
P9 (RED)	FAN #2-A	120 VAC- HOT
P10 (WHT)	FAN #2-B	120 VAC- NEUTRAL



REVISIONS		
ONE	CHANGE NO.	REV.

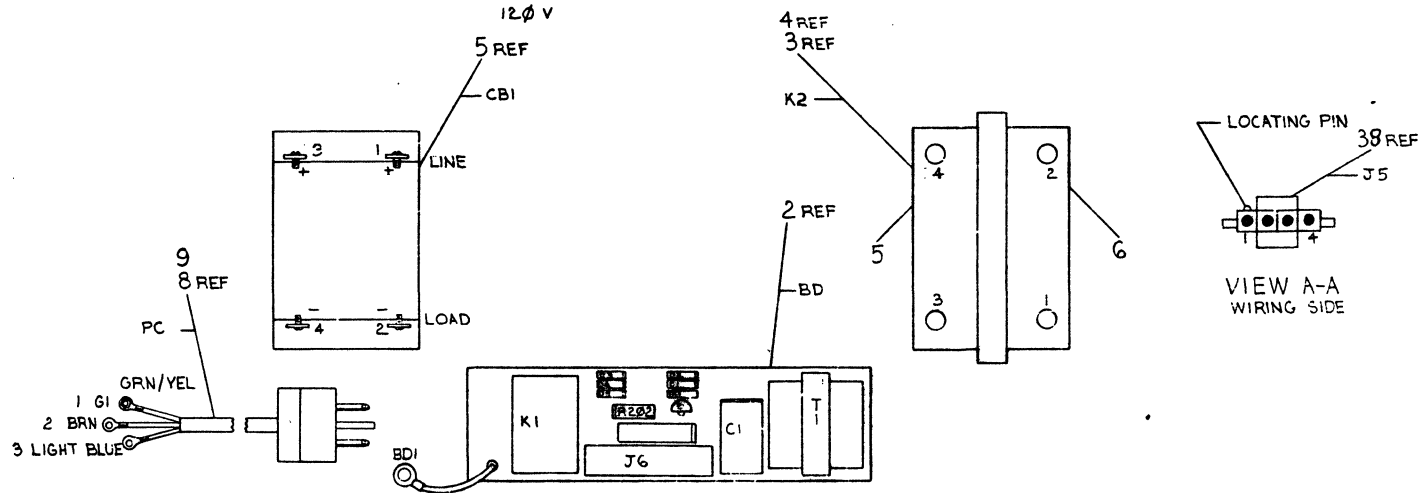
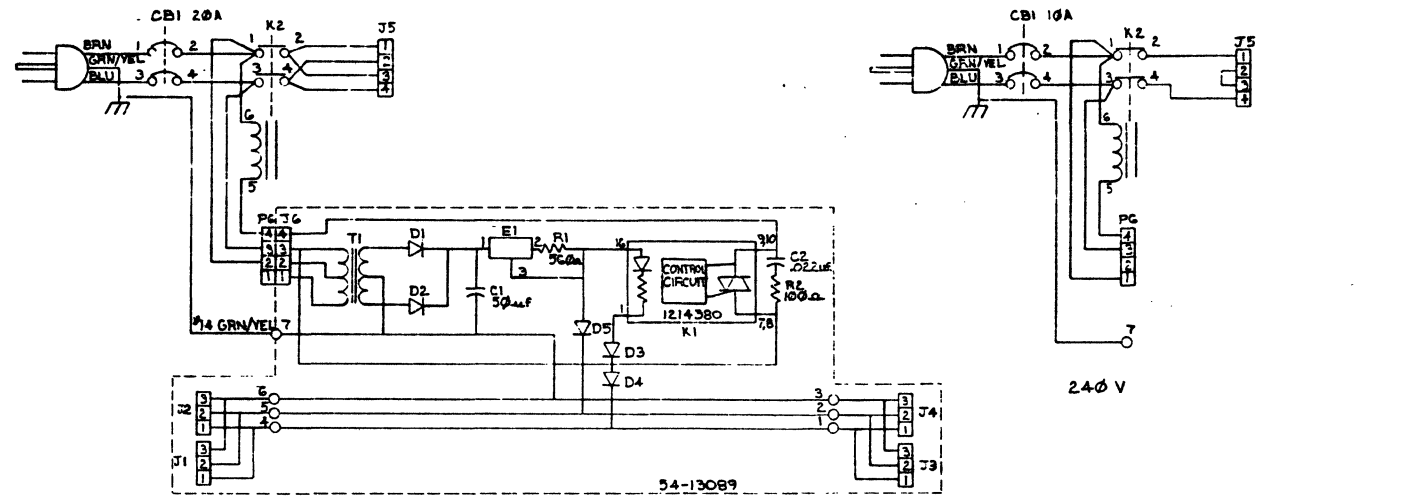
534



THIS DRAWING AND SPECIFICATIONS HEREIN ARE THE PROPERTY OF DIGITAL EQUIPMENT CORPORATION AND SHALL NOT BE REPRODUCED OR COPIED OR USED IN WHOLE OR IN PART AS TO THE SALES FOR THE MANUFACTURE OR SALE OF ITEMS WITHOUT WRITTEN PERMISSION. COPYRIGHT © 1977 DIGITAL EQUIPMENT CORPORATION

ITEM NO	DESCRIPTION	COLOR	STRIP LENGTH	FROM		TO		PRECUT WIRE LENGTH
				CONN.	WITH	CONN.	WITH	
6	14	GRN/YEL	SEE NOTE 3	PC-1		G1		
8	14	BRN		PC-2		CBI-1		
8	14	BLU		PC-3		CBI-3		
33	18	BLU	SEE NOTE 4	K2-4	36	SEE NOTE 5	J5-2	37 3.0 ± 0.25
							J5-4	37 3.0 ± 0.25
34	18	BRN	SEE NOTE 4	K2-2	36	SEE NOTE 5	J5-1	37 3.0 ± 0.25
							J5-3	37 3.0 ± 0.25
34	18	BRN	SEE NOTE 4	K2-1	36	SEE NOTE 6	PG-2	35 3.5 ± 0.25
3	18	YEL					K2-6	35 3.5 ± 0.25
7				K2-1				STRAP
33	18	BLU	SEE NOTE 4	K2-3	29	SEE NOTE 6	PG-3	35 3.0 ± 0.25
7				K2-3				STRAP
3		YEL	SEE NOTE 4	K2-5		SEE NOTE 6	PG-4	35 4.75 ± 0.25
2	18	GRN/YEL	SEE NOTE 6	BD-1		G1		

ITEM NO	DESCRIPTION	COLOR	STRIP LENGTH	FROM		TO		PRECUT WIRE LENGTH
				CONN.	WITH	CONN.	WITH	
9	14	GRN/YEL	SEE NOTE 3	PC-1		G1		
9	14	BRN		PC-2		CBI-1		
9	14	BLU		PC-3		CBI-3		
33	18	BLU	SEE NOTE 4	K2-4	29	SEE NOTE 5	J5-4	37 3.0 ± 0.25
34	18	BRN	SEE NOTE 4	K2-2	29	SEE NOTE 5	J5-1	37 3.0 ± 0.25
34	18	BRN	SEE NOTE 5	J5-2	37	SEE NOTE 5	J5-3	37 2.0 ± 0.25
34	18	BRN				SEE NOTE 6	PG-1	35 3.5 ± 0.25
4	18	YEL	SEE NOTE 4	K2-1	36		K2-6	35 3.5 ± 0.25
7				K2-1			CBI-2	STRAP
33	18	BLU	SEE NOTE 4	K2-3	29	SEE NOTE 6	PG-3	35 3.0 ± 0.25
7				K2-3			CBI-4	STRAP
4	18	YEL		K2-5		SEE NOTE 6	PG-4	35 4.75 ± 0.25
2	18	GRN/YEL	SEE NOTE 6	BD-1		G1		

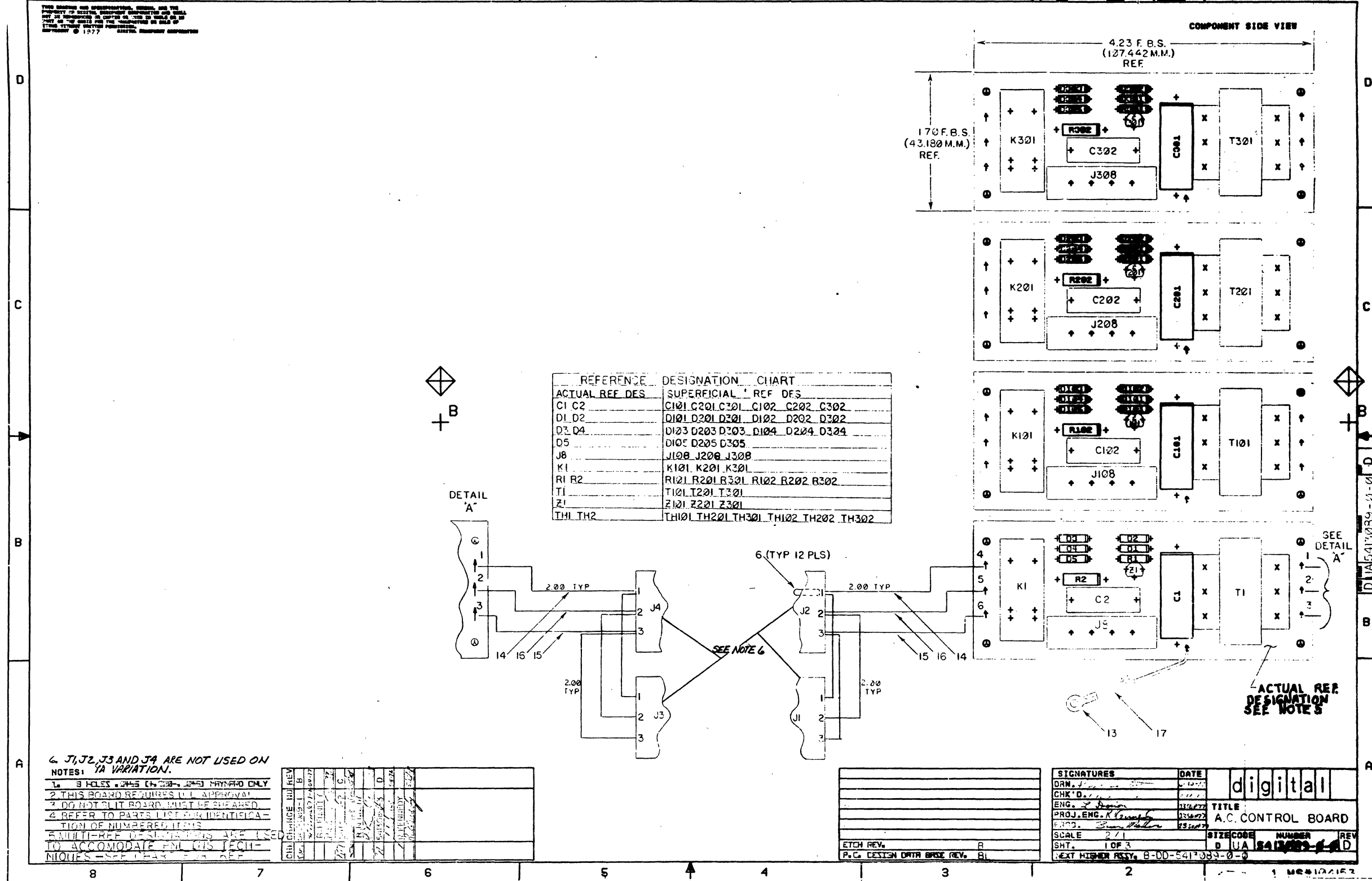


REVISIONS		
CHK	CHANGE NO.	REV.

TITLE AC INPUT BOX ASSY. D AD 701442C-0-0 A

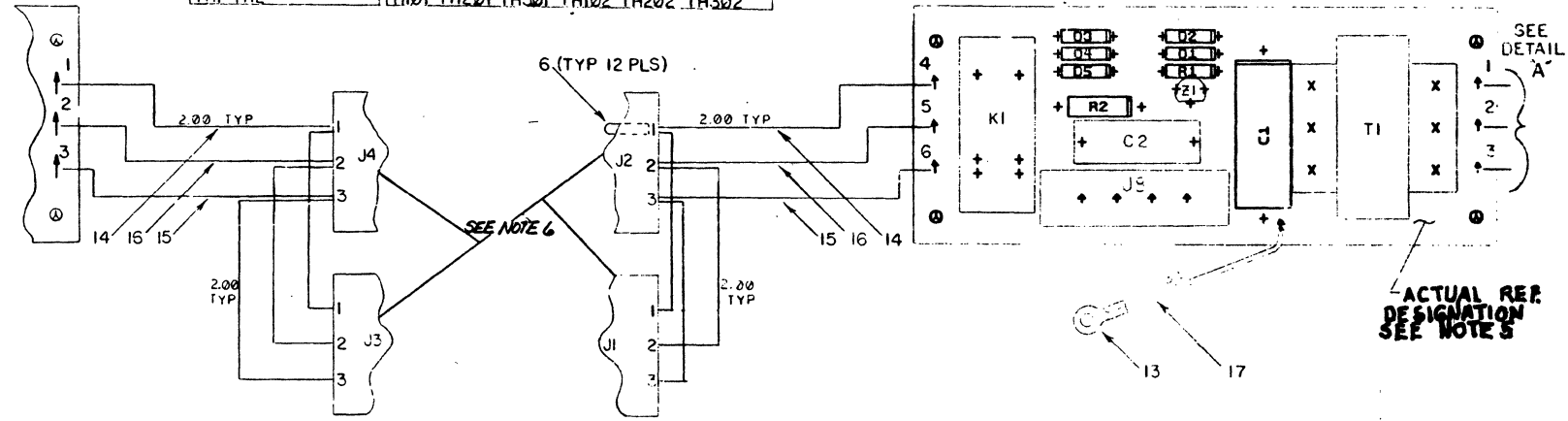
THIS BOARD AND ASSOCIATED CIRCUITRY ARE THE PROPERTY OF THE U.S. GOVERNMENT AND ARE TO BE REPRODUCED IN WHOLE OR IN PART BY ANY PERSON OR ORGANIZATION WITHOUT PERMISSION IN WRITING FROM THE U.S. GOVERNMENT PRINTING OFFICE: 1977

D U A 5412089-0-0 2 1



ACTUAL REF DES	REFERENCE DESIGNATION	REF DES
C1 C2	C101 C201 C301	C102 C202 C302
D1 D2	D101 D201 D301	D102 D202 D302
D3 D4	D103 D203 D303	D104 D204 D304
D5	D105 D205 D305	
J8	J108 J208 J308	
K1	K101 K201 K301	
R1 R2	R101 R201 R301	R102 R202 R302
T1	T101 T201 T301	
Z1	Z101 Z201 Z301	
TH1 TH2	TH101 TH201 TH301	TH102 TH202 TH302

DETAIL A'



6. J1, J2, J3 AND J4 ARE NOT USED ON NOTES 1A VARIATION.

- 3 HOLES IN THE CHASSIS ARE REQUIRED ONLY
- THIS BOARD REQUIRES U.I. APPROVAL
- DO NOT SLIT BOARD, MUST BE SHEARED
- REFER TO PARTS LIST FOR IDENTIFICATION OF NUMBERED ITEMS
- MULTI-REF DESIGNATIONS ARE USED TO ACCOMMODATE MIL-STD TECHNIQUES - SEE CHASSIS DRAWING

CHG	NO	REV	DATE	BY	CHK'D	DATE
1	1	1	10/17/77	...	...	...

ETCH REV.	R
P.C. DESIGN DATA BRD REV.	B1

SIGNATURES	DATE
DRM. [Signature]	10/17/77
CHK'D [Signature]	10/17/77
ENG. [Signature]	10/17/77
PROJ. ENG. [Signature]	10/17/77
SCALE 2/1	
SHT. 1 OF 3	
EXT. NUMBER ASSY.	B-00-5412089-0-0

digital	
TITLE	A.C. CONTROL BOARD
SIZE CODE	NUMBER
D U A 5412089-0-0	REV

8

6

5

4

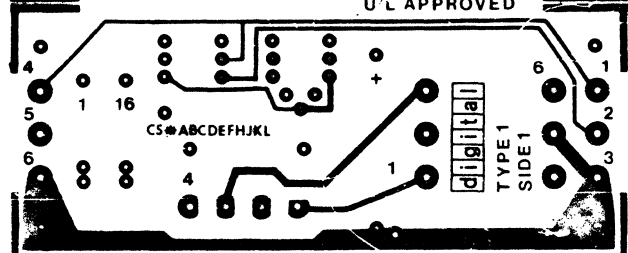
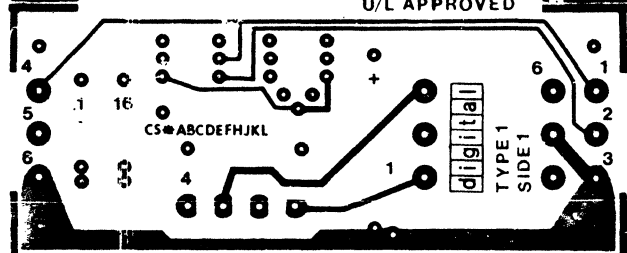
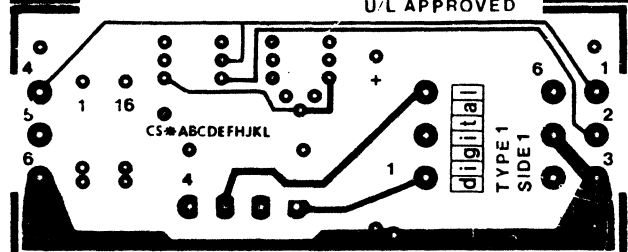
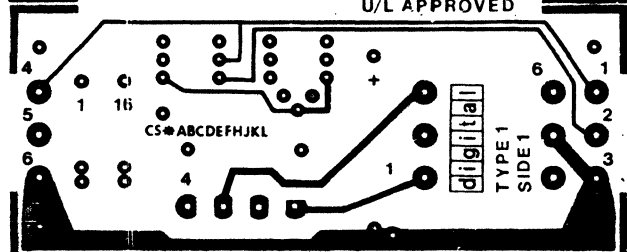
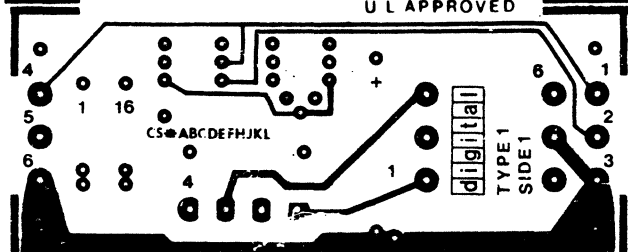
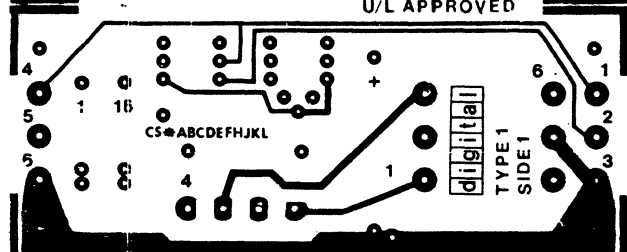
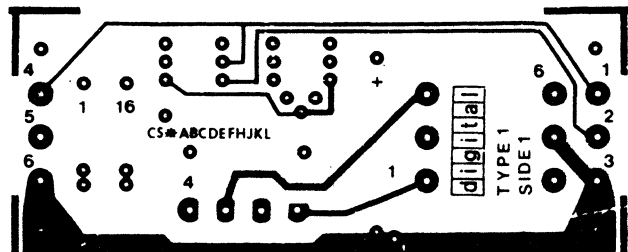
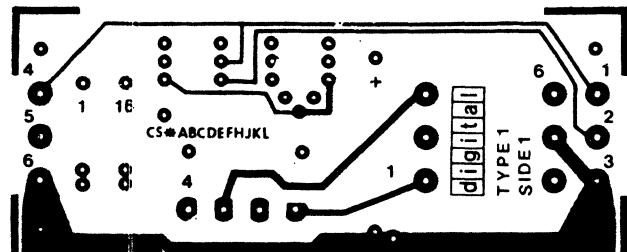
3

2 DIA 5413088-2

1



2013088B 8880102

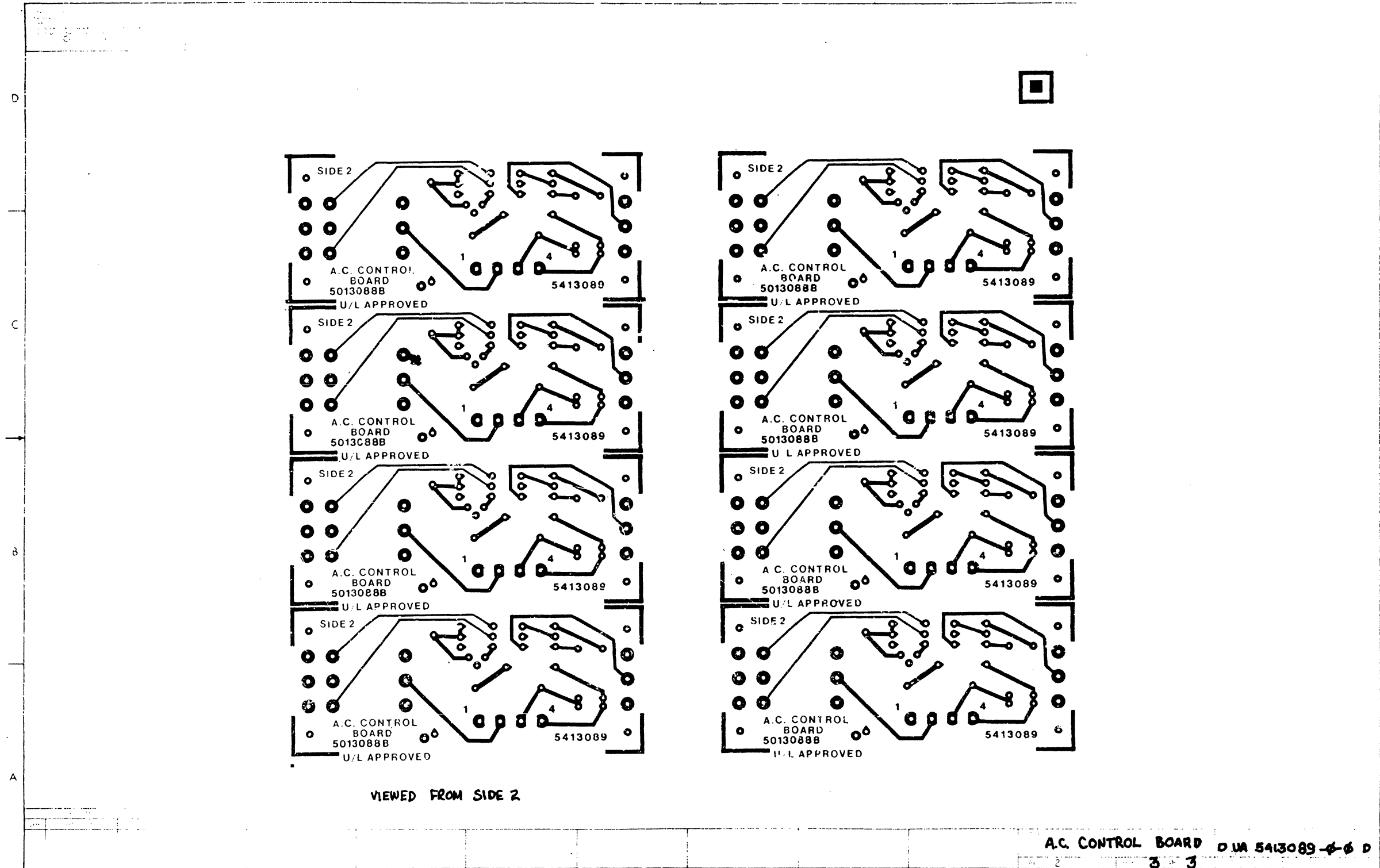


VIEWED FROM SIDE 1

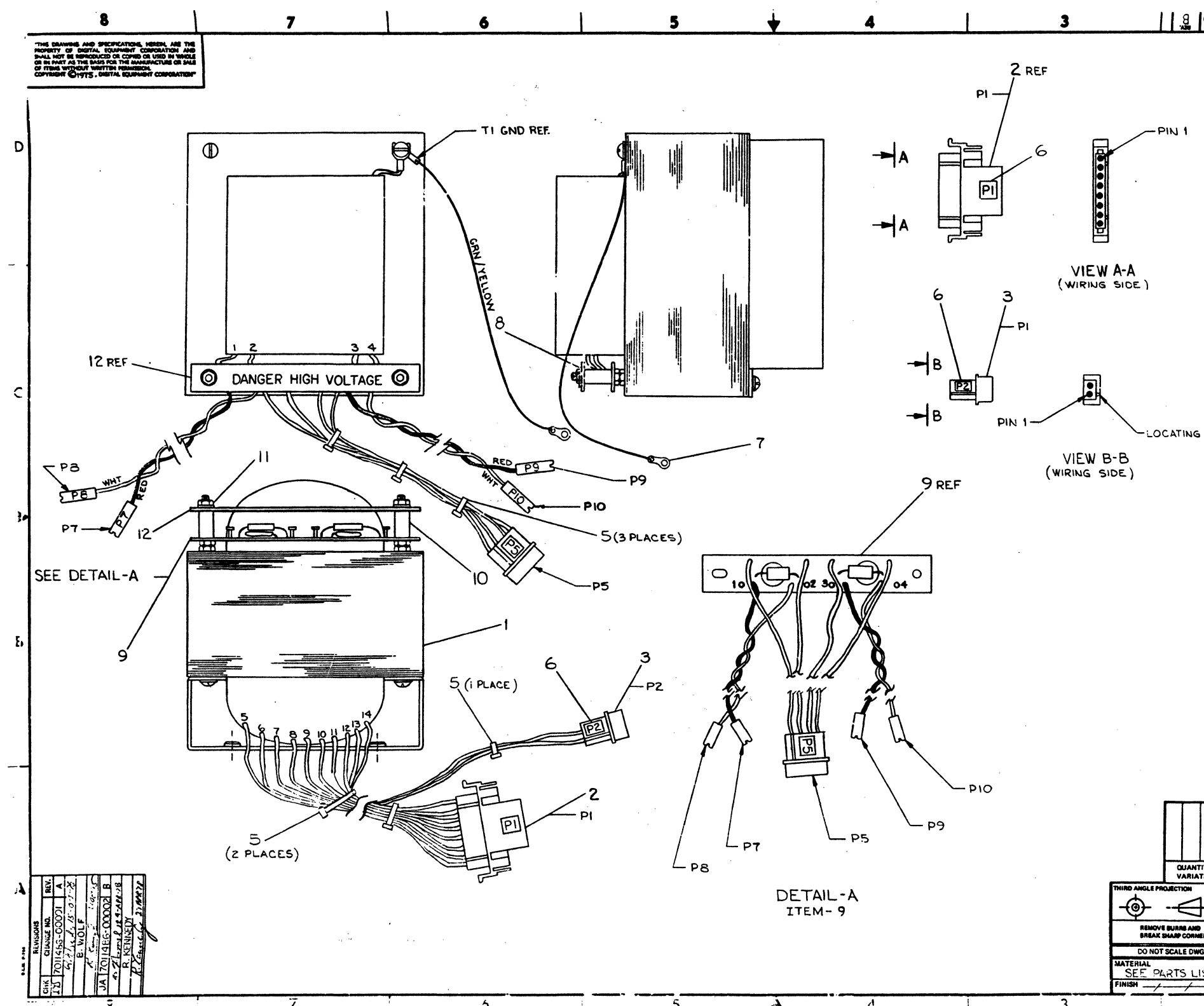
A.C. CONTROL BOARD DIA 5413088-2-2  
2 of 3

538





THE DRAWING AND SPECIFICATIONS HEREIN ARE THE PROPERTY OF DIGITAL EQUIPMENT CORPORATION AND SHALL NOT BE REPRODUCED OR COPIED OR USED IN WHOLE OR IN PART AS THE BASIS FOR THE MANUFACTURE OR SALE OF ITEMS WITHOUT WRITTEN PERMISSION. COPYRIGHT © 1975, DIGITAL EQUIPMENT CORPORATION



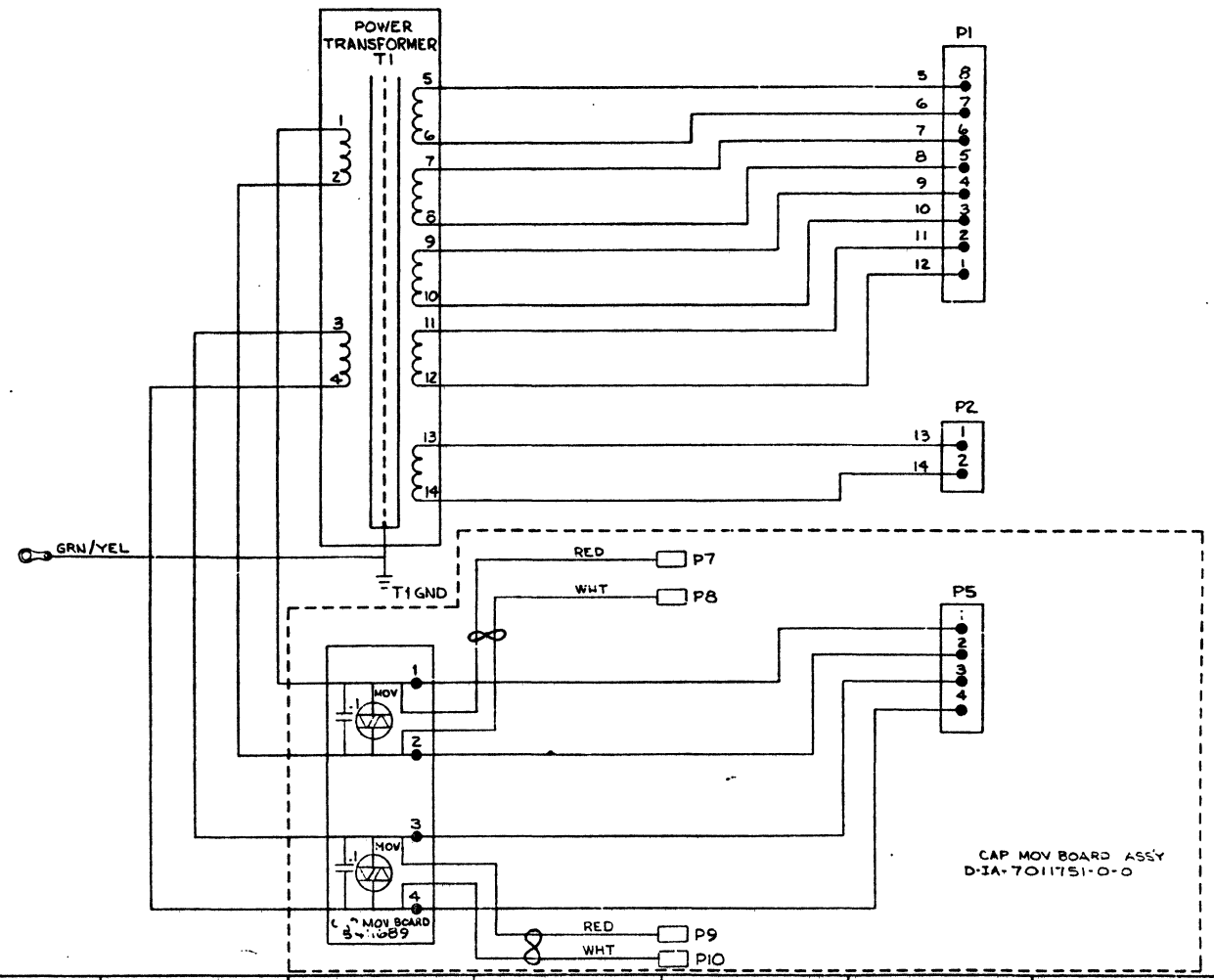
REF	DESCRIPTION	DWG./PART NO.	ITEM NO.
1	COVER	C-1A-7414301-0-0	12
2	NUT, KEP #10-32	9006505	11
2	SPACER, 3/8 OD X 1/2 LG	9007831	10
1	CAP MOV BOARD ASSY	B-1A-7017510-0-0	9
2	WASHER, FLAT #37X.218 ID	9006664	8
1	GROUND LUG	9008150	7
1	DECAL	A-DC-7409872-0-0	6
A/R	CABLE TIES 5/4 L X 1/3 W	9007880	5
10	PIN, MALE	1209378-1	4
1	CONN., 2 PIN	1210822-2	3
1	CONN., 8 PIN	1209340-01	2
1	TRANSFORMER	1612524	1

DESCRIPTION		DWG./PART NO.	ITEM NO.
UNLESS OTHERWISE SPECIFIED DIMENSIONS ARE IN INCHES			
ANGLES OF 20°	CLASS OF ACCURACY	NOMINAL DIMENSION RANGE INCHES	
SURFACE QUALITY IN MICROMETERS	(CHECK ONE)	OVER 0 TO 1.25	OVER 1.25 TO 3.0
		1.25 TO 3.0	3.0 TO 5.0
QUANTITY & VARIATION	PREFERRED	±.004	±.008
		±.012	±.018
THIRD ANGLE PROJECTION		FIRST USED ON	
DRM: T. [Signature]		H752	digital
CHK'D: [Signature]		TITLE	
ENG. [Signature]		TRANSFORMER ASSY	
PROJ. ENG. R. [Signature]		SIZE	NUMBER
PROD. [Signature]		D	7011486-0-0
DO NOT SCALE DWG.		SCALE	REV.
SEE PARTS LIST		1/1	B
FINISH		SHEET	DIST.
		1 OF 2	

REV.	CHANGE NO.	DATE	BY	APP.
A	1	10/15/75	[Signature]	[Signature]
B	2	11/10/75	[Signature]	[Signature]

"THIS DRAWING AND SPECIFICATIONS HEREIN ARE THE PROPERTY OF DIGITAL EQUIPMENT CORPORATION AND SHALL NOT BE REPRODUCED OR COPIED OR USED IN WHOLE OR IN PART AS THE BASIS FOR THE MANUFACTURE OR SALE OF ITEMS WITHOUT WRITTEN PERMISSION COPYRIGHT © 1975 DIGITAL EQUIPMENT CORPORATION"

WIRE TABLE							
ITEM NO.	DESCRIPTION		FROM		TO		WIRE LENGTH
	AWG	COLOR	CONNECTION	WITH	CONNECTION	WITH	
1	14	BLK	T1-1	---	CAP MOV BD-1	SOLDER	1.5 IN
			T1-2	---	CAP MOV BD-2	SOLDER	2.0 IN
			T1-3	---	CAP MOV BD-3	SOLDER	2.0 IN
			T1-4	---	CAP MOV BD-4	SOLDER	1.5 IN
			T1-5	---	PI-8	ITEM 4	12.0 IN
			T1-6	---	PI-7		
			T1-7	---	PI-6		
			T1-8	---	PI-5		
			T1-9	---	PI-4		
			T1-10	---	PI-3		
			T1-11	---	PI-2		
			T1-12	---	PI-1	ITEM 4	
			T1-13	---	P2-1	ITEM 4	
1	14	BLK	T1-14	---	P2-2	ITEM 4	12.0 IN
1	14	GRN/YEL	T1-GND	---	GND LUG (ITEM 7)	SOLDER	16.0 IN




REVISIONS		
CHK	CHANGE NO	REV

TITLE	SIZE/CODE	NUMBER	REV.
TRANSFORMER ASSY	D	AD7011486-0-0	B
SCALE	SHEET 2 OF 2	DIST.	







DRAWING NO.	NO. OF SHTS	PART NO.	DESCRIPTION	REVISIONS															
				Y	Y														
D-AH-H744-0-5			ASSY DILLING/HOLE LAYOUT	Y	Y														
E-UA-H744-0-0	1		UNIT ASSY	V	V1														
D-CS-H744-0-1	1		CIRCUIT SCHEMATIC	W	W1														
B-MH-H744-0-6	4		MODULE ECO HISTORY	AE	AE														
		5009725	ETCHED BOARD	H	H														
A-SP-H744-0-3			TEST PROCEDURE	REF															
A-SP-H744-0-8			MFG SPEC	REF															
D-PS-1210737-0-0	1		HEAT SINK	REF															
D-IA-5309756-0-0	1		REGULATOR BRK'T	REF															
C-MD-5309760-0-0	1		COMPONENT COVER	REF															
C-MD-5309759-0-0	1		CAPACITOR STRAP	REF															
A-PI-3700074-0-0	2		PACKAGING INSTRUCTION	REF															
A-PS-9905211-0-0	2		OUTER CARTON	REF															
A-PS-9905212-0-0	2		INNER PACKAGING	REF															
C-IA-7412388-0-0			2.5 CAP HOLDER	REF															
C-MD-7419952-0-0			COMPONENT COVER	REF															
NOTES:				REVISIONS															
				DATE	CHG NO	REV.													
"THIS DRAWING AND SPECIFICATIONS, HEREIN, ARE THE PROPERTY OF DIGITAL EQUIPMENT CORPORATION AND SHALL NOT BE REPRODUCED OR COPIED OR USED IN WHOLE OR IN PART AS THE BASIS FOR THE MANUFACTURE OR SALE OF ITEMS WITHOUT WRITTEN PERMISSION. COPYRIGHT © 1977 DIGITAL EQUIPMENT CORPORATION"					00016														
					2-77	00019	R												
				USED ON OPTION/MODEL		DRN.	TITLE												
				11/45		D. FONTAINE	2-4-72	+5V REGULATOR											
						CHK'D													
						D. FONTAINE	2-4-72												
						ENG.													
						G. POTTER	2-24-72												
						PROD.													
						A. HIRSCH	2-24-72												
						SIZE CODE	NUMBER		REV.										
						BDD	H744-0		S										
						SHEET 4 OF 4													

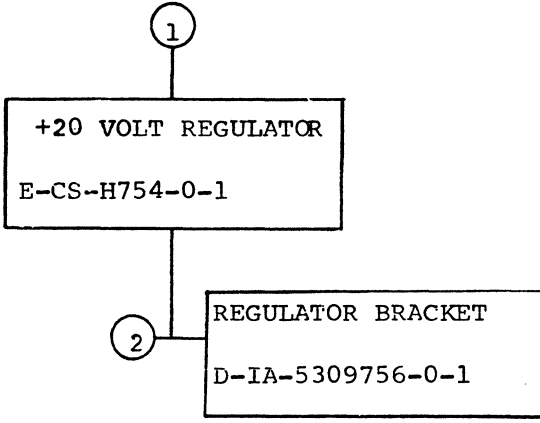








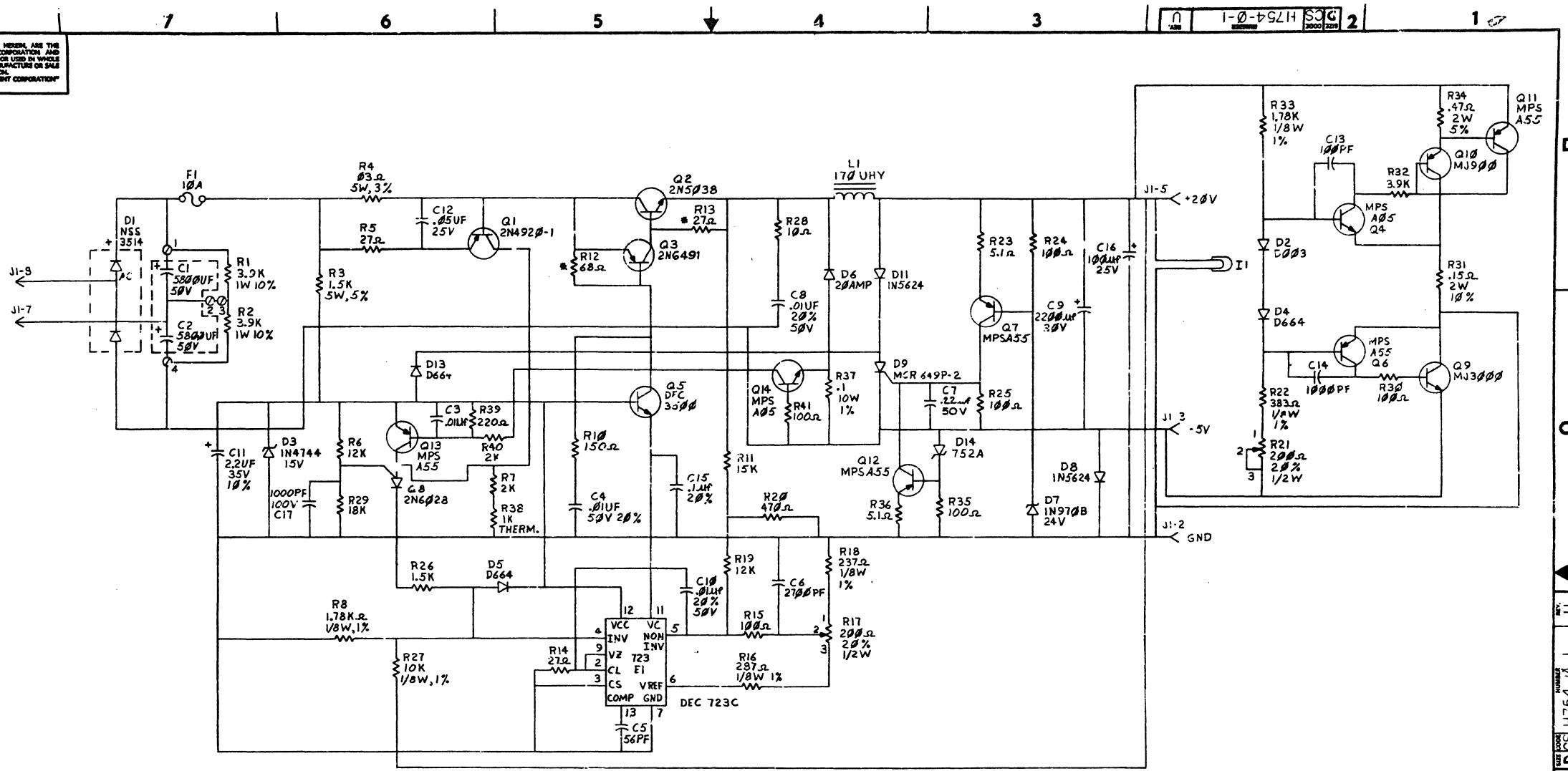




<b>TITLE</b> +20 VOLT REGULATOR	<b>SHEET</b> <sup>3</sup> <b>OF</b> <sup>3</sup>	<b>SIZE</b> <b>CODE</b> B DD	<b>NUMBER</b> H754-Ø	<b>REV</b> B
------------------------------------	--	---------------------------------	-------------------------	-----------------



THE DRAWING AND SPECIFICATIONS HEREIN ARE THE PROPERTY OF DIGITAL EQUIPMENT CORPORATION AND SHALL NOT BE REPRODUCED OR COPIED OR USED IN WHOLE OR IN PART AS THE BASIS FOR THE MANUFACTURE OR SALE OF ITEMS WITHOUT WRITTEN PERMISSION. COPYRIGHT © 1972, DIGITAL EQUIPMENT CORPORATION



\* FUSIBLE RESISTOR

DRN. RESONNETTE	8-29-72	FIRST USED ON	H754	DIGITAL
CHK'D BY	WOMLES	2-17-72		
ENG. R. BURTON	5-7-73	TITLE	+20 VOLT REGULATOR	
PROJ. ENG. H. BURTON	5-7-73	SCALE		
PROD. L. BAPTISTE	5-9-73	SHEET	OF 2	
NEXT HIGHER ASSY.		SIZE	CODE	NUMBER
		D	CS	H754-0-1
		DIST.		
		REV.		U

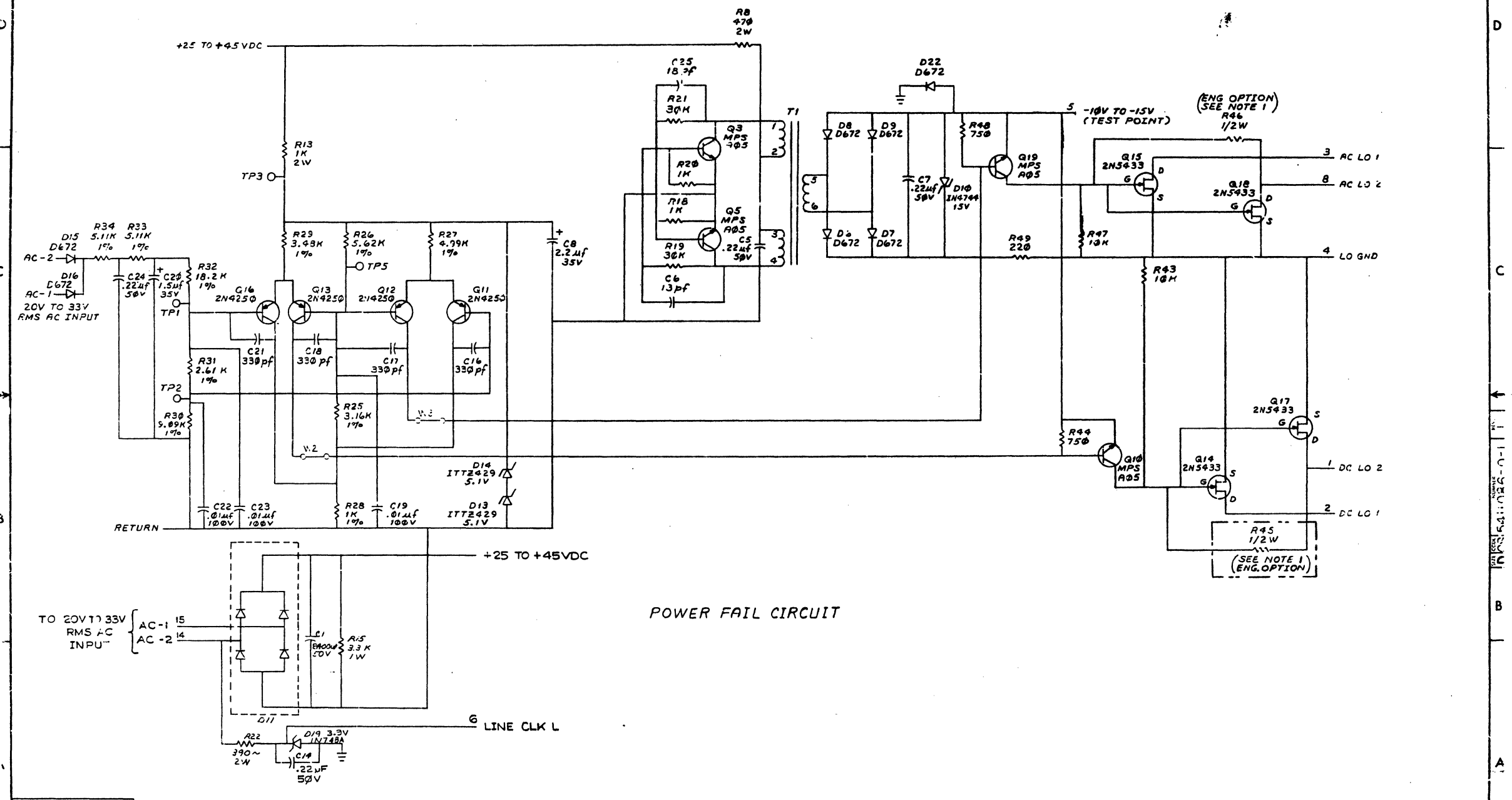
552







THIS DRAWING AND SPECIFICATIONS HEREIN ARE THE PROPERTY OF DIGITAL EQUIPMENT CORPORATION AND SHALL NOT BE REPRODUCED OR COPIED OR USED IN WHOLE OR IN PART AS THE BASIS FOR THE MANUFACTURE OR SALE OF ITEMS WITHOUT WRITTEN PERMISSION. COPYRIGHT © 1974 DIGITAL EQUIPMENT CORPORATION



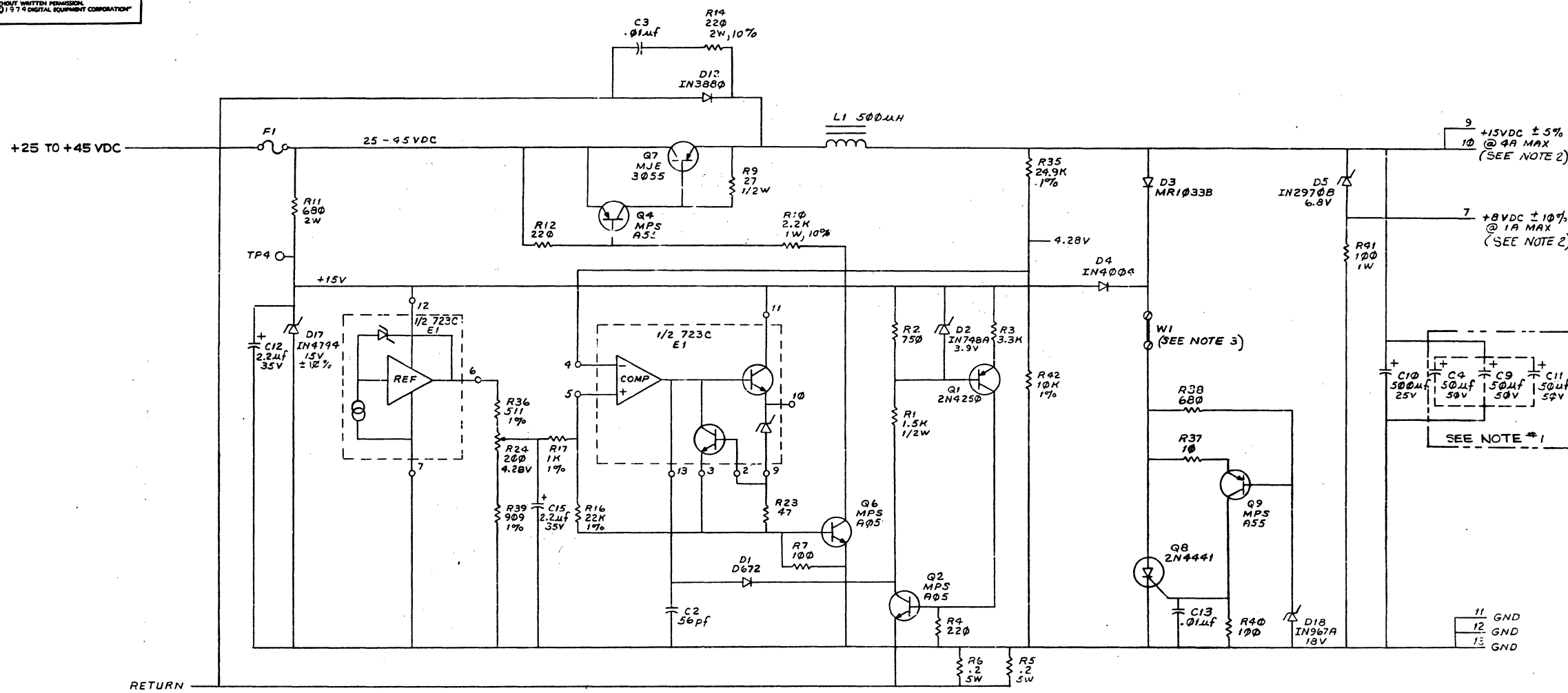
POWER FAIL CIRCUIT

REVISIONS		
CHK	CHANGE NO.	REV.

TITLE	PWR. LINE MONITOR/15V REG.	SIZE/CODE	NUMBER	REV.
SCALE	SHEET 3 OF 4	DIST.	DCS 5411086-0-1	L

555

THIS DRAWING AND SPECIFICATIONS HEREOF ARE THE PROPERTY OF DIGITAL EQUIPMENT CORPORATION AND SHALL NOT BE REPRODUCED OR COPIED OR USED IN WHOLE OR IN PART AS THE BASIS FOR THE MANUFACTURE, AS SALE OF ITEMS WITHOUT WRITTEN PERMISSION. COPYRIGHT © 1974 DIGITAL EQUIPMENT CORPORATION



15V REGULATOR  
(SEE NOTE #4)

REVISIONS		
CHK	CHANGE NO.	REV.

TITLE	PWR. LINE MONITOR/15V REG.	SIZE CODE	DCS	NUMBER	5411086-0-1	REV.	L
SCALE	1:1	SHEET	1	OF	1	DIST.	

556

This drawing and specifications, herein, are the property of Digital Equipment Corporation and shall not be reproduced or copied or used in whole or in part as the basis for the manufacture or sale of items without written permission.

ITEM NO.	DWG NO./PART NO.	DESCRIPTION	QUANTITY/VARIATION																			
			MJ11-AA	MJ11-AB	MJ11-AC	MJ11-AD	MJ11-AE	MJ11-AG	MJ11-AH	MJ11-AM	MJ11-AY	MJ11-AZ	MJ11-BA	MJ11-BB	MJ11-BC	MJ11-BD	MJ11-BE	MJ11-BG	MJ11-BH	MJ11-BM	MJ11-BX	MJ11-BZ
1	E-IA-7009769-0-0	CHASSIS 10.5"	1	1	1	1	1	1	1	1	1	1	1	1	1	1	1	1	1	1	1	1
2	D-PS-1211825-02	SLIDE, 3 P.S TILT	1	1	1	1	1	1	1	1	1	1	1	1	1	1	1	1	1	1	1	1
3	E-AD-7010694-0-0	POWER SUPPLY MJ11 115V	1	1	1	1	1	1	1	1	1	1	1	1	1	1	1	1	1	1	1	1
4	E-AD-7010694-1-0	POWER SUPPLY MJ11 230V	1	1	1	1	1	1	1	1	1	1	1	1	1	1	1	1	1	1	1	1
5	D-PS-1212405-0	CARD GUIDE, SINGLE	26	26	26	26	26	26	26	26	26	26	26	26	26	26	26	26	26	26	26	26
6	E-AD-7010497-0-0	BACK PLANE (MEM)	1	1	1	1	1	1	1	1	1	1	1	1	1	1	1	1	1	1	1	1
7	E-AD-7010497-1-0	BACK PLANE (MEM EL-FAB)	1	1	1	1	1	1	1	1	1	1	1	1	1	1	1	1	1	1	1	1
8	D-IA-7010580-0-0	HARNES POWER	1	1	1	1	1	1	1	1	1	1	1	1	1	1	1	1	1	1	1	1
9	D-IA-7010581-0-0	HARNES AC/DC LO	1	1	1	1	1	1	1	1	1	1	1	1	1	1	1	1	1	1	1	1
10	D-IA-7009768-0-0	COVER, CHASSIS	2	2	2	2	2	2	2	2	2	2	2	2	2	2	2	2	2	2	2	2
11	D-AD-7010824-0-0	EXP DATA CABLE ASSY (BAY) 7 ft	1	1	1	1	1	1	1	1	1	1	1	1	1	1	1	1	1	1	1	1
12	D-AD-7010824-1-C	EXP ADD. CABLE ASSY (BAY) 7 ft	1	1	1	1	1	1	1	1	1	1	1	1	1	1	1	1	1	1	1	1
13	D-AD-7010826-0-0	EXP CABLE (INTER BAY) 10 ft	1	1	1	1	1	1	1	1	1	1	1	1	1	1	1	1	1	1	1	1
14	D-CS-H217-C-1	H217C 16K x 18 BIT STACK	2	2	2	2	2	2	2	2	2	2	2	2	2	2	2	2	2	2	2	2
15	D-CS-G235-0-1	G235 16K MEM DRIVE BOARD	2	2	2	2	2	2	2	2	2	2	2	2	2	2	2	2	2	2	2	2
16	9006022-3	SCR, PHL TRUSS HD#6-32 x .38	12	12	12	12	12	12	12	12	12	12	12	12	12	12	12	12	12	12	12	12
17	9006633	WASHER INT. TOOTH LOCK #6	8	8	8	8	8	8	8	8	8	8	8	8	8	8	8	8	8	8	8	8
18	9007651	WASHER EXT. TOOTH LOCK #10	8	8	32	32	8	8	8	8	8	8	8	8	8	8	8	8	8	8	8	8
19	9006073-02	SCR, PHL FLATHD #10-32 x .500	6	6	6	6	6	6	6	6	6	6	6	6	6	6	6	6	6	6	6	6
20	9006071-3	SCR, PHL HD TRUSS #10-32 x .38	8	8	12	12	8	8	8	8	8	8	8	8	8	8	8	8	8	8	8	8
21	D-CS-G114-0-1	G114 16K SENSE/JNHIBIT BOARD	2	2	2	2	2	2	2	2	2	2	2	2	2	2	2	2	2	2	2	2
22																						
23	D-AD-7010532-0-0	FULL DOOR UNIT ASSY	1	1	1	1	1	1	1	1	1	1	1	1	1	1	1	1	1	1	1	1
24	D-AD-7010791-0-0	FRONT DOOR ASSY	1	1	1	1	1	1	1	1	1	1	1	1	1	1	1	1	1	1	1	1
25	D-IA-7010780-1-0	PANEL LOGO	1	1	1	1	1	1	1	1	1	1	1	1	1	1	1	1	1	1	1	1
26	C-PL-7005501-35-0	BASIC CABINET ASSY 19"	1	1	1	1	1	1	1	1	1	1	1	1	1	1	1	1	1	1	1	1
27	E-UA-861-D-0	POWER CONTROL 115V	1	1	1	1	1	1	1	1	1	1	1	1	1	1	1	1	1	1	1	1
28	E-UA-861-E-0	POWER CONTROL 230V	1	1	1	1	1	1	1	1	1	1	1	1	1	1	1	1	1	1	1	1
29	9006073-3	SCR, PHL TRUSS HD #10-32x.50	20	20	20	20	20	20	20	20	20	20	20	20	20	20	20	20	20	20	20	20
30	9007786	NUT, FINNERMAN #10-32	24	24	24	24	24	24	24	24	24	24	24	24	24	24	24	24	24	24	24	24
31	9007086	CLAMP, CABLE	1	1	1	1	1	1	1	1	1	1	1	1	1	1	1	1	1	1	1	1
32	9007031	WRAP, TIE	6	6	6	6	6	6	6	6	6	6	6	6	6	6	6	6	6	6	6	6
33	D-CS-MB148-0-1	MB148 MEM. CONT & TIMING MODULE	1	1	1	1	1	1	1	1	1	1	1	1	1	1	1	1	1	1	1	1
34	D-CS-MB149-0-1	MB149 MEM. TRANSCIEVER CARD	1	1	1	1	1	1	1	1	1	1	1	1	1	1	1	1	1	1	1	1
35																						
36																						
37	<del>9006633</del>	<del>WASHER INT. TOOTH #6</del>	<del>8</del>	<del>8</del>	<del>8</del>	<del>8</del>	<del>8</del>	<del>8</del>	<del>8</del>	<del>8</del>	<del>8</del>	<del>8</del>	<del>8</del>	<del>8</del>	<del>8</del>	<del>8</del>	<del>8</del>	<del>8</del>	<del>8</del>	<del>8</del>	<del>8</del>	<del>8</del>
38	<del>9006633-00</del>	<del>NUT, WED #10-32</del>	<del>24</del>	<del>24</del>	<del>24</del>	<del>24</del>	<del>24</del>	<del>24</del>	<del>24</del>	<del>24</del>	<del>24</del>	<del>24</del>	<del>24</del>	<del>24</del>	<del>24</del>	<del>24</del>	<del>24</del>	<del>24</del>	<del>24</del>	<del>24</del>	<del>24</del>	<del>24</del>
39																						
40	D-AD-7011027-0-0	CABLE TROUGH ASSY	2	2	2	2	2	2	2	2	2	2	2	2	2	2	2	2	2	2	2	2
41	3612425-02	DECAL, CABINET DESIGNATION	1	1	1	1	1	1	1	1	1	1	1	1	1	1	1	1	1	1	1	1
42	3612423-00	MJ11 MEMORY STICKER	1	1	1	1	1	1	1	1	1	1	1	1	1	1	1	1	1	1	1	1
43																						

CHK	CHANGE NO.	REV.
	MJ11A-00008	J
	REVISED & REDRAWN	
	26 August 76	
	R. BOUCHER	
	30-Aug-76	
	MJ11-00002	K
	13 FEB 78	
	G. WU	
	10 SEPT 77	
	MJ11-00003	L
	13 FEB 78	
	P. SCHNORR	
	15 FEB 78	

FIRST USED ON CFT ION/MODEL  
MJ11-A

UNLESS OTHERWISE SPECIFIED	DRN. & BLODGETT	DATE
UNLESS OTHERWISE SPECIFIED	CHK'D. D. HEALY	1-22-75
DIMENSION IN INCHES	ENG. P. DUBE	1-29-75
TOLERANCES	PROJ. ENG. P. DUBE	1-29-75
DECIMALS FRACTIONS ANGLES	PROD. D. WEAVER	3-26-75
± .005 ± 1/64 ± 0°30'	NEXT HIGHER ASSY.	
FINAL SURFACE QUALITY		
REMOVE BURRS AND BREAK SHARP CORNERS		
MATERIAL		
FINISH		

**Digital EQUIPMENT CORPORATION**  
MAYNARD, MASSACHUSETTS

TITLE  
UNIT ASSY MJ11

SIZE CODE  
C PL

NUMBER  
MJ11-0-0

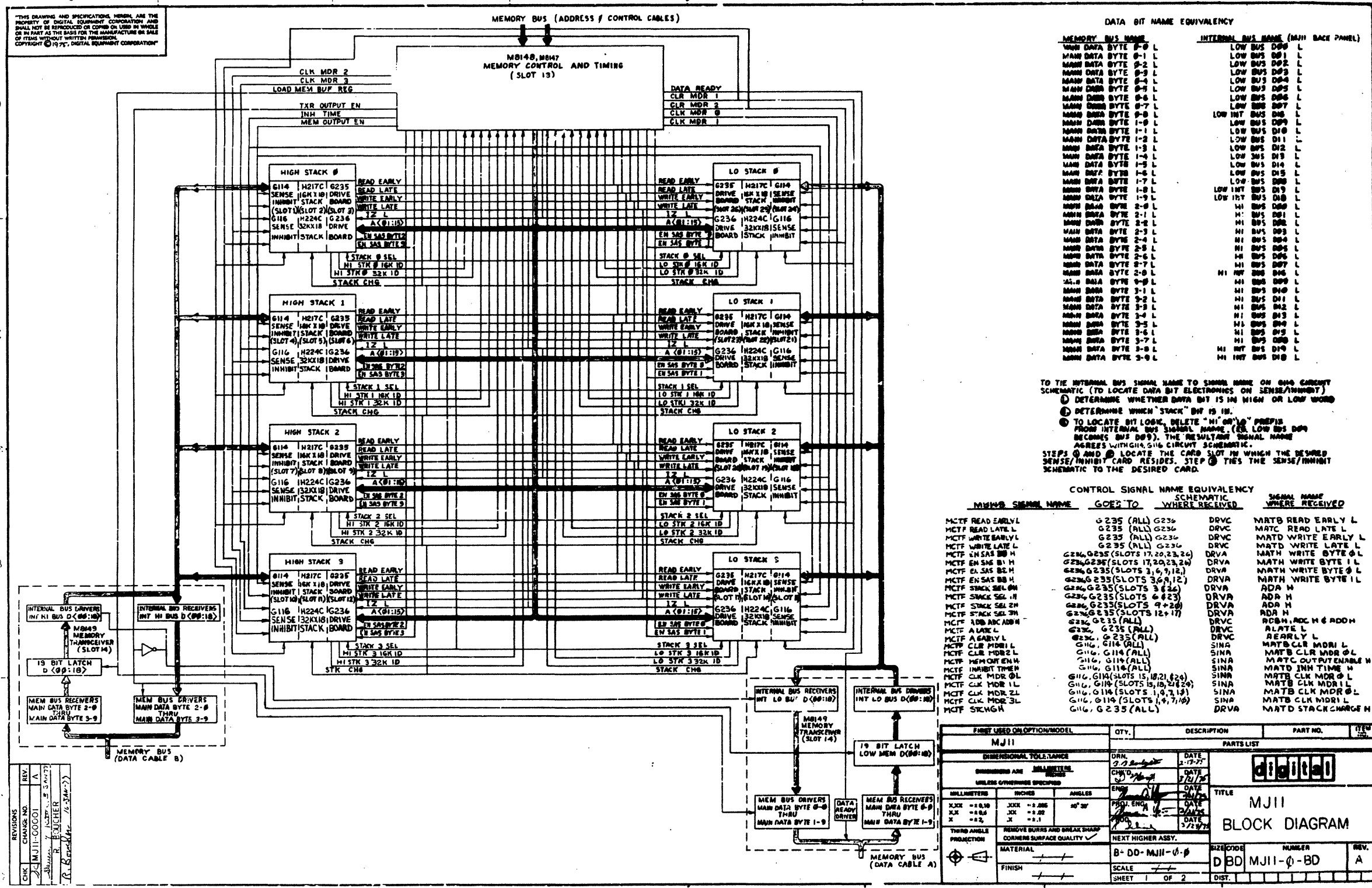
REV.  
L

SCALE + + +  
SHEET 1 OF 2

DIST.



THIS DRAWING AND SPECIFICATIONS HEREIN ARE THE PROPERTY OF DIGITAL EQUIPMENT CORPORATION AND SHALL NOT BE REPRODUCED OR COPIED OR USED IN WHOLE OR IN PART AS THE BASIS FOR THE MANUFACTURE OR SALE OF ITEMS WITHOUT WRITTEN PERMISSION. COPYRIGHT © 1977, DIGITAL EQUIPMENT CORPORATION.



**DATA BIT NAME EQUIVALENCY**

MEMORY BUS NAME	INTERNAL BUS NAME (MJI BACK PANEL)
MAIN DATA BYTE 0-0 L	LOW BUS D00 L
MAIN DATA BYTE 0-1 L	LOW BUS D01 L
MAIN DATA BYTE 0-2 L	LOW BUS D02 L
MAIN DATA BYTE 0-3 L	LOW BUS D03 L
MAIN DATA BYTE 0-4 L	LOW BUS D04 L
MAIN DATA BYTE 0-5 L	LOW BUS D05 L
MAIN DATA BYTE 0-6 L	LOW BUS D06 L
MAIN DATA BYTE 0-7 L	LOW BUS D07 L
MAIN DATA BYTE 0-8 L	LOW INT BUS D08 L
MAIN DATA BYTE 0-9 L	LOW BUS D09 L
MAIN DATA BYTE 1-0 L	LOW BUS D10 L
MAIN DATA BYTE 1-1 L	LOW BUS D11 L
MAIN DATA BYTE 1-2 L	LOW BUS D12 L
MAIN DATA BYTE 1-3 L	LOW BUS D13 L
MAIN DATA BYTE 1-4 L	LOW BUS D14 L
MAIN DATA BYTE 1-5 L	LOW BUS D15 L
MAIN DATA BYTE 1-6 L	LOW BUS D16 L
MAIN DATA BYTE 1-7 L	LOW INT BUS D17 L
MAIN DATA BYTE 1-8 L	LOW INT BUS D18 L
MAIN DATA BYTE 1-9 L	LOW INT BUS D19 L
MAIN DATA BYTE 2-0 L	HI BUS D20 L
MAIN DATA BYTE 2-1 L	HI BUS D21 L
MAIN DATA BYTE 2-2 L	HI BUS D22 L
MAIN DATA BYTE 2-3 L	HI BUS D23 L
MAIN DATA BYTE 2-4 L	HI BUS D24 L
MAIN DATA BYTE 2-5 L	HI BUS D25 L
MAIN DATA BYTE 2-6 L	HI BUS D26 L
MAIN DATA BYTE 2-7 L	HI BUS D27 L
MAIN DATA BYTE 2-8 L	HI BUS D28 L
MAIN DATA BYTE 2-9 L	HI INT BUS D29 L
MAIN DATA BYTE 3-0 L	HI BUS D30 L
MAIN DATA BYTE 3-1 L	HI BUS D31 L
MAIN DATA BYTE 3-2 L	HI BUS D32 L
MAIN DATA BYTE 3-3 L	HI BUS D33 L
MAIN DATA BYTE 3-4 L	HI BUS D34 L
MAIN DATA BYTE 3-5 L	HI BUS D35 L
MAIN DATA BYTE 3-6 L	HI BUS D36 L
MAIN DATA BYTE 3-7 L	HI INT BUS D37 L
MAIN DATA BYTE 3-8 L	HI INT BUS D38 L
MAIN DATA BYTE 3-9 L	HI INT BUS D39 L

TO THE INTERNAL BUS SIGNAL NAME TO SIGNAL NAME ON GMS CURRENT SCHEMATIC (TO LOCATE DATA BIT ELECTRONICS ON SENSE/INHIBIT)

- DETERMINE WHETHER DATA BIT IS IN HIGH OR LOW WORD
- DETERMINE WHICH "STACK" BIT IS IN
- TO LOCATE BIT LOGIC, DELETE "HI" OR "LO" PREFIX FROM INTERNAL BUS SIGNAL NAME (E.G. LOW BUS D04 BECOMES BUS D04). THE RESULTING SIGNAL NAME AGREES WITH G14, G16 CIRCUIT SCHEMATIC.

STEPS 1 AND 2 LOCATE THE CARD SLOT IN WHICH THE DESIRED SENSE/INHIBIT CARD RESIDES. STEP 3 TIES THE SENSE/INHIBIT SCHEMATIC TO THE DESIRED CARD.

**CONTROL SIGNAL NAME EQUIVALENCY**

MJ11 SIGNAL NAME	GOES TO	SCHEMATIC WHERE RECEIVED	SIGNAL NAME WHERE RECEIVED
MCTF READ EARLY L	G 235 (ALL)	G236	MATF READ EARLY L
MCTF READ LATE L	G 235 (ALL)	G236	MATC READ LATE L
MCTF WRITE EARLY L	G 235 (ALL)	G236	MATF WRITE EARLY L
MCTF WRITE LATE L	G 235 (ALL)	G236	MATD WRITE LATE L
MCTF EN SAS BB H	G236, G235 (SLOTS 17, 20, 23, 24)	DRVA	MATH WRITE BYTE 0 L
MCTF EN SAS BI H	G236, G235 (SLOTS 3, 6, 11, 12)	DRVA	MATH WRITE BYTE 1 L
MCTF EN SAS BB H	G236, G235 (SLOTS 3, 6, 11, 12)	DRVA	MATH WRITE BYTE 0 L
MCTF EN SAS BI H	G236, G235 (SLOTS 3, 6, 11, 12)	DRVA	MATH WRITE BYTE 1 L
MCTF STACK SEL 0 H	G236, G235 (SLOTS 3 & 24)	DRVA	ADA H
MCTF STACK SEL 1 H	G236, G235 (SLOTS 6 & 23)	DRVA	ADA H
MCTF STACK SEL 2 H	G236, G235 (SLOTS 9 & 20)	DRVA	ADA H
MCTF STACK SEL 3 H	G236, G235 (SLOTS 12 & 17)	DRVA	ADA H
MCTF 19B ACK ADD H	G236, G235 (ALL)	DRVC	PCBA, ACC. H & ADD H
MCTF A LATE L	G236, G235 (ALL)	DRVC	ALATE L
MCTF A EARLY L	G236, G235 (ALL)	DRVC	AEARLY L
MCTF CLR MDR 0 L	G16, G14 (ALL)	SINA	MATB CLR MDR 0 L
MCTF CLR MDR 1 L	G16, G14 (ALL)	SINA	MATB CLR MDR 1 L
MCTF MEM OUT EN H	G16, G14 (ALL)	SINA	MATC OUTPUT ENABLE H
MCTF INH TIME H	G16, G14 (ALL)	SINA	MATD INH TIME H
MCTF CLK MDR 0 L	G16, G14 (SLOTS 15, 18, 21, 24)	SINA	MATB CLK MDR 0 L
MCTF CLK MDR 1 L	G16, G14 (SLOTS 15, 18, 21, 24)	SINA	MATB CLK MDR 1 L
MCTF CLK MDR 2 L	G16, G14 (SLOTS 1, 4, 7, 10)	SINA	MATB CLK MDR 2 L
MCTF CLK MDR 3 L	G16, G14 (SLOTS 1, 4, 7, 10)	SINA	MATB CLK MDR 3 L
MCTF SKWGH	G16, G235 (ALL)	DRVA	MATD STACK CHANGE H

REVISIONS

CHK	CHANGE NO.	REV.
	MJ11-0001	A
	MJ11-0002	B
	MJ11-0003	C
	MJ11-0004	D
	MJ11-0005	E
	MJ11-0006	F
	MJ11-0007	G
	MJ11-0008	H
	MJ11-0009	I
	MJ11-0010	J
	MJ11-0011	K
	MJ11-0012	L
	MJ11-0013	M
	MJ11-0014	N
	MJ11-0015	O
	MJ11-0016	P
	MJ11-0017	Q
	MJ11-0018	R
	MJ11-0019	S
	MJ11-0020	T
	MJ11-0021	U
	MJ11-0022	V
	MJ11-0023	W
	MJ11-0024	X
	MJ11-0025	Y
	MJ11-0026	Z

FIRST USED ON OPTION/MODEL	QTY.	DESCRIPTION	PART NO.	ITEM
MJ11				

**PARTS LIST**

DRAWN	DATE	DATE	DATE
DRN	2-17-77	2-17-77	2-17-77
CHK'D	3-10-77	3-10-77	3-10-77
ENG	3-10-77	3-10-77	3-10-77
PROL. ENGR.	3-10-77	3-10-77	3-10-77
PROJ. ENGR.	3-10-77	3-10-77	3-10-77
PROJ. ENGR.	3-10-77	3-10-77	3-10-77

**TITLE**  
MJ11  
BLOCK DIAGRAM

MATERIAL	FINISH	SCALE	SHEET	OF	REV.
B-DD-MJ11-0-BD			1	OF 2	A

539

THIS DRAWING AND SPECIFICATIONS HEREIN ARE THE PROPERTY OF DIGITAL EQUIPMENT CORPORATION AND SHALL NOT BE REPRODUCED OR COPIED OR USED IN WHOLE OR IN PART AS THE BASIS FOR THE MANUFACTURE OR SALE OF ITEMS WITHOUT WRITTEN PERMISSION. COPYRIGHT © 1975 DIGITAL EQUIPMENT CORPORATION

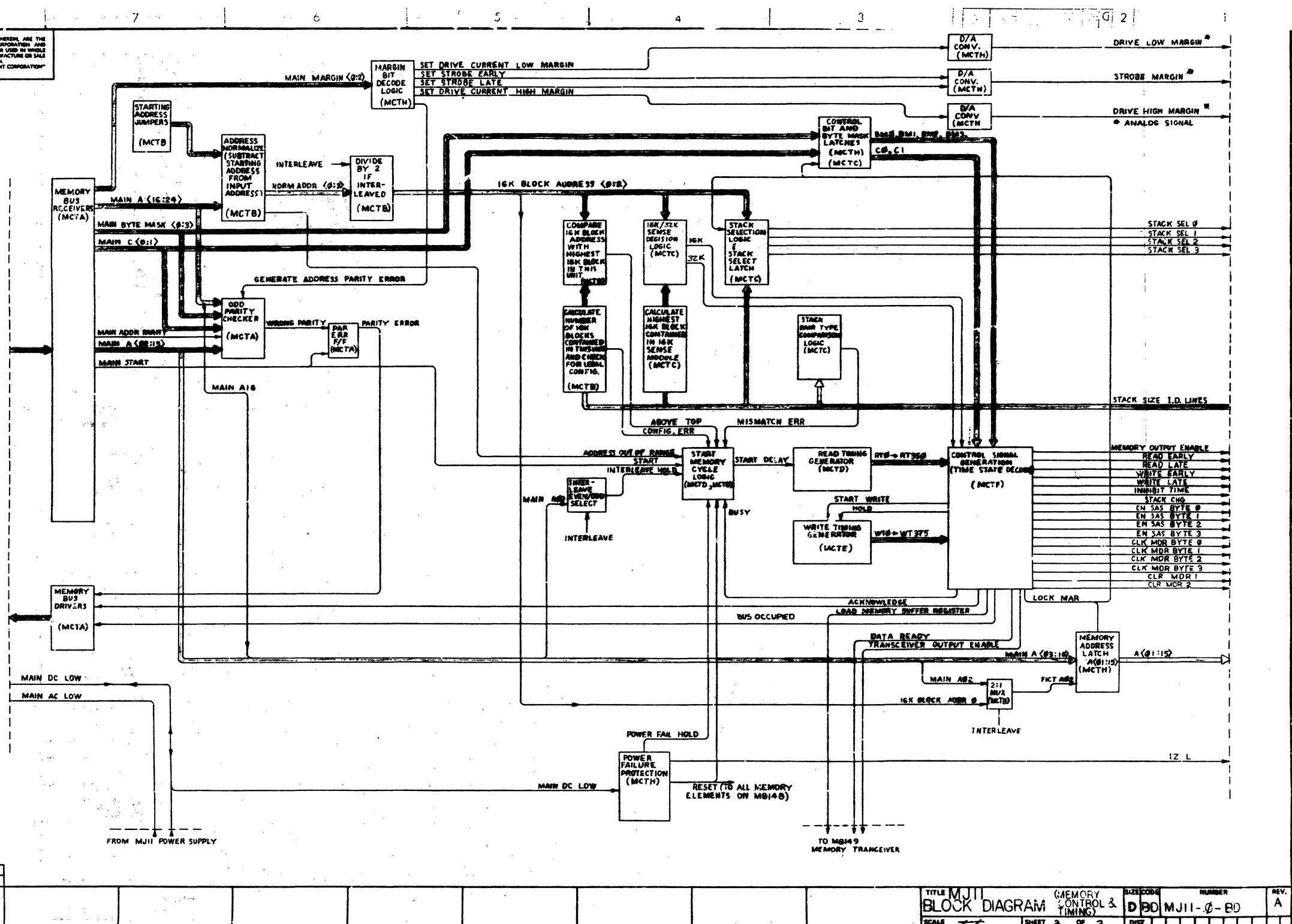
8 7 6 5 4 3 2

MEMORY BUS

REVISIONS

CHK	CHANGE NO.	REV.

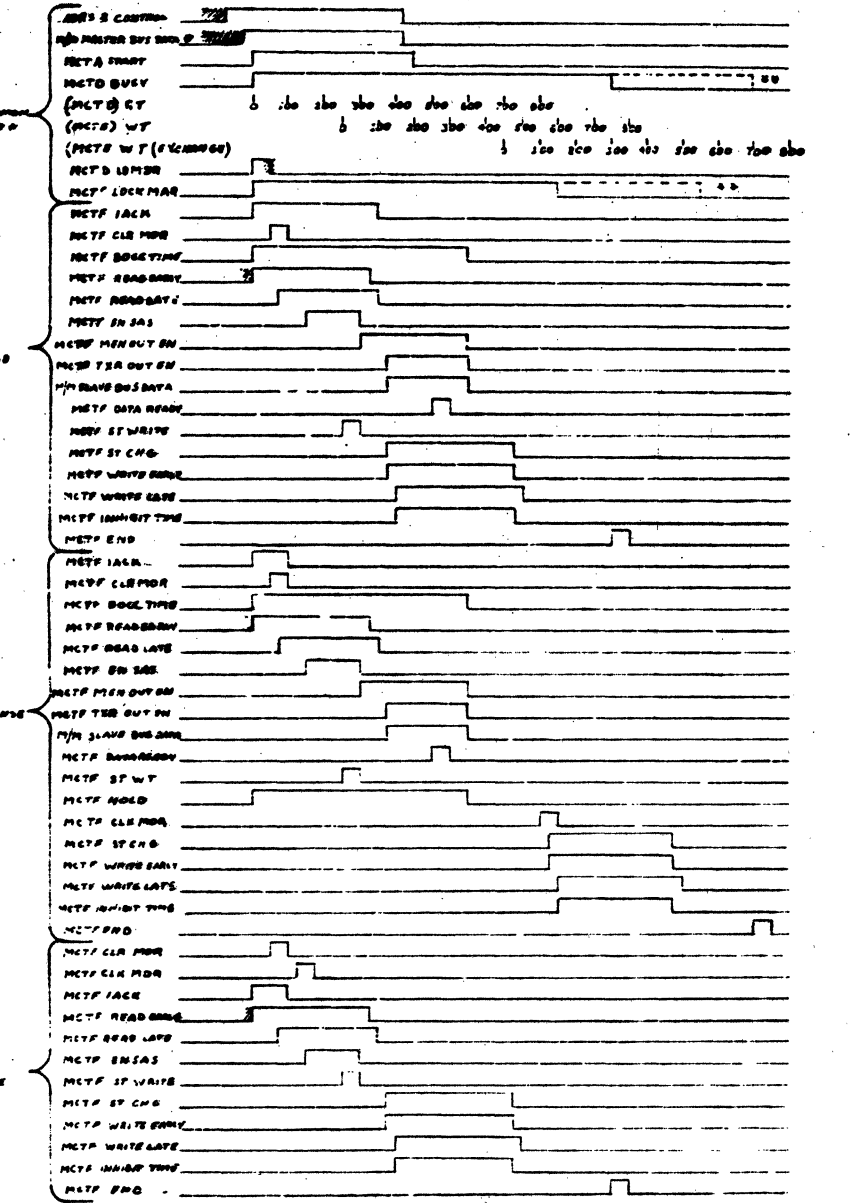
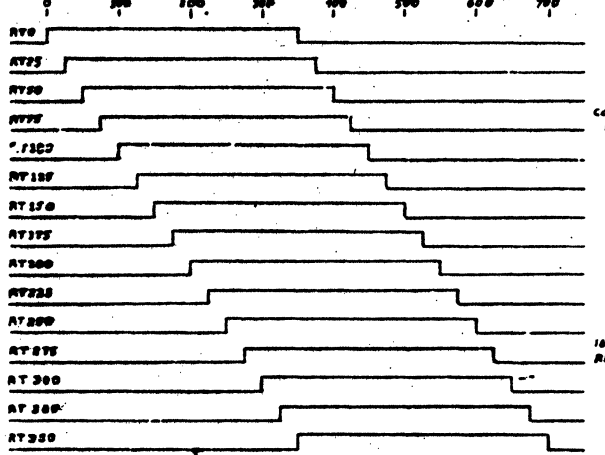
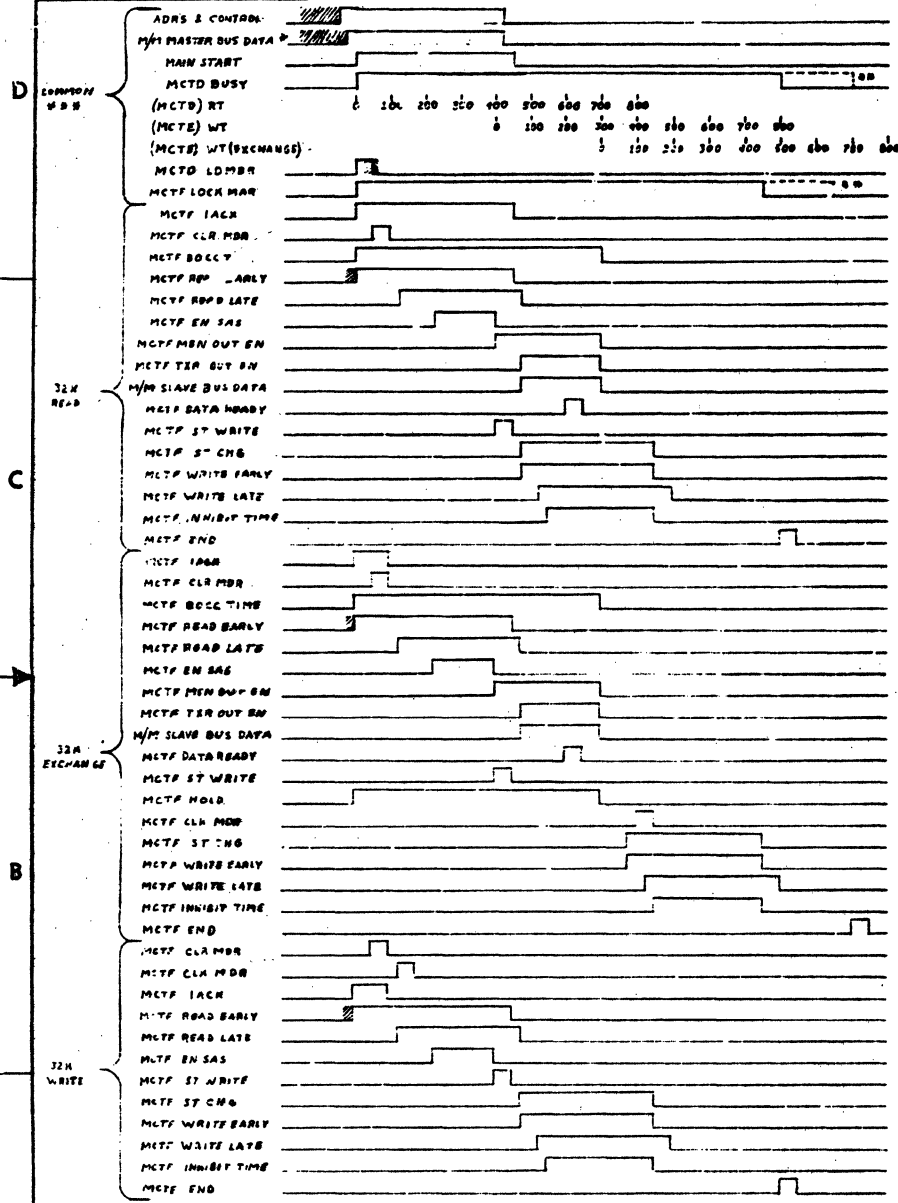
8 7 6 5 4 3 2



TITLE MJ11 (MEMORY CONTROL & TIMING) BLOCK DIAGRAM SIZE CODE D 80 NUMBER MJ11-0-80 REV. A SHEET 2 OF 2

560

THIS DRAWING AND SPECIFICATIONS, HEREIN, ARE THE PROPERTY OF DIGITAL EQUIPMENT CORPORATION AND SHALL NOT BE REPRODUCED OR COPIED OR USED IN WHOLE OR IN PART AS THE BASIS FOR THE MANUFACTURE OR SALE OF ITEMS WITHOUT WRITTEN PERMISSION OF DIGITAL EQUIPMENT CORPORATION.



NOTE: 1. TIMING SHOWN IS FOR TYPICAL MEMORY DEVICES.  
 2. EXCHANGE AND WRITE CYCLES.  
 3. EXCHANGE ONLY.  
 4. FOR THESE SIGNALS ARE COMMON TO ALL MEMORY CYCLES EXCEPT AS NOTED.

REV. 1	11/10/68	R. BOUCHER
REVISED AND RELOCATED	11/10/68	R. BOUCHER
CHANGE NO.	MJII-0001	
CHK		

MJII-B

MJII-A

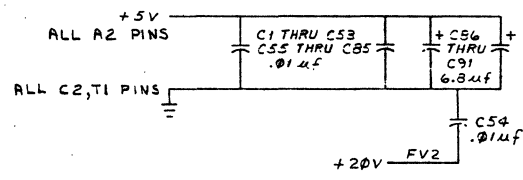
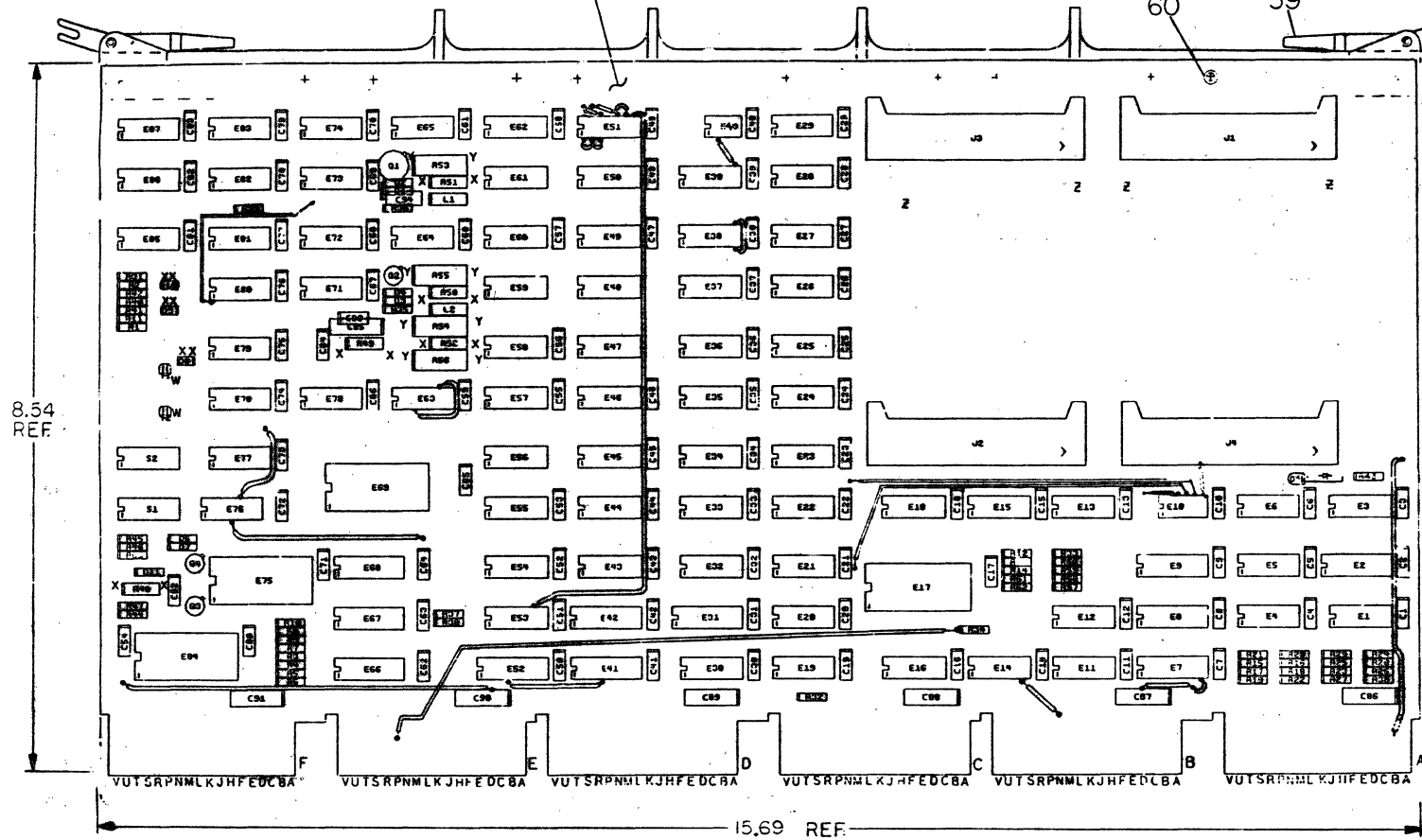
DRN. <i>Ed. J. ...</i>	FIRST USED ON	
CHK'D	MJII	
ENG. <i>Ed. J. ...</i>	TITLE	MJII MEMORY TIMING
PROJ. <i>...</i>	SIZE	D 7D
NEXT HIGHER ASSY.	PLUMBER	MJII-0-TD
SCALE	REV.	A
SHEET OF	DIST.	

THIS DRAWING AND SPECIFICATIONS HEREIN ARE THE PROPERTY OF DIGITAL EQUIPMENT CORPORATION AND SHALL NOT BE REPRODUCED OR COPIED OR USED IN WHOLE OR IN PART AS THE BASIS FOR THE MANUFACTURE OR SALE OF ITEMS WITHOUT WRITTEN PERMISSION. COPYRIGHT © 1971, DIGITAL EQUIPMENT CORPORATION

NOTES:

2	E00, E51	IC DEC 74540	1910941	54
1	E07	IC DEC 745133	1911983	55
1	E14	IC DEC 745140	1910546	56
1	E2	IC DEC 74187	23-C05A2-01	57
2	TP1, TP2	SPLIT LUGS	9008735	58
1		HANDLE ASSEMBLY	1210711-2	59
12		EYELET (HANDLE)	9008732	60
15		WIRE #30 AWG BUSS (RETROFIT)	9105740-55	61
1	E 10	IC DEC 75453	1911036	62

REF	X-Y COORDINATE HOLE LOCATION	K-CO-M0148-B-4	ITEM NO	
55	ASSY/DRILLING HOLE LAYOUT	D-MH-M0148-B-5	2	
56	MODULE ECO HISTORY	B-MH-M0148-B-6	3	
57	ETCHED CIRCUIT BOARD	5011209	4	
58	C1 THRU C04	CAPACITOR .01uf 100V 20%	1001810-01	5
59	C05 THRU C09	CAPACITOR 0.0uf 35V 10%	1005308	6
60	C92	CAPACITOR 1000PF 100V 5%	1000042-00	7
61	C93, C94	CAPACITOR 270PF 100V 5%	1000022	8
62	D1, D2, D3, D4, D6, D7	DIODE DEC 777 SWITCHING DIODE	1103041	9
63	D0 THRU D08, D5	DIODE LIGHT EMISSION MV5054-1	1110324	10
64	D11	DIODE ZENER 1W 748A 3V	1104860	11
65	J1, J2, J3, J4	CONNECTOR 3M #3432 40 PIN	1202941-01	12
66	R1 THRU R34	RESISTOR 1/4W 1K 5%	1300305	13
67	R35, R36, R37	RESISTOR 1/4W 330 OHM 5%	1300295	14
68	R39	RESISTOR 1/4W 680 OHM 5%	1301424	15
69	R39	RESISTOR 1/4W 470 OHM 5%	1300316	16
70	R40 THRU R43	RESISTOR 1/4W 220 OHM 5%	1300271	17
71	R44	RESISTOR 1/4W 900 OHM 5%	1301090	18
72	R45, R46, R47	RESISTOR 1/4W 20K 5%	1302391	19
73	R49	RESISTOR 1/2W 750 OHM 5%	1300354	20
74	R49 THRU R52	RESISTOR 1/2W 470 OHM 5%	1300315	21
75	R53 THRU R56	RESISTOR 1W 120 OHM 5%	1301838	22
76	R67 THRU R02	RESISTOR 1/8W 1.1K OHM 1%	1302645	23
77	R65	RESISTOR 1/4W 2K 5%	1302368	24
78	Q1, Q2, Q3	TRANSISTOR DEC 30098	1503100	25
79	Q4	TRANSISTOR DEC 65340	1503409	26
80	L1, L2	INDUCTOR 100uh	1610962	27
81	E47, E48, E59, E61	DELAY LINE	1611243	28
82	S1, S2	SWITCH 7 POS	1211104-03	29
83		SWITCH COVER	1211284-03	30
84	E22 THRU E29, E38	IC DEC 8840	1911469	31
85	E11	IC DEC 74H04	1909931	32
86	E9, E6	IC DEC 7400	1905575	33
87	E12	IC DEC 74H01-1	1909849	34
88	E34, E35, E37, E38	IC DEC 82582	1911291	35
89	E95, E97	IC DEC 74574	1910544	36
90	E76	IC DEC 74H00	1909056	37
91	E17, E09, E75, E04	IC DEC 74S181	1910531	38
92	E00	IC DEC 74S158	1910549	39
93	E13, E40, E45, E50, E57, E59, E60, E62, E85, E77, E09	IC DEC 74S04	1910534	40
94	E32, E33, E39, E44, E46, E54, E55, E63, E72, E73, E74, E78	IC DEC 74S64	1910542	41
95	E5	IC DEC 7404	1909866	42
96	E50, E70	IC DEC 74S10	1910536	43
97	E27	IC DEC 74S11	1910537	44
98	E00, E01	IC DEC 74S22	1910540	45
99	E41, E42, E52, E66, E31	IC DEC 7475	1909050	46
100	E1, E4	IC DEC 8242	1909712	47
101	E16, E30, E53, E71	IC DEC 74S00	1910532	48
102	E40	IC DEC 75451	1910406	49
103	E20, E02	IC DEC 7408	1910155	50
104	E19, E04, E7E	IC DEC 8885	1910649	51
105	E15, E18	IC DEC 74F50	1909060	52
106	E7, E8, E9	IC DEC 74S151	1910956	53



IC TYPE	GND	+5V
DEC 75451	4	8
DEC 74187	3	16
DEC 74S101	12	29
DEC 74S158	8	16
DEC 74S151	9	16
DEC 74S133	8	16
DEC 8640	1	8
DEC 7475	12	5

GND AND 5V ARE USUALLY PIN 7 AND 14 RESPECTIVELY. EXCEPTIONS ARE STATED ABOVE.

SEARCHED INDEXED  
SERIALIZED FILED  
MAY 1972  
FBI - BOSTON

USED ON OTHER MODEL: N111

ETCH BOARD REV: A

DATE: 10-23-71

digital EQUIPMENT CORPORATION

TITLE: MEMORY CONTROL & TIMING (MCT)

NUMBER: DCS M8148-0-1

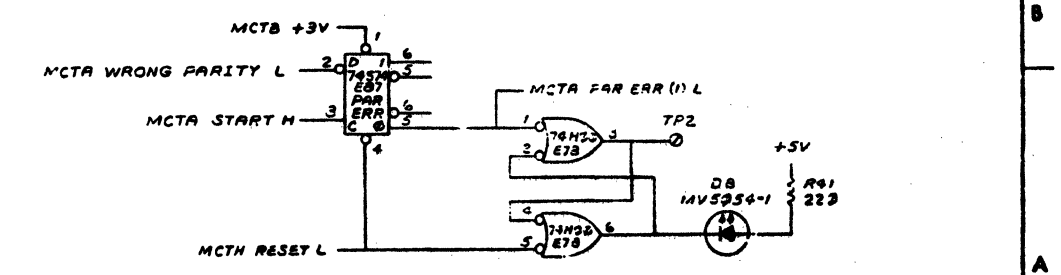
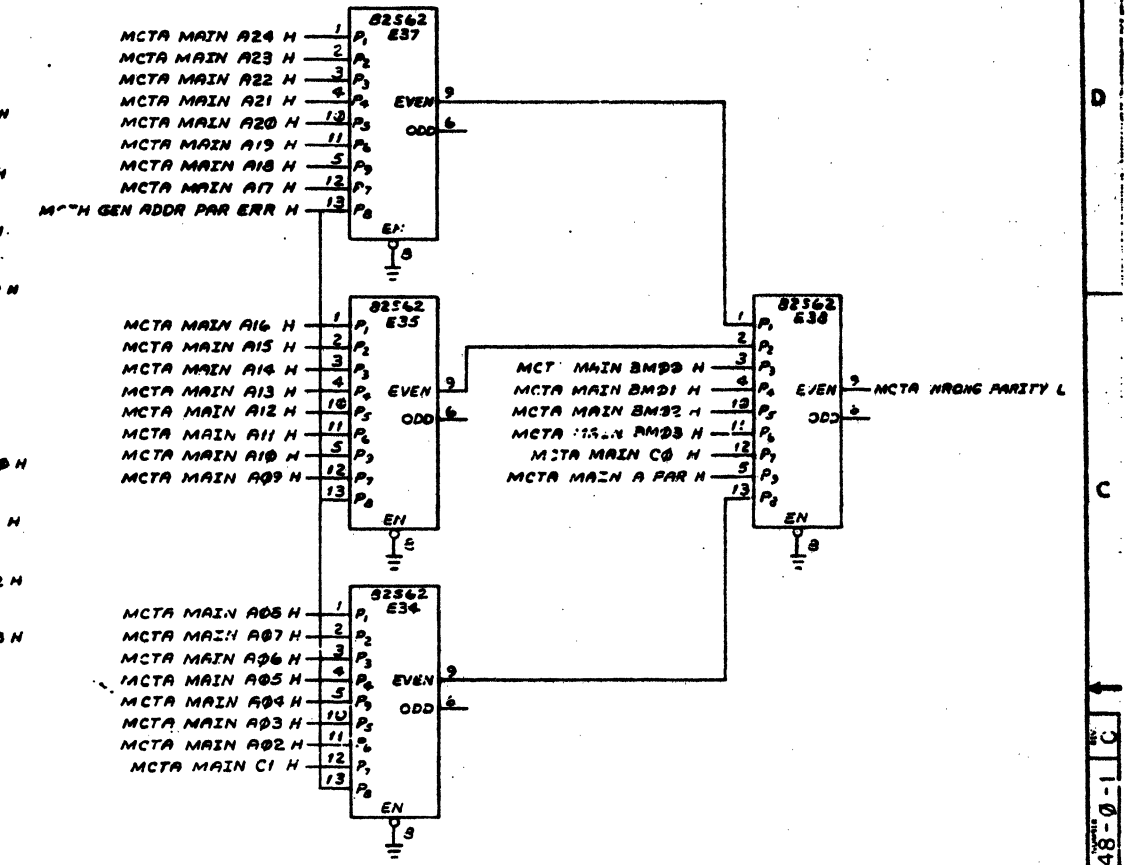
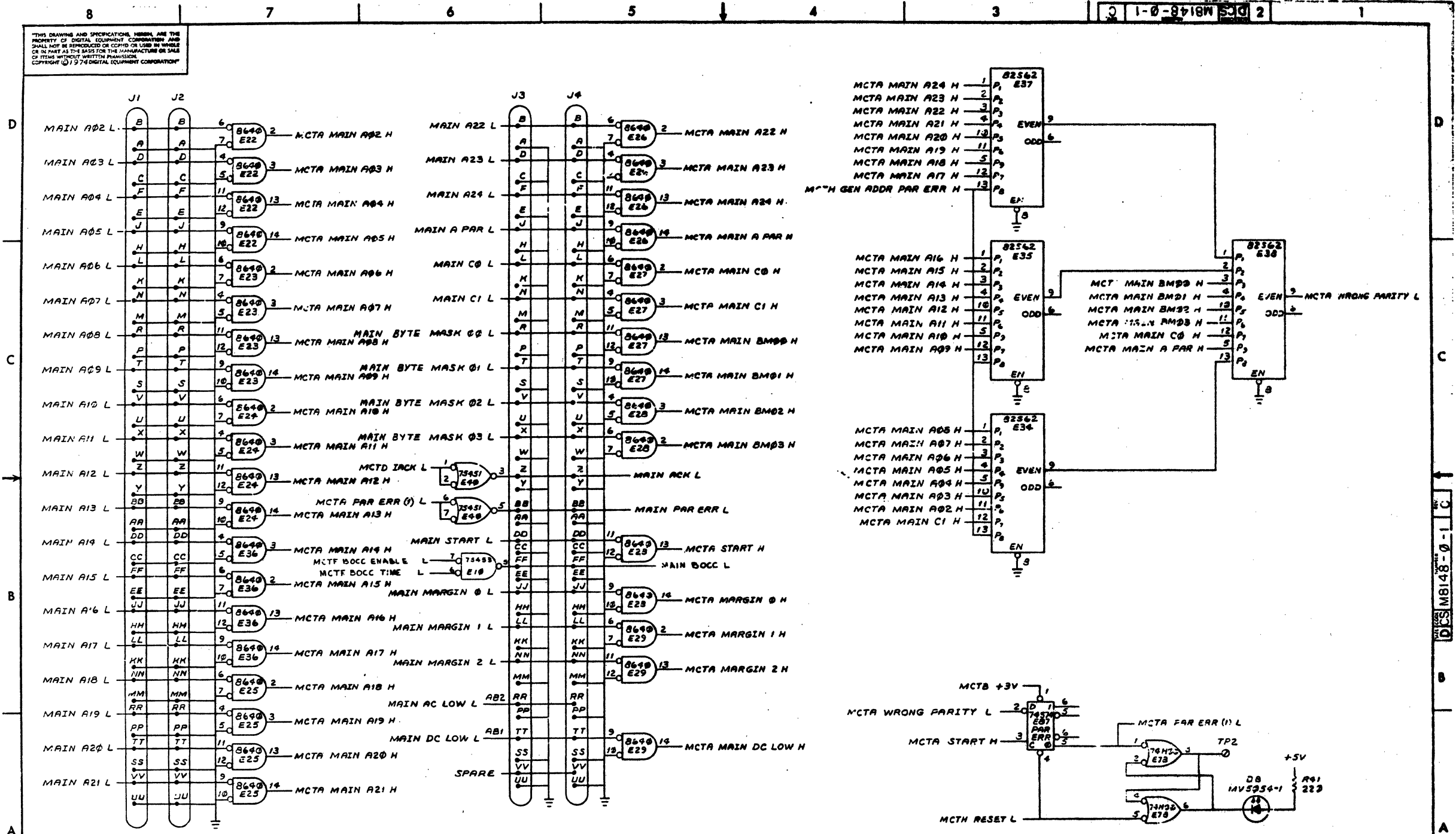
REV: C

1 OF 9

562



THIS DRAWING AND SPECIFICATIONS HEREON ARE THE PROPERTY OF DIGITAL EQUIPMENT CORPORATION AND SHALL NOT BE REPRODUCED OR COPIED OR USED IN WHOLE OR IN PART AS THE BASIS FOR THE MANUFACTURE OR SALE OF ITEMS WITHOUT WRITTEN PERMISSION. COPYRIGHT © 1974 DIGITAL EQUIPMENT CORPORATION.

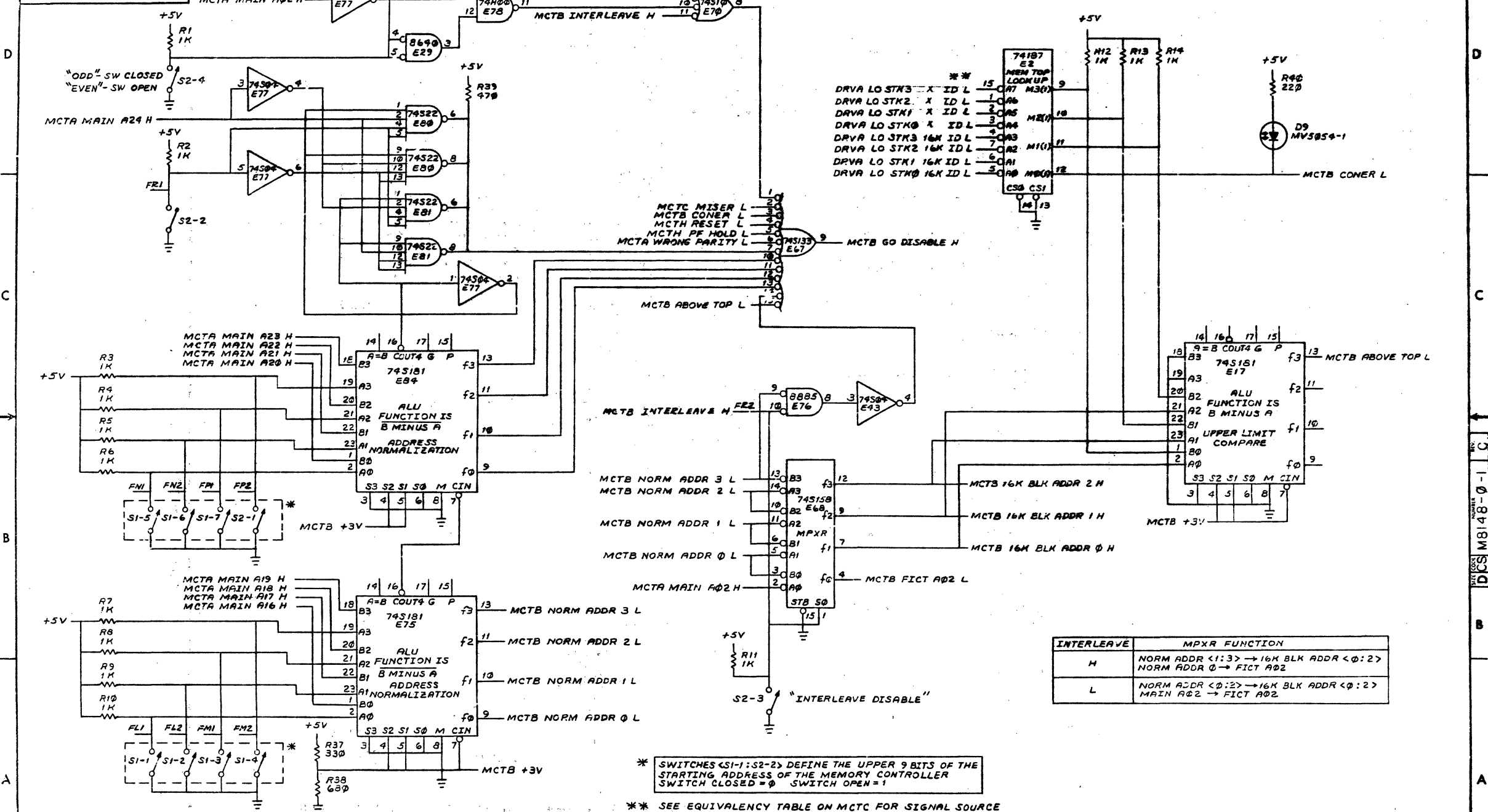


MEMORY BUS INTERFACE AND ADDRESS PARITY CHECKER  
 TITLE MEMORY CONTROL AND TIMING (MCTA)  
 NUMBER DCS M8148-0-1  
 SHEET 2 OF 9

REV.	CHG. NO.	REV.	TITLE	NUMBER	REV.
			MEMORY CONTROL AND TIMING (MCTA)	DCS M8148-0-1	C

563

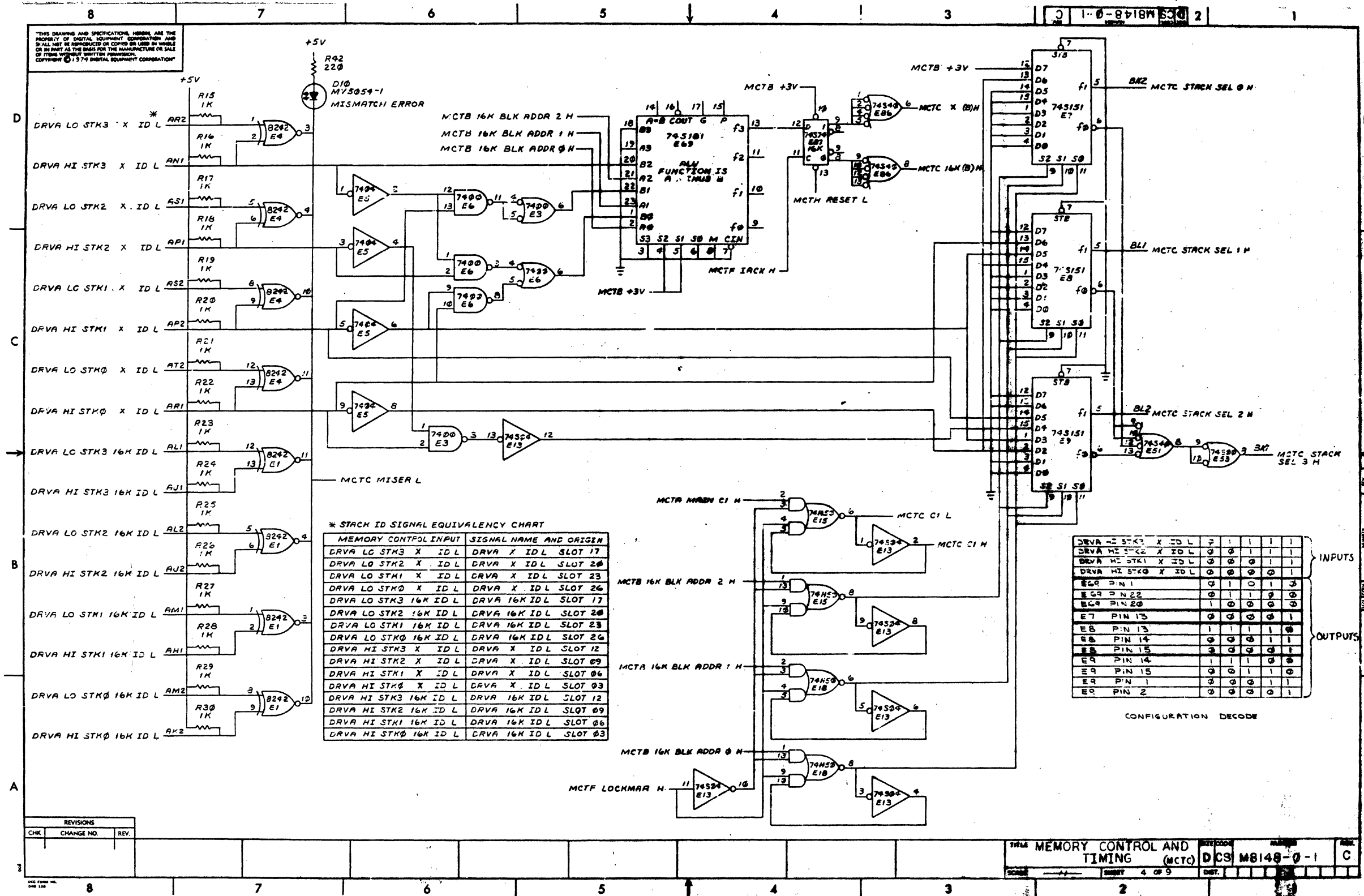
THIS DRAWING AND SPECIFICATIONS, HEREIN, ARE THE PROPERTY OF DIGITAL EQUIPMENT CORPORATION AND SHALL NOT BE REPRODUCED OR COPIED OR USED IN WHOLE OR IN PART AS THE BASIS FOR THE MANUFACTURE OR SALE OF ANY PRODUCT WITHOUT WRITTEN PERMISSION. COPYRIGHT © 1974 DIGITAL EQUIPMENT CORPORATION



REVISIONS		
CHK	CHANGE NO.	REV.

564

THIS DRAWING AND SPECIFICATIONS HEREIN ARE THE PROPERTY OF DIGITAL EQUIPMENT CORPORATION AND SHALL NOT BE REPRODUCED OR COPIED IN WHOLE OR IN PART AS THE BASIS FOR THE MANUFACTURE OR SALE OF ITEMS WITHOUT WRITTEN PERMISSION. COPYRIGHT © 1974 DIGITAL EQUIPMENT CORPORATION



**\* STACK ID SIGNAL EQUIVALENCY CHART**

MEMORY CONTROL INPUT	SIGNAL NAME AND ORIGIN
DRVA LO STK3 X ID L	DRVA X ID L SLOT 17
DRVA HI STK3 X ID L	DRVA X ID L SLOT 17
DRVA LO STK2 X ID L	DRVA X ID L SLOT 23
DRVA HI STK2 X ID L	DRVA X ID L SLOT 23
DRVA LO STK1 X ID L	DRVA X ID L SLOT 24
DRVA HI STK1 X ID L	DRVA X ID L SLOT 24
DRVA LO STK0 X ID L	DRVA 16K IDL SLOT 17
DRVA HI STK0 X ID L	DRVA 16K IDL SLOT 17
DRVA LO STK3 16K ID L	DRVA 16K IDL SLOT 20
DRVA HI STK3 16K ID L	DRVA 16K IDL SLOT 20
DRVA LO STK2 16K ID L	DRVA 16K IDL SLOT 23
DRVA HI STK2 16K ID L	DRVA 16K IDL SLOT 23
DRVA LO STK1 16K ID L	DRVA 16K IDL SLOT 24
DRVA HI STK1 16K ID L	DRVA 16K IDL SLOT 24
DRVA LO STK0 16K ID L	DRVA 16K IDL SLOT 26
DRVA HI STK0 16K ID L	DRVA 16K IDL SLOT 26
DRVA LO STK3 16K ID L	DRVA 16K IDL SLOT 03
DRVA HI STK3 16K ID L	DRVA 16K IDL SLOT 03
DRVA LO STK2 16K ID L	DRVA 16K IDL SLOT 09
DRVA HI STK2 16K ID L	DRVA 16K IDL SLOT 09
DRVA LO STK1 16K ID L	DRVA 16K IDL SLOT 06
DRVA HI STK1 16K ID L	DRVA 16K IDL SLOT 06
DRVA LO STK0 16K ID L	DRVA 16K IDL SLOT 03
DRVA HI STK0 16K ID L	DRVA 16K IDL SLOT 03

	DRVA HI STK3 X ID L	DRVA HI STK2 X ID L	DRVA HI STK1 X ID L	DRVA HI STK0 X ID L	DRVA LO STK3 X ID L	DRVA LO STK2 X ID L	DRVA LO STK1 X ID L	DRVA LO STK0 X ID L
E0 PIN 1	0	0	0	0	0	0	0	0
E1 PIN 2	0	0	0	0	0	0	0	0
E2 PIN 3	0	0	0	0	0	0	0	0
E3 PIN 4	0	0	0	0	0	0	0	0
E4 PIN 5	0	0	0	0	0	0	0	0
E5 PIN 6	0	0	0	0	0	0	0	0
E6 PIN 7	0	0	0	0	0	0	0	0
E7 PIN 8	0	0	0	0	0	0	0	0
E8 PIN 9	0	0	0	0	0	0	0	0
E9 PIN 10	0	0	0	0	0	0	0	0
E10 PIN 11	0	0	0	0	0	0	0	0
E11 PIN 12	0	0	0	0	0	0	0	0
E12 PIN 13	0	0	0	0	0	0	0	0
E13 PIN 14	0	0	0	0	0	0	0	0
E14 PIN 15	0	0	0	0	0	0	0	0
E15 PIN 16	0	0	0	0	0	0	0	0
E16 PIN 17	0	0	0	0	0	0	0	0
E17 PIN 18	0	0	0	0	0	0	0	0
E18 PIN 19	0	0	0	0	0	0	0	0
E19 PIN 20	0	0	0	0	0	0	0	0
E20 PIN 21	0	0	0	0	0	0	0	0
E21 PIN 22	0	0	0	0	0	0	0	0
E22 PIN 23	0	0	0	0	0	0	0	0
E23 PIN 24	0	0	0	0	0	0	0	0
E24 PIN 25	0	0	0	0	0	0	0	0
E25 PIN 26	0	0	0	0	0	0	0	0

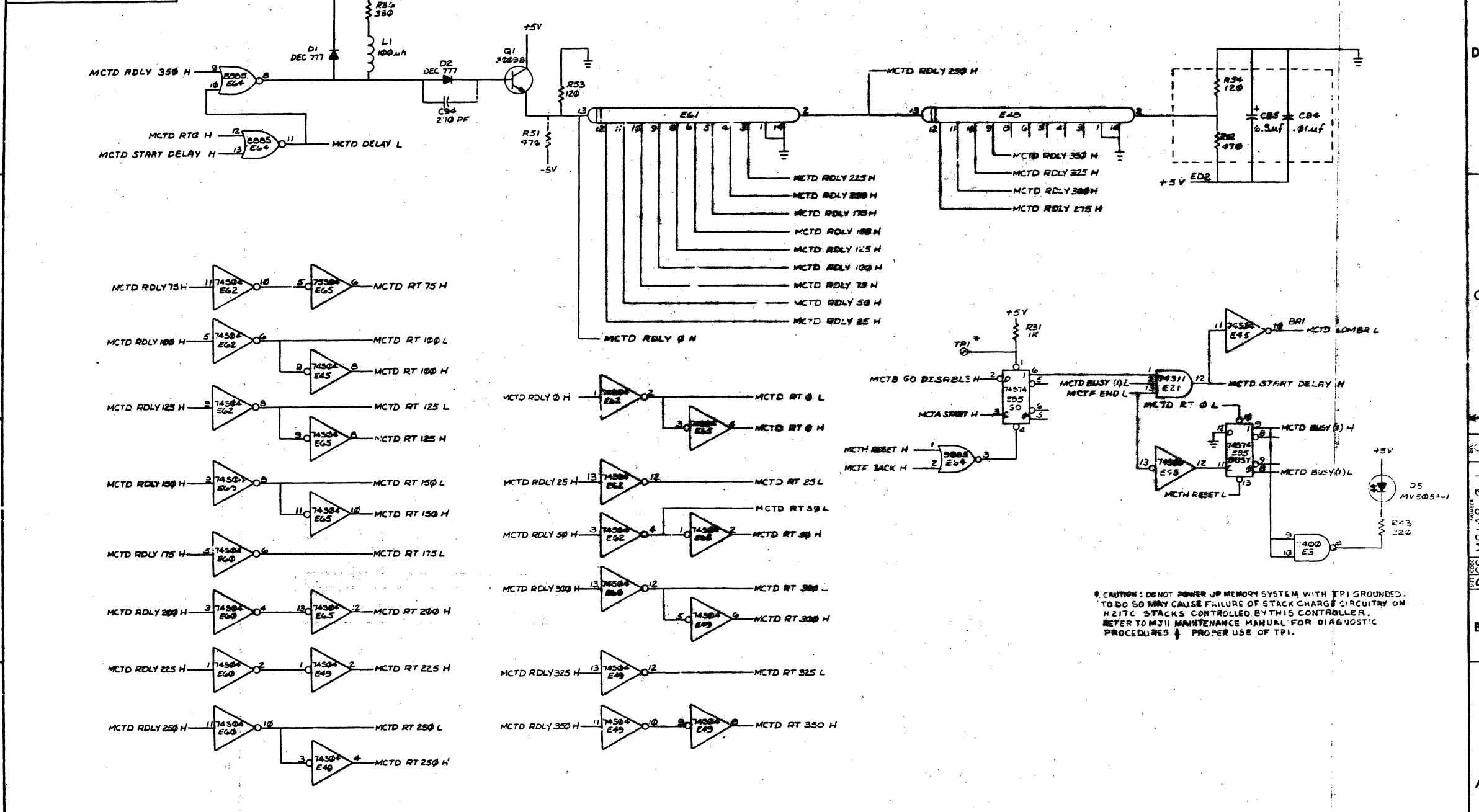
REVISIONS

CHK	CHANGE NO.	REV.

MEMORY CONTROL AND TIMING (MCTC) DCS M8148-0-1 C  
 SHEET 4 OF 9

365

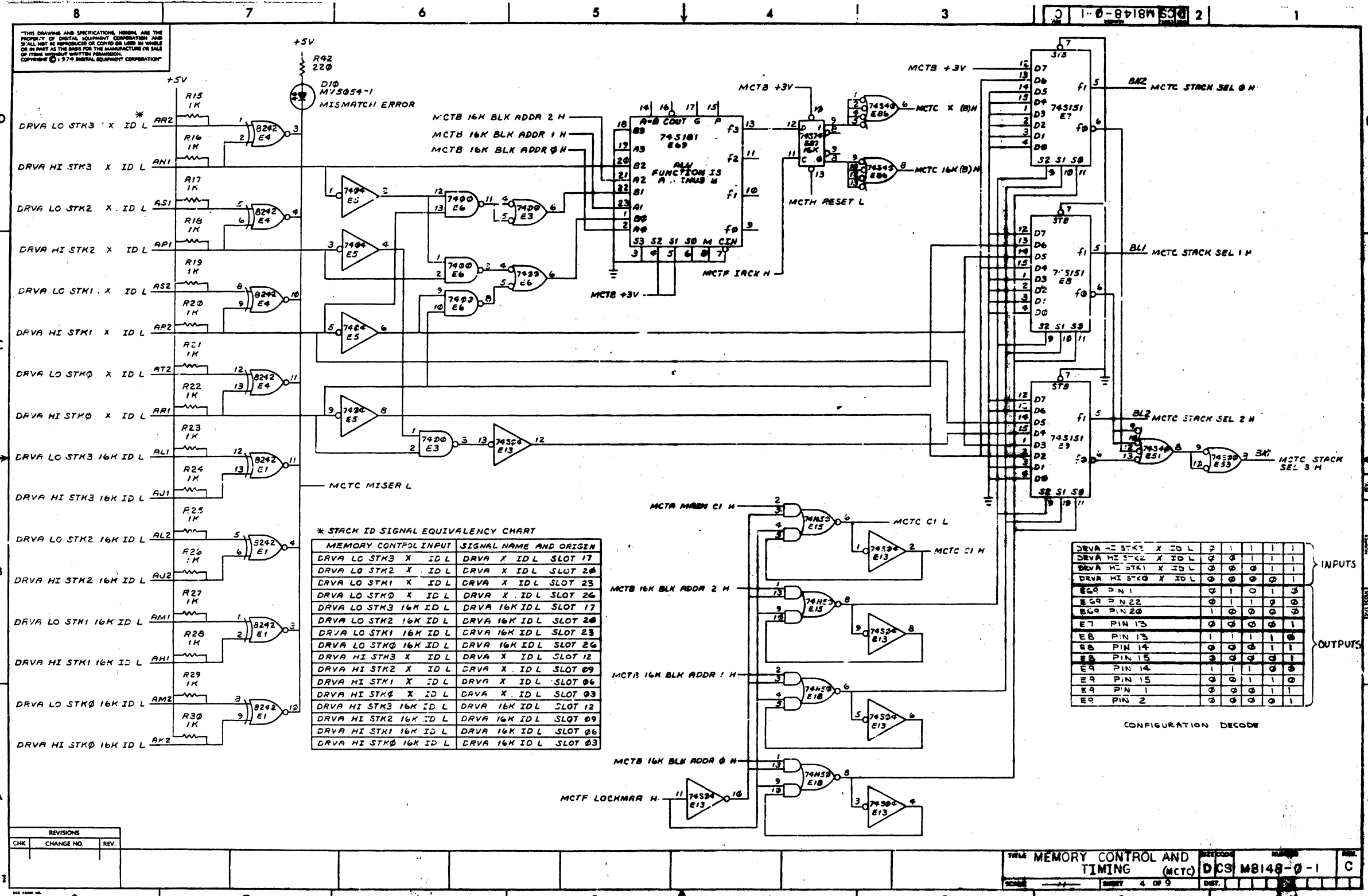
THIS DRAWING AND SPECIFICATIONS HEREIN ARE THE PROPERTY OF DIGITAL EQUIPMENT CORPORATION AND SHALL NOT BE REPRODUCED OR COPIED IN WHOLE OR IN PART AS THE BASIS FOR THE MANUFACTURE OR SALE OF ITEMS WITHOUT WRITTEN PERMISSION. COPYRIGHT © 1971 DIGITAL EQUIPMENT CORPORATION



CAUTION: DO NOT POWER UP MEMORY SYSTEM WITH TPI GROUND. TO DO SO MAY CAUSE FAILURE OF STACK CHARGE CIRCUITRY ON M27C STACKS CONTROLLED BY THIS CONTROLLER. REFER TO M311 MAINTENANCE MANUAL FOR DIAGNOSTIC PROCEDURES & PROPER USE OF TPI.

REVISIONS			TITLE MEMORY CONTROL AND TIMING (MCTD)										DATE CODE		NUMBER		REV.	
CHK	CHANGE NO.	REV.	SCALE										SHEET 5 OF 9		DST.			

566



THIS DRAWING AND SPECIFICATIONS HEREIN ARE THE PROPERTY OF DIGITAL EQUIPMENT CORPORATION AND SHALL NOT BE REPRODUCED OR COPIED IN WHOLE OR IN PART AS THE BASIS FOR THE MANUFACTURE OR SALE OF OTHER EQUIPMENT WITHOUT PERMISSION. COPYRIGHT © 1975 DIGITAL EQUIPMENT CORPORATION

**\* STACK ID SIGNAL EQUIVALENCY CHART**

MEMORY CONTROL INPUT	SIGNAL NAME AND ORIGIN
DRVA LO STK3 X ID L	DRVA X ID L SLOT 17
DRVA HI STK3 X ID L	DRVA X ID L SLOT 20
DRVA LO STK2 X ID L	DRVA X ID L SLOT 23
DRVA HI STK2 X ID L	DRVA X ID L SLOT 26
DRVA LO STK1 X ID L	DRVA 16K ID L SLOT 17
DRVA HI STK1 X ID L	DRVA 16K ID L SLOT 20
DRVA LO STK0 X ID L	DRVA 16K ID L SLOT 23
DRVA HI STK0 X ID L	DRVA 16K ID L SLOT 26
DRVA LO STK3 16K ID L	DRVA X ID L SLOT 12
DRVA HI STK3 16K ID L	DRVA X ID L SLOT 09
DRVA LO STK2 16K ID L	DRVA X ID L SLOT 06
DRVA HI STK2 16K ID L	DRVA X ID L SLOT 03
DRVA LO STK1 16K ID L	DRVA 16K ID L SLOT 12
DRVA HI STK1 16K ID L	DRVA 16K ID L SLOT 09
DRVA LO STK0 16K ID L	DRVA 16K ID L SLOT 06
DRVA HI STK0 16K ID L	DRVA 16K ID L SLOT 03

DRVA HI STK3 X ID L	DRVA HI STK2 X ID L	DRVA HI STK1 X ID L	DRVA HI STK0 X ID L	EG9 PIN 1	EG9 PIN 22	EG9 PIN 20	EG7 PIN 13	EG8 PIN 13	EG8 PIN 14	EG8 PIN 15	EG9 PIN 14	EG9 PIN 15	EG9 PIN 1	EG9 PIN 2
0	0	0	0	0	0	0	0	0	0	0	0	0	0	0
0	0	0	0	0	0	0	0	0	0	0	0	0	0	0
0	0	0	0	0	0	0	0	0	0	0	0	0	0	0
0	0	0	0	0	0	0	0	0	0	0	0	0	0	0
0	0	0	0	0	0	0	0	0	0	0	0	0	0	0
0	0	0	0	0	0	0	0	0	0	0	0	0	0	0
0	0	0	0	0	0	0	0	0	0	0	0	0	0	0
0	0	0	0	0	0	0	0	0	0	0	0	0	0	0
0	0	0	0	0	0	0	0	0	0	0	0	0	0	0
0	0	0	0	0	0	0	0	0	0	0	0	0	0	0

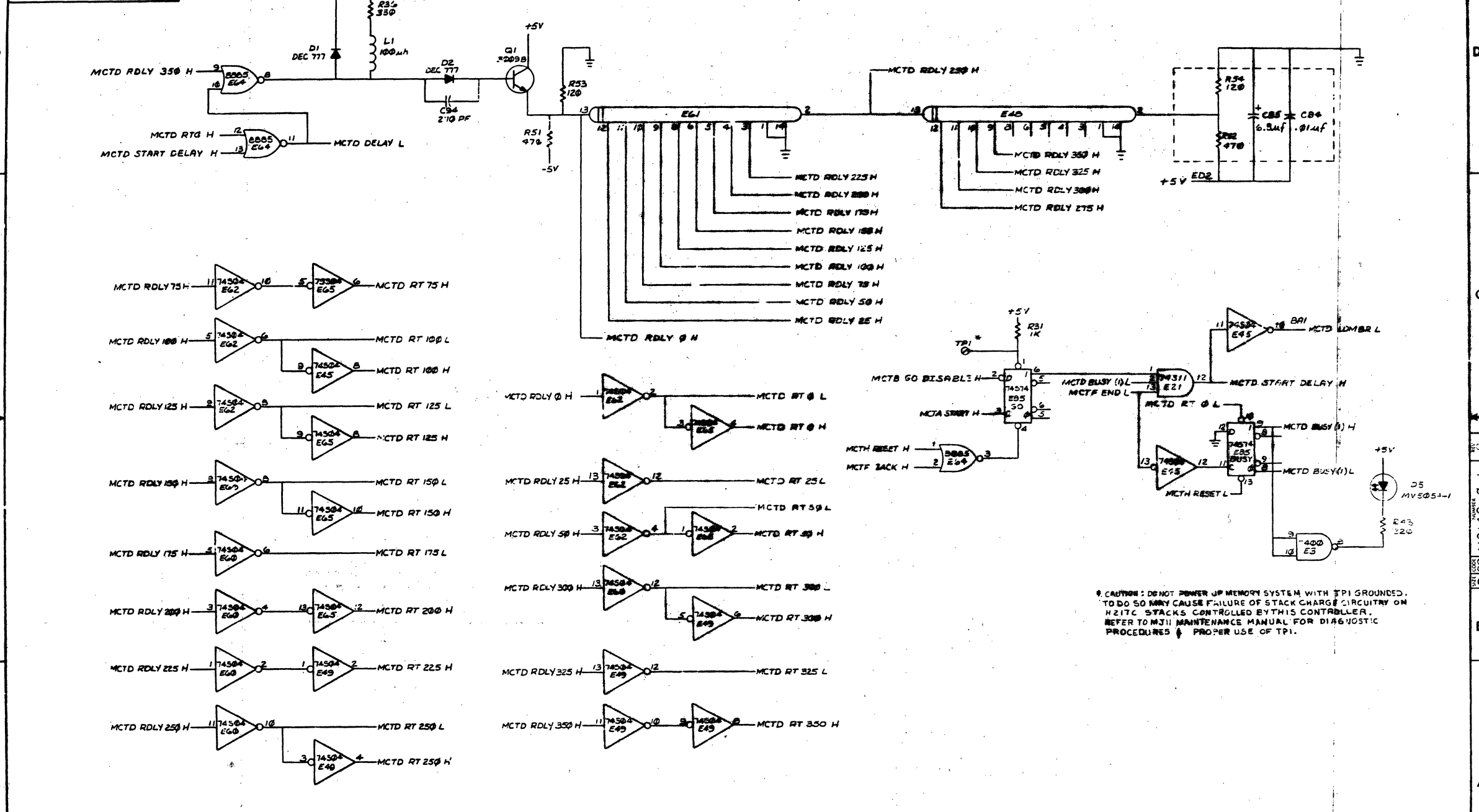
REVISIONS

CHK	CHANGE NO.	REV.

TITLE MEMORY CONTROL AND TIMING (MCTC) DCS M8148-0-1 C  
 SHEET 4 OF 9  
 DATE

365

THIS DRAWING AND SPECIFICATIONS HEREIN ARE THE PROPERTY OF DIGITAL EQUIPMENT CORPORATION AND SHALL NOT BE REPRODUCED OR COPIED OR USED IN WHOLE OR IN PART AS THE BASIS FOR THE MANUFACTURE OR SALE OF ITEMS WITHOUT WRITTEN PERMISSION FROM DIGITAL EQUIPMENT CORPORATION

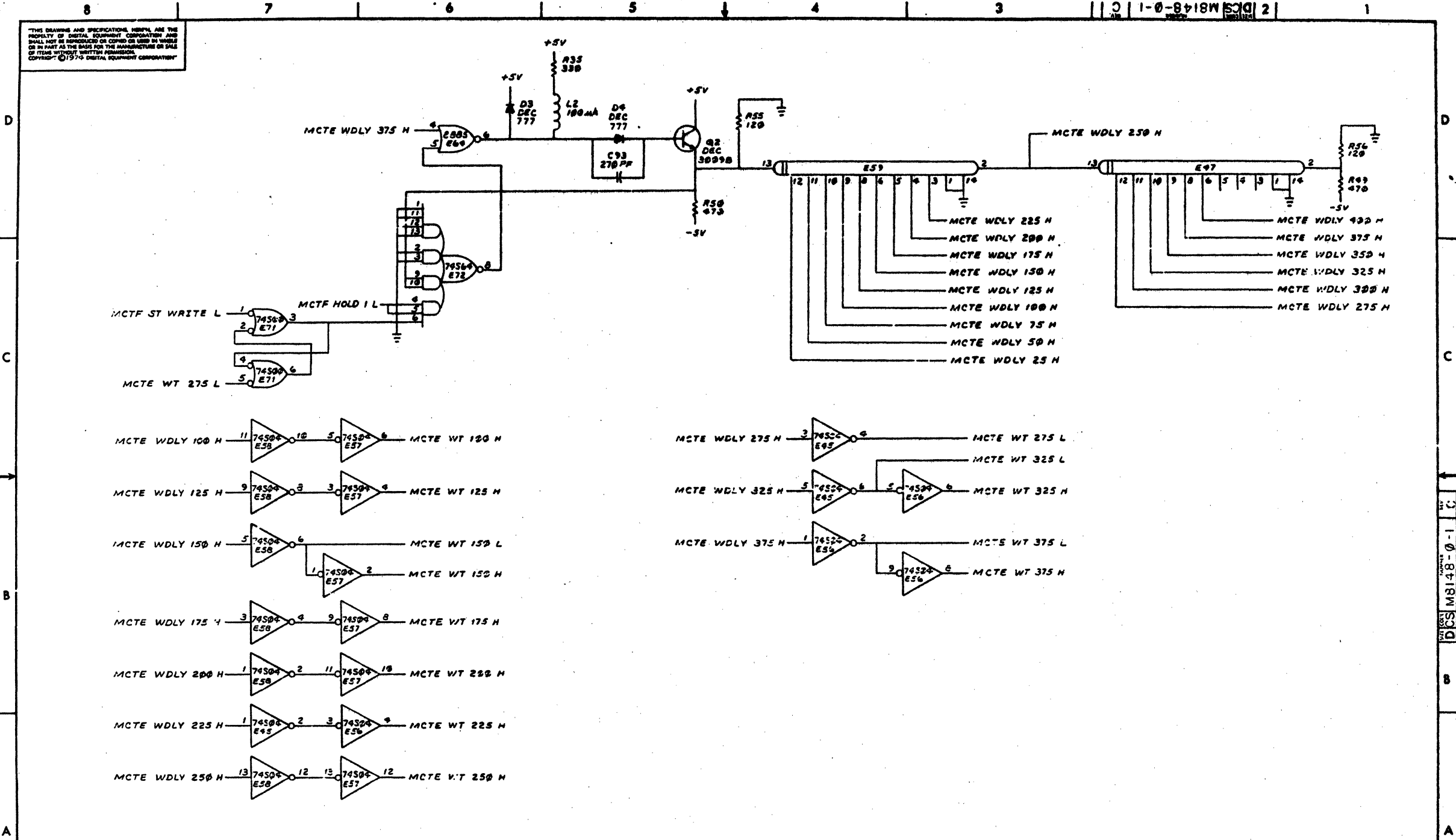


REVISIONS		
CHK	CHANGE NO.	REV.

TITLE MEMORY CONTROL AND TIMING (MCTD)		DCS M8148-0-1	REV. C
SCALE	SHEET 5 OF 9	DATE	

566

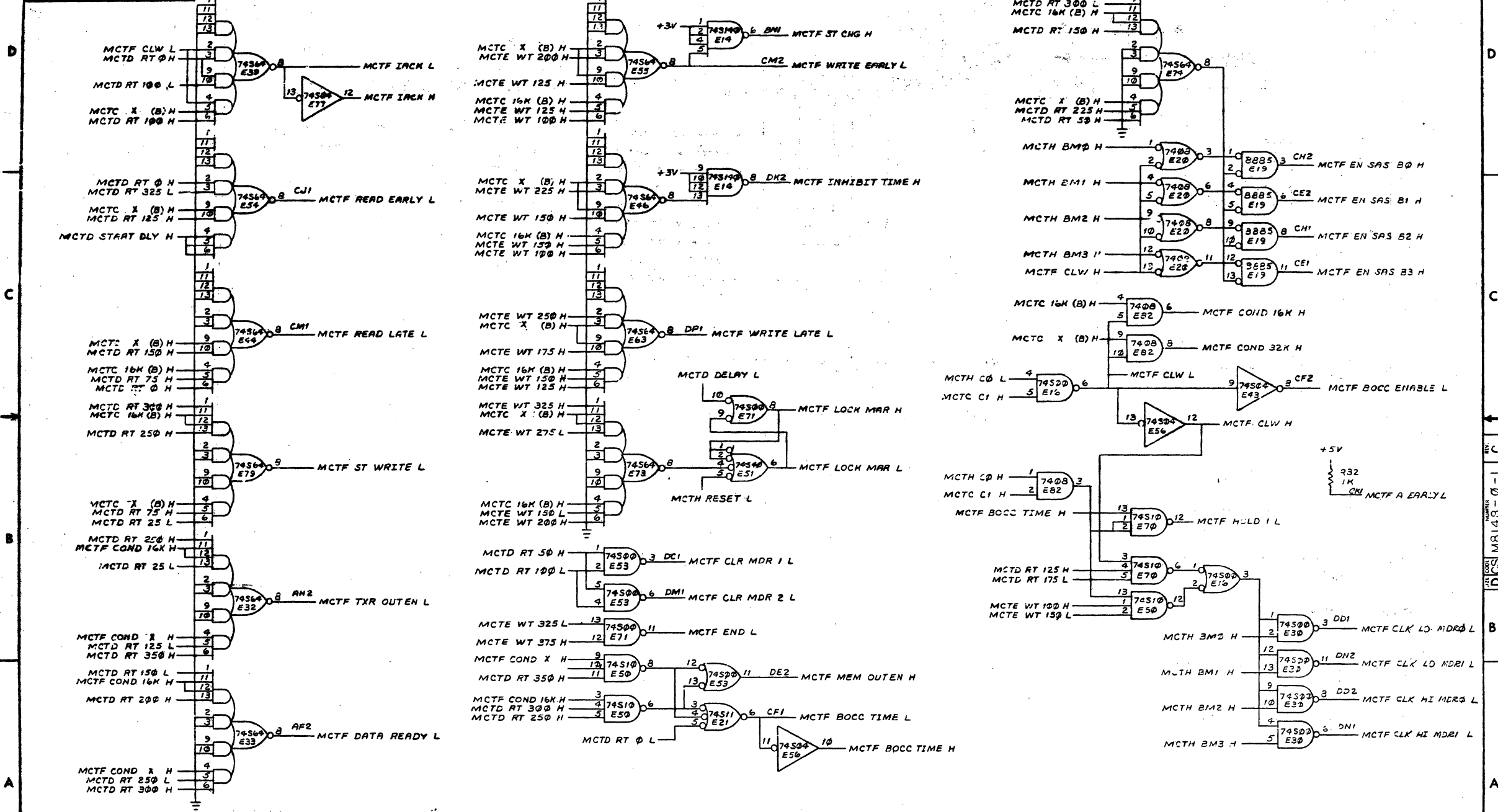
THIS DRAWING AND SPECIFICATIONS HEREIN ARE THE PROPERTY OF DIGITAL EQUIPMENT CORPORATION AND SHALL NOT BE REPRODUCED OR COPIED OR USED IN WHOLE OR IN PART AS THE BASIS FOR THE MANUFACTURE OR SALE OF ITEMS WITHOUT WRITTEN PERMISSION. COPYRIGHT © 1973 DIGITAL EQUIPMENT CORPORATION



REVISIONS			TITLE	DESIGN CODE	PART NUMBER	REV.
CHK	CHANGE NO.	REV.				
			MEMORY CONTROL AND TIMING (MCTE)	DCS M8148-0-1		C
			SCALE	SHEET 5 OF 9		

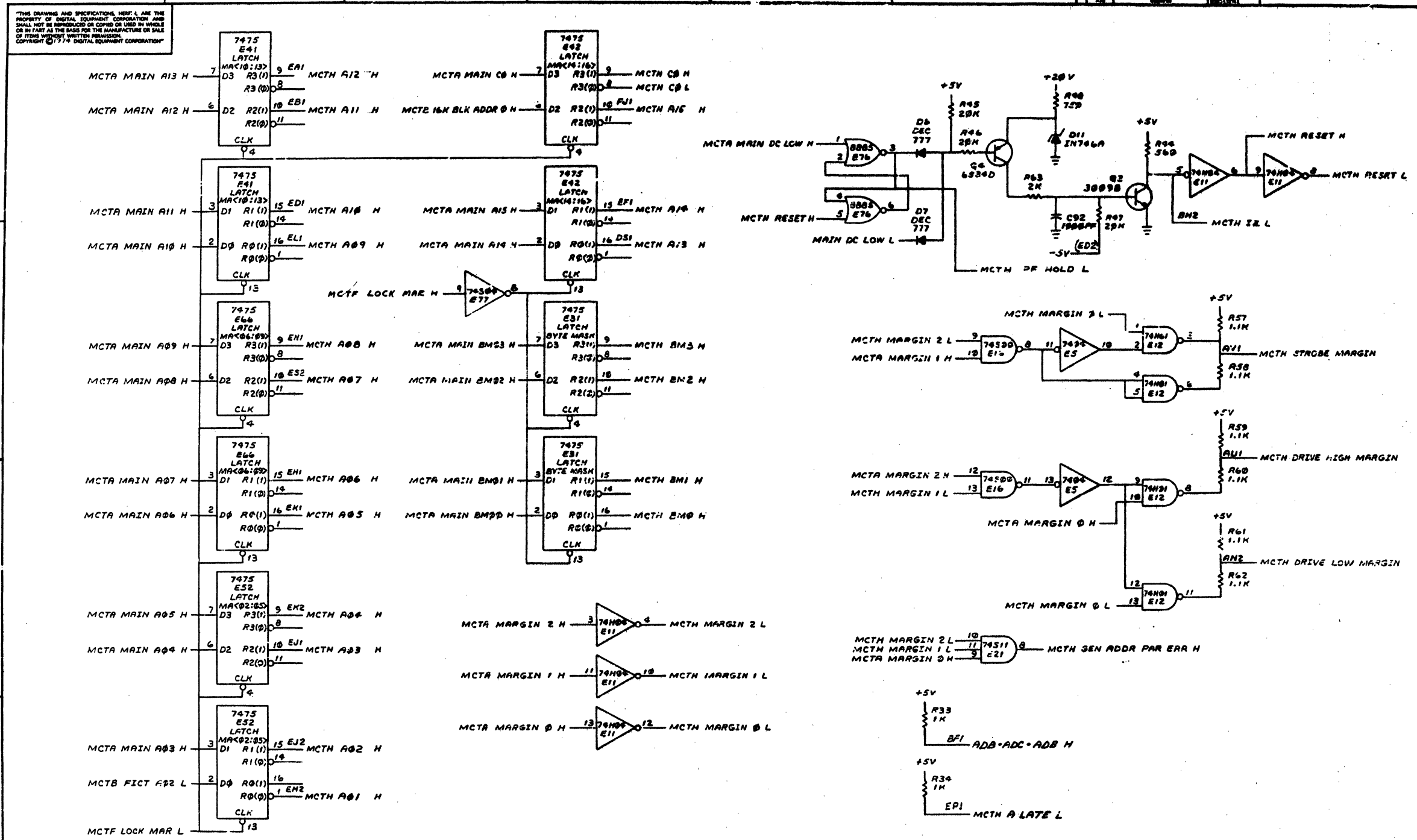
567

THIS DRAWING AND SPECIFICATIONS HEREIN ARE THE PROPERTY OF DIGITAL EQUIPMENT CORPORATION AND SHALL NOT BE REPRODUCED OR COPIED OR USED IN WHOLE OR IN PART AS THE BASIS FOR THE MANUFACTURE OR SALE OF ITEMS WITHOUT WRITTEN PERMISSION. DIGITAL EQUIPMENT CORPORATION © 1979



REVISIONS		
CHR.	CHANGE NO.	REV.





REVISIONS		
CHK	CHANGE NO.	REV.

TITLE	MEMORY CONTROL AND TIMING (MCTM)	BASE CODE	DCS M8148-0-1	REV.	C
SCALE		SHEET	8 OF 9	DATE	

569

THE DRAWING AND SPECIFICATIONS HEREIN ARE THE PROPERTY OF DIGITAL EQUIPMENT CORPORATION AND SHALL NOT BE REPRODUCED OR COPIED OR USED IN WHOLE OR IN PART AS THE BASIS FOR THE MANUFACTURE OR SALE OF ITEMS WITHOUT WRITTEN PERMISSION OF DIGITAL EQUIPMENT CORPORATION.

DCSM8148-0-1

DRVA LO STK 3	X	ID	L	H	H	H	H	H	H	H	H	L	H	H	L	L	L
DRVA LO STK 2	X	ID	L	H	H	H	H	H	H	H	H	L	L	L	L	L	L
DRVA LO STK 1	X	ID	L	H	H	H	H	H	H	H	H	L	L	L	L	L	L
DRVA LO STK 0	X	ID	L	H	H	H	H	H	H	H	H	L	L	L	L	L	L
DRVA LO STK 3	16K	ID	L	H	H	H	H	H	H	H	H	L	L	L	L	L	L
DRVA LO STK 2	16K	ID	L	H	H	H	H	H	H	H	H	L	L	L	L	L	L
DRVA LO STK 1	16K	ID	L	H	H	H	H	H	H	H	H	L	L	L	L	L	L
DRVA LO STK 0	16K	ID	L	H	H	H	H	H	H	H	H	L	L	L	L	L	L
E3 PIN 9				L	H	L	H	H	H	H	H	L	H	L	L	H	L
E3 PIN 10				L	L	H	H	L	L	L	H	H	H	L	L	L	H
E3 PIN 11				L	L	L	L	L	L	L	H	H	L	L	H	H	H
E3 PIN 12 (CON ER L)				H	H	H	H	H	H	H	H	H	H	H	H	H	H

NOTE: ALL OTHER COMBINATIONS OF ROM INPUTS RESULT IN ALL OUTPUT PINS LOW

TRUTH TABLE FOR MEM TOP LOOKUP ROM [E3 - MCTB]

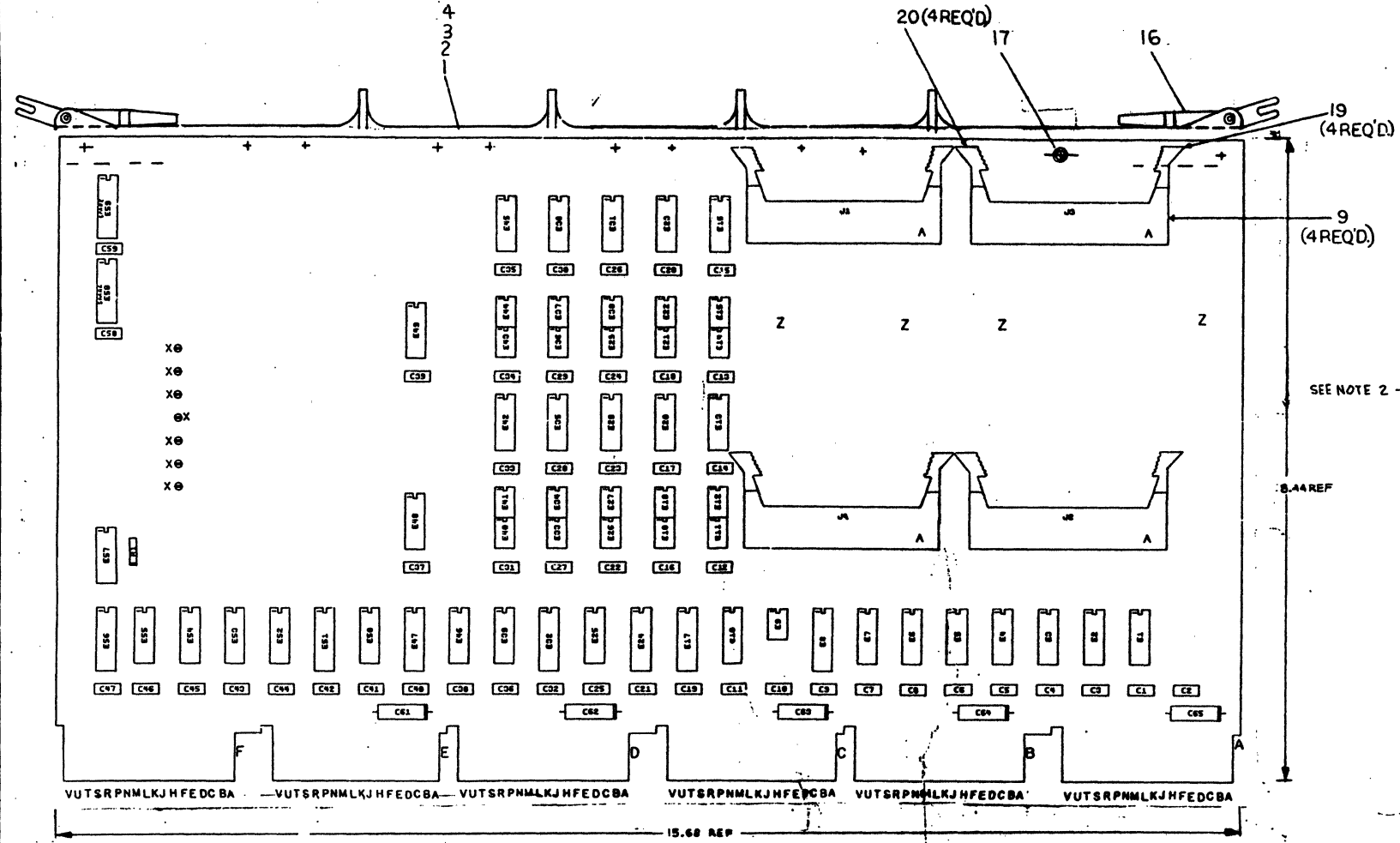
REVISIONS		
CHK	CHANGE NO.	REV.

TITLE MEMORY CONTROL AND TIMING  
 SIZE CODE NUMBER REV.  
 DCSM8148-0-1 C  
 SCALE SHEET 9 OF 9 DIST.

580

THIS DRAWING AND SPECIFICATIONS HEREIN ARE THE PROPERTY OF DIGITAL EQUIPMENT CORPORATION AND SHALL NOT BE REPRODUCED OR COPIED OR USED IN WHOLE OR IN PART AS THE BASIS FOR THE MANUFACTURE OR SALE OF ITEMS WITHOUT WRITTEN PERMISSION. COPYRIGHT © 1974, DIGITAL EQUIPMENT CORPORATION

NOTES: LC59 & C59 ARE SPARES  
2 74538 (1915019-00) IS THE ALLOWABLE REPLACEMENT FOR 74H01-1 (1909849).

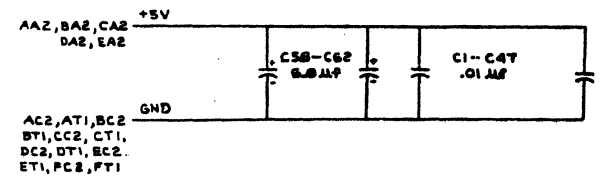


REF	X-Y COORDINATE HOLE LOCATION	R-CO-M8149-B-4	ITEM NO.
REF	ASSY/DRILL HOLE LAYOUT	D-AH-M8149-B-5	2
REF	MODULE ECO HISTORY	B-MH-M8149-B-5	3
1	ETCHED CIRCUIT BOARD	501240	4
5	C6F-C6S	1005306	5
47	C1-C47	1001610-01	6
1	RI	1300365	7
7	SPLIT LUG	9006735	8
4	J1 THRU J4	120941-02	9
7	E8, E17, E24, E32, E47, E51, E56	IC DEC. 745174	10
20	E11, E12, E14, E15, E16, E19, E21, E27, E26, E27, E29, E30, E33, E34, E38, E37, E40, E41, E43, E44	IC DEC. 75452	12
9	E1, E4, E7, E10, E44, E46, E48, E49, E53	IC DEC. 74504	13
10	E13, E16, E20, E23, E28, E31, E35, E38, E42, E45	IC DEC. 8640	14
1	E9	IC DEC. 75453	15
1	HANDLE ASSY.	180771-02	16
12	EYELETS, 05-47	9006732	17
4	RT. ANGLE HEADER 40 PIN LATCH LEFT	1209941-03	18
4	RT. ANGLE HEADER 40 PIN LATCH RIGHT	1209941-04	20
10	E2, E3, E5, E6, E25, E39, E59, E52, E54, E57	IC DEC 74538	21

IC DEC	IC TYPE	GND	+5V
74533	4	8	
8640	1	5	
75452	4	5	
745174	8	10	
	IC TYPE	GND	+5V

GND AND 5V ARE USUALLY PIN 7 AND 14 RESPECTIVELY. EXCEPTIONS ARE STATED ABOVE.

IC PIN LOCATIONS



REV	DATE	BY	CHK
1	11/78	P. SCHNORR	
2	12/1/78	J. CLARK	
3	12/1/78	J. CLARK	
4	12/1/78	J. CLARK	
5	12/1/78	J. CLARK	
6	12/1/78	J. CLARK	
7	12/1/78	J. CLARK	
8	12/1/78	J. CLARK	
9	12/1/78	J. CLARK	
10	12/1/78	J. CLARK	
11	12/1/78	J. CLARK	
12	12/1/78	J. CLARK	
13	12/1/78	J. CLARK	
14	12/1/78	J. CLARK	
15	12/1/78	J. CLARK	
16	12/1/78	J. CLARK	
17	12/1/78	J. CLARK	
18	12/1/78	J. CLARK	
19	12/1/78	J. CLARK	
20	12/1/78	J. CLARK	
21	12/1/78	J. CLARK	

FIRST USED ON OPTION MODEL: 11/78

ETCH BOARD REV: C1

REVISIONS:

DEC NO.	EIA NO.	DEC NO.	EIA NO.

SEMICONDUCTOR CONVERSION CHART

digital EQUIPMENT CORPORATION

TITLE: MEMORY TRANS-CEIVER CARD (MXR)

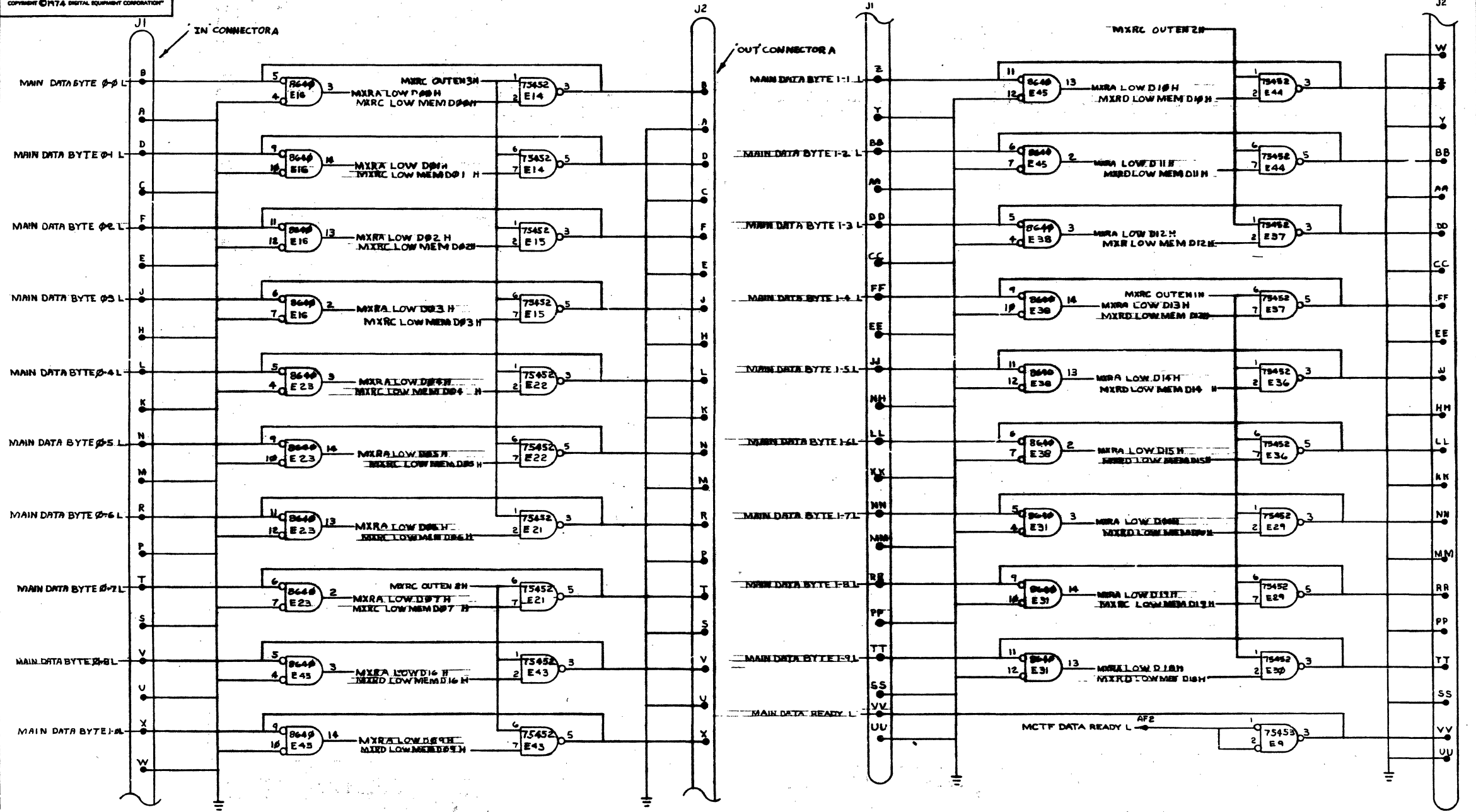
SIZE CODE: DCS18149-0-1

NUMBER: 1

REV: CD

SHEET 1 OF 5

THESE DRAWINGS AND SPECIFICATIONS HEREBY ARE THE PROPERTY OF DIGITAL EQUIPMENT CORPORATION AND SHALL NOT BE REPRODUCED OR COPIED OR USED IN WHOLE OR IN PART AS THE BASIS FOR THE MANUFACTURE OR SALE OF ITEMS WITHOUT WRITTEN PERMISSION. COPYRIGHT © 1974 DIGITAL EQUIPMENT CORPORATION

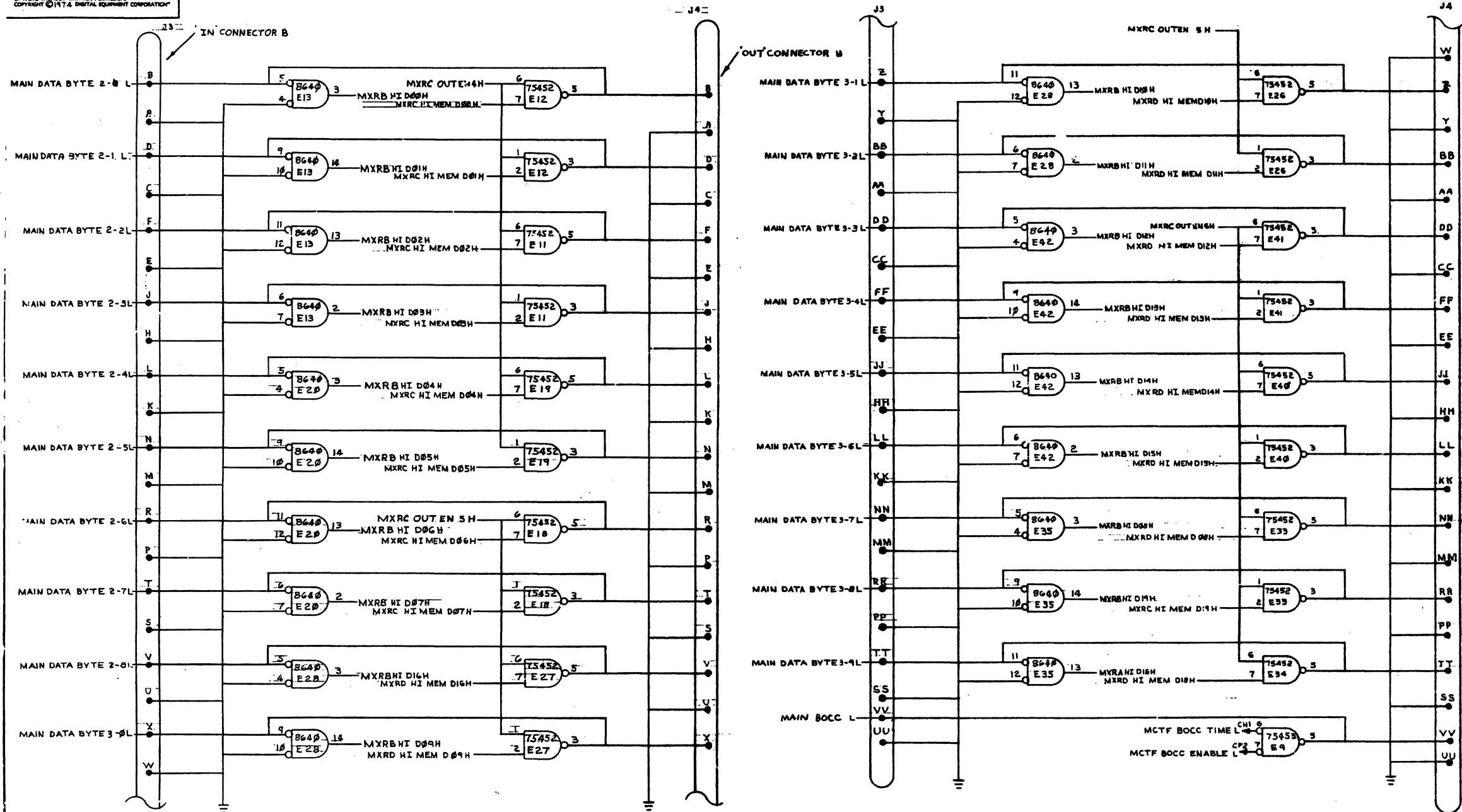


REVISIONS	
CHK	CHANGE NO

TITLE MEMORY (MXRA) TRANSCEIVER CARD SIZE CODE DCS NUMBER M8149-01 REV. D SHEET 2 OF 5

572

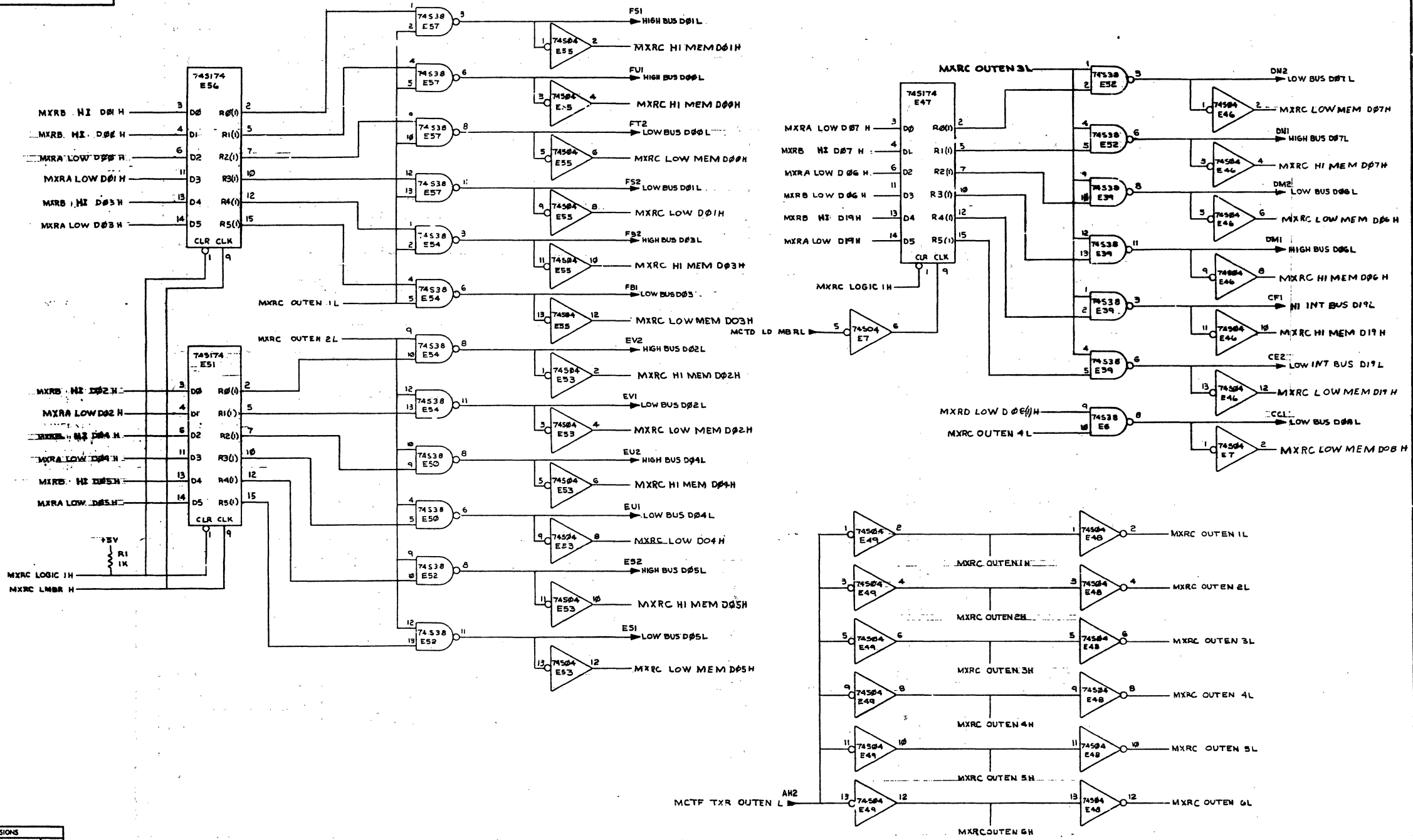
THIS DRAWING AND SPECIFICATIONS HEREIN ARE THE PROPERTY OF DIGITAL EQUIPMENT CORPORATION AND SHALL NOT BE REPRODUCED OR COPIED OR USED IN WHOLE OR IN PART AS THE BASIS FOR THE MANUFACTURE OR SALE OF ITEMS WITHOUT WRITTEN PERMISSION. COPYRIGHT © 1974, DIGITAL EQUIPMENT CORPORATION.



REVISIONS		
CHK	CHANGE NO.	REV.

TITLE MEMORY (MXRB) SIZE CODE NUMBER REV.  
 TRANSCIVER CARD DCS M8149-01 0  
 SCALE SHEET 3 OF 5 DWT.

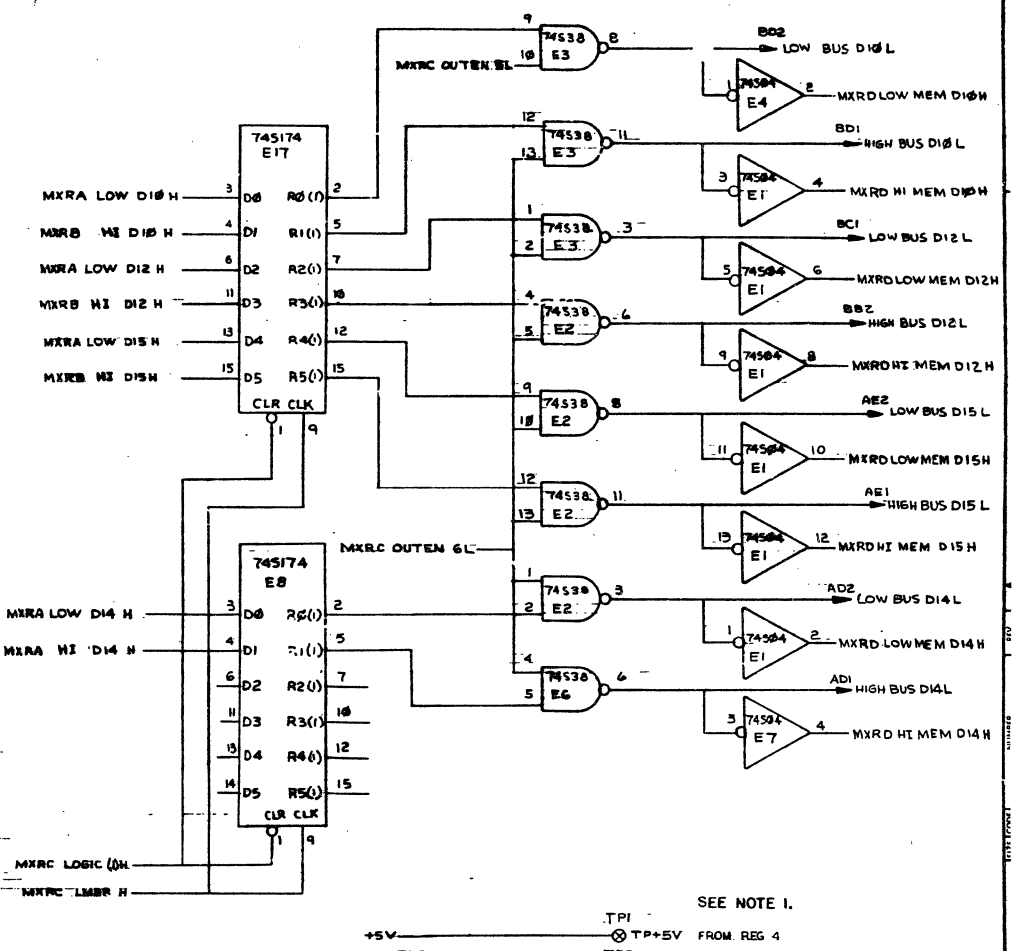
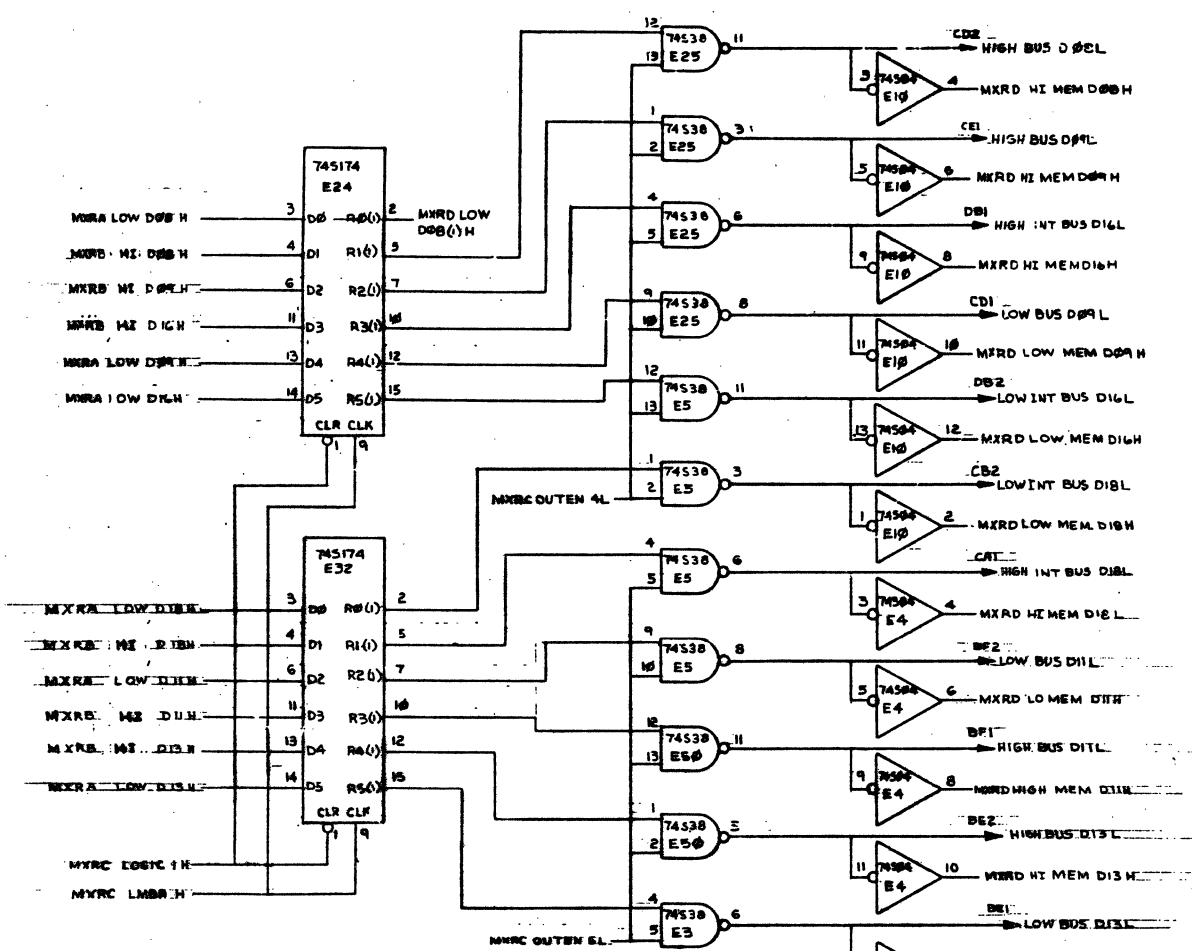
THIS DRAWING AND SPECIFICATIONS HEREIN ARE THE PROPERTY OF DIGITAL EQUIPMENT CORPORATION AND SHALL NOT BE REPRODUCED OR COPIED OR USED IN WHOLE OR IN PART AS THE BASIS FOR THE MANUFACTURE OR SALE OF ITEMS WITHOUT WRITTEN PERMISSION. © RIGHT © 1974 DIGITAL EQUIPMENT CORPORATION



REVISIONS		
CHK	CHANGE NO.	REV.

TITLE MEMORY (MXRC) TRANSCEIVER CARD  
 SIZE CODE DCS  
 NUMBER MS149-0-1  
 SCALE 1/1 SHEET 4 OF 5  
 DIST. 1/1

THIS DRAWING AND SPECIFICATIONS HEREIN ARE THE PROPERTY OF DIGITAL EQUIPMENT CORPORATION AND SHALL NOT BE REPRODUCED OR COPIED OR USED IN WHOLE OR IN PART AS THE BASIS FOR THE MANUFACTURE OR SALE OF ITEMS WITHOUT WRITTEN PERMISSION. COPYRIGHT © 1974 DIGITAL EQUIPMENT CORPORATION



NOTE 1.  
REGULATOR NUMBERS ARE SHOWN ON PRINT E-AD-7010894-0-0 (POWER SUPPLY MJ11).

SEE NOTE 1.  
 +5V — TP1 — TP+5V FROM REG 4  
 FA2 — TP2 — TP+5V FROM REG 2  
 AA1 — TP3 — TP+20V FROM REG 3  
 FV2 — TP4 — TP+20V FROM REG 1  
 AK1 — TP5 — TP-5V FROM REG 3  
 ED2 — TP6 — TP-5V FROM REG 1  
 TP7 — TP GROUND

REVISIONS		
CHK	CHANGE NO.	REV.

TITLE	MEMORY (MXRD)	SIZE CODE	NUMBER	REV.
TRANSCEIVER CARD		D CS	M8149-0-1	D
SCALE	—+—	SHEET	5 OF 5	DIST.

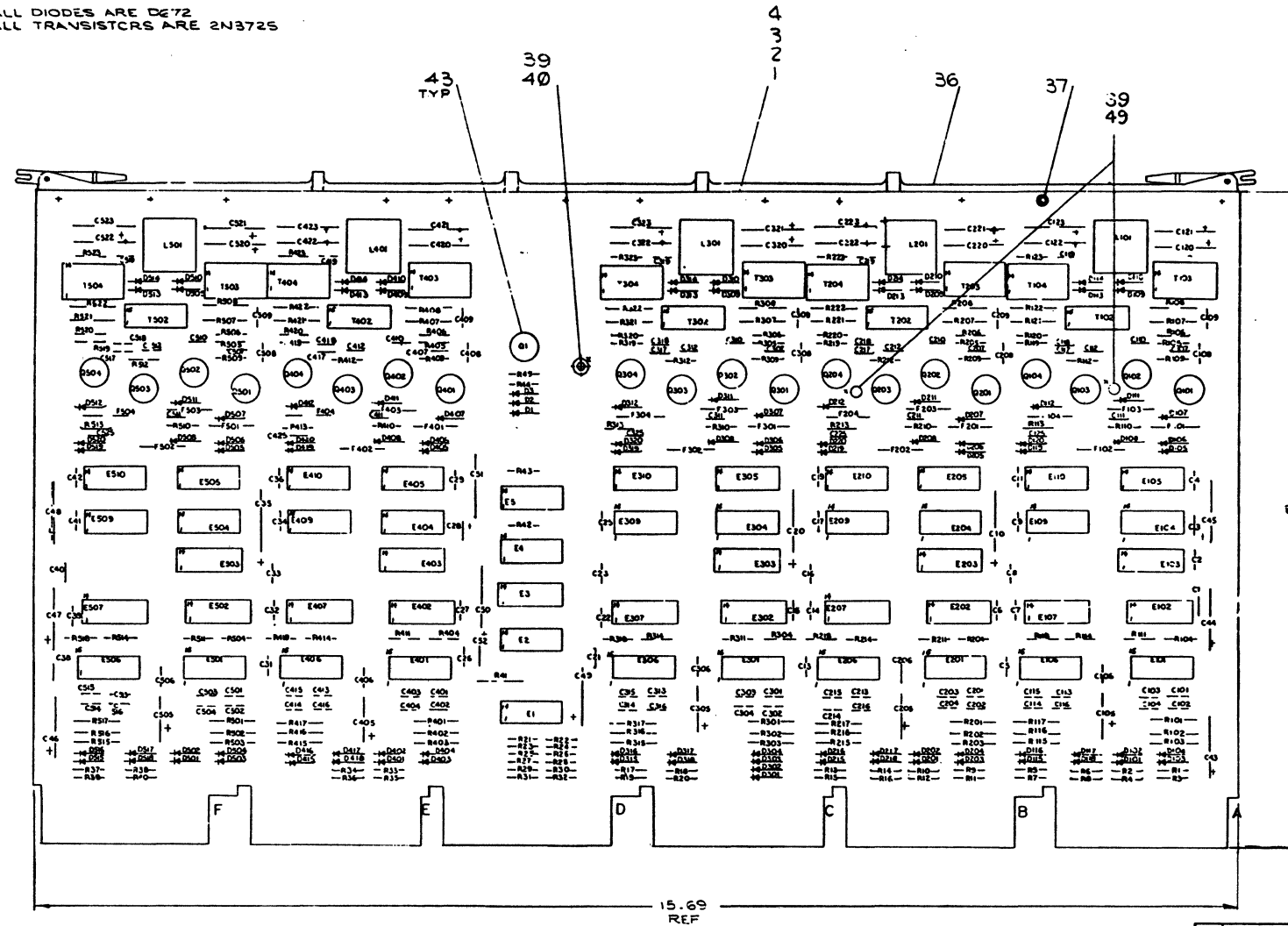




THIS DRAWING AND SPECIFICATIONS HEREIN ARE THE PROPERTY OF DIGITAL EQUIPMENT CORPORATION AND SHALL NOT BE REPRODUCED OR COPIED OR USED IN WHOLE OR IN PART AS THE BASIS FOR THE MANUFACTURE OR SALE OF ITEMS WITHOUT WRITTEN PERMISSION.  
 COPYRIGHT © 1975 DIGITAL EQUIPMENT CORPORATION

**NOTES: UNLESS OTHERWISE SPECIFIED**

1. ALL RESISTORS ARE IN OHMS 1/4W
2. ALL CAPACITANCE IS IN MICROFARADS
3. DATA BITS 17, 18 ARE NOT USED IN 18 BIT SYSTEMS
4. DATA BIT 18 IS NOT USED IN 19 BIT SYSTEMS
5. DATA BITS 16, 17, 18 & 19 ARE NOT USED IN 16 BIT SYSTEMS
6. ALL DIODES ARE DE72
7. ALL TRANSISTORS ARE 2N3725



B.43 REF

15.69 REF

IC TYPE	QTY	REF	DESCRIPTION
IC DEC 7380	1	B	
IC DEC 8640	1	B	
IC DEC 7528	9	16 B	
IC TYPE	GND	+5V	-5V

GND AND 5V ARE USUALLY PIN 7 AND 14 RESPECTIVELY. EXCEPTIONS ARE STATED ABOVE.

IC PIN LOCATIONS

QTY	REF DESIGNATION	DESCRIPTION	PART NO.	ITEM NO.
FIRST USED ON OPTION MODEL				
MF 11-U & MF 11-UP				
ETCH BOARD REV C				
PARTS LIST				
DATE 4-3-73 TITLE 16 K SENSE/INHIBIT EQUIPMENT CORPORATION MAYNARD MASSACHUSETTS SCALE DCS NUMBER G114-0-1 SHEET 2 OF 9				
SEMICONDUCTOR CONVERSION CHART				

THIS DRAWING AND SPECIFICATIONS HEREON ARE THE PROPERTY OF DIGITAL EQUIPMENT CORPORATION AND SHALL NOT BE REPRODUCED OR COPIED OR USED IN WHOLE OR IN PART AS THE BASIS FOR THE MANUFACTURE OR SALE OF ITEMS WITHOUT WRITTEN PERMISSION.  
COPYRIGHT © 1972, DIGITAL EQUIPMENT CORPORATION

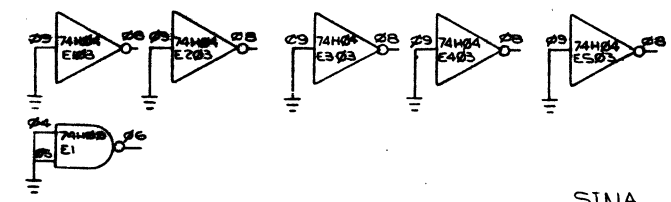
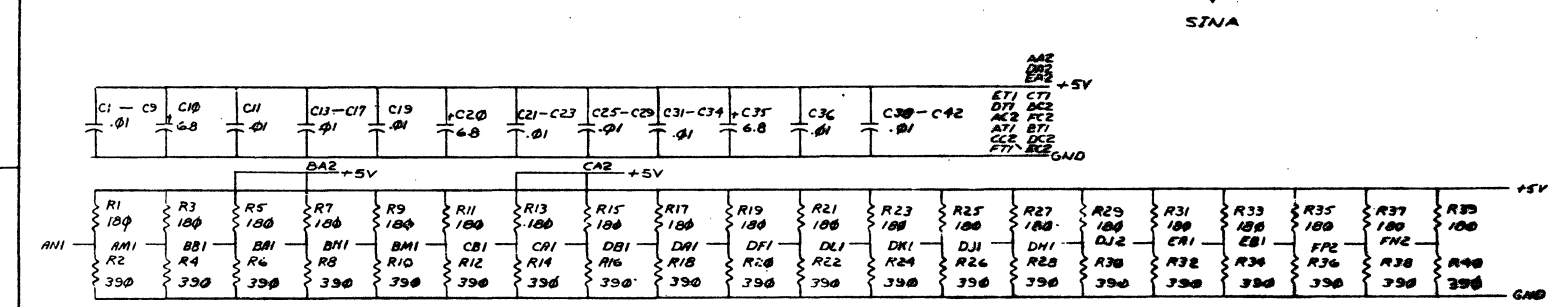
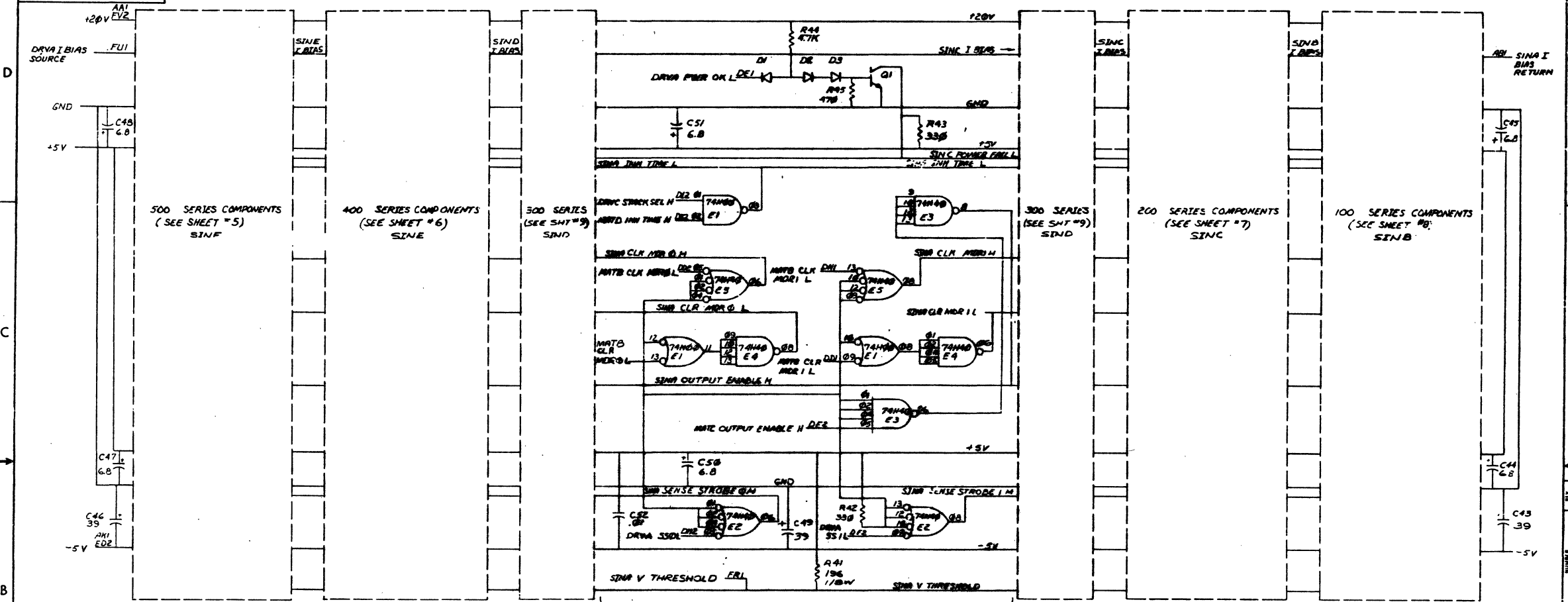
				ETCHED CIRCUIT BOARD	5010478	1
				X-Y COORDINATE HOLE LOCATION	K-60-6114-0-4	2
				ASSY/DRAWING HOLE LAYOUT	D-44-6114-0-5	3
				MODULE ECO HISTORY	B-MH-6114-0-6	4
1	E1	IC DEC 74H00	1909056	30	REF	
14	E2 THRU E5, E105, E106, E205, E210, E206, E30, E405, E410, E505, E510	IC DEC 74H40	1905556	31	REF	
10	E106, E201, E206, E301, E306, E401, E406, E501, E506	IC DEC 7528 SENSE AMP	1910657	32	REF	
5	E107, E207, E307, E407, E507	IC DEC 8881	1909705	33	REF	
10	E104, E108, E204, E208, E304, E308, E404, E408, E504, E508	IC DEC 74N74	1909667	34	53	
5	L101, L201, L301, L401, L501	CHOKER 480 MH	1610963	35	REF	
1		HANDLE .95" X .75"	1210711-2	36	REF	
12		EYELET GS-4-7	9006732	37	REF	
20	F101 THRU F104, F201 THRU F204, F301 THRU F304, F401 THRU F404, F501 THRU F504	FUSE PICO FUSE 3/4A	1210929-3	38	REF	
3		STAND OFF 1/4 X 3/8 #6-32 THRU	9008213	39	REF	
3		SCREW, NYLON 6/32 X 1/4 LG	9009031-1	40	REF	
5	E103, E203, E303, E403, E503	I.C. DEC 74M04	1909931	41	REF	
5	E102, E202, E302, E402, E502	I.C. DEC 8640	1911469	42	REF	
21		TRANSIPAD	9007201	43	REF	
5/8		24 AWG WIRE	910747C	45	REF	
103				44	REF	
1	R1, R3, R5, R7, R9, R11, R13, R15, R17, R19, R21, R23, R25, R27, R29, R31, R33, R35, R37, R39			14	RES. 180 1/4W 5%	1301322
1	R41			15	RES. 196 1/8W 1% MF	1302354
20	R2, R4, R6, R8, R10, R12, R14, R16, R18, R20, R22, R24, R26, R28, R30, R32, R34, R36, R38, R40			16	RES. 390 1/4W 5%	1300309
2	R42, R43			17	RES. 330 1/4W 5%	1300285
7	R44			18	RES. 47K 1/4W 5%	1300447
20	R101, R102, R104, R106, R108, R110, R112, R114, R116, R118, R120, R122, R124, R126, R128, R130, R132, R134, R136, R138, R140, R142, R144, R146, R148, R150, R152, R154, R156, R158			19	RES. 19.6 1/8W 1% MF	1303110
10	R103, R105, R107, R109, R111, R113, R115, R117, R119, R121, R123, R125, R127, R129, R131, R133, R135, R137, R139			20	RES. 1K 1/8W 1% MF	1303114
20	R104, R111, R114, R118, R204, R211, R214, R218, R304, R311, R314, R318, R404, R411, R414, R418, R504, R511, R514, R518			21	RES. 1K 1/4W 5%	1300365
20	R109, R110, R113, R209, R210, R212, R213, R309, R310, R312, R313, R409, R410, R412, R413, R509, R510, R512, R513			22	RES 100 1/4W 5%	1300229
20	R106, R106, R113, R120, R205, R206, R215, R220, R305, R306, R313, R318, R405, R406, R413, R420, R505, R506, R513, R520			23	RES 5.1 1/4W 5%	1309422
1	R45			24	RES 470 1/4W 5%	1300316
5	R23, R23, R323, R423, R523			25	RES 150 1/4W 5%	1300250
20	R107, R108, R121, R122, R207, R208, R211, R212, R307, R308, R321, R322, R407, R408, R421, R422, R507, R508, R521, R522			26	RES 56 1/2W 5%	1309995
21	Q1, Q101 THRU Q104, Q201 THRU Q204, Q301 THRU Q304, Q401 THRU Q404, Q501 THRU Q504			27	TRANS 2N3727 (T05)	1510959
10	T103, T104, T203, T204, T303, T304, T403, T404, T503, T504			28	TRANSFORMER SATURATING INHIBIT	1610961
5	T102, T202, T302, T402, T502			29	TRANSFORMER, PULSE (DIP)	1609996
QTY	REF. DESIGNATION	DESCRIPTION	PART NO.	ITEM NO.		

REVISIONS		
CHK	CHANGE NO	REV

PARTS LIST			
TITLE	SIZE CODE	NUMBER	REV.
IGK SENSE/INHIBIT	DCS	G14-0-1	F
SCALE	SHEET	DIST.	
3 OF 9			

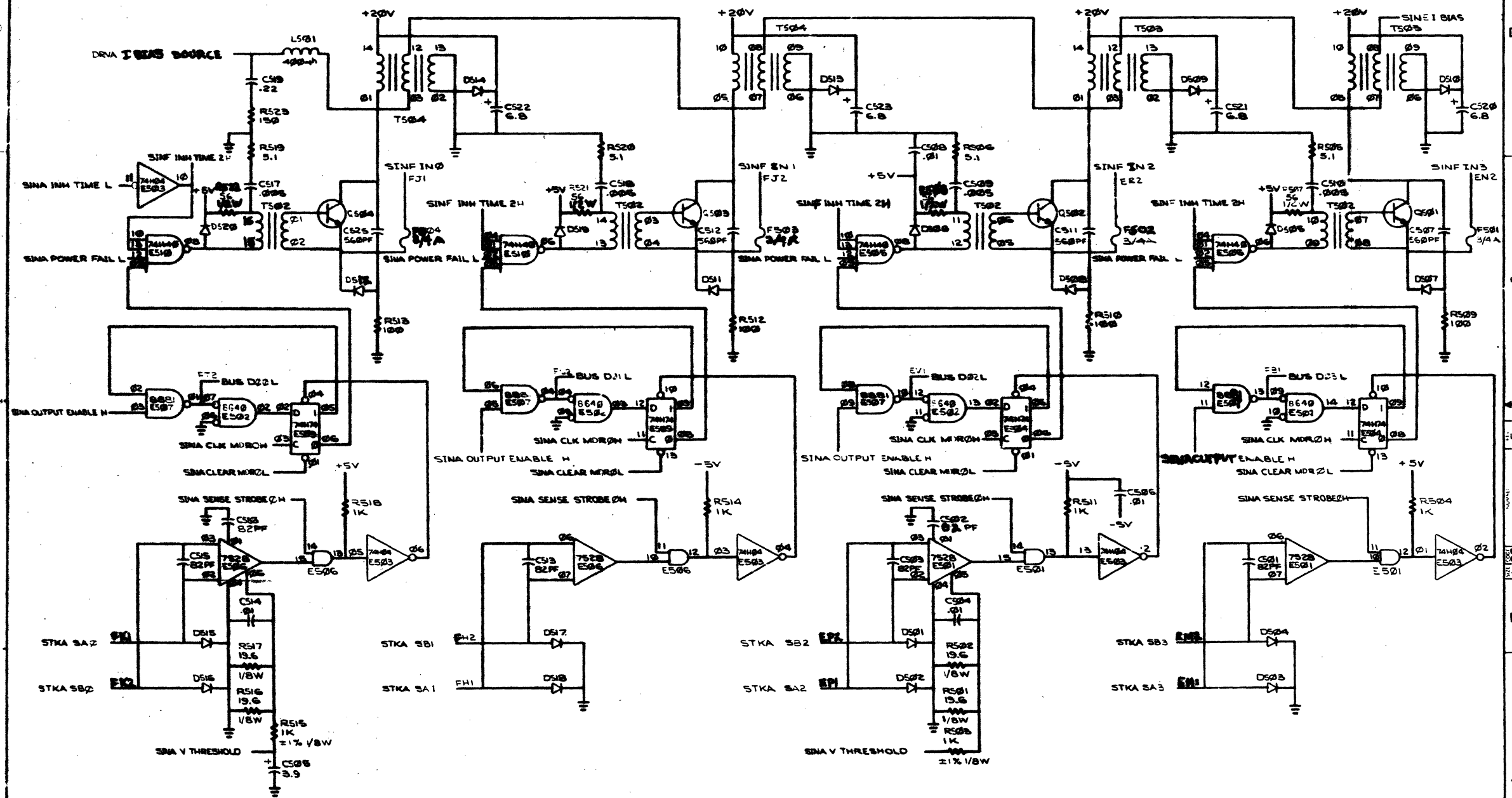
This drawing and specifications, herein, are the property of Digital Equipment Corporation and shall not be reproduced or used in whole or in part as the basis for the manufacture or sale of items without written permission.

COPYRIGHT © 1973 DIGITAL EQUIPMENT CORPORATION



FIRST USED ON OPTIC/MODEL	QTY.	DESCRIPTION	PART NO.	ITFM NO.
MF11-U & MF11-UP				
PARTS LIST				
UNLESS OTHERWISE SPECIFIED DIMENSION IN INCHES	DSN	DATE	DIGITAL EQUIPMENT CORPORATION	
TOLERANCES	CHEK.	DATE	MILWAUKEE MANUFACTURING	
DECIMALS	ANGLES	DATE	TITLE	
XXX - 00	10' 30'	DATE	16K	
XX - 02		DATE	SENSE/INHIBIT	
X - 1		DATE	(SINA)	
REMOVES BURRS AND BREAK SHARP CORNERS SURFACE QUALITY	PROD.	DATE		
MATERIAL	NEXT HIGHER ASSY.	SIZE CODE	NUMBER	REV
FINISH	SCALE	D/C S	G114-0-1	F
	SHEET	4 OF 9	DIST.	

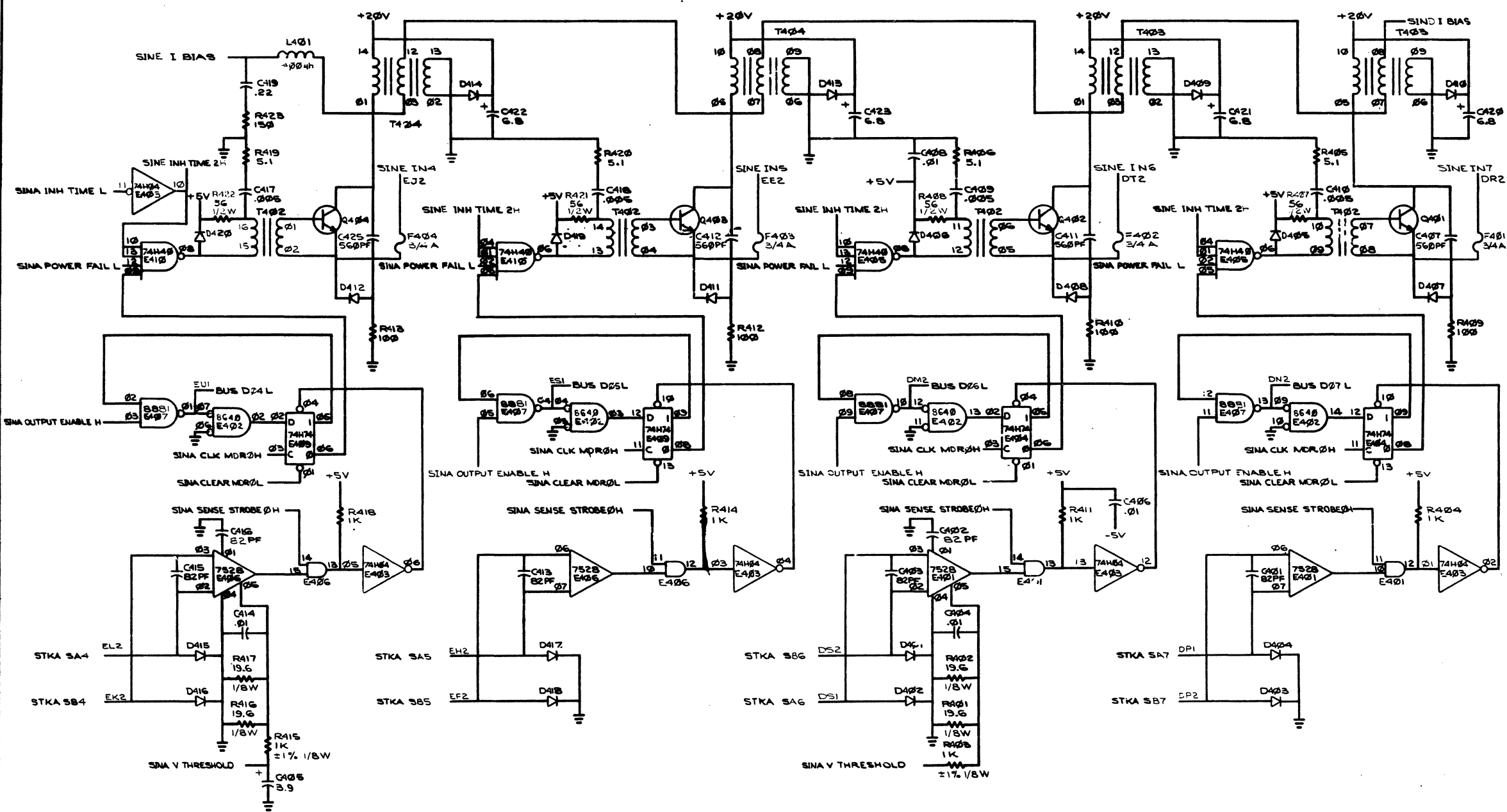
THIS DRAWING AND SPECIFICATIONS HEREIN ARE THE PROPERTY OF DIGITAL EQUIPMENT CORPORATION AND SHALL NOT BE REPRODUCED OR COPIED IN WHOLE OR IN PART AS THE BASIS FOR THE MANUFACTURE OR SALE OF ITEMS WITHOUT WRITTEN PERMISSION. COPYRIGHT © 1973, DIGITAL EQUIPMENT CORPORATION.



REVISIONS		
CHK	CHANGE NO.	REV.

TITLE		500 SERIES SINF	
16K SENSE/INHIBIT (SINF)		SIZE CODE	NUMBER
SCALE		DCS	G14-0-1
SHEET		DIST.	REV.
OF			F

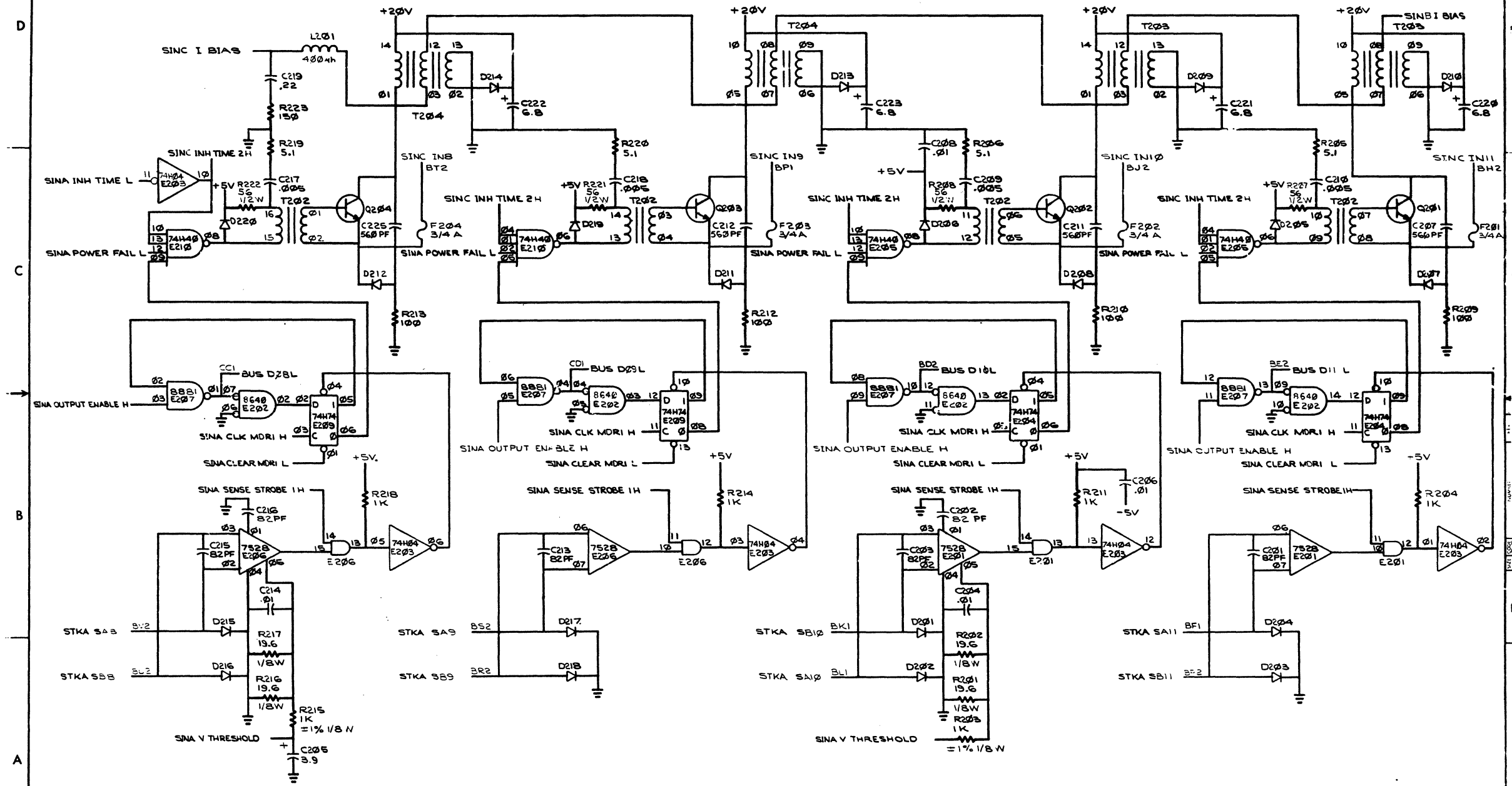
THIS DRAWING AND SPECIFICATIONS HEREON ARE THE PROPERTY OF DIGITAL EQUIPMENT CORPORATION AND SHALL NOT BE REPRODUCED OR COPIED OR USED IN WHOLE OR IN PART AS THE BASIS FOR THE MANUFACTURE OR SALE OF ITEMS WITHOUT WRITTEN PERMISSION. COPYRIGHT © 1973, DIGITAL EQUIPMENT CORPORATION.



REVISIONS		
CHK	CHANGE NO.	REV.

TITLE		SIZE CODE	NUMBER	REV.
16K SENSE/INHIBIT (SINE)		DCS	G114-0-1	F
SCALE		SHEET	OF	DIST.
		6	9	

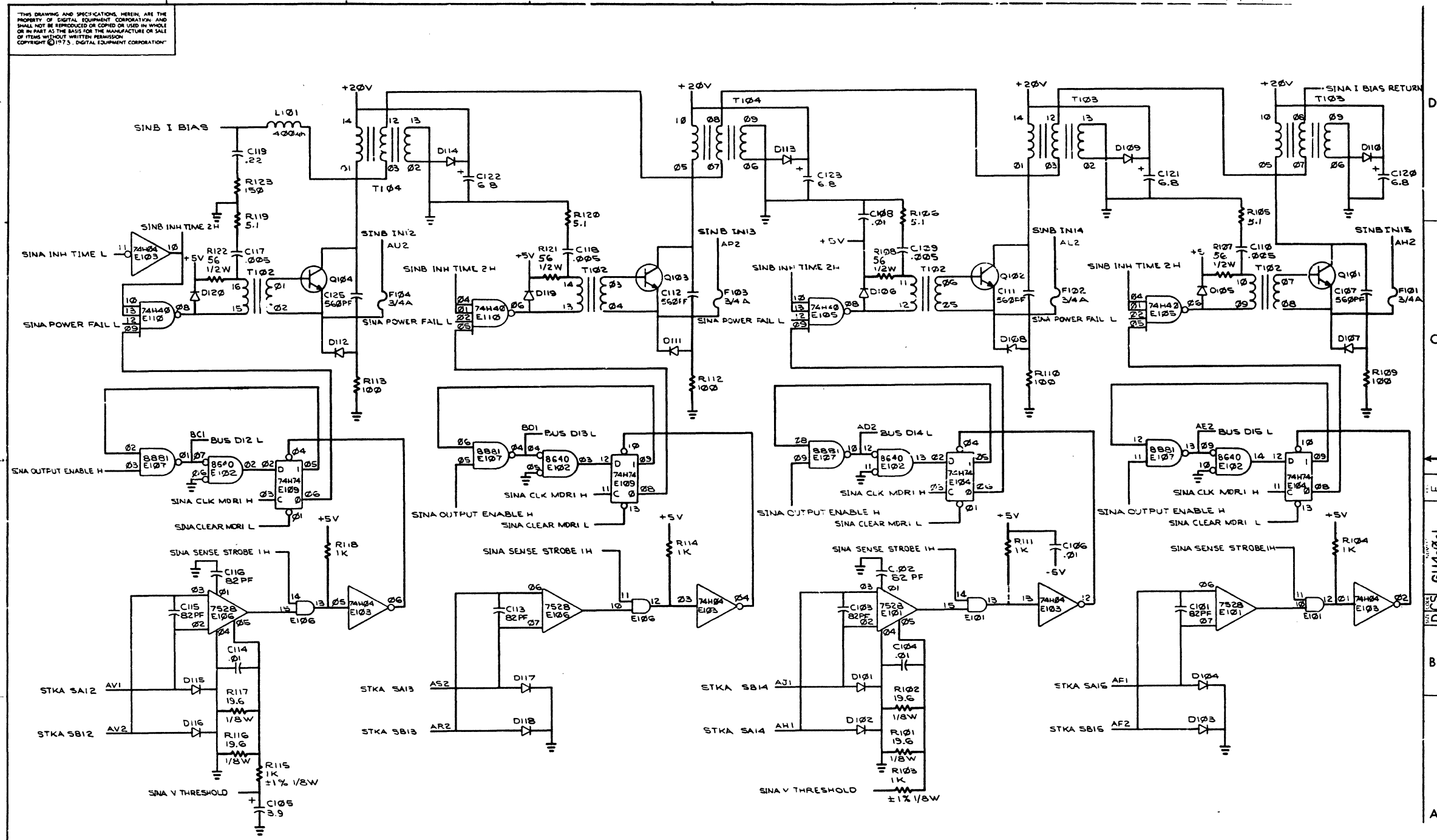
THIS DRAWING AND SPECIFICATIONS HEREIN ARE THE PROPERTY OF DIGITAL EQUIPMENT CORPORATION AND SHALL NOT BE REPRODUCED OR COPIED OR USED IN WHOLE OR IN PART AS THE BASIS FOR THE MANUFACTURE OR SALE OF ITEMS WITHOUT WRITTEN PERMISSION. COPYRIGHT © 1975, DIGITAL EQUIPMENT CORPORATION.



REVISIONS		
CHK	CHANGE NO	REV.

200 SERIES SINC			
TITLE	SIZE	CODE	NUMBER
16K SENSE/INHIBIT (SINC)	D	CS	G114-0-1
SCALE	SHEET	OF	REV.
	7	9	F

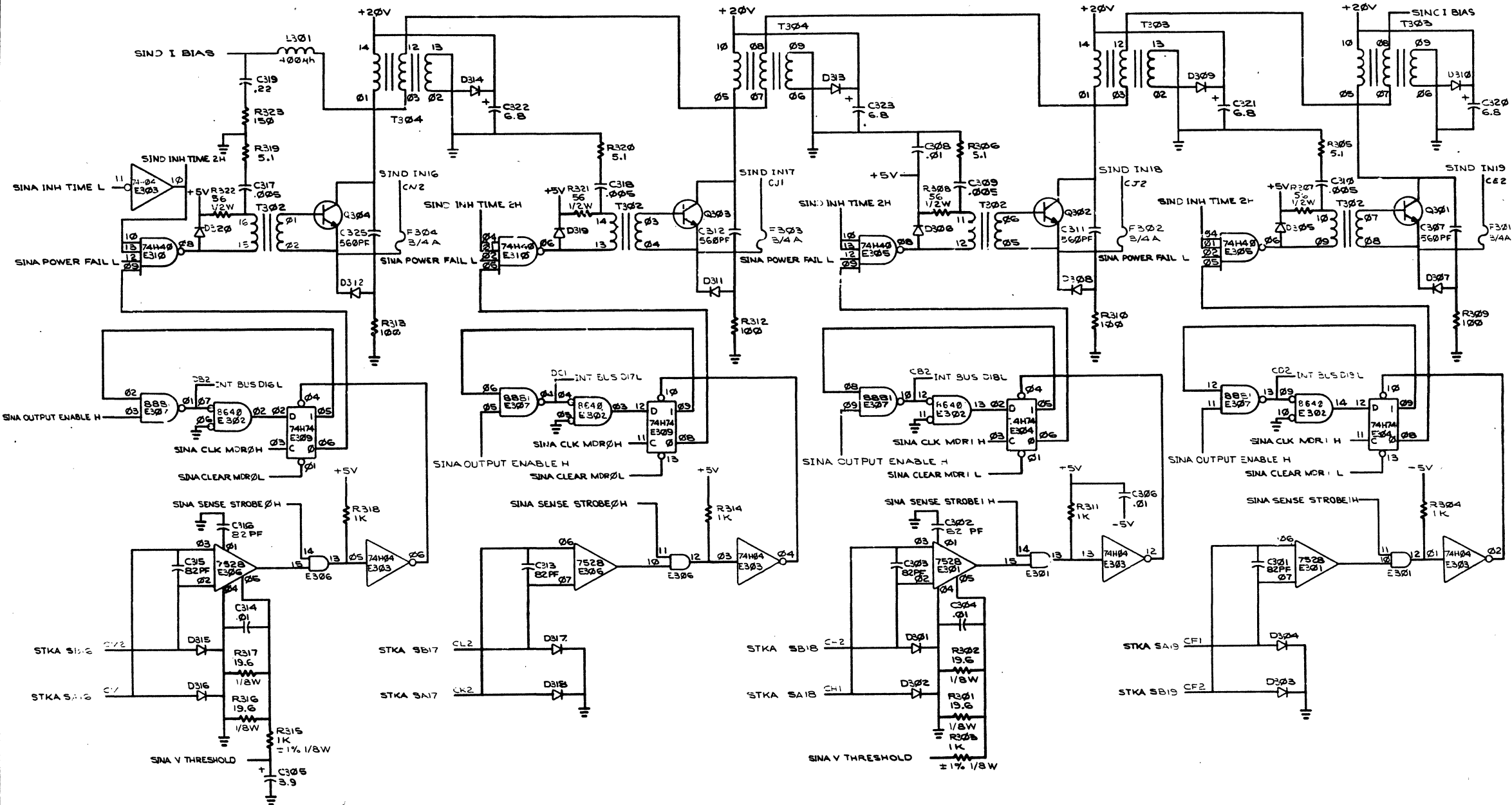
THIS DRAWING AND SPECIFICATIONS HEREIN ARE THE PROPERTY OF DIGITAL EQUIPMENT CORPORATION AND SHALL NOT BE REPRODUCED OR COPIED OR USED IN WHOLE OR IN PART AS THE BASIS FOR THE MANUFACTURE OR SALE OF ITEMS WITHOUT WRITTEN PERMISSION. COPYRIGHT © 1973, DIGITAL EQUIPMENT CORPORATION.



REVISIONS		
CHK	CHANGE NO	REV

16K SENSE/INHIBIT (SINB)		SIZE CODE	NUMBER	REV.
SCALE		D CS	G114-0-1	F
SHEET 8 OF 9		DIST.		

THIS DRAWING AND SPECIFICATIONS HEREIN ARE THE PROPERTY OF DIGITAL EQUIPMENT CORPORATION AND SHALL NOT BE REPRODUCED OR COPIED OR USED IN WHOLE OR IN PART AS THE BASIS FOR THE MANUFACTURE OR SALE OF ITEMS WITHOUT WRITTEN PERMISSION. COPYRIGHT © 1973, DIGITAL EQUIPMENT CORPORATION.

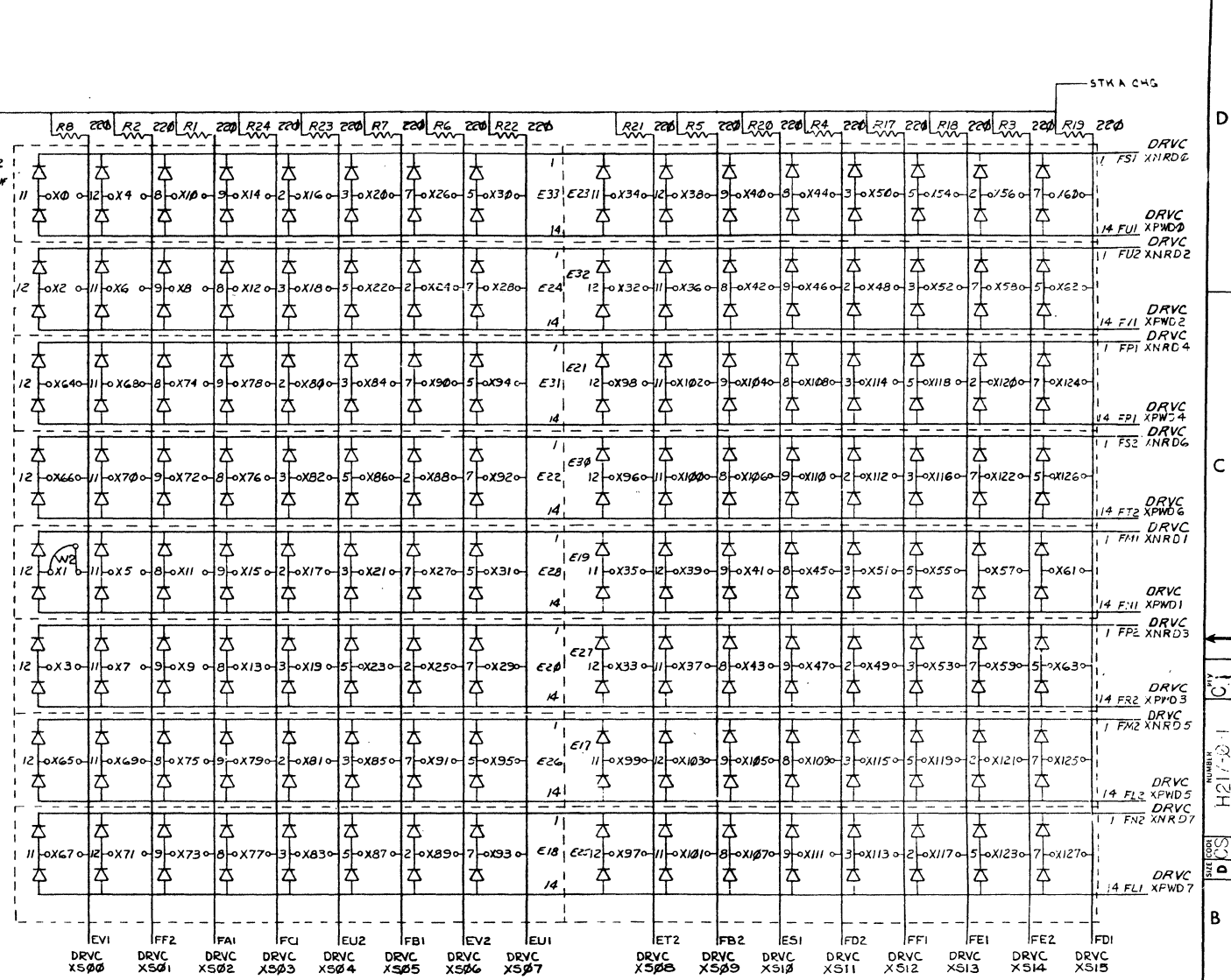
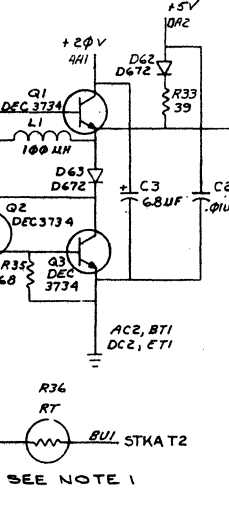
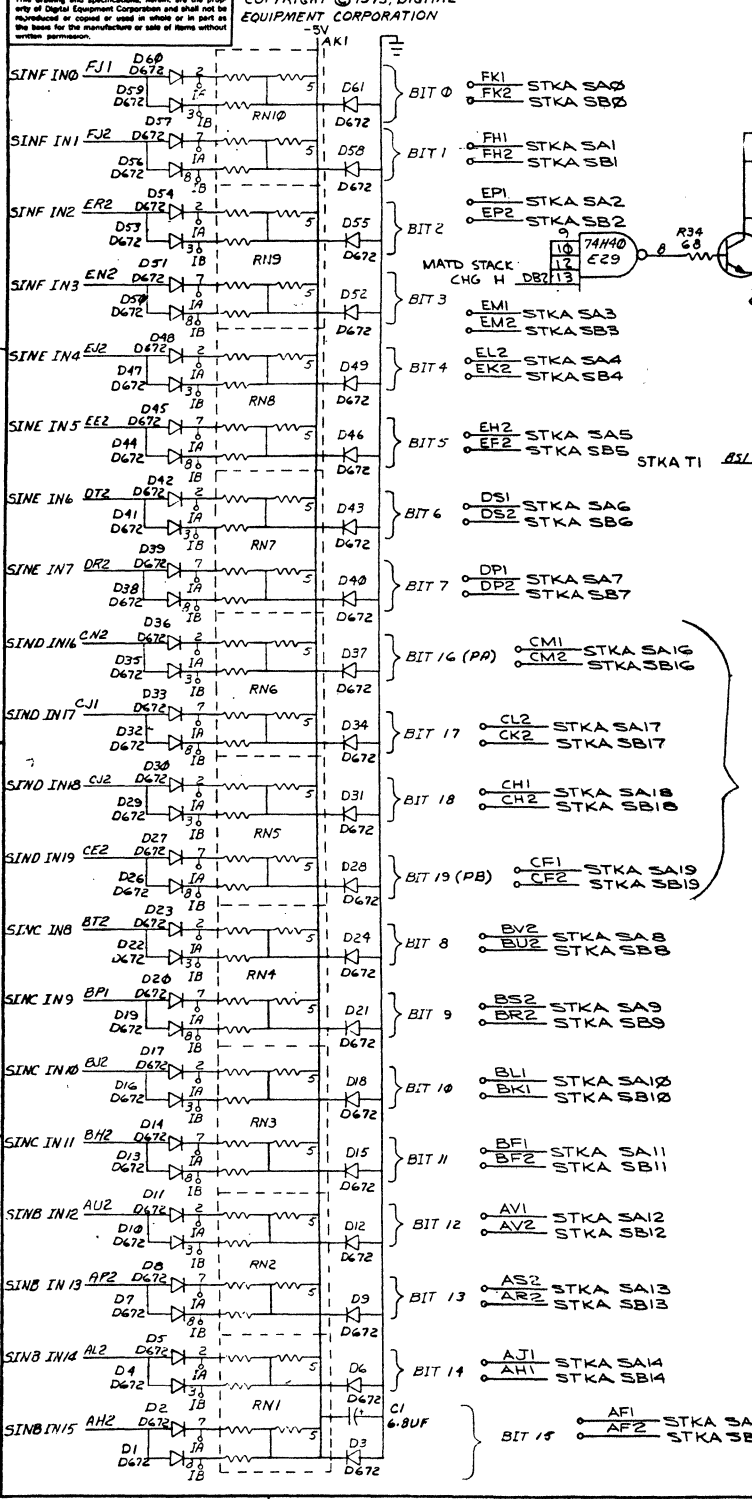


REVISIONS		
CHK	CHANGE NO	REV.

TITLE		SIZE CODE	NUMBER	REV.
16K SENSE/INHIBIT (SIND)		D CS	G114-0-1	F
SCALE	SHEET 9 OF 9	DIST.		





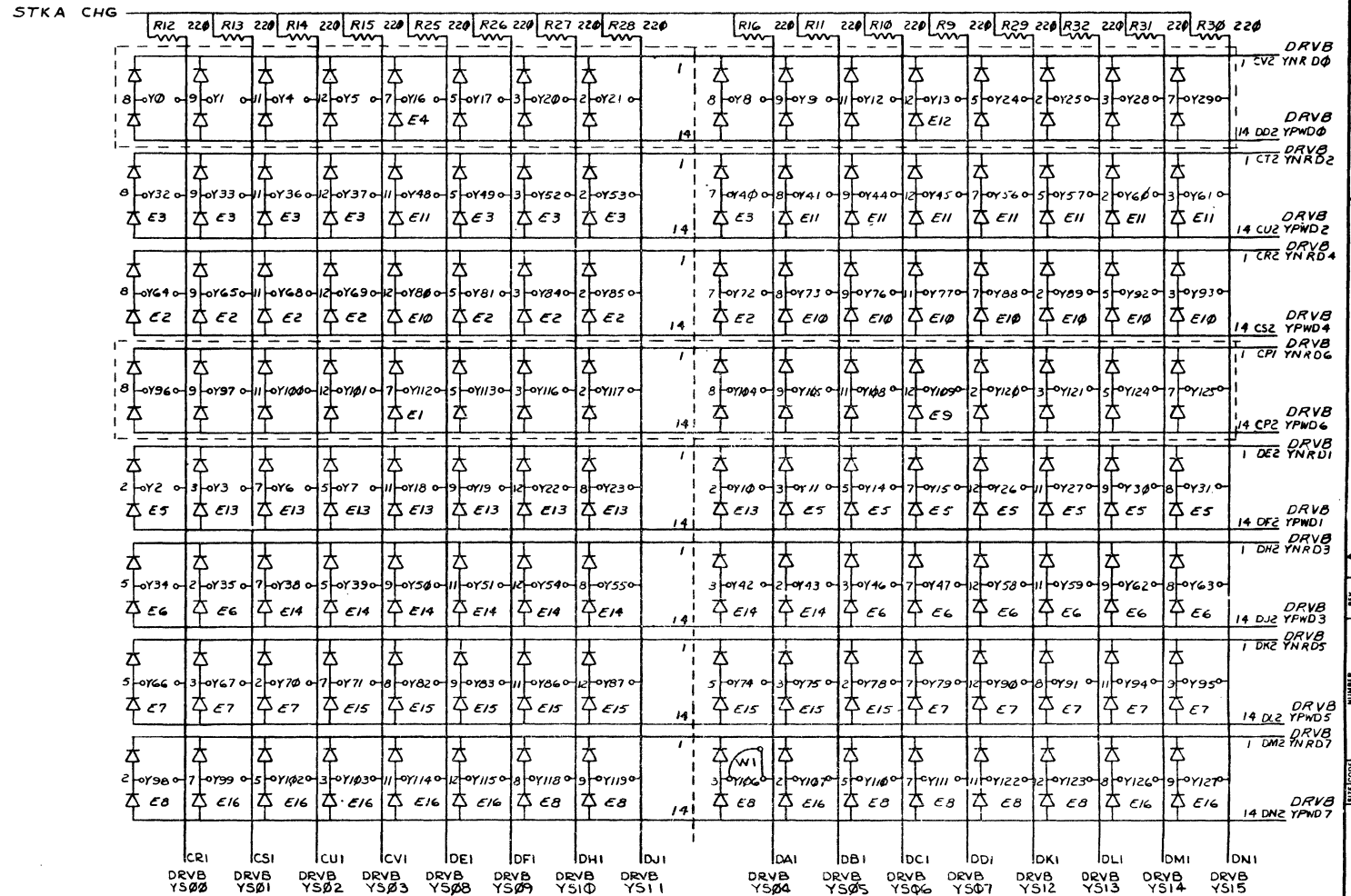


NOTES:  
 1. THERMISTOR FOR TEMPERATURE COMPENSATION  
 2. JUMPER W2 IS A CURRENT LOOP FOR TEST USE ONLY  
 3. FOR H217-D (16 BIT STACK) THE FOLLOWING COMPONENTS MUST BE DELETED; RN5, RN6, D26 THRU D37  
 4. FOR H217C (18 BIT STACK) THE FOLLOWING COMPONENTS MUST BE DELETED; D29, D30, D32, D33. FOR THE UNUSED BITS, THE FOUR MAGNET WIRE TERMINATION PADS (IA, IB, SA, SB) MUST BE SHORTED TOGETHER  
 FOR H217B (19 BIT STACK) THE FOLLOWING COMPONENTS MUST BE DELETED; D29, D30. FOR THE UNUSED BIT, THE FOUR MAGNET WIRE TERMINATION PADS (IA, IB, SA, SB) MUST BE SHORTED TOGETHER

QTY	REF DESIGNATION	DESCRIPTION	PART NO.	ITEM NO.
PARTS LIST				
ETCH BOARD REV E				
DIGITAL EQUIPMENT CORPORATION METHUEN, MASSACHUSETTS				
TITLE: STACK BOARD (STKA)				
NUMBER: H2170				
REV. C				
SCALE: DCS				
SHEET 2 OF 7				

This drawing and specifications, herein, are the property of Digital Equipment Corporation and shall not be reproduced or copied or used in whole or in part as the basis for the manufacture or sale of items without written permission.

COPYRIGHT © 1973 DIGITAL EQUIPMENT CORPORATION



NOTE: JUMPER W1 IS A CURRENT LOOP FOR TEST USE ONLY

Y AXIS

QTY	REF DESIGNATION	DESCRIPTION	PART NO.	ITEM NO.												
ETCH BOARD REV E																
PARTS LIST																
<table border="1"> <tr> <td>DATE</td> <td>7-10-72</td> </tr> <tr> <td>DATE</td> <td>8-10-73</td> </tr> <tr> <td>DATE</td> <td>11-17-73</td> </tr> <tr> <td>DATE</td> <td>11-17-73</td> </tr> <tr> <td>DATE</td> <td>3-11-73</td> </tr> </table>					DATE	7-10-72	DATE	8-10-73	DATE	11-17-73	DATE	11-17-73	DATE	3-11-73		
DATE	7-10-72															
DATE	8-10-73															
DATE	11-17-73															
DATE	11-17-73															
DATE	3-11-73															
<table border="1"> <tr> <td>DEC NO.</td> <td>EIA NO.</td> <td>DEC NO.</td> <td>EIA NO.</td> </tr> <tr> <td></td> <td></td> <td></td> <td></td> </tr> </table>					DEC NO.	EIA NO.	DEC NO.	EIA NO.								
DEC NO.	EIA NO.	DEC NO.	EIA NO.													
<table border="1"> <tr> <td>SCALE</td> <td>1/1</td> </tr> <tr> <td>SHEET</td> <td>3 OF 3</td> </tr> </table>					SCALE	1/1	SHEET	3 OF 3								
SCALE	1/1															
SHEET	3 OF 3															
<table border="1"> <tr> <td>SIZE CODE</td> <td>DICS</td> <td>NUMBER</td> <td>H217-0-1</td> <td>REV.</td> <td></td> </tr> <tr> <td colspan="6"> <p>SEMICONDUCTOR CONVERSION CHART</p> </td> </tr> </table>					SIZE CODE	DICS	NUMBER	H217-0-1	REV.		<p>SEMICONDUCTOR CONVERSION CHART</p>					
SIZE CODE	DICS	NUMBER	H217-0-1	REV.												
<p>SEMICONDUCTOR CONVERSION CHART</p>																

DIGITAL EQUIPMENT CORPORATION  
MAYNARD, MASSACHUSETTS

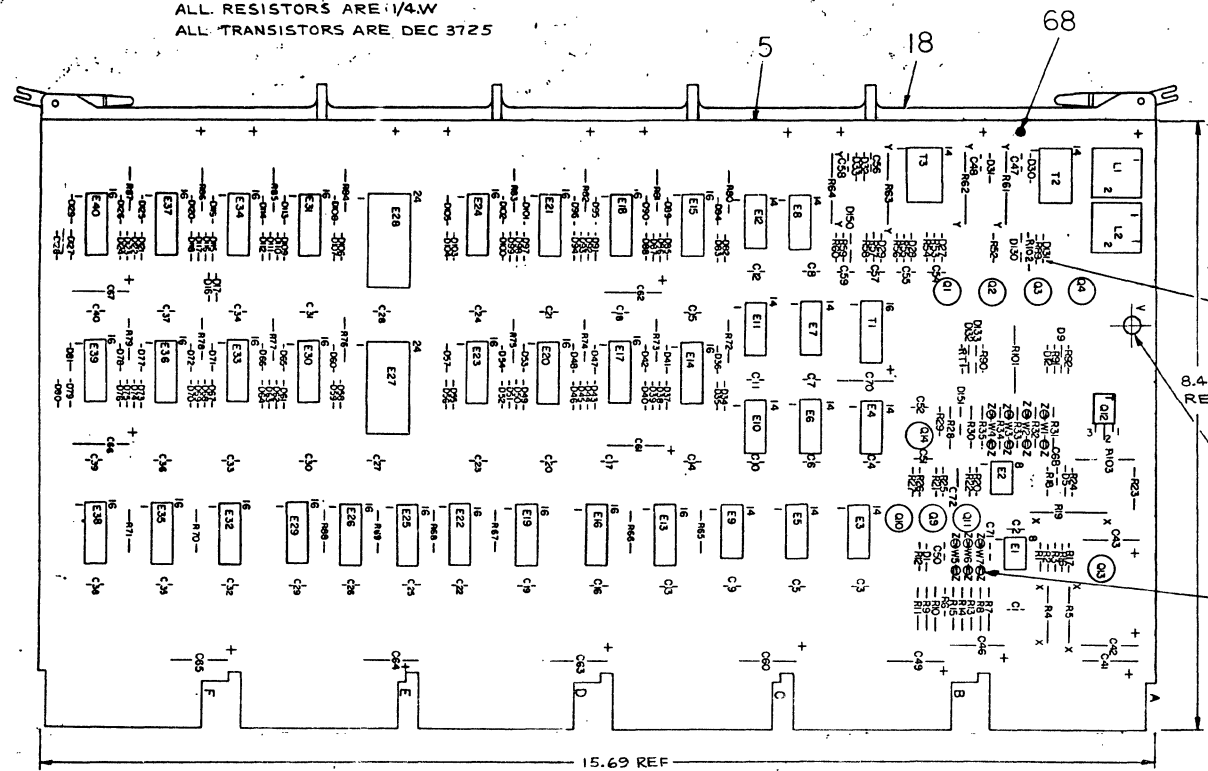
STACK BOARD (STKB)



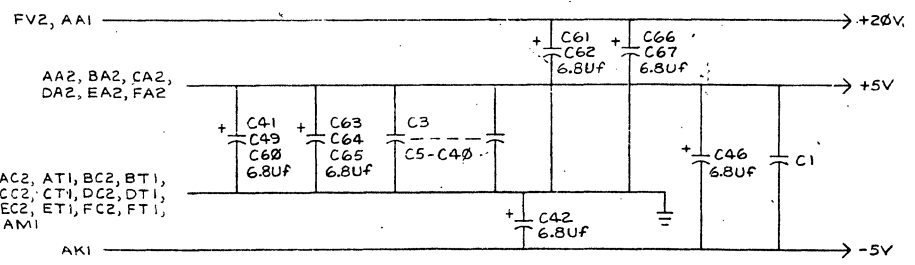
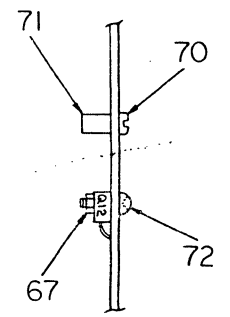
This drawing and specifications, herein, are the property of Digital Equipment Corporation and shall not be reproduced or used in whole or in part in any form for the manufacturing or sale of items without written permission.

**NOTES:**

1. \* INDICATES NOT USED ON MF11-U & MF11-UP (2 PLACES).
2. \*\* INDICATES NOT USED ON MF11-U & MF11-UP BUT ARE TIED TO UNUSED TERMINATORS ON THE 6114 MODULE WHICH FORCES THEM TO +3V (5 PLACES).
3. 1 THERMISTOR LOCATED ON H217 STACK MODULE, 1 ON 6235
4. UNLESS OTHERWISE INDICATED;  
ALL DIODES ARE D672  
ALL CAPACITORS ARE .01UF  
ALL RESISTORS ARE 1/4W  
ALL TRANSISTORS ARE DEC 3725



CATHODE END OF ALL DIODES SHALL BE TOWARD FINGERS



IC TYPE	GND	+5V	+20V
74121	7	—	—
741	—	—	—
75325	—	9	16
7442	8	16	—
74154	12	24	—

GND AND 5V ARE USUALLY PIN 7 AND 14 RESPECTIVELY. EXCEPTIONS ARE STATED ABOVE.

IC PIN LOCATIONS

QTY	REF DESIGNATION	DESCRIPTION	PART NO.	ITEM NO.
PARTS LIST				
FIRST USED ON OPTION MODEL MF11-U & MF11-UP				
ETCH BOARD REV D				
EQUIPMENT CORPORATION MAYNARD, MASSACHUSETTS				
TITLE 16K X-Y DRIVE				
DEC NO.		EIA NO.		SCALE
SEMICONDUCTOR CONVERSION CHART		SHEET 2		CF 6

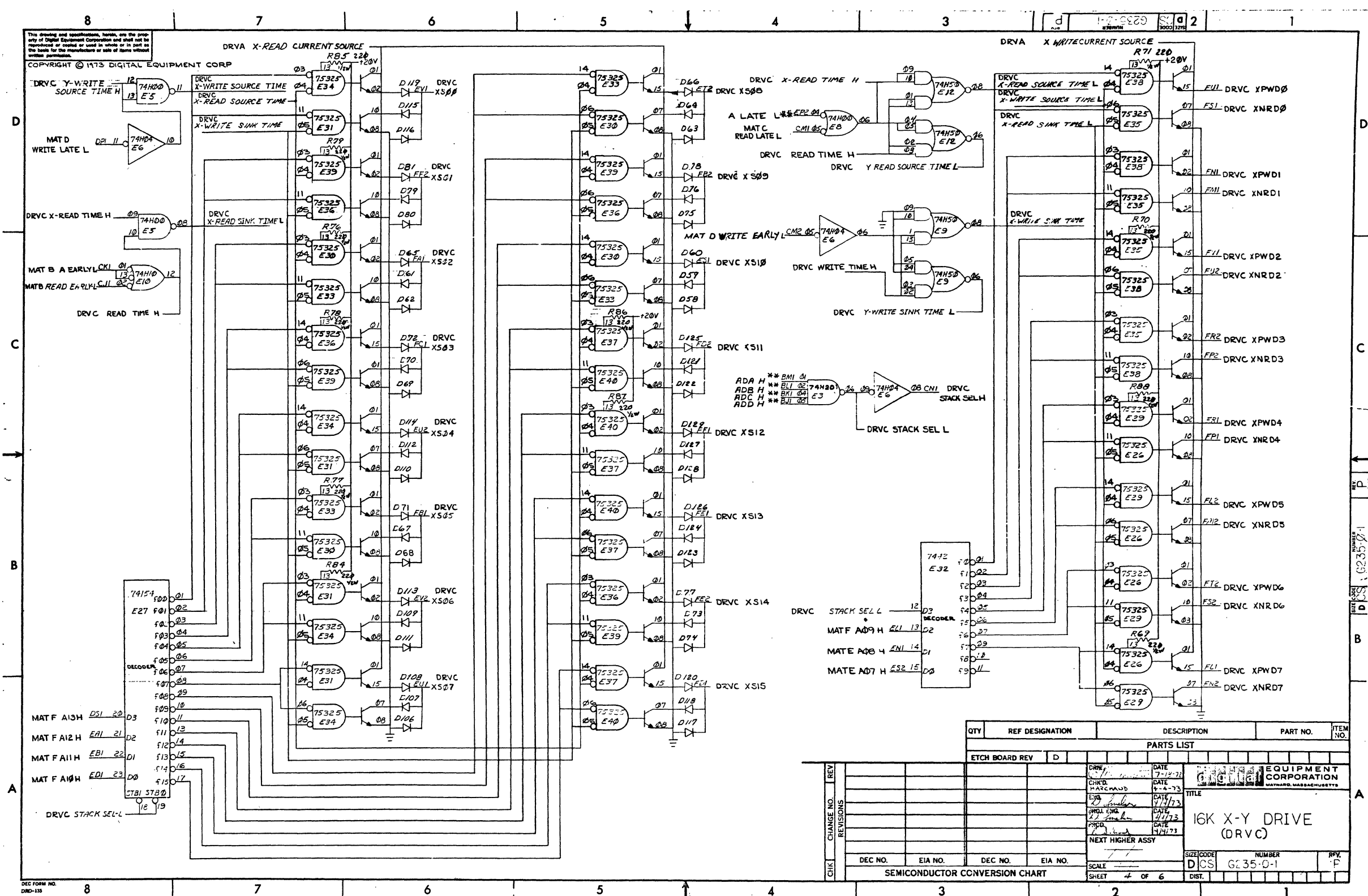


THIS DRAWING AND SPECIFICATIONS HEREIN ARE THE PROPERTY OF DIGITAL EQUIPMENT CORPORATION AND SHALL NOT BE REPRODUCED OR COPIED OR USED IN WHOLE OR IN PART AS THE BASIS FOR THE MANUFACTURE OR SALE OF ITEMS WITHOUT WRITTEN PERMISSION. COPYRIGHT © 1973, DIGITAL EQUIPMENT CORPORATION.

QTY	REF	DESIGNATION	DESCRIPTION	PART NO	ITEM NO	QTY	REF	DESIGNATION	DESCRIPTION	PART NO	ITEM NO
1	E8	IC DEC 74H04		1909931	62						
1	E10	IC DEC 74H10		1909057	63	REF		X-Y COORDINATE HOLE LOCATION	K-CO-G235-0-4		2
2	E7, E11	IC DEC 74H40		1905586	54	REF		ASSY/DRILLING HOLE LAYOUT	D-AH-G235-0-5		3
24	E13-E18, E20-E26, E28-E31, E33-E40	IC DEC 75325		1910980	65	REF		ECO MODULE HISTORY	B-AH-G235-0-8		4
2	E9, E12	IC DEC 74H50		1909060	66	1	C71	ETCHED CIRCUIT BD.	5010145		5
1		KEPNUT 4-40		9006557	67	46	C1-C40, C48, C50, C52, C58, C68, C72	CAP 47 PF 100V 5% D.W.	1000011		6
12		EYELET HANDLE		9006732	60	4	C53, C54, C55, C57	CAP .01UF 50V 20%	1001610		7
14		SPLIT LUGS		9006735	69	1	C51	CAP .005 UF 100V 20% DISC	1001765		8
1		SCREW NYLON 8-32		9008212-1	70	1	C43	CAP 18 PF 100V 5% D.W.	1002608		9
1		STAND OFF 1/4 X 3/8		9008213	71	13	C41, C42, C46, C49, C60-C67, C70	CAP 47 UF 20V 10% S. TANT	1004814		10
1		SCREW (PHILLIPS PAN HEAD) 4-40 X 1/16		9006014-1	72	1	D1	CAP 8.8UF 35V 10% S. TANT	1005308		11
1	R31	RES 19.6K 1/8W 1%		1309419	73	109	D9, D12, D17, D27-D130, D132, D150	DIODE ZENER IN753A 6.2V ± 1%	1102421-1		12
AR	WI-WT	WIRE #22 AWG (SOLID)		9107560-1	74	1	D18	DIODE ZENER IN924B 18V ± 10%	1110766		14
1	R91	RES 180Ω 1/4W 5%		1301322	75	1	D5	DIODE ZENER IN749A 4.3V ± 5%	1109917		15
1	D133	DIODE ZENER IN752A 5.6V ± 1%		1102808-1	76	1	D131	DIODE ZENER IN754A 6.8V ± 5%	1109991		16
1	R92	RES 150Ω 1/4W 5%		1300250	77	1	D151	DIODE ZENER IN750A 4.7V ± 5%	1100124		17
2	C47, C56	CAP .022UF 50V		1011683	78	1		HANDLE ASSY	1210711-2		18
1	RT1	THERMISTOR 300Ω ± 2%		1309785	79	2	R18, R24	RES 100 1/4W 5%	1300229		19
1	R102	RES 330Ω 1/4W 5%		1300295	80	12	R69-R71, R78-R79, R84-R86	RES 220 1/2W 5%	1300274		20
1	Q11	TRANS. DEC 4258		1505321	81	1	R101	RES 220 2W 10%	1300278		21
1	E3	I.C. DEC 74H20		1905635	82	12	R65-R68, R72-R75, R80-R83	RES 270 1/2W 5%	1300285		22
1	R7	RES. 9.09K 1/8W 1%		1304855	83	2	R21, R27	RES 470 1/4W 5%	1300318		23
1	R103	RES. 75Ω 1W 5%		1305281	84	2	R3, R16	RES 1K 1/4W 5%	1300385		24
A/R		WIRE #30		9105740-55	85	1	R23	RES 1K 1/2W 5%	1300364		25
						1	R2	RES 4.7K 1/4W 5%	1300447		26
						1	R17	RES 10 1/4W 5%	1301317		27
						1	R89	RES 92Ω 1/4W 5%	1301477		28
						4	R61-R64	RES 10Ω-25 10%	1300172		29
						1	R22	RES 22K 1/4W 5%	1301808		30
						1	R12	RES 270 1/4W 5%	1301972		31
						4	R54, R58, R59, R60	RES 18 1/4W 5%	1302124		32
						4	R53, R55, R57, R59	RES 75 1/4W 5%	1302379		33
						4	R25, R26, R52, R20	RES 2K 1/4W 5%	1302388		34
						2	R1, R6	RES 470K 1/4W 5%	1302398		35
						1	R29	RES 120K 1/4W 5%	1300639		36
						2	R32, R8	RES 10K 1/8W 1%	1302888		37
						2	R28, R30	RES 14.7K 1/8W 1%	1302941		38
						1	R9	RES 2871/8W 1%	1305124		39
						1	R10	RES 198 1/8W 1%	1302958		40
						1	R35	RES 3.16K 1/8W 1%	1303045		41
						1	R34	RES 34.8K 1/8W 1%	1303158		42
						1	R14	RES 243K 1/8W 1%	1304843		43
						1	R11	RES 2.61K 1/8W 1%	1303303		44
						2	R15, R33	RES 68.1K 1/8W 1%	1305252		45
						1	R13	RES 121K 1/8W 1%	1305255		46
						2	R4, R5	RES .25 3W 1%	1310219		47
						1	R19	RES .08 5W 5%	1310983		48
						1	R90	RES 56Ω 1/4W 5%	1302402		49
						1	Q14	TRANS DEC 2904A	1501913		50
						1	Q13	TRANS DEC 6534B	1503409-1		51
						1	Q12	TRANS DEC 4920	1509805		52
						6	Q1-04, 09, 010	TRANS DEC 3725	1510959		53
						1	T1	PULSE TRANSFORMER (DIP)	1303951		54
						2	T2, T3	SATURATING TRANSFORMER-XY	1810362		55
						2	L1, L2	CHOKE 403 UH	1810383		56
						2	E27, E28	IC DEC 74154	1909701		57
						2	E19, E32	IC DEC 7442	1910048		58
						1	E4	IC DEC 74121	1910230		59
						2	E1, E2	IC DEC 741	1910298		60
						2	E5, E8	IC DEC 74H00	1909056		61

REVISIONS		
CHK	CHANGE NO	REV.

TITLE: 16K X-Y DRIVE  
 SCALE: 1/1 SHEET 3 OF 6  
 SIZE CODE: DCS  
 NUMBER: G235-0-1  
 DIST.:



8  
7  
6  
5  
4  
3  
2  
1

This drawing and specification, herein, are the property of Digital Equipment Corporation and shall not be reproduced or copied in whole or in part as the basis for the manufacture or sale of items without written permission.

COPYRIGHT © 1973 DIGITAL EQUIPMENT CORP

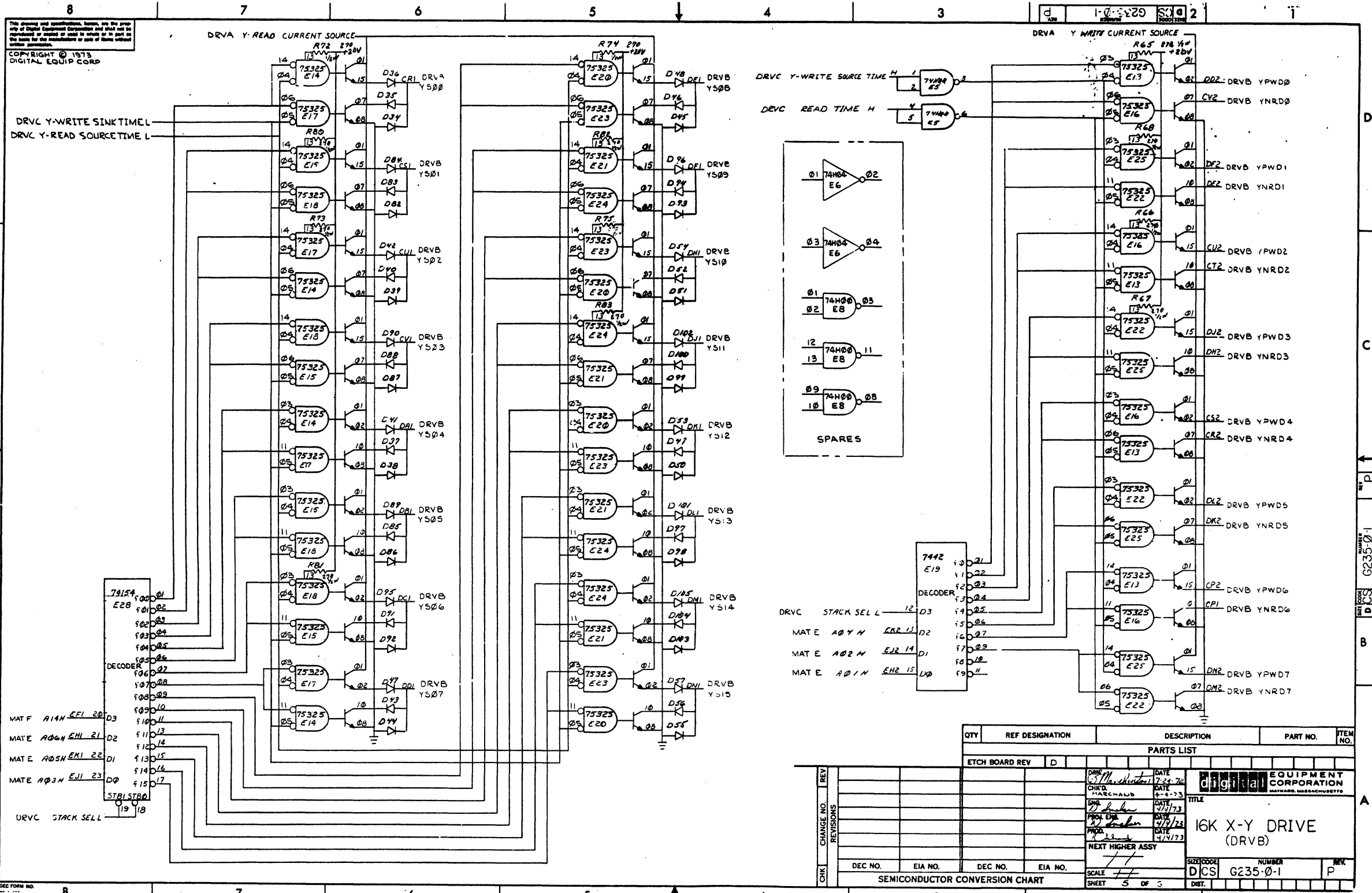
D  
C  
B  
A

MAT F A10H D01 20  
MAT F A12H E01 21  
MAT F A11H E01 22  
MAT F A10H E01 23

DEC FORM NO. DRD-133

QTY	REF DESIGNATION	DESCRIPTION	PART NO.	ITEM NO.
PARTS LIST				
ETCH BOARD REV D				
DRW	DATE 7-12-72	EQUIPMENT CORPORATION		
CHKD	DATE 8-4-73	MAYNARD, MASSACHUSETTS		
ENG	DATE 7/17/73	TITLE		
PRD	DATE 8/17/73	16K X-Y DRIVE (DRVC)		
REV	DATE 11/1/73	NEXT HIGHER ASSY		
SCALE	NUMBER	SIZE	CODE	REV
DEC NO.	EIA NO.	DEC NO.	EIA NO.	DCS
SEMICONDUCTOR CONVERSION CHART		SHEET 4 OF 6		DIST.





This drawing and specifications, herein, are the property of Digital Equipment Corporation and shall not be reproduced or used in whole or in part as the basis for the construction or sale of items without written permission.

COPYRIGHT © 1973  
DIGITAL EQUIP CORP

DRVC Y-WRITE SINKTIME L  
DRVC Y-READ SOURCE TIME L

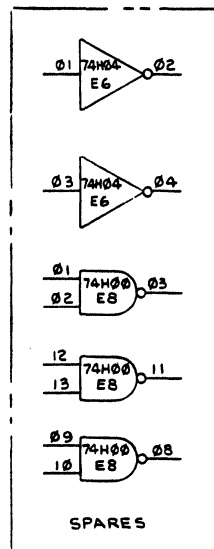
74154  
E28

DECODER

MAT F A04H E1 20 D3  
MATE A06H E11 21 D2  
MATE A05H E11 22 D1  
MATE A03H E11 23 D0

STR1STR0  
19 18

DRVC STACK SEL L



7442  
E19

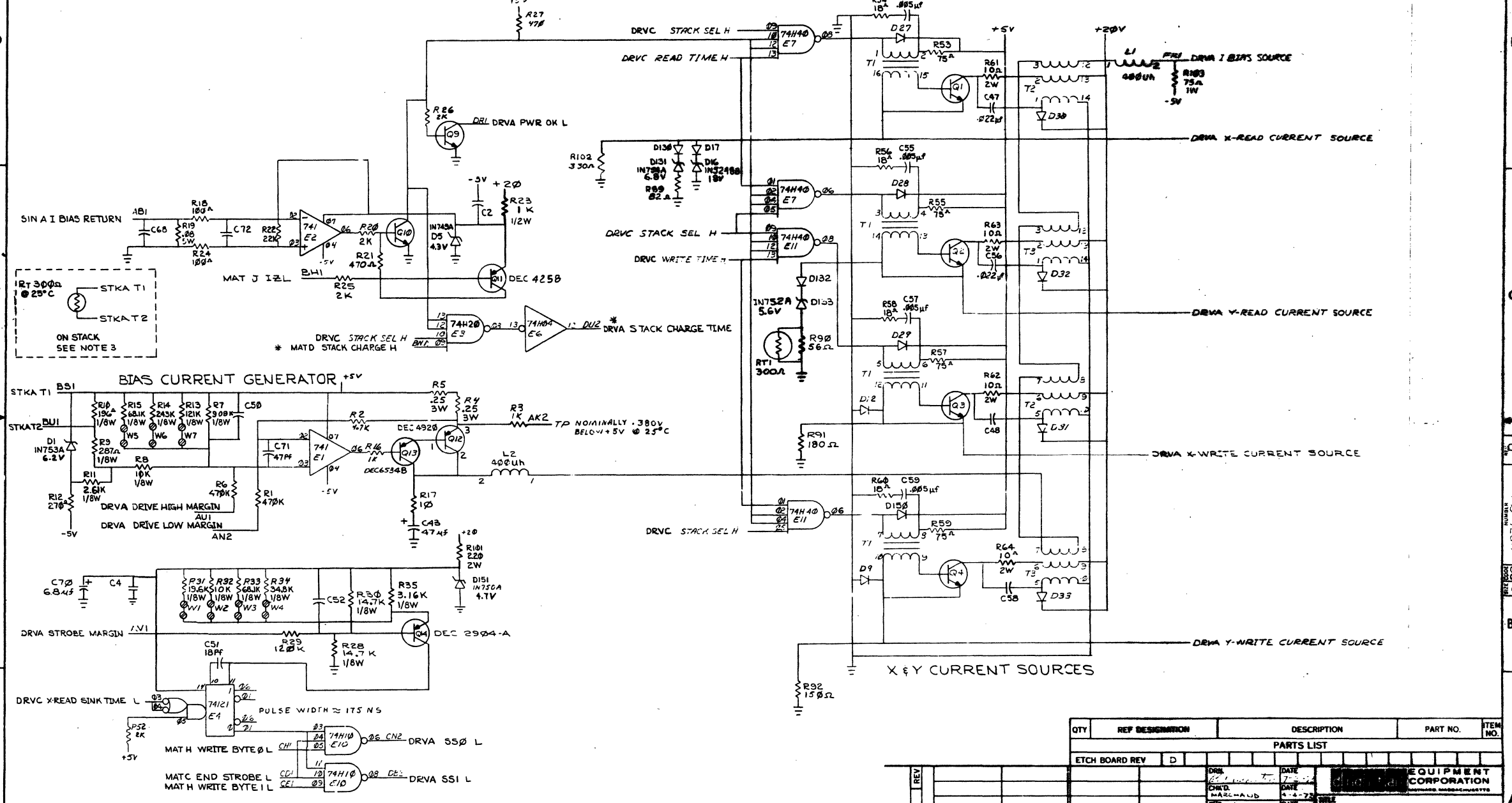
DECODER

DRVC STACK SEL L 12 D3  
MATE A04H E12 13 D2  
MATE A02H E12 14 D1  
MATE A01H E12 15 D0

QTY	REF DESIGNATION	DESCRIPTION	PART NO.	ITEM NO.
PARTS LIST				
	ETCH BOARD REV D			
REV	CHANGE NO	DATE	DIGITAL EQUIPMENT CORPORATION MAYNARD, MASSACHUSETTS	
1		7-24-76	16K X-Y DRIVE (DRV)	
2		8-1-73		
3		9/17/73		
4		11/19/73		
5		4/4/73		
DEC NO.	EIA NO.	DEC NO.	EIA NO.	SCALE
				DIST.
SEMICONDUCTOR CONVERSION CHART				
5		5		

This drawing and specifications, herein, are the property of Digital Equipment Corporation and shall not be reproduced or used in whole or in part as the basis for the manufacture or sale of items without written permission.

COPYRIGHT © 1973  
DIGITAL EQUIP CORP



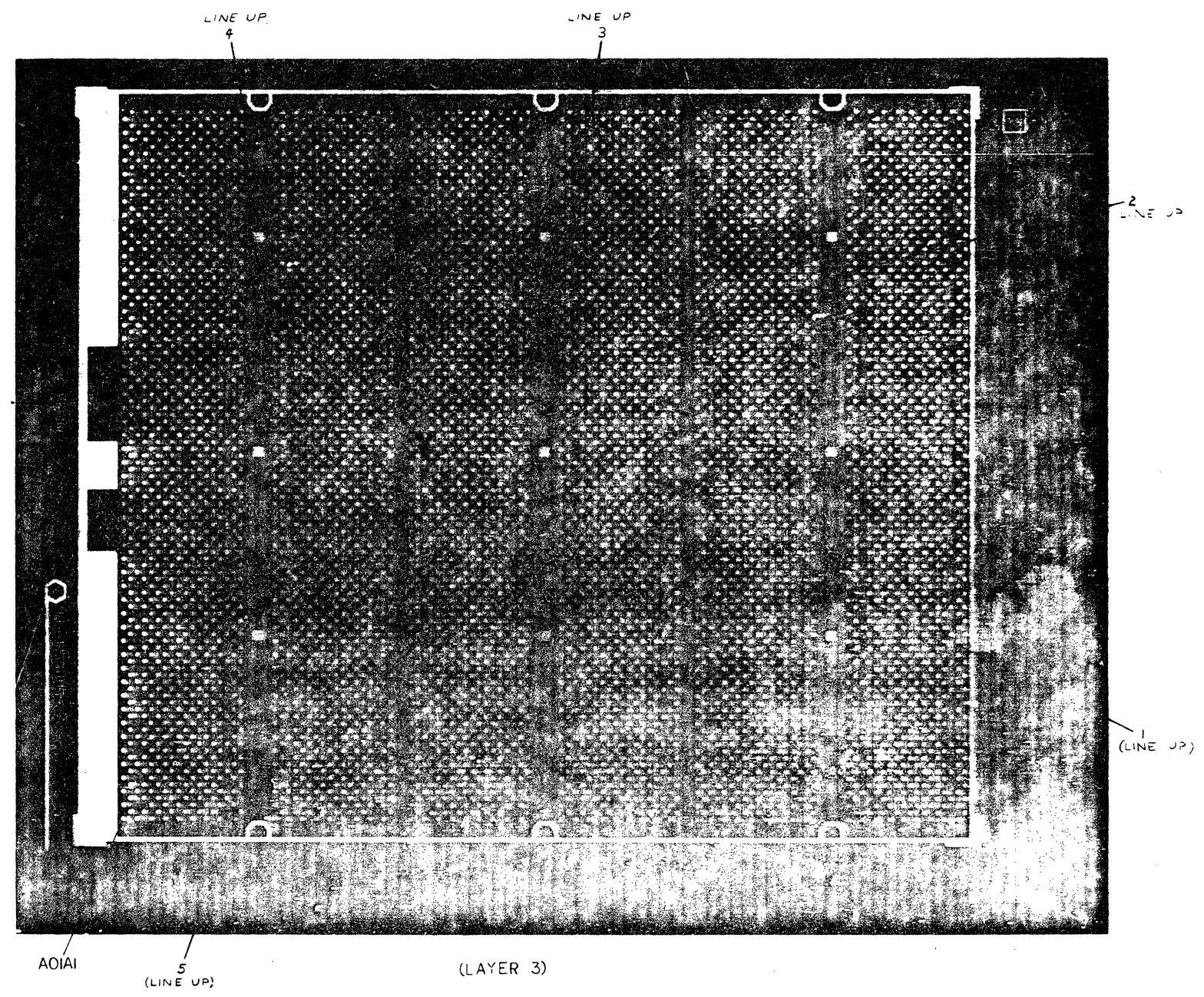
QTY	REF DESIGNATION	DESCRIPTION	PART NO.	ITEM NO.
PARTS LIST				
1	D	DRVA		
EQUIPMENT CORPORATION				
16K X-Y DRIVE (DRVA)				
SEMICONDUCTOR CONVERSION CHART				
DEC NO.	EIA NO.	DEC NO.	EIA NO.	SCALE
				6-7-6
SHEET 6 OF 6				

59A



THIS DRAWING AND SPECIFICATIONS HEREIN ARE THE PROPERTY OF DIGITAL EQUIPMENT CORPORATION AND SHALL NOT BE REPRODUCED OR COPIED OR USED IN WHOLE OR IN PART AS THE BASIS FOR THE MANUFACTURE OR SALE OF ITEMS WITHOUT WRITTEN PERMISSION. COPYRIGHT © 1977 DIGITAL EQUIPMENT CORPORATION

NOTE:  
 1. ITEMS 1 THRU 5 INDICATE NON SYMMETRICALLY PLACED INNER LAYER "LINE-UP" HOLES. THESE FIVE HOLES (OR 9 FHS) SHALL BE USED FOR INNER LAYER ALIGNMENT AND APPEAR ONLY ON THE INNER LAYERS. DRILL DATA IS CONTAINED ON A SEPARATE DRILL TAPE.

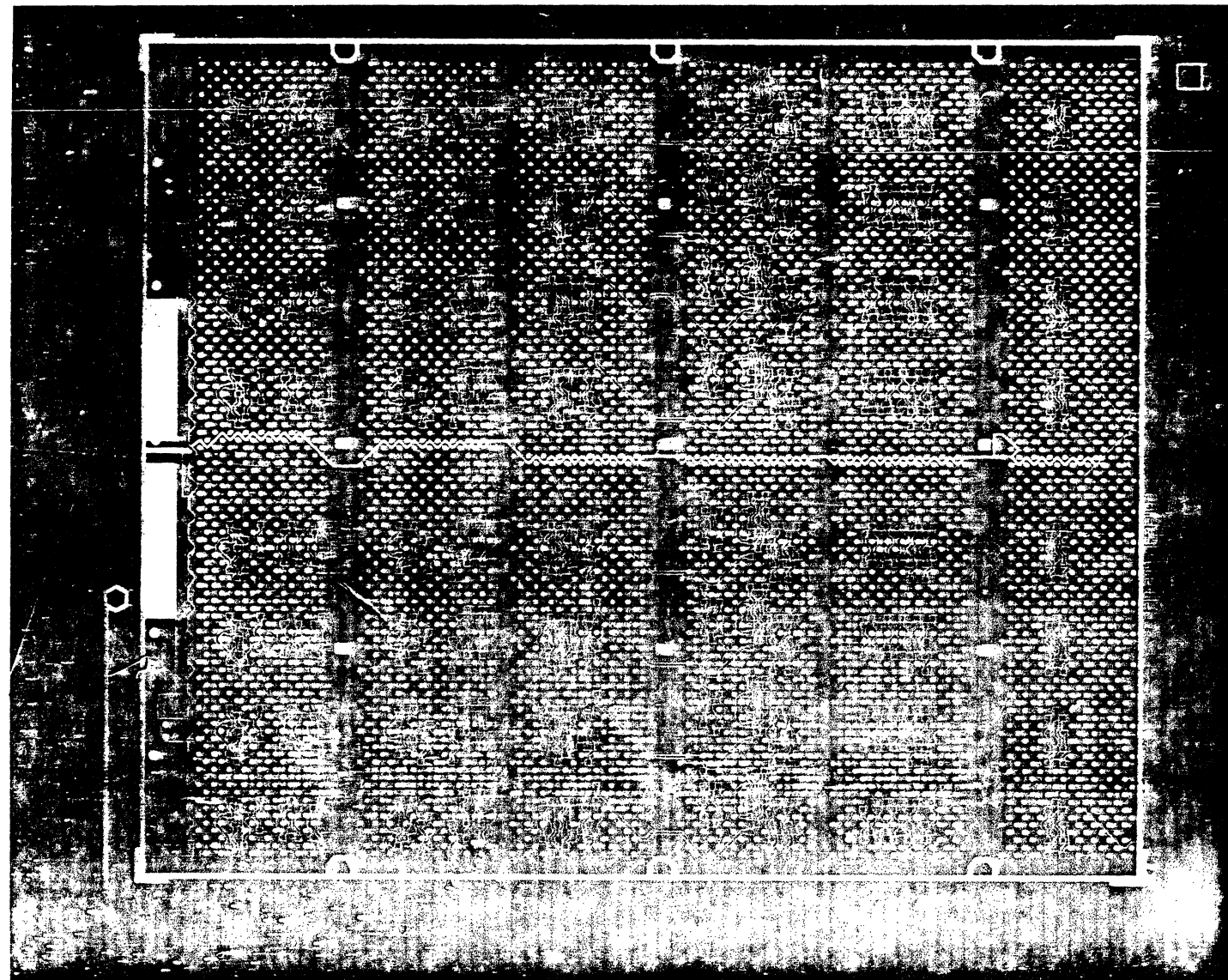


REVISIONS		
CHK	CHANGE NO.	REV.

TITLE: CIRCUIT SCHEMATIC BACKPLANE ASSY (MEMORY)  
 SIZE CODE: D CS  
 NUMBER: 5411553-0-1  
 SHEET 2 OF 4  
 2

594

THIS DRAWING AND SPECIFICATIONS, HEREIN, ARE THE PROPERTY OF DIGITAL EQUIPMENT CORPORATION. NO PART SHALL BE REPRODUCED OR COPIED OR USED IN WHOLE OR IN PART AS THE BASIS FOR THE MANUFACTURE OR SALE OF ITEMS WITHOUT WRITTEN PERMISSION. COPYRIGHT © 1977 DIGITAL EQUIPMENT CORPORATION



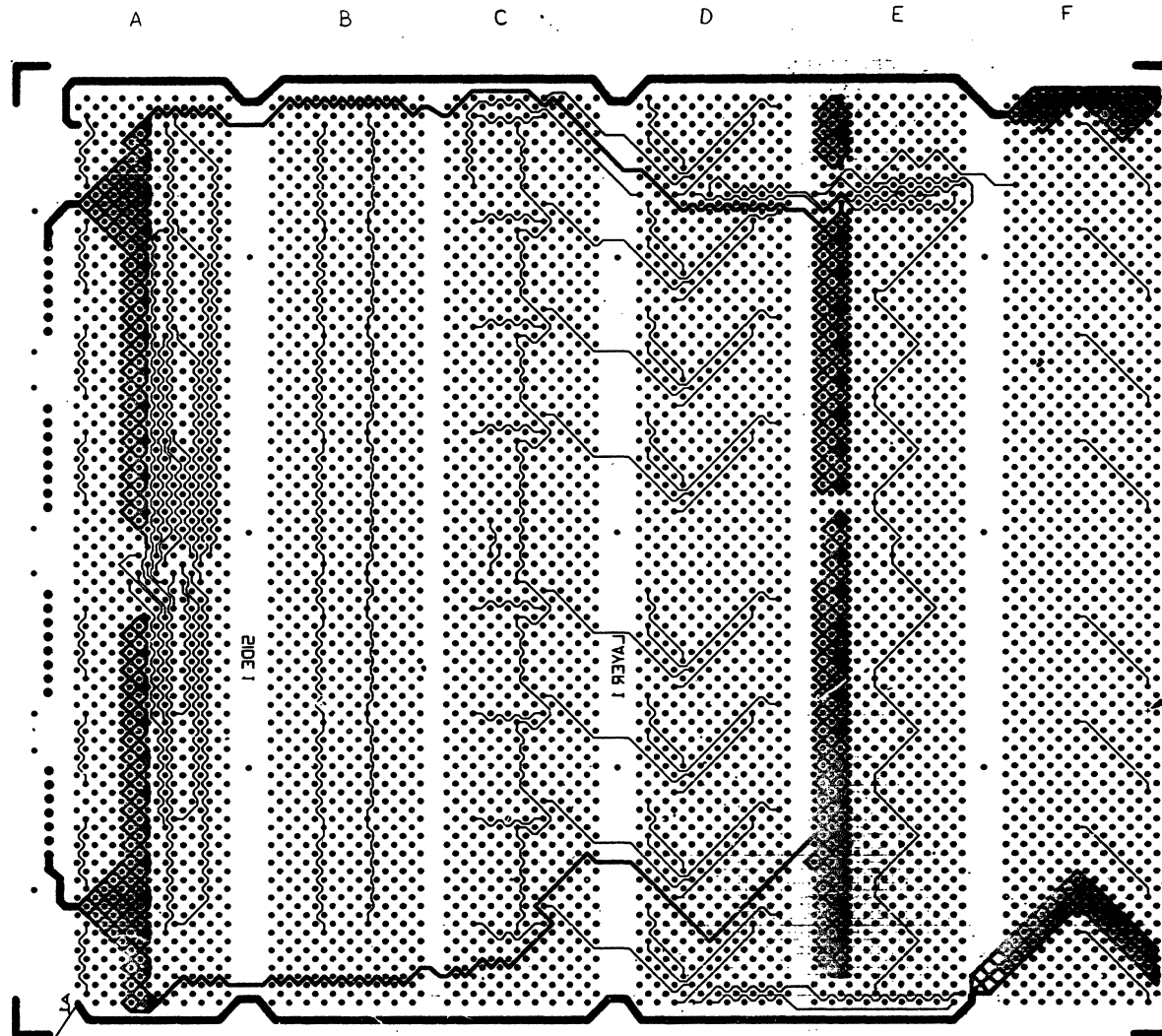
(LAYER 2)

REVISIONS		
CHK	CHANGE NO.	REV.

TITLE	CIRCUIT SCHEMATIC	SIZE/CODE	NUMBER	REV.
	BACKPLANE ASSY (MEMORY)	D CS	5411553-0-1	D
SCALE	1/1	SHEET	3 OF 4	DIST

"THIS DRAWING AND SPECIFICATIONS HEREIN ARE THE PROPERTY OF DIGITAL EQUIPMENT CORPORATION AND SHALL NOT BE REPRODUCED OR COPIED OR USED IN WHOLE OR IN PART AS THE BASIS FOR THE MANUFACTURE OR SALE OF ITEMS WITHOUT WRITTEN PERMISSION. COPYRIGHT © 1977 DIGITAL EQUIPMENT CORPORATION"

26



THIS CROSS HAIR IS FOR REFERENCE ONLY AND MUST BE SCRAPPED FROM THE ARTWORK PRIOR TO PRODUCTION.

A01A1

(LAYER 1)

REVISIONS		
CHK	CHANGE NO.	REV.

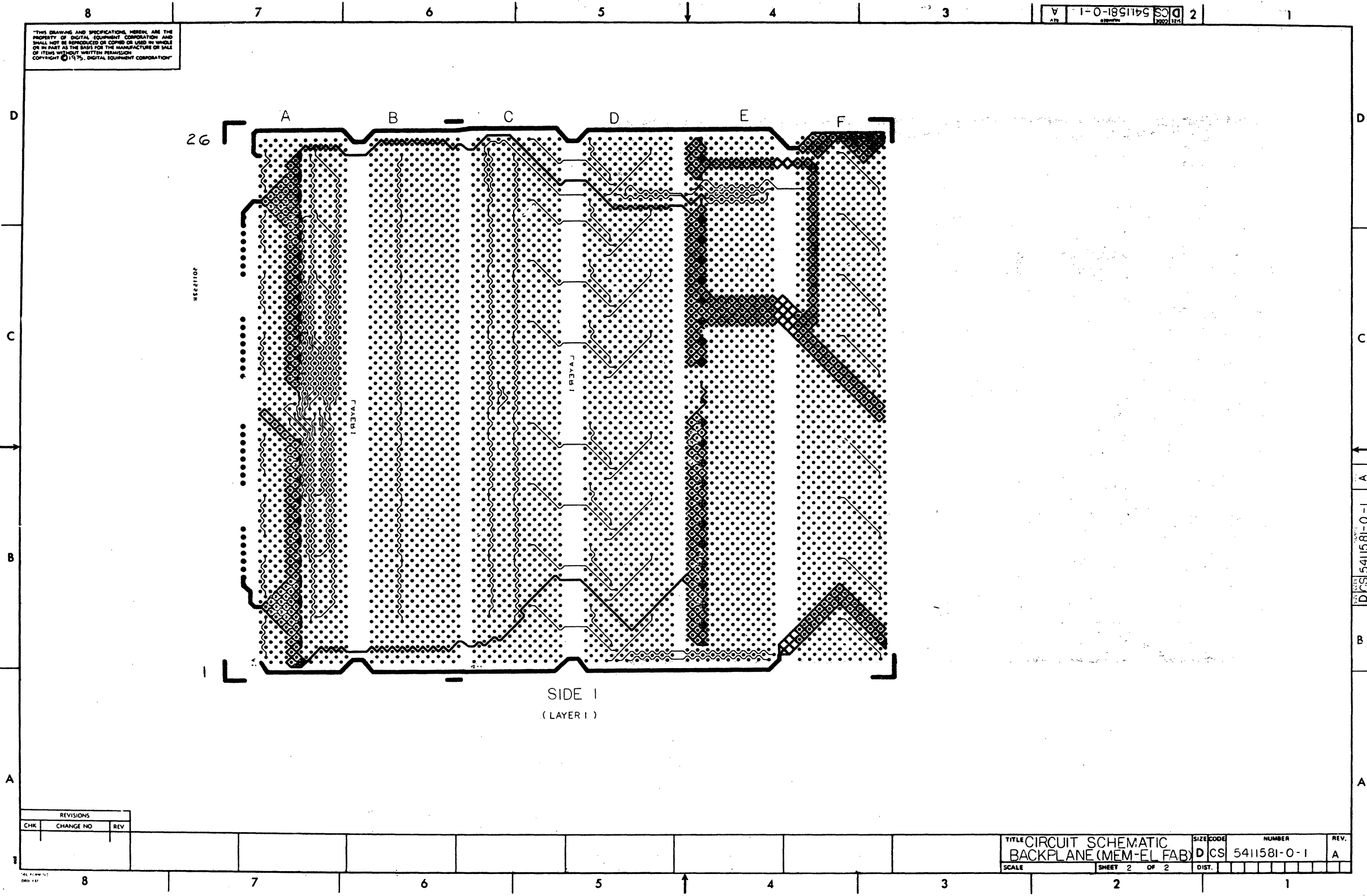
TITLE	CIRCUIT SCHEMATIC	SIZE	CODE	NUMBER	REV.
	BACKPLANE ASSY (MEMORY)	D	CS	5411553-0-1	D
SCALE	1/1	SHEET	4	OF 4	DIST.

598



THIS DRAWING AND SPECIFICATIONS HEREIN ARE THE PROPERTY OF DIGITAL EQUIPMENT CORPORATION AND SHALL NOT BE REPRODUCED OR COPIED OR USED IN WHOLE OR IN PART AS THE BASIS FOR THE MANUFACTURE OR SALE OF ITEMS WITHOUT WRITTEN PERMISSION. COPYRIGHT © 1975, DIGITAL EQUIPMENT CORPORATION

DCS 5411581-0-1



SIDE 1  
(LAYER 1)

REVISIONS		
CHK	CHANGE NO	REV

TITLE	CIRCUIT SCHEMATIC BACKPLANE (MEM-EL FAB)	SIZE CODE	DCS	NUMBER	5411581-0-1	REV.	A
SCALE	SHEET 2 OF 2	DIST.					

600

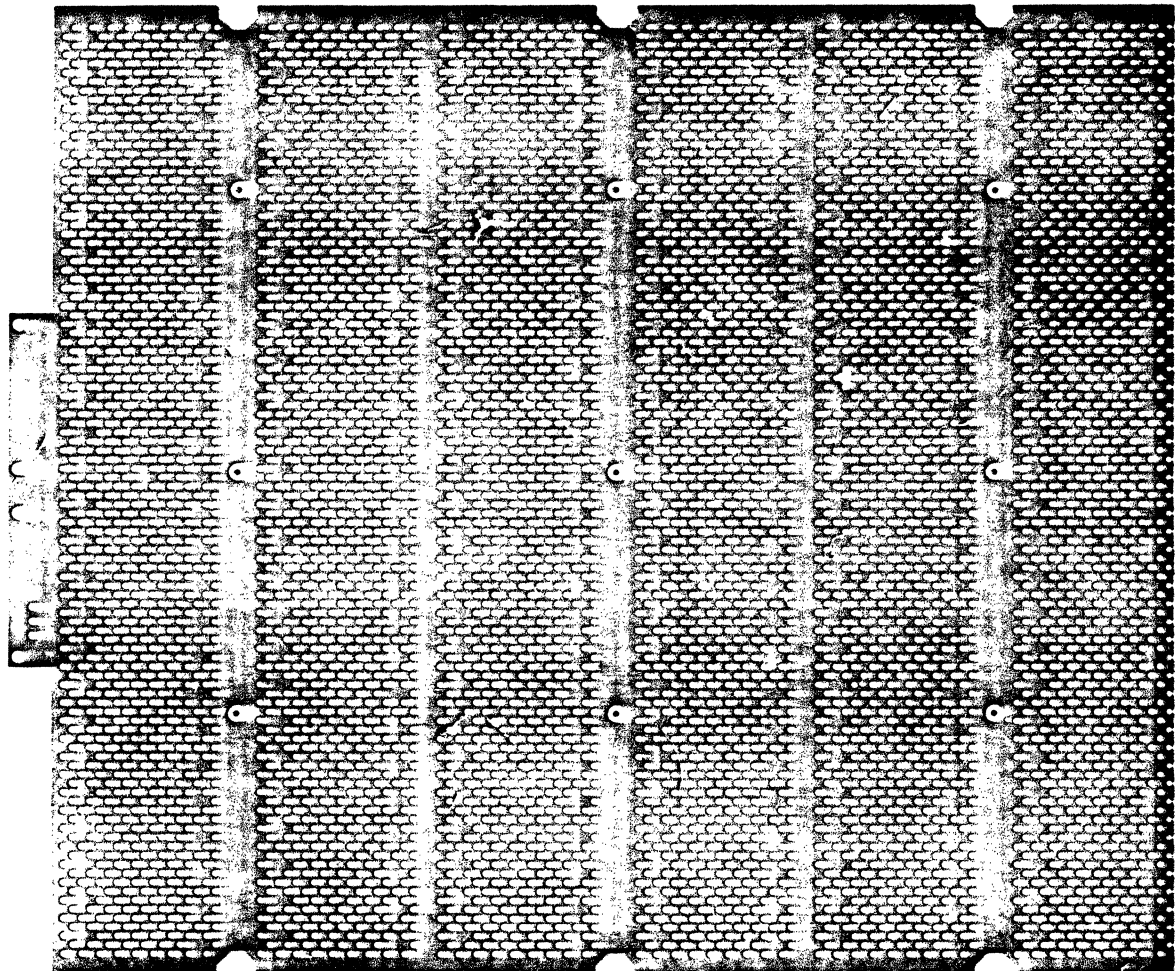




THIS DRAWING AND SPECIFICATIONS HEREIN ARE THE PROPERTY OF DIGITAL EQUIPMENT CORPORATION AND SHALL NOT BE REPRODUCED OR COPIED OR USED IN WHOLE OR IN PART AS THE BASIS FOR THE MANUFACTURE OF ANY OF ITEMS WITHOUT WRITTEN PERMISSION. COPYRIGHT © 1974, DIGITAL EQUIPMENT CORPORATION.

DCS 541583-0-1 2

26



A01A1

SIDE 1  
(LAYER 3)

DCS 541583-0-1 A

REVISIONS		
CHK	CHANGE NO	REV

TITLE: CIRCUIT SCHEMATIC  
 BACK PLANE (MEMORY-EL FAB) DCS 541583-0-1  
 SCALE: 1/1 SHEET 2 OF 2

602

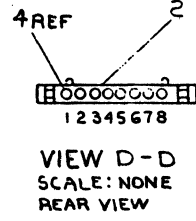
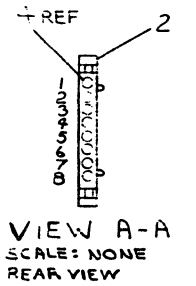
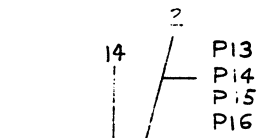
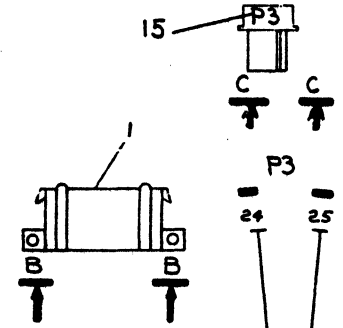
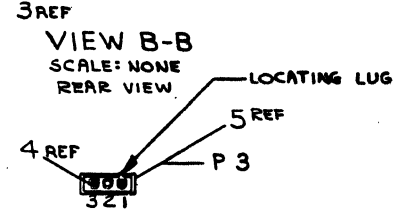
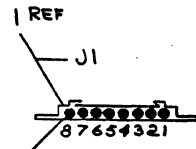
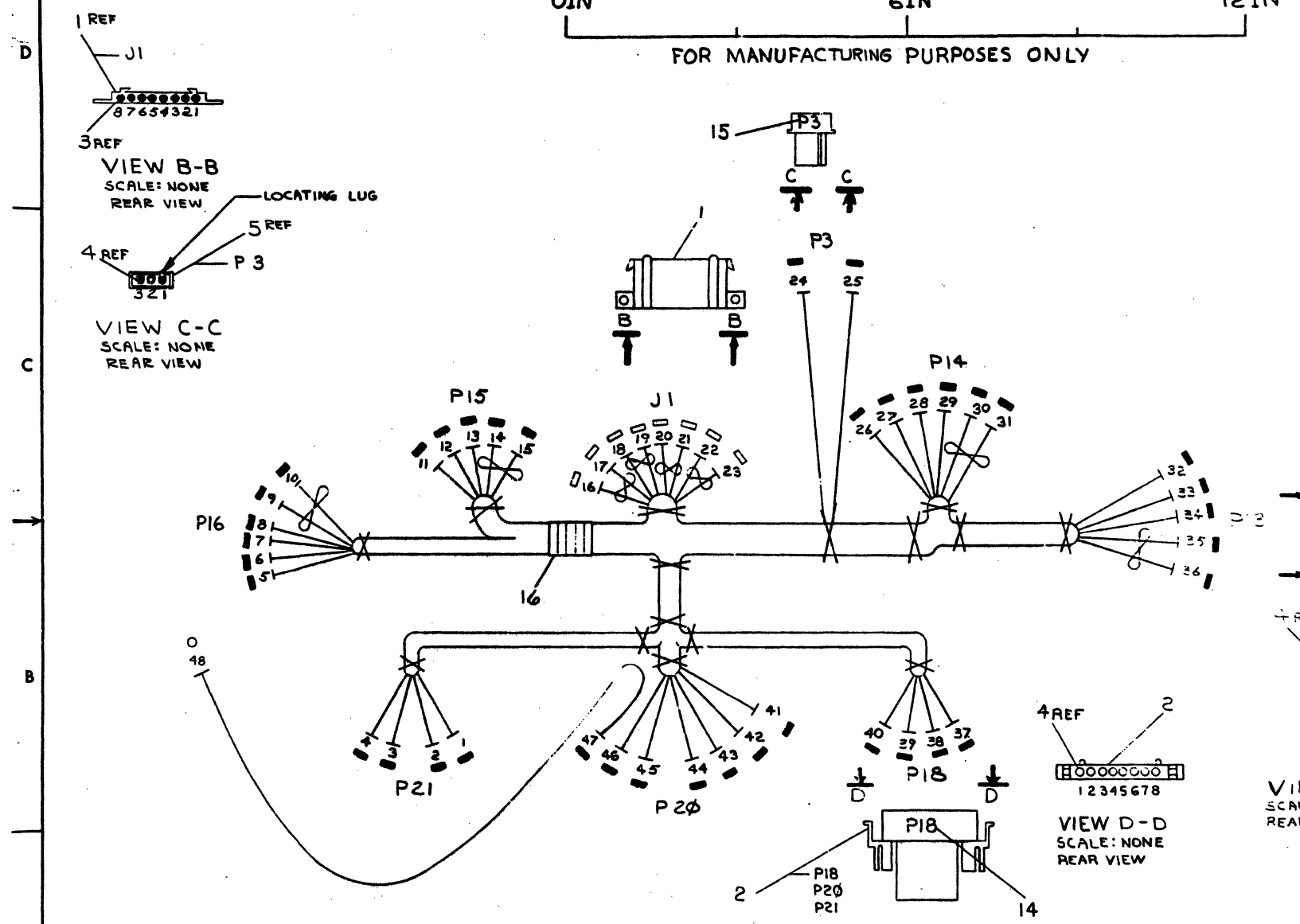
THIS DRAWING AND SPECIFICATIONS HEREIN ARE THE PROPERTY OF DIGITAL EQUIPMENT CORPORATION AND SHALL NOT BE REPRODUCED OR COPIED OR USED IN WHOLE OR IN PART AS THE BASIS FOR THE MANUFACTURE OR SALE OF ITEMS WITHOUT WRITTEN PERMISSION. COPYRIGHT © 1974, DIGITAL EQUIPMENT CORPORATION.

DO NOT REDUCE SCALE

FOR MANUFACTURING PURPOSES ONLY

NOTES:

- 1. USE TIE, CABLE (X) (ITEM #13) APPROXIMATELY EVERY THREE (3) INCHES WHEN NECESSARY, AND AT EVERY BREAKOUT POINT.



QTY.	DESCRIPTION	PART NO.	ITEM NO.
1	SERIAL TAG	9009532-00	16
A/R	PWR HARN. DECALS (J)	A-DC-7409873-0-0	15
A/R	PWR HARN. DECALS (P)	A-DC-7409872-0-0	14
A/R	TIE, CABLE	9007880	13
A/R	WIRE #14 AWG. TWP. RED/WHT	9107440-29	12
A/R	WIRE #14 STRD. INS. BLK	9107370-00	11
A/R	WIRE #14 STRD. INS. RED	9107370-22	10
A/R	WIRE #14 STRD. INS. ORN	9107370-33	9
A/R	WIRE #14 STRD. INS. BRN	9107370-11	8
A/R	WIRE #18 STRD. INS. BLK	9107360-00	7
0	1 TERMINAL #10 HOLE	9007930-00	6
1	CONN. MALE 3 PINS	1209351-03	5
39	TERMINAL (MALE)	1209378-01	4
8	TERMINAL (FEMALE)	1209379-01	3
7	CONN. MALE 3 PINS	1209340-01	2
1	CONN. FEMALE 3 PINS	1209340-00	1

REV.	DATE	BY	CHKD.
1	10/05/74	P. DUBRE	
2	11/15/74	G. WILSON	
3	12/10/74	G. WILSON	
4	01/10/75	G. WILSON	
5	02/10/75	G. WILSON	
6	03/10/75	G. WILSON	
7	04/10/75	G. WILSON	
8	05/10/75	G. WILSON	

FIRST USED ON OPTION/MODEL		DRN. X. 12/24/74	DATE 12-24-74
DIMENSIONAL TOLERANCE		CHKD. B. J.	DATE 11/17/74
DIMENSIONS ARE UNLESS OTHERWISE SPECIFIED		ENG. J. H.	DATE 11/17/74
MILLIMETERS		PROJ. A. J.	DATE 11/17/74
±0.13	±0.254	TITLE PWR. HARNESS (MJ11-A)	
±0.25	±0.508	SIZE CODE DIA 7010580-0-0	
±0.50	±1.27	NUMBER 1	
±1.00	±2.54	REV. B	
THIRD ANGLE PROJECTION	REMOVE BURRS AND BREAK SHARP CORNERS SURFACE QUALITY	MATERIAL SEE PARTS LIST	
FINISH		SCALE 1/1	
NEXT HIGHER ASSY.		SHEET 1 OF 2	

8 0-0-0580ICZ DIA 2

WIRE TABLE

ITEM NO	DESCRIPTION			FROM			TO		
	AWG	COLOR	POINT	CONNECTION	WITH	POINT	CONNECTION	WITH	
10	14	RED	1	P21-8	4	5	P16-2	4	
10		RED	2	P21-7		8	P16-5		
9		ORN	3	P21-4		13	P15-5		
8		BRN	4	P21-1		12	P15-3		
11		BLK	6	P16-3		43	P20-6		
11		BLK	7	P16-4		41	P20-8		
12		RED	9	P16-6		16	J1-8	3	
TWP		WHT	10	P16-7		17	J1-7	3	
11		BLK	11	P15-2		42	P20-7	4	
12		RED	14	P15-7		18	J1-6	3	
TWP		WHT	15	P15-8	4	19	J1-5	3	
12		RED	20	J1-4	3	30	P14-6	4	
TWP		WHT	21	J1-3	3	31	P14-7		
12		RED	22	J1-2	3	35	P13-7		
TWP	14	WHT	23	J1-1	3	36	P13-8		
7	18	BLK	24	P3-3	4	25	P3-1		
10	14	RED	26	P14-2		39	P18-2		
11		BLK	27	P14-3		44	P20-5		
11		BLK	28	P14-4		45	P20-4		
10		RED	29	P14-5		40	P18-1		
11		BLK	32	P13-2		46	P20-3		
8		BRN	33	P13-3		37	P18-8		
9	14	ORN	34	P13-5		38	P18-5	4	
7	18	BLK	47	P20-2	4	48		6	

THIS DRAWING AND SPECIFICATIONS HEREIN ARE THE PROPERTY OF DIGITAL EQUIPMENT CORPORATION AND SHALL NOT BE REPRODUCED OR COPIED OR USED IN WHOLE OR IN PART AS THE BASIS FOR THE MANUFACTURE OR SALE OF ITEMS WITHOUT WRITTEN PERMISSION. COPYRIGHT © 1974 DIGITAL EQUIPMENT CORPORATION.

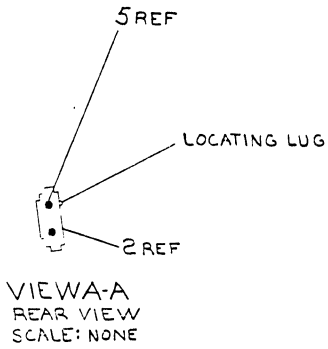
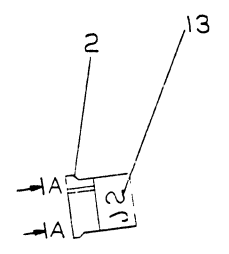
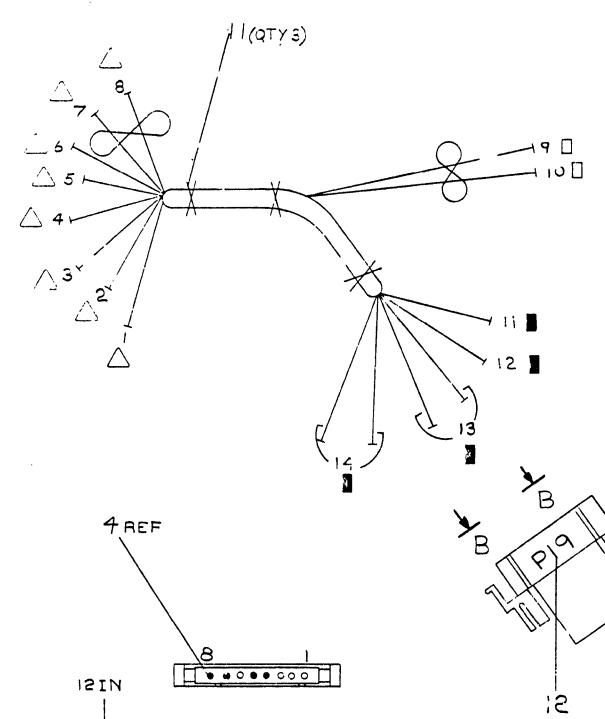
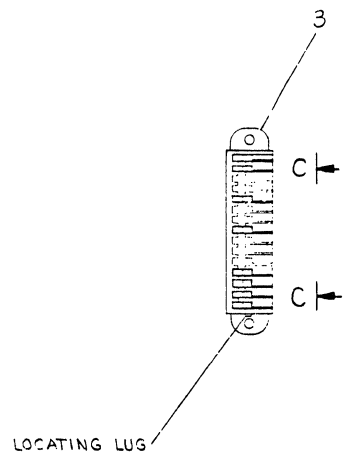
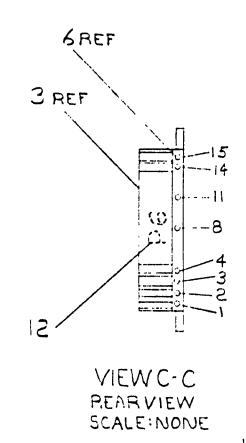
REVISIONS		
CHK	CHANGE NO	REV.

TITLE	PWR. HARNESS (MJ11-A)	SIZE CODE	DIA	NUMBER	7010580-00	REV.	B
SCALE	---	SHEET	2 OF 2	DIST.			

609

**WIRE TABLE**

ITEM NO	AWG	COLOR	FROM			TO		
			POINT	CONNECTION	TERM	POINT	CONNECTION	TERM
10	18	VIO	1	P6-1	6	13	P19-7	4
10		VIO	2	P6-2				
9		YEL	3	P6-3		14	P19-8	
9		YEL	5	P6-8				
8		BLK	4	P6-4		12	P19-5	
8		BLK	6	P6-11		11	P19-4	4
7		WHT	7	P6-14		10	J2-1	5
TWP	18	RED	8	P6-15	6	9	J2-2	5



DO NOT REDUCE SCALE

0 6IN 12IN

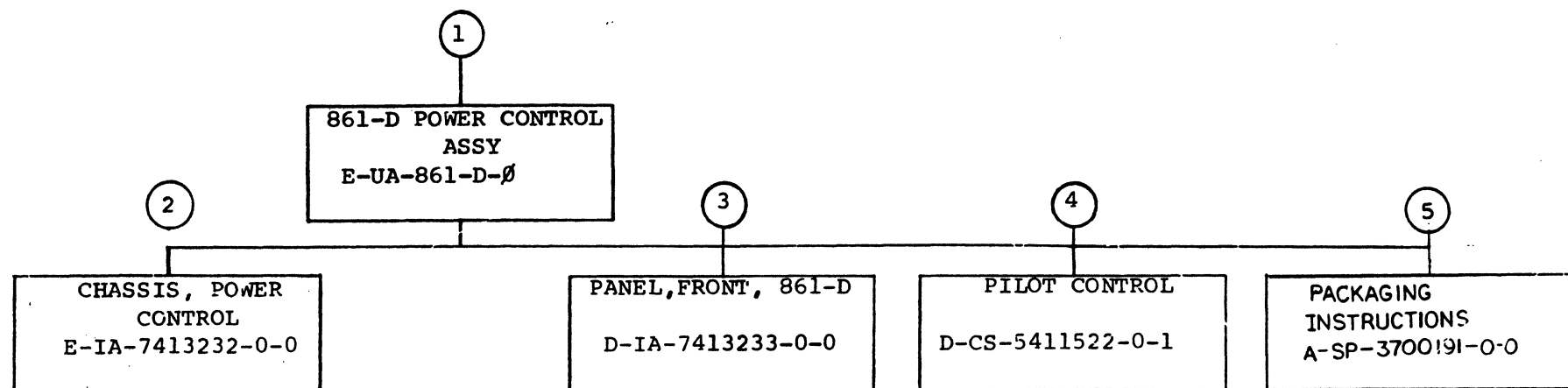
FOR MANUFACTURING PURPOSES ONLY

VIEW B-B REAR VIEW SCALE: NONE

A/R	PWR HARN. DECAL (J)	A-DC7401573-00	13
A/R	PWR HARN. DECAL (P)	A-DC7409872-00	12
3	TIE, CABLE	9007830	11
70"	WIRE, #18 AWG, VIOLET	9107360-77	10
70"	WIRE, #18 AWG, YEL	9107360-44	9
70"	WIRE, #18 AWG, BLK	9107360-00	8
70"	WIRE, TWP #18 AWG, RED/WHT	9107430-29	7
△	TERMINAL, RIGHT ANGLE	1210381	6
□	TERMINAL, FEMALE	1209379-01	5
■	TERMINAL, MALE	1209378-01	4
1	HOUSING, TERMINAL	1210380-07	3
1	CONN, 2 PIN FEMALE	1210521-2	2
1	CONN, 5 PIN MALE	1209340-11	1

OPTION / MODEL		SVM		DESCRIPTION		PART NO.		ITEM NO.		
MJ11-A										
UNLESS OTHERWISE SPECIFIED DIMENSION IN INCHES TOLERANCES		DWN		DATE		PARTS LIST		EQUIPMENT CORPORATION		
DECIMALS	ANGLES	CHK'D.	DATE	TITLE		WIRE HARNESS		A.C./D.C. LOW		
.XXX - .005	± 0° 30'			(MJ11-A)						
REMOVE BURRS AND BREAK SHARP CORNERS SURFACE QUALITY	PROG.	DATE	MATERIAL		NEXT HIGHER ASSY.		SCALE		SHEET	
SEE PARTS LIST	D-UA-MJ11-A-φ	DIA	70:015-1-00							
FINISH	1/1	SHEET	1 OF 1							





TITLE	SHEET	OF	SIZE	CODE	NUMBER	REV
861-D POWER CONTROL	2	3	B	DD	861-D	D

MECHANICAL					ELECTRICAL										
CUSTOMER PRINT SET	MFG. SET	FIND NO.	DRAWING NO.	REV	NO OF SHT	DESCRIPTION	OPTION NO./FILE DATE	CUSTOMER PRINT SET	MFG. SET	FIND NO.	DRAWING NO.	REV	NO OF SHT	DESCRIPTION	OPTION NO./FILE DATE
X		1	E-UA-861-D-0	F	2	861-D POWER CONTROL ASSY		X		1	B-DD-861-D	D	2	861-D POWER CONTROL ASSY	
X			A-PL-861-D-0	F	3	861-D POWER CONTROL ASSY P.L.		X			D-CS-861-D-1	*	1	861-D POWER CONTROL SCHEMATIC	
			C-MD-7413234-0-0		1	COVER, POWER CONTROL					A-SP-861-D-2		4	861-D TEST PROCEDURE	
			D-MD-7413419-0-0		1	BRACKET, STRAIN RELIEF									
			C-IA-7011052-0-0		1	MOV ASSY									
			C-IA-7011053-0-0		1	PILOT LAMP ASSY									
			D-IA-7010966-0-0		1	HARNESS #1, POWER CONTROL									
			D-IA-7010967-0-0		1	HARNESS #3, POWER CONTROL									
			D-IA-7010969-0-0		1	HARNESS #5, POWER CONTROL									
			D-IA-7010970-0-0		1	HARNESS #6, POWER CONTROL									
			C-IA-7010968-0-0		1	HARNESS #8, POWER CONTROL		X		4	D-CS-5411522-0-1	*	1	PILOT CONTROL	
			D-IA-7010972-0-0		1	JUMPER, WIRE					K-CO-5411522-0-4			DRILL TAPE	
			A-DC-7416582-0-1		1	DECAL (NOT FOR EXTERNAL LOADS)					B-MH-5411522-0-6			MODULE ECO HISTORY	
			A-SP-861-0-3			ENGINEERING SPEC 861/866					A-SP-5411522-0-7			PILOT CONTROL TEST PROCEDURE	
											D-AH-5411522-0-5			ASSY DRILL HOLE LAYOUT	
		2	E-IA-7413232-0-0		2	CHASSIS, POWER CONTROL									
			B-SS-7413232-0-1		1	SILK SCREEN, CHASSIS									
		3	D-IA-7413233-0-0		2	PANEL, FRONT, 861-D									
			B-SS-7413233-0-1		1	SILK SCREEN, FRONT PANEL, 861-D									
X		5	A-SP-3700191-0-0	-	2	PACKAGING INSTRUCTIONS, 861-D									
			A-PS-9905726-0-0	-	2	FULL OVERLAP CARTON									
			A-PS-9905727-0-0	-	2	LAMINATED BUILDUP									
			A-PS-9905729-0-0	-	1	TAPE - GLASFLEX									

CUSTOMER PRINT SET CODES  
X = PRINT OF DOCUMENT INCLUDED IN PRINT SET  
C = INCLUDES ALL PRINTS INDICATED ON DOCUMENT  
S = CONFIDENTIAL AUTHORIZED SIGNATURE REQUIRED

TITLE  
861-D POWER CONTROL

SHEET 3 OF 3  
SIZE CODE B DD  
NUMBER 861-D

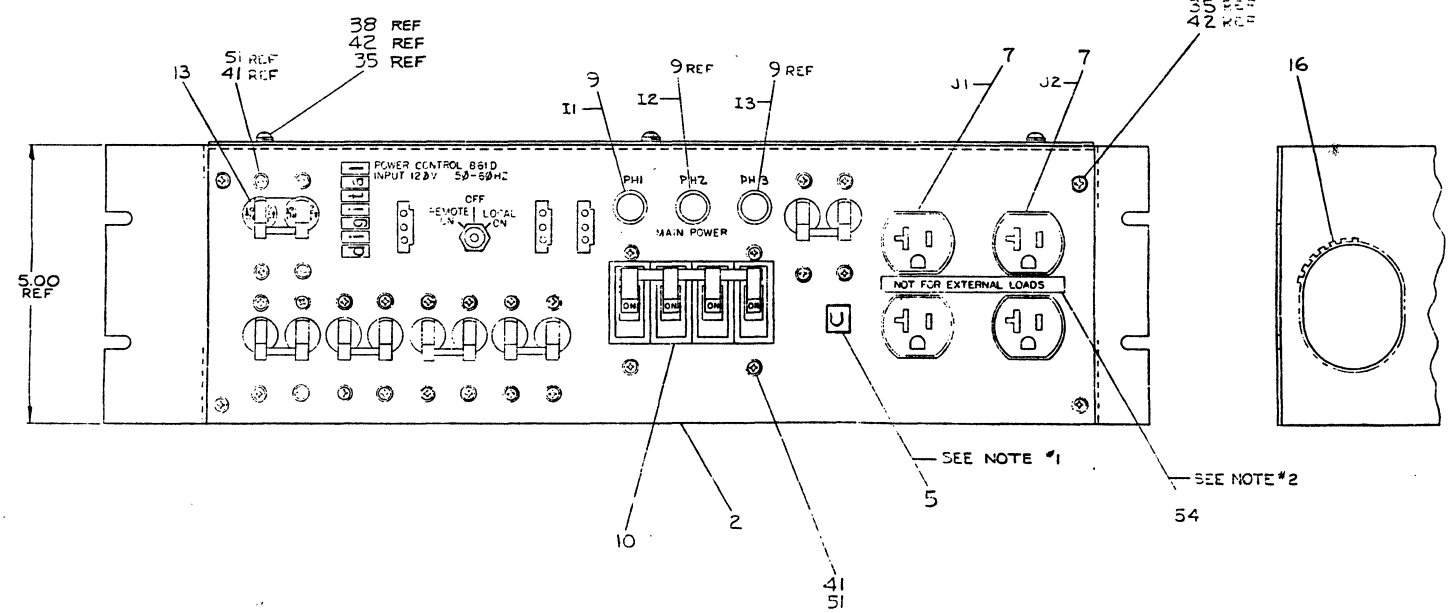
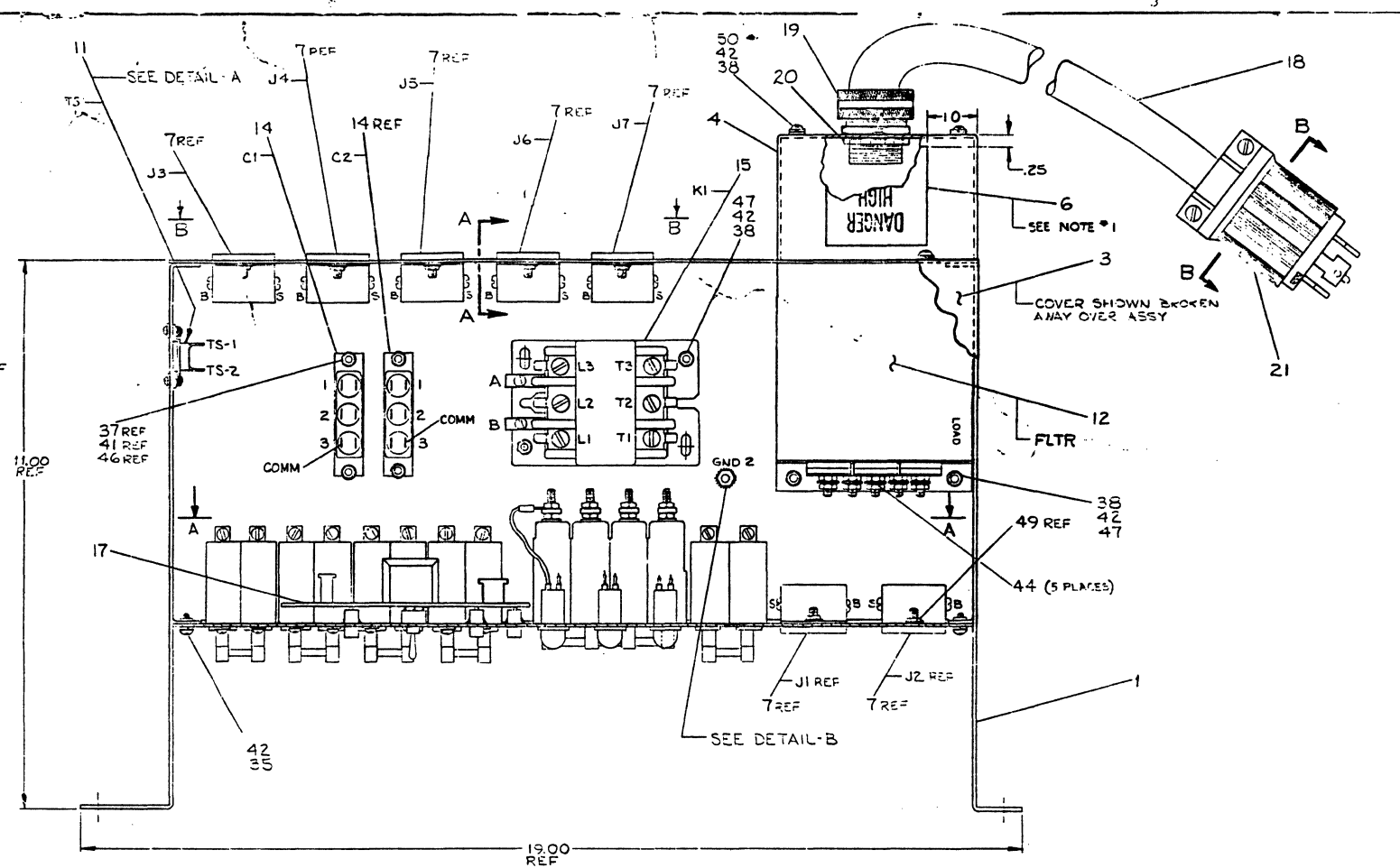
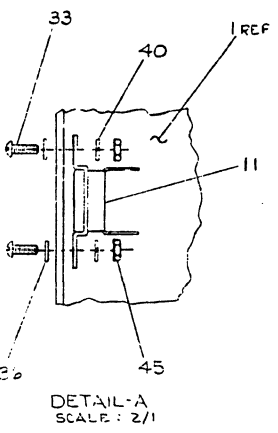
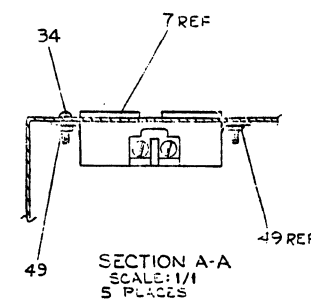
REV D

608



ALL DIMENSIONS AND SPECIFICATIONS, HEREIN, ARE THE PROPERTY OF THE U.S. GOVERNMENT. REPRODUCTION AND DISTRIBUTION IS UNLIMITED. THIS DRAWING IS THE PROPERTY OF THE U.S. GOVERNMENT. IT IS TO BE USED FOR THE MANUFACTURE OF THIS OR OTHER EQUIPMENT. ANY REPRODUCTION OR DISTRIBUTION OF THIS DRAWING FOR OTHER THAN THE MANUFACTURE OF THIS OR OTHER EQUIPMENT IS PROHIBITED.

NOTES:  
 1. LOCATE DECALS (ITEM #5 & 6) APPROX. AS SHOWN.  
 2. PLACE DECAL AFTER TEST OF OUTLETS (ITEM #7).



FOR PARTS LIST, SEE:  
 A-PL-861-D-2

NO.	QTY.	DESCRIPTION	UNIT
1	1	POWER CONTROL 881D	ASSEMBLY
2	1	POWER CONTROL 881D	ASSEMBLY
3	1	POWER CONTROL 881D	ASSEMBLY
4	1	POWER CONTROL 881D	ASSEMBLY
5	1	POWER CONTROL 881D	ASSEMBLY
6	1	POWER CONTROL 881D	ASSEMBLY
7	1	POWER CONTROL 881D	ASSEMBLY
8	1	POWER CONTROL 881D	ASSEMBLY
9	1	POWER CONTROL 881D	ASSEMBLY
10	1	POWER CONTROL 881D	ASSEMBLY
11	1	POWER CONTROL 881D	ASSEMBLY
12	1	POWER CONTROL 881D	ASSEMBLY
13	1	POWER CONTROL 881D	ASSEMBLY
14	1	POWER CONTROL 881D	ASSEMBLY
15	1	POWER CONTROL 881D	ASSEMBLY
16	1	POWER CONTROL 881D	ASSEMBLY
17	1	POWER CONTROL 881D	ASSEMBLY
18	1	POWER CONTROL 881D	ASSEMBLY
19	1	POWER CONTROL 881D	ASSEMBLY
20	1	POWER CONTROL 881D	ASSEMBLY
21	1	POWER CONTROL 881D	ASSEMBLY
22	1	POWER CONTROL 881D	ASSEMBLY
23	1	POWER CONTROL 881D	ASSEMBLY
24	1	POWER CONTROL 881D	ASSEMBLY
25	1	POWER CONTROL 881D	ASSEMBLY
26	1	POWER CONTROL 881D	ASSEMBLY
27	1	POWER CONTROL 881D	ASSEMBLY
28	1	POWER CONTROL 881D	ASSEMBLY
29	1	POWER CONTROL 881D	ASSEMBLY
30	1	POWER CONTROL 881D	ASSEMBLY
31	1	POWER CONTROL 881D	ASSEMBLY
32	1	POWER CONTROL 881D	ASSEMBLY
33	1	POWER CONTROL 881D	ASSEMBLY
34	1	POWER CONTROL 881D	ASSEMBLY
35	1	POWER CONTROL 881D	ASSEMBLY
36	1	POWER CONTROL 881D	ASSEMBLY
37	1	POWER CONTROL 881D	ASSEMBLY
38	1	POWER CONTROL 881D	ASSEMBLY
39	1	POWER CONTROL 881D	ASSEMBLY
40	1	POWER CONTROL 881D	ASSEMBLY
41	1	POWER CONTROL 881D	ASSEMBLY
42	1	POWER CONTROL 881D	ASSEMBLY
43	1	POWER CONTROL 881D	ASSEMBLY
44	1	POWER CONTROL 881D	ASSEMBLY
45	1	POWER CONTROL 881D	ASSEMBLY
46	1	POWER CONTROL 881D	ASSEMBLY
47	1	POWER CONTROL 881D	ASSEMBLY
48	1	POWER CONTROL 881D	ASSEMBLY
49	1	POWER CONTROL 881D	ASSEMBLY
50	1	POWER CONTROL 881D	ASSEMBLY
51	1	POWER CONTROL 881D	ASSEMBLY
52	1	POWER CONTROL 881D	ASSEMBLY
53	1	POWER CONTROL 881D	ASSEMBLY
54	1	POWER CONTROL 881D	ASSEMBLY
55	1	POWER CONTROL 881D	ASSEMBLY

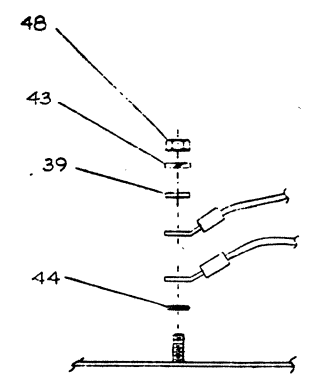
NO.	QTY.	DESCRIPTION	UNIT
1	1	POWER CONTROL 881D	ASSEMBLY
2	1	POWER CONTROL 881D	ASSEMBLY
3	1	POWER CONTROL 881D	ASSEMBLY
4	1	POWER CONTROL 881D	ASSEMBLY
5	1	POWER CONTROL 881D	ASSEMBLY
6	1	POWER CONTROL 881D	ASSEMBLY
7	1	POWER CONTROL 881D	ASSEMBLY
8	1	POWER CONTROL 881D	ASSEMBLY
9	1	POWER CONTROL 881D	ASSEMBLY
10	1	POWER CONTROL 881D	ASSEMBLY
11	1	POWER CONTROL 881D	ASSEMBLY
12	1	POWER CONTROL 881D	ASSEMBLY
13	1	POWER CONTROL 881D	ASSEMBLY
14	1	POWER CONTROL 881D	ASSEMBLY
15	1	POWER CONTROL 881D	ASSEMBLY
16	1	POWER CONTROL 881D	ASSEMBLY
17	1	POWER CONTROL 881D	ASSEMBLY
18	1	POWER CONTROL 881D	ASSEMBLY
19	1	POWER CONTROL 881D	ASSEMBLY
20	1	POWER CONTROL 881D	ASSEMBLY
21	1	POWER CONTROL 881D	ASSEMBLY
22	1	POWER CONTROL 881D	ASSEMBLY
23	1	POWER CONTROL 881D	ASSEMBLY
24	1	POWER CONTROL 881D	ASSEMBLY
25	1	POWER CONTROL 881D	ASSEMBLY
26	1	POWER CONTROL 881D	ASSEMBLY
27	1	POWER CONTROL 881D	ASSEMBLY
28	1	POWER CONTROL 881D	ASSEMBLY
29	1	POWER CONTROL 881D	ASSEMBLY
30	1	POWER CONTROL 881D	ASSEMBLY
31	1	POWER CONTROL 881D	ASSEMBLY
32	1	POWER CONTROL 881D	ASSEMBLY
33	1	POWER CONTROL 881D	ASSEMBLY
34	1	POWER CONTROL 881D	ASSEMBLY
35	1	POWER CONTROL 881D	ASSEMBLY
36	1	POWER CONTROL 881D	ASSEMBLY
37	1	POWER CONTROL 881D	ASSEMBLY
38	1	POWER CONTROL 881D	ASSEMBLY
39	1	POWER CONTROL 881D	ASSEMBLY
40	1	POWER CONTROL 881D	ASSEMBLY
41	1	POWER CONTROL 881D	ASSEMBLY
42	1	POWER CONTROL 881D	ASSEMBLY
43	1	POWER CONTROL 881D	ASSEMBLY
44	1	POWER CONTROL 881D	ASSEMBLY
45	1	POWER CONTROL 881D	ASSEMBLY
46	1	POWER CONTROL 881D	ASSEMBLY
47	1	POWER CONTROL 881D	ASSEMBLY
48	1	POWER CONTROL 881D	ASSEMBLY
49	1	POWER CONTROL 881D	ASSEMBLY
50	1	POWER CONTROL 881D	ASSEMBLY
51	1	POWER CONTROL 881D	ASSEMBLY
52	1	POWER CONTROL 881D	ASSEMBLY
53	1	POWER CONTROL 881D	ASSEMBLY
54	1	POWER CONTROL 881D	ASSEMBLY
55	1	POWER CONTROL 881D	ASSEMBLY

THIS DRAWING AND SPECIFICATIONS HEREIN ARE THE PROPERTY OF DIGITAL EQUIPMENT CORPORATION AND SHALL NOT BE REPRODUCED OR COPIED IN WHOLE OR IN PART WITHOUT THE WRITTEN PERMISSION OF DIGITAL EQUIPMENT CORPORATION.

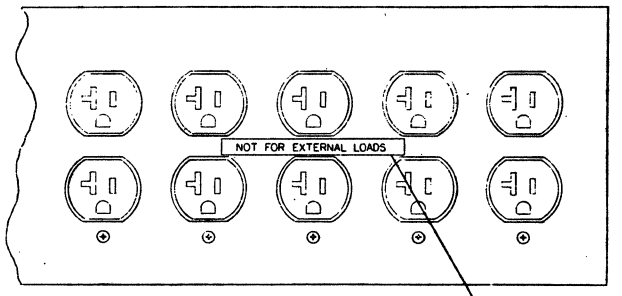
CONNECTION CHART						
ITEM NO.	DESCRIPTION	FROM	WITH	TO	WITH	REMARKS
22	BLK	10	HARNESS 1-1	-2	K1-T3	
	BLK			-2	K1-T1	
	RED			-3	K1-T2	
	RED			-4	CB7-C-LOAD	
	BLK			-5	CB7-D-LOAD	
	BLU	10	HARNESS 1-6		CB7-B-LOAD	
	RED	10	HARNESS 3-1		CB7-C-LINE	
	BLK			-2	CB7-D-LINE	
	BLU			-3	CB7-B-LINE	
	WHT			-4	CB7-A-LINE	
23	GRN			-5	GND #2	
	WHT			-6	FLTR-LOAD-NEUT	
	GRN			-7	FLTR-LOAD-GND	
	BLK			-8	FLTR-LOAD-PH1	
	BLU			-9	FLTR-LOAD-PH2	
	RED	10	HARNESS 3-10		FLTR-LOAD-PH3	
	BLK	14	HARNESS 5-1		CB2-B-LINE	
	BLK			-2	CB7-D-LOAD	
	WHT			-3	CB2-A-LINE	
	WHT			-4	CB7-A-LOAD	
24	BLU			-4	PLT CONT-J4	
	WHT			-7	CB7-A-LOAD	
	WHT			-9	CB4-A-LINE	
	RED			-10	CB5-B-LINE	
	WHT			-11	CB5-A-LINE	
	WHT/BLU			-12	PLT CONT-J5	
	RED			-14	CB4-B-LINE	
	WHT			-15	CB4-A-LINE	
	BLU			-16	CB1-B-LINE	
	WHT			-17	CB1-A-LINE	
24	BLU			-18	CB3-B-LINE	
	WHT			-19	CB3-A-LINE	
	WHT			-20	CB7-A-LOAD	
	WHT			-22/23	CB7-A-LOAD	
	BLU			-24	CI-1	
	BLU			-25		
	BLU			-26	K1-L3	
	BLU			-27		
	RED			-28	C2-1	
	RED			-29		
9	RED			-30	K1-L2	
	RED			-31		
	BLK			-32	CI-2	
	BLK			-33		
	BLK			-34	K1-L1	
	WHT			-35	C2-3	
	BLU			-36	K1-B	
	RED			-37	K1-A	
	WHT			-38	CB7-A-LOAD	
	BLK			-39	CB6-B-LINE	
9	BLU			-40	CB7-B-LOAD	
	RED	14	HARNESS 5-42		CB7-C-LOAD	
	BLK	22	I1-BLK		CB7-A-LINE	
	RED	22	I1-RED		CB7-D-LINE	
	BLK	22	I2-BLK		CB7-A-LINE	
	RED	22	I2-RED		CB7-C-LINE	
	BLK	22	I3-BLK		CB7-A-LINE	
	RED	22	I3-RED		CB7-B-LINE	

CONNECTION CHART						
ITEM NO.	DESCRIPTION	FROM	WITH	TO	WITH	REMARKS
25	WHT	14	HARNESS 6-1		J7-5	
	BLK			-2	J7-B	
	WHT			-3	J6-5	
	RED			-4	J6-B	
	WHT			-5	J5-5	
	RED			-6	J5-B	
	WHT			-7	J4-5	
	BLU			-8	J4-B	
	WHT			-9	J3-5	
	BLU			-10	J3-B	
26	WHT	14	HARNESS 6-20		CB-A-LOAD	
	BLU			-11	CB-B-LOAD	
	WHT			-12	CB3-A-LOAD	
	BLU			-13	CB3-B-LOAD	
	WHT			-14	CB3-A-LOAD	
	RED			-15	CB4-A-LOAD	
	RED			-16	CB4-B-LOAD	
	WHT			-17	CB5-A-LOAD	
	RED			-18	CB5-B-LOAD	
	WHT			-19	CB6-A-LOAD	
26	BLK	14	HARNESS 8-20		CB6-B-LOAD	
	WHT	14	HARNESS 8-PI		PLT CONT-J4	
	WHT	14	HARNESS 8-3		T5-1	
	WHT	14	HARNESS 8-4		T5-2	
	GRN	10	GND #1		GND #2	
	WHT	14	CI-3		C2-3	
	WHT	14	J1-S		J2-5	
	GRN	14	PLT CONT-J7		GND #1	
	BLK	14	J1-B		J2-B	
	BRN	10	FLTR-LINE-PH1		PLUG-X	
18	BLK				FLTR-LINE-PH2	PLUG-Y
	BLK				FLTR-LINE-PH3	PLUG-Z
	BLU				FLTR-LINE-NEUT	PLUG-W
	GRN/VEL	10	FLTR-LINE-GND		PLUG-G	
	8				KI-A	52
					KI-B	52

NOTES FOR WIRING:  
1. FOR HARNESS POINT NUMBERS, REFER TO HARNESS DWG.

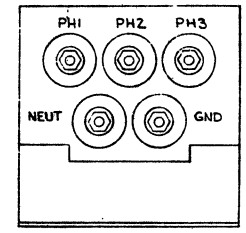


DETAIL B  
TYPICAL FOR "GND #1" & "GND #2"

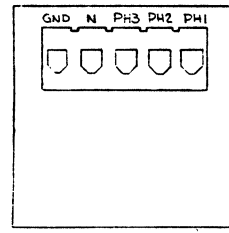


VIEW B-B

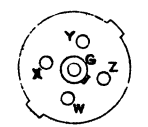
SEE NOTE #2 SHT #1



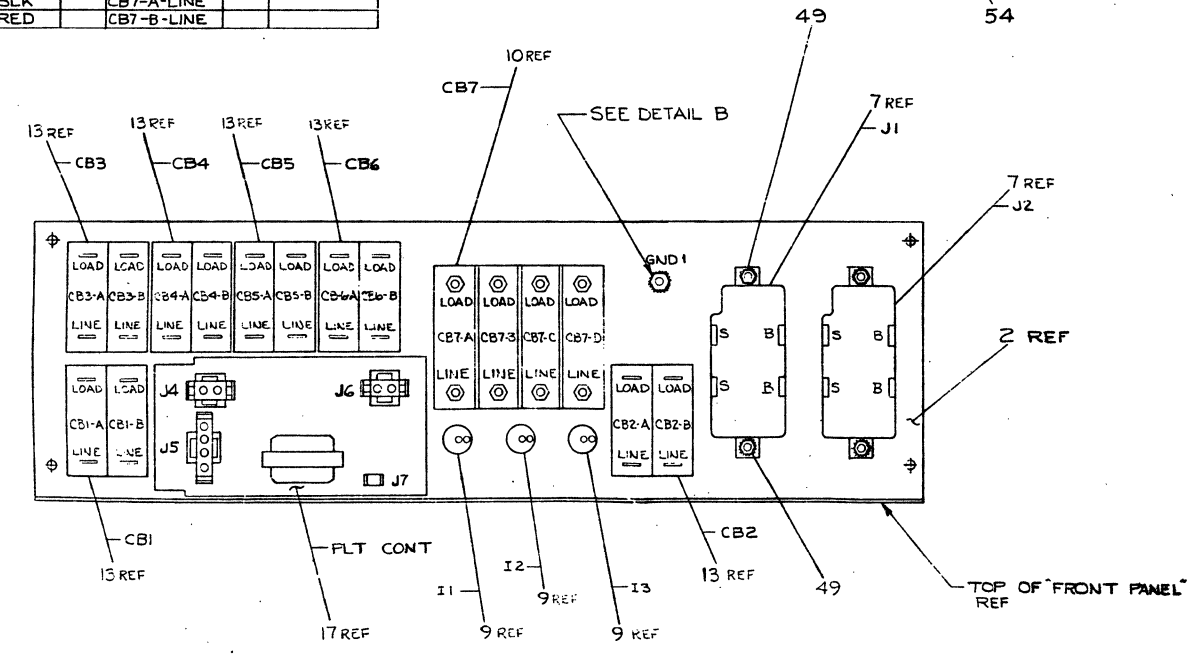
FILTER  
(ITEM 12)  
LOAD SIDE



FILTER  
(ITEM 12)  
LINE SIDE



SECTION B-B  
SCALE: NONE  
\* TWIST LOCK PLUG\* (ITEM 21)



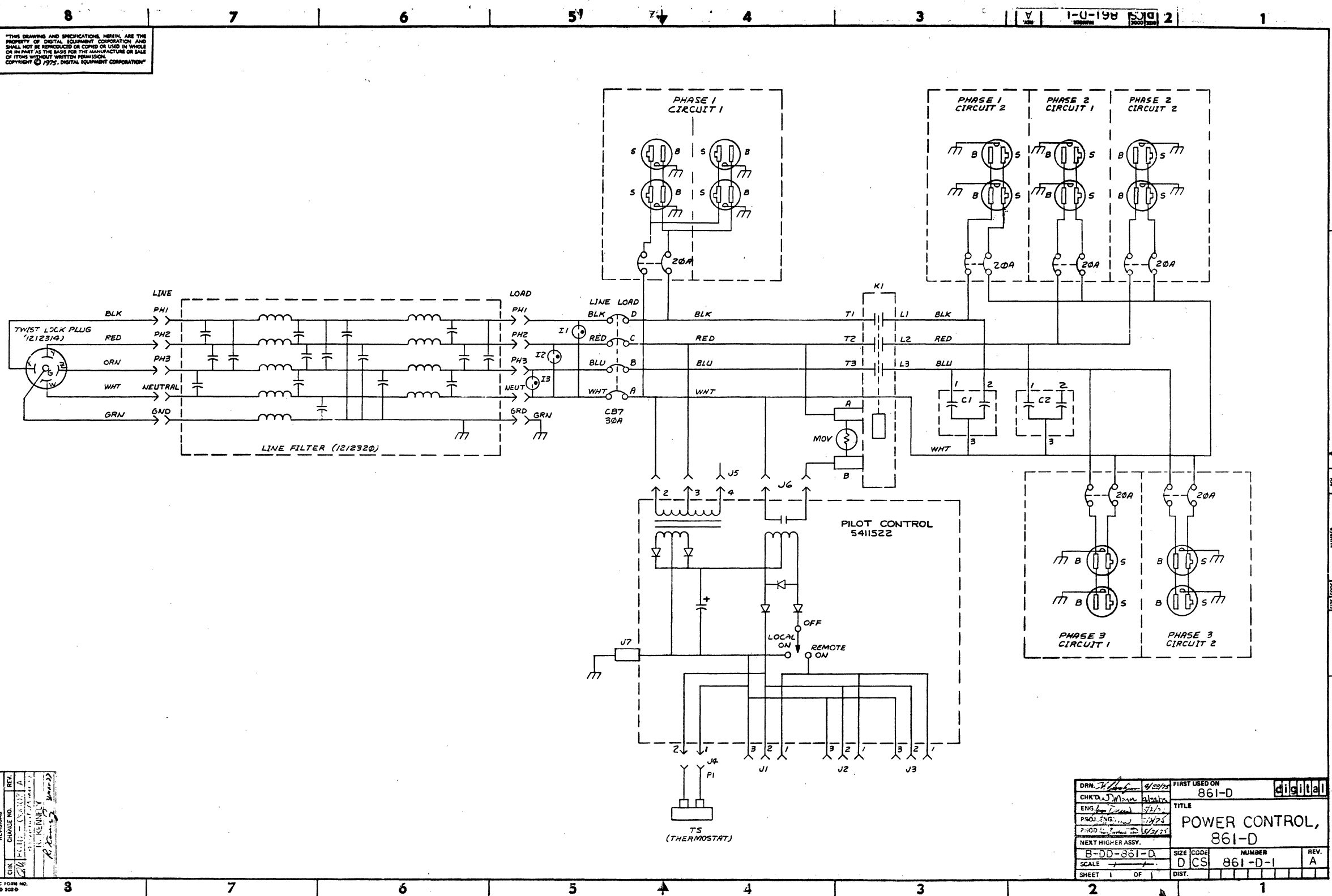
VIEW A-A

DESCRIPTION		DWG. PART NO.		ITEM NO.	
QUANTITY & VARIATION	DESCRIPTION	QTY	DESCRIPTION	QTY	DESCRIPTION
1	POWER CONTROL	1	861-D	1	AS-1
<p>DATE: 1/15/68            DRAWN BY: [Signature]            CHECKED BY: [Signature]            ENGR. BY: [Signature]            PROJ. ENG. BY: [Signature]            PROC. BY: [Signature]            NEXT HIGHER ASBY: [Signature]</p>					
MATERIAL		SCALE	SIZE	CODE	NUMBER
FINISH		1/8"	1/2"	U.A.	301-1-1

610



THIS DRAWING AND SPECIFICATIONS HEREIN ARE THE PROPERTY OF DIGITAL EQUIPMENT CORPORATION AND SHALL NOT BE REPRODUCED OR COPIED OR USED IN WHOLE OR IN PART AS THE BASIS FOR THE MANUFACTURE OR SALE OF ITEMS WITHOUT WRITTEN PERMISSION. COPYRIGHT © 1975, DIGITAL EQUIPMENT CORPORATION.



REV.	CHG. NO.	DATE	BY	CHKD.
1	1	11/11/75	KEMMEL	...

DRN. <i>[Signature]</i>	FIRST USED ON	861-D	<b>digital</b>
CHK'D. <i>[Signature]</i>	TITLE	POWER CONTROL, 861-D	
ENG. <i>[Signature]</i>	SIZE	CODE	NUMBER
PROJ. ENG. <i>[Signature]</i>	D	CS	861-D-1
REV. <i>[Signature]</i>	SCALE		REV. A
NEXT HIGHER ASSY.	SHEET 1	OF 1	DIST.

612

DIGITAL EQUIPMENT CORPORATION MAYNARD, MASSACHUSETTS				QUANTITY/VARIATION			
PARTS LIST							
MADE BY Tyrone Quillin		CHECKED McCarthy		SECTION			
DATE 3/11/75		DATE 4/9/75		1			
ENG Jim Drew		PROD Jim Bornstien		ISSUED SECT.			
DATE 4/6/75		DATE 4/11/75		1			
ITEM NO.	DWG NO. / PART NO.	DESCRIPTION	861-D				
1	E-IA-7413232-0-0	CHASSIS, POWER CONTROL	1				
2	D-IA-7413233-0-0	PANEL, FRONT, 861-D	1				
3	C-MD-7413234-0-0	COVER, POWER CONTROL	1				
4	D-MD-7413419-0-0	BRACKET, STRAIN RELIEF	1				
5	3612063-00	DECAL, UL	1				
6	3610267-0-0	DECAL, "DANGER HIGH VOLTAGE"	1				
7	1212265-00	POWER CONN RECEPTACLE, 2ØA, 125VAC	7				
8	C-IA-7011052-0-0	MOV ASSY	1				
9	C-IA-7011053-0-0	PILOT LAMP ASSY	3				
10	1211037-02	CIRCUIT BREAKER 4POL, 3ØA, 2Ø VAC	1				
11	1211158-00	THERMOSTAT, SPST, FIXED TEMP	1				
12	1212320-00	FILTER	1				
13	1212124-05	CIRCUIT BREAKER, 2 POLE, 2Ø AMP	6				
14	1000034-00	DC PAPER CAPACITOR, 1ØØØ VDC	2				
15	1212266-01	CONTACTOR, 3 POLE, 4ØA, 6ØØ VAC	1				
16	9007035-00	GROMMET, CATERPILLAR	A/R				
17	D-CS-5411522-0-1	PILOT CONTROL	1				
18	1700028-00	POWER CORD, 5 WIRE, 1Ø AWG, (15 FT)	A/R				
19	1212410-00	STRAIN RELIEF	1				
20	9009309-01	LOCKNUT, 3/4" PIPE THREAD	1				
21	1212314-00	PLUG, TWIST LOCK, 4 POLE/5 WIRE	1				
22	D-IA-7010966-0-0	HARNES #1, POWER CONTROL	1				
TITLE 861-D POWER CONTROL ASSY		ASSY NO. E-UA-861-D-Ø	SIZE CODE A PL	NUMBER 861-D-Ø	REV. F	ECO NO. 861-D-00007	
SHEET 1 OF 3		DIST.					

DEC FORM DEC 16-(325)-1031-N870  
DRA 110

DIGITAL EQUIPMENT CORPORATION MAYNARD, MASSACHUSETTS				QUANTITY/VARIATION			
PARTS LIST							
MADE BY Tyrone Quillin		CHECKED McCarthy		SECTION			
DATE 3/11/75		DATE 4/9/75		1			
ENG Jim Drew		PROD Jim Bornstien		ISSUED SECT.			
DATE 4/6/75		DATE 4/11/75		1			
ITEM NO.	DWG NO. / PART NO.	DESCRIPTION	861-D				
45	9006556-00	NUT, HEX #4-40	2				
46	9006558-00	NUT, HEX #6-32	4				
47	9006561-00	NUT, HEX #8-32	4				
48	9006564-00	NUT, HEX #10-32	2				
49	9008185-00	NUT, KEPS #6-32	14				
50	9006051-1	SCR, PHL PAN HD, #8-32 x 3.00 LG	2				
51	9006020-1	SCR, PHL PAN HD, #6-32 x .25 LG	28				
52	9006633-00	WASHER, INT TOOTH #6	2				
53	A-SP-3700191-0-0	PACKAGING INSTRUCTIONS 861-D (INTERPLANT)	1				
54	A-DC-7416582-0-1	DECAL (NOT FOR EXTERNAL LOADS)	2				
55	A-SP-3700191-2-0	PACKAGING INSTRUCTIONS 861-D (CUSTOMER)	0				
REF D-CS-861-D-1		861-D POWER CONTROL CIRCUIT SCHEMATIC					
TITLE 861-D POWER CONTROL ASSY		ASSY NO. E-UA-861-D-Ø	SIZE CODE A PL	NUMBER 861-D-Ø	REV. F	ECO NO. 861-D-00007	
SHEET 3 OF 3		DIST.					

DEC FORM DEC 16-(325)-1031-N870

DIGITAL EQUIPMENT CORPORATION MAYNARD, MASSACHUSETTS				QUANTITY/VARIATION			
PARTS LIST							
MADE BY Tyrone Quillin		CHECKED McCarthy		SECTION			
DATE 3/11/75		DATE 4/9/75		1			
ENG Jim Drew		PROD Jim Bornstien		ISSUED SECT.			
DATE 4/6/75		DATE 4/11/75		1			
ITEM NO.	DWG NO. / PART NO.	DESCRIPTION	861-D				
23	D-IA-7010967-0-0	HARNES #3, POWER CONTROL	1				
24	D-IA-7010969-0-0	HARNES #5, POWER CONTROL	1				
25	D-IA-7010970-0-0	HARNES #6, POWER CONTROL	1				
26	C-IA-7010968-0-0	HARNES #8, POWER CONTROL	1				
27							
28	D-IA-7010972-0-0	JUMPER, WIRE (GRN #10-AWG)	1				
29	D-IA-7010972-1-0	JUMPER, WIRE (WHT #14-AWG)	1				
30	D-IA-7010972-2-0	JUMPER, WIRE (WHT #14-AWG)	2				
31	D-IA-7010972-3-0	JUMPER, WIRE (GRN #14-AWG)	1				
32	D-IA-7010972-4-0	JUMPER, WIRE (BLK #14-AWG)	2				
33	9006010-01	SCR, PHL PAN HD, #4-40 x .31 LG	2				
34	9006021-01	SCR, PHL PAN HD, #6-32 x .31 LG	5				
35	9006037-01	SCR, PHL PAN HD, #8-32 x .38 LG	10				
36	9006655-00	WASHER, FLAT, #4	2				
37	9006653-00	WASHER, FLAT, #6	4				
38	9006660-00	WASHER, FLAT, #8	12				
39	9006664-00	WASHER, FLAT, #10	2				
40	9006638-00	WASHER, SPLIT LOCK #4	2				
41	9007801-00	WASHER, SPLIT LOCK #6	32				
42	9006690-00	WASHER, SPLIT LOCK #8	16				
43	9007806-00	WASHER, SPLIT LOCK #10	2				
44	9007651-00	WASHER, EXP TOOTH LOCK #10	7				
TITLE 861-D POWER CONTROL ASSY		ASSY NO. E-UA-861-D-Ø	SIZE CODE A PL	NUMBER 861-D-Ø	REV. F	ECO NO. 861-D-00007	
SHEET 2 OF 3		DIST.					

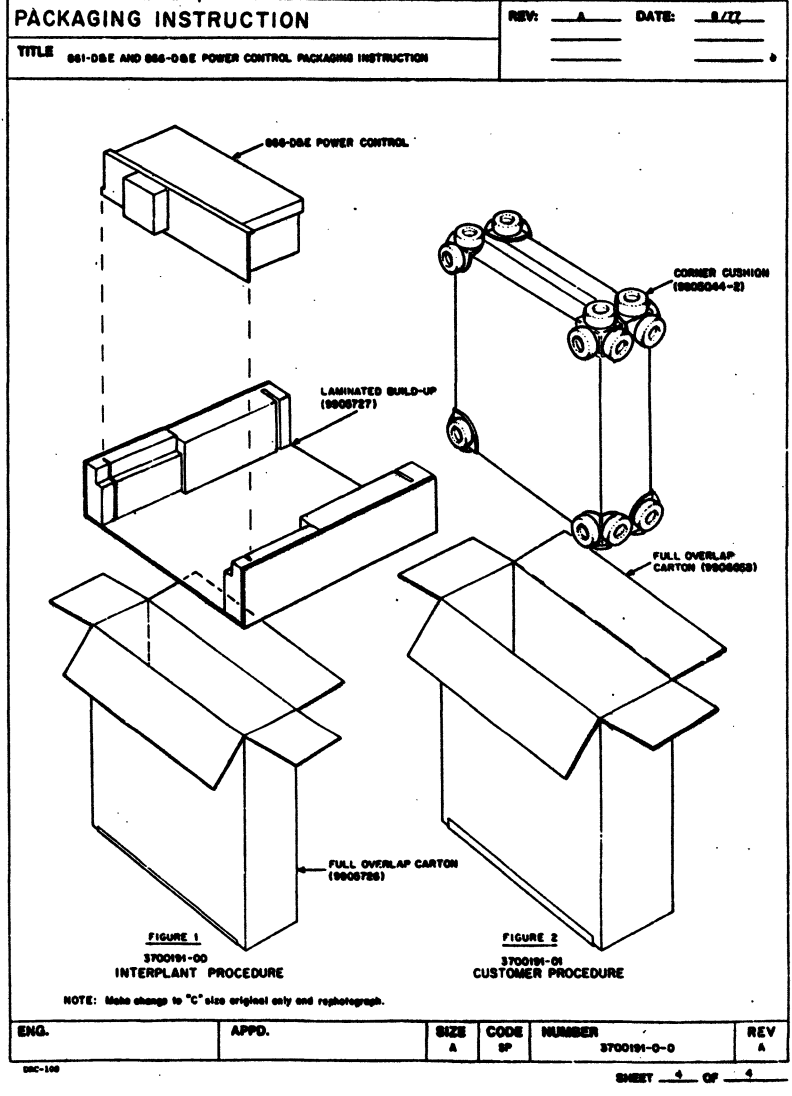
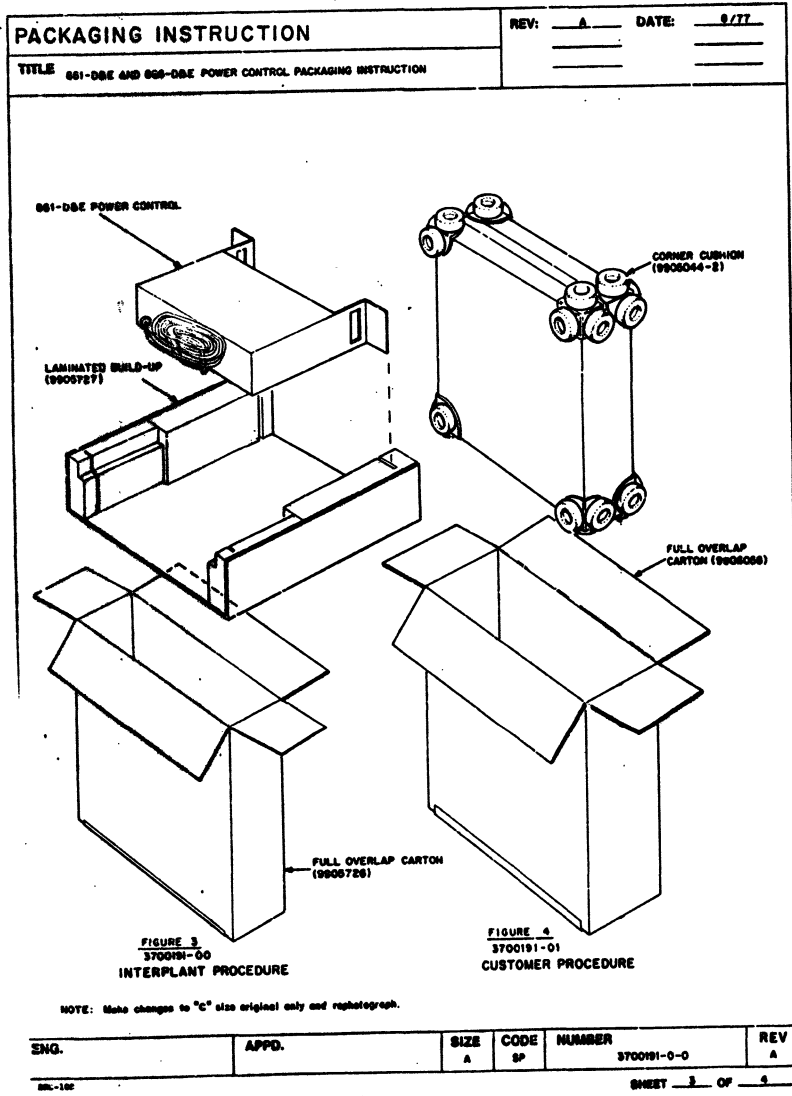
DEC FORM DEC 16-(325)-1031-N870  
DRA 110

<b>DIGITAL EQUIPMENT CORPORATION MAYNARD MASSACHUSETTS</b>	
<b>PACKAGING INSTRUCTION</b>	REV: <u>  A  </u> DATE: <u>  8/77  </u>
<b>TITLE</b> 861-D-E AND 866-D-E POWER CONTROL	
<b>LEGEND</b>	
3700191-00	861 D & E INTERPLANT
	866 D & E INTERPLANT
3700191-01	861/866 D & E CUSTOMER
<b>MATERIAL REQUIREMENTS</b>	
3700191-00 INTERPLANT	
Quantity	Purchase Specification No. Description
1	9905726 Full-Overlap Carton
1	9905727 Laminated Buildup
5 ft.	9905729 Tape, Carton Sealing 3 in. wide
<b>PACKAGING INSTRUCTIONS</b>	
3700191-00	
Interplant Procedure (Refer to Figures 1 & 2)	
Step	Description
1	Set up and tape Full-Overlap Carton (9905726) using one strip of Carton Sealing Tape (9905729).
2	Place 861 or 866 Power Control into Laminated Buildup (9905727) as shown in Figure 1, 2. Make sure that the slots in the Laminated Buildup align with the power control chassis.
3	Pick up Laminated Buildup from both sides and slide it (front end first) into the Full-Overlap Carton.
4	Coil the cable on the rear of the 861 power control or the separate 866 cable, so that it will fit into the carton.
5	Close and seal carton with carton sealing tape.

ENG. <u>  Dub Gant 4/85  </u>	APPD. <u>  Ken Morrison 4/85  </u>	SIZE <u>  A  </u>	CODE <u>  SP  </u>	NUMBER 3700191-0-0	REV <u>  A  </u>
DEC 8-(191)-1031-1-R871					
DRA - 129					
SHEET <u>  3  </u> OF <u>  4  </u>					

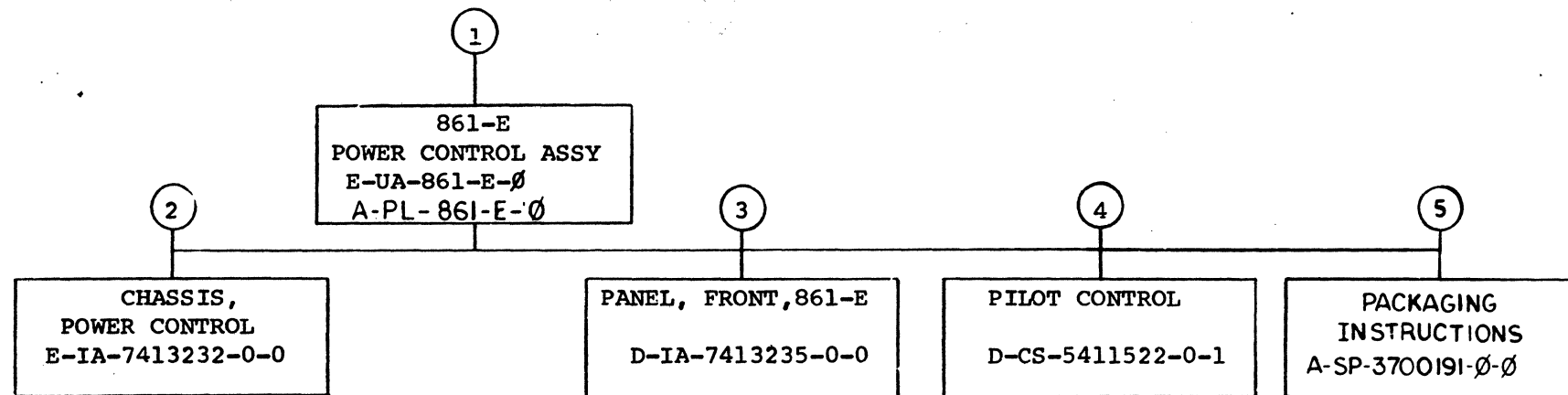
<b>PACKAGING INSTRUCTION</b>		<b>CONTINUATION SHEET</b>
<b>TITLE</b> 861-D-E AND 866-D-E POWER CONTROL		
<b>MATERIAL REQUIREMENTS</b>		
3700191-01 CUSTOMER		
Quantity	Purchase Specification No.	Description
1	9906058	Full-Overlap Carton
8	9905044-02	Toro Pad, Corner Cushion
6 ft.	9905729	Tape, Carton Sealing (3 in. wide)
<b>Customer Procedure (Refer to Figure 2 &amp; 4)</b>		
3700191-01		
1.	Follow Interplant Procedure Steps 1 through 5.	
2.	Set up and tape Full-Overlap Carton (9906058) using Carton Sealing Tape.	
3.	Place one (1) Toro Pad (9905044-02) in the bottom of each corner of Full-Overlap Carton.	
4.	Place packaged 861 or 866 Power Control into the outer Full-Overlap Carton. Ensure that the package rests on the Toro Pads. (See Figures 2 and 4)	
5.	Place one (1) Toro Pad on top of each corner of the inner Carton.	
6.	Close and seal Carton with Carton Sealing Tape.	

SIZE <u>  A  </u>	CODE <u>  SP  </u>	NUMBER 3700191-0-0	REV <u>  A  </u>
DEC-1031			
SHEET <u>  2  </u> OF <u>  4  </u>			



6/4





TITLE	SHEET 2 OF 3	SIZE CODE	NUMBER	REV
861-E POWER CONTROL		B DD	861-E	C

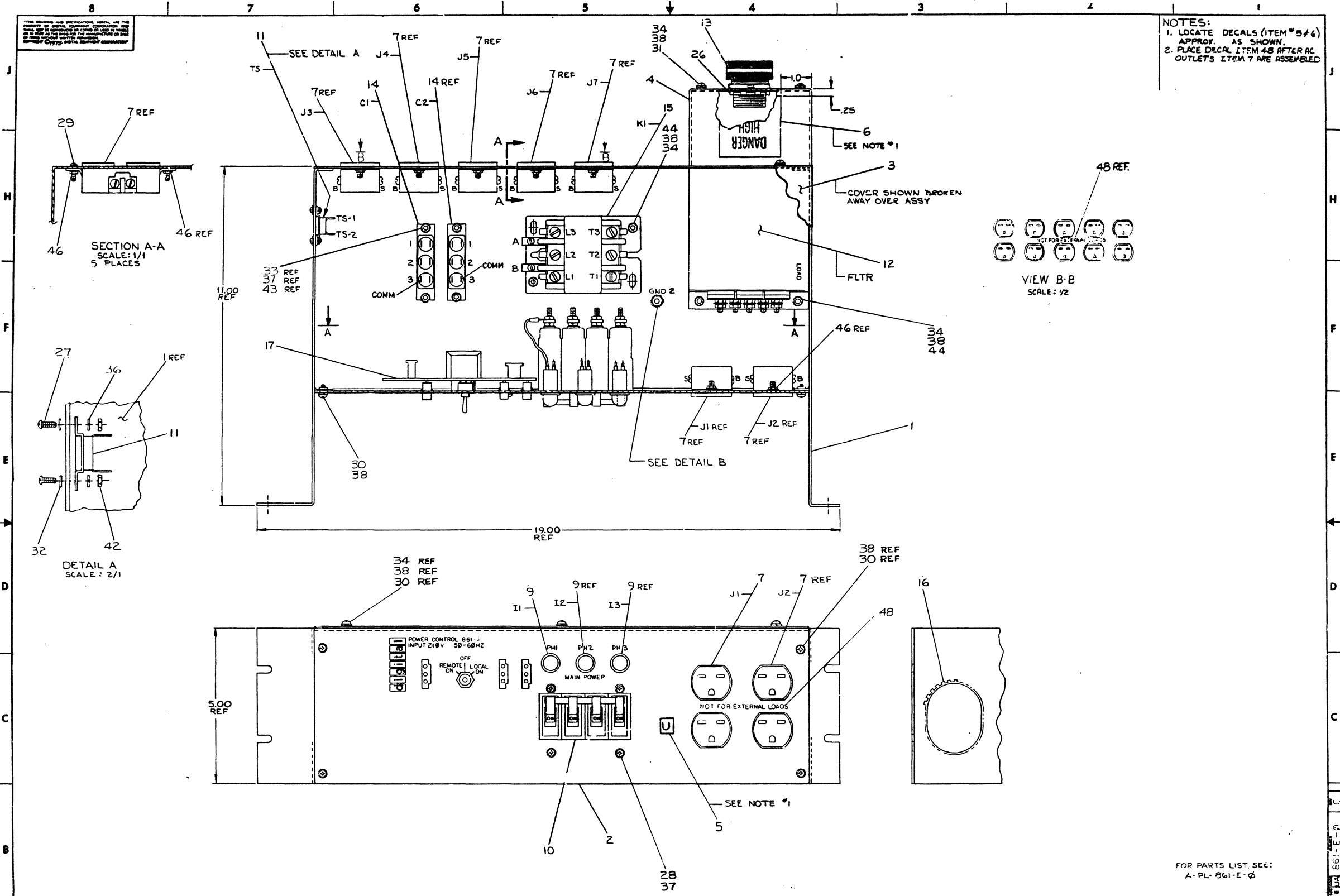
616



MECHANICAL						ELECTRICAL									
CUSTOMER PRINT SET	MFG. SET	FIND NO.	DRAWING NO.	REV	NO OF SHT	DESCRIPTION	OPTION NO./FILE DATE	CUSTOMER PRINT SET	MFG. SET	FIND NO.	DRAWING NO.	REV	NO OF SHT	DESCRIPTION	OPTION NO./FILE DATE
X		1	E-UA-861-E-Ø	*	2	861-E POWER CONTROL ASSY		X		1	B-DD-861-E	*	3	861-E POWER CONTROL	
X			A-PL-861-E-Ø	*	3	861-E POWER CONTROL ASSY P.L.		X			D-CS-861-E-1	*	1	861-E POWER CONTROL SCHEMATIC	
			C-MD-7413234-0-0		1	COVER, POWER CONTROL					A-SP-861-E-2		4	TEST PROCEDURE 861-E	
			D-MD-7413419-0-0		1	BRACKET, STRAIN RELIEF									
			C-IA-7011052-0-0		1	MOV ASSY									
			C-IA-7011053-0-0		1	PILOT LAMP ASSY									
			D-IA-7010938-0-0		1	HARNES #2, POWER CONTROL									
			D-IA-7010936-0-0		1	HARNES #4, POWER CONTROL									
			D-IA-7010971-0-0		1	HARNES #7, POWER CONTROL									
			C-IA-7010968-0-0		1	HARNES #8, POWER CONTROL									
			D-IA-7010972-0-0		1	JUMPER, WIRE	X			4	D-CS-5411522-0-1	*	1	PILOT CONTROL	
			A-DC-7416582-Ø-1		1	DECAL (NOT FOR EXTERNANAL LOADS)					A-SP-5411522-0-7			TEST PROCEDURE	
			A-SP-861-0-3			ENGINEERING SPEC 861/866									
		2	E-IA-7413232-0-0		2	CHASSIS, POWER CONTROL									
			B-SS-7413232-0-1		1	SILK SCREEN, CHASSIS									
		3	B-SS-7413235-0-1		1	SILK SCREEN, FRONT PANEL, 861-E									
			D-IA-7413235-0-0		2	PANEL, FRONT, 861-E									
		4	D-CS-5411522-0-1			PILOT CONTROL									
			K-CO-5411522-0-4			DRILL TAPE									
			D-AH-5411522-0-5			ASSY DRILLING HOLE LAYOUT									
			B-MH-5411522-0-6		1	MODULE ECO HISTORY									
		5	A-SP-3700191-0-0	-	2	PACKAGING INSTRUCTIONS, 861-E									
			A-PS-9905726-0-0	-	2	FULL OVERLAP CARTON									
			A-PS-9905727-0-0	-	2	LAMINATED BUILDUP									
			A-PS-9905729-0-0	-	1	GLASFLEX TAPE									

CUSTOMER PRINT SET CODES	X = PRINT OF DOCUMENT INCLUDED IN PRINT SET C = INCLUDES ALL PRINTS INDICATED ON DOCUMENT S = CONFIDENTIAL AUTHORIZED SIGNATURE REQUIRED	TITLE	861-E POWER CONTROL	SHEET 3 OF 3	SIZE CODE	B DD	NUMBER	861-E	REV	C
--------------------------	--	-------	---------------------	--------------	-----------	------	--------	-------	-----	---

NOTES:  
 1. LOCATE DECALS (ITEM #516) APPROX. AS SHOWN.  
 2. PLACE DECAL ITEM 48 AFTER AC OUTLETS ITEM 7 ARE ASSEMBLED



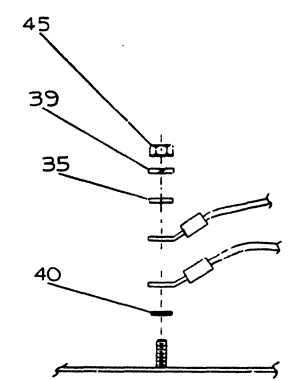
REV	DATE	BY	CHKD	DESCRIPTION
1	10/1/58	J. DREW		INITIAL DESIGN
2	10/1/58	J. DREW		REVISED TO ADD 1/2" DIA. HOLES
3	10/1/58	J. DREW		REVISED TO ADD 1/2" DIA. HOLES
4	10/1/58	J. DREW		REVISED TO ADD 1/2" DIA. HOLES
5	10/1/58	J. DREW		REVISED TO ADD 1/2" DIA. HOLES
6	10/1/58	J. DREW		REVISED TO ADD 1/2" DIA. HOLES
7	10/1/58	J. DREW		REVISED TO ADD 1/2" DIA. HOLES
8	10/1/58	J. DREW		REVISED TO ADD 1/2" DIA. HOLES
9	10/1/58	J. DREW		REVISED TO ADD 1/2" DIA. HOLES
10	10/1/58	J. DREW		REVISED TO ADD 1/2" DIA. HOLES

THIRD ANGLE PROJECTION		DESCRIPTION		DWG. PART NO.	ITEM NO.
UNLESS OTHERWISE SPECIFIED DIMENSIONS ARE IN INCHES		TOLERANCES UNLESS OTHERWISE SPECIFIED		861-E	
SIZE	ACCURACY	FRONT	TOP	SIDE	ANGLE
1/16"	±.005	±.005	±.005	±.005	±.005
SURFACE FINISH		CHECK ONE			
MEDIUM		□			
QUANTITY & VARIATION		MICRONCHES			
		PREFERRED			
		1.02 1.04 1.05 1.06 1.07 1.08 1.09 1.10 1.11 1.12 1.13 1.14 1.15 1.16 1.17 1.18 1.19 1.20 1.21 1.22 1.23 1.24 1.25 1.26 1.27 1.28 1.29 1.30 1.31 1.32 1.33 1.34 1.35 1.36 1.37 1.38 1.39 1.40 1.41 1.42 1.43 1.44 1.45 1.46 1.47 1.48 1.49 1.50 1.51 1.52 1.53 1.54 1.55 1.56 1.57 1.58 1.59 1.60 1.61 1.62 1.63 1.64 1.65 1.66 1.67 1.68 1.69 1.70 1.71 1.72 1.73 1.74 1.75 1.76 1.77 1.78 1.79 1.80 1.81 1.82 1.83 1.84 1.85 1.86 1.87 1.88 1.89 1.90 1.91 1.92 1.93 1.94 1.95 1.96 1.97 1.98 1.99 2.00			
MATERIAL		FINISH			
SEE PARTS LIST		SEE PARTS LIST			
SHEET 1 OF 2		DIST.			

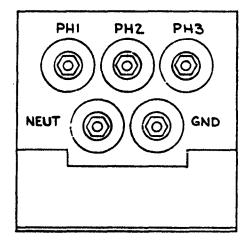
ITEM NO.	DESCRIPTION	FROM		TO		REMARKS
		COLOR	AWG	CONNECTION	WITH	
18	BLU	10	HARNESS 2-1			K1-T3
	RED		-2			K1-T2
	BLK		-2			K1-T1
	BLK		-4			CBI-D-LOAD
	RED		-5			CBI-C-LOAD
	BLU	10	HARNESS 2-4			CBI-B-LOAD
	GRN	18	HARNESS 4-1			PLT CONT-J7
	WHT	10	-2			CBI-A-LINE
	BLU		-3			CBI-B-LINE
	RED		-4			CBI-C-LINE
19	BLK		-5			CBI-D-LINE
	GRN		-6			GND 1
	BLK		-7			FLTR-PH1
	WHT		-8			FLTR-NEUT
	BLU		-9			FLTR-PH3
	RED		-10			FLTR-PH2
	GRN	10	-11			FLTR-GND
	GRN	18	HARNESS 4-12			GND 1
	BLU	14	HARNESS 7-1			J3-B
	WHT		-2			J3-S
20	BLU		-3			J4-B
	WHT		-4			J4-S
	RED		-5			J5-B
	BLU		-4			K1-L3
	BLU		-7			
	WHT		-8			J5-S
	RED		-10			J6-S
	WHT		-11			J7-S
	BLK		-13			J7-B
	RED		-14			
RED		-15			K1-L2	
RED		-16				
BLK		-17			K1-L1	
BLK		-18				
BLK		-19			C1-2	
WHT		-20			C2-3	
WHT		-21/22				
WHT		-23/24			CBI-A-LOAD	
WHT		-25/24				
BLU		27/28			CBI-B-LOAD	
RED		-29			CBI-C-LOAD	
RED		-30			CBI-D-LOAD	
BLK		-31			CBI-D-LOAD	
BLK		-32			J1-B	
WHT		-33			J1-S	
WHT		-34			CBI-A-LOAD	
		-J1			PLT CONT-J5	
		-J2			PLT CONT-J6	
RED		-39			K1-A	
RED		-40			K1-B	
RED		-41			C2-1	
BLU	14	HARNESS 7-42			C1-1	
BLK	22	I1-BLK			CBI-A-LINE	
RED	22	I1-RED			CBI-D-LINE	
BLK	22	I2-BLK			CBI-A-LINE	
RED	22	I2-RED			CBI-C-LINE	
BLK	22	I3-BLK			CBI-A-LINE	
RED	22	I3-RED			CBI-B-LINE	

ITEM NO.	DESCRIPTION	FROM		TO		REMARKS
		COLOR	AWG	CONNECTION	WITH	
21	WHT	14	HARNESS 8-3			PLT CONT-J4
	WHT	14	HARNESS 8-4			TS-1
22	GRN	10	GND 1			GND 2
23	WHT	14	C1-3			C2-3
24	WHT	14	J1-S			J2-S
25	BLK	14	J1-B			J2-B
8			K1-A	41		K1-B 41

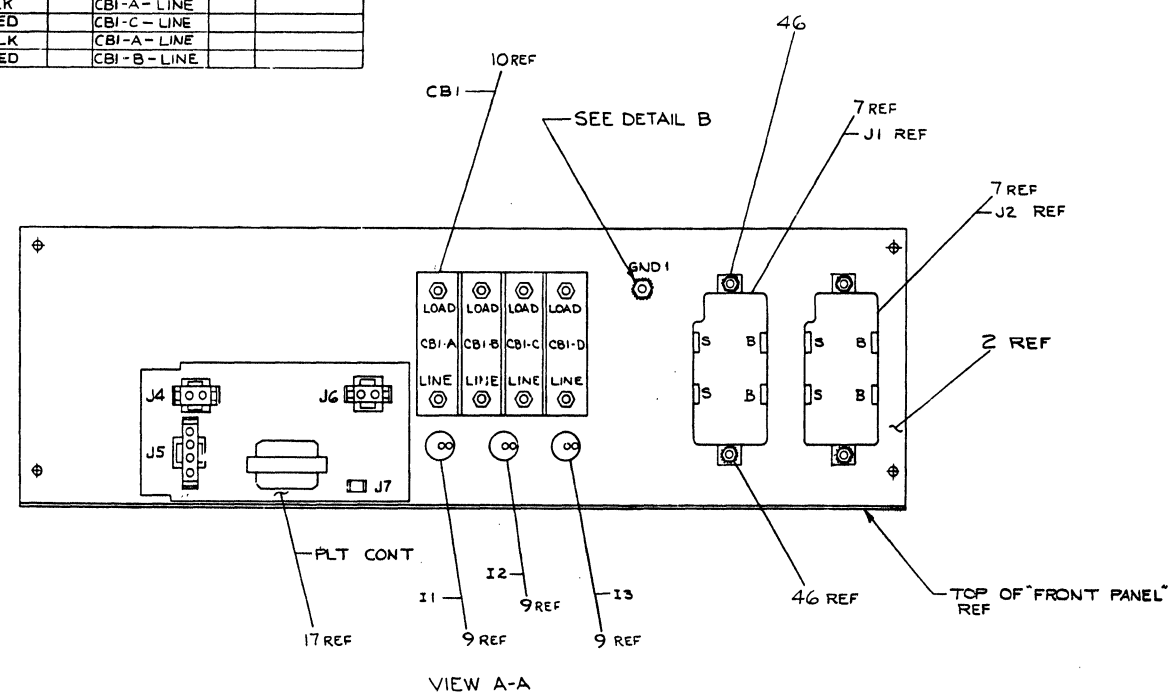
NOTES FOR WIRING:  
1. FOR HARNESS POINT NUMBERS, REFER TO HARNESS DWG.



DETAIL B  
TYPICAL FOR "GND 1" & "GND 2"



FILTER  
(ITEM 12)  
LOAD SIDE



VIEW A-A

QUANTITY & VARIATION	DESCRIPTION	DWG. PART NO.	ITEM NO.
ANGLE	UNLESS OTHERWISE SPECIFIED DIMENSIONS ARE IN INCHES		
ACCURACY			
QUALITY			
FINISH			
SCALE			
SHEET 2 OF 2			
TITLE		861-E	
POWER CONTROL ASSY		861-E-0	
REV.		C	

DIGITAL EQUIPMENT CORPORATION MAYNARD, MASSACHUSETTS <b>PARTS LIST</b>			QUANTITY/VARIATION												
MADE BY W. McCarthy		CHECKED W. McCarthy		SECTION 1											
DATE 4/18/75		DATE 4/29/75		ISSUED SECT. 1											
ENG Jim Drew		PROD Jim Bornstien		ISSUED SECT. 1											
DATE 5/6/75		DATE 5/3/75		1											
ITEM NO.	DWG NO. / PART NO.	DESCRIPTION													
1	E-IA-7413232-0-0	CHASSIS, POWER CONTROL													
2	D-IA-7413235-0-0	PANEL, FRONT, 861-E													
3	C-MD-7413234-0-0	COVER, POWER CONTROL													
4	D-MD-7413419-0-0	BRACKET, STRAIN RELIEF													
5	3612063-00	DECAL, UL													
6	3610267-00	DECAL, "DANGER HIGH VOLTAGE"													
7	1211207-01	POWER CONN RECEPTACLE, 24Ø VAC													
8	C-IA-7011052-0-0	MOV ASSY													
9	C-IA-7011053-1-0	PILOT LAMP ASSY, 24ØV													
10	1212321-00	CIRCUIT BREAKER, 15A, 24ØVAC													
11	1211158-00	THERMOSTAT, SPST, FIXED TEMP.													
12	1212320-00	FILTER													
13	1212410-00	STRAIN RELIEF													
14	1000034-00	DC PAPER CAPACITOR, 100ØØ VDC													
15	1212266-00	CONTACTOR, 3 POLE, 4ØA, 6ØØ VAC													
16	9007035-00	GROMMET, CATERPILLAR													
17	D-CS-5411522-0-1	PILOT CONTROL													
18	D-IA-7010938-0-0	HARNESS #2, POWER CONTROL													
19	D-IA-7010936-0-0	HARNESS #4, POWER CONTROL													
20	D-IA-7010971-0-0	HARNESS #7, POWER CONTROL													
21	C-IA-7010968-0-0	HARNESS #8, POWER CONTROL													
22	D-IA-7010972-0-0	JUMPER, WIRE (GRN, #10 AWG)													
TITLE 861-E POWER CONTROL ASSY		ASSY NO. E-UA-861-E-Ø		SIZE CODE A PL		NUMBER 861-E-Ø		REV. ECO NO. C 861-E-00003							
SHEET 1 OF 3		DIST.													

DEC FORM DEC 16-(325)-1031-N870  
DRA 110

DIGITAL EQUIPMENT CORPORATION MAYNARD, MASSACHUSETTS <b>PARTS LIST</b>			QUANTITY/VARIATION												
MADE BY W. McCarthy		CHECKED W. McCarthy		SECTION 1											
DATE 4/18/75		DATE 4/29/75		ISSUED SECT. 1											
ENG Jim Drew		PROD Jim Bornstien		ISSUED SECT. 1											
DATE 5/6/75		DATE 5/6/75		1											
ITEM NO.	DWG NO. / PART NO.	DESCRIPTION													
45	9006564-00	NUT, HEX, #10-32													
46	9008185-00	NUT, KEPS, #6-32													
47	A-SP-3700191-0-0	PACKAGING INSTRUCTIONS 861-E (INTERPLANT)													
48	A-DC-7416582-0-1	DECAL (NOT FOR EXTERNAL LOADS)													
49	A-SP-3700191-2-0	PACKAGING INSTRUCTIONS 861-E (CUSTOMER)													
TITLE 861-E POWER CONTROL ASSY		ASSY NO. E-UA-861-E-Ø		SIZE CODE A PL		NUMBER 861-E-Ø		REV. ECO NO. C							
SHEET 3 OF 3		DIST.													

DEC FORM DEC 16-(325)-1031-N870  
DRA 110

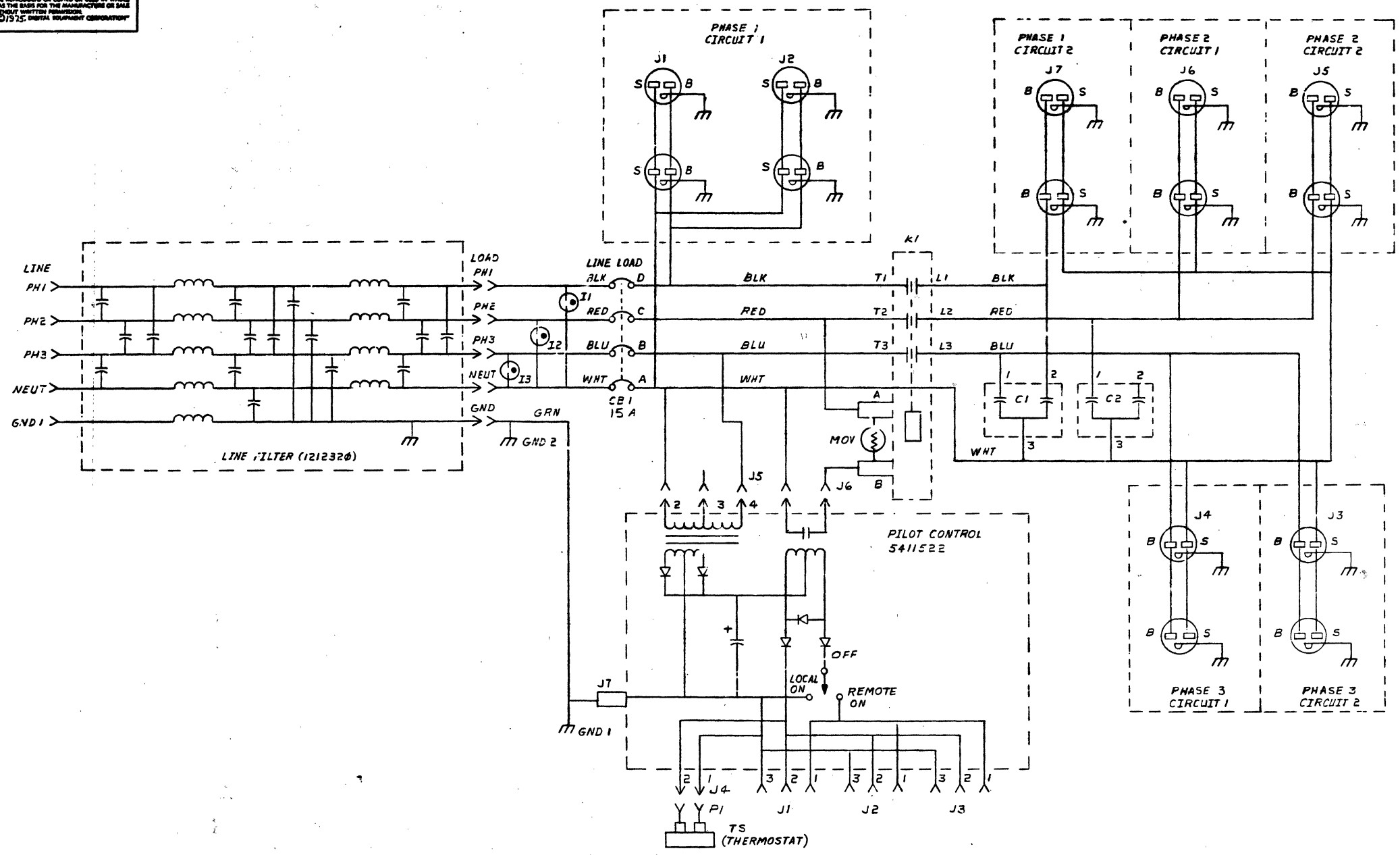
DIGITAL EQUIPMENT CORPORATION MAYNARD, MASSACHUSETTS <b>PARTS LIST</b>			QUANTITY/VARIATION												
MADE BY W. McCarthy		CHECKED W. McCarthy		SECTION 1											
DATE 4/18/75		DATE 4/29/75		ISSUED SECT. 1											
ENG Jim Drew		PROD Jim Bornstien		ISSUED SECT. 1											
DATE 5/6/75		DATE 5/6/75		1											
ITEM NO.	DWG NO. / PART NO.	DESCRIPTION													
23	D-IA-7010972-1-0	JUMPER, WIRE (WHT, #14 AWG)													
24	D-IA-7010972-2-0	JUMPER, WIRE (WHT, #14 AWG)													
25	D-IA-7010972-4-0	JUMPER, WIRE (BLK, #14 AWG)													
26	9009309-00	LOCKNUT, .5" PIPE THD													
27	9006010-01	SCR, PHL PAN HD, #4-40 x .31 LG													
28	9006020-01	SCR, PHL PAN HD, #6-32 x .25 LG													
29	9006021-01	SCR, PHL PAN HD, #6-32 x .31 LG													
30	9006037-01	SCR, PHL PAN HD, #8-32 x .38 LG													
31	9006051-01	SCR, PHL PAN HD, #8-32 x 3.00 LG													
32	9006655-00	WASHER, FLAT, #4													
33	9006653-00	WASHER, FLAT, #6													
34	9006660-00	WASHER, FLAT, #8													
35	9006664-00	WASHER, FLAT, #10													
36	9006688-00	WASHER, SPLIT LOCK, #4													
37	9007801-00	WASHER, SPLIT LOCK, #6													
38	9006690-00	WASHER, SPLIT LOCK, #8													
39	9007906-00	WASHER, SPLIT LOCK, #10													
40	9007651-00	WASHER, EXT TOOTH LOCK, #10													
41	9006633-00	WASHER, INT TOOTH LOCK, #6													
42	9006556-00	NUT, HEX, #4-40													
43	9006558-00	NUT, HEX, #6-32													
44	9006561-00	NUT, HEX, #8-32													
TITLE 861-E POWER CONTROL ASSY		ASSY NO. E-UA-861-E-Ø		SIZE CODE A PL		NUMBER 861-E-Ø		REV. ECO NO. C							
SHEET 2 OF 3		DIST.													

DEC FORM DEC 16-(325)-1031-N870  
DRA 110



CS 861-E-1

THIS DRAWING AND SPECIFICATION HEREIN ARE THE PROPERTY OF DIGITAL EQUIPMENT CORPORATION AND SHALL NOT BE REPRODUCED OR COPIED OR USED IN WHOLE OR IN PART AS THE BASIS FOR THE MANUFACTURE OR SALE OF ITEMS WITHOUT WRITTEN PERMISSION. COPYRIGHT © 1975, DIGITAL EQUIPMENT CORPORATION



DRN. S. Silva	5-875	FIRST USED ON	861-E
CHK'D. J. Wain	5/9/75	TITLE	POWER CONTROL, 861-E
ENG. J. Wain	5/8/75	SIZE	D
PROB. ENR. J. Wain	5/8/75	CODE	CS 861-E-1
PROD. J. Wain	5/8/75	NUMBER	1
NEXT HIGHER ASSY.		REV.	
B-DC-861-E		SCALE	1 OF 1
SHEET		DIST.	

REVISIONS	REV.
1	
2	
3	
4	
5	
6	
7	
8	

DEC FORM NO. 010 1000

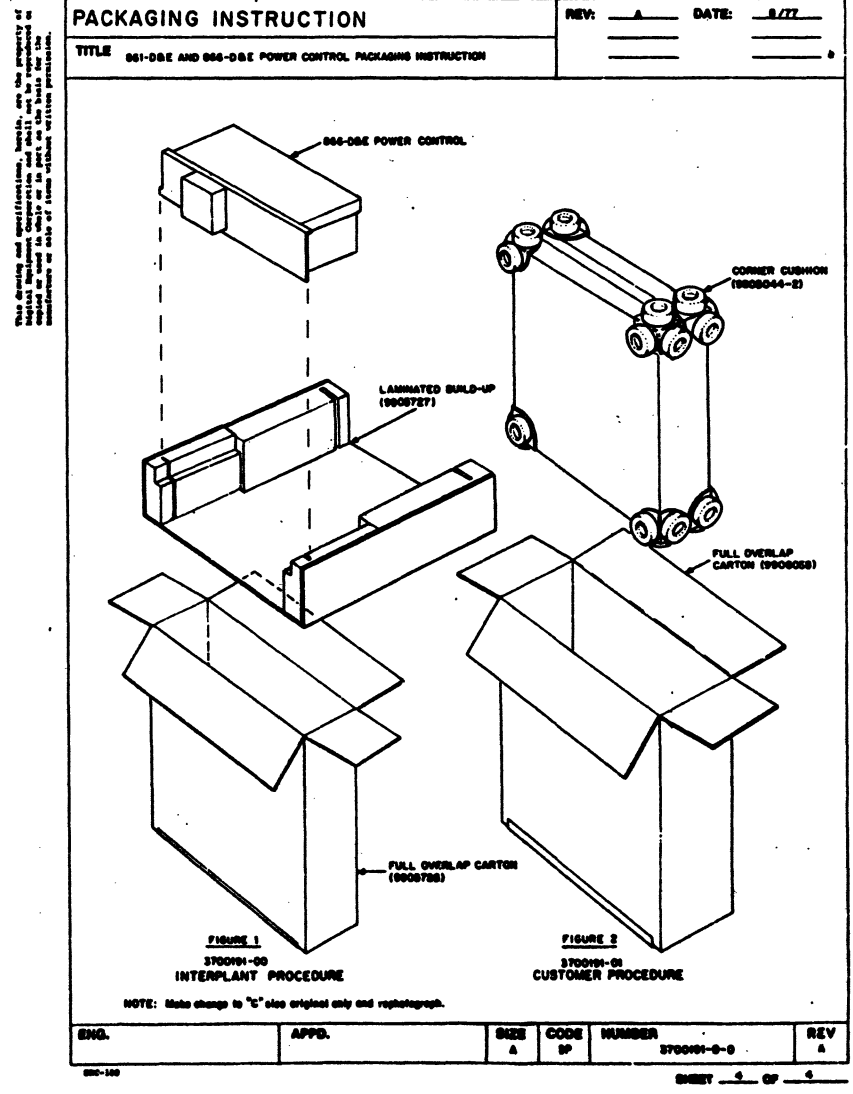
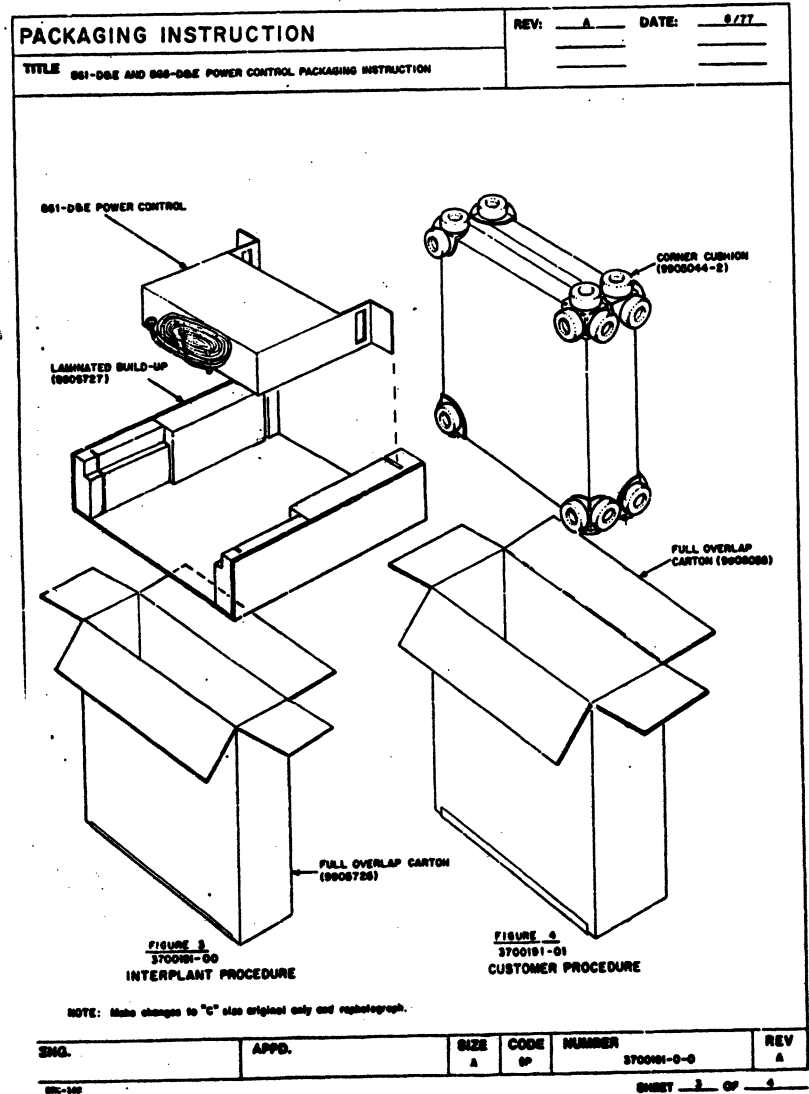
622

<b>DIGITAL EQUIPMENT CORPORATION</b> MAYNARD MASSACHUSETTS		
<b>PACKAGING INSTRUCTION</b>	REV: <u>  A  </u> DATE: <u>  8/77  </u>	
<b>TITLE</b> 861-D-E AND 866-D-E POWER CONTROL		
<b>LEGEND</b>		
3700191-00	861 D & E INTERPLANT	
	866 D & E INTERPLANT	
3700191-01	861/866 D & E CUSTOMER	
<b>MATERIAL REQUIREMENTS</b> 3700191-00 INTERPLANT		
Quantity	Purchase Specification No.	Description
1	9905726	Full-Overlap Carton
1	9905727	Laminated Buildup
5 ft.	9905729	Tape, Carton Sealing 3 in. wide
<b>PACKAGING INSTRUCTIONS</b> 3700191-00		
Interplant Procedure (Refer to Figures 1 & 2)		
Step		
1	Set up and tape Full-Overlap Carton (9905726) using one strip of Carton Sealing Tape (9905729).	
2	Place 861 or 866 Power Control into Laminated Buildup (9905727) as shown in Figure 1, 2. Make sure that the slots in the Laminated Buildup align with the power control chassis.	
3	Pick up Laminated Buildup from both sides and slide it (front end first) into the Full-Overlap Carton.	
4	Coil the cable on the rear of the 861 power control or the separate 866 cable, so that it will fit into the carton.	
5	Close and seal carton with carton sealing tape.	

ENG *Bob Grant 4/75* APPD *Ken Morrison 4/75* SIZE   A   CODE   SP   NUMBER 3700191-0-0 REV   A    
 DEC 6-1851-1031-1-R671 DRA - 129 SHEET 1 OF 4

<b>PACKAGING INSTRUCTION</b>		<b>CONTINUATION SHEET</b>
<b>TITLE</b> 861-D-E AND 866-D-E POWER CONTROL		
<b>MATERIAL REQUIREMENTS</b> 3700191-01 CUSTOMER		
Quantity	Purchase Specification No.	Description
1	9906058	Full-Overlap Carton
8	9905044-02	Toro Pad, Corner Cushion
6 ft.	9905729	Tape, Carton Sealing (3 in. wide)
<b>Customer Procedure (Refer to Figure 2 &amp; 4)</b> 3700191-01		
1.	Follow Interplant Procedure Steps 1 through 5.	
2.	Set up and tape Full-Overlap Carton (9906058) using Carton Sealing Tape.	
3.	Place one (1) Toro Pad (9905044-02) in the bottom of each corner of Full-Overlap Carton.	
4.	Place packaged 861 or 866 Power Control into the outer Full-Overlap Carton. Ensure that the package rests on the Toro Pads. (See Figures 2 and 4)	
5.	Place one (1) Toro Pad on top of each corner of the inner Carton.	
6.	Close and seal Carton with Carton Sealing Tape.	

DEC-1031 SHEET 2 OF 4



823

This drawing and specifications herein are the property of Digital Equipment Corporation and shall not be reproduced or copied in whole or in part without the written permission of Digital Equipment Corporation. COPYRIGHT © 1975 DIGITAL EQUIP. CORP.

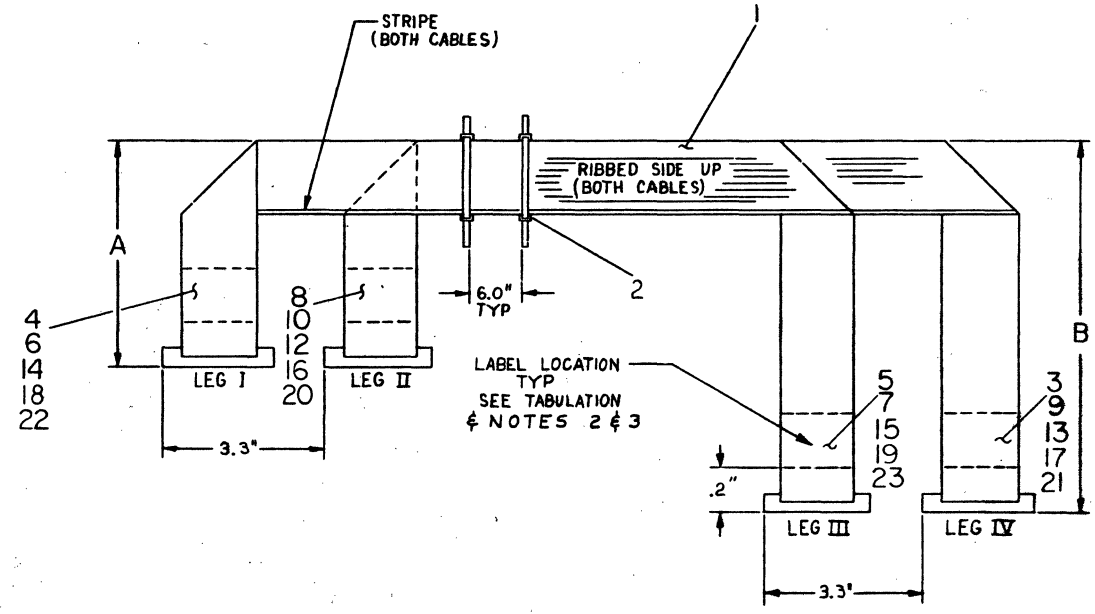
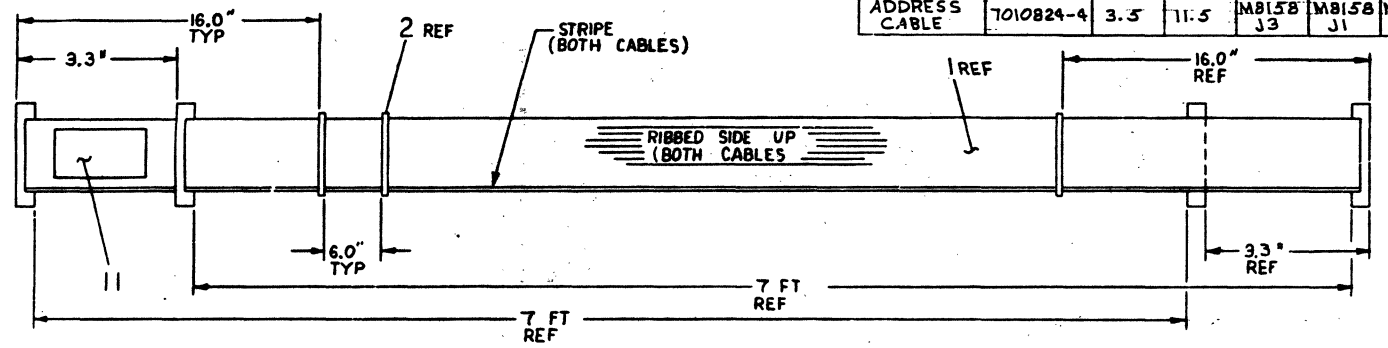
0-0-728010Z (M) 2

TITLE	NUMBER	FOLD TO INDICATED DIM.		TABULATION				FOR INSTALLATION IN CAB	REMARKS
		A	B	LEG I	LEG II	LEG III	LEG IV		
DATA CABLE	7010824-0	4.0	11.0	M8149 J1	M8149 J3	M8149 J2	M8149 J4	11/70 CAB 1	SEE NOTE 1
ADDRESS CABLE	7010824-1	3.5	11.5	M8148 J3	M8148 J1	M8148 J4	M8148 J2	11/70 CAB 1	SEE NOTE 1
ADDRESS CABLE	7010824-2	3.5	11.5	M8147 J3	M8147 J1	M8147 J4	M8147 J2	11/70 CAB 1	SEE NOTE 1
DATA CABLE	7010824-3	4.0	11.0	M8159 J3	M8159 J1	M8159 J4	M8159 J2	11/70 CAB 1	SEE NOTE 1
ADDRESS CABLE	7010824-4	3.5	11.5	M8158 J3	M8158 J1	M8158 J4	M8158 J2	11/70 CAB 1	SEE NOTE 1

**NOTES:**

- IF CABLES ARE USED IN MJII-AC, BC OR MKII-BC, BD EXPANSION CABINET, REWORK AT INSTALLATION AS FOLLOWS:  
 (1) UNFOLD CABLES AND REFOLD WITH FOLLOWING DIMENSIONS PRIOR TO INSTALLATION  

	A DIM	B DIM
7010824-0	6.0"	8.0"
7010824-1	6.0"	7.8"
- APPLY LABEL ON LEGS I & II WITH LEGEND VISIBLE NEAR SIDE
- APPLY LABEL ON LEGS III & IV WITH LEGEND VISIBLE ON FAR SIDE.



QTY.	DESCRIPTION	PART NO.	ITEM NO.
1	CABLE MARKER M8158 J4	3612427-25	23
1	CABLE MARKER M8158 J3	3612427-24	22
1	CABLE MARKER M8158 J2	3612427-23	21
1	CABLE MARKER M8158 J1	3612427-22	20
1	CABLE MARKER M8159 J4	3612427-30	19
1	CABLE MARKER M8159 J3	3612427-29	18
1	CABLE MARKER M8159 J2	3612427-28	17
1	CABLE MARKER M8159 J1	3612427-27	16
1	CABLE MARKER M8147 J4	3612427-21	15
1	CABLE MARKER M8147 J3	3612427-20	14
1	CABLE MARKER M8147 J2	3612427-19	13
1	CABLE MARKER M8147 J1	3612427-18	12
1	LABEL, CABLE IDENT.	9009532	11
1	CABLE MARKERS M8148 J1	3612427-17	10
1	CABLE MARKERS M8149 J4	3612427-06	9
1	CABLE MARKERS M8149 J3	3612427-05	8
1	CABLE MARKERS M8149 J2	3612427-04	7
1	CABLE MARKERS M8149 J1	3612427-03	6
1	CABLE MARKERS M8148 J4	3612427-02	5
1	CABLE MARKERS M8148 J3	3612427-01	4
1	CABLE MARKERS M8148 J2	3612427-00	3
A/R	CABLE, TIE	9007031	2
2	I/O CABLE BC06R	D-UA-BC06R-07-0	1

REV.	DATE	BY	CHKD.
1			
2			
3			
4			
5			
6			
7			
8			

FIRST USED ON OPTION/MODEL MJII-A

DO NOT SCALE DRAWING

UNLESS OTHERWISE SPECIFIED DIMENSIONS IN INCHES

TOLERANCES

FRACTIONS DECIMALS ANGLES

FRACTIONAL DIMENSIONS .0005 .001 .002 .005 .010 .015 .030 .050 .100 .150 .300 .500 .750 1.000

DECIMAL DIMENSIONS .0005 .001 .002 .005 .010 .015 .030 .050 .100 .150 .300 .500 .750 1.000

ANGLES .0005 .001 .002 .005 .010 .015 .030 .050 .100 .150 .300 .500 .750 1.000

SEE PARTS LIST

NEXT HIGHER ASSY E-UA-MJII-A-0

SCALE NAME

SHEET 1 OF 1

DATE 2-28-75

BY [Signature]

CHKD. [Signature]

digital EQUIPMENT CORPORATION

TITLE CABLES. INTERCONNECTING DATA/ADDRESS

SIZE CODE D IAD 7010824-0-0

REV. B

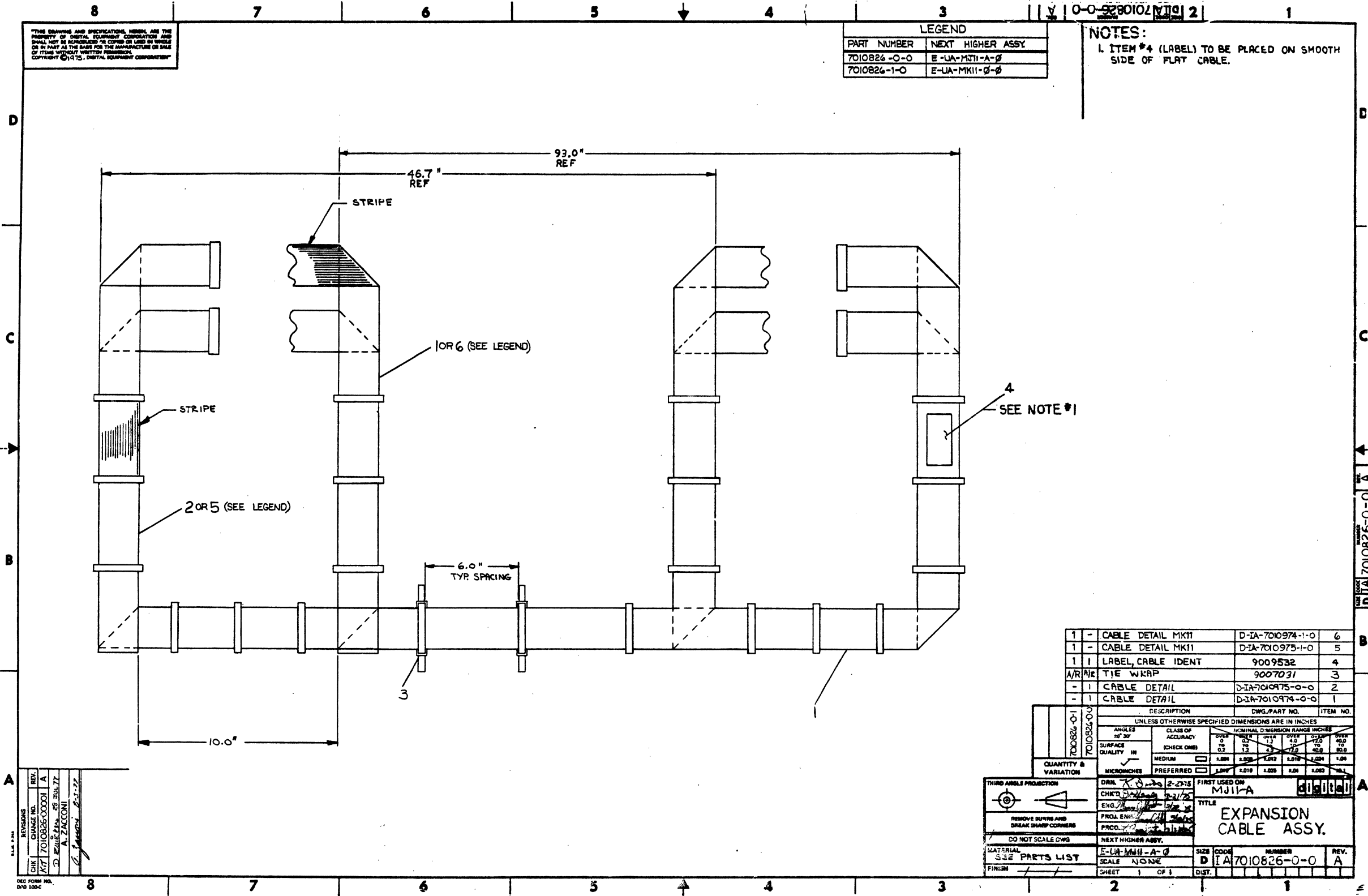
624



THIS DRAWING AND SPECIFICATIONS HEREIN ARE THE PROPERTY OF DIGITAL EQUIPMENT CORPORATION AND SHALL NOT BE REPRODUCED OR COPIED OR USED IN WHOLE OR IN PART AS THE BASIS FOR THE MANUFACTURE OR SALE OF ITEMS WITHOUT WRITTEN PERMISSION. COPYRIGHT © 1975, DIGITAL EQUIPMENT CORPORATION

LEGEND	
PART NUMBER	NEXT HIGHER ASSY
7010826-0-0	E-UA-MK11-A-0
7010826-1-0	E-UA-MK11-0-0

NOTES:  
 1. ITEM #4 (LABEL) TO BE PLACED ON SMOOTH SIDE OF FLAT CABLE.



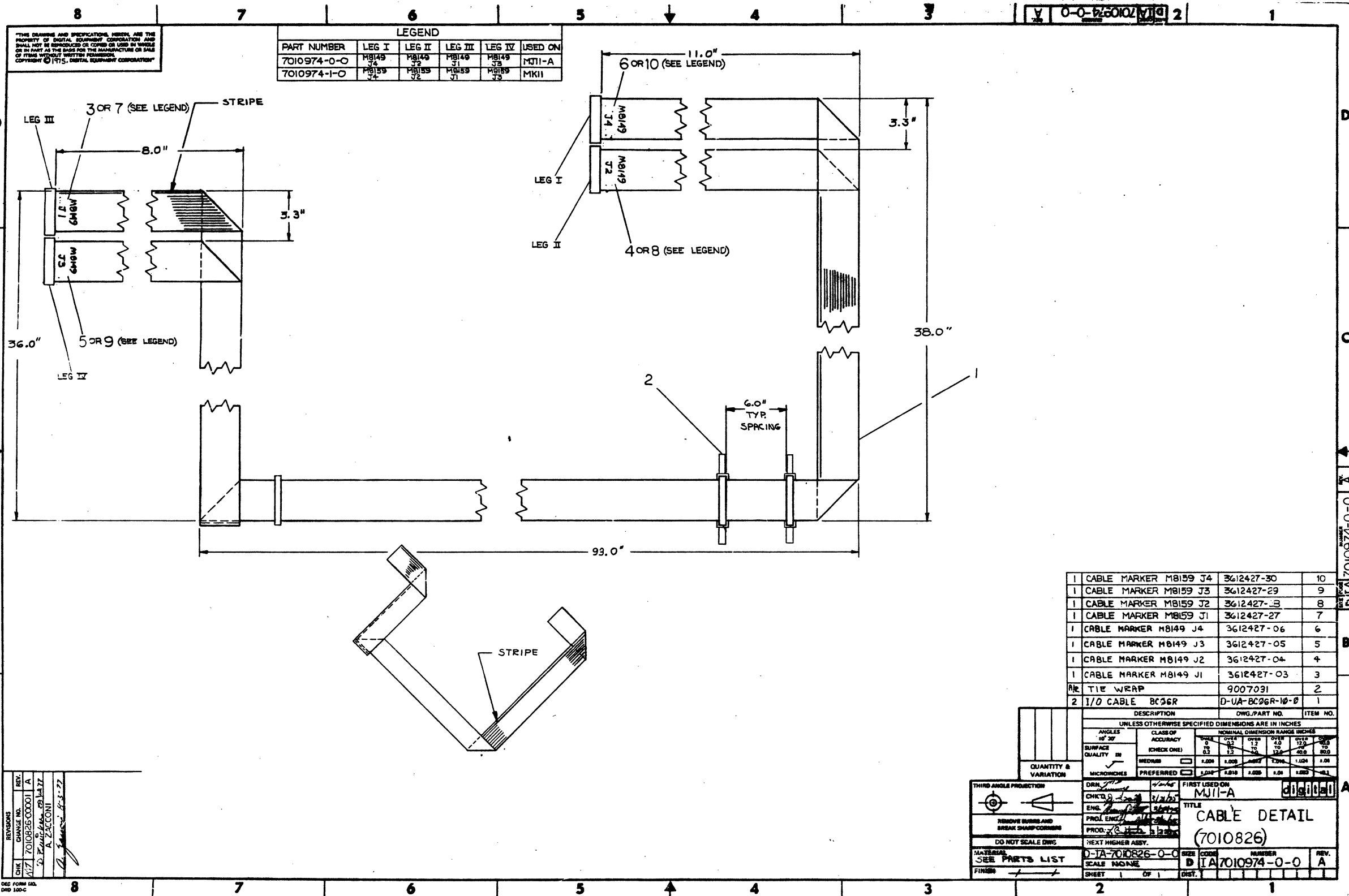
DESCRIPTION	DWG/PART NO.	ITEM NO.
1 - CABLE DETAIL MK11	D-IA-7010974-1-0	6
1 - CABLE DETAIL MK11	D-IA-7010975-1-0	5
1   LABEL, CABLE IDENT	9009532	4
A/R/TIE TIE WRAP	9007031	3
- 1 CABLE DETAIL	D-IA-7010975-0-0	2
- 1 CABLE DETAIL	D-IA-7010974-0-0	1

UNLESS OTHERWISE SPECIFIED DIMENSIONS ARE IN INCHES	
ANGLES 30°	CLASS OF ACCURACY
SURFACE QUALITY	FINISH
QUANTITY & VARIATION	FINISH

DRN: 2-2715	FIRST USED ON: MK11-A
CHK'D: [Signature]	TITLE: EXPANSION CABLE ASSY.
ENG: [Signature]	SCALE: NONE
PROD. ENG: [Signature]	SHEET: 1 OF 1
NEXT HIGHER ASSY: E-UA-MK11-A-0	SIZE CODE: D
MATERIAL: SEE PARTS LIST	NUMBER: IA7010826-0-0
FINISH: / /	REV: A

REV.	DATE	BY	APP.
1	10/1/75	A. ZACCONE	[Signature]
2	10/1/75	A. ZACCONE	[Signature]

625



REV.	DATE	BY	CHKD.
1	7/17/75	A. ZACCONI	
2	8/14/77	A. ZACCONI	

THIRD ANGLE PROJECTION	DRN. <i>[Signature]</i>	FIRST USED ON	MJ11-A
REMOVE BURRS AND BREAK SHARP CORNERS	CHKD. <i>[Signature]</i>	TITLE	CABLE DETAIL
DO NOT SCALE DWG.	ENG. <i>[Signature]</i>		(7010826)
MATERIALS SEE PARTS LIST	PROL. ENG. <i>[Signature]</i>	SCALE	AS SHOWN
FINISH	PROD. <i>[Signature]</i>	SHEET	1 OF 1

026

This drawing and specifications, herein, are the property of Digital Equipment Corporation and shall not be reproduced or used in whole or in part as the basis for the manufacture or sale of items without written permission.

<b>DIGITAL EQUIPMENT CORPORATION MAYNARD MASSACHUSETTS</b>				
<b>PACKAGING INSTRUCTION</b>			REV: _____	DATE: _____
TITLE CUSHIONED CUSTOMER SHIPPING PACKAGE (MJ11)			_____	_____
<b>MATERIAL REQUIREMENTS</b>				
Quantity	Purchasing Specification No.	Description		
2	9905645	Full Telescope Cap		
2	9905642	Foam Pad		
2	9905643	Foam with Corrugated Side Wall Assembly		
12 ft.	9905734-01	Plastic Strapping		
<b>PACKAGING INSTRUCTIONS</b>				
Step	Procedure			
1	Set up both Full Telescope Caps (9905645). No taping or stapling is required.			
2	Place one Full Telescope Cap on the floor and place both Foam with Corrugated Side Wall Assemblies (9905643) inside the cap.			
3	Place one Foam Pad (9905642) inside the Foam with Corrugated Side Wall Assemblies, resting on the bottom of the Full Telescope Cap.			
4	Place option (package in In-Plant Box, according to the specific Packaging Instructions for this option) inside the Foam with Corrugated Side Wall Assemblies, resting on the Foam Pad.			
5	Place the second Foam Pad on top of the boxed option, inside the Foam with Corrugated Side Wall Assembly.			
6	Place the second Full Telescope Cap on top of the assembly.			
7	Strap in both directions, using plastic strapping.			
<b>NOTE</b> See A-SP-3700194-0-0 for Inter-Plant Packaging Instructions.				

ENG.	APPD.	SIZE	CODE	NUMBER	REV.
<i>[Signature]</i>	<i>[Signature]</i>	A	SP	370.0195-0-0	

DEC 8 1974 1032-1-007  
DRA - 100

SHEET 1 OF 2

This drawing and specifications, herein, are the property of Digital Equipment Corporation and shall not be reproduced or copied or used in whole or in part as the basis for the manufacture or sale of items without written permission.

<b>PACKAGING INSTRUCTION</b>				REV: _____	DATE: _____
TITLE CUSHIONED CUSTOMER SHIPPING PACKAGE (MJ11)				_____	_____

**NOTE:**  
Make changes to the "C" size original only and rephotograph.

ENG.	APPD.	SIZE	CODE	NUMBER	REV.
<i>[Signature]</i>	<i>[Signature]</i>	A	SP	3700195-0-0	

SHEET 2 OF 2

629

**DIGITAL EQUIPMENT CORPORATION  
MAYNARD MASSACHUSETTS**

<b>PACKAGING INSTRUCTION</b>		REV: <u>A</u> DATE: <u>8/77</u>
TITLE <u>861-D-E AND 866-D-E POWER CONTROL</u>		
<b>LEGEND</b>		
	3700191-00	861 D & E INTERPLANT
		866 D & E INTERPLANT
	3700191-01	861/866 D & E CUSTOMER
<b>MATERIAL REQUIREMENTS</b>		
3700191-00 INTERPLANT		
Quantity	Purchase Specification No.	Description
1	9905726	Full-Overlap Carton
1	9905727	Laminated Buldup
5 ft.	9905729	Tape, Carton Sealing 3 in. wide
<b>PACKAGING INSTRUCTIONS</b>		
3700191-00		
Interplant Procedure (Refer to Figures 1 & 2)		
Step		
1	Set up and tape Full-Overlap Carton (9905726) using one strip of Carton Sealing Tape (9905729).	
2	Place 861 or 866 Power Control into Laminated Buldup (9905727) as shown in Figure 1, 2. Make sure that the slots in the Laminated Buldup align with the power control chassis.	
3	Pick up Laminated Buldup from both sides and slide it (front end first) into the Full-Overlap Carton.	
4	Coil the cable on the rear of the 861 power control or the separate 866 cable, so that it will fit into the carton.	
5	Close and seal carton with carton sealing tape.	

ENG. Submittal 4/85 APPD. Tom Mariani 4/85 SIZE A CODE SP NUMBER 3700191-0-0 REV A  
 DEC 8-1081-1081-1-0871  
 DRA - 129 SHEET 1 OF 4

<b>PACKAGING INSTRUCTION</b>		<b>CONTINUATION SHEET</b>	
TITLE <u>861-D-E AND 866-D-E POWER CONTROL</u>			
<b>MATERIAL REQUIREMENTS</b>			
3700191-01 CUSTOMER			
Quantity	Purchase Specification No.	Description	
1	9906058	Full-Overlap Carton	
8	9905044-02	Toro Pad, Corner Cushion	
6 ft.	9905729	Tape, Carton Sealing (3 in. wide)	
<b>Customer Procedure (Refer to Figure 2 &amp; 4)</b>			
3700191-01			
1.	Follow Interplant Procedure Steps 1 through 5.		
2.	Set up and tape Full-Overlap Carton (9906058) using Carton Sealing Tape.		
3.	Place one (1) Toro Pad (9905044-02) in the bottom of each corner of Full-Overlap Carton.		
4.	Place packaged 861 or 866 Power Control into the outer Full-Overlap Carton. Ensure that the package rests on the Toro Pads. (See Figures 2 and 4)		
5.	Place one (1) Toro Pad on top of each corner of the inner Carton.		
6.	Close and seal Carton with Carton Sealing Tape.		

SIZE A CODE SP NUMBER 3700191-0-0 REV A  
 DEC8-1031 SHEET 2 OF 4

<b>PACKAGING INSTRUCTION</b>		REV: <u>A</u> DATE: <u>8/77</u>
TITLE <u>861-D-E AND 866-D-E POWER CONTROL PACKAGING INSTRUCTION</u>		
<b>FIGURE 3 3700191-00 INTERPLANT PROCEDURE</b>		
<b>FIGURE 4 3700191-01 CUSTOMER PROCEDURE</b>		
NOTE: Make change to "C" size original only and rephotograph.		

ENG. \_\_\_\_\_ APPD. \_\_\_\_\_ SIZE A CODE SP NUMBER 3700191-0-0 REV A  
 DEC-102 SHEET 3 OF 4

<b>PACKAGING INSTRUCTION</b>		REV: <u>A</u> DATE: <u>8/77</u>
TITLE <u>861-D-E AND 866-D-E POWER CONTROL PACKAGING INSTRUCTION</u>		
<b>FIGURE 1 3700191-00 INTERPLANT PROCEDURE</b>		
<b>FIGURE 2 3700191-01 CUSTOMER PROCEDURE</b>		
NOTE: Make change to "C" size original only and rephotograph.		

ENG. \_\_\_\_\_ APPD. \_\_\_\_\_ SIZE A CODE SP NUMBER 3700191-0-0 REV A  
 DEC-100 SHEET 4 OF 4

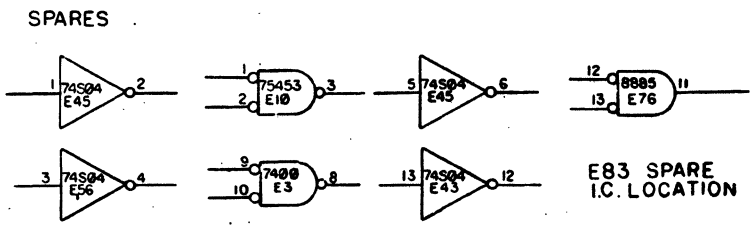
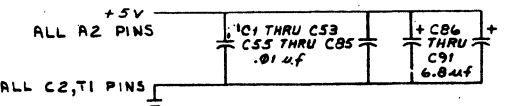
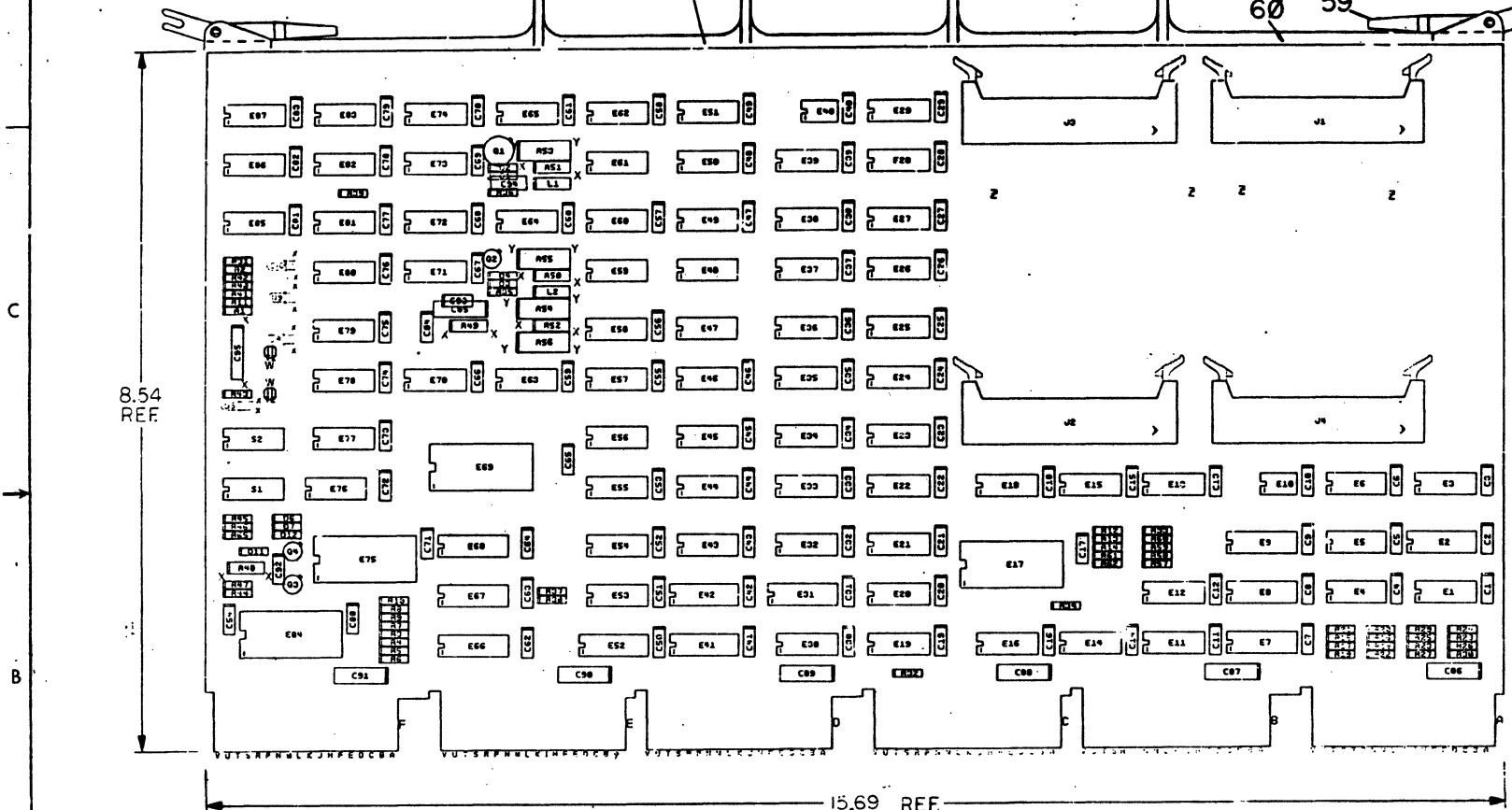
228

ALL DIMENSIONS, SPECIFICATIONS, WEIGHTS ARE THE PROPERTY OF DIGITAL EQUIPMENT CORPORATION AND NOT BE REPRODUCED OR COPIED OR USED IN WHOLE OR IN PART AS THE BASIS FOR THE MANUFACTURE OR SALE OF ANY ITEM WITHOUT WRITTEN PERMISSION FROM DIGITAL EQUIPMENT CORPORATION.

**NOTES:**  
1. PINS FS1, FR1, BD2, BE2, AND BF2 ARE FOR MODULE TEST ONLY.

2	E00, E51	IC DEC 74540	1919541	54
1	E07	IC DEC 745133	1211983	55
1	E14	IC DEC 745140	1919548	56
1	E2	IC DEC 74187	23-C0542-01	57
2	TP1, TP2	SPLIT LUGS	9008735	58
1		HANDLE ASSEMBLY	1218711-2	59
12		EYELET (HANDLE)	9008732	60
1	C98	CAP .022UF 100V 10%	1002323	61
4		RIGHT LATCH	1209941-04	62
4		LEFT LATCH	1209941-03	63

QTY	REF DESIGNATION	DESCRIPTION	PART NO	ITEM NO
		X-Y COORDINATE HOLE LOCATION	K-CO-08147-0-4	1
		ASSY-DRILLING HOLE LAYOUT	D-AN-08147-0-5	2
		MODULE ECO HISTORY	D-IN-08147-0-6	3
		ETCHED CIRCUIT BOARD	5012343	4
		CAPACITOR 01UF 100V 20%	1001610-01	5
		CAPACITOR 0.01UF 50V 10%	1005300	6
		CAPACITOR 1000PF 100V 5%	1000042-00	7
		CAPACITOR 270PF 100V 5%	1000022	8
		DIODE DEC 777 SWITCHING DIODE	1103041	9
		DIOD LIGHT EMITTING WY5054-1	1110324	10
		DIODE ZENER 1N 7494 3V	1104880	11
		CONNECTOR 3W #3432 #0 PIN	1202911-02	12
		RESISTOR 1.4K 1K 5%	1300365	13
		RESISTOR 1.4K 330 OHM 5%	1300295	14
		RESISTOR 1.4K 890 OHM 5%	1301424	15
		RESISTOR 1.4K 470 OHM 5%	1300316	16
		RESISTOR 1.4K 220 OHM 5%	1300271	17
		RESISTOR 1.4K 500 OHM 5%	1301490	18
		RESISTOR 1.4K 20K 5%	1302341	19
		RESISTOR 1.2K 750 OHM 5%	1300351	20
		RESISTOR 1.2K 470 OHM 5%	1300315	21
		RESISTOR 1K 120 OHM 5%	1301839	22
		RESISTOR 1.0K 1.1K OHM 1%	1302845	23
		RESISTOR 1.4K 2K 5%	1302368	24
		TRANSISTOR DEC 3009B	1503100	25
		TRANSISTOR DEC 6534D	1503409	26
		INDUCTOR 100UH	1610862	27
		DELAY LINE	1611243	28
		SWITCH 7 POS	1211164-03	29
		IC DEC 75453	1911036	30
		IC DEC 8640	1511469	31
		IC DEC 74804	1909931	32
		IC DEC 7400	1905575	33
		IC DEC 74801	1909849-00	34
		IC DEC 82582	1911291	35
		IC DEC 74574	1910544	36
		IC DEC 74800	1909056	37
		IC DEC 745191	1910531	38
		IC DEC 745150	1910549	39
		IC DEC 74504	1910534	40
		IC DEC 74564	1910542	41
		IC DEC 7404	1909686	42
		IC DEC 74510	1910536	43
		IC DEC 74511	1910537	44
		IC DEC 74522	1910540	45
		IC DEC 7475	1909050	46
		IC DEC 8242	1909712	47
		IC DEC 74500	1910532	48
		IC DEC 75451	1910406	49
		IC DEC 7408	1910155	50
		IC DEC 8885	1910849	51
		IC DEC 74H50	1909080	52
		IC DEC 745151	1910956	53



DEC	QTY	QTY
DEC 75451	4	8
DEC 74187	3	12
DEC 745181	12	24
DEC 745153	5	16
DEC 745151	8	16
DEC 745133	8	16
DEC 8642	1	8
DEC 7475	12	5
IC TYPE	GND	+5V

GND AND 5V ARE USUALLY PIN 7 AND 14 RESPECTIVELY. EXCEPTIONS ARE STATED ABOVE.

IC PIN LOCATIONS

DEC NO.	EIA NO.	DEC NO.	EIA NO.

SEMICONDUCTOR CONVERSION CHART

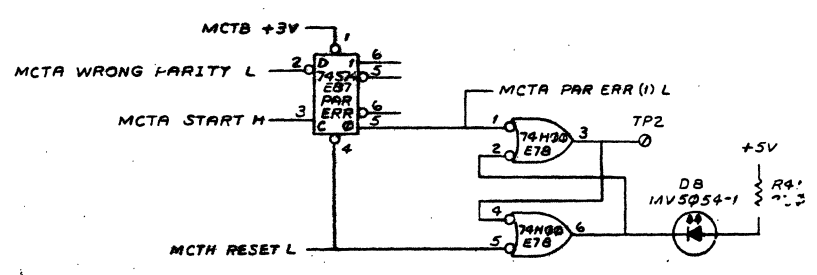
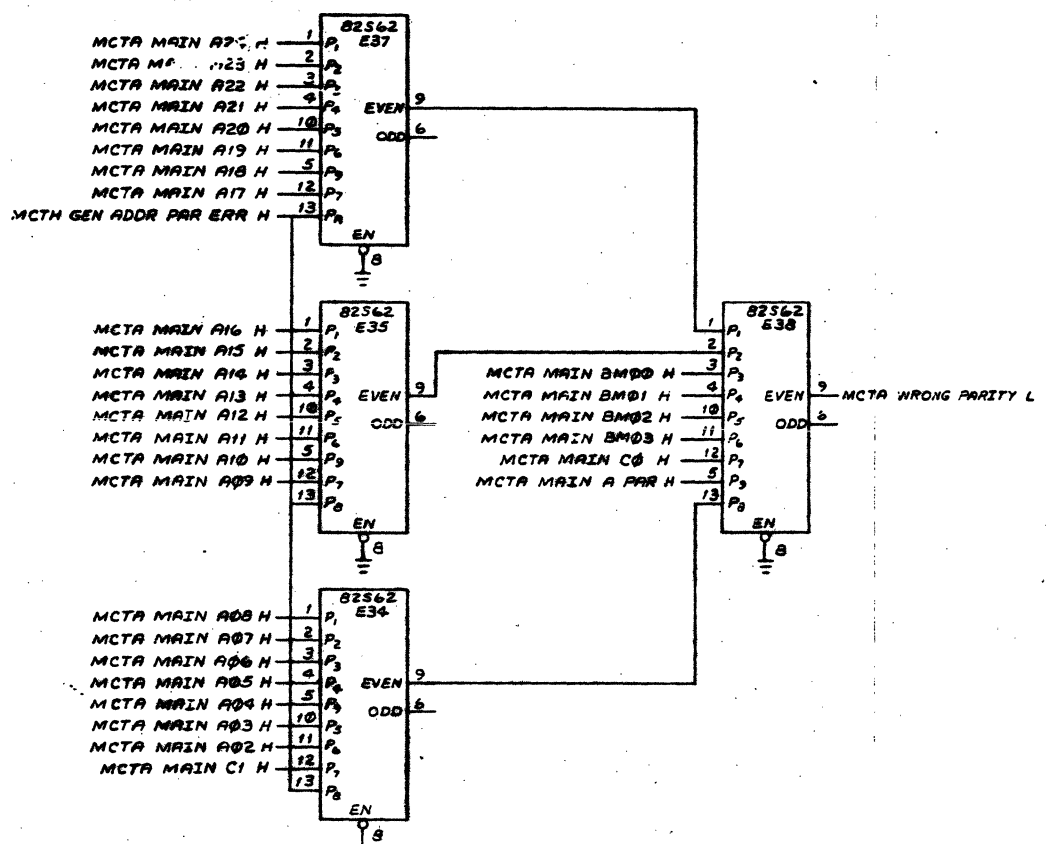
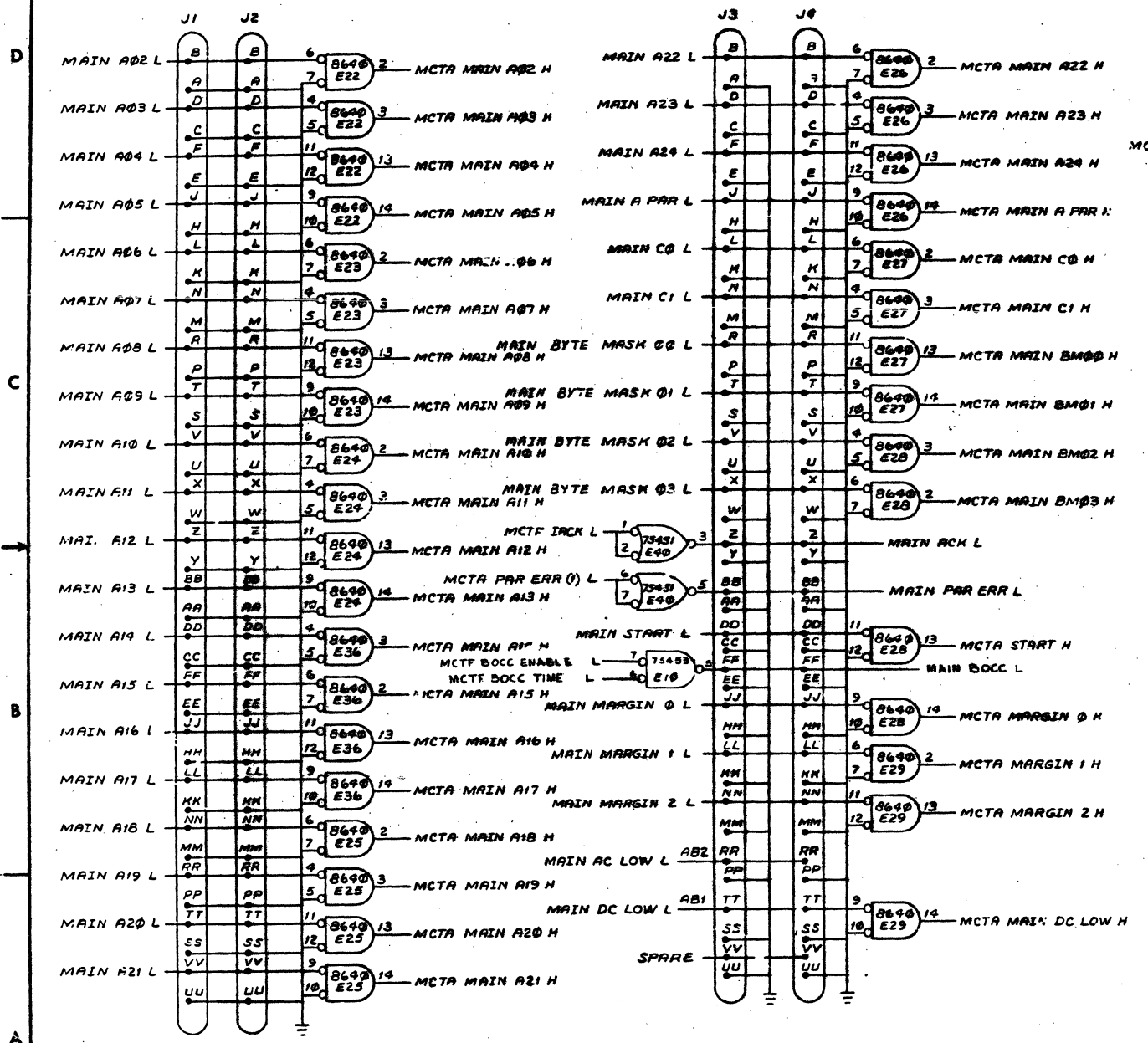
DATE: 5-15-76  
 DATE: 7-74-76  
 DATE: 7-74-76  
 DATE: 7-74-76

digital EQUIPMENT CORPORATION  
 TITLE: MEMORY CONTROL & TIMING (MCT)  
 SIZE CODE: DCS M8147-0-1  
 SHEET: 1 OF 9

629

THIS DRAWING AND SPECIFICATIONS HEREIN ARE THE PROPERTY OF DIGITAL EQUIPMENT CORPORATION AND SHALL NOT BE REPRODUCED OR COPIED OR USED IN WHOLE OR IN PART AS THE BASIS FOR THE MANUFACTURE OR SALE OF ITEMS WITHOUT WRITTEN PERMISSION. COPYRIGHT © 1974 DIGITAL EQUIPMENT CORPORATION

V-1-0-118W 000 2

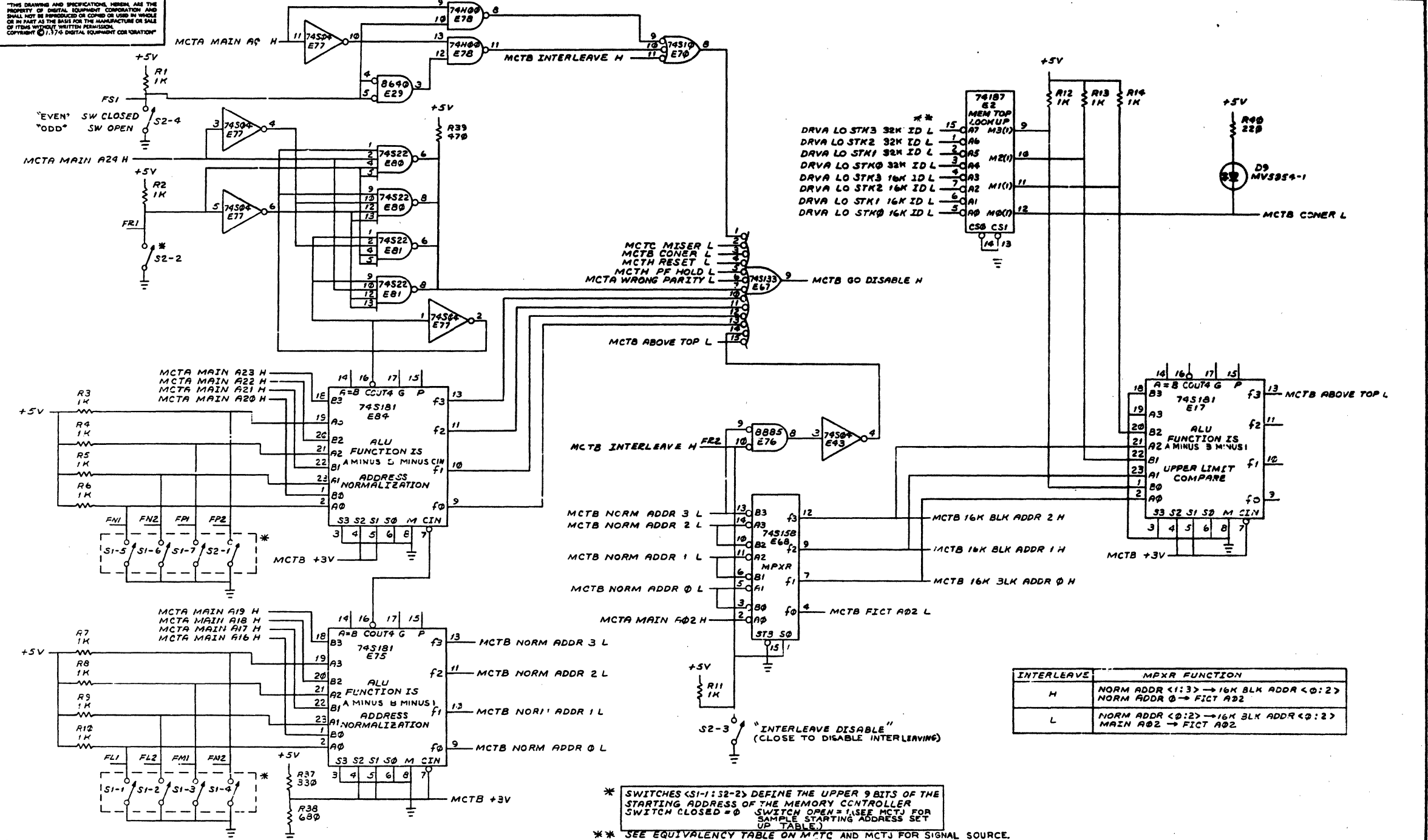


MEMORY BUS INTERFACE AND ADDRESS PARITY CHECKER SLOT 13

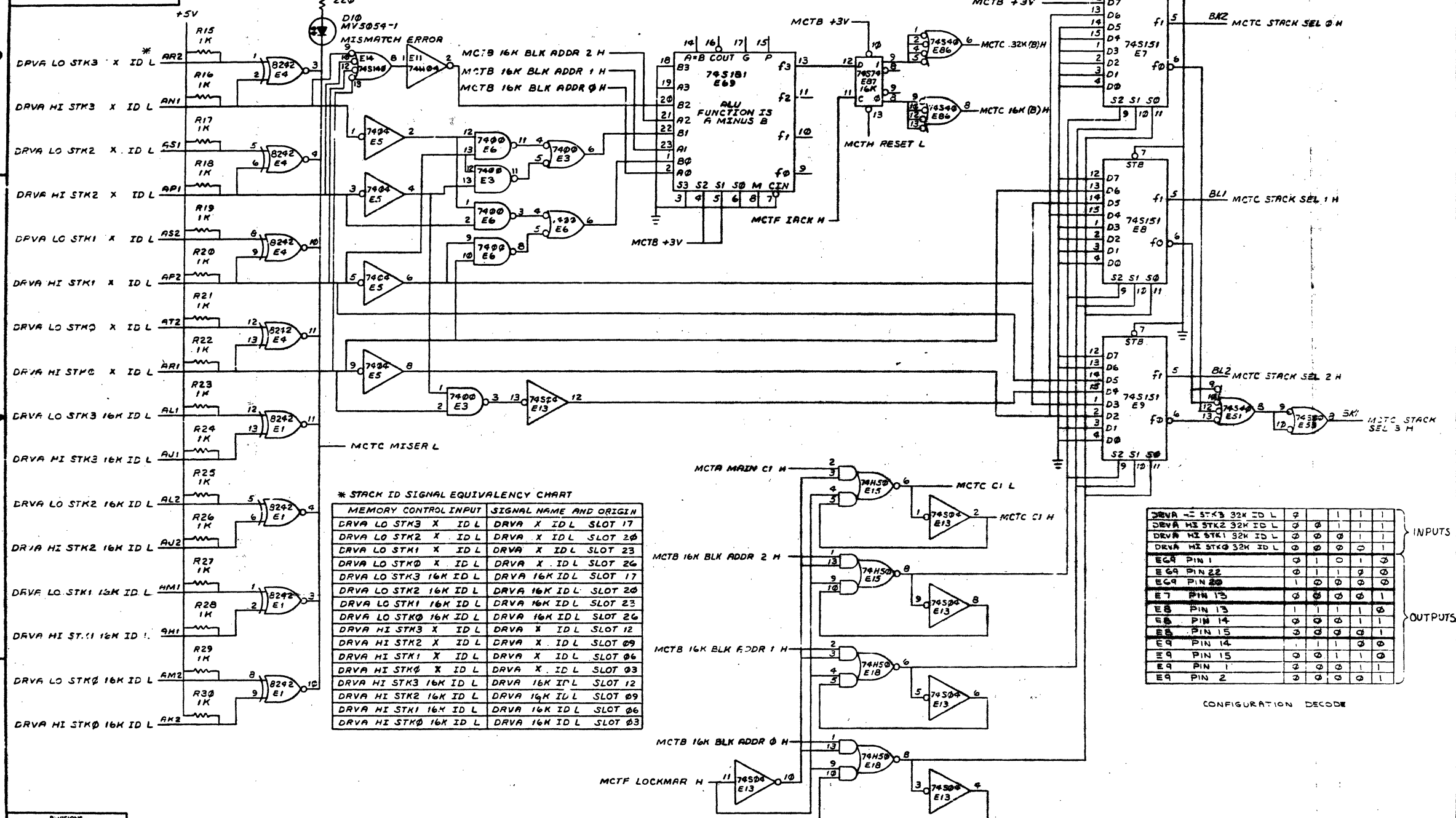
CHK	CHANGE NO.	REV.

TITLE	SIZE	EDDGE	NUMBER	REV.
MEMORY CONTROL AND TIMING (MCTA)	D	CS	M8147-0-1	1
SCALE	SHEET	2 OF 9	DIST.	

630



THIS DRAWING AND SPECIFICATIONS HEREIN ARE THE PROPERTY OF DIGITAL EQUIPMENT CORPORATION AND SHALL NOT BE REPRODUCED OR COPIED OR USED IN WHOLE OR IN PART AS THE BASIS FOR THE MANUFACTURE OR SALE OF ANY EQUIPMENT WITHOUT PERMISSION. COPYRIGHT © 1974 DIGITAL EQUIPMENT CORPORATION



**\* STACK ID SIGNAL EQUIVALENCY CHART**

MEMORY CONTROL INPUT	SIGNAL NAME AND ORIGIN
DRVA LO STK3 X ID L	DRVA X ID L SLOT 17
DRVA LO STK2 X ID L	DRVA X ID L SLOT 20
DRVA LO STK1 X ID L	DRVA X ID L SLOT 23
DRVA LO STK0 X ID L	DRVA X ID L SLOT 26
DRVA LO STK3 16K ID L	DRVA 16K ID L SLOT 17
DRVA LO STK2 16K ID L	DRVA 16K ID L SLOT 20
DRVA LO STK1 16K ID L	DRVA 16K ID L SLOT 23
DRVA LO STK0 16K ID L	DRVA 16K ID L SLOT 26
DRVA HI STK3 X ID L	DRVA X ID L SLOT 12
DRVA HI STK2 X ID L	DRVA X ID L SLOT 09
DRVA HI STK1 X ID L	DRVA X ID L SLOT 06
DRVA HI STK0 X ID L	DRVA X ID L SLOT 03
DRVA LO STK3 16K ID L	DRVA 16K ID L SLOT 12
DRVA LO STK2 16K ID L	DRVA 16K ID L SLOT 09
DRVA LO STK1 16K ID L	DRVA 16K ID L SLOT 06
DRVA LO STK0 16K ID L	DRVA 16K ID L SLOT 03

	DRVA = STK3 32K ID L	DRVA HI STK2 32K ID L	DRVA HI STK1 32K ID L	DRVA HI STK0 32K ID L	EC8 PIN 1	EC8 PIN 22	EC8 PIN 20	EC7 PIN 13	EC8 PIN 14	EC8 PIN 15	EC9 PIN 14	EC9 PIN 15	EC9 PIN 1	EC9 PIN 2
INPUTS	0	0	1	1	1	0	0	0	0	0	0	0	0	0
OUTPUTS	0	0	0	0	0	0	0	0	0	0	0	0	0	0

CONFIGURATION DECODE

REVISIONS		
CHK	CHANGE NO.	REV.

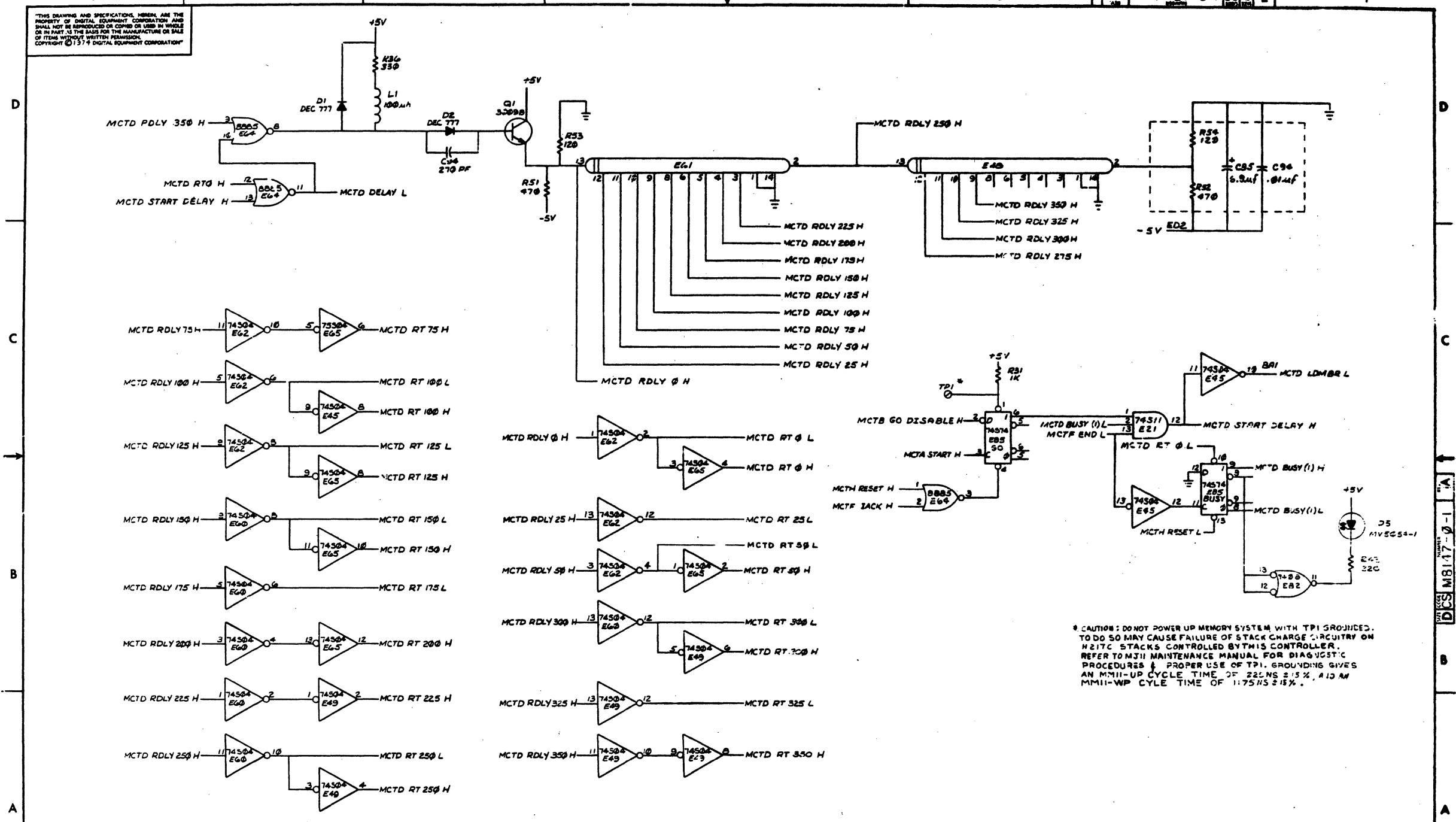
TITLE	STACK SELECT	SLOT 13
MEMORY CONTROL AND TIMING (MCTC)		
DCS M8147-0-1	NUMBER	REV. 4
SCALE	SHEET 4 OF 9	DATE

632



THIS DRAWING AND SPECIFICATIONS HEREIN ARE THE PROPERTY OF DIGITAL EQUIPMENT CORPORATION AND SHALL NOT BE REPRODUCED OR COPIED OR USED IN WHOLE OR IN PART AS THE BASIS FOR THE MANUFACTURE OR SALE OF ITEMS WITHOUT WRITTEN PERMISSION. COPYRIGHT © 1971 DIGITAL EQUIPMENT CORPORATION

1-0-7618W S00 2



CAUTION: DO NOT POWER UP MEMORY SYSTEM WITH TPI GROUNDED. TO DO SO MAY CAUSE FAILURE OF STACK CHARGE CIRCUITRY ON H217C STACKS CONTROLLED BY THIS CONTROLLER. REFER TO M311 MAINTENANCE MANUAL FOR DIAGNOSTIC PROCEDURES & PROPER USE OF TPI. GROUNDING GIVES AN MM11-UP CYCLE TIME OF 22.5NS ± 15%, A10 AM MM11-WP CYCLE TIME OF 11.75NS ± 15%.

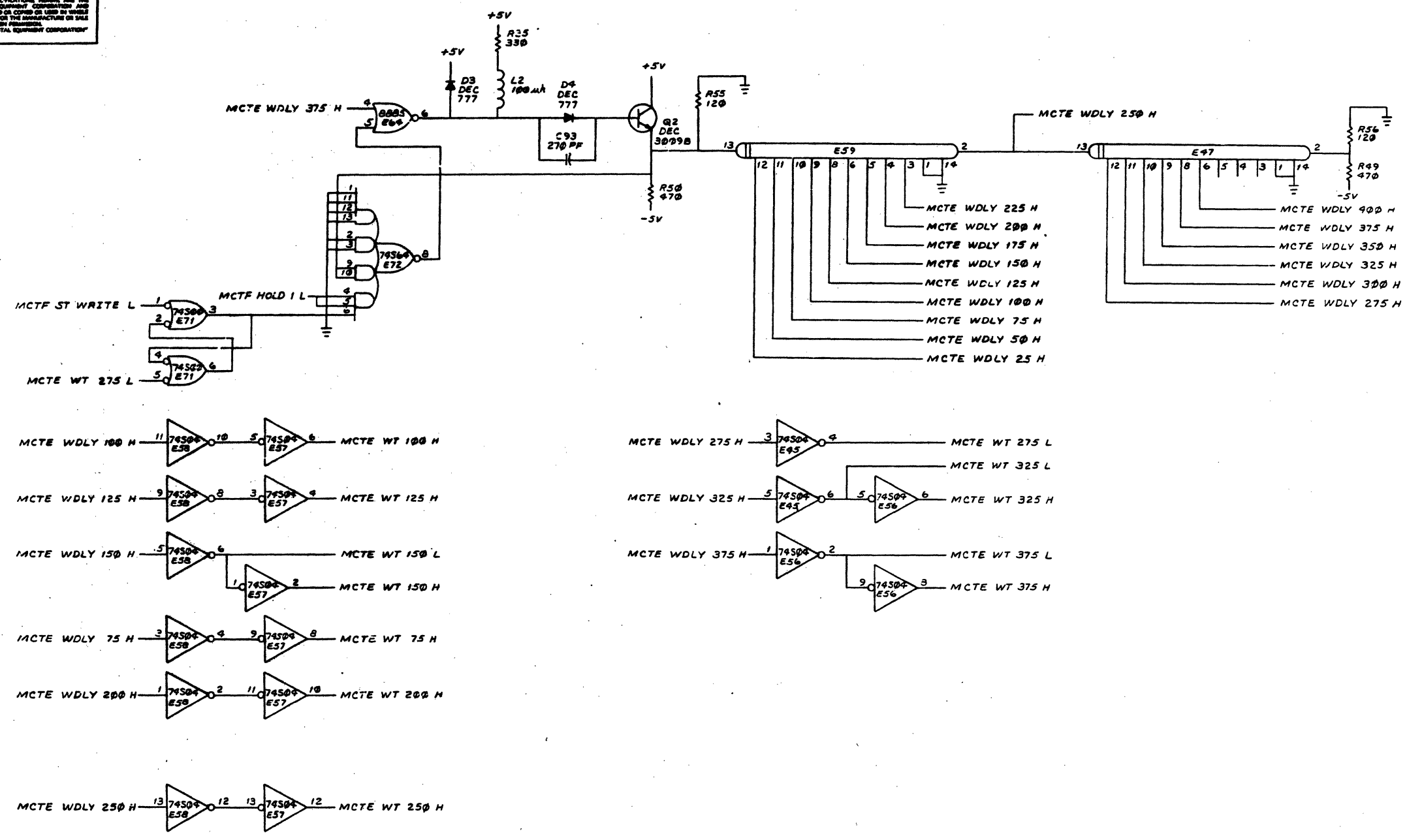
REVISIONS		
CHK	CHANGE NO.	REV.

READ TIMING GENERATOR SLOT 13

TITLE	MEMORY CONTROL AND TIMING (MCTD)	SHEET	5 OF 9	DIST.		REV.	
SCALE		SHEET		DIST.		REV.	

THIS DRAWING AND SPECIFICATIONS HEREBY ARE THE PROPERTY OF DIGITAL EQUIPMENT CORPORATION AND SHALL NOT BE REPRODUCED OR COPIED IN WHOLE OR IN PART AS THE BASIS FOR THE MANUFACTURE OR SALE OF ITEMS WITHOUT WRITTEN PERMISSION. COPYRIGHT © 1974 DIGITAL EQUIPMENT CORPORATION

DCS M8147-0-1 2

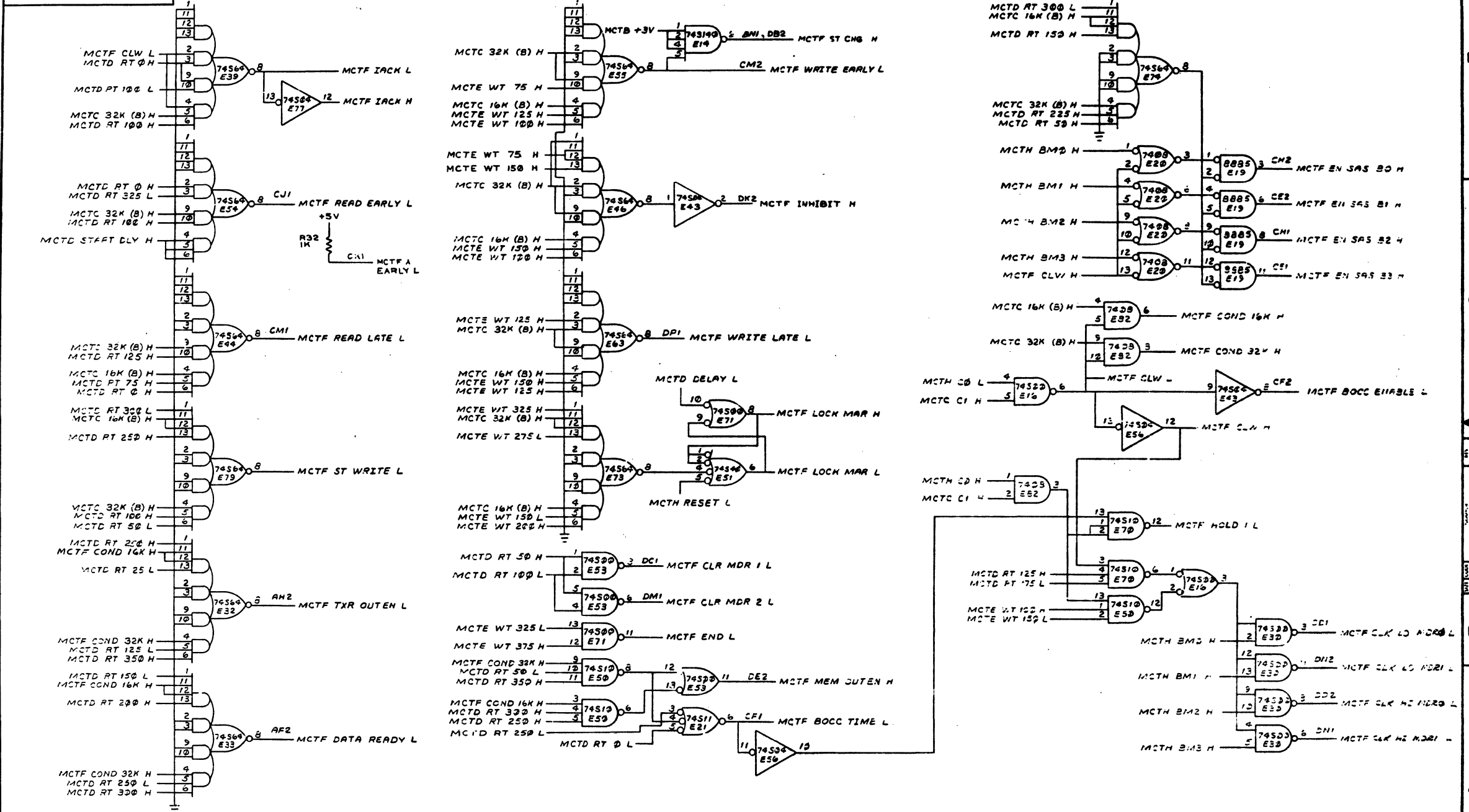


REVISIONS		
CHK	CHANGE NO.	REV.

WRITE TIMING GENERATOR		SLOT 13	
TITLE MEMORY CONTROL AND TIMING (MCTE)		SIZE CODE DCS	NUMBER M8147-0-1
SCALE	SHEET 6 OF 9	DIST.	REV. A

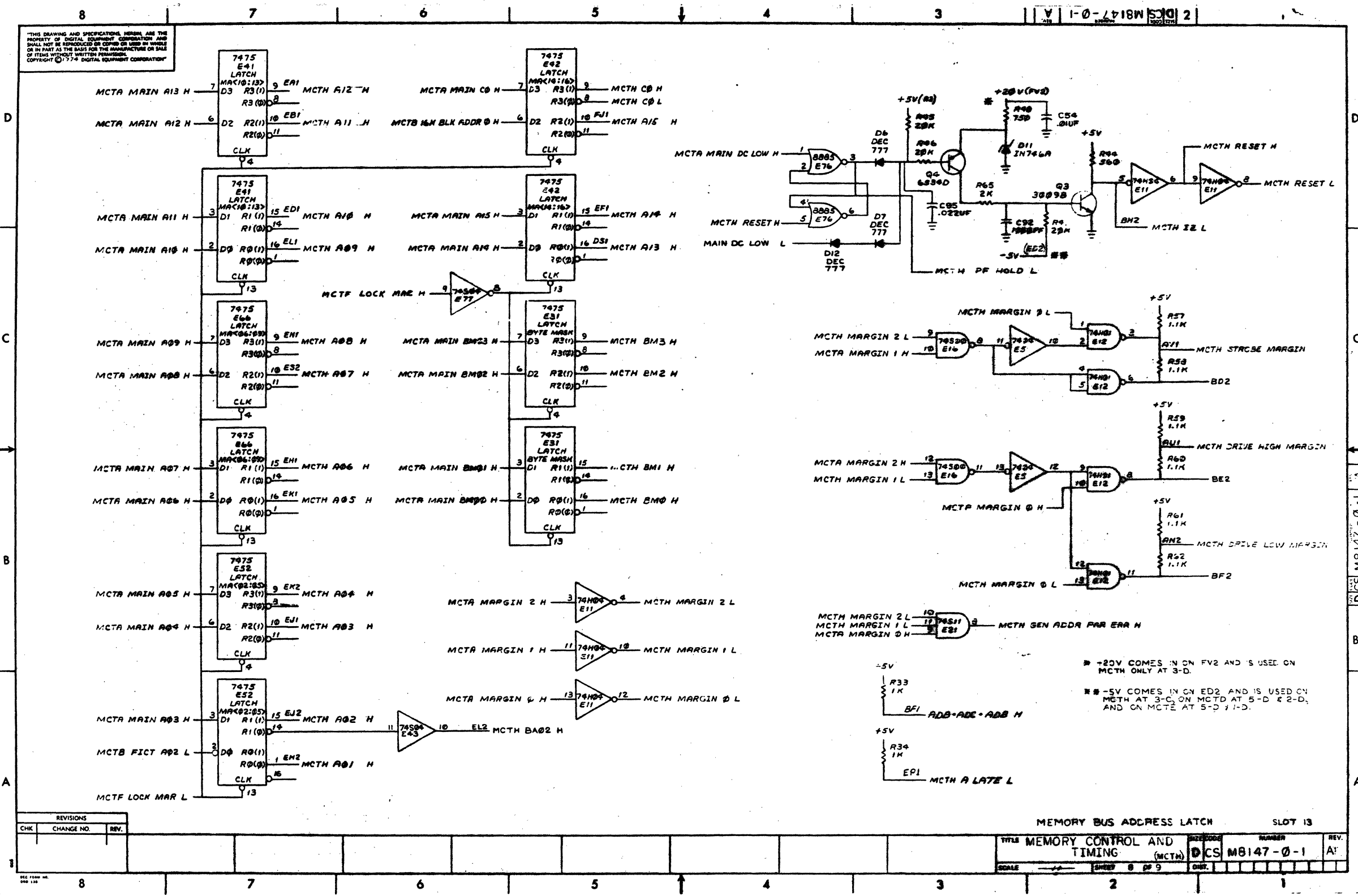
634

THIS DRAWING AND SPECIFICATIONS HEREIN ARE THE PROPERTY OF DIGITAL EQUIPMENT CORPORATION AND SHALL NOT BE REPRODUCED OR COPIED OR USED IN WHOLE OR IN PART AS THE BASIS FOR THE MANUFACTURE OR SALE OF ITEMS WITHOUT WRITTEN PERMISSION. COPYRIGHT © 1974 DIGITAL EQUIPMENT CORPORATION.



CONTROL TIMING GENERATOR SLOT 13  
 TITLE MEMORY CONTROL AND TIMING (MCTP) DCS M8147-0-1  
 SCALE 1:1 SHEET 7 OF 9

THIS DRAWING AND SPECIFICATIONS HEREBY ARE THE PROPERTY OF DIGITAL EQUIPMENT CORPORATION AND SHALL NOT BE REPRODUCED OR COPIED IN WHOLE OR IN PART AS THE BASIS FOR THE MANUFACTURE OR SALE OF ITEMS WITHOUT WRITTEN PERMISSION. COPYRIGHT © 1974 DIGITAL EQUIPMENT CORPORATION



REVISIONS		
CHK	CHANGE NO.	REV.

TITLE MEMORY CONTROL AND TIMING (MCTM)		SHEET 8 OF 9		DRAWN	
D E C S M 8 1 4 7 - 0 - 1		REV. A		REV.	

636

THIS DRAWING AND SPECIFICATIONS HEREIN ARE THE PROPERTY OF DIGITAL EQUIPMENT CORPORATION AND SHALL NOT BE REPRODUCED OR COPIED OR USED IN WHOLE OR IN PART AS THE BASIS FOR THE MANUFACTURE OR SALE OF ITEMS WITHOUT WRITTEN PERMISSION. COPYRIGHT © DIGITAL EQUIPMENT CORPORATION

DCS M8147-0-1

	1-16K	2-16K	3-16K	4-16K	1-32K	2-32K	3-32K	4-32K	1-16K, THEN 1-32K	2-16K, THEN 1-32K	1-16K, THEN 2-32K	3-16K, THEN 1-32K	2-16K, THEN 1-32K	1-16K, THEN 2-32K
DRVA LO STK 3 32K ID L	H	H	H	H	H	H	H	H	L	H	H	L	L	L
DRVA LO STK 2 32K ID L	H	H	H	H	H	H	H	L	L	H	L	L	H	L
DRVA LO STK 1 32K ID L	H	H	H	H	H	H	L	L	L	L	H	L	H	L
DRVA LO STK 0 32K ID L	H	H	H	H	L	L	L	L	L	H	H	H	H	H
DRVA LO STK 3 16K ID L	H	H	H	L	H	H	H	L	H	H	H	L	L	L
DRVA LO STK 2 16K ID L	H	H	L	L	H	H	L	L	L	L	L	L	L	L
DRVA LO STK 1 16K ID L	H	L	L	L	H	L	L	L	L	L	L	L	L	L
DRVA LO STK 0 16K ID L	L	L	L	L	L	L	L	L	L	L	L	L	L	L
E2 PIN 9	L	H	L	H	H	H	H	H	L	H	L	L	H	L
E2 PIN 10	L	L	H	H	L	H	L	H	H	L	L	L	L	H
E2 PIN 11	L	L	L	L	L	L	H	H	L	H	H	H	H	H
E2 PIN 12 (CONEN L)	H	H	H	H	H	H	H	H	H	H	H	H	H	H

NOTE: ALL OTHER COMBINATIONS OF ROM INPUTS RESULT IN ALL OUTPUT PINS LOW (TO CAUSE A CONFIGURATION ERROR). E2 SPECIFIES HOW MUCH MEMORY IS IN AN MMII MEMORY BOX CONTROLLED BY AN M8147 OR M8146.

THE ONLY CONFIGURATIONS ALLOWED IN AN MMII MEMORY BOX. (ALL 16Ks MUST BE IN LOWER STK POSITIONS THAN 32Ks. FOR 1-16K & 1-32K, 16K MUST BE STK 0 AND 32K MUST BE STK 1)

TRUTH TABLE FOR MEM TOP LOOKUP ROM [E2 - MCTB]

SAMPLE STARTING ADDRESS SETUP TABLE

S2-2	S2-1	SI-7	SI-6	SI-5	SI-4	SI-3	SI-2	SI-1	STARTING ADDRESS
0	0	0	0	0	0	0	0	0	0 (FOR 32K)
2	0	0	0	0	0	0	0	1	200,000 (2ND 32K)
0	2	0	0	0	0	0	1	0	400,000 (3RD 32K)
2	2	0	0	2	0	0	1	1	600,000 (4TH 32K)
0	0	0	0	0	0	1	0	0	1,000,000 (5TH 32K)
2	0	0	0	0	0	1	0	1	1,200,000 (6TH 32K)
2	2	0	0	0	0	1	1	0	1,400,000 (7TH 32K)
0	2	0	0	0	0	1	1	1	1,600,000 (8TH 32K)
2	0	0	0	0	1	0	0	0	2,000,000 (9TH 32K)

BOUNDARY FOR BOX 0 (FULL OF MMII-UP STACKS)  
BOUNDARY FOR BOX 0 (FULL OF MMII-WP STACKS)

BOUNDARY FOR BOX 1 (FULL OF MMII-UP STACKS)

BOUNDARY FOR BOX 1 (FULL OF MMII-WP STACKS)  
BOUNDARY FOR BOX 2 (FULL OF MMII-UP STACKS)

ETC

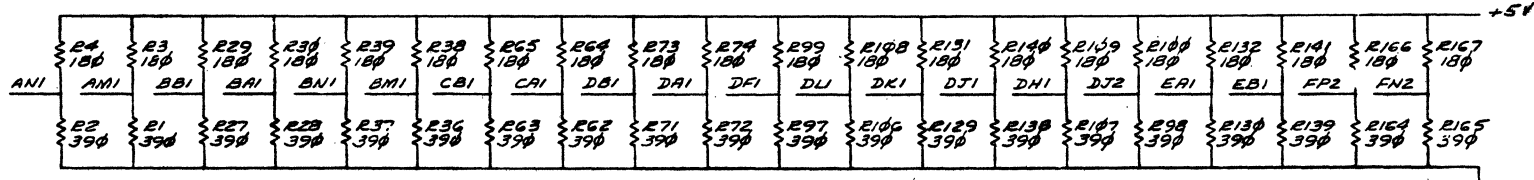
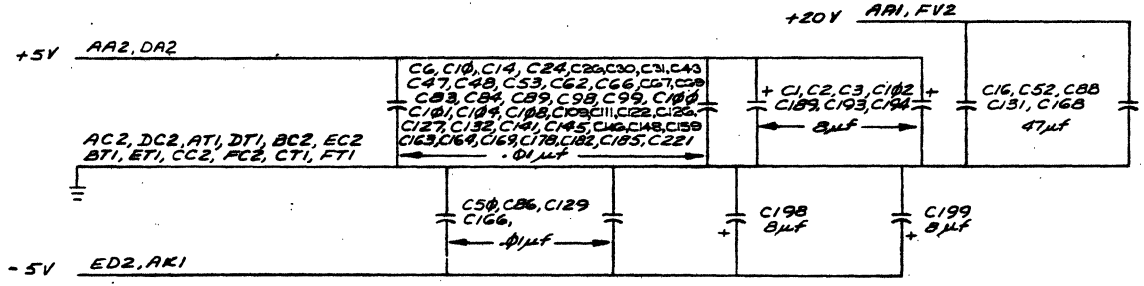
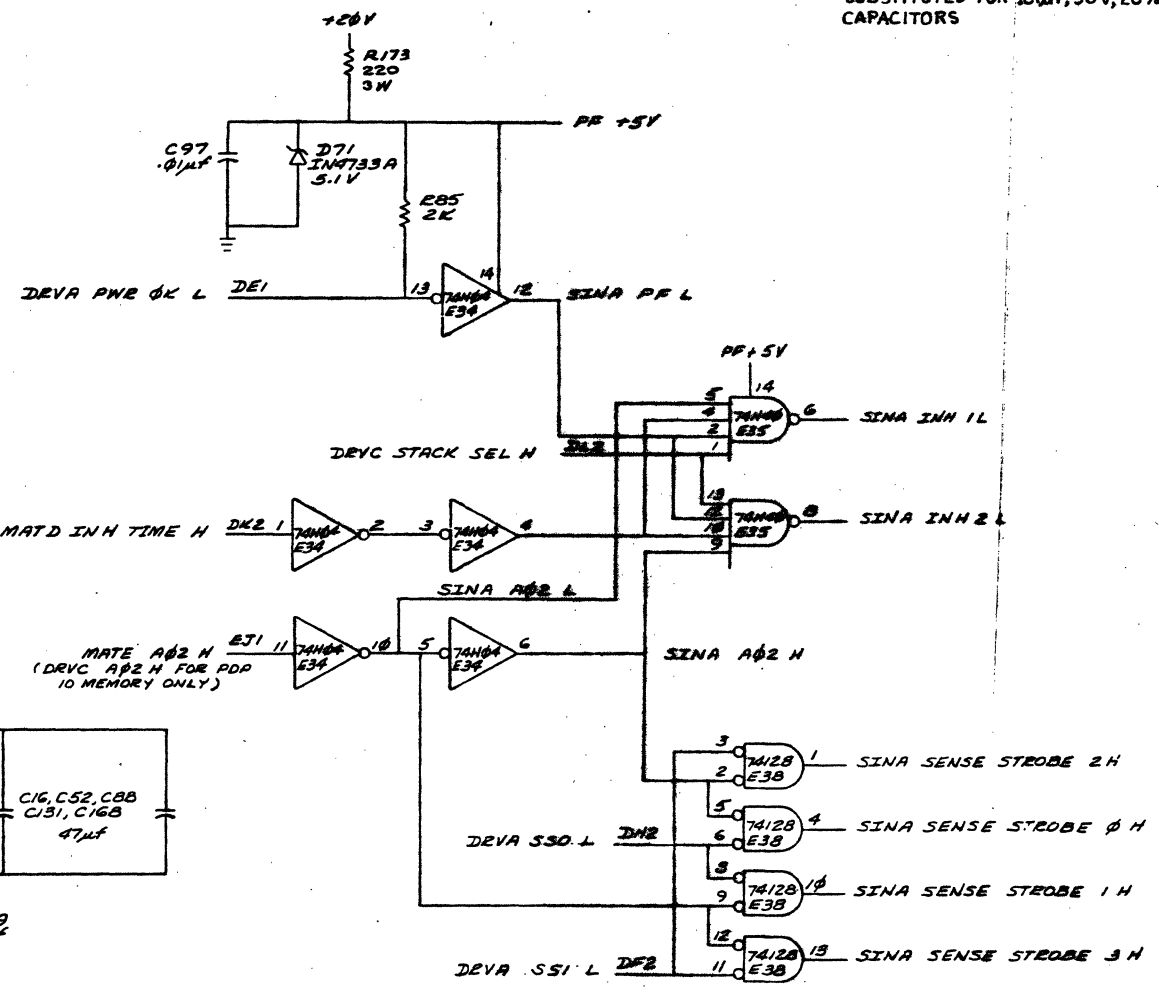
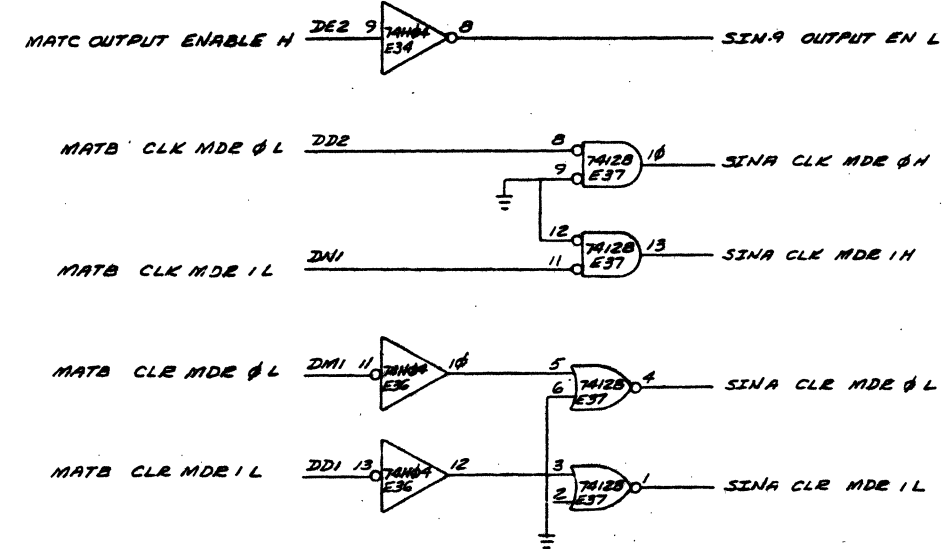
REVISIONS		
CHK	CHANGE NO.	REV.

TITLE MEMORY CONTROL AND TIMING MCTJ		SIZE CODE	NUMBER	REV.
DCS M8147-0-1				A
SCALE	SHEET 9 OF 9	DIST.		

THIS DRAWING AND SPECIFICATIONS HEREON ARE THE PROPERTY OF DIGITAL EQUIPMENT CORPORATION AND SHALL NOT BE REPRODUCED OR COPIED OR USED IN WHOLE OR IN PART AS THE BASIS FOR THE MANUFACTURE OR SALE OF ITEMS WITHOUT WRITTEN PERMISSION. COPYRIGHT © 1975 DIGITAL EQUIPMENT CORPORATION

IC PIN LOCATION			
GND AND +5V ARE USUALLY PINT#14, RESPECTIVELY. EXCEPTIONS NOTED BELOW			
IC TYPE	GND	+5V	-5V
IC DEC 7520	9	16	8
IC DEC 8641	8	16	-

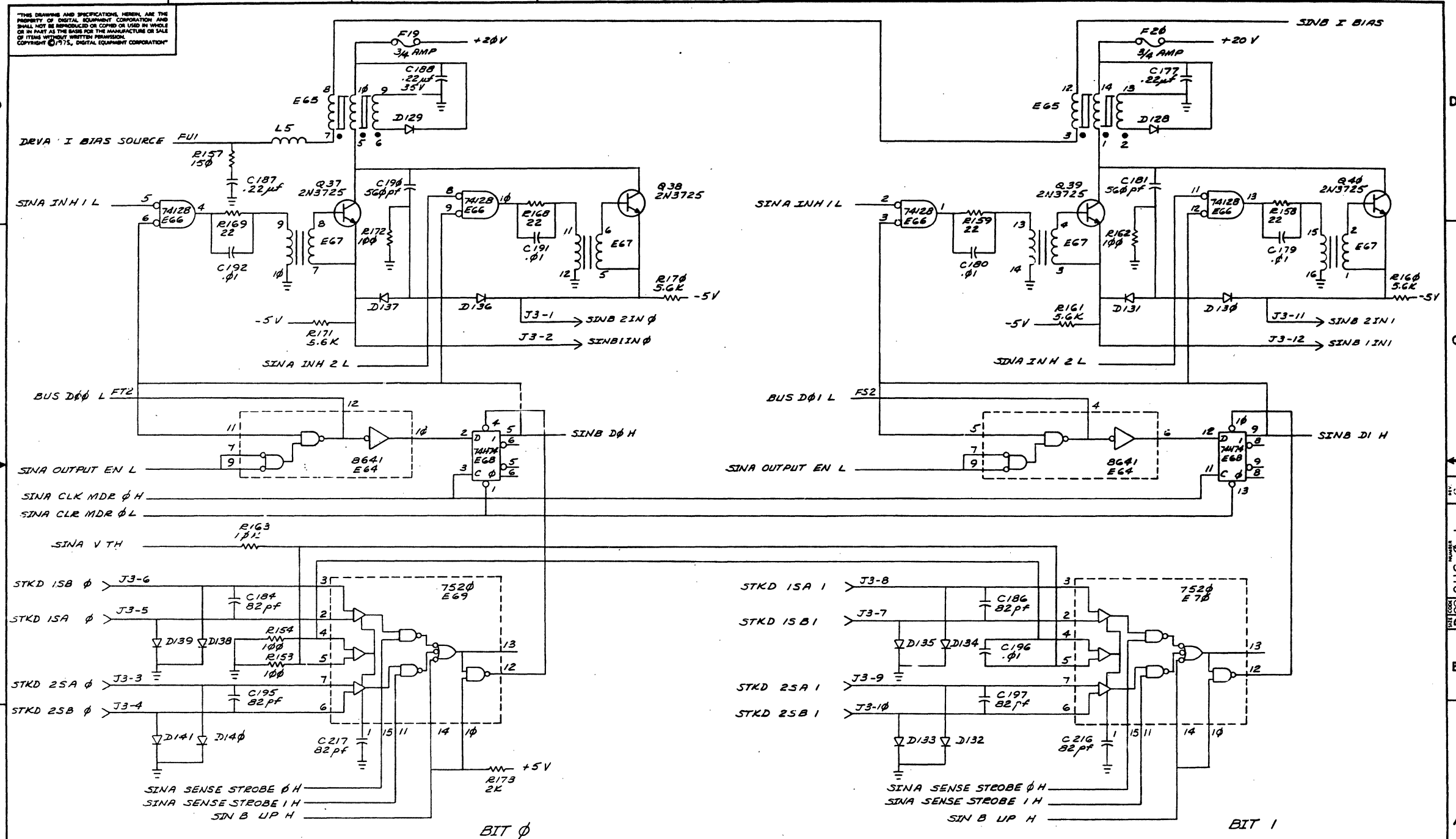
NOTE:  
\* .01µf, 100V, 20% CAPACITORS MAY BE SUBSTITUTED FOR .01µf, 50V, 20% CAPACITORS



REV.	CHG.	BY	DATE
1			
2			
3			
4			

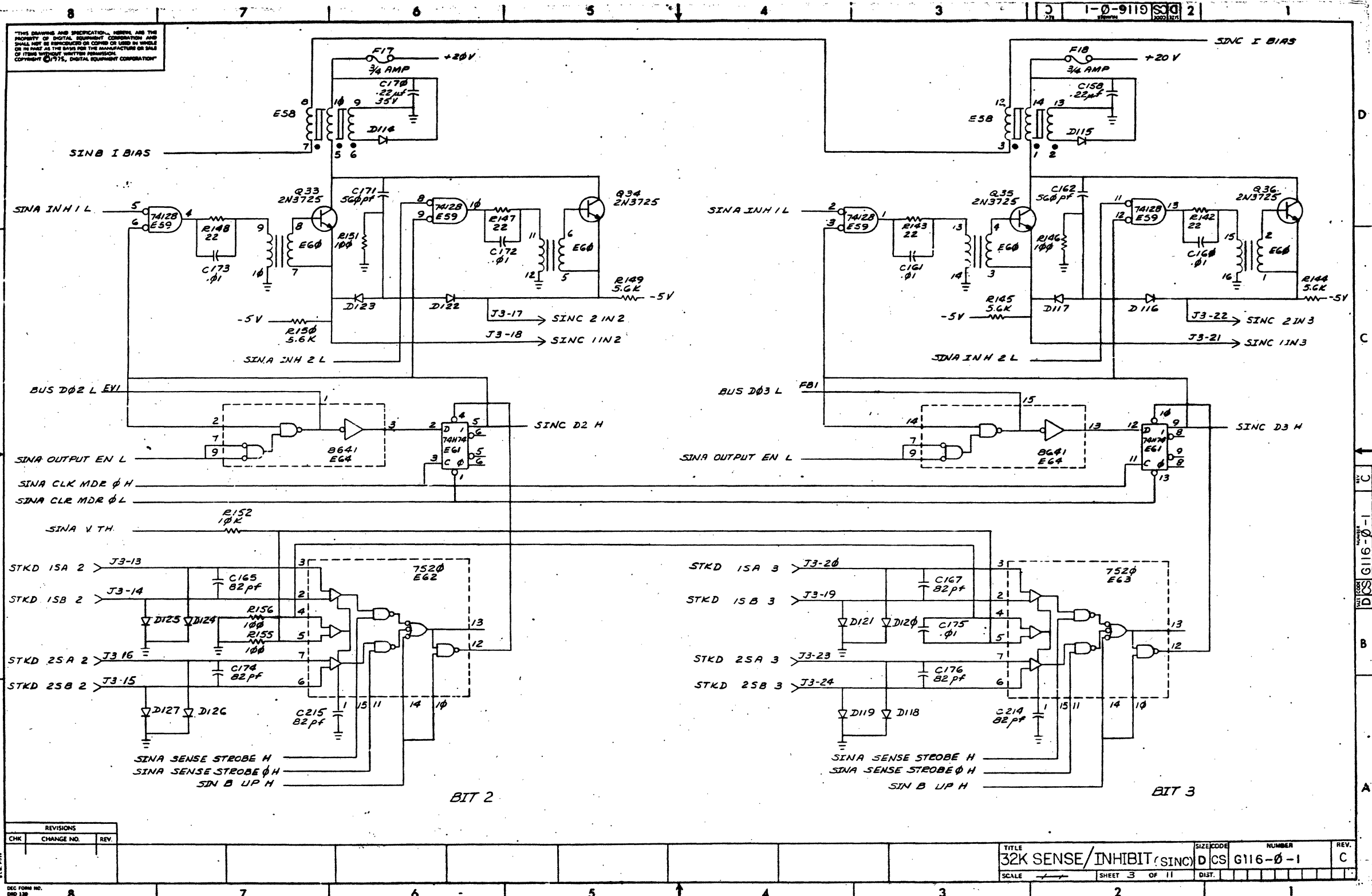
DRN	CHK'D	ENGR	PROB	NEXT HIGHER ASSY.	DATE	FIRST USED BY	NO.
TITLE				32K SENSE/INHIBIT (SINA)			
D-UA-6116-0-0				SIZE CODE NUMBER REV.			
SCALE				D CS 6116-0-1 C			
SHEET 1 OF 11				DWT.			

"THE DRAWING AND SPECIFICATIONS HEREIN ARE THE PROPERTY OF DIGITAL EQUIPMENT CORPORATION AND SHALL NOT BE REPRODUCED OR COPIED OR USED IN WHOLE OR IN PART AS THE BASIS FOR THE MANUFACTURE OR SALE OF ITEMS WITHOUT WRITTEN PERMISSION. COPYRIGHT © 1975, DIGITAL EQUIPMENT CORPORATION"



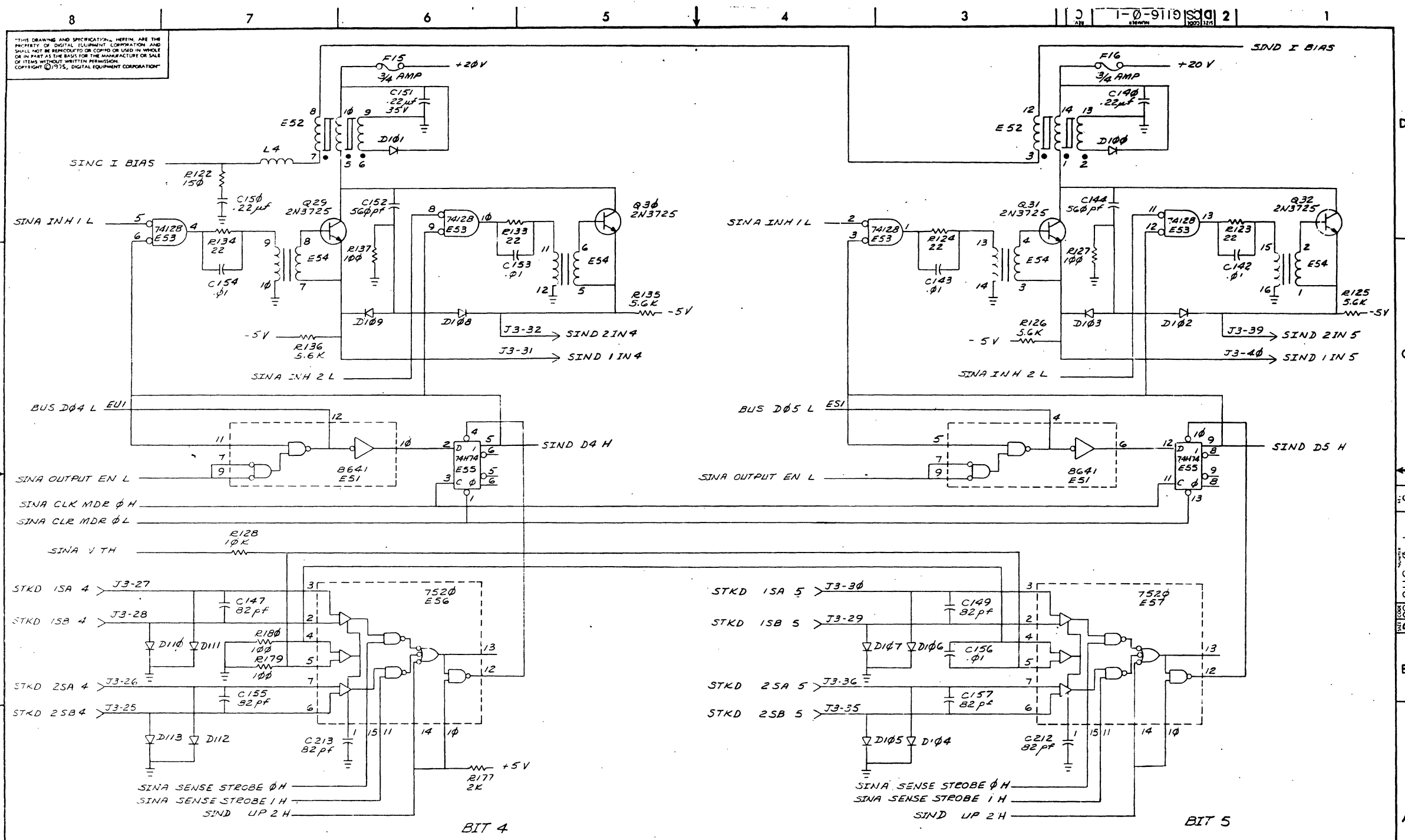
REVISIONS		
CHK	CHANGE NO.	REV.

TITLE	32K SENSE/INHIBIT (SINB)	SIZE/CODE	D/CS	NUMBER	G116-0-1	REV.	C
SCALE		SHEET	2	OF	11	DIST.	



640





REVISIONS			TITLE		SIZE/CODE		NUMBER		REV.
CHK	CHANGE NO	REV	32K SENSE/INHIBIT (SIND)		D CS		G116-0-1		C
			SCALE	SHEET 4 OF 11	DIST.				

641

8

7

6

5

4

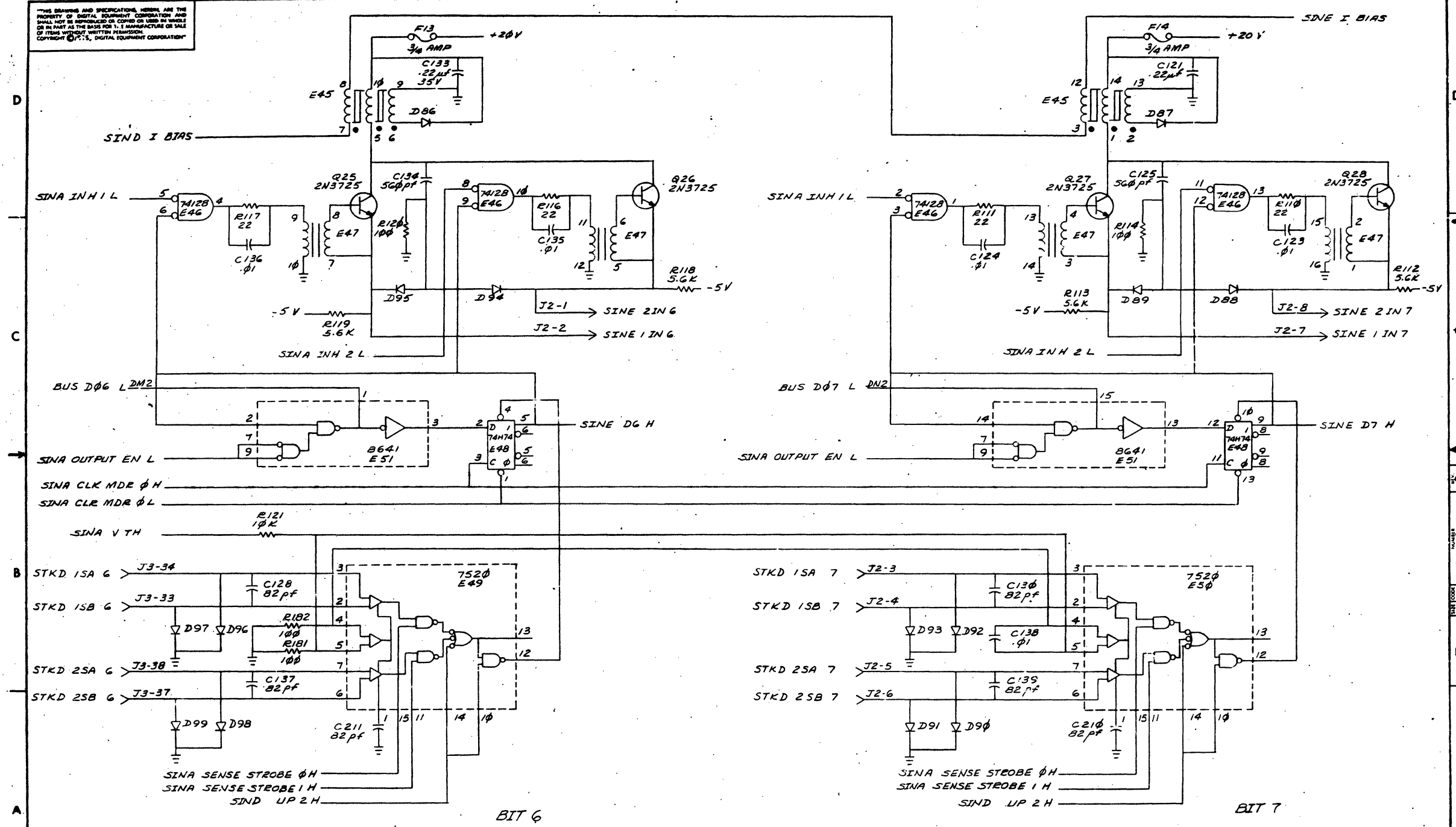
3

1-0-9119

2

1

"THIS DRAWING AND SPECIFICATIONS HEREBY ARE THE PROPERTY OF DIGITAL EQUIPMENT CORPORATION AND SHALL NOT BE REPRODUCED OR COPIED OR USED IN WHOLE OR IN PART AS THE BASIS FOR THE MANUFACTURE OR SALE OF ITEMS WITHOUT WRITTEN PERMISSION. COPYRIGHT © 1975, DIGITAL EQUIPMENT CORPORATION"



REVISIONS		
CHK	CHANGE NO.	REV.

TITLE	SIZE CODE	NUMBER	REV.
32K SENSE/INHIBIT (SINE)	D CS	G116-0-1	C
SCALE	SHEET	OF	DIST.
	5	11	

DEC FORM NO. 138

8

7

6

5

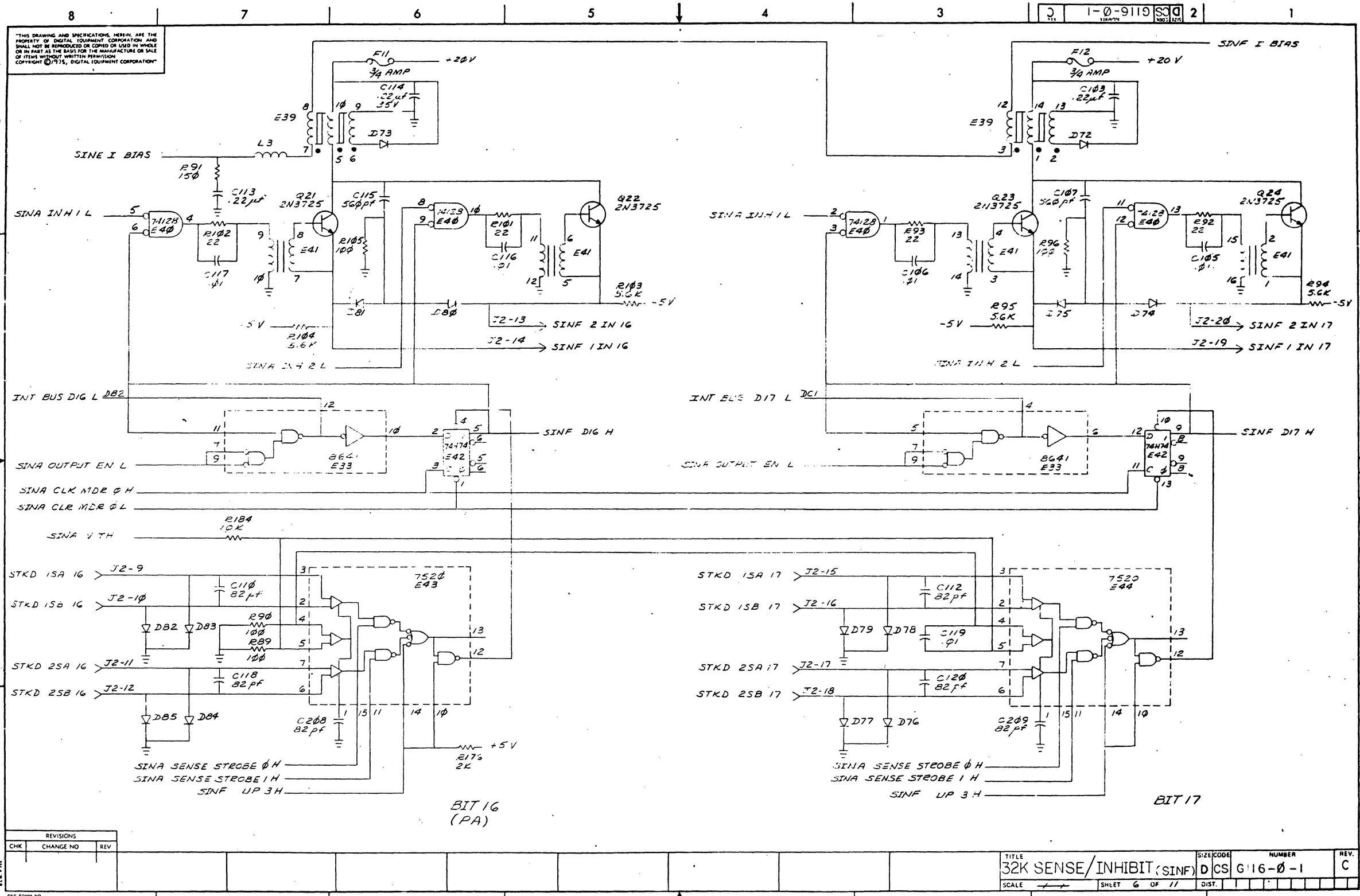
4

3

2

1

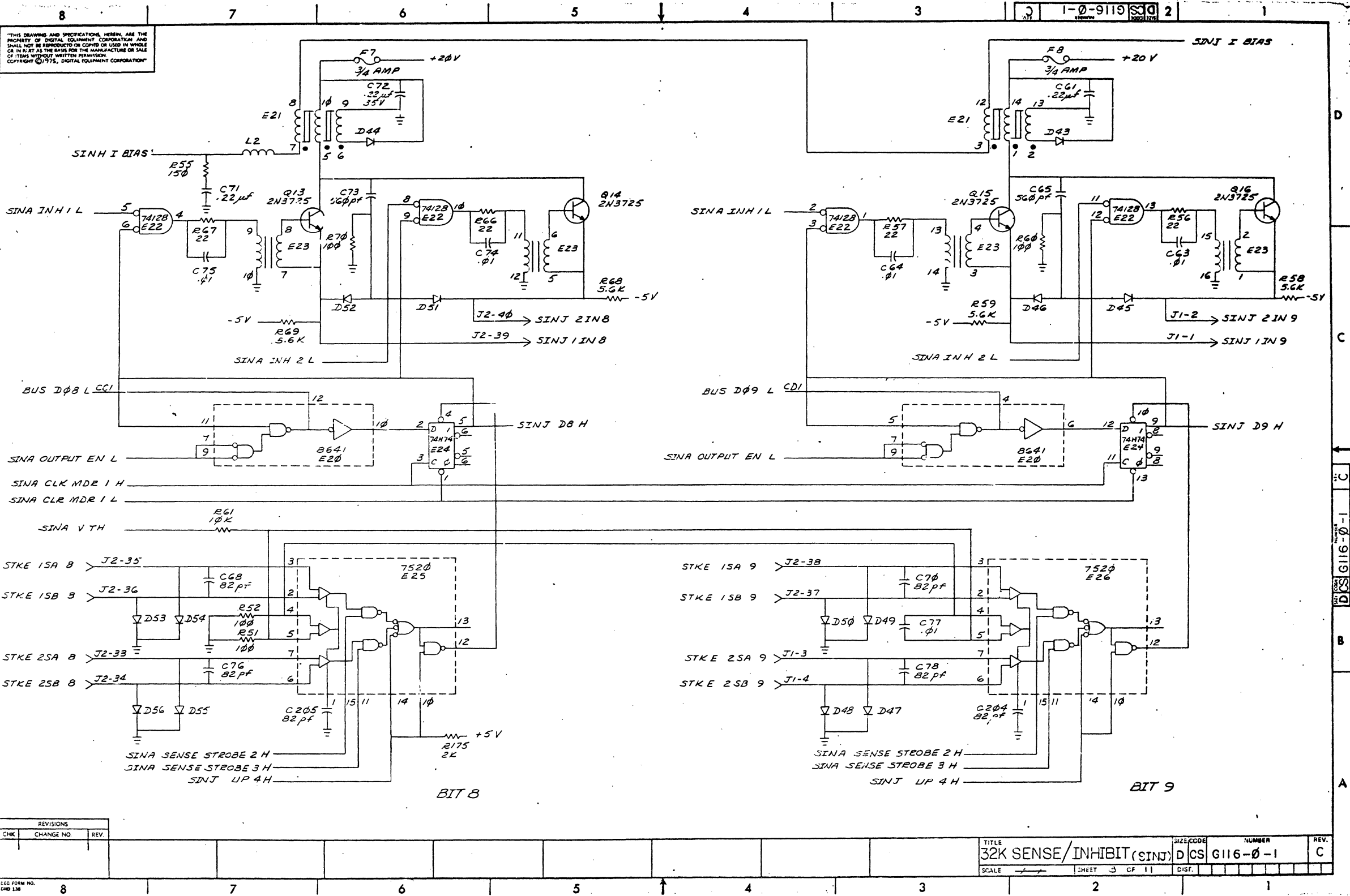
642



REVISIONS		
CHK	CHANGE NO	REV

TITLE	32K SENSE/INHIBIT (SINF)	SIZE/CODE	D CS	NUMBER	G 16-0-1	REV.	C
SCALE		SHEET	6 OF 11	DIST.			

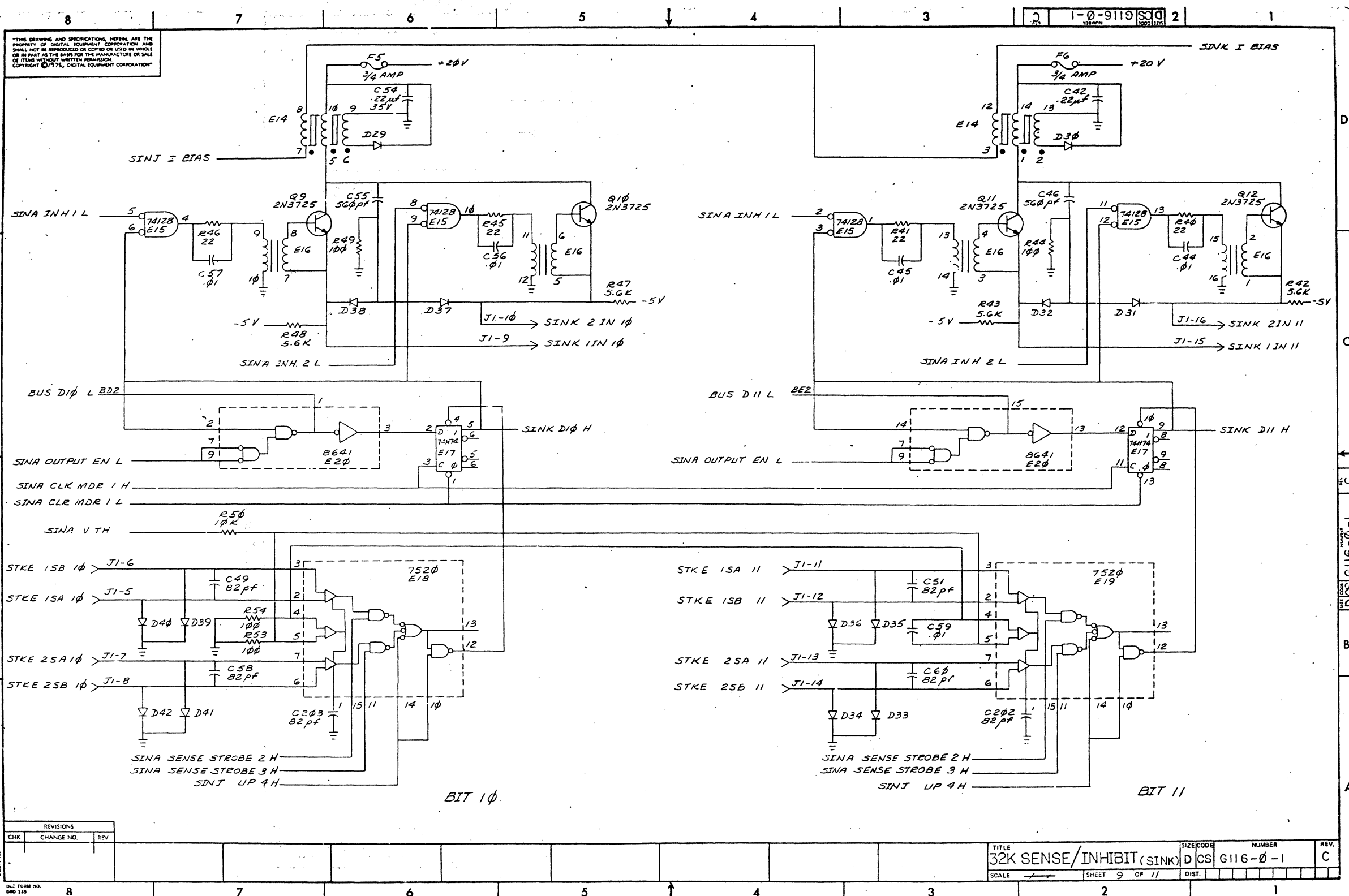




REVISIONS		
CHK	CHANGE NO	REV.

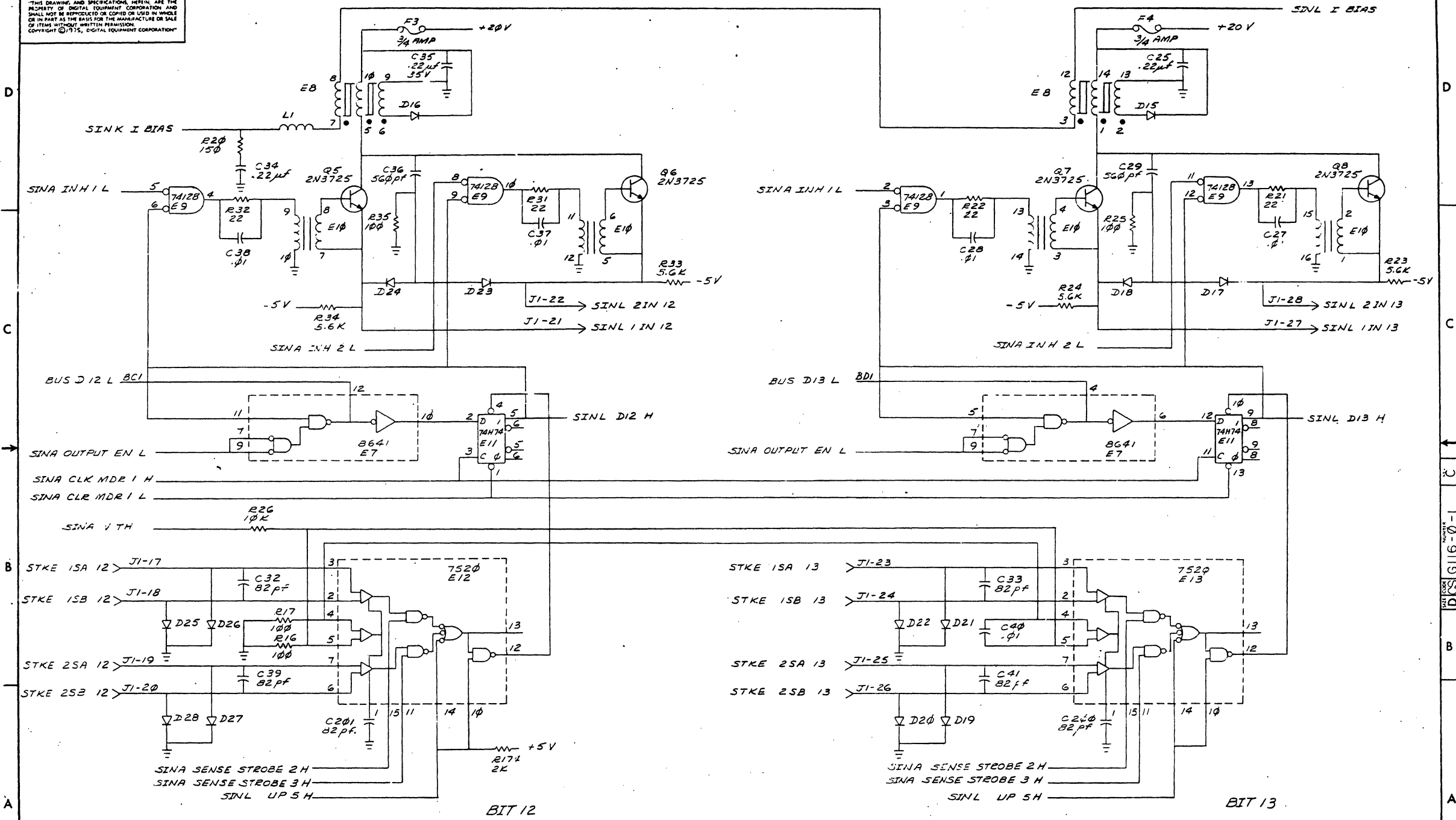
TITLE	32K SENSE/INHIBIT (SINJ)	SIZE/CODE	D/CS	NUMBER	G116-0-1	REV.	C
SCALE		SHEET	3	OF	11	DIST.	

645



646

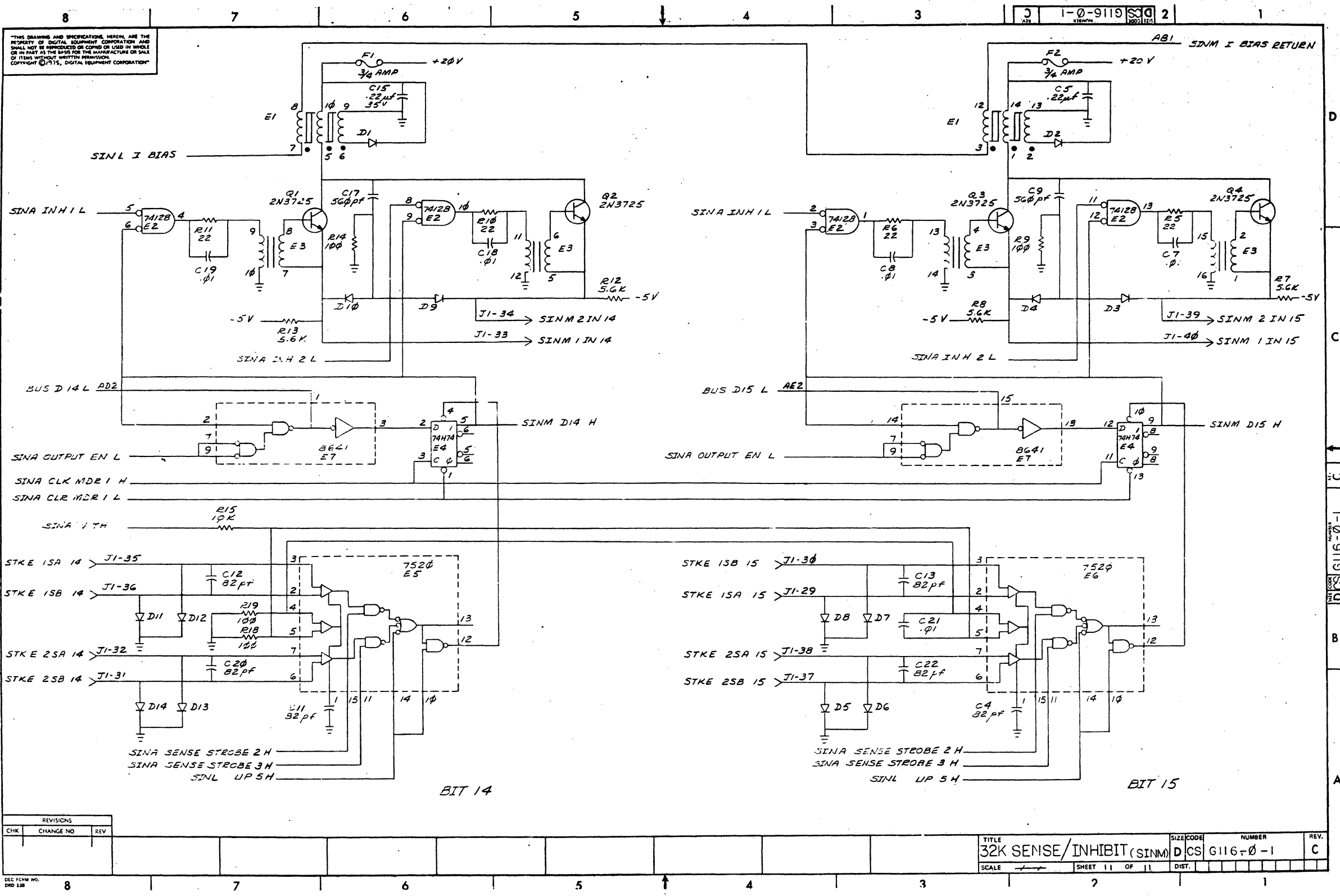
THIS DRAWING AND SPECIFICATIONS HEREIN ARE THE PROPERTY OF DIGITAL EQUIPMENT CORPORATION AND SHALL NOT BE REPRODUCED OR COPIED OR USED IN WHOLE OR IN PART AS THE BASIS FOR THE MANUFACTURE OR SALE OF ITEMS WITHOUT WRITTEN PERMISSION. COPYRIGHT © 1975, DIGITAL EQUIPMENT CORPORATION



REVISIONS		
CHK	CHANGE NO	REV.

TITLE	32K SENSE/INHIBIT (SINL)	SIZE/CODE	D/CS	NUMBER	G116-0-1	REV.	C
SCALE		SHEET	10	OF	11	DIST.	

647



REVISIONS		
CHK	CHANGE NO	REV

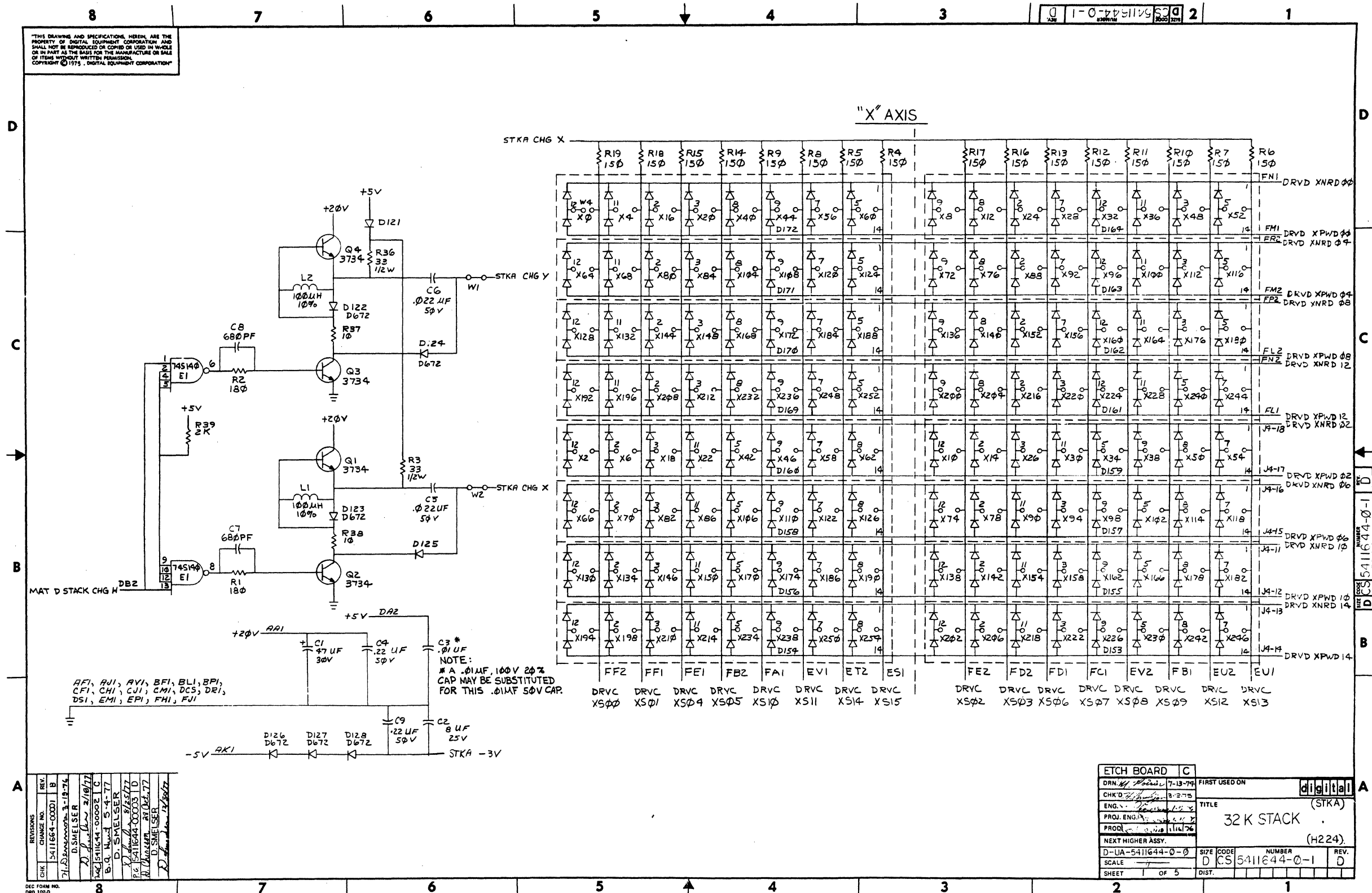
TITLE	SIZE CODE	NUMBER	REV.
32K SENSE/INHIBIT (SINM)	DCS	G116-0-1	C
SCALE	SHEET 11 OF 11	DIST.	

648



THIS DRAWING AND SPECIFICATIONS HEREIN ARE THE PROPERTY OF DIGITAL EQUIPMENT CORPORATION AND SHALL NOT BE REPRODUCED OR COPIED OR USED IN WHOLE OR IN PART AS THE BASIS FOR THE MANUFACTURE OR SALE OF ITEMS WITHOUT WRITTEN PERMISSION. COPYRIGHT © 1975, DIGITAL EQUIPMENT CORPORATION

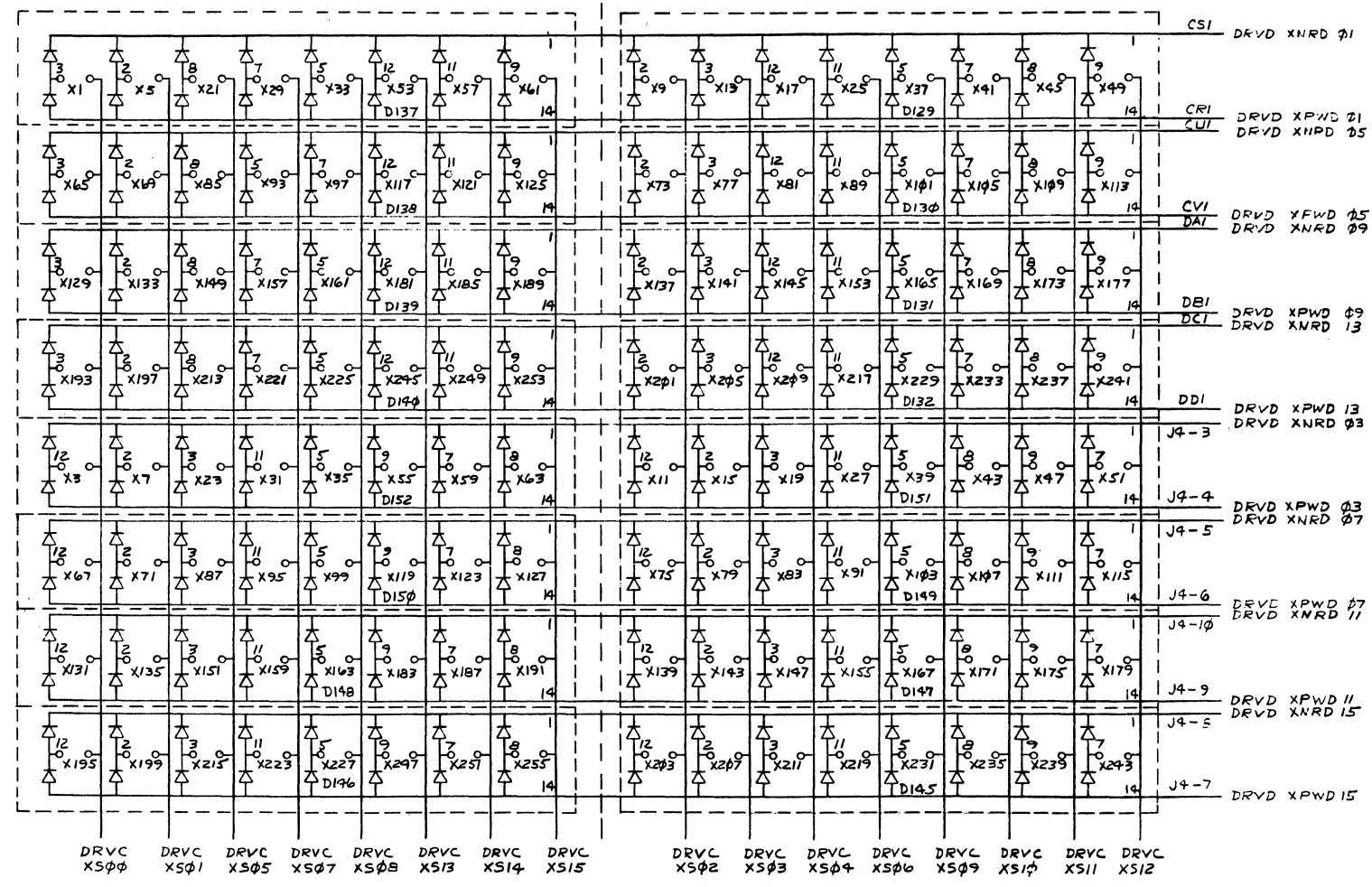
1-0-4791195 2



099

THIS DRAWING AND SPECIFICATIONS HEREIN ARE THE PROPERTY OF DIGITAL EQUIPMENT CORPORATION AND SHALL NOT BE REPRODUCED OR COPIED OR USED IN WHOLE OR IN PART AS THE BASIS FOR THE MANUFACTURE OR SALE OF ITEMS WITHOUT WRITTEN PERMISSION. COPYRIGHT © 1975 DIGITAL EQUIPMENT CORPORATION

"X" AXIS



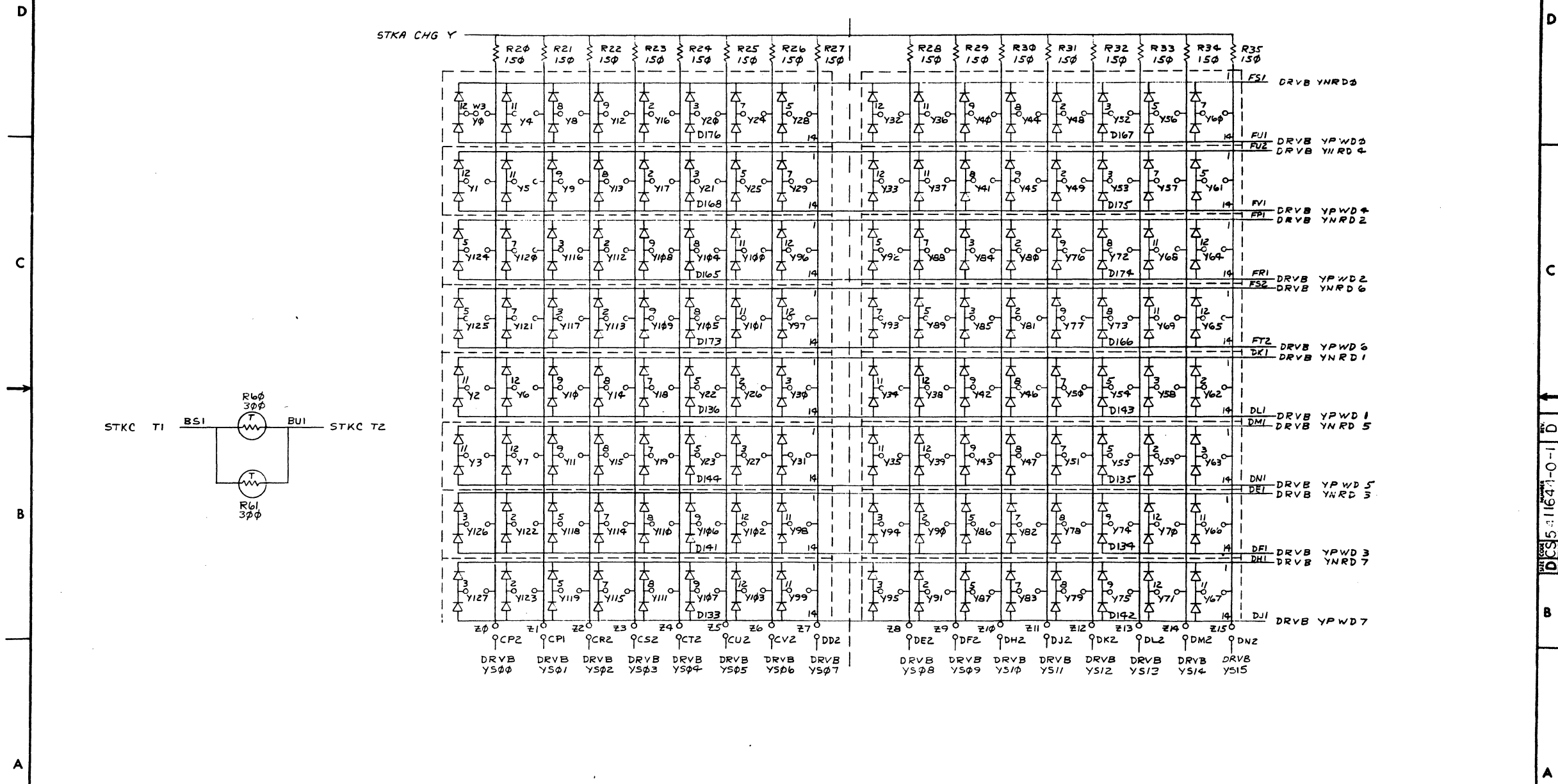
REVISIONS		
CHK	CHANGE NO.	REV.

TITLE	32K STACK	(STKB)	(H224)	SIZE CODE	DCS	NUMBER	5411644-0-1	REV.	D
SCALE		SHEET	2	OF	5	DIST.			

650

THIS DRAWING AND SPECIFICATIONS HEREIN ARE THE PROPERTY OF DIGITAL EQUIPMENT CORPORATION AND SHALL NOT BE REPRODUCED OR COPIED OR USED IN WHOLE OR IN PART AS THE BASIS FOR THE MANUFACTURE OR SALE OF ITEMS WITHOUT WRITTEN PERMISSION. COPYRIGHT © 1975 DIGITAL EQUIPMENT CORPORATION

"Y" AXIS

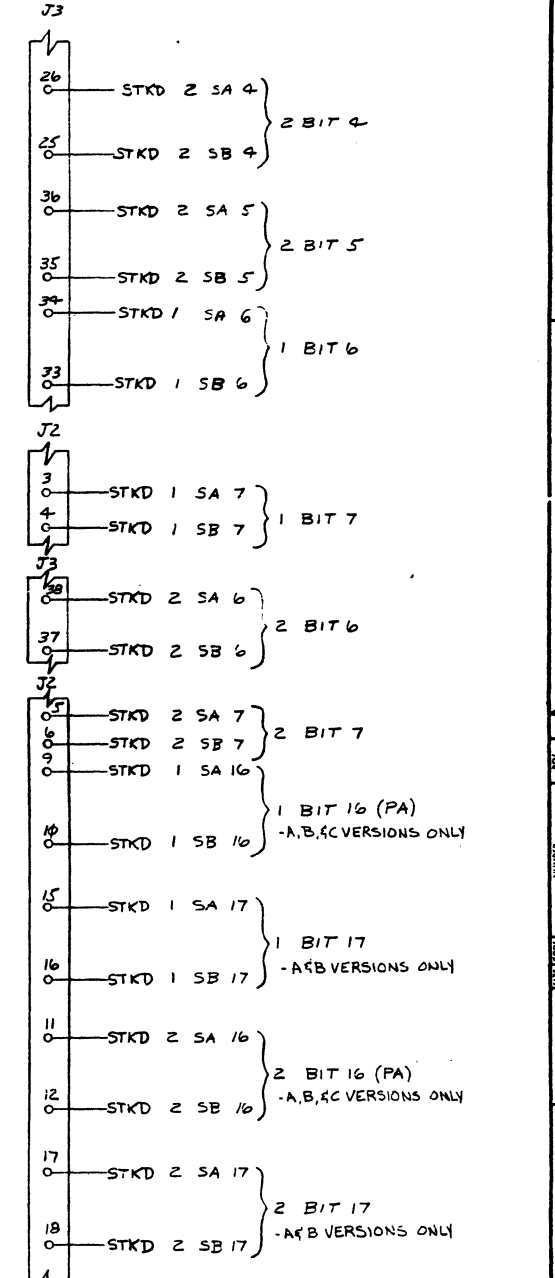
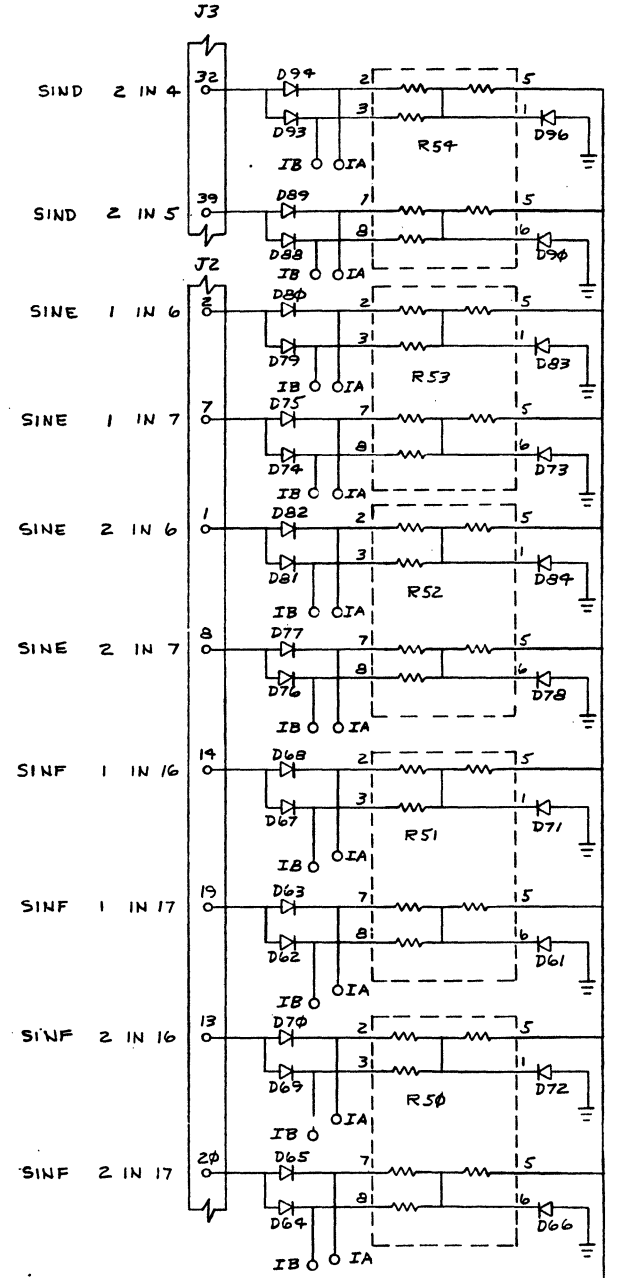
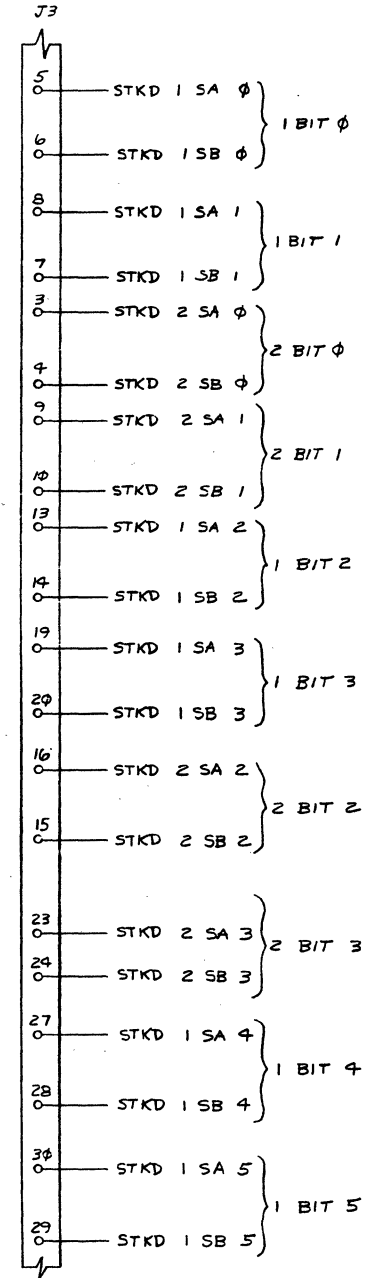
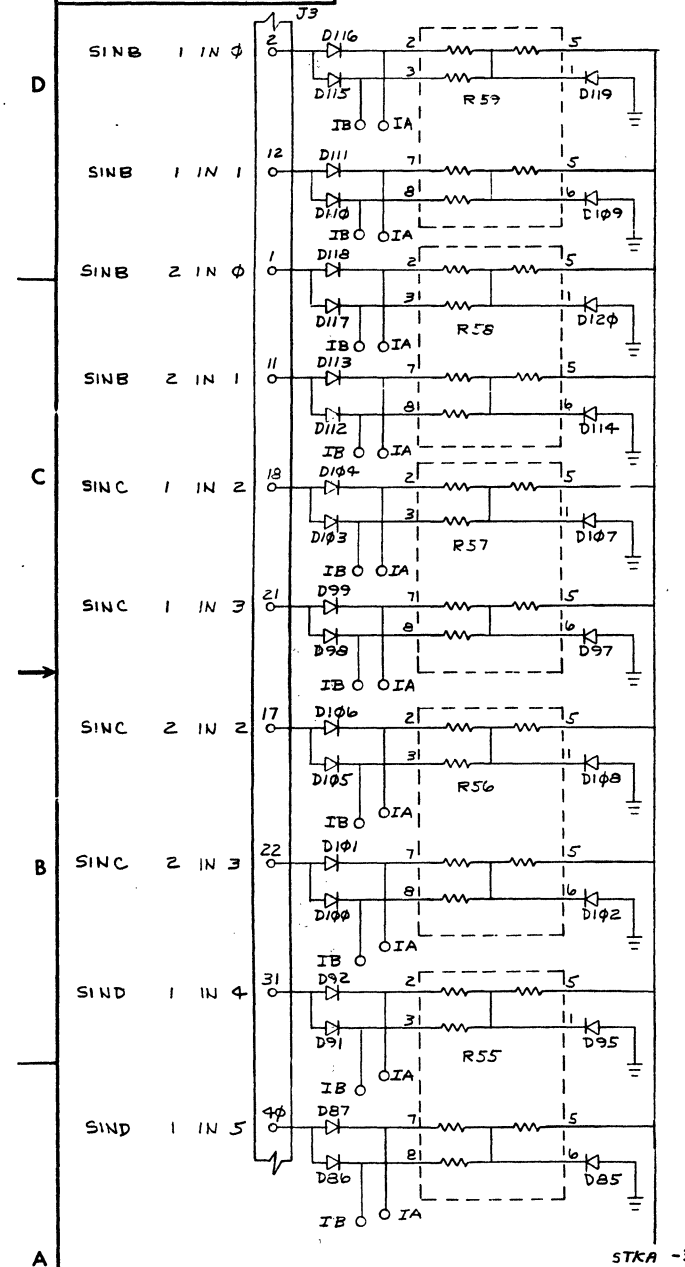


REVISIONS		
CHK	CHANGE NO.	REV.

TITLE	32K STACK (STKC) (H224)	SIZE CODE	D	NUMBER	5411644-0-1	REV.	D
SCALE		SHEET	3	OF	5	DIST.	

657

THIS DRAWING AND SPECIFICATIONS HEREIN ARE THE PROPERTY OF DIGITAL EQUIPMENT CORPORATION AND SHALL NOT BE REPRODUCED OR COPIED OR USED IN WHOLE OR IN PART AS THE BASIS FOR THE MANUFACTURE OR SALE OF ITEMS WITHOUT WRITTEN PERMISSION. COPYRIGHT © 1975 DIGITAL EQUIPMENT CORPORATION

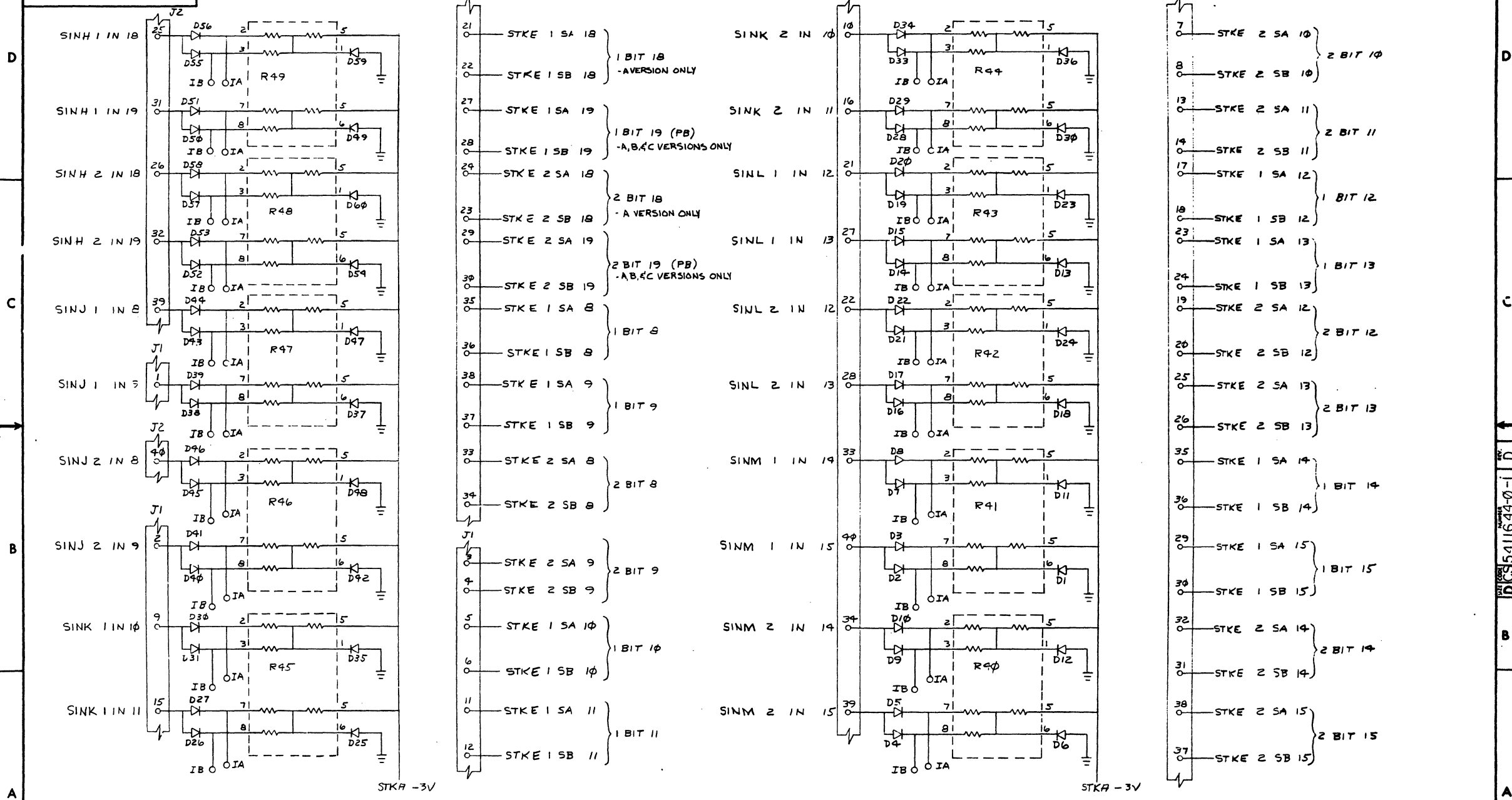


REVISIONS		
CHK	CHANGE NO.	REV.

TITLE	32 K STACK (STKD) (H224)	SIZE CODE	D	NUMBER	CS 5411644-0-1	REV.	D
SCALE		SHEET	4	OF	5	DIST.	

652

THIS DRAWING AND SPECIFICATIONS HEREIN ARE THE PROPERTY OF DIGITAL EQUIPMENT CORPORATION AND SHALL NOT BE REPRODUCED OR COPIED OR USED IN WHOLE OR IN PART AS THE BASIS FOR THE MANUFACTURE OR SALE OF ITEMS WITHOUT WRITTEN PERMISSION. COPYRIGHT © 1977, DIGITAL EQUIPMENT CORPORATION.



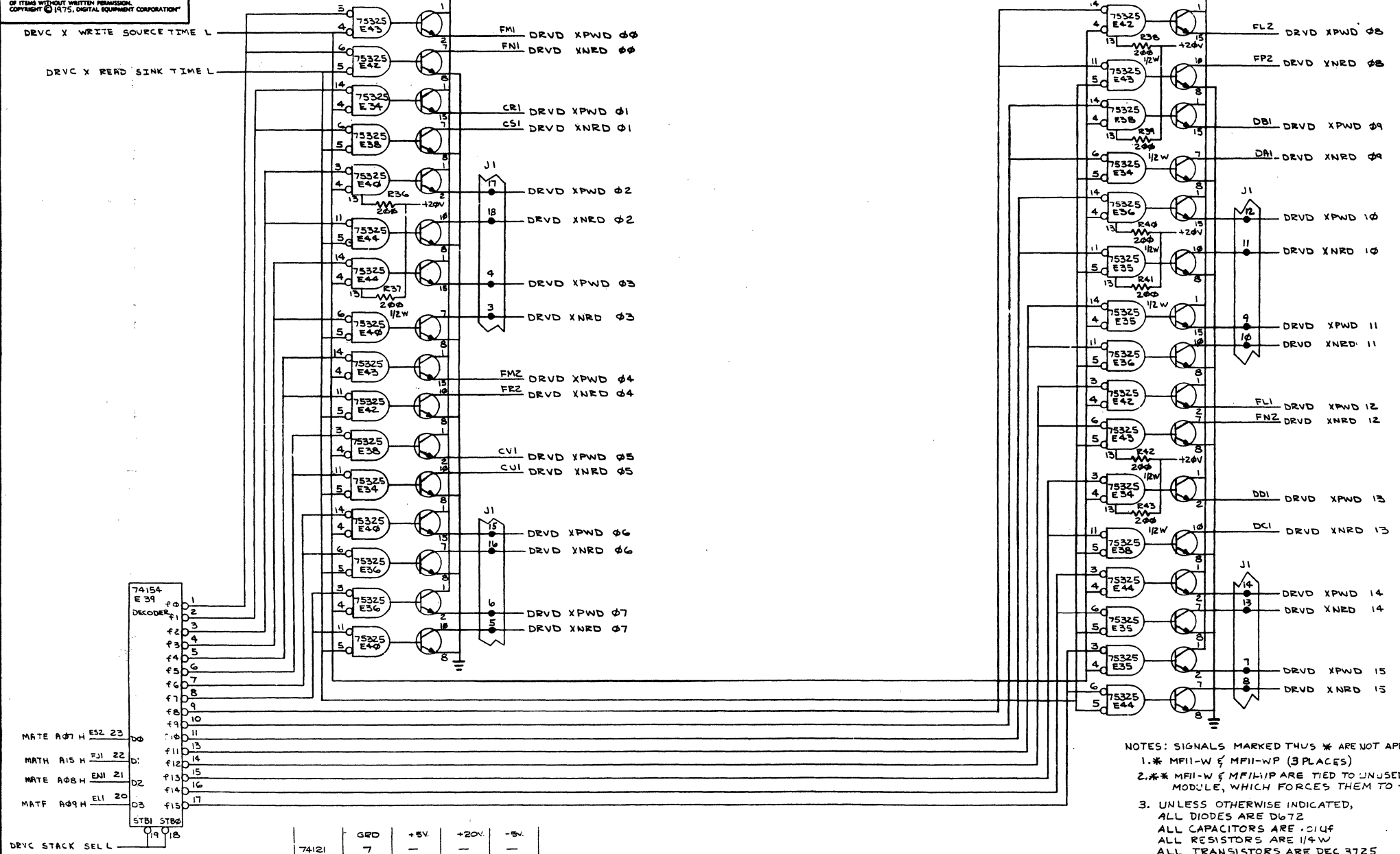
REVISIONS		
CHK	CHANGE NO.	REV.

TITLE	32K STACK	(STKE)	SIZE CODE	NUMBER	REV.
SCALE	1/1	(H224)	D	CS5411644-0-1	D
SHEET 5 OF 5		DIST.			

653

THIS DRAWING AND SPECIFICATIONS HEREIN ARE THE PROPERTY OF DIGITAL EQUIPMENT CORPORATION AND SHALL NOT BE REPRODUCED OR COPIED OR USED IN WHOLE OR IN PART AS THE BASIS FOR THE MANUFACTURE OR SALE OF ITEMS WITHOUT WRITTEN PERMISSION. COPYRIGHT © 1975, DIGITAL EQUIPMENT CORPORATION

DRVC X WRITE CURRENT SOURCE



NOTES: SIGNALS MARKED THUS \* ARE NOT APPLICABLE TO MF11-W & MF11-WP (3 PLACES)  
 1. \* MF11-W & MF11-WP (3 PLACES)  
 2. \*\* MF11-W & MF11-WP ARE TIED TO UNUSED TERMINATORS ON THE G116 MODULE, WHICH FORCES THEM TO +3V (5 PLACES).  
 3. UNLESS OTHERWISE INDICATED, ALL DIODES ARE D672  
 ALL CAPACITORS ARE .01UF  
 ALL RESISTORS ARE 1/4W  
 ALL TRANSISTORS ARE DEC 3725

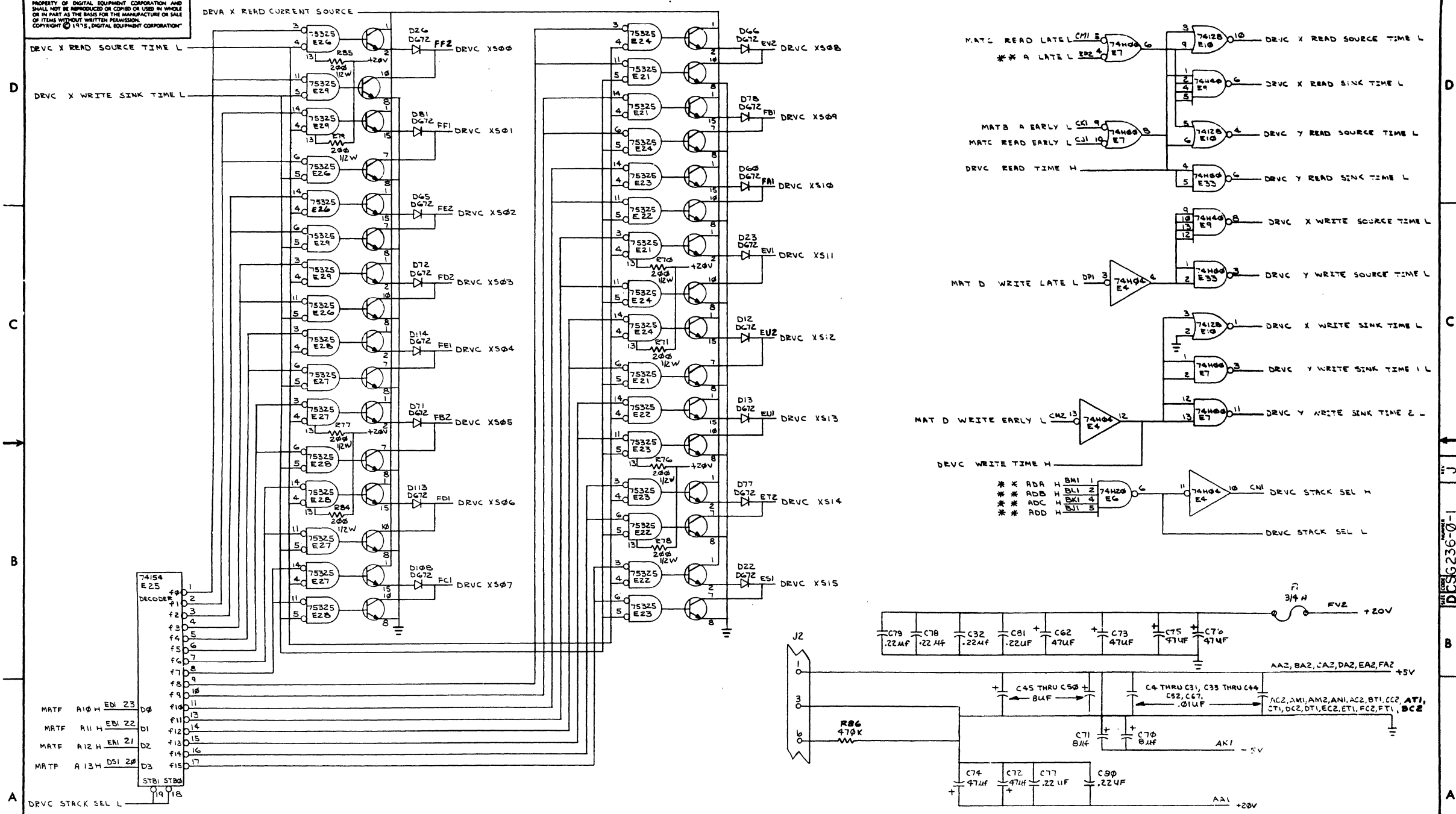
REV	DATE	BY	CHKD
1	10/17/75	D. SMELSER	D. SMELSER
2	11/14/75	D. SMELSER	D. SMELSER
3	11/14/75	D. SMELSER	D. SMELSER
4	11/14/75	D. SMELSER	D. SMELSER
5	11/14/75	D. SMELSER	D. SMELSER
6	11/14/75	D. SMELSER	D. SMELSER
7	11/14/75	D. SMELSER	D. SMELSER
8	11/14/75	D. SMELSER	D. SMELSER

IC TYPE	PIN	+5V	+20V	-5V
74121	7	-	-	-
741	-	-	-	-
75325	8	8	16	4
7442	8	16	16	-
74154	12	24	-	-

DRN. X 8.3	10/17/75	FIRST USED ON	digital
CHKD. 10/17/75	10/17/75	TITLE	32K X-Y DRIVE
PROJ. ENG. 11/14/75	11/14/75	SCALE	1 OF 4
PROD. 11/14/75	11/14/75	SHEET	1 OF 4
NEXT HIGHER ASSY.	SIZE CODE	NUMBER	REV.
D-UA-G236-B-0	D CS G236-0-1		J

D CS G236-0-1

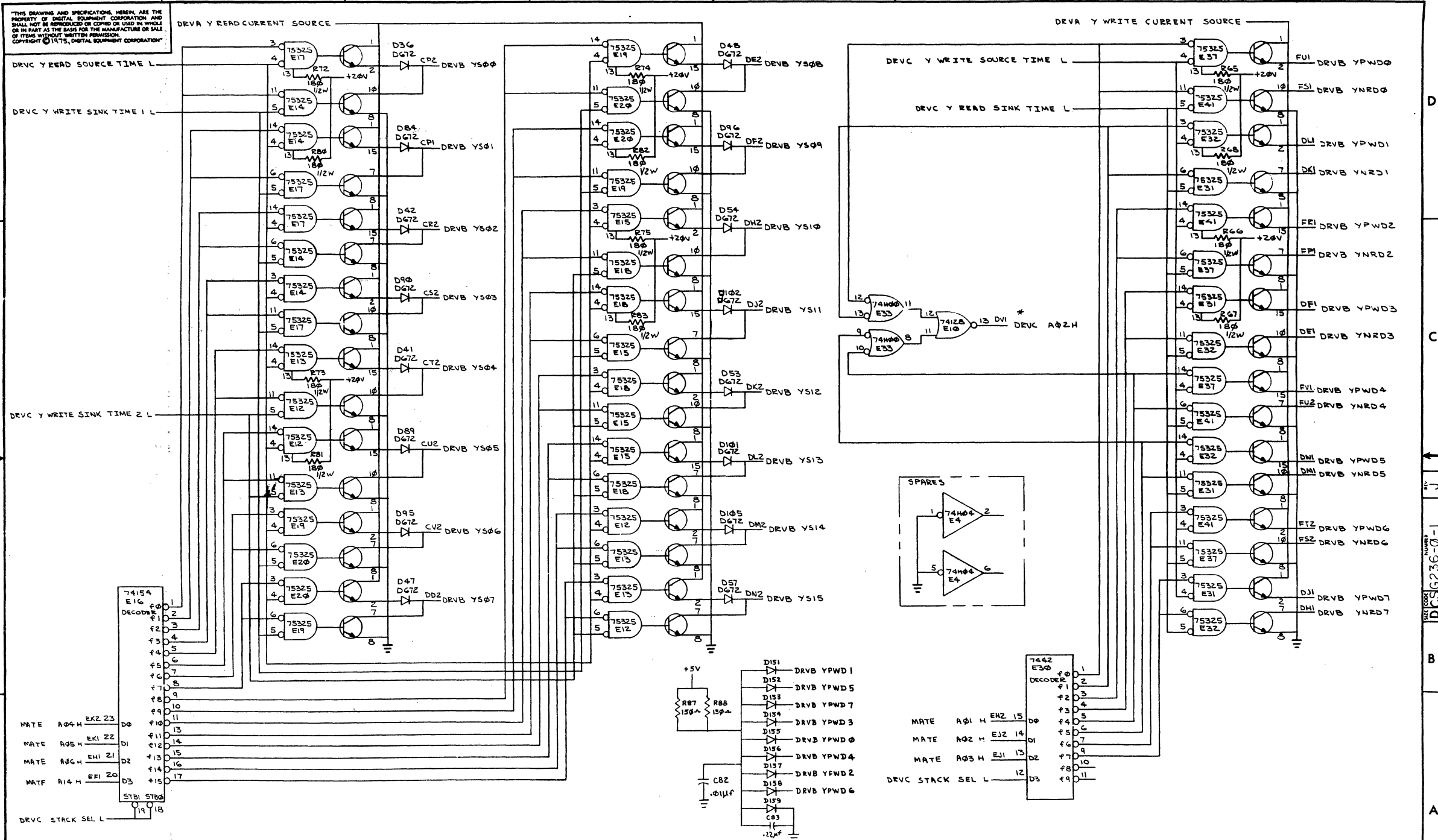
THIS DRAWING AND SPECIFICATIONS HEREIN ARE THE PROPERTY OF DIGITAL EQUIPMENT CORPORATION AND SHALL NOT BE REPRODUCED OR COPIED OR USED IN WHOLE OR IN PART AS THE BASIS FOR THE MANUFACTURE OR SALE OF ITEMS WITHOUT WRITTEN PERMISSION. COPYRIGHT © 1975, DIGITAL EQUIPMENT CORPORATION.



REVISIONS		
CHK	CHANGE NO.	REV.

TITLE	32K X-Y DRIVE (DRV)	SIZE CODE	DCS G236-0-1	NUMBER	J:	REV.	J:
SCALE	1/1	SHEET	2 OF 4	DIST.			

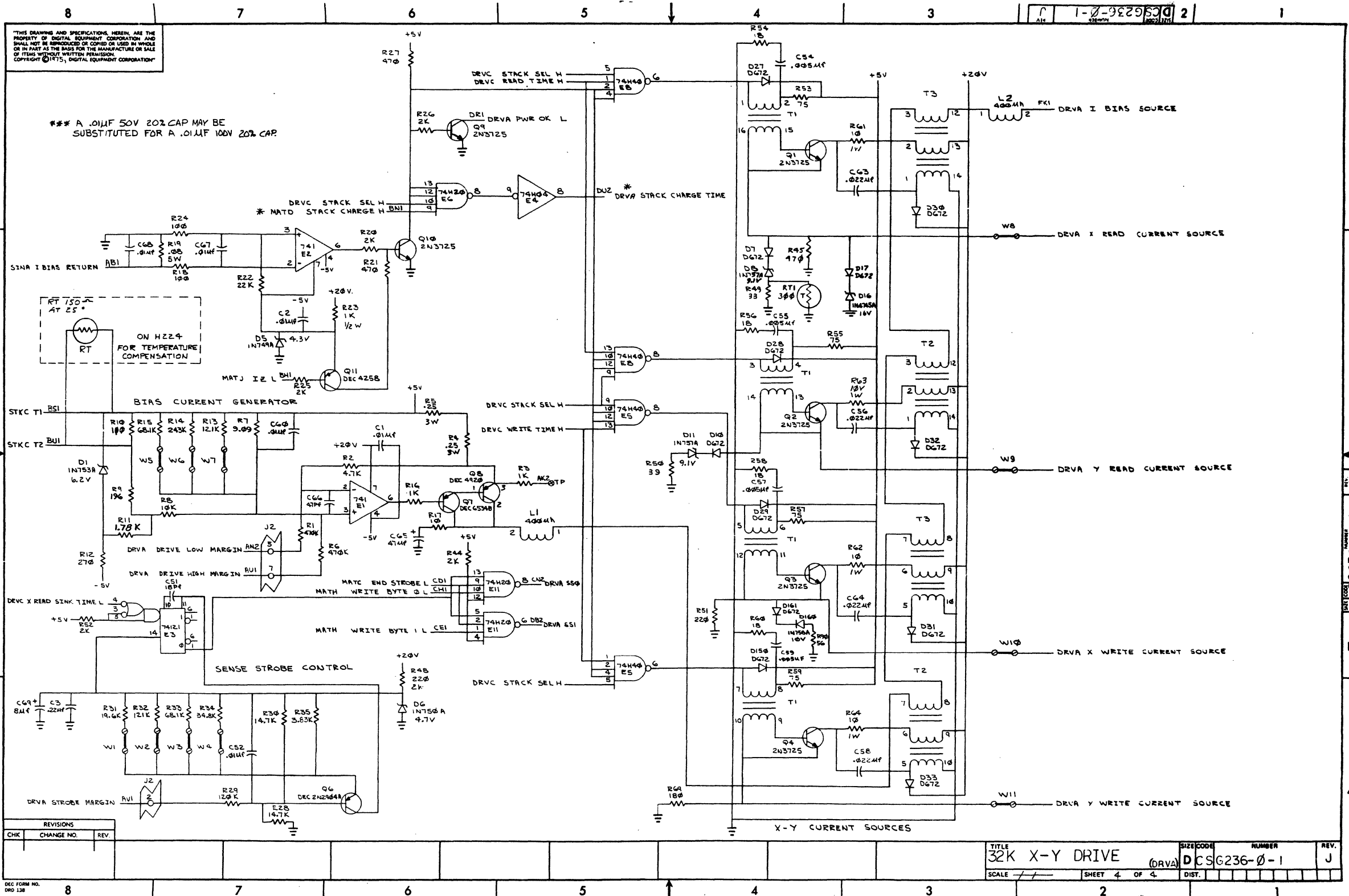
655



REVISIONS			TITLE		SIZE CODE	NUMBER	REV.
CHK	CHANGE NO.	REV.	32K X-Y DRIVE (DRVB)		D	CSG236-0-1	J
			SCALE	SHEET 3 OF 4	DIST.		

656





657





THIS DRAWING AND SPECIFICATIONS HEREIN ARE THE PROPERTY OF DIGITAL EQUIPMENT CORPORATION AND SHALL NOT BE REPRODUCED OR COPIED OR USED IN WHOLE OR IN PART AS THE BASIS FOR THE MANUFACTURE OR SALE OF ITEMS WITHOUT WRITTEN PERMISSION. COPYRIGHT © 1975 DIGITAL EQUIPMENT CORPORATION.

D  
C  
B  
A

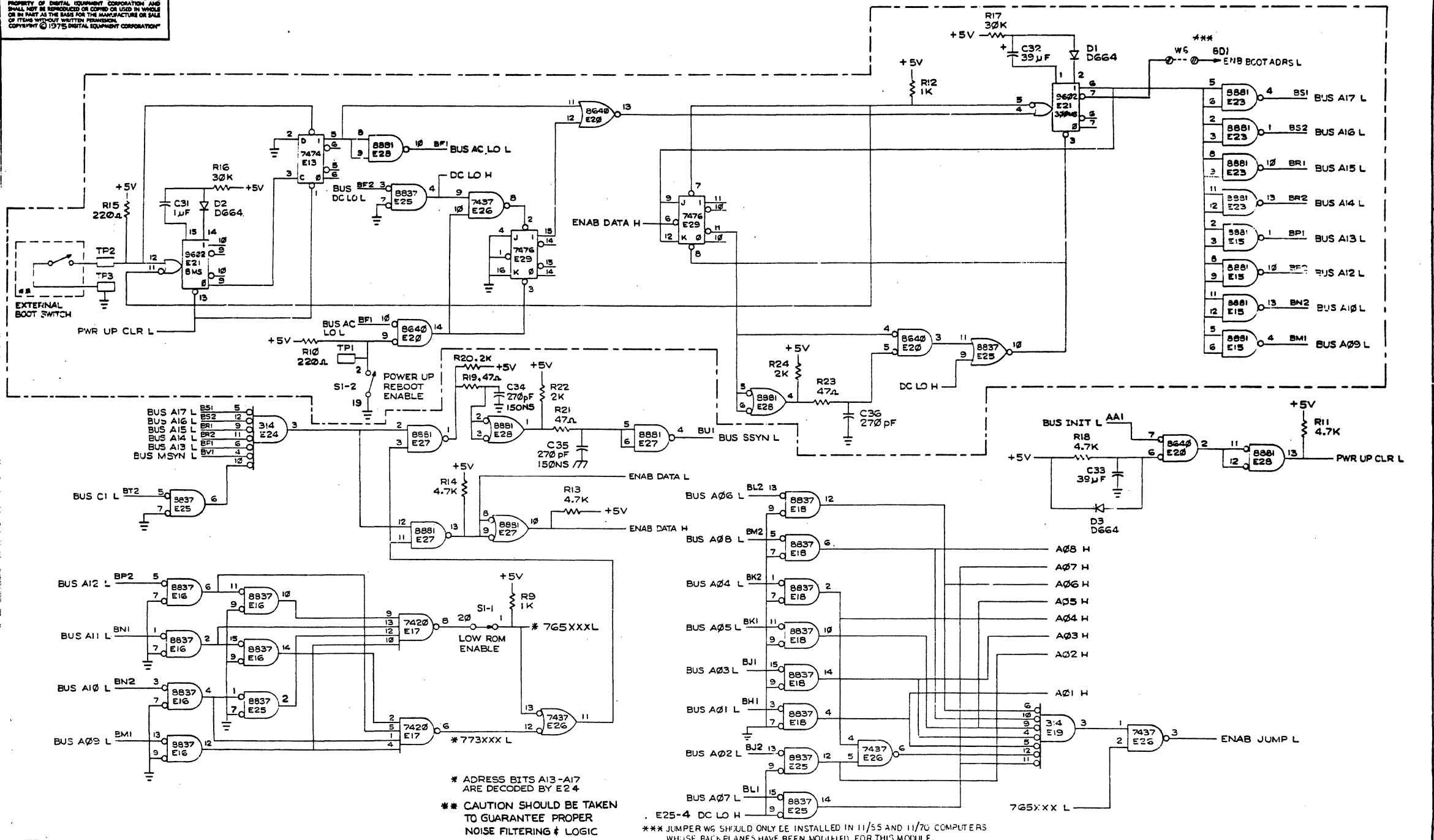
REVISIONS		
CHK	CHANGE NO.	REV.

QTY	QTY	QTY	QTY	QTY	QTY	QTY	QTY	QTY	QTY	REF DESIGNATION	DESCRIPTION	PART NO.	ITEM NO.
4	4	4	4	4	4	4	4	4	4	E5, E6, E11, E12	SOCKET, 16 PIN, I.C.	1211813	37
0	0	0	0	0	0	0	0	0	1	E5	I.C. DEC. TRI-STATE 2048 ROM	23034A9	38
0	0	0	0	0	0	0	0	0	1	E6	I.C. DEC. TRI-STATE 2048 ROM	23035A9	39
0	0	0	0	0	0	0	0	0	1	E11	I.C. DEC. TRI-STATE 2048 ROM	23036A9	40
0	0	0	0	0	0	0	0	0	1	E12	I.C. DEC. TRI-STATE 2048 ROM	23037A9	41
0	0	0	0	0	0	0	0	0	1	E5	I.C. DEC. TRI-STATE 2048 ROM	23038A9	42
0	0	0	0	0	0	0	0	0	1	E6	I.C. DEC. TRI-STATE 2048 ROM	23039A9	43
0	0	0	0	0	0	0	0	0	1	E11	I.C. DEC. TRI-STATE 2048 ROM	23040A9	44
0	0	0	0	0	0	0	0	0	1	E12	I.C. DEC. TRI-STATE 2048 ROM	23041A9	45
0	0	0	0	0	0	0	0	0	1	E5	I.C. DEC. TRI-STATE 2048 ROM	23042A9	46
0	0	0	0	0	0	0	0	0	1	E6	I.C. DEC. TRI-STATE 2048 ROM	23043A9	47
0	0	0	0	0	0	0	0	0	1	E11	I.C. DEC. TRI-STATE 2048 ROM	23044A9	48
0	0	0	0	0	0	0	0	0	1	E12	I.C. DEC. TRI-STATE 2048 ROM	23045A9	49
0	0	0	0	0	0	0	0	0	0	E5	I.C. DEC. TRI-STATE 2048 ROM	23046A9	50
0	0	0	0	0	0	0	0	0	0	E6	I.C. DEC. TRI-STATE 2048 ROM	23047A9	51
0	0	0	0	0	0	0	0	0	0	E11	I.C. DEC. TRI-STATE 2048 ROM	23123A9	52
0	0	0	0	0	0	0	0	0	0	E12	I.C. DEC. TRI-STATE 2048 ROM	23049A9	53
0	0	0	0	0	0	0	0	0	0	WI THRU WS	JUMPER, WIRE, WHITE INSULATION	9009185	54
2	2	2	2	2	2	2	2	2	2	RIO, R15	RES 220A, 1/4W, 5%	1300271	55
2	2	2	2	2	2	2	2	2	2		SPLIT WLG	9006735	56
0	0	0	0	0	0	0	0	0	0	E5	I.C. DEC. TRI-STATE 2048 ROM	23480A9	57
0	0	0	0	0	0	0	0	0	0	E6	I.C. DEC. TRI-STATE 2048 ROM	23481A9	58
0	0	0	0	0	0	0	0	0	0	E11	I.C. DEC. TRI-STATE 2048 ROM	23482A9	59
0	0	0	0	0	0	0	0	0	0	E12	I.C. DEC. TRI-STATE 2048 ROM	23483A9	60
0	0	0	0	0	0	0	0	0	0	E5	I.C. DEC. TRI-STATE 2048 ROM	23332A9	61
0	0	0	0	0	0	0	0	0	0	E6	I.C. DEC. TRI-STATE 2048 ROM	23333A9	62
0	0	0	0	0	0	0	0	0	0	E11	I.C. DEC. TRI-STATE 2048 ROM	23334A9	63
0	0	0	0	0	0	0	0	0	0	E12	I.C. DEC. TRI-STATE 2048 ROM	23335A9	64
0	0	0	0	0	0	0	0	0	0	E5	I.C. DEC. TRI-STATE 2048 ROM	23538A9	65
0	0	0	0	0	0	0	0	0	0	E6	I.C. DEC. TRI-STATE 2048 ROM	23539A9	66
0	0	0	0	0	0	0	0	0	0	E11	I.C. DEC. TRI-STATE 2048 ROM	23540A9	67
0	0	0	0	0	0	0	0	0	0	E12	I.C. DEC. TRI-STATE 2048 ROM	23541A9	68
0	0	0	0	0	0	0	0	0	0	E5	I.C. DEC. TRI-STATE 2048 ROM	23520A9	69
0	0	0	0	0	0	0	0	0	0	E6	I.C. DEC. TRI-STATE 2048 ROM	23521A9	70
0	0	0	0	0	0	0	0	0	0	E11	I.C. DEC. TRI-STATE 2048 ROM	23522A9	71
0	0	0	0	0	0	0	0	0	0	E12	I.C. DEC. TRI-STATE 2048 ROM	23523A9	72
A/R	A/R	A/R	A/R	A/R	A/R	A/R	A/R	A/R	A/R		WIRE 30 GA.	9105740-55	73
1	0	0	0	0	0	0	0	0	0	E5	I.C. DEC. TRI-STATE 2048 ROM	23744A9	74
1	0	0	0	0	0	0	0	0	0	E6	I.C. DEC. TRI-STATE 2048 ROM	23745A9	75
1	0	0	0	0	0	0	0	0	0	E11	I.C. DEC. TRI-STATE 2048 ROM	23746A9	76
1	0	0	0	0	0	0	0	0	0	E12	I.C. DEC. TRI-STATE 2048 ROM	23747A9	77
A/R	A/R	A/R	A/R	A/R	A/R	A/R	A/R	A/R	A/R		CEMENT PERMABOND	9009157	78

TITLE UNIBUS TERMINATOR/BOOTSTRAP SIZE/COOD NUMBER REV. D CS M9301-0-1 1V  
SCALE SHEET 2 OF 5 DIST

660

THIS DRAWING AND SPECIFICATIONS HEREIN ARE THE PROPERTY OF DIGITAL EQUIPMENT CORPORATION AND SHALL NOT BE REPRODUCED OR COPIED OR USED IN WHOLE OR IN PART AS THE BASIS FOR THE MANUFACTURE OR SALE OF THIS WITHOUT WRITTEN PERMISSION FROM DIGITAL EQUIPMENT CORPORATION © 1975 DIGITAL EQUIPMENT CORPORATION



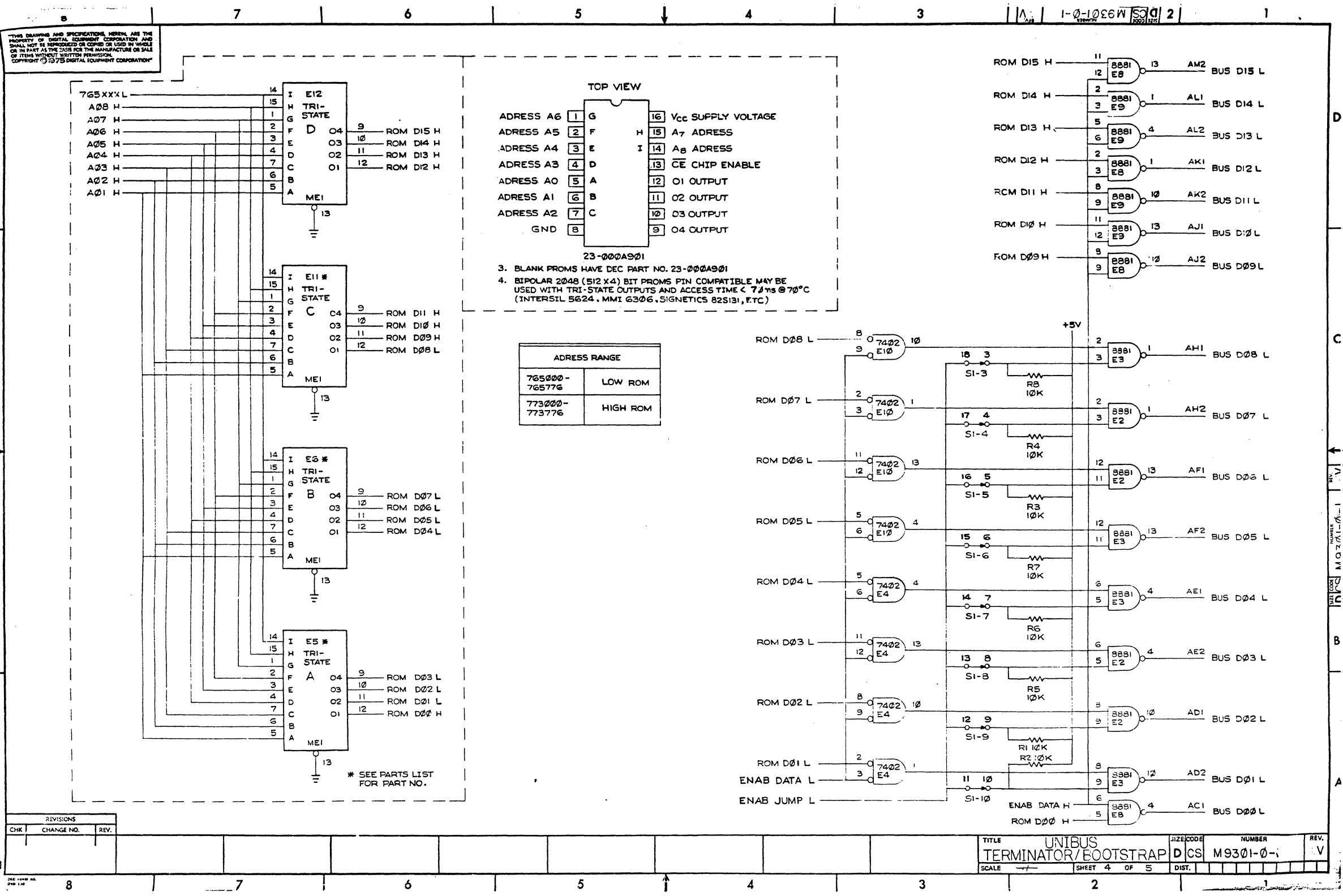
\* ADDRESS BITS A13-A17 ARE DECODED BY E24  
 \*\* CAUTION SHOULD BE TAKEN TO GUARANTEE PROPER NOISE FILTERING & LOGIC LEVELS ON THESE INPUTS  
 \*\*\* JUMPER W6 SHOULD ONLY BE INSTALLED IN 11/55 AND 11/70 COMPUTERS WHOSE BACKPLANES HAVE BEEN MODIFIED FOR THIS MODULE.

CHK	REVISIONS	CHANGE NO.	REV.

TITLE	UNIBUS TERMINATOR/BOOTSTRAP	SIZE CODE	D CS	NUMBER	M9301-0-1	REV.	V
SCALE		SHEET	3 OF 5	DIST.			

661

"THIS DRAWING AND SPECIFICATIONS HEREIN ARE THE PROPERTY OF DIGITAL EQUIPMENT CORPORATION AND SHALL NOT BE REPRODUCED OR COPIED OR USED IN WHOLE OR IN PART AS THE BASIS FOR THE MANUFACTURE OR SALE OF ITEMS WITHOUT WRITTEN PERMISSION. COPYRIGHT © 1975 DIGITAL EQUIPMENT CORPORATION"



TOP VIEW

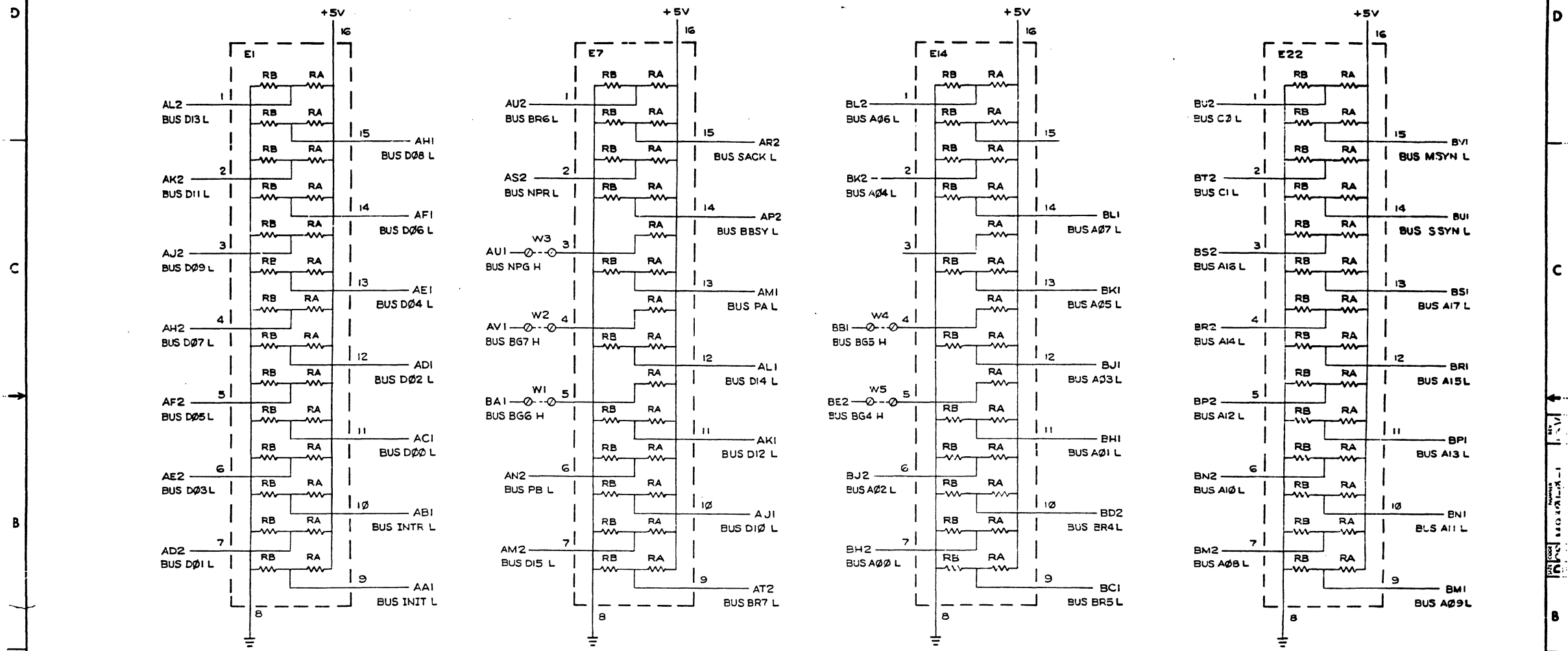
ADDRESS A6	1	G	16	Vcc SUPPLY VOLTAGE
ADDRESS A5	2	F	15	A7 ADDRESS
ADDRESS A4	3	E	14	A8 ADDRESS
ADDRESS A3	4	D	13	CE CHIP ENABLE
ADDRESS A0	5	A	12	O1 OUTPUT
ADDRESS A1	6	B	11	O2 OUTPUT
ADDRESS A2	7	C	10	O3 OUTPUT
GND	8		9	O4 OUTPUT

ADDRESS RANGE	
765000 - 765776	LOW ROM
773000 - 773776	HIGH ROM

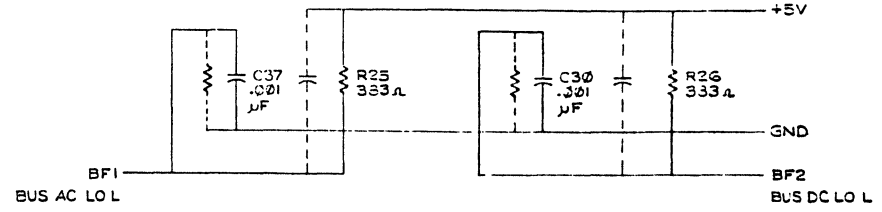
TITLE: UNIBUS TERMINATOR/BOOTSTRAP  
 NUMBER: M9301-0-1  
 SHEET: 4 OF 5  
 DIST.:

662

THIS DRAWING AND SPECIFICATIONS HEREIN ARE THE PROPERTY OF DIGITAL EQUIPMENT CORPORATION AND SHALL NOT BE REPRODUCED OR COPIED OR USED IN WHOLE OR IN PART AS THE BASIS FOR THE MANUFACTURE OR SALE OF ITEMS WITHOUT WRITTEN PERMISSION. COPYRIGHT © 1975 DIGITAL EQUIPMENT CORPORATION



- NOTES:
1. ALL RA RESISTORS SHOWN ARE 176.5Ω, ±2%
  2. ALL RB RESISTORS SHOWN ARE 375Ω, ±2%
  3. JUMPERS W1 THRU W5 ARE ONLY INSERTED ON THE M9301-YC AND M9301-YH IF USED IN AN i1/70 COMPUTER.



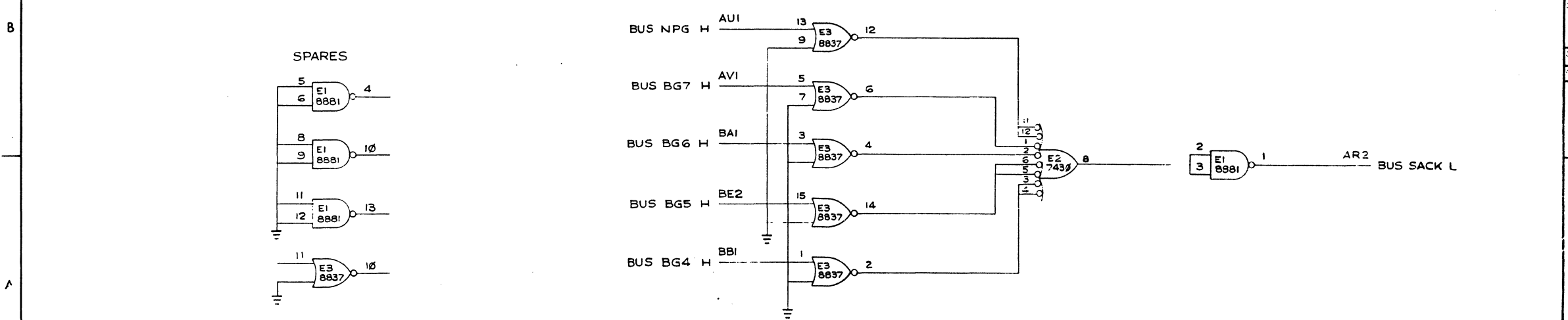
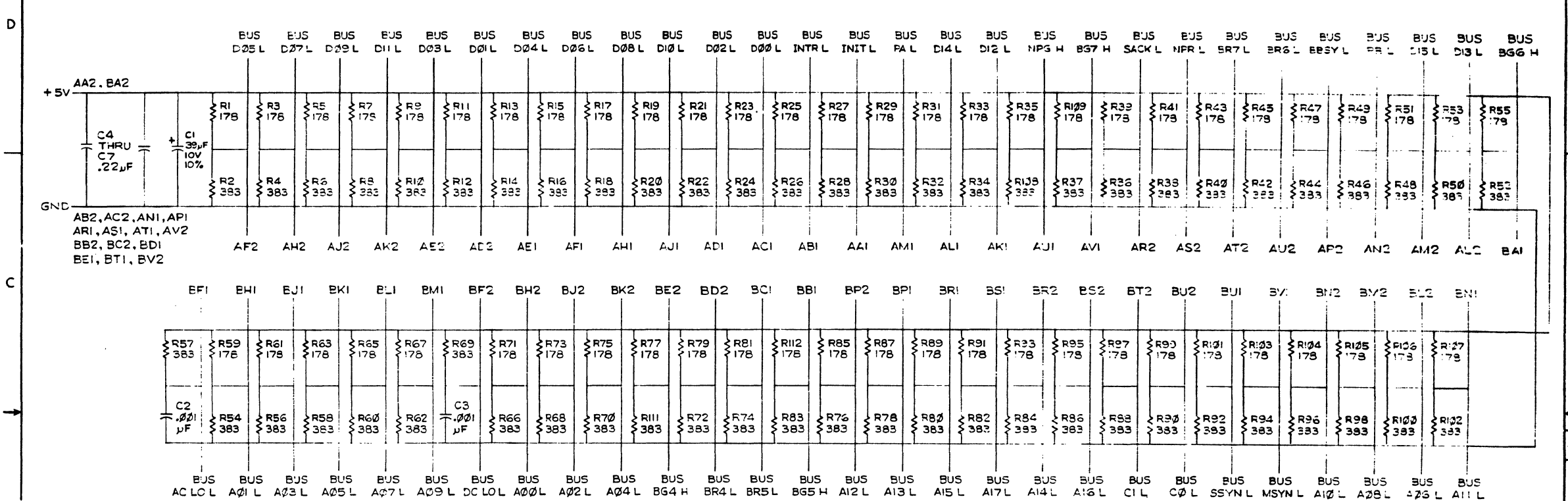
REVISIONS		
CHK	CHANGE NO.	REV.

663





THIS DRAWING AND SPECIFICATIONS HEREIN ARE THE PROPERTY OF DIGITAL EQUIPMENT CORPORATION AND SHALL NOT BE REPRODUCED OR COPIED OR USED IN WHOLE OR IN PART AS THE BASIS FOR THE MANUFACTURE OR SALE OF ITEMS WITHOUT WRITTEN PERMISSION. COPYRIGHT © 1970 DIGITAL EQUIPMENT CORPORATION.



REVISIONS		
CHK	CHANGE NO	REV

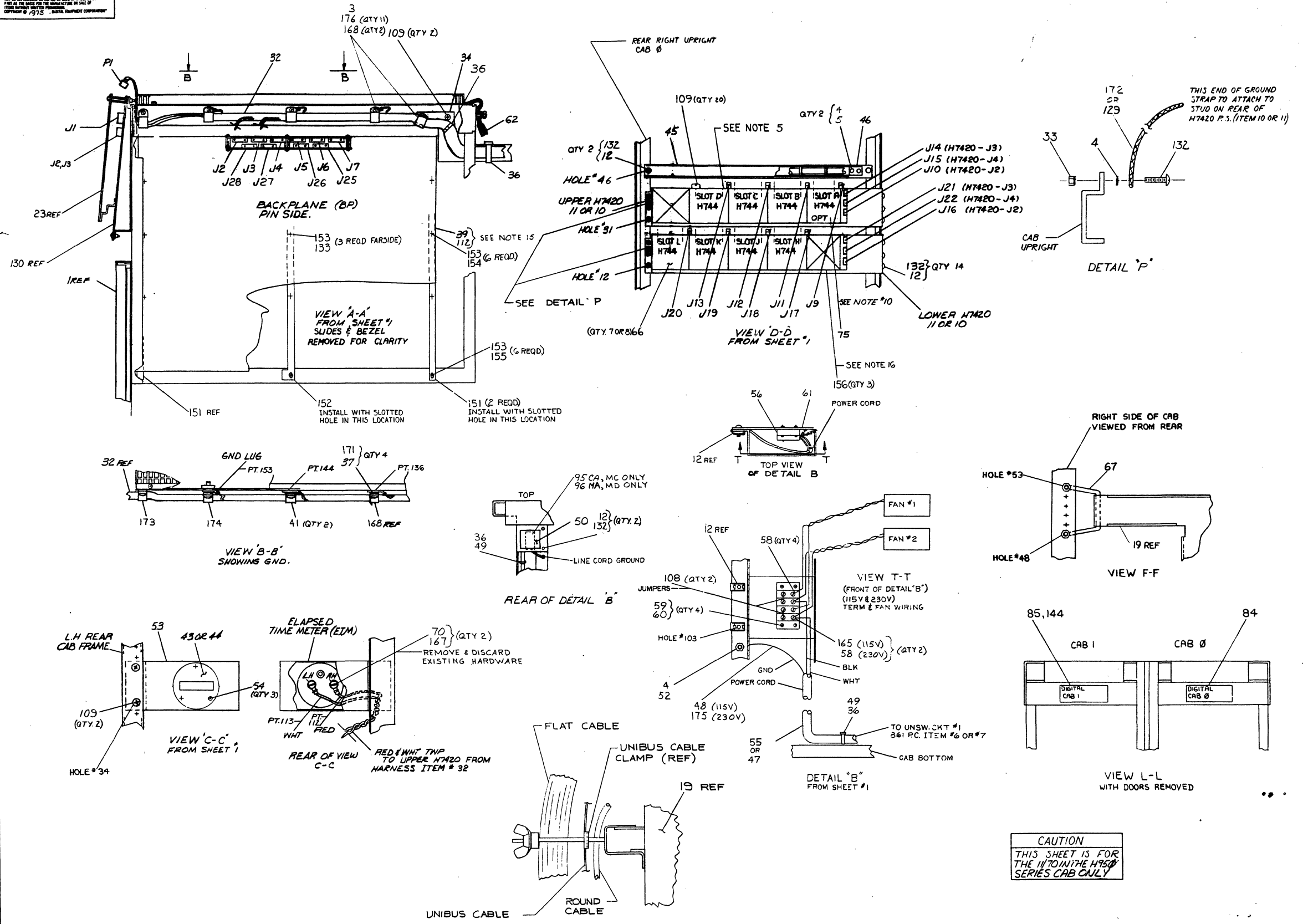
TITLE	UNIBUS TERMINATOR	SIZE CODE	DCS	NUMBER	MS302-0-1	REV.	1
SCALE	1:1	SHEET	2	OF	2	DIST.	

665





THIS DRAWING AND SPECIFICATIONS, HEREIN, ARE THE PROPERTY OF DIGITAL EQUIPMENT CORPORATION AND SHALL NOT BE REPRODUCED OR COPIED IN WHOLE OR IN PART FOR THE BASIS FOR THE MANUFACTURE OF THIS OR FOR ANY OTHER PARTS THEREOF.



REV.	CHG.	NO.	REV.

TITLE	UNIT ASSY 11/70	SIZE CODE	EUA	NUMBER	11/70-0-0	REV.	U
SCALE	1:1	SHEET	2 OF 11	DIST.			

668

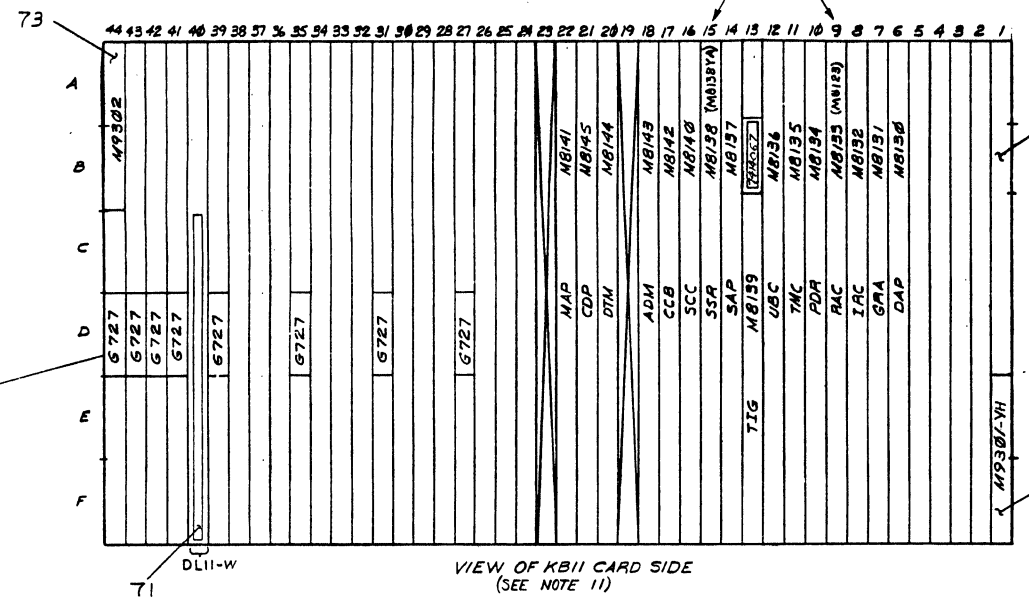
THIS DRAWING AND SPECIFICATIONS HEREBY ARE THE PROPERTY OF THE U.S. GOVERNMENT AND ARE NOT TO BE REPRODUCED OR COPIED IN WHOLE OR IN PART IN ANY FORM OR BY ANY MEANS, ELECTRONIC OR MECHANICAL, INCLUDING PHOTOCOPYING, RECORDING, OR BY ANY INFORMATION STORAGE AND RETRIEVAL SYSTEM.

CABLE ITEM NO.	FROM				TO				REMARKS	
	UNIT	SLOT	MODULE	CONN	UNIT	SLOT	MODULE	CONN		
192	KB11	A-F,18	MB143	J1	0	MJ11	A-F,13	MB148	J1	1
193	KB11	A-F,18	MB143	J2	0	MJ11	A-F,13	MB148	J3	1
	KB11	A-F,21	MB145	J2	0	MJ11	A-F,14	MB149	J3	1
	KB11	A-F,21	MB145	J1	0	MJ11	A-F,14	MB149	J1	1
64	KB11	A-F,10	MB134	J1	0	CONSOL			J1	0
64	KB11	A-F,16	MB140	J2	0	CONSOL			J3	0
64	KB11	A-F,16	MB140	J1	0	CONSOL			J2	0

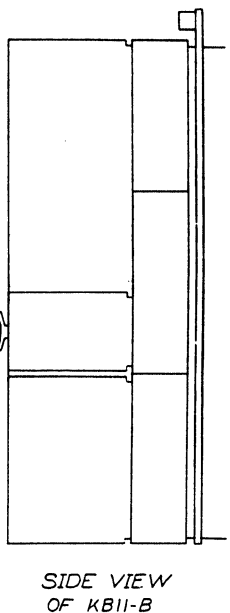
SEE NOTE #11 SHEET 1

POWER CORD HOOKUP	
FROM	TO
UPPER H7420 CAB 0	B6-D-E PHASE 1 (SWITCHED)
LOWER H7420 CAB 0	B6-D-E PHASE 2 (SWITCHED)
MJ11-A, MJ11-B CAB 1	B6-D-E PHASE 3 (SWITCHED)

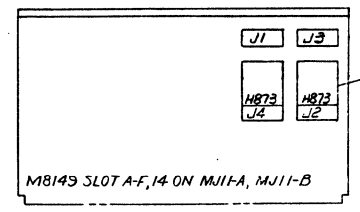
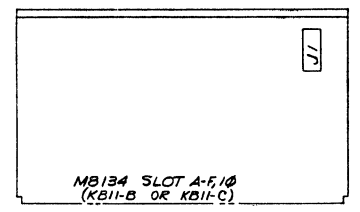
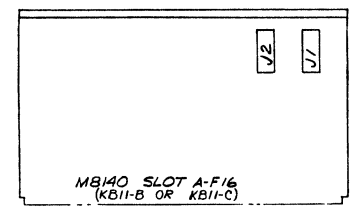
HARNESS TABLE		
ITEM NO.	FROM HARNESS	TO CONN.
P1	J4 (CONS)	
P2	J2 (BA)	
P3	J3 (BP)	
P4	J4 (BP)	
P5	J5 (BP)	
P6	J6 (BP)	
P7	J7 (BP)	
P28	J28 (BP)	
P27	J27 (BP)	
P26	J26 (BP)	
P25	J25 (BP)	
P8	J5 (BA1-F)	
P15	J15 (H7420)	
P10	J10 (H7420)	
P14	J14 (H7420)	
P9	J9 (H744)	
P11	J11 (H744)	
P12	J12 (H744)	
P13	J13 (H744)	
P22	J22 (H7420)	
P16	J16 (H7420)	
P21	J21 (H7420)	
P18	J18 (H744)	
P19	J19 (H744)	
P20	J20 (H744)	
P17	J17 (H744)	
P23	J23 (BG1)	
P24	J24 (BG1)	
PT112	E-T-M (RW)	
PT113	E-T-M (LW)	
PT144	GND CHASSIS	
PT136	GND CHASSIS	
PT153	GND CHASSIS	
P1	BA1 (BG1)	
P2	BA1 (BG1)	



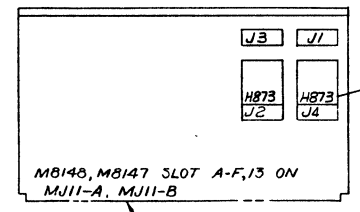
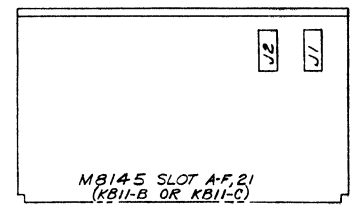
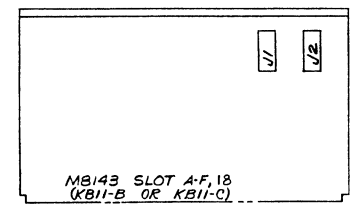
81 SEE NOTE #9 SHEET 1



35 (QTY 8)



78 (QTY 4)  
65 (QTY 4)  
63 (QTY 2)



78 (QTY 4)  
65 (QTY 4)  
63 (QTY 2)

VIEW SHOWING MODULES CONN SIDE.

SEE NOTE 14

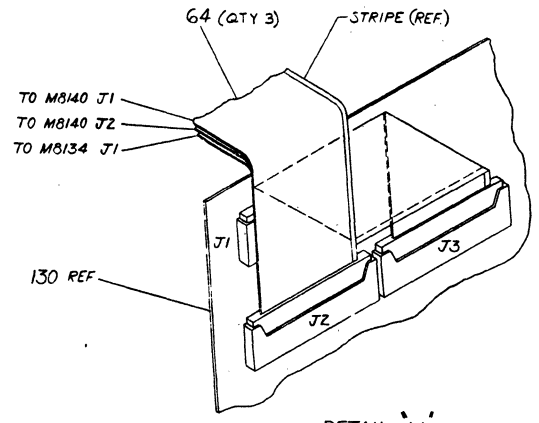
**CAUTION**  
THIS SHEET IS FOR THE 1170 IN THE H750 SERIES CAB ONLY

REV.	DATE	BY	CHKD	REASON
------	------	----	------	--------

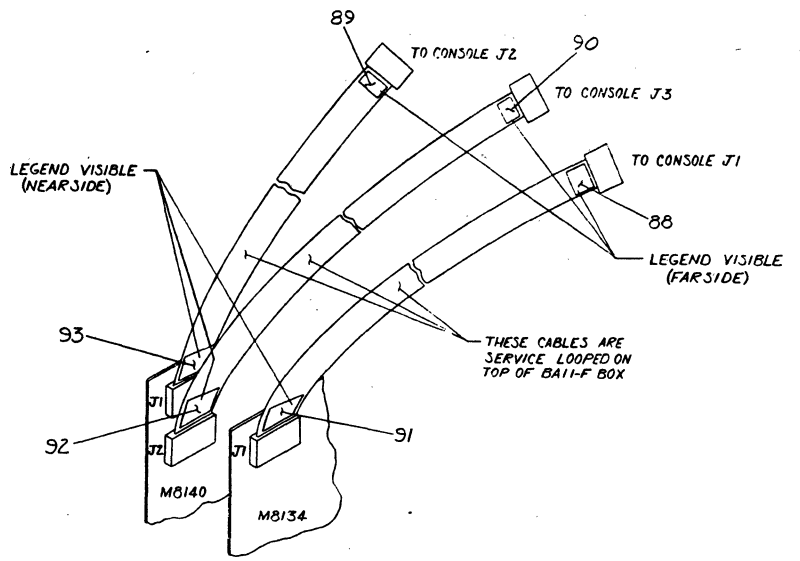
TITLE	UNIT ASSY 1170	SIZE CODE	EUA	NUMBER	1170-0-C	REV.	U
SCALE		SHEET	9	OF	11	EXT.	

669

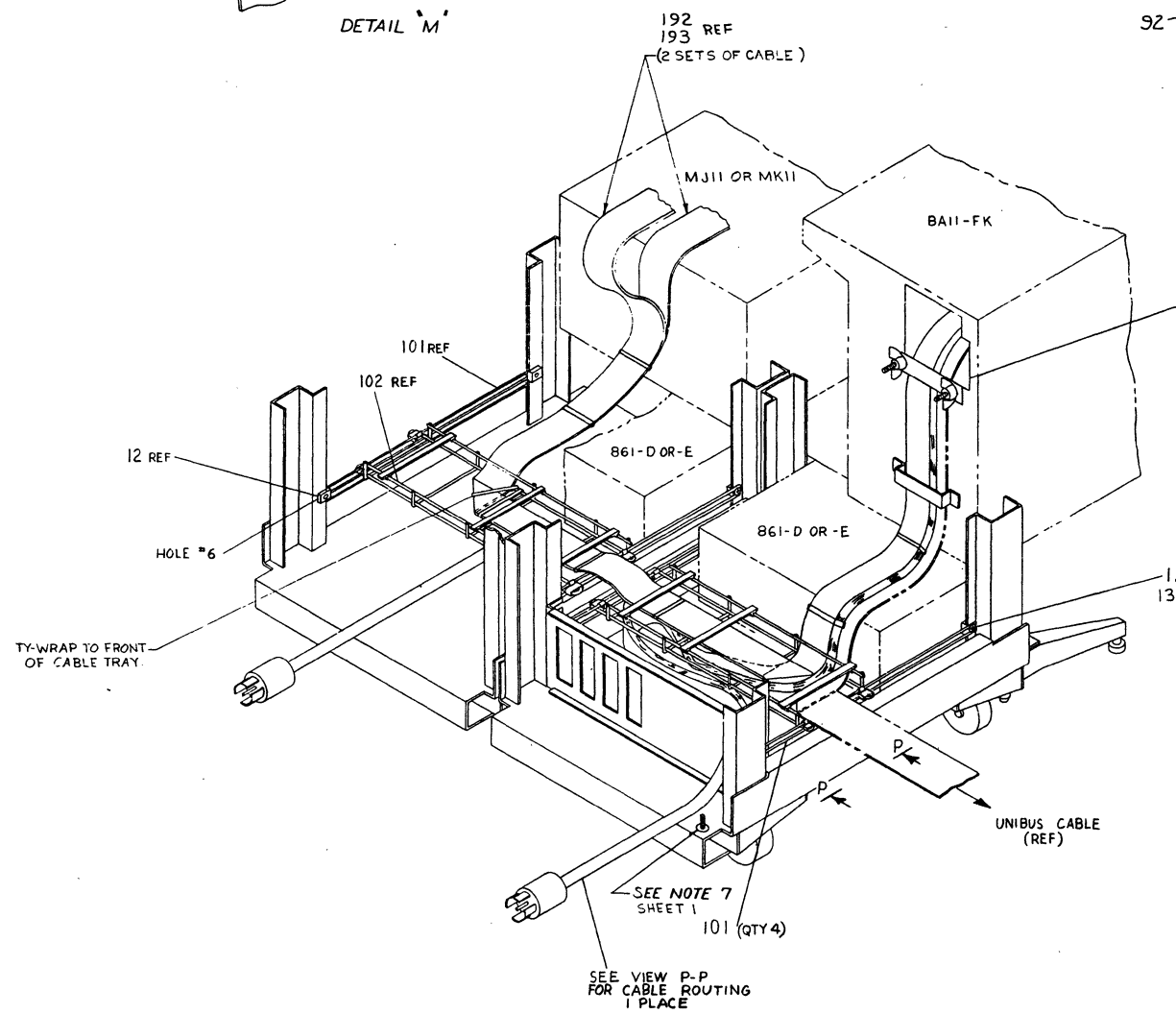
THIS DRAWING AND SPECIFICATIONS HEREBY ARE THE PROPERTY OF CIRCLE K COMPANY CONSTRUCTION AND SHALL NOT BE REPRODUCED OR COPIED IN WHOLE OR IN PART AS THE BASIS FOR THE MANUFACTURE OR SALE OF ITEMS WITHOUT WRITTEN PERMISSION. COPYRIGHT © 1975, CIRCLE K COMPANY



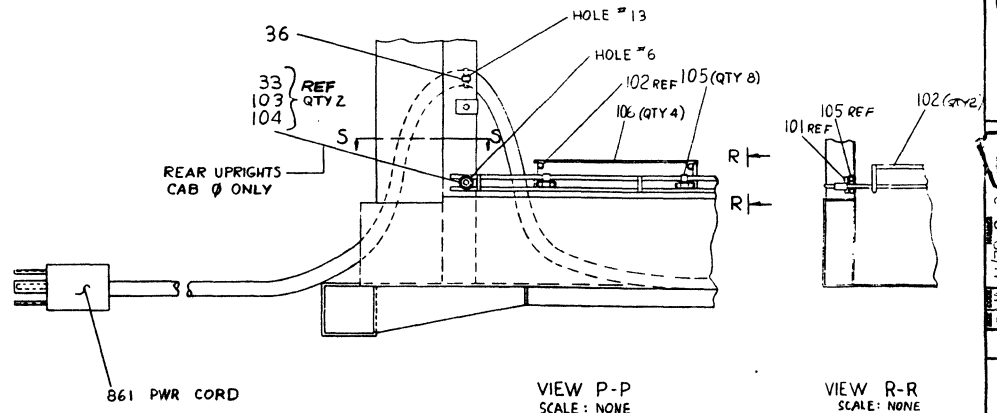
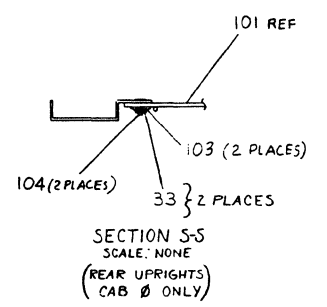
DETAIL M



DETAIL N  
SHOWING WHERE TO APPLY LABEL TO "FROM CONN." ON CONSOLE, FOR CORRECT ORIENTATION, SEE DETAIL M



SEE DETAIL K, SHEET 2  
SEE NOTES 4, 6 & 12, SHEET 1

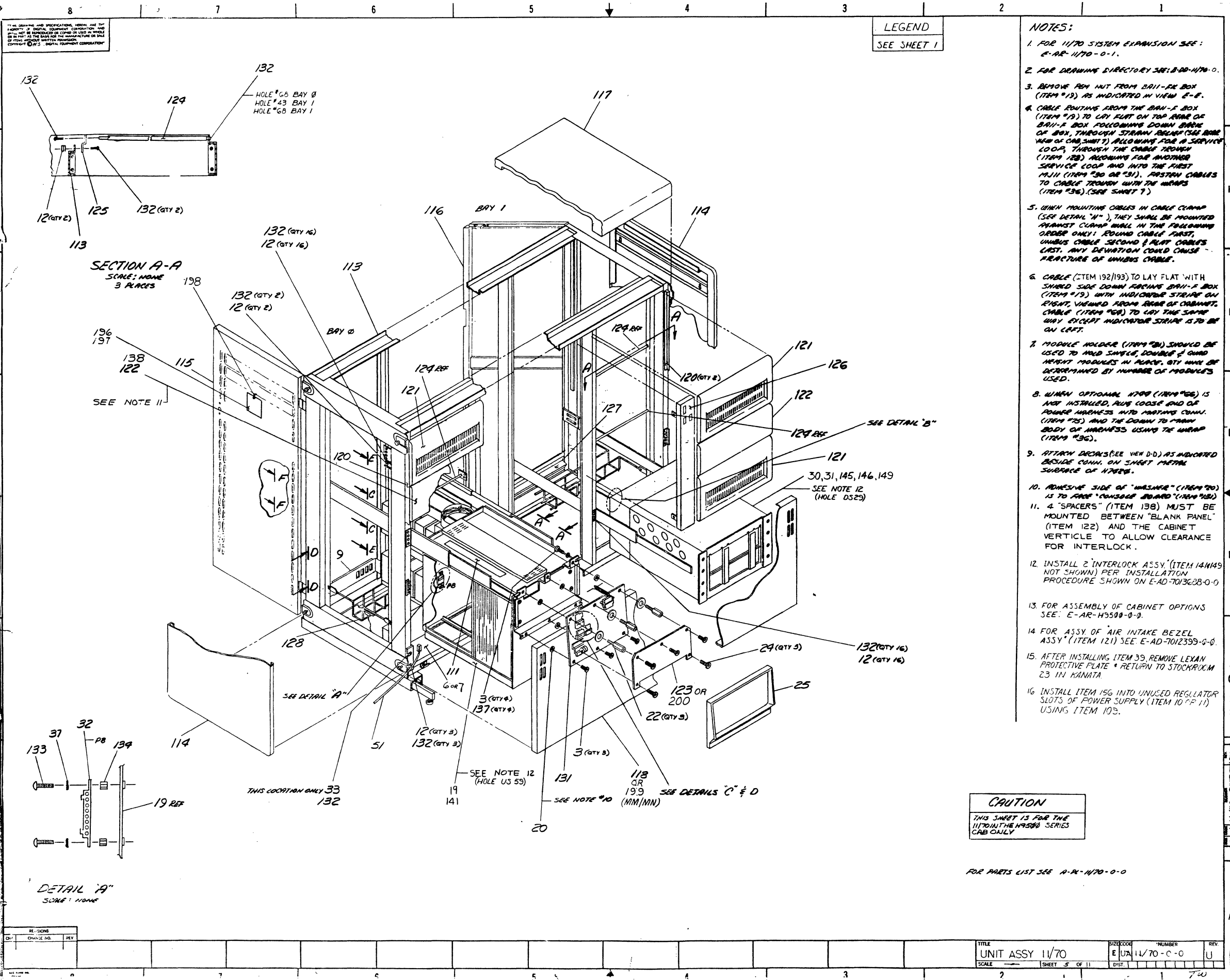


**CAUTION**  
THIS SHEET IS FOR THE 11/70 IN THE H700 SERIES CAB ONLY

REV	CHG	NO.	DATE

TITLE	UNIT ASSY 11/70	SCALE	1:1	SHEET	4 OF 11	DATE	11/70	REV.	U
-------	-----------------	-------	-----	-------	---------	------	-------	------	---

670



LEGEND  
SEE SHEET 1

- NOTES:
- FOR 11/70 SYSTEM EXPANSION SEE: E-AR-1170-0-1.
  - FOR DRAWING DIRECTORY SEE: E-AD-1170-0.
  - REMOVE PGM NUT FROM BAY 1-EX BOX (ITEM #13) AS INDICATED IN VIEW E-E.
  - CABLE ROUTING FROM THE BAY-F BOX (ITEM #19) TO LAY FLAT ON TOP EDGE OF BAY-F BOX FOLLOWING DOWN SHAPE OF BAY, THROUGH STRAIN RELIEF (SEE BOM VIEW OF CAB SHEET 7) ALLOWING FOR A SERVICE LOOP, THROUGH THE CABLE TROUGH (ITEM #28) ALLOWING FOR ANOTHER SERVICE LOOP AND INTO THE FIRST M/JH (ITEM #80 OR #91). FASTEN CABLES TO CABLE TROUGH WITH THE WEAPS (ITEM #36). (SEE SHEET 7)
  - WHEN MOUNTING CABLES IN CABLE CLAMP (SEE DETAIL "M"), THEY SHALL BE MOUNTED AGAINST CLAMP WALL IN THE FOLLOWING ORDER ONLY: ROUND CABLE FIRST, UNIBUS CABLE SECOND & FLAT CABLES LAST. ANY DEVIATION COULD CAUSE FRACTURE OF UNIBUS CABLE.
  - CABLE (ITEM 192/193) TO LAY FLAT WITH SHARP SIDE DOWN FACING BAY-F BOX (ITEM #19) WITH INDICATOR STRIPE ON RIGHT, VIEWED FROM REAR OF CABINET. CABLE (ITEM #68) TO LAY THE SAME WAY EXCEPT INDICATOR STRIPE IS TO BE ON LEFT.
  - MODULE HOLDER (ITEM #84) SHOULD BE USED TO HOLD SINGLE, DOUBLE & QUAD HEAT MODULES IN PLACE. QTY MAY BE DETERMINED BY NUMBER OF MODULES USED.
  - WHEN OPTIONAL H700 (ITEM #66) IS NOT INSTALLED, RUN LOOSE END OF POWER HARNESS INTO MOUNTING CONN. (ITEM #25) AND TIE DOWN TO FRAME BODY OF HARNESS USING THE WRAP (ITEM #36).
  - ATTACH DECALS (SEE VIEW D-D) AS INDICATED BESIDE CONN. ON SHEET PARTIAL SURFACE OF H700.
  - ADHESIVE SIDE OF "WASHER" (ITEM #20) IS TO FACE "CONSOLE BOARD" (ITEM #28).
  - 4 "SPACERS" (ITEM 138) MUST BE MOUNTED BETWEEN "BLANK PANEL" (ITEM 122) AND THE CABINET VERTICLE TO ALLOW CLEARANCE FOR INTERLOCK.
  - INSTALL 2 INTERLOCK ASSY (ITEM 141/149 NOT SHOWN) PER INSTALLATION PROCEDURE SHOWN ON E-AD-7013628-0-0
  - FOR ASSEMBLY OF CABINET OPTIONS SEE: E-AR-H5500-0-0.
  - FOR ASSY OF AIR INTAKE BEZEL ASSY (ITEM 121) SEE E-AD-7012359-0-0.
  - AFTER INSTALLING ITEM 39, REMOVE LEXAN PROTECTIVE PLATE & RETURN TO STOCKROOM 23 IN KANATA.
  - INSTALL ITEM 156 INTO UNUSED REGULATOR SLOTS OF POWER SUPPLY (ITEM 10 #F 11) USING ITEM 103.

**CAUTION**  
THIS SHEET IS FOR THE 1170 IN THE H5500 SERIES CAB ONLY

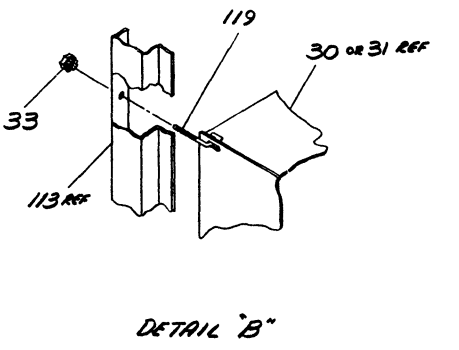
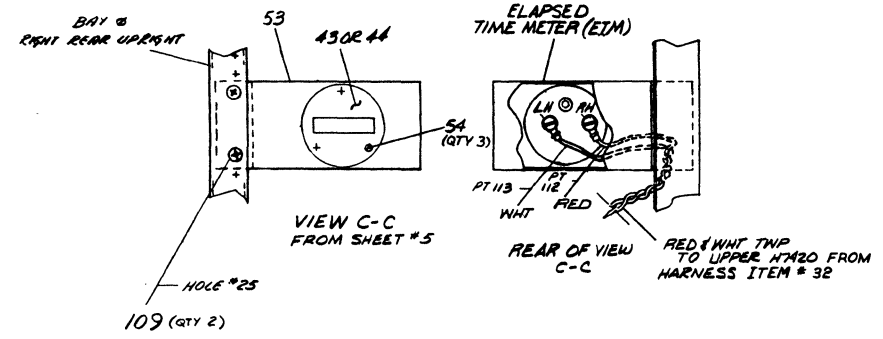
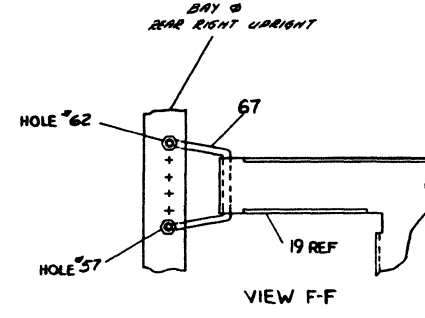
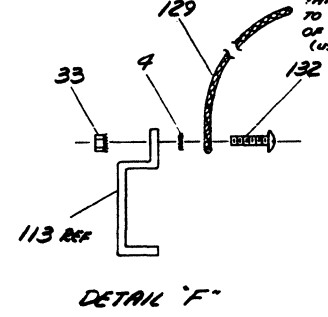
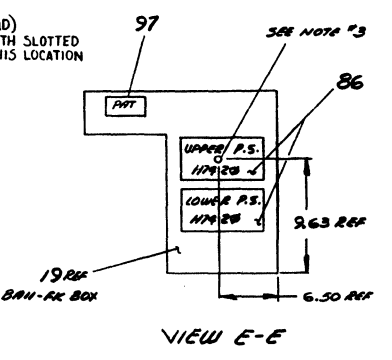
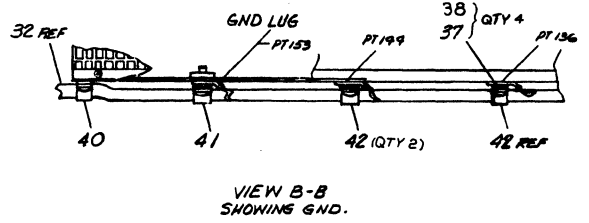
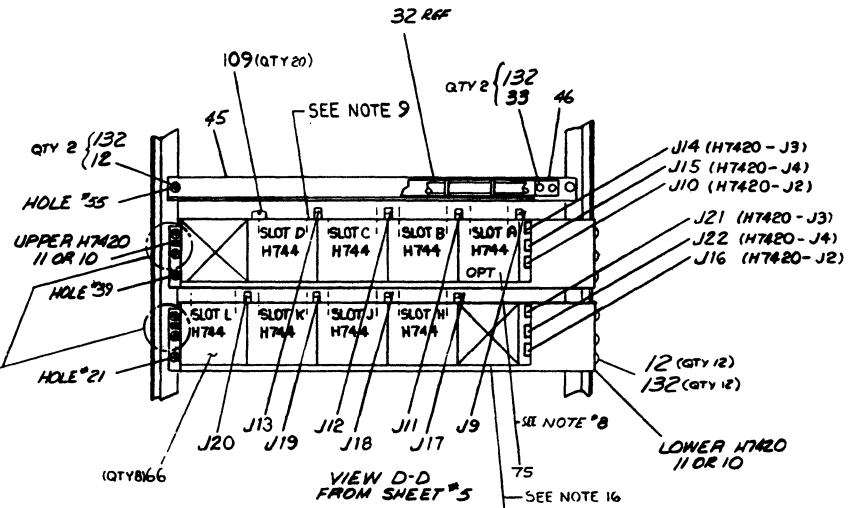
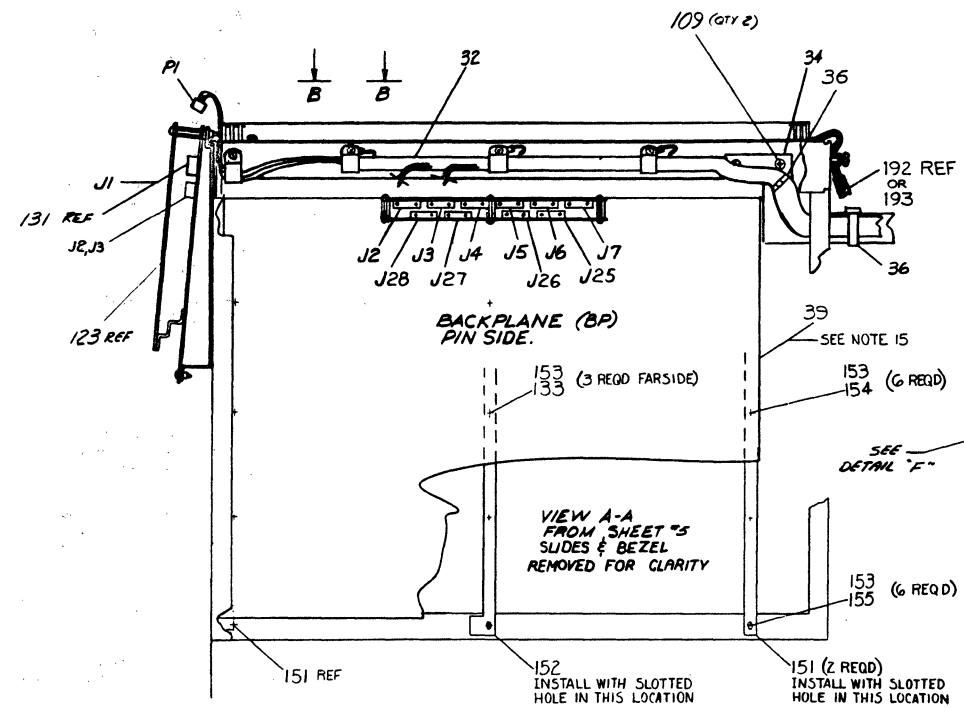
FOR PARTS LIST SEE A-R-1170-0-0

REV	CHG	NO	REV

TITLE	UNIT ASSY 11/70	NUMBER	E UA 11/70-C-0	REV	U
SCALE		SHEET	5 OF 11	DIST.	

671

THIS DRAWING AND INFORMATION HEREON ARE THE PROPERTY OF SCAVA COMPANY. REPRODUCTION AND DISSEMINATION OF THIS DRAWING OR INFORMATION HEREON IN ANY FORM OR BY ANY MEANS, ELECTRONIC OR MECHANICAL, INCLUDING PHOTOCOPYING, RECORDING, OR BY ANY INFORMATION STORAGE AND RETRIEVAL SYSTEM, IS PROHIBITED WITHOUT THE WRITTEN PERMISSION OF SCAVA COMPANY. COPYRIGHT © 1975, SCAVA COMPANY.



**CAUTION**  
THIS SHEET IS FOR THE 11/70 IN THE 3500 SERIES ONLY

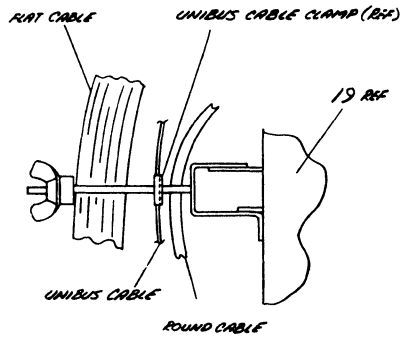
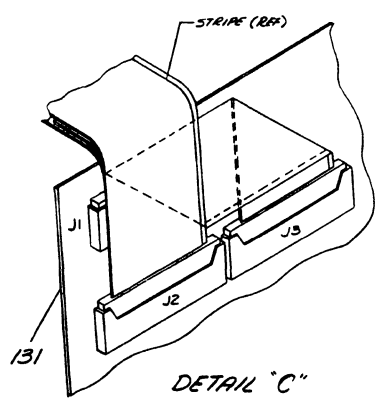
FOR PARTS LIST SEE A-A-11/70-0-0

REV	CHG	NO	DATE	BY	CHKD	APP'D	TITLE	SCALE	SHEET	OF	TOTAL	SIZE	CODE	NUMBER	REV
							UNIT ASSY 11/70		6	11	11	E	UA	11/70-0-0	U

672



ALL DIMENSIONS AND SPECIFICATIONS HEREIN ARE THE PROPERTY OF THE ORIGINAL EQUIPMENT MANUFACTURER AND SHALL NOT BE REPRODUCED OR COPIED OR USED IN WHOLE OR IN PART WITHOUT WRITTEN PERMISSION OF THE ORIGINAL EQUIPMENT MANUFACTURER. COPYRIGHT © 1976

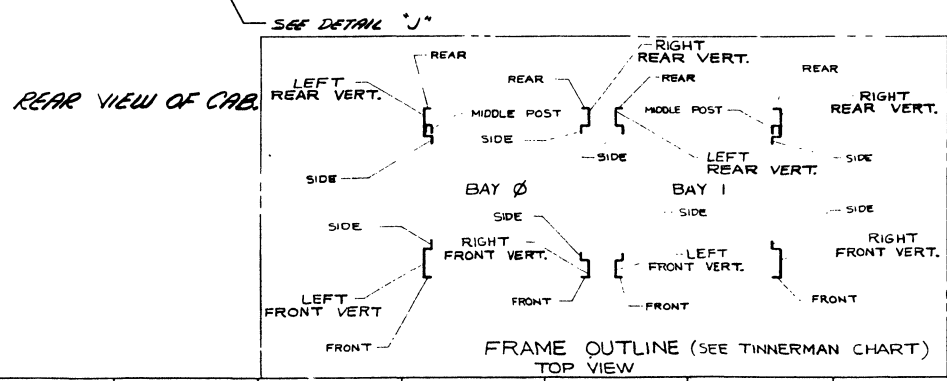
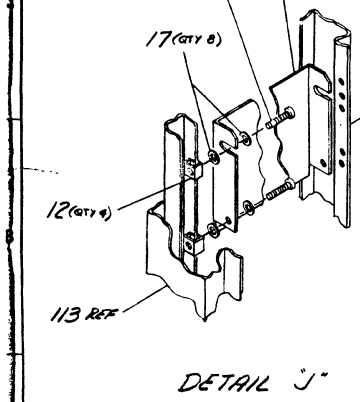
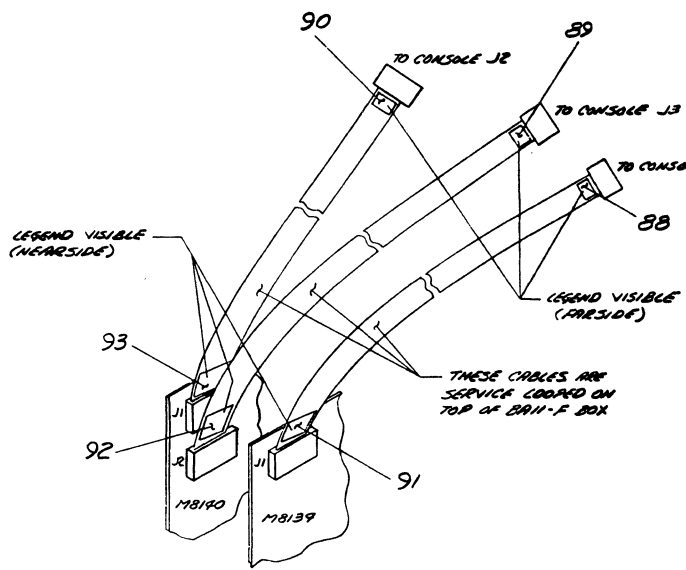
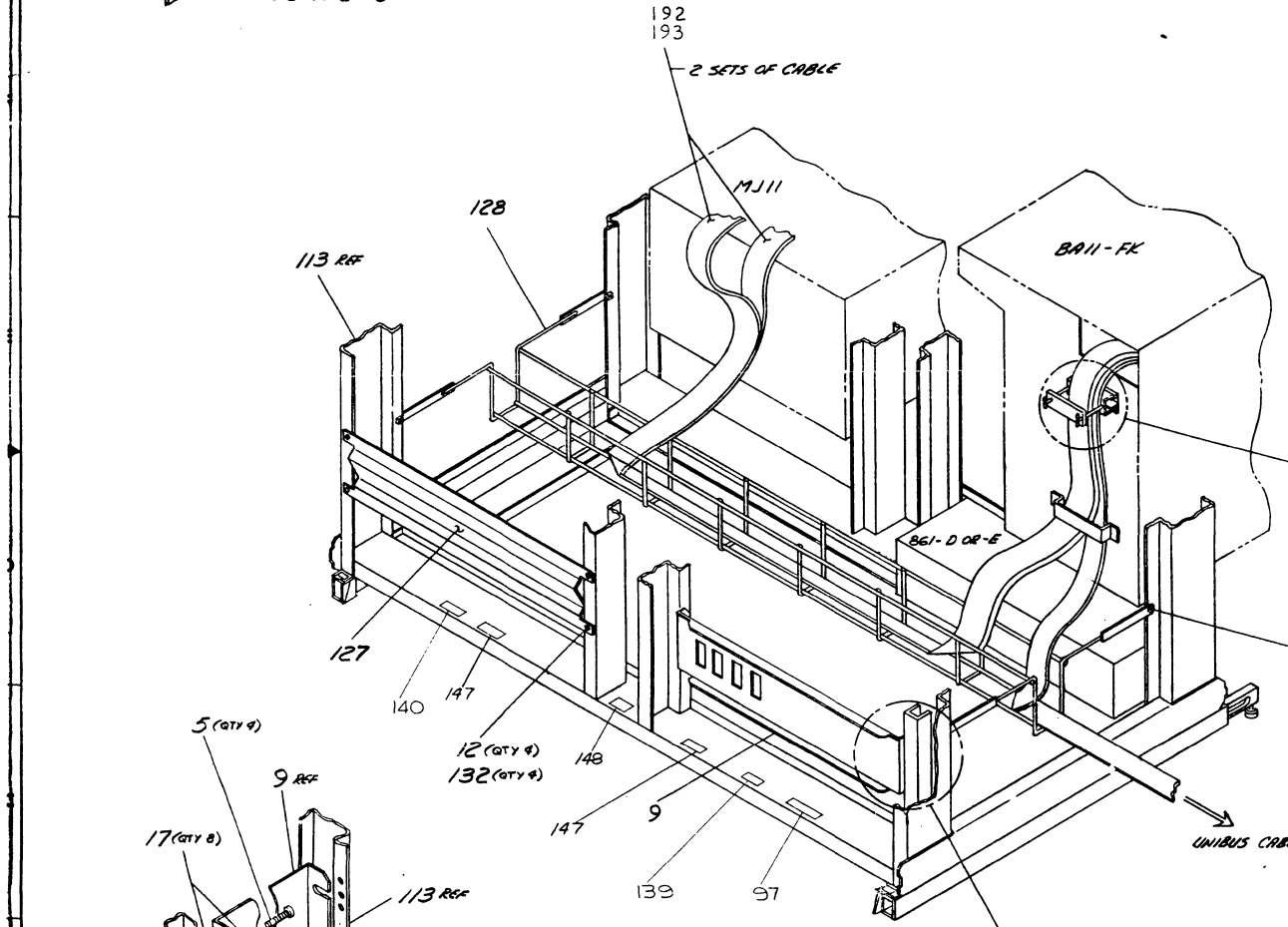


**LOCATION OF TINNEMAN NUTS (ITEM #12)** SEE FRAME OUTLINE AT BOTTOM OF PAGE

LOCATE ALL NUTS BY COUNTING HOLES UP FROM BOTTOM OF CABINET FRAME

VERTICALS ARE DESIGNATED RIGHT & LEFT FROM THE POSITION OF STANDING FACING FRONT OF CAB.

	BAY 0			BAY 1		
	LEFT	RIGHT	MTG. HOLES FOR	LEFT	RIGHT	MTG. HOLES FOR
FRONT	3	3, 7	17M9 6 OR 7	26, 27, 28, 29	26, 27, 28, 29	17M9 30 OR 31
		21, 24, 30, 33	17M9 10 OR 11	53, 54, 55, 56	53, 54, 55, 56	17M9 30 OR 31
		39, 42, 49, 52	17M9 10 OR 11	80, 81, 82, 83	80, 81, 82, 83	17M9 30 OR 31
		59, 60, 61, 62	17M9 13	30, 62	30, 62	17M9 121
SIDE		74, 89	17M9 121	74, 89	74, 89	17M9 121
	17		17M9 128		17	17M9 128
		55	17M9 95	42 & 44		17M9 128
REAR		63, 69	17M9 128	67, 69		17M9 128
				5, 12	5, 12	17M9 127
				26, 27, 28, 29	26, 27, 28, 29	17M9 30 OR 31
SIDE				53, 54, 55, 56	53, 54, 55, 56	17M9 30 OR 31
				80, 81, 82, 83	80, 81, 82, 83	17M9 30 OR 31
		2, 15	17M9 9		17	17M9 128
		17	17M9 128			
MIDDLE POST (SIDE)						
	21, 24, 27	17M9 10 OR 11				
	39, 42, 45	17M9 10 OR 11				
	55	17M9 95				
	59, 60, 61, 62	17M9 13				
	59, 60, 61, 62	17M9 13				
	7, 15	17M9 9				



**CAUTION**  
THIS SHEET IS FOR THE 1170 IN THE H3500 SERIES CAB ONLY

FOR PARTS LIST SEE APL-1170-0-0

REV.	CHANGE NO.	REV.

TITLE	UNIT ASSY 11/70	SIZE CODE	NUMBER	REV.
SCALE	SHEET 17 OF 11	DIST.	EUA 11/70-0-0	3

THIS DRAWING AND SPECIFICATIONS HEREBY ARE THE PROPERTY OF BELL TELEPHONE CORPORATION AND SHALL BE KEPT IN CONFIDENCE TO THE EXTENT POSSIBLE. IT IS TO BE USED ONLY FOR THE MANUFACTURE OR REPAIR OF THE EQUIPMENT SPECIFICALLY IDENTIFIED THEREON BY TITLE AND PART NUMBER. ANY OTHER USE IS STRICTLY PROHIBITED.

**CABLE LEGEND (SEE NOTE 5)**

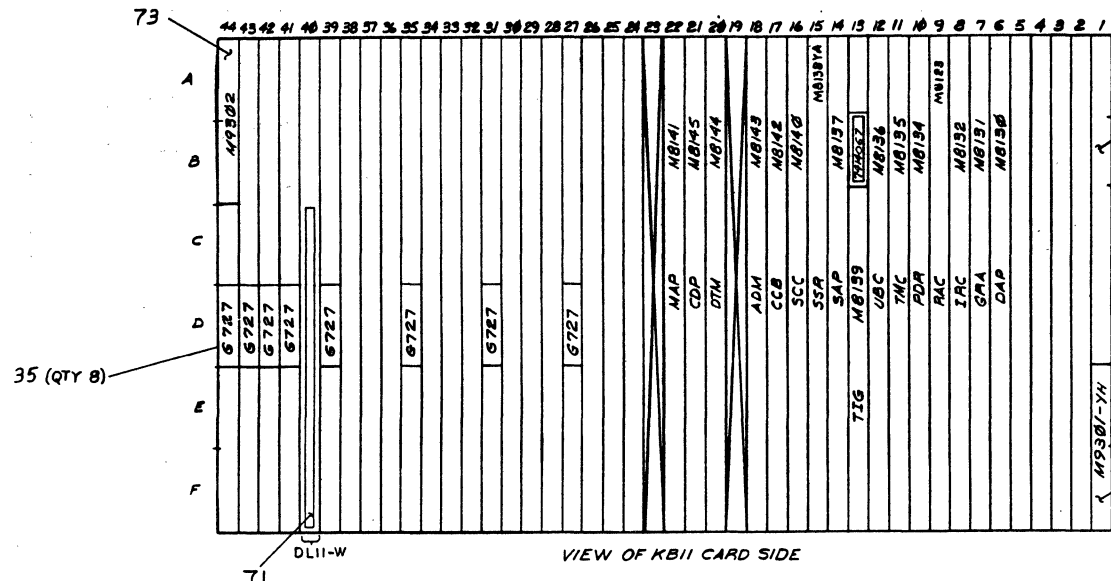
CABLE NO.	UNIT	FROM				TO				REMARKS
		SLOT	MODULE	CONN	BR	UNIT	SLOT	MODULE	CONN	
192	KBII	A-F, 18	MB143	J1	0	MJII	A-F, 13	MB147	J1	1
	KBII	A-F, 18	MB143	J2	0	MJII	A-F, 13	MB147	J3	1
	KBII	A-F, 21	MB145	J2	0	MJII	A-F, 18	MB149	J3	1
193	KBII	A-F, 21	MB145	J1	0	MJII	A-F, 18	MB149	J1	1
	KBII	A-F, 18	MB143	J1	0	CONSOLE	-	-	J1	0
	KBII	A-F, 18	MB143	J2	0	CONSOLE	-	-	J3	0
69	KBII	A-F, 18	MB143	J1	0	CONSOLE	-	-	J2	0

**POWER CORD HOOKUP**

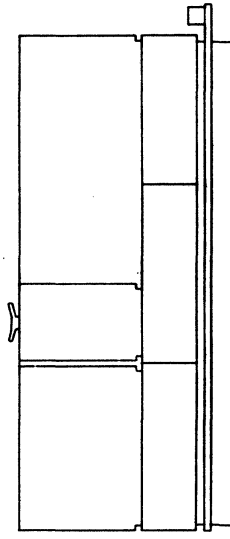
FROM	TO
UPPER N7420 BR 0	B61-DE PHASE 1 (SWITCHED)
LOWER N7420 BR 0	B61-DE PHASE 2 (SWITCHED)
MJII-A BR 1	B61-DE PHASE 3 (SWITCHED)

**HARNESS TABLE**

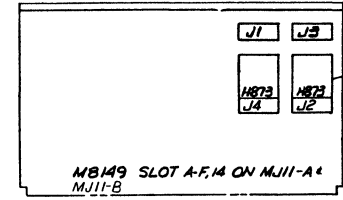
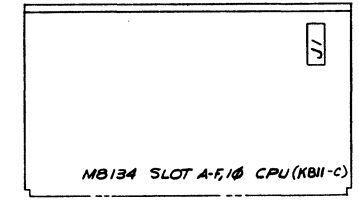
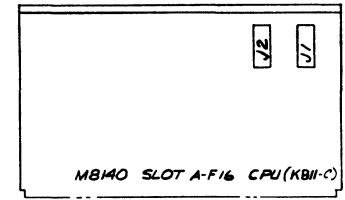
ITEM NO	FROM HARNESS	TO CONN
P 1	J4 (CONS)	
P 2	J 2 (BP)	
P 3	J 3 (BP)	
P 4	J 4 (BP)	
P 5	J 5 (BP)	
P 6	J 6 (BP)	
P 7	J 7 (BP)	
P 28	J28 (BP)	
P 27	J27 (BP)	
P 26	J26 (BP)	
P 25	J25 (BP)	
P 8	J8 (BAH-F)	
P 15	J15 (N7420)	
P 10	J10 (N7420)	
P 14	J14 (N7420)	
P 9	J9 (N7420)	
P 11	J11 (N7420)	
P 12	J12 (N7420)	
P 13	J13 (N7420)	
P 22	J22 (N7420)	
P 16	J16 (N7420)	
P 21	J21 (N7420)	
P 18	J18 (N7420)	
P 19	J19 (N7420)	
P 20	J20 (N7420)	
P 17	J17 (N7420)	
P 23	J23 (B61)	
P 24	J24 (B61)	
PT112	E-T-M (RH)	
PT113	E-T-M (LH)	
PT144	GND CARRIERS	
PT136	GND CARRIERS	
PT153	GND CARRIERS	
51	P1 BR 0 J28 (BP)	
126	J1 (CONS) J2 (BP)	
	J3 (BP) J4 (BP)	
	J5 (BP) J6 (BP)	
	J7 (BP) J8 (BAH-F)	
	J9 (N7420) J10 (N7420)	
	J11 (N7420) J12 (N7420)	
	J13 (N7420) J14 (N7420)	
	J15 (N7420) J16 (N7420)	
	J17 (N7420) J18 (N7420)	
	J19 (N7420) J20 (N7420)	
	J21 (N7420) J22 (N7420)	
	J23 (B61) J24 (B61)	
	E-T-M (RH) E-T-M (LH)	
	GND CARRIERS GND CARRIERS	



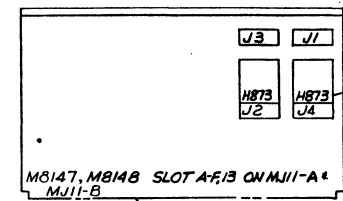
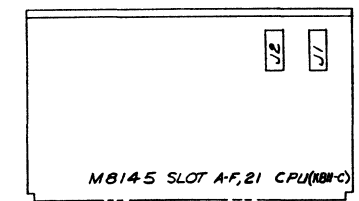
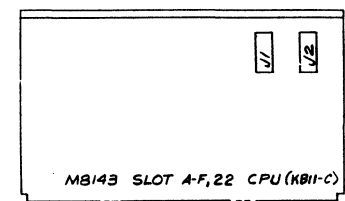
81 SEE NOTE #7



35 (QTY 8)



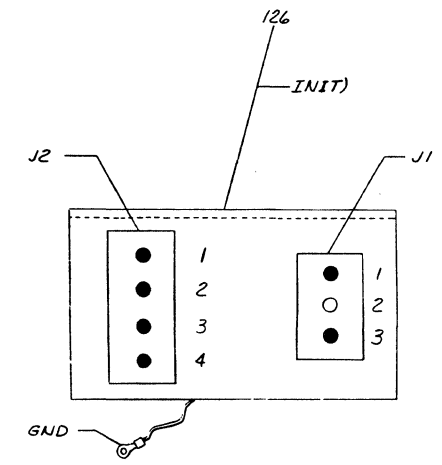
78 (QTY 4)  
65 (QTY 4)  
63 (QTY 2)



78 (QTY 4)  
65 (QTY 4)  
63 (QTY 2)

VIEW SHOWING MODULES CONN SIDE.

SEE NOTE 14



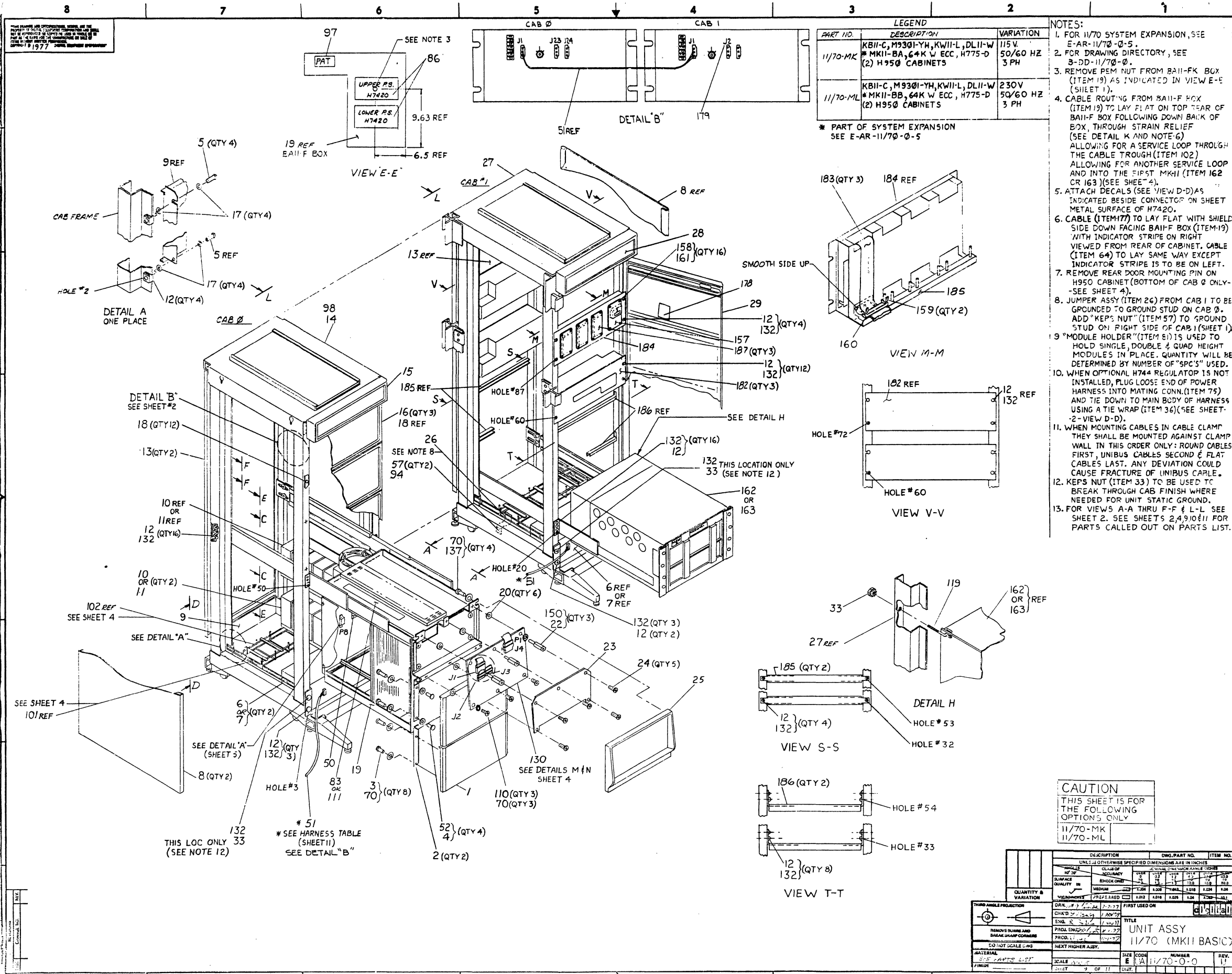
**CAUTION**  
THIS SHEET IS FOR THE 11/70 IN THE H3500 SERIES CAB ONLY

FOR PARTS LIST SEE A-F-1170-0-0

REV	CHG	NO	REV

TITLE	UNIT ASSY 11/70	SIZE CODE	EJA	NUMBER	11/70-0-0	REV	U
SCALE	---	SHEET	2	OF	11	DIST.	---

674



PART NO.	DESCRIPTION	VARIATION
11/70-MK	KBII-C, M9301-YH, KWII-L, DLII-W MKII-BA, 64K W ECC, H775-D (2) H950 CABINETS	115 V. 50/60 HZ 3 PH
11/70-ML	KBII-C, M9301-YH, KWII-L, DLII-W MKII-BB, 64K W ECC, H775-D (2) H950 CABINETS	230V 50/60 HZ 3 PH

\* PART OF SYSTEM EXPANSION  
SEE E-AR-11/70-0-5

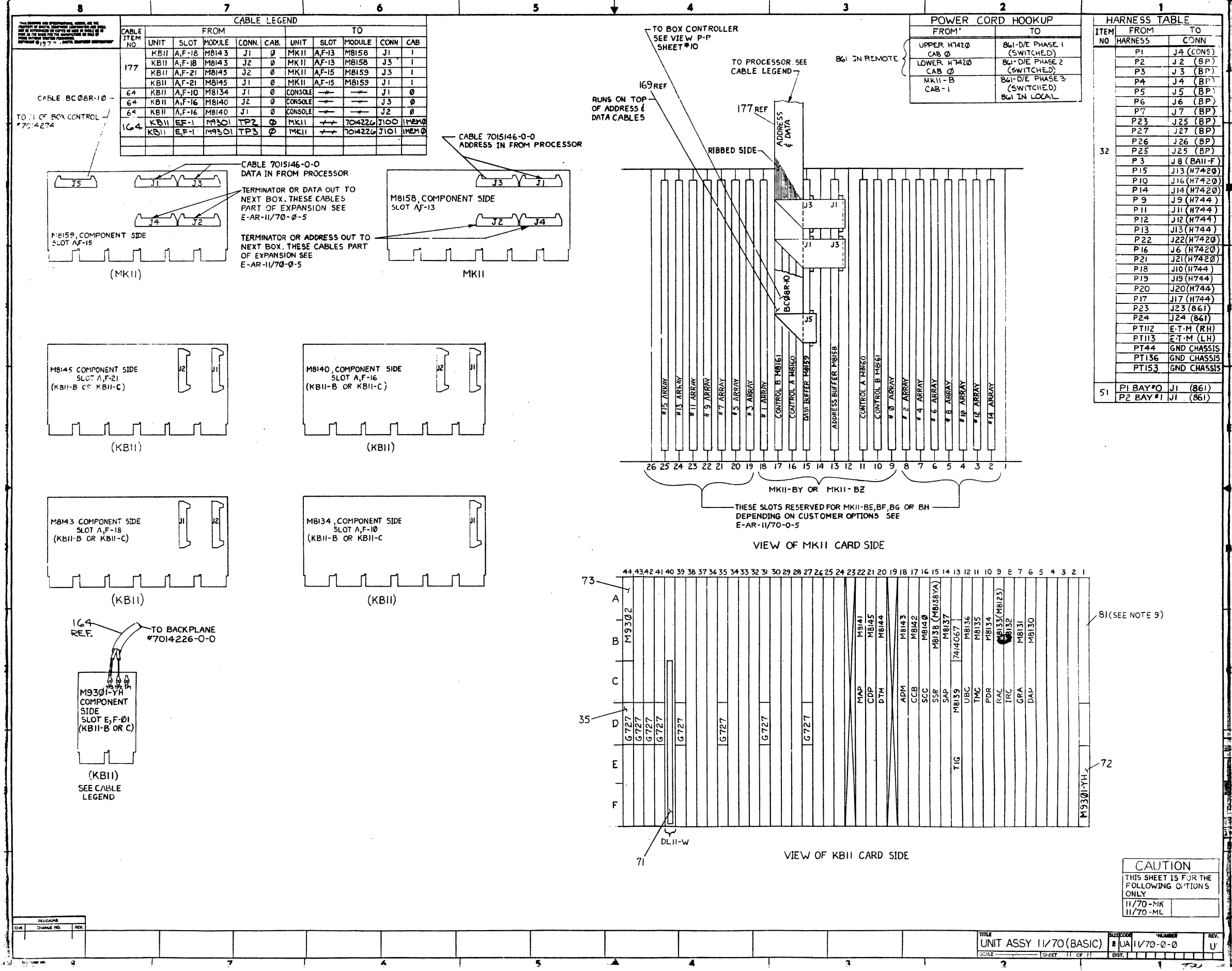
- NOTES:
- FOR 11/70 SYSTEM EXPANSION, SEE E-AR-11/70-0-5.
  - FOR DRAWING DIRECTORY, SEE 8-DD-11/70-0.
  - REMOVE PEM NUT FROM BAIL-FK BOX (ITEM 19) AS INDICATED IN VIEW E-E (SHEET 1).
  - CABLE ROUTING FROM BAIL-F BOX (ITEM 19) TO LAY FLAT ON TOP REAR OF BAIL-F BOX FOLLOWING DOWN BACK OF BOX, THROUGH STRAIN RELIEF (SEE DETAIL K AND NOTE 6) ALLOWING FOR A SERVICE LOOP THROUGH THE CABLE TROUGH (ITEM 102) ALLOWING FOR ANOTHER SERVICE LOOP AND INTO THE FIRST MKII (ITEM 162 OR 163) (SEE SHEET 4).
  - ATTACH DECALS (SEE VIEW D-D) AS INDICATED BESIDE CONNECTOR ON SHEET METAL SURFACE OF H7420.
  - CABLE (ITEM 177) TO LAY FLAT WITH SHIELD SIDE DOWN FACING BAIL-F BOX (ITEM 19) WITH INDICATOR STRIPE ON RIGHT VIEWED FROM REAR OF CABINET. CABLE (ITEM 64) TO LAY SAME WAY EXCEPT INDICATOR STRIPE IS TO BE ON LEFT.
  - REMOVE REAR DOOR MOUNTING PIN ON H950 CABINET (BOTTOM OF CAB 0 ONLY - SEE SHEET 4).
  - JUMPER ASSY (ITEM 26) FROM CAB 1 TO BE GROUNDED TO GROUND STUD ON CAB 0. ADD "KEPS NUT" (ITEM 57) TO GROUND STUD ON RIGHT SIDE OF CAB 1 (SHEET 1).
  - "MODULE HOLDER" (ITEM 81) IS USED TO HOLD SINGLE, DOUBLE & QUAD HEIGHT MODULES IN PLACE. QUANTITY WILL BE DETERMINED BY NUMBER OF "SPC'S" USED.
  - WHEN OPTIONAL H744 REGULATOR IS NOT INSTALLED, PLUG LOOSE END OF POWER HARNESS INTO MATING CONN. (ITEM 75) AND TIE DOWN TO MAIN BODY OF HARNESS USING A TIE WRAP (ITEM 36) (SEE SHEET-2-VIEW D-D).
  - WHEN MOUNTING CABLES IN CABLE CLAMP THEY SHALL BE MOUNTED AGAINST CLAMP WALL IN THIS ORDER ONLY: ROUND CABLES FIRST, UNIBUS CABLES SECOND & FLAT CABLES LAST. ANY DEVIATION COULD CAUSE FRACTURE OF UNIBUS CABLE.
  - KEPS NUT (ITEM 33) TO BE USED TO BREAK THROUGH CAB FINISH WHERE NEEDED FOR UNIT STATIC GROUND.
  - FOR VIEWS A-A THRU F-F & L-L SEE SHEET 2. SEE SHEETS 2, 4, 9, 10, 11 FOR PARTS CALLED OUT ON PARTS LIST.

**CAUTION**  
THIS SHEET IS FOR THE FOLLOWING OPTIONS ONLY  
11/70-MK  
11/70-ML

DESCRIPTION	QTY	OWG. PART NO.	ITEM NO.
UNLESS OTHERWISE SPECIFIED DIMENSIONS ARE IN INCHES			
TOLERANCES UNLESS OTHERWISE SPECIFIED			
FINISH			
QUANTITY & VARIATION			
THIRD ANGLE PROJECTION			
DRG. NO. 11/70-0-5	REV. 1	DATE 7-7-77	FIRST USED ON 11/70-0-5
CHKD. BY 11/70-0-5	REV. 1	DATE 7-7-77	FIRST USED ON 11/70-0-5
ENGR. BY 11/70-0-5	REV. 1	DATE 7-7-77	FIRST USED ON 11/70-0-5
PROJ. ENG. BY 11/70-0-5	REV. 1	DATE 7-7-77	FIRST USED ON 11/70-0-5
COPIED SCALE DIM			
NEXT HIGHER ASSY.			
MATERIAL			
SCALE			
FINISH			
TITLE		SCALE CODE	NUMBER
UNIT ASSY		E 11/70-0-5	11
11/70 (MKII BASIC)			
SHEET 9 OF 11			

675



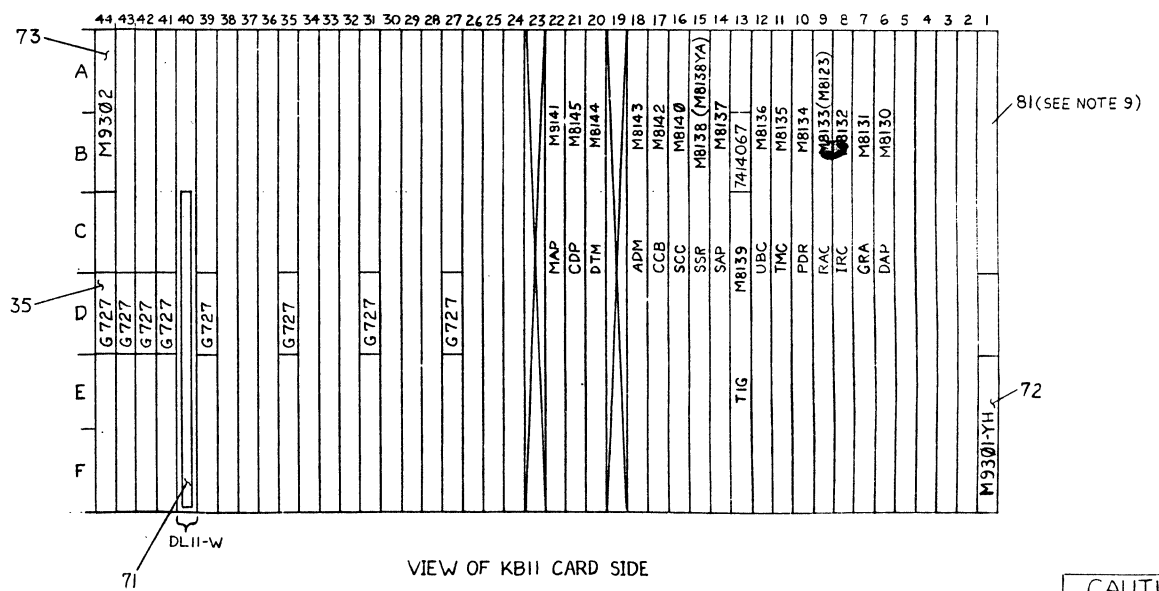
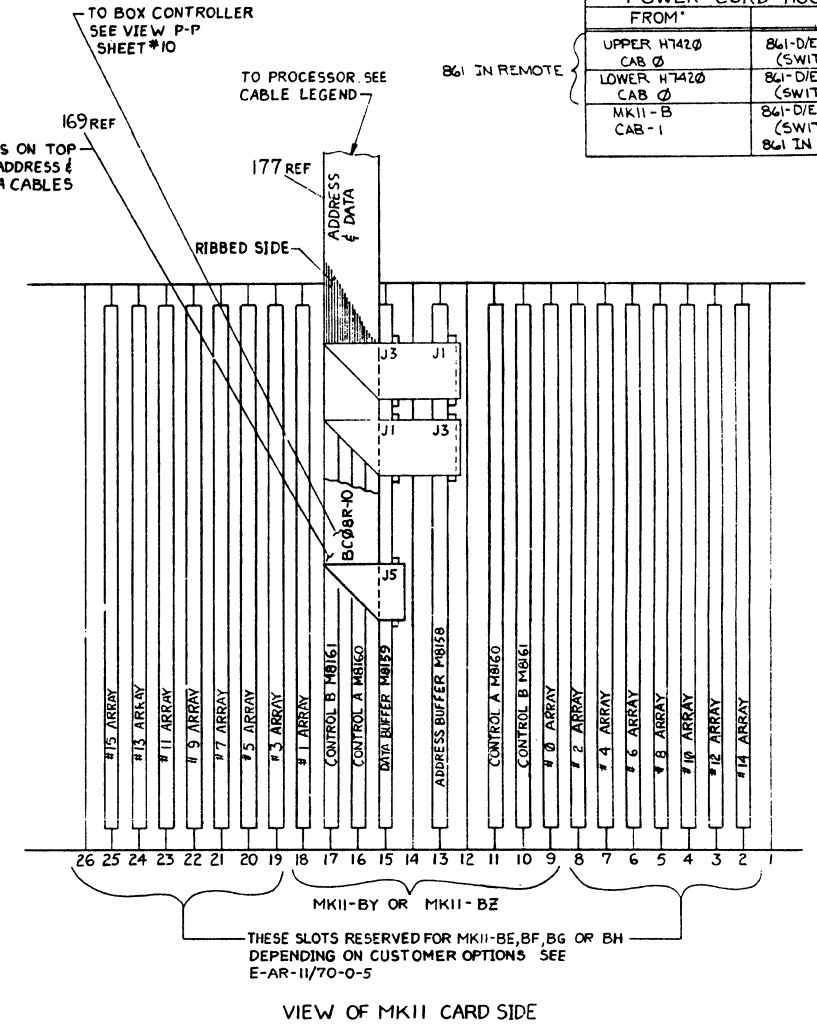
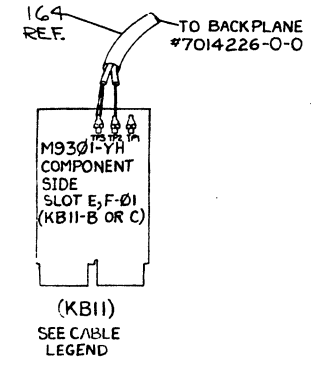
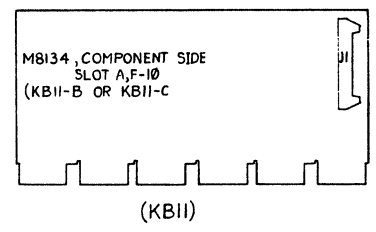
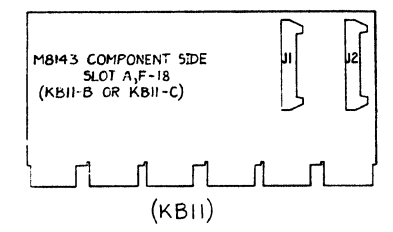
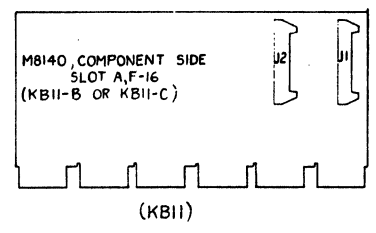
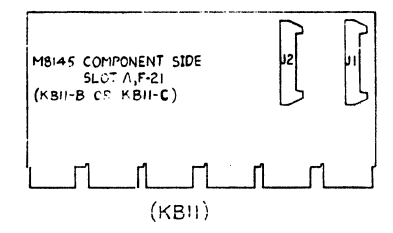
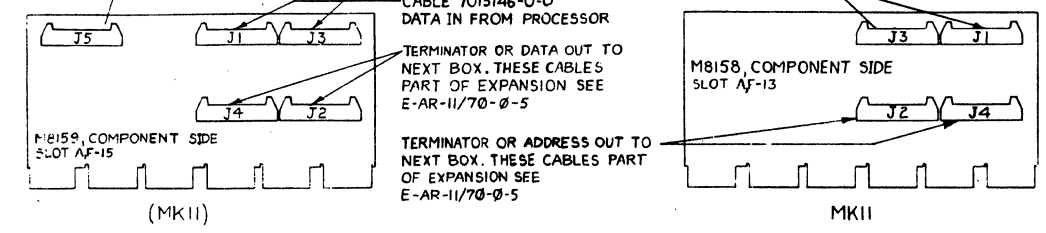


THIS SHEET IS FOR INFORMATION ONLY. IT IS NOT TO BE USED AS A BASIS FOR THE DESIGN OR CONSTRUCTION OF ANY EQUIPMENT. THE USER SHALL BE RESPONSIBLE FOR THE PROPER DESIGN AND CONSTRUCTION OF ANY EQUIPMENT WHICH IS DESIGNED OR CONSTRUCTED IN ACCORDANCE WITH THIS SHEET. THE USER SHALL BE RESPONSIBLE FOR THE PROPER DESIGN AND CONSTRUCTION OF ANY EQUIPMENT WHICH IS DESIGNED OR CONSTRUCTED IN ACCORDANCE WITH THIS SHEET.

CABLE ITEM NO.	FROM				TO			
	UNIT	SLOT	MODULE	CONN.	UNIT	SLOT	MODULE	CONN.
177	KB11	A,F-18	M8143	J1	MK11	AF-13	M8158	J1
	KB11	A,F-18	M8143	J2	MK11	AF-13	M8158	J3
	KB11	A,F-21	M8145	J2	MK11	AF-15	M8159	J3
	KB11	A,F-21	M8145	J1	MK11	AF-15	M8159	J1
64	KB11	A,F-10	M8134	J1	CONSOLE		J1	0
64	KB11	A,F-16	M8140	J2	CONSOLE		J3	0
64	KB11	A,F-16	M8140	J1	CONSOLE		J2	0
164	KB11	E,F-1	M9301	TP2	MK11	704226	J100	MEM0
	KB11	E,F-1	M9301	TP3	MK11	704226	J101	MEM0

POWER CORD HOOKUP	
FROM	TO
UPPER H7420 CAB 0	841-DIE PHASE 1 (SWITCHED)
LOWER H7420 CAB 0	841-DIE PHASE 2 (SWITCHED)
MK11-B CAB-1	841-DIE PHASE 3 (SWITCHED)
	841 IN LOCAL
	841 IN REMOTE

ITEM NO.	HARNESS TABLE	
	FROM	TO
	P1	J4 (CONS)
	P2	J2 (BP)
	P3	J3 (BP)
	P4	J4 (BP)
	P5	J5 (BP)
	P6	J6 (BP)
	P7	J7 (BP)
	P23	J25 (BP)
	P27	J27 (BP)
	P26	J26 (BP)
	P25	J25 (BP)
32	P3	J8 (BA11-F)
	P15	J13 (H7420)
	P10	J16 (H7420)
	P14	J14 (H7420)
	P9	J9 (H744)
	P11	J11 (H744)
	P12	J12 (H744)
	P13	J13 (H744)
	P22	J22 (H7420)
	P16	J6 (H7420)
	P21	J21 (H7420)
	P18	J10 (H744)
	P19	J19 (H744)
	P20	J20 (H744)
	P17	J17 (H744)
	P23	J23 (861)
	P24	J24 (861)
	PT112	E-T-M (RH)
	PT113	E-T-M (LH)
	PT44	GND CHASSIS
	PT156	GND CHASSIS
	PT153	GND CHASSIS
51	P1 BAY #0	J1 (861)
	P2 BAY #1	J1 (861)



**CAUTION**  
THIS SHEET IS FOR THE FOLLOWING OPTIONS ONLY  
11/70-MK  
11/70-ML

677

THIS DRAWING AND SPECIFICATIONS, HEREIN ARE THE PROPERTY OF DIGITAL EQUIPMENT CORPORATION AND SHALL NOT BE REPRODUCED OR COPIED OR USED IN WHOLE OR IN PART AS THE BASIS FOR THE MANUFACTURE OR SALE OF ITEMS WITHOUT WRITTEN PERMISSION. COPYRIGHT © 1978, DIGITAL EQUIPMENT CORPORATION

ITEM NO.	DWG NO./PART NO.	DESCRIPTION	11/70															
			CA	CB	MA	MB	ME	MF	MC	MD	ML	MJ	MK	ML	MM	MN		
1	E-IA-7010297-0-0	PANEL ASSY	2	2	2	2	-	-	2	2	-	-	2	2	-	-		
2	D-IA-7412671-0-0	BRACKET, PANEL SUPPORT	2	2	2	2	-	-	2	2	-	-	2	2	-	-		
3	9006022-1	SCR PHIL HD PAN #6 - 32 x .38	13	13	13	13	8	8	13	13	8	8	13	13	8	8		
4	9007651	WASHER EXT. TOOTH LOCK #10	20	20	20	20	4	4	11	11	4	4	11	11	4	4		
5	9006073-3	SCR PHIL HD TRUSS #10 - 32 x .50	20	20	20	20	4	4	7	7	4	4	7	7	4	4		
6	D-UA-861-D-β	POWER CONT 861-D 115V	2	-	2	-	1	-	2	-	1	-	2	-	1	-		
7	D-UA-861-E-β	POWER CONT 861-E 230V	-	2	-	2	-	1	-	2	-	1	-	2	-	1		
8	D-UA-H952-AC-β	END PANEL H952-AC	2	2	2	2	-	-	2	2	-	-	2	2	-	-		
9	D-AD-7010574-0-0	CONNECTOR PANEL ASSY	1	1	1	1	1	1	1	1	1	1	1	1	1	1		
10	D-UA-H742β-A-β	H742β-A POWER SUPPLY 120V	2	-	2	-	2	-	2	-	2	-	2	-	2	-		
11	D-UA-H742β-B-β	H742β-B POWER SUPPLY 240V	-	2	-	2	-	2	-	2	-	2	-	2	-	2		
12	9007786	NUT, SPRING #10	64	64	64	64	113	113	64	64	113	113	92	113	113			
13	D-AD-7010532-0-0	FULL DOOR UNIT ASSY	2	2	2	2	-	-	2	2	-	-	2	2	-	-		
14	C-PL-7006501-36-0	BASIC CAB ASSY 19"	1	-	1	-	-	-	1	-	-	-	1	-	-	-		
15	D-IA-7010780-0-0	PANEL LOGO 11/70	1	1	1	1	-	-	1	1	-	-	1	1	-	-		
16	U-UA-H95β-QB-β	COVER PANEL 10 1/2 H95β-QB	3	3	3	3	-	-	3	3	-	-	3	3	-	-		
17	9006714	WASHER, NYLON .25 I.D. x .06 THK	8	8	8	8	8	8	8	8	8	8	8	8	8	8		
18	C-PS-1211386-0-0	THICK LATCH MOLDING	12	12	12	12	-	-	12	12	-	-	12	12	-	-		
19	E-UA-BALL-FK-β	UNIT ASSY BALL-FK	1	1	1	1	1	1	1	1	1	1	1	1	1	1		
20	9008848	WASHER FIBER (ADHESIVE BACK)	6	6	6	6	6	6	6	6	6	6	6	6	6	6		
21	<del>D-IA-701033-0-0</del>	<del>CLAMP UNIBUS CABLE ASSY</del>	<del>1</del>	<del>1</del>	<del>1</del>	<del>1</del>	<del>1</del>	<del>1</del>	<del>1</del>	<del>1</del>	<del>1</del>	<del>1</del>	<del>1</del>	<del>1</del>	<del>1</del>	<del>1</del>		
22	1212316	SPACER HEX #6 - 32 MALE x .38	3	3	3	3	3	3	3	3	3	3	3	3	3	3		
23	D-IA-7413126-0-0	PANEL INDICATOR	1	1	1	1	-	-	1	1	-	-	1	1	-	-		
24	9006404-2	SCR PHIL FLAT HD #6 - 32 x .38	5	5	5	5	5	5	5	5	5	5	5	5	5	5		
25	E-PS-1210710-0-0	BEZEL	1	1	1	1	1	1	1	1	1	1	1	1	1	1		
26	9008887	JUMPER ASSY	1	1	1	1	-	-	1	1	-	-	1	1	-	-		
27	C-PL-7006501-35-0	BASIC CAB ASSY 19"	1	1	1	1	-	-	1	1	-	-	1	1	-	-		
28	D-IA-7010780-1-0	PANEL LOGO (BLANK)	1	1	1	1	-	-	1	1	-	-	1	1	-	-		
29	D-AD-7010791-0-0	FRONT DOOR ASSY	1	1	1	1	-	-	1	1	-	-	1	1	-	-		
30	E-UA-MJ11-AY-β	UNIT ASSY MJ11	1	-	1	-	1	-	-	-	-	-	-	-	-	-		
31	E-UA-MJ11-AZ-β	UNIT ASSY MJ11	-	1	-	1	-	1	-	-	-	-	-	-	-	-		
32	J-IA-7011051-0-0	HARNESS POWER, 11/70	1	1	1	1	1	1	1	1	1	1	1	1	1	1		
33	9006565	NUT KEPS #10 - 32	6	6	6	6	10	10	14	14	10	10	14	14	10	10		
34	D-IA-7409446-0-0	SUPPORT HARNESS	1	1	1	1	1	1	1	1	1	1	1	1	1	1		
35	A-PL-G727-β-β	GRANT CONTINUITY	8	8	8	8	8	8	8	8	8	8	8	8	8	8		
36	9007880	TIE WRAP	A/R	A/R	A/R	A/R	A/R	A/R	A/R	A/R	A/R	A/R	A/R	A/R	A/R	A/R		
37	9008072	WASHER EXT. TOOTH LOCK #8	4	4	4	4	-	-	4	4	-	-	4	4	-	-		
38	906037-1	SCR PH HD PAN 8 - 32 x .38	4	4	4	4	-	-	4	4	-	-	4	4	-	-		
39	A-PL-KB11-B-β	16 BIT PROCESSOR	1	1	-	-	-	-	-	-	-	-	-	-	-	-		
40	9007083	CLAMP CABLE 3/8"	1	1	1	1	1	1	-	-	-	-	-	1	1	-		
41	9007087	CLAMP CABLE 5/8"	1	1	1	1	1	1	1	1	1	1	1	1	1	1		
42	9007090	CLAMP CABLE 7/8"	2	2	2	2	2	2	-	-	2	2	-	2	2	-		
43	1201208	METER ELAPSED TIME 120V / 60 HZ	1	-	1	-	1	-	1	-	1	-	1	-	1	-		

REVISIONS

REV.	U
CHANGE NO.	11/70-00020
CHK	REVISED & REDRAWN
	11/26/78
	R. CAMELLO
	12/1/78

DRN.	G. MARINI	1/16/75	FIRST USED ON	digital
CHK'D	D. HEALY	2/19/75	TITLE	
ENG.T.	NORTHROP	3/26/75	UNIT ASSY 11/70	
PROJ. ENG.	NORTHROP	3/26/75		
PROD.	DON WEAVER	3/24/75		
NEXT HIGHER ASSY.				
E-UA-11/70-0-0	SIZE	CODE	NUMBER	REV.
SCALE	C	PL	11/70-0-0	U
SHEET	1	OF	5	DIST.

678









THIS DRAWING AND SPECIFICATIONS, HEREIN ARE THE PROPERTY OF DIGITAL EQUIPMENT CORPORATION AND SHALL NOT BE REPRODUCED OR COPIED OR USED IN WHOLE OR IN PART AS THE BASIS FOR THE MANUFACTURE OR SALE OF ITEMS WITHOUT WRITTEN PERMISSION. COPYRIGHT © 1978, DIGITAL EQUIPMENT CORPORATION

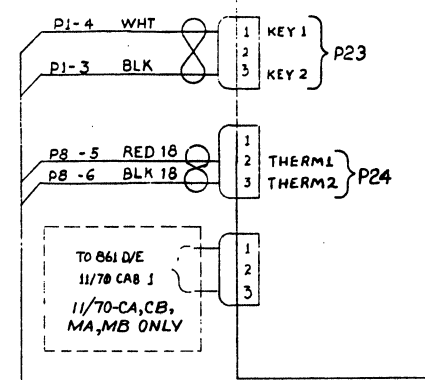
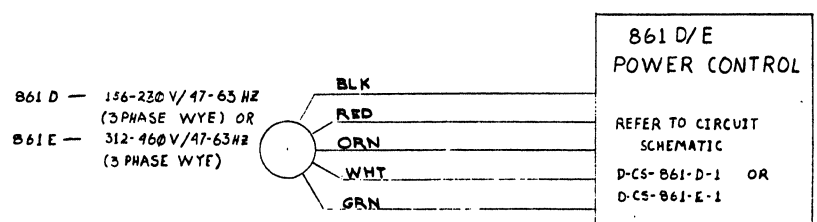
ITEM NO.	DWG NO./PART NO.	DESCRIPTION	REV. NO.															
			11/70-CA	11/70-CB	11/70-MA	11/70-MB	11/70-ME	11/70-MF	11/70-MC	11/70-MD	11/70-ME	11/70-MI	11/70-MK	11/70-ML	11/70-MM	11/70-MN		
172	1212462-00	GROUND STRAP	-	-	-	-	-	2	2	2	2	2	2					
173	9007081-00	CABLE CLAMP (1/4")	-	-	-	-	-	1	1	1	1	1	1					
174	9007085-00	CABLE CLAMP (1/2")	-	-	-	-	-	1	1	1	1	1	1					
175	9007930-00	TERMINAL RING TONGUE	-	-	-	-	-	-	-	-	-	-	1					
176	9006634-00	WASHER, INT. TOOTH LOCK #8	1	1	1	1	1	1	1	1	1	1	1	1	1			
177	D-AD-7015146-0-0	CABLE ASSY (MK11 TO PROC) SET A	-	-	-	-	-	-	-	-	-	-	1	1				
178	A-DC-3615002-0-0	DECAL, PANEL OPERATION	-	-	-	-	-	-	-	-	-	-	1	1				
179	A-DC-7409873-1-0	DECAL, POWER CONN.	-	-	-	-	-	-	-	-	-	-	1	1				
180	9007035-00	GROMMET, CATERPILLAR	-	-	-	-	-	-	-	-	-	-	A/R	A/R				
181	9008880-00	TAPE, FIBERGLASS .50W	-	-	-	-	-	-	-	-	-	-	A/R	A/R				
182	E-UA-H775-D-Ø	BATTERY BACKUP	-	-	-	-	-	-	-	-	-	-	3	3				
183	D-IA-7014520-0-0	BATTERY CABLE, 8.0 FT	-	-	-	-	-	-	-	-	-	-	3	3				
184	E-IA-7014350-0-0	MTG PANEL CONTROL, WELD.	-	-	-	-	-	-	-	-	-	-	1	1				
185	C-MD-7419176-0-0	BAR, STRAIN RELIEF (REAR)	-	-	-	-	-	-	-	-	-	-	2	2				
186	C-MD-7419249-0-0	BAR, STRAIN RELIEF (FRONT)	-	-	-	-	-	-	-	-	-	-	2	2				
187	C-PS-1214578-0-0	BLANK PANEL	-	-	-	-	-	-	-	-	-	-	3	3				
188	3614976-00	DECAL, MK11 BOX (0)	-	-	-	-	-	-	-	-	-	-	1	1				
189	3614976-01	DECAL, MK11 BOX (1)	-	-	-	-	-	-	-	-	-	-	1	1				
190	3614976-02	DECAL, MK11 BOX (2)	-	-	-	-	-	-	-	-	-	-	1	1				
191	3614976-03	DECAL, MK11 BOX (3)	-	-	-	-	-	-	-	-	-	-	1	1				
192	7010823-01	CABLE ASSY	-	-	-	-	-	1	1	1	1	-	-	-				
193	7010823-00	CABLE ASSY	1	1	1	1	1	-	-	-	-	-	-	-				
194	E-AR-11/70-0-5	11/70 SYSTEM EXPANSION (MK11)	-	-	-	-	-	-	-	-	-	-	REF	REF				
195	E-AR-11/70-0-4	11/70 SYSTEM EXPANSION OPT LIST	REF	REF	REF	REF	REF	REF	REF	REF	REF	REF	REF	REF				
196	2901915	PLASTIC ENVELOPE	-	-	-	1	1	-	-	-	1	1	-	-				
197	EK-CASYS-IN-ØØ1	DATA SYSTEM INSTRUCTION MANUAL	-	-	-	1	1	-	-	-	1	1	-	-				
198	9007031	CABLE TIE	-	-	-	1	1	-	-	-	1	1	-	-				
199	H95Ø4-RB	COVER, FRONT, DOUBLE BAY	-	-	-	-	-	-	-	-	-	-	1	1				
200	D-IA-7013516-0-1	PANEL, INDICATOR	-	-	-	-	-	-	-	-	-	-	1	1				

REV.	
CHANGE NO.	
CHK	

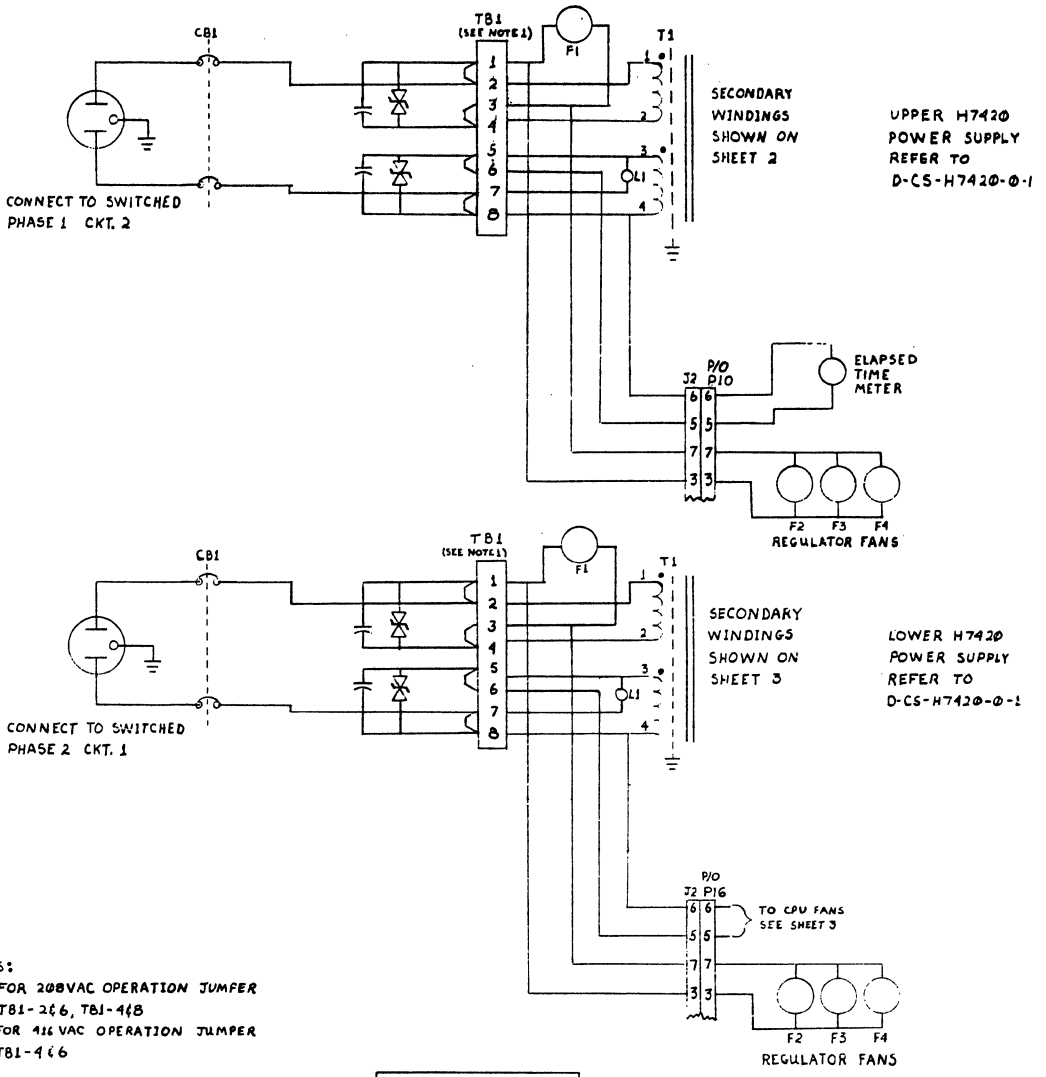
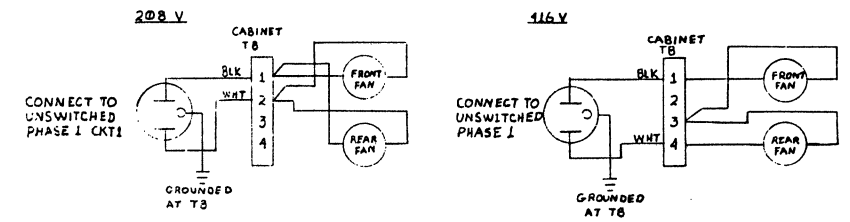
DRN. G. MARINI	1/16/75	FIRST USED ON	digital
CHK'D D. HEALY	2/19/75	TITLE	
ENG.T. NORTHRUP	3/26/75	UNIT ASSY 11/70	
PROJ. ENGR. NORTHRUP	3/26/75		
PROD. DON WEAVER	3/24/75		
NEXT HIGHER ASSY.			
E-UA-11/70-0-0		SIZE CODE	C PL
SCALE	1:1	NUMBER	11/70-0-0
SHEET 5 OF 5		DIST.	

682

THIS DRAWING AND SPECIFICATIONS HEREIN ARE THE PROPERTY OF DIGITAL EQUIPMENT CORPORATION AND SHALL NOT BE REPRODUCED OR COPIED OR IN WHOLE OR IN PART AS THE BASIS FOR THE MANUFACTURE OR SALE OF OTHER EQUIPMENT WITHOUT WRITTEN PERMISSION. COPYRIGHT © 1975, DIGITAL EQUIPMENT CORPORATION



CABINET FAN HOOK UP FOR:  
11/70-CA,CB,MA,MB ONLY



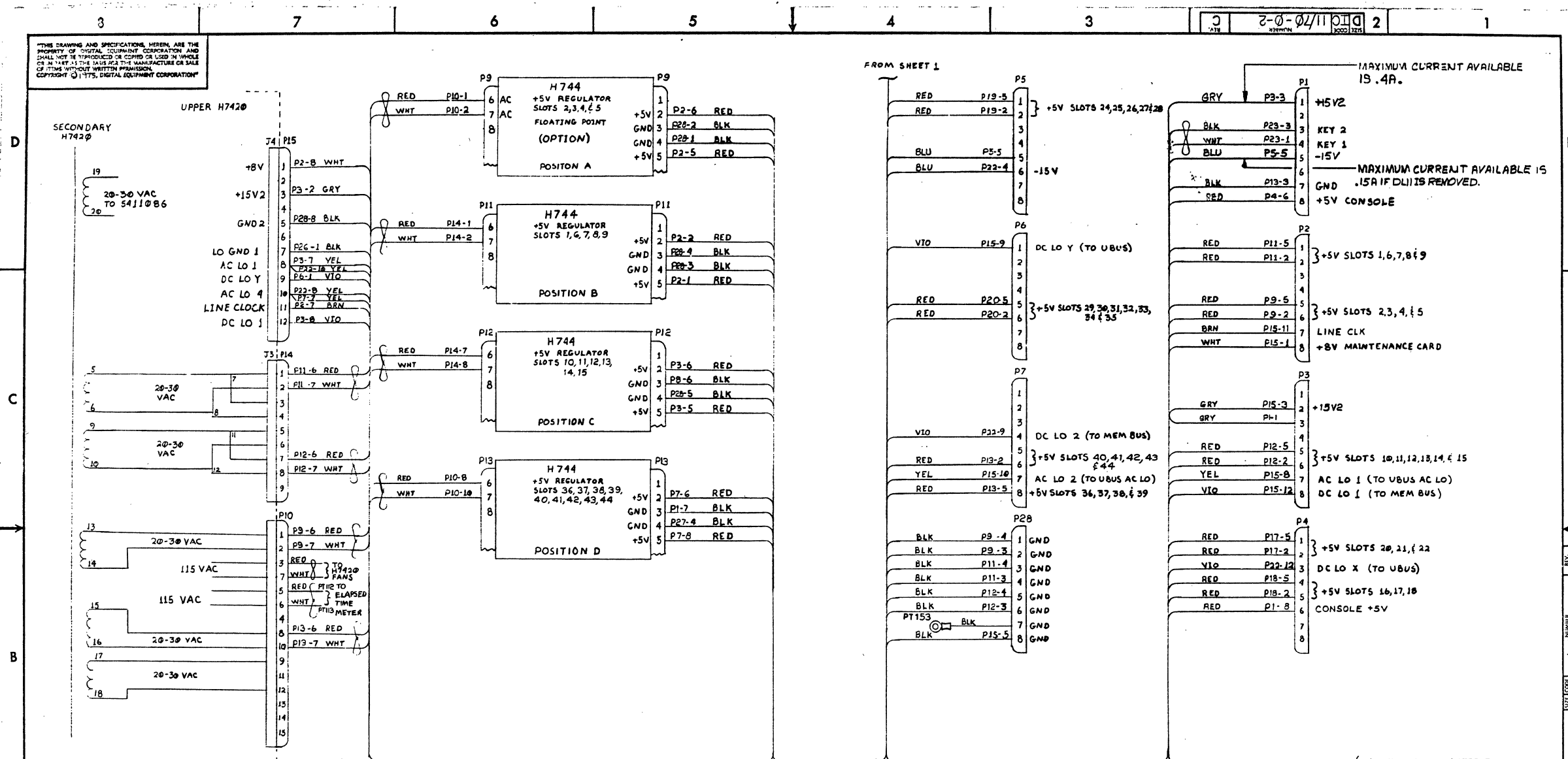
NOTES:  
1. FOR 208VAC OPERATION JUMPER TB1-446, TB1-448  
FOR 116 VAC OPERATION JUMPER TB1-446

THIS SHEET IS FOR ALL 11/70 VARIATIONS

REV.	DESCRIPTION	DATE
A	11/70-CA,CB,MA,MB ONLY	11/75
B	11/70-CA,CB,MA,MB ONLY	11/75
C	11/70-CA,CB,MA,MB ONLY	11/75
D	11/70-CA,CB,MA,MB ONLY	11/75
E	11/70-CA,CB,MA,MB ONLY	11/75
F	11/70-CA,CB,MA,MB ONLY	11/75
G	11/70-CA,CB,MA,MB ONLY	11/75
H	11/70-CA,CB,MA,MB ONLY	11/75
I	11/70-CA,CB,MA,MB ONLY	11/75
J	11/70-CA,CB,MA,MB ONLY	11/75
K	11/70-CA,CB,MA,MB ONLY	11/75
L	11/70-CA,CB,MA,MB ONLY	11/75
M	11/70-CA,CB,MA,MB ONLY	11/75
N	11/70-CA,CB,MA,MB ONLY	11/75
O	11/70-CA,CB,MA,MB ONLY	11/75
P	11/70-CA,CB,MA,MB ONLY	11/75
Q	11/70-CA,CB,MA,MB ONLY	11/75
R	11/70-CA,CB,MA,MB ONLY	11/75
S	11/70-CA,CB,MA,MB ONLY	11/75
T	11/70-CA,CB,MA,MB ONLY	11/75
U	11/70-CA,CB,MA,MB ONLY	11/75
V	11/70-CA,CB,MA,MB ONLY	11/75
W	11/70-CA,CB,MA,MB ONLY	11/75
X	11/70-CA,CB,MA,MB ONLY	11/75
Y	11/70-CA,CB,MA,MB ONLY	11/75
Z	11/70-CA,CB,MA,MB ONLY	11/75

FIRST USED ON OPTION/MODEL	QTY.	DESCRIPTION	PART NO.	ITEM NO.
11/70		PARTS LIST		
DIMENSIONAL TOLERANCE				
DIMENSIONS ARE MILLIMETERS UNLESS OTHERWISE SPECIFIED				
MILLIMETERS	INCHES	ANGLES	TITLE	
XX ±0.10	XX ±0.008	10° 30'	POWER SYSTEM CONFIGURATION	
XX ±0.5	XX ±0.02		DIGITAL	
X ±2	X ±0.1		REV. C	
THIRD ANGLE PROJECTION	REMOVE SURFS AND BREAK SHARP CORNERS SURFACE QUALITY	NEXT HIGHER ASSY.	SIZE CODE	NUMBER
MATERIAL	B-DD-1170-0		DIC	11/70-0-2
FINISH	SCALE	SHEET 1 OF 3	DIST.	

THIS DRAWING AND SPECIFICATIONS, HEREIN, ARE THE PROPERTY OF DIGITAL EQUIPMENT CORPORATION AND SHALL NOT BE REPRODUCED OR COPIED OR USED IN WHOLE OR IN PART AS THE BASIS FOR THE MANUFACTURE OR SALE OF THIS WITHOUT WRITTEN PERMISSION. COPYRIGHT © 1975, DIGITAL EQUIPMENT CORPORATION

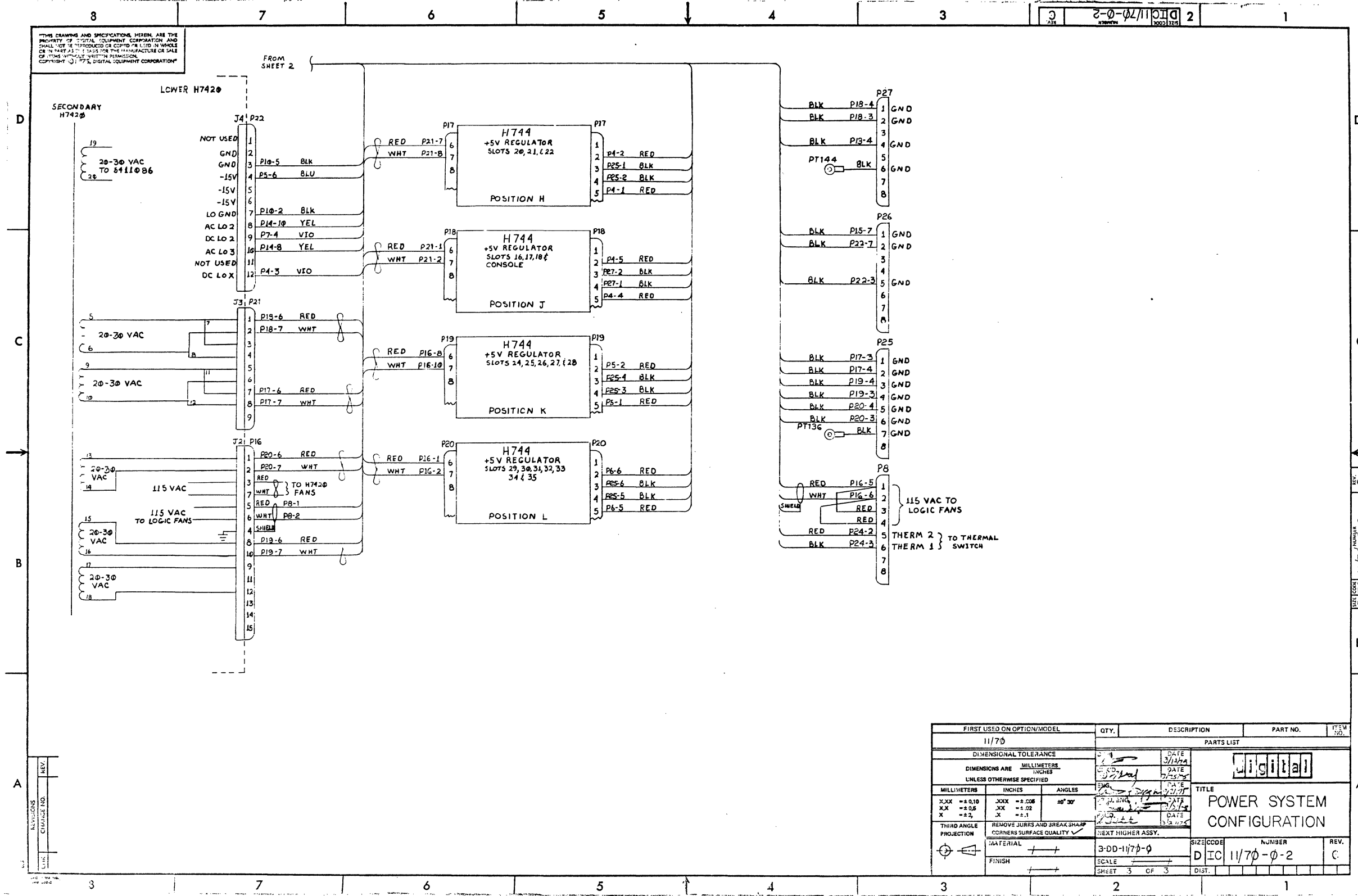


REV.	CHANGE NO.

FIRST USED ON OPTION/MODEL		QTY.	DESCRIPTION	PART NO.	ITEM NO.
11/70					
PARTS LIST					
DIMENSIONAL TOLERANCE		DATE	DATE	digital	
DIMENSIONS ARE MILLIMETERS UNLESS OTHERWISE SPECIFIED					
MILLIMETERS	INCHES	ANGLES	DATE	TITLE	
XX = ±0.10	XX = ±0.08	XX = 30°		POWER SYSTEM CONFIGURATION	
XX = ±0.5	XX = ±0.02				
X = ±2	X = ±0.1				
THIRD ANGLE PROJECTION	REMOVE BURRS AND BREAK SHARP CORNERS SURFACE QUALITY	DATE	DATE		
	CORNER SURFACE QUALITY				
MATERIAL	FINISH	SIZE/CODE	NUMBER	REV.	
		B-DD-1170-0	DIC 11/70-0-2	3	
		SCALE	SHEET 2 OF 3		
		DIST.			

684

THIS DRAWING AND SPECIFICATIONS HEREIN ARE THE PROPERTY OF DIGITAL EQUIPMENT CORPORATION AND SHALL NOT BE REPRODUCED OR COPIED IN WHOLE OR IN PART WITHOUT THE WRITTEN PERMISSION OF DIGITAL EQUIPMENT CORPORATION. COPYRIGHT © 1975, DIGITAL EQUIPMENT CORPORATION.

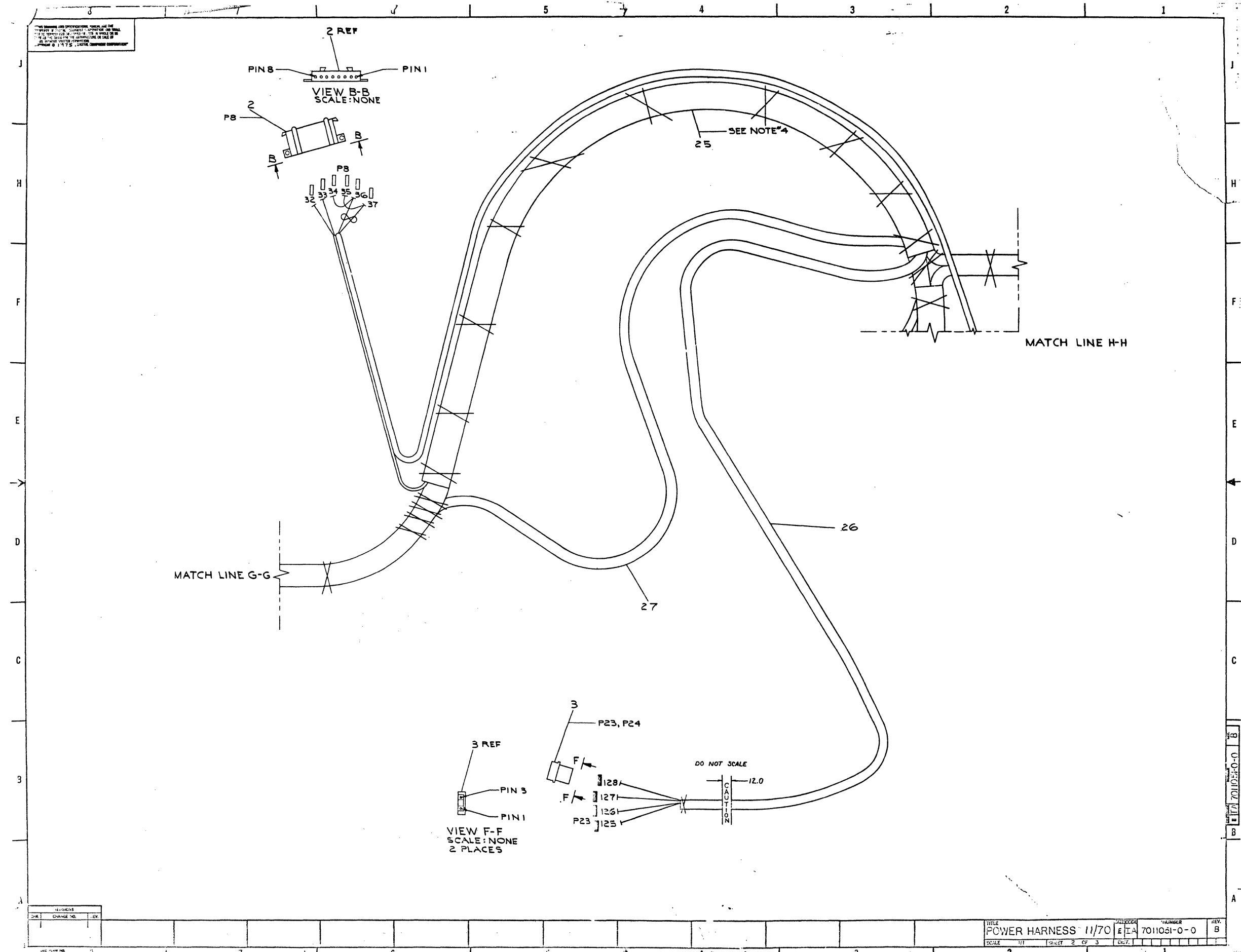


FIRST USED ON OPTION/MODEL	QTY.	DESCRIPTION	PART NO.	ITEM NO.
11/70				
PARTS LIST				
DIMENSIONAL TOLERANCE		DATE		
DIMENSIONS ARE MILLIMETERS		3/1/74		
UNLESS OTHERWISE SPECIFIED		DATE		
		7/25/75		
MILLIMETERS	INCHES	ANGLES	DATE	
XXX ±0.10	JXX ±0.08	30° 30'	7/21/77	
XX ±0.5	JX ±0.02		DATE	
X ±2	J ±0.1		3/2/75	
THIRD ANGLE PROJECTION	REMOVE JURRS AND BREAK SHARP CORNERS SURFACE QUALITY	NEXT HIGHER ASSY.	DATE	
			12/11/75	
MATERIAL	FINISH	SIZE/CDCE	NUMBER	REV.
		3-DD-1170-0	DIC 11/70-0-2	C
		SCALE	DIST.	
		SHEET 3 OF 3		

685



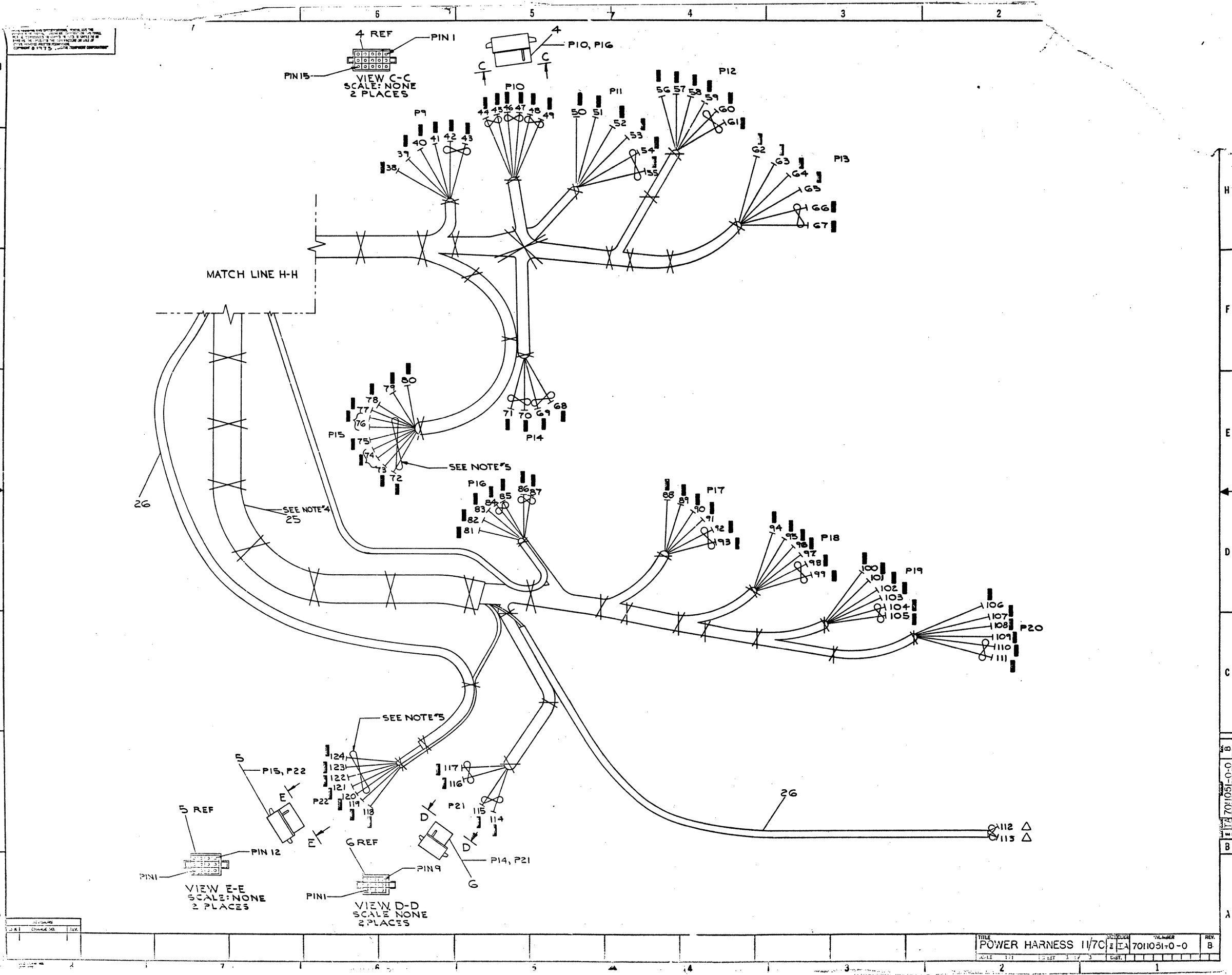
THE DRAWING AND SPECIFICATIONS SHALL BE THE PROPERTY OF THE COMPANY. NO PART OF THIS DRAWING IS TO BE REPRODUCED OR TRANSMITTED IN ANY FORM OR BY ANY MEANS, ELECTRONIC OR MECHANICAL, INCLUDING PHOTOCOPYING, RECORDING, OR BY ANY INFORMATION STORAGE AND RETRIEVAL SYSTEM.



REV.	DATE	BY	CHK.	DESCRIPTION

TITLE	POWER HARNESS 11/70	REV.	B
SCALE	1:1	SHEET	2 OF 3
DATE			

687



TITLE POWER HARNESS 11/7C  
 DRAWN BY: [signature]  
 CHECKED BY: [signature]  
 DATE: 1/17/73  
 SHEET: 3 OF 3  
 DWT: [signature]  
 REV: B

688



8

7

6

5

4

3

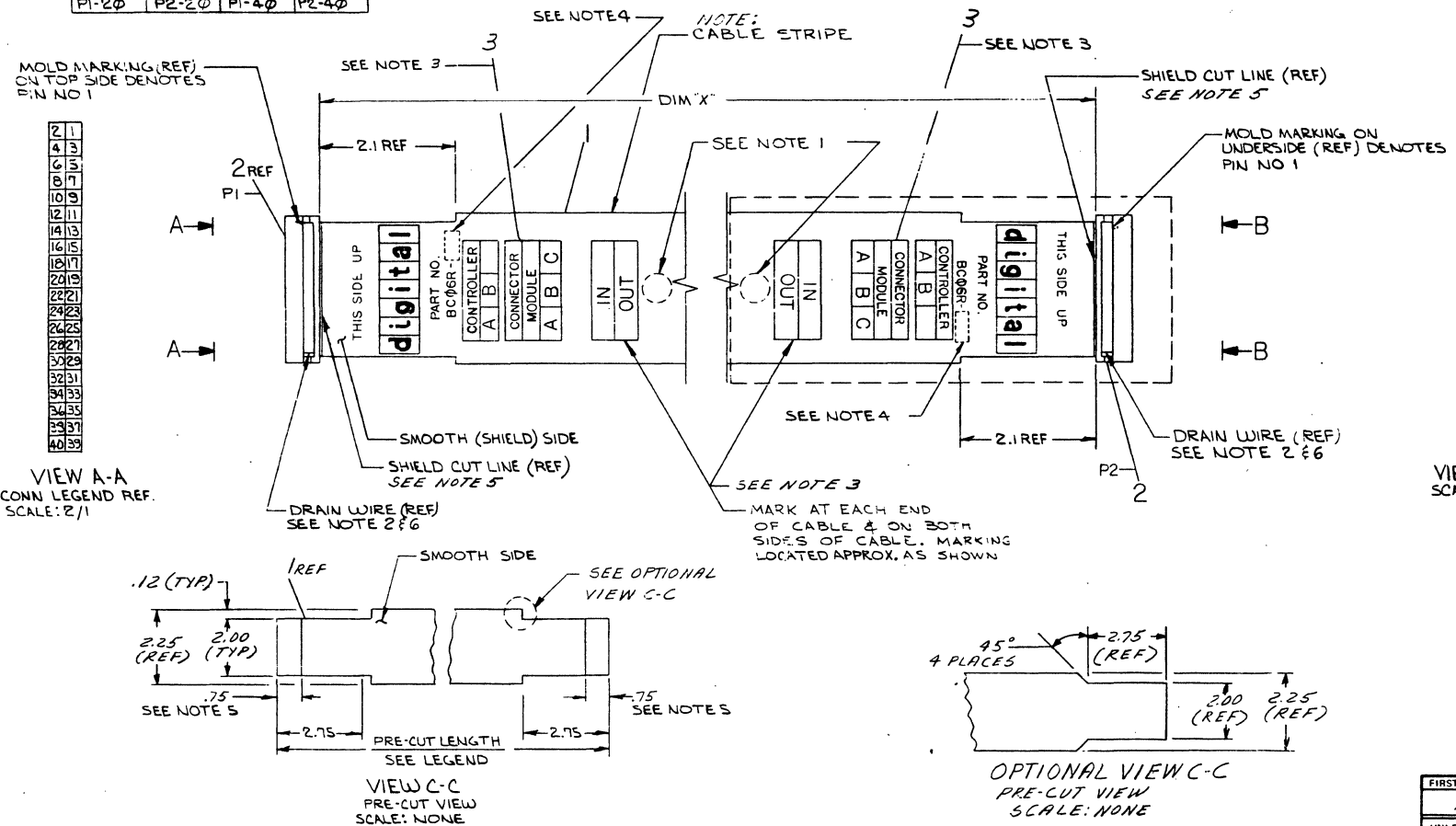
1

0-0-49008770 2

WIRE TABLE			
FROM	TO	FROM	TO
PI-1	P2-1	PI-21	P2-21
PI-2	P2-2	PI-22	P2-22
PI-3	P2-3	PI-23	P2-23
PI-4	P2-4	PI-24	P2-24
PI-5	P2-5	PI-25	P2-25
PI-6	P2-6	PI-26	P2-26
PI-7	P2-7	PI-27	P2-27
PI-8	P2-8	PI-28	P2-28
PI-9	P2-9	PI-29	P2-29
PI-10	P2-10	PI-30	P2-30
PI-11	P2-11	PI-31	P2-31
PI-12	P2-12	PI-32	P2-32
PI-13	P2-13	PI-33	P2-33
PI-14	P2-14	PI-34	P2-34
PI-15	P2-15	PI-35	P2-35
PI-16	P2-16	PI-36	P2-36
PI-17	P2-17	PI-37	P2-37
PI-18	P2-18	PI-38	P2-38
PI-19	P2-19	PI-39	P2-39
PI-20	P2-20	PI-40	P2-40

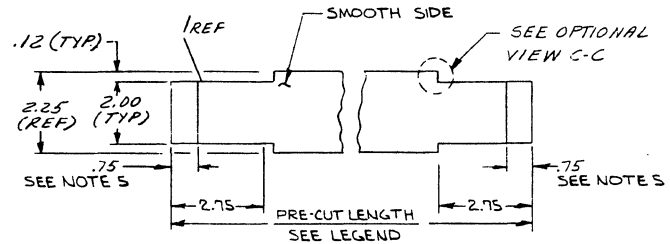
LEGEND			
NUMBER	DIM. X"	PRECUT LENGTH	REMARKS
BCØGR-Ø1	1 FT	1 FT 1.5 IN ± .1 IN	SEE PRE-CUT VIEW C-C
BCØGR-Ø2	2 FT	2 FT 1.5 IN ± .1 IN	
BCØGR-Ø3	3 FT	3 FT 1.5 IN ± .1 IN	
BCØGR-Ø4	4 FT	4 FT 1.5 IN ± .1 IN	
BCØGR-Ø5	4 FT 6 IN	4 FT 7.5 IN ± .1 IN	
BCØGR-Ø6	6 FT	6 FT 1.5 IN ± .2 IN	
BCØGR-Ø8	8 FT	8 FT 1.5 IN ± .2 IN	
BCØGR-10	10 FT	10 FT 1.5 IN ± .2 IN	
BCØGR-12	12 FT	12 FT 1.5 IN ± .3 IN	
BCØGR-20	20 FT	20 FT 1.5 IN ± .3 IN	
BCØGR-25	25 FT	25 FT 1.5 IN ± .3 IN	
BCØGR-30	30 FT	30 FT 1.5 IN ± .6 IN	
BCØGR-50	50 FT	50 FT 1.5 IN ± 1.0 FT	
BCØGR-60	60 FT	60 FT 1.5 IN ± 1.2 FT	
BCØGR-75	75 FT	75 FT 1.5 IN ± 1.5 FT	
BCØGR-A0	100 FT	100 FT 1.5 IN ± 2 FT	
BCØGR-Ø7	7 FT	7 FT 1.5 IN ± .2 IN	
BCØGR-ØF	Ø FT 6 IN	Ø FT 7.5 IN ± .1 IN	SEE PRE-CUT VIEW C-C

- NOTES:
1. INSPECTION & TEST STAMPS TO BE PLACED AT EACH END OF THE CABLE ASSEMBLY.
  2. DRAIN WIRE CONNECTS TO PIN NO 40.
  3. RUBBER STAMP INFORMATION SHOWN USING INK (ITEM 3) & ART WORK DEC NO A-DC-741099-0-0
  4. STAMP APPLICABLE OPTION DASH NO. ACCORDING TO LENGTH.
  5. REMOVE SHIELD .75 FROM END OF PRECUT CABLE (SEE VIEW C-C).
  6. COVER EXPOSED DRAIN WIRE WITH ITEM 4 PRIOR TO FSSY (BOTH ENDS)

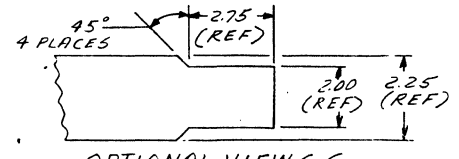


VIEW A-A  
CONN LEGEND REF.  
SCALE: 2/1

VIEW B-B  
SCALE: 2/1



VIEW C-C  
PRE-CUT VIEW  
SCALE: NONE



OPTIONAL VIEW C-C  
PRE-CUT VIEW  
SCALE: NONE

A/R	DESCRIPTION	PART NO.	QTY.
A/R	PLASTIC TAPE	3612511-0	4
A/R	INK	4901150	3
Z	CONNECTOR .40 SOCKET	1211206	2
A/R	CABLE .40 COND FLAT W/SHIELD	17-00034	1

FIRST USED ON OPTION/MODEL <b>RPØ4</b>		DATE 2-22-73	
UNLESS OTHERWISE SPECIFIED DIMENSION IN INCHES TOLERANCES		DATE 2-22-73	
DECIMALS	ANGLES	TITLE <b>BCØØR I/O CABLE</b>	
XXX - .005	10° 30'	SIZE CODE E-1A-1003808-0-0	NUMBER DUA BCØØR-Ø-Ø
REMOVE BURRS AND BREAK SHARP CORNERS SURFACE QUALITY		SCALE NONE	REV. D
MATERIAL SEE PARTS LIST		SHEET 1 OF 1	DIST.

REV	DESCRIPTION	DATE
A	...	...
B	...	...
C	...	...
D	...	...
E	...	...
F	...	...
G	...	...
H	...	...
I	...	...
J	...	...
K	...	...
L	...	...
M	...	...
N	...	...
O	...	...
P	...	...
Q	...	...
R	...	...
S	...	...
T	...	...
U	...	...
V	...	...
W	...	...
X	...	...
Y	...	...
Z	...	...

689

4

3

2

1

THIS DRAWING AND SPECIFICATIONS, HEREIN ARE THE PROPERTY OF DIGITAL EQUIPMENT CORPORATION AND SHALL NOT BE REPRODUCED OR COPIED OR USED IN WHOLE OR IN PART AS THE BASIS FOR THE MANUFACTURE OR SALE OF ITEMS WITHOUT WRITTEN PERMISSION. COPYRIGHT © 1978 DIGITAL EQUIPMENT CORPORATION

DWG NO./PART NO.	DESCRIPTION	11/70-CA	11/70-CB	11/70-MA	11/70-MB	11/70-ME	11/70-MF	11/70-MC	11/70-MD	11/70-MI	11/70-MJ	11/70-MK	11/70-ML	11/70-MR	11/70-MN
1	ZR-002-RD	Basic Diagnostic Kit for 9 trk magtape	*	*	*	*	*	*	*	*	*	*	*	*	*
2	ZR-002-RE	Basic Diagnostic for RK05J Cartridge	*	*	*	*	*	*	*	*	*	*	*	*	*
3	EK-11/70-MM-001	11/70 Systems and Maintenance Manual	1	1	1	1	1	1	1	1	1	1	1	1	1
4	EB-04526-75	11 Peripherals and interfacing handbook	1	1	1	1	1	1	1	1	1	1	1	1	1
5	EB-04588-75	11/70 Processor Handbook	1	1	1	1	1	1	1	1	1	1	1	1	1
6	EK-KB11B-TM	KB11 Maintenance Manual	1	1	-	-	-	-	-	-	-	-	-	-	-
7	MP-11/70-1	Customer Print Set #1	1	1	-	-	-	-	-	-	-	-	-	-	-
8	ED-04738-75	Dec Supplies List	1	1	1	1	1	1	1	1	1	1	1	1	1
9	EK-MJ11-MM-001	Maintenance Manual MJ11	1	1	1	1	1	1	1	1	1	-	-	1	1
10	1212392-01	H960C Cab Filter	1	1	1	1	-	-	1	1	-	-	1	1	-
11	9007221	AGC 5A Fuse	5	5	5	5	5	5	5	5	5	5	5	5	5
12	9007226	AGC 15A Fuse	5	5	5	5	5	5	5	5	5	5	5	5	5
13	1210754	Key on/off switch	2	2	2	2	2	2	2	2	2	2	2	2	2
14	1212392-01	MJ11 Cabinet Door Filter	4	4	4	4	-	-	4	4	-	-	4	4	4
15	EH-03396-73	PDP-11 Instruction Card	1	1	1	1	1	1	1	1	1	1	1	1	1
16	EJ-01235-74	Daily Log	1	1	1	1	1	1	1	1	1	1	1	1	1
17	EK-861AB-MM-002	861-D/E Power Supply Manual	1	1	1	1	1	1	1	1	1	1	1	1	1
18	EN-01862-03	Q.C. Check List	REF	REF	REF	REF	REF	REF	REF	REF	REF	REF	REF	REF	REF
19	MP-11/70-2	Customer Print Set #2	-	-	1	1	1	1	1	1	1	1	1	1	1
20	EK-KB11C-TM	KB11 Maintenance Manual	-	-	1	1	1	1	1	1	1	1	1	1	1
21	1213091-00	Key, Rear Door	-	-	-	-	1	1	-	-	1	1	-	-	-
22	DQM9A-A-D	Program Listing for M9301-YH	1	1	1	1	1	1	1	1	1	1	1	1	1
23	EK-MK11-TM-PRE	Maintenance Manual MK11	-	-	-	-	-	-	-	-	-	1	1	-	-

\*Shipment of Diagnostic Kit is conditional upon the type of Media on the system

REVISIONS

CHK	CHANGE NO.	REV.
1	11/70-00020	F
REVISED & REDRAWN		
P. J. ... 11 AUG 78		
B. CAMELIO		
B. Camelio, Aug 23-78		

DRN. K. DUGGAN	3-14-75	FIRST USED ON	digital
CHK'D. HEALY	3-17-75	TITLE	11/70 SHIPPING LIST
ENGT. NORTHRUP	3-26-75		
PROJ. ENGT. NORTHRUP	3-26-75		
PRODD. WEAVER	3-24-75		
NEXT HIGHER ASSY.			
B-DD-11/70-0	SIZE	CODE	NUMBER
SCALE	C	PL	11/70-0-3
SHEET 1 OF 1	DIST.		REV. F

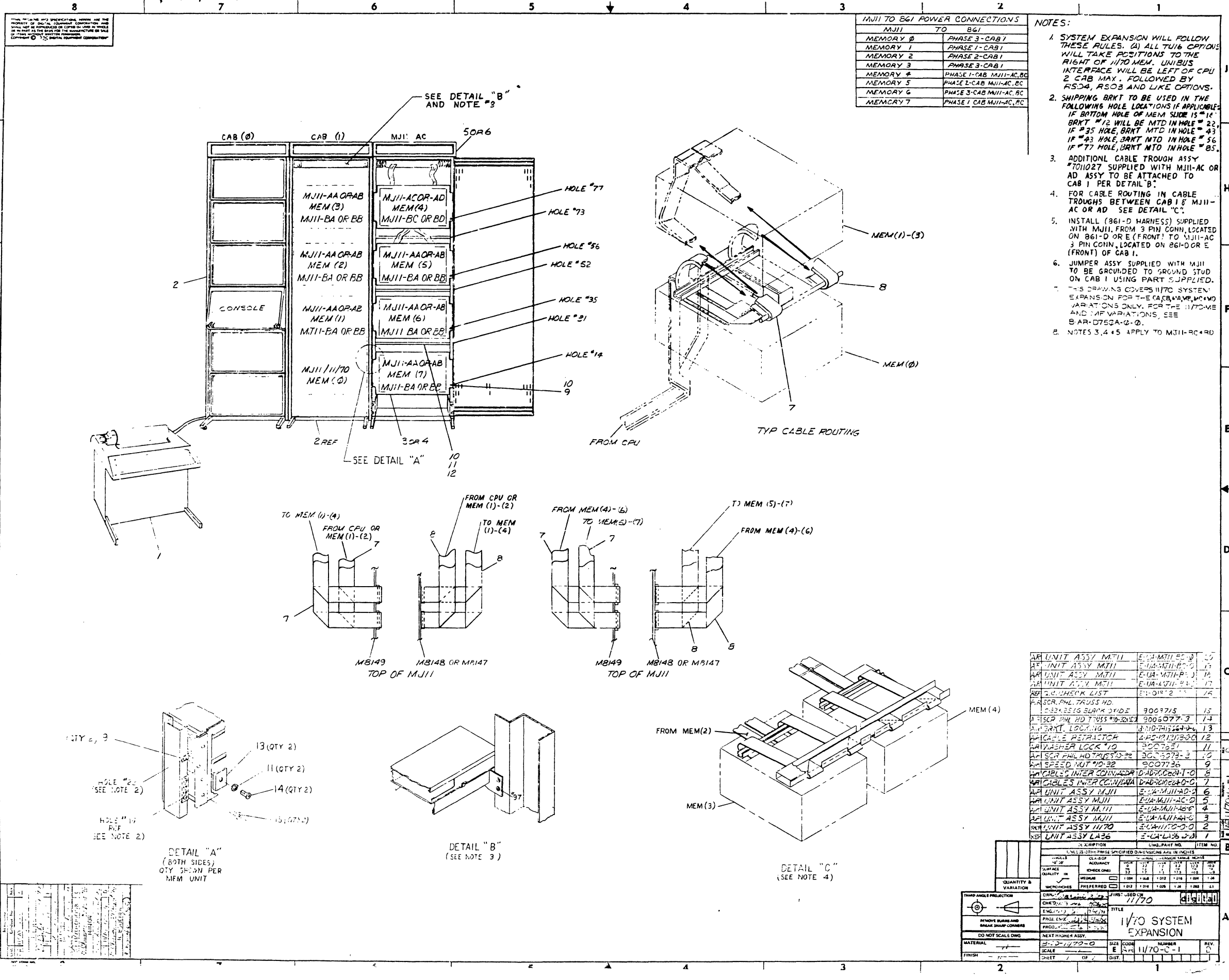
4

3

2

TW 1

690



MJ11 TO B61	TO B61
MEMORY 0	PHASE 3-CAB 1
MEMORY 1	PHASE 1-CAB 1
MEMORY 2	PHASE 2-CAB 1
MEMORY 3	PHASE 3-CAB 1
MEMORY 4	PHASE 1-CAB MJ11-AC, BC
MEMORY 5	PHASE 2-CAB MJ11-AC, BC
MEMORY 6	PHASE 3-CAB MJ11-AC, BC
MEMORY 7	PHASE 1-CAB MJ11-AC, BC

- NOTES:
- SYSTEM EXPANSION WILL FOLLOW THESE RULES. (A) ALL T116 OPTIONS WILL TAKE POSITIONS TO THE RIGHT OF I/O MEM. UNIBUS INTERFACE WILL BE LEFT OF CPU 2 CAB MAX. FOLLOWED BY R504, R503 AND LIKE OPTIONS.
  - SHIPPING BRKT TO BE USED IN THE FOLLOWING HOLE LOCATIONS IF APPLICABLE: IF BOTTOM HOLE OF MEM SLIDE IS "14" BRKT #12 WILL BE MTD IN HOLE #22, IF #35 HOLE, BRKT MTD IN HOLE #43, IF #43 HOLE, BRKT MTD IN HOLE #56, IF #77 HOLE, BRKT MTD IN HOLE #85.
  - ADDITIONAL CABLE TROUGH ASSY #7011027 SUPPLIED WITH MJ11-AC OR AD ASSY TO BE ATTACHED TO CAB 1 PER DETAIL "B".
  - FOR CABLE ROUTING IN CABLE TROUGHS BETWEEN CAB 1 & MJ11-AC OR AD SEE DETAIL "C".
  - INSTALL (B61-D HARNESS) SUPPLIED WITH MJ11 FROM 3 PIN CONN. LOCATED ON B61-D OR E (FRONT) TO MJ11-AC 3 PIN CONN. LOCATED ON B61-D OR E (FRONT) OF CAB 1.
  - JUMPER ASSY SUPPLIED WITH MJ11 TO BE GROUNDED TO GROUND STUD ON CAB 1 USING PART SUPPLIED.
  - THIS DRAWING COVERS I/O SYSTEM EXPANSION FOR THE CAB, VAMP, MCM AND VARIATIONS ONLY. FOR THE I/O-CME AND I/O-VARIATIONS, SEE B AR-D75CA-Q-0.
  - NOTES 3, 4 & 5 APPLY TO MJ11-BC & RD

ITEM NO.	DESCRIPTION	QTY	UNIT
1	...	...	...
2	...	...	...
3	...	...	...
4	...	...	...
5	...	...	...
6	...	...	...
7	...	...	...
8	...	...	...
9	...	...	...
10	...	...	...
11	...	...	...
12	...	...	...
13	...	...	...
14	...	...	...
15	...	...	...
16	...	...	...
17	...	...	...
18	...	...	...
19	...	...	...
20	...	...	...

ITEM NO.	DESCRIPTION	QTY	UNIT
AR UNIT ASSY MJ11	E-1A-MJ11-AC-0	20	
AR UNIT ASSY MJ11	E-1A-MJ11-BC-0	15	
AR UNIT ASSY MJ11	E-1A-MJ11-PC-0	15	
AR UNIT ASSY MJ11	E-1A-MJ11-PA-0	17	
REF Q.C. CHECK LIST	E-1-019-2	1	
F.A.SCR. PNL TRUSS HD.	9009715	15	
1/32" SS LG BLANK CYCLE	9006077-3	14	
1/8" SCR PNL HD TRUSS 10-20-2	3000733-3	13	
1/4" BRKT LOCKING	3000733-3	13	
1/4" CABLE RETRACTOR	4000733-3	12	
1/4" WASHER LOCK #10	3000733	11	
1/8" SCR PNL HD TRUSS 10-20	3000733-3	10	
1/4" SPEED NUT #10-32	9000733	9	
1/4" CABLES INTER CONN. ASSY	D-1A-1170-0-0	8	
1/4" CABLES INTER CONN. ASSY	D-1A-1170-0-0	7	
AR UNIT ASSY MJ11	E-1A-MJ11-AD-0	6	
AR UNIT ASSY MJ11	E-1A-MJ11-AC-0	5	
AR UNIT ASSY MJ11	E-1A-MJ11-AB-0	4	
AR UNIT ASSY MJ11	E-1A-MJ11-AD-0	3	
AR UNIT ASSY I/O	E-1A-1170-0-0	2	
REF UNIT ASSY LA36	E-1A-LA36-0-0	1	

THIRD ANGLE PROJECTION	QUANTITY & VARIATION	CLASS OF ACCURACY	UNLESS OTHERWISE SPECIFIED DIMENSIONS ARE IN INCHES
REMOVE BURRS AND BREAK SHARP CORNERS	1:100	30	1:100 1:200 1:500 1:1000 1:2000 1:5000 1:10000
DO NOT SCALE DIMS	1:100	30	1:100 1:200 1:500 1:1000 1:2000 1:5000 1:10000
MATERIAL	1:100	30	1:100 1:200 1:500 1:1000 1:2000 1:5000 1:10000
FINISH	1:100	30	1:100 1:200 1:500 1:1000 1:2000 1:5000 1:10000





This drawing and specifications, herein, are the property of Digital Equipment Corporation and shall not be reproduced or copied in whole or in part as the basis for the manufacture or sale of items without written permission.

ITEM NO.	Drawing No./Part No.	DESCRIPTION	11/70WB	11/70WC	11/70WD	11/70AA	11/70AB	11/70AC	11/70AD	11/70BA	11/70BB	11/70BC	11/70BD
	A-PL-KB11-B-β	16 BIT PROCESSOR	-	-	-	-	-	-	-	-	-	-	-
	M9301-YH	TERMINATOR BOOT STRAP MODULE	1	1	1	1	1	1	1	1	1	1	1
	<del>B-DD-KB11-C-β</del>	<del>16 BIT PROCESSOR</del>	<del>1</del>	<del>1</del>	<del>1</del>	<del>1</del>	<del>1</del>	<del>1</del>	<del>1</del>	<del>1</del>	<del>1</del>	<del>1</del>	<del>1</del>
	D-UA-DL11-W-β	ASYNCHRONOUS LINE INTERFACE	1	1	1	1	1	1	1	1	1	1	1
	E-UA-MJ11-AY-β	32K 18 BIT MEM. 115V 50/60 HZ	-	-	-	1	-	1	-	-	-	-	-
	E-UA-MJ11-AE-β	32K 18 BIT MEM. 230V 50/60 HZ	-	-	-	-	1	-	1	-	-	-	-
	E-UA-LA36-CE-β	DECWRITER, 115V 60HZ	-	-	-	1	-	-	-	1	-	-	-
	E-UA-MJ11-AE-β	32K 18 BIT EXPANSION	-	-	-	1	1	1	1	-	-	-	-
	E-UA-LA36-CF-β	DECWRITER 230V 60HZ	1	-	-	-	-	-	-	-	1	-	-
	E-UA-BA11-KE-β	10.5" EXPANDER BOX 115V	-	1	-	-	-	-	1	-	-	-	-
	D-UA-RK11J-DE-β	DISK CONTROL 115V 60 HZ	-	-	-	-	-	-	-	-	-	-	-
	D-UA-RK05J-AA-β	2.5 MEGA BIT DEC DISK 115V 60HZ	-	-	-	-	-	-	-	-	-	-	-
	E-UA-BA11-KF-β	10.5" EXPANDER BOX 230V	1	-	-	1	-	1	-	1	-	1	-
	D-UA-RK11J-DF-β	DISK CONTROL 230V 60HZ	1	-	-	-	-	-	-	-	-	-	-
	D-UA-RK05J-AB-β	2.5 MEGA BIT DEC DISK 230V 60HZ	1	-	-	-	-	-	-	-	-	-	-
	D-UA-RK11J-DH-β	DISK CONTROL 115V 50HZ	-	1	-	-	-	-	-	-	-	-	-
	D-UA-RK05J-BA-β	2.5 MEGA BIT DEC DISK 115V 50HZ	-	1	-	-	-	-	-	-	-	-	-
	D-UA-RK11J-DJ-β	DISK CONTROL 230V 50HZ	-	-	1	-	-	-	-	-	-	-	-
	D-UA-RK05J-BB-β	2.5 MEGA BIT DEC DISK 230V 50HZ	-	-	1	-	-	-	-	-	-	-	-
	E-UA-RWP04-AA-β	MOVING HEAD DISK 60HZ	-	-	-	1	1	-	-	-	-	-	-
	E-UA-TWU16-EA-β	MAG TAPE DRIVE 115V 60HZ	-	-	-	1	-	-	1	-	-	-	-
	E-UA-TWU16-EB-β	MAG TAPE DRIVE 230V 60HZ	-	-	-	-	1	-	-	1	-	-	-
	E-UA-RWP04-AB-β	MOVING HEAD DISK 50HZ	-	-	-	-	1	1	-	-	-	-	-
	E-UA-TWU16-EC-β	MAG TAPE DRIVE 115V 50HZ	-	-	-	-	1	-	-	1	-	-	-
	E-UA-TWU16-ED-β	MAG TAPE DRIVE 230V 50HZ	-	-	-	-	-	1	-	-	1	-	-
	E-UA-RWP04-BA-β	MOVING HEAD DISK 60HZ	-	-	-	-	-	-	-	-	-	-	-
	E-UA-RWP04-BB-β	MOVING HEAD DISK 50HZ	-	-	-	-	-	-	-	-	-	-	-
	E-UA-RWP04-CA-β	MOVING HEAD DISK 60HZ	-	-	-	-	-	-	-	-	-	-	-
	E-UA-RWP04-CB-β	MOVING HEAD DISK 50HZ	-	-	-	-	-	-	-	-	-	-	-
	A-PL-RWS04-BA-β	FIXED HEAD DISK SYSTEM 115V 60HZ	-	-	-	-	-	-	-	-	-	-	-
	A-PL-RWS04-BB-β	FIXED HEAD DISK SYSTEM 230V 60HZ	-	-	-	-	-	-	-	-	-	-	-
	A-PL-RWS04-BC-β	FIXED HEAD DISK SYSTEM 115V 50HZ	-	-	-	-	-	-	-	-	-	-	-
	A-PL-RWS04-BD-β	FIXED HEAD DISK SYSTEM 230V 50HZ	-	-	-	-	-	-	-	-	-	-	-
	A-PL-KB11-C-β	16 BIT PROCESSOR	1	1	1	1	1	1	1	1	1	1	1
	E-UA-LA36-CH-β	DECWRITER 115V 50HZ	-	1	-	-	-	1	-	-	-	1	-
	E-UA-LA36-CJ-β	DECWRITER 230V 50HZ	-	-	-	-	-	1	-	-	-	1	-
	E-UA-MJ11-BY-β	64K 18 BIT MEM 115V 50/60 HZ	-	1	-	-	-	-	1	-	-	-	-
	E-UA-MJ11-BZ-β	64K 18 BIT MEM 230V 50/60 HZ	1	-	1	-	-	-	-	-	-	-	-
	E-UA-MJ11-BA-β	64K 18 BIT MEM 115V 50/60 HZ	-	-	-	-	-	-	1	-	-	-	-
	E-UA-MJ11-BB-β	64K 18 BIT MEM 230V 50/60 HZ	-	-	-	-	-	-	-	-	-	-	-
	E-UA-RWP06-AA-β	MOVING HEAD DISK 60 HZ	-	-	-	-	-	-	1	1	-	-	-
	E-UA-RWP06-AB-β	MOVING HEAD DISK 50 HZ	-	-	-	-	-	-	-	-	1	1	-

REV. NUMBER 11/70-0-4  
 SIZE CODE C PL  
 B

REV.	
CHG	

FIRST USED ON OPTION MODEL  
 11/70

UNLESS OTHERWISE SPECIFIED  
 DIMENSION IN INCHES  
 TOLERANCES  
 DECIMALS ± .005 FRACTIONS ± 1/64 ANGLES ± 0°30'  
 FINAL SURFACE QUALITY REMOVE BURRS AND BREAK SHARP CORNERS

DRN. D. HEALY DATE 4/7/75  
 CHK'D. D. HEALY DATE 4/7/75  
 ENG. DON WEAVER DATE 4/17/75  
 PROJ. ENG. DON WEAVER DATE 4/17/75  
 PROD. L. BAPTISTE DATE 8/18/75  
 NEXT HIGHER ASSY. B-DD-11/70-0  
 SCALE 1" = 1" SHEET 3 OF 4

**digital EQUIPMENT CORPORATION**  
 MAYNARD, MASSACHUSETTS

TITLE  
 SYSTEM EXPANSION OPTION LIST (11/70)

SIZE CODE C PL NUMBER 11/70-0-4 REV. E

ITEM NO.	DRAWING NO./PART NO.	DESCRIPTION	11/70VB	11/70WC	11/70WD	11B70AA	11B70AB	11B70AC	11B70AD	11B70BA	11B70BB	11B70BC	11B70BD
	E-UA-MJ11-AA	32K 18 BIT MEM 115V 50/60HZ	-	-	1	-	-	-	-	-	-	-	-
	E-UA-MJ11-AB	32K 18 BIT MEM 230V 50/60HZ	-	-	-	1	-	-	-	-	-	-	-
	E-UA-LP11-VA-0	LP05 LINE PRINTER & CONT 115V 60HZ	-	-	1	-	-	-	1	-	-	-	-
	E-UA-LP11-VB-0	LP05 LINE PRINTER & CONT 230V 60HZ	-	-	-	1	-	-	-	1	-	-	-
	E-UA-LP11-VC-0	LP05 LINE PRINTER & CONT 115V 50HZ	-	-	-	-	1	-	-	-	1	-	-
	E-UA-LP11-VD-0	LP05 LINE PRINTER & CONT 230V 50HZ	-	-	-	-	-	1	-	-	-	1	-
	D-UA-VT52-AE-0	VIDEO TERMINAL 115V 60HZ	-	-	1	-	-	1	1	-	-	-	1
	D-UA-VT52-AF-0	VIDEO TERMINAL 220/240V 50/60HZ	-	-	-	1	-	-	-	1	-	-	-
	D-UA-VT52-AH-0	VIDEO TERMINAL 100/127V 50/60HZ	-	-	-	-	1	-	-	-	1	-	-
	D-UA-H960-CA-0	CABINET 115V FAN	-	-	1	-	1	-	1	-	1	-	-
	D-UA-H960-CB-0	CABINET 230V FAN	-	-	-	1	-	1	-	1	-	1	-
	D-UA-H312-A-0	NULL MODEM	-	-	1	1	1	1	1	1	1	1	1
	D-UA-DL11-B-0	ASYNCHRONOUS LINE INTERFACE	-	-	1	1	1	1	1	1	1	1	1

REV. CHG. NO.	11/70	UNLESS OTHERWISE SPECIFIED DIMENSION IN INCHES TOLERANCES DECIMALS ± .005    FRACTIONS ± 1/64    ANGLES ± 0°30'	DRN. D. HEALY	DATE 4/7/75	<b>digital</b> EQUIPMENT CORPORATION MAYNARD, MASSACHUSETTS
			CHK'D. D. HEALY	DATE 4/7/75	
CHK		MATERIAL + — +	ENG. DON WEAVER	DATE 4/17/75	TITLE SYSTEM EXPANSION OPTION LIST (11/70)
			PROJ. ENG. DON WEAVER	DATE 4/17/75	
		FINISH + — +	PROD. L. BAPTISTE	DATE 4/18/75	SIZE CODE CPL
			NEXT HIGHER ASSY. B-DD-11/70-0	NUMBER 11/70-0-4	
			SCALE + — +	SHEET 4 OF 4	DIST.

695

This drawing and specifications, herein, are the property of Digital Equipment Corporation and shall not be reproduced or copied or used in whole or in part as the basis for the manufacture or sale of items without written permission.

COPYRIGHT 1975 DIGITAL EQUIPMENT CORPORATION

ITEM NO.	DRAWING NO./PART NO.	DESCRIPTION	DATE															
			11/77-PE	11/77-LF	11/77-EH	11/77-FJ	11/77-RE	11/77-RF	11/77-RH	11/77-RJ	11/77-YA	11/77-YB	11/77-YC	11/77-YD	11/77-YE	11/77-YF	11/77-YH	11/77-YJ
	A-PL-KB11-B-0	16 BIT PROCESSOR	2	2	2	2	2	2	2	2	2	2	2	2	2	2	2	2
	M9301-YH	TERMINATOR BOOT STRAP, MODULE	2	2	2	2	2	2	2	2	2	2	2	2	2	2	2	2
	<del>D-DA-DM11-C-0</del>	<del>LINE TIME CLOCK INTERFACE</del>	<del>2</del>	<del>2</del>	<del>2</del>	<del>2</del>	<del>2</del>	<del>2</del>	<del>2</del>	<del>2</del>	<del>2</del>	<del>2</del>	<del>2</del>	<del>2</del>	<del>2</del>	<del>2</del>	<del>2</del>	
	D-UA-DL11-W-0	ASYNCRONOUS LINE INTERFACE	2	2	2	2	2	2	2	2	2	2	2	2	2	2	2	
	E-UA-MJ11-AY-0	32K 18 BIT MEM. 115V, 50/60 HZ	2	2	2	2	2	2	2	2	2	2	2	2	2	2	2	
	E-UA-MJ11-AZ-0	32K 18 BIT MEM. 230V, 50/60 HZ	2	2	2	2	2	2	2	2	2	2	2	2	2	2	2	
	E-UA-LA36-CE-0	DECWRITER 115V, 60 HZ	2	2	2	2	2	2	2	2	2	2	2	2	2	2	2	
	E-UA-MJ11-AE-0	32K 18 BIT EXPANSION	2	2	2	2	2	2	2	2	2	2	2	2	2	2	2	
	E-UA-LA36-CF-0	DECWRITER 230V, 60 HZ	2	2	2	2	2	2	2	2	2	2	2	2	2	2	2	
	E-UA-TWU16-EA-0	MAG TAPE DRIVE 115V, 60 HZ	2	2	2	2	2	2	2	2	2	2	2	2	2	2	2	
	E-UA-TWU16-EB-0	MAG TAPE DRIVE 230V, 60 HZ	2	2	2	2	2	2	2	2	2	2	2	2	2	2	2	
	E-UA-RWP04-BA-0	MOVING HEAD DISK 60 HZ	1	1	1	1	1	1	1	1	1	1	1	1	1	1	1	
	E-UA-TWU16-EC-0	MAG TAPE DRIVE 115V, 50 HZ	2	2	2	2	2	2	2	2	2	2	2	2	2	2	2	
	E-UA-RWP04-BB-0	MOVING HEAD DISK 50 HZ	1	1	1	1	1	1	1	1	1	1	1	1	1	1	1	
	E-UA-TWU16-ED-0	MAG TAPE DRIVE 230V, 50 HZ	2	2	2	2	2	2	2	2	2	2	2	2	2	2	2	
	A-PL-KB11-C-0	16 BIT PROCESSOR	2	2	2	2	2	2	2	2	2	2	2	2	2	2	2	
	E-UA-LA36-CH-0	DECWRITER 115, 50 HZ	2	2	2	2	2	2	2	2	2	2	2	2	2	2	2	
	E-UA-LA36-CJ-0	DECWRITER 230, 50 HZ	2	2	2	2	2	2	2	2	2	2	2	2	2	2	2	
	E-UA-MJ11-BY-0	64K 18 BIT MEM 115V 50/60 HZ	2	2	2	2	2	2	2	2	2	2	2	2	2	2	2	
	E-UA-MJ11-BZ-0	64K 18 BIT MEM 230V 50/60 HZ	2	2	2	2	2	2	2	2	2	2	2	2	2	2	2	
	E-UA-RWP06-BA-0	MOVING HEAD DISK 60 HZ	1	1	1	1	1	1	1	1	1	1	1	1	1	1	1	
	E-UA-RWP06-BB-0	MOVING HEAD DISK 50 HZ	1	1	1	1	1	1	1	1	1	1	1	1	1	1	1	

REV.	CHANGE NO.	DESCRIPTION
A	11/70-00006	T. NORTHUP
B	11/70-00009	R. BOUCHER
C	11/70-00011	R. BOUCHER
D	11/70-00015	R. BOUCHER
		D. CHANSON
		P. SCHNORR

FIRST USED ON OPTION/MODEL  
11/70

UNLESS OTHERWISE SPECIFIED DIMENSION IN INCHES TOLERANCES DECIMALS ± .005 FRACTIONS ± 1/64 ANGLES ± 0°30'	DRN. D. HEALY DATE 4/7/75
MATERIAL + +	CHK'D. D. HEALY DATE 4/7/75
FINISH + +	ENG. K. DUKER DATE 4/7/75
	PROG. ENG. K. DUKER DATE 4/7/75
	PROD. K. B. [unclear] DATE 4/11/75
	NEXT HIGHER ASSY. NONE
	SCALE + +
	SHEET 1 OF 1

**digital EQUIPMENT CORPORATION**  
MAYNARD, MASSACHUSETTS

TITLE  
SYSTEM EXPANSION OPTION LIST  
(11/77)

SIZE CODE: **C PL**  
NUMBER: 11/77-0-1  
REV. D

696



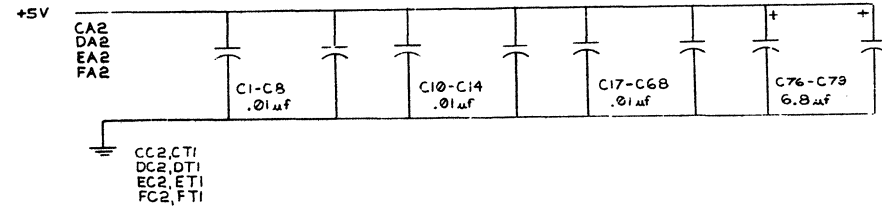






THIS DRAWING AND SPECIFICATIONS HEREIN ARE THE PROPERTY OF DIGITAL EQUIPMENT CORPORATION AND SHALL NOT BE REPRODUCED OR COPIED OR USED IN WHOLE OR IN PART AS THE BASIS FOR THE MANUFACTURE OR SALE OF ITEMS WITHOUT WRITTEN PERMISSION.  
 COPYRIGHT © 1978 DIGITAL EQUIPMENT CORPORATION

**NOTES:**



IC 8641	8	16
IC 884	1	8
IC 887	8	16
IC 84A	1	8
IC 74123	8	16
IC 74157	8	16
IC 74153	8	16
IC 7493	10	5
IC 7492	10	5
IC 74151	8	16
IC 74175	8	16
IC UART	1	3
IC 9037	8	16
IC TYPE	GND	+5V

GND AND 5V ARE USUALLY PIN 7 AND 14 RESPECTIVELY EXCEPTS ARE STATED ABOVE

IC PIN LOCATIONS

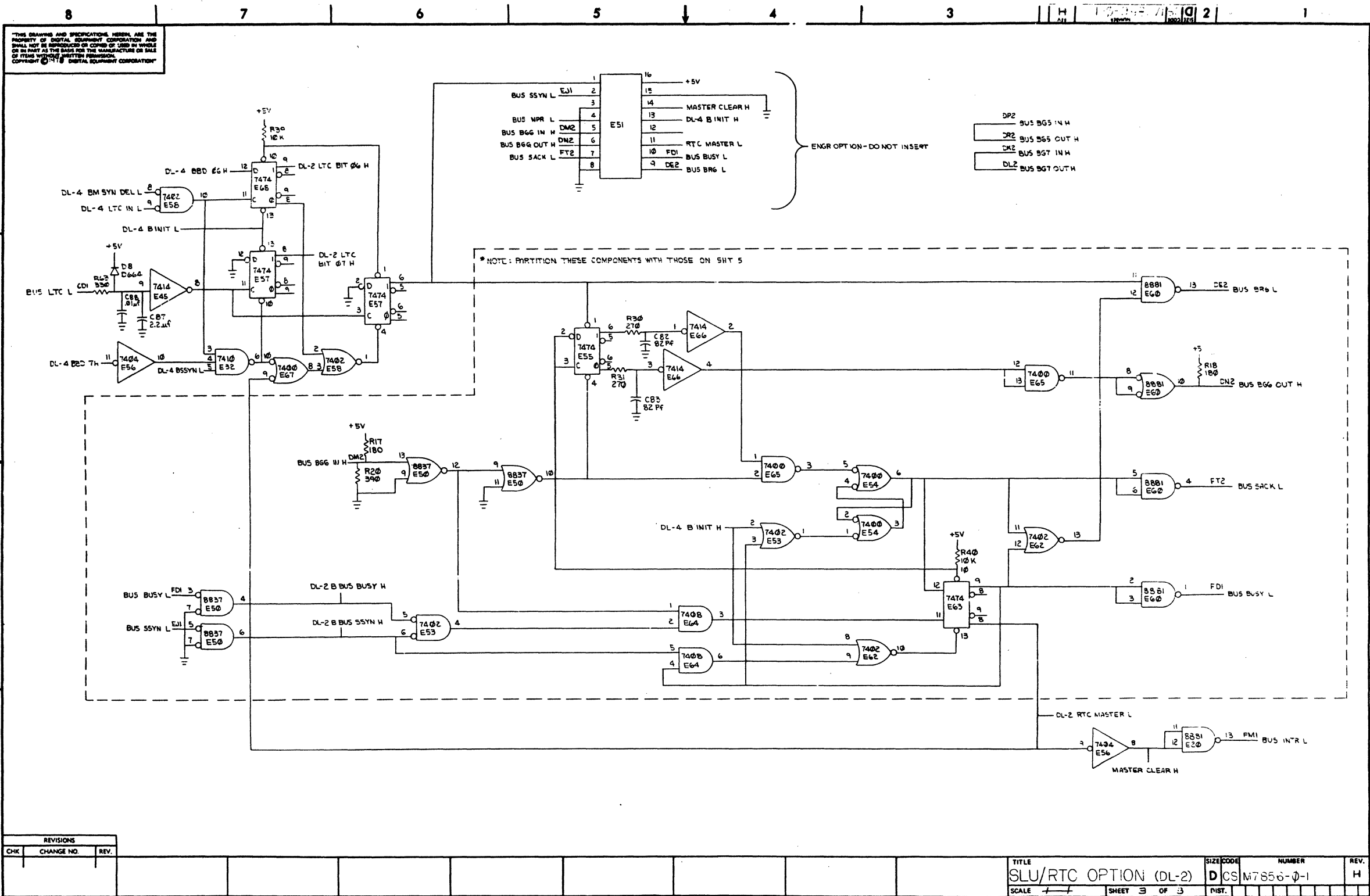
QTY	REF. DESIGNATION	DESCRIPTION	PART NO.	ITEM NO.
FIRST USED ON OPTION MODEL				
ETCH BOARD REV. E				
PARTS LIST				
DRG. <i>D. Douglas</i>		DATE 2/23/78		
CHKD. <i>[Signature]</i>		DATE 3.2.78		
ENG. <i>[Signature]</i>		DATE 3.2.78		
PROJ. ENG. <i>[Signature]</i>		DATE 3.2.78		
PRGR. <i>[Signature]</i>		DATE 3.2.78	TITLE	
NEXT HIGHER ASSY		SLU/RTC OPTION		
DEC. NO.	EIA NO.	DEC. NO.	EIA NO.	REV.
SEMICONDUCTOR CONVERSION CHART				SCALE
SHEET 1 OF 3				DIST.

REV. H  
 NUMBER  
 DCS M7856-0-1

700



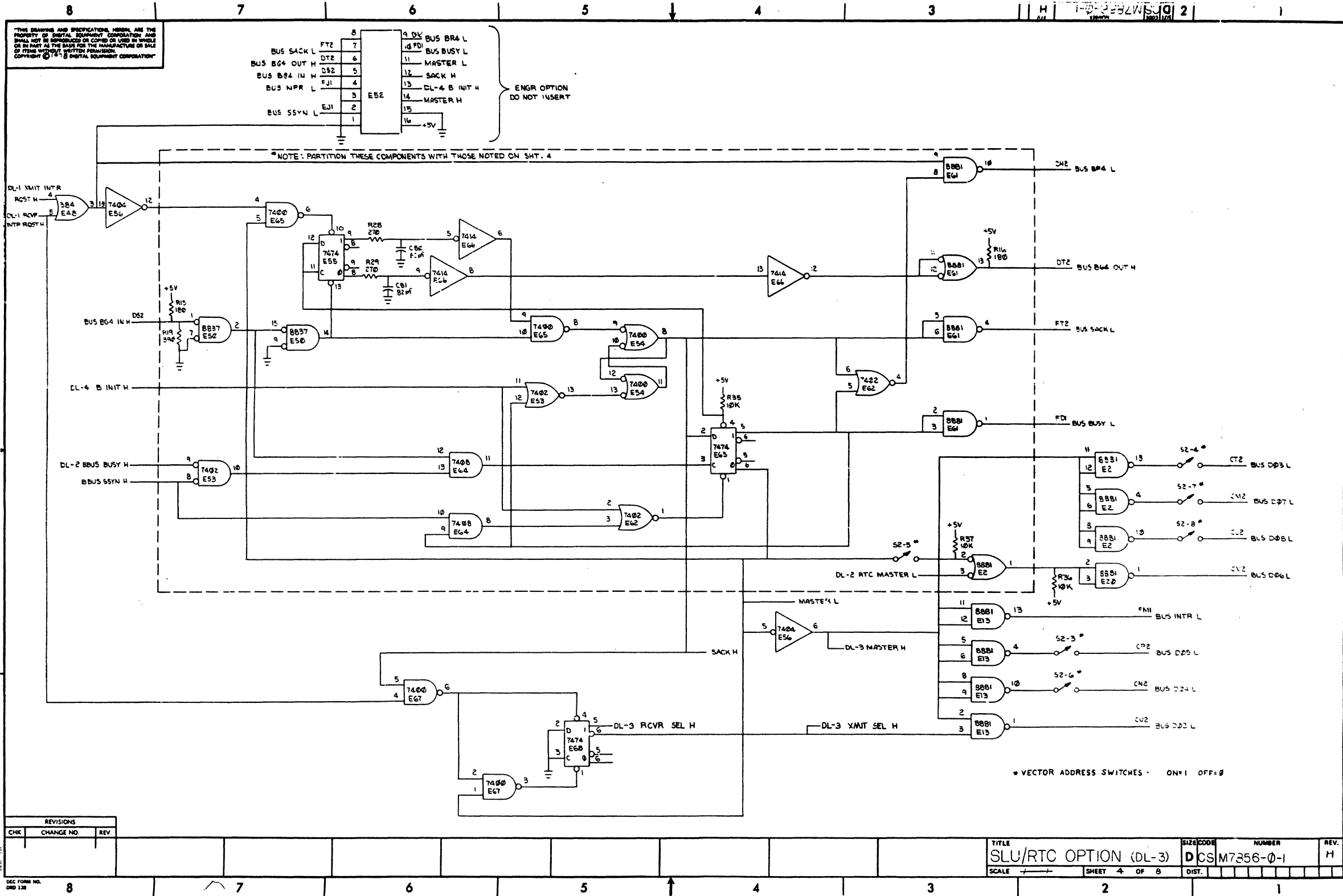
"THIS DRAWING AND SPECIFICATIONS HEREON ARE THE PROPERTY OF DIGITAL EQUIPMENT CORPORATION AND SHALL NOT BE REPRODUCED OR COPIED IN WHOLE OR IN PART AS THE BASIS FOR THE MANUFACTURE OR SALE OF ITEMS WITHOUT WRITTEN PERMISSION. COPYRIGHT © 1971 BY DIGITAL EQUIPMENT CORPORATION"



REVISIONS		
CHK	CHANGE NO.	REV.

TITLE	SIZE CODE	NUMBER	REV.
SLU/RTC OPTION (DL-2)	D	CSM7856-0-1	H
SCALE	SHEET	OF	PAGE
	3	3	

702



REVISIONS		
CHK	CHANGE NO.	REV.

TITLE	SLU/RTC OPTION (DL-3)	SIZE/COORD	DCS	NUMBER	M7256-0-1	REV.	H
SCALE	+	SHEET	4	OF	8	DIST.	

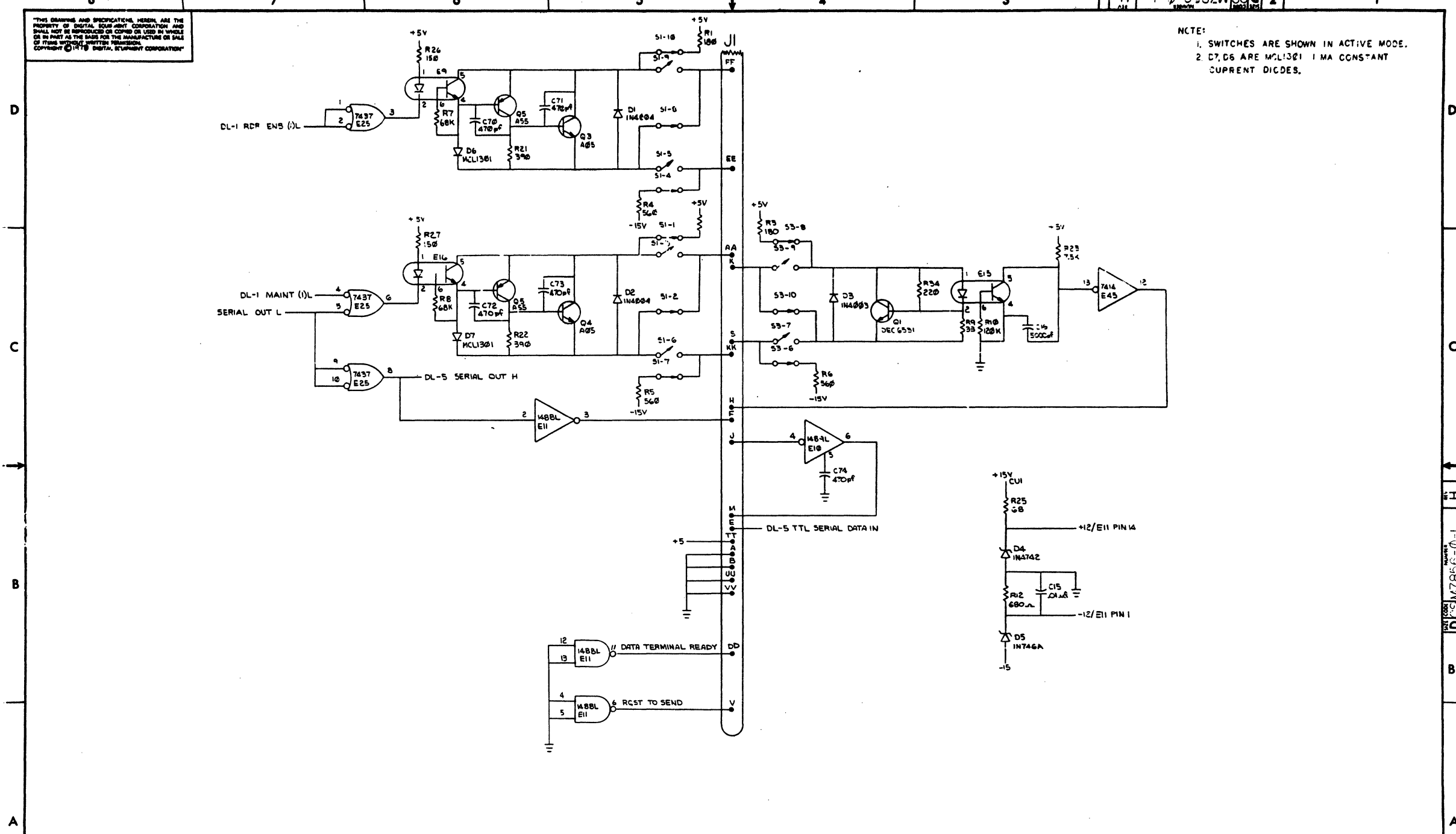




THIS DRAWING AND SPECIFICATIONS HEREIN ARE THE PROPERTY OF DIGITAL EQUIPMENT CORPORATION AND SHALL NOT BE REPRODUCED OR COPIED OR USED IN WHOLE OR IN PART AS THE BASIS FOR THE MANUFACTURE OR SALE OF ITEMS WITHOUT WRITTEN PERMISSION. COPYRIGHT © 1978 DIGITAL EQUIPMENT CORPORATION

H 1-7-9982W 50 2

NOTE:  
 1. SWITCHES ARE SHOWN IN ACTIVE MODE.  
 2. D7, D6 ARE MCL1301 1 MA CONSTANT CURRENT DIODES.



REVISIONS		
CHK	CHANGE NO.	REV.

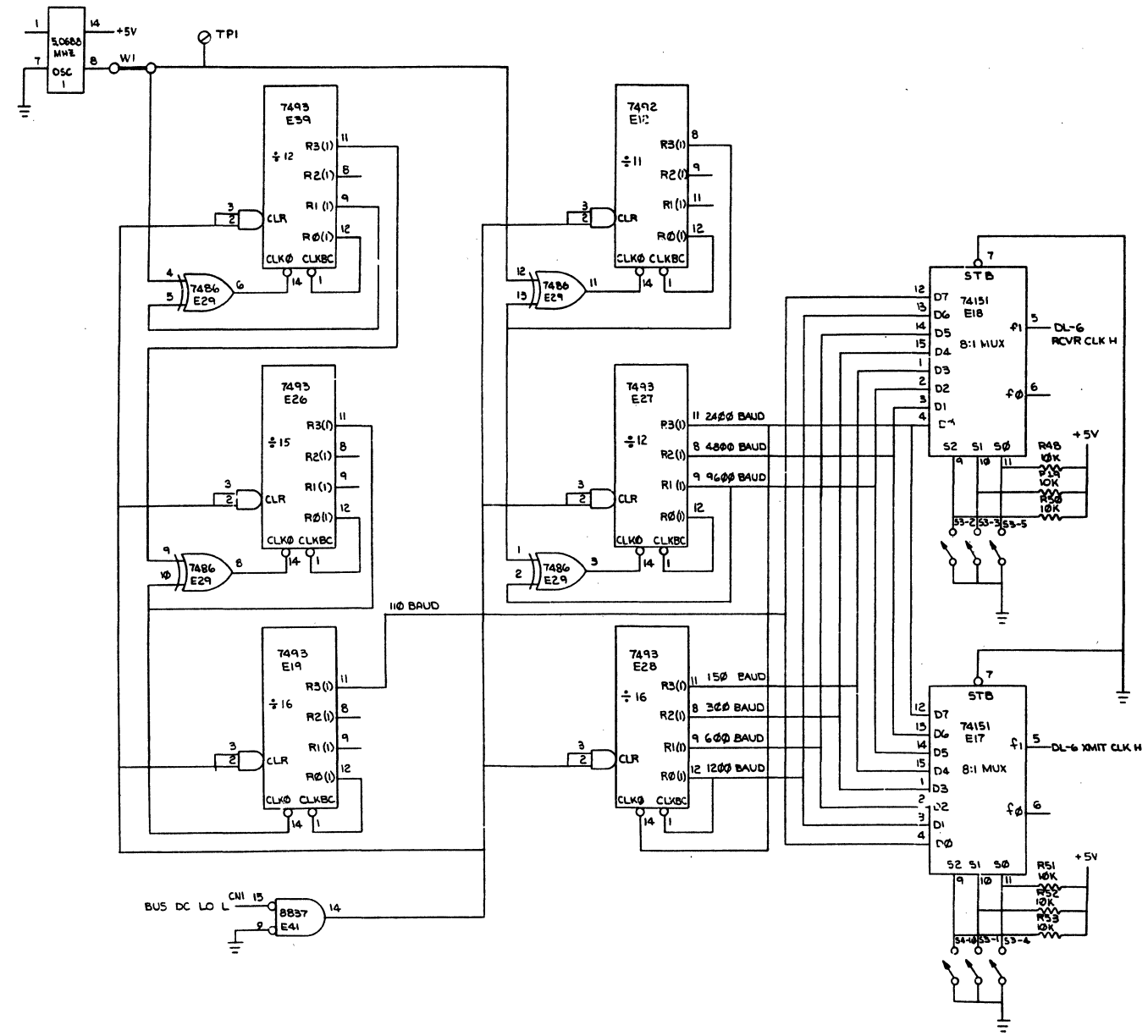
DEC FORM NO. DND 138

TITLE	SIZE CODE	NUMBER	REV.
SLU/RTC OPTION (DL-5)	D CS	M7356-0-1	H
SCALE	SHEET	OF	DIST.
	6	8	

705

THIS DRAWING AND SPECIFICATIONS HEREIN ARE THE PROPERTY OF DIGITAL EQUIPMENT CORPORATION AND SHALL NOT BE REPRODUCED OR COPIED OR USED IN WHOLE OR IN PART AS THE BASIS FOR THE MANUFACTURE OR SALE OF ITEMS WITHOUT WRITTEN PERMISSION.  
 COPYRIGHT © 1974 DIGITAL EQUIPMENT CORPORATION

1-0-9882-1-01



BAUD RATE	S3-2	S3-3	S3-5	S4-10	S3-1	S3-4
110	OFF	OFF	OFF	ON	ON	ON
150	ON	OFF	OFF	OFF	ON	ON
300	OFF	ON	ON	ON	OFF	OFF
600	OFF	ON	OFF	ON	OFF	ON
1200	OFF	ON	ON	ON	ON	OFF
2400	ON	ON	ON	OFF	OFF	OFF
4800	ON	ON	OFF	OFF	OFF	ON
9600	ON	OFF	ON	OFF	ON	OFF

REVISIONS		
CHK	CHANGE NO.	REV.

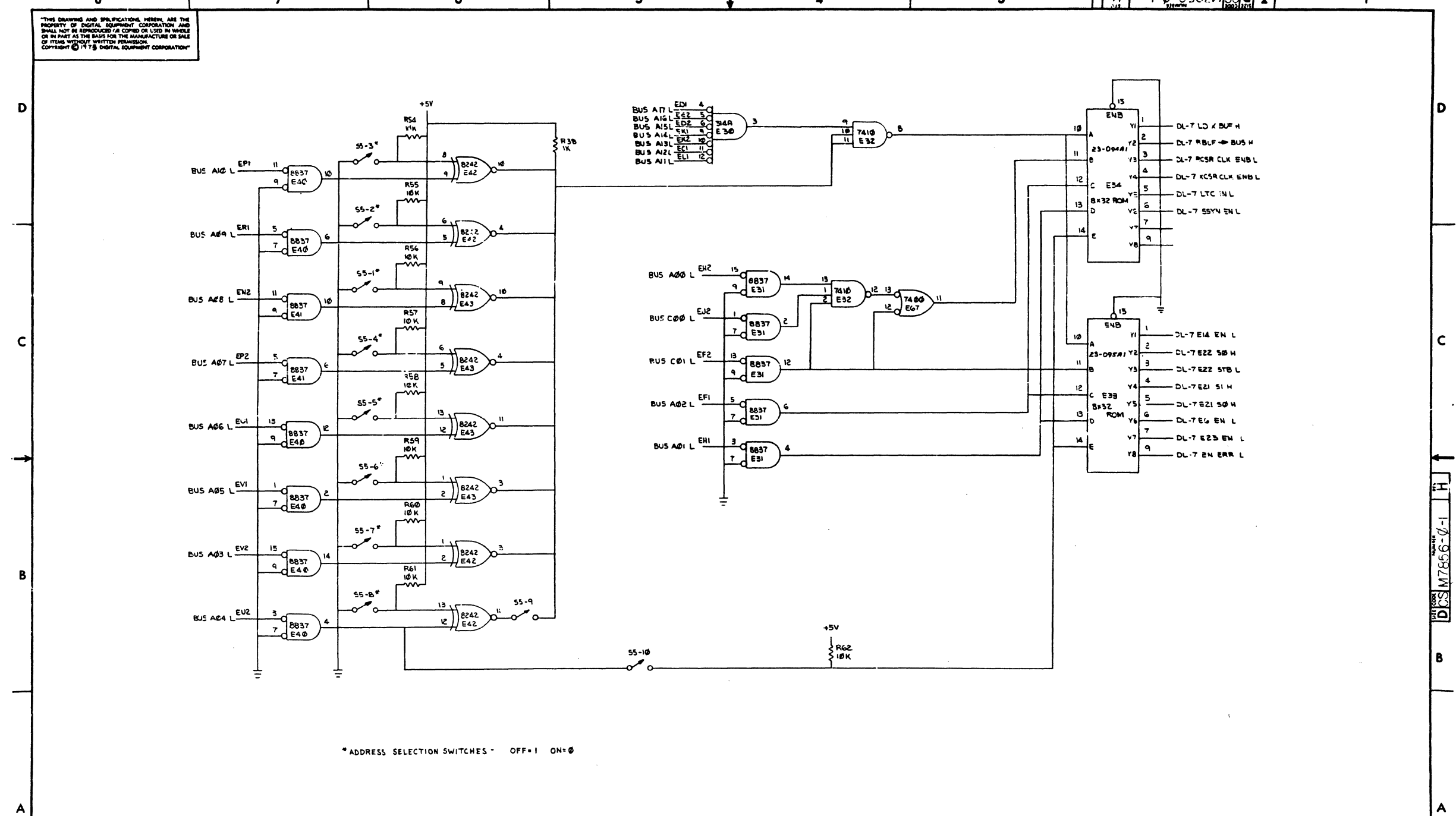
TITLE: SLU/RTC OPTION (DL-6)  
 SCALE: 1:1  
 SHEET 7 OF 9  
 SIZE CODE: D  
 NUMBER: CS M7856-1-1  
 REV: H

DCC FORM NO. DRD 138

704

THIS DRAWING AND SPECIFICATIONS HEREIN ARE THE PROPERTY OF DIGITAL EQUIPMENT CORPORATION AND SHALL NOT BE REPRODUCED OR COPIED IN WHOLE OR IN PART AS THE BASIS FOR THE MANUFACTURE OR SALE OF ITEMS WITHOUT WRITTEN PERMISSION. COPYRIGHT © 1975 DIGITAL EQUIPMENT CORPORATION

1-0-998/W/S/D/2



\* ADDRESS SELECTION SWITCHES - OFF=1 ON=0

REVISIONS		
CHK	CHANGE NO.	REV.

TITLE	SCALE	SHEET	OF	DIST.	SIZE	CODE	NUMBER	REV.
SLU/RTC OPTION (DL-7)	++	8	OF	8	D	CS	M7856-0-1	H

DEC FORM NO. DDD 138

707

"THIS DRAWING AND SPECIFICATIONS, HEREIN, ARE THE PROPERTY OF DIGITAL EQUIPMENT CORPORATION AND SHALL NOT BE REPRODUCED OR COPIED OR USED IN WHOLE OR IN PART AS THE BASIS FOR THE MANUFACTURE OR SALE OF ITEMS WITHOUT WRITTEN PERMISSION. COPYRIGHT © 1975, DIGITAL EQUIPMENT CORPORATION"

REV. NUMBER 6-0-9582W KCS 2

(FOR 23094A1-A07 & 23095A1-A07)

REV.	
CHANGE NO.	
CHK	

QUANTITY & VARIATION	DESCRIPTION		DWG./PART NO.		ITEM NO.	
	UNLESS OTHERWISE SPECIFIED DIMENSIONS ARE IN INCHES					
	ANGLES ±0° 30'	CLASS OF ACCURACY (CHECK ONE)	NOMINAL DIMENSION RANGE INCHES			
SURFACE QUALITY IN MICROINCHES <input checked="" type="checkbox"/>	MEDIUM <input type="checkbox"/>	OVER 0 TO 0.2	OVER 0.2 TO 1.2	OVER 1.2 TO 4.0	OVER 4.0 TO 12.0	OVER 12.0 TO 40.0
	PREFERRED <input type="checkbox"/>	±.004	±.008	±.012	±.016	±.024
		±.012	±.016	±.025	±.04	±.063

THIRD ANGLE PROJECTION	DRN: <i>S. Quinn</i> 9-10-75	FIRST USED ON	DL11-W	digital
REMOVE BURRS AND BREAK SHARP CORNERS	CHK'D: <i>F. Quinn</i> 9-23-75	TITLE	ROM LISTING	
DO NOT SCALE DWG	PROJ. ENG. <i>K. Carr</i> 9-23-75			
MATERIAL	PROD. <i>A. Smith</i> 9-23-75			
FINISH	NEXT HIGHER ASSY.			
	D-CS-M7856-0-1	SIZE	CODE	NUMBER
	SCALE	K	CS	M7856-0-9
	SHEET 1 OF 3	DIST.		

706

1  
DEC PART NUMB: 23094A1-A07  
ORIGINATOR: BOB PRATT  
DATE OF ORIGIN: 2/28/75

ROM PATTERN SPEC

DECIMAL LOC	OCTAL LOC	BINARY DATA	OCTAL DATA
0	00	00111100	074
1	01	00111100	074
2	02	00111100	074
3	03	00111100	074
4	04	00111100	074
5	05	00111100	074
6	06	00111100	074
7	07	00111100	074
8	10	00111100	074
9	11	00111100	074
10	12	00111100	074
11	13	00111100	074
12	14	00001100	014
13	15	00111100	074
14	16	00011100	034
15	17	00111100	074
16	20	00011000	030
17	21	00111100	074
18	22	00011100	034
19	23	00111100	074
20	24	00010100	024
21	25	00111100	074
22	26	00011100	034
23	27	00111100	074
24	30	00011100	034
25	31	00111100	074
26	32	00011110	036
27	33	00111100	074
28	34	00011101	035
29	35	00111100	074
30	36	00011100	034
31	37	00111100	074

1  
DEC PART NUMB: 23-095A1-A07  
ORIGINATOR: BOB PRATT  
DATE OF ORIGIN: 2/28/75

ROM PATTERN SPEC

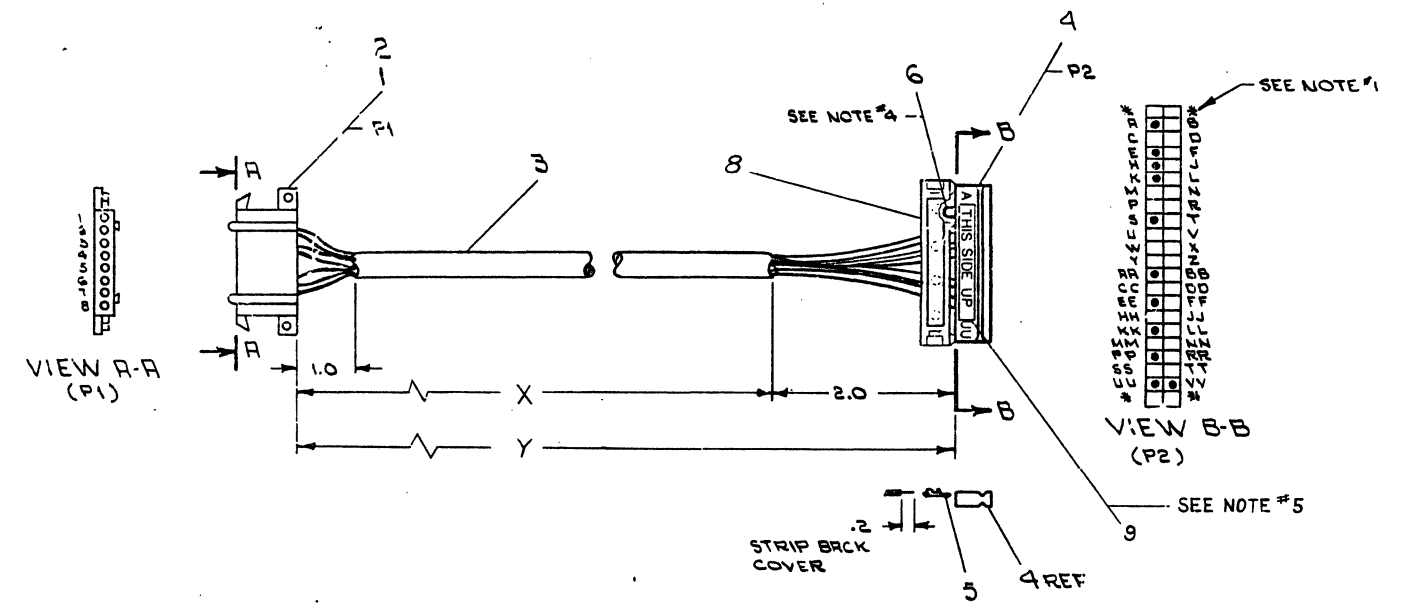
DECIMAL LOC	OCTAL LOC	BINARY DATA	OCTAL DATA
0	00	11111111	377
1	01	11111111	377
2	02	11111111	377
3	03	11111111	377
4	04	11111111	377
5	05	11111111	377
6	06	11111111	377
7	07	11111111	377
8	10	11111111	377
9	11	11111111	377
10	12	11111111	377
11	13	11111111	377
12	14	11011111	337
13	15	11111111	377
14	16	11111111	377
15	17	11111111	377
16	20	10001111	217
17	21	11111111	377
18	22	11111111	377
19	23	11111111	377
20	24	11010001	321
21	25	11111111	377
22	26	11111111	377
23	27	11111111	377
24	30	01000010	102
25	31	11111111	377
26	32	11111111	377
27	33	11111111	377
28	34	11111111	377
29	35	11111111	377
30	36	11111111	377
31	37	11111111	377

710

WIRE TABLE				TO		
ITEM NO.	DESCRIPTION	COLOR	PAIR NO.	FROM CONNECTION	WITH CONNECTION	TO CONNECTION
3	22	BLK	1	P1-2	2	P2-KK
3		RED		P1-3	2	P2-S
3,7		SHIELD		SEE NOTE #2	-	P2-R (NOTE 3)
3		BLK	2	P1-4	2	P2-EE
3		WHT		P1-5	2	P2-RR
3,7		SHIELD		SEE NOTE #2	-	P2-UU (NOTE 3)
3		BLK	3	P1-6	2	P2-PP
3		GRN		P1-7	2	P2-K
3,7		SHIELD		SEE NOTE #2	-	P2-VV (NOTE 3)
6	22	BLK	-	P2-E	5	P2-H

VARIATION	LENGTH	
	X	Y
7008360-0	25 IN ± 1.0	27 IN ± 1.0
7008360-1	46 IN ± 1.0	48 IN ± 1.0
7008360-9	9 FT ± 2 IN	9 FT 2 IN ± 2 IN

- NOTES:**
- \* ASTERISKS INDICATE CAVITIES NOT USED OR DESIGNATED BY LETTERS.
  - DRAIN WIRES TO BE CUT BACK TO OUTER INSULATION ON P1 END OF CABLE ONLY. SHIELDS TO BE CUT BACK TO OUTER INSULATION ON BOTH ENDS OF CABLES.
  - DRAIN WIRES ON P2 END OF CABLE TO BE EACH ENCLOSED WITH ITEM #7 (TUBING) FROM END OF CABLE JACKET TO POINT WHERE THEY ENTER P2 CONNECTOR.
  - ITEM #6 (WIRE) TO BE APPROXIMATELY ONE (1) INCH LONG.
  - PLACE ITEM #9 (THIS SIDE UP) STICKER ON LETTERED SIDE OF ITEM #4 (BERG HOUSING) AS SHOWN.



QTY.	DESCRIPTION	PART NO.	ITEM NO.
1	LABEL, THIS SIDE UP	3611567	9
1	STRIP RELIEF	1211156	8
R/R	TUB. #18 TEF. THINWALL WRT	910278-11	7
R/R	WIRE #22 AWG STRO TEF BLK	9107350-00	6
11	SOCKET, CRIMP #47216	1210089-07	5
1	HOUSING, BERG #65043-015	1210913-15	4
R/R	CABLE, BELDEN #877-3PR SHLD	9107723-0	3
6	CONTACT MATE-LOCK (FEMALE)	1209379-03	2
1	CONN. MATE-N-LOCK (FEMALE)	1209340-00	1

REV	DATE	BY	CHKD	APP'D
A	12/1/74	J. M. CLARK		
B	12/1/74	J. M. CLARK		
C	12/1/74	J. M. CLARK		
D	12/1/74	J. M. CLARK		

FIRST USED ON OPTION / MODEL FDP-8E

DO NOT SCALE DRAWING UNLESS OTHERWISE SPECIFIED

SCALE NONE

TITLE: CABLE ASSEMBLY (KL8E)

SIZE CODE: DIA 7008360-0-0

NUMBER: 11

REV: 11

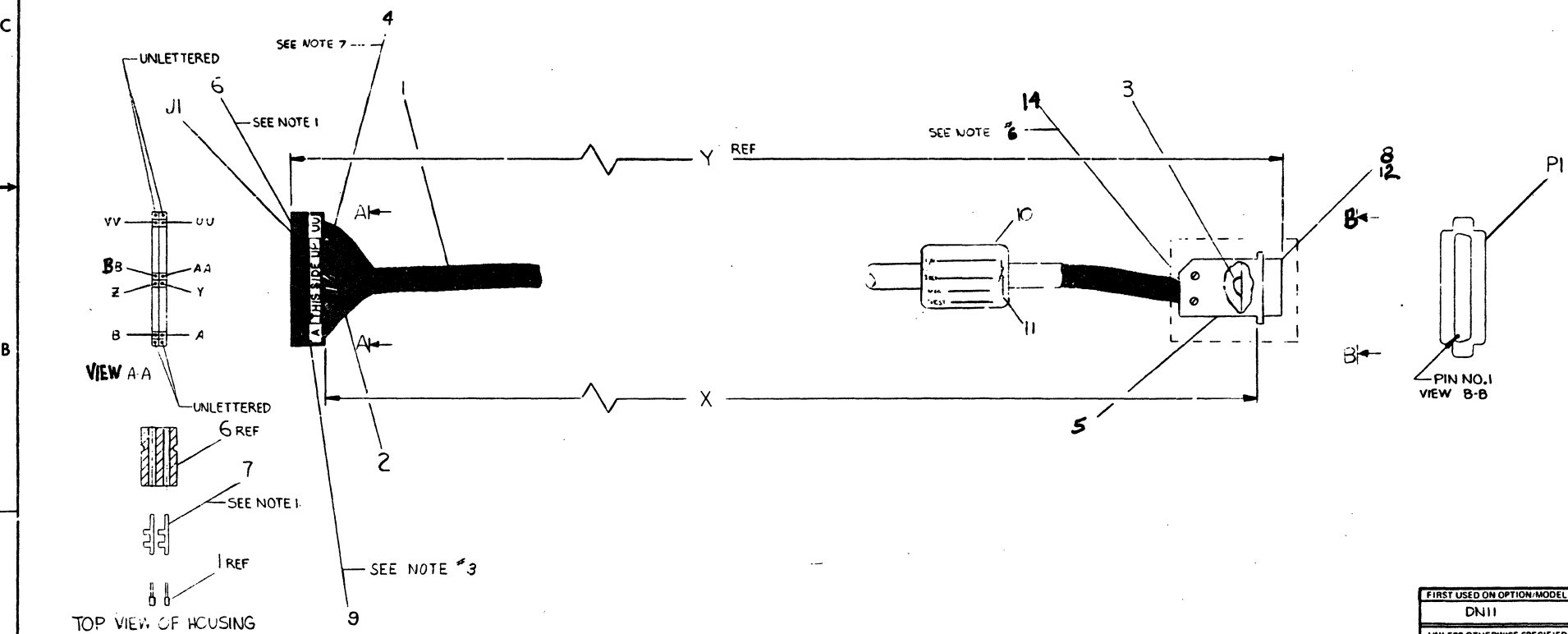
This drawing and specifications herein are the property of Digital Equipment Corporation and shall not be reproduced or copied in whole or in part or the basis for the manufacture or sale of items without written permission.

WIRE TABLE												
ITEM NO.	DESCRIPTION	FROM	TO	ITEM NO.	DESCRIPTION	FROM	TO					
AWG	COLOR	CONNECTION	WITH	CONNECTION	WITH	CONNECTION	WITH					
1	ZG	BLU/WHT	PI-1 # 12	J1-VV	7	1	ZG	RED/BRN	PI-16	8	J1-NN	7
		WHT/BLU	PI-2	J1-F				SLA	PI-17		J1-R	
		ORN/WHT	PI-3	J1-J				RED/SLA	PI-18		J1-U	
		WHT/ORN	PI-4	J1-V				BLU/BLK	PI-19		J1-P	
		GRN/WHT	PI-5	J1-T				BLK/BLU	PI-20		J1-DD	
		WHT/GRN	PI-6	J1-Z				ORN/BLK	PI-21		J1-MM	
		BRN/WHT	PI-7 ** 12	J1-UU				BLK/ORN	PI-22		J1-X	
		WHT/BRN	PI-8	J1-BB				GRN/BLK	PI-23		J1-RR	
		SLA/WHT	PI-9	J1-Y				BRN/RED	PI-24		J1-L	
		WHT/SLA	PI-10	J1-W				RED/ORN	PI-25	8	J1-C	
		BLU/RED	PI-11	J1-FF				SHIELD	PI-1 # 12		J1-A	
		RED/BLU	PI-12	J1-JJ				SHIELD	PI-7 ** 12		J1-B	7
		ORN/RED	PI-13	J1-D				BLK	PI-1 # 12		PI-7 ** 12	
		SLA/RED	PI-14	J1-LL				RED	J1-E	7	J1-M	7
		SLA/GRN	PI-15	J1-N								

NUMBER	VARIATION	
	DIM X	DIM Y (PREC'T)
BC05C-25	25 ± 3"	25' L.B"
BC05C-50	50 ± 2%	50' L.B"
BC05C-09	9 ± 3"	9' L.B"
BC05C-1F	18 ± 1"	19.6"

- NOTES:
- MANUFACTURING SHOULD USE MACHINE CRIMPER TOOL FOR CRIMPING PINS (ITEM #7) MUST BE HT68 FROM BERG ELECT
  - ONLY DEC PART #1210918-15 MAY BE USED AS J1.
  - PLACE ITEM #9 ("THIS SIDE UP" STICKER) ON LETTERED SIDE OF ITEM #6 (BERG HOUSING) AS SHOWN.
  - USE ITEM #4 (9107256) OVER SHIELD WIRE (PI-7) TO PREVENT SHORTING.
  - USE ITEM #2 (9107256) OVER REMAINING SOLDER CUPS TO PREVENT SHORTING.
  - DUE TO TOLERANCES WITH DIFFERENT VENDORS THE HOOD (ITEM #3) MAY VARY IN OUTSIDE DIAMETER CAUSING POTENTIAL STRAIN RELIEF GRIPPING PROBLEM SHOULD THIS CONDITION BE PRESENT USE ITEM #4 (9107834) AT JUNCTION OF CABLE AND HOOD
  - PLACE ITEM #4 (9107256) OVER SHIELD WIRE J1-A, J1-B, PI-1, PI-7.

\*\* DENOTES THREE WIRES ARE SOLDERED INTO THE PI-1 SOLDER CUP  
 \* DENOTES THREE WIRES ARE SOLDERED INTO THE PI-7 SOLDER CUP



REV	CHANGE NO	DATE	BY	CHK
A	1	10-28-72	SMITH	
B	2	11-14-72	SMITH	
C	3	12-14-72	SMITH	
D	4	1-10-73	SMITH	
E	5	2-14-73	SMITH	
F	6	3-14-73	SMITH	
G	7	4-10-73	SMITH	
H	8	5-15-73	SMITH	
I	9	6-15-73	SMITH	
J	10	7-15-73	SMITH	
K	11	8-15-73	SMITH	
L	12	9-15-73	SMITH	
M	13	10-15-73	SMITH	
N	14	11-15-73	SMITH	
O	15	12-15-73	SMITH	
P	16	1-15-74	SMITH	
Q	17	2-15-74	SMITH	
R	18	3-15-74	SMITH	
S	19	4-15-74	SMITH	
T	20	5-15-74	SMITH	
U	21	6-15-74	SMITH	
V	22	7-15-74	SMITH	
W	23	8-15-74	SMITH	
X	24	9-15-74	SMITH	
Y	25	10-15-74	SMITH	
Z	26	11-15-74	SMITH	
AA	27	12-15-74	SMITH	
AB	28	1-15-75	SMITH	
AC	29	2-15-75	SMITH	
AD	30	3-15-75	SMITH	
AE	31	4-15-75	SMITH	
AF	32	5-15-75	SMITH	
AG	33	6-15-75	SMITH	
AH	34	7-15-75	SMITH	
AI	35	8-15-75	SMITH	
AJ	36	9-15-75	SMITH	
AK	37	10-15-75	SMITH	
AL	38	11-15-75	SMITH	
AM	39	12-15-75	SMITH	
AN	40	1-15-76	SMITH	
AO	41	2-15-76	SMITH	
AP	42	3-15-76	SMITH	
AQ	43	4-15-76	SMITH	
AR	44	5-15-76	SMITH	
AS	45	6-15-76	SMITH	
AT	46	7-15-76	SMITH	
AU	47	8-15-76	SMITH	
AV	48	9-15-76	SMITH	
AW	49	10-15-76	SMITH	
AX	50	11-15-76	SMITH	
AY	51	12-15-76	SMITH	
AZ	52	1-15-77	SMITH	
BA	53	2-15-77	SMITH	
BB	54	3-15-77	SMITH	
BC	55	4-15-77	SMITH	
BD	56	5-15-77	SMITH	
BE	57	6-15-77	SMITH	
BF	58	7-15-77	SMITH	
BG	59	8-15-77	SMITH	
BH	60	9-15-77	SMITH	
BI	61	10-15-77	SMITH	
BJ	62	11-15-77	SMITH	
BK	63	12-15-77	SMITH	
BL	64	1-15-78	SMITH	
BM	65	2-15-78	SMITH	
BN	66	3-15-78	SMITH	
BO	67	4-15-78	SMITH	
BP	68	5-15-78	SMITH	
BQ	69	6-15-78	SMITH	
BR	70	7-15-78	SMITH	
BS	71	8-15-78	SMITH	
BT	72	9-15-78	SMITH	
BU	73	10-15-78	SMITH	
BV	74	11-15-78	SMITH	
BW	75	12-15-78	SMITH	
BX	76	1-15-79	SMITH	
BY	77	2-15-79	SMITH	
BZ	78	3-15-79	SMITH	
CA	79	4-15-79	SMITH	
CB	80	5-15-79	SMITH	
CC	81	6-15-79	SMITH	
CD	82	7-15-79	SMITH	
CE	83	8-15-79	SMITH	
CF	84	9-15-79	SMITH	
CG	85	10-15-79	SMITH	
CH	86	11-15-79	SMITH	
CI	87	12-15-79	SMITH	
CJ	88	1-15-80	SMITH	
CK	89	2-15-80	SMITH	
CL	90	3-15-80	SMITH	
CM	91	4-15-80	SMITH	
CN	92	5-15-80	SMITH	
CO	93	6-15-80	SMITH	
CP	94	7-15-80	SMITH	
CQ	95	8-15-80	SMITH	
CR	96	9-15-80	SMITH	
CS	97	10-15-80	SMITH	
CT	98	11-15-80	SMITH	
CU	99	12-15-80	SMITH	
CV	100	1-15-81	SMITH	

QTY.	DESCRIPTION	PART NO.	ITEM NO.
1	HOOD	1210493-50	15
A/R	TAPE DOUBLE SHIELD	9007834	14
1	MALE SCREW	1210493-51	13
2	PIN CONTACT	1215241	12
2	TIE WRAPS	9007031	11
1	CABLE LABEL	9009532	10
1	LABEL, THIS SIDE UP	3611567	9
23	PIN 24-28 AWG	1210493-43	5
29	SOCKET, *HT-68	1210089-5	7
1	HOUSING, *20383 BERG	1210918-15	6
1	SHELL AND INSERT MALE	1210493-31	5
A/R	TUBING, *22 AWG TEF BLK	9107256-00	4
A/R	WIRE, *26 AWG STRD TEF BLK	9107636-00	3
A/R	WIRE, *26 AWG STRD TEF RED	9107636-01	2
A/R	CABLE, 25 CONDUCTOR *26 AWG	9107736	1

FIRST USED ON OPTION/MODEL	QTY.	DESCRIPTION	PART NO.	ITEM NO.
DN11				
UNLESS OTHERWISE SPECIFIED DIMENSION IN INCHES TOLERANCES				
DECIMALS	ANGLES	DATE		
XXX - 005	10° 30'	CHK	DATE	
X - 1		ENG.	DATE	
REMOVE BURRS AND BREAK SHARP CORNERS SURFACE QUALITY				
MATERIAL	NEXT HIGHER ASSY.	DATE		
FINISH	SCALE	DATE		
	NONE			
PARTS LIST				
digital EQUIPMENT CORPORATION				
TITLE				
CABLE, MODEM				
BC05C				
SIZE CODE		NUMBER	REV.	
DUJA		BC05C-0-0	H	
SHEET 1 OF 1		DIST.		

712

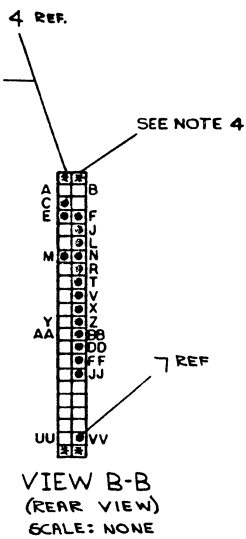
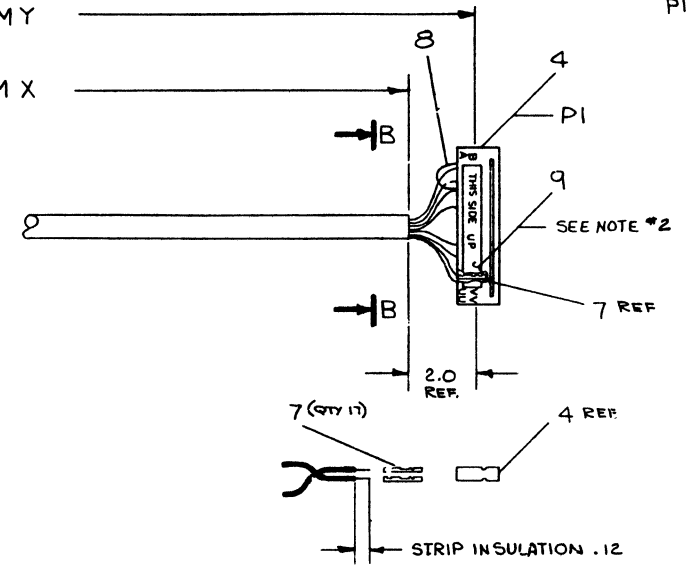
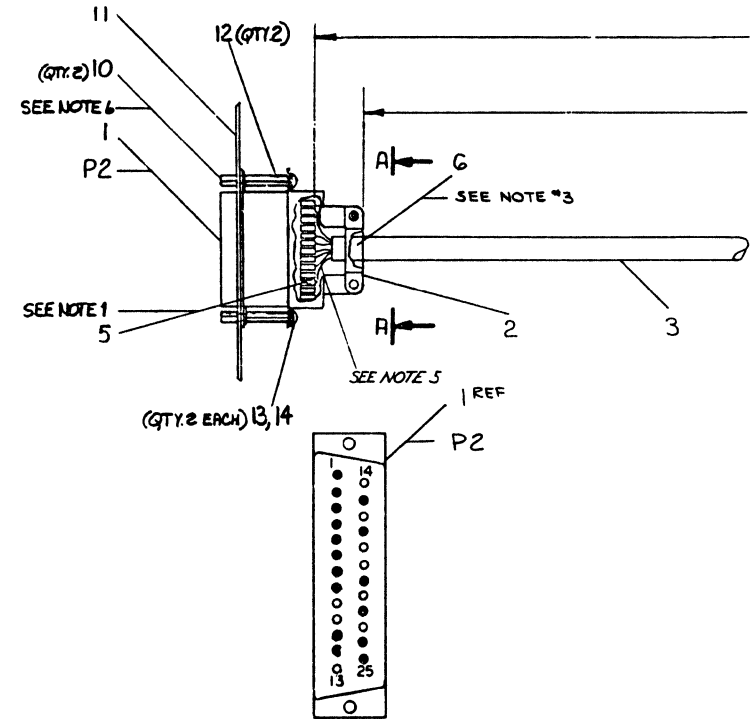


THIS DRAWING AND SPECIFICATIONS HEREIN ARE THE PROPERTY OF DIGITAL EQUIPMENT CORPORATION AND SHALL NOT BE REPRODUCED OR COPIED OR USED IN WHOLE OR IN PART AS THE BASIS FOR THE MANUFACTURE OR SALE OF ITEMS WITHOUT WRITTEN PERMISSION. COPYRIGHT © 1975, DIGITAL EQUIPMENT CORPORATION

WIRE TABLE						
ITEM NO	AWG	COLOR	FROM CONNECTION	WITH	TO CONNECTION	WITH
3	22	BLK	P1-VV	7	P2-7	SOLDER
		GRN/WHT	P1-C		P2-25	
		GRN/BLK	P1-JJ		P2-12	
		ORN/BLK	P1-FF		P2-11	
		RED	P1-DD		P2-20	
		GRN	P1-BB		P2-8	
		BLK/WHT	P1-E		P2-6	
		ORN	P1-X		P2-22	
		BLU	P1-V		P2-4	
		WHT	P1-T		P2-5	
		BLU/BLK	P1-R		P2-17	
		BLK/WHT	P1-N		P2-15	
		RED/WHT	P1-L		P2-24	
		WHT/BLK	P1-J		P2-3	
3		RED/BLK	P1-F		P2-2	SOLDER
8		BLK	P1-E	7	P1-M	7
8	22	BLK	P2-1	SOLDER	P2-7	SOLDER

LEGEND		
NUMBER	VARIATION	
	DIM 'X'	DIM 'Y' PRECUT
BC03L-10	10FT ± 2IN	10FT, 5IN
BC03L-5	5FT ± 2IN	5FT, 5IN
BC03L-1K	1FT 9IN ± 1IN	2FT
BC03L-01	1FT ± 1IN	1FT, 3IN

- NOTES:
- EACH SOLDERED CONN ON P2 SHALL BE INSULATED WITH A .25 PIECE OF SHRINK TUBING (ITEM #5)
  - PLACE ITEM #9 (THIS SIDE UP STICKER) ON LETTERED SIDE OF ITEM #4 (CONN HOUSING) AS SHOWN.
  - FOR STRAIN RELIEF WRAP 2 TURNS OF TAPE (ITEM #6) AROUND CABLE (ITEM #3) AS SHOWN.
  - PINS MARKED \* IN VIEW B-B ARE NOT USEABLE
  - WIRES COMING FROM CENTER OF PLUG CONN SHOULD BE 5/8" LG. ALL OTHERS SHOULD BE CONTAINED INTO HOOD OF CONN. SO THAT THEY'RE NOT BUNCHED.
  - PLACE LOCKWASHER (SUPPLIED WITH ITEM #10) BETWEEN SPACER AND CONNECTOR FLANGE. DISCARD NUT (QTY 2) SUPPLIED WITH ITEM #10.



QTY	DESCRIPTION	QTY	DESCRIPTION	QTY	DESCRIPTION
2	WASHER, LOCK #4	9006688	14		
2	SCR, PHL PAN HD #4-40 X .25	9008301-1	13		
2	SPACER, THREADED, HEX	9008833	12		
1	PLATE, CONN. MFG.	B-MD-7414072-00	11		
2	SCREW LOCK ASSY	9008451-00	10		
1	LABEL (THIS SIDE UP)	3611567	9		
3	WIRE, STRANDED #22 AWG IPVC (BLK)	9107350-00	8		
17	SOCKET, CRIMP	1210089-07	7		
A/R	TAPE, DOUBLE SIDED .50 W D.	9007834	6		
16	TUBING, HEAT SHRINK .12	9107255-09	5		
1	CONN, 44 POS, HSG.	1210918-15	4		
A/R	CABLE, 15 COND, 22 AWG.	9107672-00	3		
1	HOOD, CONN.	1212516-00	2		
1	CONNECTOR, PLUG, FILTERED	1214031-00	1		

REV	DESCRIPTION	DATE	BY	CHKD
1	REVISED TO ADD PARTS LIST	11-18-75	T. ORR	
2	REVISED TO ADD PARTS LIST	11-18-75	T. ORR	
3	REVISED TO ADD PARTS LIST	11-18-75	T. ORR	
4	REVISED TO ADD PARTS LIST	11-18-75	T. ORR	
5	REVISED TO ADD PARTS LIST	11-18-75	T. ORR	
6	REVISED TO ADD PARTS LIST	11-18-75	T. ORR	
7	REVISED TO ADD PARTS LIST	11-18-75	T. ORR	
8	REVISED TO ADD PARTS LIST	11-18-75	T. ORR	
9	REVISED TO ADD PARTS LIST	11-18-75	T. ORR	
10	REVISED TO ADD PARTS LIST	11-18-75	T. ORR	
11	REVISED TO ADD PARTS LIST	11-18-75	T. ORR	
12	REVISED TO ADD PARTS LIST	11-18-75	T. ORR	
13	REVISED TO ADD PARTS LIST	11-18-75	T. ORR	
14	REVISED TO ADD PARTS LIST	11-18-75	T. ORR	
15	REVISED TO ADD PARTS LIST	11-18-75	T. ORR	
16	REVISED TO ADD PARTS LIST	11-18-75	T. ORR	
17	REVISED TO ADD PARTS LIST	11-18-75	T. ORR	
18	REVISED TO ADD PARTS LIST	11-18-75	T. ORR	
19	REVISED TO ADD PARTS LIST	11-18-75	T. ORR	
20	REVISED TO ADD PARTS LIST	11-18-75	T. ORR	
21	REVISED TO ADD PARTS LIST	11-18-75	T. ORR	
22	REVISED TO ADD PARTS LIST	11-18-75	T. ORR	
23	REVISED TO ADD PARTS LIST	11-18-75	T. ORR	
24	REVISED TO ADD PARTS LIST	11-18-75	T. ORR	
25	REVISED TO ADD PARTS LIST	11-18-75	T. ORR	
26	REVISED TO ADD PARTS LIST	11-18-75	T. ORR	
27	REVISED TO ADD PARTS LIST	11-18-75	T. ORR	
28	REVISED TO ADD PARTS LIST	11-18-75	T. ORR	
29	REVISED TO ADD PARTS LIST	11-18-75	T. ORR	
30	REVISED TO ADD PARTS LIST	11-18-75	T. ORR	
31	REVISED TO ADD PARTS LIST	11-18-75	T. ORR	
32	REVISED TO ADD PARTS LIST	11-18-75	T. ORR	
33	REVISED TO ADD PARTS LIST	11-18-75	T. ORR	
34	REVISED TO ADD PARTS LIST	11-18-75	T. ORR	
35	REVISED TO ADD PARTS LIST	11-18-75	T. ORR	
36	REVISED TO ADD PARTS LIST	11-18-75	T. ORR	
37	REVISED TO ADD PARTS LIST	11-18-75	T. ORR	
38	REVISED TO ADD PARTS LIST	11-18-75	T. ORR	
39	REVISED TO ADD PARTS LIST	11-18-75	T. ORR	
40	REVISED TO ADD PARTS LIST	11-18-75	T. ORR	
41	REVISED TO ADD PARTS LIST	11-18-75	T. ORR	
42	REVISED TO ADD PARTS LIST	11-18-75	T. ORR	
43	REVISED TO ADD PARTS LIST	11-18-75	T. ORR	
44	REVISED TO ADD PARTS LIST	11-18-75	T. ORR	
45	REVISED TO ADD PARTS LIST	11-18-75	T. ORR	
46	REVISED TO ADD PARTS LIST	11-18-75	T. ORR	
47	REVISED TO ADD PARTS LIST	11-18-75	T. ORR	
48	REVISED TO ADD PARTS LIST	11-18-75	T. ORR	
49	REVISED TO ADD PARTS LIST	11-18-75	T. ORR	
50	REVISED TO ADD PARTS LIST	11-18-75	T. ORR	

UNLESS OTHERWISE SPECIFIED DIMENSIONS ARE IN INCHES

ANGLE	CLASS OF ACCURACY	TOLERANCES				
10°/30°	(CHECK DIMS)	FR	OR	OR	OR	OR
		0	0.1	0.2	0.5	1.0
		0.01	0.02	0.05	0.10	0.20
		0.001	0.002	0.005	0.010	0.020
		0.0001	0.0002	0.0005	0.0010	0.0020

THIRD ANGLE PROJECTION

REMOVE BURRS AND BREAK SHARP CORNERS

SEE PARTS LIST

SCALE 1/1

SHEET 1 OF 1

DESCRIPTION: FILTERED CABLE ASSY BC03L

QTY: 1

REV: F

This drawing and specifications herein are the property of Digital Equipment Corporation and shall remain confidential in whole or in part as the basis for the manufacture or sale of items without written permission.

<b>DIGITAL EQUIPMENT CORPORATION</b> MAYNARD, MASSACHUSETTS						
<b>ENGINEERING SPECIFICATION</b>				DATE 2-28-77		
TITLE DL11-W Installation Procedure						
REVISIONS						
REV	DESCRIPTION	CHG NO	ORIG	DATE	APPD BY	DATE
A	ECO CHANGE	00002	B. CRAMM	8-77	B. Pratt	8-77
ENG	APPD	SIZE	CODE	NUMBER	REV	
Bob Pratt	B. Pratt	A	SP	DL11-W-2	A	

DEC FORM NO DEC 16-(392)-1073-N971  
DRA 107

SHEET 1 OF 8

<b>ENGINEERING SPECIFICATION</b>				CONTINUATION SHEET																																									
TITLE DL11-W Installation Procedure																																													
DL11-W Installation Procedure																																													
Installation of the M7856 module consists of the following preparations:																																													
<ol style="list-style-type: none"> <li>1) Switch selection of the address mode and register addresses.</li> <li>2) Switch selection of vector address.</li> <li>3) Switch selection of data format.</li> <li>4) Switch selection of receiver and transmitter baud rates.</li> <li>5) Switch selection of operation mode for the current loops.</li> <li>6) Additional switch selections for compatibility.</li> <li>7) Installation of G8000 in systems where +15V is not available.</li> </ol>																																													
<p>NOTE: The notation used to indicate a particular switch is as follows: SX-Y where X denotes the particular switch pack and Y denotes the individual switch in the pack. The switch pack is labeled on the P. C. board with an SX (eS2) and the individual switches are labeled on the switch pack as are the on-off positions.</p>																																													
<p>A. Register Address Assignments:</p> <p>The DL11-W can respond to addresses with the following format:</p>																																													
<table style="margin: auto;"> <tr> <td>17</td><td>16</td><td>15</td><td>14</td><td>13</td><td>12</td><td>11</td><td>10</td><td>9</td><td>8</td><td>7</td><td>6</td><td>5</td><td>4</td><td>3</td><td>2</td><td>1</td><td>0</td> </tr> <tr> <td>1</td><td>1</td><td>1</td><td>1</td><td>1</td><td>1</td><td>1</td><td>1</td><td colspan="9" style="text-align: center;">SWITCHES</td><td> </td><td> </td><td> </td><td> </td> </tr> </table>							17	16	15	14	13	12	11	10	9	8	7	6	5	4	3	2	1	0	1	1	1	1	1	1	1	1	SWITCHES												
17	16	15	14	13	12	11	10	9	8	7	6	5	4	3	2	1	0																												
1	1	1	1	1	1	1	1	SWITCHES																																					
<p>Selects 1 of 4 Registers</p> <p>Byte Control</p>																																													
<p>The DL11-W can be operated in one of three different address selection modes. Normally, a DL11-W used as console terminal control would operate in the first mode, whereas additional DL11-W's would be operated in the second mode. The third mode is not normally used, but is included here for completeness.</p>																																													
ENG	APPD	SIZE	CODE	NUMBER	REV																																								
		A	SP	DL11-W-2	A																																								

DEC FORM NO DEC 16-(381)-1022-N370  
DRA 108

SHEET 2 OF 8

<b>ENGINEERING SPECIFICATION</b>				CONTINUATION SHEET						
TITLE DL11-W Installation Procedure										
<p>Mode 1: Both the serial line unit and the real-time clock sections can be addressed. Due to common address selection logic, operation in this mode requires that the serial line unit addresses be restricted to 77756X. The line clock address is 777546.</p> <p>Mode 2: Only the serial line unit section can be addressed. Address selection ranges from 74000 to 77777. Line clock is disabled and does not respond to address 777546.</p> <p>Mode 3: Only the line clock section can be addressed at 777546. The serial line unit section does not respond to any address.</p>										
ADDRESS AND MODE SELECTION										
Address Bit	A10	A09	A08	A07	A06	A05	A04	A03	N/A	N/A
Switch	S5-3	S5-2	S5-1	S5-4	S5-5	S5-6	S5-8	S5-7	S5-9	S5-10
Mode 1	Off	Off	Off	On	Off	Off	Off	On	Off	On
Mode 2*	Off	Off	Off	On	Off	Off	Off	On	On	Off
Mode 3	Off	Off	Off	On	Off	Off	On	On	On	On
*Address 77756X selected for serial line interface. Other addresses may be selected using SWITCH-OFF = 1 and SWITCH-ON = 0.										
Note: Remove R63 from DL11-W's operated in Mode 2 to allow proper operation of a line frequency clock or DL11-W operated in Mode 1 or Mode 3.										
Address assignments for serial lines are normally made in the ranges from 77650X to 77667X and from 77561X to 77617X.										
B. Vector Address Assignments:										
The line clock, if enabled, has a fixed vector address of 100 and cannot be changed. The serial line assignments are to floating vectors produced in the form XX0 (Receiver) and XX4 (Transmitter) where XX ranges from C0 to 77.										
For a DL11-W used as the console device, the vector is 060/064. Additional DL11-W's vector addresses are floating.										
		A	SP							

DEC FORM NO DEC 16-(381)-1022-N370  
DRA 108

SHEET 3 OF 8

<b>ENGINEERING SPECIFICATION</b>				CONTINUATION SHEET																						
TITLE DL11-W Installation Procedure																										
<table style="margin: auto;"> <tr> <td>V8</td><td>V7</td><td>V6</td><td>V5</td><td>V4</td><td>V3</td><td>V2</td><td>V1</td><td>V0</td> </tr> <tr> <td colspan="7" style="text-align: center;">SWITCHES</td> <td>0/1</td> <td>0</td> <td>0</td> </tr> </table>								V8	V7	V6	V5	V4	V3	V2	V1	V0	SWITCHES							0/1	0	0
V8	V7	V6	V5	V4	V3	V2	V1	V0																		
SWITCHES							0/1	0	0																	
Switch Selectable for Serial Line																										
Vector Bit	V8	V7	V6	V5	V4	V3																				
Switch	S2-8	S2-7	S2-5	S2-3	S2-6	S2-4																				
060/064	Off	Off	Off	On	On	Off																				
On = 1, Off = 0																										
C. Selection of Data Format:																										
1. Data Bits																										
Switches S4-3 and S4-4 control the number of data bits in the serial character as follows:																										
S4-4	S4-3	# of Data Bits																								
On	On	5																								
On	Off	6																								
Off	On	7																								
Off	Off	8																								
2. Parity																										
Parity is controlled by switches S4-2 and S4-6 as follows:																										
S4-2	S4-6	Parity																								
Off	Off	Off																								
On	Off	Off																								
Off	On	Even																								
On	On	Odd																								
3. Stop Bits																										
Switch S4-5 controls the number of stop bits selected in the serial character as follows:																										
		A	SP																							

DEC FORM NO DEC 16-(381)-1022-N370  
DRA 108

SHEET 4 OF 8

7/1

ENGINEERING SPECIFICATION		CONTINUATION SHEET	
TITLE DL11-W Installation Procedure			
S4-5	# of Stop Bits		
On	1		
Off	2 (or 1.5 if 5 data bits are selected)		
D. Baud Rate Selection:			
Receiver and Transmitter baud rates are independent, so any combination may be selected.			
Baud Rate Switch Selections			
Baud Rate	Receiver		Transmitter
	S3-2	S3-3 S3-5	S4-10 S3-1 S3-4
110	Off	Off Off	On On On
150	On	Off Off	Off On On
300	Off	On On	On Off Off
600	Off	On Off	On Off On
1200	Off	Off On	On On Off
2400	On	On On	Off Off Off
4800	On	On Off	Off Off On
9600	On	Off On	Off On Off
E. Current Loop Operation Mode:			
Normally, current loops should be in active mode, unless interfaced to another active loop, such as to another DL11.			
Active - Passive Mode Selection			
Transmitter	S1-1	S1-2	S1-3 S1-6 S1-7
Active	On	On	Off Off On
Passive	Off	Off	On On Off
Receiver	S3-6	S3-7	S3-8 S3-9 S3-10
Active	On	Off	On Off On
Passive	Off	On	Off On Off
Reader Enable	S1-4	S1-5	S1-8 S1-9 S1-10
Active	On	Off	On Off On
Passive	Off	On	Off On Off
SIZE	CODE	NUMBER	REV
A	SP	DL11-W-2	A

DEC FORM NO DEC 16-(381)-1022-N370  
DRA 108

SHEET 5 OF 8

ENGINEERING SPECIFICATION		CONTINUATION SHEET	
TITLE DL11-W Installation Procedure			
F. Compatibility Selection:			
Switches S4-1 and S4-7 allow the DL11-W to be configured to replace DL11-A, B, C, and D options in most applications.			
DL11-W Compatibility Switches			
Selectable	Switch	Description	
Break Bit	S4-1	Enabled in the ON position. Should be disabled (switch OFF) if replacing a DL11-A, or DL11-R should be enabled (switch ON) if replacing a DL11-C or DL11-D.	
Error Bits	S4-7	Error bit reporting is enabled in the ON position. Should be disabled if replacing DL11-A or DL11-B, and should be enabled if replacing DL11-C or DL11-D.	
Note: Both EIA level and current loop signals are available at the berg connector on the module. No selection is necessary. The proper cable will pick up the correct signals.			
G. G8000 Installation:			
For DL11-W EIA operation, a positive voltage is required between 9 and 15 volts to operate the EIA drivers. For PDP-11/20 and PDP-11/15 systems with the H720 power supply, a G8000 module must be installed to provide this voltage. Using a filter network, this module converts the full-wave rectified "+8V" signal to a positive DC voltage.			
1. Install G8000 into slot A02 or DD11-A.			
2. Wire A03V2 to A02V2.			
3. Wire A02N2 to CXXU1 where XX is the slot location of the M7856.			
SIZE	CODE	NUMBER	REV
A	SP	DL11-W-2	A

DEC FORM NO DEC 16-(381)-1022-N370  
DRA 108

SHEET 6 OF 8

ENGINEERING SPECIFICATION		CONTINUATION SHEET	
TITLE DL11-W Installation Procedure			
H. DL11-W Systems with +15V Available Using DD11-A			
There is a special situation of using a DD11-A to mount a DL11-W in systems with +15V available. These systems have +15V available, and it appears at pin A03V2 of the DD11-A when using power harness such as 7009177, 7008855, or 7008909. In this situation, no G8000 is necessary, and +15V can be wired directly from A03V2 to CXXU1, where XX is the slot number of the DL11.			
I. When using the DL11-W in an 11/05 processor pin CXXU1 has +15V available on it so no G8000 or no jumpers are required.			
J. INSTALLATION			
The DL11-W module plugs into an SPC slot. A wire must be installed to pick up the LTC L signal from the power supply and apply it to the line frequency input of the DL11-W.			
When installed, the LTC L input to the DL11-W is located on pin CD1. Connect a length of 30 AWG wire from pin CD1 on the backplane to the pin on the backplane, as designated in Table 1-1, for each application.			
Table 1-1 LTC L Connection			
PDP Computer	Processor	Pin Number	
11/04	KD11-D (4 slot)	C02D1, C03D1, C04D1	
11/04	KD11-D (9 slot)	C02D1, C03D1, C04D1, C05D1, C06D1, C07D1, C08D1, or C09D1	
11/05	KA11-A w/8K memory	C01D1, C02D1, C03D1, C04D1, or F08V2	
11/05	KD11-A w/16K memory	C01D1 or F08V2	
11/20	KA11	A13P2 or B12R1	
11/34	KD11-E	C03D1, C04D1, C05D1, C06D1, C07D1, C08D1, or C09D1	
11/35	KD11-A	F03R1 or C09D1	
11/40	KD11-A	F03R1 or C09D1	
11/45	KB11-A	C26D1, C27D1, or C28D1	
11/55	KB11-D	C26D1, C27D1, or C28D1	
11/70	KB11-B	C40D1, C41D1, C42D1, C43D1, or C44D1	
11/70	KB11-C	C40D1, C41D1, C42D1, C43D1, or C44D1	
	DD11-B Peripheral Mounting Panel	C01D1, C02D1, C03D1, or C04D1	
	DD11-D Peripheral Mounting Panel	C01D1, C02D1, C03D1, C04D1, C05D1, C06D1, C07D1, C08D1, C09D1	
	DD11-A Peripheral Mounting Panel	A03P2	
NOTE: A wire connection is not necessary for backplane pin numbers ending in N1. LTC L is already connected to the line frequency input of the DL11-W.			
SIZE	CODE	NUMBER	REV
A	SP	DL11-W-2	A

DEC FORM NO EN-01022-16-N370-(381)  
DRA 108

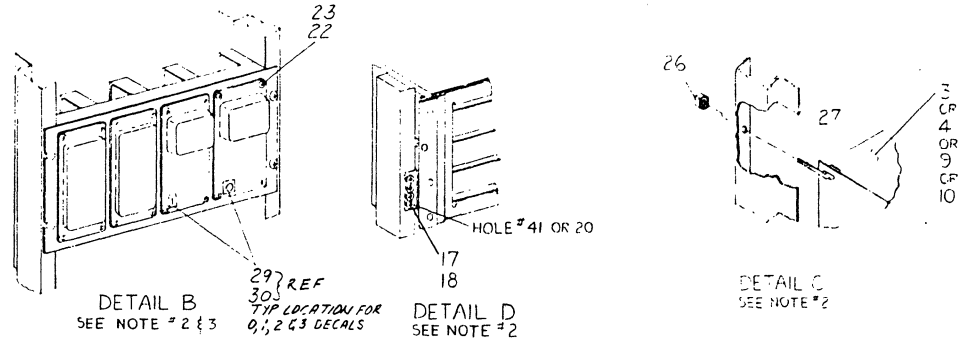
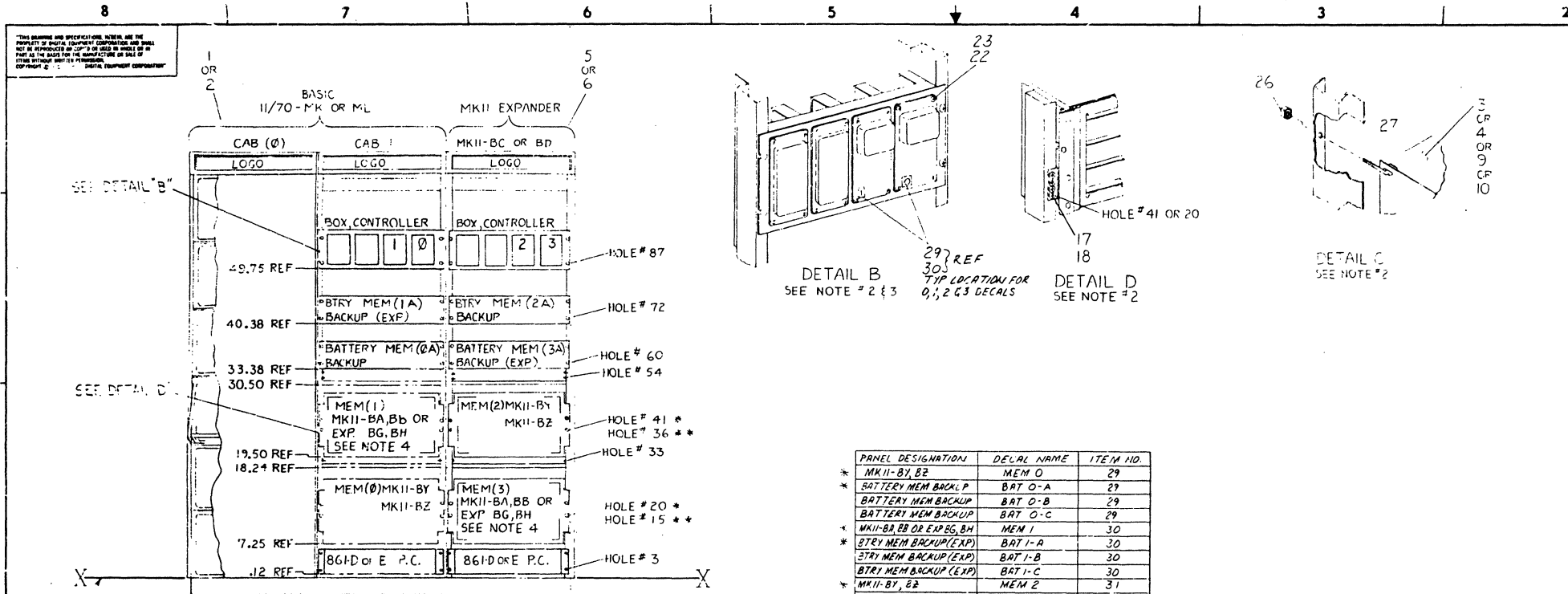
SHEET 7 OF 8

ENGINEERING SPECIFICATION		CONTINUATION SHEET	
TITLE DL11-W Installation Procedure			
K. Installation			
The DL11-W module plugs into an SPC slot. A wire must be installed to pick up the DCLOL signal from the power supply and apply it to the DCLOL input of the DL11-W.			
When installed, the DCLOL input to the DL11-W is located on pin CN1. Connect a length of 30 AWG wire from pin CN1 on the backplane to the pin on the backplane, as designated in Table 1-2 for each application.			
Table 1-2 DCLOL Connection			
PDP Computer	Processor	Pin Number	
11/04*	KD11-D (4 slot)	C03N1, C04N1	
11/04*	KD11-D (9 slot)	C03N1 thru C09N1	
11/05*	KA11-A w/8K Memory	C01N1, C02N1, C03N1, C04N1	
11/05*	KD11-A w/16K Memory	C01N1	
11/20	KA11	B11P2, B14P2, A13S2, A08S2, A03S2, B04D2, F06B2	
11/34*	KD11-E	C03N1 thru C09N1	
11/35	KD11-A	B09P2	
11/40	KD11-A	B09P2	
11/45*	KB11-A	C26N1, C26N1, C28N1	
11/55*	KB11-D	C26N1, C26N1, C28N1	
11/70*	KB11-B	C40N1, C41N1, C42N1, C43N1, C44N1	
11/70*	KB11-C	C40N1, C41N1, C42N1, C43N1, C44N1	
	DD11-B Peripheral Mounting Panel	C01N1 thru C04N1	
	DD11-D Peripheral Mounting Panel	C01N1 thru C09N1	
	DD11-A Peripheral Mounting Panel	B01P2, B04P2, A03S2	
*NOTE: A wire connection is not necessary for backplane pin numbers ending in N1. DCLOL is already connected to the input of the DL11-W.			
SIZE	CODE	NUMBER	REV
A	SP	DL11-W-2	A

DEC FORM NO EN-01022-16-N370-(381)  
DRA 108

SHEET 8 OF 8

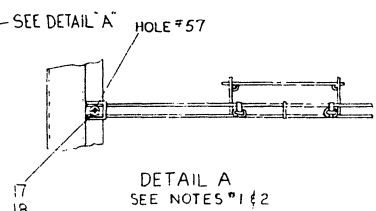
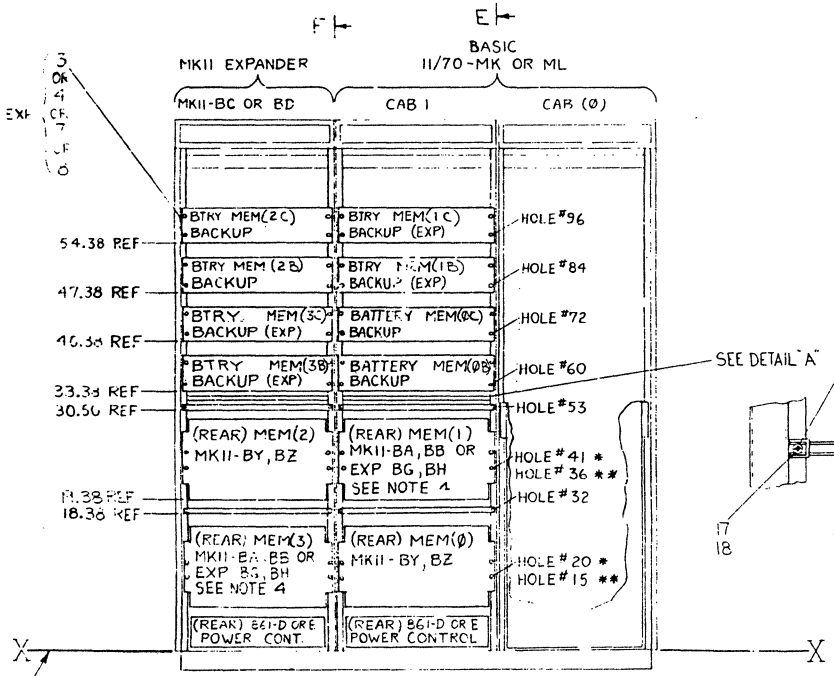
715



PANEL DESIGNATION	DECAL NAME	ITEM NO.
* MKII-BY, BZ	MEM 0	29
* BATTERY MEM BACKUP	BAT 0-A	29
BATTERY MEM BACKUP	BAT 0-B	29
BATTERY MEM BACKUP	BAT 0-C	29
* MKII-BA, BB OR EXP, BG, BH	MEM 1	30
* BTRY MEM BACKUP (EXP)	BAT 1-A	30
BTRY MEM BACKUP (EXP)	BAT 1-B	30
BTRY MEM BACKUP (EXP)	BAT 1-C	30
* MKII-BY, BZ	MEM 2	31
* BTRY MEM BACKUP	BAT 2-A	31
BTRY MEM BACKUP	BAT 2-B	31
BTRY MEM BACKUP	BAT 2-C	31
* MKII-BA, BB OR EXP, BG, BH	MEM 3	32
* BTRY MEM BACKUP	BAT 3-A	32
BTRY MEM BACKUP	BAT 3-B	32
BTRY MEM BACKUP (EXP)	BAT 3-C	32

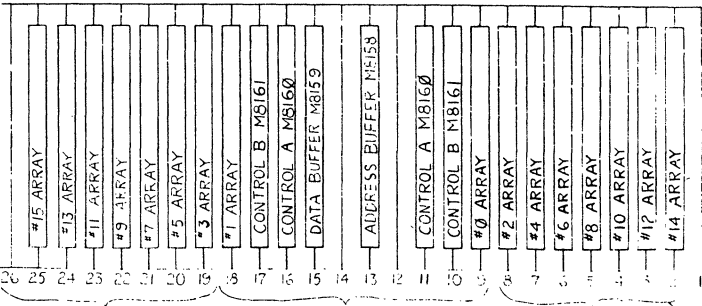
NOTE: \* - ACURIDE SLIDE  
 \*\* - CHASSIS TRACK SLIDE  
 FRONT OF SYSTEM  
 DOORS & TRIM REMOVED  
 FOR CLARITY

- NOTES:
- CABLE HOLDER SUPPLIED WITH ITEM # 5 OR 6 TO BE MOUNTED IN HOLES # 57 BETWEEN CAB # 1 & MKII-BC OR BD EXP CAB.
  - FOR VIEW ORIENTATION SEE E-UA-MKII-B-0 SH #1.
  - FOR MKII EXPANDER CAB, ADD BOX 3. FOR 11/70 EXPANSION ADD BOX 1, USING EXISTING HARDWARE SUPPLIED TO MOUNT IN PLACE.
  - THIS EXPANSION BOX USED FOR EITHER MEMORY # 1 OR # 3 WILL BE MKII-BY OR BZ WITH CUSTOMER OPTIONS.
  - ALL 8606A OUT PUT, INPUT CABLES MUST BE PLUGGED INTO THE INTERFACE MODULE CARDS WITH THE RED STRIPE VIEWED FROM MODULE SIDE 1 TO THE LEFT OF THE CONNECTOR.
  - ON 8606A CABLES PRESSED 2 DE WILL BE VISIBLE ON CUT CABLES AND SYSTEM SIDE ON IN CABLES AS VIEWED FROM SIDE 1 OF BOARD.



\* INDICATES DECALS APPLIED TO FRONT PANELS  
 ALL OTHERS - REAR PANELS & AS NOTED

NOTE: \* - ACURIDE SLIDE  
 \*\* - CHASSIS TRACK SLIDE  
 REAR OF SYSTEM  
 DOORS & TRIM REMOVED  
 FOR CLARITY



THESE SLOTS RESERVED FOR MKII-BE, BF, BG OR BH  
 DEPENDING ON CUSTOMER'S OPTIONS

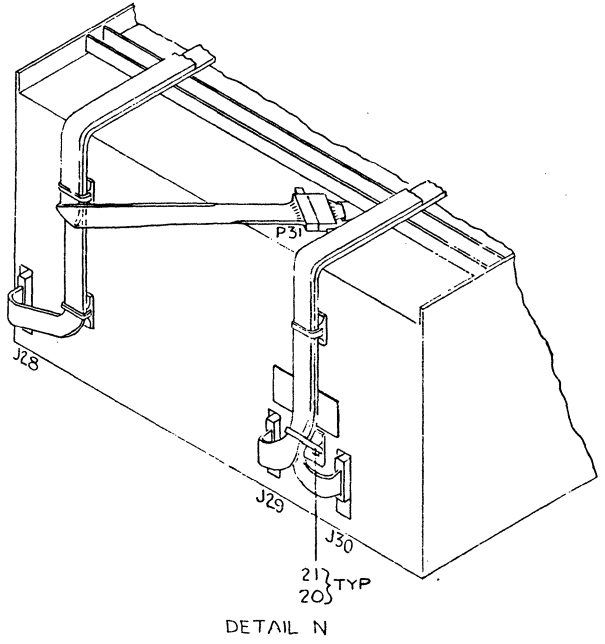
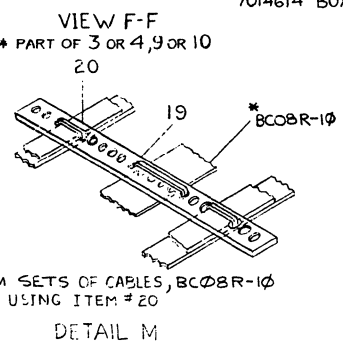
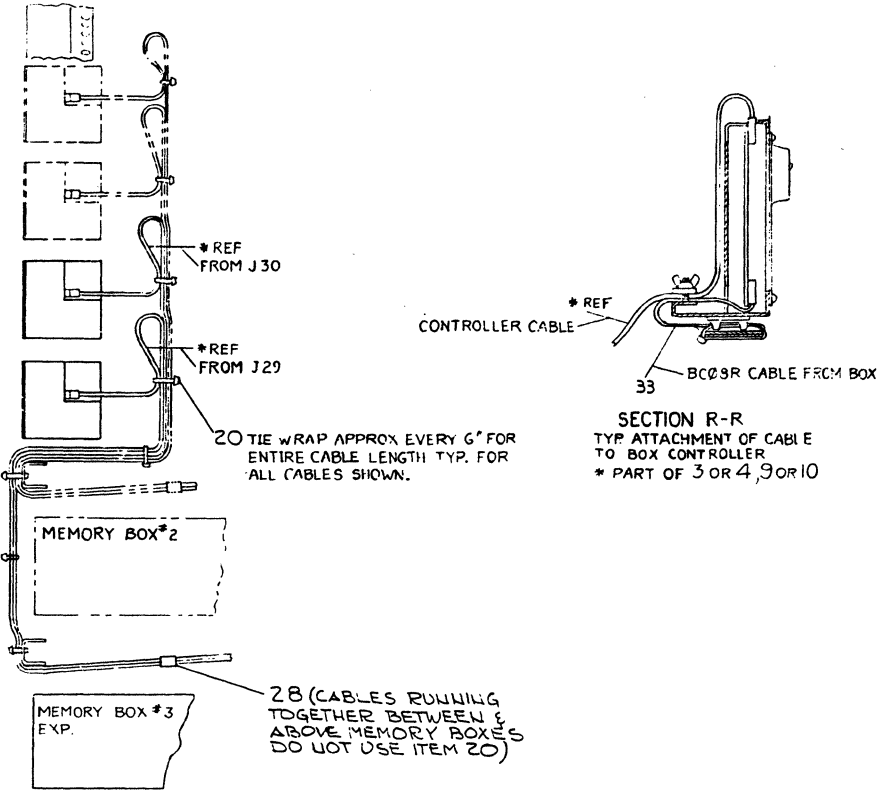
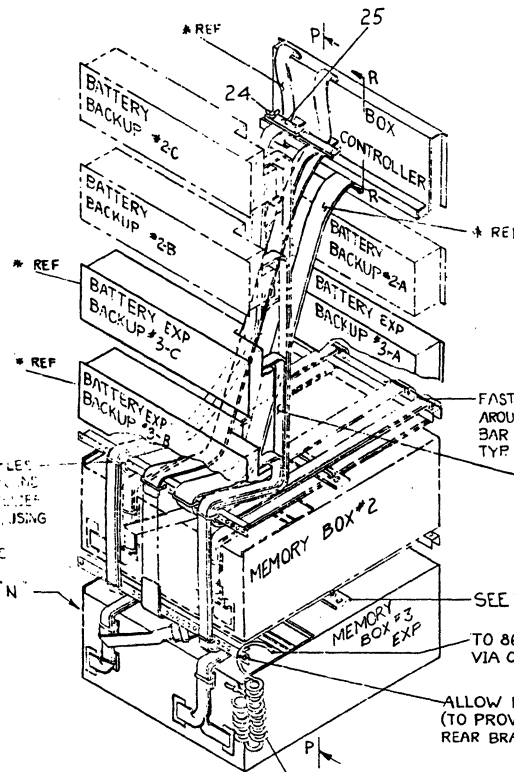
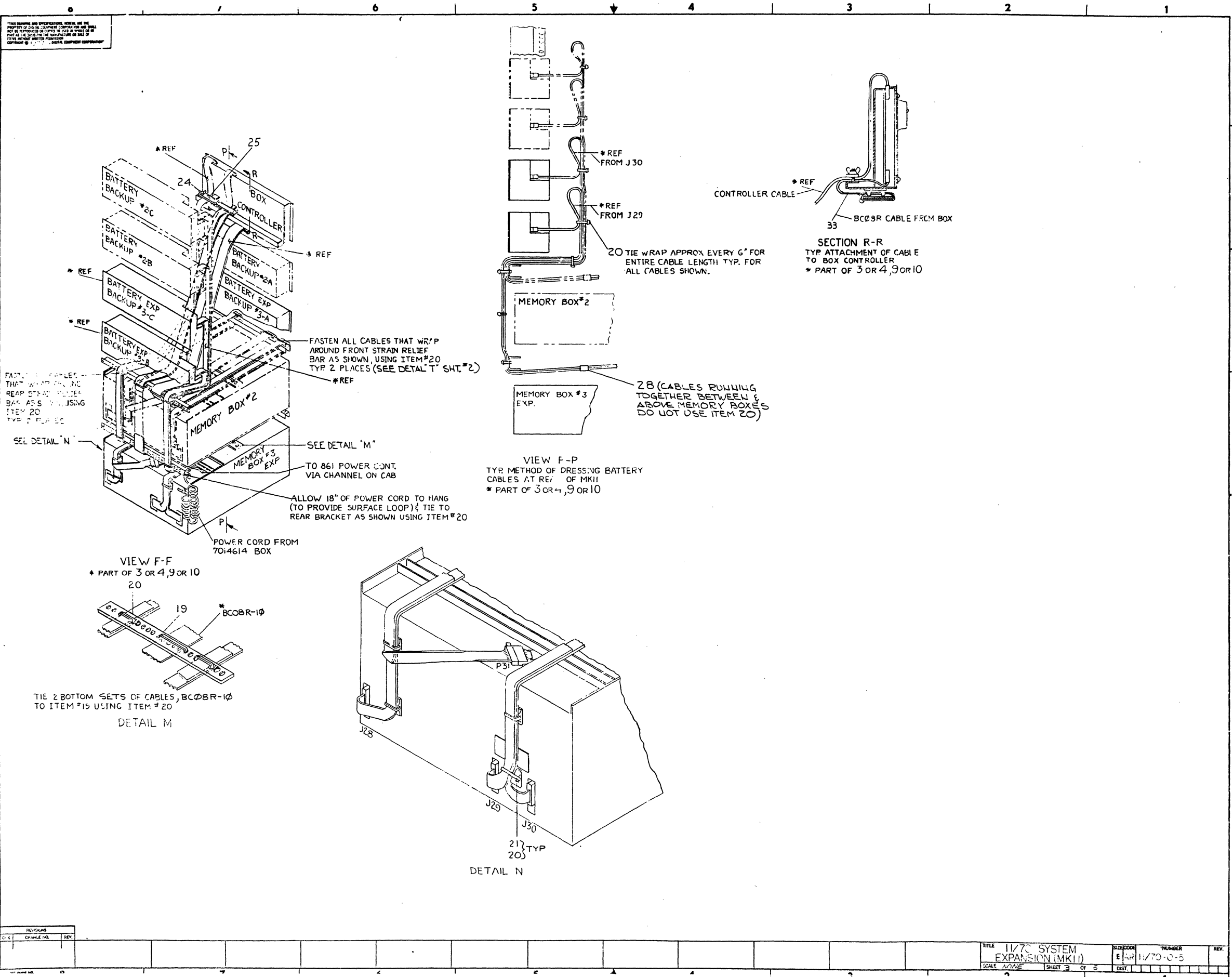
1/4" CABLE 10'-0"	BC 08 R10	33
1 MKII MEMORY BOX DECAL	3618976-07	27
1 MKII MEMORY BOX DECAL	3618976-02	27
1 MKII MEMORY BOX DECAL	3618976-01	30
1 MKII MEMORY BOX DECAL	3618976-00	29
AIR TAPE, FIBRE GLASS 50W	9008880-0-0	28
AIR BRACKET, SHIPPING	CM 7413659-0-0	27
AIR NUT, KEPS #10-32	9006565-00	26
AIR BAR, CABLE	CM 7419162-0-0	25
AIR NUT, WING #6-32	9006570-00	24
REF WASH EXT TOOTH LOCK #4	9006632-00	23
REF SCR PH HD TRUSS #4-40x.25	9009100-03	22
AIR MOUNT, CABLE ADH. BACK	9008264-00	21
TIE WRAP	9007031-00	20
CABLE HOLDER	CM 7419482-0-0	19
NUT, TINNED #10-32	9007866-00	18
SCR SEMI TH TRUSS #10-32	9009700-00	17
UNIT ASSY, A3A	EUA1A36-0-0	16
CABLE (2'-0")	BC 2R 10	15
CABLE (2'-6")	BC 2R 14	14
CABLES, DATA SET B	D-10-110674-03	13
UNIT ASSY, MKII	EUA-MKII-BZ-0	12
UNIT ASSY, MKII	EUA-MKII-BY-0	11
UNIT ASSY, MKII	EUA-MKII-BH-0	10
UNIT ASSY, MKII	EUA-MKII-BG-0	9
UNIT ASSY, MKII	EUA-MKII-BF-0	8
UNIT ASSY, MKII	EUA-MKII-BE-0	7
UNIT ASSY, MKII	EUA-MKII-BD-0	6
UNIT ASSY, MKII	EUA-MKII-BC-0	5
UNIT ASSY, MKII	EUA-MKII-BB-0	4
UNIT ASSY, MKII	EUA-MKII-BA-0	3
UNIT ASSY, 11/70 (BASIC)	EUA1170-0-0	2
UNIT ASSY, 11/70 (EXP)	EUA1170-0-0	1

DESCRIPTION	QTY	UNIT NO.	ITEM NO.
UNLESS OTHERWISE SPECIFIED DIMENSIONS ARE IN INCHES			
ANGLE	10° 30'		
CLASS OF ACCURACY			
SURFACE QUALITY			
FREEMAN			
QUANTITY & VARIATION			
MICROINCHES			
PREFERRED			
FINISH			
SCALE	AS SHOWN		
SHEET			

TITLE: 1170 SYSTEM EXPANSION (MKII)  
 DATE: 10/77  
 DRAWN: [Signature]  
 CHECKED: [Signature]  
 ENGR: [Signature]  
 PROD: [Signature]  
 MATERIAL: [Signature]  
 FINISH: [Signature]



THIS DRAWING AND SPECIFICATIONS HEREBY ARE THE PROPERTY OF THE U.S. GOVERNMENT AND ARE NOT TO BE REPRODUCED OR COPIED IN ANY MANNER OR FOR ANY PURPOSES WITHOUT THE WRITTEN PERMISSION OF THE U.S. GOVERNMENT.

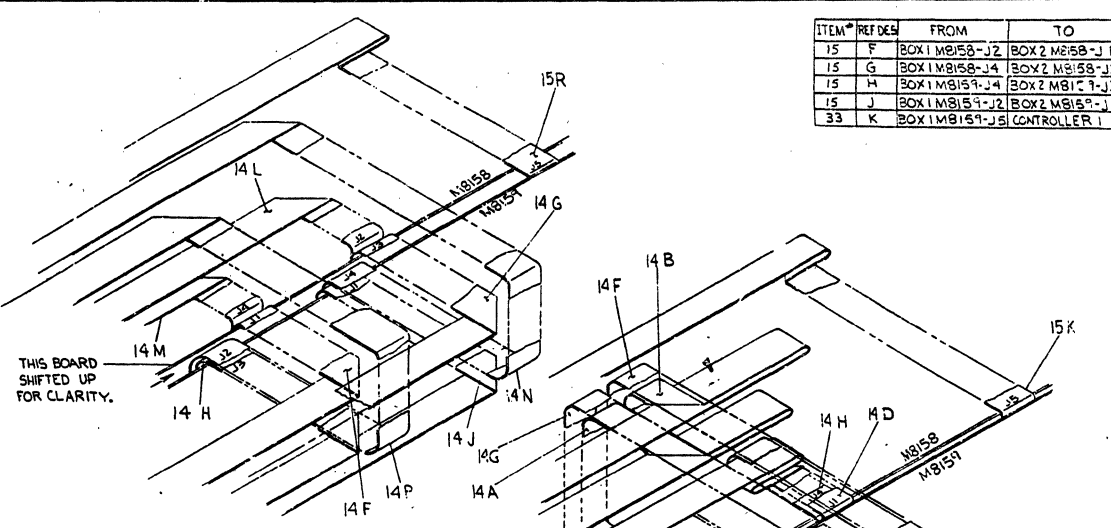
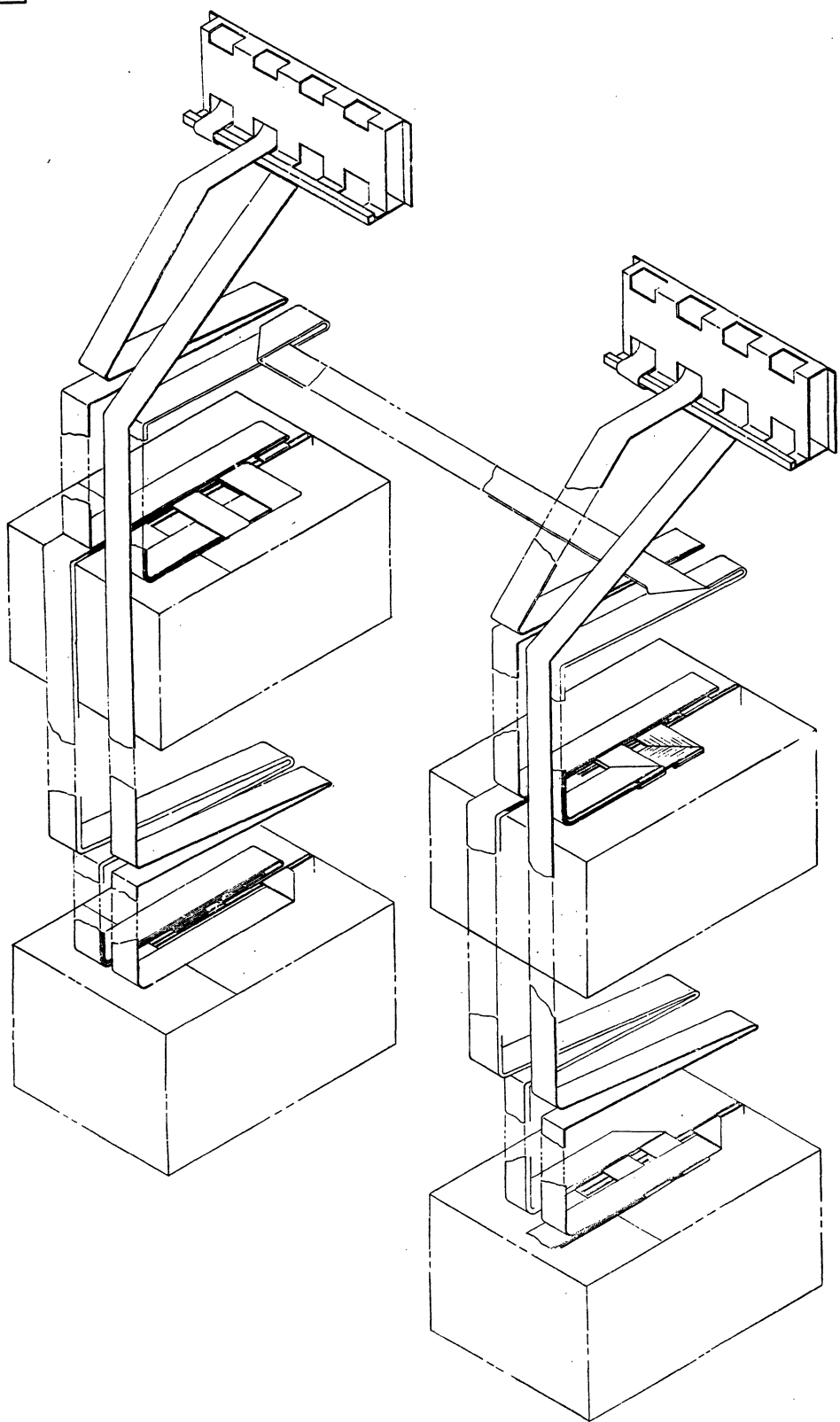


REV.	DATE	BY	CHKD.	APP.	TITLE	SCALE	SHEET	OF	DIST.	SIZE	CODE	NUMBER	REV.
					11/7C SYSTEM EXPANSION (MKII)		3	3				11/70-0-5	

718

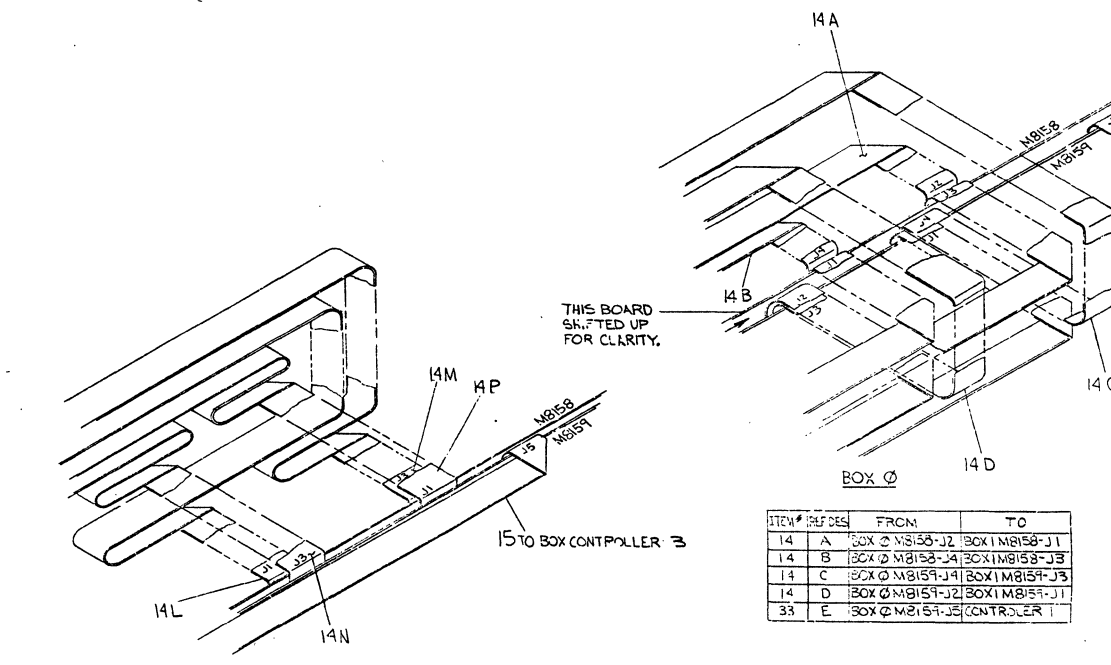
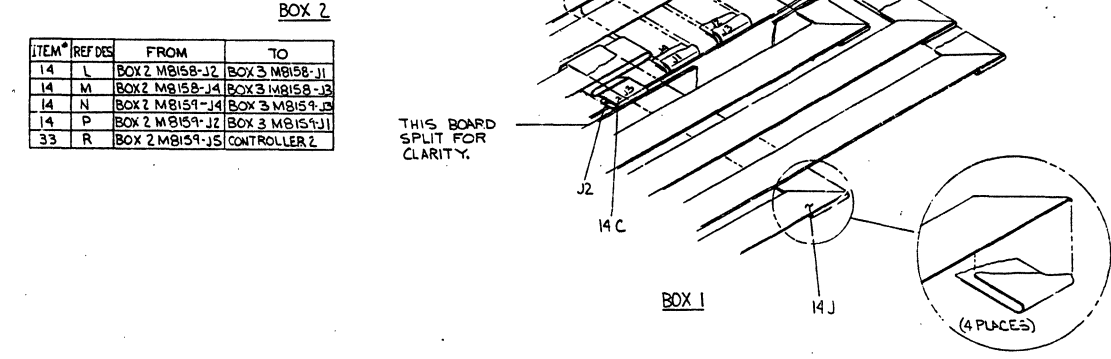


THIS DRAWING AND SPECIFICATIONS ARE THE PROPERTY OF DIGITAL EQUIPMENT CORPORATION AND SHALL NOT BE REPRODUCED OR COPIED IN WHOLE OR IN PART AS THE BASIS FOR THE MANUFACTURE OR SALE OF ITEMS WITHOUT WRITTEN PERMISSION OF DIGITAL EQUIPMENT CORPORATION.



ITEM#	REF DES	FROM	TO
14	L	BOX 2 M8158-J2	BOX 3 M8158-J1
14	M	BOX 2 M8158-J4	BOX 3 M8158-J3
14	N	BOX 2 M8159-J4	BOX 3 M8159-J3
14	P	BOX 2 M8159-J2	BOX 3 M8159-J1
33	R	BOX 2 M8159-J5	CONTROLLER 2

ITEM#	REF DES	FROM	TO
15	F	BOX 1 M8158-J2	BOX 2 M8158-J1
15	G	BOX 1 M8158-J4	BOX 2 M8158-J3
15	H	BOX 1 M8159-J4	BOX 2 M8159-J3
15	J	BOX 1 M8159-J2	BOX 2 M8159-J1
33	K	BOX 1 M8159-J5	CONTROLLER 1



ITEM#	REF DES	FROM	TO
14	A	BOX 0 M8158-J2	BOX 1 M8158-J1
14	B	BOX 0 M8158-J4	BOX 1 M8158-J3
14	C	BOX 0 M8159-J4	BOX 1 M8159-J3
14	D	BOX 0 M8159-J2	BOX 1 M8159-J1
33	E	BOX 0 M8159-J5	CONTROLLER 1



CHK	REV	DATE	BY

TITLE: 1170 SYSTEM EXPANSION (11K1)  
 SCALE: 1/4"=1"  
 SHEET: 3 OF 5  
 REVISION: E 1170-0-5  
 DIST.:



DRAWING NO.	NO. OF SHTS.	PART NO.	DESCRIPTION	REVISIONS		
				A	B	C
D-UA-5413018-0-0	3		MK11 BOX CONTROLLER	A	B	C
B-PL-5413018-0-0	1		MK11 BOX CONTROLLER	A	B	C
D-CS-5413018-0-1	1		MK11 BOX CONTROLLER	A	B	C
D-MD-5413018-0-0	4		DRILL & ETCH DRAWING	A	A	B
		5013017	ETCHED BOARD	B	B	C
		5413018-0-L	P.C. DESIGN DATA BASE	REF-		
B-DD-5413018-0	1		MK11 BOX CONTROLLER	* A	B	

**NOTES:**

REVISIONS		REV.
DATE	CHG NO.	ORIG.
-	00001	* A
9-77	00002	B

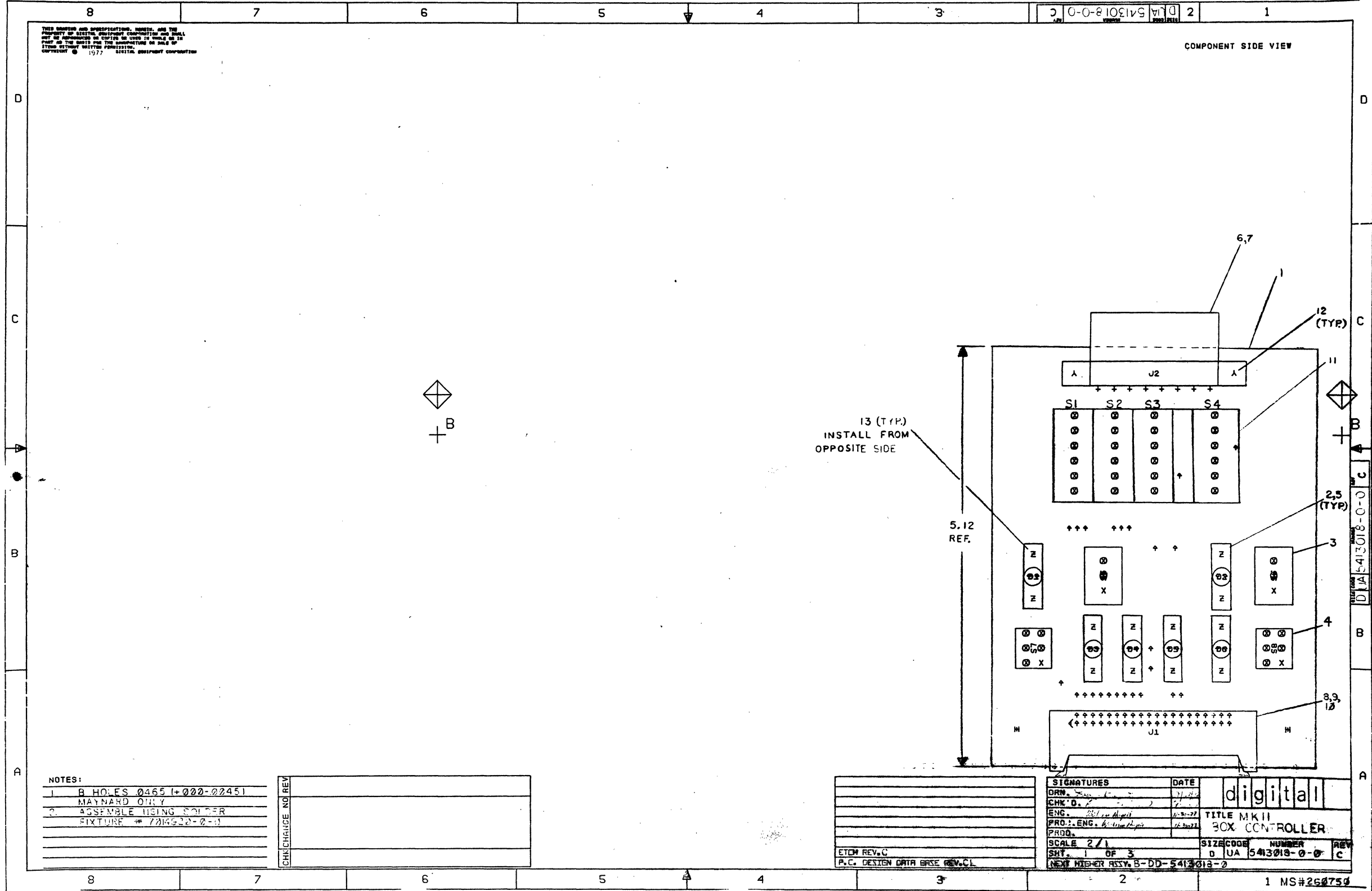
"THIS DRAWING AND SPECIFICATIONS, HEREIN, ARE THE PROPERTY OF DIGITAL EQUIPMENT CORPORATION AND SHALL NOT BE REPRODUCED OR COPIED OR USED IN WHOLE OR IN PART AS THE BASIS FOR THE MANUFACTURE OR SALE OF ITEMS WITHOUT WRITTEN PERMISSION.  
 COPYRIGHT © 1977 DIGITAL EQUIPMENT CORPORATION



USED ON OPTION/MODEL	DRN. L. METZGER	AUG 16 77	TITLE
MK11	CHK'D <i>D. Bosman</i>	17 AUG 77	MK11 BOX CONTROLLER
	ENG. <i>W. H. ...</i>	23 AUG 77	SIZE CODE NUMBER
	PROD. <i>J. ...</i>	23 AUG 77	B DD 5413018-0
			REV. B
			SHEET 1 OF 1

THIS DRAWING AND SPECIFICATIONS, HEREIN, ARE THE PROPERTY OF DIGITAL EQUIPMENT CORPORATION AND SHALL NOT BE REPRODUCED OR COPIED IN WHOLE OR IN PART IN ANY MANNER FOR THE MANUFACTURE OF ANY OF THE ITEMS WITHOUT WRITTEN PERMISSION.  
 COPYRIGHT © 1977 DIGITAL EQUIPMENT CORPORATION

COMPONENT SIDE VIEW



NOTES:  
 1. B HOLES .0465 (+000-0245)  
 MAYNARD ONLY  
 2. ASSEMBLE USING SOLDER  
 FIXTURE # 7014520-2-1

CHG	NO	REV

ETCH REV.C
P.C. DESIGN DATA BASE REV.C1

SIGNATURES	DATE	TITLE
DRW. <i>[Signature]</i>	11/21/77	MKII BOX CONTROLLER
CHK'D. <i>[Signature]</i>	11/21/77	
ENG. <i>[Signature]</i>	11/21/77	
PROJ. ENG. <i>[Signature]</i>	11/21/77	
SCALE 2/1		SIZE CODE NUMBER
SRT. 1 OF 3		D UA 5413018-0-0 IC
NEXT HIGHER ASSY. B-DD-5413018-0		

1 MS#260750

722

8

7

6

5

4

3

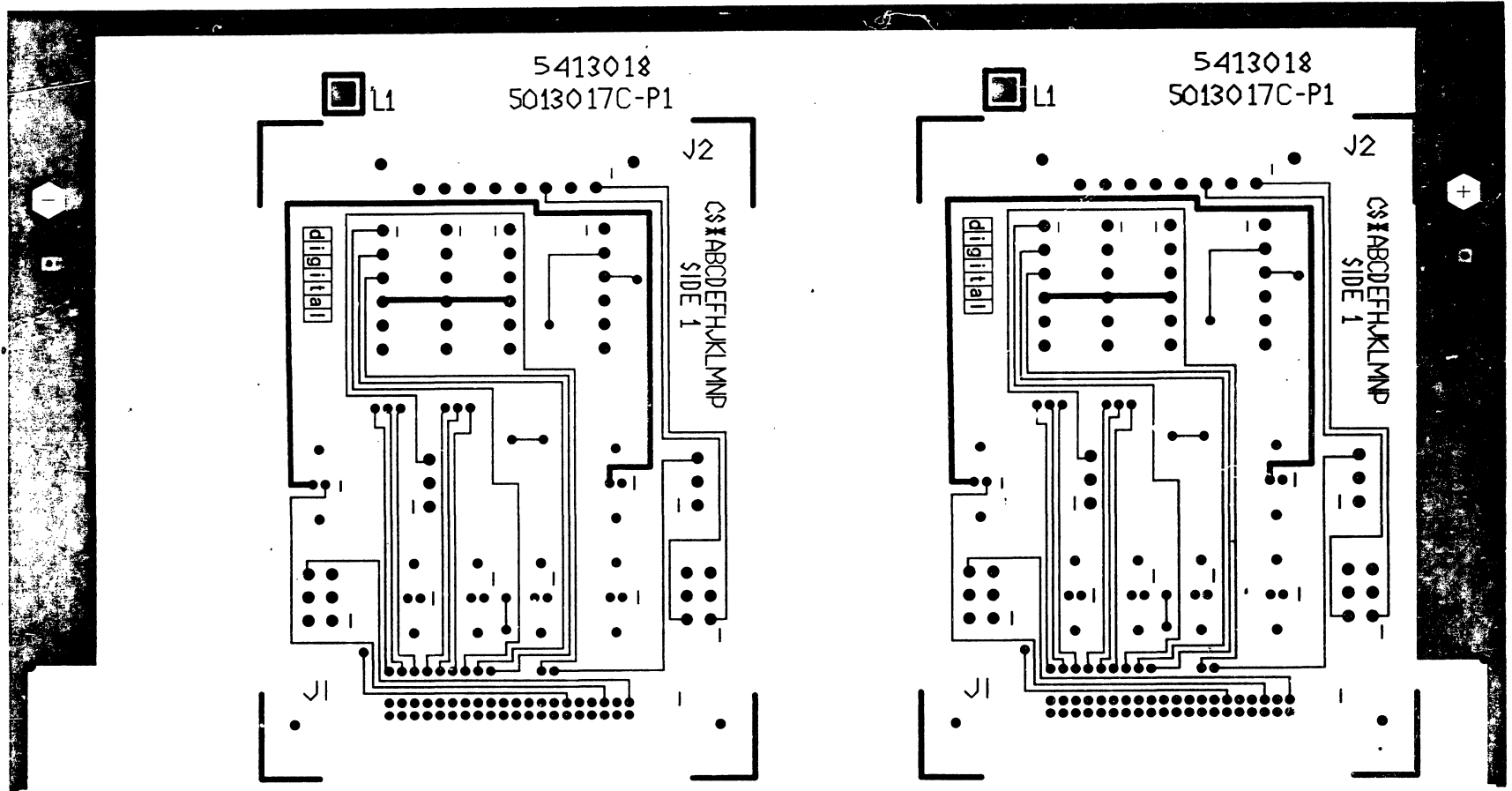
D/UA 5413018-0-0 C 2

1

ALL DIMENSIONS ARE IN INCHES UNLESS OTHERWISE SPECIFIED. DIMENSIONS ARE TO CENTER UNLESS OTHERWISE SPECIFIED. DIMENSIONS ARE TO CENTER UNLESS OTHERWISE SPECIFIED.

D  
C  
B  
A

D  
C  
B  
A



D/UA 5413018-0-0 C

8	7	6	5	4	3	2	1
---	---	---	---	---	---	---	---

TITLE	MR11	SIZE CODE	NUMBER	REV.
	BOX CONTROLLER	D/UA	5413018-0-0	C
SHEET	2/1	SHEET	2	3

8

7

6

5

4

3

2

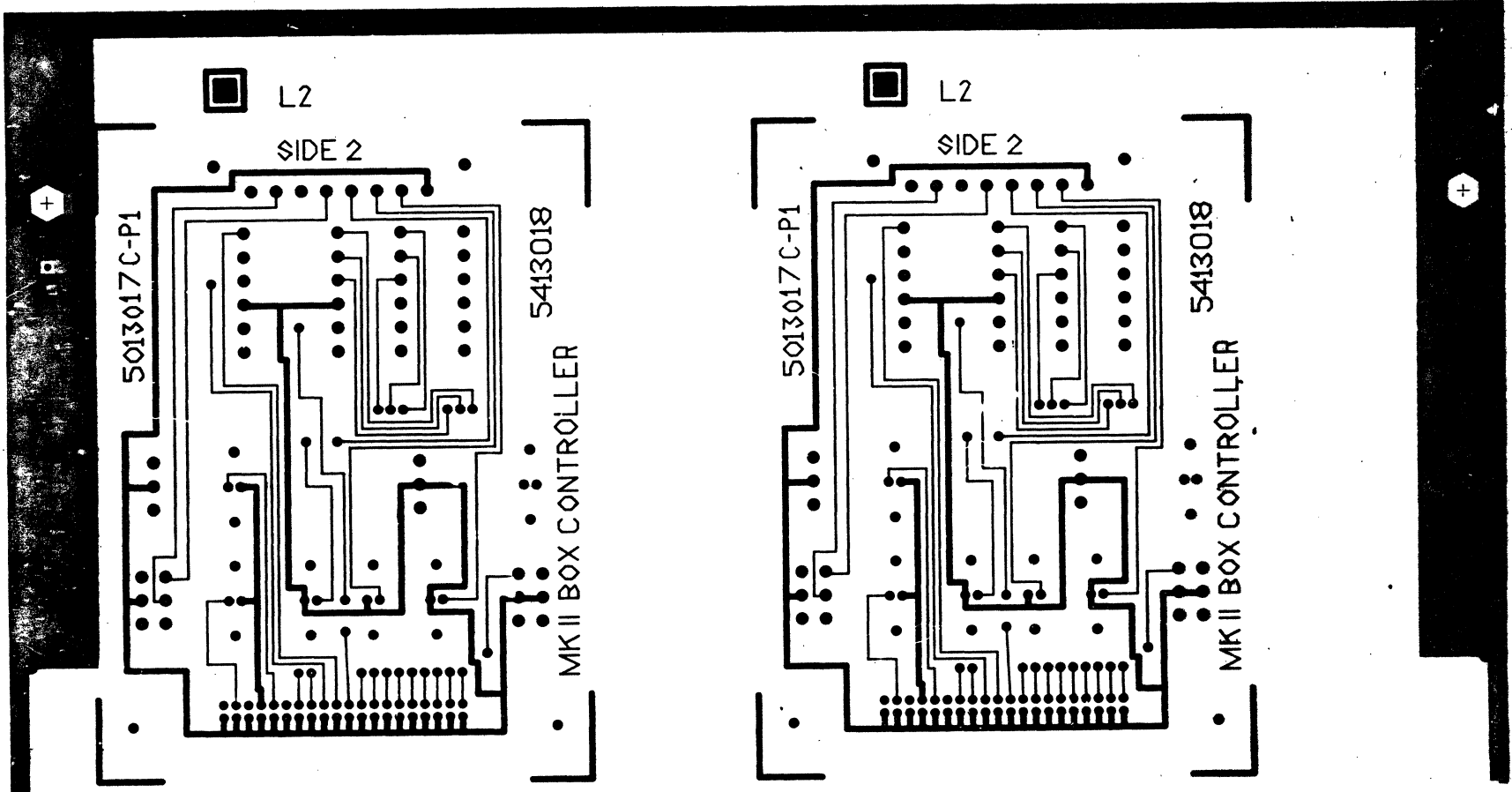
1

723

8 7 6 5 4 3 2 1

ALL DRAWING AND SPECIFICATIONS HEREIN ARE THE PROPERTY OF DIGITAL EQUIPMENT CORPORATION AND SHALL NOT BE REPRODUCED OR COPIED IN ANY MANNER WITHOUT THE WRITTEN PERMISSION OF THE MANUFACTURER.

DIA 5413018-0-0 C 2



DIA 5413018-0-0 C

TITLE		MK II BOX CONTROLLER		SIZE/ODE	DIA	NUMBER	5413018-0-0 C	REV.	C
SCALE	2/1	SHEET	3 OF 3	DIST.					

724

# DIGITAL EQUIPMENT CORPORATION PARTS LIST

QUANTITY / VARIATION

NOTES:

*USED ON: OPTION/MODEL  
MK11*

MADE BY C. BEVERLIE DATE 5/5/77	CHECKED W. ANGELL DATE 5/17/77	SECTION 1
ENG W. Angell DATE 23 AUG 77	PROD P.C. Stephens DATE 23 AUG 77	ISSUED SECTION 1

ITEM NO.	DRAWING NO.	PART NO.	DESCRIPTION	REF	QTY	VAR	UNIT	MATERIAL	REMARKS	REF DESIGNATION
	D-CS-5413018-0-1		CIRCUIT SCHEMATIC	REF						
	D-UA-5413018-0-0		UNIT ASSEMBLY	REF						
	B-DD-5413018-0		DWG. DIRECTORY	REF						
	D-MD-5013017-0-0		DRILL & ETCH DWG.	REF						
1		5013017	ETCHED BD.		1					
2		11-10324-00	LED MV5054-1		6					D1 thru D6
3		12-09590-00	SW. TOGGLE 1P		2					S5,S6
4		12-09592-00	SW. TOGGLE DP		2					S7,S8
5		12-10848-C2	HOLDER, SINGLE, LED		6					
6		12-09456-01	SOCKET TERMINAL		8					
7		12-09340-00	SOCKET HOUSING 8 PIN		1					J2
8		12-09941-02	CONN 40 PIN RT ANG. HDR.		1					J1
9		12-09941-03	LATCH, LEFT (FOR RT ANG. HDR)		1					
10		12-09941-04	LATCH, RIGHT (FOR RT ANG. HDR.)		1					
11		12-14467-00	SWITCH, THUMBWHEEL ASSY		1					S1,S2,S3,S4
12		90-06732-00	EYELET		2					
13		90-08327-01	PAN HD. SELF TAPPING SCREW		12					
14		<del>91-05740-55</del>	<del>WIRE, #20 AWG, GREEN</del>		<del>1</del>					

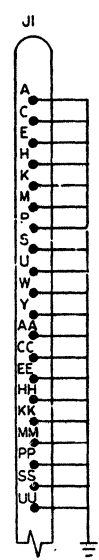
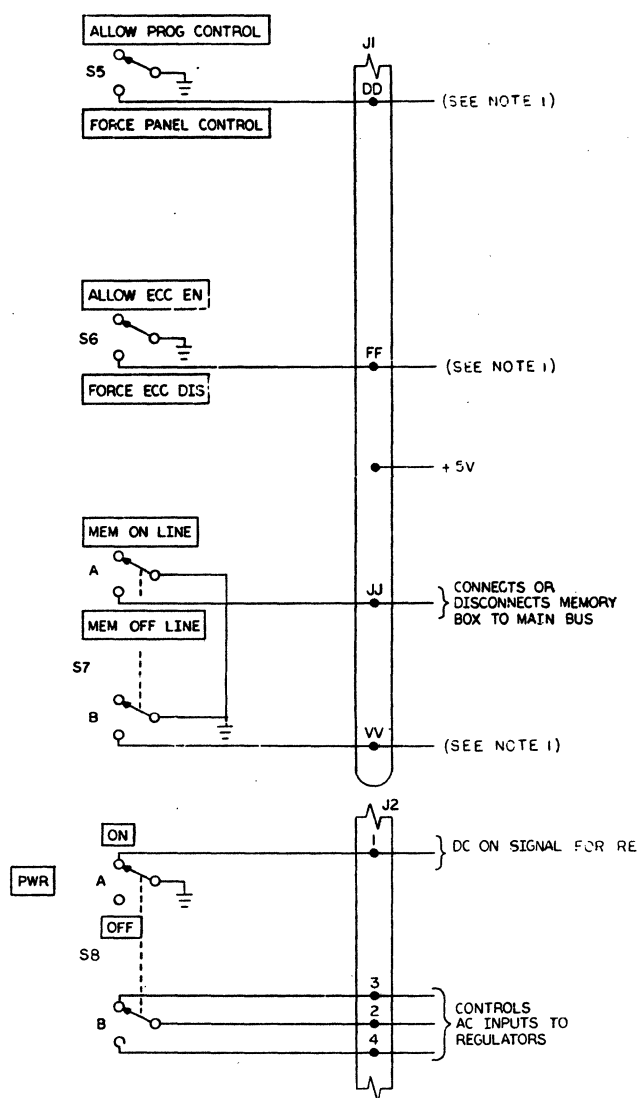
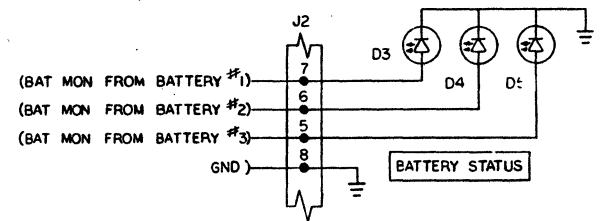
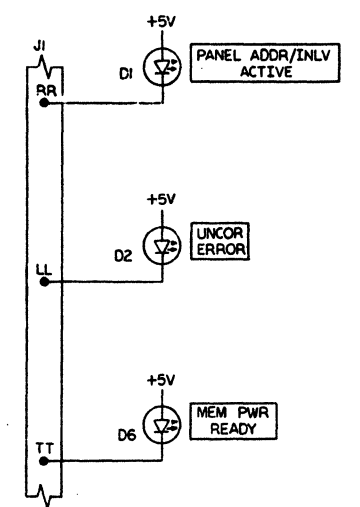
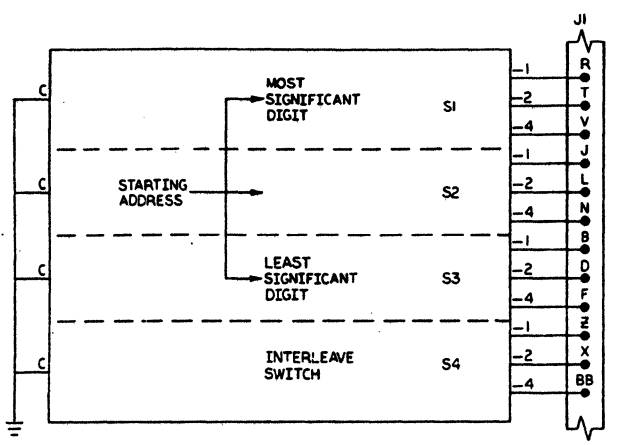
E.C.O. NO. 0001  
0002

<p>"THIS DRAWING AND SPECIFICATIONS, HEREIN, ARE THE PROPERTY OF DIGITAL EQUIPMENT CORPORATION AND SHALL NOT BE REPRODUCED OR COPIED OR USED IN WHOLE OR IN PART AS THE BASIS FOR THE MANUFACTURE OR SALE OF ITEMS WITHOUT WRITTEN PERMISSION. COPYRIGHT © 1977 DIGITAL EQUIPMENT CORPORATION"</p>	<p>TITLE MK11 BOX CONTROLLER</p>	<p>ASSY NO. D-UA-5413018-0-0</p>	<p>SIZE B</p>	<p>CODE PL</p>	<p>NUMBER 5413018-0-0</p>	<p>REV. C</p>
		<p>SHEET 1 OF 1</p>		<p>INSERTION PARTS LIST DATA BASE REV</p>		

725

THIS DRAWING AND SPECIFICATIONS HEREON ARE THE PROPERTY OF DIGITAL EQUIPMENT CORPORATION AND SHALL NOT BE REPRODUCED OR COPIED IN WHOLE OR IN PART AS THE BASIS FOR THE MANUFACTURE OR SALE OF ITEMS WITHOUT WRITTEN PERMISSION.  
 COPYRIGHT © 1977, DIGITAL EQUIPMENT CORPORATION

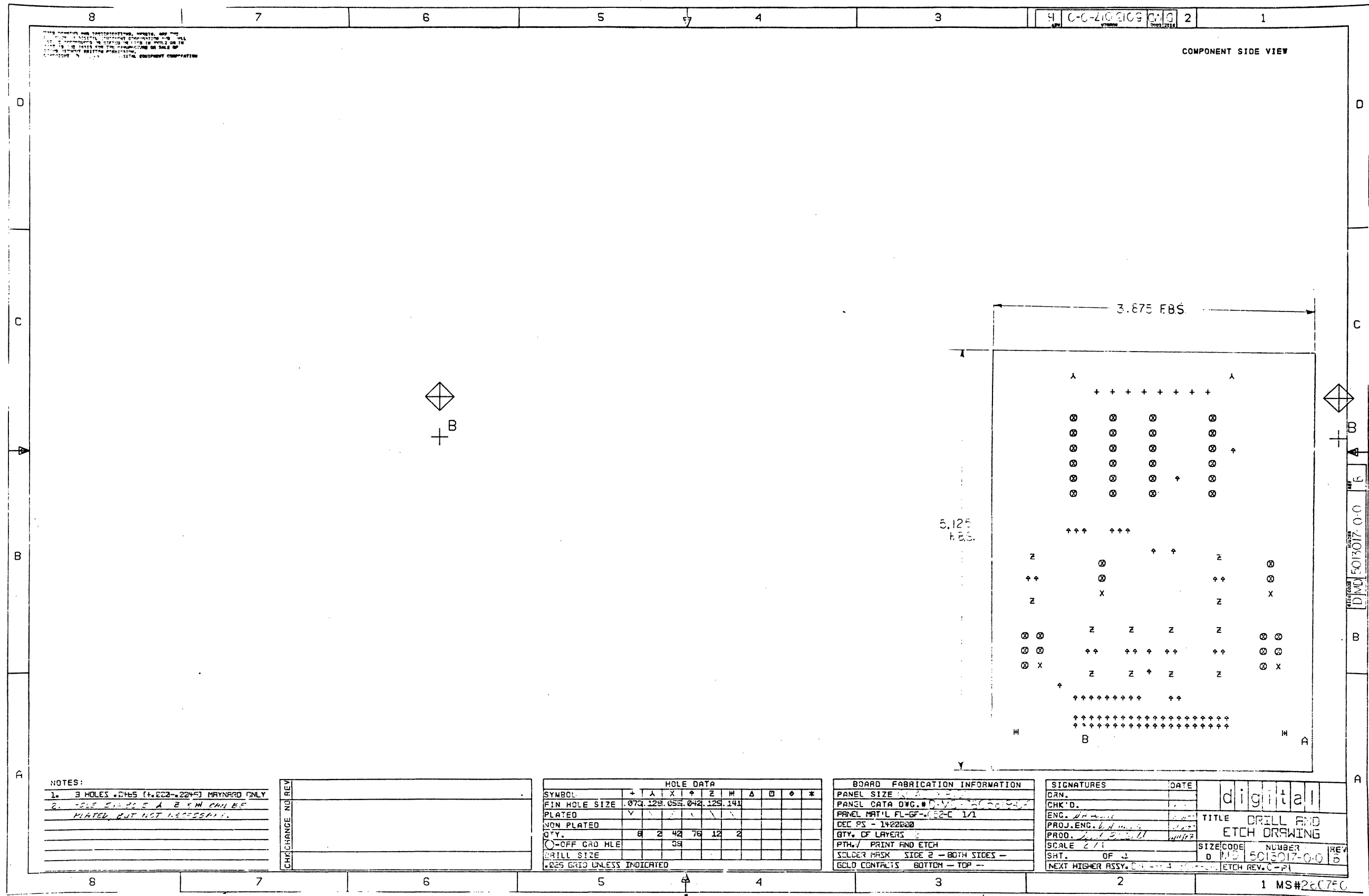
NOTES:  
 1. J1=40 PIN BERG CONNECTOR—TO DATA BUFFER CARD IN MEMORY BACKPLANE.  
 2. J2=8 PIN MATE-N-LOK CONNECTOR.



SEE NOTE 1

REV.	CHG	BY	DATE
B	00001	W. ANSELL	11/17/77
A	00000	W. ANSELL	11/17/77

DRW	5413018-01	FIRST USED ON	5413018-01
CHK'D	5413018-01	TITLE	5413018-01
ENG.	5413018-01	MKII BOX CONTROLLER	
PROJ. ENG.	5413018-01	SIZE CODE	NUMBER
DATE	5413018-01	D CS	5413018-01
SHEET	1 OF 1	DIST.	REV. C



THIS DRAWING AND SPECIFICATIONS, HEREIN, ARE THE PROPERTY OF THE COMPANY AND SHALL BE KEPT CONFIDENTIAL IN ALL RESPECTS. NO PART OF THIS DRAWING OR SPECIFICATIONS SHALL BE REPRODUCED OR TRANSMITTED IN ANY FORM OR BY ANY MEANS, ELECTRONIC OR MECHANICAL, INCLUDING PHOTOCOPYING, RECORDING, OR BY ANY INFORMATION STORAGE AND RETRIEVAL SYSTEM, WITHOUT THE WRITTEN PERMISSION OF THE COMPANY.

COMPONENT SIDE VIEW

NOTES:  
 1. 3 HOLES .025 (+.002-.001) MAYNARD ONLY  
 2. HOLE SIZES A, B & H CAN BE PLATED, BUT NOT NECESSARY.

CHK	CHANGE NO	REV

HOLE DATA											
SYMBOL	+	A	X	+	Z	H	Δ	□	○	*	
FIN HOLE SIZE	.073	.128	.055	.042	.125	.141					
PLATED	✓										
NON PLATED											
QTY.	8	2	42	76	12	2					
OFF GRD HLE			39								
DRILL SIZE											
.025 GRID UNLESS INDICATED											

BOARD FABRICATION INFORMATION	
PANEL SIZE	11.25 X 11.25
PANEL DATA DWG.#	D-5013017-00
PANEL MAT'L FL-GR-052-C	1/1
DEC PS	- 1422800
QTY. OF LAYERS	2
PTH./ PRINT AND ETCH	
SOLDER MASK	SIDE 2 - BOTH SIDES -
GOLD CONTACTS	BOTTOM - TOP -

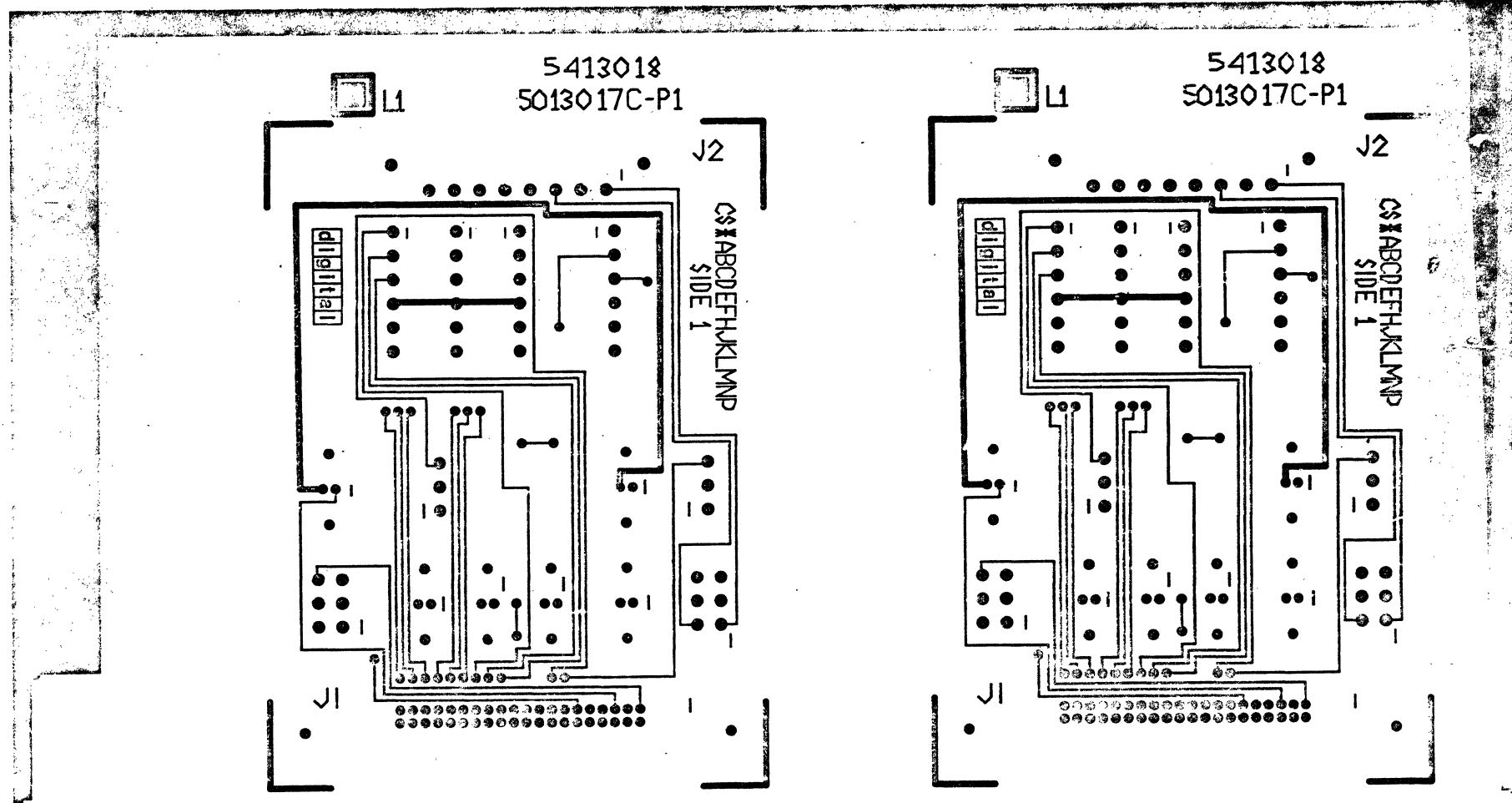
SIGNATURES		DATE
DRN.		
CHK'D.		
ENG.		
PROJ. ENG.		
PROD.		
SCALE	2/1	
SHT.	OF 1	
NEXT HIGHER ASSY.		

digital	
TITLE DRILL AND ETCH DRAWING	
SIZE CODE	NUMBER
D. NO. 5013017-00	REV. B
ETCH REV. C-PI	

1 MS#26C75C

THIS DRAWING AND SPECIFICATIONS, HEREIN, ARE THE PROPERTY OF DIGITAL EQUIPMENT CORPORATION, AND SHALL NOT BE REPRODUCED OR COPIED OR USED IN WHOLE OR IN PART AS THE BASIS FOR THE MANUFACTURE OR SALE OF ITEMS WITHOUT WRITTEN PERMISSION.  
 COPYRIGHT © 1977, DIGITAL EQUIPMENT CORPORATION

DMD 5013017-0-0 B 2



REV.	DATE	BY	CHKD

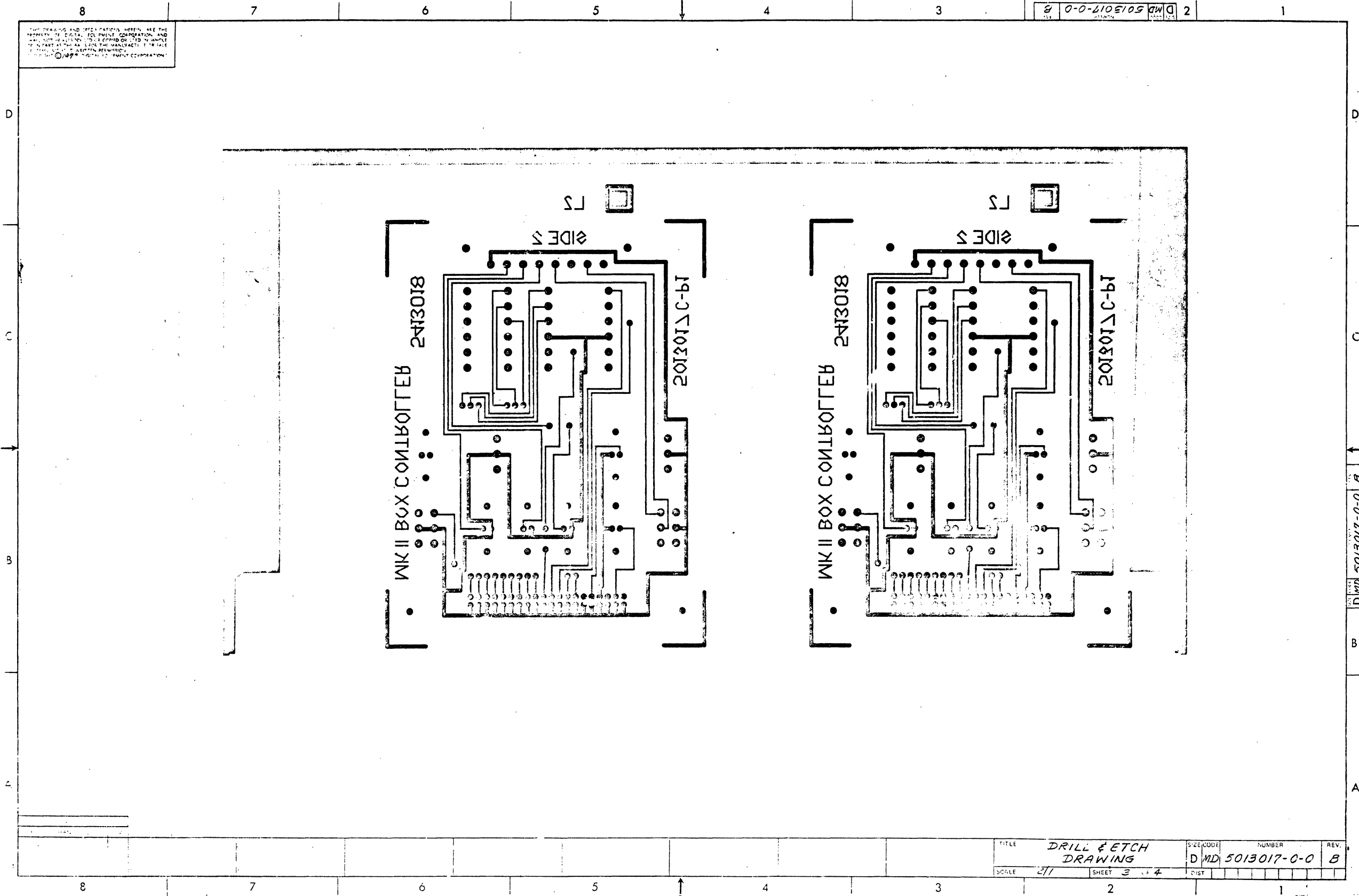
TITLE	DRILL & ETCH DRAWING	SIZE/CODE	D MD	NUMBER	5013017-0-0	REV.	B
SCALE	2/1	SHEET	2	OF	4	DIST.	

728



THE DRAWING AND SPECIFICATIONS HEREIN ARE THE PROPERTY OF DIGITAL EQUIPMENT CORPORATION AND WILL BE RETURNED TO THE COMPANY OR TO THE MANUFACTURER OF THE PARTS AT THE END OF THE MANUFACTURE PERIOD. THE COMPANY ASSUMES NO RESPONSIBILITY FOR THE REUSE OF THIS DRAWING FOR ANY OTHER PURPOSE.

DMD 5013017-0-0 B 2

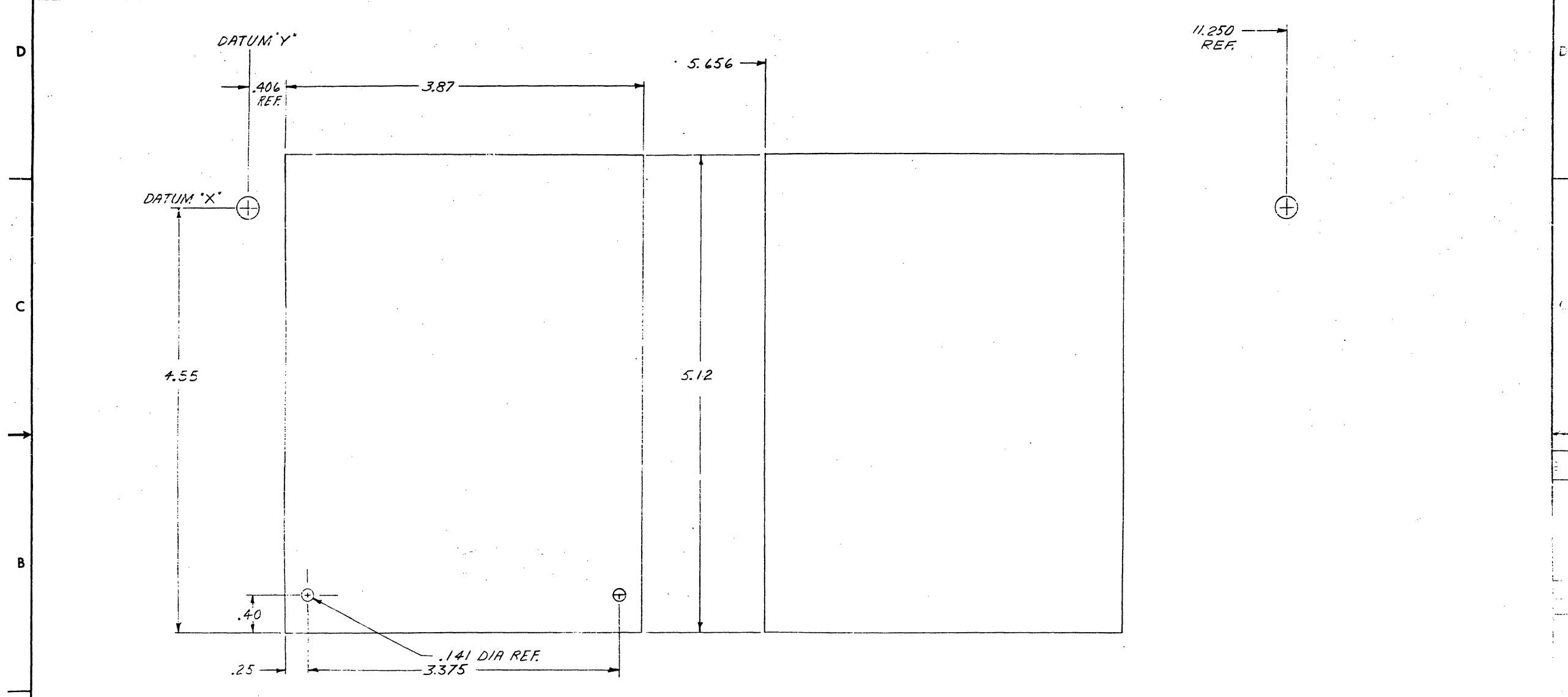


TITLE	DRILL & ETCH DRAWING	SIZE/CODE	DMD 5013017-0-0	NUMBER	5013017-0-0	REV.	B
SCALE	2/1	SHEET	3	OF	4	DIST	

729

THIS DRAWING AND SPECIFICATIONS, HEREIN, ARE THE PROPERTY OF DIGITAL EQUIPMENT CORPORATION AND SHALL NOT BE REPRODUCED OR COPIED OR USED IN WHOLE OR IN PART AS THE BASIS FOR THE MANUFACTURE OR SALE OF ITEMS WITHOUT WRITTEN PERMISSION. COPYRIGHT © 1977 DIGITAL EQUIPMENT CORPORATION

DATE 7-0-2105195 DMP 2



SOLDER SIDE VIEW  
SIDE 2

REVISIONS		
CHK	CHANGE NO.	REV.

TITLE	SIZE	NO.	REV.
DRILL AND ETCH DRAWING	DMP	5013017-0-0	8
SCALE 2/1	SHEET 4 OF 4	DIST.	

730







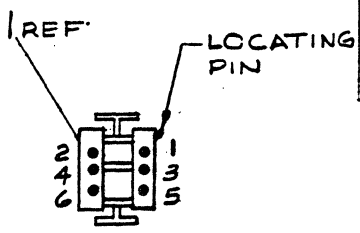
"THIS DRAWING AND SPECIFICATIONS, HEREIN, ARE THE PROPERTY OF DIGITAL EQUIPMENT CORPORATION AND SHALL NOT BE REPRODUCED OR COPIED OR USED IN WHOLE OR IN PART AS THE BASIS FOR THE MANUFACTURE OR SALE OF ITEMS WITHOUT WRITTEN PERMISSION. DIGITAL EQUIPMENT CORPORATION" 1975

WIRE TABLE

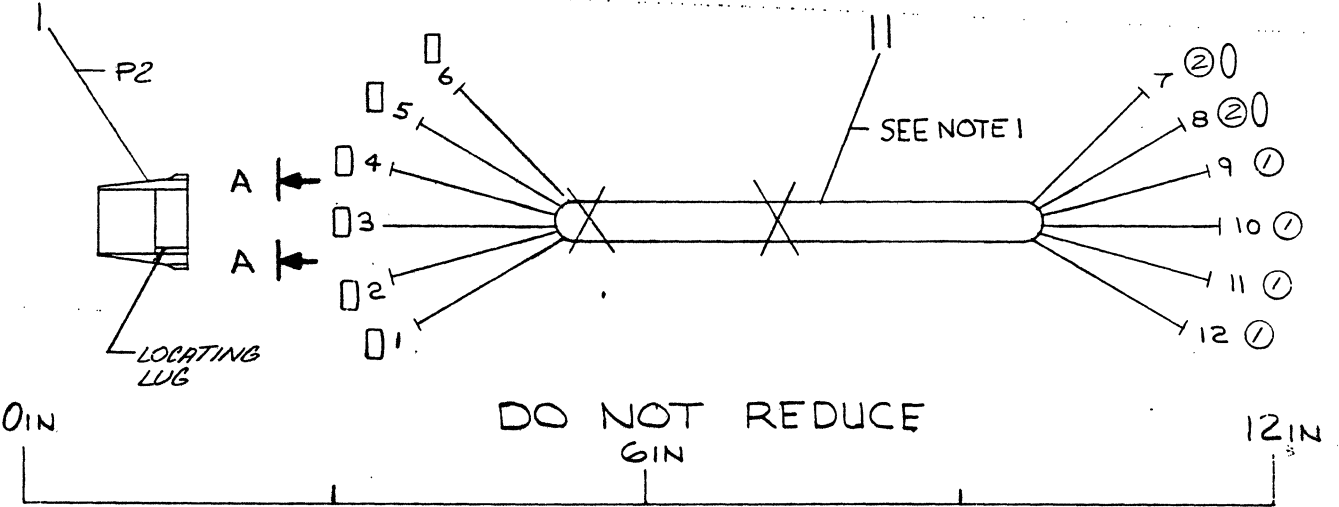
ITEM NO.	AWG	COLOR	FROM			TO		
			POINT	CONN.	WITH	POINT	CONN.	WITH
5	14	ORN	1	P2-1	2	12	-	3
6	14	GRN	2	P2-2	↑	11	↑	3
7	14	BLU	3	P2-3	↑	10	↑	3
8	14	VIO	4	P2-4	↑	9	↑	3
9	18	BRN	5	P2-5	↓	8	↓	4,12
10	18	GRY/BRN	6	P2-6	↓	7	-	4,12

NOTES:

1. USE CABLE TIES (ITEM #11) APPROX. 2.0 AND 4.0 IN. FROM P2 (ITEM #1).



VIEW A-A  
REAR VIEW  
SCALE: NONE  
(WIRING SIDE)



FOR MANUFACTURING PURPOSES ONLY

QTY.	DESCRIPTION	PART NO.	ITEM NO.
0	AIR TUBING, SHRINK 3/16 ID	9107254-00	12
X 2	TIE, CABLE	4007031	11
-	A/R WIRE #18 AWG (GRY/BRN)	9107400-81	10
-	A/R WIRE #18 AWG (BRN)	9107360-11	9
-	A/R WIRE #14 AWG (VIO)	9107370-77	8
-	A/R WIRE #14 AWG (BLUE)	9107370-66	7
-	A/R WIRE #14 AWG (GRN)	9107370-55	6
-	A/R WIRE #14 AWG (ORN)	9107370-33	5
2	TERMINAL, QUICK CONN	9008488	4
4	TERMINAL, QUICK CONNECT	9007969	3
6	PIN (FEMALE)	209379-00	2
1	CONN, 6 PIN (FEMALE)	121032-00	1

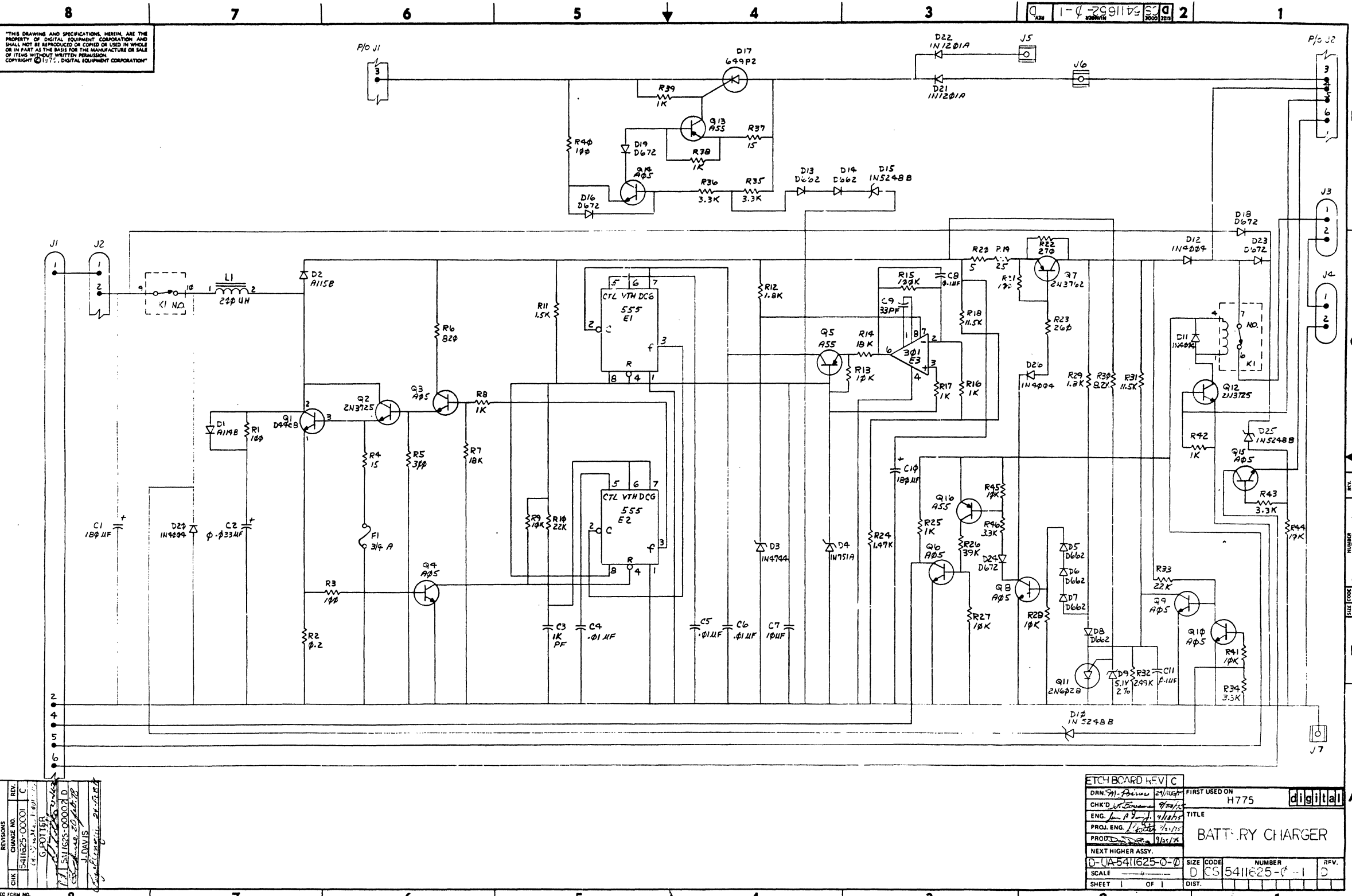
REV.	CHG	NO.	DATE	BY
A		0001	1-7-76	J. B. DAVIS, JR.

FIRST USED ON OPTION/MODEL H775	SYM	QTY.	DESCRIPTION	PART NO.	ITEM NO.
DIMENSIONAL TOLERANCE			PARTS LIST		
DIMENSIONS ARE INCHES UNLESS OTHERWISE SPECIFIED			DRN. DATE 7-12-75		
MILLIMETERS			CHKD. DATE 10/22/75		
THIRD ANGLE PROJECTION			ENG. DATE 10/22/75		
REMOVE BURRS AND BREAK SHARP CORNERS SURFACE QUALITY			PROJ. ENG. DATE 10/22/75		
MATERIAL SEE PARTS LIST			PROD. DATE 10/22/75	TITLE HARNESS, PC BOARD/ CKT. BREAKER	
FINISH			NEXT HIGHER ASSY.	SIZE CODE E-UA-H775-00	NUMBER 7011759-0-0
SCALE 1/1			SHEET 1 OF 1	DIST.	REV. A

REV. A  
NUMBER 7011759-0-0  
SIZE CODE

734

THIS DRAWING AND SPECIFICATIONS HEREIN ARE THE PROPERTY OF DIGITAL EQUIPMENT CORPORATION AND SHALL NOT BE REPRODUCED OR COPIED OR USED IN WHOLE OR IN PART AS THE BASIS FOR THE MANUFACTURE OR SALE OF ITEMS WITHOUT WRITTEN PERMISSION. COPYRIGHT © 1971, DIGITAL EQUIPMENT CORPORATION.

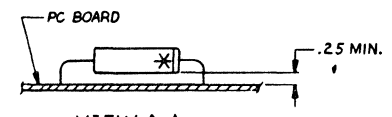


REV.	CHG.	NO.	DATE	BY
1				
2				
3				
4				
5				
6				
7				
8				

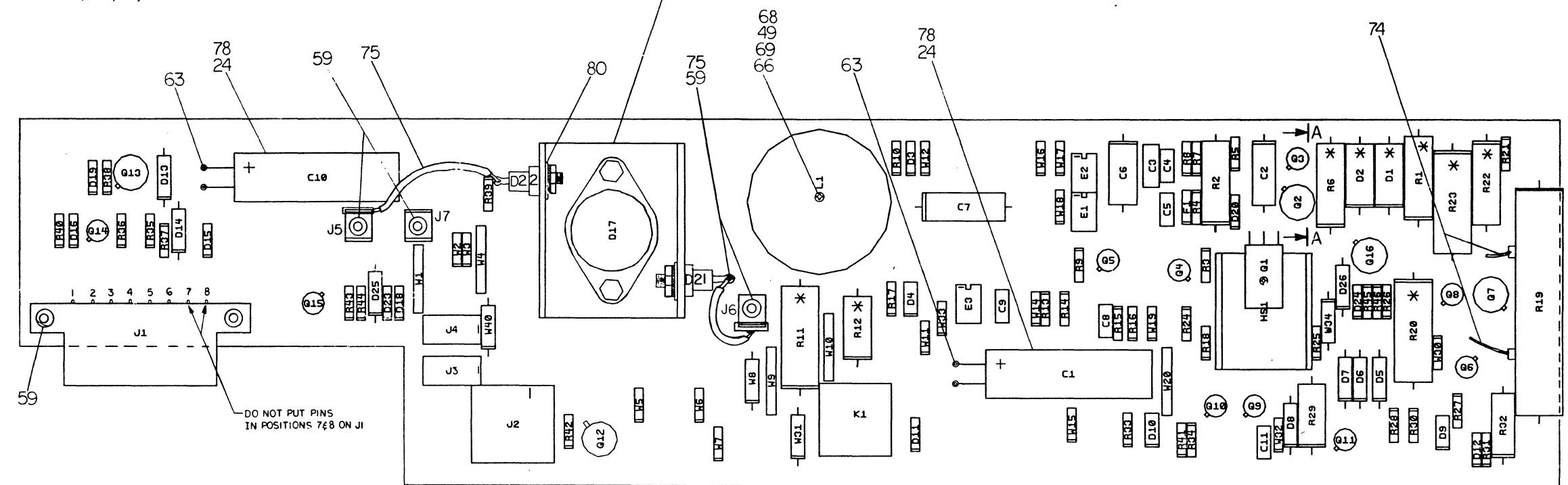
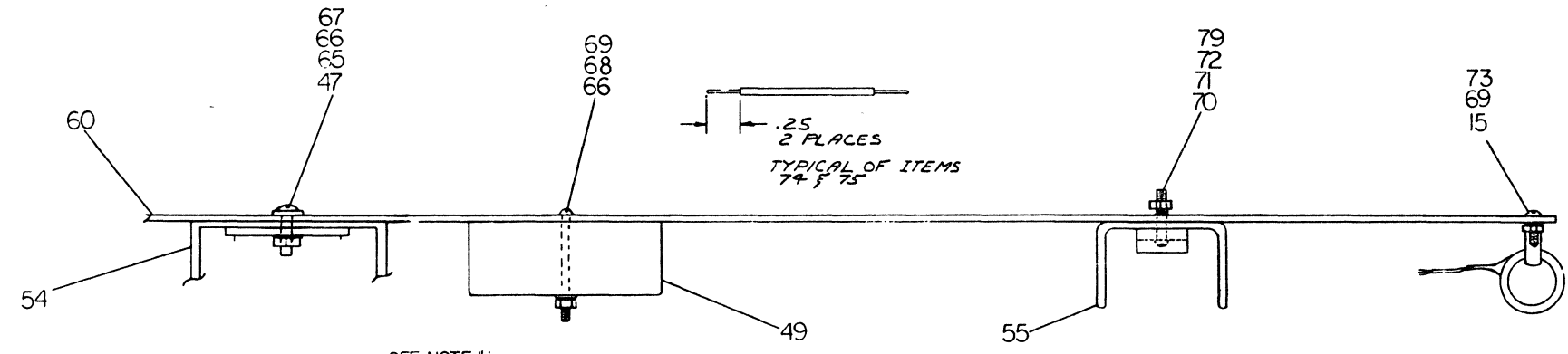
ETCHBOARD REV C		FIRST USED ON	
DRN: M. Brown	2/1/71	H775	digital
CHK'D: J. Brown	9/29/71	TITLE	
ENG. J. Brown	9/18/71	BATTERY CHARGER	
PROJ. ENG. J. Brown	7/1/71	NEXT HIGHER ASSY.	
PROD. ENG. J. Brown	9/21/71	D-UA-5411625-0-0	
SCALE: 4	SIZE: D	CODE: CS	NUMBER: 5411625-0-1
SHEET: 1	OF: 1	DIST.	REV.

735

THIS DRAWING AND SPECIFICATIONS, HEREIN, ARE THE PROPERTY OF DIGITAL EQUIPMENT CORPORATION AND SHALL NOT BE REPRODUCED OR COPIED IN WHOLE OR IN PART OR IN ANY MANNER FOR THE PROPRIETARY OR SALE OF THIS DRAWING WITHOUT PERMISSION. DIGITAL EQUIPMENT CORPORATION © 1975



VIEW A-A  
ALL ITEMS WITH \* (R1, R6, R11, R12, R20, R22, R23)



DO NOT PUT PINS IN POSITIONS 7 & 8 ON J1

NOTES: 1. NO THERMAL COMPOUND.

CHK	CHANGE NO	REV
5411625-0000	C	
G. POTTER		
P. A. DAVIS		

SIGNATURES		DATE	digital
DRN M. Pomeroy		SEPT 10 1975	
CHK D. M. Pomeroy		7/18/75	TITLE BATTERY CHARGER
ENG. J. M. Pomeroy		7/18/75	
PROJ. ENG. J. M. Pomeroy		7/18/75	
SCALE 2:1	SIZE CODE	NUMBER	REV
SHT. 1 OF 1	D	UA 5411625-0-0	0
ETCH REV C FIRST USED ON			

736



DIGITAL EQUIPMENT CORPORATION MAYNARD, MASSACHUSETTS				PARTS LIST				QUANTITY / VARIATION			
MADE BY JIM DAVIS		CHECKED P. BOSSMAN		SECTION 1		ETCH REV C					
DATE 4-18-75		DATE 11-4-75		ISSUED SECT. 1							
ENG JIM DAVIS		PROD D. DEROME		ISSUED SECT. 1							
DATE 4-18-75		DATE 9-25-75									
ITEM NO.	DWG NO. / PART NO.	DESCRIPTION									
1	1302380	RESISTOR 100 OHM, 2W 5%		1	R1						
2	1311604	RESISTOR 0.2 OHM, 2W 3%		1	R2						
3	1300229	RESISTOR 100 OHM, 1/4W 5%		3	R3	R21R40					
4	1301421	RESISTOR 15 OHM, 1/4 10%		2	R4	R37					
5	1301425	RESISTOR 300 OHM, 1/4W 5%		1	R5						
6	1301966	RESISTOR 820 OHM, 2W 10%		1	R6						
7	1302465	RESISTOR 18K, 1/4W 5%		2	R7	R14					
8	1300365	RESISTOR 1K, 1/4W 5%		7	R8	R16R17R25R38R39R42					
9	1300479	RESISTOR 10K, 1/4W 5%		7	R9	R13R27R28R41R44 R45					
10	1301808	RESISTOR 22K, 1/4W 5%		2	R10	R33					
11	1301897	RESISTOR 1.5K, 5W 5%		1	R11						
12	1303122	RESISTOR 1.8K, 1W 5%		2	R12	R29					
13	1302466	RESISTOR 100K, 1/4W 5%		1	R15						
14	1305108	RESISTOR 1.47K, 1%, 1/4W		1	R24						
15	1300190	RESISTOR 25 OHM 25W WITH BRACKETS 1%		1	R19						
16	1305815	RESISTOR 5 OHM, 5W 5%		1	R20						
17	1305380	RESISTOR 270 OHM, 2W 5%		1	R22						
18	1309963	RESISTOR 260 OHM, 5W 1%		1	R23						
19	1303179	RESISTOR 8.2K 1/4W 5%		2	R26	R30					
20	1309415	RESISTOR 11.5K, 1/4W 1%		2	R18	R31					
21	1300424	RESISTOR 2.49K 3/4W 1%		1	R32						
22	1300439	RESISTOR 3.3K, 1/4W 5%		5	R34	R35R36R43R46					
TITLE BATTERY CHARGER		ASSY NO. D-UA-5411625-0-0		SIZE CODE A PL		NUMBER 5411625-0-0		REV D		ECO NO. 5411625-00002	
SHEET 1 OF 4		DIST									

DEC FORM DEC 16 (325) 1031 N870  
ORA 110

DIGITAL EQUIPMENT CORPORATION MAYNARD, MASSACHUSETTS				PARTS LIST				QUANTITY / VARIATION			
MADE BY JIM DAVIS		CHECKED P. BOSSMAN		SECTION 1		ETCH REV C					
DATE 4-18-75		DATE 11-4-75		ISSUED SECT. 1							
ENG JIM DAVIS		PROD D. DEROME		ISSUED SECT. 1							
DATE 4-18-75		DATE 9-25-75									
ITEM NO.	DWG NO. / PART NO.	DESCRIPTION									
45	1105275	DIODE D672		5	D16	D19	D18	D23	D24		
46	1110006	DIODE 120LA RECT		2	D21	D22					
47	1109465	SCR MCR649P2		1	D17						
48	1210929-03	3/4 AMP. PICO FUSE		1	F1						
49	1612500	INDUCTOR 200 UH		1	L1						
50	1211138-01	RELAY DPDT 6VDC		1	K1						
51	1211139	RELAY SOCKET HOUSING		1	KK1						
52	1211342-06	CONN. MATE-N-LOCK 6 PIN		1	J2						
53	1211342-02	HEADER MATE-N-LOCK 2 PIN		2	J3	J4					
54	1212645	HEAT SINK		1	HS2						
55	1212487	HEAT SINK		1	HS1						
56	1911944	IC LM555 TIMER		2	E1	E2					
57	1910282	IC LM301A OP AMP		1	E3						
58	9008219	QUICK CONNECT 1/2 IN. SINGLE MALE 90°		1	J6						
59	9009000	EYELETS		5							
60	5011624	ETCHED CIRCUIT BOARD		1							
61	1209340	8 PIN MATE-N-LOCK		1	J1						
62	1209456-01	SOCKETS FOR 1209340		6	J1-1, J1-2, J1-3, J1-4, J1-5, J1-6						
63	9009118-03	TERMINAL, SOLDER		4							
64	9007113	DOUBLE MALE QUICK CONNECT 90°		2	J5	J7					
TITLE BATTERY CHARGER		ASSY NO. D-UA-5411625-0-0		SIZE CODE A PL		NUMBER 5411625-0-0		REV D		ECO NO.	
SHEET 3 OF 4		DIST									

DEC FORM DEC 16 (325) 1031 N870  
ORA 110

DIGITAL EQUIPMENT CORPORATION MAYNARD, MASSACHUSETTS				PARTS LIST				QUANTITY / VARIATION			
MADE BY JIM DAVIS		CHECKED P. BOSSMAN		SECTION 1		ETCH REV C					
DATE 4-18-75		DATE 11-4-75		ISSUED SECT. 1							
ENG JIM DAVIS		PROD D. DEROME		ISSUED SECT. 1							
DATE 4-18-75		DATE 9-25-75									
ITEM NO.	DWG NO. / PART NO.	DESCRIPTION									
23	1005784	CAPACITOR 0.01 MFD, 100V, MYLAR		1	C6						
24	1012607-02	CAPACITOR 180 MFD, 50V, 672D SPRAGUE		2	C1	C10					
25	1000050	CAPACITOR .033 MFD, 100V		1	C2						
26	1000042	CAPACITOR 1KPF, 100V		1	C3						
27	1001610-01	CAPACITOR .01 MFD, 100V		2	C4	C5					
28	1004813	CAPACITOR 10 MFD, 20V		1	C7						
29	1000030	CAPACITOR 0.1 MFD 100V		2	C8	C11					
30	1000009	CAPACITOR 33PF, 100V		1	C9						
31	1510421	TRANSISTOR D44C8		1	Q1						
32	1510959	TRANSISTOR 2N3725		2	Q2	Q12					
33	1510705	TRANSISTOR A05		8	Q3	Q4 Q6 Q8 Q9 Q10 Q14 Q15					
34	1510706	TRANSISTOR A55		3	Q5	Q13 Q16					
35	1509649	TRANSISTOR 2N3762		1	Q7						
36	1510877	TRANSISTOR 2N6028		1	Q11						
37	1112595-01	DIODE GE A114B FAST REC RECT.		1	D1						
38	1112594-01	DIODE GE A115B FAST REC RECT.		1	D2						
39	1105648	DIODE IN4744 15V ZENER		1	D3						
40	1110994	DIODE IN751A 5.1V ZENER		1	D4						
41	1100113	DIODE D662		6	D5	D6 D7 D8 D13 D14					
42	1110713	DIODE 5.1V 2% ZENER		1	D9						
43	1105796	DIODE IN4004 RECT.		4	D11	D12 D20 D26					
44	1110766	DIODE IN5248B 18V ZENER		3	D15	D25 D10					
TITLE BATTERY CHARGER		ASSY NO. D-UA-5411625-0-0		SIZE CODE A PL		NUMBER 5411625-0-0		REV D		ECO NO.	
SHEET 2 OF 4		DIST									

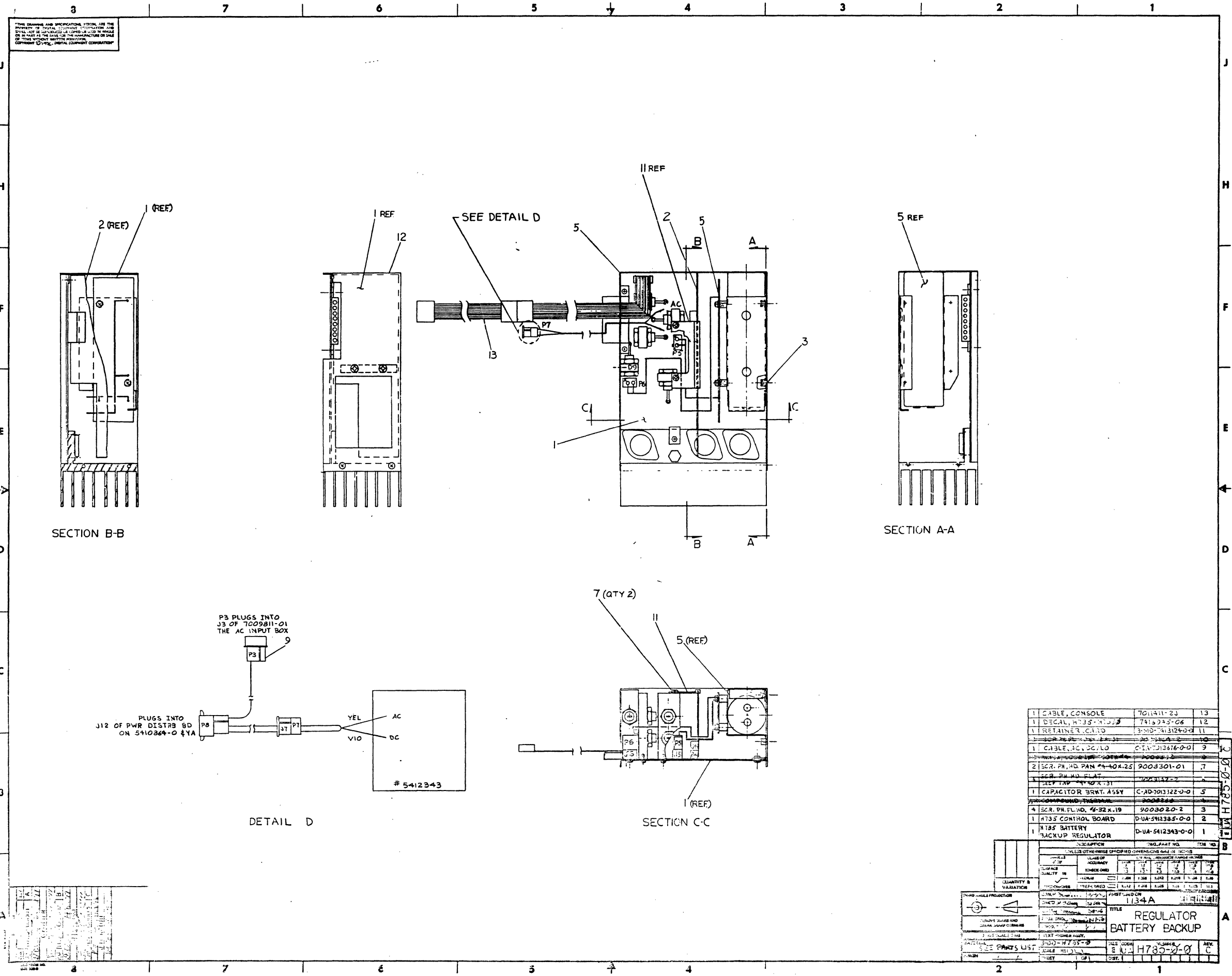
DEC FORM DEC 16 (325) 1031 N870  
ORA 110

DIGITAL EQUIPMENT CORPORATION MAYNARD, MASSACHUSETTS				PARTS LIST				QUANTITY / VARIATION			
MADE BY JIM DAVIS		CHECKED P. BOSSMAN		SECTION 1		ETCH REV C					
DATE 4-18-75		DATE 11-4-75		ISSUED SECT. 1							
ENG JIM DAVIS		PROD D. DEROME		ISSUED SECT. 1							
DATE 4-18-75		DATE 9-25-75									
ITEM NO.	DWG NO. / PART NO.	DESCRIPTION									
65	9006024-1	6-32 x 1/2 PPH SCREW		2							
66	9006653	FLAT WASHER		3							
67	9008185	6-32 KEP NUT (1/2 AF)		2							
68	9007853-1	6-32 x 1 1/8 PPH SCREW		1							
69	9006560	6-32 KEP NUT (5/16 AF)		3							
70	9006010-1	4-40 x 5/16 PPH SCREW		1							
71	9006655	FLAT WASHER		1							
72	9006557	4-40 KEP NUT		1							
73	9006020-1	6-32 x 1/2 PPH SCREW		2							
74	9107350-99	WIRE #22 AWG STRANDED IPVC x 1 1/2" L		2							
75	9107360-22	WIRE #18 AWG STRANDED IPVC x 2 1/2" L		2							
77	9007970	FEMALE FAST-ON INSULATED		2							
78	9007834	DOUBLE BACK STICKY TAPE		A/R							
79	9008268	THERMAL COMPOUND		A/R							
80	9006664	FLAT WASHER		2							
81	D-CS-5411625-β-1	CIRCUIT SCHEMATIC		REF							
82	D-AH-5411625-β-5	ASSY/DRILLING HOLE LAYOUT		REF							
83	B-MH-5411625-β-6	MODULE ECO HISTORY		REF							
84	9009185-ββ	JUMPER, WIRE, WHITE INS. .4 LONG		16							W2, 3, 5-7, 11, 12, 14-19, 30, 32, 33
85	9009185-ββ	JUMPER, WIRE, WHITE INS. .6 LONG		9							W1, 4, 8, 9, 10, 20, 31, 34, 40
TITLE BATTERY CHARGER		ASSY NO. D-UA-5411625-0-0		SIZE CODE A PL		NUMBER 5411625-0-0		REV D		ECO NO.	
SHEET 4 OF 4		DIST									

DEC FORM DEC 16 (325) 1031 N870  
ORA 110

737





THE DIMENSIONS AND SPECIFICATIONS LISTED ARE THE PROPERTY OF THE ORIGINAL MANUFACTURER AND SHOULD BE USED AS A GUIDE ONLY. THE USER SHOULD CONSULT THE ORIGINAL MANUFACTURER'S DRAWINGS FOR THE MOST ACCURATE DIMENSIONS AND SPECIFICATIONS. THE USER SHALL BE RESPONSIBLE FOR THE PROPER USE OF THE INFORMATION CONTAINED HEREIN.

1	2	3	4	5	6	7	8	9	10	11	12	13
1	2	3	4	5	6	7	8	9	10	11	12	13

1	CABLE, CONSOLE	7011411-2J	13
1	DECAL, H735-H736	7415225-06	12
1	RETAINER, CARD	3-MD-34324-0-11	11
1	CABLE, AC, DC, LO	C-VA-5113676-0-01	9
2	SCR. PH. HD. PAN #4-40X.25	9003301-01	7
1	SCR. PH. HD. FLAT	9003301-01	6
1	SCR. PH. HD. PAN #4-40X.31	9003301-01	5
1	CAPACITOR BRKT. ASSY	C-AD-7013122-0-0	5
4	SCR. PH. HD. PAN #4-40X.19	9003301-01	4
1	H735 CONTROL BOARD	D-VA-5113385-0-0	2
1	H735 BATTERY BACKUP REGULATOR	D-VA-5412343-0-0	1

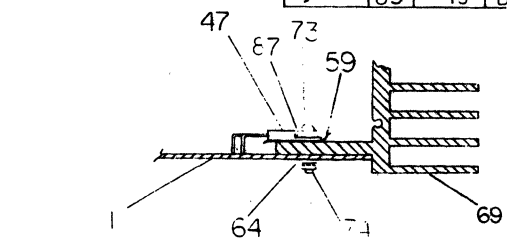
DESCRIPTION	7011411-2J	13
UNLESS OTHERWISE SPECIFIED DIMENSIONS ARE IN INCHES		
QUANTITY & VARIATION		
DATE	1/34A	
TITLE	REGULATOR BATTERY BACKUP	
SCALE	1:1	
DATE	1/34A	
SCALE	1:1	
DATE	1/34A	
SCALE	1:1	

739

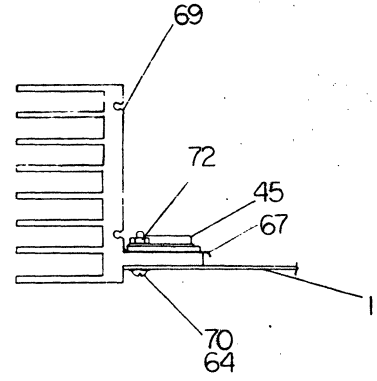
THIS DRAWING IS THE PROPERTY OF THE COMPANY AND IS NOT TO BE REPRODUCED OR COPIED IN ANY MANNER WITHOUT THE WRITTEN PERMISSION OF THE COMPANY. © 1977

WIRE TABLE							
ITEM NO	RUN NO	DESCRIPT	FROM	TO	H785	H7850	LENGTH
77	75	18TWP	BLK	D 11 ANODE	PAD 1	PAD 1	4.50
	76		RED	D 10 ANODE	PAD 2	PAD 2	4.50
	77	18	RED	D 9 CATHODE	PAD 3	PAD 3	3.00
	78	18	RED	D 12 CATHODE	PAD 10	PAD 10	3.75
77	79	18TWP	BLK	D 16 ANODE	PAD 11	PAD 11	1.50
	80		RED	D 15 ANODE	PAD 6	PAD 6	2.00
77	81	18TWP	BLK	D 17 CATHODE	PAD 8	PAD 7	2.75
	82		RED	D 18 CATHODE	PAD 4	PAD 5	2.75
77	83	18TWP	RED	D 13 ANODE	D 18 CATHODE	D 18 CAT	3.50
	84		BLK	D 14 ANODE	D 17 CATHODE	D 17 CAT	3.50
	85	18	BLK	D 9 ANODE	PAD 9	PAD 9	3.00

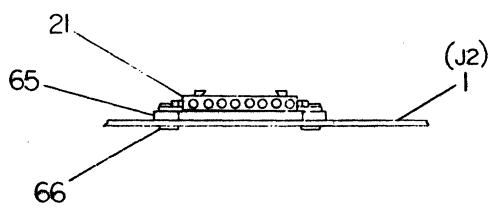
UNTWIST ITEM NO. 77 AND USE PROPER COLOR.



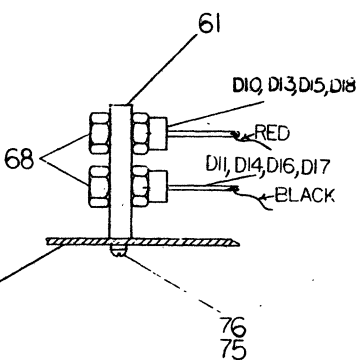
VIEW D-D  
SCALE: NONE



VIEW C-C  
SCALE: NONE



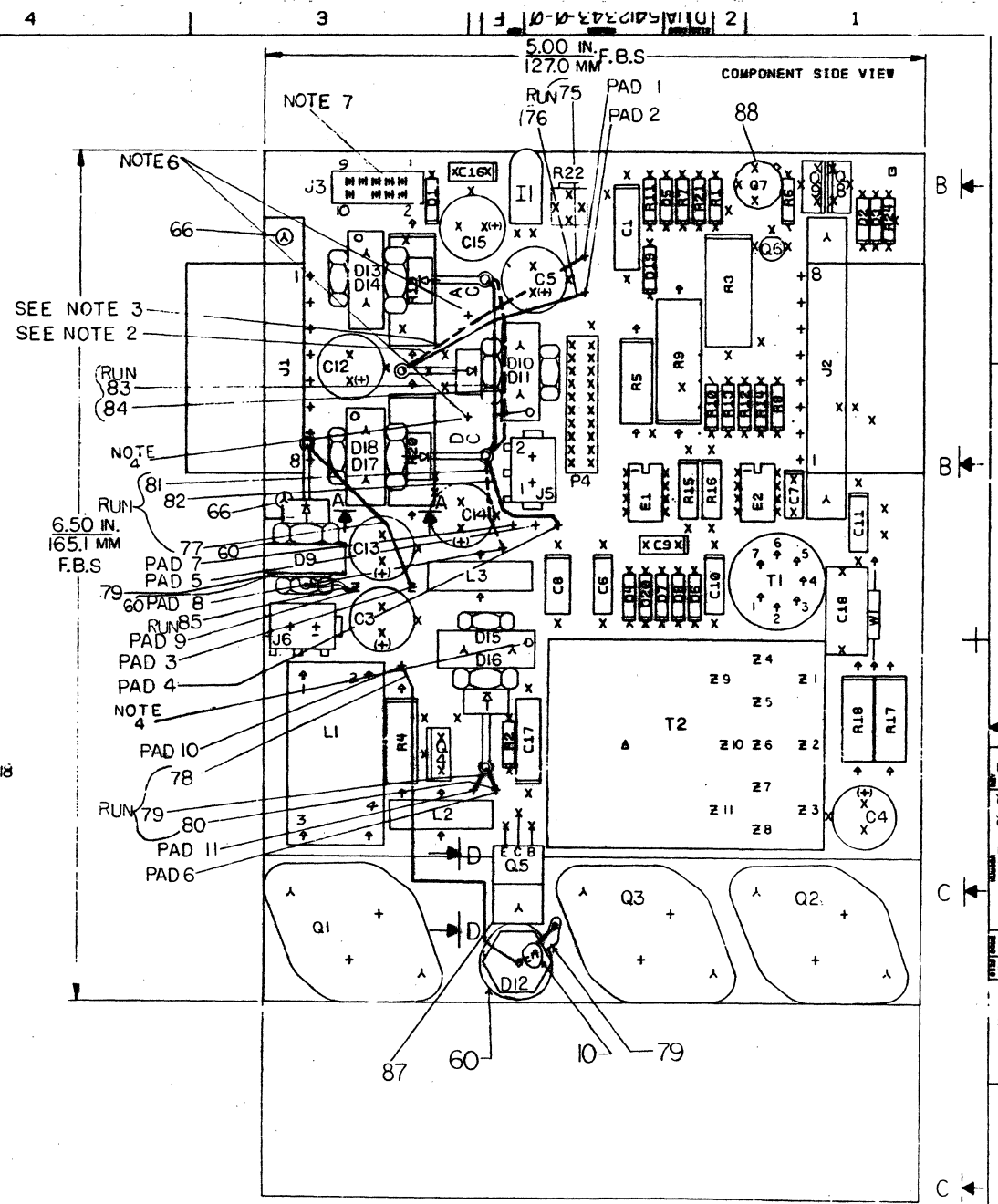
VIEW B-B  
SCALE: NONE



VIEW A-A  
SCALE: NONE  
TYP. 4 PLACES

NOTES:  
 1. SEE SHEET 4 OF 4 FOR DIODE WIRING.  
 2. SOLID LINE INDICATES WIRE FROM THE TOP DIODE.  
 3. DASHED LINE INDICATES WIRE FROM BOTTOM DIODE.  
 4. TAPPED HOLE AT TOP OF HEATSINKS MUST FACE PROPER WAY TO ALLOW INSERTION OF CARD GUIDE.  
 8. TORQUE SPECIFICATIONS:  
 Q3-Q3 10 IN-LBS. INSPECT TO MIN. OF 5 TORQUE FROM SCREW HEAD  
 Q5 8 IN-LBS. INSPECT TO MIN. OF 5 TORQUE FROM SCREW HEAD  
 Q5-DIE 16 IN-LBS. INSPECT TO MIN. OF 12 TORQUE FROM NUT SIDE

NOTES:  
 6. SOLDER ITEM NO. 55 AC. DC. CABLE TO REGULATOR BOARD RED WIRE TO PTH MARKED DC. BLACK WIRE TO PTH MARKED AC.  
 7. INSERT ON TO J3 ITEM NO. 58



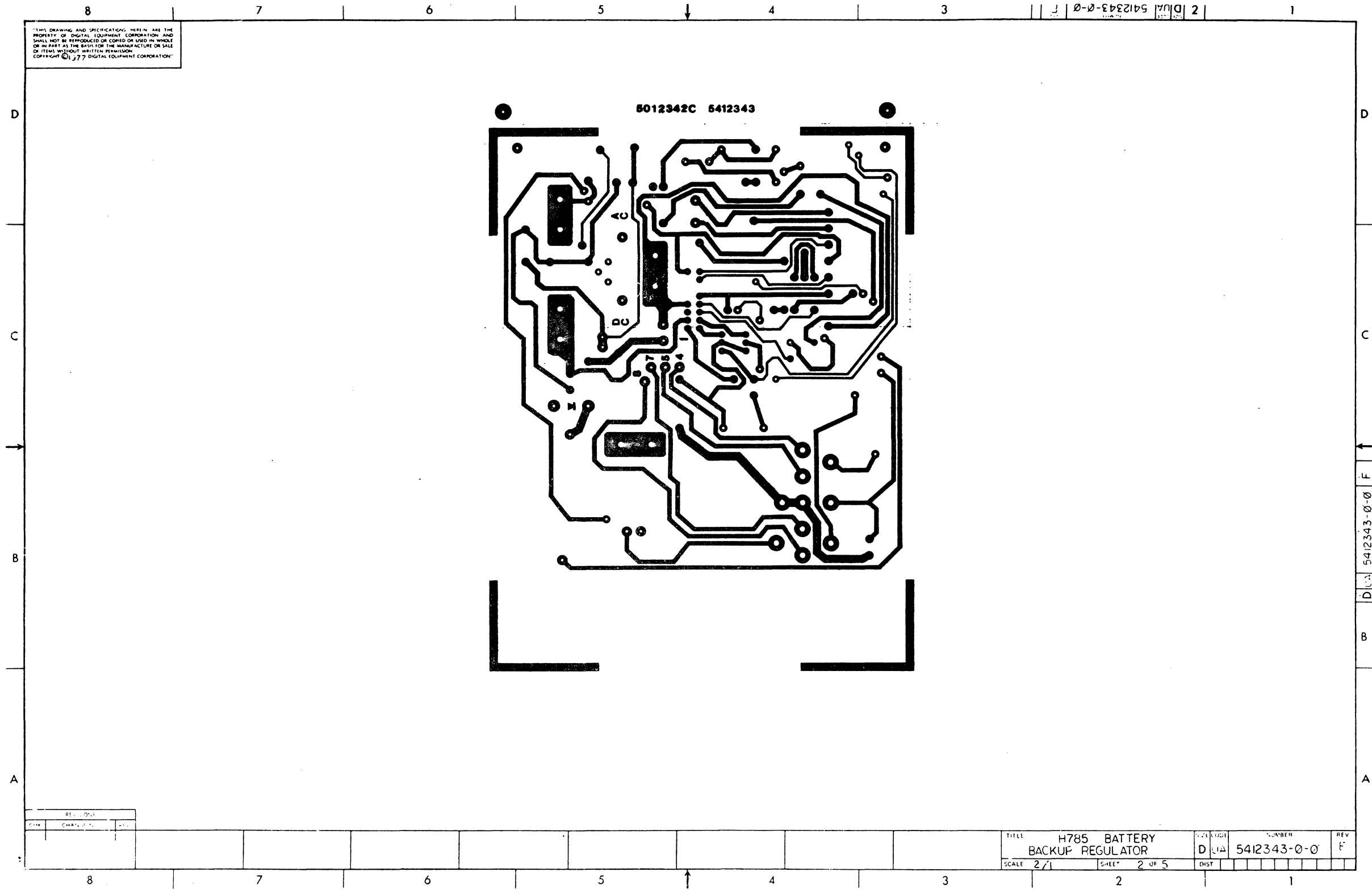
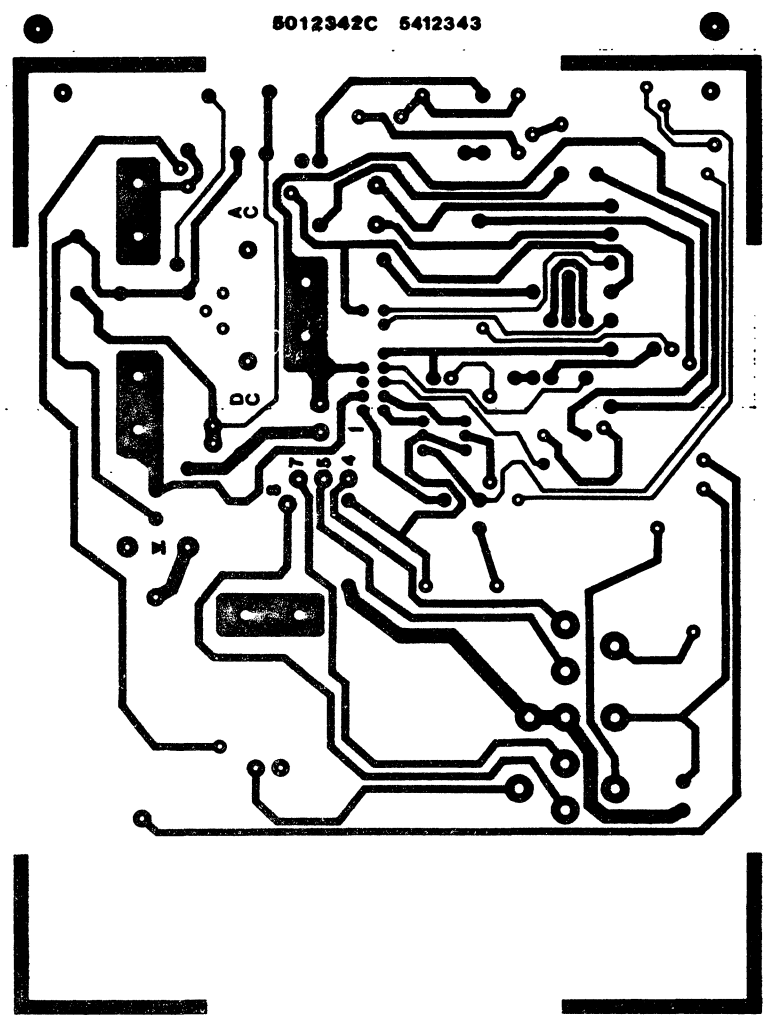
REV	DATE	BY	CHKD	DESCRIPTION
1	11/20/77	J. MURPHY		REVISED TO ADD WIRE RUNS
2	12/1/77	G. POTTER		REVISED TO ADD WIRE RUNS
3	12/1/77	G. POTTER		REVISED TO ADD WIRE RUNS
4	12/1/77	G. POTTER		REVISED TO ADD WIRE RUNS
5	12/1/77	G. POTTER		REVISED TO ADD WIRE RUNS
6	12/1/77	G. POTTER		REVISED TO ADD WIRE RUNS
7	12/1/77	G. POTTER		REVISED TO ADD WIRE RUNS
8	12/1/77	G. POTTER		REVISED TO ADD WIRE RUNS
9	12/1/77	G. POTTER		REVISED TO ADD WIRE RUNS
10	12/1/77	G. POTTER		REVISED TO ADD WIRE RUNS

SIGNATURES		DATE	TITLE
DRN	[Signature]	12-8-76	
CHK'D	[Signature]	1-3-77	
ENG.	[Signature]	1-3-77	H785 BATTERY BACKUP REGULATOR
PROJ. ENG.	[Signature]	1-3-77	
PROD.	[Signature]	2-3-77	H785 BATTERY BACKUP REGULATOR
SCALE	2-1		
SHT.	1 OF 5		H785 BATTERY BACKUP REGULATOR
NEXT HIGHER ASSY.	B-DD-5412343-0		

1 MC# 60929

740

THIS DRAWING AND SPECIFICATIONS HEREIN ARE THE PROPERTY OF DIGITAL EQUIPMENT CORPORATION AND SHALL NOT BE REPRODUCED OR COPIED OR USED IN WHOLE OR IN PART AS THE BASIS FOR THE MANUFACTURE OR SALE OF ITEMS WITHOUT WRITTEN PERMISSION. COPYRIGHT © 1977 DIGITAL EQUIPMENT CORPORATION



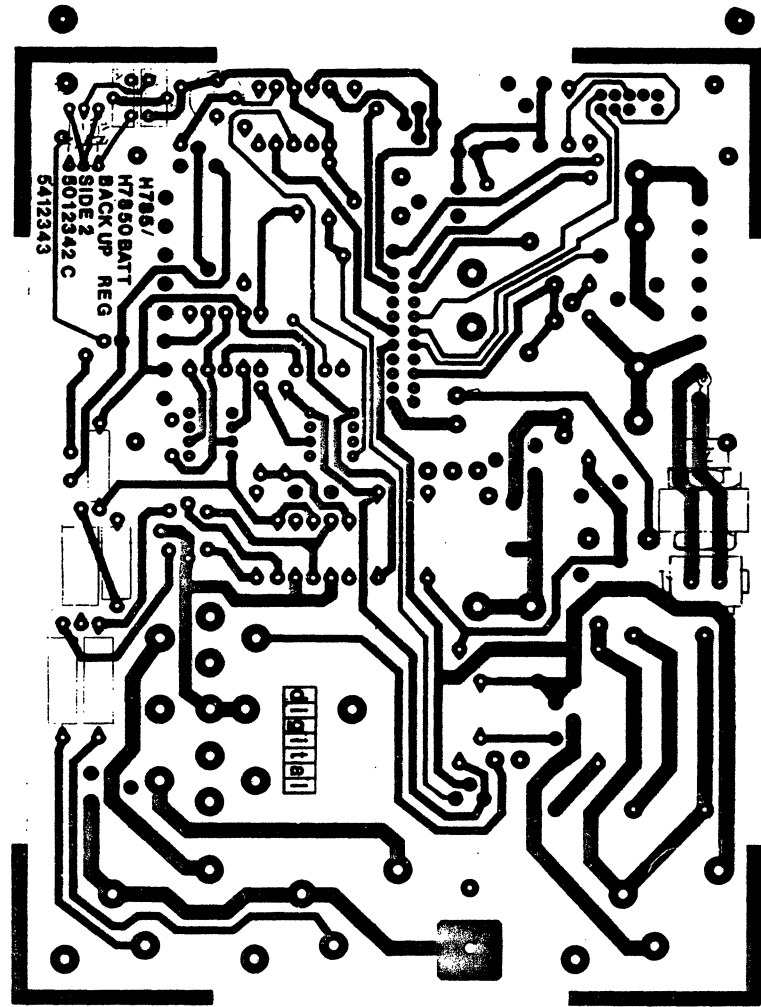
REV	DATE	BY	CHKD

TITLE	H785 BATTERY BACKUP REGULATOR	SCALE	2/1	SHEET	2 OF 5	DATE		NUMBER	5412343-0-0	REV	F
-------	----------------------------------	-------	-----	-------	--------	------	--	--------	-------------	-----	---

DIA 5412343-0-0 F

741

THIS DRAWING AND SPECIFICATIONS HEREIN ARE THE PROPERTY OF DIGITAL EQUIPMENT CORPORATION AND SHALL NOT BE REPRODUCED OR COPIED OR USED IN WHOLE OR IN PART AS THE BASIS FOR THE MANUFACTURE OR SALE OF ITEMS WITHOUT WRITTEN PERMISSION. COPYRIGHT © 1977 DIGITAL EQUIPMENT CORPORATION.



REVISIONS		
CHK	CHANGE NO.	REV.

TITLE	H785 BATTERY BACKUP REGULATOR	SIZE CODE	D UA	NUMBER	5412343-0-0	REV.	F
SCALE	2/1	SHEET	3 OF 5	DIST.			

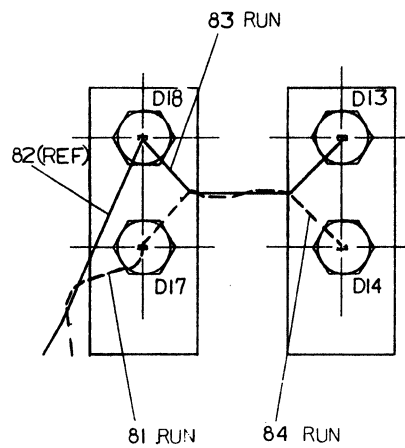
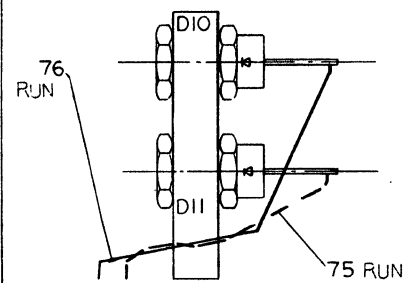
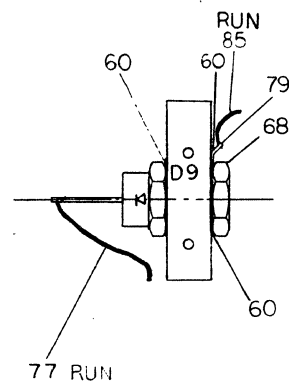
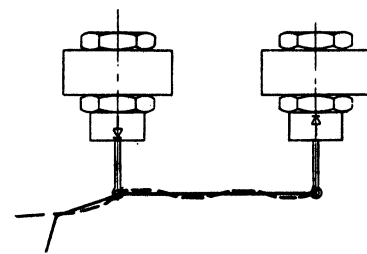
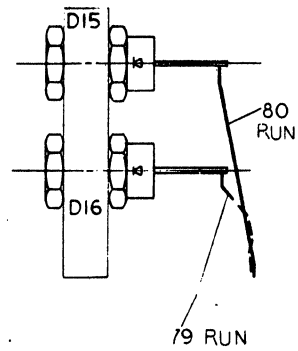
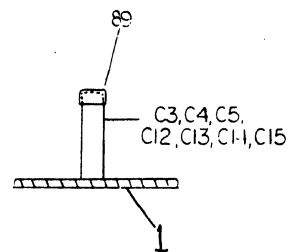
742

THIS DRAWING AND SPECIFICATIONS HEREIN ARE THE PROPERTY OF DIGITAL EQUIPMENT CORPORATION AND SHALL NOT BE REPRODUCED OR COPIED OR USED IN WHOLE OR IN PART AS THE BASIS FOR THE MANUFACTURE OR SALE OF ITEMS WITHOUT WRITTEN PERMISSION. COPYRIGHT © 1977, DIGITAL EQUIPMENT CORPORATION

NOTES:

1. WIRING INFORMATION IS ON SHEET 1 OF 4.

2. DIODES TO BE ASSEMBLED TO HEAT-SINKS AND WIRED AS SHOWN BEFORE INSTALLING TO BOARD.



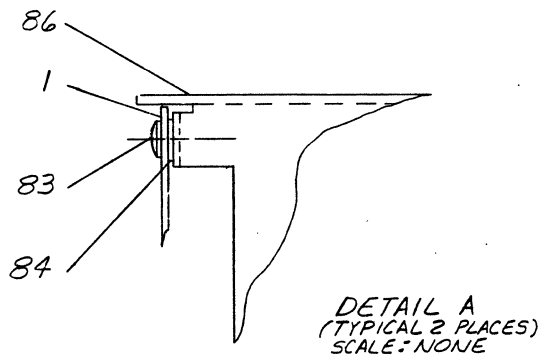
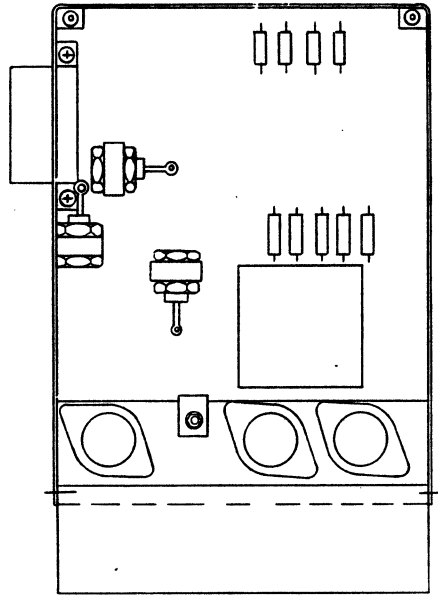
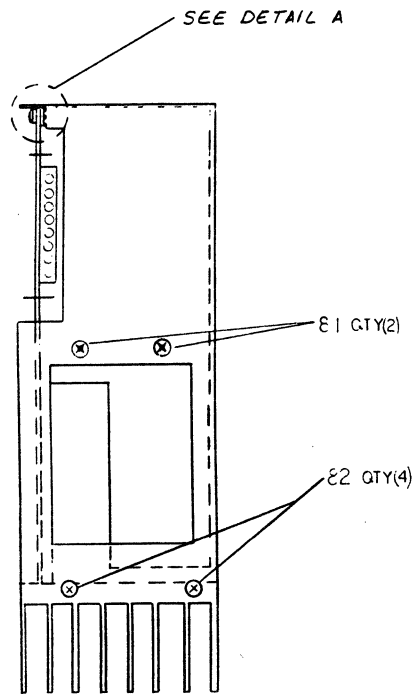
REVISIONS		
CHK	CHANGE NO.	REV.

TITLE	H785 BATTERY BACKUP REGULATOR	SIZE CODE	NUMBER	REV.
SCALE	2/1	SHEET	4 OF 5	F
DIST.				

PART CODE: DUA 5412343-0-0  
 REV. F

743

THIS DRAWING AND SPECIFICATIONS HEREIN ARE THE PROPERTY OF DIGITAL EQUIPMENT CORPORATION AND SHALL NOT BE REPRODUCED OR COPIED OR USED IN WHOLE OR IN PART AS THE BASIS FOR THE MANUFACTURE OR SALE OF ITEMS WITHOUT WRITTEN PERMISSION.  
 COPYRIGHT © 1977 DIGITAL EQUIPMENT CORPORATION



REVISIONS		
CHK	CHANGE NO.	REV.

TITLE	H785 BATTERY BACKUP REGULATOR	SIZE CODE	NUMBER	REV.
SCALE	1-1	DUA	5412343-0-0	F
SHEET	5 OF 5	DIST.		

744



LINE	ITEM	DOCUMENT NO.	PART NO.	DESCRIPTION	QTY	REFERENCE DESIGNATORS
1	1	D-MD-5012342-0-0	5012342-00	ETCH BRD 54-12343	1	
2	2		1002431-00	2.2MFD 35V 10% 150S S.TA	(10-00)	1 C10
3	3		1012607-02	180 MFD 50V H% 672D AL EL		3 C3-C5
4	4		1000042-00	1000.0 MMF 100V 5%200PPM DM15S	(10-00)	1 C7
5	5		1010646-00	.015 MFD 50V 2% M.POLYCARB		1 C8
6	6		1000024-00	470.0 MMF 100V 5%200PPM DM15S	(10-00)	1 C9
7	7		1001776-00	1 MFD 35V 10% 150D S.TA	(10-00)	2 C6,C11
8	8		1012607-00	560 MFD 20V H% 672D AL EL		3 C12-C14
9	9		1012607-01	1200 MFD 6.3V H% 672D AL EL		1 C15
10	10		1010621-00	.1 MFD 50V 20% Z5U DISC		2 C16,C19
11	11		1004813-00	10 MFD 20V 10% 150D S.TA	(10-00)	2 C1,C17
12	12		1000030-00	.1 MFD 100V 20% Z5U DISC		1 C18
13	13	BLANK				
14	14		1100125-00	1N 758A VZ= 10.0 5% .40W PPER S.A.V.EC	2	D2,D3
15	15		1105275-00	D 672 TR= 15NS PIV= 60V SP	7	D1,D4-D8,D20
16	16		1109440-00	1N 3880 PIV=100 I= 6A D04 SM	6	D10,D11,D13-D16
17	17		1113366-00	1N 3880R PIV=100 I=6A S	4	D17,D18,D9,D12
18	18		1105648-00	1N 4744 VZ= 15.0 10% 1W Y	1	D19
19	19	BLANK				
20	20		1211004-02	SOCKET,100 20POS EDGE MOUNT	1	P4
21	21		1209340-00	MATE-N-LOK 8PIN,HOUSING,SKT	2	J1,J2
22	22		1209456-01	MATE-N-LOK SKT PCB TAB LOOSE	16	
23	23		1211342-02	MATE-N-LOK 2PIN PC TYPE	2	J5,J6
24	24		1209219-01	LAMP 6V@200MA,T1-3/4PINS#2319	1	L1
25	25	BLANK				
26	26		1300202-00	47 1/4W 5% CC	(13-00)	1 R2
27	27		1309639-00	200 5W 5% WW	(13-00)	1 R3
28	28		1312682-00	3 3W 5%	(13-00)	1 R4
29	29		1302950-00	1.2 K 1W 10% CC	(13-00)	1 R5
30	30		1300426-00	2.7 K 1/4W 5% CC	(13-00)	2 R6,R7

REVISION HISTORY			VARIATIONS FOR THIS ASSY.			FIRST USED ON:		DIGITAL EQUIPMENT CORPORATION MAYNARD, MASSACHUSETTS		
CHK	ECO NO	REV	NO	MADE BY:	DATE:	TITLE	SIZE	CODE	DOCUMENT NUMBER	REV
B.N	00004	F		D BILODEAU	31-JUL-78	PARTS LIST	K	PL	5412343-0-DBP	F
				CHECKED: R PUZZO	31-JUL-78	H785 BATTERY BACKUP REGULATOR				
				DSN.ENG.: J MERCURI	31-JUL-78					
				PROP.: B KING	31-JUL-78					
				RESP.ENG.: J MERCURI	31-JUL-78	ASSY.NO.: D-UA-5412343-0-0				EDIT#
										3

"THIS DRAWING AND SPECIFICATIONS HEREIN, ARE THE PROPERTY OF DIGITAL EQUIPMENT CORPORATION AND SHALL NOT BE REPRODUCED OR COPIED OR USED IN WHOLE OR IN PART AS THE BASIS FOR THE MANUFACTURE OR SALE OF ITEMS WITHOUT WRITTEN PERMISSION.  
COPYRIGHT 1978, DIGITAL EQUIPMENT CORPORATION"

745

LINE	ITEM	DOCUMENT NO.	PART NO.	DESCRIPTION	QTY	REFERENCE DESIGNATORS
31	31		1309680-00	2.7 M 1/4W 5% CC (13-00	1	R8
32	32		1313712-00	.01 5W 3% WW (13-00	1	R9
33	33		1300365-00	1 K 1/4W 5% CC (13-00	2	R1,R11
34	34		1300229-00	100 1/4W 5% CC (13-00	1	R12
35	35		1302466-00	100 K 1/4W 5% CC (13-00	2	R13,R14
36	36		1312404-00	2.21 K 1/2W 1% PN60D-F 100PPM	2	R15,R16
37	37		1313579-00	1.5 3W 5% WW (13-00	2	R17,R18
38	38		1309855-00	300 2W 5% CC (13-00	2	R19,R20
39	39		1300479-00	10 K 1/4W 5% CC (13-00	1	R21
40	40		1310852-00	200 20% POT S	1	R22
41	41		1300391-00	1.5 K 1/4W 5% CC (13-00	1	R10
42	42		1300316-00	470 1/4W 5% CC (13-00	1	R24
43	43	BLANK			0	
44	44	BLANK			0	
45	45		1510969-00	2N 5038 NPN 140WC SI 90 50 Y	3	Q1-Q3
46	46		1510708-00	D 45H8 PNP 50WT SI 60 60 Y	2	Q4,Q8
47	47		1512790-00	D 44C11 NPN 30W SI 80 40	2	Q5,Q9
48	48		1511686-00	DEC5433 FET N 350MW 10 25 1A 20U	1	Q6
49	49		1510959-00	2N 3725 NPN 3.5WC SI 50 60 P	1	Q7
50	50	BLANK			0	
51	51		1612593-00	500 UH 6A S	1	L1
52	52		1613874-00	CHOKER,15UH 4A	2	L2,L3
53	53		1613876-00	XFMR,POWER,RATIO 1:2 7PIN S	1	T1
54	54		1613875-00	XFMR,POWER,RATIO 1:2:3 100UH	1	T2
55	55		7013690-00	CABLE 2 PIN AC DC LOW	1	
56	56		1911944-00	555CN TIMER,FUNCT.BLOCK	1	E1
57	57		1910282-00	301AN OP AMP	1	E2
58	58		7013384-1D	10 CONDUCTOR EXTENDER CABLE	1	
59	59		1213071-06	INSULATOR,RUBBER SILICONE	1	
60	60		1213071-05	INSULATOR,RUBBER THERMAL	3	
61	61		7417414-00	HEAT SINK (DUAL)	4	
62	62		7417413-00	HEAT SINK (SINGLE)	1	
63	63		9006655-00	WASHER, FLAT, .312 O.D. X .125 ID X .025 T	1	
64	64		9006656-00	WASHER, FLAT, .312 O.D. X .156 I.D. X .027	6	
65	65		9006706-00	WASHER, NYLON, FLAT #4 .375 OD X .031 THK	2	
66	66		9006745-00	EYELET, ROLLED FLANGE, .120 OD X .260 LG	4	
67	67		1213071-02	INSULATOR,RUBBER SILICONE SM	3	
68	68		9006565-00	NUT,KEP , 10-32X 3/8 AF CS/	10	
69	69		1210737-04	HEAT SINK,REGULATOR	1	
70	70		9007793-04	SCREW,BIND,SLOT, 6-32X 9/16 SS/PAS	6	
71	71		9007649-00	***** THIS ITEM IS NOT USED *****	-	
72	72		9008185-00	NUT,KEP , 6-32X1/4 AF CS/	6	
73	73		9008033-01	SCREW,PAN ,PHIL, 4-40X 9/16 SS/PAS	1	
74	74		9006557-00	NUT,KEP , 4-40X 1/4 AF CS	1	
75	75		9006632-00	WASHER,LOCK,INT,.260OD X .120ID X .015 THK	8	
76	76		9006010-04	SCREW,BIND,SLOT, 4-40X 5/16 SS/PAS	8	
77	77		9107430-02	WIRE,STRND,18AWG,IPVC (UL1429) (91-00 A/R	1	
78	78		9009185-00	JUMPER, WIRE, INSULATED, BLACK BAND	1	W1

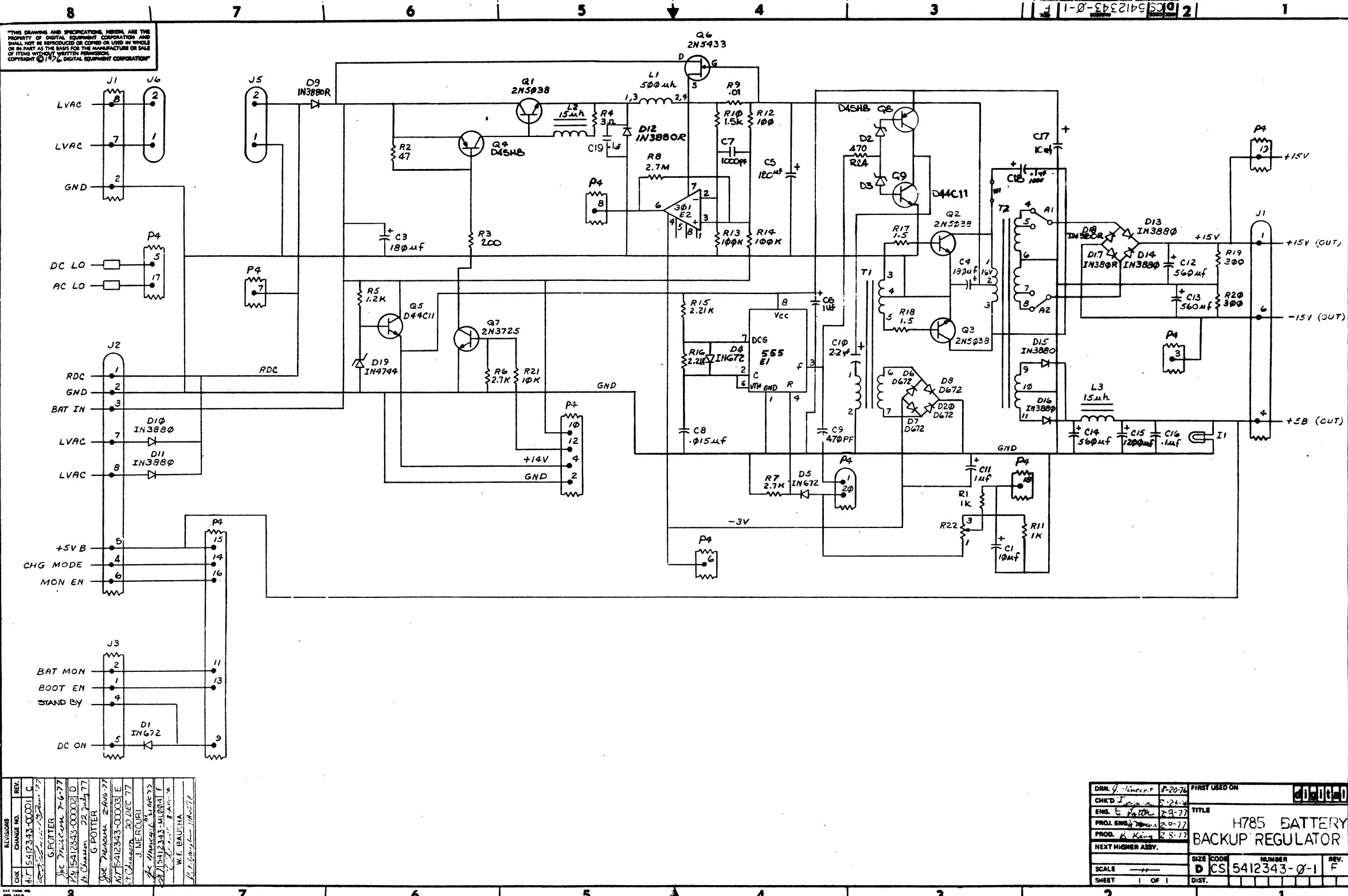
TITLE	PARTS LIST	SIZE	CODE	DOCUMENT NUMBER	REV
DIGITAL EQUIPMENT CORPORATION MAYNARD, MASSACHUSETTS	H785 BATTERY BACKUP REGULATOR	K	PL	5412343-0-0BP	1F

746

LINE ITEM	DOCUMENT NO.	PART NO.	DESCRIPTION	QTY	REFERENCE DESIGNATORS
79	79	9008506-00	TERM LUG 1POS SOLDER,FLAT	2	
80	80	9009149-00	PIN, STAKING, P.C. BOARD, .025 X .025	9	J3
81	81	9008404-02	SCREW,FLAT,PHIL, 6-32X 5/16 SS/PAS 1000	2	
82	82	9009142-02	SCREW, PHILLIPS FLAT HEAD, SELF TAP, 4-40	4	
83	83	9006010-01	SCREW,PAN ,PHIL, 4-40X 5/16 SS/PAS	2	
84	84	9008079-00	WASHER, FLAT FIBER OD. 1/4	2	
85	85	9905212-00	CARTON, DIE CUT 2412 100	1	
86	86	7417410-00	REGULATOR BRACKET	1	
87	87	9009769-00	WASHER, RECTANGULAR .405X.225X.060	1	
88	88	9007201-00	TRANSIPADS #10253	1	
89	89	9009731-03	CAP,PLASTIC	7	

DIGITAL EQUIPMENT CORPORATION MAYNARD, MASSACHUSETTS	TITLE PARTS LIST M785 BATTERY BACKUP REGULATOR	SIZE/CODE K PL	DOCUMENT NUMBER 5412343-0-CBP	REV F
---	--	-------------------	----------------------------------	----------

747



REV.	DATE	BY	CHK'D	REVISIONS
1	7-20-76	J. M. POTTER	J. M. POTTER	INITIALS
2	7-20-76	J. M. POTTER	J. M. POTTER	CHG MODE
3	7-20-76	J. M. POTTER	J. M. POTTER	MON EN
4	7-20-76	J. M. POTTER	J. M. POTTER	BAT MON
5	7-20-76	J. M. POTTER	J. M. POTTER	BOOT EN
6	7-20-76	J. M. POTTER	J. M. POTTER	STAND BY
7	7-20-76	J. M. POTTER	J. M. POTTER	DC ON

DRN. J. M. POTTER	P-20-76	FIRST USED ON	20-0000
CHK'D J. M. POTTER	7-20-76	TITLE	H785 BATTERY BACKUP REGULATOR
ENG. E. POTTER	7-20-76	SIZE CODE	D CS
PROJ. ENG. J. M. POTTER	7-20-76	NUMBER	5412343-0-1
PROD. E. KONG	7-20-76	REV.	F
NEXT HIGHER ASSY.		DIST.	
SCALE			
SHEET	1 OF 1		

748

THIS DRAWING AND SPECIFICATIONS, HEREIN, ARE THE PROPERTY OF DIGITAL EQUIPMENT CORPORATION AND SHALL NOT BE REPRODUCED OR COPIED IN WHOLE OR IN PART OR THE BASIS FOR THE MANUFACTURE OF SOLE OR PART OF ANY OTHER EQUIPMENT WITHOUT THE WRITTEN CONSENT OF DIGITAL EQUIPMENT CORPORATION © 1977

REWORK INSTRUCTIONS

ECO #1

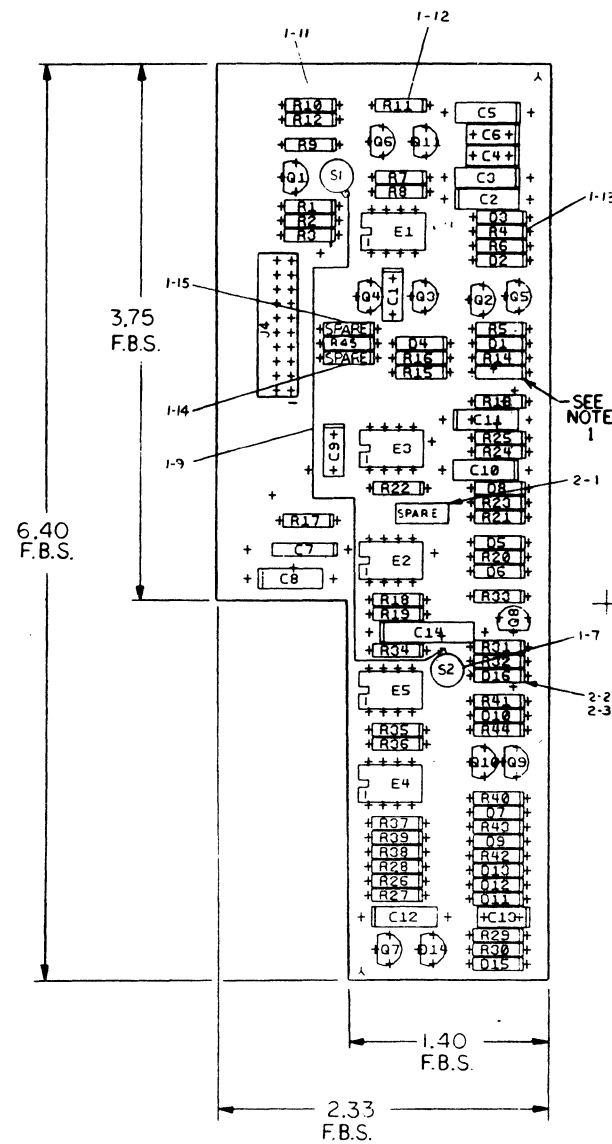
- 1-1 CUT ETCH BETWEEN R41 AND D16. (THIS ETCH LINE RUNS OVER TO THE DRAIN OF Q10) SIDE 1.
- 1-2 CUT ETCH ON RIGHT SIDE OF C14, ON THE ETCH LINE THAT HAS PREVIOUSLY BEEN CUT, SIDE 1.
- 1-3 INSERT ECO WIRE FROM THE DRAIN OF Q10 TO THE LEFT SIDE OF C14, TACK SOLDER TO ETCH LINE ON THE LEFT SIDE OF C14, SIDE 1. (THIS IS THE SAME ETCH LINE THAT WAS CUT ON THE RIGHT SIDE OF C14). ECO WIRE IS TO BE ROUTED TO THE TOP OF THE BOARD FROM THE DRAIN OF Q10 THEN RUN ALONG THE BOARD AND COME DOWN TO THE LAND OF ETCH THAT IT HAS TO BE SOLDERED TO THE LEFT SIDE OF C14.
- 1-4 DRILL A .0635 DIA. HOLE (DRILL #52) BENEATH R32 (SIDE 1) MAKING SURE THE ONLY ETCH DRILLED IS THE ONE WITH BOTH ITS ENDS CUT (SEE STEPS 1 AND 2 OF REWORK INSTRUCTIONS). THIS HOLE HAS TO HOLD DEC. 12-12416-02. BE SURE OF SPACING BEFORE DRILLING.
- 1-5 DRILL A .0635 DIA. HOLE (DRILL #52) ABOVE Q1 TO THE LEFT SIDE OF R1, SIDE 1. BE SURE OF SPACING. THIS HOLE MUST HOLD DEC. 12-12416-02. DO NOT PIERCE ETCH ON SIDE 2.
- 1-6 ON SIDE 2, CUT ETCH LEADING AWAY FROM PIN 9 OF J4.
- 1-7 INSERT DEC. 12-12416-02 IN BOTH HOLES PREVIOUSLY DRILLED. DO NOT INSERT FULLY. INSERT SO THAT ENOUGH OF THE LEAD IS THROUGH THE BOARD THAT WILL PERMIT A COUPLE WRAPS OF AN ECO WIRE. THEN GLUE IN PLACE WITH DEC. 9009157. MAKE SURE THAT TABS ON DEC. 12-12416-02 ARE FACING EACH OTHER ON SIDE 1. (S1 AND S2)
- 1-8 ON DEC PART 12-12416-02 THE ONE THAT IS LOCATED CLOSEST TO J4 ON SIDE 1, CONNECT THE LEAD THAT GOES THROUGH THE BOARD, TO PIN J4-9 ON SIDE 2. THIS IS DONE WITH AN ECO WIRE INSTALLED ON SIDE 2.
- 1-9 WITH AN ECO WIRE, CONNECT BOTH CASE TABS OF DEC. 12-12416-02 ON SIDE 1 TOGETHER.
- 1-10 DEC PART 12-12416-02 THAT HAS BEEN INSTALLED BENEATH R32 ON SIDE 1, CONNECT AN ECO WIRE FROM THIS PARTS PIN ON SIDE 2 WITH THE OTHER END OF THE ECO WIRE GOING TO THE P.T.H

- BETWEEN R41 AND D16 (THIS P.T.H. HAS AN ETCH RUN CONNECTING THE ANODE OF D16 TO IT ON SIDE 2.)
- 1-11 CHANGE R10 FROM 13-13151 3.6K OHM TO 1300391 1.5K OHM.
- 1-12 CHANGE R11 FROM 13-00316 470 OHM TO 13-00439 3.3K OHM.
- 1-13 CHANGE R4 FROM 13-00309 390 OHM TO 13-01322 180 OHM.
- 1-14 REMOVE W2 INSULATED JUMPER 90-09185.
- 1-15 REMOVE D17, IN T58A 11-00125
- 1-16 GLUE ALL ECO WIRES DOWN WITH DEC. 90-09157.

ECO #2

- COMPONENT DELETES SIDE 1:
- 2-1. C15 (P/N 1000021)
- 2-2. D16 (P/N 11110068)
- COMPONENT ADDS SIDE 1:
- 2-3. D16 (ZENER BI-DIRECTIONAL P/N 1114913-00)

COMPONENT SIDE VIEW



NOTES:

1. COMPONENT NOT INSERTED

CHK	CHANGE NO	REV	DATE	BY	APP

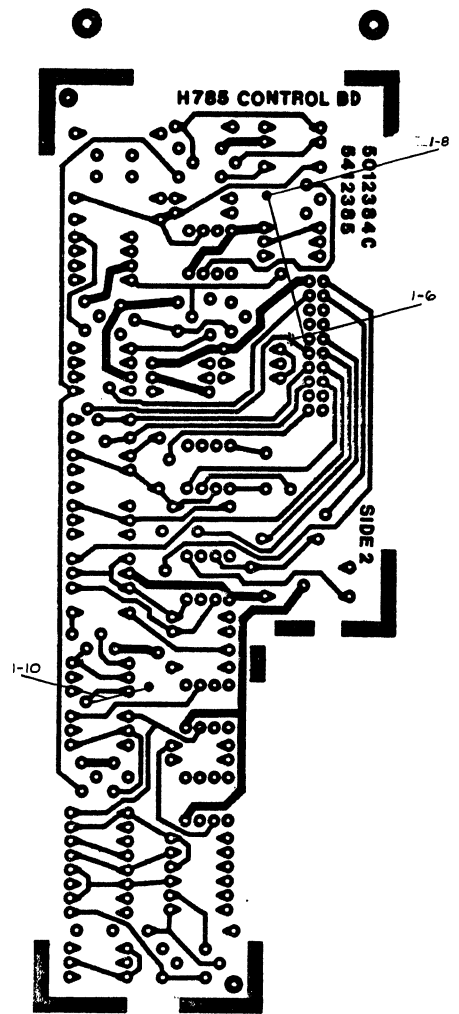
ETCH REV. C
P.C. DESIGN DATA BASE REV. C

SIGNATURES	DATE	TITLE
DRN. F. GAROFALO	2-1-74	H785 CONTROL BD.
CHK'D. F. SEIDMAN	2-9-74	
ENC. BY <i>[Signature]</i>	2-26-74	
PROJ. ENG. <i>[Signature]</i>	27 DEC 74	
PROD. <i>[Signature]</i>	1/1/74	
SCALE 2/1	SIZE CODE	NUMBER
SHT. 1 OF 3	d UA	5412385-0-0
NEXT HIGHER ASSY. 8-DD-5412385-0	REV	E

749



THIS DRAWING AND SPECIFICATIONS HEREIN ARE THE PROPERTY OF DIGITAL EQUIPMENT CORPORATION AND SHALL NOT BE REPRODUCED OR COPIED OR USED IN WHOLE OR IN PART AS THE BASIS FOR THE MANUFACTURE OR SALE OF ITEMS WITHOUT WRITTEN PERMISSION.  
 COPYRIGHT © 1977 DIGITAL EQUIPMENT CORPORATION



REVISIONS		
CHK	CHANGE NO	REV

TITLE	H785 CONTROL BD	SIZE CODE	D UA	NUMBER	542385-0-0	REV.	E
SCALE	2/1	SHEET	3 OF 3	DIST.			

751

LINE	ITEM	DOCUMENT NO.	PART NO.	DESCRIPTION	QTY	REFERENCE DESIGNATORS
1	1	D-MD-5012384-0-0	5012384-00	5412385	1	
2	2		1001610-01	.01 MFD 100V DR 50V Z5U DISC/800PF MIN	4	C1,C4,C6,C13
3	3		1004813-00	10 MFD 20V 10% 150D S.TA (10-00	1	C2
4	4		1001776-00	1 MFD 35V 10% 150D S.TA (10-00	3	C3,C5,C11
5	5		1000061-00	8200.0 MMF 100V 10% 663UW MYLR (10-00	1	C7
6	6		1005965-00	.47 MFD 35V 10% 150D S.TA (10-00	2	C8,C12
7	7		1000009-00	33.0 MMF 100V 5%200PPM DM15S (10-00	1	C9
8	8		1005306-00	6.8MFD 35V 10% 150D S.TA (10-00	1	C14
9	9		1105275-00	D 672 TR= 15NS PIV= 60V SP	9	D1,D2,D3,D5,D6,D9,D10,D12,D13
10	10		1109988-00	1N 964B VZ= 13.0 5% .40W Y	1	D4
11	11		1102808-00	1N 752A VZ= 5.6 5% .40W P	2	D11,D15
12	12		1110968-00	2N 5062 SCR@100V I=.8A T092	1	D14
13	13		1110713-00	SZ710910 VZ= 5.1 2% M	1	D7
14	14		1114913-00	VZ= 18.0 10% 1W	1	D16
15	15		1300398-00	1.8 K 1/4W 5% CC (13-00	2	R32,R38
16	16		1300479-00	10 K 1/4W 5% CC (13-00	11	R1,R13,R18,R19,R20,R21,R28, CONT R31,R42-R44
17	17		1300229-00	100 1/4W 5% CC (13-00	5	R3,R5,R25,R29,R45
18	18		1301322-00	180 1/4W 5% CC (13-00	1	R4
19	19		1302177-00	47 K 1/4W 5% CC (13-00	1	R6
20	20		1302394-00	30 K 1/4W 5% CC (13-00	1	R7
21	21		1302091-00	330 K 1/4W 5% CC (13-00	1	R8
22	22		1300365-00	1 K 1/4W 5% CC (13-00	6	R2,R9,R12,R14,R37,R40
23	23		1300426-00	2.7 K 1/4W 5% CC (13-00	1	R16
24	24		1302092-00	220 K 1/4W 5% CC (13-00	1	R15
25	25		1301423-00	6.8 K 1/4W 5% CC (13-00	1	R17
26	26		1302871-00	1.21 K 1/4W 1% RN55D-F 100PPM (13-00	1	R35
27	27		1302955-00	750 1/4W 1% RN55D-F 100PPM (13-00	1	R34
28	28		1303312-00	10.0 K 1/4W 1% RN55D-F 100PPM (13-00	1	R36
29	29		1302466-00	100 K 1/4W 5% CC (13-00	3	R22,R39,R41

REVISION HISTORY			VARIATIONS FOR THIS ASSY.		FIRST USED ON:		DIGITAL EQUIPMENT CORPORATION MAYNARD, MASSACHUSETTS				
CHK	ECO NO	REV			MADE BY:	DATE:	TITLE	SIZE	CODE	DOCUMENT NUMBER	REV
W.H	00003	E		00	F.MALANSON	21-FEB-78	PARTS LIST				
					F.SEIDMAN	21-FEB-78	H785 CONTROL BOARD				
					J.MERCURI	21-FEB-78					
					R.B.KING	21-FEB-78		K	PL	5412385-0-0	E
					J.MERCURI	21-FEB-78					
							ASSY.NO.:			D-UA-5412385-0-0	EDIY#
											4

\*THIS DRAWING AND SPECIFICATIONS HEREIN, ARE THE PROPERTY OF DIGITAL EQUIPMENT CORPORATION AND SHALL NOT BE REPRODUCED OR COPIED OR USED IN WHOLE OR IN PART AS THE BASIS FOR THE MANUFACTURE OR SALE OF ITEMS WITHOUT WRITTEN PERMISSION.  
COPYRIGHT 1978. DIGITAL EQUIPMENT CORPORATION \*

752

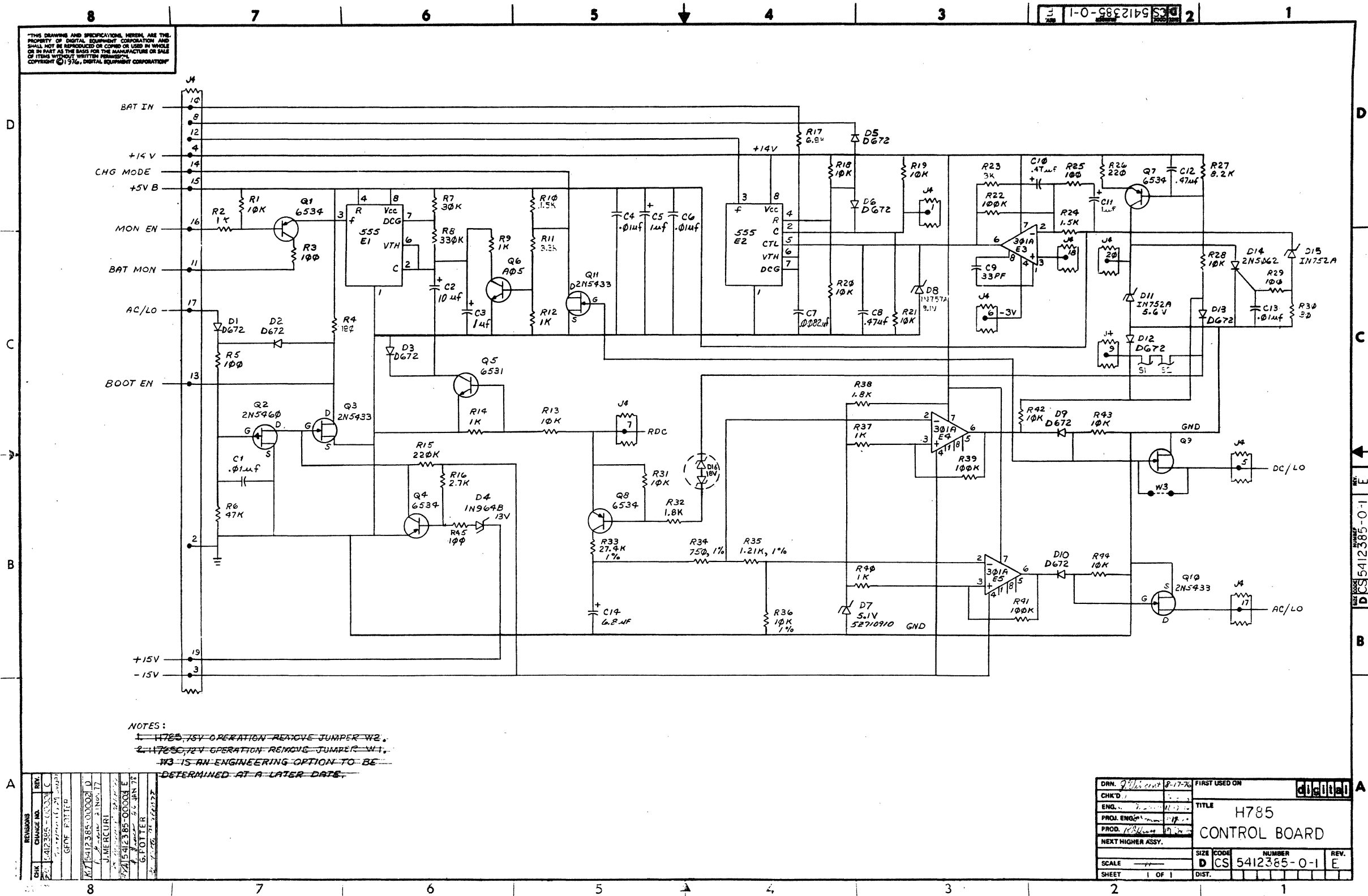


LINE ITEM	DOCUMENT NO.	PART NO.	DESCRIPTION	QTY	REFERENCE DESIGNATORS
30	30	1300271-00	220 1/4W 5% CC	(13-00) 1	R26
31	31	1303179-00	8.2 K 1/4W 5% CC	(13-00) 1	R27
32	32	1302751-00	30 1/4W 5% CC	(13-00) 1	R30
33	33	1309417-00	27.4 K 1/4W 1% RN55D-F 100PPM	(13-00) 1	R33
34	34	1503409-00	DEC6534D PNP 310MW SI 40 90 P	4	Q1,Q4,Q7,Q8
35	35	1510233-00	2N 5460 FET 310MW SIP CHNNL	1	Q2
36	36	1511686-00	DEC5433 FET N 350MW 10 25 1A 20U	4	Q3,Q9,Q10,Q11
37	37	1509338-00	DEC6531B NPN 310MW SI 40 90 P	1	Q5
38	38	1510705-00	XA 05 NPN 500MW SI 60 50 P	1	Q6
39	39	1911944-00	555CN TIMER,FUNCT.BLOCK	2	E1,E2
40	40	1910282-00	301AN OP AMP	3	E3,E4,E5
41	41	1300391-00	1.5 K 1/4W 5% CC	(13-00) 2	R10,R24
42	42	1213335-00	HEADER 20POS RT ANGLE FOR 12-13334	1	J4
43	43	1300439-00	3.3 K 1/4W 5% CC	(13-00) 1	R11
44	44	1212416-02	THERMOSTAT,00160,N/C,SPST,AUTO RESET	2	S1,S2
45	45	1300432-00	3 K 1/4W 5% CC	(13-00) 1	R23
46	46	1109990-00	1N 757A VZ= 9.1 5% .40W P	1	D8
47	47	1005965-00	.47 MFD 35V 10% 150D S.TA	(10-00) 1	C10
48	48	9009157-00	ADHESIVE, PERMABOND #101	A/R	
49	49	9105740-55	WIRE(WRAP)30AWG UL1423	(91-00) A/R	

DIGITAL EQUIPMENT CORPORATION MAYNARD, MASSACHUSETTS	TITLE H785 CONTROL BOARD	PARTS LIST	SIZE K	CODE PL	DOCUMENT NUMBER 5412385-0-0	REV E
---	-----------------------------	------------	-----------	------------	--------------------------------	----------

753

THIS DRAWING AND SPECIFICATIONS HEREAFTER ARE THE PROPERTY OF DIGITAL EQUIPMENT CORPORATION AND SHALL NOT BE REPRODUCED OR COPIED OR USED IN WHOLE OR IN PART AS THE BASIS FOR THE MANUFACTURE OR SALE OF ITEMS WITHOUT WRITTEN PERMISSION. COPYRIGHT © 1976, DIGITAL EQUIPMENT CORPORATION



NOTES:  
 1. H785, 15V OPERATION - REMOVE JUMPER W2.  
 2. H785C, 12V OPERATION - REMOVE JUMPER W1.  
 W3 IS AN ENGINEERING OPTION TO BE DETERMINED AT A LATER DATE.

REV.	CHANGE NO.	DATE	BY	CHK'D
1	1	11/17/76	J. MERCURI	
2	1	11/17/76	G. FOTTER	

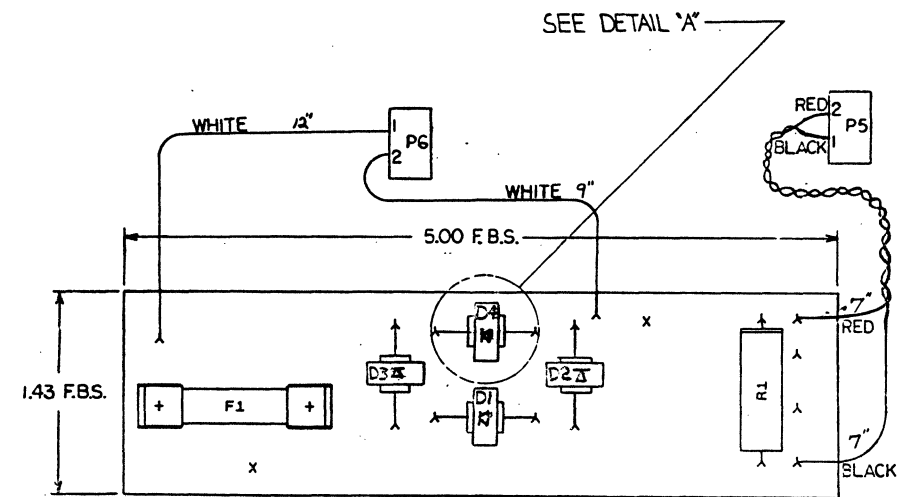
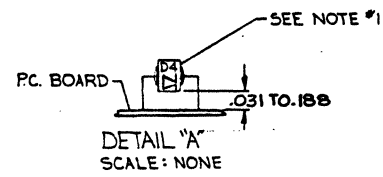
DRN. 9/15/76	8-17-76	FIRST USED ON	
CHK'D		TITLE	H785
ENG.			CONTROL BOARD
PROJ. ENGR.		SIZE	D
PROD. ENGR.		CODE	CS 5412385-0-1
NEXT HIGHER ASSY.		NUMBER	
SCALE		REV.	E
SHEET 1 OF 1		DIST.	

754

5412411-0-0 2

COMPONENT SIDE VIEW

NOTES:  
 1. DIODES D1 THRU D4 MUST BE RAISED FROM THE P.C. BOARD .031 TO .108



NOTES:


CHG	REVISION NO	REV	DATE	BY	CHK'D	DATE


SIGNATURES		DATE
DRN.	<i>[Signature]</i>	7-21-76
CHK'D.	<i>[Signature]</i>	7-21-76
ENG.	<i>[Signature]</i>	11-5-76
PROJ. ENG.	<i>[Signature]</i>	11-5-76
PRD.	<i>[Signature]</i>	7-22-76
SCALE	2/1	
INT.	1 OF 3	
NEXT HIGHER ASSY.		

digital  
 TITLE INPUT  
 RECTIFIER BOARD  
 SIZE 03061 NUMBER  
 01UA 5412411-0-0 2

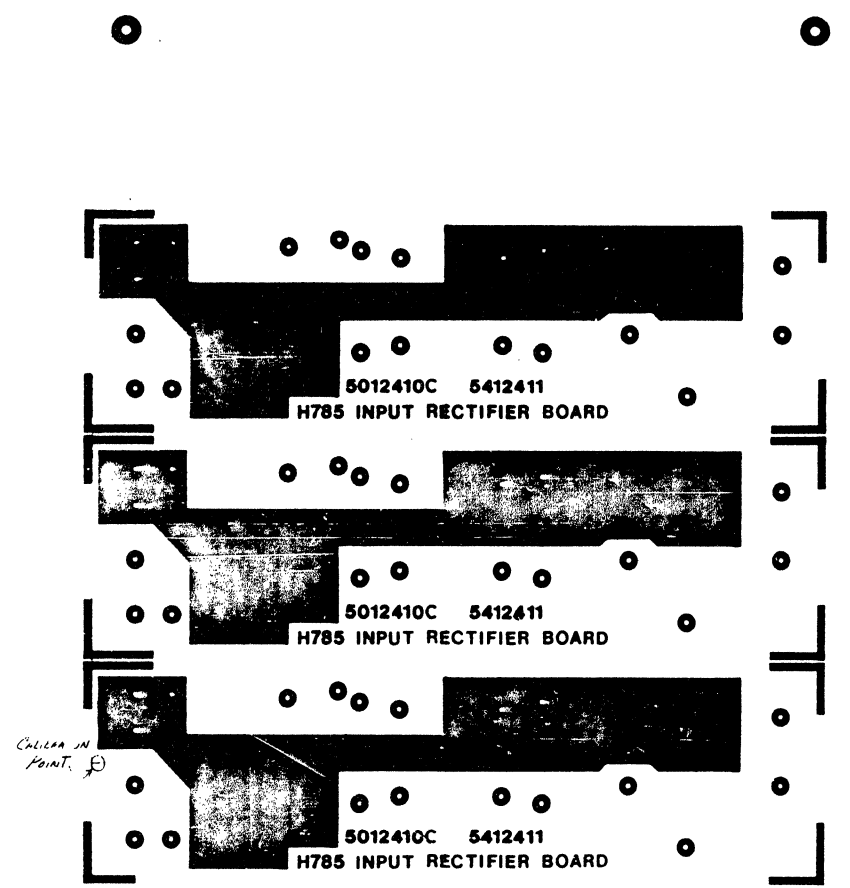
755



8 7 6 5 4 3 2 1

THIS DRAWING AND SPECIFICATIONS HEREIN ARE THE PROPERTY OF DIGITAL EQUIPMENT CORPORATION AND SHALL NOT BE REPRODUCED OR COPIED OR USED IN WHOLE OR IN PART AS THE BASIS FOR THE MANUFACTURE OF SALE OR ITEMS WITHOUT WRITTEN PERMISSION. COPYRIGHT © 1972 DIGITAL EQUIPMENT CORPORATION

DJA 5412411-0-0 2



D  
C  
E  
B  
A

REVISIONS

CHK	CHANGE NO	REV

TITLE	INFUT RETIFIER BOARD	SIZE CODE	DJA	NUMBER	5412411-0-0	REV	E
SCALE	2/1	SHEET	3 OF 3	U18			

757

LINE ITEM	DOCUMENT NO.	PART NO.	DESCRIPTION	QTY	REFERENCE DESIGNATORS
1	1	D-MD-5012410-0-0	5412411	1	
2	2		MR 752 PIV=200 I=22A A264 SM	4	D1-D4
3	3		MATE-N-LOK 2PIN,HOUSING,SKT	2	P5,P6
4	4		MATE-N-LOK PIN 20-14AWG LOOSE	4	
5	5		4.7 K 2W 10% CC (13-00	1	R1
6	6		EYELET, ROLLED FLANGE, .121 OD X .156 LG	2	
7	7		FUSE, REG BLOW, 10.000A, 250V, CERAMIC	1	
8	8		CLIP, FUSE, WITH STOP, SCREW MOUNTED	2	
9	9		WIRE,STRND,18AWG,IPVC UL1429 (91-00 A/R		
10	10		WIRE,STRND,18AWG,IPVC (UL1429) (91-00 A/R		

11 NOTE: MS60954 ETCH REV C CS REV B

REVISION HISTORY			VARIATIONS FOR THIS ASSY.		FIRST USED ON:		DIGITAL EQUIPMENT CORPORATION MAYNARD, MASSACHUSETTS		
CHK	ECO NO	REV			MADE BY:	DATE:	TITLE		
	00003	E	00		D.BILODEAU	08-MAR-78	PARTS LIST		
					F.GAROFALO	08-MAR-78	INPUT RECTIFIER BOARD		
					J.MERCURI	08-MAR-78		SIZE	CODE
					R.B.KING	08-MAR-78		PL	DOCUMENT NUMBER
					J.MERCURI	08-MAR-78			5412411-0-0
									REV
									E
									EDIT#
									3
<p>*THIS DRAWING AND SPECIFICATIONS HEREIN, ARE THE PROPERTY OF DIGITAL EQUIPMENT CORPORATION AND SHALL NOT BE REPRODUCED OR COPIED OR USED IN WHOLE OR IN PART AS THE BASIS FOR THE MANUFACTURE OR SALE OF ITEMS WITHOUT WRITTEN PERMISSION. COPYRIGHT 1978. DIGITAL EQUIPMENT CORPORATION *</p>									

758



