

MASTER DRAWING LIST

MAINTENANCE MANUALS		UNIT VARIATIONS									
NO.	TITLE	X	K	L	M	N	O	P	Q	R	S
KT11-B	PAGING OPTION	X									
USED ON OPTIONS											

REVISIONS	REV.	DATE	CHG. NO.	APP'D	ENCL.	DATE	TITLE	SIZE CODE	NUMBER	REV.
							PAGING OPTION		KT11-B	

DWN.	DATE	digital EQUIPMENT CORPORATION <small>MAYNARD, MASSACHUSETTS</small>
CAMPBELL	2/1972	
CHK'D	DATE	
WYMOND	2/24/72	
ENG.	DATE	
DES. ENG.	DATE	
PROD.	DATE	
FIRST USED ON		
PDP-11		
SCALE	NONE	
SHEET	OF 2	

DRA 131

DEC 16 (325)-1048-N471

PRINT SET		DWG. NO.	REV. NO. OR LET.	SHEETS	TITLE	OPTION NO.
X		C-11-KT11-B-0	1	1	PAGING OPTION	
X		A-11-KT11-B-0	1	1	PAGING OPTION (P)	
X		B-11-KT11-B-0	1	1	WIRE ASSY.	
A		A-11-KT11-B-0	1	1	WIRE ASSY. (M)	
X		D-11-KT11-B-01	2	2	MODULE UTILIZATION	
X		A-11-KT11-B-01	2	2	MODULE UTILIZATION (P)	
X		D-BS-KT11-B-02	2	2	ADDRESS BUS & CONTROL LOGIC	
X		D-BS-KT11-B-03	2	2	STATE CONTROL LOGIC	
X		D-BS-KT11-B-04	2	2	STATE INITIATION	
X		D-BS-KT11-B-05	2	2	INT. CONTROL & RANDOM SIGNALS	
X		D-BS-KT11-B-06	2	2	SCANNED PAD & STATE CONTROL LOGIC	
X		D-BS-KT11-B-07	2	2	DATA BUS & CONTROL LOGIC	
X		D-BS-KT11-B-08	2	2	EXTERNAL ASSOCIATIVE MEMORY	
X		D-BS-KT11-B-09	2	2	MEMORY ADDRESS FOR KT11 AM CONTROL	
X		D-BS-KT11-B-10	2	2	MEMORY REGISTER	
X		D-BS-KT11-B-11	2	2	LOGIC REPEATERS	
X		D-BS-KT11-B-12	2	2	TIMING LOGIC	
X		D-BS-KT11-B-13	2	2	DIFFERENTIAL SIGNALS / MAIN LOGIC	
X		D-BS-KT11-B-14	2	2	EXTERNAL ASSOCIATIVE MEMORY	
X		D-BS-KT11-B-15	2	2	KEYBOARD / KT11 INTERFACE	
X		D-BD-KT11-B-16	2	2	SYSTEM CONFIGURATION	
X		D-IC-KT11-B-17	2	2	WELL-PAID BUS CONNECTORS	
-		R-WI-KT11-B-18	2	2	WIRE LIST (PAGING OPTION)	

TITLE	PAGING OPTION	SIZE CODE	NUMBER	REV.
		A M L	KT11-B	
		SHEET 2 OF 2		

DRA 132

DEC 16 (325)-1048-1-N471

DIGITAL EQUIPMENT CORPORATION

MAYNARD, MASSACHUSETTS

PARTS LIST

QUANTITY / VARIATION

MADE BY A. CAMPBELL	CHECKED A. RAIMONDI	SECTION 1
DATE 2-24-72	DATE 2-25-72	
ENG <i>Hudson Title</i>	PROD <i>Hudson Title</i>	ISSUED SECT. 1
DATE 3-16-72	DATE 3-16-72	

ITEM NO.	DWG NO. / PART NO.	DESCRIPTION
1	D-AD-7008801-0-0	WIRED ASSY
2	C-IA-5409132-0-0	POWER END PANEL ASSY
3	C-IA-5404490-0-0	LEFT END PANEL ASSY (H911)
4	C-MD-5302486-0-0	RIGHT END PANEL
5	9006509	RIVET, POP #AD43ABS U.S.M.C.
6	9107360-22	#18 AWG STRD TEF INS WIRE, RED
7	9107360-00	#18 AWG STRD TEF INS WIRE, BLK
8	9107350-33	#22 AWG STRD TEF INS WIRE, ORN
9	9107350	#22 AWG STRD TEF INS WIRE, BRN
10	9107350-44	#22 AWG STRD TEF INS WIRE, YEL
11	9107350-77	#22 AWG STRD TEF INS WIRE, VIO
12	D-IA-7008848-0-0	POWER HARNESS

1																		
1																		
1																		
1																		
2																		
16																		
A/R																		
A/R																		
A/R																		
A/R																		
A/R																		
1																		

TITLE PAGING OPTION	ASSY NO. C-UA-KT11-B-0	SIZE A	CODE PL	NUMBER KT11-B-0	REV	ECO NO.
SHEET 1 OF 1		DIST.				

This drawing and specifications, herein, are the property of Digital Equipment Corporation and shall not be reproduced or copied or used in whole or in part as the basis for the manufacture or sale of items without written permission.

WIRE TABLE

ITEM NO	AWG	COLOR	FROM		TO	
			CONNECTION	WITH	CONNECTION	WITH
6	18	RED	PI-+5V		A01A2	↑ SOLDER
		RED	PI-+5V		A03A2	
7	18	BLACK	PI-GND		A01C2	↓
		BLACK	PI-GND		A03C2	
8	22	ORN	PI-+8V		A14B1	
9	22	BRN	PI-LTC		B09R1	
10	22	YEL	PI-AC LO		B02F1	
11	22	VIO	PI-DC LO		B02F2	↓ SOLDER

D

C

B

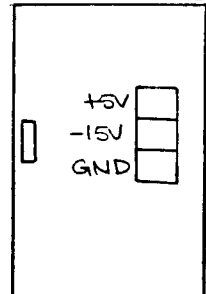
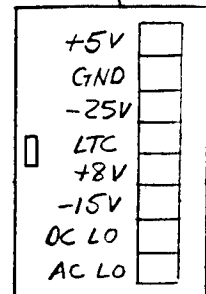
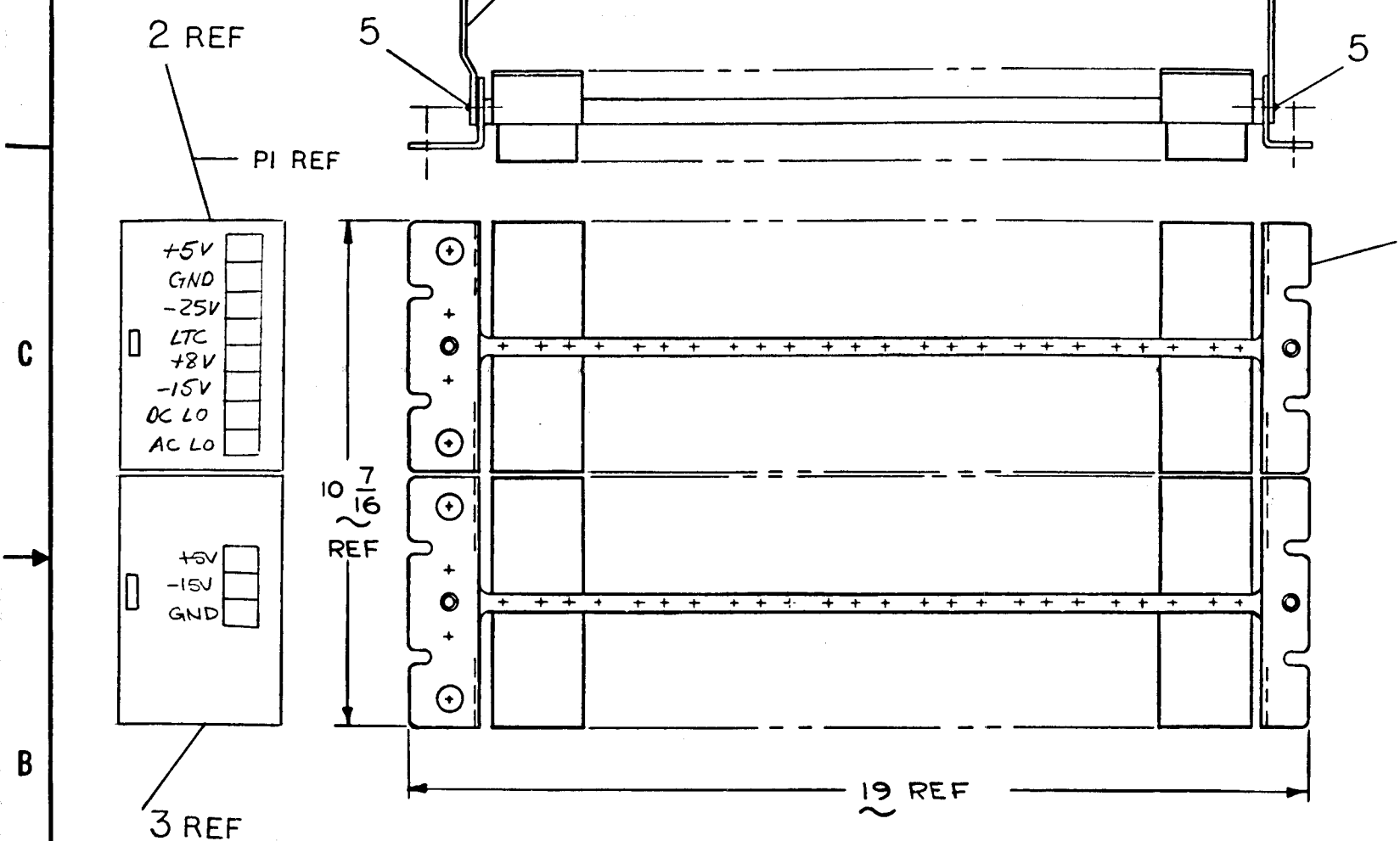
A

D

C

B

A



FIRST USED ON OPT/MOD PDP-11		QTY.	DESCRIPTION	PART NO.	ITEM NO.
UNLESS OTHERWISE SPECIFIED		PARTS LIST			
UNLESS OTHERWISE SPECIFIED DIMENSION IN INCHES TOLERANCES DECIMALS FRACTIONS ANGLES ± .005 ± 1/64 ± 0°30'		DRN. <i>Comp. Campbell</i>	DATE 2-16-72	EQUIPMENT CORPORATION WAYNARD MASSACHUSETTS	
FINAL SURFACE QUALITY REMOVE BURRS AND BREAK SHARP CORNERS		CHK'D. Raymond D.	DATE 2-25-72	TITLE PAGING OPTION	
MATERIAL //		ENGR. <i>H. H. H.</i>	DATE 3-16-72	SIZE CODE NUMBER REV. C/JA/KT11-B-0	
FINISH //		PROJ. ENGR. <i>H. H. H.</i>	DATE 2-16-72	DIST.	
		PROD. <i>H. H. H.</i>	DATE 3-16-72	SHEET 1 OF 1	

REV. NUMBER C/JA/KT11-B-0

DIGITAL EQUIPMENT CORPORATION MAYNARD, MASSACHUSETTS PARTS LIST				QUANTITY / VARIATION																
MADE BY A. CAMPBELL		CHECKED P. LENNON		SECTION																
DATE 2-24-72		DATE 2-29-72		ISSUED SECT.																
ENG <i>William Helms</i>		PROD <i>P. Helms</i>																		
DATE 2-16-72		DATE 2-16-72																		
ITEM NO.	DWG NO. / PART NO.	DESCRIPTION																		
	M111	INVERTER		10																
	M112	NOR GATE		5																
	M116	6 - QUAD NOR GATE		10																
	M133	10-2 INPUT NAND GATES		24																
	M135	3 INPUT NAND GATE		6																
	M139	3 - 8 INPUT		1																
	M167	MAGNITUDE COMPARITOR		1																
	M203	SET RESET FLIP FLOP MODULE		1																
	M206	6 FLIP FLOPS		1																
	M207	FLIP FLOPS		1																
	M225	MEMORY		2																
	M240	6 R/S FLIP FLOPS		1																
	M244	MULTIPLEXER LATCH		6																
	M259	SHIFT + ASSOCIATIVE MEMORY		12																
	M602	PULSE GENERATOR		1																
	M611	HIGH SPEED POWER INVERTER		3																
	M627	POWER AMPLIFIER MODULE		7																
	M721	BUS INTERFACE		4																
	M783	UNIBUS DRIVERS		6																
	M784	UNIBUS RECEIVER		2																
	M787	LINE PRINTER SWITCH		1																
	M826	TIMING		1																
TITLE MODULE UTILIZATION				ASSY NO. D-MU-KT11-B-01		SIZE CODE A PL		NUMBER KT11-B-01				REV.		ECO NO.						
				SHEET 1 OF 2		DIST.														

DEC FORM DEC 16 (325) 1031 N870
DRA 110

DIGITAL EQUIPMENT CORPORATION MAYNARD, MASSACHUSETTS PARTS LIST				QUANTITY / VARIATION																
MADE BY A. CAMPBELL		CHECKED P. LENNON		SECTION																
DATE 2-24-72		DATE 2-29-72		ISSUED SECT.																
ENG <i>William Helms</i>		PROD <i>P. Helms</i>																		
DATE 2-16-72		DATE 2-16-72																		
ITEM NO.	DWG NO. / PART NO.	DESCRIPTION																		
	M930	BUS TERMINATOR		4																
	M903	CONNECTOR (FLEXPRINT)		1																
	W130	MAINTENANCE BOARD		1																
TITLE MODULE UTILIZATION				ASSY NO. D-MU-KT11-B-01		SIZE CODE A PL		NUMBER KT11-B-01				REV.		ECO NO.						
				SHEET 2 OF 2		DIST.														

DEC FORM DEC 16 (325) 1031 N870
DRA 110

This drawing and specifications, herein, are the property of Digital Equipment Corporation and shall not be reproduced or copied or used in whole or in part as the basis for the manufacture or sale of items without written permission.

	1	2	3	4	5	6	7	8	9	10	11	12	13	14	15	16	17	18	19	20	21	22
USAGE	1	2	1	2	1	2	1	2	1	2	1	2	1	2	1	2	1	2	1	2	1	2
D																						
A																						
USAGE	1	2	1	2	1	2	1	2	1	2	1	2	1	2	1	2	1	2	1	2	1	2
C																						
B																						


	23	24	25	26	27	28	29	30	31	32	33	34	35	36	37	38	39	40	41	42	43	44
USAGE	1	2	1	2	1	2	1	2	1	2	1	2	1	2	1	2	1	2	1	2	1	2
A																						
B																						

REVISIONS NO. CHANGE NO. CHK	REV.	
	DATE	
	BY	
	CHK	
FIRST USED ON OPTION/MCJEL KT11-B		DO NOT SCALE DRAWING UNLESS OTHERWISE SPECIFIED DIMENSION IN INCHES
TOLERANCES DECIMALS FRACTIONS ANGLES ± .005 ± .124 ± 0°30'		DATE 12/12/72
MATERIAL ++		DATE 12/12/72
FINISH ++		DATE 12/12/72
NEXT HIGHER ASSY A-NIL-KT11-B-0		DATE 12/12/72
SCALE 1:1		DATE 12/12/72
SHEET OF 1		DATE 12/12/72
TITLE MODULE UTILIZATION		DATE 12/12/72
SIZE CODE NUMBER REV. DMUKT11-B-01		DATE 12/12/72

This drawing and specifications, herein, are the property of Digital Equipment Corporation and shall not be reproduced or copied or used in whole or in part as the basis for the manufacture or sale of items without written permission.

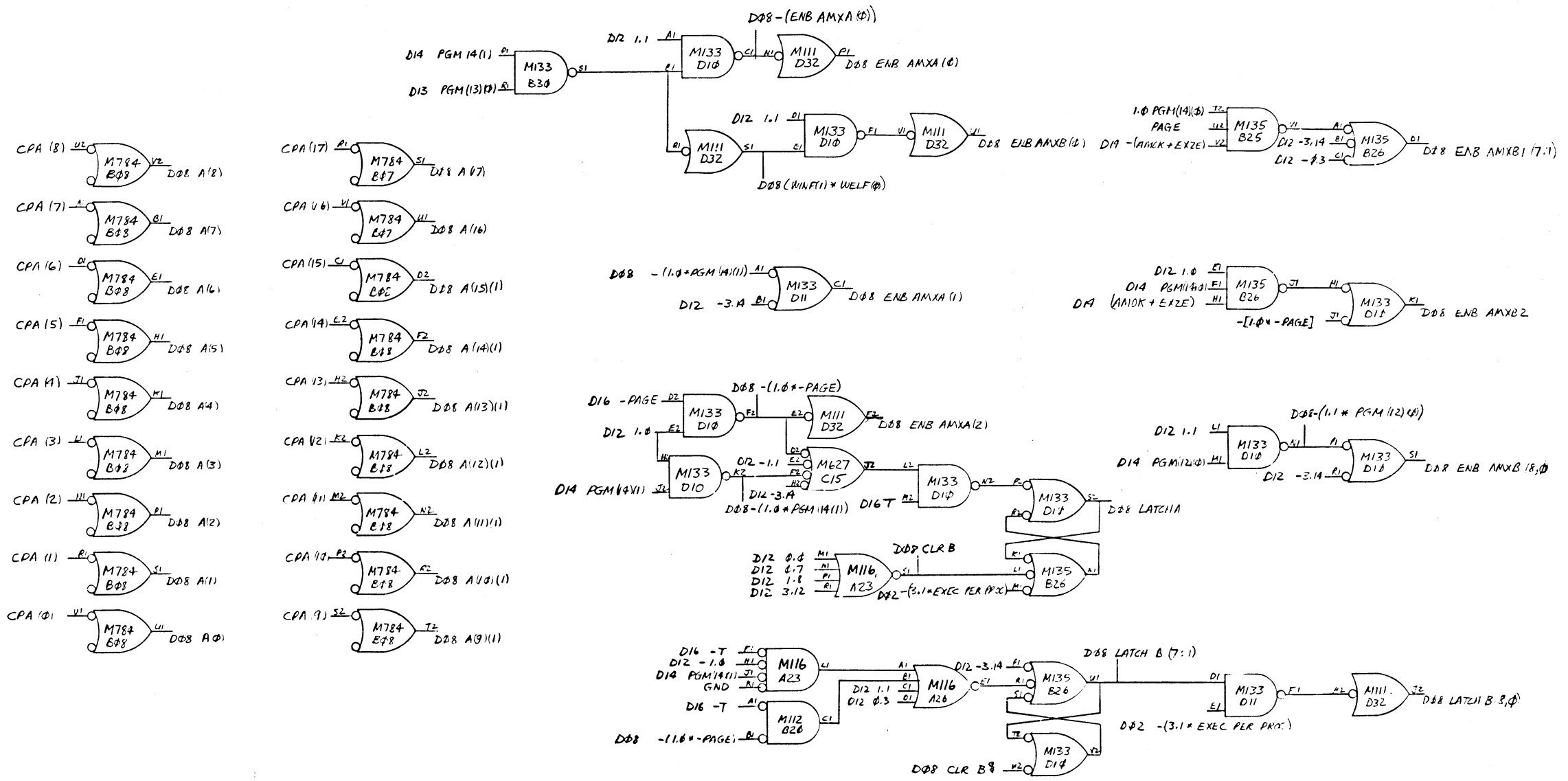
	1	2	3	4	5	6	7	8	9	10	11	12	13	14	15	16	17	18	19	20	21	22
USAGE	1	2	1	2	1	2	1	2	1	2	1	2	1	2	1	2	1	2	1	2	1	2
C	SHIFT & ASSOCIATIVE MEMORY	SHIFT & ASSOCIATIVE MEMORY	SHIFT & ASSOCIATIVE MEMORY	SHIFT & ASSOCIATIVE MEMORY	SHIFT & ASSOCIATIVE MEMORY	SHIFT & ASSOCIATIVE MEMORY	SHIFT & ASSOCIATIVE MEMORY	SHIFT & ASSOCIATIVE MEMORY	SHIFT & ASSOCIATIVE MEMORY	SHIFT & ASSOCIATIVE MEMORY	SHIFT & ASSOCIATIVE MEMORY	SHIFT & ASSOCIATIVE MEMORY	SHIFT & ASSOCIATIVE MEMORY	SHIFT & ASSOCIATIVE MEMORY	SHIFT & ASSOCIATIVE MEMORY	SHIFT & ASSOCIATIVE MEMORY	SHIFT & ASSOCIATIVE MEMORY	SHIFT & ASSOCIATIVE MEMORY	SHIFT & ASSOCIATIVE MEMORY	SHIFT & ASSOCIATIVE MEMORY	SHIFT & ASSOCIATIVE MEMORY	SHIFT & ASSOCIATIVE MEMORY
D																						

	23	24	25	26	27	28	29	30	31	32	33	34	35	36	37	38	39	40	41	42	43	44
USAGE	1	2	1	2	1	2	1	2	1	2	1	2	1	2	1	2	1	2	1	2	1	2
C																						
D																						

REV. CHANGE NO.	FIRST USED ON OPTION / MODEL KTII-B		DO NOT SCALE DRAWING UNLESS OTHERWISE SPECIFIED DIMENSION IN INCHES		DRN. A. Campbell	DATE 1-22-72	 DIGITAL EQUIPMENT CORPORATION MAYNARD, MASSACHUSETTS
	TOLERANCES		DECIMALS FRACTIONS ANGLES = .000 = 1/64 = 0/30		ENG. C. P. Stone	DATE 3-16-72	
	MATERIAL		NEXT HIGHER ASSY AML-KTII-B-0		PROJ. ENG. J. S. Stone	DATE 1-16-72	
	FINISH		SCALE NONE		PROD. M. Stone	DATE 1-16-72	
SHEET 2 OF 2		TITLE MODULE UTILIZATION		SIZE CODE NUMBER D MUKTI-B-01		REV.	

This drawing and specifications, herein, are the property of Digital Equipment Corporation and shall not be reproduced or copied or used in whole or in part as the basis for the manufacture or sale of items without written permission.

D
C
B



REV.	NO.
CHK.	NO.

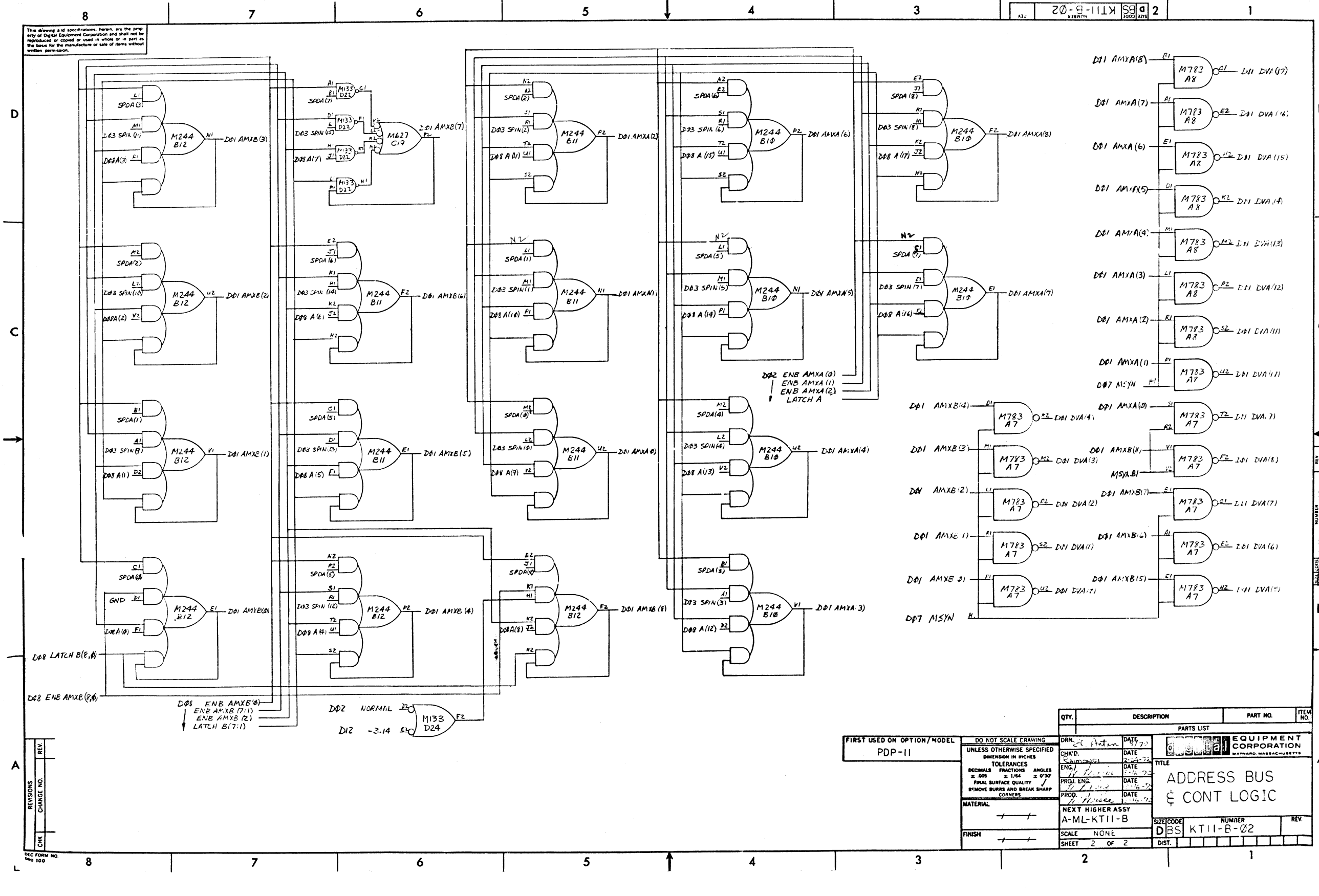
FIRST USED ON OPTION/MODEL
 PDP-11

DO NOT SCALE DRAWING
 UNLESS OTHERWISE SPECIFIED
 DIMENSION IN INCHES
 TOLERANCES
 DECIMALS FRACTIONS ANGLES
 ± .005 ± 1/64 ± 90°
 FINAL SURFACE QUALITY
 REMOVE BURRS AND BREAK SHARP CORNERS
 MATERIAL
 FINISH

QTY.	DESCRIPTION	PART NO.	ITEM NO.
PARTS LIST			
DIGITAL EQUIPMENT CORPORATION WATFORD, MASSACHUSETTS			
TITLE ADDRESS BUS & CONT LOGIC			
NEXT HIGHER ASSY A-ML-KT11-B		SIZE CODE D BS	NUMBER KT11-B-02
SCALE NONE		REV.	
SHEET 1 OF 2		DIST.	

REV. NO. KT11-B-02

This drawing and specifications, herein, are the property of Digital Equipment Corporation and shall not be reproduced or copied or used in whole or in part as the basis for the manufacture or sale of items without written permission.



REV.	NO.	DATE	BY

DEC FORM NO. 100

FIRST USED ON OPTION / MODEL
PDP-11

DO NOT SCALE DRAWING
UNLESS OTHERWISE SPECIFIED
DIMENSION IN INCHES
TOLERANCES
DECIMALS FRACTIONS ANGLES
± .005 ± 1/64 ± 0°30'
FINAL SURFACE QUALITY
REMOVE BURRS AND BREAK SHARP CORNERS
MATERIAL
FINISH

DRN: *Antun*
CHK'D: *Samuel*
ENG: *Antun*
PROJ. ENG: *Antun*
PROD. DATE: *11/16/72*
NEXT HIGHER ASSY
A-ML-KT11-B
SCALE: NONE
SHEET: 2 OF 2

QTY.	DESCRIPTION	PART NO.	ITEM NO.

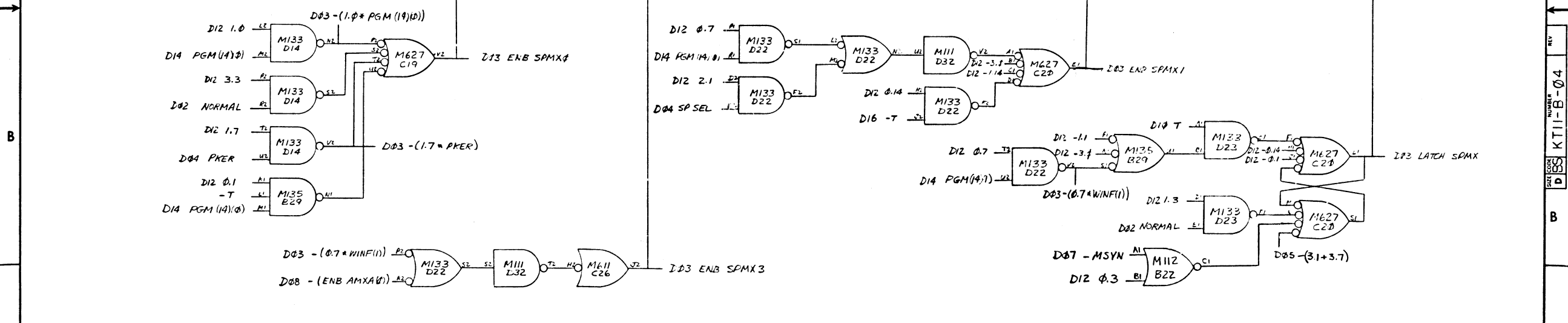
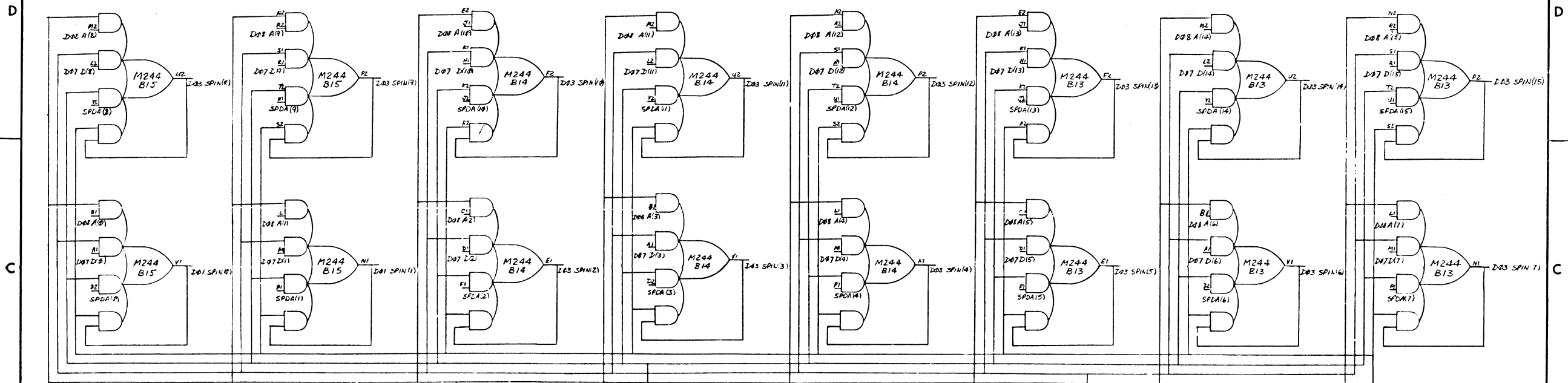
EQUIPMENT CORPORATION
MAYNARD, MASSACHUSETTS

TITLE
ADDRESS BUS & CONT LOGIC

SIZE CODE: DBS
NUMBER: KT11-B-02
REV.:

REV. NUMBER DBS KT11-B-02

This drawing and specifications herein are the property of Digital Equipment Corporation and shall not be reproduced or copied or used in whole or in part as the basis for the manufacture or sale of items without written permission.



REV.	CHANGE NO.

FIRST USED ON OPTION / MODEL
 PDP-11

DO NOT SCALE DRAWING
 UNLESS OTHERWISE SPECIFIED
 DIMENSION IN INCHES
 TOLERANCES
 DECIMALS FRACTIONS ANGLES
 ±.005 ±.125 ±.030
 FINAL SURFACE QUALITY
 REMOVE BURRS AND BREAK SHARP CORNERS

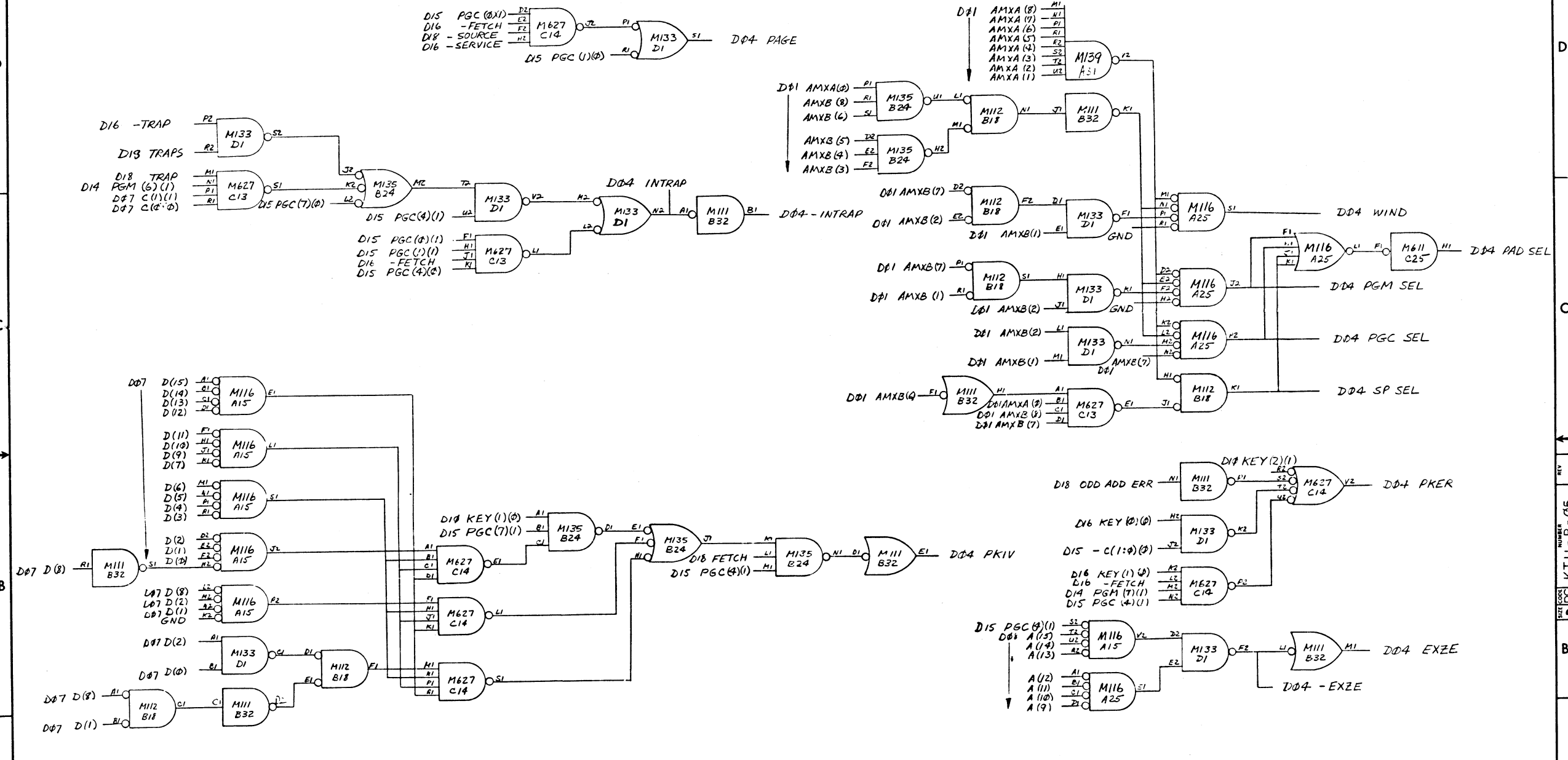
MATERIAL
 FINISH

QTY.	DESCRIPTION	PART NO.	ITEM NO.
PARTS LIST			
DRN. E. ANTOK		DATE 7/75	
CHK'D. E. ANTOK	DATE 6-27-74	 EQUIPMENT CORPORATION MAYNARD, MASSACHUSETTS	
ENG. J. B. BENTLEY	DATE 6-27-74		
PROJ. ENGR. J. B. BENTLEY	DATE 6-27-74		
PROD. J. B. BENTLEY	DATE 6-27-74		
NEXT HIGHER ASSY A-ML-KT11-B		SIZE/CODE DBS KT11-B-04	NUMBER REV.
SCALE NONE		SHEET 1 OF 1	

SP INPUT MX

REV. NUMBER DBS KT11-B-04

This drawing and specifications herein are the property of Digital Equipment Corporation and shall not be reproduced or copied or used in whole or in part as the basis for the manufacture or sale of items without written permission.



REVISIONS	REV.
CHANGE NO.	
CHK	

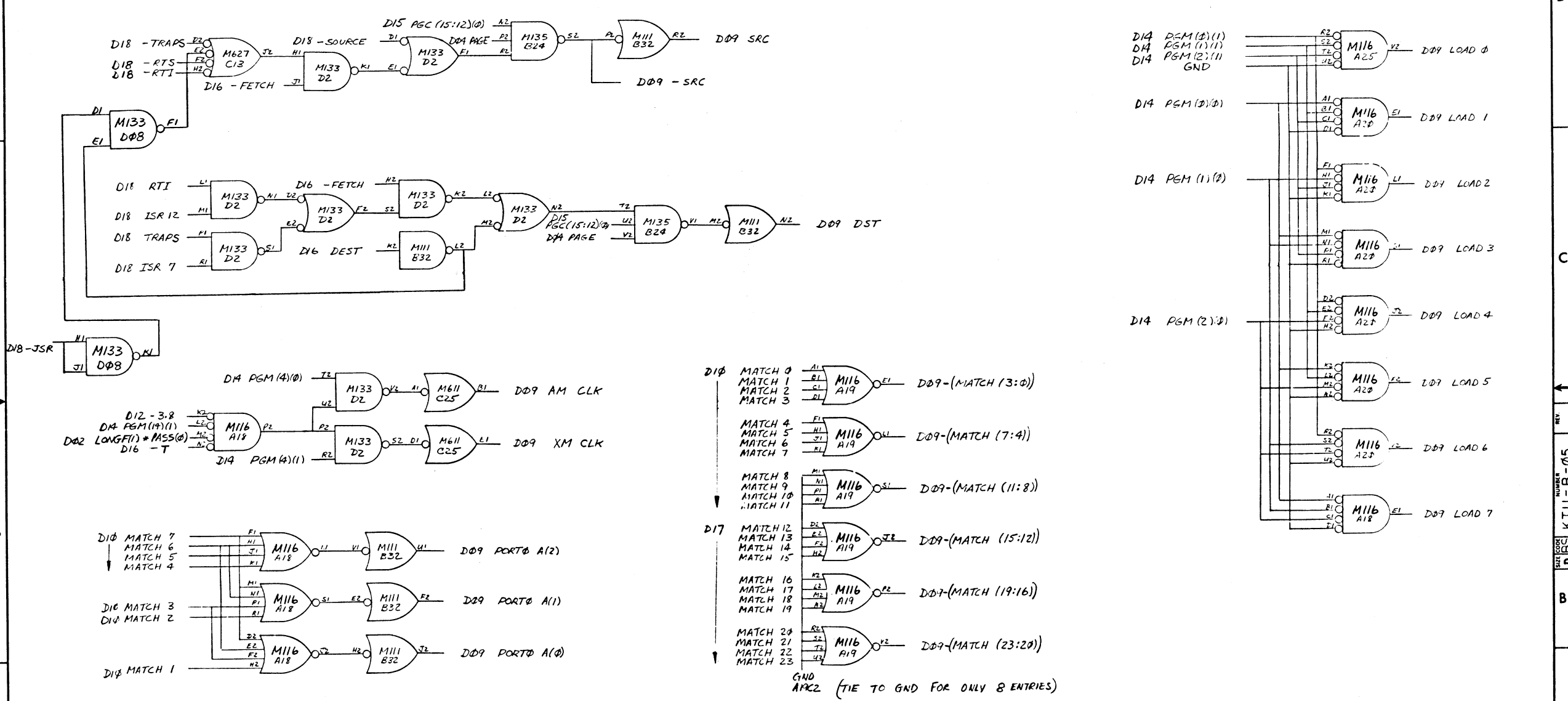
FIRST USED ON OPTION / MODEL
 PDP-11

DO NOT SCALE DRAWING
 UNLESS OTHERWISE SPECIFIED
 DIMENSION IN INCHES
 TOLERANCES
 DECIMALS FRACTIONS ANGLES
 ±.005 ± 1/64 ± 0°30'
 FINAL SURFACE QUALITY
 REMOVE BURRS AND BREAK SHARP
 CORNERS

DRN	DATE	EQUIPMENT CORPORATION MAYNARD, MASSACHUSETTS
CHK'D	DATE	
ENG.	DATE	TITLE AM CONT & RANDOM SIGNALS
PROJ. ENG.	DATE	
PROD.	DATE	NEXT HIGHER ASSY A-ML-KT11-B
MATERIAL		SIZE CODE
FINISH		NUMBER
	SCALE NONE	DIST.
	SHEET 1 OF 2	REV.

REV. NUMBER
 DBS KT11-B-05
 10000

This drawing and specifications, herein, are the property of Digital Equipment Corporation and shall not be reproduced or copied or used in whole or in part as the basis for the manufacture or sale of items without written permission.



REVISIONS
CHANGE NO. REV.

CHK		
-----	--	--

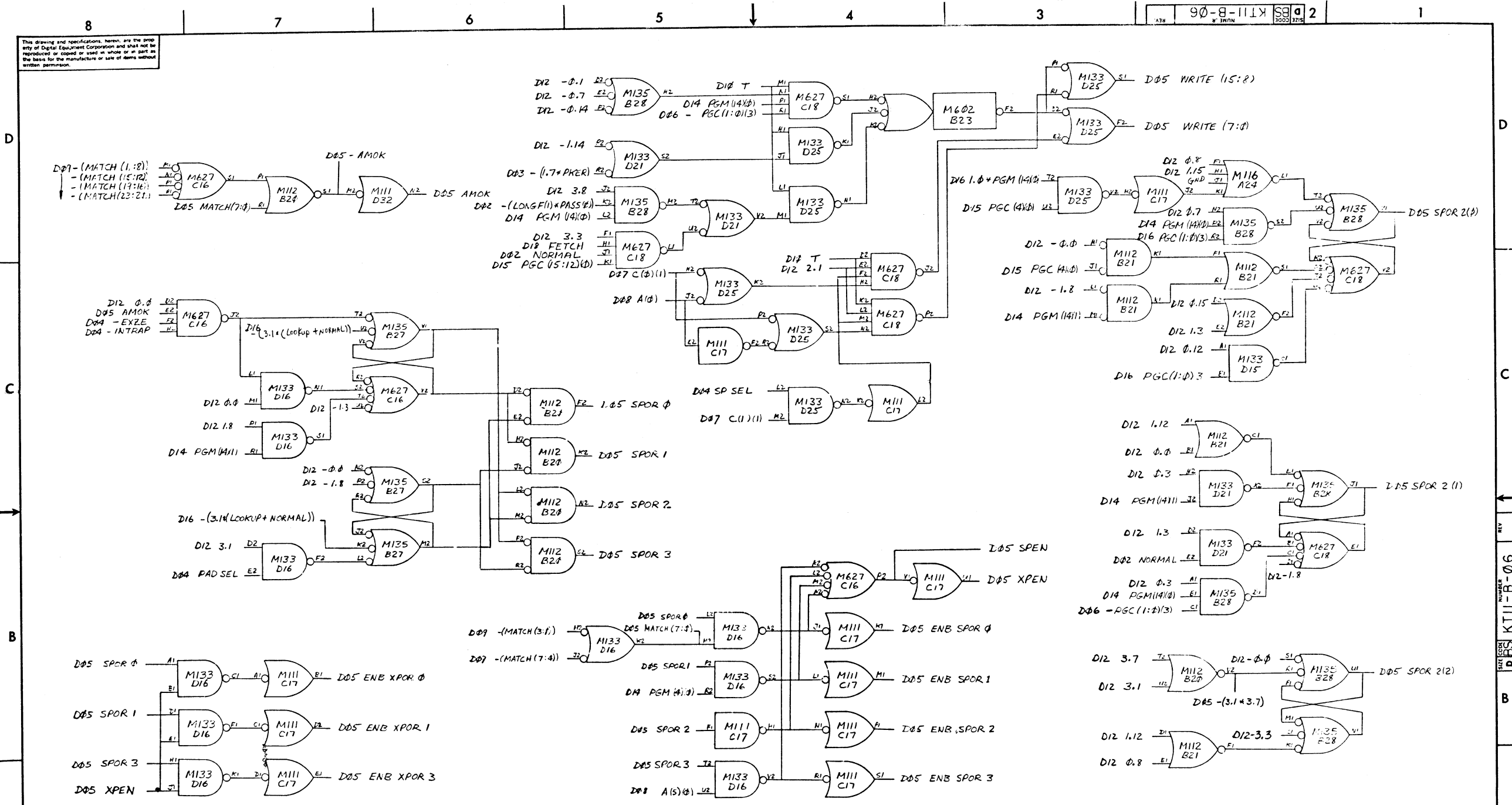
FIRST USED ON OPTION/MODEL
PDP-11

DO NOT SCALE DRAWING
UNLESS OTHERWISE SPECIFIED

DIMENSION IN INCHES	TOLERANCES
DECIMALS	FRACTIONS
± .005	± 1/64
± 0°30'	
FINAL SURFACE QUALITY	REMOVE BURRS AND BREAK SHARP CORNERS
MATERIAL	
FINISH	

QTY.	DESCRIPTION	PART NO.	ITEM NO.
PARTS LIST			
DRN. <i>S.P. Ant.v.</i>	DATE 1/7/73	DIGITAL EQUIPMENT CORPORATION MAYNARD, MASSACHUSETTS	
CHKD. <i>Seaman</i>	DATE 2-23-73	TITLE AM CONT & RANDOM SIGNALS	
ENG. <i>[Signature]</i>	DATE 2-23-73	SIZE CODE NUMBER REV. D BS KTI1-B-05	
PROJ. ENG. <i>[Signature]</i>	DATE 2-16-73	SCALE NONE	
PROD. <i>[Signature]</i>	DATE 2-16-73	SHEET 2 OF 2	
NEXT HIGHER ASSY A-ML-KTI1-B		DIST.	

This drawing and specifications, herein, are the property of Digital Equipment Corporation and shall not be reproduced or copied or used in whole or in part as the basis for the manufacture or use of items without written permission.



* NOTE: D05 ENB XPOR 2 = GND

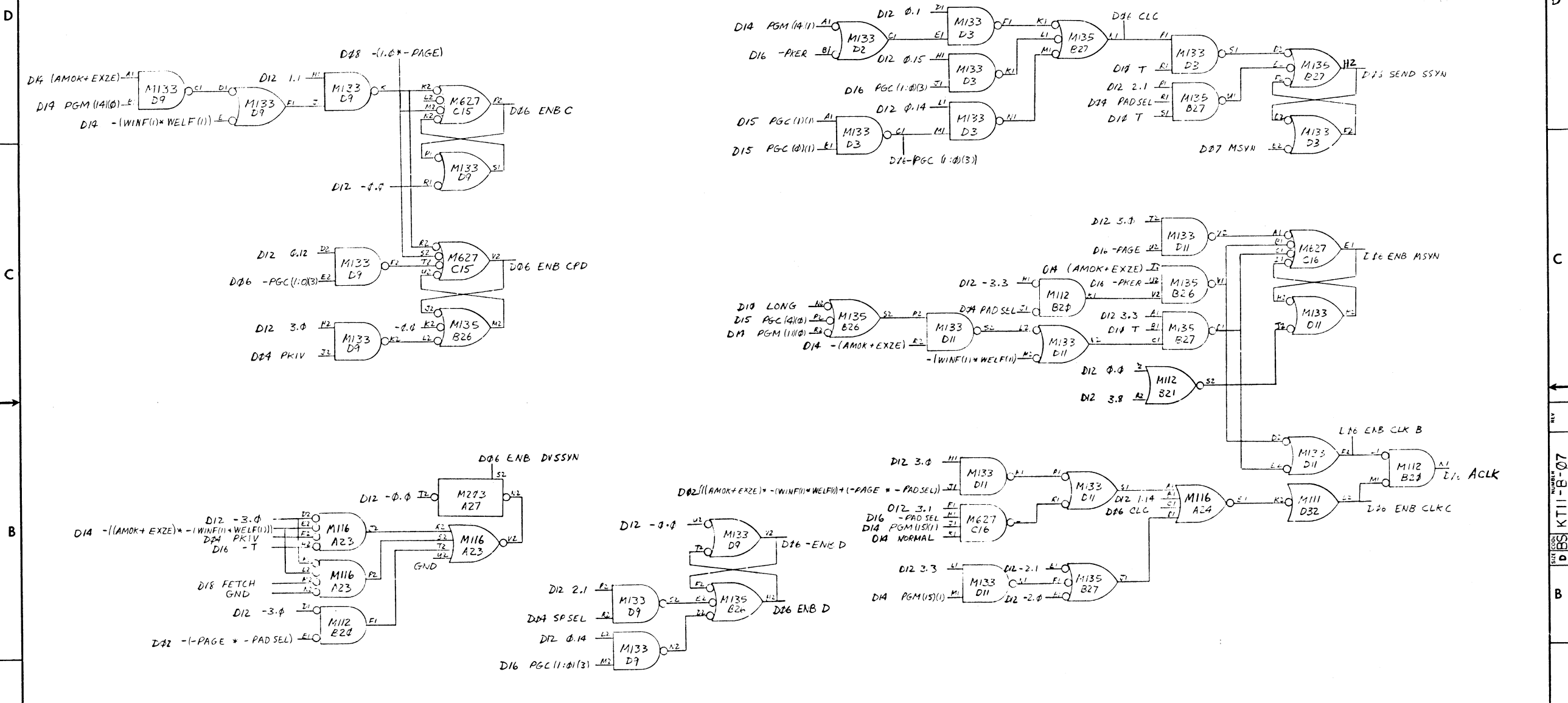
REV	CHANGE NO.

FIRST USED ON OPTION/MODEL
PDP-11

DO NOT SCALE DRAWING UNLESS OTHERWISE SPECIFIED	DRN: <i>Ed. Anton</i>	DATE: <i>9/72</i>
DIMENSION IN INCHES	CHK'D: <i>Randall</i>	DATE: <i>2-2-72</i>
TOLERANCES	ENG: <i>Ed. Anton</i>	DATE: <i>2-16-72</i>
DECIMALS FRACTIONS ANGLES	PROJ. ENG.:	DATE:
±.005 ±.001 ±.030	PROD.:	DATE:
FINAL SURFACE QUALITY		
REMOVE BURRS AND BREAK SHARP CORNERS		
MATERIAL	NEXT HIGHER ASSY	
FINISH	A-ML-KT11-B	
	SCALE: 1:1	
	SHEET 1 OF 1	

QTY.	DESCRIPTION	PART NO.	ITEM NO.
PARTS LIST			
EQUIPMENT CORPORATION MAYNARD, MASSACHUSETTS			
TITLE SCRATCH PAD STATE CNTL LOGIC			
SIZE CODE		NUMBER	REV.
D8S		KT11-B-06	
SHEET		OF	
1		1	

This drawing and specifications herein are the property of Digital Equipment Corporation and shall not be reproduced or copied or used in whole or in part as the basis for the manufacture or sale of items without written permission.



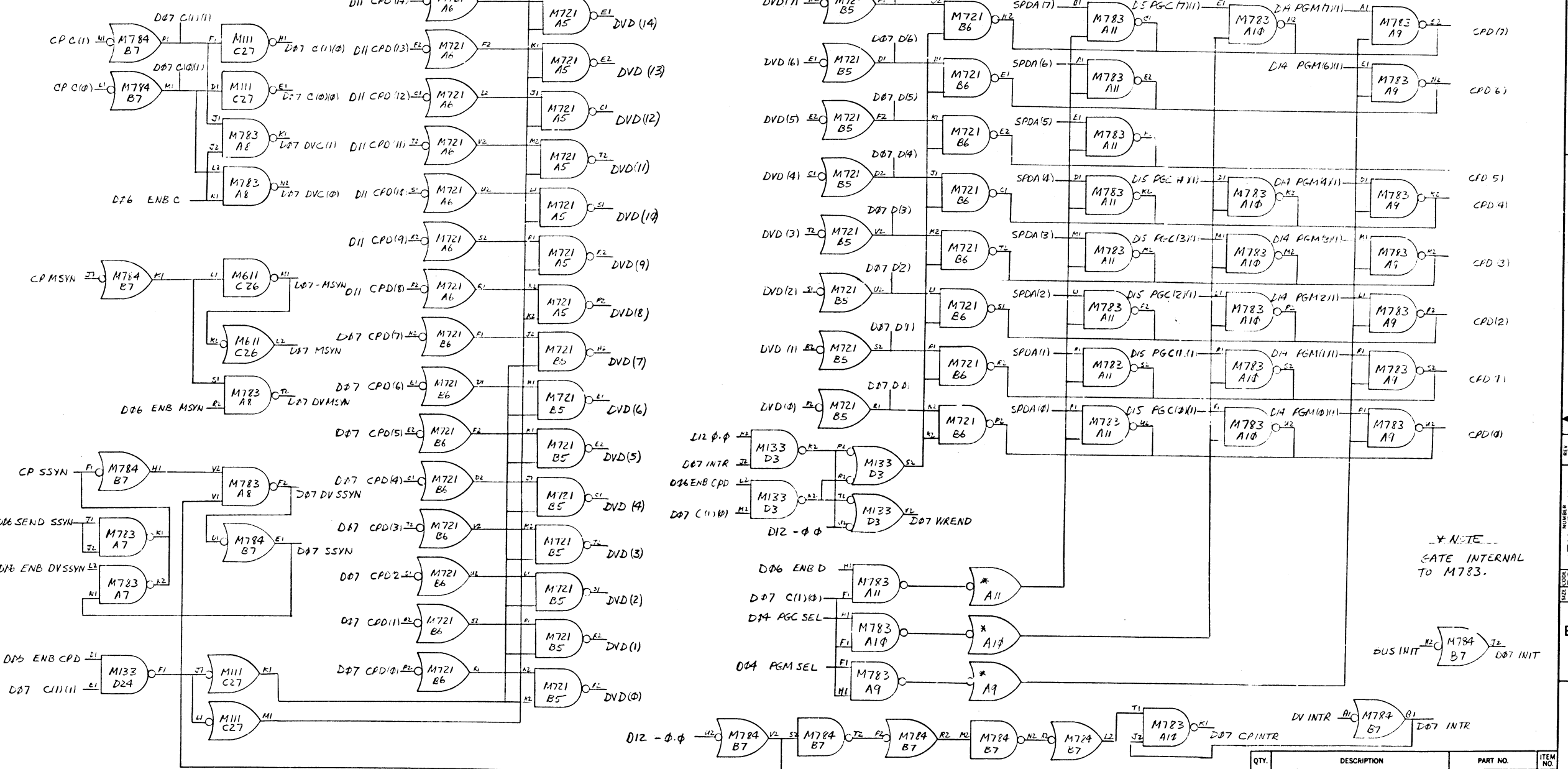
REV. CHANGE NO.	DATE

QTY.	DESCRIPTION	PART NO.	ITEM NO.
PARTS LIST			
Digital Equipment Corporation WATERTOWN MASSACHUSETTS			
TITLE: DATA BUS & CONT LOGIC			
NEXT HIGHER ASSY A-ML-KT11-B		SIZE CODE D3S	NUMBER KT11-F 07
SCALE: NONE			
SHEET 1 OF 5		DIST.	

FIRST USED ON OPTION/MODEL
PDP-11

DO NOT SCALE DRAWING
UNLESS OTHERWISE SPECIFIED
DIMENSION IN INCHES
TOLERANCES
DECIMALS FRACTIONS ANGLES
±.005 ±.003 ±.002 ±.001 ±.0005 ±.0002 ±.0001
±1/64 ±.030
FINAL SURFACE QUALITY
REMOVE BURRS AND BREAK SHARP CORNERS

This drawing and specifications herein are the property of Digital Equipment Corporation and shall not be reproduced or copied or used in whole or in part as the basis for the manufacture or sale of items without written permission.



* NOTE *
GATE INTERNAL TO M783.

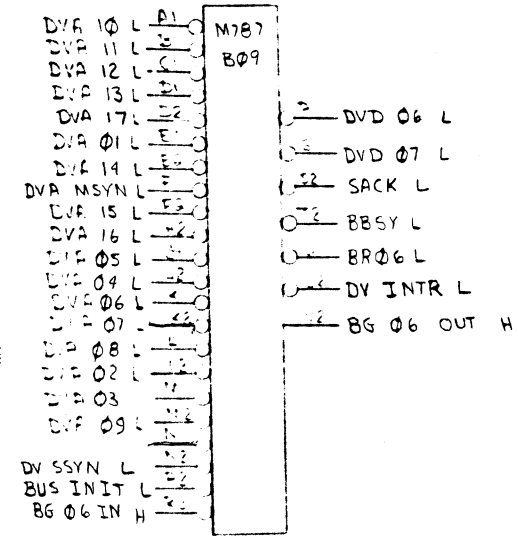
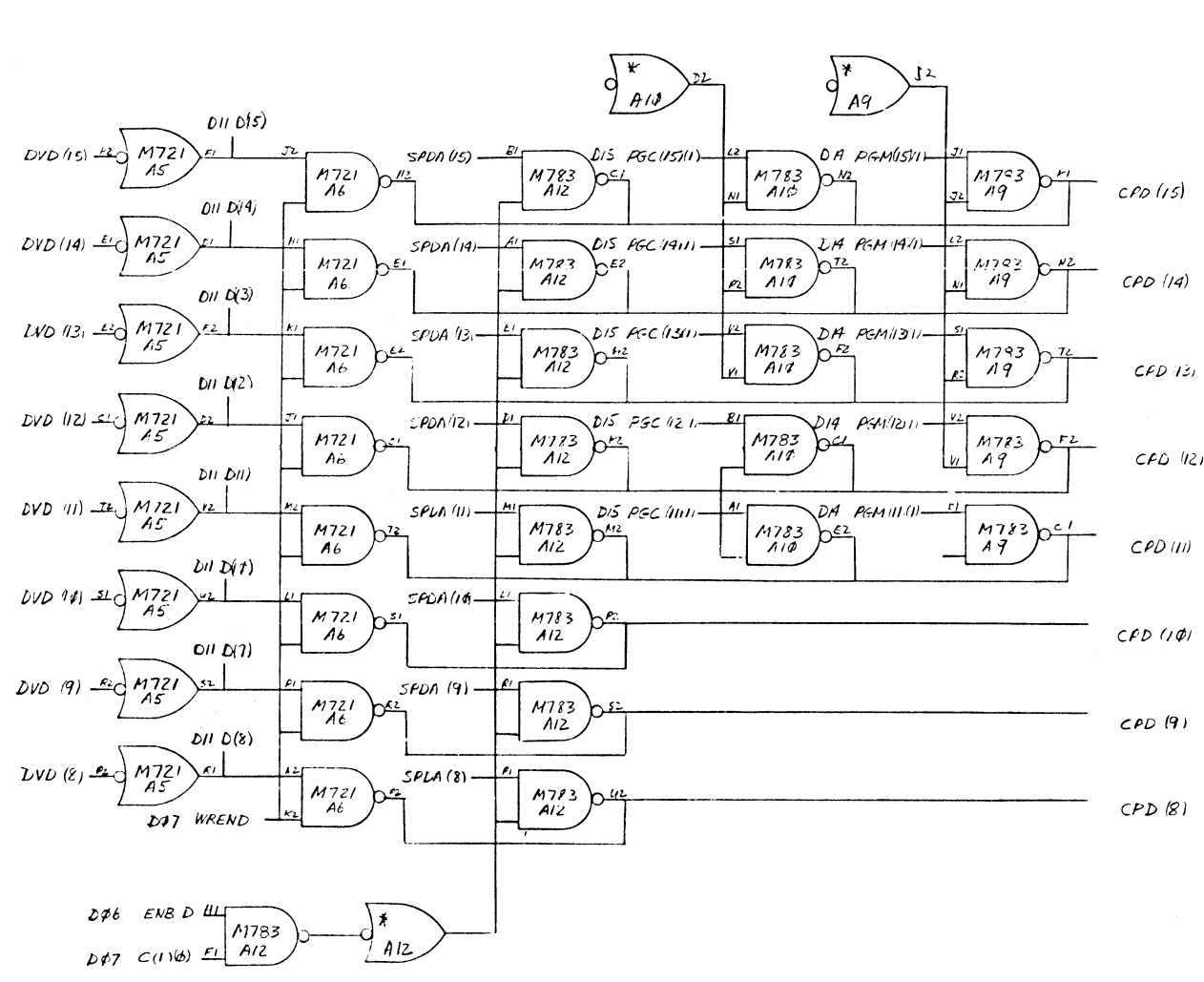
BUS INIT M784 B7 D07 INIT

REV	DESCRIPTION	PART NO.	ITEM NO.
1	DATA BUS CONTROL LOGIC		

QTY.	DESCRIPTION	PART NO.	ITEM NO.

FIRST USED ON OPTION / MODEL PDP-11	DO NOT SCALE DRAWING UNLESS OTHERWISE SPECIFIED DIMENSION IN INCHES TOLERANCES DECIMALS FRACTIONS ANGLES ± .005 ± 1.64 ± 0°30' FINAL SURFACE QUALITY REMOVE BURRS AND BREAK SHARP CORNERS	DRN: J. Anton CHK'D: DATE ENG: DATE PROJ. ENG. DATE PROD. DATE	DATE DATE DATE DATE DATE
	MATERIAL FINISH	NEXT HIGHER ASSY A-M-L-KT11-B	TITLE DATA BUS CONTROL LOGIC
		SCALE NONE SHEET 2 OF 3	SIZE CODE DES NUMBER KT11-B-37 REV.

This drawing and specifications, herein, are the property of Digital Equipment Corporation and shall not be reproduced or copied or used in whole or in part as the basis for the manufacture or sale of items without written permission.



* NOTE
GATE IS INTERNAL
TO M783

REV	CHANGE NO.

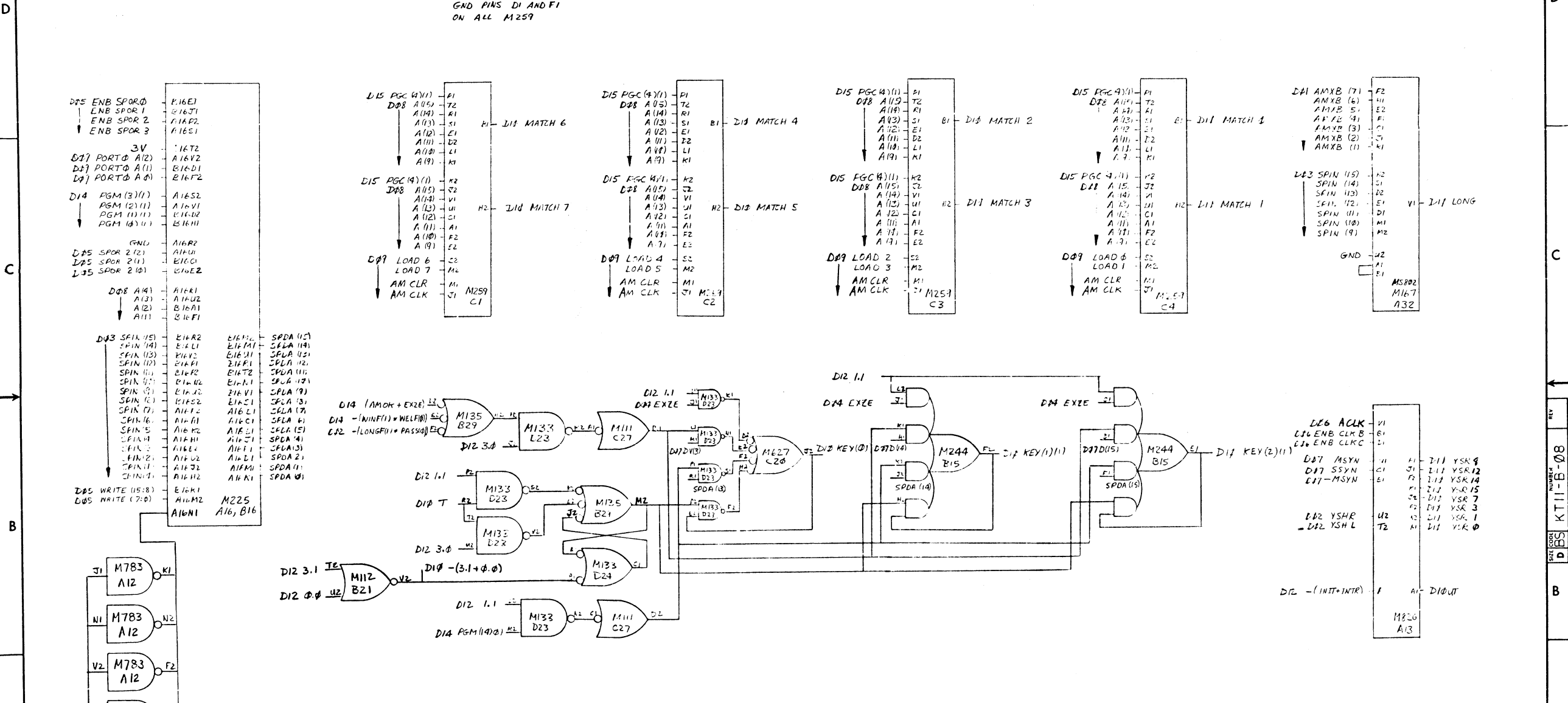
FIRST USED ON OPTION/MODEL
PDP-11

DO NOT SCALE DRAWING	DRN: 1/1/72	DATE: 7/72
UNLESS OTHERWISE SPECIFIED	CHKD: [Signature]	DATE: 2-72
DIMENSION IN INCHES	ENG: [Signature]	DATE: []
TOLERANCES	PROJ. ENG: [Signature]	DATE: []
DECIMALS ± .005	PROD: [Signature]	DATE: []
FRACTIONS ± 1/64		
ANGLES ± 0°30'		
FINAL SURFACE QUALITY		
REMOVE BURRS AND BREAK SHARP CORNERS		
MATERIAL: + + +	NEXT HIGHER ASSY: A-ML-KT11-B	SCALE: NONE
FINISH: + + +	SIZE CODE: DBS	SHEET: 3 OF 3

QTY.	DESCRIPTION	PART NO.	ITEM NO.
PARTS LIST			
DATA BUS & CONT LOGIC			
NEXT HIGHER ASSY		SIZE CODE	NUMBER
A-ML-KT11-B		DBS	KT11-B-07
SCALE		DIST.	REV.
NONE			

This drawing and specifications herein, are the property of Digital Equipment Corporation and shall not be reproduced or copied or used in whole or in part as the basis for the manufacture or sale of items without written permission.

* NOTE
GND PINS D1 AND F1
ON ALL M259



REV.	NO.	DATE	BY	CHKD.

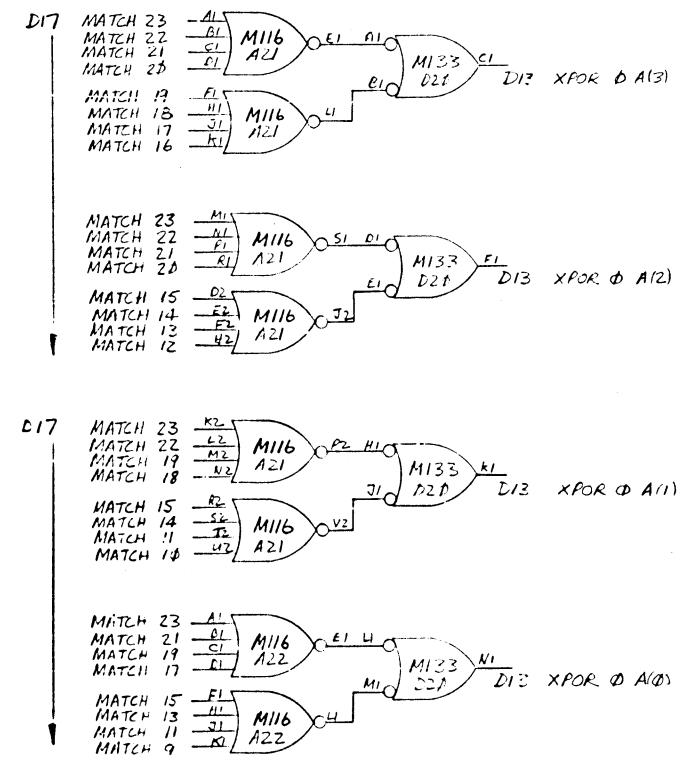
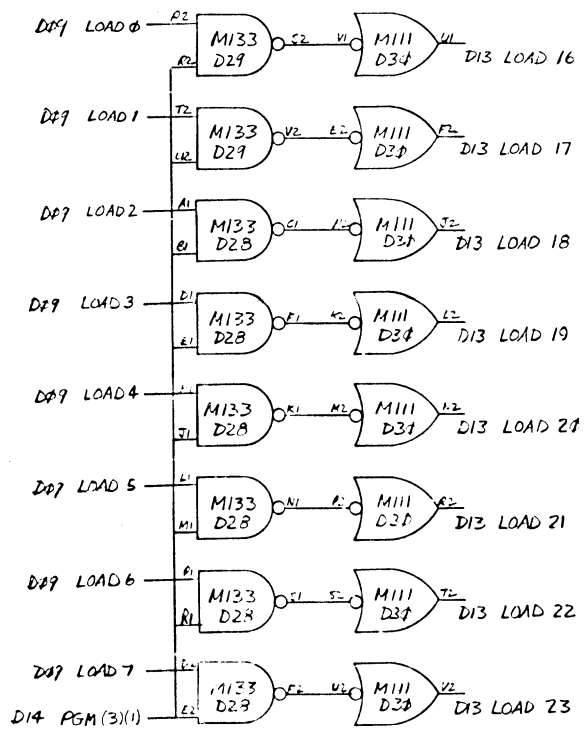
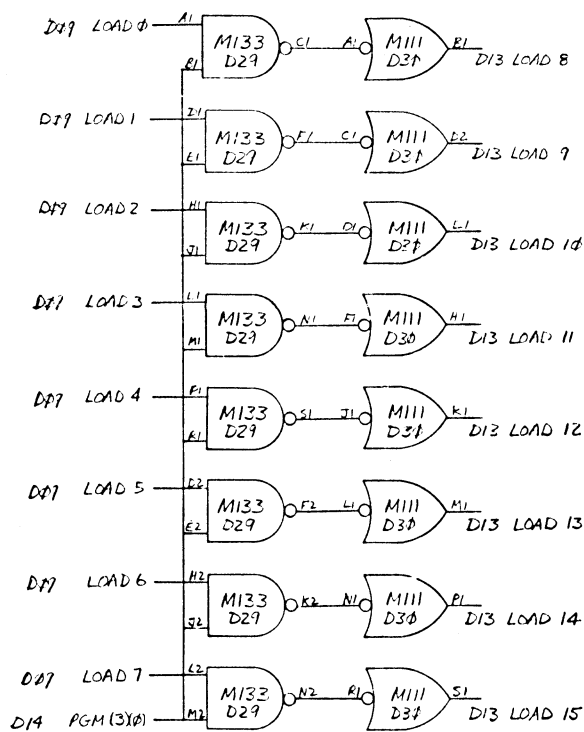
DEC FORM NO. 880 100

FIRST USED ON OPTION/ MODEL PDP-11	DO NOT SCALE DRAWING UNLESS OTHERWISE SPECIFIED DIMENSION IN INCHES TOLERANCES DECIMALS FRACTIONS ANGLES ± .002 ± .001 ± 90° FINAL SURFACE QUALITY REMOVE BURRS AND BREAK SHARP CORNERS	MATERIAL FINISH
---------------------------------------	--	--------------------

QTY.	DESCRIPTION	PART NO.	ITEM NO.
PARTS LIST			
DRN: J. A. T.		DATE: 11/11/72	TITLE: KEYS & ASSOCIATIVE MEMORY
CHKD: S. G. G.		DATE: 11/11/72	PROJECT: 11-111X
ENG: S. G. G.		DATE: 11/11/72	PROD: 11-111X
PROJ. ENG.:		DATE:	
NEXT HIGHER ASSY A-ML-KT11-B		SCALE: 1:1	SHEET 1 OF 1
SIZE CODE: DBS		NUMBER: KT11-B-08	REV.:
DIST.:			

REV. NO. NUMBER DBS KT11-B-08

This drawing and specifications, herein, are the property of Digital Equipment Corporation and shall not be reproduced or copied or used in whole or in part as the basis for the manufacture or use of items without written permission.



REV.	
CHANGE NO.	
CHK	

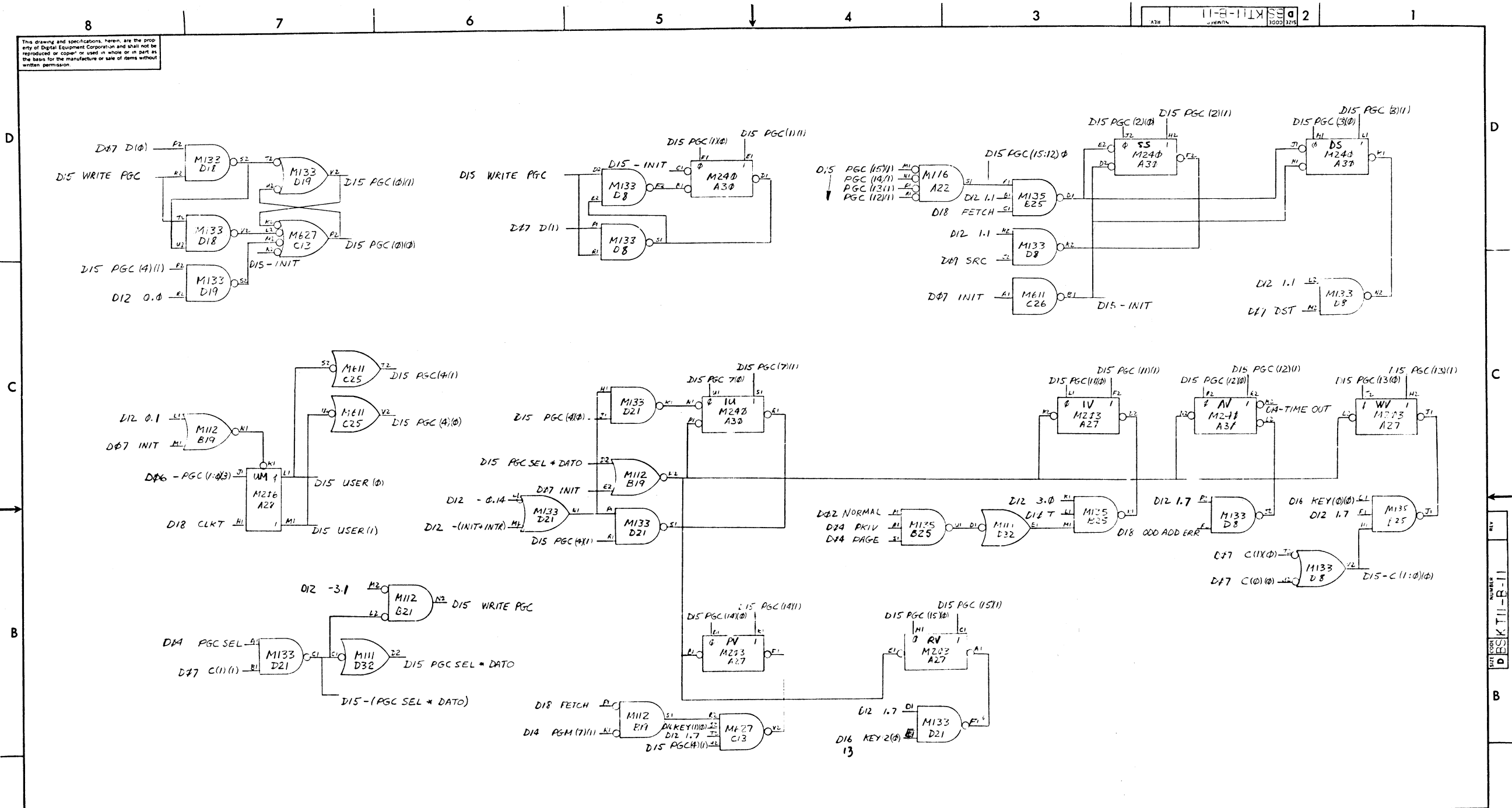
FIRST USED ON OPTION/MODEL
 PDP-11

DO NOT SCALE DRAWING
 UNLESS OTHERWISE SPECIFIED
 DIMENSION IN INCHES
 TOLERANCES
 DECIMALS FRACTIONS ANGLES
 ±.005 ± 1/64 ± 0°30'
 FINAL SURFACE QUALITY
 REMOVE BURRS AND BREAK SHARP
 CORNERS
 MATERIAL
 FINISH

DRN	1.0/1.2	DATE	8-28-64
CHK'D.	SEB/NDP	DATE	
ENG.		DATE	
PROL. ENG.		DATE	
PROD.		DATE	
NEXT HIGHER ASSY A-ML-KTII-B			
SCALE NONE			
SHEET OF			

PARTS LIST	
DIGITAL EQUIPMENT CORPORATION MAYNARD, MASSACHUSETTS	
TITLE XP OPTION FOR KTII AM CONTROL	
SIZE/CODE DSKKTII-3-09	NUMBER REV.

This drawing and specifications herein are the property of Digital Equipment Corporation and shall not be reproduced or copied or used in whole or in part as the basis for the manufacture or sale of items without written permission.



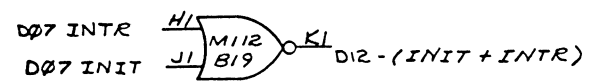
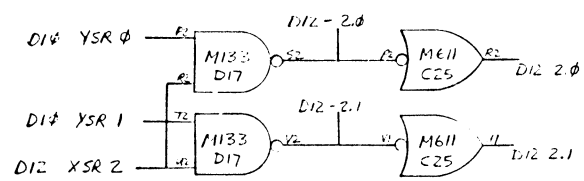
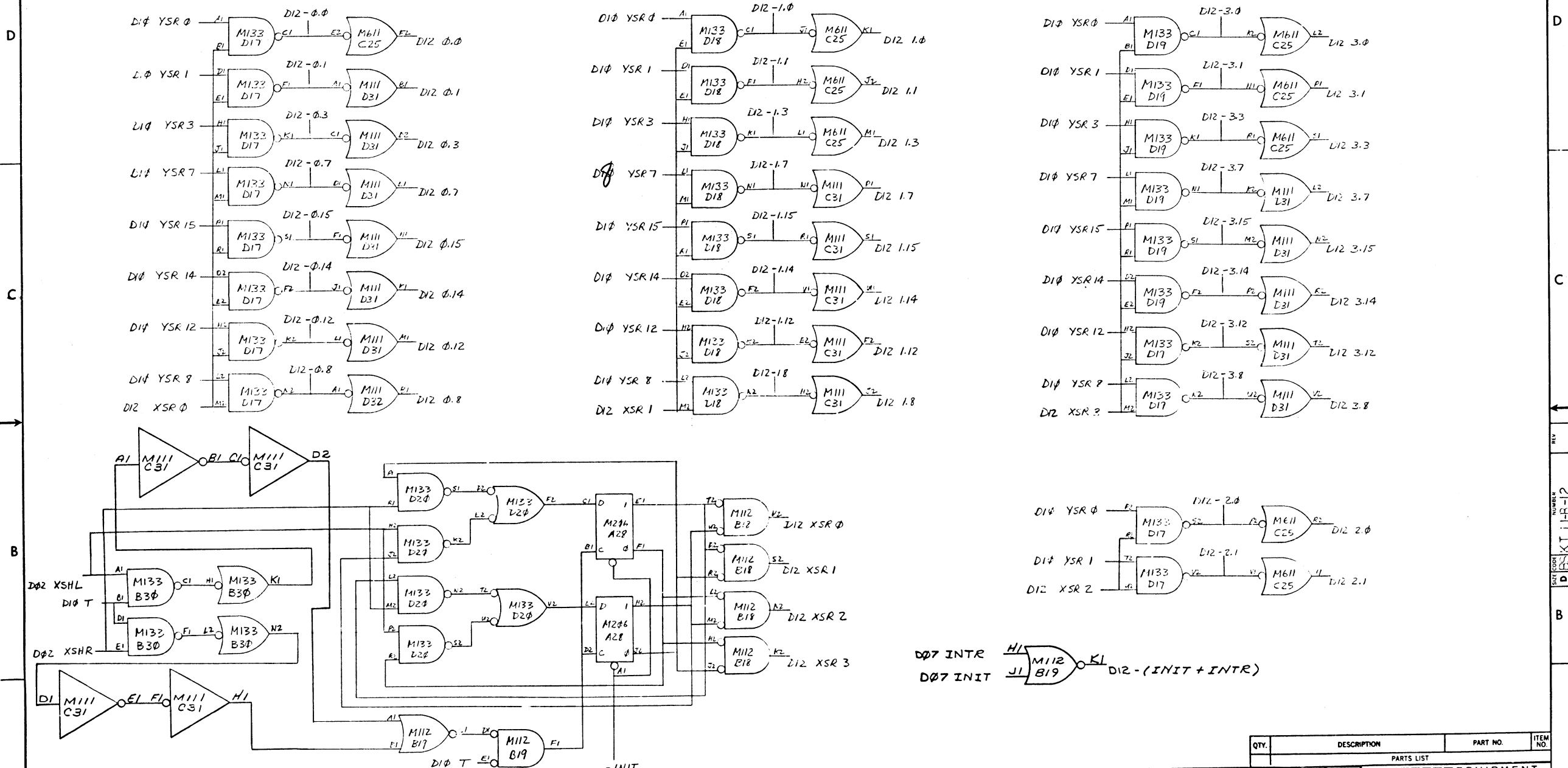
REVISIONS
CHANGE NO.
CHK
FORM NO.

FIRST USED ON OPTION/ MODE:
PDP-11

DO NOT SCALE DRAWING
UNLESS OTHERWISE SPECIFIED
DIMENSION IN INCHES
TOLERANCES
DECIMALS FRACTIONS ANGLES
± .005 ± .010 ± .020 ± .030 ± .040 ± .050 ± .060 ± .070 ± .080 ± .090 ± .100 ± .150 ± .200 ± .300 ± .400 ± .500 ± .600 ± .700 ± .800 ± .900 ± 1.000 ± 1.500 ± 2.000 ± 3.000 ± 4.000 ± 5.000 ± 6.000 ± 8.000 ± 10.000
FINAL SURFACE QUALITY REMOVE BURRS AND BREAK SHARP CORNERS
MATERIAL
FINISH

QTY.	DESCRIPTION	PART NO.	ITEM NO.
PARTS LIST			
DIGITAL EQUIPMENT CORPORATION MAYNARD, MASSACHUSETTS			
TITLE: PGC REGISTER			
NEXT HIGHER ASSY: A-ML-KT11-3			
SCALE: NONE			
SHEET: OF:			
SIZE/CODE: DBSKT II-B-11		NUMBER:	REV.:
DIST.:			

This drawing and specifications herein are the property of Digital Equipment Corporation and shall not be reproduced or copied or used in whole or in part as the basis for the manufacture or sale of items without written permission.



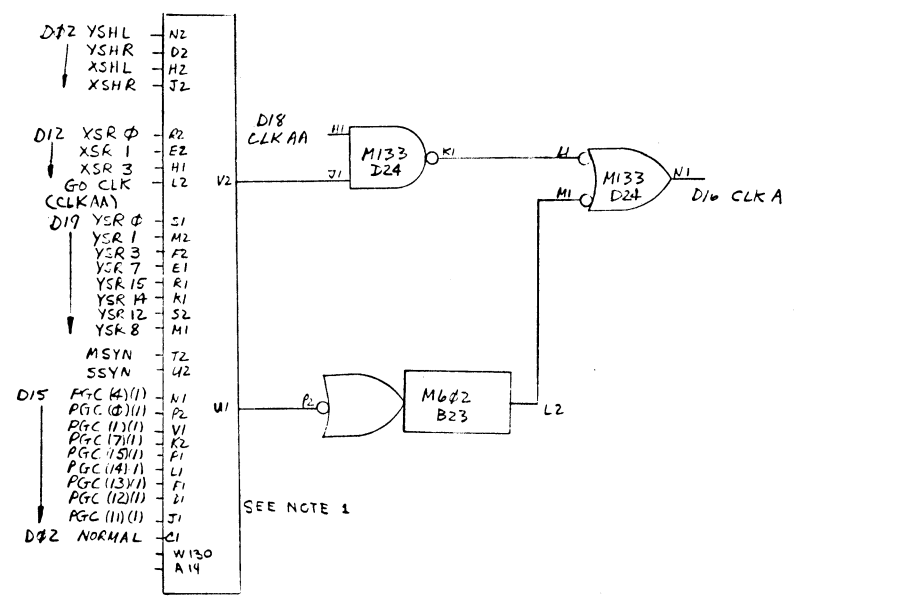
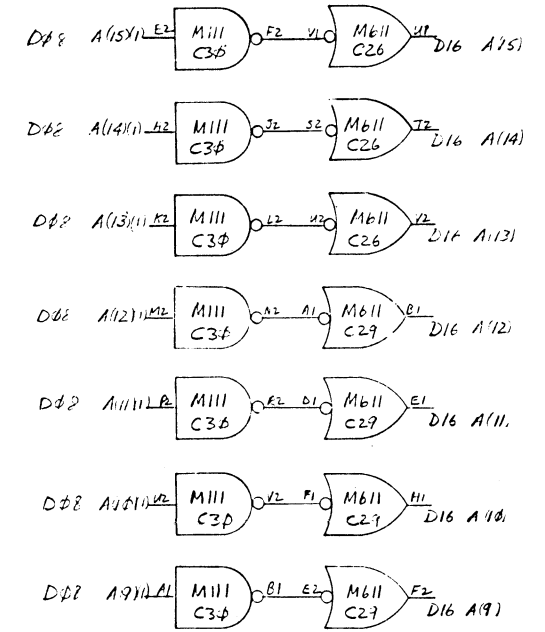
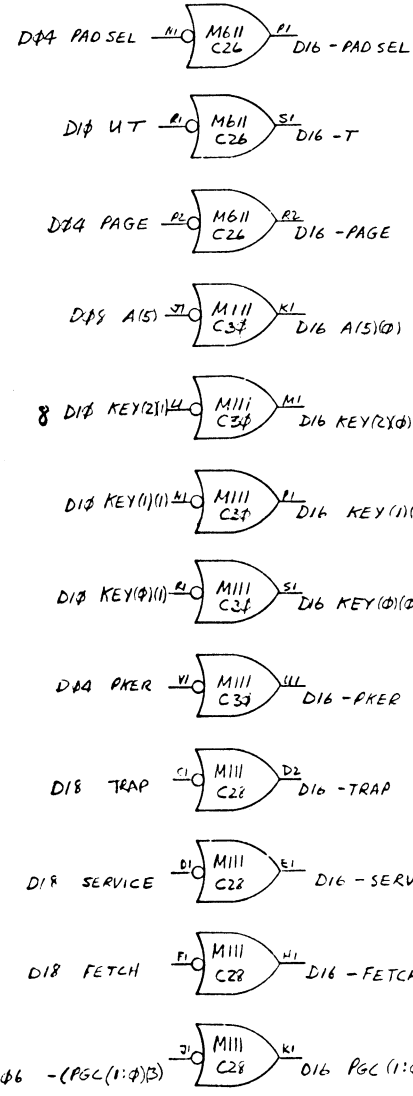
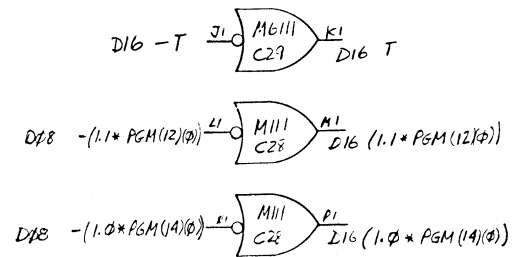
REVISIONS	NO.	DATE
CHANGE NO.		
CHK		

FIRST USED ON OPTION/MODEL
 PDP-11

DO NOT SCALE DRAWING	DRN: <i>1/1/68</i>	DATE: <i>1/1/68</i>
UNLESS OTHERWISE SPECIFIED DIMENSION IN INCHES	CHK'D: <i>SCG/DBL</i>	DATE: <i>1/1/68</i>
TOLERANCES	ENG:	DATE:
DECIMALS FRACTIONS ANGLES	PROJ. ENG:	DATE:
± .005 ± 1/64 ± 0°30'	PROD:	DATE:
FINAL SURFACE QUALITY		
REMOVE BURRS AND BREAK SHARP CORNERS		
MATERIAL	+	+
FINISH	+	+

QTY.	DESCRIPTION	PART NO.	ITEM NO.
PARTS LIST			
FIRST USED ON OPTION/MODEL PDP-11		DIGITAL EQUIPMENT CORPORATION WATFORD, MASSACHUSETTS	
TITLE TIMING LOGIC		SIZE/CODE A-ML-KT11-B	NUMBER DES K11-B-12
SCALE NONE		DIST.	REV.
SHEET	OF		

This drawing and specifications, herein, are the property of Digital Equipment Corporation and shall not be reproduced or copied or used in whole or in part as the basis for the manufacture or sale of items without written permission.



NOTE :

1. MODULE W130 PLUGS INTO SLOT A14, AND MODULE W131 PLUGS INTO W134.

D12 A24J2 F1

D14 PAD SEL H1

D14 PGM(15)(\phi) J1

D12 - 3.1 K1

M116

D16 3.1 * LOOKUP + NORMAL

M133 D24

D16 T J2 \rightarrow K2 D16 - [3.1 * LOOKUP + NORMAL]

REV.	
CHANGE NO.	
CHK.	

FIRST USED ON OPTION / MODEL PDP-11

DO NOT SCALE DRAWING
UNLESS OTHERWISE SPECIFIED
DIMENSION IN INCHES
TOLERANCES
DECIMALS FRACTIONS ANGLES
± .005 ± 1/64 ± 0°30'
FINAL SURFACE QUALITY
REMOVE BURRS AND BREAK SHARP CORNERS

MATERIAL

FINISH

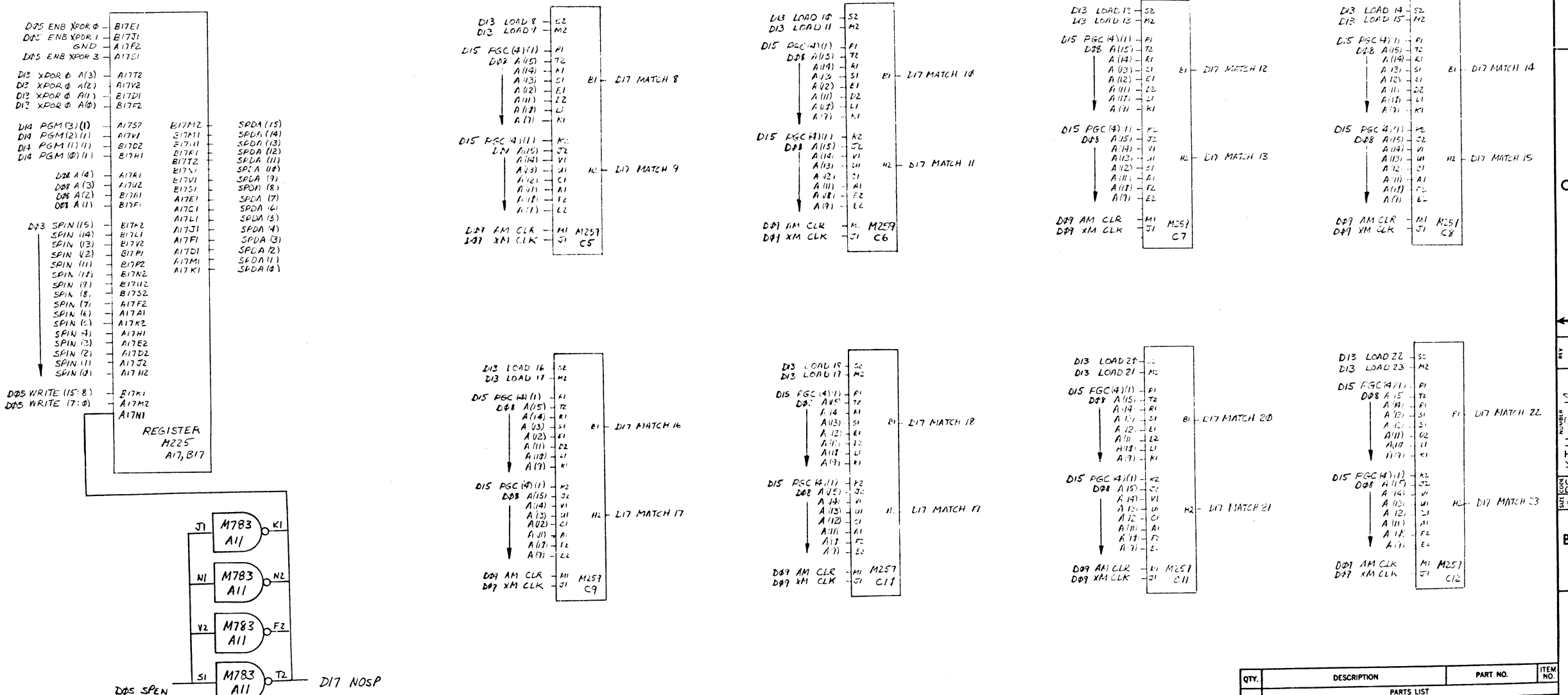
QTY.	DESCRIPTION	PART NO.	ITEM NO.
PARTS LIST			
DRN: J. P. ...	DATE: 2/70	Digital Equipment Corporation WATFORD, MASSACHUSETTS	
CHK'D: ...	DATE: 2-23-72		
ENG. ...	DATE: ...		
PROD. ...	DATE: ...		
NEXT HIGHER ASSY		TITLE	
A-ML-KTII-B		BUFFERED SIGNALS & MAIN LOGIC	
SCALE: NONE	DIST.:	SIZE CODE: DBS	NUMBER: KTII-B-13
SHEET: 1 OF 1			REV.:

This drawing and specifications, herein, are the property of Digital Equipment Corporation and shall not be reproduced or copied in whole or in part as the basis for the manufacture or sale of items without written permission.

THE KTII-B BACKPANEL IS WIRED FOR 24 ASSOCIATIVE MEMORY ENTRIES. FOR KTII-B'S WITH ONLY 8 ENTRIES DO THE FOLLOWING:

1. REMOVE WIRE FROM A29A1 → A29K2.
2. GROUND A29A1.
3. GROUND SIGNALS - MATCH 8 THRU MATCH 23.
4. REMOVE MODULES LOCATED IN SLOTS C5 THRU C12 & AB17.
5. MAKE NECESSARY PATCHES IN KT1, KT2 & KT3.
 - A. KT1 FOR 24 ENTRIES 7446 = 240
7450 = 240
 - B. KT2 FOR 8 ENTRIES 273A = 18
FOR 24 ENTRIES 273B = 27
 - C. KT3 FOR 24 ENTRIES 2756 = 34

* NOTE
GND PINS DI AND FI
ON ALL M251



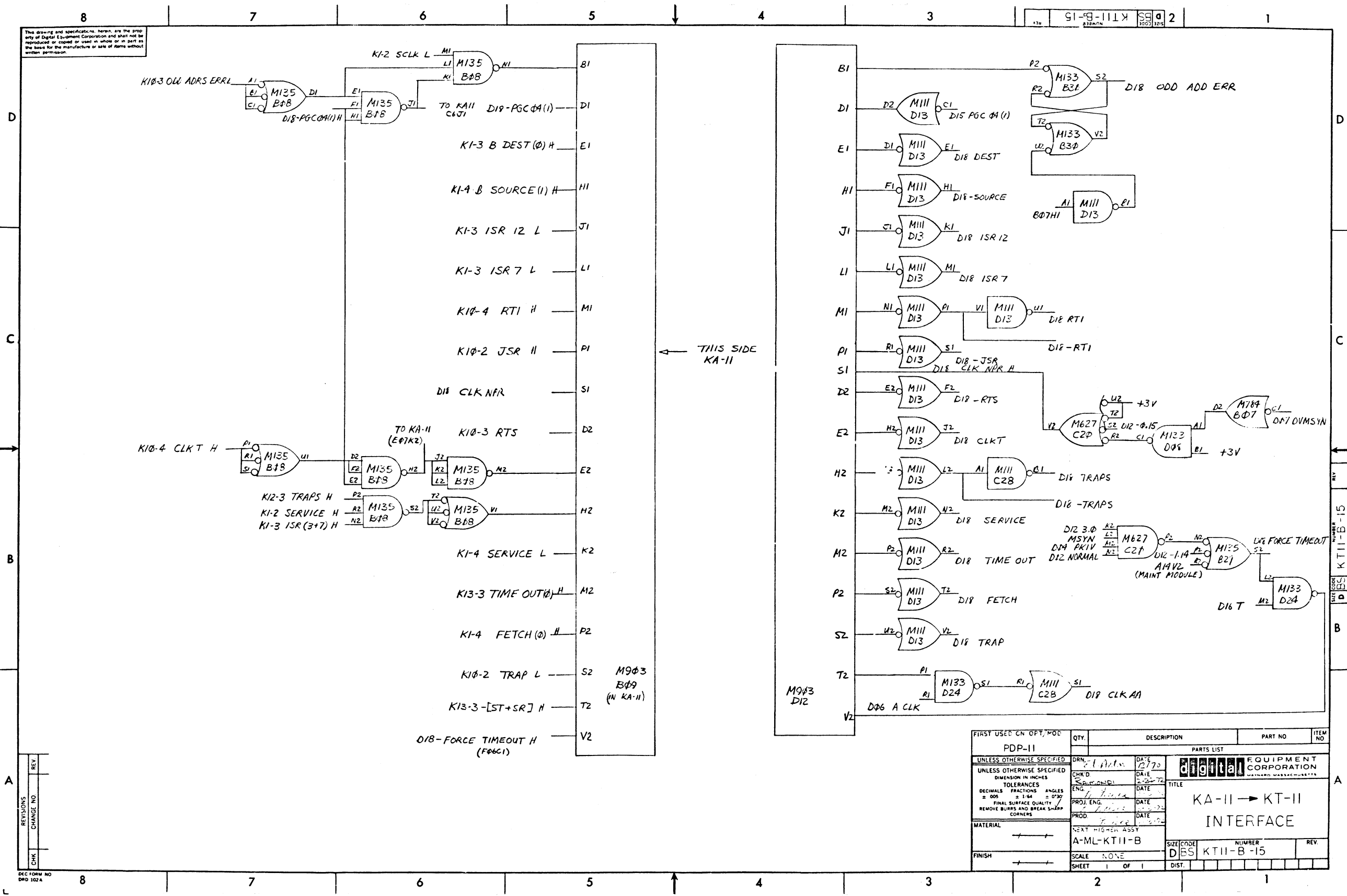
FIRST USED ON OPTION / MODEL
PDP-11

DO NOT SCALE DRAWING		DRN: <i>[Signature]</i> DATE: 4-7-70	
UNLESS OTHERWISE SPECIFIED DIMENSION IN INCHES		CHK'D: <i>[Signature]</i> DATE: 2-2-70	TITLE: EXTENDED ASSOCIATIVE MEMORY
TOLERANCES		ENG: <i>[Signature]</i> DATE: <i>[Blank]</i>	PROD. DATE: <i>[Blank]</i>
DECIMALS	FRACTIONS	ANGLES	SCALE: NONE
± .005	± 1/64	± 0°30'	SHEET 1 OF 1
FINAL SURFACE QUALITY REMOVE BURRS AND BREAK SHARP CORNERS		MATERIAL: <i>[Blank]</i>	FINISH: <i>[Blank]</i>
NEXT HIGHER ASSY: A-ML-KTII-B		PARTS LIST	
SIZE CODE: DBS		NUMBER: KTII-B-14	
DIST.:		REV.:	

REV	NO	DATE

DEC FORM NO DDD 100

This drawing and specifications herein are the property of Digital Equipment Corporation and shall not be reproduced or copied or used in whole or in part as the basis for the manufacture or sale of items without written permission.



THIS SIDE KA-II

M903 B09 (N KA-II)

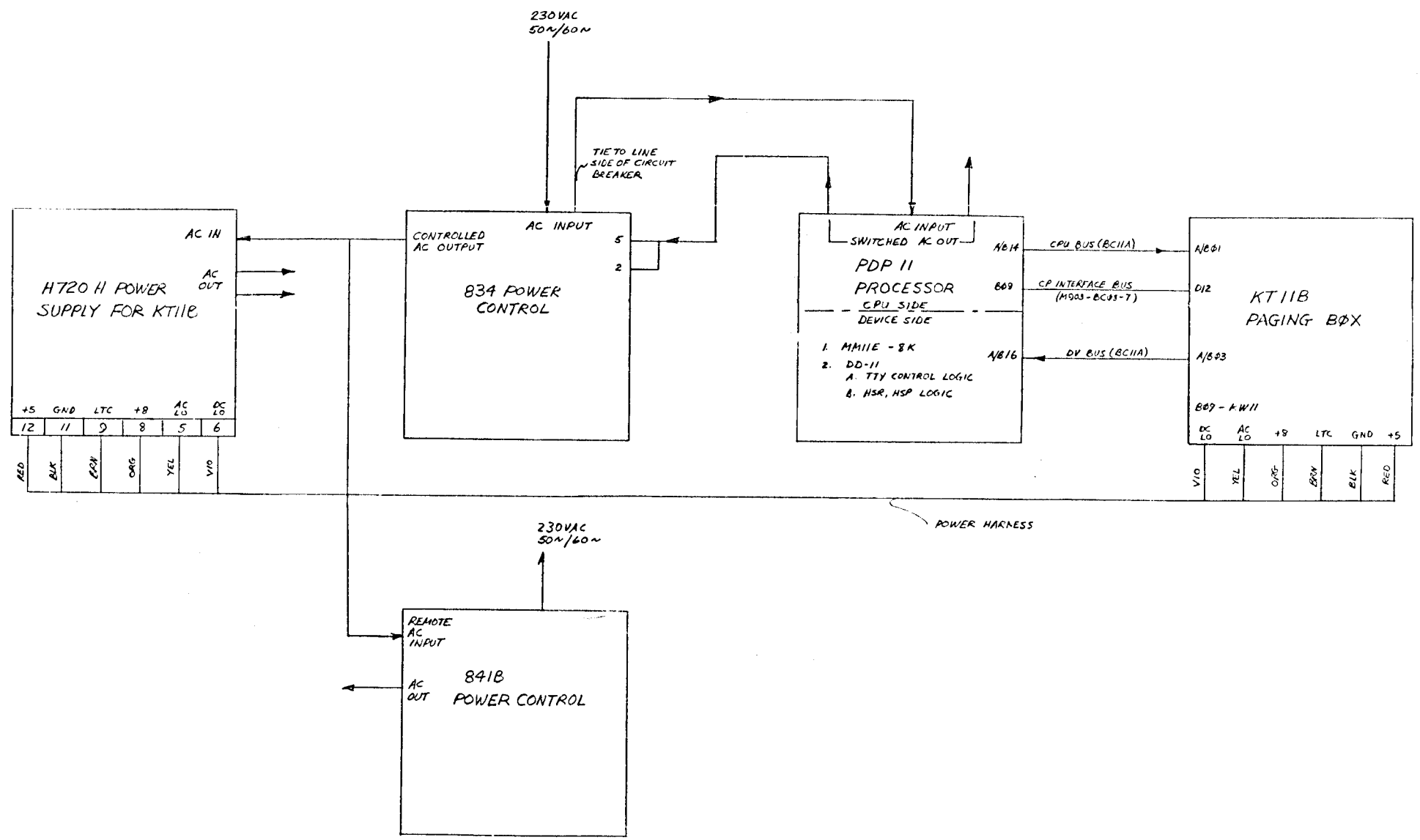
M903 D12

FIRST USED ON OPT. MOD	QTY.	DESCRIPTION	PART NO.	ITEM NO.
PDP-11				
UNLESS OTHERWISE SPECIFIED				
DRN. DATE	2/7/70	PARTS LIST		
CHK'D DATE	2-22-70	digital EQUIPMENT CORPORATION		
ENG. DATE		MASSACHUSETTS		
PROJ. ENG. DATE		TITLE		
PROD. DATE		KA-II -> KT-II		
		INTERFACE		
MATERIAL		SCALE	NONE	REV.
		SHEET	1 OF 1	
FINISH		SIZE CODE	D BS	NUMBER
		DIST.	KTII-B-15	

REV.	CHANGE NO.

DEC FORM NO. DDD 102A

This drawing and specifications, herein, are the property of Digital Equipment Corporation and shall not be reproduced or copied or used in whole or in part as the basis for the manufacture or sale of items without written permission.

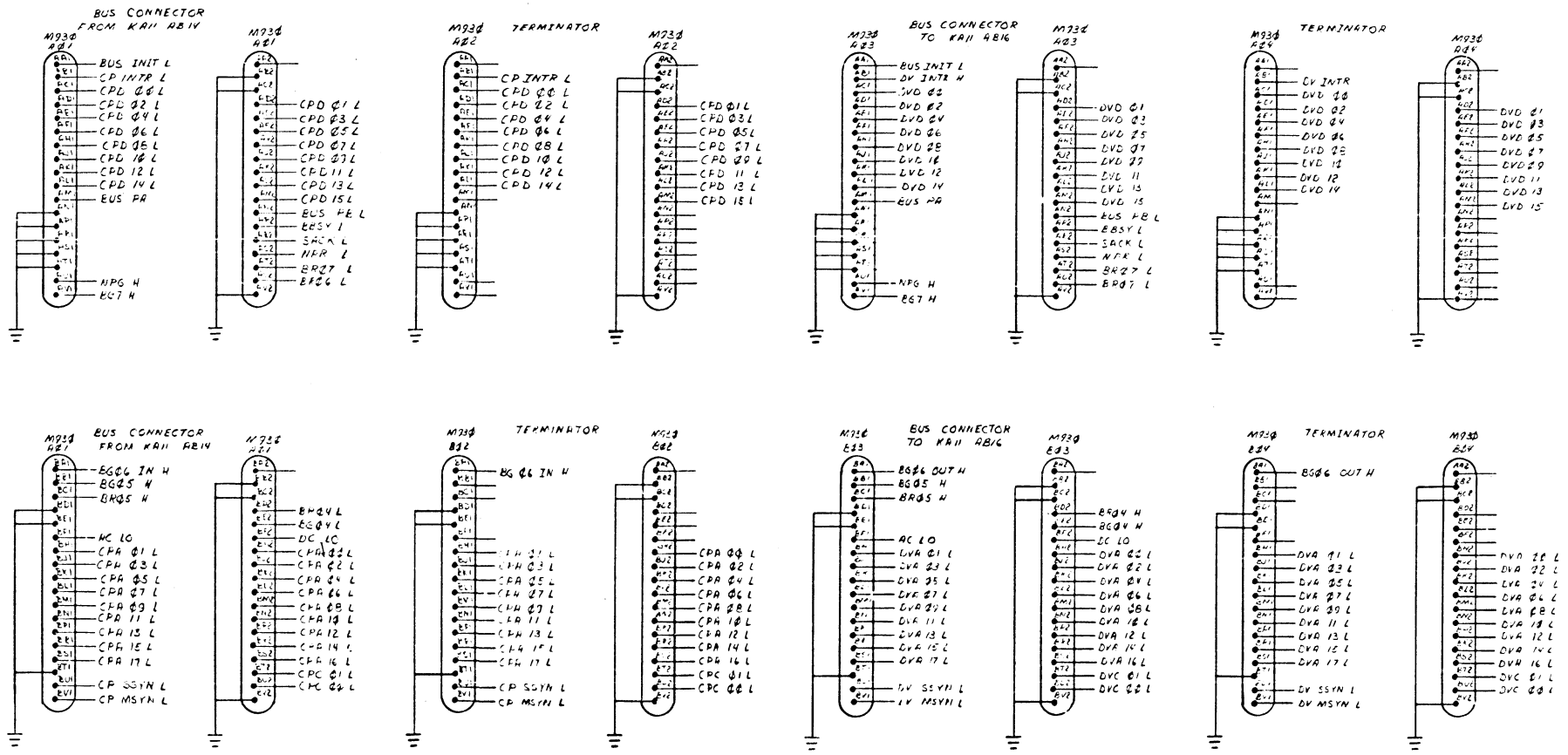


REV	
CHANGE NO	
CHK	

FIRST USED ON CPT/MCD	QTY.	DESCRIPTION	PART NO.	ITEM NO.
PDP-II				
PARTS LIST				
UNLESS OTHERWISE SPECIFIED:	DRN	DATE	 DIGITAL EQUIPMENT CORPORATION <small>MEMBER OF THE INTERNATIONAL BUSINESS MACHINES CORPORATION</small>	
DIMENSION IN INCHES	CHK'D	DATE		
TOLERANCES	ENG	DATE		
DECIMALS FRACTIONS ANGLES	PROJ ENG	DATE		
± .005 ± .001 ± .030	PROD	DATE		
FINAL SURFACE QUALITY / REMOVE BURRS AND BREAK SHARP CORNERS	NEXT HIGHER ASSY		TITLE	
MATERIAL	A-ML-KTII-B		SYSTEM CONFIGURATION	
FINISH	SCALE	NOTE	SIZE CODE	NUMBER
			DBD	KTII-B-16
	SHEET	OF	DIST.	REV.
	1	1		

DATE BOOK
 D DB
 NUMBER
 KTII-B-16
 REV.

This drawing and specifications, herein, are the property of Digital Equipment Corporation and shall not be reproduced or copied or used in whole or in part as the basis for the manufacture or sale of items without written permission.



REV	NO
CHG	NO
CHG	NO
CHG	NO

REVISIONS
 CHG NO

FIRST USED ON OPTION-MODEL	QTY.	DESCRIPTION	PART NO.	ITEM NO.
PDP-11				
PARTS LIST				
UNLESS OTHERWISE SPECIFIED DIMENSION IN INCHES TOLERANCES		DRN R. C. ...	DATE 10/27/72	<p>DIGITAL EQUIPMENT CORPORATION WATFORD MASSACHUSETTS</p> <p>TITLE KTII-B BUS CONNECTORS</p>
DECIMALS .XXX - 005 .XX - 02 .X - 1	ANGLES ±0° 30'	CHK'D ...	DATE ...	
REMOVE BURRS AND BREAK SHARP CORNERS SURFACE QUALITY		ENG ...	DATE ...	
MATERIAL		PROJ. ENG. ...	DATE ...	
FINISH		PROD. ...	DATE ...	
NEXT HIGHER ASSY.		SIZE CODE A-ML-KTII-B		NUMBER KTII-B-17
SCALE NONE		DIST		REV.
SHEET 1 OF 1				