

FIELD MAINTENANCE PRINT SET TABLE OF CONTENTS

UNIT VARIATIONS
COVERED BY THIS
PRINT SET:

KS10-AA
KS10-AB

KS10
FIELD MAINTENANCE
PRINT SET

DIGITAL EQUIPMENT
CORPORATION

PRINT SET PART NO.
MP00540-00

"THE MATERIAL HEREIN IS FOR INFORMATION PURPOSES ONLY AND IS
SUBJECT TO CHANGE WITHOUT NOTICE. DIGITAL EQUIPMENT CORPORATION
ASSUMES NO RESPONSIBILITY FOR ANY ERRORS WHICH MAY APPEAR HEREIN."

<small>THIS DRAWING AND SPECIFICATIONS HEREIN ARE THE PROPERTY OF DIGITAL EQUIPMENT CORPORATION AND SHALL NOT BE REPRODUCED OR COPIED OR USED IN WHOLE OR IN PART AS THE BASIS FOR THE MANUFACTURE OF ANY OF ITS ITEMS WITHOUT WRITTEN PERMISSION. COPYRIGHT © 1981 DIGITAL EQUIPMENT CORPORATION</small>	REVISIONS <table border="1"> <tr> <th>CHK</th> <th>CHANGE NO.</th> <th>REV</th> </tr> <tr> <td></td> <td></td> <td></td> </tr> </table>		CHK	CHANGE NO.	REV				<small>DATE</small> 05-MAR-81 <small>ENG.</small> J. Family <small>DATE</small> 05-MAR-81 <small>BOARD LOCATION</small> H2A <small>SHEET</small> 1 OF 5 <small>DATE</small> 05-MAR-81 <small>NEXT HIGHER ASSEMBLY</small> NONE <small>DATE</small> 05-MAR-81 <small>MODEL</small> KS10-B	<small>DATE</small> 05-MAR-81 <small>ENG.</small> J. Family <small>DATE</small> 05-MAR-81 <small>BOARD LOCATION</small> H2A <small>SHEET</small> 1 OF 5 <small>DATE</small> 05-MAR-81 <small>NEXT HIGHER ASSEMBLY</small> NONE <small>DATE</small> 05-MAR-81 <small>MODEL</small> KS10-B	TITLE: KS10 PROCESSOR <small>SIZE CODE</small> D TC <small>NUMBER</small> KS10-0-1 <small>REV.</small> D
	CHK	CHANGE NO.	REV								
<small>THIS DRAWING AND SPECIFICATIONS HEREIN ARE THE PROPERTY OF DIGITAL EQUIPMENT CORPORATION AND SHALL NOT BE REPRODUCED OR COPIED OR USED IN WHOLE OR IN PART AS THE BASIS FOR THE MANUFACTURE OF ANY OF ITS ITEMS WITHOUT WRITTEN PERMISSION. COPYRIGHT © 1981 DIGITAL EQUIPMENT CORPORATION</small>	<small>DATE</small> 05-MAR-81 <small>ENG.</small> J. Family <small>DATE</small> 05-MAR-81 <small>BOARD LOCATION</small> H2A <small>SHEET</small> 1 OF 5 <small>DATE</small> 05-MAR-81 <small>NEXT HIGHER ASSEMBLY</small> NONE <small>DATE</small> 05-MAR-81 <small>MODEL</small> KS10-B	<small>DATE</small> 05-MAR-81 <small>ENG.</small> J. Family <small>DATE</small> 05-MAR-81 <small>BOARD LOCATION</small> H2A <small>SHEET</small> 1 OF 5 <small>DATE</small> 05-MAR-81 <small>NEXT HIGHER ASSEMBLY</small> NONE <small>DATE</small> 05-MAR-81 <small>MODEL</small> KS10-B	TITLE: KS10 PROCESSOR <small>SIZE CODE</small> D TC <small>NUMBER</small> KS10-0-1 <small>REV.</small> D								

SIZE CODE NUMBER
 D TC KS10-0-1
 B

DOCUMENT NUMBER REV DESCRIPTION
 D-TC-KS10-0-1 C FIELD MAINT. PRINT SET (TC)

KS10 MODULE (C.S.)

B-DD-M8616-0	F	CONSOLE & CONTROL	
E-UA-M8616-0-0	E	CONSOLE & CONTROL	SHEET 1
D-CS-M8616-0-CSL1	D	CONSOLE & CONTROL	
D-CS-M8616-0-CSL2	E	CONSOLE & CONTROL	
D-CS-M8616-0-CSL3	D	CONSOLE & CONTROL	
D-CS-M8616-0-CSL4	C	CONSOLE & CONTROL	
D-CS-M8616-0-CSL5	D	CONSOLE & CONTROL	
D-CS-M8616-0-CSL6	C	CONSOLE & CONTROL	
D-CS-M8616-0-CSL7	B	CONSOLE & CONTROL	
D-CS-M8616-0-CSL8	B	CONSOLE & CONTROL	
D-CS-M8616-0-CSL9	D	CONSOLE & CONTROL	
D-CS-M8616-0-CSLA	C	CONSOLE & CONTROL	
D-CS-M8616-0-CSLB	C	CONSOLE & CONTROL	
D-CS-M8616-0-CSLC	C	CONSOLE & CONTROL	
D-CS-M8616-0-CSLD	A	CONSOLE & CONTROL	
B-DD-M8616-0	E	CONSOLE & CONTROL	
E-UA-M8616-0-0	D1	CONSOLE & CONTROL	SHEET 1
D-CS-M8616-0-CSL1	C1	CONSOLE & CONTROL	
D-CS-M8616-0-CSL2	C2	CONSOLE & CONTROL	
D-CS-M8616-0-CSL3	C1	CONSOLE & CONTROL	
D-CS-M8616-0-CSL4	B1	CONSOLE & CONTROL	
D-CS-M8616-0-CSL5	C1	CONSOLE & CONTROL	
D-CS-M8616-0-CSL6	B1	CONSOLE & CONTROL	
D-CS-M8616-0-CSL7	A1	CONSOLE & CONTROL	
D-CS-M8616-0-CSL8	A1	CONSOLE & CONTROL	
D-CS-M8616-0-CSL9	C1	CONSOLE & CONTROL	
D-CS-M8616-0-CSLA	B1	CONSOLE & CONTROL	
D-CS-M8616-0-CSLB	B1	CONSOLE & CONTROL	
D-CS-M8616-0-CSLC	B1	CONSOLE & CONTROL	
B-DD-M8618-0	D	MEMORY CONTROL	
E-UA-M8618-0-0	C	MEMORY CONTROL	SHEET 1
D-CS-M8618-0-MMC1	B	MEMORY CONTROL	
D-CS-M8618-0-MMC2	B	MEMORY CONTROL	
D-CS-M8618-0-MMC3	B	MEMORY CONTROL	
D-CS-M8618-0-MMC4	B	MEMORY CONTROL	
D-CS-M8618-0-MMC5	B	MEMORY CONTROL	
D-CS-M8618-0-MMC6	B	MEMORY CONTROL	
D-CS-M8618-0-MMC7	C	MEMORY CONTROL	
D-CS-M8618-0-MMC8	C	MEMORY CONTROL	
D-CS-M8618-0-MMC9	B	MEMORY CONTROL	
D-CS-M8618-0-MMCA	C	MEMORY CONTROL	
D-CS-M8618-0-MMCB	C	MEMORY CONTROL	
D-CS-M8618-0-MMCC	C	MEMORY CONTROL	
D-CS-M8618-0-MMCD	C	MEMORY CONTROL	

DOCUMENT NUMBER REV DESCRIPTION

KS10 MODULE (C.S.) CONTINUED

B-DD-M8618-0	D	MEMORY CONTROL	
E-UA-M8618-0-0	B2	MEMORY CONTROL	SHEET 1
D-CS-M8618-0-MMC1	A1	MEMORY CONTROL	
D-CS-M8618-0-MMC2	A1	MEMORY CONTROL	
D-CS-M8618-0-MMC3	A1	MEMORY CONTROL	
D-CS-M8618-0-MMC4	A1	MEMORY CONTROL	
D-CS-M8618-0-MMC5	A2	MEMORY CONTROL	
D-CS-M8618-0-MMC6	A1	MEMORY CONTROL	
D-CS-M8618-0-MMC7	B1	MEMORY CONTROL	
D-CS-M8618-0-MMC8	B1	MEMORY CONTROL	
D-CS-M8618-0-MMC9	A1	MEMORY CONTROL	
D-CS-M8618-0-MMCA	B1	MEMORY CONTROL	
D-CS-M8618-0-MMCB	B1	MEMORY CONTROL	
D-CS-M8618-0-MMCC	B1	MEMORY CONTROL	
D-CS-M8618-0-MMCD	B1	MEMORY CONTROL	
B-DD-M8619-0	D	UNIBUS ADAPTER	
E-UA-M8619-0-0	D	UNIBUS ADAPTER	SHEET 1
D-CS-M8619-0-UBA1	B	UNIBUS ADAPTER	
D-CS-M8619-0-UBA2	C	UNIBUS ADAPTER	
D-CS-M8619-0-UBA3	B	UNIBUS ADAPTER	
D-CS-M8619-0-UBA4	C	UNIBUS ADAPTER	
D-CS-M8619-0-UBA5	C	UNIBUS ADAPTER	
D-CS-M8619-0-UBA6	C	UNIBUS ADAPTER	
D-CS-M8619-0-UBA7	B	UNIBUS ADAPTER	
D-CS-M8619-0-UBA8	C	UNIBUS ADAPTER	
D-CS-M8619-0-UBA9	C	UNIBUS ADAPTER	
D-CS-M8619-0-UBAA	C	UNIBUS ADAPTER	
D-CS-M8619-0-UBAB	B	UNIBUS ADAPTER	
D-CS-M8619-0-UBAC	C	UNIBUS ADAPTER	
D-CS-M8619-0-UBAD	B	UNIBUS ADAPTER	
D-CS-M8619-0-UBAE	B	UNIBUS ADAPTER	
D-CS-M8619-0-UBAF	B	UNIBUS ADAPTER	
D-CS-M8619-0-UBAH	B	UNIBUS ADAPTER	
B-DD-M8619-0	D	UNIBUS ADAPTER	
E-UA-M8619-0-0	C1	UNIBUS ADAPTER	SHEET 1
D-CS-M8619-0-UBA1	A1	UNIBUS ADAPTER	
D-CS-M8619-0-UBA2	B1	UNIBUS ADAPTER	
D-CS-M8619-0-UBA3	A1	UNIBUS ADAPTER	
D-CS-M8619-0-UBA4	B1	UNIBUS ADAPTER	
D-CS-M8619-0-UBA5	B1	UNIBUS ADAPTER	
D-CS-M8619-0-UBA6	B1	UNIBUS ADAPTER	
D-CS-M8619-0-UBA7	A1	UNIBUS ADAPTER	
D-CS-M8619-0-UBA8	B1	UNIBUS ADAPTER	
D-CS-M8619-0-UBA9	B1	UNIBUS ADAPTER	
D-CS-M8619-0-UBAA	B1	UNIBUS ADAPTER	
D-CS-M8619-0-UBAB	A1	UNIBUS ADAPTER	
D-CS-M8619-0-UBAC	B1	UNIBUS ADAPTER	
D-CS-M8619-0-UBAD	A1	UNIBUS ADAPTER	
D-CS-M8619-0-UBAE	A1	UNIBUS ADAPTER	
D-CS-M8619-0-UBAF	A1	UNIBUS ADAPTER	
D-CS-M8619-0-UBAH	A1	UNIBUS ADAPTER	

THIS DRAWING AND SPECIFICATIONS ARE THE PROPERTY OF DIGITAL EQUIPMENT CORPORATION AND SHALL NOT BE REPRODUCED OR COPIED OR USED IN WHOLE OR IN PART AS THE BASIS FOR THE MANUFACTURE OR SALE OF ITEMS WITHOUT WRITTEN PERMISSION. COPYRIGHT © 1981 DIGITAL EQUIPMENT CORPORATION

REVISIONS		
CHK	CHANGE NO.	REV

digital	DATE	ENG.	DATE	TITLE
	06-MAR-81			KS10 PROCESSOR
CHK'D.	DATE	BOARD LOCATION	N/A	
		SHEET	2	OF 5
FIRST USED ON OPTION/MODEL: KS10-0				NONE
SIZE	CODE	NUMBER	REV.	
D	TC	KS10-0-1	D	

MR

8	7	6	5	4	3	2	1
DOCUMENT NUMBER							
SHEET 1							
B-DD-M8620-0	B	DATA	PATH	EXEC.			
E-UA-M8620-0-0	A1	DATA	PATH	EXEC.			
D-CS-M8620-0-DPE1	B	DATA	PATH	EXEC.			
D-CS-M8620-0-DPE2	B	DATA	PATH	EXEC.			
D-CS-M8620-0-DPE3	B	DATA	PATH	EXEC.			
D-CS-M8620-0-DPE4	B	DATA	PATH	EXEC.			
D-CS-M8620-0-DPE5	B	DATA	PATH	EXEC.			
D-CS-M8620-0-DPE6	B	DATA	PATH	EXEC.			
D-CS-M8620-0-DPE7	B	DATA	PATH	EXEC.			
D-CS-M8620-0-DPE8	B	DATA	PATH	EXEC.			
D-CS-M8620-0-DPE9	B	DATA	PATH	EXEC.			
D-CS-M8620-0-DPEA	B	DATA	PATH	EXEC.			
D-CS-M8620-0-DPEB	B	DATA	PATH	EXEC.			
D-CS-M8620-0-DPEC	B	DATA	PATH	EXEC.			
B-DD-M8620-0	B	DATA	PATH	EXEC.			
E-UA-M8620-0-0	A1	DATA	PATH	EXEC.			
D-CS-M8620-0-DPE1	A1	DATA	PATH	EXEC.			
D-CS-M8620-0-DPE2	A1	DATA	PATH	EXEC.			
D-CS-M8620-0-DPE3	A1	DATA	PATH	EXEC.			
D-CS-M8620-0-DPE4	A1	DATA	PATH	EXEC.			
D-CS-M8620-0-DPE5	A1	DATA	PATH	EXEC.			
D-CS-M8620-0-DPE6	A1	DATA	PATH	EXEC.			
D-CS-M8620-0-DPE7	A1	DATA	PATH	EXEC.			
D-CS-M8620-0-DPE8	A1	DATA	PATH	EXEC.			
D-CS-M8620-0-DPE9	A1	DATA	PATH	EXEC.			
D-CS-M8620-0-DPEA	A1	DATA	PATH	EXEC.			
D-CS-M8620-0-DPEB	A1	DATA	PATH	EXEC.			
D-CS-M8620-0-DPEC	A1	DATA	PATH	EXEC.			
D-CS-M8621-0-DPM6	B	DATA	PATH	MEMORY			
D-CS-M8621-0-DPM7	B	DATA	PATH	MEMORY			
D-CS-M8621-0-DPM8	B	DATA	PATH	MEMORY			
D-CS-M8621-0-DPM9	B	DATA	PATH	MEMORY			
D-CS-M8621-0-DPMA	B	DATA	PATH	MEMORY			
D-CS-M8621-0-DPMB	B	DATA	PATH	MEMORY			
D-CS-M8621-0-DPMC	B	DATA	PATH	MEMORY			
D-CS-M8621-0-DPMD	B	DATA	PATH	MEMORY			
D-CS-M8621-0-DPME	B	DATA	PATH	MEMORY			

4	3	2	1
DOCUMENT NUMBER			
REV			
DESCRIPTION			
KS10 MODULE (C.S.) CONTINUED			
B-DD-M8621-0	E	DATA	PATH MEMORY SHEET 1
E-UA-M8621-0-0	D1	DATA	PATH MEMORY SHEET 1
D-CS-M8621-0-DPM1	A1	DATA	PATH MEMORY
D-CS-M8621-0-DPM2	A1	DATA	PATH MEMORY
D-CS-M8621-0-DPM3	A1	DATA	PATH MEMORY
D-CS-M8621-0-DPM4	A1	DATA	PATH MEMORY
D-CS-M8621-0-DPM5	A1	DATA	PATH MEMORY
D-CS-M8621-0-DPM6	B1	DATA	PATH MEMORY
D-CS-M8621-0-DPM7	A1	DATA	PATH MEMORY
D-CS-M8621-0-DPM8	A1	DATA	PATH MEMORY
D-CS-M8621-0-DPM9	A1	DATA	PATH MEMORY
D-CS-M8621-0-DPMA	A1	DATA	PATH MEMORY
D-CS-M8621-0-DPMB	A1	DATA	PATH MEMORY
D-CS-M8621-0-DPMC	C1	DATA	PATH MEMORY
D-CS-M8621-0-DPMD	A1	DATA	PATH MEMORY
D-CS-M8621-0-DPME	A1	DATA	PATH MEMORY
B-DD-M8622-0	B	CRAM	ADDRESS SHEET 1
E-UA-M8622-0-0	B	CRAM	ADDRESS SHEET 1
D-CS-M8622-0-CRA1	B	CRAM	ADDRESS
D-CS-M8622-0-CRA2	B	CRAM	ADDRESS
D-CS-M8622-0-CRA3	B	CRAM	ADDRESS
D-CS-M8622-0-CRA4	B	CRAM	ADDRESS
D-CS-M8622-0-CRA5	B	CRAM	ADDRESS
D-CS-M8622-0-CRA6	B	CRAM	ADDRESS
D-CS-M8622-0-CRA7	B	CRAM	ADDRESS
D-CS-M8622-0-CRA8	B	CRAM	ADDRESS
D-CS-M8622-0-CRA9	B	CRAM	ADDRESS
D-CS-M8622-0-CRAA	B	CRAM	ADDRESS
D-CS-M8622-0-CRAB	A	CRAM	ADDRESS
D-CS-M8622-0	B	CONTROL	RAM SHEET 1
D-CS-M8622-0-CRA1	A1	CRAM	ADDRESS
D-CS-M8622-0-CRA2	A1	CRAM	ADDRESS
D-CS-M8622-0-CRA3	A1	CRAM	ADDRESS
D-CS-M8622-0-CRA4	A1	CRAM	ADDRESS
D-CS-M8622-0-CRA5	A1	CRAM	ADDRESS
D-CS-M8622-0-CRA6	A1	CRAM	ADDRESS
D-CS-M8622-0-CRA7	A1	CRAM	ADDRESS
D-CS-M8622-0-CRA8	A1	CRAM	ADDRESS
D-CS-M8622-0-CRA9	A1	CRAM	ADDRESS
D-CS-M8622-0-CRAA	A1	CRAM	ADDRESS

THIS DRAWING AND SPECIFICATIONS, HEREIN, ARE THE PROPERTY OF DIGITAL EQUIPMENT CORPORATION AND SHALL NOT BE REPRODUCED OR COPIED OR USED IN WHOLE OR IN PART AS THE BASIS FOR THE MANUFACTURE OR SALE OF ITEMS WITHOUT WRITTEN PERMISSION. COPYRIGHT © 1981, DIGITAL EQUIPMENT CORPORATION.

REVISIONS	
CHK	CHANGE NO. REV

digital	DRY	DATE	ENG.	DATE	TITLE
	CHK'D.	05-MAR-81	J. J. J.		KS10 PROCESSOR
DSK:KS10TC.TRP(4,27)		DATE	BOARD LOCATION	N/A	
FIRST USED ON OPTION/MODEL KS10-0		05-MAR-81 19:12			
		NEXT HIGHER ASSEMBLY			
SIZE	CODE	NUMBER		REV.	
D	TC	KS10-0-1		D	

MR

8

7

6

5

4

3

2

1

1-8-815X
3003 3215

DOCUMENT

B-DD-M8623-0	B	CONTROL RAM
E-UA-M8623-0	A1	CONTROL RAM SHEET 1
D-CS-M8623-0-CRM1	B	CONTROL RAM
D-CS-M8623-0-CRM2	B	CONTROL RAM
D-CS-M8623-0-CRM3	B	CONTROL RAM
D-CS-M8623-0-CRM4	B	CONTROL RAM
D-CS-M8623-0-CRM5	B	CONTROL RAM
D-CS-M8623-0-CRM6	B	CONTROL RAM
D-CS-M8623-0-CRM7	B	CONTROL RAM
D-CS-M8623-0-CRM8	B	CONTROL RAM
D-CS-M8623-0-CRM9	B	CONTROL RAM
D-CS-M8623-0-CRMA	A	CONTROL RAM
D-CS-M8623-0-CRMB	A	CONTROL RAM

B-DD-M8623-0	B	CONTROL RAM
E-UA-M8623-0-0	A1	CONTROL RAM SHEET 1
D-CS-M8623-0-CRM1	A1	CONTROL RAM
D-CS-M8623-0-CRM2	A1	CONTROL RAM
D-CS-M8623-0-CRM3	A1	CONTROL RAM
D-CS-M8623-0-CRM4	A1	CONTROL RAM
D-CS-M8623-0-CRM5	A1	CONTROL RAM
D-CS-M8623-0-CRM6	A1	CONTROL RAM
D-CS-M8623-0-CRM7	A1	CONTROL RAM
D-CS-M8623-0-CRM8	A1	CONTROL RAM
D-CS-M8623-0-CRM9	A1	CONTROL RAM

DOCUMENT NUMBER REV DESCRIPTION

KS10 MODULE (C.S.) CONTINUED

B-DD-M8629-0	B	MOS MEMORY ARRAY
E-UA-M8629-0-0	C	MOS MEMORY ARRAY SHEET 1
D-CS-M8629-0-MMA1	*	MOS MEMORY ARRAY
D-CS-M8629-0-MMA2	*	MOS MEMORY ARRAY
D-CS-M8629-0-MMA3	*	MOS MEMORY ARRAY
D-CS-M8629-0-MMA4	*	MOS MEMORY ARRAY
D-CS-M8629-0-MMA5	*	MOS MEMORY ARRAY
D-CS-M8629-0-MMA6	*	MOS MEMORY ARRAY
D-CS-M8629-0-MMA7	*	MOS MEMORY ARRAY
D-CS-M8629-0-MMA8	*	MOS MEMORY ARRAY
D-CS-M8629-0-MMA9	*	MOS MEMORY ARRAY
D-CS-M8629-0-MMAA	*	MOS MEMORY ARRAY
D-CS-M8629-0-MMAB	*	MOS MEMORY ARRAY
D-CS-M8629-0-MMAC	*	MOS MEMORY ARRAY
D-CS-M8629-0-MMAD	*	MOS MEMORY ARRAY

THIS DRAWING AND SPECIFICATIONS ARE THE PROPERTY OF DIGITAL EQUIPMENT CORPORATION AND SHALL NOT BE REPRODUCED OR COPIED OR USED IN WHOLE OR IN PART AS THE BASIS FOR THE MANUFACTURE OR SALE OF ITEMS WITHOUT WRITTEN PERMISSION. COPYRIGHT © 1981, DIGITAL EQUIPMENT CORPORATION.

REV. 1
CHK CHANGE

DATE 06-MAR-81		ENG.	DATE	TITLE: KS10 PROCESSOR
DATE 05-MAR-81		BOARD LOCATION: N/A	SHEET 4 OF 5	
FIRST USED ON OPTION/MODEL: KS10-0		NONE	SIZE CODE D TC	NUMBER KS10-0-1
				REV. D

REV. D
NUMBER KS10-0-1
SIZE CODE D TC

MR

DOCUMENT ID

KS10

B-DD-KS10-0	C	KS10 DRAWING DIRECTORY
K-PL-KS10-0-DBP	D	KS10 PROCESSOR UNIT ASSY PARTS LIST
D-UA-KS10-0-0	D	KS10 PROCESSOR UNIT ASSY
A-PL-KS10-SH-0	*	KS10 SHIP LIST
B-DD-KS10-PH	*	BOARD CAGE ASSY DRAWING DIRECTORY
B-PL-KS10-PH	*	BOARD CAGE ASSY PARTS LIST
E-UA-KS10-PH	*	BOARD CAGE ASSY
E-IA-7015109-0	*	MAIN D.C. HARNESS (NON-UL)
E-IA-7015571-0-0	*	MAIN D.C. HARNESS (UL)
D-IA-7014323-0-0	B	BLOWER POWER CORD
D-IA-7014324-0-0	A	BLOWER POWER CORD
D-IA-7015137-0-0	*	POWER SUPPLY CORD
D-IA-7015325-0-0	*	POWER SUPPLY CORD
D-IA-7015108-0-0	A	CONSOLE PANEL CABLE
D-IA-7015269-0-0	*	BACKPLANE SIGNAL HARNESS (WIRED BACKPANEL)
D-IA-7015365-0-0	*	BACKPLANE SIGNAL CABLE (ETCH BACKPANEL)
D-IA-7015159-0-0	*	SWITCH PANEL HARNESS
D-IA-7014482-0-0	A	SWITCH PANEL BRACKET ASSY
E-IA-7015317-0-0	*	CARD CAGE POWER HARNESS (WIRED BACKPANEL)
E-IA-7016451-0-0	*	HARNESS, MAIN D.C. (ETCH BACKPANEL)
D-IA-7016457-0-0	*	HARNESS, BACKPLANE SIGNAL (ETCH BACKPANEL)
D-AD-7015067-0-0	*	HEAT SENSOR ASSY
D-AD-7014462-0-0	*	ASSY MASSBUS CABLE TROUGH
D-IA-7014486-0-0	A	BACKPLANE ASSY (WIRED BACKPANEL)
A-WL-7014486-0-1	*	KS10 CLOCK COAX (WIRED BACKPANEL)
A-WL-7014486-0-2	*	KS10 POWER WIRING (WIRED BACKPANEL)
A-WL-7014486-0-3	*	KS10 BUS STRIPPING (WIRED BACKPANEL)
E-IA-7016206-0-0	*	ETCHED BACKPLANE ASSY (ETCH BACKPANEL)
B-PL-7016206-0-0	*	ETCHED BACKPLANE ASSY PARTS LIST
D-AD-7014173-0-0	*	EXPANSION BUS ASSY
B-DD-5413261-0	*	EXPANSION BUS DISTRIBUTION
D-UA-5413261-0-0	A	EXPANSION BUS DISTRIBUTION
D-CS-5413261-0-PD1	A	PROCESSOR PWR DISTRIB
A-SP-KS10-0-2	*	KS10 MANUFACTURING TEST SPEC.

NOTE: A REVISION DESIGNATED AS "*" REPRESENTS THE INITIAL RELEASE REVISION OF A DOCUMENT IN THE CASE WHERE THE INITIAL RELEASE REVISION WAS "-", "*" OR WAS LEFT BLANK.

THIS DRAWING AND SPECIFICATIONS, HEREIN, ARE THE PROPERTY OF DIGITAL EQUIPMENT CORPORATION AND SHALL NOT BE REPRODUCED OR COPIED OR USED IN WHOLE OR IN PART AS THE BASIS FOR THE MANUFACTURE OR SALE OF ITEMS WITHOUT WRITTEN PERMISSION. COPYRIGHT © 1981, DIGITAL EQUIPMENT CORPORATION

REVISIONS		
CHK	CHANGE NO.	REV

digital	DATE	ENG.	DATE	TITLE	KS10 PROCESSOR
	26-MAY-81				
CHK'D.	DATE	BOARD LOCATION	N/A		
		SHEET	5	OF	5
DSK:KS10TC.TPC(4,27)	25-MAY-81	14144	NEXT HIGHER ASSEMBLY:	SIZE	CODE
FIRST USED ON OPTION/MODEL: KS10-0		NONE		D	TC
					NUMBER
					KS10-0-1
					REV.
					D

MR

DRAWING NO.	NO. OF SHTS.	PART NO.	DESCRIPTION	NOTE: FOR REV. "C" SEE SHT 2 RERWORK VERSION												REVISIONS											
				A	B	B	B1	B1	B1	B2																	
	-	M8616-00	MODULE REVISION	A	B	B	B1	B1	B1	B2																	
E-UA-M8616-0-0	11		KS10 CONSOLE	A	B	B1	B2	B2	B2	B3																	
K-PL-M8616-0-DBP	3		PARTS LIST (M8616)	A	B	C	D	D	D	D2																	
D-CS-M8616-0-CSL1	1		CONSOLE & CONTROL, CLK, KS10 ARB	A	B	B	C	C	C	C1																	
D-CS-M8616-0-CSL2	1		CONSOLE & CONTROL, CONSOLE CONTROL	A	B	B	C	C	C	C1																	
D-CS-M8616-0-CSL3	1		CONSOLE & CONTROL ADDRESS DECODE	A	B	B	C	C	C	C1																	
D-CS-M8616-0-CSL4	1		CONSOLE & CONTROL, CPU CONTROL	A	B	B	B	B	B	B1																	
D-CS-M8616-0-CSL5	1		CONSOLE & CONTROL, CPU CLK CONTROL	A	B	B	C	C	C	C1																	
D-CS-M8616-0-CSL6	1		CONSOLE & CONTROL, DATA PATH 1	A	B	B	B	B	B	B1																	
D-CS-M8616-0-CSL7	1		CONSOLE & CONTROL, DATA PATH 2	A	A	A	A	A	A	A1																	
D-CS-M8616-0-CSL8	1		CONSOLE & CONTROL, DATA PATH 3	A	A	A	A	A	A	A1																	
D-CS-M8616-0-CSL9	1		CONSOLE & CONTROL, REMOTE DIAGNOSIS	A	B	B	C	C	C	C1																	
D-CS-M8616-0-CSLA	1		CONSOLE & CONTROL, CPU CLK CONT.	A	B	B	B	B	B	B1																	
D-CS-M8616-0-CSLB	1		CONSOLE & CONTROL, MISC	A	B	B	B	B	B	B1																	
D-CS-M8616-0-CSLC	1		CONSOLE & CONTROL, PWR, GND, CAPS	A	B	B	B	B	B	B1																	
E-SP-M8616-0-1	7		CLOCK DESKEWING PROCEDURE																								
E-MD-5013192-0-0	7		DRILL, WIRE & COMP. SCREEN DRAW.	A	A	A1	A1	A1	A1	A1																	
	-	5013192	MULTIWIRE BOARD	A	A	A	A	A	A	A																	
B-DD-5413448-0	1	5413448	JUMPER MODULE	-	A	A	A	A	A	A																	
K-PC-M8616-0-DBC	-		MULTIWIRE DATA BASE	A	A	A	A	A	A	A																	
POO-M8616-00	-		PROCESS SHEETS	REF	REF	REF	REF	REF	REF	REF																	

NOTES:

REVISIONS	CHG NO.	REV.	DATE																			
			A	B	C	D	E	F	H													
	X	ORIG																				
		MR001	3-78																			
		MR002	9-78																			
		MR003	12-78																			
		MR004	8-79																			
		MR005	2-81																			
		MR006	5-81																			

"THIS DRAWING AND SPECIFICATIONS, HEREIN, ARE THE PROPERTY OF DIGITAL EQUIPMENT CORPORATION AND SHALL NOT BE REPRODUCED OR COPIED OR USED IN WHOLE OR IN PART AS THE BASIS FOR THE MANUFACTURE OR SALE OF ITEMS WITHOUT WRITTEN PERMISSION.
 COPYRIGHT © 1978 DIGITAL EQUIPMENT CORPORATION



USED ON OPTION/MODEL KS10	DRN. R.W. CAUNTER 13 APR 78	TITLE KS10 CONSOLE
	CHK'D R.W. CAUNTER 13 APR 78	
	ENG. F. DOLL 28 APR 78	SIZE CODE B DD
	PROD. W BISHOP 4-28-78	NUMBER M8616-0
		REV. H
		SHEET 1 OF 4

MR

DRAWING NO.	NO. OF SHTS.	PART NO.	DESCRIPTION	NEW LAYOUT VERSION (MULTIWIRED) REVISIONS
	-	M8616-00	MODULE REVISION	C D D D D I
E-UA-M8616-0-0	6		KS10 CONSOLE	C D D I D I D 2
K-PL-M8616-0-DBP	3		PARTS LIST (M8616)	C D D I D I D 2
D-CS-M8616-0-CSL1	1		CONSOLE & CONTROL, CLK, KS10 ARB	B C C I C I C I
D-CS-M8616-0-CSL2	1		CONSOLE & CONTROL, CONSOLE	B C C I C I C 2
			CONTROL	
D-CS-M8616-0-CSL3	1		CONSOLE & CONTROL ADDRESS DECODE	B C C I C I C I
D-CS-M8616-0-CSL4	1		CONSOLE & CONTROL, CPU CONTROL	B B B I B I B I
D-CS-M8616-0-CSL5	1		CONSOLE & CONTROL, CPU CLK	B C C I C I C I
			CONTROL	
D-CS-M8616-0-CSL6	1		CONSOLE & CONTROL, DATA PATH 1	B B B I B I B I
D-CS-M8616-0-CSL7	1		CONSOLE & CONTROL, DATA PATH 2	A A A I A I A I
D-CS-M8616-0-CSL8	1		CONSOLE & CONTROL, DATA PATH 3	A A A I A I A I
D-CS-M8616-0-CSL9	1		CONSOLE & CONTROL, REMOTE	B C C I C I C I
			DIAGNOSIS	
D-CS-M8616-0-CSLA	1		CONSOLE & CONTROL, CPU CLK CONT.	B B B I B I B I
D-CS-M8616-0-CSLB	1		CONSOLE & CONTROL, MISC	B B B I B I B I
D-CS-M8616-0-CSLC	1		CONSOLE & CONTROL, PWR, GND, CAPS	B B B I B I B I
A-S-M8616-0-1	1		CLOCK DESKEWING PROCEDURE	
E-MD-5013192-0-0	7		DRILL, WIRE & COMP. SCREEN DRAW.	B B B B B B
	-	5013192	MULTIWIRED BOARD	B B B B B B
B-DD-5413448-0	1	5413448	JUMPER MODULE	A A A A A A
K-PC-M8616-0-DBC	-		MULTIWIRED DATA BASE	B B B B B B
POO-M8616-00	-		PROCESS SHEETS	REF-REF-REF-REF

NOTES:

REV. NO.	CHG NO.	DATE	REV.	C	D	E	F	H
	MRO02	12-78						
	MRO03	8-79						
	MRO04	2-81						
	MRO05							
	MRO06	5-81						

"THIS DRAWING AND SPECIFICATIONS, HEREIN, ARE THE PROPERTY OF DIGITAL EQUIPMENT CORPORATION AND SHALL NOT BE REPRODUCED OR COPIED OR USED IN WHOLE OR IN PART AS THE BASIS FOR THE MANUFACTURE OR SALE OF ITEMS WITHOUT WRITTEN PERMISSION.
 COPYRIGHT © 1978 DIGITAL EQUIPMENT CORPORATION



USED ON OPTION/MODEL	DRN. R W CAUNTER	13APR78	TITLE	
KS10	CHK'D R W CAUNTER	13APR78	KS10 CONSOLE	
	ENG. F DOLL	28APR78	SIZE	CODE
	PROD. W BISHOP	28APR78	B DD	NUMBER
				M8616-0
				REV.
				H
			SHEET 2 OF 4	

DRAWING NO.	NO. OF SHTS.	PART NO.	DESCRIPTION	ETCH BOARD VERSION										REVISIONS																					
				E	E	F																													
	—	M8616-ØØ	MODULE REVISION	E	E	F																													
E-UA-M8616-Ø-Ø	5		KS1Ø CONSOLE	E	E	F																													
K-PL-M8616-Ø-DBP	3		PARTS LIST (M8616)	E	E	F																													
D-CS-M8616-Ø-CSL1	1		CONSOLE, CLK, KS1Ø ARB	D	D	D																													
D-CS-M8616-Ø-CSL2	1		CONSOLE, CONTROL	D	E	E																													
D-CS-M8616-Ø-CSL3	1		CONSOLE, ADDRESS DECODE	D	D	D																													
D-CS-M8616-Ø-CSL4	1		CONSOLE, CPU CONTROL	C	C	C																													
D-CS-M8616-Ø-CSL5	1		CONSOLE, CPU CLK CONTROL	D	D	D																													
D-CS-M8616-Ø-CSL6	1		CONSOLE, DATA PATH 1	C	C	C																													
D-CS-M8616-Ø-CSL7	1		CONSOLE, DATA PATH 2	B	B	B																													
D-CS-M8616-Ø-CSL8	1		CONSOLE, DATA PATH 3	B	B	B																													
D-CS-M8616-Ø-CSL9	1		CONSOLE, REM DIAG	D	D	D																													
D-CS-M8616-Ø-CSLA	1		CONSOLE, CPU CLK CONTROL	C	C	C																													
D-CS-M8616-Ø-CSLB	1		CONSOLE, MISC	C	C	C																													
D-CS-M8616-Ø-CSLC	1		CONSOLE, PWR, GND,	C	C	C																													
D-CS-M8616-Ø-CSLD	1		CONSOLE, BATTERY +5V DIPS	A	A	A																													
E-MD-5013192-0-0	5		DRILL, WIRE & COMP. SCREEN DRAW.	C	C	C																													
	—	5013192	ETCHED CIRCUIT BOARD	C	C	C																													
K-PC-M8616-Ø-DBC	—		P.C. DESIGN DATA BASE	C	C	C																													
POO-M8616-ØØ	—		PROCESS SHEETS	REF	REF	REF																													
A-SP-M8616-Ø-1	7		CLOCK DESKEWING PROCEDURE																																

NOTES:

REVISIONS	CHG NO.	REV.
	MRO04	E
MRO05	F	
MRO06	H	

"THIS DRAWING AND SPECIFICATIONS, HEREIN, ARE THE PROPERTY OF DIGITAL EQUIPMENT CORPORATION AND SHALL NOT BE REPRODUCED OR COPIED OR USED IN WHOLE OR IN PART AS THE BASIS FOR THE MANUFACTURE OR SALE OF ITEMS WITHOUT WRITTEN PERMISSION.

COPYRIGHT © 1979 DIGITAL EQUIPMENT CORPORATION



USED ON OPTION/MODEL		KS1Ø	SRN.				TITLE		KS1Ø CONSOLE		
			CHK'D				SIZE	CODE	NUMBER	REV.	
			ENG.				B	DD	M8616-Ø	H	
			PROB.				SHEET	3 JF 4			

H: REV. NUMBER M8616-0 DD B SIZE CODE

DRAWING NO.	NO. OF SHTS.	PART NO.	DESCRIPTION	QUANTITY/REVISIONS																				
				A	B	BI	C	D	E	E	B2DI	F												
	-	M8566-00	MODULE REVISION																					
		23025E2-00	EPROM E805	-	1	-	-	-	-	-	-	-	-	-	-	-	-	-	-	-	-	-		
		23026E2-00	EPROM E807	-	1	-	-	-	-	-	-	-	-	-	-	-	-	-	-	-	-	-		
		23027E2-00	EPROM E808	-	1	-	-	-	-	-	-	-	-	-	-	-	-	-	-	-	-	-		
		23028E2-00	EPROM E810	-	1	-	-	-	-	-	-	-	-	-	-	-	-	-	-	-	-	-		
		23071E2-00	EPROM E805	-	-	1	-	1	1	1	-	-	-	-	-	-	-	-	-	-	-	-		
		23072E2-00	EPROM E807	-	-	1	-	1	1	1	-	-	-	-	-	-	-	-	-	-	-	-		
		23073E2-00	EPROM E808	-	-	1	-	1	1	1	-	-	-	-	-	-	-	-	-	-	-	-		
		23074E2-00	EPROM E810	-	-	1	-	1	1	1	-	-	-	-	-	-	-	-	-	-	-	-		
		23277E2-00	EPROM E805	-	-	-	-	-	-	-	1	1	-	-	-	-	-	-	-	-	-	-		
		23276E2-00	EPROM E807	-	-	-	-	-	-	-	1	1	-	-	-	-	-	-	-	-	-	-		
		23275E2-00	EPROM E808	-	-	-	-	-	-	-	1	1	-	-	-	-	-	-	-	-	-	-		
		23274E2-00	EPROM E810	-	-	-	-	-	-	-	1	1	-	-	-	-	-	-	-	-	-	-		
		23277E2-00	EPROM E18	-	-	-	-	-	-	-	-	-	-	1	-	-	-	-	-	-	-	-		
		23276E2-00	EPROM E58	-	-	-	-	-	-	-	-	-	-	-	-	-	-	-	1	-	-	-		
		23275E2-00	EPROM E73	-	-	-	-	-	-	-	-	-	-	-	-	-	-	-	1	-	-	-		
		23274E2-00	EPROM E81	-	-	-	-	-	-	-	-	-	-	-	-	-	-	-	1	-	-	-		

NOTES:

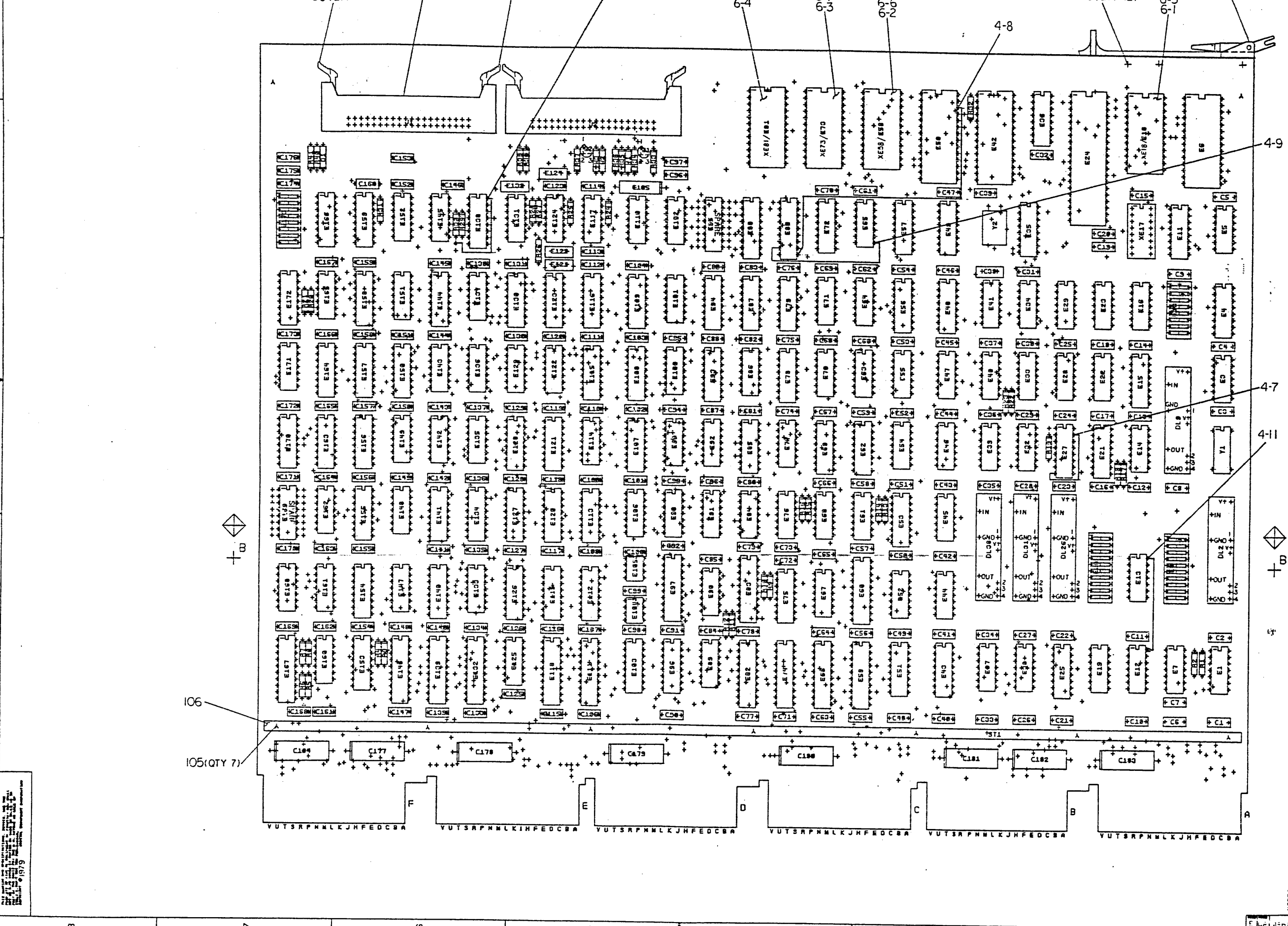
REVISIONS	DATE	CHG NO.	REV.	A	B	D	C	D	E	F	H
	12-78	MR001									
	12-78	MR003									
	9-78	MR002									
	12-78	MR003									
	8-79	MRO 4									
	2-81	MRO05									
	5-81	MRO06									

THIS DRAWING AND SPECIFICATIONS, HEREIN, ARE THE PROPERTY OF DIGITAL EQUIPMENT CORPORATION AND SHALL NOT BE REPRODUCED OR COPIED OR USED IN WHOLE OR IN PART AS THE BASIS FOR THE MANUFACTURE OR SALE OF ITEMS WITHOUT WRITTEN PERMISSION.

COPYRIGHT© 1978 DIGITAL EQUIPMENT CORPORATION



USED ON OPTION/MODEL	KS10	DRN.	R.W.CAUNTER	13APR78	TITLE	KS10 CONSOLE
		CHK'D	R.W.CAUNTER	13APR78	SIZE	DD
		ENG.	F.DOLL	28APR78	NUMBER	M8616-0
		PROD	W.BISHOP	4-28-78	REVISION	H
					SHEET	4 OF 4



VUTSRPNMLKJHFEDCBA VUTSRPNMLKJHFEDCBA VUTSRPNMLKJHFEDCBA VUTSRPNMLKJHFEDCBA VUTSRPNMLKJHFEDCBA

SIGNATURE		DATE	
CHK'D		BY	
ENG.			
PROJ. ENG.			
PROD.			
SCALE	27		
SHEET	27		
NEXT SHEET	REV. 8		
REV.			

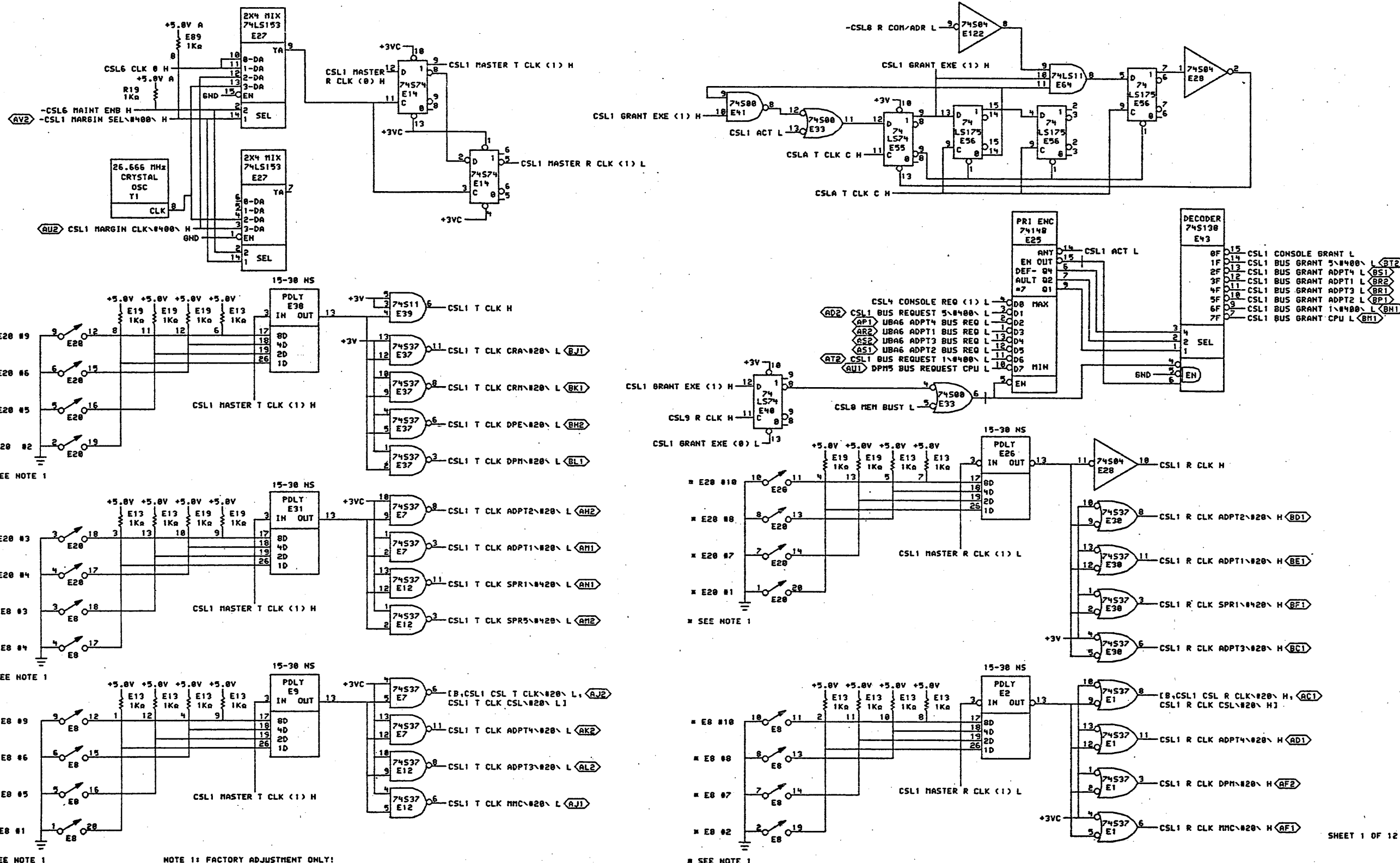
DIGI	
TITLE	N 510
CONS. NO.	
DATE	
SCALE	
SHEET	
NEXT SHEET	
REV.	

CHANGE NO	
REV.	
DATE	
BY	
REASON	

NOTES:	

105 (QTY 7)

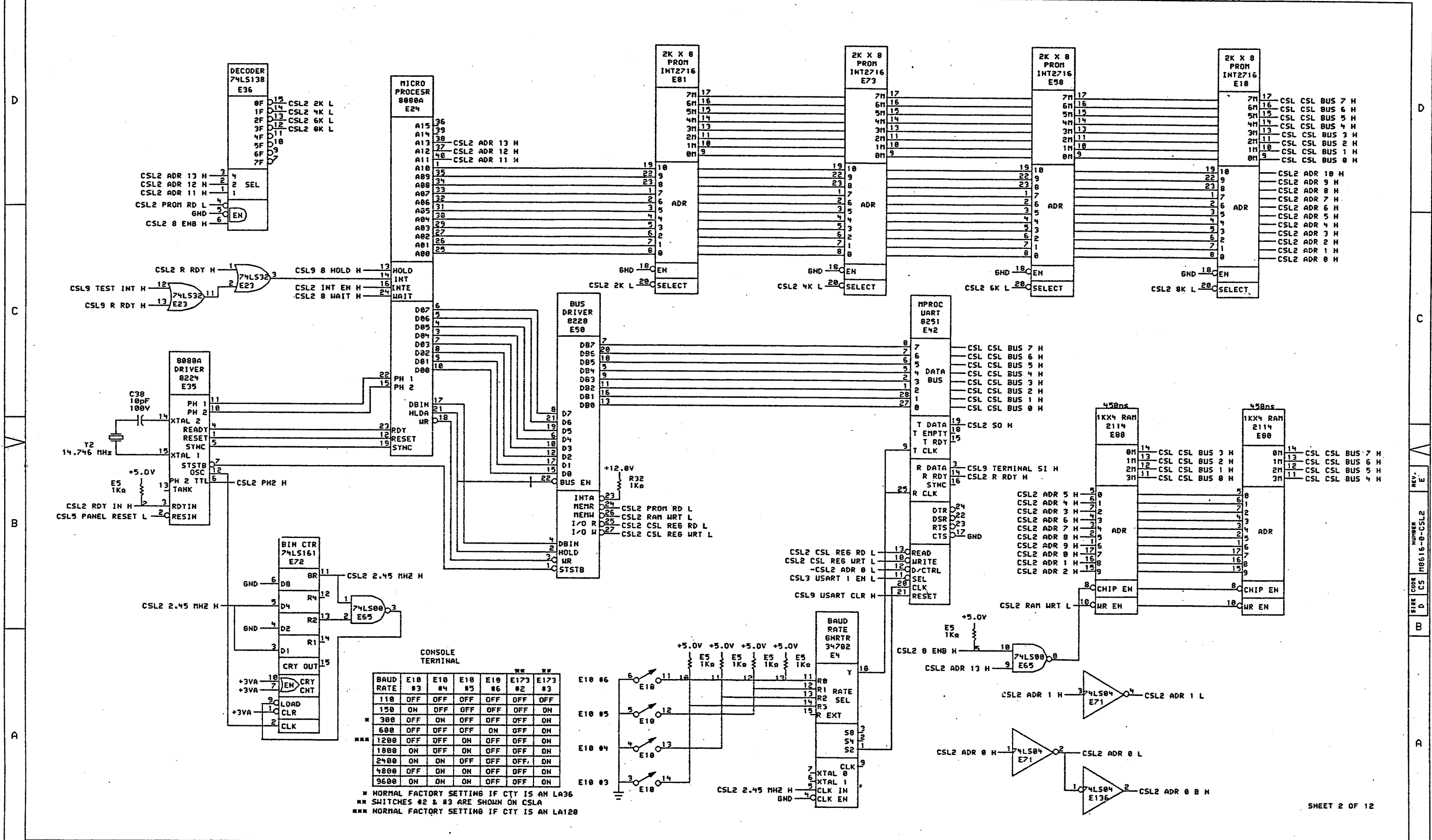
106



REVISIONS	
CHK	CHANGE NO. REV
MP	MBG:G MRO4 D
P. GRADY	

digital	DATE	ENB	DATE	TITLE
	19-APR-79		6-SEP-79	CONSOLE (ETCH) CLK, KS10 ARB.
SIZE	CODE	NUMBER	REV.	
D	CS	M8616-0-CSL1	D	

REV. D
SHEET CODE NUMBER
D CS M8616-0-CSL1



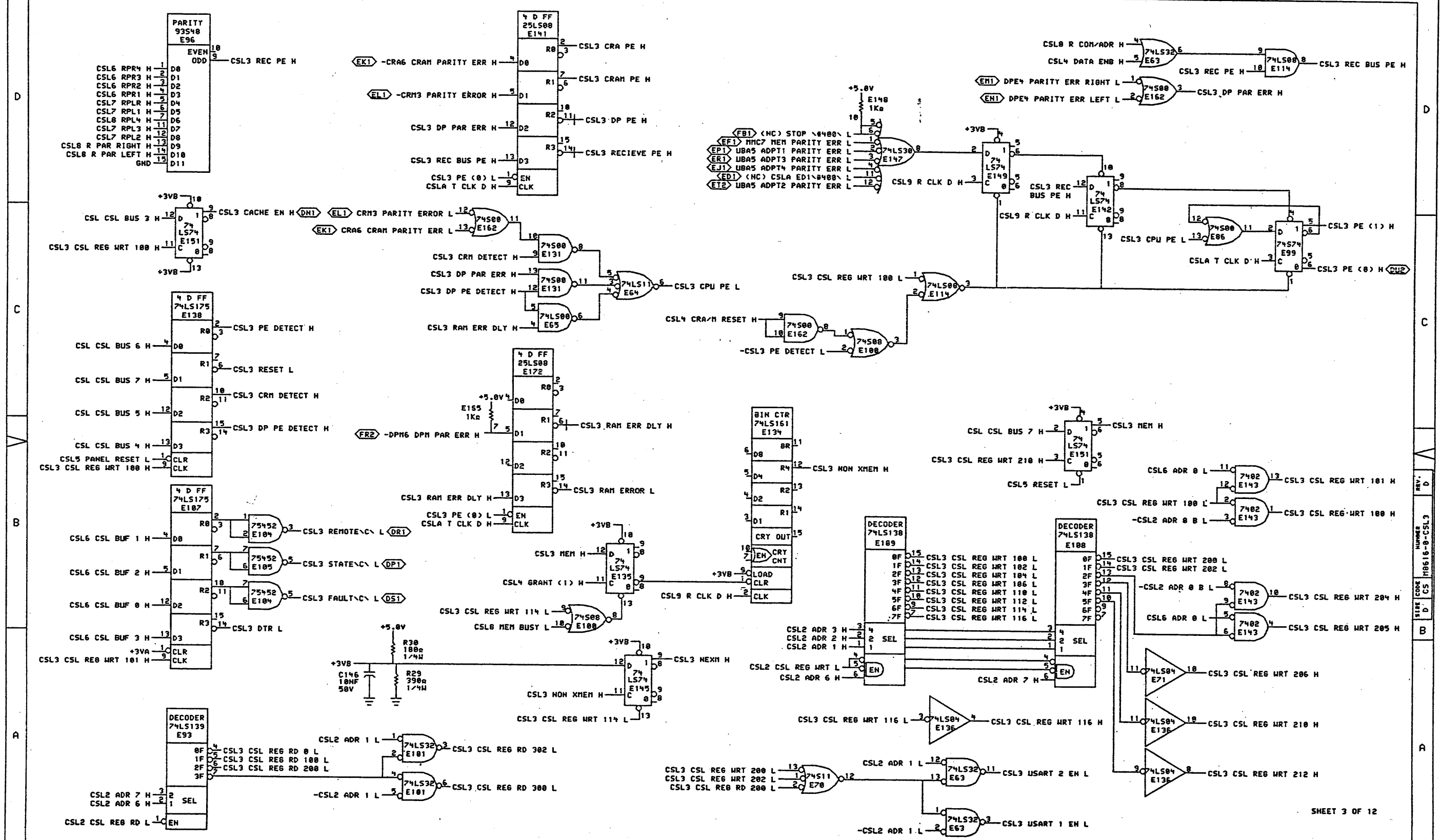
CONSOLE TERMINAL

BAUD RATE	E18 #3	E10 #4	E10 #5	E10 #6	E173 #2	E173 #3
110	OFF	OFF	OFF	OFF	OFF	OFF
150	ON	OFF	OFF	OFF	OFF	ON
300	OFF	ON	OFF	OFF	OFF	ON
600	OFF	OFF	ON	OFF	OFF	ON
1200	OFF	OFF	ON	OFF	OFF	ON
1800	ON	OFF	ON	OFF	OFF	ON
2400	ON	ON	OFF	OFF	OFF	ON
4800	OFF	ON	ON	OFF	OFF	ON
9600	ON	ON	ON	OFF	OFF	ON

* NORMAL FACTORY SETTING IF CTY IS AN LA36
 ** SWITCHES #2 & #3 ARE SHOWN ON CSLA
 *** NORMAL FACTORY SETTING IF CTY IS AN LA28

REVISIONS

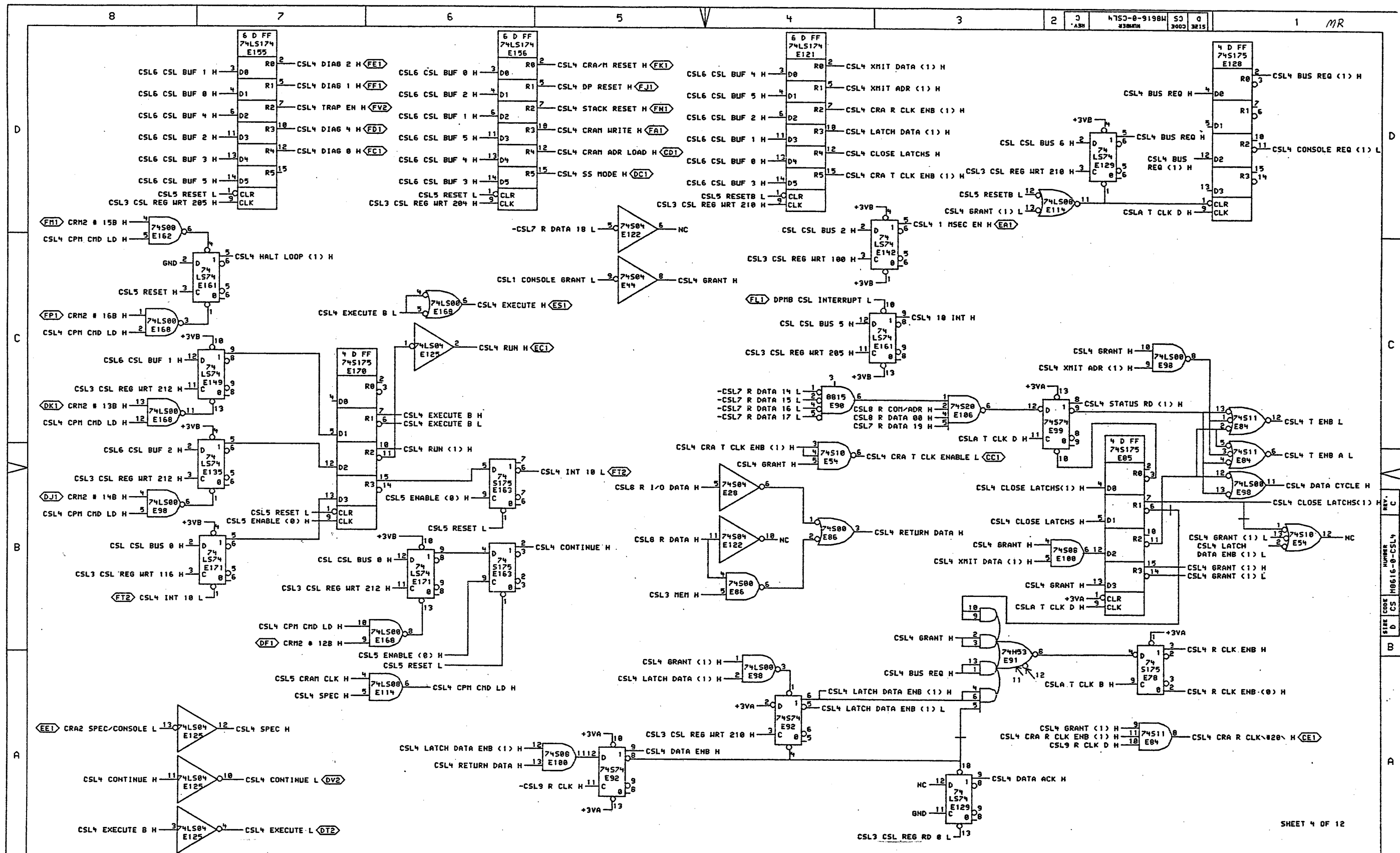
CHK	CHANGE NO.	REV



THIS DRAWING AND SPECIFICATIONS HEREIN ARE THE PROPERTY OF DIGITAL EQUIPMENT CORPORATION AND SHALL NOT BE REPRODUCED OR COPIED OR USED IN WHOLE OR IN PART AS THE BASIS FOR THE MANUFACTURE OR SALE OF ITEMS WITHOUT WRITTEN PERMISSION. COPYRIGHT © 1973, DIGITAL EQUIPMENT CORPORATION.

REVISIONS
CHK CHANGE NO. REV
MSIC MRO4 D
R. GRADY
6-50477

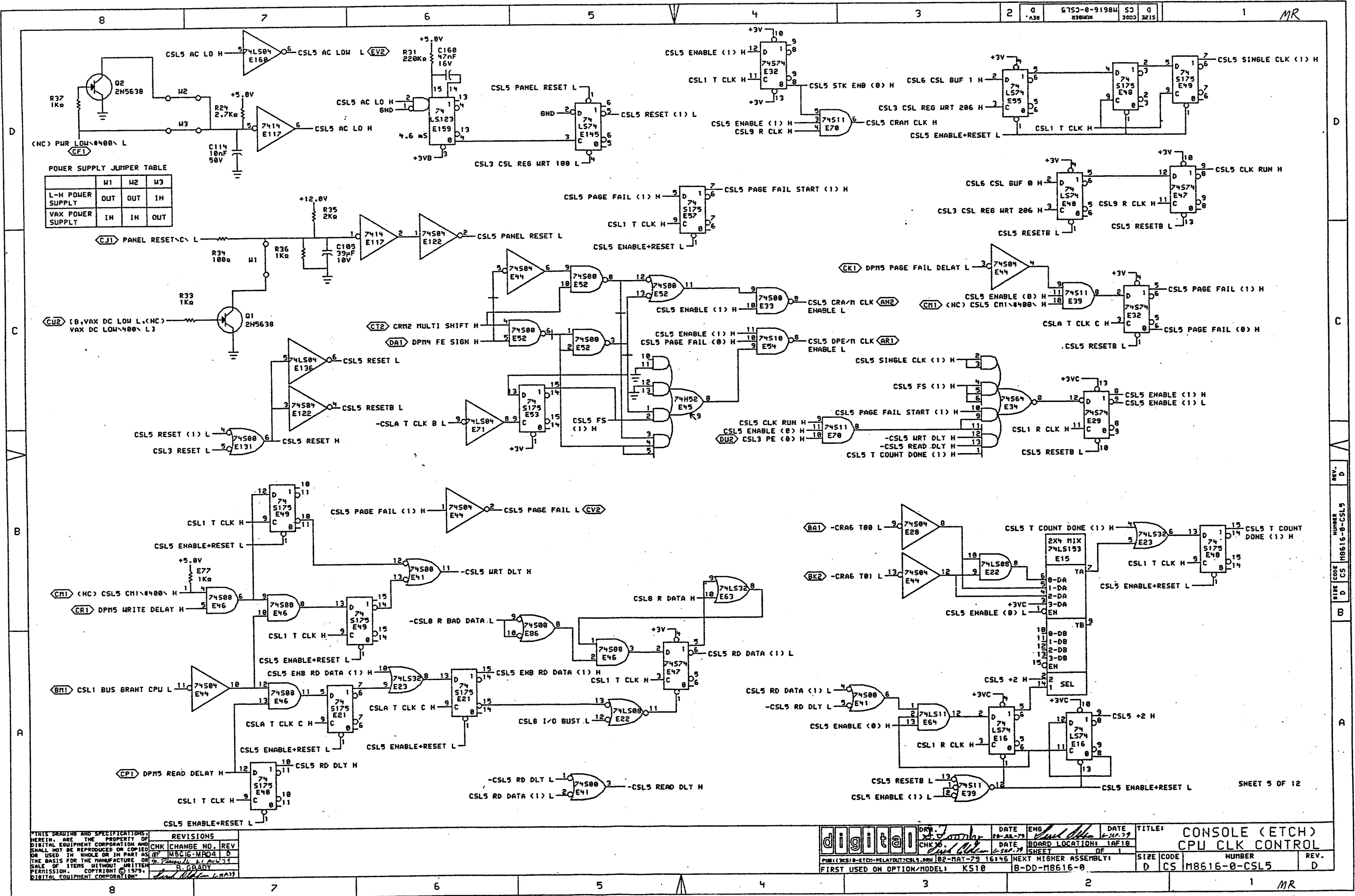
	DATE ENG	DATE	TITLE:
	DATE BOARD LOCATION	SHEET	1 AF18
DATE JUN-79 BOARD LOCATION SHEET 1 OF 1 NEXT HIGHER ASSEMBLY:	DATE SHEET 1 OF 1	DATE SHEET 1 OF 1	TITLE: CONSOLE (ETCH) ADDRESS DECODE
FIRST USED ON OPTION/MODEL: K510	B-DD-M8616-0	SIZE CODE D CS	NUMBER M8616-0-CSL3



THIS DRAWING AND SPECIFICATIONS, HEREIN, ARE THE PROPERTY OF DIGITAL EQUIPMENT CORPORATION AND SHALL NOT BE REPRODUCED OR COPIED OR USED IN WHOLE OR IN PART AS THE BASIS FOR THE MANUFACTURE OR SALE OF ITEMS WITHOUT WRITTEN PERMISSION. COPYRIGHT © 1975. DIGITAL EQUIPMENT CORPORATION.

REVISIONS
CHK CHANGE NO. REV
MP MBGIC-MROG C
DATE 6-27-79
BY GADY

digital	DR. J. J. J.	DATE 28-JUN-79	ENG. [Signature]	DATE 6-27-79	TITLE: CONSOLE (ETCH) CPU CONTROL
CHK. [Signature]	DATE 6-27-79	BOARD LOCATION: 1A118			
FIRST USED ON OPTION/MODEL: KS10 B-DD-M8616-0					
SIZE	CODE	NUMBER	REV.		
D	CS	M8616-0-CSL4	C		



POWER SUPPLY JUMPER TABLE

	W1	W2	W3
L-H POWER SUPPLY	OUT	OUT	IN
VAX POWER SUPPLY	IN	IN	OUT

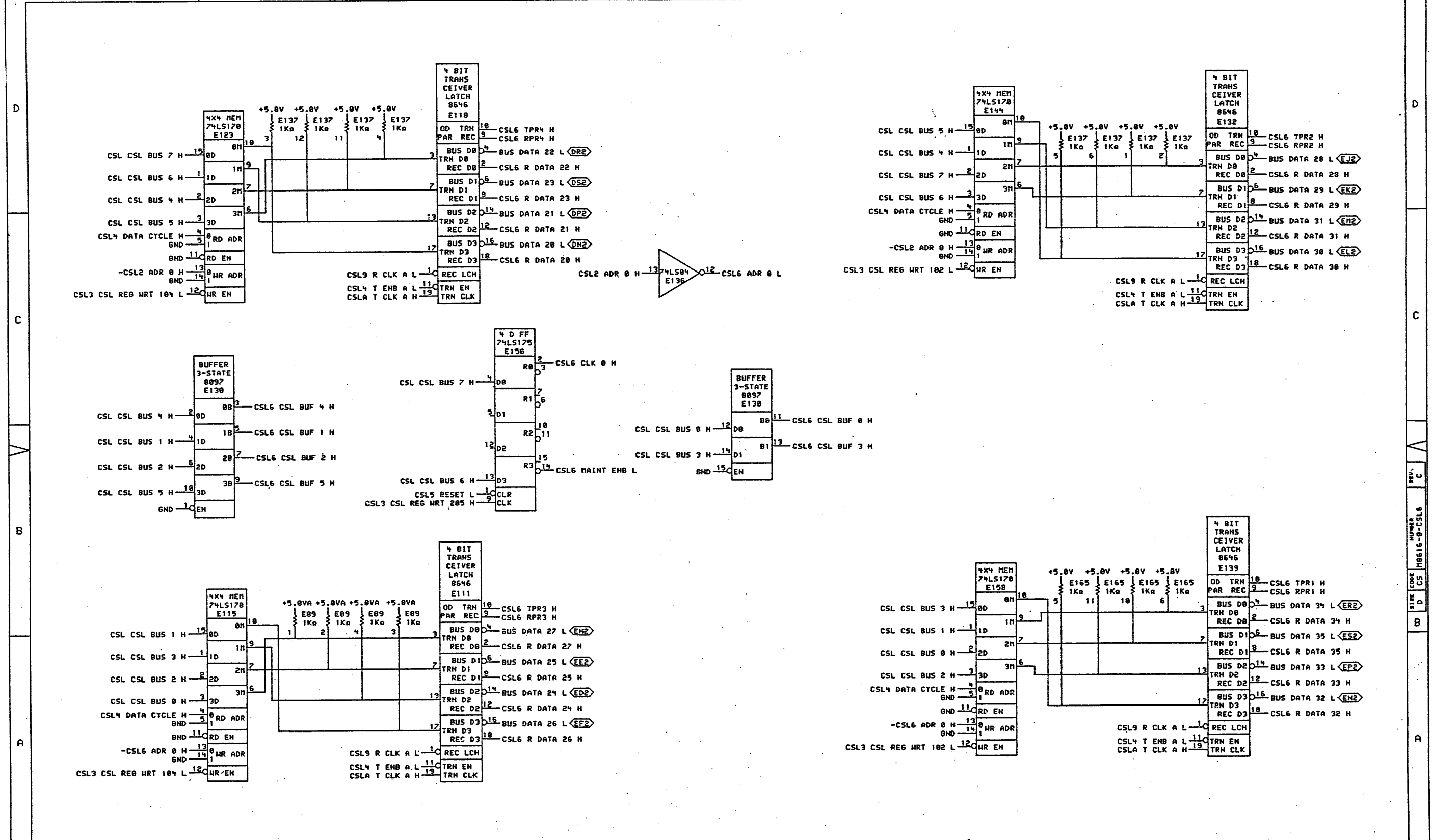
THIS DRAWING AND SPECIFICATIONS HEREIN ARE THE PROPERTY OF DIGITAL EQUIPMENT CORPORATION AND SHALL NOT BE REPRODUCED OR COPIED OR USED IN WHOLE OR IN PART AS THE BASIS FOR THE MANUFACTURE OR SALE OF ITEMS WITHOUT WRITTEN PERMISSION. COPYRIGHT © 1979. DIGITAL EQUIPMENT CORPORATION.

REV.	DATE	DESCRIPTION
1	8-28-79	INITIAL RELEASE

REV.	DATE	DESCRIPTION
2	10-15-79	REVISION
3	11-15-79	REVISION

digital	DRG. J. Smith	DATE 8-28-79	ENG. [Signature]	DATE 6-26-79	TITLE: CONSOLE (ETCH) CPU CLK CONTROL
CHKD. [Signature]	DATE 10-15-79	BOARD LOCATION: IAF18	SHEET 1 OF 1	SIZE CODE: D	NUMBER: CS M8616-0-CSL5
FIRST USED ON OPTION MODEL: K510			NEXT HIGHER ASSEMBLY: B-DD-M8616-0		

REV. D
NUMBER 108616-0-CSL5
CS M8616-0-CSL5
SHEET 5 OF 12

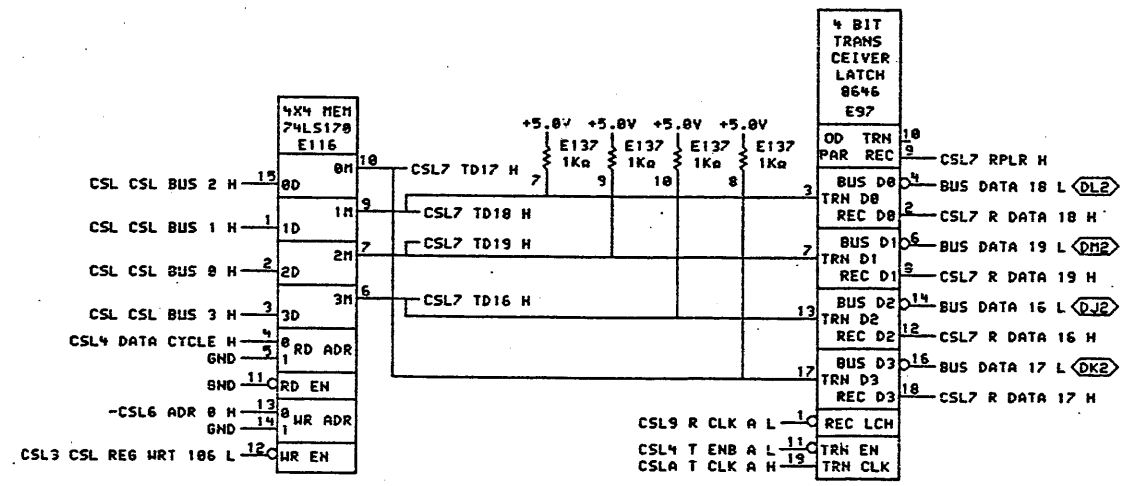
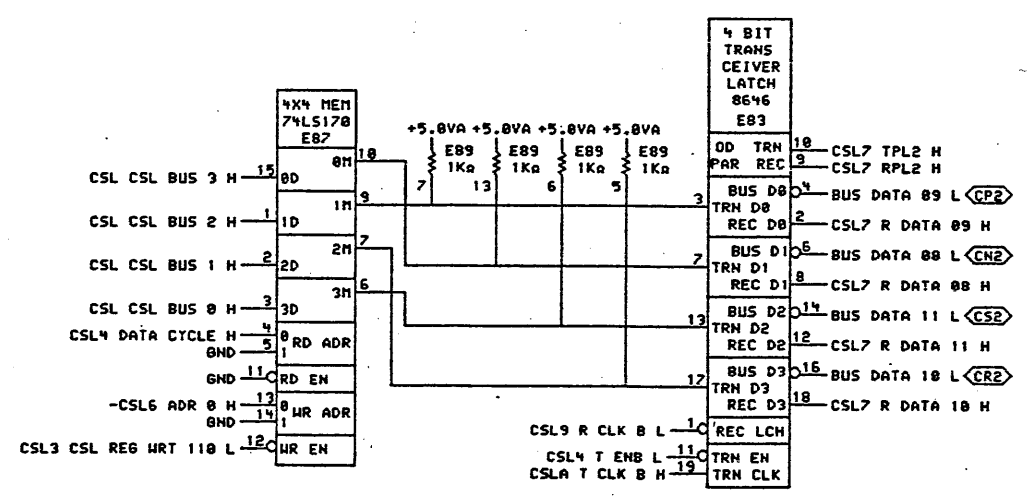
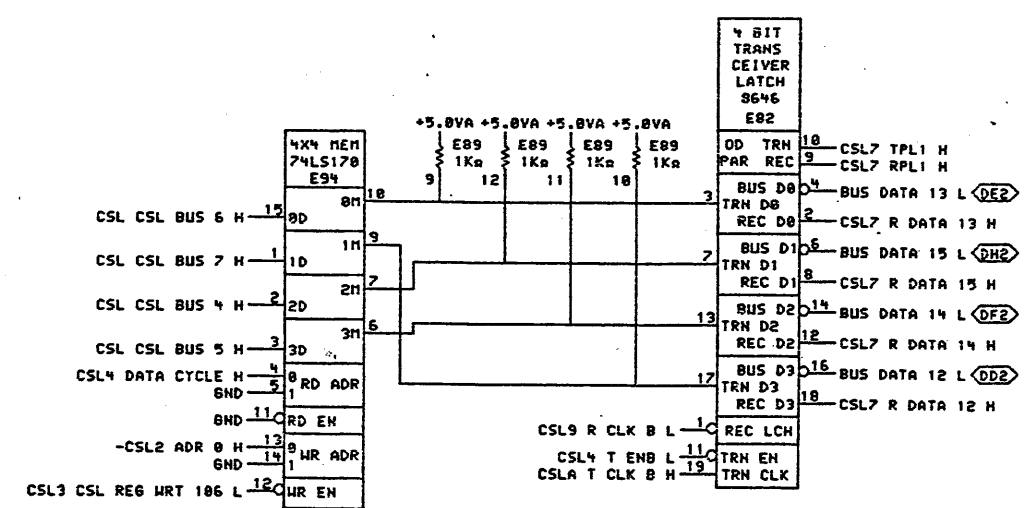
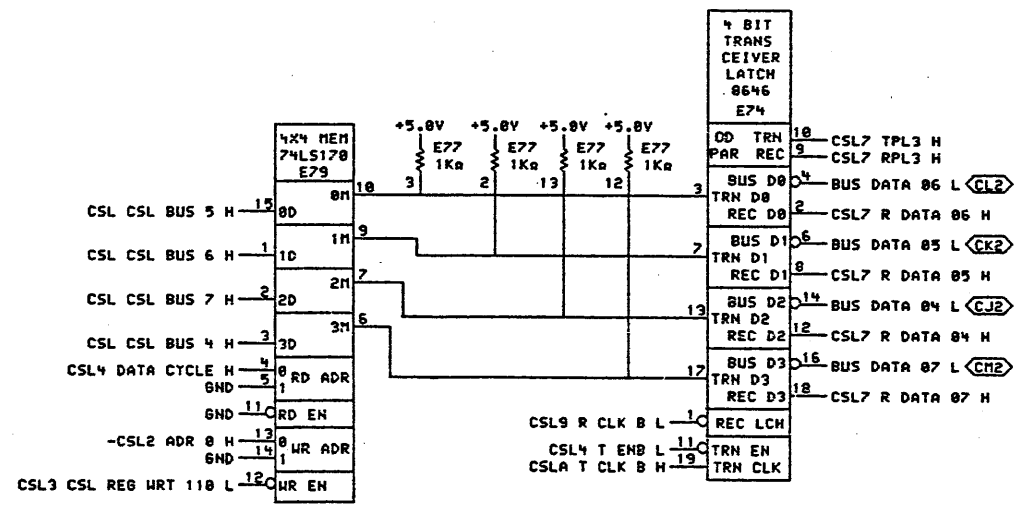


THIS DRAWING AND SPECIFICATIONS HEREIN ARE THE PROPERTY OF DIGITAL EQUIPMENT CORPORATION AND SHALL NOT BE REPRODUCED OR COPIED OR USED IN WHOLE OR IN PART AS THE BASIS FOR THE MANUFACTURE OR SALE OF ITEMS WITHOUT WRITTEN PERMISSION. COPYRIGHT © 1979, DIGITAL EQUIPMENT CORPORATION.

REV. NO.	DATE	BY	CHK
1	6-21-79	B. GRADY	

REV. NO.	DATE	BY	CHK
1	6-21-79	B. GRADY	

digital	DRN. <i>[Signature]</i>	DATE 28-JUL-79	ENR. <i>[Signature]</i>	DATE 6-21-79	TITLE: CONSOLE (ETCH) DATA PATH 1
	CHKD. <i>[Signature]</i>	DATE 6-21-79	BOARD LOCATION: 1A18	SHEET 1 OF 1	
FIRST USED ON OPTION/MODEL: KS10 B-DD-M8616-0					SIZE CODE: D CS
NUMBER: M8616-0-CSL6					REV. C

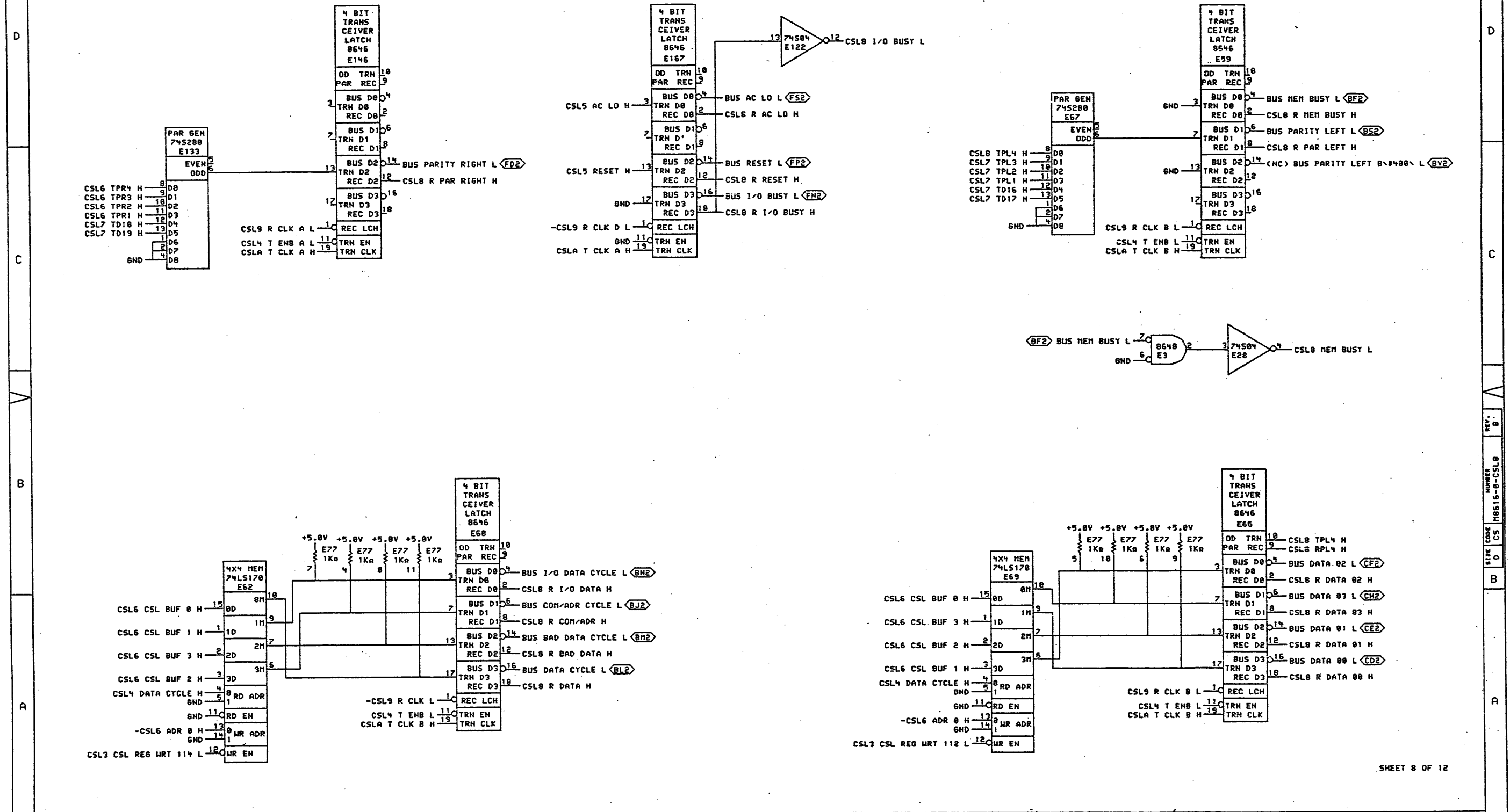


THIS DRAWING AND SPECIFICATIONS ARE THE PROPERTY OF DIGITAL EQUIPMENT CORPORATION AND SHALL NOT BE REPRODUCED OR COPIED OR USED IN WHOLE OR IN PART AS THE BASIS FOR THE MANUFACTURE OR SALE OF ITEMS WITHOUT WRITTEN PERMISSION. COPYRIGHT © 1979, DIGITAL EQUIPMENT CORPORATION.

REVISIONS	
CHK	CHANGE NO. REV
	M8616-MR04 B
	27 AUG 79
	B. GRADY
	27 AUG 79

digital DRN. DATE 20-JUL-79 ENG. DATE 6-SEP-79 TITLE: CONSOLE (ETCH) DATA PATH 2
 CHECKED. DATE 6-SEP-79 BOARD LOCATION: 1AF18
 PUBLIC USE IS PROHIBITED. FIRST USED ON OPTION/MODEL: KS10 NEXT HIGHER ASSEMBLY: B-DD-M8616-0 SIZE CODE NUMBER REV.
 D CS M8616-0-CSL7 1 B

REV. B
 SHEET 1 OF 1
 NUMBER M8616-0-CSL7

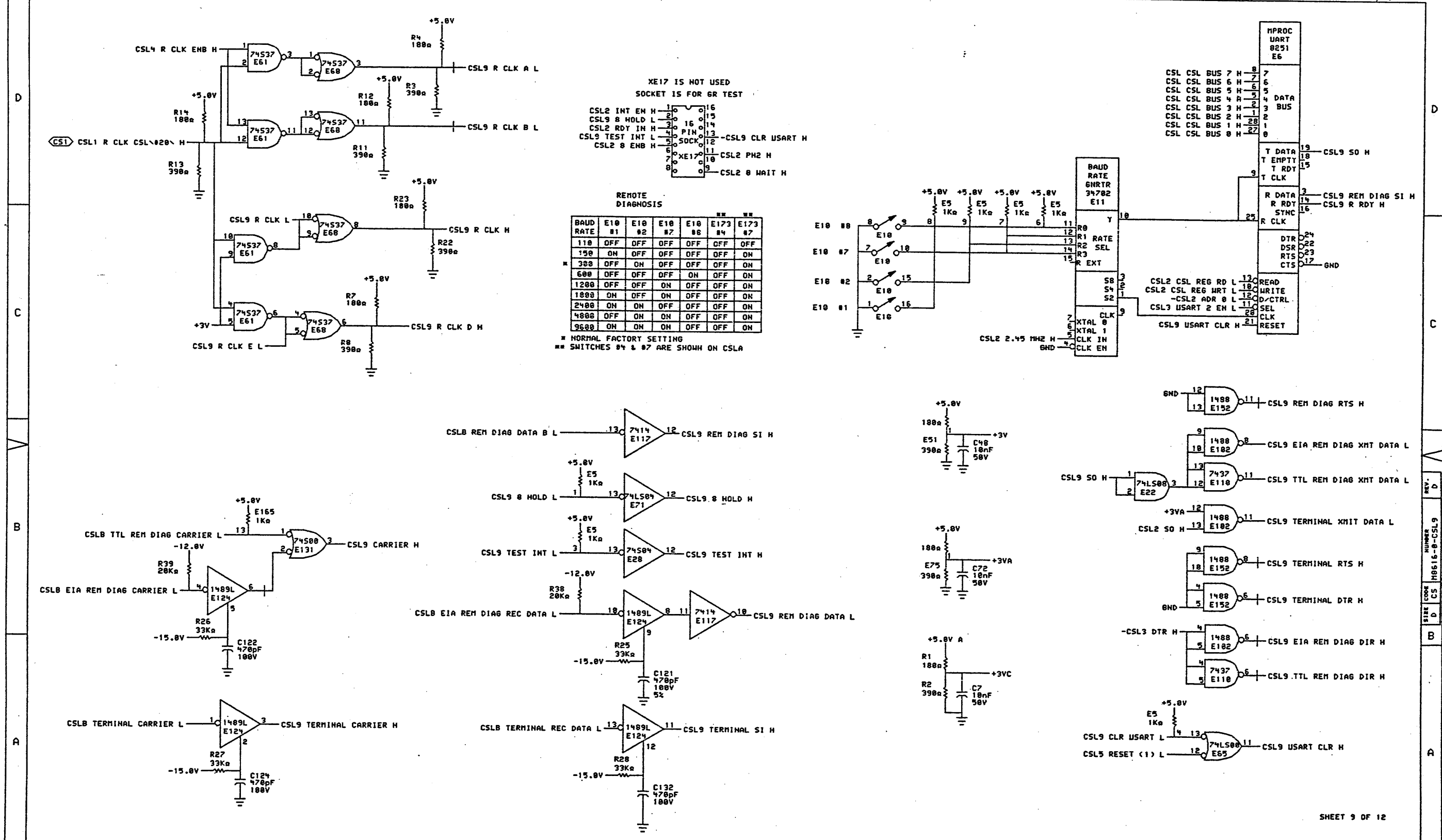


SHEET 8 OF 12

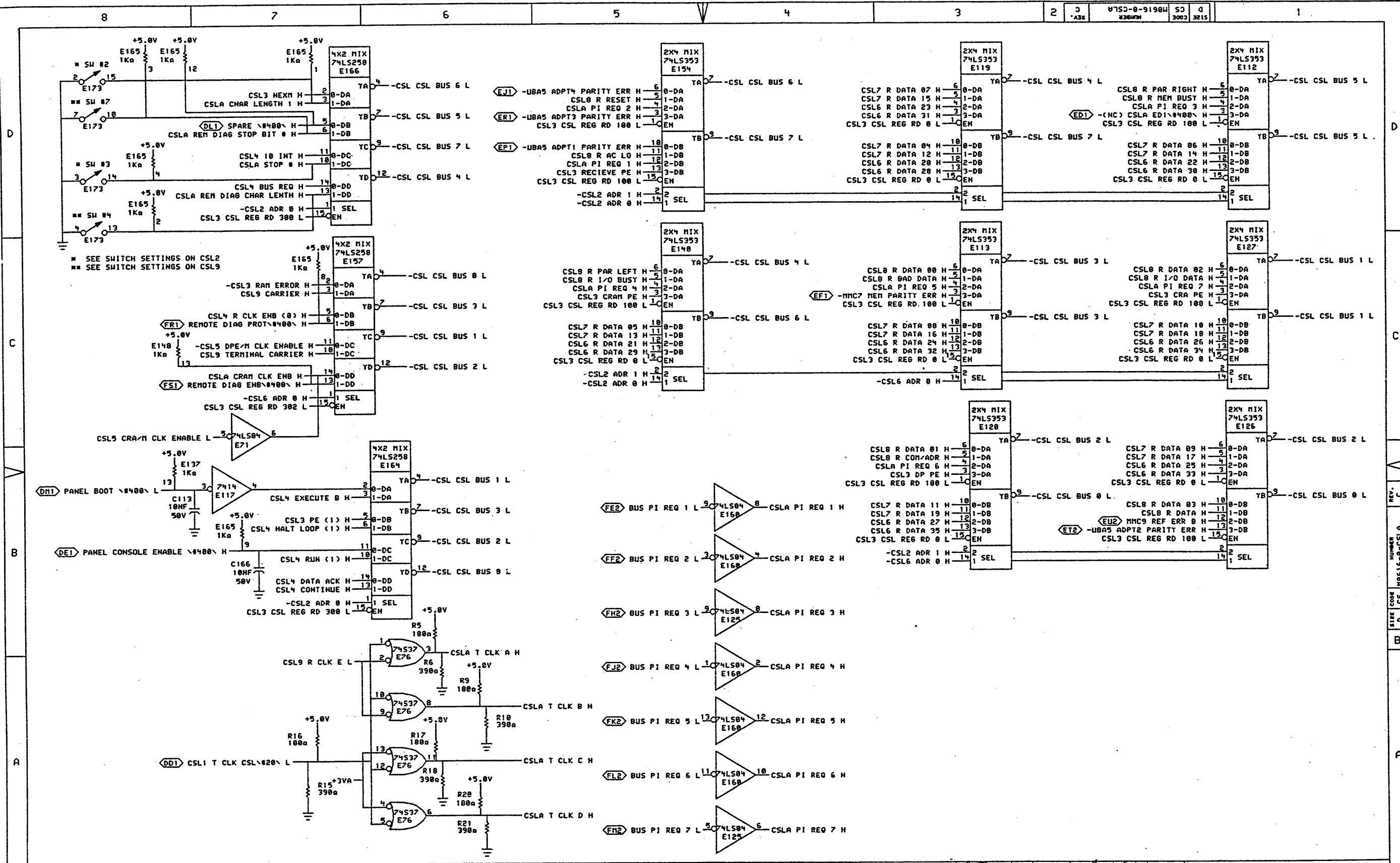
THIS DRAWING AND SPECIFICATIONS HEREIN ARE THE PROPERTY OF DIGITAL EQUIPMENT CORPORATION AND SHALL NOT BE REPRODUCED OR COPIED OR USED IN WHOLE OR IN PART AS THE BASIS FOR THE MANUFACTURE OR SALE OF ITEMS WITHOUT WRITTEN PERMISSION. COPYRIGHT © 1979, DIGITAL EQUIPMENT CORPORATION.

REVISIONS	
CHK	CHANGE NO. REV
MP	M8616-MAD4 B
R. GRADY	9-6-79

digital	DATE	ENG	DATE	TITLE
	20-JUL-79	Paul Allen	6-20-79	CONSOLE (ETCH) DATA PATH 3
CHKD	DATE	BOARD LOCATION	1A118	SIZE CODE
DATE	20-APR-79	88143	NEXT HIGHER ASSEMBLY:	D CS
FIRST USED ON OPTION/MODEL:	K510	B-DD-M8616-0	NUMBER	M8616-0-CSL8
			REV.	B



SHEET 9 OF 12



THIS DRAWING AND SPECIFICATIONS HEREIN ARE THE PROPERTY OF DIGITAL EQUIPMENT CORPORATION AND SHALL NOT BE REPRODUCED OR COPIED OR USED IN WHOLE OR IN PART AS THE BASIS FOR THE MANUFACTURE OR SALE OF ITEMS WITHOUT WRITTEN PERMISSION. COPYRIGHT © 1979, DIGITAL EQUIPMENT CORPORATION.

REV	CHANGE NO.	DESCRIPTION
1	1	INITIAL RELEASE
2	2	REVISIONS

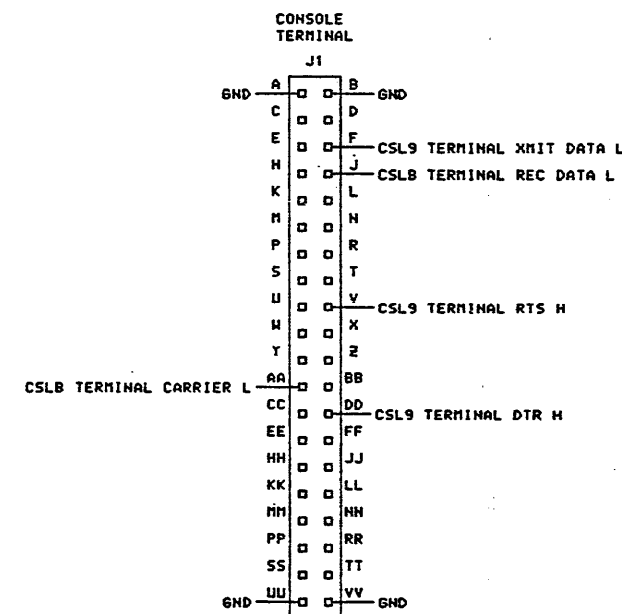
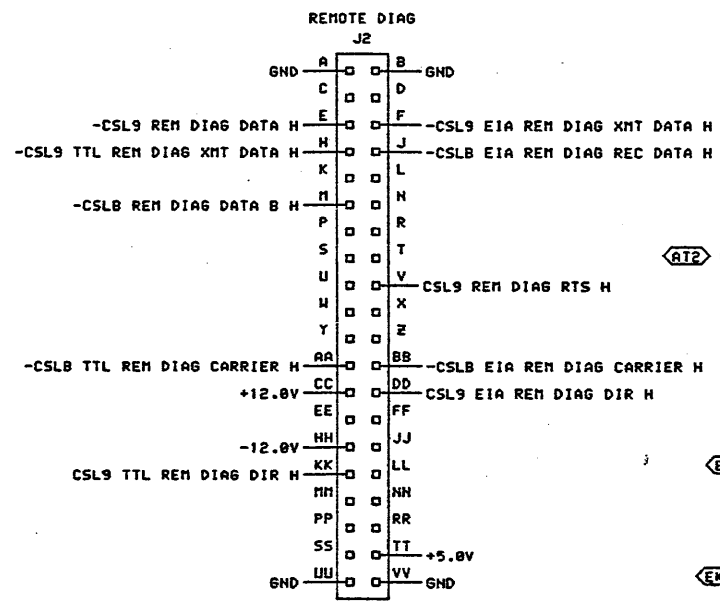
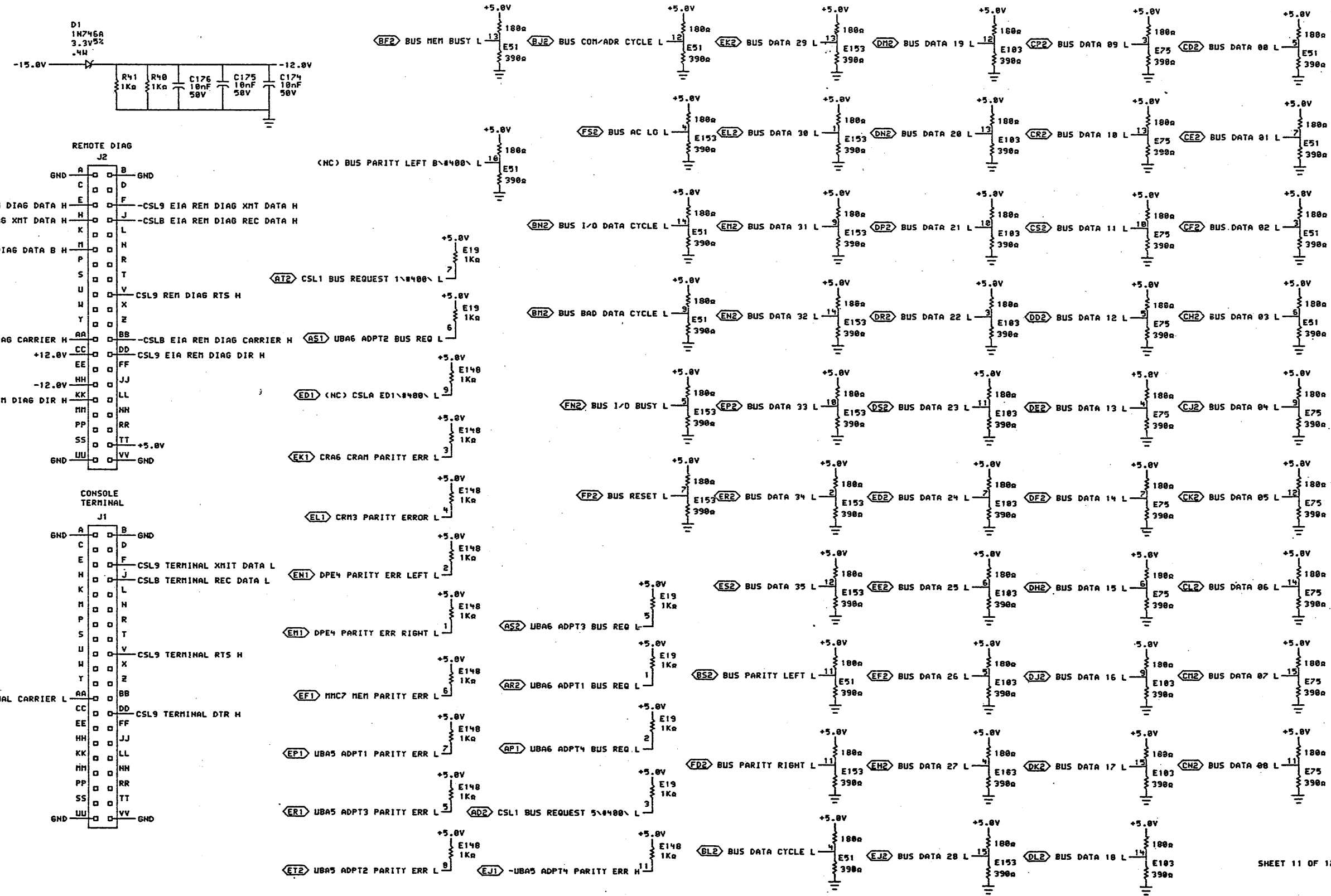
digital	DATE	ENG	DATE	TITLE
	28-JUL-79	John O'Neil	6-SEP-79	CONSOLE (ETCH) CPU CLK CONTROL
CHK	DATE	BOARD LOCATION	1 OF 1	SIZE
John O'Neil	6-SEP-79	11F18		D
FIRST USED ON OPTION/MODEL: K510				NUMBER
B-DD-M8616-0				M8616-0-CSLA
				REV. C

REV. C
SHEET CODE NUMBER
D CS M8616-0-CSLA

HR

D
C
B
A

D
C
B
A



THIS DRAWING AND SPECIFICATIONS, HEREIN, ARE THE PROPERTY OF DIGITAL EQUIPMENT CORPORATION AND SHALL NOT BE REPRODUCED OR COPIED OR USED IN WHOLE OR IN PART AS THE BASIS FOR THE MANUFACTURE OR SALE OF ITEMS WITHOUT WRITTEN PERMISSION. COPYRIGHT © 1979, DIGITAL EQUIPMENT CORPORATION.

REVISIONS	
CHK	CHANGE NO. REV
MSB/C-MRO4	C
K. GRADY	9-6-79

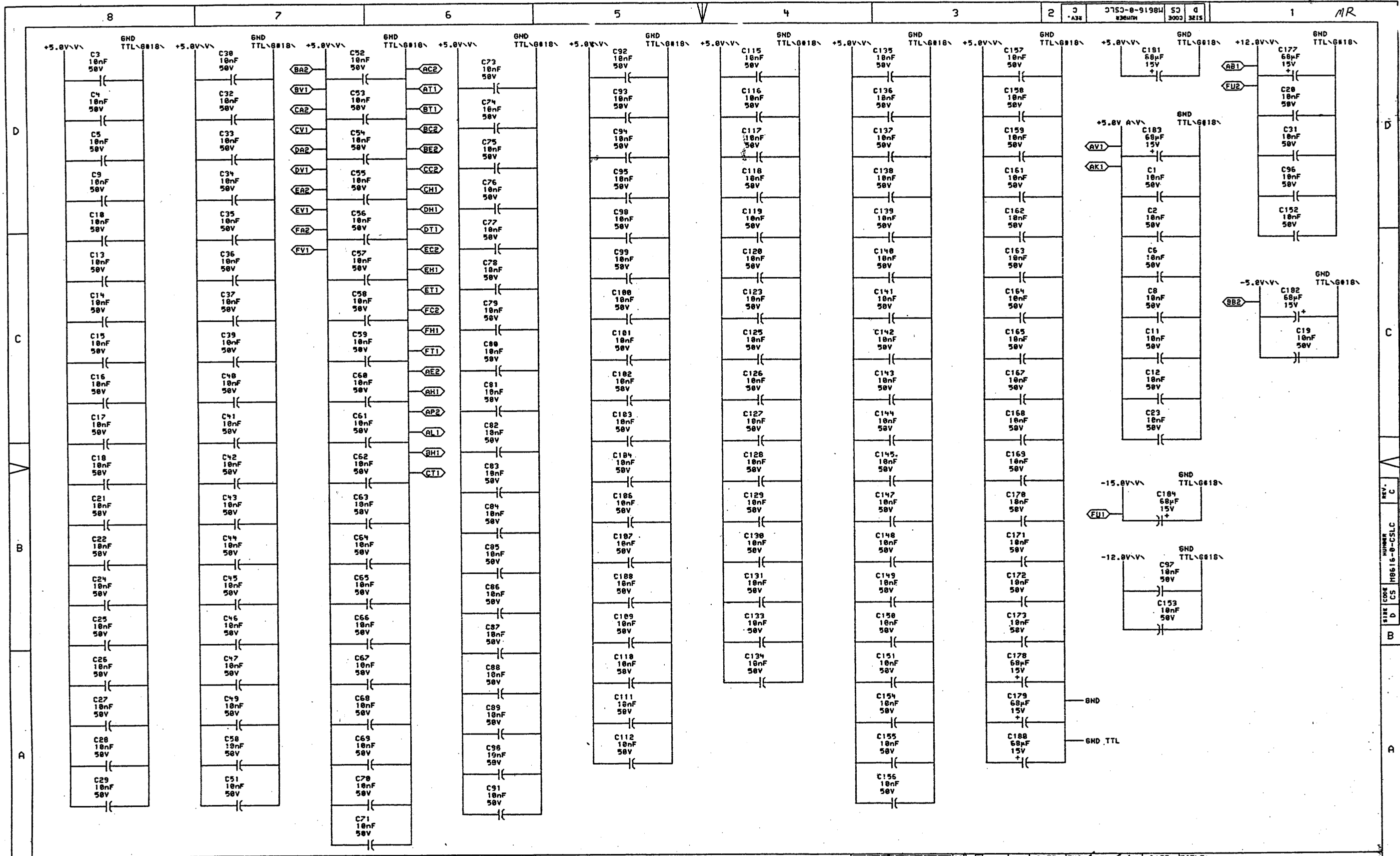
digital DRG. *[Signature]* DATE *[Date]* EMB *[Signature]* DATE *[Date]* TITLE: **CONSOLE (ETCH) MISC**

CHK'D. *[Signature]* DATE: *[Date]* BOARD LOCATION: **1A18**

SIZE CODE: **D** NUMBER: **CS M8616-0-CSLB** REV. **C**

FIRST USED ON OPTION/MODEL: **KS10** NEXT HIGHER ASSEMBLY: **B-DD-M8616-0**

REV. C
CS M8616-0-CSLB



THIS DRAWING AND SPECIFICATIONS HEREIN ARE THE PROPERTY OF DIGITAL EQUIPMENT CORPORATION AND SHALL NOT BE REPRODUCED OR COPIED OR USED IN WHOLE OR IN PART AS THE BASIS FOR THE MANUFACTURE OR SALE OF ITEMS WITHOUT WRITTEN PERMISSION. COPYRIGHT © 1973 DIGITAL EQUIPMENT CORPORATION

REVISIONS	
CHK	CHANGE NO. REV
AK	1
AK	2
AK	3
AK	4
AK	5
AK	6
AK	7
AK	8
AK	9
AK	10

DATE	ENG	DATE	TITLE
10-20-73	W. J. J.	6-10-73	CONSOLE (ETCH) POWER AND GROUND
DATE	BOARD LOCATION	DATE	BOARD LOCATION
10-20-73	1A18	6-10-73	1A18
DATE	SHEET	DATE	SHEET
10-20-73	1 OF 1	6-10-73	1 OF 1
FIRST USED ON OPTION/MODEL: KS10		NEXT HIGHER ASSEMBLY: D-DD-M8616-0	

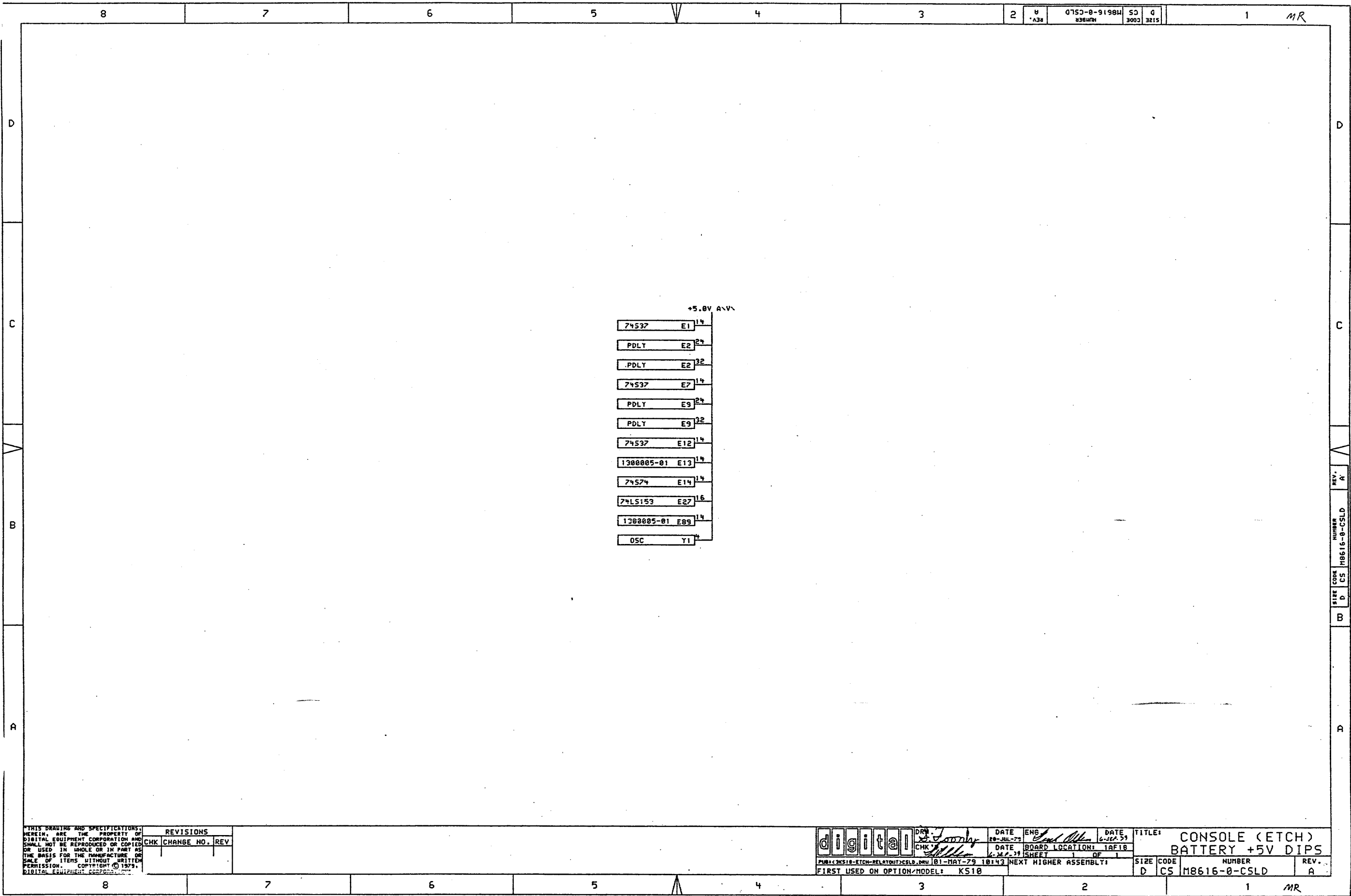
digital DRN: J. J. J. CHK: W. J. J. DATE: 10-20-73 ENG: W. J. J. DATE: 6-10-73 TITLE: CONSOLE (ETCH) POWER AND GROUND

DATE: 10-20-73 BOARD LOCATION: 1A18 DATE: 6-10-73 BOARD LOCATION: 1A18

DATE: 10-20-73 SHEET: 1 OF 1 DATE: 6-10-73 SHEET: 1 OF 1

FIRST USED ON OPTION/MODEL: KS10 NEXT HIGHER ASSEMBLY: D-DD-M8616-0

SIZE CODE: D CS NUMBER: M8616-0-CSLC REV. C



+5.0V AVX

74537	E1	14
PDLT	E2	24
PDLT	E2	32
74537	E7	14
PDLT	E9	24
PDLT	E9	32
74537	E12	14
130005-01	E13	14
74574	E14	14
74LS153	E27	16
130005-01	E89	14
OSC	Y1	4

THIS DRAWING AND SPECIFICATIONS ARE THE PROPERTY OF DIGITAL EQUIPMENT CORPORATION AND SHALL NOT BE REPRODUCED OR COPIED OR USED IN WHOLE OR IN PART AS THE BASIS FOR THE MANUFACTURE OR SALE OF ITEMS WITHOUT WRITTEN PERMISSION. COPYRIGHT © 1979, DIGITAL EQUIPMENT CORPORATION.

REVISIONS		
CHK	CHANGE NO.	REV

digital

DRW: <i>J. Smith</i>	DATE: 20-JUL-79	ENG: <i>Paul Allen</i>	DATE: 6-SEP-79
CHK: <i>Allen</i>	DATE: 6-SEP-79	BOARD LOCATION: 1AF18	SHEET: 1 OF 1

TITLE: CONSOLE (ETCH)
BATTERY +5V DIPS

PUB: K510-ETCH-RELAYOUT/CSLD.DRW	01-MAY-79	10143	NEXT HIGHER ASSEMBLY:	SIZE: D	CODE: CS	NUMBER: M8616-0-CSLD	REV: A
FIRST USED ON OPTION/MODEL: K510							

REV. A
NUMBER M8616-0-CSLD
SIZE CODE D CS

1112

E	M8616-0	DD	B
REV.	NUMBER	CODE	SIZE

DRAWING NO.	NO. OF SHTS.	PART NO.	DESCRIPTION	NOTE: FOR REV. "C" SEE SHT 2 REWORK VERSION		REVISIONS														
			MODULE REVISION	A	B	B	B1	B1												
E-UA-M8616-0-0	11		KS10 CONSOLE	A	B	B1	B2	B2												
K-PL-M8616-0-DBP	3		PARTS LIST (M8616)	A	B	C	D	D												
D-CS-M8616-0-CSL1	1		CONSOLE & CONTROL, CLK, KS10 ARB	A	B	B	C	C												
D-CS-M8616-0-CSL2	1		CONSOLE & CONTROL, CONSOLE CONTROL	A	B	B	C	C												
D-CS-M8616-0-CSL3	1		CONSOLE & CONTROL ADDRESS DECODE	A	B	B	C	C												
D-CS-M8616-0-CSL4	1		CONSOLE & CONTROL, CPU CONTROL	A	B	B	B	B												
D-CS-M8616-0-CSL5	1		CONSOLE & CONTROL, CPU CLK CONTROL	A	B	B	C	C												
D-CS-M8616-0-CSL6	1		CONSOLE & CONTROL, DATA PATH 1	A	B	B	B	B												
D-CS-M8616-0-CSL7	1		CONSOLE CONTROL, DATA PATH 2	A	A	A	A	A												
D-CS-M8616-0-CSL8	1		CONSOLE CONTROL, DATA PATH 3	A	A	A	A	A												
D-CS-M8616-0-CSL9	1		CONSOLE & CONTROL, REMOTE DIAGNOSIS	A	B	B	C	C												
D-CS-M8616-0-CSLA	1		CONSOLE & CONTROL, CPU CLK CONT.	A	B	B	B	B												
D-CS-M8616-0-CSLB	1		CONSOLE & CONTROL, MISC	A	B	B	B	B												
D-CS-M8616-0-CSLC	1		CONSOLE & CONTROL, PWR, GND, CAPS	A	B	B	B	B												
E-MD-5013192-0-0	7		DRILL, WIRE & COMP. SCREEN DRAW.	A	A	A1	A1	A1												
	-	5013192	MULTIWIRE BOARD	A	A	A	A	A												
B-DD-5413448-0	1	5413448	JUMPER MODULE	-	A	A	A	A												
K-PC-M8616-0-DBC	-		MULTIWIRE DATA BASE	A	A	A	A	A												
POO-M8616-00	-		PROCESS SHEETS	REF	REF	REF	REF	REF												

NOTES:

DATE	REV. CHG NO.	REV.
X	ORIG	A
3-21-78	MR001	B
9-7-78	MR002	C
12-78	MR003	D
8-79	MR004	E


"THIS DRAWING AND SPECIFICATIONS, HEREIN, ARE THE PROPERTY OF DIGITAL EQUIPMENT CORPORATION AND SHALL NOT BE REPRODUCED OR COPIED OR USED IN WHOLE OR IN PART AS THE BASIS FOR THE MANUFACTURE OR SALE OF ITEMS WITHOUT WRITTEN PERMISSION.

COPYRIGHT © 1978 DIGITAL EQUIPMENT CORPORATION



USED ON OPTION/MODEL	DRN. R.W.CAUNTER	13APR78	TITLE	KS10 CONSOLE
KS10	CHK'D R.W.CAUNTER	13APR78	SIZE	B DD
	ENG. F. DOLL	28APR78	CODE	DD
	PROD. W BISHOP	4-28-78	NUMBER	M8616-0
			REV.	E
			SHEET 1 OF 4	

ml

DRAWING NO.	NO. OF SHTS.	PART NO.	DESCRIPTION	NEW LAYOUT VERSION (MULTIWIRE)	REVISIONS						
			MODULE REVISION	C	D D						
E-UA-M8616-0-0	6		KS10 CONSOLE	C	D DI						
K-PL-M8616-0-DBP	3		PARTS LIST (M8616)	C	D DI						
D-CS-M8616-0-CSL1	1		CONSOLE & CONTROL, CLK, KS10 ARB	B	C CI						
D-CS-M8616-0-CSL2	1		CONSOLE & CONTROL, CONSOLE CONTROL	B	C CI						
D-CS-M8616-0-CSL3	1		CONSOLE & CONTROL ADDRESS DECODE	B	C CI						
D-CS-M8616-0-CSL4	1		CONSOLE & CONTROL, CPU CONTROL	B	B BI						
D-CS-M8616-0-CSL5	1		CONSOLE & CONTROL, CPU CLK CONTROL	B	C CI						
D-CS-M8616-0-CSL6	1		CONSOLE & CONTROL, DATA PATH 1	B	B BI						
D-CS-M8616-0-CSL7	1		CONSOLE CONTROL, DATA PATH 2	A	A AI						
D-CS-M8616-0-CSL8	1		CONSOLE CONTROL, DATA PATH 3	A	A AI						
D-CS-M8616-0-CSL9	1		CONSOLE & CONTROL, REMOTE DIAGNOSIS	B	C CI						
D-CS-M8616-0-CSLA	1		CONSOLE & CONTROL, CPU CLK CONT.	B	B BI						
D-CS-M8616-0-CSLB	1		CONSOLE & CONTROL, MISC	B	B BI						
D-CS-M8616-0-CSLC	1		CONSOLE & CONTROL, PWR, GND, CAPS	B	B BI						
E-MD-5013192-0-0	7		DRILL, WIRE & COMP. SCREEN DRAW.	B	B B						
	-	5013192	MULTIWIRE BOARD	B	B B						
B-DD-5413448-0	1	5413448	JUMPER MODULE	A	A A						
K-PC-M8616-0-DBC	-		MULTIWIRE DATA BASE	B	B B						
POO-M8616-00	-		PROCESS SHEETS	REF	REF						
NOTES:				REVISIONS							
				DATE	CHG NO.	REV.	C	D	E		
					MRO02						
				12-78	MRO03						
				8-79	MRO04						
"THIS DRAWING AND SPECIFICATIONS, HEREIN, ARE THE PROPERTY OF DIGITAL EQUIPMENT CORPORATION AND SHALL NOT BE REPRODUCED OR COPIED OR USED IN WHOLE OR IN PART AS THE BASIS FOR THE MANUFACTURE OR SALE OF ITEMS WITHOUT WRITTEN PERMISSION. COPYRIGHT © 1978 DIGITAL EQUIPMENT CORPORATION											
				USED ON OPTION/MODEL	DRN.	R W CAUNTER	13APR78	TITLE			
				KS10	CHK'D	R W CAUNTER	13APR78	KS10 CONSOLE			
					ENG.	F DOLL	28APR78	SIZE	CODE	NUMBER	REV.
					PROD.	W BISHOP	28APR78	B	DD	M8616-0	E
								SHEET 2 OF 4			

DRAWING NO.	NO. OF SHTS.	PART NO.	DESCRIPTION	ETCH BOARD VERSION	REVISIONS																		
			MODULE REVISION	E																			
E-UA-M8616-Ø-Ø	5		KS1Ø CONSOLE	E																			
K-PL-M8616-Ø-DBP	3		PARTS LIST (M8616)	E																			
D-CS-M8616-Ø-CSL1	1		CONSOLE, CLK, KS1Ø ARB	D																			
D-CS-M8616-Ø-CSL2	1		CONSOLE, CONTROL	D																			
D-CS-M8616-Ø-CSL3	1		CONSOLE, ADDRESS DECODE	D																			
D-CS-M8616-Ø-CSL4	1		CONSOLE, CPU CONTROL	C																			
D-CS-M8616-Ø-CSL5	1		CONSOLE, CPU CLK CONTROL	D																			
D-CS-M8616-Ø-CSL6	1		CONSOLE, DATA PATH 1	C																			
D-CS-M8616-Ø-CSL7	1		CONSOLE, DATA PATH 2	B																			
D-CS-M8616-Ø-CSL8	1		CONSOLE, DATA PATH 3	B																			
D-CS-M8616-Ø-CSL9	1		CONSOLE, REM DIAG	D																			
D-CS-M8616-Ø-CSLA	1		CONSOLE, CPU CLK CONTROL	C																			
D-CS-M8616-Ø-CSLB	1		CONSOLE, MISC	C																			
D-CS-M8616-Ø-CSLC	1		CONSOLE, PWR, GND,	C																			
D-CS-M8616-Ø-CSLD	1		CONSOLE, BATTERY +5V DIPS	A																			
E-MD-5013192-0-0	5		DRILL, WIRE & COMP. SCREEN DR.F.W.	C																			
	-	5013192	ETCHED CIRCUIT BOARD	C																			
K-PC-M8616-Ø-DBC	-		P.C. DESIGN DATA BASE	C																			
POO-M8616-ØØ	-		PROCESS SHEETS	REF																			

NOTES:

REVISIONS	DATE	CHG NO.	REV.
	9/12/77	MROO4	E

"THIS DRAWING AND SPECIFICATIONS, HEREIN, ARE THE PROPERTY OF DIGITAL EQUIPMENT CORPORATION AND SHALL NOT BE REPRODUCED OR COPIED OR USED IN WHOLE OR IN PART AS THE BASIS FOR THE MANUFACTURE OR SALE OF ITEMS WITHOUT WRITTEN PERMISSION.
 COPYRIGHT © 1979 DIGITAL EQUIPMENT CORPORATION




USED ON OPTION/MODEL	SRN.
KS1Ø	CHK'D
	ENG.
	PROB.

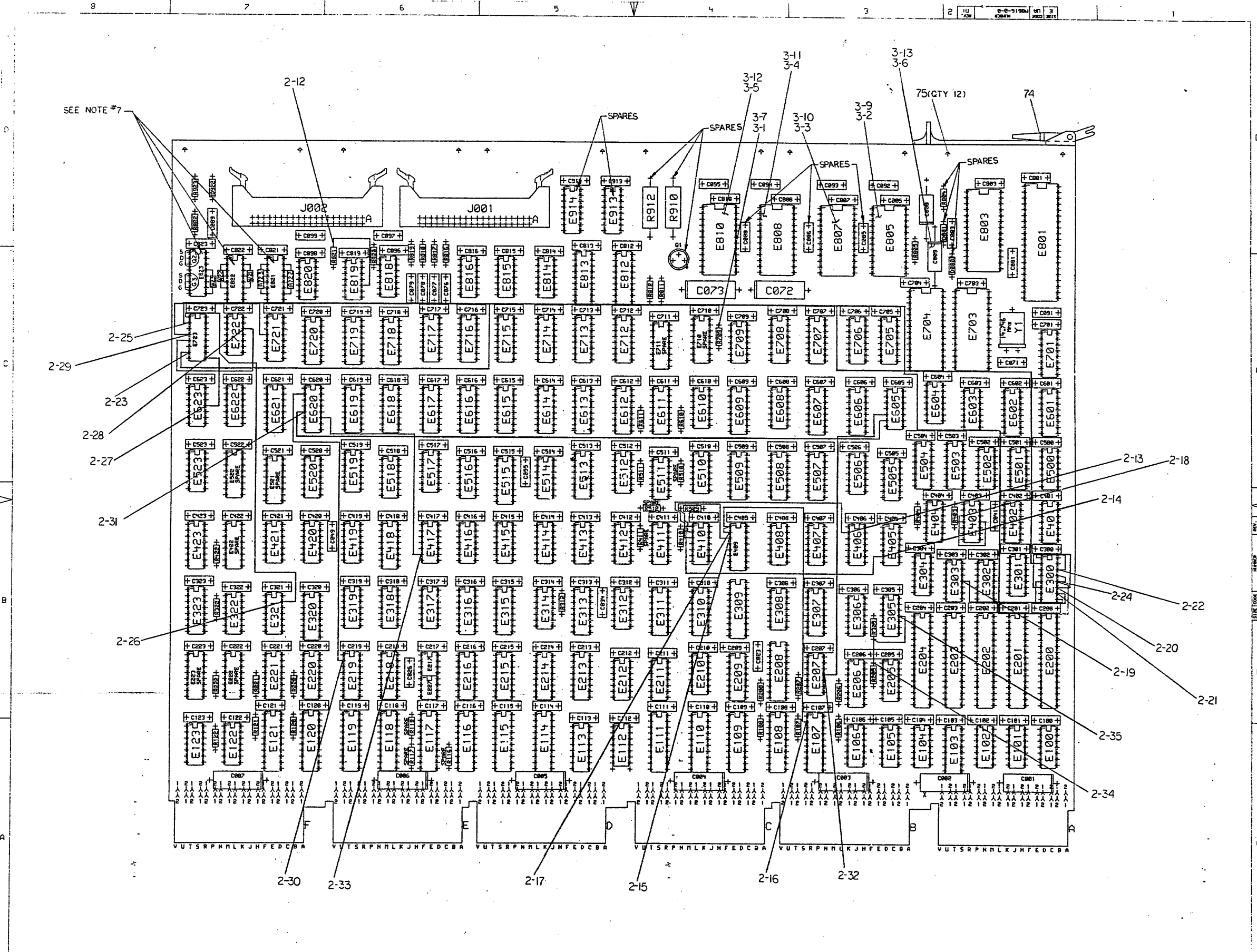
TITLE			
KS1Ø CONSOLE			
SIZE	CODE	NUMBER	REV.
B	DD	M8616-Ø	E
SHEET 3 OF 4			

NR

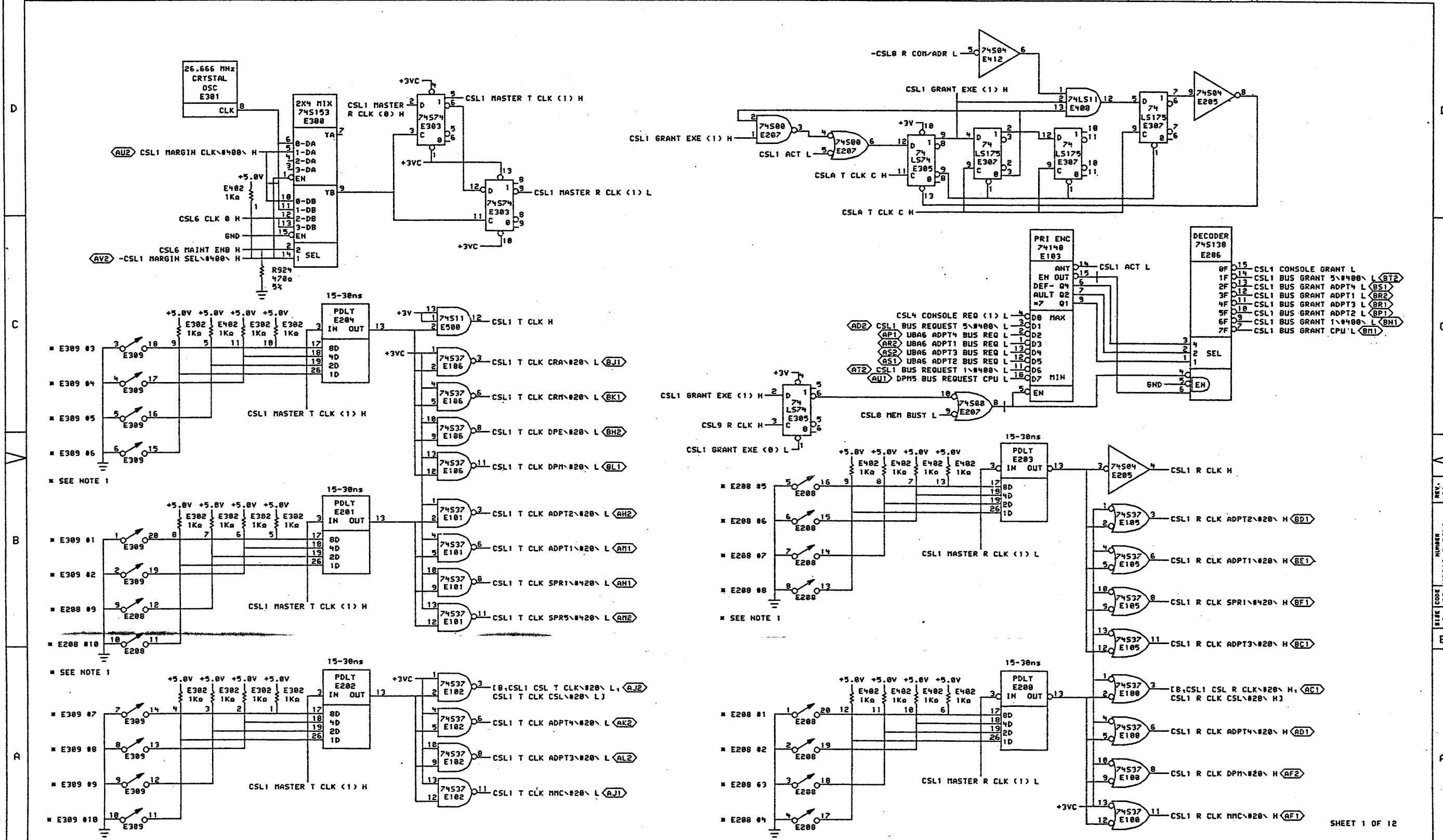
REV. E	NUMBER M8616-0	DD	B SIZE CODE
-----------	-------------------	----	----------------

DRAWING NO.	NO. OF SHTS.	PART NO.	DESCRIPTION	REVISIONS																								
				A	B	BI	C	D	E																			
			MODULE REVISION																									
		23025E2-00	EPROM E805	-	1	-	-	-	-																			
		23026E2-00	EPROM E807	-	1	-	-	-	-																			
		23027E2-00	EPROM E808	-	1	-	-	-	-																			
		23028E2-00	EPROM E810	-	1	-	-	-	-																			
		23071E2-00	EPROM E805	-	-	1	-	-	1																			
		23072E2-00	EPROM E807	-	-	1	-	-	1																			
		23073E2-00	EPROM E808	-	-	1	-	-	1																			
		23074E2-00	EPROM E810	-	-	1	-	-	1																			
NOTES:																												
<p>"THIS DRAWING AND SPECIFICATIONS, HEREIN, ARE THE PROPERTY OF DIGITAL EQUIPMENT CORPORATION AND SHALL NOT BE REPRODUCED OR COPIED OR USED IN WHOLE OR IN PART AS THE BASIS FOR THE MANUFACTURE OR SALE OF ITEMS WITHOUT WRITTEN PERMISSION.</p> <p>COPYRIGHT © 1978 DIGITAL EQUIPMENT CORPORATION</p>																												
				DATE		CHG NO.		REV.																				
				X		12-78		MR001		A																		
						9-78		MR002		C																		
						8-79		MR004		E																		
				USED ON OPTION/MODEL				DRN.		R.W. CAUNTER		13APR78		TITLE														
				KS10						CHK'D		R.W. CAUNTER		13APR78		KS10 CONSOLE												
										ENG.		F. DOLL		28APR78		SIZE CODE		B DD		NUMBER		M8616-0		REV.		E		
										PROD.		W. BISHOP		4-28-78		SHEET 4 OF 4												

NR

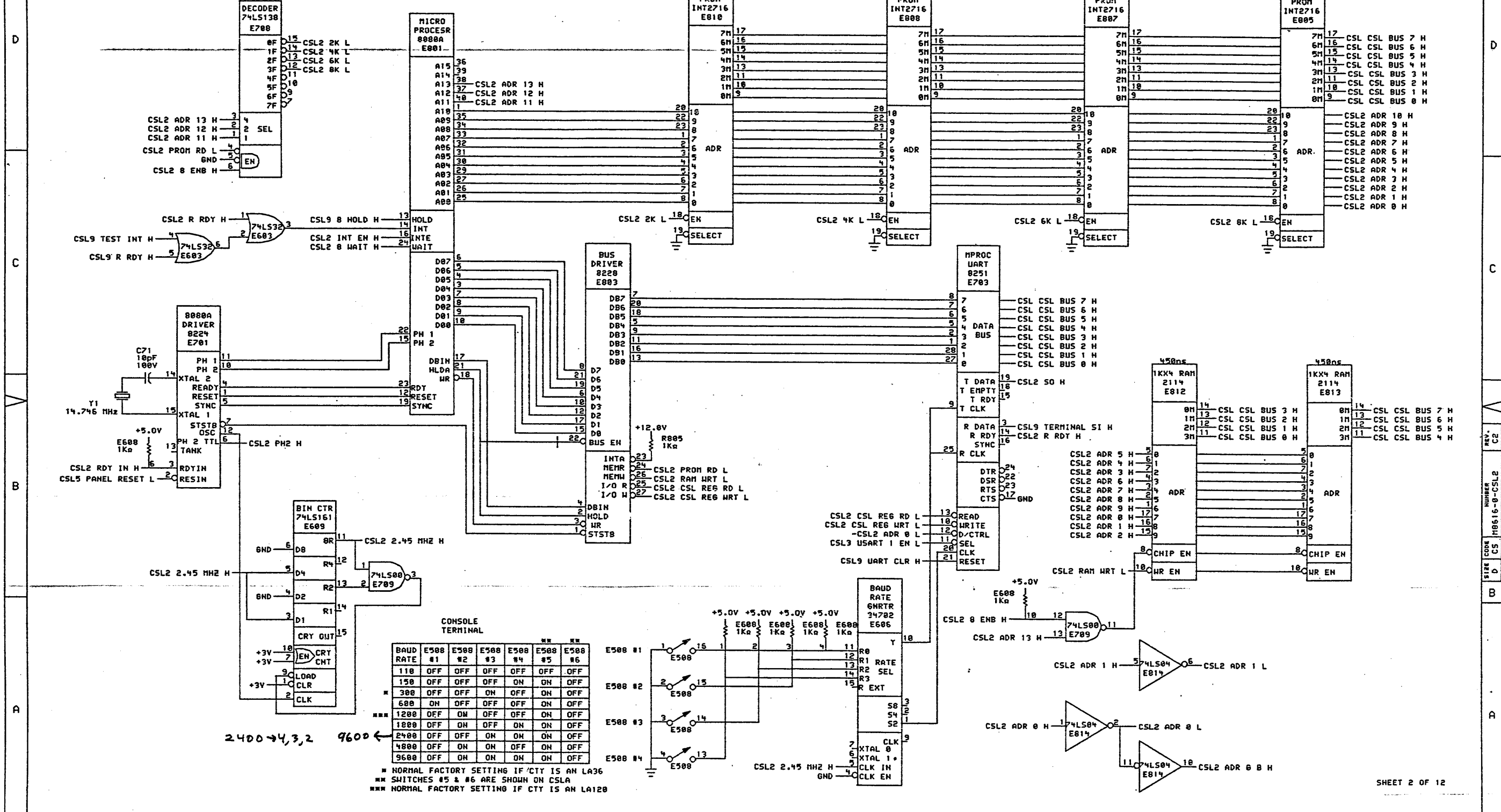


THIS DRAWING AND SPECIFICATIONS, HEREIN, ARE THE PROPERTY OF DIGITAL EQUIPMENT CORPORATION AND SHALL NOT BE REPRODUCED OR COPIED IN WHOLE OR IN PART AS THE BASIS FOR THE MANUFACTURE OR SALE OF ITEMS WITHOUT WRITTEN PERMISSION. COPYRIGHT © 1974, DIGITAL EQUIPMENT CORPORATION		REVISIONS 1. 10/16/74 MRO:3D [D] MRO:4 [D] 2. 11/15/74 MRO:3D [D] MRO:4 [D] 3. 12/10/74 MRO:3D [D] MRO:4 [D]	DATE 10/16/74 ENG. F. DOLL DATE 11/15/74 ENG. F. DOLL DATE 12/10/74 ENG. F. DOLL	TITLE KS10 CONSOLE UNIT ASSEMBLY
DESIGNER F. DOLL CHECKED R. W. CAUNTER APPROVED R. W. CAUNTER		REV. 1 BY F. DOLL DATE 10/16/74	REV. 2 BY F. DOLL DATE 11/15/74	REV. 3 BY F. DOLL DATE 12/10/74
FIRST USED ON OPTION MODEL KS10		NEXT HIGHER ASSEMBLY	SIZE 11" x 17"	REV. 1 BY F. DOLL



NOTE 1: FACTORY ADJUSTMENT ONLY!

NOTE 11
 JUMPER BOARD (5413448) CHANGES SOME PIN OUTS ON THE PROM, THEREFORE WHEN SCOPING REMEMBER PIN 18 ON PRINT REFLECTS PIN 20 ON PROM
 PIN 19 ON PRINT REFLECTS PIN 18 ON PROM
 PIN 20 ON PRINT REFLECTS PIN 19 ON PROM



CONSOLE TERMINAL

BAUD RATE	E508 #1	E508 #2	E508 #3	E508 #4	E508 #5	E508 #6
110	OFF	OFF	OFF	OFF	OFF	OFF
150	OFF	OFF	OFF	ON	ON	OFF
300	OFF	OFF	ON	OFF	ON	OFF
600	ON	OFF	OFF	OFF	ON	OFF
1200	OFF	ON	OFF	OFF	ON	OFF
1800	OFF	ON	OFF	ON	ON	OFF
2400	OFF	OFF	ON	ON	ON	OFF
4800	OFF	ON	ON	OFF	ON	OFF
9600	OFF	ON	ON	ON	OFF	OFF

■ NORMAL FACTORY SETTING IF CTY IS AN LA36
 ■ SWITCHES #5 & #6 ARE SHOWN ON CSLA
 ■■■ NORMAL FACTORY SETTING IF CTY IS AN LA120

2400 → 4, 3, 2 9600 ←

THIS DRAWING AND SPECIFICATIONS ARE THE PROPERTY OF DIGITAL EQUIPMENT CORPORATION AND SHALL NOT BE REPRODUCED OR COPIED OR USED IN WHOLE OR IN PART AS THE BASIS FOR THE MANUFACTURE OR SALE OF ITEMS WITHOUT WRITTEN PERMISSION. COPYRIGHT © 1981 - DIGITAL EQUIPMENT CORPORATION.

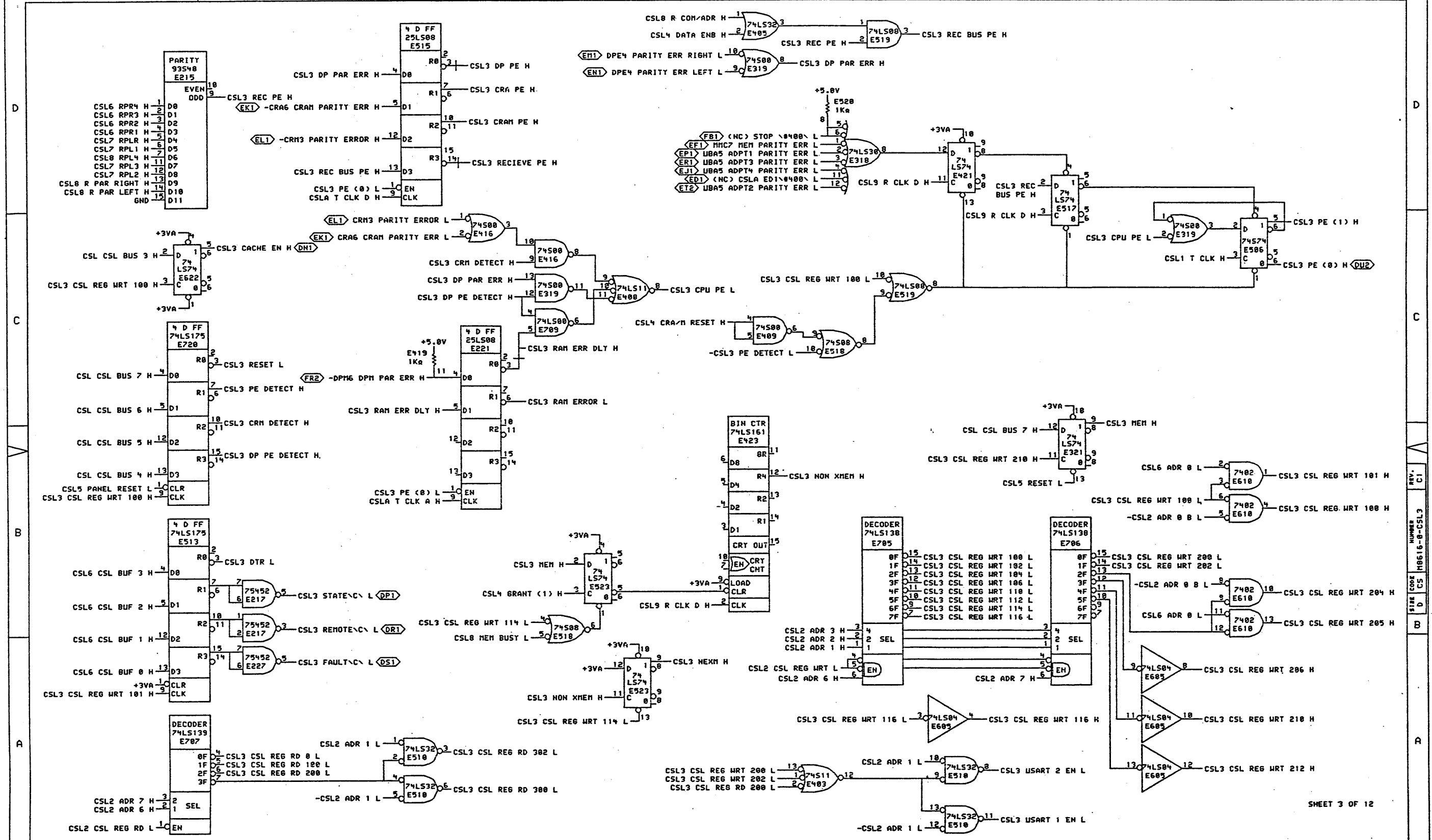
REVISIONS

CHK	CHANGE NO.	REV

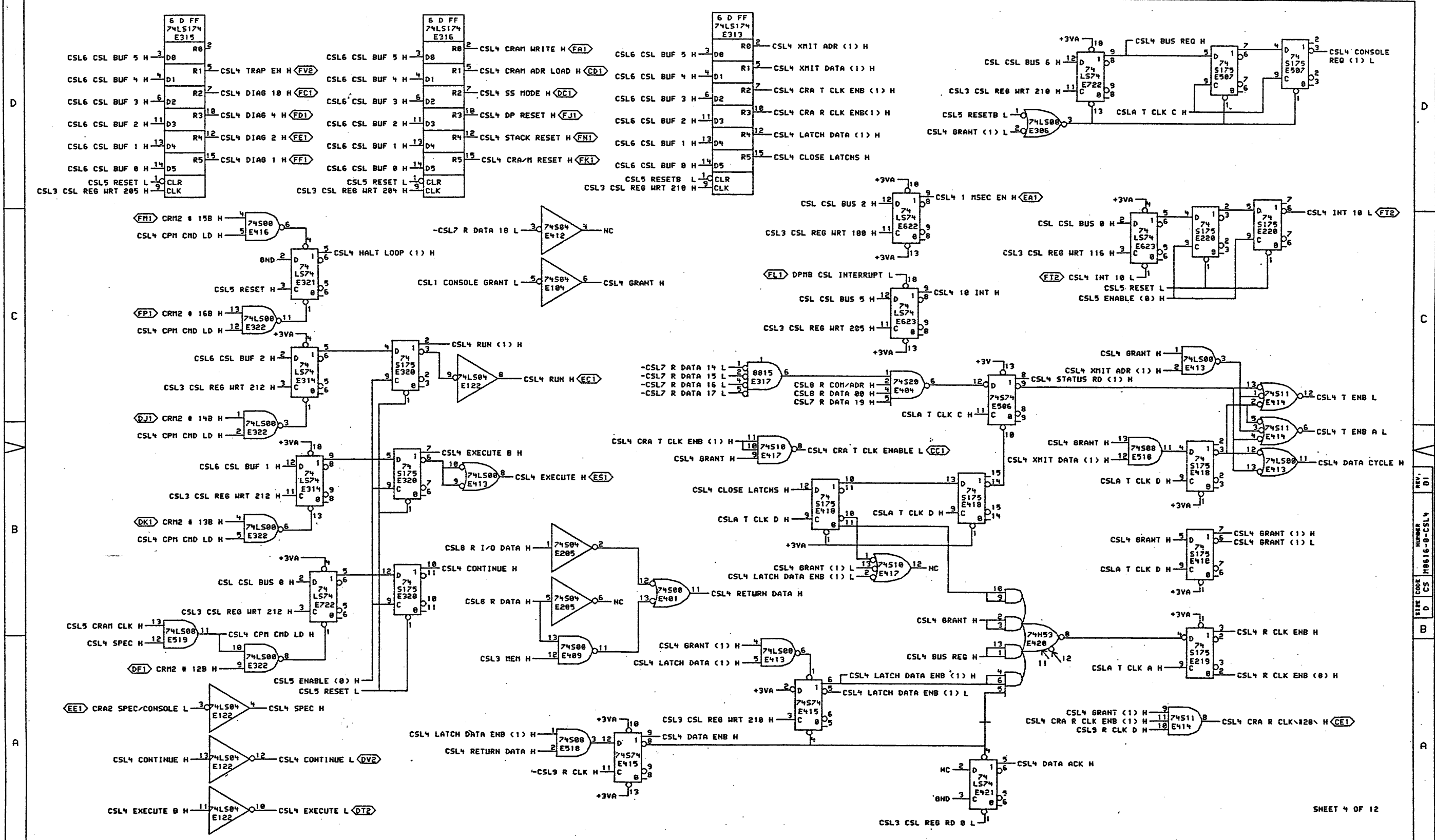
digital DRW: J. L. Loomis DATE: 82-MAR-81 ENG: BOWEN DATE: ISMAR 81 TITLE: CONSOLE & CONTROL CONSOLE CONTROL

PS1(BOWEN)CSL2.DRM 109-MAR-81 19128 NEXT HIGHER ASSEMBLY: BOARD LOCATION: 1A F18 SHEET: 1 OF 1

FIRST USED ON OPTION/MODEL: KS10 [B-DD-M8616-0] SIZE CODE: D CS NUMBER: M8616-0-CSL2 REV: C2



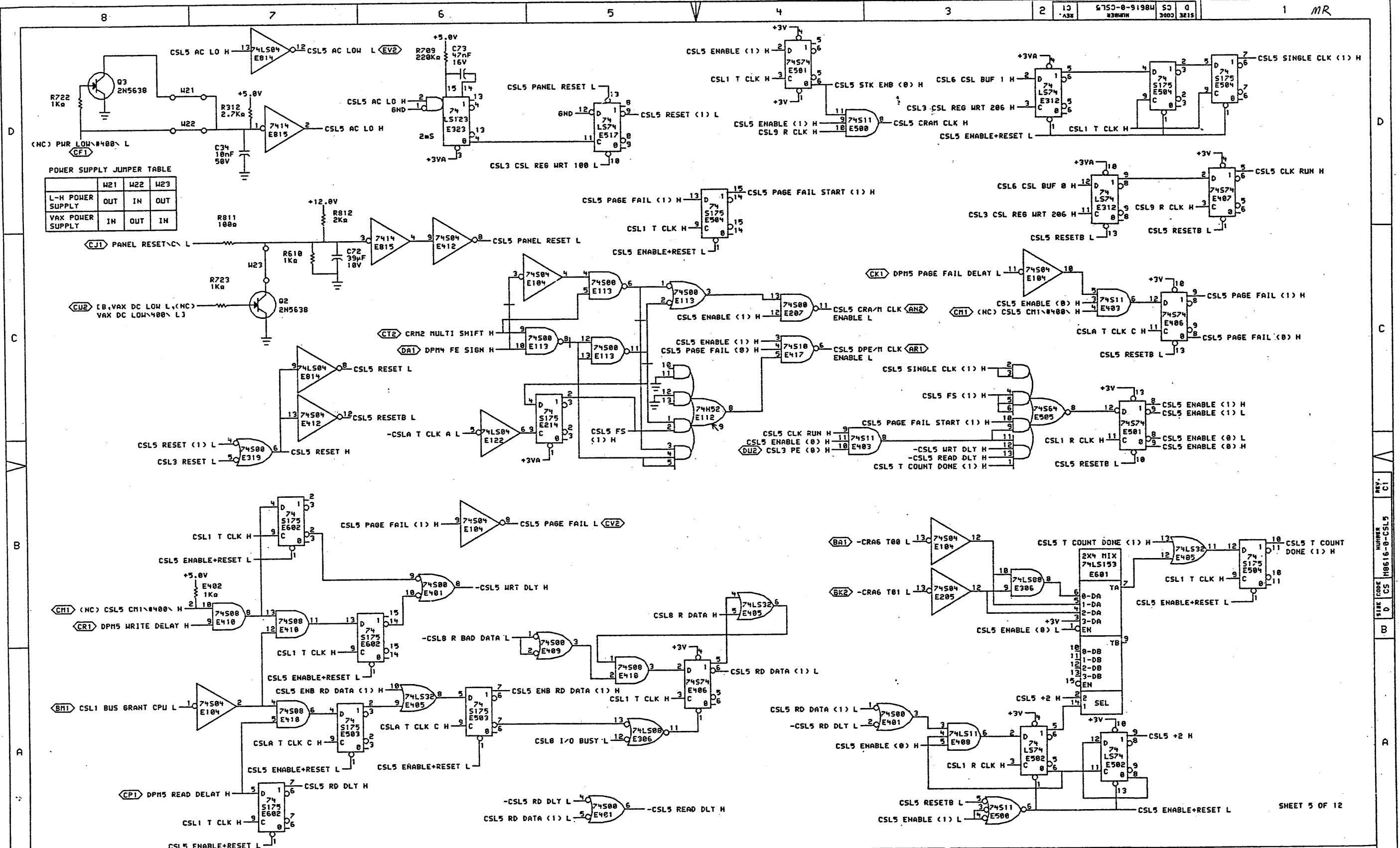
REVISIONS		TITLE: CONSOLE & CONTROL ADDRESS DECODE	
CHK	CHANGE NO.	REV	DATE
THIS DRAWING AND SPECIFICATIONS HEREIN ARE THE PROPERTY OF DIGITAL EQUIPMENT CORPORATION AND SHALL NOT BE REPRODUCED OR COPIED OR USED IN WHOLE OR IN PART AS THE BASIS FOR THE MANUFACTURE OR SALE OF ITEMS WITHOUT WRITTEN PERMISSION. COPYRIGHT © 1979, DIGITAL EQUIPMENT CORPORATION.			
DWN: J. [Signature] CHK: D. [Signature]		DATE: 12-22-79 BOARD LOCATION: 1A18 SHEET: 1 OF 1	
FIRST USED IN: K518		NEXT HIGHER ASSEMBLY: B-DD-M8616-0	
SIZE CODE: D CS		NUMBER: M8616-0-CSL3	
REV. C1		REV. C1	



THIS DRAWING AND SPECIFICATIONS, HEREIN, ARE THE PROPERTY OF DIGITAL EQUIPMENT CORPORATION AND SHALL NOT BE REPRODUCED OR COPIED OR USED IN WHOLE OR IN PART AS THE BASIS FOR THE MANUFACTURE OR SALE OF ITEMS WITHOUT WRITTEN PERMISSION. COPYRIGHT © 1974, DIGITAL EQUIPMENT CORPORATION.

REVISIONS	
CHK	CHANGE NO. REV
MP	M8616 MRO4 B1
R. GRADY	

digital	DATE: 19-JUL-79	ENG: F. DOLL	DATE: 2 MAY 78	TITLE: CONSOLE & CONTROL CPU CONTROL
PSI (M8616) CSL4.DRW	27-APR-79 10:54	DATE: 3 MAY 78	3 MAY 78	SIZE: CODE: NUMBER: REV.:
FIRST USED ON OPTION: K10		B-DD-M8616-0	1 OF 1	D. CS M8616-0-CSL4 B1



POWER SUPPLY JUMPER TABLE

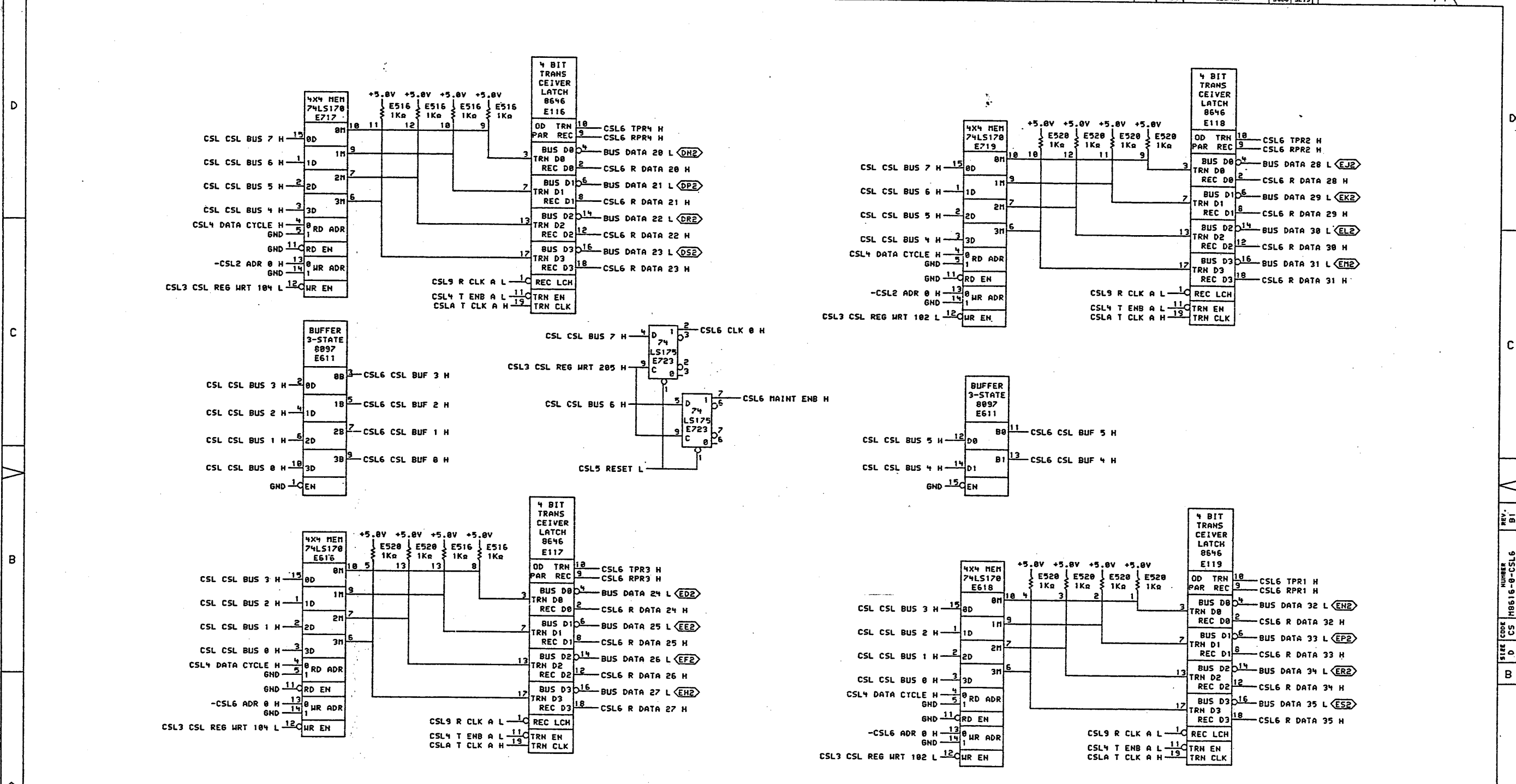
	W21	W22	W23
L-H POWER SUPPLY	OUT	IN	OUT
VAX POWER SUPPLY	IN	OUT	IN

REVISIONS

CHK	CHANGE NO.	REV
	MR616-MR04	CI

digital
 DATE 13-JAN-79
 ENG D. OLDHAM
 BOARD LOCATION: IAF18
 SHEET 1 OF 1
 TITLE: CONSOLE & CONTROL CPU CLK CONTROL
 NUMBER D CS 18616-0-CSL5
 REV. C1

REV. C1
 NUMBER D CS 18616-0-CSL5
 SHEET 5 OF 12



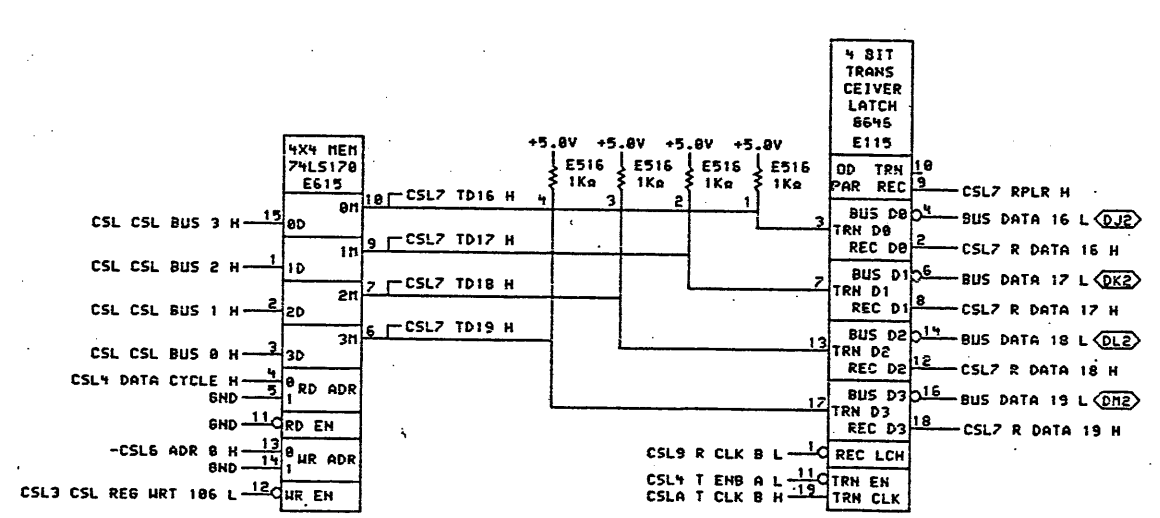
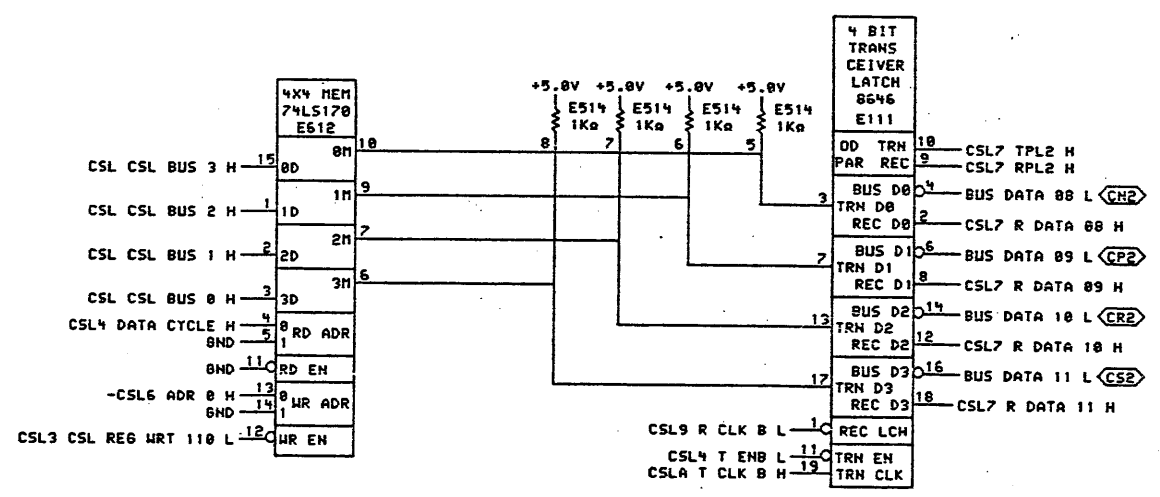
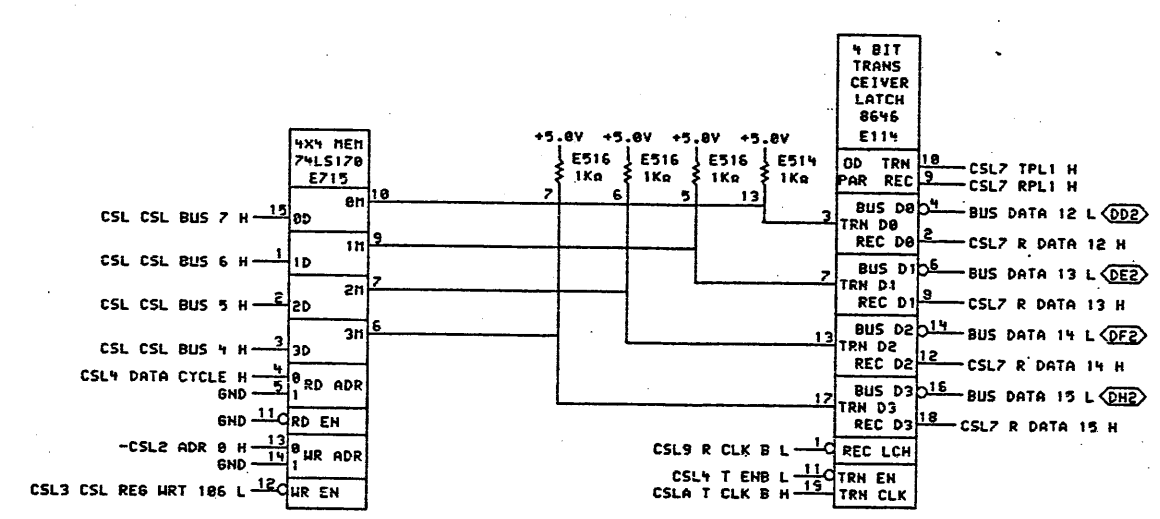
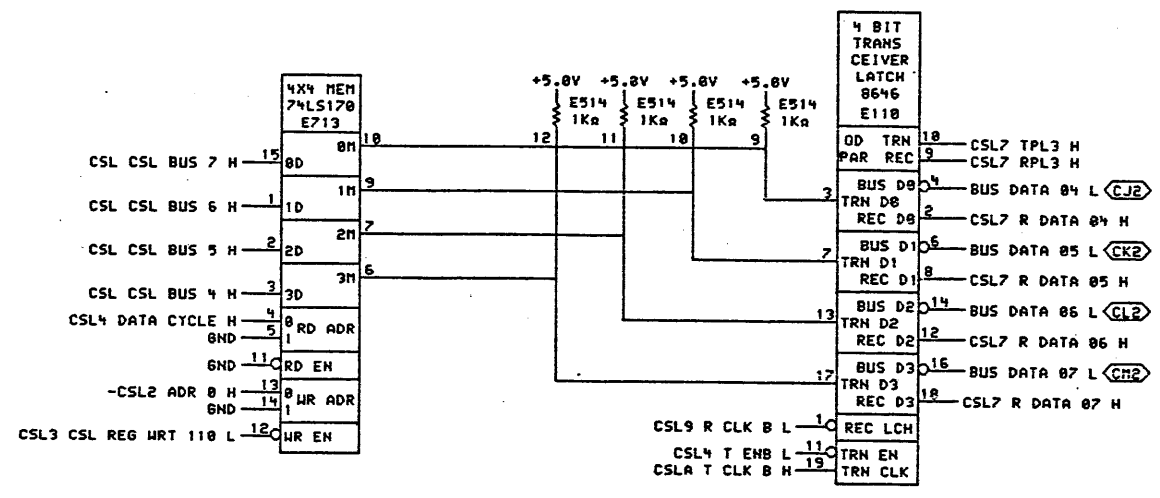
THIS DRAWING AND SPECIFICATIONS HEREIN ARE THE PROPERTY OF DIGITAL EQUIPMENT CORPORATION AND SHALL NOT BE REPRODUCED, COPIED OR USED IN WHOLE OR IN PART AS THE BASIS FOR THE MANUFACTURE OR SALE OF ITEMS WITHOUT WRITTEN PERMISSION. COPYRIGHT © 1979, DIGITAL EQUIPMENT CORPORATION

REVISIONS	
CHK	CHANGE NO. REV
MBG	6-MAO4 B1
R. GRADY	

DATE	15-APR-79	ENG	F. DOLL	DATE	2 MAY 78	TITLE	CONSOLE & CONTROL DATA PATH 1
CHK'D	D. O'DHAM	DATE	3 MAY 78	BOARD LOCATION	1A F18	SIZE	D CS
FIRST USED ON OPTION/MODEL:		K510		NEXT HIGHER ASSY:		NUMBER	M8616-0-CSL6

digital	DATE	15-APR-79	ENG	F. DOLL	DATE	2 MAY 78	TITLE	CONSOLE & CONTROL DATA PATH 1
CHK'D	D. O'DHAM	DATE	3 MAY 78	BOARD LOCATION	1A F18	SIZE	D CS	
FIRST USED ON OPTION/MODEL:		K510		NEXT HIGHER ASSY:		NUMBER	M8616-0-CSL6	

D
C
B
A



CHK	CHANGE NO.	REV

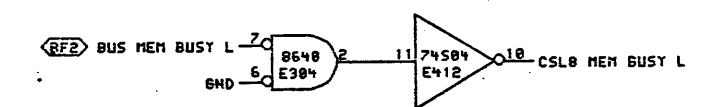
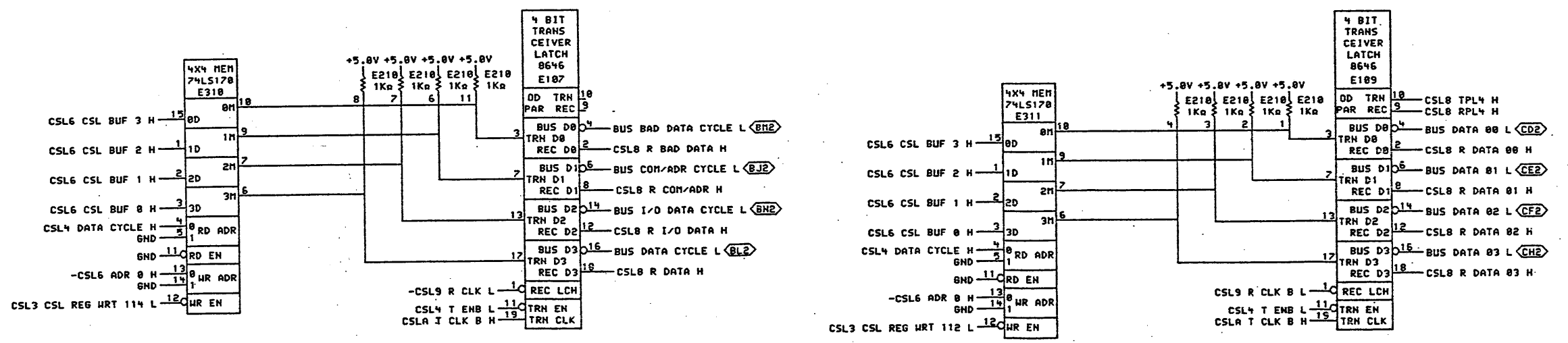
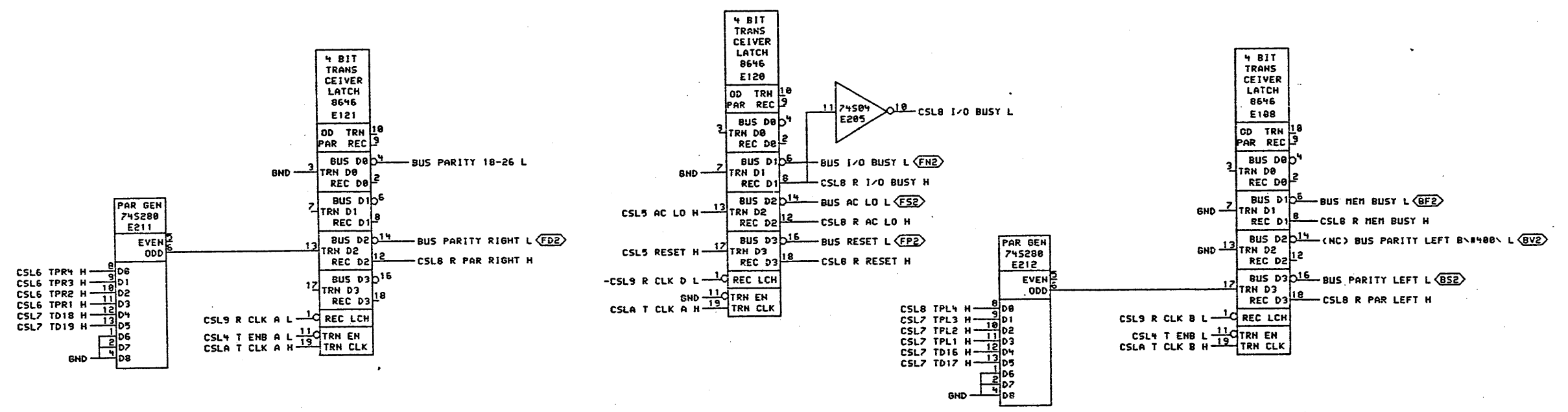
REVISIONS

THIS DRAWING AND SPECIFICATIONS HEREIN ARE THE PROPERTY OF DIGITAL EQUIPMENT CORPORATION AND SHALL NOT BE REPRODUCED OR COPIED OR USED IN WHOLE OR IN PART AS THE BASIS FOR THE MANUFACTURE OF ANY ITEMS WITHOUT WRITTEN PERMISSION. COPYRIGHT © 1979, DIGITAL EQUIPMENT CORPORATION.

digital
 DATE: 11-79
 CHK'D: D. OLDFHAM
 DATE: 12-79
 TITLE: CONSOLE CONTROL DATA PATH 2
 PS: (M8616)CSL7.DRM 127-APR-79 18:58 NEXT HIGHER ASSEMBLY: B-DD-M8616-0
 FIRST USED ON OPTION/MODEL: KS10
 SIZE: CODE: D CS
 NUMBER: M8616-0-CSL7
 REV: A1

REV. A1
 NUMBER M8616-0-CSL7
 SIZE D
 CS

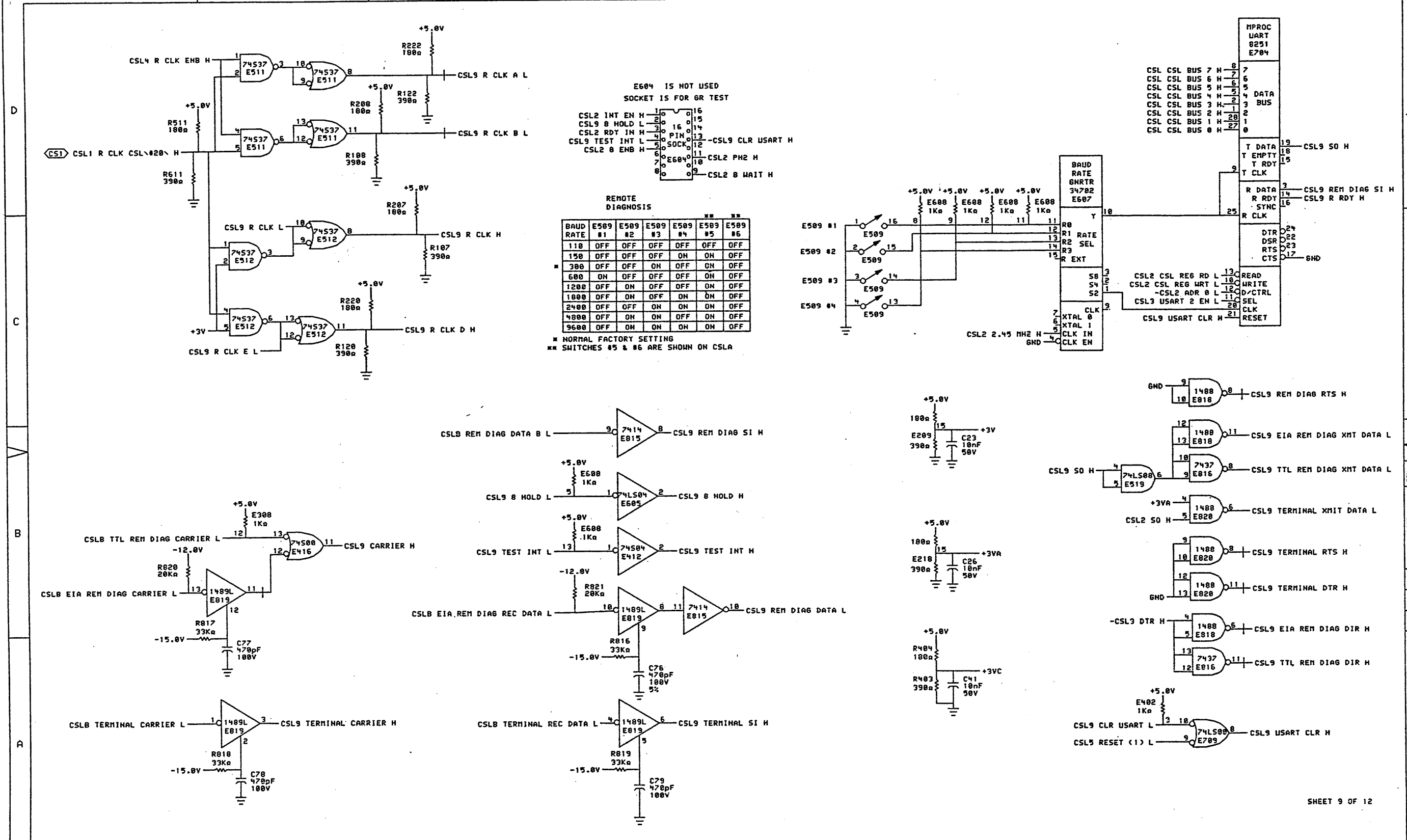
D
C
B
A



THIS DRAWING AND SPECIFICATIONS HEREIN ARE THE PROPERTY OF DIGITAL EQUIPMENT CORPORATION AND SHALL NOT BE REPRODUCED OR COPIED OR USED IN WHOLE OR IN PART AS THE BASIS FOR THE MANUFACTURE OR SALE OF ITEMS WITHOUT WRITTEN PERMISSION. COPYRIGHT © 1979, DIGITAL EQUIPMENT CORPORATION.

REV.	DATE	DESCRIPTION
1	11/16/74	INITIAL RELEASE
2	1/16/75	REVISED

digit	DATE ENH.	DATE	TITLE
	25 JUL-79	28 APR-78	CONSOLE CONTROL DATA PATH 3
D. OLDHAM	DATE BOARD LOCATIONS	DATE BOARD LOCATIONS	REV.
	20 APR-78	20 APR-78	A1
PS1 (M8616) CSL8 DRN	27-APR-79	11:02 JNEXI	HIGHER ASSEMBLY
FIRST USED ON OPTION/MODEL	KS10	B-DD-M8616-0	SIZE CODE NUMBER
			D CS M8616-0-CSL8



REV. C1
NUMBER M8616-0-CSL9
SIZE CODE CS
D

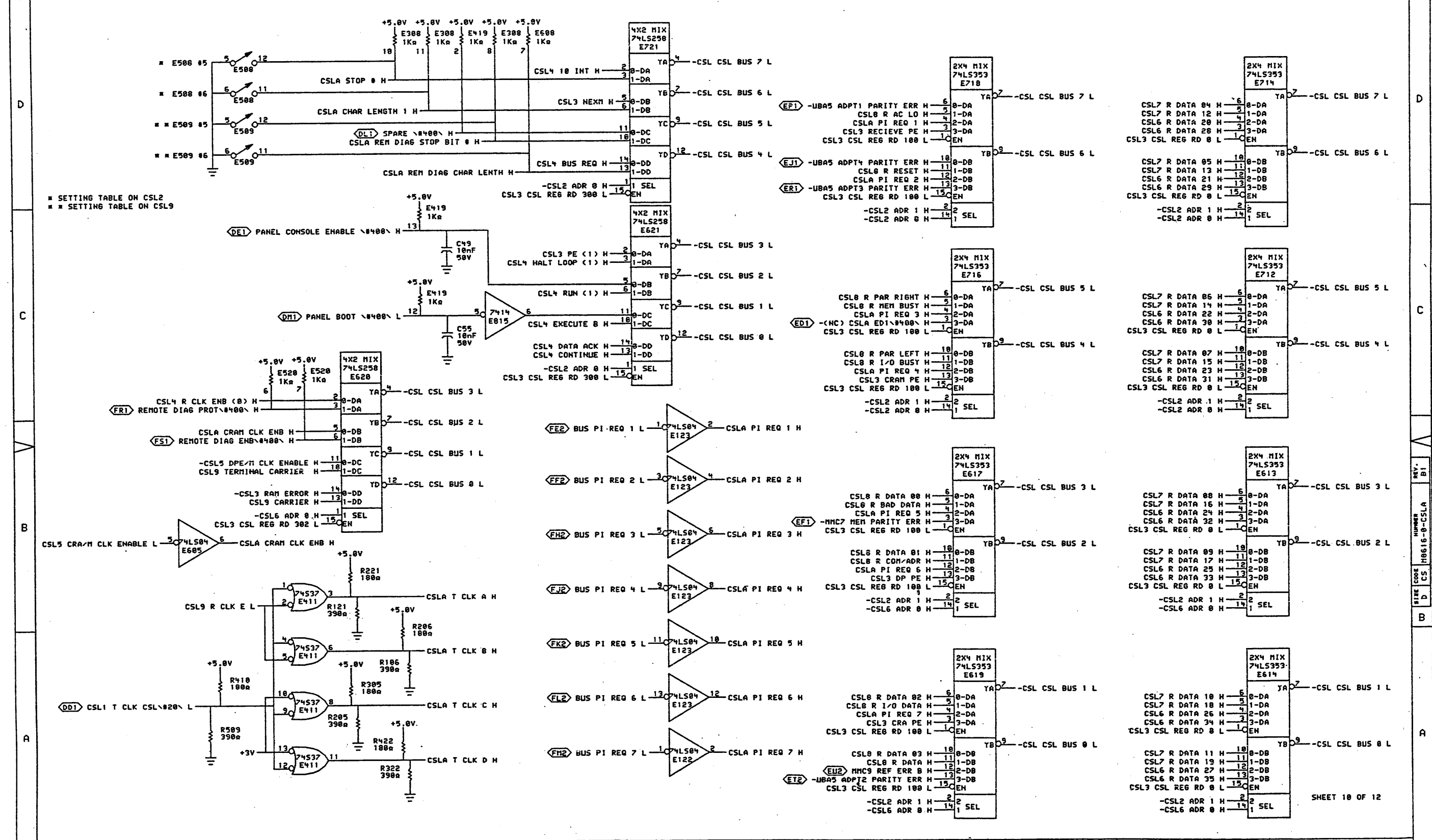
THIS DRAWING AND SPECIFICATIONS HEREIN ARE THE PROPERTY OF DIGITAL EQUIPMENT CORPORATION AND SHALL NOT BE REPRODUCED OR COPIED OR USED IN WHOLE OR IN PART AS THE BASIS FOR THE MANUFACTURE OR SALE OF ITEMS WITHOUT WRITTEN PERMISSION. COPYRIGHT © 1979 DIGITAL EQUIPMENT CORPORATION

REVISIONS

CHK	CHANGE NO.	BY	DATE

R. GRADY
 DATE: 11/12/79

digit@!	DATE: 11-29-79	ENG: H. POPE	DATE: 5 DEC 78	TITLE: CONSOLE & CONTROL
	DATE: 12-18-79	DATE: BOARD LOCATION: 1A F18	DATE: 1	REVISION: 1
PS: M8616-CSL9.DRW	27-APR-79 11:12	NEXT HIGHER ASSEMBLY: B-DD-M8616-0	SIZE CODE: D CS	NUMBER: M8616-0-CSL9
FIRST USED ON OPTION/MODEL: K510				REV. C1



SETTING TABLE ON CSL2
SETTING TABLE ON CSL9

REVISIONS

NO.	DESCRIPTION	DATE
1	CHK CHANGE NO. 1 REV	12-22-77
2	MB616-MRO4 BI	12-22-77
3	MB616-MRO4 BI	12-22-77

THIS DRAWING AND SPECIFICATIONS HEREIN ARE THE PROPERTY OF DIGITAL EQUIPMENT CORPORATION AND SHALL NOT BE REPRODUCED OR COPIED OR USED IN WHOLE OR IN PART FOR THE BASIS FOR THE MANUFACTURE OR SALE OF ITEMS WITHOUT WRITTEN PERMISSION. COPYRIGHT © 1979, DIGITAL EQUIPMENT CORPORATION.

DATE	19-JUL-79	DATE	2 MAY 78	TITLE	CONSOLE & CONTROL CPU CLK CONTROL
ENG.	F. DOLL	DATE	12-22-77	BOARD LOCATION	1A F18
CHK'D	W. STEPHENSON	DATE	12-22-77	REV.	B1
PSI (MB616)CSLA.DRW	127-APR-79 11115	NEXT HIGHER ASS'Y		SIZE	D
FIRST USED ON OPTION/MODEL	K510			REV.	B1

D

C

B

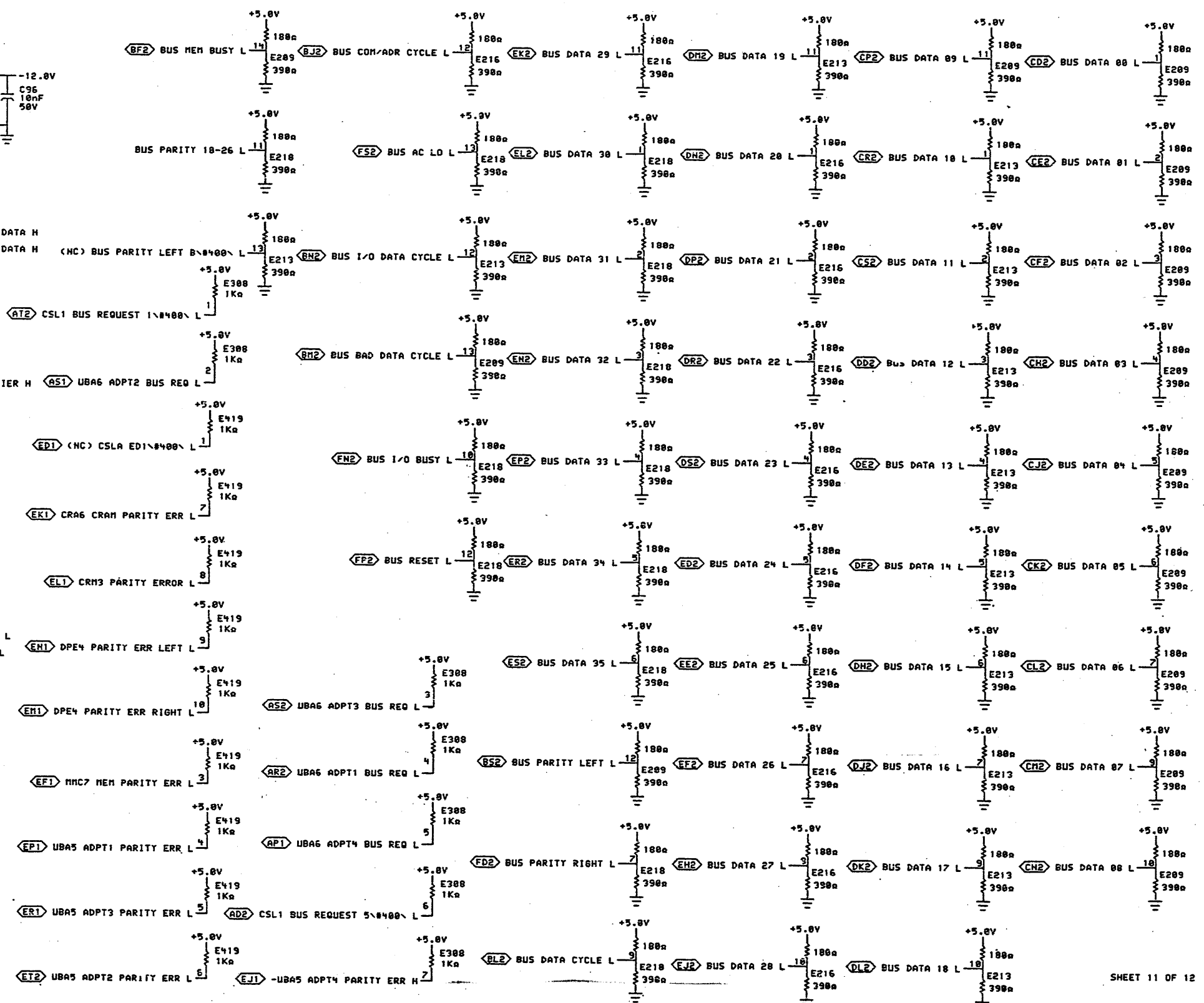
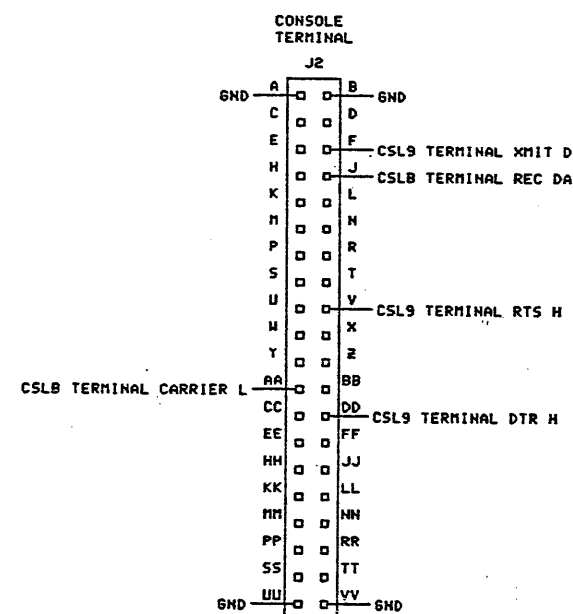
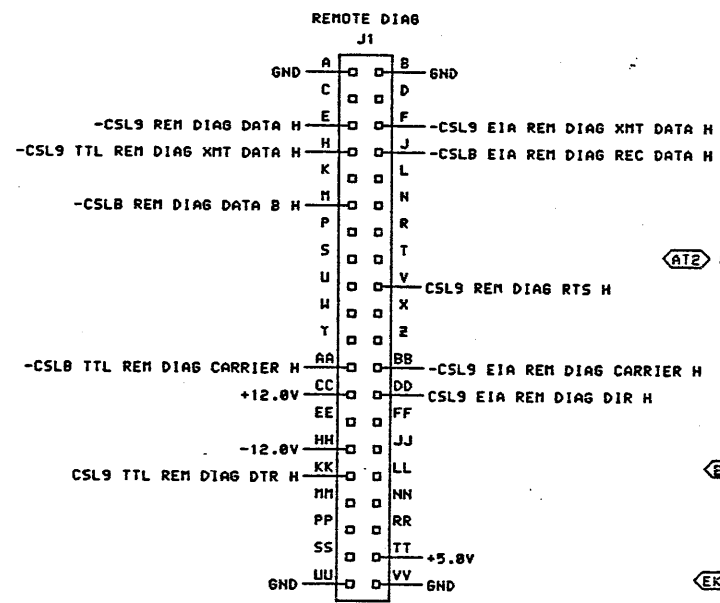
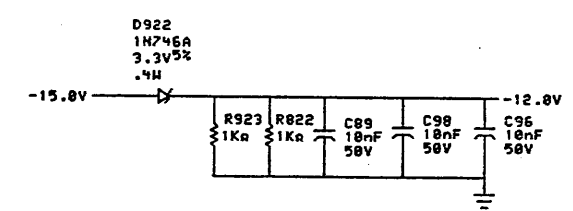
A

D

C

B

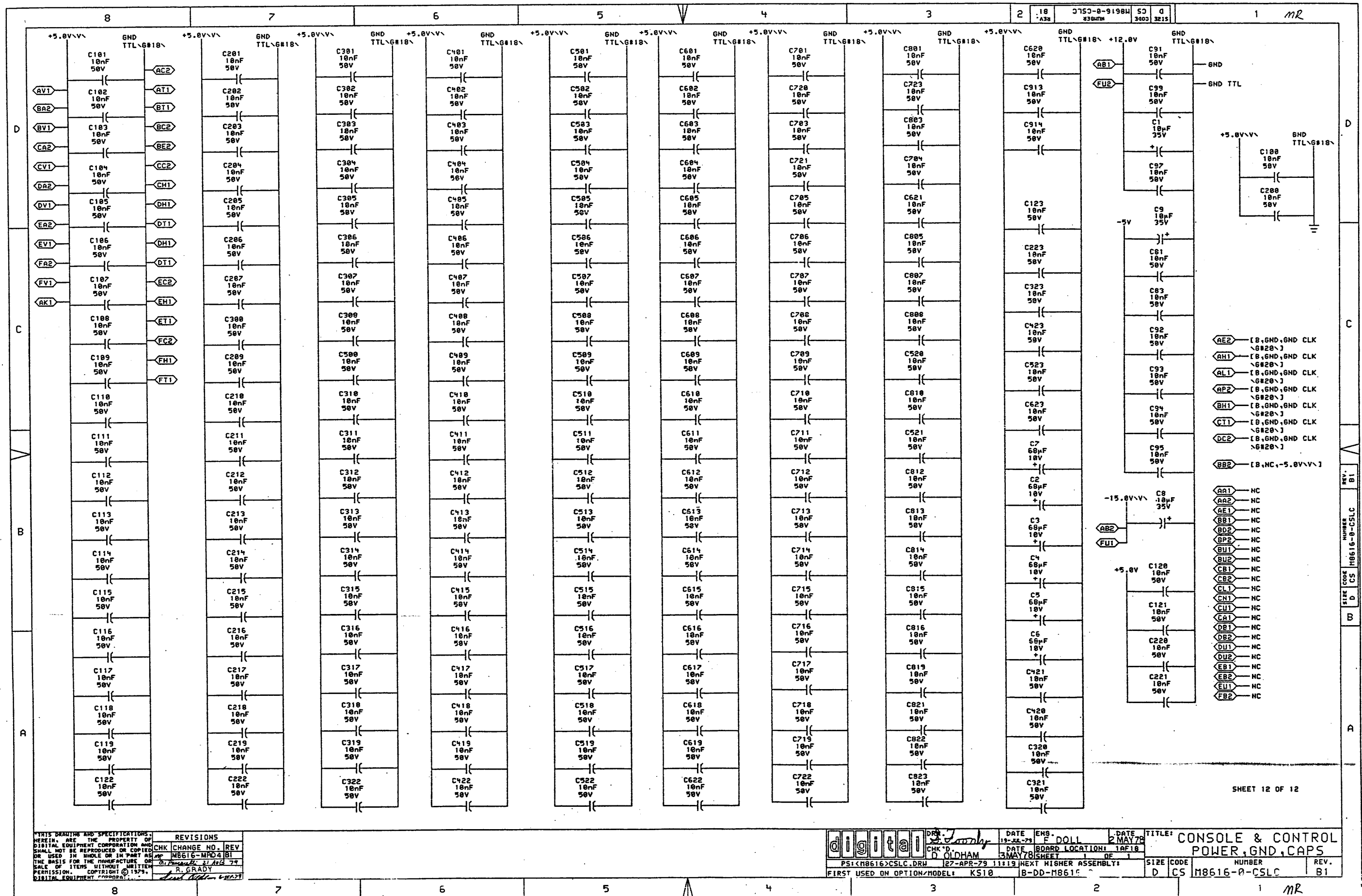
A



THIS DRAWING AND SPECIFICATIONS HEREIN ARE THE PROPERTY OF DIGITAL EQUIPMENT CORPORATION AND SHALL NOT BE REPRODUCED OR COPIED OR USED IN WHOLE OR IN PART AS THE BASIS FOR THE MANUFACTURE OR SALE OF ITEMS WITHOUT WRITTEN PERMISSION. COPYRIGHT © 1979, DIGITAL EQUIPMENT CORPORATION.

REVISIONS	
CHK	CHANGE NO. REV
RP	M8616-MPO4 B1
RP	8-11-77
RP	8-11-77

digital	DATE	19-JUL-77	ENG.	F. DOLL	DATE	2 MAY 76	TITLE	CONSOLE & CONTROL
	DESIGNED BY	D. OLDHAM	DATE	3 MAY 76	BOARD	1 OF 1	MISC	
FIRST USED ON OPTION/MODEL		KS10	NEXT HIGHER ASSEMBLY		B-DD-M8616-0		SIZE CODE	D CS
							NUMBER	M8616-0-CSLB
							REV.	B1



REVISIONS	
CHK	CHANGE NO. REV
MB616-MPD4	BI
MB616-MPD4	BI
R. GRADY	

digital DRW: J. J. J. DATE: 12-28-79
 E. DOLL DATE: 2 MAY 78
 D. OLDHAM DATE: 3 MAY 78
 PS1-MB616-C5LC-DRW 127-APR-79 11:19 NEXT HIGHER ASSEMBLY:
 FIRST USED ON OPTION/MODEL: KS10 B-DD-MB616

TITLE: CONSOLE & CONTROL POWER, GND, CAPS
 BOARD LOCATION: 1A18
 SHEET: 1 OF 1
 SIZE CODE: D CS NUMBER: MB616-0-C5LC REV.: B1

REV. BI
 MB616-0-C5LC
 CS D

DRAWING NO.	NO. OF SHTS.	PART NO.	DESCRIPTION	NOTE: FOR REV "C" SEE SHEET 2 REWORK VERSION	REVISIONS
			MODULE REVISION	A B B B1	
E-UA-M8618-Ø-Ø	7		MOS MEMORY CONTROL	A B B1 B2	
K-PL-M8618-Ø-DBP	2		PARTS LIST (M8618)	A B B1 B2	
D-CS-M8618-Ø-MM1	1		MEMORY CONTROL, SMIØ BUS	A A A1 A1	
D-CS-M8618-Ø-MM2	1		MEMORY CONTROL, ERROR CORRECTION	A A A1 A1	
D-CS-M8618-Ø-MM3	1		MEMORY CONTROL, ADDRESS MUX	A A A1 A1	
D-CS-M8618-Ø-MM4	1		MEMORY CONTROL, ECC GEN/CHK	A A A1 A1	
D-CS-M8618-Ø-MM5	1		MEMORY CONTROL, ERROR CORRECTION	A A A1 A2	
D-CS-M8618-Ø-MM6	1		MEMORY CONTROL, MOS DATA	A A A1 A1	
D-CS-M8618-Ø-MM7	1		MEMORY CONTROL, OUPUT MIX	A B B1 B1	
D-CS-M8618-Ø-MM8	1		MEMORY CONTROL, ADDRESS MATCH	A B B1 B1	
D-CS-M8618-Ø-MM9	1		MEMORY CONTROL, REFRESH LOGIC	A A A1 A1	
D-CS-M8618-Ø-MMCA	1		MEMORY CONTROL, CYCLE LOGIC	A B B1 B1	
D-CS-M8618-Ø-MMCB	1		MEMORY CONTROL, WRITE LOGIC	A B B1 B1	
D-CS-M8618-Ø-MMCC	1		MEMORY CONTROL, CLOCKS	A B B1 B1	
D-CS-M8618-Ø-MMCD	1		MEMORY CONTROL, POWER GND, CAPS	A B B1 B1	
E-MD-5013193-0-0	7		DRILL, WIRE & COMP SCREEN DRAWING	A A A A	
	-	5013193	MULTIWIRE BOARD	A A A A	
K-PC-M8618-Ø-DBC	1		MULTIWIRE DATA BASE	A A A A	
POO-M8618-ØØ	-		PROCESS SHEETS	REF - - -	

NOTES:

REVISIONS	
DATE	CHG NO.
	ORIG A
11 Aug 78	MRØØ1 B
13 Dec 78	MRØØ2 C
21 Feb 79	MRØØ3 D

"THIS DRAWING AND SPECIFICATIONS, HEREIN, ARE THE PROPERTY OF DIGITAL EQUIPMENT CORPORATION AND SHALL NOT BE REPRODUCED OR COPIED OR USED IN WHOLE OR IN PART AS THE BASIS FOR THE MANUFACTURE OR SALE OF ITEMS WITHOUT WRITTEN PERMISSION.

COPYRIGHT© 1978 DIGITAL EQUIPMENT CORPORATION



USED ON OPTION/MODEL KS1Ø	DRN. <i>J. O'Brien</i>	13-APR-78	TITLE MOS MEMORY CONTROL
	CHK'D <i>R.W. Counter</i>	130 Apr 78	
	ENG. <i>W. Bishop</i>	20 APR 78	SIZE CODE B DD
	PROD. <i>W. Bishop</i>	20 Apr 78	NUMBER M8618-Ø
			REV. D
			SHEET 1 OF 2

MR

DRAWING NO.	NO. OF SHTS.	PART NO.	DESCRIPTION	ETCH BOARD	REVISIONS
			MODULE REVISION	C C	
E-UA-M8618-Ø-Ø			MOS MEMORY CONTROL	C C	
K-PL-M8618-Ø-DBP			PARTS LIST M8618	C C	
D-CS-M8618-Ø-MMC1	1		MEMORY CONTROL, KS1Ø BUS	B B	
D-CS-M8618-Ø-MMC2	1		MEMORY CONTROL, ERROR CORRECTION	B B	
D-CS-M8618-Ø-MMC3	1		MEMORY CONTROL, ADDRESS MUX	B B	
D-CS-M8618-Ø-MMC4	1		MEMORY CONTROL, ECC GEN/CHK	B B	
D-CS-M8618-Ø-MMC5	1		MEMORY CONTROL, ERROR CORRECTION	B B	
D-CS-M8618-Ø-MMC6	1		MEMORY CONTROL, MOS DATA	B B	
D-CS-M8618-Ø-MMC7	1		MEMORY CONTROL, OUTPUT MIX	C C	
D-CS-M8618-Ø-MMC8	1		MEMORY CONTROL, ADDRESS MATCH	C C	
D-CS-M8618-Ø-MMC9	1		MEMORY CONTROL, REFRESH LOGIC	B B	
D-CS-M8618-Ø-MMCA	1		MEMORY CONTROL, CYCLE LOGIC	C C	
D-CS-M8618-Ø-MMCB	1		MEMORY CONTROL, WRITE LOGIC	C C	
D-CS-M8618-Ø-MMCC	1		MEMORY CONTROL, CLOCKS	C C	
D-CS-M8618-Ø-MMCD	1		MEMORY CONTROL, POWER, GND, CAPS	C C	
E-MD-5013193-0-0			DRILL & ETCH DRAWING	B B	
		5013193	ETCHED CIRCUIT BOARD	B B	
K-PC-M8618-Ø-DBC	-		P.C. DESIGN DATA BASE	B B	
POO-M8618-00	-		PROCESS SHEETS	REF-	

NOTES:

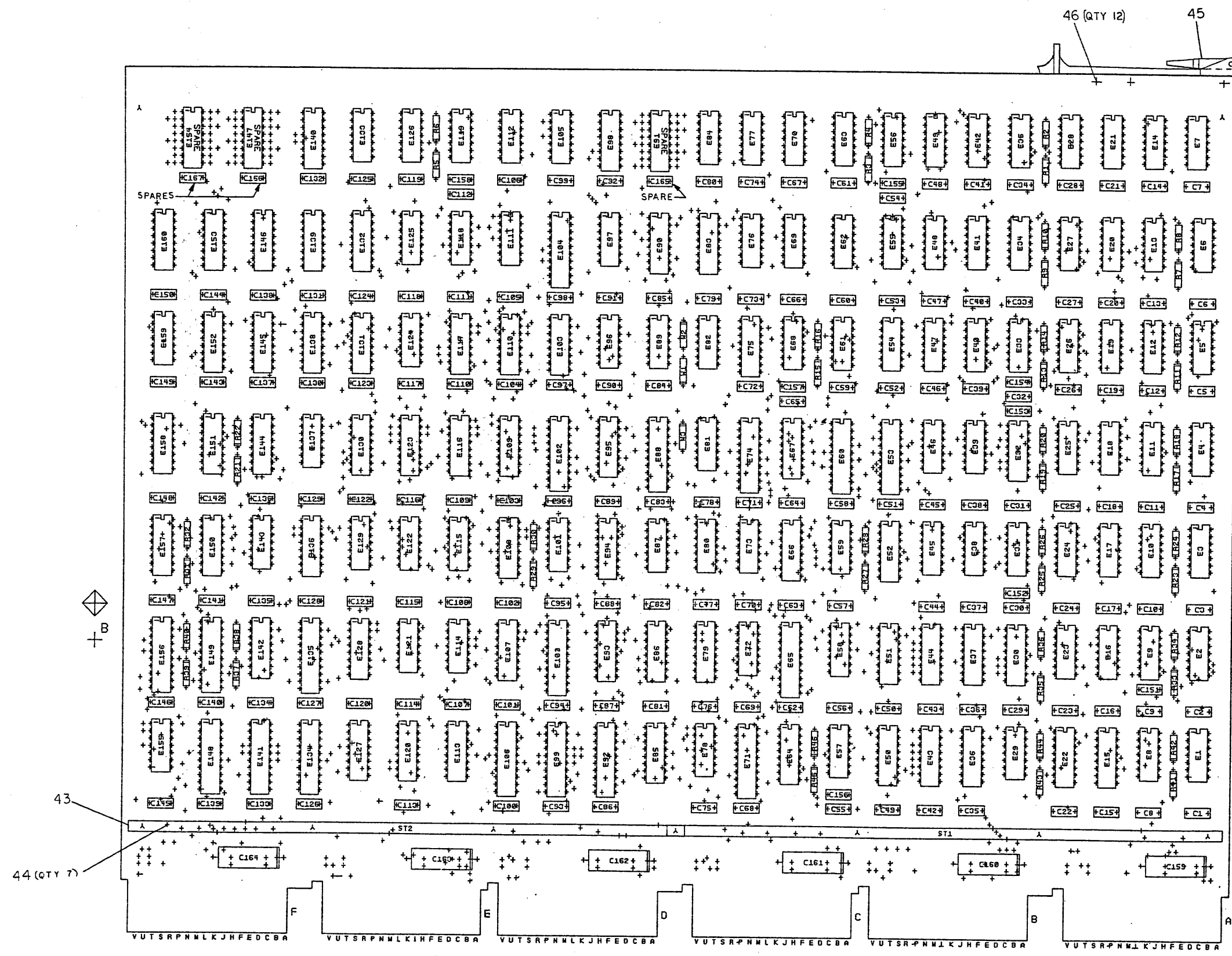
REVISIONS	DATE	CHG NO.	REV.
	10/78	MR002	C
	2/28/79	MR003	D

"THIS DRAWING AND SPECIFICATIONS, HEREIN, ARE THE PROPERTY OF DIGITAL EQUIPMENT CORPORATION AND SHALL NOT BE REPRODUCED OR COPIED OR USED IN WHOLE OR IN PART AS THE BASIS FOR THE MANUFACTURE OR SALE OF ITEMS WITHOUT WRITTEN PERMISSION.
COPYRIGHT © 1978 DIGITAL EQUIPMENT CORPORATION



USED ON OPTION/MODEL	DRN. D. OLDHAM	3APR78	TITLE MOS MEMORY CONTROL			
KS1Ø	CHK'D R.W. CAUNTER	13APR78				
	ENG. D. OLDHAM	20APR78	SIZE B	CODE DD	NUMBER M8618-Ø	REV. D
	PROD. W. BISHOP	20APR78	SHEET 2 OF 2			

MR

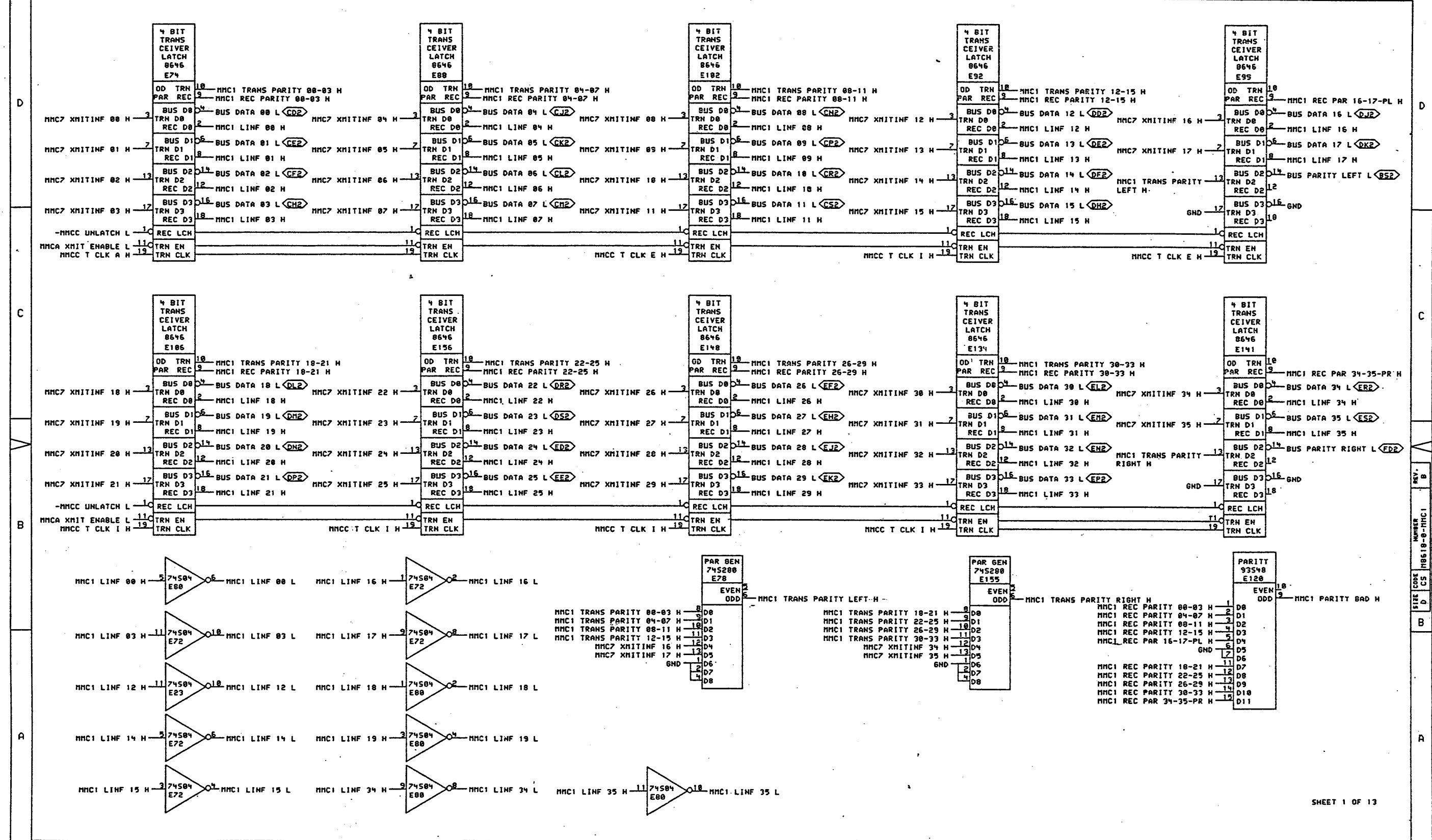


THE ABOVE BOARD IS A STANDARD BOARD FOR THE
 MEMORY CONTROL UNIT. IT IS NOT TO BE
 MODIFIED IN ANY MANNER WITHOUT THE
 APPROVAL OF THE DESIGN ENGINEER.
 ALL DIMENSIONS ARE IN INCHES UNLESS
 OTHERWISE SPECIFIED.

SIGNATURES	DATE	digital
DRN. J. J. J.	1/1/77	
CHK. J. J. J.	1/1/77	
ENG. J. J. J.	1/1/77	
PROG. J. J. J.	1/1/77	
SCALE 1/1	1/1	
TITLE MEMORY CONTROL		REV. 0
PART NUMBER 16618-0-0		REV. 0
NEXT HIGHER ASSY. 8-00-16618-0		REV. 0
P.C. DESIGN DATA DATE REV.		REV. 0

CHANGE NO. REV.	DATE	BY	REASON
1	1/1/77	J. J. J.	INITIAL DESIGN
2	1/1/77	J. J. J.	REVISION
3	1/1/77	J. J. J.	REVISION
4	1/1/77	J. J. J.	REVISION
5	1/1/77	J. J. J.	REVISION
6	1/1/77	J. J. J.	REVISION
7	1/1/77	J. J. J.	REVISION
8	1/1/77	J. J. J.	REVISION
9	1/1/77	J. J. J.	REVISION
10	1/1/77	J. J. J.	REVISION

NOTES: FOR DRAWING DIRECTORY REFER TO:
 1. UNLESS OTHERWISE SPECIFIED, THE
 FOLLOWING PIN NUMBER APPLY:
 PACKAGE TYPE 14 16 18 20 24 28
 I. PIN DIP 14 16 18 20 24 28
 II. PIN DIP 14 16 18 20 24 28
 III. PIN DIP 14 16 18 20 24 28
 IV. PIN DIP 14 16 18 20 24 28



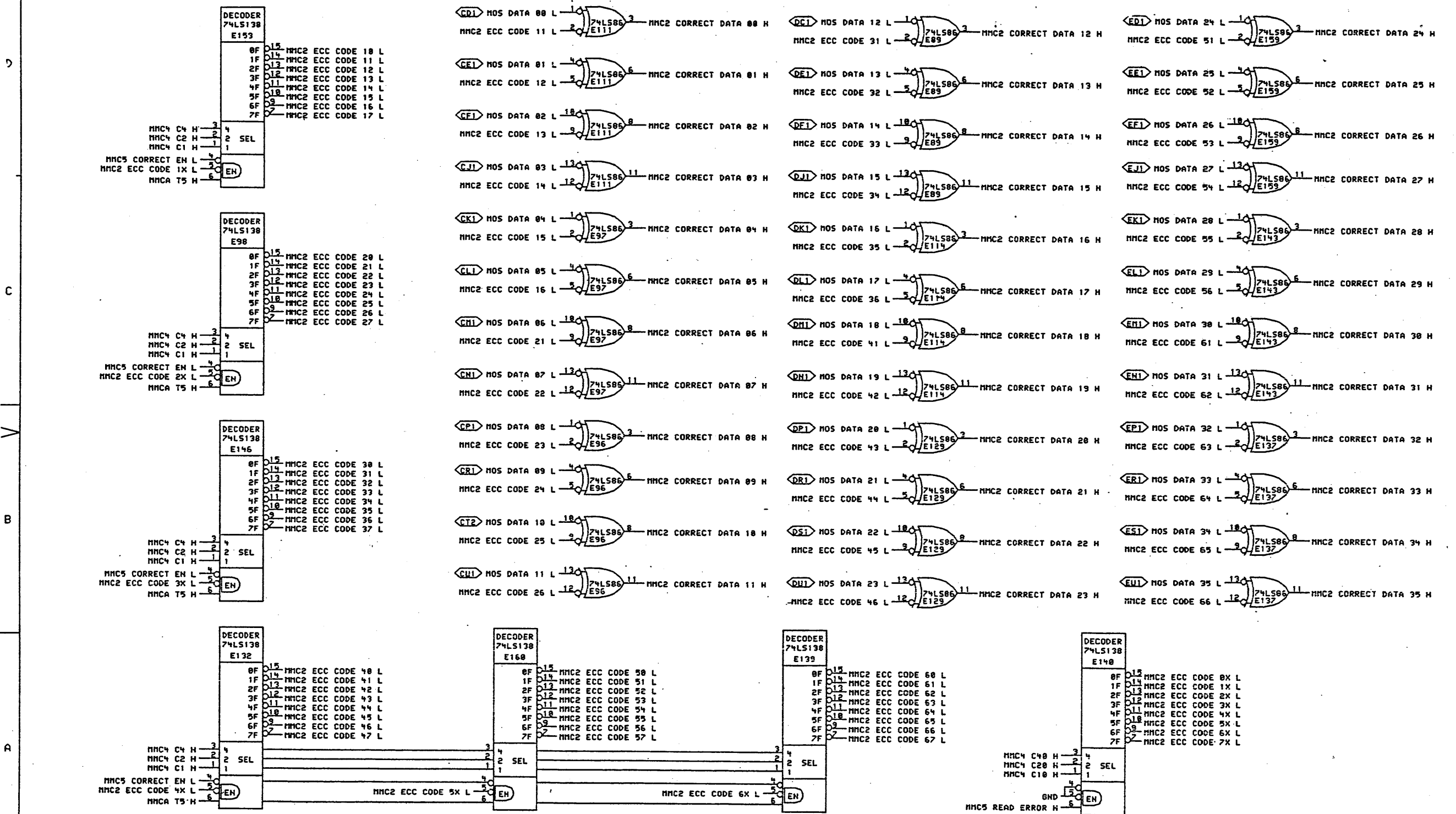
THIS DRAWING AND SPECIFICATIONS HEREBY ARE THE PROPERTY OF DIGITAL EQUIPMENT CORPORATION AND SHALL NOT BE REPRODUCED OR COPIED OR USED IN WHOLE OR IN PART AS THE BASIS FOR THE MANUFACTURE OR SALE OF ITEMS WITHOUT WRITTEN PERMISSION. COPYRIGHT © 1979, DIGITAL EQUIPMENT CORPORATION.

REVISIONS
CHK CHANGE NO. REV
10/11/78 M8618-MC02 A
10/11/78 M8618-MC02 A
10/11/78 M8618-MC02 A

DATE	ENG.	DATE	TITLE
30-OCT-78	J. Pease	11/3/78	MEMORY CONTROL
DATE	BOARD LOCATION	SHEET	OF
3-NOV-78	1A-E89	1	1
PUB1<M8618>MMC1.DRW	04-OCT-78 10:13	NEXT HIGHER ASSEMBLY:	SIZE CODE
FIRST USED ON OPTION/MODEL:	KS10	B-DD-M8618-0	D C5 M8618-0-MMC1

NUMBER	REV.
1	B

REV. B
NUMBER M8618-0-MMC1
SIZE CODE D C5

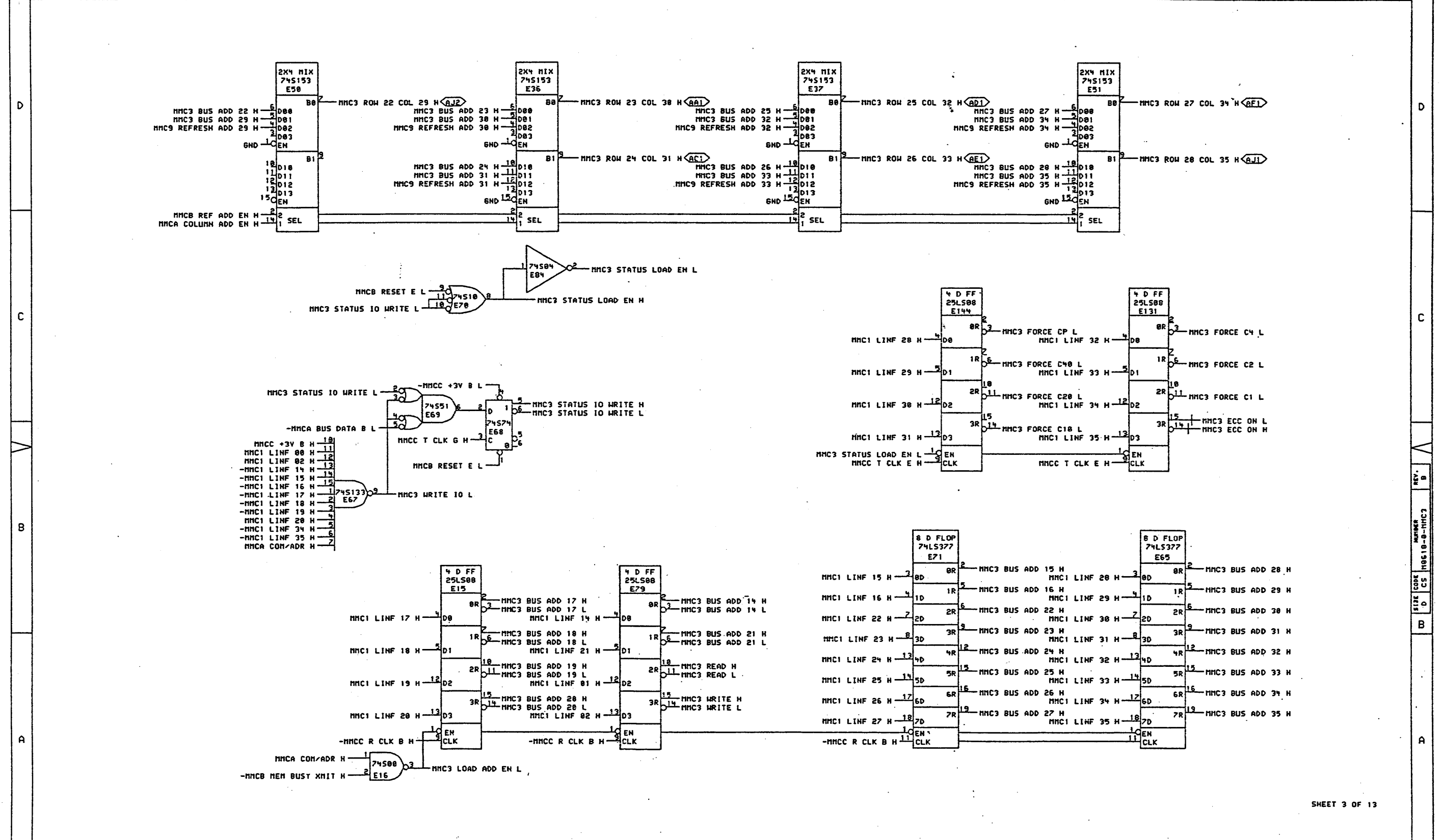


SHEET 2 OF 13

THIS DRAWING AND SPECIFICATIONS, HEREIN, ARE THE PROPERTY OF DIGITAL EQUIPMENT CORPORATION AND SHALL NOT BE REPRODUCED OR COPIED OR USED IN WHOLE OR IN PART AS THE BASIS FOR THE MANUFACTURE OR SALE OF ITEMS WITHOUT WRITTEN PERMISSION. COPYRIGHT © 1979, DIGITAL EQUIPMENT CORPORATION.

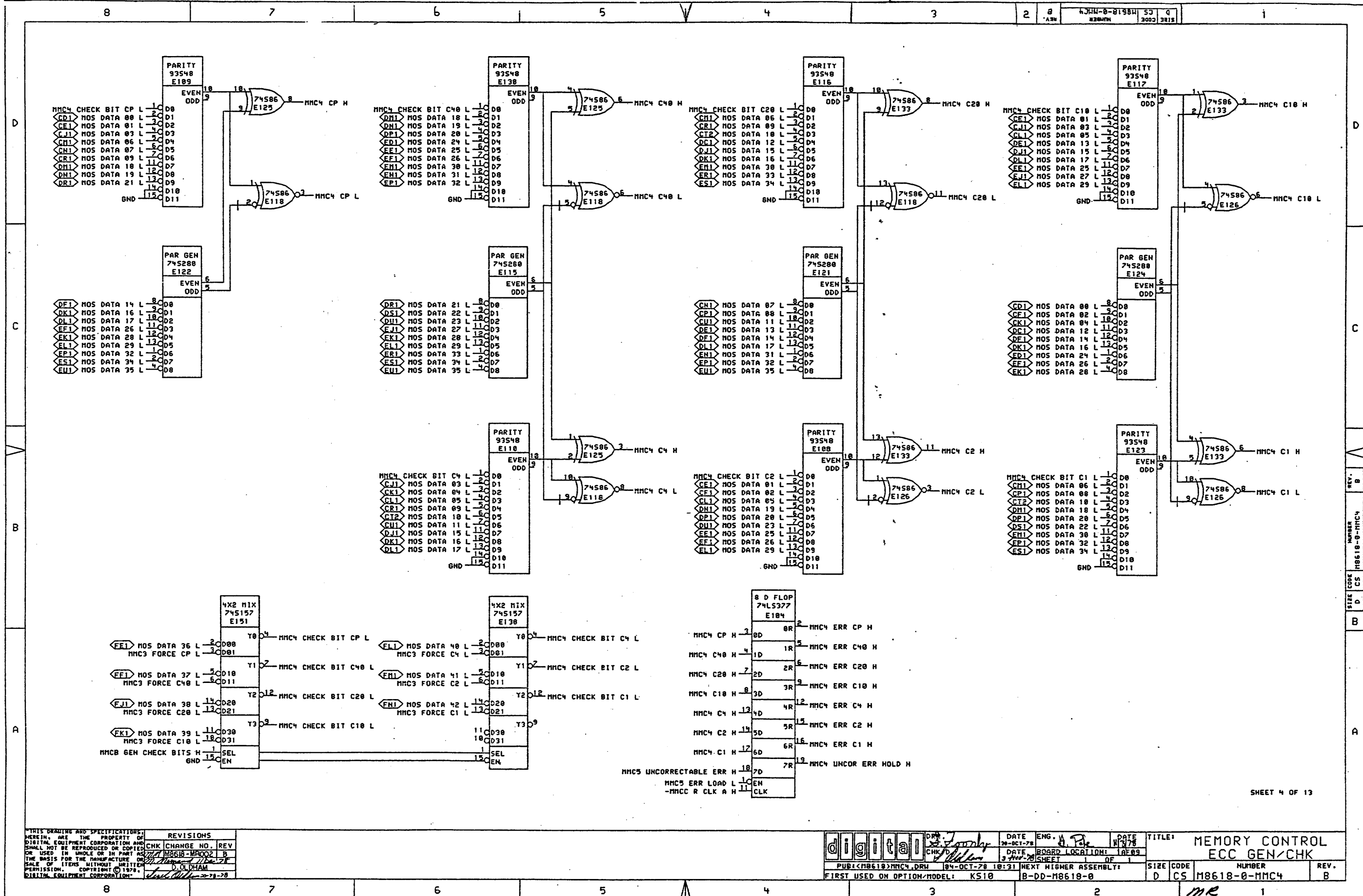
REV.	CHG	CHANGE NO.	REV
1			

digital	DRN. <i>J. J. J.</i>	DATE 28-OCT-78	ENG. <i>H. P.</i>	DATE 11-3-78	TITLE: MEMORY CONTROL ERROR CORRECTION
	CHK'D <i>W. J.</i>	DATE 10-4-OCT-78	BOARD LOCATION: 1A8B3	SHEET 1 OF 1	SIZE CODE NUMBER REV. D CS M8618-0-MMC2 B
FIRST USED ON OPTION/MODEL: K510			NEXT HIGHER ASSEMBLY: B-DD-M8618-0		



THIS DRAWING AND SPECIFICATIONS ARE THE PROPERTY OF DIGITAL EQUIPMENT CORPORATION AND SHALL NOT BE REPRODUCED OR COPIED OR USED IN WHOLE OR IN PART AS THE BASIS FOR THE MANUFACTURE OR SALE OF ITEMS WITHOUT WRITTEN PERMISSION. COPYRIGHT © 1978, DIGITAL EQUIPMENT CORPORATION.	REVISIONS CHK CHANGE NO. REV 1111 M8618-MRCO2 B 11/15/78 U. OLIPHANT DATE: 11/15/78		digital DATE: 10/27/78 TIME: 18:21 FIRST USED GH OPTION/MODEL: KS10		DATE: 11/3/78 BOARD LOCATION: 18F03 SHEET: 1 NEXT HIGHER ASSEMBLY: B-DD-M8618-0		TITLE: MEMORY CONTROL ADDRESS MUX SIZE CODE: D CS NUMBER: M8618-0-MMC3 REV. B	

MR

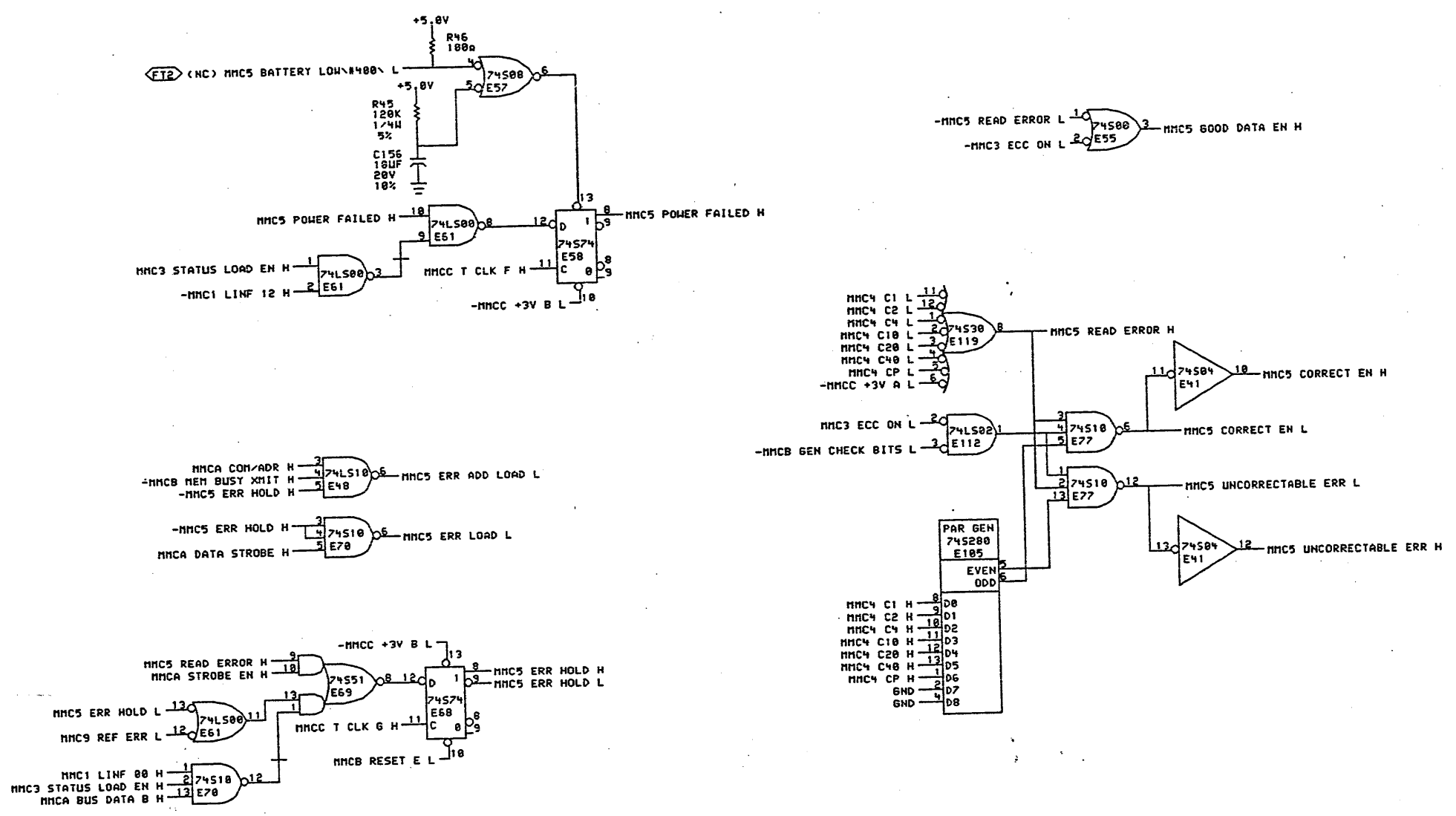


THIS DRAWING AND SPECIFICATIONS ARE THE PROPERTY OF DIGITAL EQUIPMENT CORPORATION AND SHALL NOT BE REPRODUCED OR COPIED OR USED IN WHOLE OR IN PART AS THE BASIS FOR THE MANUFACTURE OR SALE OF ITEMS WITHOUT WRITTEN PERMISSION. COPYRIGHT © 1978, DIGITAL EQUIPMENT CORPORATION.

REVISIONS	
CHK	CHANGE NO. REV
1	M8618-MPC02 B
2	D. O. DHAM
3	10-28-78

digital	DATE	26-OCT-78	ENG.	A. Pale	DATE	11-78	TITLE	MEMORY CONTROL
	CHK'D	3 Nov 78	BOARD LOCATION	1A889	SHEET	OF 1	NUMBER	M8618-0-MNC4
PUB1 (M8618)MNC4.DRW		184-OCT-78 10:31	NEXT HIGHER ASSEMBLY	B-DD-M8618-0	SIZE CODE	D C5	REV.	B
FIRST USED ON OPTION/MODEL:		K510						

MR 1



- MNC4 C1 L 11
- MNC4 C2 L 12
- MNC4 C4 L 2
- MNC4 C10 L 3
- MNC4 C20 L 4
- MNC4 C40 L 5
- MNC4 CP L 6
- MMCC +3V A L 8
- MNC3 ECC ON L 2
- MMCB GEN CHECK BITS L 3
- MNC4 C1 H 8
- MNC4 C2 H 9
- MNC4 C4 H 10
- MNC4 C10 H 11
- MNC4 C20 H 12
- MNC4 C40 H 13
- MNC4 CP H 1
- GND 2
- GND 4

SHEET 5 OF 13

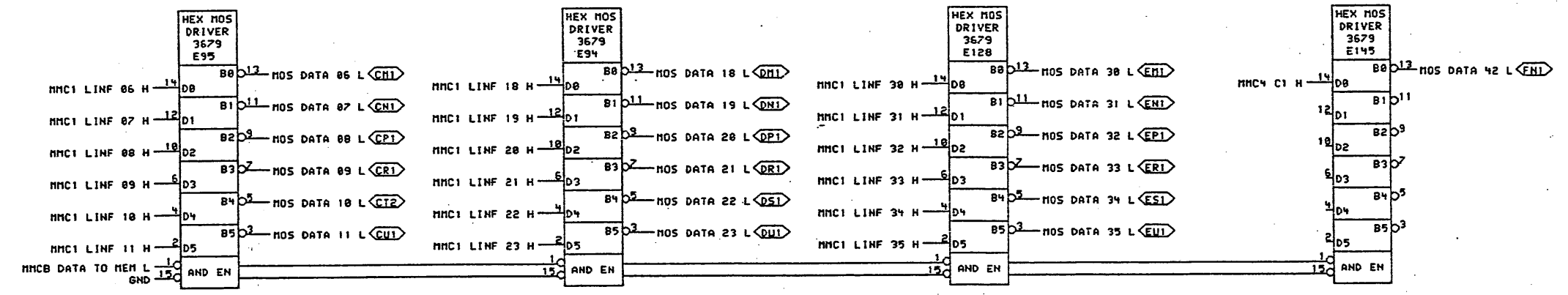
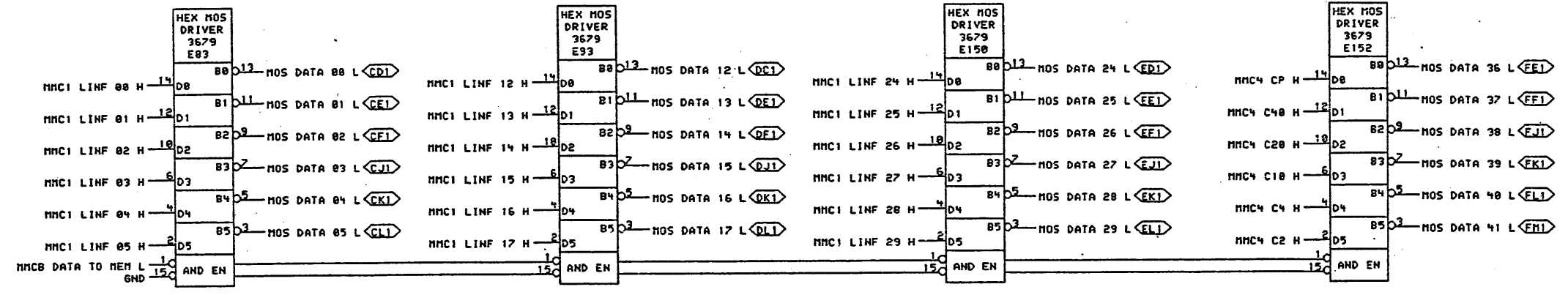
THIS DRAWING AND SPECIFICATIONS HEREIN ARE THE PROPERTY OF DIGITAL EQUIPMENT CORPORATION AND SHALL NOT BE REPRODUCED OR COPIED OR USED IN WHOLE OR IN PART AS THE BASIS FOR THE MANUFACTURE OR SALE OF ITEMS WITHOUT WRITTEN PERMISSION. COPYRIGHT © 1978, DIGITAL EQUIPMENT CORPORATION.

REVISIONS	
CHK	CHANGE NO. REV
M8618-MC002	B
M8618-MC002	B

digital	DATE 30-OCT-78	ENG. H. Pate	DATE 11/3/78	TITLE: MEMORY CONTROL ERROR CORRECTION
	DATE 11-OCT-78	BOARD LOCATION: 1A09	SHEET 1 OF 1	SIZE CODE NUMBER REV.
	PUB: M8618-MC5.DRW	11-OCT-78 11135	NEXT HIGHER ASSEMBLY: B-DD-M8618-0	D CS M8618-0-MMC5 B

FIRST USED ON OPTION/MODEL: KS10

me 1



THIS DRAWING AND SPECIFICATIONS HEREIN ARE THE PROPERTY OF DIGITAL EQUIPMENT CORPORATION AND SHALL NOT BE REPRODUCED OR COPIED OR USED IN WHOLE OR IN PART AS THE BASIS FOR THE MANUFACTURE OR SALE OF ITEMS WITHOUT WRITTEN PERMISSION. COPYRIGHT © 1978. DIGITAL EQUIPMENT CORPORATION

REVISIONS		
CHK	CHANGE NO.	REV
	M8618-MR002	B

digital	DRG. <i>J. Smith</i>	DATE 28-OCT-78	ENG. <i>J. Smith</i>	DATE 11-1-78	TITLE: MEMORY CONTROL MOS DATA
	CHK'D <i>J. Miller</i>	DATE 3-Nov-78	BOARD LOCATION: 1AF89	SHEET 1 OF 1	NUMBER
PUB: (M8618)MNC6.DRW 84-OCT-78 10:32			NEXT HIGHER ASSEMBLY: B-DD-M8618-8	SIZE CODE D CS	REV. B
FIRST USED ON OPTION/MODEL: KS10					

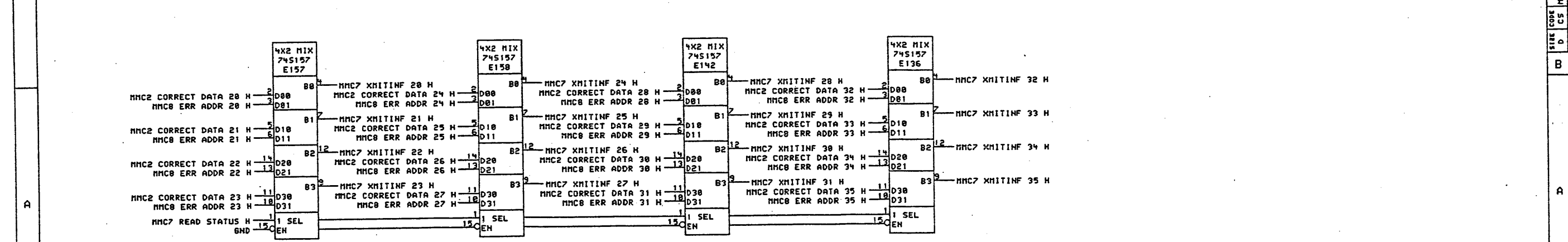
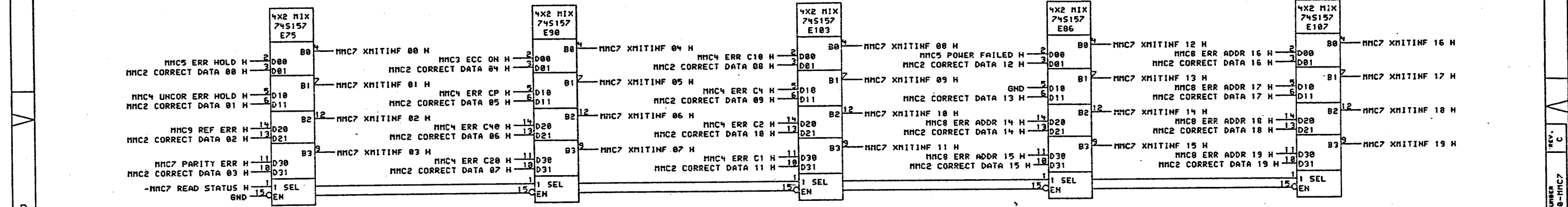
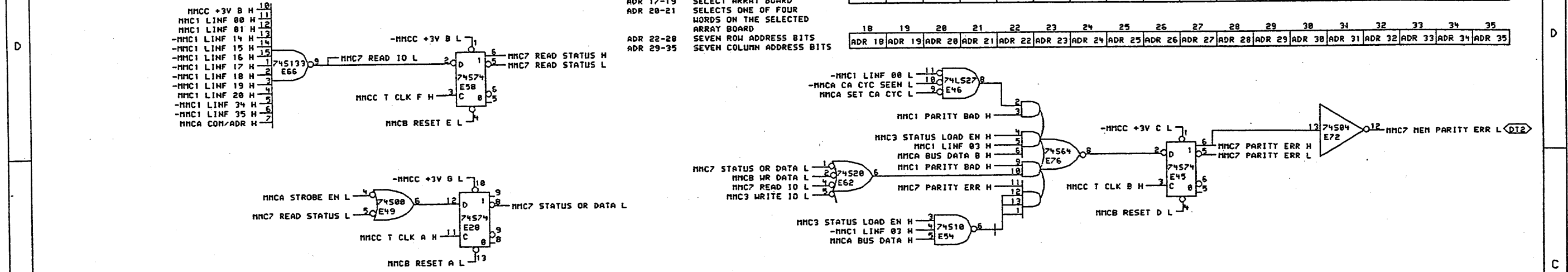
REV. B
 NUMBER M8618-0-MNC6
 SIZE CODE CS
 D B

MEMORY STATUS REGISTER (I/O ADR 100000)

00	01	02	03	04	05	06	07	08	09	10	11	12	13	14	15	16	17
HOLD	BAD D	R ERR	P ERR	ECCON	CP	C40	C20	C10	C04	C02	C01	P FAIL	B	ADR 14	ADR 15	ADR 16	ADR 17

18	19	20	21	22	23	24	25	26	27	28	29	30	31	32	33	34	35
ADR 18	ADR 19	ADR 20	ADR 21	ADR 22	ADR 23	ADR 24	ADR 25	ADR 26	ADR 27	ADR 28	ADR 29	ADR 30	ADR 31	ADR 32	ADR 33	ADR 34	ADR 35

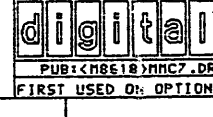
NOTE: ADR 14-16 SELECT CONTROLLER
 ADR 17-19 SELECT ARRAY BOARD
 ADR 20-21 SELECTS ONE OF FOUR WORDS ON THE SELECTED ARRAY BOARD
 ADR 22-28 SEVEN ROW ADDRESS BITS
 ADR 29-35 SEVEN COLUMN ADDRESS BITS



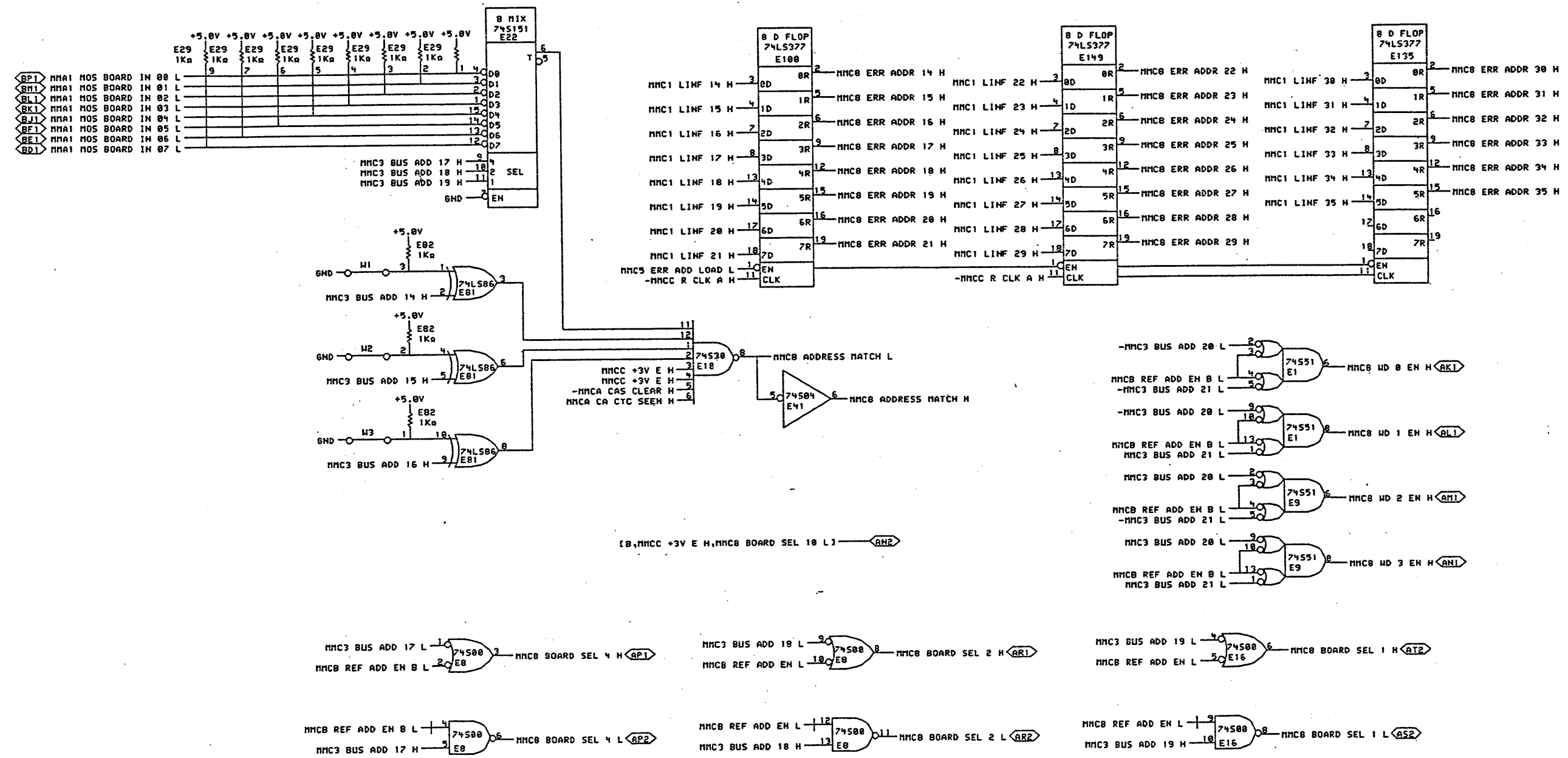
THIS DRAWING AND SPECIFICATIONS HEREIN ARE THE PROPERTY OF DIGITAL EQUIPMENT CORPORATION AND SHALL NOT BE REPRODUCED OR COPIED OR USED IN WHOLE OR IN PART AS THE BASIS FOR THE MANUFACTURE OR SALE OF ITEMS WITHOUT WRITTEN PERMISSION. COPYRIGHT © 1974, DIGITAL EQUIPMENT CORPORATION.

REV.	CHG	NO.	REV
1	1	1	1
2	1	1	1

DATE	ENG.	DATE	TITLE:
01-NOV-78	K. Pate	11/13/78	MEMORY CONTROL OUTPUT MIX
DATE	BOARD LOCATION:	SHEET	OF
02-NOV-78	18F09	1	1
PUB:	DRW	DATE	NEXT HIGHER ASSEMBLY:
M8618-MMC7	DRW	01-NOV-78 13:31	B-DD-M8618-0
FIRST USED ON:	OPTION/MODEL:		
	KS10		



SIZE	CODE	NUMBER	REV.
D	CS	M8618-0-MMC7	C



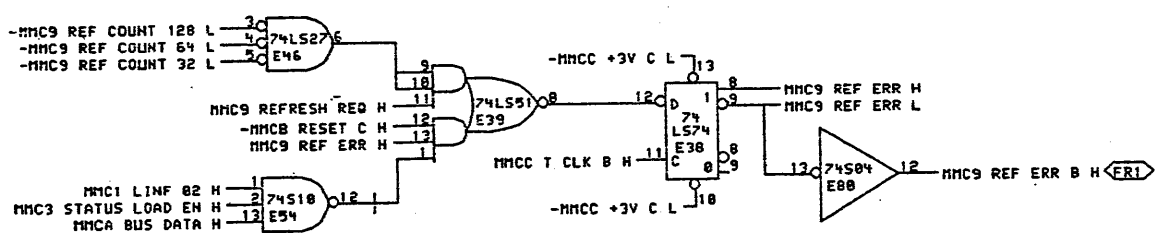
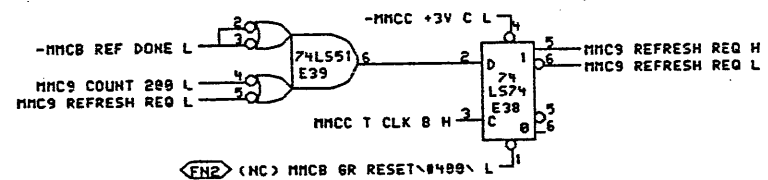
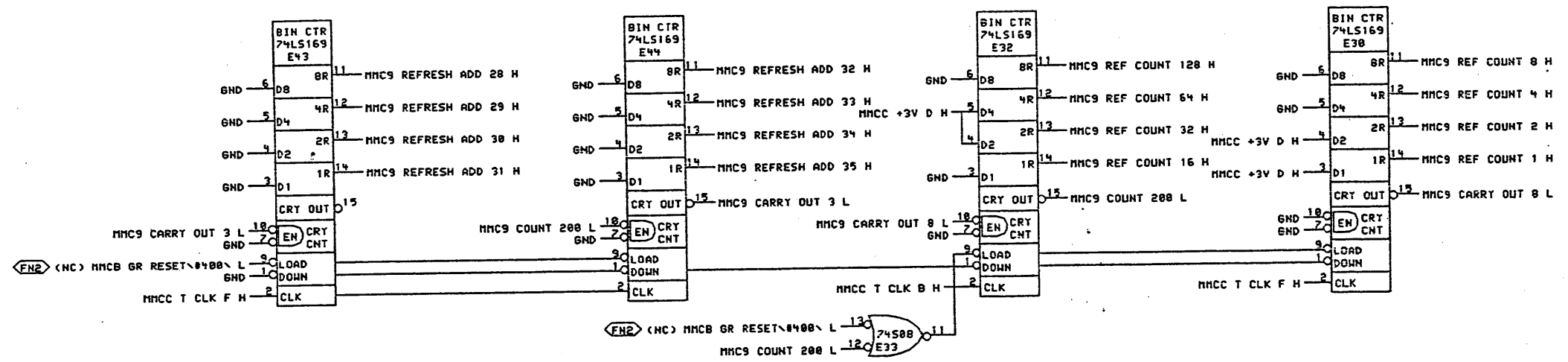
[B, MMCC +3V E H, MNCB BOARD SEL 10 L] — GND

THIS DRAWING AND SPECIFICATIONS, HEREIN, ARE THE PROPERTY OF DIGITAL EQUIPMENT CORPORATION AND SHALL NOT BE REPRODUCED OR COPIED OR USED IN WHOLE OR IN PART AS THE BASIS FOR THE MANUFACTURE OR SALE OF ITEMS WITHOUT WRITTEN PERMISSION. COPYRIGHT © 1978, DIGITAL EQUIPMENT CORPORATION.

REV.	CHG.	NO.	DATE
1	1	1	11/27/78
2	1	1	11/27/78

REV.	CHG.	NO.	DATE
1	1	1	11/27/78
2	1	1	11/27/78

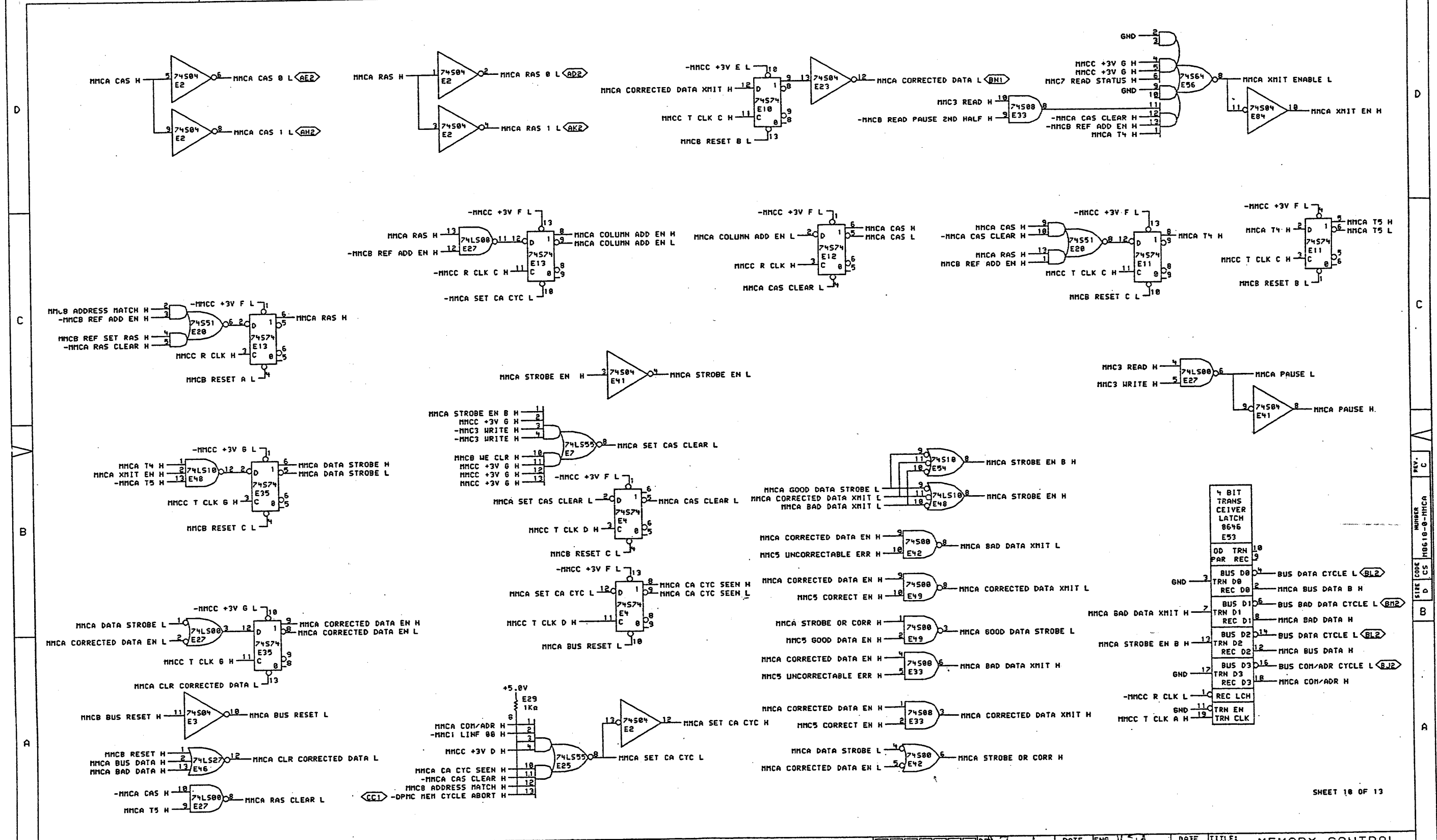
digit@l	DATE: 28-OCT-78	ENG: J. J. J.	DATE: 11/3/78	TITLE: MEMORY CONTROL ADDRESS MATCH
PUB: M8618-MMCB.DRW	04-OCT-78 10:33	NEXT HIGHER ASSEMBLY:	SIZE CODE: D CS	NUMBER: M8618-0-MMCB
FIRST USED ON OPTION MODEL: K510	B-DD-M8618-0		REV. C	



THIS DRAWING AND SPECIFICATIONS ARE THE PROPERTY OF DIGITAL EQUIPMENT CORPORATION AND SHALL NOT BE REPRODUCED OR COPIED OR USED IN WHOLE OR IN PART AS THE BASIS FOR THE MANUFACTURE OR SALE OF ITEMS WITHOUT WRITTEN PERMISSION. COPYRIGHT © 1974, DIGITAL EQUIPMENT CORPORATION.

REVISIONS	
CHK	CHANGE NO. REV
	M8618-MR003 B
	D. OLDHAM

digital	DRN. J. J. J.	DATE 28-OCT-78	ENG. J. J. J.	DATE 11-3-78	TITLE: MEMORY CONTROL REFRESH LOGIC
	CHK. J. J. J.	DATE 3-MAR-78	BOARD LOCATION: 1A6B9	SHEET 1 OF 1	
PUBI<M8618>MMC9.DRM		184-OCT-78 18:34	NEXT HIGHER ASSEMBLY: B-DD-M8618-0	SIZE CODE D CS	NUMBER M8618-0-MMC9
FIRST USED ON OPTION/MODEL: KS10				REV. B	



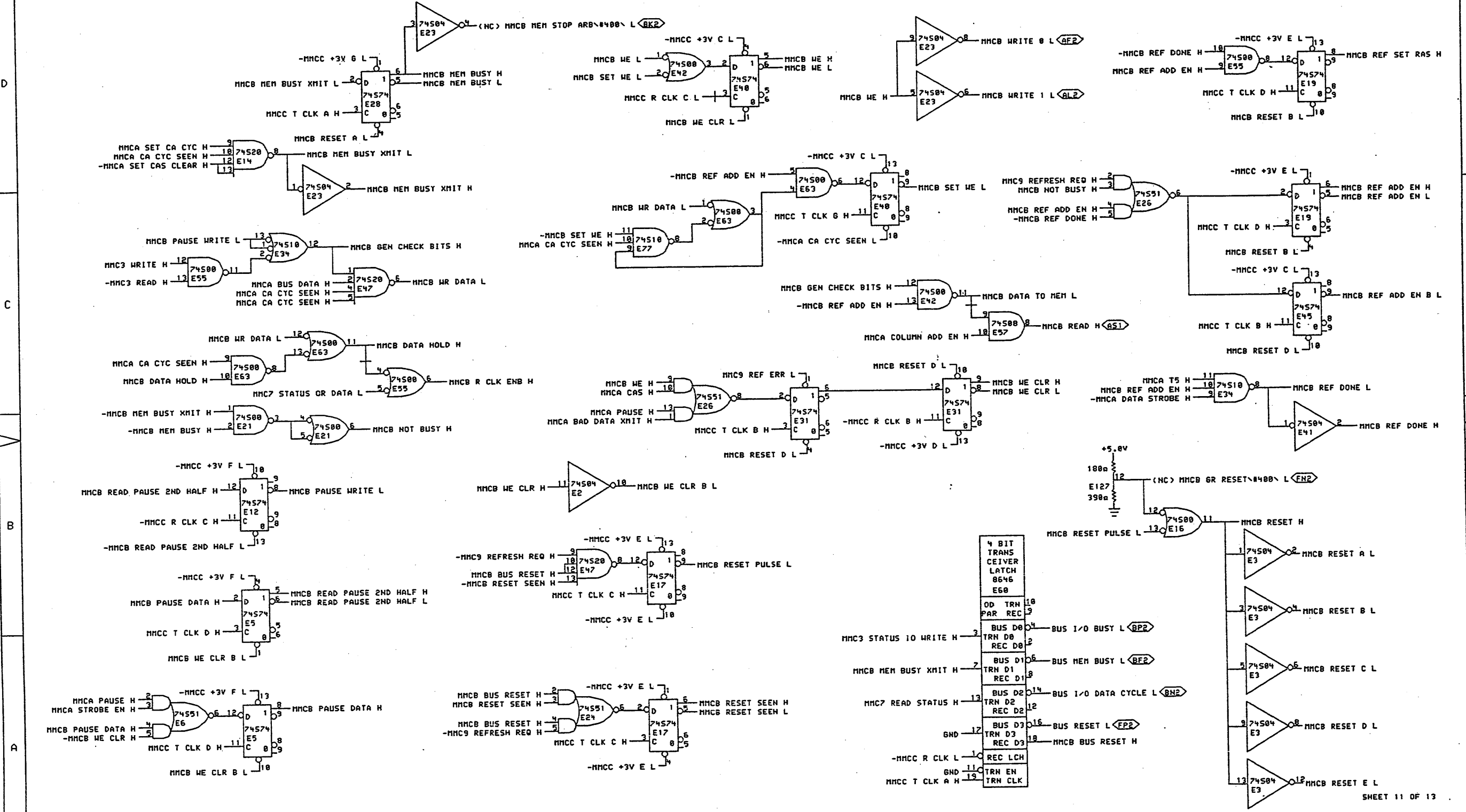
4 BIT TRANS CEIVER LATCH 8646 E53	10	BUS D0	4	BUS DATA CYCLE L (BL2)
OD TRN PAR REC	9	TRN D0	2	MMCA BUS DATA B H
REC D0	2	TRN D1	8	BUS DATA CYCLE L (BL2)
REC D1	8	TRN D2	12	MMCA BAD DATA H
REC D2	12	TRN D3	16	BUS DATA CYCLE L (BL2)
REC D3	16	TRN D3	16	MMCA BUS DATA H
REC D3	16	TRN D3	16	BUS COM/ADR CYCLE L (BL2)
REC LCH	17	TRN EN	18	MMCA COM/ADR H
TRN EN	18			
TRN CLK	19			

THIS DRAWING AND SPECIFICATIONS HEREIN ARE THE PROPERTY OF DIGITAL EQUIPMENT CORPORATION AND SHALL NOT BE REPRODUCED OR COPIED OR USED IN WHOLE OR IN PART AS THE BASIS FOR THE MANUFACTURE OR SALE OF ITEMS WITHOUT WRITTEN PERMISSION. COPYRIGHT © 1979, DIGITAL EQUIPMENT CORPORATION.

REVISIONS	CHK	CHANGE NO.	REV
1			
2			
3			
4			
5			
6			
7			
8			

DATE	ENG.	DATE	TITLE
10-DEC-78	J. Toke	11/3/78	MEMORY CONTROL CYCLE LOGIC
DATE	BOARD LOCATION	SHEET	OF
10-DEC-78	1B8B	1	1
PUB: (M8618)MMCA.DRM	10-OCT-78	10:36	NEXT HIGHER ASSEMBLY:
FIRST USED ON OPTION/MODEL:	KS10		

SIZE	CODE	NUMBER	REV.
D	CS	M8618-0-MMCA	C



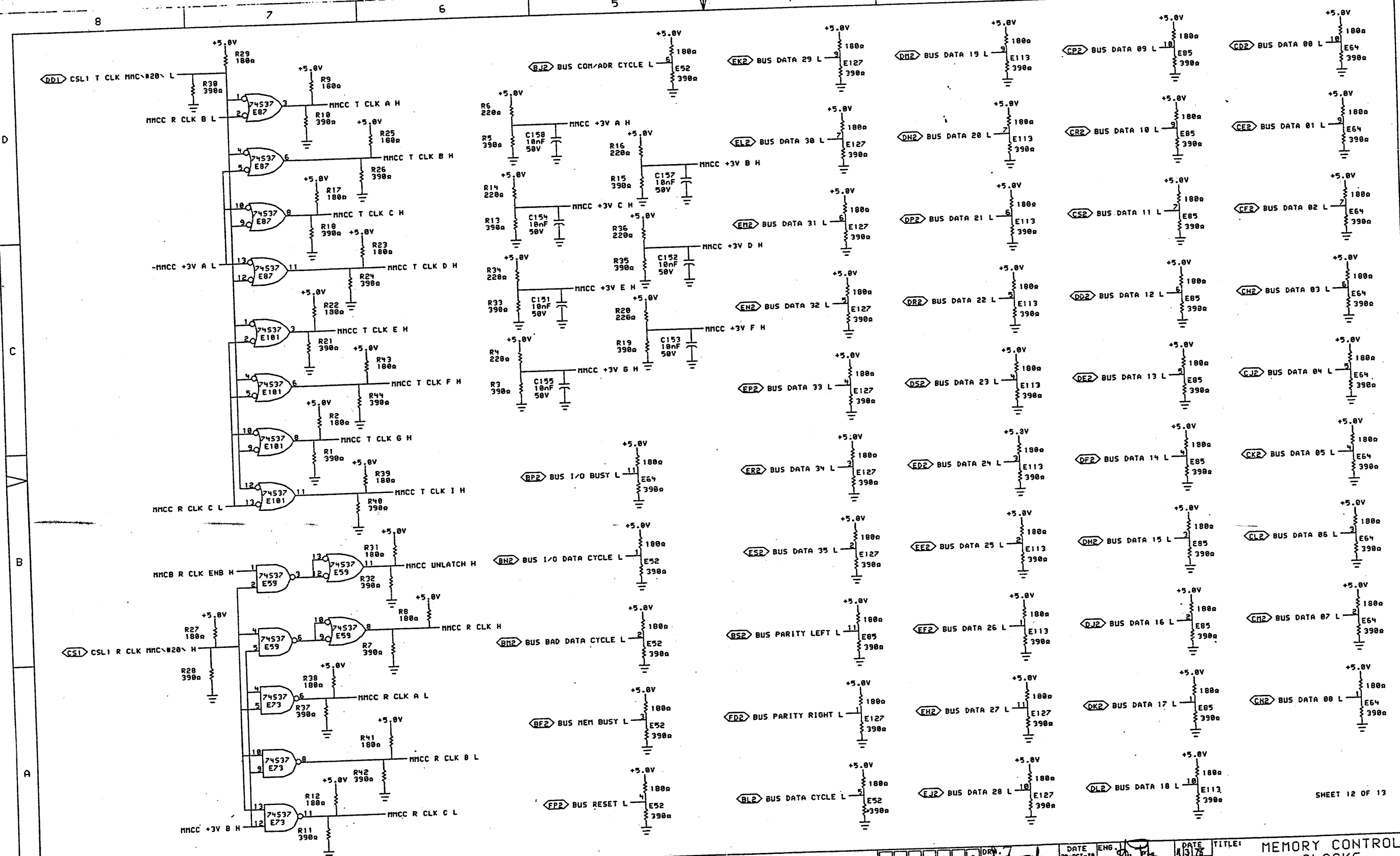
THIS DRAWING AND SPECIFICATIONS HEREIN ARE THE PROPERTY OF DIGITAL EQUIPMENT CORPORATION AND SHALL NOT BE REPRODUCED OR COPIED OR USED IN WHOLE OR IN PART AS THE BASIS FOR THE MANUFACTURE OR SALE OF ITEMS WITHOUT WRITTEN PERMISSION. COPYRIGHT © 1978 DIGITAL EQUIPMENT CORPORATION.

REVISIONS	
CHK	CHANGE NO. REV
MBGIR	M-0002 C
D. OLDMAN	

digital
PUB: (M8618)MMC.B.DRM 18-OCT-78 10:37 NEXT HIGHER ASSEMBLY: FIRST USED ON OPTION/MODEL: KS10

DATE: 28-OCT-78
ENG: [Signature]
DATE: 28-OCT-78
CHK: [Signature]
DATE: 28-OCT-78
SHEET: 1 OF 1

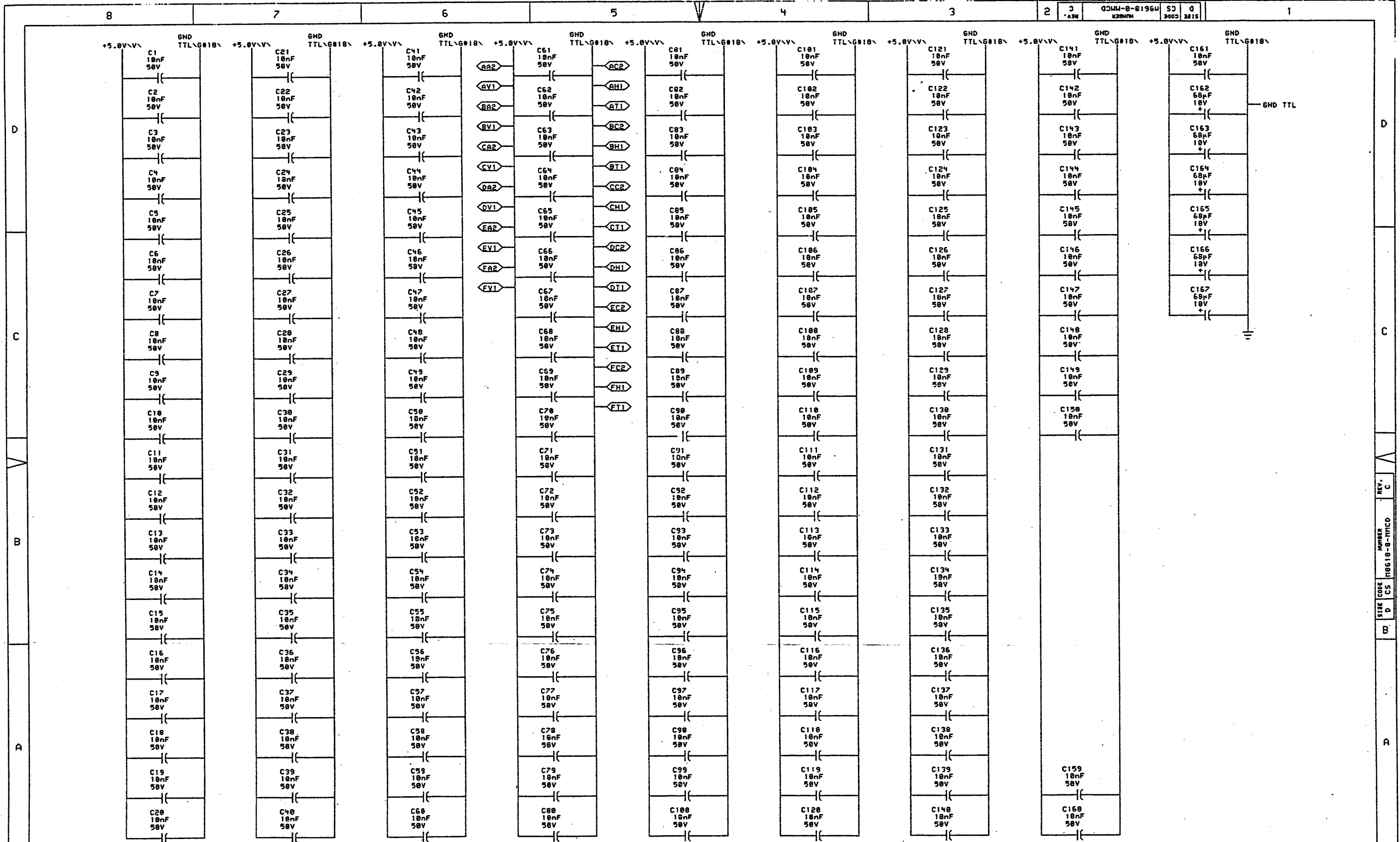
TITLE: MEMORY CONTROL WRITE LOGIC
SIZE CODE: D CS
NUMBER: M8618-0-MMCB
REV: C



THIS DRAWING AND SPECIFICATIONS ARE THE PROPERTY OF DIGITAL EQUIPMENT CORPORATION AND SHALL NOT BE REPRODUCED OR COPIED OR USED IN WHOLE OR IN PART AS THE BASIS FOR THE MANUFACTURE OR SALE OF ITEMS WITHOUT WRITTEN PERMISSION. COPYRIGHT © 1978, DIGITAL EQUIPMENT CORPORATION.

REVISIONS	
CHK	CHANGE NO. / REV
CS	M8618-MR002 / 1
D. OLDHAM	11/27/78

digital	DRN	DATE	ENG	DATE	TITLE
	CS 18618-MMCC	28-OCT-78	DR	11/27/78	MEMORY CONTROL CLOCKS
FIRST USED ON OPTION/MODEL: K510		NEXT HIGHER ASSEMBLY: B-DD-M8618-0		SIZE	CODE
				D	CS 18618-0-MMCC
				NUMBER	REV.
				MR	C

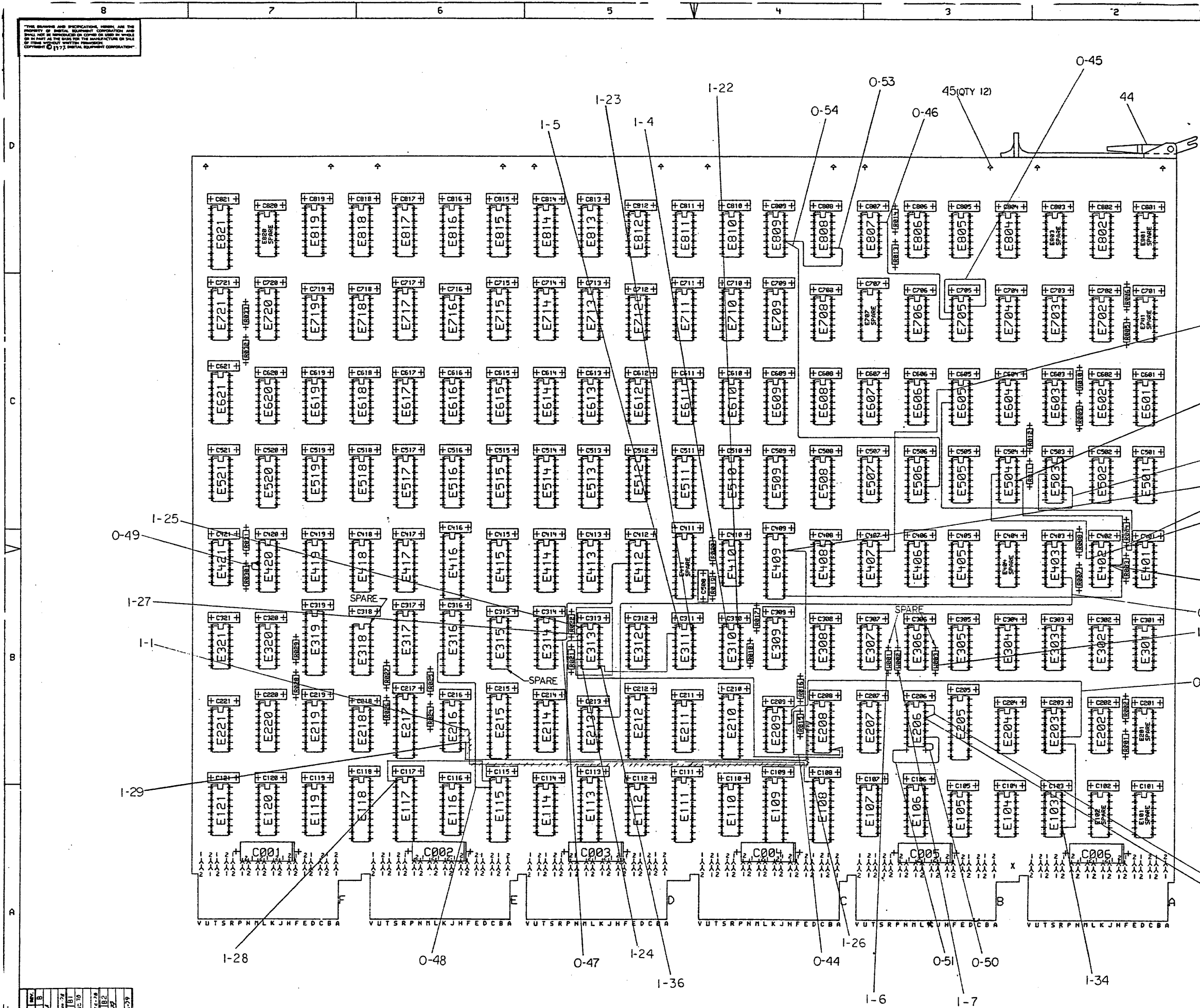


THIS DRAWING AND SPECIFICATIONS HEREIN ARE THE PROPERTY OF DIGITAL EQUIPMENT CORPORATION AND SHALL NOT BE REPRODUCED OR COPIED OR USED IN WHOLE OR IN PART AS THE BASIS FOR THE MANUFACTURE OR SALE OF ITEMS WITHOUT WRITTEN PERMISSION. COPYRIGHT © 1978, DIGITAL EQUIPMENT CORPORATION.

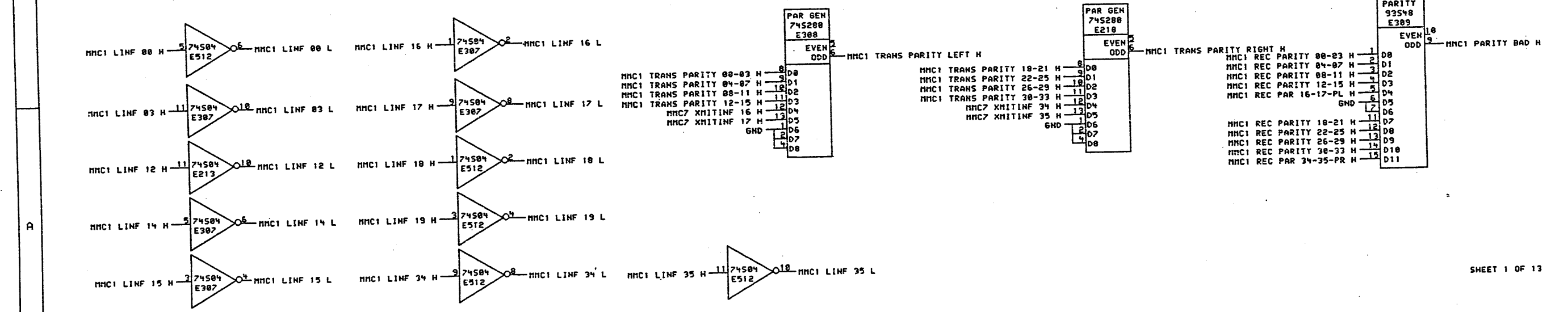
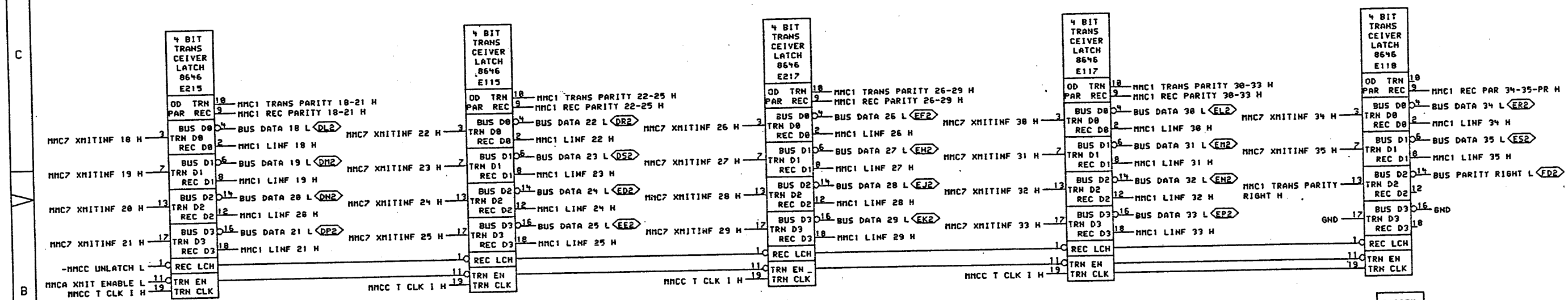
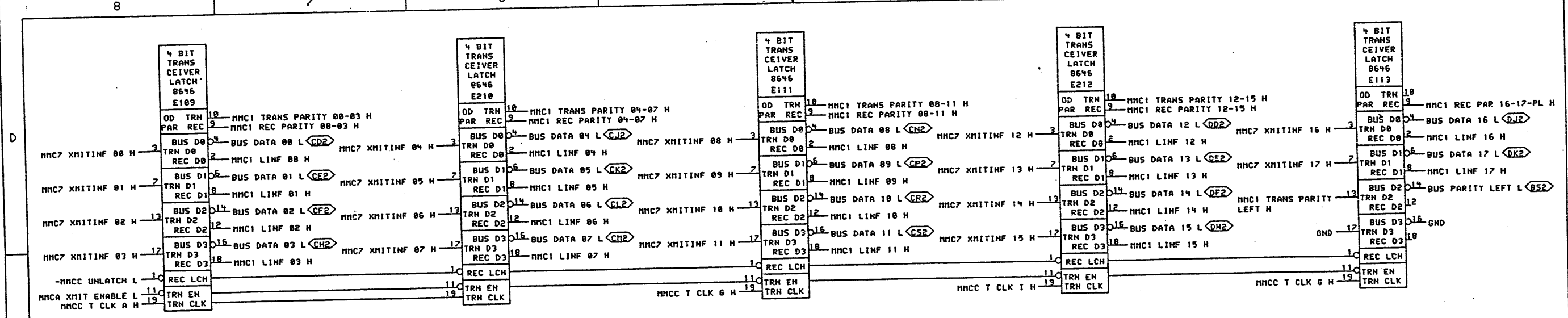
REVISIONS		
CHK	CHANGE NO.	REV.
	M8618-MR002	C

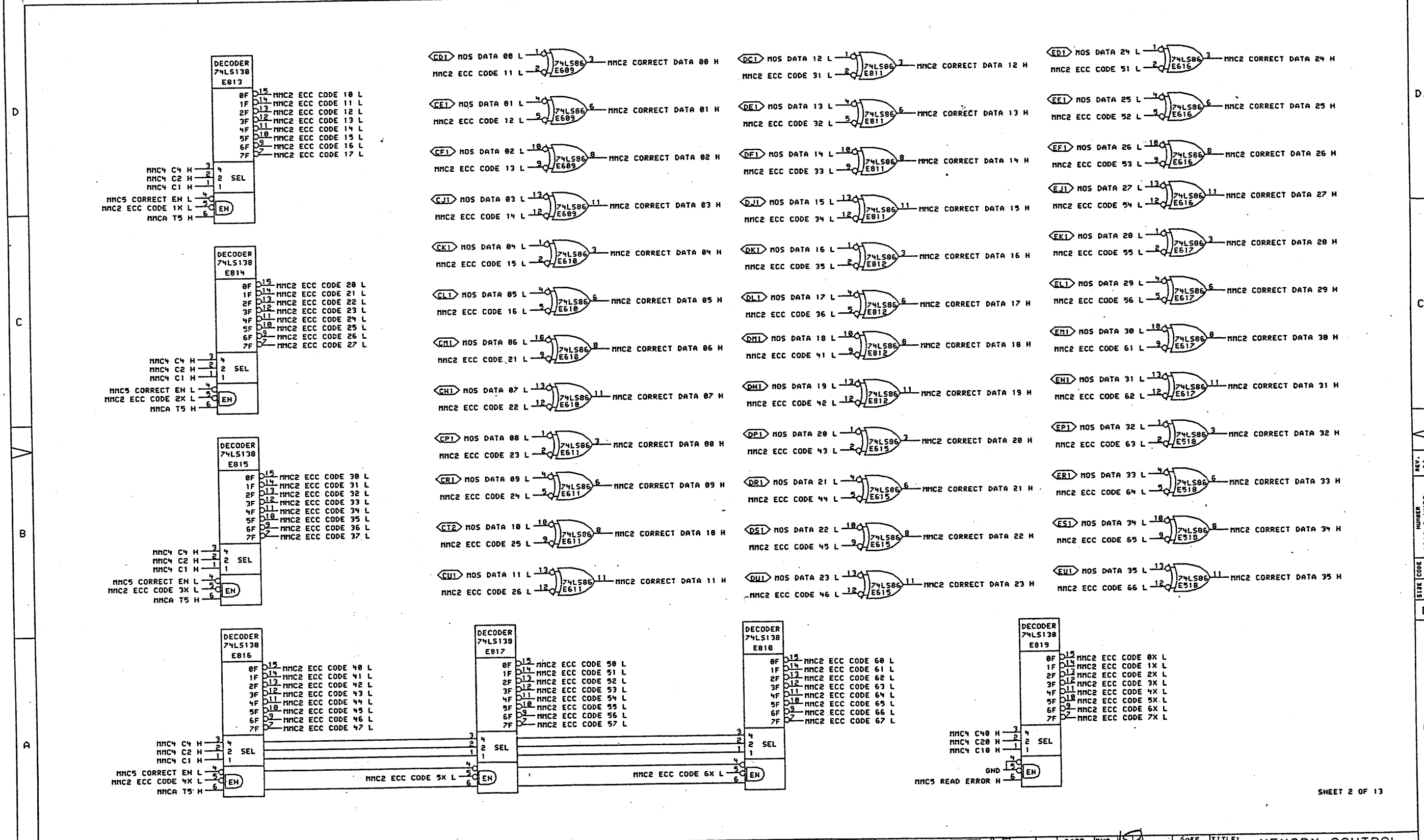
	DATE	ENG.	DATE	TITLE:
	28-OCT-78	WJ	11/3/78	MEMORY CONTROL POWER, GND, CAPS
	DATE	BOARD LOCATION:		
	7-70	PAP89		
PUB: M8618-MR002.DRW 04-OCT-78 10:38 NEXT HIGHER ASSEMBLY:				SIZE CODE
FIRST USED ON OPTION/MODEL: KS10				D CS
B-DD-M8618-0				NUMBER
				M8618-0-MMCD
				REV.
				C

THIS DRAWING AND SPECIFICATION HEREBY ARE THE PROPERTY OF DIGITAL EQUIPMENT CORPORATION AND SHALL NOT BE REPRODUCED OR COPIED IN WHOLE OR IN PART AS THE BASIS FOR THE MANUFACTURE OR SALE OF OTHER EQUIPMENT WITHOUT PERMISSION. COPYRIGHT © 1977, DIGITAL EQUIPMENT CORPORATION.



REV	DATE	BY	CHK
0618-MR001	B		
0618-MR002	2/27/77		
0618-MR003	3/1/77		
0618-MR004	3/1/77		
0618-MR005	3/1/77		
0618-MR006	3/1/77		
0618-MR007	3/1/77		
0618-MR008	3/1/77		
0618-MR009	3/1/77		
0618-MR010	3/1/77		
0618-MR011	3/1/77		
0618-MR012	3/1/77		
0618-MR013	3/1/77		
0618-MR014	3/1/77		
0618-MR015	3/1/77		
0618-MR016	3/1/77		
0618-MR017	3/1/77		
0618-MR018	3/1/77		
0618-MR019	3/1/77		
0618-MR020	3/1/77		
0618-MR021	3/1/77		
0618-MR022	3/1/77		
0618-MR023	3/1/77		
0618-MR024	3/1/77		
0618-MR025	3/1/77		
0618-MR026	3/1/77		
0618-MR027	3/1/77		
0618-MR028	3/1/77		
0618-MR029	3/1/77		
0618-MR030	3/1/77		
0618-MR031	3/1/77		
0618-MR032	3/1/77		
0618-MR033	3/1/77		
0618-MR034	3/1/77		
0618-MR035	3/1/77		
0618-MR036	3/1/77		
0618-MR037	3/1/77		
0618-MR038	3/1/77		
0618-MR039	3/1/77		
0618-MR040	3/1/77		
0618-MR041	3/1/77		
0618-MR042	3/1/77		
0618-MR043	3/1/77		
0618-MR044	3/1/77		
0618-MR045	3/1/77		
0618-MR046	3/1/77		
0618-MR047	3/1/77		
0618-MR048	3/1/77		
0618-MR049	3/1/77		
0618-MR050	3/1/77		
0618-MR051	3/1/77		
0618-MR052	3/1/77		
0618-MR053	3/1/77		
0618-MR054	3/1/77		
0618-MR055	3/1/77		
0618-MR056	3/1/77		
0618-MR057	3/1/77		
0618-MR058	3/1/77		
0618-MR059	3/1/77		
0618-MR060	3/1/77		
0618-MR061	3/1/77		
0618-MR062	3/1/77		
0618-MR063	3/1/77		
0618-MR064	3/1/77		
0618-MR065	3/1/77		
0618-MR066	3/1/77		
0618-MR067	3/1/77		
0618-MR068	3/1/77		
0618-MR069	3/1/77		
0618-MR070	3/1/77		
0618-MR071	3/1/77		
0618-MR072	3/1/77		
0618-MR073	3/1/77		
0618-MR074	3/1/77		
0618-MR075	3/1/77		
0618-MR076	3/1/77		
0618-MR077	3/1/77		
0618-MR078	3/1/77		
0618-MR079	3/1/77		
0618-MR080	3/1/77		
0618-MR081	3/1/77		
0618-MR082	3/1/77		
0618-MR083	3/1/77		
0618-MR084	3/1/77		
0618-MR085	3/1/77		
0618-MR086	3/1/77		
0618-MR087	3/1/77		
0618-MR088	3/1/77		
0618-MR089	3/1/77		
0618-MR090	3/1/77		
0618-MR091	3/1/77		
0618-MR092	3/1/77		
0618-MR093	3/1/77		
0618-MR094	3/1/77		
0618-MR095	3/1/77		
0618-MR096	3/1/77		
0618-MR097	3/1/77		
0618-MR098	3/1/77		
0618-MR099	3/1/77		
0618-MR100	3/1/77		





THIS DRAWING AND SPECIFICATIONS ARE THE PROPERTY OF DIGITAL EQUIPMENT CORPORATION AND SHALL NOT BE REPRODUCED OR COPIED OR USED IN WHOLE OR IN PART AS THE BASIS FOR THE MANUFACTURE OR SALE OF ITEMS WITHOUT WRITTEN PERMISSION. COPYRIGHT © 1979, DIGITAL EQUIPMENT CORPORATION.

REV	DESCRIPTION	DATE
1	CHANGE NO. REV	
2	MS618-MHC02 A1	
3	D. O. LDHAM	

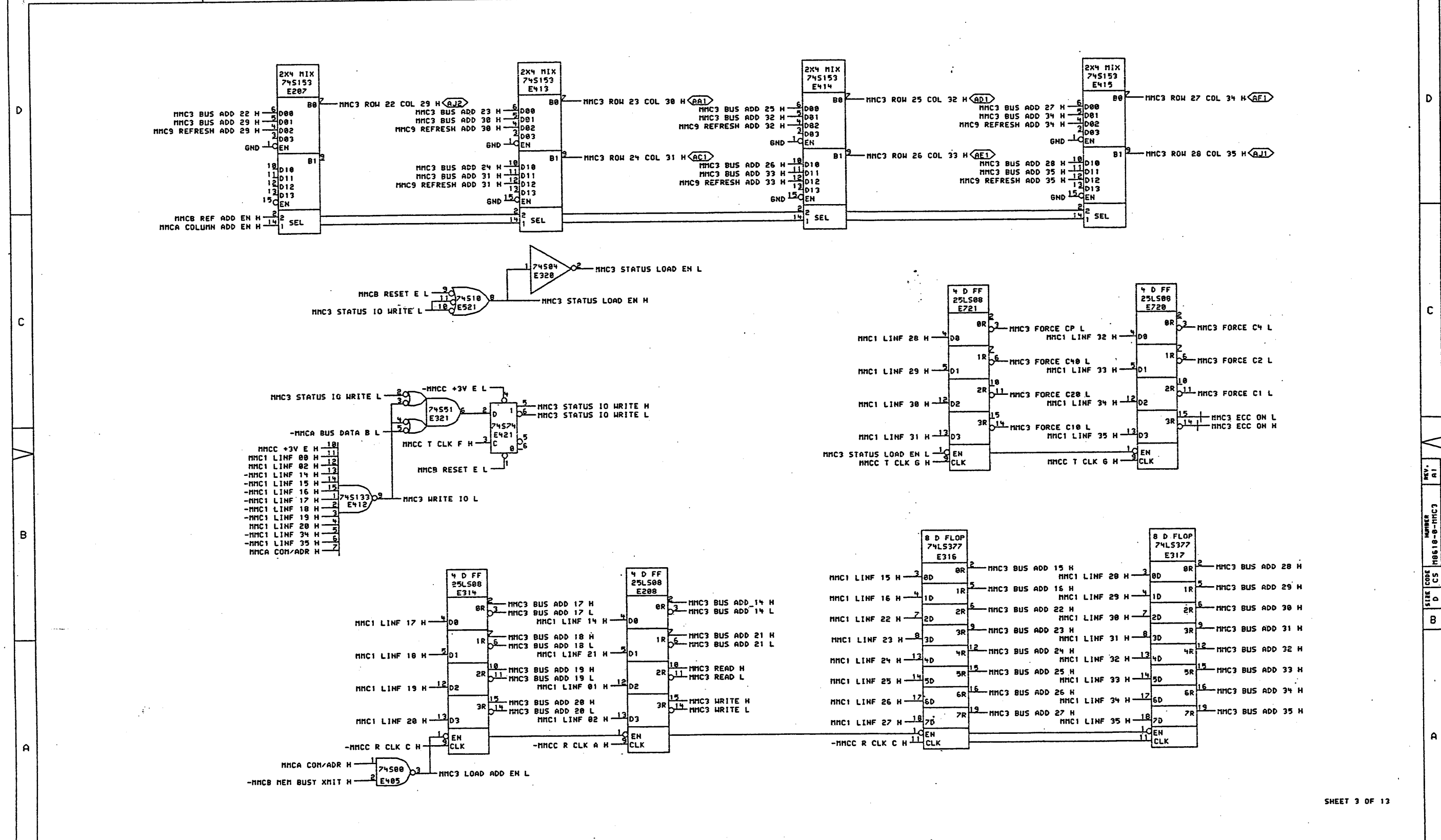
digital DRW. J. J. J. DATE 31-OCT-78 ENG. K. J. J. SHEET 1 OF 1

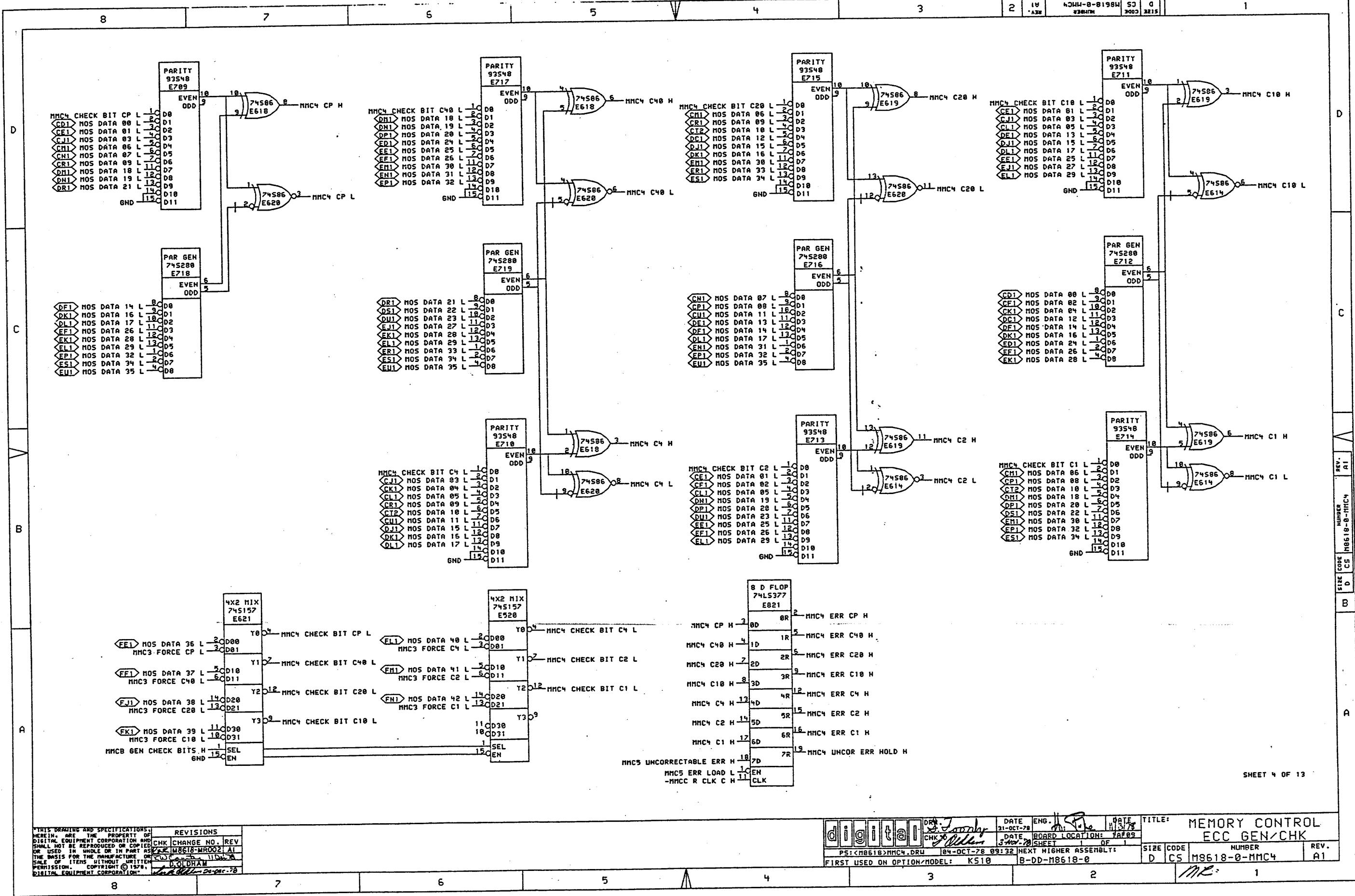
PSI<M8618>MHC2.DRM 184-OCT-78 89129 NEXT HIGHER ASSEMBLY: B-DD-M8618-0

FIRST USED ON OPTION/MODEL: K510

TITLE: MEMORY CONTROL ERROR CORRECTION

SIZE CODE NUMBER REV.: D C5 M8618-0-MMC2 A1





THIS DRAWING AND SPECIFICATIONS ARE THE PROPERTY OF DIGITAL EQUIPMENT CORPORATION AND SHALL NOT BE REPRODUCED OR COPIED OR USED IN WHOLE OR IN PART AS THE BASIS FOR THE MANUFACTURE OR SALE OF ITEMS WITHOUT WRITTEN PERMISSION. COPYRIGHT © 1978, DIGITAL EQUIPMENT CORPORATION.

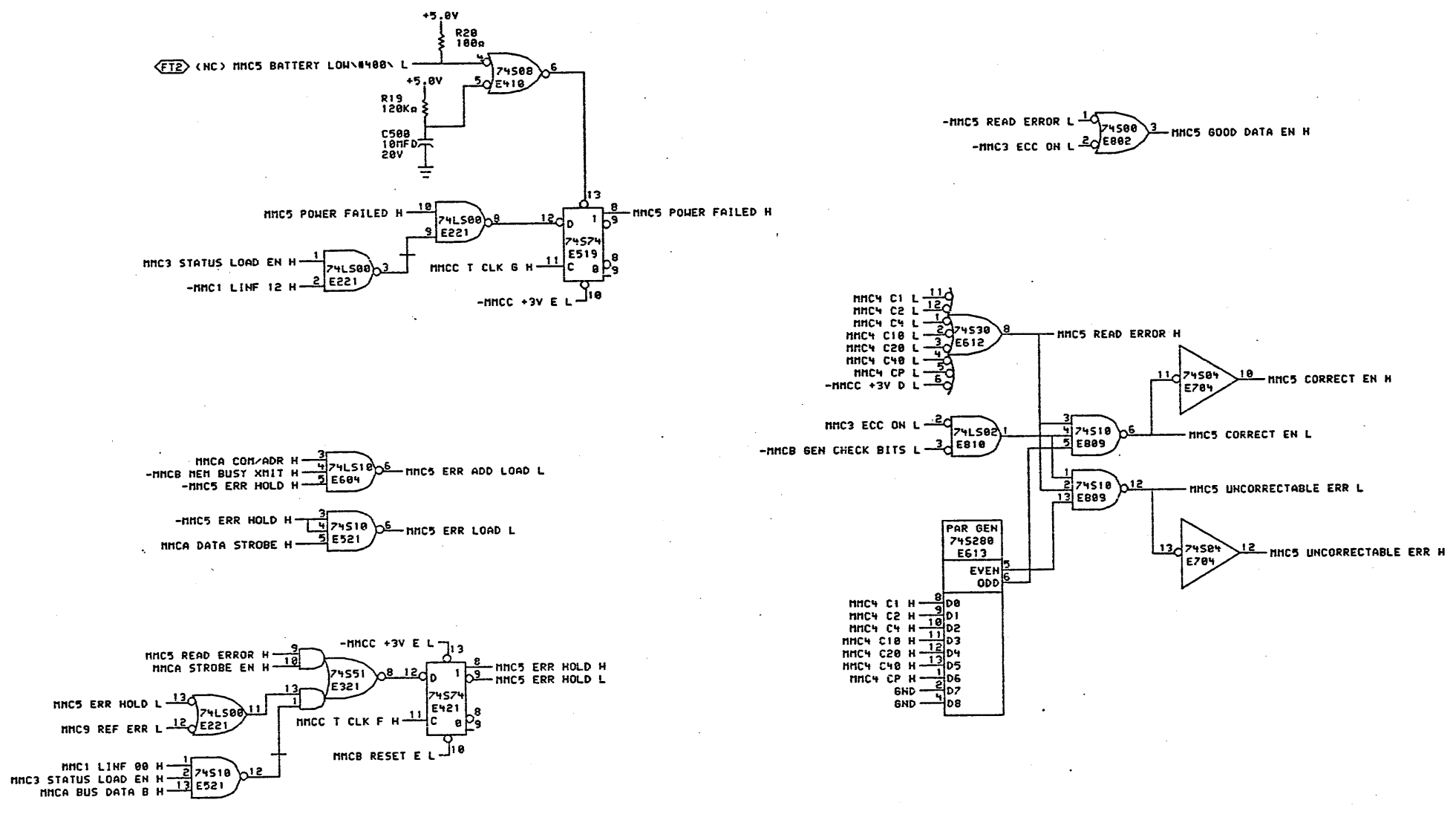
REV.	CHG.	DESCRIPTION
1	1	INITIAL

digital	DATE: 31-OCT-78	ENG: [Signature]	DATE: 11/3/78	TITLE: MEMORY CONTROL ECC GEN/CHK
CHK: [Signature]	DATE: 3-Nov-78	DATE: 3-Nov-78	DATE: 3-Nov-78	DATE: 3-Nov-78
PS: <M8618>MMC4.DRW	104-OCT-78 09:32	NEXT HIGHER ASSEMBLY: B-DD-M8618-0	SHEET 1 OF 1	SIZE CODE: D CS
FIRST USED ON OPTION/MODEL: K510				NUMBER: M8618-0-MMC4
				REV. A1

REV. A1
NUMBER M8618-0-MMC4
SIZE CODE D CS

D
C
B
A

D
C
B
A



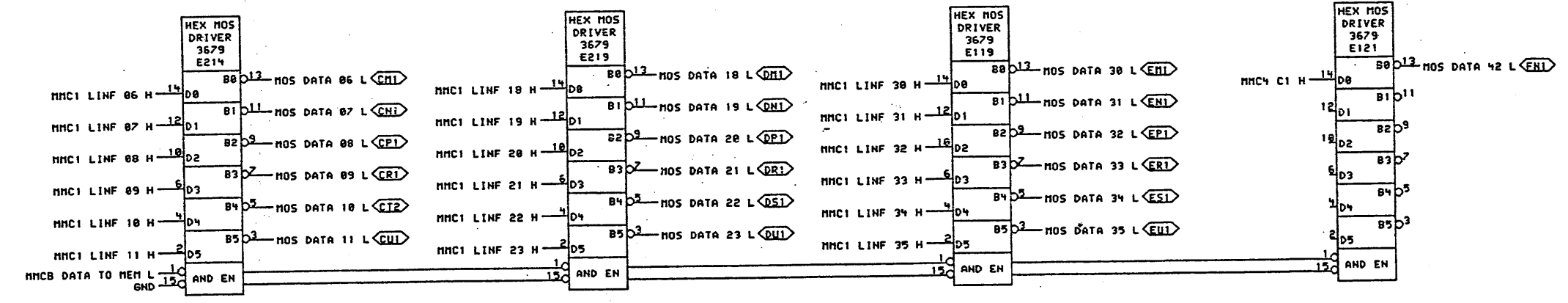
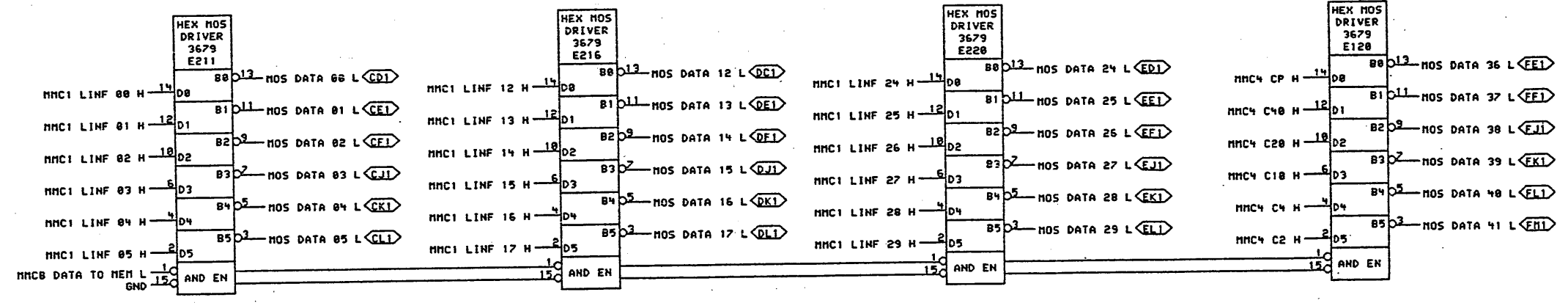
SHEET 5 OF 13

THIS DRAWING AND SPECIFICATIONS, HEREIN, ARE THE PROPERTY OF DIGITAL EQUIPMENT CORPORATION AND SHALL NOT BE REPRODUCED OR COPIED OR USED IN WHOLE OR IN PART AS THE BASIS FOR THE MANUFACTURE OR SALE OF ITEMS WITHOUT WRITTEN PERMISSION. COPYRIGHT © 1979, DIGITAL EQUIPMENT CORPORATION.

REVISIONS	
CHK	CHANGE NO. REV
MC	M8618-MC003A2
D. O. DHAM	

digital	DRY	DATE	ENG	DATE	TITLE
	CHK	21-FEB-79	David Allen	22-FEB-79	MEMORY CONTROL ERROR CORRECTION
		DATE	BOARD LOCATION	TAFS	
		21-FEB-79	1AF5		
		SHEET	OF		
		1	1		
FIRST USED ON OPTION/MODEL: K510			NEXT HIGHER ASSEMBLY: B-DD-M8618-0		

SIZE	CODE	NUMBER	REV.
D	CS	M8618-0-MMC5	A2



THIS DRAWING AND SPECIFICATIONS HEREIN ARE THE PROPERTY OF DIGITAL EQUIPMENT CORPORATION AND SHALL NOT BE REPRODUCED OR COPIED OR USED IN WHOLE OR IN PART AS THE BASIS FOR THE MANUFACTURE OR SALE OF ITEMS WITHOUT WRITTEN PERMISSION. COPYRIGHT © 1979, DIGITAL EQUIPMENT CORPORATION.

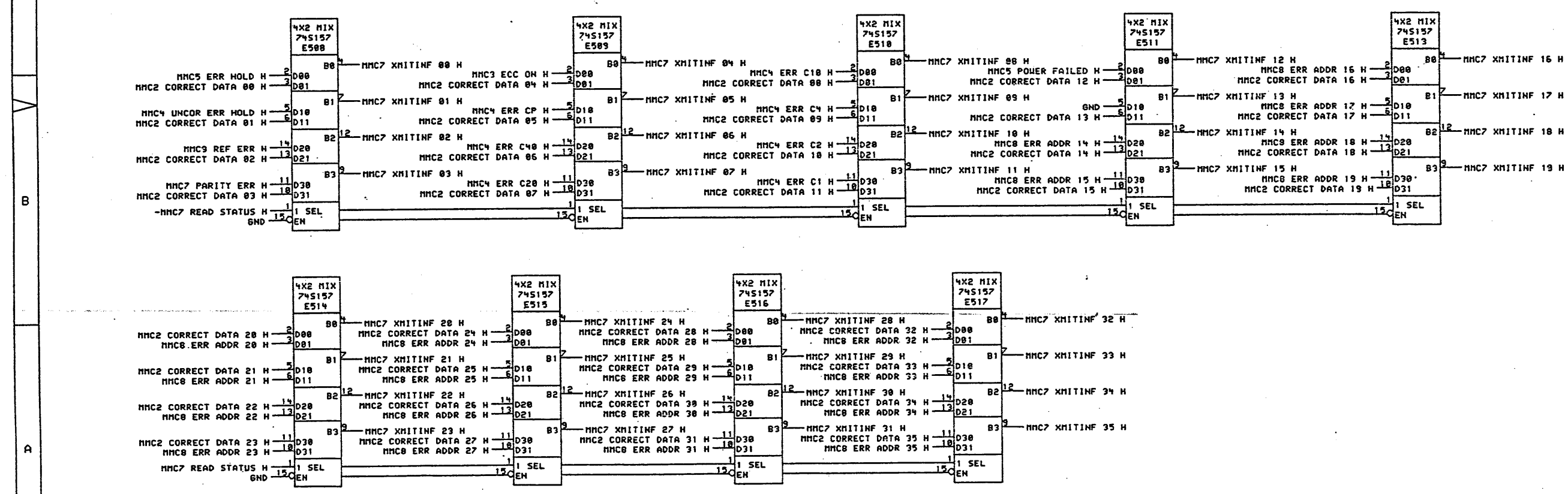
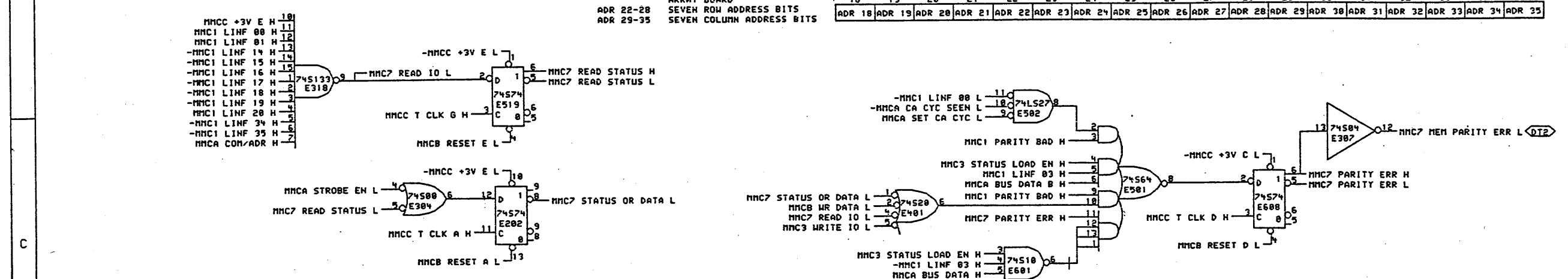
REVISIONS		
CHK	CHANGE NO.	REV
	M8618-MR002	A1
		2
		3

digital	DATE	31-OCT-78	ENG.	W. J. [Signature]	DATE	11-27-78	TITLE	MEMORY CONTROL
	DATE	3-NOV-78	DATE	3-NOV-78	BOARD LOCATION	1B289	MOS DATA	
PSI:M8618)MMC5.DRW		84-OCT-78 09:33	NEXT HIGHER ASSEMBLY:	B-DD-M8618-0	SIZE	CODE	NUMBER	REV.
FIRST USED ON OPTION/MODEL:		KS10			D	CS	M8618-0-MMC6	A1

MEMORY STATUS REGISTER (I/O ADR 108800)

00	01	02	03	04	05	06	07	08	09	10	11	12	13	14	15	16	17
HOLD	BAD D	R ERR	P ERR	ECCON	CP	C40	C20	C10	C04	C02	C01	P FAIL	0	ADR 14	ADR 15	ADR 16	ADR 17
18	19	20	21	22	23	24	25	26	27	28	29	30	31	32	33	34	35
ADR 18	ADR 19	ADR 20	ADR 21	ADR 22	ADR 23	ADR 24	ADR 25	ADR 26	ADR 27	ADR 28	ADR 29	ADR 30	ADR 31	ADR 32	ADR 33	ADR 34	ADR 35

NOTE: ADR 14-16 SELECT CONTROLLER
 ADR 17-19 SELECT ARRAY BOARD
 ADR 20-21 SELECTS ONE OF FOUR WORDS ON THE SELECTED ARRAY BOARD
 ADR 22-28 SEVEN ROW ADDRESS BITS
 ADR 29-35 SEVEN COLUMN ADDRESS BITS



THIS DRAWING AND SPECIFICATIONS ARE THE PROPERTY OF DIGITAL EQUIPMENT CORPORATION AND SHALL NOT BE REPRODUCED OR COPIED OR USED IN WHOLE OR IN PART AS A BASIS FOR THE MANUFACTURE OR SALE OF ITEMS WITHOUT WRITTEN PERMISSION. COPYRIGHT © 1978. DIGITAL EQUIPMENT CORPORATION.

REV.	CHG. NO.	REV.
1	1	1

digital

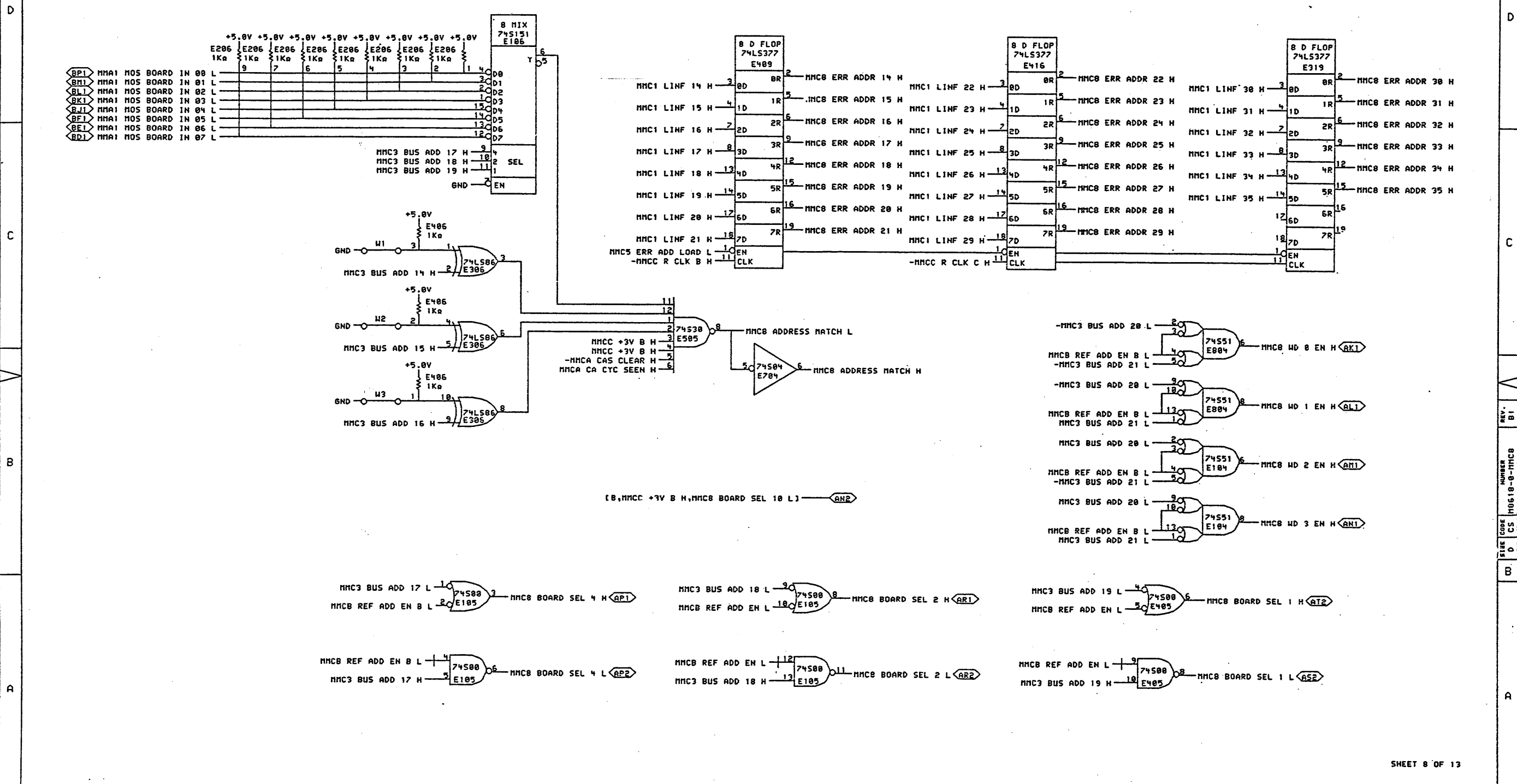
DATE: 01-NOV-78
 ENG: H. De
 DATE: 11/3/78
 BOARD LOCATION: 108800
 SHEET 7 OF 13

TITLE: MEMORY CONTROL OUTPUT MIX

PS: M8618-MMC7-DRM
 FIRST USED ON OPTION/MODEL: K510

DATE: 01-NOV-78 13:27
 NEXT HIGHER ASSEMBLY: B-DD-M8618-0

SIZE CODE: D CS
 NUMBER: M8618-0-MMC7
 REV.: B1

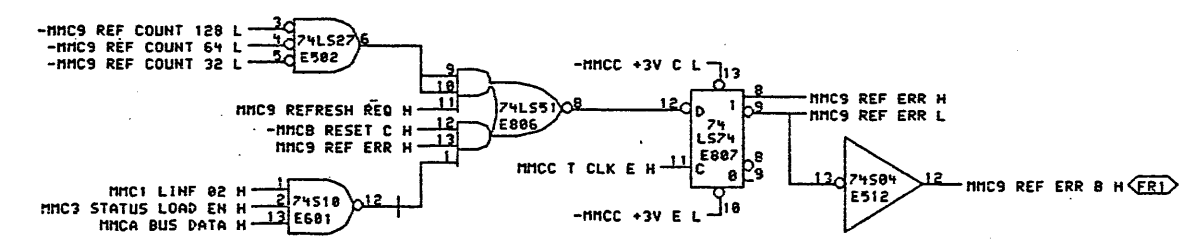
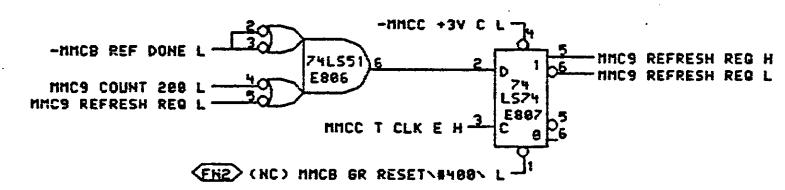
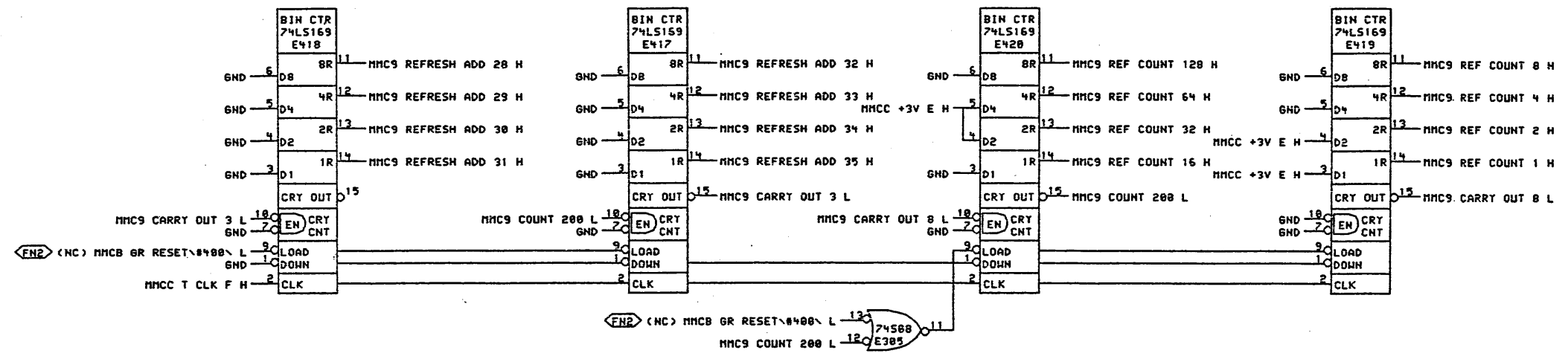


(B,MMCC +3V B H,MMC8 BOARD SEL 10 L) — ANP

THIS DRAWING AND SPECIFICATIONS, HEREIN, ARE THE PROPERTY OF DIGITAL EQUIPMENT CORPORATION AND SHALL NOT BE REPRODUCED OR COPIED OR USED IN WHOLE OR IN PART AS THE BASIS FOR THE MANUFACTURE OR SALE OF ITEMS WITHOUT WRITTEN PERMISSION. COPYRIGHT © 1978, DIGITAL EQUIPMENT CORPORATION.

REVISIONS	
CHK	CHANGE NO. REV
	M8618-MR002 B1
	D. OLDHAM

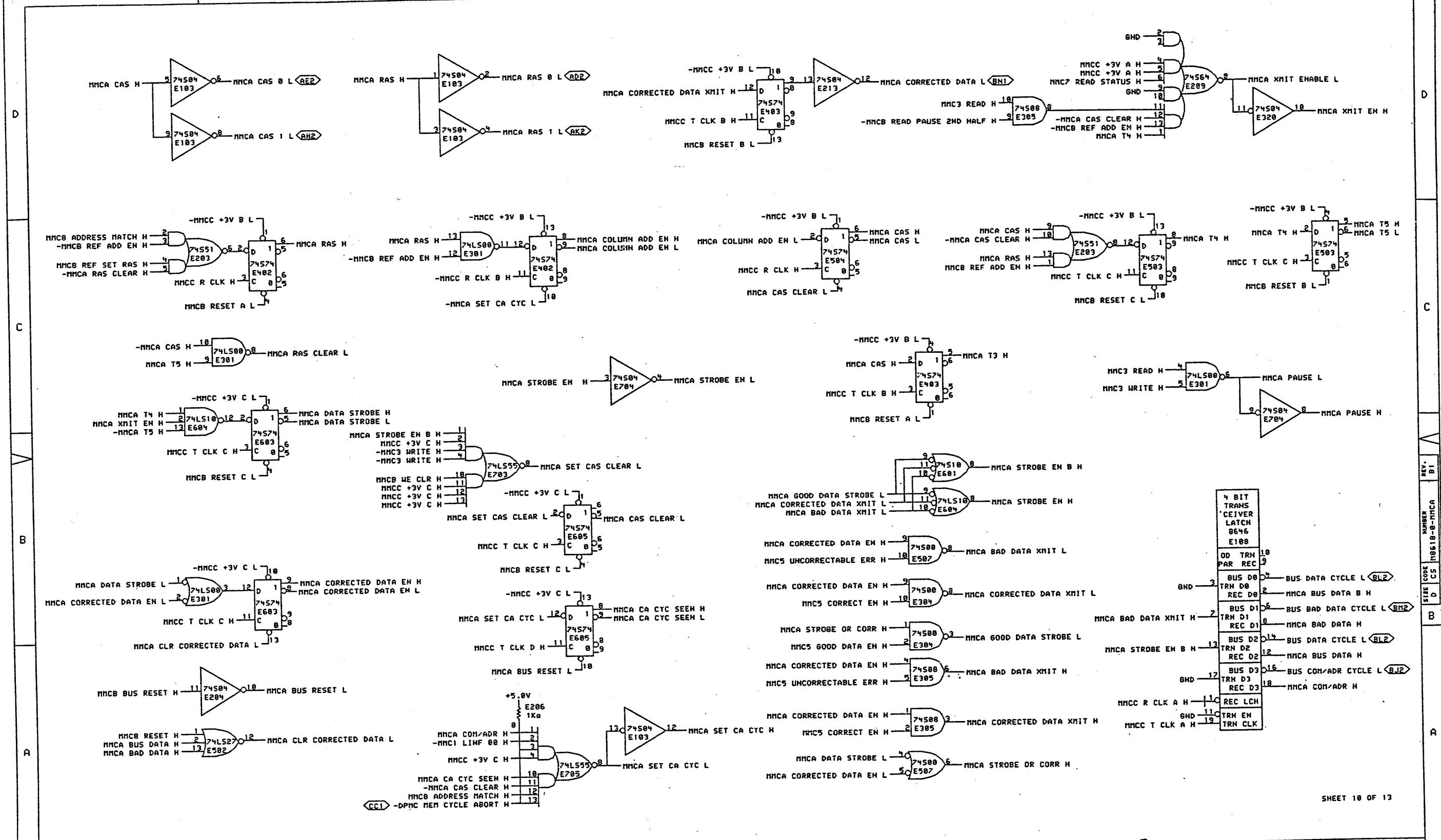
digital	DRW. J. J. J.	DATE 21-DEC-78	ENG. J. J. J.	DATE 11/3/77	TITLE: MEMORY CONTROL ADDRESS MATCH
	CHK. J. J. J.	DATE 5 Nov 78	BOARD LOCATION: 1A203	SHEET 1 OF 1	
PS: <M8618>MMC8.DRW			84-OCT-78 09:34	NEXT HIGHER ASSEMBLY: B-DD-M8618-0	SIZE CODE D CS
FIRST USED ON OPTION/MODEL: KS10					NUMBER M8618-0-MMC8
					REV. B1

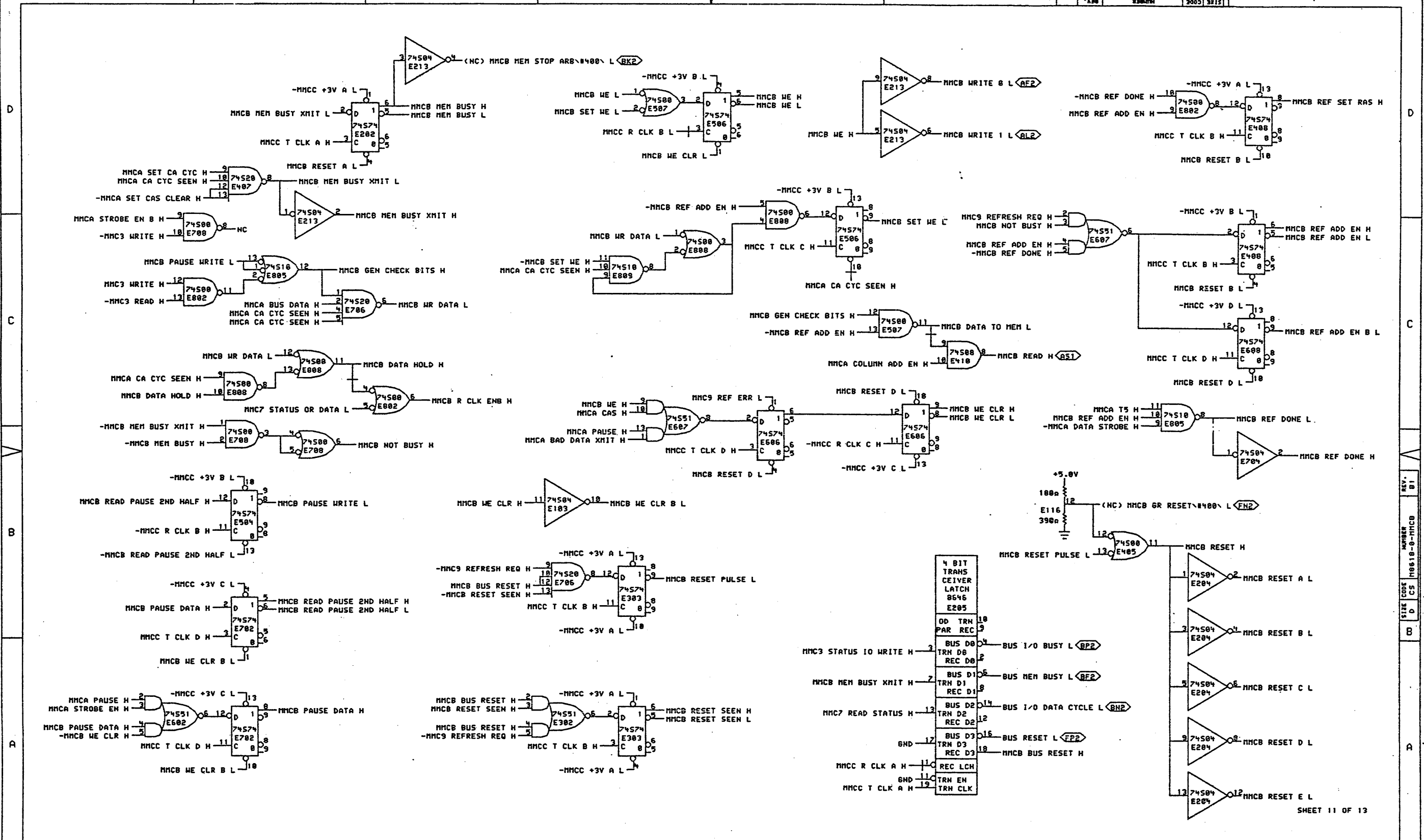


REVISIONS	
CHK	CHANGE NO. REV
1	118-12
2	118-12
3	118-12

THIS DRAWING AND SPECIFICATIONS ARE THE PROPERTY OF DIGITAL EQUIPMENT CORPORATION AND SHALL NOT BE REPRODUCED OR COPIED OR USED IN WHOLE OR IN PART AS THE BASIS FOR THE MANUFACTURE OR SALE OF ITEMS WITHOUT WRITTEN PERMISSION. COPYRIGHT © 1978, DIGITAL EQUIPMENT CORPORATION.

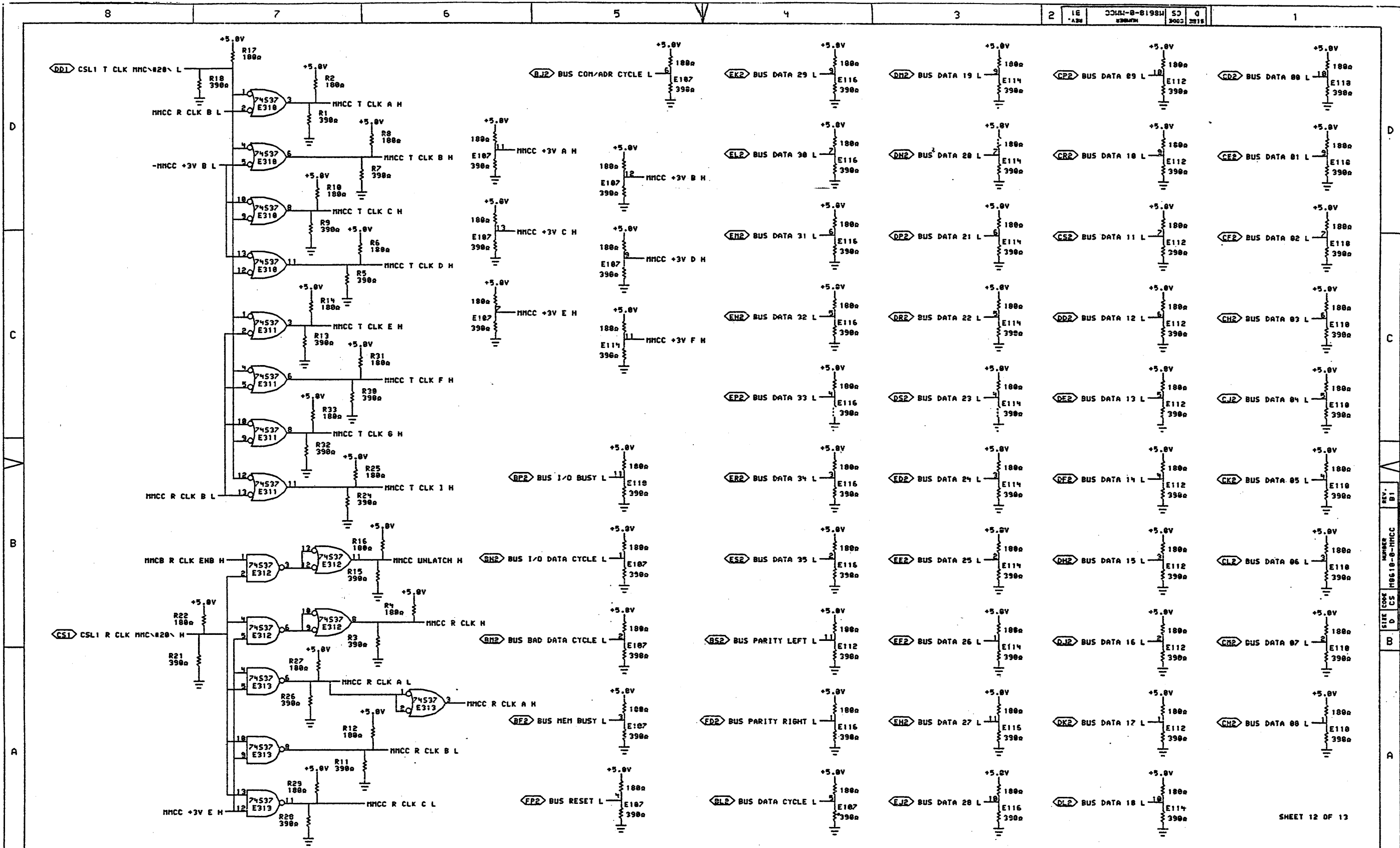
digital	DATE: 31-OCT-78	ENG: J. J. [Signature]	DATE: 11-3-78	TITLE: MEMORY CONTROL REFRESH LOGIC
PS: (M8618)MMC9.DRW	04-OCT-78 09:35	NEXT HIGHER ASSEMBLY: B-DD-M8618-0	SIZE CODE: D CS	NUMBER: M8618-0-MMC9
FIRST USED ON OPTION/MODEL: KS10				REV: A1





REV. B1
 NUMBER M8618-0-MMCB
 SIZE CODE D CS
 SHEET 11 OF 13

*THIS DRAWING AND SPECIFICATIONS HEREIN ARE THE PROPERTY OF DIGITAL EQUIPMENT CORPORATION AND SHALL NOT BE REPRODUCED OR COPIED OR USED IN WHOLE OR IN PART AS THE BASIS FOR THE MANUFACTURE OR SALE OF ITEMS WITHOUT WRITTEN PERMISSION. COPYRIGHT © 1978, DIGITAL EQUIPMENT CORPORATION.												
REVISIONS CHK CHANGE NO. REV M8618-MR002 B1		DATE 31-OCT-78 ENG. J. P. G. DATE 11-3-77 BOARD LOCATION: TA899 SHEET 1 OF 1				TITLE: MEMORY CONTROL WRITE LOGIC			SIZE CODE NUMBER D CS M8618-0-MMCB			REV. B1
FIRST USED ON OPTION MODEL: KS10 NEXT HIGHER ASSEMBLY: B-DD-M8618-0												MR



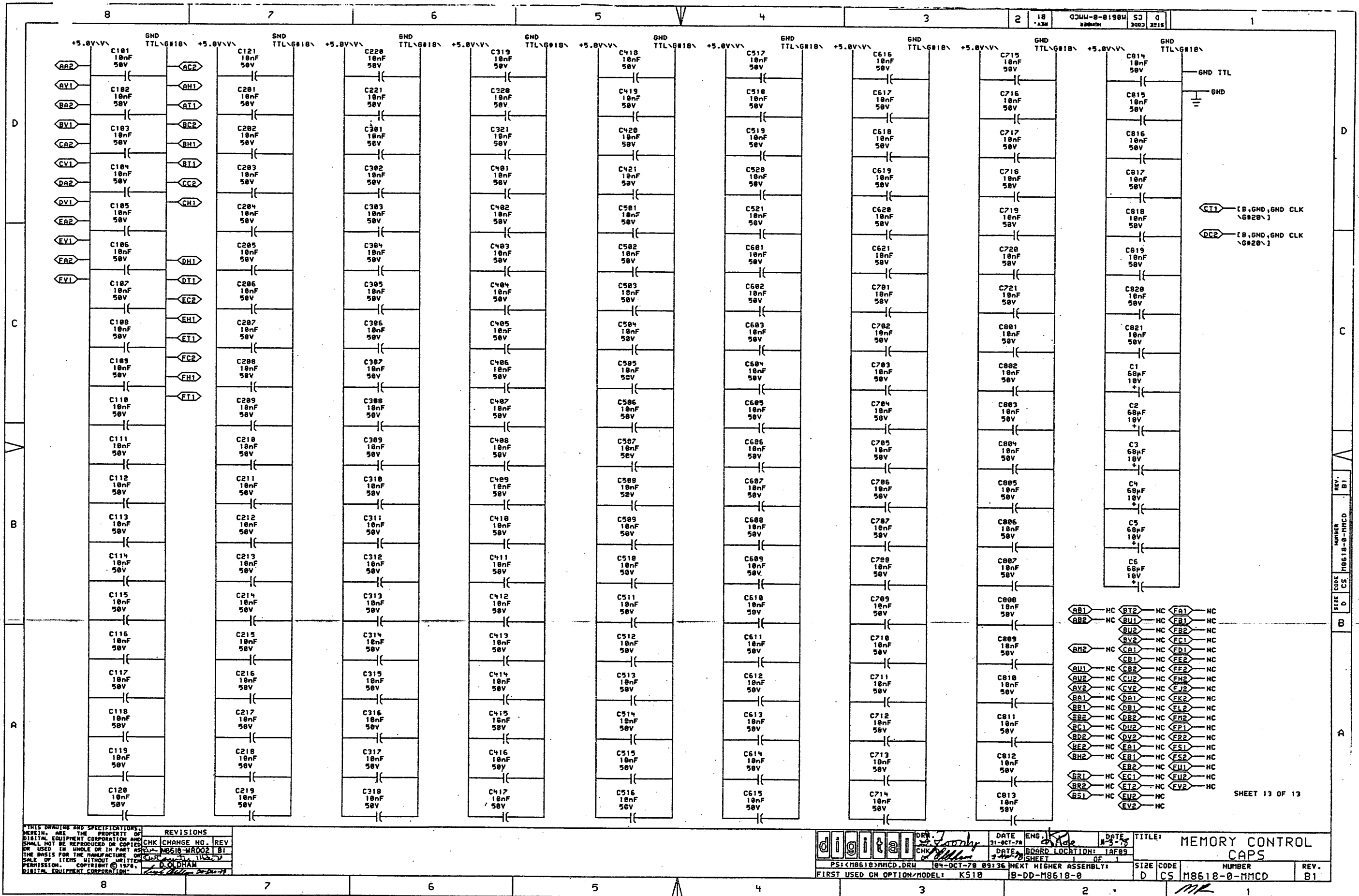
SHEET 12 OF 13

REVISIONS		
CHK	CHANGE NO.	REV
	1	1
	2	1

THIS DRAWING AND SPECIFICATIONS HEREIN ARE THE PROPERTY OF DIGITAL EQUIPMENT CORPORATION AND SHALL NOT BE REPRODUCED OR COPIED OR USED IN WHOLE OR IN PART AS THE BASIS FOR THE MANUFACTURE OR SALE OF ITEMS WITHOUT WRITTEN PERMISSION. COPYRIGHT © 1979, DIGITAL EQUIPMENT CORPORATION.

	DATE: 31-OCT-78	ENG.:	DATE: 11-7-78	TITLE: MEMORY CONTROL CLOCKS
	DATE: 10-DEC-78	CHK'D:	BOARD LOCATION: 1A69	SIZE: D
FIRST USED ON OPTION/MODEL: K510		NEXT HIGHER ASSEMBLY: B-DD-M8618-0		NUMBER: M8618-0-MMCC
				REV. B1

MR 1



THIS DRAWING AND SPECIFICATIONS, HEREIN, ARE THE PROPERTY OF DIGITAL EQUIPMENT CORPORATION AND SHALL NOT BE REPRODUCED OR COPIED OR USED IN WHOLE OR IN PART AS THE BASIS FOR THE MANUFACTURE OR SALE OF ITEMS WITHOUT WRITTEN PERMISSION. COPYRIGHT © 1978, DIGITAL EQUIPMENT CORPORATION.

REVISIONS		
CHK	CHANGE NO.	REV
	M8618-MR002	B1

	DATE: 31-OCT-78	ENG: J. A. [Signature]	DATE: 11-5-78	TITLE: MEMORY CONTROL CAPS
	DATE: 10-OCT-78	BOARD LOCATION: 1AF89	SHEET: 2 OF 1	SIZE CODE: D CS
PS1 (M8618) MMCD.DRW FIRST USED ON OPTION/MODEL: K510		18-OCT-78 09136 NEXT HIGHER ASSEMBLY: B-DD-M8618-0		NUMBER: M8618-0-MMCD REV.: B1

DRAWING NO.	NO. OF SHTS.	PART NO.	DESCRIPTION	NOTE: FOR REV"C" SEE SHEET 2 REWORK VERSION																	
				REVISIONS																	
			MODULE REVISION	A	B	B	B														
E-UA-M8619-0-0	8		KS10 UNIBUS ADAPTER	A	B	B	B														
K-PL-M8619-0-DBP	3		PARTS LIST DATA BASE (M8619)	A	B	B	B														
D-CS-M8619-0-UBA1	1		UNIBUS ADAPTER, UNIBUS ARB	A	A	A	A														
D-CS-M8619-0-UBA2	1		UNIBUS ADAPTER, UNIBUS CONTROL	A	B	B	B														
D-CS-M8619-0-UBA3	1		UNIBUS ADAPTER, INTERRUPT	A	A	A	A														
D-CS-M8619-0-UBA4	1		UNIBUS ADAPTER, I/O RD & WRT	A	B	B	B														
D-CS-M8619-0-UBA5	1		UNIBUS ADAPTER, NPR CONTROL	A	B	B	B														
D-CS-M8619-0-UBA6	1		UNIBUS ADAPTER, KS10 BUS REQ	A	B	B	B														
D-CS-M8619-0-UBA7	1		UNIBUS ADAPTER, FAST MODE LOGIC	A	A	A	A														
D-CS-M8619-0-UBA8	1		UNIBUS ADAPTER, DATA PATH 1	A	B	B	B														
D-CS-M8619-0-UBA9	1		UNIBUS ADAPTER, DATA PATH 2	A	B	B	B														
D-CS-M8619-0-UBAA	1		UNIBUS ADAPTER, DATA PATH 3	A	B	B	B														
D-CS-M8619-0-UBAB	1		UNIBUS ADAPTER, DATA PATH 4	A	A	A	A														
D-CS-M8619-0-UBAC	1		UNIBUS ADAPTER, DATA PATH 5	A	B	B	B														
D-CS-M8619-0-UBAD	1		UNIBUS ADAPTER, TERMINATION	A	A	A	A														
D-CS-M8619-0-UBAE	1		UNIBUS ADAPTER, UNIBUS CONN	A	A	A	A														
D-CS-M8619-0-UBAF	1		UNIBUS ADAPTER, +5.0V CAPS	A	A	A	A														
D-CS-M8619-0-UBAH	1		UNIBUS ADAPTER, POWER, GND PINS	A	A	A	A														
E-MD-5013194-0-0	7		DRILL, WIRE & COMP SCREEN DRAWING	A	A	A	A														
		5013194	MULTIWIRE BOARD	A	A	A	A														
K-PC-M8619-0-DBC	-		MULTIWIRE DATA BASE (M8619)	A	A	A	A														
POO-M8619-00			PROCESS SHEETS	REF	REF	REF	REF														
NOTES:				REVISIONS	CHG NO.	REV.															
					X	ORIG	A														
					8-78	MR001	B														
					9-6	MR002	C														
					4-79	MR003	D														

"THIS DRAWING AND SPECIFICATIONS, HEREIN, ARE THE PROPERTY OF DIGITAL EQUIPMENT CORPORATION AND SHALL NOT BE REPRODUCED OR COPIED OR USED IN WHOLE OR IN PART AS THE BASIS FOR THE MANUFACTURE OR SALE OF ITEMS WITHOUT WRITTEN PERMISSION.



USED ON OPTION/MODEL			DRN.	TITLE	
KS10			<i>RwCaunter</i>	KS10 UNIBUS ADAPTER	
			CHK'D		
			<i>RwCaunter</i>		
			ENG.		
			<i>F</i>		
			PROD.		
			<i>W. B. ...</i>		
SIZE B DD				NUMBER	REV.
SHEET 1 OF 3				M8619-0	D

DRAWING NO.	NO. OF SHTS.	PART NO.	DESCRIPTION	NEW LAYOUT VERSION												REVISIONS											
				C	C																						
			MODULE REVISION	C	C																						
E-UA-M8619-0-0	6		KS10 UNIBUS ADAPTER	C	CI																						
K-PL-M8619-0-DBP	3		PARTS LIST DATA BASE (M8619)	B	BI																						
D-CS-M8619-0-UBA1	1		UNIBUS ADAPTER, UNIBUS ARB	A	AI																						
D-CS-M8619-0-UBA2	1		UNIBUS ADAPTER, UNIBUS CONTROL	B	BI																						
D-CS-M8619-0-UBA3	1		UNIBUS ADAPTER, INTERRUPT	A	AI																						
D-CS-M8619-0-UBA4	1		UNIBUS ADAPTER, I/O RD & WRT	B	BI																						
D-CS-M8619-0-UBA5	1		UNIBUS ADAPTER, NPR CONTROL	B	BI																						
D-CS-M8619-0-UBA6	1		UNIBUS ADAPTER, KS10 BUS REQ	B	BI																						
D-CS-M8619-0-UBA7	1		UNIBUS ADAPTER, FAST MODE LOGIC	A	AI																						
D-CS-M8619-0-UBA8	1		UNIBUS ADAPTER, DATA PATH 1	B	BI																						
D-CS-M8619-0-UBA9	1		UNIBUS ADAPTER, DATA PATH 2	B	BI																						
D-CS-M8619-0-UBAA	1		UNIBUS ADAPTER, DATA PATH 3	B	BI																						
D-CS-M8619-0-UBAB	1		UNIBUS ADAPTER, DATA PATH 4	A	AI																						
D-CS-M8619-0-UBAC	1		UNIBUS ADAPTER, DATA PATH 5	B	BI																						
D-CS-M8619-0-UBAD	1		UNIBUS ADAPTER, TERMINATION	A	AI																						
D-CS-M8619-0-UBAE	1		UNIBUS ADAPTER, UNIBUS CONN	A	AI																						
D-CS-M8619-0-UBAF	1		UNIBUS ADAPTER, +5V CAPS	A	AI																						
D-CS-M8619-0-UBAH	1		UNIBUS ADAPTER, POWER, GND PINS	A	AI																						
E-MD-5013194-0-0	7		DRILL, WIRE&COMP SCREEN DRAWING	B	B																						
		5013194	MULTIWIRE BOARD	B	B																						
K-PC-M8619-0-DBC	-		MULTIWIRE DATA BASE (M8619)	B	B																						
POO-M8619-00			PROCESS SHEETS	REF	REF																						

NOTES:

DATE	CHG NO.	REV.
9-6	MR002	C
4-79	MR003	D

THIS DRAWING AND SPECIFICATIONS, HEREIN, ARE THE PROPERTY OF DIGITAL EQUIPMENT CORPORATION AND SHALL NOT BE REPRODUCED OR COPIED OR USED IN WHOLE OR IN PART AS THE BASIS FOR THE MANUFACTURE OR SALE OF ITEMS WITHOUT WRITTEN PERMISSION.

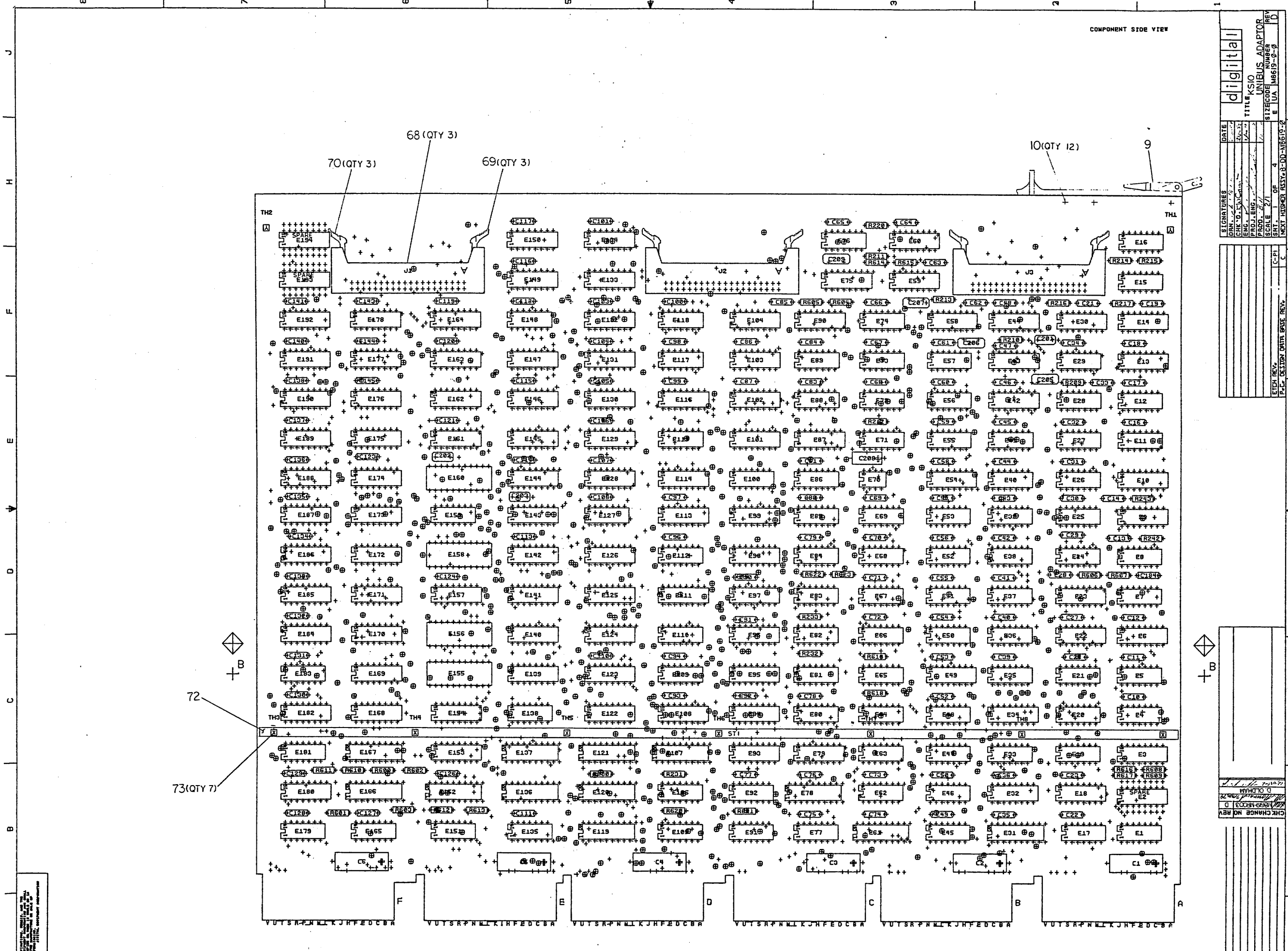
COPYRIGHT © 1978 DIGITAL EQUIPMENT CORPORATION



USED ON OPTION/MODEL		DRN	TITLE
KS10		R. W CAUNTER	22MAR78
		CHK'D R. W CAUNTER	22MAR78
		ENG. F. DOLL	14APR78
		PROD. W. BISHOP	21APR78

SIZE	CODE	NUMBER	REV.
B	DD	M8619-0	D

SHEET 2 OF 3



DATE	21.03.77	REVISION	0
DRN	D. O. PHAM	TITLE	K50 UNIBUS ADAPTOR
CHK'D	D. O. PHAM	PROJ. NO.	
DATE	21.03.77	SCALE	2:1
DRN	D. O. PHAM	REV	0
DATE	21.03.77	SHEET	1 OF 4
CHK'G	D. O. PHAM	UNIT CODE	E UA MB619-9-9
DATE	21.03.77	P-C	DESIGN DATA BULK REV.

REV	0	DATE	21.03.77	BY	D. O. PHAM
REV	1	DATE	21.03.77	BY	D. O. PHAM
REV	2	DATE	21.03.77	BY	D. O. PHAM
REV	3	DATE	21.03.77	BY	D. O. PHAM
REV	4	DATE	21.03.77	BY	D. O. PHAM
REV	5	DATE	21.03.77	BY	D. O. PHAM
REV	6	DATE	21.03.77	BY	D. O. PHAM
REV	7	DATE	21.03.77	BY	D. O. PHAM
REV	8	DATE	21.03.77	BY	D. O. PHAM
REV	9	DATE	21.03.77	BY	D. O. PHAM
REV	10	DATE	21.03.77	BY	D. O. PHAM

NOTES:

1. ALL DIMENSIONS ARE IN MILLIMETRES UNLESS OTHERWISE SPECIFIED.

2. ALL DIMENSIONS ARE TO THE CENTRE OF THE HOLE UNLESS OTHERWISE SPECIFIED.

3. ALL DIMENSIONS ARE TO THE OUTSIDE OF THE BOARD UNLESS OTHERWISE SPECIFIED.

4. ALL DIMENSIONS ARE TO THE INSIDE OF THE BOARD UNLESS OTHERWISE SPECIFIED.

5. ALL DIMENSIONS ARE TO THE SURFACE OF THE BOARD UNLESS OTHERWISE SPECIFIED.

6. ALL DIMENSIONS ARE TO THE BACK OF THE BOARD UNLESS OTHERWISE SPECIFIED.

7. ALL DIMENSIONS ARE TO THE FRONT OF THE BOARD UNLESS OTHERWISE SPECIFIED.

8. ALL DIMENSIONS ARE TO THE TOP OF THE BOARD UNLESS OTHERWISE SPECIFIED.

9. ALL DIMENSIONS ARE TO THE BOTTOM OF THE BOARD UNLESS OTHERWISE SPECIFIED.

10. ALL DIMENSIONS ARE TO THE LEFT OF THE BOARD UNLESS OTHERWISE SPECIFIED.

11. ALL DIMENSIONS ARE TO THE RIGHT OF THE BOARD UNLESS OTHERWISE SPECIFIED.

12. ALL DIMENSIONS ARE TO THE FRONT OF THE BOARD UNLESS OTHERWISE SPECIFIED.

13. ALL DIMENSIONS ARE TO THE BACK OF THE BOARD UNLESS OTHERWISE SPECIFIED.

14. ALL DIMENSIONS ARE TO THE TOP OF THE BOARD UNLESS OTHERWISE SPECIFIED.

15. ALL DIMENSIONS ARE TO THE BOTTOM OF THE BOARD UNLESS OTHERWISE SPECIFIED.

16. ALL DIMENSIONS ARE TO THE LEFT OF THE BOARD UNLESS OTHERWISE SPECIFIED.

17. ALL DIMENSIONS ARE TO THE RIGHT OF THE BOARD UNLESS OTHERWISE SPECIFIED.

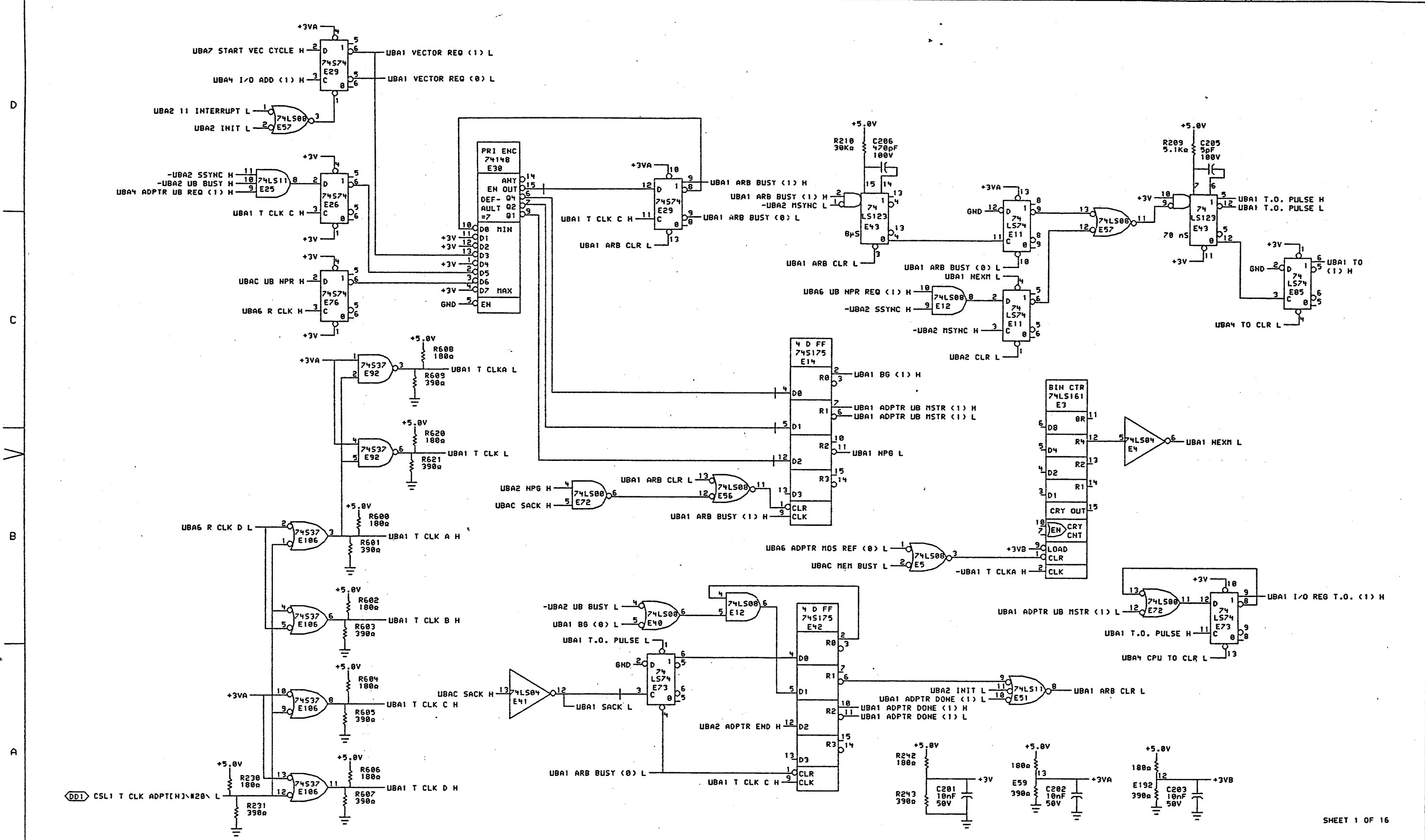
18. ALL DIMENSIONS ARE TO THE FRONT OF THE BOARD UNLESS OTHERWISE SPECIFIED.

19. ALL DIMENSIONS ARE TO THE BACK OF THE BOARD UNLESS OTHERWISE SPECIFIED.

20. ALL DIMENSIONS ARE TO THE TOP OF THE BOARD UNLESS OTHERWISE SPECIFIED.

NOTES:

1. ALL DIMENSIONS ARE IN MILLIMETRES UNLESS OTHERWISE SPECIFIED.

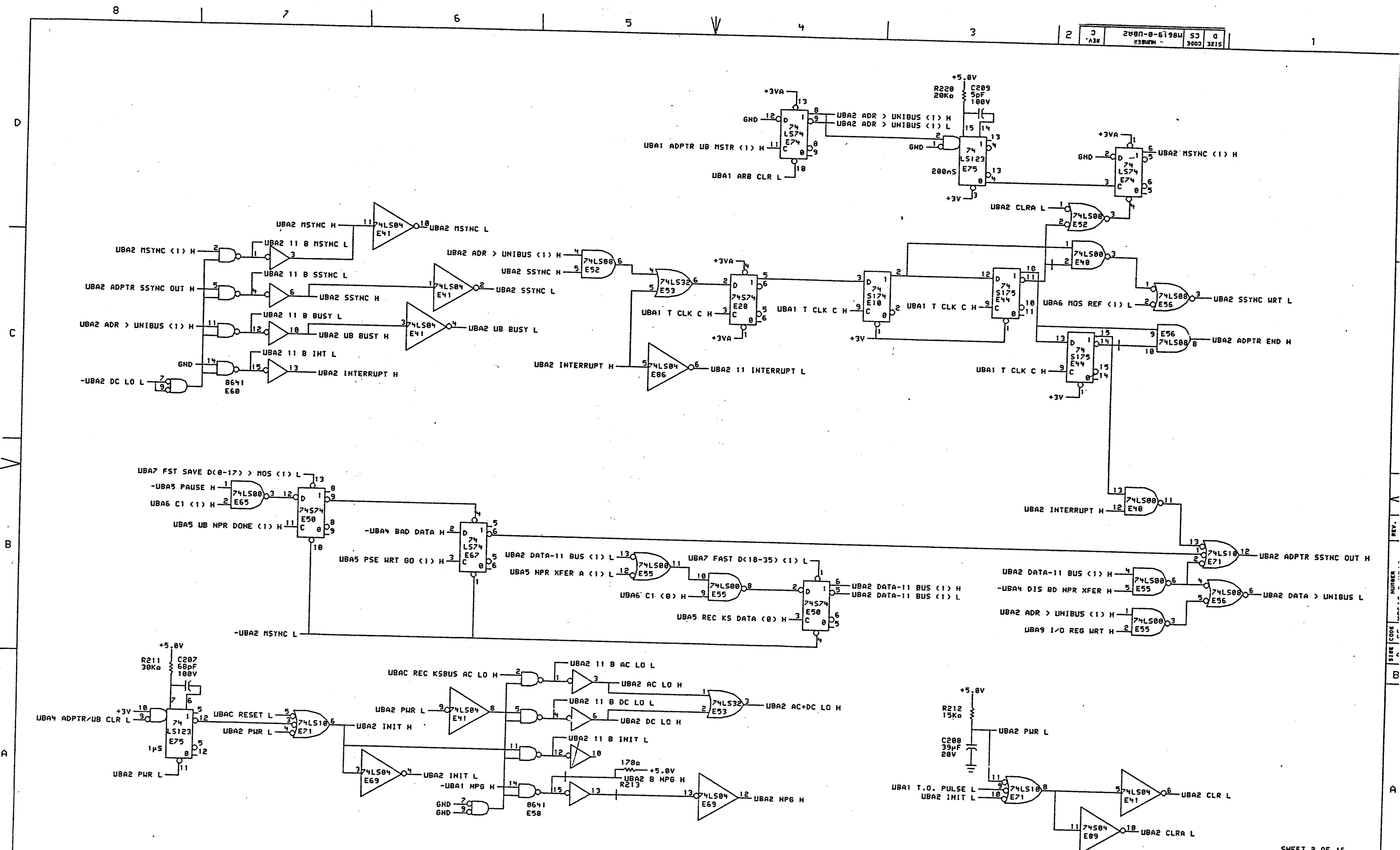


DD1 CSL1 T CLK ADPT[N]-N20 L

REVISIONS		
CHK	CHANGE NO.	REV
	M8619-MR003	B

D. OLDHAM
7-Jun-79

digital	DRN	J. Jounby	DATE	15-MAR-79	ENG	D. Oldham	DATE	7-JUN-79	TITLE:	UNIBUS ADAPTER
	CHK'D	M. Norman	DATE	26-FEB-79	DATE	14:21	BOARD LOCATION:	B-DD-M8619-0	UNIBUS ARB	
KS10:UBA\UBA1.DRW		NEXT HIGHER ASSEMBLY:		SIZE CODE		NUMBER		REV.		
FIRST USED ON OPTION/MODEL: KS10		B-DD-M8619-0		D CS		M8619-0-UBA1		B		



THIS DRAWING AND SPECIFICATIONS, HEREIN, ARE THE PROPERTY OF DIGITAL EQUIPMENT CORPORATION AND SHALL NOT BE REPRODUCED OR COPIED OR USED IN WHOLE OR IN PART AS THE BASIS FOR THE MANUFACTURE OR SALE OF ITEMS WITHOUT WRITTEN PERMISSION. COPYRIGHT © 1979, DIGITAL EQUIPMENT CORPORATION.

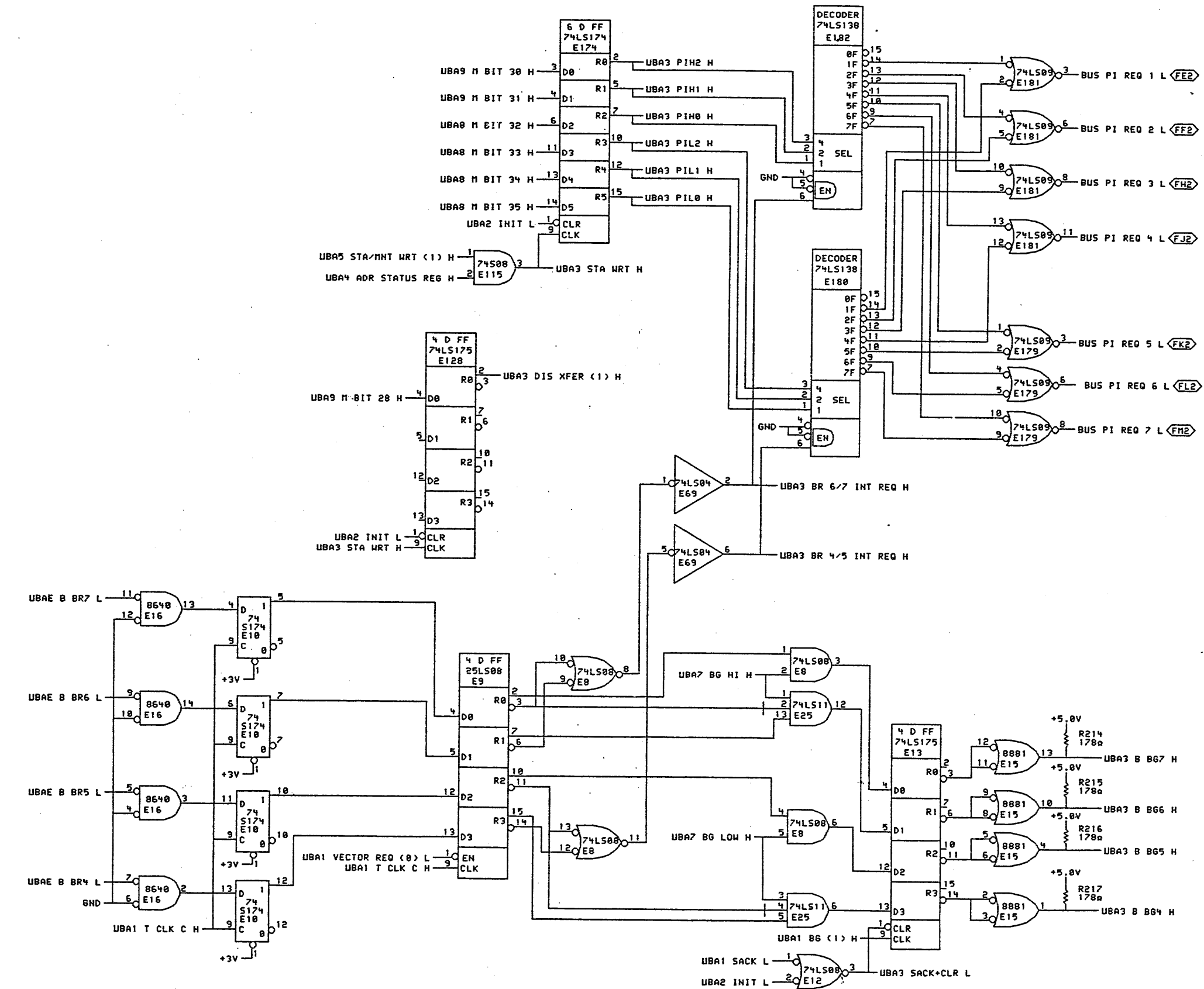
REV.	CHG	DATE	BY	REASON
1		7-24-79		

	DRN: <i>J. Looney</i>	DATE: 15-MAR-79	ENG: <i>Cliff Allen</i>	DATE: 7-JUN-79	TITLE: UNIBUS ADAPTER UNIBUS CONTROL
	CHK'D: <i>M. McManis</i>	DATE: 23-APR-79	BOARD LOCATION: 3-APR-79	SHEET: 1 OF 1	NUMBER: M8619-0-UBA2
FIRST USED ON OPTION/MODEL: K510		26-FEB-79 14:22	NEXT HIGHER ASSEMBLY: B-DD-M8619-0	SIZE CODE: D CS	REV. C

REV. NUMBER SIZE CODE

MR

D
C
V
B
A



SHEET 3 OF 16

THIS DRAWING AND SPECIFICATIONS, HEREIN, ARE THE PROPERTY OF DIGITAL EQUIPMENT CORPORATION AND SHALL NOT BE REPRODUCED OR COPIED OR USED IN WHOLE OR IN PART AS THE BASIS FOR THE MANUFACTURE OR SALE OF ITEMS WITHOUT WRITTEN PERMISSION. COPYRIGHT © 1979, DIGITAL EQUIPMENT CORPORATION.

REVISIONS	
CHK	CHANGE NO. REV

	DATE: 12-11-79	ENG: Paul Allen	DATE: 7-20-79	TITLE: UNIBUS ADAPTER INTERRUPT
	DATE: 2/26/79	DRW: J. J. Murphy	DATE: 7-20-79	BOARD LOCATION: 1 DE 1
KS10:UBA>UBA3.DRW		26-FEB-79 14:22 NEXT HIGHER ASSEMBLY:		SIZE CODE: D CS
FIRST USED ON OPTION/MODEL: KS10		B-DD-M8619-0		NUMBER: M8619-0-UBA3
				REV. B

8

7

6

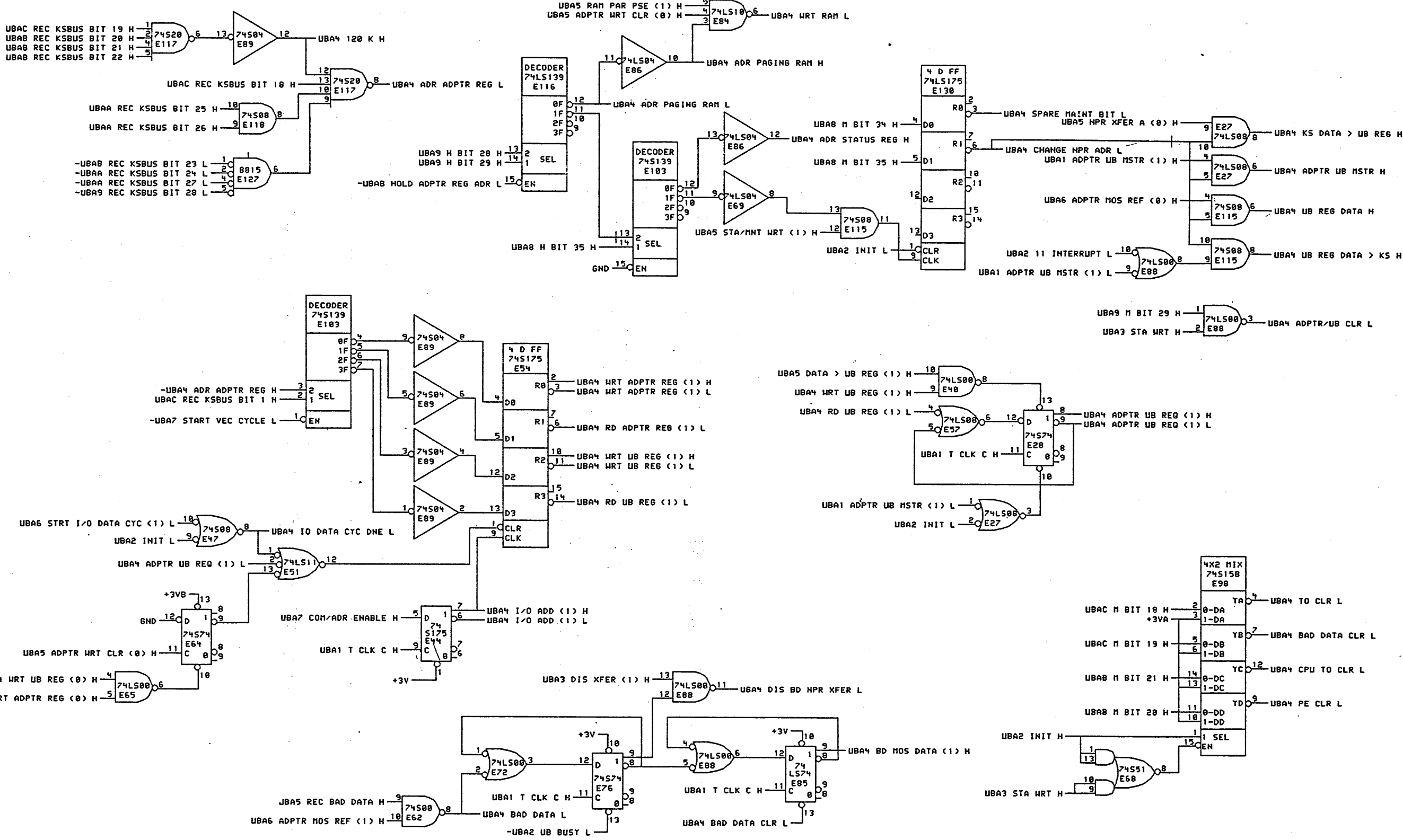
5

4

3

2

1

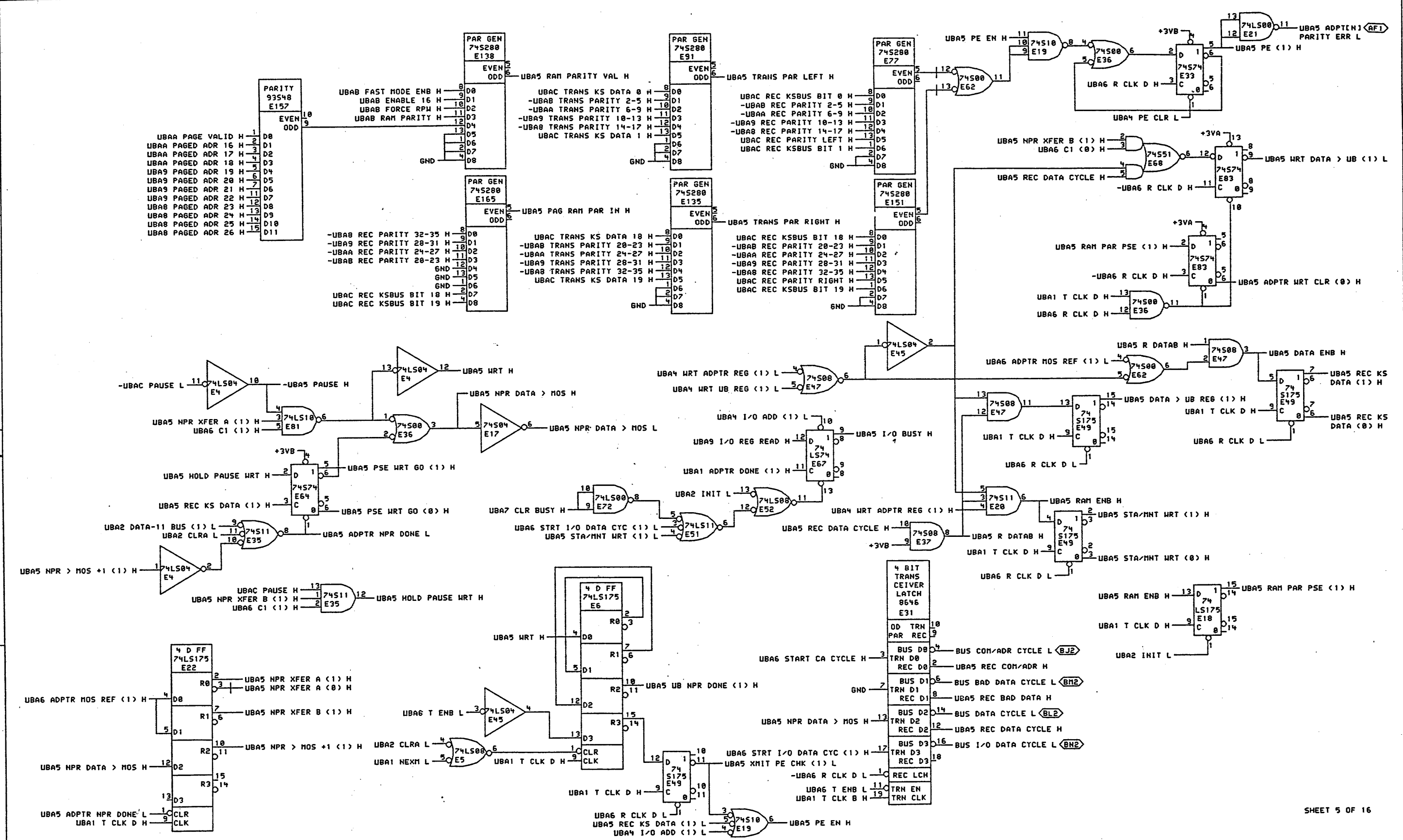


THIS DRAWING AND SPECIFICATIONS, HEREIN, ARE THE PROPERTY OF DIGITAL EQUIPMENT CORPORATION AND SHALL NOT BE REPRODUCED OR COPIED OR USED IN WHOLE OR IN PART AS THE BASIS FOR THE MANUFACTURE OR SALE OF ITEMS WITHOUT WRITTEN PERMISSION. COPYRIGHT © 1979, DIGITAL EQUIPMENT CORPORATION.
REVISIONS CHK CHANGE NO. REV M8619-MR003 C 7/11/79 D. CLDHAM 7-JUN-79

digital	DRW. No. 2	DATE 15-MAR-79	ENG. NAME Carl Miller	DATE 7-JUN-79	TITLE: UNIBUS ADAPTER I/O RD+WRT
KS10: (UBA)UBA4.DRW	26-FEB-79 14:23	NEXT HIGHER ASSEMBLY: B-DD-M8619-0	SIZE CODE D CS	NUMBER M8619-0-UBA4	REV. C
FIRST USED ON OPTION MODEL: KS10					

DRW. No. 2	DATE 15-MAR-79	ENG. NAME Carl Miller	DATE 7-JUN-79	TITLE: UNIBUS ADAPTER I/O RD+WRT	
KS10: (UBA)UBA4.DRW	26-FEB-79 14:23	NEXT HIGHER ASSEMBLY: B-DD-M8619-0	SIZE CODE D CS	NUMBER M8619-0-UBA4	REV. C
FIRST USED ON OPTION MODEL: KS10					

MR



THIS DRAWING AND SPECIFICATIONS, HEREIN, ARE THE PROPERTY OF DIGITAL EQUIPMENT CORPORATION AND SHALL NOT BE REPRODUCED OR COPIED OR USED IN WHOLE OR IN PART AS THE BASIS FOR THE MANUFACTURE OR SALE OF ITEMS WITHOUT WRITTEN PERMISSION. COPYRIGHT © 1979. DIGITAL EQUIPMENT CORPORATION.

CHK	CHANGE NO.	REV

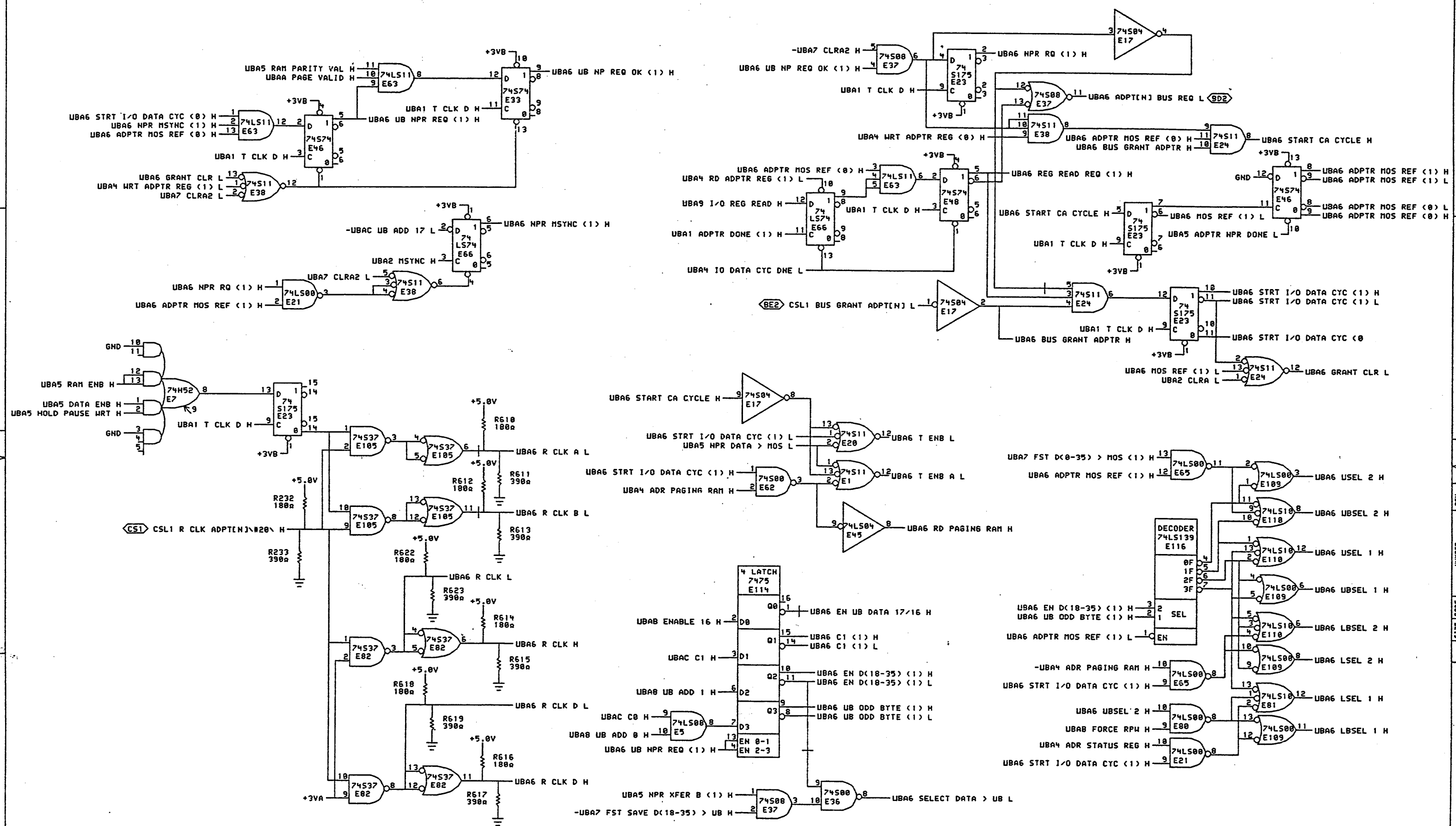
REV	DATE	BY	DESCRIPTION
1	15-MAR-79	John	Initial Design
2	26-FEB-79	John	Next Higher Assembly

digital
 KS10:UBA:UBA5.DRW
 FIRST USED ON OPTION/MODEL: KS10

DATE: 15-MAR-79
 DATE: 26-FEB-79
 BOARD LOCATION: 23007
 SHEET: 1 OF 1

TITLE: UNIBUS ADAPTER NPR CONTROL	SIZE: D	CODE: CS	NUMBER: M8619-0-UBA5	REV: C
-----------------------------------	---------	----------	----------------------	--------

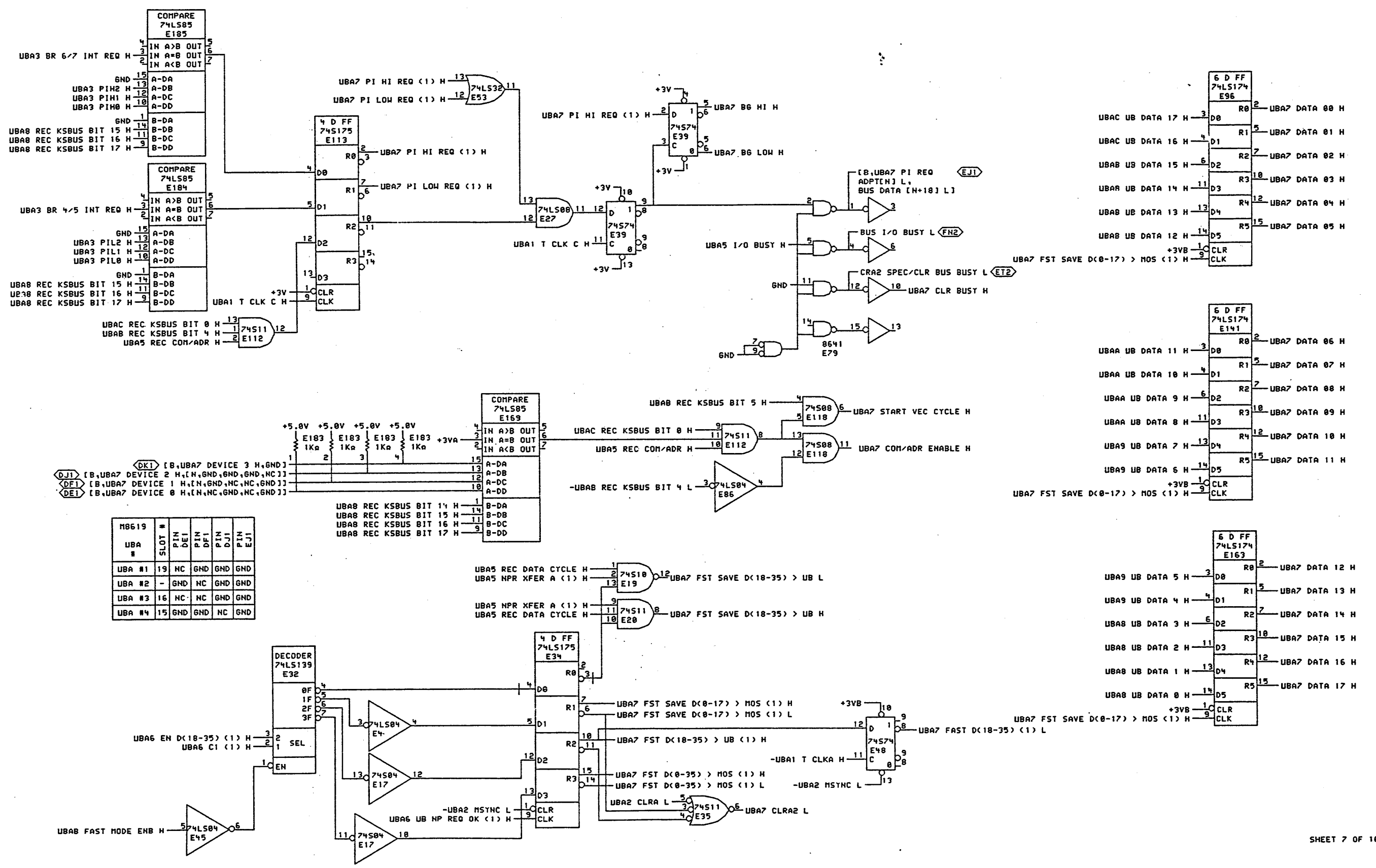
D
C
B
A



THIS DRAWING AND SPECIFICATIONS, HEREIN, ARE THE PROPERTY OF DIGITAL EQUIPMENT CORPORATION AND SHALL NOT BE REPRODUCED OR COPIED OR USED IN WHOLE OR IN PART AS THE BASIS FOR THE MANUFACTURE OR SALE OF ITEMS WITHOUT WRITTEN PERMISSION. COPYRIGHT © 1979, DIGITAL EQUIPMENT CORPORATION.

REVISIONS	
CHK	CHANGE NO. REV
M. M. MROOS	C
D. OLDHAM	

digital	DRY	DATE	ENG	DATE	TITLE
	M. M. MROOS	12-11-79	W. J. B. B.	7-30-79	UNIBUS ADAPTER
K510: (UBA)UBA6.DRW		DATE	BOARD LOCATION	KS10 BUS REQ	
FIRST USED ON OPTION/MODEL: K510		126-FEB-79 14:25	NEXT HIGHER ASSEMBLY: B-DD-M8619-0	SIZE	CODE
				D	CS
				NUMBER	REV.
				M8619-0-UBA6	C



M8619	UBA #	SLOT #	PIN DE1	PIN DE1	PIN DJ1	PIN E1
	UBA #1	19	NC	GND	GND	GND
	UBA #2	-	GND	NC	GND	GND
	UBA #3	16	NC	NC	GND	GND
	UBA #4	15	GND	GND	NC	GND

THIS DRAWING AND SPECIFICATIONS, HEREIN, ARE THE PROPERTY OF DIGITAL EQUIPMENT CORPORATION AND SHALL NOT BE REPRODUCED OR COPIED OR USED IN WHOLE OR IN PART AS THE BASIS FOR THE MANUFACTURE OR SALE OF ITEMS WITHOUT WRITTEN PERMISSION. COPYRIGHT © 1979, DIGITAL EQUIPMENT CORPORATION.

CHK	CHANGE NO.	REV

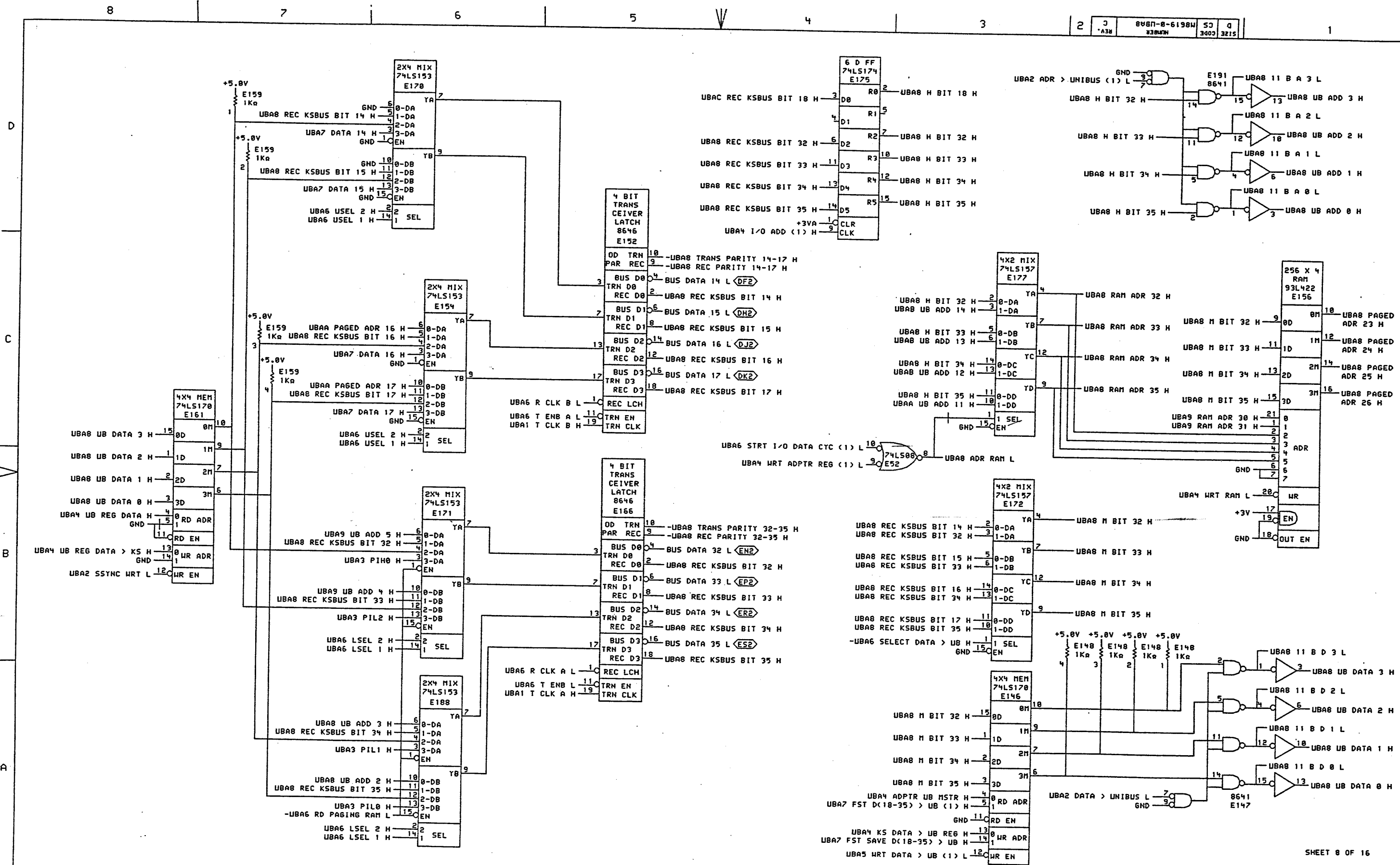
digital

DRW. J. J. J. DATE 15-MAR-79 ENG. DATE 7-JUN-79 TITLE: UNIBUS ADAPTER FAST MODE LOGIC

KS10:UBA7.DRW 26-FEB-79 14:22 NEXT HIGHER ASSEMBLY: B-DD-M8619-0

FIRST USED ON OPTION/MODEL: KS10 B-DD-M8619-0

SIZE CODE D CS NUMBER M8619-0-UBA7 REV. B



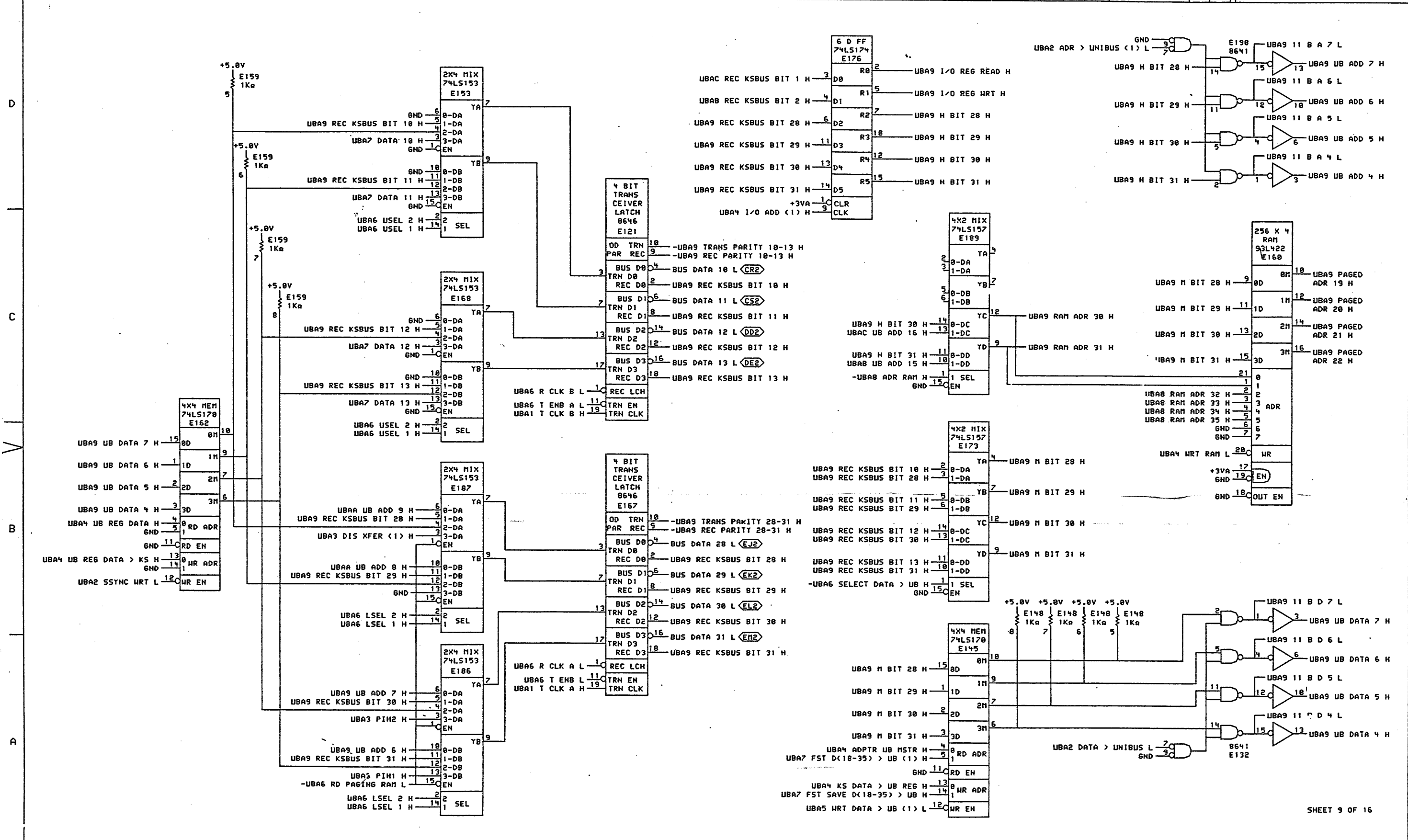
THIS DRAWING AND SPECIFICATIONS HEREIN ARE THE PROPERTY OF DIGITAL EQUIPMENT CORPORATION AND SHALL NOT BE REPRODUCED OR COPIED OR USED IN WHOLE OR IN PART AS THE BASIS FOR THE MANUFACTURE OR SALE OF ITEMS WITHOUT WRITTEN PERMISSION. COPYRIGHT © 1979, DIGITAL EQUIPMENT CORPORATION

REVISIONS	
CHK	CHANGE NO. REV
W. J. WOOD	7-30A-29

DATE	ENG	DATE	TITLE
15-MAR-79	W. J. WOOD	7-JUN-79	UNIBUS ADAPTER DATA PATH 1
DATE	BOARD LOCATION	SHEET	1 OF 1
16-FEB-79	B-DD-M8619-0	1	
FIRST USED ON OPTION/MODEL:	K510	NEXT HIGHER ASSEMBLY:	B-DD-M8619-0

digital
 K510: KUBAUBAS.DRW 16-FEB-79 14:28
 TITLE: UNIBUS ADAPTER DATA PATH 1
 SIZE CODE: D CS
 NUMBER: M8619-0-UBA8
 REV. C

REV.	NUMBER	DATE	BY	CHK'D	DATE	BY	CHK'D	DATE	BY
C	6088-0-6198H								



THIS DRAWING AND SPECIFICATIONS HEREIN ARE THE PROPERTY OF DIGITAL EQUIPMENT CORPORATION AND SHALL NOT BE REPRODUCED OR COPIED OR USED IN WHOLE OR IN PART AS THE BASIS FOR THE MANUFACTURE OR SALE OF ITEMS WITHOUT WRITTEN PERMISSION. COPYRIGHT © 1979, DIGITAL EQUIPMENT CORPORATION.

REV.	NO.	DATE	BY	CHK'D
1	1	7-27-79	D. OLIVAN	

REV.	NO.	DATE	BY	CHK'D
1	1	7-27-79	D. OLIVAN	

digital DR. J. J. J. DATE 30-MAR-79 ENG. DATE 7-JUN-79 TITLE: UNIBUS ADAPTER DATA PATH 2

PS: <BOMEN>UBA9.DRW 26-FEB-79 14:29 NEXT HIGHER ASSEMBLY: SIZE CODE NUMBER REV. D CS M8619-0-UBA9 C

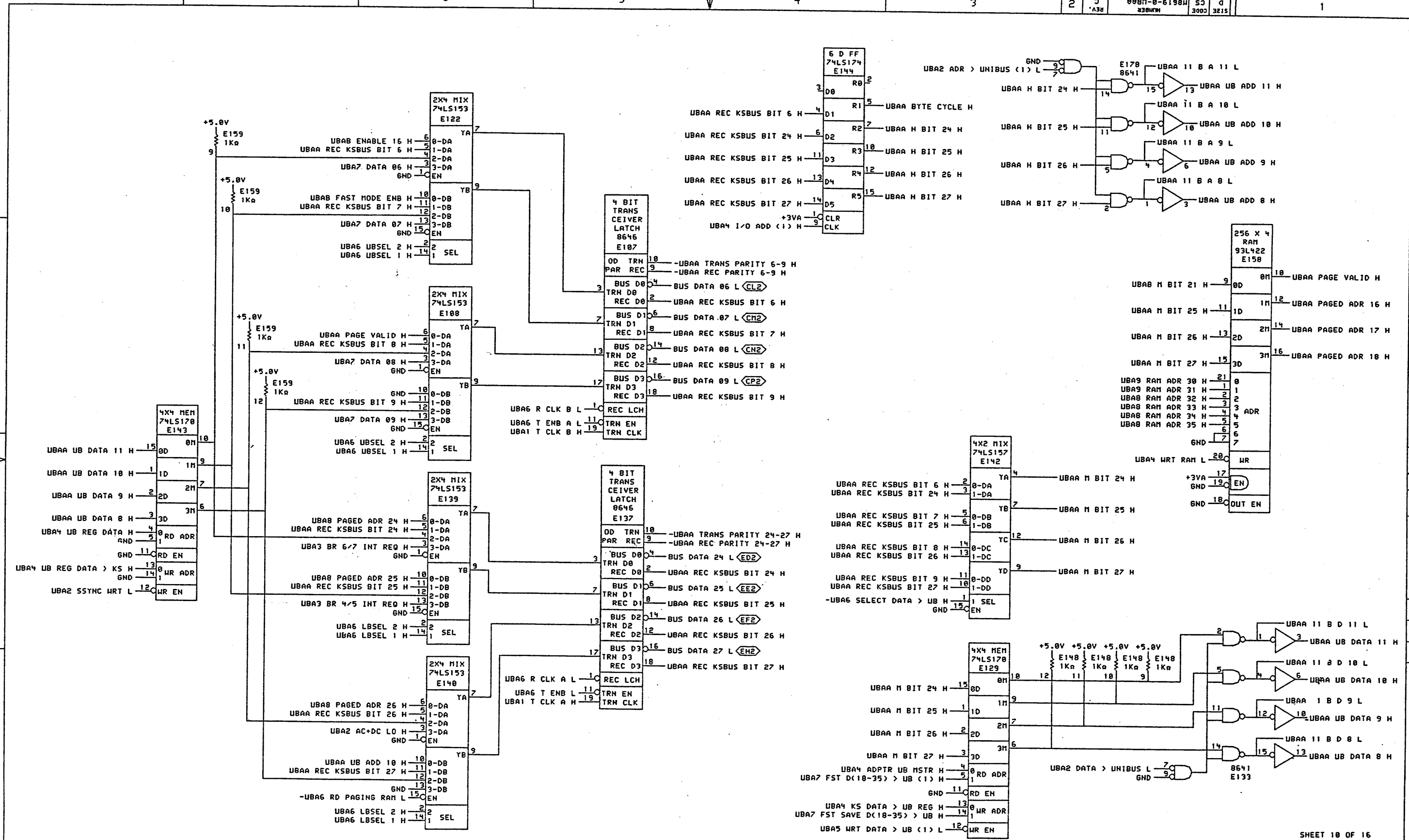
FIRST USED ON OPTION/MODEL: KS10 B-DD-M8619-0

D

C

B

A

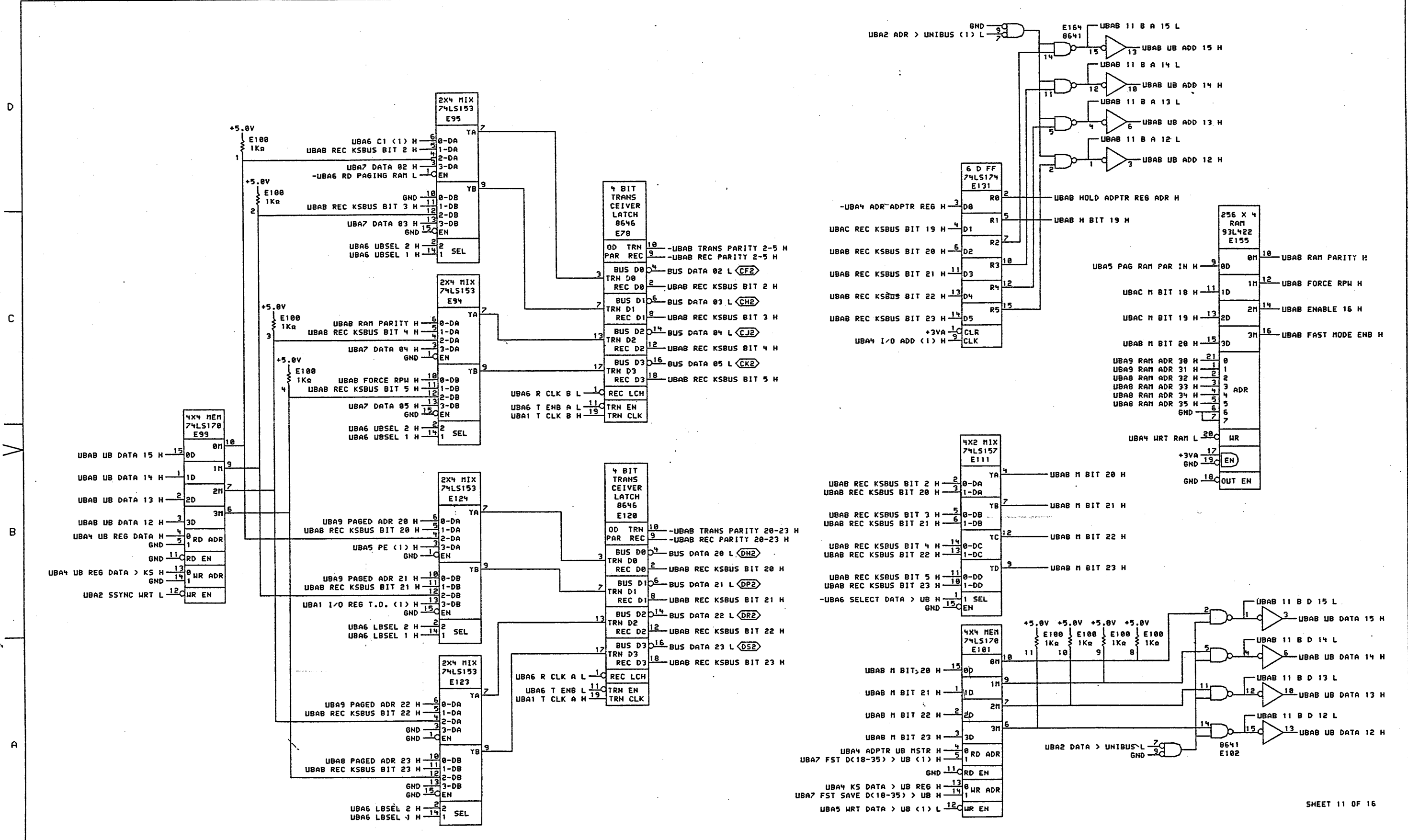


THIS DRAWING AND SPECIFICATIONS, HEREIN, ARE THE PROPERTY OF DIGITAL EQUIPMENT CORPORATION AND SHALL NOT BE REPRODUCED OR COPIED OR USED IN WHOLE OR IN PART AS THE BASIS FOR THE MANUFACTURE OR SALE OF ITEMS WITHOUT WRITTEN PERMISSION. COPYRIGHT © 1979, DIGITAL EQUIPMENT CORPORATION.

CHK	CHANGE NO.	REV

DATE	ENG	DATE	TITLE
15-MAR-79	David Allen	7-JUN-79	UNIBUS ADAPTER DATA PATH 3
DATE	BOARD LOCATION	SHEET	OF
26-FEB-79		1	1
FIRST USED ON OPTION/MODEL: KS10		NEXT HIGHER ASSEMBLY: B-DD-M8619-0	

SIZE	CODE	NUMBER	REV.
D	CS	M8619-0-UBAA	C



SHEET 11 OF 16

THIS DRAWING AND SPECIFICATIONS HEREIN, ARE THE PROPERTY OF DIGITAL EQUIPMENT CORPORATION AND SHALL NOT BE REPRODUCED OR COPIED OR USED IN WHOLE OR IN PART AS THE BASIS FOR THE MANUFACTURE OR SALE OF ITEMS WITHOUT WRITTEN PERMISSION. COPYRIGHT © 1979, DIGITAL EQUIPMENT CORPORATION.

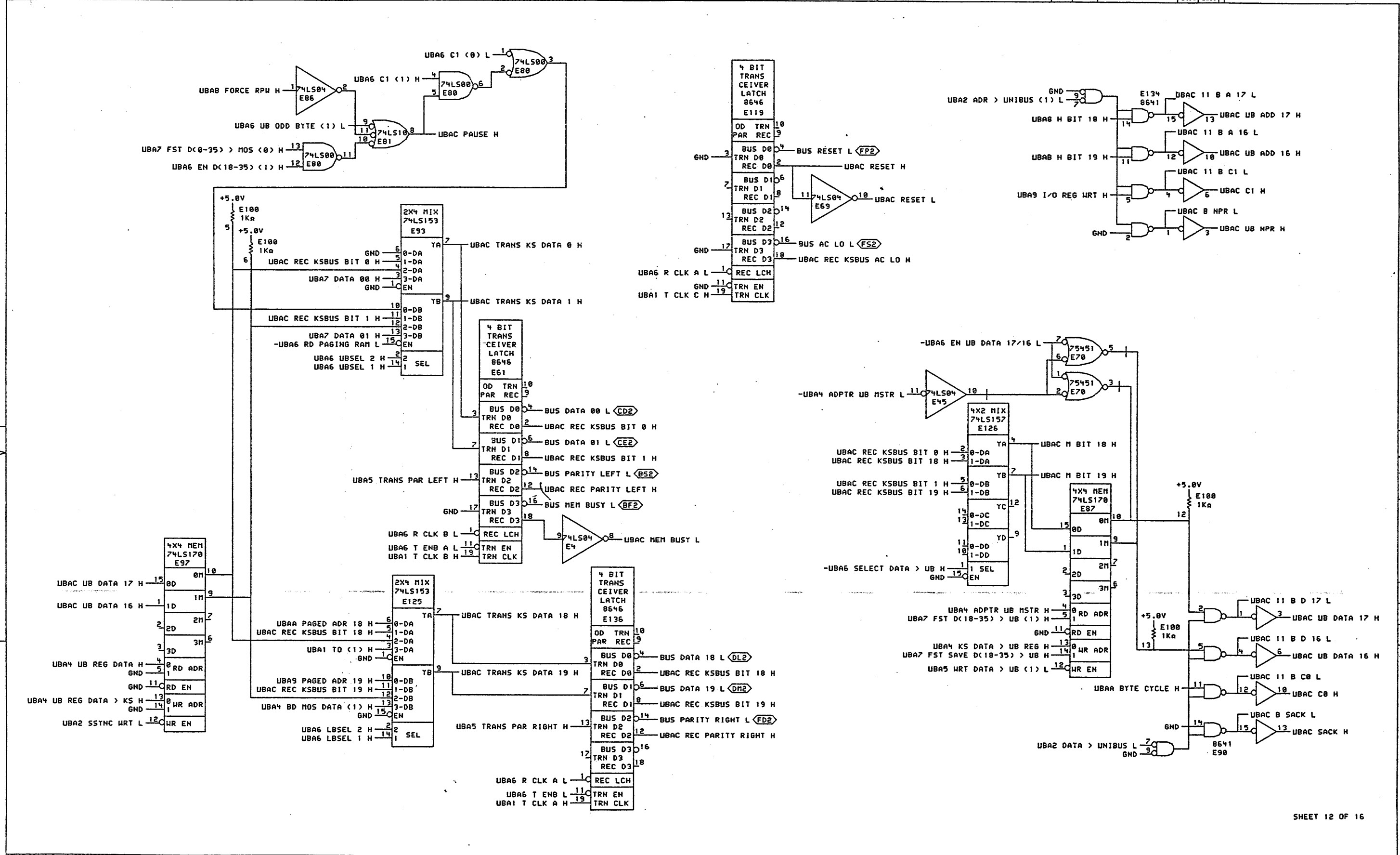
REV.	CHG.	NO.	DATE
1			7-20-79

REV.	CHG.	NO.	DATE	BY	CHKD.	DATE	BY
1			15-MAR-79	J. J. J.	E. O. O.	7-JUN-79	

DATE: 15-MAR-79
 DATE: 7-JUN-79
 BOARD LOCATION: 1
 SHEET: 11 OF 16
 KS10: CUBA>UBAB.DRW 26-FEB-79 14:33 NEXT HIGHER ASSEMBLY:
 FIRST USED ON OPTION/MODEL: KS10 B-DD-M8619-0

TITLE:	UNIBUS ADAPTER DATA PATH 4		
SIZE CODE	D CS	NUMBER	M8619-0-UBAB
REV.	B		

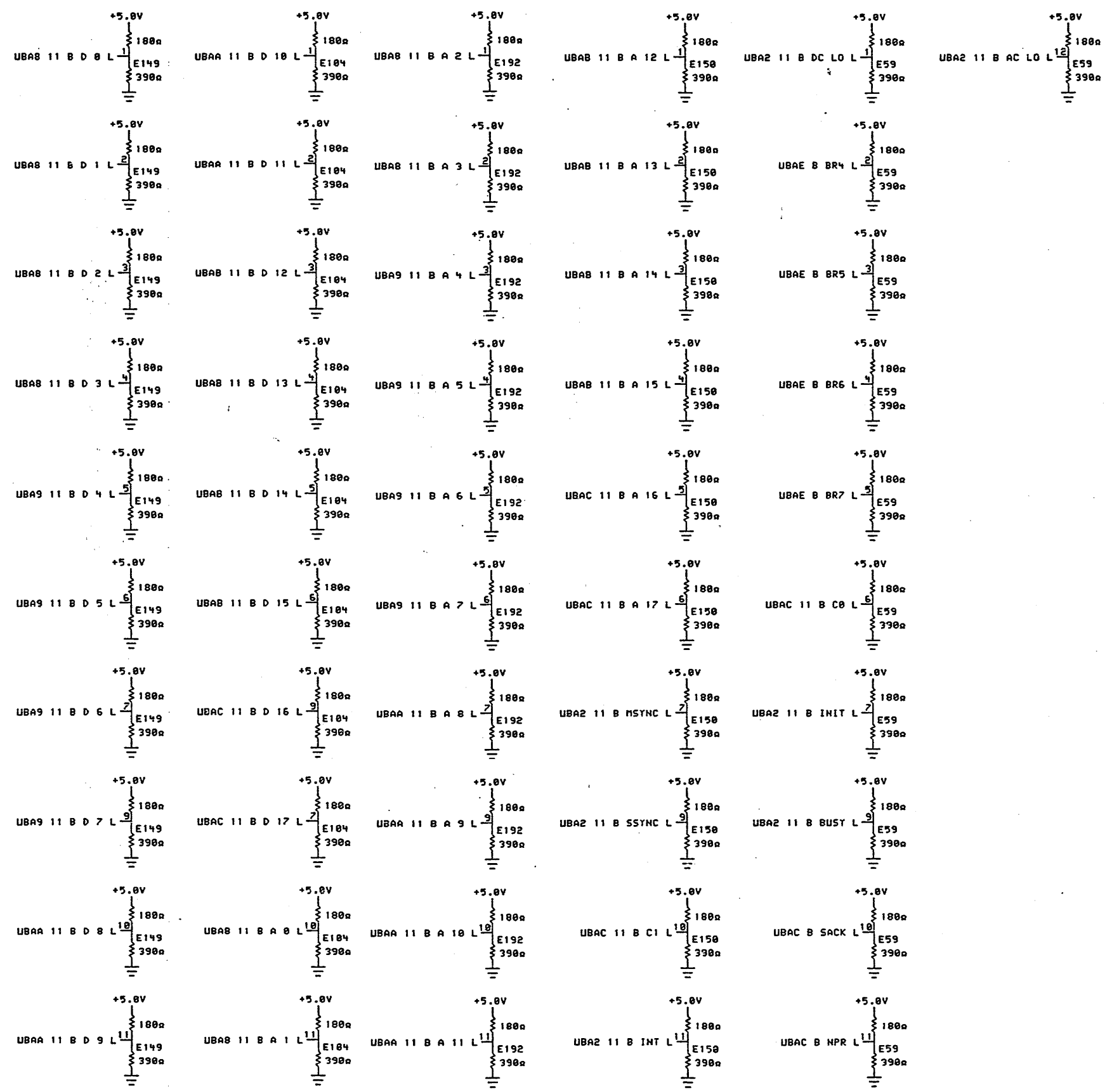
D
C
V
B
A



REVISIONS	
CHK	CHANGE NO. REV
MM	0003 C
MM	0004 D
MM	0005 E

digital	DRN. J. J. J.	DATE	15-MAR-79	ENG.	Carl Olden	DATE	7-JUN-79	TITLE:	UNIBUS ADAPTER DATA PATH 5
	CHK. J. J. J.	DATE	15-MAR-79	CS	3000	D	3215	SIZE CODE	NUMBER
K510: CUBA/UBAC.DRW		26-FEB-79	14:24	NEXT HIGHER ASSEMBLY:		B-DD-M8619-0	REV.	C	
FIRST USED ON OPTION/MODEL:		K510	B-DD-M8619-0						

D
C
V
B
A



THIS DRAWING AND SPECIFICATIONS HEREIN ARE THE PROPERTY OF DIGITAL EQUIPMENT CORPORATION AND SHALL NOT BE REPRODUCED OR COPIED OR USED IN WHOLE OR IN PART AS THE BASIS FOR THE MANUFACTURE OR SALE OF ITEMS WITHOUT WRITTEN PERMISSION. COPYRIGHT © 1979, DIGITAL EQUIPMENT CORPORATION.

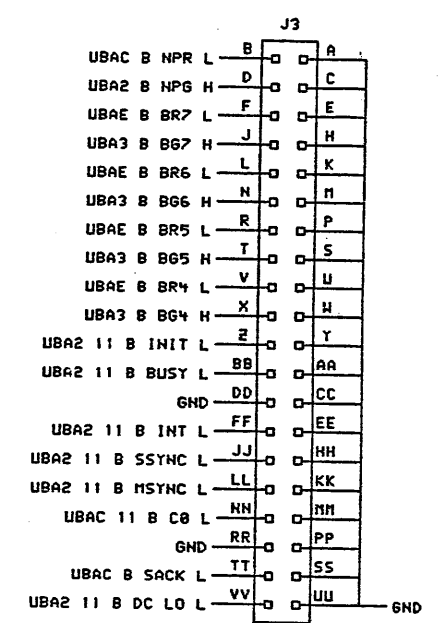
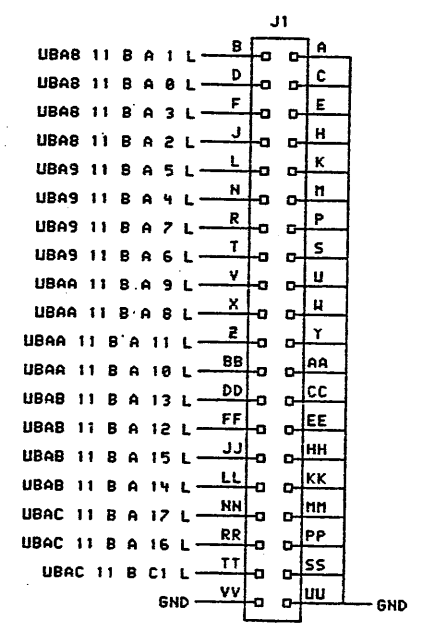
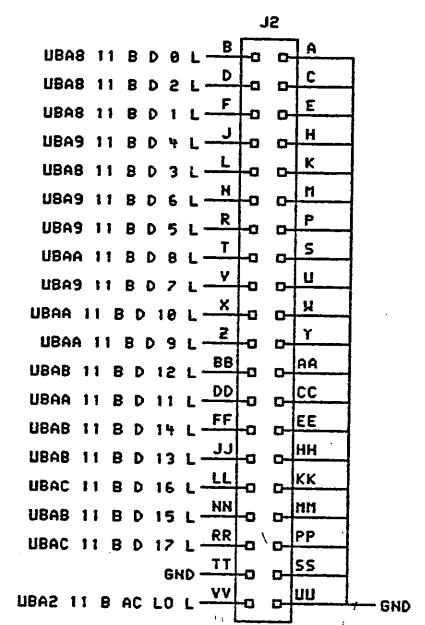
REVISIONS		
CHK	CHANGE NO.	REV

digital DRW: J. J. J. DATE: 15-MAR-79 ENG: DATE: 7-JUN-79
 CHK'D: M. M. DATE: BOARD LOCATION: SHEET 1 OF 1
 KS10:UBAUBAD.DRW 126-FEB-79 14:35 NEXT HIGHER ASSEMBLY:
 FIRST USED ON OPTION/MODEL: KS10 B-DD-M8619-0

TITLE: UNIBUS ADAPTER TERMINATION
 SIZE CODE: D CS NUMBER: M8619-0-UBAD REV. B

REV. NUMBER SIZE CODE

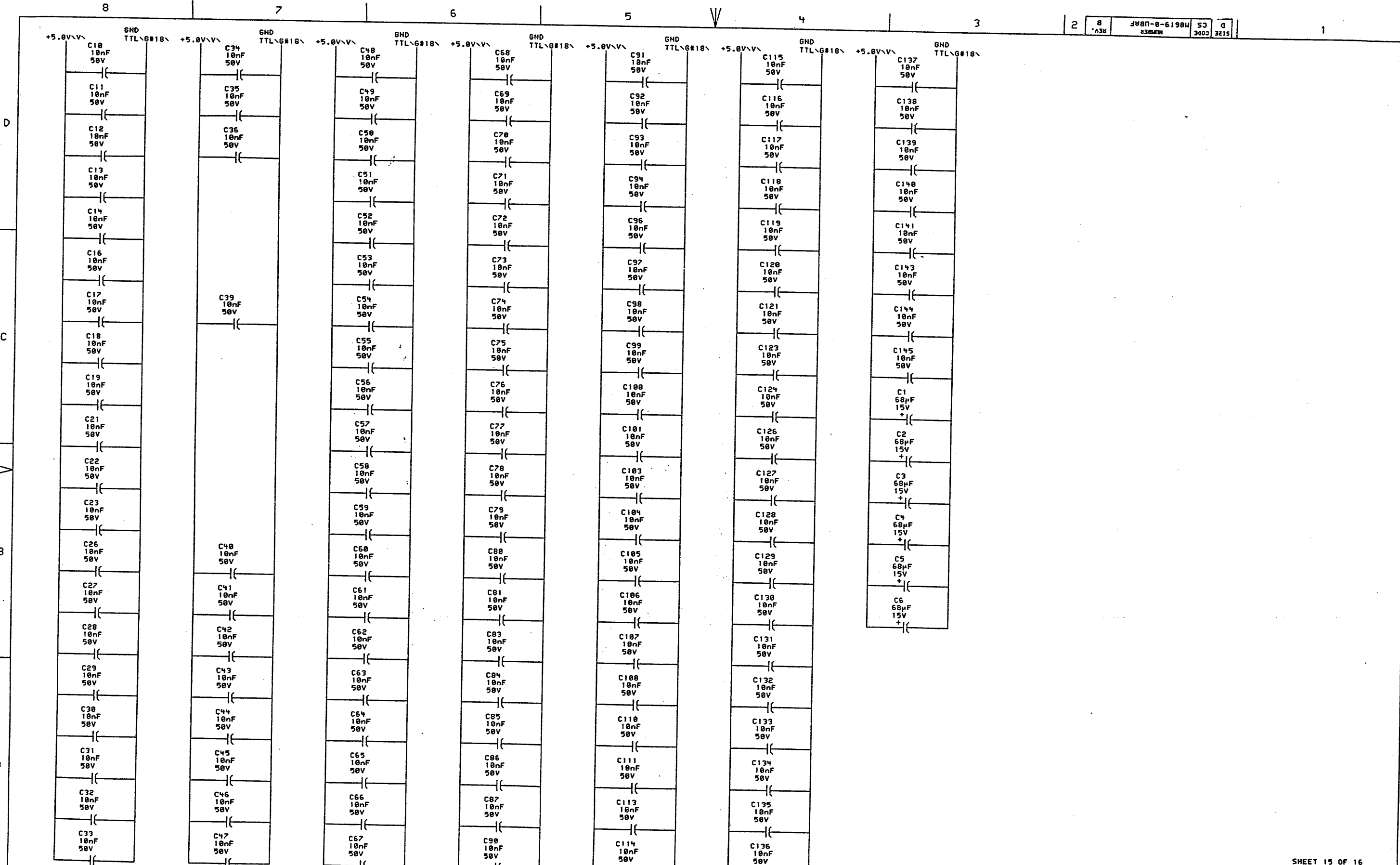
MR



THIS DRAWING AND SPECIFICATIONS HEREIN ARE THE PROPERTY OF DIGITAL EQUIPMENT CORPORATION AND SHALL NOT BE REPRODUCED OR COPIED OR USED IN WHOLE OR IN PART AS THE BASIS FOR THE MANUFACTURE OR SALE OF ITEMS WITHOUT WRITTEN PERMISSION. COPYRIGHT © 1979, DIGITAL EQUIPMENT CORPORATION.

REVISIONS	
CHK	CHANGE NO. REV
<i>[Signature]</i>	M8619-MR003 B
<i>[Signature]</i>	<i>[Signature]</i>
<i>[Signature]</i>	<i>[Signature]</i>

digital	DRW: <i>[Signature]</i>	DATE: 13-11-79	ENG: <i>[Signature]</i>	DATE: 7-30-79	TITLE: UNIBUS ADAPTER
	CHK: <i>[Signature]</i>	DATE: 23-01-79	BOARD LOCATION: 1	SHEET: 1 OF 1	UNIBUS CONNECTOR
KSI0:(UBA)UBAE.DRW		126-FEB-79 14:36	NEXT HIGHER ASSEMBLY: B-DD-M8619-0	SIZE: D	CODE: CS
FIRST USED ON OPTION/MODEL: KSI0				NUMBER: M8619-0-UBAE	REV.: B



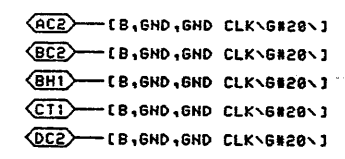
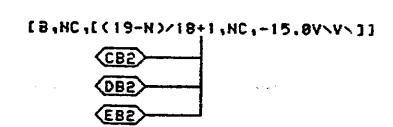
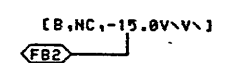
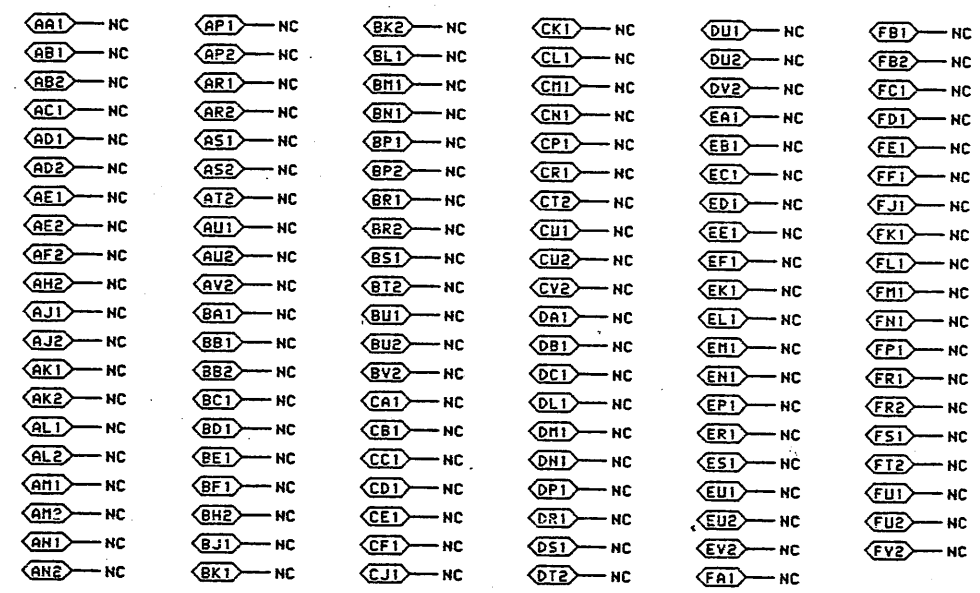
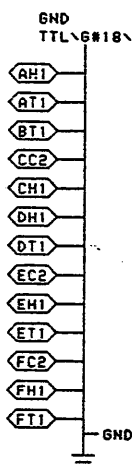
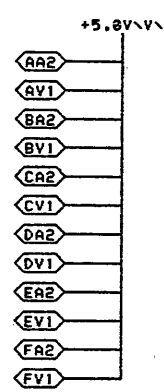
THIS DRAWING AND SPECIFICATIONS HEREIN ARE THE PROPERTY OF DIGITAL EQUIPMENT CORPORATION AND SHALL NOT BE REPRODUCED OR COPIED OR USED IN WHOLE OR IN PART AS THE BASIS FOR THE MANUFACTURE OR SALE OF ITEMS WITHOUT WRITTEN PERMISSION. COPYRIGHT © 1979, DIGITAL EQUIPMENT CORPORATION.

REVISIONS		
CHK	CHANGE NO.	REV
	M8619-MR003	B
		7/23/79
		D. OLHAM

	DATE	ENG	DATE	TITLE
	15-MAR-79	J. J. [Signature]	7-JUN-79	UNIBUS ADAPTER +5.0V CAPS
KS10:KUBA:UBAF.DRW	DATE	BOARD LOCATION	SHEET	OF
114-MAR-79 13:16			1	1
FIRST USED ON OPTION/MODEL:	KS10	NEXT HIGHER ASSEMBLY:	B-DD-M8619-0	
SIZE	CODE	NUMBER	REV.	
D	CS	M8619-0-UBAF	B	

MR

D
C
V
B
A



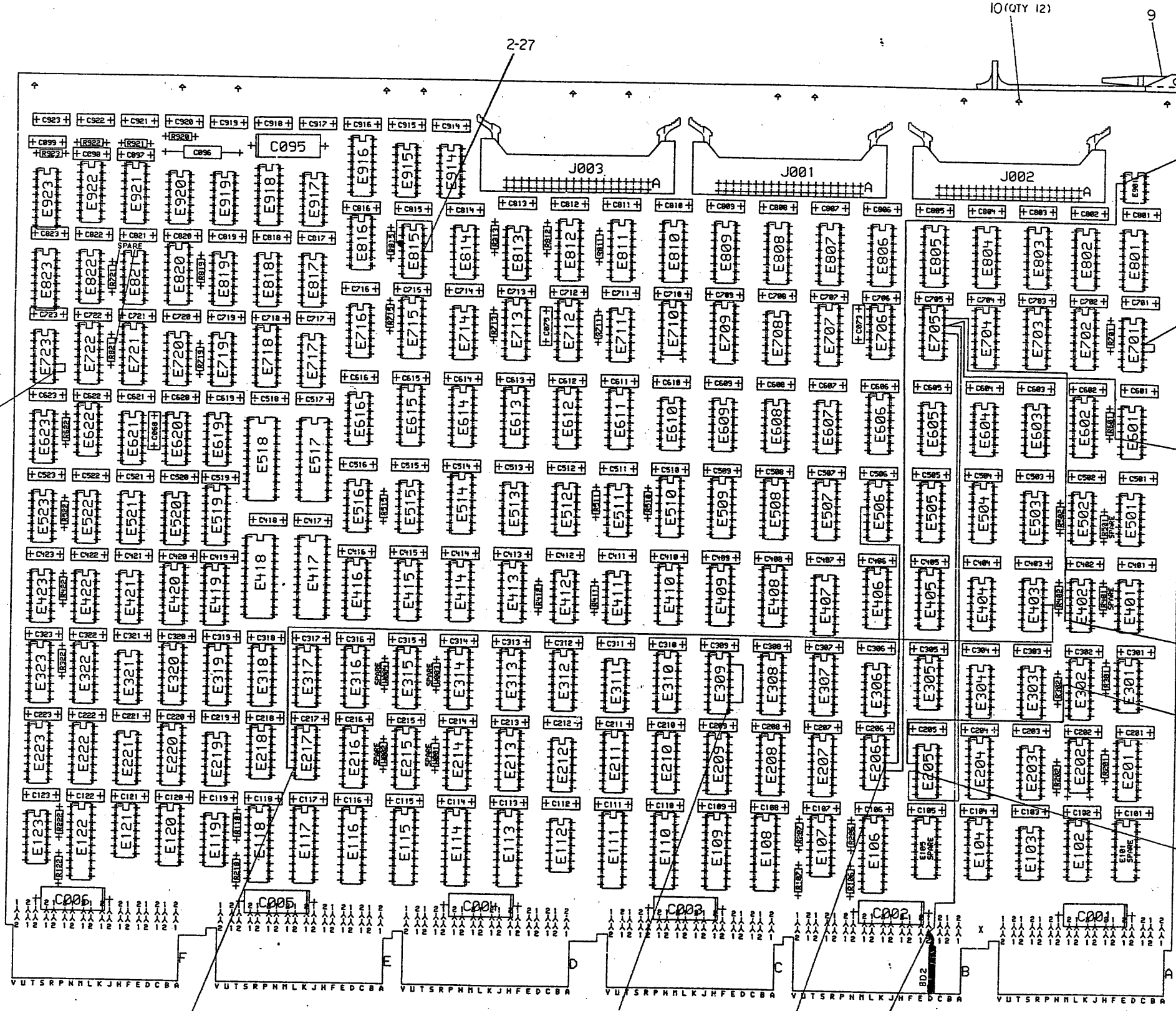
THIS DRAWING AND SPECIFICATIONS HEREIN ARE THE PROPERTY OF DIGITAL EQUIPMENT CORPORATION AND SHALL NOT BE REPRODUCED OR COPIED OR USED IN WHOLE OR IN PART AS THE BASIS FOR THE MANUFACTURE OR SALE OF ITEMS WITHOUT WRITTEN PERMISSION. COPYRIGHT © 1979, DIGITAL EQUIPMENT CORPORATION.

REVISIONS		
CHK	CHANGE NO.	REV
	M8619-MRO03	B

digital	DRW. <i>J. J. J.</i>	DATE 15-MAR-79	ENG. <i>David Allen</i>	DATE 23-JUN-79	TITLE: UNIBUS ADAPTER POWER, GND PINS
	CHK. <i>M. M.</i>	DATE 23-JUN-79	BOARD LOCATION:	SHEET 1 OF 1	REV. B
FIRST USED ON OPTION/MODEL: K510		NEXT HIGHER ASSEMBLY: B-DD-M8619-0		SIZE CODE D CS	NUMBER M8619-0-UBAH

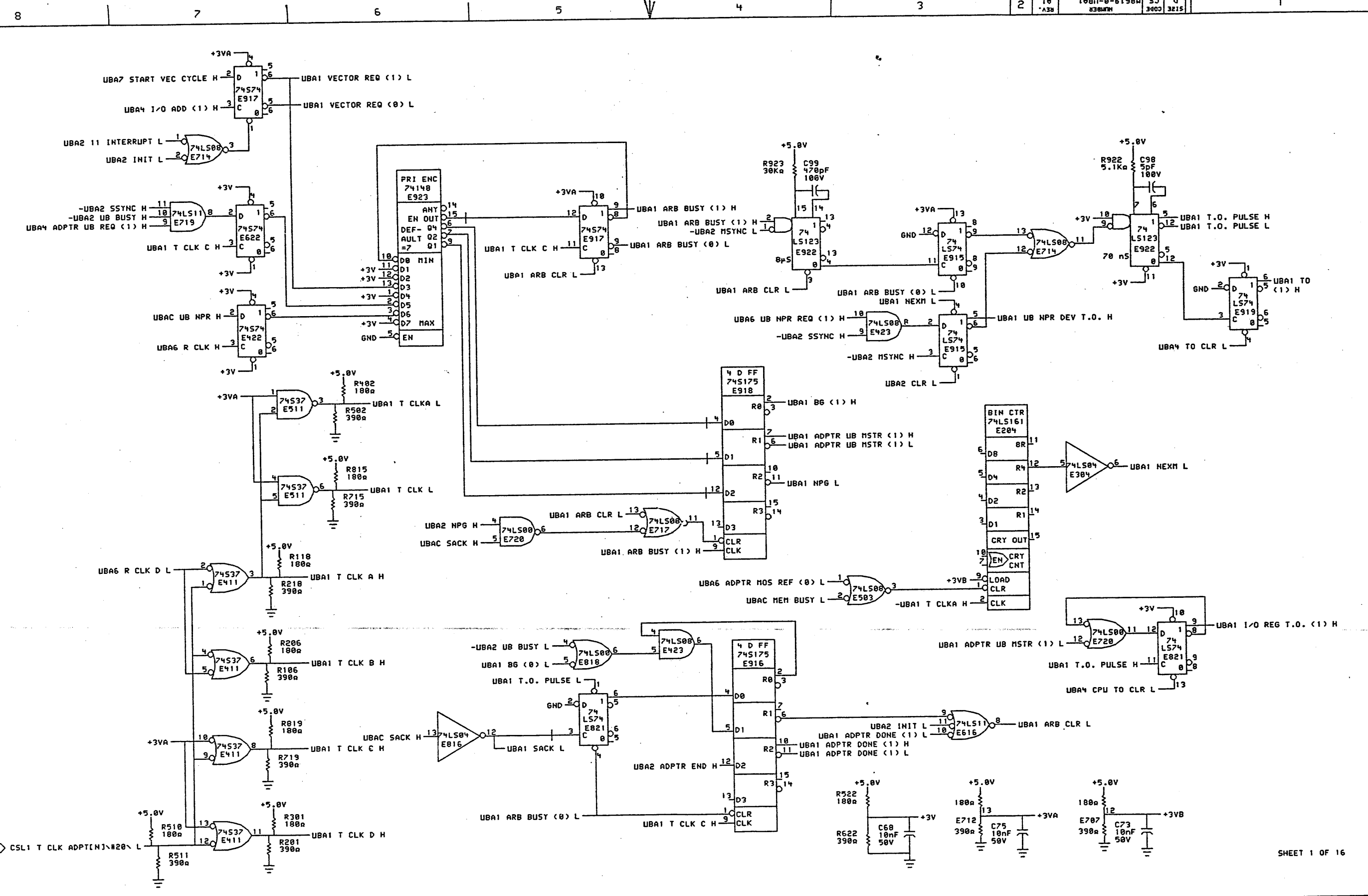
MR

THE DRAWING AND SPECIFICATIONS HEREIN ARE THE PROPERTY OF DIGITAL EQUIPMENT CORPORATION AND SHALL NOT BE REPRODUCED OR COPIED IN WHOLE OR IN PART AS THE BASIS FOR THE MANUFACTURE OR SALE OF ITEMS WITHOUT THE WRITTEN PERMISSION OF DIGITAL EQUIPMENT CORPORATION.



REV	CHANGED BY	DATE
1
2
3
4
5
6
7
8

DIGITAL	DRN: CAUNIER	DATE: 7/27/77	ENG: F. DOLL	DATE: 1/4/87	TITLE: UNIBUS ADAPTER UNIT ASSEMBLY
UPR: 13, 18, 19, 20, 21, 22, 23, 24, 25, 26, 27, 28	CHK'D: D. O'DHAM	DATE: 7/27/77	BOARD LOCATION: 10	SIZE: 11x14	NUMBER: M8619-0-0
FIRST USED ON OPTION MODEL: K518	REV: 1	REV: 1	REV: 1	REV: 1	REV: 1



CHK	CHANGE NO.	REV

REVISIONS

DATE: 15-MAR-79

DESIGNER: [Signature]

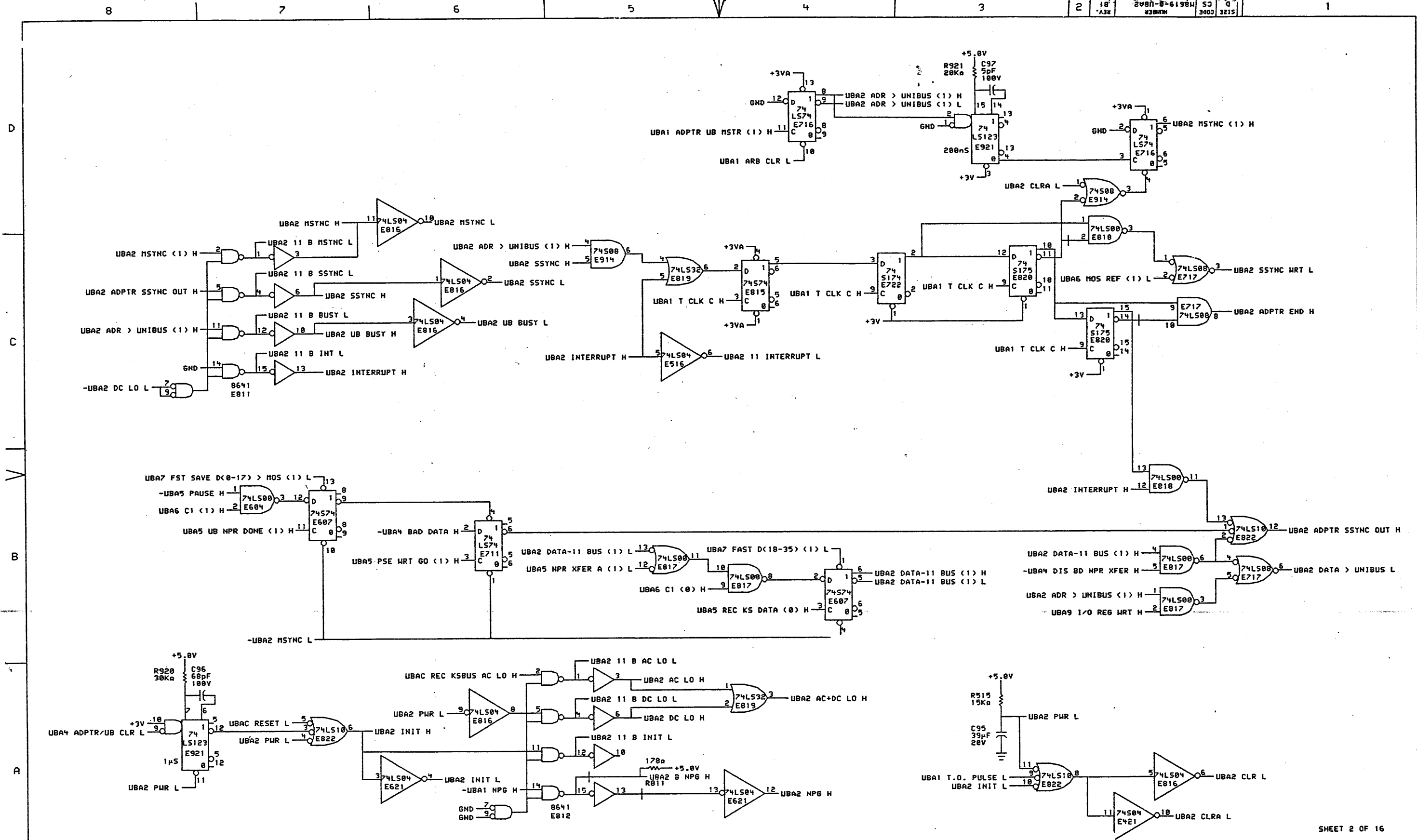
CHECKED: [Signature]

DATE: 7-JUN-79

BOARD LOCATION: [Blank]

SHEET 1 OF 1

TITLE: UNIBUS ADAPTER UNIBUS ARB		DATE: 15-MAR-79	DATE: 7-JUN-79
PS: M8619UBA1.DRW		TIME: 45:50	NEXT HIGHER ASSEMBLY: B-DD-M8619-0
FIRST USED ON OPTION/MODEL: KS10		SHEET 1 OF 1	REV. A1
SIZE: D	CODE: CS	NUMBER: M8619-0-UBA1	REV. A1

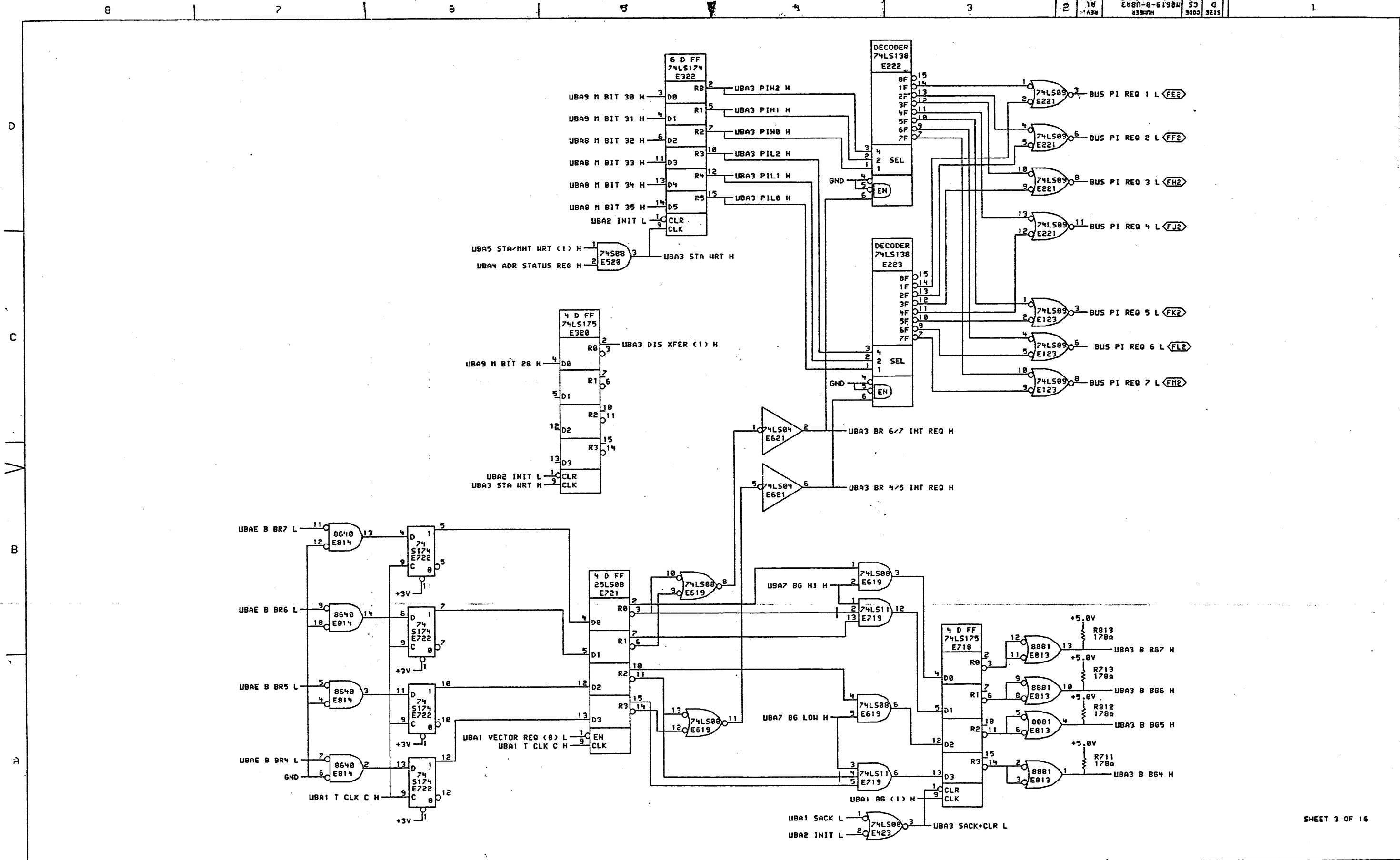


*THIS DRAWING AND SPECIFICATIONS HEREIN ARE THE PROPERTY OF DIGITAL EQUIPMENT CORPORATION AND SHALL NOT BE REPRODUCED OR COPIED OR USED IN WHOLE OR IN PART AS THE BASIS FOR THE MANUFACTURE OR SALE OF ITEMS WITHOUT WRITTEN PERMISSION. COPYRIGHT © 1979. DIGITAL EQUIPMENT CORPORATION.

REVISIONS		
CHK	CHANGE NO.	REV
	1	1

DRW	DATE	ENG	DATE	TITLE
	15-MAR-79			UNIBUS ADAPTER UNIBUS CONTROL
PS: <M8619>UBA2_DRW	126-FEB-79 15:52	NEXT HIGHER ASSEMBLY:		SIZE CODE NUMBER REV.
FIRST USED ON OPTION/MODEL: K510	B-DD-M8619-0			D CS M8619-0-UBA2 B1

digital	DRW	DATE	ENG	DATE	TITLE
		15-MAR-79			UNIBUS ADAPTER UNIBUS CONTROL
PS: <M8619>UBA2_DRW	126-FEB-79 15:52	NEXT HIGHER ASSEMBLY:		SIZE CODE NUMBER REV.	
FIRST USED ON OPTION/MODEL: K510	B-DD-M8619-0			D CS M8619-0-UBA2	B1



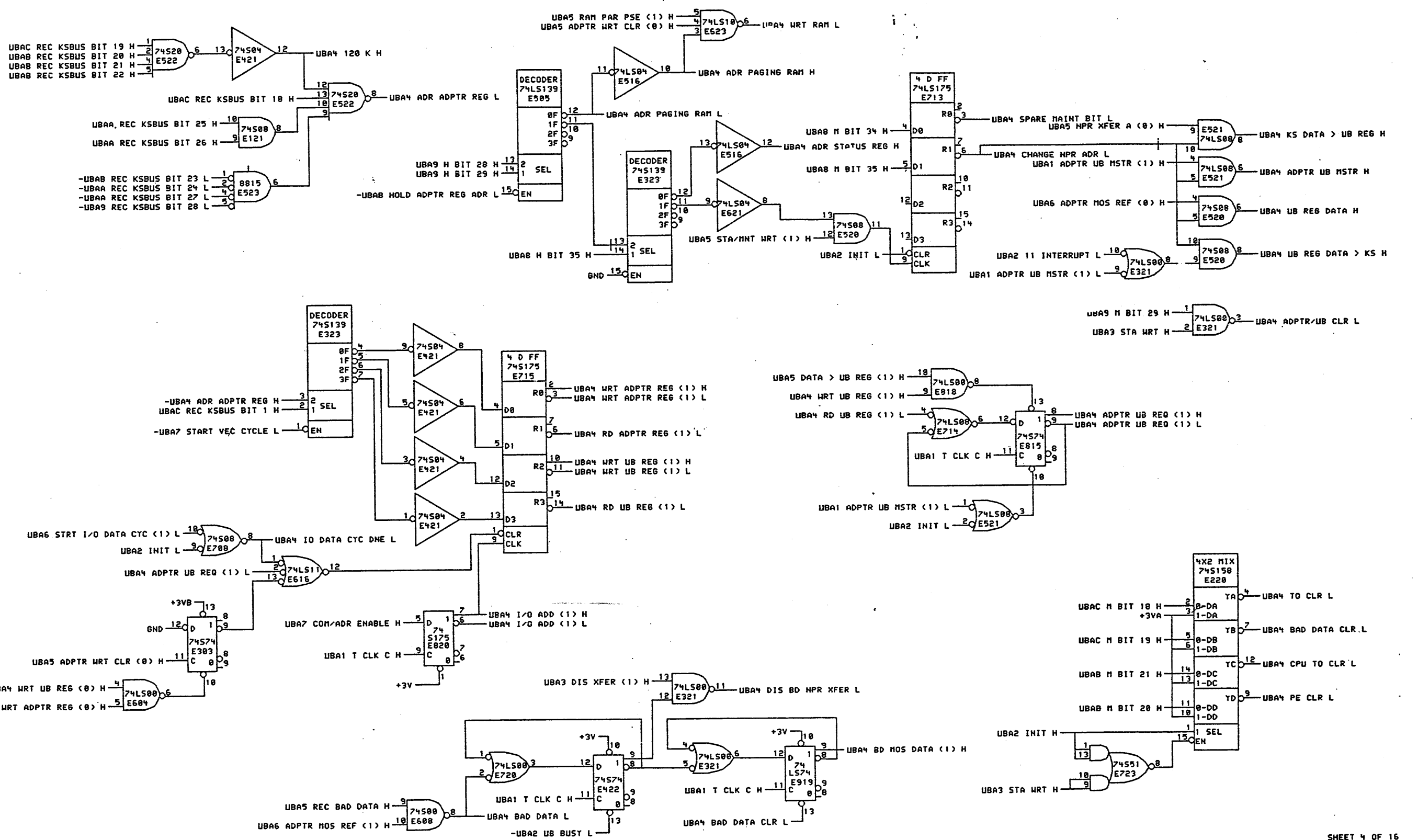
SHEET 3 OF 16

THIS DRAWING AND SPECIFICATIONS HEREIN ARE THE PROPERTY OF DIGITAL EQUIPMENT CORPORATION AND SHALL NOT BE REPRODUCED OR COPIED OR USED IN WHOLE OR IN PART AS THE BASIS FOR THE MANUFACTURE OR SALE OF ITEMS WITHOUT WRITTEN PERMISSION. COPYRIGHT © 1979, DIGITAL EQUIPMENT CORPORATION.

REVISIONS	
CHK	CHANGE NO. / REV.
M. M. M. M. M.	1 / 1
D. D. D. D. D.	2 / 1

DATE	15-MAR-79	ENG	DRY
DATE	26-FEB-79	DATE	26-FEB-79
BOARD LOCATION	SHEET	OF	1
NEXT HIGHER ASSEMBLY:		B-DD-M8619-0	
FIRST USED ON OPTION/MODEL: K510			

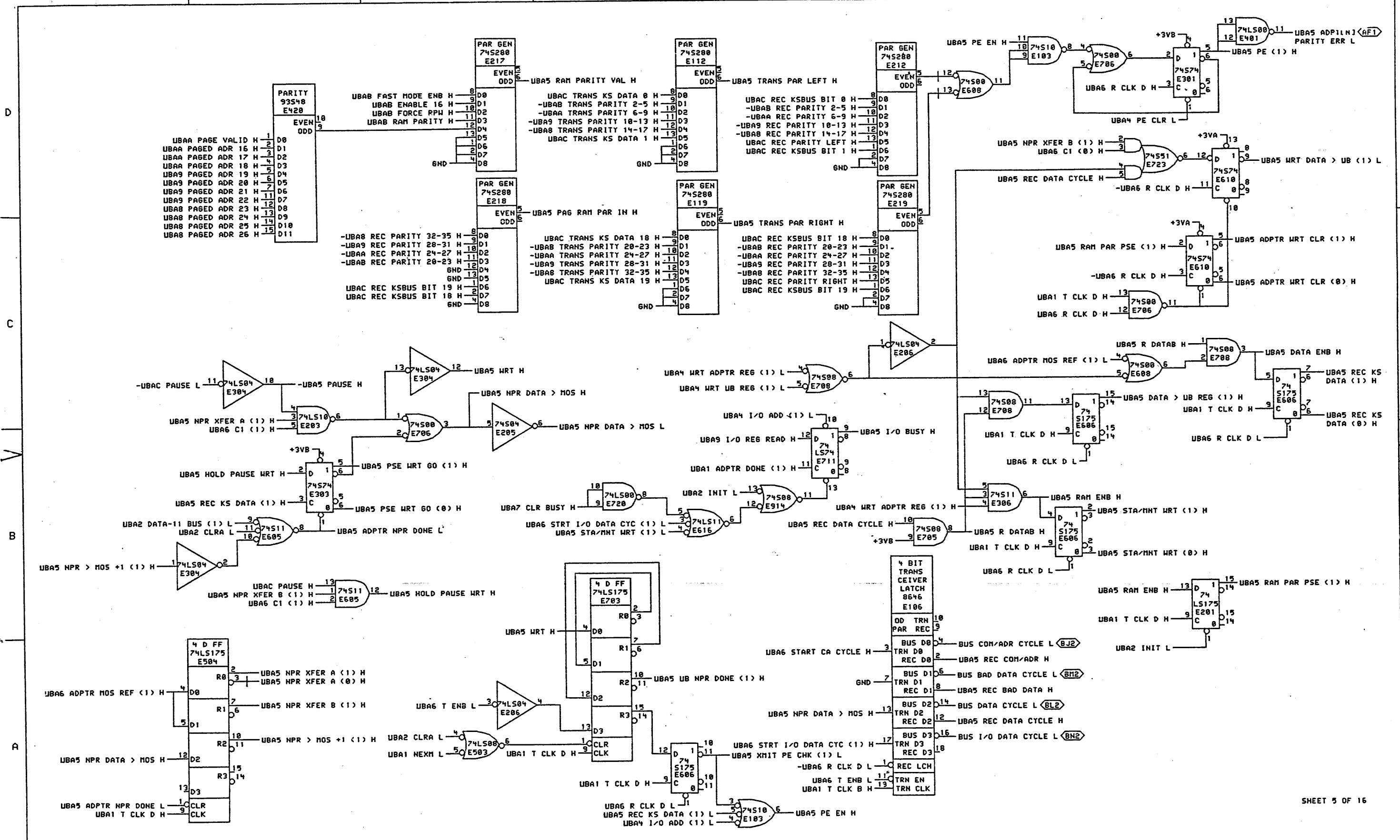
TITLE: UNIBUS ADAPTER INTERRUPT	
SIZE CODE	D CS
NUMBER	M8619-0-UBA3
REV.	A1



THIS DRAWING AND SPECIFICATIONS HEREIN ARE THE PROPERTY OF DIGITAL EQUIPMENT CORPORATION AND SHALL NOT BE REPRODUCED OR COPIED OR USED IN WHOLE OR IN PART AS THE BASIS FOR THE MANUFACTURE OR SALE OF ITEMS WITHOUT WRITTEN PERMISSION. COPYRIGHT © 1979, DIGITAL EQUIPMENT CORPORATION.

REVISIONS	
CHK	CHANGE NO. REV
M. W. MOORE	BI
D. O'DHAM	

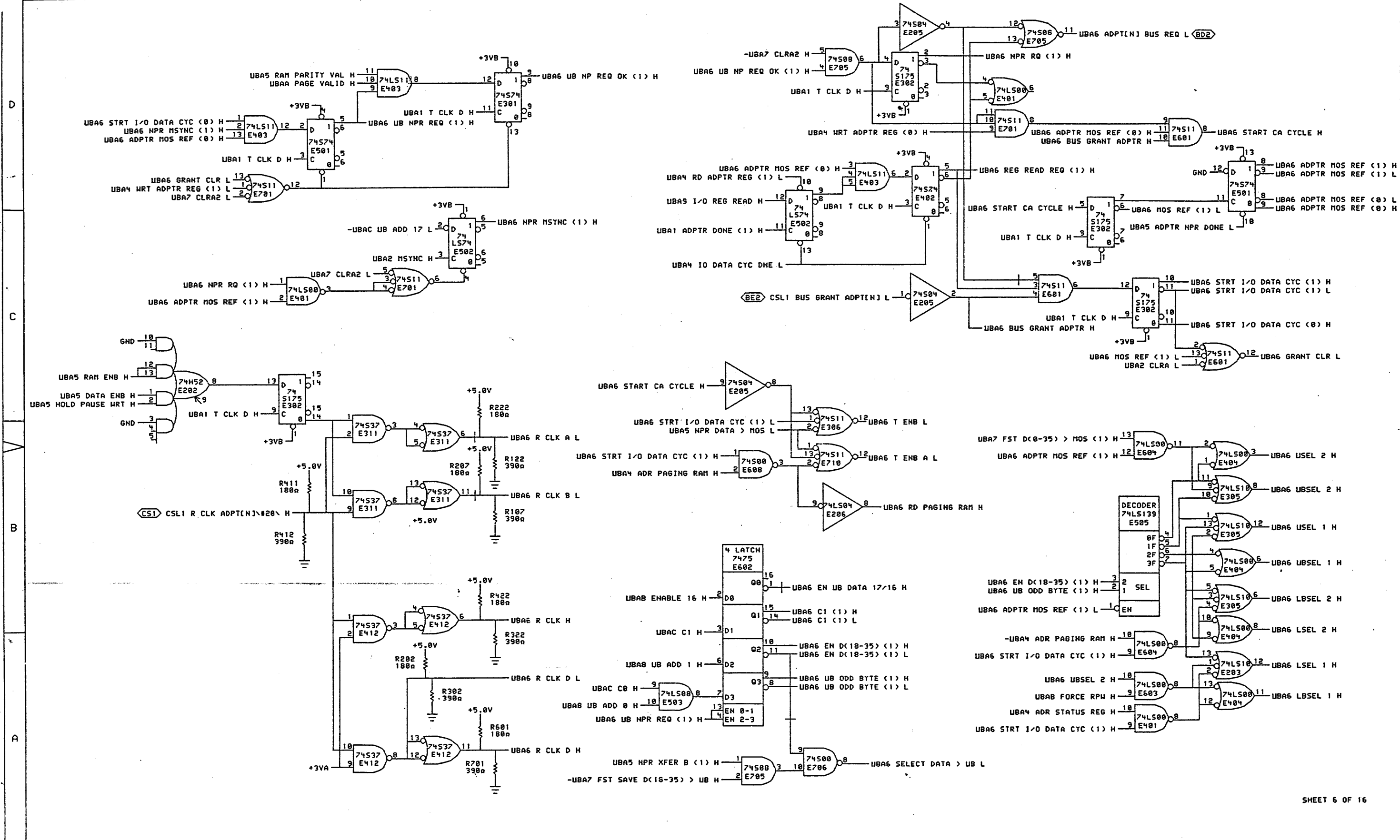
	DATE	ENG	DATE	TITLE:	UNIBUS ADAPTER
	15-MAR-79	J. J. [Signature]	7-20-79	I/O RD+WRT	
	DATE	BOARD LOCATION:	SHEET	OF	
FIRST USED ON OPTION/MODEL:		NEXT HIGHER ASSEMBLY:		SIZE	CODE
K510		B-DD-M8619-0		D	CS
				NUMBER	REV.
				M8619-0-UBA4	B1



THIS DRAWING AND SPECIFICATIONS ARE THE PROPERTY OF DIGITAL EQUIPMENT CORPORATION AND SHALL NOT BE REPRODUCED OR COPIED OR USED IN WHOLE OR IN PART AS THE BASIS FOR THE MANUFACTURE OR SALE OF ITEMS WITHOUT WRITTEN PERMISSION. COPYRIGHT © 1979. DIGITAL EQUIPMENT CORPORATION

REVISIONS
 CHK CHANGE NO. REV
 M8619-MR005 B1
 7/24/79
 D. O'DHAM

digital	DATE	ENG.	DATE	TITLE
	23-001-79	<i>[Signature]</i>	7-24-79	UNIBUS ADAPTER NPR CONTROL
PS: (M8619)UBA5.DRL		DATE	BOARD LOCATION	REV.
FIRST USED ON OPTION/MODEL: K510		126-FEB-79 15:56	SHEET 1 OF 1	B1
NEXT HIGHER ASSEMBLY:		NUMBER		REV.
B-DD-M8613-0		M8619-0-UBA5		B1



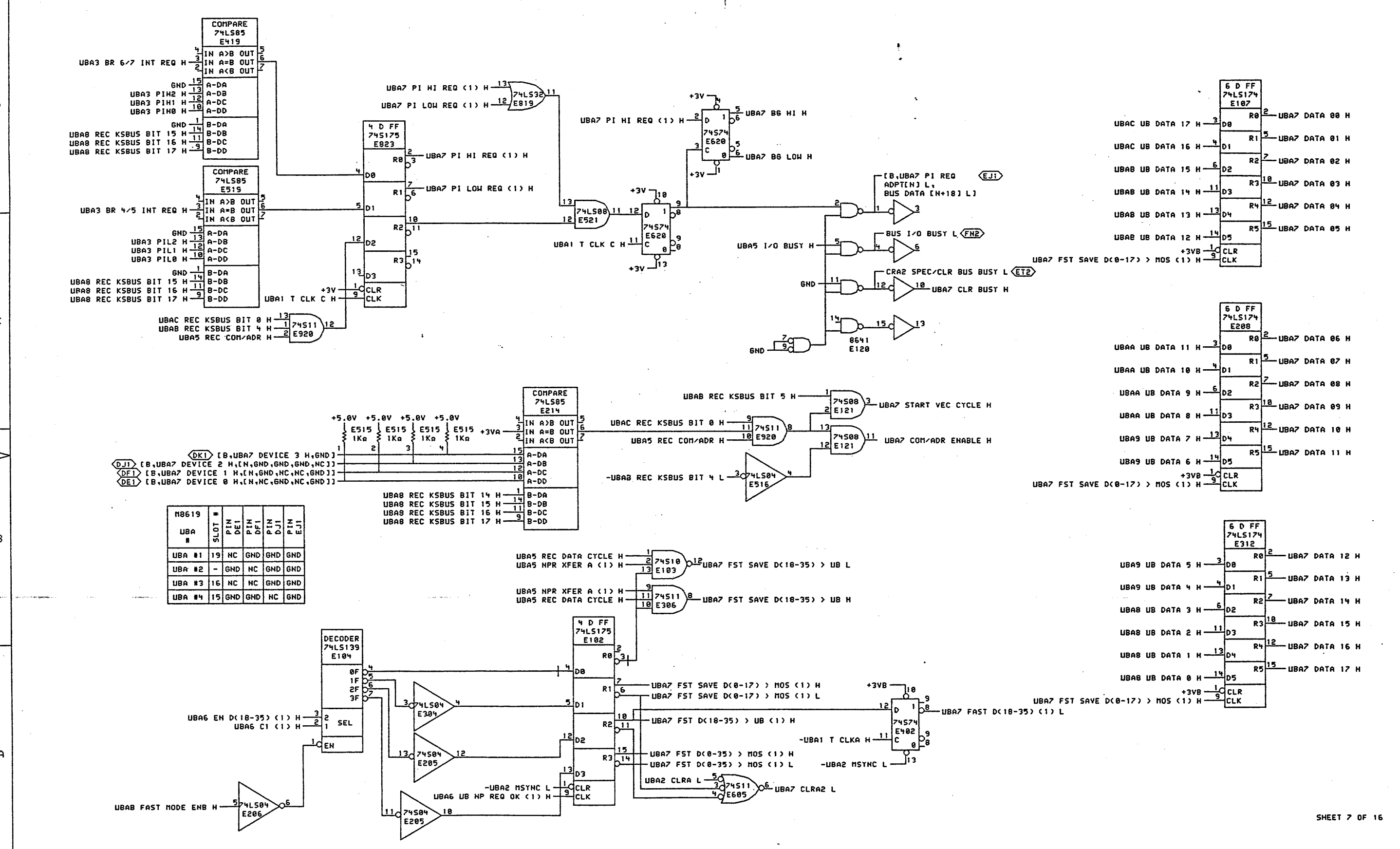
SHEET 6 OF 16

THIS DRAWING AND SPECIFICATIONS HEREIN ARE THE PROPERTY OF DIGITAL EQUIPMENT CORPORATION AND SHALL NOT BE REPRODUCED OR COPIED OR USED IN WHOLE OR IN PART AS THE BASIS FOR THE MANUFACTURE OR SALE OF ITEMS WITHOUT WRITTEN PERMISSION. COPYRIGHT © 1979, DIGITAL EQUIPMENT CORPORATION.

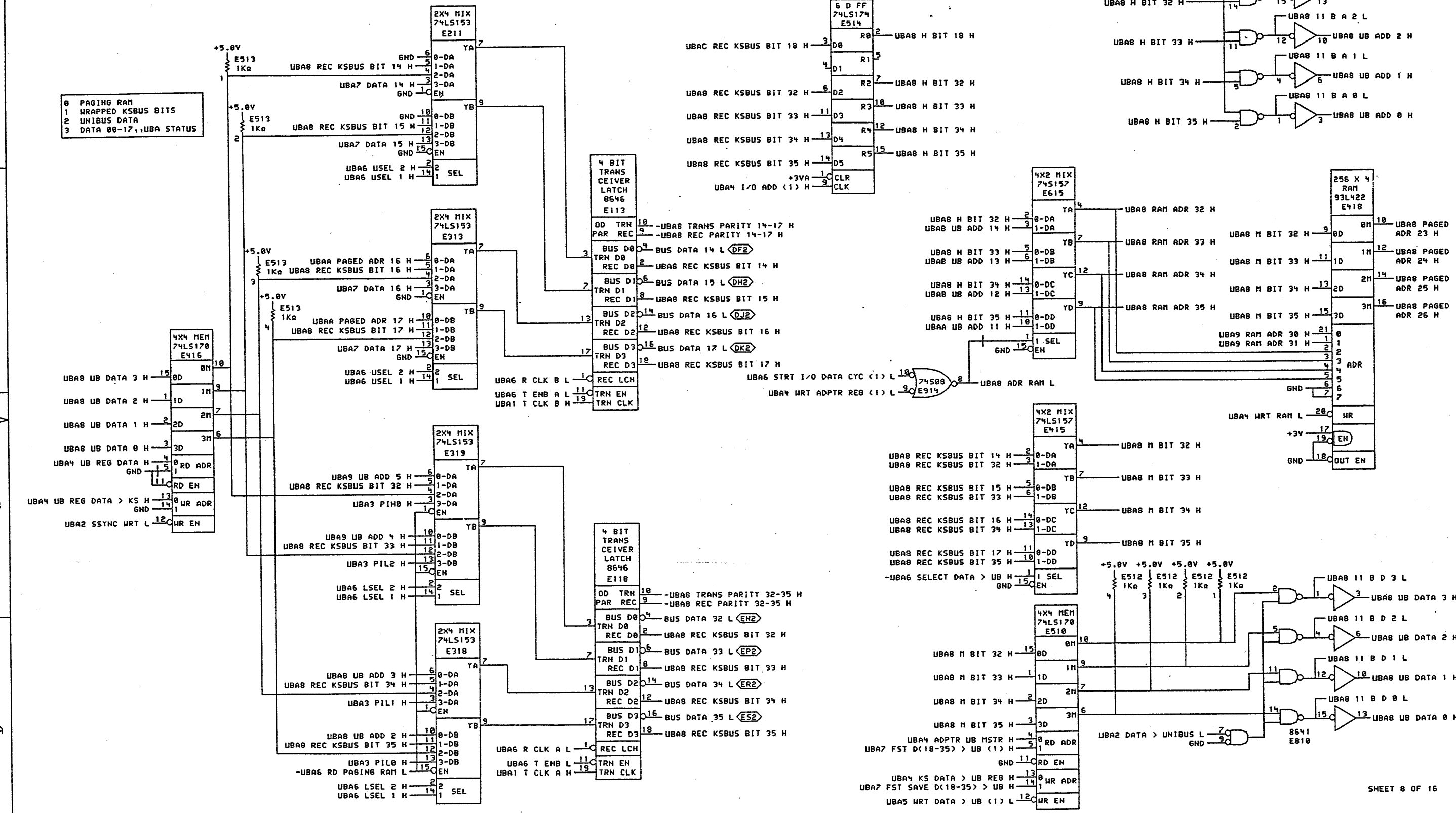
REVISIONS	
CHK	CHANGE NO. / REV
	1 / M8619-MRO03 B1
	2 / [Signature]
	3 / [Signature]

PS: M8619-UBA6.DRW	26-FEB-79 15:58	NEXT HIGHER ASSEMBLY:
FIRST USED ON OPTION/MODEL:	KS10	B-DD-M8619-0

DATE	13-MAR-79	ENG	[Signature]	DATE	7-JUN-79	TITLE	UNIBUS ADAPTER KS10 BUS REQ	
DATE	28-MAR-79	DATE	28-MAR-79	BOARD LOCATION	SHEET	1	OF	1
SIZE	D	CODE	CS	NUMBER	M8619-0-UBA6		REV.	B1



UBA STATUS REGISTER																	
18	19	20	21	22	23	24	25	26	27	28	29	30	31	32	33	34	35
TIM	BAD	PAR	NED	-	-	INT H	INT L	PAR L	-	DXFR	-	PI H	PI H	PI H	PI L	PI L	PI L



0 PAGING RAM
1 WRAPPED KSBUS BITS
2 UNIBUS DATA
3 DATA 00-17, UBA STATUS

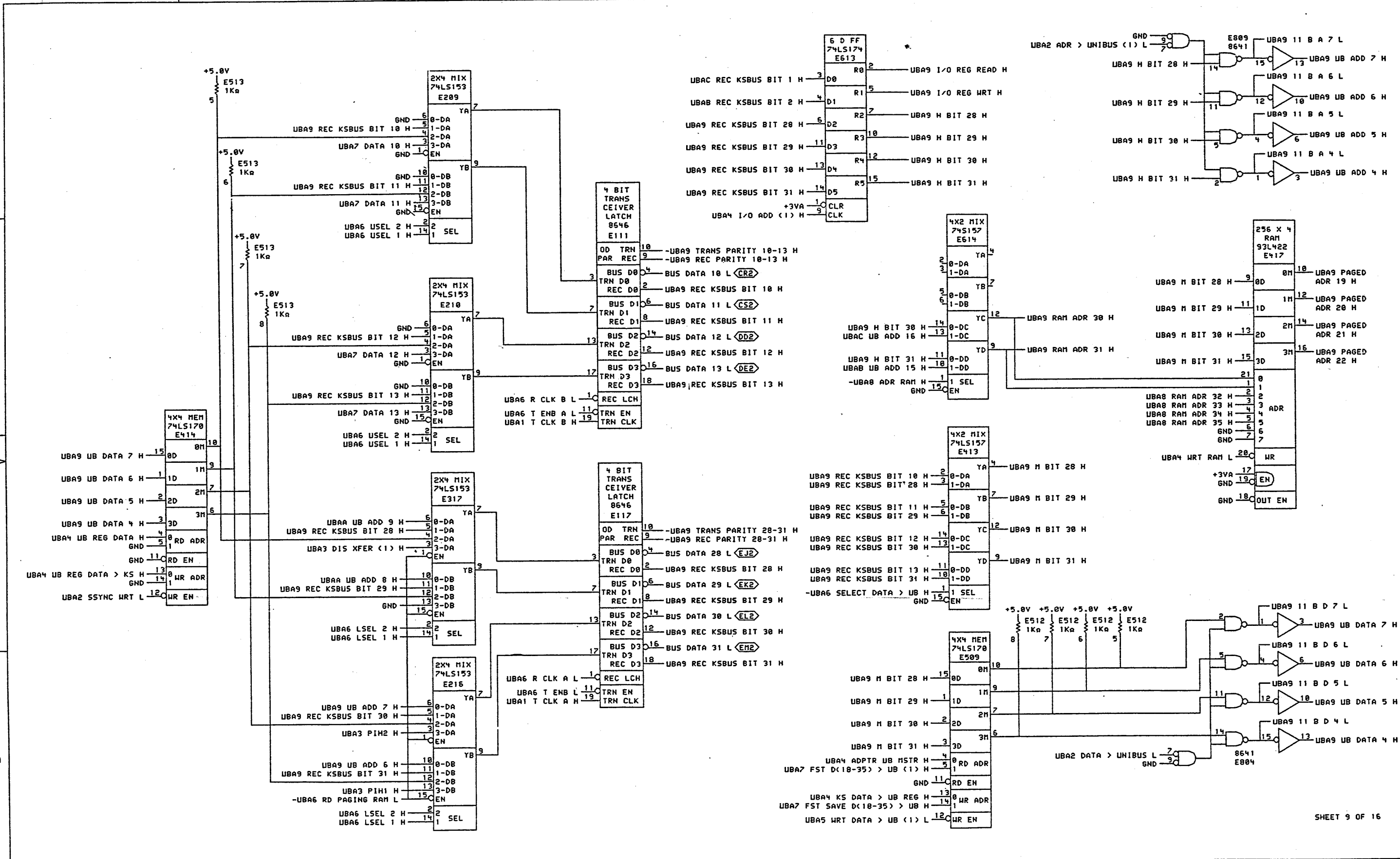
UBA8 UB DATA 3 H 15 0D
UBA8 UB DATA 2 H 1 1D
UBA8 UB DATA 1 H 2 2D
UBA8 UB DATA 0 H 3 3D
UBA4 UB REG DATA H 4 0D ADR
UBA4 UB REG DATA > KS H 13 0D HR ADR
UBA2 SSYNC WRT L 12 0D WR EN

CHK	CHANGE NO.	REV

REVISIONS

DATE: 7-JUN-79

digital	DATE	15-MAR-79	ENG	David Allen	DATE	7-JUN-79	TITLE:	UNIBUS ADAPTER
	DATE	26-FEB-79	DATE	16:02	DATE		BOARD LOCATION:	DATA PATH 1
FIRST USED ON OPTION/MODEL:		K510		NEXT HIGHER ASSEMBLY:		B-DD-M8619-0		REV. B1



THIS DRAWING AND SPECIFICATIONS ARE THE PROPERTY OF DIGITAL EQUIPMENT CORPORATION AND SHALL NOT BE REPRODUCED OR COPIED OR USED IN WHOLE OR IN PART AS THE BASIS FOR THE MANUFACTURE OR SALE OF ITEMS WITHOUT WRITTEN PERMISSION. COPYRIGHT © 1979, DIGITAL EQUIPMENT CORPORATION.

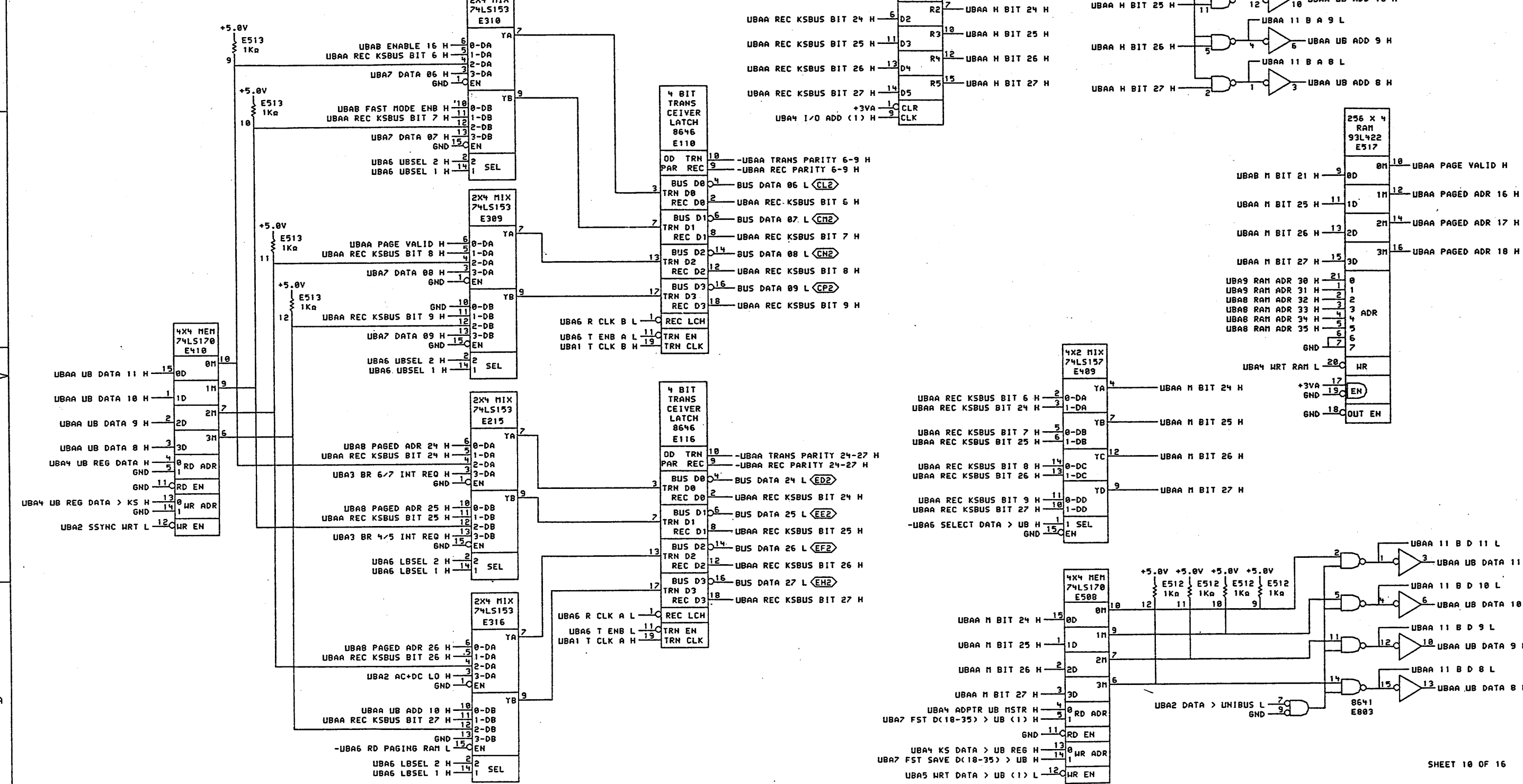
REV.	CHG	NO.	REV.
1			

REVISIONS
 CHK CHANGE NO. REV.
 M8619-0003 B1
 D. OLDFHAM
 7-JUN-79

digital DRW: J. J. J. DATE: 15-MAR-79 ENG: Paul Allen DATE: 7-JUN-79
 TITLE: UNIBUS ADAPTER DATA PATH 2
 PS: M8619-UBA9.DRW 26-FEB-79 16:03 NEXT HIGHER ASSEMBLY: B-DD-M8619-0
 FIRST USED ON OPTION/MODEL: KS10 B-DD-M8619-0
 SIZE CODE NUMBER REV.
 D CS M8619-0-UBA9 B1

00	01	02	03	04	05	06	07	08	09	10	11	12	13	14	15	16	17
-	-	-	-	RAM P	F RPH	EN 16	FME	VALID	0	-	-	-	-	-	-	P A 16	P A 17
18	19	20	21	22	23	24	25	26	27	28	29	30	31	32	33	34	35
P A 18	P A 19	P A 20	P A 21	P A 22	P A 23	P A 24	P A 25	P A 26	N/A	N/A	N/A	N/A	N/A	N/A	N/A	N/A	N/A

N/A = NOT USED (ALWAYS ZERO) P A nn = PAGED ADDRESS nn



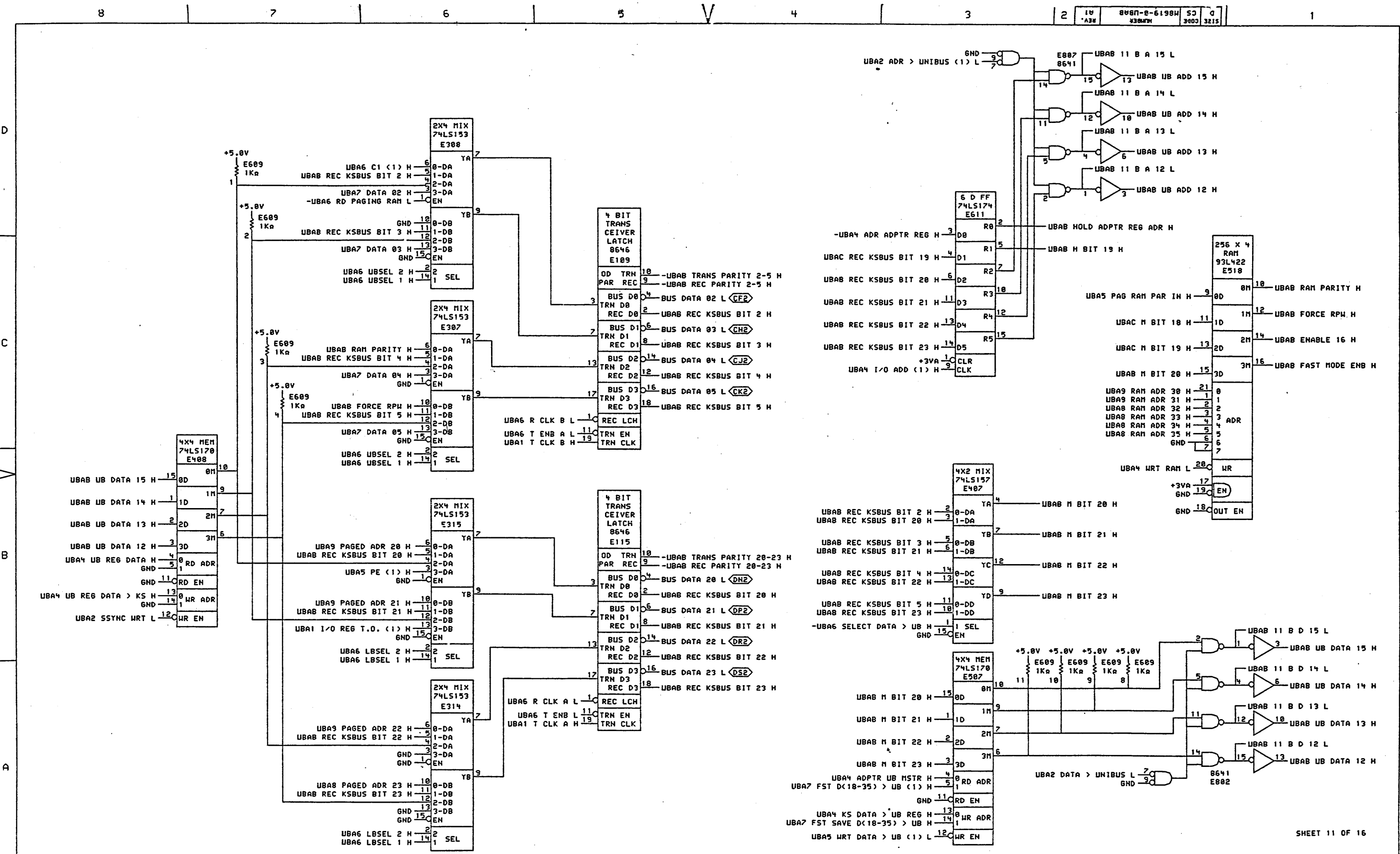
THIS DRAWING AND SPECIFICATIONS, HEREIN, ARE THE PROPERTY OF DIGITAL EQUIPMENT CORPORATION AND SHALL NOT BE REPRODUCED OR COPIED OR USED IN WHOLE OR IN PART AS THE BASIS FOR THE MANUFACTURE OR SALE OF ITEMS WITHOUT WRITTEN PERMISSION. COPYRIGHT © 1979, DIGITAL EQUIPMENT CORPORATION.

CHK	CHANGE NO.	REV

DRAWN BY: *[Signature]*
DATE: 7-JUN-79

digital DR: *[Signature]* DATE: 15-MAR-79 ENG: *[Signature]* DATE: 7-JUN-79
 DATE: BOARD LOCATION: DATE: SHEET 1 OF 1
 PS: (M8619)UBAA.DRW 126-FEB-79 16:04 NEXT HIGHER ASSEMBLY: B-DD-M8619-0
 FIRST USED ON OPTION/MODEL: KS10

TITLE: UNIBUS ADAPTER DATA PATH 3
 SIZE CODE: D CS NUMBER: M8619-0-UBAA REV: B1

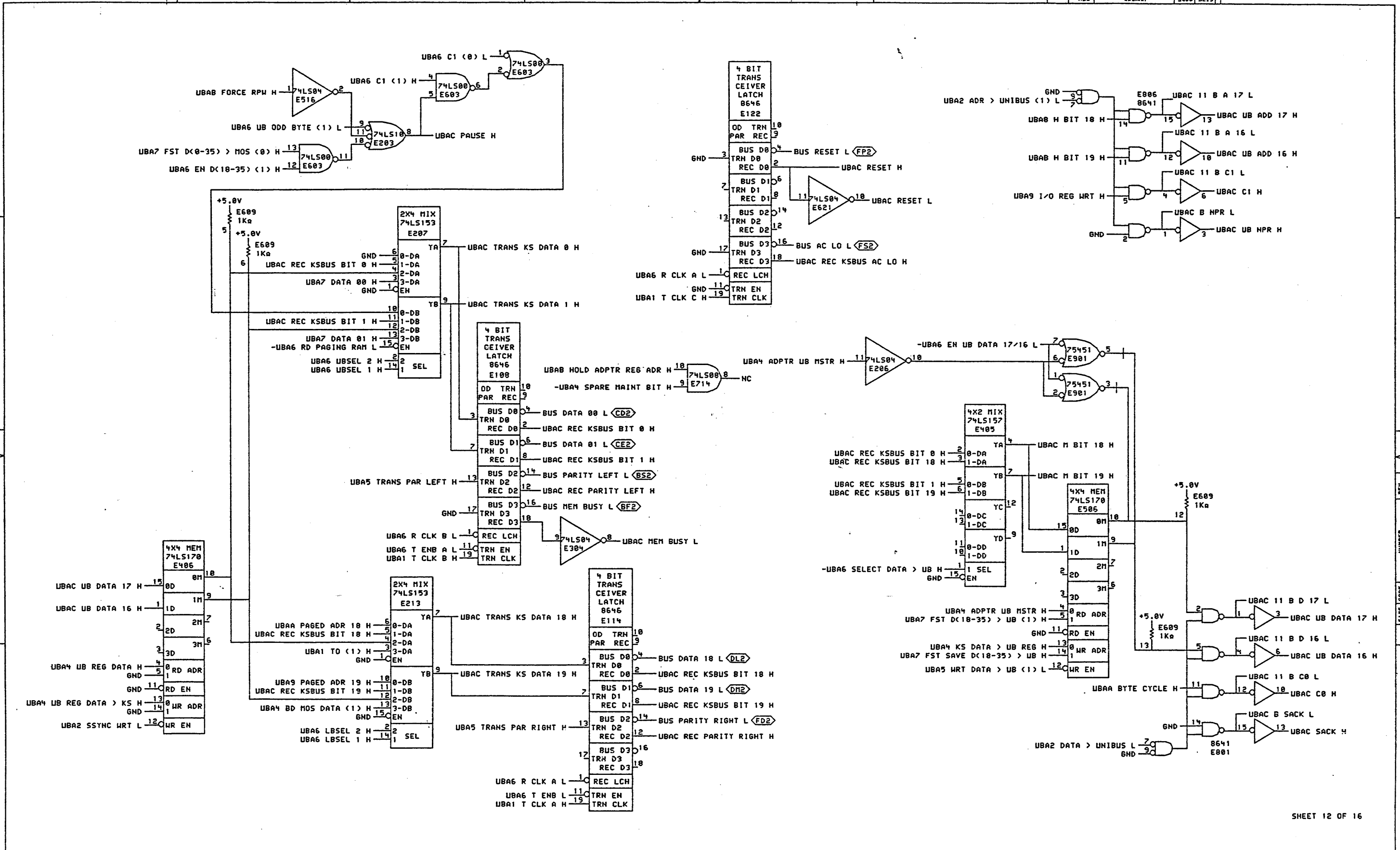


REV	DESCRIPTION	DATE
1	INITIAL DESIGN	7-20-79
2	CHANGED NO. REV	7-20-79

THIS DRAWING AND SPECIFICATIONS HEREIN ARE THE PROPERTY OF DIGITAL EQUIPMENT CORPORATION AND SHALL NOT BE REPRODUCED OR COPIED OR USED IN WHOLE OR IN PART AS THE BASIS FOR THE MANUFACTURE OR SALE OF ITEMS WITHOUT WRITTEN PERMISSION. COPYRIGHT © 1979, DIGITAL EQUIPMENT CORPORATION.

digital	DRW. J. J. J.	DATE 15-MAR-79	ENG. S. O.	DATE 7-JUN-79	TITLE: UNIBUS ADAPTER DATA PATH 4
	DATE-BOARD LOCATION: 2300	SHEET 1 OF 1		SIZE CODE NUMBER	REV. A1
FIRST USED ON OPTION/MODEL: KS10		NEXT HIGHER ASSEMBLY: B-DD-M8619-0		D CS M8619-0-UBAB	

D
C
B
A

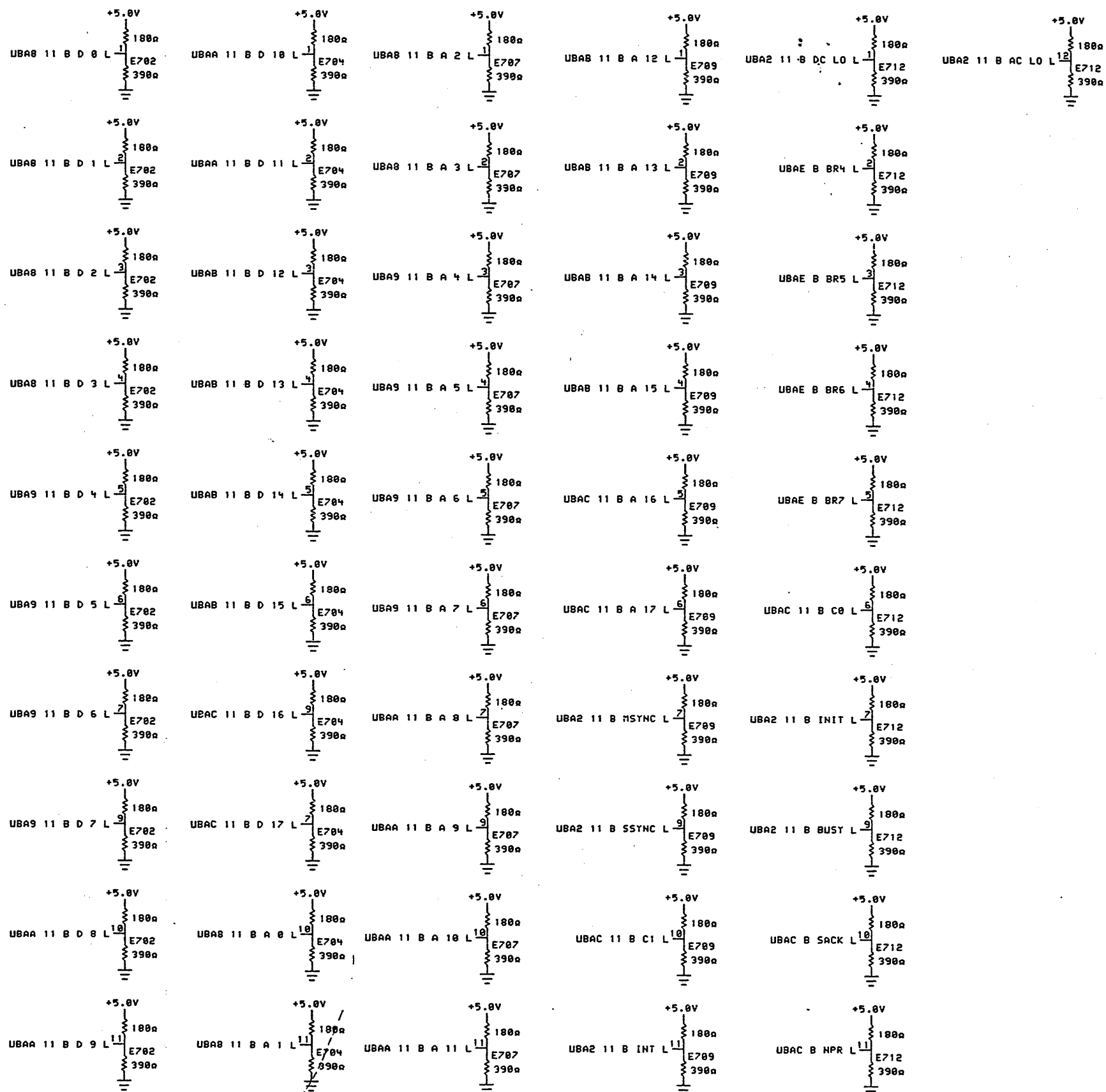


THIS DRAWING AND SPECIFICATIONS ARE THE PROPERTY OF DIGITAL EQUIPMENT CORPORATION AND SHALL NOT BE REPRODUCED OR COPIED OR USED IN WHOLE OR IN PART AS THE BASIS FOR THE MANUFACTURE OR SALE OF ITEMS WITHOUT WRITTEN PERMISSION. COPYRIGHT © 1979, DIGITAL EQUIPMENT CORPORATION.

REVISIONS	CHK	CHANGE NO.	REV
1	MM	18619-MR003	B1
2	MM	18619-MR003	B1
3	MM	18619-MR003	B1
4	MM	18619-MR003	B1
5	MM	18619-MR003	B1
6	MM	18619-MR003	B1
7	MM	18619-MR003	B1
8	MM	18619-MR003	B1

digital	DATE	12-MAR-79	ENG	Paul Allen	DATE	7-20-79	REV.	B1
	DRW	J. Lashby	DATE	12-MAR-79	CHK	M. Norman	DATE	7-20-79
PS: (M8619)UBAC.DRW		126-FEB-79 16:06		NEXT HIGHER ASSEMBLY:		SIZE CODE		D CS
FIRST USED ON OPTION/MODEL:		KS10		B-DD-M8619-0		NUMBER		M8619-0-UBAC
TITLE:		UNIBUS ADAPTER		DATA PATH 5		REV.		B1

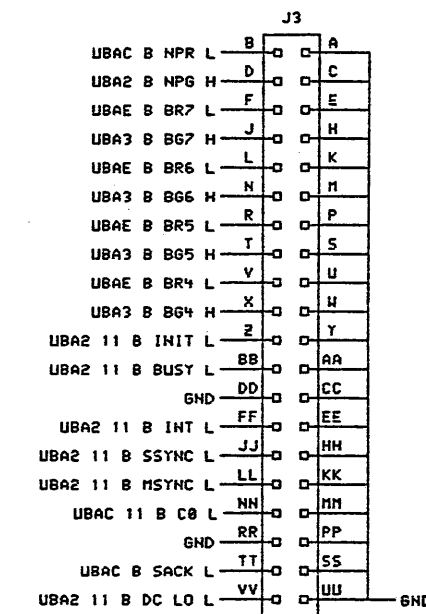
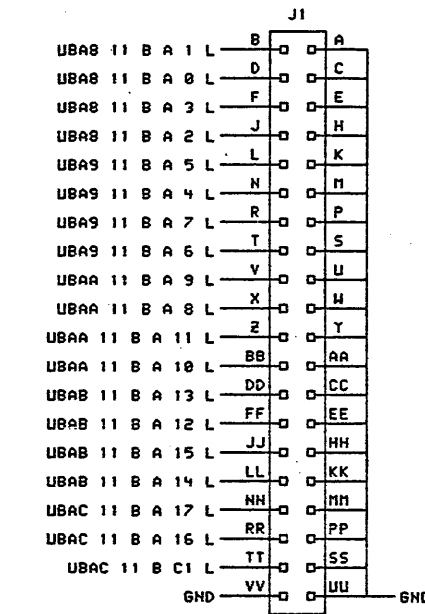
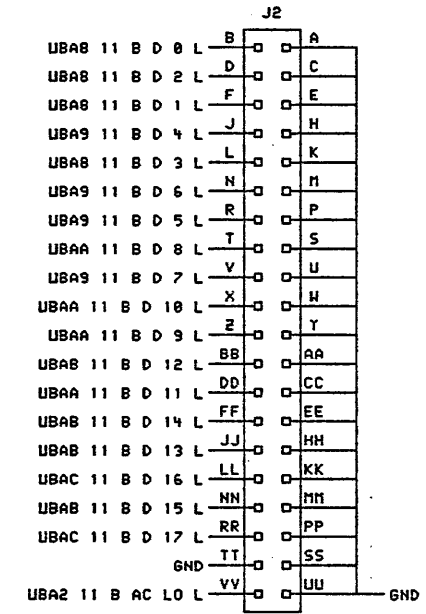
D
C
B
A



THIS DRAWING AND SPECIFICATIONS HEREIN ARE THE PROPERTY OF DIGITAL EQUIPMENT CORPORATION AND SHALL NOT BE REPRODUCED OR COPIED OR USED IN WHOLE OR IN PART AS THE BASIS FOR THE MANUFACTURE OR SALE OF ITEMS WITHOUT WRITTEN PERMISSION. COPYRIGHT © 1979, DIGITAL EQUIPMENT CORPORATION.

REVISIONS		
CHK	CHANGE NO.	REV

digital	DRW. <i>J. J. J.</i>	DATE 15-MAR-79	ENG. <i>Paul White</i>	DATE 17-JUN-79	TITLE: UNIBUS ADAPTER TERMINATION
	CHK. <i>D. M. M.</i>	DATE	BOARD LOCATION:	SHEET 1 OF 1	SIZE CODE D CS
PS: <M8619>UBAD.DRW		126-FEB-79 16:07	NEXT HIGHER ASSEMBLY:	B-DD-M8619-0	NUMBER M8619-0-UBAD
FIRST USED ON OPTION: MODEL: KS10					REV. A1



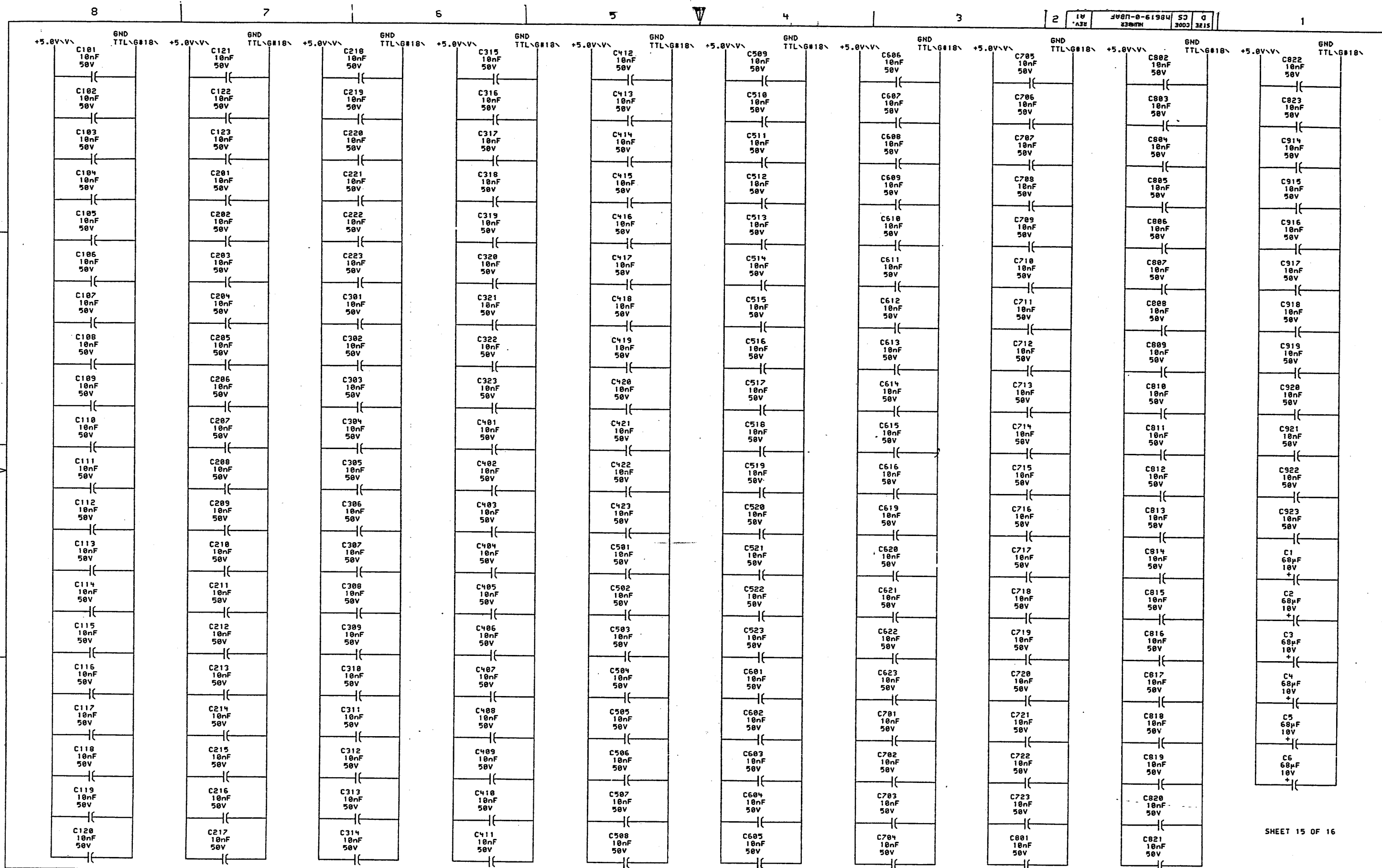
D
C
B
A

D
C
B
A

THIS DRAWING AND SPECIFICATIONS, HEREIN, ARE THE PROPERTY OF DIGITAL EQUIPMENT CORPORATION AND SHALL NOT BE REPRODUCED OR COPIED OR USED IN WHOLE OR IN PART AS THE BASIS FOR THE MANUFACTURE OR SALE OF ITEMS WITHOUT WRITTEN PERMISSION. COPYRIGHT © 1979, DIGITAL EQUIPMENT CORPORATION.

REVISIONS		
CHK	CHANGE NO.	REV
	1	AI

	DRY: <i>J. J. J.</i>	DATE: 15-MAR-79	ENG: <i>David Miller</i>	DATE: 17-JUN-79	TITLE: UNIBUS ADAPTER UNIBUS CONNECTOR
	CHK'D: <i>M. M.</i>	DATE: 26-FEB-79	16:07	NEXT HIGHER ASSEMBLY: B-DD-M8619-0	SIZE CODE NUMBER REV. D CS M8619-0-UBAE A1
FIRST USED ON OPTION/MODEL: KS10					



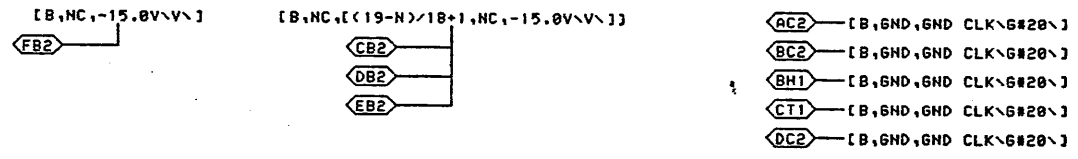
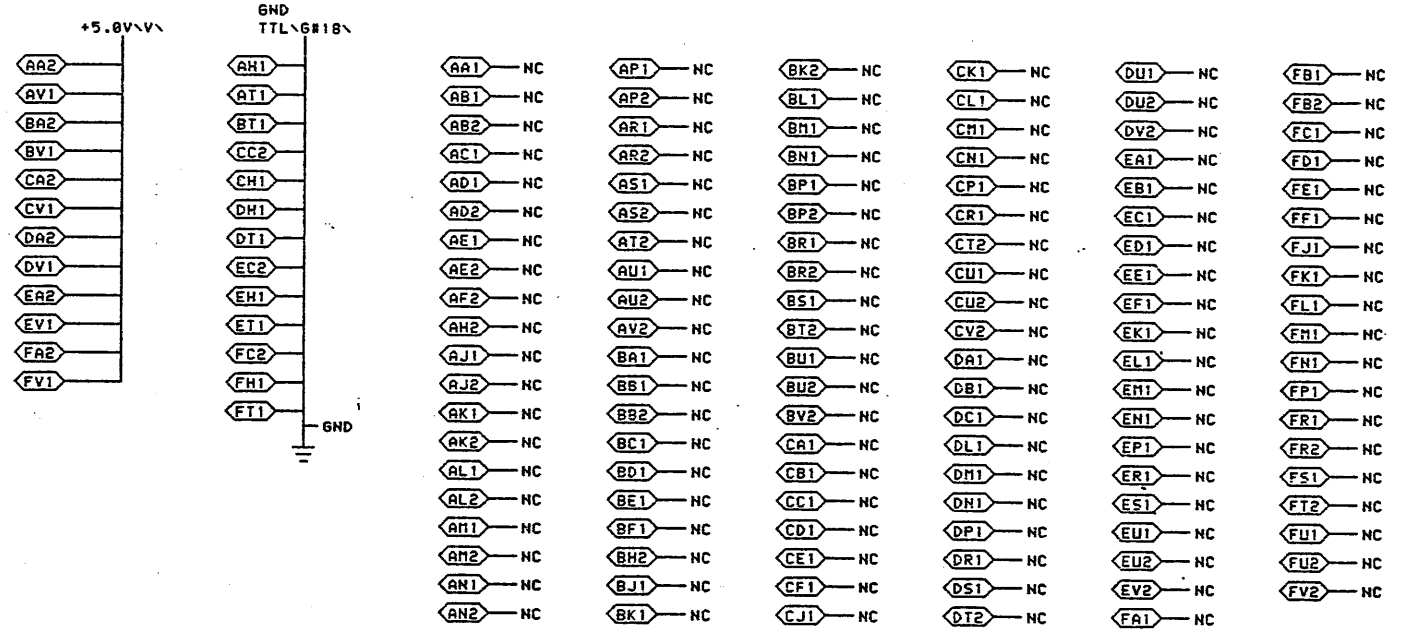
THIS DRAWING AND SPECIFICATIONS HEREIN ARE THE PROPERTY OF DIGITAL EQUIPMENT CORPORATION AND SHALL NOT BE REPRODUCED OR COPIED OR USED IN WHOLE OR IN PART AS THE BASIS FOR THE MANUFACTURE OR SALE OF ITEMS WITHOUT WRITTEN PERMISSION. COPYRIGHT © 1979, DIGITAL EQUIPMENT CORPORATION.

REVISIONS		
CHK	CHANGE NO.	REV.
	M8619-M8003	A1
	10mm-230079	
	D. OLDFHAM	
	11/10/79	

digital	DRW. J. J. J.	DATE 13-MAR-79	ENG. C. W. W.	DATE 7-JUN-79	TITLE: UNIBUS ADAPTER
	CHK. M. M.	DATE 23-APR-79	DATE 23-APR-79	BOARD LOCATION: 1 OF 1	+5.0V CAPS
PS: M8619-UBAF.DRH		26-FEB-79 16:00	NEXT HIGHER ASSEMBLY: B-DD-M8619-0		SIZE CODE D CS
FIRST USED ON OPTION/MODEL: K510				NUMBER M8619-0-UBAF	REV. A1

SIZE	CODE	NUMBER	REV.
D	CS	M8619-0-UBAF	A1

MR



THIS DRAWING AND SPECIFICATIONS HEREIN ARE THE PROPERTY OF DIGITAL EQUIPMENT CORPORATION AND SHALL NOT BE REPRODUCED OR COPIED OR USED IN WHOLE OR IN PART AS THE BASIS FOR THE MANUFACTURE OR SALE OF ITEMS WITHOUT WRITTEN PERMISSION. COPYRIGHT © 1979, DIGITAL EQUIPMENT CORPORATION.

REVISIONS	
CHK	CHANGE NO. REV
MM	M8619-MR003 A1
MM	7-30-79

	DRN: <i>J. Lowry</i>	DATE: 15-MAR-79	ENG: <i>Paul Miller</i>	DATE: 7-30-79	TITLE: UNIBUS ADAPTER POWER, GND PINS
	PS: <M8619>UBAH.DRW	26-FEB-79 16:08	NEXT HIGHER ASSEMBLY:	SIZE CODE: D CS	NUMBER: M8619-0-UBAH
FIRST USED ON OPTION/MODEL: KS10		B-DD-M8619-0		REV. A1	

DRAWING NO.	NO. OF SHTS.	PART NO.	DESCRIPTION	REWORK VERSION (MULTIWIRE) NOTE:FOR RELAYOUT VERSION(ETCH) SEE SHEET#2		REVISIONS																			
				A	A																				
			MODULE REVISION	A	A																				
E-UA-M8620-0-0	5		KS10 DATA PATH EXECUTE	A	A																				
K-PL-M8620-0-DBP	2		PARTS LIST DATA BASE (M8620)	A	A																				
D-CS-M8620-0-DPE1	1		DATA PATH EXEC, DP LEFT	A	A																				
D-CS-M8620-0-DPE2	1		DATA PATH EXEC, DP RIGHT	A	A																				
D-CS-M8620-0-DPE3	1		DATA PATH EXEC, DBUS LEFT	A	A																				
D-CS-M8620-0-DPE4	1		DATA PATH EXEC, DBUS RIGHT	A	A																				
D-CS-M8620-0-DPE5	1		DATA PATH EXEC, CONTROL	A	A																				
D-CS-M8620-0-DPE6	1		DATA PATH EXEC, RAMFILE ADDRESS	A	A																				
D-CS-M8620-0-DPE7	1		DATA PATH EXEC, RAMFILE LEFT	A	A																				
D-CS-M8620-0-DPE8	1		DATA PATH EXEC, RAMFILE RIGHT	A	A																				
D-CS-M8620-0-DPE9	1		DATA PATH EXEC, P.C. FLAGS	A	A																				
D-CS-M8620-0-DPEA	1		DATA PATH EXEC, IR, SKIP & DISP	A	A																				
D-CS-M8620-0-DPEB	1		DATA PATH EXEC, PRIORITY INTERRUPT	A	A																				
D-CS-M8620-0-DPEC	1		DATA PATH EXEC, POWER, GND, CAPS	A	A																				
E-MD-5013195-0-0	7		DRILL WIRE & COMP SCREEN DRAWING	A	A																				
	-	5013195	MULTIWIRE BOARD	A	A																				
K-PC-M8620-0-DBC	-		MULTIWIRE DATA BASE (M8620)	A	A																				
POO-M8620-00	-		PROCESS SHEET	RE	REF																				

NOTES:

REVISIONS	DATE	CHG NO.	REV.

ORIG	X																							
MR001	X		B																					

"THIS DRAWING AND SPECIFICATIONS, HEREIN, ARE THE PROPERTY OF DIGITAL EQUIPMENT CORPORATION AND SHALL NOT BE REPRODUCED OR COPIED OR USED IN WHOLE OR IN PART AS THE BASIS FOR THE MANUFACTURE OR SALE OF ITEMS WITHOUT WRITTEN PERMISSION.
COPYRIGHT© 1977 DIGITAL EQUIPMENT CORPORATION



USED ON OPTION/MODEL	KS10
----------------------	------

DRN.	W. Cauter	B Mar 78
CHK'R	RW Cauter	13 Mar 78
ENG.	Small Lewine	4 Apr 78
PROD.	W. Bishop	4 Apr 78

TITLE		KS10 DATA PATH EXECUTE	
SIZE	CODE	NUMBER	REV.
B	DD	M8620-0	B
SHEET 1 OF 3			

DRAWING NO.	NO. OF SHTS.	PART NO.	DESCRIPTION	REVISIONS												
			MODULE REVISION	A	B											
		23036D1	I.C. PROM E113 E90 (ETCH)	1	1											
		23037D1	I.C. PROM E114 E117 (ETCH)	1	1											
		23038D1	I.C. PROM E115 E110 (ETCH)	1	1											

NOTES:

DATE	CHG NO.	REV.	REVISIONS	
			ORIG	
3-79			MROO1	B

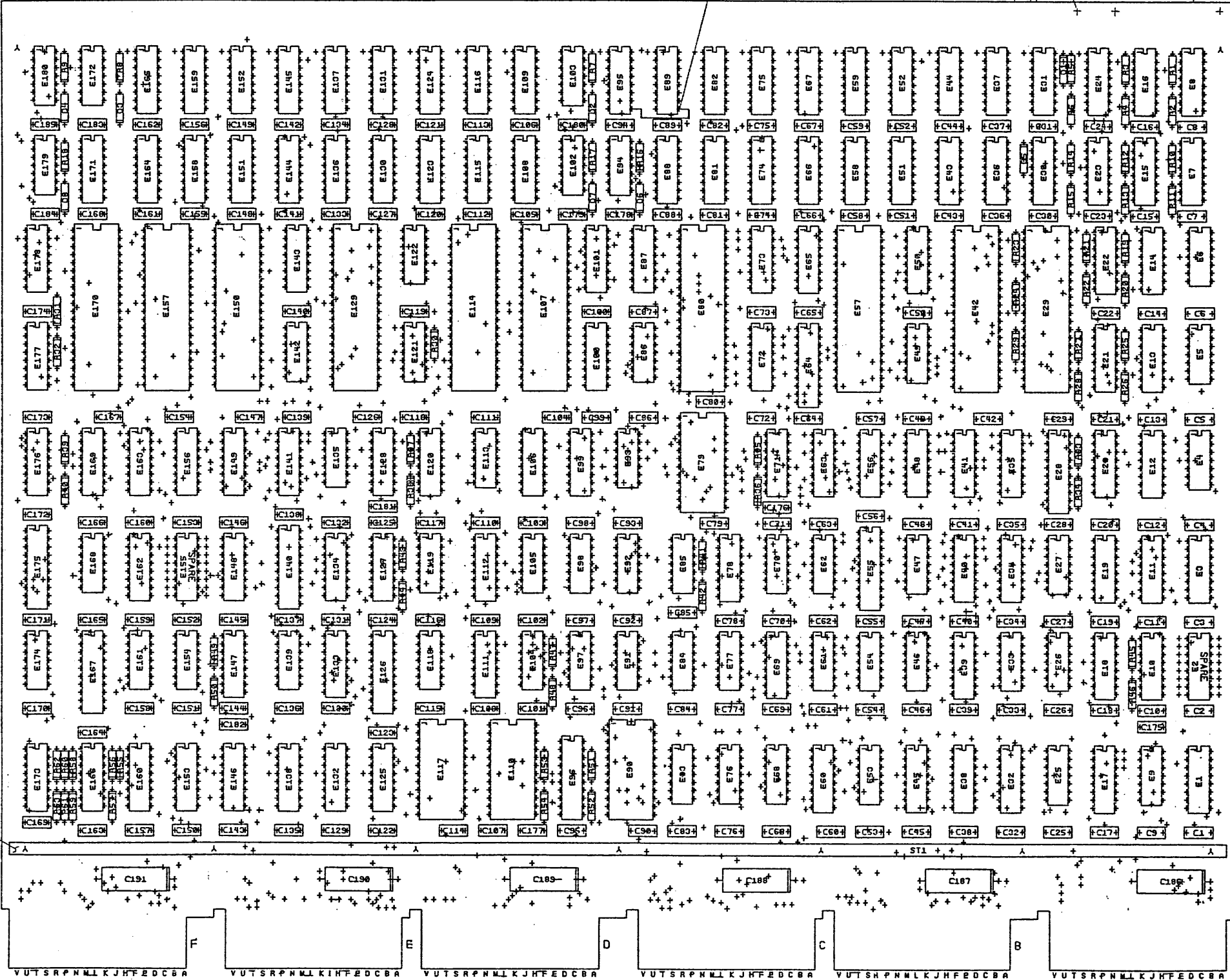
"THIS DRAWING AND SPECIFICATIONS, HEREIN, ARE THE PROPERTY OF DIGITAL EQUIPMENT CORPORATION AND SHALL NOT BE REPRODUCED OR COPIED OR USED IN WHOLE OR IN PART AS THE BASIS FOR THE MANUFACTURE OR SALE OF ITEMS WITHOUT WRITTEN PERMISSION.
 COPYRIGHT© 1978 DIGITAL EQUIPMENT CORPORATION



USED ON OPTION/MODEL	DRN KS10	CHK'D KS10	ENG. Donald Levine	PROD. W. Bishop

13M205	4Apr78	4Apr78	4Apr78
--------	--------	--------	--------

TITLE				KS10 DATA PATH EXECUTE			
SIZE	CODE	NUMBER	REV.				
B	DD	M8620-0	B				
SHEET 3 OF 3							



52

53(QTY 12)

52

NOTES:
 1. ALL DIMENSIONS ARE IN INCHES UNLESS OTHERWISE SPECIFIED.
 2. BOARD FABRICATED BY...

SIGNATURES	DATE	digital
DRN		
CHK'D		
ENGR.		
PROJ. ENG.		
PROJ. MGR.		
DATE 2/1/08		
SCALE 1/1		
NEXT INTERFER P.C.B. DESIGN		

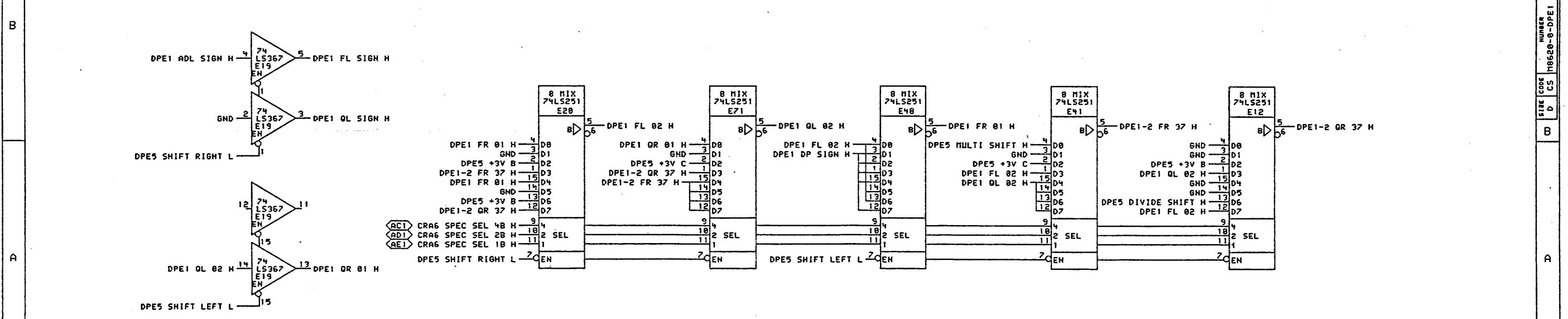
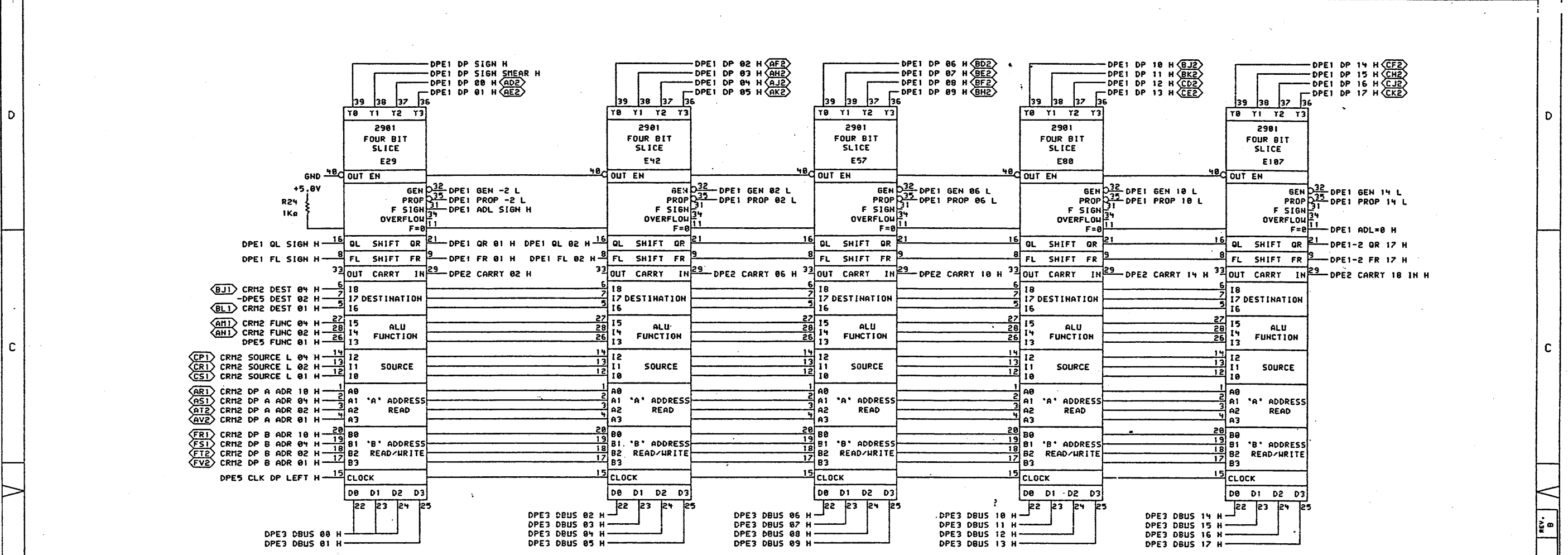
ITEM REV. H	DATE	BY	DESCRIPTION
1			
2			
3			
4			
5			
6			
7			
8			
9			
10			

DATE	TITLE	BY	NO.
	digital		
	TITLE KST0		
	DATA PATH EXECUTE		
	STEEL CASE NUMBER		
	UUA M08020-0		

DATE	BY	DESCRIPTION

DATE	BY	DESCRIPTION

DATE	BY	DESCRIPTION



THIS DRAWING AND SPECIFICATIONS HEREIN ARE THE PROPERTY OF DIGITAL EQUIPMENT CORPORATION AND SHALL NOT BE REPRODUCED OR COPIED OR USED IN WHOLE OR IN PART AS THE BASIS FOR THE MANUFACTURE OR SALE OF ITEMS WITHOUT WRITTEN PERMISSION. COPYRIGHT © 1975, DIGITAL EQUIPMENT CORPORATION.

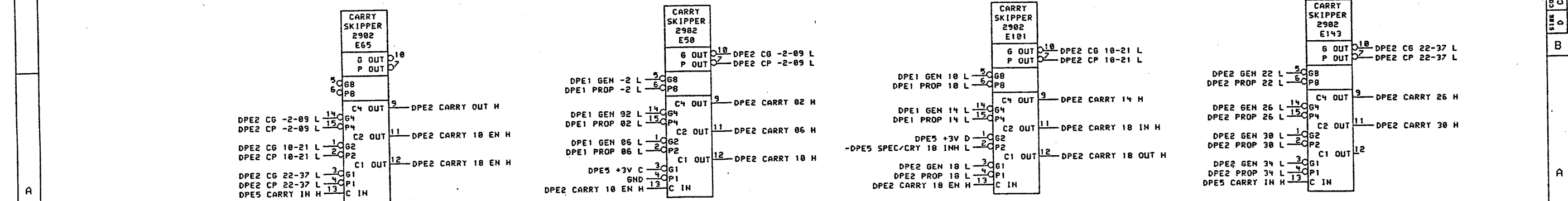
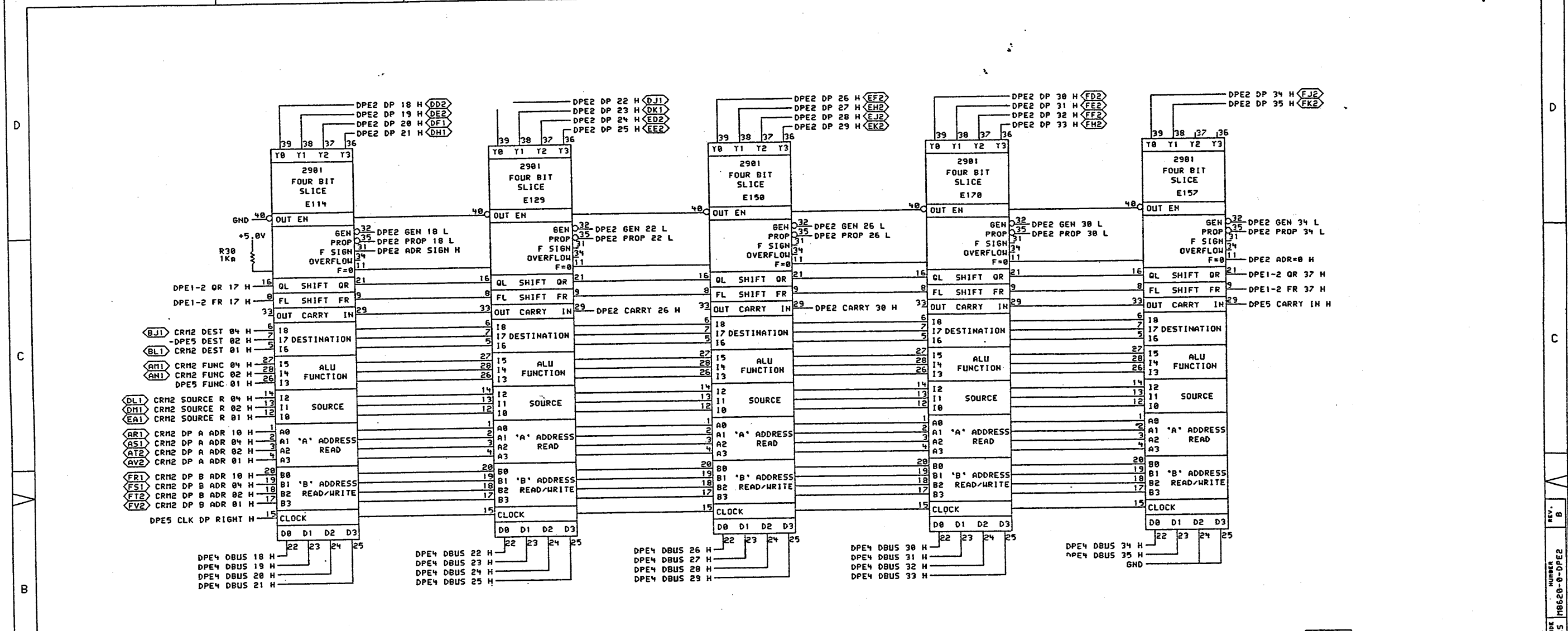
REV.	DESCRIPTION	DATE
1	INITIAL RELEASE	11-18-75
2	CHANGED TO MROODI B	12-11-75

digital

DATE: 11-14-75
 ENG: [Signature]
 BOARD LOCATION: 1AFT3
 SHEET: 1 OF 1

PUB: 1340-0-DPE1.DRI
 FIRST USED ON OPTION/MODEL: KS10

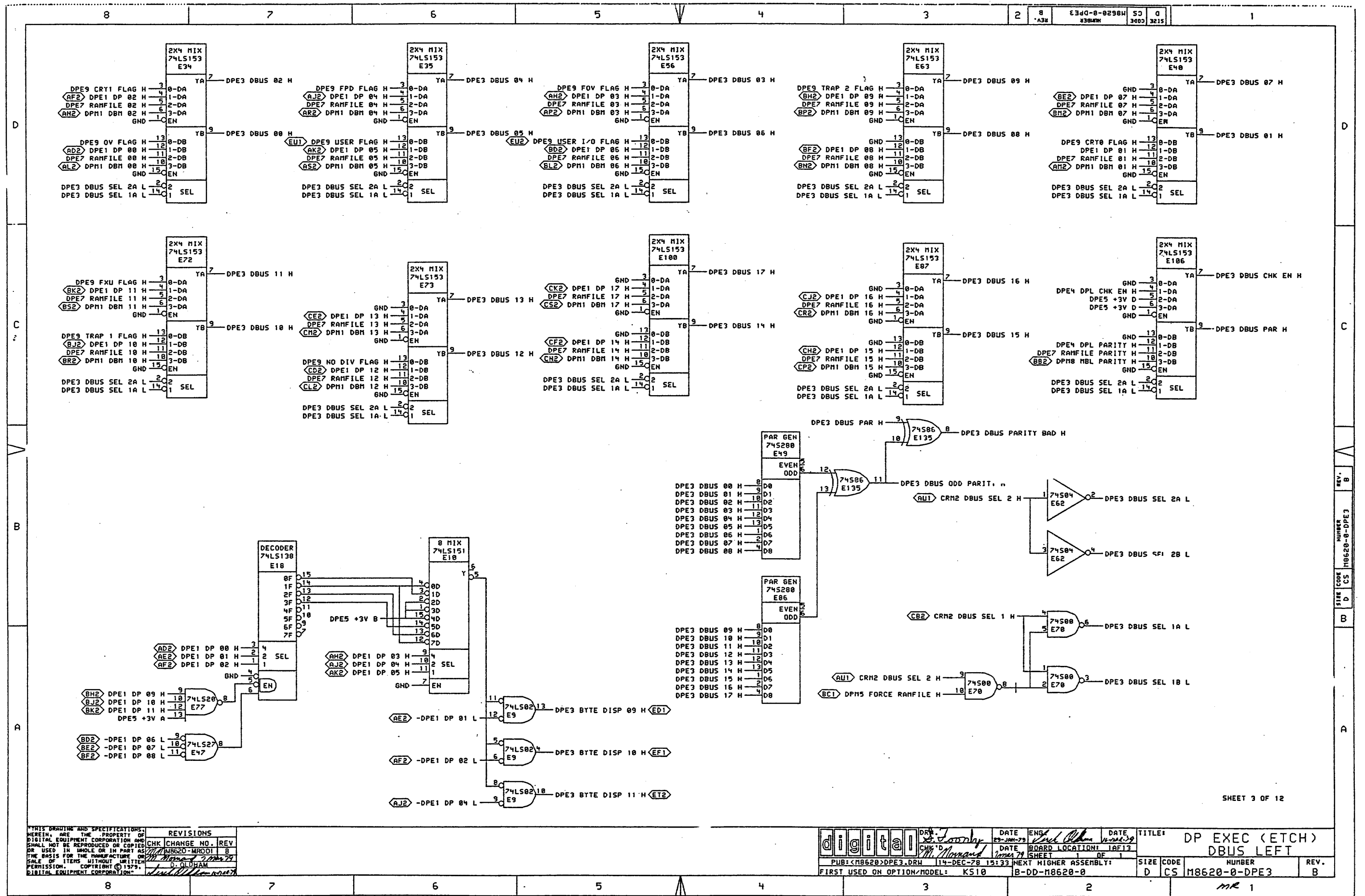
TITLE: DP EXEC (ETCH) DP LEFT	SIZE CODE: D CS	NUMBER: 1340-0-DPE1	REV. B
----------------------------------	-----------------	---------------------	--------



THIS DRAWING AND SPECIFICATIONS, HEREIN, ARE THE PROPERTY OF DIGITAL EQUIPMENT CORPORATION AND SHALL NOT BE REPRODUCED OR COPIED OR USED IN WHOLE OR IN PART AS THE BASIS FOR THE MANUFACTURE OR SALE OF ITEMS WITHOUT WRITTEN PERMISSION. COPYRIGHT © 1979, DIGITAL EQUIPMENT CORPORATION.

REV.	NO.	DATE	BY	CHK	CHANGE NO.	REV
1	1	12-14-78	MS	MS	1	1

digital	DATE	29-JAN-79	ENG	Paul Odum	DATE	12-14-78	TITLE	DP EXEC (ETCH)
	CHK'D	MS	DATE	12-14-78	BOARD LOCATION	1AF13	DP RIGHT	
PUB: <M8620>DPE2.DRW		14-DEC-78 15:32	NEXT HIGHER ASSEMBLY:		SIZE	CODE	NUMBER	REV.
FIRST USED ON OPTION/MODEL: KS10		B-DD-M8620-0		D	CS	M8620-0-DPE2	B	



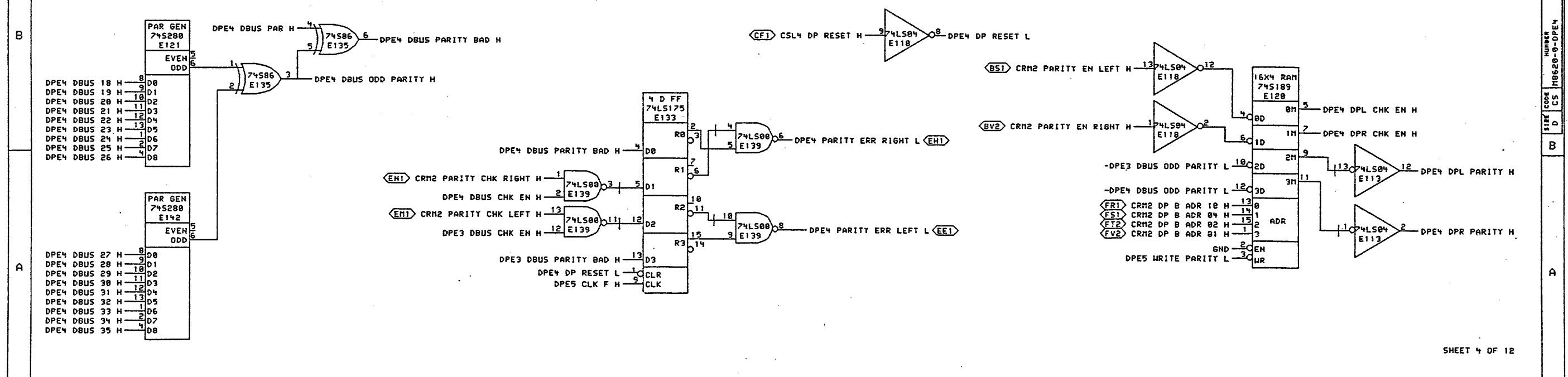
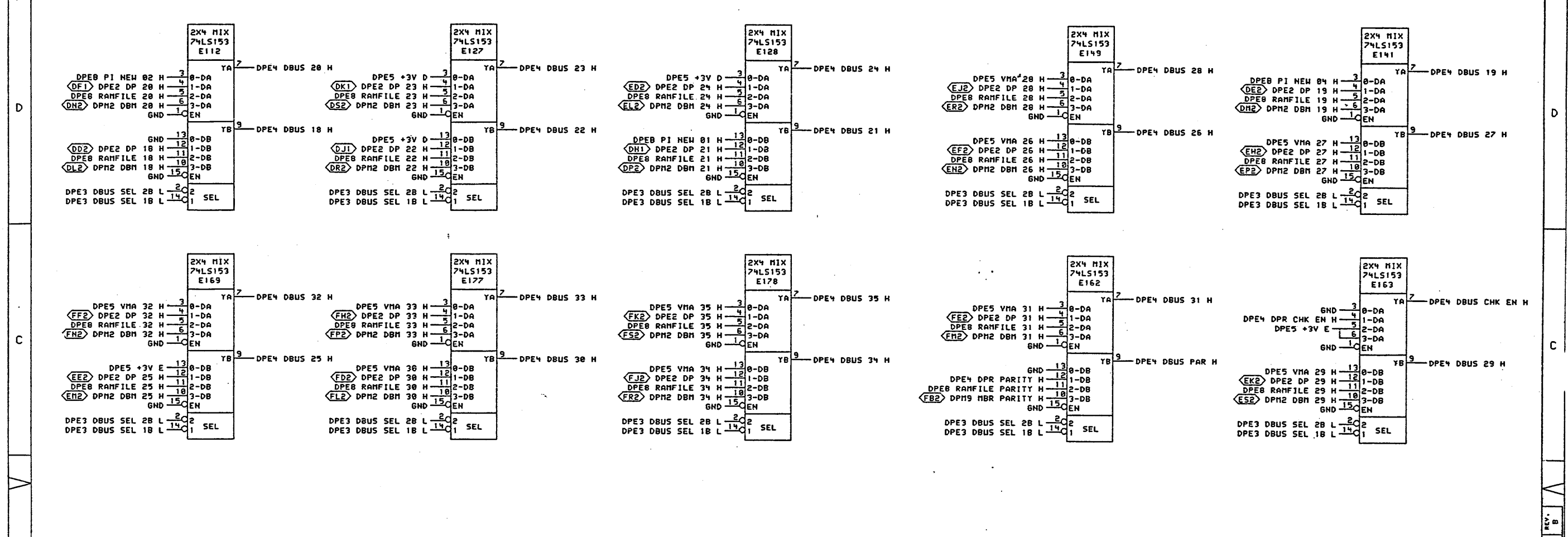
SHEET 3 OF 12

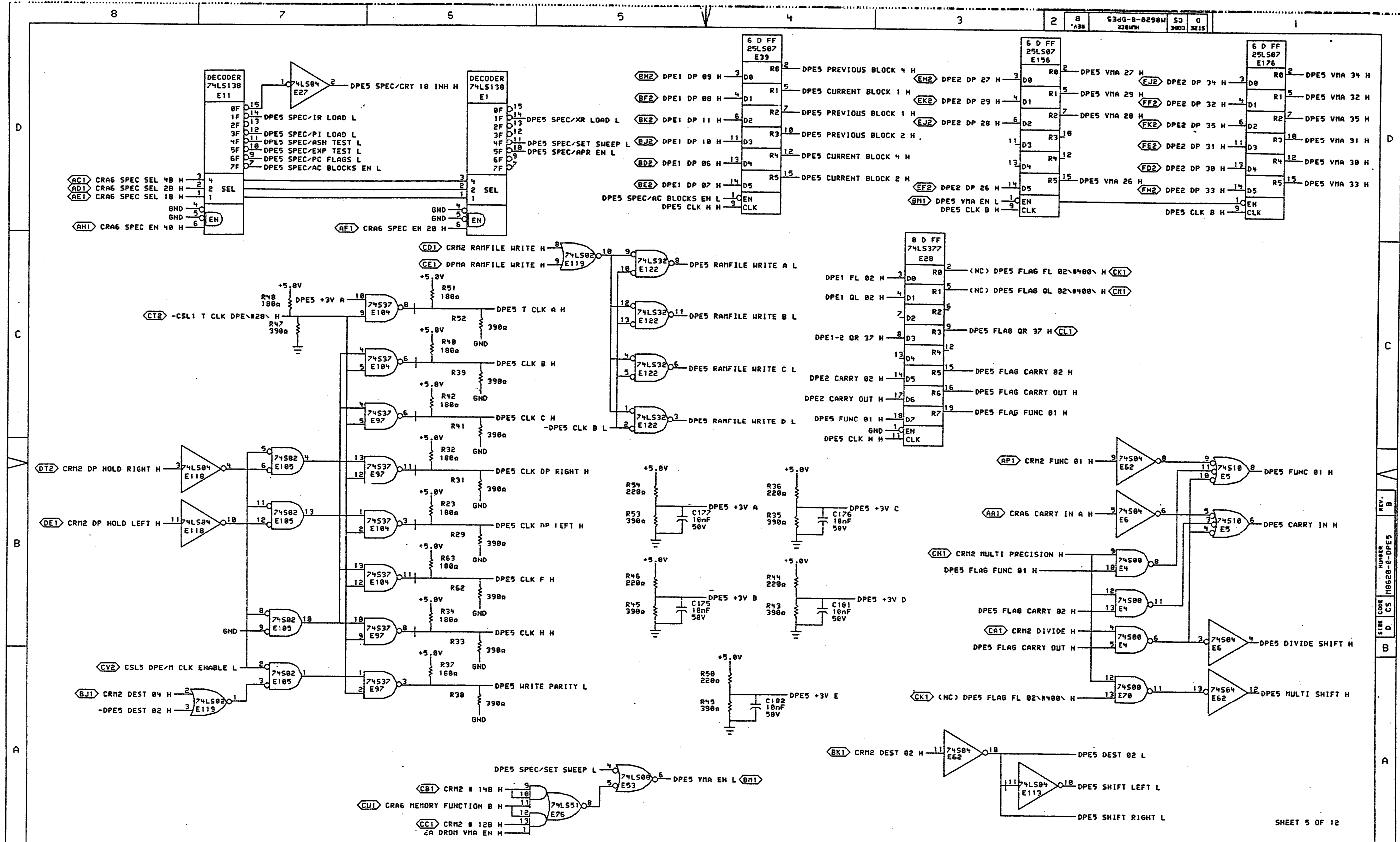
THIS DRAWING AND SPECIFICATIONS, HEREIN, ARE THE PROPERTY OF DIGITAL EQUIPMENT CORPORATION AND SHALL NOT BE REPRODUCED OR COPIED OR USED IN WHOLE OR IN PART AS THE BASIS FOR THE MANUFACTURE OR SALE OF ITEMS WITHOUT WRITTEN PERMISSION. COPYRIGHT © 1979, DIGITAL EQUIPMENT CORPORATION.

REVISIONS	
CHK	CHANGE NO. / REV

digital	DRY	DATE	ENG	DATE	TITLE
	CHK'D	14-DEC-78 15:33	KS10	11-20-79	DP EXEC (ETCH) DBUS LEFT
PUB: M8620-DPE3.DRW		FIRST USED ON OPTION/MODEL: KS10		SIZE CODE NUMBER REV.	
		B-DD-M8620-0		D CS M8620-0-DPE3 B	

MR 1





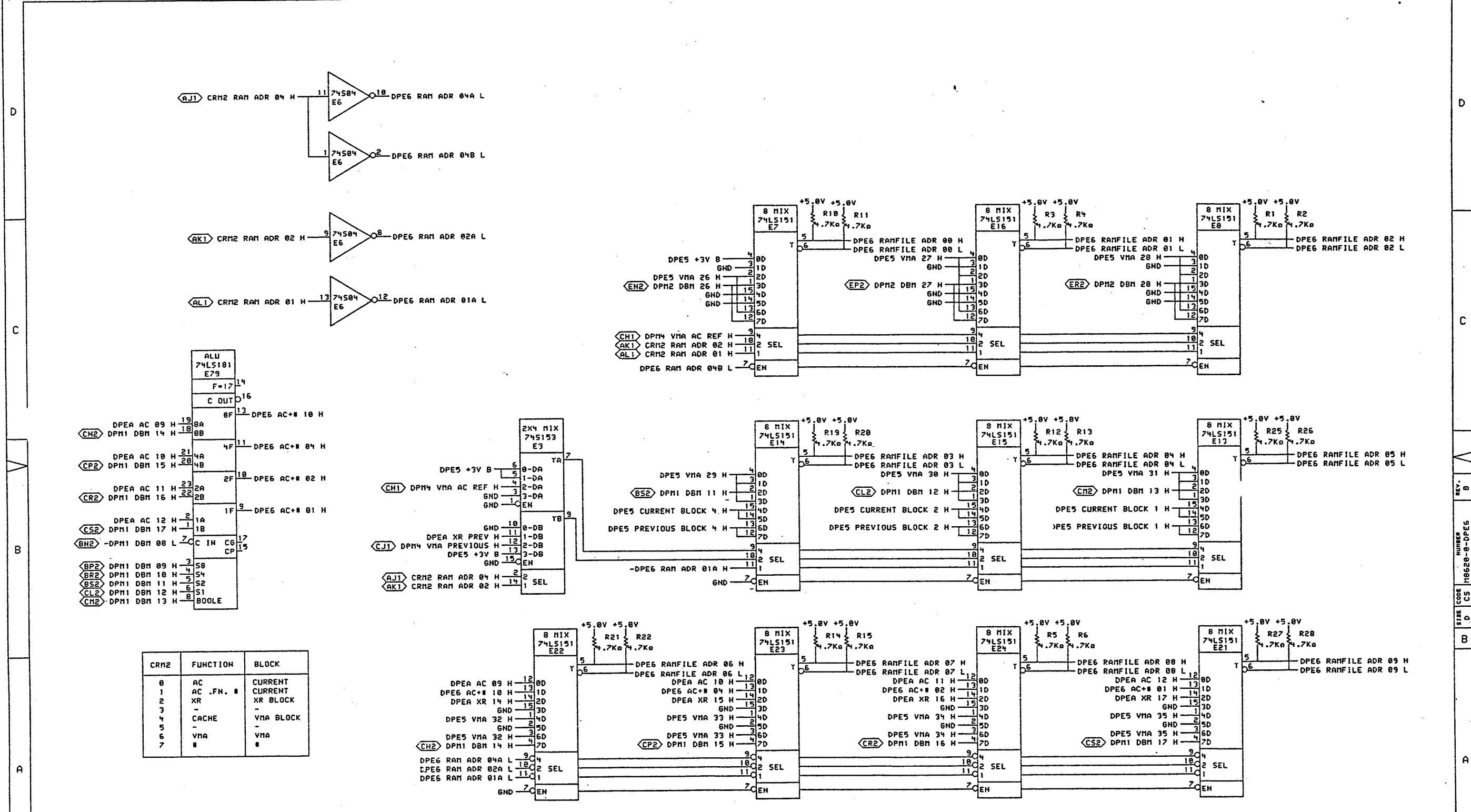
THIS DRAWING AND SPECIFICATIONS ARE THE PROPERTY OF DIGITAL EQUIPMENT CORPORATION AND SHALL NOT BE REPRODUCED OR COPIED OR USED IN WHOLE OR IN PART AS THE BASIS FOR THE MANUFACTURE OR SALE OF ITEMS WITHOUT WRITTEN PERMISSION. COPYRIGHT © 1979, DIGITAL EQUIPMENT CORPORATION.

REV.	DATE	BY	CHK	CHANGE NO.	REV
1	11-14-78	J. J. O'HAN			

REV.	DATE	BY	CHK	CHANGE NO.	REV
1	11-14-78	J. J. O'HAN			

digital	DATE: 11-14-78	ENG: J. J. O'HAN	DATE: 11-14-78	TITLE: DP EXEC (ETCH) CONTROL
PUB: M8620-DPE5.DRW	11-14-78 15:35	NEXT HIGHER ASSEMBLY: B-DD-M8620-0	SIZE CODE: D CS	NUMBER: M8620-0-DPE5
FIRST USED ON OPTION MODEL: KS10				REV. B

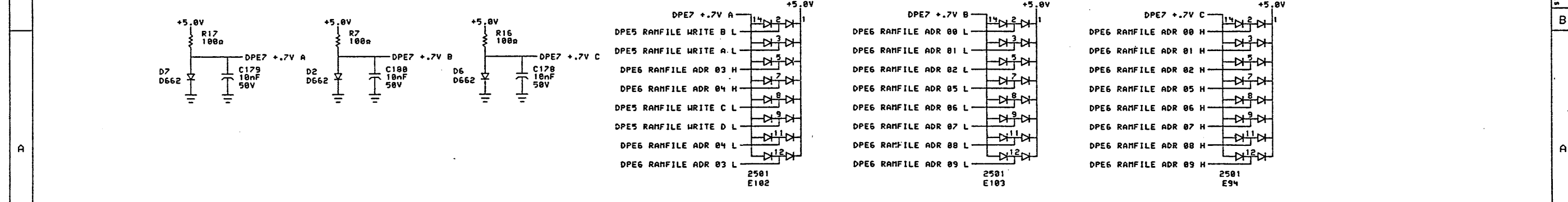
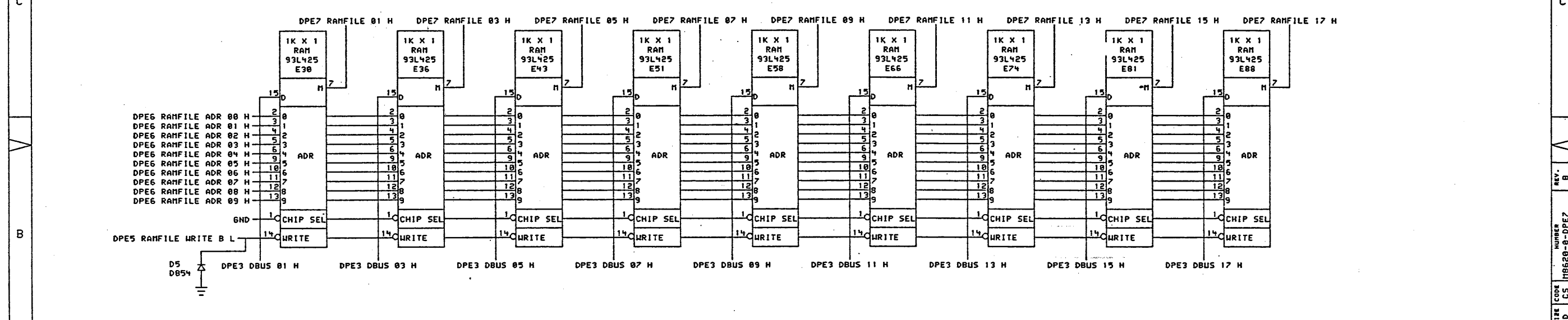
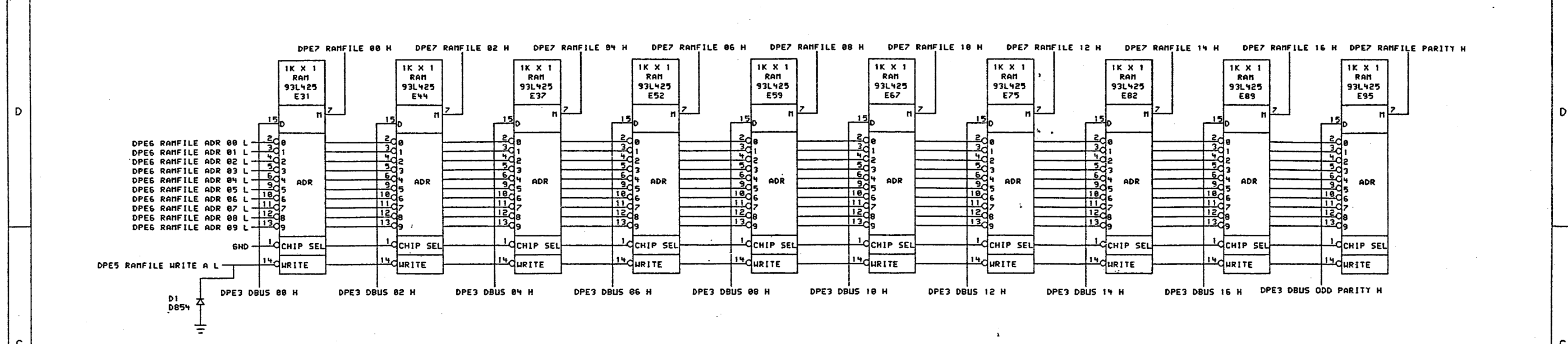
REV. B
NUMBER M8620-0-DPE5
SIZE CODE D CS
SHEET 1 OF 3



THIS DRAWING AND SPECIFICATIONS ARE THE PROPERTY OF DIGITAL EQUIPMENT CORPORATION AND SHALL NOT BE REPRODUCED OR COPIED OR USED IN WHOLE OR IN PART AS THE BASIS FOR THE MANUFACTURE OR SALE OF ITEMS WITHOUT WRITTEN PERMISSION. COPYRIGHT © 1979, DIGITAL EQUIPMENT CORPORATION.

REV	DATE	BY	REVISIONS
1	11-11-79	J. J. O'NEILL	INITIAL DESIGN
2	12-14-79	J. J. O'NEILL	REVISED

	DATE: 29-JAN-79	ENG: J. J. O'NEILL	DATE: 11-11-79	TITLE: DP EXEC (ETCH) RAMFILE ADDRESS
	DATE: 11-11-79	BOARD LOCATION: 1AF13	SHEET: 6 OF 12	REV: B
PUB: M8620-DPE6.DRM		14-DEC-78 15:36	NEXT HIGHER ASSEMBLY: B-DD-M8620-0	SIZE: D
FIRST USED ON OPTION/MODEL: KS10				NUMBER: M8620-0-DPE6



THIS DRAWING AND SPECIFICATIONS HEREIN ARE THE PROPERTY OF DIGITAL EQUIPMENT CORPORATION AND SHALL NOT BE REPRODUCED OR COPIED OR USED IN WHOLE OR IN PART AS THE BASIS FOR THE MANUFACTURE OR SALE OF ITEMS WITHOUT WRITTEN PERMISSION. COPYRIGHT © 1979, DIGITAL EQUIPMENT CORPORATION.

REV	CHG	NO.	REV
1	1	1	1

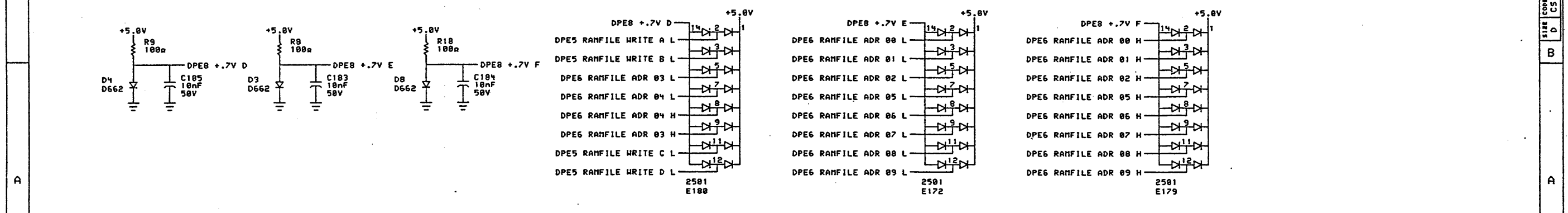
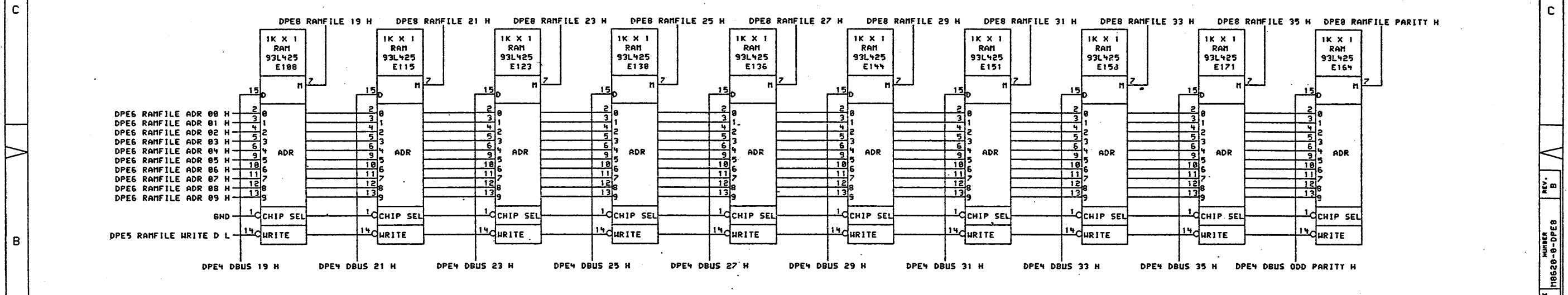
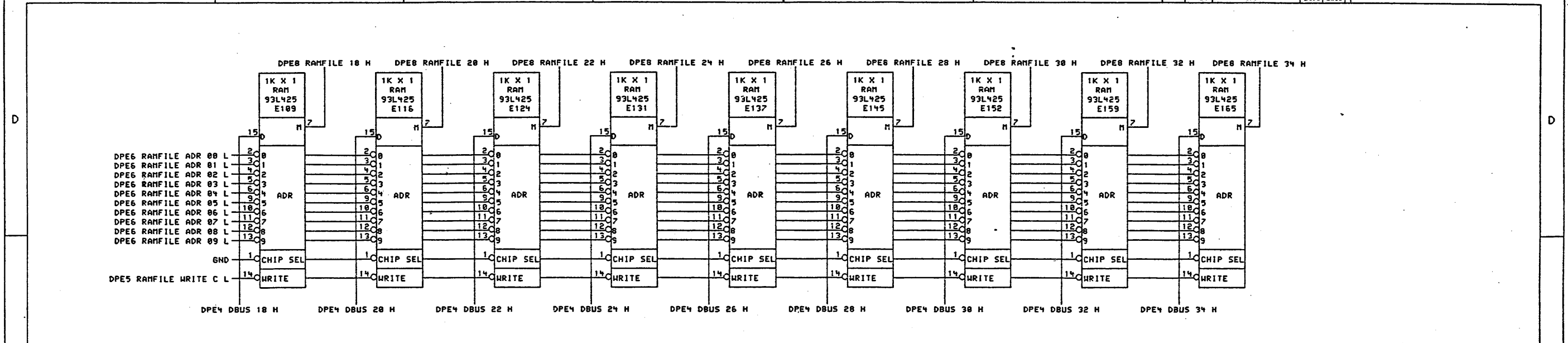
digital DR. J. J. J. DATE 29-JAN-79 ENG. Clark Wilson DATE 16-JAN-79 TITLE: DP EXEC (ETCH) RAMFILE LEFT

CHK'D: M. M. M. DATE BOARD LOCATION: 1AF13

PUB: (M8620)DPE7.DRW 14-DEC-78 15:37 NEXT HIGHER ASSEMBLY: SIZE CODE NUMBER REV. D CS M8620-0-DPE7 B

FIRST USED ON OPTION/MODEL: K510 B-DD-M8620-0

MR 1

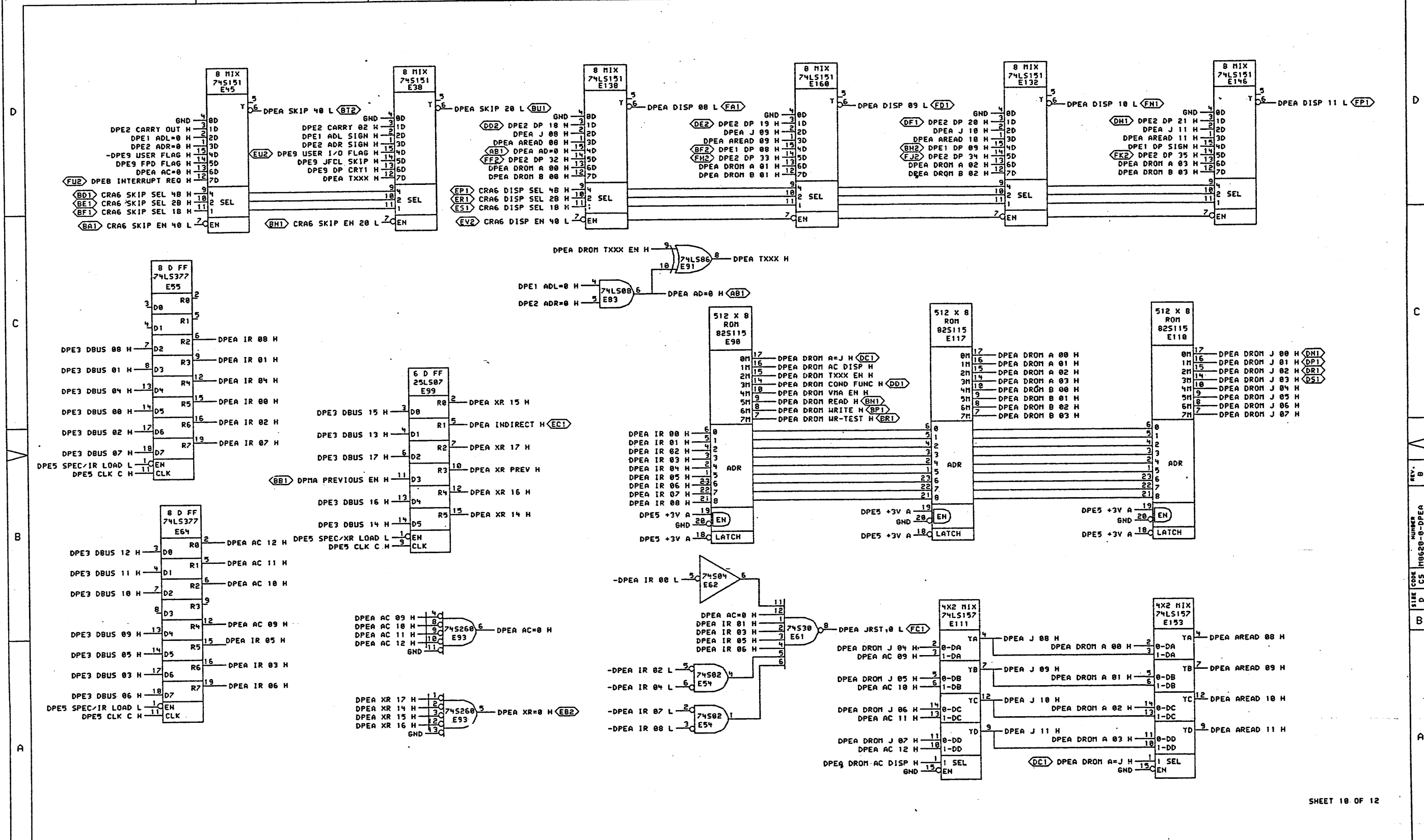


SHEET 8 OF 12

THIS DRAWING AND SPECIFICATIONS, HEREIN, ARE THE PROPERTY OF DIGITAL EQUIPMENT CORPORATION AND SHALL NOT BE REPRODUCED OR COPIED OR USED IN WHOLE OR IN PART AS THE BASIS FOR THE MANUFACTURE OR SALE OF ITEMS WITHOUT WRITTEN PERMISSION. COPYRIGHT © 1979, DIGITAL EQUIPMENT CORPORATION.

REVISIONS	
CHK	CHANGE NO. REV
MMS20-MR001	B
D. O'DHAM	

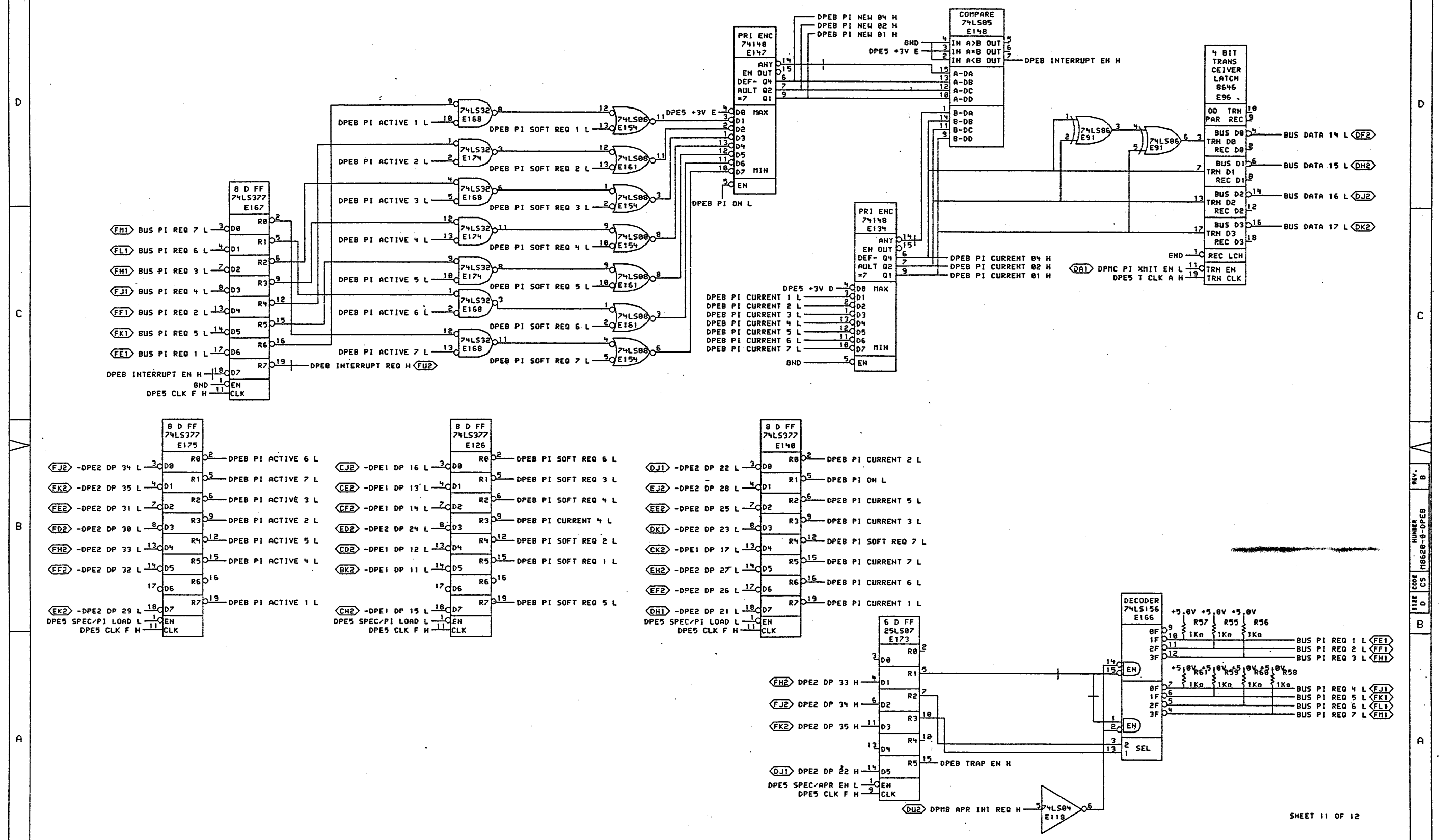
digital	DATE	ENG	DATE	TITLE
	29-JAN-79	Paul Allen	12-DEC-78	DP EXEC (ETCH) RAMFILE RIGHT
	DATE	BOARD LOCATION	OF	
	14-DEC-78 15:38	IAF13	1	
PUB: <M8620>DPE8.DRW				SIZE CODE
FIRST USED ON OPTION/MODEL: K510				D CS
NEXT HIGHER ASSEMBLY: B-DD-M8620-0				NUMBER
				M8620-0-DPE8
				REV.
				B



THIS DRAWING AND SPECIFICATIONS, HEREIN, ARE THE PROPERTY OF DIGITAL EQUIPMENT CORPORATION AND SHALL NOT BE REPRODUCED OR COPIED OR USED IN WHOLE OR IN PART AS THE BASIS FOR THE MANUFACTURE OR SALE OF ITEMS WITHOUT WRITTEN PERMISSION. COPYRIGHT © 1979, DIGITAL EQUIPMENT CORPORATION.

CHK	CHANGE NO.	REV

	DRN. J. J. J.	DATE: 11-DEC-78	ENG: [Signature]	DATE: 11-DEC-78	TITLE: DP EXEC (ETCH) IR, SKIP & DISP
	CHK: [Signature]	DATE: 11-DEC-78	DATE: 11-DEC-78	DATE: 11-DEC-78	DATE: 11-DEC-78
PUB: M8620-DPEA.DRW		NEXT HIGHER ASSEMBLY: 1		SIZE: D	CODE: CS
FIRST USED ON OPTION/MODEL: K510		B-DD-M8620-0		NUMBER: 0	REV: B

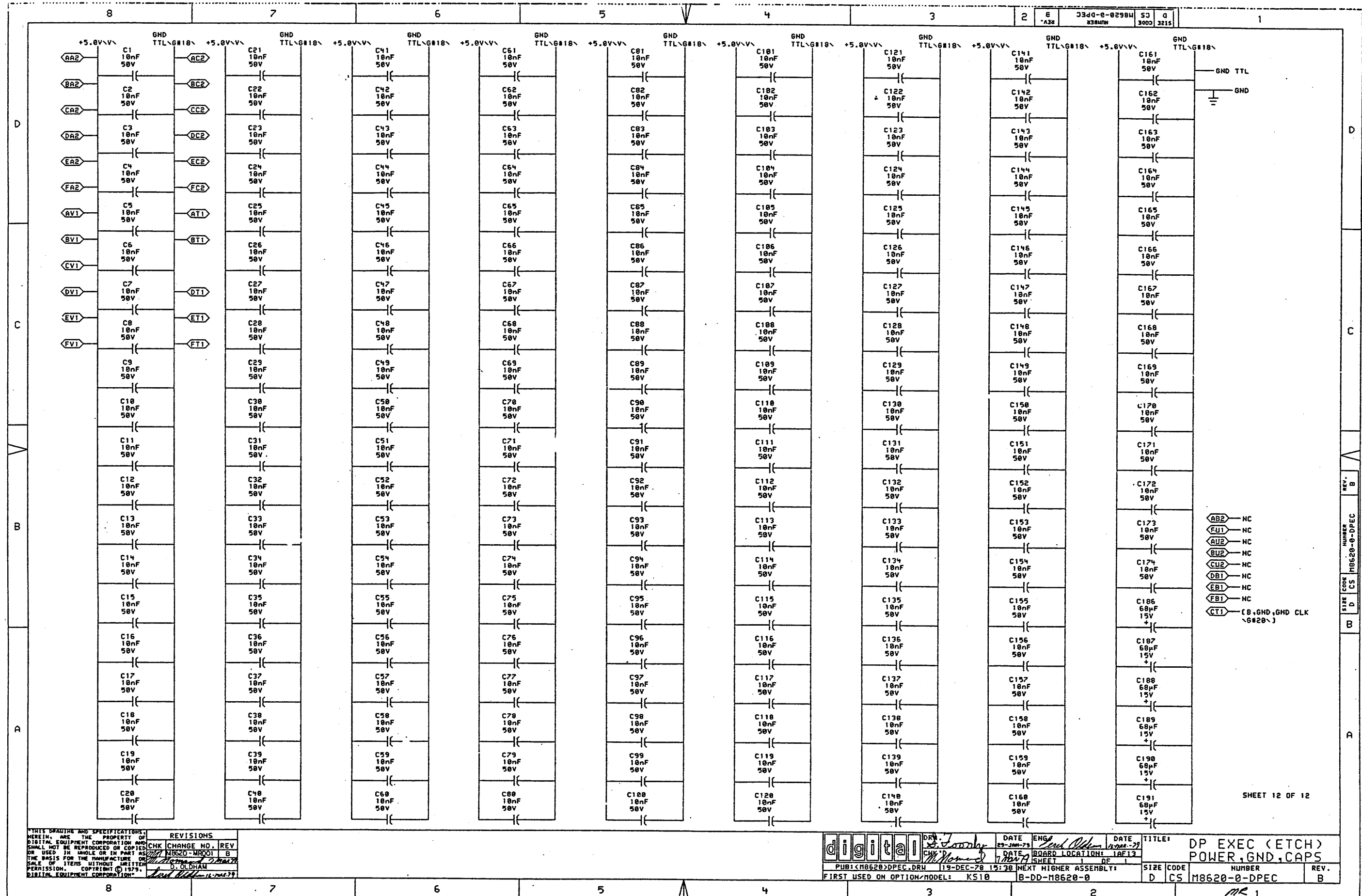


THIS DRAWING AND SPECIFICATIONS, HEREIN, ARE THE PROPERTY OF DIGITAL EQUIPMENT CORPORATION AND SHALL NOT BE REPRODUCED OR COPIED OR USED IN WHOLE OR IN PART AS THE BASIS FOR THE MANUFACTURE OR SALE OF ITEMS WITHOUT WRITTEN PERMISSION. COPYRIGHT © 1979, DIGITAL EQUIPMENT CORPORATION.

REVISIONS
CHK CHANGE NO. REV
18620-MR001 B
DATE 11-28-79
BY [Signature]
DATE 12-28-79
BY [Signature]

REF	DESCRIPTION
FJ2	-DPE2 DP 34 L
FK2	-DPE2 DP 35 L
FE2	-DPE2 DP 31 L
FD2	-DPE2 DP 30 L
FH2	-DPE2 DP 33 L
FF2	-DPE2 DP 32 L
EK2	-DPE2 DP 29 L
CJ2	-DPE1 DP 16 L
CE2	-DPE1 DP 13 L
CF2	-DPE1 DP 14 L
ED2	-DPE2 DP 24 L
CD2	-DPE1 DP 12 L
BK2	-DPE1 DP 11 L
CH2	-DPE1 DP 15 L
DJ1	-DPE2 DP 22 L
EJ2	-DPE2 DP 28 L
EE2	-DPE2 DP 25 L
DK1	-DPE2 DP 23 L
CK2	-DPE1 DP 17 L
EH2	-DPE2 DP 27 L
EF2	-DPE2 DP 26 L
DH1	-DPE2 DP 21 L

DRN. [Signature]	DATE 11-28-79	ENG [Signature]	DATE 12-28-79	TITLE: DP EXEC (ETCH) PRIORITY INTERRUPT
CHK'D [Signature]	DATE 11-28-79	DATE 12-28-79	DATE 12-28-79	BOARD LOCATION: 1AF13
PUB: 18620-DPEB.DRW	114-DEC-28 15:41	NEXT HIGHER ASSEMBLY: B-DD-18620-0	SIZE CODE NUMBER REV.	D CS 18620-0-DPEB B
FIRST USED ON OPTION/MODEL: KS10				MR 1



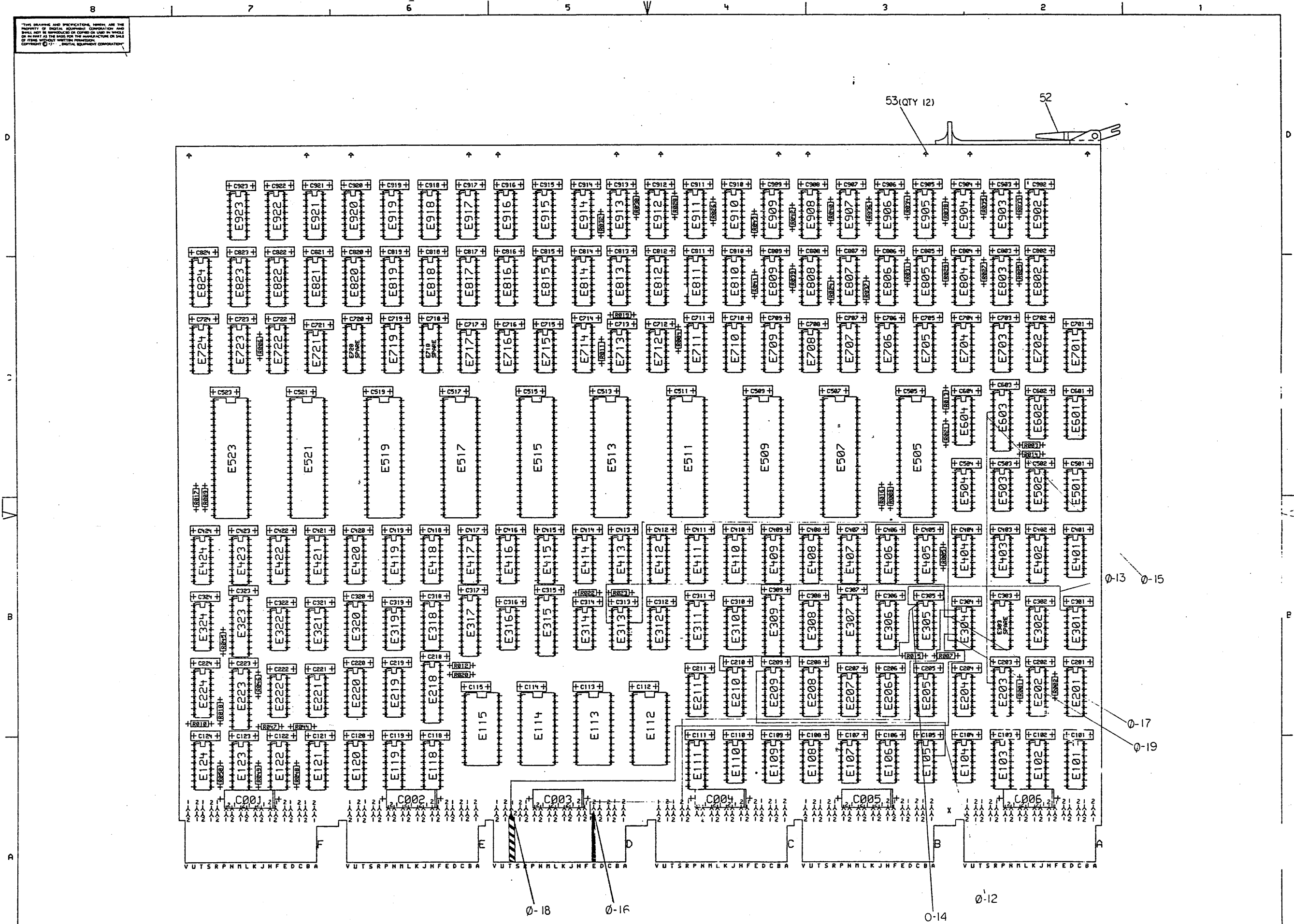
THIS DRAWING AND SPECIFICATIONS HEREIN ARE THE PROPERTY OF DIGITAL EQUIPMENT CORPORATION AND SHALL NOT BE REPRODUCED OR COPIED OR USED IN WHOLE OR IN PART AS THE BASIS FOR THE MANUFACTURE OR SALE OF ITEMS WITHOUT WRITTEN PERMISSION. COPYRIGHT © 1979, DIGITAL EQUIPMENT CORPORATION.

REVISIONS		
CHK	CHANGE NO.	REV.
	M8620-MR001	B

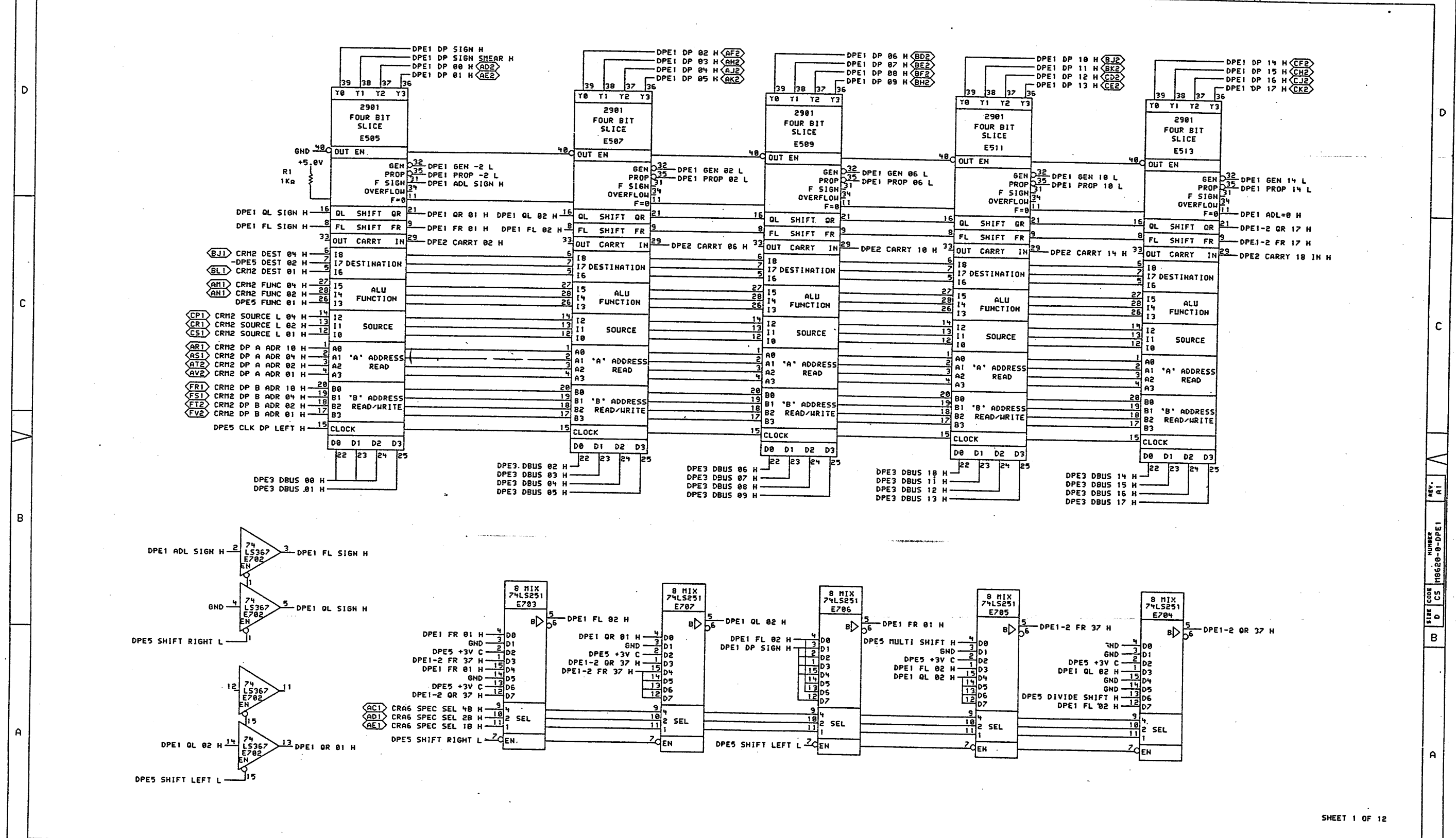
D. OLDHAM
11-11-79

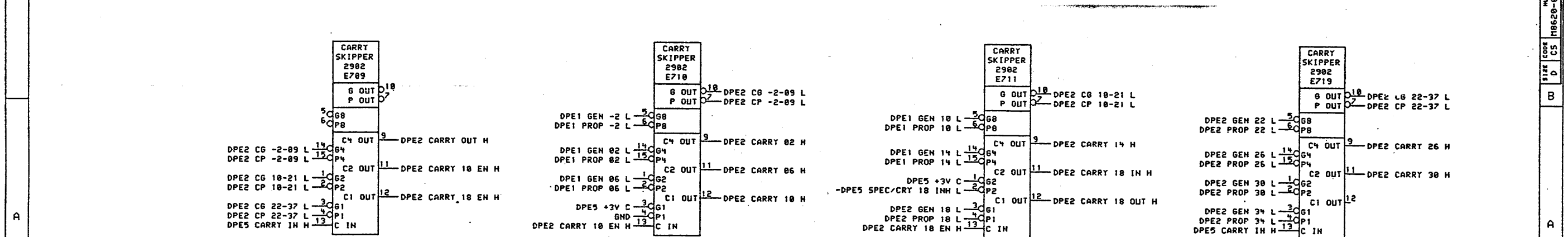
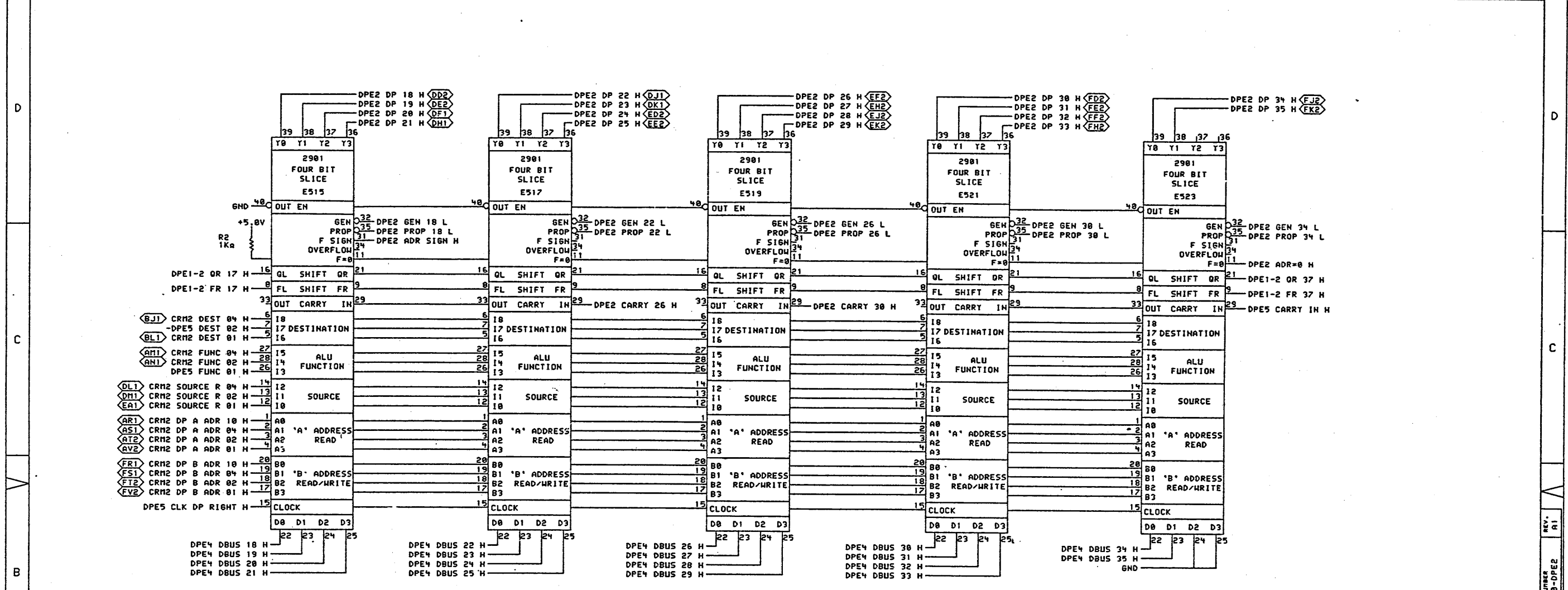
digital	DRY: <i>J. J. J.</i>	DATE: 23-JUN-79	ENG: <i>Paul O'Brien</i>	DATE: 11-MAR-79	TITLE: DP EXEC (ETCH) POWER, GND, CAPS
	CHK: <i>M. J. J.</i>	DATE: 17-MAR-79	BOARD LOCATION: 1AF13	SHEET: 12 OF 12	
PUB: $M8620$DPEC.DRW		19-DEC-78 15:38 NEXT HIGHER ASSEMBLY: B-DD-M8620-0		SIZE: D	CODE: CS
FIRST USED ON OPTION/MODEL: K510				NUMBER: M8620-0-DPEC	REV.: B

THIS DRAWING AND SPECIFICATIONS HEREBY ARE THE PROPERTY OF DIGITAL EQUIPMENT CORPORATION AND SHALL NOT BE REPRODUCED OR COPIED OR USED IN WHOLE OR IN PART AS THE BASIS FOR THE MANUFACTURE OR SALE OF ITEMS WITHOUT WRITTEN PERMISSION.
 COPYRIGHT © 1971, DIGITAL EQUIPMENT CORPORATION



REV	DATE
1	11/10/71
2	11/10/71
3	11/10/71
4	11/10/71
5	11/10/71
6	11/10/71
7	11/10/71
8	11/10/71
9	11/10/71
10	11/10/71
11	11/10/71
12	11/10/71
13	11/10/71
14	11/10/71
15	11/10/71
16	11/10/71
17	11/10/71
18	11/10/71
19	11/10/71
20	11/10/71
21	11/10/71
22	11/10/71
23	11/10/71
24	11/10/71
25	11/10/71
26	11/10/71
27	11/10/71
28	11/10/71
29	11/10/71
30	11/10/71
31	11/10/71
32	11/10/71
33	11/10/71
34	11/10/71
35	11/10/71
36	11/10/71
37	11/10/71
38	11/10/71
39	11/10/71
40	11/10/71
41	11/10/71
42	11/10/71
43	11/10/71
44	11/10/71
45	11/10/71
46	11/10/71
47	11/10/71
48	11/10/71
49	11/10/71
50	11/10/71
51	11/10/71
52	11/10/71
53	11/10/71
54	11/10/71
55	11/10/71
56	11/10/71
57	11/10/71
58	11/10/71
59	11/10/71
60	11/10/71
61	11/10/71
62	11/10/71
63	11/10/71
64	11/10/71
65	11/10/71
66	11/10/71
67	11/10/71
68	11/10/71
69	11/10/71
70	11/10/71
71	11/10/71
72	11/10/71
73	11/10/71
74	11/10/71
75	11/10/71
76	11/10/71
77	11/10/71
78	11/10/71
79	11/10/71
80	11/10/71
81	11/10/71
82	11/10/71
83	11/10/71
84	11/10/71
85	11/10/71
86	11/10/71
87	11/10/71
88	11/10/71
89	11/10/71
90	11/10/71
91	11/10/71
92	11/10/71
93	11/10/71
94	11/10/71
95	11/10/71
96	11/10/71
97	11/10/71
98	11/10/71
99	11/10/71
100	11/10/71





THIS DRAWING AND SPECIFICATIONS HEREIN ARE THE PROPERTY OF DIGITAL EQUIPMENT CORPORATION AND SHALL NOT BE REPRODUCED OR COPIED OR USED IN WHOLE OR IN PART AS THE BASIS FOR THE MANUFACTURE OR SALE OF ITEMS WITHOUT WRITTEN PERMISSION. COPYRIGHT © 1979, DIGITAL EQUIPMENT CORPORATION.

REV.	CHG.	NO.	REV.
1	1	1	1

digital

DATE: 23-JAN-79
 DATE: 28-DEC-78
 DATE: 16-DEC-78

ENG: [Signature]
 CH: [Signature]
 DR: [Signature]

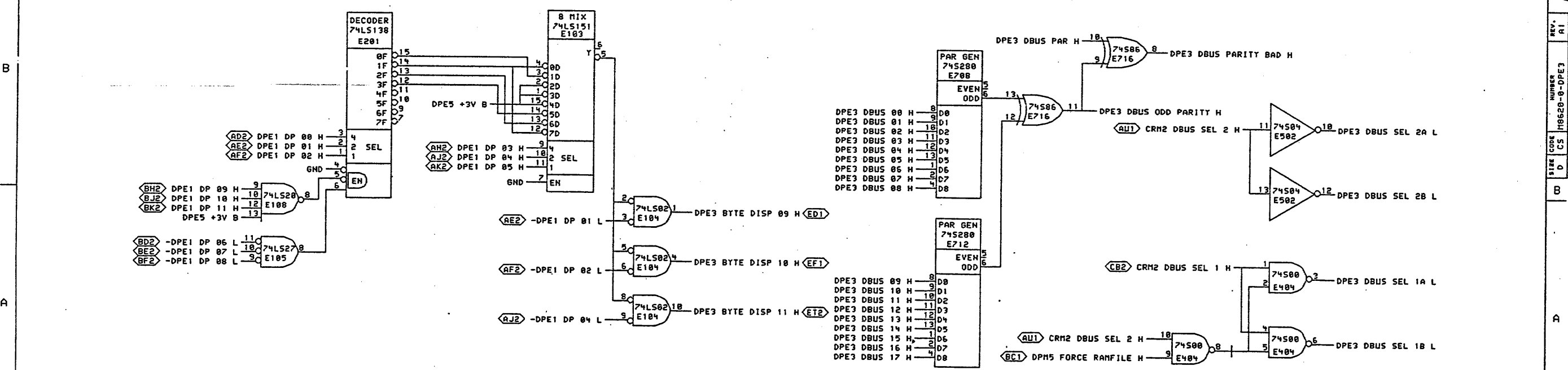
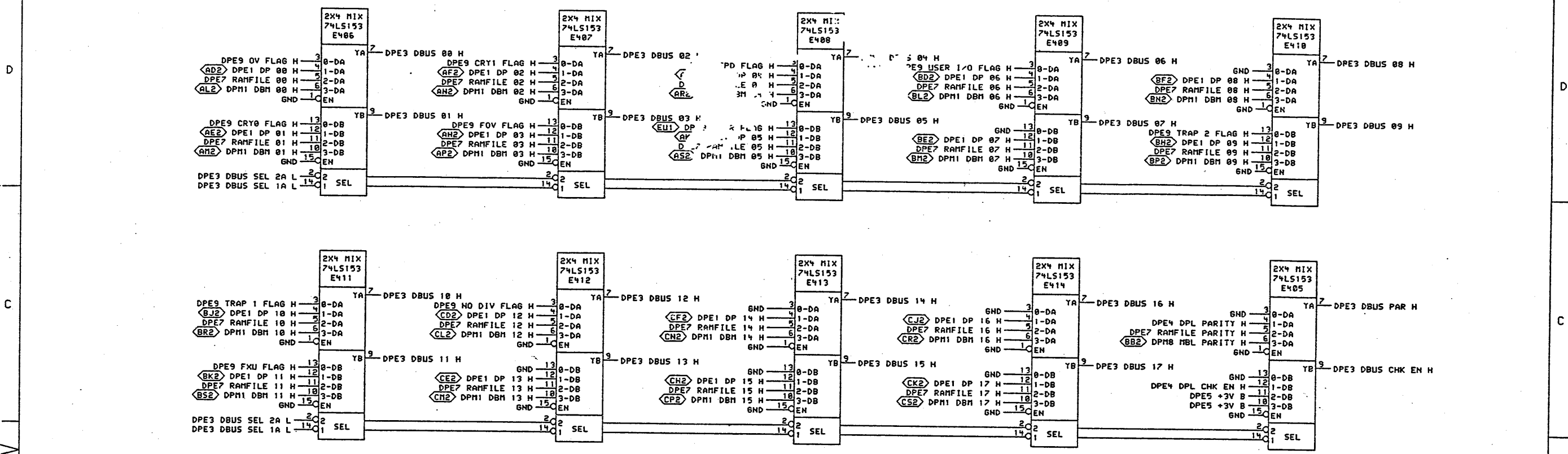
TITLE: DATA PATH EXEC DP RIGHT

PS: M8620-DPE2-DRH
 FIRST USED ON OPTION/MODEL: KS10

DATE: 16-DEC-78
 BOARD LOCATION: 16F13
 SHEET: 1 OF 1

DATE: 16-DEC-78
 NEXT HIGHER ASSEMBLY: B-DD-M8620-0

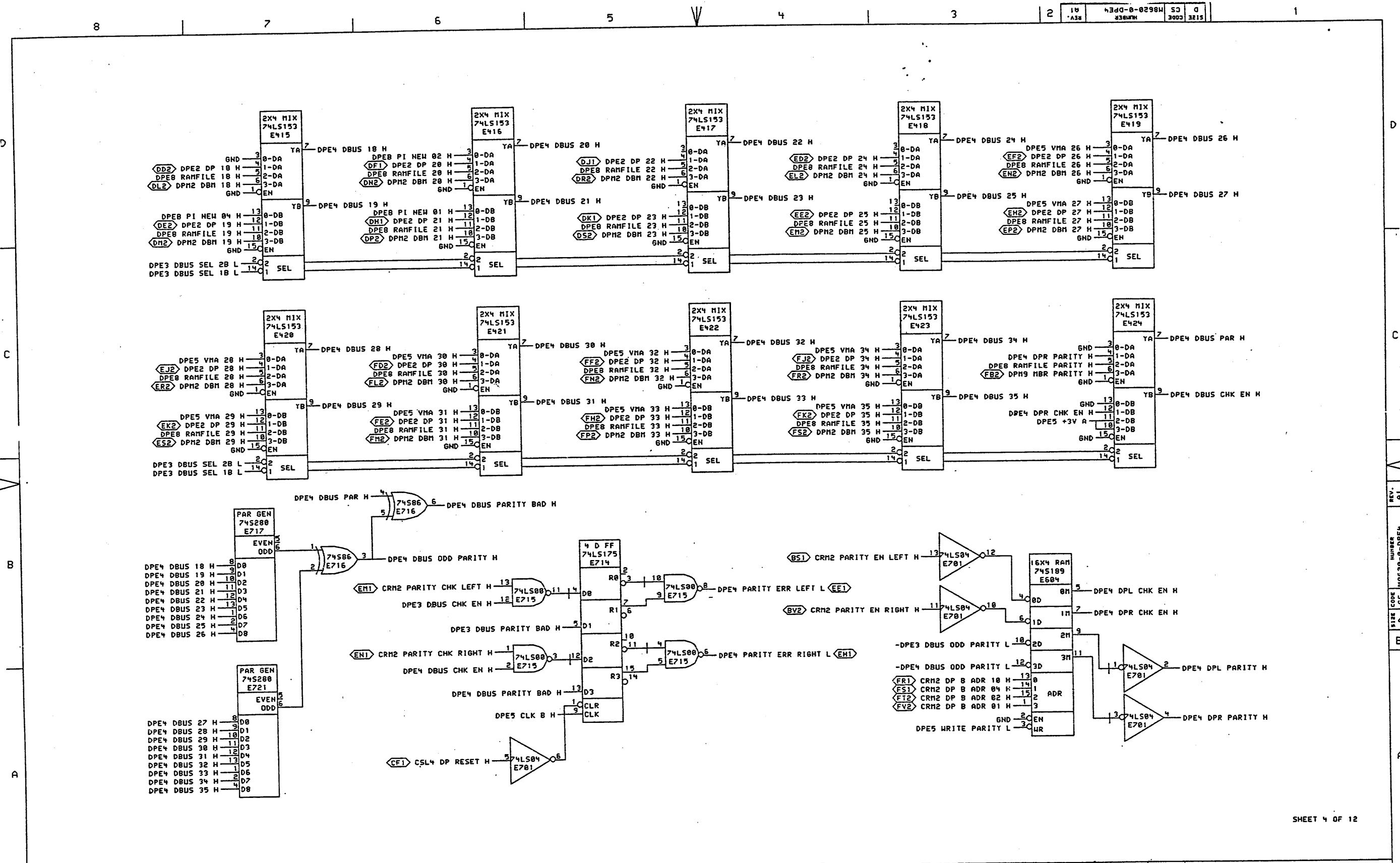
SIZE CODE: D CS
 NUMBER: M8620-0-DPE2
 REV.: A1



THIS DRAWING AND SPECIFICATIONS HEREIN ARE THE PROPERTY OF DIGITAL EQUIPMENT CORPORATION AND SHALL NOT BE REPRODUCED OR COPIED OR USED IN WHOLE OR IN PART AS THE BASIS FOR THE MANUFACTURE OR SALE OF ITEMS WITHOUT WRITTEN PERMISSION. COPYRIGHT © 1979, DIGITAL EQUIPMENT CORPORATION

REV.	NO.	DESCRIPTION
1	1	CHG CHANGE NO. REV
1	1	18620-MR001 A1
1	1	18620-MR001 A1
1	1	18620-MR001 A1

digital	DATE	23-JAN-79	ENG	David Williams	DATE	23-JAN-79	TITLE	DATA PATH EXEC DBUS LEFT	
	CHK'D	1/23/79	CHK'D	1/23/79	DATE	23-JAN-79	BOARD LOCATION	1AET3	
PS: (18620)DPE3.DRW	20-DEC-78	13:19	NEXT HIGHER ASSEMBLY:		SIZE	D	CODE	CS	
FIRST USED ON OPTION/MODEL:	KS10				NUMBER	M8620-0-DPE3		REV.	A1



SHEET 4 OF 12

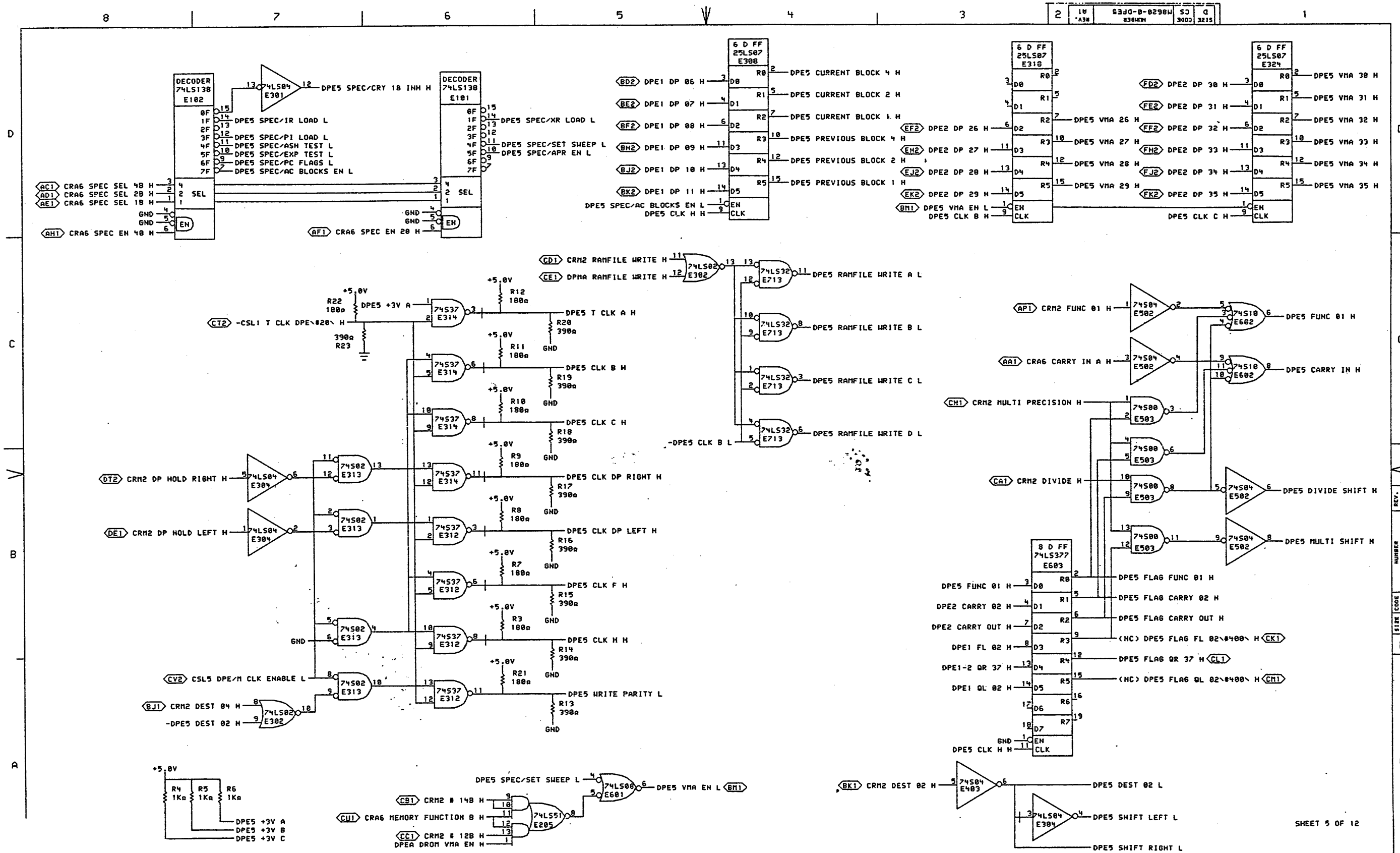
THIS DRAWING AND SPECIFICATIONS HEREIN ARE THE PROPERTY OF DIGITAL EQUIPMENT CORPORATION AND SHALL NOT BE REPRODUCED OR COPIED OR USED IN WHOLE OR IN PART AS THE BASIS FOR THE MANUFACTURE OR SALE OF ITEMS WITHOUT WRITTEN PERMISSION. COPYRIGHT © 1979, DIGITAL EQUIPMENT CORPORATION.

REV.	NO.	DESCRIPTION
1	1	INITIAL DESIGN
2	1	REVISION

REV.	NO.	DESCRIPTION
1	1	INITIAL DESIGN
2	1	REVISION

digital	DATE: 23-JAN-79	ENG: [Signature]	DATE: 12-DEC-78	TITLE: DATA PATH EXEC DBUS RIGHT
PS1(M8620)DPE4.DRW	DATE: 12-DEC-78 13:20	BOARD LOCATION: 1AE12	SHEET: 4	REV.:
FIRST USED ON OPTION/MODEL: KS10	NEXT HIGHER ASSEMBLY: B-DD-M8620-0	SIZE CODE: D CS	NUMBER: M8620-0-DPE4	REV.:

REV. A1
NUMBER M8620-0-DPE4
SIZE CODE CS
B

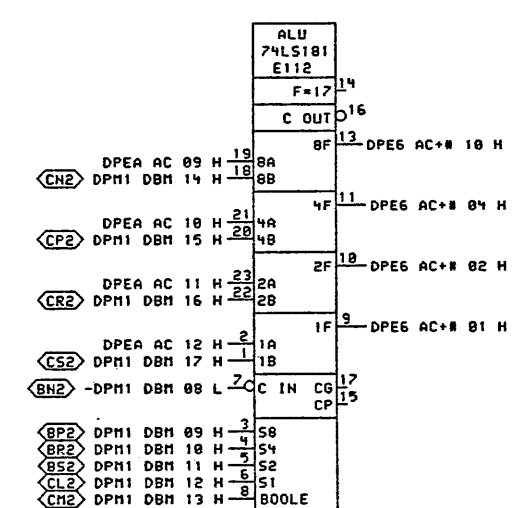
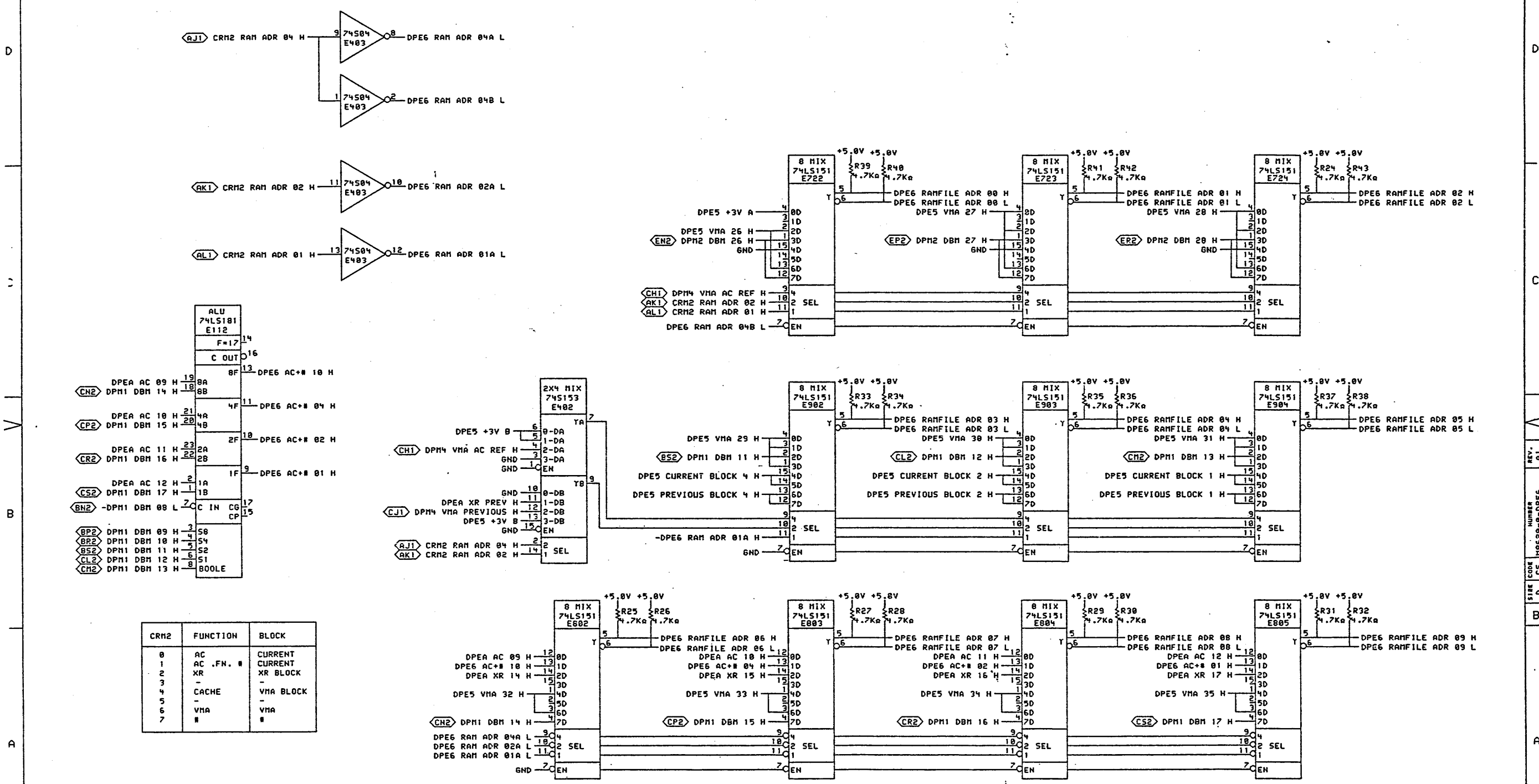


THIS DRAWING AND SPECIFICATIONS ARE THE PROPERTY OF DIGITAL EQUIPMENT CORPORATION AND SHALL NOT BE REPRODUCED OR COPIED OR USED IN WHOLE OR IN PART AS THE BASIS FOR THE MANUFACTURE OR SALE OF ITEMS WITHOUT WRITTEN PERMISSION. COPYRIGHT © 1979, DIGITAL EQUIPMENT CORPORATION.

REVISIONS		
CHK	CHANGE NO.	REV

DRN	DATE	ENG	DATE	TITLE
DRN	20-DEC-78 13:21	DRN	20-DEC-78 13:21	DATA PATH EXEC CONTROL
DATE	BOARD LOCATION	DATE	BOARD LOCATION	
20-DEC-78 13:21	TAF13	20-DEC-78 13:21	TAF13	
PS: (M8620)DPE5.DRN		NEXT HIGHER ASSEMBLY:		SIZE CODE
FIRST USED ON OPTION/MODEL: K510		B-DD-M8620-0		D CS M8620-0-DPE5

NUMBER	REV.
M8620-0-DPE5	A1



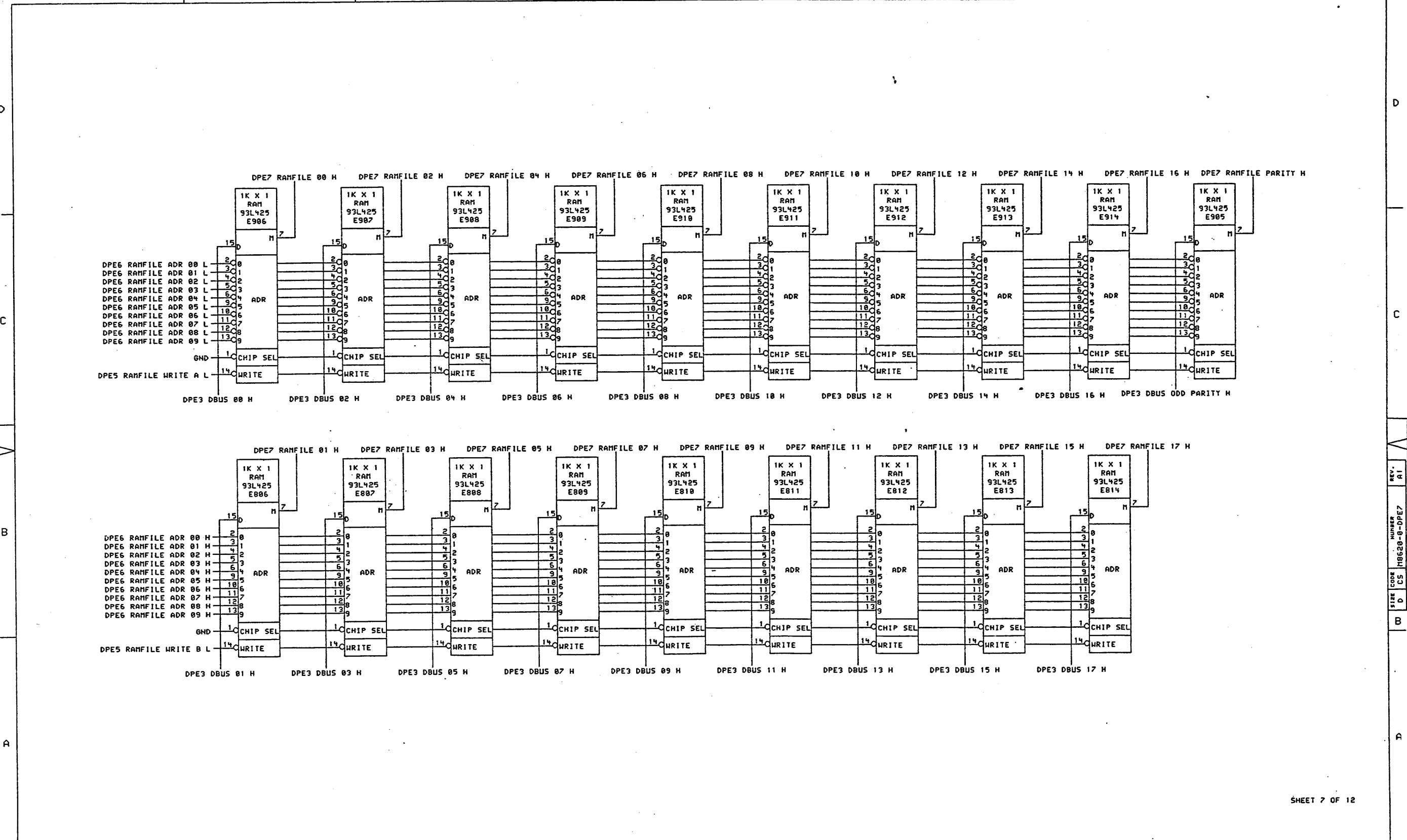
CRM2	FUNCTION	BLOCK
0	AC	CURRENT
1	AC .FN. #	CURRENT
2	XR	XR BLOCK
3	-	-
4	CACHE	VMA BLOCK
5	VMA	VMA
6	-	-
7	#	#

THIS DRAWING AND SPECIFICATIONS HEREIN ARE THE PROPERTY OF DIGITAL EQUIPMENT CORPORATION AND SHALL NOT BE REPRODUCED OR COPIED OR USED IN WHOLE OR IN PART AS THE BASIS FOR THE MANUFACTURE OR SALE OF ITEMS WITHOUT WRITTEN PERMISSION. COPYRIGHT © 1979, DIGITAL EQUIPMENT CORPORATION.

REV.	CHG	NO.	REV
1	1	1	1

DATE	29-JAN-79	ENG	John Oldham	DATE	12-21-78	REV.	1
DRW.	John Oldham	DATE	29-JAN-79	ENG	John Oldham	DATE	12-21-78
CHK'D	W. Norman	DATE	12-21-78	CHK'D	W. Norman	DATE	12-21-78
PS: <M8620>DPES.DRM	20-DEC-78 13:21	NEXT HIGHER ASSEMBLY:	8-DD-M8620-0	PS: <M8620>DPES.DRM	20-DEC-78 13:21	NEXT HIGHER ASSEMBLY:	8-DD-M8620-0
FIRST USED ON OPTION/MODEL:	KS10	DATE	12-21-78	FIRST USED ON OPTION/MODEL:	KS10	DATE	12-21-78

TITLE:	DATA PATH EXEC RAMFILE ADDRESS	SIZE	D	CODE	CS	NUMBER	M8620-0-DPE6	REV.	A1
--------	--------------------------------	------	---	------	----	--------	--------------	------	----



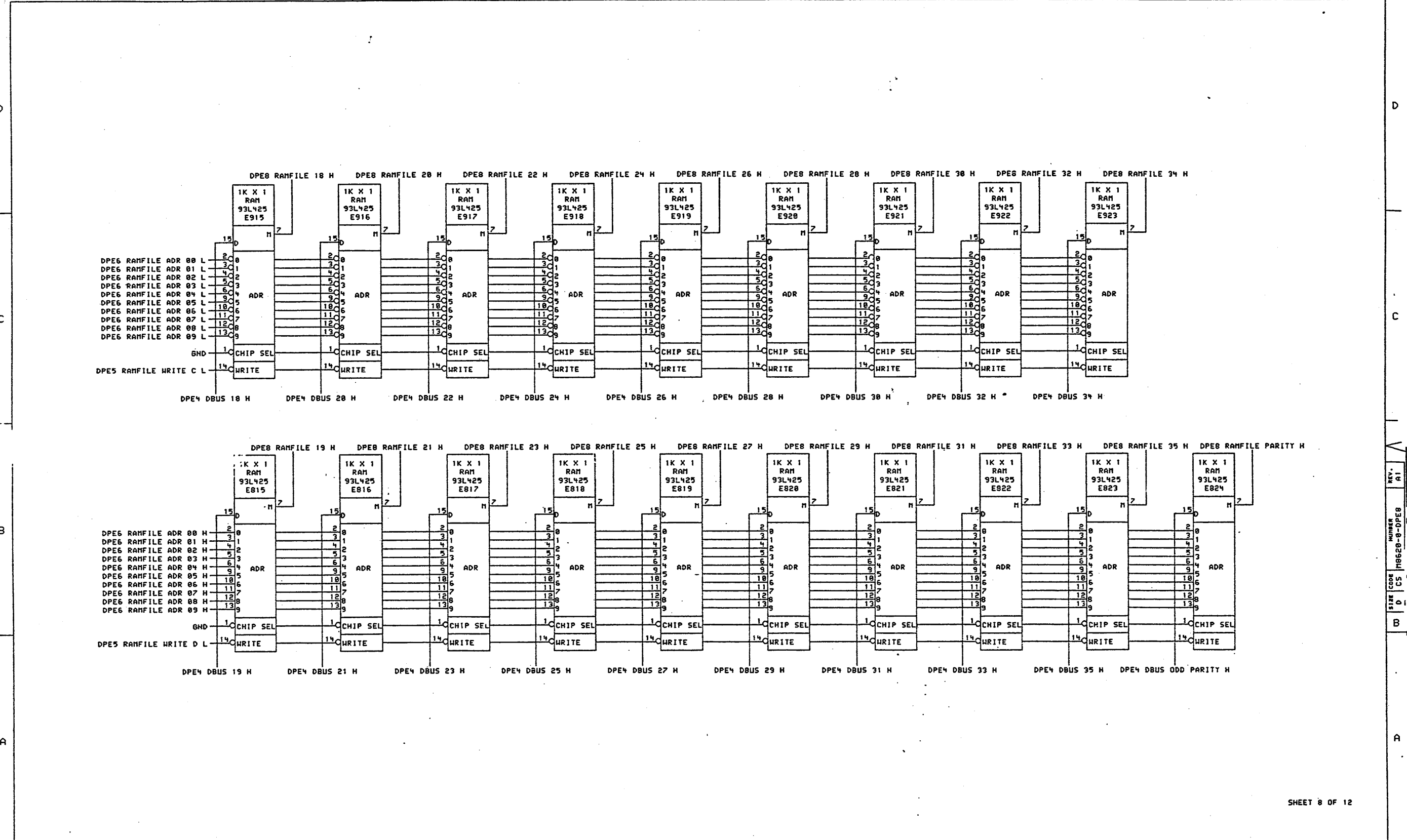
CHK	CHANGE NO.	REV

REVISIONS

THIS DRAWING AND SPECIFICATIONS ARE THE PROPERTY OF DIGITAL EQUIPMENT CORPORATION AND SHALL NOT BE REPRODUCED OR COPIED OR USED IN WHOLE OR IN PART AS THE BASIS FOR THE MANUFACTURE OR SALE OF ITEMS WITHOUT WRITTEN PERMISSION. COPYRIGHT © 1979, DIGITAL EQUIPMENT CORPORATION.

DATE	ENG	DATE	ENG	DATE	ENG	DATE	ENG
29-JAN-79	David Alden	16-MAR-79					
DATE	BOARD LOCATION	DATE	BOARD LOCATION	DATE	BOARD LOCATION	DATE	BOARD LOCATION
	1AF13						
PS: (M8620)DPE7.DRW				NEXT HIGHER ASSEMBLY:			
FIRST USED ON OPTION/MODEL: K510				B-DD-M8620-0			

TITLE: DATA PATH EXEC RAMFILE LEFT		SIZE	CODE	NUMBER	REV.
D	CS	M8620-0-DPE7		A1	



SHEET 8 OF 12

THIS DRAWING AND SPECIFICATIONS, HEREIN, ARE THE PROPERTY OF DIGITAL EQUIPMENT CORPORATION AND SHALL NOT BE REPRODUCED OR COPIED OR USED IN WHOLE OR IN PART AS THE BASIS FOR THE MANUFACTURE OR SALE OF ITEMS WITHOUT WRITTEN PERMISSION. COPYRIGHT © 1979, DIGITAL EQUIPMENT CORPORATION.

REVISIONS	
CHK	CHANGE NO. REV
MT	M8620-MR001 A1
MT	M8620-MR001 A1
MT	M8620-MR001 A1

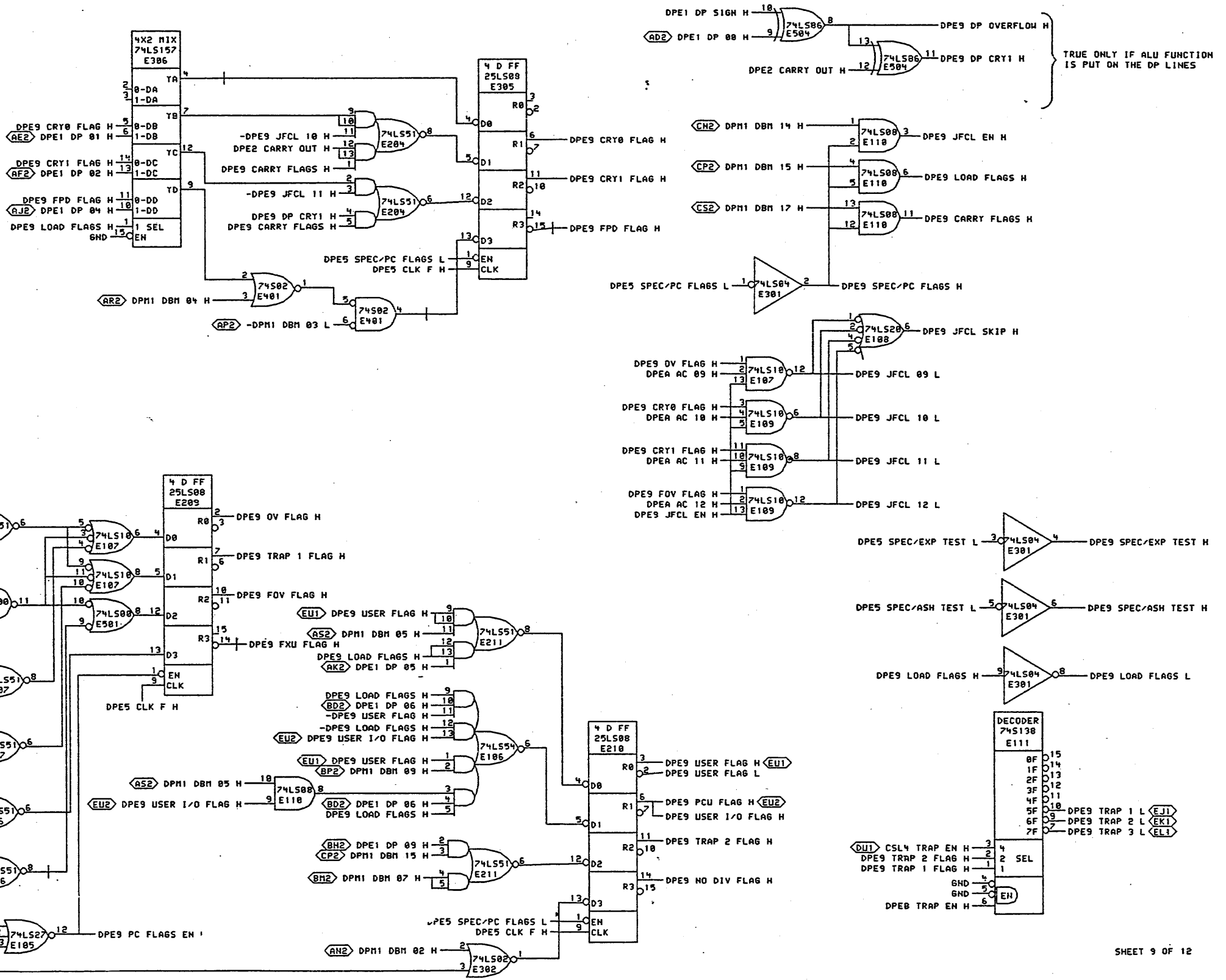
digital	DRW: <i>J. Loomis</i>	DATE: 29-JAN-79	ENG: <i>David Nelson</i>	DATE: <i>ver 10-79</i>	TITLE: DATA PATH EXEC RAMFILE RIGHT
	CHK'D: <i>M. M. M. M.</i>	DATE: <i>11/10/79</i>	BOARD LOCATION: 1AF13	SHEET: 1 OF 1	SIZE CODE: D CS
PS: (M8620)DPE8.DRW		28-DEC-78 13:22	NEXT HIGHER ASSEMBLY: B-DD-M8620-0	NUMBER: M8620-0-DPE8	REV. A1
FIRST USED ON OPTION/MODEL: KS10					me 1

SPEC/PC FLAGS USES THE # FIELD BITS AS FOLLOWS

PC FLAGS
BIT FUNCTION

THESE FLAGS ARE ONLY MODIFIED AT RESET OR AT SPEC/PC FLAGS TIME.

- 0 - SET OV FLAG
- 1 - SET FOV FLAG
- 2 - SET NO DIV FLAG
- 3 - CLR FPD FLAG
- 4 - SET FPD FLAG
- 5 - HOLD USER
- 6 -
- 7 - SET TRAP 2 FLAG
- 8 - SET TRAP 1 FLAG
- 9 - SET PCU CONDITIONALLY
- 10 -
- 11 -
- 12 -
- 13 -
- 14 - JFCL
- 15 - LOAD PC FROM DP BUS
- 16 -
- 17 - SET CARRY FLAGS



D

C

B

A

D

C

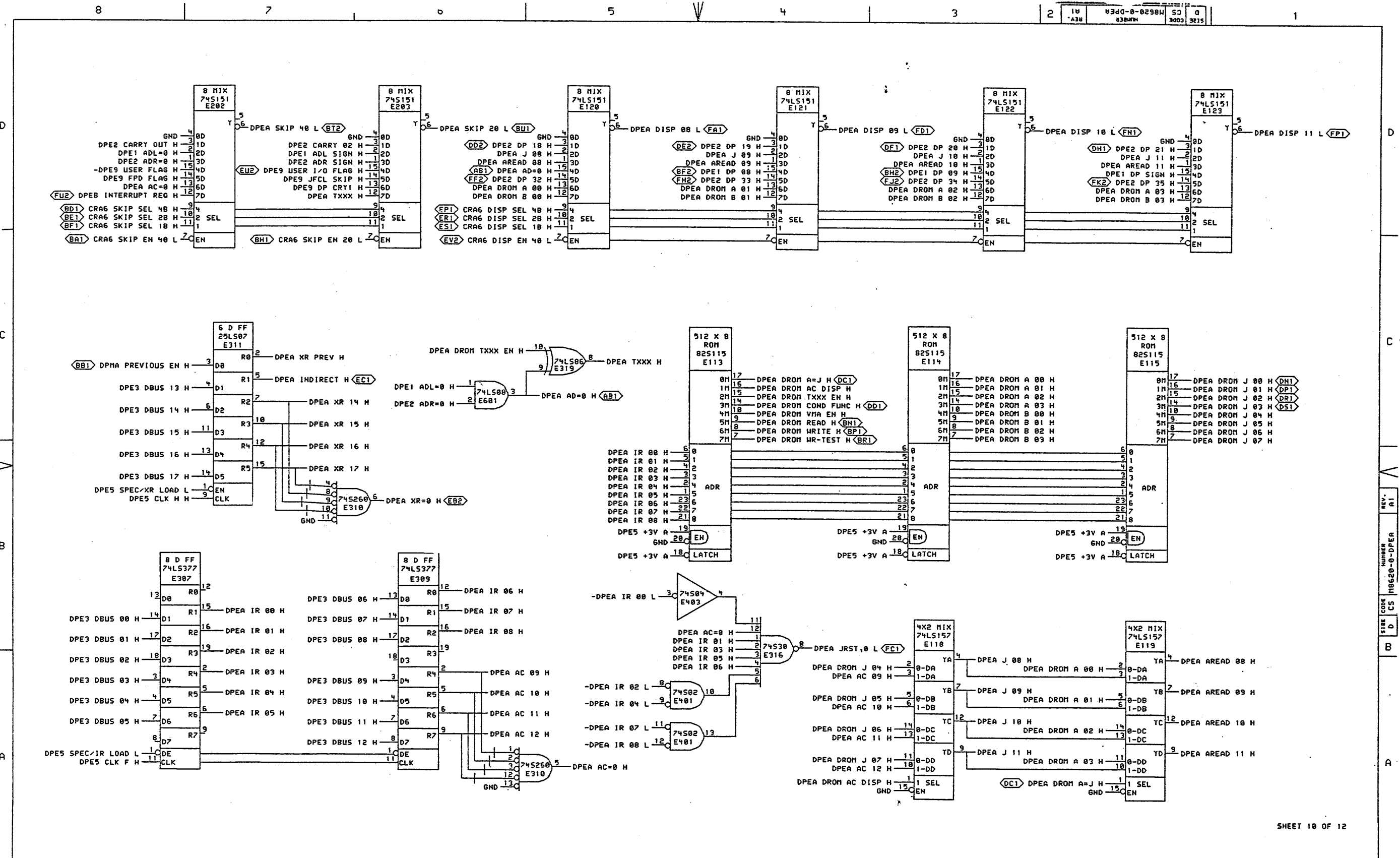
B

A

THIS DRAWING AND SPECIFICATIONS, HEREIN, ARE THE PROPERTY OF DIGITAL EQUIPMENT CORPORATION AND SHALL NOT BE REPRODUCED OR COPIED OR USED IN WHOLE OR IN PART AS THE BASIS FOR THE MANUFACTURE OR SALE OF ITEMS WITHOUT WRITTEN PERMISSION. COPYRIGHT © 1979, DIGITAL EQUIPMENT CORPORATION.

REV	CHK	CHANGE NO.	REV
1

digital	DATE: 29-JAN-79	ENG: <i>[Signature]</i>	DATE: <i>[Signature]</i>	TITLE: DATA PATH EXEC P.C. FLAGS
PS: M8620-DPE9.DRM	21-DEC-78 11:28	BOARD LOCATION: 1AF13	SHEET: 1 OF 1	SIZE CODE: D CS
FIRST USED ON OPTION/MODEL: K510	B-DD-M8620-0	NUMBER: M8620-0-DPE9	REV: A1	



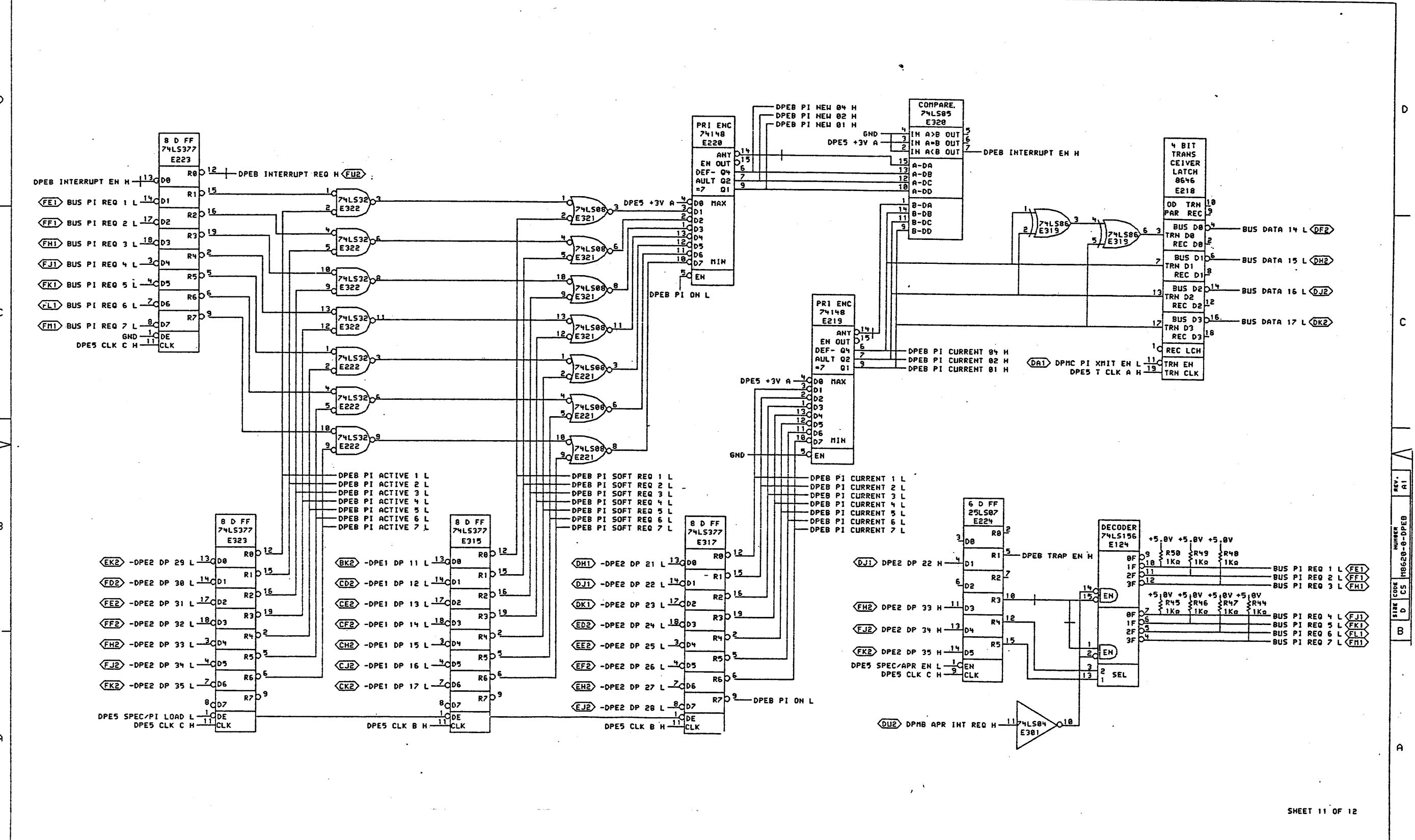
SHEET 10 OF 12

THIS DRAWING AND SPECIFICATIONS HEREIN ARE THE PROPERTY OF DIGITAL EQUIPMENT CORPORATION AND SHALL NOT BE REPRODUCED OR COPIED OR USED IN WHOLE OR IN PART AS THE BASIS FOR THE MANUFACTURE OR SALE OF ITEMS WITHOUT WRITTEN PERMISSION. COPYRIGHT © 1979. DIGITAL EQUIPMENT CORPORATION

REVISIONS		
CHK	CHANGE NO.	REV
	M8620-MR001	A1

	DRY: <i>Joseph</i>	DATE: 83-JAN-79	ENG: <i>David Johnson</i>	DATE: 8-JUL-79	TITLE: DATA PATH EXEC IR, SKIP & DISP
	CHK: <i>D</i>	DATE: 7/28/79	BOARD LOCATION: 1AF13	SHEET: 1	GF: 1
PS: (M8620)DPEA.DRW		120-DEC-78 13:23	NEXT HIGHER ASSEMBLY:	SIZE: D	CODE: CS
FIRST USED ON OPTION/MODEL: KS10		B-DD-M8620-0		NUMBER: M8620-0-DPEA	REV: A1

REV. A1
NUMBER 106620-0-DPEA
SITE CODE D CS

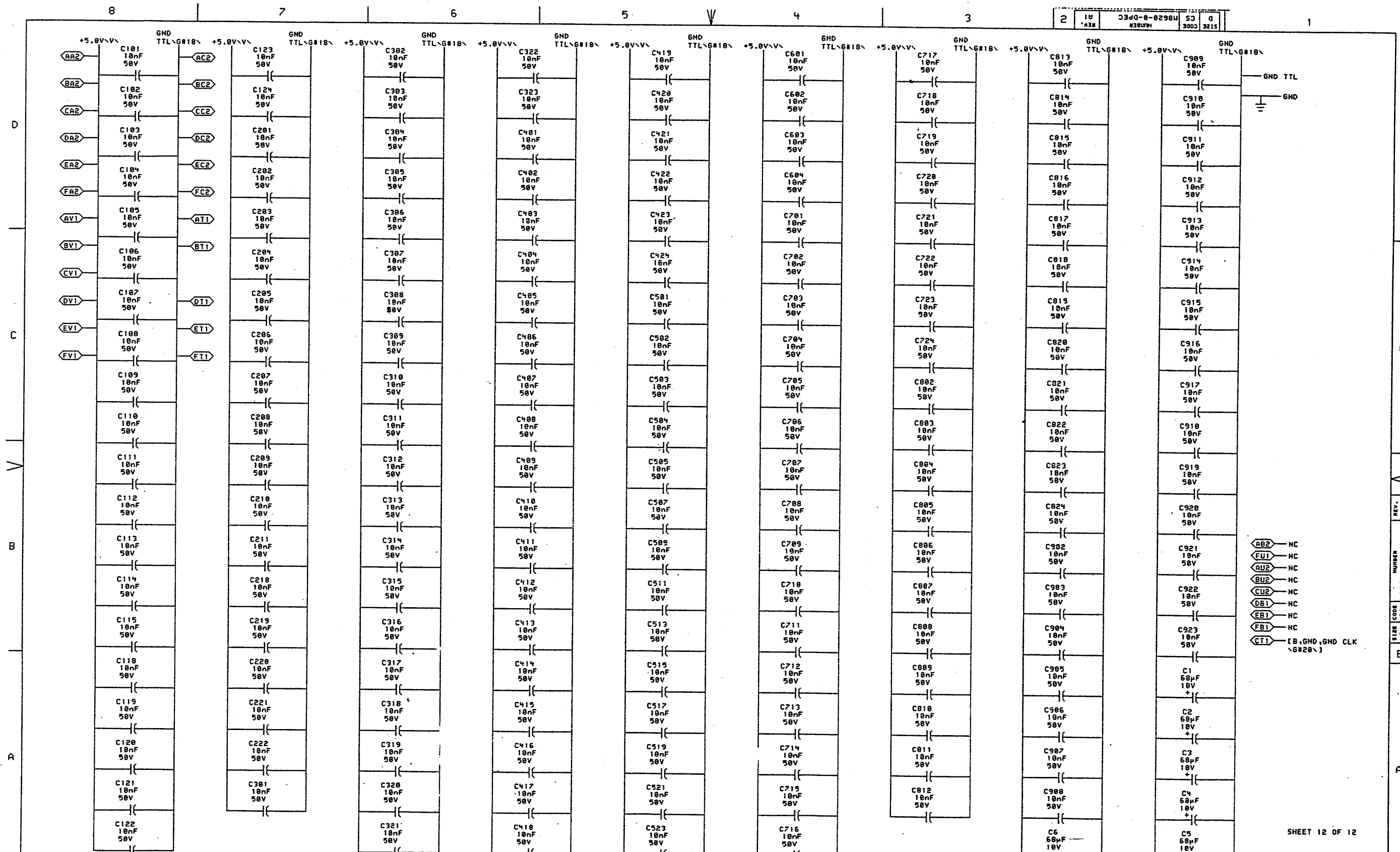


SHEET 11 OF 12

THIS DRAWING AND SPECIFICATIONS ARE THE PROPERTY OF DIGITAL EQUIPMENT CORPORATION AND SHALL NOT BE REPRODUCED OR COPIED OR USED IN WHOLE OR IN PART AS THE BASIS FOR THE MANUFACTURE OR SALE OF ITEMS WITHOUT WRITTEN PERMISSION. COPYRIGHT © 1979. DIGITAL EQUIPMENT CORPORATION.

REVISIONS	
CHK	CHANGE NO. REV
AK	1
AK	2
AK	3
AK	4
AK	5
AK	6
AK	7
AK	8
AK	9
AK	10
AK	11
AK	12
AK	13
AK	14
AK	15
AK	16
AK	17
AK	18
AK	19
AK	20

digital	DRY	DATE	ENG	DATE	TITLE
	AK	29-JAN-79	J. O'Brien	29-JAN-79	DATA PATH EXEC PRIORITY INTERRUPT
PS: M8620-DPEB.DRW		DATE	BOARD LOCATION	SHEET	OF
FIRST USED ON OPTION/MODEL: KS10		20-DEC-78 13:24	1AF13	1	1
		NEXT HIGHER ASSEMBLY:	SIZE	CODE	NUMBER
		B-DD-M8620-0	D	CS	M8620-0-DPEB
					REV.
					A1



THIS DRAWING AND SPECIFICATIONS HEREIN ARE THE PROPERTY OF DIGITAL EQUIPMENT CORPORATION AND SHALL NOT BE REPRODUCED OR COPIED OR USED IN WHOLE OR IN PART AS THE BASIS FOR THE MANUFACTURE OR SALE OF ITEMS WITHOUT WRITTEN PERMISSION. COPYRIGHT © 1979, DIGITAL EQUIPMENT CORPORATION.

REVISIONS		
CHK	CHANGE NO.	REV
	1	AI
	2	AI

digital	DRN	DATE	ENG	DATE	TITLE
	CHK'D	22-JAN-79	W. J. Allen	12-28-78	DATA PATH EXEC POWER, GND, CAPS
PS: M8620-DPEC.DRW		20-DEC-78 13:24	DATE	BOARD LOCATION	REV.
FIRST USED ON OPTION/MODEL: KS10			14E13	B-DD-M8620-0	A1
			OF 1	NEXT HIGHER ASSEMBLY:	NUMBER
					M8620-0-DPEC
					REV.
					A1

MR 1

DRAWING NO.	NO. OF SHTS.	PART NO.	DESCRIPTION	ORIGINAL LAYOUT/REWORK VERSION (MULTIWIRE)										REVISIONS									
				A	B	B	B	B															
			MODULE REVISION	A	B	B	B	B															
E-UA-M8621-0-0	10		KS10 DATA PATH MEMORY	A	B	B	B	B															
K-PL-M8621-0-DBP	2		PARTS LIST DATA BASE (M8621)	A	B	C	C	C															
D-CS-M8621-0-DPM1	1		DATA PATH MEMORY, DBM LEFT	A	A	A	A	A															
D-CS-M8621-0-DPM2	1		DATA PATH MEMORY, DBM RIGHT	A	A	A	A	A															
D-CS-M8621-0-DPM3	1		DATA PATH MEMORY, STEP COUNT ADD	A	A	A	A	A															
D-CS-M8621-0-DPM4	1		DATA PATH MEMORY, FE, SC, VMA.	A	A	A	A	A															
			REGS																				
D-CS-M8621-0-DPM5	1		DATA PATH MEMORY, MEMORY CYCLE	A	A	A	A	A															
D-CS-M8621-0-DPM6	1		DATA PATH MEMORY, PAGE TABLE	A	B	B	B	B															
D-CS-M8621-0-DPM7	1		DATA PATH MEMORY, CACHE DIRECTORY	A	A	A	A	A															
D-CS-M8621-0-DPM8	1		DATA PATH MEMORY, BUS LEFT	A	A	A	A	A															
D-CS-M8621-0-DPM9	1		DATA PATH MEMORY, BUS RIGHT	A	A	A	A	A															
D-CS-M8621-0-DPMA	1		DATA PATH MEMORY, CONTROL	A	A	A	A	A															
D-CS-M8621-0-DPMB	1		DATA PATH MEMORY, APR DEVICE	A	A	A	A	A															
D-CS-M8621-0-DPMC	1		DATA PATH MEMORY, MORE CONTROL	A	B	B	C	C															
D-CS-M8621-0-DPMD	1		DATA PATH MEMORY, POWER, GND, CAPS	A	A	A	A	A															
D-CS-M8621-0-DPME	1		DATA PATH MEMORY, +5.0V, CAPS.	A	A	A	A	A															
E-MD-5013196-0-0	7		DRILL WIRE & COMP SCREEN DRAWING	A	A	A	A	A															
	-	5013196	MULTIWIRE BOARD	A	A	A	A	A															
K-PC-M8621-0-DBC	-		MULTIWIRE DATA BASE (M8621)	A	A	A	A	A															
POO-M8621-00	-		PROCESS SHTS	REF	REF	REF	REF	REF															

NOTES:
 1. SEE SHEET #2 FOR NEW LAYOUT MULTIWIRE VERSION (REV C,D)
 2. SEE SHEET #3 FOR NEW LAYOUT ETCH VERSION (rev.E)

DATE	CHG NO.	REV.	REVISIONS				
			A	B	C	D	E
X	ORIG						
8-14-78	MR001						
5-5-78	MR002						
12-78	MR003						
3-80	MR004						

"THIS DRAWING AND SPECIFICATIONS, HEREIN, ARE THE PROPERTY OF DIGITAL EQUIPMENT CORPORATION AND SHALL NOT BE REPRODUCED OR COPIED OR USED IN WHOLE OR IN PART AS THE BASIS FOR THE MANUFACTURE OR SALE OF ITEMS WITHOUT WRITTEN PERMISSION.
 COPYRIGHT © 1978 DIGITAL EQUIPMENT CORPORATION



USED ON OPTION/MODEL		KS10	DBN. <i>R.W. Counter</i> 22 Mar 78	TITLE	KS10 DATA PATH MEMORY
			CHK'D <i>R.W. Counter</i> 22 Mar 78	SIZE	B DD
			ENG. <i>Donald Levine</i> 7 APR 78	CODE	DD
			PROD. <i>W. Bishop</i> 7 Apr 78	NUMBER	M8621-0
				REV.	E
				SHEET 1 OF 3	

DRAWING NO.	NO. OF SHTS.	PART NO.	DESCRIPTION	NEW LAYOUT VERSION (MULTIWIRE)	REVISIONS
			MODULE REVISION	C D D	
E-UA-M8621-0-0	5		KS10 DATA PATH MEMORY	C D DI	
K-PL-M8621-0-DBP	2		PARTS LIST DATA BASE (M8621)	C C CI	
D-CS-M8621-0-DPM1	1		DATA PATH MEMORY, DBM LEFT	A A AI	
D-CS-M8621-0-DPM2	1		DATA PATH MEMORY, DBM RIGHT	A A AI	
D-CS-M8621-0-DPM3	1		DATA PATH MEMORY, STEP COUNT ADD	A A AI	
D-CS-M8621-0-DPM4	1		DATA PATH MEMORY, FE, SC, VMA REGS	A A AI	
D-CS-M8621-0-DPM5	1		DATA PATH MEMORY, MEMORY CYCLE	A A AI	
D-CS-M8621-0-DPM6	1		DATA PATH MEMORY, PAGE TABLE	B B BI	
D-CS-M8621-0-DPM7	1		DATA PATH MEMORY, CACHE DIRECTORY	A A AI	
D-CS-M8621-0-DPM8	1		DATA PATH MEMORY, BUS LEFT	A A AI	
D-CS-M8621-0-DPM9	1		DATA PATH MEMORY, BUS RIGHT	A A AI	
D-CS-M8621-0-DPMA	1		DATA PATH MEMORY, CONTROL	A A AI	
D-CS-M8621-0-DPMB	1		DATA PATH MEMORY, APR DEVICE	A A AI	
D-CS-M8621-0-DPMC	1		DATA PATH MEMORY, MORE CONTROL	B C CI	
D-CS-M8621-0-DPMD	1		DATA PATH MEMORY, POWER, GND, CAPS	A A AI	
D-CS-M8621-0-DPME	1		DATA PATH MEMORY, +5.0V, CAPS	A A AI	
E-MD-5013196-0-0	7		DRILL WIRE & COMP SCREEN DRAWING	B B B	
	-	5013196	MULTIWIRE BOARD	B B B	
K-PC-M8621-0-DBC	-		MULTIWIRE DATA BASE (M8621)	B B B	
POO-M8621-00	-		PROCESS SHTS	REF REF	

NOTES:

REV.	CHG NO.	DATE
C	MRO02	5 SEP 78
D	MRO03	12-78
E	MPO04	3-80

"THIS DRAWING AND SPECIFICATIONS, HEREIN, ARE THE PROPERTY OF DIGITAL EQUIPMENT CORPORATION AND SHALL NOT BE REPRODUCED OR COPIED OR USED IN WHOLE OR IN PART AS THE BASIS FOR THE MANUFACTURE OR SALE OF ITEMS WITHOUT WRITTEN PERMISSION.
 COPYRIGHT© 1978 DIGITAL EQUIPMENT CORPORATION



USED ON OPTION/MODEL	DRN.	DATE	TITLE	SIZE	CODE	NUMBER	REV.
KS10	R.W. CAUNTER	22Mar78	KS10 DATA PATH MEMORY	B	DD	M8621-0	E
	CHK'D R.W. CAUNTER	22Mar78					
	ENG. Donald I. Lewine	7Apr78					
	PROD. W. Bishop	7Apr78					
			SHEET 2 OF 3				

MR

me

DRAWING NO.	NO. OF SHTS.	PART NO.	DESCRIPTION	NEW LAYOUT VERSION (ETCH)		REVISIONS																				
			MODULE REVISION	E																						
E-UA-M8621-0-0	3		KS10 DATA PATH MEMORY	E																						
K-PL-M8621-0-DBP			PARTS LIST DATA BASE (M8621)	D																						
D-CS-M8621-0-DPM1	1		DATA PATH MEMORY, DBM LEFT	B																						
D-CS-M8621-0-DPM2	1		DATA PATH MEMORY, DBM RIGHT	B																						
D-CS-M8621-0-DPM3	1		DATA PATH MEMORY, STEP COUNT ADD	B																						
D-CS-M8621-0-DPM4	1		DATA PATH MEMORY, FE, SC, VMA REG	B																						
D-CS-M8621-0-DPM5	1		DATA PATH MEMORY, MEMORY CYCLE	B																						
D-CS-M8621-0-DPM6	1		DATA PATH MEMORY, PAGE TABLE	C																						
D-CS-M8621-0-DPM7	1		DATA PATH MEMORY, CACHE DIRECTORY	B																						
D-CS-M8621-0-DPM8	1		DATA PATH MEMORY, BUS LEFT	B																						
D-CS-M8621-0-DPM9	1		DATA PATH MEMORY, BUS RIGHT	B																						
D-CS-M8621-0-DPMA	1		DATA PATH MEMORY, CONTROL	B																						
D-CS-M8621-0-DPMB	1		DATA PATH MEMORY, APR DEVICE	B																						
D-CS-M8621-0-DPMC	1		DATA PATH MEMORY, MORE CONTROL	D																						
D-CS-M8621-0-DPMD	1		DATA PATH MEMORY, POWER, GND, CAPS	B																						
E-MD-5013196-0-0			DRILL & ETCH DRAWING	C																						
		5013196-0	ETCHED CIRCUIT BOARD	C																						
E-EC-5013196-0-0			ETCH CUT DRAWING	E																						
K-PC-M8621-0-DBC			P.C. DESIGN DATA BASE	C																						
POO-M8621-00			PROCESS SHEETS	REF																						

NOTES:

REV. DATE	REVISIONS	
	CHG NO.	REV.
3-80	M8004	E

"THIS DRAWING AND SPECIFICATIONS, HEREIN, ARE THE PROPERTY OF DIGITAL EQUIPMENT CORPORATION AND SHALL NOT BE REPRODUCED OR COPIED OR USED IN WHOLE OR IN PART AS THE BASIS FOR THE MANUFACTURE OR SALE OF ITEMS WITHOUT WRITTEN PERMISSION.

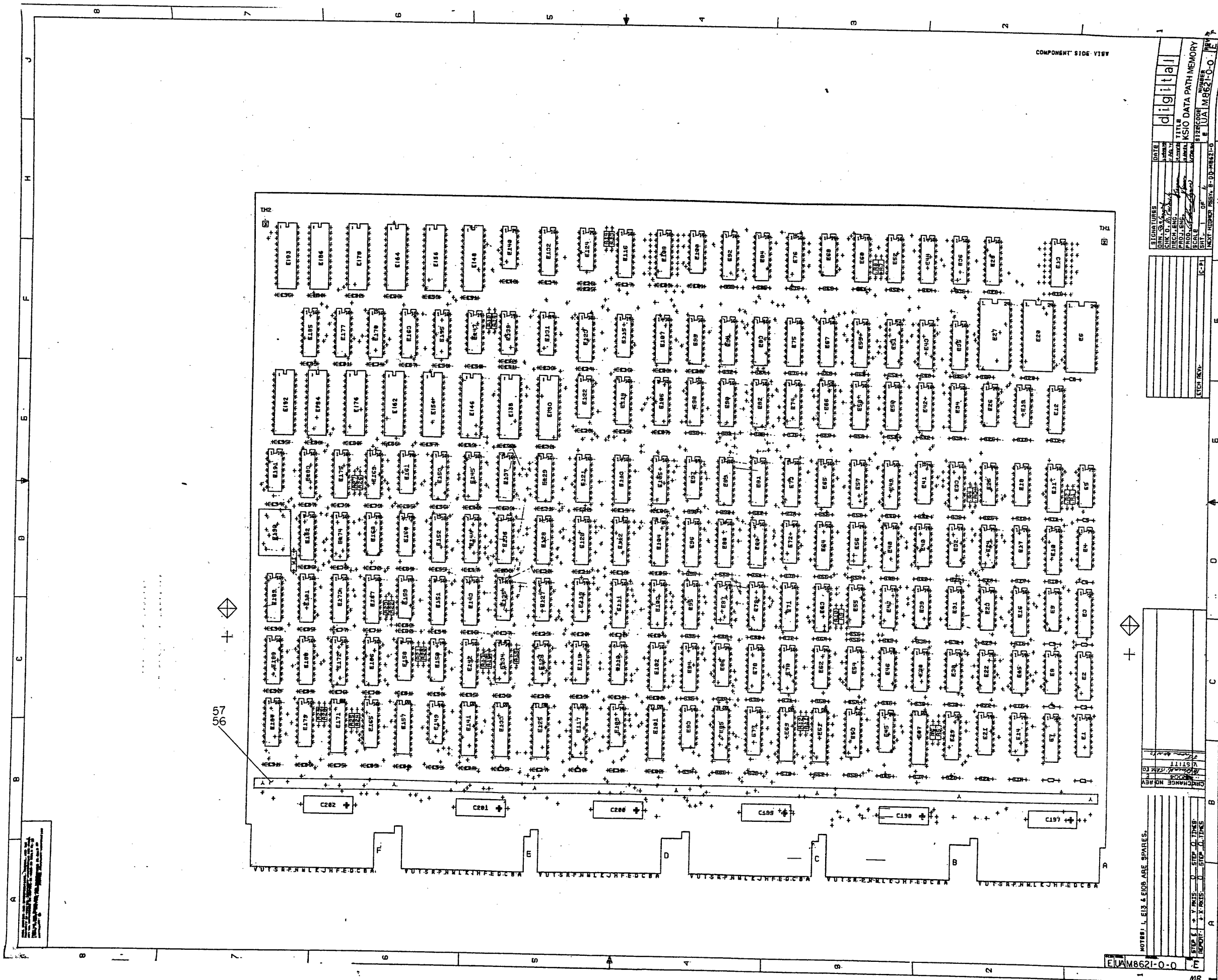
COPYRIGHT © 1980 DIGITAL EQUIPMENT CORPORATION



USED ON OPTION/MODEL	DRN.
KS10	
	CHK'D
	ENG.
	PROD.

TITLE KS10 DATA PATH MEMORY			
SIZE	CODE	NUMBER	REV.
B	DD	M8621-0	E
SHEET 3 OF 3			

me



DATE	DESIGNED BY	DATE	DESIGNED BY
10/1/68	J. J. [Signature]	10/1/68	J. J. [Signature]
DRN. NO.	REV.	DRN. NO.	REV.
1000	1	1000	1
TITLE		TITLE	
KSIO DATA PATH MEMORY		KSIO DATA PATH MEMORY	
PART NUMBER		PART NUMBER	
EJUA M8621-0-0		EJUA M8621-0-0	
REV. NO.		REV. NO.	
1		1	

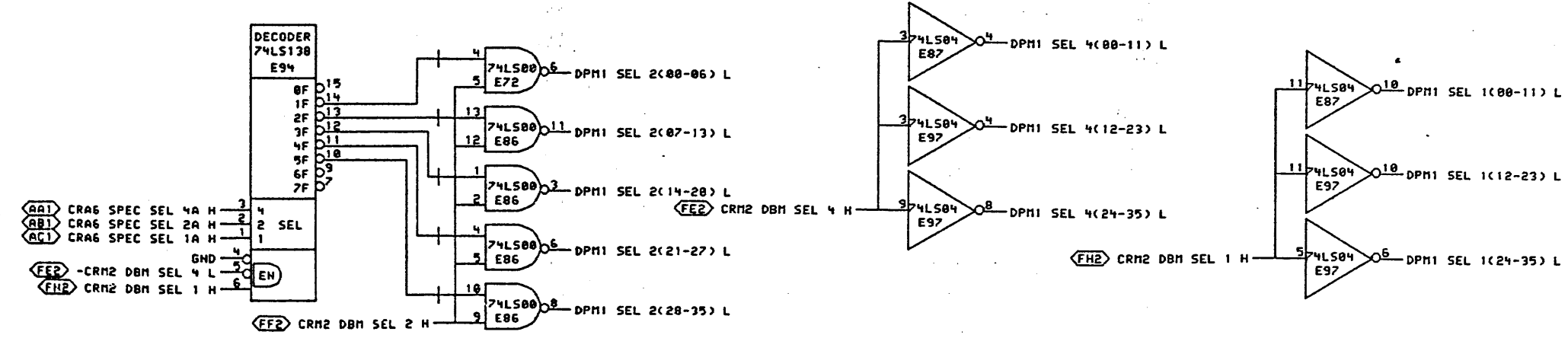
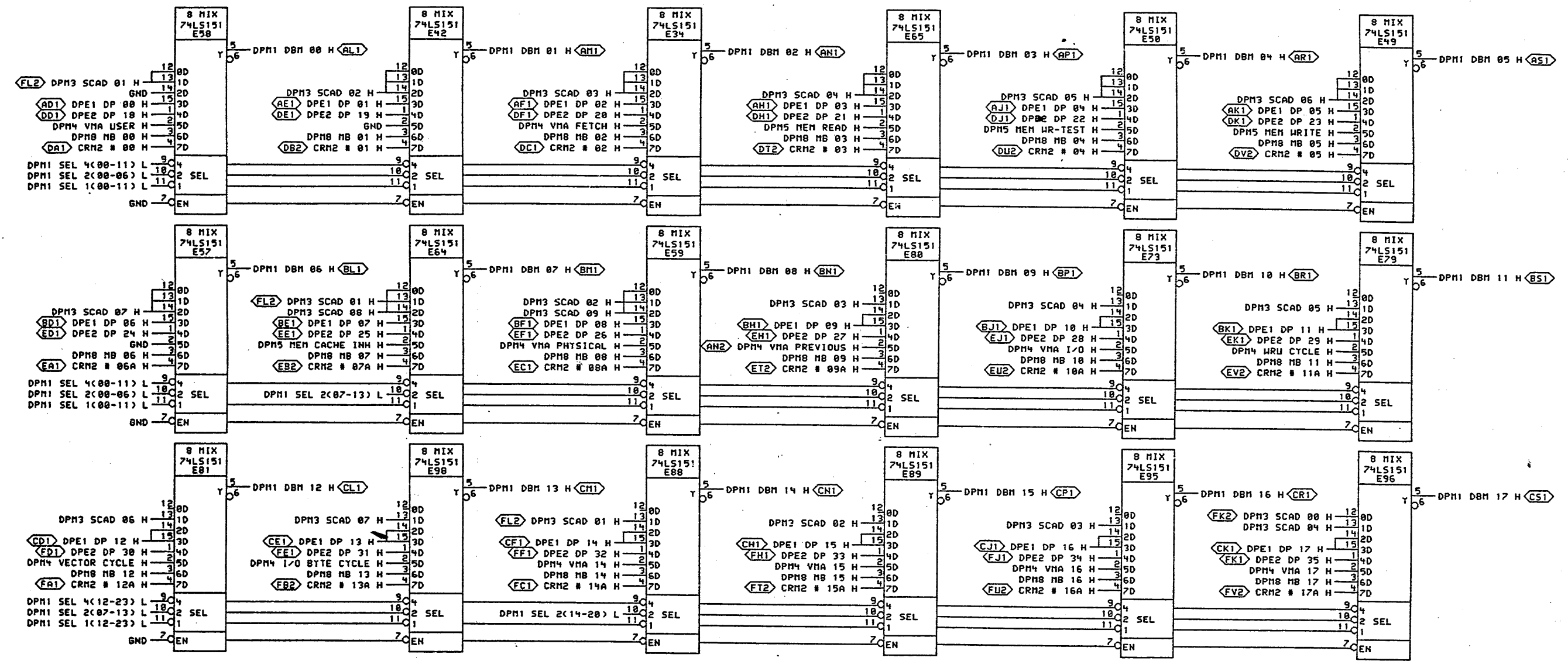
DESIGNED BY	DATE
J. J. [Signature]	10/1/68
CHECKED BY	DATE
[Signature]	[Date]
APPROVED BY	DATE
[Signature]	[Date]
SCALE	
1:1	
REV.	
1	

CHANGE NO.	DATE
1	10/1/68
2	
3	
4	
5	
6	
7	
8	
9	
10	

DESIGNED BY	DATE
J. J. [Signature]	10/1/68
CHECKED BY	DATE
[Signature]	[Date]
APPROVED BY	DATE
[Signature]	[Date]
SCALE	
1:1	
REV.	
1	

DESIGNED BY	DATE
J. J. [Signature]	10/1/68
CHECKED BY	DATE
[Signature]	[Date]
APPROVED BY	DATE
[Signature]	[Date]
SCALE	
1:1	
REV.	
1	

EJUA M8621-0-0



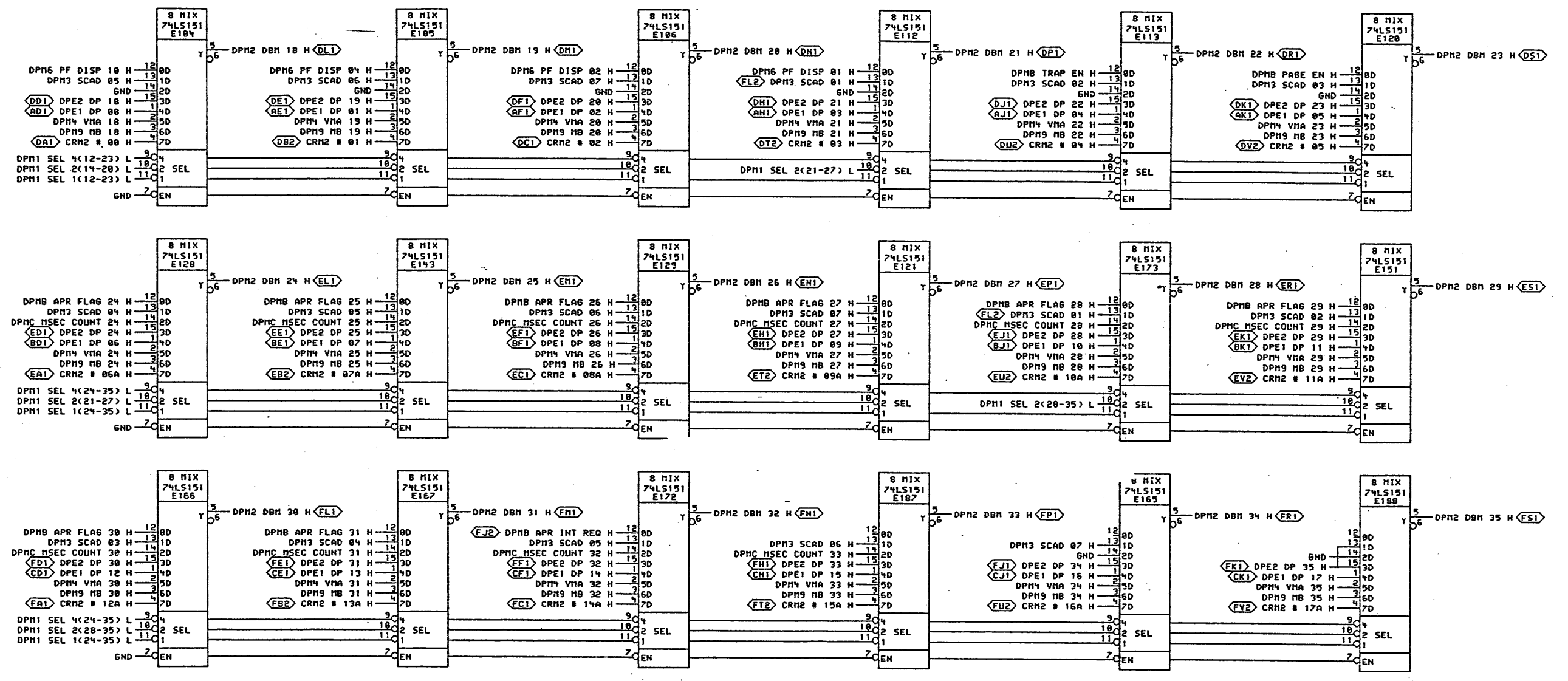
DBM SELECTION	
0	SCAD, PF DISP, APR
1	BYTES
2	EXPONENT, MSECS
3	DP
4	DP SWAPPED
5	VMA FLAGS, VMA
6	MEMORY BUFFER
7	...

THIS DRAWING AND SPECIFICATIONS ARE THE PROPERTY OF DIGITAL EQUIPMENT CORPORATION AND SHALL NOT BE REPRODUCED OR COPIED OR USED IN WHOLE OR IN PART AS THE BASIS FOR THE MANUFACTURE OR SALE OF ITEMS WITHOUT WRITTEN PERMISSION. COPYRIGHT © 1968, DIGITAL EQUIPMENT CORPORATION.

REVISIONS		
CHK	CHANGE NO.	REV
MROG4		B

digital	DATE	12-MAR-68	ENG.	J. TIVNAN	DATE	15-MAR-68	CHK'D.	M. P. 11	TITLE:	DATA PATH MEMORY DBM LEFT				
	PUB:	M8621-DPM1-DRN	DATE	27-JUL-79	11:39	NEXT HIGHER ASSEMBLY:	B-DD-M8621-0	SIZE	D	CODE	CS	NUMBER	M8621-0-DPM1	REV.

D
C
B
A



THIS DRAWING AND SPECIFICATIONS, HEREIN, ARE THE PROPERTY OF DIGITAL EQUIPMENT CORPORATION AND SHALL NOT BE REPRODUCED OR COPIED OR USED IN WHOLE OR IN PART AS THE BASIS FOR THE MANUFACTURE OR SALE OF ITEMS WITHOUT WRITTEN PERMISSION. COPYRIGHT © 1988. DIGITAL EQUIPMENT CORPORATION.

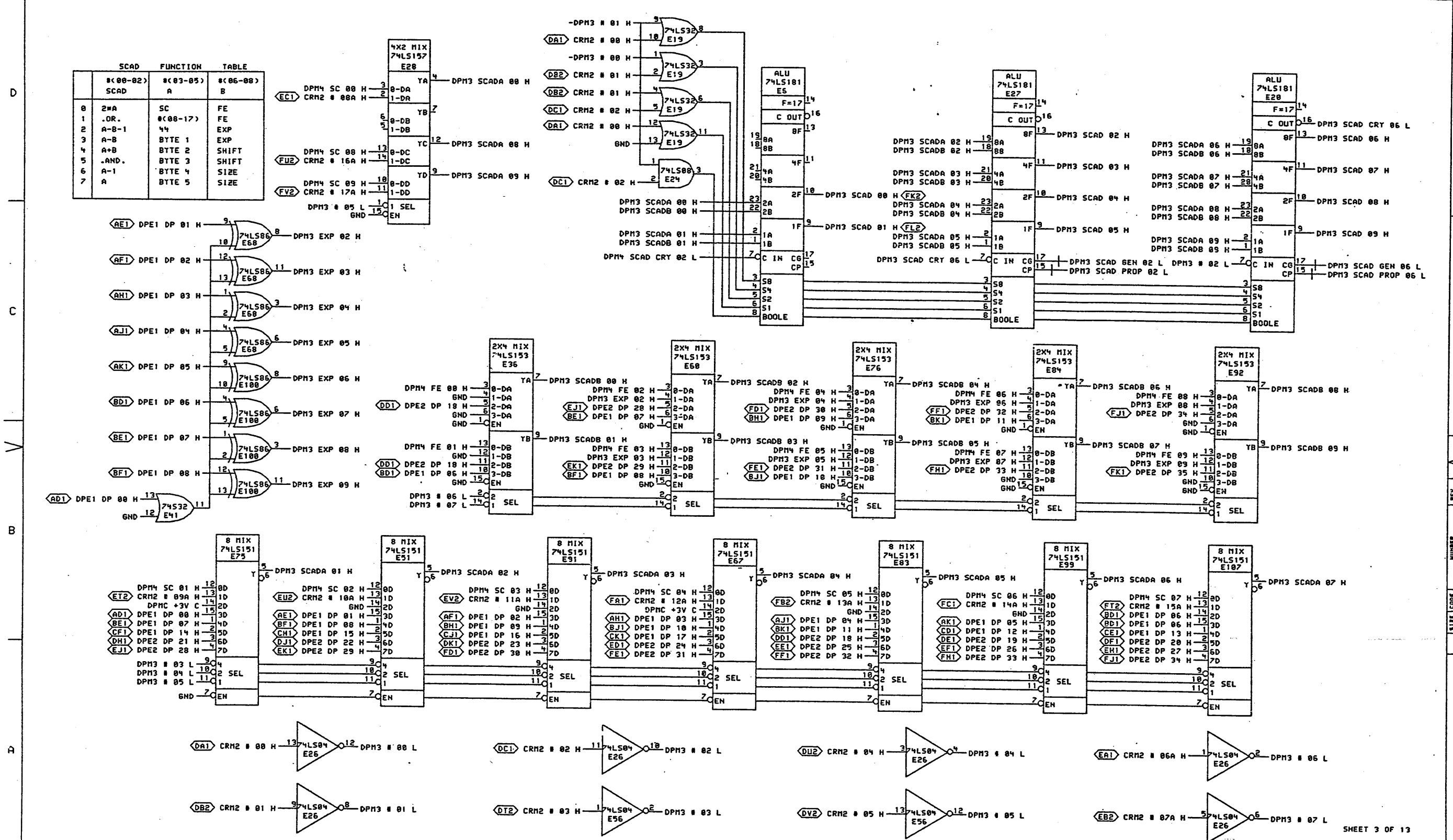
REVISIONS		
CHK	CHANGE NO.	REV
	M0004	
	J. TIVNAN	

DATE	ENG.	DATE	TITLE
12-MAR-88	J. TIVNAN	//ABV	DATA PATH MEMORY
DATE	BOARD LOCATION	DATE	BOARD LOCATION
12-MAR-88	1AFT4	12-MAR-88	1AFT4
DATE	SHEET	DATE	SHEET
12-MAR-88	1	12-MAR-88	1

SIZE	CODE	NUMBER	REV.
D	CS	M8621-0-DPM2	B

FIRST USED ON OPTION/MODEL	DATE	DATE	DATE
K510	12-MAR-88	12-MAR-88	12-MAR-88
DATE	DATE	DATE	DATE
12-MAR-88	12-MAR-88	12-MAR-88	12-MAR-88

SCAD FUNCTION TABLE		
(00-02)	(03-05)	(06-08)
SCAD	A	B
0 2#A	SC	FE
1 .OR.	(00-17)	FE
2 A-B-1	4#	EXP
3 A-B	BYTE 1	EXP
4 A+B	BYTE 2	SHIFT
5 .AND.	BYTE 3	SHIFT
6 A-1	BYTE 4	SIZE
7 A	BYTE 5	SIZE



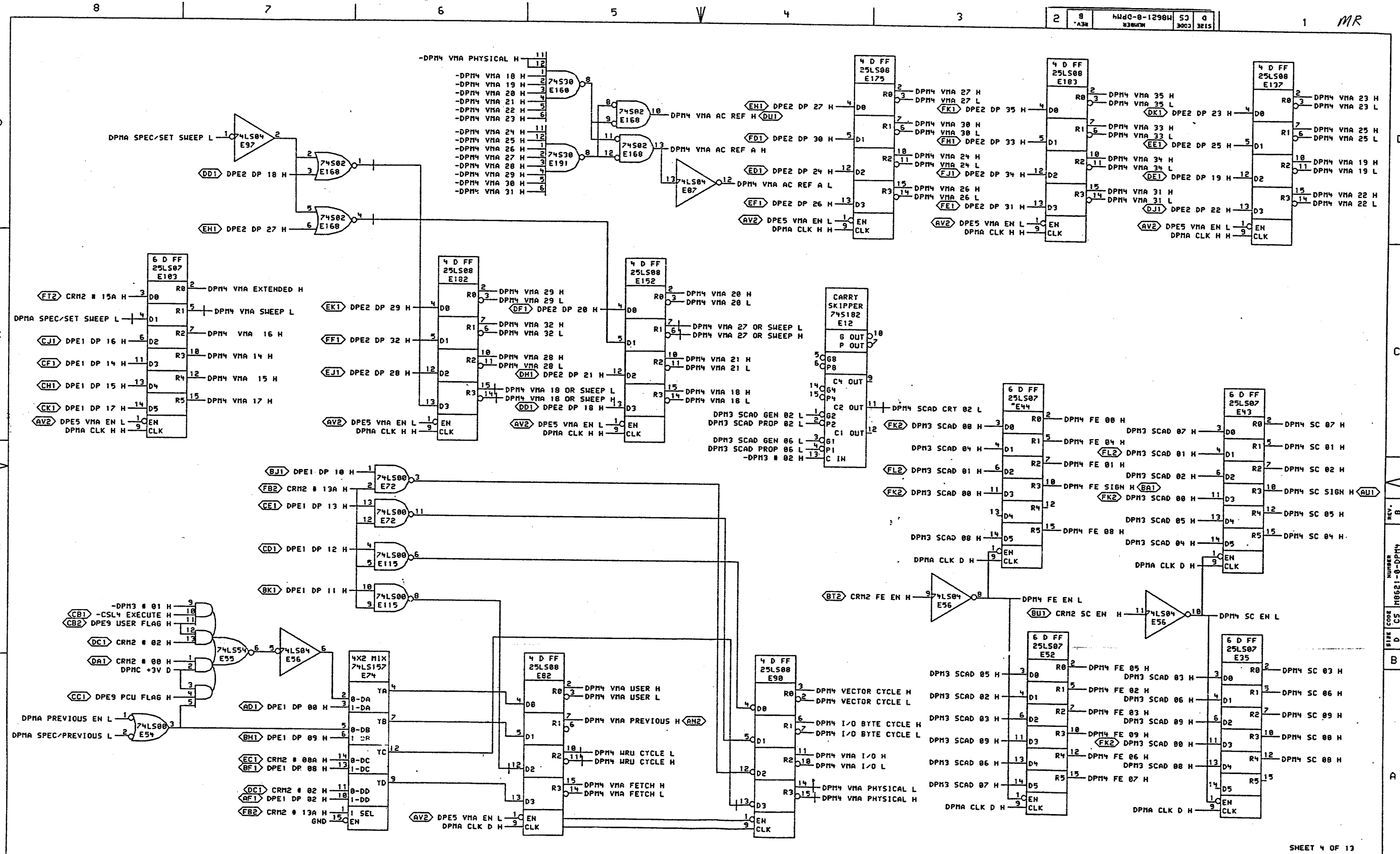
THIS DRAWING AND SPECIFICATIONS, HEREIN, ARE THE PROPERTY OF DIGITAL EQUIPMENT CORPORATION AND SHALL NOT BE REPRODUCED OR COPIED OR USED IN WHOLE OR IN PART AS THE BASIS FOR THE MANUFACTURE OR SALE OF ITEMS WITHOUT WRITTEN PERMISSION. COPYRIGHT © 1980, DIGITAL EQUIPMENT CORPORATION.

REVISIONS		
CHK	CHANGE NO.	REV
	MROCA	

digital	DRY	DATE	ENG.	DATE	TITLE
	J. J. J.	12-MAR-80	J. TIVNAN	11/NOV/80	DATA PATH MEMORY STEP COUNT ADD

PUB1M8621DPM3.DRM	127-JUL-79	1144	NEXT HIGHER ASSEMBLY:	SIZE	CODE	NUMBER	REV.
FIRST USED ON OPTION/MODEL:	KS10		B-DD-M8621-0	D	CS	M8621-0-DPM3	B

REV. B
 M8621-0-DPM3
 CS
 D



THIS DRAWING AND SPECIFICATIONS ARE THE PROPERTY OF DIGITAL EQUIPMENT CORPORATION AND SHALL NOT BE REPRODUCED OR COPIED OR USED IN WHOLE OR IN PART AS THE BASIS FOR THE MANUFACTURE OR SALE OF ITEMS WITHOUT WRITTEN PERMISSION. COPYRIGHT © 1988, DIGITAL EQUIPMENT CORPORATION.

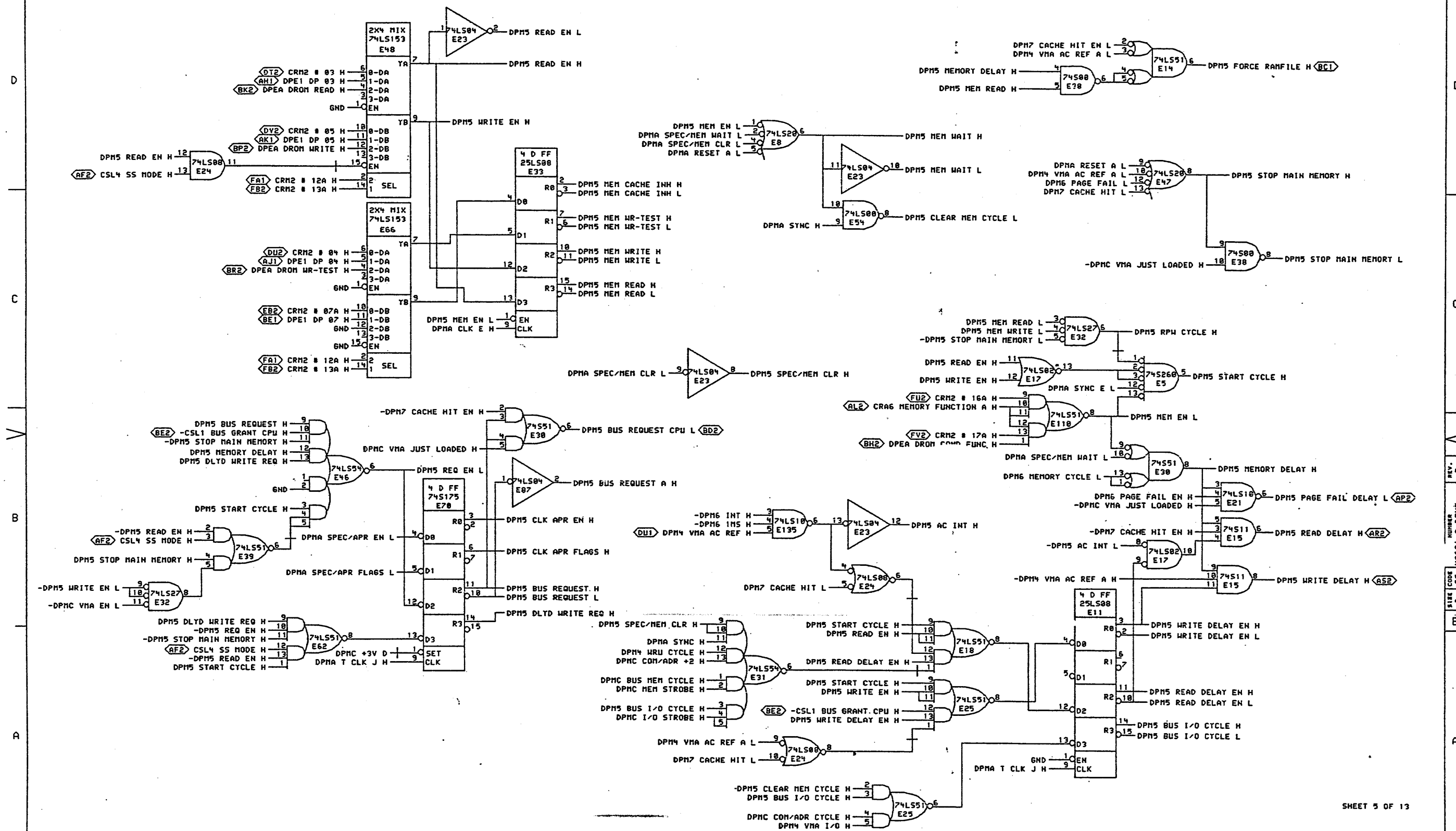
CHK	CHANGE NO.	REV
	1	1
	2	1

REVISIONS	DATE	ENG.	DATE	TITLE
1	12-MAR-88	J TIVNAN	12-MAR-88	DATA PATH MEMORY
2	13-MAY-88	J TIVNAN	13-MAY-88	FE, SC, VMA REGS

digit DR: J Tivnan
 DATE: 12-MAR-88
 ENG: J TIVNAN
 DATE: 12-MAR-88
 BOARD LOCATION: 1A14
 SHEET: 1 OF 1
 PUB: (M8621) DPM4.DRW
 127-JUL-79 11142 INEXT HIGHER ASSEMBLY:
 FIRST USED ON OPTION/MODEL: KS10 B-DD-M8621-0

SIZE	CODE	NUMBER	REV.
D	C5	M8621-0-DPM4	B

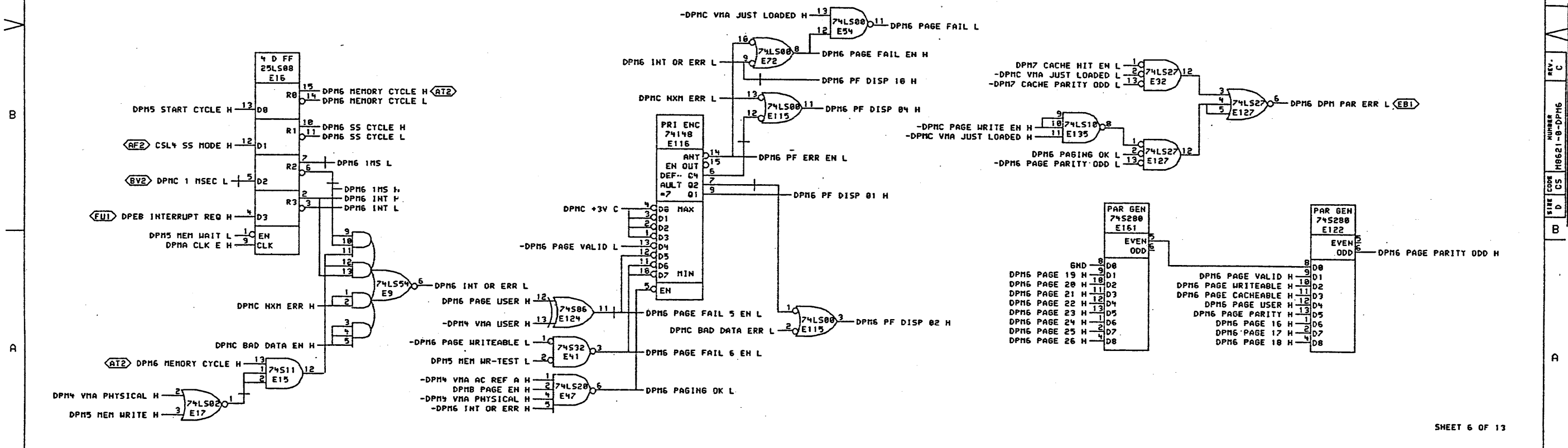
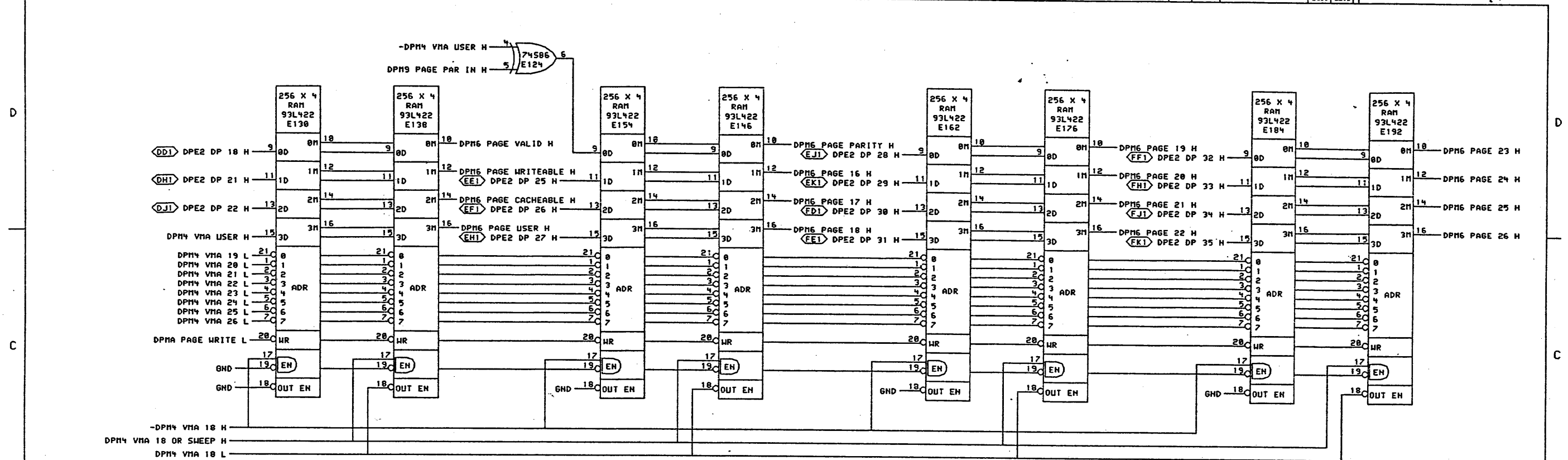
REV. B
NUMBER M8621-0-DPM4
SIZE CODE C5



REVISIONS	
CHK	CHANGE NO. REV
MRD004	
J. TIVNAN	

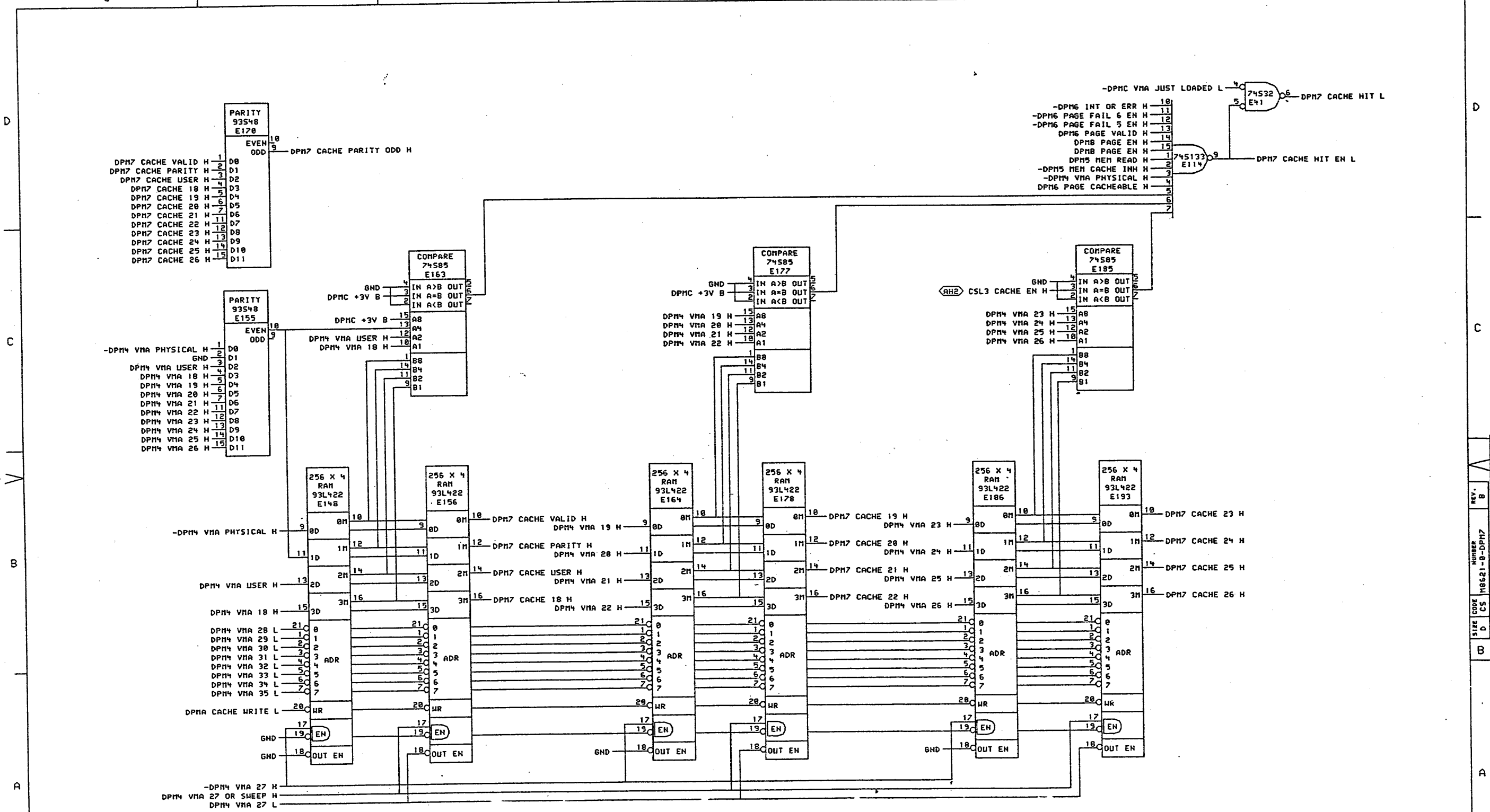
	DATE	ENG.	DATE	TITLE
	12-MAR-98	J. TIVNAN	11-NOV-90	DATA PATH MEMORY MEMORY CYCLE
	DATE	BOARD LOCATION	1A F14	
	1-A-150	SHEET	1 OF 1	
PUBL (M8621) DPM5.DRW 27-JUL-79 11143 NEXT HIGHER ASSEMBLY:		SIZE	CODE	NUMBER
FIRST USED ON OPTION/MODEL: K510 B-DD-M8621-0		D	CS	M8621-0-DPM5
				REV. B

SHEET 5 OF 13



THIS DRAWING AND SPECIFICATIONS HEREAFTER ARE THE PROPERTY OF DIGITAL EQUIPMENT CORPORATION AND SHALL NOT BE REPRODUCED OR COPIED OR USED IN WHOLE OR IN PART AS THE BASIS FOR THE MANUFACTURE OR SALE OF ITEMS WITHOUT WRITTEN PERMISSION. COPYRIGHT © 1980, DIGITAL EQUIPMENT CORPORATION.		REVISIONS CHK CHANGE NO. REV 1 M8621-0-DPM6 1 1		DATE 12-MAR-80 ENG. J. TIVNAN DATE BOARD LOCATION: 1A714 15 APR 80 SHEET 1 OF 1		TITLE: DATA PATH MEMORY PAGE TABLE NUMBER: M8621-0-DPM6 REV. C	
--	--	---	--	--	--	--	--

REV. C
 SITE CODE CS M8621-0-DPM6
 NUMBER



-DPHC VMA JUST LOADED L
 -DPM6 INT OR ERR H
 -DPM6 PAGE FAIL 6 EN H
 -DPM6 PAGE FAIL 5 EN H
 DPM6 PAGE VALID H
 DPM6 PAGE EN H
 DPM6 PAGE EN H
 DPM5 MEM READ H
 -DPM5 MEM CACHE INH H
 -DPM4 VMA PHYSICAL H
 DPM6 PAGE CACHEABLE H

PARITY 93548 E170
 EVEN
 ODD
 DPM7 CACHE VALID H
 DPM7 CACHE PARITY H
 DPM7 CACHE USER H
 DPM7 CACHE 18 H
 DPM7 CACHE 19 H
 DPM7 CACHE 20 H
 DPM7 CACHE 21 H
 DPM7 CACHE 22 H
 DPM7 CACHE 23 H
 DPM7 CACHE 24 H
 DPM7 CACHE 25 H
 DPM7 CACHE 26 H

PARITY 93548 E155
 EVEN
 ODD
 -DPM4 VMA PHYSICAL H
 GND
 DPM4 VMA USER H
 DPM4 VMA 18 H
 DPM4 VMA 19 H
 DPM4 VMA 20 H
 DPM4 VMA 21 H
 DPM4 VMA 22 H
 DPM4 VMA 23 H
 DPM4 VMA 24 H
 DPM4 VMA 25 H
 DPM4 VMA 26 H

256 X 4 RAM 93L422 E148
 256 X 4 RAM 93L422 E156
 256 X 4 RAM 93L422 E164
 256 X 4 RAM 93L422 E178
 256 X 4 RAM 93L422 E186
 256 X 4 RAM 93L422 E193

COMPARARE 74585 E163
 COMPARARE 74585 E177
 COMPARARE 74585 E185

DPH7 CACHE VALID H
 DPH7 CACHE PARITY H
 DPH7 CACHE USER H
 DPH7 CACHE 18 H
 DPH7 CACHE 19 H
 DPH7 CACHE 20 H
 DPH7 CACHE 21 H
 DPH7 CACHE 22 H
 DPH7 CACHE 23 H
 DPH7 CACHE 24 H
 DPH7 CACHE 25 H
 DPH7 CACHE 26 H

DPH4 VMA 19 H
 DPH4 VMA 20 H
 DPH4 VMA 21 H
 DPH4 VMA 22 H
 DPH4 VMA 23 H
 DPH4 VMA 24 H
 DPH4 VMA 25 H
 DPH4 VMA 26 H

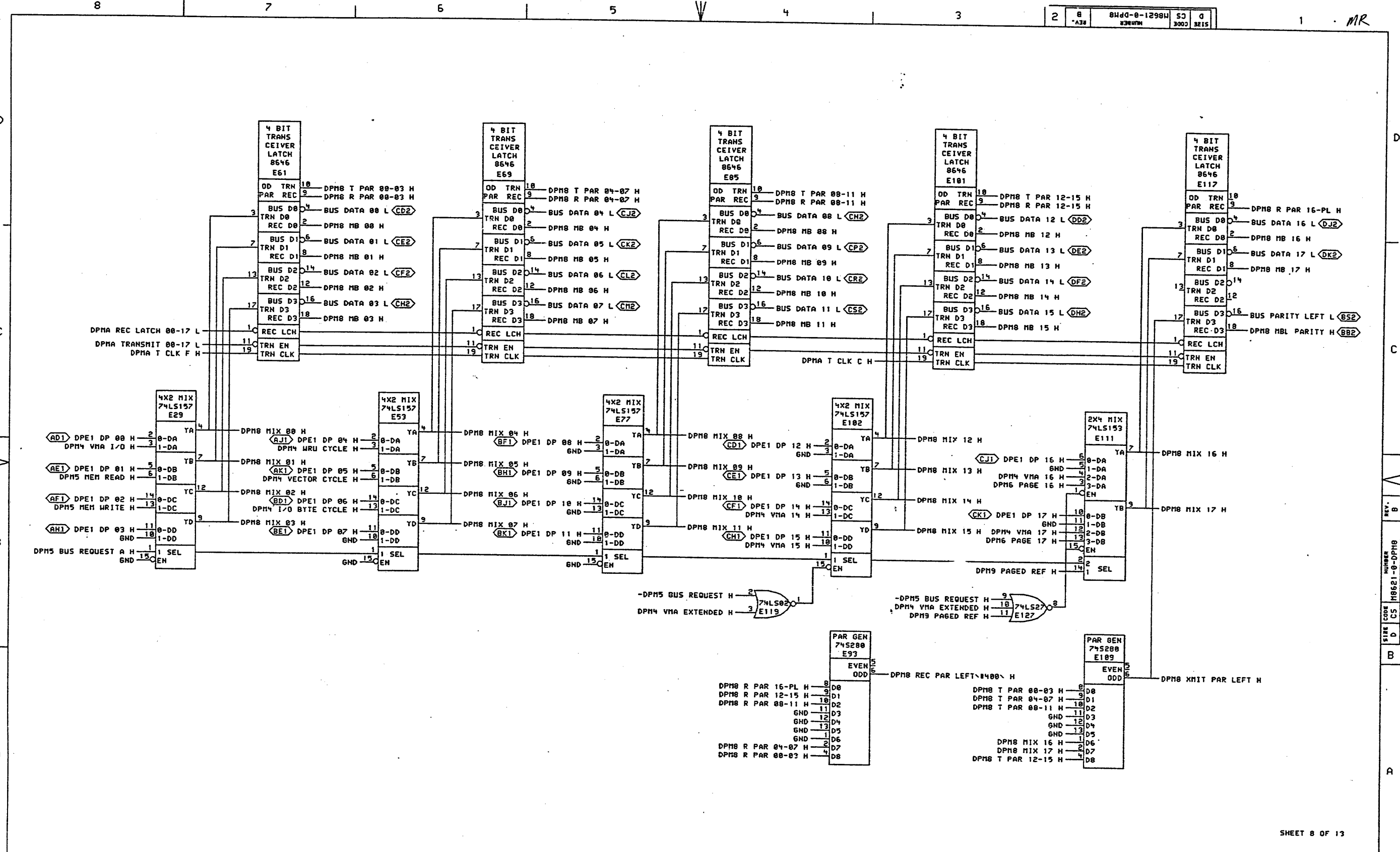
DPH4 VMA PHYSICAL H
 DPH4 VMA USER H
 DPH4 VMA 18 H
 DPH4 VMA 28 L
 DPH4 VMA 29 L
 DPH4 VMA 30 L
 DPH4 VMA 31 L
 DPH4 VMA 32 L
 DPH4 VMA 33 L
 DPH4 VMA 34 L
 DPH4 VMA 35 L
 DPM4 CACHE WRITE L
 -DPM4 VMA 27 H
 DPM4 VMA 27 OR SHEEP H
 DPM4 VMA 27 L

SHEET 7 OF 13

THIS DRAWING AND SPECIFICATIONS, HEREIN, ARE THE PROPERTY OF DIGITAL EQUIPMENT CORPORATION AND SHALL NOT BE REPRODUCED OR COPIED OR USED IN WHOLE OR IN PART AS THE BASIS FOR THE MANUFACTURE OR SALE OF ITEMS WITHOUT WRITTEN PERMISSION. COPYRIGHT © 1980, DIGITAL EQUIPMENT CORPORATION.

REVISIONS	
CHK	CHANGE NO. REV
	1
	2
	3
	4
	5
	6
	7
	8
	9
	10
	11
	12
	13
	14
	15
	16
	17
	18
	19
	20
	21
	22
	23
	24
	25
	26
	27
	28
	29
	30
	31
	32
	33
	34
	35
	36
	37
	38
	39
	40
	41
	42
	43
	44
	45
	46
	47
	48
	49
	50
	51
	52
	53
	54
	55
	56
	57
	58
	59
	60
	61
	62
	63
	64
	65
	66
	67
	68
	69
	70
	71
	72
	73
	74
	75
	76
	77
	78
	79
	80
	81
	82
	83
	84
	85
	86
	87
	88
	89
	90
	91
	92
	93
	94
	95
	96
	97
	98
	99
	100

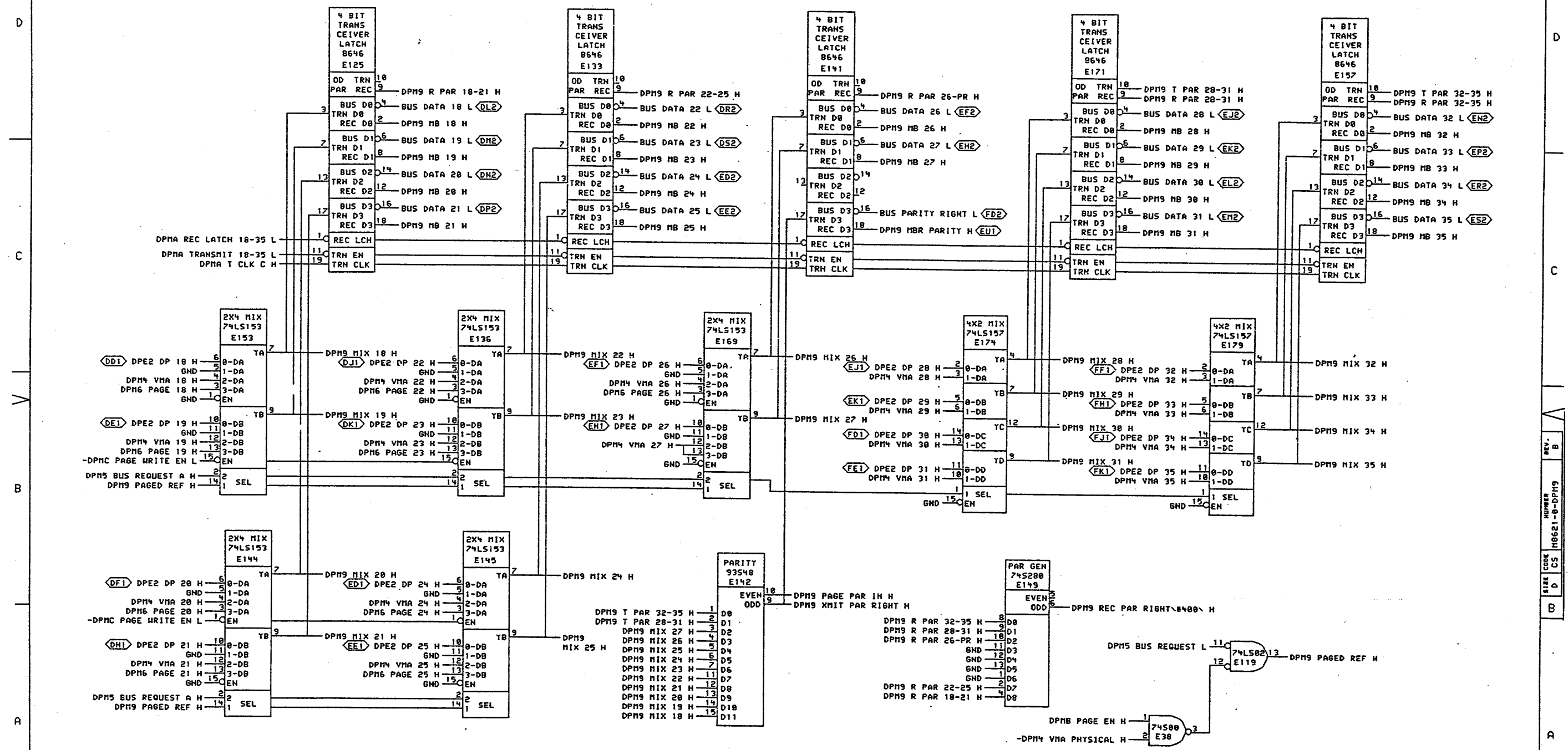
digital
 DATE 12-MAR-88
 ENG. J. TIVNAN
 DATE 11 NOV 80
 BOARD LOCATION: 1A114
 SHEET 1 OF 1
 TITLE: DATA PATH MEMORY CACHE DIRECTORY
 SIZE CODE NUMBER REV.
 D CS M8621-0-DPM7 B
 FIRST USED ON OPTION/MODEL: KS10
 NEXT HIGHER ASSEMBLY: B-DD-M8621-0



THIS DRAWING AND SPECIFICATIONS, HEREIN, ARE THE PROPERTY OF DIGITAL EQUIPMENT CORPORATION AND SHALL NOT BE REPRODUCED OR COPIED OR USED IN WHOLE OR IN PART AS THE BASIS FOR THE MANUFACTURE OR SALE OF ITEMS WITHOUT WRITTEN PERMISSION. COPYRIGHT © 1988, DIGITAL EQUIPMENT CORPORATION.

REVISIONS	
CHK CHANGE NO. REV	
MAD04	
J. TIVNAN	

digital	DRY. J. Tivnan	DATE 12-MAR-88	ENG. J. TIVNAN	DATE 11-MAY-88	TITLE: DATA PATH MEMORY BUS LEFT
	CHK'D. M. Macauley	DATE 5-APR-88	BOARD LOCATION: 1AF14	SHEET 1 OF 1	
PUB: M8621 DPM8.DRW 127-JUL-79 11:45 NEXT HIGHER ASSEMBLY:			SIZE CODE NUMBER REV.		
FIRST USED ON OPTION/MODEL: K510			B-DD-M8621-0		D C5 M8621-0-DPM8 B

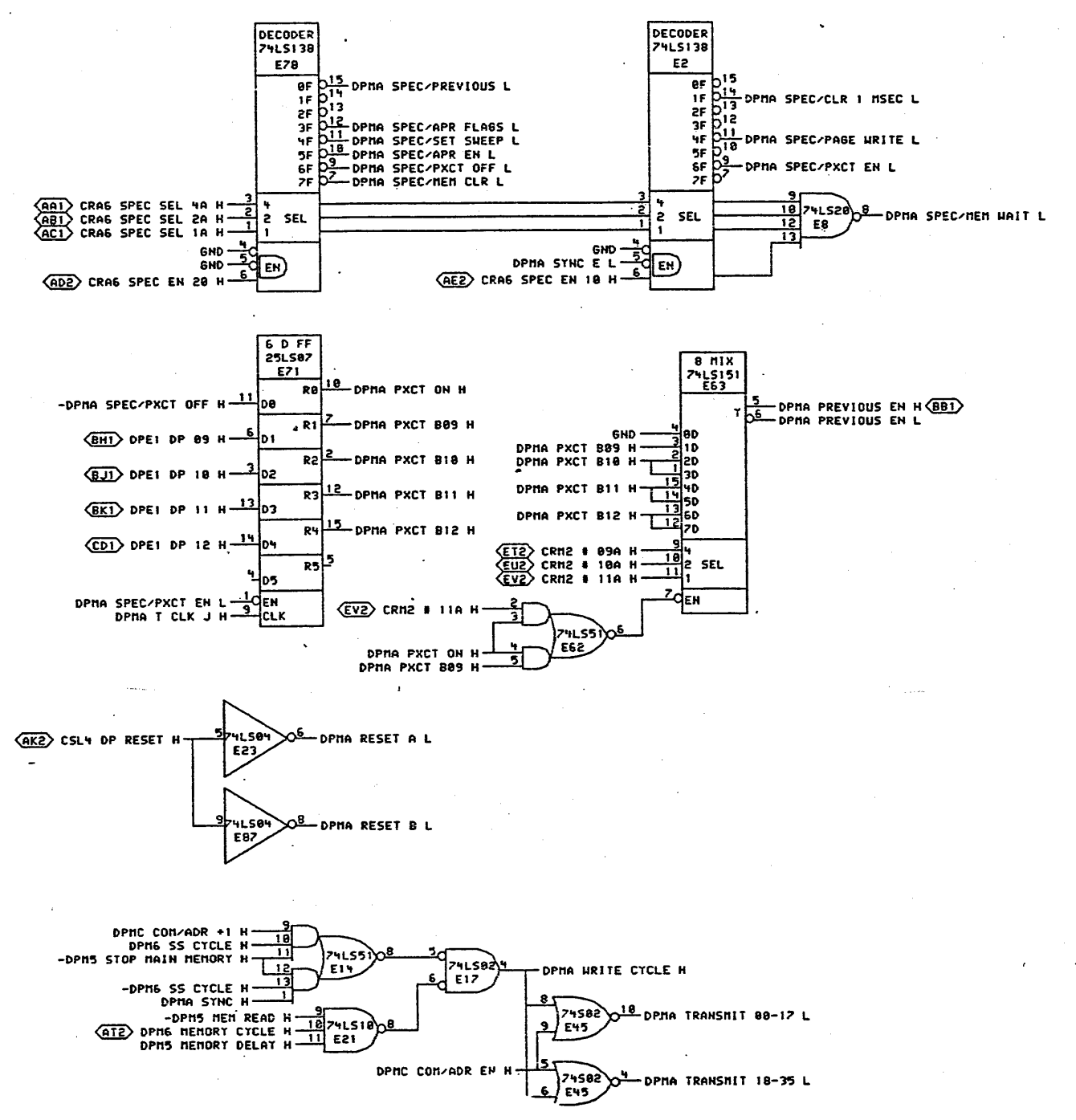
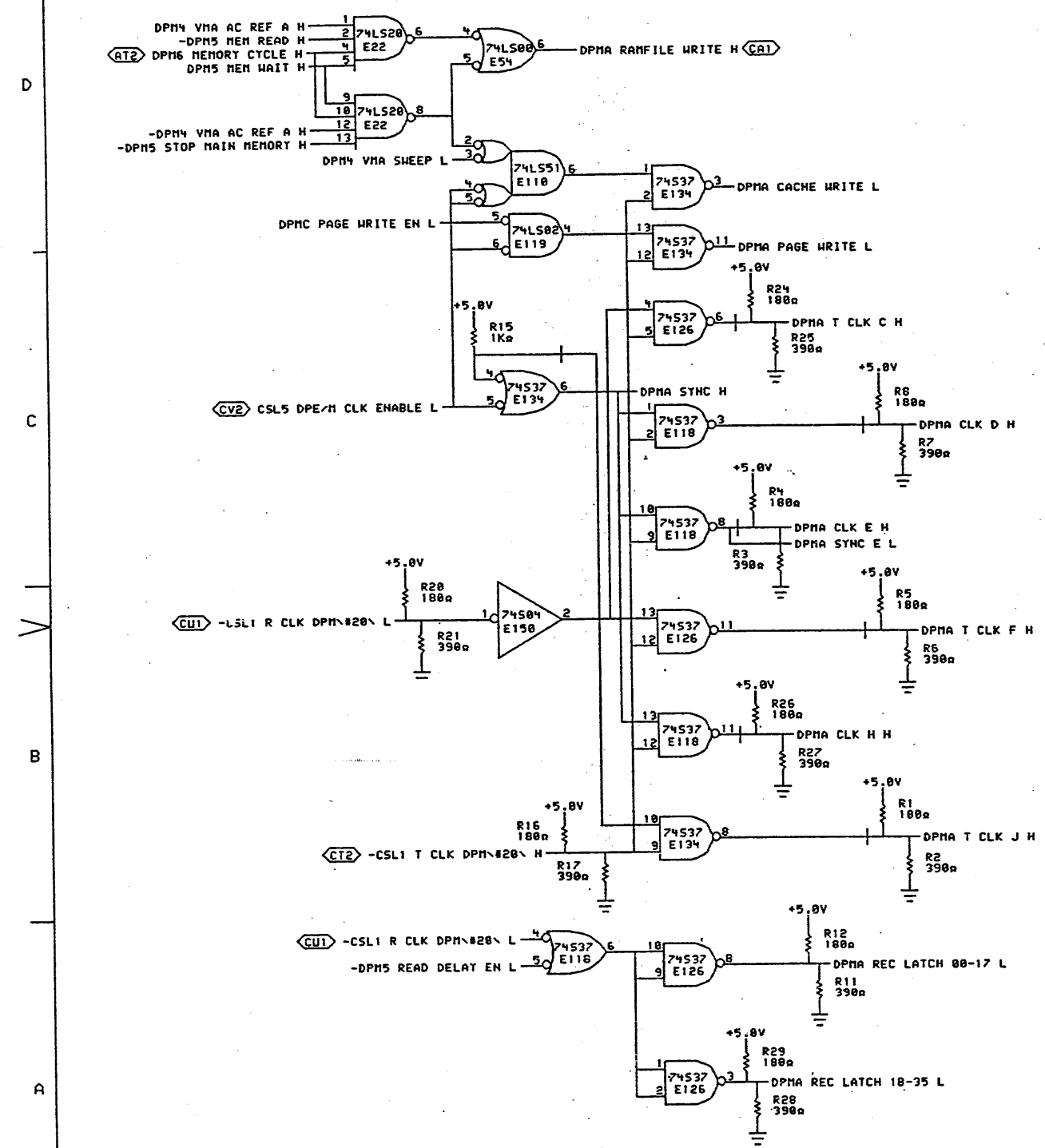


REV. B
 NUMBER M8621-0-DPM9
 CS
 D
 B

THIS DRAWING AND SPECIFICATIONS ARE THE PROPERTY OF DIGITAL EQUIPMENT CORPORATION AND SHALL NOT BE REPRODUCED OR COPIED OR USED IN WHOLE OR IN PART AS THE BASIS FOR THE MANUFACTURE OR SALE OF ITEMS WITHOUT WRITTEN PERMISSION. COPYRIGHT © 1988, DIGITAL EQUIPMENT CORPORATION.

CHK	CHANGE NO.	REV

digital	DATE	12-1988	ENG	TIVNAN	DATE	11/19/89	TITLE	DATA PATH MEMORY
	CHK'D	11/19/89	DATE	11/19/89	BOARD LOCATION	1AF14		BUS RIGHT
	PUB	M8621-DPM9.DRM	27-JUL-79	1146	NEXT HIGHER ASSEMBLY			
	FIRST USED ON OPTION/MODEL	KS10			B-DD-M8621-0			
	SIZE	D	CS		NUMBER	M8621-0-DPM9	REV.	B

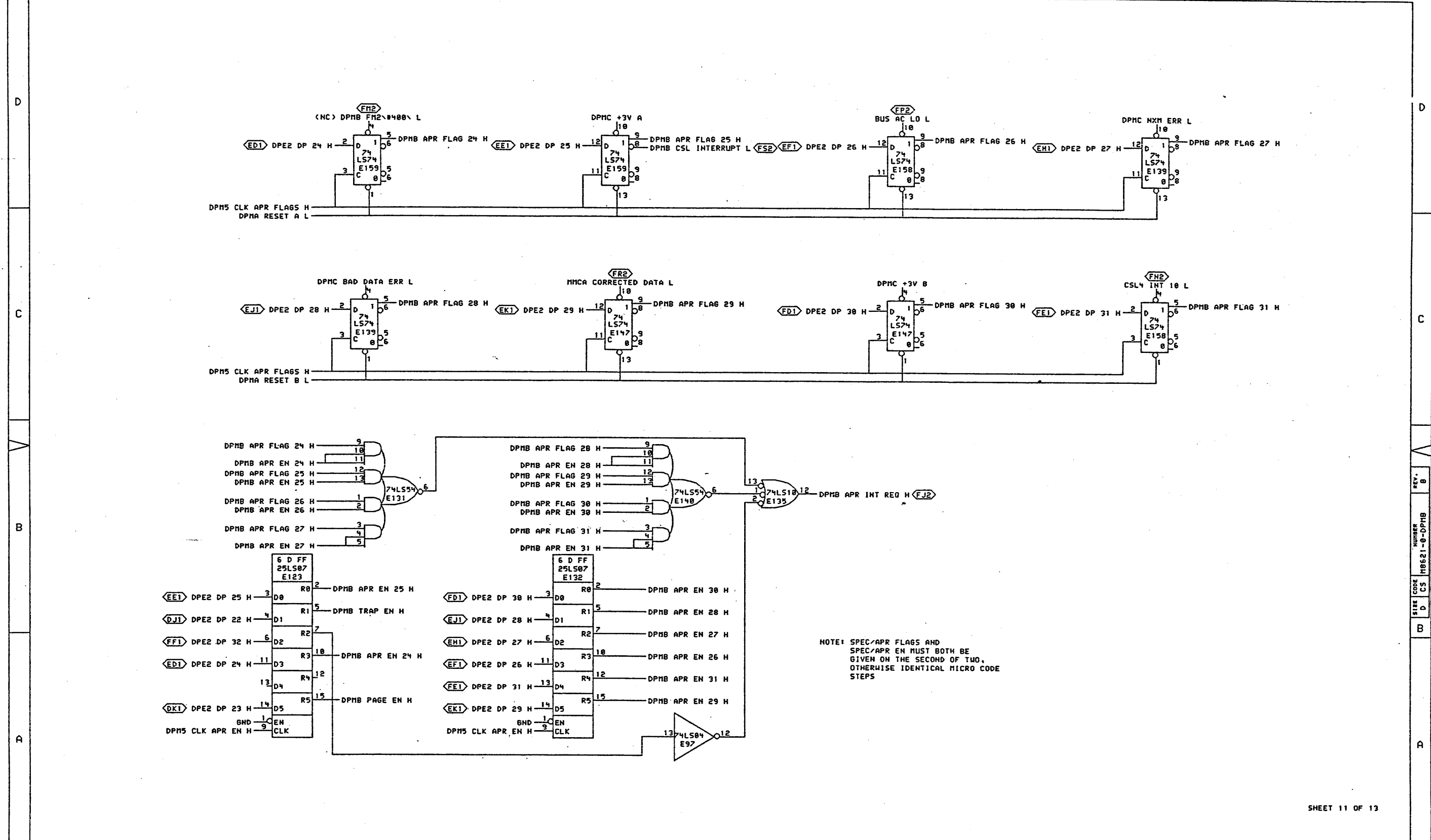


SHEET 10 OF 13

THIS DRAWING AND SPECIFICATIONS ARE THE PROPERTY OF DIGITAL EQUIPMENT CORPORATION AND SHALL NOT BE REPRODUCED OR COPIED OR USED IN WHOLE OR IN PART AS THE BASIS FOR THE MANUFACTURE OR SALE OF ITEMS WITHOUT WRITTEN PERMISSION. COPYRIGHT © 1988, DIGITAL EQUIPMENT CORPORATION.

REVISIONS	CHK	CHANGE NO.	REV.

digital	DATE	ENG.	DATE	TITLE
	12-MAR-88	J. TIVNAN	11-NOV-80	DATA PATH MEMORY CONTROL
	DATE	BOARD LOCATION	DATE	
	15-APR-84	1AF14	15-APR-84	
FIRST USED ON OPTION/MODEL:		NEXT HIGHER ASSEMBLY:		
P181-M8621-DPMA-DRU 127-JUL-79 1146		B-DD-M8621-0		
SIZE	CODE	NUMBER	REV.	
D	CS	M8621-0-DPMA	B	



NOTE: SPEC/APR FLAGS AND SPEC/APR EN MUST BOTH BE GIVEN ON THE SECOND OF TWO, OTHERWISE IDENTICAL MICRO CODE STEPS

THIS DRAWING AND SPECIFICATIONS, HEREIN, ARE THE PROPERTY OF DIGITAL EQUIPMENT CORPORATION AND SHALL NOT BE REPRODUCED OR COPIED OR USED IN WHOLE OR IN PART AS THE BASIS FOR THE MANUFACTURE OR SALE OF ITEMS WITHOUT WRITTEN PERMISSION. COPYRIGHT © 1988, DIGITAL EQUIPMENT CORPORATION.

REVISIONS		
CHK	CHANGE NO.	REV
	MAC02	
	1	

DRN: J. Jivnan	DATE: 12-1988	ENG: J. TIVNAN	DATE: 11/1988	TITLE: DATA PATH MEMORY APR DEVICE
CHK'D: M. Paccanelli	DATE: 12-1988	DATE: 12-1988	BOARD LOCATION: IAF14	
			SHEET: 1 OF 1	
PUBL: M8621-DPMB.DRW	127-JUL-79 11147	NEXT HIGHER ASSEMBLY: B-DD-M8621-0	SIZE CODE: D'CS	NUMBER: M8621-0-DPMB
FIRST USED ON OPTION/MODEL: KS10				REV. B

D

C

V

B

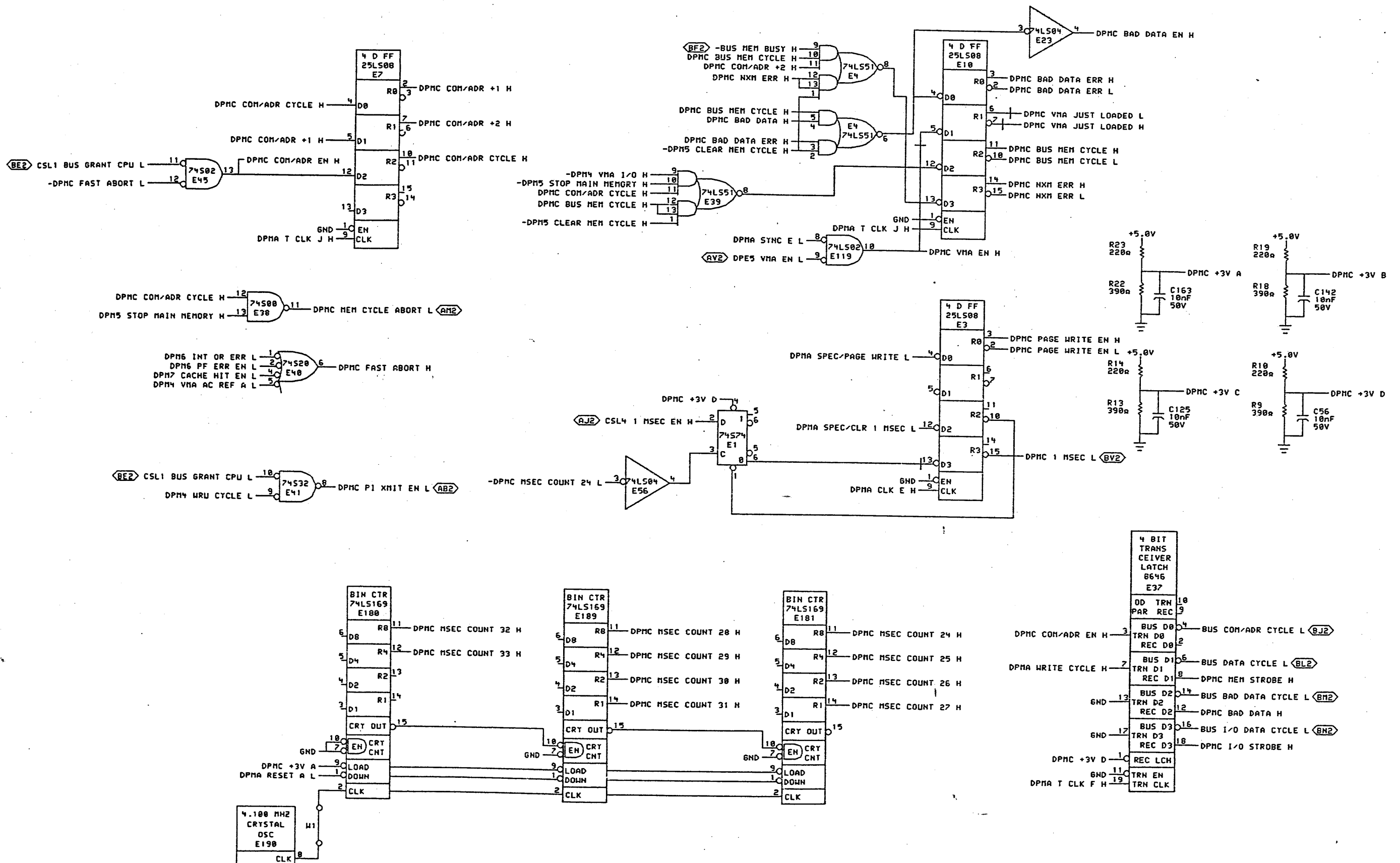
A

D

C

B

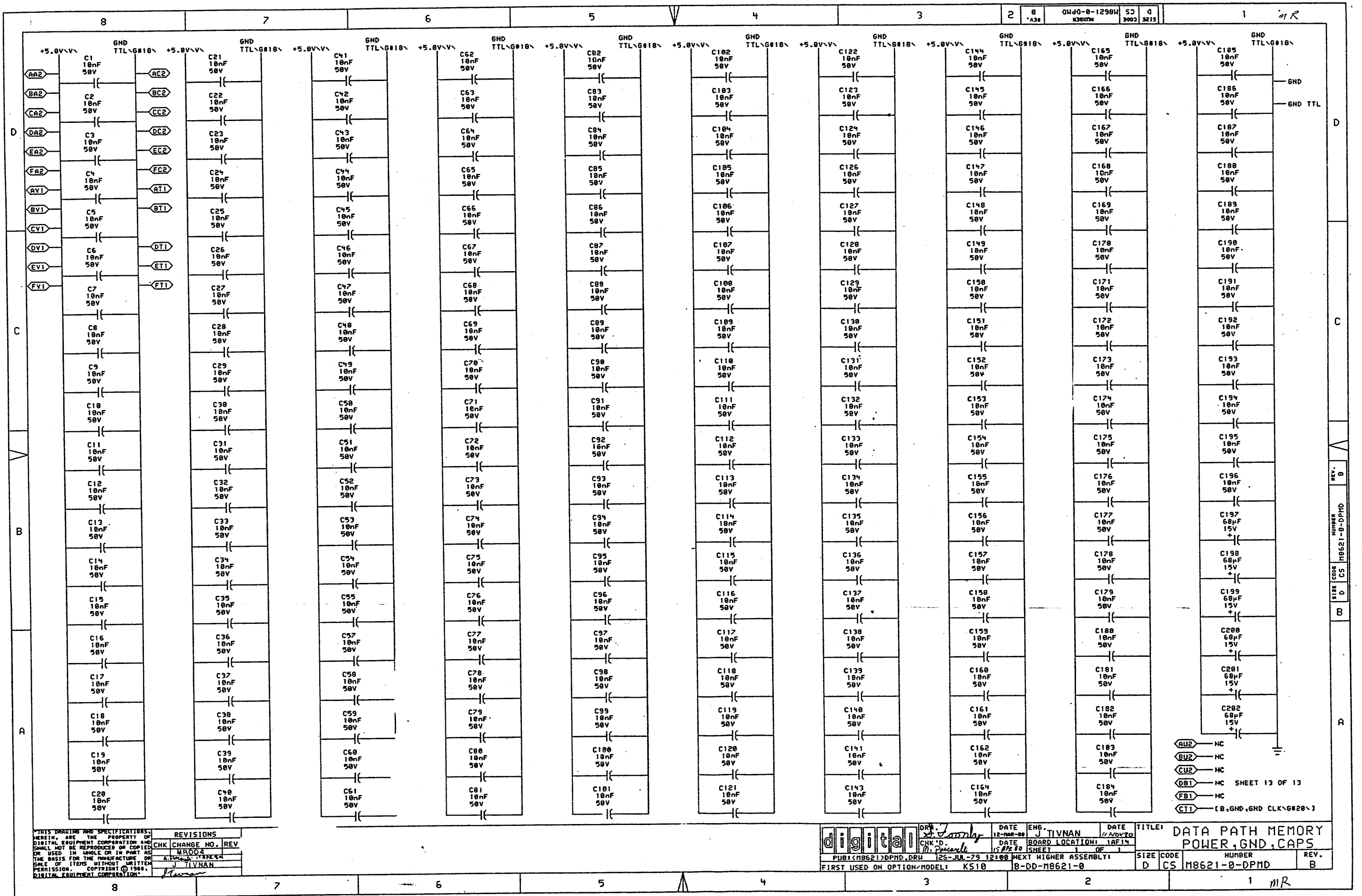
A



REVISIONS	
CHK	CHANGE NO. REV.
1	1
2	2
3	3
4	4
5	5
6	6
7	7
8	8

DATE	ENG.	DATE	DATE	TITLE:
12-MAR-88	TIVNAN	17-Nov-80	1AF14	DATA PATH MEMORY MORE CONTROL
27-JUL-79				

digital	DRW: J. L. L...	DATE: 12-MAR-88	ENG: TIVNAN	DATE: 17-Nov-80	TITLE: DATA PATH MEMORY MORE CONTROL
	CHK: J. L. L...	DATE: 27-JUL-79	BOARD LOCATION: 1AF14	SHEET: 1 OF 1	
PUB: 18621-DPMC.DRW		127-JUL-79 11147	NEXT HIGHER ASSEMBLY:	SIZE: D	CODE: CS
FIRST USED ON OPTION/MODEL: K510		8-DD-18621-0		NUMBER: 18621-0-DPMC	REV. D

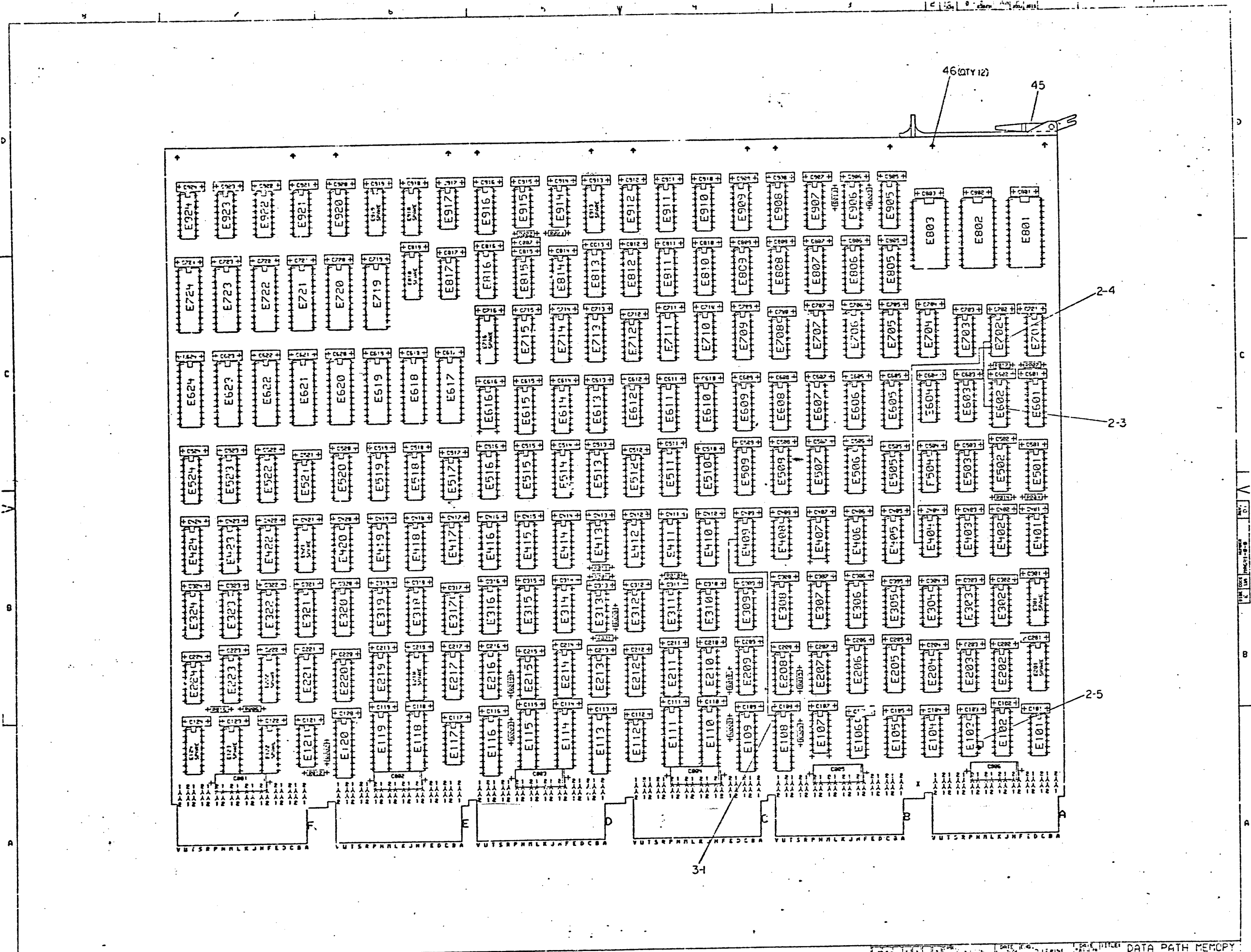


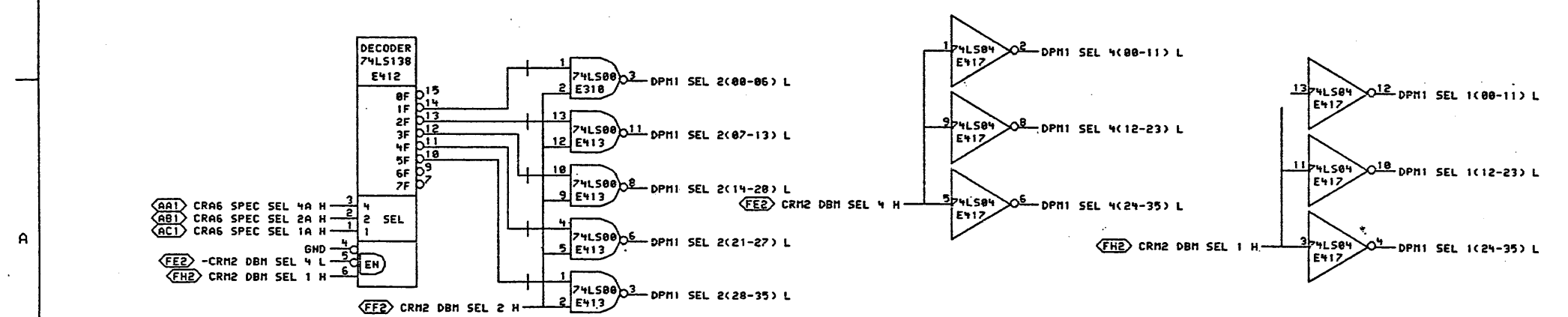
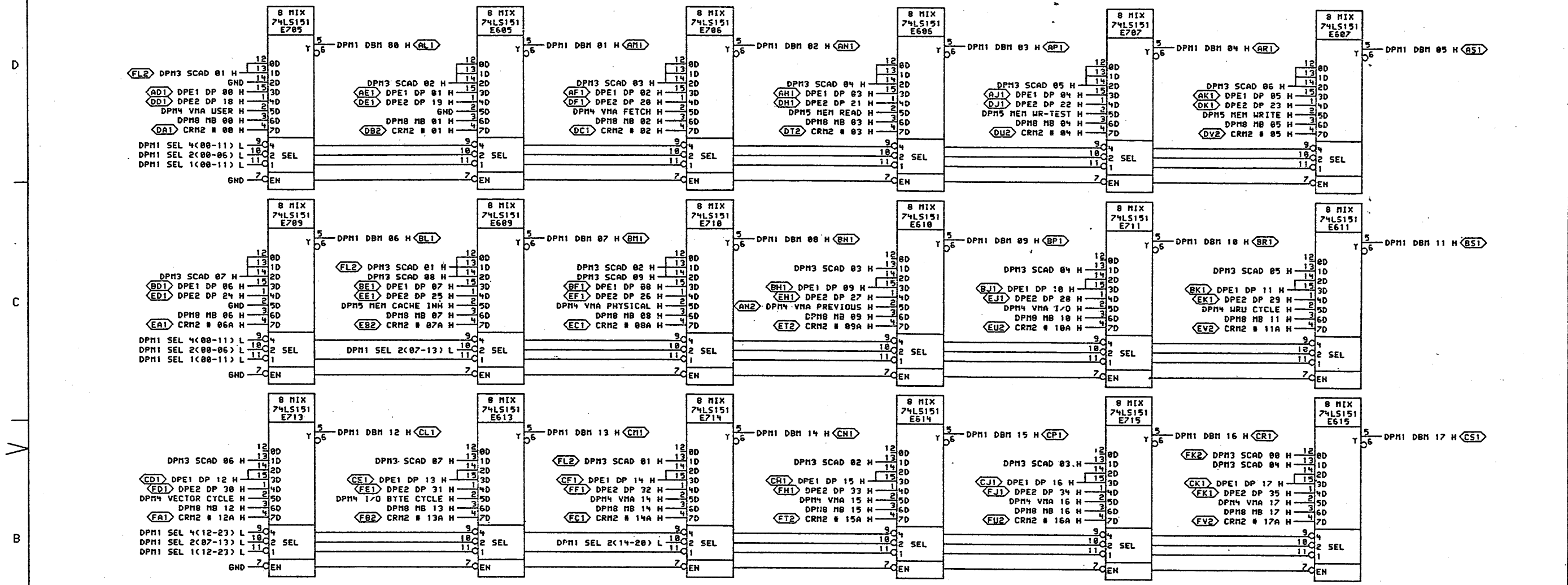
THIS DRAWING AND SPECIFICATIONS HEREIN ARE THE PROPERTY OF DIGITAL EQUIPMENT CORPORATION AND SHALL NOT BE REPRODUCED OR COPIED OR USED IN WHOLE OR IN PART AS THE BASIS FOR THE MANUFACTURE OR SALE OF ITEMS WITHOUT WRITTEN PERMISSION. COPYRIGHT © 1980, DIGITAL EQUIPMENT CORPORATION.

REVISIONS	
CHK	CHANGE NO. REV
MROO4	
J. TIVNAN	

	DRW. J. TIVNAN	DATE 12-1980	ENG. J. TIVNAN	DATE 11/NOV/80	TITLE: DATA PATH MEMORY POWER, GND, CAPS
	CHK'D. M. PAVAROLI	DATE 11/18/80	BOARD LOCATION: 1A114	SHEET 1	
PUB: M8621-DPMD.DRW		25-JUL-79 12100	NEXT HIGHER ASSEMBLY:		SIZE CODE NUMBER REV.
FIRST USED ON OPTION/MODEL: KS10		B-DD-M8621-0		D CS M8621-0-DPMD	B

- (AU2) - NC
 - (BU2) - NC
 - (CU2) - NC
 - (DB1) - NC
 - (FB1) - NC
 - (CT1) - [B,GND,GND CLK\G#20\]
- SHEET 13 OF 13



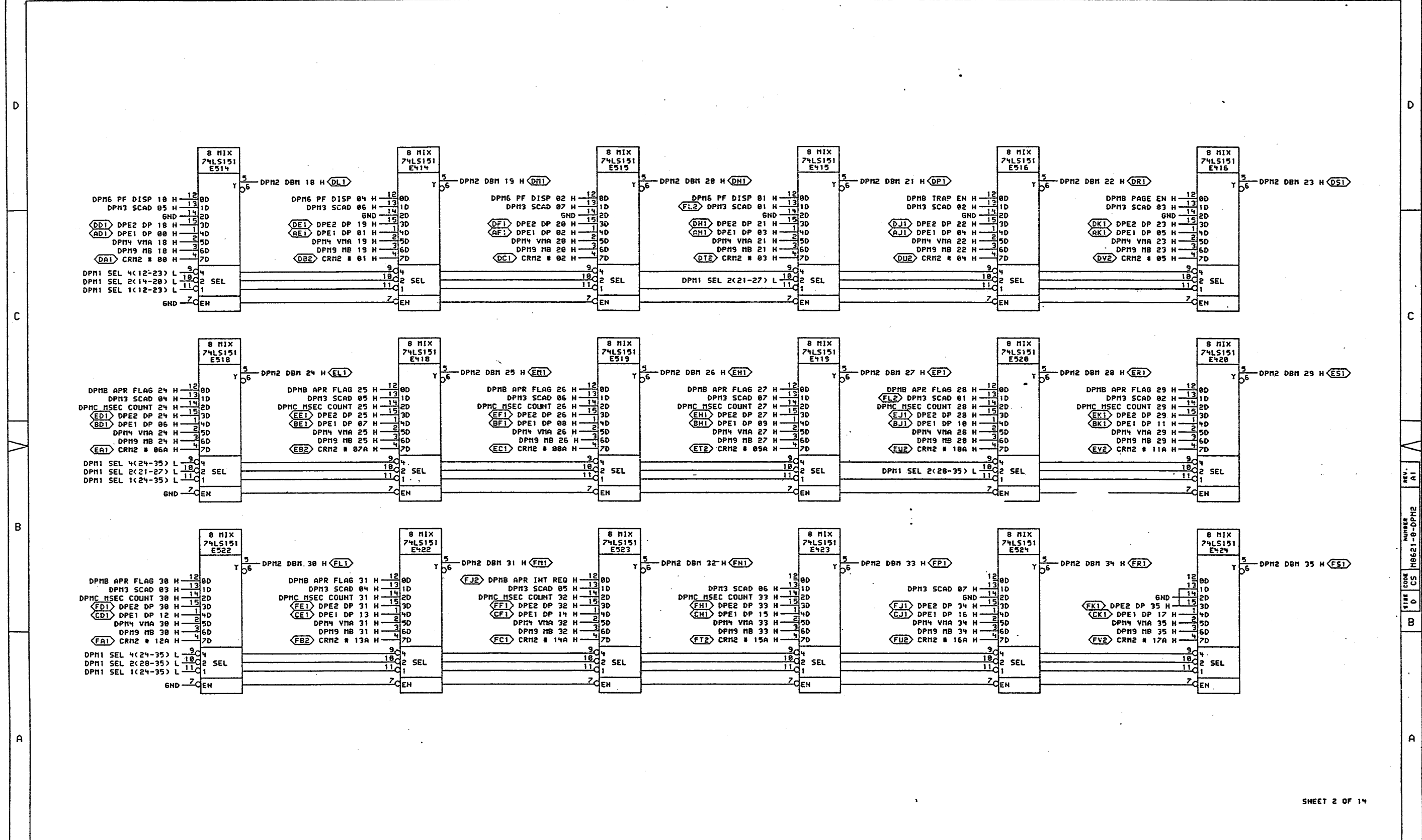


DBM SELECTION	
0	SCAD, PF DISP, APR
1	BYTES
2	EXPONENT, MSECS
3	DP
4	DP SHAPPED
5	VMA FLAGS, VMA
6	MEMORY BUFFER
7	...

THIS DRAWING AND SPECIFICATIONS ARE THE PROPERTY OF DIGITAL EQUIPMENT CORPORATION AND SHALL NOT BE REPRODUCED OR COPIED OR USED IN WHOLE OR IN PART AS THE BASIS FOR THE MANUFACTURE OR SALE OF ITEMS WITHOUT WRITTEN PERMISSION. COPYRIGHT © 1968, DIGITAL EQUIPMENT CORPORATION

REVISIONS		
CHK	CHANGE NO.	REV
	MRO03	
	J. TIVNAN	

	DATE	ENG.	DATE	TITLE
	03-APR-68	J. TIVNAN	11/28/80	DATA PATH MEMORY
CHK'D.	DATE	BOARD LOCATION	DBM LEFT	
M. PAVAN	11/28/80	1AF14		
PS1(M8621)DPM1.DRM	103-APR-88	11128	NEXT HIGHER ASSEMBLY	
FIRST USED ON OPTION/MODEL:	KS10	B-DD-M8621-0	SIZE CODE	NUMBER
			D CS	M8621-0-DPM1
			REV.	A1



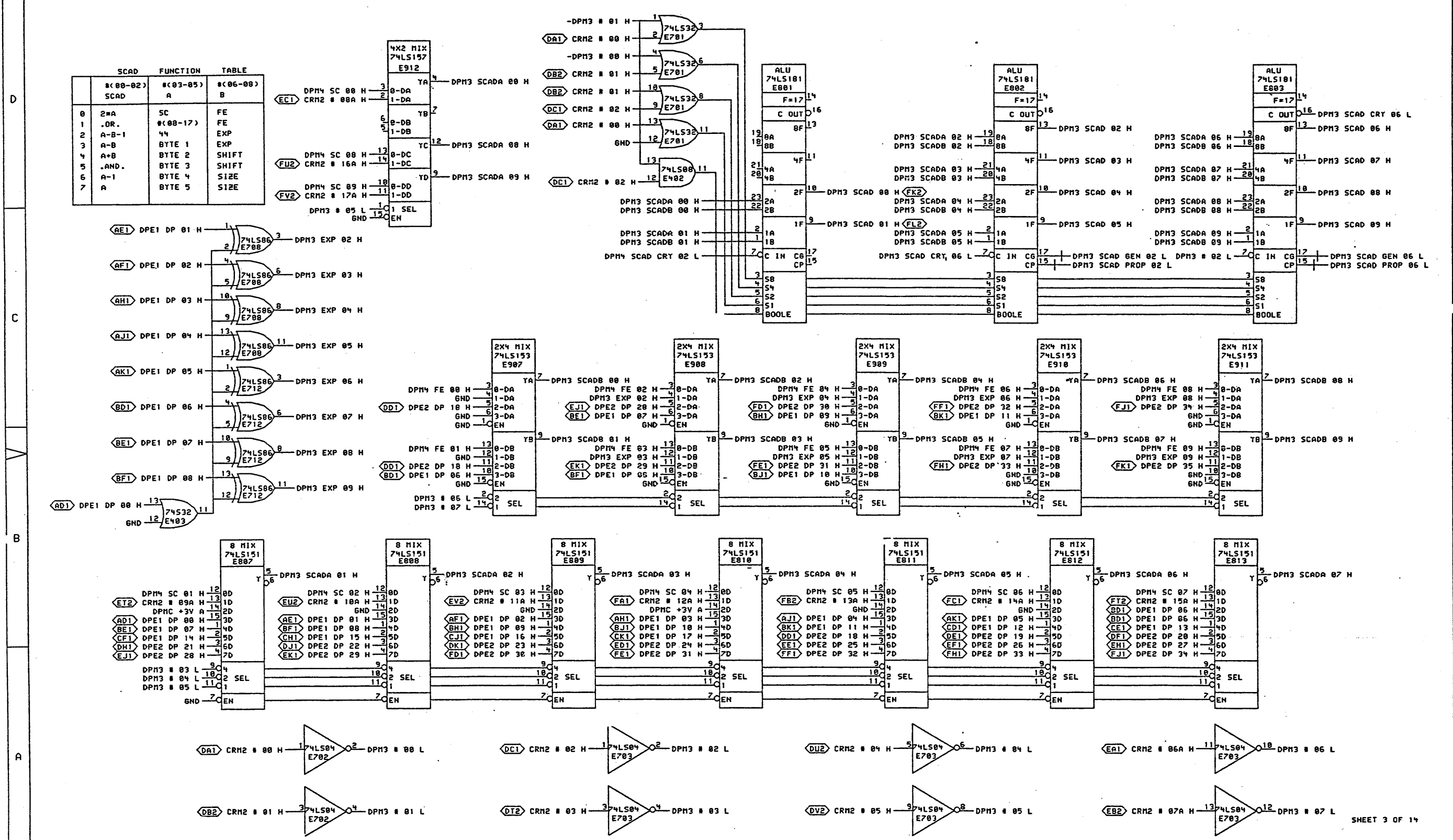
SHEET 2 OF 14

THIS DRAWING AND SPECIFICATIONS HEREIN ARE THE PROPERTY OF DIGITAL EQUIPMENT CORPORATION AND SHALL NOT BE REPRODUCED OR COPIED OR USED IN WHOLE OR IN PART AS THE BASIS FOR THE MANUFACTURE OR SALE OF ITEMS WITHOUT WRITTEN PERMISSION. COPYRIGHT © 1980, DIGITAL EQUIPMENT CORPORATION.

REVISIONS	
CHK	CHANGE NO. REV
MRODA	
TIVNAN	

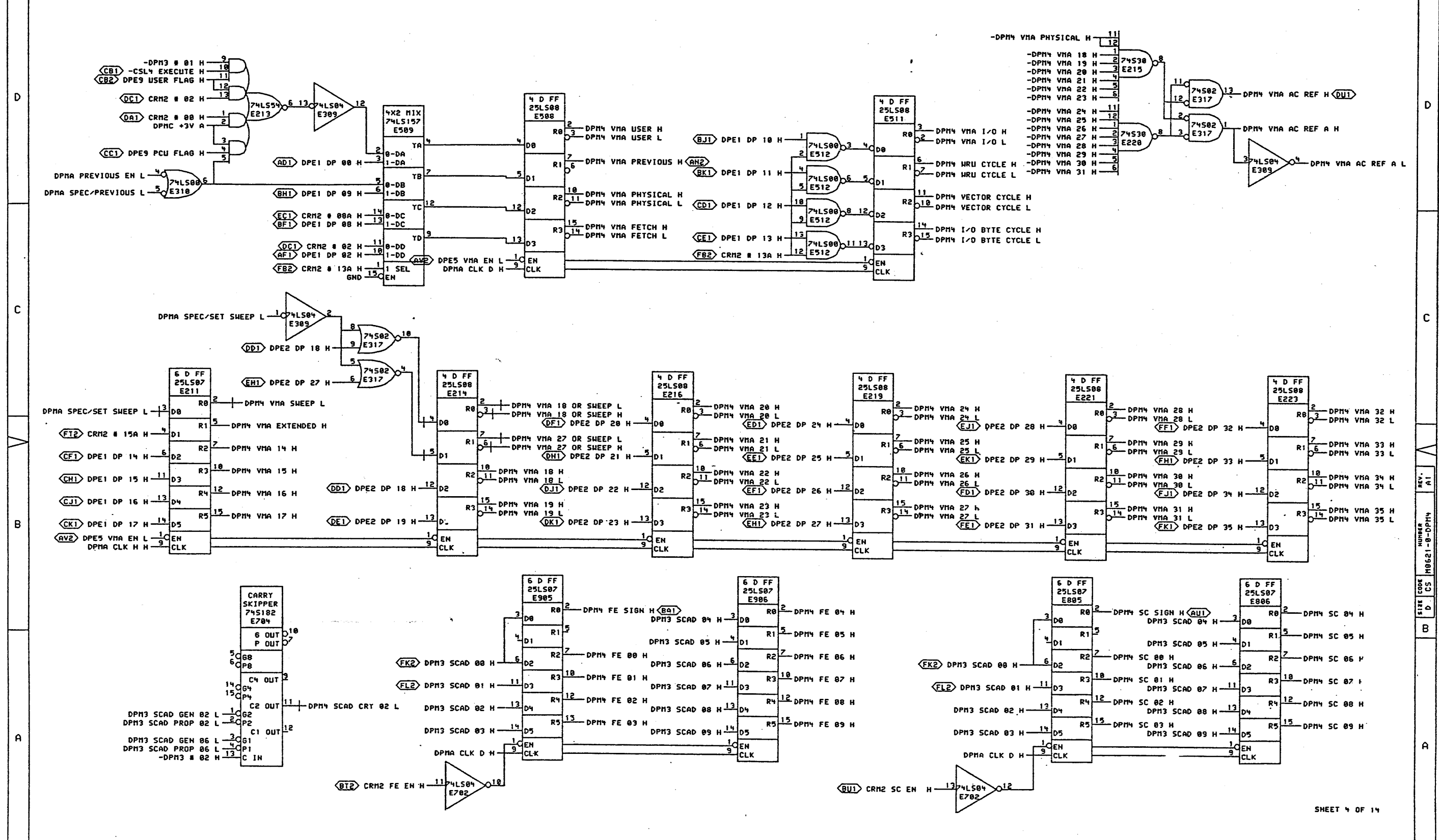
digital	DATE	ENG.	DATE	TITLE
	03-APR-80	J TIVNAN	11/26/79	DATA PATH MEMORY
	DATE	BOARD LOCATION	SHEET	OF
	15 APR 80	1A F14	1	1
FIRST USED ON OPTION/MODEL: KS10				REV.
NEXT HIGHER ASSEMBLY: B-DD-M8621-0				A1

SCAD FUNCTION TABLE			
	(00-02) SCAD	(03-05) A	(06-08) B
0	2#A	SC	FE
1	.DR.	(00-17)	FE
2	A-B-1	44	EXP
3	A-B	BYTE 1	EXP
4	A+B	BYTE 2	SHIFT
5	.AND.	BYTE 3	SHIFT
6	A-1	BYTE 4	SIZE
7	A	BYTE 5	SIZE



REVISIONS		
CHK	CHANGE NO.	REV
MA005	1	AI
J. TIVNAN	2	AI

	DATE: 03-APR-83	ENG.: J. TIVNAN	DATE: 11/NOV/80	TITLE: DATA PATH MEMORY
	DATE: 12/28/80	BOARD LOCATION: 1AF14	DATE: 12/28/80	STEP COUNT ADD
PSI:M8621DPM3.DRW	103-APR-80 11136	NEXT HIGHER ASSEMBLY: B-DD-M8621-0	SIZE CODE: D CS	NUMBER: M8621-0-DPM3
FIRST USED ON OPTION/MODEL: KS10			REV.:	AI

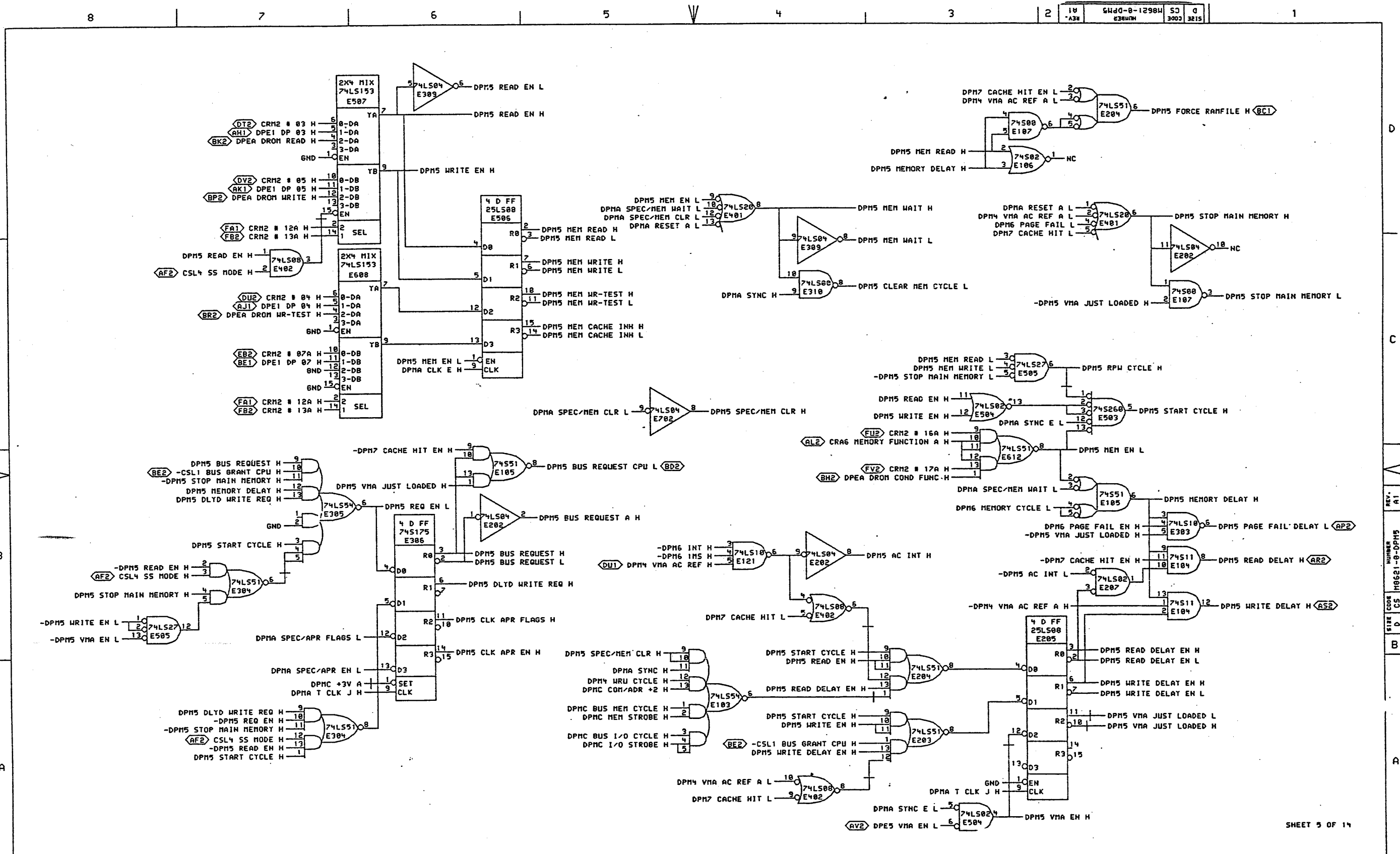


THIS DRAWING AND SPECIFICATIONS HEREIN ARE THE PROPERTY OF DIGITAL EQUIPMENT CORPORATION AND SHALL NOT BE REPRODUCED OR COPIED OR USED IN WHOLE OR IN PART AS THE BASIS FOR THE MANUFACTURE OR SALE OF ITEMS WITHOUT WRITTEN PERMISSION. COPYRIGHT © 1988. DIGITAL EQUIPMENT CORPORATION

REV	CHG	NO.	REV
1	1	1	1

DATE	ENG.	DATE	TITLE
03-APR-88	J. TIVNAN	11-11-88	DATA PATH MEMORY FE, SC, VMA REGS
103-APR-80		11-11-88	

SIZE	CODE	CS	D	B	A
D	CS	M8621-0-DPM4			A1



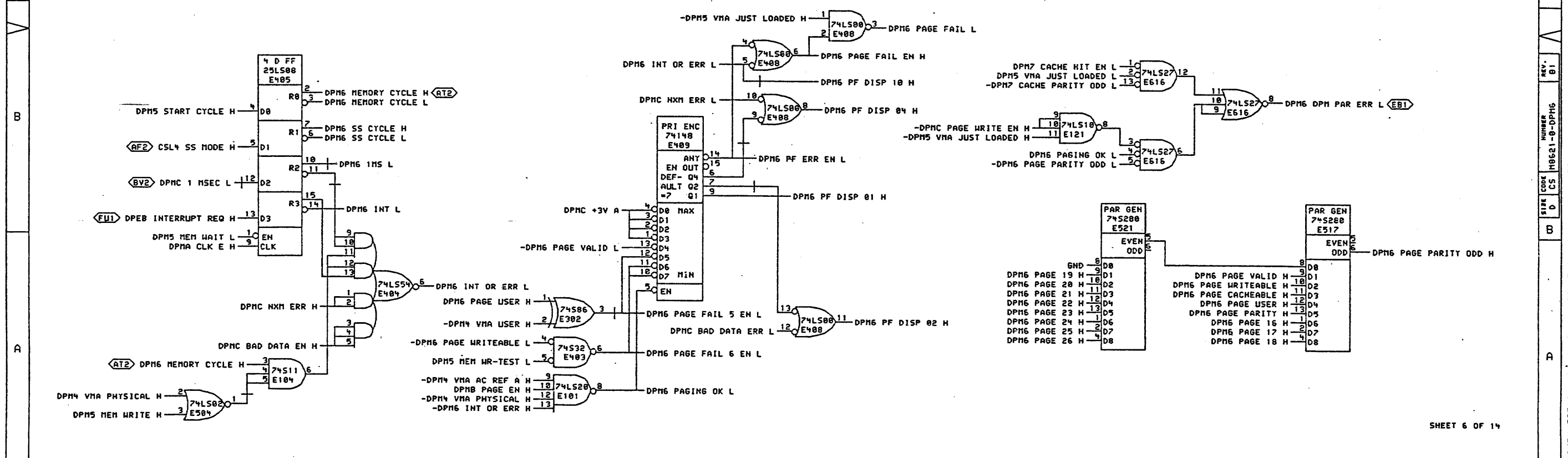
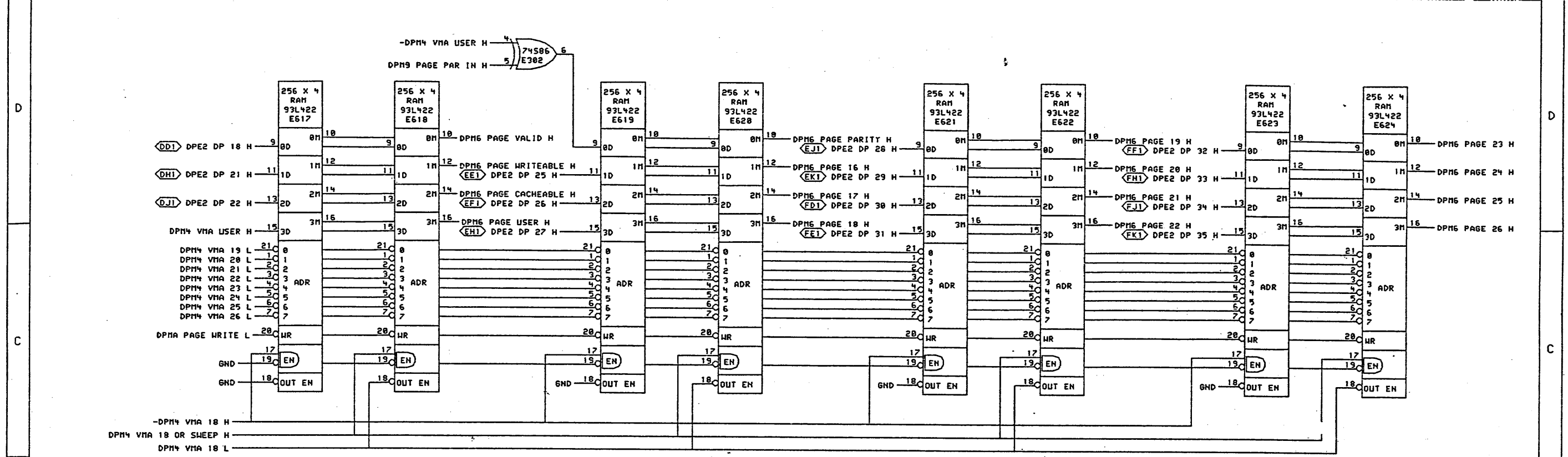
SHEET 5 OF 14

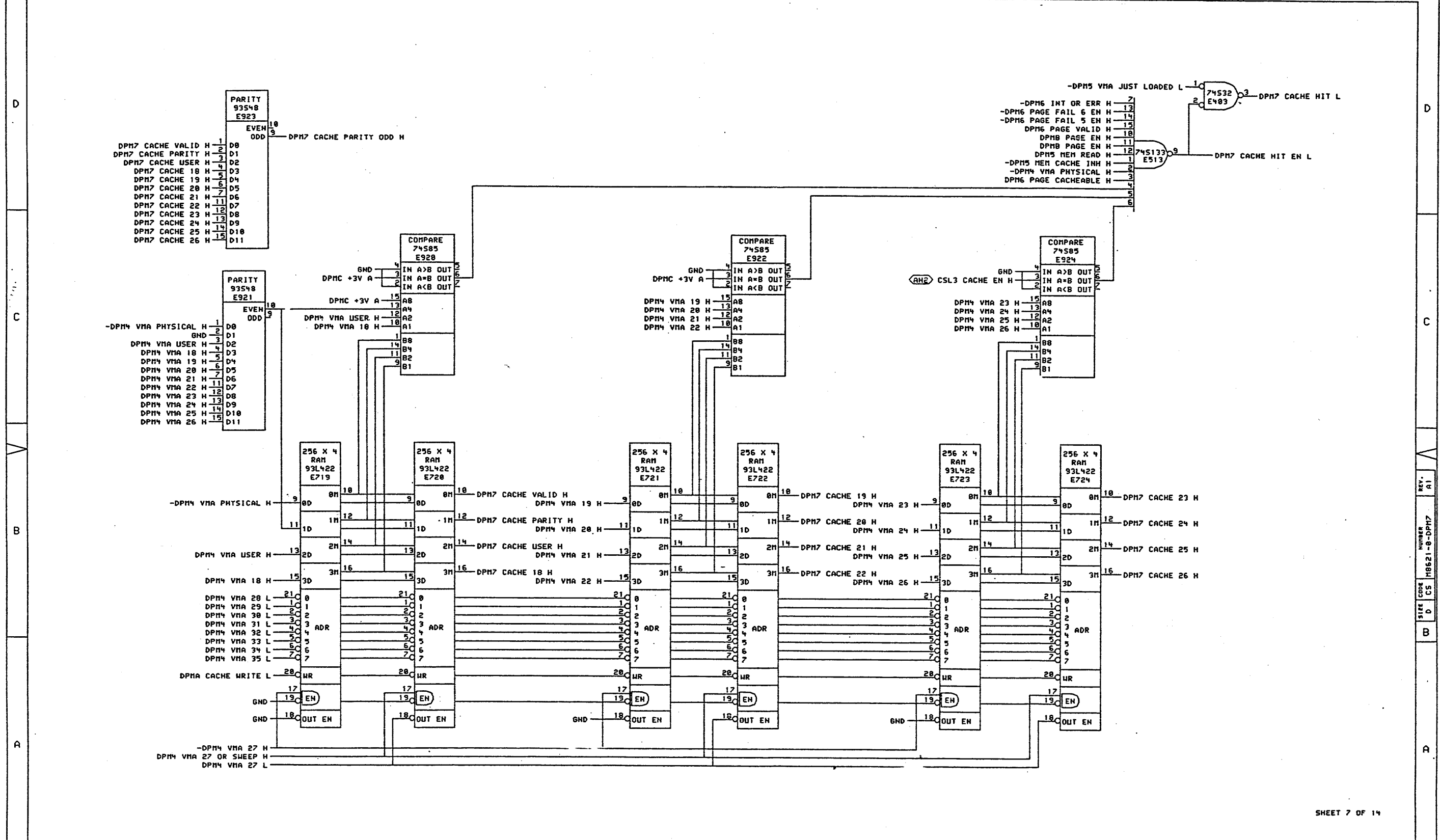
THIS DRAWING AND SPECIFICATIONS, HEREIN, ARE THE PROPERTY OF DIGITAL EQUIPMENT CORPORATION AND SHALL NOT BE REPRODUCED OR COPIED OR USED IN WHOLE OR IN PART AS THE BASIS FOR THE MANUFACTURE OR SALE OF ITEMS WITHOUT WRITTEN PERMISSION. COPYRIGHT © 1980, DIGITAL EQUIPMENT CORPORATION.

REVISIONS	
CHK	CHANGE NO. REV
MP	0000 1
MP	0000 2
MP	0000 3
MP	0000 4
MP	0000 5
MP	0000 6
MP	0000 7
MP	0000 8
MP	0000 9
MP	0000 10
MP	0000 11
MP	0000 12
MP	0000 13
MP	0000 14
MP	0000 15

digital	DATE: 03-APR-80	ENG.: J TIVNAN	DATE: 11-NOV-80	TITLE: DATA PATH MEMORY MEMORY CYCLE
	DATE: 14-APR-80	BOARD LOCATION: 1AF14	SHEET: 1	REV.:
PS1 (M8621) DPM5.DRW	103-APR-80 11142	NEXT HIGHER ASSEMBLY:	SIZE CODE: D CS	NUMBER: M8621-0-DPM5
FIRST USED ON OPTION/MODEL: KS10	B-DD-M8621-0			REV. A1

REV. A1
NUMBER M8621-0-DPM5
D CS



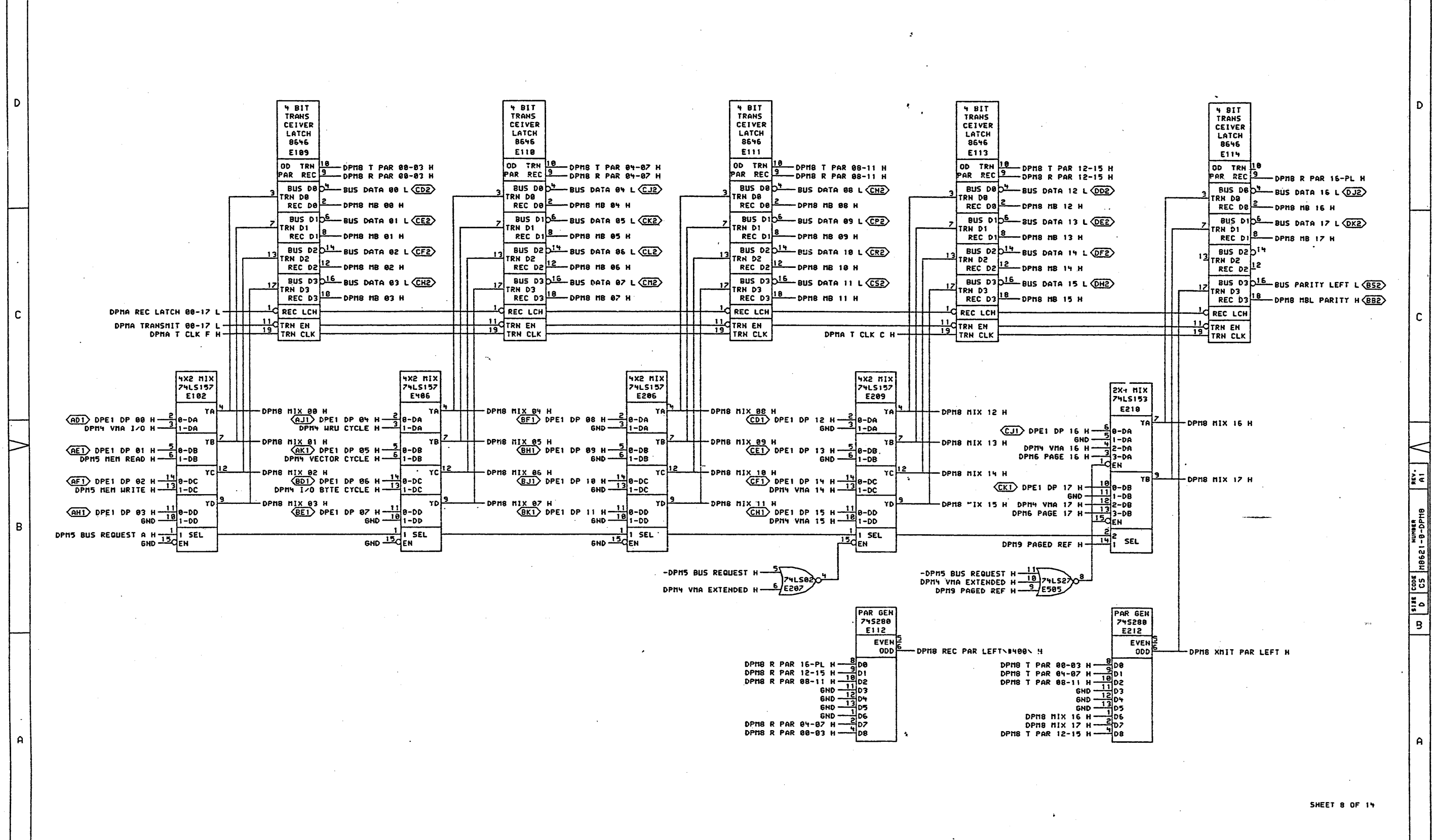


SHEET 7 OF 14

THIS DRAWING AND SPECIFICATIONS HEREIN ARE THE PROPERTY OF DIGITAL EQUIPMENT CORPORATION AND SHALL NOT BE REPRODUCED OR COPIED OR USED IN WHOLE OR IN PART AS THE BASIS FOR THE MANUFACTURE OR SALE OF ITEMS WITHOUT WRITTEN PERMISSION. COPYRIGHT © 1989, DIGITAL EQUIPMENT CORPORATION.

REVISIONS	
CHK	CHANGE NO. REV
J. TIVNAN	1 1

	DATE	ENG.	DATE	TITLE
	03-APR-88	J. TIVNAN	11/NOV/88	DATA PATH MEMORY CACHE DIRECTORY
	DATE	BOARD LOCATION	SHEET 1 OF 1	
	27 APR 88	1AF14		
PS1 M8621 DPM7 DRW	103-APR-88	11146	NEXT HIGHER ASSEMBLY:	SIZE CODE NUMBER REV.
FIRST USED ON OPTION/MODEL:	KS10	B-DD-M8621-0	D CS	M8621-0-DPM7 A1



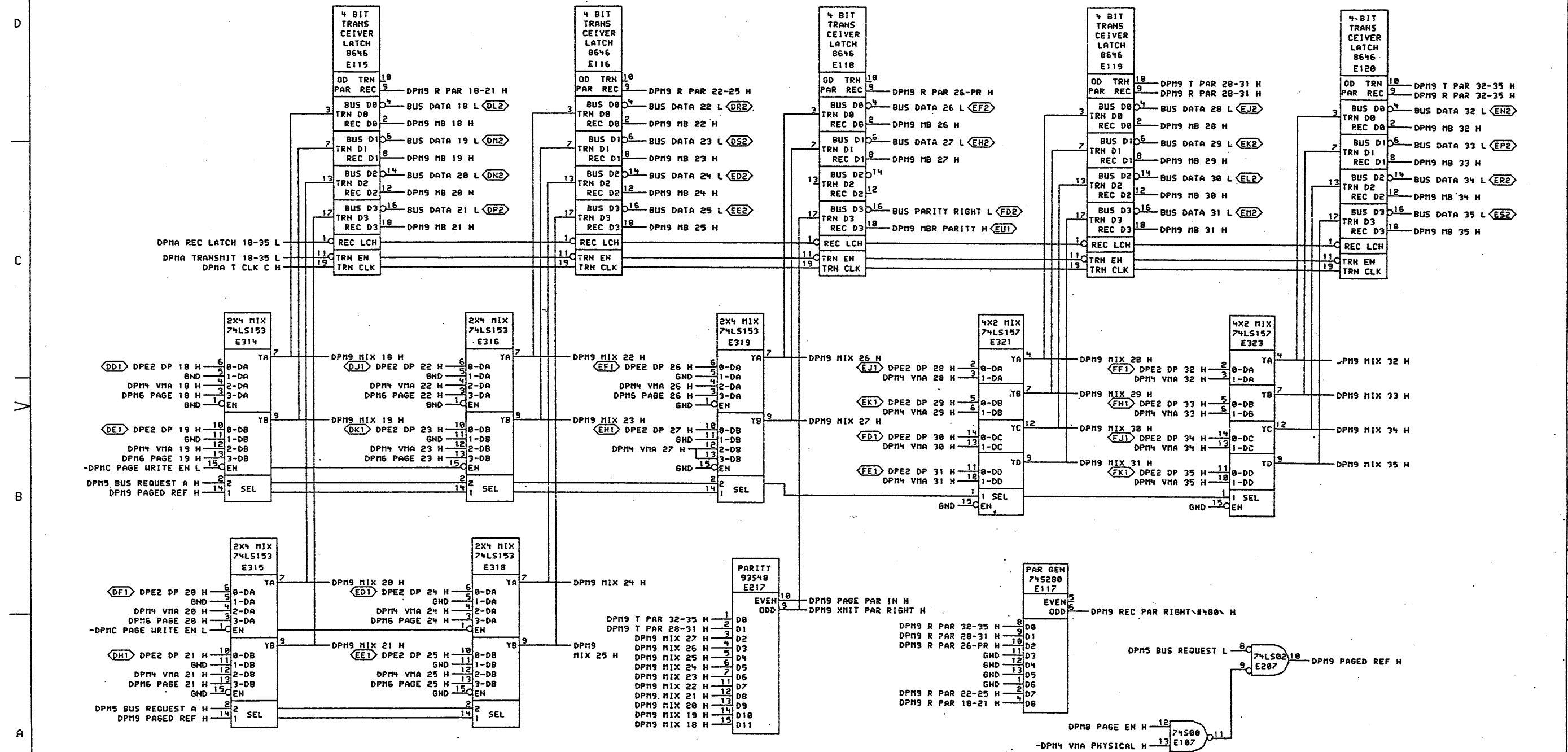
SHEET 8 OF 14

THIS DRAWING AND SPECIFICATIONS HEREIN ARE THE PROPERTY OF DIGITAL EQUIPMENT CORPORATION AND SHALL NOT BE REPRODUCED OR COPIED OR USED IN WHOLE OR IN PART AS THE BASIS FOR THE MANUFACTURE OR SALE OF ITEMS WITHOUT WRITTEN PERMISSION. COPYRIGHT © 1980, DIGITAL EQUIPMENT CORPORATION.

REVISIONS		
CHK	CHANGE NO.	REV
JK	1	1
JK	2	1

DATE	ENG.	DATE	TITLE
03-APR-80	J. TIVNAN	11-APR-80	DATA PATH MEMORY BUS LEFT
11-APR-80	J. TIVNAN	11-APR-80	DATA PATH MEMORY BUS LEFT

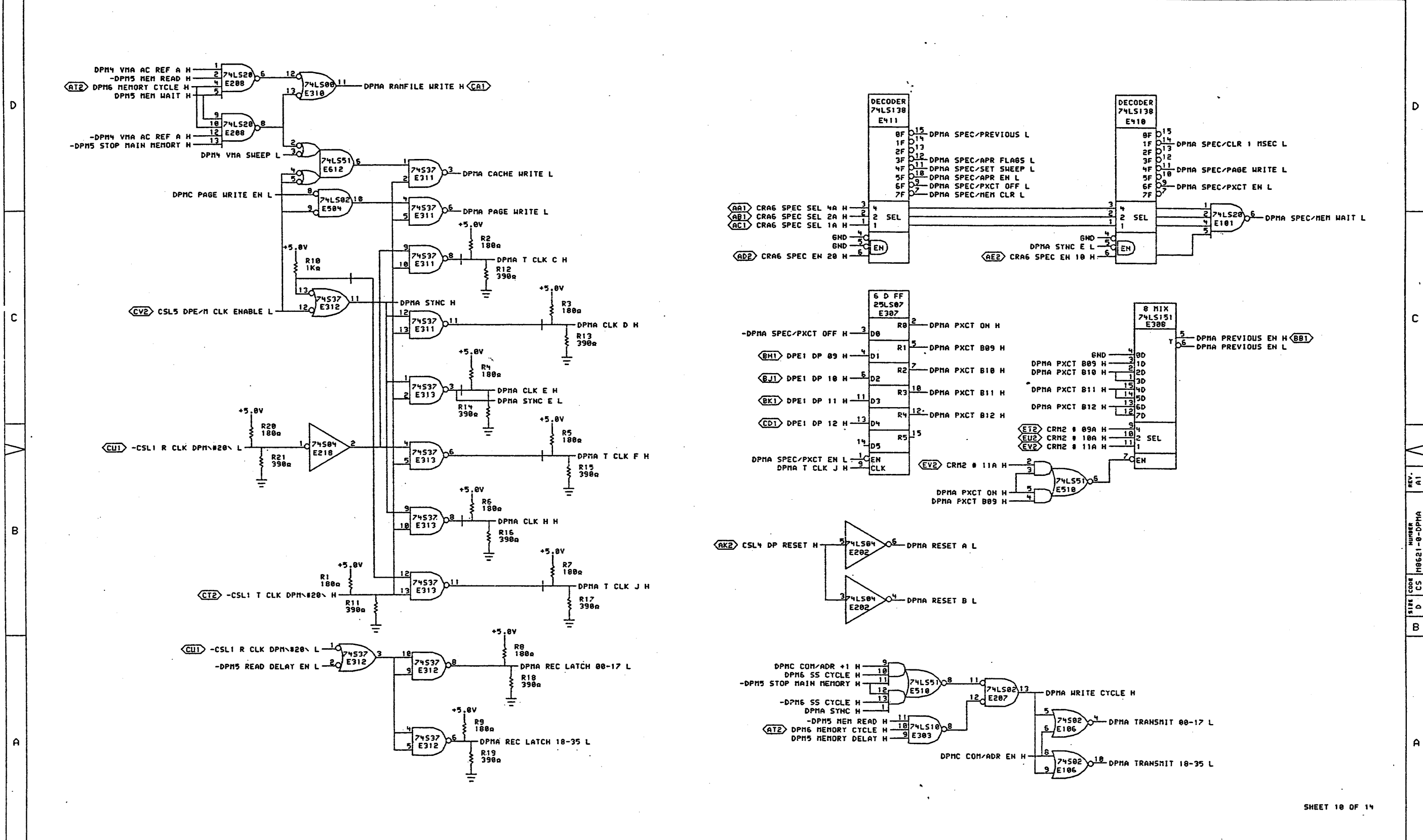
PS: M8621-DPM8.DRW	03-APR-80 11:48	NEXT HIGHER ASSEMBLY:	SIZE	CODE	NUMBER	REV.
FIRST USED ON OPTION/MODEL: KS10	B-DD-M8621-0		D	CS	M8621-0-DPM8	A1



THIS DRAWING AND SPECIFICATIONS HEREIN, ARE THE PROPERTY OF DIGITAL EQUIPMENT CORPORATION AND SHALL NOT BE REPRODUCED OR COPIED OR USED IN WHOLE OR IN PART AS THE BASIS FOR THE MANUFACTURE OR SALE OF ITEMS WITHOUT WRITTEN PERMISSION. COPYRIGHT © 1984, DIGITAL EQUIPMENT CORPORATION.

REVISIONS		
CHK	CHANGE NO.	REV
MR	004	A1
MR	005	A1
J. TIVNAN		

digit@l	DR. J. Tivnan	DATE 03-APR-88	ENG. J. TIVNAN	DATE 11-NOV-80	TITLE: DATA PATH MEMORY BUS RIGHT
	CHK. D. J. Tivnan	DATE 03-APR-88	BOARD LOCATION 1A114	DATE 11-NOV-80	SIZE CODE NUMBER REV. D CS M8621-0-DPM9 A1
FIRST USED ON OPTION/MODEL: KS10		NEXT HIGHER ASSEMBLY: B-DD-M8621-0			

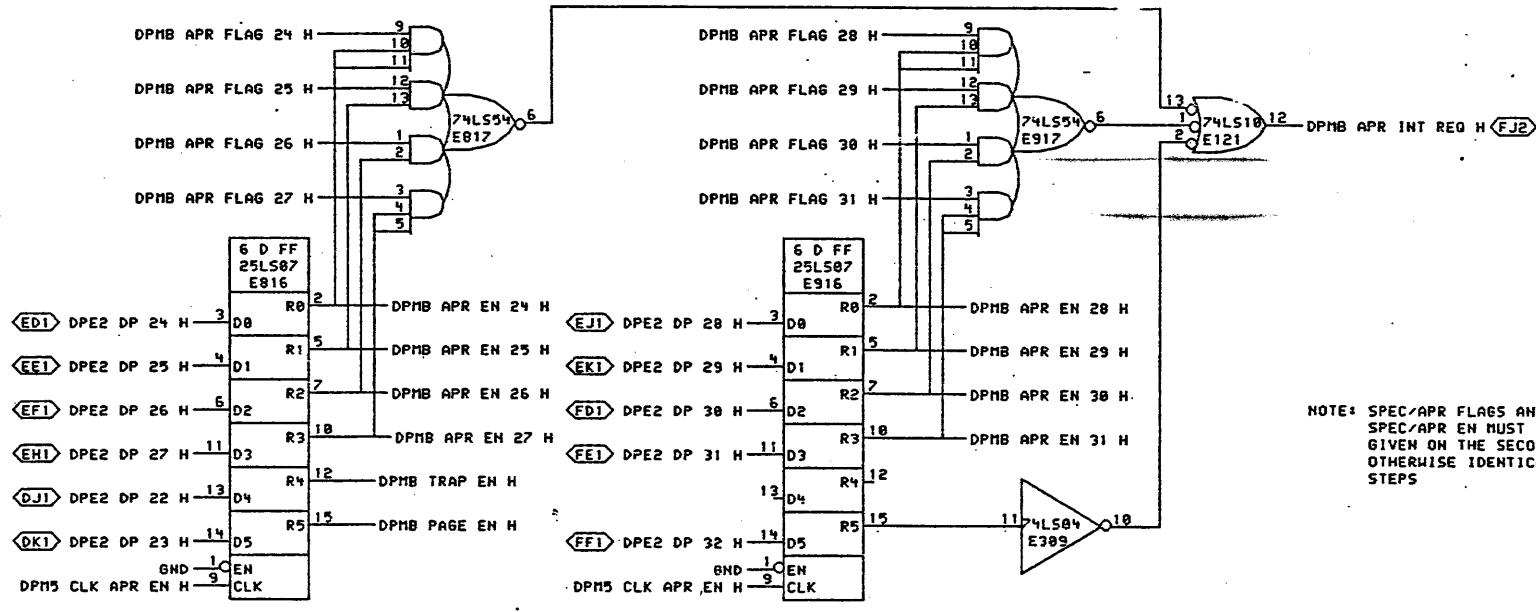
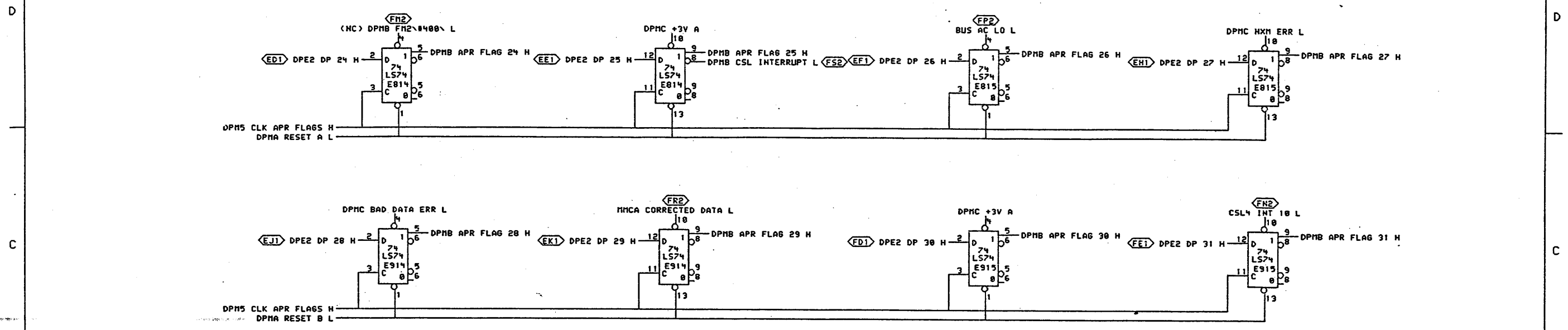


SHEET 10 OF 14

THIS DRAWING AND SPECIFICATIONS HEREIN ARE THE PROPERTY OF DIGITAL EQUIPMENT CORPORATION AND SHALL NOT BE REPRODUCED OR COPIED OR USED IN WHOLE OR IN PART AS THE BASIS FOR THE MANUFACTURE OR SALE OF ITEMS WITHOUT WRITTEN PERMISSION. COPYRIGHT © 1988, DIGITAL EQUIPMENT CORPORATION.

REVISIONS		
CHK	CHANGE NO.	REV.
	MR004	A1

digital	DRW. J. TIVNAN	DATE 03-APR-88	ENG. J. TIVNAN	DATE 11-NOV-88	TITLE: DATA PATH MEMORY CONTROL
	CHKD. J. TIVNAN	DATE 27-APR-88	BOARD LOCAT. OH	1AF14	
PS1(M8621)DPMA.DRW		107-APR-88 11:22	NEXT HIGHER ASSEMBLY:	SIZE D	CODE CS
FIRST USED ON OPTION/MODEL: KS10		B-DD-M8621-0		NUMBER M8621-0-DPMA	REV. A1



NOTE: SPEC/APR FLAGS AND SPEC/APR EN MUST BOTH BE GIVEN ON THE SECOND OF TWO, OTHERWISE IDENTICAL MICRO CODE STEPS

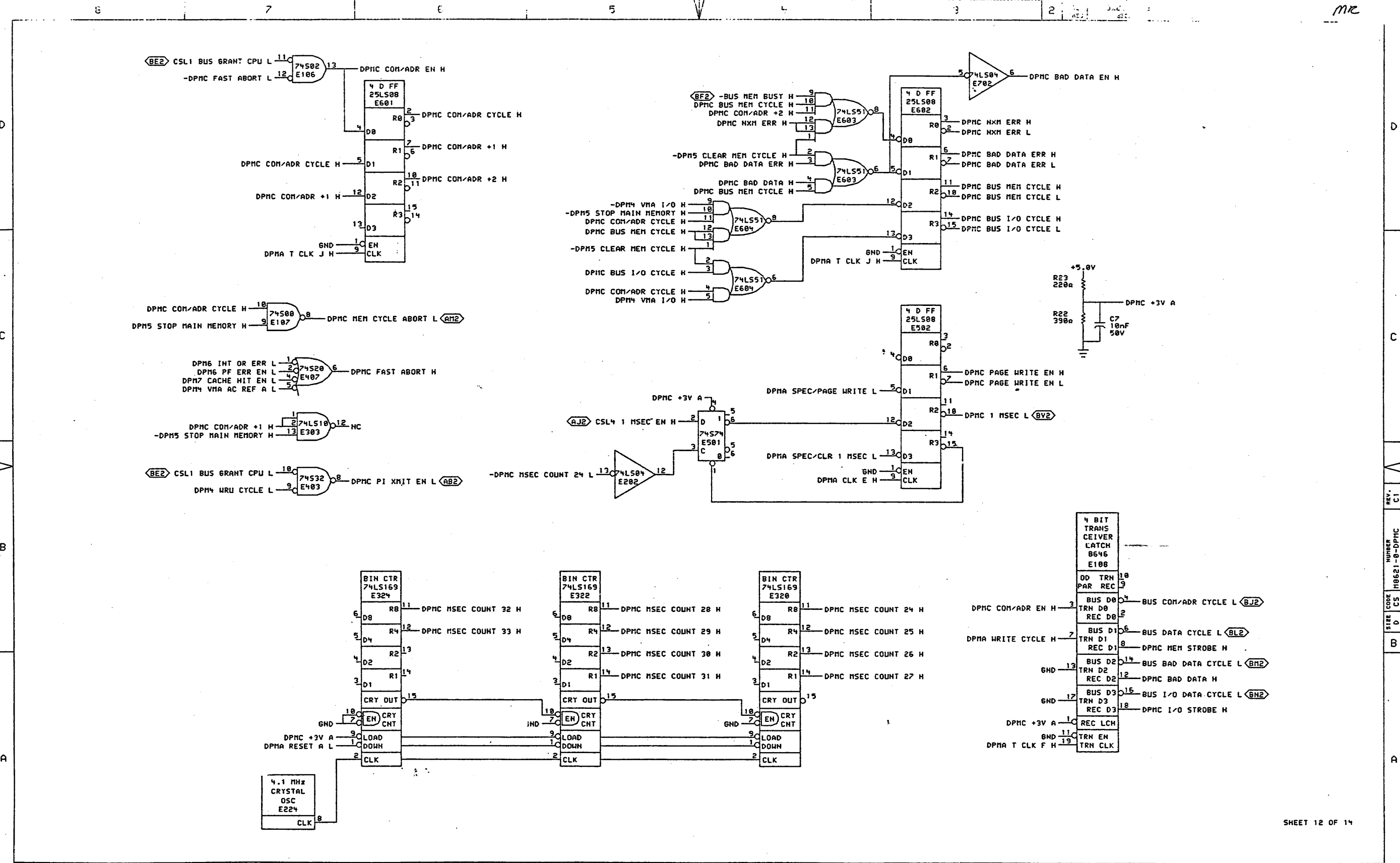
THIS DRAWING AND SPECIFICATIONS HEREIN ARE THE PROPERTY OF DIGITAL EQUIPMENT CORPORATION AND SHALL NOT BE REPRODUCED OR COPIED OR USED IN WHOLE OR IN PART AS THE BASIS FOR THE MANUFACTURE OR SALE OF ITEMS WITHOUT WRITTEN PERMISSION. COPYRIGHT © 1980, DIGITAL EQUIPMENT CORPORATION.

REVISIONS	
CHK	CHANGE NO. REV
	M8621-0 A1
	TIVNAN

DATE	ENG.	DATE	TITLE
03-APR-80	J TIVNAN	11/03/80	DATA PATH MEMORY APR DEVICE
DATE	BOARD LOCATION	DATE	DEPT.
03-APR-80	1AF14	11/03/80	1
DATE	NEXT HIGHER ASSEMBLY	DATE	DEPT.
03-APR-80	B-DD-M8621-0	11/03/80	1
FIRST USED ON OPTION/MODEL	KS10		

SIZE	CODE	NUMBER	REV.
D	CS	M8621-0-DPMB	A1

DPHC.PLO 23-DEC-80 12:13:29



THIS DRAWING AND SPECIFICATIONS ARE THE PROPERTY OF DIGITAL EQUIPMENT CORPORATION AND SHALL NOT BE REPRODUCED OR COPIED OR USED IN WHOLE OR IN PART AS THE BASIS FOR THE MANUFACTURE OR SALE OF ITEMS WITHOUT WRITTEN PERMISSION. COPYRIGHT © 1984, DIGITAL EQUIPMENT CORPORATION.

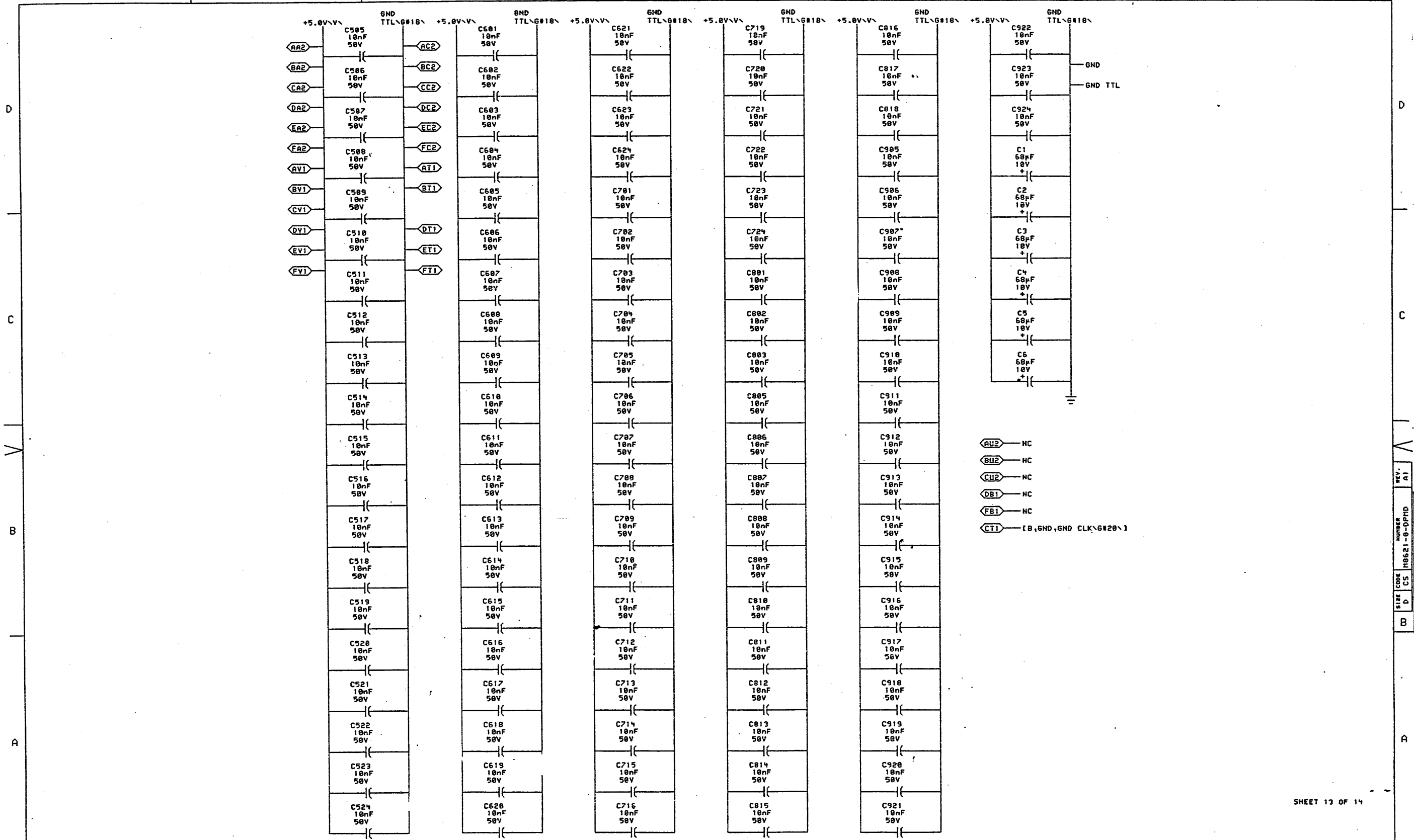
REVISIONS		
CHK	CHANGE NO.	REV

DATE	ENG.	DATE	TITLE:
23-DEC-80	J. TIVNAN	20 DEC 80	DATA PATH MEMORY MORE CONTROL
DATE	BOARD LOCATION:	DATE	REV.
23 DEC 80	1AF14	23 DEC 80	C1
FIRST USED ON OPTION MODEL: K510		NEXT HIGHER ASSEMBLY: B-DD-M8621-0	

digital
 DRG: J. Tivnan
 CHK'D: M. PASCARELLI
 PS: <BOUEN, SCRATCH> DPHC.DRW 23-DEC-80 11:04

SIZE	CODE	NUMBER	REV.
D	CS	M8621-0-DPMC	C1

BOUEN, PS: <BOUEN, SCRATCH> DPHC.DRW 23-DEC-80 11:04, SCALE 2: "D" RELEASE BOX

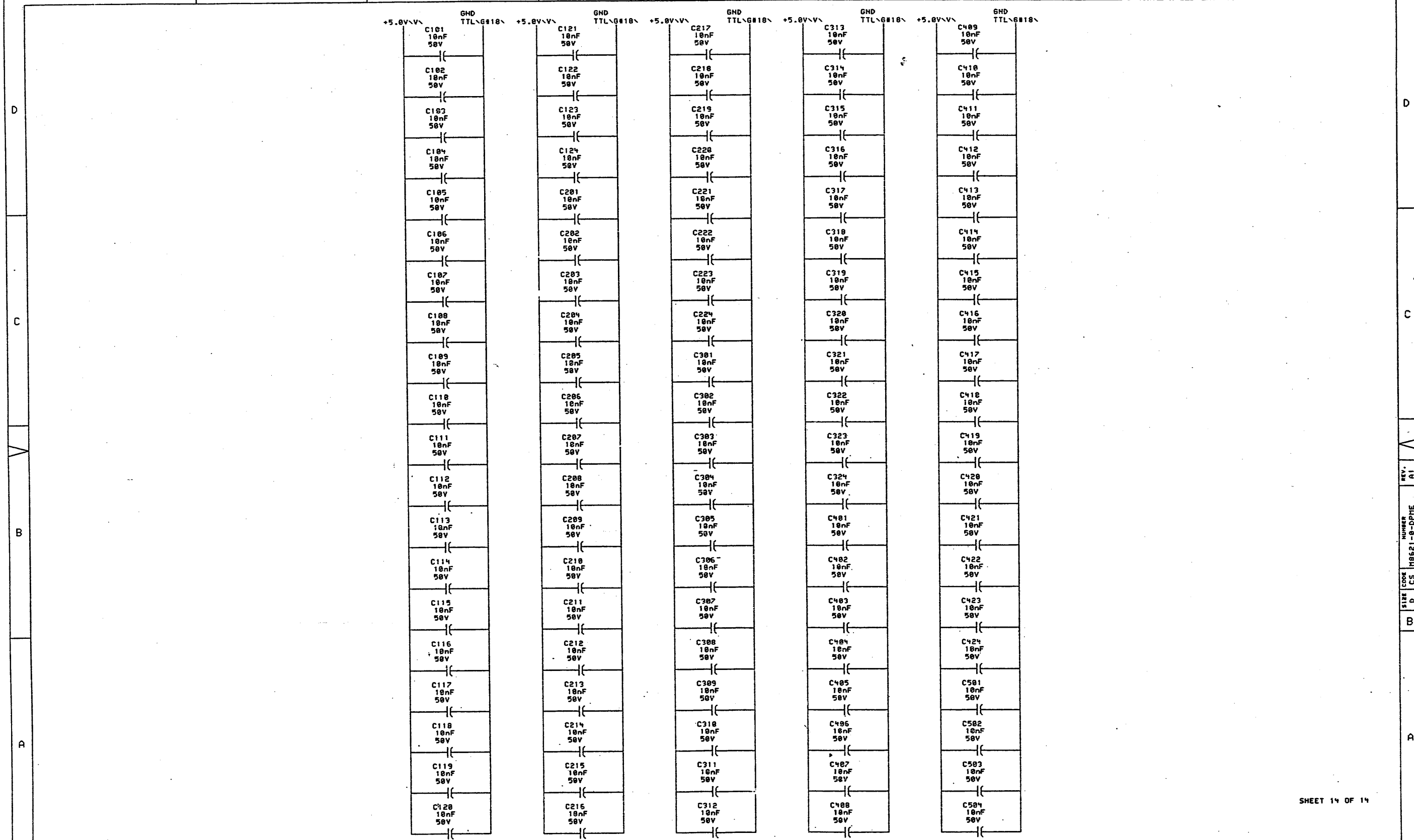


THIS DRAWING AND SPECIFICATIONS HEREIN ARE THE PROPERTY OF DIGITAL EQUIPMENT CORPORATION AND SHALL NOT BE REPRODUCED OR COPIED OR USED IN WHOLE OR IN PART AS THE BASIS FOR THE MANUFACTURE OR SALE OF ITEMS WITHOUT WRITTEN PERMISSION. COPYRIGHT © 1988, DIGITAL EQUIPMENT CORPORATION.

REVISIONS		
CHK	CHANGE NO.	REV.
	M8621-M8604	A1

DATE	ENG.	DATE	TITLE
83-APR-88	J. TIVNAN	11 Nov 80	DATA PATH MEMORY POWER, GND, CAPS
DATE	BOARD LOCATION	DATE	BOARD LOCATION
30/8/88	1AF14		
SHEET 1 OF 1		NEXT HIGHER ASSEMBLY:	
PS1 M8621 DPHD.DRW		B-DD-M8621-0	
FIRST USED ON OPTION/MODEL: KS10			

SIZE	CODE	NUMBER	REV.
D	CS	M8621-0-DPHD	A1



THIS DRAWING AND SPECIFICATIONS, HEREIN, ARE THE PROPERTY OF DIGITAL EQUIPMENT CORPORATION AND SHALL NOT BE REPRODUCED OR COPIED OR USED IN WHOLE OR IN PART AS THE BASIS FOR THE MANUFACTURE OR SALE OF ITEMS WITHOUT WRITTEN PERMISSION. COPYRIGHT © 1988, DIGITAL EQUIPMENT CORPORATION.

REVISIONS		
CHK	CHANGE NO.	REV
	M8621-MR004	A1

digital	DATE: 02-APR-88	ENG: J. TIVNAN	DATE: 8 MAY 88	TITLE: DATA PATH MEMORY +5.0V CAPS
	DATE: 02-APR-88	DATE: 02-APR-88	DATE: 02-APR-88	DATE: 02-APR-88
PSI (M8621) DPME.DRW 105-APR-88 1155 NEXT HIGHER ASSEMBLY:				SIZE CODE: D CS M8621-0-DPME
FIRST USED ON OPTION/MODEL: KS10				NUMBER: 1 OF 1
B-DD-M8621-0				REV: A1

SHEET 14 OF 14

MK

DRAWING NO.	NO. OF SHTS.	PART NO.	DESCRIPTION	REWORK VERSION (MULTIWIRE) NOTE: FOR RELAYOUT VERSION (ETCH) SEE SHEET#2	REVISIONS
			MODULE REVISION	A A	
E-UA-M8622-0-0	6		KS10 CRAM ADDRESS	A A1	
K-PL-M8622-0-DBP	-		PARTS LIST DATA BASE (M8622)	A A1	
D-CS-M8622-0-CRA1	1		CRAM ADDRESS, ADR BITS 00-11	A A1	
D-CS-M8622-0-CRA2	1		CRAM ADDRESS, CONTROL	A A1	
D-CS-M8622-0-CRA3	1		CRAM ADDRESS, SUBROUTINE STACK	A A1	
D-CS-M8622-0-CRA4	1		CRAM ADDRESS, DIAGNOSTIC I	A A1	
D-CS-M8622-0-CRA5	1		CRAM ADDRESS, BACKPANEL BUS	A A1	
D-CS-M8622-0-CRA6	1		CRAM ADDRESS, CRAM REGISTER	A A1	
D-CS-M8622-0-CRA7	1		CRAM ADDRESS, ADDRESS DRIVERS	A A1	
D-CS-M8622-0-CRA8	1		CRAM ADDRESS, 00-05, 12-17, 24-29	A A1	
D-CS-M8622-0-CRA9	1		CRAM ADDRESS, 06-11, 18-23, 30-35	A A1	
D-CS-M8622-0-CRAA	1		CRAM ADDRESS, POWER, GND, CAPS	A A1	
E-MD-5013197-0-0	6		DRILL, WIRE & COMP SCREEN DRAWING	A A	
	-	5013197	MULTIWIRE BOARD	A A	
K-PC-M8622-0-DBC	-		MULTIWIRE DATA BASE (M8622)	A A	
POO-M8622-00	-		PROCESS SHEETS	RE REF	

NOTES:

DATE	CHG NO.	REV.	REVISIONS
3-79			ORIG A MROO1 B

THIS DRAWING AND SPECIFICATIONS, HEREIN, ARE THE PROPERTY OF DIGITAL EQUIPMENT CORPORATION AND SHALL NOT BE REPRODUCED OR COPIED OR USED IN WHOLE OR IN PART AS THE BASIS FOR THE MANUFACTURE OR SALE OF ITEMS WITHOUT WRITTEN PERMISSION.
 COPYRIGHT © 1978 DIGITAL EQUIPMENT CORPORATION



USED ON OPTION/MODEL	KS10	DRN	<i>R. Counter</i>	8 Mar 78	TITLE	KS10 CRAM ADDRESS
		CHK'D	<i>R. Counter</i>	8 Mar 78	SIZE	B DD
		ENG.	<i>Donald Lewine</i>	29 MAR 78	CODE	DD
		PROD.	<i>W. Ben Lyp</i>	30 Mar 78	NUMBER	M8622-0
					REV.	B
					SHEET 1 OF 2	

DRAWING NO.	NO. OF SHTS.	PART NO.	DESCRIPTION	NEW LAYOUT VERSION (ETCH)												REVISIONS											
			MODULE REVISION	B																							
E-UA-M8622-Ø-Ø	6		KS1Ø CRAM ADDRESS	B																							
K-PL-M8622-Ø-DBP	2		PARTS LIST DATA BASE (M8622)	B																							
D-CS-M8622-Ø-CRA1	1		CRAM ADDRESS, ADR BITS ØØ-11	B																							
D-CS-M8622-Ø-CRA2	1		CRAM ADDRESS, CONTROL	B																							
D-CS-M8622-Ø-CRA3	1		CRAM ADDRESS, SUBROUTIN STACK	B																							
D-CS-M8622-Ø-CRA4	1		CRAM ADDRESS, DIAGNOSTICS 1	B																							
D-CS-M8622-Ø-CRA5	1		CRAM ADDRESS, BACKPANEL BUS	B																							
D-CS-M8622-Ø-CRA6	1		CRAM ADDRESS, CRAM REGISTER	B																							
D-CS-M8622-Ø-CRA7	1		CRAM ADDRESS, ADDRESS DRIVERS	B																							
D-CS-M8622-Ø-CRA8	1		CRAM ADDRESS, ØØ-Ø5, 12-17, 24-29	B																							
D-CS-M8622-Ø-CRA9	1		CRAM ADDRESS, Ø6-11, 18-23, 3Ø-35	B																							
D-CS-M8622-Ø-CRAA	1		CRAM ADDRESS, DIODE CLAMPS	B																							
D-CS-M8622-Ø-CRAB	1		CRAM ADDRESS, POWER, GND, CAPS	A																							
E-MD-5013197-0-0	6		DRILL & ETCH DRAWING	B																							
		5013197	ETCHED CIRCUIT BOARD	B																							
K-PC-M8622-Ø-DBC	-		P.C. DESIGN DATA BASE (M8622)	B																							
POO-M8622-ØØ	-		PROCESS SHEETS	REF																							

NOTES:

REV. B	REV.	CHG NO.	DATE
			12-78

"THIS DRAWING AND SPECIFICATIONS, HEREIN, ARE THE PROPERTY OF DIGITAL EQUIPMENT CORPORATION AND SHALL NOT BE REPRODUCED OR COPIED OR USED IN WHOLE OR IN PART AS THE BASIS FOR THE MANUFACTURE OR SALE OF ITEMS WITHOUT WRITTEN PERMISSION.

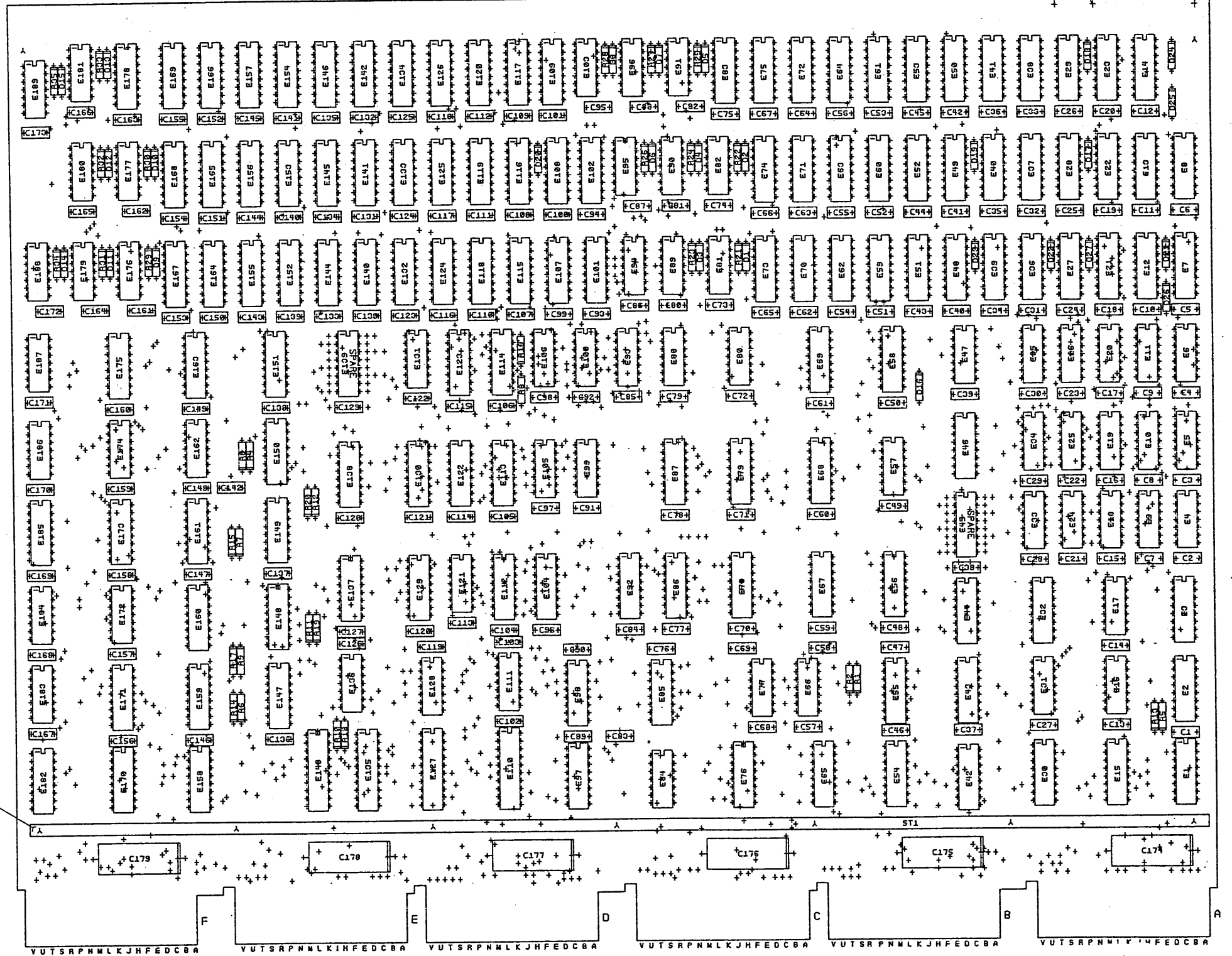


COPYRIGHT© 1978 DIGITAL EQUIPMENT CORPORATION

USED ON OPTION/MODEL	DRN. R.W. CAUNTER	8MAR78	TITLE	
KS1Ø	CHK'D R.W. CAUNTER	8MAR78	KS1Ø CRAM ADDRESS	
	ENG. D. LEWINE	29MAR78	SIZE	CODE
	PROD. W. BISHOP	30MAR78	B	DD
			NUMBER M8622-Ø	
			REV. B	
			SHEET 2 OF 2	

MR

A B C D E F H J



33(QTY 12)

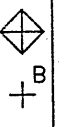
32

40
41

ALL DIMENSIONS ARE IN MILLIMETERS UNLESS OTHERWISE SPECIFIED.
 DIMENSIONS IN PARENTHESES ARE FOR INFORMATION ONLY.
 DATE: 11/17/78
 DRAWN BY: [Signature]
 CHECKED BY: [Signature]
 TITLE: [Blank]
 PROJECT: [Blank]
 SCALE: 1:1
 SHEET: 1 OF 1
 PART NUMBER: E UA M8622-0-0

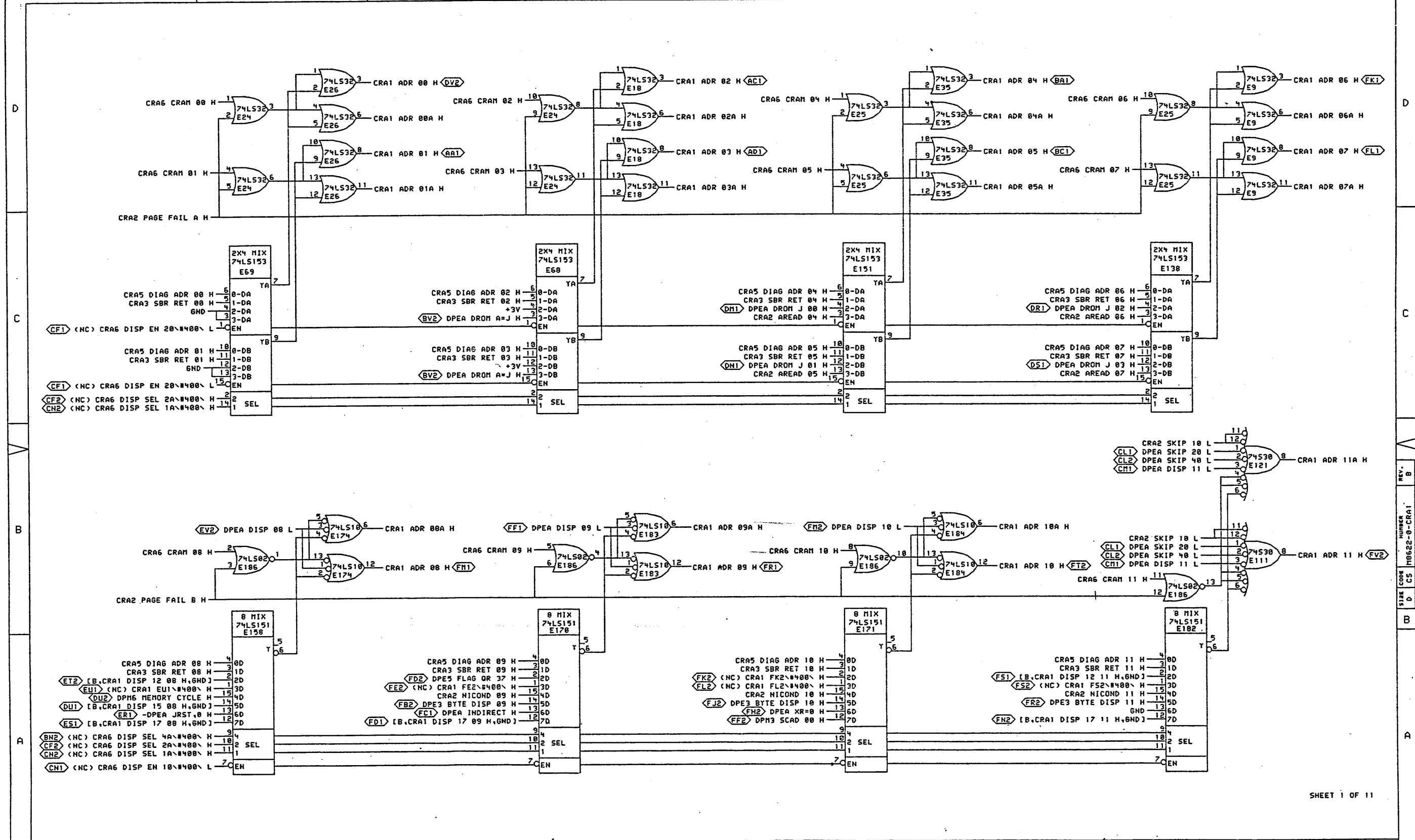
DATE	11/17/78	TITLE	digital
DRN. BY	[Signature]	CHK'D BY	[Signature]
ENG. BY	[Signature]	PROJ. ENG.	[Signature]
PROJ. NO.	[Blank]	SCALE	1:1
SHT. NO.	1	OF	1
NEXT PART ASSY. NO. M8622-0		PART NUMBER	
E UA M8622-0-0		TITLE	
PROGRAM ADDRESS		KSI0	

ETCH REV. B-PI	DATE	BY
P.C. DESIGN DATA BASE REV. B		



CHANGE NO.	REV.	DATE	BY

NOTES:

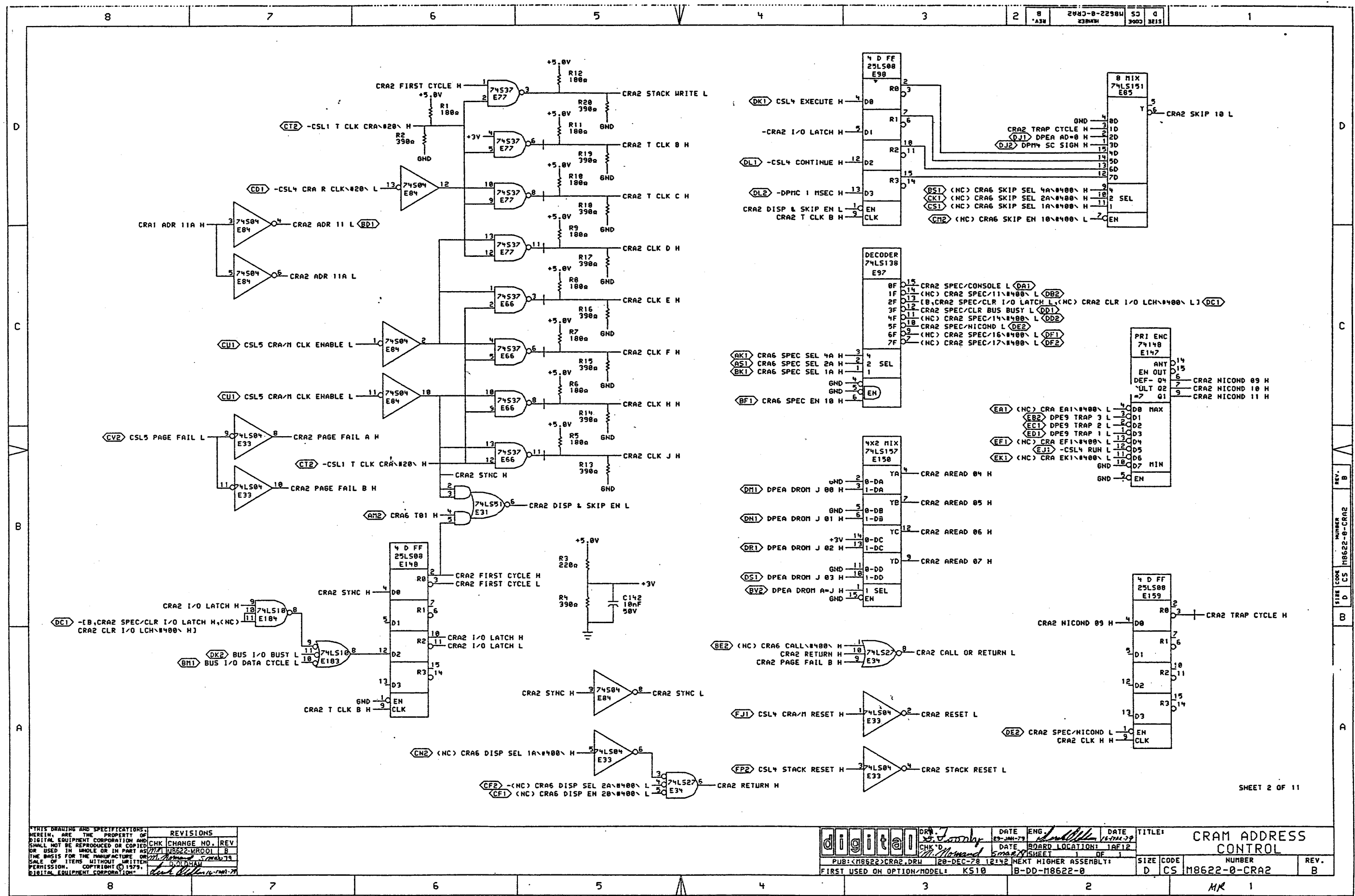


SHEET 1 OF 11

THIS DRAWING AND SPECIFICATIONS HEREIN ARE THE PROPERTY OF DIGITAL EQUIPMENT CORPORATION AND SHALL NOT BE REPRODUCED OR COPIED OR USED IN WHOLE OR IN PART AS THE BASIS FOR THE MANUFACTURE OR SALE OF ITEMS WITHOUT WRITTEN PERMISSION. COPYRIGHT © 1979, DIGITAL EQUIPMENT CORPORATION.

REVISIONS	CHK	CHANGE NO.	REV

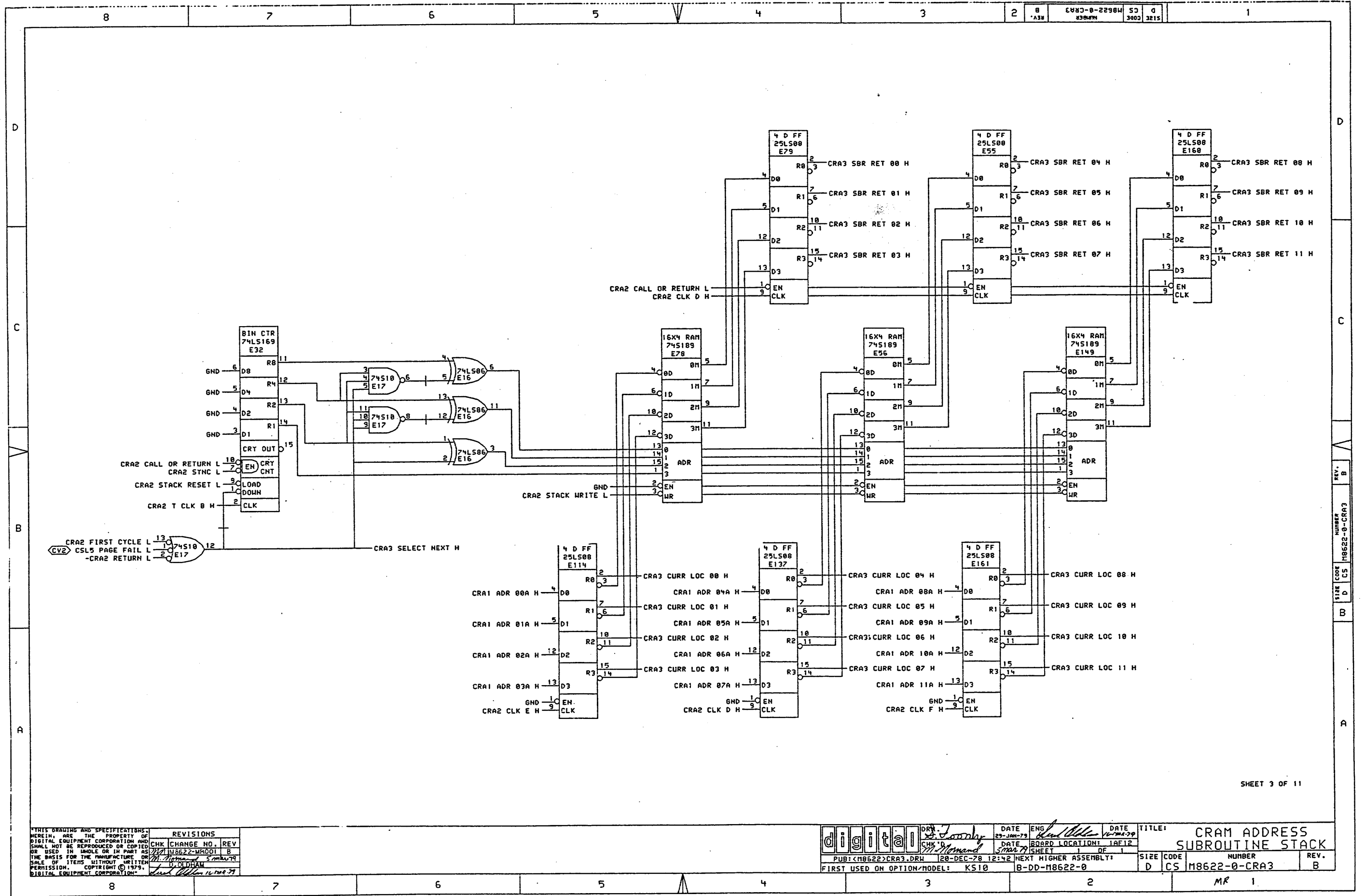
	DRY: <i>J. J. J.</i>	DATE: 29-JAN-79	ENG: <i>Paul Allen</i>	DATE: 16-MAR-79	TITLE: CRAM ADDRESS ADR BITS 00-11
	CHK'D: <i>M. Roman</i>	DATE: 5-MAR-79	BOARD LOCATION: 18F12	SHEET: 1 OF 1	
PUB: M8622-CRA1.DRW			20-DEC-78 12:42	NEXT HIGHER ASSEMBLY: B-DD-M8622-0	SIZE CODE: D CS
FIRST USED ON OPTION/MODEL: K510					NUMBER: M8622-0-CRA1
					REV: B



REVISIONS	
CHK	CHANGE NO. REV
1	18622-0-CRA2
2	18622-0-CRA2

digital	DATE: 23-JUN-79	ENG: [Signature]	DATE: 16-JUL-79	TITLE: CRAM ADDRESS CONTROL
CHK'D: [Signature]	DATE: 18-DEC-78	BOARD LOCATION: 1A12	SIZE: D	CODE: CS
PUB: 18622-CRA2.DRW	20-DEC-78	12:42	NEXT HIGHER ASSEMBLY: B-DD-18622-0	NUMBER: M8622-0-CRA2
FIRST USED ON OPTION/MODEL: K510				REV. B

SHEET 2 OF 11



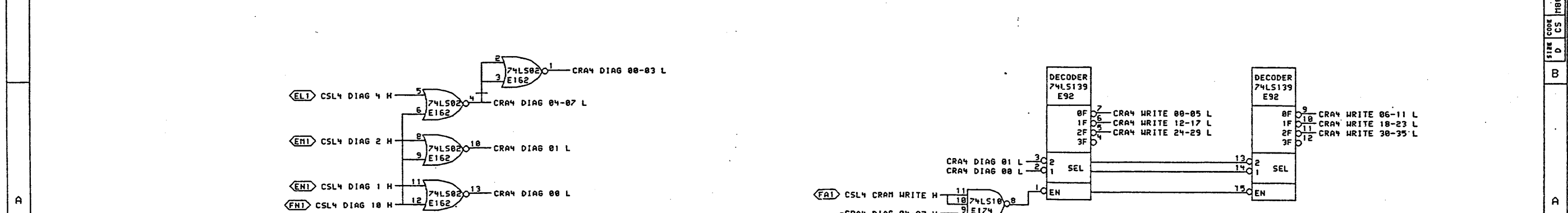
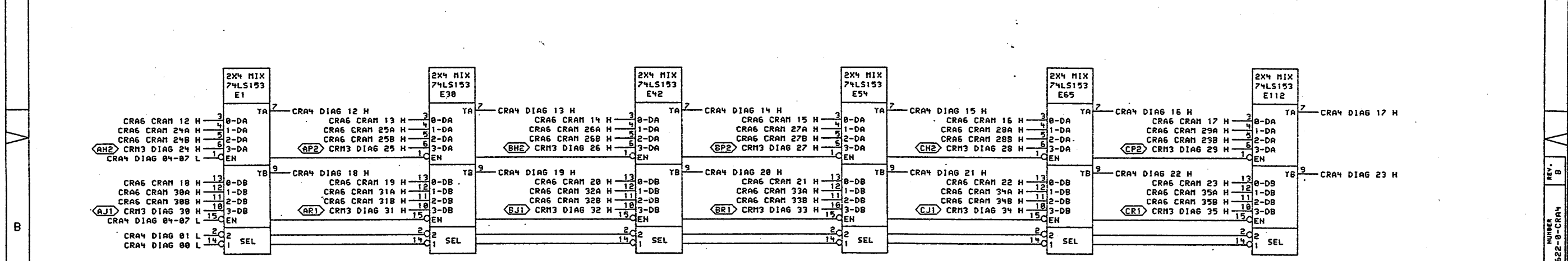
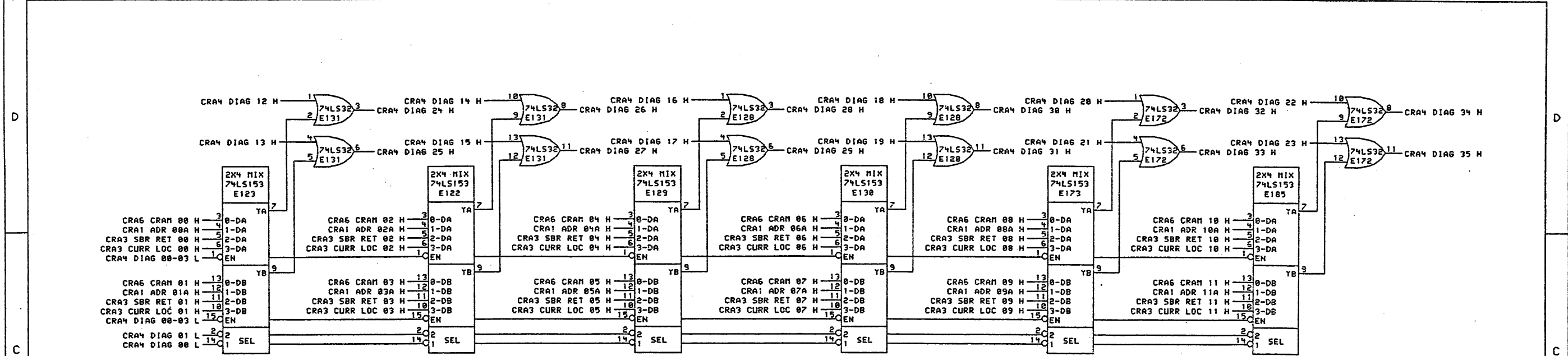
SHEET 3 OF 11

THIS DRAWING AND SPECIFICATIONS HEREIN ARE THE PROPERTY OF DIGITAL EQUIPMENT CORPORATION AND SHALL NOT BE REPRODUCED OR COPIED OR USED IN WHOLE OR IN PART AS THE BASIS FOR THE MANUFACTURE OR SALE OF ITEMS WITHOUT WRITTEN PERMISSION. COPYRIGHT © 1979, DIGITAL EQUIPMENT CORPORATION.

REVISIONS	CHK	CHANGE NO.	REV
1	MM	M8622-MR001	B
2	MM	5.2MMW79	
3	MM	16.1MMW79	

digital	DRY	DATE	ENG	DATE	TITLE
	CHK'D	29-JAN-79	Karl Alder	10-1-79	CRAM ADDRESS SUBROUTINE STACK
	DATE	BOARD LOCATION	DATE	BOARD LOCATION	DATE
	5-MAR-79	1AF12	5-MAR-79	1AF12	5-MAR-79
PUB: M8622-CRA3.DRW			NEXT HIGHER ASSEMBLY:		SIZE CODE
FIRST USED ON OPTION/MODEL: KS10			B-DD-M8622-0		D CS
					NUMBER
					M8622-0-CRA3
					REV.
					B

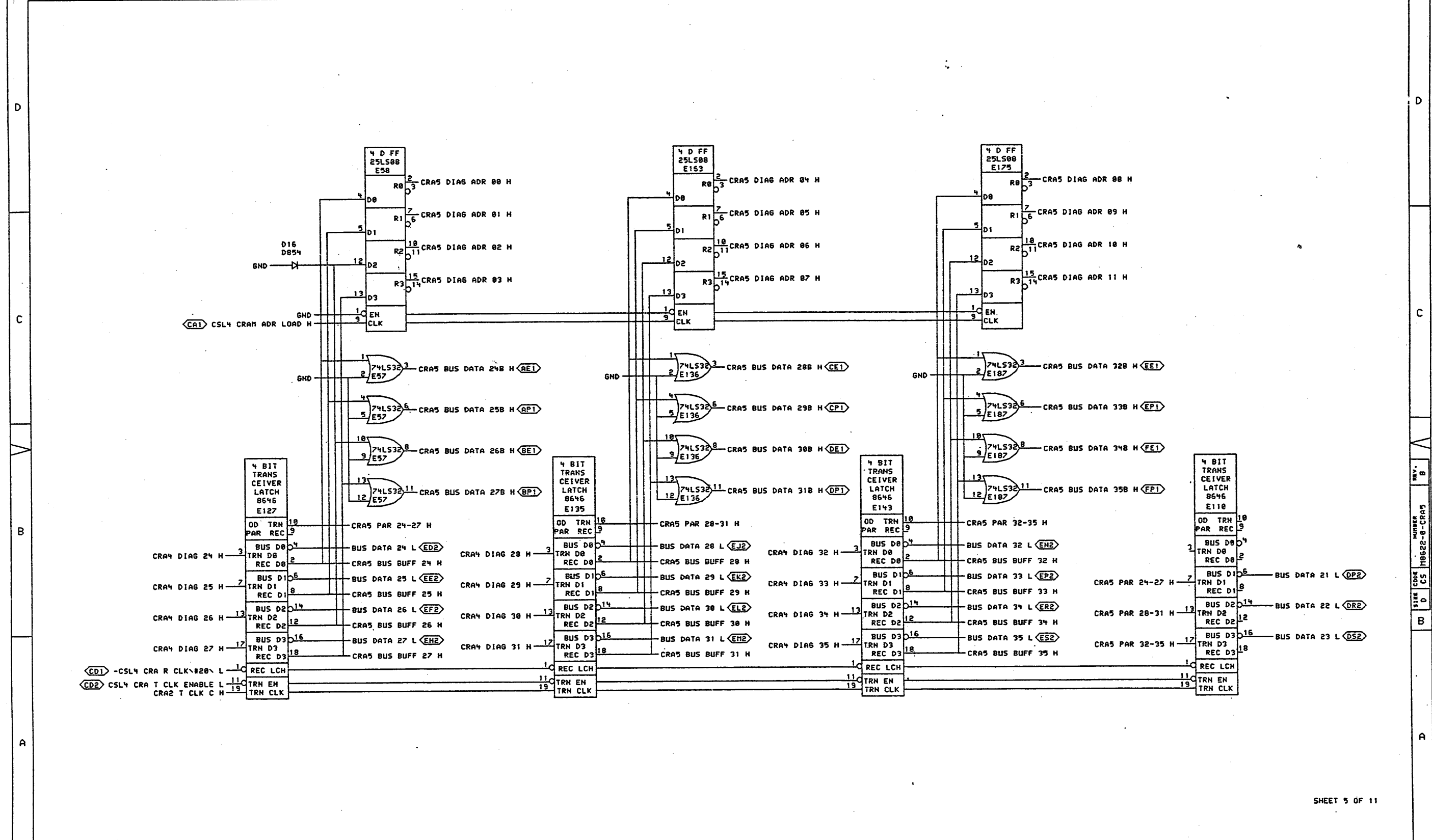
MR 1



THIS DRAWING AND SPECIFICATIONS HEREIN ARE THE PROPERTY OF DIGITAL EQUIPMENT CORPORATION AND SHALL NOT BE REPRODUCED OR COPIED OR USED IN WHOLE OR IN PART AS THE BASIS FOR THE MANUFACTURE OR SALE OF ITEMS WITHOUT WRITTEN PERMISSION. COPYRIGHT © 1979, DIGITAL EQUIPMENT CORPORATION.

REV.	CHG.	NO.	DATE
1	CHK	18622-MR001	B

	DATE: 29-JAN-79	END: <i>David O'Brien</i>	DATE: 12-1987	TITLE: CRAM ADDRESS DIAGNOSTICS 1
	DATE: 20-DEC-78	DATE: 12-1987	DATE: 12-1987	DATE: 12-1987
PUB: 18622-CRAM.DRW	120-DEC-78	12:42	NEXT HIGHER ASSEMBLY: B-DD-18622-0	SIZE CODE: D CS
FIRST USED ON OPTION/MODEL: KS10	NUMBER: 18622-0-CRAM	REV. B	1 MK	



THIS DRAWING AND SPECIFICATIONS ARE THE PROPERTY OF DIGITAL EQUIPMENT CORPORATION AND SHALL NOT BE REPRODUCED OR COPIED OR USED IN WHOLE OR IN PART AS THE BASIS FOR THE MANUFACTURE OR SALE OF ITEMS WITHOUT WRITTEN PERMISSION. COPYRIGHT © 1979, DIGITAL EQUIPMENT CORPORATION.

REV.	CHG. NO.	DATE	BY	CHK.
1	1	12-DEC-78	J. J. J.	M. M.
2	2	12-DEC-78	J. J. J.	M. M.

REVISIONS

1. CHG. NO. 1, DATE 12-DEC-78, BY J. J. J., CHK. M. M.

2. CHG. NO. 2, DATE 12-DEC-78, BY J. J. J., CHK. M. M.

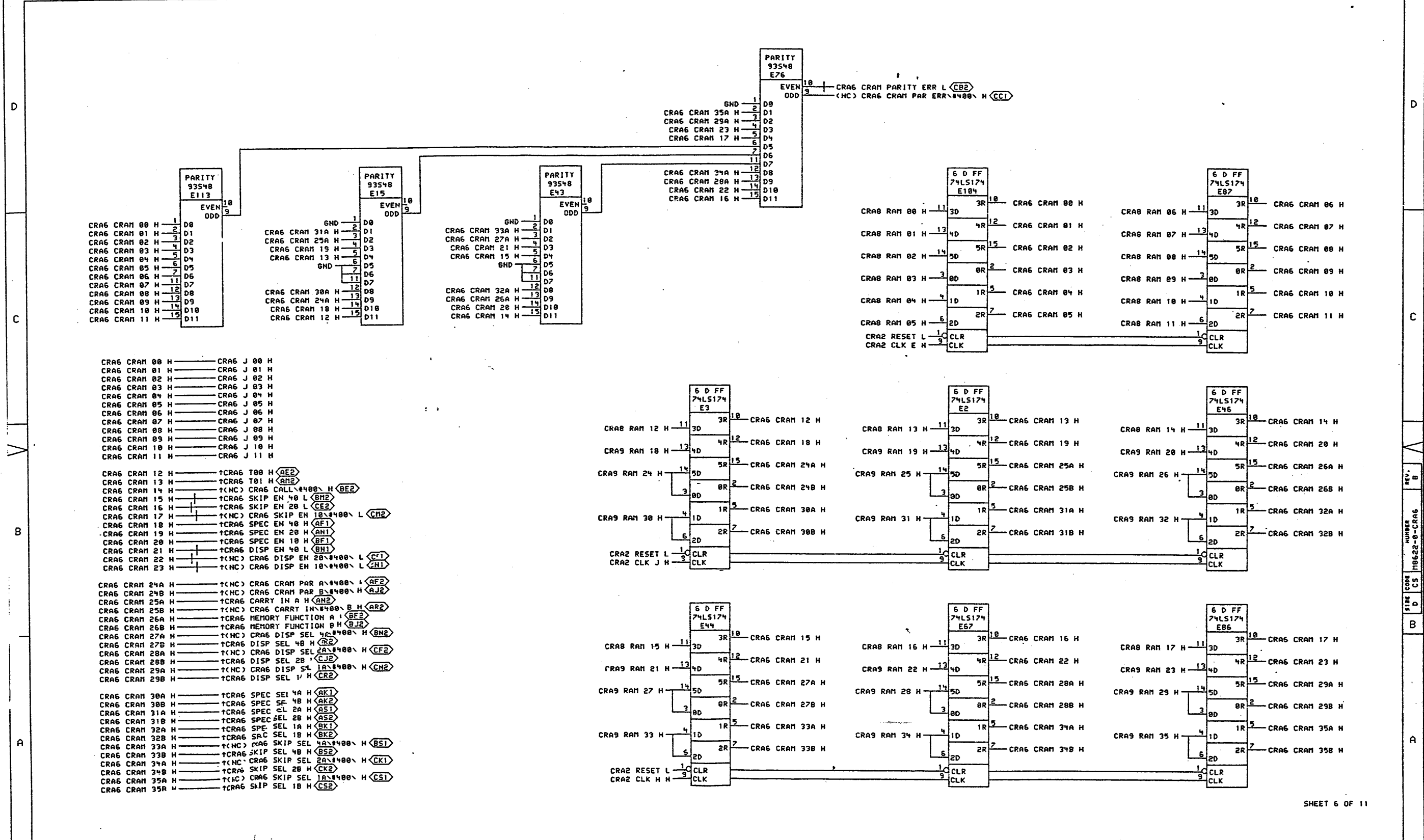
DATE: 12-DEC-78
 ENG: J. J. J.
 DATE: 12-DEC-78
 BOARD LOCATION: 1A612
 DATE: 12-DEC-78
 SHEET: 1 OF 1

TITLE: CRAM ADDRESS BACKPANEL BUS

SIZE CODE: D CS
 NUMBER: M8622-0-CRA5
 REV. B

PUB: M8622-CRA5.DRW
 FIRST USED ON OPTION/MODEL: K510
 NEXT HIGHER ASSEMBLY: B-DD-M8622-0

1 MR



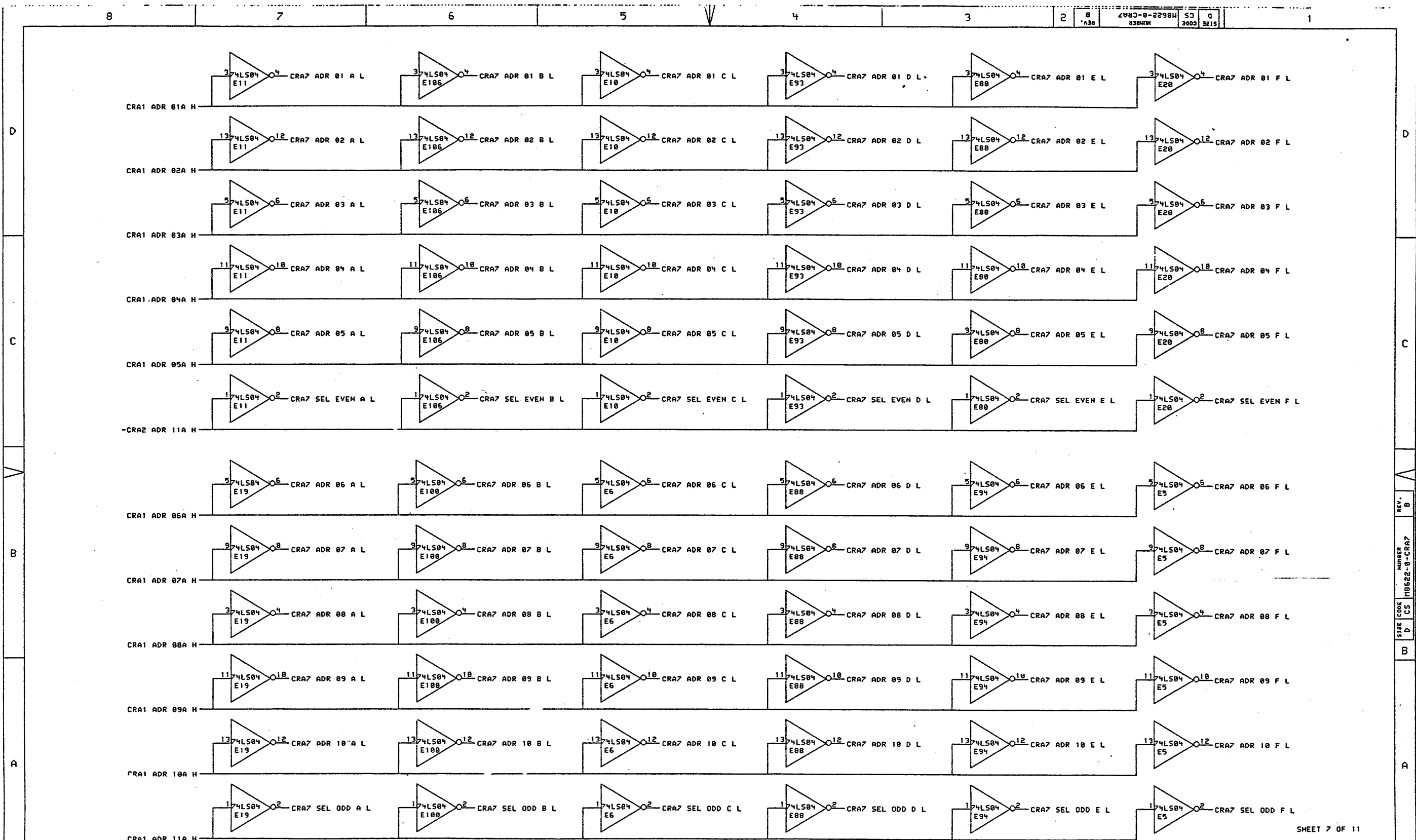
THIS DRAWING AND SPECIFICATIONS ARE THE PROPERTY OF DIGITAL EQUIPMENT CORPORATION AND SHALL NOT BE REPRODUCED OR COPIED OR USED IN WHOLE OR IN PART AS THE BASIS FOR THE MANUFACTURE OR SALE OF ITEMS WITHOUT WRITTEN PERMISSION. COPYRIGHT © 1979, DIGITAL EQUIPMENT CORPORATION.

REVISIONS	CHK	CHANGE NO.	REV

digital DR. J. J. J. DATE: 22-JAN-79 ENG: J. J. J. DATE: 12-DEC-78
 PUB: M8622-CRAM.DRW 20-DEC-78 12:43 NEXT HIGHER ASSEMBLY: B-D: -M8622-0
 FIRST USED ON OPTION/MODEL: KS10

TITLE: **CRAM ADDRESS CRAM REGISTER**

SIZE CODE NUMBER REV. D CS M8622-0-CRAM B



SHEET 7 OF 11

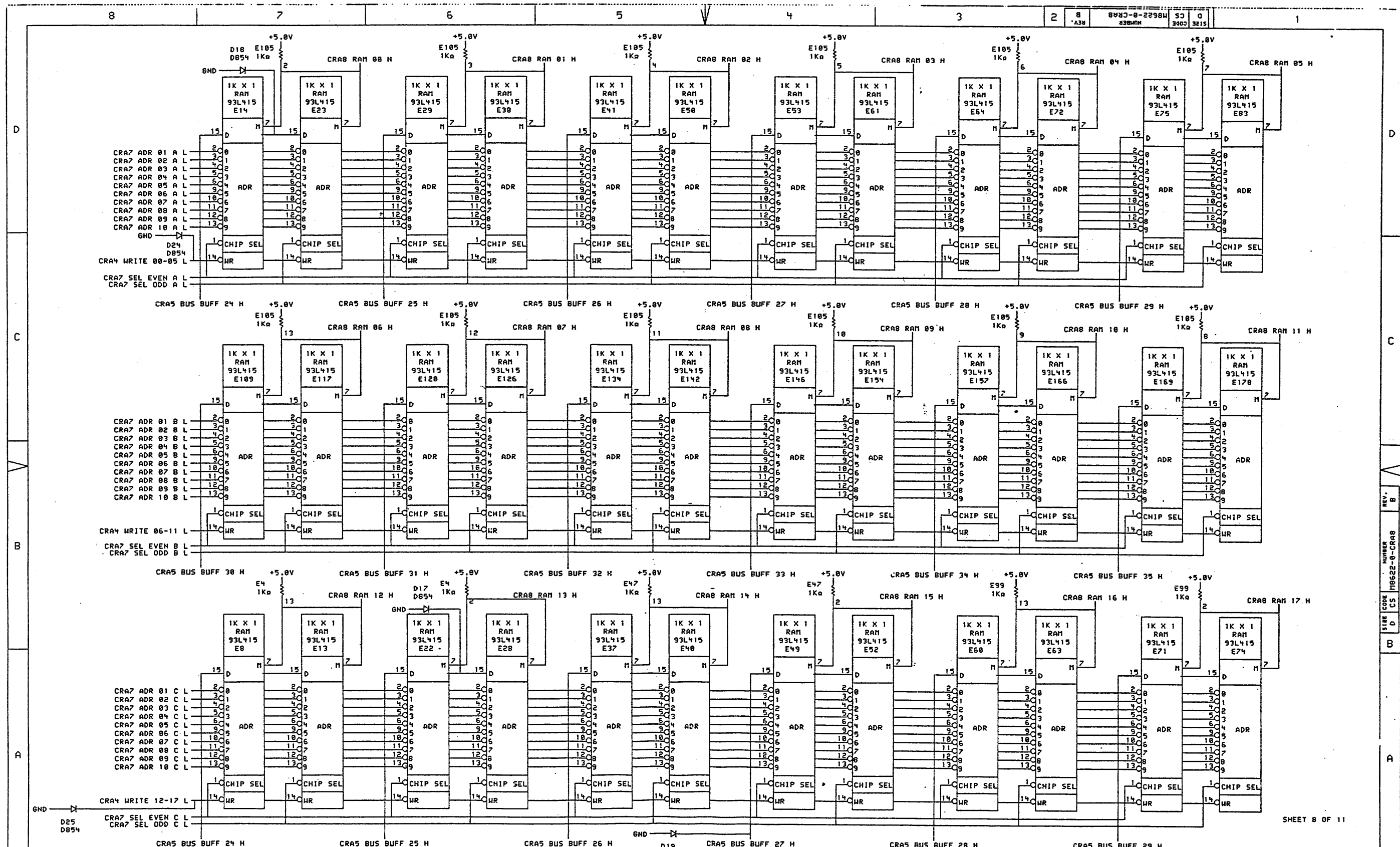
THIS DRAWING AND SPECIFICATIONS HEREIN ARE THE PROPERTY OF DIGITAL EQUIPMENT CORPORATION AND SHALL NOT BE REPRODUCED OR COPIED OR USED IN WHOLE OR IN PART AS THE BASIS FOR THE MANUFACTURE OR SALE OF ITEMS WITHOUT WRITTEN PERMISSION. COPYRIGHT © 1979, DIGITAL EQUIPMENT CORPORATION.

REVISIONS	
CHK	CHANGE NO. REV
<i>[Signature]</i>	18622-MOD 1 3
<i>[Signature]</i>	18622-MOD 2 3
<i>[Signature]</i>	18622-MOD 3 3

digital	DRY <i>[Signature]</i>	DATE 29-JAN-79	ENG <i>[Signature]</i>	DATE 29-JAN-79	TITLE: CRAM ADDRESS ADDRESS DRIVERS
	CHK'D <i>[Signature]</i>	DATE 5-MAR-79	BOARD LOCATION: 1AF12	SHEET 1 OF 1	
PUB: 18622-CRA7.DRW		28-DEC-78 12:43	NEXT HIGHER ASSEMBLY:	SIZE CODE	NUMBER
FIRST USED ON OPTION/MODEL: KS10		B-DD-18622-0		D	CS 18622-0-CRA7
					REV. B

REV. B
NUMBER 18622-0-CRA7
SHEET CODE D CS

1 MK

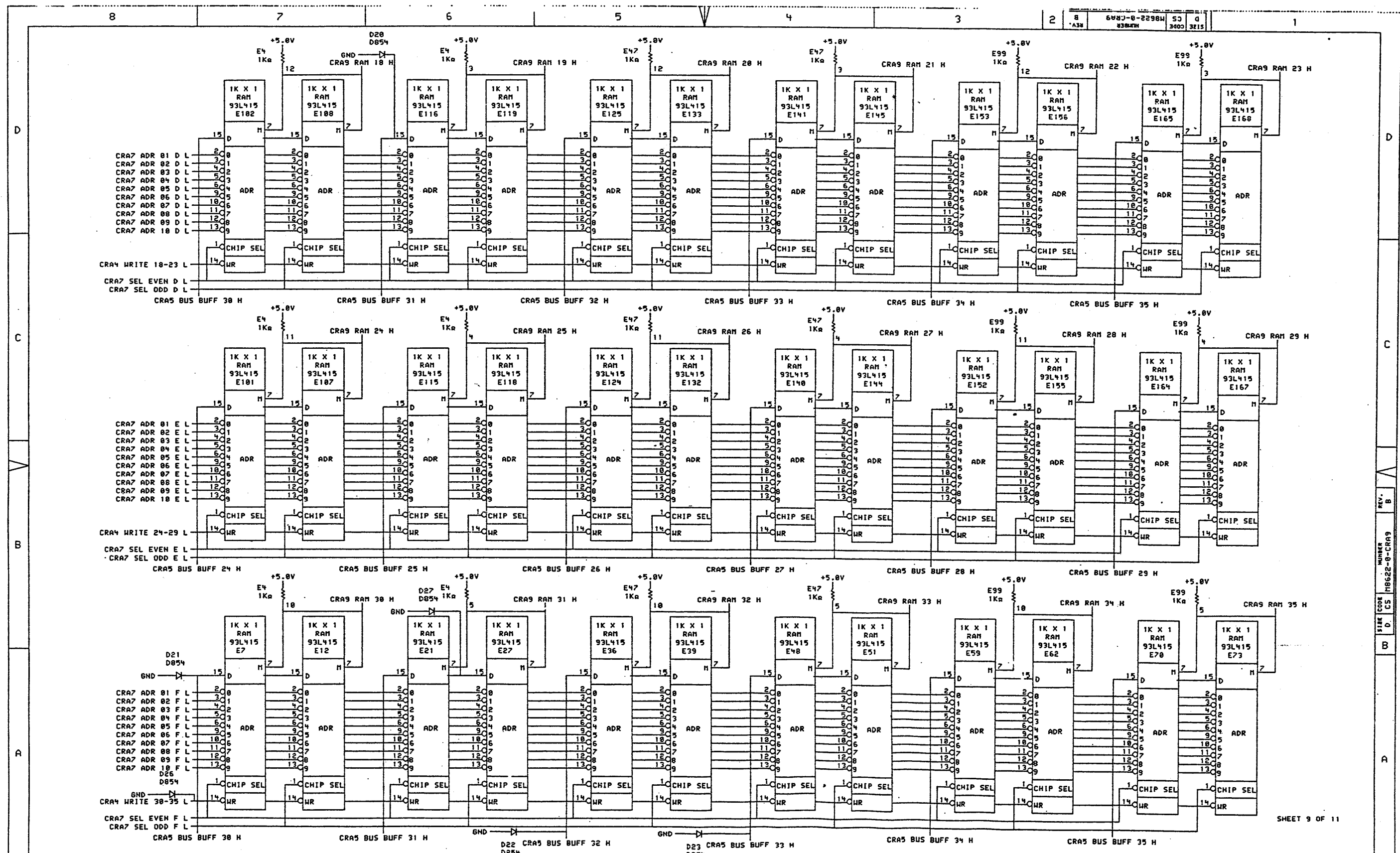


THIS DRAWING AND SPECIFICATIONS HEREIN ARE THE PROPERTY OF DIGITAL EQUIPMENT CORPORATION AND SHALL NOT BE REPRODUCED OR COPIED OR USED IN WHOLE OR IN PART AS THE BASIS FOR THE MANUFACTURE OR SALE OF ITEMS WITHOUT WRITTEN PERMISSION. COPYRIGHT © 1979, DIGITAL EQUIPMENT CORPORATION.

REVISIONS	CHK	CHANGE NO.	REV

		DATE: 23-JAN-79 DATE: 16-MAR-79	TITLE: CRAM ADDRESS 00-05 12-17 24-29
PUB: CM8622-CRAB.DRW FIRST USED ON OPTION/MODEL: KS10		DATE: 20-DEC-78 SHEET: 1 OF 1	BOARD LOCATION: 1A12 SIZE CODE: D CS NUMBER: M8622-0-CRAB REV. B

SHEET CODE D CS M8622-0-CRAB
 REV. B

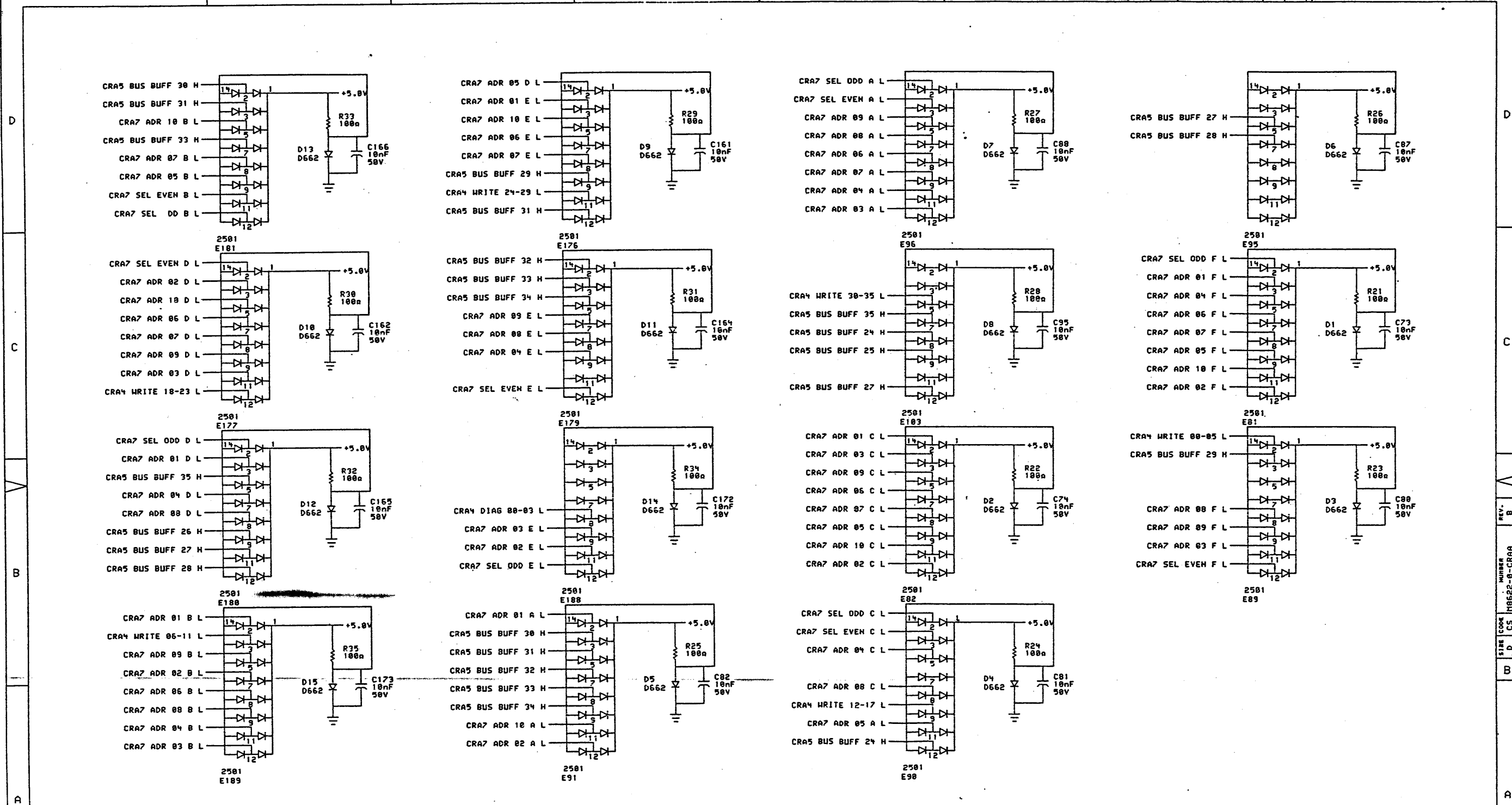


THIS DRAWING AND SPECIFICATIONS, HEREIN, ARE THE PROPERTY OF DIGITAL EQUIPMENT CORPORATION AND SHALL NOT BE REPRODUCED OR COPIED OR USED IN WHOLE OR IN PART ON THE BASIS FOR THE MANUFACTURE OR SALE OF ITEMS WITHOUT WRITTEN PERMISSION. COPYRIGHT © 1979, DIGITAL EQUIPMENT CORPORATION.

REVISIONS	
CHK	CHANGE NO. / REV
	M8622-UR001 R
	1/24/79

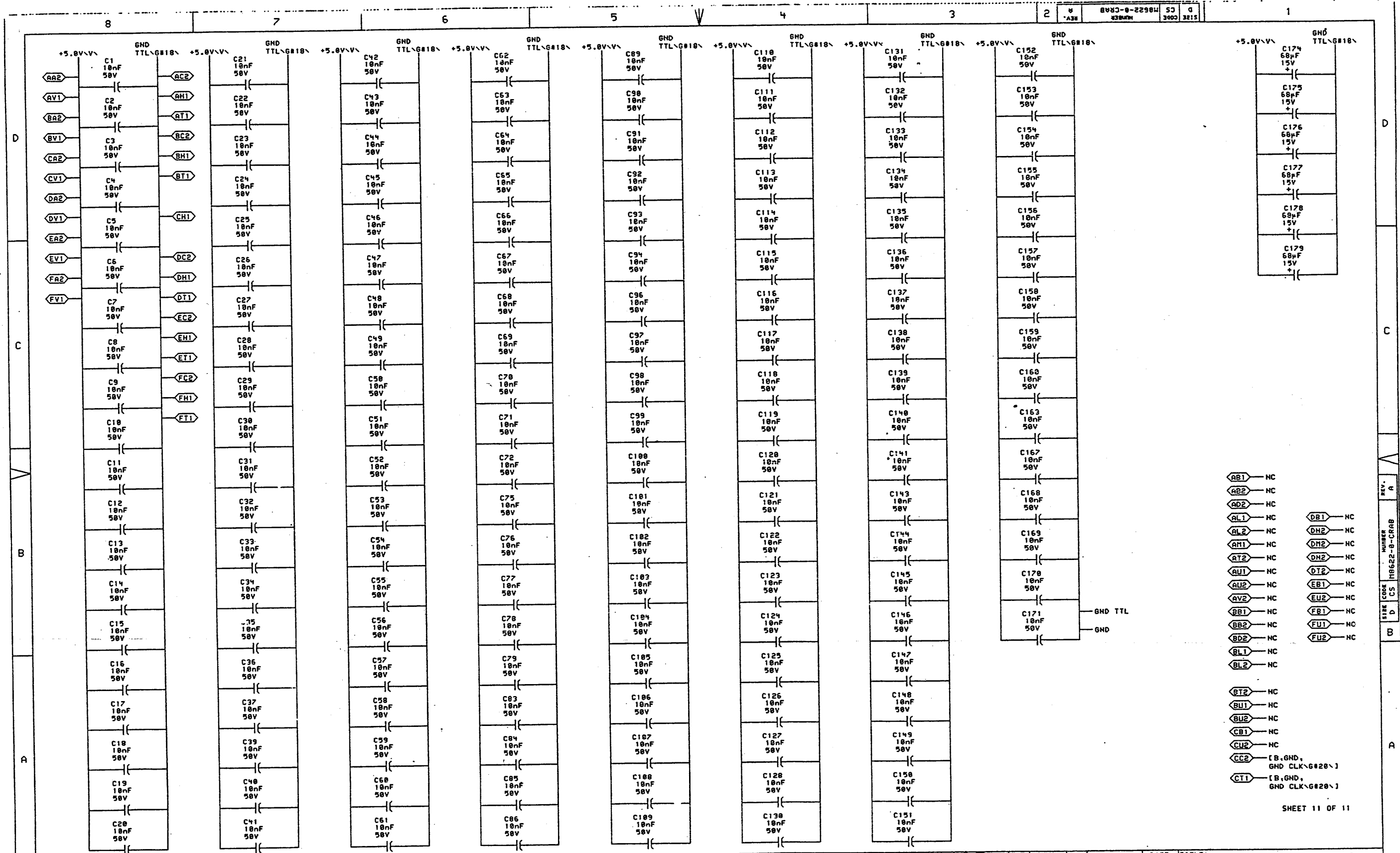
	DATE: 29-JAN-79	ENG: David Allen	DATE: 10-10-79	TITLE: CRAM ADDRESS
	DATE: 5-18-79	BOARD LOCATION: 18F12	SHEET: 1	06-11 18-23 30-35
PUB: M8622-CRA9.DRM 18-DEC-78 12:44 FIRST USED ON OPTION/MODEL: KS10		NEXT HIGHER ASSEMBLY: 18-DD-M8622-0		SIZE CODE: D CS NUMBER: M8622-0-CRA9 REV: B

REV. B
 NUMBER M8622-0-CRA9
 SIZE CODE D CS
 SHEET 9 OF 11



REVISIONS	
CHK	CHANGE NO. REV
CH	18622-0-CRAA B
D	18622-0-CRAA B

	DATE	EMP	DATE	TITLE
	29-JAN-79	W. J. O'Leary	16-MAR-79	CGRAM ADDRESS DIODE CLAMPS
	DATE	BOARD LOCATION	1A12	
	12-DEC-78	12:44	NEXT HIGHER ASSEMBLY	
	FIRST USED ON OPTION/MODEL	K510	B-DD-118622-0	
SIZE	CODE	NUMBER	REV.	
D	CS	18622-0-CRAA	B	



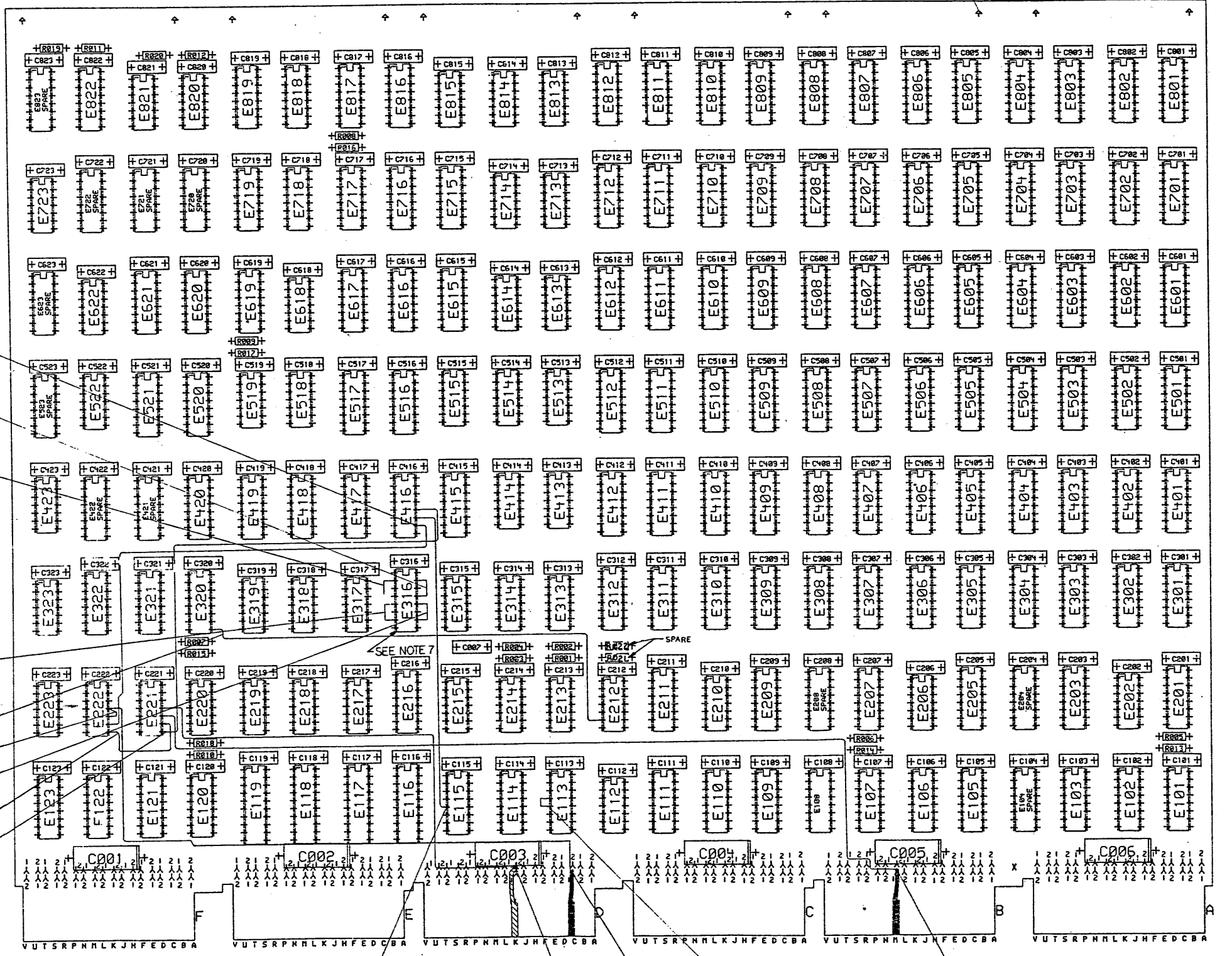
THIS DRAWING AND SPECIFICATIONS HEREIN ARE THE PROPERTY OF DIGITAL EQUIPMENT CORPORATION AND SHALL NOT BE REPRODUCED OR COPIED OR USED IN WHOLE OR IN PART AS THE BASIS FOR THE MANUFACTURE OR SALE OF ITEMS WITHOUT WRITTEN PERMISSION. COPYRIGHT © 1979, DIGITAL EQUIPMENT CORPORATION.

REVISIONS	
CHK	CHANGE NO. REV
1	M8622-MROD1 B
2	5/24/79 S. mha
3	D. DHAM
4	12/28/79

digital	DATE	ENG	DATE	TITLE
	23-JUN-79	Handwritten	16-MAR-79	CRAM ADDRESS POWER, GND, CAPS
	DATE	BOARD LOCATION	1AF12	
	5/24/79			
PUB: M8622-CRAB.DRW		121-DEC-78 08:33	NEXT HIGHER ASSEMBLY:	
FIRST USED ON OPTION/MODEL: K510		B-DD-M8622-0		

THIS DRAWING AND SPECIFICATIONS HEREBY ARE THE PROPERTY OF DIGITAL EQUIPMENT CORPORATION AND SHALL NOT BE REPRODUCED OR COPIED OR USED IN WHOLE OR IN PART AS THE BASIS FOR THE MANUFACTURE OR SALE OF ITEMS WITHOUT WRITTEN PERMISSION. COPYRIGHT © 1973 DIGITAL EQUIPMENT CORPORATION

D
C
B
A

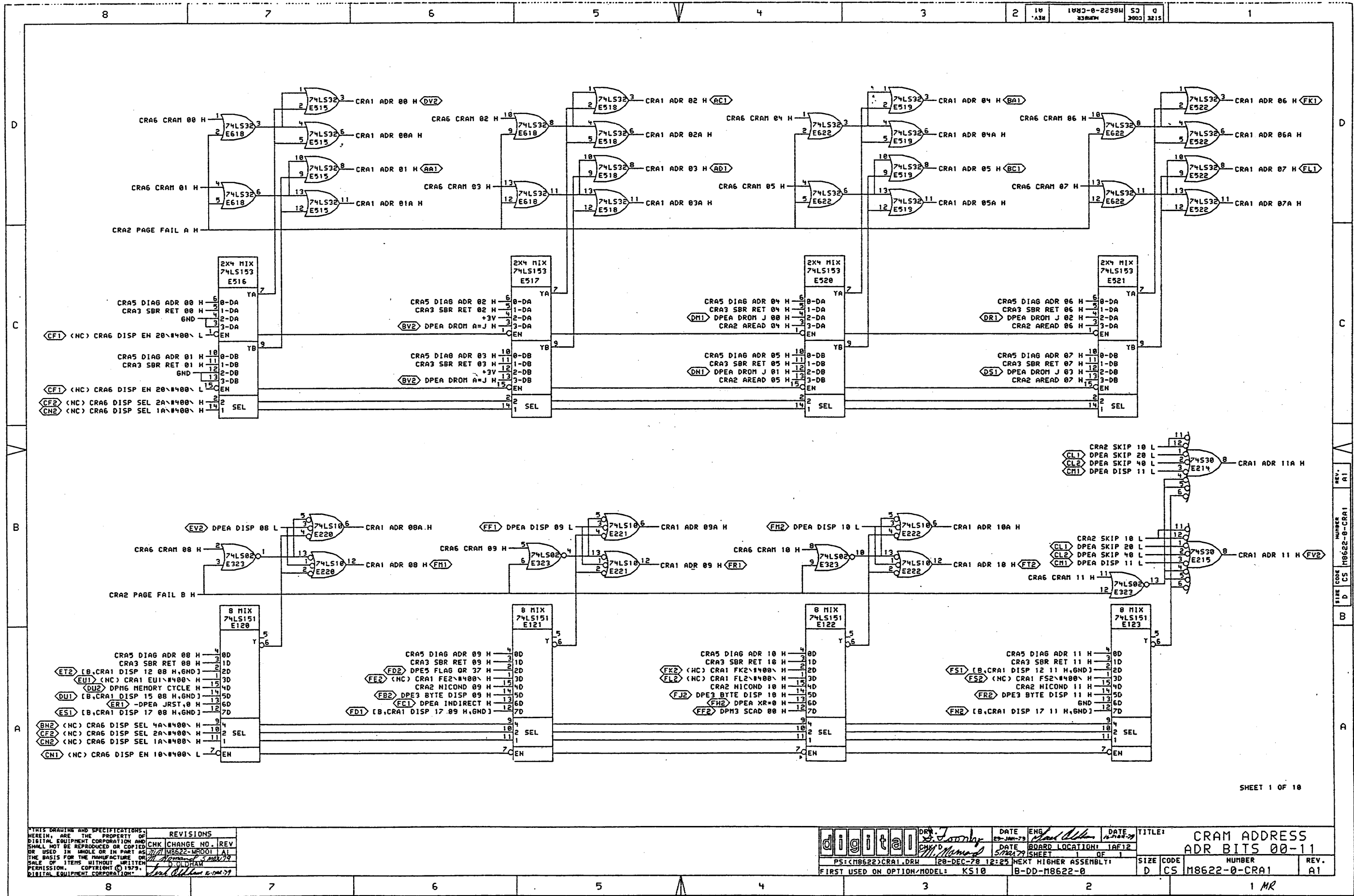


REV.	DATE	BY	CHK
1	11/15/73	D. OLINHAM	
2	11/15/73	D. OLINHAM	

CHANGE NO. 1A
M8622 - M8622-1A
D. OLINHAM
11/15/73

DRN. <i>William</i>	DATE <i>11/15/73</i>	ENG. <i>JW</i>	DATE <i>11/15/73</i>	TITLE
DATE <i>11/15/73</i>	DATE <i>11/15/73</i>	DATE <i>11/15/73</i>	DATE <i>11/15/73</i>	CRAM ADDRESS UNIT ASSEMBLY
SIZE	CODE	NUMBER	REV.	
E	UA	M8622-0-0	AI	

17R



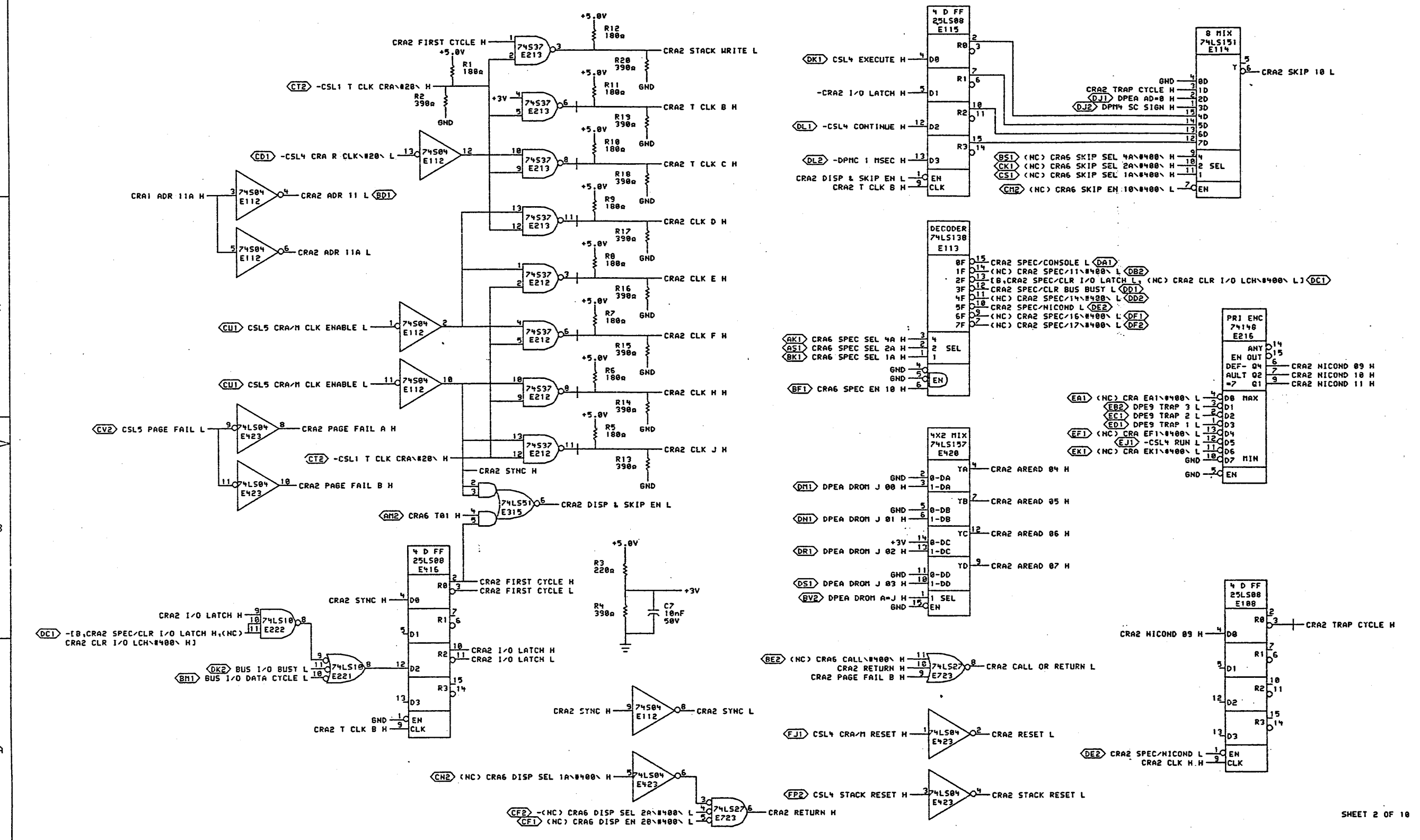
SHEET 1 OF 18

THIS DRAWING AND SPECIFICATIONS HEREIN ARE THE PROPERTY OF DIGITAL EQUIPMENT CORPORATION AND SHALL NOT BE REPRODUCED OR COPIED OR USED IN WHOLE OR IN PART AS THE BASIS FOR THE MANUFACTURE OR SALE OF ITEMS WITHOUT WRITTEN PERMISSION. COPYRIGHT © 1979, DIGITAL EQUIPMENT CORPORATION.

REVISIONS	CHK	CHANGE NO.	REV
1	JK	1	1

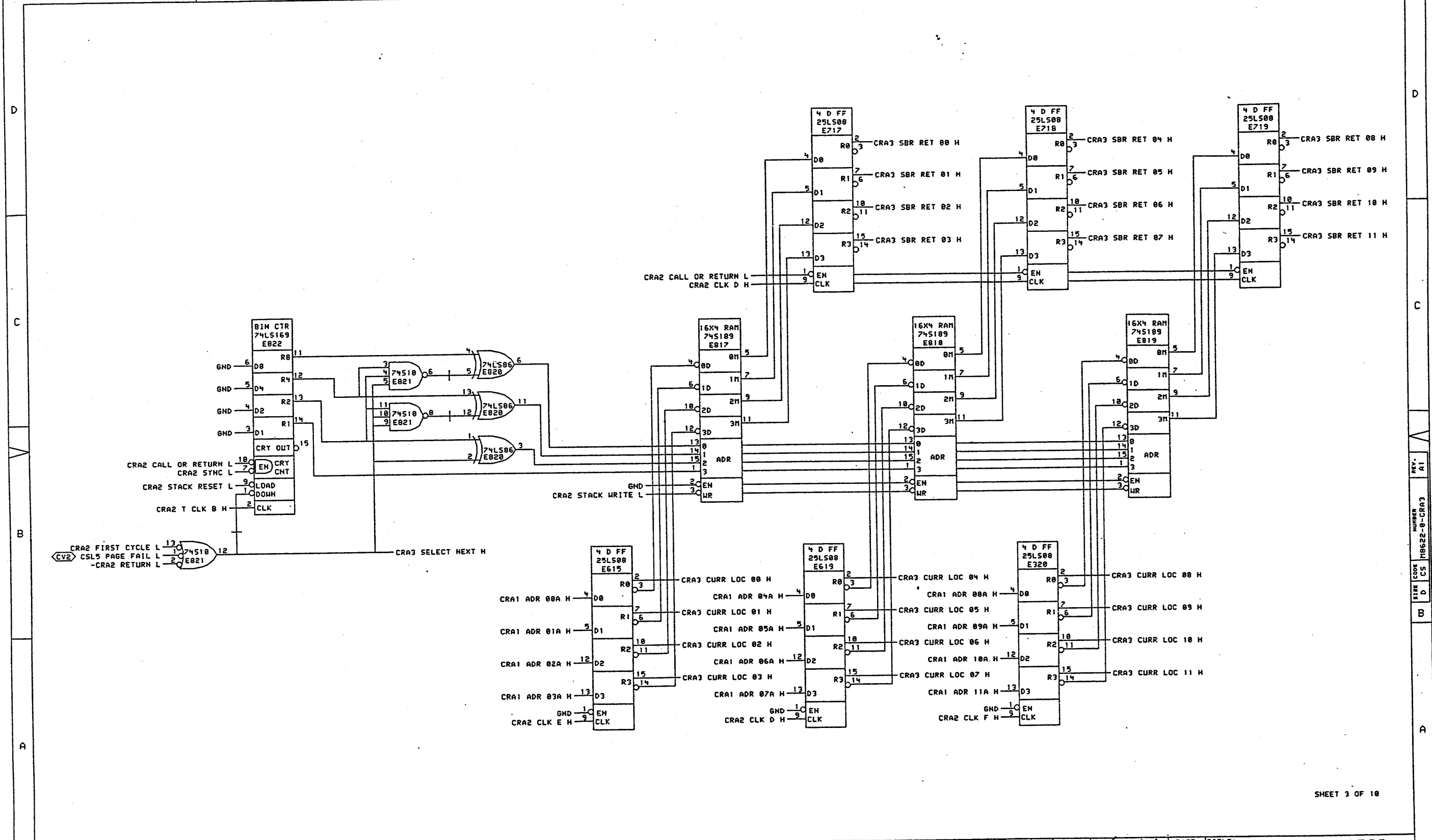
	DRY: J. J. J.	DATE: 20-DEC-78	ENG: M. D. M.	DATE: 12-25-78	TITLE: CRAM ADDRESS ADR BITS 00-11
	CHK: M. M.	DATE: 12-25-78	BOARD LOCATION: 1A12	DATE: 12-25-78	SIZE: D
FIRST USED ON OPTION/MODEL: KS10			DATE: 12-25-78	DATE: 12-25-78	NUMBER: M8622-0-CRA1
			DATE: 12-25-78	DATE: 12-25-78	REV: A1

D
C
B
A



REVISIONS	CHK	CHANGE NO.	REV
1			
2			

digital	DATE: 09-JAN-78	ENG: [Signature]	DATE: 10-MAR-78	TITLE: CRAM ADDRESS CONTROL
PS: M8622-CRA2.DRM	DATE: 120-DEC-78 12:31	INF AT HIGHER ASSEMBLY:	SIZE: D	CODE: C5
FIRST USED ON OPTION/MODEL: KS10	DATE: 17-DEC-78	REV: A1	NUMBER: M8622-0-CRA2	REV: A1

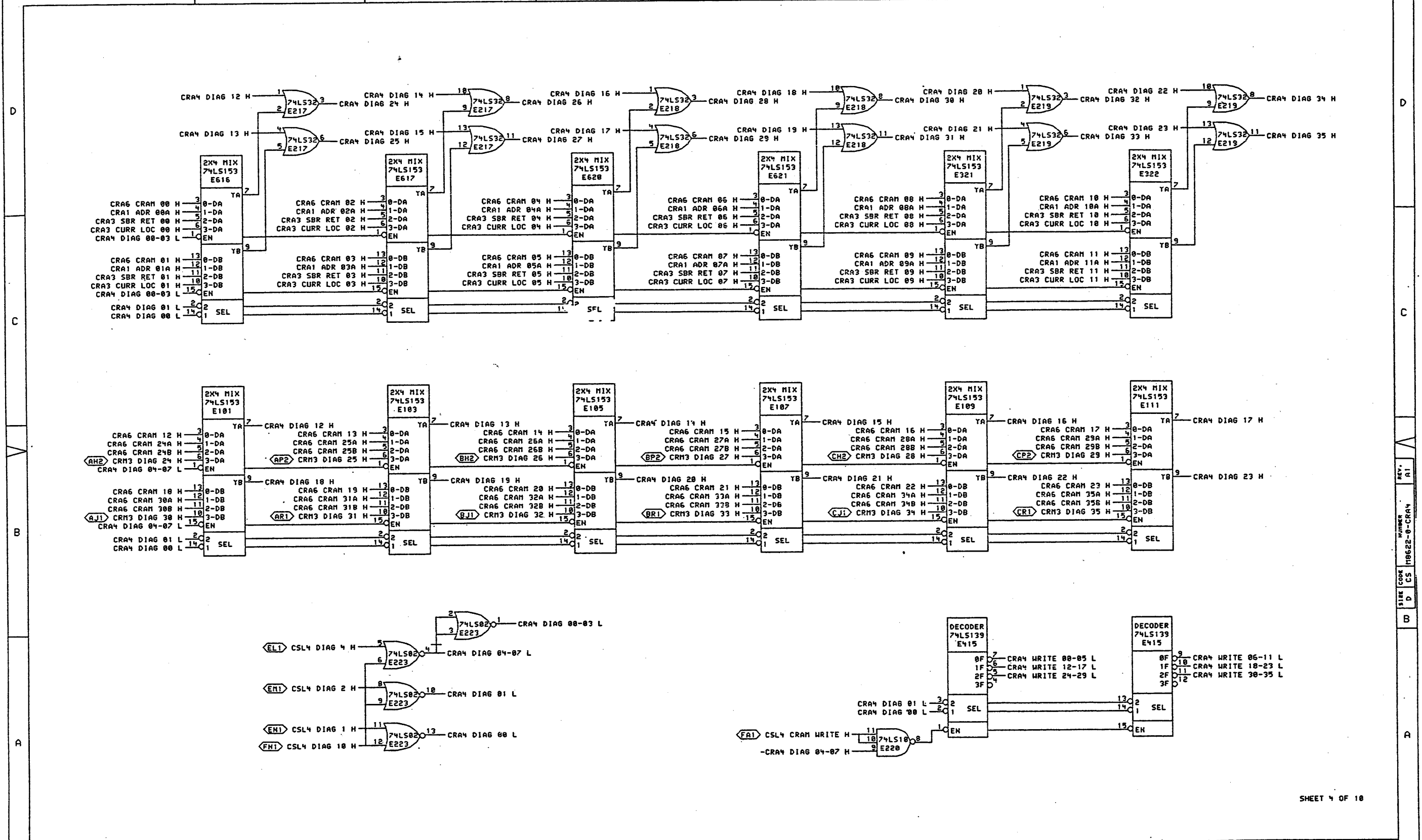


SHEET 3 OF 10

THIS DRAWING AND SPECIFICATIONS ARE THE PROPERTY OF DIGITAL EQUIPMENT CORPORATION AND SHALL NOT BE REPRODUCED OR COPIED OR USED IN WHOLE OR IN PART WITHOUT THE BASIS FOR THE MANUFACTURE OR SALE OF ITEMS WITHOUT WRITTEN PERMISSION. COPYRIGHT © 1979, DIGITAL EQUIPMENT CORPORATION.

CHK	CHANGE NO.	REV
		A1

digital	DRN. J. J. J.	DATE 09-JAN-79	ENG. Paul Miller	DATE 10-MAR-79	TITLE: CRAM ADDRESS SUBROUTINE STACK
	CHK'D M. M.	DATE 05-MAR-79	BOARD LOCATION: 1AF12	SHEET 1 OF 1	SIZE CODE NUMBER REV. D CS M8622-0-CRA3 A1
FIRST USED ON OPTION/MODEL: K510		NEXT HIGHER ASSEMBLY: B-DD-M8622-0		1 MR	



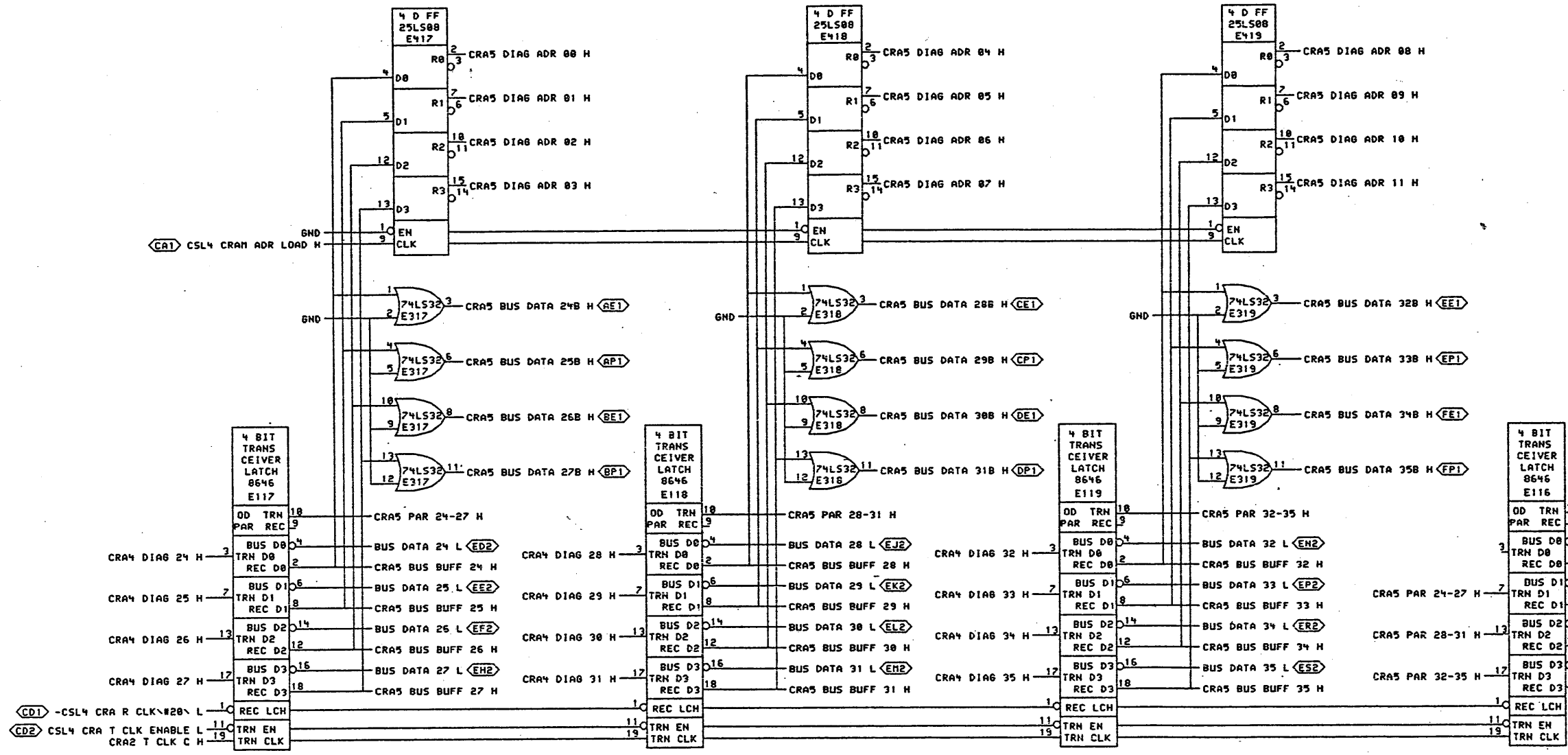
THIS DRAWING AND SPECIFICATIONS HEREIN ARE THE PROPERTY OF DIGITAL EQUIPMENT CORPORATION AND SHALL NOT BE REPRODUCED OR COPIED OR USED IN WHOLE OR IN PART AS THE BASIS FOR THE MANUFACTURE OR SALE OF ITEMS WITHOUT WRITTEN PERMISSION. COPYRIGHT © 1979, DIGITAL EQUIPMENT CORPORATION.		REVISIONS CHK CHANGE NO. REV 1 MRS22-MDD01 LA 2 MRS22-MDD01 LA 3 MRS22-MDD01 LA 4 MRS22-MDD01 LA 5 MRS22-MDD01 LA 6 MRS22-MDD01 LA 7 MRS22-MDD01 LA 8 MRS22-MDD01 LA	digital PS: M8622-CRAM.DRW FIRST USED ON OPTION/MODEL: KS10	DRN: <i>John</i> ENR: <i>John</i> DATE: 29-JAN-79 DATE: 28-DEC-78 12:37 SHEET: 1 OF 1 NEXT HIGHER ASSEMBLY: B-DD-M8622-0	ENG: <i>John</i> DATE: 12-DEC-78 BOARD LOCATION: IAF12 TITLE: CRAM ADDRESS DIAGNOSTICS 1	SIZE CODE NUMBER REV. D CS M8622-0-CRAM A1
---	--	--	--	---	--	---

D

C

B

A



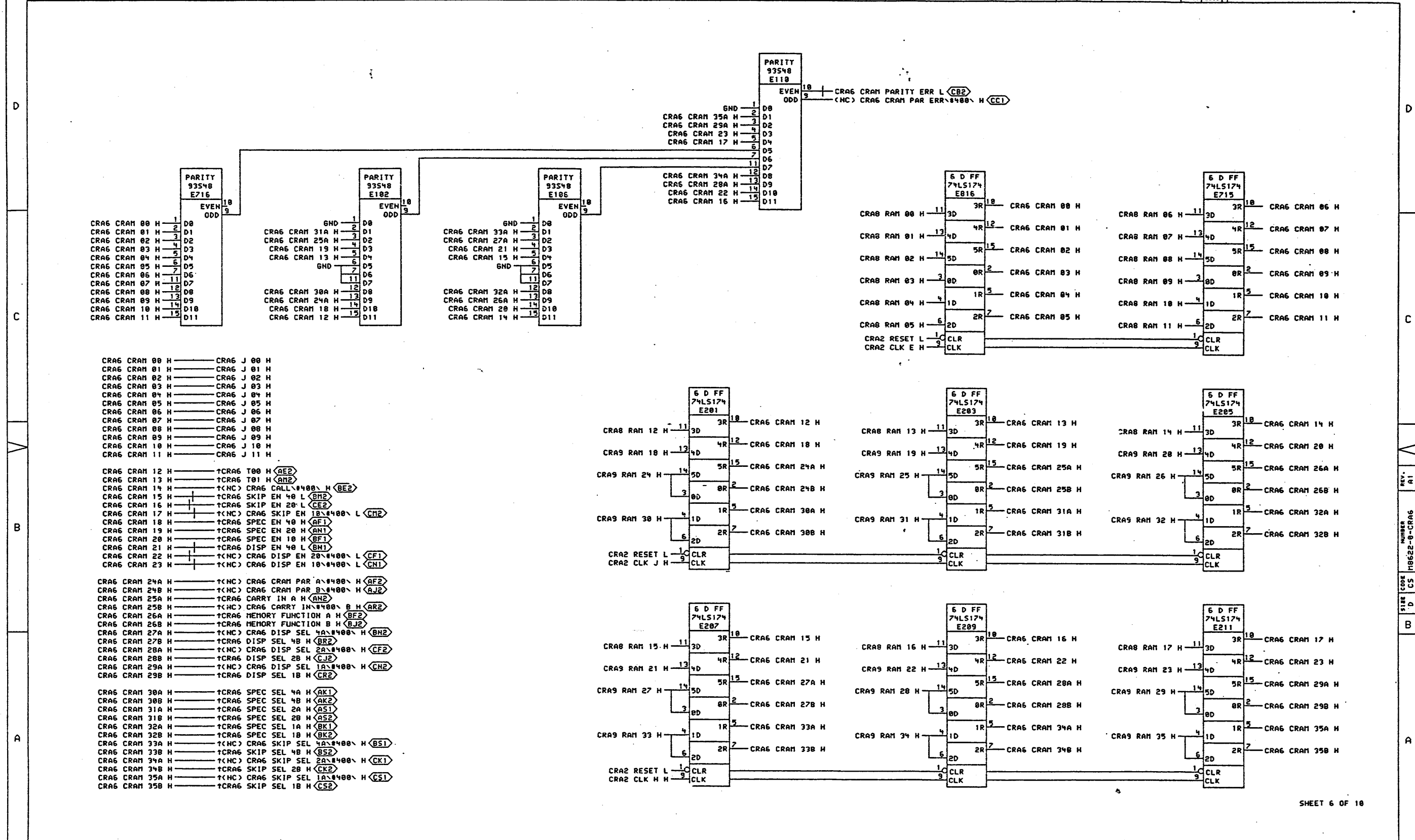
REV. A1
NUMBER 106622-0-CRA5
CODE CS
D

SHEET 5 OF 10

THIS DRAWING AND SPECIFICATIONS HEREIN ARE THE PROPERTY OF DIGITAL EQUIPMENT CORPORATION AND SHALL NOT BE REPRODUCED OR COPIED OR USED IN WHOLE OR IN PART AS THE BASIS FOR THE MANUFACTURE OR SALE OF ITEMS WITHOUT WRITTEN PERMISSION. COPYRIGHT © 1979 DIGITAL EQUIPMENT CORPORATION

REVISIONS		
CHK	CHANGE NO.	REV

digital	DATE	ENG	DATE	TITLE
	23-JAN-79	Paul Allen	14-MAR-79	CRA5 ADDRESS BACKPANEL BUS
	DATE	BOARD LOCATION	SHEET 1 OF 1	
	120-DEC-78 12:30			
FIRST USED ON OPTION/MODEL: K510				SIZE CODE
				D CS
				NUMBER
				M8622-0-CRA5
				REV.
				A1



- CRA6 CRAM 00 H — CRA6 J 00 H
- CRA6 CRAM 01 H — CRA6 J 01 H
- CRA6 CRAM 02 H — CRA6 J 02 H
- CRA6 CRAM 03 H — CRA6 J 03 H
- CRA6 CRAM 04 H — CRA6 J 04 H
- CRA6 CRAM 05 H — CRA6 J 05 H
- CRA6 CRAM 06 H — CRA6 J 06 H
- CRA6 CRAM 07 H — CRA6 J 07 H
- CRA6 CRAM 08 H — CRA6 J 08 H
- CRA6 CRAM 09 H — CRA6 J 09 H
- CRA6 CRAM 10 H — CRA6 J 10 H
- CRA6 CRAM 11 H — CRA6 J 11 H
- CRA6 CRAM 12 H — CRA6 T00 H (AE2)
- CRA6 CRAM 13 H — CRA6 T01 H (AE2)
- CRA6 CRAM 14 H — CRA6 CALL 8400 H (BE2)
- CRA6 CRAM 15 H — CRA6 SKIP EN 40 L (BE2)
- CRA6 CRAM 16 H — CRA6 SKIP EN 20 L (CE2)
- CRA6 CRAM 17 H — CRA6 SKIP EN 10 4000 L (CH2)
- CRA6 CRAM 18 H — CRA6 SPEC EN 40 H (AF1)
- CRA6 CRAM 19 H — CRA6 SPEC EN 20 H (AN1)
- CRA6 CRAM 20 H — CRA6 SPEC EN 10 H (BF1)
- CRA6 CRAM 21 H — CRA6 DISP EN 40 L (BH1)
- CRA6 CRAM 22 H — CRA6 DISP EN 20 4000 L (CF1)
- CRA6 CRAM 23 H — CRA6 DISP EN 10 4000 L (CN1)
- CRA6 CRAM 24 H — CRA6 CRAM PAR A 4000 H (AF2)
- CRA6 CRAM 24B H — CRA6 CRAM PAR B 4000 H (AJ2)
- CRA6 CRAM 25A H — CRA6 CARRY IN A H (AH2)
- CRA6 CRAM 25B H — CRA6 CARRY IN 8000 B H (AR2)
- CRA6 CRAM 26A H — CRA6 MEMORY FUNCTION A H (BF2)
- CRA6 CRAM 26B H — CRA6 MEMORY FUNCTION B H (BJ2)
- CRA6 CRAM 27A H — CRA6 DISP SEL 40 4000 H (BH2)
- CRA6 CRAM 27B H — CRA6 DISP SEL 4B H (BR2)
- CRA6 CRAM 28A H — CRA6 DISP SEL 20 4000 H (CF2)
- CRA6 CRAM 28B H — CRA6 DISP SEL 2B H (CJ2)
- CRA6 CRAM 29A H — CRA6 DISP SEL 10 4000 H (CH2)
- CRA6 CRAM 29B H — CRA6 DISP SEL 1B H (CR2)
- CRA6 CRAM 30A H — CRA6 SPEC SEL 4A H (AK1)
- CRA6 CRAM 30B H — CRA6 SPEC SEL 4B H (AK2)
- CRA6 CRAM 31A H — CRA6 SPEC SEL 2A H (AS1)
- CRA6 CRAM 31B H — CRA6 SPEC SEL 2B H (AS2)
- CRA6 CRAM 32A H — CRA6 SPEC SEL 1A H (BK1)
- CRA6 CRAM 32B H — CRA6 SPEC SEL 1B H (BK2)
- CRA6 CRAM 33A H — CRA6 SKIP SEL 40 4000 H (BS1)
- CRA6 CRAM 33B H — CRA6 SKIP SEL 4B H (BS2)
- CRA6 CRAM 34A H — CRA6 SKIP SEL 20 4000 H (CS1)
- CRA6 CRAM 34B H — CRA6 SKIP SEL 2B H (CS2)
- CRA6 CRAM 35A H — CRA6 SKIP SEL 10 4000 H (CS1)
- CRA6 CRAM 35B H — CRA6 SKIP SEL 1B H (CS2)

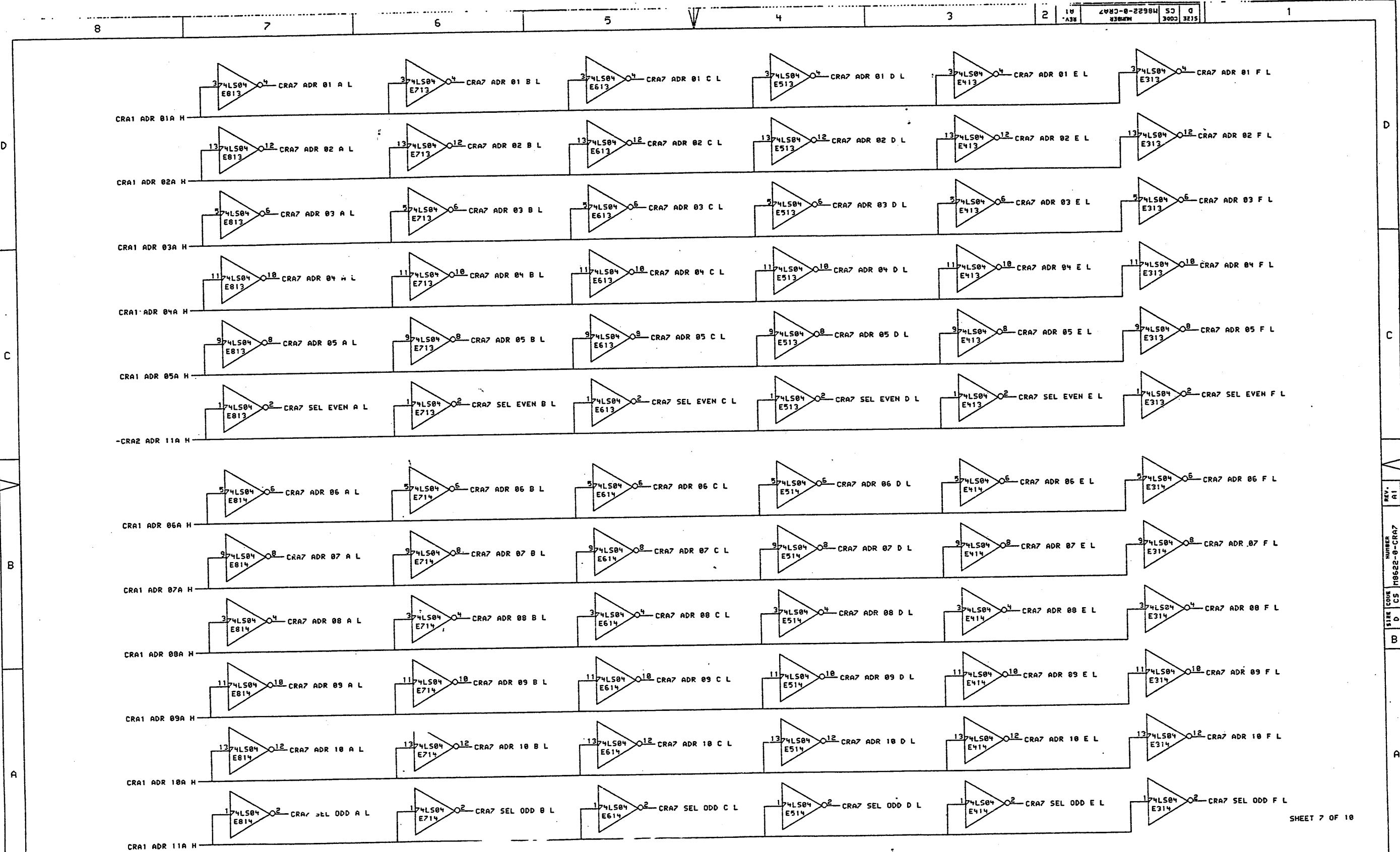
REVISIONS	
CHK	CHANGE NO. REV
1	MB622-NR001 A1
2	MB622-NR001 A1

digital DRW. *J. J. J.* DATE *02-JAN-79* ENG. *D. Oldham* DATE *10-10-78* TITLE: **CRA6 ADDRESS CRAM REGISTER**

PS1 (M8622) CRA6 DRW 120-DEC-78 12:38 NEXT HIGHER ASSEMBLY: BOARD LOCATION: 1AF12 SHEET 1 OF 1

FIRST USED ON OPTION/MODEL: KS10 B-DD-M8622-0

SIZE	CODE	NUMBER	REV.
D	C5	M8622-0-CRA6	A1



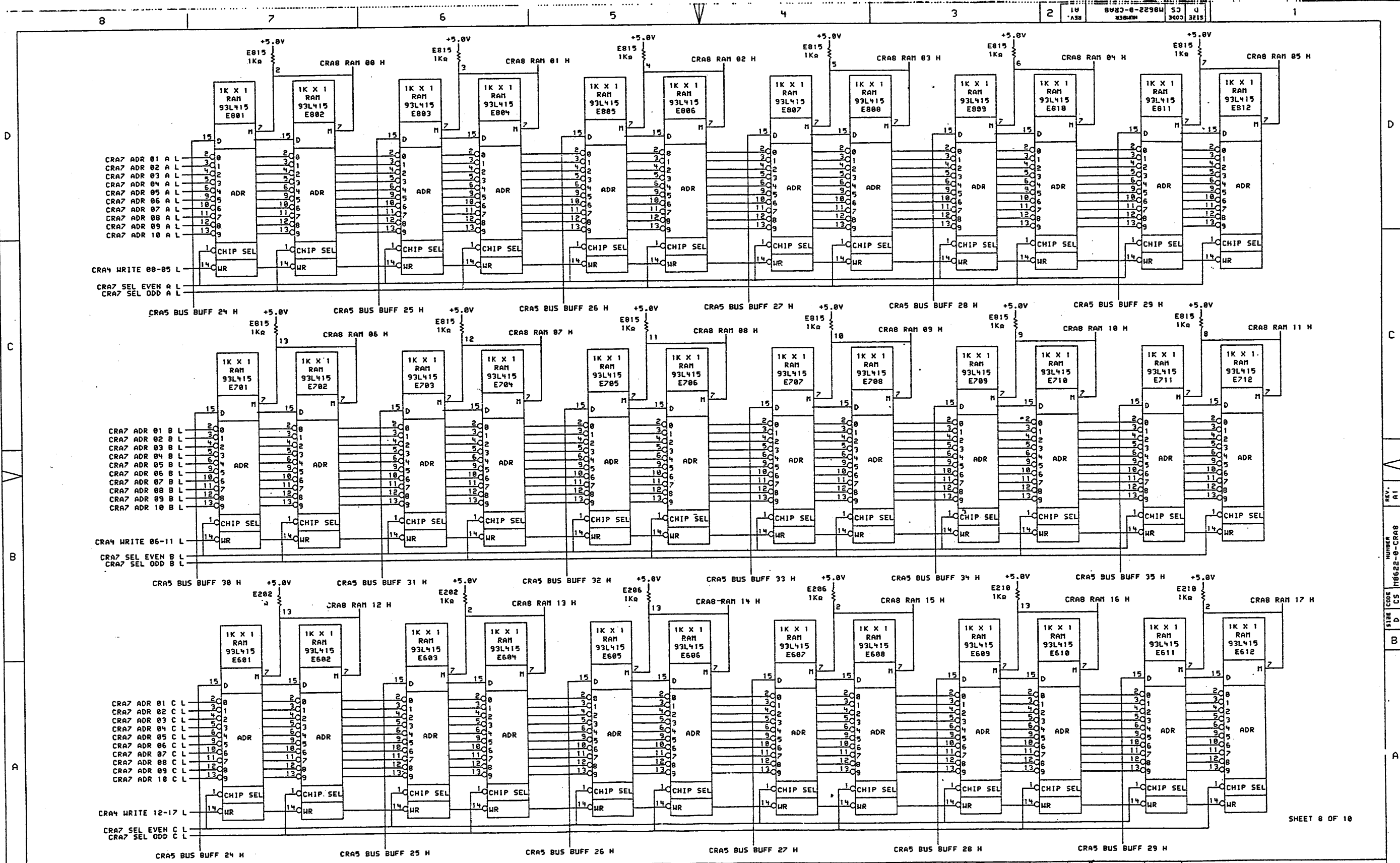
THIS DRAWING AND SPECIFICATIONS HEREIN ARE THE PROPERTY OF DIGITAL EQUIPMENT CORPORATION AND SHALL NOT BE REPRODUCED OR COPIED OR USED IN WHOLE OR IN PART AS THE BASIS FOR THE MANUFACTURE OR SALE OF ITEMS WITHOUT WRITTEN PERMISSION. COPYRIGHT © 1979, DIGITAL EQUIPMENT CORPORATION.

REVISIONS	
CHK	CHANGE NO. REV
1	18622-MR001 (A)
2	18622-MR001 (A)
3	18622-MR001 (A)
4	18622-MR001 (A)
5	18622-MR001 (A)
6	18622-MR001 (A)
7	18622-MR001 (A)
8	18622-MR001 (A)

digital	DR: J. J. J.	DATE: 23-JAN-79	ENG: [Signature]	DATE: 16-MAR-79	TITLE: CRAM ADDRESS ADDRESS DRIVERS
	CHK: J. J. J.	DATE: 18-DEC-78 12:39	BOARD LOCATION: 1A F12	SIZE: D	CODE: CS
FIRST USED ON OPTION/MODEL: K510		NEXT HIGHER ASSEMBLY: B-DD-M8622-0		NUMBER: M8622-0-CRA7	REV: A1

REV. A1
NUMBER M8622-0-CRA7
SIZE CODE D CS

1 MR

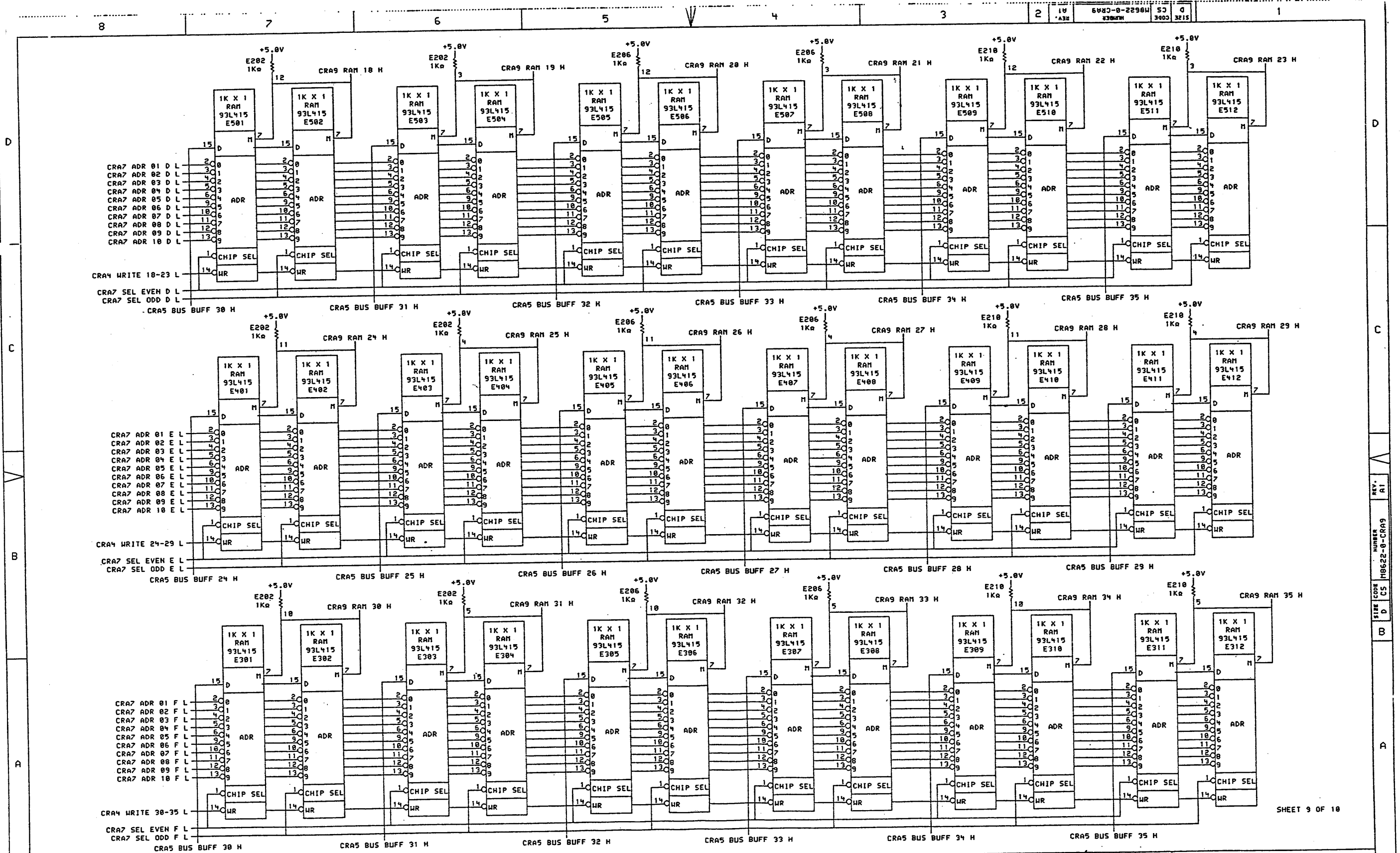


THIS DRAWING AND SPECIFICATIONS HEREIN ARE THE PROPERTY OF DIGITAL EQUIPMENT CORPORATION AND SHALL NOT BE REPRODUCED OR COPIED OR USED IN WHOLE OR IN PART AS THE BASIS FOR THE MANUFACTURE OR SALE OF ITEMS WITHOUT WRITTEN PERMISSION. COPYRIGHT © 1979, DIGITAL EQUIPMENT CORPORATION.

REVISIONS	
CHK	CHANGE NO. / REV
CHK	M8622-MR001 A1
CHK	M8622-MR001 A1

	DRY: <i>J. J. J.</i>	DATE: 29-JAN-79	ENG: <i>Paul Allen</i>	DATE: 16-FEB-79	TITLE: CRAM ADDRESS
	CHK: <i>W. Hammond</i>	DATE: 20-DEC-78	BOARD LOCATION: 1A12	SHEET: 1 OF 3	00-05 12-17 24-29
PS: M8622-CRAB.DRW		20-DEC-78 12:39 NEXT HIGHER ASSEMBLY:		SIZE: D	CODE: CS
FIRST USED ON OPTION/MODEL: K510		B-DD-M8622-0		NUMBER: M8622-0-CRAB	REV: A1

REV. A1
NUMBER M8622-0-CRAB
SIZE CODE D CS



THIS DRAWING AND SPECIFICATIONS, HEREIN, ARE THE PROPERTY OF DIGITAL EQUIPMENT CORPORATION AND SHALL NOT BE REPRODUCED OR COPIED OR USED IN WHOLE OR IN PART AS THE BASIS FOR THE MANUFACTURE OR SALE OF ITEMS WITHOUT WRITTEN PERMISSION. COPYRIGHT © 1979, DIGITAL EQUIPMENT CORPORATION.

REVISIONS	
CHK	CHANGE NO. REV
M	M8622-MR001 A1
M	M8622-MR001 A1
M	M8622-MR001 A1

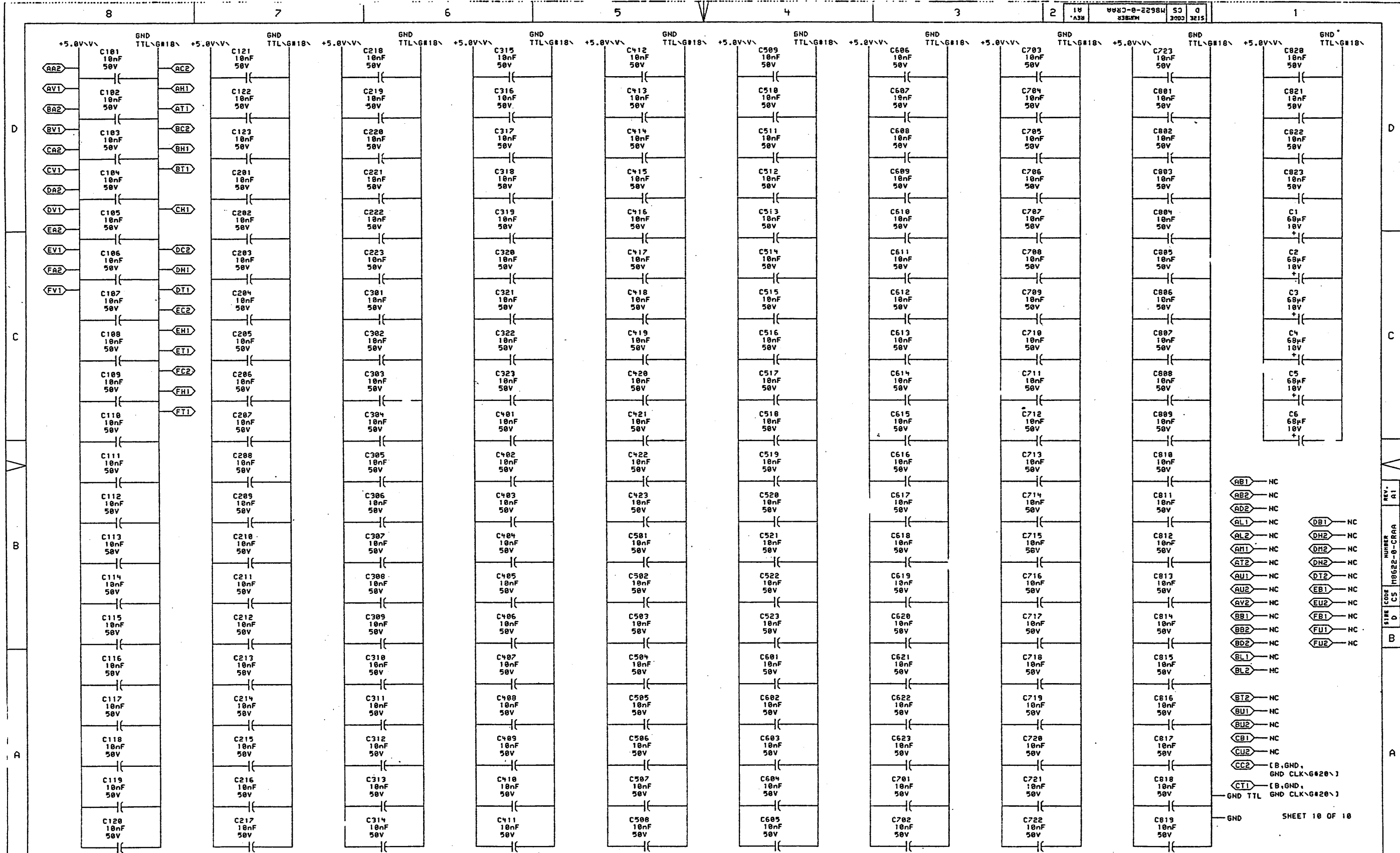
DATE	25-JAN-79	ENG	David Allen	DATE	10-10-79	TITLE	CRAM ADDRESS
DATE	12-DEC-78	DATE	12-DEC-78	DATE	12-DEC-78	BOARD LOCATION	1AF12
DATE	12-DEC-78	DATE	12-DEC-78	DATE	12-DEC-78	SHEET	1 OF 1
DATE	12-DEC-78	DATE	12-DEC-78	DATE	12-DEC-78	SIZE	D CS
DATE	12-DEC-78	DATE	12-DEC-78	DATE	12-DEC-78	NUMBER	M8622-0-CRA9
DATE	12-DEC-78	DATE	12-DEC-78	DATE	12-DEC-78	REV.	A1

digital

PS: (M8622)CRA9.DRW 128-DEC-78 12:39 NEXT HIGHER ASSEMBLY: B-DD-M8622-0

FIRST USED ON OPTION/MODEL: KS10

1 MK



THIS DRAWING AND SPECIFICATIONS HEREIN ARE THE PROPERTY OF DIGITAL EQUIPMENT CORPORATION AND SHALL NOT BE REPRODUCED OR COPIED OR USED IN WHOLE OR IN PART AS THE BASIS FOR THE MANUFACTURE OR SALE OF ITEMS WITHOUT WRITTEN PERMISSION. COPYRIGHT © 1979, DIGITAL EQUIPMENT CORPORATION.

REVISIONS		
CHK	CHANGE NO.	REV.
	M8622-MR001	A1

	DATE	ENG	DATE	TITLE
	23-200-73	Chad Allen	12-28-79	CRAM ADDRESS POWER, GND, CAPS
	DATE	BOARD LOCATION	1 OF 1	
	12-28-79	11A12		
PS: M8622-CRAA.DRW	120-DEC-78 12:39	NEXT HIGHER ASSEMBLY:	SIZE	CODE
FIRST USED ON OPTION/MODEL: KS10		B-DD-M8622-0	D	CS
			NUMBER	REV.
			M8622-0-CRAA	A1

- (AB1) - NC
- (AB2) - NC
- (AD2) - NC
- (AL1) - NC
- (AL2) - NC
- (AH1) - NC
- (AT2) - NC
- (AU1) - NC
- (AU2) - NC
- (AV2) - NC
- (BB1) - NC
- (BB2) - NC
- (BD2) - NC
- (BL1) - NC
- (BL2) - NC
- (BT2) - NC
- (BU1) - NC
- (BU2) - NC
- (CB1) - NC
- (CU2) - NC
- (CC2) - [B,GND, GND CLK#20\]
- (CT1) - [B,GND, GND CLK#20\]
- (DB1) - NC
- (DH2) - NC
- (DN2) - NC
- (DT2) - NC
- (EB1) - NC
- (EU2) - NC
- (FB1) - NC
- (FU1) - NC
- (FU2) - NC

GND SHEET 10 OF 10

B
REV.

M8623-0
NUMBER

DD
CODE

B
SIZE

DRAWING NO.	NO. OF SHTS.	PART NO.	DESCRIPTION	MULTIWIRE VERSION																	
				REVISIONS																	
			MODULE REVISION	A	A																
E-UA-M8623-0-0	5		KS10 CONTROL RAM	A	A																
K-PL-M8623-0-DBP	-		PARTS LIST DATA BASE (M8623)	A	A																
D-CS-M8623-0-CRM1	1		CONTROL, RAM, ADDRESS DRIVERS	A	A																
D-CS-M8623-0-CRM2	1		CONTROL RAM, OUTPUT REGISTERS	A	A																
D-CS-M8623-0-CRM3	1		CONTROL RAM, PAR & DIAG	A	A																
D-CS-M8623-0-CRM4	1		CONTROL RAM, RAMS 36-47	A	A																
D-CS-M8623-0-CRM5	1		CONTROL RAM, RAMS 48-59	A	A																
D-CS-M8623-0-CRM6	1		CONTROL RAM, RAMS 60-71	A	A																
D-CS-M8623-0-CRM7	1		CONTROL RAM, RAMS 72-83	A	A																
D-CS-M8623-0-CRM8	1		CONTROL RAM, RAMS 84-95	A	A																
D-CS-M8623-0-CRM9	1		CONTROL RAM, POWER, GROUND, CAPS	A	A																
E-MD-5013198-0-0	5		DRILL WIRE & COMP. SCREEN, DRAWING	A	A																
	-	5013198	MULTIWIRE BOARD	A	A																
K-PC-M8623-0-DBC	-		MULTIWIRE DATA BASE (M8623)	A	A																
POO-M8623-0-0	-		PROCESS SHEETS	RE	REF																

NOTES:

REVISIONS	
DATE	CHG NO.
	3-79
	MROOT
	B

"THIS DRAWING AND SPECIFICATIONS, HEREIN, ARE THE PROPERTY OF DIGITAL EQUIPMENT CORPORATION AND SHALL NOT BE REPRODUCED OR COPIED OR USED IN WHOLE OR IN PART AS THE BASIS FOR THE MANUFACTURE OR SALE OF ITEMS WITHOUT WRITTEN PERMISSION.
 COPYRIGHT © 1978 DIGITAL EQUIPMENT CORPORATION



USED ON OPTION/MODEL	KS10	DRN.	E. Wilson	8 MAR 78	TITLE	KS10 CONTROL RAM
		CHK'D	R. W. Caunter	8 MAR 78	SIZE	B DD
		ENG.	Donald Levine	29 MAR 78	CODE	
		PROD.	W. Bishop	30 MAR 78	NUMBER	M8623-0
					REV.	B
					SHEET 1 OF 2	

MR

DRAWING NO.	NO. OF SHTS.	PART NO.	DESCRIPTION	NEW LAYOUT VERSION (ETCH)	REVISIONS																		
			MODULE REVISION	B																			
E-UA-M8623-0-0	5		KS10 CONTROL RAM	B																			
K-PL-M8623-0-DBP	1		PARTS LIST DATA BASE (M8623)	B																			
D-CS-M8623-0-CRM1	1		CONTROL RAM, ADDRESS DRIVERS	B																			
D-CS-M8623-0-CRM2	1		CONTROL RAM, OUTPUT REGISTERS	B																			
D-CS-M8623-0-CRM3	1		CONTROL RAM, PAR & DIAG	B																			
D-CS-M8623-0-CRM4	1		CONTROL RAM, RAMS 36-47	B																			
D-CS-M8623-0-CRM5	1		CONTROL RAM, RAMS 48-59	B																			
D-CS-M8623-0-CRM6	1		CONTROL RAM, RAMS 60-71	B																			
D-CS-M8623-0-CRM7	1		CONTROL RAM, RAMS 72-83	B																			
D-CS-M8623-0-CRM8	1		CONTROL RAM, RAMS 84-95	B																			
D-CS-M8623-0-CRM9	1		CONTROL RAM, DIODE CLAMPS	B																			
D-CS-M8623-0-CRMA	1		CONTROL RAM, DIODE CLAMPS	A																			
D-CS-M8623-0-CRMB	1		CONTROL RAM, POWER, GND, CAPS	A																			
E-MD-5013198-0-0	5		DRILL & ETCH DRAWING	B																			
	-	5013198	ETCHED CIRCUIT BOARD	B																			
K-PC-M8623-0-DBC	-		P.C. DESIGN DATA BASE (M8623)	B																			
POO-M8623-0-0	-		PROCESS SHEETS	REF																			

NOTES:

REVISIONS	DATE	CHG NO.	REV.																				
	12-78	MROO1	B																				

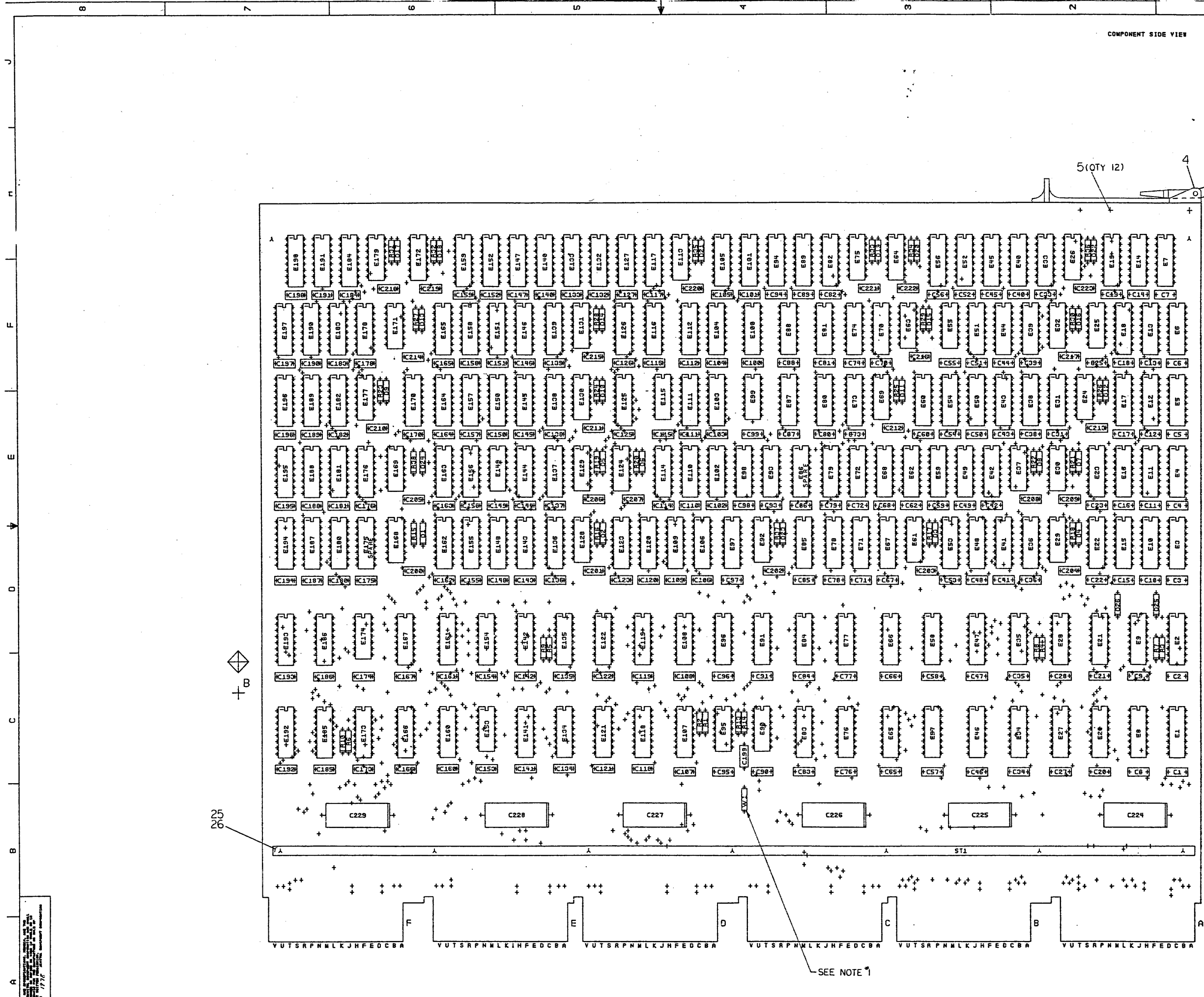
"THIS DRAWING AND SPECIFICATIONS, HEREIN, ARE THE PROPERTY OF DIGITAL EQUIPMENT CORPORATION AND SHALL NOT BE REPRODUCED OR COPIED OR USED IN WHOLE OR IN PART AS THE BASIS FOR THE MANUFACTURE OR SALE OF ITEMS WITHOUT WRITTEN PERMISSION.
 COPYRIGHT© 1978 DIGITAL EQUIPMENT CORPORATION



USED ON OPTION/MODEL		DRN.	DATE	TITLE
KS10		E. WILSON	8MAR78	KS10 CONTROL RAM
		CHK'D R.W. CAUNTER	8MAR78	
		ENG. D. LEWINE	29MAR78	
		PROD. W. BISHOP	30MAR78	

SIZE	CODE	NUMBER	REV.
B	DD	M8623-0	B
SHEET 2 OF 2			

MR



COMPONENT SIDE VIEW

5 (OTY 12)

25
26

SEE NOTE 1

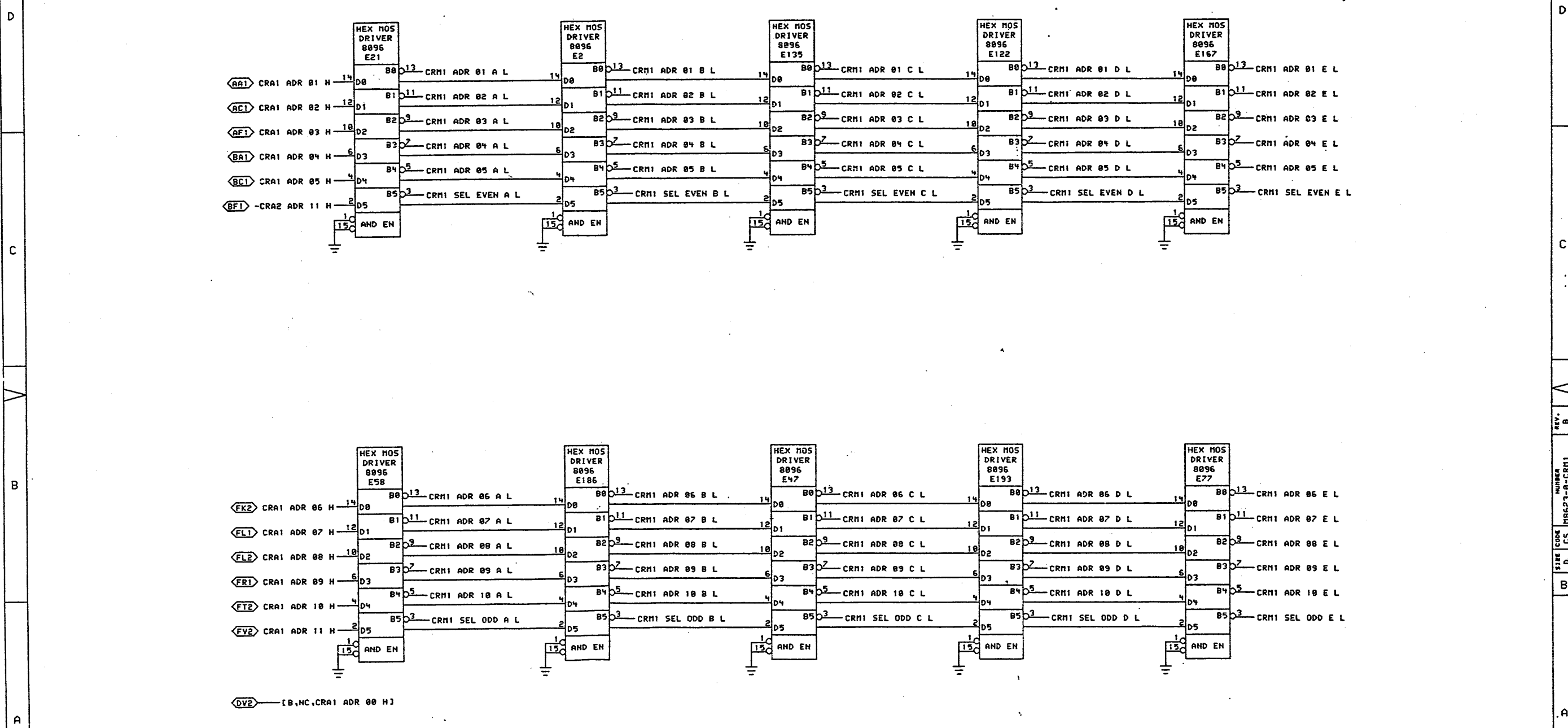
SIGNATURES	DATE	digital
ORN. J. [Signature]	10/24/74	TITLE KSI0
CHK. [Signature]	10/24/74	CONTROL RAM
ENG. [Signature]	10/24/74	SIZE CODE NUMBER
PROJ. ENG. [Signature]	10/24/74	E U A MB623-0-0 B
SCALE 2:1	REV. 4	
DRY. HUB-EN. REV. E		

ETCH/REV. B	H	NIR
F.L. DESIGN DATA BASE (REV. E)		

CHANGE NO. REV.	
D. CDHAM	
10/23/74	

NOTES: 1. NUMBER (W) WILL BE CUT OUT AFTER MFG. TEST.

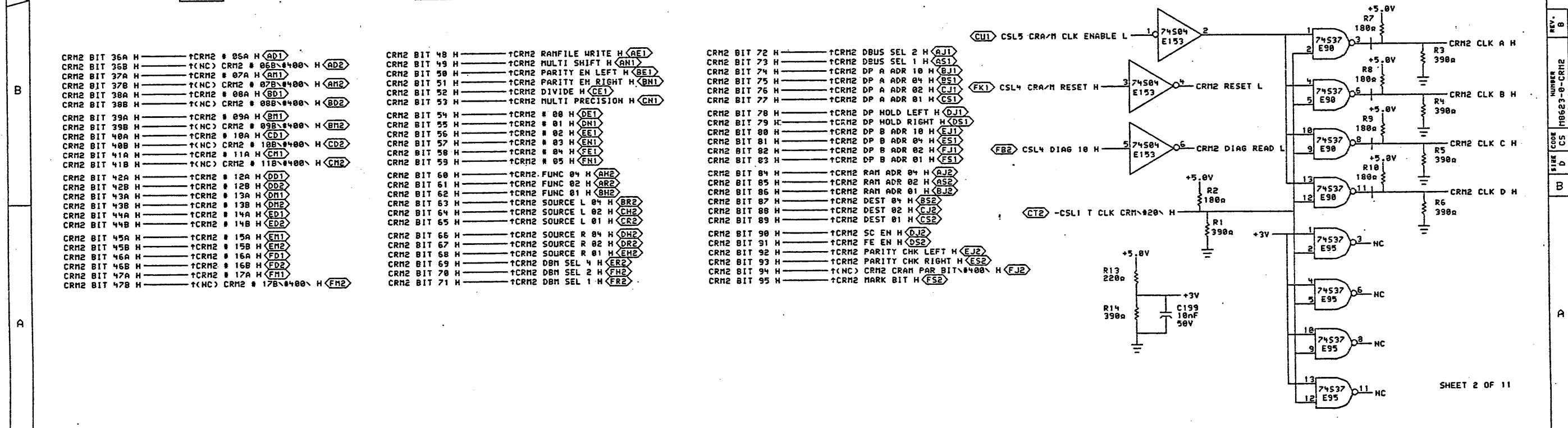
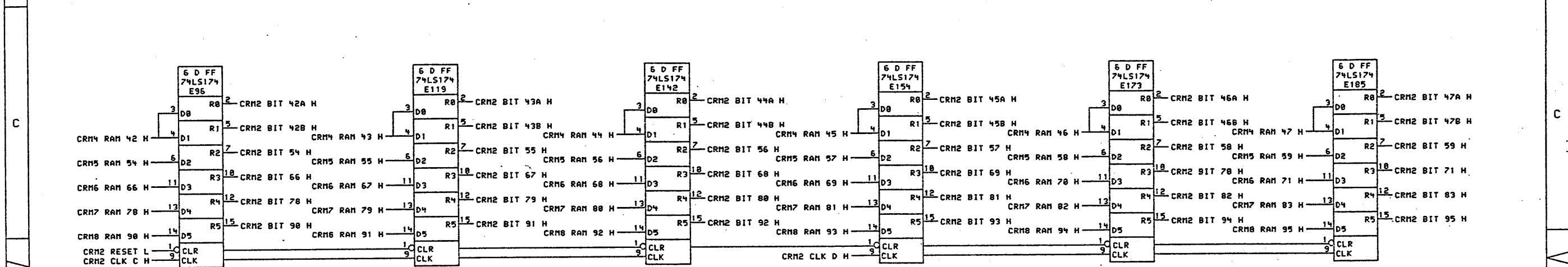
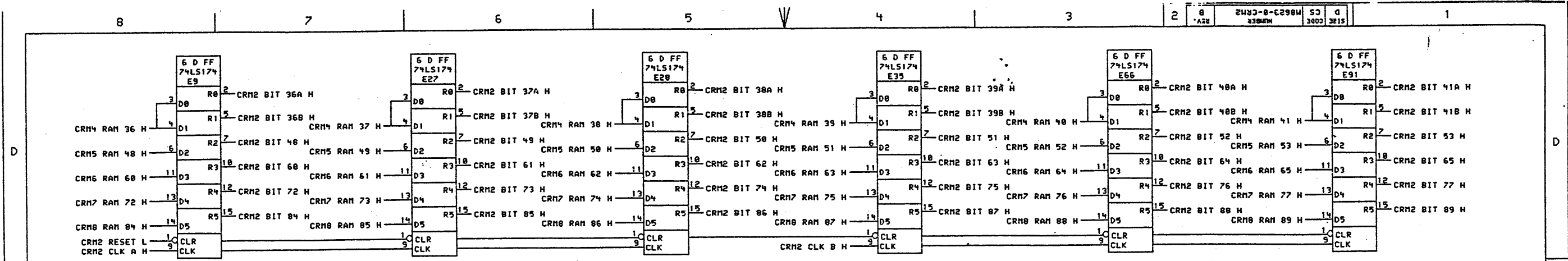
1974



THIS DRAWING AND SPECIFICATIONS HEREIN ARE THE PROPERTY OF DIGITAL EQUIPMENT CORPORATION AND SHALL NOT BE REPRODUCED OR COPIED OR USED IN WHOLE OR IN PART AS THE BASIS FOR THE MANUFACTURE OR SALE OF ITEMS WITHOUT WRITTEN PERMISSION. COPYRIGHT © 1979, DIGITAL EQUIPMENT CORPORATION.

REVISIONS		
CHK	CHANGE NO.	REV
	1	B
	2	B
	3	B
	4	B
	5	B

digital	DRN	DATE	ENG	DATE	TITLE
	2. J. J. J.	23-JUN-79	11-DEC-79	11-DEC-79	CONTROL RAM ADDRESS DRIVERS
	DATE	BOARD LOCATION	DE	REV.	
	11-DEC-79	11-DEC-79	1	B	
FIRST USED ON OPTION/MODEL: KS10		NEXT HIGHER ASSEMBLY: B-DD-118623-0		SIZE	CODE
				D	CS
				NUMBER	REV.
				M8623-0-CRM1	B



- CRM2 BIT 36A H — tCRM2 # 95A H (AD1)
- CRM2 BIT 36B H — t(NC) CRM2 # 06B #400 H (AD2)
- CRM2 BIT 37A H — tCRM2 # 07A H (AM1)
- CRM2 BIT 37B H — t(NC) CRM2 # 07B #400 H (AM2)
- CRM2 BIT 38A H — tCRM2 # 08A H (BD1)
- CRM2 BIT 38B H — t(NC) CRM2 # 08B #400 H (BD2)
- CRM2 BIT 39A H — tCRM2 # 09A H (BM1)
- CRM2 BIT 39B H — t(NC) CRM2 # 09B #400 H (BM2)
- CRM2 BIT 40A H — tCRM2 # 10A H (CD1)
- CRM2 BIT 40B H — t(NC) CRM2 # 10B #400 H (CD2)
- CRM2 BIT 41A H — tCRM2 # 11A H (CM1)
- CRM2 BIT 41B H — t(NC) CRM2 # 11B #400 H (CM2)
- CRM2 BIT 42A H — tCRM2 # 12A H (DD1)
- CRM2 BIT 42B H — tCRM2 # 12B H (DD2)
- CRM2 BIT 43A H — tCRM2 # 13A H (DM1)
- CRM2 BIT 43B H — tCRM2 # 13B H (DM2)
- CRM2 BIT 44A H — tCRM2 # 14A H (ED1)
- CRM2 BIT 44B H — tCRM2 # 14B H (ED2)
- CRM2 BIT 45A H — tCRM2 # 15A H (EM1)
- CRM2 BIT 45B H — tCRM2 # 15B H (EM2)
- CRM2 BIT 46A H — tCRM2 # 16A H (FM1)
- CRM2 BIT 46B H — tCRM2 # 16B H (FM2)
- CRM2 BIT 47A H — tCRM2 # 17A H (FM1)
- CRM2 BIT 47B H — t(NC) CRM2 # 17B #400 H (FM2)

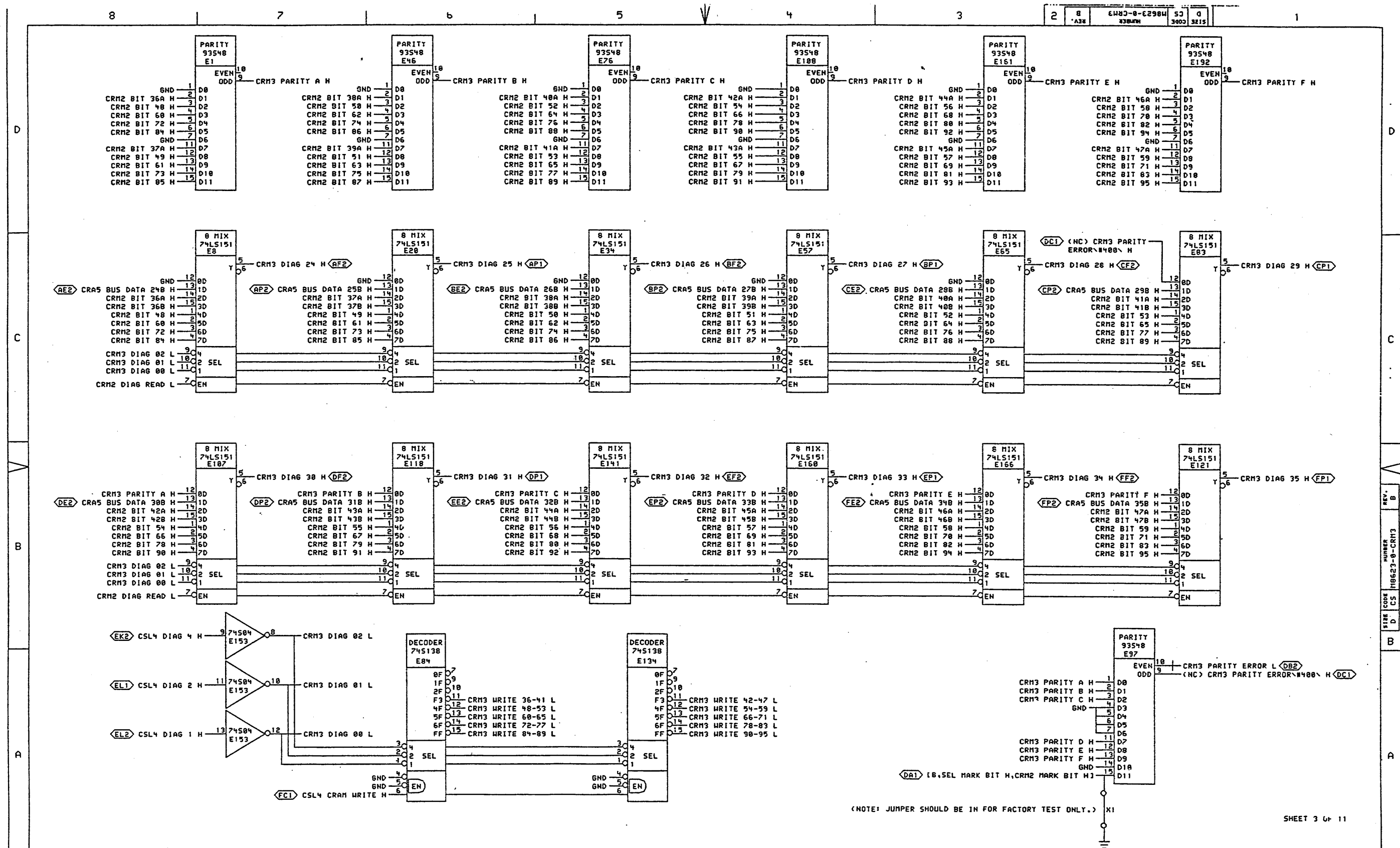
- CRM2 BIT 48 H — tCRM2 RAMFILE WRITE H (AE1)
- CRM2 BIT 49 H — tCRM2 MULTI SHIFT H (AN1)
- CRM2 BIT 50 H — tCRM2 PARITY EN LEFT H (BE1)
- CRM2 BIT 51 H — tCRM2 PARITY EN RIGHT H (BN1)
- CRM2 BIT 52 H — tCRM2 DIVIDE H (CE1)
- CRM2 BIT 53 H — tCRM2 MULTI PRECISION H (CN1)
- CRM2 BIT 54 H — tCRM2 # 00 H (DE1)
- CRM2 BIT 55 H — tCRM2 # 01 H (DN1)
- CRM2 BIT 56 H — tCRM2 # 02 H (EE1)
- CRM2 BIT 57 H — tCRM2 # 03 H (EN1)
- CRM2 BIT 58 H — tCRM2 # 04 H (FE1)
- CRM2 BIT 59 H — tCRM2 # 05 H (FN1)
- CRM2 BIT 60 H — tCRM2 FUNC 04 H (AH2)
- CRM2 BIT 61 H — tCRM2 FUNC 02 H (AR2)
- CRM2 BIT 62 H — tCRM2 FUNC 01 H (BH2)
- CRM2 BIT 63 H — tCRM2 SOURCE L 04 H (BR2)
- CRM2 BIT 64 H — tCRM2 SOURCE L 02 H (CH2)
- CRM2 BIT 65 H — tCRM2 SOURCE L 01 H (CR2)
- CRM2 BIT 66 H — tCRM2 SOURCE R 04 H (DH2)
- CRM2 BIT 67 H — tCRM2 SOURCE R 02 H (DR2)
- CRM2 BIT 68 H — tCRM2 SOURCE R 01 H (EH2)
- CRM2 BIT 69 H — tCRM2 DBM SEL 4 H (ER2)
- CRM2 BIT 70 H — tCRM2 DBM SEL 2 H (FR2)
- CRM2 BIT 71 H — tCRM2 DBM SEL 1 H (FR2)

- CRM2 BIT 72 H — tCRM2 DBUS SEL 2 H (AJ1)
- CRM2 BIT 73 H — tCRM2 DBUS SEL 1 H (AS1)
- CRM2 BIT 74 H — tCRM2 DP A ADR 10 H (BJ1)
- CRM2 BIT 75 H — tCRM2 DP A ADR 04 H (BS1)
- CRM2 BIT 76 H — tCRM2 DP A ADR 02 H (CS1)
- CRM2 BIT 77 H — tCRM2 DP A ADR 01 H (ES1)
- CRM2 BIT 78 H — tCRM2 DP HOLD LEFT H (DJ1)
- CRM2 BIT 79 H — tCRM2 DP HOLD RIGHT H (DS1)
- CRM2 BIT 80 H — tCRM2 DP B ADR 10 H (EJ1)
- CRM2 BIT 81 H — tCRM2 DP B ADR 04 H (ES1)
- CRM2 BIT 82 H — tCRM2 DP B ADR 02 H (FJ1)
- CRM2 BIT 83 H — tCRM2 DP B ADR 01 H (FS1)
- CRM2 BIT 84 H — tCRM2 RAM ADR 04 H (AJ2)
- CRM2 BIT 85 H — tCRM2 RAM ADR 02 H (AS2)
- CRM2 BIT 86 H — tCRM2 RAM ADR 01 H (BJ2)
- CRM2 BIT 87 H — tCRM2 DEST 04 H (BS2)
- CRM2 BIT 88 H — tCRM2 DEST 02 H (CS2)
- CRM2 BIT 89 H — tCRM2 DEST 01 H (ES2)
- CRM2 BIT 90 H — tCRM2 SC EN H (DJ2)
- CRM2 BIT 91 H — tCRM2 FE EN H (DS2)
- CRM2 BIT 92 H — tCRM2 PARITY CHK LEFT H (EJ2)
- CRM2 BIT 93 H — tCRM2 PARITY CHK RIGHT H (ES2)
- CRM2 BIT 94 H — t(NC) CRM2 CRAM PAR BIT #400 H (FJ2)
- CRM2 BIT 95 H — tCRM2 MARK BIT H (ES2)

THIS DRAWING AND SPECIFICATIONS ARE THE PROPERTY OF DIGITAL EQUIPMENT CORPORATION AND SHALL NOT BE REPRODUCED OR COPIED IN WHOLE OR IN PART WITHOUT THE WRITTEN PERMISSION OF DIGITAL EQUIPMENT CORPORATION. COPYRIGHT © 1973.

REVISIONS	CHK	CHANGE NO.	REV
1	W. J.

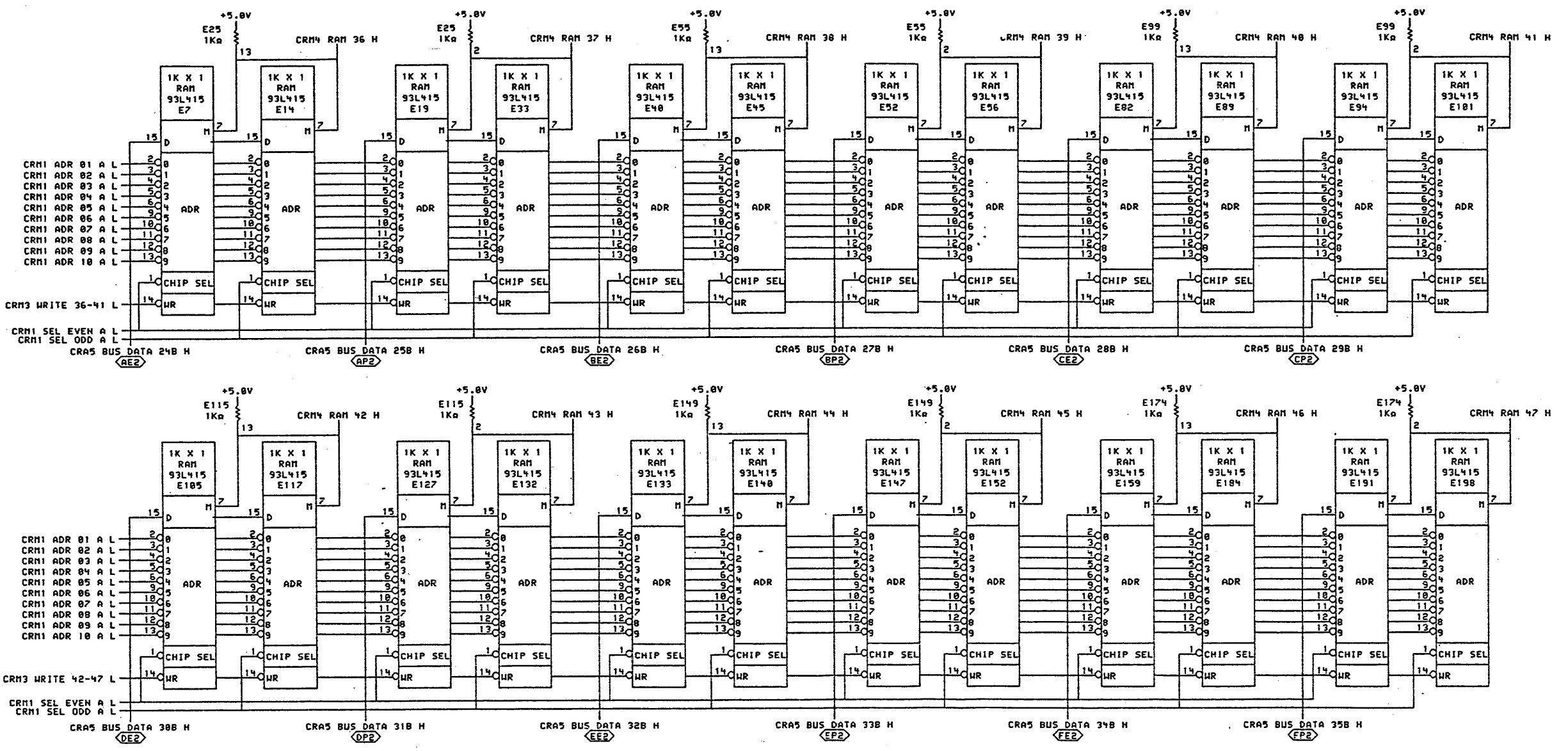
	DATE	ENG	DATE	TITLE:
	12-28-78	CONTROL RAM OUTPUT REGISTER
PUB: M8623-CRM2.DRW	12-28-78	13:06	NEXT HIGHER ASSEMBLY:	SIZE CODE
FIRST USED ON OPTION/MODEL: KS10	B-DD-M8623-0			D CS
				NUMBER
				M8623-0-CRM2
				REV.
				B



THIS DRAWING AND SPECIFICATIONS HEREIN, ARE THE PROPERTY OF DIGITAL EQUIPMENT CORPORATION AND SHALL NOT BE REPRODUCED OR COPIED OR USED IN WHOLE OR IN PART AS THE BASIS FOR THE MANUFACTURE OR SALE OF ITEMS WITHOUT WRITTEN PERMISSION. COPYRIGHT © 1979, DIGITAL EQUIPMENT CORPORATION.

REVISIONS	
CHK	CHANGE NO. REV

digital	DATE	ENG	DATE	TITLE
	23-JAN-79	Paul Allen	1-11-79	CONTROL RAM PAR & DIAG
	DATE	BOARD LOCATION	SHEET	OF
	17-JAN-79 15:23	B-DD-M8623-0	1	11
PUB: M8623-CRM3-DRH		NEXT HIGHER ASSEMBLY:		SIZE CODE
FIRST USED ON OPTION/MODEL: K510		B-DD-M8623-0		D CS
NUMBER			REV.	
M8623-0-CRM3			B	



A

SHEET 4 OF 11

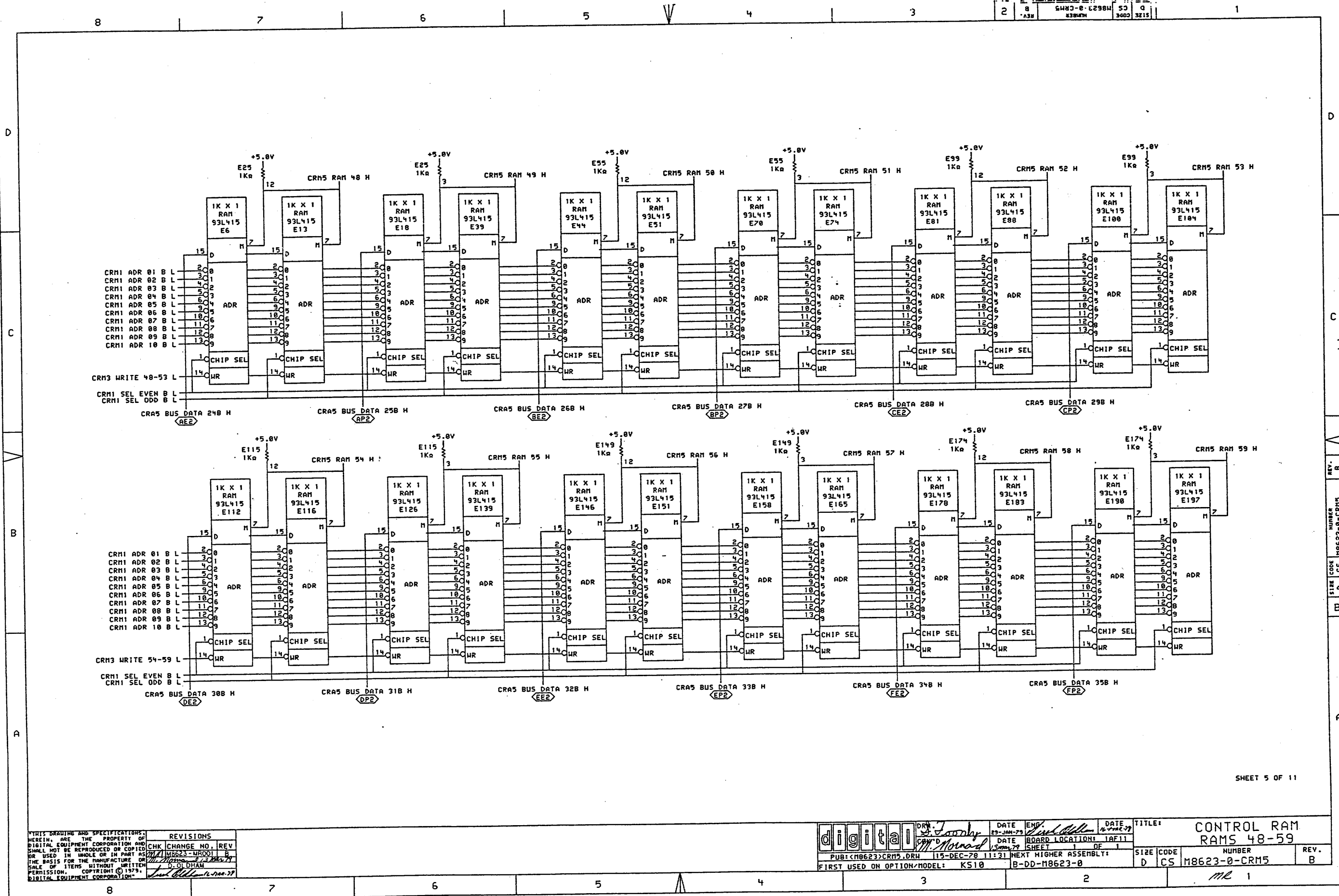
THIS DRAWING AND SPECIFICATIONS HEREIN ARE THE PROPERTY OF DIGITAL EQUIPMENT CORPORATION AND SHALL NOT BE REPRODUCED OR COPIED OR USED IN WHOLE OR IN PART AS THE BASIS FOR THE MANUFACTURE OR SALE OF ITEMS WITHOUT WRITTEN PERMISSION. COPYRIGHT © 1975, DIGITAL EQUIPMENT CORPORATION.

REVISIONS	
CHK	CHANGE NO. REV.

DATE	ENG.	DATE	TITLE
25-JAN-79	Paul Allen	16-FEB-79	CONTROL RAM
DATE	BOARD LOCATION	1	RAMS 36-47
13-MAY-79	IAF11	1	
PUB: M8623-CRM4.DRW		115-DEC-78 11:31	NEXT HIGHER ASSEMBLY:
FIRST USED ON OPTION/MODEL: KS10		B-DD-M8623-0	

SIZE	CAGE	NUMBER	REV.
D	5	M8623-0-CRM4	B

me 1



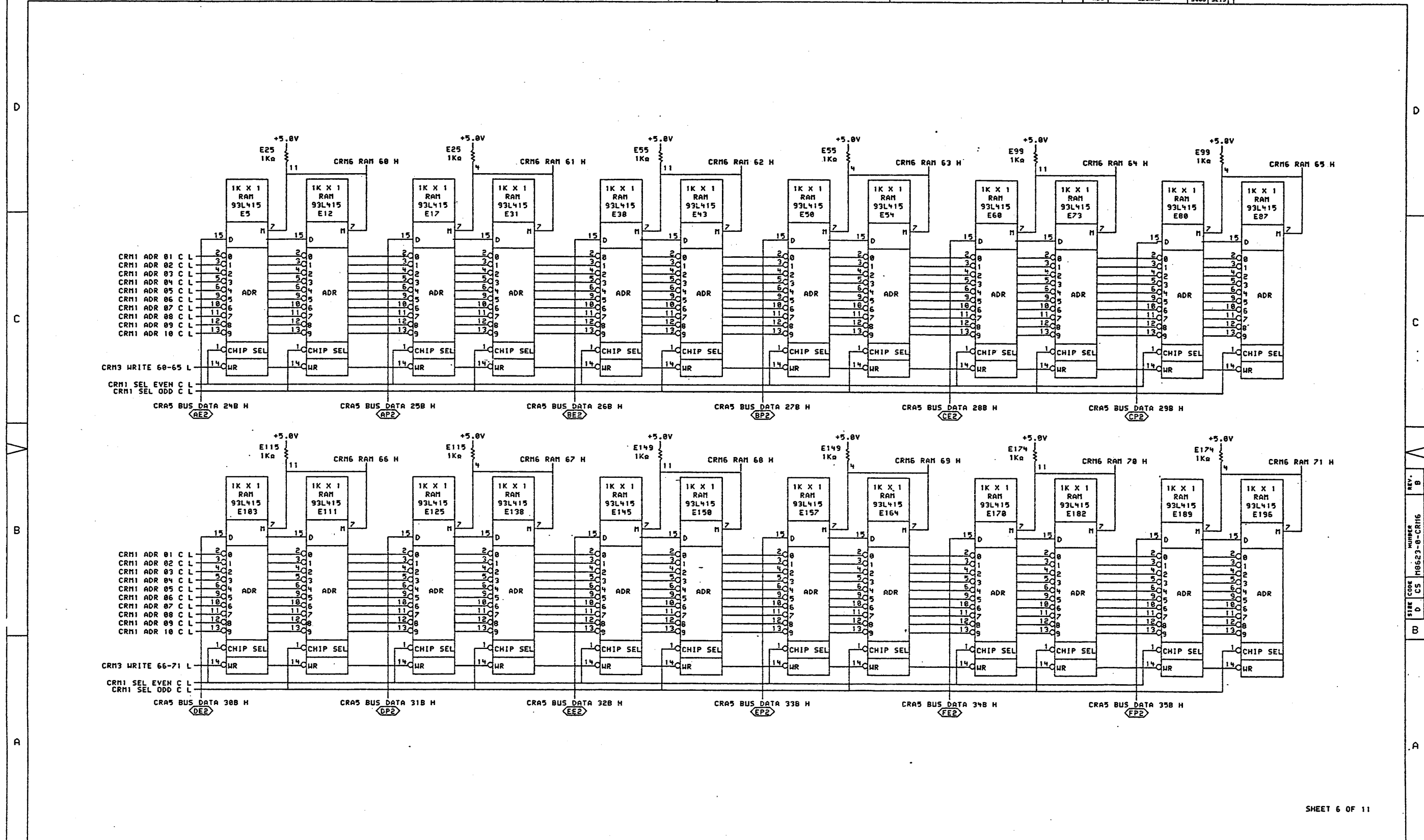
SHEET 5 OF 11

THIS DRAWING AND SPECIFICATIONS HEREIN ARE THE PROPERTY OF DIGITAL EQUIPMENT CORPORATION AND SHALL NOT BE REPRODUCED OR COPIED OR USED IN WHOLE OR IN PART AS THE BASIS FOR THE MANUFACTURE OR SALE OF ITEMS WITHOUT WRITTEN PERMISSION. COPYRIGHT © 1979, DIGITAL EQUIPMENT CORPORATION.

REVISIONS
CHK CHANGE NO. REV
11/11/79 M8623-M001 B
12/1/79 M8623-M001 B
D. O. DHAM
12/1/79

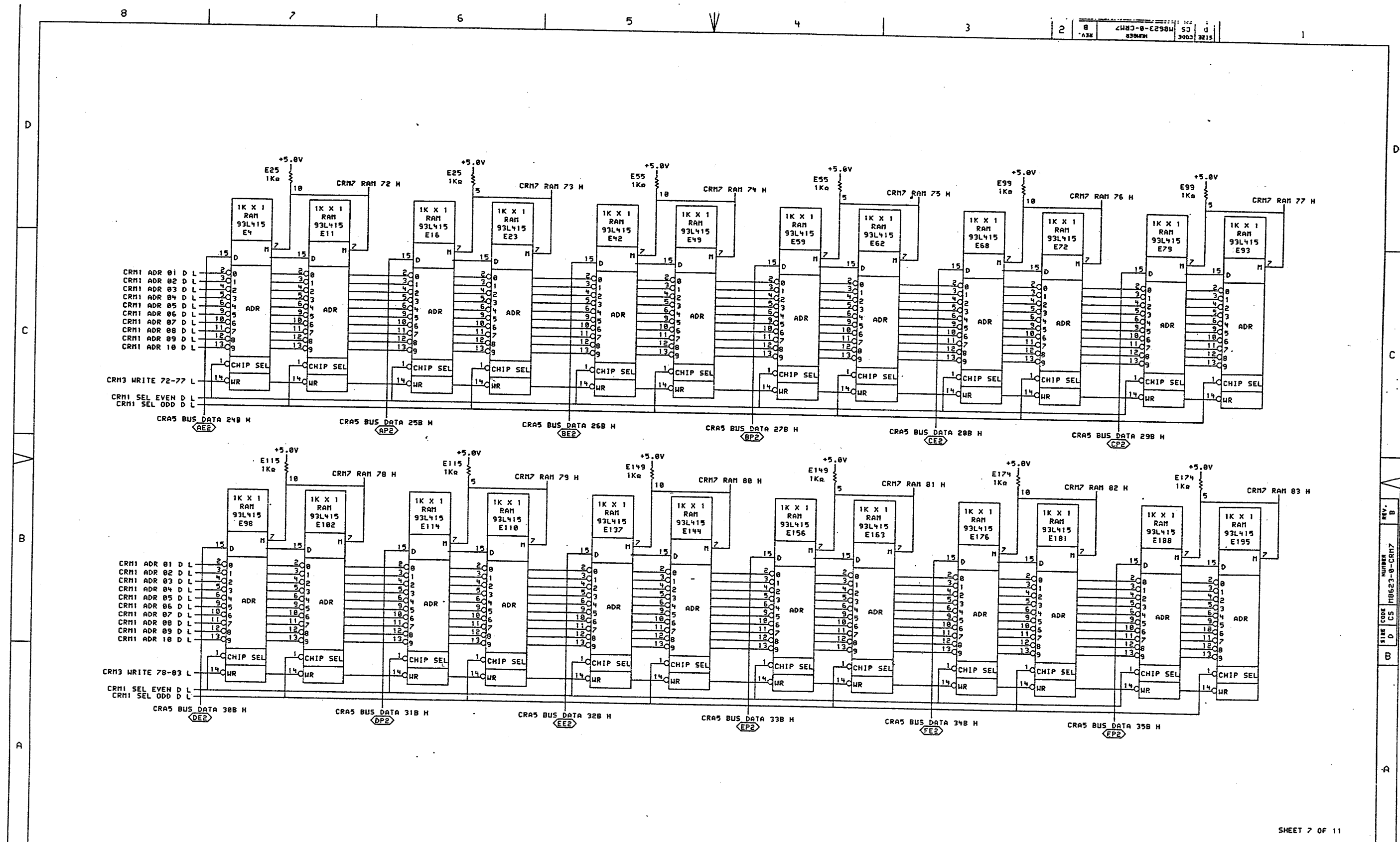
digital	DATE	15-JAN-79	DATE	12-FEB-79	TITLE:	CONTROL RAM
	DATE	11-DEC-78	DATE	11-DEC-78	RAMS 48-59	
PUB: <M8623>CRM5.DRW		11-DEC-78	11:31	NEXT HIGHER ASSEMBLY:	SIZE	D
FIRST USED ON OPTION/MODEL: KS10		B-DD-M8623-B		CODE	CS	
				NUMBER	M8623-0-CRM5	
				REV.	B	

REV. B
NUMBER M8623-0-CRM5
SIZE CODE CS
B



SHEET 6 OF 11

THIS DRAWING AND SPECIFICATIONS HEREIN ARE THE PROPERTY OF DIGITAL EQUIPMENT CORPORATION AND SHALL NOT BE REPRODUCED OR COPIED OR USED IN WHOLE OR IN PART AS THE BASIS FOR THE MANUFACTURE OR SALE OF ITEMS WITHOUT WRITTEN PERMISSION. COPYRIGHT © 1979, DIGITAL EQUIPMENT CORPORATION.		REVISIONS CHK CHANGE NO. REV M8623-MROD B M8623-MROD B D. O. DHAM 12/22/78	digital DRW: J. J. J. / M. Nov 78 DATE: 15-DEC-78 11:22 PUB: M8623-CRM6.DRW FIRST USED ON OPTION/MODEL: KS10	DATE: 23-JAN-79 DATE: 12/22/78 SHEET: 1 OF 1 NEXT HIGHER ASSEMBLY: B-DD-M8623-0	TITLE: CONTROL RAM RAMS 60-71 SIZE CODE: D CS NUMBER: M8623-0-CRM6 REV.: B
---	--	--	---	--	---

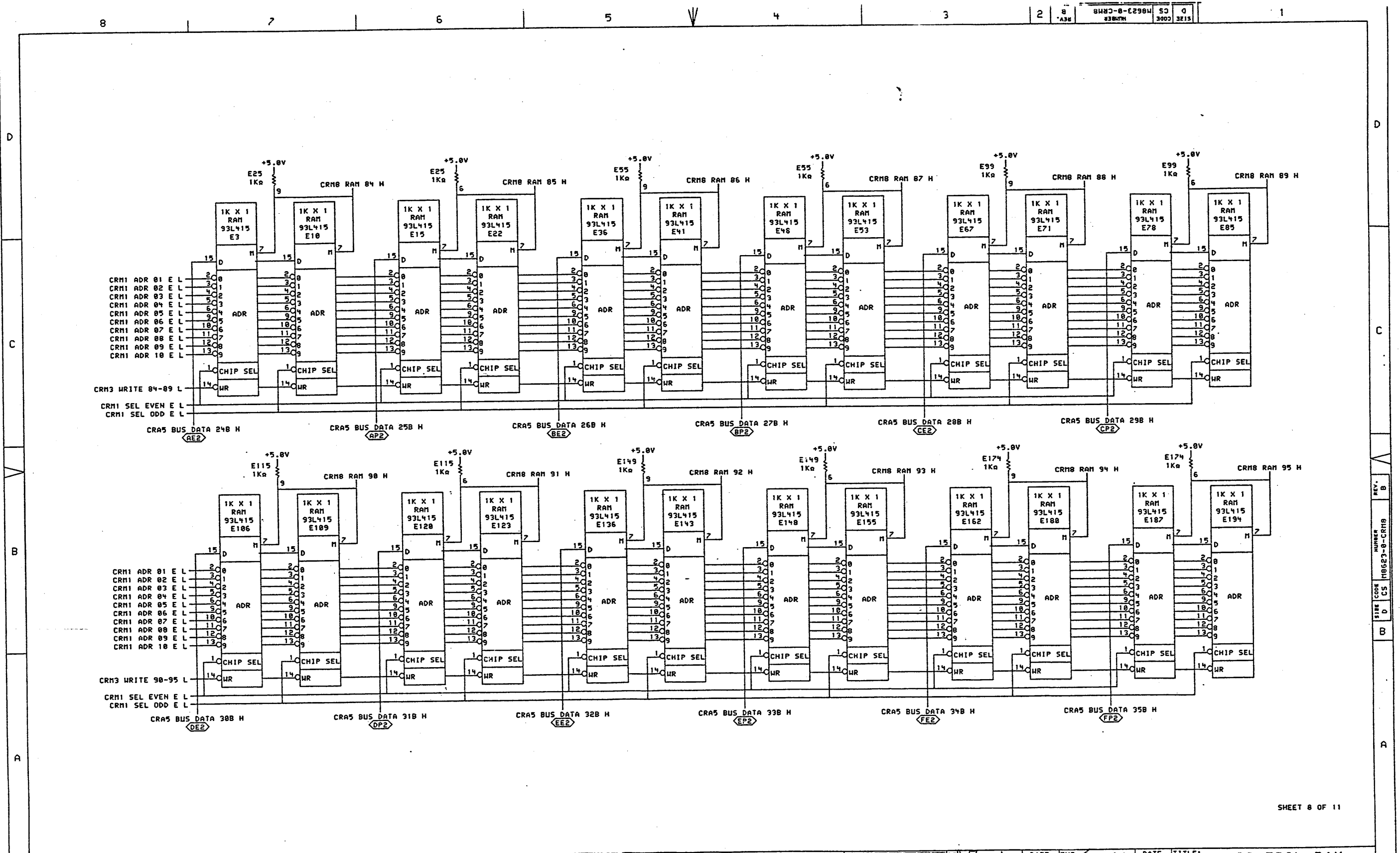


SHEET 7 OF 11

THIS DRAWING AND SPECIFICATIONS, HEREIN, ARE THE PROPERTY OF DIGITAL EQUIPMENT CORPORATION AND SHALL NOT BE REPRODUCED OR COPIED OR USED IN WHOLE OR IN PART AS THE BASIS FOR THE MANUFACTURE OR SALE OF ITEMS WITHOUT WRITTEN PERMISSION. COPYRIGHT © 1979, DIGITAL EQUIPMENT CORPORATION.

CHK	CHANGE NO.	REV
	M8623-MR001	B

	DATE	ENG	DATE	TITLE:
	23-JAN-79	Paul Allen	10-11-79	CONTROL RAM RAMS 72-83
DATE	BOARD LOCATION:	SHEET 1 OF 1		
13-MAR-79	IAF11			
PUB: M8623>CRM7.DRW	121-DEC-78 10:56	NEXT HIGHER ASSEMBLY:	SIZE CODE	NUMBER
FIRST USED ON OPTION/MODEL:	KS10	B-DD-M8623-0	D CS	M8623-0-CRM7

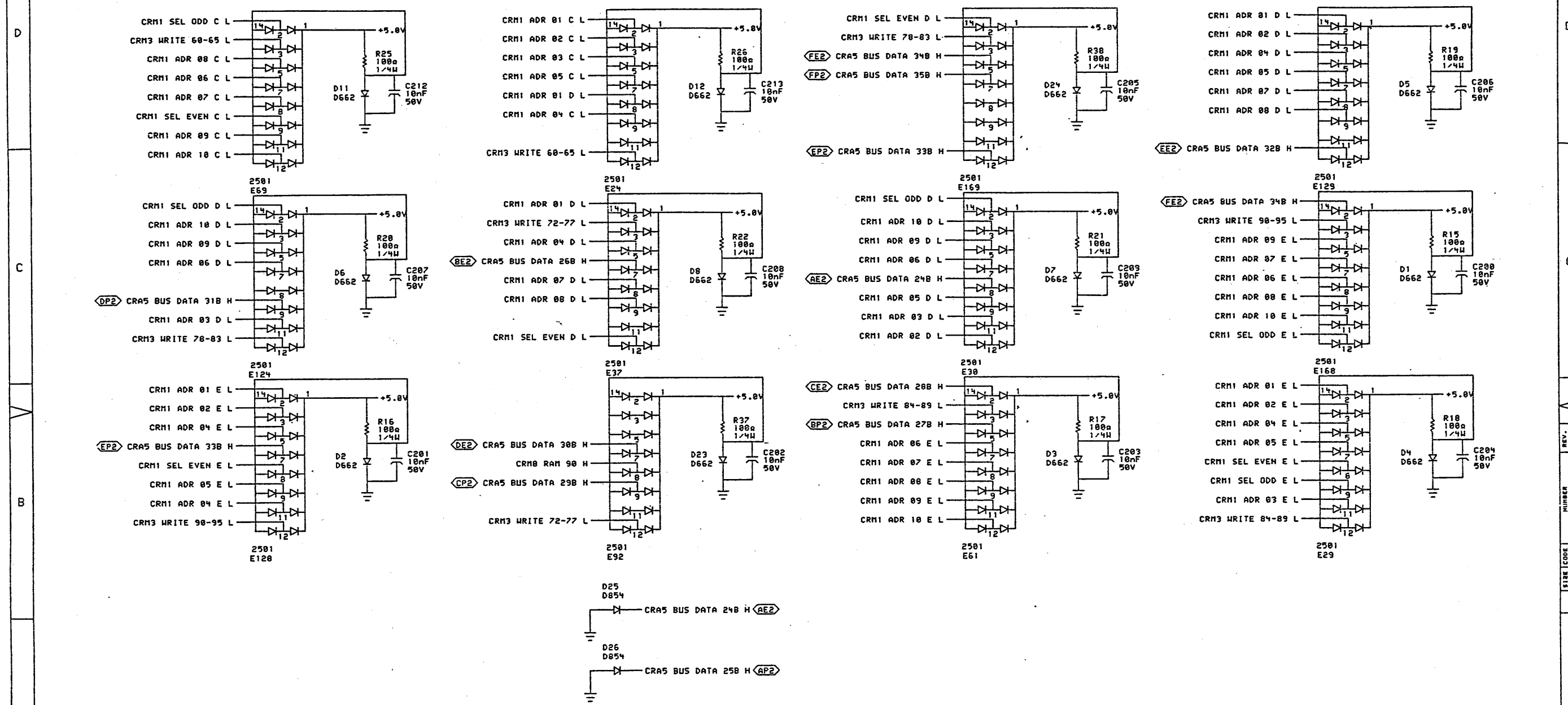


SHEET 8 OF 11

THIS DRAWING AND SPECIFICATIONS ARE THE PROPERTY OF DIGITAL EQUIPMENT CORPORATION AND SHALL NOT BE REPRODUCED OR COPIED OR USED IN WHOLE OR IN PART AS THE BASIS FOR THE MANUFACTURE OR SALE OF ITEMS WITHOUT WRITTEN PERMISSION. COPYRIGHT © 1979, DIGITAL EQUIPMENT CORPORATION.

REVISIONS
CHK CHANGE NO. REV
M8623-M8601 B
D. OLDFHAM

	DRW. J. J. J.	DATE 12-11-79	ENG. J. J. J.	DATE 12-11-79	TITLE: CONTROL RAM RAMS 84-95
	CHK. M. M.	DATE 12-11-79	DATE 12-11-79	BOARD LOCATION: JAF11	SIZE CODE: D CS
PUB: M8623-CRM8.DRW		15-DEC-78 11:34		NEXT HIGHER ASSEMBLY: B-DD-M8623-0	NUMBER: M8623-0-CRM8
FIRST USED ON OPTION/MODEL: KS18					REV. B



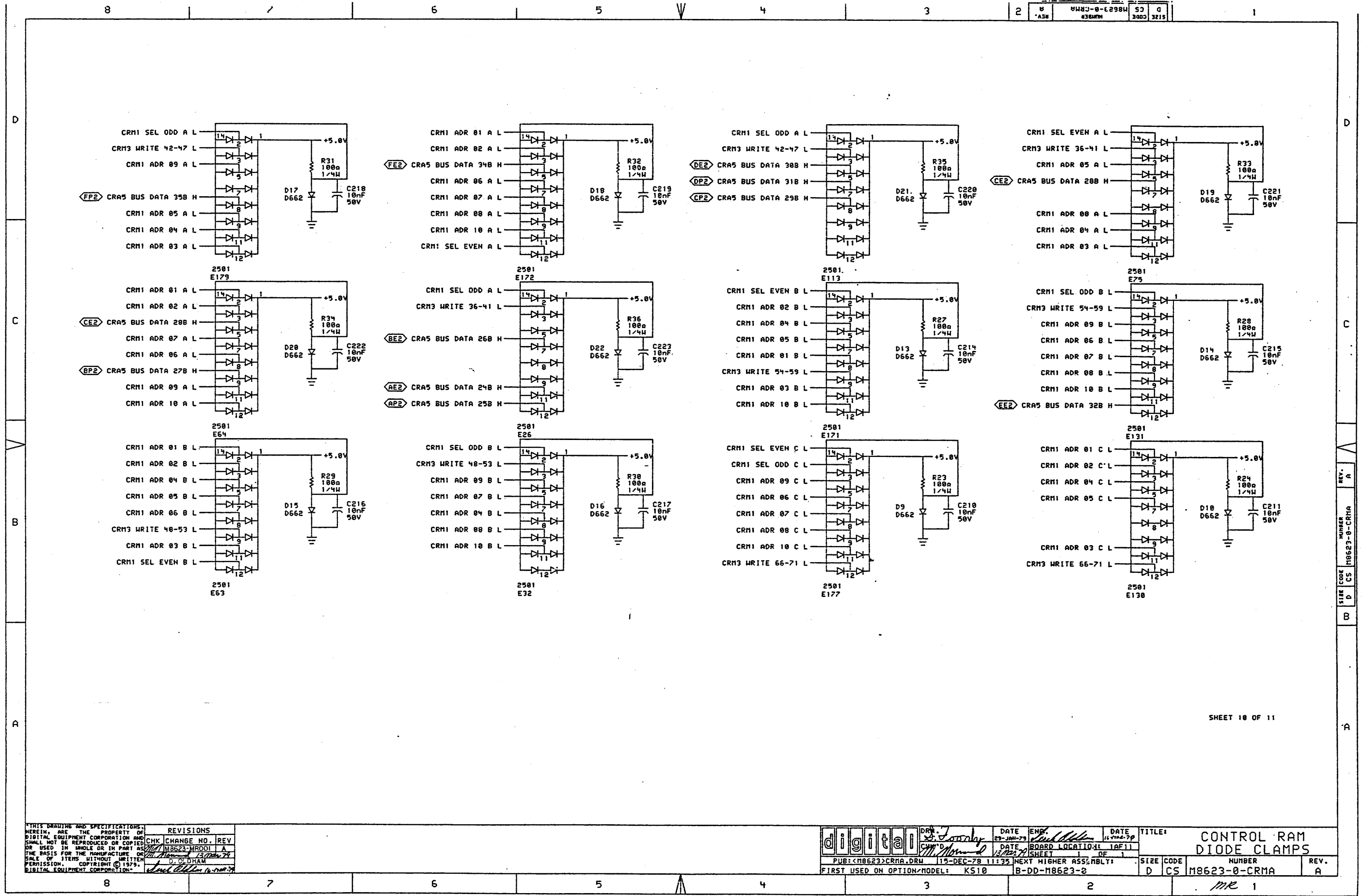
THIS DRAWING AND SPECIFICATIONS, HEREIN, ARE THE PROPERTY OF DIGITAL EQUIPMENT CORPORATION AND SHALL NOT BE REPRODUCED OR COPIED OR USED IN WHOLE OR IN PART AS THE BASIS FOR THE MANUFACTURE OR SALE OF ITEMS WITHOUT WRITTEN PERMISSION. COPYRIGHT © 1979, DIGITAL EQUIPMENT CORPORATION.

REV.	DESCRIPTION	DATE
1	INITIAL DESIGN	15-DEC-78
2	REVISED	15-DEC-78

digital DR. J. F. ... DATE 23-JAN-79 ENG. ... DATE ... TITLE: CONTROL RAM DIODE CLAMPS

PUB: M8623-CRM9.DRM 15-DEC-78 11:34 NEXT HIGHER ASSEMBLY: B-DD-M8623-0 SIZE CODE D CS NUMBER M8623-0-CRM9 REV. B

FIRST USED ON OPTION/MODEL: K510



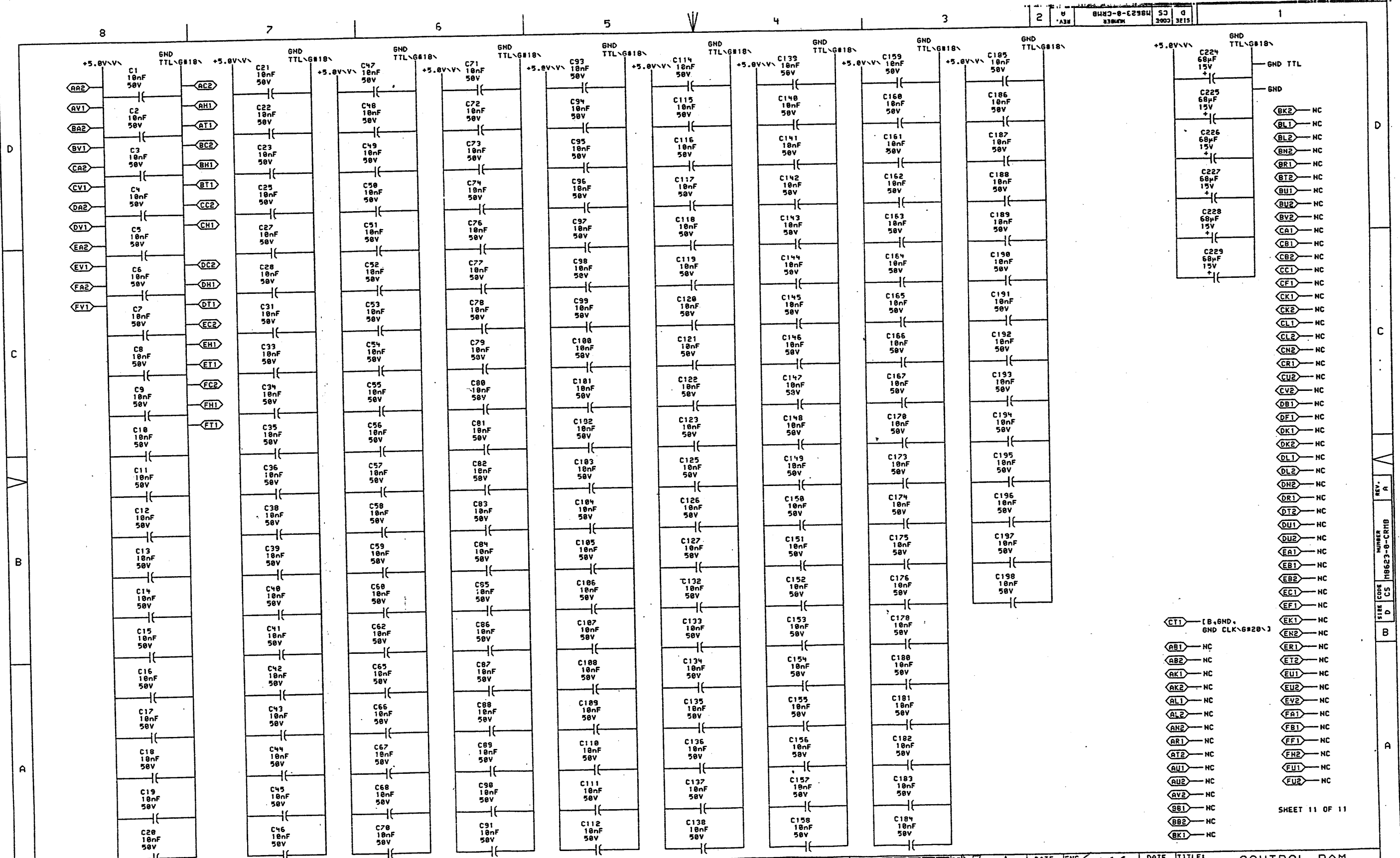
SHEET 10 OF 11

THIS DRAWING AND SPECIFICATIONS HEREIN ARE THE PROPERTY OF DIGITAL EQUIPMENT CORPORATION AND SHALL NOT BE REPRODUCED OR COPIED OR USED IN WHOLE OR IN PART AS THE BASIS FOR THE MANUFACTURE OR SALE OF ITEMS WITHOUT WRITTEN PERMISSION. COPYRIGHT © 1979, DIGITAL EQUIPMENT CORPORATION.

CHK	CHANGE NO.	REV

digital	DATE	ENR	DATE	TITLE
	23-JAN-79		11-1982-79	CONTROL RAM DIODE CLAMPS
	DATE	BOARD LOCATION	SHEET	
	11-DEC-78	IAF11	OF 1	
PUB: <M8623>CRMA.DRW		115-DEC-78 11:35	NEXT HIGHER ASSEMBLY:	SIZE CODE
FIRST USED ON OPTION/MODEL: K510		B-DD-M8623-2		D CS
			NUMBER	REV.
			M8623-0-CRMA	A

me 1



THIS DRAWING AND SPECIFICATIONS HEREIN ARE THE PROPERTY OF DIGITAL EQUIPMENT CORPORATION AND SHALL NOT BE REPRODUCED OR COPIED OR USED IN WHOLE OR IN PART AS THE BASIS FOR THE MANUFACTURE OR SALE OF ITEMS WITHOUT WRITTEN PERMISSION. COPYRIGHT © 1979, DIGITAL EQUIPMENT CORPORATION.

REV.	CHG.	NO.	REV.
1			

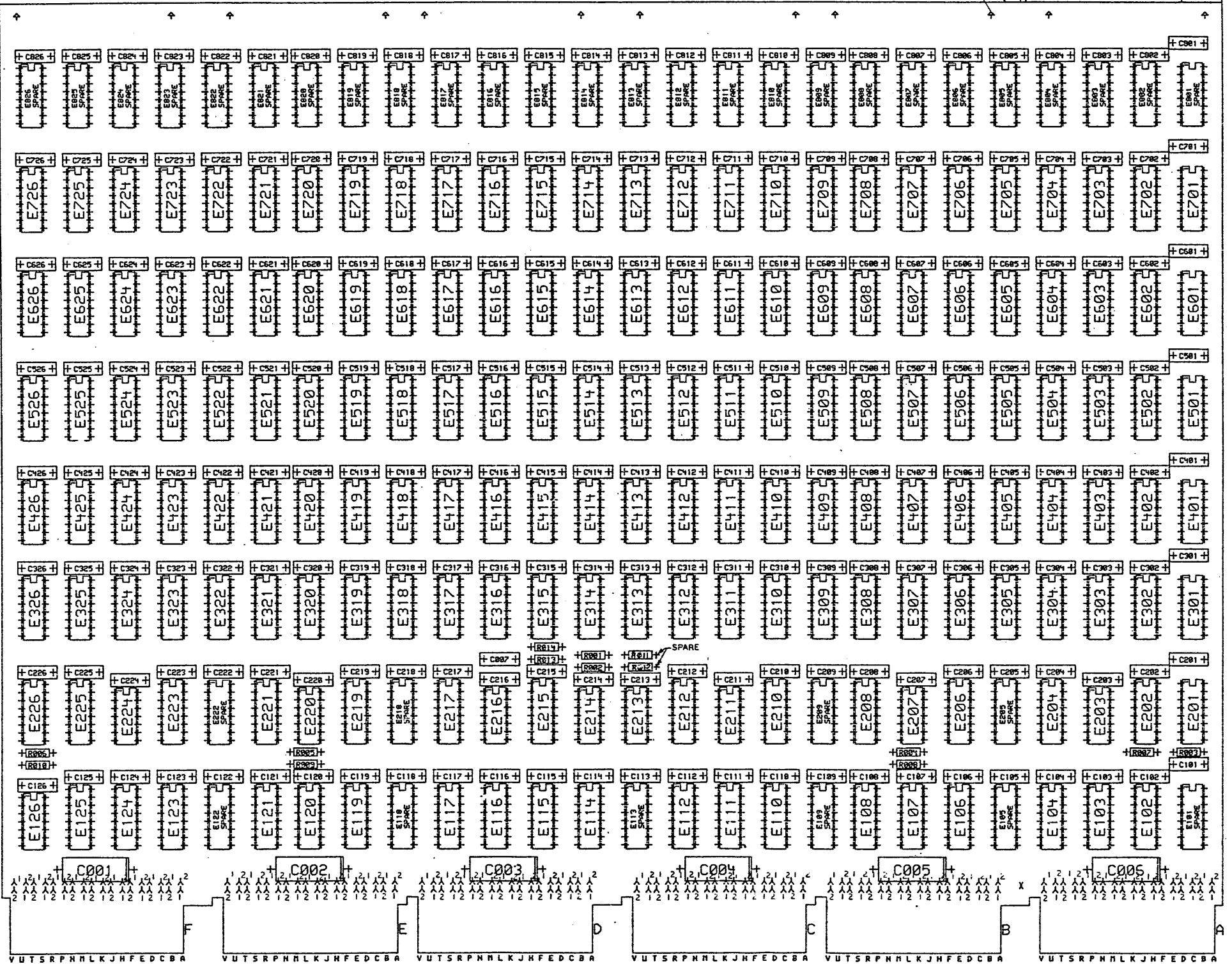
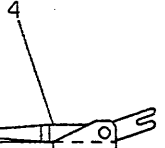
DATE: 11-19-79
 ENG: [Signature]
 DATE: 11-19-79
 BOARD LOCATION: 1A-E11
 SHEET: 1 OF 1

digital DR. J. [Signature] DATE: 11-19-79 ENG: [Signature] DATE: 11-19-79 TITLE: CONTROL RAM POWER, GND, CAPS

PUB: M8623-CRMB.DRM 117-DEC-78 11:35 NEXT HIGHER ASSEMBLY: SHEET 1 OF 1 SIZE: CODE NUMBER REV. D C5 M8623-0-CRMB A

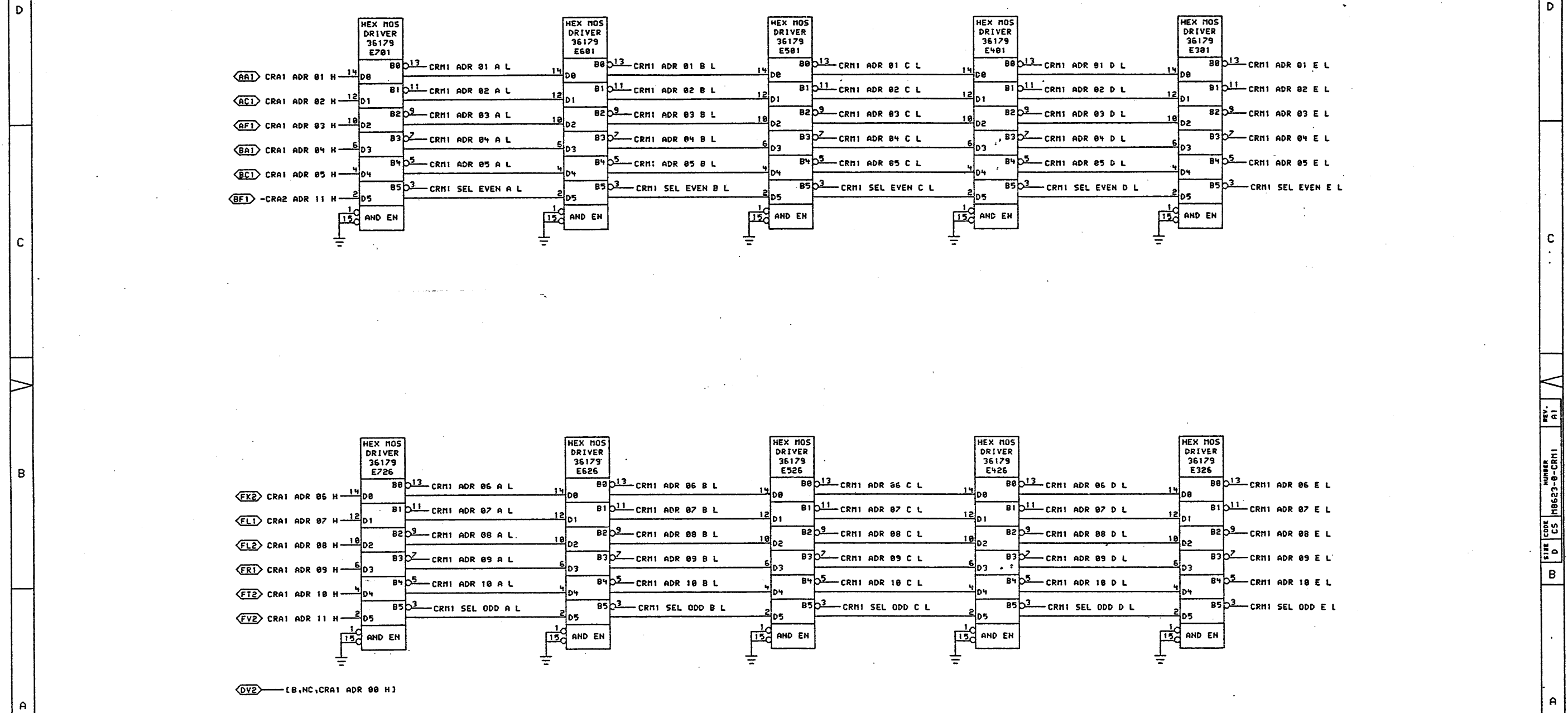
FIRST USED ON OPTION/MODEL: K510 B-DD-M8623-0

5 (QTY 12)



REV.	DATE	BY
1	11/10/72	AL
2	11/10/72	AL
3	11/10/72	AL
4	11/10/72	AL

	DRN: <i>Wilson</i> DATE: 11/10/72 BY: <i>Wilson</i>	DATE: 11/10/72 BY: <i>Wilson</i>	TITLE: CONTROL RAM UNIT ASSEMBLY
FIRST USED ON OPTION MODEL: K518	NEXT HIGHER ASSEMBLY: B-DD-18623-B	SIZE CODE: E UA	NUMBER: 18623-B-0 REV: AI

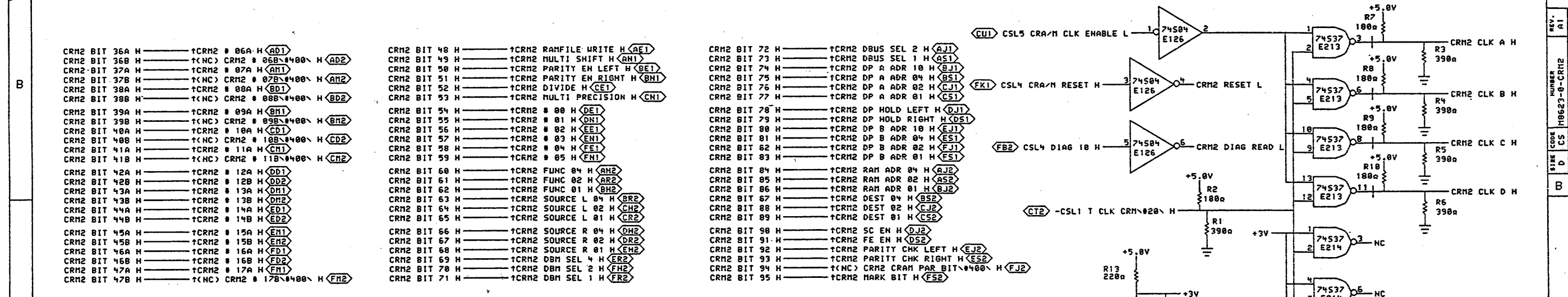
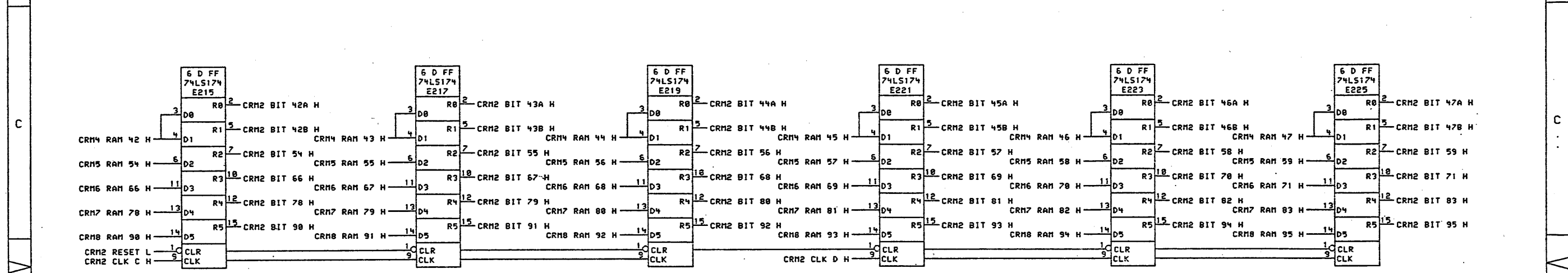
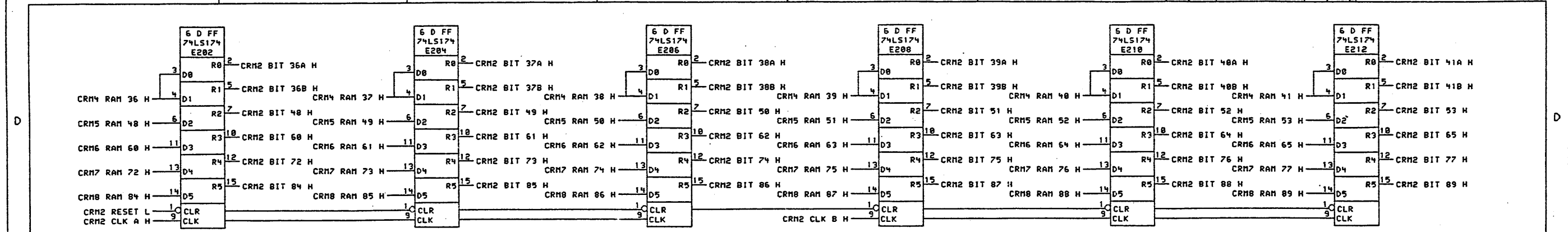


SHEET 1 OF 9

THIS DRAWING AND SPECIFICATIONS HEREIN ARE THE PROPERTY OF DIGITAL EQUIPMENT CORPORATION AND SHALL NOT BE REPRODUCED OR COPIED OR USED IN WHOLE OR IN PART AS THE BASIS FOR THE MANUFACTURE OR SALE OF ITEMS WITHOUT WRITTEN PERMISSION. COPYRIGHT © 1979, DIGITAL EQUIPMENT CORPORATION.

REVISIONS	
CHK	CHANGE NO. REV
	1
	2
	3
	4
	5
	6
	7
	8
	9
	10
	11
	12
	13
	14
	15
	16
	17
	18
	19
	20

digital	DRY. <i>J. Smith</i>	DATE 29-JAN-79	ENG <i>John Allen</i>	DATE 16-FEB-79	TITLE CONTROL RAM ADDRESS DRIVERS
	CHK. <i>M. Brown</i>	DATE 19-FEB-79	BOARD LOCATION	SHEET 1 OF 1	SIZE CODE D CS
FIRST USED ON OPTION/MODEL: K510		NEXT HIGHER ASSEMBLY: B-DD-M8623-0		NUMBER M8623-0-CRM1	REV. A1



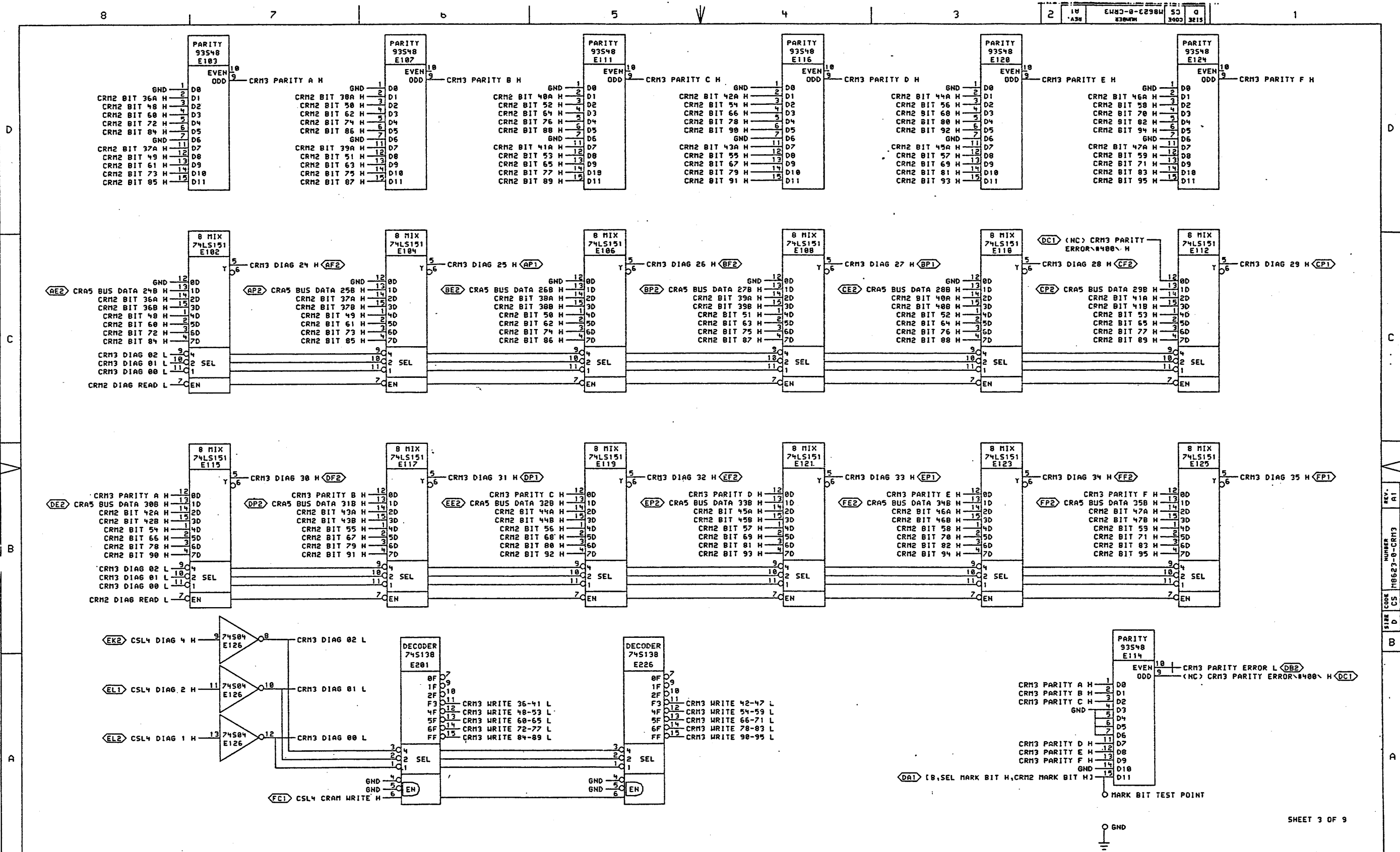
- CRM2 BIT 36A H ———> †CRM2 # 06A H (AD1)
- CRM2 BIT 36B H ———> †(NC) CRM2 # 06B #400 H (AD2)
- CRM2 BIT 37A H ———> †CRM2 # 07A H (AH1)
- CRM2 BIT 37B H ———> †(NC) CRM2 # 07B #400 H (AH2)
- CRM2 BIT 38A H ———> †CRM2 # 08A H (BD1)
- CRM2 BIT 38B H ———> †(NC) CRM2 # 08B #400 H (BD2)
- CRM2 BIT 39A H ———> †CRM2 # 09A H (BM1)
- CRM2 BIT 39B H ———> †(NC) CRM2 # 09B #400 H (BM2)
- CRM2 BIT 40A H ———> †CRM2 # 10A H (CD1)
- CRM2 BIT 40B H ———> †(NC) CRM2 # 10B #400 H (CD2)
- CRM2 BIT 41A H ———> †CRM2 # 11A H (CH1)
- CRM2 BIT 41B H ———> †(NC) CRM2 # 11B #400 H (CH2)
- CRM2 BIT 42A H ———> †CRM2 # 12A H (DD1)
- CRM2 BIT 42B H ———> †CRM2 # 12B H (DD2)
- CRM2 BIT 43A H ———> †CRM2 # 13A H (DH1)
- CRM2 BIT 43B H ———> †CRM2 # 13B H (DH2)
- CRM2 BIT 44A H ———> †CRM2 # 14A H (ED1)
- CRM2 BIT 44B H ———> †CRM2 # 14B H (ED2)
- CRM2 BIT 45A H ———> †CRM2 # 15A H (EH1)
- CRM2 BIT 45B H ———> †CRM2 # 15B H (EH2)
- CRM2 BIT 46A H ———> †CRM2 # 16A H (FD1)
- CRM2 BIT 46B H ———> †CRM2 # 16B H (FD2)
- CRM2 BIT 47A H ———> †CRM2 # 17A H (FH1)
- CRM2 BIT 47B H ———> †(NC) CRM2 # 17B #400 H (FH2)

- CRM2 BIT 48 H ———> †CRM2 RAMFILE WRITE H (AF1)
- CRM2 BIT 49 H ———> †CRM2 MULTI SHIFT H (AM1)
- CRM2 BIT 50 H ———> †CRM2 PARITY EN LEFT H (BE1)
- CRM2 BIT 51 H ———> †CRM2 PARITY EN RIGHT H (BN1)
- CRM2 BIT 52 H ———> †CRM2 DIVIDE H (CE1)
- CRM2 BIT 53 H ———> †CRM2 MULTI PRECISION H (CN1)
- CRM2 BIT 54 H ———> †CRM2 # 00 H (DE1)
- CRM2 BIT 55 H ———> †CRM2 # 01 H (DN1)
- CRM2 BIT 56 H ———> †CRM2 # 02 H (EE1)
- CRM2 BIT 57 H ———> †CRM2 # 03 H (EN1)
- CRM2 BIT 58 H ———> †CRM2 # 04 H (FE1)
- CRM2 BIT 59 H ———> †CRM2 # 05 H (FN1)
- CRM2 BIT 60 H ———> †CRM2 FUNC 04 H (AH2)
- CRM2 BIT 61 H ———> †CRM2 FUNC 02 H (AR2)
- CRM2 BIT 62 H ———> †CRM2 FUNC 01 H (BH2)
- CRM2 BIT 63 H ———> †CRM2 SOURCE L 04 H (BR2)
- CRM2 BIT 64 H ———> †CRM2 SOURCE L 02 H (CH2)
- CRM2 BIT 65 H ———> †CRM2 SOURCE L 01 H (CR2)
- CRM2 BIT 66 H ———> †CRM2 SOURCE R 04 H (DH2)
- CRM2 BIT 67 H ———> †CRM2 SOURCE R 02 H (DR2)
- CRM2 BIT 68 H ———> †CRM2 SOURCE R 01 H (EH2)
- CRM2 BIT 69 H ———> †CRM2 DBM SEL 4 H (ER2)
- CRM2 BIT 70 H ———> †CRM2 DBM SEL 2 H (FR2)
- CRM2 BIT 71 H ———> †CRM2 DBM SEL 1 H (FR2)

- CRM2 BIT 72 H ———> †CRM2 DBUS SEL 2 H (AJ1)
- CRM2 BIT 73 H ———> †CRM2 DBUS SEL 1 H (AS1)
- CRM2 BIT 74 H ———> †CRM2 DP A ADR 10 H (BJ1)
- CRM2 BIT 75 H ———> †CRM2 DP A ADR 04 H (BS1)
- CRM2 BIT 76 H ———> †CRM2 DP A ADR 02 H (CJ1)
- CRM2 BIT 77 H ———> †CRM2 DP A ADR 01 H (CS1)
- CRM2 BIT 78 H ———> †CRM2 DP HOLD LEFT H (DJ1)
- CRM2 BIT 79 H ———> †CRM2 DP HOLD RIGHT H (DS1)
- CRM2 BIT 80 H ———> †CRM2 DP B ADR 10 H (EJ1)
- CRM2 BIT 81 H ———> †CRM2 DP B ADR 04 H (ES1)
- CRM2 BIT 82 H ———> †CRM2 DP B ADR 02 H (FJ1)
- CRM2 BIT 83 H ———> †CRM2 DP B ADR 01 H (FS1)
- CRM2 BIT 84 H ———> †CRM2 RAM ADR 04 H (AJ2)
- CRM2 BIT 85 H ———> †CRM2 RAM ADR 02 H (AS2)
- CRM2 BIT 86 H ———> †CRM2 RAM ADR 01 H (BJ2)
- CRM2 BIT 87 H ———> †CRM2 DEST 04 H (BS2)
- CRM2 BIT 88 H ———> †CRM2 DEST 02 H (CS2)
- CRM2 BIT 89 H ———> †CRM2 DEST 01 H (FS2)
- CRM2 BIT 90 H ———> †CRM2 SC EN H (DJ2)
- CRM2 BIT 91 H ———> †CRM2 FE EN H (DS2)
- CRM2 BIT 92 H ———> †CRM2 PARITY CHK LEFT H (EJ2)
- CRM2 BIT 93 H ———> †CRM2 PARITY CHK RIGHT H (ES2)
- CRM2 BIT 94 H ———> †(NC) CRM2 CRAM PAR BIT #400 H (FJ2)
- CRM2 BIT 95 H ———> †CRM2 MARK BIT H (FS2)

REVISIONS
CHK CHANGE NO. REV
M8623-M8001 A1
13/04/79
D OLDHAM
13/04/79
13/04/79

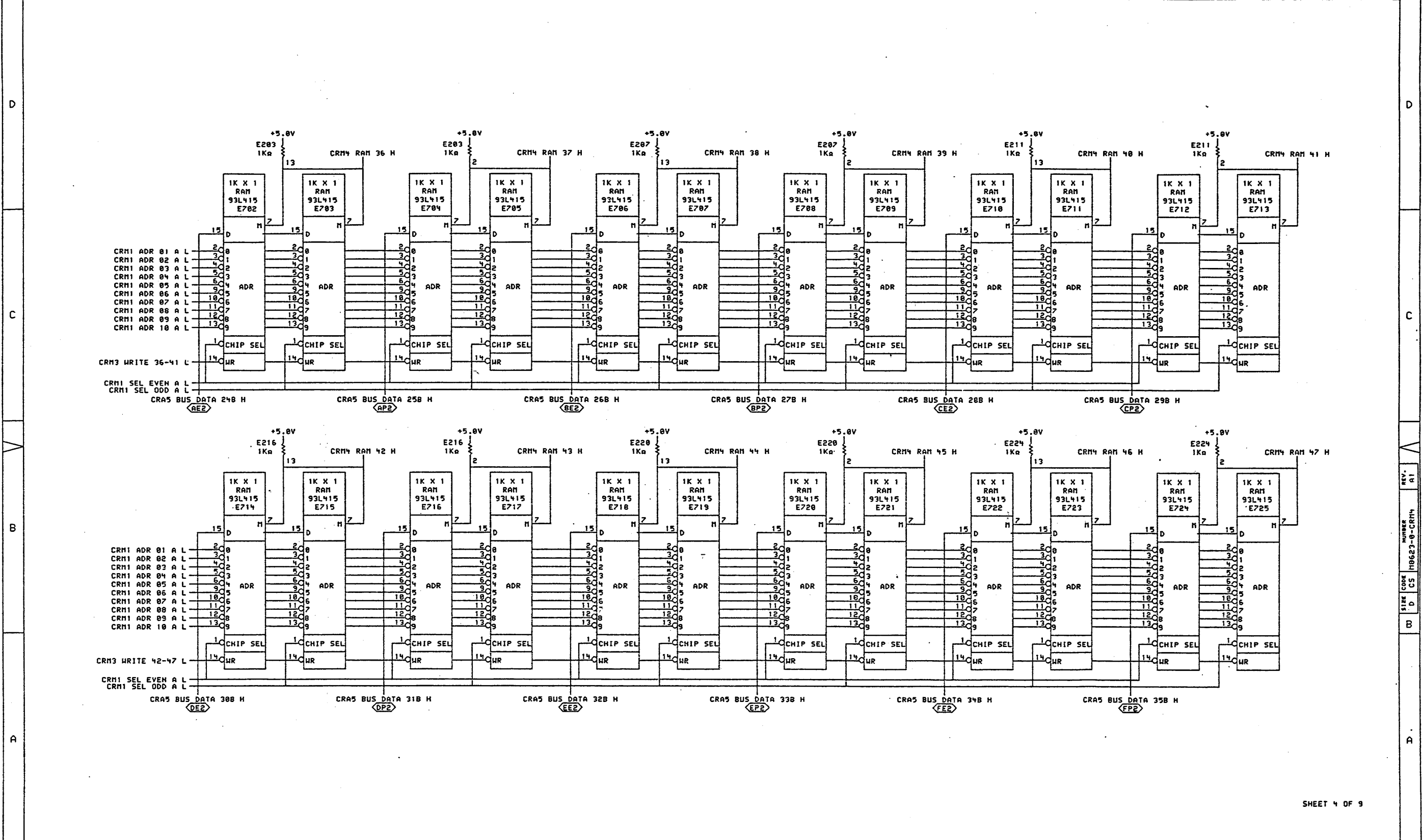
digital	DATE	29-JAN-79	ENG	Paul Allen	DATE	13-MAR-79	TITLE	CONTROL RAM	
	DATE	13-MAR-79	DATE	13-MAR-79	DATE	13-MAR-79	OUTPUT REGISTER		
PS: (M8623) CRM2. DRW	120-DEC-78 13:00	NEXT HIGHER ASSEMBLY:	B-DD-M8623-0	SIZE CODE	D CS	NUMBER	M8623-0-CRM2	REV.	A1
FIRST USED ON OPTION/MODEL:	KS10								



THIS DRAWING AND SPECIFICATIONS HEREIN ARE THE PROPERTY OF DIGITAL EQUIPMENT CORPORATION AND SHALL NOT BE REPRODUCED OR COPIED OR USED IN WHOLE OR IN PART AS THE BASIS FOR THE MANUFACTURE OR SALE OF ITEMS WITHOUT WRITTEN PERMISSION. COPYRIGHT © 1979, DIGITAL EQUIPMENT CORPORATION.

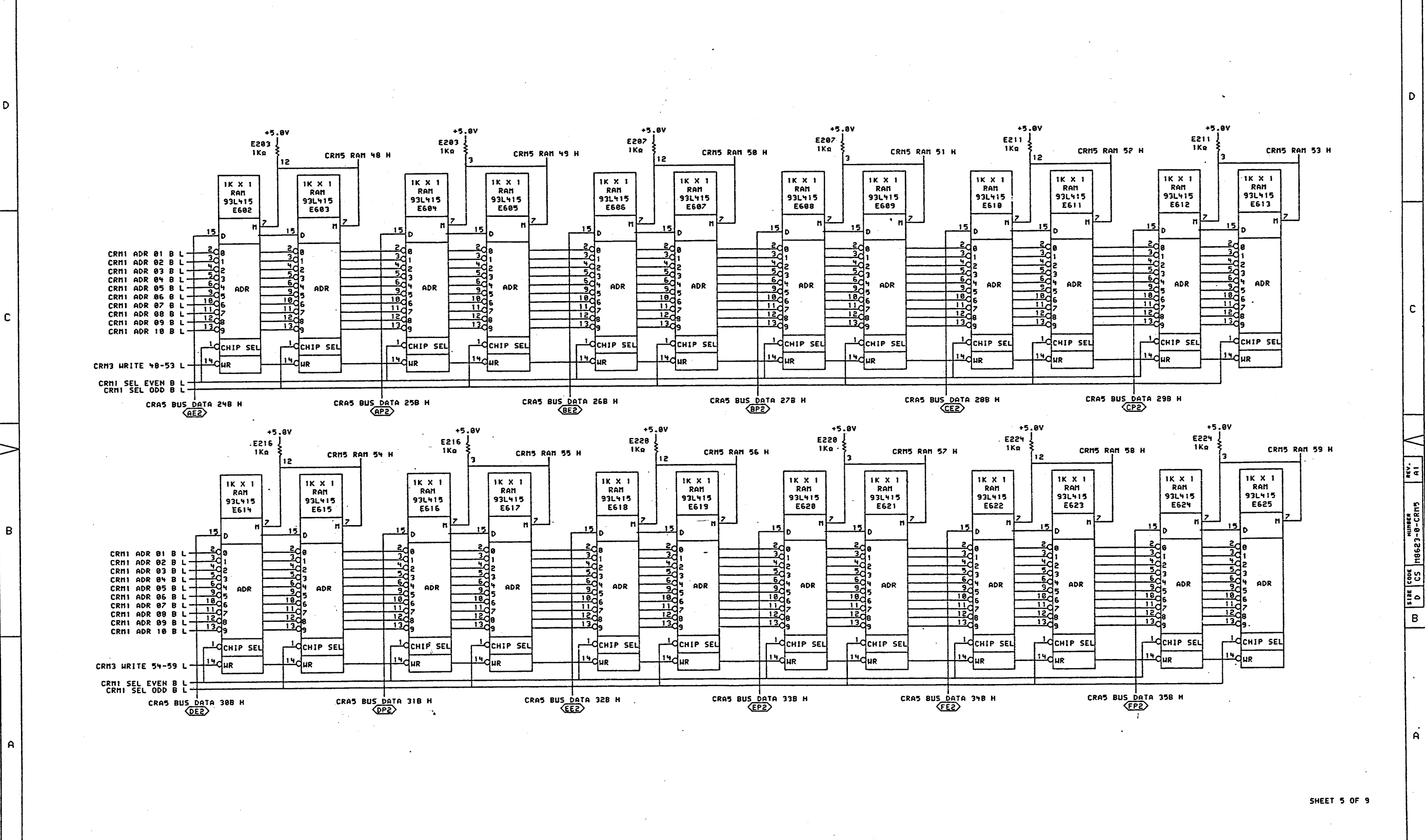
REVISIONS
CHK CHANGE NO. REV
WRS23-HROD1 A1
D. OLDHAM
Lead Miller

digital	DATE: 23-JAN-79	ENG: [Signature]	DATE: [Signature]	TITLE: CONTROL RAM PAR & DIAG
PS: (M8623)CRM3.DRW	128-DEC-79 13:01	NEXT HIGHER ASSEMBLY: B-DD-M8623-0	SHEET: 1 OF 1	SIZE CODE: D CS
FIRST USED ON OPTION/MODEL: KS10				NUMBER: M8623-0-CRM3
				REV. A1



SHEET 4 OF 9

THIS DRAWING AND SPECIFICATIONS ARE THE PROPERTY OF DIGITAL EQUIPMENT CORPORATION AND SHALL NOT BE REPRODUCED OR COPIED OR USED IN WHOLE OR IN PART AS THE BASIS FOR THE MANUFACTURE OR SALE OF ITEMS WITHOUT WRITTEN PERMISSION. COPYRIGHT © 1979, DIGITAL EQUIPMENT CORPORATION.	REVISIONS CHK CHANGE NO. REV 10/1/79 M8623-0-PROOT 1A1 11/3/79 M8623-0-PROOT 1A2 1/10/80 M8623-0-PROOT 1A3 1/10/80 M8623-0-PROOT 1A4 1/10/80 M8623-0-PROOT 1A5 1/10/80 M8623-0-PROOT 1A6 1/10/80 M8623-0-PROOT 1A7 1/10/80 M8623-0-PROOT 1A8 1/10/80 M8623-0-PROOT 1A9 1/10/80 M8623-0-PROOT 1A10 1/10/80 M8623-0-PROOT 1A11 1/10/80 M8623-0-PROOT 1A12 1/10/80 M8623-0-PROOT 1A13 1/10/80 M8623-0-PROOT 1A14 1/10/80 M8623-0-PROOT 1A15 1/10/80 M8623-0-PROOT 1A16 1/10/80 M8623-0-PROOT 1A17 1/10/80 M8623-0-PROOT 1A18 1/10/80 M8623-0-PROOT 1A19 1/10/80 M8623-0-PROOT 1A20 1/10/80 M8623-0-PROOT 1A21 1/10/80 M8623-0-PROOT 1A22 1/10/80 M8623-0-PROOT 1A23 1/10/80 M8623-0-PROOT 1A24 1/10/80 M8623-0-PROOT 1A25 1/10/80 M8623-0-PROOT 1A26 1/10/80 M8623-0-PROOT 1A27 1/10/80 M8623-0-PROOT 1A28 1/10/80 M8623-0-PROOT 1A29 1/10/80 M8623-0-PROOT 1A30 1/10/80 M8623-0-PROOT 1A31 1/10/80 M8623-0-PROOT 1A32 1/10/80 M8623-0-PROOT 1A33 1/10/80 M8623-0-PROOT 1A34 1/10/80 M8623-0-PROOT 1A35 1/10/80 M8623-0-PROOT 1A36 1/10/80 M8623-0-PROOT 1A37 1/10/80 M8623-0-PROOT 1A38 1/10/80 M8623-0-PROOT 1A39 1/10/80 M8623-0-PROOT 1A40 1/10/80 M8623-0-PROOT 1A41 1/10/80 M8623-0-PROOT 1A42 1/10/80 M8623-0-PROOT 1A43 1/10/80 M8623-0-PROOT 1A44 1/10/80 M8623-0-PROOT 1A45 1/10/80 M8623-0-PROOT 1A46 1/10/80 M8623-0-PROOT 1A47 1/10/80 M8623-0-PROOT 1A48 1/10/80 M8623-0-PROOT 1A49 1/10/80 M8623-0-PROOT 1A50 1/10/80 M8623-0-PROOT 1A51 1/10/80 M8623-0-PROOT 1A52 1/10/80 M8623-0-PROOT 1A53 1/10/80 M8623-0-PROOT 1A54 1/10/80 M8623-0-PROOT 1A55 1/10/80 M8623-0-PROOT 1A56 1/10/80 M8623-0-PROOT 1A57 1/10/80 M8623-0-PROOT 1A58 1/10/80 M8623-0-PROOT 1A59 1/10/80 M8623-0-PROOT 1A60 1/10/80 M8623-0-PROOT 1A61 1/10/80 M8623-0-PROOT 1A62 1/10/80 M8623-0-PROOT 1A63 1/10/80 M8623-0-PROOT 1A64 1/10/80 M8623-0-PROOT 1A65 1/10/80 M8623-0-PROOT 1A66 1/10/80 M8623-0-PROOT 1A67 1/10/80 M8623-0-PROOT 1A68 1/10/80 M8623-0-PROOT 1A69 1/10/80 M8623-0-PROOT 1A70 1/10/80 M8623-0-PROOT 1A71 1/10/80 M8623-0-PROOT 1A72 1/10/80 M8623-0-PROOT 1A73 1/10/80 M8623-0-PROOT 1A74 1/10/80 M8623-0-PROOT 1A75 1/10/80 M8623-0-PROOT 1A76 1/10/80 M8623-0-PROOT 1A77 1/10/80 M8623-0-PROOT 1A78 1/10/80 M8623-0-PROOT 1A79 1/10/80 M8623-0-PROOT 1A80 1/10/80 M8623-0-PROOT 1A81 1/10/80 M8623-0-PROOT 1A82 1/10/80 M8623-0-PROOT 1A83 1/10/80 M8623-0-PROOT 1A84 1/10/80 M8623-0-PROOT 1A85 1/10/80 M8623-0-PROOT 1A86 1/10/80 M8623-0-PROOT 1A87 1/10/80 M8623-0-PROOT 1A88 1/10/80 M8623-0-PROOT 1A89 1/10/80 M8623-0-PROOT 1A90 1/10/80 M8623-0-PROOT 1A91 1/10/80 M8623-0-PROOT 1A92 1/10/80 M8623-0-PROOT 1A93 1/10/80 M8623-0-PROOT 1A94 1/10/80 M8623-0-PROOT 1A95 1/10/80 M8623-0-PROOT 1A96 1/10/80 M8623-0-PROOT 1A97 1/10/80 M8623-0-PROOT 1A98 1/10/80 M8623-0-PROOT 1A99 1/10/80 M8623-0-PROOT 1A100	digital PS: M8623-CRM4.DRW FIRST USED ON OPTION/MODEL: KS10	DRN: J. J. J. J. DATE: 20-DEC-78 13:01 NEXT HIGHER ASSEMBLY: B-DD-M8623-0	ENG: J. J. J. J. DATE: 10-DEC-78 BOARD LOCATION: 1A11 SHEET: 1 OF 1	TITLE: CONTROL RAM RAMS 36-47 SIZE CODE: D CS NUMBER: M8623-0-CRM4 REV.: A1
	MR 1				



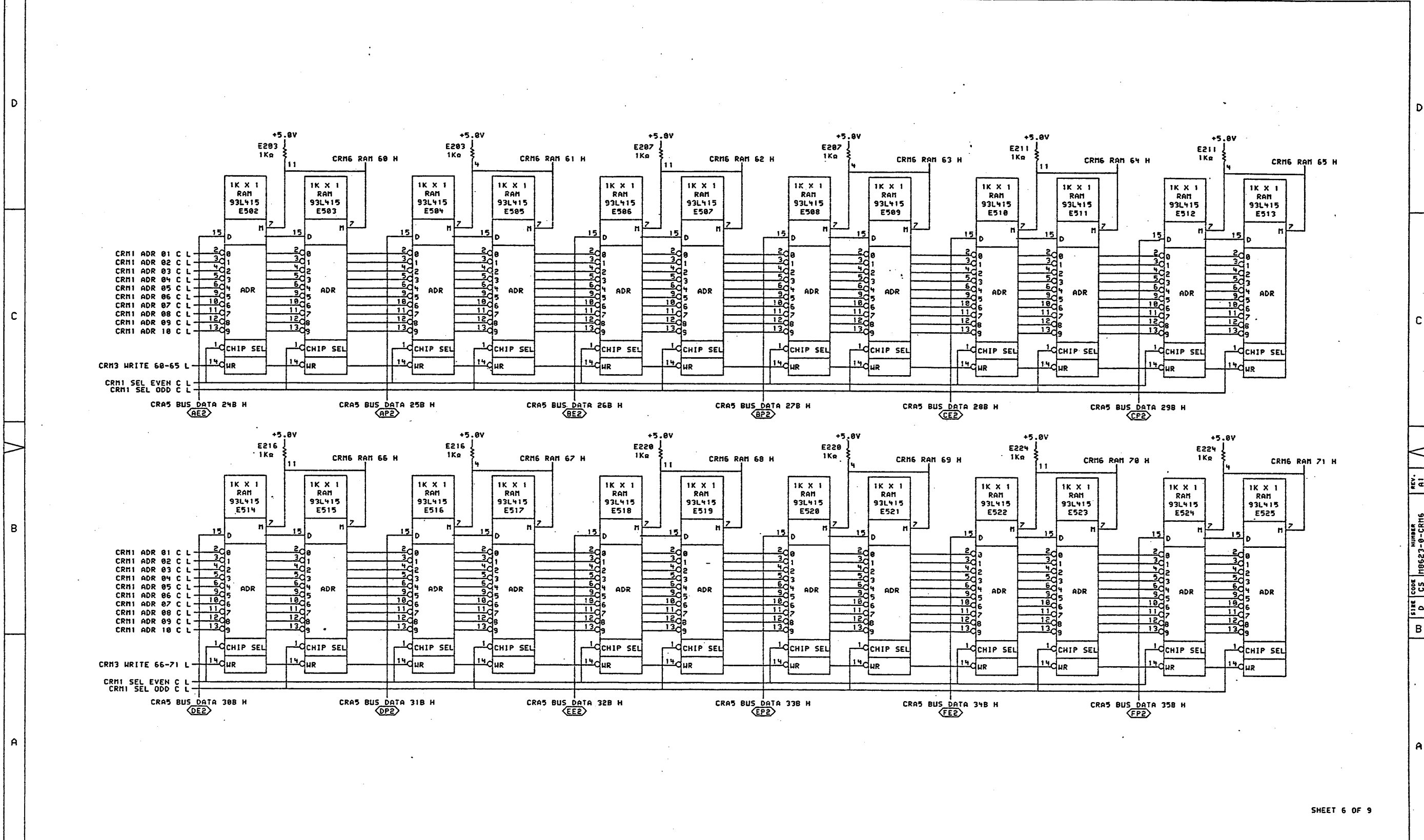
SHEET 5 OF 9

THIS DRAWING AND SPECIFICATIONS HEREIN, ARE THE PROPERTY OF DIGITAL EQUIPMENT CORPORATION AND SHALL NOT BE REPRODUCED OR COPIED OR USED IN WHOLE OR IN PART AS THE BASIS FOR THE MANUFACTURE OR SALE OF ITEMS WITHOUT WRITTEN PERMISSION. COPYRIGHT © 1979, DIGITAL EQUIPMENT CORPORATION.

REV	CHG	DATE	BY	REASON
1		12/20/78	J. J.

DATE	ENG	DATE	TITLE
03-JAN-79	CONTROL RAM RAMS 48-59
DATE	BOARD LOCATION	DATE	BOARD LOCATION
...
DATE	SHEET	DATE	SHEET
...

PS: (M8623)CRM5.DRM	120-DEC-78 13:01	NEXT HIGHER ASSEMBLY:	B-DD-M8623-0
FIRST USED ON OPTION/MODEL:	KS10		
SIZE	CODE	NUMBER	REV.
D	CS	M8623-0-CRM5	A1

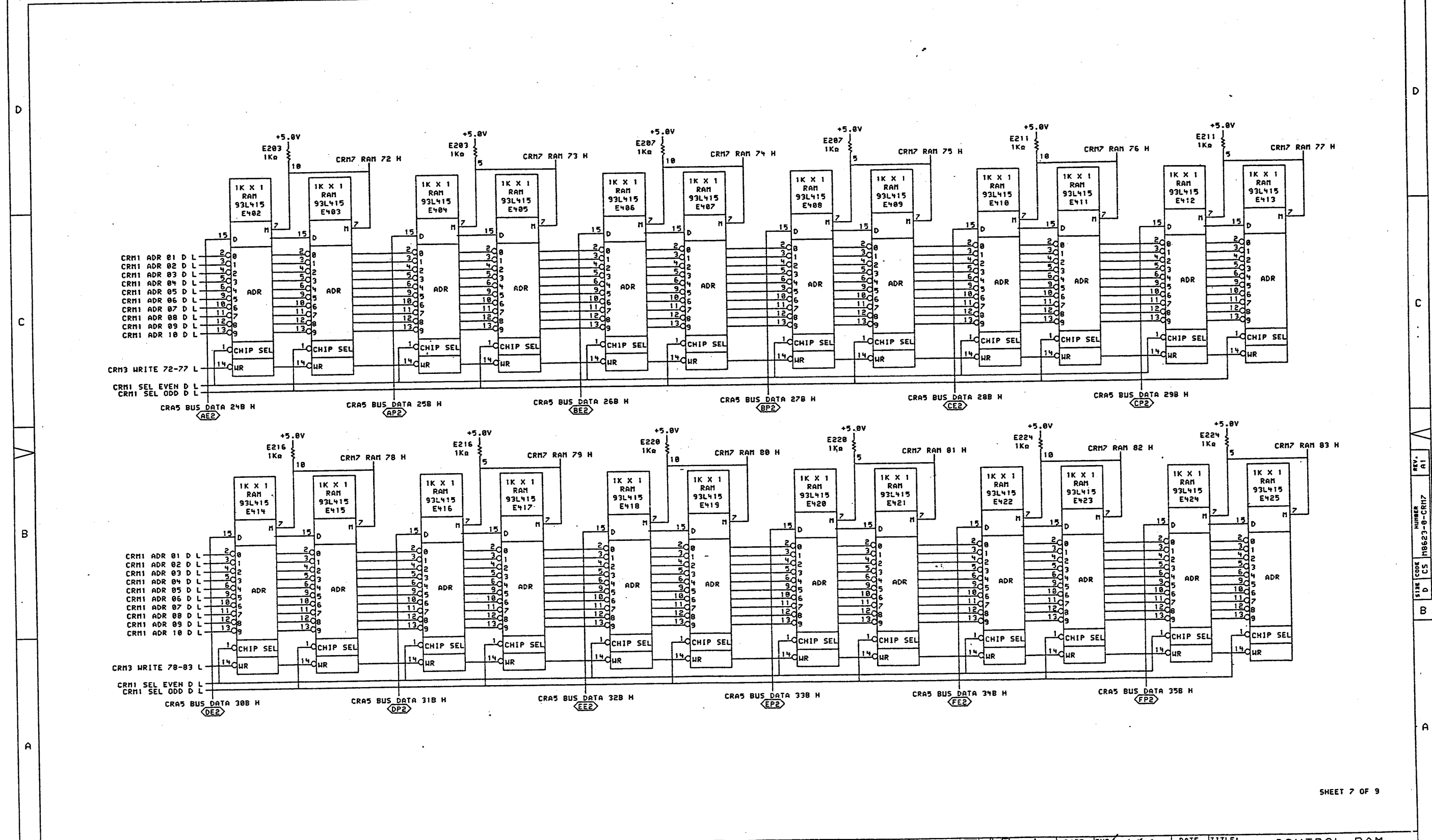


SHEET 6 OF 9

THIS DRAWING AND SPECIFICATIONS HEREIN ARE THE PROPERTY OF DIGITAL EQUIPMENT CORPORATION AND SHALL NOT BE REPRODUCED OR COPIED OR USED IN WHOLE OR IN PART AS THE BASIS FOR THE MANUFACTURE OR SALE OF ITEMS WITHOUT WRITTEN PERMISSION. COPYRIGHT © 1979, DIGITAL EQUIPMENT CORPORATION.

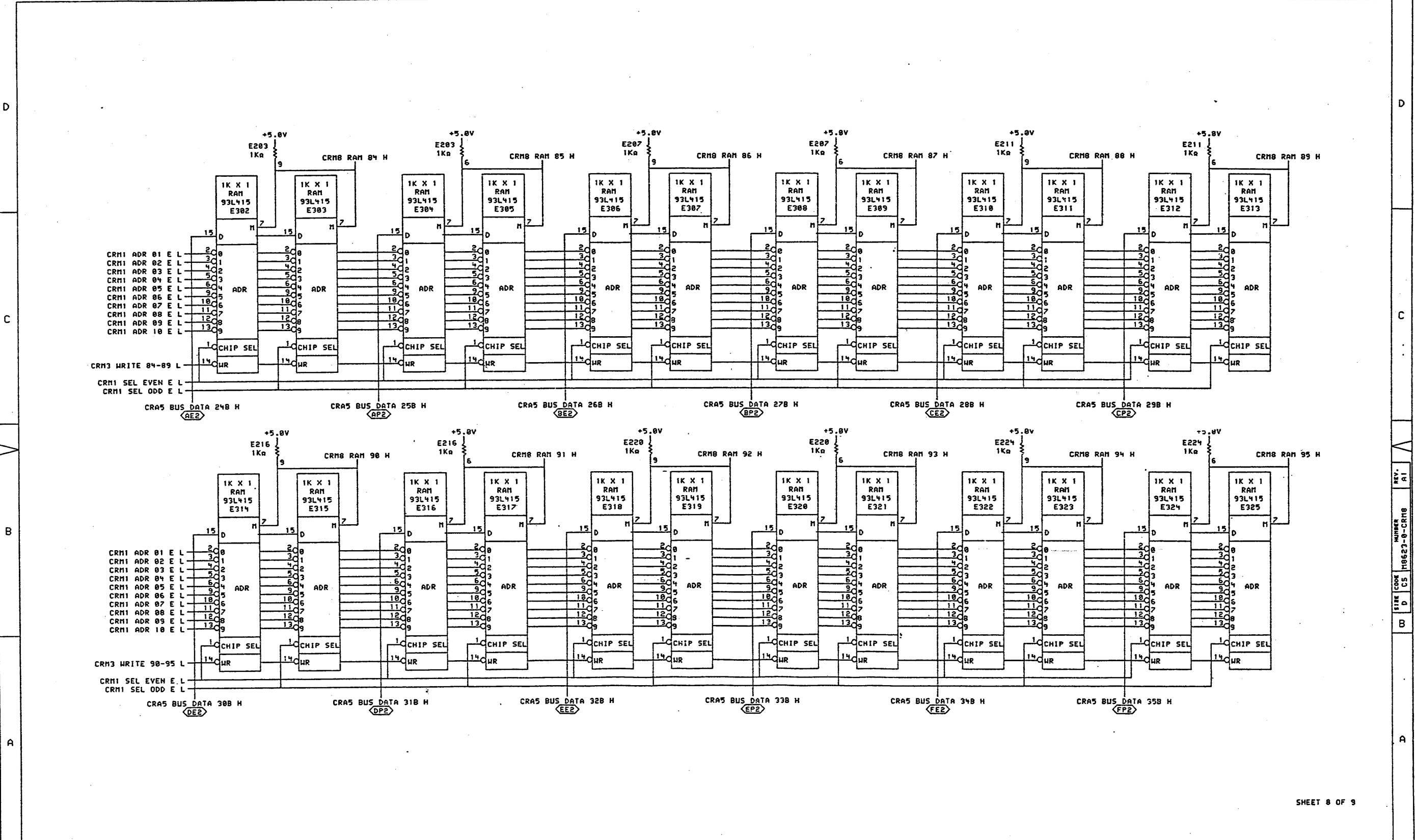
REVISIONS	
CHK	CHANGE NO. REV
AK	1
AK	2

digital	DATE	29-JUN-79	ENG	Paul Allen	DATE	16-JAN-79	TITLE:	CONTROL RAM
	DATE	13-MAR-79	DATE	13-MAR-79	DATE	13-MAR-79	RAMS 60-71	
PS: M8623>CRM6.DRW		20-DEC-78 13:02		NEXT HIGHER ASSEMBLY:		SIZE	CODE	NUMBER
FIRST USED ON OPTION MODEL: K510		B-DD-M8623-0		D		CS	M8623-0-CRM6	REV. A1



THIS DRAWING AND SPECIFICATIONS ARE THE PROPERTY OF DIGITAL EQUIPMENT CORPORATION AND SHALL NOT BE REPRODUCED OR COPIED OR USED IN WHOLE OR IN PART AS THE BASIS FOR THE MANUFACTURE OR SALE OF ITEMS WITHOUT WRITTEN PERMISSION. COPYRIGHT © 1979, DIGITAL EQUIPMENT CORPORATION.	REVISIONS CHK CHANGE NO. REV MMS23-MRO01 A1 D. OLDRAM 10/10/79	digital DATE 23-JUN-79 DATE 12-DEC-78 13:02 BOARD LOCATION: 1AE11 SHEET 1 OF 1 NEXT HIGHER ASSEMBLY: B-DD-M8623-0 FIRST USED ON OPTION/MODEL: K510	TITLE: CONTROL RAM RAMS 72-83 NUMBER M8623-0-CRM7 REV. A1	
	SIZE CODE D CS M8623-0-CRM7	DATE 12-DEC-78 13:02	BOARD LOCATION: 1AE11	SHEET 1 OF 1
	DATE 23-JUN-79	DATE 12-DEC-78 13:02	BOARD LOCATION: 1AE11	SHEET 1 OF 1

REV. A1
 NUMBER M8623-0-CRM7
 SIZE CODE D CS
 D

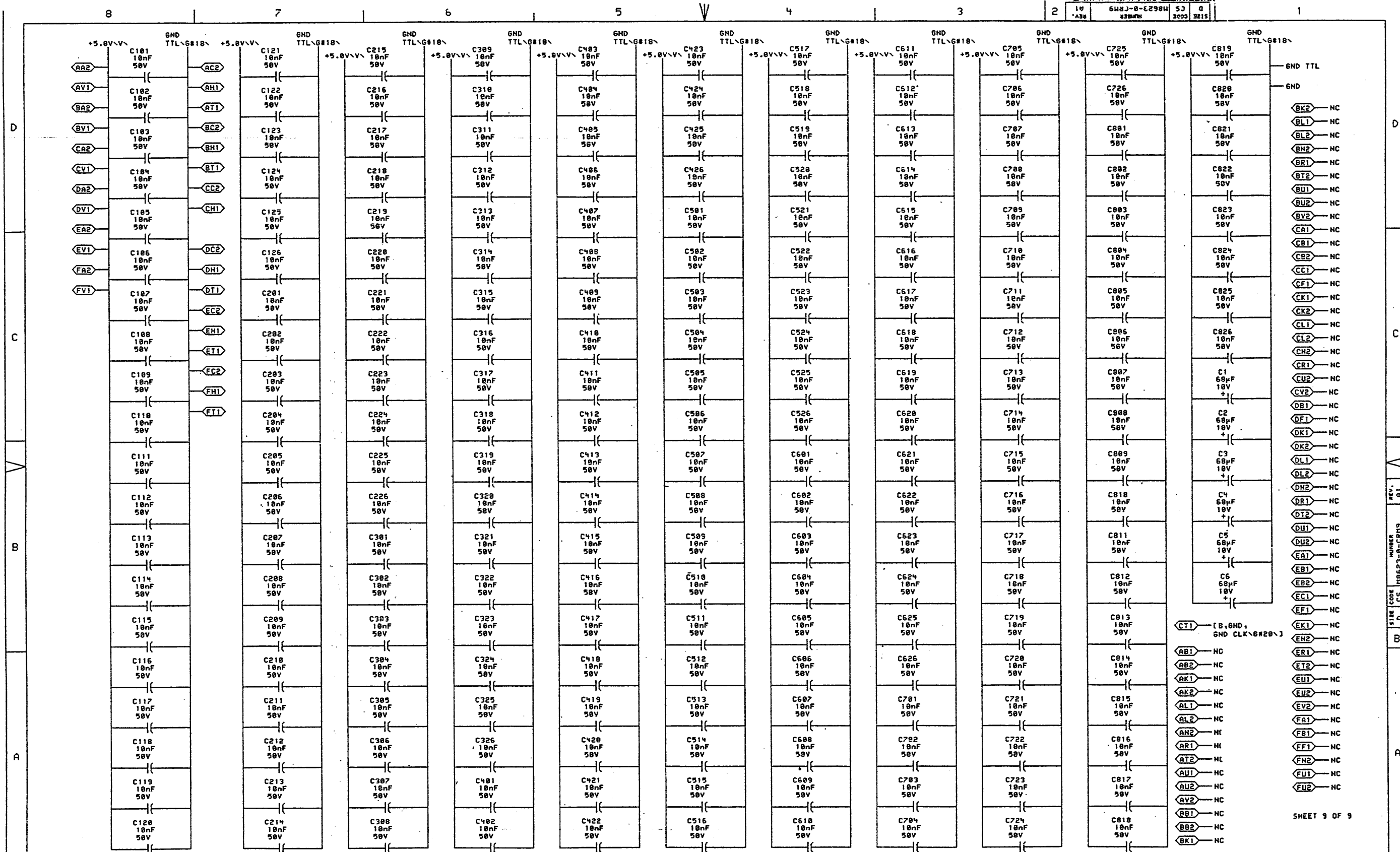


SHEET 8 OF 9

THIS DRAWING AND SPECIFICATIONS, HEREIN, ARE THE PROPERTY OF DIGITAL EQUIPMENT CORPORATION AND SHALL NOT BE REPRODUCED OR COPIED OR USED IN WHOLE OR IN PART AS A BASIS FOR THE MANUFACTURE OR SALE OF ITEMS WITHOUT WRITTEN PERMISSION. COPYRIGHT © 1979, DIGITAL EQUIPMENT CORPORATION.

REV	CHG	DATE	BY	REASON
1				

	DATE	ENG	DATE	TITLE
	29-JAN-79	W. J. [unclear]	1979-01-29	CONTROL RAM RAMS 84-95
	DATE	BOARD LOCATION	OF	
	12-DEC-78	13:02	1	
FIRST USED ON OPTION/MODEL:		NEXT HIGHER ASSEMBLY:		
K510		B-DD-M8623-0		
SIZE	CODE	NUMBER	REV.	
D	CS	M8623-0-CRM8	A1	



THIS DRAWING AND SPECIFICATIONS HEREIN ARE THE PROPERTY OF DIGITAL EQUIPMENT CORPORATION AND SHALL NOT BE REPRODUCED OR COPIED OR USED IN WHOLE OR IN PART AS THE BASIS FOR THE MANUFACTURE OR SALE OF ITEMS WITHOUT WRITTEN PERMISSION. COPYRIGHT © 1979, DIGITAL EQUIPMENT CORPORATION.

REV.	DATE	BY	DESCRIPTION
1	12-29-78	J. J. [Signature]	INITIAL DESIGN
2	1-16-79	[Signature]	REVISED

REV.	DATE	BY	DESCRIPTION
1	12-29-78	J. J. [Signature]	INITIAL DESIGN
2	1-16-79	[Signature]	REVISED

digital DRN: *J. J. [Signature]* DATE: 12-29-78 ENG: *[Signature]* DATE: 1-16-79

PS: M8623-CRM9.DRN 129-DEC-78 13193 NEXT HIGHER ASSEMBLY: B-DD-M8623-0

FIRST USED ON OPTION/MODEL: KS10

TITLE: CONTROL RAM POWER, GND, CAPS

SIZE: D CS NUMBER: M8623-0-CRM9 REV: A1

REV. A1
NUMBER 18623-0-CRM9
D
CS
M8623-0-CRM9
REV. A1

DRAWING NO.	NO. OF SHTS.	PART NO.	DESCRIPTION	REVISIONS																								
				A	B	C																						
			MODULE REVISION	A	B	C																						
E-UA-M8629-0-0	4		MOS MEMORY ARRAY	A	B	C																						
K-PL-M8629-AB-DBP	2		MOS MEMORY ARRAY, AUTO PARTS LIST	-	B	C																						
K-PL-M8629-BB-DBP	2		MOS MEMORY ARRAY, AUTO PARTS LIST	-	B	C																						
K-PL-M8629-BC-DBP	2		MOS MEMORY ARRAY, AUTO PARTS LIST	-	B	C																						
D-CS-M8629-0-MMA1	1		MOS MEMORY ARRAY, ARRAY DRIVERS	-	-	-																						
D-CS-M8629-0-MMA2	1		MOS MEMORY ARRAY, ADDRESS BUFFERS	-	-	-																						
D-CS-M8629-0-MMA3	1		MOS MEMORY ARRAY, BITS 41-23A	-	-	-																						
D-CS-M8629-0-MMA4	1		MOS MEMORY ARRAY, BITS 41-23B	-	-	-																						
D-CS-M8629-0-MMA5	1		MOS MEMORY ARRAY, BITS 21-01A	-	-	-																						
D-CS-M8629-0-MMA6	1		MOS MEMORY ARRAY, BITS 21-01B	-	-	-																						
D-CS-M8629-0-MMA7	1		MOS MEMORY ARRAY, BITS 42-22A	-	-	-																						
D-CS-M8629-0-MMA8	1		MOS MEMORY ARRAY, BITS 42-22B	-	-	-																						
D-CS-M8629-0-MMA9	1		MOS MEMORY ARRAY, BITS 20-00A	-	-	-																						
D-CS-M8629-0-MMAA	1		MOS MEMORY ARRAY, BITS 20-00B	-	-	-																						
D-CS-M8629-0-MMAB	1		MOS MEMORY ARRAY, POWER, GND, CAPS	-	-	-																						
D-CS-M8629-0-MMAC	1		MOS MEMORY ARRAY, POWER, GND, CAPS	-	-	-																						
D-CS-M8629-0-MMAD	1		MOS MEMORY ARRAY, ARRAY +5.0V	-	-	-																						
E-MD-5013064-0-0	5		DRILL & ETCH DRAWING	A	B	B																						
		5013064	ETCHED CIRCUIT BOARD	B	C	C																						
K-PC-M8629-0-DBC	-		P.C. DESIGN DATA BASE (CALDEC)	B	C	C																						
K-PL-M8629-BD-DBP	2		MOS MEMORY ARRAY, AUTO PARTS LIST	-	-	C																						
K-PL-M8629-BE-DBP	2		MOS MEMORY ARRAY, AUTO PARTS LIST	-	-	C																						
POO-M8629-00			PROCESS SHEETS (REF)																									

NOTES:

REV. X	DATE	CHG NO.	ORIG
A	2 JUN 1978		M8629-1
B	2 DEC 1978		M8629-2

"THIS DRAWING AND SPECIFICATIONS, HEREIN, ARE THE PROPERTY OF DIGITAL EQUIPMENT CORPORATION AND SHALL NOT BE REPRODUCED OR COPIED OR USED IN WHOLE OR IN PART AS THE BASIS FOR THE MANUFACTURE OR SALE OF ITEMS WITHOUT WRITTEN PERMISSION.
 COPYRIGHT © 1977 DIGITAL EQUIPMENT CORPORATION

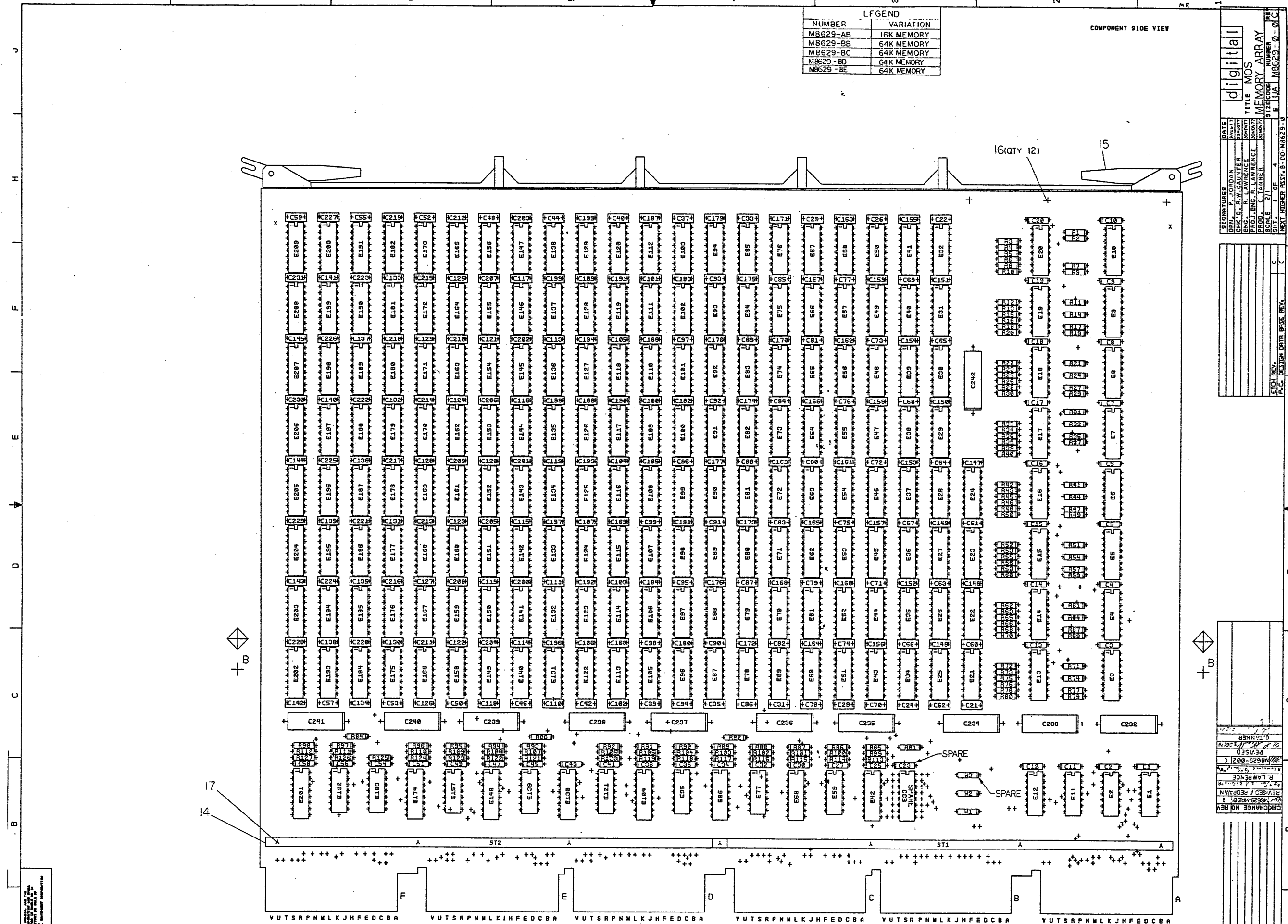


USED ON OPTION/MODEL
KS10

DRN.	E. WILSON	12SEP77
CHK'D	R.W. CAUNTER	14SEP77
ENG.	R. LAWRENCE	30NOV77
PROD.	C. TANNER	30NOV77

TITLE		NUMBER		REV.
MOS MEMORY ARRAY		M8629-0		B
SIZE	CODE			
B	DD			
SHEET 1 OF 1				

REVISIONS:
 1. 10/10/77
 2. 10/11/77
 3. 10/12/77
 4. 10/13/77
 5. 10/14/77
 6. 10/15/77
 7. 10/16/77
 8. 10/17/77
 9. 10/18/77
 10. 10/19/77
 11. 10/20/77
 12. 10/21/77
 13. 10/22/77
 14. 10/23/77
 15. 10/24/77
 16. 10/25/77
 17. 10/26/77



LFGENO

NUMBER	VARIATION
M8629-AB	16K MEMORY
M8629-BB	64K MEMORY
M8629-BC	64K MEMORY
M8629-BD	64K MEMORY
M8629-BE	64K MEMORY

COMPONENT SIDE VIEW

SIGNATURES		DATE	BY	CHKD.	DATE	BY
DRY. P. JORDAN		8/26/77	PA			
CHK. G. W. GAUNTER		8/27/77	PA			
DESIGNER: R. LAWRENCE		8/22/77	PA			
CHECKED: R. LAMANCE		8/24/77	PA			
DRAWN: C. TANNER		8/23/77	PA			

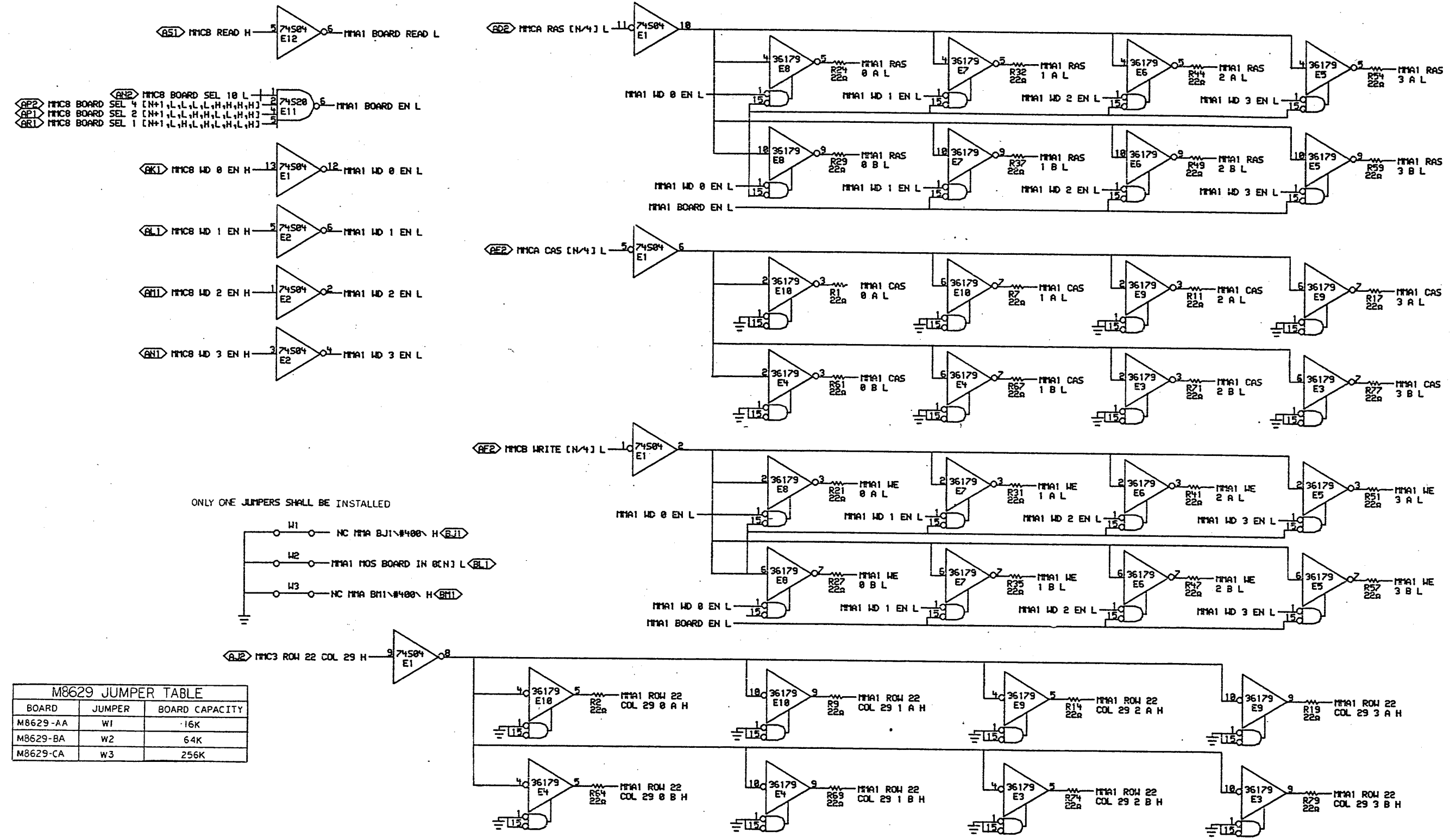
SCALE: 1 OF 4
 SIZE CODE: E
 TITLE: MOS MEMORY ARRAY
 NUMBER: 101
 PART NUMBER: 8629-B-00-M8629-3
 EIA: M8629-0-0-C

ETCH REV.	C
P.C. DESIGN ORG. BRSE. REV.	C

REV.	DATE	BY	DESCRIPTION
1			
2			
3			
4			
5			

CHNG. NO.	REV.
1	
2	
3	
4	
5	

NOTES:



AN2 MNCB BOARD SEL 10 L
 AP2 MNCB BOARD SEL 4 [N+1, L, L, L, L, L, H, H, H, H]
 AP1 MNCB BOARD SEL 2 [N+1, L, L, H, H, L, L, H, H]
 AR1 MNCB BOARD SEL 1 [N+1, L, H, L, H, L, H, L, H]

ONLY ONE JUMPERS SHALL BE INSTALLED

W1 NC MNA BJ1-#400 H
 W2 MNA1 MOS BOARD IN 0EN L
 W3 NC MNA BM1-#400 H

M8629 JUMPER TABLE		
BOARD	JUMPER	BOARD CAPACITY
M8629-AA	W1	16K
M8629-BA	W2	64K
M8629-CA	W3	256K

THIS DRAWING AND SPECIFICATIONS, HEREIN, ARE THE PROPERTY OF DIGITAL EQUIPMENT CORPORATION AND SHALL NOT BE REPRODUCED OR COPIED OR USED IN WHOLE OR IN PART AS THE BASIS FOR THE MANUFACTURE OR SALE OF ITEMS WITHOUT WRITTEN PERMISSION.
COPYRIGHT © 1977, DIGITAL EQUIPMENT CORPORATION

REVISIONS	
CHK	CHANGE NO. REV

digital *Dr. J. Leahy* DATE ENG 89-NOV-77 DATE TITLE: MOS MEMORY ARRAY ARRAY DRIVERS
 CHK'D. *The Mole* DATE BOARD LOCATION: 1 OF 1
 MNA1.DRL 4.6551 89-NOV-77 14132 NEXT HIGHER ASSEMBLY: B-DD-M8629-0
 FIRST USED ON OPTION/MODEL: KS10

SIZE	CODE	NUMBER	REV.
D	CS	M8629-0-MNA1	

D

C

B

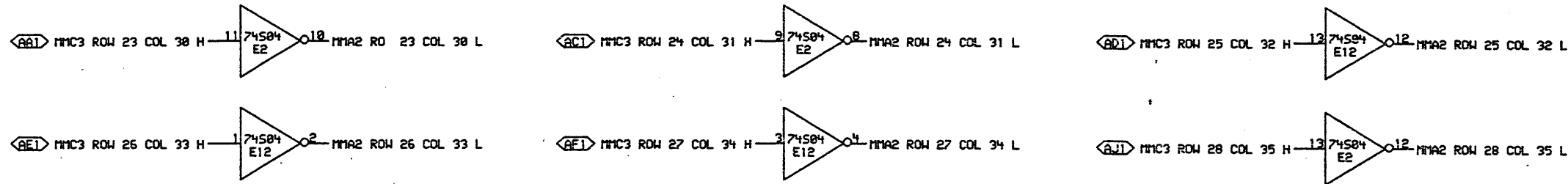
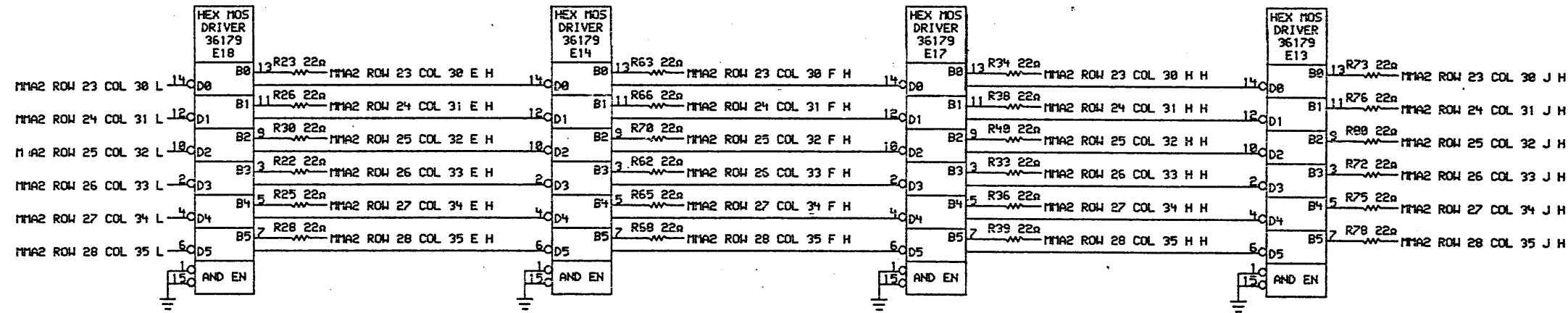
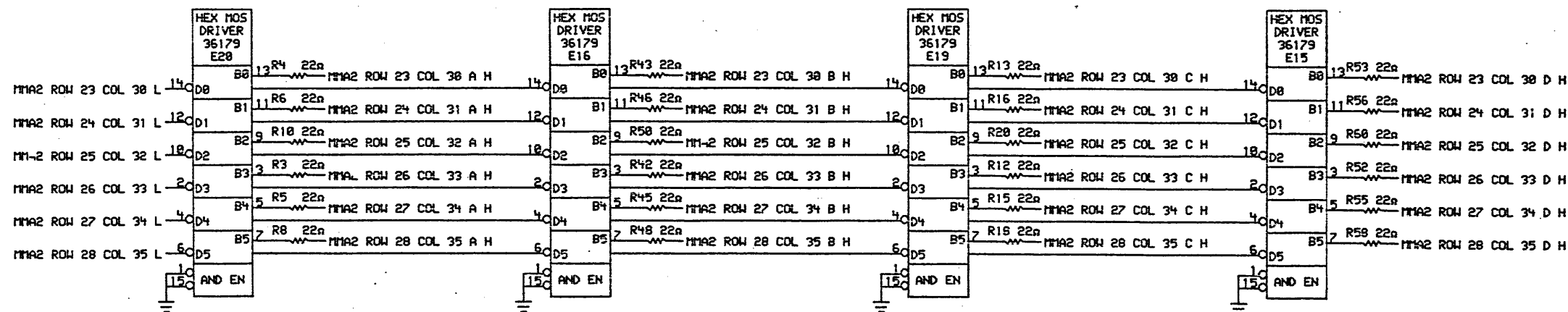
A

D

C

B

A



THIS DRAWING AND SPECIFICATIONS, HEREIN, ARE THE PROPERTY OF DIGITAL EQUIPMENT CORPORATION AND SHALL NOT BE REPRODUCED OR COPIED OR USED IN WHOLE OR IN PART AS THE BASIS FOR THE MANUFACTURE OR SALE OF ITEMS WITHOUT WRITTEN PERMISSION. COPYRIGHT © 1977, DIGITAL EQUIPMENT CORPORATION

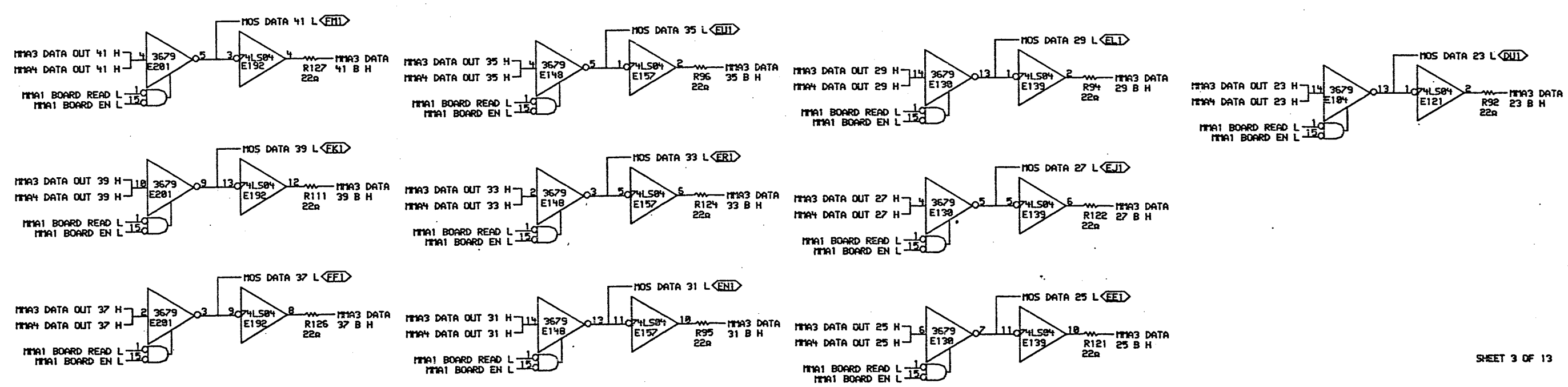
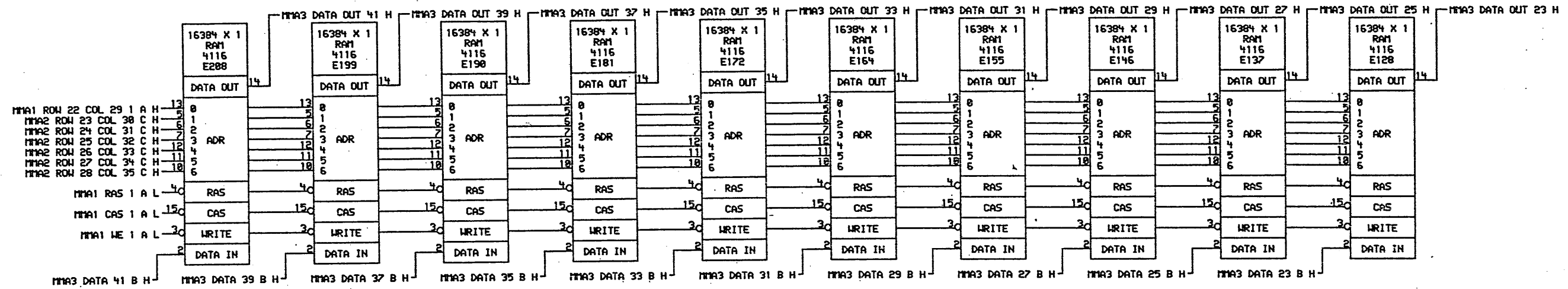
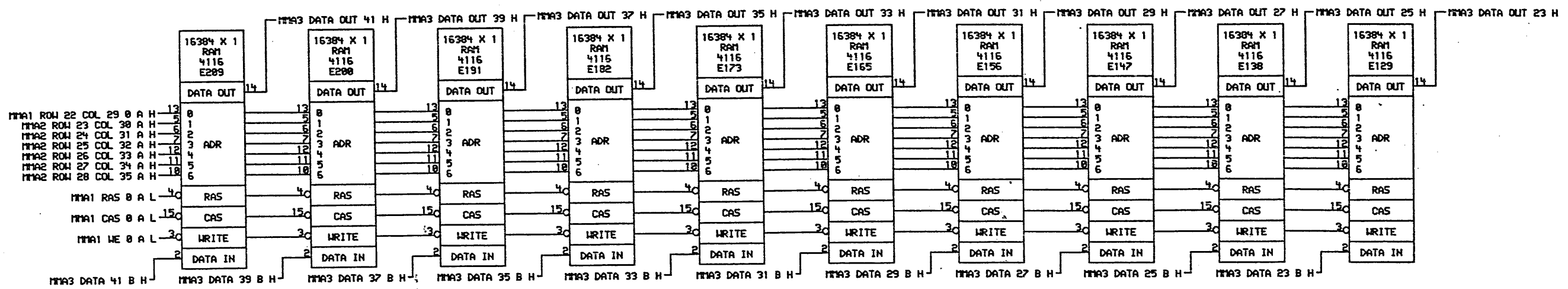
REVISIONS		
CHK	CHANGE NO.	REV

digit@l	DRW. <i>J. Family</i>	DATE 09-NOV-77	ENG. <i>R. Lawrence</i>	DATE 20-NOV-77	TITLE: MOS MEMORY ARRAY ADDRESS BUFFERS
	CHK'D. <i>J. Family</i>	DATE 21-NOV-77	BOARD LOCATION: 1	DE 1	SIZE CODE NUMBER REV. D CS M8629-0-MMA2
MMA2.DRW.4.655		09-NOV-77 14:40	NEXT HIGHER ASSEMBLY: B-DD-M8629-0	FIRST USED ON OPTION/MODEL: KS10	

REV. NUMBER M8629-0-MMA2

SIZE D

CODE CS

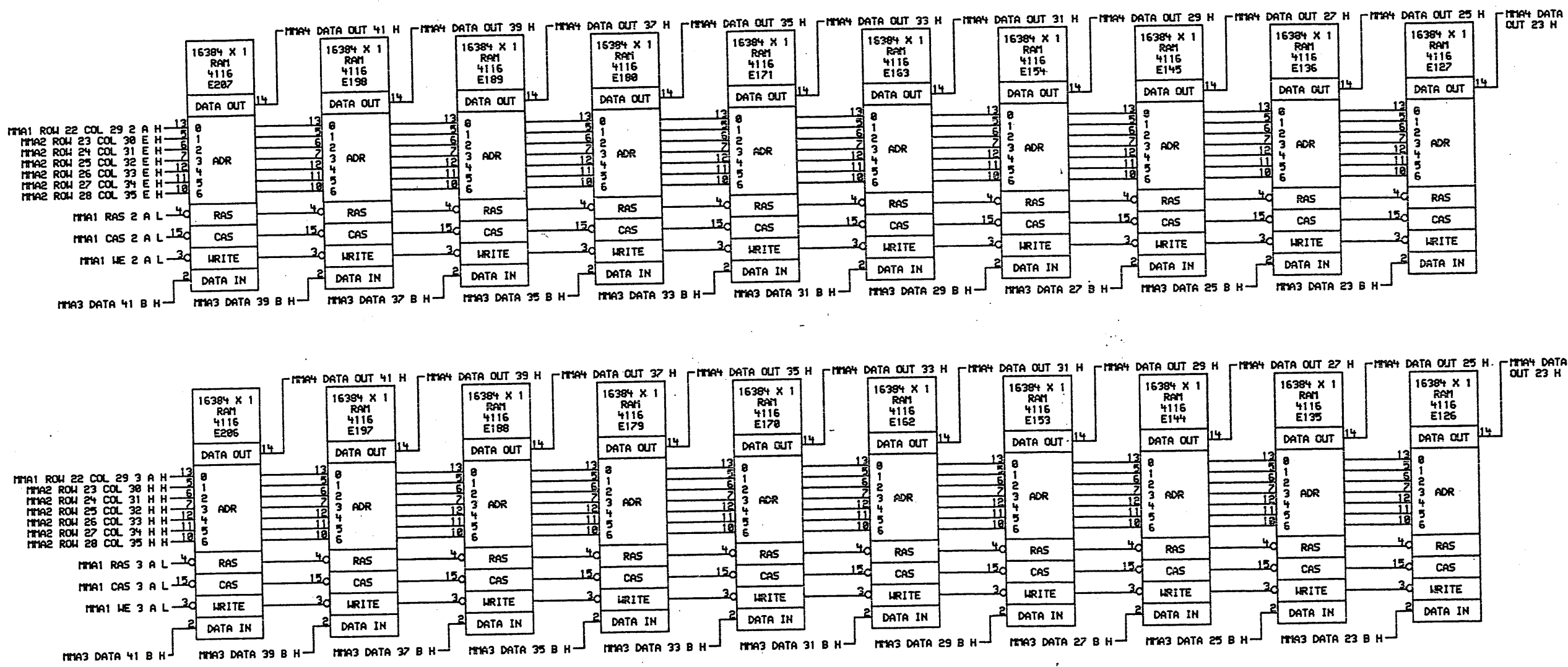


"THIS DRAWING AND SPECIFICATIONS, HEREIN, ARE THE PROPERTY OF DIGITAL EQUIPMENT CORPORATION AND SHALL NOT BE REPRODUCED OR COPIED OR USED IN WHOLE OR IN PART AS THE BASIS FOR THE MANUFACTURE OR SALE OF ITEMS WITHOUT WRITTEN PERMISSION. COPYRIGHT © 1977, DIGITAL EQUIPMENT CORPORATION"

REVISIONS		
CHK	CHANGE NO.	REV

	DATE: 21-NOV-77	DATE: 30-NOV-77	TITLE: MOS MEMORY ARRAY BITS 41-23 A
	DATE: 11-NOV-77	DATE: 30-NOV-77	SIZE CODE: D CS
FIRST USED ON OPTION/MODEL: KS10	NEXT HIGHER ASSEMBLY: B-DD-M8629-0	NUMBER: M8629-0-MMA3	REV.

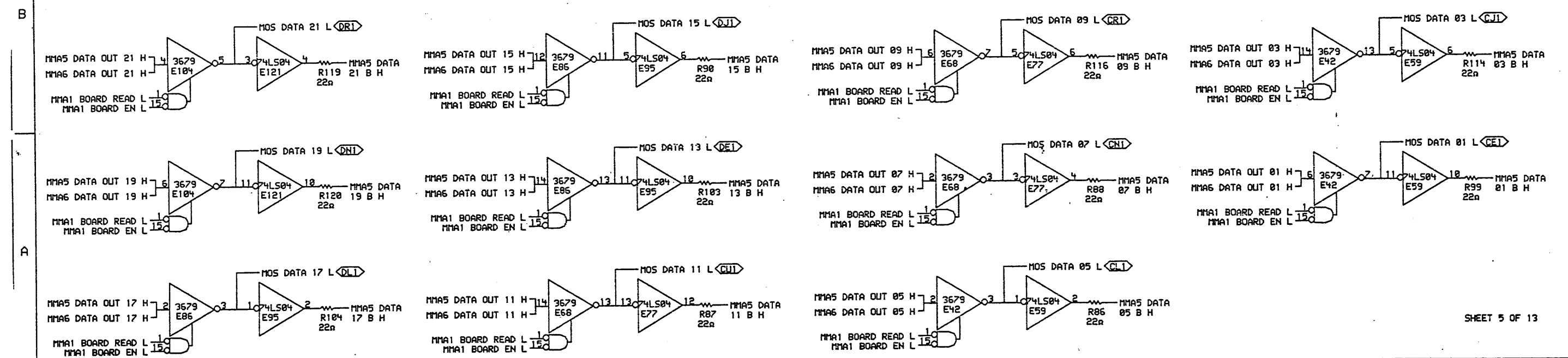
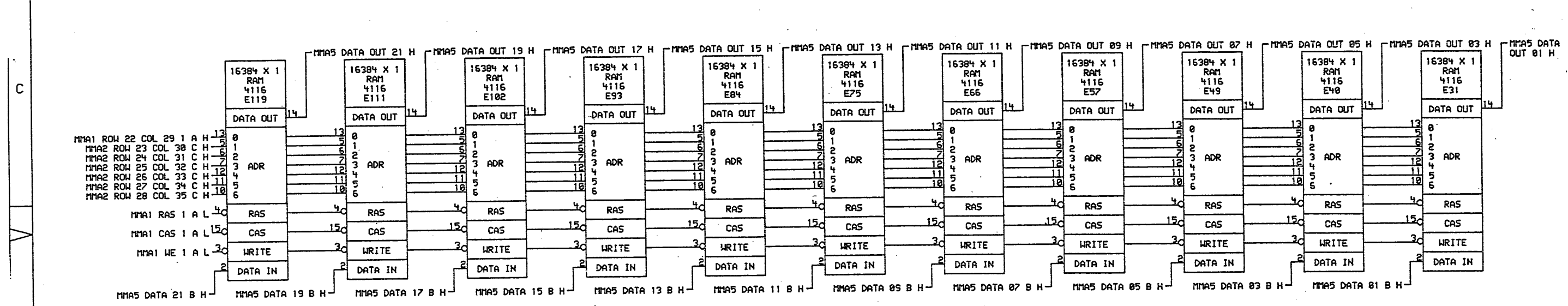
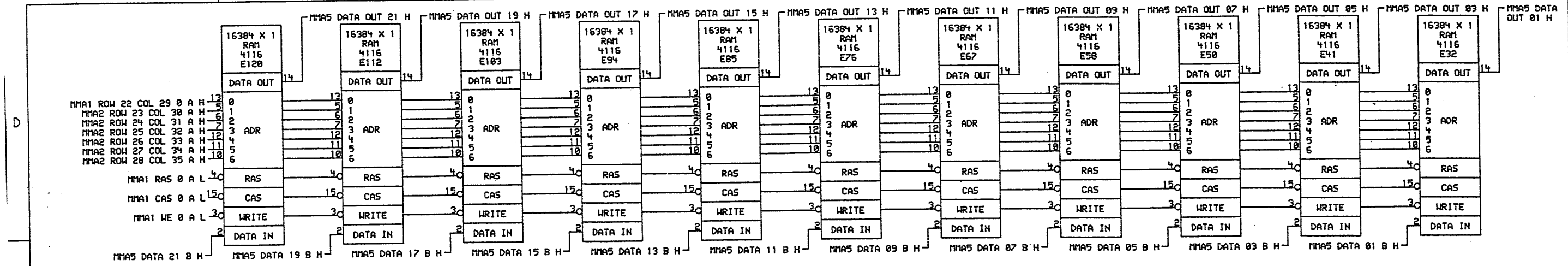
REV. NUMBER 198629-0-MMA3
 CODE CS
 SIZE D
 SHEET 3 OF 13



"THIS DRAWING AND SPECIFICATIONS, HEREIN, ARE THE PROPERTY OF DIGITAL EQUIPMENT CORPORATION AND SHALL NOT BE REPRODUCED OR COPIED OR USED IN WHOLE OR IN PART AS THE BASIS FOR THE MANUFACTURE OR SALE OF ITEMS WITHOUT WRITTEN PERMISSION. COPYRIGHT © 1977, DIGITAL EQUIPMENT CORPORATION"

REVISIONS		
CHK	CHANGE NO.	REV.

	DATE: 10-19-77	ENG: [Signature]	DATE: 30-Nov-77	TITLE: MOS MEMORY ARRAY BITS 41-23 B
	CHK'D: [Signature]	DATE: [Signature]	DATE: [Signature]	SIZE: D
FIRST USED ON OPTION MODEL: K510			NUMBER: M8629-0	REV.: 1



"THIS DRAWING AND SPECIFICATIONS, HEREIN, ARE THE PROPERTY OF DIGITAL EQUIPMENT CORPORATION AND SHALL NOT BE REPRODUCED OR COPIED OR USED IN WHOLE OR IN PART AS THE BASIS FOR THE MANUFACTURE OR SALE OF ITEMS WITHOUT WRITTEN PERMISSION. COPYRIGHT © 1977, DIGITAL EQUIPMENT CORPORATION"

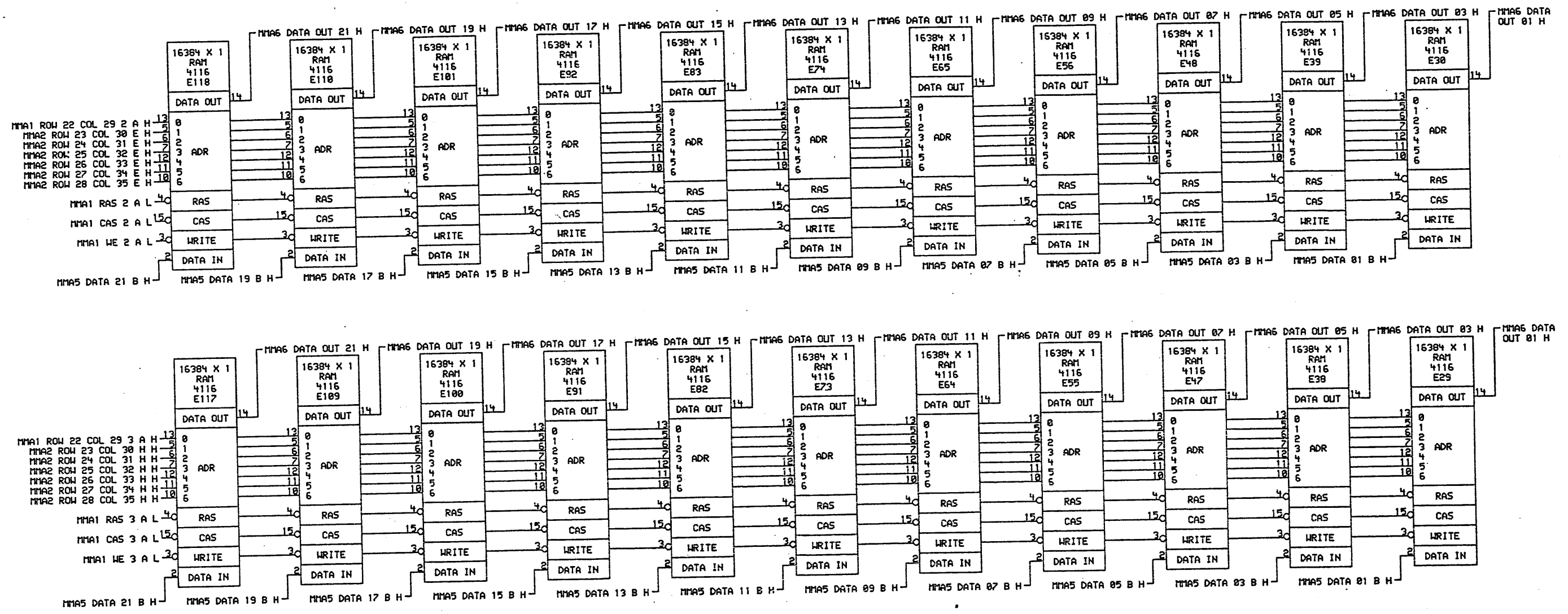
REVISIONS	
CHK	CHANGE NO. REV

digital DRN: *22 Nov 77* DATE: 22-NOV-77 ENG: *Lawrence* DATE: 30 Nov 77
 CHK: *22 Nov 77* DATE: 22-NOV-77 BOARD LOCATION: 1 OF 1
 MMA5.DRW 4,655 109-NOV-77 14:48 NEXT HIGHER ASSEMBLY: 18-DD-M8629-0
 FIRST USED ON OPTION/MODEL: KS10

TITLE: MOS MEMORY ARRAY BITS 21-01 A	
SIZE CODE	NUMBER
D CS	M8629-0-MMA5
REV.	

REV. NUMBER M8629-B-MMA5

A

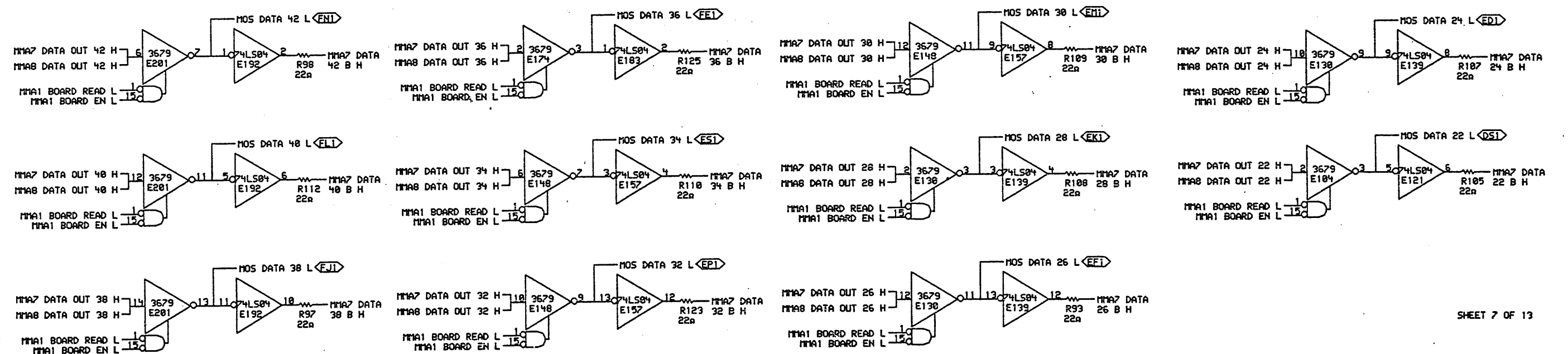
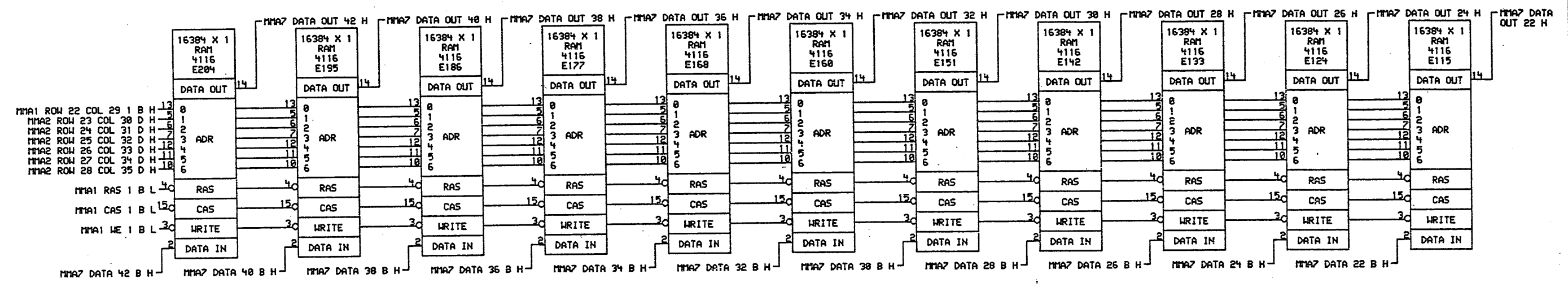
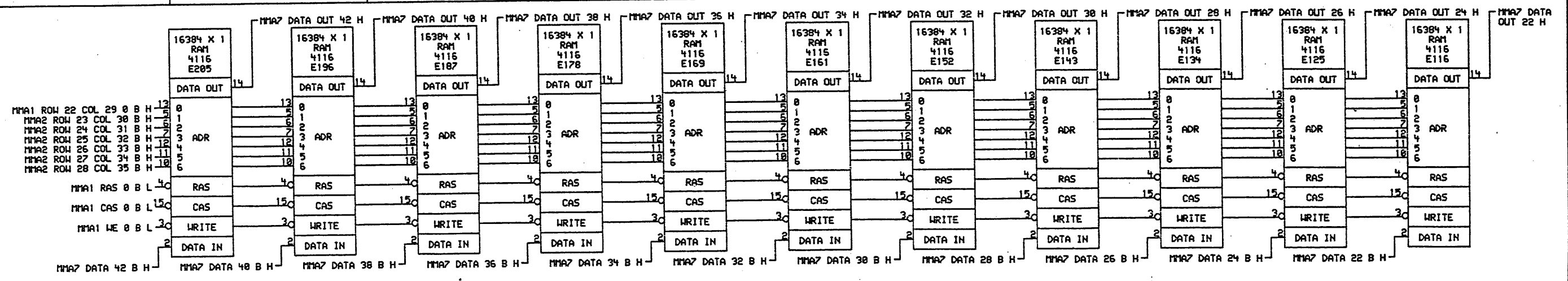


*THIS DRAWING AND SPECIFICATIONS, HEREIN, ARE THE PROPERTY OF DIGITAL EQUIPMENT CORPORATION AND SHALL NOT BE REPRODUCED OR COPIED OR USED IN WHOLE OR IN PART AS THE BASIS FOR THE MANUFACTURE OR SALE OF ITEMS WITHOUT WRITTEN PERMISSION.
COPYRIGHT © 1977, DIGITAL EQUIPMENT CORPORATION*

REVISIONS		
CHK	CHANGE NO.	REV

digital	DATE	ENG.	DATE	TITLE
	81-NOV-77	K. J. ...	82-NOV-77	MOS MEMORY ARRAY BITS 21-01 B
MMA6 DRU 4,555		199-NOV-77 14:49	NEXT HIGHER ASSEMBLY	SIZE CODE NUMBER REV.
FIRST USED ON OPTION MODEL: KS10		B-DD-M8629-0		D CS M8629-0-MMA6

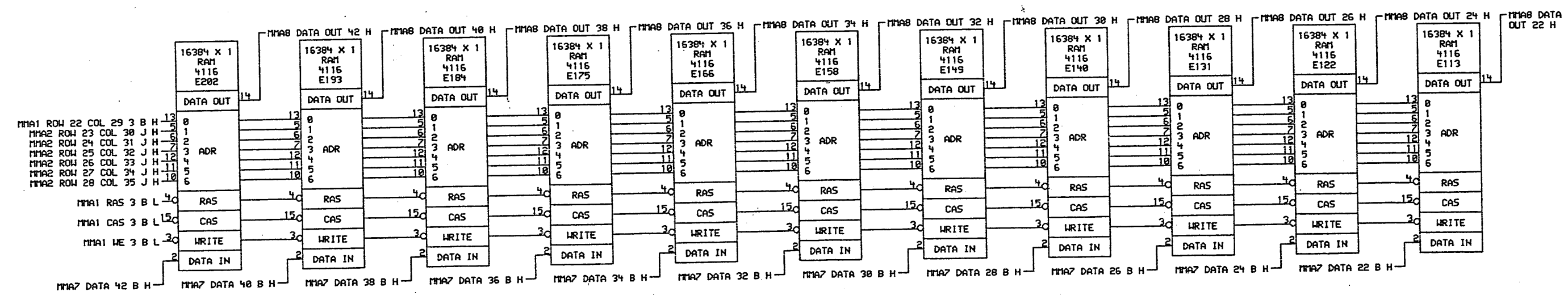
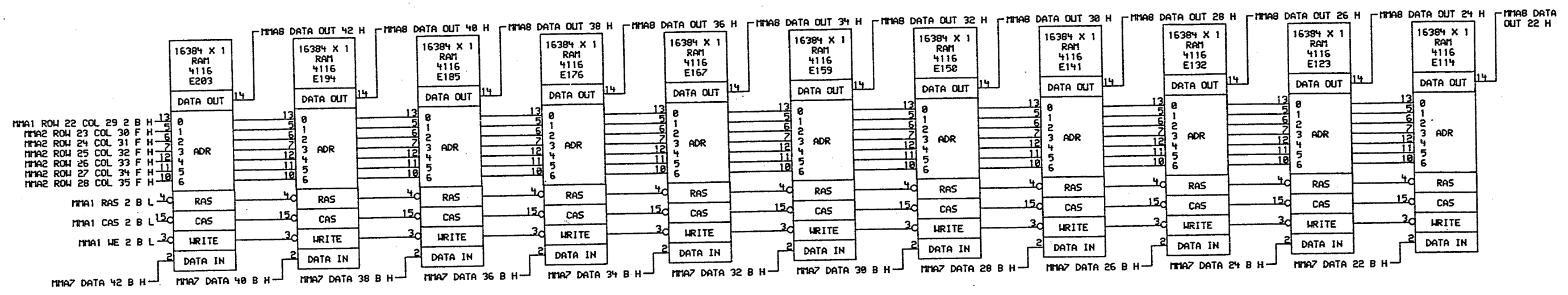
REV. NUMBER
SIZE CODE
D CS M8629-0-MMA6



"THIS DRAWING AND SPECIFICATIONS, HEREIN, ARE THE PROPERTY OF DIGITAL EQUIPMENT CORPORATION AND SHALL NOT BE REPRODUCED OR COPIED OR USED IN WHOLE OR IN PART AS THE BASIS FOR THE MANUFACTURE OR SALE OF ITEMS WITHOUT WRITTEN PERMISSION. COPYRIGHT © 1977, DIGITAL EQUIPMENT CORPORATION"

REVISIONS	
CHK	CHANGE NO. REV

digital DR. J. J. J. DATE: 21-NOV-77
 DATE: 20-NOV-77
 TITLE: MOS MEMORY ARRAY BITS 42-22 A
 MMA7 (DRU) (4,655) 89-NOV-77 14:51 NEXT HIGHER ASSEMBLY: B-DD-M8629-0
 FIRST USED ON OPTION/MODEL: KS10
 SIZE CODE NUMBER REV.
 D CS M8629-0-MMA7



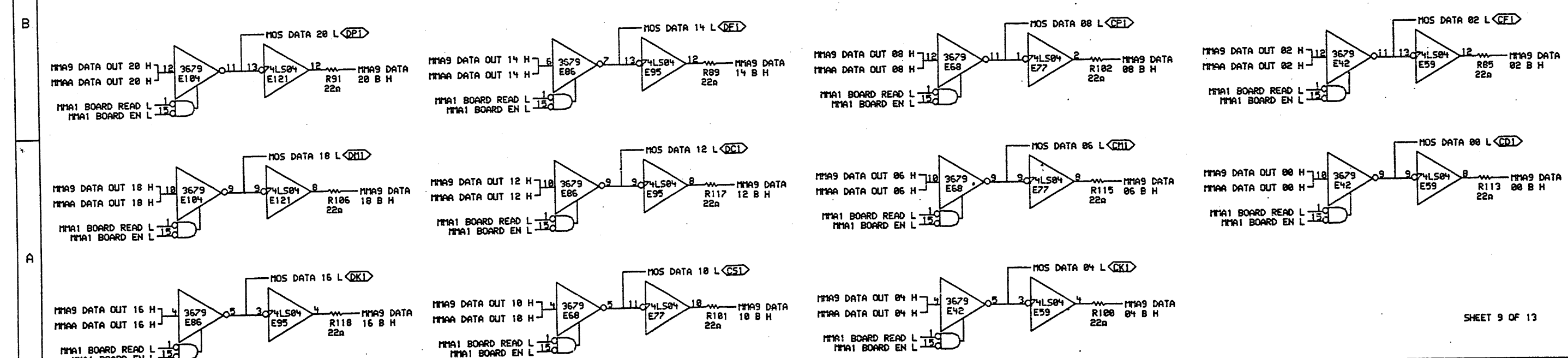
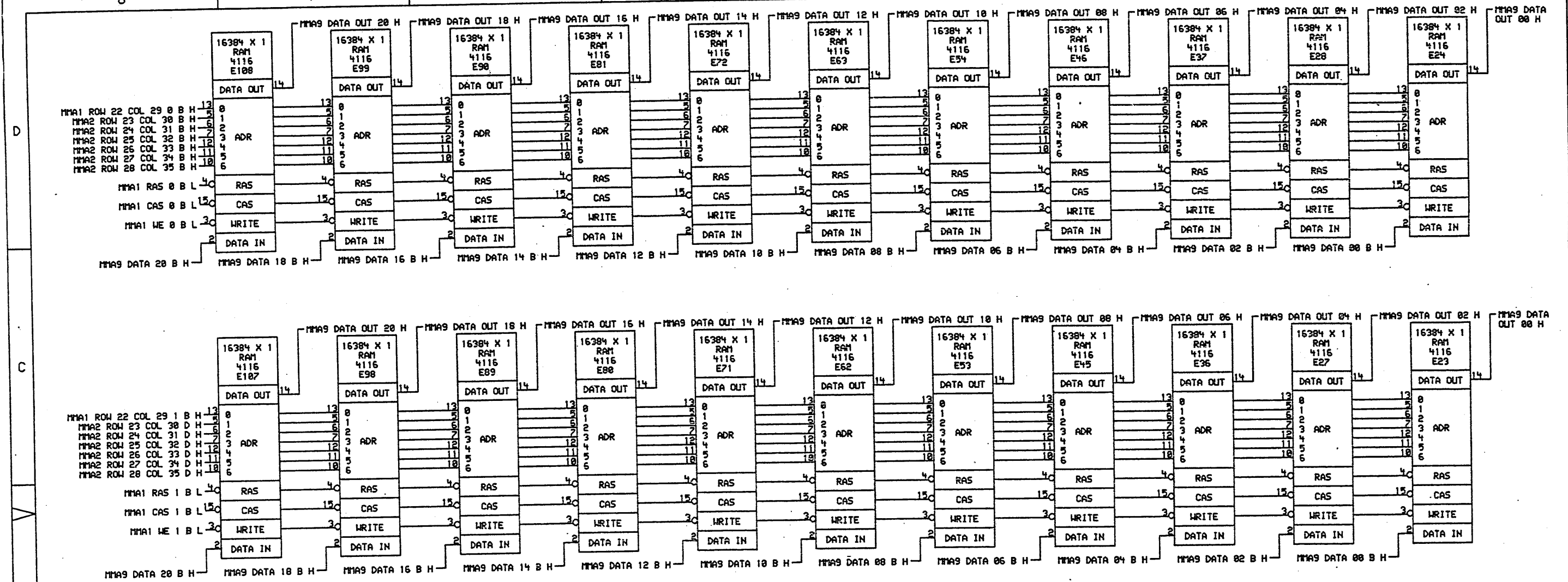
"THIS DRAWING AND SPECIFICATIONS, HEREIN, ARE THE PROPERTY OF DIGITAL EQUIPMENT CORPORATION AND SHALL NOT BE REPRODUCED OR COPIED OR USED IN WHOLE OR IN PART AS THE BASIS FOR THE MANUFACTURE OR SALE OF ITEMS WITHOUT WRITTEN PERMISSION. COPYRIGHT © 1977, DIGITAL EQUIPMENT CORPORATION"

REVISIONS	
CHK	CHANGE NO. REV

digital DRW: J. J. J. DATE: 89-NOV-77 ENG: R. DATE: 30-NOV-77 TITLE: MOS MEMORY ARRAY BITS 42-22 B

MMAB.DRW 4,655 189-NOV-77 14:52 NEXT HIGHER ASSEMBLY: B-DD-M8629-0

SIZE	CODE	NUMBER	REV.
D	CS	M8629-0-MMAB	



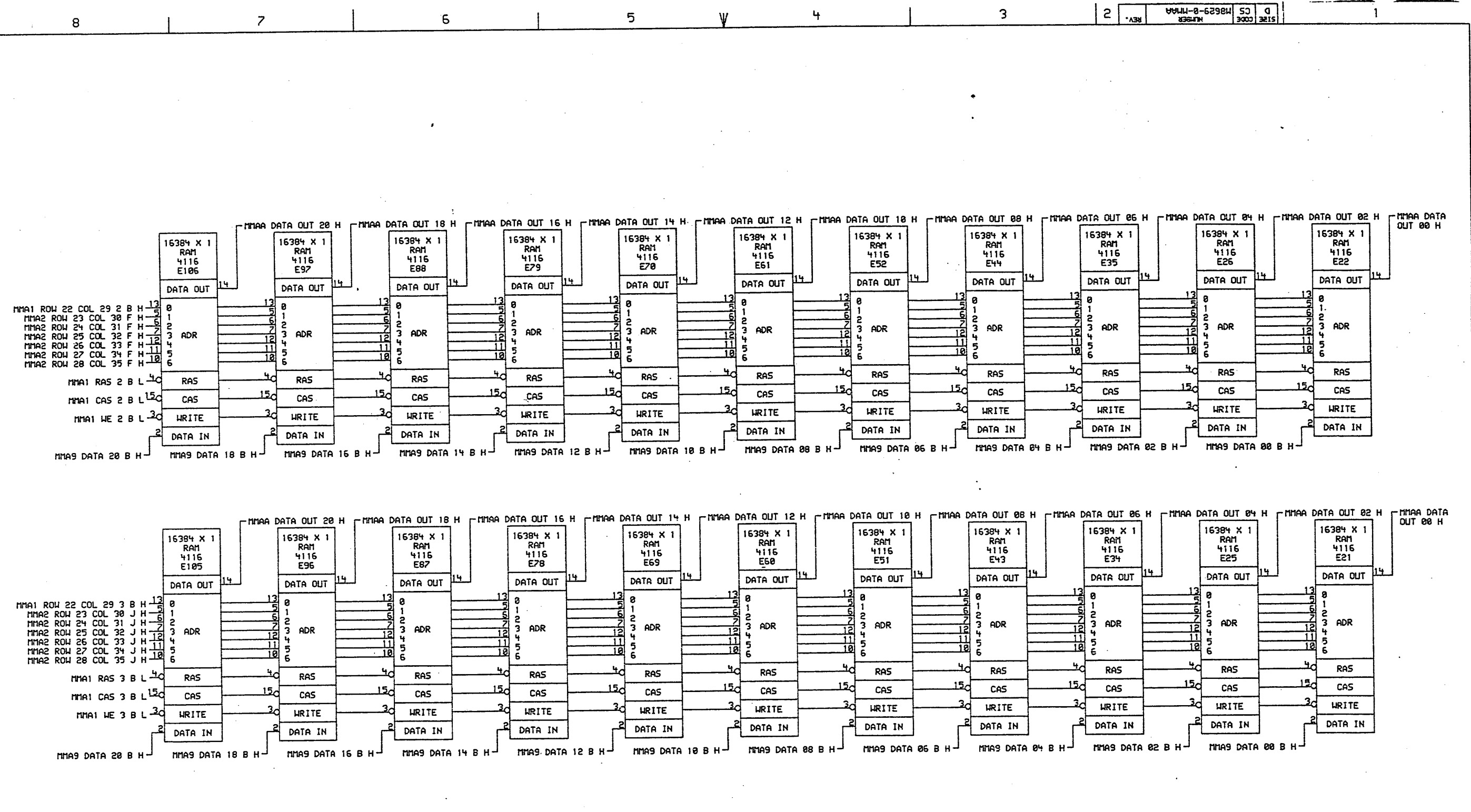
THIS DRAWING AND SPECIFICATIONS, HEREIN, ARE THE PROPERTY OF DIGITAL EQUIPMENT CORPORATION AND SHALL NOT BE REPRODUCED OR COPIED OR USED IN WHOLE OR IN PART AS THE BASIS FOR THE MANUFACTURE OR SALE OF ITEMS WITHOUT WRITTEN PERMISSION. COPYRIGHT © 1977, DIGITAL EQUIPMENT CORPORATION

REVISIONS		DATE	ENG	DATE	TITLE
CHK	CHANGE NO.	REV			
					MOS MEMORY ARRAY BITS 20-00 A

digital
 16384 X 1 RAM 4116
 109-NOV-77 14154 NEXT HIGHER ASSEMBLY
 FIRST USED ON OPTION MODEL: K510 B-DD-M8629-0

SIZE	CODE	NUMBER	REV.
D	CS	M8629-0-MMA9	

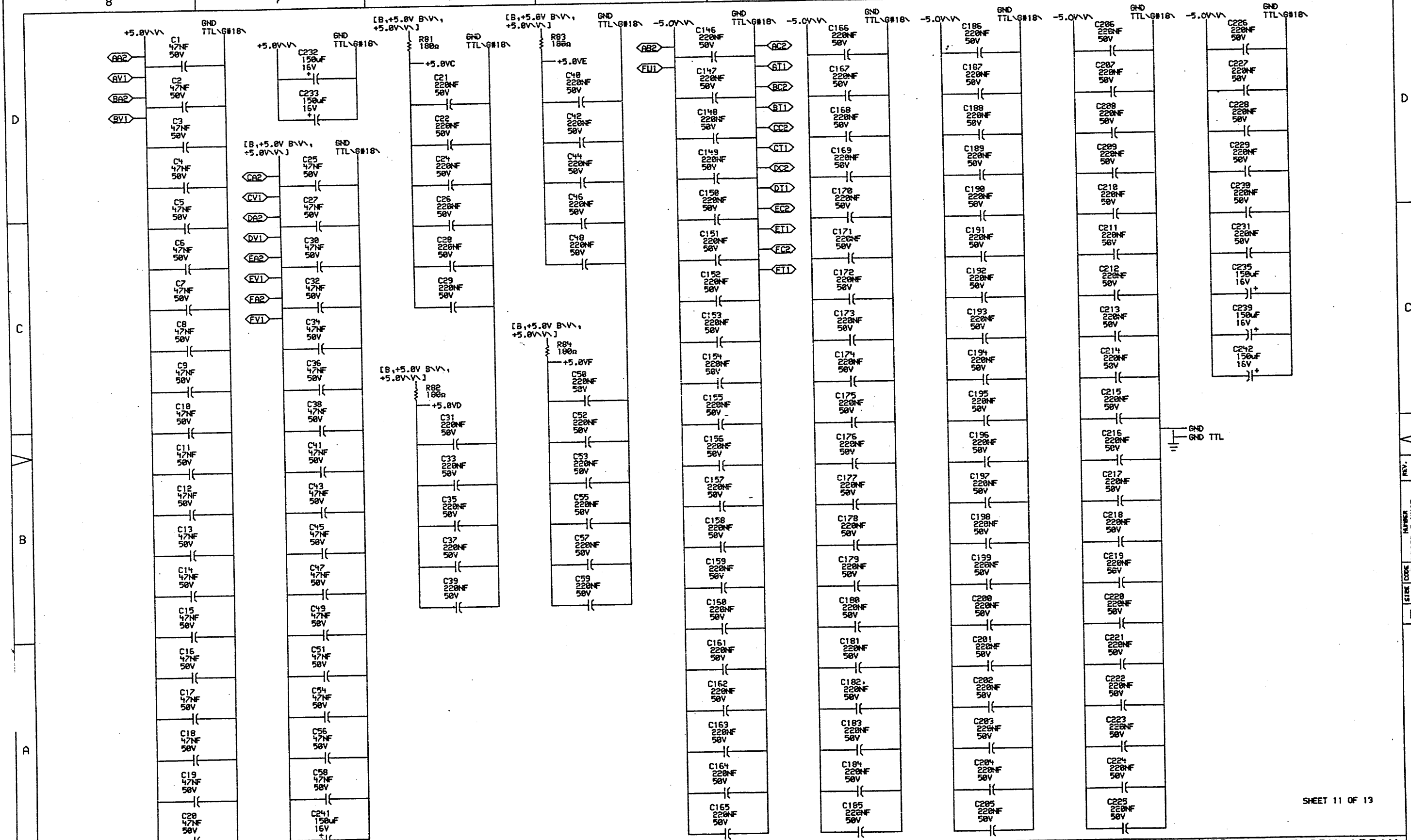
REV. 1
 6411-0-62984
 SJ 0
 2000 3815



THIS DRAWING AND SPECIFICATIONS, HEREIN, ARE THE PROPERTY OF DIGITAL EQUIPMENT CORPORATION AND SHALL NOT BE REPRODUCED OR COPIED OR USED IN WHOLE OR IN PART AS THE BASIS FOR THE MANUFACTURE OR SALE OF ITEMS WITHOUT WRITTEN PERMISSION. COPYRIGHT © 1977, DIGITAL EQUIPMENT CORPORATION

REVISIONS		
CHK	CHANGE NO.	REV

digital	DRW. <i>J. J. J.</i>	DATE 22-NOV-77	ENG. <i>...</i>	DATE 30-NOV-77	TITLE: MOS MEMORY ARRAY BITS 20-00 B
	CHK. <i>...</i>	DATE 21-NOV-77	BOARD LOCATION: 1	OF 1	SIZE CODE D CS M8629-0-MMAA
FIRST USED ON OPTION/MODEL: KS10			NEXT HIGHER ASSEMBLY: B-DD-M8629-0		REV. 1

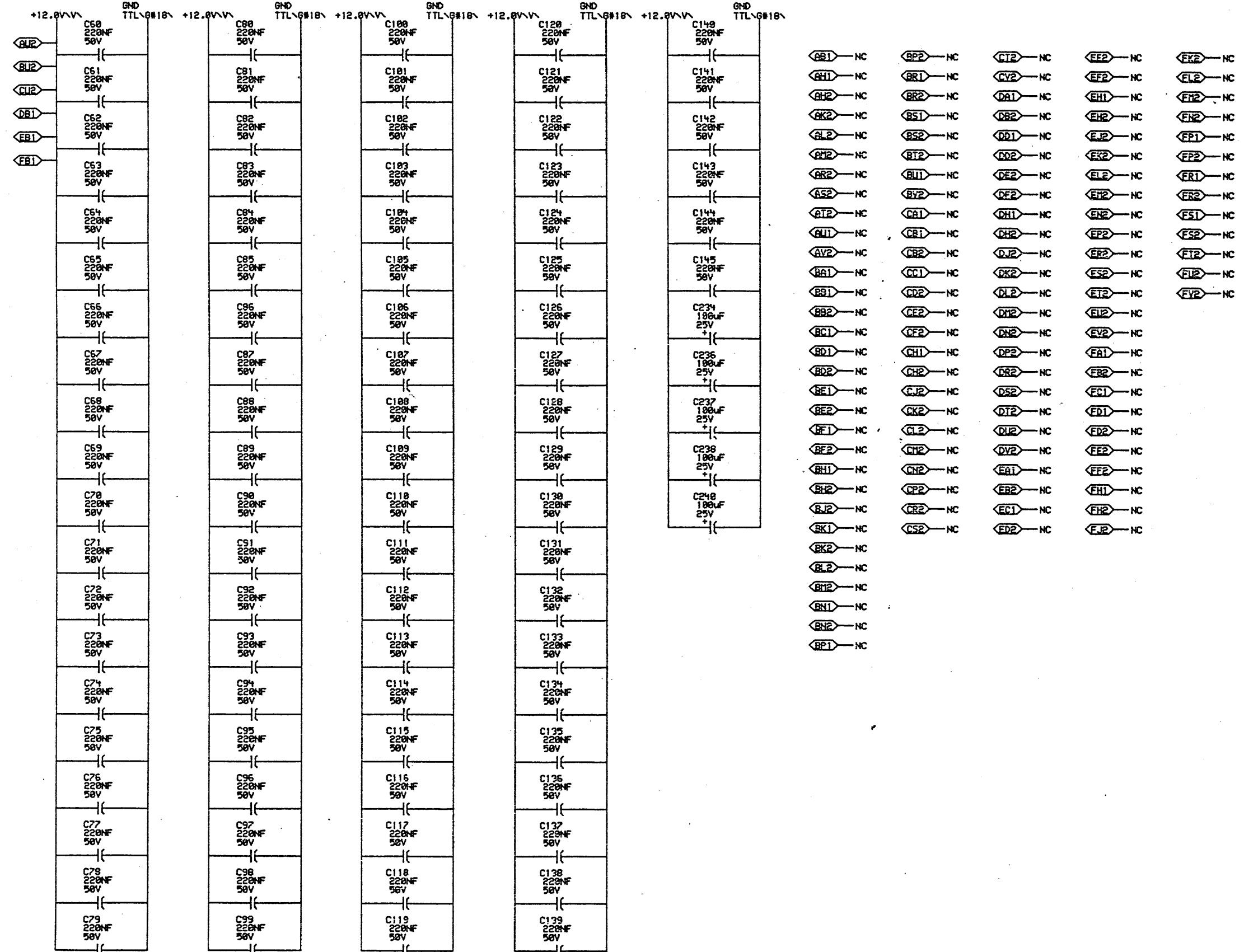


SHEET 11 OF 13

"THIS DRAWING AND SPECIFICATIONS, HEREIN, ARE THE PROPERTY OF DIGITAL EQUIPMENT CORPORATION AND SHALL NOT BE REPRODUCED OR COPIED OR USED IN WHOLE OR IN PART AS THE BASIS FOR THE MANUFACTURE OR SALE OF ITEMS WITHOUT WRITTEN PERMISSION.
 COPYRIGHT © 1977, DIGITAL EQUIPMENT CORPORATION"

REVISIONS	
CHK	CHANGE NO. REV

digital DRK. *J. L. Smith* DATE 15-NOV-77 ENG. *J. L. Smith* DATE 15-NOV-77
 CHK'D *J. L. Smith* DATE 15-NOV-77 BOARD LOCATION:
 TITLE: MOS MEMORY ARRAY POWER GND CAPS
 FIRST USED ON OPTION/MODEL: KS10 B-DD-M8629-0
 SIZE CODE NUMBER REV. D CS M8629-0-MMAB

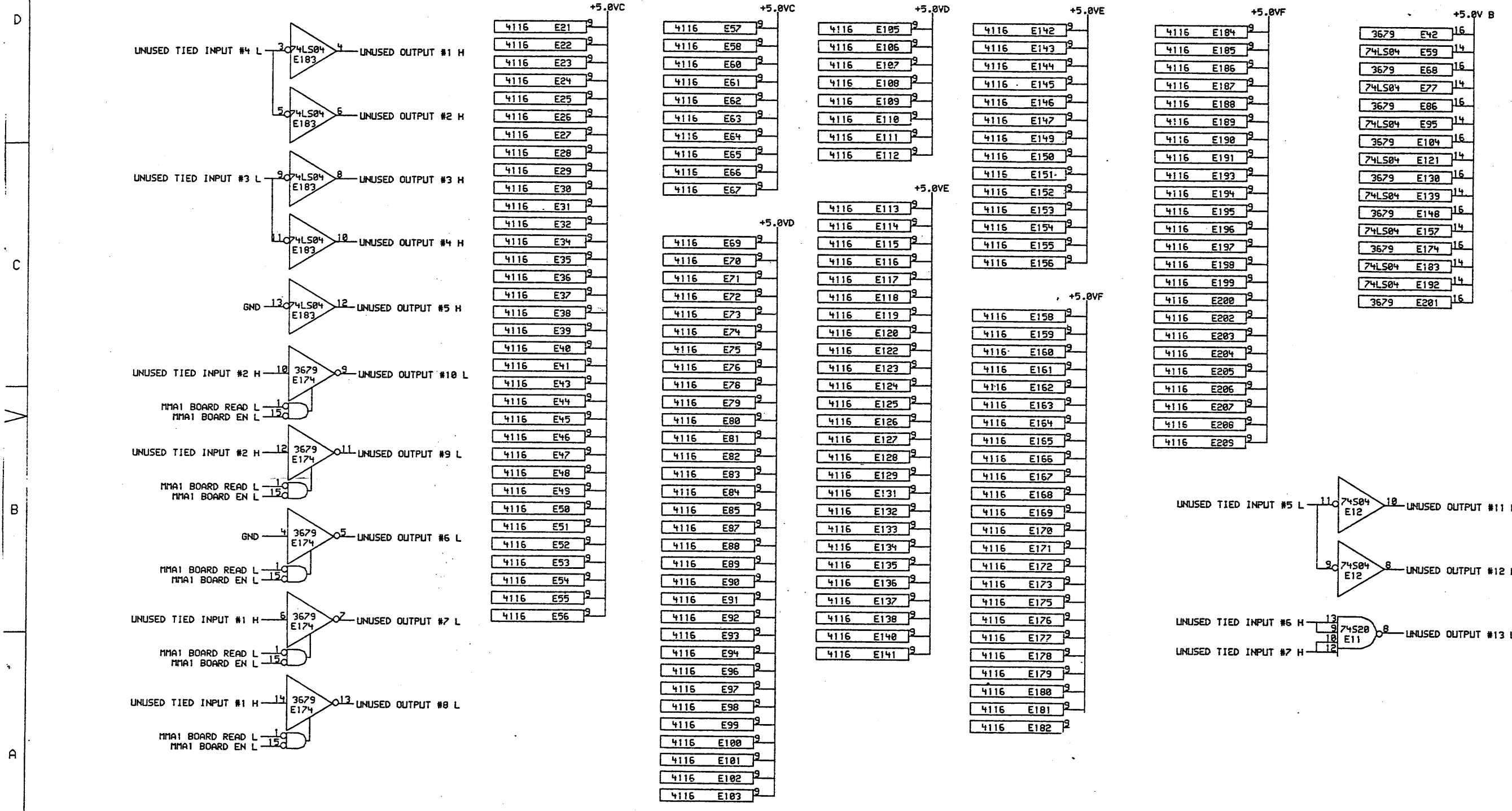


- GB1 - NC
- GB2 - NC
- GB3 - NC
- GB4 - NC
- GB5 - NC
- GB6 - NC
- GB7 - NC
- GB8 - NC
- GB9 - NC
- GB10 - NC
- GB11 - NC
- GB12 - NC
- GB13 - NC
- GB14 - NC
- GB15 - NC
- GB16 - NC
- GB17 - NC
- GB18 - NC
- GB19 - NC
- GB20 - NC
- GB21 - NC
- GB22 - NC
- GB23 - NC
- GB24 - NC
- GB25 - NC
- GB26 - NC
- GB27 - NC
- GB28 - NC
- GB29 - NC
- GB30 - NC
- GB31 - NC
- GB32 - NC
- GB33 - NC
- GB34 - NC
- GB35 - NC
- GB36 - NC
- GB37 - NC
- GB38 - NC
- GB39 - NC
- GB40 - NC
- GB41 - NC
- GB42 - NC
- GB43 - NC
- GB44 - NC
- GB45 - NC
- GB46 - NC
- GB47 - NC
- GB48 - NC
- GB49 - NC
- GB50 - NC
- GB51 - NC
- GB52 - NC
- GB53 - NC
- GB54 - NC
- GB55 - NC
- GB56 - NC
- GB57 - NC
- GB58 - NC
- GB59 - NC
- GB60 - NC
- GB61 - NC
- GB62 - NC
- GB63 - NC
- GB64 - NC
- GB65 - NC
- GB66 - NC
- GB67 - NC
- GB68 - NC
- GB69 - NC
- GB70 - NC
- GB71 - NC
- GB72 - NC
- GB73 - NC
- GB74 - NC
- GB75 - NC
- GB76 - NC
- GB77 - NC
- GB78 - NC
- GB79 - NC
- GB80 - NC
- GB81 - NC
- GB82 - NC
- GB83 - NC
- GB84 - NC
- GB85 - NC
- GB86 - NC
- GB87 - NC
- GB88 - NC
- GB89 - NC
- GB90 - NC
- GB91 - NC
- GB92 - NC
- GB93 - NC
- GB94 - NC
- GB95 - NC
- GB96 - NC
- GB97 - NC
- GB98 - NC
- GB99 - NC
- GB100 - NC

"THIS DRAWING AND SPECIFICATIONS, HEREIN, ARE THE PROPERTY OF DIGITAL EQUIPMENT CORPORATION AND SHALL NOT BE REPRODUCED OR COPIED OR USED IN WHOLE OR IN PART AS THE BASIS FOR THE MANUFACTURE OR SALE OF ITEMS WITHOUT WRITTEN PERMISSION.
COPYRIGHT © 1977, DIGITAL EQUIPMENT CORPORATION"

REVISIONS	
CHK	CHANGE NO. REV

digital	DATE	16-NOV-77	ENG	DATE	16-NOV-77	TITLE	MOS MEMORY ARRAY POWER, GND, CAPS
	CHK'D		DATE			DESIGN LOCATION	
FIRST USED ON OPTION MODEL: K510		NEXT HIGHER ASSEMBLY: B-DD-M8629-0		SIZE	D	CODE	CS
				NUMBER	M8629-0-MMAC		REV.



*THIS DRAWING AND SPECIFICATIONS, HEREIN, ARE THE PROPERTY OF DIGITAL EQUIPMENT CORPORATION AND SHALL NOT BE REPRODUCED OR COPIED OR USED IN WHOLE OR IN PART AS THE BASIS FOR THE MANUFACTURE OR SALE OF ITEMS WITHOUT WRITTEN PERMISSION.
COPYRIGHT © 1977, DIGITAL EQUIPMENT CORPORATION*

REVISIONS		
CHK	CHANGE NO.	REV

	DATE: 22-NOV-77	ENG.:	DATE:	TITLE: MOS MEMORY ARRAY +5.0V
	DATE: 22-NOV-77	BOARD LOCATION:	SHEET: 1 OF 1	NUMBER: D CS M8629-0-MMAD
FIRST USED ON OPTION/MODEL: KS10		NEXT HIGHER ASSEMBLY: B-DD-M8629-0		REV.:

"THE MATERIAL HEREIN IS FOR INFORMATION PURPOSES ONLY AND IS SUBJECT TO CHANGE WITHOUT NOTICE. DIGITAL EQUIPMENT CORPORATION ASSUMES NO RESPONSIBILITY FOR ANY ERRORS WHICH MAY APPEAR HEREIN."

DRAWING DIRECTORY

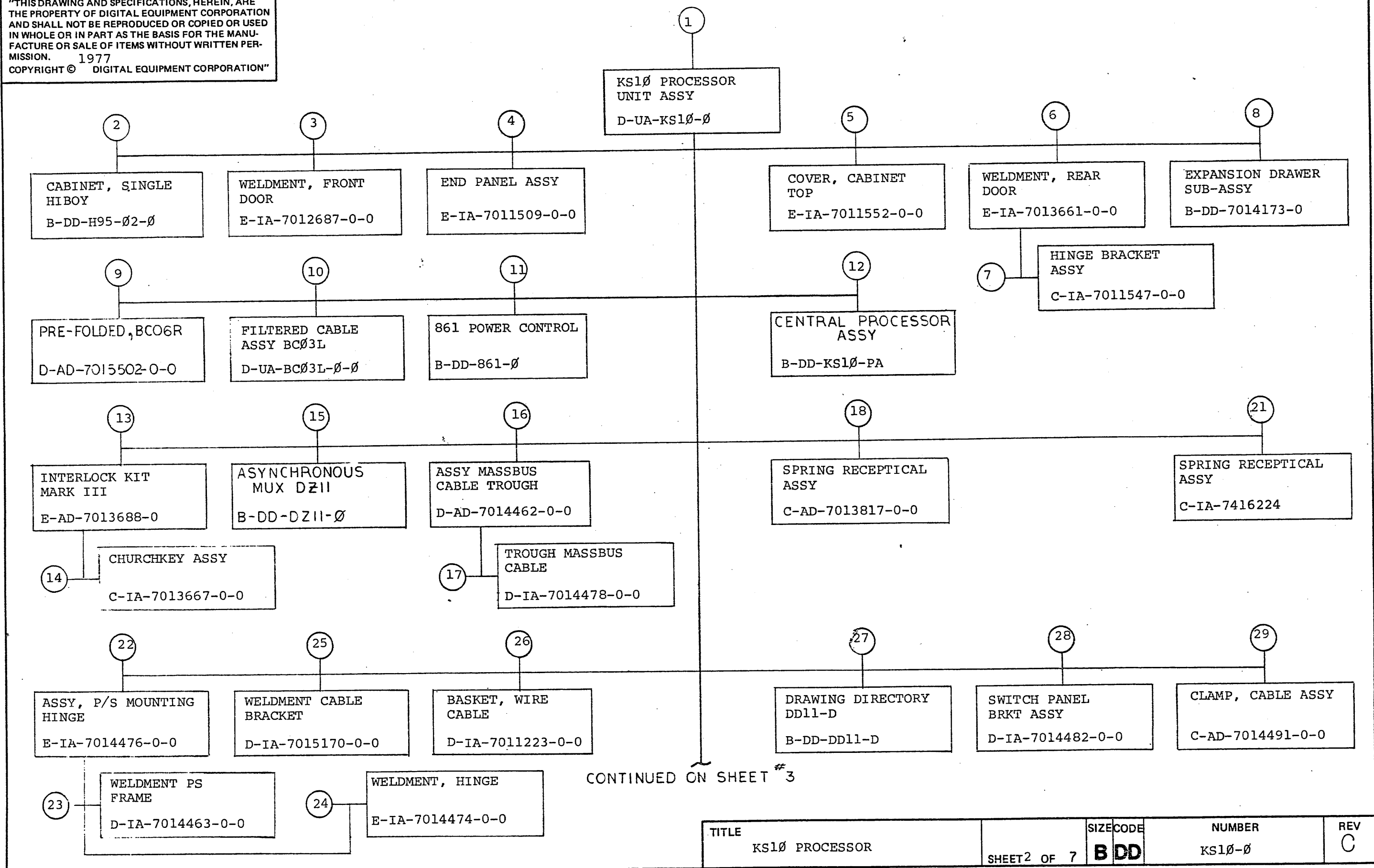
"THIS DRAWING AND SPECIFICATIONS, HEREIN, ARE THE PROPERTY OF DIGITAL EQUIPMENT CORPORATION AND SHALL NOT BE REPRODUCED OR COPIED OR USED IN WHOLE OR IN PART AS THE BASIS FOR THE MANUFACTURE OR SALE OF ITEMS WITHOUT WRITTEN PERMISSION. COPYRIGHT © 1977 DIGITAL EQUIPMENT CORPORATION."

UNIT VARIATIONS

VAR	TITLE
KS10-AA	KS10 PROCESSOR UNIT ASSY 115V/60HZ
KS10-AB	KS10 PROCESSOR UNIT ASSY 230V/50HZ
KS10-AC	KS10 PROCESSOR UNIT ASSY 115V/60HZ
KS10-AD	KS10 PROCESSOR UNIT ASSY 230V/50HZ

REVISIONS CHG. NO. REV. A B C	KS10-MR001	A	USED ON OPTION/MODEL KS10	DRN.	J. Huson	DATE	18 Nov 77	TITLE KS10 PROCESSOR	digital						
	KS10-MR002	B		CHK'D.	T. Halladay	DATE	3-12-78								
	KS10-MR003	C		PROJ. ENG.	T. Dunnington	DATE	4/28/78	SIZE	B	CODE	DD	NUMBER	KS10-0	REV	C
				PROD.	P. CHAPELLE	DATE	4/28/78	DIST.							
				SHEET 1 OF 7											

"THIS DRAWING AND SPECIFICATIONS, HEREIN, ARE THE PROPERTY OF DIGITAL EQUIPMENT CORPORATION AND SHALL NOT BE REPRODUCED OR COPIED OR USED IN WHOLE OR IN PART AS THE BASIS FOR THE MANUFACTURE OR SALE OF ITEMS WITHOUT WRITTEN PERMISSION. 1977
 COPYRIGHT © DIGITAL EQUIPMENT CORPORATION"

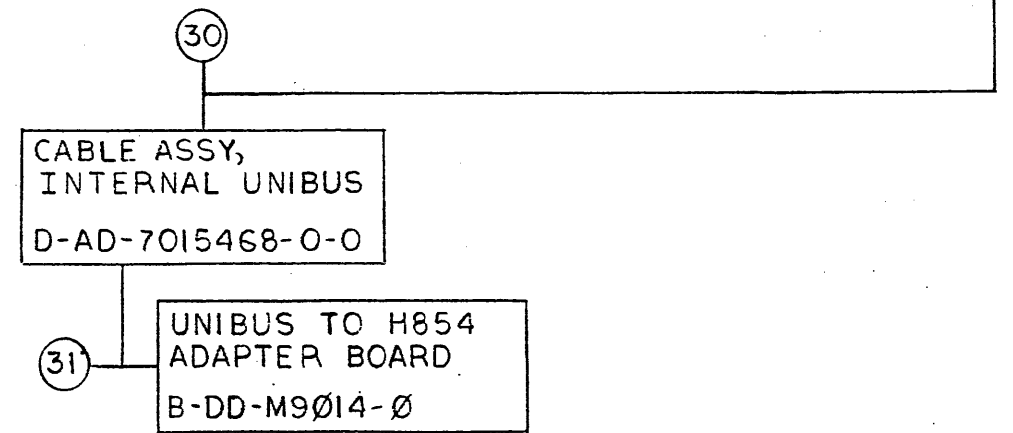


CONTINUED ON SHEET # 3

TITLE	KS10 PROCESSOR	SIZE CODE	B DD	NUMBER	KS10-0	REV	C
SHEET 2 OF 7							

"THIS DRAWING AND SPECIFICATIONS, HEREIN, ARE THE PROPERTY OF DIGITAL EQUIPMENT CORPORATION AND SHALL NOT BE REPRODUCED OR COPIED OR USED IN WHOLE OR IN PART AS THE BASIS FOR THE MANUFACTURE OR SALE OF ITEMS WITHOUT WRITTEN PERMISSION. 1978
 COPYRIGHT © DIGITAL EQUIPMENT CORPORATION"

CONTINUED FROM SHEET # 2



FIND NO.	DRAWING NO.	DESCRIPTION	TYPE	FIND NO.	DRAWING NO.	DESCRIPTION	TYPE
1	MP00540	FIELD MAINTENANCE PRINT SET (MP)	-	3	E-IA-7012687-0-0	E-IA-7012687-0-0	M
	B-TC-KS10-0-1	FIELD MAINTENANCE PRINT SET (TC)	-		C-MD-7415307-0-0	BRACKET, SUPPORT	M
	D-UA-KS10-0-0	KS10 PROCESSOR UNIT ASSY (UA)	E/M		D-MD-7414429-0-0	STIFFENER, DOOR	M
	K-PL-KS10-0-CBF	KS10 PROCESSOR UNIT ASSY (PL)	E/M		C-MD-7415421-0-0	SPACER, FILTER	M
	E-MD-7419762-0-0	PIVOT & BEZEL SUPPORT, BRACKET	M		C-MD-7414430-0-0	PIVOT SPRING RETAINER	M
	D-IA-7416575-0-0	DOOR PIVOT TOP	M		E-MD-7416578-0-0	DOOR, FRONT	M
	C-MD-7415200-0-0	PIVOT PLATE	M		D-MD-7414425-2-0	STIFFENER DOOR	M
	D-IA-7420372-0-0	MASSBUS CABLE TROUGH CLAMP	M				
	C-MD-7414318-0-0	KEY BUTTON	M				
	B-MD-7413659-0-0	BRACKET, SHIPPING	M				
	D-MD-7420636-0-0	FRONT DRIP SCREEN	M				
	A-PS-3615379-0-0	LABEL ADH. BACK KSIO	M				
	D-MD-7419315-0-0	BRKT, SUPPORT MTG	M				
	C-IA-7419497-0-0	BRACKET VERTICAL CABLING	M				
	E-IA-7419500-0-0	CONSOLE DECSYSTEM 2020 CONTROL	M				
	B-IA-7419496-0-0	BASKET BRACKET	M	4	E-IA-7011509-0-0	END PANEL ASSY	M
	C-MD-7413983-0-0	ENCLOSURE CLAMP	M		C-IA-7415578-0-0	STRAP, GROUND	M
	E-MD-7415471-0-0	STRIP, DOOR CLOSING	M		C-IA-7415321-0-0	PLATE, GROUNDING	M
	C-MD-7419826-0-0	CLIP, CABLE	M		D-MD-7414542-0-0	CAP, CORNER (STAMPING)	M
	D-IA-BC03M-0-0	CORD, EXTENSION NULL MODEM	M		D-MD-7414314-0-0	STIFFENER END PANEL	M
	C-MD-7420390-0-0	BRACKET, INTERLOCK	M		E-MD-7414601-0-0	PANEL, END	M
	D-IA-7015066-0-0	BLOWER POWER CORD	M				
	D-IA-7015137-0-0	POWER CORD, POWER SUPPLY	M				
	A-PS-3613210-0-0	LABEL, ADHESIVE BACKED, ELECT. DATA	M				
	D-MD-7419286-0-0	INTER CABINET DRIP SHIELD	M				
	A-DC-7417095-0-0	CAUTION DECAL	M				
	C-IA-7008288-0-0	CABLE ASSY	M				
	C-IA-7414622-0-0	LOCK STUD ASSY	M				
	D-IA-7015325-0-0	POWER SUPPLY POWER CORD	E/M				
	D-IA-7015326-0-0	BLOWER POWER CORD	E/M	5	E-IA-7011552-0-0	COVER, CABINET TOP	M
	D-CS-M9300-0-1	UNIBUS B TERMINATOR	E		E-MD-7414551-0-0	PANEL, COVER	M
	C-MD-7418685-0-0	FRONT CLOSING STRIP	M		C-IA-7415321-0-0	PLATE, GROUNDING	M
					C-IA-7415578-0-0	STRAP, GROUND	M
	A-SP-3615670-0-0	FIBERGLASS PROTECTIVE TAPE	E/M		C-MD-7417022-0-0	CATCH, TOP COVER	M
	C-UA-BC05D-0-0	ASYNC MODEM INTERF CABLE ECT	E/M				
	A-SP-KS10-0-2	2020 SYSTEM ACCEPTANCE TEST SPEC	E/M				
	A-SP-3700241-12	PKG INSTRUCTIONS CORP CAB	M				
	A-PL-KS10-SH-0	KS10 SHIP LIST	E/M				
2	B-DD-H9502-0	CABINET, SINGLE HI BOY	M	6	E-IA-7013661-0-0	WELDMENT, REAR DOOR	M
					E-MD-7418162-0-0	DOOR, REAR	M
					D-MD-7415442-0-0	STIFFENER, DOOR	M
					D-MD-7415441-0-0	STIFFENER, DOOR CENTER	M
					C-MD-7415307-0-0	BRACKET, SUPPORT	M
					D-IA-7415363-0-0	STIFFENER, TOP COVER	M

TYPE: E ELECTRICAL
M MECHANICAL
E/M ELECTRO/MECHANICAL

digital

TITLE

KS10 PROCESSOR

SHEET 4 OF 7

SIZE CODE
B DD

NUMBER
KS10-0

REV
C

DRB 108A

MR

FIND NO.	DRAWING NO.	DESCRIPTION	TYPE	FIND NO.	DRAWING NO.	DESCRIPTION	TYPE
7	C-IA-7011547-0-0	HINGE BRACKET ASSY	M				
	C-MD-7415504-0-0	GUSSET	M				
	C-MD-7414834-0-0	BRACKET HINGE	M	12	B-DD-KS1Ø-PA	CENTRAL PROCESSOR ASSY	M
8	B-DD-7014173-0	EXPANSION DRAWER SUB-ASSY	E/M	13	E-AD-7013688-0-0	INTERLOCK KIT (MARK III)	M
					C-MD-7416222-0-0	RETAINER, INTERLOCK	M
					D-MD-7416424-0-0	PLATE, CAM	M
					D-IA-7416221-0-0	PLATE, BACK	M
					D-IA-7416556-0-0	BRACKET, OUTRIGGER	M
					C-MD-7417977-0-0	KEY, HEX	M
9	D-AD-7015502-0-0	PRE FOLDED BCØ6R					
	D-UA-BCØ6R-Ø-Ø	I/O CABLE					
10	D-UA-BCØ3L-Ø-Ø	FILTEREO CABLE ASSY BCØ3L	E/M	14	C-IA-7013667-0-0	ASSEMBY, CHURCHKEY	M
	C-MD-7419277-0-0	PLATE, CONN MTG	M		C-MD-7418173-0-0	CHURCHKEY	M
11	B-DD-861-Ø	861 POWER CONTROL	E/M	15	B-DD-DZ11-Ø	ASYNCHRONOUS MUX DZ11	E/M
				16	D-AD-7014462-0-0	ASSY MASSBUS CABLE TROUGH	M
					A-DC-7418581-0-0	UNIBUS 1,2,3 DECAL	M
					D-AD-7009861-0-0	RECEPTACLE HOUSING	M

TYPE: E ELECTRICAL
M MECHANICAL
E/M ELECTRO/MECHANICAL



TITLE KS1Ø PROCESSOR

SHEET 5 OF 7

SIZE CODE B DD

NUMBER KS1Ø-Ø

REV C

FIND NO.	DRAWING NO.	DESCRIPTION	TYPE	FIND NO.	DRAWING NO.	DESCRIPTION	TYPE
17	D-IA-7014478-0-0	WELDMENT, MASS BUS CABLE TROUGH	M				
	E-IA-7419324-0-0	TROUGH, MASS BUS CABLE	M				
	D-MD-7419494-0-0	BRACKET, L.H. ANGLE	M				
	D-MD-7419495-0-0	BRACKET, R.H. ANGLE					
				22	E-IA-7014476-0-0	ASSY, P/S MOUNTING HINGE	M
					C-MD-7419492-0-0	ROD PIVOT	M
18	C-AD-7013817-0-0	SPRING RECEPTACLE ASSY	M				
	C-MD-7418076-0-0	BRKT. LOCKING	M				
				23	D-IA-7014463-0-0	WELDMENT PS FRAME	M
					D-MD-7419322-0-0	PS MOUNTING PLATE	M
					D-MD-7419334-0-0	HORIZONTAL FRAME	M
					D-MD-7419323-0-0	VERTICAL FRAME	M
				24	E-IA-7014474-0-0	WELDMENT, HINGE	M
					C-MD-7419499-0-0	RETAINER LOCKING PIN	M
					D-IA-7419321-0-0	BRACKET, STIFFENER	M
					D-MD-7419349-0-0	BRACKET, HINGE	M
				25	D-IA-7015170-0-0	WELDMENT, CABLE BRACKET	M
					D-MD-7419498-0-0	BRACKET, CABLE EXIT	M
					B-MD-7420104-0-0	"L" MOUNTING BRACKET	M
21	C-IA-7416224	SPRING RECEPTICAL ASSY	M				
	C-MD-7415308	BRACKET, SPRING RECEPTACLE	M				

TYPE: E ELECTRICAL
 M MECHANICAL
 E/M ELECTRO/MECHANICAL



TITLE KS10 PROCESSOR

SHEET 6 OF 7

SIZE CODE B DD

NUMBER KS10-0

REV C

LINE	ITEM	DOCUMENT NUMBER	PART NUMBER	DESCRIPTION	QUANTITY PER VARIATION			
					AA	AB	AC	AD
1	1	E=AD=7011588=0=0	7011588=07	SINGLE HIROY FRAME ASSY	1	1	1	1
2	2	E=IA=7012687=0=0	7012687=00	WELDMENT FRONT DOOR	1	1	0	0
3	3	E=MD=7419762=0=0	7419762=00	PIVOT & BEZEL SUPPORT, BRACKET	1	1	1	1
4	4	D=IA=7416575=0=0	7416575=00	DOOR PIVOT, TOP	1	1	1	1
5	5	C=MD=7415200=0=0	7415200=00	PIVOT PLATE	1	1	1	1
6	6	B=MD=7414226=0=0	7414226=00	PIN DOOR RETAINER	2	2	0	0
7	7		9008500=00	RING, RETAINING .500 O.D. X.423	2	2	0	0
8	8		9007097=00	SPRING, COMPRESSION, BRASS, 3/8	2	2	0	0
9	9	E=IA=7011509=0=0	7011509=00	END PANEL ASSY HIROY	2	2	0	0
10	10	E=IA=7011552=0=0	7011552=03	COVER TOP TERRA COTTA	1	1	0	0
11	11	C=MD=7414318=0=0	7414318=00	KEY BUTTON	8	8	8	8
12	12	E=IA=7013661=0=0	7013661=00	REAR DOOR WELDMENT	1	1	0	0
13	13	D=AD=7015468=0=0	7015468=00	CABLE ASSY INTERNAL UNIBUS	1	1	1	1
14	14	D=AD=7014173=0=0	7014173=04	EXPANSION DRAWER ASSY 120V	1	0	1	0
15	15	D=AD=7014173=0=0	7014173=05	EXPANSION DRAWER ASSY 240V	0	1	0	1
16	16		9008007=03	SCREW, TRUS, PHIL, 10-32X 1/4	2	2	2	2
17	17	D=AD=7015516=0=0	7015516=00	PRE-FOLDED BC06R	1	1	1	1
18	18	B=MD=7413659=0=0	7413659=00	BRACKET SHIPPING	2	2	2	2
19	19		1213756=12	GROUND STRAP	3	3	3	3
20	20	D=CS=H9300=0=1	H9300=00	UNIBUS B TERMINATOR	1	1	1	1
21	21	C=IA=7414622=0=0	7414622=00	STUD ASSY	1	1	1	1
22	22	D=CS=H325=0=1	OH325=00	CONN, MODEM TEST	1	1	1	1
23	23	E=UA=861=C=0	00861=C	120VAC 24A POWER CONTROL, 19"W, 5.	1	0	1	0
24	24	E=UA=861=B=0	00861=B	240VAC 16A POWER CONTROL, 19"W, 5.	0	1	0	1
25	25	D=IA=BC03M=0=0	BC03M=25	CORD, EXTENSION, NULL MODEM	1	1	1	1
26	26	D=UA=BC03L=0=0	BC03L=05	EEIA CABLE H856-RS232(MALE)	2	2	2	2
27	27		9007038=00	GROMMET #122-37-1500	A/R	A/R	A/R	A/R
28	28	D=MD=7419315=0=0	7419315=01	BRKT, SUPPORT MOUNTING	1	1	1	1
29	29	D=MD=7419315=0=0	7419315=00	BRKT, SUPPORT MOUNTING	1	1	1	1
30	30	A=PS=1214591=0=0	1214591=00	SHOCK MOUNT	4	4	4	4

REVISION HISTORY		BASIC PART NO: QK810		DRN: J. HUSON	DATE: 8-AUG-77	D I G I T A L		
ENG	ZCO NUMBER	REV	SECTION A OF A	CHK'D: F. HALLIDAY	DATE: 17-MAR-78	TITLE PARTS LIST		
JT	KS10-MR006	D	SECTION, VARIATION INDEX			KS10 PROCESSOR UNIT ASSY		
			(A) AA, AB, AC, AD					
			(B)	DES. ENG.: F. DOLL	DATE: 28-APR-78			
			(C)			DOCUMENT NUMBER		
			(D)	RESP. ENG.: F. DOLL	DATE: 28-APR-78			
			(E)	MFG. ENG.: P. CHAPELLE	DATE: 28-APR-78	SIZE: K	CODE: PL	NUMBER: KS10-0-DBP
			(F)	ASSEMBLY NUMBER: D=UA=KS10=0=0	TOP DOCUMENT NUMBER: B=DD=KS10=0=0	FILE NAME: 22475D.PLS	EDIT # 7	

"THIS DRAWING AND SPECIFICATIONS HEREIN, ARE THE PROPERTY OF DIGITAL EQUIPMENT CORPORATION AND SHALL NOT BE REPRODUCED OR COPIED OR USED IN WHOLE OR IN PART AS THE BASIS FOR THE MANUFACTURE OR SALE OF ITEMS WITHOUT WRITTEN PERMISSION. COPYRIGHT (C) 1981, DIGITAL EQUIPMENT CORPORATION"

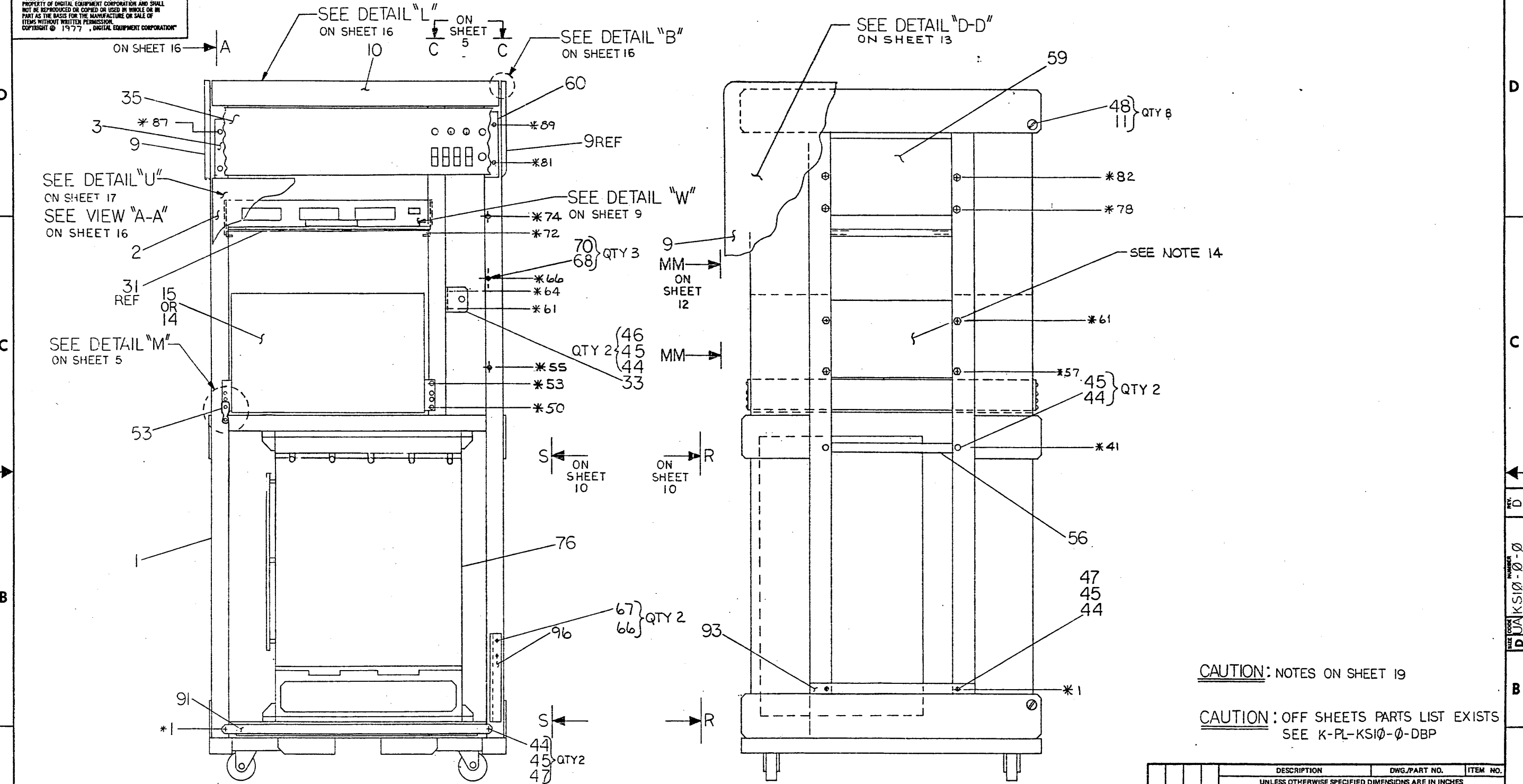
LINE	ITEM	DOCUMENT NUMBER	PART NUMBER	DESCRIPTION	QUANTITY PER VARIATION			
					AA	AB	AC	AD
31	31	D-IA-7014462-0-0	7014462-00	ASSY, MASSBUS CABLE TROUGH	1	1	1	1
32	32	C-IA-7419497-0-0	7419497-00	BRKT VERT CABLING	3	3	3	3
33	33	C-IA-7416224-0-0	7416224-00	SPRING RECEPTACLE ASSY	1	1	1	1
34	34	C-AD-7013817-0-0	7013817-00	SPRING RECP ASSY	1	1	1	1
35	35	E-IA-7419500-0-0	7419500-00	LOGO PANEL	1	1	0	0
36	36	D-IA-7014479-0-0	7014479-00	*** THIS ITEM IS NOT USED ***	-	-	-	-
37	37	E-IA-7014476-0-0	7014476-00	ASSY P.S. BRKT	1	1	0	0
38	38		1209750-00	BUMPER RUBBER 5023	2	2	0	0
39	39		H7130-C	KS10,LH RESEARCH POWER SUPPLY,UL	1	0	0	0
40	40		H7130-D	KS10,LH RESEARCH POWER SUPPLY,UL	0	1	0	0
41	41		9006043-01	SCREW,PAN,PHIL 8-32X1 SS	4	4	4	4
42	42		9008072-00	WASHER, LOCK, EXTERNAL TOOTH #8	8	8	4	4
43	43		1211255-00	FILTER,FOAM 30PPI 15.00 X10.44	1	1	1	1
44	44		9006074-01	SCREW,PAN,PHIL 10-32X 5/8 SS	101	101	95	95
45	45		9007651-00	WASHER, LOCK, EXTERNAL TOOTH #10	95	95	91	91
46	46		9006565-00	NUT,KEP , 10-32X 3/8 AF	48	48	48	48
47	47		9007786-00	RETAINER, U-NUT, 10-32	43	43	43	43
48	48		9008203-00	NUT,KEP , 1/4-20 X7/16AF	8	8	8	8
49	49		1213121-03	FILTER,FOAM,FIRE RETARD 54 X25	1	1	0	0
50	50		1212431-02	TAPE FOR FOAM AIR FILTERS,HOOK&L	A/R	A/R	0	0
51	51		1211255-03	FILTER,FOAM 30PPI 28.00 X 5.50	1	1	0	0
52	52		9007798-00	WASHER, NYLON, FLAT 1/4 .875 OD	1	1	0	0
53	53	E-AD-7013688-0-0	7013688-00	ROD, INTERLOCK HIBOX	1	1	1	1
54	54		9007772-13	CLAMP,CABLE 1.95 ID 2.70 OD 7TEE	3	3	3	3
55	55	D-IA-7011223-0-0	7011223-02	BASKET WIRE CABLE 1 BAY	1	1	1	1
56	56	B-IA-7419496-0-0	7419496-00	BRACKET,BASKET	2	2	2	2
57	57		3613272-00	LABEL,ADH BACK,MYLAR CAP	3	3	0	0
58	58	D-IA-7015170-0-0	7015170-00	WELDMENT CABLE BRKT	1	1	1	1
59	59	A-PL-DZ11-0-0	ODZ11-EA	ASYNCHRONOUS	1	1	1	1
60	60	D-IA-7014482-0-0	7014482-00	SWITCH PANEL ASSY	1	1	1	1
61	61	C-AD-7014491-0-0	7014491-00	CLAMP, CABLE ASSY	2	2	2	2
62	62	C-MD-7413983-0-0	7413983-00	CLAMP WIRE BASKET	6	6	6	6
63	63		9007897-00	NUT,HEX 1/4-20X 7/16AF X 5/	2	2	0	0
64	64	D-PS-1214914-0-0	1214914-00	AIR DUCT,KS10	1	1	0	0
65	65		9006560-00	NUT,KEP , 6-32 X5/16AF	4	4	4	4
66	66		9006056-01	SCREW,PAN,PHIL1/4-20X 1/2 SS	6	6	6	6
67	67		9006724-00	WASHER, EXT. TOOTH	9	9	9	9
68	68		9007032-00	TIE,CABLE BUNDL,DIA 0-1-3/4"=101	50	50	50	50
69	69		9009350-00	TIE,CABLE BUNDL,DIA 0-4"RELEASE	52	52	52	52
70	70		9007867-00	MOUNT, PUSH,CABLE TIE	37	37	37	37
71	71		9009970-00	CLIP,"U" SPEED,SPRING STEEL W/PH	10	10	0	0
72	72	E-MD-7415471-0-0	7415471-00	STRIP DOOR CLOSING	1	1	1	1
73	73	D-IA-7014323-0-0	7014323-03	POWER CORD FAB ASSY 3FT	1	0	1	0
74	74		9006593-00	NUT,HEX , 3/8-16X9/16AF X21/	4	4	4	4
75	75		9008922-09	SCREW,HEX , 3/8-16X 1	4	4	4	4
76	76	E-UA-KS10-PA-0	OKS10-PA	M8616,M8618,2 M8620,M8621,M8622,	1	1	1	1
77	77	C-MD-7419826-0-0	7419826-00	CLIP CALBE MASS BVS	2	2	2	2
78	78	D-IA-7015137-0-0	7015137-00	CORD POWER SUPPLY	1	0	0	0

D	I	G	I	T	A	L	TITLE	KS10 PROCESSOR UNIT ASSY	SECTION A OF A	SIZE	CODE	DOCUMENT NUMBER	REV
										K	PL	KS10-0-DBP	D

LINE	ITEM	DOCUMENT NUMBER	PART NUMBER	DESCRIPTION	QUANTITY PER VARIATION			
					AA	AB	AC	AD
79	79	A=PS=3615180=0=0	3615180=00	LABEL,SERIAL TAG FOR TYPEWRITER	2	2	0	0
80	80	D=IA=7015325=0=0	7015325=00	CORD, POWER SUPPLY (50HZ)	0	1	0	0
81	81	A=DC=7417095=0=0	7417095=00	CAUTION DECAL	0	1	0	1
82	82	A=PL=DD11=DK=0	ODD11=DK	BACK PLANE ASSY	1	1	1	1
83	83	D=IA=7014324=0=0	7014324=03	POWER CORD ASSY FAN 230V	0	1	0	1
84	84		9007959=00	WASHER,LOCK, EXTERNAL TOOTH 7/16	4	4	4	4
85	85		9006074=02	SCREW,FLAT,PHIL, 10=32X 5/8	6	6	6	6
86	86	C=IA=7008288=0=0	7008288=8F	CABLE ASSY PDP=11	1	1	1	1
87	87	C=IA=7015508=0=0	7015508=4C	CABLE 861 TO DIST BRD K510	REF	REF	REF	REF
88	88		9006563=00	NUT,KEP , 8=32 X11/32AF	4	4	4	4
89	89		9006248=09	SCREW,HEX 1/4=20X 1=5/8	1	1	1	1
90	90	D=IA=7420372=0=0	7420372=00	MASS BUS CABLE CLAMP	1	1	1	1
91	91	D=MD=7420636=0=0	7420636=00	SCREEN,FRONT DRIP	1	1	1	1
92	92	C=MD=7420390=0=0	7420390=00	BRACKET,INTERLOCK	1	1	1	1
93	93	D=MD=7419286=0=0	7419286=00	BRKT	2	2	2	2
94	94	A=SP=3615670=0=0	3615670=00	TAPE,ADHESIVE,SILICONE,FIBERGLAS	A/R	A/R	A/R	A/R
95	95		BC05D=25	RS232 MALE TO RS232 FEM	1	1	1	1
96	96	C=MD=7418685=0=0	7418685=00	STRIP DOOR CLOSING	1	1	1	1
97	97		9008264=00	MOUNT, CABLE TIE, ADHESIVE BACKE	45	45	45	45
98	98		9007594=00	ADHESIVE,NEOPRENE	A/R	A/R	A/R	A/R
99	99		9006035=01	SCREW,PAN,PHIL 8=32X 1/4 SS	4	4	0	0
100	100		9006637=00	WASHER,LOCK,INT,,.4700D X .260ID	4	4	4	4
101	101	D=IA=7421539=0=0	7421539=00	COVER, TOP	0	0	1	1
102	102	D=MD=7421540=0=0	7421540=00	SHIELD TOP COVER	0	0	1	1
103	103	D=IA=7419312=0=0	7419312=00	COVER TOP	1	1	0	0
104	104		9009041=01	SCREW, NYLON, BLTD PAN HD, 6=32	2	2	2	2
105	105		9006023=03	SCREW,TRUS,PHIL, 6=32X 7/16	2	2	7	7
106	106		9007649=00	WASHER, LOCK, EXTERNAL TOOTH #6	2	2	7	7

D	I	G	I	T	A	L	TITLE	SECTION A OF A	SIZE	CODE	DOCUMENT NUMBER	REV
							K510 PROCESSOR UNIT ASSY				K510-0-DBP	D

"THIS DRAWING AND SPECIFICATIONS, HEREIN, ARE THE PROPERTY OF DIGITAL EQUIPMENT CORPORATION AND SHALL NOT BE REPRODUCED OR COPIED OR USED IN WHOLE OR IN PART AS THE BASIS FOR THE MANUFACTURE OR SALE OF ITEMS WITHOUT WRITTEN PERMISSION. COPYRIGHT © 1977, DIGITAL EQUIPMENT CORPORATION"



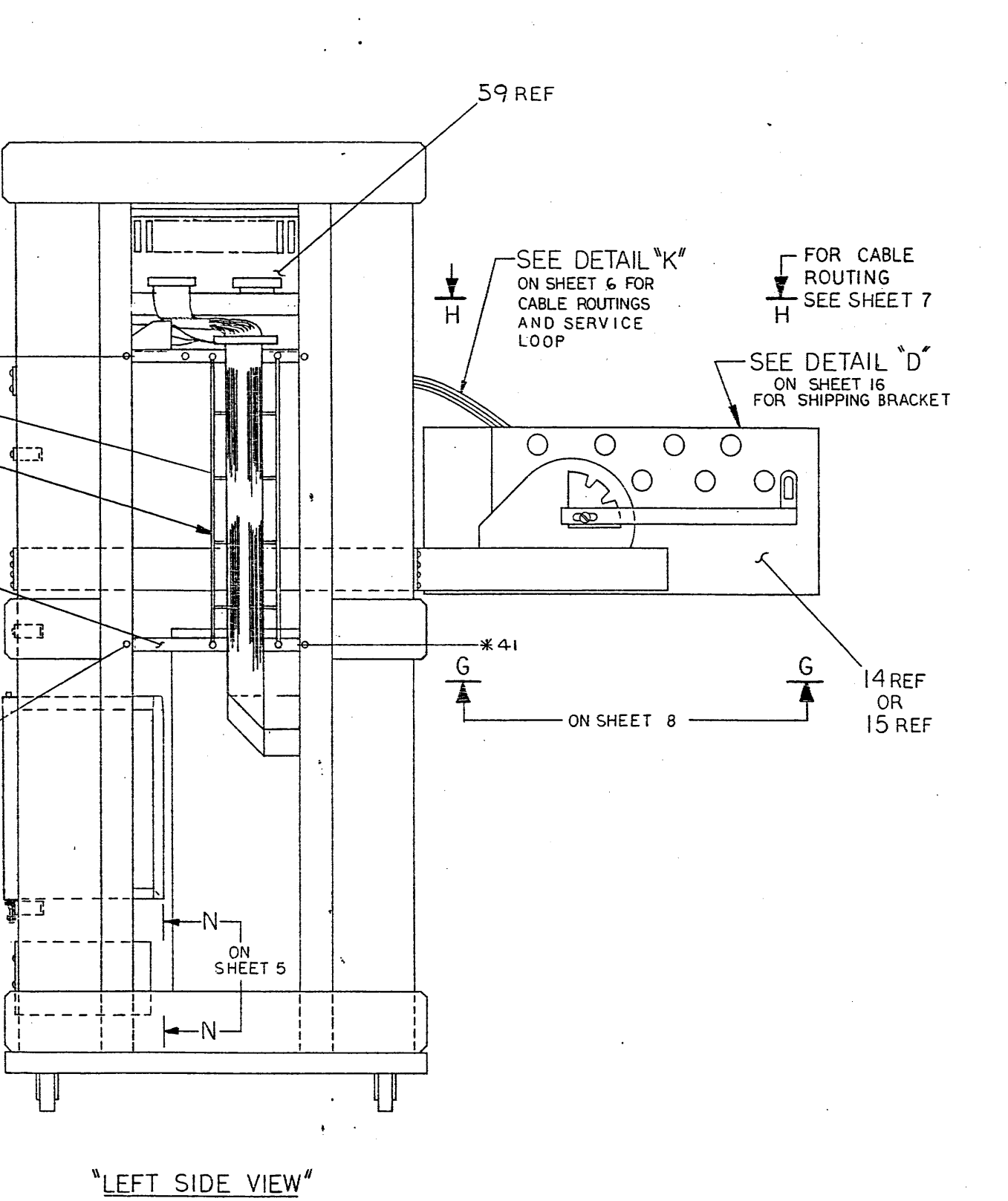
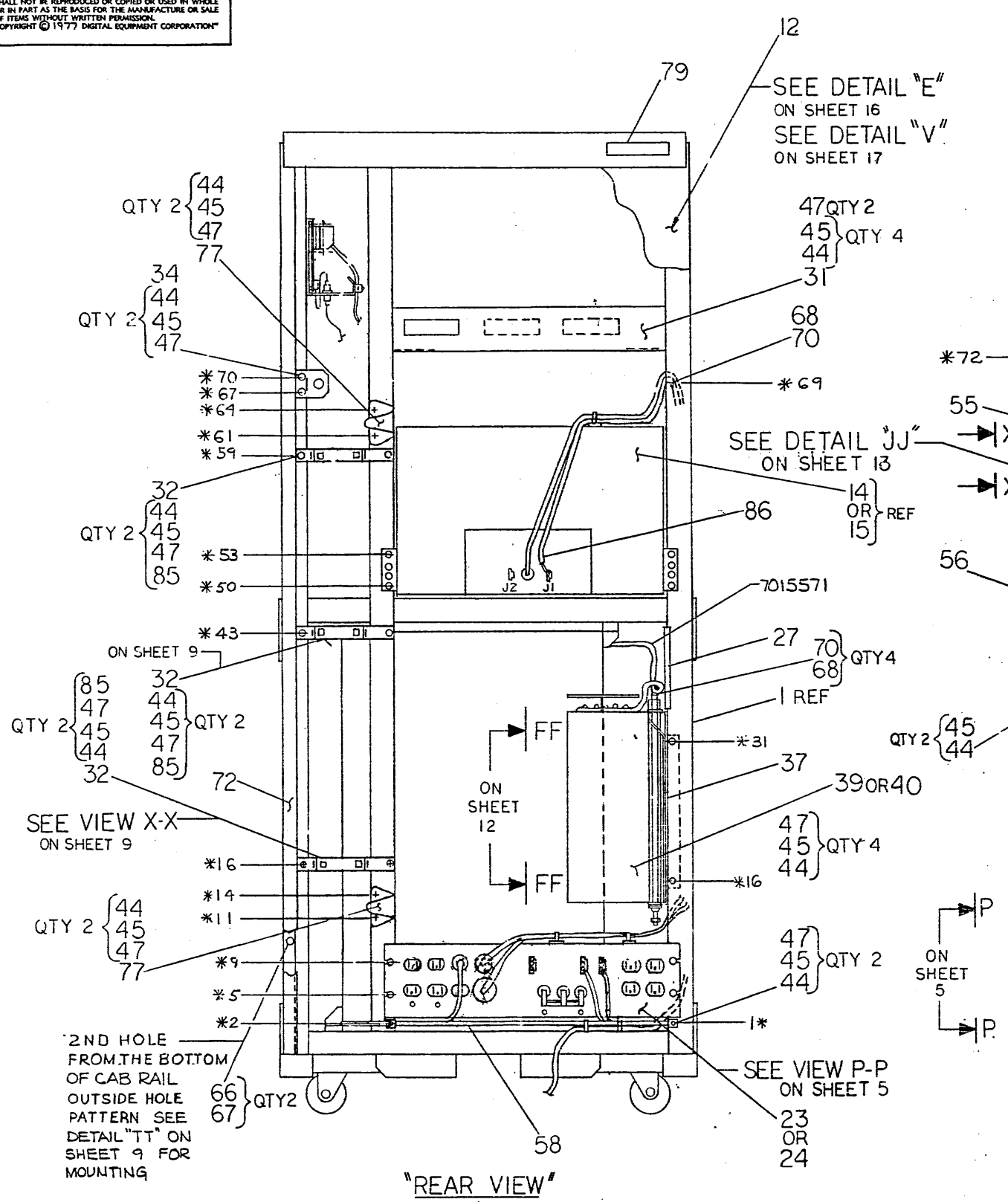
CAUTION: NOTES ON SHEET 19

CAUTION: OFF SHEETS PARTS LIST EXISTS SEE K-PL-KSI0-0-DBP

REV.	CHG. NO.	BY	DATE	DESCRIPTION
1		J. McELROY	5-18-77	ISSUED FOR FABRIK
2		J. McELROY	5-22-77	ISSUED FOR FABRIK
3		R. OLSON	5-MAR-77	ISSUED FOR FABRIK
4		J. McELROY	12-11-77	ISSUED FOR FABRIK
5		J. McELROY	12-11-77	ISSUED FOR FABRIK
6		JOHN MARTIN	12-11-77	ISSUED FOR FABRIK
7		JOHN TIVNAN	12-11-77	ISSUED FOR FABRIK

DESCRIPTION		DWG./PART NO.	ITEM NO.
UNLESS OTHERWISE SPECIFIED DIMENSIONS ARE IN INCHES			
ANGLES 90° 30'	CLASS OF ACCURACY (CHECK ONE)	NOMINAL DIMENSION RANGE INCHES	
SURFACE QUALITY IN	MEDIUM	OVER 0 TO 0.2	OVER 0.2 TO 1.2
	PREFERRED	OVER 1.2 TO 4.0	OVER 4.0 TO 12.0
QUANTITY & VARIATION		OVER 12.0 TO 40.0	OVER 40.0 TO 80.0
		OVER 40.0 TO 80.0	OVER 80.0 TO 160.0
		OVER 80.0 TO 160.0	OVER 160.0 TO 320.0
		OVER 160.0 TO 320.0	OVER 320.0 TO 640.0
THIRD ANGLE PROJECTION	DRN. J. H. COL	FIRST USED ON	KSI0
REMOVE BURRS AND BREAK SHARP CORNERS	CHK'D J. H. COL	TITLE	KSI0 PROCESSOR UNIT ASSY
DO NOT SCALE DWG	ENG. J. B. H.	SIZE	D
MATERIAL SEE PARTS LIST	PROD. P. O'NEILL	CODE	UA
FINISH NONE		NUMBER	KSI0-0-0
		REV.	D
		SHEET	1
		OF	30
		DIST.	

"THIS DRAWING AND SPECIFICATIONS, HEREIN, ARE THE PROPERTY OF DIGITAL EQUIPMENT CORPORATION AND SHALL NOT BE REPRODUCED OR COPIED OR USED IN WHOLE OR IN PART AS THE BASIS FOR THE MANUFACTURE OR SALE OF ITEMS WITHOUT WRITTEN PERMISSION. COPYRIGHT © 1977 DIGITAL EQUIPMENT CORPORATION"

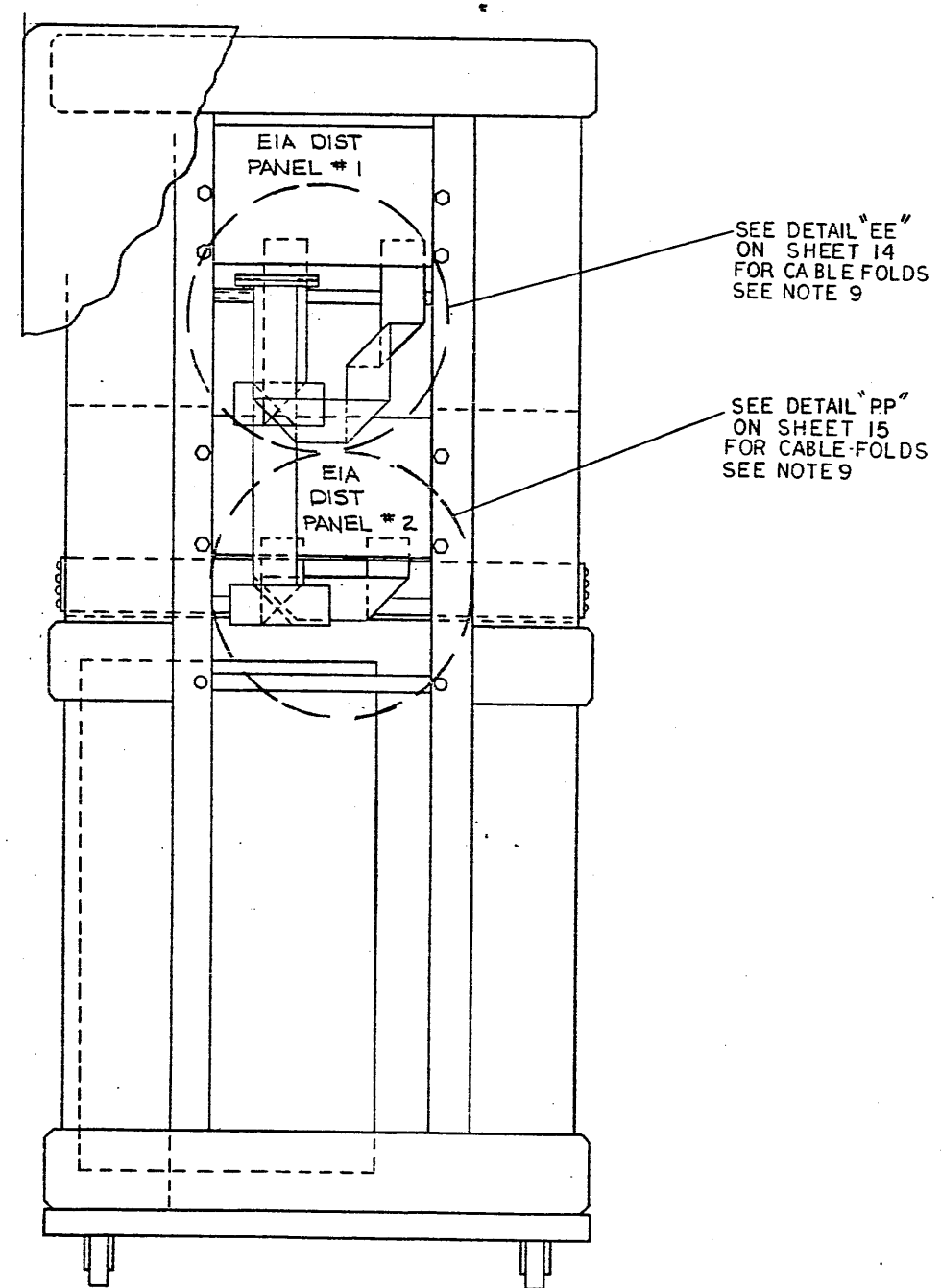
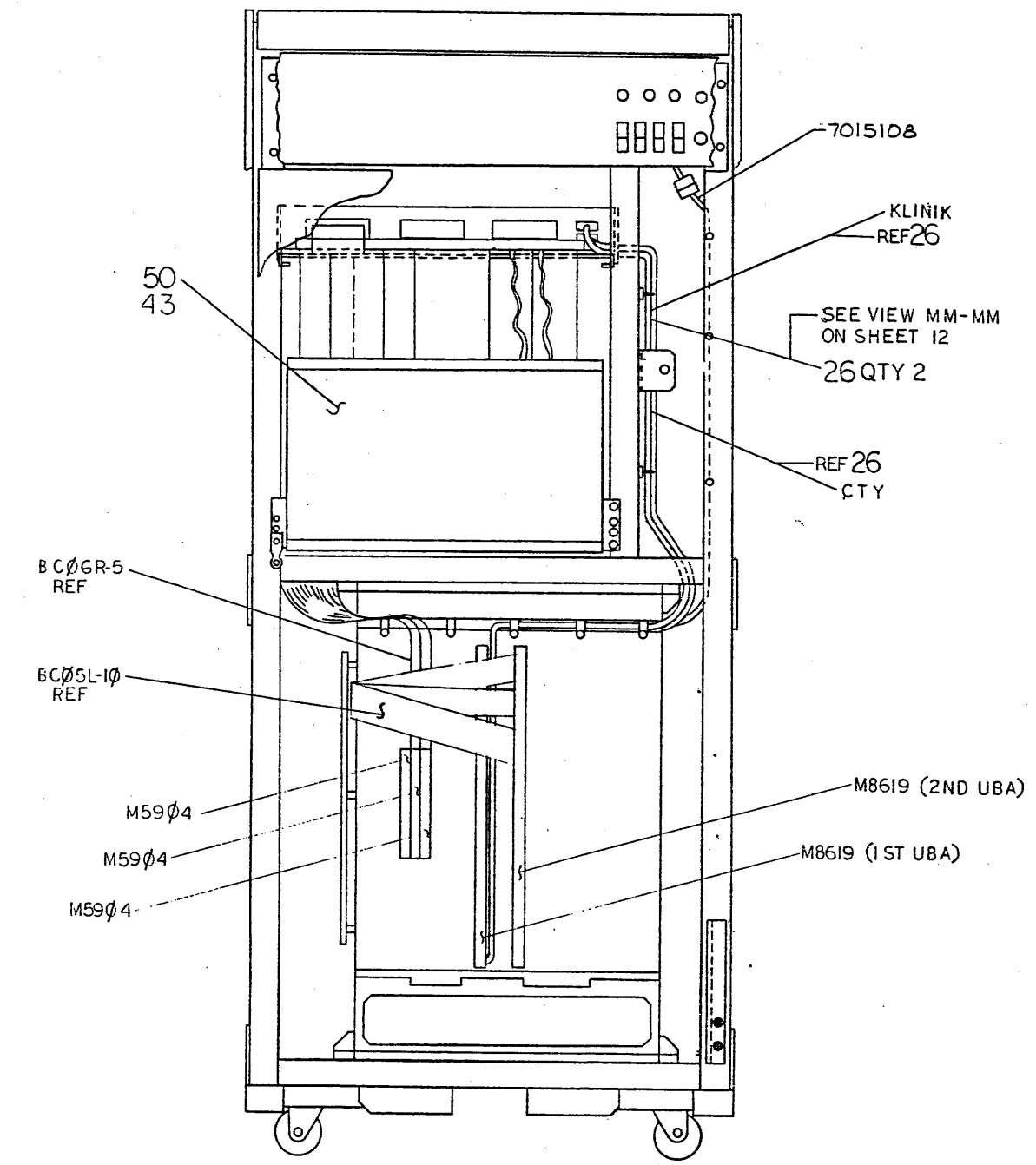


REVISIONS		
CHK	CHANGE NO.	REV.

THIS DRAWING AND SPECIFICATIONS, HEREIN, ARE THE PROPERTY OF DIGITAL EQUIPMENT CORPORATION AND SHALL NOT BE REPRODUCED OR COPIED OR USED IN WHOLE OR IN PART AS THE BASIS FOR THE MANUFACTURE OR SALE OF ITEMS WITHOUT WRITTEN PERMISSION. COPYRIGHT © 1977 DIGITAL EQUIPMENT CORPORATION

D
C
B
A

D
C
B
A



"FRONT VIEW"
FOR CABLING SEE TO
FROM CHART ON SHEET 13

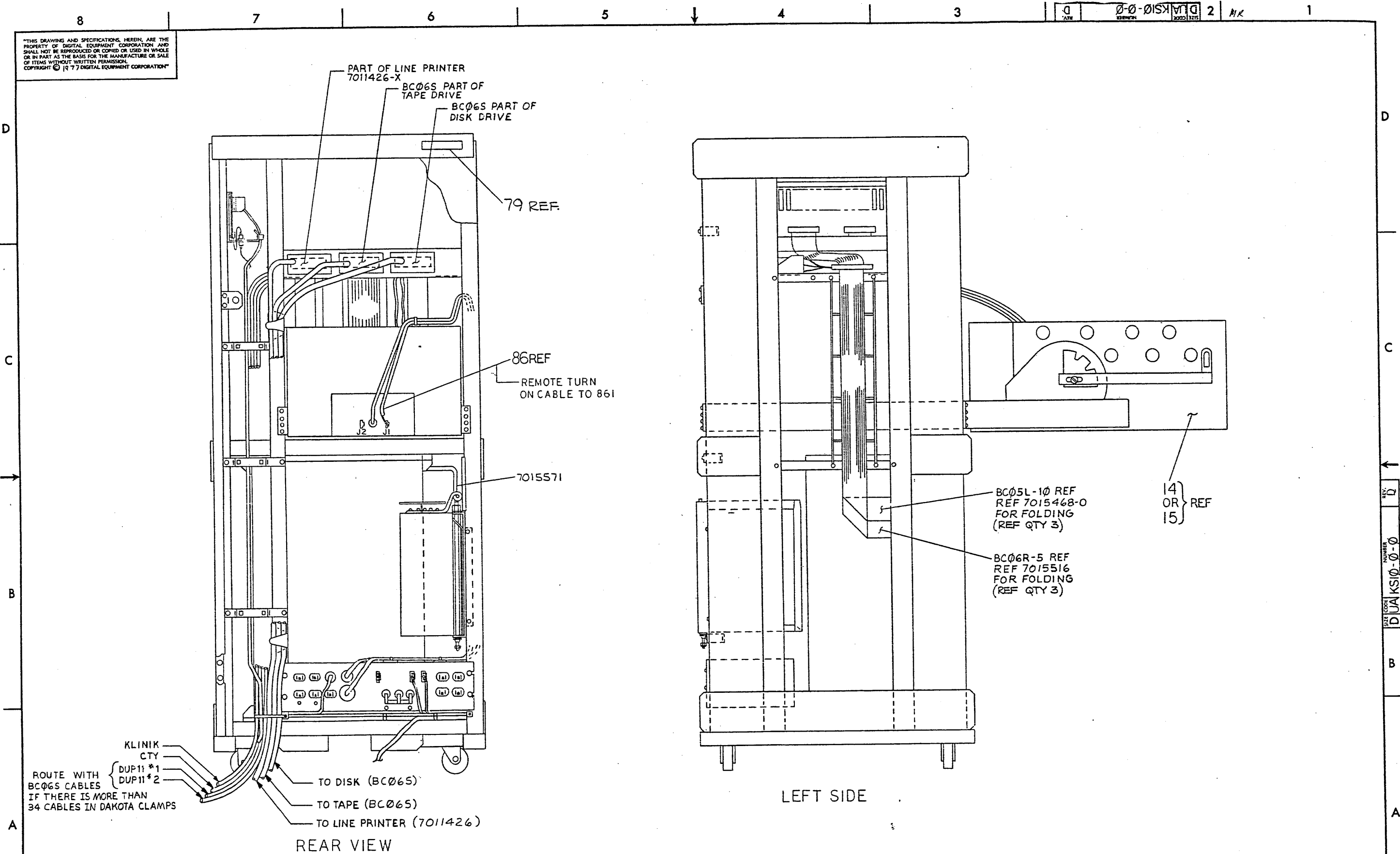
"RIGHT SIDE VIEW"

REVISIONS		
CHK	CHANGE NO.	REV.

TITLE	KS10 PROCESSOR UNIT ASSY	SIZE CODE	D UA	NUMBER	KS10-Ø-Ø	REV.	D
SCALE	NONE	SHEET	3 OF 30	DIST.			

8 7 6 5 4 3 2 1 MR

"THIS DRAWING AND SPECIFICATIONS HEREIN ARE THE PROPERTY OF DIGITAL EQUIPMENT CORPORATION AND SHALL NOT BE REPRODUCED OR COPIED OR USED IN WHOLE OR IN PART AS THE BASIS FOR THE MANUFACTURE OR SALE OF ITEMS WITHOUT WRITTEN PERMISSION. COPYRIGHT © 1977 DIGITAL EQUIPMENT CORPORATION"



REVISIONS		
CHK	CHANGE NO.	REV.

ROUTE WITH BC06S CABLES IF THERE IS MORE THAN 34 CABLES IN DAKOTA CLAMPS

KLINIK CTY

DUP11 *1

DUP11 *2

TO DISK (BC06S)

TO TAPE (BC06S)

TO LINE PRINTER (7011426)

REAR VIEW

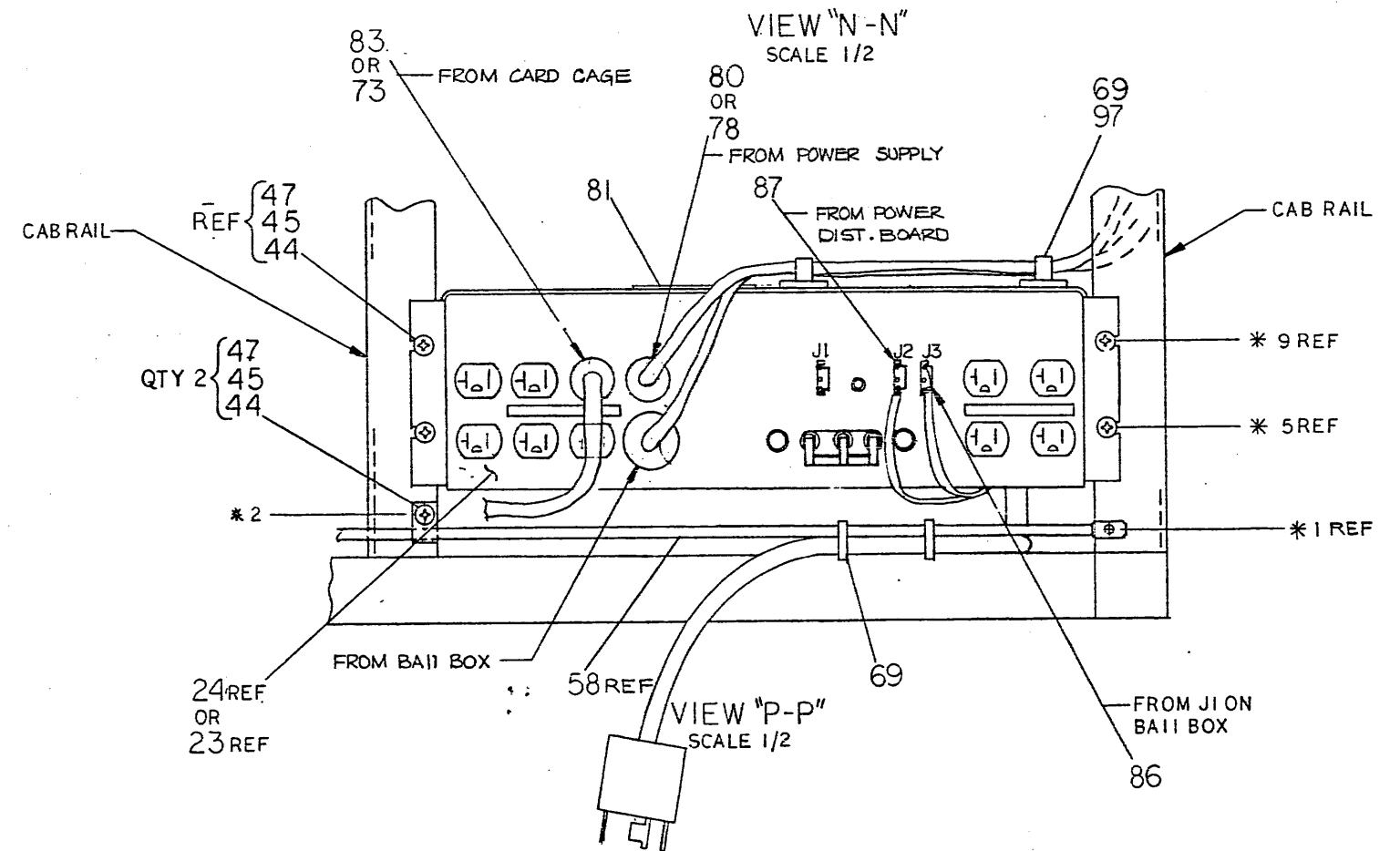
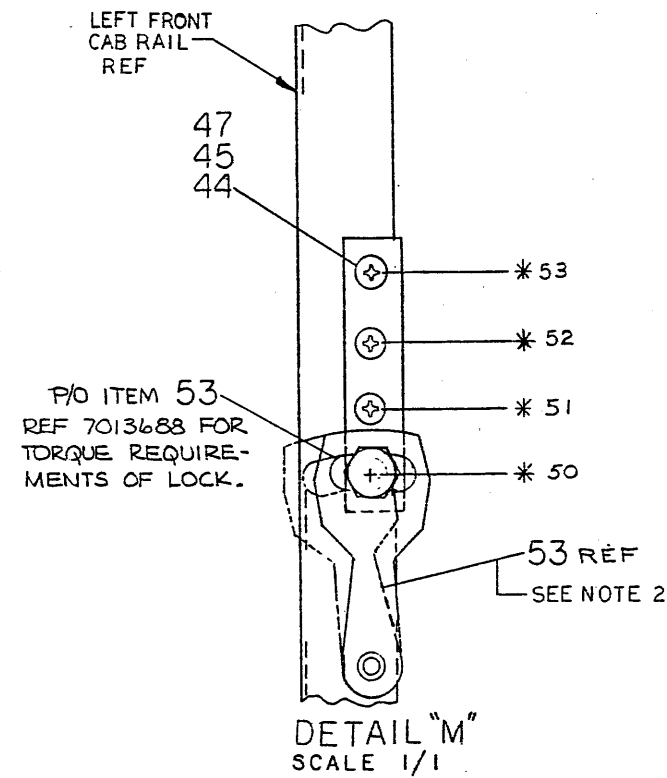
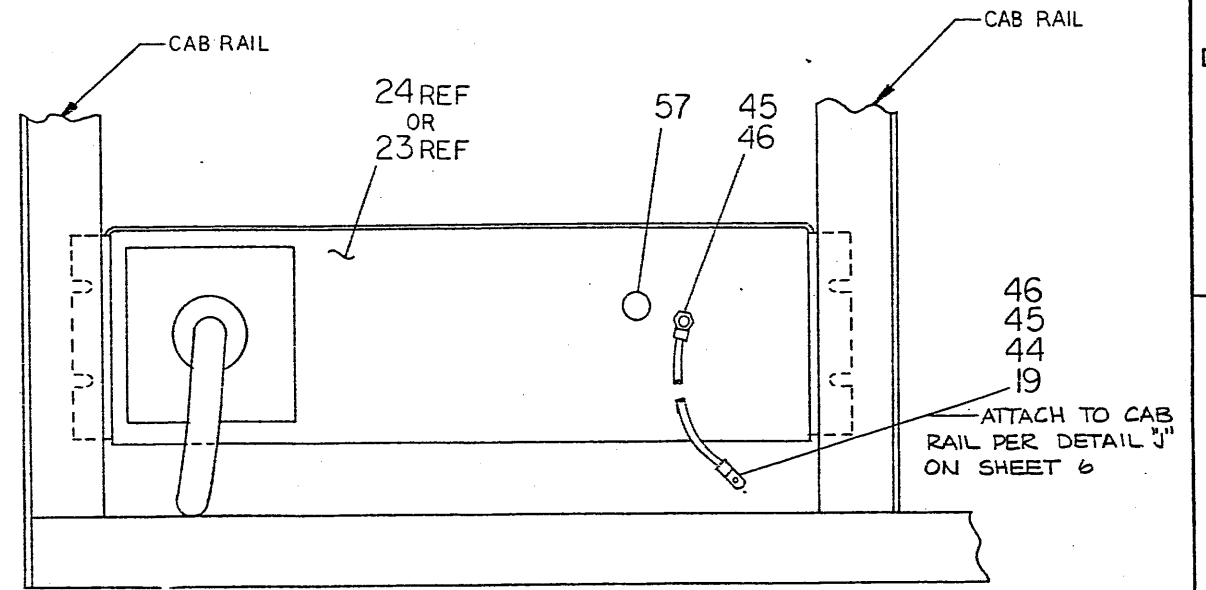
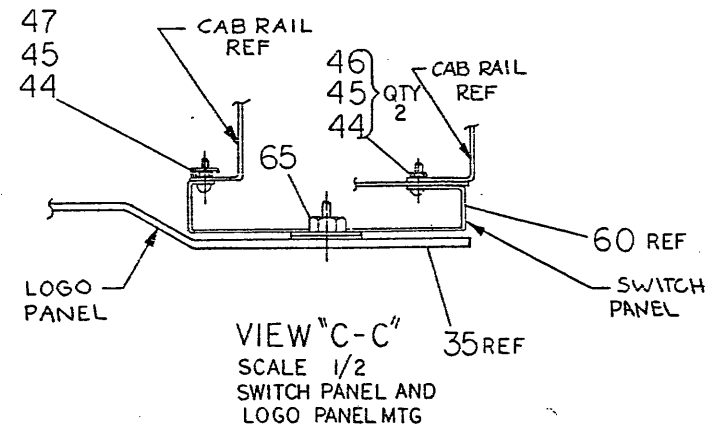
LEFT SIDE

BC05L-10 REF REF 7015468-0 FOR FOLDING (REF QTY 3)

BC06R-5 REF REF 7015516 FOR FOLDING (REF QTY 3)

14 OR 15 REF

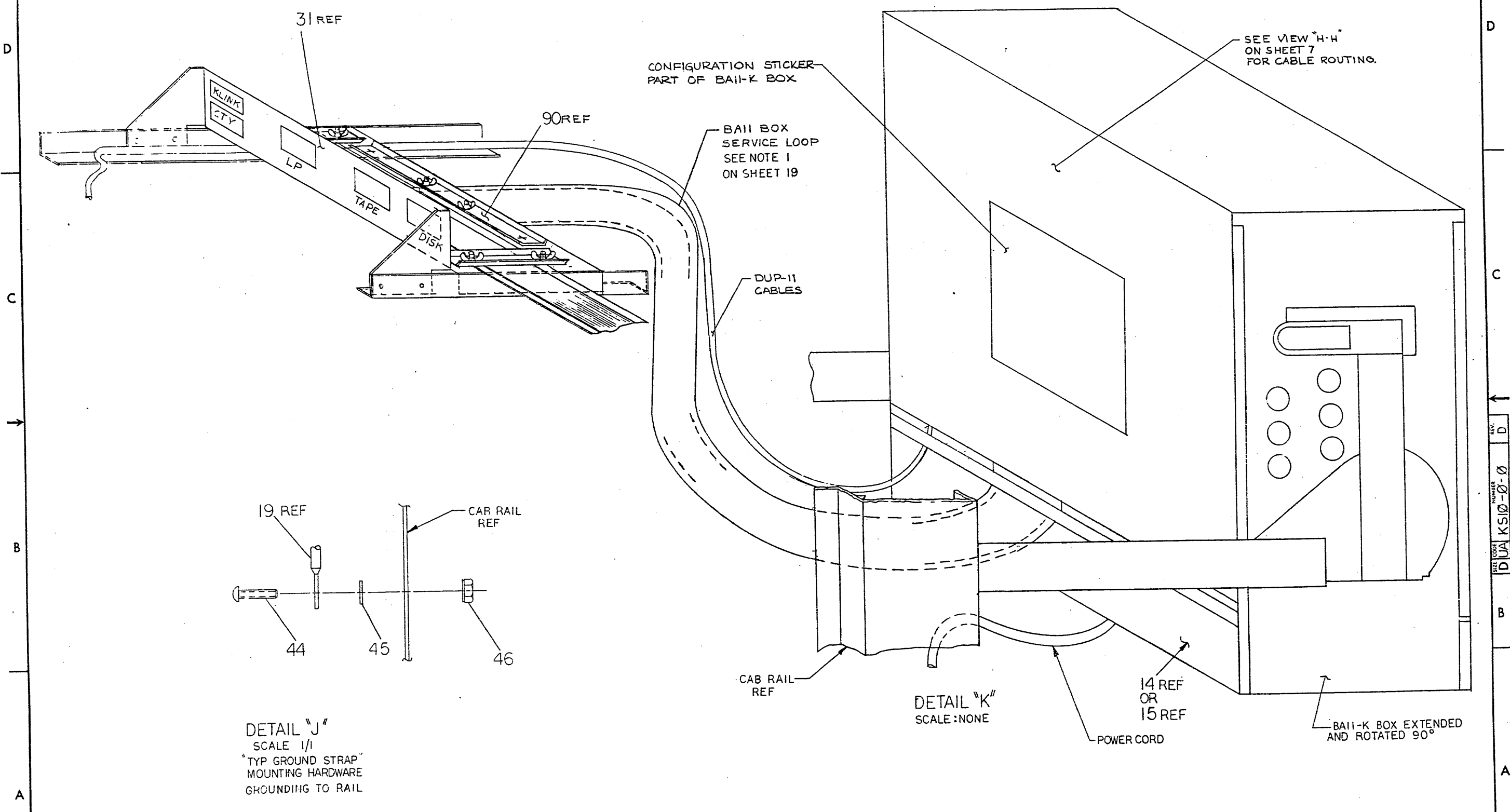
"THIS DRAWING AND SPECIFICATIONS HEREIN ARE THE PROPERTY OF DIGITAL EQUIPMENT CORPORATION AND SHALL NOT BE REPRODUCED OR COPIED OR USED IN WHOLE OR IN PART AS THE BASIS FOR THE MANUFACTURE OR SALE OF ITEMS WITHOUT WRITTEN PERMISSION. COPYRIGHT © 1977 DIGITAL EQUIPMENT CORPORATION"



REVISIONS		
CHK	CHANGE NO.	REV.

TITLE	KSI0 PROCESSOR UNIT ASSY	SIZE CODE	DUA	NUMBER	KSI0-0-0	REV.	D
SCALE	1/4	SHEET	5	OF	30	DIST.	

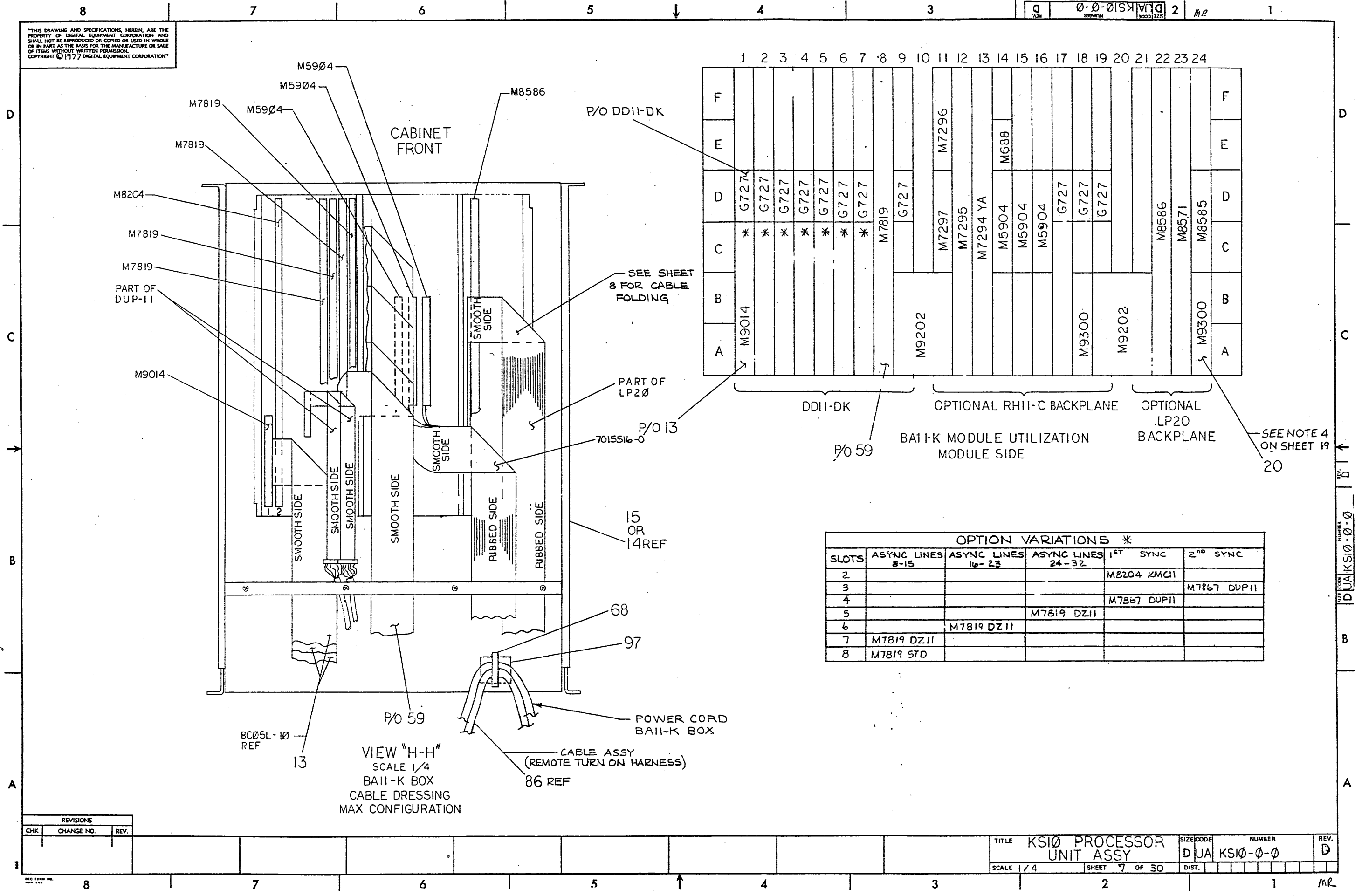
"THIS DRAWING AND SPECIFICATIONS, HEREIN, ARE THE PROPERTY OF DIGITAL EQUIPMENT CORPORATION AND SHALL NOT BE REPRODUCED OR COPIED OR USED IN WHOLE OR IN PART AS THE BASIS FOR THE MANUFACTURE OR SALE OF ITEMS WITHOUT WRITTEN PERMISSION. COPYRIGHT © 1977 DIGITAL EQUIPMENT CORPORATION"



REVISIONS		
CHK	CHANGE NO.	REV.

TITLE	KS10 PROCESSOR UNIT ASSY	SIZE CODE	DUA	NUMBER	KS10-0-0	REV.	D
SCALE	1/4	SHEET	6	OF	30	DIST.	

THIS DRAWING AND SPECIFICATIONS, HEREIN, ARE THE PROPERTY OF DIGITAL EQUIPMENT CORPORATION AND SHALL NOT BE REPRODUCED OR COPIED OR USED IN WHOLE OR IN PART AS THE BASIS FOR THE MANUFACTURE OR SALE OF ITEMS WITHOUT WRITTEN PERMISSION. COPYRIGHT © 1977 DIGITAL EQUIPMENT CORPORATION



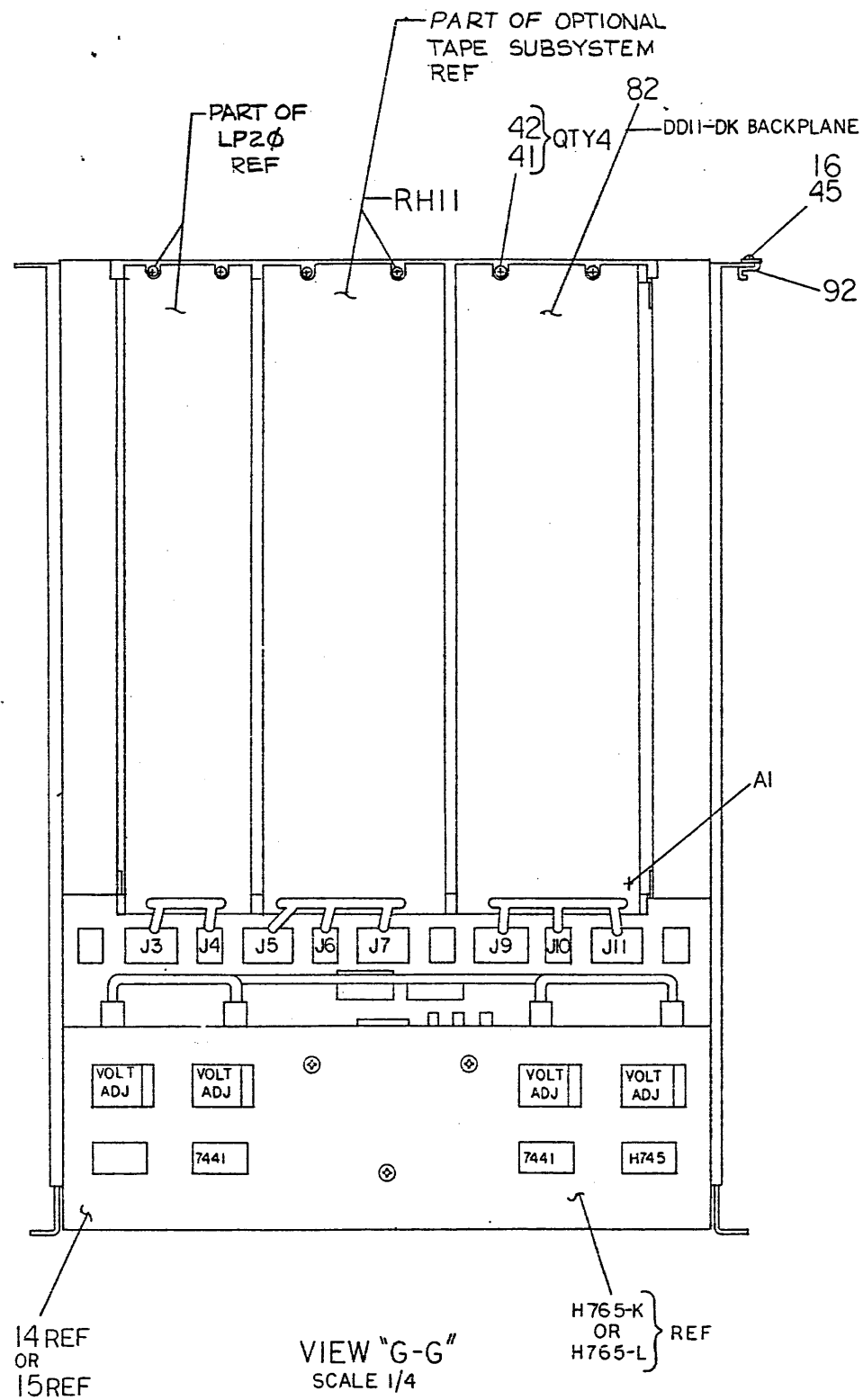
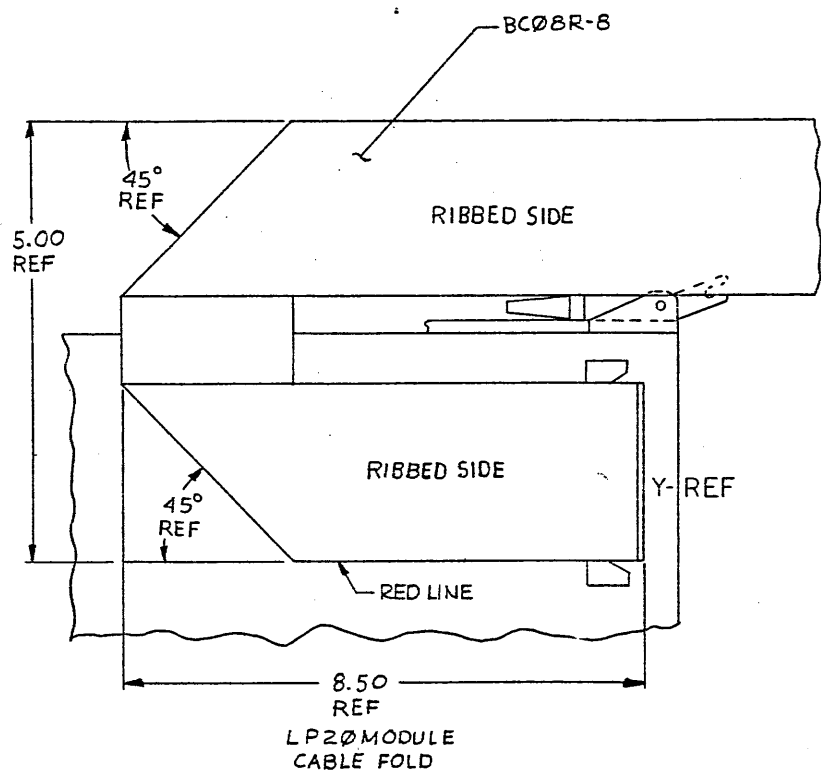
	1	2	3	4	5	6	7	8	9	10	11	12	13	14	15	16	17	18	19	20	21	22	23	24
F																								F
E																								E
D	G7274	G727	G727	G727	G727	G727	G727	G727																D
C	*	*	*	*	*	*	*	*	M7819															C
B	M9014																							B
A										M9202														A

DD11-DK
 P/O 59
 OPTIONAL RH11-C BACKPLANE
 BAI-K MODULE UTILIZATION MODULE SIDE
 OPTIONAL LP20 BACKPLANE
 SEE NOTE 4 ON SHEET 19 20

SLOTS	ASYNC LINES 8-15	ASYNC LINES 16-23	ASYNC LINES 24-32	1 ST SYNC	2 ND SYNC
2				M8204 KMCI	
3					M7867 DUP11
4				M7867 DUP11	
5			M7819 DZ11		
6		M7819 DZ11			
7	M7819 DZ11				
8	M7819 STD				

REVISIONS		
CHK	CHANGE NO.	REV.

ALL DIMENSIONS ARE THE PROPERTY OF DIGITAL EQUIPMENT CORPORATION AND SHALL NOT BE REPRODUCED OR C MANUFACTURE OR SALE OR IN PART AS THE BASIS FOR TRANSMISSION OF ITEMS WITHOUT WRITTEN EQUIPMENT CORPORATION COPYRIGHT © 1977 DIGITAL

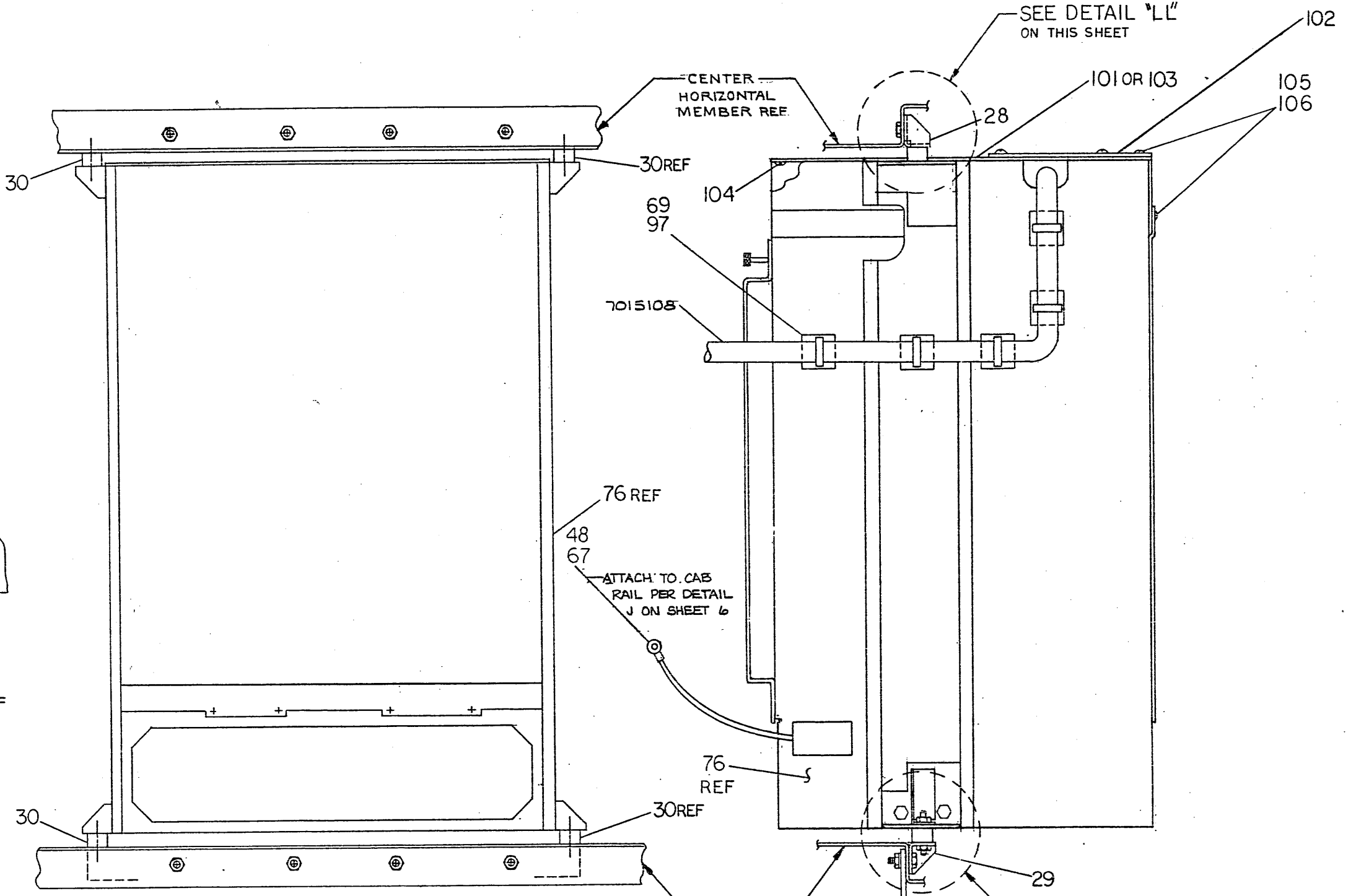
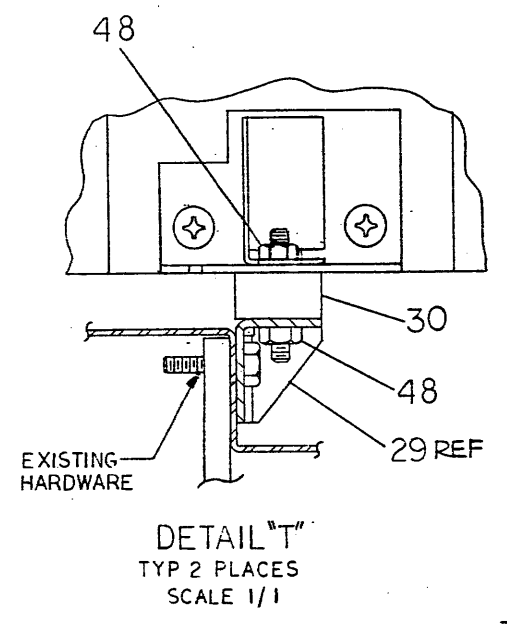
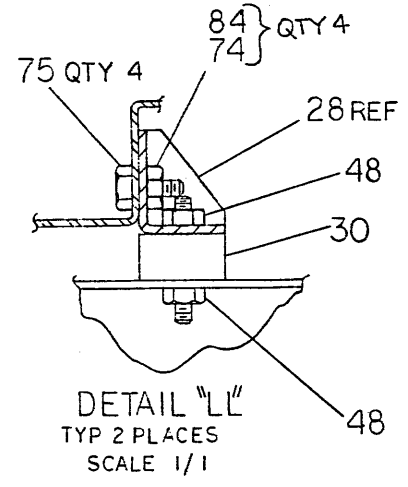


REVISIONS		
CHK	CHANGE NO.	REV.

TITLE	KSIØ PROCESSOR UNIT ASSY	SIZE CODE	D UA	NUMBER	KSIØ-Ø-Ø	REV.	D
SCALE	1/4	SHEET	8	OF	30	DIST.	

SIZE CODE: DUA
 NUMBER: KSIØ-Ø-Ø
 REV. D

"THIS DRAWING AND SPECIFICATIONS, HEREIN, ARE THE PROPERTY OF DIGITAL EQUIPMENT CORPORATION AND SHALL NOT BE REPRODUCED OR COPIED OR USED IN WHOLE OR IN PART AS THE BASIS FOR THE MANUFACTURE OR SALE OF ITEMS WITHOUT WRITTEN PERMISSION. COPYRIGHT © 1977 DIGITAL EQUIPMENT CORPORATION"



VIEW "R-R"
SCALE 1/2
"FRONT VIEW OF CARD CAGE"

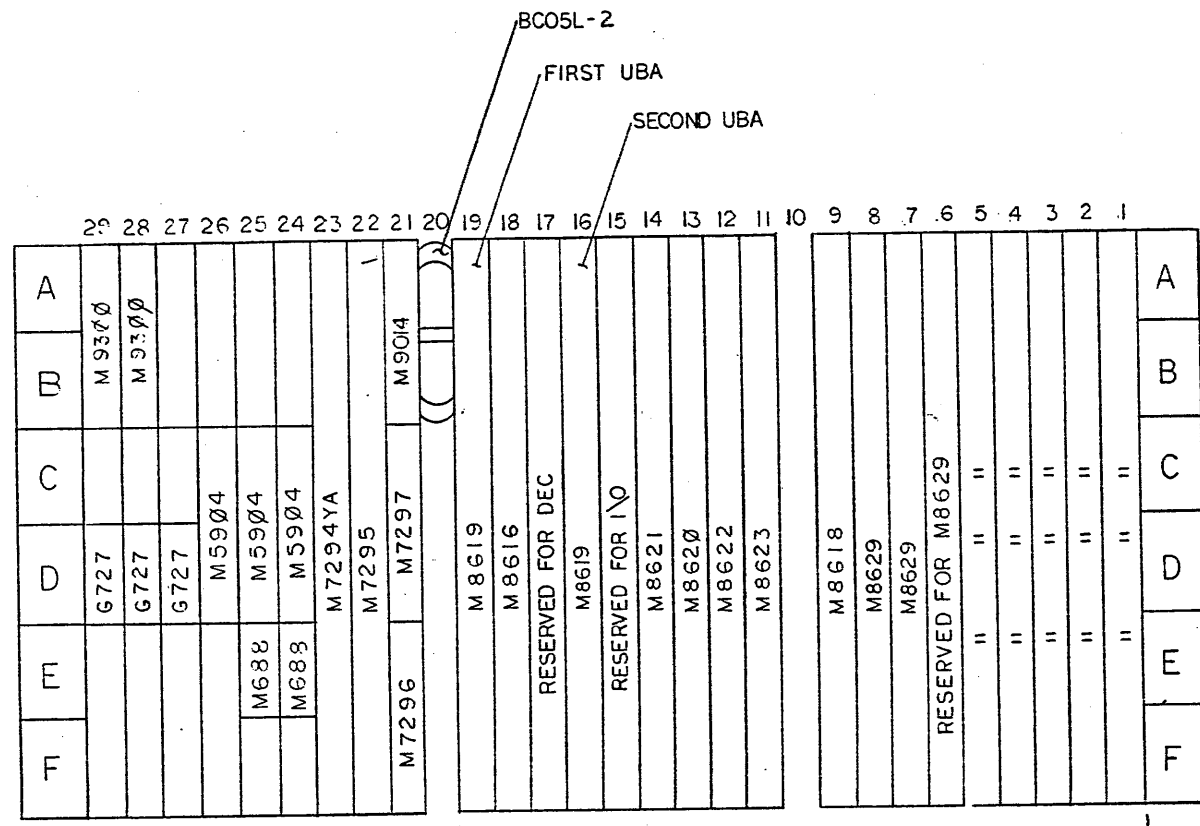
VIEW "S-S"
SCALE 1/2
"SIDE VIEW OF CARD CAGE"

REVISIONS		
CHK	CHANGE NO.	REV.

TITLE	KS10 PROCESSOR UNIT ASSY	SIZE CODE	DUA	NUMBER	KS10-0-0	REV.	D
SCALE	1/4	SHEET	16	OF	30	DIST.	

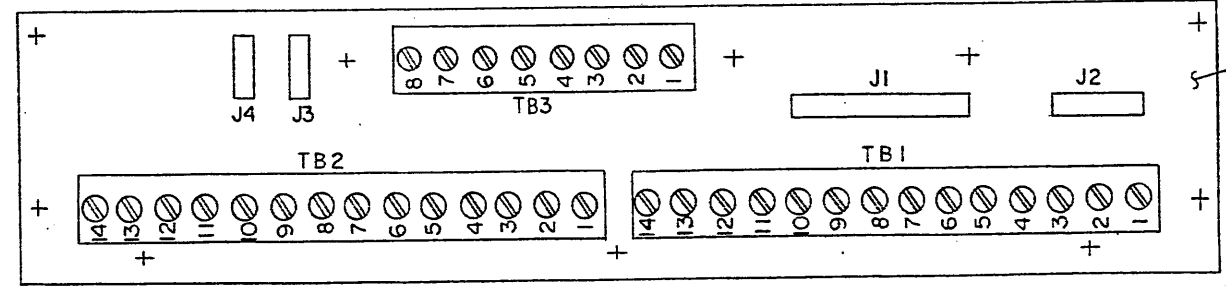
REV. D
NUMBER KS10-0-0
FILE CODE DUA

"THIS DRAWING AND SPECIFICATIONS, HEREIN, ARE THE PROPERTY OF DIGITAL EQUIPMENT CORPORATION AND SHALL NOT BE REPRODUCED OR COPIED OR USED IN WHOLE OR IN PART AS THE BASIS FOR THE MANUFACTURE OR SALE OF ITEMS WITHOUT WRITTEN PERMISSION. COPYRIGHT © 1977 DIGITAL EQUIPMENT CORPORATION"



REGULAR HEX BOARDS RHII-A "CARD CAGE BACKPLANE" EXTENDED HEX BOARDS

KS10-PA M.U. FOR REFERENCE MODULE SIDE



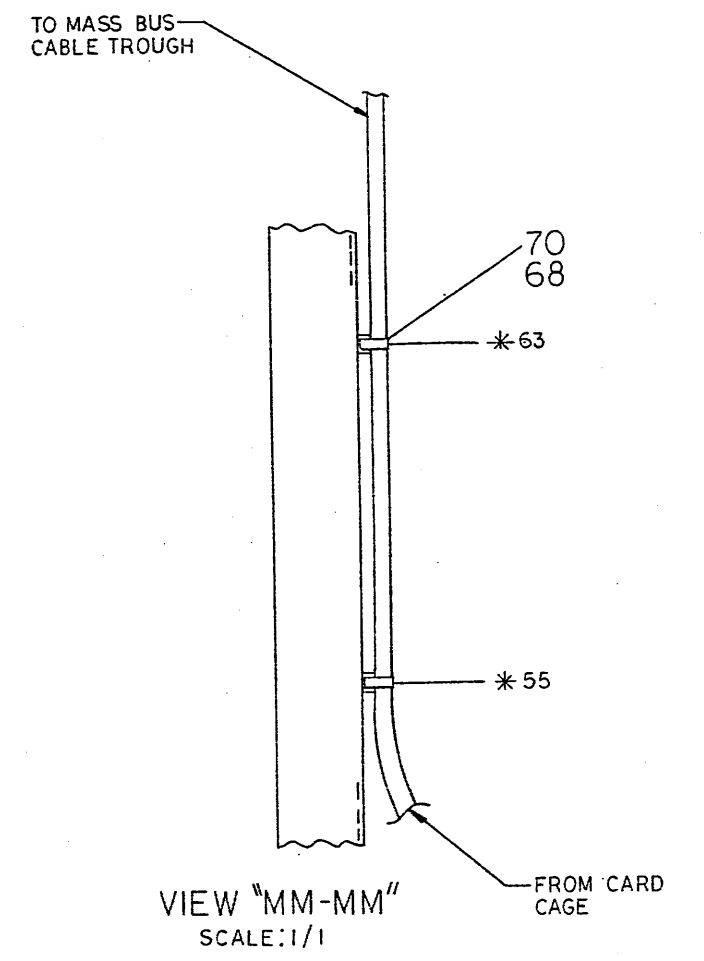
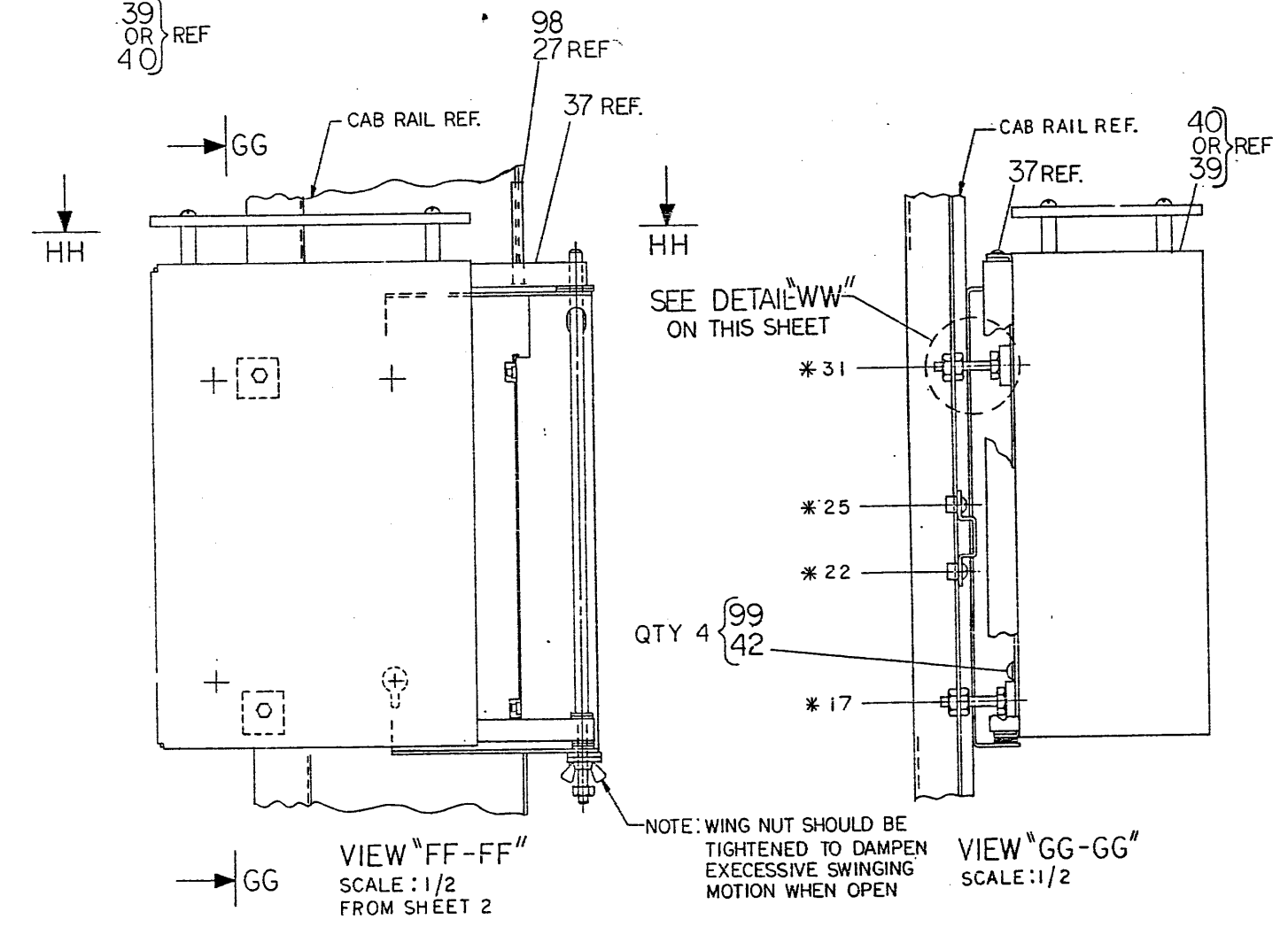
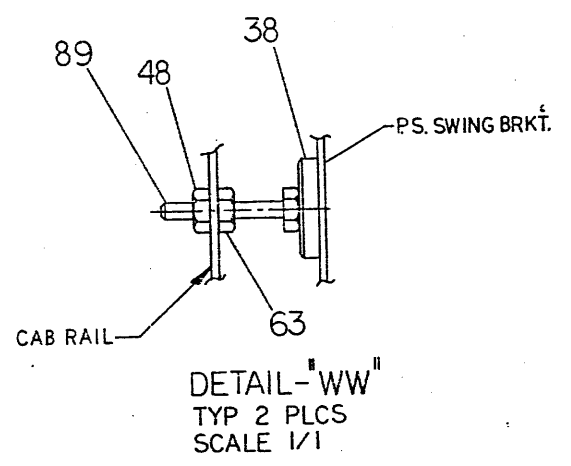
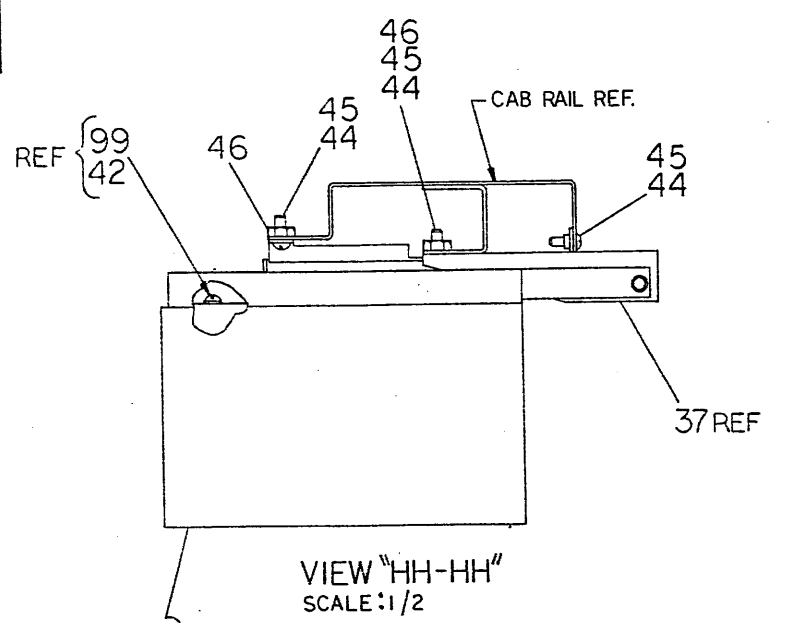
POWER DISTRIBUTION BOARD TERMINAL BLOCK DESIGNATIONS.

PART OF KS10-PA ITEM #76

REVISIONS		
CHK	CHANGE NO.	REV.

TITLE	KS10 PROCESSOR UNIT ASSY	SIZE CODE	DUA	NUMBER	KS10-0-0	REV.	D
SCALE	1/4	SHEET	11	OF	30	DIST.	

"THIS DRAWING AND SPECIFICATIONS, HEREIN, ARE THE PROPERTY OF DIGITAL EQUIPMENT CORPORATION AND SHALL NOT BE REPRODUCED OR COPIED OR USED IN WHOLE OR IN PART AS THE BASIS FOR THE MANUFACTURE OR SALE OF ITEMS WITHOUT WRITTEN PERMISSION. COPYRIGHT © 1977 DIGITAL EQUIPMENT CORPORATION"

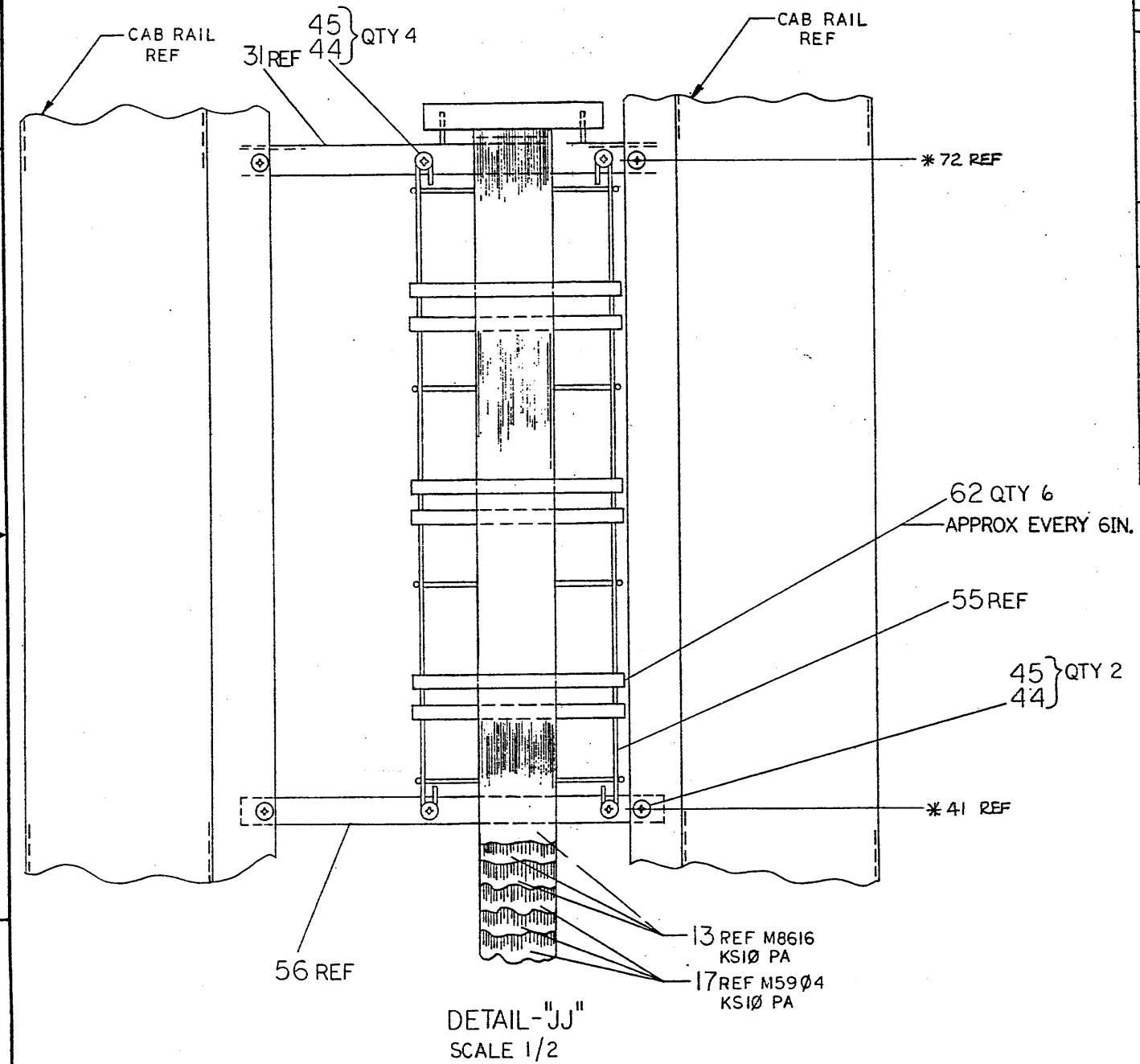


REVISIONS		
CHK	CHANGE NO.	REV.

TITLE	KSI0 PROCESSOR UNIT ASSY	SIZE CODE	DUA	NUMBER	KSI0-0-0	REV.	D
SCALE	1/4	SHEET	12	OF	30	DIST.	

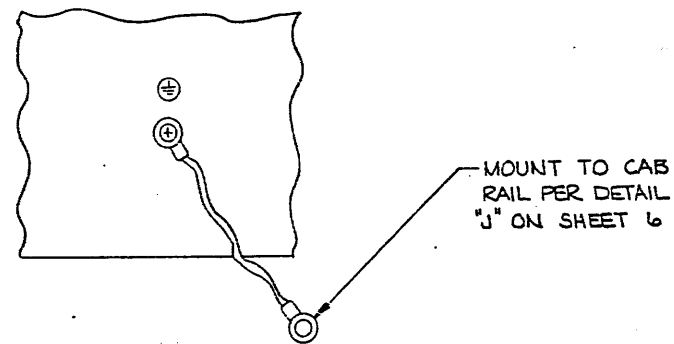
"THIS DRAWING AND SPECIFICATIONS, HEREIN, ARE THE PROPERTY OF DIGITAL EQUIPMENT CORPORATION AND SHALL NOT BE REPRODUCED OR COPIED OR USED IN WHOLE OR IN PART AS THE BASIS FOR THE MANUFACTURE OR SALE OF ITEMS WITHOUT WRITTEN PERMISSION. COPYRIGHT © 1977 DIGITAL EQUIPMENT CORPORATION"

D
C
B
A



HARNESS CONNECTION CHART

ITEM NO.	FROM			TO			OPTION	REMARKS
	MODULE	SLOT	CABLE ORIENTATION	CONNECTION	CABLE ORIENTATION	CONNECTOR		
17	M5904	CD04	RED LINE FRONT, RIB RIGHT	J1	RED LINE LEFT RIB UP	DISK - A	RH11	TO DISK
	M5904	CD05	RED LINE FRONT, RIB RIGHT	J1	RED LINE LEFT RIB UP	DISK - B		
	M5904	CD06	RED LINE FRONT, RIB RIGHT	J1	RED LINE LEFT RIB UP	DISK - C		
26 QTY 2	M8616	18		J2 J1		CTY KLINIK		TO TERMINAL
25						CTY		TERMINAL
95						KLINIK		MODEM
59	M7819	8	SEE DETAIL ON SHEET 20	J1	SEE DETAIL ON SHEETS 15 & 16	H317*1 J1B	DZ11	
	M7819	7		J1		H317*1 J20	DZ11	
	M7819	6		J1		H317*2 J1B	DZ11	
	M7819	5		J1		H317*2 J20	DZ11	
OPTIONS	DUP11	3 & 4	SEE DETAIL ON SHEET 21					TERM OR MODEM
	LP20	22	SEE DETAIL ON SHEET 8	J1	RED LINE LEFT, RIB UP	LP-B		LINE PRINTER
	M5904	CD04	RED LINE UP RIB RIGHT	J1	RED LINE LEFT, RIB UP	TAPE - A	RH11	TO TAPE
	M5904	CD05	RED LINE UP RIB RIGHT	J1	RED LINE LEFT, RIB UP	TAPE - B		
	M5904	CD06	RED LINE UP RIB RIGHT	J1	RED LINE LEFT, RIB UP	TAPE - C		
	KS10-PA	M8619	19	RED LINE TOP SMOOTH RIGHT	J1	RED LINE TOP SMOOTH LEFT	M9014 - J1	RH11 SLOT 1
BC05L	M8619	19	RED LINE TOP SMOOTH RIGHT	J2	RED LINE TOP SMOOTH LEFT	M9014 - J2		
-2	M8619	19	RED LINE TOP SMOOTH RIGHT	J3	RED LINE TOP SMOOTH LEFT	M9014 - J3		
13	M8619	16	RED LINE TOP SMOOTH RIGHT	J1	RIB RIGHT RED LINE REAR	M9014 - J1	AB01 BA11	INTERNAL UNIBUS B BA11-K
	M8619	16	RED LINE TOP SMOOTH RIGHT	J2	RIB RIGHT RED LINE REAR	M9014 - J2	DRAW	
	M8619	16	RED LINE TOP SMOOTH RIGHT	J3	RIB RIGHT RED LINE REAR	M9014 - J3	DD11-DK	
OPTION	BC065		MASSBUS CABLE TROUGH	DISK		DEVICE	DISK	DISK
OPTION	BC065		MASSBUS CABLE TROUGH	TAPE		DEVICE	TAPE	TAPE
OPTION	7011426		MASSBUS CABLE TROUGH	LINE PRINTER		DEVICE	LP20	LP
86	861		MASSBUS CABLE TROUGH	J1		J1	BA11	REMOTE TURN ON POWER CORD
73/83			CARD CAGE BLOWER			861		POWER CORD
78/80			POWER SUPPLY			861		POWER CORD



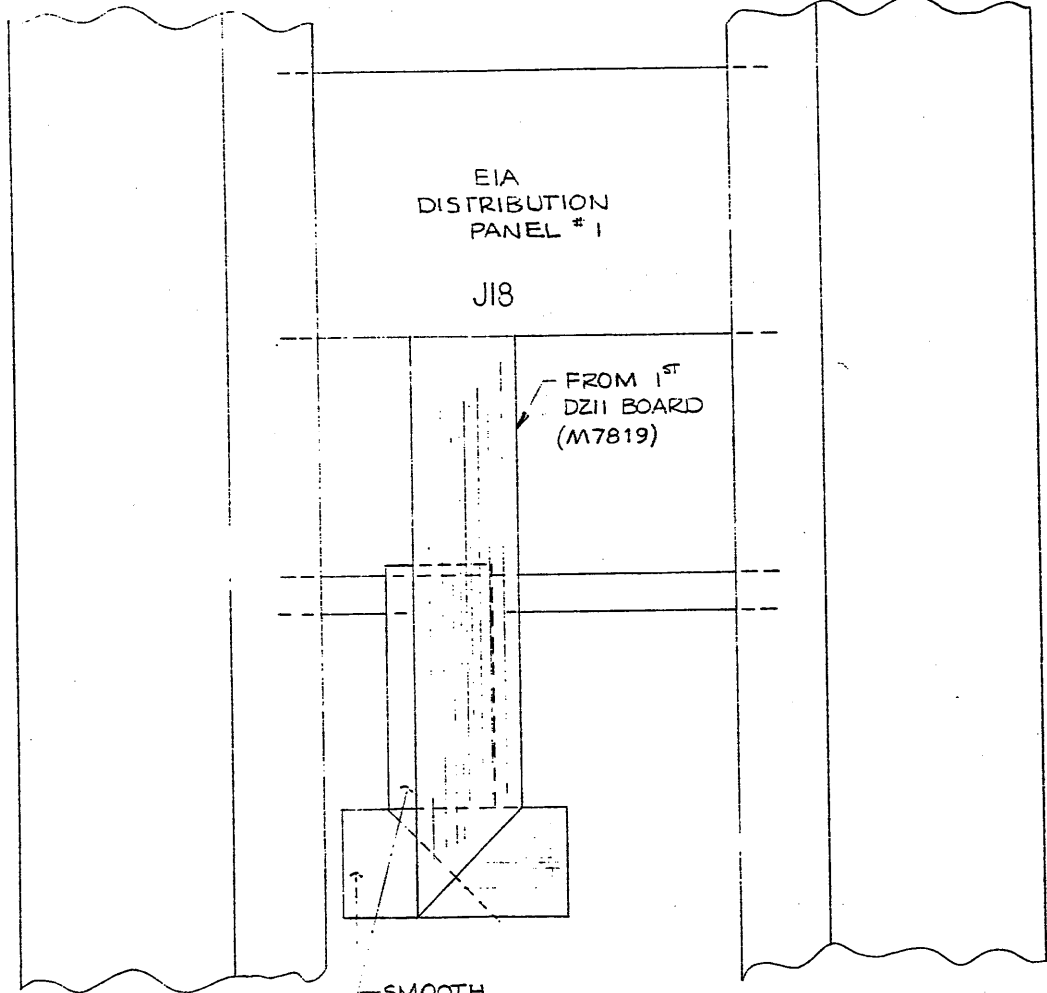
REVISIONS		
CHK	CHANGE NO.	REV.

TITLE	KS10 PROCESSOR UNIT ASSY	SIZE CODE	DUA	NUMBER	KS10-0-0	REV.	D
SCALE	1/4	SHEET	13	OF	30	DIST.	

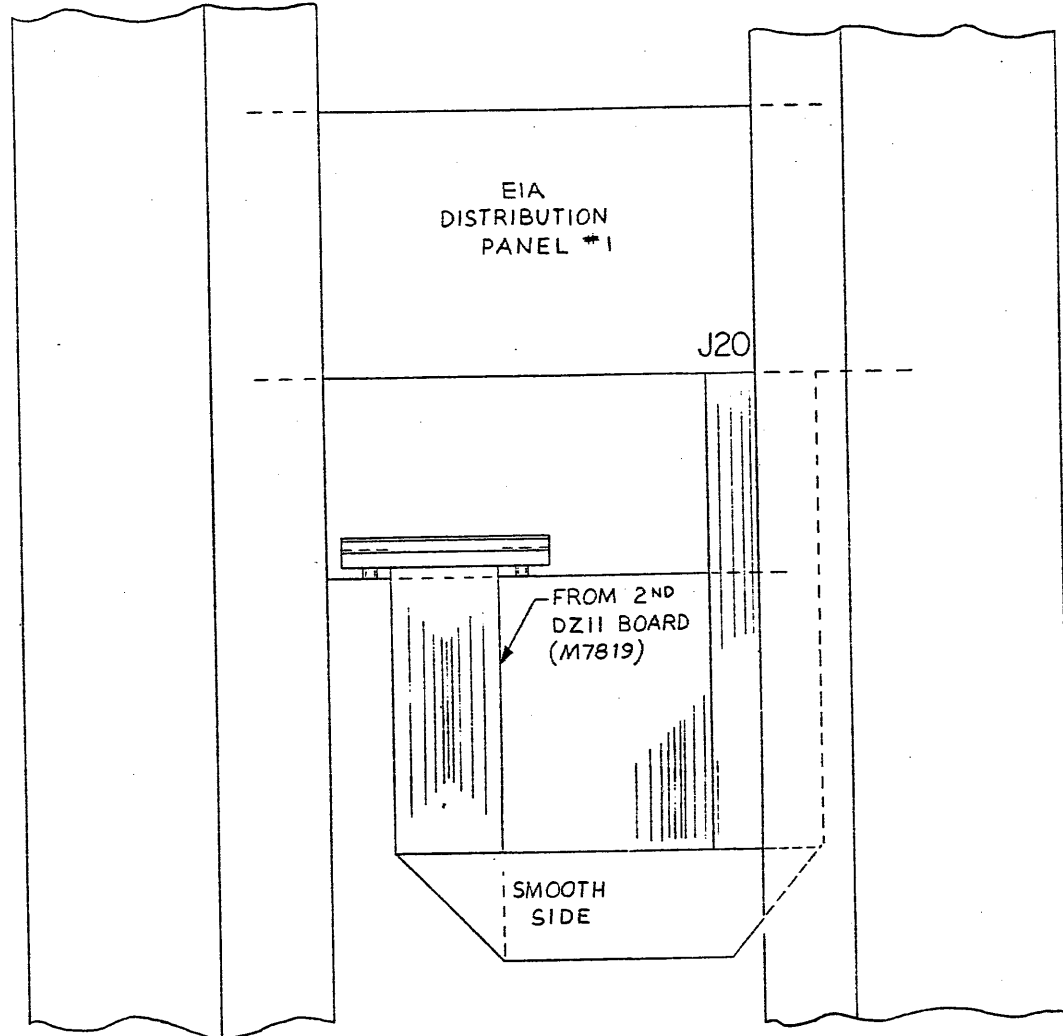
REV. D
NUMBER
DUA KS10-0-0

B
A

"THIS DRAWING AND SPECIFICATIONS, HEREIN, ARE THE PROPERTY OF DIGITAL EQUIPMENT CORPORATION AND SHALL NOT BE REPRODUCED OR COPIED OR USED IN WHOLE OR IN PART AS THE BASIS FOR THE MANUFACTURE OR SALE OF ITEMS WITHOUT WRITTEN PERMISSION. COPYRIGHT © 1977 DIGITAL EQUIPMENT CORPORATION"



CAB RIGHT SIDE DZ11 CABLE ROUTING



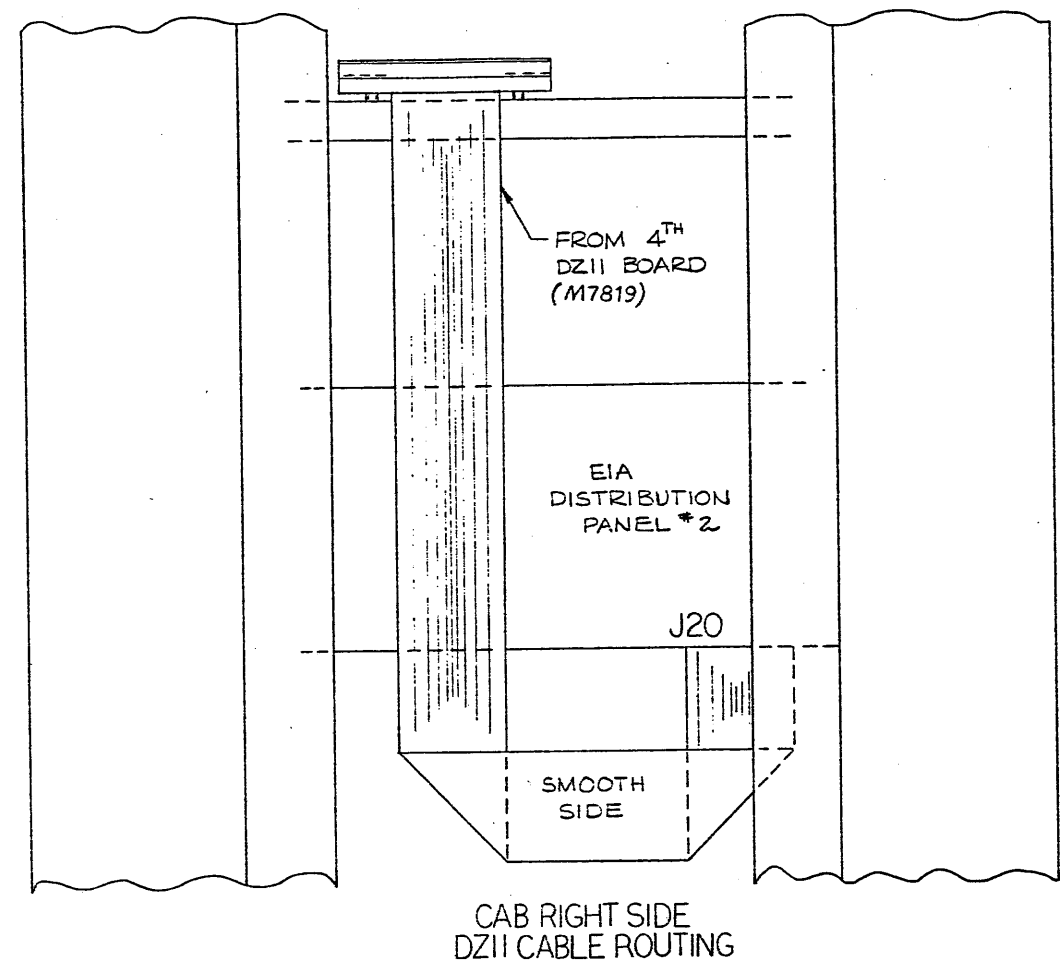
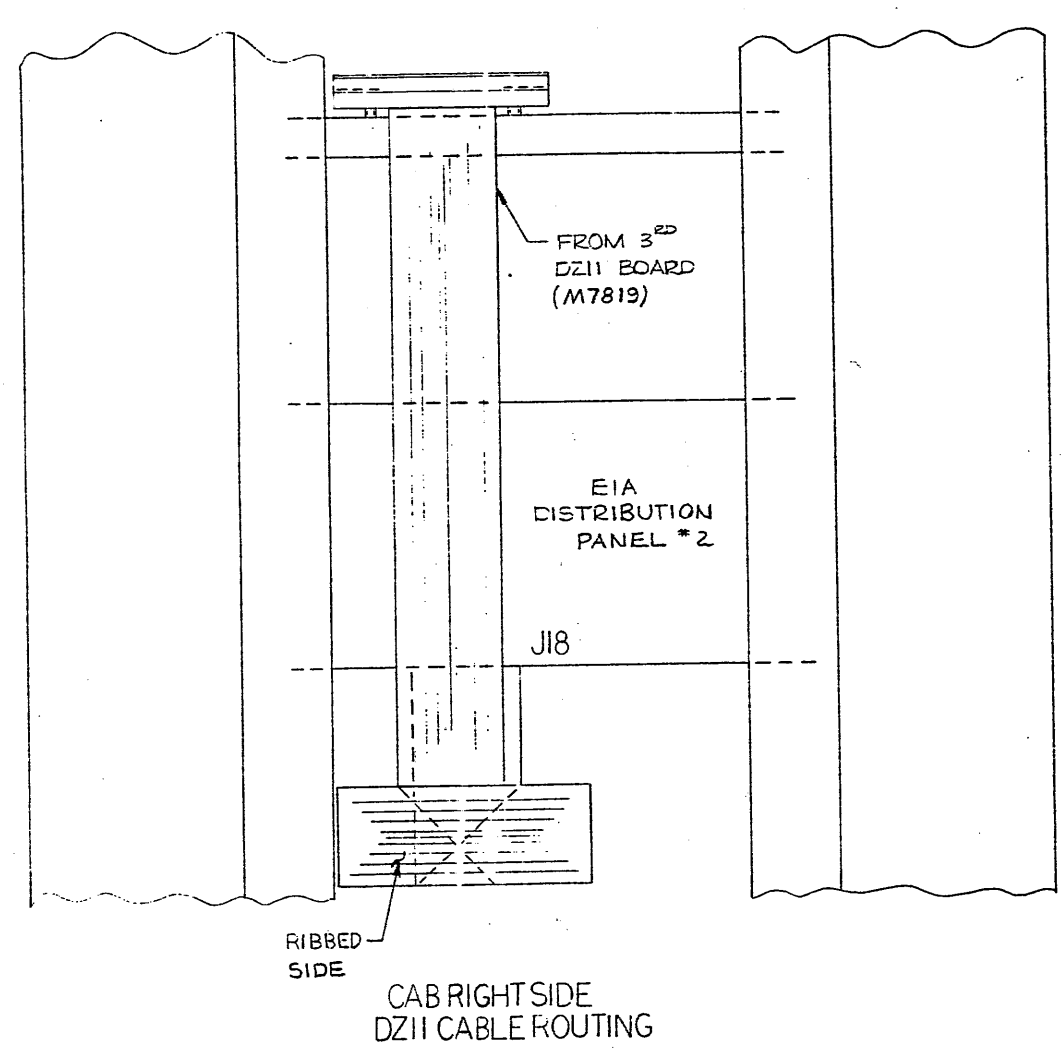
CAB RIGHT SIDE DZ11 CABLE ROUTING

DETAIL "EE"
SCALE 1/2

REVISIONS		
CHK	CHANGE NO.	REV.

TITLE	KSIØ PROCESSOR UNIT ASSY	SIZE CODE	D UA	NUMBER	KSIØ-Ø-Ø	REV.	D
SCALE	1/4	SHEET	14	OF	30	DIST.	

"THIS DRAWING AND SPECIFICATIONS, HEREIN, ARE THE PROPERTY OF DIGITAL EQUIPMENT CORPORATION AND SHALL NOT BE REPRODUCED OR COPIED OR USED IN WHOLE OR IN PART AS THE BASIS FOR THE MANUFACTURE OR SALE OF ITEMS WITHOUT WRITTEN PERMISSION. COPYRIGHT © 1977 DIGITAL EQUIPMENT CORPORATION"



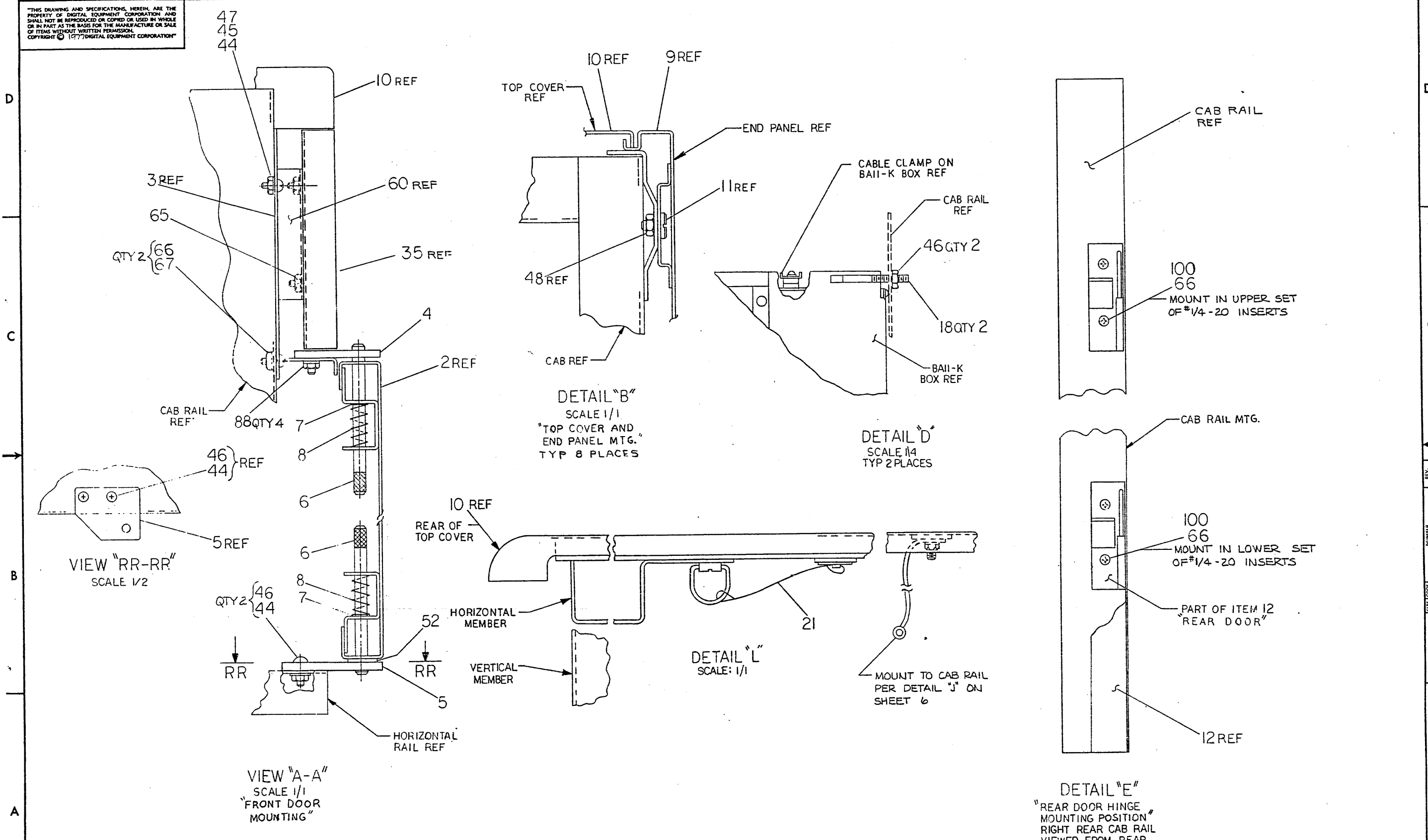
DETAIL "PP"
SCALE 1/2

REVISIONS		
CHK	CHANGE NO.	REV.

TITLE	KSI0 PROCESSOR UNIT ASSY	SIZE CODE	D UA	NUMBER	KSI0-0-0	REV.	D
SCALE	1/4	SHEET	15	OF	30	DIST.	

REV. D
 NUMBER KSI0-0-0
 SIZE CODE D UA

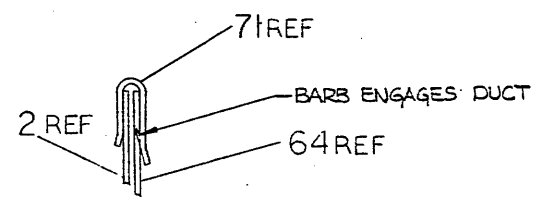
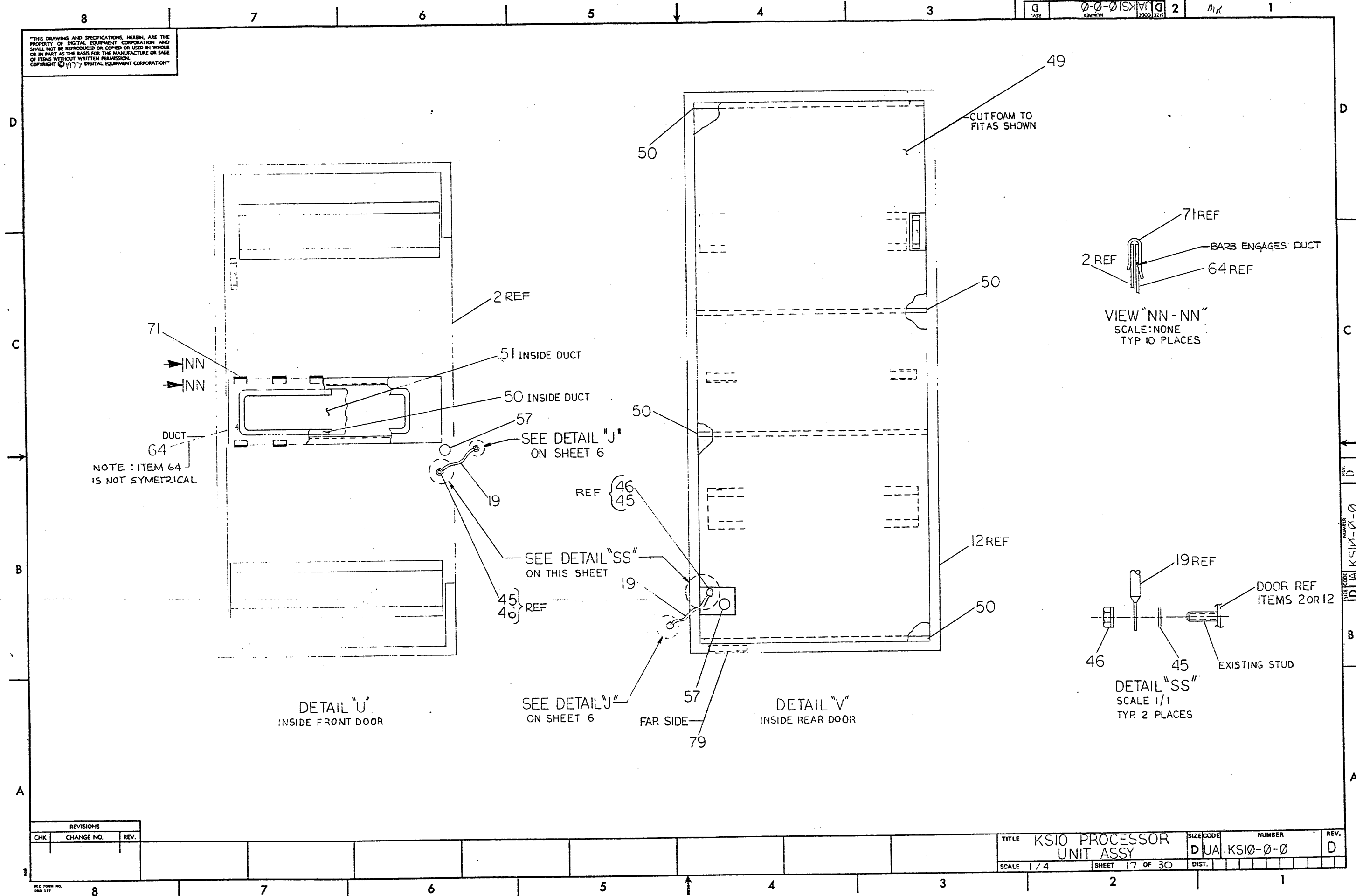
"THIS DRAWING AND SPECIFICATIONS, HEREIN, ARE THE PROPERTY OF DIGITAL EQUIPMENT CORPORATION AND SHALL NOT BE REPRODUCED OR COPIED OR USED IN WHOLE OR IN PART AS THE BASIS FOR THE MANUFACTURE OR SALE OF ITEMS WITHOUT WRITTEN PERMISSION. COPYRIGHT © 1977 DIGITAL EQUIPMENT CORPORATION"



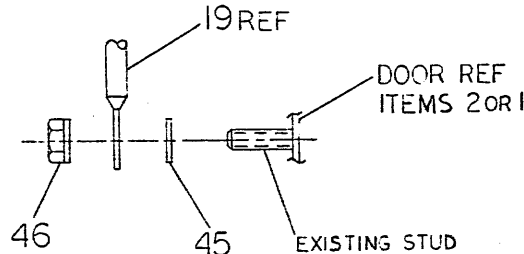
REVISIONS		
CHK	CHANGE NO.	REV.

TITLE	KSIØ PROCESSOR UNIT ASSY	SIZE/ CODE	D UA	NUMBER	KSIØ-Ø-Ø	REV.	D
SCALE	1/4	SHEET	16 OF 30	DIST.			

"THIS DRAWING AND SPECIFICATIONS, HEREIN, ARE THE PROPERTY OF DIGITAL EQUIPMENT CORPORATION AND SHALL NOT BE REPRODUCED OR COPIED OR USED IN WHOLE OR IN PART AS THE BASIS FOR THE MANUFACTURE OR SALE OF ITEMS WITHOUT WRITTEN PERMISSION. COPYRIGHT © 1977 DIGITAL EQUIPMENT CORPORATION"



VIEW "NN-NN"
SCALE: NONE
TYP 10 PLACES



DETAIL "SS"
SCALE 1/1
TYP 2 PLACES

NOTE: ITEM 64 IS NOT SYMETRICAL

DETAIL "U"
INSIDE FRONT DOOR

SEE DETAIL "J"
ON SHEET 6

SEE DETAIL "SS"
ON THIS SHEET

DETAIL "V"
INSIDE REAR DOOR

REVISIONS		
CHK	CHANGE NO.	REV.

TITLE	KS10 PROCESSOR UNIT ASSY	SIZE/CODE	DUA	NUMBER	KS10-0-0	REV.	D
SCALE	1/4	SHEET	17 OF 30	DIST.			

NOTES:

1. IF THE LP20 CONTROL BOARD, M8586 IN SLOT 1AF02 IS AT REVISION B, IT IS NECESSARY TO TURN OFF S1-3 TO REMOVE LPD5 TABOVER CLK H FROM THE M8586 MODULE AS IT IS NOT USED ON REVISION B OF THAT MODULE.:

CAUTION!

IF S1-3 IS TURNED ON WITH A REV B M8586 MODULE INSTALLED, DAMAGE TO THE M8571 LP20 DATA PATHS MODULE MAY RESULT!

2. ALL PRINTERS EXCEPT THE LA180 USE DIFFERENTIALLY DRIVEN DATA AND CONTROL LINES. THE LA180 LINES ARE SINGLE-ENDED CIRCUITS.

THE PRINTER CABLE IS CONFIGURED FOR A SPECIFIC PRINTER BY THE PROPER INSERTION OF THREE (3) JUMPER PLUGS INTO THREE (3) OF THE SIX (6) DIP SITES, E9-E12, E26, E27. ONLY THREE DIP SITES HAVE JUMPER PLUGS INSTALLED AT ANY TIME.

A JUMPER PLUG CONSISTS OF EIGHT (8) JUMPERS IN A PLASTIC DIP HEADER.

IF THE JUMPER PLUGS ARE INSTALLED INCORRECTLY, THE LED NEAR THE PRINTER CABLE WILL ILLUMINATE AND THE CONTROLLER ERROR FLAG (BIT 15 OF LPCSRA) WILL BE UNCLEARABLE. THE SOLUTION IS TO CONFIGURE THE JUMPER PLUGS CORRECTLY.

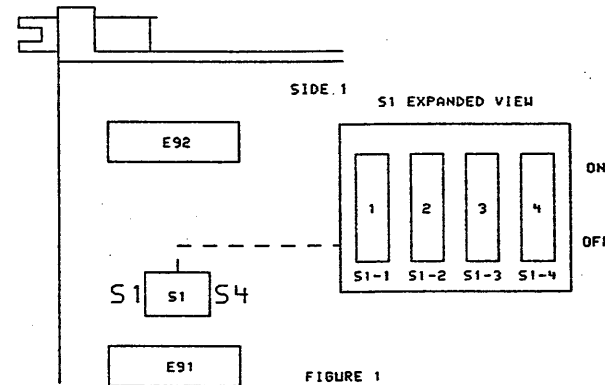


FIGURE 1

3. TABLE ENTRY MEANINGS ARE:

- X = DON'T CARE
- ON = DIPSWITCH SECTION "ON"
- OFF = DIPSWITCH SECTION "OFF"
- IN = JUMPER PLUG INSTALLED IN THIS DIPSITE
- OUT = NO JUMPER PLUG INSTALLED IN THIS DIPSITE
- ALL* = UNITS WITH DAVFU & LONG LINE INTERFACE ONLY
- ALL# = LP18-JA, JB, JC, JD, KA, KB, KC, KD ONLY

4. CAUTION!!

THE LA180 DRIVEN BY THE LP20 IS NOT CURRENTLY SUPPORTED AS A STANDARD PRODUCT.

M8571
SWITCH AND JUMPER PLUG CONFIGURATION
(LP20 DATA PATH) LOWEST ACCEPTABLE CS REV D

M8571 DIPSWITCH S1 (FIGURE 1)	PRINT LOC/NAME	FUNCTIONAL CONFIGURATION	PRINTER IN USE (NOTE 3)							
			LP14/ LP05 (ALL*)	LP06 (ALL*)	LP07 (ALL*)	LP18 (ALL*)	LA180 7-BIT	LA180 8-BIT		
S1-1	LPD6/LPT PARITY	SWITCH ON ALLOWS A PARITY ERROR FROM THE PRINTER IN USE TO GENERATE AN ERROR IN THE LP20. PARITY IS ALWAYS ENABLED WHEN THE PRINTER IN USE IS AN LA180.	OFF	OFF	ON	ON	X	X		
S1-2	LPD6/VERT FORMAT	SWITCH ON IMPLIES A DAVFU IS INSTALLED IN THE PRINTER IN USE. SWITCH OFF IMPLYS A PAPER TAPE VFU IS INSTALLED IN THE PRINTER IN USE.	ON	ON	ON	OFF	OFF	OFF		
S1-3	LPD5/M8586 REV B	SWITCH MUST BE OFF IF THE LP20 CONTROL BOARD, M8586 IS AT REV B. SWITCH MUST BE ON FOR M8586 REV. C OR LATER.	NOTE 1	NOTE 1	NOTE 1	NOTE 1	NOTE 1	NOTE 1		
S1-4	LPD1/LA180 DAT PAR	SWITCH OFF CAUSES LPT DATA PARITY BIT TO BE SENT AS LPT DAT00. PARITY IS GENERATED ON THE LOW-ORDER SEVEN BITS ONLY. (LA180 ONLY) SWITCH ON SENDS PARITY BIT GENERATED AS LPT PARITY AND GENERATES PARITY ON ALL EIGHT BITS.	X	X	X	X	ON	OFF		
DIP LOC.	PRINT LOC/NAME	FUNCTIONAL CONFIGURATION (NOTE 2)								
E9	LPD7/JUMPER SOCKET 1	A PRINTER CABLE CONFIGURATION JUMPER PLUG IS INSTALLED IN E9 FOR PRINTERS OTHER THAN THE LA180.	IN	IN	IN	IN	OUT	OUT		
E10	LPD7/JUMPER SOCKET 2	A PRINTER CABLE CONFIGURATION JUMPER PLUG IS INSTALLED IN E10 FOR LA180 PRINTERS ONLY.	OUT	OUT	OUT	OUT	IN	IN		
E11	LPD7/JUMPER SOCKET 3	A PRINTER CABLE CONFIGURATION JUMPER PLUG IS INSTALLED IN E11 FOR LA180 PRINTERS ONLY.	OUT	OUT	OUT	OUT	IN	IN		
E12	LPD7/JUMPER SOCKET 4	A PRINTER CABLE CONFIGURATION JUMPER PLUG IS INSTALLED IN E12 FOR PRINTERS OTHER THAN THE LA180.	IN	IN	IN	IN	OUT	OUT		
E26	LPD7/JUMPER SOCKET 5	A PRINTER CABLE CONFIGURATION JUMPER PLUG IS INSTALLED IN E26 FOR PRINTERS OTHER THAN THE LA180.	IN	IN	IN	IN	OUT	OUT		
E27	LPD7/JUMPER SOCKET 6	A PRINTER CABLE CONFIGURATION JUMPER PLUG IS INSTALLED IN E27 FOR LA180 PRINTERS ONLY.	OUT	OUT	OUT	OUT	IN	IN		

M8586 LOWEST ACCEPTABLE REVISION IS MODULE REVISION D

ETCH REVISION B OF THE M8586 MODULE CONTAINS THE FOLLOWING ECO PACKAGES IN ETCH.

M8586-0001
M8586-0002
M8586-0003

ETCH REVISION B HAS REPLACED ETCH REVISION A IN NEW BUILDS.

MODULE REVISIONS A,B,C, AND D WERE BUILT USING REV A ETCH. ALL MAY BE UPGRADED TO BE COMPLETELY COMPATIBLE WITH MODULE REVISION E WHICH IS BUILT WITH ETCH REVISION B.

MODULE REVISION E REPLACES ALL WIRE JUMPERS WITH DIP SWITCHS.

THE 10-SWITCH UNIT (S1) IS THE DEVICE ADDRESS SWITCH.

ETCH REV A JUMPER MODULE REV A,,B,C,D	ETCH REV B SWITCH MODULE REV E OR LATER	LP20 ADDRESS BIT
W1 (IN)	S1-1 (ON)	ADR 04
W2 (IN)	S1-2 (ON)	ADR 05
W3 (IN)	S1-3 (ON)	ADR 06
W4 (IN)	S1-4 (ON)	ADR 07
W5 (OUT)	S1-5 (OFF)	ADR 08
W6 (OUT)	S1-6 (OFF)	ADR 09
W7 (IN)	S1-7 (ON)	ADR 10
W8 (OUT)	S1-8 (OFF)	ADR 11
W9 (OUT)	S1-9 (OFF)	ADR 12

NOTE S1-10 IS NOT USED!

THE 7-SWITCH UNIT (S2) IS THE DEVICE VECTOR

ETCH REV A JUMPER MODULE REV A,,B,C,D	ETCH REV B SWITCH MODULE REV E OR LATER	LP20 VECTOR BIT
W10 (IN)	S2-1 (ON)	VEC 02
W11 (IN)	S2-2 (ON)	VEC 03
W12 (OUT)	S2-3 (OFF)	VEC 04
W13 (IN)	S2-4 (ON)	VEC 05
W14 (IN)	S2-5 (ON)	VEC 06
W15 (IN)	S2-6 (ON)	VEC 07
W16 (IN)	S2-7 (ON)	VEC 08

7011427 LP20 BACKPLANE ASSEMBLY LOWEST ACCEPTABLE REVISION IS REVISION C.

THE KS10 REQUIRES THAT THE M8571 MODULE BE USED AS THE LP20 DATA PATH MODULE. (NO M8587 MODULES MAY BE USED!!)

M8571 LOWEST ACCEPTABLE REVISION IS MODULE REVISION D.

THIS DRAWING AND SPECIFICATIONS, HEREIN, ARE THE PROPERTY OF DIGITAL EQUIPMENT CORPORATION AND SHALL NOT BE REPRODUCED OR COPIED OR USED IN WHOLE OR IN PART AS THE BASIS FOR THE MANUFACTURE OR SALE OF ITEMS WITHOUT WRITTEN PERMISSION. COPYRIGHT © 1981, DIGITAL EQUIPMENT CORPORATION

REVISIONS	
CHK	CHANGE NO. REV

digital *J. J. J.* DATE 18-MAY-81 ENG. DATE TITLE: KS10 PROCESSOR UNIT ASSY

PSI:CALDEC-98-01632 LDP.RVD 18-MAY-81 11:44 NEXT HIGHER ASSEMBLY: SHEET 18 OF 30 SIZE CODE NUMBER REV. D UA KS10-0-0 D

MR

NOTES:

1. THE SERVICE LOOP FOR THE EXPANSION DRAWER SHOULD BE INSTALLED WITH THE DRAWER EXTENDED FULLY AND TILTED 90 VERTICALLY AS SHOWN IN DETAIL K ON SHEET 6. THE SERVICE LOOP WHEN PROPERLY INSTALLED WILL BE APPROXIMATELY 30 INCHES LONG.
2. THE INTERLOCK ARRANGEMENT IN EFFECT BETWEEN THE STABILIZER ARMS AND THE EXPANSION DRAWER WILL PREVENT THE DRAWER FROM BEING FULLY EXTENDED UNLESS THE STABILIZER ARMS ARE FULLY EXTENDED. DO NOT TRY TO OVERRIDE THIS FEATURE.
3. THE CONNECTOR ON THE BC06R CABLES CAN EASILY BE INSERTED INTO THE MASS BUS HOUSING INCORRECTLY (EITHER SHIFTED TO THE RIGHT OR TO THE LEFT ONE ROW OF PINS) CAUTION SHOULD BE EXERCISED WHEN INSERTING THESE CONNECTORS TO GUARANTEE THAT THEY ARE INSERTED CENTRALLY IN THE CONNECTOR.
4. THE M9300 MODULE SHOULD BE MOVED TO THE LAST SLOT IN EACH ADDITIONAL BACKPLANE AS THEY ARE ADDED. SLOT AB

5. M9618 MEMORY CONTROL JUMPER SETTINGS:

W1 OUT
W2 OUT
W3 OUT

6. M8629 MEMORY ARRAY JUMPER SETTINGS:

W1 IN
W2 IN
W3 IN

7.0 M8616 CONSOLE SWITCH SETTINGS:

- 7.1 M9616 CONSOLE SWITCH SETTINGS:(FOR REV D OR BELOW)
E508 (CTY)/E509 (KLINIK)
FACTORY SET AT 300 BAUD IF AN LA36 IS USED AS CTY.
FACTORY SET AT 1200 BAUD IF AN LA120 IS USED AS CTY.
KLINIK SET AT 300 BAUD.

BAUD	E509 SWITCHES					
	1	2	3	4	5	6
110	OFF	OFF	OFF	OFF	OFF	OFF
150	OFF	OFF	OFF	ON	ON/OFF	OFF
300	OFF	OFF	ON	OFF	ON	OFF
600	ON	OFF	OFF	OFF	ON	OFF
1200	OFF	ON	OFF	OFF	ON	OFF
1800	OFF	ON	OFF	ON	ON	OFF
2400	OFF	OFF	ON	ON	ON	OFF
4800	OFF	ON	ON	OFF	ON	OFF
9600	OFF	ON	ON	ON	ON	OFF

#STOP
BITS
ON 2
OFF 1

E208 E309 OR W1-W20 ARE FACTORY SET PER SPEC
A-SP-M8616-0-1

PWR SPLY	W21	W22	W23
H7130	OUT	IN	OUT

7.2 M8616 CONSOLE SWITCH SETTING (FOR REV. E)

FACTORY SET AT 300 BAUD IF AN LA36 IS USED AS CTY.
FACTORY SET AT 1200 BAUD IF AN LA120 IS USED AS CTY.

BAUD RATE	E10 #3	E10 #4	E10 #5	E10 #6	E173 #2	E173 #3
110	OFF	OFF	OFF	OFF	OFF	OFF
150	ON	OFF	OFF	OFF	OFF	ON/OFF*
300	OFF	ON	OFF	OFF	OFF	ON
600	OFF	OFF	OFF	ON	OFF	ON
1200	OFF	OFF	ON	OFF	OFF	ON
1800	ON	OFF	ON	OFF	OFF	ON
2400	ON	ON	OFF	OFF	OFF	ON
4800	OFF	ON	ON	OFF	OFF	ON
9600	ON	ON	ON	OFF	OFF	ON

FACTORY SET KLINIK AT 300 BAUD.

BAUD RATE	E10 #1	E10 #2	E10 #7	E10 #8	E173 #4	E173 #7
110	OFF	OFF	OFF	OFF	OFF	OFF
150	ON	OFF	OFF	OFF	OFF	ON/OFF*
300	OFF	ON	OFF	OFF	OFF	ON
600	OFF	OFF	OFF	ON	OFF	ON
1200	OFF	OFF	ON	OFF	OFF	ON
1800	ON	OFF	ON	OFF	OFF	ON
2400	ON	ON	OFF	OFF	OFF	ON
4800	OFF	ON	ON	OFF	OFF	ON
9600	ON	ON	ON	OFF	OFF	ON

* STOP BITS ON 2 - OFF 1

8. LABEL ALL D211 CABLES (BC05W-8) AT BOTH ENDS WITH MARKERS TO IDENTIFY THEIR LINE NUMBERS (I.E. LINES 0-7, 8-15, 16-23, 24-31) WITH BRADY MARKERS.

9. THE H317 CONN DISTRIBUTION PANEL HAS TWO BERG CONNECTORS. IF THE BC05W CABLE BEING CONNECTED REPRESENTS THE FIRST 8 LINES ON THIS PANEL, IT SHOULD BE CONNECTED TO J18. IF THE BC05W CABLE REPRESENTS THE SECOND 8 LINES ON THIS PANEL IT SHOULD BE CONNECTED TO J20. SEE TABLE BELOW:

D211 #	LINE #	H317-E #	JACK #
1	0-7	1	J18
2	8-15	1	J20
3	16-23	2	J19
4	24-31	2	J20

10. EACH DUP11-DA CONSISTS OF THE FOLLOWING ITEMS:

- 1 H7867 MODULE
- 1 H325 MODEM TEST CONNECTOR
- 1 BC05C CABLE
- 1 BC02C-ID CABLE

SEE DETAIL ON SHEET 20 FOR ASSY INSTRUCTIONS.

11. LABEL ALL DUP11-DA CABLES (9C05C-25) AT BOTH ENDS WITH BRADY MARKERS TO IDENTIFY THEIR CORRECT LINE NUMBERS (I.E. LINES L1 AND L2). AT BOTH ENDS WITH BRADY MARKERS FOR I.D. PURPOSES.

12. CUT OFF EXTERNAL POWER CORD PLUG OF 50HZ MACHINES BEFORE SHIPPING.

13. ASTERISK * INDICATES MOUNTING HOLE LOCATIONS FROM BOTTOM.

14. LOCATE ADDITIONAL D211-EA (IF REQUIRED) IN THIS POSITION.

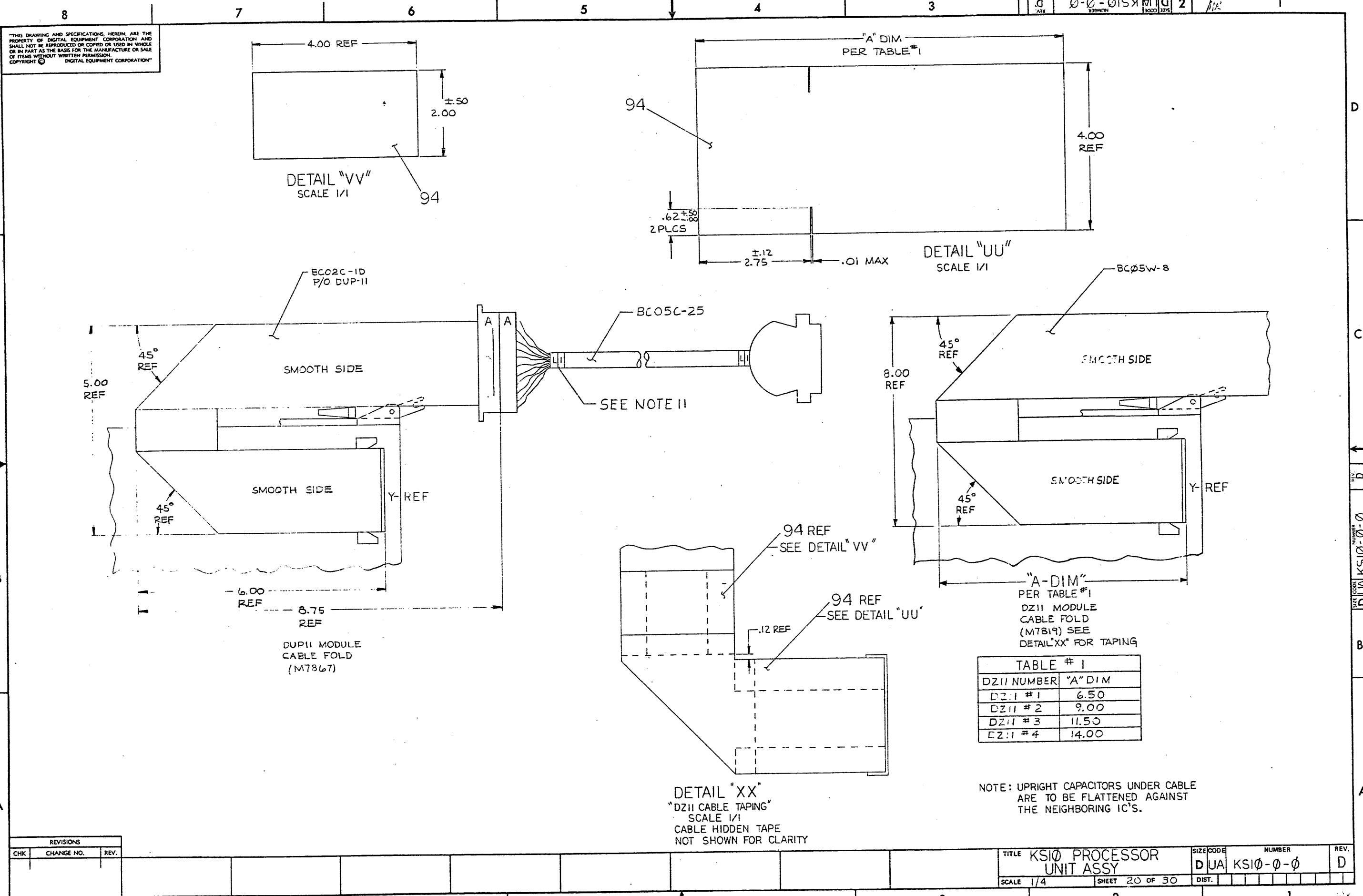
THIS DRAWING AND SPECIFICATIONS HEREIN ARE THE PROPERTY OF DIGITAL EQUIPMENT CORPORATION AND SHALL NOT BE REPRODUCED OR COPIED OR USED IN WHOLE OR IN PART AS THE BASIS FOR THE MANUFACTURE OR SALE OF ITEMS WITHOUT WRITTEN PERMISSION. COPYRIGHT © 1981. DIGITAL EQUIPMENT CORPORATION.

REVISIONS	
CHK	CHANGE NO. REV

	DR. <i>J. J. J.</i>	DATE 26-MAY-81	ENG.	DATE	TITLE: K510 PROCESSOR UNIT ASSY
	CHK'D.	DATE	BOARD LOCATION: SHEET 19 OF 38		
DSK:K510UA.T2PE4.27J 26-MAY-81 14142		NEXT HIGHER ASSEMBLY: B-DD-K510-0		SIZE CODE D UA	NUMBER K510-0-0
FIRST USED ON OPTION/MODEL: K510				REV. D	

MR

THIS DRAWING AND SPECIFICATIONS, HEREIN, ARE THE PROPERTY OF DIGITAL EQUIPMENT CORPORATION AND SHALL NOT BE REPRODUCED OR COPIED OR USED IN WHOLE OR IN PART AS THE BASIS FOR THE MANUFACTURE OR SALE OF ITEMS WITHOUT WRITTEN PERMISSION. DIGITAL EQUIPMENT CORPORATION. COPYRIGHT ©



DZ11 NUMBER	"A" DIM
DZ11 # 1	6.50
DZ11 # 2	9.00
DZ11 # 3	11.50
DZ11 # 4	14.00

NOTE: UPRIGHT CAPACITORS UNDER CABLE ARE TO BE FLATTENED AGAINST THE NEIGHBORING IC'S.

REVISIONS		
CHK	CHANGE NO.	REV.

TITLE	KSI0 PROCESSOR UNIT ASSY	SIZE CODE	DUA	NUMBER	KSI0-0-0	REV.	D
SCALE	1/4	SHEET	20 OF 30	DIST.			

"THIS DRAWING AND SPECIFICATIONS, HEREIN, ARE THE PROPERTY OF DIGITAL EQUIPMENT CORPORATION AND SHALL NOT BE REPRODUCED OR COPIED OR USED IN WHOLE OR IN PART AS THE BASIS FOR THE MANUFACTURE OR SALE OF ITEMS WITHOUT WRITTEN PERMISSION. COPYRIGHT © 1977, DIGITAL EQUIPMENT CORPORATION"

1. MODULE CONFIGURATION INFORMATION
 1) M7819 (DZ11) (LOWEST ACCEPTABLE CS REV E)
 A FULLY CONFIGURED KS10 SYSTEM WILL HAVE UP TO 4 M7819 (DZ11) MODULES. THEIR ADDRESS AND VECTOR ASSIGNMENTS WILL BE ACCORDING TO THE FOLLOWING CHART

DH25 CONFIGURATIONS (ADDRESS & VECTOR TABLES)

DZ11	1	2	3	4
#1 ADDRESS VECTOR	760010 340	760010 340	760010 340	760010 340
#2 ADDRESS VECTOR		760020 350	760020 350	760020 350
#3 ADDRESS VECTOR			760030 360	760030 360
#4 ADDRESS VECTOR				760040 370

M7867 (DUP11-DA) (LOWEST ACCEPTABLE CS REV F)
 A FULLY CONFIGURED KS10 SUBSYSTEM WILL HAVE UP TO 2 M7867 (DUP11-DA) MODULES. THEIR ADDRESS AND VECTOR ASSIGNMENTS WILL BE ACCORDING TO THE FOLLOWING CHART

DH20 CONFIGURATIONS (ADDRESS & VECTORS)

DUP11 #1	ADDRESS VECTOR	#1	#2
		760300 570	760300 570
#2	ADDRESS VECTOR		760310 600

M8204 (KMC11) (LOWEST ACCEPTABLE CS REV D)
 A FULLY CONFIGURED KS10 SYSTEM WILL HAVE 1 M8204 (KMC11) MODULE. ITS ADDRESS AND VECTOR ASSIGNMENTS WILL BE ACCORDING TO THE FOLLOWING CHART

KMC	#1	CONTROLS
KMC11 #1	ADDRESS VECTOR	760540 540
		#1 AND #2

THERE ARE 2 SWITCH PACKS ON EACH M8204 MODULE. THEIR SWITCH SETTINGS ARE AS FOLLOWS IN ORDER TO PROPERLY CONFIGURE THE ABOVE ADDRESS AND VECTOR ASSIGNMENTS

THERE ARE 2 SWITCH PACKS ON EACH M7867 (DUP11-DA) MODULE. THEIR SWITCH SETTINGS ARE AS FOLLOWS IN ORDER TO PROPERLY CONFIGURE THE ABOVE ADDRESS AND VECTOR ASSIGNMENTS

DZ11 #1			DZ11 #2			DZ11 #3			DZ11 #4		
PACK	SWITCH	STATE	PACK	SWITCH	STATE	PACK	SWITCH	STATE	PACK	SWITCH	STATE
E11	1	N/A	E11	1	N/A	E11	1	N/A	E11	1	N/A
E11	2	ON	E11	2	OFF	E11	2	ON	E11	2	OFF
E11	3	ON	E11	3	ON	E11	3	OFF	E11	3	OFF
E11	4	OFF	E11	4	OFF	E11	4	OFF	E11	4	OFF
E11	5	OFF	E11	5	OFF	E11	5	OFF	E11	5	OFF
E11	6	OFF	E11	6	OFF	E11	6	OFF	E11	6	OFF
E11	7	ON	E11	7	ON	E11	7	ON	E11	7	ON
E11	8	N/A	E11	8	N/A	E11	8	N/A	E11	8	N/A
E81	1	ON	E81	1	OFF	E81	1	ON	E81	1	OFF
E81	2	OFF	E81	2	ON	E81	2	ON	E81	2	OFF
E81	3	OFF	E81	3	OFF	E81	3	OFF	E81	3	ON
E81	4	OFF	E81	4	OFF	E81	4	OFF	E81	4	OFF
E81	5	OFF	E81	5	OFF	E81	5	OFF	E81	5	OFF
E81	6	OFF	E81	6	OFF	E81	6	OFF	E81	6	OFF
E81	7	OFF	E81	7	OFF	E81	7	OFF	E81	7	OFF
E81	8	OFF	E81	8	OFF	E81	8	OFF	E81	8	OFF
E81	9	OFF	E81	9	OFF	E81	9	OFF	E81	9	OFF
E81	10	OFF	E81	10	OFF	E81	10	OFF	E81	10	OFF

DUP11 #1

PACK	SWITCH	STATE
E59	1	ON
E59	2	OFF
E59	3	ON
E59	4	ON
E59	5	ON
E59	6	ON
E59	7	N/A
E59	8	N/A
E113	1	ON
E113	2	ON
E113	3	ON
E113	4	OFF
E113	5	OFF
E113	6	ON
E113	7	ON
E113	8	ON
E113	9	ON
E113	10	ON

DUP11 #2

PACK	SWITCH	STATE
E59	1	ON
E59	2	ON
E59	3	OFF
E59	4	OFF
E59	5	OFF
E59	6	OFF
E59	7	N/A
E59	8	N/A
E113	1	OFF
E113	2	ON
E113	3	ON
E113	4	OFF
E113	5	OFF
E113	6	ON
E113	7	ON
E113	8	ON
E113	9	ON
E113	10	ON

KMC11 #1

PACK	SWITCH	STATE
E65	1	OFF
E65	2	OFF
E65	3	ON
E65	4	ON
E65	5	OFF
E65	6	ON
E65	7	N/A
E65	8	N/A
E116	1	ON
E116	2	ON
E116	3	OFF
E116	4	OFF
E116	5	ON
E116	6	OFF
E116	7	ON
E116	8	ON
E116	9	ON
E116	10	ON

THERE ARE 7 JUMPERS ON EACH M7867 (DUP11-DA) MODULE. THEY ARE ALL FACTORY SETTABLE FOR COMPATIBILITY WITH BELL 201, BELL 209 AND 209 SERIES MODEMS AND SHOULD NOT HAVE TO BE CHANGED UNLESS ANOTHER TYPE MODEM IS USED.

SHOULD ANOTHER TYPE MODEM BE USED THE JUMPERS MUST BE RE CONFIGURED SO THAT THEY ARE COMPATIBLE WITH THE TYPE MODEM USED. REFER TO THE DUP11-DA BIT SYNCHRONOUS INTERFACE MAINTENANCE MANUAL (EK-DUP11-MA).

AS A QUICK VERIFY THE STANDARD FACTORY SETTABLE JUMPER SETTINGS ARE AS FOLLOWS:

- W1 IN W5 OUT
- W2 OUT W6 IN
- W3 IN W7 IN
- W4 IN

BR PRIORITY LEVEL 5 (PRIORITY JUMPER P/N 5409778)

NOTE: EACH BACKPLANE SLOT WHICH HAS AN M8204 (KMC11) MODULE INSTALLED MUST HAVE THE BACKPLANE WIRE FROM PIN C41 TO PIN C81 OF THAT SLOT REMOVED. SHOULD THE KMC11 EVER BE REMOVED FROM THAT SLOT THE WIRE MUST BE RE-INSERTED IN ORDER TO GUARANTEE THAT THE NPG SIGNAL WILL BE PASSED ALONG THE UNIBUS.

DD11-DK (LOWEST ACCEPTABLE REV B)
 ALL SLOTS WHICH HAVE NO QUAD OR HEX MODULE INSTALLED MUST HAVE A GRANT CONTINUITY CARD (G727) INSTALLED IN ROW D OF THAT SLOT

BR PRIORITY LEVEL 5 (PRIORITY JUMPER P/N 5409778)

REVISIONS		
CHK	CHANGE NO.	REV.

TITLE	KS10 PROCESSOR UNIT ASSY	SIZE CODE	DUA	NUMBER	KS10-0-0	REV.	D
SCALE	1/4	SHEET	21	OF	30	DIST.	

"THIS DRAWING AND SPECIFICATIONS, HEREIN, ARE THE PROPERTY OF DIGITAL EQUIPMENT CORPORATION AND SHALL NOT BE REPRODUCED OR COPIED OR USED IN WHOLE OR IN PART AS THE BASIS FOR THE MANUFACTURE OR SALE OF ITEMS WITHOUT WRITTEN PERMISSION. COPYRIGHT © DIGITAL EQUIPMENT CORPORATION"

RH11-C MASSBUS CONTROLLER

541050G ETCHED BACKPLANE
 LOWEST ACCEPTABLE WIRE LIST REVISION C

M7294-YA DATA BUFFER & CONTROL LOCATION ABCDEFB3
 LOWEST ACCEPTABLE REVISION ETCH REV N/A CS REV *

JUMPER	STATE DISK	TAPE	COMMENTS
W1	OUT	OUT	SENSE UNIBUS A PARITY ERROR
W2	IN	IN	SENSE UNIBUS B PARITY ERROR
E66, PINS 1-16	IN	IN	START COUNT 16 WORDS
E66, PINS 5-12	OUT	OUT	START COUNT 32 WORDS
E66, PINS 7-10	OUT	OUT	START COUNT 16 WORDS
E66, PINS 2-15	IN	IN	DISABLE BUS B HOG MODE
E66, PINS 3-14	OUT	OUT	ENABLE BACK TO BACK MEH CYCLES
E66, PINS 4-13	OUT	IN	FOR TAPE SUBSYSTEM ONLY, OTHERWISE OUT
E66, PINS 6-11	IN	OUT	FOR DISK SUBSYSTEM ONLY, OTHERWISE OUT

M7295 BUS CONTROL LOCATION ABCDEFD2
 LOWEST ACCEPTABLE REVISION ETCH REV N/A CS REV D

JUMPER	STATE DISK	TAPE	COMMENTS
W1	OUT	OUT	ADDRESS BIT 12
W2	OUT	IN	ADDRESS BIT 11
W3	OUT	OUT	ADDRESS BIT 10
W4	IN	IN	ADDRESS BIT 09
W5	OUT	OUT	ADDRESS BIT 08
W6	OUT	IN	ADDRESS BIT 07
W7	OUT	IN	ADDRESS BIT 06
W8	IN	OUT	ADDRESS BIT 05
E3, PINS 1-16	OUT	IN	16-32 REGISTERS
E3, PINS 2-15	OUT	IN	16-32 REGISTERS
E3, PINS 3-14	IN	OUT	1-16 REGISTERS
E3, PINS 4-13	IN	OUT	1-16 REGISTERS
E3, PINS 5-12	IN	OUT	16 REGISTERS
E3, PINS 6-11	OUT	OUT	8 REGISTERS
E3, PINS 7-10	IN	OUT	4 REGISTERS
E3, PINS 8-9	OUT	IN	2 REGISTERS
W11	IN	IN	VECTOR BIT V2
W12	IN	OUT	VECTOR BIT V3
W13	OUT	IN	VECTOR BIT V4
W14	IN	OUT	VECTOR BIT V5
W15	OUT	OUT	VECTOR BIT V6
W16	IN	IN	VECTOR BIT V7
W17	OUT	OUT	VECTOR BIT V8
W18	OUT	OUT	MFR LATENCY
W19	IN	IN	MAINTENANCE (MXF ERRORS)

W1-W8 CORRESPOND TO A BASE ADDRESS OF 776700 FOR DISKS AND 772440 FOR TAPES
 W11-W17 CORRESPOND TO A VECTOR ADDRESS OF 000254 FOR DISKS AND 000224 FOR TAPES
 JUMPERS ON E3 ARE SET FOR 20 REGISTERS FOR DISKS AND 14 FOR TAPES
 DIPS SITE E57 SHOULD CONTAIN PRIORITY PLUG E66 (54-09780)
 CAUTION: BOARD MAY NOT BE RECEIVED WITH PROPER BR PLUG IF IT IS A SPARE

M7296 CONTROL AND STATUS REGISTERS LOCATION EFB1

LOWEST ACCEPTABLE REVISION ETCH REV N/A CS REV B
 INSTALL JUMPER W1 TO ALLOW ONLY UNIBUS A TO BE SELECTED

M7297 PARITY CONTROL LOCATION CDB1

LOWEST ACCEPTABLE REVISION ETCH REV N/A CS REV A
 NO JUMPERS OR OTHER CONFIGURABLE COMPONENTS
 THERE ARE TWO VISUAL INDICATORS (LEDS) FOR MASSBUS PARITY ERROR DISPLAY ON THIS BOARD (LIT IF PARITY ERROR DETECTED).

M938B UNIBUS B TERMINATOR LOCATION AB8B

LOWEST ACCEPTABLE REVISION ETCH REV N/A CS REV D
 JUMPER TABLE

JUMPER	STATE	COMMENTS
W1	OUT	BEGINNING OF BUS
W2	IN	NOT END OF BUS
W3	IN	NOT END OF BUS

THERE IS A VISUAL INDICATOR (LED) FOR AN ILLEGAL JUMPER CONFIGURATION CHECK (LIT IF ELLEGAL).

M5904 CONTROLLER TRANSCIEVER LOCATIONS CDB4, CDD5, CDB6

LOWEST ACCEPTABLE REVISION ETCH REV N/A CS REV D
 NO JUMPERS OR OTHER CONFIGURABLE COMPONENT.

M689 UNIBUS POWER FAIL DRIVERS LOCATIONS E04 AND E05

LOWEST ACCEPTABLE REVISION ETCH REV N/A CS REV M/A
 NO JUMPERS OR OTHER CONFIGURABLE COMPONENT.

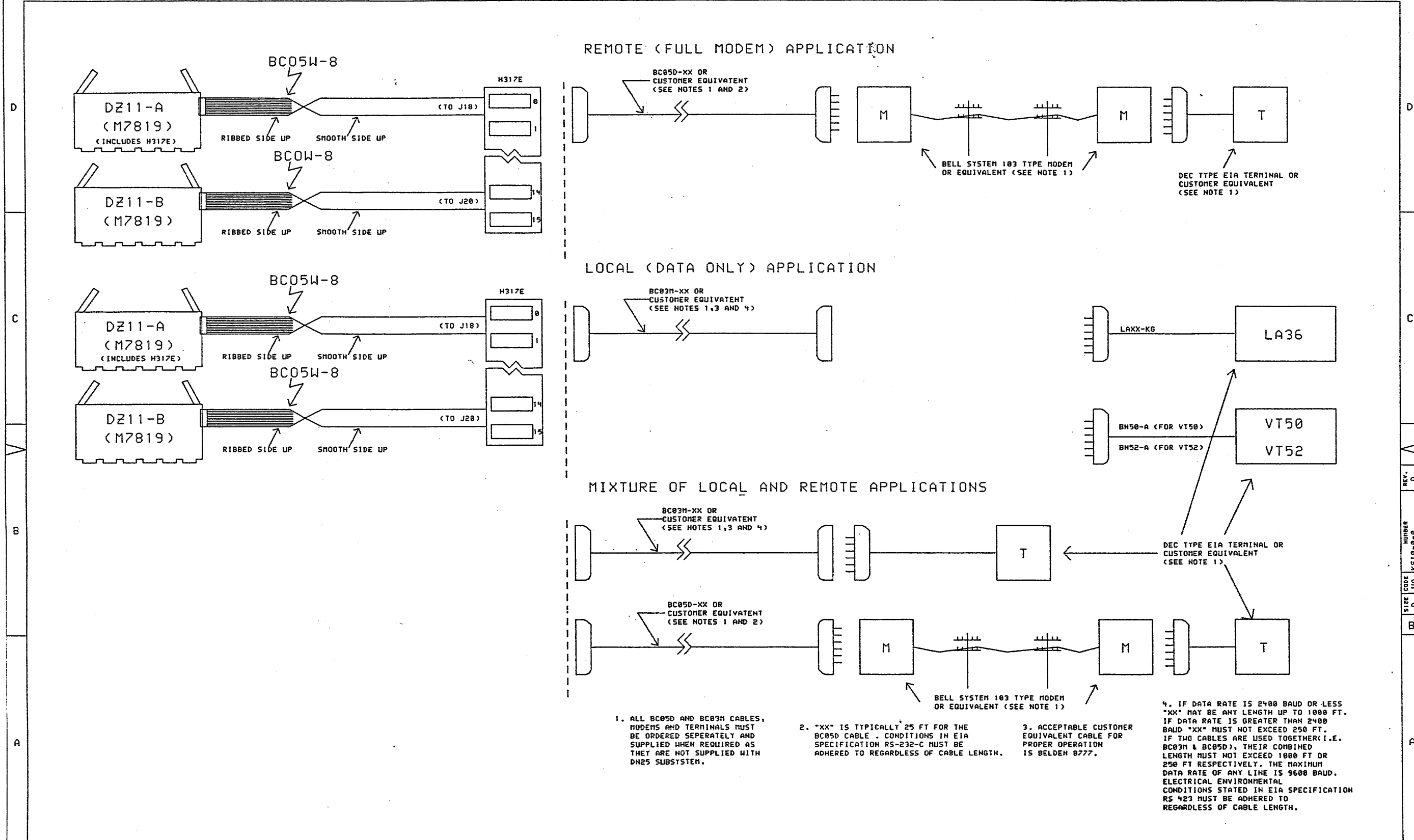
REMOVE M688 MODULE FROM RA11-K BOM SLOT #E15 ONLY, M688 IN SLOT #E14 TO REMAIN.

FRONT END UNIBUS SIGNAL NAME	FRONT END UNIBUS PIN ASSIGNMENT BACKPLANE	FRONT END UNIBUS PIN ASSIGNMENT JACK (PIN)
A00 L	DH2	J1 D
A01 L	DH1	J1 B
A02 L	B12	J1 J
A03 L	B11	J1 F
A04 L	BK2	J1 H
A05 L	BK1	J1 L
A06 L	B12	J1 T
A07 L	B11	J1 R
A08 L	BH2	J1 X
A09 L	BH1	J1 V
A10 L	BH2	J1 BR
A11 L	BH1	J1 Z
A12 L	B12	J1 FF
A13 L	B11	J1 DD
A14 L	BH2	J1 LL
A15 L	BH1	J1 JJ
A16 L	BS2	J1 RR
A17 L	BS1	J1 NN
ACL0 L	DF1	J2 VV
BRSY L	AP2	J3 BB
B64 H	BE2	J3 X
B65 H	BH1	J3 T
B66 H	BA1	J3 N
B67 H	AY1	J3 J
B68 L	BD2	J3 V
B69 L	BC1	J3 R
B70 L	AU2	J3 L
B71 L	AT2	J3 NH
B72 L	SU2	J3 J
C1 L	BT2	J1 TT
D00 L	AC1	J2 B
D01 L	AD2	J2 F
D02 L	AD1	J2 D
D03 L	AE2	J2 L
D04 L	AE1	J2 J
D05 L	AF2	J2 R
D06 L	AF1	J2 N
D07 L	AH2	J2 V
D08 L	AH1	J2 T
D09 L	AJ2	J2 Z
D10 L	AJ1	J2 X
D11 L	AK2	J2 DD
D12 L	AK1	J2 BB
D13 L	AL2	J2 JJ
D14 L	AL1	J2 FF
D15	AH2	J2 NH
GROUND	AB2	THE FOLLOWING PINS ON J1, J2 AND J3 ARE GROUNDED
GROUND	AC2	
GROUND	AH1	H H I
GROUND	AP1	S U W N
GROUND	AR1	A C E H K A A S S
GROUND	AS1	V Y P P CC UU
GROUND	AT1	
GROUND	AV2	
GROUND	B02	
GROUND	B02	
GROUND	BC2	
GROUND	BD1	J1 VV
GROUND	BE1	J2 TT
GROUND	BT1	J3 DD
GROUND	BV2	J3 RR
INIT L	AA1	J3 Z
INTR L	AB1	J3 FF
NSYH L	BV1	J3 LL
NPG H	AU1	J3 D
NPR L	AS2	J3 B
PA L	AH1	J2 LL
PB L	AN2	J2 RR
5V	AA2	
5V	BA2	
SACK L	AR2	J3 TT
DCL0 L	BF2	J3 VV
SSYH L	BU1	J3 JJ

M9014 ONLY

REVISIONS		
CHK	CHANGE NO.	REV.

TITLE	KSI0 PROCESSOR UNIT ASSY	SIZE/CODE	D UA	NUMBER	KSI0-0-0	REV.	D
SCALE	1/4	SHEET	22 OF 30	DIST.			



THIS DRAWING AND SPECIFICATIONS HEREIN ARE THE PROPERTY OF DIGITAL EQUIPMENT CORPORATION AND SHALL NOT BE REPRODUCED OR COPIED OR USED IN WHOLE OR IN PART AS THE BASIS FOR THE MANUFACTURE OR SALE OF ITEMS WITHOUT WRITTEN PERMISSION. COPYRIGHT © 1981, DIGITAL EQUIPMENT CORPORATION.

REVISIONS	
CHK	CHANGE NO. REV

digital	DRN <i>DeLucia</i>	DATE 28-MAY-81	ENG.	DATE	TITLE: KS10 PROCESSOR UNIT ASSY
PS: C:\CALDEC-98-01632\0211.RVD	CHK'D.	DATE 118-MAY-81 11:53	BOARD LOCATION: SHEET 23 OF 30	SIZE CODE NUMBER REV.	D UA KS10-0-0 D
FIRST USED ON OPTION/MODEL: KS10			NEXT HIGHER ASSEMBLY: B-DD-KS10-0		

MR

--- DISTANCE TABLE ---

IF RESTRICTED BY BELL PUB 43401		FOR COMM LINK 11		IF CUSTOMER PROVIDED TWISTED PAIR (24 AWG)	
BAUD RATE	DISTANCE	BAUD RATE	DISTANCE	BAUD RATE	DISTANCE
2.4 KBPS	12.8 KM	2.4 KBPS	12.8 KM	2.4 KBPS	12.8 KM
4.8 KBPS	9.8 KM	4.8 KBPS	9.6 KM	4.8 KBPS	9.6 KM
7.2 KBPS	3.36 KM	7.2 KBPS	7.36 KM	7.2 KBPS	7.36 KM
9.6 KBPS	2.24 KM	9.6 KBPS	6.88 KM	9.6 KBPS	6.88 KM
19.2 KBPS	1.6 KM	19.2 KBPS	4.96 KM	19.2 KBPS	4.96 KM

1489L INPUT
(EIA LEVELS)
6V TO 1.5V
8V TO -6V

1489L OUTPUT
(TTL LEVELS)
0.8V TO 0V
2.4V TO 5V

EACH 1489L HAS AN EXTERNAL RESPONSE CONTROL INPUT THAT IS CONNECTED TO ONE SIDE OF A 470 pf CAPACITOR. THE OTHER SIDE OF THE CAPACITOR IS CONNECTED TO GROUND. THE UNGROUNDED SIDE OF THE CAPACITOR IS ALSO CONNECTED TO ONE PAIR OF TERMINALS. THE OTHER TERMINAL IS CONNECTED TO -15V. IF DESIRED, A RESISTOR CAN BE CONNECTED ACROSS THE TERMINALS TO CHANGE THE THRESHOLD VOLTAGE FOR THE LEVEL CONVERSION. THE DUP11 IS SHIPPED WITHOUT RESISTORS INSTALLED.

1488 INPUT
(TTL LEVELS)
0.4V TO 0V
2.4V TO 5V

1488 OUTPUT
(EIA LEVELS)
3V TO 6V
-3V TO -6V

FOR TIMING AND CONTROL INTERCHANGE CIRCUITS, THE FUNCTION SHALL BE CONSIDERED ON WHEN THE VOLTAGE (V1) ON THE INTERCHANGE CIRCUIT IS MORE POSITIVE THAN PLUS THREE VOLTS WITH RESPECT TO CIRCUIT AB, AND SHALL BE CONSIDERED OFF WHEN THE VOLTAGE (V1) IS MORE NEGATIVE THAN MINUS THREE VOLTS WITH RESPECT TO CIRCUIT AB. THE FUNCTION IS NOT UNIQUELY DEFINED FOR VOLTAGES IN THE TRANSITION REGION BETWEEN PLUS THREE VOLTS AND MINUS THREE VOLTS.

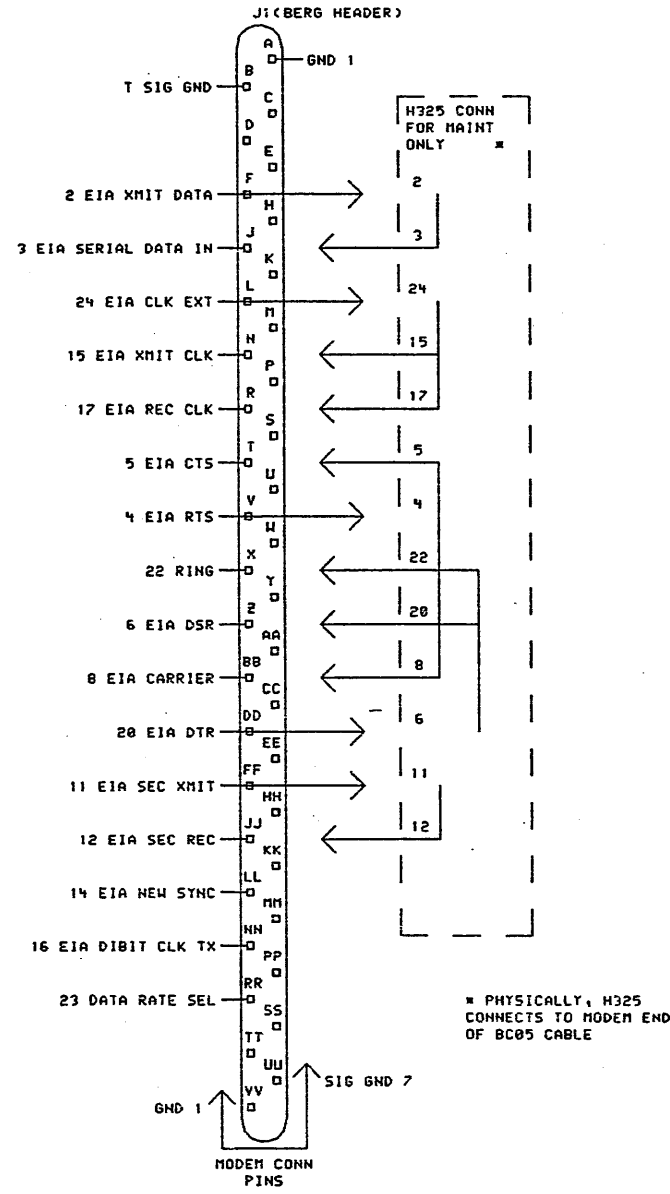
NOTATION	INTERCHANGE VOLTAGE	
	NEGATIVE	POSITIVE
BINARY STATE	1	0
SIGNAL CONDITION	MARKING	SPACING
FUNCTION	OFF	ON

* COMPATIBLE MODEMS RECOMMENDED CUSTOMER OPTIONS.

208A- BASIC UNCONDITIONED 4 WIRE PRIVATE LINE, 3002 CHANNEL, POINT TO POINT OPERATION.

LINE INTERFACE-4 WIRE PRIVATE LINE.
TRANSMIT TIMING-INTERNAL.
CARRIER-SWITCHED.
REQUEST TO SEND-SWITCHED(ANS CA-CB DELAY).
1 SEC. HOLDCOVER-PROVIDED(IN).
NEW SYNC OPTION-NOT USED-NEW SYNC IS STRAPPED "OFF" WITHIN DATA SET.
DATA SET READY LEAD OPTION-CC IS "OFF" WHEN AL BUTTON IS PUSHED.
GROUNDED-AB CONNECTED TO AA.

208B- 2 WIRE SWITCHED NETWORK-HALF DUPLEX
TRANSMITTER TIMING - DATA SET(INTERNAL).
DATA SET READY LEAD OPTION - CC"ON" WHEN AL BUTTON IS PUSHED.
ACU (WITH OR WITHOUT) - WITHOUT.
AUTO ANSWER - SELECTABLE.



DB25-PORTS PIN NUMBER	INTERCHANGE CIRCUIT	C.C.I.T.T. EQUIVALENT	RS-232-C DISCRPTION
1 7	AA AB	101 102	PROTECTIVE GROUND SIGNAL GROUND/COMMON RETURN
2 3	BA BB	103 104	TRANSMITTED DATA RECEIVED DATA
4 5 6 20 22 8 21 23	CA CB CC CD CE CF CG CH CI	105 106 107 109.2 125 109 110 111 112	REQUEST TO SEND CLEAR TO SEND DATA SET READY DATA TERMINAL READY RING INDICATOR RECEIVED LINE SIGNAL DETECTOR SIGNAL QUALITY DETECTOR DATA SIGNAL RATE SELECTOR (DTE) DATA SIGNAL RATE SELECTOR (DCE)
24 15 17	DA DB DD	113 114 115	TRANSMITTER SIGNAL ELEMENT TIMING (DTE) TRANSMITTER SIGNAL ELEMENT TIMING (DCE) RECEIVER SIGNAL ELEMENT TIMING (DCE)
14 16	SBA SBB	118 119	SECONDARY TRANSMITTED DATA SECONDARY RECEIVED DATA
19 13 12	SCA SCB SCF	120 121 122	SECONDARY REQUEST TO SEND SECONDARY CLEAR TO SEND SECONDARY REC'D LINE SIGNAL DETECTOR

THIS DRAWING AND SPECIFICATIONS, HEREIN, ARE THE PROPERTY OF DIGITAL EQUIPMENT CORPORATION AND SHALL NOT BE REPRODUCED OR COPIED OR USED IN WHOLE OR IN PART AS THE BASIS FOR THE MANUFACTURE OR SALE OF ITEMS WITHOUT WRITTEN PERMISSION. COPYRIGHT © 1981, DIGITAL EQUIPMENT CORPORATION.

REVISIONS		
CHK	CHANGE NO.	REV

digital *DR. J. J. J. J.* DATE ENG. 18-MAY-81 DATE TITLE: KS10 PROCESSOR UNIT ASSY

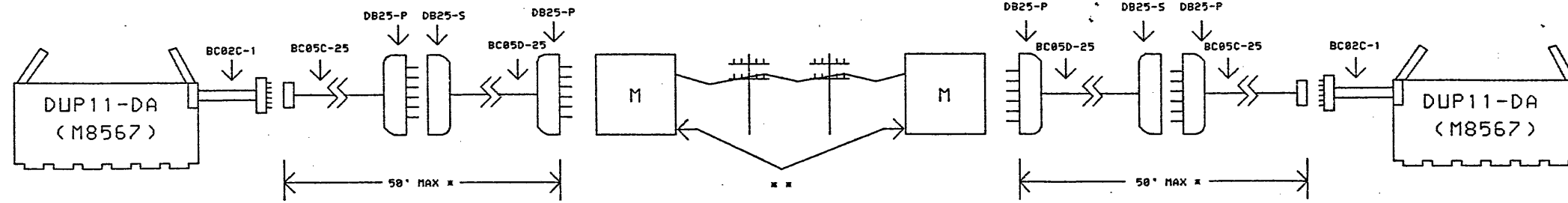
PS:CCALDEC-98-01632>DUP2.RVD 18-MAY-81 12:00 NEXT HIGHER ASSEMBLY: B-DD-KS10-0

FIRST USED ON OPTION/MODEL: KS10

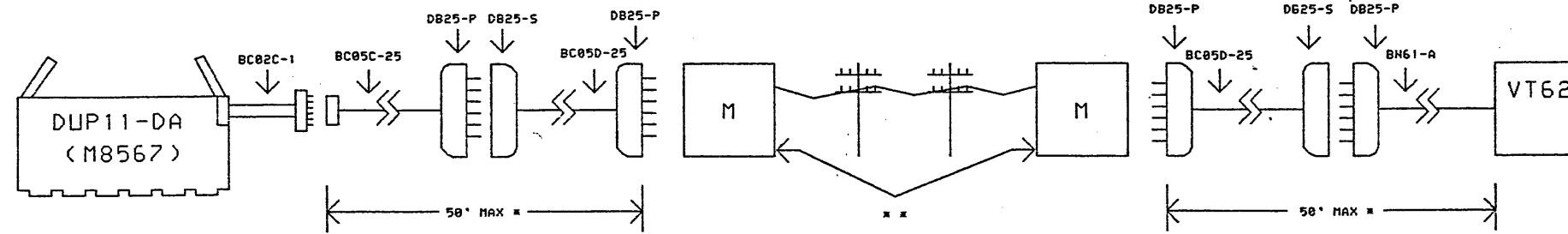
SIZE CODE NUMBER REV. D UA KS10-0-0 D

MR

REMOTE SYNCHRONOUS MODEM CONNECTIONS (SYSTEM TO SYSTEM)

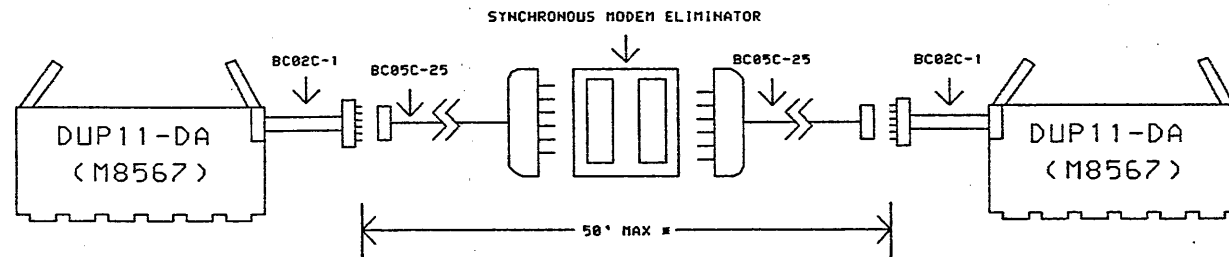


REMOTE SYNCHRONOUS MODEM CONNECTIONS (SYSTEM TO TERMINAL)

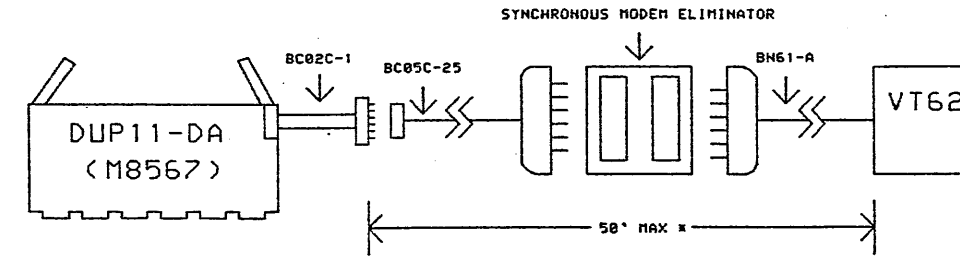


* IF BC05C-25 WILL REACH TO DATA COMMUNICATION EQUIPMENT, THE BC05D-25 MAY BE EXCLUDED, IF BOTH CABLES ARE USED, THE 50' MAXIMUM DISTANCE MUST BE ADHERED TO.

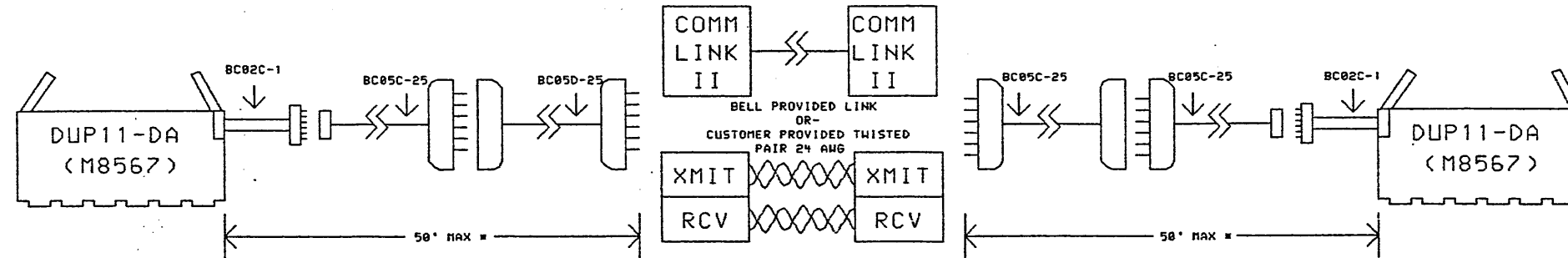
LOCAL SYNCHRONOUS NULL MODEM CONNECTION (SYSTEM TO SYSTEM)



LOCAL SYNCHRONOUS NULL MODEM CONNECTION (SYSTEM TO TERMINAL)



SYNCHRONOUS LIMITED DISTANCE ADAPTERS (SHORT HAUL) SEE DISTANCE TABLE ON SHEET 21



THIS DRAWING AND SPECIFICATIONS HEREIN ARE THE PROPERTY OF DIGITAL EQUIPMENT CORPORATION AND SHALL NOT BE REPRODUCED OR COPIED OR USED IN WHOLE OR IN PART AS THE BASIS FOR THE MANUFACTURE OR SALE OF ITEMS WITHOUT WRITTEN PERMISSION. COPYRIGHT © 1981, DIGITAL EQUIPMENT CORPORATION.

REVISIONS		
CHK	CHANGE NO.	REV.

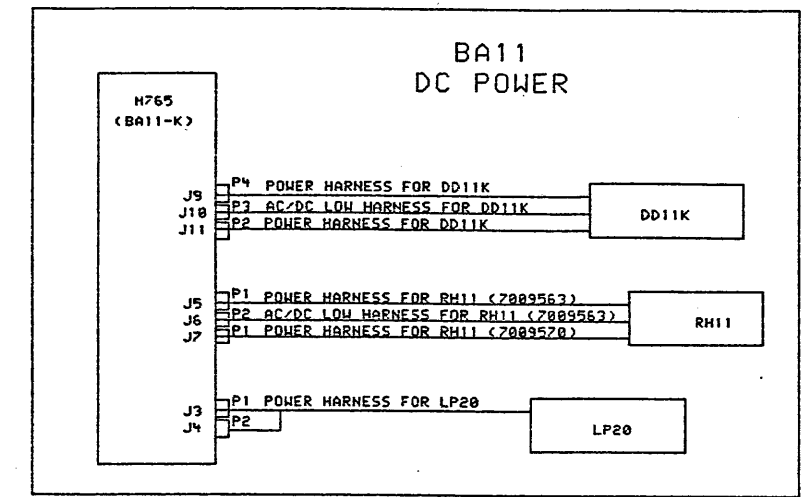
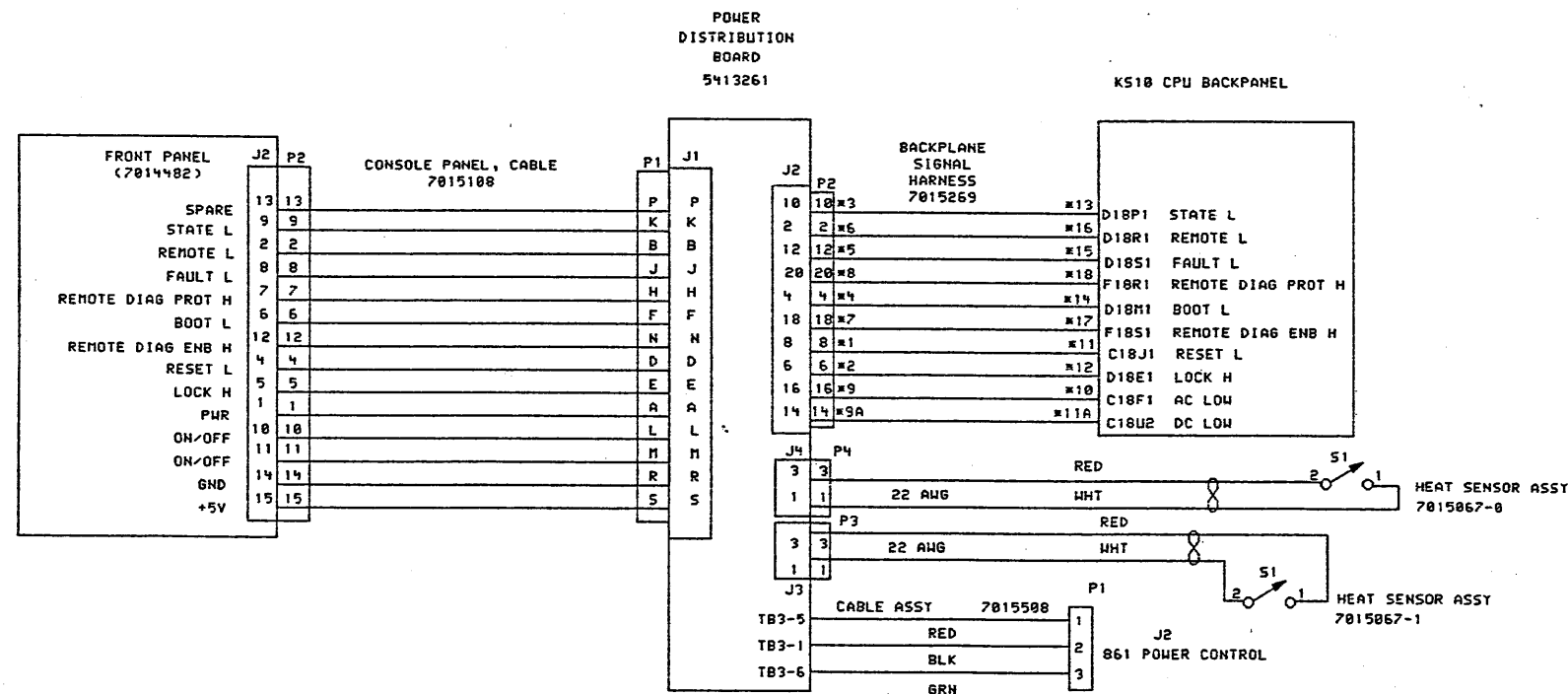
digital	DATE	ENG.	DATE	TITLE:
	18-MAY-81			KS10 PROCESSOR UNIT ASSY
CHK'D.	DATE	BOARD LOCATION:	SHEET	OF
	12:00	B-DD-KS10-0	25	30
FIRST USED ON OPTION/MODEL: KS10		NEXT HIGHER ASSEMBLY:		SIZE CODE
				D UA
				NUMBER
				KS10-0-0
				REV.
				D

11R

NOTE:

1. ADDITIONAL POWER DIST. BOARD CONNECTIONS FOUND ON SHEETS 28, 29, 30, 31, & 32

* DENOTES BRADY MARKER NUMBERS

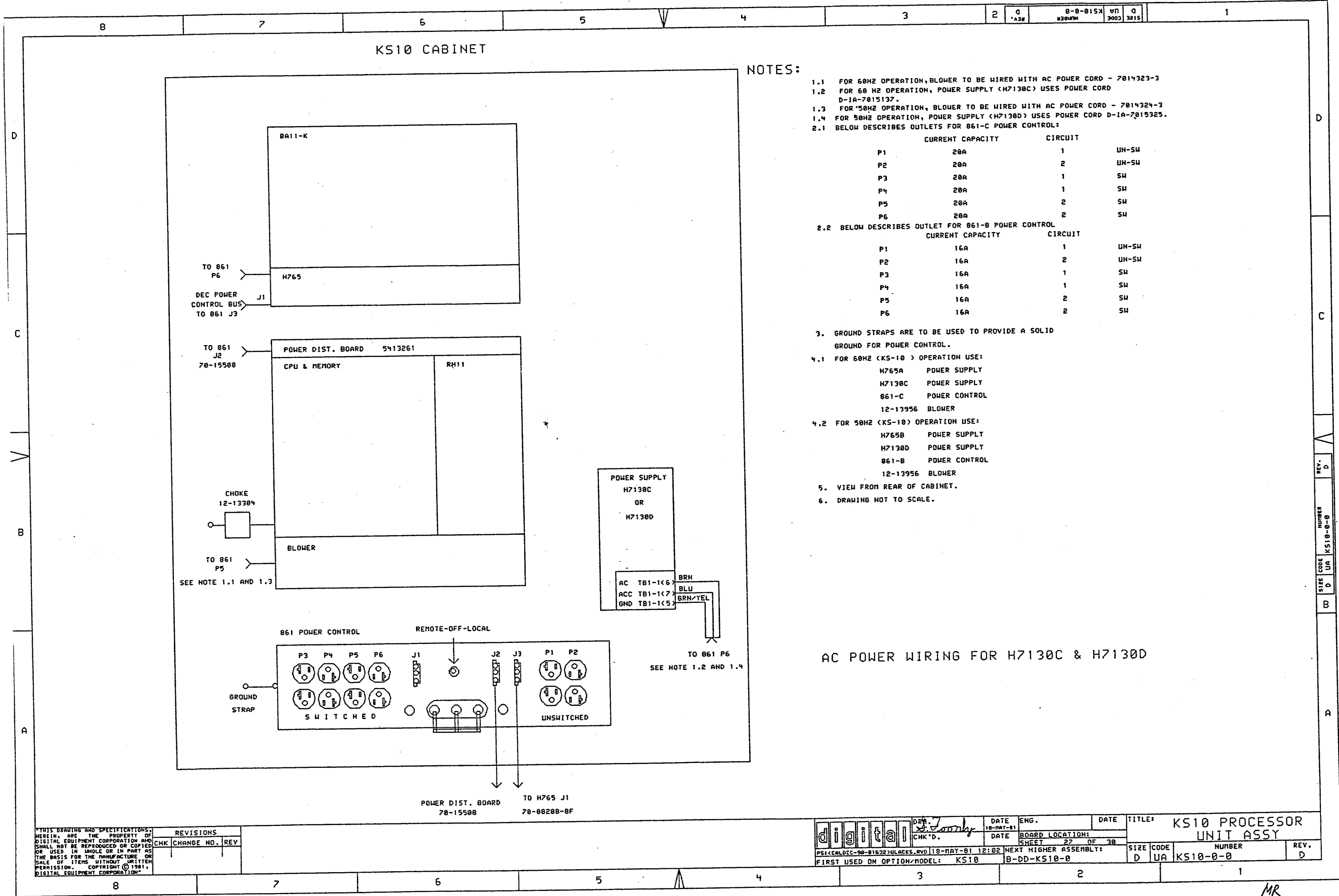


THIS DRAWING AND SPECIFICATIONS ARE THE PROPERTY OF DIGITAL EQUIPMENT CORPORATION AND SHALL NOT BE REPRODUCED OR COPIED OR USED IN WHOLE OR IN PART OR THE BASIS FOR THE MANUFACTURE OR SALE OF ITEMS WITHOUT WRITTEN PERMISSION. COPYRIGHT © 1981 DIGITAL EQUIPMENT CORPORATION

REVISIONS		
CHK	CHANGE NO.	REV.

digital	DRY	DATE	ENG.	DATE	TITLE
	CHK'D.	18-MAY-81			K510 PROCESSOR UNIT ASSY
PS1<CAL>DEC-90-01632<DCA>S1.RVD		DATE	BOARD LOCATION	SHEET 26 OF 30	
FIRST USED ON OPTION/MODEL: K510		NEXT HIGHER ASSEMBLY: B-DD-K510-0		SIZE CODE	NUMBER
				D UA	K510-0-0
				REV.	D

MR



NOTES:

- 1.1 FOR 60HZ OPERATION, BLOWER TO BE WIRED WITH AC POWER CORD - 7014323-3
 - 1.2 FOR 60 HZ OPERATION, POWER SUPPLY (H7130C) USES POWER CORD D-1A-7015137.
 - 1.3 FOR 50HZ OPERATION, BLOWER TO BE WIRED WITH AC POWER CORD - 7014324-3
 - 1.4 FOR 50HZ OPERATION, POWER SUPPLY (H7130D) USES POWER CORD D-1A-7015325.
 - 2.1 BELOW DESCRIBES OUTLETS FOR 861-C POWER CONTROL:
- | | CURRENT CAPACITY | CIRCUIT | |
|----|------------------|---------|-------|
| P1 | 20A | 1 | UN-SW |
| P2 | 20A | 2 | UN-SW |
| P3 | 20A | 1 | SW |
| P4 | 20A | 1 | SW |
| P5 | 20A | 2 | SW |
| P6 | 20A | 2 | SW |
- 2.2 BELOW DESCRIBES OUTLET FOR 861-B POWER CONTROL:
- | | CURRENT CAPACITY | CIRCUIT | |
|----|------------------|---------|-------|
| P1 | 16A | 1 | UN-SW |
| P2 | 16A | 2 | UN-SW |
| P3 | 16A | 1 | SW |
| P4 | 16A | 1 | SW |
| P5 | 16A | 2 | SW |
| P6 | 16A | 2 | SW |
- 3. GROUND STRAPS ARE TO BE USED TO PROVIDE A SOLID GROUND FOR POWER CONTROL.
 - 4.1 FOR 60HZ (KS-10) OPERATION USE:
 - H765A POWER SUPPLY
 - H7130C POWER SUPPLY
 - 861-C POWER CONTROL
 - 12-13956 BLOWER
 - 4.2 FOR 50HZ (KS-10) OPERATION USE:
 - H765B POWER SUPPLY
 - H7130D POWER SUPPLY
 - 861-B POWER CONTROL
 - 12-13956 BLOWER
 - 5. VIEW FROM REAR OF CABINET.
 - 6. DRAWING NOT TO SCALE.

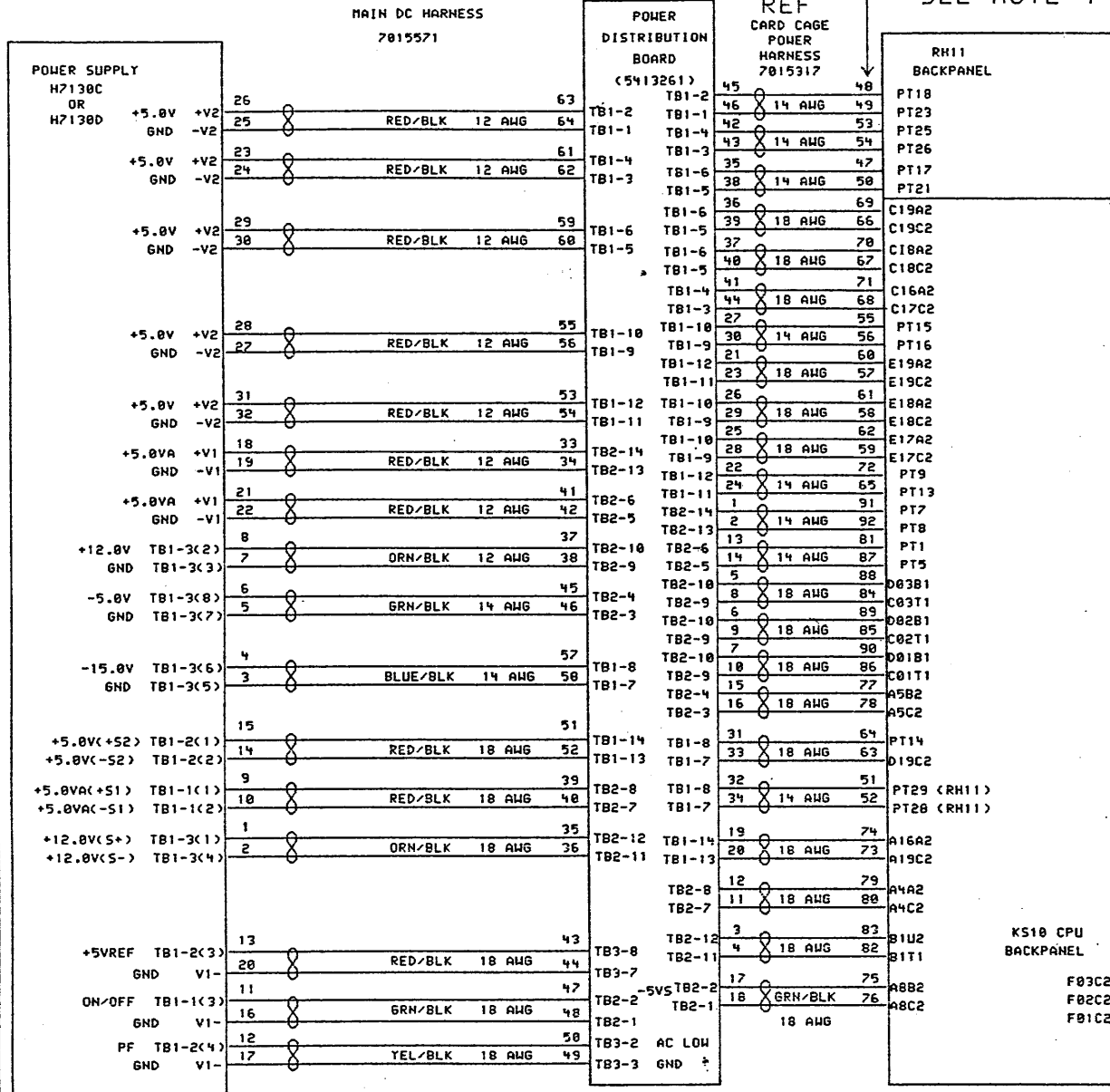
AC POWER WIRING FOR H7130C & H7130D

THIS DRAWING AND SPECIFICATIONS HEREIN, ARE THE PROPERTY OF DIGITAL EQUIPMENT CORPORATION AND SHALL NOT BE REPRODUCED OR COPIED OR USED IN WHOLE OR IN PART AS THE BASIS FOR THE MANUFACTURE OR SALE OF ITEMS WITHOUT WRITTEN PERMISSION. COPYRIGHT © 1981, DIGITAL EQUIPMENT CORPORATION.

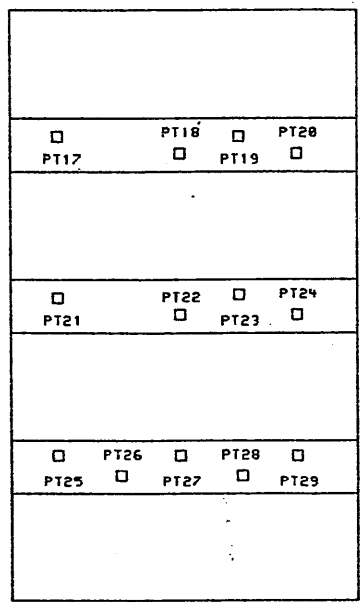
CHK	CHANGE NO.	REV.

	DATE	ENG.	DATE	TITLE
	18-MAY-81	J. J. J.	18-MAY-81	KS10 PROCESSOR UNIT ASSY
	DATE	BOARD LOCATION:	SHEET	OF
PSI<<CALDEC-90-01622>>LACKS.RVD	18-MAY-81 12:02	NEXT HIGHER ASSEMBLY:	SIZE	CODE
FIRST USED ON OPTION/MODEL:	KS10	B-DD-KS10-0	D	UA
			NUMBER	REV.
			KS10-0-0	D

MR



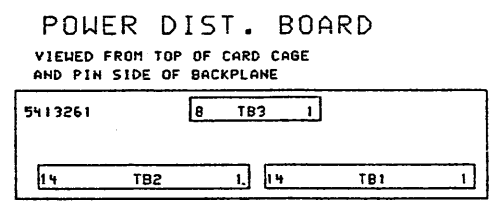
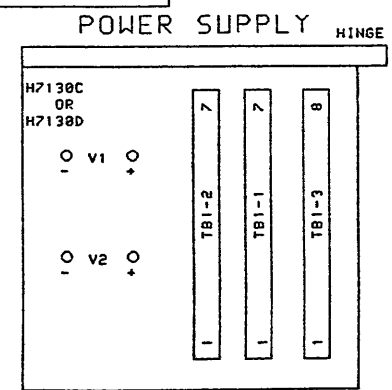
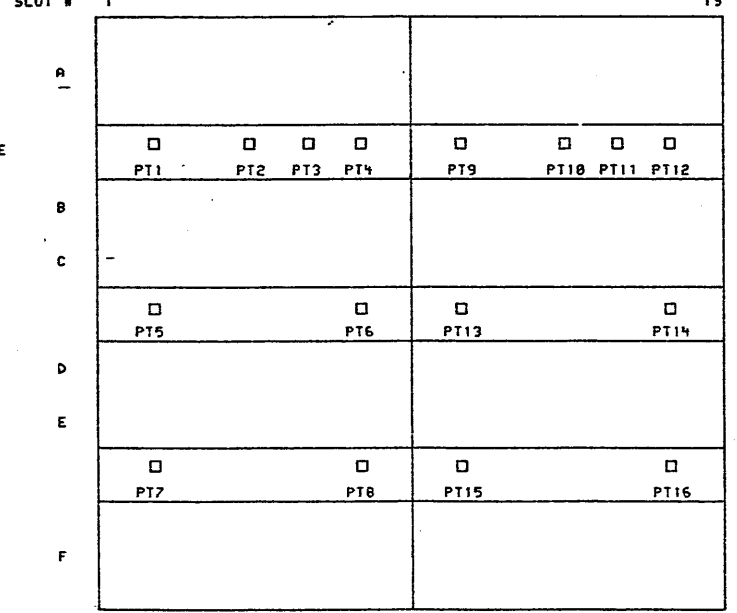
RH11 BACKPANEL
 "FASTON" POWER TAB CONNECTIONS
 VIEWED FROM PIN SIDE OF BACKPANEL



- NOTES:**
1. THIS PRINT IS FOR A POWER SUPPLY (H7130C OR H7130D), POWER SUPPLY CASE IS SILVER IN COLOR.
 2. BEFORE POWER SUPPLY HARNESS IS WIRED TO POWER SUPPLY, REMOVE LOCAL SENSE WIRES FROM V1, V2, & V3.
 3. REMOVE JUMPERS FROM TB1-1(3) TO TB1-3(8) AND TB1-1(2) TO TB1-3(7), BEFORE POWER SUPPLY IS MOUNTED IN KS10 CABINET.
 4. INDICATES BRADY MARKER NUMBER ON HARNESS.
 5. MAIN DC HARNESS PART NUMBER FOR THIS SUPPLY IS 7015571.

**POWER SUPPLY DC
 WIRING [H7130C OR H7130D]**

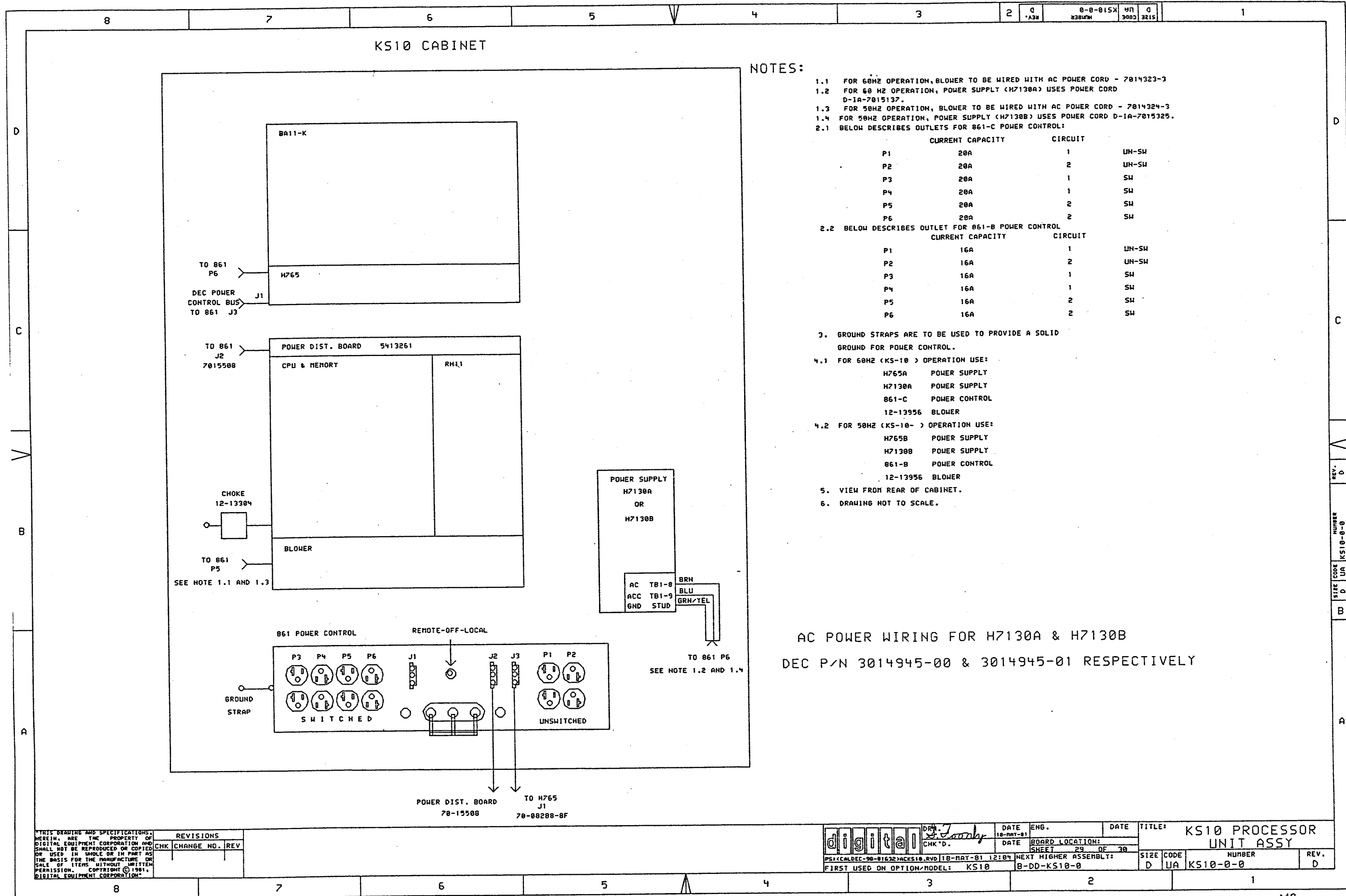
KS10 CPU BACKPANEL
 "FASTON" POWER TAB CONNECTIONS
 VIEWED FROM PIN SIDE OF BACKPANEL



THIS DRAWING AND SPECIFICATIONS ARE THE PROPERTY OF DIGITAL EQUIPMENT CORPORATION AND SHALL NOT BE REPRODUCED OR COPIED OR USED IN WHOLE OR IN PART AS THE BASIS FOR THE MANUFACTURE OR SALE OF ITEMS WITHOUT WRITTEN PERMISSION. COPYRIGHT © 1981, DIGITAL EQUIPMENT CORPORATION.

REVISIONS	CHK	CHANGE NO.	REV

digital	DATE	ENG.	DATE	TITLE:
	18-MAY-81			KS10 PROCESSOR UNIT ASSY
CHK'D.	DATE	BOARD LOCATION:	SHEET	OF
			28	38
FIRST USED ON OPTION/MODEL: KS10				B-DD-KS10-0
SIZE CODE	NUMBER	REV.		
D UA	KS10-0-0	D		



NOTES:

- 1.1 FOR 60HZ OPERATION, BLOWER TO BE WIRED WITH AC POWER CORD - 7014323-3
- 1.2 FOR 60 HZ OPERATION, POWER SUPPLY (H7130A) USES POWER CORD D-1A-7015137.
- 1.3 FOR 50HZ OPERATION, BLOWER TO BE WIRED WITH AC POWER CORD - 7014324-3
- 1.4 FOR 50HZ OPERATION, POWER SUPPLY (H7130B) USES POWER CORD D-1A-7015325.
- 2.1 BELOW DESCRIBES OUTLETS FOR 861-C POWER CONTROL:

	CURRENT CAPACITY	CIRCUIT	
P1	20A	1	UN-SW
P2	20A	2	UN-SW
P3	20A	1	SW
P4	20A	1	SW
P5	20A	2	SW
P6	20A	2	SW

- 2.2 BELOW DESCRIBES OUTLET FOR 861-B POWER CONTROL

	CURRENT CAPACITY	CIRCUIT	
P1	16A	1	UN-SW
P2	16A	2	UN-SW
P3	16A	1	SW
P4	16A	1	SW
P5	16A	2	SW
P6	16A	2	SW

- 3. GROUND STRAPS ARE TO BE USED TO PROVIDE A SOLID GROUND FOR POWER CONTROL.

- 4.1 FOR 60HZ (KS-10) OPERATION USE:

- H765A POWER SUPPLY
- H7130A POWER SUPPLY
- 861-C POWER CONTROL
- 12-13956 BLOWER

- 4.2 FOR 50HZ (KS-10) OPERATION USE:

- H765B POWER SUPPLY
- H7130B POWER SUPPLY
- 861-B POWER CONTROL
- 12-13956 BLOWER

- 5. VIEW FROM REAR OF CABINET.

- 6. DRAWING NOT TO SCALE.

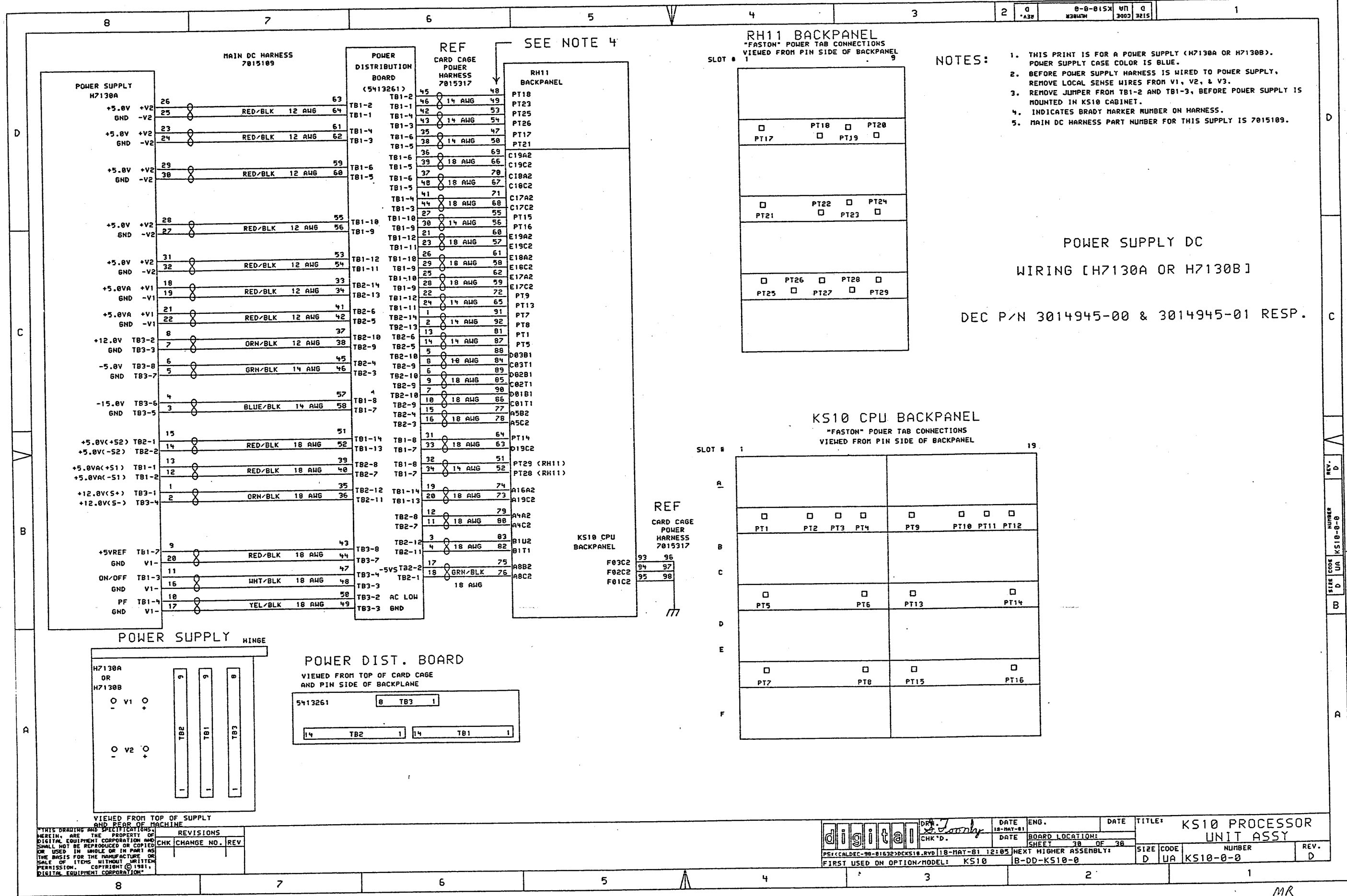
AC POWER WIRING FOR H7130A & H7130B
 DEC P/N 3014945-00 & 3014945-01 RESPECTIVELY

THIS DRAWING AND SPECIFICATIONS, HEREIN, ARE THE PROPERTY OF DIGITAL EQUIPMENT CORPORATION AND SHALL NOT BE REPRODUCED OR COPIED OR USED IN WHOLE OR IN PART AS THE BASIS FOR THE MANUFACTURE OR SALE OF ITEMS WITHOUT WRITTEN PERMISSION. COPYRIGHT © 1981, DIGITAL EQUIPMENT CORPORATION

REVISIONS	
CHK	CHANGE NO. REV

digital	DATE 18-MAY-81	ENG.	DATE	TITLE: KS10 PROCESSOR UNIT ASSY
	DATE	CHK'D.	BOARD LOCATION: SHEET 29 OF 30	SIZE CODE D UA
FIRST USED ON OPTION MODEL: KS10		NEXT HIGHER ASSEMBLY: B-DD-KS10-0		NUMBER KS10-0-0
				REV. D

MR

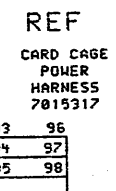
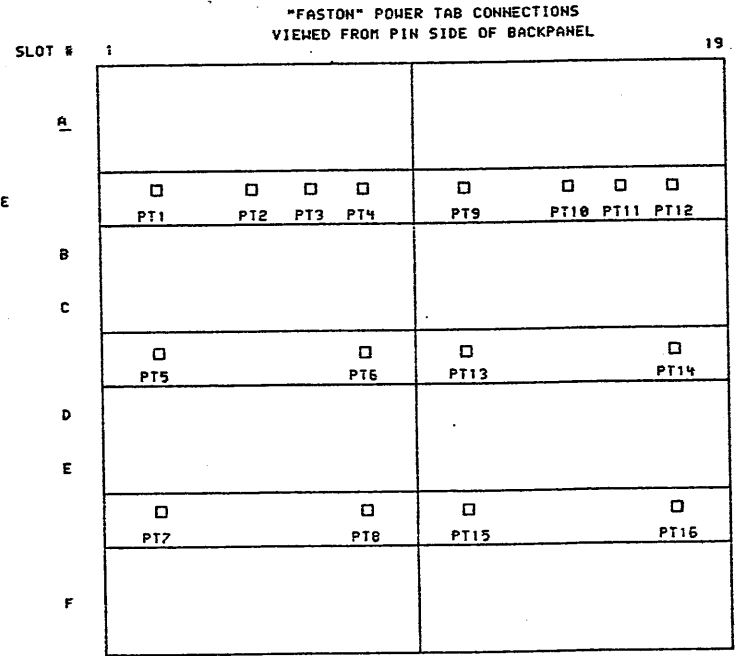


- NOTES:
1. THIS PRINT IS FOR A POWER SUPPLY (H7130A OR H7130B). POWER SUPPLY CASE COLOR IS BLUE.
 2. BEFORE POWER SUPPLY HARNESS IS WIRED TO POWER SUPPLY, REMOVE LOCAL SENSE WIRES FROM V1, V2, & V3.
 3. REMOVE JUMPER FROM TB1-2 AND TB1-3, BEFORE POWER SUPPLY IS MOUNTED IN KS10 CABINET.
 4. INDICATES BRADY MARKER NUMBER ON HARNESS.
 5. MAIN DC HARNESS PART NUMBER FOR THIS SUPPLY IS 7015109.

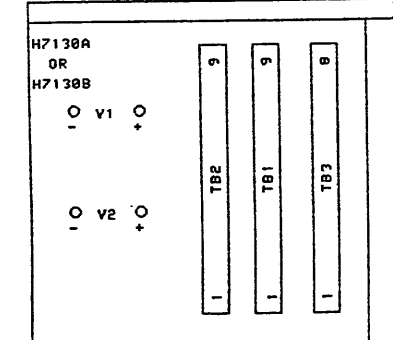
POWER SUPPLY DC
WIRING [H7130A OR H7130B]

DEC P/N 3014945-00 & 3014945-01 RESP.

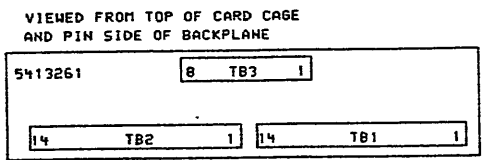
KS10 CPU BACKPANEL



POWER SUPPLY HINGE



POWER DIST. BOARD



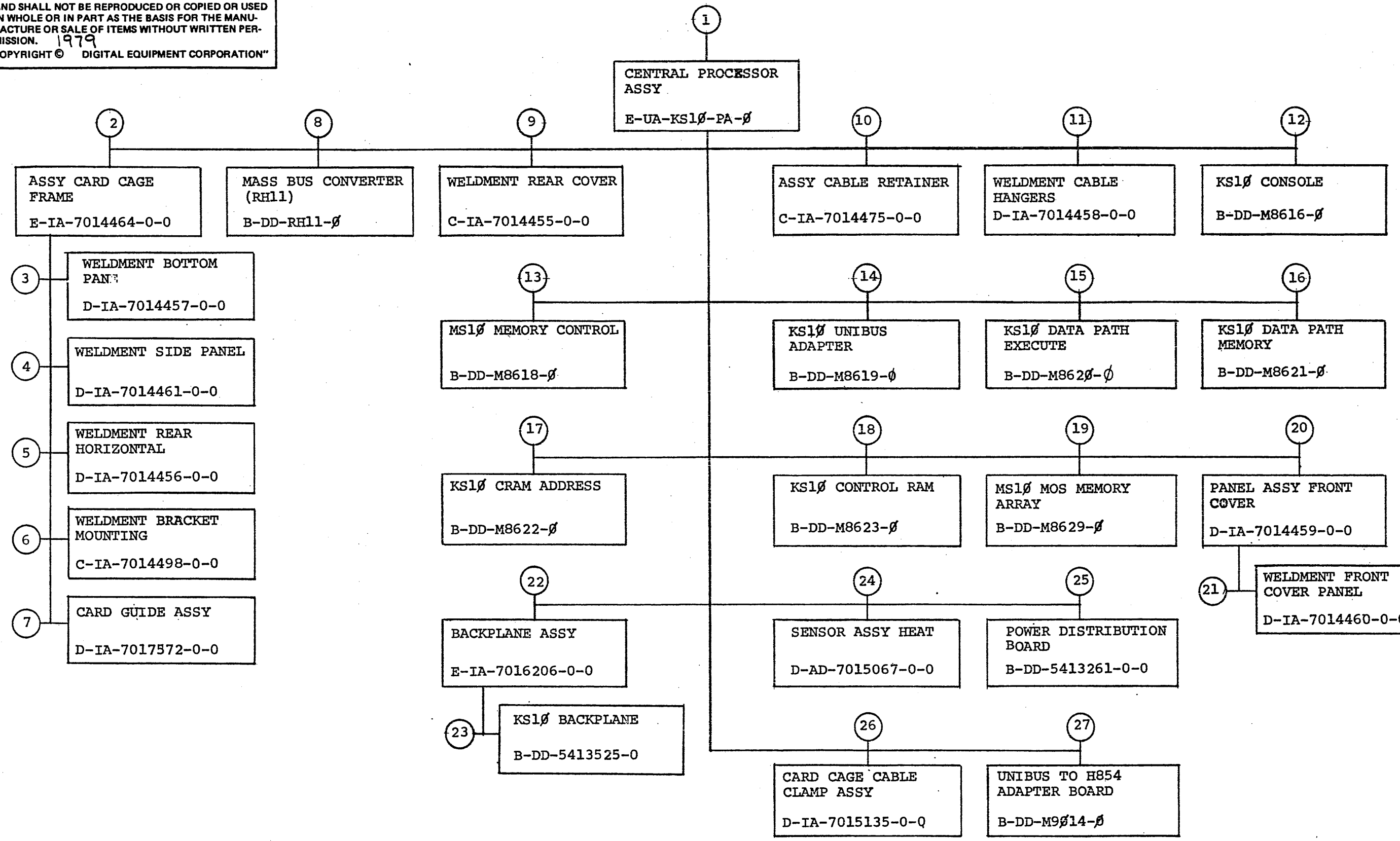
THIS DRAWING AND SPECIFICATIONS HEREIN ARE THE PROPERTY OF DIGITAL EQUIPMENT CORPORATION AND SHALL NOT BE REPRODUCED OR COPIED OR USED IN WHOLE OR IN PART AS THE BASIS FOR THE MANUFACTURE OR SALE OF ITEMS WITHOUT WRITTEN PERMISSION. COPYRIGHT © 1981, DIGITAL EQUIPMENT CORPORATION.

REVISIONS	CHK	CHANGE NO.	REV.

digital	DATE	ENG.	DATE	TITLE	KS10 PROCESSOR UNIT ASSY
	18-MAY-81				
CHK'D.	DATE	BOARD LOCATION:	SHEET	OF	
			30	30	
FIRST USED ON OPTION/MODEL: KS10			NEXT HIGHER ASSEMBLY: B-DD-KS10-0		
SIZE	CODE	NUMBER	REV.		
D	UA	KS10-0-0	D		

MR

"THIS DRAWING AND SPECIFICATIONS, HEREIN, ARE THE PROPERTY OF DIGITAL EQUIPMENT CORPORATION AND SHALL NOT BE REPRODUCED OR COPIED OR USED IN WHOLE OR IN PART AS THE BASIS FOR THE MANUFACTURE OR SALE OF ITEMS WITHOUT WRITTEN PERMISSION. 1979
 COPYRIGHT © DIGITAL EQUIPMENT CORPORATION"



TITLE CENTRAL PROCESSOR ASSY	SHEET 2 OF 5	SIZE CODE B DD	NUMBER KS1 \emptyset -PA- \emptyset	REV A
------------------------------	--------------	----------------	---	-------

MR

FIND NO.	DRAWING NO.	DESCRIPTION	TYPE	FIND NO.	DRAWING NO.	DESCRIPTION	TYPE
9	C-IA-7014455-0-0	WELDMENT, REAR COVER	M	14	B-DD-M8619-Ø	KS1Ø UNIBUS ADAPTER	E
	D-MD-7419313-0-0	REAR COVER	M				
	B-MD-7416223-0-0	LATCH	M				
10	C-IA-7014475-0-0	ASSY, CABLE RETAINER	M	15	B-DD-M862Ø-Ø	KS1Ø DATA PATH EXECUTE	E
	C-MD-7419306-0-0	RETAINER, CABLE	M				
11	D-IA-7014458-0-0	WELDMENT, CABLE HANGERS	M	16	B-DD-M8621-Ø	KS1Ø DATA PATH MEMORY	E
	B-MD-7419305-0-0	ROD, HORIZONTAL	M				
	B-MD-7419304-0-0	ROD, SUPPORT	M				
12	B-DD-M8616-Ø	KS1Ø CONSOLE	E	17	B-DD-M8622-Ø	KS1Ø CRAM ADDRESS	E
13	B-DD-M8618-Ø	MS1Ø MEMORY CONTROL	E	18	B-DD-M8623-Ø	KS1Ø CONTROL RAM	E

TYPE: E ELECTRICAL
M MECHANICAL
E/M ELECTRO/MECHANICAL

digital

TITLE CENTRAL PROCESSOR ASSY

SHEET 4 OF 5

SIZE CODE
B DD

NUMBER
KS1Ø-PA-Ø

REV
A

FIND NO.	DRAWING NO.	DESCRIPTION	TYPE	FIND NO.	DRAWING NO.	DESCRIPTION	TYPE
19	B-DD-M8629-Ø	MS1Ø MOS MEMORY ARRAY	E	23	B-DD-5413525-0	KS1Ø BACKPLANE	E/M
20	D-IA-7014459-0-0 C-MD-7417660-0-0	PANEL ASSY, FRONT COVER GASKET, STRIP	M M	24	D-AD-7015067-0-0 C-MD-7419815-0-0 C-MD-7419814-0-0	SENSOR ASSY, HEAT SENSOR BRACKET BRACKET HOLD DOWN	M M M
21	D-IA-7014460-0-0 B-MD-7419303-0-0 D-IA-7419318-0-0	WELDMENT, FRONT COVER PANEL LATCH PANEL, FRONT COVER	M M M	25	B-DD-5413261-0	POWER DISTRIBUTION BOARD	E/M
22	E-IA-7016206-0-0 B-PL-7016206-0-0 A-WT-7016206-0 K-WL-7016206-Ø-DBW C-MD-7421893-0-0 C-MD-7421892-0-0 A-DC-7411881-1-0 C-MD-7422779-0-0 B-MD-7421952-0-0 B-MD-7421953-0-0 B-MD-7421954-0-0	ASSEMBLY ETCHED BACKPLANE ETCHED BACKPLANE ASSY (PARTS LIST) AWT REVISION STATUS WIRE LIST; ETCHED BACKPLANE ASSY BRKT, CASTING CONNECTOR BACKPLANE SUPPORT ETCH BOARD DECAL LOGIC ASSY REVISION CABLE, COAX SPACER, NYLON SPACER, NYLON SPACER, NYLON	E/M E/M E/M E/M M E M E/M M M M	26	D-IA-7015135-0-0 C-MD-7420099-0-0	CARD CAGE CABLE CLAMP ASSY CLAMP, CARD CAGE CABLE	M M
				27	B-DD-M9Ø14-Ø	UNIBUS TO H854 ADAPTER BOARD	E/M

TYPE: E ELECTRICAL
M MECHANICAL
E/M ELECTRO/MECHANICAL

digital

TITLE
CENTRAL PROCESSOR ASSY

SHEET 5 OF 5

SIZE CODE
B DD

NUMBER
KS1Ø-PA-Ø

REV
A

DIGITAL EQUIPMENT CORPORATION PARTS LIST				QUANTITY / VARIATION										NOTES:				
MADE BY J. HUSON DATE 14 OCT 78		CHECKED <i>Halliday</i> DATE 4 APRIL 79		SECTION A														
ENG <i>Rick Olsen</i> DATE 20 AUG 79		PROD <i>R. Lyons</i> DATE 20 AUG 79		ISSUED SECTION A														
ITEM NO.	DRAWING NO.	PART NO.	DESCRIPTION	KS10-PA														REF DESIGNATION
22	D-IA-7014459-0-0	7014459-0	PANEL ASSY, FRONT COVER	1														
23	C-IA-7014455-0-0	7014455-0	WELDMENT, REAR COVER	1														
24		1211630-0	CARD GUIDE	3														
25		1213304	LINE FILTER	1														
26		9009614-01	SCR. PHL. PAN HD. TT 8-32X1.38LG	8														
27	D-IA-7419816-0-0	7419816-0	BRACKET POWER DISTRIBUTION	1														
28		9006020-03	SCR. PHL TRUSS HD #6-32 x .25 LG	6														
29	C-IA-7015508-0-0	7015508-0	CABLE ASSY, 861	1														
30		9008264	TIE MOUNT, ADHESIVE BACK	3														
31		9006707	WASHER FLAT NYLON #6	10														
32		9006572	NUT WING #10-32	3														
33	D-AD-7015067-0-0	7015067-0	SENSOR ASSY, HEAT	2														
34	D-UA-5413261-0-0	5413261-0	POWER DISTRIBUTION BOARD	1														
35	D-UA-BC05L-0-0	BC05L-02	H855 TO H855 3M CABLE	3														
36	D-UA-M9014-0-0	M9014-0	UNIBUS TO H859 ADAPTER BOARD	1														
37		9008212	SCR. SLOT PAN HD. NYLON #6-32X.43LG	10														
38	D-IA-7015135-0-0	7015135-0	CARD CAGE CABLE CLAMP ASSY	1														
39	E-IA-7016206-0-0	7016206-0	ETCHED BACKPLANE ASSY	1														
40		9009613-01	SCR. PHL PAN HD TT 8-32 x 1.0 LG	4														
41		9008072	WASHER, EXT TOOTH LOCK #8	12														
42	D-IA-7016457-0-0	7016457-0	BACKPLANE SIGNAL HARNESS	1														

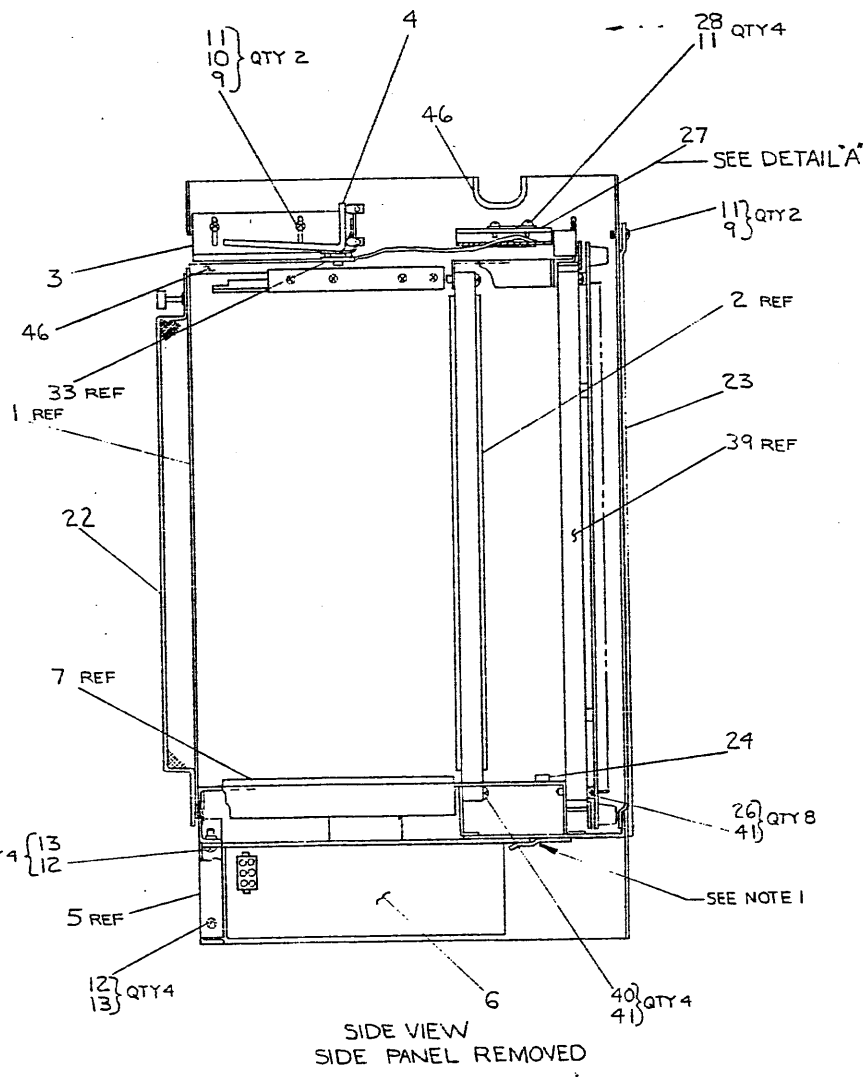
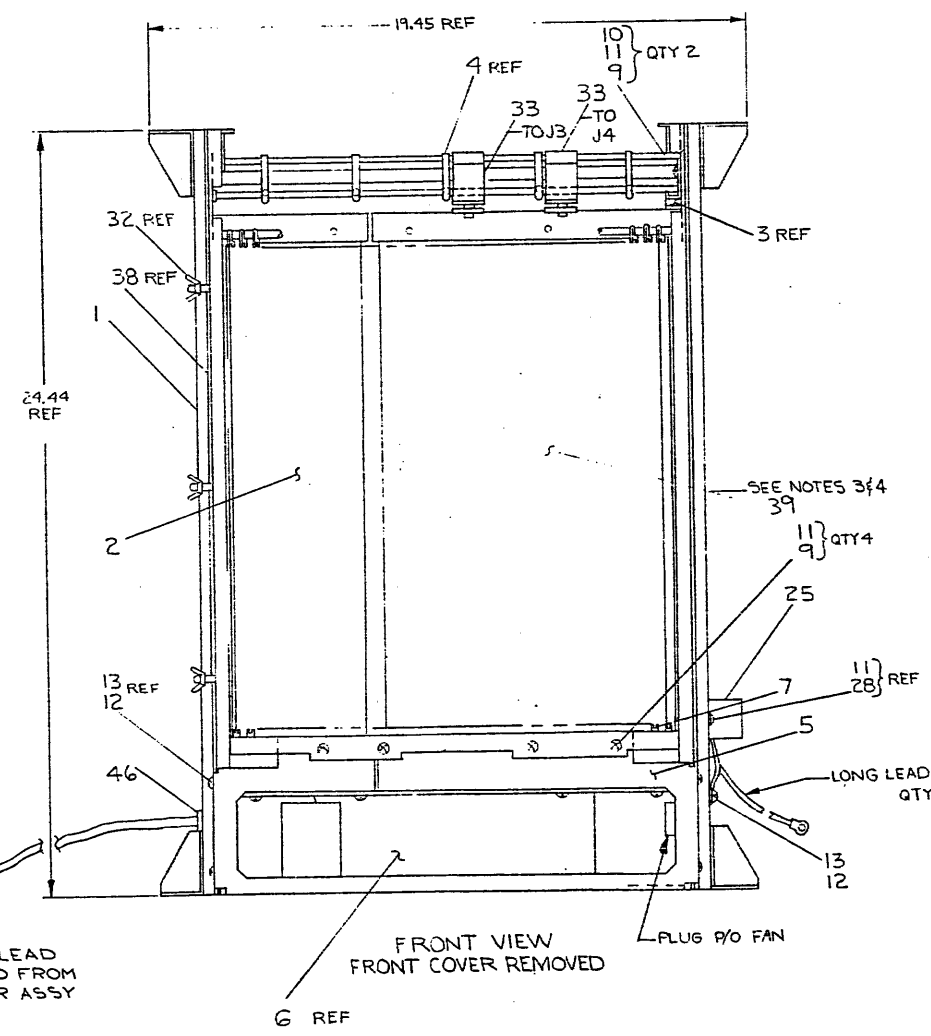
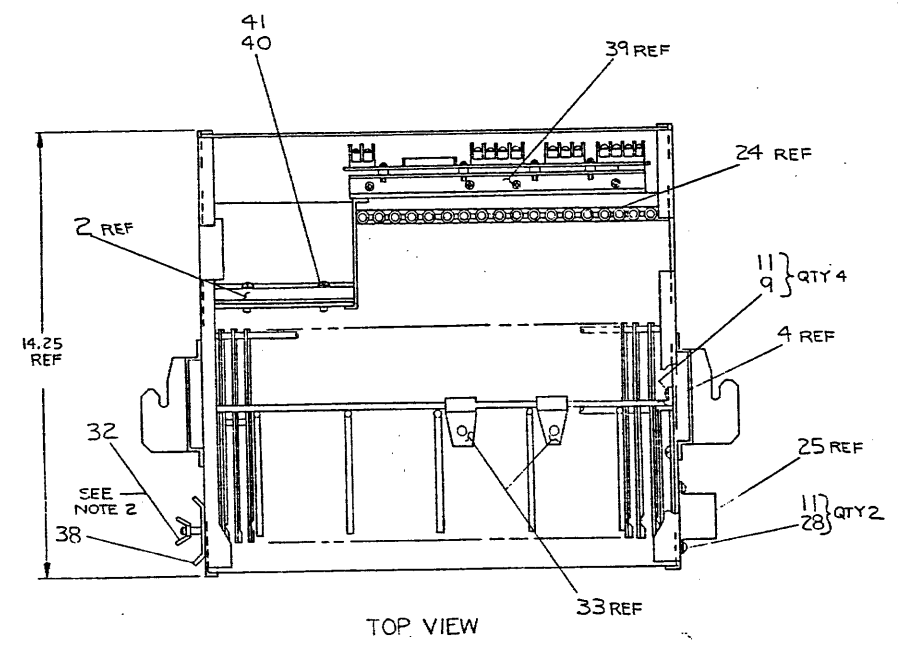
E.C.O. NO.	"THIS DRAWING AND SPECIFICATIONS, HEREIN, ARE THE PROPERTY OF DIGITAL EQUIPMENT CORPORATION AND SHALL NOT BE REPRODUCED OR COPIED OR USED IN WHOLE OR IN PART AS THE BASIS FOR THE MANUFACTURE OR SALE OF ITEMS WITHOUT WRITTEN PERMISSION. COPYRIGHT © DIGITAL EQUIPMENT CORPORATION"	TITLE	ASSY NO.	SIZE	CODE	NUMBER	REV.
		CENTRAL PROCESSOR ASSY	B-DD-KS10-PA	B	PL	KS10-PA-0	B
		SHEET 2 OF 3	INSERTION PARTS LIST DATA BASE REV				

THESE DRAWINGS AND SPECIFICATIONS, HEREIN, ARE THE PROPERTY OF DIGITAL EQUIPMENT CORPORATION AND SHALL NOT BE REPRODUCED OR COPIED IN WHOLE OR IN PART AS THE BASIS FOR THE MANUFACTURE OR SALE OF ITEMS WITHOUT WRITTEN PERMISSION. COPYRIGHT © 1978 DIGITAL EQUIPMENT CORPORATION

NOTES:

1. USE OF LPS#1 OR SIMILAR LUBRICANT ON REAR EDGE OF BLOWER (ITEM 6) WILL FACILITATE INSERTION & REMOVAL.
2. AFTER ASSEMBLY OF ITEM #32, DEFORM FIRST 4 THREADS OF STUD TO CAPTIVATE WING NUT.
3. REFER TO A-SP-KS10-PA-1 FOR BACKPLANE ALIGNMENT PROCEDURE.
4. REVISION B OF E-UA-KS10-PA-0 INCLUDES THE FOLLOWING CHANGES.

WIRE LIST DATA BASE	WITH BACKPLANE ASSY
FROM: K-WL-KS10-0-WL (REVISION D)	7014486 (WIRED)
TO: K-WL-7016206-0-DBW (REVISION B)	7016206 (ETCHED ITEM 39)



CAUTION:
FOR PARTS LIST SEE
B-PL-KS10-PA-0

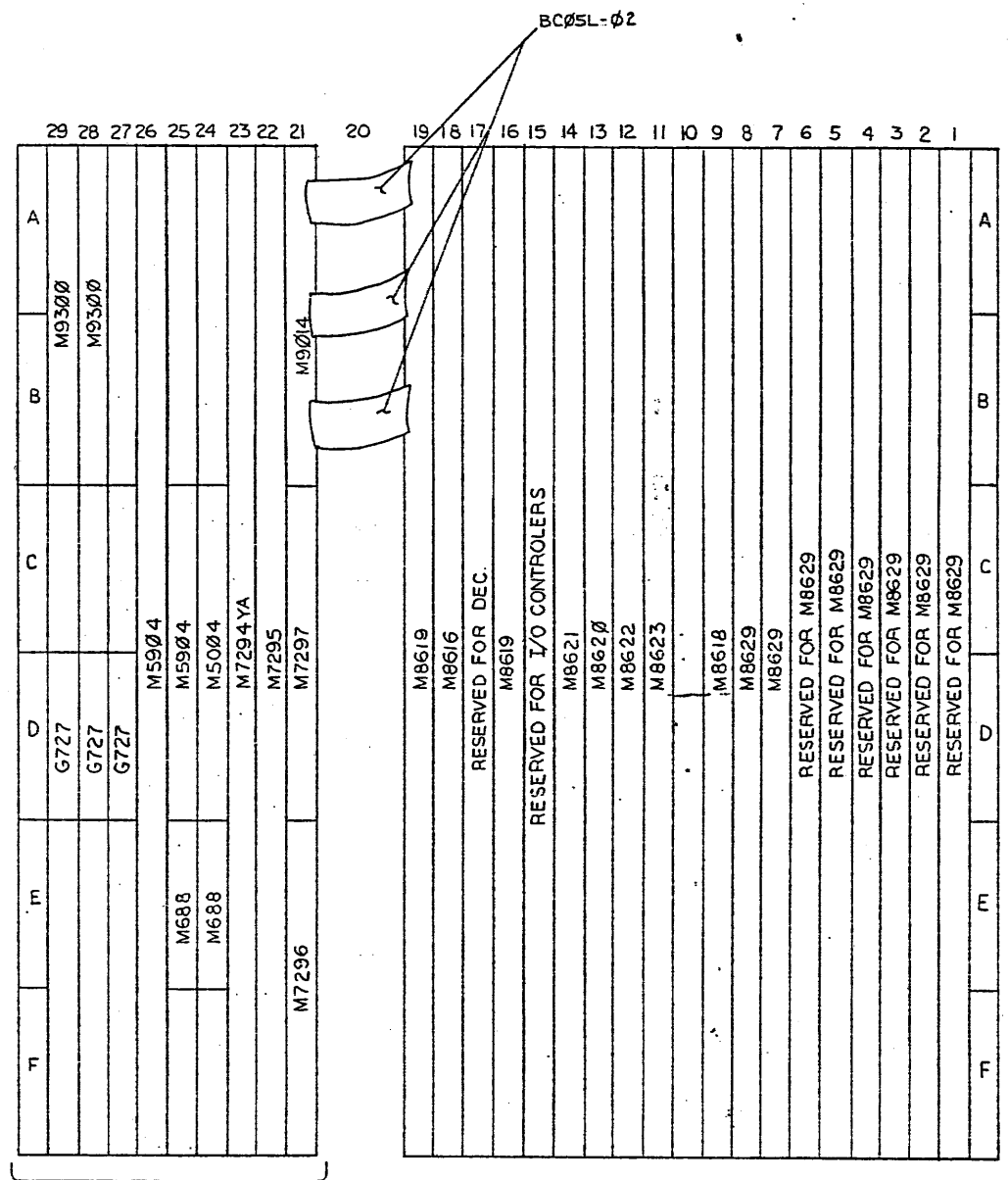
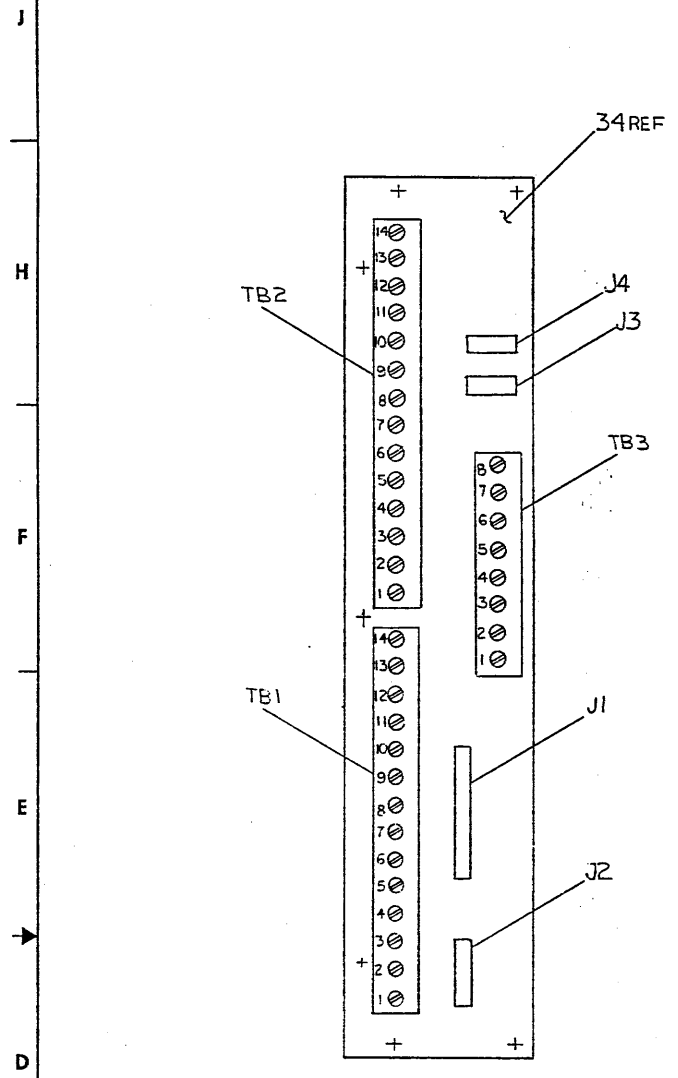
REV	DATE	BY	CHK'D
B	10/15/78	WSP	WSP
A	01/15/78	WSP	WSP

DESCRIPTION	DWG. PART NO.	ITEM NO.
UNLESS OTHERWISE SPECIFIED DIMENSIONS ARE IN INCHES		
ANGLES	CLASS OF ACCURACY	NOMINAL DIMENSION RANGE INCHES
SURFACE FINISH	QUALITY	
QUANTITY & VARIATION	MICROINCHES	
THIRD ANGLE PROJECTION	DRAWN BY	FIRST USED ON
REMOVE BURRS AND BREAK SHARP CORNERS	ENGR.	TITLE
DO NOT SCALE DWG	PROD. ENGR.	NUMBER
	NEXT HIGHER ASSY.	REV.
MATERIAL	D-11A-KS10-0-0	SCALE
FINISH	SEE PARTS LIST	1/2
		SHEET 1 OF 3

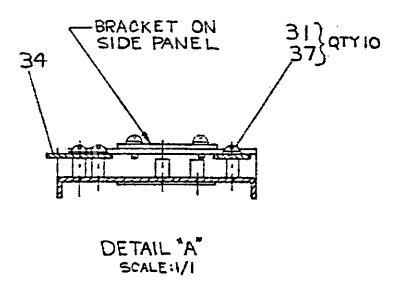
EUA-KS10-PA-0

A

THE DRAWING AND SPECIFICATION, SERIAL AND THE PROPERTY OF DIGITAL EQUIPMENT CORPORATION AND SHALL NOT BE REPRODUCED OR COPIED OR USED IN WHOLE OR IN PART AS THE BASIS FOR THE MANUFACTURE OR SALE OF ITEMS WITHOUT WRITTEN PERMISSION. COPYRIGHT © 1964, DIGITAL EQUIPMENT CORPORATION

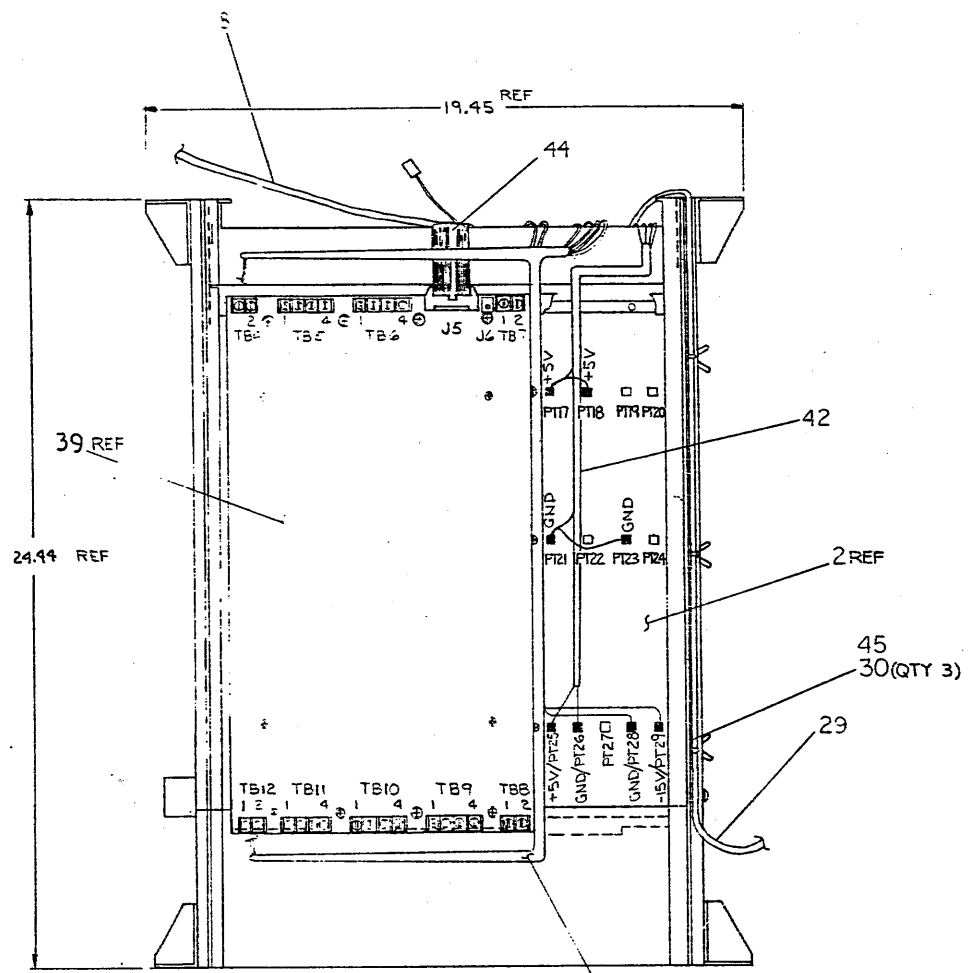


RH11
VIEWED FROM MODULE SIDE



REVISIONS		
CHK	CHANGE NO.	REV.

THIS DRAWING AND SPECIFICATIONS, HEREIN, ARE THE PROPERTY OF DIGITAL EQUIPMENT CORPORATION AND SHALL NOT BE REPRODUCED OR COPIED OR USED IN WHOLE OR IN PART AS THE BASIS FOR THE MANUFACTURE OR SALE OF ITEMS WITHOUT WRITTEN PERMISSION. COPYRIGHT © 1978, DIGITAL EQUIPMENT CORPORATION.



REAR VIEW

HARNESS CONNECTION CHART

ITEM NO.	HARNESS POINT	TERMINATION CONNECTOR	CONNECTION	WITH
43	1		TB12-2	
	2		TB12-1	
	3		TB11-1	
	4		TB11-2	
	5		TB11-3	
	6		TB11-4	
	7		TB10-1	
	8		TB10-2	
	9		TB9-1	
	10		TB9-2	
	11		TB9-3	
	12		TB9-4	
	13		TB8-1	
	14		TB8-2	
	15		TB7-2	
	16		TB7-1	
	17		TB6-4	
	18		TB6-3	
	19		TB6-2	
	20		TB6-1	
	21		TB5-4	
	22		TB5-3	
	23		TB5-2	
	24		TB5-1	
	25		TB4-2	
	26		TB4-1	
	27		TB2-13	
	28		TB2-14	
	29		TB2-12	
	30		TB2-11	
	31		TB2-10	
	32		TB2-9	
	33		TB2-8	
	34		TB2-7	
	35		TB2-6	
	36		TB2-5	
	37		TB2-4	
	38		TB2-3	
	39		TB2-2	
	40		TB2-1	
	41		TB1-14	
	42		TB1-13	
	43		TB1-12	
	44		TB1-11	
	45		TB1-10	
	46		TB1-9	
	47		TB1-8	
	48		TB1-7	
	49		TB1-6	
	50		TB1-5	
	51		TB1-4	
	52		TB1-3	
	53		PT-29	
	54		PT-28	
	55		PT-27	
	56		PT-26	

HARNESS CONNECTION CHART

ITEM NO.	HARNESS POINT	TERMINATION CONNECTOR	CONNECTION	WITH
	1		PT26	
	2		PT25	
	3		TB1-1	
	4		TB1-2	
	5		PT18	
	6		PT17	
	7		PT23	
	8		PT21	
	9		P2	J2
	10		P5	J5
	11		BLK	TB3-1
	12		RED	TB3-5
	13		GRN	TB3-6
	14		HEAT SENSOR P1	J4
	15		HEAT SENSOR P3	J3
	16		P1	J1
	17		TB2-14	
	18		TB2-13	
	19		TB2-12	
	20		TB2-11	
	21		TB2-10	
	22		TB2-9	
	23		TB2-8	
	24		TB2-7	
	25		TB2-6	
	26		TB2-5	
	27		TB3-8	
	28		TB3-7	
	29		TB2-4	
	30		TB2-3	
	31		TB2-2	
	32		TB2-1	
	33		TB3-3	
	34		TB3-2	
	35		TB1-14	
	36		TB1-13	
	37		TB1-12	
	38		TB1-11	
	39		TB1-10	
	40		TB1-9	
	41		TB1-8	
	42		TB1-7	
	43		TB1-6	
	44		TB1-5	
	45		TB1-4	
	46		TB1-3	
	47		TB1-2	
	48		TB1-1	

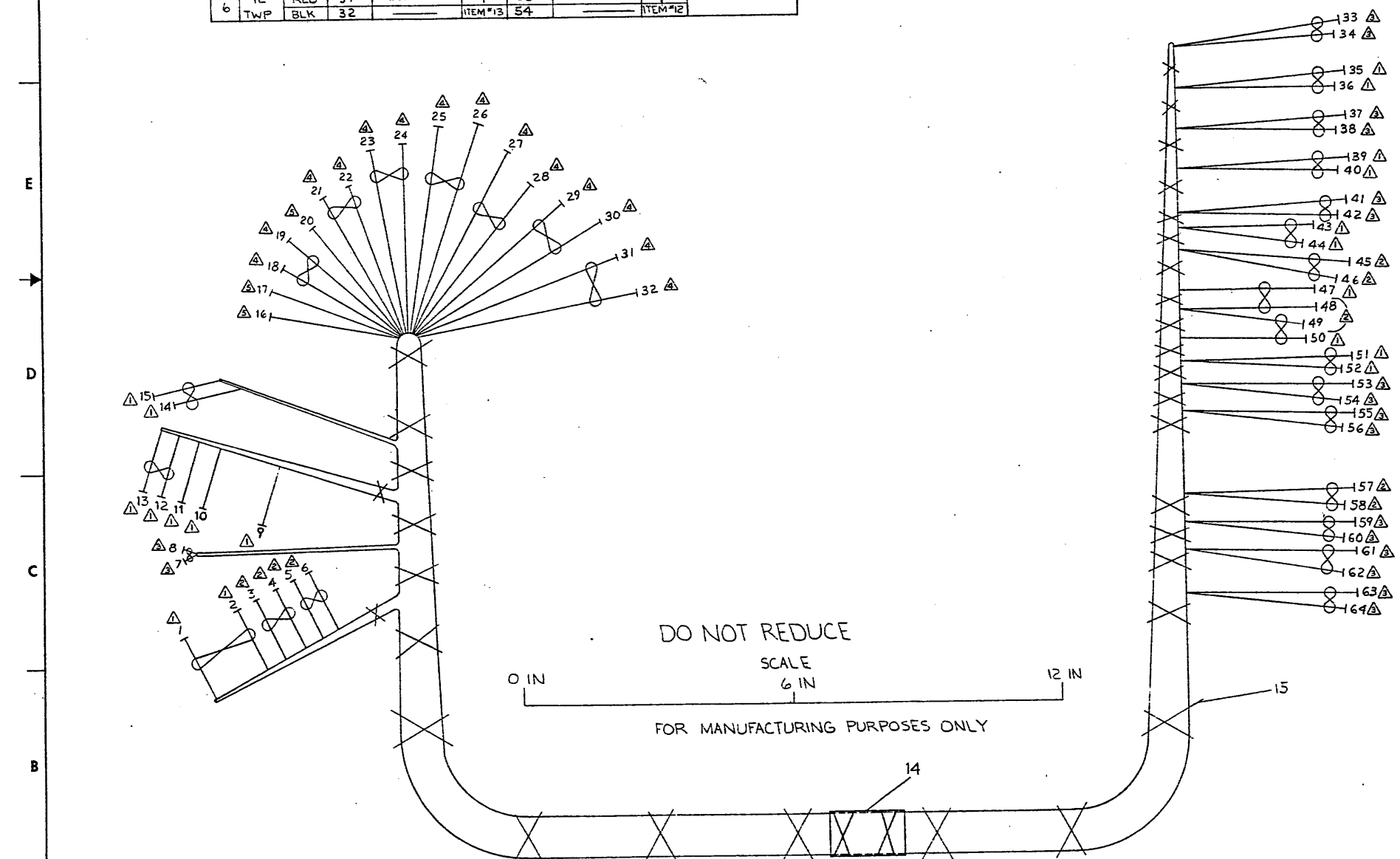
REV.	DATE	BY	CHK.	CHANGE NO.

KSI0-PA-0

THIS DRAWING AND SPECIFICATIONS, HEREIN, ARE THE PROPERTY OF BUNTA EQUIPMENT CORPORATION AND SHALL NOT BE REPRODUCED OR COPIED IN WHOLE OR IN PART OR BE LOANED FOR THE CONSTRUCTION OR SALE OF OTHER EQUIPMENT WITHOUT PERMISSION. COPYRIGHT © 1977 BUNTA EQUIPMENT CORPORATION

WIRE TABLE									
ITEM NO.	DESCRIPTION	COLOR	FROM			TO			REMARKS
			POINT	CONNECTION	WITH	POINT	CONNECTION	WITH	
1	18	BLK	2			34			
	TWP	ORN	7			35			
2	18	BLK	12			40			
	TWP	RED	13			39			
3	18	WHT	11			47			ITEM#10
	TWP	BLK	16			48			ITEM#11
8	18	BLK	17			49			
	TWP	YEL	10			50			ITEM#10
2	18	RED	9			43			ITEM#10
	TWP	BLK	20			44			ITEM#10
4	14	BLK	5			46			ITEM#11
	TWP	GRN	6			45			ITEM#11
5	14	BLK	3			56			ITEM#11
	TWP	BLU	4			57			ITEM#11
7	12	BLK	7			38			ITEM#12
	TWP	ORN	8			37			ITEM#12
2	18	BLK	14			52			ITEM#10
	TWP	RED	15			51			ITEM#10
6	12	RED	18			33			ITEM#12
	TWP	BLK	19			34			
6	12	RED	21			41			
	TWP	BLK	22			42			
6	12	RED	23			61			
	TWP	BLK	24			62			
6	12	BLK	25			64			
	TWP	RED	26			63			
6	12	BLK	27			56			
	TWP	RED	28			55			
6	12	RED	29			59			
	TWP	BLK	30			60			
6	12	RED	31			55			
	TWP	BLK	32			54			ITEM#12

NOTES:
1. USE TIE WRAPS (ITEMS 14 #15) APPROX. EVERY 3 INCHES AND AT EVERY BREAKOUT.



ITEM NO.	DESCRIPTION	QTY	PART NO.
X 34	CABLE TIE		9007880
1	LABEL CABLE IDENT.		9009532
14	TERMINAL RING TONGUE		9009696
18	TERMINAL SPRING LUG		1215051-02
9	TERMINAL SPRING LUG		1215051-01
19	TERMINAL SPRING LUG		1215051-00
3	TERMINAL RING TONGUE		9009637
18	AWG TWP BLK/YEL		9107430-04
12	AWG TWP BLK/ORN		9107798-03
12	AWG TWP BLK/RED		9107798-02
14	AWG TWP BLK/BLU		9107440-06
14	AWG TWP BLK/GRN		9107440-05
18	AWG TWP BLK/WHT		9107430-09
18	AWG TWP BLK/RED		9107430-02
18	AWG TWP BLK/ORN		9107430-03

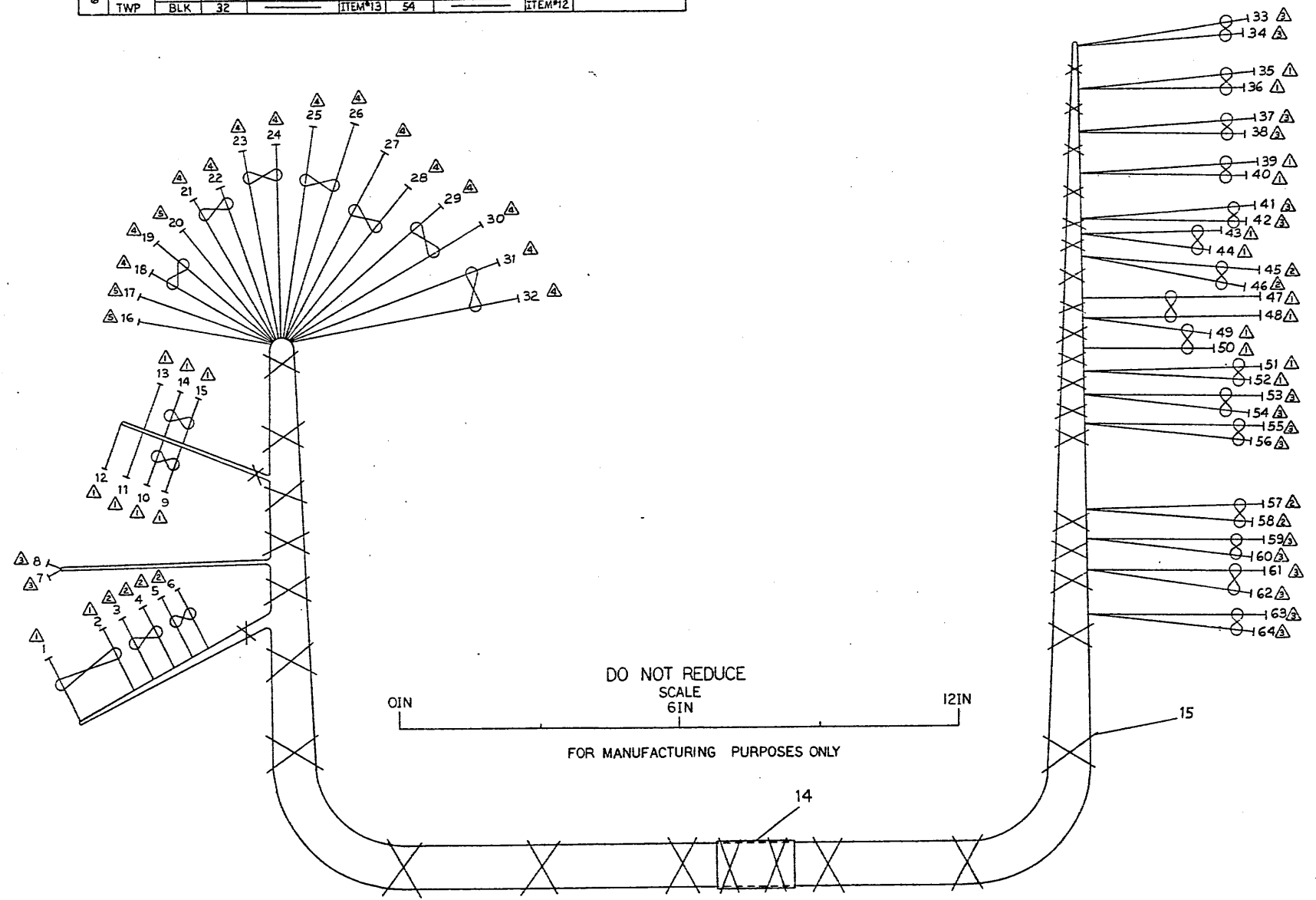
DRN: <i>[Signature]</i> CHKD: <i>[Signature]</i> ENGR: <i>[Signature]</i> PROJ. ENGR: <i>[Signature]</i> PROD. ENGR: <i>[Signature]</i>	FIRST USED ON: KS10 TITLE: HARNESS, MAIN DC. (NON UL) MATERIAL: D-UA-KS10-06 SCALE: 1/1 FINISH: <i>[Signature]</i>	PART NO.: 7015109-0-0 SHEET: 1 OF 1 DATE: <i>[Signature]</i>
---	--	--

REV	DESCRIPTION
1	INITIAL DESIGN
2	REVISED

THE DRAWING AND SPECIFICATIONS HEREBY ARE THE PROPERTY OF MILITARY ELECTRONIC CORPORATION AND SHALL NOT BE REPRODUCED OR COPIED IN WHOLE OR IN PART AS THE BASIS FOR THE MANUFACTURE OR SALE OF EQUIPMENT WITHOUT WRITTEN PERMISSION. MILITARY ELECTRONIC CORPORATION © 1978

ITEM NO.	DESCRIPTION	AWG	COLOR	FROM		TO		REMARKS
				POINT	CONNECTION WITH	POINT	CONNECTION WITH	
1	18 TWP	BLK	2	ITEM#10	36			
		ORN	1		35			
2	18 TWP	BLK	10		40			
		RED	3		39			
3	18 TWP	GRN	11	ITEM#10	47			
		BLK	16	ITEM#9	48			
8	18 TWP	BLK	17	ITEM#9	49			
		YEL	12	ITEM#10	50			
2	18 TWP	RED	13	ITEM#10	43			
		BLK	20	ITEM#9	44		ITEM#10	
4	14 TWP	BLK	5	ITEM#11	46		ITEM#11	
		GRN	6	ITEM#11	45			
5	14 TWP	BLK	3	ITEM#11	58			
		BLU	4	ITEM#11	57		ITEM#11	
7	12 TWP	BLK	7	ITEM#12	38		ITEM#12	
		ORN	8	ITEM#12	37		ITEM#12	
2	18 TWP	BLK	14	ITEM#10	52		ITEM#10	
		RED	15	ITEM#10	51		ITEM#10	
6	12 TWP	RED	18	ITEM#13	33		ITEM#12	
		BLK	19		34			
6	12 TWP	RED	21		41			
		BLK	22		42			
6	12 TWP	RED	23		41			
		BLK	24		62			
6	12 TWP	BLK	25		64			
		RED	26		63			
6	12 TWP	BLK	27		56			
		RED	28		55			
6	12 TWP	RED	29		59			
		BLK	30		60			
6	12 TWP	RED	31		53			
		BLK	32	ITEM#13	54		ITEM#12	

NOTES:
1. USE TIE WRAPS (ITEMS 14 & 15) APPROX. EVERY 3 INCHES AND AT EVERY BREAKOUT.

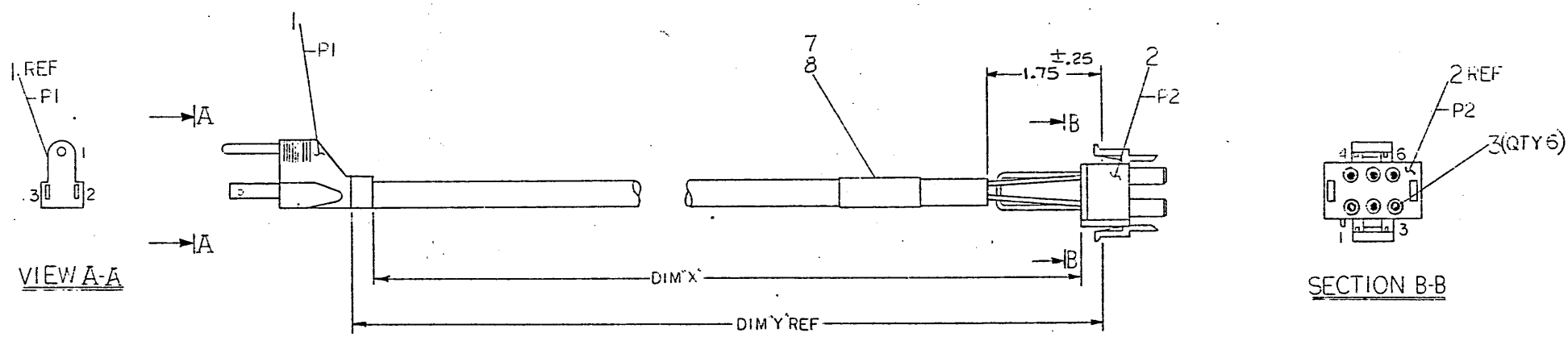


X 34	CABLE TIE	9007880	15	
1	LABEL CABLE IDENT	9009532	14	
14	TERMINAL, RING TONGUE	9009696	13	
8	TERMINAL, SPRING LUG	1215051-02	12	
8	TERMINAL, SPRING LUG	1215051-01	11	
21	TERMINAL, SPRING LUG	1215051-00	10	
3	TERMINAL, RING TONGUE	9009637	9	
AR	18 AWG STRD	BLK/YEL	9107430-04	8
AR	12 AWG STRD	BLK/ORN	9107798-03	7
AR	12 AWG STRD	BLK/RED	9107798-02	6
AR	14 AWG TWP	BLK/BLU	9107440-06	5
AR	14 AWG TWP	BLK/GRN	9107440-05	4
AR	18 AWG TWP	BLK/GRN	9107430-05	3
AR	18 AWG TWP	BLK/RED	9107430-02	2
AR	18 AWG TWP	BLK/ORN	9107430-03	1

SYMBOLS	QUANTITY & VARIATION	DESCRIPTION		DWG. PART NO.	ITEM NO.
		UNLESS OTHERWISE SPECIFIED DIMENSIONS ARE IN INCHES	NOMINAL DIMENSIONS		
ANGLE 45°	ANGLE 90°	ANGLE 135°	ANGLE 180°	ANGLE 225°	ANGLE 270°
ANGLE 315°	ANGLE 360°	ANGLE 405°	ANGLE 450°	ANGLE 500°	ANGLE 540°
ANGLE 585°	ANGLE 630°	ANGLE 675°	ANGLE 720°	ANGLE 765°	ANGLE 810°
ANGLE 855°	ANGLE 900°	ANGLE 945°	ANGLE 990°	ANGLE 1035°	ANGLE 1080°
ANGLE 1125°	ANGLE 1170°	ANGLE 1215°	ANGLE 1260°	ANGLE 1305°	ANGLE 1350°
ANGLE 1425°	ANGLE 1470°	ANGLE 1515°	ANGLE 1560°	ANGLE 1605°	ANGLE 1650°
ANGLE 1725°	ANGLE 1770°	ANGLE 1815°	ANGLE 1860°	ANGLE 1905°	ANGLE 1950°
ANGLE 2025°	ANGLE 2070°	ANGLE 2115°	ANGLE 2160°	ANGLE 2205°	ANGLE 2250°
ANGLE 2325°	ANGLE 2370°	ANGLE 2415°	ANGLE 2460°	ANGLE 2505°	ANGLE 2550°
ANGLE 2625°	ANGLE 2670°	ANGLE 2715°	ANGLE 2760°	ANGLE 2805°	ANGLE 2850°
ANGLE 2925°	ANGLE 2970°	ANGLE 3015°	ANGLE 3060°	ANGLE 3105°	ANGLE 3150°
ANGLE 3225°	ANGLE 3270°	ANGLE 3315°	ANGLE 3360°	ANGLE 3405°	ANGLE 3450°
ANGLE 3525°	ANGLE 3570°	ANGLE 3615°	ANGLE 3660°	ANGLE 3705°	ANGLE 3750°
ANGLE 3825°	ANGLE 3870°	ANGLE 3915°	ANGLE 3960°	ANGLE 4005°	ANGLE 4050°
ANGLE 4125°	ANGLE 4170°	ANGLE 4215°	ANGLE 4260°	ANGLE 4305°	ANGLE 4350°
ANGLE 4425°	ANGLE 4470°	ANGLE 4515°	ANGLE 4560°	ANGLE 4605°	ANGLE 4650°
ANGLE 4725°	ANGLE 4770°	ANGLE 4815°	ANGLE 4860°	ANGLE 4905°	ANGLE 4950°
ANGLE 5025°	ANGLE 5070°	ANGLE 5115°	ANGLE 5160°	ANGLE 5205°	ANGLE 5250°
ANGLE 5325°	ANGLE 5370°	ANGLE 5415°	ANGLE 5460°	ANGLE 5505°	ANGLE 5550°
ANGLE 5625°	ANGLE 5670°	ANGLE 5715°	ANGLE 5760°	ANGLE 5805°	ANGLE 5850°
ANGLE 5925°	ANGLE 5970°	ANGLE 6015°	ANGLE 6060°	ANGLE 6105°	ANGLE 6150°
ANGLE 6225°	ANGLE 6270°	ANGLE 6315°	ANGLE 6360°	ANGLE 6405°	ANGLE 6450°
ANGLE 6525°	ANGLE 6570°	ANGLE 6615°	ANGLE 6660°	ANGLE 6705°	ANGLE 6750°
ANGLE 6825°	ANGLE 6870°	ANGLE 6915°	ANGLE 6960°	ANGLE 7005°	ANGLE 7050°
ANGLE 7125°	ANGLE 7170°	ANGLE 7215°	ANGLE 7260°	ANGLE 7305°	ANGLE 7350°
ANGLE 7425°	ANGLE 7470°	ANGLE 7515°	ANGLE 7560°	ANGLE 7605°	ANGLE 7650°
ANGLE 7725°	ANGLE 7770°	ANGLE 7815°	ANGLE 7860°	ANGLE 7905°	ANGLE 7950°
ANGLE 8025°	ANGLE 8070°	ANGLE 8115°	ANGLE 8160°	ANGLE 8205°	ANGLE 8250°
ANGLE 8325°	ANGLE 8370°	ANGLE 8415°	ANGLE 8460°	ANGLE 8505°	ANGLE 8550°
ANGLE 8625°	ANGLE 8670°	ANGLE 8715°	ANGLE 8760°	ANGLE 8805°	ANGLE 8850°
ANGLE 8925°	ANGLE 8970°	ANGLE 9015°	ANGLE 9060°	ANGLE 9105°	ANGLE 9150°
ANGLE 9225°	ANGLE 9270°	ANGLE 9315°	ANGLE 9360°	ANGLE 9405°	ANGLE 9450°
ANGLE 9525°	ANGLE 9570°	ANGLE 9615°	ANGLE 9660°	ANGLE 9705°	ANGLE 9750°
ANGLE 9825°	ANGLE 9870°	ANGLE 9915°	ANGLE 9960°	ANGLE 10005°	ANGLE 10050°
ANGLE 10125°	ANGLE 10170°	ANGLE 10215°	ANGLE 10260°	ANGLE 10305°	ANGLE 10350°
ANGLE 10425°	ANGLE 10470°	ANGLE 10515°	ANGLE 10560°	ANGLE 10605°	ANGLE 10650°
ANGLE 10725°	ANGLE 10770°	ANGLE 10815°	ANGLE 10860°	ANGLE 10905°	ANGLE 10950°
ANGLE 11025°	ANGLE 11070°	ANGLE 11115°	ANGLE 11160°	ANGLE 11205°	ANGLE 11250°
ANGLE 11325°	ANGLE 11370°	ANGLE 11415°	ANGLE 11460°	ANGLE 11505°	ANGLE 11550°
ANGLE 11625°	ANGLE 11670°	ANGLE 11715°	ANGLE 11760°	ANGLE 11805°	ANGLE 11850°
ANGLE 11925°	ANGLE 11970°	ANGLE 12015°	ANGLE 12060°	ANGLE 12105°	ANGLE 12150°
ANGLE 12225°	ANGLE 12270°	ANGLE 12315°	ANGLE 12360°	ANGLE 12405°	ANGLE 12450°
ANGLE 12525°	ANGLE 12570°	ANGLE 12615°	ANGLE 12660°	ANGLE 12705°	ANGLE 12750°
ANGLE 12825°	ANGLE 12870°	ANGLE 12915°	ANGLE 12960°	ANGLE 13005°	ANGLE 13050°
ANGLE 13125°	ANGLE 13170°	ANGLE 13215°	ANGLE 13260°	ANGLE 13305°	ANGLE 13350°
ANGLE 13425°	ANGLE 13470°	ANGLE 13515°	ANGLE 13560°	ANGLE 13605°	ANGLE 13650°
ANGLE 13725°	ANGLE 13770°	ANGLE 13815°	ANGLE 13860°	ANGLE 13905°	ANGLE 13950°
ANGLE 14025°	ANGLE 14070°	ANGLE 14115°	ANGLE 14160°	ANGLE 14205°	ANGLE 14250°
ANGLE 14325°	ANGLE 14370°	ANGLE 14415°	ANGLE 14460°	ANGLE 14505°	ANGLE 14550°
ANGLE 14625°	ANGLE 14670°	ANGLE 14715°	ANGLE 14760°	ANGLE 14805°	ANGLE 14850°
ANGLE 14925°	ANGLE 14970°	ANGLE 15015°	ANGLE 15060°	ANGLE 15105°	ANGLE 15150°
ANGLE 15225°	ANGLE 15270°	ANGLE 15315°	ANGLE 15360°	ANGLE 15405°	ANGLE 15450°
ANGLE 15525°	ANGLE 15570°	ANGLE 15615°	ANGLE 15660°	ANGLE 15705°	ANGLE 15750°
ANGLE 15825°	ANGLE 15870°	ANGLE 15915°	ANGLE 15960°	ANGLE 16005°	ANGLE 16050°
ANGLE 16125°	ANGLE 16170°	ANGLE 16215°	ANGLE 16260°	ANGLE 16305°	ANGLE 16350°
ANGLE 16425°	ANGLE 16470°	ANGLE 16515°	ANGLE 16560°	ANGLE 16605°	ANGLE 16650°
ANGLE 16725°	ANGLE 16770°	ANGLE 16815°	ANGLE 16860°	ANGLE 16905°	ANGLE 16950°
ANGLE 17025°	ANGLE 17070°	ANGLE 17115°	ANGLE 17160°	ANGLE 17205°	ANGLE 17250°
ANGLE 17325°	ANGLE 17370°	ANGLE 17415°	ANGLE 17460°	ANGLE 17505°	ANGLE 17550°
ANGLE 17625°	ANGLE 17670°	ANGLE 17715°	ANGLE 17760°	ANGLE 17805°	ANGLE 17850°
ANGLE 17925°	ANGLE 17970°	ANGLE 18015°	ANGLE 18060°	ANGLE 18105°	ANGLE 18150°
ANGLE 18225°	ANGLE 18270°	ANGLE 18315°	ANGLE 18360°	ANGLE 18405°	ANGLE 18450°
ANGLE 18525°	ANGLE 18570°	ANGLE 18615°	ANGLE 18660°	ANGLE 18705°	ANGLE 18750°
ANGLE 18825°	ANGLE 18870°	ANGLE 18915°	ANGLE 18960°	ANGLE 19005°	ANGLE 19050°
ANGLE 19125°	ANGLE 19170°	ANGLE 19215°	ANGLE 19260°	ANGLE 19305°	ANGLE 19350°
ANGLE 19425°	ANGLE 19470°	ANGLE 19515°	ANGLE 19560°	ANGLE 19605°	ANGLE 19650°
ANGLE 19725°	ANGLE 19770°	ANGLE 19815°	ANGLE 19860°	ANGLE 19905°	ANGLE 19950°
ANGLE 20025°	ANGLE 20070°	ANGLE 20115°	ANGLE 20160°	ANGLE 20205°	ANGLE 20250°
ANGLE 20325°	ANGLE 20370°	ANGLE 20415°	ANGLE 20460°	ANGLE 20505°	ANGLE 20550°
ANGLE 20625°	ANGLE 20670°	ANGLE 20715°	ANGLE 20760°	ANGLE 20805°	ANGLE 20850°
ANGLE 20925°	ANGLE 20970°	ANGLE 21015°	ANGLE 21060°	ANGLE 21105°	ANGLE 21150°
ANGLE 21225°	ANGLE 21270°	ANGLE 21315°	ANGLE 21360°	ANGLE 21405°	ANGLE 21450°
ANGLE 21525°	ANGLE 21570°	ANGLE 21615°	ANGLE 21660°	ANGLE 21705°	ANGLE 21750°
ANGLE 21825°	ANGLE 21870°	ANGLE 21915°	ANGLE 21960°	ANGLE 22005°	ANGLE 22050°
ANGLE 22125°	ANGLE 22170°	ANGLE 22215°	ANGLE 22260°	ANGLE 22305°	ANGLE 22350°
ANGLE 22425°	ANGLE 22470°	ANGLE 22515°	ANGLE 22560°	ANGLE 22605°	ANGLE 22650°
ANGLE 22725°	ANGLE 22770°	ANGLE 22815°	ANGLE 22860°	ANGLE 22905°	ANGLE 22950°
ANGLE 23025°	ANGLE 23070°	ANGLE 23115°	ANGLE 23160°	ANGLE 23205°	ANGLE 23250°
ANGLE 23325°	ANGLE 23370°	ANGLE 23415°	ANGLE 23460°	ANGLE 23505°	ANGLE 23550°
ANGLE 23625°	ANGLE 23670°	ANGLE 23715°	ANGLE 23760°	ANGLE 23805°	ANGLE 23850°
ANGLE 23925°	ANGLE 23970°	ANGLE 24015°	ANGLE 24060°	ANGLE 24105°	ANGLE 24150°
ANGLE 24225°	ANGLE 24270°	ANGLE 24315°	ANGLE 24360°	ANGLE 24405°	ANGLE 24450°
ANGLE 24525°	ANGLE 24570°	ANGLE 24615°	ANGLE 24660°	ANGLE 24705°	ANGLE 24750°
ANGLE 24825°	ANGLE 24870°	ANGLE 24915°	ANGLE 24960°	ANGLE 25005°	ANGLE 25050°
ANGLE 25125°	ANGLE 25170°	ANGLE 25215°	ANGLE 25260°	ANGLE 25305°	ANGLE 25350°
ANGLE 25425°	ANGLE 25470°	ANGLE 25515°	ANGLE 25560°	ANGLE 25605°	ANGLE 25650°
ANGLE 25725°	ANGLE 25770°	ANGLE 25815°	ANGLE 25860°	ANGLE 25905°	ANGLE 25950°
ANGLE 26025°	ANGLE 26070°	ANGLE 26115°	ANGLE 26160°	ANGLE 26205°	ANGLE 26250°
ANGLE 26325°	ANGLE 26370°	ANGLE 26415°	ANGLE 26460°	ANGLE 26505°	ANGLE 26550°
ANGLE 26625°	ANGLE 26670°	ANGLE 26715°	ANGLE 26760°	ANGLE 26805°	ANGLE 26850°
ANGLE 26925°	ANGLE 26970°	ANGLE 27015°	ANGLE 27060°	ANGLE 27105°	ANGLE 27150°
ANGLE 27225°	ANGLE 27270°	ANGLE 27315°	ANGLE 27360°	ANGLE 27405°	ANGLE 27450°
ANGLE 27525°	ANGLE 27570°	ANGLE 27615°	ANGLE 27660°	ANGLE 27705°	ANGLE 27750°
ANGLE 27825°	ANGLE 27870°	ANGLE 27915°	ANGLE 27960°	ANGLE 28005°	ANGLE 28050°
ANGLE 28125°	ANGLE 28170°	ANGLE 28215°	ANGLE 28260°	ANGLE 28305°	ANGLE 28350°
ANGLE 28425°	ANGLE 28470°	ANGLE 28515°	ANGLE 28560°	ANGLE 28605°	ANGLE 28650°
ANGLE 28725°	ANGLE 28770°	ANGLE 28815°	ANGLE 28860°	ANGLE 28905°	ANGLE 28950°
ANGLE 29025°	ANGLE 29070°	ANGLE 29115°	ANGLE 29160°	ANGLE 29205°	ANGLE 29250°
ANGLE 29325°	ANGLE 2				

THIS DRAWING AND SPECIFICATIONS HEREIN ARE THE PROPERTY OF DIGITAL EQUIPMENT CORPORATION AND SHALL NOT BE REPRODUCED, COPIED OR USED IN WHOLE OR IN PART AS THE BASIS FOR THE MANUFACTURE OR SALE OF ITEMS WITHOUT WRITTEN PERMISSION.
COPYRIGHT © 1977, DIGITAL EQUIPMENT CORPORATION

WIRE TABLE							LEGEND		
ITEM NO	AWG	COLOR	CONN WITH	CONN WITH	REMARKS	NUMBER	DIM X VARIATION	DIM Y (PRECUT) REF	REMARKS
1	18	GRN	P1-1	P2-3	253	7014323-16	±.50 IN	6FT-5IN ±.3IN	
1	18	BROWN	P1-2	P2-1	253	7014323-13	±.50 IN	6FT-5IN ±.3IN	
1	18	BLUE	P1-3						
4	18	BLUE	P2-4	253	P2-2	253			JUMPER 3/16
5	18	RED	P2-5	253	P2-6	253			JUMPER 3/16



DESCRIPTION	DWG. PART NO.	ITEM NO.
1 LABEL, CABLE IDENT.	9009532	3
1 TIE, CABLE	9007031	1
1 CONTACT, SOCKET	1212170-02	3
AW WIRE 18 AWG RED	9107360-22	3
AW WIRE 18 AWG BLUE	9107360-66	4
5 CONTACT, SOCKET	1212170-00	3
1 CONNECTOR UNIVERSAL	1212167-06	2
1 POWER CORD	1700043-01	1

QUANTITY & VARIATION	UNLESS OTHERWISE SPECIFIED DIMENSIONS ARE IN INCHES						
	ANGLES 10°-30°	CLASS OF ACCURACY	NOMINAL DIMENSION RANGE INCHES				
SURFACE QUALITY IN	CHECK ONE	OVER 3	OVER 3 TO 4	OVER 4 TO 6	OVER 6 TO 12	OVER 12 TO 40	OVER 40 TO 80
		0.2	0.2	0.2	0.2	0.2	0.2
MICROINCHES	PREFERRED	2.004	2.008	2.012	2.018	2.024	2.04
		0.012	0.018	0.025	0.04	0.06	0.1

REV.	CHANGE NO.	DESCRIPTION
1		ARTIST
2		17014323-01
3		FIXED (CL)

THIRD ANGLE PROJECTION

REMOVE BURRS AND BREAK SHARP CORNERS

DO NOT SCALE DWG

MATERIAL SEE PARTS LIST

FINISH

DRN. *[Signature]* 11/1/77

CHK'D. *[Signature]* 12/1/77

ENG. *[Signature]* 12/1/77

PROJ. ENG. *[Signature]* 12/1/77

PROD. *[Signature]* 12/1/77

NEXT HIGHER ASSY.

E-LA-11770

SCALE NONE

SHEET 1 OF 1

FIRST USED ON PPE11770

TITLE POWER CORD ASSEMBLY (FAN 115V)

SIZE CODE NUMBER REV. D IA 7014323-0-C 6

DIST.

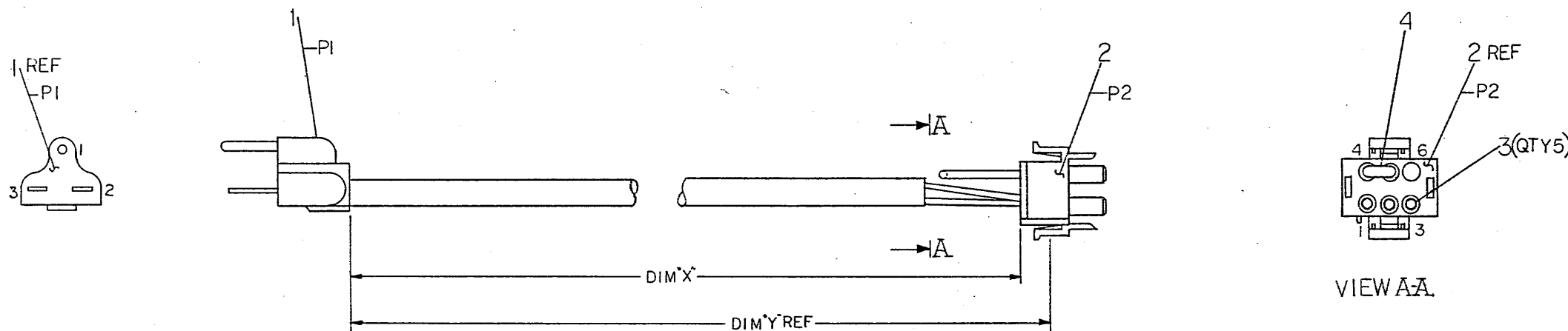
THIS DRAWING AND SPECIFICATIONS, HEREIN, ARE THE PROPERTY OF DIGITAL EQUIPMENT CORPORATION AND SHALL NOT BE REPRODUCED OR COPIED OR USED IN WHOLE OR IN PART AS THE BASIS FOR THE MANUFACTURE OR SALE OF ITEMS WITHOUT WRITTEN PERMISSION.
 COPYRIGHT © 1977, DIGITAL EQUIPMENT CORPORATION

WIRE TABLE

ITEM NO	DESCRIPTION	FROM	TO	REMARKS
1	18 GRN/YEL	P1-1	P2-3	3
	18 BROWN	P1-2	P2-1	
	18 BLUE	P1-3	P2-2	
4	18 RED	P2-4	P2-5	3.0IN REF

LEGEND

NUMBER	DIM X VARIATION	DIM Y (PRECUT) REF	REMARKS
7014324-06	6FT-0IN ±.5IN	6FT-5IN ±.5IN	
7014324-03	3FT-4IN ±.1IN	3FT 5IN ±.1IN	



DESCRIPTION	DWG./PART NO.	ITEM NO.
18 WIRE 18AWG STRD RED	9107360-22	4
5 SKT, 14-20 AWG UNIVERSAL	1212170-00	3
1 PLUG, 6PIN HOUSING	1212167-06	2
1 POWER CORD (240V)	1700043-00	1

UNLESS OTHERWISE SPECIFIED DIMENSIONS ARE IN INCHES						
ANGLES ±0° 30'	CLASS OF ACCURACY	NOMINAL DIMENSION RANGE INCHES				
		OVER 0 TO 1.2	OVER 1.2 TO 4.0	OVER 4.0 TO 12.0	OVER 12.0 TO 30.0	OVER 30.0 TO 80.0
SURFACE QUALITY IN	CHECK ONE	±.004	±.008	±.012	±.016	±.020
MEDIUM	<input checked="" type="checkbox"/>					
MICROMETRES	PREFERRED	±.012	±.018	±.025	±.04	±.06

THIRD ANGLE PROJECTION

REMOVE BURRS AND BREAK SHARP CORNERS

DO NOT SCALE DWG

MATERIAL SEE PARTS LIST

FINISH

DRN: *[Signature]* 1/18/77

CHK: *[Signature]* 6/20/77

ENG: *[Signature]* 6/20/77

PROJ. ENG: *[Signature]* 6/20/77

PROD. *[Signature]* 6/20/77

QUANTITY & VARIATION

FIRST USED ON PDP11/780

TITLE POWER CORD ASSEMBLY (FAN 230V)

SIZE D

CODE IA

NUMBER 7014324-0-0

REV. A

SHEET 1 OF 1

DIST.

IA 7014324-0-0

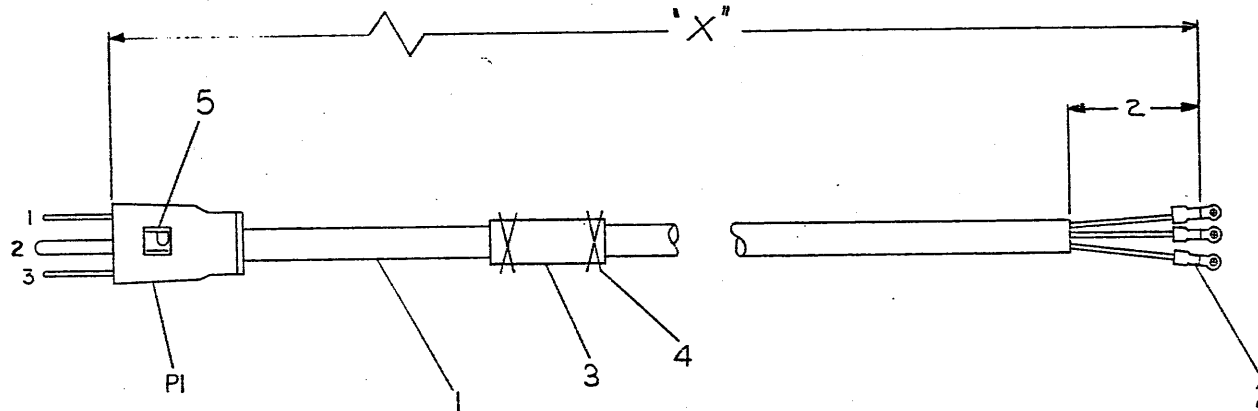
REV.	CHANGE NO.	DATE	BY
1	1	1/18/77	F. DOLL

"THIS DRAWING AND SPECIFICATIONS, HEREIN, ARE THE PROPERTY OF DIGITAL EQUIPMENT CORPORATION AND SHALL NOT BE REPRODUCED OR COPIED OR USED IN WHOLE OR IN PART AS THE BASIS FOR THE MANUFACTURE OR SALE OF ITEMS WITHOUT WRITTEN PERMISSION.
 COPYRIGHT © 1977, DIGITAL EQUIPMENT CORPORATION"

ITEM NO.	DESCRIPTION		FROM		TO	
	AWG	COLOR	CONNECTION	WITH	CONNECTION	WITH
1	14	BLU	P1-1	---	---	2
	14	GRN/YEL	P1-2	---	---	2
	14	BRN	P1-3	---	---	2

LEGEND	
NUMBER	DIM 'X'
7015137-0-0	5 FEET

NOTES:
 1. REWORK ITEM*1 BY CUTTING RECEPTACLE (FEMALE) OFF AND STRIPPING BACK OUTER INSULATION 2 INCHES.



1	DECAL (P1)	A-DC-7409872-1-0	5
2	TIE, CABLE	9007880	4
1	LABEL, CABLE IDENT.	9009532	3
3	TERM RING INSULATED 16-14AWG	9007928	2
1	PWR. CORD 60HZ	9107673-06	1

DESCRIPTION	DWG/PART NO.	ITEM NO.
UNLESS OTHERWISE SPECIFIED DIMENSIONS ARE IN INCHES		
ANGLES	CLASS OF ACCURACY	NOMINAL DIMENSION RANGE INCHES
30° 30'	MEDIUM	OVER 0 TO 1.0
SURFACE QUALITY IN		OVER 1.0 TO 12.0
	OVER 12.0 TO 40.0	
	OVER 40.0 TO 80.0	
QUANTITY & VARIATION	MICROMETRES	PREFERRED
	PRECISION	PRECISION

THIRD ANGLE PROJECTION	DRN. P. Olson 20SEP77	FIRST USED ON	KS10
REMOVE BURRS AND BREAK SHARP CORNERS	CHK'D P. H. L. 5 OCT 77	TITLE	CORD, POWER SUPPLY (60HZ)
DO NOT SCALE DWG	ENG. P. Olson 13 DEC 77	SCALE	NONE
MATERIAL SEE PARTS LIST	PROL. ENG. P. Olson 15 DEC 77	SIZE	D
FINISH NONE	PRD. P. Olson 14 JAN 78	NUMBER	7015137-0-0
	NEXT HIGHER ASSY.	REV.	

DIGITAL 7015137-0-0

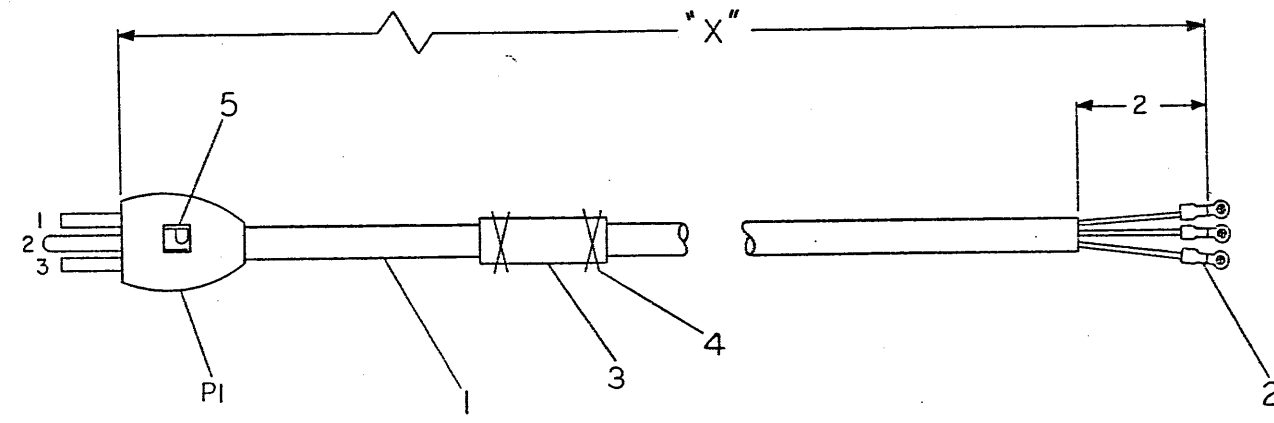
REVISIONS	REV.
CHANGE NO.	
CHK	

DEC FORM NO. 108 1962

"THIS DRAWING AND SPECIFICATIONS, HEREIN, ARE THE PROPERTY OF DIGITAL EQUIPMENT CORPORATION AND SHALL NOT BE REPRODUCED OR COPIED OR USED IN WHOLE OR IN PART AS THE BASIS FOR THE MANUFACTURE OR SALE OF ITEMS WITHOUT WRITTEN PERMISSION. COPYRIGHT © 1977, DIGITAL EQUIPMENT CORPORATION"

WIRE TABLE						
ITEM NO.	DESCRIPTION		FROM		TO	
	AWG	COLOR	CONNECTION	WITH	CONNECTION	WITH
1	18	BLU	PI-1	---	---	2
	18	GRN/YEL	PI-2	---	---	2
	18	BRN	PI-3	---	---	2

LEGEND	
NUMBER	DIM "X"
7015325-0-0	5 FEET



DESCRIPTION	DWG. PART NO.	ITEM NO.
1 DECAL (PI)	A-DC-740987L-1-0	5
2 TIE, CABLE	9007880	4
1 LABEL, CABLE IDENT	9009532	3
3 TERM. RING INSLTD 22-16 AWG	9007929	2
1 PWR. CORD, 50 HZ	1700016-06	1

UNLESS OTHERWISE SPECIFIED DIMENSIONS ARE IN INCHES	
ANGLES 30° 30'	CLASS OF ACCURACY
SURFACE QUALITY IN	(CHECK ONE)
FINISH	PREFERRED

THIRD ANGLE PROJECTION	DRN. <i>B. A. Hulse</i> 13-DEC-77	FIRST USED ON	KSIØ
REMOVE BURRS AND BREAK SHARP CORNERS	CHK'D <i>J. Huson</i> 11-6-78	TITLE	CORD, POWER SUPPLY (50HZ)
DO NOT SCALE DWG	ENG. <i>F. Sigel</i> 12-20-78	SIZE	D
MATERIAL SEE PARTS LIST	PROD. <i>B. A. Hulse</i> 1-15-78	SCALE	NONE
FINISH NONE	NEXT HIGHER ASSY.	NUMBER	7015325-0-0
		REV.	

REV.	CHANGE NO.

DEC FORM NO. 100-2

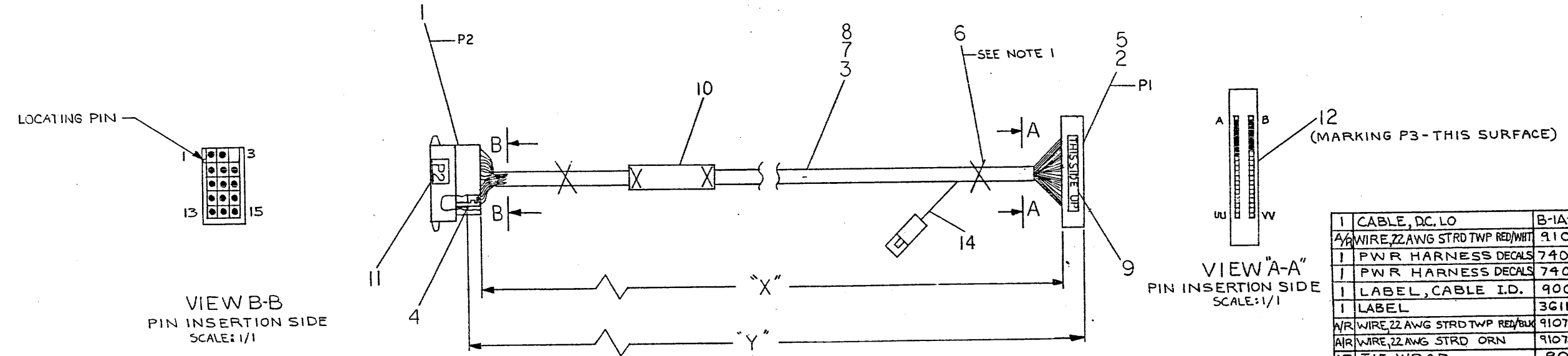
DIGITAL 7015325-0-0

"THIS DRAWING AND SPECIFICATIONS, HEREIN, ARE THE PROPERTY OF DIGITAL EQUIPMENT CORPORATION AND SHALL NOT BE REPRODUCED OR COPIED OR USED IN WHOLE OR IN PART AS THE BASIS FOR THE MANUFACTURE OR SALE OF ITEMS WITHOUT WRITTEN PERMISSION. COPYRIGHT © 1977, DIGITAL EQUIPMENT CORPORATION"

WIRE TABLE						
ITEM NO.	DESCRIPTION	FROM	TO	REMARKS		
NO.	AWG	COLOR	CONNECTION	WITH	CONNECTION	WITH
3	22	WHT	P2-13	ITEM#4	P1-P	ITEM#5
3	↑	WHT	P2-2	↑	P1-B	↑
7	↑	ORN	P2-1	↑	P1-A	↑
3	↑	WHT	P2-4	↑	P1-D	↑
↑	↑	↑	P2-5	↑	P1-E	↑
↑	↑	↑	P2-6	↑	P1-F	↑
↑	↑	↑	P2-7	↑	P1-H	↑
↑	↑	↑	P2-8	↑	P1-J	↑
↑	↑	↑	P2-9	↑	P1-K	↑
3	22	WHT	P2-10	↑	P1-L	↑
12	22	RED	P2-11	↑	P1-M	↑
↑	TWP	WHT	P2-12	↑	P1-N	↑
8	22	RED	P2-15	↑	P1-S	↑
↑	TWP	BLK	P2-14	ITEM#4	P1-R	ITEM#5
14	22	VIO	---	---	P1-C	---

LEGEND		
NUMBER	DIM X	DIM Y (PRECUT)
7015108-0-0	4 FEET 6 IN. ± 2 INCHES	4 FEET 7 INCH

NOTES:
1. INSTALL TIE WRAPS (ITEM#6) APPROX. EVERY 4 INCHES.



QTY	DESCRIPTION	DWG. PART NO.	ITEM NO.
1	CABLE, DC. LO	B-1A-7016453-0F	14
4	WIRE, 22 AWG STRD TWP RED/WHT	9107420-29	13
1	PWR HARNESS DECALS	7409872-1-0	12
1	PWR HARNESS DECALS	7409872-2-0	11
1	LABEL, CABLE I.D.	9009532	10
1	LABEL	3611567-0-0	9
W/R	WIRE, 22 AWG STRD TWP RED/BLK	9107420-02	8
1	WIRE, 22 AWG STRD ORN	9107350-33	7
17	TIE WRAP	9007031	6
15	SOCKET, CRIMP	1210089-04	5
15	PIN 18 - 24 AWG	1212169-03	4
4	WIRE, 22 AWG STRD WHT	9107350-99	3
1	CONN HSG, 44 PIN	1210918-15	2
1	CONN HSG, 15 PIN	1212168-06	1

UNLESS OTHERWISE SPECIFIED DIMENSIONS ARE IN INCHES	DRN. J. H. Olson 22 SEPT 77	FIRST USED ON	digital
ANGLES 90° TO 135° CLASS OF ACCURACY	CHK'D J. H. Olson 22 SEPT 77	TITLE	CABLE, CONSOLE PANEL
SURFACE QUALITY IN	ENG. J. Bell 12 APR 77	PROJ. ENG. J. Bell 12 APR 77	
QUANTITY & VARIATION	PROD. J. Bell 12 APR 77		
DO NOT SCALE DWG	NEXT HIGHER ASSY.		
MATERIAL SEE PARTS LIST	D-1A-KS10-PA-0	SIZE D	CODE IA
FINISH NONE	SHEET 1 OF 1	NUMBER	7015108-0-0
		REV.	A

REV.	CHANGE NO.	DESCRIPTION
1	1	ISSUE
2	2	ISSUE

REVISIONS
CHK. CHANGE NO. REV. DESCRIPTION
1 1 ISSUE
2 2 ISSUE
RICK CLSON 1 FEB 79

7015108-0-0

B

A

1 MR

THIS DRAWING AND SPECIFICATIONS HEREIN ARE THE PROPERTY OF DIGITAL EQUIPMENT CORPORATION AND SHALL NOT BE REPRODUCED OR COPIED OR USED IN WHOLE OR IN PART AS THE BASIS FOR THE MANUFACTURE OR SALE OF ITEMS WITHOUT WRITTEN PERMISSION. COPYRIGHT © 1977, DIGITAL EQUIPMENT CORPORATION

ITEM NO.	DESCRIPTION	FROM		TO		REMARKS						
		AWG	COLOR	POINT	CONN		WITH	POINT	CONN	WITH		
1	24	WHT	1	P2-8	ITEM 2	11						C18J1
			2	-6		12						D18E1
			3	-10		13						D18P1
			4	-4		14						D18M1
			5	-12		15						D18S1
			6	-2		16						D18R1
			7	-18		17						F18S1
			8	-20		18						F18R1
			9	-16		10						C18F1
1	24	WHT	9A	P2-14	ITEM 2	11A						C18U2

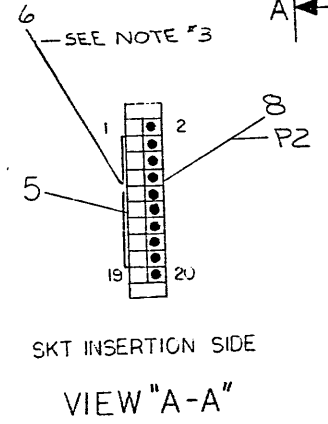
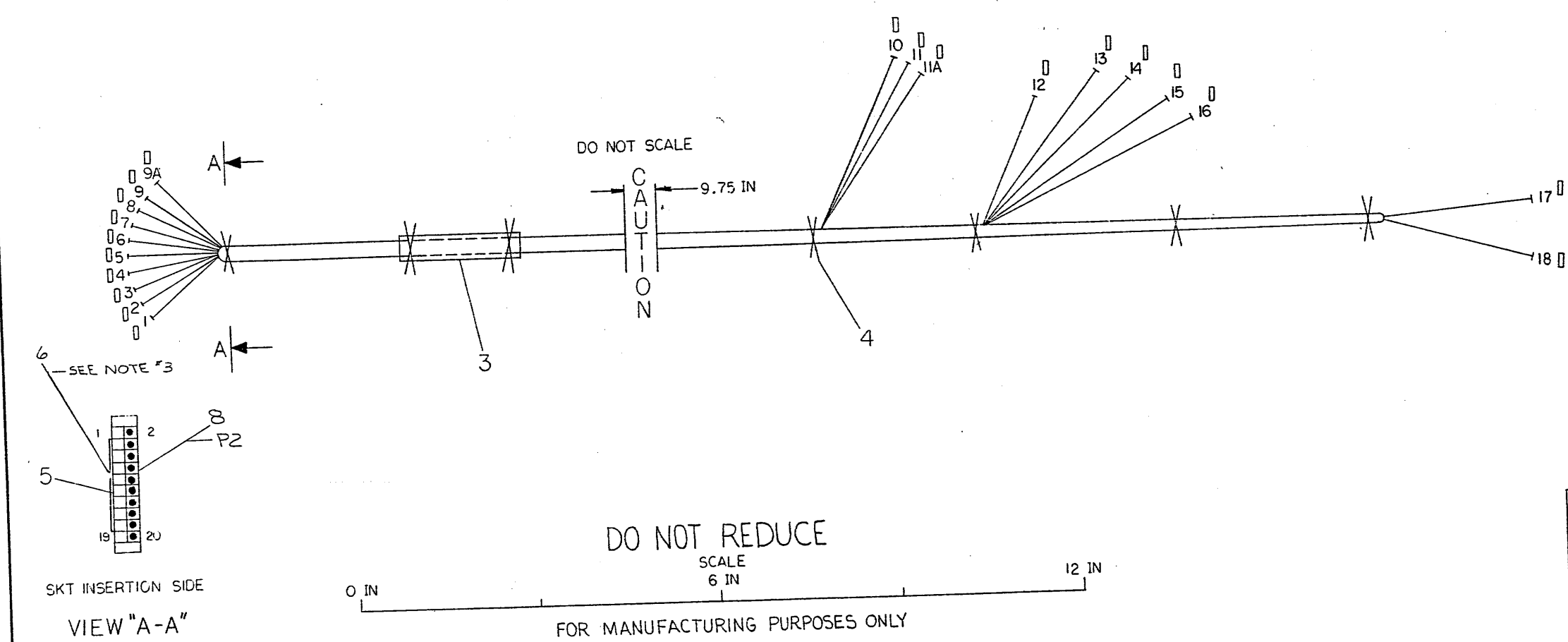
- NOTES:
1. LABEL TERMINATION POINTS USING BRADY MARKERS.
 2. USE TIE WRAPS (ITEM #4) APPROX. EVERY 3 INCHES & AT EVERY BREAKOUT POINT.
 3. TRIM LABEL ITEM #6 AS NECESSARY TO FIT.

D

C

B

A



ITEM NO.	DESCRIPTION	DWG./PART NO.	ITEM NO.
1	DECAL	A-DC-7409872-1-0	8
9	SLEEVING, SHRINK, WHT	9107714-09	7
1	LABEL, THIS SIDE UP	3611567-0	6
1	TERMINATION HOUSING	1210918-25	5
X	TIE WRAPS	9007031	4
1	LABEL, CABLE IDENT.	9009532	3
18	SOCKET, CRIMP	1210089-04	2
A/R	24 AWG SOLID (WHT)	9107688-99	1

SYMBOL	UNLESS OTHERWISE SPECIFIED DIMENSIONS ARE IN INCHES	
	ANGLES 20° 30°	CLASS OF ACCURACY (CHECK ONE)
SURFACE QUALITY	PRECISION	±.004 ±.008 ±.012 ±.016 ±.024 ±.04
	MEDIUM	±.012 ±.016 ±.025 ±.04 ±.08 ±.1
QUANTITY & VARIATION	PREFERRED	
THIRD ANGLE PROJECTION	DRN. <i>J. Huson</i> 8 Nov 77	FIRST USED ON <i>KSIØ digital</i>
REMOVE BURRS AND BREAK SHARP CORNERS	CHK'D <i>J. Huson</i> 9 Apr 78	TITLE HARNESS, BACKPLANE SIGNAL
DO NOT SCALE DWG	ENG. <i>F. Dell</i> 12 Apr 78	PROJECT <i>F. Dell</i> 12 Apr 78
MATERIAL SEE PARTS LIST	PROD. <i>B. Smith</i> 14 Apr 78	SIZE CODE NUMBER D IA 7015269-0-0
FINISH	NEXT HIGHER ASSY.	SHEET 1 OF 1

REV.	CHANGE NO.

DRAWING NUMBER 7015269-0-0

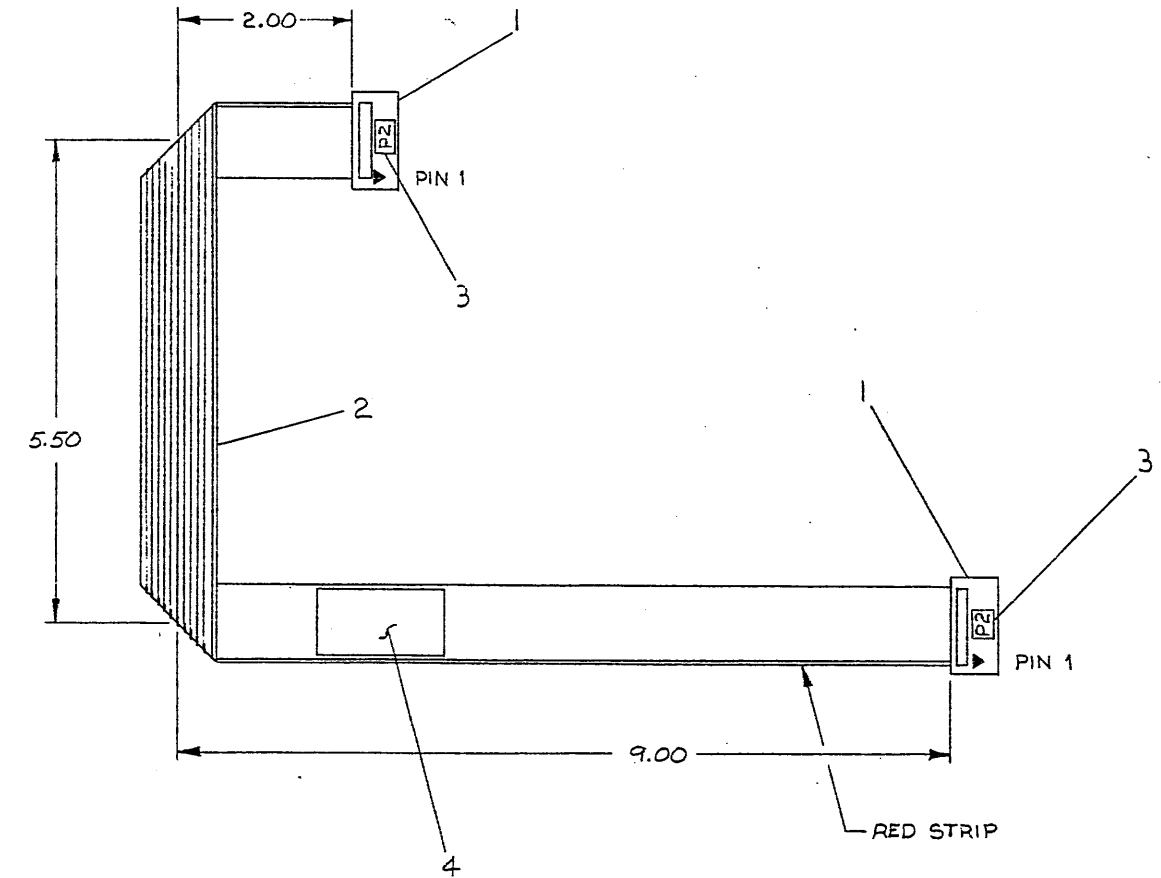
A

17R

"THIS DRAWING AND SPECIFICATIONS, HEREIN, ARE THE PROPERTY OF DIGITAL EQUIPMENT CORPORATION AND SHALL NOT BE REPRODUCED OR COPIED OR USED IN WHOLE OR IN PART AS THE BASIS FOR THE MANUFACTURE OR SALE OF ITEMS WITHOUT WRITTEN PERMISSION. COPYRIGHT © 1979, DIGITAL EQUIPMENT CORPORATION"

WIRE TABLE							
ITEM NO	DESCRIPTION		FROM		TO		REMARK
	AWG	COLOR	CONNECTION	WITH	CONNECTION	WITH	
2	28	GRAY	P2-1	---	P5-11	---	
			P2-2	---	P5-12	---	
			P2-3	---	P5-13	---	
			P2-4	---	P5-14	---	
			P2-5	---	P5-15	---	
			P2-6	---	P5-16	---	
			P2-7	---	P5-17	---	
			P2-8	---	P5-18	---	
			P2-9	---	P5-19	---	
			P2-10	---	P5-20	---	
			P2-11	---	P5-1	---	
			P2-12	---	P5-2	---	
			P2-13	---	P5-3	---	
			P2-14	---	P5-4	---	
			P2-15	---	P5-5	---	
			P2-16	---	P5-6	---	
			P2-17	---	P5-7	---	
			P2-18	---	P5-8	---	
			P2-19	---	P5-9	---	
2	28	GRAY	P2-20	---	P5-10	---	

LEGEND		
NUMBER	FINISHED OVERALL	PRECUT
7016365-YA	1 FT. 4.50 IN ± 1 IN	1 FT. 5.50 IN



DESCRIPTION	DWG/PART NO.	ITEM NO.
1 LABEL, ADHES. BACKED	9009255-00	4
1 DECAL (P2 & P5)	A-DC-7409872-1-0	3
20 CABLE, FLAT 20 COND.	9107747-03	2
2 CONN. 20 PIN	1211206-03	1

CLASS OF ACCURACY	NOMINAL DIMENSION RANGE INCHES					
	OVER 0 TO 0.2	OVER 0.2 TO 0.5	OVER 0.5 TO 1.2	OVER 1.2 TO 4.0	OVER 4.0 TO 12.0	OVER 12.0 TO 40.0
CHECK ONE	±.004	±.006	±.012	±.018	±.024	±.04
MEDIUM	<input type="checkbox"/>	<input type="checkbox"/>	<input type="checkbox"/>	<input type="checkbox"/>	<input type="checkbox"/>	<input type="checkbox"/>
PREFERRED	<input type="checkbox"/>	<input type="checkbox"/>	<input type="checkbox"/>	<input type="checkbox"/>	<input type="checkbox"/>	<input type="checkbox"/>

THIRD ANGLE PROJECTION

REMOVE BURRS AND BREAK SHARP CORNERS

DO NOT SCALE DWG

MATERIAL: SEE PARTS LIST

FINISH: NONE

DRN. J. S. ...

CHK'D ...

ENG. ...

PROJ. ENG. ...

PROD. ...

FIRST USED ON: KSI0-PB

TITLE: CABLE, BACKPLANE SIGNAL

SIZE CODE: D IA

NUMBER: 7016365-0-0

SCALE: 1/1

SHEET 1 OF 1

REV.	CHANGE NO.	REVISIONS

SEC 1000 00 1000

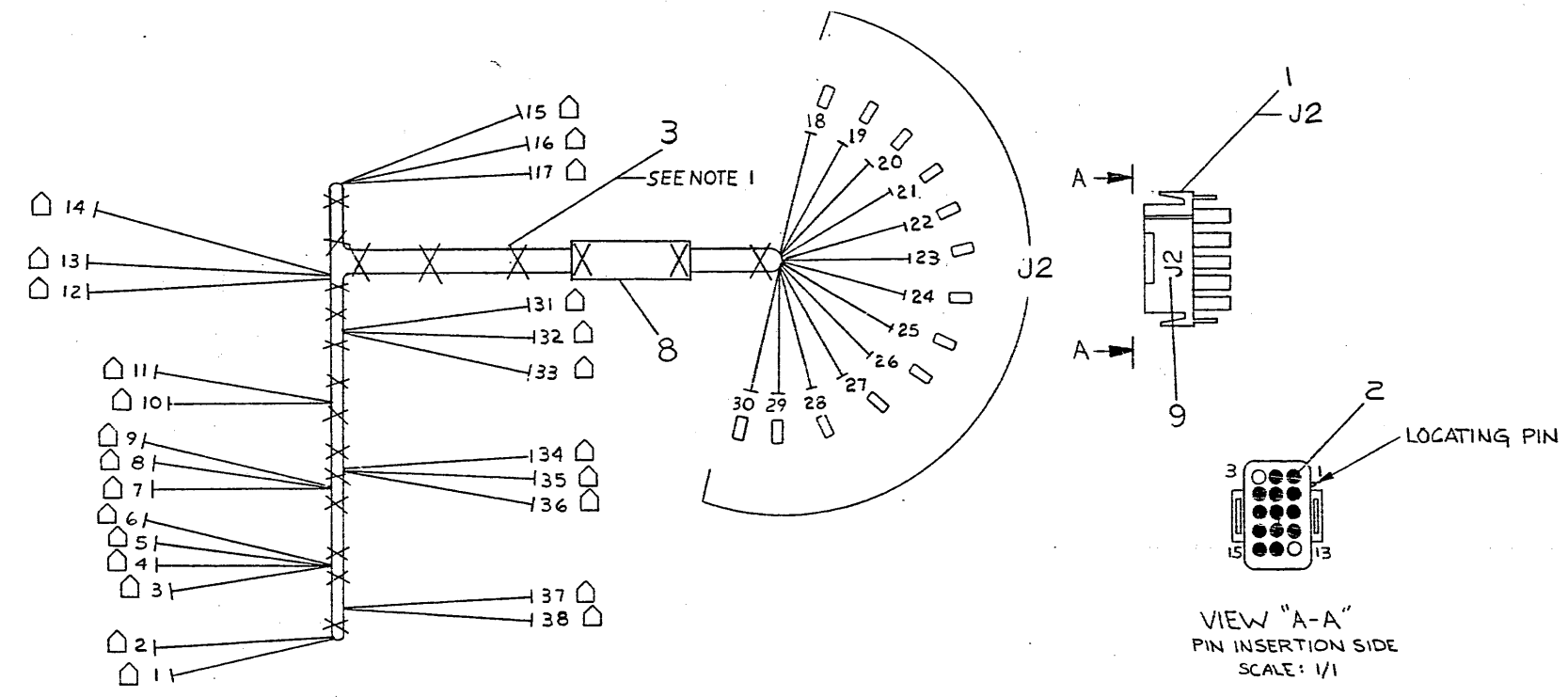
"THIS DRAWING AND SPECIFICATIONS, HEREIN, ARE THE PROPERTY OF DIGITAL EQUIPMENT CORPORATION AND SHALL NOT BE REPRODUCED OR COPIED OR USED IN WHOLE OR IN PART AS THE BASIS FOR THE MANUFACTURE OR SALE OF ITEMS WITHOUT WRITTEN PERMISSION. COPYRIGHT © 1977, DIGITAL EQUIPMENT CORPORATION"

WIRE TABLE						
ITEM NO	DESCRIPTION	FROM			TO	
		AWG	COLOR	POINT	CONNECTION	WITH
4	22	BLK	5	————	SOLDER	31
4	↑	BLK	4	————	————	18
7	↑	WHT	6	————	————	19
7	↑	WHT	3	————	————	7
7	↑	WHT	9	————	————	20
7	↑	WHT	8	————	————	1
7	↑	WHT	11	————	————	21
5	↑	RED	10	————	————	22
6	↑	ORN	33	————	————	23
7	↑	WHT	15	————	————	24
5	↑	RED	16	————	————	25
5	↑	RED	17	————	SOLDER	36
7	↑	WHT	26	J2-6	ITEM#2	2
7	↑	WHT	27	J2-8	ITEM#2	34
7	↑	WHT	28	J2-9	ITEM#2	37
5	↑	22	RED	35	————	SOLDER

ITEM NO	DESCRIPTION	COLOR	POINT	FROM		TO	
				CONNECTION	WITH	POINT	CONNECTION
4	22	BLK	32	————	SOLDER	14	————
7	22	WHT	29	J2-7	ITEM 2	13	————
7	22	WHT	30	J2-12	ITEM 2	12	————

0-0-691910Z V11 d 2

NOTES:
 1. LUSE TIE WRAPS (ITEM # 3) APPROX. EVERY 1/2 INCH WHEN NECESSARY & AT EVERY BREAKOUT POINT.
 2. ALL POINT CALLOUTS TO BE LABELED WITH COMPONENT IDENTIFIERS USING BRADY MARKERS.



DO NOT REDUCE
 6 IN
 FOR MANUFACTURING PURPOSES ONLY

QTY	DESCRIPTION	DWG./PART NO.	ITEM NO.
1	POWER HARNESS DECALS	7409872-2-0	9
1	LABEL, CABLE I.D.	9009532-0	8
AIR	22 AWG STRANDED WHT	9107350-99	7
AIR	22 AWG STRANDED ORN	9107350-33	6
AIR	22 AWG STRANDED RED	9107350-22	5
AIR	22 AWG STRANDED BLK	9107350-00	4
X	19 CABLE TIES	9007032	3
D	13 SOCKET	1212170-03	2
1	HOUSING, PLUG	1212167-05	1

THIRD ANGLE PROJECTION		FIRST USED ON	
REMOVE BURRS AND BREAK SHARP CORNERS		KSIØ	
DO NOT SCALE DWG		NEXT HIGHER ASSY.	
MATERIAL SEE PARTS LIST		D-IA-7014482-0-0	
FINISH NONE		SCALE 1/1	
SHEET 1 OF 1		DIST.	
TITLE		HARNES, SWITCH PANEL	
DESCRIPTION		DWG./PART NO.	
UNLESS OTHERWISE SPECIFIED DIMENSIONS ARE IN INCHES		ITEM NO.	
ANGLES 40° 30'		CLASS OF ACCURACY	
SURFACE QUALITY IN		NOMINAL DIMENSION RANGE INCHES	
MICRONCHES		OVER 0 TO 0.2	
PREFERRED		OVER 0.2 TO 1.2	
		OVER 1.2 TO 4.0	
		OVER 4.0 TO 12.0	
		OVER 12.0 TO 40.0	
		OVER 40.0 TO 80.0	
		OVER 80.0 TO 100.0	

REV.	DESCRIPTION

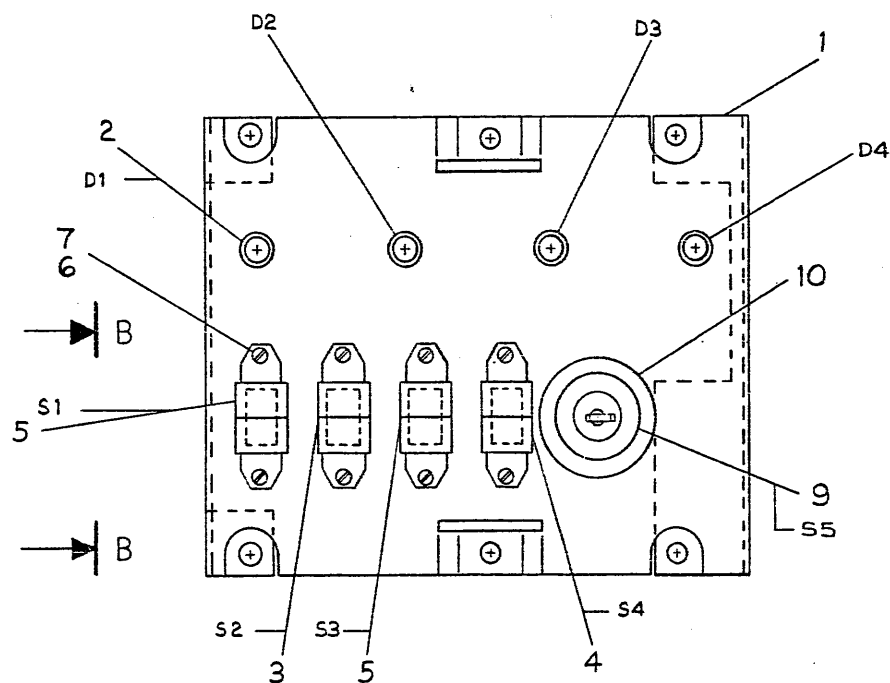
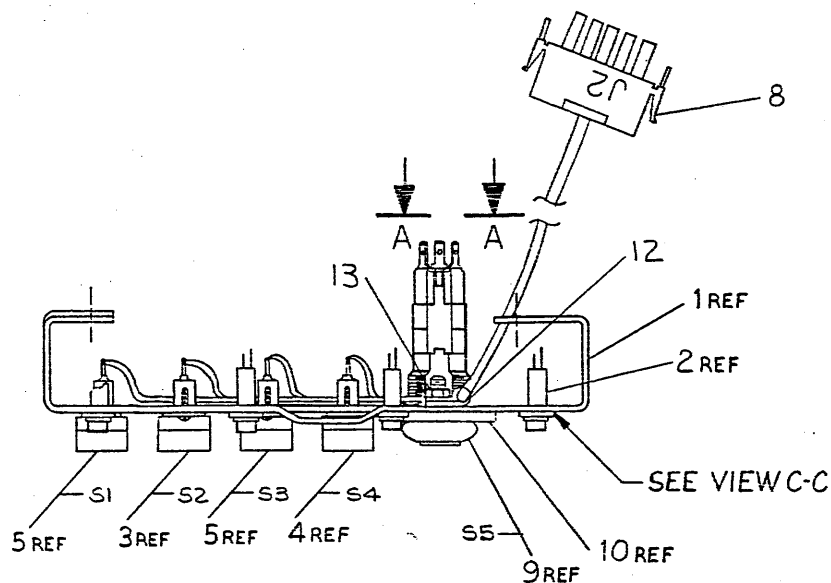
SEE FORM 1042

DIA 7015159-0-0

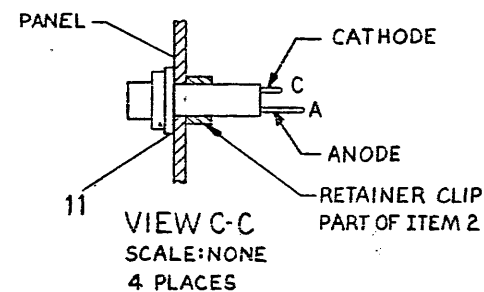
A

1 MK

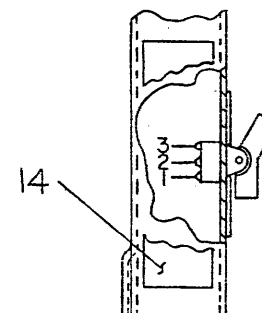
THIS DRAWING AND SPECIFICATIONS, HEREIN, ARE THE PROPERTY OF DIGITAL EQUIPMENT CORPORATION AND SHALL NOT BE REPRODUCED OR COPIED OR USED IN WHOLE OR IN PART AS THE BASIS FOR THE MANUFACTURE OR SALE OF ITEMS WITHOUT WRITTEN PERMISSION.
 COPYRIGHT © 1977, DIGITAL EQUIPMENT CORPORATION



VIEW A-A
SCALE: 2/1



VIEW C-C
SCALE: NONE
4 PLACES



VIEW B-B
SCALE: 1/1
4 PLACES

WIRE TABLE					
ITEM NO.	DESCRIPTION	POINT	CONNECTION	WITH	REMARKS
8	18	BLK	5	S2-2	SOLDER
		BLK	4	S2-2	
		WHT	6	S2-1	
		WHT	3	S2-3	
		WHT	9	S3-1	
		WHT	8	S3-2	
		WHT	7	S3-2	
		WHT	11	S4-1	
		RED	10	S4-2	
		ORN	33	D3-A	
		BLK	31	D3-C	
		BLK	32	D3-C	
		RED	16	D4-A	
		RED	17	D4-A	
		RED	35	D2-A	
		RED	36	D2-A	
		WHT	34	D2-C	
		RED	38	D1-A	
	WHT	37	D1-C		
	WHT	2	S1-1		
	WHT	1	S1-2		
	WHT	15	D4-C		
	BLK	14	S5-C		
	WHT	12	S5-3		
	19	WHT	13	S5-1	SOLDER

DESCRIPTION	DWG./PART NO.	ITEM NO.
1 INSPECTION LABEL	9009255-0-0	14
1 NUT, HEX #10-32	9009005-00	13
1 CABLE CLAMP	9007081-00	12
4 WASHER, FIBER	9008082-00	11
1 WASHER, FLAT	9010010-00	10
1 SWITCH, KEYLOCK, SP3T	1213881-01	9
1 HARNESS, SWITCH PANEL	D-IA-7015159-0-0	8
8 WASHER, INT TOOTH LOCK #4	9006632	7
8 SCR, RD HD SLOT 4-40X.25	9006397-5	6
2 SW, TOG SPDT (WHT) MOM.	1210890-01	5
1 SW, TOG SPDT (RED)	1210891-01	4
1 SW, TOG SPDT (WHT)	1210891-02	3
4 LIGHT L.E.D. (RED LENS)	1212749-0-0	2
1 SWITCH PANEL BRACKET	D-WD-7419501-0-0	1

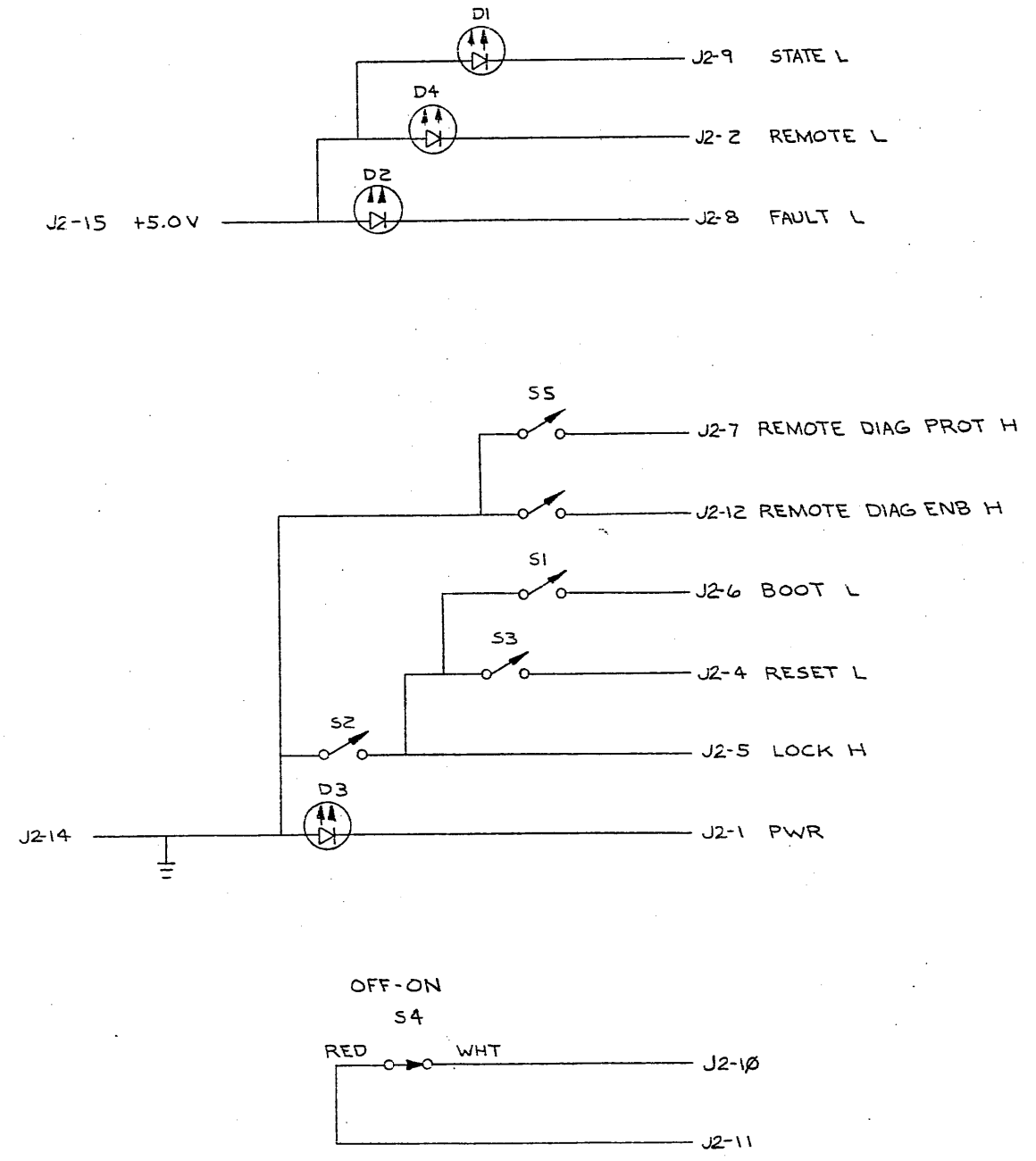
THIRD ANGLE PROJECTION		DRN. <i>A. Poul</i> 28 Nov 77	FIRST USED ON	digital
REMOVE BURRS AND BREAK SHARP CORNERS	DO NOT SCALE DWG	CHK'D <i>J. Hagan</i> 11/16/78	TITLE SWITCH PANEL BRACKET ASSY	
MATERIAL SEE PARTS LIST	FINISH NONE	PROJ. ENG. <i>F. DeL</i> 12/20/78	SIZE D IA	NUMBER 7014482-0-0
		PROD. <i>[Signature]</i> 12/28/78	SCALE 1/1	REV. A
			SHEET 1 OF 2	DIST.

REV.	CHANGE NO.	DATE	BY	APP.
1	1	12/1/78	RICK OLSON	

MR1

"THIS DRAWING AND SPECIFICATIONS, HEREIN, ARE THE PROPERTY OF DIGITAL EQUIPMENT CORPORATION AND SHALL NOT BE REPRODUCED OR COPIED OR USED IN WHOLE OR IN PART AS THE BASIS FOR THE MANUFACTURE OR SALE OF ITEMS WITHOUT WRITTEN PERMISSION. COPYRIGHT © 1977 DIGITAL EQUIPMENT CORPORATION"

KEY SWITCH CONN. TABLE		
SS POSITIONS	PROTECT H	ENABLE H
DISABLE	OFF	ON
PROTECT	OFF	OFF
ENABLE	ON	OFF



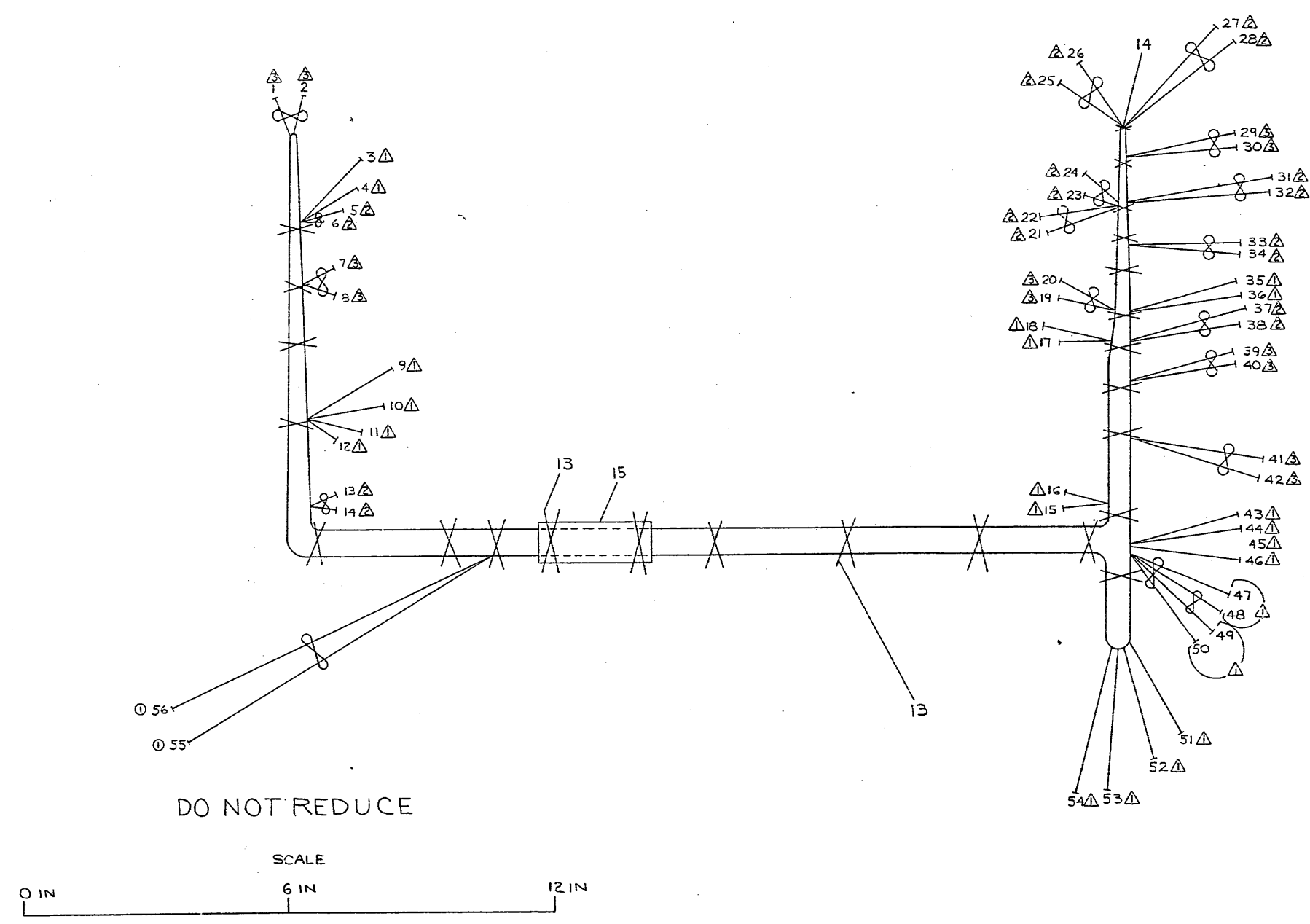
REVISIONS		
CHK	CHANGE NO.	REV.

TITLE	SWITCH PANEL BRACKET ASSY	SIZE CODE	DIA	NUMBER	7014482-0-0	REV.	A
SCALE	1/1	SHEET	2 OF 2	DIST.			

M/A 1

WIRE TABLE										WIRE TABLE												
ITEM NO.	DESCRIPTION	AWG	COLOR	FROM			TO			REMARKS	ITEM NO.	DESCRIPTION	AWG	COLOR	FROM			TO			REMARKS	
				POINT	CONNECTION	WITH	POINT	CONNECTION	WITH						POINT	CONNECTION	WITH	POINT	CONNECTION	WITH		
1	18	BLK	1		ITEM#10	30		ITEM#10		3	18	BLK	19		ITEM#10	42		ITEM#10				
	TWP	ORN	2		ITEM#10	29		ITEM#10			3	TWP	RED	20		ITEM#10	41		ITEM#10			
9	10	RED	3		ITEM#12	35		ITEM#12		6	14	BLK	21		ITEM#11	27		ITEM#11				
8	10	BLK	4		ITEM#12	36		ITEM#12			6	TWP	RED	22			28					
4	14	GRN	5		ITEM#11	37		ITEM#11			7	14	BLK	23			32					
	TWP	BLK	6		ITEM#11	38		ITEM#11				7	TWP	ORN	24			21				
2	18	GRN	7		ITEM#10	39		ITEM#10			6	14	BLK	25			34					
	TWP	GRY	8		ITEM#10	40		ITEM#10				6	TWP	RED	26		ITEM#11	33		ITEM#11		
9	10	RED	9		ITEM#12	45		ITEM#12			5	14	BLU	47		ITEM#12	55		ITEM#16			
8	10	BLK	10			46						5	TWP	BLK	50		ITEM#12	56		ITEM#16		
9	10	RED	11			43																
8	10	BLK	12		ITEM#12	44		ITEM#12														
5	14	BLU	13		ITEM#11	48		ITEM#12														
	TWP	BLK	14		ITEM#11	49		ITEM#12														
8	10	BLK	15		ITEM#12	54		ITEM#12														
9	10	RED	16			53																
8	10	BLK	17			52																
9	10	RED	18		ITEM#12	51		ITEM#12														

NOTES:
 1. USE TIE WRAPS ITEM 13 OR 14 APPROX. EVERY 3 INCHES AND AT EVERY BREAKOUT.
 2. LABEL ALL TERMINATION POINT WITH COMPONENT IDENTIFIERS (BRADY MARKERS)



DO NOT REDUCE SCALE
 FOR MANUFACTURING PURPOSES ONLY

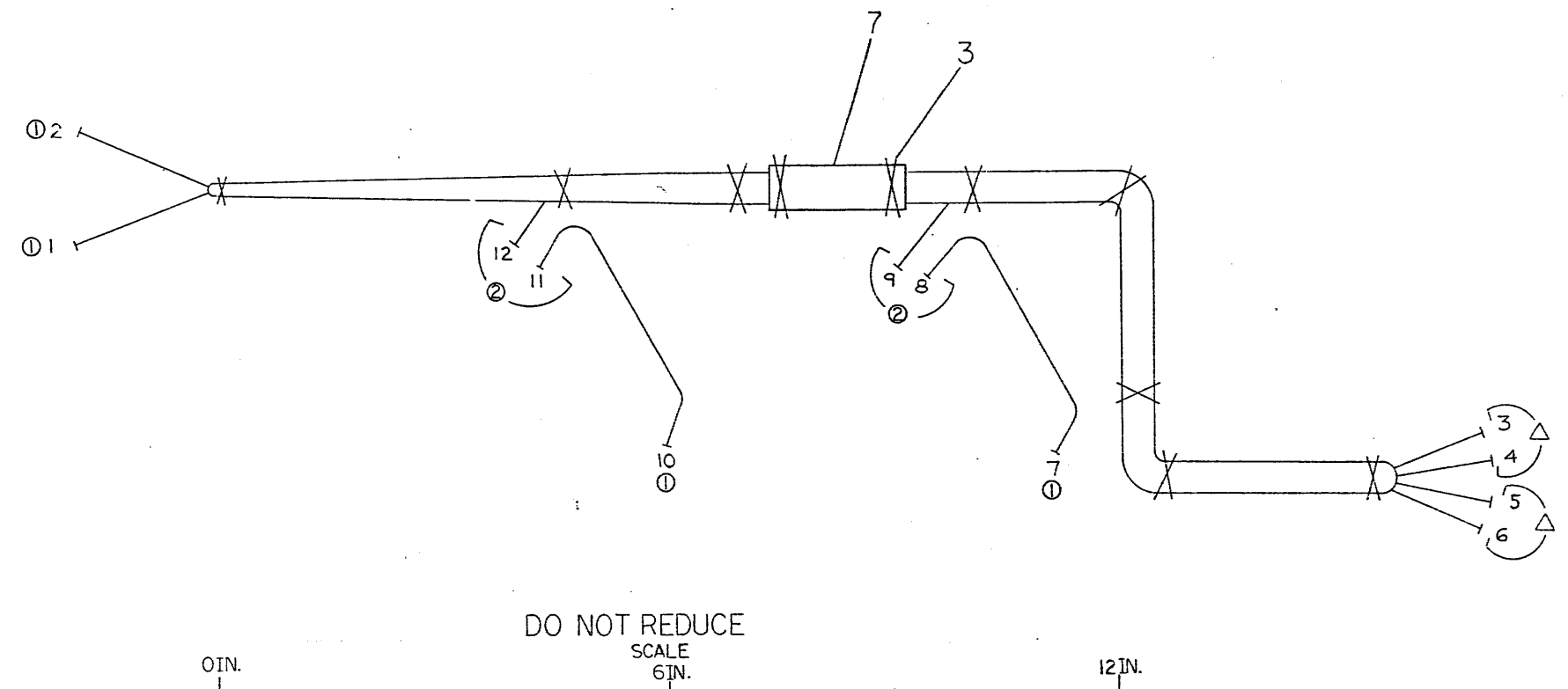
QTY	DESCRIPTION	DWG. PART NO.	ITEM NO.
2	TERMINAL QUICK CONN.	9007969-00	16
7	CABLE LABEL	9009532-0	15
8	CABLE TIE	1007031	14
16	CABLE TIE	9007880	13
20	TERMINAL SPADE TONGUE	1215051-02	12
20	TERMINAL SPADE TONGUE	1215051-01	11
12	TERMINAL SPADE TONGUE	1215051-00	10
10	AWG STRAND, RED	9107390-22	9
10	AWG STRAND, BLK	9107390-00	8
14	AWG TWP BLK/ORN	9107440-03	7
14	AWG TWP BLK/RED	9107440-02	6
14	AWG TWP BLK/BLU	9107440-06	5
14	AWG TWP BLK/GRN	9107440-05	4
18	AWG TWP BLK/RED	9107430-02	3
18	AWG TWP GRN/GRN	9107430-58	2
18	AWG TWP BLK/ORN	9107430-03	1

THIRD ANGLE PROJECTION	DRN. A. C. [Signature]	FIRST USED ON	KS10-PB
REMOVE BURRS AND BREAK SHARP CORNERS	ENGR. [Signature]	TITLE	HARNESSES, MAIN D.C.
DO NOT SCALE DWG	PROJ. ENGR. [Signature]	SCALE	E 1A 7016451-00
MATERIAL SEE PARTS LIST	PROD. [Signature]	REV.	
FINISH NONE		SHEET	OF

THIS DRAWING AND SPECIFICATIONS, HEREIN, ARE THE PROPERTY OF DIGITAL EQUIPMENT CORPORATION AND SHALL NOT BE REPRODUCED OR COPIED OR USED IN WHOLE OR IN PART AS THE BASIS FOR THE MANUFACTURE OR SALE OF ITEMS WITHOUT WRITTEN PERMISSION.
 COPYRIGHT © 1978, DIGITAL EQUIPMENT CORPORATION

WIRE TABLE									
ITEM NO	DESCRIPTION			FROM			TO		REMARKS
	AWG	COLOR	POINT	CONNECTION	WITH	POINT	CONNECTION	WITH	
2	14	BLK	1	---	ITEM 5	3	---	ITEM 4	
2	14	BLK	12	---	ITEM 6	4	---	ITEM 5	
2	14	BLK	11	---	ITEM 6	10	---	ITEM 5	
1	14	RED	2	---	ITEM 5	5	---	ITEM 4	
1	14	RED	9	---	ITEM 6	6	---	ITEM 4	
1	14	RED	8	---	ITEM 6	7	---	ITEM 5	

NOTES:
 1. USE TIE WRAPS (X) ITEM # 3 APPROXIMATELY EVERY THREE (3) INCHES WHEN NECESSARY AND AT EVERY BREAKOUT POINT.
 2. ALL TERMINATION POINTS TO BE MARKED WITH BRADY MARKERS.



DO NOT REDUCE SCALE
 FOR MANUFACTURING PURPOSES ONLY

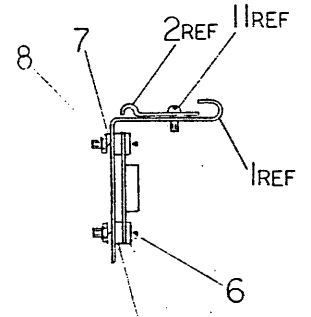
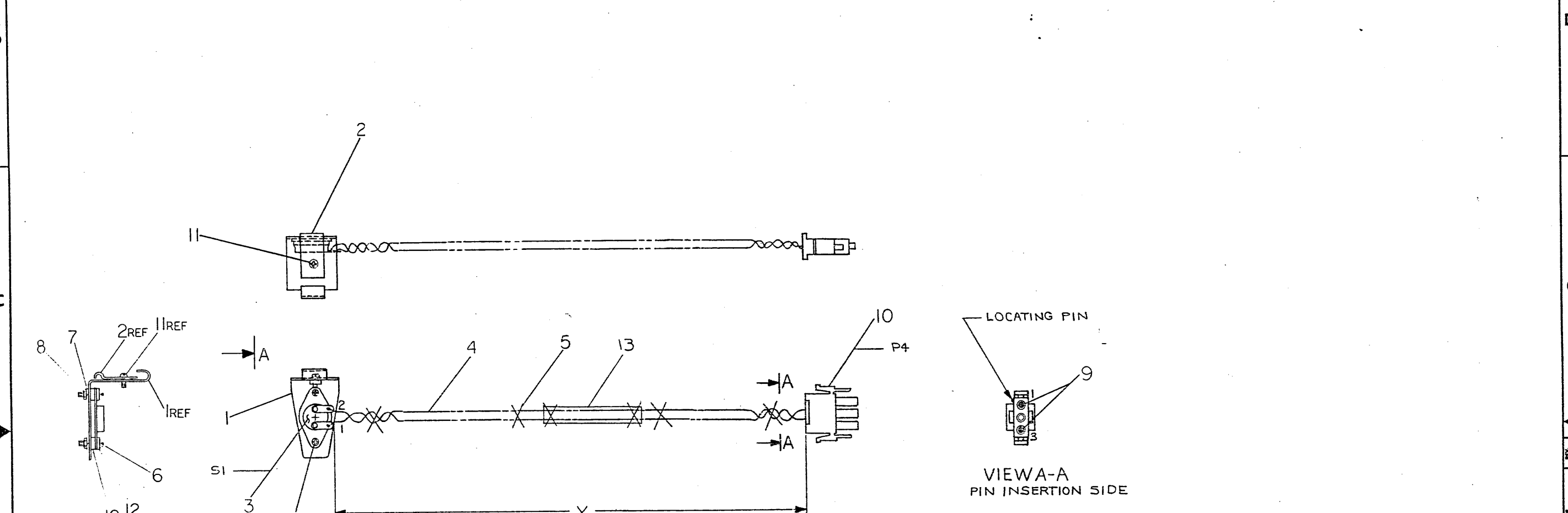
ITEM NO.	DESCRIPTION	DWG./PART NO.	QUANTITY
1	LABEL, CABLE I.D.	9009532-00	7
2	TERMINAL QUICK CONNECT	9007920-00	6
4	TERMINAL QUICK CONNECT	9007969-00	5
2	SPADE LUG (YEL)	1215051-02	4
10	TIE, CABLE	9007031-00	3
A/R	WIRE, #14 GA BLK STRD	9107370-00	2
A/R	WIRE, #14 GA RED STRD	9107370-22	1

SYMBOLS 7016457-0	UNLESS OTHERWISE SPECIFIED DIMENSIONS ARE IN INCHES																														
	ANGLES ± 30'	CLASS OF ACCURACY																													
QUANTITY & VARIATION	NOMINAL DIMENSION RANGE INCHES																														
	<table border="1"> <tr> <th>OVER</th> <th>TO</th> <th>OVER</th> <th>TO</th> <th>OVER</th> <th>TO</th> </tr> <tr> <td>0</td> <td>0.2</td> <td>0.2</td> <td>1.0</td> <td>1.0</td> <td>40.0</td> </tr> <tr> <td>0.2</td> <td>0.5</td> <td>0.5</td> <td>1.0</td> <td>1.0</td> <td>40.0</td> </tr> <tr> <td>0.5</td> <td>1.0</td> <td>1.0</td> <td>1.0</td> <td>1.0</td> <td>40.0</td> </tr> <tr> <td>1.0</td> <td>1.0</td> <td>1.0</td> <td>1.0</td> <td>1.0</td> <td>40.0</td> </tr> </table>		OVER	TO	OVER	TO	OVER	TO	0	0.2	0.2	1.0	1.0	40.0	0.2	0.5	0.5	1.0	1.0	40.0	0.5	1.0	1.0	1.0	1.0	40.0	1.0	1.0	1.0	1.0	1.0
OVER	TO	OVER	TO	OVER	TO																										
0	0.2	0.2	1.0	1.0	40.0																										
0.2	0.5	0.5	1.0	1.0	40.0																										
0.5	1.0	1.0	1.0	1.0	40.0																										
1.0	1.0	1.0	1.0	1.0	40.0																										
THIRD ANGLE PROJECTION	DRN. T.M. <i>Calder</i>	24 Aug 78																													
REMOVE BURRS AND BREAK SHARP CORNERS	CHK'D J. <i>Huson</i>	15 Sep 78																													
DO NOT SCALE DWG	ENG. <i>P. J. Olson</i>	20 Nov 79																													
MATERIAL SEE PARTS LIST	PROJ. ENG. <i>M. J. ...</i>	20 Nov 79																													
FINISH NONE	PROD. <i>R. ...</i>	20 Nov 79																													
NEXT HIGHER ASSY.		FIRST USED ON																													
E-1A-KS10-PB-0		KS10-PB																													
SCALE 1/1		TITLE																													
SHEET OF		HARNES, BACKPLANE SIGNAL																													
DIST.		SIZE CODE																													
DIST.		D 1A																													
DIST.		NUMBER																													
DIST.		7016457-0-0																													
DIST.		REV.																													
DIST.		1 MR																													

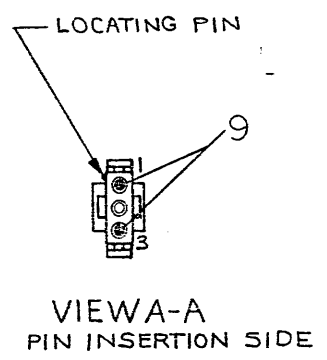
REV.	CHANGE NO.

"THIS DRAWING AND SPECIFICATIONS HEREIN ARE THE PROPERTY OF DIGITAL EQUIPMENT CORPORATION AND SHALL NOT BE REPRODUCED OR COPIED OR USED IN WHOLE OR IN PART AS THE BASIS FOR THE MANUFACTURE OR SALE OF ITEMS WITHOUT WRITTEN PERMISSION. COPYRIGHT © 1977, DIGITAL EQUIPMENT CORPORATION"

VARIATION	WIRE TABLE							DIM. "X"
	ITEM NO.	AWG	COLOR	FROM CONNECTION	TO CONNECTION	WITH	REMARKS	
7015067-0	4	22 TWP	WHT	P4-1	ITEM 9	SI-1	SOLDER	13.0 ±.5 IN.
			RED	P4-3	ITEM 9	SI-2	SOLDER	



VIEW "A-A"
SCALE: NONE



VIEW A-A
PIN INSERTION SIDE

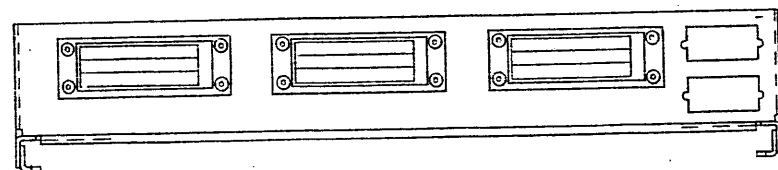
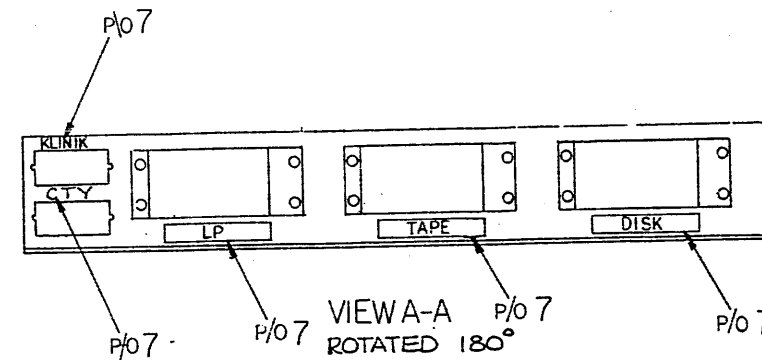
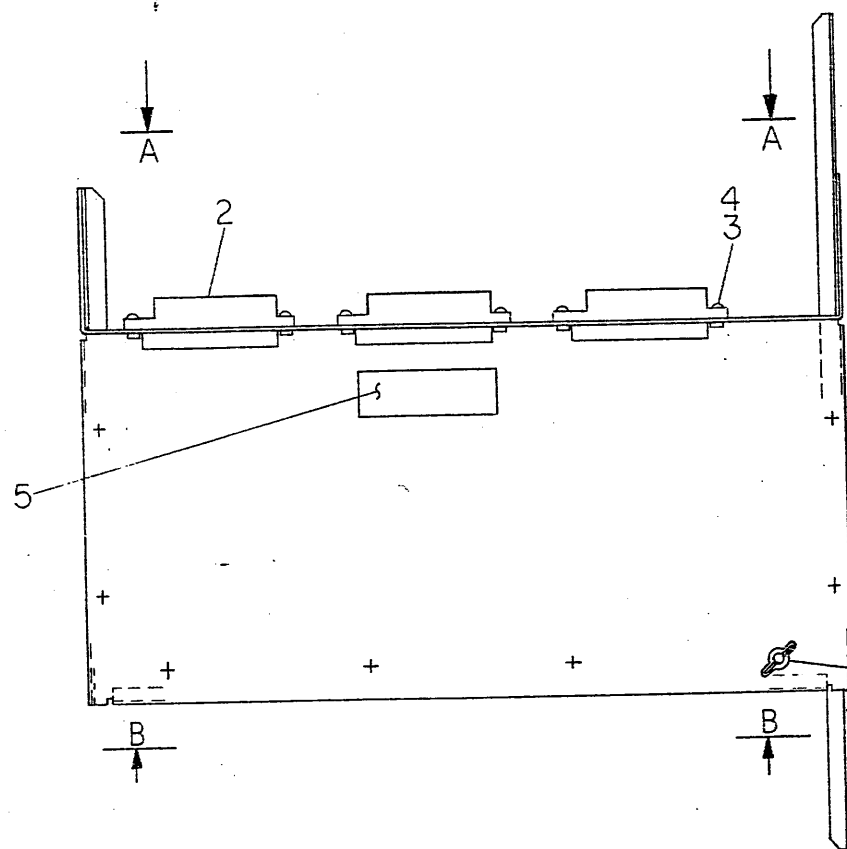
ITEM NO.	DESCRIPTION	QTY	DWG./PART NO.	ITEM NO.
1	LABEL, CABLE ID	1	9009532	13
4	WASHER, FLAT NYLON	1	9007261-00	12
1	SCR PAN HD PHL #6-32X.31	1	9009701-00	11
1	CONN, HOUSING 3 PIN	1	1212167-00	10
2	PIN SOCKETS 22AWG	2	1212170-03	9
2	NUT HEX #2-56	2	9006555	8
2	WASHER, HELICAL SPLIT 10X.7	2	9006686	7
2	SCR PHL HD PAN #2-56X.44	2	9006004-01	6
6	TIE WRAPS SST 1M	6	9007031	5
4	WIRE #22AWG STRD WHT/RED TWP	4	9107420-29	4
1	THERMOSTAT, SNAP ACTING	1	1210902-03	3
1	BRACKET HOLD DOWN	1	C-MD-7419814-00	2
1	SENSOR BRACKET	1	C-MD-7419815-00	1

THIRD ANGLE PROJECTION	DRN. <i>B.E. Olson</i> 13 SEP 77	FIRST USED ON	KS10
	CHK'D <i>J. Hines</i> 30 OCT 77	TITLE	SENSOR ASSY, HEAT
REMOVE BURRS AND BREAK SHARP CORNERS	ENG. <i>F. Duff</i> 12 APR 78	PROJ. ENG. <i>J. Duff</i> 12 APR 78	PROD. <i>[Signature]</i> 12 APR 78
DO NOT SCALE DWG	NEXT HIGHER ASSY.		
MATERIAL SEE PARTS LIST	E-UA-KS10-PA-0	SIZE D	CODE AD7015067-0-C
FINISH NONE	SCALE NONE	SHEET 1	OF 1

REV.	CHANGE NO.

THIS DRAWING AND SPECIFICATIONS, HEREIN, ARE THE PROPERTY OF DIGITAL EQUIPMENT CORPORATION AND SHALL NOT BE REPRODUCED OR COPIED OR USED IN WHOLE OR IN PART AS THE BASIS FOR THE MANUFACTURE OR SALE OF ITEMS WITHOUT WRITTEN PERMISSION.
 COPYRIGHT © 1977, DIGITAL EQUIPMENT CORPORATION

NOTES:
 1. INSTALL ITEM #6 AND CAPTIVATE BY DEFORMING LAST 4 THREADS OF STUD.



VIEW B-B

SEE NOTE #1

1	LABEL, ADH. BACK KS10	3615379-0-0	7
8	NUT, WING 10-32	9006572	6
1	LABEL, INSPECTION	9009255	5
12	WASHER, SPLIT LOCK #4	9006688	4
12	SCREW, FIL. HD. SLOT #4-40X.38	9006390-06	3
3	RECEPTACLE, HOUSING	D-AD-7009861-0-0	2
1	TROUGH, MASSBUS CABLE	D-IA 7014478-0-0	1

DESCRIPTION		DWG./PART NO.	ITEM NO.
UNLESS OTHERWISE SPECIFIED DIMENSIONS ARE IN INCHES			
ANGLES 20° 30°	CLASS OF ACCURACY	NOMINAL DIMENSION RANGE INCHES	
SURFACE QUALITY IN MICROINCHES	[CHECK ONE]	OVER 0 TO 0.2	OVER 0.2 TO 0.4
		OVER 0.4 TO 1.2	OVER 1.2 TO 4.0
QUANTITY & VARIATION	MEDIUM	±.004	±.008
	PREFERRED	±.012	±.016
		±.024	±.04

THIRD ANGLE PROJECTION	DRW'G. <i>[Signature]</i>	FIRST USED ON	KS10
REMOVE BURRS AND BREAK SHARP CORNERS	CHK'D <i>[Signature]</i>	TITLE	ASSY, MASSBUS CABLE TROUGH
DO NOT SCALE DWG	ENG. <i>[Signature]</i>	SIZE	D
MATERIAL SEE PARTS LIST	PROJ. ENG. <i>[Signature]</i>	SCALE	1/2
FINISH	NEXT HIGHER ASSY.	SHEET	1 OF 1

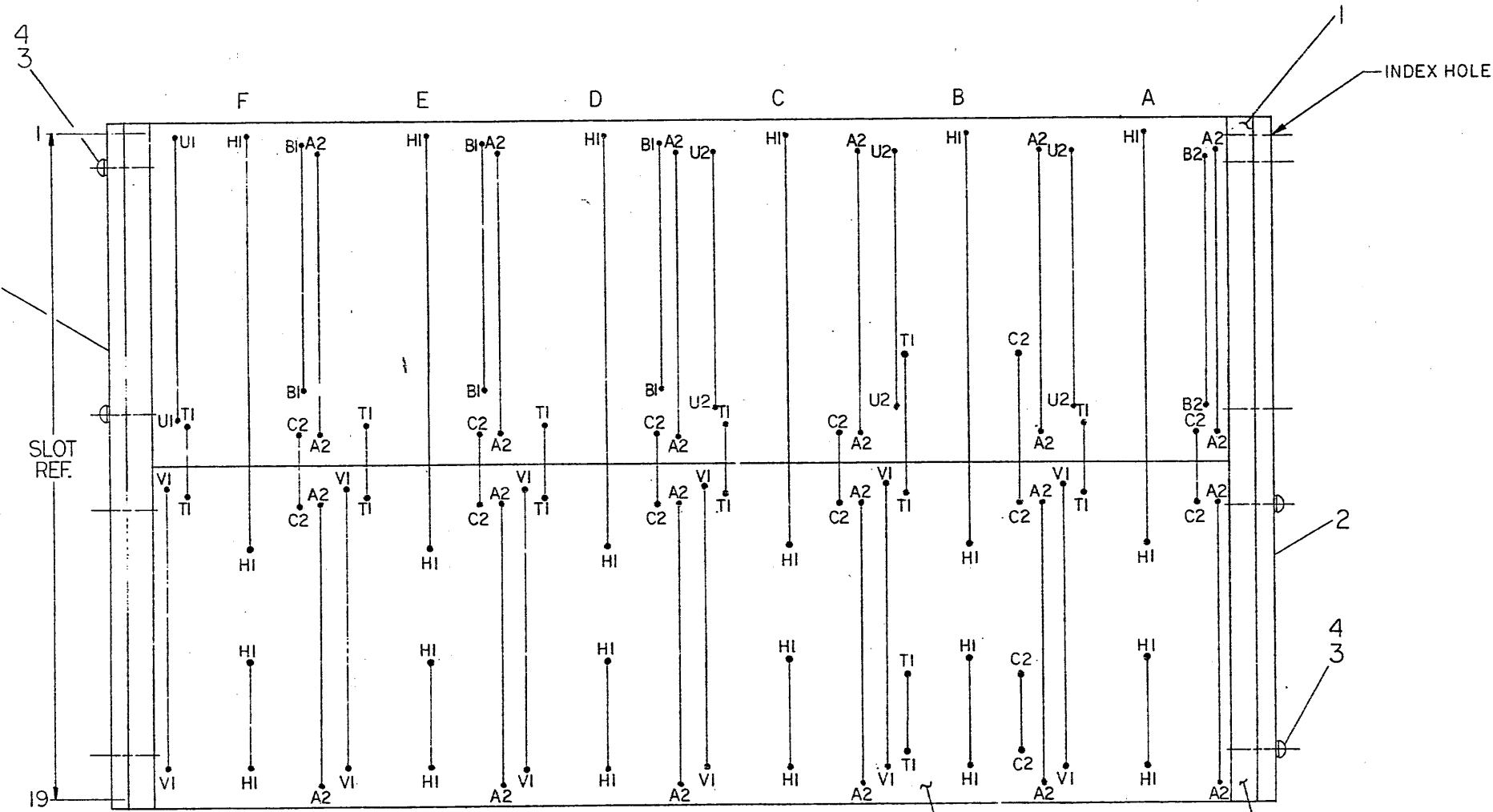
REVISIONS	CHANGE NO.	REV.
CHK		

DIA 7014462-0-0

THIS DRAWING AND SPECIFICATIONS, HEREIN, ARE THE PROPERTY OF DIGITAL EQUIPMENT CORPORATION AND SHALL NOT BE REPRODUCED OR COPIED OR USED IN WHOLE OR IN PART AS THE BASIS FOR THE MANUFACTURE OR SALE OF ITEMS WITHOUT WRITTEN PERMISSION.
 COPYRIGHT © 1977, DIGITAL EQUIPMENT CORPORATION

NOTES:

1. AT SLOT 9 CUT ETCH AT ACLO & DCLO. AT SLOTS 3 & 13 CUT ETCH AT AU2 & AV2.
2. HOLLOW DRILL ALL PINS NI, PI, RI, AND SI IN SLOTS A9 AND A19, AND PIN A18A2
3. FOR HAND WIRING SEE A-WL-7014486-0-2
4. ALL BUS STRIPS TO BE WITHIN .125 OF ETCH BOARD. SEE A-WL-7014486-0-3 FOR BUS STRIP LISTING.
5. FOR CLOCK COAX WIRING SEE A-WL-7014486-0-1 SEE DETAIL A ON SHEET 3.



REF	WIRE LIST	K-WL-KS10-0-WL	21
REF	AWT REVISION STATUS	A-WL-7014486-0	20
1	COMPRESS-O-CARTON	9905016-04	19
REF	PACKAGE INSTRUCTIONS	3700040-0-0	18
A/R	#30 YEL KYNAR	9105740-44	17
16	BARRIER STRIP	7408967-03	16
1	DECAL, LOGIC ASSY REV	A-DC-7A11881-01	15
REF	GENERAL WIRING SHEET	A-WL-7014486-0-3	14
REF	GENERAL WIRING SHEET	A-WL-7014486-0-2	13
A/R	CLOCK COAX	1700111	12
A/R	WIRE, 24 AWG SOLID (BLU)	9107688-66	11
A/R	WIRE, 24 AWG SOLID (GRN)	9107688-55	10
A/R	WIRE, 24 AWG SOLID (RED)	9107688-22	9
A/R	WIRE, 24 AWG SOLID (BLK)	9107688-00	8
REF	GENERAL WIRING SHEET	A-WL-7014486-0-1	7
A/R	BUS STRIP	9008428	6
A/R	WIRE, 24 AWG SOLID (WHT)	9107688-99	5
8	WASHERS, EXT. TOOTH #8	9008072	4
8	SCR, FIL HD PHL #8-32 X50	9007641-06	3
2	BAR, BACKPLANE SUPPORT	B-MD-7419351-00	2
2	ASSY, BACKPLANE	D-IA-7015682-0-0	1

SEE NOTE 4.
5
6
15

QUANTITY & VARIATION		DESCRIPTION		DWG./PART NO.	ITEM NO.
UNLESS OTHERWISE SPECIFIED DIMENSIONS ARE IN INCHES					
ANGLES	CLASS OF ACCURACY	NOMINAL DIMENSION RANGE INCHES			
±0° 30'	(CHECK ONE)	OVER 0 TO 12.0	OVER 12.0 TO 40.0	OVER 40.0 TO 100.0	OVER 100.0 TO 400.0
SURFACE QUALITY	MEDIUM	±.004	±.008	±.012	±.016
FINISH	PREFERRED	±.012	±.016	±.020	±.024

THIRD ANGLE PROJECTION	DRN. J. Hyslop 4/16/77	FIRST USED ON	KS10 digital
REMOVE BURRS AND BREAK SHARP CORNERS	CHK'D J. Hyslop 4/16/77	TITLE	ASSY, BACKPLANE
DO NOT SCALE DWG	ENG. F. Dool 2/16/77	SIZE	D
MATERIAL SEE PARTS LIST	PROJ. ENG. T. Dunbar 4/16/77	CODE	IA 7014486-0-0
FINISH NONE	PROD. W. Enby 4/16/77	NUMBER	1
	NEXT HIGHER ASSY.	SHEET	1 OF 2

REV.	CHG. NO.	DATE	BY	CHK.
1				
2				

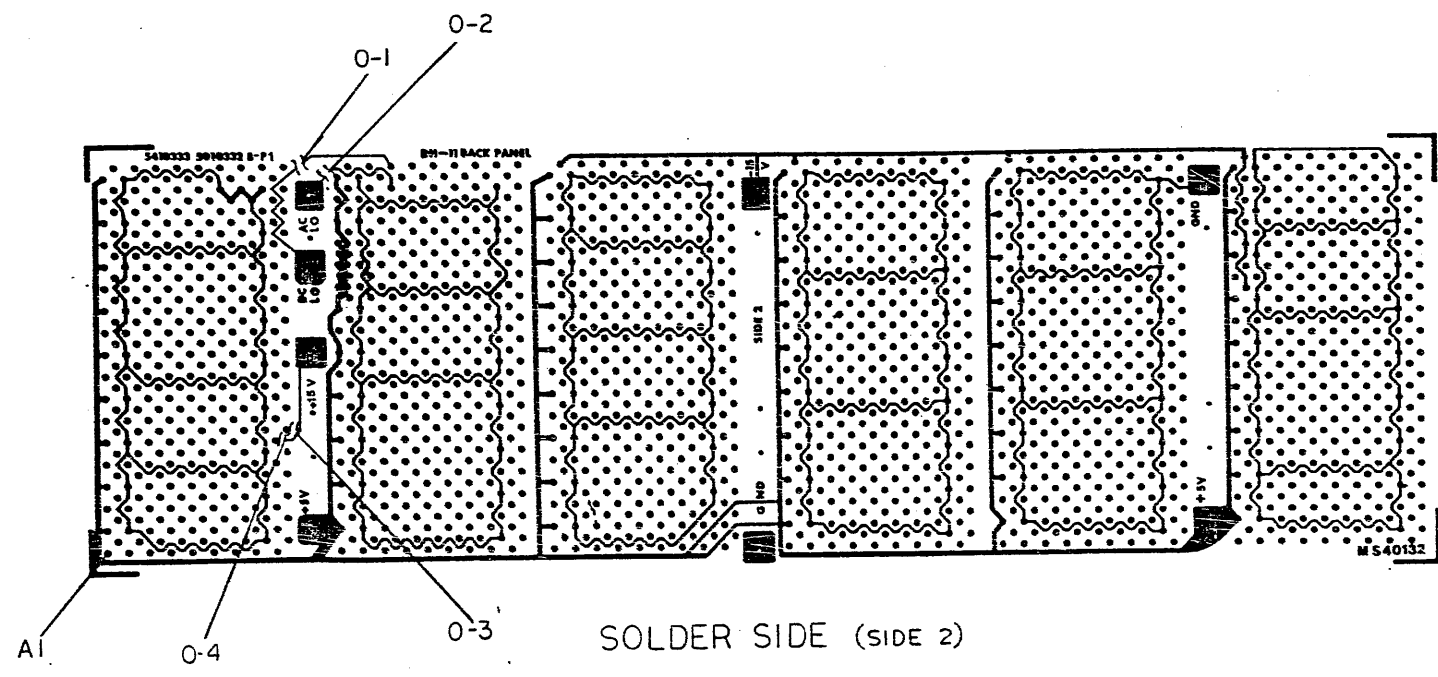
REVISIONS
 CHANGE NO. REV. DATE BY CHK.
 1 1 15 JUN 77
 2 1 15 JUN 77

REVISIONS
 CHANGE NO. REV. DATE BY CHK.
 1 1 15 JUN 77
 2 1 15 JUN 77

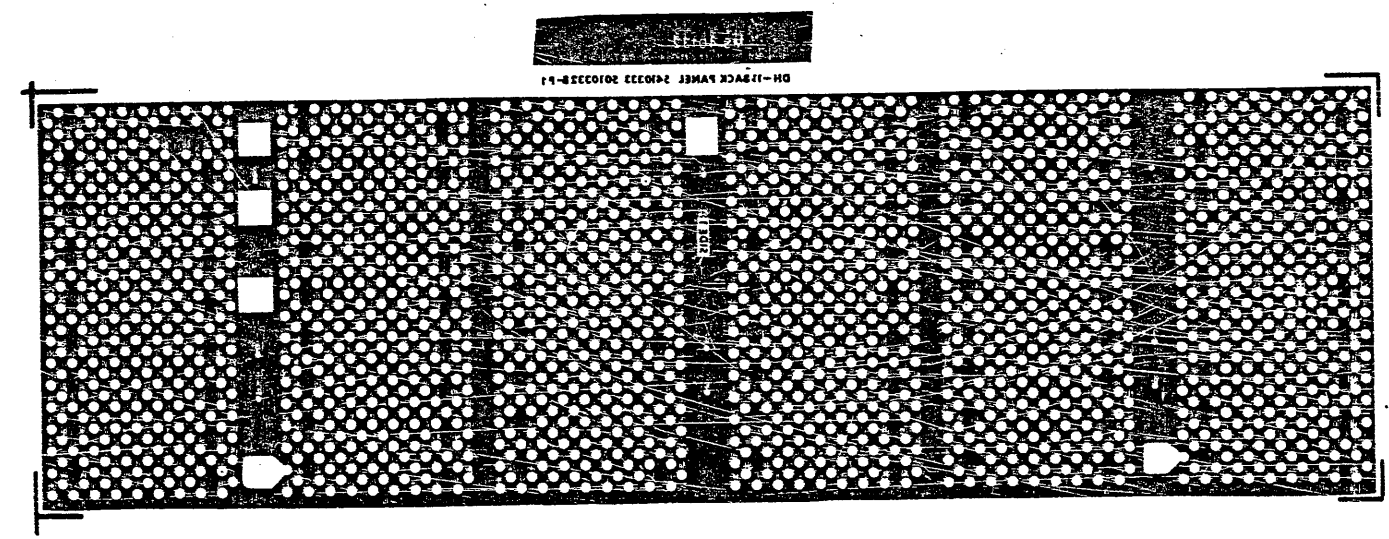
MR

THIS DRAWING AND SPECIFICATIONS HEREIN ARE THE PROPERTY OF DIGITAL EQUIPMENT CORPORATION AND SHALL NOT BE REPRODUCED OR COPIED OR USED IN WHOLE OR IN PART AS THE BASIS FOR THE MANUFACTURE OR SALE OF ITEMS WITHOUT WRITTEN PERMISSION. COPYRIGHT © 1977 DIGITAL EQUIPMENT CORPORATION

DIA 7014486-0-0 2



ETCH CUTS, SIDE 2 (AS SHOWN)
 0-1 CUT ETCH ON RUN FROM DC LO
 0-2 CUT ETCH AT AC LO
 0-3 & 4 CUT ETCH ON RUN FROM +15V



REVISIONS		
CHK	CHANGE NO	REV

TITLE	SIZE CODE	NUMBER	REV.
ASSY, BACKPLANE	DIA	7014486-0-0	A
SCALE NONE	SHEET 2 OF 2	DIST.	

DIA 7014486-0-0 A

D
C
B
A


D
C
B
A


8 7 6 5 4 3 2 1

SIGNAL NAME	FROM PIN	TO PIN	COLOR	REMARKS
GND	A02C2	A02H1	BLACK	
	A07C2	A07H1		
	A03H1	A03T1		
	A06H1	A06T1		
	A15C2	A15H1		
	A18C2	A18H1		
	A17H1	A17T1		
	B02C2	B02H1		
	B07C2	B07H1		
	B03H1	B03T1		
	B06H1	B06T1		
	B15C2	B15H1		
	B18C2	B18H1		
	B17H1	B17T1		
	C02C2	C02H1		
	C07C2	C07H1		
	C03H1	C03T1		
	C06H1	C06T1		
	C15C2	C15H1		
	C18C2	C18H1		
	C17H1	C17T1		
	D02C2	D02H1		
	D07C2	D07H1		
	D03H1	D03T1		
	D06H1	D06T1		
GND	D15C2	D15H1	BLACK	

SIGNAL NAME	FROM PIN	TO PIN	COLOR	REMARKS
GND	D18C2	D18H1	BLACK	
	D17H1	D17T1		
	E02C2	E02H1		
	E07C2	E07H1		
	E03H1	E03T1		
	E06H1	E06T1		
	E15C2	E15H1		
	E18C2	E18H1		
	E17H1	E17T1		
	F02C2	F02H1		
	F07C2	F07H1		
	F03H1	F03T1		
	F06H1	F06T1		
	F15C2	F15H1		
	F18C2	F18H1		
GND	F17H1	F17T1	BLACK	
+12V	A02U2	B02U2	WHITE	
	A06U2	B06U2		
	B03U2	C03U2		
	B07U2	C07U2		
	C02U2	D02B1		
	C06U2	D06B1		
	D03B1	E03B1		
	D07B1	E07B1		
	E02B1	F02B1		
+12V	E06B1	F06B1	WHITE	

This drawing and specifications, herein, are the property of Digital Equipment Corporation and shall not be reproduced or copied or used in whole or in part as the basis for the manufacture or sale of items without written permission.


REVISIONS				DRN.	DATE	 DIGITAL EQUIPMENT CORPORATION MAYNARD, MASSACHUSETTS	TITLE		
REV.	DATE	CHG. NO.	APP'D.	CHK'D.	DATE				
				J. HUSON	13OCT77	GENERAL WIRING SHEET FOR KS10 POWER WIRING			
				J. HUSON	24APR78				
				F. Doll	25APR78				
				T. Dunderon	4/25/78				
				W. Embrey	25APR78				
FIRST USED ON				KS10		SIZE	CODE	NUMBER	REV.
SCALE				NONE		A	WL	7014486-0-2	
SHEET				1 OF 4		DIST.			


REVISIONS				DRN.	DATE	 DIGITAL EQUIPMENT CORPORATION MAYNARD, MASSACHUSETTS	TITLE		
REV.	DATE	CHG. NO.	APP'D.	CHK'D.	DATE				
				J. HUSON	13OCT77	GENERAL WIRING SHEET FOR KS10 POWER WIRING			
				J. HUSON	24APR78				
				F. Doll	25APR78				
				T. Dunderon	4/25/78				
				W. Embrey	25APR78				
FIRST USED ON				KS10		SIZE	CODE	NUMBER	REV.
SCALE				NONE		A	WL	7014486-0-2	
SHEET				2 OF 4		DIST.			

SIGNAL NAME	FROM PIN	TO PIN	COLOR	REMARKS
GND	AØ1H1	A12H1		12 SLOT
	BØ1H1	B12H1		
	CØ1H1	C12H1		
	DØ1H1	D12H1		
	EØ1H1	E12H1		
	FØ1H1	F12H1		12 SLOT
	AØ9C2	A11C2		3 SLOT
	BØ6C2	B11C2		6 SLOT
	B16C2	B18C2		3 SLOT
	CØ9C2	C11C2		
	DØ9C2	D11C2		
	EØ9C2	E11C2		
	FØ9C2	F11C2		3 SLOT
	A15H1	A19H1		5 SLOT
	B15H1	B19H1		
	C15H1	C19H1		
	D15H1	D19H1		
	E15H1	E19H1		
	F15H1	F19H1		5 SLOT
	BØ6T1	B11T1		6 SLOT
	B16T1	B18T1		3 SLOT
	CØ9T1	C11T1		
	DØ9T1	D11T1		
	EØ9T1	E11T1		
	FØ9T1	F11T1		
GND	AØ9T1	A11T1		3 SLOT

SIGNAL NAME	FROM PIN	TO PIN	COLOR	REMARKS
+5V	AØ1A2	AØ9A2		9 SLOT
	BØ1A2	BØ9A2		
	CØ1A2	CØ9A2		
	DØ1A2	DØ9A2		
	EØ1A2	EØ9A2		
	FØ1A2	FØ9A2		
	A11A2	A17A2		
	B11A2	B19A2		
	C11A2	C19A2		
	D11A2	D19A2		
	E11A2	E19A2		
	F11A2	F19A2		
	A11V1	A19V1		
	B11V1	B19V1		
	C11V1	C19V1		
	D11V1	D19V1		
	E11V1	E19V1		
	F11V1	F19V1		
	AØ1V1	AØ9V1		
	BØ1V1	BØ9V1		
	CØ1V1	CØ9V1		
	DØ1V1	DØ9V1		
	EØ1V1	EØ9V1		
+5V	FØ1V1	FØ9V1		9 SLOT
+12V	DØ1B1	DØ8B1		8 SLOT
+12V	EØ1B1	EØ8B1		8 SLOT

This drawing and specifications, herein, are the property of Digital Equipment Corporation and shall not be reproduced or copied or used in whole or in part as the basis for the manufacture or sale of items without written permission.

REVISIONS				DRN.	DATE	 DIGITAL EQUIPMENT CORPORATION <small>MAYNARD, MASSACHUSETTS</small>	TITLE	FOR	NUMBER	REV.
REV.	DATE	CHG. NO.	APP'D.	CHK'D.	DATE					
				J. HUSON	13OCT77		GENERAL WIRING SHEET	KS1Ø	BUS STRIPS	
				J. HUSON	24APR78					
				F. Doll	25APR78					
				T. Driscoll	4/25/78					
				W. Eubey	25APR78					
SCALE NONE				FIRST USED ON		SIZE	CODE	NUMBER	REV.	
SCALE NONE				KS1Ø		A	WL	7Ø14486-Ø-3		
SHEET 1 OF 3				DIST						

REVISIONS				DRN.	DATE	 DIGITAL EQUIPMENT CORPORATION <small>MAYNARD, MASSACHUSETTS</small>	TITLE	FOR	NUMBER	REV.
REV.	DATE	CHG. NO.	APP'D.	CHK'D.	DATE					
				J. HUSON	13OCT77		GENERAL WIRING SHEET	KS1Ø	BUS STRIPS	
				J. HUSON	24APR78					
				F. Doll	25APR78					
				T. Driscoll	4/25/78					
				W. Eubey	25APR78					
SCALE NONE				FIRST USED ON		SIZE	CODE	NUMBER	REV.	
SCALE NONE				KS1Ø		A	WL	7Ø14486-Ø-3		
SHEET 2 OF 3				DIST						

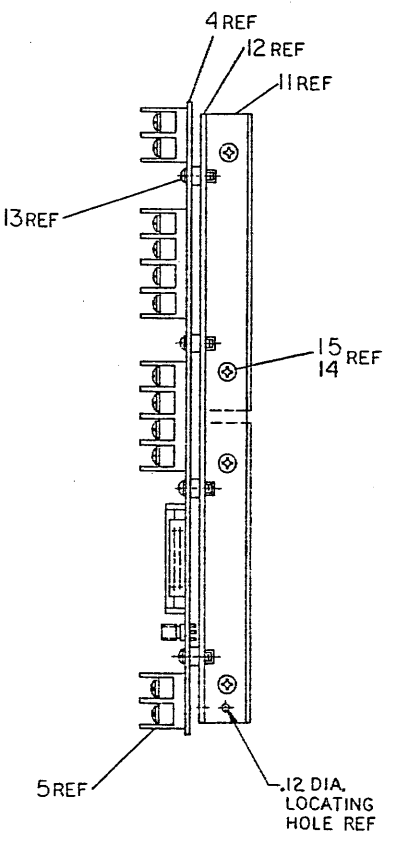
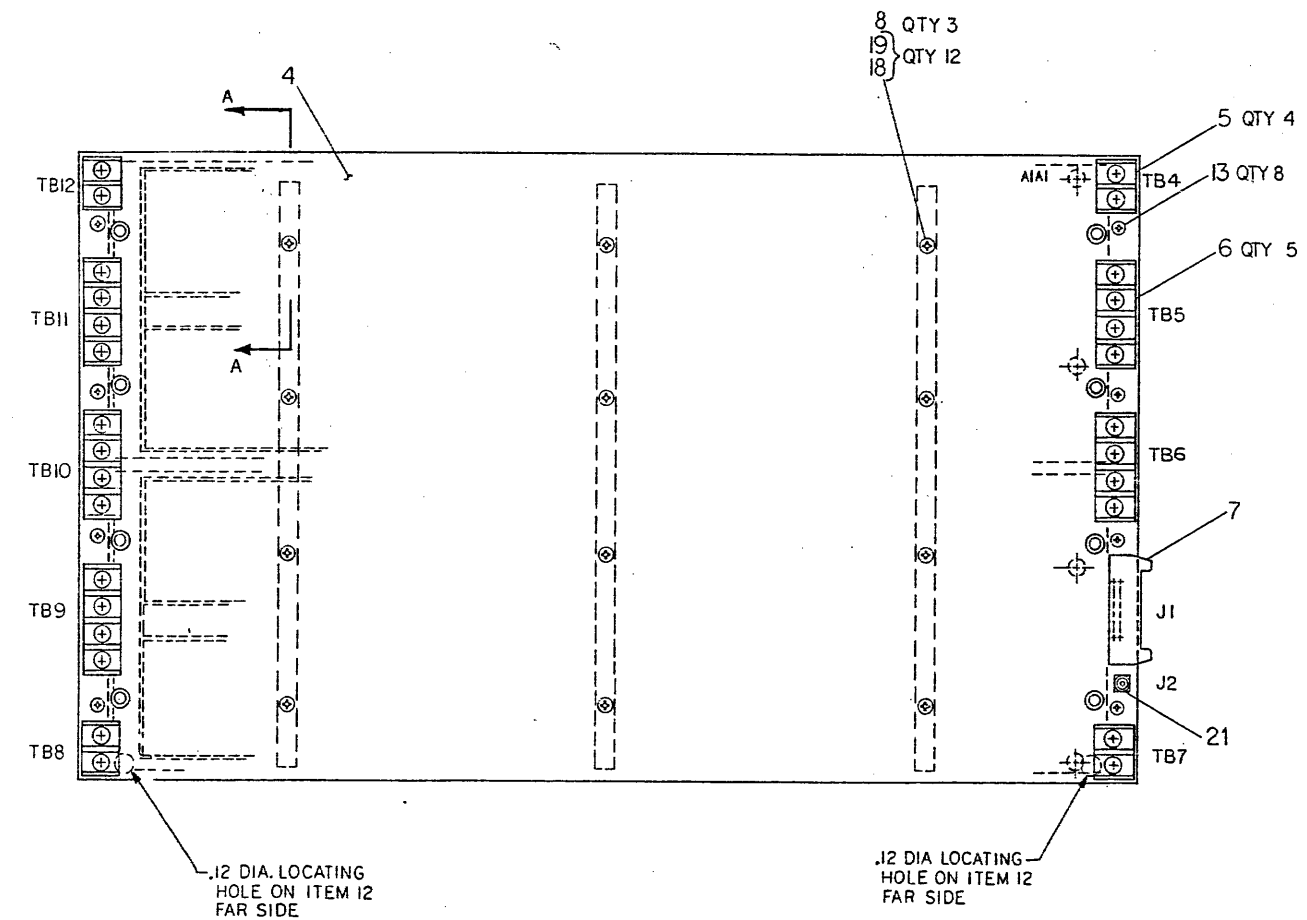
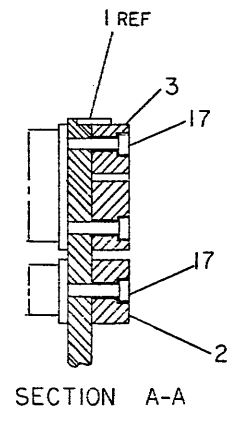
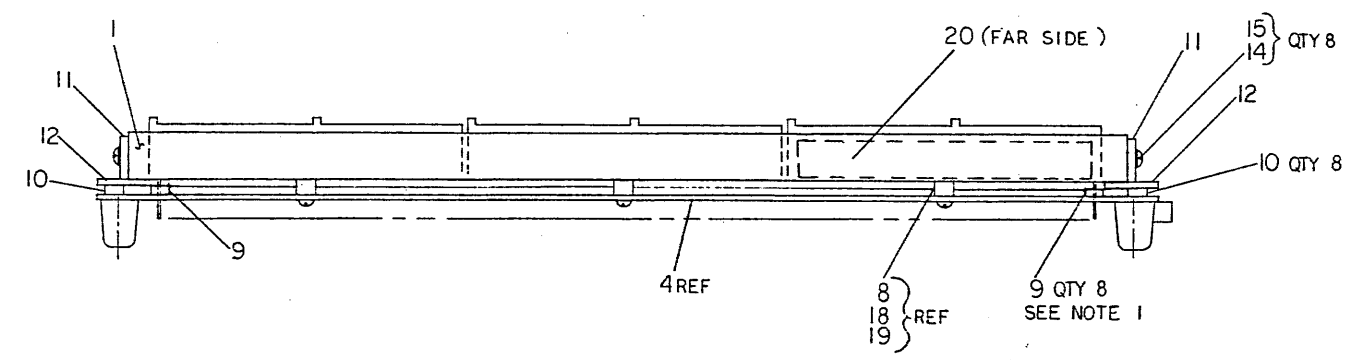
THIS DRAWING AND SPECIFICATIONS, HEREIN, ARE THE PROPERTY OF SIGMA EQUIPMENT CORPORATION AND SHALL NOT BE REPRODUCED OR COPIED OR USED IN WHOLE OR IN PART AS THE BASIS FOR THE MANUFACTURE OR SALE OF OTHER NETWORK PRODUCTS. FIRMING, COPYRIGHT © 1978 SIGMA EQUIPMENT CORPORATION

NOTES:
 1. BACKPLANE SPACERS (ITEM 9) ARE TO BE LOCATED OVER THE FOLLOWING PINS A1A1, A7A1, A13A1, A19A2, F1V1, F7V1, F13V1, & F19V2 BEFORE INSTALLATION OF ITEM 4.
 2. WIRE ADDS

FROM PIN	TO PIN	
1D01B1	1D02B1	ITEM 24
1E01B1	1E02B1	
1A08U2	1A18B1	
1F08B1	1F18U2	
1A08B2	1B18B2	ITEM 22
1A08A2	1A18K1	ITEM 23
1A08V1	1A18V1	

3. COAX CABLE ADDS (ITEM 25)

FROM	TO
INNER LEAD 1A18H2	1D17D1
SHIELD 1A18H1	1D17C2
INNER LEAD 1B18L1	1C14T2
SHIELD 1B19H1	1C14T1



CAUTION: OFF SHEET PARTS LIST EXISTS SEE B-PL-7016206-0-0

DESCRIPTION	DWG. PART NO.	ITEM NO.
UNLESS OTHERWISE SPECIFIED DIMENSIONS ARE IN INCHES		
FINISH		
CLASS OF ACCURACY		
CHECK ONE		
QUANTITY & VARIATION		
DRG. (REV.)		
CHKD. (REV.)		
ENGR. (REV.)		
PROD. (REV.)		
DO NOT SCALE DWG.		
MATERIAL		
SEE PARTS LIST		
FINISH		
TITLE	ASSEMBLY	
NUMBER	ETCHED BACKPLANE	
SCALE	1/1	
SIZE	7016206-0-0	
REV.		

DIGITAL EQUIPMENT CORPORATION PARTS LIST

MADE BY <i>J. HUSON</i>	CHECKED <i>F. Ball</i>	SECTION <i>A</i>	7016206-0-0											
DATE <i>16 AUG 78</i>	DATE <i>4 APRIL 79</i>													
ENG <i>Rich Olson</i>	PROD <i>R. Connors</i>	ISSUED SECTION <i>A</i>												
DATE <i>20 AUG 79</i>	DATE <i>20 Aug 79</i>													

ITEM NO.	DRAWING NO.	PART NO.	DESCRIPTION	QUANTITY	VARIATION										REF DESIGNATION					
1	E-PS-1211439-0-0	1211439-00	LOGIC FRAME	2																
2	D-PS-1211425-0-0	1211425-00	72 PIN CONNECTOR BLOCK H8Ø3Ø	6																
3	E-PS-1210258-0-0	1210258-01	CONNECTOR, CARD EDGE TYPE 288 CONTACTS	12																
4	E-UA-5413525-0-0	5413525-0	KS1Ø BACKPLANE	1																
5		1214857-02	TERMINAL STRIP 2 PIN	4																
6		1214857-03	TERMINAL STRIP 4 PIN	5																
7		1209941-06	CONNECTOR HEADER ASSY 20 PIN	1																
8	B-MD-7421952-0-0	7421952-0	SPACER, NYLON	3																
9	B-MD-7421953-0-0	7421953-0	SPACER, NYLON	8																
10	B-MD-7421954-0-0	7421954-0	SPACER, NYLON	8																
11	C-MD-7421893-0-0	7421893-0	BRKT, CASTING CONNECTOR BACKPLANE	2																
12	C-MD-7421892-0-0	7421892-0	SUPPORT, ETCH BOARD	2																
13		9009546-00	SCR, SEMS PHL PAN HD #4-40 .38	8																
14		9007641-06	SCR, PHL FIL HD #8-32 x .50	8																
15		9008072-00	WASHER, EXT. TOOTH #8	8																
16	K-WL-70162ØØ-Ø-DBW		WIRE LIST	REF																
17		9006120-06	SCR, FIL HD POSI-DRIVE #8-32x.62	30																
18		9009587-01	SCR, PAN HD SELF-DRIVE #6-32x.62	12																
19		9007649-00	WASHER, EXT TOOTH #6	12																
20	A-DC-7411881-1-0	7411881-01	DECAL, LOGIC ASSY REVISION	1																
21		1212351-00	COAX CONNECTOR	1																

E.C.O. NO. "THIS DRAWING AND SPECIFICATIONS, HEREIN, ARE THE PROPERTY OF DIGITAL EQUIPMENT CORPORATION AND SHALL NOT BE REPRODUCED OR COPIED OR USED IN WHOLE OR IN PART AS THE BASIS FOR THE MANUFACTURE OR SALE OF ITEMS WITHOUT WRITTEN PERMISSION. COPYRIGHT ©1978 DIGITAL EQUIPMENT CORPORATION"	TITLE ETCHED BACKPLANE ASSEMBLY	ASSY NO. E-AD-7016206-0-0	SIZE B	CODE PL	NUMBER 7016206-0-0	REV.
		SHEET A 1 OF A 2	INSERTION PARTS LIST DATA BASE REV			

MR

DIGITAL EQUIPMENT CORPORATION PARTS LIST

QUANTITY / VARIATION

NOTES:

MADE BY <i>J. Huson</i>	CHECKED <i>J. Kallitay</i>	SECTION
DATE <i>16 Aug 78</i>	DATE <i>4 APRIL 79</i>	A
ENG <i>Pek Olson</i>	PROD <i>R. Connors</i>	ISSUED SECTION
DATE <i>20 Aug 79</i>	DATE <i>20 Aug 79</i>	A

7016206-00

ITEM NO.	DRAWING NO.	PART NO.	DESCRIPTION	A/R	QTY	UNIT	QTY	UNIT	QTY	UNIT	QTY	UNIT
22		9107688-55	WIRE, #24 AWG (GRN)	A/R								
23		9107688-22	WIRE, #24 AWG (RED)	A/R								
24		9107688-33	WIRE, #24 AWG (ORN)	A/R								
25	U-MD-7422779-0-0	7422779-1J	CABLE, COAX	A/R								
26		5013524	KS1Ø BACKPLANE, ETCH BOARD	REF								
27		3700040-00	PACKAGING INSTR.	REF								
28		9905016-04	CARTON	REF								
29		9105740-44	WIRE, #30 YEL KYNAR	A/R								
30	A-WT-7016206-0		ETCHED BKPLN ASSY AWT REV STATUS	REF								

REF DESIGNATION

E.C.O. NO.

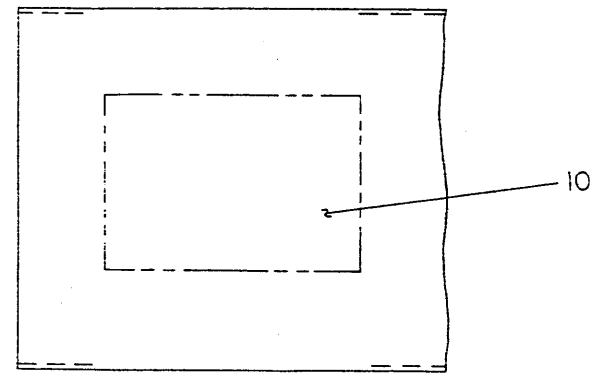
"THIS DRAWING AND SPECIFICATIONS, HEREIN, ARE THE PROPERTY OF DIGITAL EQUIPMENT CORPORATION AND SHALL NOT BE REPRODUCED OR COPIED OR USED IN WHOLE OR IN PART AS THE BASIS FOR THE MANUFACTURE OR SALE OF ITEMS WITHOUT WRITTEN PERMISSION. COPYRIGHT © 1979 DIGITAL EQUIPMENT CORPORATION"	TITLE ETCHED BACKPLANE ASSEMBLY	ASSY NO. E-AD-7016206-0-0	SIZE B	CODE PL	NUMBER 7016206-0-0	REV.
		SHEET A2 OF A2	INSERTION PARTS LIST DATA BASE REV			

MR

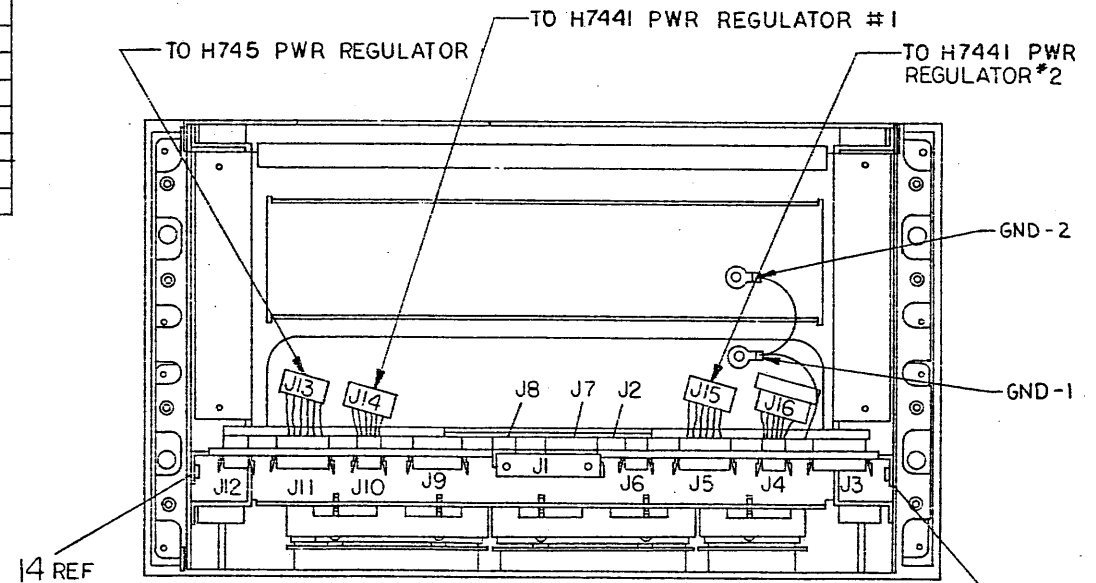
THIS DRAWING AND SPECIFICATIONS, HEREIN, ARE THE PROPERTY OF DIGITAL EQUIPMENT CORPORATION AND SHALL NOT BE REPRODUCED OR COPIED OR USED IN WHOLE OR IN PART AS THE BASIS FOR THE MANUFACTURE OR SALE OF ITEMS WITHOUT WRITTEN PERMISSION.
 COPYRIGHT © 1977, DIGITAL EQUIPMENT CORPORATION

LEGEND	
NUMBER	VARIATION
7014173-0	120 V (60 HZ)
7014173-1	240 V (50 HZ)
7014173-2	120 V (60 HZ)
7014173-3	240 V (50 HZ)
7014173-4	120 V (60 HZ)
7014173-5	240 V (50 HZ)

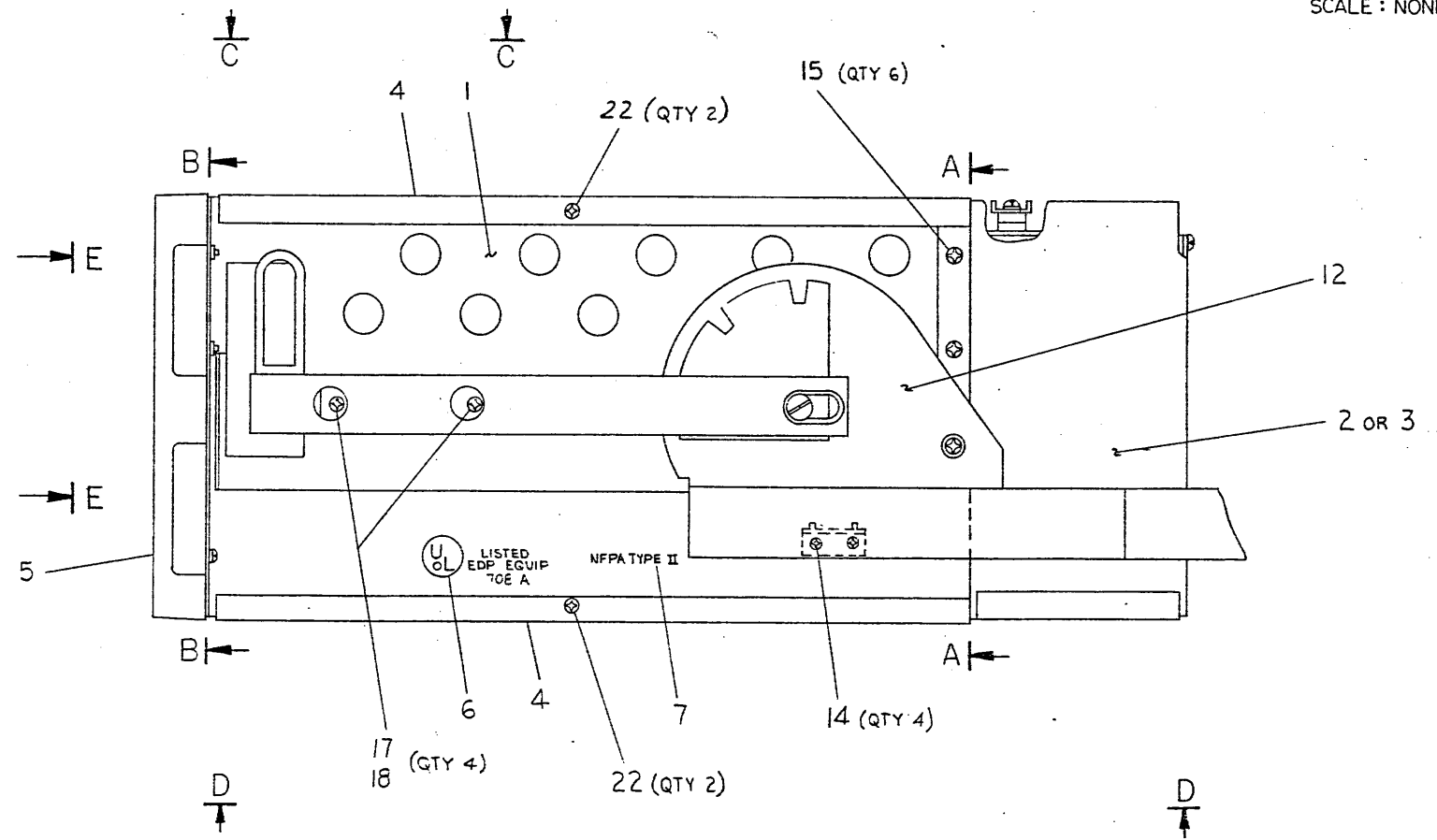
NOTES:



VIEW C-C
 (TOP COVER ONLY)
 SCALE: NONE



VIEW A-A
 (REAR OF EXPANSION DRAWER)
 SCALE: NONE



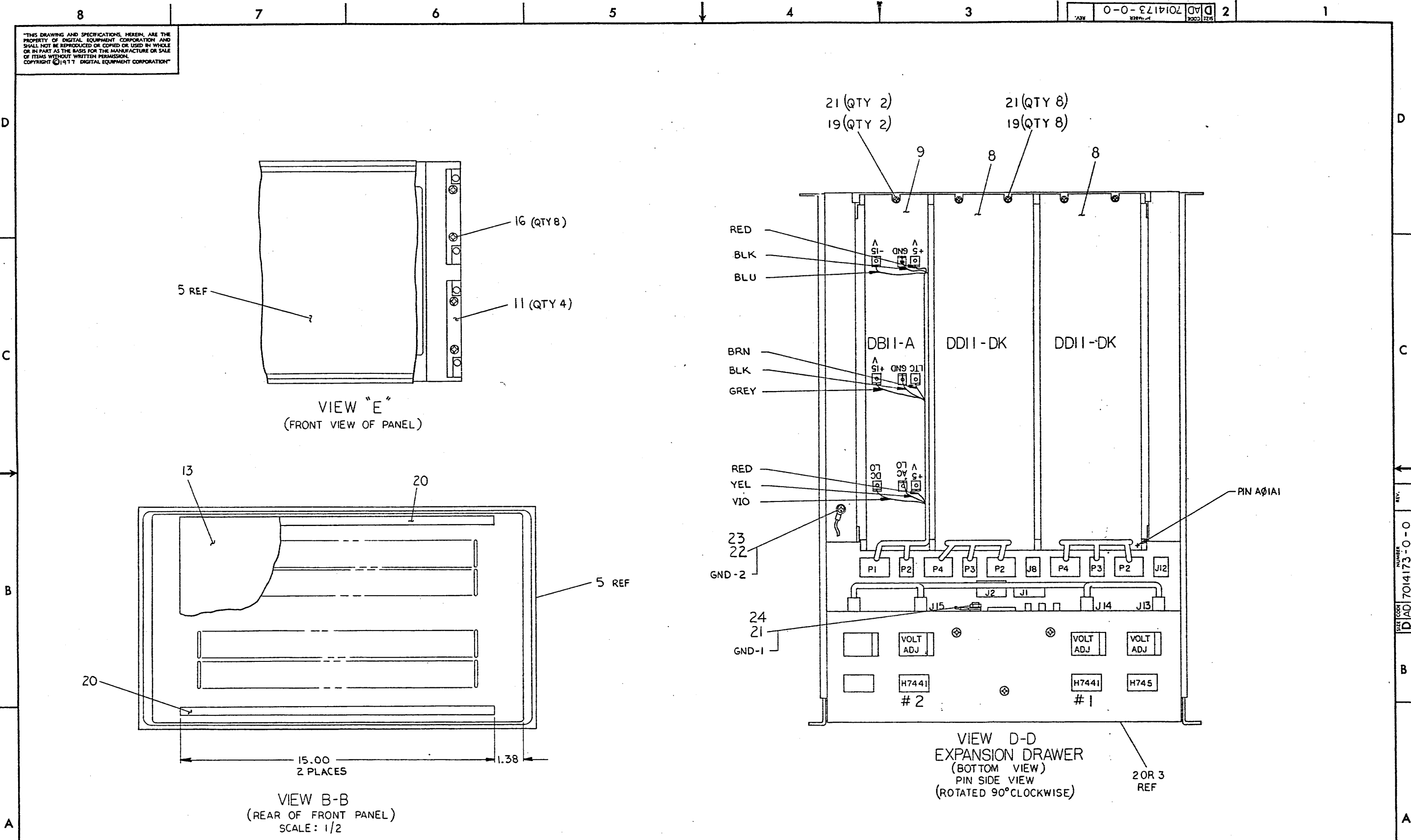
CAUTION:
 OFF SHEETS PARTS LIST
 EXIST A-PL-7014173-0-0

REV.	CHANGE NO.	REVISIONS

DESCRIPTION	DRWG./PART NO.	ITEM NO.
UNLESS OTHERWISE SPECIFIED DIMENSIONS ARE IN INCHES		
ANGLES 30° 30'	CLASS OF ACCURACY	NOMINAL DIMENSION RANGE INCHES
SURFACE QUALITY IN	(CHECK ONE)	OVER 0 TO 0.2
QUANTITY & VARIATION	MEDIUM	OVER 0.2 TO 4.0
THIRD ANGLE PROJECTION	PREFERRED	OVER 4.0 TO 12.0
REMOVE BURRS AND BREAK SHARP CORNERS		OVER 12.0 TO 40.0
DO NOT SCALE DWG		OVER 40.0 TO 80.0
MATERIAL SEE PART LIST		OVER 80.0 TO 100.0
FINISH		

DRN. M. O'Brien 7 Apr 77	FIRST USED ON	DN20 digital
CHK'D. [Signature]	TITLE	EXPANSION DRAWER SUB-ASSY
ENG. [Signature]		
PROJ. ENG. [Signature]		
PROD. [Signature]		

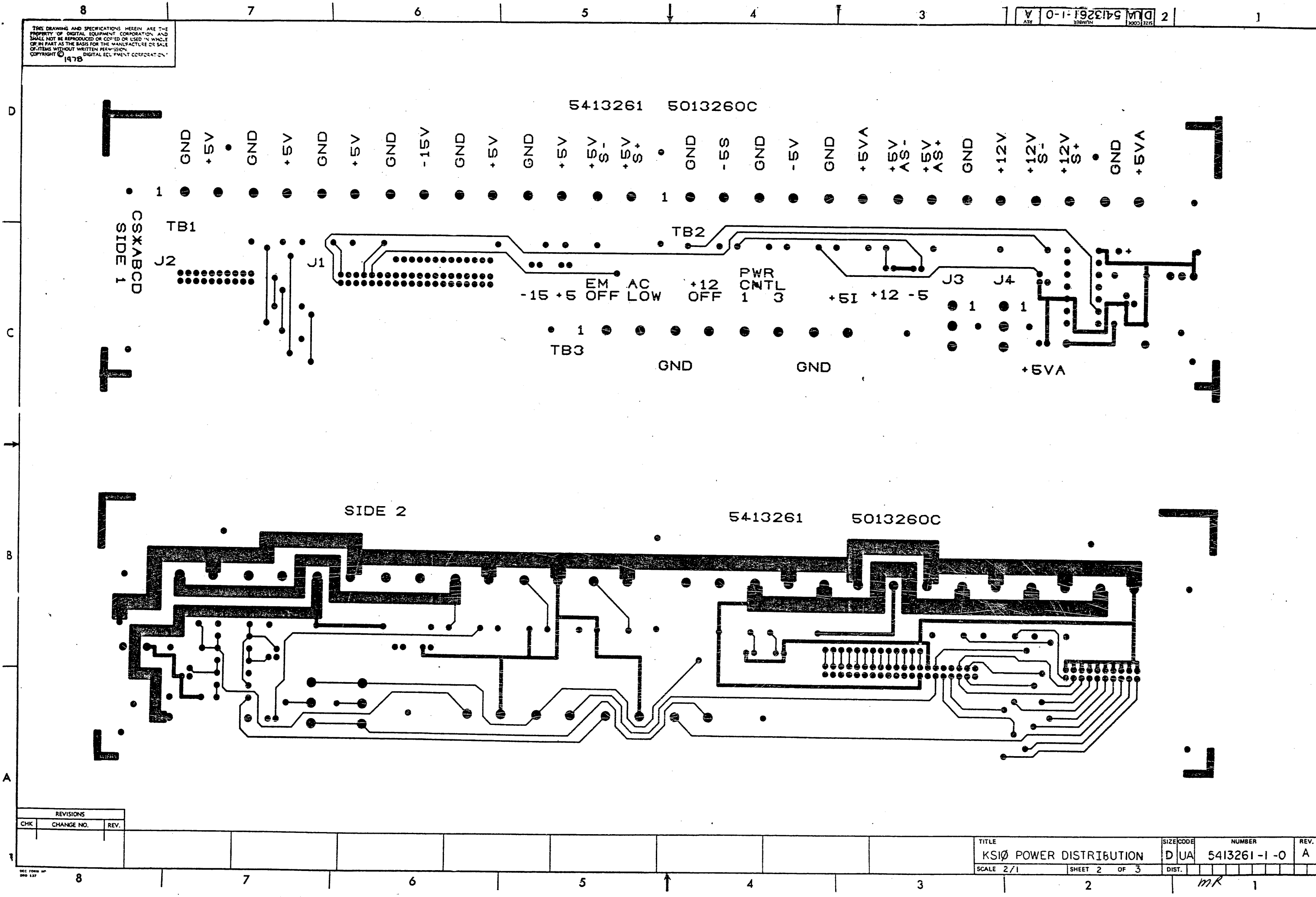
"THIS DRAWING AND SPECIFICATIONS, HEREIN, ARE THE PROPERTY OF DIGITAL EQUIPMENT CORPORATION AND SHALL NOT BE REPRODUCED OR COPIED OR USED IN WHOLE OR IN PART AS THE BASIS FOR THE MANUFACTURE OR SALE OF ITEMS WITHOUT WRITTEN PERMISSION. COPYRIGHT © 1977 DIGITAL EQUIPMENT CORPORATION"



REVISIONS		
CHK	CHANGE NO.	REV.

TITLE	EXPANSION DRAWER SUB-ASSY	SIZE CODE	D AD	NUMBER	7014173-0-0	REV.	
SCALE	1/2	SHEET	2	OF	2	DIST.	

THIS DRAWING AND SPECIFICATIONS HEREIN ARE THE PROPERTY OF DIGITAL EQUIPMENT CORPORATION AND SHALL NOT BE REPRODUCED OR COPIED OR USED IN WHOLE OR IN PART AS THE BASIS FOR THE MANUFACTURE OR SALE OF ITEMS WITHOUT WRITTEN PERMISSION. COPYRIGHT © 1978 DIGITAL EQUIPMENT CORPORATION.



REVISIONS		
CHK	CHANGE NO.	REV.

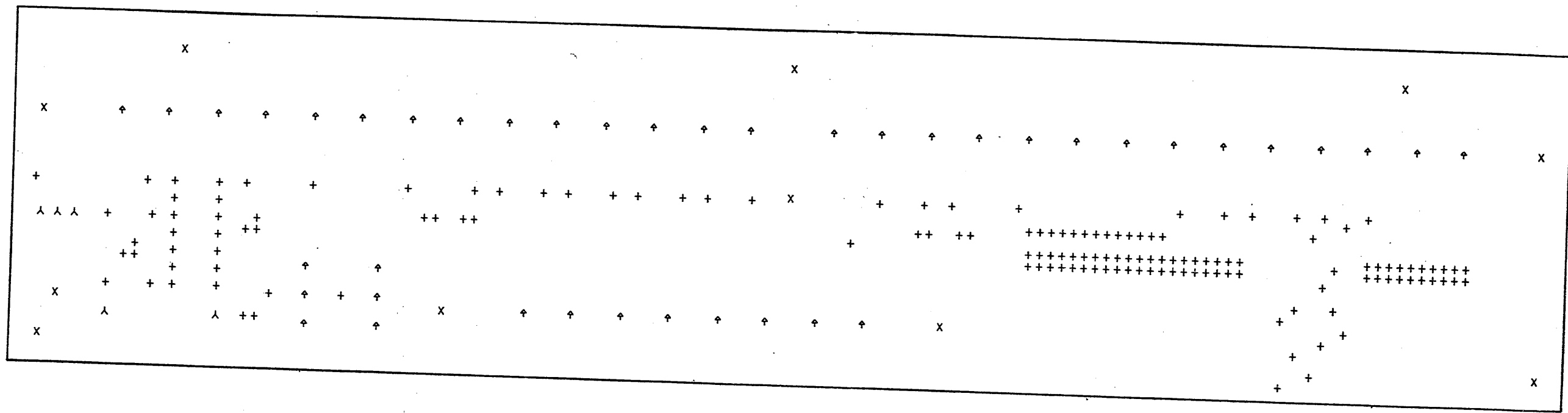
TITLE	SIZE CODE	NUMBER	REV.
KSIØ POWER DISTRIBUTION	D UA	5413261-1-0	A
SCALE 2/1	SHEET 2 OF 3	DIST.	

mk

THIS DRAWING AND SPECIFICATIONS HEREIN ARE THE PROPERTY OF DIGITAL EQUIPMENT CORPORATION AND SHALL NOT BE REPRODUCED OR COPIED OR USED IN WHOLE OR IN PART AS THE BASIS FOR THE MANUFACTURE OR SALE OF ITEMS WITHOUT WRITTEN PERMISSION.
 COPYRIGHT © 1978 DIGITAL EQUIPMENT CORPORATION

REV. 2
 SIZE CODE DUA
 NUMBER 5413261-1-0

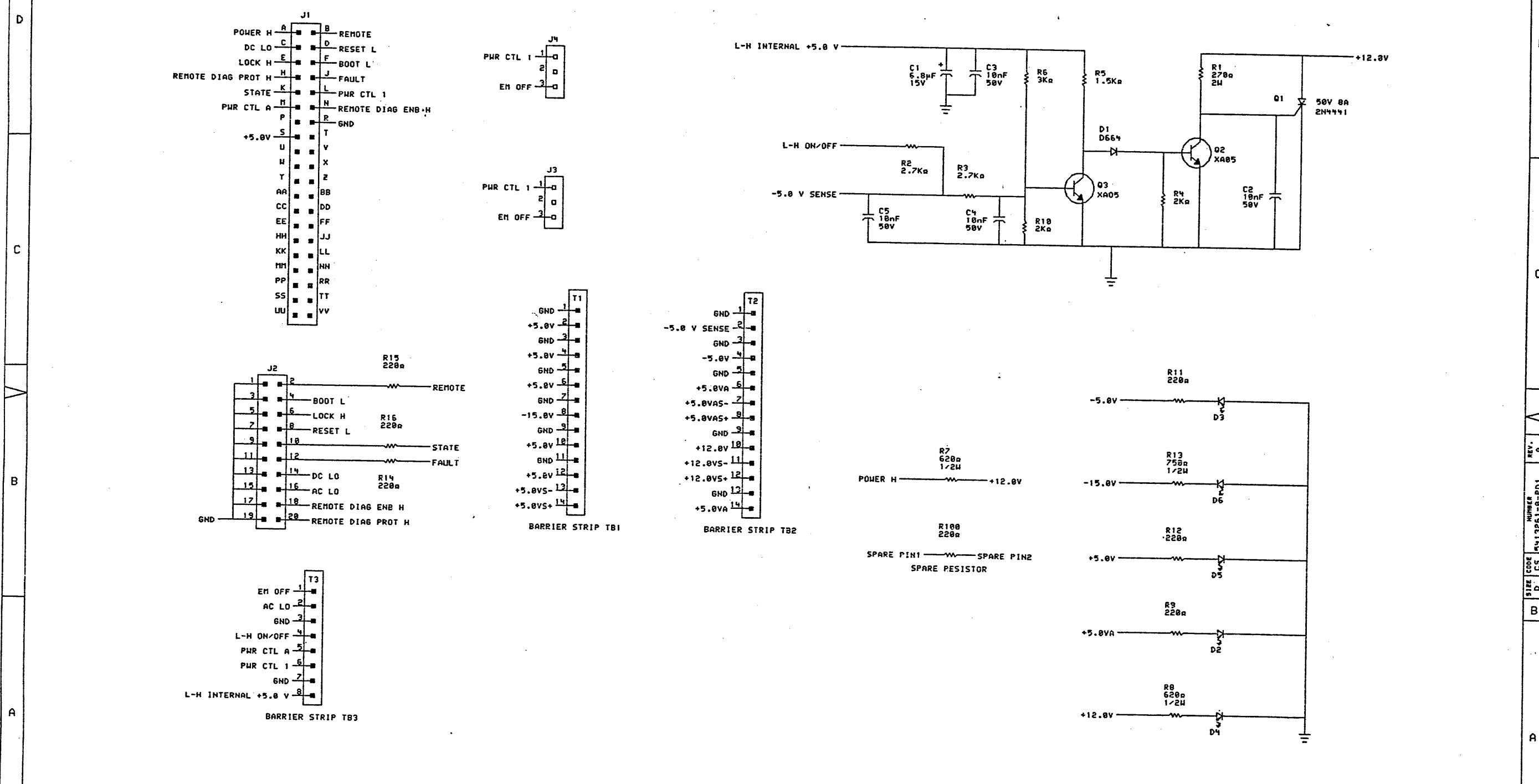
1



REVISIONS		
CHK	CHANGE NO.	REV.

TITLE: KSIØ POWER DISTRIBUTION
 SCALE: 2/1
 SHEET: 3 OF 3
 SIZE CODE: DUA
 NUMBER: 5413261-1-0
 REV. A

DEC FORM NO. 500 137



SHEET 1 OF 1

*THIS DRAWING AND SPECIFICATIONS, HEREIN, ARE THE PROPERTY OF DIGITAL EQUIPMENT CORPORATION AND SHALL NOT BE REPRODUCED OR COPIED OR USED IN WHOLE OR IN PART AS THE BASIS FOR THE MANUFACTURE OR SALE OF ITEMS WITHOUT WRITTEN PERMISSION.
COPYRIGHT © 1978, DIGITAL EQUIPMENT CORPORATION*

REVISIONS		
CHK	CHANGE NO.	REV.

	DATE	ENY.	DATE	TITLE:
	28-APR-78	1/25	4/25/78	KS10 PROCESSOR PWR DISTRIB.
DATE	BOARD LOCATION:	SHEET 1 OF 1		
120-APR-78 10:20		NEXT HIGHER ASSEMBLY:		
FIRST USED ON OPTION/MODEL:	KS10	KS10	SIZE CODE	NUMBER
			D CS	5413261-0-PD1
			REV.	A

DIGITAL EQUIPMENT CORPORATION
MAYNARD, MASSACHUSETTS

ENGINEERING SPECIFICATION

DATE 17 FEB 78

TITLE KS10-AA, AB MANUFACTURING TEST SPECIFICATION

REVISIONS

REV	DESCRIPTION	CHG NO	ORIG	DATE	APPD BY	DATE

ENG
Marty Schwartz

APPD
T. Dunbar 4/25/78

SIZE
A

CODE
SP

NUMBER
KS10-0-2

REV

ENGINEERING SPECIFICATION



CONTINUATION SHEET

TITLE KS10-AA, AB MANUFACTURING TEST SPECIFICATION

1.0

This specification is intended to provide a criteria to insure the option under test is fully functional and to specify limits for product maturation. It is not intended to specify the amount of testing to achieve product maturation or the testing sequence for optimal debugging.

2.0 DIAGNOSTICS REQUIRED FOR BASIC CPU TESTING

- | | | |
|----|------------|------------------------------------|
| a. | SMCPU.COMD | Processor Diagnostic Run File |
| b. | DSKAA.SAV | Basic Instruction Diagnostic #1 |
| c. | DSKAB.SAV | Basic Instruction Diagnostic #2 |
| d. | DSKAC.SAV | Basic Instruction Diagnostic #3 |
| e. | DSKAD.SAV | Basic Instruction Diagnostic #4 |
| f. | DSKAE.SAV | Basic Instruction Diagnostic #5 |
| g. | DSKAF.SAV | Basic Instruction Diagnostic #6 |
| h. | DSKAG.SAV | Basic Instruction Diagnostic #6 |
| i. | DSKAH.SAV | Basic Instruction Diagnostic #7 |
| j. | DSKAI.SAV | Basic Instruction Diagnostic #8 |
| k. | DSKAJ.SAV | Basic Instruction Diagnostic #9 |
| l. | DSKAK.SAV | Basic Instruction Diagnostic #10 |
| m. | DSKAL.SAV | Basic Instruction Diagnostic #11 |
| n. | DSKAM.SAV | Basic Instruction Diagnostic #12 |
| o. | DSKAB.SAV | Basic Instruction Reliability #1 |
| p. | DSKCA.SAV | Advanced Instruction Diagnostic #1 |
| q. | DSKCB.SAV | Advanced Instruction Diagnostic #2 |
| r. | DSKCC.SAV | Advanced Instruction Diagnostic #3 |
| s. | DSKCD.SAV | Advanced Instruction Diagnostic #4 |
| t. | DSKCE.SAV | Advanced Instruction Diagnostic #5 |
| u. | DSKDA.SAV | Arithmetic Reliability |
| v. | DSKEA.SAV | Paging Diagnostic |
| w. | DSKFB.SAV | Instruction Timing Diagnostic |
| x. | DSMMG.SAV | Memory Diagnostic |
| y. | DSRME.SAV | RM03 Basic Diagnostic |
| z. | DSRMF.SAV | RM03 and RP06 Reliability |

3.0 ADJUSTMENTS and/or SPECIAL TESTS

Before any diagnostic programs can be run, the T and R clocks which originate on the M8616 module must be deskewed. The M8616 must NOT be on an extender and no other modules should be installed to allow clearance to set the delay line switches.

SIZE
A

CODE
SP

NUMBER
KS10-0-2

REV

ENGINEERING SPECIFICATION

CONTINUATION SHEET

TITLE KS10-AA, AB MANUFACTURING TEST SPECIFICATION

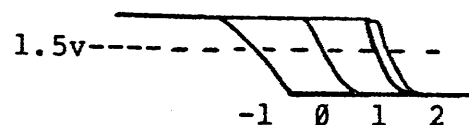
The T and R clocks are deskewed by locating the clock in each group of four which falls in the center of the four clocks and skewing it with the center clock in each other group by setting the switch inputs of the programable delay lines. Refer to D-CS-M8616-0-1.

3.1 Procedure

- 3.1.1 Connect channel 1 and 2 to A18H2 (T clk) and connect the probe grounds to T1 or C2 of any slot. Sync on the negative transition. Check that the two channels align at the 1.5 volt value.
- 3.1.2 Set all delays to mid value (delay = 7 n.s.) as follows. Set all switches on E208 and E309 off. Set E208-1,5 and E309-1,3,7 on.
- 3.1.3 Locate the center clock in group 1 and connect the center clock to channel 1.

To locate the clock which falls in the center of the group connect channel one to one of the clocks in the group. Assign its negative transition at the 1.5v level a value of zero to the x axis. Then connect channel 2 to the other clocks in the group and add the skew values of the other three clocks in relation to the first clock and divide the value by four. Select the clock nearest to the center value as the center clock. Refer to Table 1 for clock groups.

EXAMPLES:

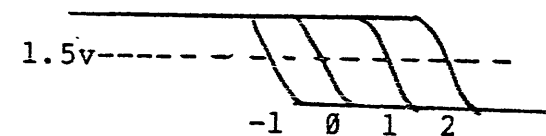


$-1+0+1+1=1-4=1/4$ n.s.
Clock which crosses at zero is center clock

ENGINEERING SPECIFICATION

CONTINUATION SHEET

TITLE KS10-AA, AB MANUFACTURING TEST SPECIFICATION



$-1+0+1+2=2-4=1/2$ n.s.
clock which crosses at one is center clock

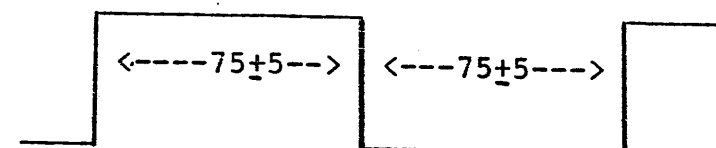
- 3.1.4 Verify that the negative edge of the center clock in group 2 and 3 is within 7 n. s. of the negative edge of group 1. If not move group 1 delay + or - to get under 7 n. s. Refer to Table 2.
- 3.1.5 Verify that the + edge of the center clock in group 4 and 5 is within 35 n. s. + 7 of the negative edge in group 1. If not move group 1 delay + or - to get under 7 n. s.

Example: If a group is 12 n. s. late with respect to group 1 change the group 1 delay from 7 to 2 n.s.

If a group is 12 n.s. early with respect to group 1 change the group 1 delay from 7 to 12 n.s.
If the skew between any two groups is greater than 13 n.s. the board can not be deskewed.
One or more of the components is out of spec.

- 3.1.6 Deskew the center clock of each group by adjusting the switches in Table 2 to minimize skew with respect to group 1.

- 3.3.7 Verify that the symmetry of the half cycles is 5 n.s. or less.



SIZE	CODE	NUMBER	REV
A	SP	KS10-0-2	

SIZE	CODE	NUMBER	REV
A	SP	KS10-0-2	

ENGINEERING SPECIFICATION

CONTINUATION SHEET

TITLE KS10-AA, AB MANUFACTURING TEST SPECIFICATION

4.0 MTBF

This option must have sufficient power on time to insure process maturity. MTBF's for modules are specified as follows:

M8616	(CSL)	8227 Hrs.
M8618	(MMC)	74253 Hrs.
M8619	(UBA)	53636 Hrs.
M8620	(DPE)	13380 Hrs.
M8621	(DPM)	36090 Hrs.
M8622	(CRA)	14488 Hrs.
M8623	(CRM)	9460 Hrs.
M8629	(ARRAY)	68854 Hrs.

MTBF of the power system is specified as follows:

H7130	(Power Supply)	15000 Hrs.
861C	(Power Control)	483676 Hrs.

5.0 MAXIMUM ENVIRONMENTAL TEST CONDITIONS

- a. Humidity - less than or equal to 80% non-condensing
- b. Temperature - +50° F to +120° F (fans in operation)

6.0 POWER SYSTEM

a. DC Voltage Specification

+5.0 Volts	±5%
-15.0 Volts	±5%
-5.0 Volts	±5%
+12.0 Volts	±10%

b. AC Voltage Specification

KS10-AA	Line Voltage 104-126 VAC Frequency 60Hz ±1 Hz
KS10-AB	Line Voltage 207-253 VAC Frequency 50Hz ±1 Hz

SIZE	CODE	NUMBER	REV
A	SP	KS10-0-2	

ENGINEERING SPECIFICATION

CONTINUATION SHEET

TITLE KS10-AA, AB MANUFACTURING TEST SPECIFICATION

.. Thermal Shutdown

The KS10 will power down via the DEC Power Control Bus when the temperature of the air entering the CPU card cage exceeds 105° F ±4° F .

f. Power Fail

Minimum ride through during a power outage condition is 5 ms.

g. Power Transients

No system degradation for single transient of 300 volts @ .2 Watt-seconds.

Survival for single transient of 1000 volts @ 2.5 Watt-seconds.

7.0 MARGINS

a. Voltage Margins

Must run SMCPU.COM, DSMMG (WCP), and DSRMF (FRTEST and RCTEST) with the following voltage margins:

+5.0 volts	+5.25 volts to +4.75 volts
-5.0 volts	-5.25 volts to -4.75 volts
-15.0 volts	-14.25 volts to +15.75 volts
+12.0 volts	+13.2 volts to +10.8 volts

SIZE	CODE	NUMBER	REV
A	SP	KS10-0-2	

TITLE KS10 AA, AB MANUFACTURING TEST SPECIFICATION

Voltages are adjusted and measured with a DVM (.1% accuracy or better) as follows:

[Refer to Figure 1]

Voltage	Adjustment	Measured At
+5.0 volts	V1	A01A2
+5.0 volts	V2	A19A2
-5.0 volts	V5	A01B2
-15.0 volts	V4	A18B2
+12.0 volts	V3	A01U2

b. Speed Margins

Must run SMCPU.CMD, DSMMG (WCP) and DSRMF (FRTEST and RCTEST) with master oscillator running at 25.0 MHZ (slow margin) and at 30.0 MHZ (fast margin) via external clock generator.

c. Unibus Margins

The Unibus must be margined with the Unibus Voltage Margin Tester and the M9308 single-ended margin terminator. All functional tests which use the Unibus must run successfully between 7.85 Volts (high margin) and 2.93 Volts (low margin) as displayed by the panel meter on the tester.

8.0 VIBRATION

Modules must be vibrated using a Teflon rod or similar "wand" while the option is in operation. Modules should be stroked in a direction perpendicular to the plane of the board. The modules should be vibrated briskly but not with enough force to cause physical damage or to remove pin contact.

SIZE	CODE	NUMBER	REV
A	SP	KS10-0-2	

TITLE KS10 AA, AB MANUFACTURING TEST SPECIFICATION

9.0 FUNCTIONAL TESTS

The following tests must be run to insure that the option is fully functional:

- Verify that the 8080 micro-processor is fully functional by executing all console functions and verifying that they were executed correctly.
- Run SMCPU.CMD with cache on.
- Run DSKFB (SPEEDY) with cache on and cache off. Refer to Table 3 for instruction timing specs.
- Run DSKDA for one pass with the reliability switch on.
- Run DSMMG for one pass with cache on and one pass with cache off/ECC off.
- Using "known good" storage array modules test any remaining storage array slots with DSMMG.
- With a Unibus Adapter Board (M8619) in slot 19 (UBA 1) run DSRME and DSRMF disc diagnostics. Repeat with the Unibus Adapter in slot 16 (UBA 3) and slot 15 (UBA 4).

10.0 ERROR RATES

No errors allowed

11.0 RETEST PROCEDURE AFTER FAILURE

- | | |
|-------------------------|---|
| Repair of Module - | If the failing module is repaired, then testing may continue from the current point in the test sequence. |
| Replacement of Module - | Test must be rerun |

SIZE	CODE	NUMBER	REV
A	SP	KS10-0-2	

ENGINEERING SPECIFICATION



CONTINUATION SHEET

TITLE KS10-AA, AB MANUFACTURING TEST SPECIFICATION

TOP VIEW - H7130 POWER SUPPLY

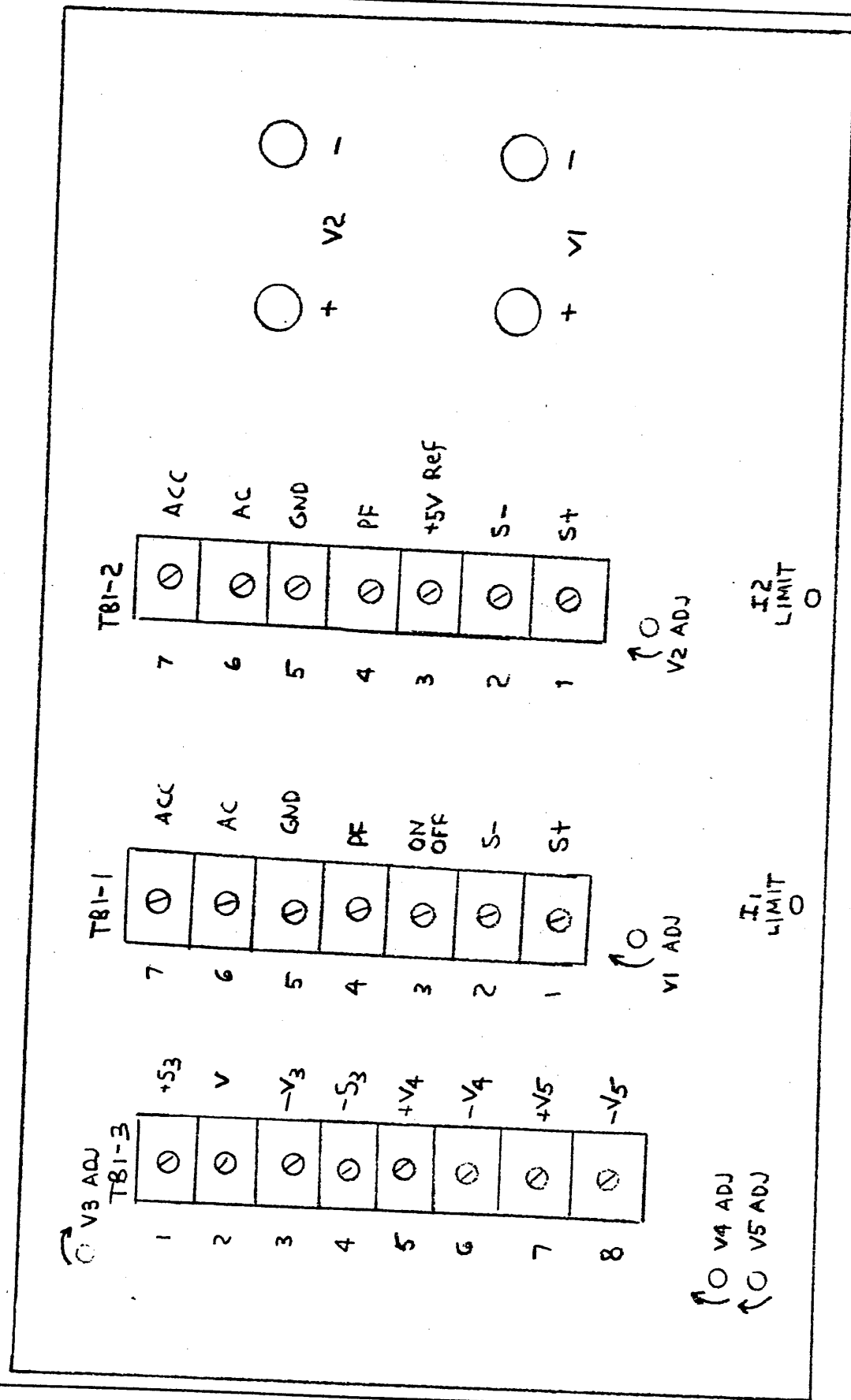


FIGURE 1

SIZE A	CODE SP	NUMBER KSI0-0-2	REV
-----------	------------	--------------------	-----

ENGINEERING SPECIFICATION



CONTINUATION SHEET

TITLE KS10-AA, AB MANUFACTURING TEST SPECIFICATION

TABLE 1

CLOCK GROUP			DESIRED SKEW RELATIVE TO GROUP 1
GROUP		PINS	
T CLK	1	A18H2, M1, M2, N1	NA
T CLK	2	A18J1, J2, K2, L2	0 ns.
T CLK	3	B18H2, J1, K1, L1	0 ns.
R CLK	4	A18C1, D1, F1, F2	35 ns.
R CLK	5	B18C1, D1, E1, F1	35 ns.

SIZE A	CODE SP	NUMBER KSI0-0-2	REV
-----------	------------	--------------------	-----

TITLE KS10-AA, AB MANUFACTURING TEST SPECIFICATION

TABLE 2

After determining how much delay is to be added or subtracted from a clock group, use the first part of the table to determine D8-D4-D2-D1. Then use the second part of the table to determine which switches to set and clear (1= switch on).

DELAY (ns)	D8	D4	D2	D1	
15	0	0	0	0	
14	0	0	0	1	
13	0	0	1	0	
12	0	0	1	1	
11	0	1	0	0	
10	0	1	0	1	
9	0	1	1	0	
8	0	1	1	1	
7	1	0	0	0	Mid Value
6	1	0	0	1	
5	1	0	1	0	
4	1	0	1	1	
3	1	1	0	0	
2	1	1	0	1	
1	1	1	1	0	
0	1	1	1	1	

CLOCK GROUP		D8	D4	D2	D1
1	E309	1	2	E208-9	10
2	E309	7	8	9	10
3	E309	3	4	5	6
4	E208	1	2	3	4
5	E208	5	6	7	8

TITLE KS10-AA, AB MANUFACTURING TEST SPECIFICATION

TABLE 3

INSTRUCTION	EXECUTION TIME	
	Cache On	Cache Off
MOVE from memory	1.5 Usec	3.5 Usec
JRST	.91 Usec	1.9 Usec
ADD from memory	1.9 Usec	3.5 Usec
BLT memory to memory	7.2 Usec	8.3 Usec
LOGICAL SHIFT (35 places left)	7.4 Usec	7.4 Usec

CUSTOMER PRINT SET				ELECTRICAL					CUSTOMER PRINT SET				MECHANICAL										
RH11-0				MFG. SET	FIND NO.	DRAWING NO.	REV	NO OF SHT	DESCRIPTION	OPTION NO./FILE DATE	RH11-0				MFG. SET	FIND NO.	DRAWING NO.	REV	NO OF SHT	DESCRIPTION	OPTION NO./FILE DATE		
X					1	D-UA-RH11-0-0	D	2	RH11 UNIT ASSEMBLY		X					1	D-UA-RH11-0-0	A	1	RH11 UNIT ASSEMBLY			
X						D-MU-RH11-0-01	C	1	MODULE UTILIZATION		X						D-IA-7009570-0-0	#	1	RH11 POWER HARNESS (15 PIN)			
X						D-BS-RH11-0-02	B	3	MASSBUS TRANSCEIVER		X						D-IA-7009563-0-0	#	1	POWER HARNESS (15 PIN)			
X						D-IC-RH11-0-03	*	1	UNIBUS A CABLE DIAGRAM								A-PL-H850-0-0		1	HANDLE EXTENDER			
X						D-IC-RH11-0-04	*	1	UNIBUS B CABLE DIAGRAM								D-IA-7009571-0-0		1	RH11 POWER HARNESS (9 PIN)			
X						D-TD-RH11-0-05	A	1	WRITE UNIBUS (TIMING DIAGRAM)								D-IA-7009099-0-0		1	POWER HARNESS (9 PIN)			
X						D-TD-RH11-0-06	A	1	READ + WRITE CHECK UNIBUS (TIMING DIAGRAM)														
X						D-TD-RH11-0-07	*	1	WRITE MASSBUS (TIMING DIAGRAM)														
X						D-TD-RH11-0-08	*	1	READ + WRITE CHECK MASSBUS (TIMING DIAGRAM)														
X						D-FD-RH11-0-09	A	1	WRITE COMMAND FLOW DIAGRAM														
X						D-FD-RH11-0-10	A	1	READ COMMAND FLOW DIAGRAM														
X						D-FD-RH11-0-11	A	1	WRITE CHECK COMMAND FLOW DIAGRAM														
X						D-CS-M7295-0-1	#	10	BUS CONTROL														
X						D-CS-M7296-0-1	#	3	CONTROL & STATUS REG														
X						D-CS-M7294-0-1	#	9	DATA BUFFER & CONTROL														
X						D-CS-M7297-0-1	#	2	PARITY CONTROL														
X						D-CS-M9300-0-1	#	2	UNIBUS TERMINATOR (BUS B)														
X						D-CS-M5904-0-1	#	2	CONTROLLER TRANSCEIVER														
X						B-CS-G727-0-1	#	1	GRANT CONTINUITY														
X						D-CS-H870-0-1	#	2	MASSBUS TERMINATOR														
X						C-CS-M920-0-1	#	1	UNIBUS CONNECTOR							2	D-AD-7009397-0-0	F	1	WIRED ASSEMBLY (RH11)			
X						D-CS-M688-0-1	#	2	POWER FAIL DRIVER								D-SC-1210258-0-0		1	CONN. BLOCK 288 PIN			
X						K-PL-RH11-0-DBP	D		RH11 PARTS LIST								A/D-PS-1211425-0		3	CONN. BLOCK 72 PIN			
																		E-PS-1211439-0		1	11/05 LOGIC FRAME		
																		A-SS-7407846-0-0		1	LOGIC SERIAL NO. LABELS		
																		A-DC-7411881-0-1		1	DECAL LOGIC ASSY		
																		A-PI-3700040-0-0			PACKAGING INSTRUCTION		
X					2	D-AD-7009397-0-0	H	1	WIRED ASSEMBLY (RH11)							3	D-CS-5410506-0-1	#	1	CIRCUIT SCHEMATIC			
X						K-WL-RH11-0-12	C	1	WIRE LIST									K-CO-5410506-0-4		1	X-Y COORDINATE HOLE LOCATION		
X						A-WT-7009397-0	E	1	AWT REVISION STATUS									D-AH-5410506-0-5		1	ASSY DRILLING HOLE LAYOUT		
																			B-MH-5410506-0-6		1	MODULE ECO HISTORY	
X					3	D-CS-5410506-0-1	#	1	CIRCUIT SCHEMATIC									5010505		1	ETCHED CIRCUIT BOARD		

CUSTOMER PRINT SET CODES
X = PRINT OF DOCUMENT INCLUDED IN PRINT SET
C = INCLUDES ALL PRINTS INDICATED ON DOCUMENT
S = CONFIDENTIAL AUTHORIZED SIGNATURE REQUIRED

TITLE DRAWING DIRECTORY (RH11)
SIZE CODE NUMBER REV
SHEET 2 OF 2 B DD RH11-0 L

8

DUA RH11-0-0

6

5

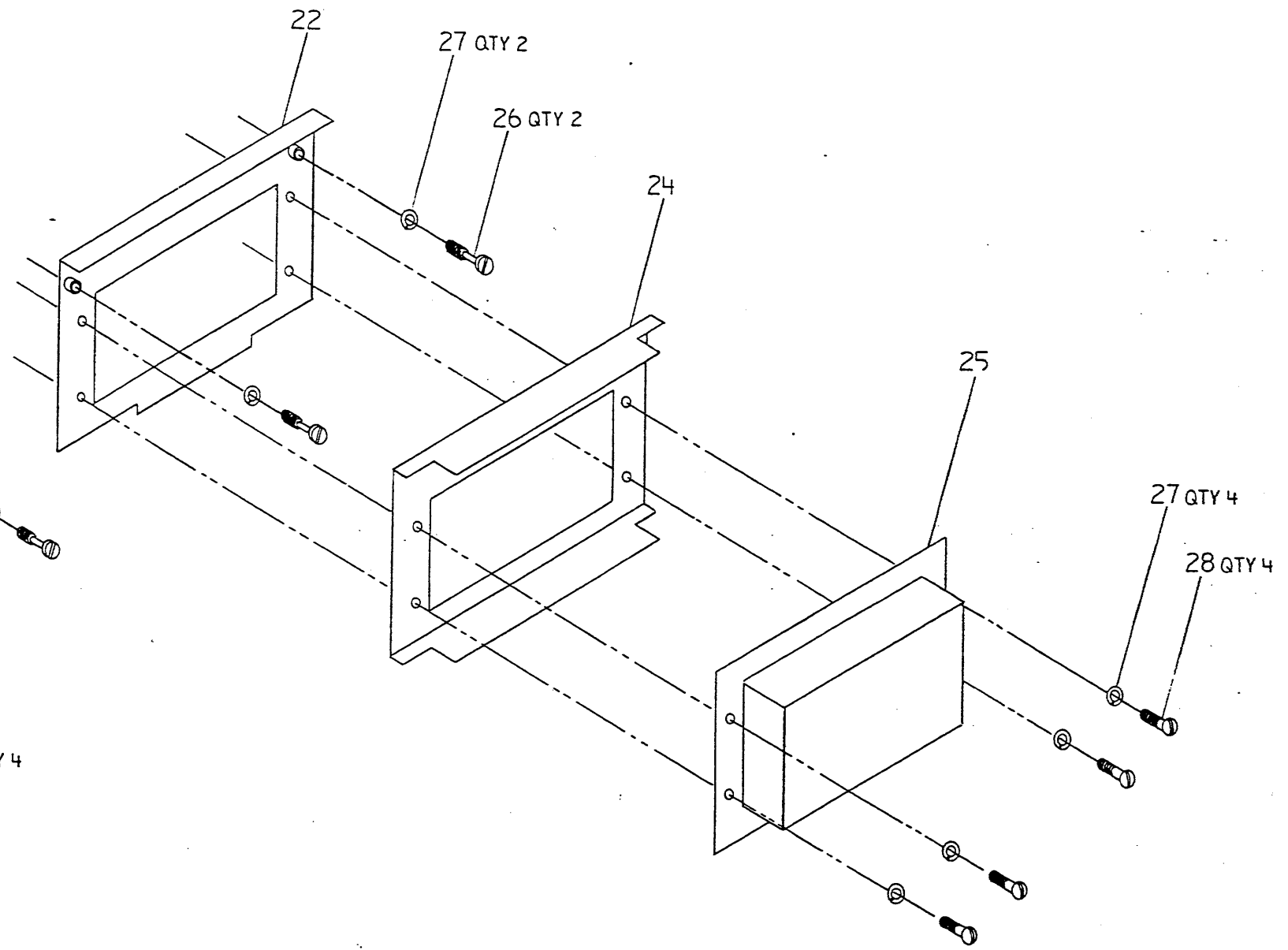
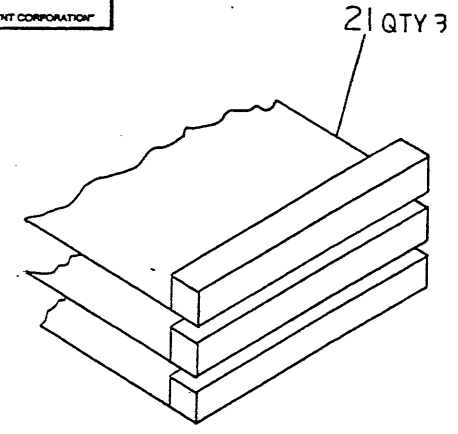
4

3

2

1

THIS DRAWING AND SPECIFICATIONS HEREIN ARE THE PROPERTY OF DIGITAL EQUIPMENT CORPORATION AND SHALL NOT BE REPRODUCED OR COPIED OR USED IN WHOLE OR IN PART AS THE BASIS FOR THE MANUFACTURE OR SALE OF ITEMS WITHOUT WRITTEN PERMISSION. COPYRIGHT © 1974 DIGITAL EQUIPMENT CORPORATION



D

C

B

A

D

C

B

A

REVISION HISTORY		
DATE	ECO NUMBER	REV.

TITLE RH11 UNIT ASSEMBLY

DOCUMENT NUMBER		
SIZE CODE	NUMBER	REV
DUA	RH11-0-0	D
SCALE NONE		SHEET 2 OF 2

DWG 137A

8

7

6

5

4

3

2

1

AUTOMATED BY PRTLST.5R(55)

PARTS LIST

SHEET A1 OF A2

LINE	ITEM	TOP DOCUMENT	PART NUMBER	MIN REV	DESCRIPTION	QTY PER VARIATION	
						AB	AC
1	1	D-AD-7009397-0-0	7009397-00		LOGIC RH11	1	-
2	2	A-PL-H850-0-0	H850 -00		PACKAGE OF 10 HANDLE EXTENDERS.5	2	-
3	3	D-CS-M688-0-1	M688 -00		UNIBUS POWER FAIL DRIVERS	2	-
4	4	C-CS-M920-0-1	M920 -00		INTERNAL BUSS CONNECTOR	1	-
5	5	D-CS-M9300-0-1	M9300-00		UNIBUS B TERMINATOR	2	-
6	6	D-CS-M5904-0-1	M5904-00		MASSBUS CONTROL TRANSCEIVER,DOUB	3	-
7	7	D-CS-M7294-0-1	M7294-00		DATA BUFFER & CONT RH11	1	-
8	8	D-CS-M7295-0-1	M7295-00		BUS CONTROL RH11	1	-
9	9	D-CS-M7296-0-1	M7296-00		CONTROL & STATUS REG	1	-
10	10	D-CS-M7297-0-1	M7297-00		MASSBUS PARITY CONTROL,RH11,DOUB	1	-
11	11	B-CS-G727-0-1	G727 -00		SHORTS DD11 W/O PERIPH CONT	3	-
12	12		1209856-00		SEE VARIATIONS PURCH. SPEC. ONLY	5	-
13	13	D-IA-7009563-0-0	7009563-00		HARNES PWR DA11-F/DD11-B	1	-
14	14	D-IA-7009570-0-0	7009570-00		HARNES OPT RH11	1	-
15	15		23755A9-00		A9-01	1	-
16	16		23759A9-00		A9-01	1	-
17	17		23757A9-00		A9-01	1	-
18	18		9906228-00		BOX,SETUP W/FOAM	1	-
19	19		9006043-01		SCREW,MACH PAN PHIL 8-	4	-
20	20		9006634-00		WASHER,LOCK INTERNAL STEEL	4	-
21	21	D-UA-BC06R-0-0	BC06R-10		CABLE I/O 10FT TMO2	3	3
22	22	D-IA-7426407-05-DBU	7426407-05		PANEL,DOUBLE (MASS BUS)	1	1
23	23	D-IA-7426404-12-DBU	7426404-12		PANEL,QUAD,MASSBUS	1	1
24	24	C-MD-7428177-0-DBU	7428177-01		SHIELD,RECEPTACLE	1	1
25	25	D-AD-7009861-0-0	7009861-00		RECEPT HOUSING ASSY-RP04	1	1
26	26	A-PS-1219534-0-0	1219534-01		SCREW, CAPTV SLOT 4-	6	6
27	27	A-PS-9006688-0-0	9006688-00		WASHER,HELICAL SPLIT SST 4-	10	10
28	28	A-PS-9006011-0-0	9006011-01		SCREW,MACH PAN PHIL 4-	4	4
29	29	D-AD-7009938-0-0	7009938-00		TERMINATOR ASSEMBLY (80-RJP04)	1	-
30	30	D-CS-H870-0-1	H870 -00		MASSBUS TERMINATOR,PLUGS INTO H8	3	-

REVISION HISTORY		BASIC PART NO: RH11	
ENG:	ECO NUMBER	REV	SECTION A OF A
RL	RH11-MLO11	D	SECTION.VARIATION INDEX [A]AB,AC
			[B]
			[C]
			[D]
			[E]
			[F]
DRN: B. E. CASSIDY		DATE: 29-FEB-84	
CHK'D: W. CLARK		DATE: 29-FEB-84	
DES.ENG: S. JENKINS		DATE: 29-FEB-84	
RESP.ENG.: S. JENKINS		DATE: 29-FEB-84	
MFG.ENG.: A. KARLSBERG		DATE: 29-FEB-84	
ASSEMBLY NUMBER: D-UA-RH11-0-0		TOP DOCUMENT NUMBER: #B-DD-RH11-0	
FILE NAME: Z9189D.PLS		EDIT #: 9	
<p>"THIS DRAWING AND THE SPECIFICATIONS CONTAINED HEREIN ARE CONFIDENTIAL AND PROPRIETARY. THEY ARE THE PROPERTY OF DIGITAL EQUIPMENT CORPORATION AND SHALL NOT BE REPRODUCED OR COPIED OR USED IN WHOLE OR IN PART AS THE BASIS FOR THE MANUFACTURE OR SALE OF ITEMS WITHOUT WRITTEN PERMISSION. THIS IS AN UNPUBLISHED WORK PROTECTED UNDER THE FEDERAL COPYRIGHT LAWS."</p>			

AUTOMATED BY PRTLST.5R(55)

PARTS LIST

SHEET A2 OF A2

LINE ITEM TOP DOCUMENT

PART NUMBER	MIN REV	DESCRIPTION	QTY PER VARIATION	
			AB	AC
1215278-00		CABLE,FLEX NOMEX SHEET MODULE PR	1	-

VARIATION REVISION LEVEL:

A1 A1

31 31

D I G I T A L	TITLE	RH11 UNIT ASSEMBLY	SECTION A OF A	SIZE	CODE	DOCUMENT NUMBER	REV
				K	PL	RH11-0-DBP	D

"THIS DRAWING AND SPECIFICATIONS HEREIN ARE THE PROPERTY OF DIGITAL EQUIPMENT CORPORATION AND SHALL NOT BE REPRODUCED OR COPIED OR USED IN WHOLE OR IN PART AS THE BASIS FOR THE MANUFACTURE OR SALE OF ITEMS WITHOUT WRITTEN PERMISSION. COPYRIGHT © 1973, DIGITAL EQUIPMENT CORPORATION"

- NOTES:**
- VIEW OF LOGIC PANEL IS FROM WIRING SIDE.
 - THE SMALL PERIPHERAL CONTROLLER SLOTS MAY CONTAIN A VARIETY OF POP 11 OPTIONS. THE OPTION MAY CONSIST OF A SINGLE QUAD MODULE BOARD (SLOTS C, D, E, & F) OR A DOUBLE HEIGHT CONTROLLER BOARD (SLOTS C & D) WITH AN M185 ADDRESS SELECTOR MODULE (SLOT E) AND AN M7821 INTERRUPT CONTROL MODULE (SLOT F).
 - IF NO OPTION IS PRESENT IN THE SMALL PERIPHERAL CONTROLLER SLOTS, G727 GRANT CONTINUITY MODULE(S) MUST BE INSERTED IN SLOTS D.
 - MAY BE EITHER M528 (CONNECTION FROM ADJACENT DEVICE) OR BC11A CABLE (CONNECTION FROM ANOTHER BOX OR NON-ADJACENT DEVICE).
 - MAY BE M528 (CONNECTION TO ADJACENT DEVICE), M539 (TERMINATION AT END OF UNIBUS A), OR BC11A CABLE (CONNECTION TO NEXT BOX OR NON-ADJACENT DEVICE).
 - MAY BE M539B (TERMINATION AT BEGINNING OR END OF UNIBUS B) OR BC11A CABLE (CONNECTION TO OTHER BUS B DEVICES).
 - FOR DIAGNOSTIC CHECKOUT AN M528B CONNECTOR MODULE MAY BE PLACED IN SLOTS A, B OR C. AN M539 OR BC11A CABLE IS THEN USED IN SLOT A, B OR C.
 - ONE M870 MODULE WILL BE INSERTED IN J2 OF EACH OF THE M5903 MODULES IN THE LAST DRIVE UNIT ATTACHED TO THE MASSBUS LINES ORIGINATING FROM THE M5904(S) IN THE RHII CONTROLLER BACKPLANE, WHEN BUILDING A MASSBUS SYSTEM.
 - IF NO UNIBUS B CABLE IS CONNECTED TO THE RHII ONLY ONE M539B MODULE SHOULD BE USED IN SLOT A OR C.
 - IF ANOTHER DEVICE ATTACHED TO THE SAME POWER SUPPLY AS THE RHII HAS UNIBUS POWER FAIL SIGNALS WIRED TO THE UNIBUS REMOVE THE M588 MODULE FOR THAT BUS.
 - SMALL PERI CONTROL SLOTS FOR MANUFACTURING USE ONLY.
 - ONE M870 MODULE WILL BE INSERTED IN J1 (COMPONENT SIDE OUT) OF EACH OF THE 3 M5904 MODULES FOR SHIPMENT ONLY!

VIEW FROM WIRING SIDE

9	(M528) CABLE	UNIBUS A OUT (BUS A)	SEE NOTE 5	SMALL PER CONTROL (DEV 3) (OPTIONAL)	SEE NOTES 2 & 3 & 11	(G727)
8	(M539B) CABLE	UNIBUS B IN (BUS B)	SEE NOTE 6, 9	SMALL PER CONTROL (DEV 2) (OPTIONAL)	SEE NOTES 2 & 3 & 11	(G727)
7	(M539B) CABLE	UNIBUS B OUT (BUS B)	SEE NOTE 6, 9	SMALL PER CONTROL (DEV 1) (OPTIONAL)	SEE NOTES 2 & 3 & 11	(G727)
6				CONTROLLER TRANS (M594)		
5				CONTROLLER TRANS (M594)		
4				CONTROLLER TRANS (M594)	M588	UNIBUS POWER FAIL DRIVER (BUS A) SEE NOTE 10
3	M7294	DATA BUFFER & CNTL (DBC)				
2	M7295	BUS CNTL (BCT)				
1	(M528) CABLE	UNIBUS A IN (BUS A)	SEE NOTE 4	PARITY CNTL (PAC)	M7296	CNTL & STATUS REGS (CSR)

USAGE A B C D E F

REVISIONS

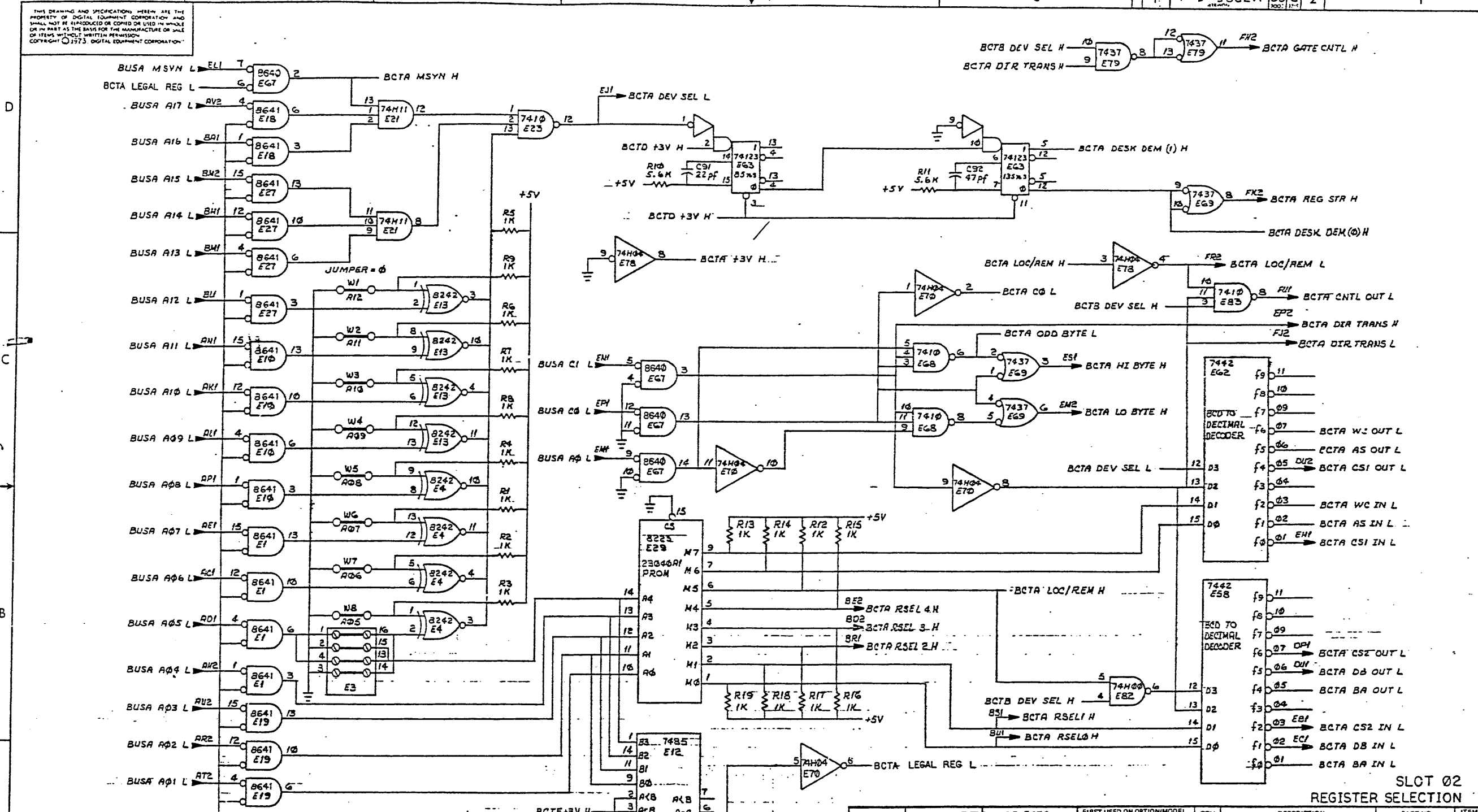
CHK	CHANGE NO	REV
XX	RHII-00004	A
	1-6-75	
	1-7-75	B
	1-27-75	C

S. JENKINS
 J. JENKINS
 R. LEWIS

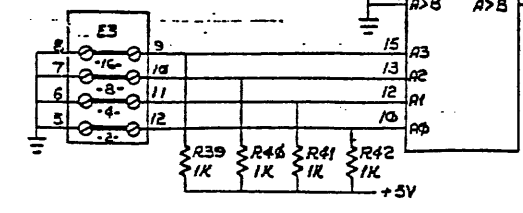
FIRST USED ON OPTION/MODEL	QTY.	DESCRIPTION	PART NO.	ITEM NO.
RHII				
PARTS LIST				
UNLESS OTHERWISE SPECIFIED DIMENSION IN INCHES	DATE	digital EQUIPMENT CORPORATION		
TOLERANCES	DATE	TITLE		
DECIMALS .005	8-3-73	MODULE UTILIZATION		
ANGLES 10° 30'	DATE	SIZE CODE NUMBER REV.		
REMOVE BURRS AND BREAK SHARP CORNERS SURFACE QUALITY	8-3-73	D MU RHII-0-01 C		
MATERIAL	NEXT HIGHER ASSY.	SCALE NONE	SHEET OF	DIST.
FINISH	B-DD-RHII-0			

THIS DRAWING AND SPECIFICATIONS HEREIN ARE THE PROPERTY OF DIGITAL EQUIPMENT CORPORATION AND SHALL NOT BE REPRODUCED OR COPIED OR USED IN WHOLE OR IN PART AS THE BASIS FOR THE MANUFACTURE OR SALE OF ITEMS WITHOUT WRITTEN PERMISSION. COPYRIGHT © 1973 DIGITAL EQUIPMENT CORPORATION.

1-0-622LW SQD 2



REVISED	DATE	BY	CHK
1	1-16-72	J	J
2	3-14-72	J	J
3	5-6-72	J	J



JUMPERS	SELECTS UP TO 16 REGS	SELECTS UP TO 32 REGS	FIRST USED ON OPTION/MODEL	QTY.	DESCRIPTION	PART NO.	ITEM NO.
E3(1-16)	IN	OUT	RH11				
E3(2-15)	IN	OUT					
E3(4-13)	OUT	IN (WB IN)					
E3(3-14)							
E3(8-9)	EACH JUMPER OUT INDICATES THE NUMBER OF REGISTERS THAT CAN BE SELECTED						
E3(5-12)							
E3(7-10)							
E3(6-11)							

PARTS LIST		TITLE	
UNLESS OTHERWISE SPECIFIED DIMENSION IN INCHES	DRN. J. Vincent	DATE 1-16-72	EQUIPMENT CORPORATION
TOLERANCES	CHK'D.	DATE	MILFORD MASSACHUSETTS
DECIMALS ANGLES	ENG.	DATE	
.XXX ± .005 .XX ± .01 .X ± .1	PROJ. ENG.	DATE	
REMOVE BURRS AND BREAK SHARP CORNERS SURFACE QUALITY 1	PROD.	DATE	
MATERIAL	NEXT HIGHER ASSY.		
FINISH	SCALE	SIZE CODE	NUMBER
	SHEET OF 9	D CS M7295-0-1	J

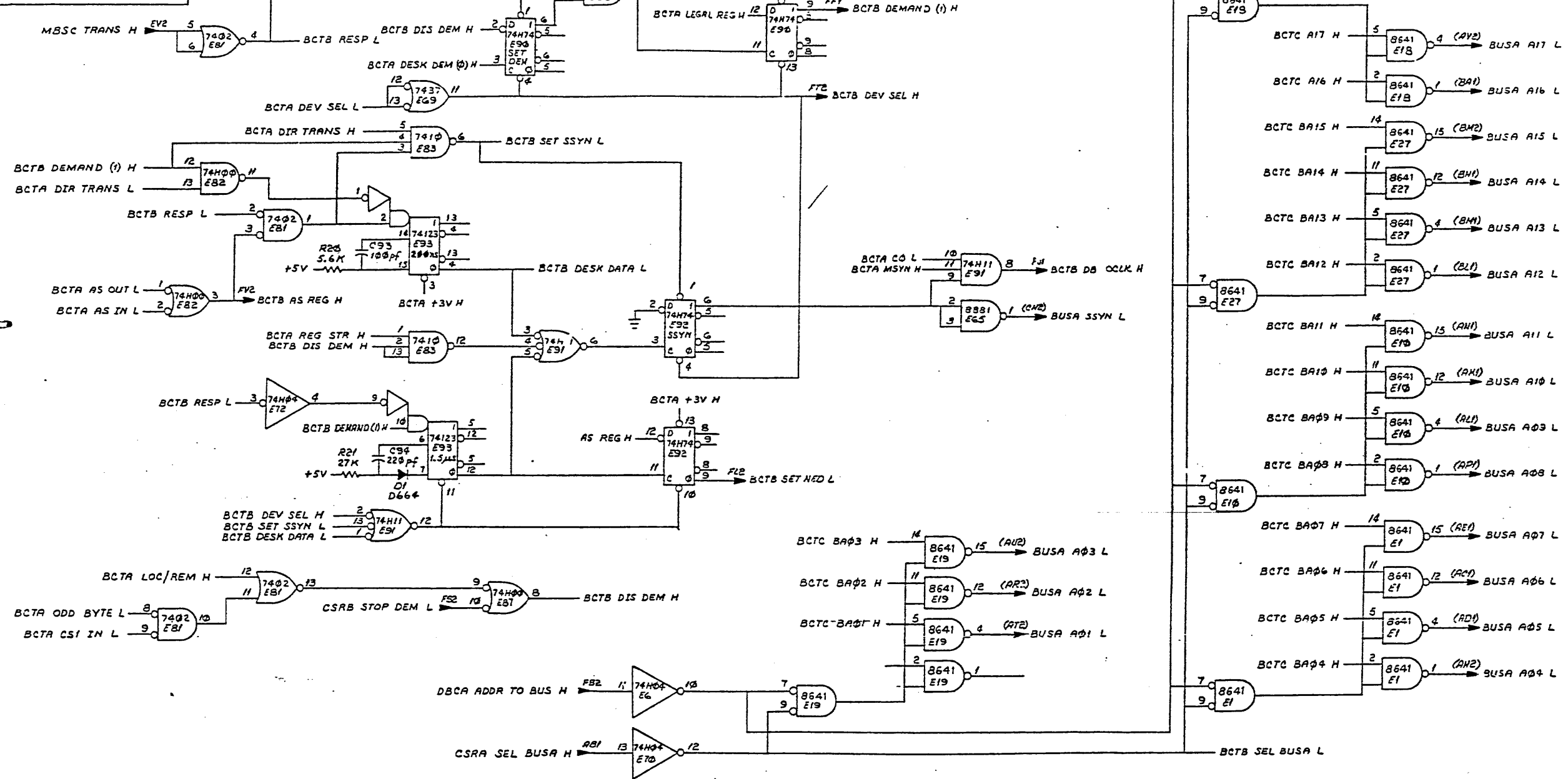
D CS M7295-0-1

SLOT 02 REGISTER SELECTION

BUS CNTL MODULE (BCTA)

D CS M7295-0-1 J

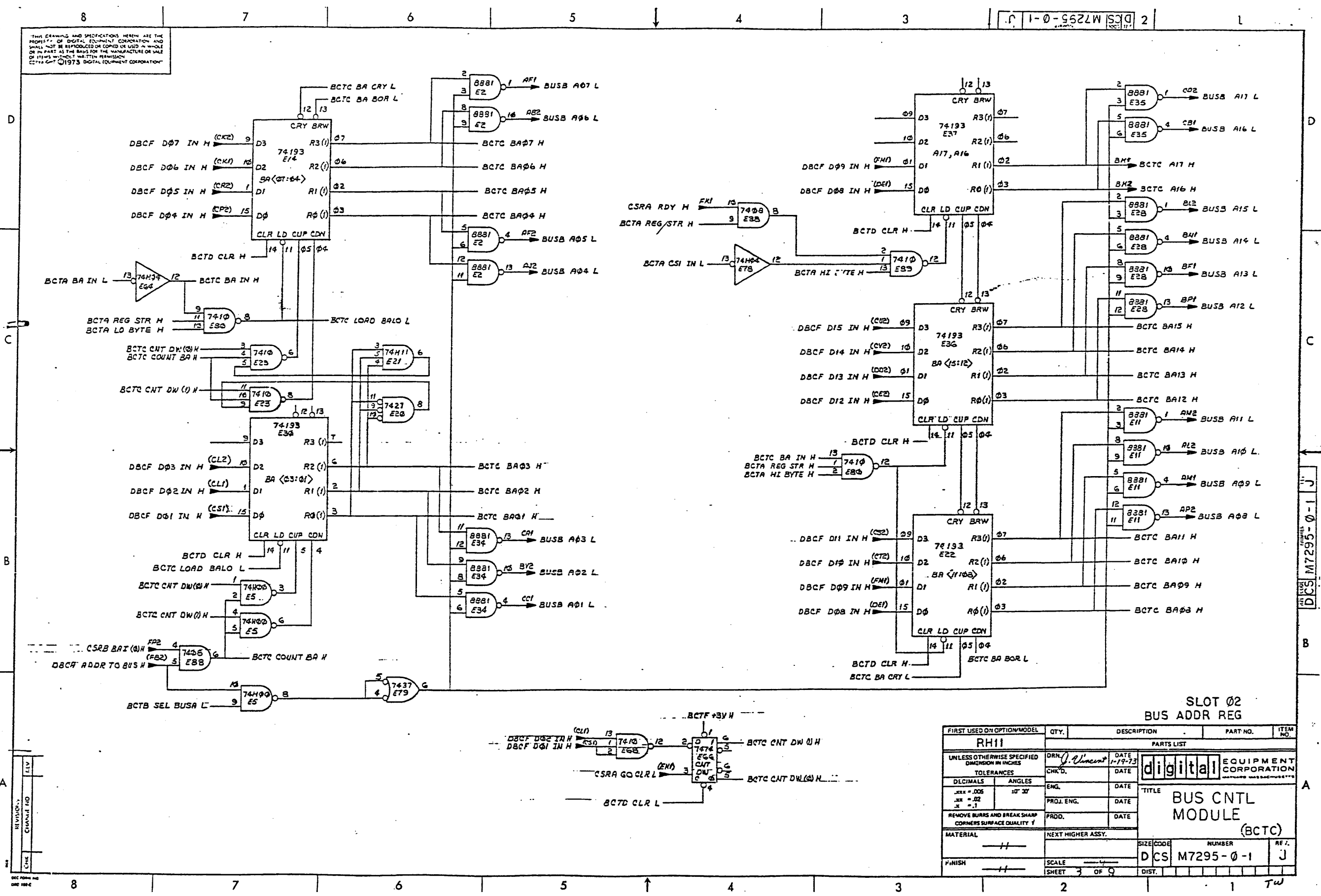
THIS DRAWING AND SPECIFICATIONS HEREIN ARE THE PROPERTY OF DIGITAL EQUIPMENT CORPORATION AND SHALL NOT BE REPRODUCED OR COPIED OR USED IN WHOLE OR IN PART AS THE BASIS FOR THE MANUFACTURE OR SALE OF ITEMS WITHOUT WRITTEN PERMISSION. COPYRIGHT © 1973 DIGITAL EQUIPMENT CORPORATION.



SLOT 02
UNIBUS A ADDR DRIVERS & SSYN; DEMAND

FIRST USED ON OPTION/MODEL	QTY.	DESCRIPTION	PART NO.	ITEM NO.
RH11		PARTS LIST		
UNLESS OTHERWISE SPECIFIED DIMENSION IN INCHES		DRN. <i>J. Vancut</i>	DATE 1-17-73	
TOLERANCES		CHK'D.	DATE	
DEC. MALS	ANGLES	ENG.	DATE	
.XXX = .005		PROJ. ENG.	DATE	
.XX = .02		PROD.	DATE	TITLE
REMOVE BURRS AND BREAK SHARP CORNERS SURFACE QUALITY 1				BUS CNTL MODULE (BCTB)
MATERIAL	NEXT HIGHER ASSY.	SIZE/CODE	NUMBER	REV.
FINISH	SCALE	DCS M7295-0-1	J	
	SHEET 2 OF 9	DIST.		

REV. 11/73
CHANGE 1113



THIS DRAWING AND SPECIFICATIONS HERIN ARE THE PROPERTY OF DIGITAL EQUIPMENT CORPORATION AND SHALL NOT BE REPRODUCED OR COPIED OR USED IN WHOLE OR IN PART AS THE BASIS FOR THE MANUFACTURE OR SALE OF ITEMS WITHOUT WRITTEN PERMISSION
 DEC 1973 DIGITAL EQUIPMENT CORPORATION

1-0-522W 2

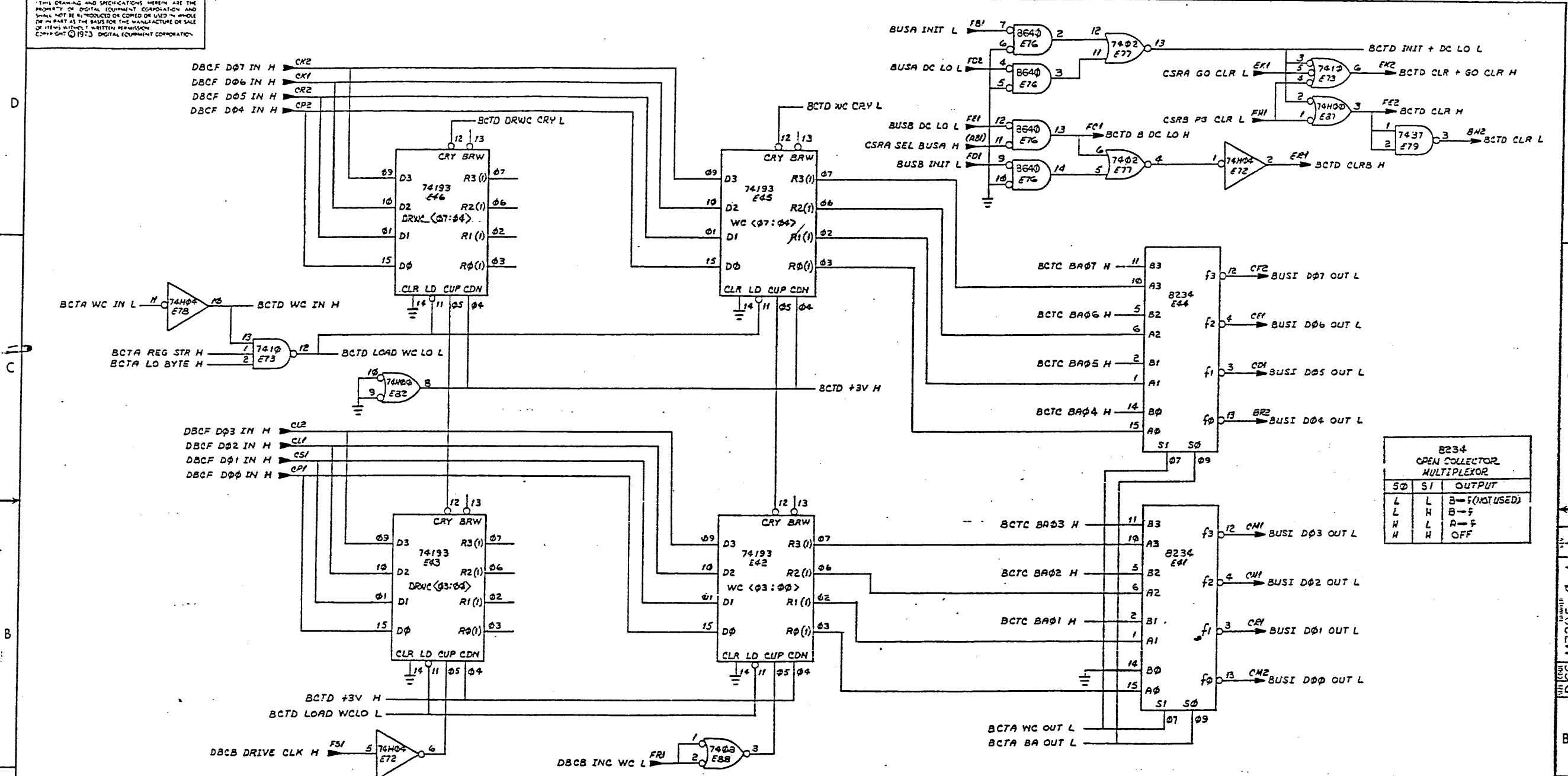
SLOT 02
 BUS ADDR REG

FIRST USED OR OPTION/MODEL	QTY.	DESCRIPTION	PART NO.	ITEM NO.
RH11				
PARTS LIST				
UNLESS OTHERWISE SPECIFIED DIMENSIONS IN INCHES		DRN. <i>J. Vincent</i>	DATE 1-19-73	digital EQUIPMENT CORPORATION MAYNARD MASSACHUSETTS
TOLERANCES		CHK'D.	DATE	
DECIMALS	ANGLES	ENG.	DATE	TITLE BUS CNTL MODULE (BCTC)
.005	15' 30'	PROJ. ENG.	DATE	
.02		PROD.	DATE	
REMOVE BURRS AND BREAK SHARP CORNERS SURFACE QUALITY Y				
MATERIAL		NEXT HIGHER ASSY.		
FINISH		SCALE	SIZE/CODE	NUMBER
		SHEET 3 OF 9	D CS	M7295-0-1
			DIST.	J

REV.	DATE	BY	CHKD.

D CS M7295-0-1 J

THIS DRAWING AND SPECIFICATIONS HEREIN ARE THE PROPERTY OF DIGITAL EQUIPMENT CORPORATION AND SHALL NOT BE REPRODUCED OR COPIED OR USED IN WHOLE OR IN PART AS THE BASIS FOR THE MANUFACTURE OR SALE OF ITEMS WITHOUT THE WRITTEN PERMISSION OF DIGITAL EQUIPMENT CORPORATION.



S0	S1	OUTPUT
L	L	B=F (NOT USED)
L	H	B=f
H	L	A=f
H	H	OFF

SLOT 02
WORD COUNT REGS. <08:00> & CLR LOGIC

FIRST USED ON OPTION/MODEL	QTY.	DESCRIPTION	PART NO.	ITEM NO.
RH11				

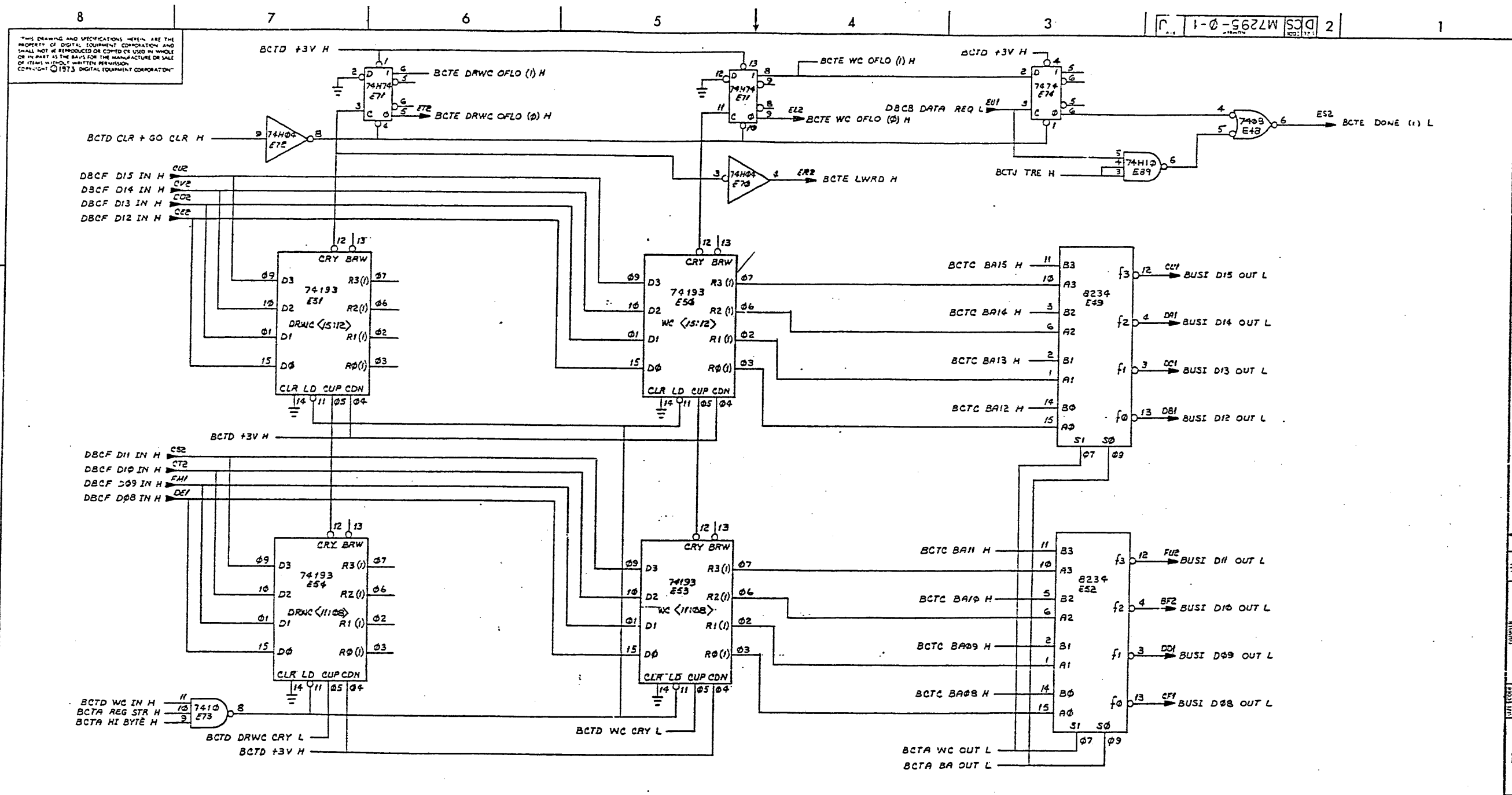
UNLESS OTHERWISE SPECIFIED DIMENSION IN INCHES		DRN. <i>J. Vincent</i>	DATE 1-22-73
TOLERANCES	ANGLES	CHK'D.	DATE
DECIMALS .005	ANGLES 10' 30"	ENG.	DATE
.02		PROL. ENG.	DATE
.1		PROD.	DATE

TITLE
BUS CNTL MODULE (BCTD)

MATERIAL	NEXT HIGHER ASSY.	SIZE CODE	NUMBER	REV.
11		DCS	M7295-0-1	J

SHEET 4 OF 9
DIST. 1 TW

REV. 1
REV. 2
REV. 3
REV. 4
REV. 5
REV. 6
REV. 7
REV. 8
REV. 9
REV. 10
REV. 11
REV. 12
REV. 13
REV. 14
REV. 15
REV. 16
REV. 17
REV. 18
REV. 19
REV. 20



THIS DRAWING AND SPECIFICATIONS HEREIN ARE THE PROPERTY OF DIGITAL EQUIPMENT CORPORATION AND SHALL NOT BE REPRODUCED OR COPIED OR USED IN WHOLE OR IN PART AS THE BASIS FOR THE MANUFACTURE OR SALE OF ITEMS WITHOUT WRITTEN PERMISSION. COPYRIGHT © 1973 DIGITAL EQUIPMENT CORPORATION.

1-0-9622W SCD 2

SLOT 02
WORD COUNT REGS. <15:03>

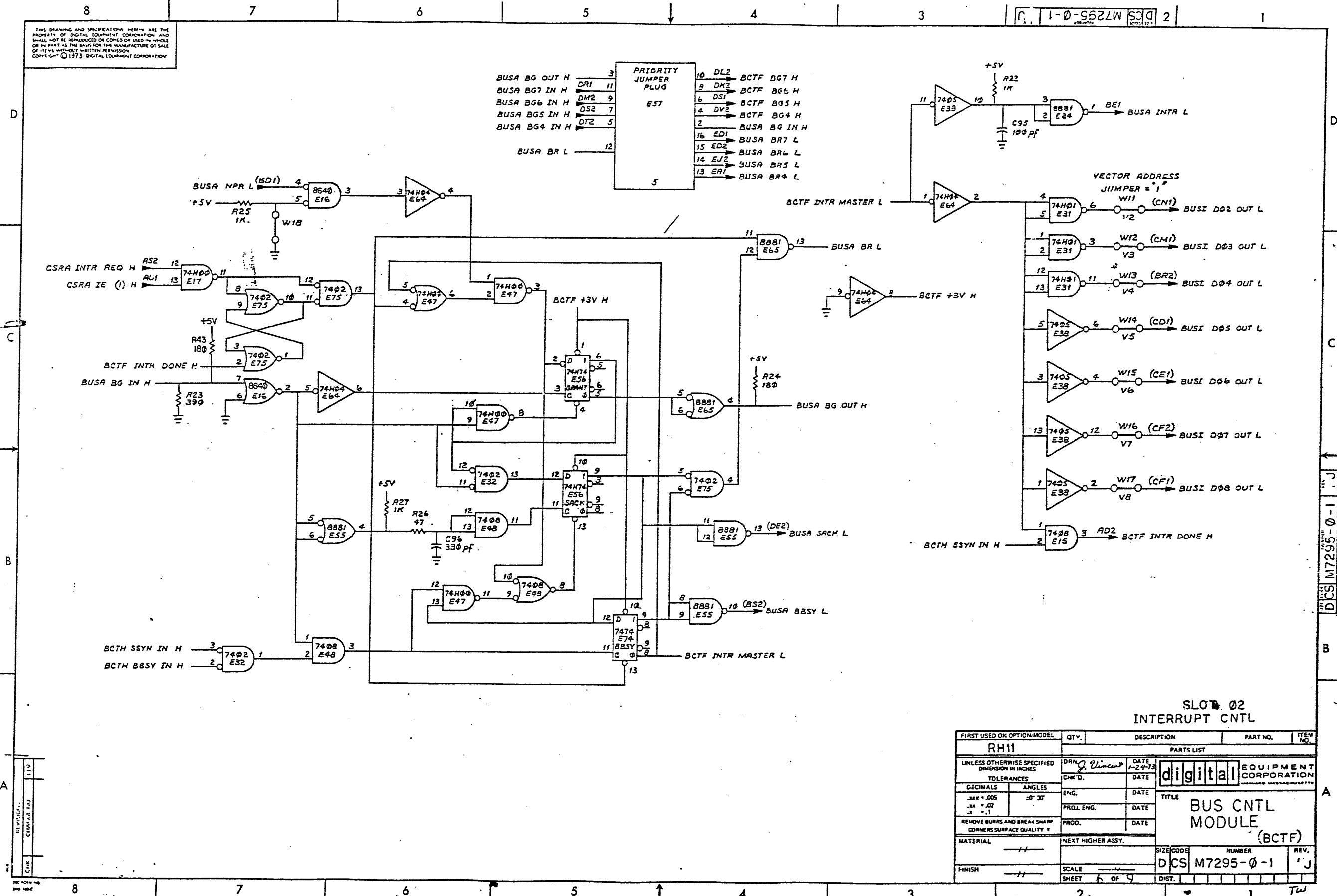
FIRST USED ON OPTION/MODEL	QTY.	DESCRIPTION	PART NO.	ITEM NO.										
RH11														
UNLESS OTHERWISE SPECIFIED DIMENSION IN INCHES														
TOLERANCES	ANGLES	DRN. <i>J. Vincent</i>	DATE 1-23-73	<table border="1"> <tr> <td colspan="2">PARTS LIST</td> </tr> <tr> <td colspan="2">digital EQUIPMENT CORPORATION</td> </tr> <tr> <td colspan="2">TITLE BUS CNTL MODULE (BCTE)</td> </tr> <tr> <td>SIZE CODE</td> <td>NUMBER</td> </tr> <tr> <td>DCS M7295-0-1</td> <td>'J</td> </tr> </table>	PARTS LIST		digital EQUIPMENT CORPORATION		TITLE BUS CNTL MODULE (BCTE)		SIZE CODE	NUMBER	DCS M7295-0-1	'J
PARTS LIST														
digital EQUIPMENT CORPORATION														
TITLE BUS CNTL MODULE (BCTE)														
SIZE CODE	NUMBER													
DCS M7295-0-1	'J													
.XXX ± .005	10° 30'	CHK'D.	DATE											
.XX ± .02		ENG.	DATE											
REMOVE BURRS AND BREAK SHARP CORNERS SURFACE QUALITY 1		PROJ. ENG.	DATE											
MATERIAL		PROD.	DATE											
FINISH		NEXT HIGHER ASSY.												
SCALE		SHEET 5 OF 9												
DIST.														

REV. Q. 1-23-73
CHK

DCS M7295-0-1 'J

THIS DRAWING AND SPECIFICATIONS HERETO ARE THE PROPERTY OF DIGITAL EQUIPMENT CORPORATION AND SHALL NOT BE REPRODUCED OR COPIED OR USED IN WHOLE OR IN PART AS THE BASIS FOR THE MANUFACTURE OR SALE OF ITEMS WITHOUT WRITTEN PERMISSION. COPYRIGHT © 1973 DIGITAL EQUIPMENT CORPORATION.

1-0-9627W SCD 2



SLOT 02
INTERRUPT CNTL

FIRST USED ON OPTION/MODEL	QTY.	DESCRIPTION	PART NO.	ITEM NO.
RH11				
PARTS LIST				
UNLESS OTHERWISE SPECIFIED				
DIMENSIONS IN INCHES		DRN. J. Vincent	DATE 1-24-73	
TOLERANCES		CHK'D.	DATE	
DECIMALS	ANGLES	ENG.	DATE	
.005	±0° 30'	PROJ. ENG.	DATE	
.02		PROD.	DATE	
.1				
REMOVE BURRS AND BREAK SHARP CORNERS SURFACE QUALITY 7				
MATERIAL		NEXT HIGHER ASSY.		
FINISH		SCALE	SIZE CODE	NUMBER
		SHEET 6 OF 9	DCS M7295-0-1	REV. 'J'

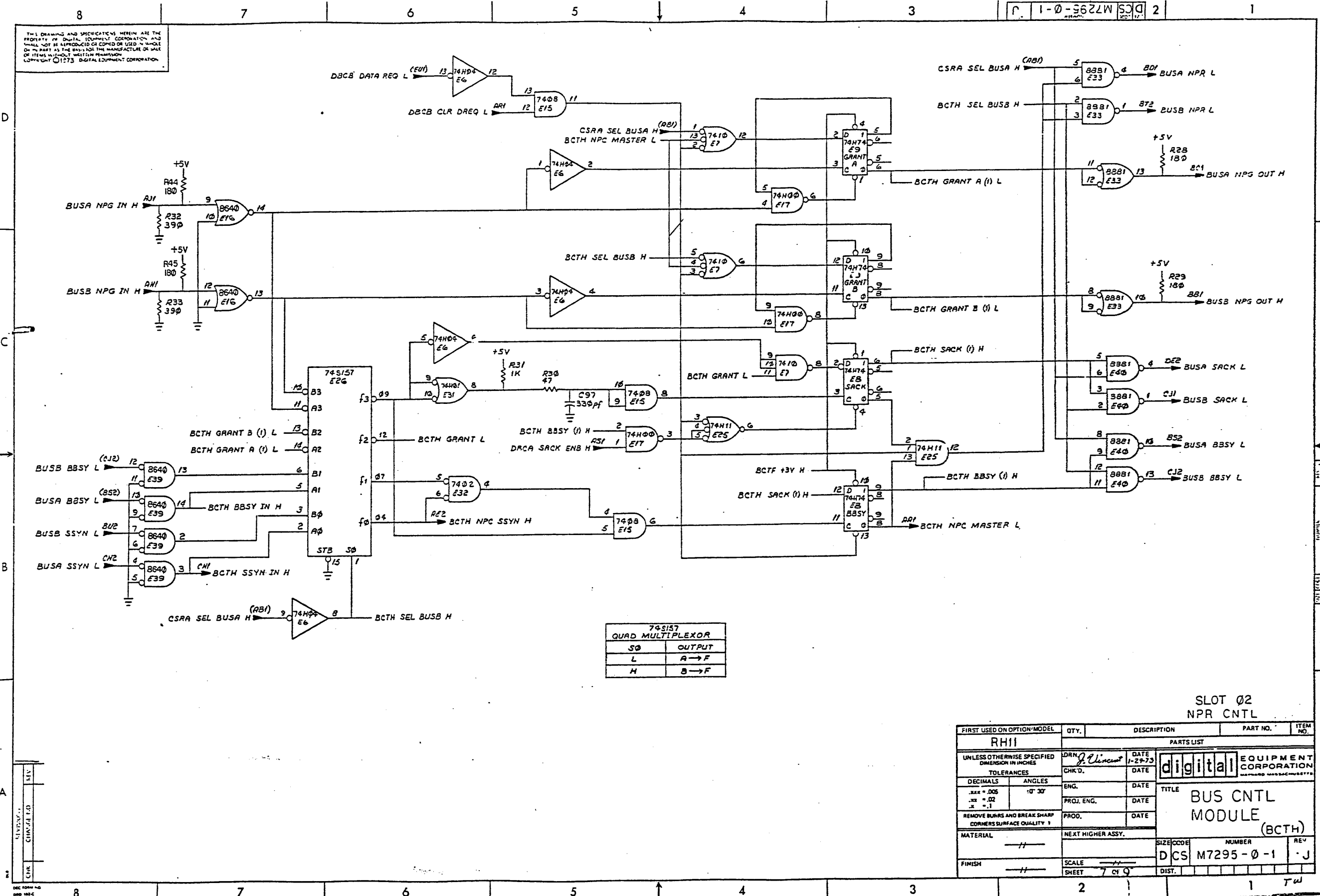
DCS M7295-0-1 'J'

A

TW

THIS DRAWING AND SPECIFICATIONS HEREIN ARE THE PROPERTY OF DIGITAL EQUIPMENT CORPORATION AND SHALL NOT BE REPRODUCED OR COPIED OR USED IN WHOLE OR IN PART AS THE BASIS FOR THE MANUFACTURE OR SALE OF ITEMS UNLESS WRITTEN PERMISSION IS OBTAINED FROM DIGITAL EQUIPMENT CORPORATION.

1-0-5622W SCD 2



74S157 QUAD MULTIPLEXOR	
S0	OUTPUT
L	A → F
H	B → F

SLOT 02
NPR CNTL

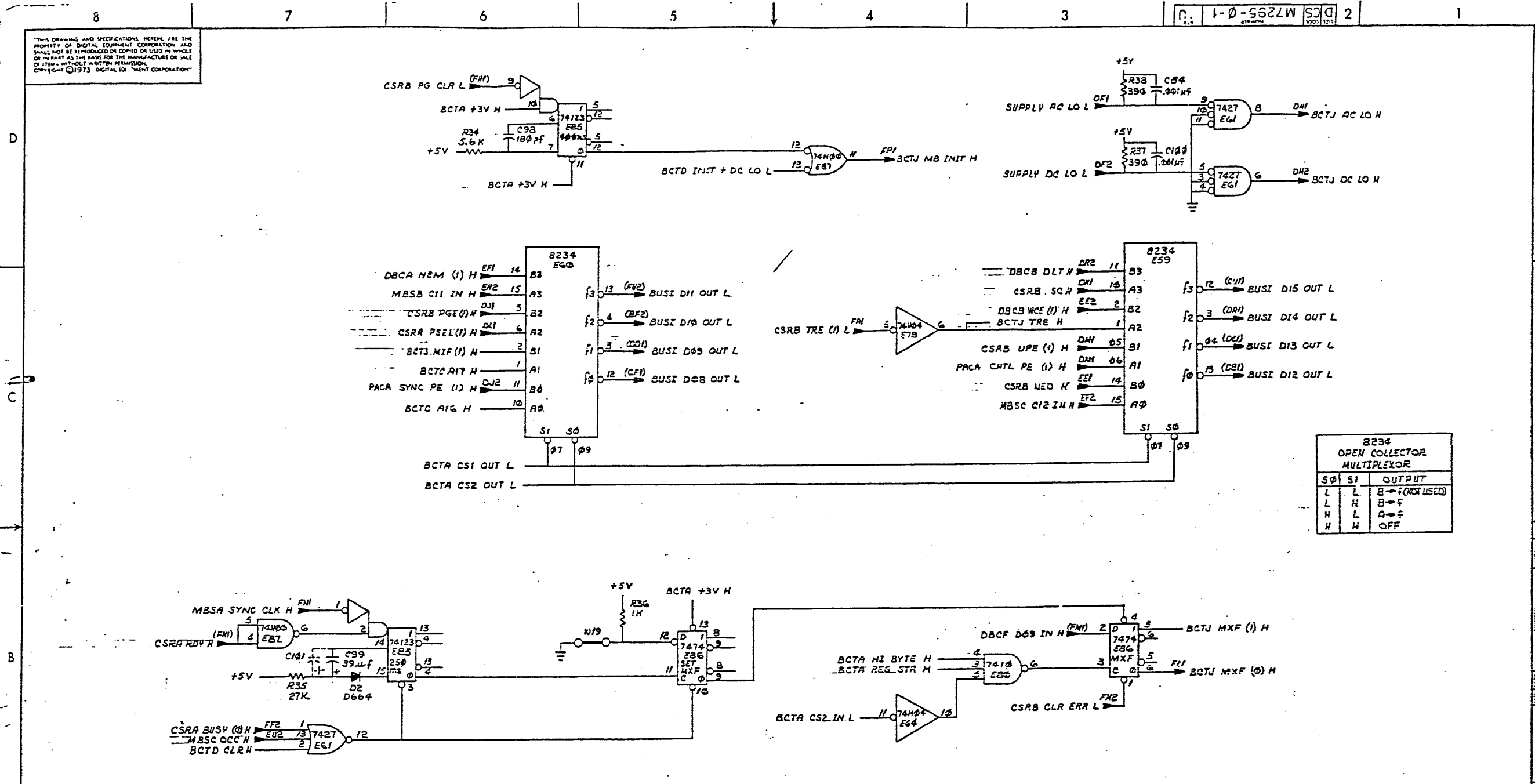
FIRST USED ON OPTION/MODEL	QTY.	DESCRIPTION	PART NO.	ITEM NO.
RH11				
PARTS LIST				
UNLESS OTHERWISE SPECIFIED DIMENSION IN INCHES		DRN. <i>J. Vincent</i>	DATE 1-29-73	
TOLERANCES		CHK'D.	DATE	
DECIMALS	ANGLES	ENG.	DATE	
.XXX = .005	10' 30'	PROJ. ENG.	DATE	
.XX = .02		PROD.	DATE	TITLE BUS CNTL MODULE (BCTH)
.X = .1				
REMOVE BURRS AND BREAK SHARP CORNERS SURFACE QUALITY 1		NEXT HIGHER ASSY.		
MATERIAL	FINISH	SCALE	SHEET	SIZE CODE DCS M7295-0-1
		7 CY 9		NUMBER REV .J

DEC FORM NO. 000 100-C

DCS M7295-0-1

THIS DRAWING AND SPECIFICATIONS HEREIN ARE THE PROPERTY OF DIGITAL EQUIPMENT CORPORATION AND SHALL NOT BE REPRODUCED OR COPIED OR USED IN WHOLE OR IN PART AS THE BASIS FOR THE MANUFACTURE OR SALE OF ITEMS WITHOUT WRITTEN PERMISSION. COPYRIGHT © 1973 DIGITAL EQUIPMENT CORPORATION

1-0-9522W DCS M7295-0-1 2



8234 OPEN COLLECTOR MULTIPLEXOR		
S0	S1	OUTPUT
L	L	B → (NOT USED)
L	H	B → F
H	L	A → F
H	H	OFF

SLOT 02
MXF; DATA OUT MPX; MB INIT

FIRST USED ON OPTION/MODEL	QTY.	DESCRIPTION	PART NO.	ITEM NO.	
RH11		PARTS LIST			
UNLESS OTHERWISE SPECIFIED DIMENSION IN INCHES	DRN. J. Vincent	DATE 1-30-73			
TOLERANCES	CHK'D.	DATE			
D" CIMALS	ANGLES	ENG.			DATE
.XXX = .005	:0° 30'	PROJ. ENG.			DATE
.XX = .02		PROD.	DATE	BUS CNTL MODULE (BCTJ)	
.X = .1					
MATERIAL	NEXT HIGHER ASSY.	SIZE/CODE	NUMBER		REV.
FINISH		SCALE	DCS M7295-0-1	J	
		SHEET 8 OF 9	DIST.		

REV

DCS M7295-0-1 J

THIS DRAWING AND SPECIFICATIONS HEREIN ARE THE PROPERTY OF DIGITAL EQUIPMENT CORPORATION AND SHALL NOT BE REPRODUCED OR COPIED OR USED IN WHOLE OR IN PART AS THE BASIS FOR THE MANUFACTURE OR SALE OF ITEMS WITHOUT WRITTEN PERMISSION. COPYRIGHT © 1973, DIGITAL EQUIPMENT CORPORATION.

DCS M7295-0-1

REGISTER SELECT PROM - 23040A1 (8223)


OCTAL ADDR.	M7	M6	M5	M4	M3	M2	M1	M0
00	L	L	L	L	L	L	L	L
01	H	L	H	L	L	L	H	H
02	H	H	H	L	L	L	L	L
03	H	H	L	L	L	H	L	H
04	H	H	H	L	X	L	H	L
05	H	H	L	L	L	L	L	H
06	H	H	L	L	L	L	H	L
07	L	H	L	L	L	H	L	L
10	H	H	L	L	L	H	H	H
11	H	H	H	L	L	L	L	H
12	H	H	L	L	L	L	H	H
13	H	H	L	L	L	H	H	L
14	H	H	L	L	H	L	L	L
15	H	H	L	L	H	L	L	H
16	H	H	L	L	H	L	H	L
17	H	H	L	L	H	L	H	H
20	H	H	L	L	H	H	L	L
21	H	H	L	L	H	H	L	H
22	H	H	L	L	H	H	H	L
23	H	H	L	L	H	H	H	H
24	H	H	L	L	L	L	L	L
25	H	H	L	L	L	L	L	H
26	H	H	L	L	L	L	H	L
27	H	H	L	L	L	L	H	H
30	H	H	L	L	L	H	L	L
31	H	H	L	L	L	H	L	H
32	H	H	L	L	L	H	H	L
33	H	H	L	L	L	H	H	H
34	H	H	L	L	L	L	L	L
35	H	H	L	L	L	L	L	H
36	H	H	L	L	L	L	L	L
37	H	H	L	L	L	L	H	H

- REGISTER SELECTED
- RHCS1 & MASSBUS (00)
- RHWC
- R4BA
- MASSBUS (05)
- RHCS2
- MASSBUS (01)
- MASSBUS (02)
- MASSBUS (04)
- MASSBUS (07)
- RHDB
- MASSBUS (03)
- MASSBUS (06)
- MASSBUS (10)
- MASSBUS (11)
- MASSBUS (12)
- MASSBUS (13)
- MASSBUS (14)
- MASSBUS (15)
- MASSBUS (16)
- MASSBUS (17)
- MASSBUS (20)
- MASSBUS (21)
- MASSBUS (22)
- MASSBUS (23)
- MASSBUS (24)
- MASSBUS (25)
- MASSBUS (26)
- MASSBUS (27)
- MASSBUS (30)
- MASSBUS (31)
- MASSBUS (32)
- MASSBUS (33)

D
C
B
A
 REVISIONS
 CHANGE TO
 CHK
 DATE

D
C
B
A
 DCS M7295-0-1
 SHEET 9 OF 9
 DATE

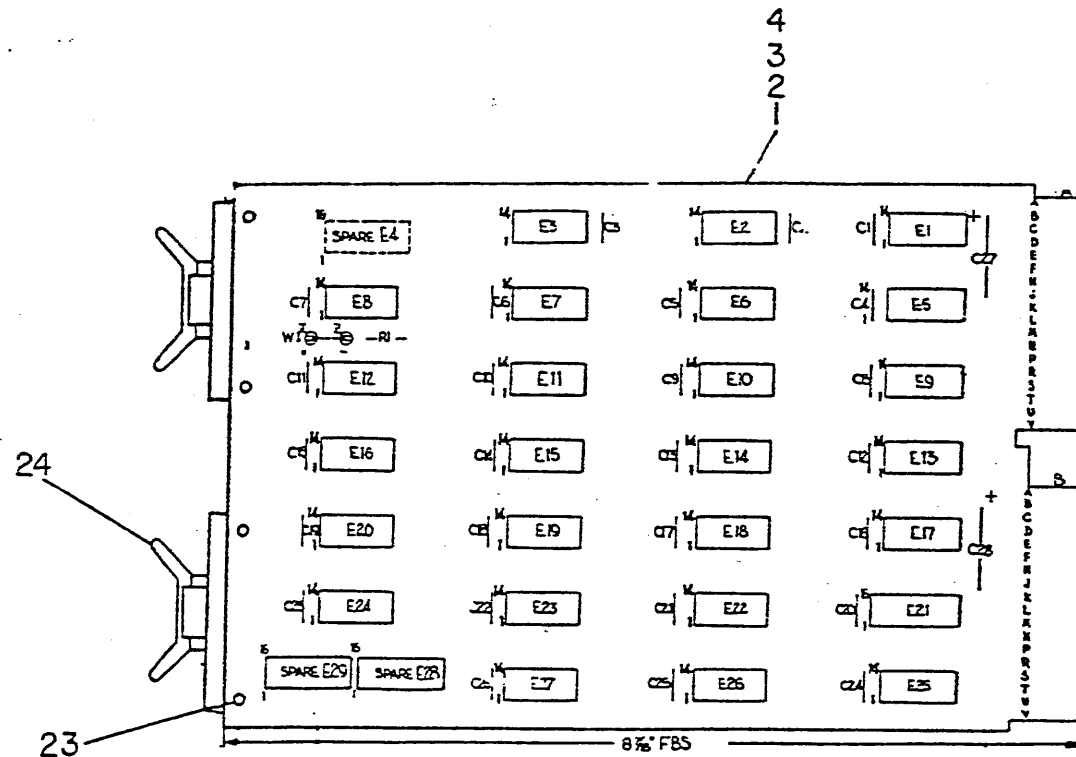
PROM TRUTH TABLE

FIRST USED ON OPTION/MODEL	QTY.	DESCRIPTION	PART NO.	ITEM NO.
RHII		PARTS LIST		
UNLESS OTHERWISE SPECIFIED DIMENSION IN INCHES	PROJ. <i>RIB</i>	DATE <i>2/2/73</i>	 digital EQUIPMENT CORPORATION BOSTON MASSACHUSETTS	
TOLERANCES	CHK'D.	DATE		
DECIMALS .005	ENG.	DATE	TITLE BUS CNTL MODULE (BCTK)	
ANGLES 30° 30'	PROJ. ENG.	DATE		
REMOVE BURRS AND BREAK SHARP CORNERS SURFACE QUALITY V	PROD.	DATE	SIZE CODE NUMBER DCS M7295-0-1	
MATERIAL	NEXT HIGHER ACTY.			
FINISH	SCALE NONE	SHEET 9 OF 9	DIST.	REV. <i>J</i>

NOTES:

1. PIN NOTATION THROUGHOUT IS ORDERED UPON MODULE PLACEMENT IN THE RHII. MODULE PIN REFERENCE ALONE IS OBTAINED BY DELETING THE NUMBER (SLOT LOCATION) AFTER THE FIRST LETTER AND CONVERTING THE FIRST LETTER ACCORDING TO THE PIN NOMENCLATURE CHART AT RIGHT.

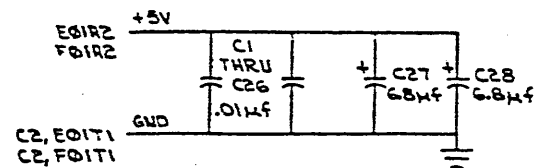
DIGITAL EQUIP CORP



PIN NOMENCLATURE

MODULE	RHII
A	E
B	F

QTY	REF DESIGNATION	DESCRIPTION	PART NO.	ITEM NO.
2		HANDLE, FLIP CHIP	9008337-6	24
4		EYELET	9006732	23
2		SPLIT LUG	9006735	22
1	E21	IC DEC 74175	1910651	21
2	EB, E11	IC DEC 7408	1910155	20
1	E5	IC DEC 7437	1910091	19
3	E18, E13, E26	IC DEC 74H04	1909931	18
3	E3, E24, E25	IC DEC 74H74	1909667	17
3	E16, E23, E27	IC DEC 74H11	1909267	16
1	E22	IC DEC 74H36	1909059	15
1	E6	IC DEC 74H10	1909057	14
1	E9	IC DEC 74H00	1909056	13
1	E28	IC DEC 7402	1909004	12
1	E19	IC DEC 7420	1905577	11
1	E14	IC DEC 7410	1905576	10
3	E1, E2, E17	IC DEC 7400	1905575	9
4	E12, E15, E7, E18	IC DEC 7474	1905547	8
1	R1	RESISTOR 1K 1/4 W 5%	1300365	7
2	C27, C28	CAP 6.8uF 35V 10% TANT	1005306	6
26	C1 THRU C26	CAP .01uF 50V 20% AXIAL CER	1001610	5
1		ETCHED CIRCUIT BOARD	5010429	4
REF		MODULE ECD HISTORY	5-MM-M7296-B-3	3
REF		ASSY/DRILLING HOLE LAYOUT	D-AM-M7296-B-5	2
REF		X-Y COORDINATE HOLE LOCATION	X-CO-M7296-B-4	1



IC TYPE	GND	+5V
DEC 74175	8	16

GND AND 5V ARE USUALLY PIN 7 AND 14 RESPECTIVELY EXCEPTS ARE STATED ABOVE

IC PIN LOCATIONS

FIRST USED ON OPTION MODEL

RHII

FARTS LIST

ETCH BOARD REV C

DIGITAL EQUIPMENT CORPORATION

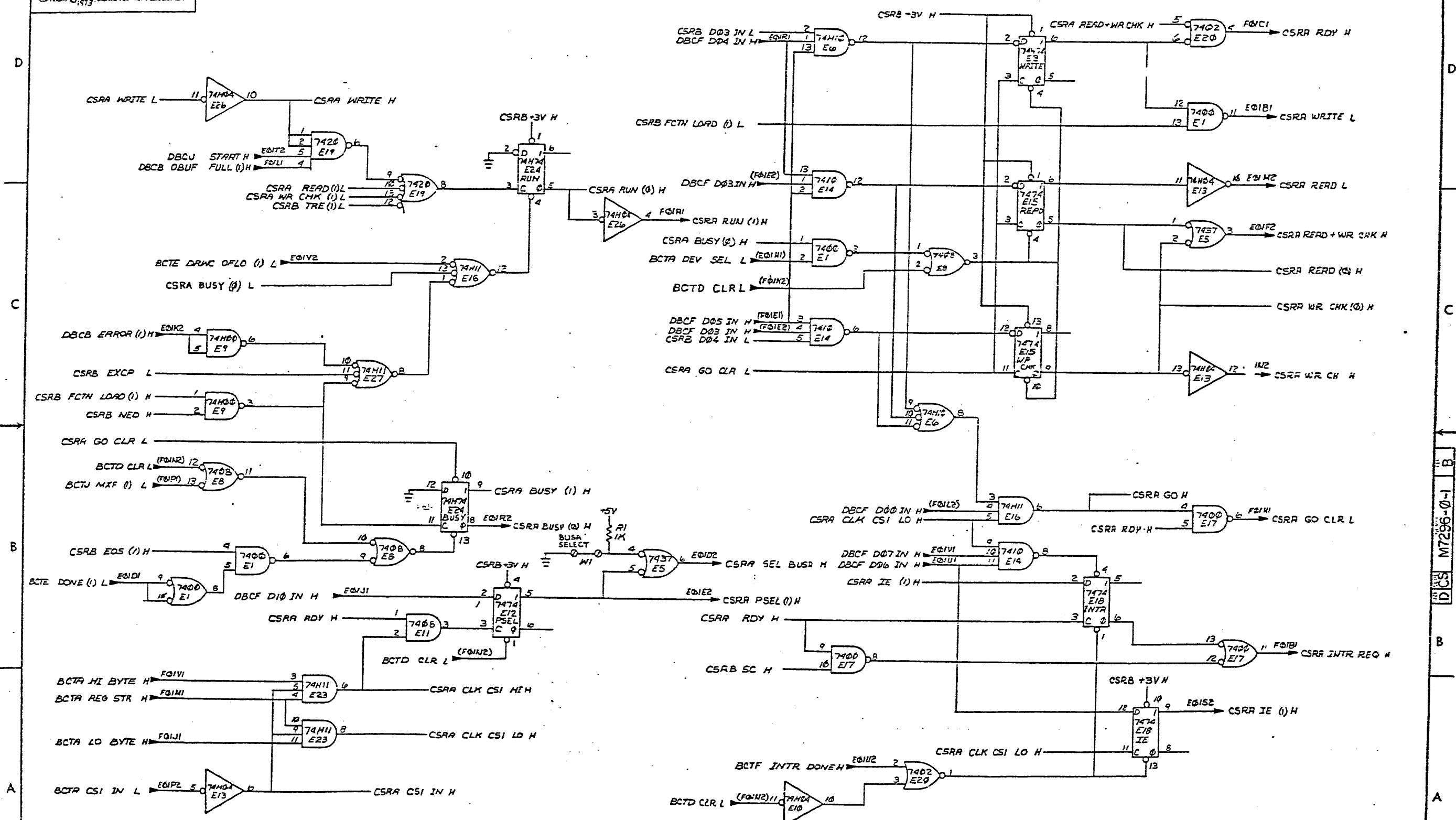
CONTROL & STATUS REGS (CSR)

SEMICONDUCTOR CONVERSION CHART

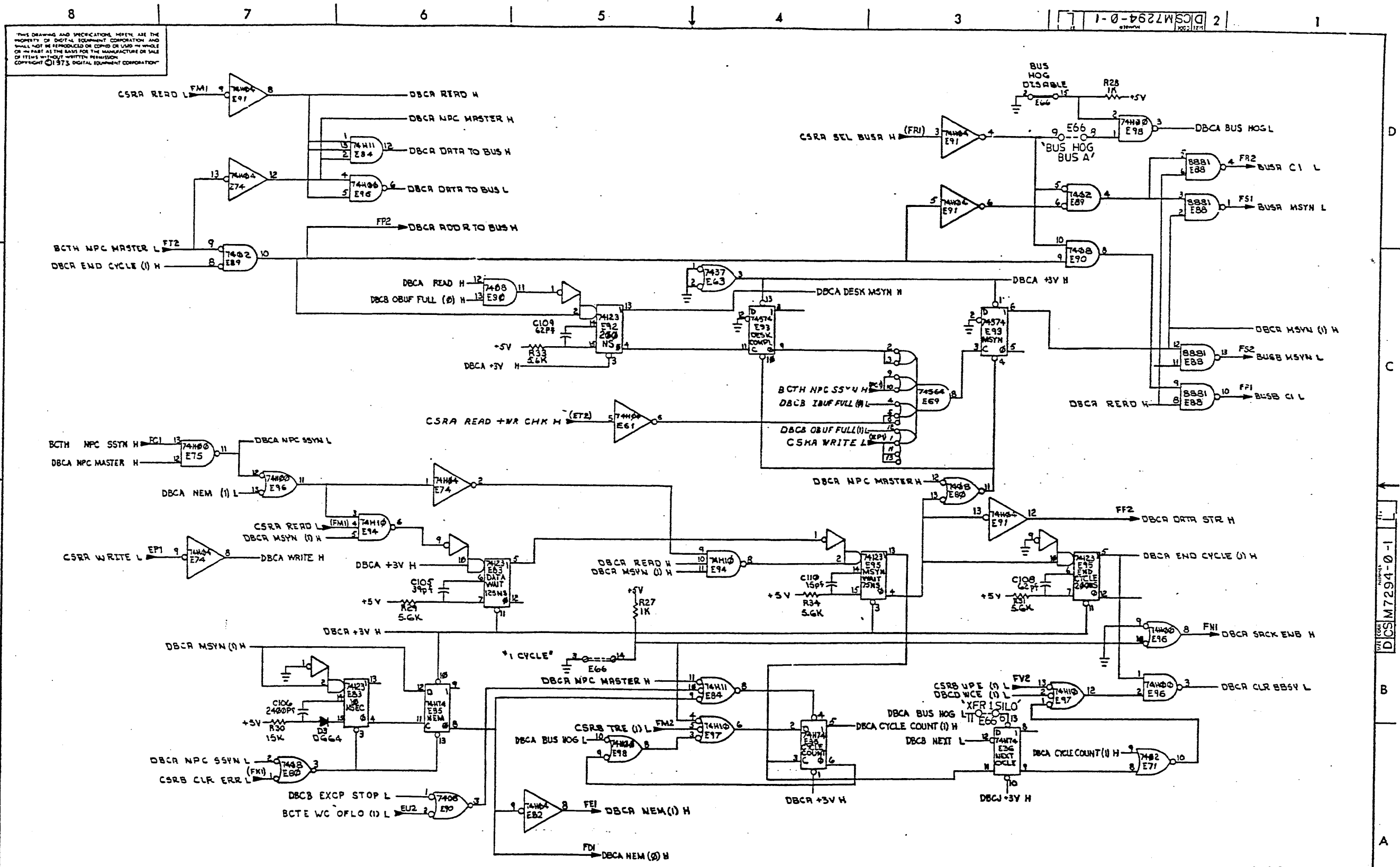
NUMBER M7296-B-1

REV. 2

THIS DRAWING AND SPECIFICATIONS HEREIN ARE THE PROPERTY OF DIGITAL EQUIPMENT CORPORATION AND SHALL NOT BE REPRODUCED OR COPIED OR USED IN WHOLE OR IN PART AS THE BASIS FOR THE MANUFACTURE OR SALE OF ITEMS WITHOUT WRITTEN PERMISSION. COPYRIGHT © 1973, DIGITAL EQUIPMENT CORPORATION.



REVISIONS		
CHK	CHANGE NO	REV

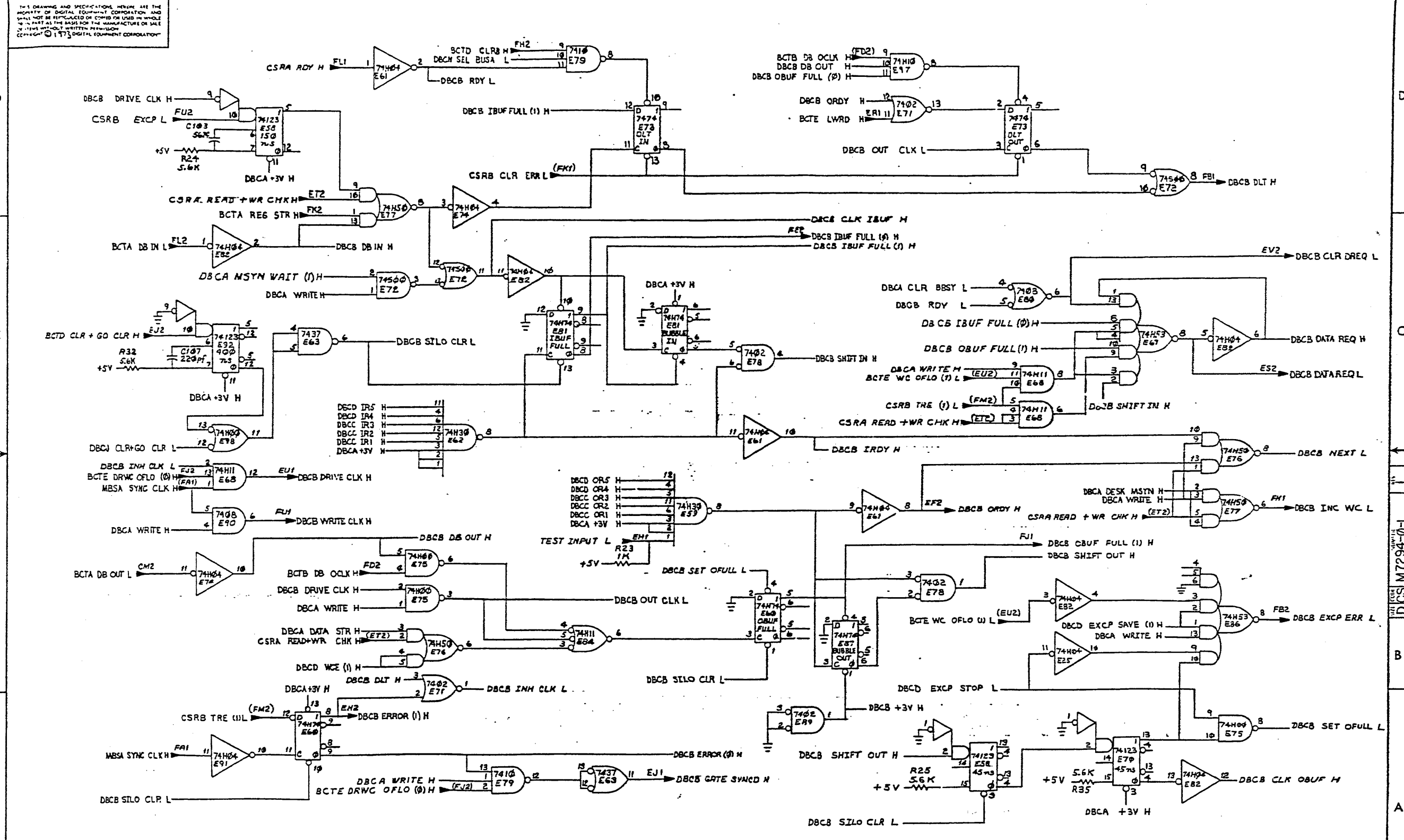


THIS DRAWING AND SPECIFICATIONS HEREIN ARE THE PROPERTY OF DIGITAL EQUIPMENT CORPORATION AND SHALL NOT BE REPRODUCED OR COPIED OR USED IN WHOLE OR IN PART AS THE BASIS FOR THE MANUFACTURE OR SALE OF ITEMS WITHOUT WRITTEN PERMISSION. COPYRIGHT © 1973 DIGITAL EQUIPMENT CORPORATION.

2 DCS M7294-0-1

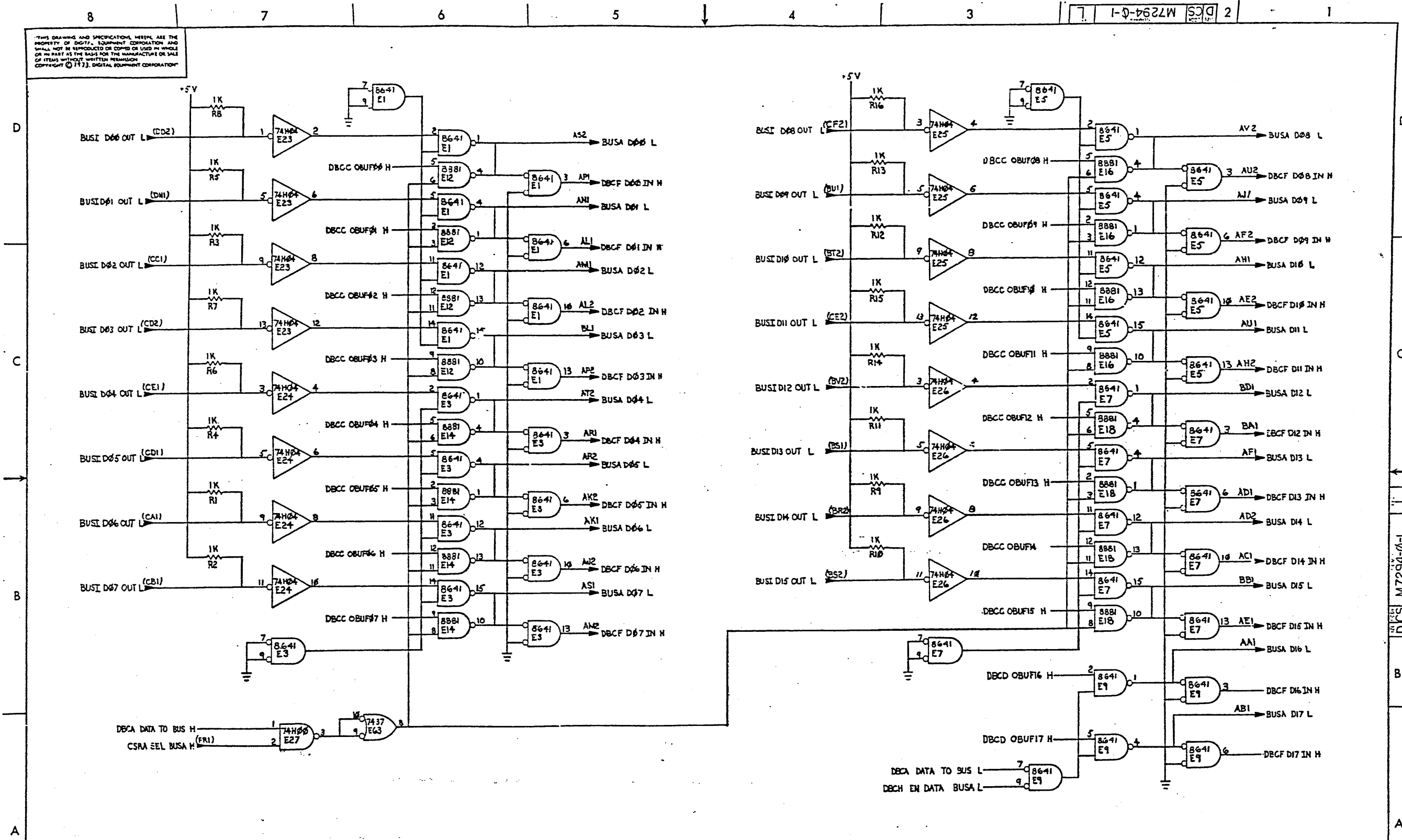
REVISIONS		
CHK	CHANGE NO	REV

SLOT 03
NPR CNTL LOGIC
TITLE DATA BUFFER & CONTROL (DBCA)
SCALE NONE SHEET 2 OF 9
D CS M7294-0-1
REV. L



REVISIONS			SLOT 03 SILO TIMING CNTL		TITLE DATA BUFFER # CONTROL (DACS)		SIZE CODE DCS	NUMBER M7294-0-1	REV. L
CHK	CHANGE NO	REV	SCALE	NCNE	SHEET	3	OF	9	DIST.

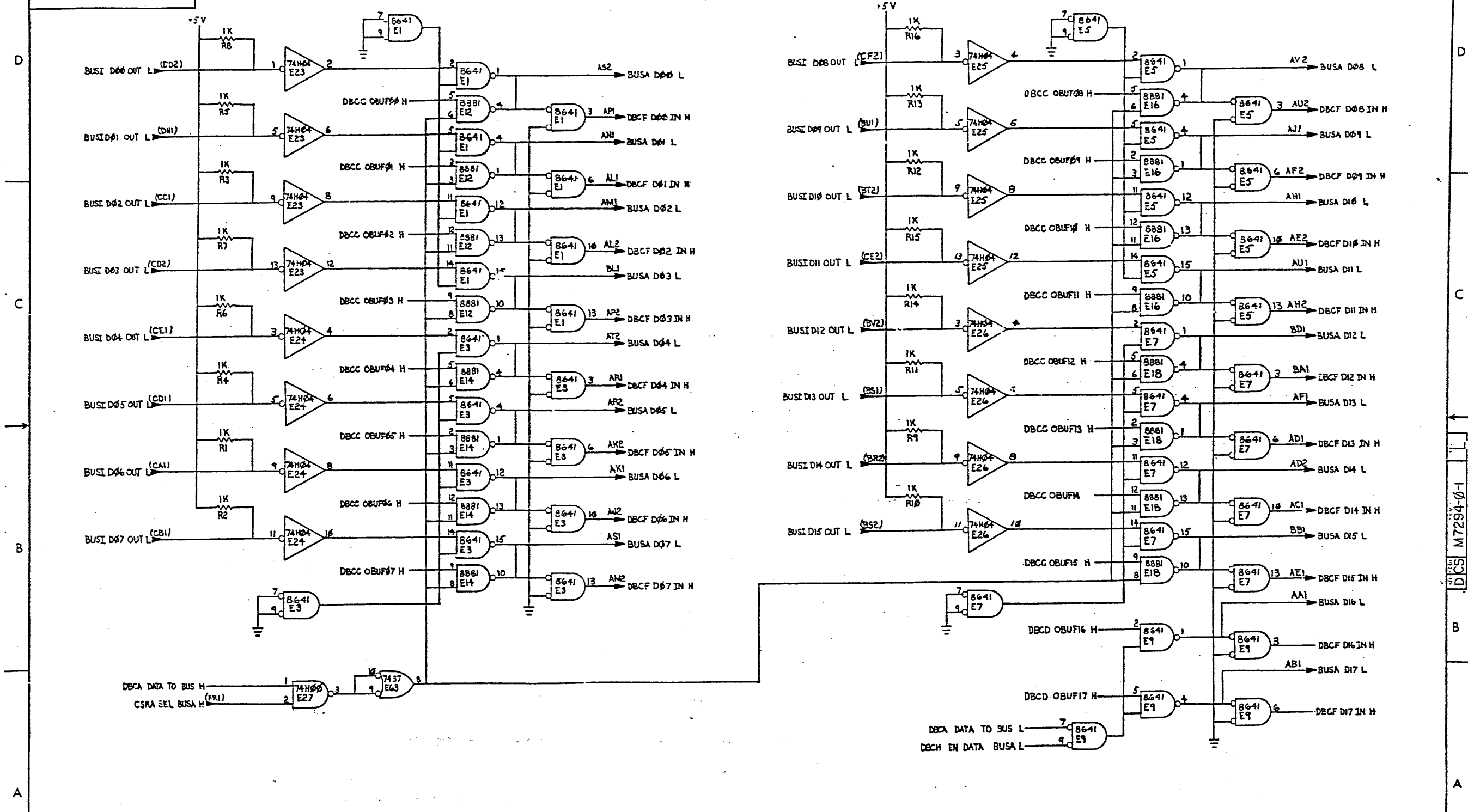
THIS DRAWING AND SPECIFICATIONS HEREIN ARE THE PROPERTY OF DIGITAL EQUIPMENT CORPORATION AND SHALL NOT BE REPRODUCED OR COPIED OR USED IN WHOLE OR IN PART AS THE BASIS FOR THE MANUFACTURE OR SALE OF ITEMS WITHOUT WRITTEN PERMISSION. COPYRIGHT © 1973, DIGITAL EQUIPMENT CORPORATION.



REVISIONS		
CHK	CHANGE NO.	REV

SLOT 03 UNIBUS A DATA TRANSCEIVERS		TITLE	SIZE/COOE	NUMBER	REV.
DATA BUFFER & CONTROL (DBCF)		D/CS	M7294-0-1	L	
SCALE NONE	SHEET 7 OF 9	DIST.			

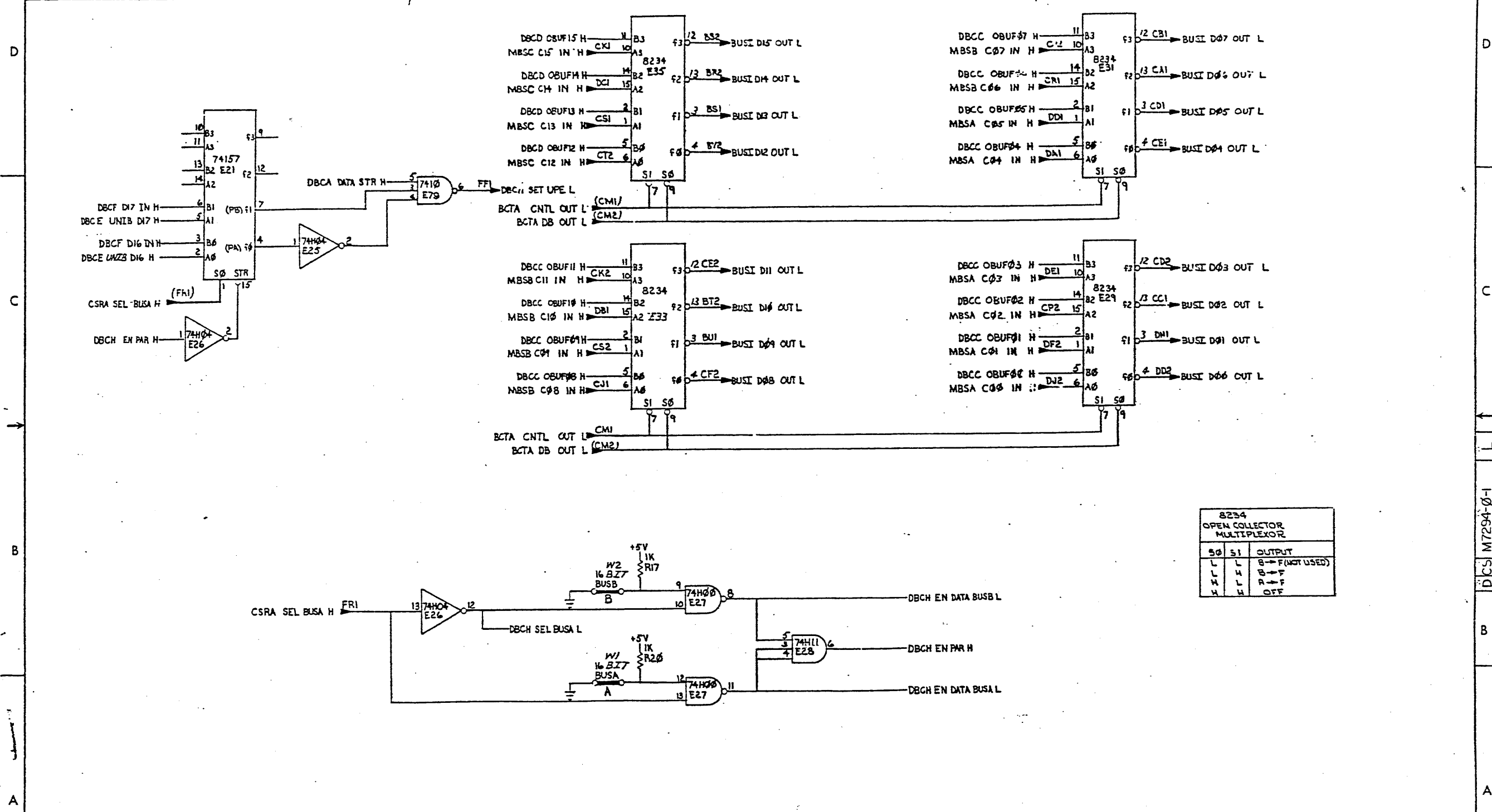
THIS DRAWING AND SPECIFICATIONS HEREIN ARE THE PROPERTY OF DIGITAL EQUIPMENT CORPORATION AND SHALL NOT BE REPRODUCED OR COPIED OR USED IN WHOLE OR IN PART AS THE BASIS FOR THE MANUFACTURE OR SALE OF ITEMS WITHOUT WRITTEN PERMISSION. COPYRIGHT © 1973, DIGITAL EQUIPMENT CORPORATION.



REVISIONS		
CHK	CHANGE NO.	REV

SLOT 03 UNIBUS A DATA TRANSCEIVERS		TITLE	SIZE/COOE	NUMBER	REV.
DATA BUFFER & CONTROL (DBCF)		D CS	M7294-0-1	1	E
SCALE NONE	SHEET 7 OF 9	DIST.			

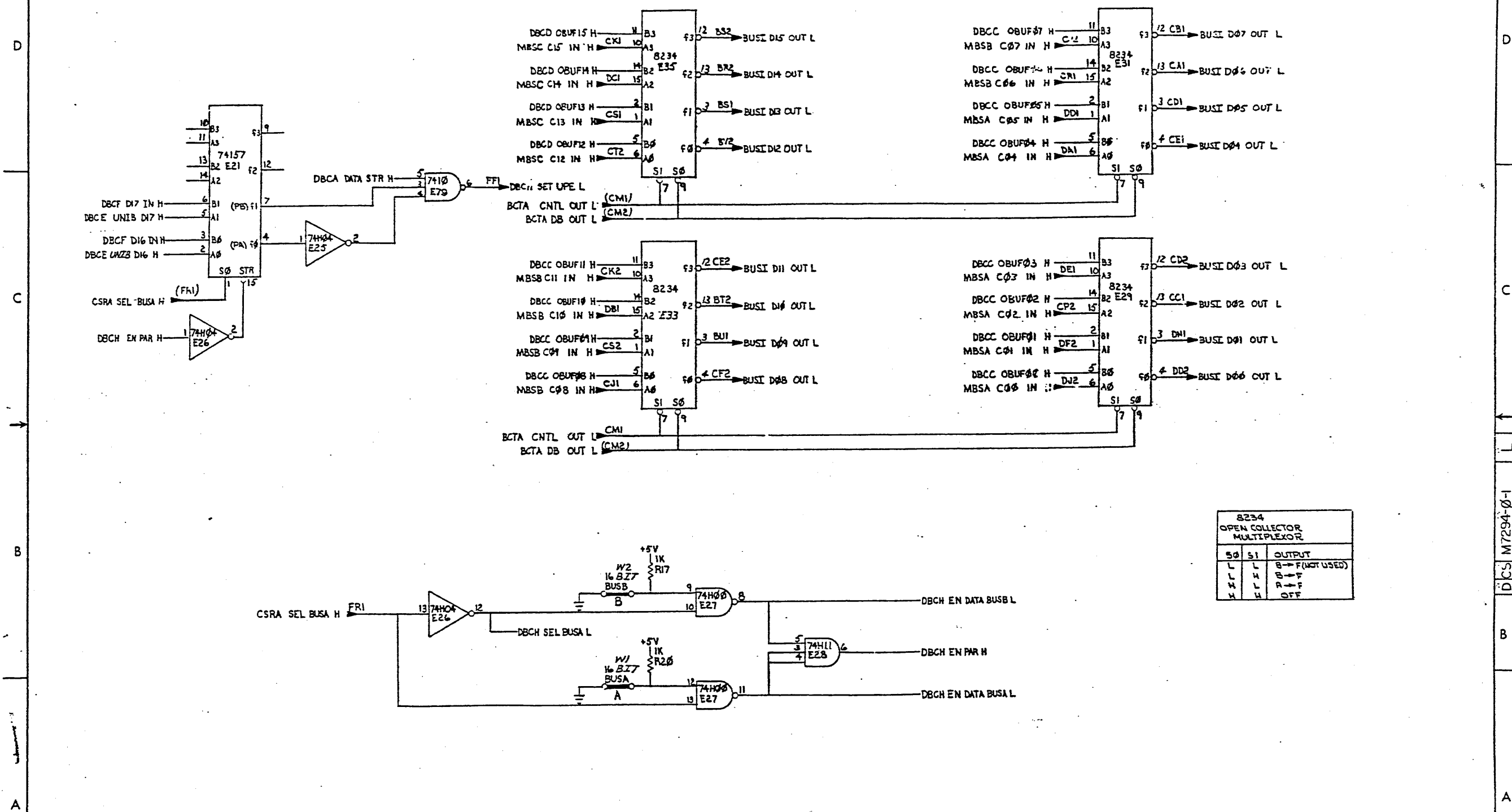
THIS DRAWING AND SPECIFICATIONS HEREIN ARE THE PROPERTY OF DIGITAL EQUIPMENT CORPORATION AND SHALL NOT BE REPRODUCED OR COPIED OR USED IN WHOLE OR IN PART AS THE BASIS FOR THE MANUFACTURE OR SALE OF ITEMS WITHOUT WRITTEN PERMISSION. COPYRIGHT © 1973, DIGITAL EQUIPMENT CORPORATION.



REVISIONS		
CHK	CHANGE NO.	REV

SLOT 03
UNIBUS PARITY CNTL & DATA OUT MPXS
TITLE DATA BUFFER & CONTROL (DBCH)
SCALE NONE SHEET 8 OF 9
D C S M7294-0-1
REV. L
MK. 1

THIS DRAWING AND SPECIFICATIONS HEREIN ARE THE PROPERTY OF DIGITAL EQUIPMENT CORPORATION AND SHALL NOT BE REPRODUCED OR COPIED OR USED IN WHOLE OR IN PART AS THE BASIS FOR THE MANUFACTURE OR SALE OF ITEMS WITHOUT WRITTEN PERMISSION. COPYRIGHT © 1973, DIGITAL EQUIPMENT CORPORATION.



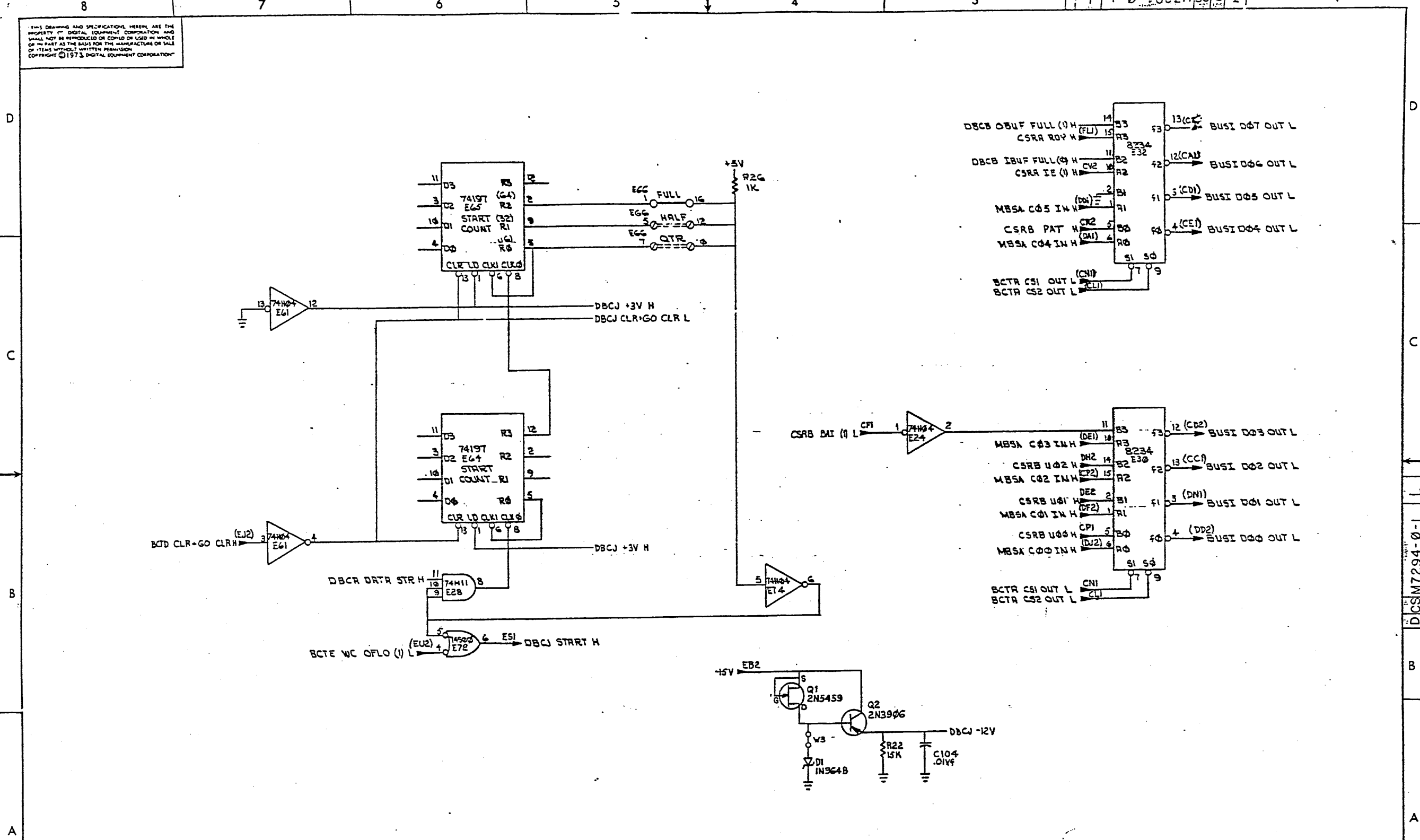
8234 OPEN COLLECTOR MULTIPLEXOR		
S0	S1	OUTPUT
L	L	B → F (NOT USED)
L	H	B → F
H	L	P → F
H	H	OFF

REVISIONS		
CHK	CHANGE NO.	REV

SLOT 03
UNIBUS PARITY CNTL & DATA OUT MPXS
TITLE DATA BUFFER & CONTROL (DBCH)
SCALE NONE SHEET 8 OF 9 DIST. MK. 1

THIS DRAWING AND SPECIFICATIONS HEREIN ARE THE PROPERTY OF DIGITAL EQUIPMENT CORPORATION AND SHALL NOT BE REPRODUCED OR COPIED OR USED IN WHOLE OR IN PART AS THE BASIS FOR THE MANUFACTURE OR SALE OF ITEMS WITHOUT WRITTEN PERMISSION. COPYRIGHT © 1973, DIGITAL EQUIPMENT CORPORATION.

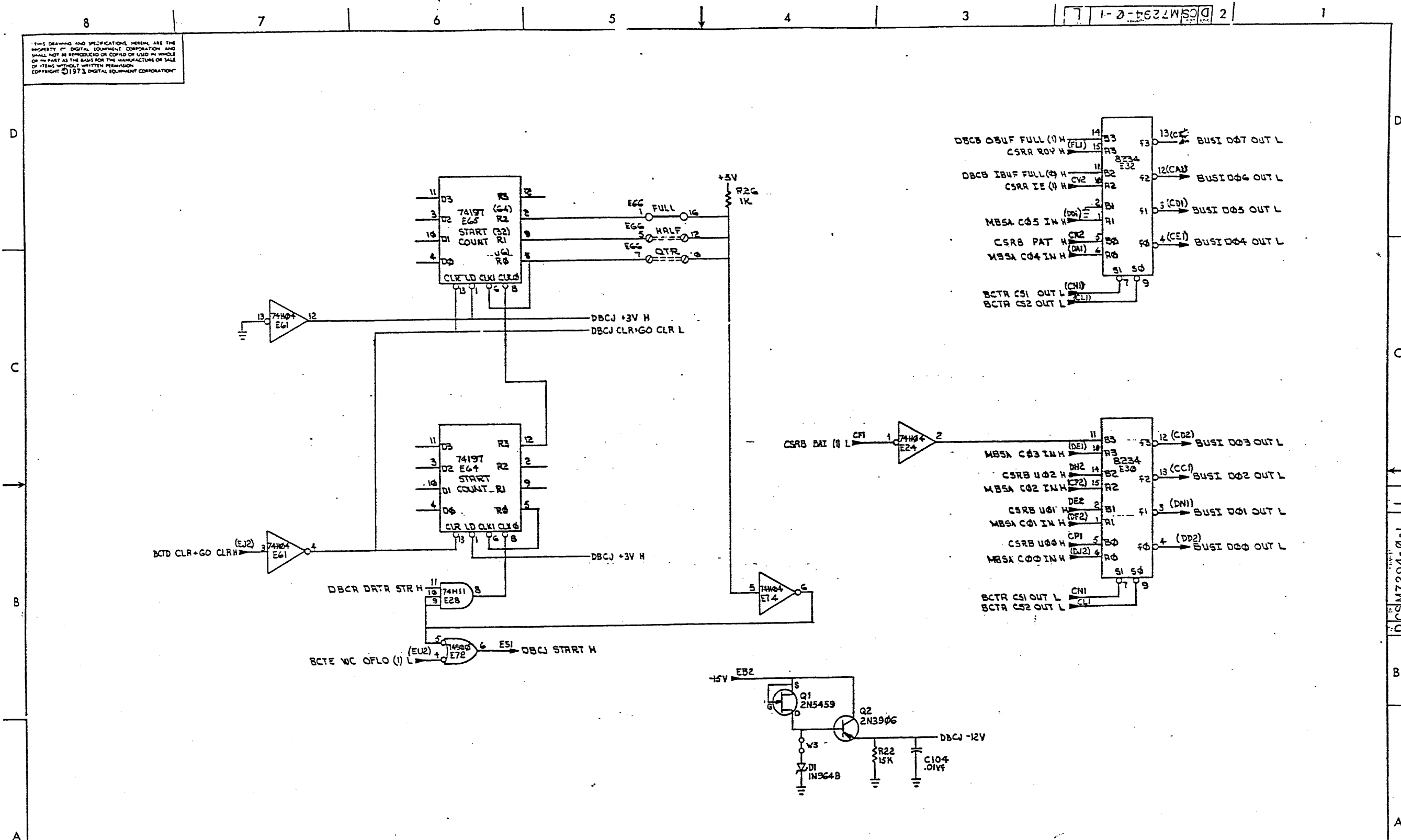
DCSM7294-0-1 2



REVISIONS		
CHK	CHANGE NO	REV

SLOT 03
START CNTL & DATA OUT MPXS
TITLE DATA BUFFER & CONTROL (DBCJ)
SCALE NONE SHEET 3 OF 9 DIST. MK 1
DCSM7294-0-1 L

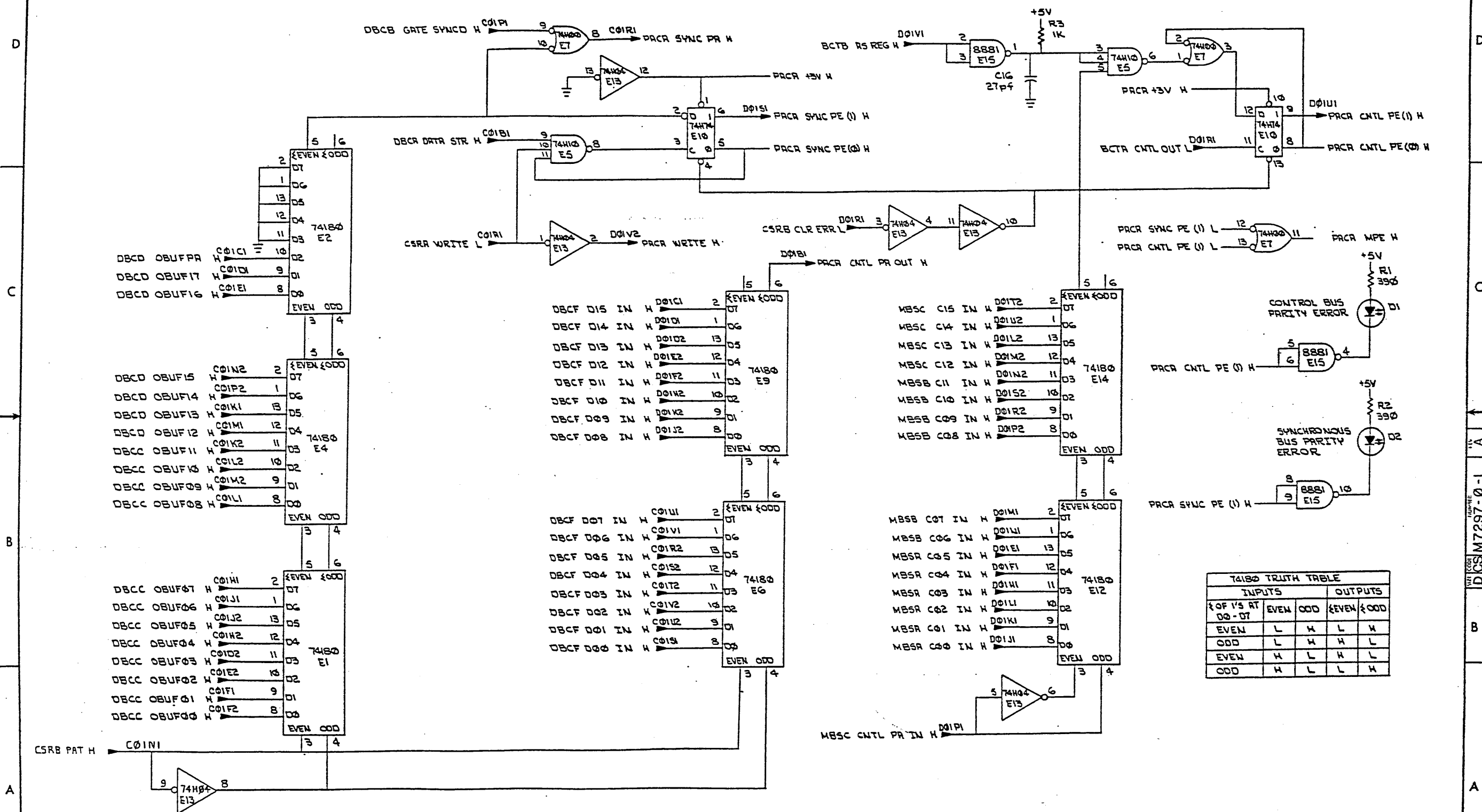
THIS DRAWING AND SPECIFICATIONS HEREIN ARE THE PROPERTY OF DIGITAL EQUIPMENT CORPORATION AND SHALL NOT BE REPRODUCED OR COMPILED OR USED IN WHOLE OR IN PART AS THE BASIS FOR THE MANUFACTURE OR SALE OF ITEMS WITHOUT WRITTEN PERMISSION. COPYRIGHT © 1973, DIGITAL EQUIPMENT CORPORATION.



REVISIONS		
CHK	CHANGE NO	REV

SLOT 03		START CNTL & DATA OUT MPXS	
TITLE DATA BUFFER & CONTROL (DBCJ)		SIZE CODE	NUMBER
SCALE NONE		SHEET 3 OF 9	D C S M 7 2 9 4 - 0 - 1
MK 1		REV. L	

THIS DRAWING AND SPECIFICATIONS HEREIN ARE THE PROPERTY OF DIGITAL EQUIPMENT CORPORATION AND SHALL NOT BE REPRODUCED OR COPIED OR USED IN WHOLE OR IN PART AS THE BASIS FOR THE MANUFACTURE OR SALE OF ITEMS WITHOUT WRITTEN PERMISSION. COPYRIGHT © 1975, DIGITAL EQUIPMENT CORPORATION



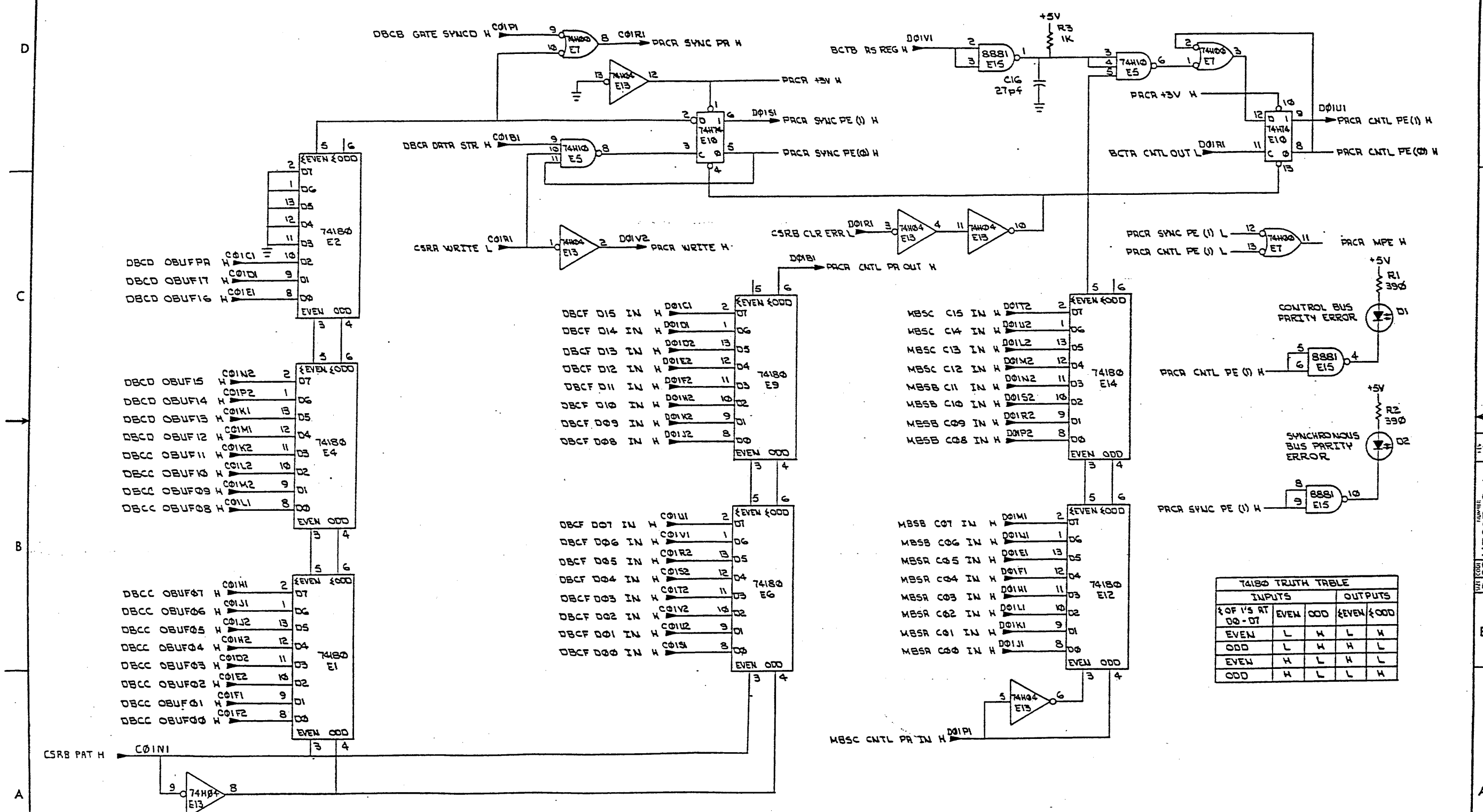
74180 TRUTH TABLE

# OF 1'S AT D0-D7	INPUTS		OUTPUTS	
	EVEN	ODD	ΣEVEN	ΣODD
EVEN	L	H	L	H
ODD	L	H	H	L
EVEN	H	L	H	L
ODD	H	L	L	H

REVISIONS

CHK	CHANGE NO.	REV.

THIS DRAWING AND SPECIFICATIONS HEREIN ARE THE PROPERTY OF DIGITAL EQUIPMENT CORPORATION AND SHALL NOT BE REPRODUCED OR COPIED OR USED IN WHOLE OR IN PART AS THE BASIS FOR THE MANUFACTURE OR SALE OF ITEMS WITHOUT WRITTEN PERMISSION. COPYRIGHT © 1975, DIGITAL EQUIPMENT CORPORATION

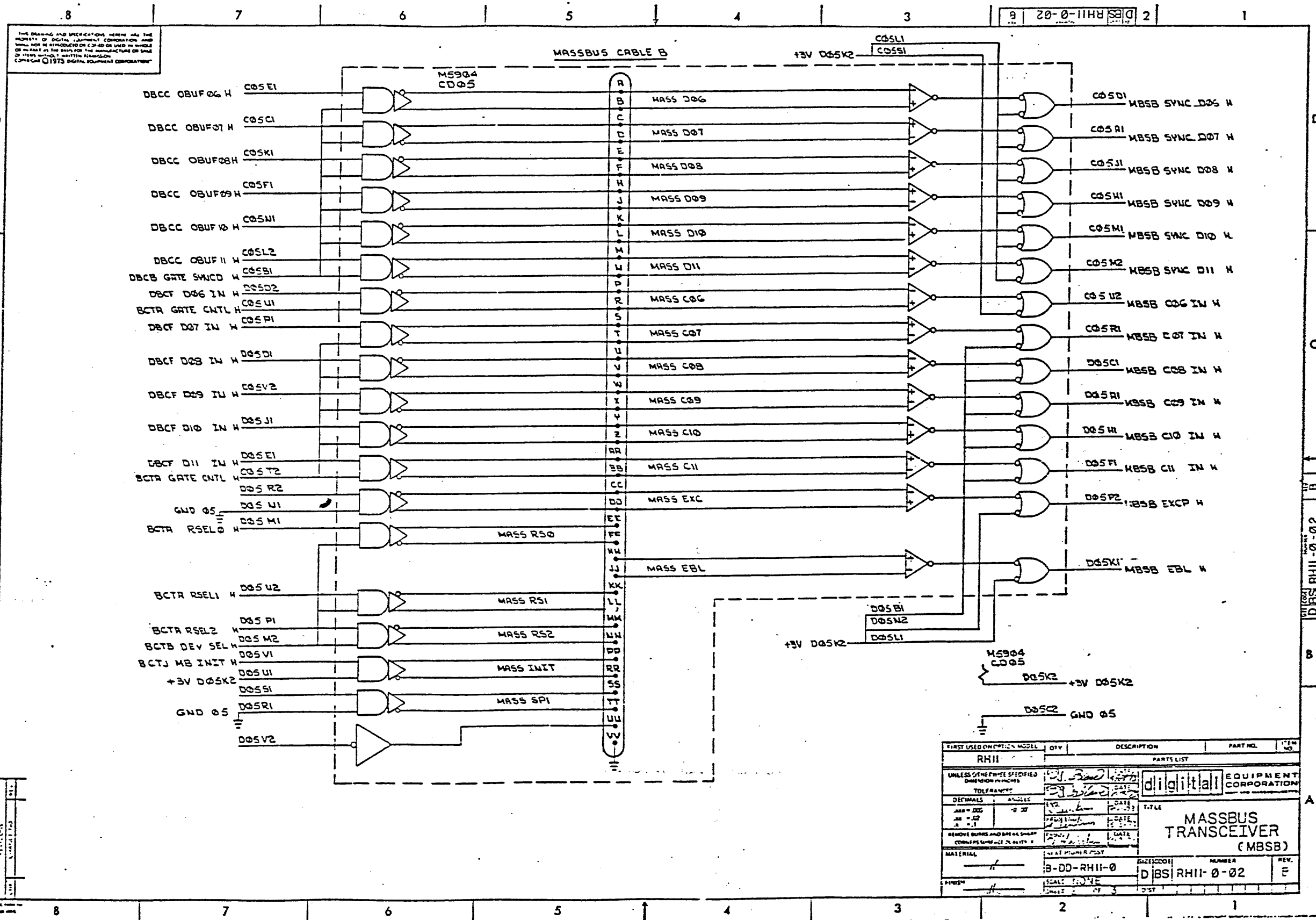


74180 TRUTH TABLE

# OF 1'S AT D0-D7	INPUTS		OUTPUTS	
	EVEN	ODD	←EVEN	←ODD
EVEN	L	H	L	H
ODD	L	H	H	L
EVEN	H	L	H	L
ODD	H	L	L	H

REVISIONS

CHK	CHANGE NO.	REV.



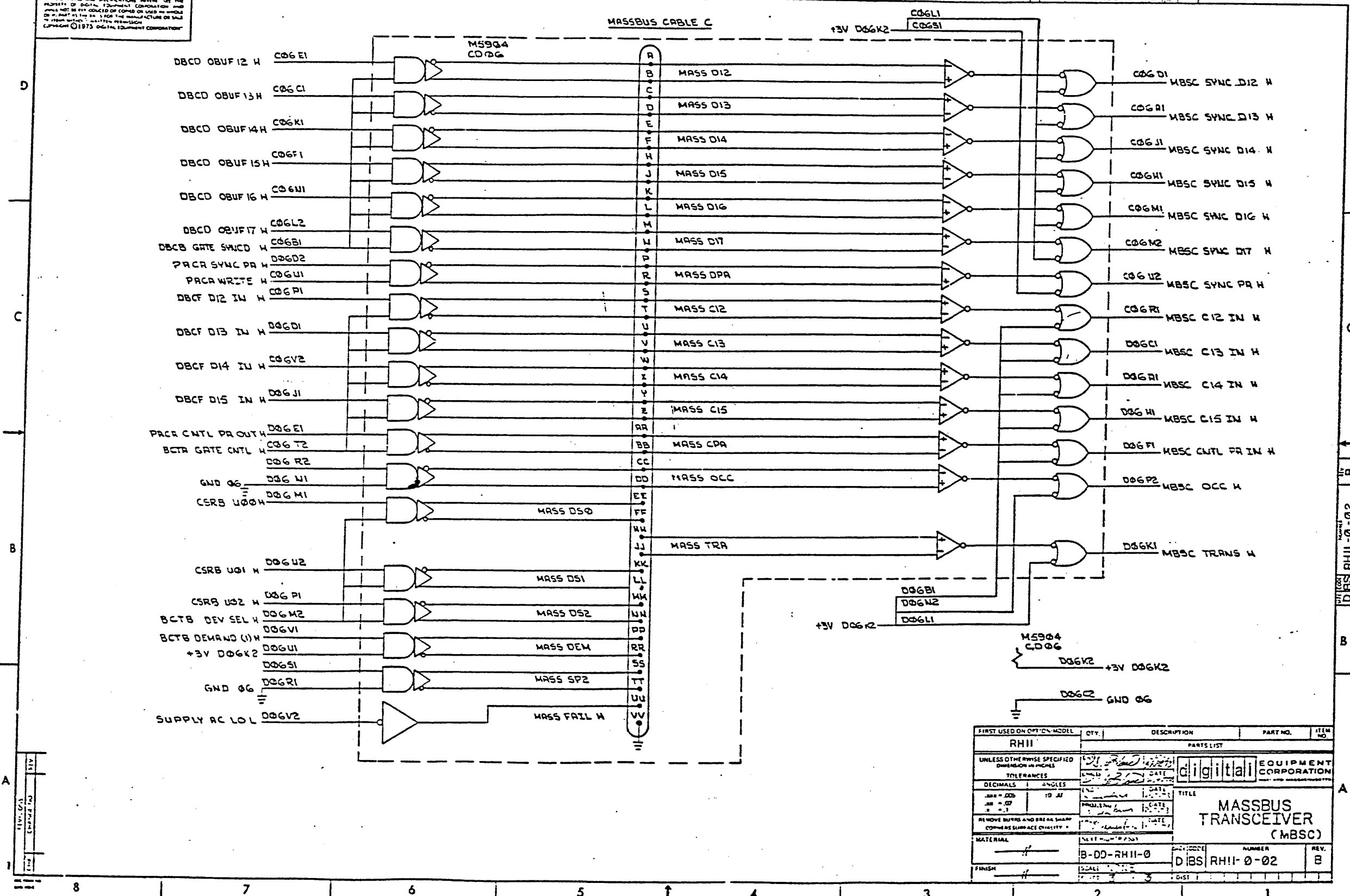
THIS DRAWING AND SPECIFICATIONS HEREIN ARE THE PROPERTY OF DIGITAL EQUIPMENT CORPORATION AND SHALL NOT BE REPRODUCED OR COPIED OR USED IN WHOLE OR IN PART AS THE BASIS FOR THE MANUFACTURE OR SALE OF ANY OTHER DIGITAL EQUIPMENT CORPORATION COPYRIGHT © 1973 DIGITAL EQUIPMENT CORPORATION

D BS RH11-0-02 2

FIRST USED ON	MODEL	QTY	DESCRIPTION	PART NO.	ITEM NO.
	RH11		PARTS LIST		
UNLESS OTHERWISE SPECIFIED DIMENSIONS IN INCHES					
TOLERANCES					
DECIMALS	FRACTIONS	INCHES	DATE	TITLE	
0.001	1/32			MASSBUS TRANSCEIVER (MBSB)	
REMOVE BURRS AND BREAK SHARP CORNERS SURFACE TO BE SHARP					
MATERIAL					
SCALE: NONE					
DATE: 10/27/73					
DRAWN: [Signature]					
CHECKED: [Signature]					
APPROVED: [Signature]					
PART NO. B-DD-RH11-0					
NUMBER D BS RH11-0-02					
REV. E					

D BS RH11-0-02

THIS DRAWING AND SPECIFICATIONS HEREBY LET THE PROPERTY OF DIGITAL EQUIPMENT CORPORATION AND SHALL NOT BE REPRODUCED OR COPIED OR USED IN WHOLE OR IN PART AS THE BASIS FOR THE MANUFACTURE OF THIS EQUIPMENT WITHOUT THE WRITTEN PERMISSION OF DIGITAL EQUIPMENT CORPORATION.



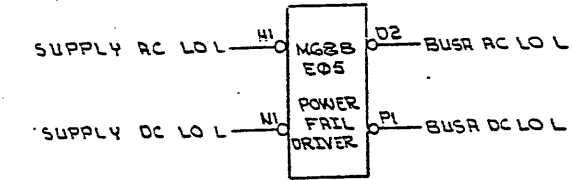
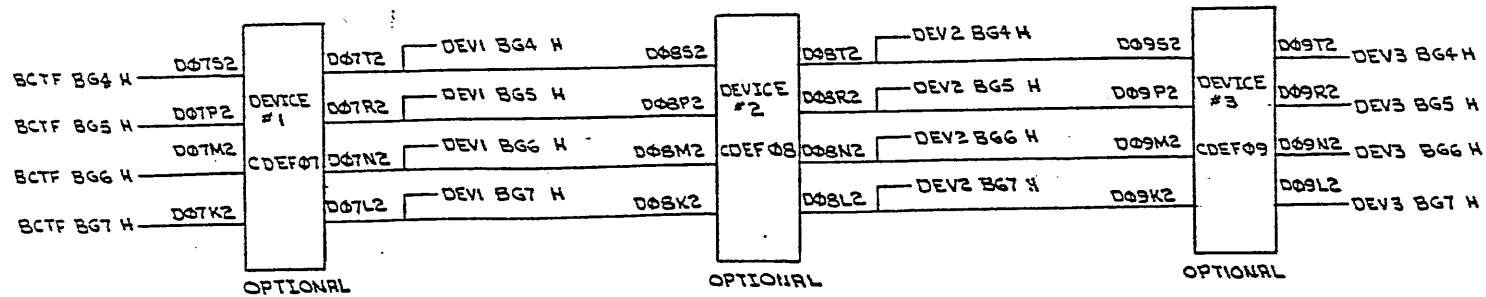
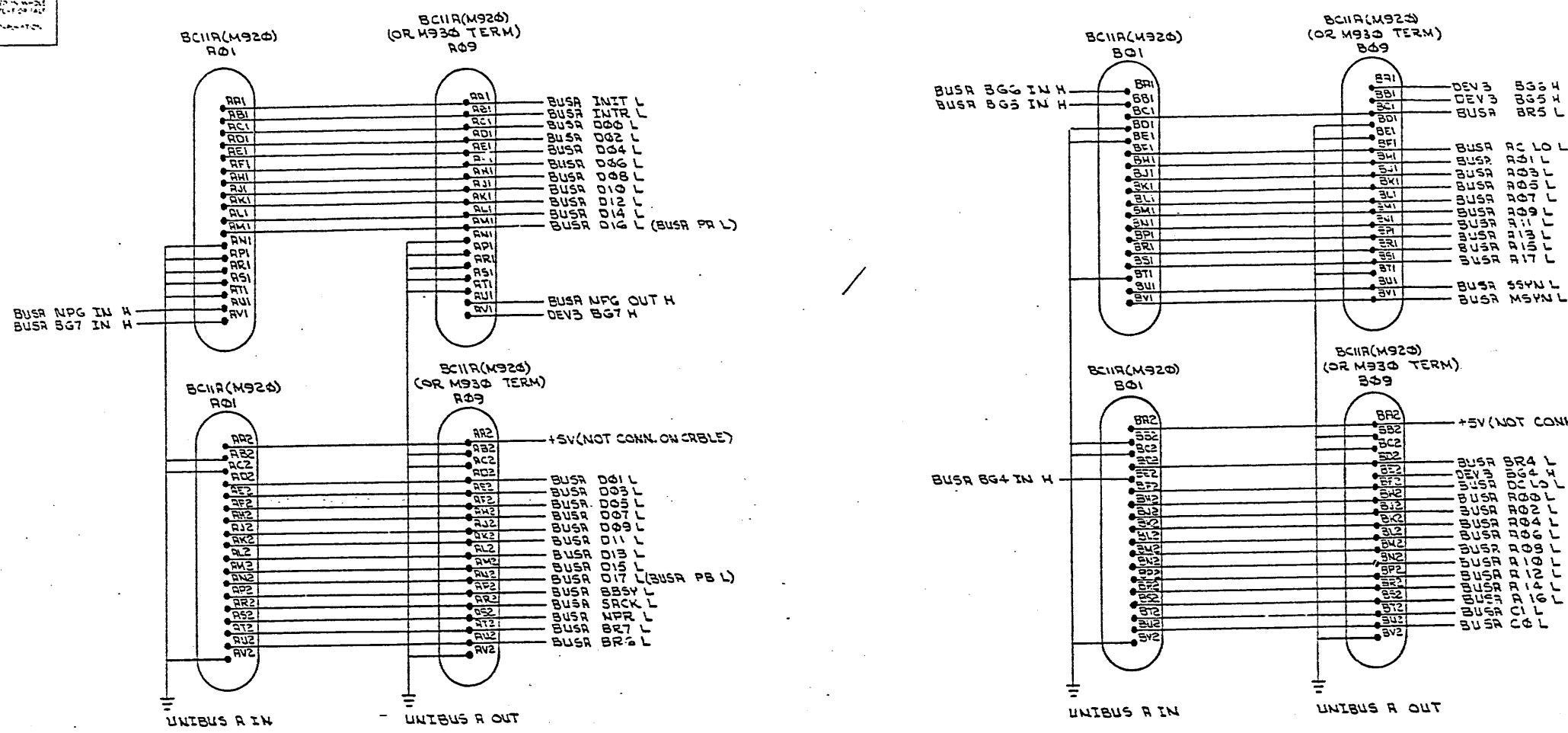
FIRST USED ON OPTION MODEL	QTY.	DESCRIPTION	PART NO.	ITEM NO.
RH11		MASSBUS TRANSCEIVER (MBSC)	B-DD-RH11-0	B

UNLESS OTHERWISE SPECIFIED DIMENSIONS ARE IN INCHES		TOLERANCES	
DECIMALS	ANGLES	FRAMES	HOLES
.005	±.01	±.005	±.005

MATERIAL	FINISH	SCALE	DATE
		1:1	

DIBS RH11-0-02

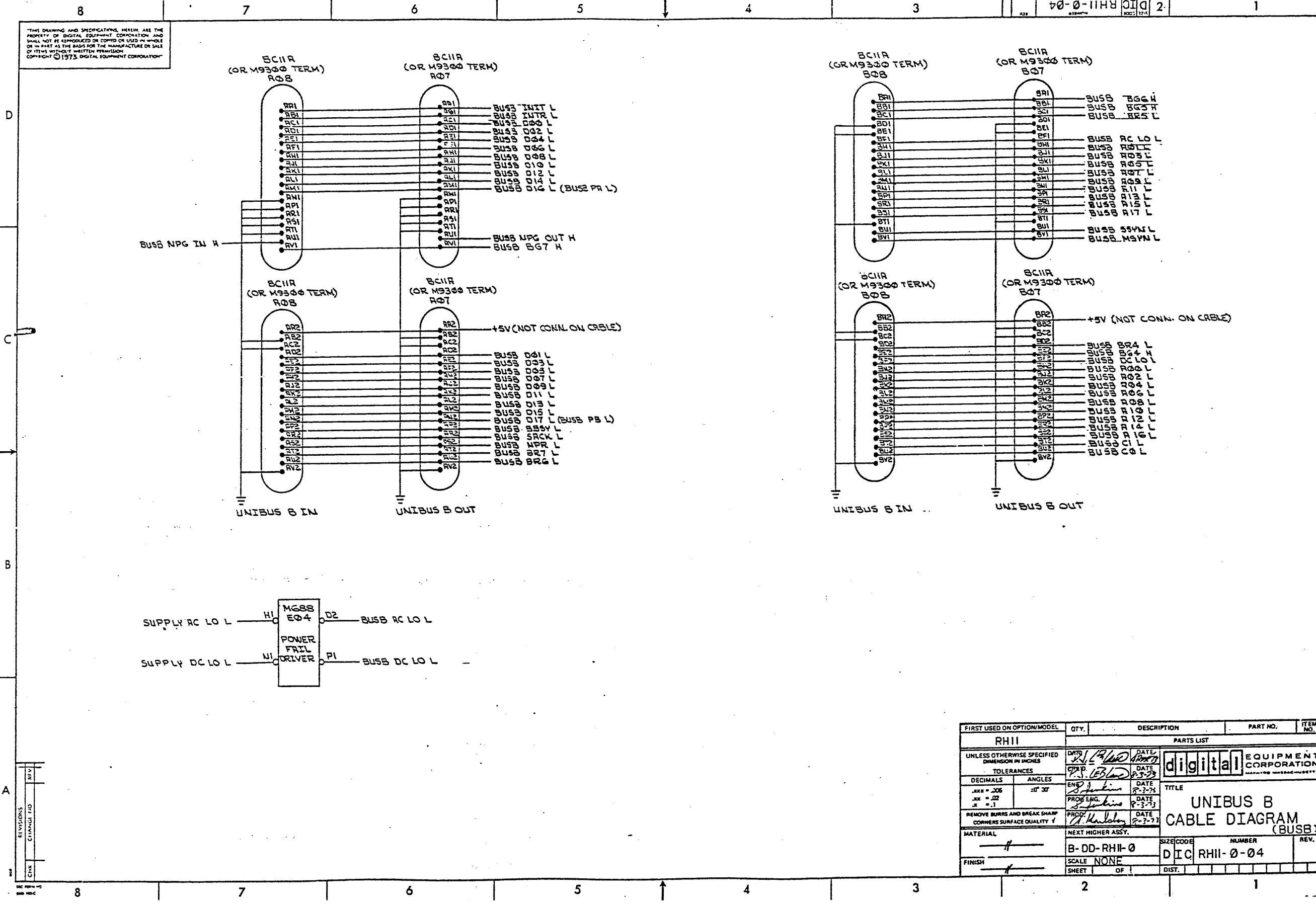
THIS DRAWING AND INFORMATION HEREIN ARE THE PROPERTY OF DIGITAL EQUIPMENT CORPORATION, AND SHALL NOT BE REPRODUCED OR TRANSMITTED IN ANY FORM OR BY ANY MEANS, ELECTRONIC OR MECHANICAL, INCLUDING PHOTOCOPYING, RECORDING, OR BY ANY INFORMATION STORAGE AND RETRIEVAL SYSTEM, WITHOUT PERMISSION IN WRITING FROM DIGITAL EQUIPMENT CORPORATION.



FIRST USED ON OPTION/MODEL	QTY.	DESCRIPTION	PART NO.	ITEM NO.
RHII		PARTS LIST		
UNLESS OTHERWISE SPECIFIED DIMENSION IN INCHES		DATE: 10-1-73	DATE: 10-1-73	digital EQUIPMENT CORPORATION
TOLERANCES		DATE: 10-1-73	DATE: 10-1-73	
DECIMALS	ANGLES	DATE: 10-1-73	DATE: 10-1-73	TITLE
.XX ± .005	0 30'	DATE: 10-1-73	DATE: 10-1-73	
REMOVE BURRS AND BREAK SHARP CORNERS SURFACE QUALITY #		DATE: 10-1-73	DATE: 10-1-73	UNIBUS A CABLE DIAGRAM (BUSA)
MATERIAL		DATE: 10-1-73	DATE: 10-1-73	
FINISH		DATE: 10-1-73	DATE: 10-1-73	SIZE/NUMBER
NEXT HIGHER ASSY.		DATE: 10-1-73	DATE: 10-1-73	
SCALE NONE		DATE: 10-1-73	DATE: 10-1-73	D I C R H I I - 0 - 0 3
SHEET OF 1		DATE: 10-1-73	DATE: 10-1-73	

D I C R H I I - 0 - 0 3

THIS DRAWING AND SPECIFICATIONS HEREIN ARE THE PROPERTY OF DIGITAL EQUIPMENT CORPORATION AND SHALL NOT BE REPRODUCED OR COPIED OR USED IN WHOLE OR IN PART AS THE BASIS FOR THE MANUFACTURE OR SALE OF ITEMS WITHOUT WRITTEN PERMISSION. COPYRIGHT © 1973 DIGITAL EQUIPMENT CORPORATION.

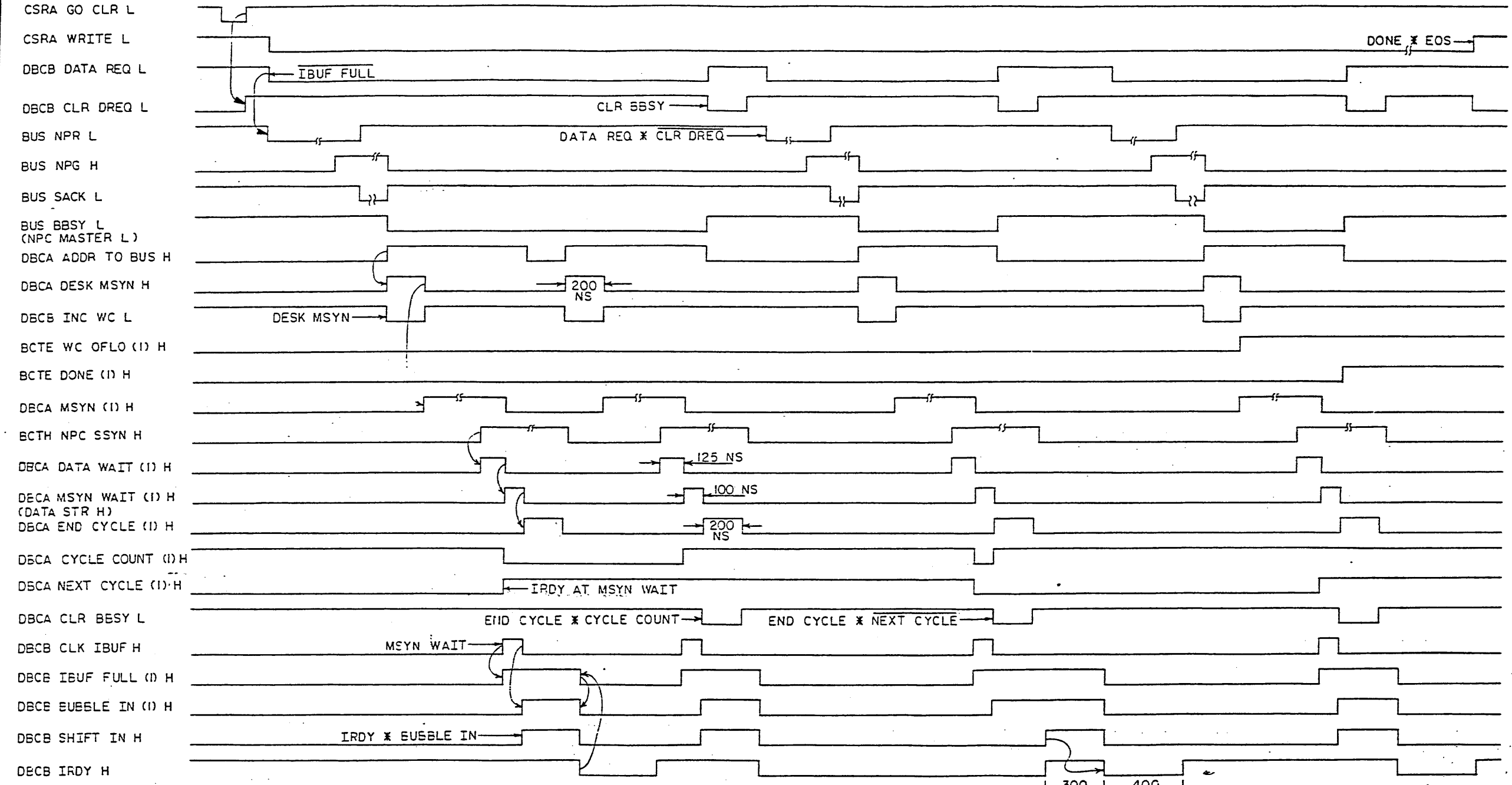


REV	
REV	
CHK	
REV	
REV	

FIRST USED ON OPTION/MODEL	QTY.	DESCRIPTION	PART NO.	ITEM NO.
RH11				
PARTS LIST				
UNLESS OTHERWISE SPECIFIED DIMENSION IN INCHES				
TOLERANCES	ANGLES			
DECIMALS .006	ANGLES 30° 30'	TITLE		
REMOVE BURRS AND BREAK SHARP CORNERS SURFACE QUALITY 1		UNIBUS B CABLE DIAGRAM (BUSB)		
MATERIAL	NEXT HIGHER ASSY.	SIZE CODE	NUMBER	REV.
#	B-DD-RH11-0	DIC	RH11-0-04	
FINISH	SCALE NONE	SHEET	OF	

SHEET NO. 1
 DRAWING NO. DIC RH11-0-04

WRITE COMMAND UNIBUS TIMING DIAGRAM (DATI)



THIS DRAWING AND SPECIFICATIONS HEREIN ARE THE PROPERTY OF DIGITAL EQUIPMENT CORPORATION AND SHALL NOT BE REPRODUCED OR COPIED OR USED IN WHOLE OR IN PART AS THE BASIS FOR THE MANUFACTURE OR SALE OF ITEMS WITHOUT WRITTEN PERMISSION. COPYRIGHT © 1973 DIGITAL EQUIPMENT CORPORATION.

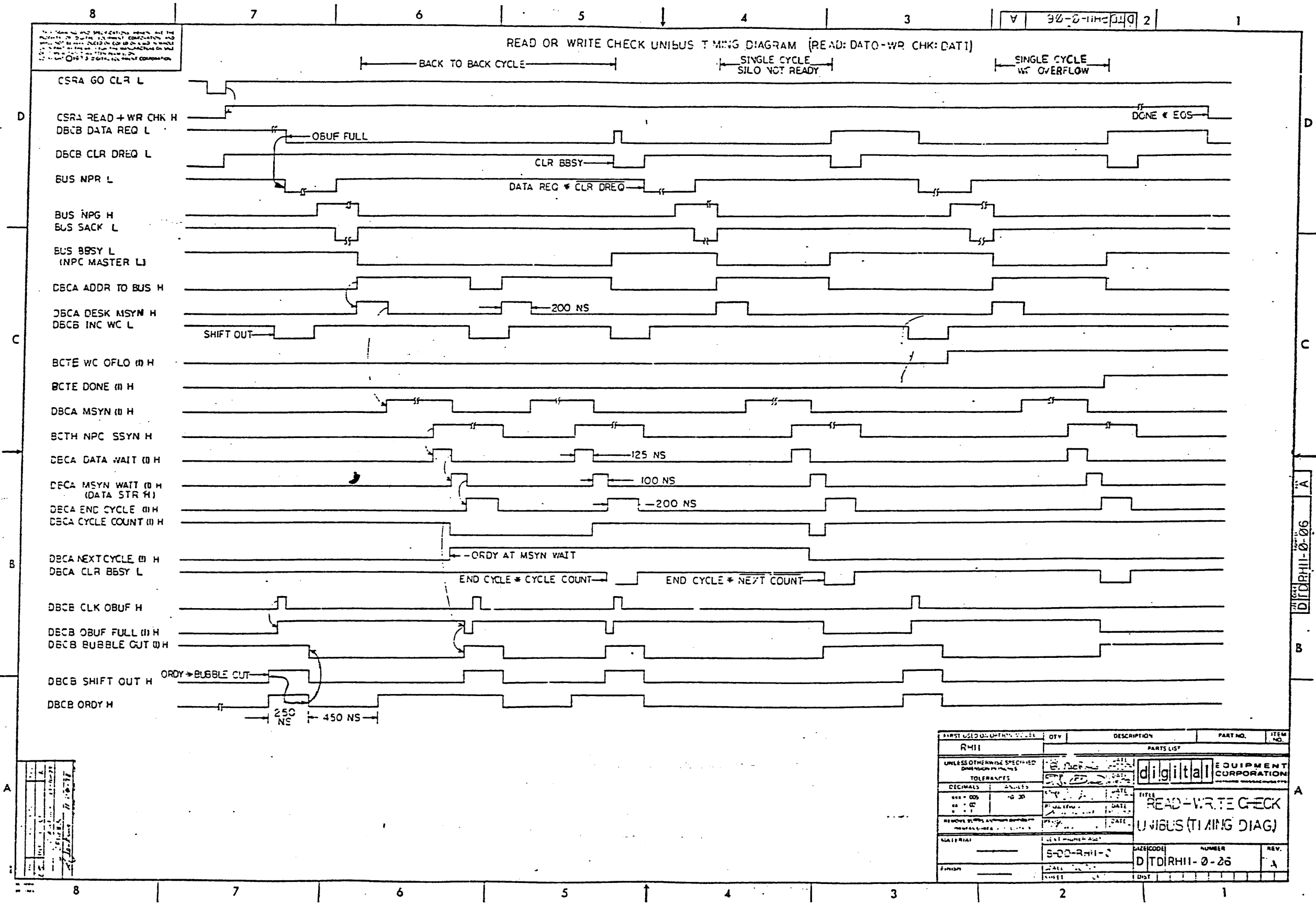
REV.	DATE	BY	CHKD.
1	11-23-73	S. JENKINS	
2	11-23-73	S. JENKINS	
3	11-23-73	S. JENKINS	

FIRST USED ON OPTION/MODEL	QTY.	DESCRIPTION	PART NO.	ITEM NO.
RH11				
UNLESS OTHERWISE SPECIFIED DIMENSION IN INCHES				
TOLERANCES		DATE	PARTS LIST	
DECIMALS	ANGLES	8-2-72	digital EQUIPMENT CORPORATION	
.005	10° 30'	8-2-72	TITLE	
.02		8-3-73	WRITE UNIBUS TIMING DIAGRAM	
.1		8-3-73	MATERIAL	
REMOVE BURRS AND BREAK SHARP CORNERS SURFACE QUALITY 1				
NEXT HIGHER ASSY.				
FINISH		B-00-RH11-0	SIZE/CODE	NUMBER
		SCALE NONE	DTRH11-0-05	REV. A
SHEET OF		DIST.		

DTRH11-0-05

92-0-1112-0110 2

READ OR WRITE CHECK UNIBUS TIMING DIAGRAM (READ: DATO-WR CHK: DATI)



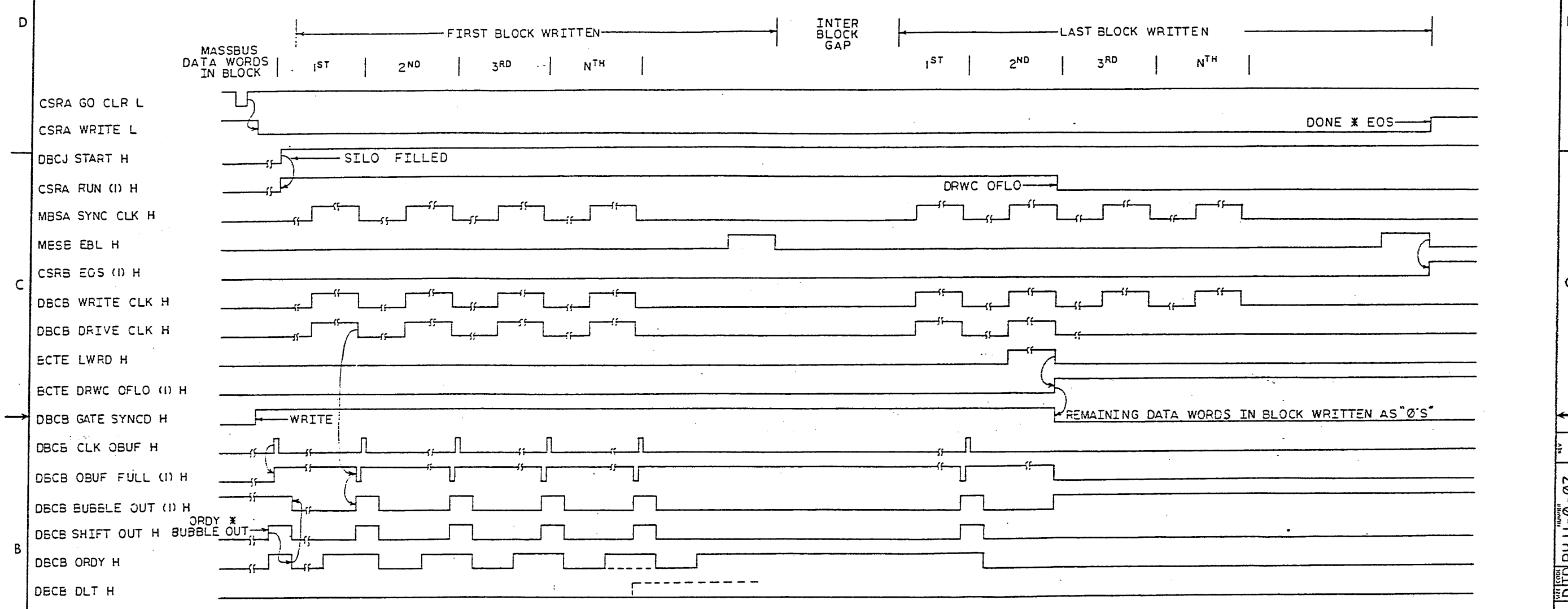
D TDIRHII-0-06

FIRST USED OR OTHER QUANTITY	QTY	DESCRIPTION	PART NO.	ITEM NO.
RHII		PARTS LIST		
UNLESS OTHERWISE SPECIFIED DIMENSIONS IN INCHES		digital EQUIPMENT CORPORATION		
TOLERANCES		TITLE		
DECIMALS	FRACTIONS	READ-WRITE CHECK UNIBUS (TIMING DIAG)		
SEE 005	10 30	DATE	REV.	
SEE 01		DATE	A	
REMOVE DIMENSIONS AND DIMENSIONS FROM ALL SHEETS		DATE	A	
MATERIAL	5-00-RHII-2	SIZE/CODE	NUMBER	REV.
FINISH	D TDIRHII-0-26	DATE	1	A

8	7	6	5	4	3	2	1
---	---	---	---	---	---	---	---

THIS DRAWING AND SPECIFICATIONS HEREIN ARE THE PROPERTY OF DIGITAL EQUIPMENT CORPORATION AND SHALL NOT BE REPRODUCED OR COPIED OR USED IN WHOLE OR IN PART AS THE BASIS FOR THE MANUFACTURE OR SALE OF ITEMS WITHOUT WRITTEN PERMISSION. COPYRIGHT © 1973, DIGITAL EQUIPMENT CORPORATION.

WRITE COMMAND MASSBUS TIMING DIAGRAM



REV	
CHG	
CHK	
REV	

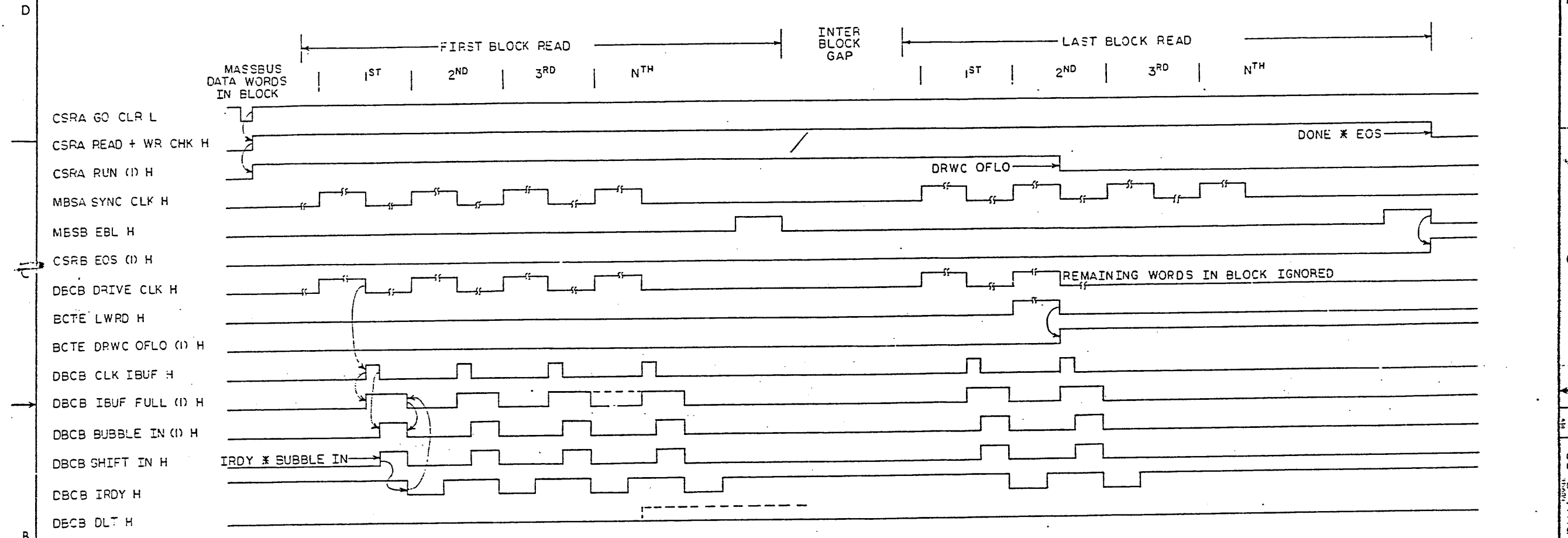
FIRST USED ON OPTION/MODEL	QTY:	DESCRIPTION	PART NO.	ITEM NO.
RH11				
PARTS LIST				
UNLESS OTHERWISE SPECIFIED DIMENSION IN INCHES		DATE	digital EQUIPMENT CORPORATION	
TOLERANCES		DATE		
DECIMALS	ANGLES	DATE		
.XX = .005	:0° 30'	DATE		
.X = .02		DATE		
.X = .1		DATE		
REMOVE BURRS AND BREAK SHARP CORNERS SURFACE QUALITY 1		DATE		
MATERIAL	NEXT HIGHER ASSY.	DATE	TITLE	
	B-DD-RH11-0	DATE	WRITE MASSBUS TIMING DIAGRAM	
FINISH	SCALE NONE	DATE	SIZE CODE NUMBER REV.	
	SHEET OF	DATE	DTD RH11-0-07	

REV. 1
 DTD RH11-0-07

THIS DRAWING AND SPECIFICATIONS HEREIN ARE THE PROPERTY OF DIGITAL EQUIPMENT CORPORATION AND SHALL NOT BE REPRODUCED OR COPIED OR USED IN WHOLE OR IN PART AS THE BASIS FOR THE MANUFACTURE OR SALE OF ITEMS WITHOUT WRITTEN PERMISSION. COPYRIGHT © 1973 DIGITAL EQUIPMENT CORPORATION.

80-0-1111RH 2

READ OR WRITE CHECK MASSBUS TIMING DIAGRAM

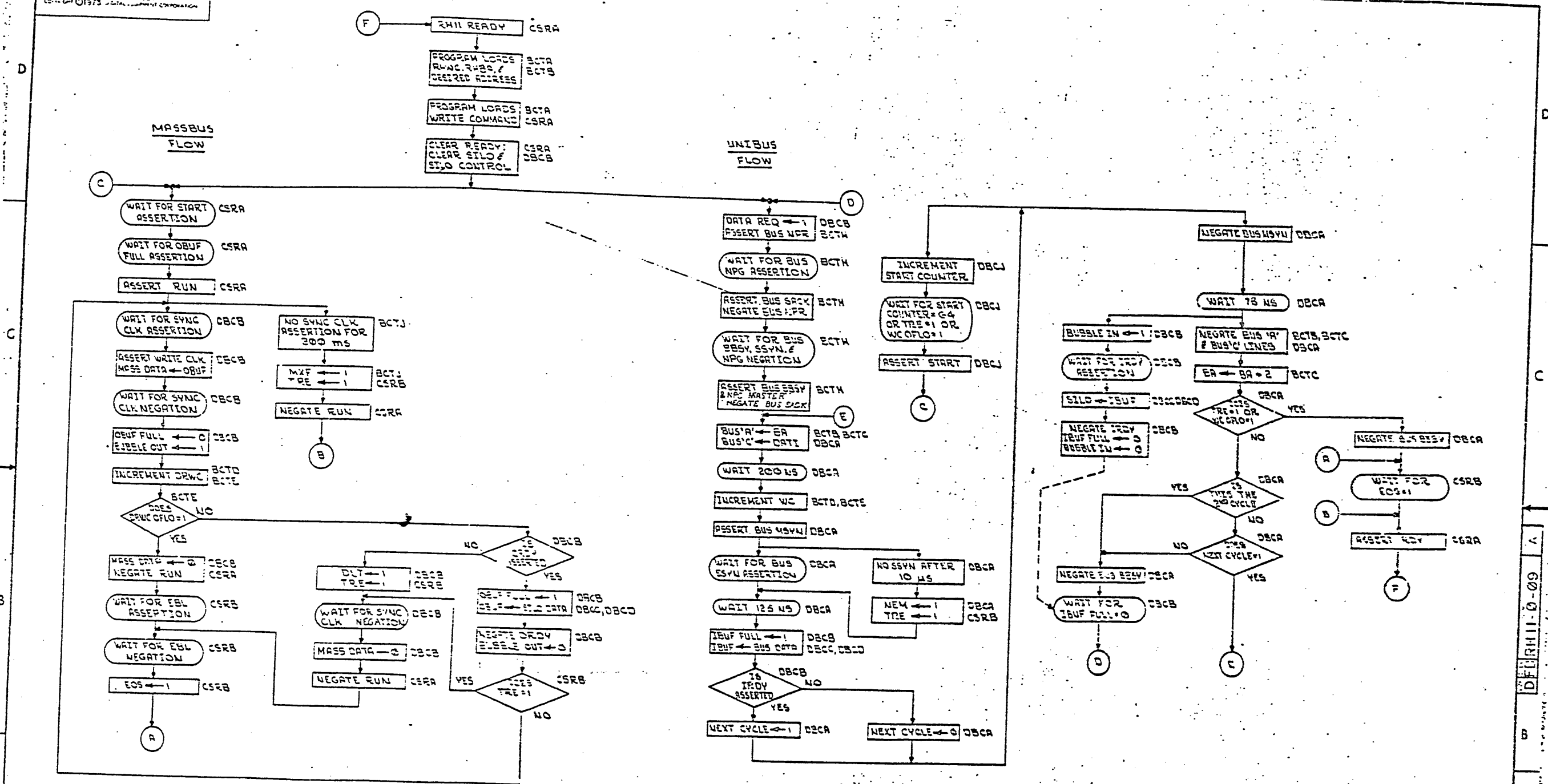


REV. 1
DATE 1-7-73
BY [Signature]

FIRST USED ON OPTION/MODEL	QTY.	DESCRIPTION	PART NO.	ITEM NO.
RH11				
PARTS LIST				
UNLESS OTHERWISE SPECIFIED DIMENSION IN INCHES		DATE	digital EQUIPMENT CORPORATION	
TOLERANCES		DATE		
DECIMALS	ANGLES	DATE		
.XXX = .005	±0 30'	DATE		
.XX = .02		DATE		
.X = .1		DATE		
REMOVE BURRS AND BREAK SHARP CORNERS SURFACE QUALITY 1		DATE		
MATERIAL		DATE		
NEXT HIGHER ASSY.		DATE		
FINISH		DATE		
SCALE NONE		DATE		
SHEET 2 OF 2		DATE		
TITLE		DATE		
B-DD-RH11-3		DATE		
SIZE CODE		DATE		
NUMBER		DATE		
DTRH11-0-08		DATE		
REV.		DATE		
DIST.		DATE		

DTC RH11-0-08

THIS DIAGRAM AND INSTRUCTIONS ARE THE PROPERTY OF SULLY EQUIPMENT CORPORATION AND ARE NOT TO BE REPRODUCED OR COPIED IN WHOLE OR IN PART WITHOUT THE WRITTEN PERMISSION OF SULLY EQUIPMENT CORPORATION
 © 1973 SULLY EQUIPMENT CORPORATION



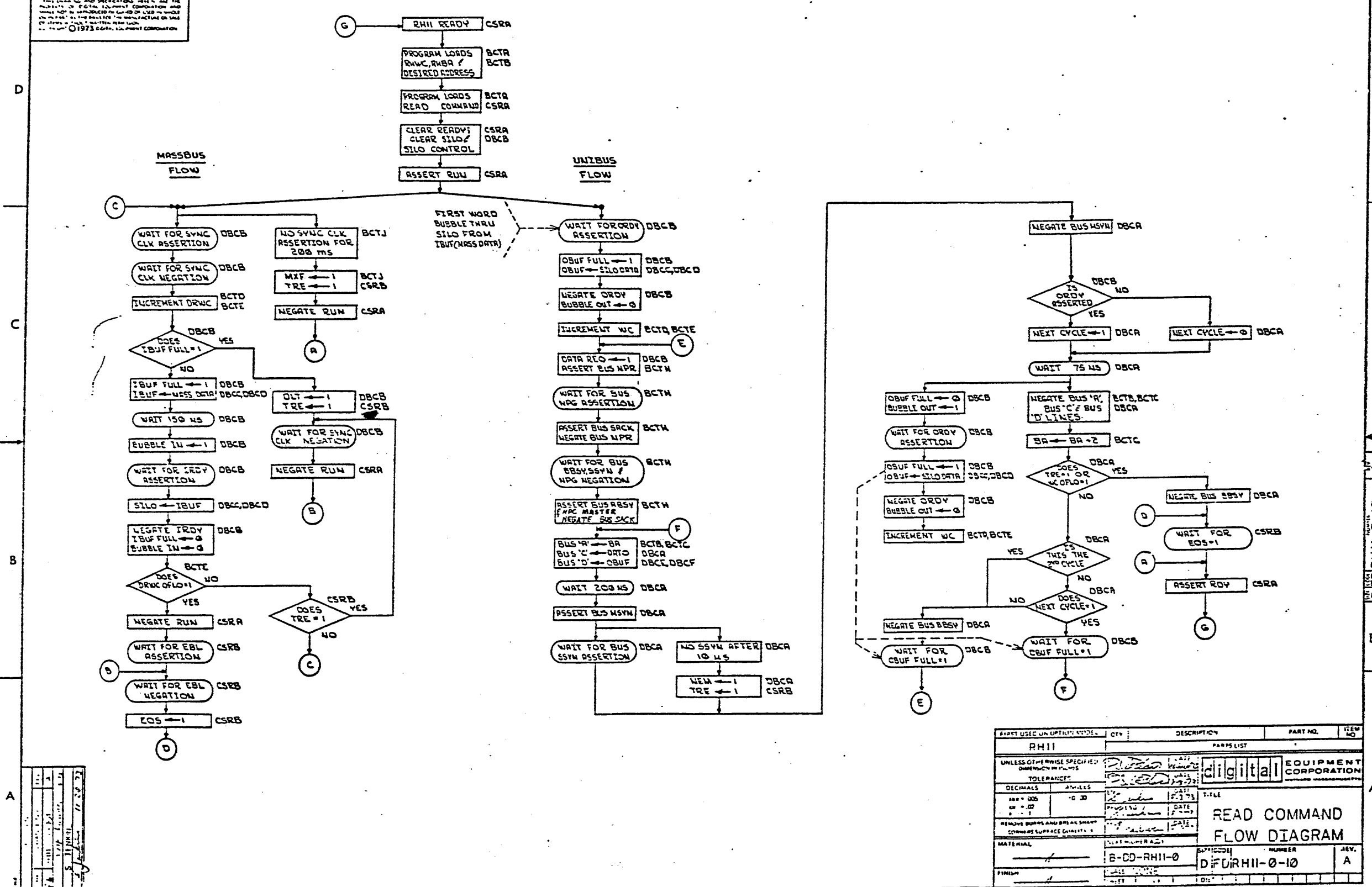
REV	DATE	BY	CHKD
1	10-23-72	J. J. ...	J. J. ...
2	11-15-72	J. J. ...	J. J. ...
3	11-15-72	J. J. ...	J. J. ...

REV	DATE	BY	CHKD
1	10-23-72	J. J. ...	J. J. ...
2	11-15-72	J. J. ...	J. J. ...
3	11-15-72	J. J. ...	J. J. ...

UNLESS OTHERWISE SPECIFIED DIMENSIONS ARE IN INCHES	DATE	DATE	DATE
DECIMALS	ANGLES	INCHES	FEET
1/16	30	0.0005	0.0001
REMOVE BURRS AND BREAK SHARP CORNERS TO A RADIUS OF 0.015"			
MATERIAL	FINISH	TOLERANCES	STRAIGHTENING
ALUMINUM	ANODIZED	±0.0005	±0.0001
PART NO. B-00-RH11-0		SIZE CODE	NUMBER
D/FD/RH11-0-05		DATE	REV
SHEET 1 OF 1		DATE	A

WRITE COMMAND FLOW DIAGRAM

THIS DRAWING AND SPECIFICATIONS HERETO ARE THE PROPERTY OF DIGITAL EQUIPMENT CORPORATION AND SHALL NOT BE REPRODUCED OR TRANSMITTED IN ANY FORM OR BY ANY MEANS, ELECTRONIC OR MECHANICAL, INCLUDING PHOTOCOPYING, RECORDING, OR BY ANY INFORMATION STORAGE AND RETRIEVAL SYSTEM, WITHOUT THE WRITTEN PERMISSION OF DIGITAL EQUIPMENT CORPORATION.



REV	DATE	BY	CHKD
1	11/20/73
2

REV	DATE	BY	CHKD
1	11/20/73
2

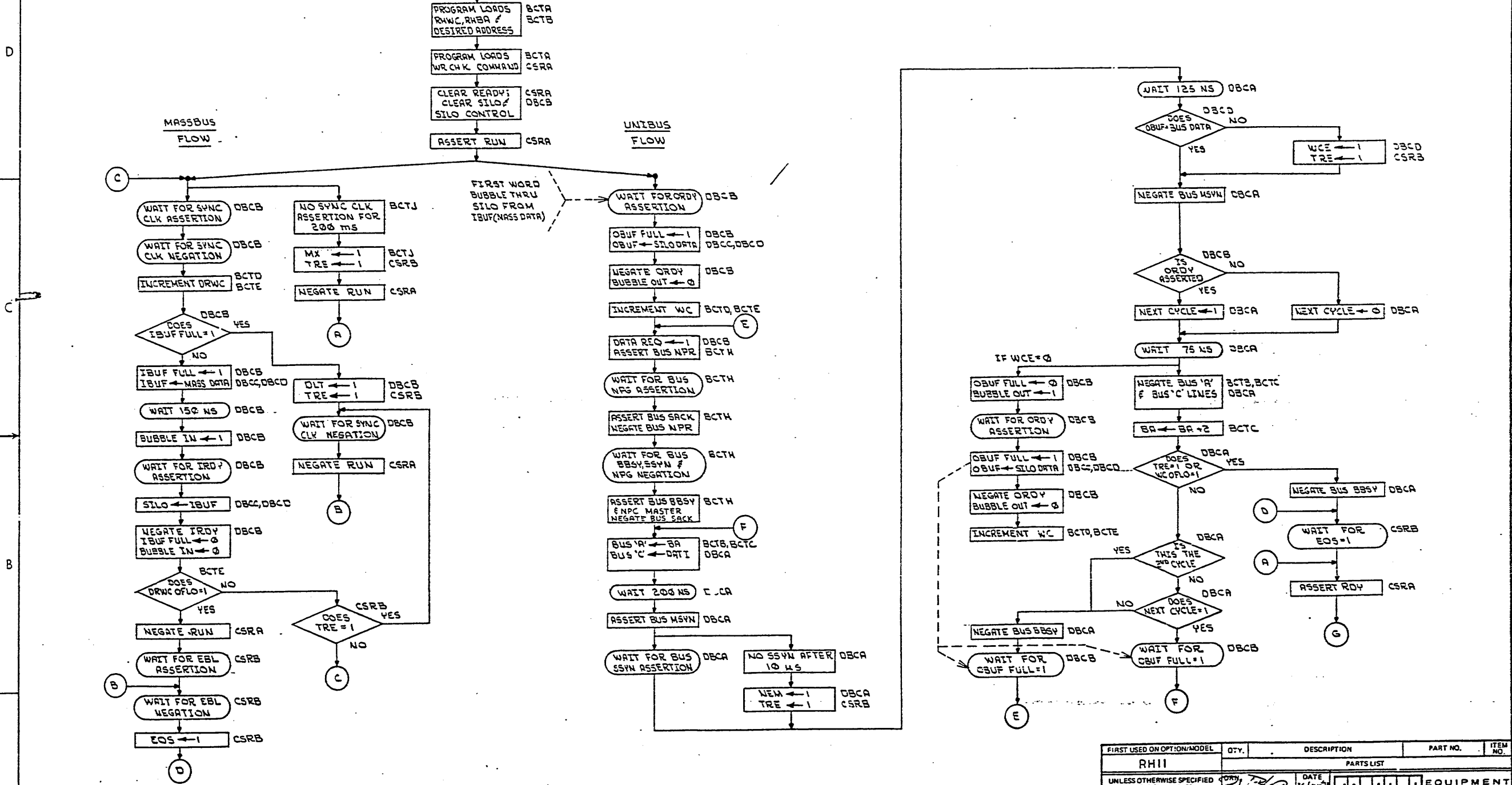
UNLESS OTHERWISE SPECIFIED	TOLERANCES	DECIMALS	ANGLES
...

MATERIAL	FINISH	QUANTITY	DESCRIPTION	PART NO.	ITEM NO.
...

PARTS LIST		TITLE	
...		READ COMMAND FLOW DIAGRAM	
NUMBER		REV.	
D1FDRHII-0-10		A	

D1FDRHII-0-10

THIS DRAWING AND SPECIFICATIONS HEREIN ARE THE PROPERTY OF DIGITAL EQUIPMENT CORPORATION AND SHALL NOT BE REPRODUCED OR COPIED IN WHOLE OR IN PART, AS THE BASIS FOR THE MANUFACTURE OF ANY EQUIPMENT, WITHOUT WRITTEN PERMISSION OF DIGITAL EQUIPMENT CORPORATION.



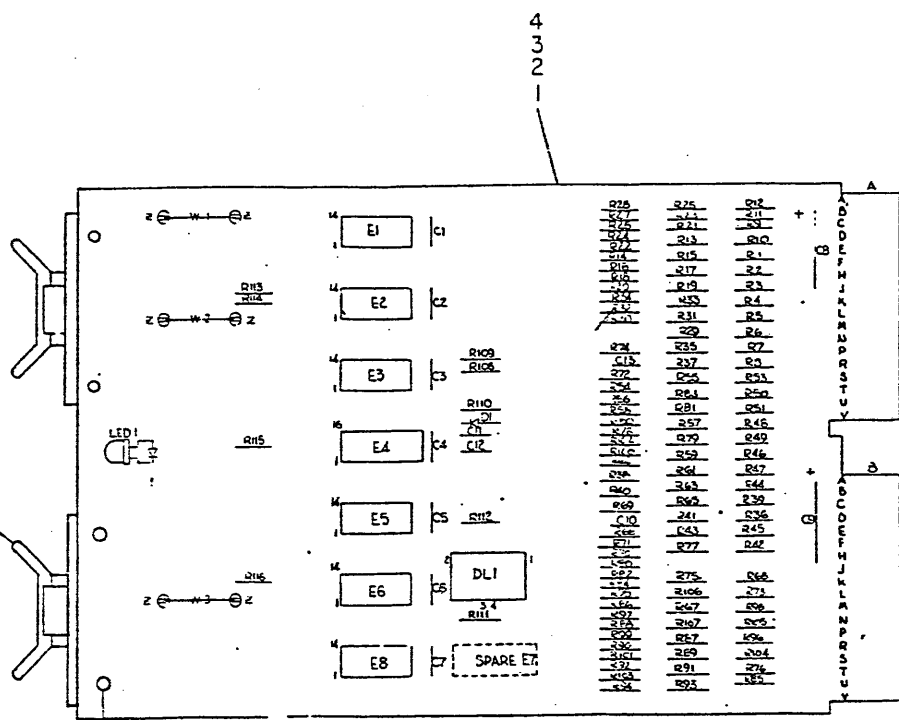
REV	DATE	BY	CHKD
1	11-14-73	S. JENKINS	
2	11-29-73		

FIRST USED ON OPTION/MODEL	QTY.	DESCRIPTION	PART NO.	ITEM NO.
RH11				
UNLESS OTHERWISE SPECIFIED DIMENSION IN INCHES				
TOLERANCES				
DECIMALS	ANGLES	ENGR	DATE	
.XX = .005	0 30'		11-29-73	
.XX = .02		PROV'NG	DATE	
.XX = .1		PR'D	DATE	
REMOVE BURRS AND BREAK SHARP CORNERS SURFACE QUALITY 1				
MATERIAL				
NEXT HIGHER ASSY.				
B-DD-RH11-0				
SCALE NONE				
SHEET 0				

PARTS LIST		digital EQUIPMENT CORPORATION	
TITLE			
WRITE CHECK COMMAND FLOW DIAGRAM			
SIZE	CODE	NUMBER	REV.
D	FDRH11-0-11		A
SCALE		DIST.	

The drawing is a specification, herein, and the purchaser is advised that it is not to be used as a replacement for the original manufacturer's drawing without written permission. CONCEPT CORP. 1973. MIL EQUIP CORP.

NOTES:



QTY	REF DESIGNATION	DESCRIPTION	PART NO.	ITEM NO.
27	#22 AWG BUS WIRE		9107560-01	27
26	HANDLE FLIP CHIP MAGENTA		9005337-6	26
25	SPLIT LUG		9006735	25
24	EYELETS		9006732	24
23	E5, E1	IC DEC 11380	191113	23
22	E4	IC DEC 74123	1910436	22
21	E6	IC DEC 7437	1910091	21
20	E8	IC DEC 8831	1907705	20
19	E2	IC DEC 74100	1909056	19
18	E3	IC DEC 7474	1905547	18
17	DL1	DELAY LINE	1609559	17
16	R10B	RES 330 1/4W 5%	1300295	16
15	R10A, R111	RES 750 1/4W 5%	1301401	15
14	R2, R4, R6, R8, R10, R12, R14, R15, R16, R18, R20, R22, R24, R26, R28, R30, R32, R34, R36, R38, R40, R42, R44, R46, R48, R50, R52, R54, R56, R58, R60, R62, R64, R66, R68, R70, R72, R74, R76, R78, R80, R82, R84, R86, R88, R90, R92, R94, R96, R98, R100, R102, R104, R106, R108, R110, R112	RES 390 1/4W 5%	1300309	14
13	R1, R3, R5, R7, R9, R11, R13, R15, R17, R19, R21, R23, R25, R27, R29, R31, R33, R35, R37, R39, R41, R43, R45, R47, R49, R51, R53, R55, R57, R59, R61, R63, R65, R67, R69, R71, R73, R75, R77, R79, R81, R83, R85, R87, R89, R91, R93, R95, R97, R99, R101, R103, R105, R107, R109, R111, R113	RES 180 1/4W 5%	1301322	13
12	R110	RES 15K 1/4W 5%	1300496	12
11	R114, R116, R118, R112	RES 1K 1/4W 5%	1300365	11
10	LED1	DIODE LED	110264	10
9	D1	DIODE D664	1100114	9
8	C11, C12	CAP 1200 PF 100V 5% DM	1002424	8
7	C1, C2, C3, C4, C5, C6, C7	CAP 0.1uF 50V 20% AXIAL	1001610	7
6	C8, C9	CAP 39 uF 10V 10% S79ANT	1000076	6
5	C10, C13	CAP 0.01uF 250V 20% DISC	1000043	5
4		ETCHED CIRCUIT BOARD	50.0509	4
3		MODULE ECO HISTORY	B-MH-M9300-0-6	3
2		ASSY/DRILLING HOLE LAYOUT	D-MH-M9300-0-5	2
1		X-Y COORDINATE HOLE LOCATION	R-CO-M9300-0-4	1

IC TYPE	GND	+5V
74123	8	16
11380	1	8

GND AND 5V ARE USUALLY PIN 7 AND 14 RESPECTIVELY. EXCEPTIONS ARE STATED ABOVE.

IC PIN LOCATIONS

FIRST USED ON OPTION MODEL: RH11

ETCH BOARD REV: A

CHK	CHANGE NO.	REV	DATE

DATE: 3/6/73
 DATE: 7/7/72
 DATE: 6/11/73
 DATE: 1/1/73
 DATE: 1/1/75

digital EQUIPMENT CORPORATION

UNIBUS B TERMINATOR

SCALE: DCS M9300-0-1

SEMICONDUCTOR CONVERSION CHART

SHEET 1 OF 2

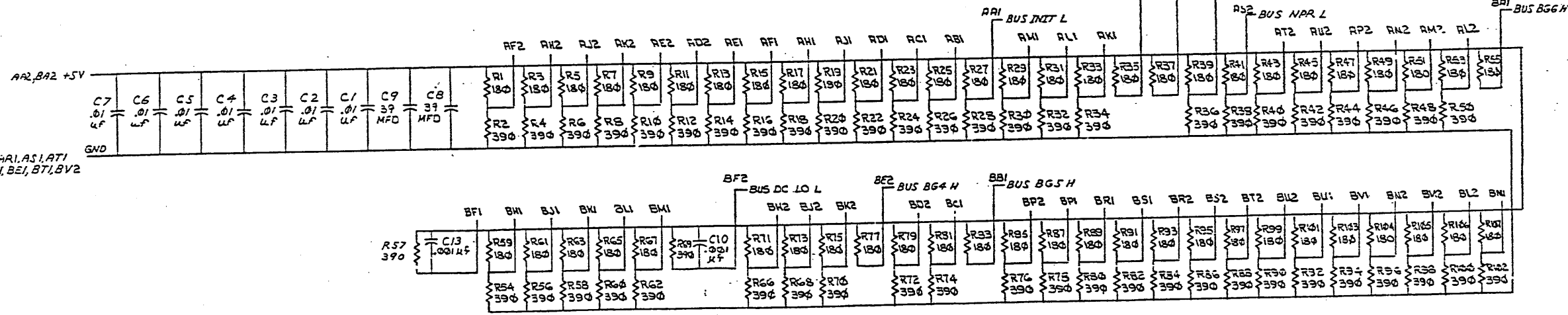
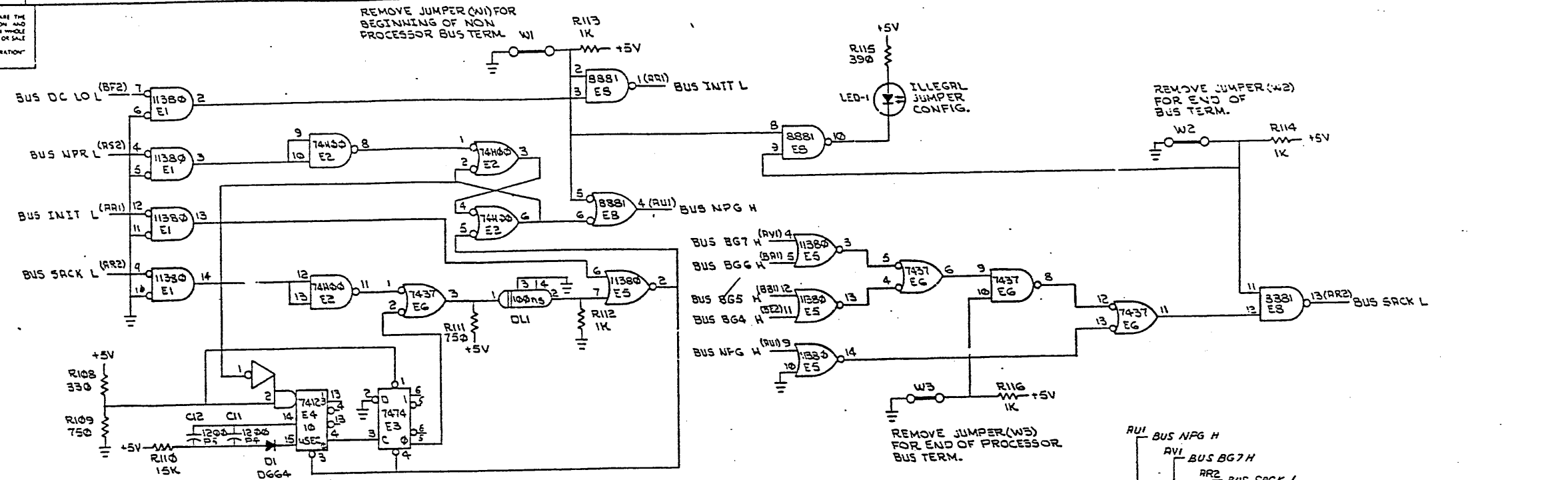
THIS DRAWING AND SPECIFICATIONS HEREIN ARE THE PROPERTY OF DIGITAL EQUIPMENT CORPORATION AND SHALL NOT BE REPRODUCED OR COPIED OR USED IN WHOLE OR IN PART AS THE BASIS FOR THE MANUFACTURE OR SALE OF ITEMS WITHOUT WRITTEN PERMISSION. COPYRIGHT © 1973, DIGITAL EQUIPMENT CORPORATION

REMOVE JUMPER (W1) FOR BEGINNING OF NON PROCESSOR BUS TERM.

ILLEGAL JUMPER CONFIG.

REMOVE JUMPER (W2) FOR END OF BUS TERM.

REMOVE JUMPER (W3) FOR END OF PROCESSOR BUS TERM.

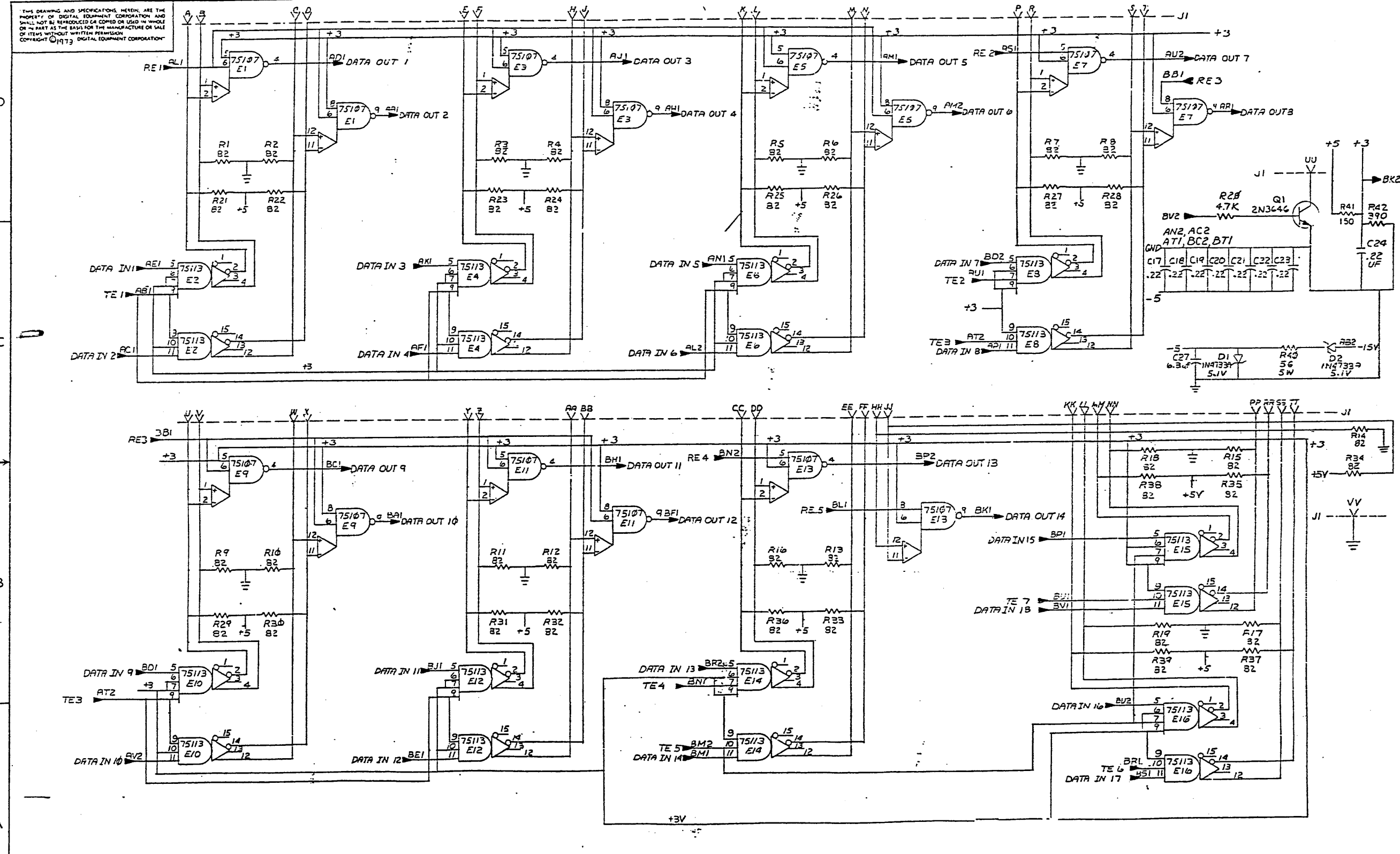


AB2, AC2, AH1, AP1, AR1, AS1, AT1, AV2, BB2, BC2, BD1, BE1, BT1, BV2

REVISIONS		
CHK	CHANGE NO	REV

TITLE	UNIBUS B TERMINATOR	SIZE CODE	DCS	NUMBER	M9300-0-1	REV.	
SCALE		SHEET	2	OF	2	DIST.	

D.C.S. M9300-0-1

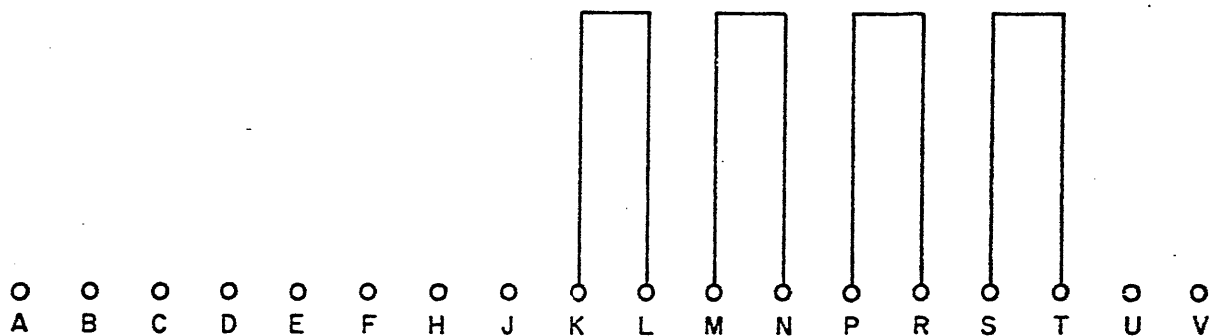


THIS DRAWING AND SPECIFICATIONS HEREIN ARE THE PROPERTY OF DIGITAL EQUIPMENT CORPORATION AND SHALL NOT BE REPRODUCED OR COPIED OR USED IN WHOLE OR IN PART AS THE BASIS FOR THE MANUFACTURE OR SALE OF ITEMS WITHOUT WRITTEN PERMISSION. COPYRIGHT © 1973 DIGITAL EQUIPMENT CORPORATION.

REVISIONS			TITLE	SIZE CODE	NUMBER	REV.
CHK	CHANGE NO.	REV.				
			CONTROLLER TRANSCEIVER	DCS	M5904-0-1	F
			SCALE	SHEET 2 OF ?	DIST.	

REV. NUMBER 6727-0-1 SIZE CODE B CS

THIS SCHEMATIC IS FURNISHED ONLY FOR TEST AND MAINTENANCE PURPOSES. THE CIRCUITS ARE PROPRIETARY IN NATURE AND SHOULD BE TREATED ACCORDINGLY. COPYRIGHT 1969 BY DIGITAL EQUIPMENT CORPORATION

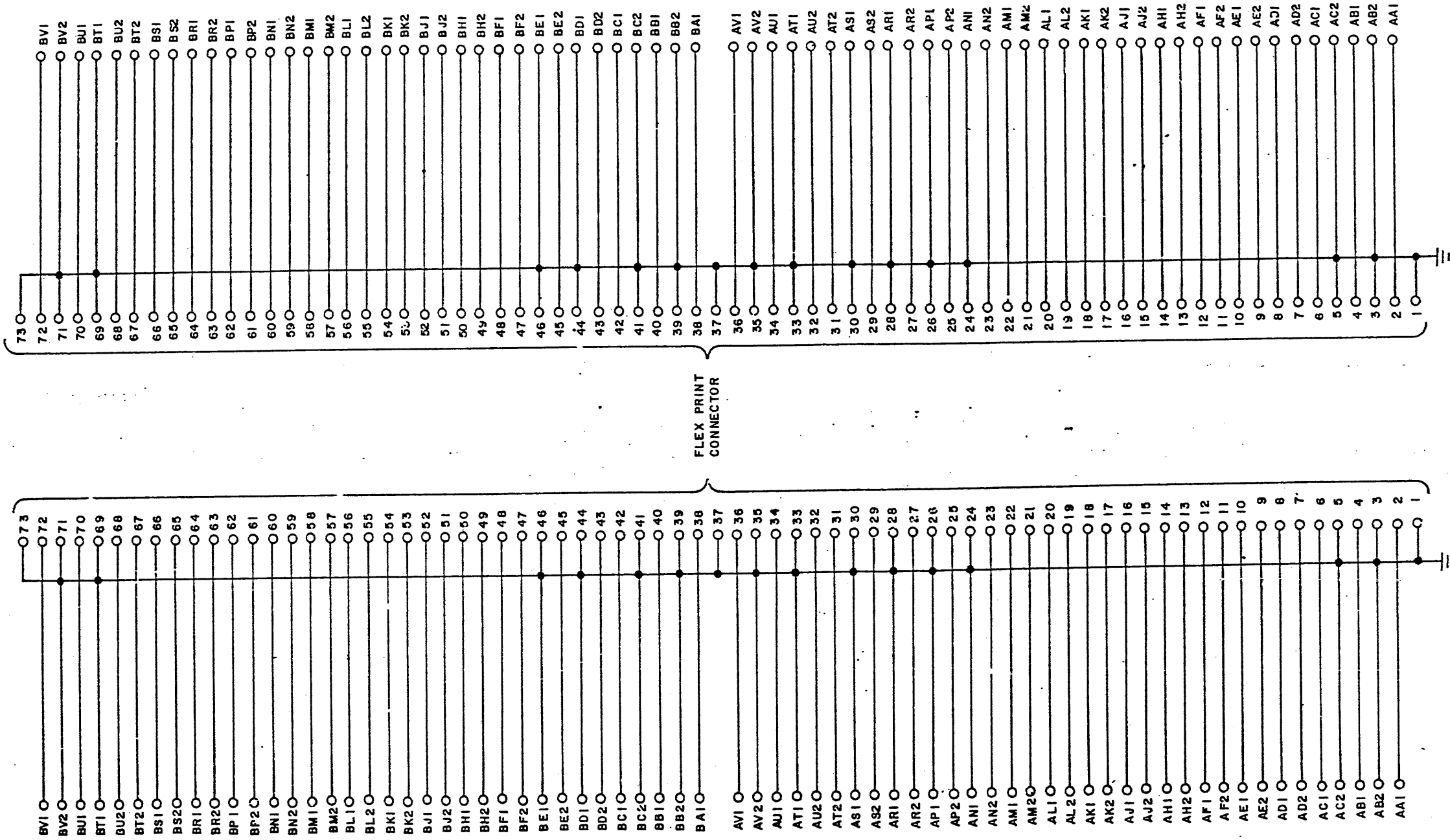


REVISIONS CHK CHG NO. REV.	DRN. BUTLER	DATE 11-19-69	TRANSISTOR & DIODE CONVERSION CHART				 digital EQUIPMENT CORPORATION MAYNARD, MASSACHUSETTS	TITLE GRANT CONTINUITY G727			
	CHK'D P. J. Smith	DATE 6-22-70	DEC	EIA	DEC	EIA		SIZE B	CODE CS	NUMBER G727-0-1	REV.
	ENG. J. E. Johnson	DATE 1/28/70						PRINTED CIRCUIT REV.	A		
	PROD.	DATE									

5 PINK

DIST. 324,434,435-3

THIS SCHEMATIC IS FURNISHED ONLY FOR TEST AND MAINTENANCE PURPOSES. THE CIRCUITS ARE PROPRIETARY IN NATURE AND SHOULD BE TREATED ACCORDINGLY. COPYRIGHT 1969 BY DIGITAL EQUIPMENT CORPORATION



REV.	NO.	CHKD.	DATE
A	00001		
B	00002		
C	00004		

DRW.	DATE
<i>[Signature]</i>	11-1-69
CHKD.	DATE
<i>[Signature]</i>	11-2-69
ENG.	DATE
<i>[Signature]</i>	7-7-77
PROF.	DATE

TRANSISTOR & DIODE CONVERSION CHART			
DEC	EIA	DEC	EIA

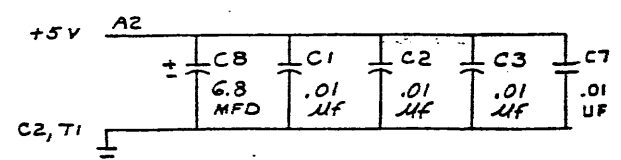
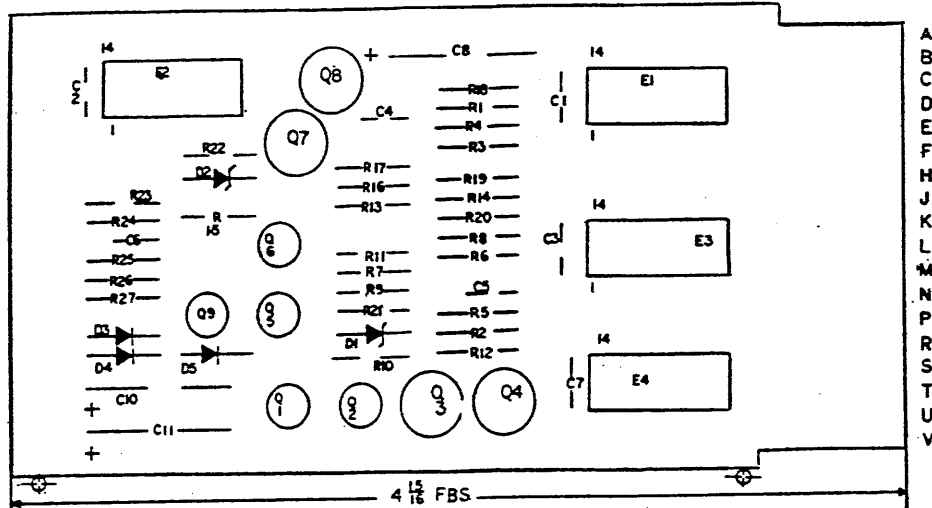
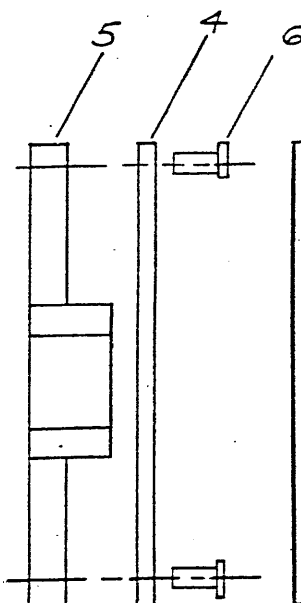
digital
EQUIPMENT CORPORATION
MAYFORD, MASSACHUSETTS

TITLE			REV.
INTERNAL BUS CONNECTOR M920			C
SIZE	CODE	NUMBER	REV.
C	CS	M920-0-1	C
PRINTED CIRCUIT REV.			B

SIZE CODE NUMBER REV.
C CS M920-0-1 C

Using and specifications, herein, are the property of Digital Equipment Corporation and shall not be used or copied or used in whole or in part as all for the manufacture or sale of items without permission.

NOTES:



IC TYPE	GND	+5V
ID AND 5V ARE USUALLY PIN 7 AND 14 CTIVELY EXCEPTIONS ARE STATED ABOVE		
IC PIN LOCATIONS		

QTY	REF DESIGNATION	DESCRIPTION	PART NO.	ITEM NO.
4	Q3,Q4,Q7,Q8	TRANSIPADS	9007200	31
1	C11	CAP. 10UF 20V 10%	1004813	30
1	C10	CAP. 39UF 10V 10%	1000076	29
4	R19,R20,R10,R16	RES. 4.7K 1/4W 5%	1300447	28
2	R23,R24	RES. 1.5K 1/4W 5%	1300391	27
6	R12,R18,R25,R26,R21,R22	RES. 470 1/4W 5%	1300316	26
1	Q9	TRANSISTOR DEC 3009B	1503100	24
3	D3,D4,D5	DIODE D664	1100114	23
1	E2	IC DEC 7404	1909686	22
5	C1,C2,C3,C6,C7	CAP. .01 MF 100V 20% DISC	1001610	21
1	C8	CAP. 6.8UF. 35V, 20% TANT	1000067	20
2	C4,C5	CAP. 1000PF 100V 5% MICA	1000042	19
2	D1,D2	DIODE IN750A 4.7V ZENER	1100124	18
4	R8,R11,R14,R17	RES. 10K 1/4 5%	1300479	16
4	R1,R2,R7,R13	RES. 3.7K 1/4 5%	1300444	15
4	R4,R6,R15,R9	RES. 1K 1/4 5%	1300365	14
3	R3,R5,R27	RES. 100 1/4 5%	1300229	13
4	Q1,Q2,Q5,Q6	TRANS. DEC 6534D	1503409	12
2	Q3,Q7	TRANS. 2N1309	1501311	11
2	Q4,Q8	TRANS. 2N1308	1500583	10
1	E3	IC DEC 7405	1909930	9
2	E1,E4	IC DEC 74H52	1909061	8
2		EYELET	9006732	7
7		HANDLE, FLIP CHIP-MAGENTA	9008337-06	5
1		ETCHED CKT BD	5010085	4
REF		MODULE ECO HISTORY	B-MH-M688-0-3	3
REF		ASSY/DRILLING HOLE LAYOUT	D-AH-M688-0-5	2
REF		X-Y COORDINATE HOLE LOCATION	K-CO-M688-0-4	1

REV	DATE	BY	CHKD	DESCRIPTION
1	12-5-73	S. ROTHMAN		INITIAL DESIGN
2	1-10-74	S. ROTHMAN		REVISED FOR BOARD
3	1-10-74	S. ROTHMAN		REVISED FOR BOARD
4	1-10-74	S. ROTHMAN		REVISED FOR BOARD
5	1-10-74	S. ROTHMAN		REVISED FOR BOARD
6	1-10-74	S. ROTHMAN		REVISED FOR BOARD
7	1-10-74	S. ROTHMAN		REVISED FOR BOARD
8	1-10-74	S. ROTHMAN		REVISED FOR BOARD
9	1-10-74	S. ROTHMAN		REVISED FOR BOARD
10	1-10-74	S. ROTHMAN		REVISED FOR BOARD
11	1-10-74	S. ROTHMAN		REVISED FOR BOARD
12	1-10-74	S. ROTHMAN		REVISED FOR BOARD
13	1-10-74	S. ROTHMAN		REVISED FOR BOARD
14	1-10-74	S. ROTHMAN		REVISED FOR BOARD
15	1-10-74	S. ROTHMAN		REVISED FOR BOARD
16	1-10-74	S. ROTHMAN		REVISED FOR BOARD
17	1-10-74	S. ROTHMAN		REVISED FOR BOARD
18	1-10-74	S. ROTHMAN		REVISED FOR BOARD
19	1-10-74	S. ROTHMAN		REVISED FOR BOARD
20	1-10-74	S. ROTHMAN		REVISED FOR BOARD
21	1-10-74	S. ROTHMAN		REVISED FOR BOARD
22	1-10-74	S. ROTHMAN		REVISED FOR BOARD
23	1-10-74	S. ROTHMAN		REVISED FOR BOARD
24	1-10-74	S. ROTHMAN		REVISED FOR BOARD
25	1-10-74	S. ROTHMAN		REVISED FOR BOARD
26	1-10-74	S. ROTHMAN		REVISED FOR BOARD
27	1-10-74	S. ROTHMAN		REVISED FOR BOARD
28	1-10-74	S. ROTHMAN		REVISED FOR BOARD
29	1-10-74	S. ROTHMAN		REVISED FOR BOARD
30	1-10-74	S. ROTHMAN		REVISED FOR BOARD
31	1-10-74	S. ROTHMAN		REVISED FOR BOARD
32	1-10-74	S. ROTHMAN		REVISED FOR BOARD

FIRST USED ON OPTION MODEL: PDP 11

ETCH BOARD REV: B

DEC NO.	EIA NO.	DEC NO.	EIA NO.
DEC 6534D	NONE		
2N1309	SAME		
2N1308	SAME		
IN748A	SAME		

SEMICONDUCTOR CONVERSION CHART

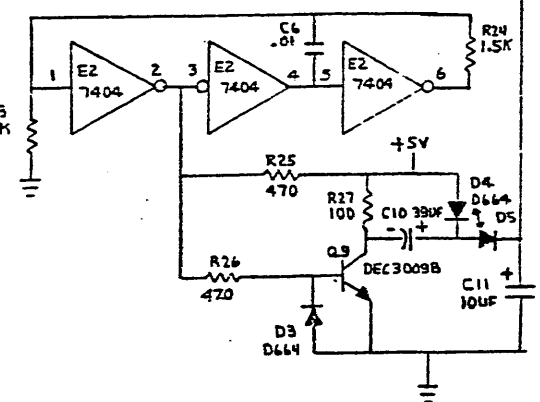
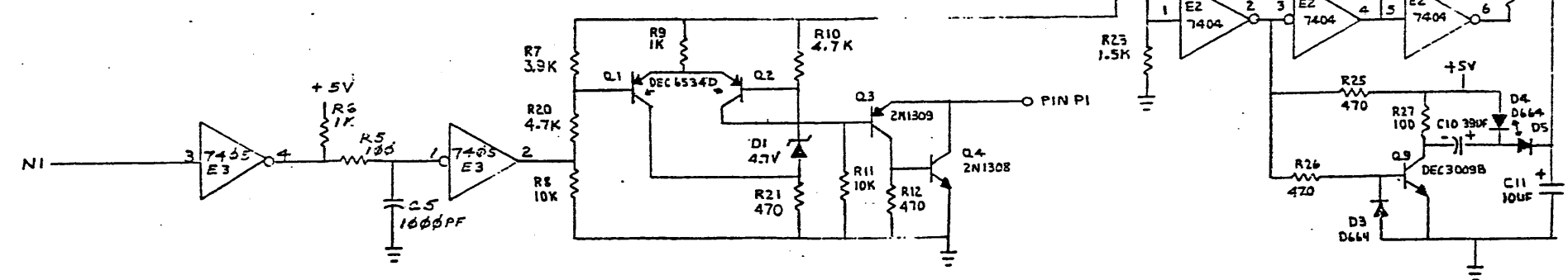
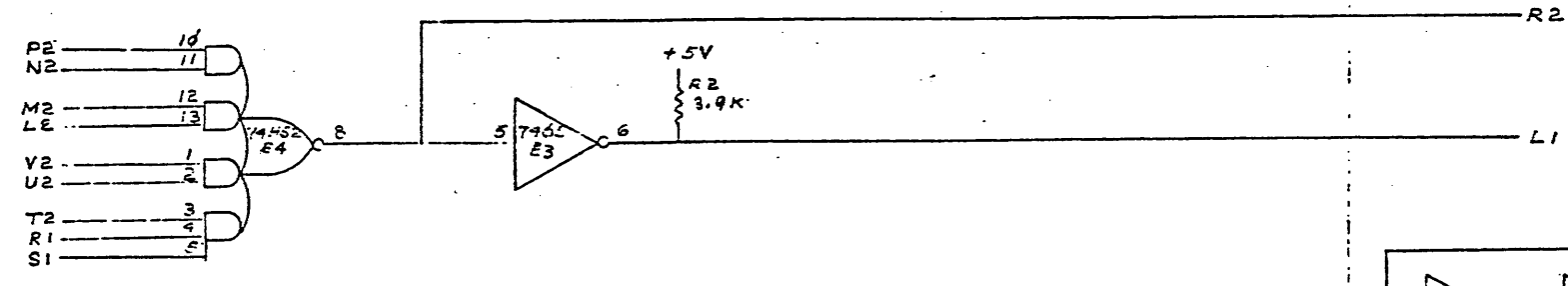
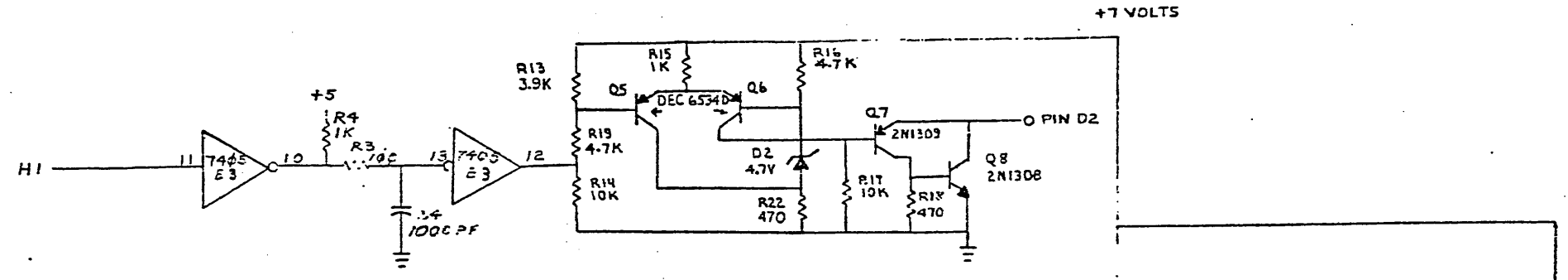
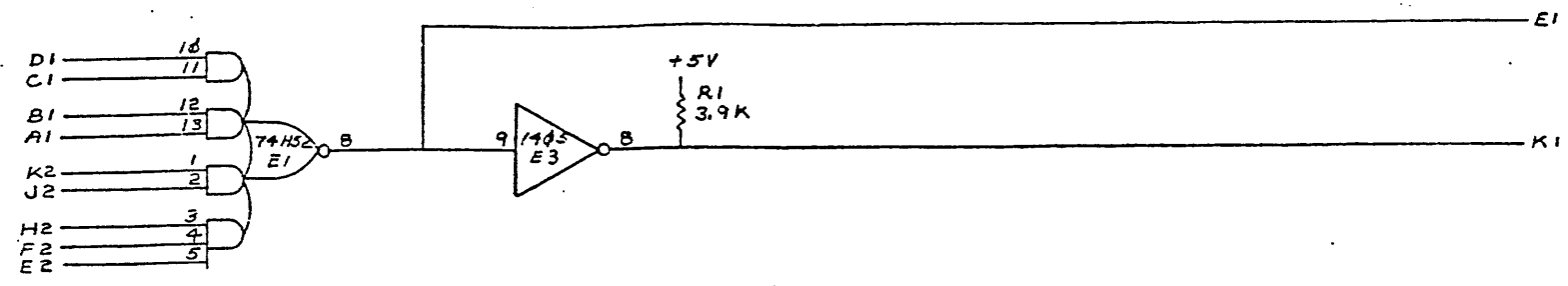
DATE: 5/10/74
BY: Wilson
CHKD: Wilson
DATE: 6/1/74
DATE: 6/4/74
DATE: 6/5/74
DATE: 6/5/74

TITLE: UNIBUS POWER FAIL DRIVERS

SIZE CODE: DCSM688-0-1
NUMBER: F
REV: F

SHEET 1 OF 2

Fig. and specifications, herein, are the property of Digital Equipment Corporation and shall not be copied or used in whole or in part, for the manufacture or sale of items without permission.



FIRST USED ON OPTION MODEL	QTY.	DESCRIPTION	PART NO.	TEST NO.																		
PDP 11																						
PARTS LIST																						
UNLESS OTHERWISE SPECIFIED DIMENSION IN INCHES.																						
DECIMALS	ANGLES	TITLE																				
.XXX - .005	20° 30'	UNIBUS POWER FAIL DRIVERS																				
.XX - .02		REVISIONS																				
.X - .1		<table border="1"> <tr> <th>DATE</th> <th>BY</th> <th>REVISION</th> </tr> <tr> <td>5/18/72</td> <td>Wilson</td> <td>DRN</td> </tr> <tr> <td>6/1/72</td> <td>Clark</td> <td>CHK</td> </tr> <tr> <td>6/1/72</td> <td>Clark</td> <td>ENG</td> </tr> <tr> <td>6/1/72</td> <td>Clark</td> <td>PROJ. ENG.</td> </tr> <tr> <td>6/1/72</td> <td>Clark</td> <td>PRQA</td> </tr> </table>			DATE	BY	REVISION	5/18/72	Wilson	DRN	6/1/72	Clark	CHK	6/1/72	Clark	ENG	6/1/72	Clark	PROJ. ENG.	6/1/72	Clark	PRQA
DATE	BY	REVISION																				
5/18/72	Wilson	DRN																				
6/1/72	Clark	CHK																				
6/1/72	Clark	ENG																				
6/1/72	Clark	PROJ. ENG.																				
6/1/72	Clark	PRQA																				
REMOVE BURRS AND BREAK SHARP CORNERS SURFACE QUALITY		NEXT HIGHER ASSY.																				
MATERIAL		SCALE NONE																				
FINISH		SHEET 2 OF 2																				
		DISTR.																				

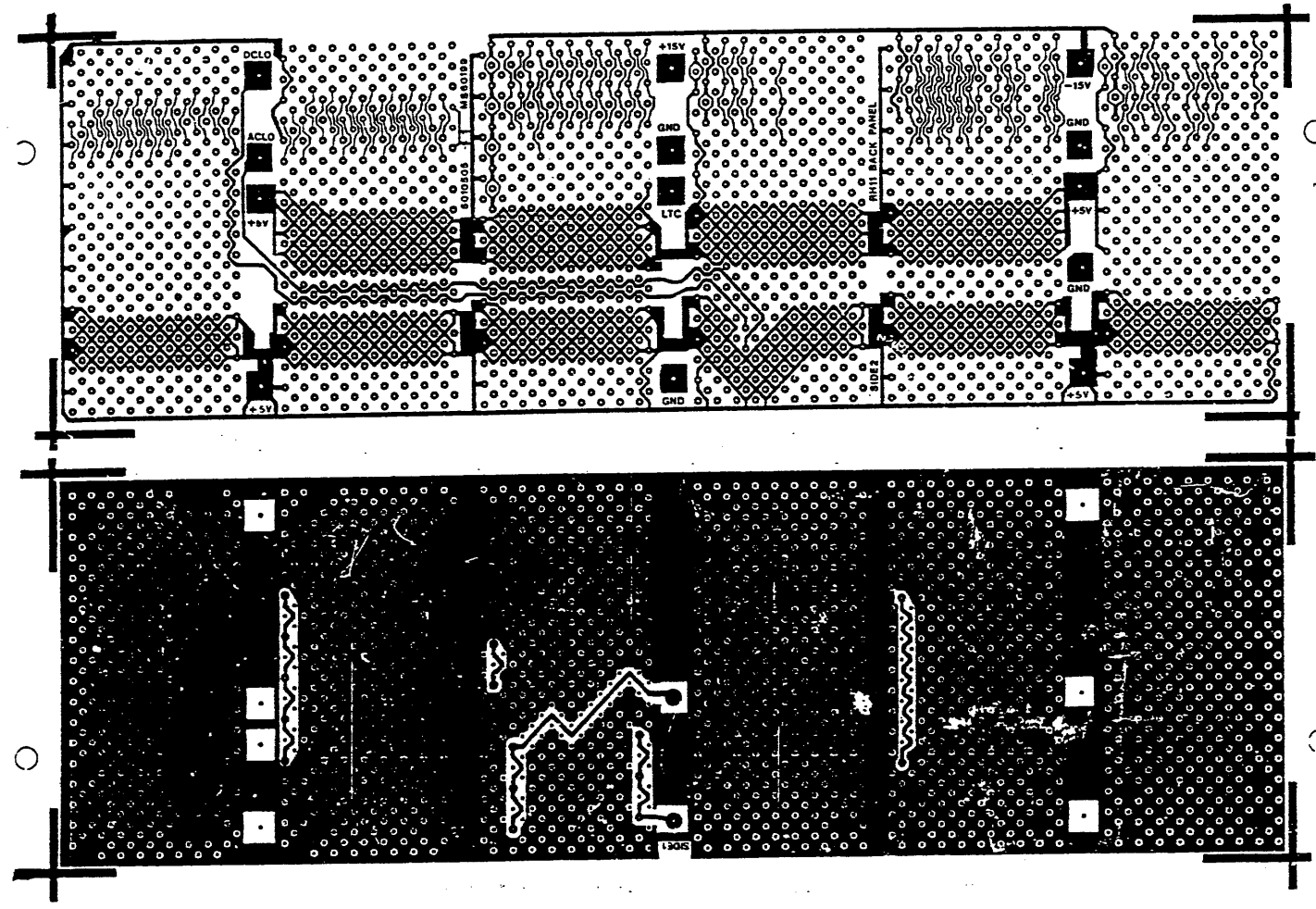
DCS M 688-0-1
 REV. F
 11/72

DCS 5410506-0-1 C 2

THIS DRAWING AND SPECIFICATIONS HEREIN ARE THE PROPERTY OF DIGITAL EQUIPMENT CORPORATION AND SHALL NOT BE REPRODUCED OR COPIED OR USED IN WHOLE OR IN PART AS THE BASIS FOR THE MANUFACTURE OR SALE OF ITEMS WITHOUT WRITTEN PERMISSION. COPYRIGHT © 1973 DIGITAL EQUIPMENT CORPORATION.

NOTES:

REF	DSSY DRILLING HOLE LAYOUT	D-94-5410506-0-5	1
REF	MODULE ECO HISTORY	B-11-5410506-0-6	2
REF	X-Y COORDINATE HOLE LOCATION	K-00-5410506-0-4	3
1	ETCHED CIRCUIT BOARD	5010505	4



QTY	REF DESIGNATION	DESCRIPTION	PART NO.	ITEM NO.
-----	-----------------	-------------	----------	----------

FIRST USED ON OPTION MODEL: RH11 PARTS LIST

ETCH BOARD REV	D
----------------	---

DRN	<i>[Signature]</i>	DATE	7-20-73
CHFD	<i>[Signature]</i>	DATE	7-30-73
ENB	<i>[Signature]</i>	DATE	8-3-73
PRD	<i>[Signature]</i>	DATE	8-3-73
PRD	<i>[Signature]</i>	DATE	8-3-73

digital EQUIPMENT CORPORATION

TITLE: RH11 BACK PANEL

SCALE: NONE
SHEET: OF
DISTR: 1

5-JENKINS	7-11-74
5-DAMON	4-21-74
5-5410506-00001	C
ORIGINATED	B
CHANGE NO	REV
CHK	REV

DEC NO.	EIA NO.	DEC NO.	EIA NO.
---------	---------	---------	---------

SEMICONDUCTOR CONVERSION CHART

IC TYPE	GND	+5V
GND AND 5V ARE USUALLY PIN 7 AND 14 RESPECTIVELY EXCEPTIONS ARE STATED ABOVE		
IC PIN LOCATIONS		

DCS 5410506-0-1 C

4

3

2

1

REV. D
NUMBER R111-0-12
SIZE CODE KWL

This drawing and specifications, herein, are the property of Digital Equipment Corporation and shall not be reproduced or copied or used in whole or in part as the basis for the manufacture or sale of items without written permission. COPYRIGHT © 1973

DIGITAL EQUIP. CORP.

B


B

→

←

A

A

FIRST USED ON OPTION MODEL	QTY.	DESCRIPTION	PART NO.	ITEM NO.
RH11				
PARTS LIST				
DRW. T. J. LED		DATE 9/20/73	 DIGITAL EQUIPMENT CORPORATION MAYNARD, MASSACHUSETTS	
CHK'D. M. Jenkins		DATE 1/6/73		
ENG. J. Jenkins		DATE 8-13-73		
PROJ. ENG. J. Jenkins		DATE 8-13-73		
PROD. J. Karlsberg		DATE 8-13-73		
NEXT HIGHER ASSEMBLY			TITLE	
D-AD-700939700			WIRE LIST	
SCALE	NONE	SIZE CODE	NUMBER	REV.
SHEET	1 OF 1	KWL	RH11-0-12	D
		DIST.		

REVISIONS		CHANGE NO.	REV.
CHK	RJ	RH11-00003	A
J. Charlton 7-19-74			
JENKINS			
J. Jenkins 7-30-74			
		RH11-00007	B
		RH11-00008	C
		RH11-TW010	D

DEC FORM NO. DRB 109

4

3

2

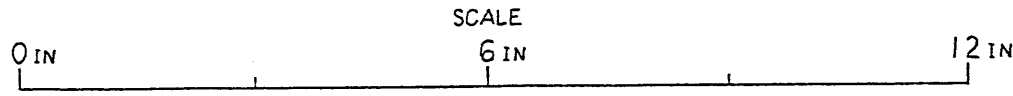
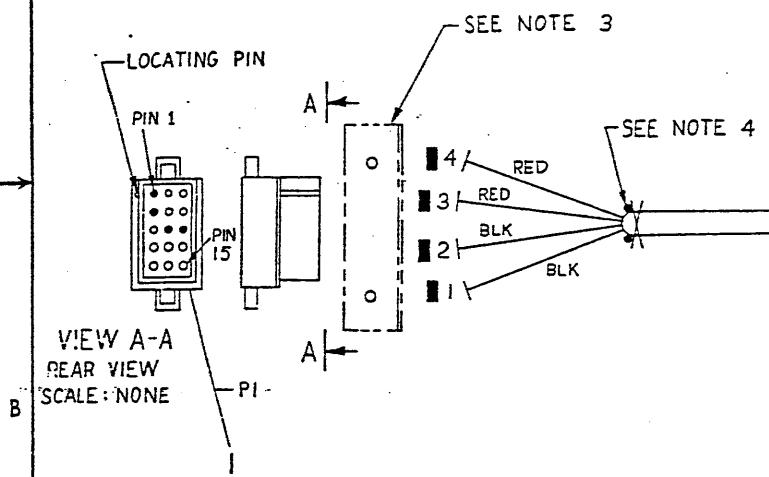
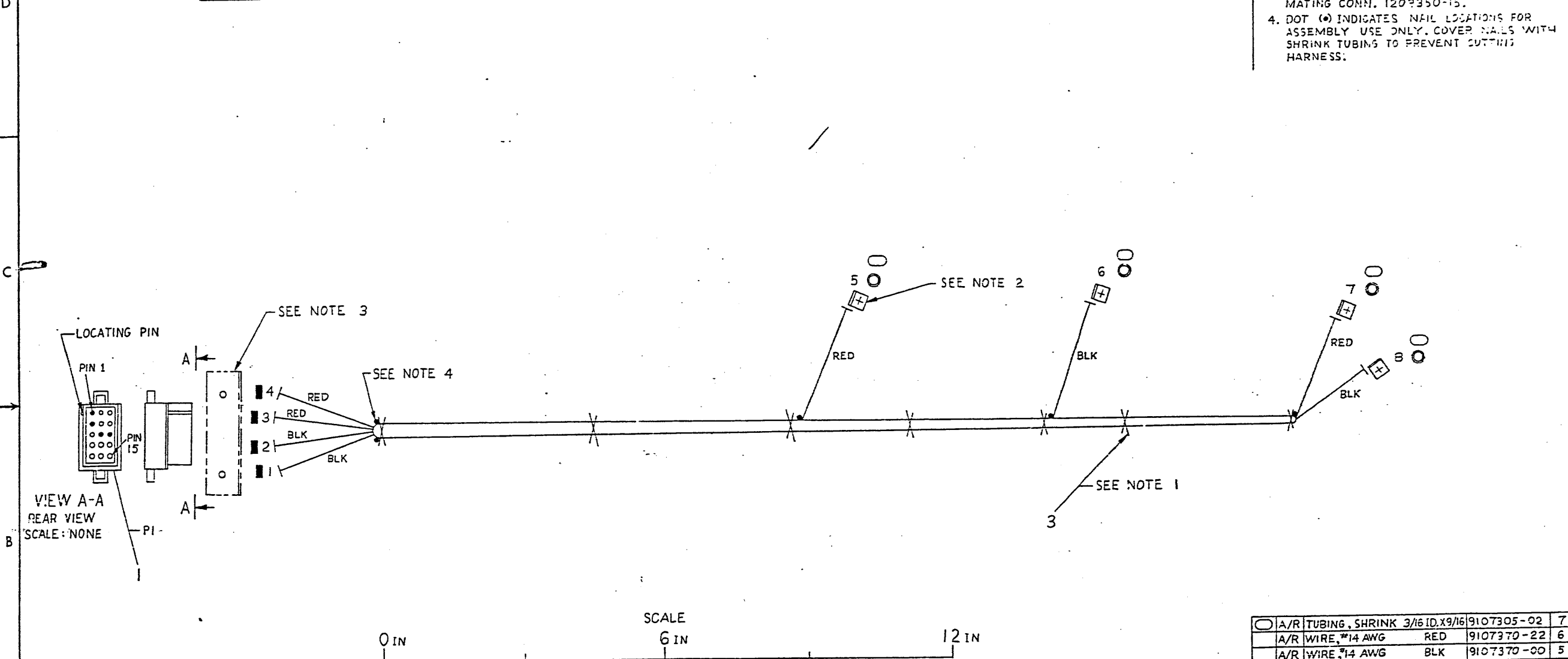
1

TW

THIS DRAWING AND SPECIFICATIONS HEREBY ARE THE PROPERTY OF DIGITAL EQUIPMENT CORPORATION AND SHALL NOT BE REPRODUCED OR COPIED OR USED IN WHOLE OR IN PART AS THE BASIS FOR THE MANUFACTURE OR SALE OF ITEMS WITHOUT WRITTEN PERMISSION. COPYRIGHT © 1973, DIGITAL EQUIPMENT CORPORATION.

WIRE TABLE										
ITEM NO.	DESCRIPTION			FROM			TO			SIGNAL
	AWG	COLOR	POINT	CONNECTION	TERM	POINT	CONNECTION	TERM		
5	14	BLK	1	PI-9	2	8		4	GND	
5	14	BLK	2	PI-8	2	6		4	GND	
6	14	RED	3	PI-4	2	5		4	+5V	
6	14	RED	4	PI-1	2	7		4	+5V	

- NOTES:
- USE TIE WRAPS (X) ITEM #3 APPROXIMATELY EVERY THREE (3) INCHES WHEN NECESSARY, AND AT EVERY BREAKOUT POINT.
 - ATTACH MALE FASTON DEC # 9002219-0 WITH WOOD SCREWS (4 PLACES).
 - USE CONN. BRKT. C-MD-93057-415-0, MOUNT WITH WOOD SCREWS. USE MATING CONN. 1209350-15.
 - DOT (•) INDICATES NAIL LOCATIONS FOR ASSEMBLY USE ONLY. COVER NAILS WITH SHRINK TUBING TO PREVENT CUTTING HARNESS.



DO NOT REDUCE
DO NOT BUILD FROM REDUCED PRINT

SYMBOL	DESCRIPTION	PART NO.	ITEM NO.
○	A/R TUBING, SHRINK 3/16 ID, X9/16	9107305-02	7
○	A/R WIRE, #14 AWG RED	9107370-22	6
○	A/R WIRE, #14 AWG BLK	9107370-00	5
○	4 CONN, SOLDERLESS	9009262-0	4
Y	A/R WRAP, TIE	9007031	3
■	4 PIN, MALE	1209378-00	2
I	HOUSING, CONN 15 PIN	1209351-15	1

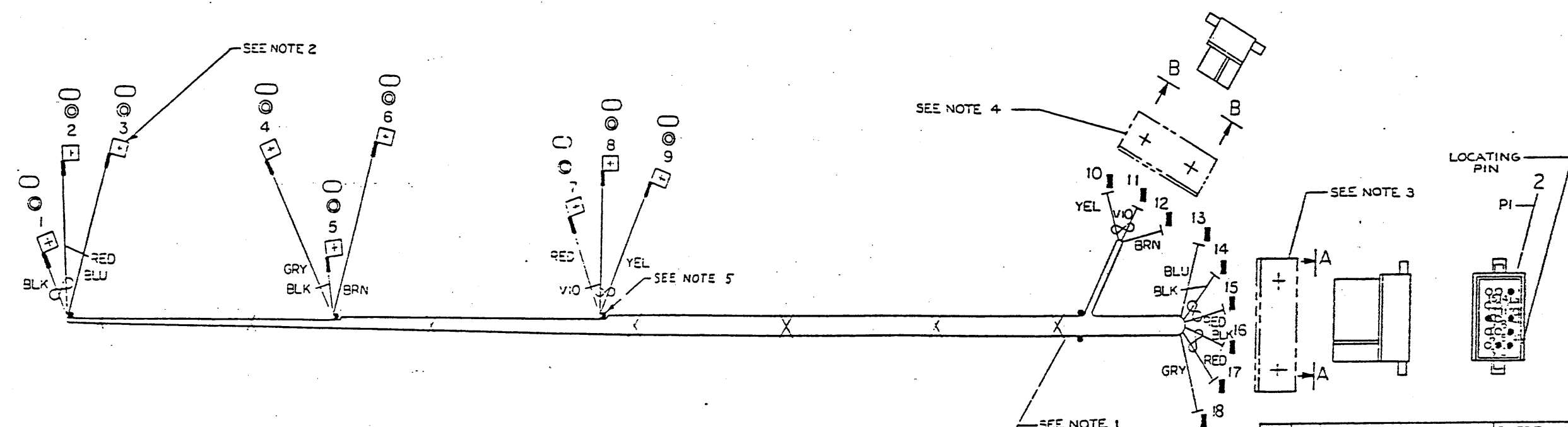
FIRST USED ON OPT / MOD	SYN	QTY.	DESCRIPTION	PART NO.	ITEM NO.
PARTS LIST					
UNLESS OTHERWISE SPECIFIED DIMENSION IN INCHES	DRN	DATE	digital EQUIPMENT CORPORATION		
TOLERANCES	CHKD	DATE	OPTION HARNESS		
DECIMALS .005	ENG	DATE	RH11 15 PIN		
ANGLES ±0° 30'	PROL ENG	DATE	DIA 7009570-0-0		
REMOVE BURRS AND BREAK SHARP CORNERS SURFACE QUALITY 1	PROD	DATE	SCALE 1/1		
MATERIAL	NEXT HIGHER ASSY.	SIZE/CODE	NUMBER	REV.	
SEE PARTS LIST					
FINISH	SCALE 1/1	SHEET 1 OF 1	DIST.		

REV	NO	DATE	BY

DIGITAL EQUIP. CORP.
 THE COMPANY AND ITS EMPLOYEES ASSUME NO LIABILITY FOR THE USE OF THIS DRAWING IN CONNECTION WITH ANY OTHER PROJECT OR FOR THE REPRODUCTION OF THIS DRAWING IN ANY MANNER WITHOUT THE WRITTEN PERMISSION OF DIGITAL EQUIP. CORP. COPYRIGHT © 1973

WIRE TABLE									
ITEM NO	DESCRIPTION	COLOR	POINT	FROM		TO		REMARKS	
				CONNECTION	ITEM	POINT	CONNECTION		ITEM
7	14 TWP	RED	7	5, 2	17	P1-1	3	+5V	
		BLK	5		16	P1-7		GND	
9	18 AWG	GRY	4		18	P1-2		+15	
7	14 TWP	RED	2		15	P1-4		+5	
		BLK	1		14	P1-9		GND	
11	14 AWG	BLU	3		13	P1-13		-15	
10	18 AWG	BRN	6		12	P2-2		LINE CLOCK	
8	18 TWP	VIO	8		11	P2-3		DC LO	
		YEL	9	3, 6	10	P2-4	3	AC LO	

- NOTES:
1. USE TIE WRAPS (X) ITEM 4 APPROXIMATELY EVERY THREE (3) INCHES WHEN NECESSARY, AND AT EVERY BREAK-OUT POINT.
 2. ATTACH MALE FASTON DEC 9008219-0 WITH #4 WOOD SCREWS (9 PLACES).
 3. USE CONN. BRKT C-MD-9305761-HIS-0 MOUNT WITH #6 WOOD SCREWS. USE MATING CONN. 1209350-15.
 4. USE CONN. BRKT C-MD-9305761-HG-0 MOUNT WITH #6 WOOD SCREWS. USE MATING CONN. 1209350-06.
 5. DOT (•) INDICATES NAIL LOCATIONS FOR ASSEMBLY USE ONLY. COVER NAILS WITH SHRINK TUBING TO PREVENT CUTTING HARNESS.



DO NOT REDUCE SCALE 6 IN. 12 IN.

DO NOT BUILD FROM REDUCED PRINT

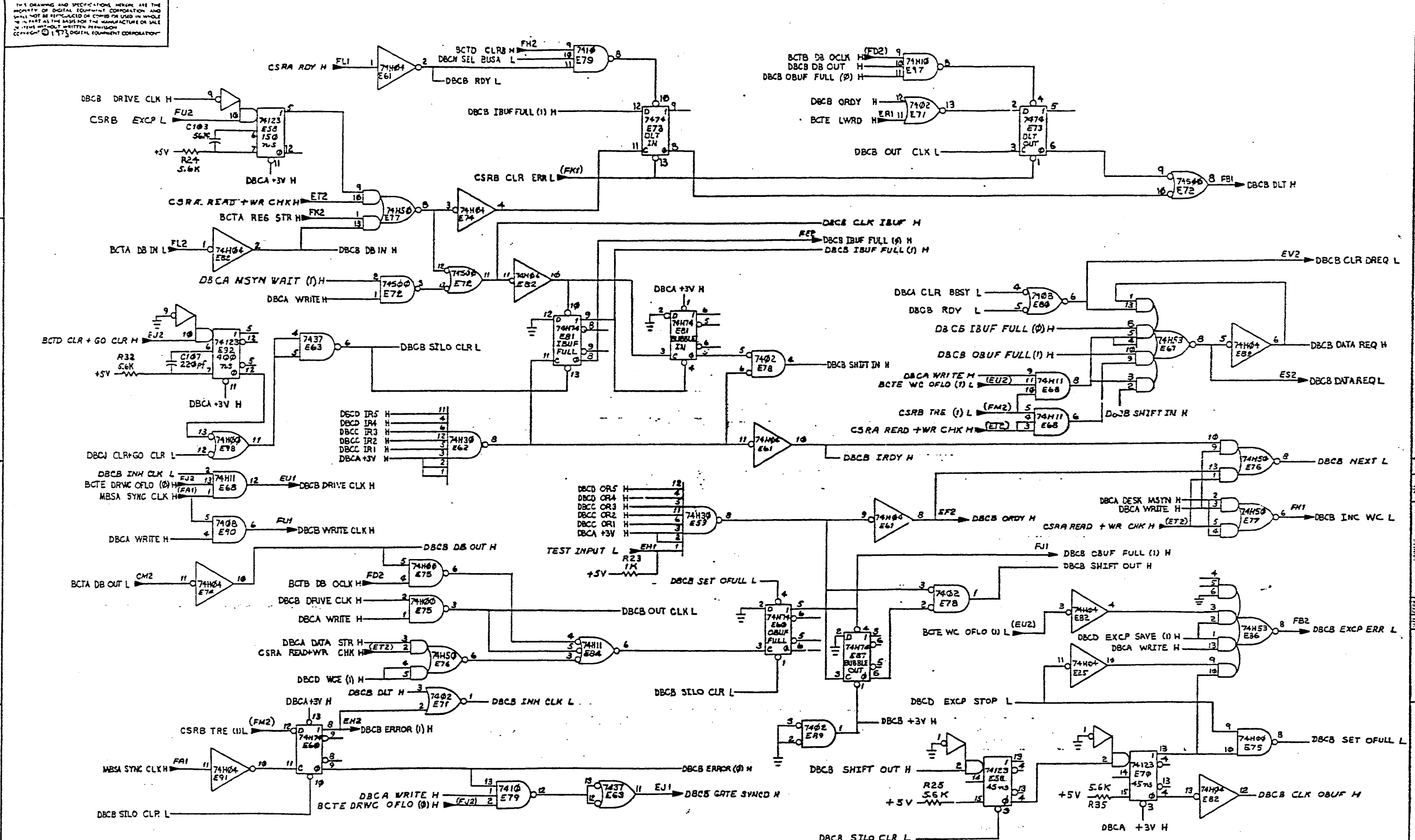
SYMBOL	DESCRIPTION	QTY.	PART NO.
A/R	WIRE, #14 AWG BLU	11	9107370-66
A/R	WIRE, #15 AWG BRN	10	9107360-11
A/R	WIRE, #18 AWG GRY	9	9107360-68
A/R	WIRE, #18 TWP YEL/VIO	3	9107430-47
A/R	WIRE, #14 TWP BLK/RED	7	9107440-02
○	A/R TUBING, SHRINK	6	9107305-02
⊙	CONN., SOLDERLESS	5	9009262-0
X	A/R WRAP, TIE	4	9007031
■	PIN, MALE	3	1209378-01
□	HOUSING, CONN. 15 PIN	2	1209351-15
□	HOUSING, CONN. 6 PIN	1	1209351-06

FIRST USED ON		QTY.	DESCRIPTION	PART NO.
PARTS LIST				
UNLESS OTHERWISE SPECIFIED DIMENSIONS IN INCHES TOLERANCES				
DECIMALS	ANGLES	FRAC.	DATE	TITLE
± .005	± .005	1/16"	11/18/73	POWER HARNESS
REMOVE BURRS AND BREAK SHARP CORNERS SURFACE QUALITY				
MATERIAL				
SEE PARTS LIST				
FINISH		NEXT NIGHT ASSY		
SCALE 1:1		SHEET 1 OF 1		
DIAI7009563-0-0		REV 2		

REVISIONS
 CHANGE NO. 1
 DATE 11/18/73
 BY J.E. [Signature]
 CHECKED BY [Signature]

DATE 11/18/73
 BY J.E. [Signature]
 CHECKED BY [Signature]

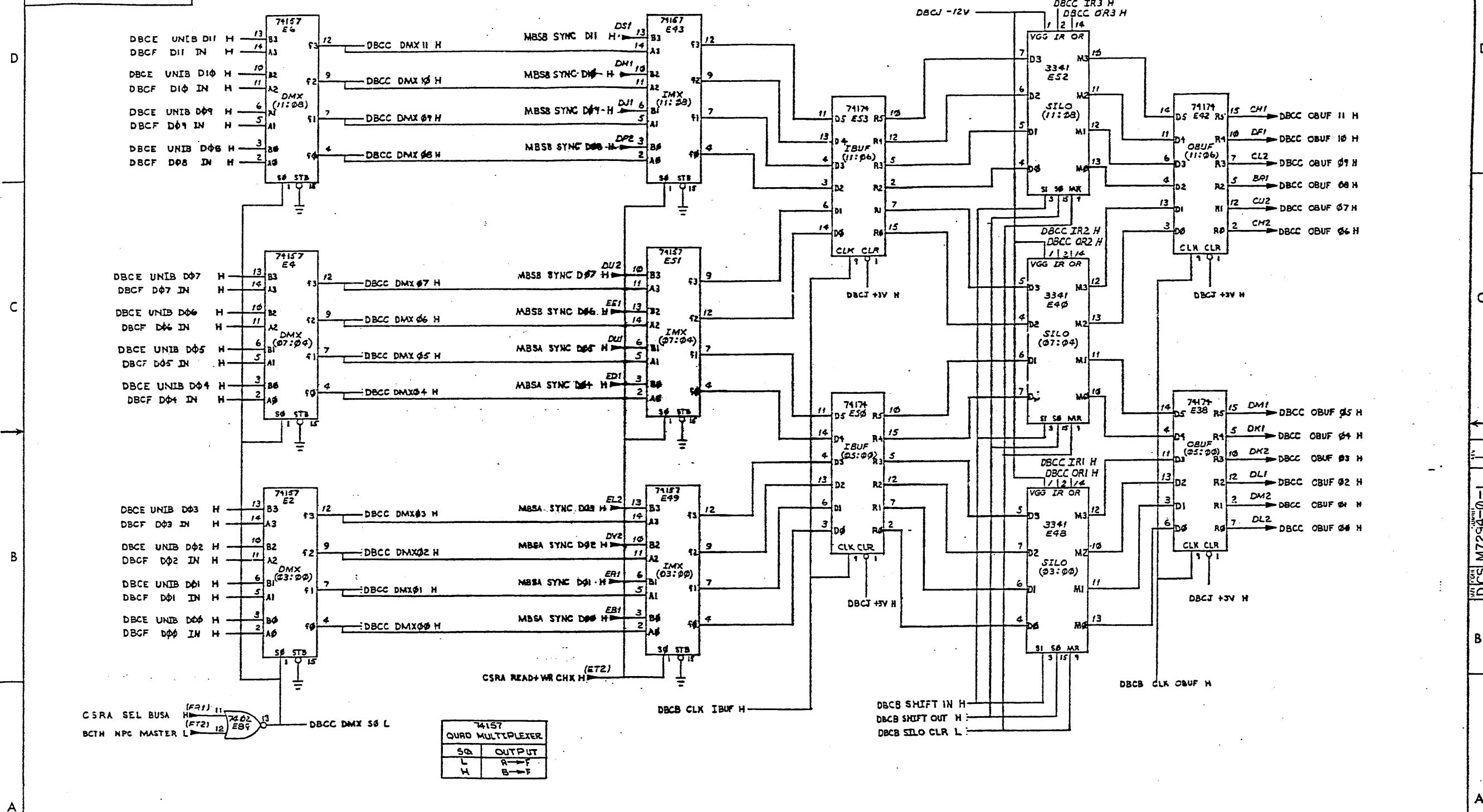
SCALE 1:1
 SHEET 1 OF 1



REVISIONS		
CHK	CHANGE NO	REV

SLOT 03 SILO TIMING CNTL		TITLE	DATA BUFFER # CONTROL (DBCB)	SIZE CODE	DCS	NUMBER	M7294-0-1	REV.	L
SCALE	CN	SHEET	3	OF	9	DIST.			

THIS DRAWING AND SPECIFICATIONS HEREIN ARE THE PROPERTY OF DIGITAL EQUIPMENT CORPORATION AND SHALL NOT BE REPRODUCED OR COPIED OR USED IN WHOLE OR IN PART AS THE BASIS FOR THE MANUFACTURE OR SALE OF THIS PRODUCT WITHOUT WRITTEN PERMISSION OF DIGITAL EQUIPMENT CORPORATION



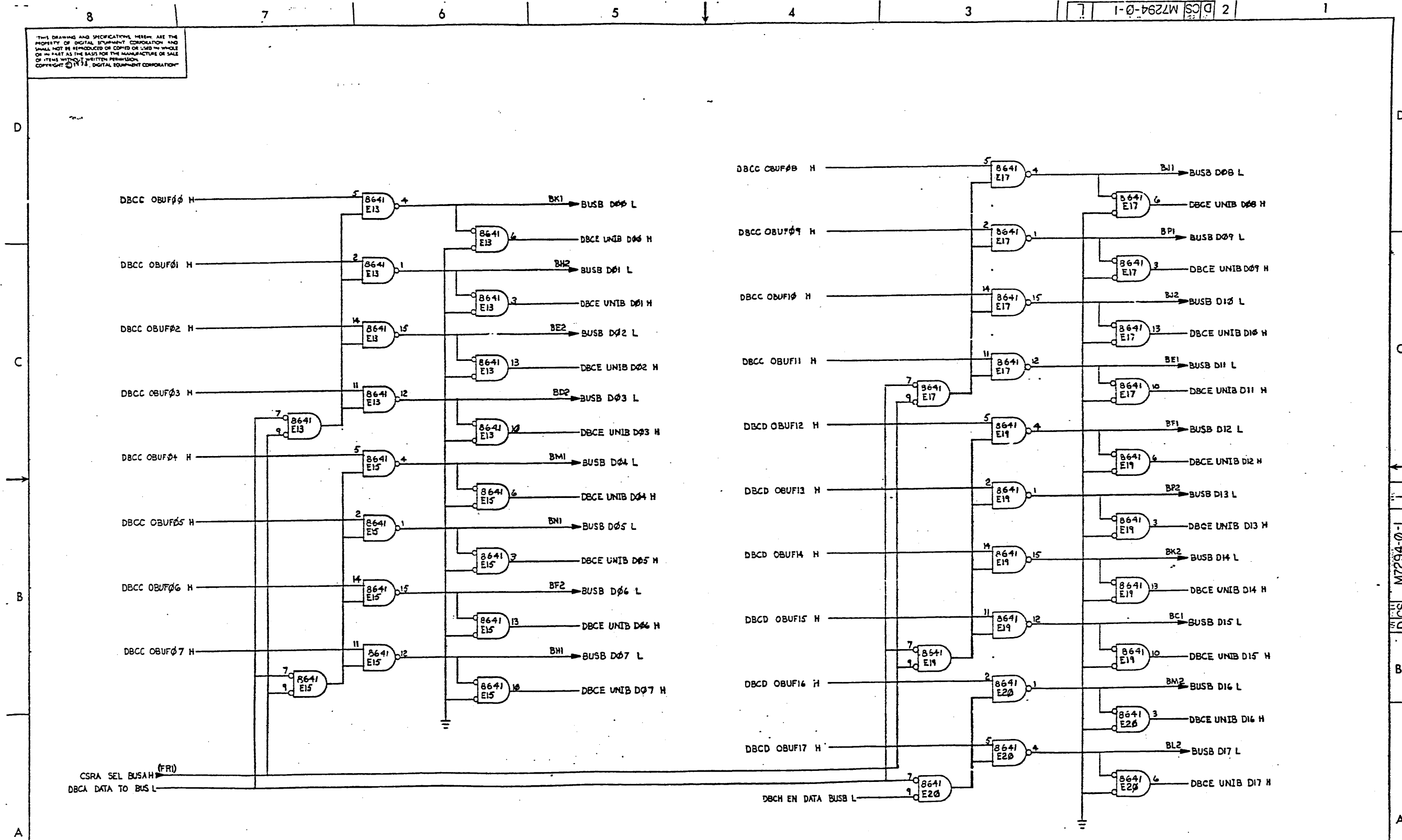
CSRA SEL BUSA (E21) 11
 BCTH NPC MASTER L (E22) 12

74157 QUAD MULTIPLEXER	
SA	OUTPUT
L	A → F
H	B → F

REVISIONS		
CHK	CHANGE NO	REV

SLOT 03
 SILO DATA PATH <11:00>
 TITLE DATA BUFFER & CONTROL (DBCC)
 SIZE CODE DCS
 NUMBER M7294-0-1
 REV. L
 SCALE NONE SHEET 4 OF 9 DIST. MK 1

THIS DRAWING AND SPECIFICATIONS HEREIN ARE THE PROPERTY OF DIGITAL EQUIPMENT CORPORATION AND SHALL NOT BE REPRODUCED OR COPIED OR USED IN WHOLE OR IN PART AS THE BASIS FOR THE MANUFACTURE OR SALE OF ITEMS WITHOUT THE WRITTEN PERMISSION OF DIGITAL EQUIPMENT CORPORATION.



REVISIONS		
CHK	CHANGE NO	REV

SLOT 03		UNIBUS B DATA TRANSCIVERS	
TITLE DATA BUFFER & CONTROL (DBCE)		SIZE CODE DCS	NUMBER M7294-0-1
SCALE NONE	SHEET 6 OF 9	DIST.	REV. L