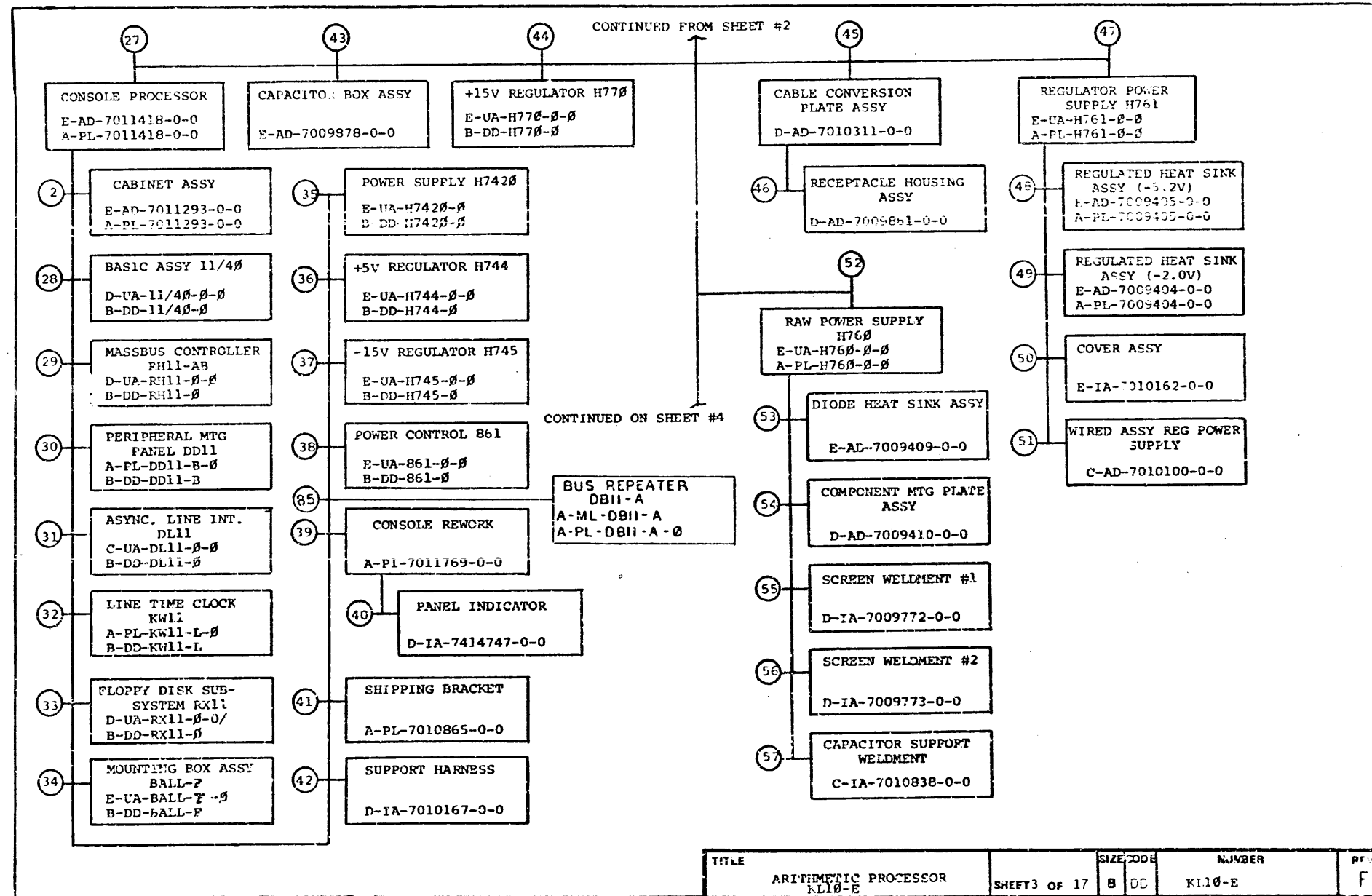
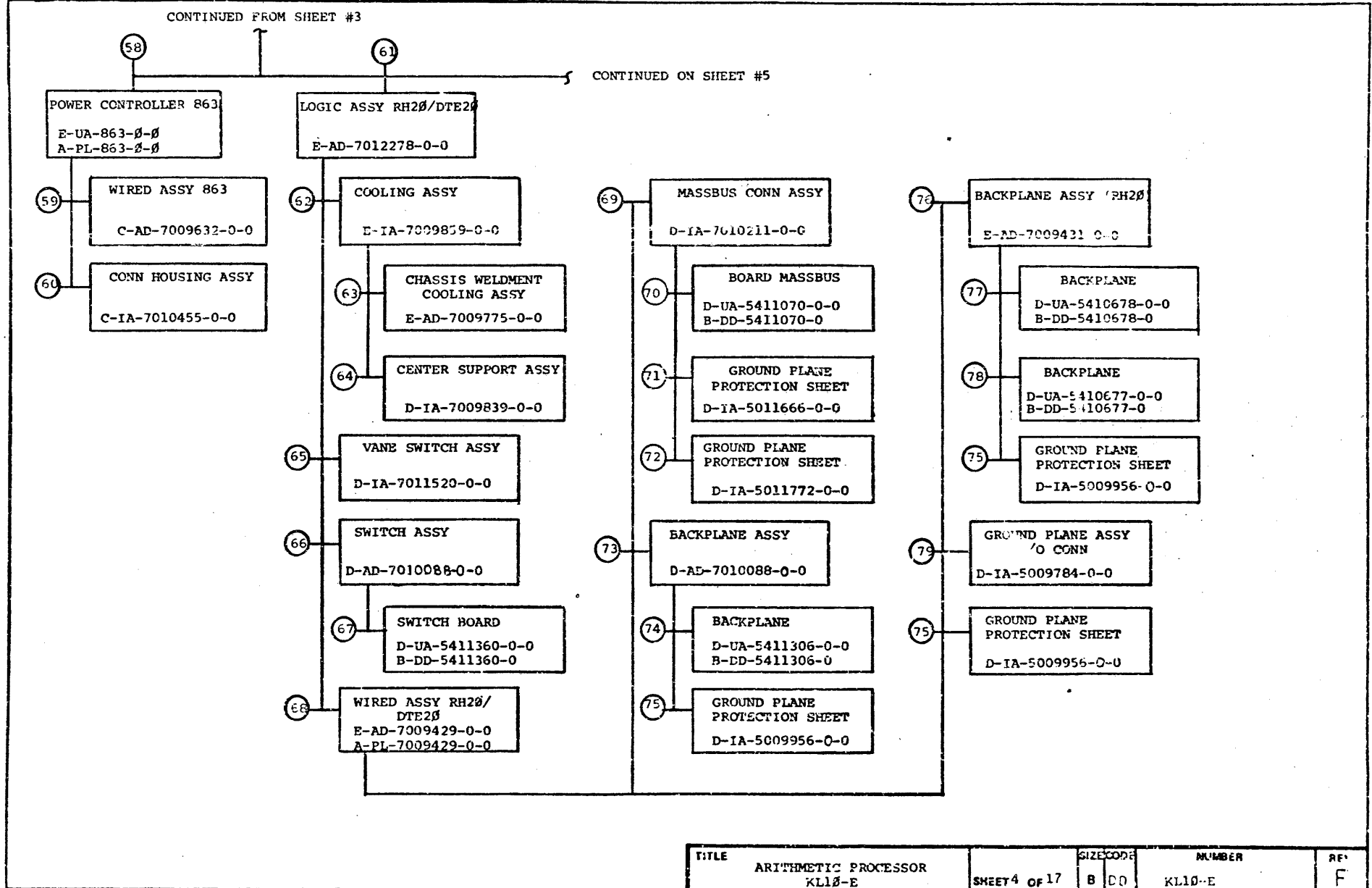


DRAWING NO.	DESCRIPTION
B-TC-KL10-E-4	KL10-E PRINT SET TABLE OF CONTENTS
B-DD-KL10-E	KL10 DRAWING DIRECTORY
D-UA-KL10-E-0	ARITHMETIC PROCESSOR
C-PL-KL10-E-0	ARITHMETIC PROCESSOR (P.L.)
D-IC-KL10-0-1	POWER DIAGRAM
D-IC-KL10-0-2	REGULATOR ASSY
E-UA-H760-0-0	RAW POWER SUPPLY H760
A-PL-H760-0-0	RAW POWER SUPPLY H760 (P.L.)
D-CS-H760A-0-1	CIRCUIT SCHEMATIC H760A
D-CS-H760B-0-1	CIRCUIT SCHEMATIC H760B
E-AD-7009409-0-0	DIODE HEAT SINK ASSY
D-AD-7009410-0-0	COMPONENT MTG PLATE ASSY
E-UA-H761-0-0	REGULATED POWER SUPPLY
A-PL-H761-0-0	REGULATED POWER SUPPLY (P.L.)
D-IC-H761-0-1	CONTROL LOGIC
D-CS-G8010-0-1	-5.2 VOLT CONTROL
D-CS-G8011-0-1	-2 VOLT CONTROL
D-CS-G8013-0-1	+10V REFERENCES
D-CS-G8014-0-1	LOW VOLTAGE DETECTOR
D-CS-5410663-0-1	SERIES PASS -2.0V BOARD
D-CS-5410665-0-1	-5.2V BOARD
E-AD-7009404-0-0	REGULATED HEAT SINK ASSY (-2.0V)
A-PL-7009404-0-0	REGULATED HEAT SINK ASSY (-2.0V) (P.L.)
E-AD-7009405-0-0	REGULATED HEAT SINK ASSY (-5.2V)
A-PL-7009405-0-0	REGULATED HEAT SINK ASSY (-5.2V) (P.L.)
E-AD-7009878-0-0	CAPACITOR BOX ASSY
E-UA-863-0-0	POWER CONTROLLER 863
A-PL-863-0-0	POWER CONTROLLER 863 (P.L.)
D-CS-863-0-1	CIRCUIT SCHEMATIC 863
D-CS-W516-0-1	AC LOW VOLTAGE DETECTOR
D-CS-W7000-0-1	AUX POWER SUPPLY
C-AD-7009632-0-0	WIRED ASSY (CHASSIS 863 P.C.)
D-AD-7011418-0-0	CONSOLE PROCESSOR
A-PL-7011418-0-0	CONSOLE PROCESSOR (P.L.)
D-AD-7010311-0-0	PLATE, CABLE CONVERSION ASSY

DRAWING NO.	DESCRIPTION
E-AD-7011639-0-0	SWITCH PANEL ASSY
C-CS-7011639-0-1	CIRCUIT SCHEMATIC
MP00301	KL10-PV PRINT SET
(REF. ONLY)	THIS PRINT SET CONTAINS DMA20 MODULES DTE20 MODULES MCA20 MODULES KL10-PV MODULES DIA20 MODULES
D-AD-7009876-0-0	VANE SWITCH ASSY
E-AD-7012278-0-0	LOGIC ASSY RH20/DTE20
A-PL-7012278-0-0	LOGIC ASSY RH20/DTE20 (P.L.)
E-AD-7009429-0-0	WIRED ASSY RH20/DTE20
A-PL-7009429-0-0	WIRED ASSY RH20/DTE20 (P.L.)
E-AD-7010088-0-0	BACKPLANE ASSY
D-UA-5411306-0-0	BACKPLANE
D-AD-7010103-0-0	SWITCH ASSY
D-UA-5411360-0-0	SWITCH BOARD
D-IA-7011520-0-0	VANE SWITCH ASSY
D-IA-7010211-0-0	MASS BUS CONNECTOR ASSY
D-UA-5411070-0-0	BOARD MASSBUS
E-AD-7009431-0-0	BACKPLANE ASSY (RH20)
D-UA-5410678-0-0	BACKPLANE
D-UA-5410677-0-0	BACKPLANE
D-IA-5009784-0-0	GROUND PLANE ASSY I/O CONN
C-IA-7008288-0-0	CABLE ASSY
C-UA-BC05F-0-0	CABLE INTERFACE
C-UA-M920-0-0	INTERNAL BUS CONN ASSY
D-UA-BC11A-0-0	CABLE ASSY (BC11A)
D-UA-BC06R-0-0	BC06R I/O CABLE
D-IA-BC20C-0-0	CONN ASSY SBUS
C-IA-5408780-0-0	PRIORITY JUMPER LEVEL #6
D-IA-7012210-0-0	POWER CORD (60HZ)
D-IA-7012275-0-0	POWER CORD (50HZ)
A-PL-KL10-E-SH	SHIP LIST KL10-E
D-CS-7009404-0-1	-2.0V HEAT SINK ASSY
D-CS-7009405-0-1	-5.2V HEAT SINK ASSY
D-IC-H761-0-8	H761 WIRING DIAGRAM

TITLE	SIZE	CODE	NUMBER	REV
ARITHMETIC PROCESSOR	B	TC	KL10-E-4	C
SHEET 2 OF 2				



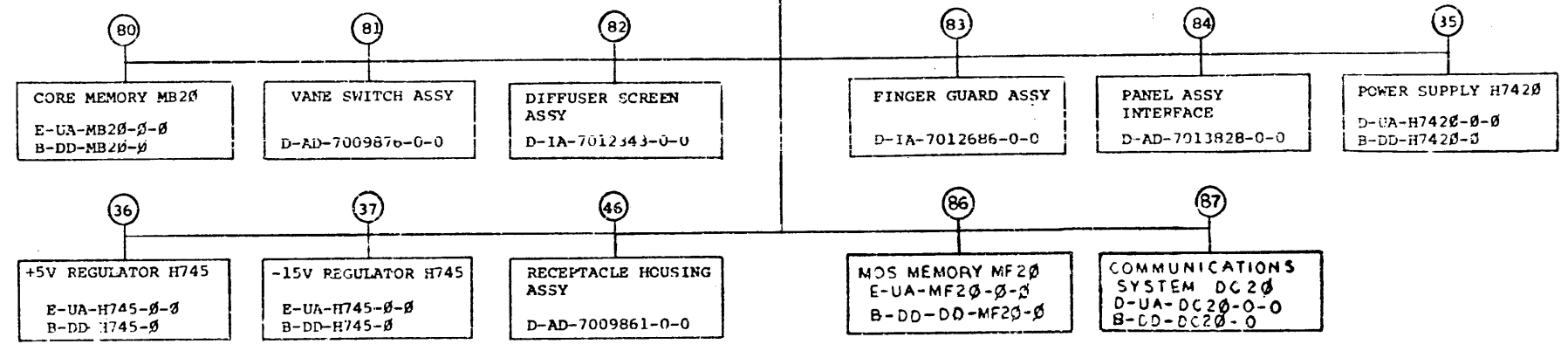


DRB 107
EM 1067A 03-10-R1175-(325)

MLC

"THIS DRAWING AND SPECIFICATIONS, HEREIN, ARE THE PROPERTY OF DIGITAL EQUIPMENT CORPORATION AND SHALL NOT BE REPRODUCED OR COPIED OR USED IN WHOLE OR IN PART AS THE BASIS FOR THE MANUFACTURE OR SALE OF ITEMS WITHOUT WRITTEN PERMISSION. 1977
COPYRIGHT © DIGITAL EQUIPMENT CORPORATION"

CONTINUED FROM SHEET #4



TITLE	ARITHMETIC PROCESSOR KL10-E	SHEET 5 OF 17	SIZE CODE	B DD	NUMBER	KL10-E	REV	F
-------	--------------------------------	---------------	-----------	------	--------	--------	-----	---

MR

FIND NO.	DRAWING NO.	DESCRIPTION	TYPE	FIND NO.	DRAWING NO.	DESCRIPTION	TYPE
1	MP00300	KL10-E VOL. 1 FIELD MAINT. PRINT SET (MP)	-	J-IA-7011808-0-0	HARNESS FAULT INDICATOR		
	B-TC-KL10-E-4	KL10-E VOL. 1 FIELD MAINT. PRINT SET (TC)	-	D-IA-7010877-0-0	HARNESS AC WIRING NO. 3		
	MP00301	KL10-E VOL. 2 FIELD MAINT. PRINT SET (MP)	-	D-IA-7010805-0-0	HARNESS AC WIRING NO. 1		
	B-TC-KL10-E-5	KL10-E VOL. 2 FIELD MAINT. PRINT SET (TC)	-	D-IA-7011432-0-0	POWER CORD EXTENSION		
	D-UA-KL10-E-0	ARITHMETIC PROCESSOR	E/M	D-UA-BC06R-0-0	CABLE I/O		
	C-PL-KL10-E-0	ARITHMETIC PROCESSOR (P.L.)	E/M	D-UA-BC11A-0-0	CABLE ASSY I/BIUS		
	E-MD-741422-0-0	PANEL GRILLE	M	D-UA-BC20C-0-0	CABLE ASSY (S BUS)		
	F-MD-7414225-0-0	SHIELD EMI	M	D-IA-7008288-0-0	CABLE ASSY		
	D-MD-7413892-0-0	PLATE PROTECTION	M	D-UA-BC05F-0-0	CABLE INTERFACE		
	D-MD-7415000-0-0	STIFFENER CAB	M	D-IA-7014407-0-0	POWER CORD (60HZ)		
	D-MD-7414616-0-0	STIFFENER CAB	M	D-IA-7014409-0-0	POWER CORD (50HZ)		
	D-MD-7414527-0-0	MTG PLATE #1 PWR SUPPLY	M	C-IA-7011025-0-0	CABLE ASSY		
	D-MD-7414528-0-0	MTG PLATE #2 PWR SUPPLY	M	C-IA-7011831-0-0	CABLE ASSY		
	D-IA-7412379-0-0	CONNECTOR PANEL	M	C-IA-7011833-0-0	CABLE ASSY		
	C-MD-7414384-0-0	BRACKET (H317-B)	M	D-IA-7011920-0-0	POWER CORD EXTENSION		
	C-IA-7414771-0-0	STRAIN RELIEF	M	D-IA-7008288-0-0	CABLE ASSY		
	C-IA-7414772-0-0	CLAMP, STRAIN RELIEF	M	J-IA-7012411-0-0	HARNESS DC I/O		
	D-MD-7414403-0-0	STRIP TOP FILLER	M	D-IC-KL10-0-10C1	FBUS CABLE I/O TO CPU		
	D-IF-7414726-0-0	SUPPORT, PIVOT FRONT DOOR	M	D-IC-KL10-0-10C2	FBUS CABLE I/O TO CPU		
	C-IF-7414428-0-0	DOOR PIVOT TOP	M	D-IC-KL10-0-SEBUS	SBUS CABLE MEMORY TO CPU		
	C-IA-7414615-0-0	MOUNTING PLATE, CAPACITOR BOX	M	D-IC-KL10-0-FBUS	FBUS CABLE		
	A-DC-7415437-0-0	DECAL PWR	M	D-CS-KL10-0-UBCI	UNIBUS CABLE IN		
	D-IA-7414529-0-0	SUPPORT, POWER SUPPLY	M	D-CS-KL10-0-URCO	UNIBUS CABLE OUT		
	C-MD-7414318-0-0	KEY BUTTON	M	A-PL-KL10-E-SH	SHIP LIST		
	D-MD-7415271-0-0	PLATE FAN MTG (I/O)	M	A-SP-KL10-C-PL	PACKAGING INST CTIONS		
	C-MD-7415200-0-0	PLATE PIVOT	M	C-MD-7418502-0-0	H760 PWR SUPPLY COVER PLATE		
	C-IA-7415108-0-0	BRACKET TOP DOOR LATCH	M	A-PL-DTE20-0-0	10/11 INTERFACE MODULE SET (SEE BELOW)		
	C-IA-7415107-0-0	BRACKET BOTTOM DOOR LATCH	M	D-UA-M8552-0-0	10/11 DATA PATH		
	C-IA-7013059-0-0	STRAP, GROUND	M	B-DD-M3552-0	M3552 DRAWING DIRECTORY		
	D-MD-7415394-0-0	SHIELD	M	D-UA-M8553-0-0	10/11 BUS AND DATA CONTROL		
	B-IA-7415268-0-0	SUPPORT SHIELD	M	B-DD-M3553-0	M3553 DRAWING DIRECTORY		
	B-MD-7416512-0-0	PIN DOOR RETAINER	M	D-UA-M8554-0-0	10/11 BUS DATA CONTROL		
	A-DC-7406872-0-0	DECAL POWER HARNESS	M	B-DD-M8554-0	M8554 DRAWING DIRECTORY		
	B-MD-7411296-0-0	SPACER HEAT SINK	M	C-IA-5408780-1-0	PRIORITY PLUG		
	A-DC-7412561-0-0	DECAL POWER INTERLOCK	M	D-AD-7015507-0-0	CSA LOCKING KIT		
	C-IA-7415201-0-0	PLATE ADAPTER	M	D-MD-7419785-0-0	INTER CABINET DRIP SHIELD		
	C-IA-7415410-0-0	RETAINER FILTER	M	D-IA-7413405-0-0	PANEL FILLER H7420		
	C-MD-7415438-0-0	FILTER STRIP	M	D-IA-7016447-0-0	ASSEMBLY STRAIN RELIEF		
	C-MD-7415476-0-0	COVER SHIELD	M				
	B-MD-7415420-0-0	BRACKET MRM #1	M				
	C-MD-7415400-0-0	BRACKET LEFT SIDE (CPU)	M				
	C-MD-7415399-0-0	BRACKET RIGHT SIDE (CPU)	M				
	B-MD-7415413-0-0	BRACKET NO. 1 (I/O)	M				
	B-MD-7415412-0-0	BRACKET NO. 2 (I/O)	M				
	A-DC-7415445-0-0	DECAL, CAUTION	M				
	C-IA-7415646-0-0	PLATE, ADAPTER	M				
	D-IA-7415649-0-0	BRACKET, CABLE ROUTING	M				
	C-MD-7415648-0-0	INSULATOR	M				
	D-MD-7415625-0-0	BRACKET, STRAIN RELIEF	M				
	D-IA-7415826-0-0	SUPPORT, STRAIN RELIEF	M				
	J-IA-7609419-0-0	HARNESS DC TOP (CPU)	E/M				
	J-IA-7010855-0-0	HARNESS DC BOTTOM (CPU)	E/M				
	J-IA-7009427-0-0	HARNESS SENSE (CPU)	E/M				

TYPE: E ELECTRICAL
 M MECHANICAL
 E/M ELECTRO/MECHANICAL

digital

TITLE	APITHMETIC PROCESSOR KL10-E	SIZE CODE	B DD	NUMBER	KL10-E	REV	F
		SHEET 6 OF 17					

11/2

FIND NO.	DRAWING NO.	DESCRIPTION	TYPE	FIND NO.	DRAWING NO.	DESCRIPTION	TYPE
35	E-UA-H7420-0-0	POWER SUPPLY H7420	E/M	40	D-IA-7414737-0-0	PANEL INDICATOR	M
	B-DD-H7420-0	H7420 DRAWING DIRECTORY	E/M		C-SS-7414747-0-1	SILKSCREEN (LIGHT GRAY)	M
					C-SS-7414747-0-2	SILKSCREEN (DARK GRAY)	M
					C-SS-7414747-0-3	SILKSCREEN (DARK BLUE)	M
					C-SS-7414747-0-4	SILKSCREEN (BRIGHT GREEN BLU)	M
36	E-UA-H744-0-0	+5V REGULATOR	E/M	41	A-PL-7010865-0-0	SHIPPING BRACKET	M
	B-DD-H744-0	H744 DRAWING DIRECTORY	E/M		B-MD-7413486-0-0	BRKT, SHIPPING	M
37	E-UA-H745-0-0	-15V REGULATOR	E/M	42	D-IA-7010167	SUPPORT HARNESS	M
	B-DD-H745-0	H745 DRAWING DIRECTORY	E/M		C-MD-7412442-0-0	BRACKET CABLE RETAINING	M
					C-SS-7412442-0-0	BRACKET CABLE RETAINING	
					C-MD-7412443-0-0	CABLE HOLDER	M
38	E-UA-861-0-0	POWER CONTROL 861	E/M	43	E-AD-7009878-0-0	CAPACITOR BOX ASSY	E/M
	B-DD-861-0	861 DRAWING DIRECTORY	E/M		F-IA-7411741-0-0	BOX CAPACITOR	M
					D-IA-7411867-0-0	BUSSING PLATE	M
					D-IA-7411868-0-0	BUSSING PLATE TOP	M
					C-ED-7411873-0-0	PROTECTION PLATE	M
					B-MD-7412614-0-0	STAND-OFF MALE/FEMALE	M
39	A-PL-7011769-0-0	CONSOLE REWORK	M		C-IA-7412340-0-0	HOLD DOWN CAPACITOR	M
	D-CS-5409701-0-1	CONSOLE (KY11-D)	E		R-MD-7410941-0-0	STRAIN RELIEF CABLE	M
					B-DC-5308754-0-0	DECAL 21 POINT	M
					C-IA-7411829-0-0	PLATE MTG	M
					D-CS-7009878-0-1	CIRCUIT SCHEMATIC	T

142719/CP 01 32 2001042

TYPE: E ELECTRICAL
M MECHANICAL
E/M ELECTRO/MECHANICAL

digital

TITLE
ARITHMETIC PROCESSOR
K110-E

SHEET 11 of 17

SIZE CODE
B DD
NUMBER
K110-E

RF
T

DRB 108A

MP

FIND NO.	DRAWING NO.	DESCRIPTION	TYPE	FIND NO.	DRAWING NO.	DESCRIPTION	TYPE
47	E-AD-7009404-0-0	REGULATED HEAT SINK ASSY (-2.0V)	E/M	52	E-IA-H768-0-0	RAW POWER SUPPLY (H763)	E/M
	A-PL-7009404-0-0	REGULATED HEAT SINK ASSY (P.L.)	E/M		A-PL-H768-0-0	RAW POWER SUPPLY (P.L.)	E/M
	D-IA-7411262-0-0	MTG PLATE HEAT SINK	M		E-IA-7410897-0-0	CHASSIS POWER SUPPLY	M
	D-IA-7411000-0-0	SUPPORT HEAT SINK	M		C-MD-7410893-0-0	PLATE MOUNTING	M
	C-IA-7410999-0-0	PET. BRKT HEAT SINK	M		C-MD-7410903-0-0	HINGE REWORK	M
	C-IA-7411136-0-0	BUSSING STRIP NO. 1	M		D-MD-7410902-0-0	ANGLE COVER MTG.	M
	C-IA-7411137-0-0	BUSSING STRIP NO. 2	M		E-IA-7411138-0-0	BUSSING STRIP NO. 3	M
	C-IA-7411138-0-0	BUSSING STRIP NO. 3	M		D-MD-7411552-0-0	COVER PROTECTION #3	M
	E-IA-7411001-0-0	FAN BRACKET	M		D-MD-7411553-0-0	PLATE PROTECTION	M
	B-MD-7411295-0-0	STANDOFF BUSSING	M		D-MD-7411554-0-0	COVER PROTECTION	M
	C-IA-7411137-0-0	BUSSING STRIP NO. 1	M		D-IA-7410898-0-0	COVER POWER SUPPLY	M
	D-CS-5410663-0-1	-2.0V BOARD	E		C-IA-7413131-0-0	CAP MOUNTING BRKT #1	M
	D-CS-H761-0-1	CIRCUIT SCHEMATIC	E		C-IA-7413474-0-0	SUPPORT COVER	M
					E-IA-7009744-0-0	HARNESS INTERCONNECTION	E/M
					E-IA-7011036-0-0	POWER CORD #760	E/M
					C-IA-7010814-0-0	POWER CABLE	E/M
					C-IA-7010815-0-0	POWER CABLE	E/M
					C-IA-7010816-0-0	POWER CABLE	E/M
					C-IA-7010817-0-0	POWER CABLE	E/M
					C-IA-7010818-0-0	POWER CABLE	E/M
					C-IA-7010819-0-0	POWER CABLE	E/M
					C-IA-7010820-0-0	POWER CABLE	E/M
					C-IA-7010821-0-0	POWER CABLE	E/M
					C-IA-7010822-0-0	POWER CABLE	E/M
					C-IA-7010823-0-0	POWER CABLE	E/M
					C-IA-7010824-0-0	POWER CABLE	E/M
					C-IA-7010825-0-0	POWER CABLE	E/M
					C-IA-7010826-0-0	POWER CABLE	E/M
					C-IA-7010827-0-0	POWER CABLE	E/M
					C-IA-7010828-0-0	POWER CABLE	E/M
					C-IA-7010829-0-0	POWER CABLE	E/M
					C-IA-7010830-0-0	POWER CABLE	E/M
					C-IA-7010831-0-0	POWER CABLE	E/M
					C-IA-7010832-0-0	POWER CABLE	E/M
					C-IA-7010833-0-0	POWER CABLE	E/M
					C-IA-7010834-0-0	POWER CABLE	E/M
					C-IA-7010835-0-0	POWER CABLE	E/M
					C-IA-7010836-0-0	POWER CABLE	E/M
					C-IA-7010837-0-0	POWER CABLE	E/M
					C-IA-7010838-0-0	POWER CABLE	E/M
					C-IA-7010839-0-0	POWER CABLE	E/M
					C-IA-7010840-0-0	POWER CABLE	E/M
					C-IA-7010841-0-0	POWER CABLE	E/M
					C-IA-7010842-0-0	POWER CABLE	E/M
					C-IA-7010843-0-0	POWER CABLE	E/M
					C-IA-7010844-0-0	POWER CABLE	E/M
					C-IA-7010845-0-0	POWER CABLE	E/M
					C-IA-7010846-0-0	POWER CABLE	E/M
					C-IA-7010847-0-0	POWER CABLE	E/M
					C-IA-7010848-0-0	POWER CABLE	E/M
					C-IA-7010849-0-0	POWER CABLE	E/M
					C-IA-7010850-0-0	POWER CABLE	E/M
					C-IA-7010851-0-0	POWER CABLE	E/M
					C-IA-7010852-0-0	POWER CABLE	E/M
					C-IA-7010853-0-0	POWER CABLE	E/M
					C-IA-7010854-0-0	POWER CABLE	E/M
					C-IA-7010855-0-0	POWER CABLE	E/M
					C-IA-7010856-0-0	POWER CABLE	E/M
					C-IA-7010857-0-0	POWER CABLE	E/M
					C-IA-7010858-0-0	POWER CABLE	E/M
					C-IA-7010859-0-0	POWER CABLE	E/M
					C-IA-7010860-0-0	POWER CABLE	E/M
					C-IA-7010861-0-0	POWER CABLE	E/M
					C-IA-7010862-0-0	POWER CABLE	E/M
					C-IA-7010863-0-0	POWER CABLE	E/M
					C-IA-7010864-0-0	POWER CABLE	E/M
					C-IA-7010865-0-0	POWER CABLE	E/M
					C-IA-7010866-0-0	POWER CABLE	E/M
					C-IA-7010867-0-0	POWER CABLE	E/M
					C-IA-7010868-0-0	POWER CABLE	E/M
					C-IA-7010869-0-0	POWER CABLE	E/M
					C-IA-7010870-0-0	POWER CABLE	E/M
					C-IA-7010871-0-0	POWER CABLE	E/M
					C-IA-7010872-0-0	POWER CABLE	E/M
					C-IA-7010873-0-0	POWER CABLE	E/M
					C-IA-7010874-0-0	POWER CABLE	E/M
					C-IA-7010875-0-0	POWER CABLE	E/M
					C-IA-7010876-0-0	POWER CABLE	E/M
					C-IA-7010877-0-0	POWER CABLE	E/M
					C-IA-7010878-0-0	POWER CABLE	E/M
					C-IA-7010879-0-0	POWER CABLE	E/M
					C-IA-7010880-0-0	POWER CABLE	E/M
					C-IA-7010881-0-0	POWER CABLE	E/M
					C-IA-7010882-0-0	POWER CABLE	E/M
					C-IA-7010883-0-0	POWER CABLE	E/M
					C-IA-7010884-0-0	POWER CABLE	E/M
					C-IA-7010885-0-0	POWER CABLE	E/M
					C-IA-7010886-0-0	POWER CABLE	E/M
					C-IA-7010887-0-0	POWER CABLE	E/M
					C-IA-7010888-0-0	POWER CABLE	E/M
					C-IA-7010889-0-0	POWER CABLE	E/M
					C-IA-7010890-0-0	POWER CABLE	E/M
					C-IA-7010891-0-0	POWER CABLE	E/M
					C-IA-7010892-0-0	POWER CABLE	E/M
					C-IA-7010893-0-0	POWER CABLE	E/M
					C-IA-7010894-0-0	POWER CABLE	E/M
					C-IA-7010895-0-0	POWER CABLE	E/M
					C-IA-7010896-0-0	POWER CABLE	E/M
					C-IA-7010897-0-0	POWER CABLE	E/M
					C-IA-7010898-0-0	POWER CABLE	E/M
					C-IA-7010899-0-0	POWER CABLE	E/M
					C-IA-7010900-0-0	POWER CABLE	E/M
					C-IA-7010901-0-0	POWER CABLE	E/M
					C-IA-7010902-0-0	POWER CABLE	E/M
					C-IA-7010903-0-0	POWER CABLE	E/M
					C-IA-7010904-0-0	POWER CABLE	E/M
					C-IA-7010905-0-0	POWER CABLE	E/M
					C-IA-7010906-0-0	POWER CABLE	E/M
					C-IA-7010907-0-0	POWER CABLE	E/M
					C-IA-7010908-0-0	POWER CABLE	E/M
					C-IA-7010909-0-0	POWER CABLE	E/M
					C-IA-7010910-0-0	POWER CABLE	E/M
					C-IA-7010911-0-0	POWER CABLE	E/M
					C-IA-7010912-0-0	POWER CABLE	E/M
					C-IA-7010913-0-0	POWER CABLE	E/M
					C-IA-7010914-0-0	POWER CABLE	E/M
					C-IA-7010915-0-0	POWER CABLE	E/M
					C-IA-7010916-0-0	POWER CABLE	E/M
					C-IA-7010917-0-0	POWER CABLE	E/M
					C-IA-7010918-0-0	POWER CABLE	E/M
					C-IA-7010919-0-0	POWER CABLE	E/M
					C-IA-7010920-0-0	POWER CABLE	E/M
					C-IA-7010921-0-0	POWER CABLE	E/M
					C-IA-7010922-0-0	POWER CABLE	E/M
					C-IA-7010923-0-0	POWER CABLE	E/M
					C-IA-7010924-0-0	POWER CABLE	E/M
					C-IA-7010925-0-0	POWER CABLE	E/M
					C-IA-7010926-0-0	POWER CABLE	E/M
					C-IA-7010927-0-0	POWER CABLE	E/M
					C-IA-7010928-0-0	POWER CABLE	E/M
					C-IA-7010929-0-0	POWER CABLE	E/M
					C-IA-7010930-0-0	POWER CABLE	E/M
					C-IA-7010931-0-0	POWER CABLE	E/M
					C-IA-7010932-0-0	POWER CABLE	E/M
					C-IA-7010933-0-0	POWER CABLE	E/M
					C-IA-7010934-0-0	POWER CABLE	E/M
					C-IA-7010935-0-0	POWER CABLE	E/M
					C-IA-7010936-0-0	POWER CABLE	E/M
					C-IA-7010937-0-0	POWER CABLE	E/M
					C-IA-7010938-0-0	POWER CABLE	E/M
					C-IA-7010939-0-0	POWER CABLE	E/M
					C-IA-7010940-0-0	POWER CABLE	E/M
					C-IA-7010941-0-0	POWER CABLE	E/M
					C-IA-7010942-0-0	POWER CABLE	E/M
					C-IA-7010943-0-0	POWER CABLE	E/M
					C-IA-7010944-0-0	POWER CABLE	E/M
					C-IA-7010945-0-0	POWER CABLE	E/M
					C-IA-7010946-0-0	POWER CABLE	E/M
					C-IA-7010947-0-0	POWER CABLE	E/M
					C-IA-7010948-0-0	POWER CABLE	E/M
					C-IA-7010949-0-0	POWER CABLE	E

FIND NO.	DRAWING NO.	DESCRIPTION	TYPE	FIND NO.	DRAWING NO.	DESCRIPTION	TYPE
55	D-1A-7009772-0-0	SCREEN WELDMENT #1	M		D-CS-W516-0-1	L.V. DETECTOR	E
	C-MD-7411708-0-0	BRACKET SCREEN #1	M		D-CS-W8315-0-1	CONTROL LOGIC	E/M
	C-MD-7411555-0-0	PROTECTION SCREEN #1	M		D-CS-W8317-0-1	INDICATOR DRIVER	E/M
					D-CS-W7030-0-1	POWER SUPPLY	E/M
56	D-1A-7009773-0-0	SCREEN WELDMENT #2	M	59	C-AD-7009632-0-0	WIRED ASSY 853	E/M
	D-MD-7411709-0-0	BRACKET SCREEN #2	M		B-MD-7409755-0-0	MTG BAR CONN BLOCK	M
	D-MD-7411557-0-0	PROTECTION SCREEN #2	M		A-WT-7009632-0	AWT STATUS SHEET	S
57	C-1A-7010818-0-0	CAPACITOR SUPPORT WELDMENT	M	60	C-1A-7010455-0-0	CONN HOUSING ASSY	M
	C-1A-7413132-0-0	PLATE CAP MOUNTING	M		C-1A-7012904-0-0	CONN HOUSING PART 1	M
	C-1A-7413456-0-0	BRACKET CAP MOUNTING	M		C-1A-7012905-0-0	CONN HOUSING PART 2	M
58	E-1A-863-0-0	POWER CONTROLLER 863	E/M	61	E-AD-7012278-0-0	LOGIC ASSY RH20 DTE20	E/M
	A-PL-863-0-0	POWER CONTROLLER 863 (P.L.)	E/M		A-PL-7012278-0-0	LOGIC ASSY RH20 DPE20 (P.L.)	E/M
	E-1A-7412283-0-0	CHASSIS POWER CONTROL	M		D-1A-M8559-0-0	I/O BOX CLOCK DISTRIBUTION	E/M
	E-1A-7412256-0-0	PANEL FRONT	M		B-DD-M8559-0	M8559 DRAWING DIRECTORY	E/M
	D-1A-7412187-0-0	SUPPORT FILTER NO. 1	M				
	D-1A-7411290-0-0	COVER POWER CONTROL	M				
	C-1A-7412113-0-0	CONN BRACKET NO. 1	M				
	E-1A-7412113-0-0	CONN BRACKET NO. 2	M				
	E-DC-7413472-0-0	DECAL 863 PWR CONTROL	M				
	E-1A-7412278-0-0	PANEL SLIDE	M				
	C-MD-7412283-0-0	CONN BRACKET NO. 3	M				
	C-1A-7413005-0-0	PLATE OUTLET 30 AMP	M				
	D-1A-7010732-0-0	HARNESS CAPACITOR	E/M				
	D-1A-7010734-0-0	HARNESS DC NO. 5	E/M	62	E-1A-7009859-0-0	COOLING ASSY	M
	E-1A-7010585-0-0	HARNESS DC NO. 2	E/M		D-1A-7411599-0-0	DOOR RIGHT	M
	E-1A-7010586-0-0	HARNESS DC NO. 1	E/M		D-1A-7411600-0-0	DOOR LEFT	M
	D-1A-7010731-0-0	HARNESS AC NO. 4	E/M		B-1A-7411607-0-0	BRACKET MICROSWITCH	M
	D-1A-7010733-0-0	HARNESS FAULT INDICATOR	E/M		B-MD-7411498-0-0	PLATE COVER	M
	E-1A-7010587-0-0	HARNESS DC NO. 3	E/M		C-MD-7412366-0-0	COVER CABLE	M
	E-1A-7010583-0-0	HARNESS TRANSFORMER AC	E/M				
	D-CS-863-0-1	CIRCUIT SCHEMATIC	E				

CH 61083 2515 4174 1323
 PRE 108A

TYPE: E ELECTRICAL
 M MECHANICAL
 E/M ELECTRO/MECHANICAL

digital

TITLE ARITHMETIC PROCESSOR KL10-E
 SHEET 14 OF 17 B CD NUMBER KL10-E
 PRE MK

FIND NO.	DRAWING NO.	DESCRIPTION	TYPE	FIND NO.	DRAWING NO.	DESCRIPTION	TYPE
				85	A-PL-DB11-A-1 A-M-DB11-A	EUS REPEATER DB11-A DB11-A MASTER LIST	E/M
80	E-UA-MB20-0-0 E-UA-MB20-0-0 B-DD-MB20-0	CORE MEMORY MB20 CORE MEMORY MB20 MB20 DRAWING DIRECTORY	E/M E/M	86	E-UA-MF20-0-0 B-ID-MF20-0 C-PL-MF20-0-0	MOS MEMORY MOS MEMORY MF20 (DRAWING DIRECTORY) MOS MEMORY (PARTS LIST)	E/M E/M E/M
81	D-AD-7009876-0-0 D-MD-7411372-0-0	VAN SWITCH ASSY BRACKET SWITCH	E/M M				
82	D-IA-7012343-0-0 D-MD-7415530-0-0 D-MD-7415623-0-0	DIFFUSER SCREEN ASSY DIFFUSER SCREEN BRKT MTG DIFFUSER	M M M	87	D-UA-DC20-0-0 B-DD-DC20-0 C-PL-DC20-0-0	DC20 COMM EXP SYSTEMS COMMUNICATIONS SYSTEM DC20 (DRAWING DIRECTORY) DC20 COMM EXP SYSTEMS (PARTS LIST)	E/M E/M E/M
83	D-IA-7012685-0-0 D-MD-7417085-0-0 D-MD-7416580-0-0	FINGER GUARD ASSY HOUSING SCREEN	M M M				
84	D-AD-7013838-0-0 D-IA-7418364-0-0	PANEL ASSY INTERFACE PANEL CONNECTOR	M M				

1621 9/10 91-22 70010-1

TYPE: E ELECTRICAL
M MECHANICAL
E/M ELECTRO/MECHANICAL

digital

TITLE ARITHMETIC PROCESSOR
KL10-E

SHEET 17 F 17

SIZE CODE B DD

NUMBER KL10-E

REV F

DRB 108A

MK

"THIS DRAWING AND SPECIFICATIONS, HEREIN, ARE THE PROPERTY OF DIGITAL EQUIPMENT CORPORATION AND SHALL NOT BE REPRODUCED OR COPIED OR USED IN WHOLE OR IN PART AS THE BASIS FOR THE MANUFACTURE OR SALE OF ITEMS WITHOUT WRITTEN PERMISSION."
 © 1977 DIGITAL EQUIPMENT CORPORATION

NOTES:

1. THERE IS AN INTERLOCK ARRANGEMENT IN EFFECT BETWEEN THE STABILIZER ARMS AND THE 11/40 AND PERIPHERALS DRAWER. NEITHER DRAWER WILL SLIDE OUT UNTIL THE STABILIZER ARM ASSOCIATED WITH THAT DRAWER IS FULLY EXTENDED. BOTH STABILIZER ARMS SHOULD BE EXTENDED WHEN EITHER DRAWER IS PULLED OUT IN ORDER TO PROVIDE AN ADDED FACTOR OF STABILITY. (SEE SHEET #4)
 2. IF NO ADDITIONAL OPTIONS ARE PRESENT, THERE WILL BE NO ADDITIONAL UNIBUS CABLE OUT. THE M830 TERMINATOR WILL BE INSTALLED IN SLOT A804 (OR A805) OF THE LAST OPTION ON THE UNIBUS. THE BC11A CABLE ITSELF WILL BE PART OF THE EXPANSION CABINET PACKAGE. (SEE SHEETS #6, 10 & 11)
 3. IF NO SECOND LP20 OPTION IS INSTALLED, THIS SPACE WILL NOT BE USED FOR ANY OTHER OPTION. (SEE SHEET #6)
 4. ALL OPTIONS WILL BE INTERCONNECTED WITH TWO FOOT UNIBUS CABLES (BC11A-B2) INSTEAD OF THE USUAL M820 JUMPER MODULE. THESE CABLES WILL BE FOLDED AND TIE WRAPPED AS SHOWN BELOW: (SEE SHEET #6)
-
5. IF NO SECOND DC20 OPTION IS INSTALLED, THIS SPACE WILL NOT BE USED FOR ANY OTHER OPTION. UNIBUS CONNECTIONS BETWEEN THE FIRST D811 AND THE LP20 WILL BE MADE BY USING AN UNFOLDED, UNTIE-WRAPPED BC11A-B2. (SEE SHEET #6)
 6. NO CURRENT LOOP OR INTEGRAL MODEM CAPABILITY PROVIDED IN BASIC PACKAGE. (SEE SHEET #6)
 7. SEE DETAIL DRAWINGS ON SHEETS 9, 10, 11 AND 12 FOR CABLE ROUTING AND FOLDING INFORMATION.
 8. TO INSTALL BC00S CABLES ON M8006 IN SLOT A807, REMOVE M7021 IN SLOT A807, FOLD CABLES AS SHOWN IN DETAIL "C", INSERT IN J1 AND J2, RESPECTIVELY, WITH SHIELD SIDE AGAINST BOARD, AFTER FIRST HAVING RUN CABLES DOWN FROM THE CABLE TROUGH THRU THE MODULES, AND REINSERT ALL MODULES. (SEE SHEET #9)
 9. TO INSTALL CABLES ON M7007 IN SLOT C0E01 AND M7008 IN SLOT C0E02, REMOVE M7021 IN SLOT A82 AND M7006 IN SLOT B02, FOLD CABLES AS SHOWN IN DETAIL "C", INSERT IN J1 AND J2 OF BOTH BOARDS, RESPECTIVELY, WITH WIRE SIDE AGAINST BOARD, AFTER FIRST HAVING RUN CABLES DOWN FROM THE CABLE TROUGH THRU THE MODULES, AND REINSERT ALL MODULES. (SEE SHEET #9)
 10. LEAVE SUFFICIENT SERVICE LOOP SO THAT DRAWER CAN BE PULLED ALL THE WAY OUT WITHOUT CREATING TENSION ON THE CABLES. TIE WRAP CABLE BUNDLE AS REQUIRED. (SEE SHEETS 5 & 10)
 11. THE CONTROLLER FOR THE RX01 (M7046) IS LOCATED IN SLOT C0E03 OF D011-B IN THE 11/40 DRAWER. (SEE SHEET #10)
 12. INSTALL ITEM #83 (VINYL FOAM TAPE) BETWEEN UNIBUS AND OTHER CABLES WHERE UNIBUS GOES THRU CABLE CLAMPS. ALSO INSTALL ON UNIBUS CABLES THAT GO BETWEEN CABINETS, AND ON THE RIGHT HAND SIDE OF THE FRONT PANEL ASSEMBLY WHERE UNIBUS AND COMMUNICATION CABLES ARE RUN.

13. DC20-AA WILL CONTAIN ONLY THE TWO BC00R AND ONE BC00S CABLES IN SLOTS J16, J17, AND J18. DC20-AD WILL CONTAIN ALL FOUR BC00R AND TWO BC00S CABLES IN SLOTS J16, J17, J18, J19, J20, AND J21 AS SHOWN. A DC20-DA UPGRADE KIT WILL INCLUDE TWO BC00R AND ONE BC00S CABLES FOR USE IN SLOTS J19, J20 AND J21 IF THE USER DESIRES TO UPGRADE FROM A DC20-AA TO /-AD. (SEE SHEET #11)
14. THE BC00R-10 LP20 CABLE IS PART OF THE LP20 PACKAGE. ONE END WILL CONNECT TO THE BERG CONNECTOR (J1) ON THE M8507 MODULE IN SLOT ABCDEF03 OF THE LP20 OPTION (R18 (WIRE) SIDE TOWARD MODULE, RED LINE AWAY FROM HANDLE). THE OTHER END WILL CONNECT TO THE CENTER SLOT OF THE RECEPTACLE HOUSING ASSEMBLY (ITEM #81) MOUNTED IN THE CONNECTOR PANEL (ITEM #80) (RED LINE UP). THERE IS ONE CONNECTOR FOR EACH DEVICE MARKED "LP20 #1" AND "LP20 #2", RESPECTIVELY. A SEPARATELY FORECAST AND SUPPLIED 7011426-XX CABLE IS REQUIRED TO CONNECT THE LINE PRINTER ITSELF WITH THE OTHER SIDE OF THE RECEPTACLE HOUSING ASSEMBLY (ITEM #81). FOUR LENGTHS OF CABLE ARE AVAILABLE AS STANDARD ITEMS, 25 FT. (XX-25), 50 FT. (XX-50), 75 FT. (XX-75), AND 100 FT. (XX-100). (SEE SHEETS 3, 10 & 11)
15. ALL BC00S AND BC00M CABLES, MODEMS AND TERMINALS MUST BE SEPARATELY FORECASTED AND SUPPLIED WHEN REQUIRED. (SEE SHEET #12)
16. "XX" IS TYPICALLY 25 FT. FOR THE BC00S CABLE. CONDITIONS STATED IN EIA SPECIFICATION RS-232-C MUST BE ADHERED TO REGARDLESS OF CABLE LENGTH. (SEE SHEET #12)
17. ACCEPTABLE CUSTOMER EQUIVALENT CABLE FOR GUARANTEED OPERATION IS BELDON 8777. (SEE SHEET #12)
18. IF DATA RATE IS 2400 BAUD OR LESS, "XX" MAY BE ANY LENGTH UP TO 1000 FT. IF DATA RATE IS GREATER THAN 2400 BAUD, "XX" MUST NOT EXCEED 250 FT. IF TWO CABLES ARE USED TOGETHER (I.E., BC00M & BC00S), THEIR COMBINED LENGTH MUST NOT EXCEED 1000 FT. OR 250 FT., RESPECTIVELY. THE MAXIMUM DATA RATE OF ANY LINE IS 9600 BAUD. CONDITIONS STATED IN EIA SPECIFICATION RS-423 MUST BE ADHERED TO REGARDLESS OF CABLE LENGTH. (SEE SHEET #12)
19. AFFIX LP20 DECAL (ITEM #86) TO CONNECTOR PANEL (ITEM #80) DIRECTLY ABOVE THE TWO RECEPTACLE HOUSING ASSEMBLIES (ITEM #81) IN SUCH A MANNER THAT THE APPROPRIATE TEXT APPEARS OVER EACH CONNECTOR. (SEE SHEET #3)
20. THE H317-B DISTRIBUTION PANEL PROVIDES FOR SEVERAL JUMPER SELECTIONS (SEE SHEET 13). THE DATA TERMINAL READY (DTR) AND REQUEST TO SEND (RTS) LEADS ARE NORMALLY STRAPPED TO A POSITIVE ON VOLTAGE. THIS STRAPPING MUST BE REMOVED FOR LINES THAT USE A FULL MODEM CONTROL ARRANGEMENT IN WHICH THE MODEM CONTROL SIGNALS ARE COMBINED WITH THE DATA SIGNALS ON THE DISTRIBUTION PANEL. THE STRAPPING MUST REMAIN IN FOR LINES WHICH USE ONLY THE DATA SIGNALS.
21. BC00S CABLES ARE SOMETIMES NEITHER MARKED NOR KEVED AND IF THEY ARE IMPROPERLY INSTALLED, THEY CAN CAUSE DAMAGE TO THE EQUIPMENT. ON THE H317-B DISTRIBUTION PANEL, THE R18 (WIRE) SIDE OF THE CABLE MUST BE AWAY FROM THE PANEL MODULE. ON THE M8006 IN THE D811, THE SMOOTH (SHIELD) SIDE OF THE CABLE MUST BE AWAY FROM THE MODULE. (SEE DETAIL "J" ON SHEET 9). THIS METHOD SHOULD BE USED ONLY IF BERG CONNECTORS ON THE BC00S CABLES ARE NEITHER UNMARKED NOR KEVED. IF THE CABLES ARE MARKED OR KEVED, THEY CAN BE INSTALLED AS SHOWN IN DETAIL "C" ON SHEET 9 OR DETAIL "H" ON SHEET 11.

22. FOLDING PROCEDURE FOR CABLES SHOWN ON SHEET 9, IN DETAIL D (16 LINES):
 - A. ARRANGE CABLES AS SHOWN IN DETAIL "C" (SHEET 9).
 - B. BEGIN BY FOLDING J21 AS SHOWN IN DETAIL "D" (SEE TYPICAL FOLD)
 - C. FOLD J19 SAME AS J21
 - D. INSERT FOLD CREATED BY J19 INTO POCKET OF FOLD CREATED BY J21
 - E. RUN J18, J16, AND J17 THROUGH POCKET CREATED BY FOLD OF J19 AND J21
 - F. FOLD J18 ONE INCH FROM LAST FOLD AS SHOWN IN DETAIL "D". RUN J18 THROUGH POCKET OF FOLD CREATED BY J18
 - G. FOLD J16 ONE INCH FROM LAST FOLD AS SHOWN IN DETAIL "D"
 - H. TIE WRAP EVERY THREE INCHES OR AS NEEDED
23. FOLDING PROCEDURE FOR CABLES SHOWN ON SHEET 9, IN DETAIL "D" (8 LINES):
 - A. ARRANGE J17, J16, J18 AS SHOWN IN DETAIL "C" (SEE TYPICAL FOLD).
 - B. BEGIN FOLDING J18 AS SHOWN IN DETAIL "D". RUN J18 THROUGH POCKET OF FOLD CREATED BY J18.
 - C. FOLD J16 ONE INCH FROM LAST FOLD AS SHOWN IN DETAIL "D".
 - D. TIE WRAP EVERY THREE INCHES OR AS NEEDED.
24. REAR DOORS (ITEMS #9 & 74) ARE PLACED OVER SLIP HINGES (ITEMS #111 & 104). (SEE SHEET #16)
25. KEY SWITCH IS TO BE LEFT IN UNLOCKED POSITION. (SEE SHEET #3)
26. POINT 65 & 66 OF FAULT HARNESS (ITEM #28) CRIMPS TOGETHER TO POINTS 130 & 129 OF I/O DC HARNESS (ITEM #102) WITH CONTACT PIN (ITEM #130) AND IS INSERTED INTO CPU VANE SWITCH ASSY J1. CRIMPING POINT 65 AND 130 INSERT INTO J1-3; POINT 66 AND 129 INSERT INTO J1-1.
27. FOR LOWEST ACCEPTABLE REVISION LEVEL OF ELEMENTS OF CONSOLE PROCESSOR (ITEMS #11 & 12) ASSEMBLY SEE: D-UA-7011410-0-0.
28. REMOVE (2) 1/4-20 STUDS FROM EACH OF THE THREE CABINETS, (ONE IN EACH BOTTOM MEMBER), BEFORE EQUIPMENT IS MOUNTED. REFERENCE SHEET 20, AREA C-6 FOR LOCATION.
29. INSTALL WIRE GROUND STRAP, ITEM 213 TO THE WELDED INSERT ON 11/40 AND PERIPHERAL DRAWER. DRESS WIRE GROUND STRAP ALONG FLEXIBLE CABLE GUIDE AND SECURE AT FRONT INSIDE CABINET FRAME WITH ITEMS NO. 71, 72 & 131. INSURE THAT EXTERNAL TOOTH STAP WASHER IS INSTALLED BETWEEN FRAME SURFACE AND GROUND LUG. (SEE SHEET 4 "REAR VIEW")
30. INSURE THAT EXTERNAL TOOTH STAR WASHER IS INSTALLED BETWEEN FRAME SURFACE AND GROUND LUG. REFERENCE DEC STANDARD WORKMANSHIP #116 FOR PROPER SCREW TORQUING ON ALL GROUND STRAPS.
31. INSURE THAT REFERENCED POINTS ARE TORQUED TO THE FOLLOWING NOMINAL VALUES:
 - 1/4-20 THD 50 IN-LB
 - 1/4-20 THD 72 IN-LB
 - 5/16-18 THD 132 IN-LB
32. ~~INSTALL KIT PER ITEM 217 WHEN I.E.C. 435 EQUIPMENTS MUST BE MET~~
33. INSTALL ITEM #224 TO ALL CABINETS PRIOR TO BOLTING CABINETS TOGETHER
34. "P2" OF THE DB11-A BUS REPEATER IS NOT TO BE PLUGGED IN.

35. INSTALL CSA LOCKING KIT (ITEM 233) PER D AD-7015507-0-C
36. SHOULD FAN (ITEM 41) VIA INSTALLING EXTERNAL TOOTH LOCKWASHER (ITEM 214) BETWEEN THE FRONT FAN FINGERGUARD (ITEM 101) AND THE FAN MOUNTING PLATE (ITEM 105). MAKE THIS CONNECTION AT THE LOWER FAN/FINGER GUARD MOUNTING HOLE.
37. IN THE I/O AND M820(S) CAB. CASE ASSY., THERE WILL BE AN ASSORTMENT OF MODULE SIMULATORS (P/N 7420793) PRESENT. THESE ARE NEEDED ONLY FOR CERTAIN MODULE CONFIGURATIONS. IF ADDITIONAL I/O OR MEMORY MODULES ARE NEEDED, THE RULE TO FOLLOW IS:
 1. LEAVE THE SIMULATORS IN PLACE WHEREVER POSSIBLE.
 2. REMOVE SIMULATORS ONLY WHEN THEY OBSTRUCT A MODULE TO BE INSERTED.
 3. ALWAYS LEAVE ONE EMPTY SLOT ON EACH SIDE OF A MODULE GROUPING TO ALLOW AIR FLOW ACROSS ALL MODULES.
38. MEMORY AS ASSOCIATED WITH KLI0-E VARIATIONS IS INDICATED IN THE FOLLOWING TABLE:

VARIATION	MEMORY	ITEM NO.	TYPE
KLI0-EA	MB20-GA	140	CORE
	MB20-GC	210	CORE
KLI0-EC	MB20-E	243	CORE
	MB20-GB	141	CORE
KLI0-EB	MB20-GD	211	CORE
	MB20-E	243	CORE
KLI0-EE	MF20-LA	244	MOS
KLI0-EH	MF20-LB	245	MOS
KLI0-EF			
KLI0-EJ			

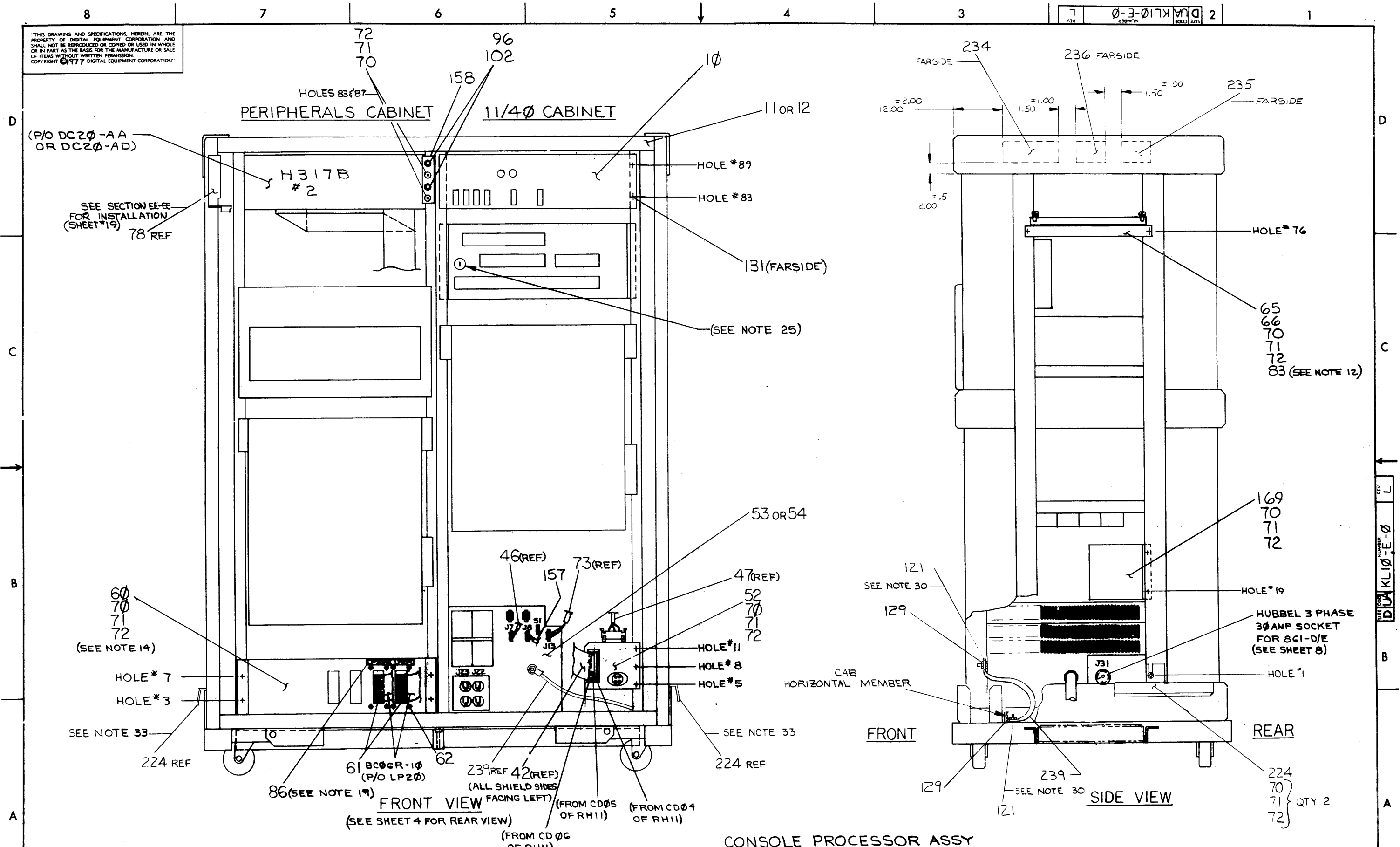
FOR INFORMATION PERTAINING TO ITEM 140, 141, 210, 211, OR 243 REFER TO E-UA-MB20-0-0. FOR INFORMATION PERTAINING TO ITEM 244 OR 245, REFER TO E-UA-MF20-0-0.

REVISIONS		
CHK	CHANGE NO	REV

TITLE	SIZE CODE	NUMBER	REV.
ARITHMETIC PROCESSOR DUA KLI0-E-0			L
SCALE	SHEET 2 OF 36	DIST.	

"THIS DRAWING AND SPECIFICATIONS, HEREIN, ARE THE PROPERTY OF DIGITAL EQUIPMENT CORPORATION AND SHALL NOT BE REPRODUCED OR COPIED OR USED IN WHOLE OR IN PART AS THE BASIS FOR THE MANUFACTURE OR SALE OF ITEMS WITHOUT WRITTEN PERMISSION. COPYRIGHT © 1977 DIGITAL EQUIPMENT CORPORATION"

7 138 0-3-017K10 2



(P/O DC20-AA OR DC20-AD)

SEE SECTION EE-EE FOR INSTALLATION (SHEET #19) 78 REF

PERIPHERALS CABINET

1 1/4" CABINET

H317B #2

00

HOLE #89

HOLE #83

131 (FARSIDE)

(SEE NOTE 25)

53 OR 54

46 (REF) 157 73 (REF)

47 (REF)

52

70

71

72

HOLE #11

HOLE #8

HOLE #5

SEE NOTE 33

224 REF

61 BC0CR-10 (P/O LP20) 62

86 (SEE NOTE 19) FRONT VIEW (SEE SHEET 4 FOR REAR VIEW)

239 REF 42 (REF) (ALL SHIELD SIDES FACING LEFT)

(FROM CD05 OF RH11)

(FROM CD04 OF RH11)

(FROM CD06 OF RH11)

CONSOLE PROCESSOR ASSY

234 FARSIDE

236 FARSIDE

235 FARSIDE

12.00 ±2.00

1.50 ±1.00

1.50 ±.00

±1.5 2.00

HOLE #76

65 66 70 71 72 83 (SEE NOTE 12)

169 70 71 72

HOLE #19

HUBBEL 3 PHASE 30 AMP SOCKET FOR 861-D/E (SEE SHEET 8)

HOLE #1

121 SEE NOTE 30

129

CAB HORIZONTAL MEMBER

FRONT

REAR

SIDE VIEW

129

121

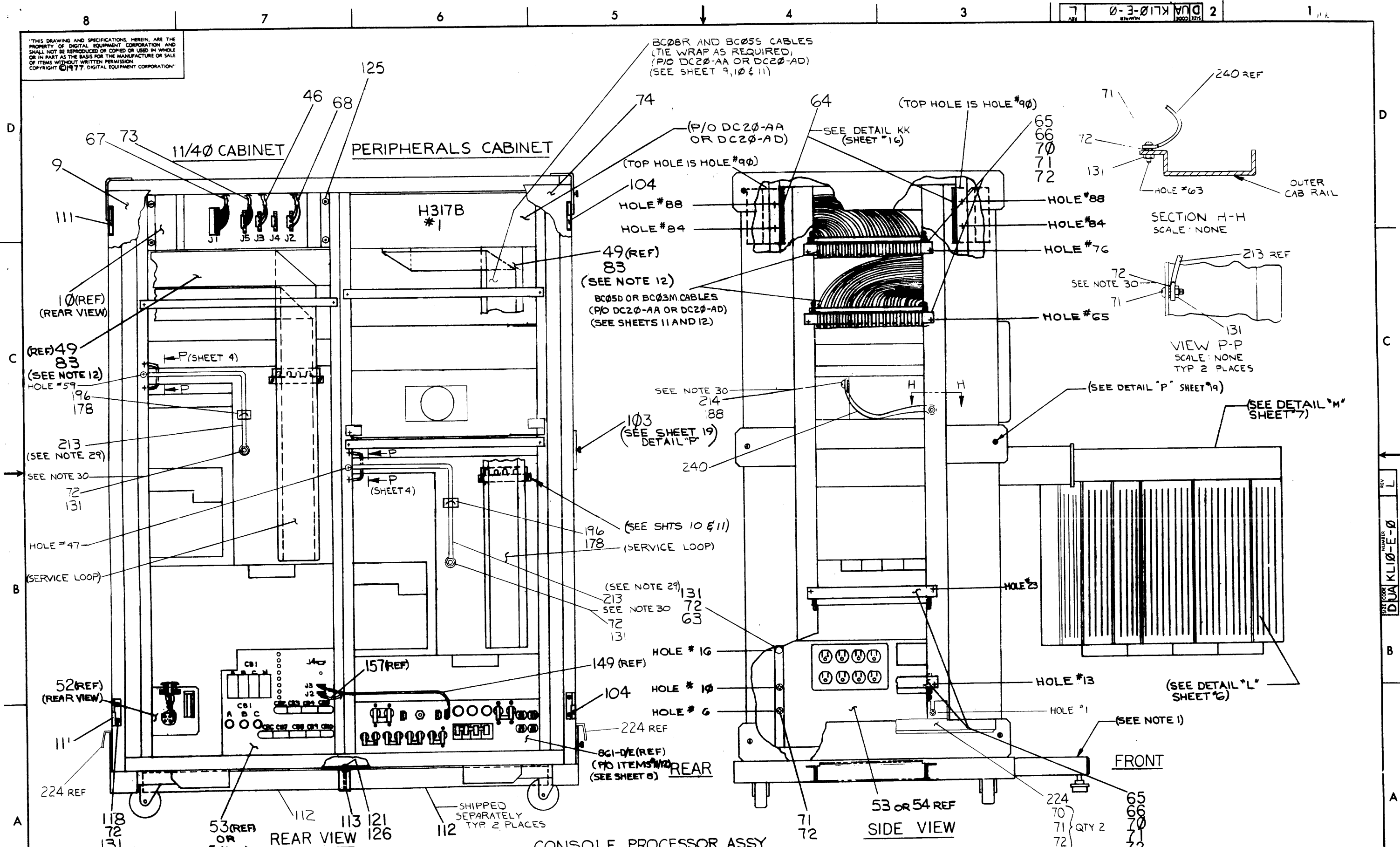
239 SEE NOTE 30

224 70 71 72 QTY 2

REVISIONS		
CHK	CHANGE NO	REV

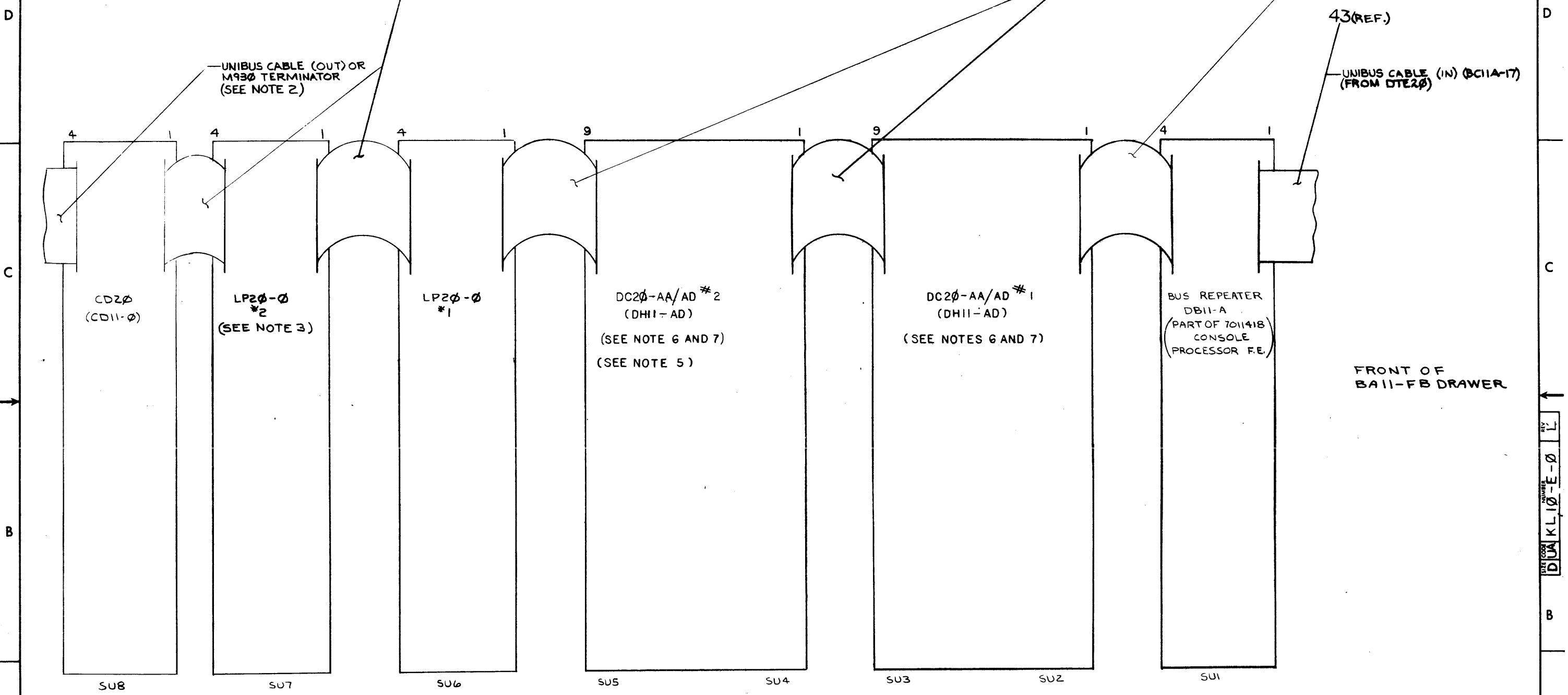
TITLE	ARITHMETIC PROCESSOR	SIZE CODE	DUA KLI0-E-0	NUMBER	2	REV.	L
SCALE	1/4"	SHEET	3 OF 36	DIST.			

"THIS DRAWING AND SPECIFICATIONS, HEREIN, ARE THE PROPERTY OF DIGITAL EQUIPMENT CORPORATION AND SHALL NOT BE REPRODUCED OR COPIED OR USED IN WHOLE OR IN PART AS THE BASIS FOR THE MANUFACTURE OR SALE OF ITEMS WITHOUT WRITTEN PERMISSION. COPYRIGHT © 1977, DIGITAL EQUIPMENT CORPORATION"



"THIS DRAWING AND SPECIFICATIONS HEREIN ARE THE PROPERTY OF DIGITAL EQUIPMENT CORPORATION AND SHALL NOT BE REPRODUCED OR COPIED OR USED IN WHOLE OR IN PART AS THE BASIS FOR THE MANUFACTURE OR SALE OF ITEMS WITHOUT WRITTEN PERMISSION. COPYRIGHT © 1977 DIGITAL EQUIPMENT CORPORATION"

REV L
DUA KL10-E-0 2

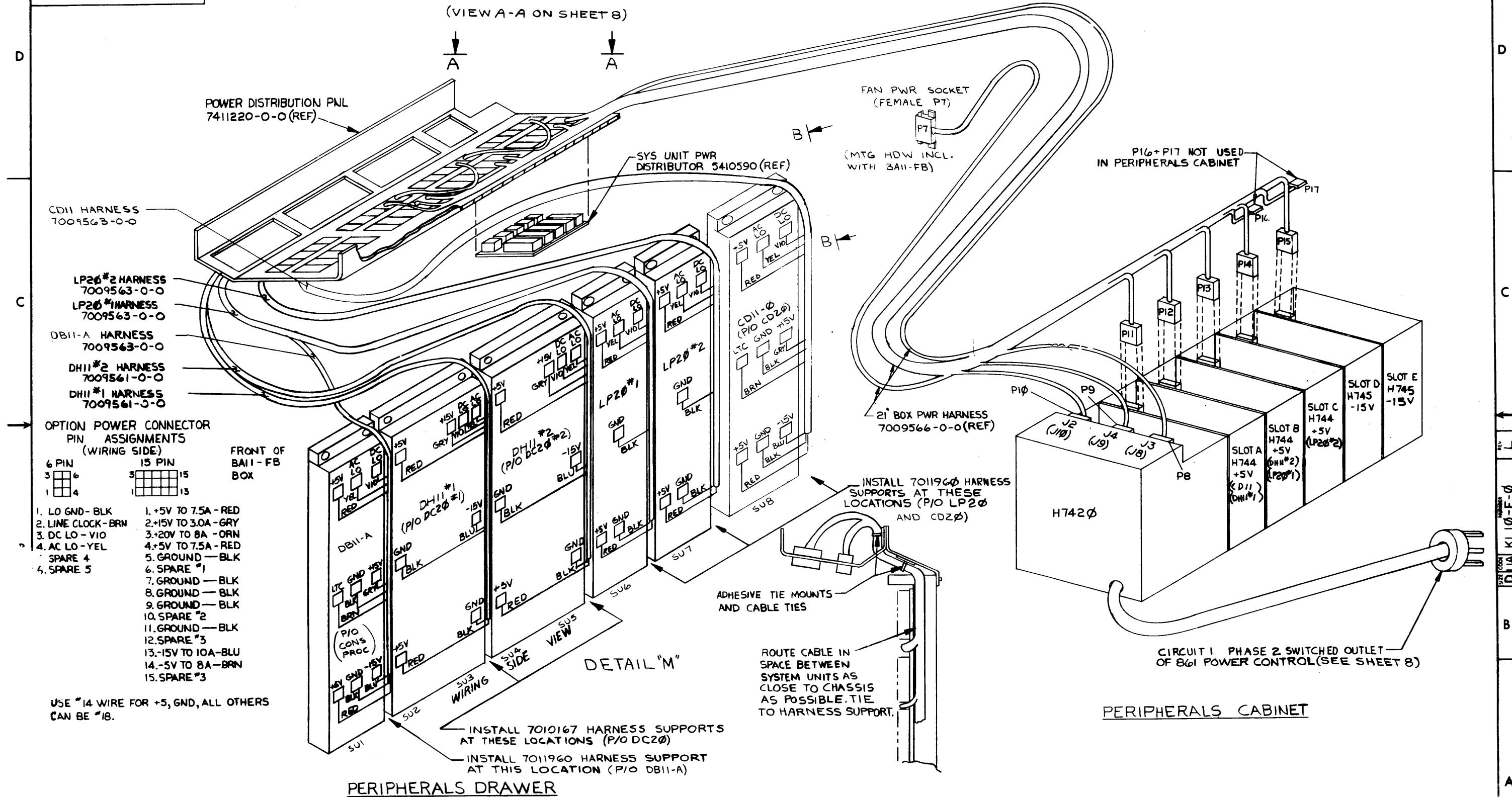


DETAIL "L"
(MODULE SIDE VIEW)
PERIPHERALS DRAWER
(REFERENCE ONLY FOR SYSTEM INTEGRATION)

REVISIONS	
CHANGE NO	REV

TITLE	SIZE CODE	NUMBER	REV
ARITHMETIC PROCESSOR	DUA	KL10-E-0	L
SCALE	SHEET	DIST.	
	6 OF 36		

"THIS DRAWING AND SPECIFICATIONS, HEREIN, ARE THE PROPERTY OF DIGITAL EQUIPMENT CORPORATION AND SHALL NOT BE REPRODUCED OR COPIED OR USED IN WHOLE OR IN PART AS THE BASIS FOR THE MANUFACTURE OR SALE OF ITEMS WITHOUT WRITTEN PERMISSION. COPYRIGHT © 1977 DIGITAL EQUIPMENT CORPORATION"



OPTION POWER CONNECTOR PIN ASSIGNMENTS (WIRING SIDE)

6 PIN	15 PIN
3 6	3 15
1 4	11 13

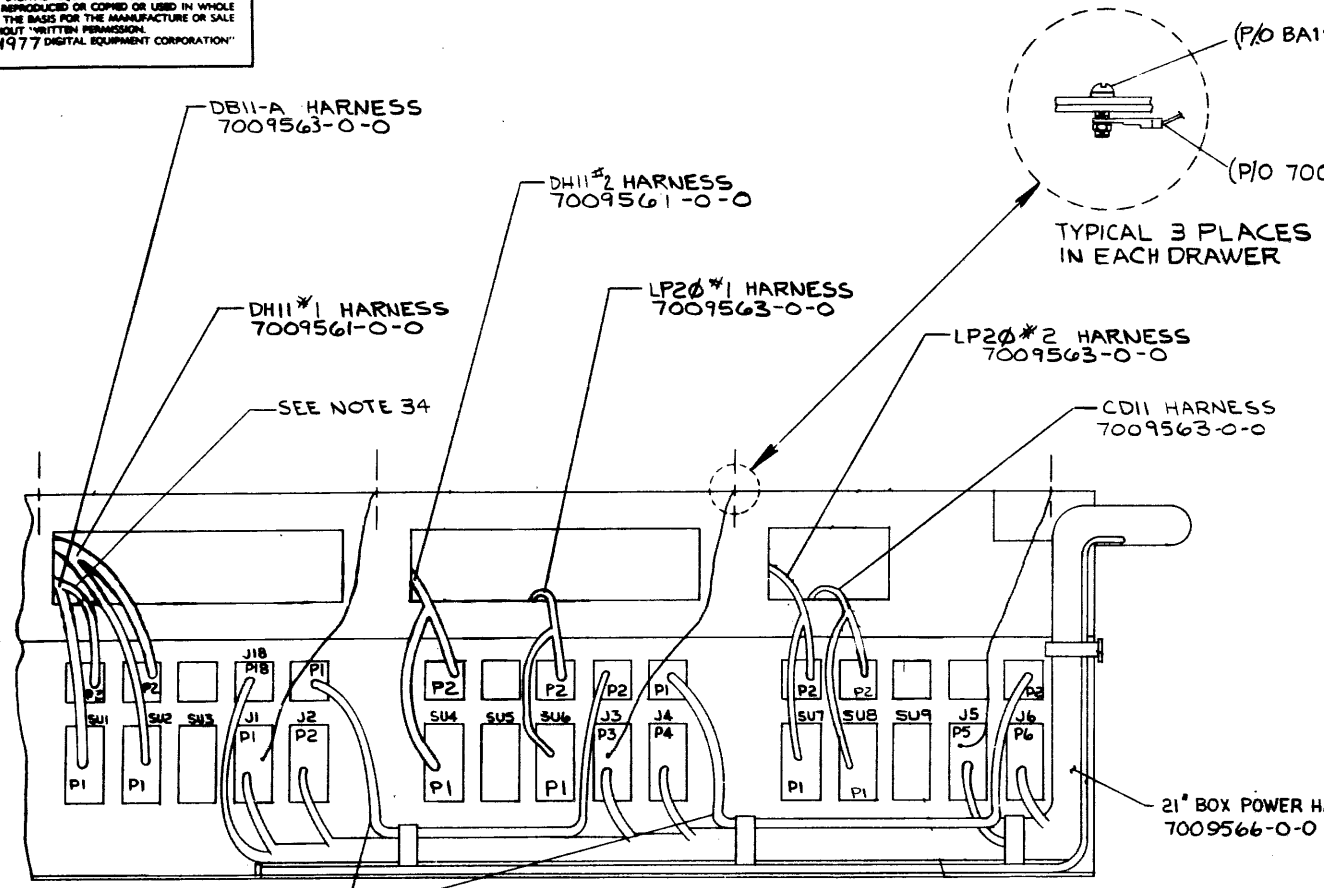
1. LO GND - BLK
2. LINE CLOCK - BRN
3. DC LO - VIO
4. AC LO - YEL
5. SPARE 4
6. SPARE 5
7. GROUND - BLK
8. GROUND - BLK
9. GROUND - BLK
10. SPARE #2
11. GROUND - BLK
12. SPARE #3
13. -15V TO 10A - BLU
14. -5V TO 8A - BRN
15. SPARE #3

USE #14 WIRE FOR +5, GND, ALL OTHERS CAN BE #18.

REVISIONS		
CHK	CHANGE NO	REV

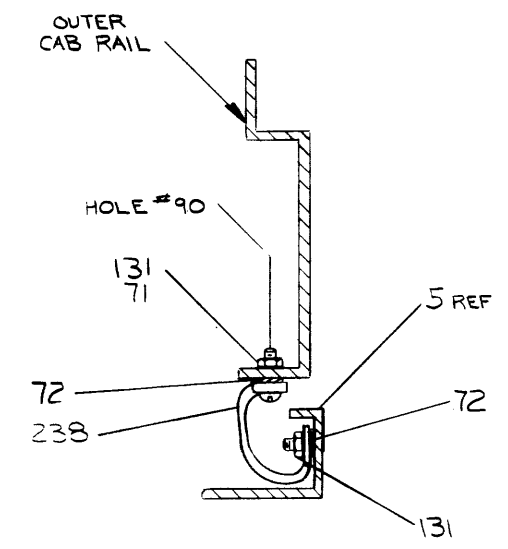
TITLE	ARITHMETIC PROCESSOR	SIZE CODE	DUA	NUMBER	KL10-E-0	REV.	L
SCALE	1/8"	SHEET	7	OF	36	DIST.	

"THIS DRAWING AND SPECIFICATIONS, HEREIN, ARE THE PROPERTY OF DIGITAL EQUIPMENT CORPORATION AND SHALL NOT BE REPRODUCED OR COPIED OR USED IN WHOLE OR IN PART AS THE BASIS FOR THE MANUFACTURE OR SALE OF ITEMS WITHOUT WRITTEN PERMISSION. COPYRIGHT © 1977 DIGITAL EQUIPMENT CORPORATION"

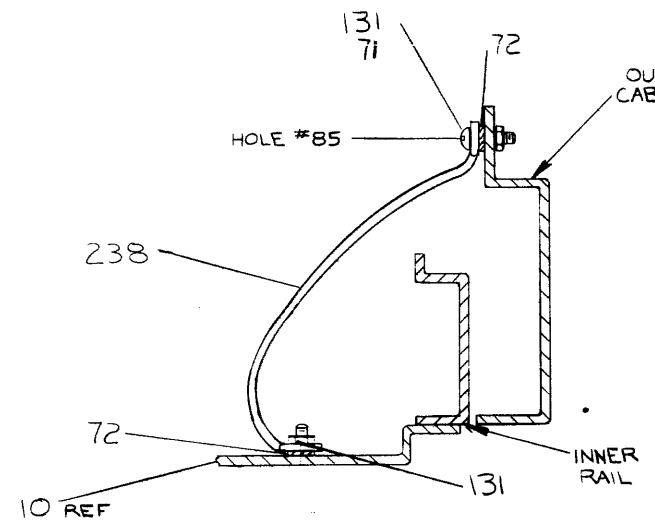


VIEW A-A

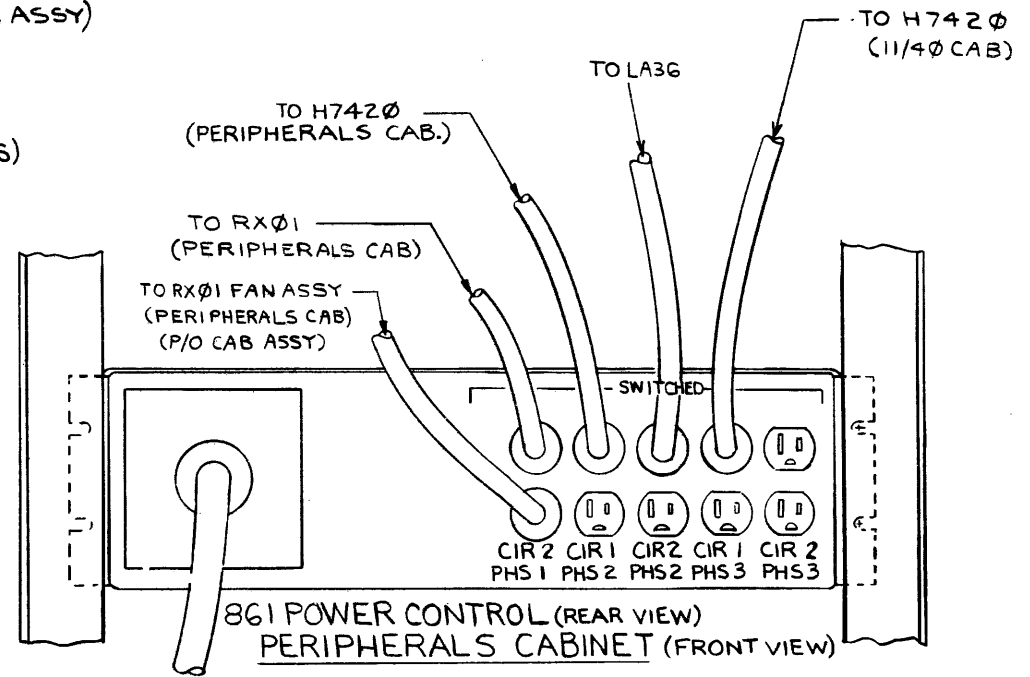
PERIPHERALS DRAWER



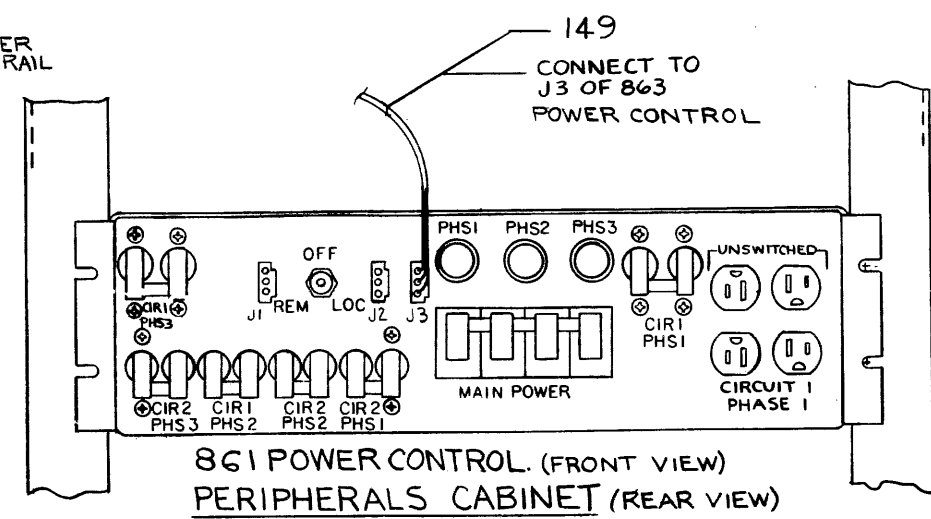
SECTION F-F
 SCALE: NONE
 (SEE NOTE 30)
 TWO PLACES



SECTION C-C
 SCALE: NONE
 (SEE NOTE #30)



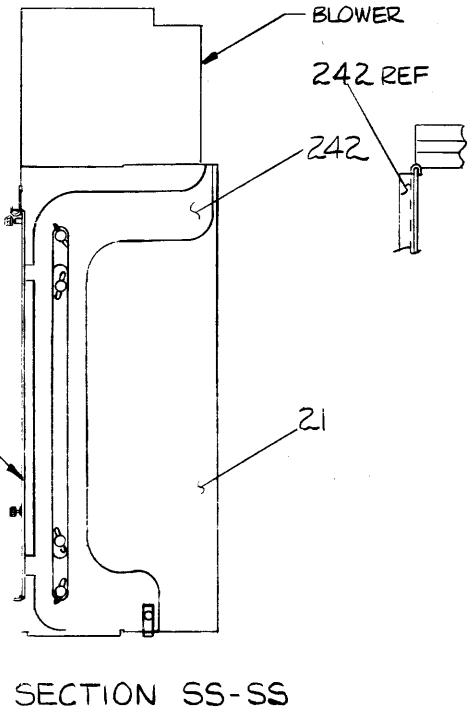
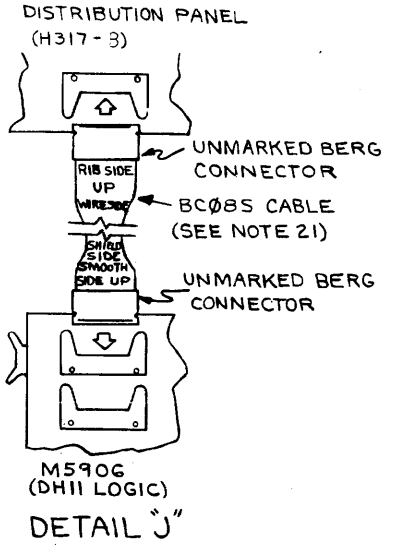
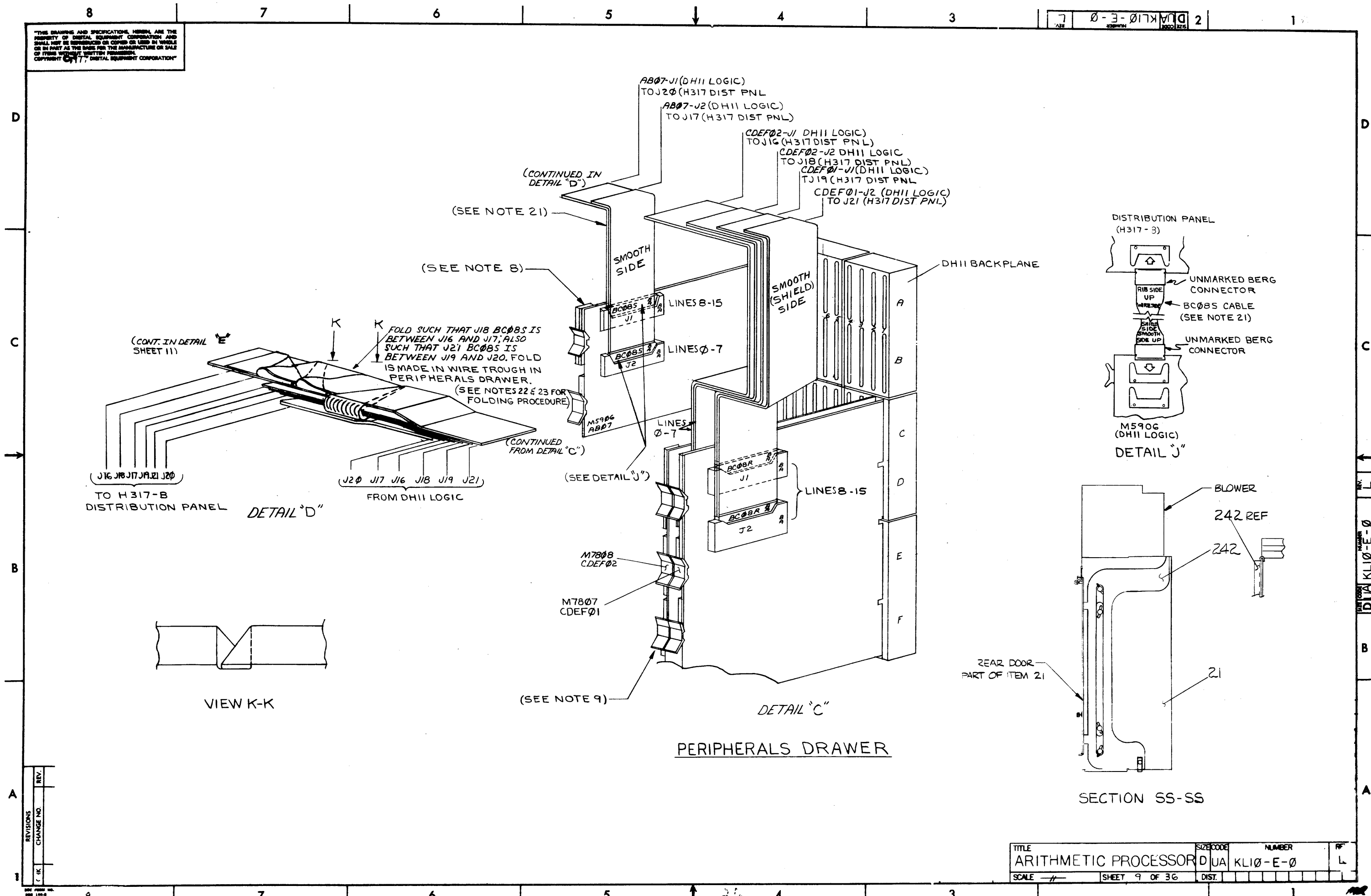
HUBBEL TWIST-LOCK
 3PHASE 3Ø AMP
 (TO HUBBEL 3 PHASE
 3Ø AMP SKT. IN 863PC)
 (SEE J31 ON SHEET 3)



REVISIONS		
CHK	CHANGE NO	REV

TITLE	SIZE CODE	NUMBER	REV.
ARITHMETIC PROCESSOR	DUA	KL10-E-0	L
SCALE	SHEET	OF	DIST.
	8	36	

THE DRAWING AND SPECIFICATIONS HEREIN ARE THE PROPERTY OF DIGITAL EQUIPMENT CORPORATION AND SHALL NOT BE REPRODUCED OR COPIED OR USED IN WHOLE OR IN PART AS THE BASIS FOR THE MANUFACTURE OR SALE OF ITEMS WITHOUT WRITTEN PERMISSION. COPYRIGHT © 1971, DIGITAL EQUIPMENT CORPORATION



REV.	NO.	DATE

TITLE	SIZE CODE	NUMBER	REV.
ARITHMETIC PROCESSOR	DUA	KL10-E-0	L
SCALE	SHEET 9 OF 36	DIST.	

8

7

6

5

4

3

7 0-3-017X 2

1

THIS DRAWING AND SPECIFICATIONS HEREIN ARE THE PROPERTY OF DIGITAL EQUIPMENT CORPORATION AND SHALL NOT BE REPRODUCED OR COPIED OR USED IN WHOLE OR IN PART AS THE BASIS FOR THE MANUFACTURE OR SALE OF ITEMS WITHOUT WRITTEN PERMISSION. COPYRIGHT © 1977 DIGITAL EQUIPMENT CORPORATION

D

D

C

C

B

B

A

A

BC05L-15 (FROM RX11-M7846)
(SEE NOTE 11)

(SEE DETAILS E, F AND H, SHEET *11)

BC06R-10 CABLE
TO LP20 CABLE
CONVERSION
PLATE ASSY
CONNECTOR #1
(P/O ITEM 0181)

BC06R-10 CABLE
TO LP20 CABLE
CONVERSION
PLATE ASSY
CONNECTOR #2
(P/O ITEM 20)
(SEE NOTE 14)

UNIBUS (OUT)
(SEE NOTE 2)

(7008764 CABLE)
TO CR04 CARD
READER (P/O
CD20)

UNIBUS (IN) (BC11A-17)
(FROM DTE20 SLOT HJ06
IN BAY 2)

BC05L-15 CABLE
(TO RX01-M7726)
(P/O RX11-BA/BD)

43

UNIBUS (IN) (BC11A-17)
(TO CD11 SLOT AB01)

(SEE SHEET 9)

J16 (DH11*1 CDEF02-J1)
J18 (DH11*1 CDEF02-J2) } LINES
J17 (DH11*1 AB07-J2) } 0-7

J19 (DH11*1 CDEF01-J1)
J21 (DH11*1 CDEF01-J2) } LINES
J20 (DH11*1 AB07-J1) } 8-15

J16 (DH11*2 CDEF02-J1)
J18 (DH11*2 CDEF02-J2)

J17 (DH11*2 AB07-J2)
J19 (DH11*2 CDEF01-J1)

J21 (DH11*2 CDEF01-J2)
J20 (DH11*2 AB07-J1)

LP20 #1 (ABCDEF03)

LP20 #2 (ABCDEF03)

UNIBUS (OUT)
(SEE NOTE 2)

(SEE NOTE 10)

M957-YC (P/O 7008764)
CONNECT TO SLOT B02
OF CD11 CONTROLLER
(P/O CD20)

(SEE DETAILS C AND D SHEET 9)

PERIPHERALS CABINET

REVISIONS		
CHK	CHANGE NO	REV

TITLE	SIZE CODE	NUMBER	REV.
ARITHMETIC PROCESSOR	DUA	KLI0-E-0	L
SCALE	SHEET 10 OF 30	DIST.	

8

7

6

5

4

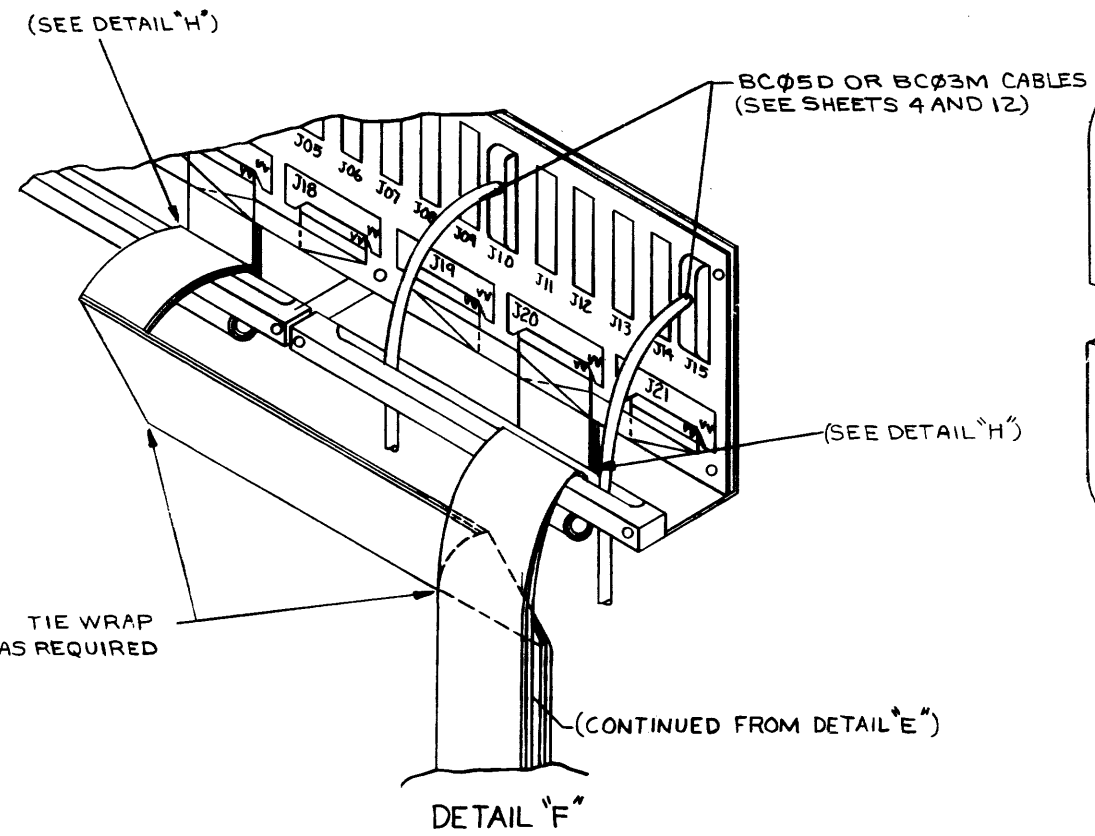
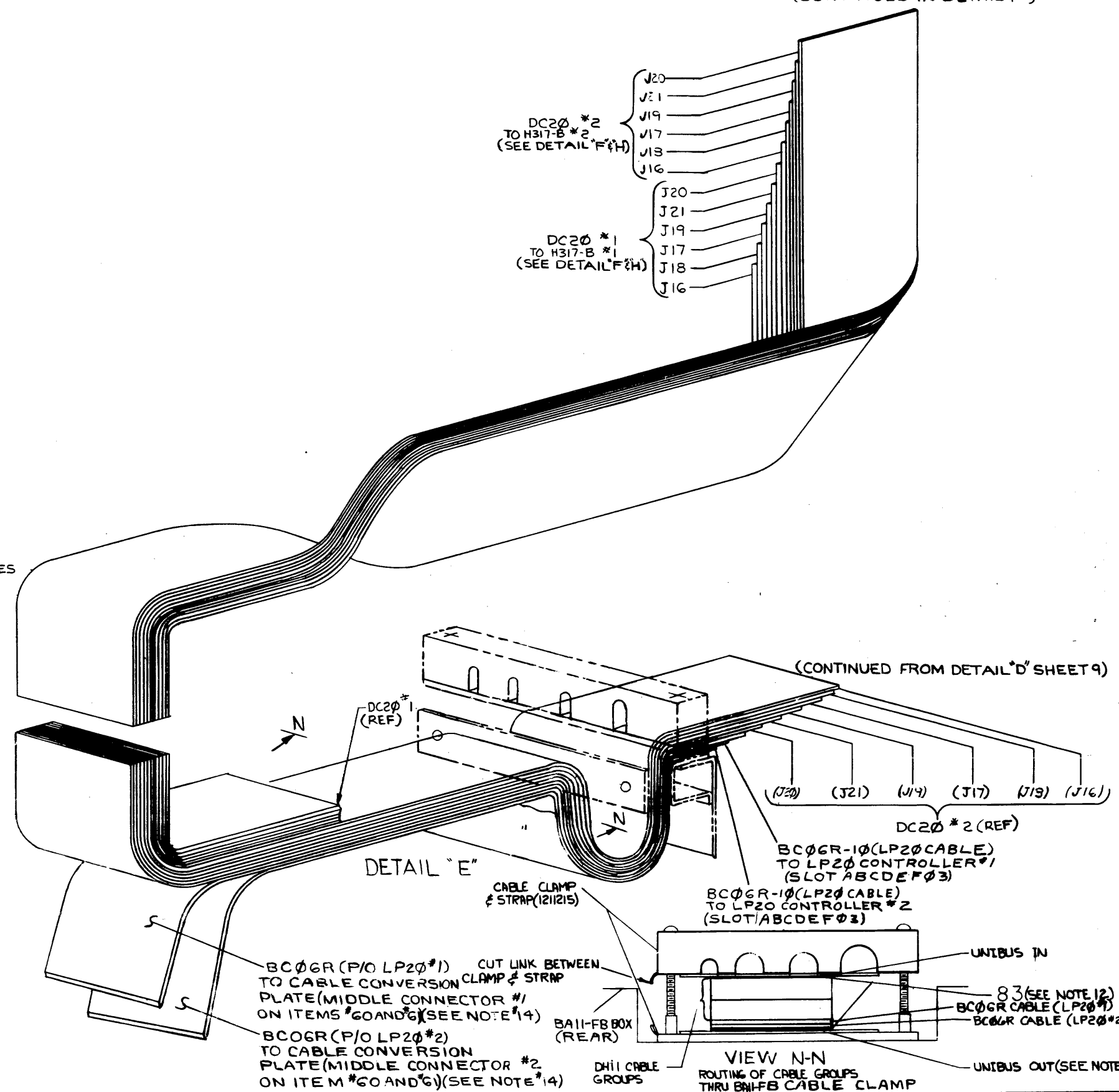
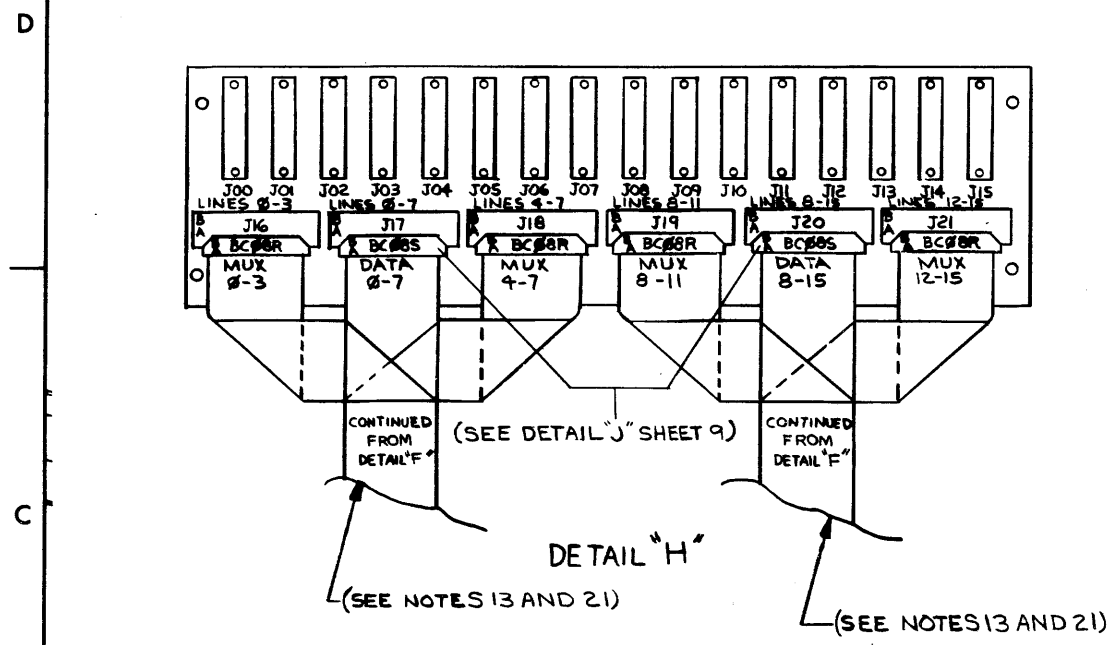
3

2

1

"THIS DRAWING AND SPECIFICATIONS, HEREIN, ARE THE PROPERTY OF DIGITAL EQUIPMENT CORPORATION AND SHALL NOT BE REPRODUCED OR COPIED OR USED IN WHOLE OR IN PART AS THE BASIS FOR THE MANUFACTURE OR SALE OF ITEMS WITHOUT WRITTEN PERMISSION. COPYRIGHT © 1977 DIGITAL EQUIPMENT CORPORATION"

(CONTINUED IN DETAIL "F")

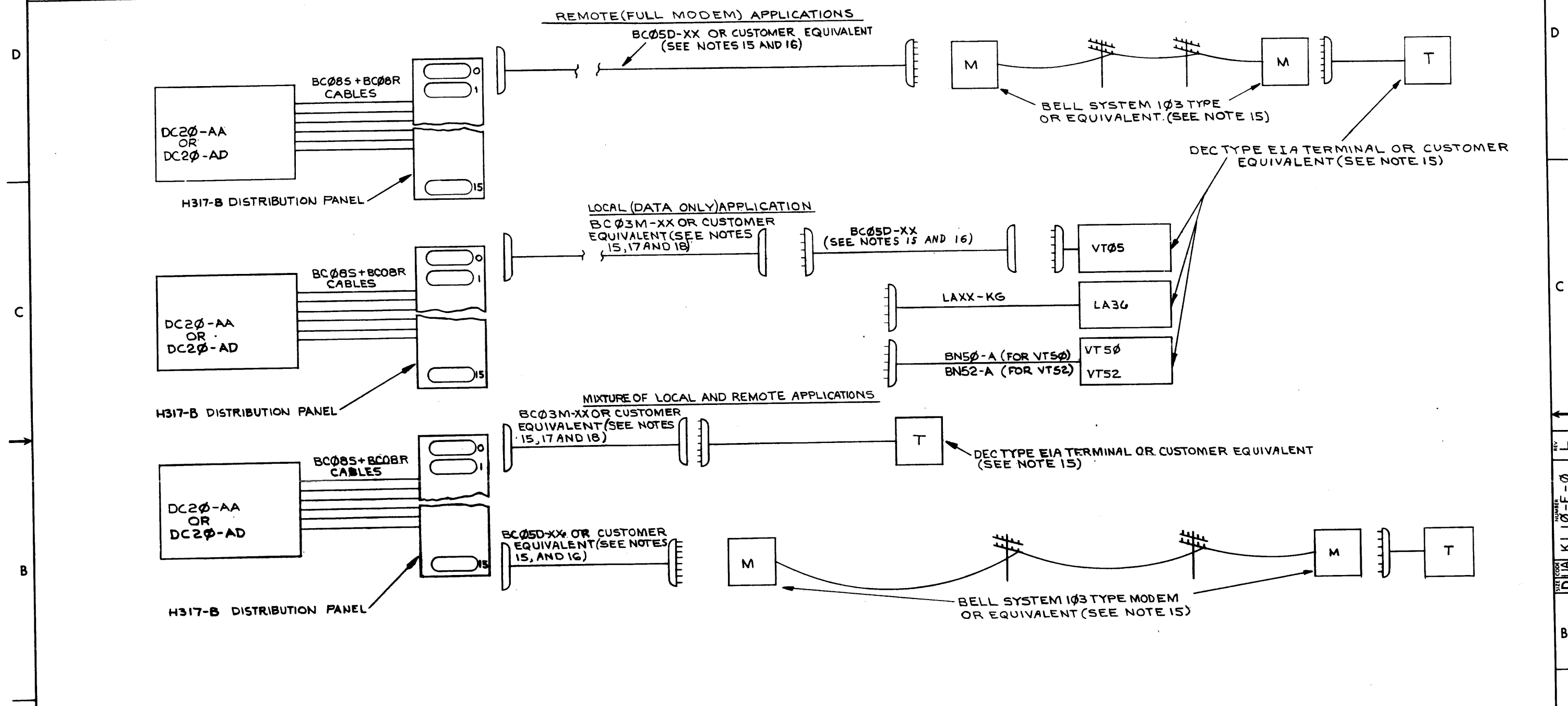


REVISIONS		
CHK	CHANGE NO	REV

TITLE	SIZE CODE	NUMBER	REV.
ARITHMETIC PROCESSOR	DUA	KLI0-E-0	L
SCALE	SHEET 11 OF 36	DIST.	

DUA KLI0-E-0

THIS DRAWING AND SPECIFICATIONS, HEREIN, ARE THE PROPERTY OF DIGITAL EQUIPMENT CORPORATION AND SHALL NOT BE REPRODUCED OR COPIED OR USED IN WHOLE OR IN PART AS THE BASIS FOR THE MANUFACTURE OR SALE OF ANY SYSTEMS WITHOUT WRITTEN PERMISSION.
 © 1977 DIGITAL EQUIPMENT CORPORATION

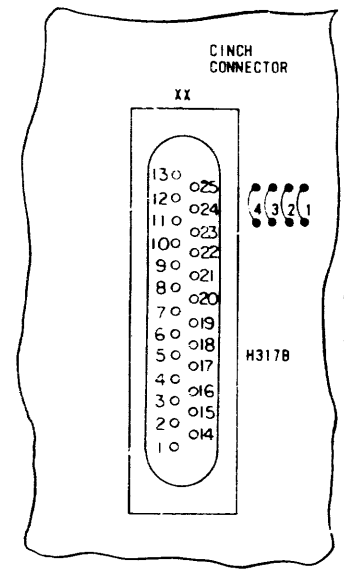
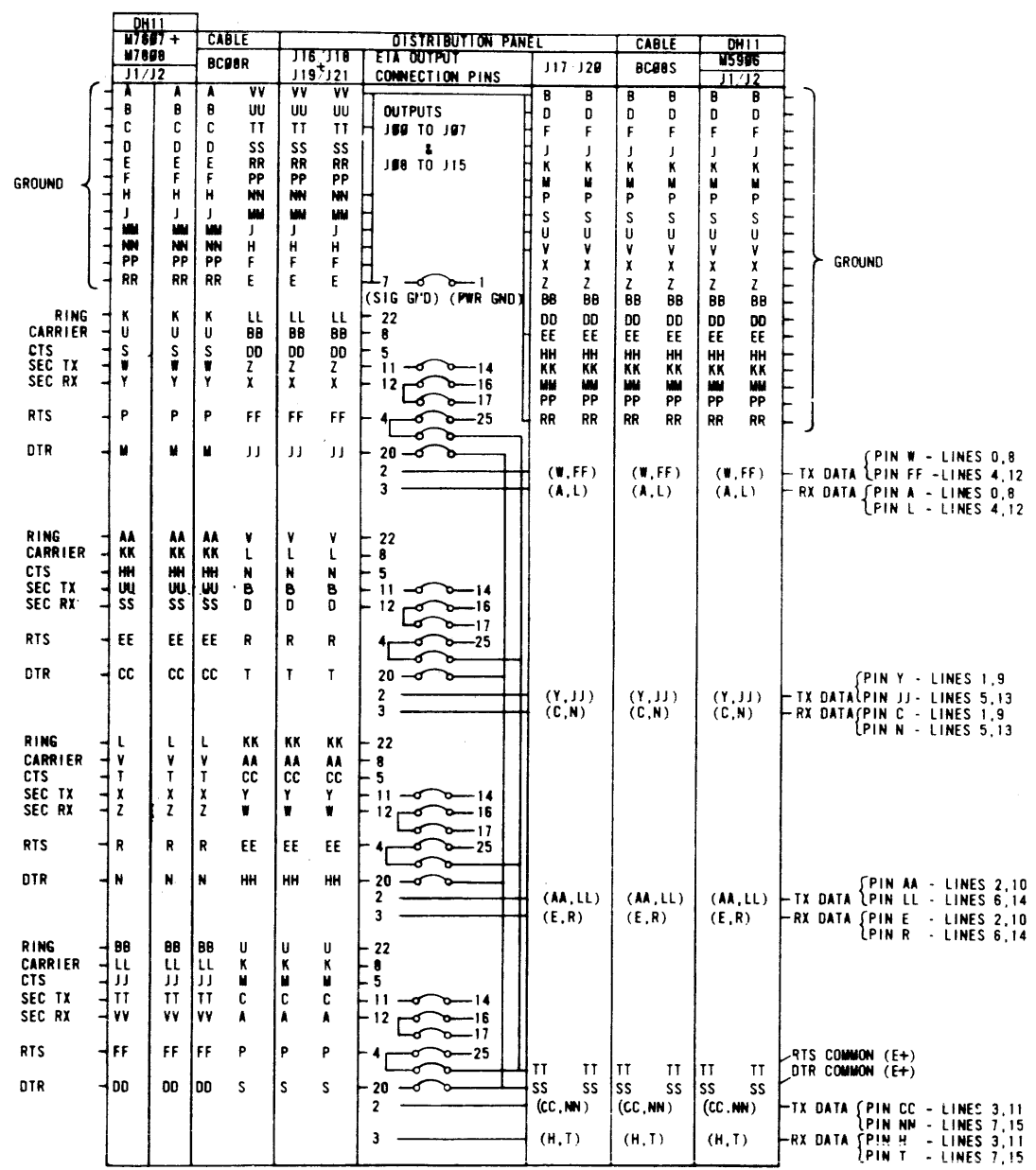


TYPICAL SYSTEM COMMUNICATIONS CABLING
 (REFERENCE ONLY FOR INTEGRATION OF MODEMS AND TERMINALS)

REVISIONS		
CHK	CHANGE NO.	REV.

TITLE	SIZE CODE	NUMBER	REV.
ARITHMETIC PROCESSOR	DUA	KLI0-E-0	L
SCALE	SHEET	OF	DIST.
---	12	36	

THIS DRAWING AND SPECIFICATIONS HEREIN ARE THE PROPERTY OF DIGITAL EQUIPMENT CORPORATION AND SHALL NOT BE REPRODUCED OR COPIED OR USED IN WHOLE OR IN PART AS THE BASIS FOR THE MANUFACTURE OR SALE OF ITEMS WITHOUT WRITTEN PERMISSION. COPYRIGHT ©1977 DIGITAL EQUIPMENT CORPORATION.



MODEM TYPE	DESCRIPTION	JUMPERS			
		1	2	3	4
103A	300 BAUD FULL DUP	*	*	*	*
103E, G, H	300 BAUD FULL DUP	IN	*	*	*
103F	300 BAUD FULL DUP	*	*	*	*
113A	300 BAUD ORIGINATE ONLY	*	*	*	*
202C, D	1800 BAUD 1/2 DUP	*	*	*	*
811B	LOW SPEED TWX	*	*	*	IN
ETA	RS232-C (SEE BELOW)	OUT	IN	IN	OUT

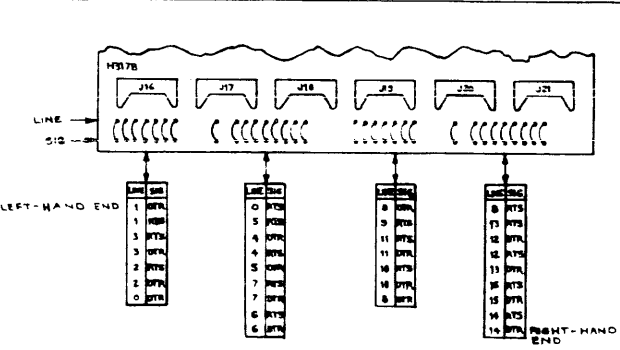
* DON'T CARE CASES
 JUMPERS PIN 25 TO 4
 JUMPERS PIN 11 TO 14
 JUMPERS PIN 12 TO 16
 JUMPERS PIN 12 TO 17

PIN NO.	SIGNAL	MODEM
4	REQ TO SEND	-
11	SEC TRANS DATA	BELL
12	SEC REC'D DATA	202
14	SEC TRANS DATA	E1A
16	SEC REC'D DATA	E1A
17	RESTRAINT	811B
25	BUSY	103E, G, H

CINCH-CONNECTOR STRAPPING ON H317B DISTRIBUTION PANEL

- IN SPECIAL CASES, ANY GIVEN SIGNAL FROM THE MODEM SHOULD BE PUT ON WHATEVER PIN REPRESENTS THAT SIGNAL ON THE H317-B DIST. PANEL WITH JUMPERS 1, 2, 3, OR 4. CHECK MODEM SCHEMATIC AND COMPARE IT WITH THIS FIGURE.
- BUS INITIALIZATION OF THE MODEM CONTROL MODULES (M7007 AND M7008) CAN BE INHIBITED BY REMOVING DH11 BACKPANEL WIRE F02B2 TO GROUND.
- INTERRUPTS FOR ALL LINES MAY BE INHIBITED FOR CARRIER, RING, SEC RX, OR CLEAR TO SEND BY REMOVING THE WIRES LISTED BELOW:

DTR AND RTS STRAPPING ON H317-B DISTRIBUTION PANEL



STATUS	DH11 WIRE REMOVED
CARRIER	E02A1 TO D02B1
RING	E02C1 TO D02F2
SEC RX	E02B1 TO D02A1
CLEAR TO SEND	E02D1 TO D02C1

- DC20-AA, AD DISTRIBUTION PANEL CONNECTOR BREAKDOWN
- M7007 - LINES 8 TO 15. J1-8 TO 11, J2-12 TO 15
 - M7008 - LINES 0 TO 7. J1-0 TO 3, J2-4 TO 7
 - DISTRIBUTION PANEL (16 LINES)

J16-0 TO 3	J19-8 TO 11	} CONTROL
J18-4 TO 7	J21-12 TO 15	
J17-0 TO 7	J20-8 TO 15	
 - M5906 (16 DATA LINES) J1-8 TO 15, J2-0 TO 7

(SEE NOTE 20)

REVISIONS		
CHK	CHANGE NO	REV

DUA KLI0-E-0

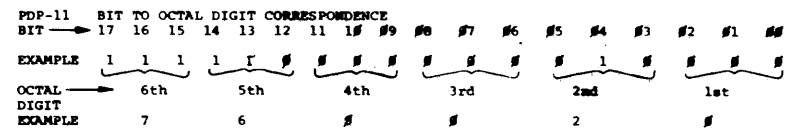
me

THIS DRAWING AND SPECIFICATIONS HEREIN ARE THE PROPERTY OF DIGITAL EQUIPMENT CORPORATION AND SHALL NOT BE REPRODUCED OR COPIED OR USED IN WHOLE OR IN PART AS THE BASIS FOR THE MANUFACTURE OR SALE OF ITEMS WITHOUT WRITTEN PERMISSION. COPYRIGHT © 1977 DIGITAL EQUIPMENT CORPORATION

OCTAL TO JUMPER CONVERSIONS

M7821		VECTORS				IN=1	OUT=0
	18	7	6	5	4	3	2*
300	OUT	IN	IN	OUT	OUT	OUT	OUT
304	OUT	IN	IN	OUT	OUT	OUT	IN
310	OUT	IN	IN	OUT	OUT	IN	OUT
314	OUT	IN	IN	OUT	OUT	IN	IN
320	OUT	IN	IN	OUT	IN	OUT	OUT
324	OUT	IN	IN	OUT	IN	OUT	IN
330	OUT	IN	IN	OUT	IN	IN	OUT
334	OUT	IN	IN	OUT	IN	IN	IN
340	OUT	IN	IN	OUT	IN	OUT	*
344	OUT	IN	IN	OUT	IN	OUT	*
350	OUT	IN	IN	OUT	IN	IN	*
354	OUT	IN	IN	OUT	IN	IN	*
360	OUT	IN	IN	OUT	IN	IN	*
370	OUT	IN	IN	OUT	IN	IN	*
400	IN	OUT	OUT	OUT	OUT	OUT	*
410	IN	OUT	OUT	OUT	OUT	IN	*
420	IN	OUT	OUT	OUT	IN	OUT	*
430	IN	OUT	OUT	OUT	IN	IN	*

* ALWAYS IN FOR M7821 IN LOCATION A#6



NOTE: I/O DEVICE ADDRESS IN '11 LITERATURE ARE VARIOUSLY GIVEN AS 76# #00 THRU 777 777 AND AS 16# #00 THRU 177 777. THESE ARE EQUIVALENT IN MACHINES WITHOUT MEMORY MANAGEMENT. WHEN EVER BITS 15, 14 AND 13 ARE ALL "1" (16x xxx OR 17x xxx) THE PROCESSOR ALSO MAKES BITS 17 AND 16 "1" (76x xxx OR 77x xxx). [ON MACHINES WITH MEMORY MANAGEMENT (NOT STD ON 20 SERIES) I/O DEVICE ADDRESSES ARE IN PHYSICAL MEMORY AT 76# #00 THRU 777 777. THEY ARE ONLY AVAILABLE TO A PROGRAM IF SOME VIRTUAL ADDRESS AREA IS MAPPED INTO THIS PHYSICAL AREA.]

DH11-AD JUMPERS AND MODIFICATIONS.

M5706 LOCATION AB07 (DH11-AD) OPTIONS
BR LEVEL SELECT
BOTH BR PLUGS SHOULD BE 50#8778 (LEVEL #5) (AS SUPPLIED STANDARD)

M7821 LOCATION A#6
VECTOR LOCATION
W2 BIT 2 IN (ALWAYS)
W3 BIT 3
W4 BIT 4 IN FOR "1"
W5 BIT 5 OUT FOR "0"
W6 BIT 6 SEE TABLE OF OCTAL TO JUMPER CONVERSIONS
W7 BIT 7 OCTAL TO JUMPER CONVERSIONS
W8 BIT 8 JUMPER CONVERSIONS
W9 NPR SPEED UP IN (ALWAYS)

M7821 LOCATION A#2
NPR CONTROL
ALL JUMPERS ARP "DON'T CARE" ON THIS MODULE

DH11-AD MODEM CONTROL ADDRESS AND VECTORS

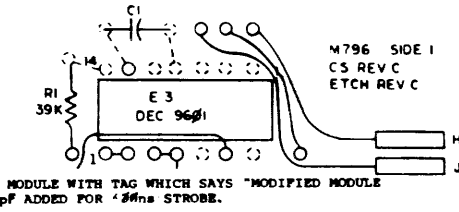
M7807 LOCATION C,D,E,F#
VECTOR LOCATION
W2 BIT 2 IN FOR "1"
W7 BIT 4 OUT FOR "0"
W6 BIT 5 SEE TABLE OF OCTAL TO JUMPER CONVERSIONS
W4 BIT 6 OF OCTAL TO JUMPER CONVERSIONS
W5 BIT 7 JUMPER CONVERSIONS
W1 BIT 8

ADDRESS LOCATION
W15 BIT 3
W12 BIT 4
W13 BIT 5 IN FOR "0"
W16 BIT 6 OUT FOR "1"
W17 BIT 7 SEE TABLE OF M7807 MODEM CONTROL ADDRESSES
W10 BIT 8
W9 BIT 9
W11 BIT 10
W14 BIT 11
W8 BIT 12

M7277 LOCATION ABCDEF#4
REGISTER ADDRESSES
"4" BIT 4
"5" BIT 5
"6" BIT 6
"7" BIT 7
"8" BIT 8
"9" BIT 9
"10" BIT 10
"11" BIT 11
"12" BIT 12

OUT FOR "1"
IN FOR "0"
SEE TABLE OF DH11-AD ADDRESSES

M796 LOCATION B#2
UNIBUS MASTER CONTROL
DATA STROBE LENGTH 40ns NOMINAL
ADD 100 pF 5% MICA CAPACITOR DEC P.H. 10#016
ACROSS SPLIT LUGS NEAR FRONT OF BOARD



TAG MODULE WITH TAG WHICH SAYS "MODIFIED MODULE 100pF ADDED FOR 40ns STROBE."

M7277		M7807 MODEM			
DH11-AD ADDRESSES		OUT=1	IN=0	OUT=1	IN=0
	7	6	5	4	3
76#	IN	IN	IN	OUT	IN
82#	IN	IN	OUT	IN	IN
84#	IN	IN	OUT	IN	OUT
86#	IN	IN	OUT	OUT	IN
100#	IN	OUT	IN	IN	OUT
120#	IN	OUT	IN	OUT	IN
140#	IN	OUT	OUT	IN	IN
160#	IN	OUT	OUT	OUT	IN
200#	OUT	IN	IN	IN	OUT

DC20-AA/AD (DH11-AD) ADDRESS, VECTOR, JUMPER & MODIFICATION INFORMATION

TITLE	ARITHMETIC PROCESSOR	SIZE CODE	DUA	NUMBER	KL10-E-0	REV	L
SCALE	1/1	SHEET	14	OF	30	DIST.	

REVISIONS	REV
CHANGE NO	
CHK	

REV L
DUA KL10-E-0

MR

THIS DRAWING AND SPECIFICATIONS, HEREIN, ARE THE PROPERTY OF DIGITAL EQUIPMENT CORPORATION AND SHALL NOT BE REPRODUCED OR COPIED OR USED IN WHOLE OR IN PART AS THE BASIS FOR THE MANUFACTURE OR SALE OF ITEMS WITHOUT WRITTEN PERMISSION. COPYRIGHT © 1977 DIGITAL EQUIPMENT CORPORATION.

LP20-B LINE PRINTER CONTROLLER
5411704 ETCHED BACKPLANE
LOWEST ACCEPTABLE REVISION ETCH REV A

7011427 WIRED ASSEMBLY
USE WIRE LIST REV B OF K-WL-LP20-B-WL OR LATER

W8585 TRANSLATION RAM LOCATION CDEF04
LOWEST ACCEPTABLE REVISION MODULE REV B
NO JUMPERS OR OTHER CONFIGURABLE COMPONENTS.

W8586 LINE PRINTER CONTROL LOCATION ABCDEF02
LOWEST ACCEPTABLE REVISION MODULE REV B

JUMPER TABLE

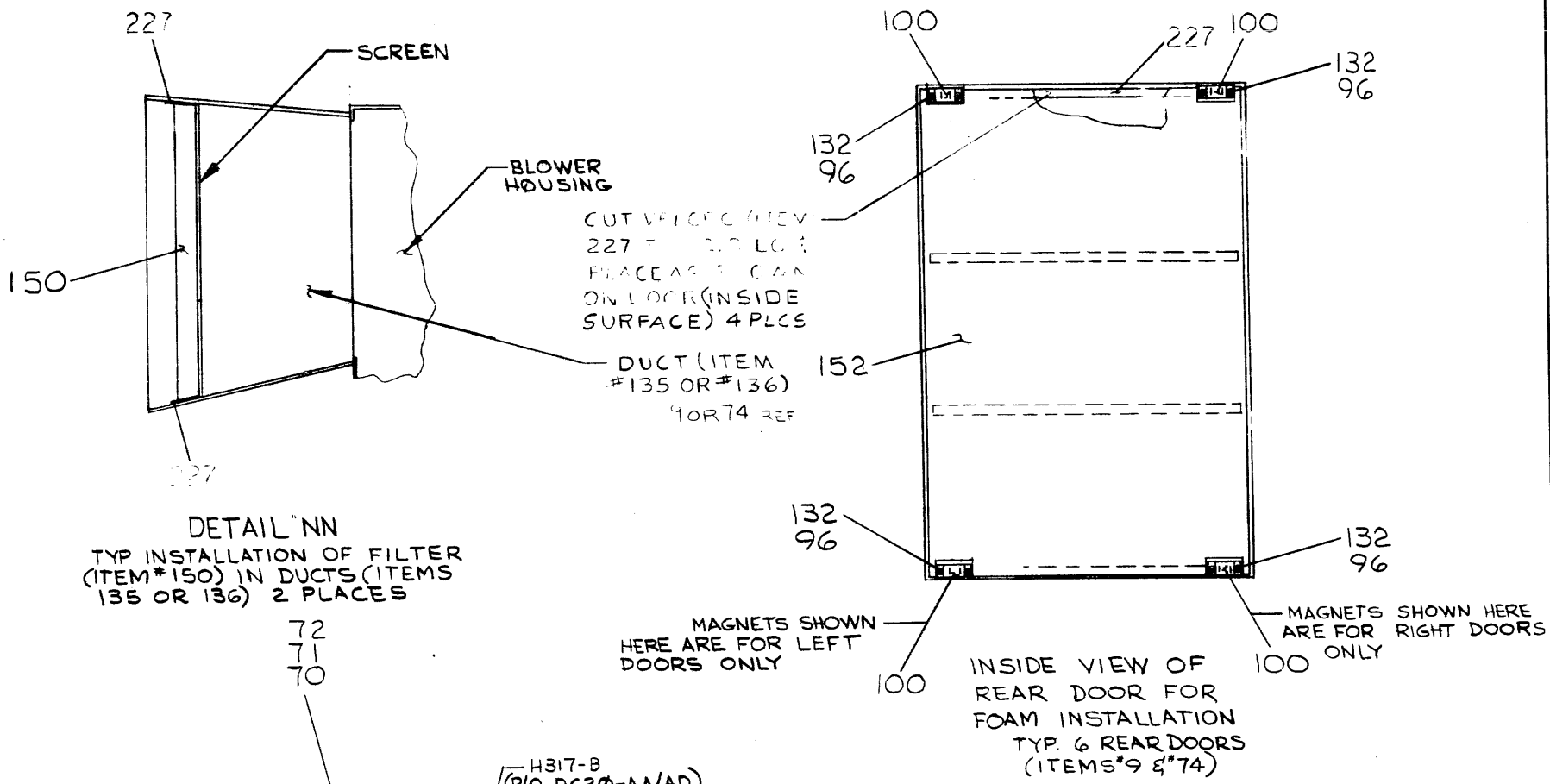
JUMPER	STATE	COMMENTS
W1	IN (UNIT #1), OUT (UNIT #2)	ADDRESS BIT 04
W2	IN	ADDRESS BIT 05
W3	IN	ADDRESS BIT 06
W4	IN	ADDRESS BIT 07
W5	OUT	ADDRESS BIT 08
W6	OUT	ADDRESS BIT 09
W7	IN	ADDRESS BIT 10
W8	OUT	ADDRESS BIT 11
W9	OUT	ADDRESS BIT 12
W10	IN (UNIT #1) OUT (UNIT #2)	VECTOR BIT 02
W11	IN	VECTOR BIT 03
W12	OUT	VECTOR BIT 04
W13	IN	VECTOR BIT 05
W14	IN	VECTOR BIT 06
W15	IN	VECTOR BIT 07
W16	IN	VECTOR BIT 08

W1-W9 CORRESPOND TO A BASE ADDRESS OF 775400 IN UNIT #1 AND OF 775420 IN UNIT #2.
W10-W16 CORRESPOND TO A VECTOR ADDRESS OF 754 IN UNIT #1 AND OF 750 IN UNIT #2.
DIP SITE E06 CONTAINS PRIORITY PLUG 5408778 (BR4).

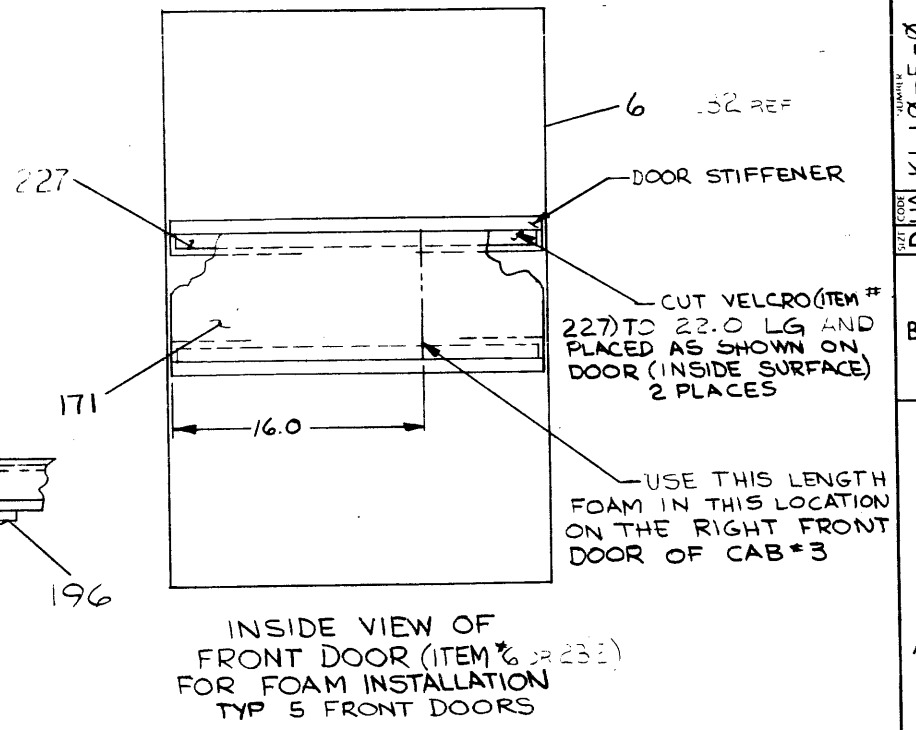
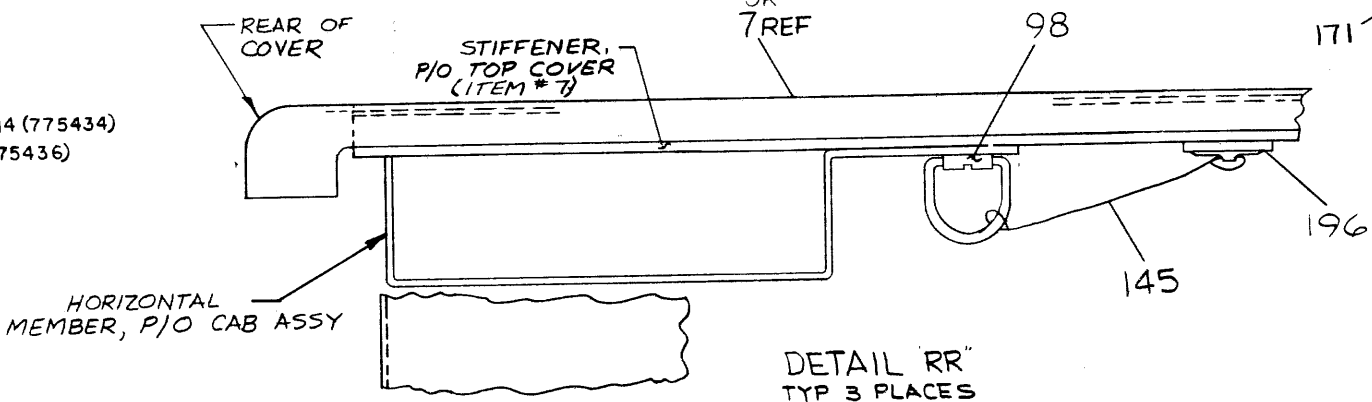
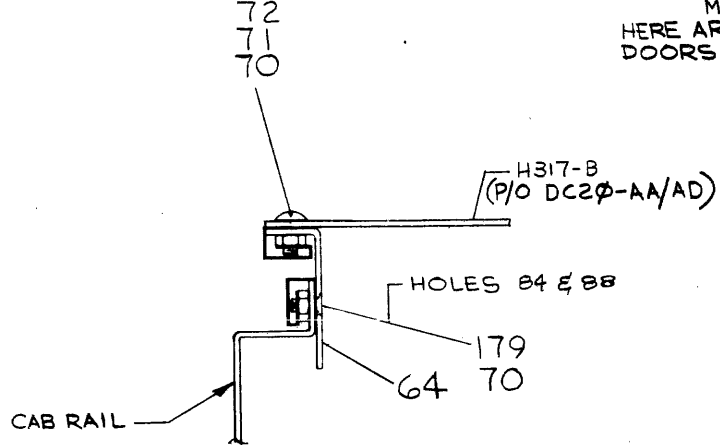
W8587 LINE PRINTER DATA PATHS LOCATION ABCDEF03
LOWEST ACCEPTABLE REVISION MODULE REV B

JUMPER TABLE

JUMPER	STATE	COMMENTS
W1	OUT	INSTALL TO ENABLE PARITY
W2	IN	INSTALL FOR DAVFU
STATUS REGISTER (LPCSR) 775400 (775420)		
ERROR AND TEST REGISTER (LPCSRB) 775402 (775422)		
DMA BUS ADDRESS REGISTER (LPBSAD) 775404 (775424)		
DMA BYTE COUNTER REGISTER (LPBCTR) 775406 (775426)		
PAGE COUNTER REGISTER (LPPCTR) 775410 (775430)		
RAM DATA REGISTER (LPRAND) 775412 (775432)		
COLUMN COUNTER/CHAR. BUFFER REGISTER (LPCCTR/LPCBUF) 775414 (775434)		
PRINTER DATA/CHECKSUM REGISTER (LPTDAT/LPKSM) 775416 (775436)		



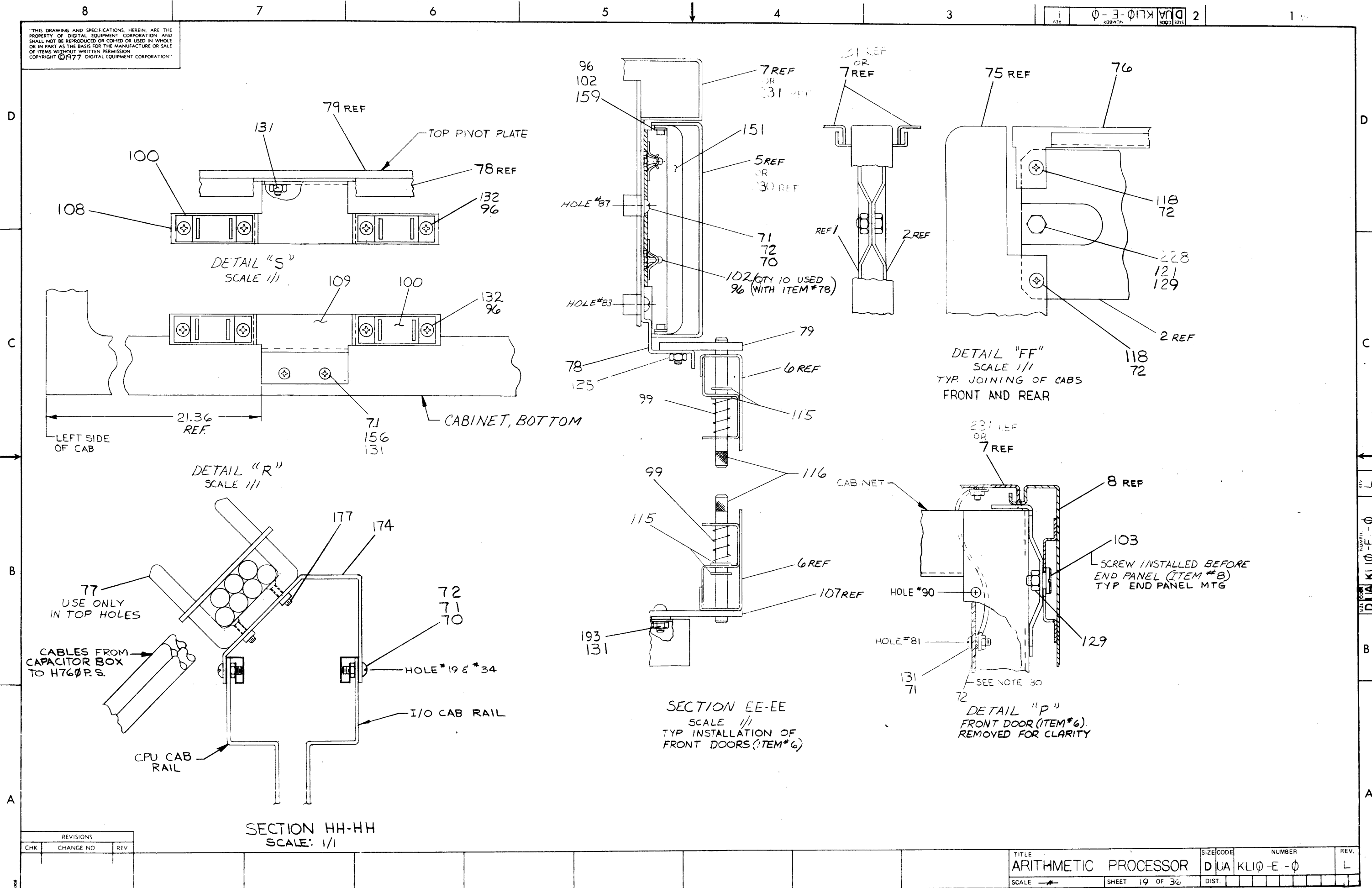
DETAIL "NN"
TYP INSTALLATION OF FILTER (ITEM #150) IN DUCTS (ITEMS 135 OR 136) 2 PLACES



REVISIONS

CHK	CHANGE NO	REV

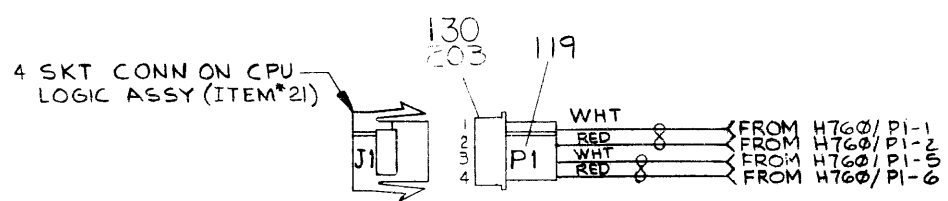
THIS DRAWING AND SPECIFICATIONS, HEREIN, ARE THE PROPERTY OF DIGITAL EQUIPMENT CORPORATION AND SHALL NOT BE REPRODUCED OR COPIED OR USED IN WHOLE OR IN PART AS THE BASIS FOR THE MANUFACTURE OR SALE OF ITEMS WITHOUT WRITTEN PERMISSION. COPYRIGHT ©1977 DIGITAL EQUIPMENT CORPORATION.



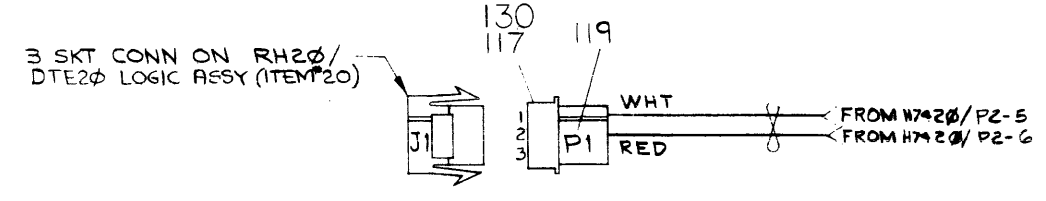
REVISIONS		
CHK	CHANGE NO	REV

TITLE	ARITHMETIC PROCESSOR	SIZE CODE	DUA KL10-E-0	NUMBER	1	REV.	L
SCALE	1/1	SHEET	19 OF 36	DIST.			

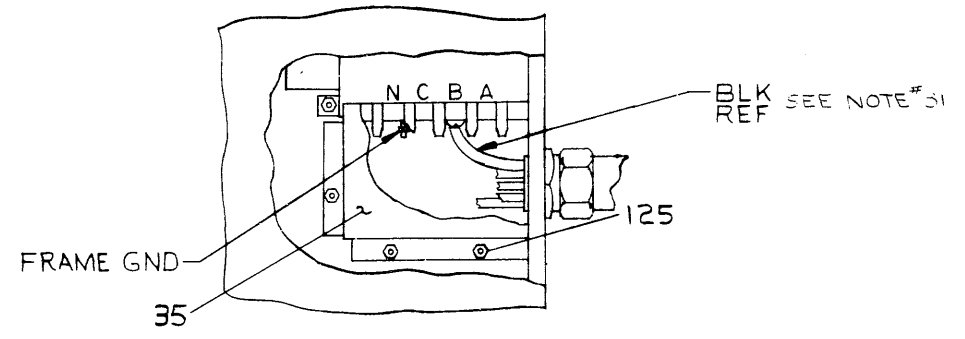
THIS DRAWING AND SPECIFICATIONS HEREIN ARE THE PROPERTY OF DIGITAL EQUIPMENT CORPORATION AND SHALL NOT BE REPRODUCED OR COPIED OR USED IN WHOLE OR IN PART AS THE BASIS FOR THE MANUFACTURE OR SALE OF ITEMS WITHOUT WRITTEN PERMISSION. COPYRIGHT © 1977 DIGITAL EQUIPMENT CORPORATION.



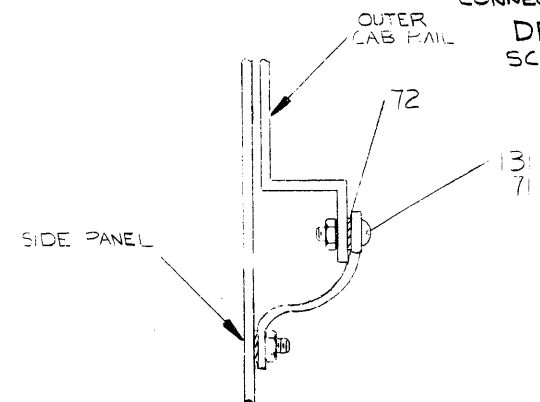
CONNECT P1 TO J1 AS SHOWN
DETAIL 'U'
SCALE: 1/1



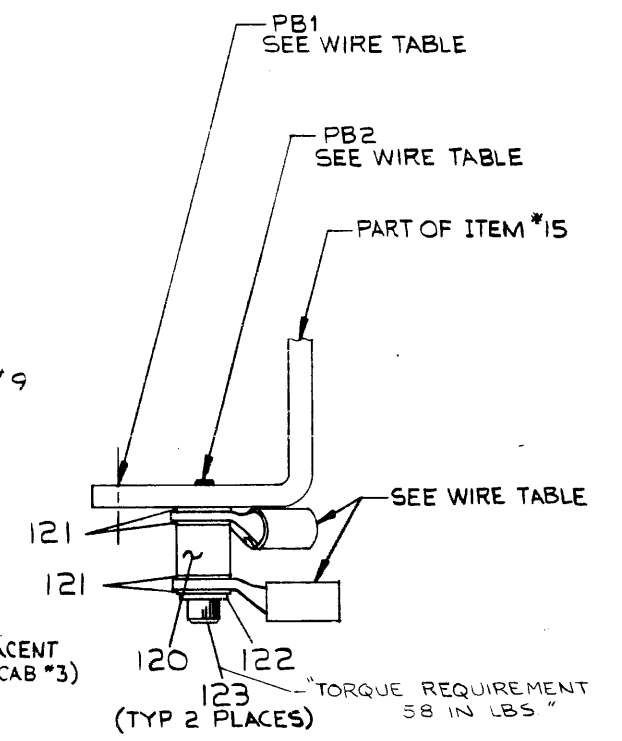
CONNECT P1 TO J1 AS SHOWN
DETAIL 'V'
SCALE: 1/1



DETAIL 'T'
SCALE: NONE



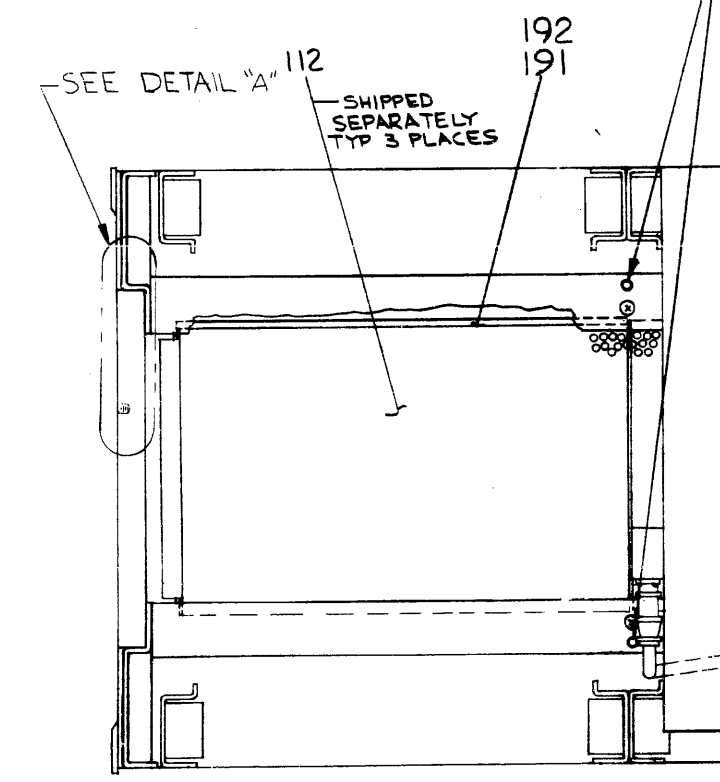
DETAIL 'A'
SCALE NONE
(SEE NOTE 30)
(TYP BOTH ENDS OF UNIT)



VIEW W-W

STUDS TO BE REMOVED ON ALL CABS, BOTTOM ONLY 2 PER CABINET (SEE NOTE 28)

ORN (+15V)
GRN (-15V)
YEL (RTN)



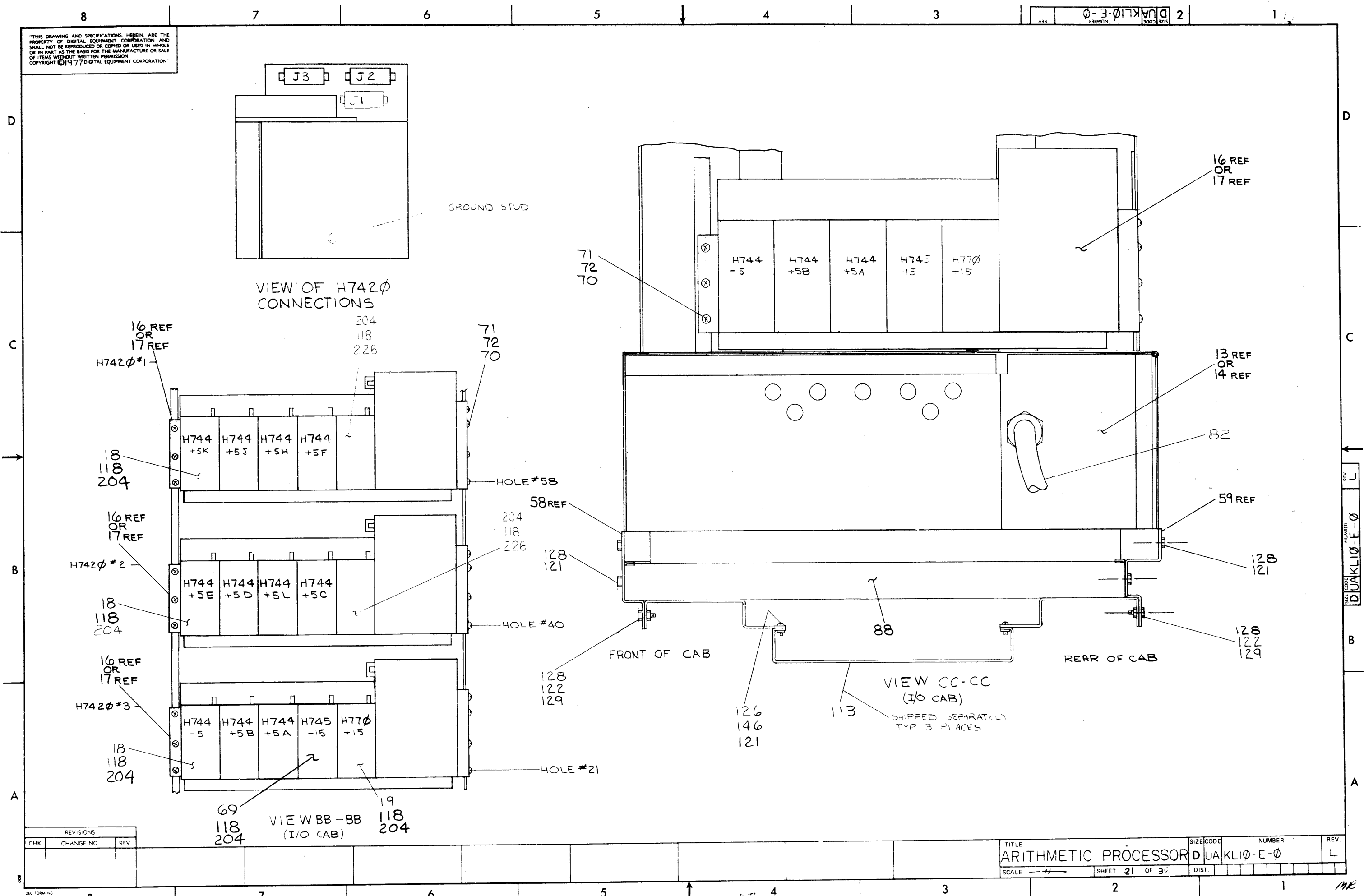
SECTION DD-DD

REVISIONS		
CHK	CHANGE NO	REV

TITLE	SIZE CODE	NUMBER	REV.
ARITHMETIC PROCESSOR	D U A K L I Ø - E - Ø	L	L
SCALE	SHEET 20 OF 30	DIST.	

THIS DRAWING AND SPECIFICATIONS, HEREIN, ARE THE PROPERTY OF DIGITAL EQUIPMENT CORPORATION AND SHALL NOT BE REPRODUCED OR COPIED OR USED IN WHOLE OR IN PART AS THE BASIS FOR THE MANUFACTURE OR SALE OF ITEMS WITHOUT WRITTEN PERMISSION. COPYRIGHT © 1977 DIGITAL EQUIPMENT CORPORATION.

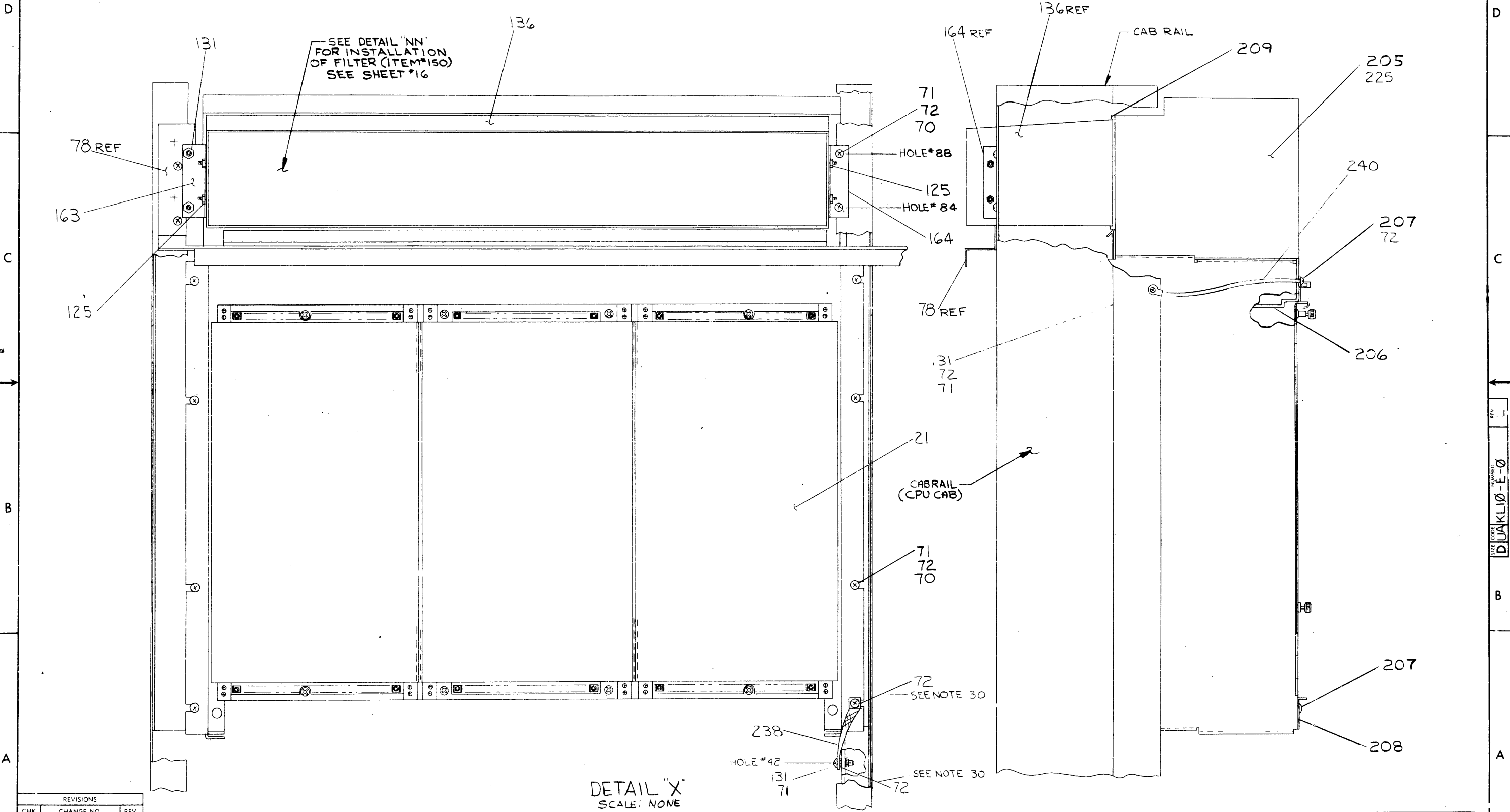
REV. 2
 SIZE CODE DUA KL10-E-0
 NUMBER 3325



REVISIONS		
CHK	CHANGE NO	REV

TITLE: ARITHMETIC PROCESSOR
 SCALE: ---
 SHEET 21 OF 30
 SIZE CODE: DUA KL10-E-0
 NUMBER: 3325
 REV. L

THIS DRAWING AND SPECIFICATIONS, HEREIN, ARE THE PROPERTY OF DIGITAL EQUIPMENT CORPORATION AND SHALL NOT BE REPRODUCED OR COPIED OR USED IN WHOLE OR IN PART AS THE BASIS FOR THE MANUFACTURE OR SALE OF ITEMS WITHOUT WRITTEN PERMISSION. COPYRIGHT ©1977 DIGITAL EQUIPMENT CORPORATION.



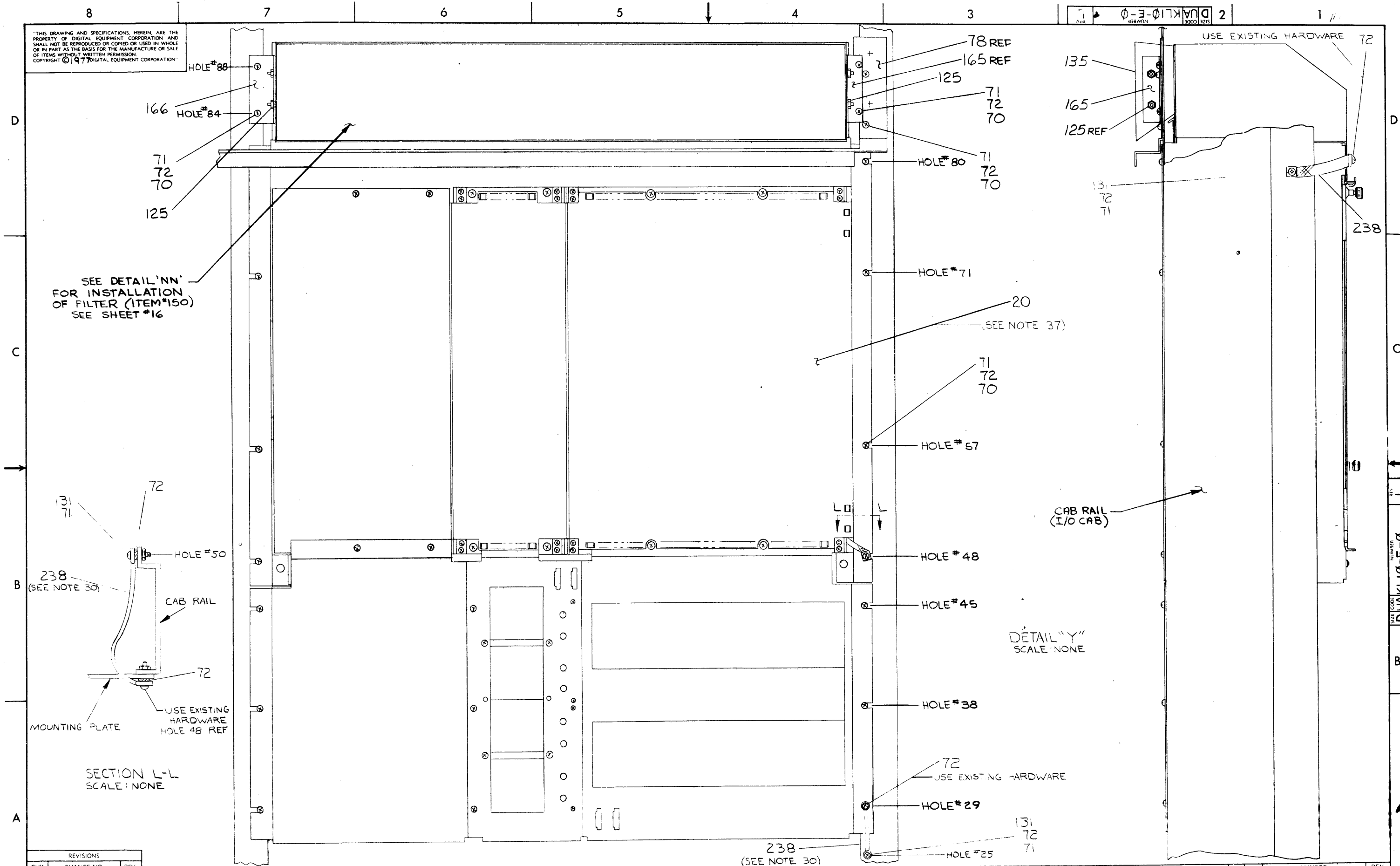
REVISIONS		
CHK	CHANGE NO	REV

DETAIL "X"
SCALE: NONE

TITLE	SIZE CODE	NUMBER	REV.
ARITHMETIC PROCESSOR	DUA KLIO-E-0		L
SCALE NONE	SHEET 22 OF 30	DIST.	

THIS DRAWING AND SPECIFICATIONS HEREIN ARE THE PROPERTY OF DIGITAL EQUIPMENT CORPORATION AND SHALL NOT BE REPRODUCED OR COPIED OR USED IN WHOLE OR IN PART AS THE BASIS FOR THE MANUFACTURE OR SALE OF ITEMS WITHOUT WRITTEN PERMISSION. COPYRIGHT © 1977 DIGITAL EQUIPMENT CORPORATION

0-E-017K1VND 2



SEE DETAIL 'NN' FOR INSTALLATION OF FILTER (ITEM #150) SEE SHEET #16

DETAIL 'Y' SCALE: NONE

SECTION L-L SCALE: NONE

REVISIONS		
CHK	CHANGE NO	REV

TITLE	ARITHMETIC PROCESSOR	SIZE CODE	DUA KL10-E-0	NUMBER	23	REV.	L
SCALE		SHEET	23	OF 36	DIST.		

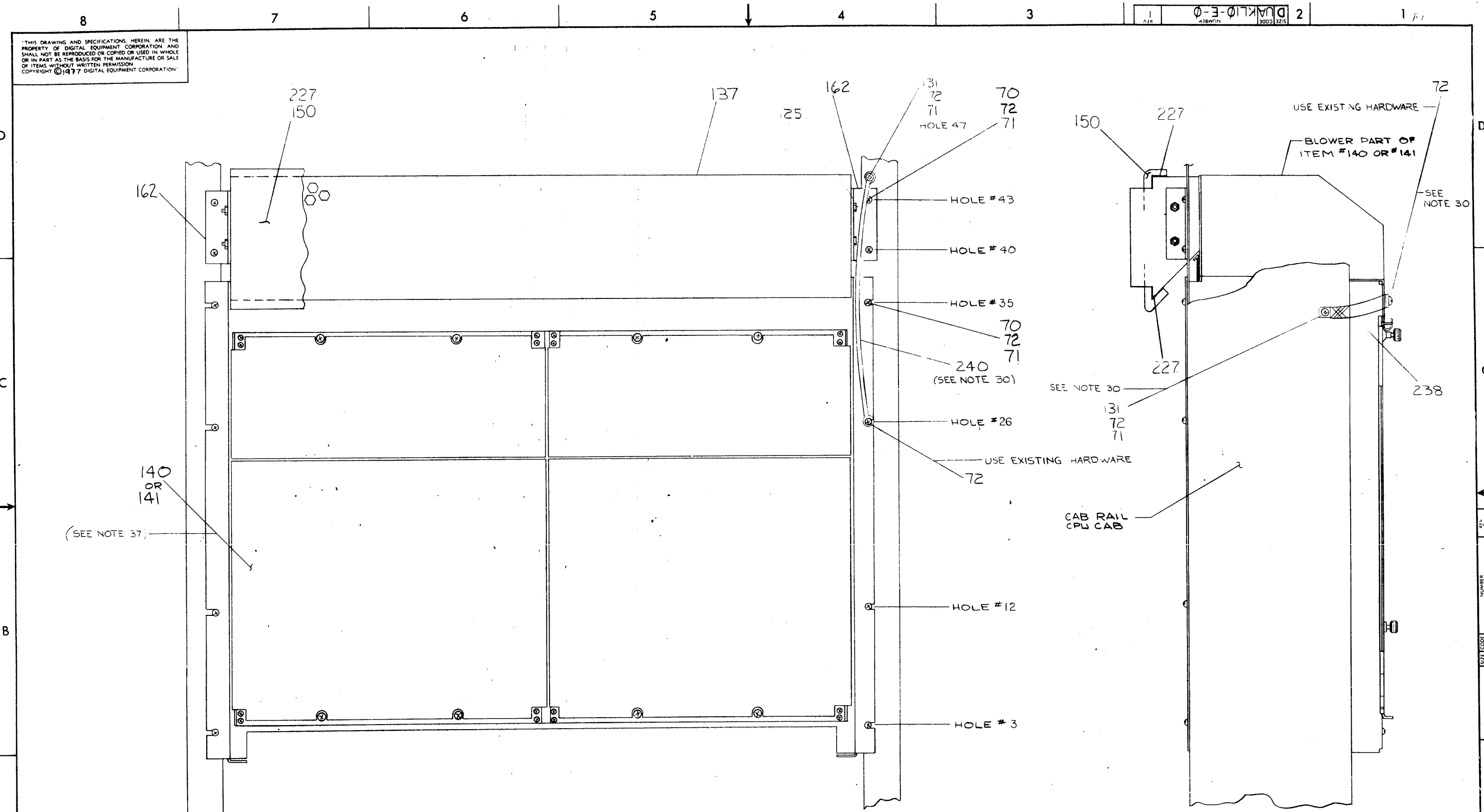
SIZE CODE NUMBER DUA KL10-E-0

B

A

me

THIS DRAWING AND SPECIFICATIONS, HEREIN, ARE THE PROPERTY OF DIGITAL EQUIPMENT CORPORATION AND SHALL NOT BE REPRODUCED OR COPIED OR USED IN WHOLE OR IN PART AS THE BASIS FOR THE MANUFACTURE OR SALE OF ITEMS WITHOUT WRITTEN PERMISSION. COPYRIGHT © 1977 DIGITAL EQUIPMENT CORPORATION.



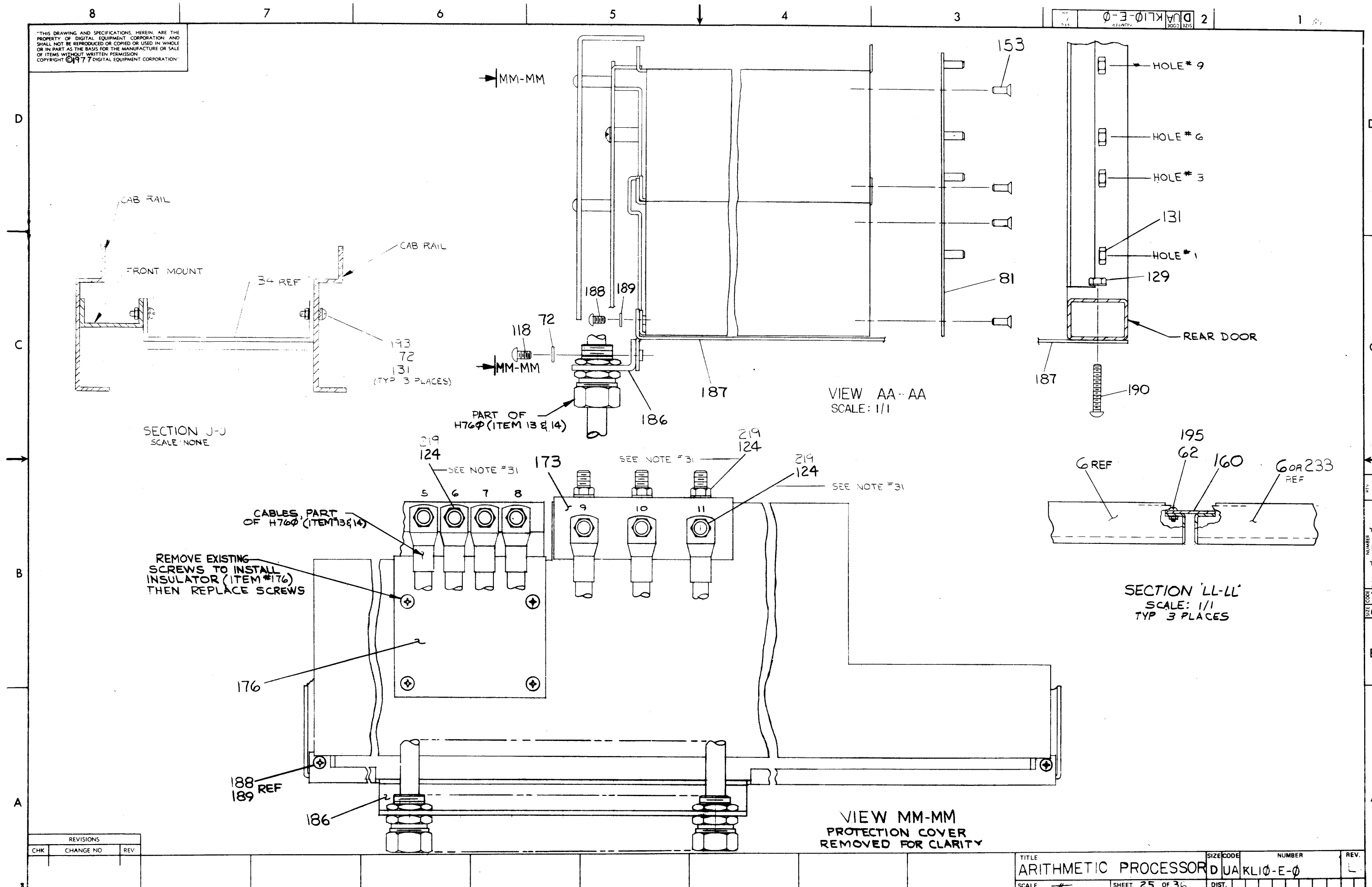
DETAIL - Z
SCALE: 1/2
KLIO-EA/EB/EC/ED
VARIATION ONLY

REVISIONS		
CHK	CHANGE NO	REV

TITLE	SIZE CODE	NUMBER	REV.
ARITHMETIC PROCESSOR	DJAKLIO-E-0		L
SCALE	SHEET	DIST.	
	24 OF 30		

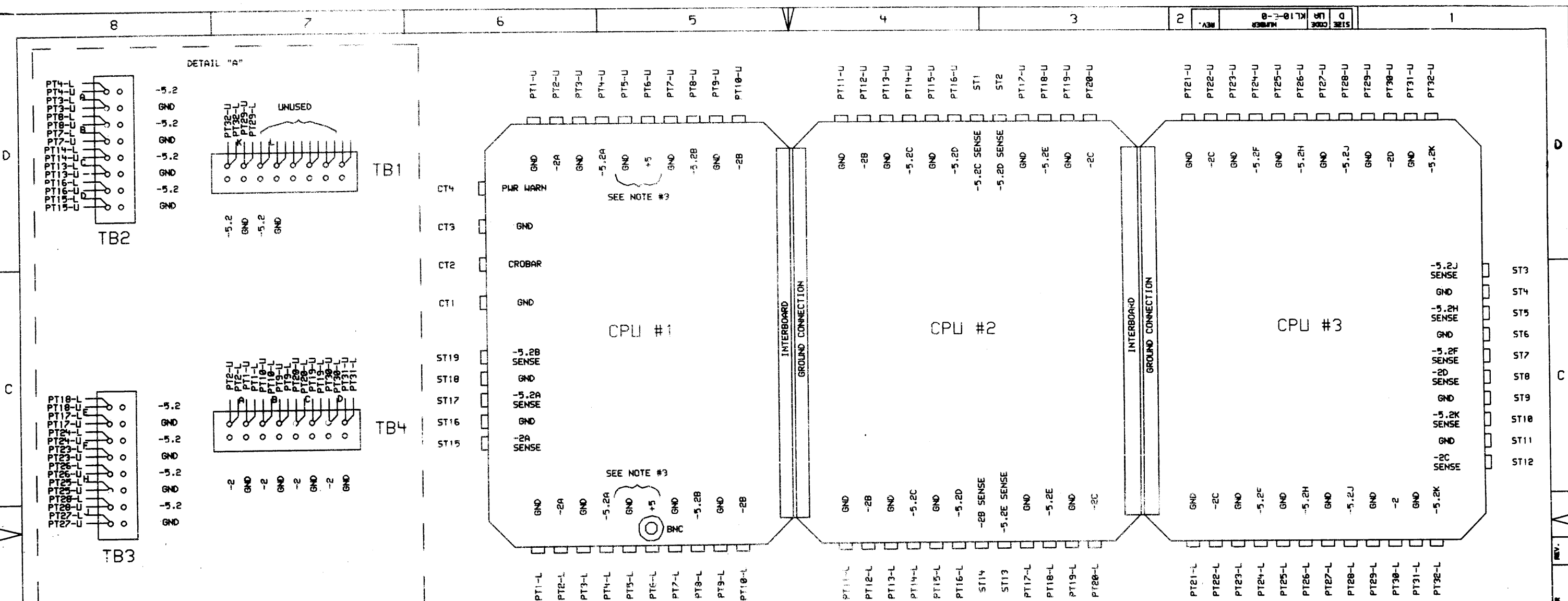
"THIS DRAWING AND SPECIFICATIONS HEREIN ARE THE PROPERTY OF DIGITAL EQUIPMENT CORPORATION AND SHALL NOT BE REPRODUCED OR COPIED OR USED IN WHOLE OR IN PART AS THE BASIS FOR THE MANUFACTURE OR SALE OF ITEMS WITHOUT WRITTEN PERMISSION. COPYRIGHT ©1977 DIGITAL EQUIPMENT CORPORATION"

DUAKLI0-E-0 2

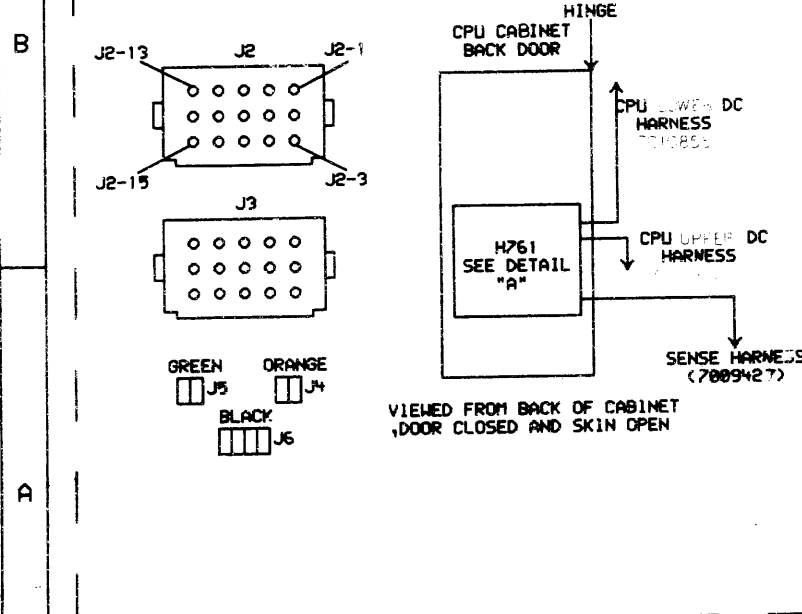
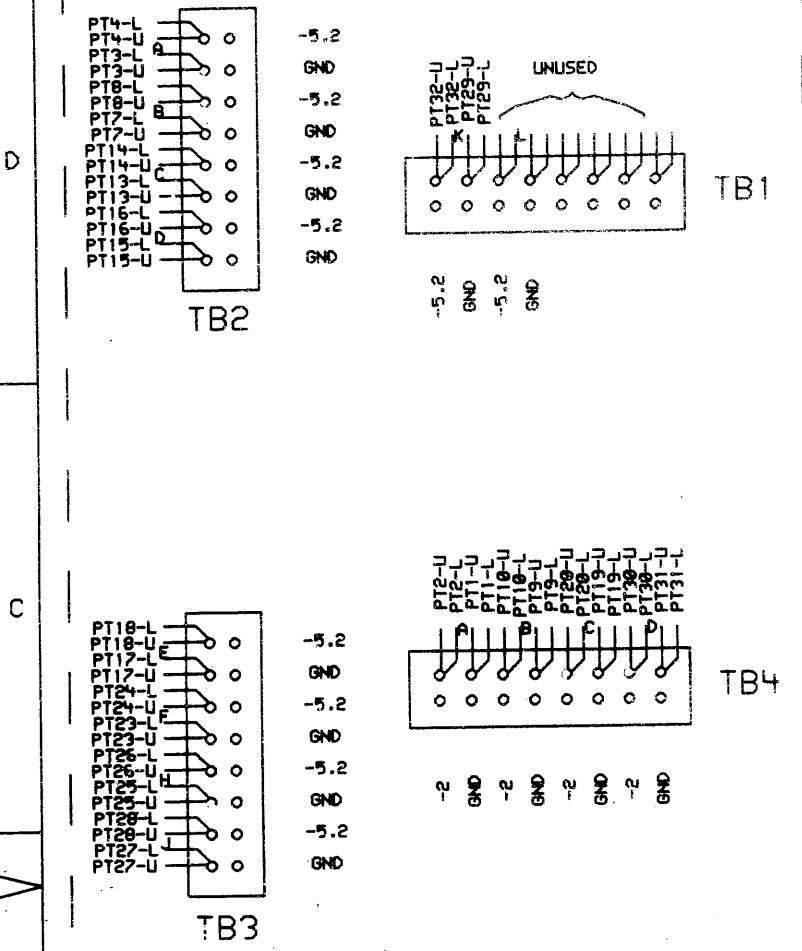


REVISIONS		
CHK	CHANGE NO	REV

TITLE	ARITHMETIC PROCESSOR	SIZE CODE	NUMBER	REV.
SCALE	1/1	SHEET	25 OF 36	
DUAKLI0-E-0		DIST.		



DETAIL "A"



NOTES:

- "PT#-U" REPRESENTS UPPER "POWER TABS" ON CPU BACKPLANE AND "-L" NUMBERS REPRESENT TABS ON BOTTOM OF BACKPLANE.
- "ST#" REPRESENTS "SENSE TABS" FOR REMOTE SENSING PURPOSES. CONNECTIONS ARE MADE FROM J2 AND J3 OF H761 TO "ST#" TABS. FROM "ST#" TABS ETCH COMPLETES PATH TO PROPER REMOTE SENSING PIN ON BACKPLANE. WIRE AND ETCH AS BELOW:

TWISTED PAIR FROM H761 (J2 & J3) TO "ST#" TABS

-5.2A	-SENSE	J2-2	TO	ST17
+5.2A	+SENSE	J2-1	TO	ST16
-5.2B	-SENSE	J2-4	TO	ST19
+5.2B	+SENSE	J2-3	TO	ST18
-5.2C	-SENSE	J2-6	TO	ST1
+5.2C	+SENSE	J2-5	TO	PT15-U
-5.2D	-SENSE	J2-8	TO	ST2
+5.2D	+SENSE	J2-7	TO	PT17-U
-5.2E	-SENSE	J2-9	TO	ST13
+5.2E	+SENSE	J2-10	TO	PT17-L
-5.2F	-SENSE	J2-12	TO	ST7
+5.2F	+SENSE	J2-11	TO	ST6
-5.2H	-SENSE	J2-13	TO	ST4
+5.2H	+SENSE	J2-12	TO	ST3
-5.2J	-SENSE	J3-1	TO	ST4
+5.2J	+SENSE	J3-2	TO	ST3
-2A	-SENSE	J3-1	TO	ST10
+2A	+SENSE	J3-3	TO	ST11
-2B	-SENSE	J3-8	TO	ST15
+2B	+SENSE	J3-7	TO	ST16
-2C	-SENSE	J3-10	TO	ST14
+2C	+SENSE	J3-9	TO	PT15-L
-2D	-SENSE	J3-12	TO	ST12
+2D	+SENSE	J3-11	TO	ST11
-2E	-SENSE	J3-14	TO	ST8
+2E	+SENSE	J3-13	TO	ST9

ETCH FROM "ST#" TABS TO REMOTE SENSE PIN.

-5	ST17	TO	F882
-15	ST19	TO	F1482
-15	ST1	TO	A21U1
-15	ST2	TO	A27U1
-15	ST13	TO	F3382
-15	ST7	TO	A40U1
-15	ST5	TO	A45U1
-15	ST3	TO	A49U1
-15	ST10	TO	F5382
-20	ST15	TO	F981
-20	ST14	TO	F2181
-20	ST12	TO	F3881
-20	ST8	TO	F4881

- "PT" TABS 5-U, 5-L, 6-U AND 6-L ARE CONNECTED TO H7420 #2 IN I/O CABINET FOR +5 POWER.
- JUMPER PT9-U TO PT11-U AND PT9-L TO PT11-L
- JUMPER PT10-U TO PT12-U AND PT10-L TO PT12-L
- JUMPER PT19-U TO PT21-U AND PT19-L TO PT21-L
- JUMPER PT20-U TO PT22-U AND PT20-L TO PT22-L
- ALL WIRES TO BE #18 AWG EXCEPT FOR THE FOLLOWING EXCEPTIONS:
 - WIRES FROM I/O CABINET H7420 #2 TO +5V TABS PT5-U, PT5-L, PT6-U AND PT6-L ARE TO BE 14 AWG TWISTED PAIR.
 - ALL REMOTE SENSE LINES TO BE 18 AWG TWISTED PAIR.

COLOR CODE AS FOLLOWS:
 BLACK = GND
 RED = +5
 GREEN = -2.0
 BLUE = -5.2

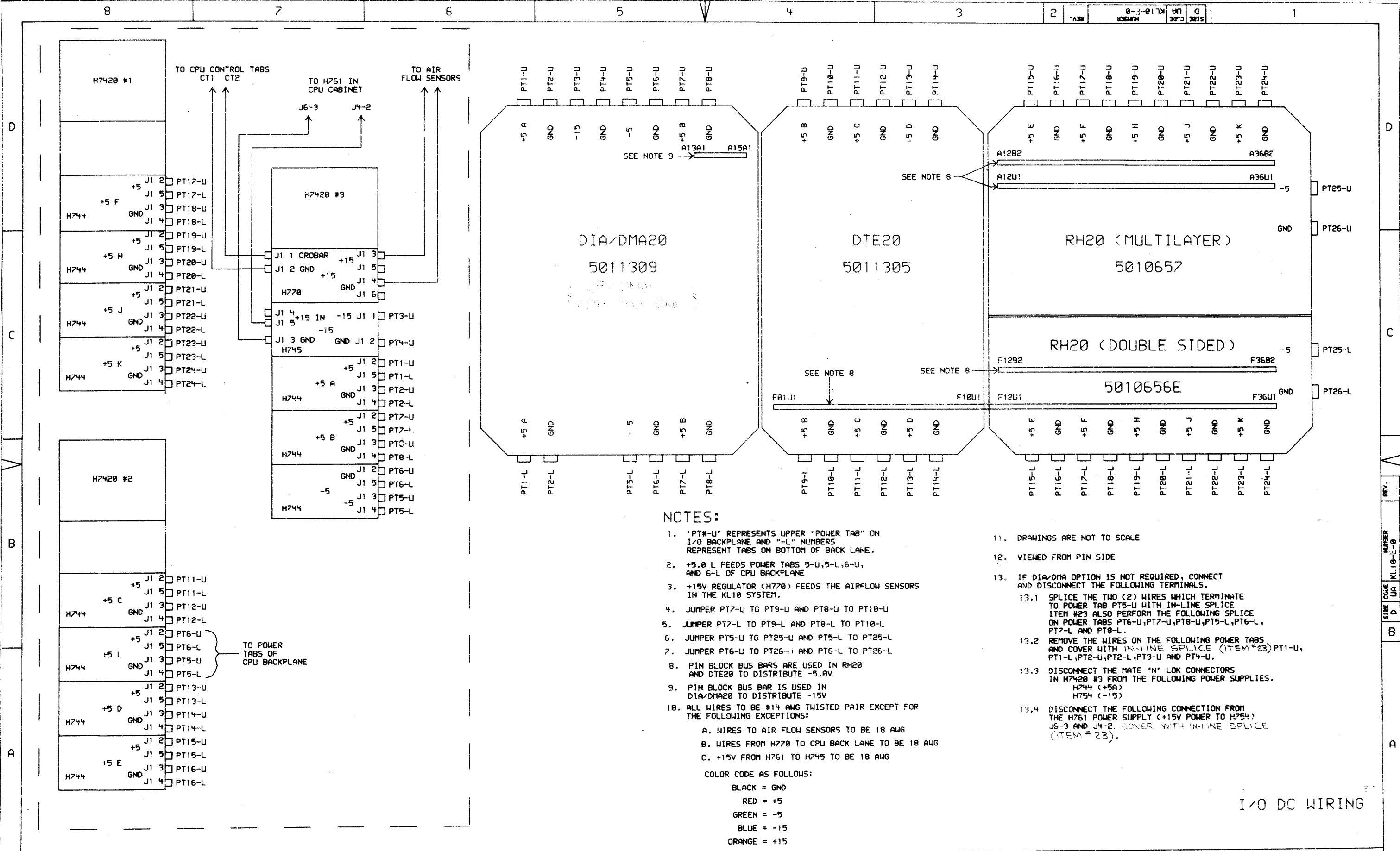
- "CT" REPRESENTS "CONTROL TABS", SIGNALS POWER WARN AND CROBAR ARE GENERATED FROM 863 POWER CONTROL AND TERMINATE AT CT2 AND CT4 RESPECTIVELY. ETCH FROM "CT" TABS TO PINS.
 POWER WARN - CT4 TO A84J1
 CROBAR - CT2 TO A86U2, B86S1, C82S1, C83S1, AND F81U2
- DRAWING NOT TO SCALE
- V WED FROM PIN SIDE

CPU DC WIRING

"THIS DRAWING AND SPECIFICATIONS, HEREIN, ARE THE PROPERTY OF DIGITAL EQUIPMENT CORPORATION AND SHALL NOT BE REPRODUCED OR COPIED OR USED IN WHOLE OR IN PART AS THE BASIS FOR THE MANUFACTURE OR SALE OF ITEMS WITHOUT WRITTEN PERMISSION.
 COPYRIGHT © 1977 DIGITAL EQUIPMENT CORPORATION"

REVISIONS		
CHK	CHANGE NO.	REV

digital		DATE	ENG.	DATE	TITLE
CHK'D	DATE	BOARD LOCATION	ARITHMETIC PROCESSOR		
FIRST USED ON OPTION MODEL: KL10		NEXT HIGHER ASSEMBLY: B-DD-KL10-E		SIZE CODE	NUMBER
				D UA	KL10-E-8
				REV.	



NOTES:

- "PT#-U" REPRESENTS UPPER "POWER TAB" ON I/O BACKPLANE AND "-L" NUMBERS REPRESENT TABS ON BOTTOM OF BACK PLANE.
- +5.0 L FEEDS POWER TABS 5-U, 5-L, 6-U, AND 6-L OF CPU BACKPLANE.
- +15V REGULATOR (H770) FEEDS THE AIRFLOW SENSORS IN THE KL10 SYSTEM.
- JUMPER PT7-U TO PT9-U AND PT8-U TO PT10-U
- JUMPER PT7-L TO PT9-L AND PT8-L TO PT10-L
- JUMPER PT5-U TO PT25-U AND PT5-L TO PT25-L
- JUMPER PT6-U TO PT26-U AND PT6-L TO PT26-L
- PIN BLOCK BUS BARS ARE USED IN RH20 AND DTE20 TO DISTRIBUTE -5.0V
- PIN BLOCK BUS BAR IS USED IN DIA/DMA20 TO DISTRIBUTE -15V
- ALL WIRES TO BE #14 AWG TWISTED PAIR EXCEPT FOR THE FOLLOWING EXCEPTIONS:
 - WIRES TO AIR FLOW SENSORS TO BE 18 AWG
 - WIRES FROM H770 TO CPU BACK LANE TO BE 18 AWG
 - +15V FROM H761 TO H745 TO BE 18 AWG
- DRAWINGS ARE NOT TO SCALE
- VIEWED FROM PIN SIDE
- IF DIA/DMA OPTION IS NOT REQUIRED, CONNECT AND DISCONNECT THE FOLLOWING TERMINALS.
 - SPLICE THE TWO (2) WIRES WHICH TERMINATE TO POWER TAB PT5-U WITH IN-LINE SPLICE ITEM #23 ALSO PERFORM THE FOLLOWING SPLICE ON POWER TABS PT6-U, PT7-U, PT8-U, PT5-L, PT6-L, PT7-L AND PT8-L.
 - REMOVE THE WIRES ON THE FOLLOWING POWER TABS AND COVER WITH IN-LINE SPLICE (ITEM #23) PT1-U, PT1-L, PT2-U, PT2-L, PT3-U AND PT4-U.
 - DISCONNECT THE MATE "N" LOK CONNECTORS IN H7420 #3 FROM THE FOLLOWING POWER SUPPLIES. H744 (+5A) H754 (-15)
 - DISCONNECT THE FOLLOWING CONNECTION FROM THE H761 POWER SUPPLY (+15V POWER TO H754) J6-3 AND J4-2. COVER WITH IN-LINE SPLICE (ITEM # 23).

COLOR CODE AS FOLLOWS:
 BLACK = GND
 RED = +5
 GREEN = -5
 BLUE = -15
 ORANGE = +15

I/O DC WIRING

*THIS DRAWING AND SPECIFICATIONS, HEREIN, ARE THE PROPERTY OF DIGITAL EQUIPMENT CORPORATION AND SHALL NOT BE REPRODUCED OR COPIED OR USED IN WHOLE OR IN PART AS THE BASIS FOR THE MANUFACTURE OR SALE OF ITEMS WITHOUT WRITTEN PERMISSION.
 COPYRIGHT © 1977 DIGITAL EQUIPMENT CORPORATION

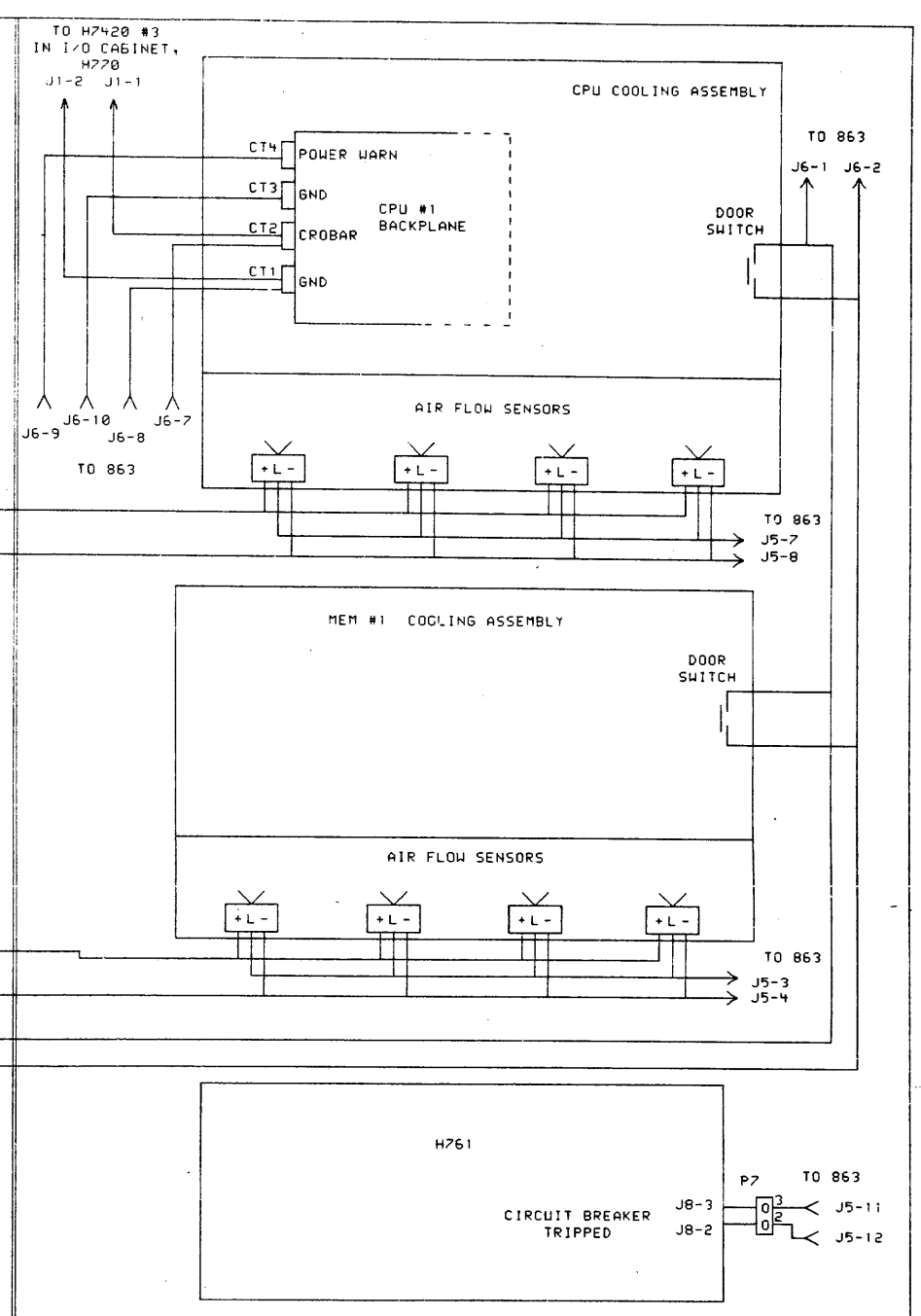
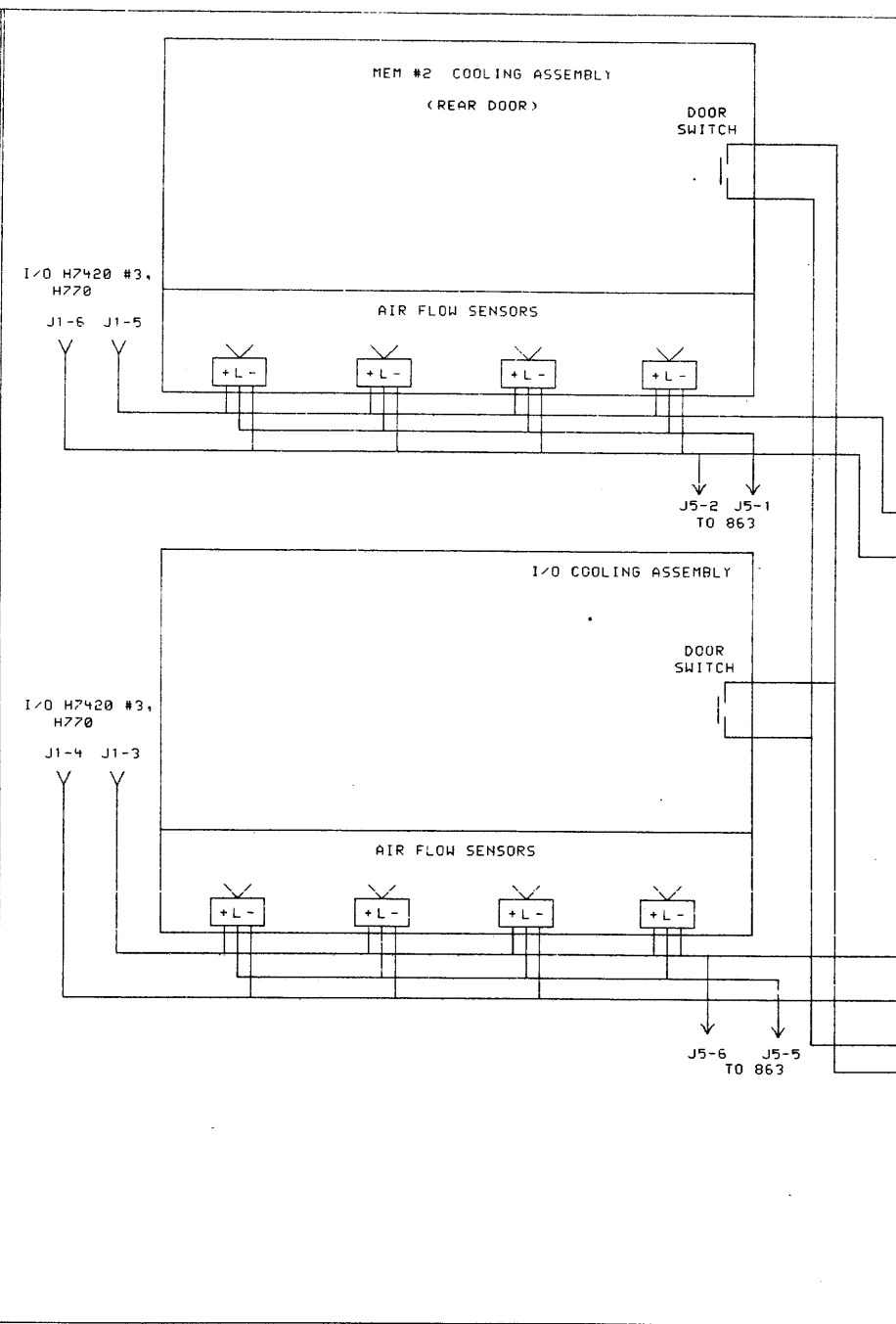
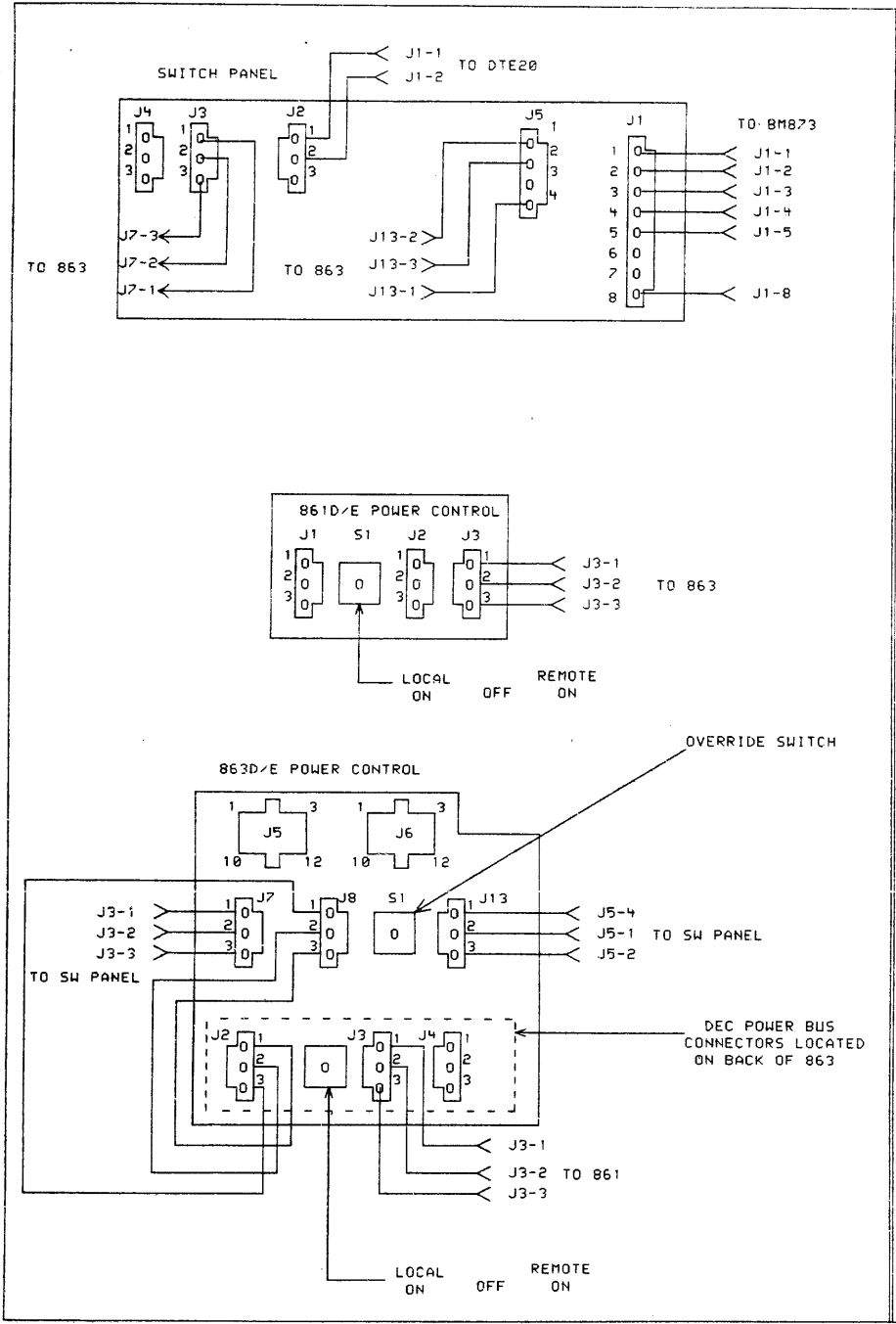
REVISIONS		
CHK	CHANGE NO.	REV

	DRN M. Accorilli	DATE 12-13-77	ENG. JES	DATE 12-13-77	TITLE: ARITHMETIC PROCESSOR
	CHK 	DATE 	BOARD LOCATION 	SHEET 	
FIRST USED IN OPTION MODEL: KL10			NEXT HIGHER ASSEMBLY: B-DD-KL10-E		SIZE CODE D UA
NUMBER KL10-E-0			NUMBER KL10-E-0		REV. 0

CONSOLE PROCESSOR CABINET

I/O CABINET

CPU CABINET



NOTES:

1. VIEWED FROM FRONT.
2. FAULT HARNESS IS 7011808-0 & 7011808-1
3. DRAWING NOT TO SCALE.

KL10-EA,EB,EC,ED
FAULT WIRING

THIS DRAWING AND SPECIFICATIONS ARE THE PROPERTY OF DIGITAL EQUIPMENT CORPORATION AND SHALL NOT BE REPRODUCED OR COPIED OR USED IN WHOLE OR IN PART AS THE BASIS FOR THE MANUFACTURE OR SALE OF ITEMS WITHOUT WRITTEN PERMISSION. COPYRIGHT © 1979, DIGITAL EQUIPMENT CORPORATION.

REVISIONS		
CHK	CHANGE NO.	REV

digital	DRN	DATE	ENG.	DATE	TITLE:
	CHK'D.	27-JUN-79	P. Lucier		ARITHMETIC PROCESSOR
PSI:KLUCIER,TRAIN:28KL10E.DRW		DATE	BOARD LOCATION:	SIZE CODE NUMBER REV.	
FIRST USED ON OPTION/MODEL: KL10		27-JUN-79 14:36	SHEET 28 OF 36	D UA KL10-E-0 L	
NEXT HIGHER ASSEMBLY:			B-DD-KL10-E		

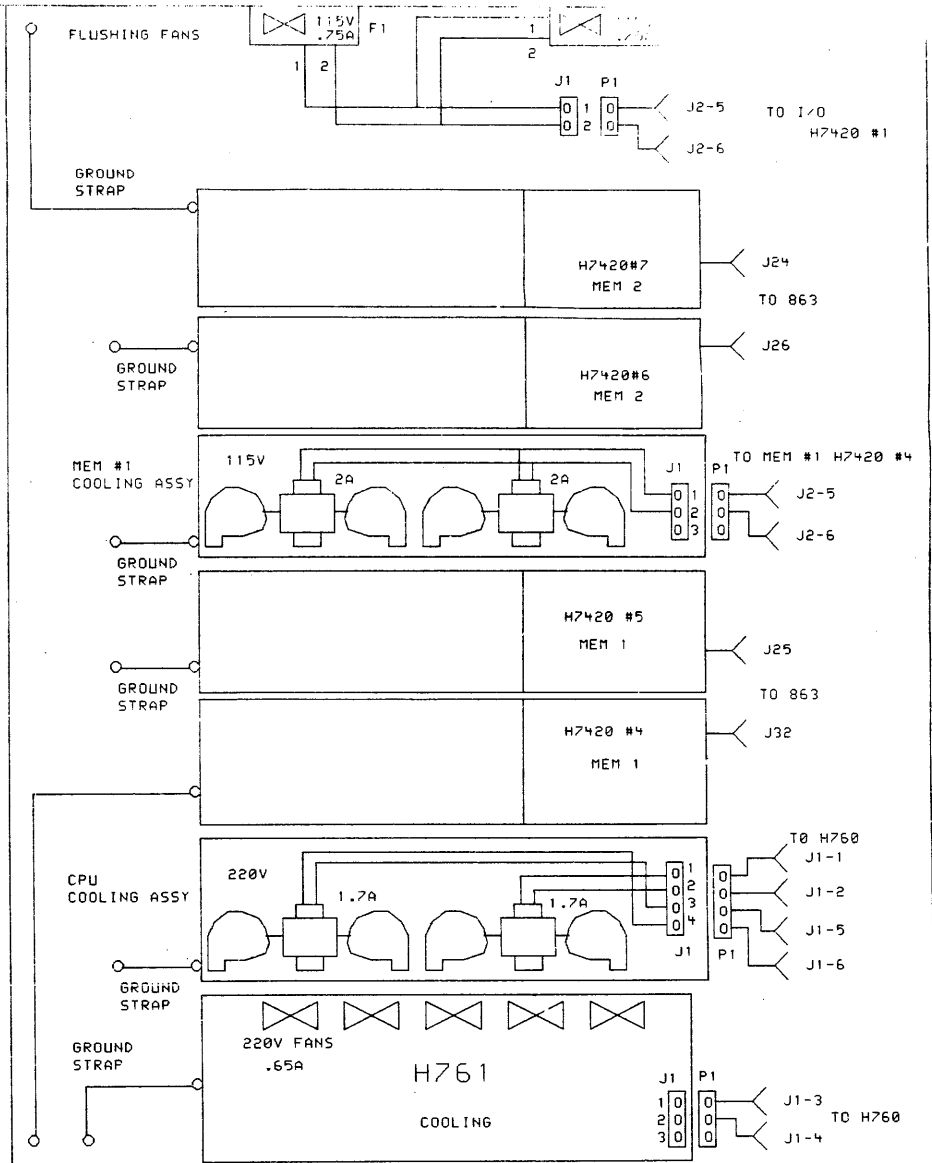
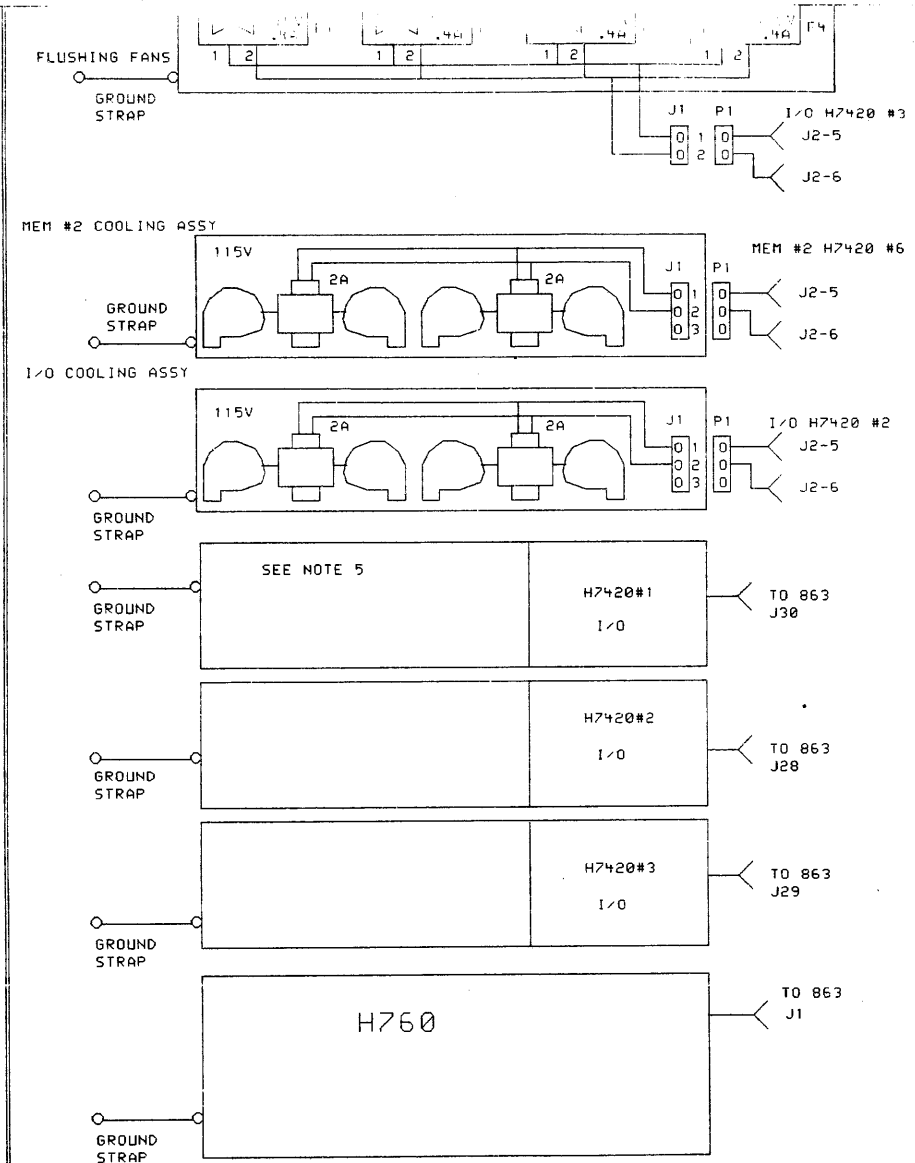
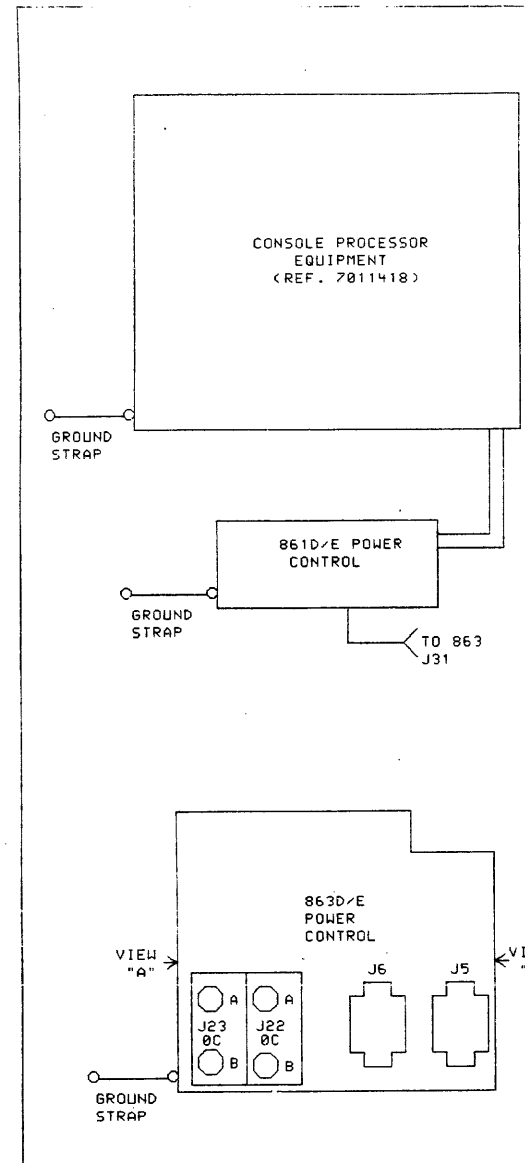
REV. L
NUMBER KL10-E-0
SIZE CODE D UA

45

CONSOLE

I/O CABINET

CPU CABINET



NOTES:

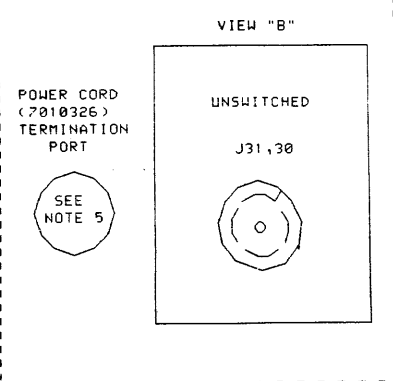
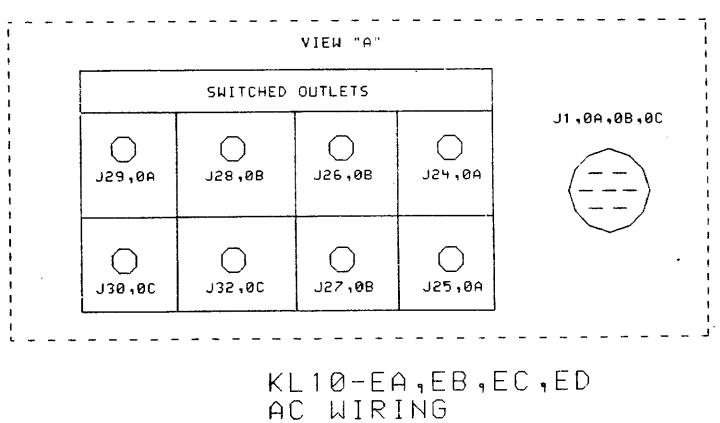
- COOLING FANS TO BE WIRED WITH RED AND WHITE 18 AWG TWISTED PAIR
- BELOW DESCRIBES OUTLETS FOR 863 POWER CONTROL:

	CURRENT CAPACITY	PHASE	SW
J1	30A	A,B,C	SW
J31	30A	A,B,C	UN-SW
J22	15A	C	UN-SW
J24	15A	A	SW
J25	15A	A	SW
J26	15A	B	SW
J27	15A	B	SW
J28	15A	B	SW
J29	15A	A	SW
J30	15A	C	SW
J23, J32	15A	C	SW
- GROUND ALL THREE CABINETS TOGETHER AS SHOWN ON SHEET #20
- GRILLS (ITEM #5) AND LOGO (ITEM #3) TO BE GROUNDED TO CABINETS WITH ITEMS 238,71,72 & 131. FRONT DOORS (ITEM #6, QTY 4 & ITEM #232, QTY 2) WITH ITEMS #238,71,72 & 131. RIGHT REAR DOOR (ITEM #9, QTY 3 & LEFT REAR DOOR (ITEM #74, QTY 3) WITH ITEMS #238,71,72 & 131. END PANELS (ITEM #8, QTY 2) TO BE GROUNDED TO CABINET WITH ITEMS #238,71,72 & 131.
- FOR 60 HZ OPERATION "A" VERSION POWER SUPPLIES, POWER CONTROLS, FEMALE PHR. CONN. KIT(H874-A) AND 7014407 PHR. CORD ASSY MUST BE USED. FANS TO BE WIRED AS SHOWN ABOVE.
- FOR 50HZ OPERATION "B" VERSION POWER SUPPLIES, POWER CONTROLS, AND 7014409 POWER CORD ASSEMBLY MUST BE USED. COOLING ASSEMBLIES TO BE WIRED IN THE FOLLOWING FASHION:

4.2.1 CPU COOLING ASSEMBLY CONNECT	
P1-1	TO J1-1 OF H760
P1-2	TO J1-7 OF H760
P1-3	TO J1-2 OF H760
P1-4	TO J1-8 OF H760

4.2.2 H761 COOLING, CONNECT	
P1-1	TO J1-3 OF H760
P1-2	TO J1-9 OF H760
- POWER CORD IS INTERNALLY TERMINATED TO 863 POWER CONTROLLER LINE FILTER (F1). TERMINATE AS FOLLOWS:

POWER CORD TERMINAL	F1
1	A
2	B
3	C
4	GROUND STUD
5	N
- VIEWED FROM FRONT
- DRAWING NOT TO SCALE



KL10-EA,EB,EC,ED AC WIRING

THIS DRAWING AND SPECIFICATIONS ARE THE PROPERTY OF DIGITAL EQUIPMENT CORPORATION AND SHALL NOT BE REPRODUCED OR COPIED OR USED IN WHOLE OR IN PART AS THE BASIS FOR THE MANUFACTURE OR SALE OF ITEMS WITHOUT WRITTEN PERMISSION. COPYRIGHT © 1979, DIGITAL EQUIPMENT CORPORATION.

REVISIONS	
CHK	CHANGE NO. REV

digital	DRN: <i>P. Lucier</i>	DATE: 27-JUN-79	ENG.	DATE:	TITLE: ARITHMETIC PROCESSOR
	CHK'D:	DATE:	BOARD LOCATION: SHEET 30 OF 36	SIZE CODE: D	NUMBER: 7010326
PS: KLUCIER, TRAIN 30KL10E.DRW 27-JUN-79 14:37 NEXT HIGHER ASSEMBLY: B-DD-KL10-E					

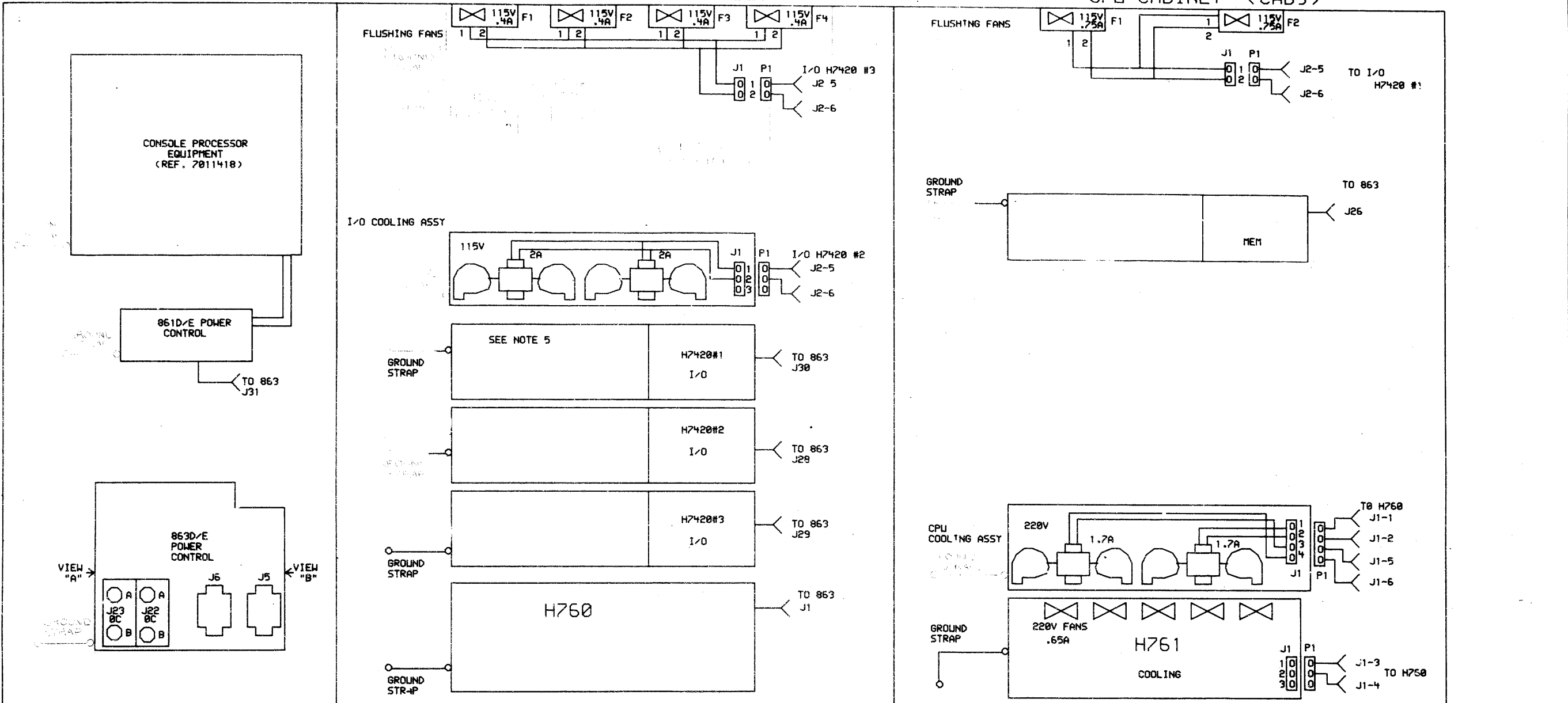
REV. L
NUMBER KL10-E-0
SIZE CODE UA
D

A

8 7 6 5 4 3 2 1
 CONSOLE PROCESSOR CABINET (CAB1)

I/O CABINET (CAB2)

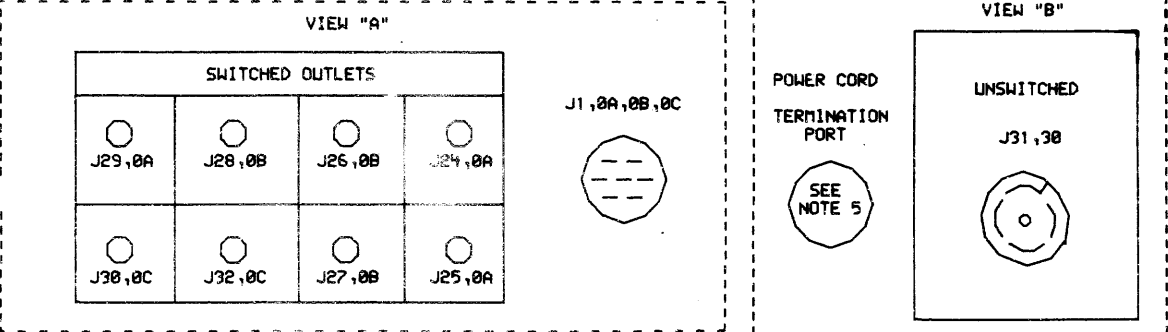
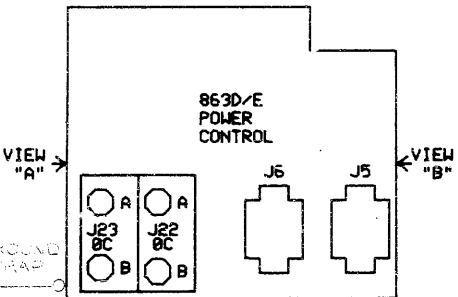
CPU CABINET (CAB3)



NOTES:

- COOLING FANS TO BE WIRED WITH RED AND WHITE 18 AWG TWISTED PAIR
- BELOW DESCRIBES OUTLETS FOR 863 POWER CONTROL:

	CURRENT CAPACITY	PHASE	SW
J31	30A	A,B,C	SW UN-SW
J22	15A	A,B,C	UN-SW
J24	15A	A	SW
J25	15A	A	SW
J26	15A	B	SW
J27	15A	B	SW
J28	15A	B	SW
J29	15A	A	SW
J30	15A	C	SW
J23, J32	15A	C	SW
- GROUND ALL THREE CABINETS TOGETHER AS SHOWN ON SHEET #20
- GRILLS (ITEM #5) AND LOGO (ITEM #3) TO BE GROUNDED TO CABINETS WITH ITEMS #71, 72 & 131. FRONT DOORS (ITEM #6) QTY 2 & LEFT REAR DOOR (ITEM #74) QTY 3 WITH ITEMS #71, 72 & 131. END PANELS (ITEM #8) QTY 2 TO BE GROUNDED TO CABINET WITH ITEMS #71, 72 & 131.
- FOR 60 HZ OPERATION "A" VERSION POWER SUPPLIES, POWER CONTROLS, FEMALE PHW. CONN. KIT(H874-A) AND PHW. CORD ASSY MUST BE USED. FANS TO BE WIRED AS SHOWN ABOVE.
- FOR 50HZ OPERATION "B" VERSION POWER SUPPLIES, POWER CONTROLS, AND POWER CORD ASSEMBLY MUST BE USED. COOLING ASSEMBLIES TO BE WIRED IN THE FOLLOWING FASHION:
 - CPU COOLING ASSEMBLY CONNECT P1-1 TO J1-1 OF H760
 P1-2 TO J1-2 OF H760
 P1-3 TO J1-2 OF H760
 P1-4 TO J1-8 OF H760
 - H761 COOLING, CONNECT P1-1 TO J1-3 OF H760
 P1-2 TO J1-9 OF H760
- POWER CORD IS INTERNALLY TERMINATED TO 863 POWER CONTROLLER LINE FILTER (F1). TERMINATE AS FOLLOWS:
 POWER CORD TERMINAL F1
 1 A
 2 B
 3 C
 4 GROUND STUD
 5 N
- VIEWED FROM FRONT
- DRAWING NOT TO SCALE



KL10-EA,EB AC WIRING

THIS DRAWING AND SPECIFICATIONS HEREIN, ARE THE PROPERTY OF DIGITAL EQUIPMENT CORPORATION AND SHALL NOT BE REPRODUCED OR COPIED OR USED IN WHOLE OR IN PART AS THE BASIS FOR THE MANUFACTURE OR SALE OF ITEMS WITHOUT WRITTEN PERMISSION. COPYRIGHT © 1977 DIGITAL EQUIPMENT CORPORATION

REVISIONS		
CHK	CHANGE NO.	REV

digital	DATE: 6/27/77	ENG: <i>Sam Long</i>	DATE: <i>6/27/77</i>	TITLE: ARITHMETIC PROCESSOR
ACR: <i>DAK 4, 657</i>	DATE: <i>6/27/77</i>	LOC: <i>300</i>	SHEET: <i>1</i>	NUMBER: KL10-E-0
FIRST USED ON OPTION/MODEL: KL10	NEXT HIGHER ASSEMBLY: B-DD-KL10-E	SIZE: D	CJDE: UA	REV.:

HARNESS CONNECTION CHART

ITEM NO.	HARNESS TERM		CONNECTION	WITH
	POINT	CONNECTION		
26		P2	H761/J2	
		P3	H761/J3	
27			CPU #3/ST11	
30			CPU #3/ST11	
28			CPU #3/ST12	
29			CPU #3/ST10	
31			CPU #3/ST9	
32			CPU #3/ST8	
33			CPU #3/ST6	
34			CPU #3/ST7	
35			CPU #3/ST5	
36			CPU #3/ST4	
38			CPU #3/ST4	
37			CPU #3/ST3	
39			CPU #2/ST2	
40			CPU #2/PT17-U	
41			CPU #2/ST1	
42			CPU #2/PT16-U	
43			CPU #1/ST19	
44			CPU #1/ST18	
45			CPU #1/ST17	
46			CPU #1/ST:6	
48			CPU #1/ST16	
47			CPU #1/ST15	
49			CPU #2/ST14	
50			CPU #2/PT15-L	
51			CPU #2/ST13	
26	52		CPU #2/PT17-L	
181		P1	H7420 #1/H744 (+5K) J1	
		P2	H7420 #1/H744 (+5J) J1	
		P3	H7420 #1/H744 (+5H) J1	
		P4	H7420 #1/H744 (+5F) J1	
		P5	H7420 #2/H744 (+5E) J1	
		P6	H7420 #2/H744 (+5D) J1	
		P7	H7420 #2/H744 (+5L) J1	
		P8	H7420 #2/H744 (+5C) J1	
		P9	H7420 #3/H744 (-5) J1	
		P10	H7420 #3/H744 (+5B) J1	
		P11	H7420 #3/H744 (+5A) J1	
	P12	H7420 #3/H745 (+15) J1		
181		P13	H7420 #3/H770 (+15) J1	

HARNESS CONNECTION CHART

ITEM NO.	HARNESS TERM		CONNECTION	WITH
	POINT	CONNECTION		
181	63		RH20/PT26-U	
	64		RH20/PT25-U	
	65		RH20/PT24-U	
	66		RH20/PT23-U	
	67		RH20/PT22-U	
	68		RH20/PT21-U	
	69		RH20/PT20-U	
	70		RH20/PT19-U	
	71		RH20/PT18-U	
	72		RH20/PT17-U	
	73		RH20/PT16-U	
	74		RH20/PT15-U	
	75		DTE20/PT14-U	
	76		DTE20/PT13-U	
	77		DTE20/PT12-U	
	78		DTE20/PT11-U	
	79		DTE20/PT10-U	
	80		DTE20/PT9-U	
	81		*1 DMA20/PT8-U	
	82		*1 DMA20/PT8-U	
	83		*1 DMA20/PT7-U	
	84		*1 DMA20/PT7-U	
	85		*1 DMA20/PT6-U	
	86		*1 DMA20/PT6-U	
	87		*1 DMA20/PT5-U	
	88		*1 DMA20/PT5-U	
	89		*2 DMA20/PT4-U	
	90		*2 DMA20/PT3-U	
	91		*2 DMA20/PT2-U	
	92		*2 DMA20/PT1-U	
	93		*2 DMA20/PT1-L	
	94		*2 DMA20/PT2-L	
	95		*1 DMA20/PT6-L	
181	96		*1 DMA20/PT6-L	


HARNESS CONNECTION CHART

ITEM NO.	HARNESS TERM		CONNECTION	WITH
	POINT	CONNECTION		
181	97		*1 DMA20/PT5-L	
	98		*1 DMA20/PT5-L	
	99		*1 DMA20/PT8-L	
	100		*1 DMA20/PT8-L	
	101		*1 DMA20/PT7-L	
	102		*1 DMA20/PT7-L	
	103		DTE20/PT10-L	
	104		DTE20/PT9-L	
	105		DTE20/PT11-L	
	106		DTE20/PT12-L	
	107		DTE20/PT13-L	
	108		DTE20/PT14-L	
	109		RH20/PT15-L	
	110		RH20/PT16-L	
	111		RH20/PT17-L	
	112		RH20/PT18-L	
	113		RH20/PT19-L	
	114		RH20/PT20-L	
	115		RH20/PT21-L	
	116		RH20/PT22-L	
	117		RH20/PT23-L	
	118		RH20/PT24-L	
	119		RH20/PT25-L	
181	120		RH20/PT26-L	
182	129		CPU VANE SWITCHK J1-2	*ITEM #130*
			SEE NOTE 26	
	130		*3 H761 J4-2	
	61		*3 H761 J6-3	
	62		CPU #1/PT6-L	
	131		CPU #1/PT5-L	
	132		CPU #1/CT1	
	133		CPU #1/CT2	
	134		CPU #1/PT5-U	
	135		CPU #1/PT6-U	
182	136		CPU #1/PT6-U	

NOTES:
 *1 JUMPER WHEN DMA/DIA IS NOT USED SEE NOTE 13.1 ON SHEET 27
 *2 SEE NOTE 13.2 ON SHEET 27
 *3 SEE NOTE 13.4 ON SHEET 27

"THIS DRAWING AND SPECIFICATIONS, HEREIN, ARE THE PROPERTY OF DIGITAL EQUIPMENT CORPORATION AND SHALL NOT BE REPRODUCED OR COPIED OR USED IN WHOLE OR IN PART AS THE BASIS FOR THE MANUFACTURE OR SALE OF ITEMS WITHOUT WRITTEN PERMISSION.
 COPYRIGHT © 1977 DIGITAL EQUIPMENT CORPORATION"

REVISIONS		
CHK	CHANGE NO.	REV

	DATE	ENG.	DATE	TITLE:
	DATE	DATE	DATE	ARITHMETIC PROCESSOR
FIRST USED ON OPTION/MODEL: KL10		NEXT HIGHER ASSEMBLY: B-DD-KL10-E		SIZE CODE: D UA
				NUMBER: KL10-E-0
				REV. L

HARNESS CONNECTION CHART				HARNESS CONNECTION CHART				WIRE TABLE									
ITEM NO.	HARNESS TERM		CONNECTION	WITH	ITEM NO.	HARNESS TERM		CONNECTION	WITH	ITEM NO.	DESCRIPTION		FROM		TO		REMARKS
	POINT	CONNECTION				POINT	CONNECTION				AWG	COLOR	CONNECTION	WITH	CONNECTION	WITH	
27		P1	863/J6		30	20		H7420#3 H770 J1-7		40	2	BLK	CAP BOX -12	84,124&198	H761-TB4-2-4	85	MOUNT CABLES TO H761 WITH ITEM 120,121 & 93
27		P2	863/J5			19		H7420#3 H770 J1-8					CAP BOX -13		H761-TB3-2-4		
28		J1	MEM #1 DOOR SW			18		H7420#3 H745 J1-6					CAP BOX -14		H761-TB2-2-4		
28		P3	MEM #1 VANE SW (J1)			17		H7420#3 H745 J1-8		40		BLK	CAP BOX -15	84,124&198	H761-TB1-2-4		SEE VIEW U-W
27		P7	H761/J8			16		H7420#3 H744 J1-6		92		BLU	CAP BOX -1	87,124&198	H761-PB-2		
28		J2	CPU DOOR SW			15		H7420#3 H744 J1-7					CAP BOX -2		H761-PB-2		
28		P4	CPU VANE SW (J1)			14		H7420#3 H744 J1-6					CAP BOX -3		H761-PB-1		
27		P5	REF MEM#2 VAN SW (J1)*			13		H7420#3 H744 J1-7		92	2	BLU	CAP BOX -4	87,124&198	H761-PB-1	85	SEE VIEW U-W
27		J3	REF MEM#2 DOOR SW *			12		H7420#3 H744 J1-6		94	18 TWP	WHT	H760/P1-4 Δ	143&130	H761/P1-2	130&117	USE ITEM #184 FOR CAB #3/P1
27		J4	I/O DOOR SW			11		H7420#3 H744 J1-7					H760/P1-3 Δ	143&130	H761/P1-1	130&117	
27		P6	I/O VANE SW (J1)				P2	H7420#3 J2					H7420#1/J2-5	144	CAB#3/P1-1	130	USE ITEM #184 FOR CAB #2/P1
28	65		SEE NOTE 26		30		P3	H7420#3 J3					H7420#1/J2-6		CAB#3/P1-2	130	
28	66		SEE NOTE 26		29	9		H7420#2 H744 J1-6					H7420#3/J2-5		CAB#2/P1-1	130	USE ITEM #183 FOR CAB #2/J1
28	88		CPU #1/CT2			10		H7420#2 H744 J1-7					H7420#3/J2-6	144	CAB#2/P1-2	130	
28	79		CPU #1/CT1			11		H7420#2 H744 J1-6					CAB2/F1-1	170&185	CAB2/F2-1	170&185	USE ITEM #183 FOR CAB #2/J1
28	78		CPU #1/CT4			12		H7420#2 H744 J1-7					CAB2/F3-1	170&185	CAB2/F4-1		
28	77		CPU #1/CT3			13		H7420#2 H744 J1-6					CAB2/J1-1	144	CAB2/F2-2		
67		11/40-BM873 (J1)	SW PANEL (ITEM #10) J1			14		H7420#2 H744 J1-7					CAB2/F1-2	170&185	CAB2/F4-2		
68		DTE20/J1	SW PANEL (ITEM #10) J2			15		H7420#2 H744 J1-6					CAB2/F3-2	170&185	CAB3/F2-1		USE ITEM #183 FOR CAB #3/J1
68			11/40 DRAWER SU-3			16		H7420#2 H744 J1-7					CAB2/J1-2	144	CAB3/F2-2		
73		863/J13	SW PANEL (ITEM #10) J5				P2	H7420#2 J2					CAB3/F1-1	170&185	CAB#2/P1		
46		863/J7	SW PANEL (ITEM #10) J3				P3	H7420#2 J3					CAB3/J1-1	144	CAB#3/P1		
222 OR 223	5		863 FL1-N			9		H7420#1 H744 J1-6					CAB3/F1-2	170&185	CAB#3/P1		USE ITEM #183 FOR CAB #3/J1
	4		863 FRAM GND-2			10		H7420#1 H744 J1-7					CAB3/J1-2	144			
	3		863 FL1-C			11		H7420#1 H744 J1-6					CAB3/F1-1	170&185			
	2		863 FL1-B			12		H7420#1 H744 J1-7		94	18 TWP	RED	CAB3/J1-2	144			
222 OR 223	1		863 FL1-A			13		H7420#1 H744 J1-6					CAB#2/J1				
13 OR 14	5		CAP BOX -5			14		H7420#1 H744 J1-7					CAB#3/J1				
	6		CAP BOX -6			15		H7420#1 H744 J1-6		94	18 TWP	WHT	H760/P1-1 Δ	143&130	SEE DETAIL U	203	
	7		CAP BOX -7			16		H7420#1 H744 J1-7					H760/P1-2 Δ	143&130	SEE DETAIL U	203	
	8		CAP BOX -8				P2	H7420#1 J2					H760/P1-5 Δ	143&130	SEE DETAIL U	203	
	9		CAP BOX -9				P3	H7420#1 J3					H760/P1-6 Δ	143&130	SEE DETAIL U	203	
	10		CAP BOX -10										H7420#2/P2-5	130	SEE DETAIL V	117	
13 OR 14	11		CAP BOX -11							94	18 TWP	RED	H7420#2/P2-6	130	SEE DETAIL V	117	
27			MEM #1 VAN SW * *							95	14 TWT	BLK	H760/YEL (RTN)	147	H761/YEL (RTN)	147	
27			MEM #1 VAN SW * *							95	14 TWT	GRN	H760/GRN (-5V)	147	H761/GRN (-5V)	147	
										95	14 TWT	ORN	H760/ORN (+5V)	147	H761/ORN (+5V)	147	
										94	18 TWP	WHT	H7420#2/P2-5	130	MEM#1 COILING ASSY J1-1*	117	
															MEM#1 COILING ASSY J1-2*		
															MEM#1 COILING ASSY J1-3*		
										94	18 TWP	RED	H7420#2/P2-6	130	MEM#2 COILING ASSY J1-1*	117	

Δ WHEN FROM TO POINT VOLTAGE IS SAME
 * KILL-2-54 FOR OPTION ONLY
 ** KILL-2-55 FOR OPTION ONLY

"THIS DRAWING AND SPECIFICATIONS, HEREIN, ARE THE PROPERTY OF DIGITAL EQUIPMENT CORPORATION AND SHALL NOT BE REPRODUCED OR COPIED OR USED IN WHOLE OR IN PART AS THE BASIS FOR THE MANUFACTURE OR SALE OF ITEMS WITHOUT WRITTEN PERMISSION.
 COPYRIGHT © 1977 DIGITAL EQUIPMENT CORPORATION"

REVISIONS	
CHK	CHANGE NO. REV

digital
 DESIGNED BY: *W. Pasarelli*
 CHECKED BY: *W. Pasarelli*
 DATE: JAN 77
 BOARD LOCATION: 33 OF 36
 NEXT HIGHER ASSEMBLY: B-DD-KL10-E

DATE: 12 APR 77
 ENG: *W. Elroy*
 DATE: 12 APR 77
 SIZE: D
 CODE: UA
 NUMBER: KL10-E-0

TITLE: ARITHMETIC PROCESSOR
 NUMBER: KL10-E-0
 REV: L

HARNESS CONNECTION CHART			
ITEM NO.	HARNESS TERM		WITH
	POINT	CONNECTION	
24	1	H761/TB4 (-2D,GND)	
	2	H761/TB4 (-2D)	
	3	H761/TB4 (-2C,GND)	
	4	H761/TB4 (-2C)	
	5	H761/TB4 (-2B,GND)	
	6	H761/TB4 (-2B)	
	7	H761/TB4 (-2A)	
	8	H761/TB4 (-2,GND)	
	9	H761/TB2 (-5,2E)	
	10	H761/TB2 (-5,2E GND)	
	11	H761/TB3 (-5,2F)	
	12	H761/TB3 (-5,2F,GND)	
	13	H761/TB3 (-5,2H)	
	14	H761/TB3 (-5,2H,GND)	
	15	H761/TB3 (-5,2J)	
	16	H761/TB3 (-5,2J,GND)	
	17	H761/TB2 (-5,2A,GND)	
	18	H761/TB2 (-5,2A)	
	19	H761/TB2 (-5,2B)	
	20	H761/TB2 (-5,2B,GND)	
	21	H761/TB2 (-5,2C)	
	22	H761/TB2 (-5,2C,GND)	
	23	H761/TB2 (-5,2D)	
	24	H761/TB2 (-5,2D,GND)	
	25	H761/TB1 (-5,2K)	
	26	H761/TB1 (-5,2K,GND)	
	27	CPU #1/PT1-U	
	28	CPU #1/PT2-U	
	29	CPU #1/PT3-U	
	30	CPU #1/PT4-U	
	31	CPU #1/PT7-U	
	32	CPU #1/PT8-U	
	33	CPU #1/PT9-U	
	35	CPU #1/PT9-U	
	34	CPU #1/PT10-U	
	36	CPU #1/PT10-U	
	37	CPU #2/PT11-U	
	38	CPU #2/PT12-U	
	39	CPU #2/PT13-U	
	40	CPU #2/PT14-U	
	41	CPU #2/PT15-U	
	42	CPU #2/PT16-U	
	43	CPU #2/PT17-U	
	44	CPU #2/PT18-U	
	45	CPU #2/PT19-U	
	47	CPU #2/PT19-U	
	46	CPU #2/PT20-U	
	49	CPU #2/PT20-U	
	49	CPU #3/PT21-U	
	50	CPU #3/PT22-U	
	51	CPU #3/PT23-U	
	52	CPU #3/PT24-U	
	53	CPU #3/PT25-U	
	54	CPU #3/PT26-U	
24	55	CPU #3/PT2-U	

HARNESS CONNECTION CHART			
ITEM NO.	HARNESS TERM		WITH
	POINT	CONNECTION	
24	56	CPU #3/PT28-U	
	57	CPU #3/PT29-U	
	58	CPU #3/PT30-U	
	59	CPU #3/PT31-U	
24	60	CPU #3/PT32-U	
25	1	H761 TB4 (-2D,GND)	
	2	H761/TB4 (-2D)	
	3	H761 TB4 (-2C,GND)	
	4	H761/TB4 (-2C)	
	5	H761 TB4 (-2B,GND)	
	6	H761/TB4 (-2B)	
	7	H761/TB4 (-2A)	
	8	H761/TB4 (-2A,GND)	
	9	H761/TB2 (-5,2E)	
	10	H761/TB2 (-5,2E GND)	
	11	H761/TB3 (-5,2F)	
	12	H761/TB3 (-5,2F,GND)	
	13	H761/TB3 (-5,2H)	
	14	H761/TB3 (-5,2H,GND)	
	15	H761/TB3 (-5,2J)	
	16	H761/TB3 (-5,2J,GND)	
	17	H761/TB2 (-5,2A GND)	
	18	H761/TB2 (-5,2A)	
	19	H761/TB2 (-5,2B)	
	20	H761/TB2 (-5,2B,GND)	
	21	H761/TB2 (-5,2C)	
	22	H761/TB2 (-5,2C,GND)	
	23	H761/TB2 (-5,2D)	
	24	H761/TB2 (-5,2D,GND)	
	25	H761/TB1 (-5,2K)	
	26	H761/TB32(-5,2K,GND)	
	27	CPU #3/PT32-L	
	28	CPU #3/PT31-L	
	29	CPU #3/PT30-L	
	30	CPU #3/PT29-L	
	31	CPU #3/PT28-L	
	32	CPU #3/PT27-L	
	33	CPU #3/PT26-L	
	34	CPU #3/PT25-L	
	35	CPU #3/PT24-L	
	36	CPU #3/PT23-L	
	37	CPU #3/PT22-L	
	38	CPU #3/PT21-L	
	39	CPU #3/PT20-L	
	41	CPU #3/PT20-L	
	40	CPU #2/PT19-L	
	42	CPU #2/PT19-L	
	43	CPU #2/PT18-L	
	44	CPU #2/PT17-L	
	45	CPU #2/PT16-L	
	46	CPU #2/PT15-L	
	47	CPU #2/PT14-L	
	48	CPU #2/PT13-L	
	49	CPU #2/PT12-L	
25	50	CPU #2/PT11-L	

HARNESS CONNECTION CHART			
ITEM NO.	HARNESS TERM		WITH
	POINT	CONNECTION	
25	51	CPU #1/PT18-L	
	53	CPU #1/PT18-L	
	52	CPU #1/PT9-L	
	54	CPU #1/PT9-L	
	55	CPU #1/PT8-L	
	56	CPU #1/PT7-L	
	57	CPU #1/PT4-L	
	58	CPU #1/PT3-L	
	59	CPU #1/PT2-L	
25	60	CPU #1/PT1-L	

THIS DRAWING AND SPECIFICATIONS, HEREIN, ARE THE PROPERTY OF DIGITAL EQUIPMENT CORPORATION AND SHALL NOT BE REPRODUCED OR COPIED OR USED IN WHOLE OR IN PART AS THE BASIS FOR THE MANUFACTURE OR SALE OF ITEMS WITHOUT WRITTEN PERMISSION.
 COPYRIGHT © 1977 DIGITAL EQUIPMENT CORPORATION

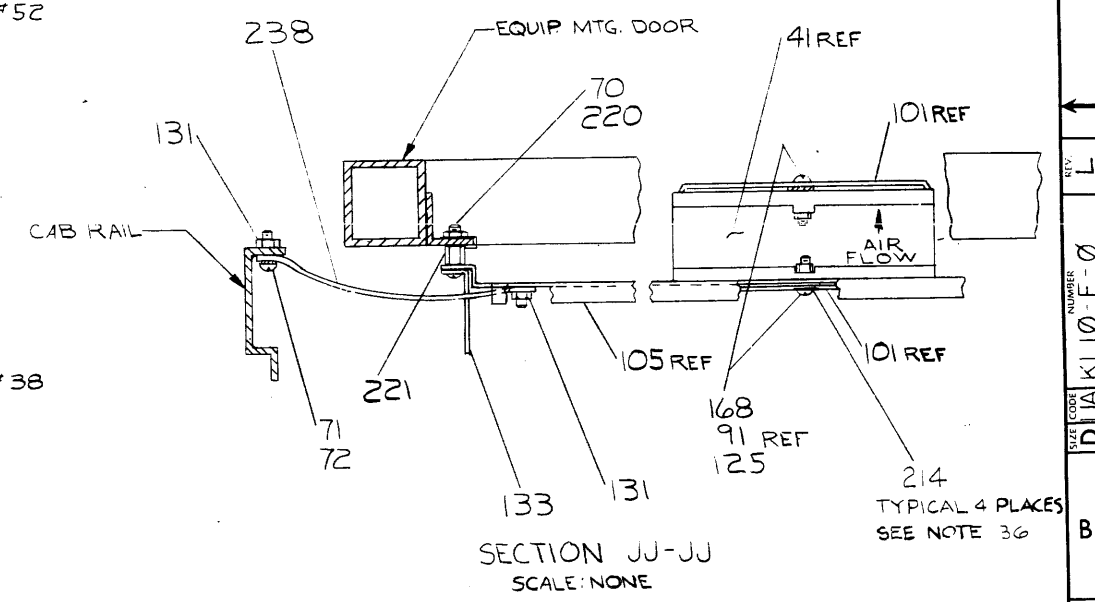
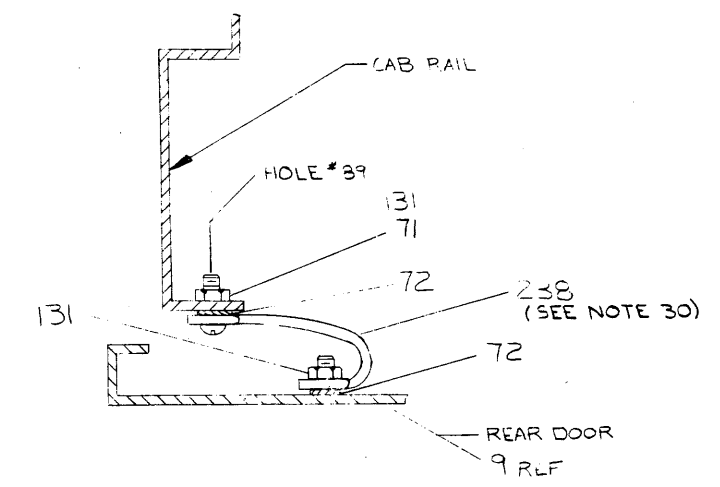
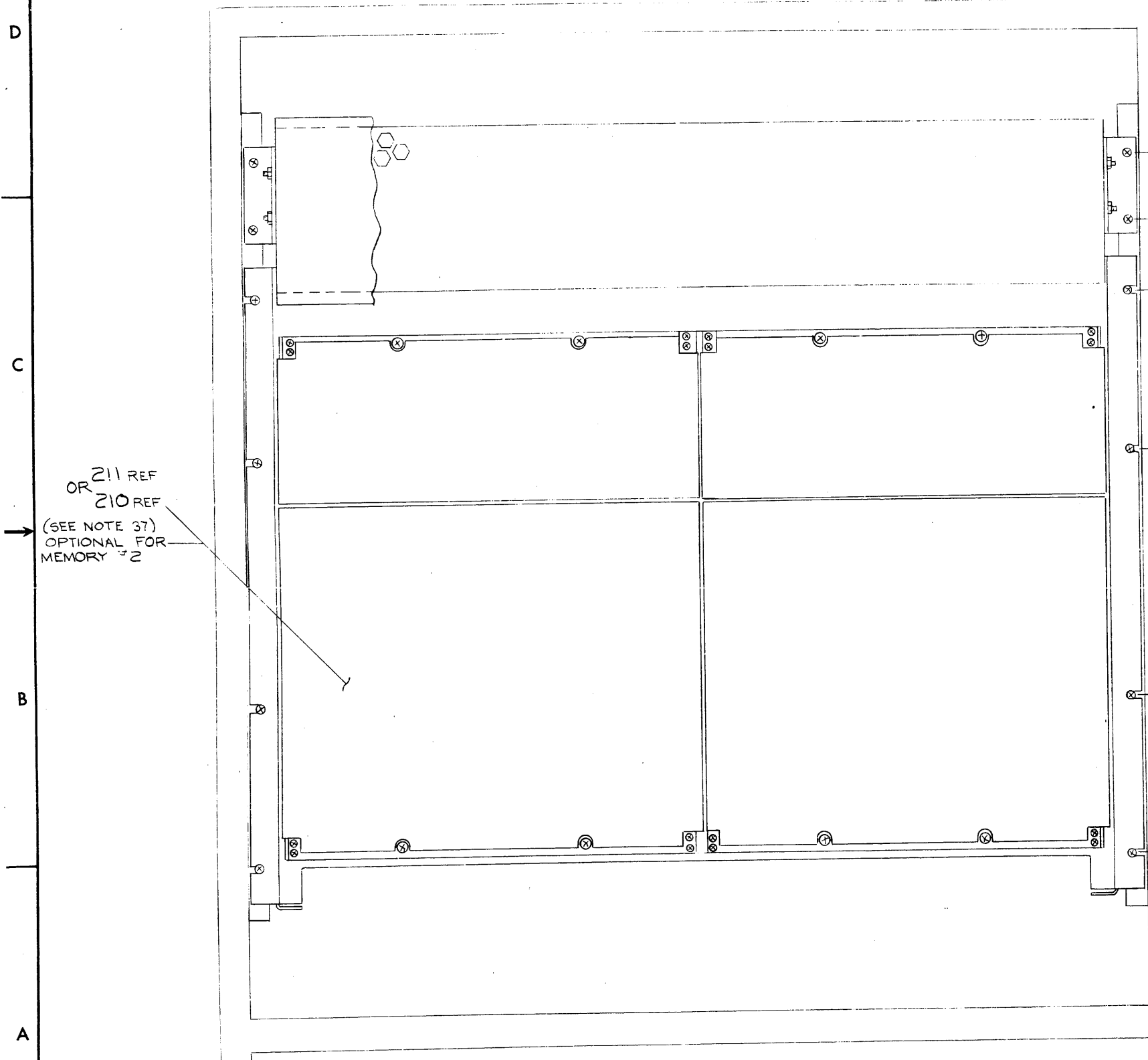
REVISIONS		
CHK	CHANGE NO.	REV

digital	DATE: 12 APR 77	ENG: M. C. C.	DATE: 12 APR 77	TITLE: ARITHMETIC PROCESSOR
	DATE: 12 APR 77	BOARD LOCATION: 34	SHEET: 34 OF 36	SIZE CODE: D
FIRST USED ON OPTION/MODEL: KL10			NEXT HIGHER ASSEMBLY: B-DD-KL10-E	NUMBER: KL10-E-0

REV. L
 DRAWING NUMBER: KL10-E-0
 SIZE CODE: D
 BOARD LOCATION: 34
 SHEET: 34 OF 36
 NEXT HIGHER ASSEMBLY: B-DD-KL10-E
 NUMBER: KL10-E-0
 REV. L

"THIS DRAWING AND SPECIFICATIONS, HEREIN, ARE THE PROPERTY OF DIGITAL EQUIPMENT CORPORATION AND SHALL NOT BE REPRODUCED OR COPIED OR USED IN WHOLE OR IN PART AS THE BASIS FOR THE MANUFACTURE OR SALE OF ITEMS WITHOUT WRITTEN PERMISSION. COPYRIGHT © 1977 DIGITAL EQUIPMENT CORPORATION"

REAR VIEW I/O CAB
SCALE: 1/2
(FOR KLIQ-EA, EB, EC & ED VARIATIONS ONLY)



REVISIONS		
CHK	CHANGE NO.	REV.

TITLE	SIZE CODE	NUMBER	REV.
ARITHMETIC PROCESSOR	DUA KLIQ-E-0	L	L
SCALE #	SHEET 36 OF 36	DIST.	

THIS DRAWING AND SPECIFICATIONS, HEREIN ARE THE PROPERTY OF DIGITAL EQUIPMENT CORPORATION AND SHALL NOT BE REPRODUCED OR COPIED OR USED IN WHOLE OR IN PART AS THE BASIS FOR THE MANUFACTURE OR SALE OF ITEMS WITHOUT WRITTEN PERMISSION. COPYRIGHT © 1976, DIGITAL EQUIPMENT CORPORATION

ITEM NO.	PART NO.	DESCRIPTION	REF										
			KL10-BA	KL10-EP	KL10-EC	KL10-ED	KL10-EE	KL10-EF	KL10-EH	KL10-EU			
1	E-AD-7011293-1-0	CABINET ASSY (I/O)	1	1	1	1	1	1	1	1	1	1	1
2	E-AD-7011293-3-0	CABINET ASSY (CPU)	1	1	1	1	1	1	1	1	1	1	1
3	D-IA-741202-0-0	LOGO PANEL	1	1	1	1	1	1	1	1	1	1	1
4	A-PL-KL10-E-SH	SHIP LIST	REF	REF	REF	REF	REF	REF	REF	REF	REF	REF	REF
5	D-MD-7414725-0-0	PANEL, GRILLE	2	2	2	2	2	2	2	2	2	2	2
6	E-IA-7011580-0-0	WELDMENT, FRONT DOOR LEFT HAND	4	4	4	4	4	4	4	4	4	4	4
7	E-IA-7011552-2-0	TOP COVER	3	3	3	3	3	3	3	3	3	3	3
8	E-IA-7011509-0-0	END PANEL	2	2	2	2	2	2	2	2	2	2	2
9	E-IA-7012023-0-0	REAR DOOR, LEFT	3	3	3	3	3	3	3	3	3	3	3
10	E-AD-7011639-0-0	SWITCH PANEL ASSY	1	1	1	1	1	1	1	1	1	1	1
11	E-AD-7011416-1-0	CONSOLE PROCESSOR (60HZ)	1	1	1	1	1	1	1	1	1	1	1
12	E-AD-7011418-2-0	CONSOLE PROCESSOR (50HZ)	1	1	1	1	1	1	1	1	1	1	1
13	E-UA-H760-C-2	RAW POWER SUPPLY (60HZ)	1	1	1	1	1	1	1	1	1	1	1
14	E-UA-H760-D-2	FAW POWER SUPPLY (50HZ)	1	1	1	1	1	1	1	1	1	1	1
15	E-UA-H761-0-0	REGULATED POWER SUPPLY	1	1	1	1	1	1	1	1	1	1	1
16	E-UA-H742-B-3	POWER SUPPLY (60HZ)	3	3	3	3	3	3	3	3	3	3	3
17	F-IA-H742-A-0	POWER SUPPLY (50HZ)	3	3	3	3	3	3	3	3	3	3	3
18	E-UA-H744-0-0	5V REGULATOR	11	11	11	11	11	11	11	11	11	11	11
19	E-UA-H770-0-2	+15V REGULATOR	1	1	1	1	1	1	1	1	1	1	1
20	E-AD-7012278-0-0	RH20/DTE20 LOGIC ASSY	1	1	1	1	1	1	1	1	1	1	1
21	E-LA-KL10-PV-0	KL10-PV CPU LOGIC ASSY	1	1	1	1	1	1	1	1	1	1	1
22	E-IA-7010100-0-0	WIRED ASSY I/O ADAPTER	REF	REF	REF	REF	REF	REF	REF	REF	REF	REF	REF
23	9009110	SPLICE	16	16	16	16	16	16	16	16	16	16	16
24	J-IA-7009419-0-0	HARNESS DC TOP (CPU)	1	1	1	1	1	1	1	1	1	1	1
25	J-IA-7010655-0-0	HARNESS DC BOTTOM (CPU)	1	1	1	1	1	1	1	1	1	1	1
26	J-IA-7009427-0-0	HARNESS SENSE (CPU)	1	1	1	1	1	1	1	1	1	1	1
27	J-IA-7011803-0-0	HARNESS FAULT IND.	1	1	1	1	1	1	1	1	1	1	1
28	J-IA-7011803-1-0	HARNESS FAULT INDICATOR #1	1	1	1	1	1	1	1	1	1	1	1
29	D-IA-7010877-0-0	HARNESS AC WIRING NO. 3	2	2	2	2	2	2	2	2	2	2	2
30	D-IA-7010805-0-0	HARNESS AC WIRING NO. 1	1	1	1	1	1	1	1	1	1	1	1
31	9107673-C9	POWER CORD EXTENSION (60HZ)	2	2	2	2	2	2	2	2	2	2	2
32	9107673-C3	POWER CORD EXTENSION (60HZ)	3	3	3	3	3	3	3	3	3	3	3
33	D-IA-7011432-3-0	POWER CORD EXTENSION (50HZ)	2	2	2	2	2	2	2	2	2	2	2
34	D-IA-7011432-1-0	POWER CORD EXTENSION (50HZ)	3	3	3	3	3	3	3	3	3	3	3
35	E-MD-7412285-0-0	SHIELD EMI	1	1	1	1	1	1	1	1	1	1	1
36	A-PL-DTE20-0-0	10/11 INTERFACE MODULE SET	1	1	1	1	1	1	1	1	1	1	1
37	A-PL-RH20-0-0	MASSBUS CONTROLLER MODULE SET	2	2	2	2	2	2	2	2	2	2	2
38	KL10-PB	BUFFER MODULE SET	1*	1*	1*	1*	1*	1*	1*	1*	1*	1*	1*
39	KL10-FC	CHANNEL CONTROL MODULE SET	1*	1*	1*	1*	1*	1*	1*	1*	1*	1*	1*
40	9107764-00	WIRE #2 AWG BLK	A/R	A/R	A/R	A/R	A/R	A/R	A/R	A/R	A/R	A/R	A/R
41	1211714	FAN 200 CFM	4	4	4	4	4	4	4	4	4	4	4
42	D-UA-BC06F-12-0	CABLE I/O	3	3	3	3	3	3	3	3	3	3	3
43	D-UA-BC11A-17-0	CABLE ASSY UNIBUS	1	1	1	1	1	1	1	1	1	1	1

* SEE CPU LOGIC ASSY E-UA-KL10-PV-0 (ITEM #21)

REV.	CHANGE NO.	CHK	DESCRIPTION
A	E-00001	J.C. KL10-E	INITIAL
B	4 AUG 77	J. MCELROY	REVISED
C	10/11	J. MCELROY	REVISED
D	20 FEB 78	J. MCELROY	REVISED
E	10 JUN 78	J. MCELROY	REVISED
F	19 FEB 79	J. MCELROY	REVISED
G	20 FEB 79	J. MCELROY	REVISED
H	20 FEB 79	J. MCELROY	REVISED
I	20 FEB 79	J. MCELROY	REVISED
J	20 FEB 79	J. MCELROY	REVISED
K	20 FEB 79	J. MCELROY	REVISED
L	20 FEB 79	J. MCELROY	REVISED

DRN/CHK'D	21 DEC 79	FIRST USED ON	KL10-E	digital
ENG.	J. MCELROY	TITLE	ARITHMETIC PROCESSOR	
PRCJ. ENG.	J. MCELROY	SIZE	C	CODE
PROD.	J. MCELROY	NUMBER	KL10-E-0	REV. L
NEXT HIGHER ASSY		SCALE	1 OF 6	DIST

THIS DRAWING AND SPECIFICATIONS, HEREIN ARE THE PROPERTY OF DIGITAL EQUIPMENT CORPORATION AND SHALL NOT BE REPRODUCED OR COPIED OR USED IN WHOLE OR IN PART AS THE BASIS FOR THE MANUFACTURE OR SALE OF ITEMS WITHOUT WRITTEN PERMISSION. COPYRIGHT © 1976, DIGITAL EQUIPMENT CORPORATION

REV. NO.	PART NO.	DESCRIPTION	KL10-EA	KL10-EB	KL10-EC	KL10-ED	KL10-EE	KL10-EF	KL10-EH	KL10-EU
173	C-IA-7415646-0-0	PLATE, ADAPTER	1	1						
174	D-IA-7415649-0-0	BRACKET, CABLE ROUTING	1	1						
175	1211336-02	VELOCITY PAPER 6.5 WIDTH (RUCK)								
176	C-MD-7415648-0-0	INSULATOR	1	1						
177	9006040-2	SCR., P/L FLAT HD #8-32 X .62	2	2	2	2	2	2	2	2
178	9007033	CABLE TIES	12	12	12	12	12	12	12	12
179	9006073-2	SCR., PHL FLAT HD #10-32 X .50	8	8	8	8	8	8	8	3
180	9006024-1	SCR., PHL PAN HD #6-32 X .50	12	12	12	12	12	12	12	12
181	J-IA-7012411-0-0	I/O DC HARNESS	1	1						
182	J-IA-7012411-1-0	I/O DC HARNESS	1	1						
183	1210821-02	CONN., FREE HANGING FEMALE	2	2	2	2	2	2	2	2
184	1210822-02	CONN., FREE HANGING MALE	2	2	2	2	2	2	2	2
185	1210820-2	TERMINAL FASTEN	12	12	12	12	12	12	12	12
186	D-MD-7415825-0-0	BRACKET, STRAIN RELIEF	1	1						
187	D-IA-7415826-0-0	SUPPORT, STRAIN RELIEF	1	1						
188	9006037-1	SCR., PHL PAN HD #8-32 X .36	3	3	3	3	3	3	3	3
189	9006634	WASHER, LOCK INT. TOOTH #8	2	2	2	2	2	2	2	2
190	9006062-1	SCR., PHL PAN HD #1/4-20 X 1.50	2	2	2	2	2	2	2	2
191	9007036	GROMMET, NYLON	A/R/A/R	A/R/A/R	A/R/A/R	A/R/A/R	A/R/A/R	A/R/A/R	A/R/A/R	A/R/A/R
192	9007594	ADHESIVE	A/R/A/R	A/R/A/R	A/R/A/R	A/R/A/R	A/R/A/R	A/R/A/R	A/R/A/R	A/R/A/R
193	9006073-3	SCR., PHL TRUSS HD #10-32 X .50	23	23	23	23	15	15	15	15
194	9006637	GROUND STRAP 16.0								
195	9006557	NUT, KEPS #4-40	24	24	24	24	24	24	24	24
196	9008264	MOUNT, ADHESIVE BACKED	155	155	155	155	155	155	155	155
197	9006560	NUT, KEPS #6-32	12	12	12	12	12	12	12	12
198	A-PL-KL10-E-KIT	HARDWARE KIT	REP	REP	REP	REP	REP	REP	REP	REP
199	3612629	O.C. STATUS LABEL	1	1						
200	9007081	CLAMP CABLE .25	8	8	8	8	8	8	8	8
201	9007085	CLAMP CABLE .50	15	15	15	15	15	15	15	15
202	9007867	MOUNT, PUSH	30	30	30	30	30	30	30	30
203	1209351-04	CONN. HSG 4 PIN	1	1						
204	9006635	WASHER, LOCK INT. TOOTH #10	30	30	30	30	30	30	30	30
205	1213012	BLOWER	1							
206	D-IA-7012343-0-0	DIFFUSER SCREEN ASSY	1	1						
207	9006072-1	SCR, PHL PAN HD #10-32 X .44 LG	4	4	4	4	4	4	4	4
208	D-AD-7009376-0	VANE SWITCH ASSY	1	1						
209	9008273	FOAM TAPE .12 X .25	A/R/A/R	A/R/A/R	A/R/A/R	A/R/A/R	A/R/A/R	A/R/A/R	A/R/A/R	A/R/A/R
210	E-UA-MB20-CC-0	CORE MEMORY (60 HZ)	REF	REF						
211	E-UA-MB20-GD-0	CORE MEMORY (50 HZ)	REF	REF						
212	C-IA-7013059-6	GND STRAP (WIRE) 16.0								
213	C-IA-7013059-7	GND STRAP (WIRE) 40.0	2	2	2	2	2	2	2	2
214	9008072	WASHER, LOCK EXT TOOTH #8	6	6	6	6	6	6	6	6
215	C-IA-7013059-2	GND STRAP (WIRE) 6.0								

REV.	
CHG	
REVISIONS	
CHANGE NO.	

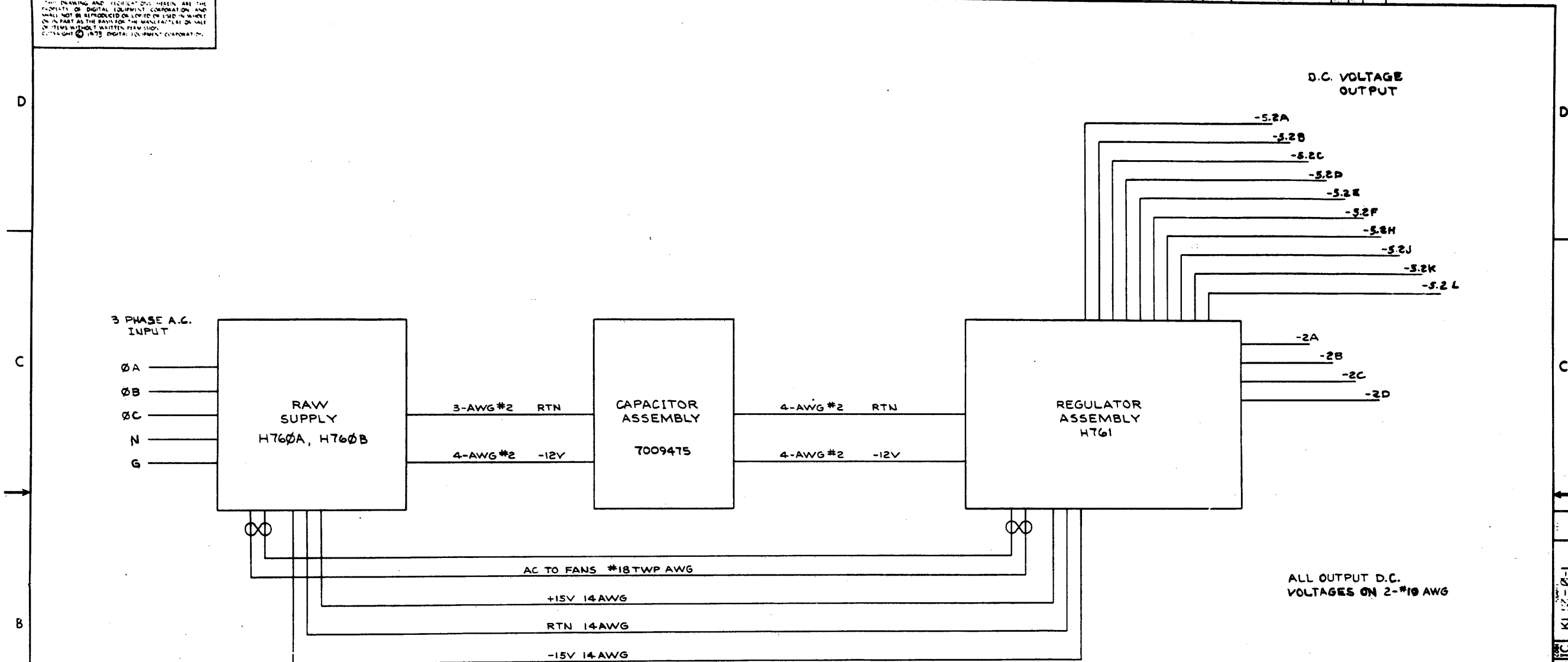
DRN: <i>B. B. B.</i>	DEC 76	FIRST USED ON	KL10-E	digital
CHK D: <i>B. B. B.</i>		TITLE	ARITHMETIC PROCESSOR	
ENG: <i>B. B. B.</i>		PROJECT		
PROD: <i>B. B. B.</i>		SCALE		
NEXT HIGHER ASSY.		SIZE	CODE	NUMBER
B-DD-KL10-E		C	PI	KL10-E-0
SHEET 5 OF 6		DIST.		REV. 1

REV. NUMBER KL10-E-0

D
C
B
A

THIS DRAWING AND SPECIFICATIONS HEREIN ARE THE PROPERTY OF DIGITAL EQUIPMENT CORPORATION AND SHALL NOT BE REPRODUCED OR LOANED IN WHOLE OR IN PART AS THE BASIS FOR THE MANUFACTURE OR SALE OF ITEMS WITHOUT WRITTEN PERMISSION.
 COPYRIGHT © 1973 DIGITAL EQUIPMENT CORPORATION.

1-0-017X D10 2



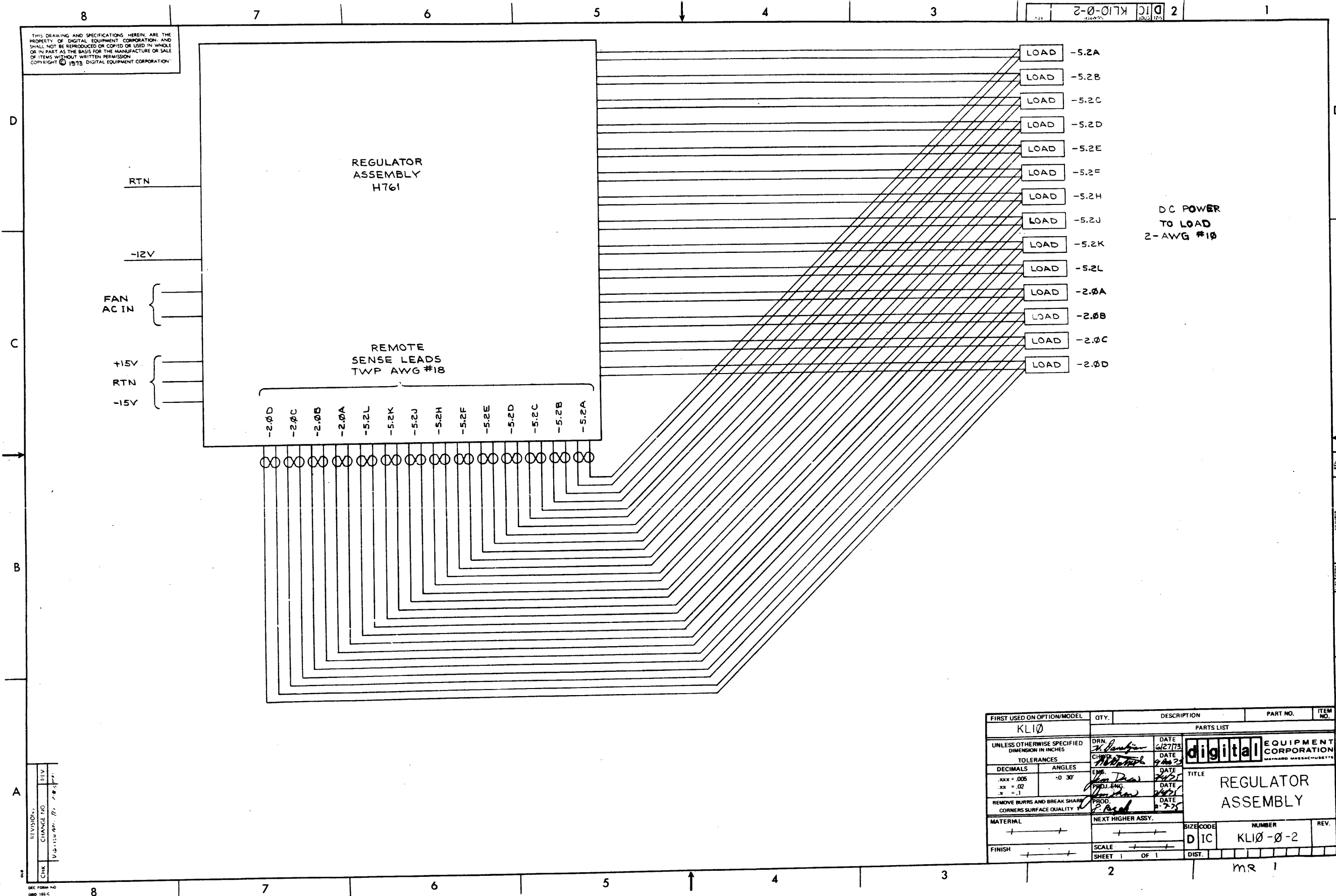
REVISION	NO.	DATE
CHANGE NO.		
DATE		

FIRST USED ON OPTION/MODEL	QTY.	DESCRIPTION	PART NO.	ITEM NO.
KL10				
PARTS LIST				
UNLESS OTHERWISE SPECIFIED DIMENSION IN INCHES		DRN. <i>J. D. [Signature]</i>	DATE 2/21/73	
TOLERANCES		CHKD. <i>[Signature]</i>	DATE 2/23/73	
DECIMALS	ANGLES	ENG. <i>[Signature]</i>	DATE 2/23/73	TITLE
.XXX - .006	0 30'	PROD. ENG. <i>[Signature]</i>	DATE 2/23/73	
REMOVE BURRS AND BREAK SHARP CORNERS SURFACE QUALITY 7		DATE 2-7-73	POWER DIAGRAM	
MATERIAL	FINISH	NEXT HIGHER ASSY.	SCALE	REV.
SIZE CODE		NUMBER	REV.	
D I C		KL10-0-1		
SHEET 1		OF 1	DIST	

DEC FORM NO. 11-1972

MR 1

THIS DRAWING AND SPECIFICATIONS HEREIN ARE THE PROPERTY OF DIGITAL EQUIPMENT CORPORATION, AND SHALL NOT BE REPRODUCED OR COPIED OR USED IN WHOLE OR IN PART AS THE BASIS FOR THE MANUFACTURE OR SALE OF ITEMS WITHOUT WRITTEN PERMISSION. COPYRIGHT © 1973 DIGITAL EQUIPMENT CORPORATION.



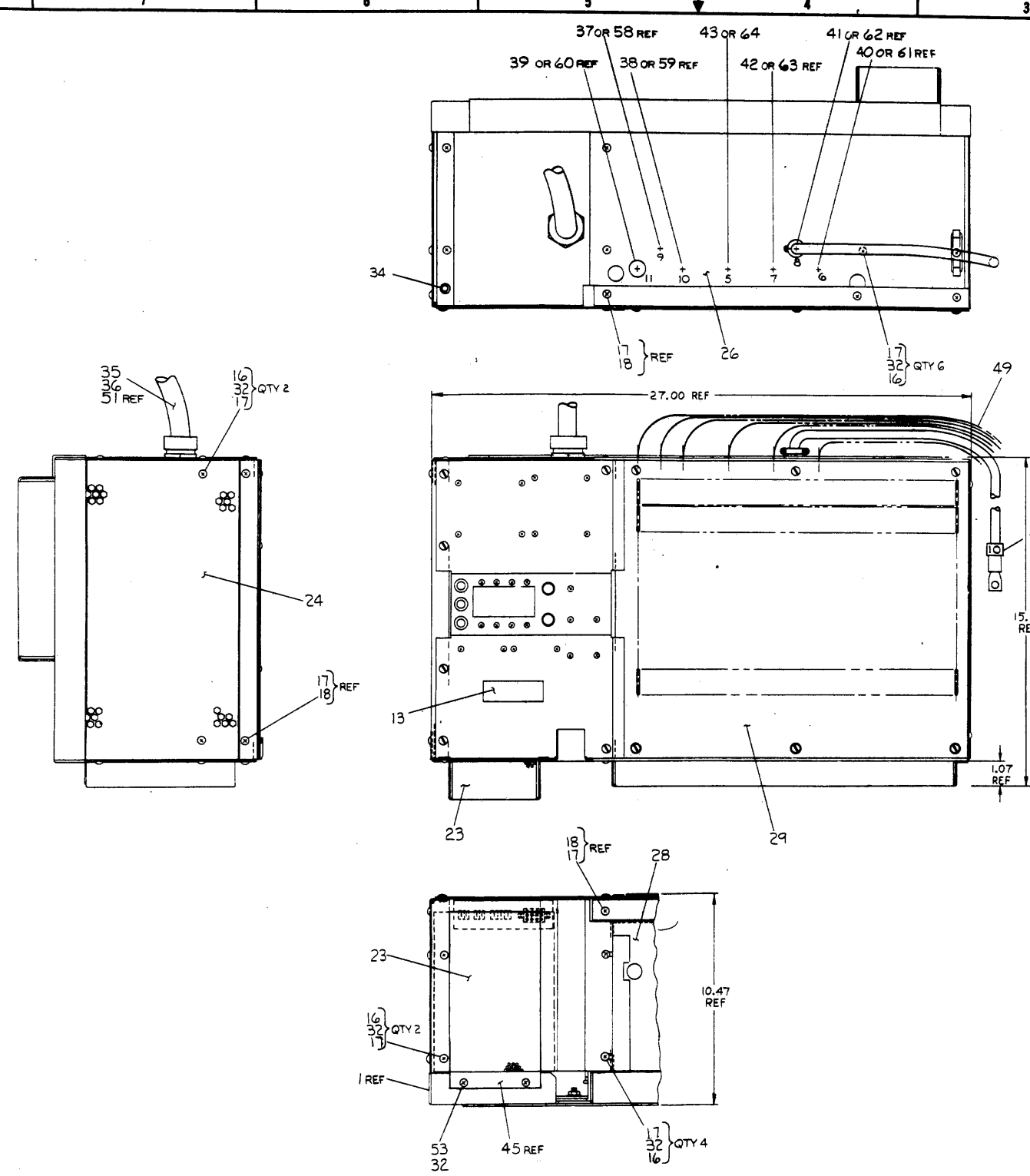
REVISION	DATE	BY
CHANGE NO.		
CHK		

FIRST USED ON OPTION/MODEL	QTY.	DESCRIPTION	PART NO.	ITEM NO.
KL10				
PARTS LIST				
UNLESS OTHERWISE SPECIFIED	DRN.	DATE	digital EQUIPMENT CORPORATION MAYNARD MASSACHUSETTS	
DIMENSION IN INCHES	<i>H. Hamilton</i>	6/27/73		
TOLERANCES	CHKD.	DATE	TITLE REGULATOR ASSEMBLY	
DECIMALS ANGLES	<i>P. B. Smith</i>	9/22/73		
.xxx = .005	ENG.	DATE	MATERIAL	
.xx = .02	<i>Tom Dea</i>	7/25/73		
.x = .1	PROD. ENG.	DATE	FINISH	
REMOVE BURRS AND BREAK SHARP CORNERS SURFACE QUALITY	<i>Tom Dea</i>	9/22/73		
	PROD.	DATE	NEXT HIGHER ASSY.	
	<i>P. Reed</i>	9-27-73		
			SCALE	SHEET 1 OF 1
			DIST.	mr 1

REV. 1
NUMBER KL10-0-2
D I C

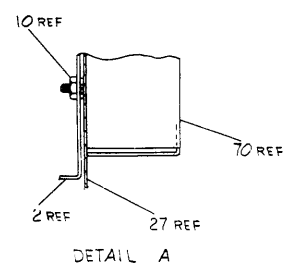
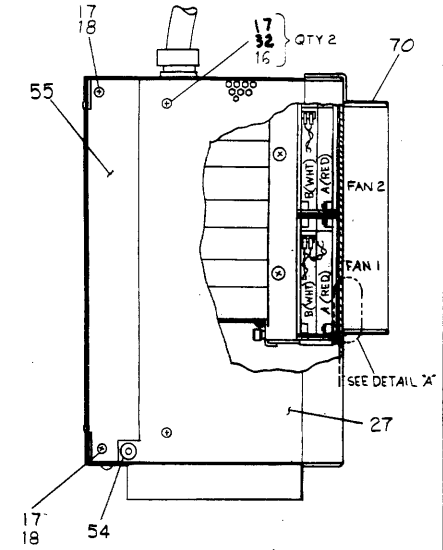
THIS DRAWING AND PRODUCTION SHALL BE THE PROPERTY OF THE COMPANY. IT IS TO BE KEPT IN CONFIDENTIALITY AND NOT TO BE REPRODUCED OR COPIED IN ANY MANNER WITHOUT THE WRITTEN PERMISSION OF THE COMPANY.

I
H
F
E
D
C
B
A



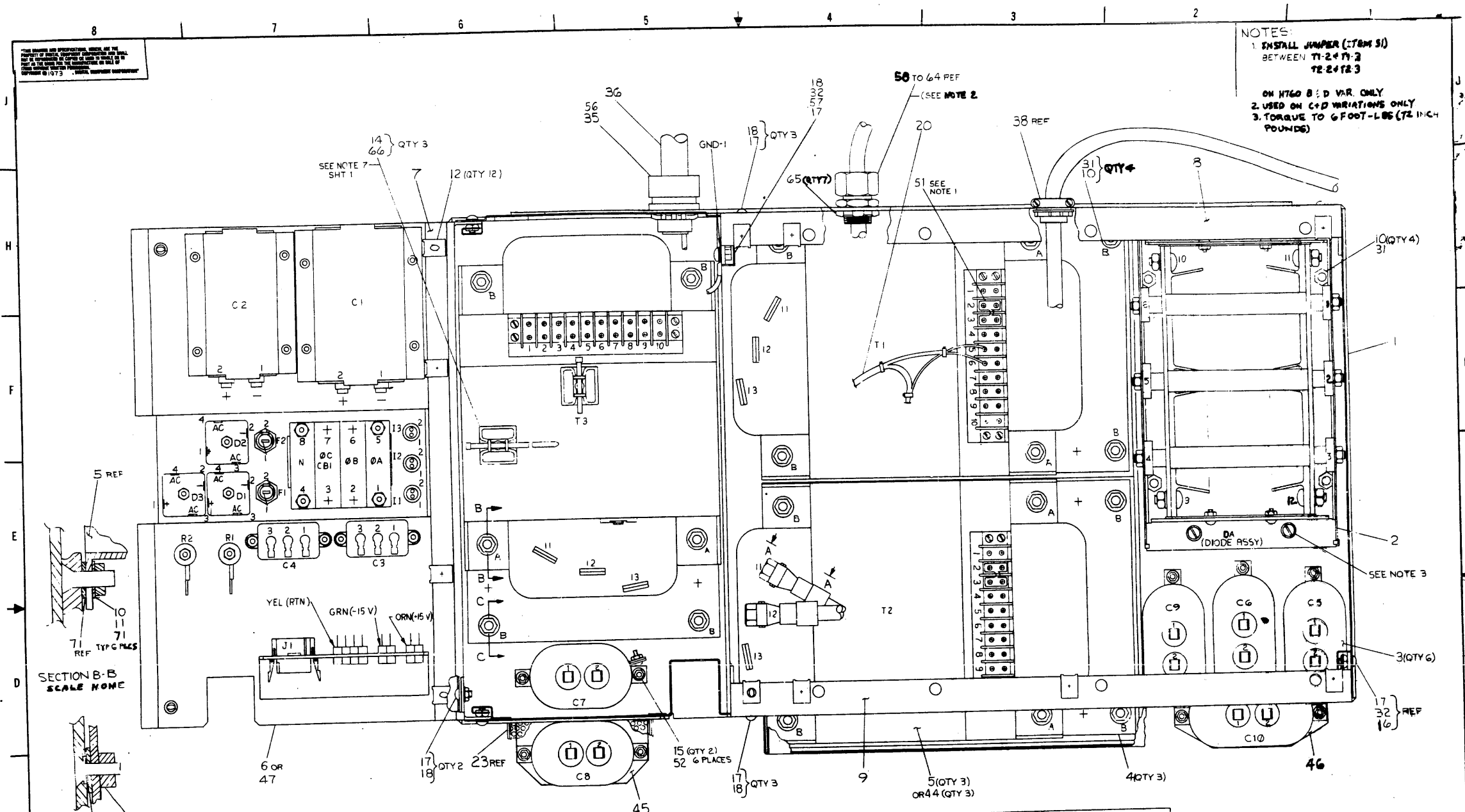
PART NUMBER	VARIATION
H760-A	208V 60HZ
H760-B	416V 50HZ
H760-C	208V 60HZ
H760-D	416V 50HZ

- NOTES:
- THIS ASSY HAS AN OFFSHEET PARTS LIST REFER TO A-PL-H760-0-0
 - TRANSFORMER ITEM #10 TO BE ASSEMBLED (USING ITEM #11) TO MTG PLATE ITEM #13 PLACES (TYP FOR T1, T2 & T3) THEN ATTACH MTG PLATE TO CHASSIS WITH (4) ITEM #10 & 31 (TYP 3 PLACES)
 - DISENGAGE 4 MTG FASTENERS ON DIODE HEAT SINK ITEM #2 & REMOVE FROM FAN BRKT (PART OF HEAT SINK) ATTACH FAN BRKT WITH 4 ITEM #10 & 31 TO CHASSIS ITEM #11 REPLACE DIODE HEAT SINK WHEN ABOVE OPERATION IS COMPLETE
 - LABEL POINT DESIGNATIONS OF 2 AWG CABLES (ITEM 37 OR 43) WITH BRADY MARKERS.
 - INSTALL INSULATOR CAPS (PART OF ITEM 5 OR 44) TO CAPACITORS AFTER LEAD CONNECTIONS.
 - LUGS MAY GO ON EITHER SIDE OF TRANSFORMER OR DIODE TERMINALS.
 - ATTACH MOUNTS WITH ITEM #7 OR EQUIVALENT AND TIE HARNESS (ITEM 20) TO CABLE TIE MOUNTS 3 PLACES.
 - TORQUE DOWN #2 AWG WIRE MTG. HARDWARE ON TRANSFORMERS T1, T2 & T3 TERMINALS 11 THRU 13 AND DIODE ASSY. TERMINALS 1 THRU 6 AND 9 THRU 12 TO 236 IN.-LBS. (19 PLACES).



REV	DATE	BY	CHKD	DESCRIPTION
1	11/18/50	J. PROWITT	J. PROWITT	REVISED TO ADD PARTS LIST
2	11/18/50	J. PROWITT	J. PROWITT	REVISED TO ADD PARTS LIST
3	11/18/50	J. PROWITT	J. PROWITT	REVISED TO ADD PARTS LIST
4	11/18/50	J. PROWITT	J. PROWITT	REVISED TO ADD PARTS LIST
5	11/18/50	J. PROWITT	J. PROWITT	REVISED TO ADD PARTS LIST
6	11/18/50	J. PROWITT	J. PROWITT	REVISED TO ADD PARTS LIST
7	11/18/50	J. PROWITT	J. PROWITT	REVISED TO ADD PARTS LIST
8	11/18/50	J. PROWITT	J. PROWITT	REVISED TO ADD PARTS LIST

REV	DATE	BY	CHKD	DESCRIPTION
1	11/18/50	J. PROWITT	J. PROWITT	REVISED TO ADD PARTS LIST
2	11/18/50	J. PROWITT	J. PROWITT	REVISED TO ADD PARTS LIST
3	11/18/50	J. PROWITT	J. PROWITT	REVISED TO ADD PARTS LIST
4	11/18/50	J. PROWITT	J. PROWITT	REVISED TO ADD PARTS LIST
5	11/18/50	J. PROWITT	J. PROWITT	REVISED TO ADD PARTS LIST
6	11/18/50	J. PROWITT	J. PROWITT	REVISED TO ADD PARTS LIST
7	11/18/50	J. PROWITT	J. PROWITT	REVISED TO ADD PARTS LIST
8	11/18/50	J. PROWITT	J. PROWITT	REVISED TO ADD PARTS LIST



NOTES:
 1. INSTALL JUMPER (ITEM 51) BETWEEN T1-2 & T1-3 T2-2 & T2-3
 ON HT60 B & D VAR. ONLY
 2. USED ON C & D VARIATIONS ONLY
 3. TORQUE TO 6 FOOT-POUNDS (72 INCH POUNDS)

SECTION B-B
SCALE NONE

SECTION C-C
SCALE NONE

VIEW A-A
SEE NOTE 6

WIRE TABLE						WIRE TABLE						
ITEM NO	DESCRIPTION	FROM POINT	CONNECTION	TO POINT	TERMS	ITEM NO	DESCRIPTION	FROM POINT	CONNECTION	TO POINT	TERMS	
22	2	BLU	T1-13	21	DA-1	20	14	BLK	21	T1-4 *	37	C6-2
			T1-13		DA-2					36	C6-1 (POS)	*T1-5
			T2-11		DA-3					29	T2-6 *	*T1-8 T2-8
			T2-13		DA-4					35	C9-1 (POS)	*T2-5
			T3-11		DA-5					34	C9-2	*T2-6
			T3-13	21	DA-6	21	20	TWP	BLK	33	T2-4 *	Δ ITEM 58
							37A	2	BLK		T1-12	9
							38A	2	BLK		T2-12	10
							39A	2	BLK		T3-12	11
							40A	2	BLU		DA-11	5
							41A	2	BLU		DA-10	6
							42A	2	BLU		DA-9	7
							43A	2	BLU		DA-12	8
							36	10	WHT		CBI-8	
							36	10	ORG		T1-5 *	
							36	10	RED		T1-7 *	
							36	10	RED		CBI-6	
							36	10	BLK		CBI-5	
							36	10	GRN		GND-1	
							20	14	RED	43	C9-1 (POS)	
							20	TWP	BLK	44	C9-2	
							20	14	RED	49	C6-1 (POS)	
							20	TWP	BLK	50	C6-2	
							20	14	RED	53	C7-1 (POS)	
							20	TWP	BLK	54	C7-2	
							68	14	BLK		T3-2	69

* FOR HT60-B, HT60-D VARIATION, TERMINATE TO CONNECTIONS LISTED UNDER "REMARKS" COLUMN.
 Δ FOR HT60-C, HT60-E USE ITEMS LISTED IN "REMARKS" COLUMN.

ITEM NO	DESCRIPTION	QTY	REVISION	DATE
1	RAW POWER SUPPLY			
2	H760			

DIGITAL EQUIPMENT CORPORATION
MAYNARD, MASSACHUSETTS

PARTS LIST

MADE BY V. Souza
DATE 1/16/74
ENG
DATE
CHECKED D. Healy
DATE 1/28/74
SECTION 1
PROD *Exp. 1/28/74*
DATE 9-6-74
ISSUED SECT.

ITEM NO	DWG NO. / PART NO.	DESCRIPTION	H760-A (208V 60HZ)	H760-B (416V 50HZ)	H760-C (208V 60HZ)	H760-D (416V 50HZ)	QUANTITY / VARIATION
REF	D-CS-H760-0-1	CIRCUIT SCHEMATIC (H760)	X	X	X	X	
1	E-IA-7410892-0-0	CHASSIS PWR SUPPLY	1	1	1	1	
2	E-IA-7009409-0-0	DIODE HEAT SINK ASSY	1	1	1	1	
3	1611491 (REF)	CAPACITOR (SUPPLIED WITH ITEM #5 OR #44)	6	6	6	6	
4	C-MD-7410893-0-0	PLATE, MOUNTING	3	3	3	3	
5	1611491	TRANS., STEP DOWN 208V 180A 60HZ	3	-	3	-	
6	D-AD-7009410-0-1	COMPONENT MTG PLATE ASSY	1	-	1	-	
7	C-MD-7410903-0-0	HINGE, REWORK	1	1	1	1	
8	D-MD-7410902-2-0	ANGLE, COVER MTG. (L.H.)	1	1	1	1	
9	D-MD-7410902-1-0	ANGLE, COVER MTG. (R.H.)	1	1	1	1	
10	9008203	NUT, KEP 1/4-20	22	22	22	22	
11	9006057-2	SCREW, PHL HD FLAT 1/4-20 x .63	6	6	6	6	
12	9008196	RECEPTACLE, CLIP ON	12	12	12	12	
13	9009255	LABEL, ADHESIVE BACKED	1	1	1	1	
14	9007031	TIES, CABLE	12	12	12	12	
15	9008185	NUT, KEPS #6-32	12	12	12	12	
16	9007786	NUT, TINNERMAN #10-32	16	16	16	16	
17	9006072-1	SCREW, PHL, PAN HD #10-32 x .43	27	27	27	27	
18	9006565	NUT KEPS #10-32	11	11	11	11	
19	9008922-9	SCREW, HEX HD 3/8-16 x 1.00	19	19	19	19	
20	E-IA-7009744-0-0	HARN. INTERCONN. (RAW P.S. H760)	1	1	1	1	
21	1211514	LUG, RIGHT ANGLE #2	12	12	12	12	

TITLE PAW POWER SUPPLY
ASSY NO. E-VA-H760-0-0
SIZE CODE A PL
NUMBER H760-0-0
REV. F
ECO NO. H760 00007
SHEET 1 OF 4
DRA 110
DEC FORM DEC 16 (325) 1031 N870

DIGITAL EQUIPMENT CORPORATION
MAYNARD, MASSACHUSETTS

PARTS LIST

MADE BY V. Souza
DATE 1/16/74
ENG
DATE
CHECKED D. Healy
DATE 1/28/74
SECTION 1
PROD *Exp. 1/28/74*
DATE 9-6-74
ISSUED SECT.

ITEM NO	DWG NO. / PART NO.	DESCRIPTION	H760-A (208V 60HZ)	H760-B (416V 50HZ)	H760-C (208V 60HZ)	H760-D (416V 50HZ)	QUANTITY / VARIATION
22	9107164-66	WIRE, #2 AWG INS. 2LU	A/R	A/R	A/R	A/R	
23	D-IA-7009772-0-0	SCREEN WELDMENT #1	1	1	1	1	
24	D-MD-7411558-1-0	COVER PROTECTION #3	1	1	1	1	
25	9006639	WASHER, LKG, INT TOOTH .375	19	19	19	19	
26	D-MD-7411586-0-0	PLATE PROTECTION	1	1	1	1	
27	D-MD-7411558-2-0	COVER PROTECTION #3	1	1	1	1	
28	D-IA-7009773-0-0	SCREEN WELDMENT #2	1	1	1	1	
29	D-IA-7410898-0-0	COVER, POWER SUPPLY	1	1	1	1	
30	9006071-1	SCREW, PHL HD, PAN #10-32 x .38	19	19	19	19	
31	9008415	WASHER, FLAT .572 O.D. x .270 I.D. x .06	10	10	10	10	
32	9006635	WASHER INT TOOTH LOCK #10	21	21	21	21	
33	9006593	NUT, HEX HD 3/8-16	19	19	19	19	
34	9007013	GROMMET, .44 DIA. x .19 HOLE	1	1	1	1	
35	121198-3	STRAIN RELIEF	1	1	1	1	
36	E-IA-7011036-0-0	POWER CORD, H760	1	1	1	1	
37	C-IA-7010844-1-0	POWER CABLE #1	1	-	-	-	
38	C-IA-7010844-2-0	POWER CABLE #1	1	-	-	-	
39	C-IA-7010844-3-0	POWER CABLE #1	1	-	-	-	
40	C-IA-7010845-1-0	POWER CABLE #2	1	-	-	-	
41	C-IA-7010845-2-0	POWER CABLE #2	1	-	-	-	
42	C-IA-7010845-3-0	POWER CABLE #2	1	-	-	-	
43	C-IA-7010845-4-0	POWER CABLE #2	1	-	-	-	

TITLE PAW POWER SUPPLY
ASSY NO. E-VA-H760-0-0
SIZE CODE A PL
NUMBER H760-0-0
REV. F
ECO NO. H760 00007
SHEET 2 OF 4
DRA 110
DEC FORM DEC 16 (325) 1031 N870

DIGITAL EQUIPMENT CORPORATION
MAYNARD, MASSACHUSETTS

PARTS LIST

MADE BY V. Souza
DATE 1/16/74
ENG
DATE

CHECKED D. Healy
DATE 1/28/74
PROD
DATE

SECTION
ISSUED SECT.

ITEM NO.	DWG NO. / PART NO.	DESCRIPTION	SIZE CODE	ASSY NO.	SIZE	NUMBER	REV.	ECO NO.
44	1611985	TRANS., STEPDOWN 416V 180A 50HZ		E-UA-H760-0-0	A	H760-0-0	F	
45	C-IA-7413131-C-0	CAP. MOUNTING BRKT. #1						
46	C-IA-7010838-0-0	CAPACITOR SUPPORT WELDMENT						
47	D-AD-7009410-2-0	COMPONENT MTG. PLATE ASSEMBLY						
48	9007772-11	CLAMP, CABLE						
49	9007032	TIES, CABLE						
50	9006074-2	SCREW, PHL TRUSS HD #10-32 x .62						
51	9009002	JUMPER, TERM BLOCK						
52	9006653	WASHER, FLAT No.6						
53	9006071-3	SCREW, PHL TRUSS HD #10-32 x.375						
54	9007857	GROMMET						
55	C-IA-7413454-0-0	SUPPORT, COVER						
56	9009309-02	LOCKNUT						
57	9007651	WASHER, LK6 EXT TOOTH *10						
58	C-IA-7012467-0-0	POWER CABLE #3						
59	C-IA-7012467-1-0	POWER CABLE #3						
60	C-IA-7012467-2-0	POWER CABLE #3						
61	C-IA-7012468-0-0	POWER CABLE #4						
62	C-IA-7012468-1-0	POWER CABLE #4						
63	C-IA-7012468-2-0	POWER CABLE #4						
64	C-IA-7012468-3-0	POWER CABLE #4						
65	9009309-00	LOCKNUT						

TITLE RAW POWER SUPPLY

SIZE CODE
A PL

ASSY NO.
E-UA-H760-0-0

SHEET 3 OF 4

DIST.

NUMBER
H760-0-0

REV. ECO NO.
F

DEC FORM DEC 16-(325)-1031-N870
DRA 110

DIGITAL EQUIPMENT CORPORATION
MAYNARD, MASSACHUSETTS

PARTS LIST

MADE BY V. Souza
DATE 16/JAN/74
ENG
DATE

CHECKED D. Healy
DATE 28/JAN/74
PROD
DATE

SECTION
ISSUED SECT.

ITEM NO.	DWG NO. / PART NO.	DESCRIPTION	SIZE CODE	ASSY NO.	SIZE	NUMBER	REV.	ECO NO.
66	9008264	MOUNT, CABLE TIE, ADHESIVE BACKED		E-UA-H760-0-0	A	H760-0-0	F	
67	9009157	ADHESIVE, PERMABOND #102						
68	9107370	WIRE, 14 AWG STRD - BLACK						
69	9007927	TERMINAL, RING - BLUE						
70	D-MD-7417235-0-0	SCREEN, DRIP						
71	9006784	EXT. TOOTH LOCK WASHER - 1/2-20						

TITLE RAW POWER SUPPLY

SIZE CODE
A PL

ASSY NO.
E-UA-H760-0-0

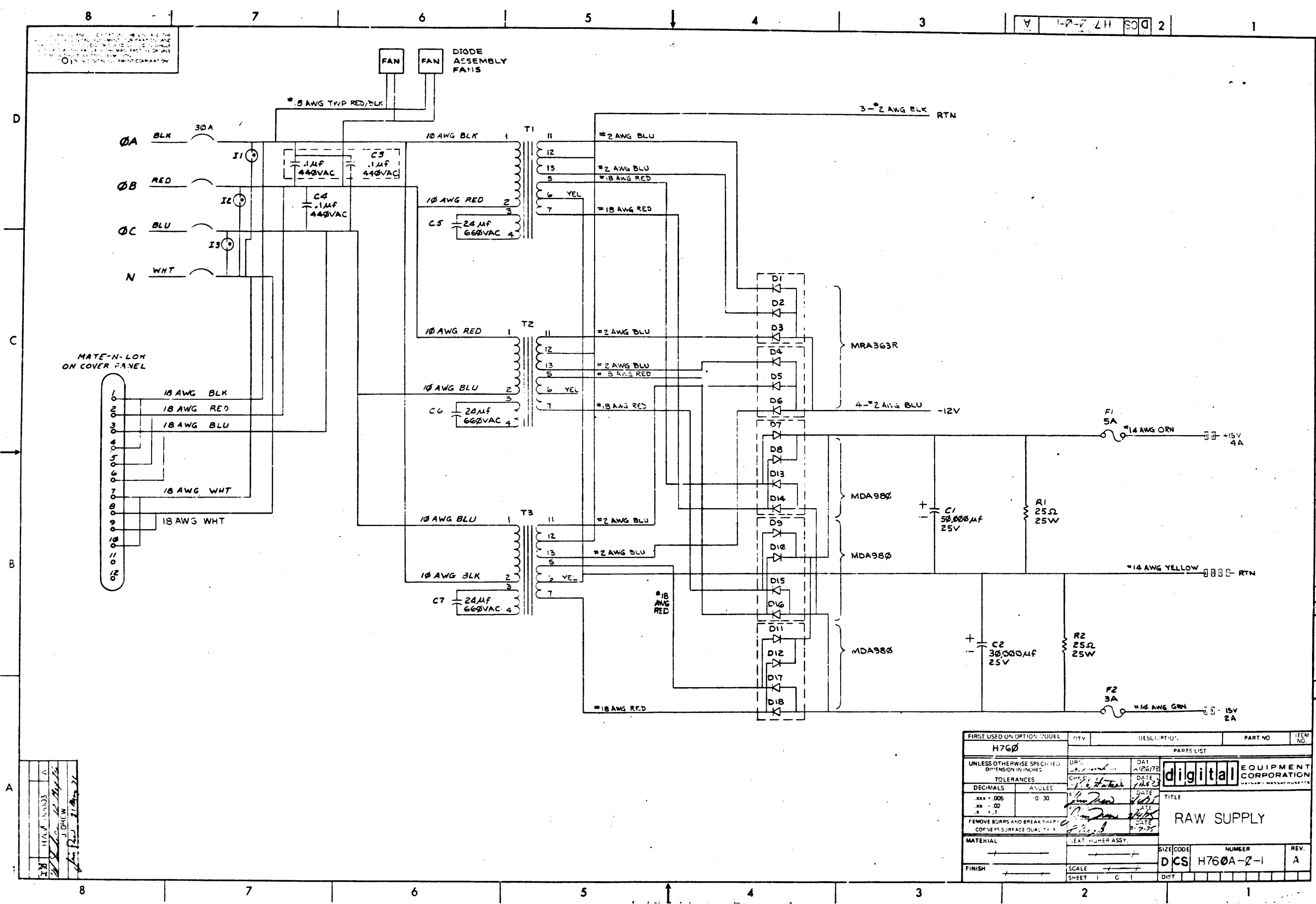
SHEET 4 OF 4

DIST.

NUMBER
H760-0-0

REV. ECO NO.
F

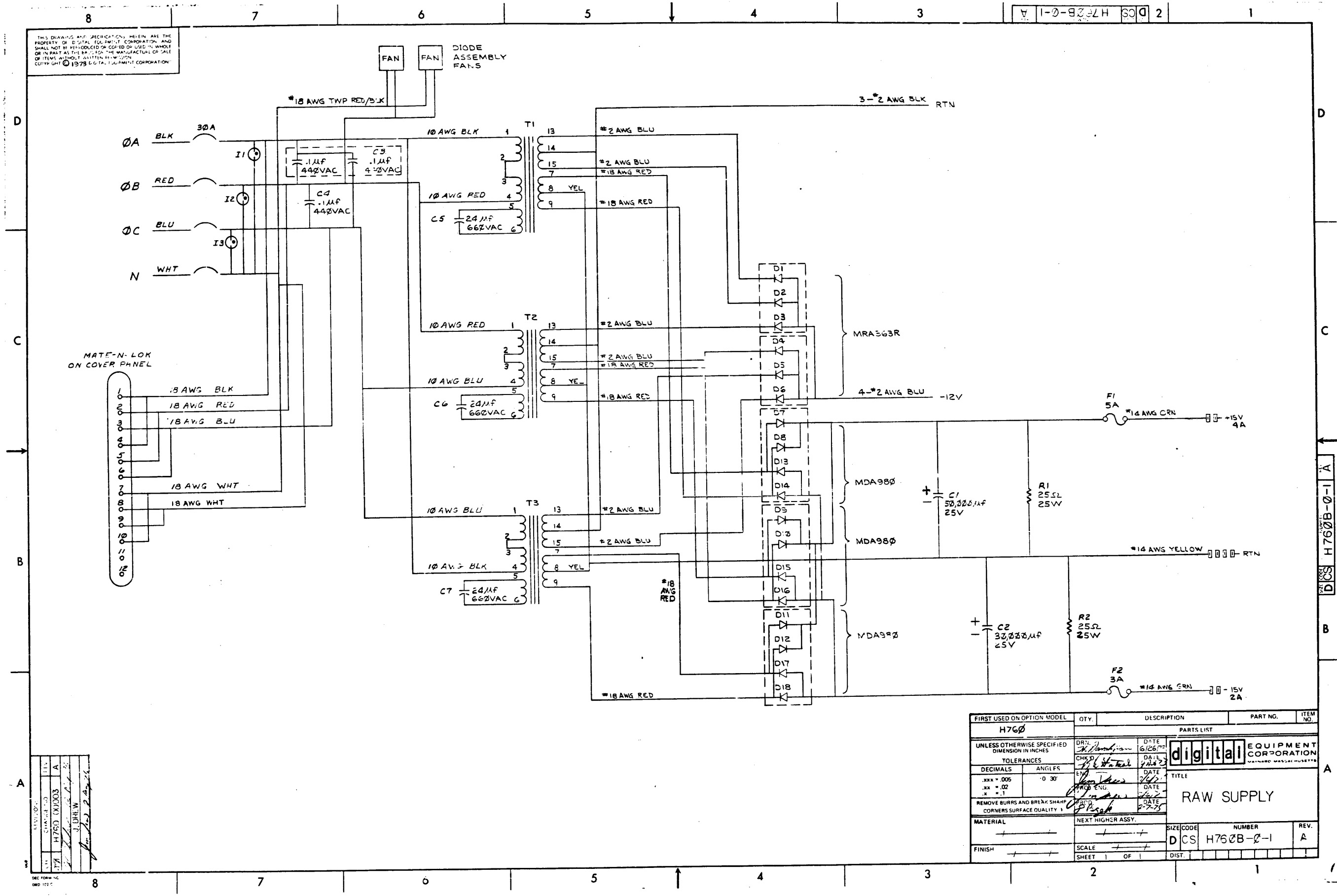
DEC FORM DEC 16-(325)-1031-N870
DRA 110



11/11/73
 HAWK 11/11/73
 J. DREW
 11/11/73

FIRST USED ON OPTION MODEL	QTY	DESCRIPTION	PART NO	ITEM NO.
H760				
UNLESS OTHERWISE SPECIFIED DIMENSION IN INCHES				
TOLERANCES				
DECIMALS	ANGLES			
.XXX ± .005	± .030			
.XX ± .02				
.X ± .1				
REMOVE BURRS AND BREAK SHARP CORNERS SURFACE QUALITY 1				
MATERIAL				
FINISH				
PARTS LIST				
TITLE		RAW SUPPLY		
SIZE CODE	NUMBER	REV.		
DCS	H760A-2-1	A		
SHEET	SCALE	DIST		

THIS DRAWING AND SPECIFICATIONS HEREIN ARE THE PROPERTY OF DIGITAL EQUIPMENT CORPORATION AND SHALL NOT BE REPRODUCED OR COPIED IN WHOLE OR IN PART AS THE BASIS FOR THE MANUFACTURE OF SALE OF ITEMS WITHOUT WRITTEN PERMISSION. COPYRIGHT © 1975 DIGITAL EQUIPMENT CORPORATION



REV	DATE	BY	CHKD
1			
2			
3			
4			
5			
6			
7			
8			

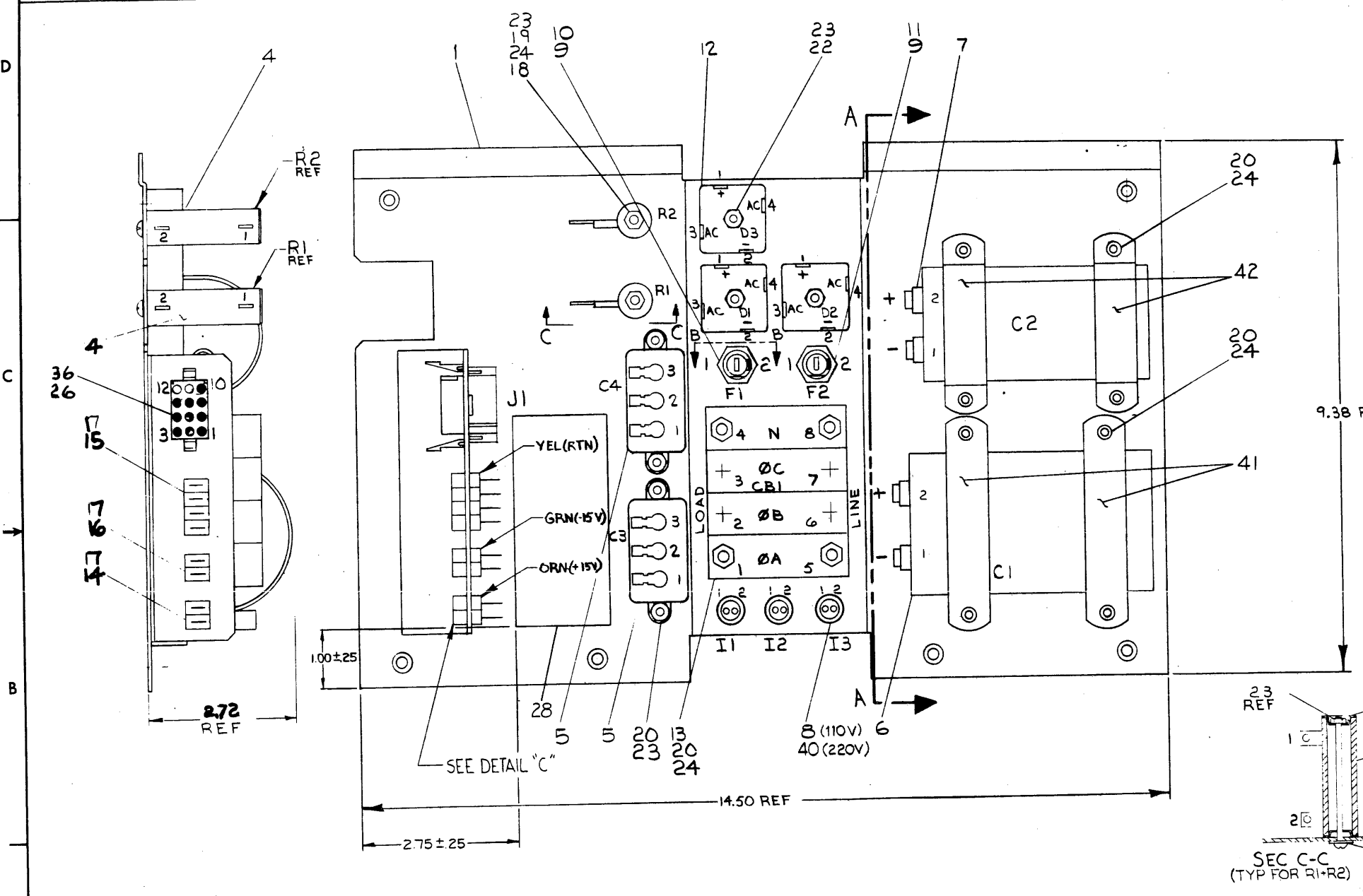
FIRST USED ON OPTION MODEL	QTY.	DESCRIPTION	PART NO.	ITEM NO.
H76Ø				
PARTS LIST				
UNLESS OTHERWISE SPECIFIED DIMENSION IN INCHES				
TOLERANCES				
DECIMALS	ANGLES			
.XXX - .005	Ø .30			
.XX - .02				
.X - .1				
REMOVE BURRS AND BREAK SHARP CORNERS SURFACE QUALITY 1				
MATERIAL				
NEXT HIGHER ASSY.				
FINISH				
SCALE		SHEET		OF
DIST.		REV.		
D CS		H76ØB-Ø-1		A

digital EQUIPMENT CORPORATION
 TITLE: RAW SUPPLY

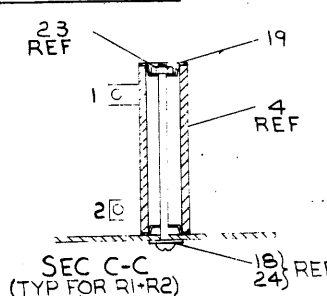
REV. 1 H76ØB-Ø-1 A

"THIS DRAWING AND SPECIFICATIONS, HEREIN, ARE THE PROPERTY OF DIGITAL EQUIPMENT CORPORATION AND SHALL NOT BE REPRODUCED OR COPIED OR USED IN WHOLE OR IN PART AS THE BASIS FOR THE MANUFACTURE OR SALE OF ITEMS WITHOUT WRITTEN PERMISSION. COPYRIGHT © 1973 DIGITAL EQUIPMENT CORPORATION"

LEGEND	
NUMBER	VARIATION
7009410-1	H760-A 60 HZ
7009410-2	H760-B 50 HZ



QTY	DESCRIPTION	PART NO.	ITEM NO.
2	CAP. MTG BRKT #1	1214483-0-0	42
2	CAP. MTG BRKT #2	7014453-0-0	41
3	LAMP, PILOT	1202556	40
11	CONNECTOR (BLUE)	9007928	39
5	TIES, CABLE	9007031	38
A/R	A/R #18 AWG WIRE STRD INS (WHITE)	9107360-99	37
1	CONN. MAT-N-LOK 12 SKT	1209330-12	36
6	CONN. SOLDELESS	9007694-0	35
A/R	A/R #14 AWG WIRE STRD INS (YELLOW)	9107370-44	34
A/R	A/R #14 AWG WIRE STRD INS (GREEN)	9107370-55	33
A/R	A/R #14 AWG WIRE STRD INS (ORANGE)	9107370-33	32
A/R	A/R #18 AWG WIRE STRD INS (ORANGE)	9107360-33	31
A/R	A/R #18 AWG WIRE STRD INS (RED)	9107360-22	30
A/R	A/R #18 AWG WIRE STRD INS (BLACK)	9107360-00	29
1	LABEL, ADHESIVE BACKED	9009255	28
6	CONNECTOR (RED)	9007930-0	27
10	FEMALE CONTACT	1209379-01	26
13	CONNECTOR (BLUE)	9007919-0	25
18	INT TOOTH LOCK WASHER #6	9006633	24
9	KEP NUT #6-32	9008135	23
3	PHL PAN HD SCR #6-32 x .56 LG	9007793-1	22
20	PHL PAN HD SCR #6-32 x .31 LG	9006021-1	20
4	WASHER, CENTERING	9006674	19
2	PHL PAN HD SCR #6-32 x .12 LG	9007850-1	18
8	TERMINAL INSERT	9007238	17
2	BUSH. JUNC. TERM (GRN)	9007236	16
4	BUSH. JUNC. TERM (YEL)	9007233	15
2	BUSH. JUNC. TERM (ORN)	9007234	14
1	CIRCUIT BREAKER 30A 240V	1211037-02	13
3	DIODE PACK	1110168	12
1	FUSE 3A	9007217	11
1	FUSE 5A	9007221	10
2	FUSE HOLDER	9007242	9
3	LAMP, PWR CN IND (RED)	1211263	8
1	CAPACITOR 30,000MFD 25VDC	1010184	7
1	CAPACITOR 50,000MFD 25VDC	1009967-0	6
2	CAPACITOR 2X 1MFD 440VAC	1010193	5
2	RESISTOR 25 OHM 25W 1.0%	1300190	4
1	CAP. MTG BRKT #1	1214483-0-0	3
1	CAP. MTG BRKT #2	7014453-0-0	2
1	COMPONENT MTG PLATE	E-NO-7410899-0-0	1



REV	CHANGE NO	DATE	BY	CHK
A	0001			
B	0003			
C	0001	18 August 77	N. HEARD	
D	0001			

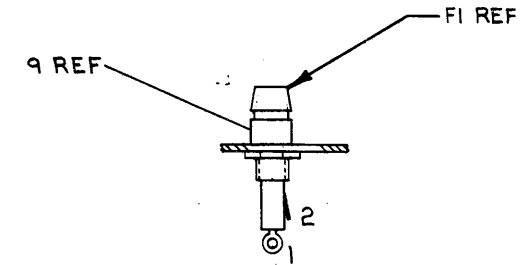
FIRST USED ON OPTION/MODEL		QTY.	DESCRIPTION	PART NO.	ITEM NO.
KL10 PARTS LIST					
UNLESS OTHERWISE SPECIFIED DIMENSION IN INCHES		DRN	DATE	digital EQUIPMENT CORPORATION	
TOLERANCES		CHK	DATE	MAYNARD MASSACHUSETTS	
DECIMALS	ANGLES	ENG	DATE	TITLE	
.xxx = .005	±0° 30'	FRD. ENG.	DATE	COMPONENT MTG PLATE ASSY	
.xx = .02		PROB.	DATE	SIZE CODE NUMBER REV.	
.x = .1				DAD 7009410-0-0 C	
REMOVE BURRS AND BREAK SHARP CORNERS SURFACE QUALITY 1					
MATERIAL		NEXT HIGHER ASSY.		SCALE NONE	
FINISH		D-UA-H760-0-0		SHEET 1 OF 2	

"THIS DRAWING AND SPECIFICATIONS HEREIN ARE THE PROPERTY OF DIGITAL EQUIPMENT CORPORATION AND SHALL NOT BE REPRODUCED OR COPIED OR USED IN WHOLE OR IN PART AS THE BASIS FOR THE MANUFACTURE OR SALE OF ITEMS WITHOUT WRITTEN PERMISSION. COPYRIGHT © 1973 DIGITAL EQUIPMENT CORPORATION"

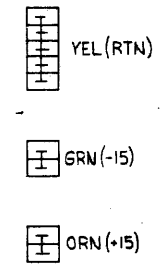
WIRE TABLE

ITEM NO.	DESCRIPTION			FROM			TO		
	AWG	COLOR	POINT	CONNECTION	WITH	POINT	CONNECTION	WITH	
8	*22	*BLK		I1-2				27	
8	*22	*BLK		I2-2			CBI-4	27	
8	*22	*BLK		I3-2				27	
8	*22	*BLK		I1-1			CBI-1	39	
29	18	BLK		J1-1	26		J1-4	26	
8	*22	*BLK		I2-1			CBI-2	39	
30	18	RED		J1-2	26		J1-5	26	
30	18	RED							
8	*22	*BLK		I3-1			CBI-3	39	
31	18	ORN		J1-3	26		J1-6	26	
31	18	ORN							
29	18	BLK		C3-1	SOLD		CBI-1	27	
29	18	BLK		C3-2	SOLD		CBI-2	39	
29	18	BLK		C4-1	SOLD				
29	18	BLK		C3-3	SOLD		CBI-3	39	
29	18	BLK		C4-2	SOLD				
32	14	ORN		D1-1	25+35		D2-1	25+35	
32	14	ORN		D2-1	25		D3-1	25+35	
32	14	ORN		D3-1	25		C1-2(POS)	39	
32	14	ORN		R1-1	SOLD		D1-1	25	
32	14	ORN		F1-1	SOLD		F1-2	SOLD	
32	14	ORN					** +15(ORG)	17+SOLD	
33	14	GRN		D1-2	25+35		D2-2	25+35	
33	14	GRN		D2-2	25		D3-2	25+35	
33	14	GRN		D3-2	25		C2-1(NEG)	39	
33	14	GRN		R2-1	SOLD		D1-2	25	
33	14	GRN					F2-2	SOLD	
33	14	GRN		F2-1	SOLD		** -15(GRN)	17+SOLD	
34	14	YEL		C1-1(NEG)	39		C2-2(POS)	39	
34	14	YEL		C2-2(POS)	39		R1-2	SOLD	
34	14	YEL		R1-2	SOLD		R2-2	SOLD	
34	14	YEL		R2-2	SOLD		** RTN(YEL)	17+SOLD	
37	18	WHT					CBI-4	27	
37	18	WHT		J1-10	26		J1-7	26	
34	14	YEL		C1-1(NEG)	39			25	
37	18	WHT		CBI-4	27		J1-8	26	
37	18	WHT		J1-9	26				

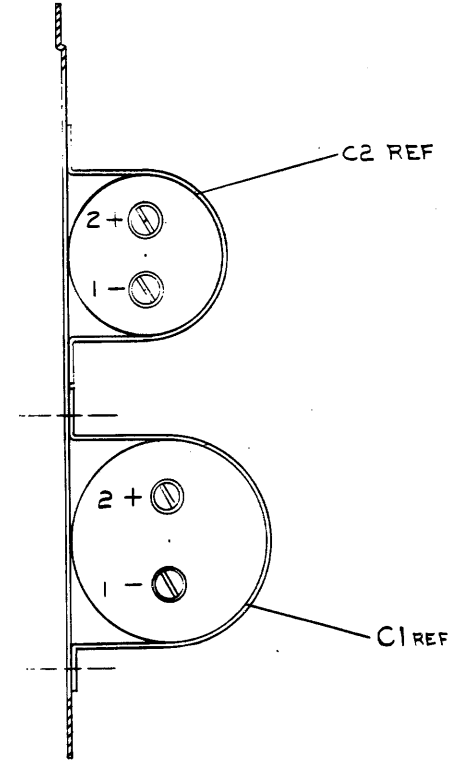
* #22 AWG BLK WIRE PART OF INDICATOR LAMP ITEM #8
 ** SEE DETAIL 'C'



SECTION B-B
(TYP FOR FI F2)



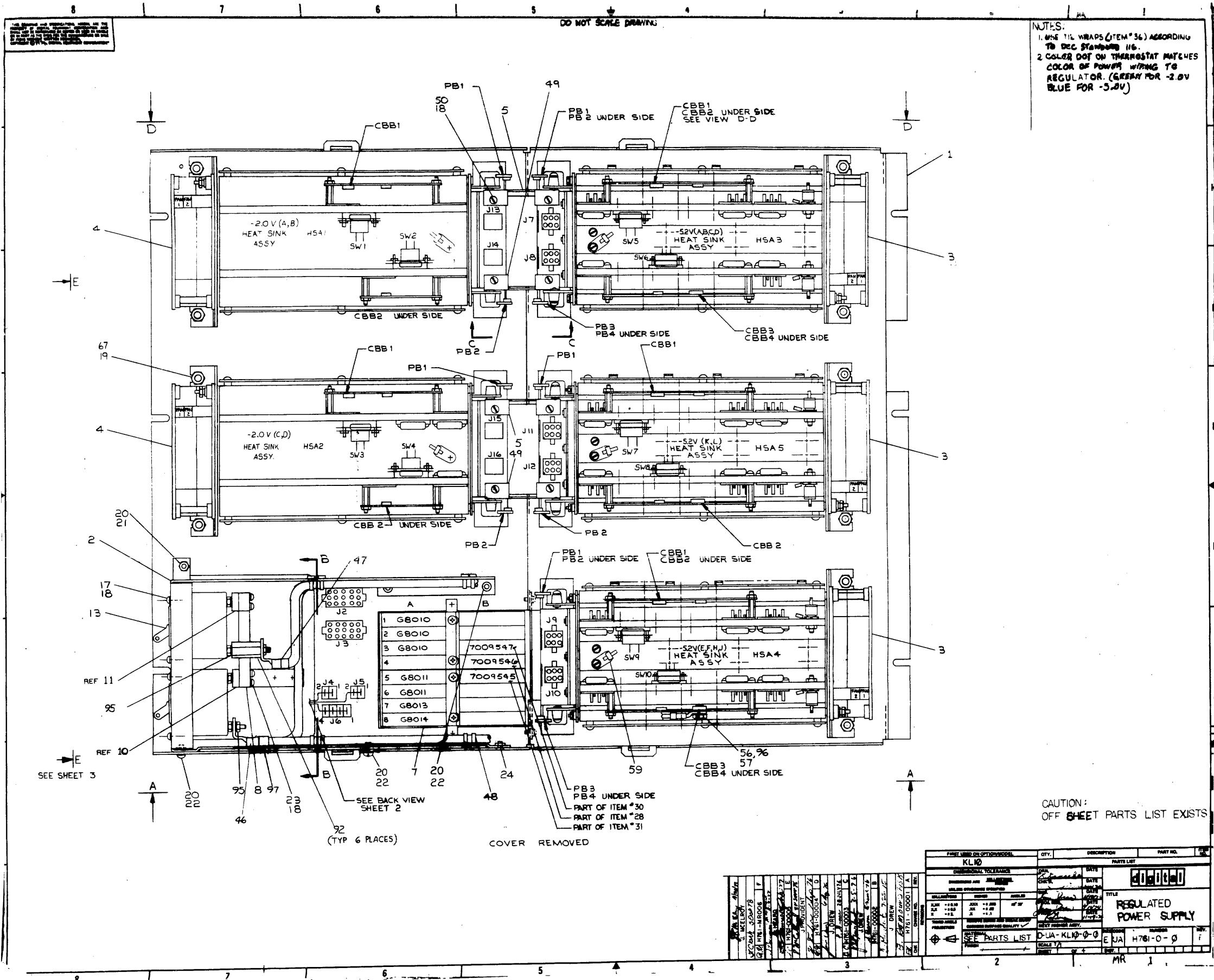
DETAIL 'C'
(BLS YEL, GRN & ORN WIRES AS SHOWN)
TURNED TO SHOW TERMINALS



SECTION A-A

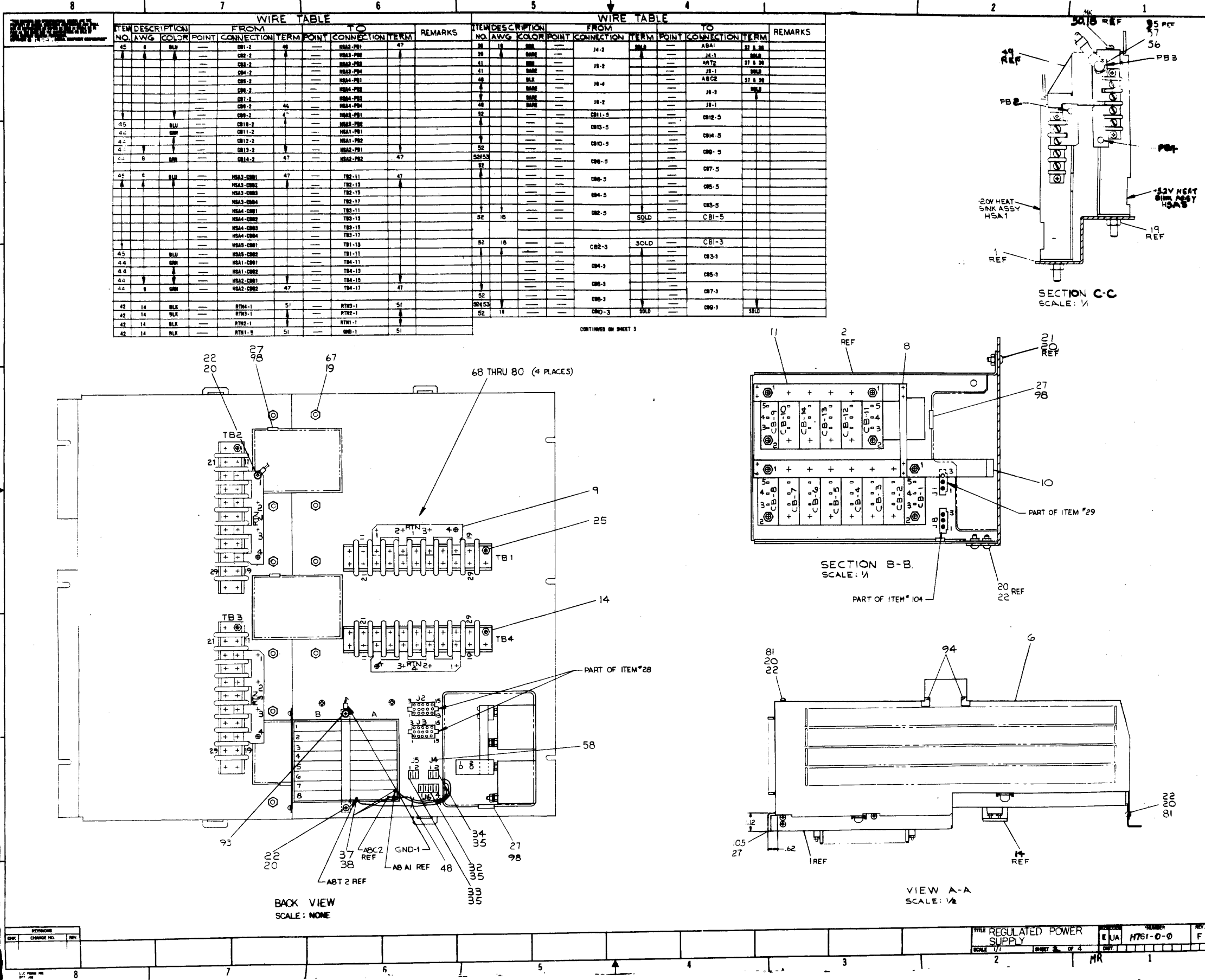
REVISIONS		
CHK	CHANGE NO	REV

TITLE COMPONENT ASSY.	SIZE CODE D AD	NUMBER 7009410-0-0	REV C
SCALE 1/1	SHEET 2 OF 2	DIST.	



CAUTION:
OFF SHEET PARTS LIST EXISTS

FIRST USED OR DISCONTINUED		QTY.	DESCRIPTION	PART NO.	REV.
KL10			PARTS LIST		
REGULATED POWER SUPPLY					
PARTS LIST					
D-1A-KL10-0-0					
EUA					
H761-0-0					
MR					



WIRE TABLE										WIRE TABLE											
ITEM NO.	DESCRIPTION	AWG	COLOR	POINT	CONNECTION	TERM	POINT	CONNECTION	TERM	REMARKS	ITEM NO.	DESCRIPTION	AWG	COLOR	POINT	CONNECTION	TERM	POINT	CONNECTION	TERM	REMARKS
45	BLK			48	CB1-2	48	HS43-P01	47			38	BLK			14-2	HS4	AB41	37 & 38			
					CB2-2		HS43-P02				41	BLK			18-2		AB72	37 & 38			
					CB3-2		HS43-P04				41	BLK			18-2		AB72	37 & 38			
					CB4-2		HS44-P01				48	BLK			18-4		ABCE	37 & 38			
					CB5-2		HS44-P02				48	BLK			18-2		AB72	37 & 38			
					CB6-2		HS44-P04				48	BLK			18-2		AB72	37 & 38			
					CB7-2		HS44-P03				48	BLK			18-2		AB72	37 & 38			
					CB8-2		HS44-P04				48	BLK			18-2		AB72	37 & 38			
45	BLU			47	CB11-2	47	HS43-P01	47			52			CB11-5			CB11-5				
44	GRN			47	CB12-2	47	HS43-P02	47			52			CB12-5			CB12-5				
44	GRN			47	CB13-2	47	HS43-P04	47			52			CB13-5			CB13-5				
44	GRN			47	CB14-2	47	HS42-P02	47			52			CB14-5			CB14-5				
45	BLU			47	HS43-C001	47	TS2-11	47			52			CB5-5			CB5-5				
					HS43-C002		TS2-13				52			CB6-5			CB6-5				
					HS43-C003		TS2-15				52			CB4-5			CB4-5				
					HS43-C004		TS2-17				52			CB2-5			CB2-5				
					HS44-C001		TS2-11				52			SOLD			CB1-5				
					HS44-C002		TS3-13				52			SOLD			CB1-5				
					HS44-C003		TS3-15				52			SOLD			CB1-5				
					HS44-C004		TS3-17				52			SOLD			CB1-5				
					HS45-C001		TS1-13				52			SOLD			CB1-5				
					HS45-C002		TS1-11				52			SOLD			CB1-5				
44	GRN			47	HS41-C001	47	TS4-11	47			52			CB4-3			CB4-3				
44	GRN			47	HS41-C002	47	TS4-13	47			52			CB4-3			CB4-3				
44	GRN			47	HS42-C001	47	TS4-15	47			52			CB4-3			CB4-3				
44	GRN			47	HS42-C002	47	TS4-17	47			52			CB4-3			CB4-3				
42	14	BLK		51	RTM-1	51	RTM3-1	51			52			CB0-3			CB0-3				
42	14	BLK		51	RTM3-1	51	RTM2-1	51			52			CB0-3			CB0-3				
42	14	BLK		51	RTM2-1	51	RTM1-1	51			52			CB0-3			CB0-3				
42	14	BLK		51	RTM1-1	51	CB0-1	51			52			CB0-3			CB0-3				

CONTINUED ON SHEET 3

REV	DESCRIPTION	DATE	BY	CHKD	APP'D	TITLE	REGULATED POWER SUPPLY	SCALE	1/1	SHEET	3 OF 4	REV	1	REV	F
-----	-------------	------	----	------	-------	-------	------------------------	-------	-----	-------	--------	-----	---	-----	---

ITEM DESCRIPTION		FROM				TO				REMARKS
NO.	AWG	COLOR	POINT	CONNECTION	WITH	POINT	CONNECTION	WITH		
104	TWP	RED	1	HARNESS	SOLD		CBI-5		TWP	
		RED	2		SOLD		CBI-3		TWP	
		BLK	3							
		WHT	4				CHASSIS		TWP	
		YEL	5		J1-2		ITEM#1		TWP	
		YEL	6		J1-1					
		YEL	7				SW4-1			
		BLK	8				SW4-2		TWP	
		BLK	10							
		YEL	11				SW3-1			
		BLK	12						TWP	
		BLK	13				SW3-2		TWP	
		BLK	14							
		BLK	15				SW2-2			
		YEL	16				SW2-1		TWP	
		YEL	17				SW1-1			
		BLK	18				SW1-2		TWP	
		BLK	20						TWP	
		YEL	21				SW5-1			
		YEL	22						TWP	
		BLK	23				SW5-2		TWP	
		BLK	24							
		YEL	25				SW6-1			
		YEL	26						TWP	
		BLK	27				SW6-2		TWP	
		BLK	28							
		YEL	29				SW7-1			
		YEL	30						TWP	
		BLK	31				SW7-2		TWP	
		BLK	32							
		YEL	33				SW8-1			
		YEL	34						TWP	
		BLK	35				SW8-2		TWP	
		BLK	36							
		YEL	37				SW9-1			
		YEL	38						TWP	
		BLK	39				SW9-2		TWP	
		BLK	40							
		YEL	41				SW10-1			
		BLK	42						TWP	
		BLK	43				SW10-2			
104	TWP	BLK	44	HARNESS					TWP	

REV. 1
CHG. CHANGE NO. REV.

REGULATED POWER SUPPLY
 8 JA H761-9-0
 1004 1004 1004 1004
 1004 1004 1004 1004

DIGITAL EQUIPMENT CORPORATION
MAYNARD, MASSACHUSETTS

PARTS LIST

MADE BY K. GAMACHE
 DATE 10/18/74
 ENG Jim Drew
 DATE 11/19/74

CHECKED
 DATE 11/19/74
 PROD
 DATE 11-19-74

SECTION
 ISSUED SECT.

ITEM NO.	DWG NO. / PART NO.	DESCRIPTION	QUANTITY / VARIATION
1	E-IA-7410991-0-0	CHASSIS, REG P.S.	1
2	E-IA-7410993-0-0	SUPPORT, CIRCUIT BREAKER	1
3	E-AD-7009405-0-0	REG. HEAT SINK ASSY (-5.2V)	3
4	E-AD-7009404-0-0	REG. HEAT SINK ASSY (-2.0V)	2
5	D-IA-7411571-1-0	SUPPORT REG. ASSY	2
6	E-IA-7010162-0-0	COVER ASSY	1
7	C-AD-7010100-0-0	WIRED ASSY REG. POWER SUPPLY	1
8	B-MD-7411529-0-0	CONN BUSS BAR	1
9	C-IA-7411554-1-0	STRIP, BUSSING RETURN	4
10	C-MD-7411531-0-0	BUSS BAR NO. 1 -12V	1
11	C-MD-7411532-0-0	BUSS BAR NO. 2 -12V	1
12	B-MD-7412425-0-0	CONN PINS PROTECTION PLATE	1
13	1211498	CIRCUIT BREAKER	14
14	1211499	TERMINAL BLOCK, 9 POSITION	4
15	9007046	GROMMET	7
16	9007014	GROMMET 1/8 I.D.	1
17	9006020-1	SCR, PHL PAN HD #6-32 X .25	28
18	9006633	WASH. INT TOOTH LOCK #6	40
19	9008203	NUT, KEPS 1/4-20	20
20	9006037-1	SCR, PHL PAN HD #8-32 X .38	26
21	9006563	NUT, KEPS #8-32	1
22	9006634	WASH. INT TOOTH, LOCK #8	27

TITLE REGULATED POWER SUPPLY
 ASSY NO. E-UA-H761-0-0
 SIZE CODE A PL H761-0-0
 SHEET 1 OF 5
 REV. ECO NO. F H761 MR006

DEC FORM DEC 16 (325)-1031-N870
 DRA 110

DIGITAL EQUIPMENT CORPORATION
MAYNARD, MASSACHUSETTS

PARTS LIST

MADE BY K. GAMACHE
 DATE 10/18/74
 ENG Jim Drew
 DATE 11/19/74

CHECKED
 DATE 11-19-74
 PROD
 DATE 11-19-74

SECTION
 ISSUED SECT.

ITEM NO.	DWG NO. / PART NO.	DESCRIPTION	QUANTITY / VARIATION
23	9006025-1	SCR PHL PAN HD #6-32 X .62	4
24	9006036-2	SCR, PHL FLAT HD #8-32 X .31	2
25	9006560	NUT, KEPS #6-32	16
26	9009255	LABEL, ADHESIVE BACK	1
27	9007594	ADHESIVE, HYBOND 80	AR
28	D-IA-7009546-0-0	HARNESS, SENSE	1
29	E-IA-7010307-0-0	HARNESS A.C. FAN H761	1
30	E-IA-7009547-0-0	HARNESS, OPEN SENSE	1
31	E-IA-7009545-0-0	HARNESS DRIVE, SCR & SCR RTN	1
32	9007237	BUSH. JUNC. TERM (BLK)	4
33	9007236	BUSH. JUNC. TERM (GRN)	2
34	9007234	BUSH. JUNC. TERM (ORG)	2
35	9007238	TERMINAL INSERT	8
36	9007880	CABLE TIE	21
37	9009139	TERMINAL PIN	3
38	9007302-10	TUBING, TEFLON CLEAR (#10 AWG)	IFT
39	9107360-33	WIRE #18 AWG STRD (ORN)	IFT
40	9107360-00	WIRE #18 AWG STRD (BLK)	IFT
41	9107360-55	WIRE #18 AWG STRD (GRN)	IFT
42	9107370-00	WIRE #14 AWG STRD (BLK)	5FT
43	9107430-29	WIRE #18 AWG TWP RED & WHT	IFT
44	9107765-55	WIRE #8 AWG STRD (GRN)	18 FT

TITLE REGULATED POWER SUPPLY
 ASSY NO. E-UA-H761-0-0
 SIZE CODE A PL H761-0-0
 SHEET 2 OF 5
 REV. ECO NO. F

DEC FORM DEC 16 (325)-1031-N870
 DRA 110

DIGITAL EQUIPMENT CORPORATION
MAYNARD, MASSACHUSETTS

PARTS LIST

MADE BY K. GAMACHE
DATE 10/8/74
ENG *[Signature]*
DATE 1/19/74

CHECKED
DATE
PROD
DATE *Refer 11-19-74*

SECTION
ISSUED SECT.

ITEM NO.	DWG NO. / PART NO.	DESCRIPTION	QUANTITY	VARIATION
45	9107765-66	WIRE, #8 AWG STRD (BLU)	38 FT	
46	1212086-01	LUG, SOLDERLESS, RT ANGLE #8 AWG	8	
47	1211515	LUG, SOLDERLESS, #8 AWG	48	
48	9007031	CABLE TIE	63	
49	D-IA-7411571-2-0	SUPPORT, REG. ASSY	2	
50	9006021-4	SCR, SLOTTED BIND HD #6-32 X .31	8	
51	9007928	LUG, SOLDERLESS	8	
52	9107560-03	WIRE BUSS #18	5 FT	
53	9107278-00	SLEEVING BLK #18	1 FT	
54	1209310-00	INTERNAL, SMT CONTACT	2	
55	1209310-03	CONN, 3 SKT HOUSING	1	
56	9006240-9	SCR, HEX HD PLAIN 1/4-20 X .38	28	
57	9006724	WASHER, EXT TOOTH LKG 1/4	28	
58	A-DC-7409873-0-0	DECALS, POWER CONN.	1	
59	9007033	TIE, CABLE	5	
60	5308944-3	12 POINT DECALS (LETTERS)	1	
61	5308943-1	12 POINT DECALS (NUMBERS)	1	
62	9006035-1	SCR, PHL PAN HD #8-32 X .25	2	
63	G8010-3	-5.2V CONTROL	3	
64	G8011-1	-2.0V CONTROL	2	
65	D-CS-6015-0-1	+1CV REFERENCE	1	
66	D-CS-G8014-0-1	D.C. LOW VOLTAGE DETECTOR	1	

TITLE
REGULATED POWER SUPPLY
ASSY NO. E-UA-H761-0-0
SIZE CODE A PL
NUMBER H761-0-0
REV. ECO NO. F
SHEET 3 OF 5
DIST.

DEC FORM DEC 16-(325)-1031-N870
DRA 110

MR

DIGITAL EQUIPMENT CORPORATION
MAYNARD, MASSACHUSETTS

PARTS LIST

MADE BY K. GAMACHE
DATE 10/8/74
ENG *[Signature]*
DATE 1/19/74

CHECKED
DATE
PROD
DATE *Refer 11-19-74*

SECTION
ISSUED SECT.

ITEM NO.	DWG NO. / PART NO.	DESCRIPTION	QUANTITY	VARIATION
67	9006676	WASHER, FLAT	20	
68	5308754-3	21 POINT DECALS (NUMBERS)	1	
69	5308754-5	21 POINT DECALS (NUMBERS)	1	
70	5308754-7	21 POINT DECALS (NUMBERS)	1	
71	5308754-9	21 POINT DECALS (NUMBERS)	1	
72	5308754-11	21 POINT DECALS (NUMBERS)	1	
73	5308754-13	21 POINT DECALS (NUMBERS)	1	
74	5308754-15	21 POINT DECALS (NUMBERS)	1	
75	5308754-19	21 POINT DECALS (WHT/CLR)	1	
76	5308753-31	21 POINT DECALS (LETTERS)	1	
77	5308753-3	21 POINT DECALS (LETTERS)	1	
78	5308753-1	21 POINT DECALS (LETTERS)	1	
79	5308753-23	21 POINT DECALS (LETTERS)	1	
80	5308753-27	21 POINT DECALS (LETTERS)	1	
81	9006660	WASHER, FLAT #8	6	
82	5308944-5	12 POINT DECALS (LETTERS)	1	
83	5308943-3	12 POINT DECALS (NUMBERS)	1	
84	5308943-5	12 POINT DECALS (NUMBERS)	1	
85	5308943-7	12 POINT DECALS (NUMBERS)	1	
86	5308943-9	12 POINT DECALS (NUMBERS)	1	
87	5308943-11	12 POINT DECALS (NUMBERS)	1	
88	5308943-13	12 POINT DECALS (NUMBERS)	1	

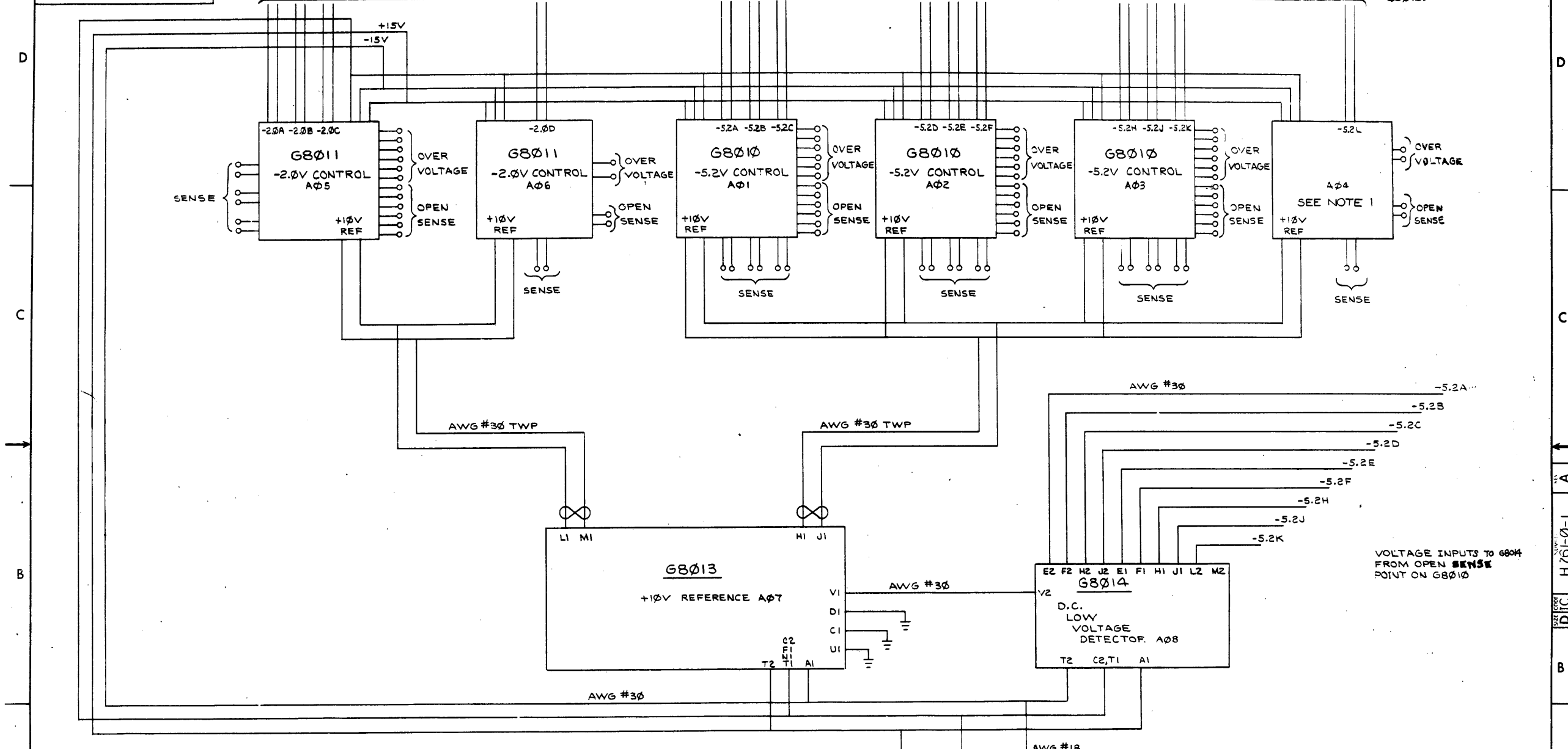
TITLE
REGULATED POWER SUPPLY
ASSY NO. E-UA-H761-0-0
SIZE CODE A PL
NUMBER H761-0-0
REV. ECO NO. F
SHEET 4 OF 5
DIST.

DEC FORM DEC 16-(325)-1031-N870
DRA 110

MR

THIS DRAWING AND SPECIFICATIONS HEREIN ARE THE PROPERTY OF DIGITAL EQUIPMENT CORPORATION AND SHALL NOT BE REPRODUCED OR COPIED OR USED IN WHOLE OR IN PART AS THE BASIS FOR THE MANUFACTURE OR SALE OF ITEMS WITHOUT WRITTEN PERMISSION. COPYRIGHT © 1973, DIGITAL EQUIPMENT CORPORATION.

NOTES:
1 WIRING TO A04 FOR SPARE G8010, DO NOT PLUG IN G8010.



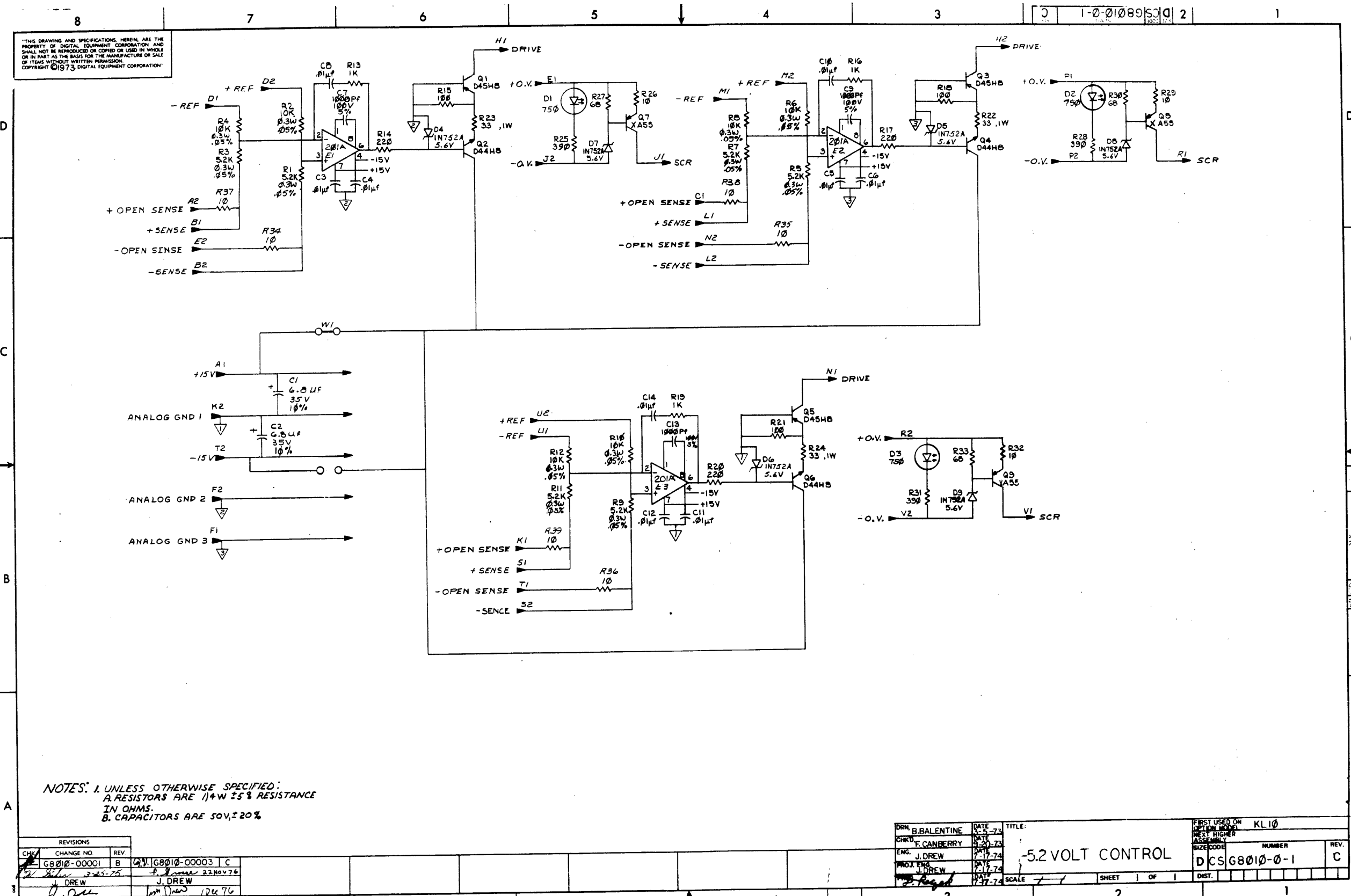
VOLTAGE INPUTS TO G8014 FROM OPEN SENSE POINT ON G8010

REV	DATE	BY	CHKD
1	7-25-75	J. DREW	
2			
3			
4			
5			
6			
7			
8			

FIRST USED ON OPTION/MODEL	QTY.	DESCRIPTION	PART NO.	ITEM NO.
H761				
UNLESS OTHERWISE SPECIFIED DIMENSION IN INCHES				
TOLERANCES				
DECIMALS	ANGLES			
.xxx = .005	:0' 30'			
.xx = .02				
.x = .1				
REMOVE BURRS AND BREAK SHARP CORNERS SURFACE QUALITY V				
MATERIAL				
NEXT HIGHER ASSY.				
FINISH				
SCALE				
SHEET 1 OF 1				

DRN	DATE	
CHKD	DATE	
ENGR	DATE	
PROJ. ENG.	DATE	
PROD.	DATE	
TITLE		
CONTROL LOGIC		
SIZE CODE		REV.
DIC	H761-0-1	A
DIST.		

"THIS DRAWING AND SPECIFICATIONS HEREIN ARE THE PROPERTY OF DIGITAL EQUIPMENT CORPORATION AND SHALL NOT BE REPRODUCED OR COPIED OR USED IN WHOLE OR IN PART AS THE BASIS FOR THE MANUFACTURE OR SALE OF ITEMS WITHOUT WRITTEN PERMISSION. COPYRIGHT © 1973 DIGITAL EQUIPMENT CORPORATION"

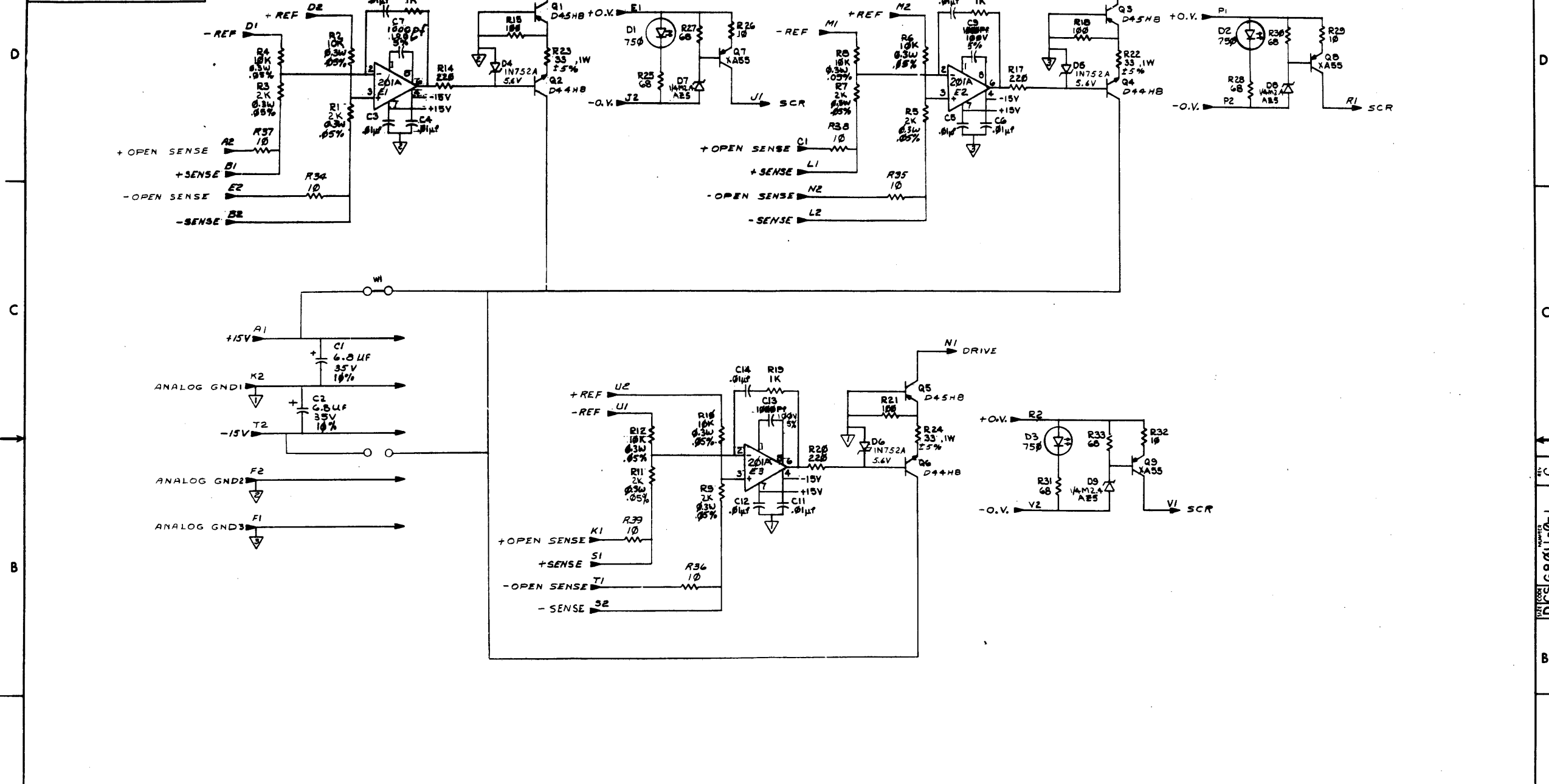


NOTES: 1. UNLESS OTHERWISE SPECIFIED:
 A. RESISTORS ARE 1/4W 5% RESISTANCE IN OHMS.
 B. CAPACITORS ARE 50V, ±20%

REVISIONS		
CHK	CHANGE NO	REV
	GB8010-00001	B
	168010-00003	C
	2-23-75	
	J. DREW	

DRN. B. VALENTINE	DATE 7-5-73	TITLE: 5.2VOLT CONTROL	FIRST USED ON OPTIM MODEL KL10
CHKD. F. CANNERY	DATE 8-20-73		NEXT HIGHER ASSEMBLY
ENG. J. DREW	DATE 7-17-74		SIZE CODE NUMBER REV.
PROJ. ENR. J. DREW	DATE 7-17-74		DCS G8010-0-1 C
DATE 7-17-74	SCALE 1/1	SHEET 1 OF 1	DIST.

THIS DRAWING AND SPECIFICATIONS HEREIN ARE THE PROPERTY OF DIGITAL EQUIPMENT CORPORATION AND SHALL NOT BE REPRODUCED OR COPIED OR USED IN WHOLE OR IN PART AS THE BASIS FOR THE MANUFACTURE OR SALE OF ITEMS WITHOUT WRITTEN PERMISSION. COPYRIGHT © 1973 DIGITAL EQUIPMENT CORPORATION.



NOTES: 1. UNLESS OTHERWISE SPECIFIED:
 A. RESISTANCE IS IN OHMS
 B. ALL RESISTORS ARE 1/4W, ±5%
 C. ALL CAPACITORS ARE 50V, ±20%

REVISIONS			
CHK	CHANGE NO.	REV	DATE
J. DREW	G8011-00001	B	19 NOV 76
J. DREW			

DRN	DUGGAN	DATE	7-17-73	FIRST USED ON	KL10
CHKD	P. ROSSMAN	DATE	7-25-73	TEST HUTCHER	
ENG	J. DREW	DATE	7-17-73	SIZE CODE	
PROJ ENR	J. DREW	DATE	7-17-73	NUMBER	DCS G8011-0-1
PROD	J. RECK	DATE	7-17-73	REV.	C

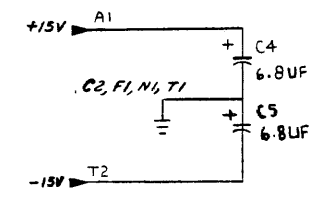
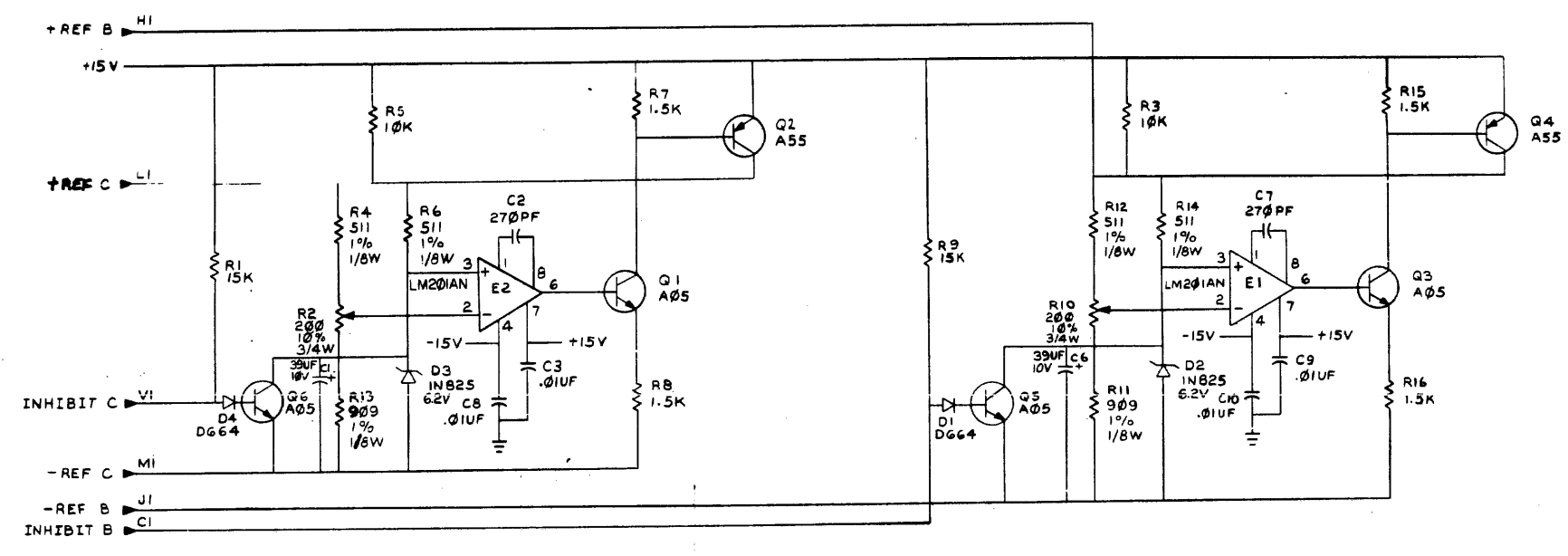
DATE CODE: DCS G8011-0-1
 NUMBER: 1001251

-2 VOLT CONTROL

SHEET OF

THIS DRAWING AND SPECIFICATIONS HEREIN ARE THE PROPERTY OF DIGITAL EQUIPMENT CORPORATION AND SHALL NOT BE REPRODUCED OR COPIED OR USED IN WHOLE OR IN PART AS THE BASIS FOR THE MANUFACTURE OR SALE OF ITEMS WITHOUT WRITTEN PERMISSION. COPYRIGHT © 1972, DIGITAL EQUIPMENT CORPORATION.

1-0-81238 SCD 2



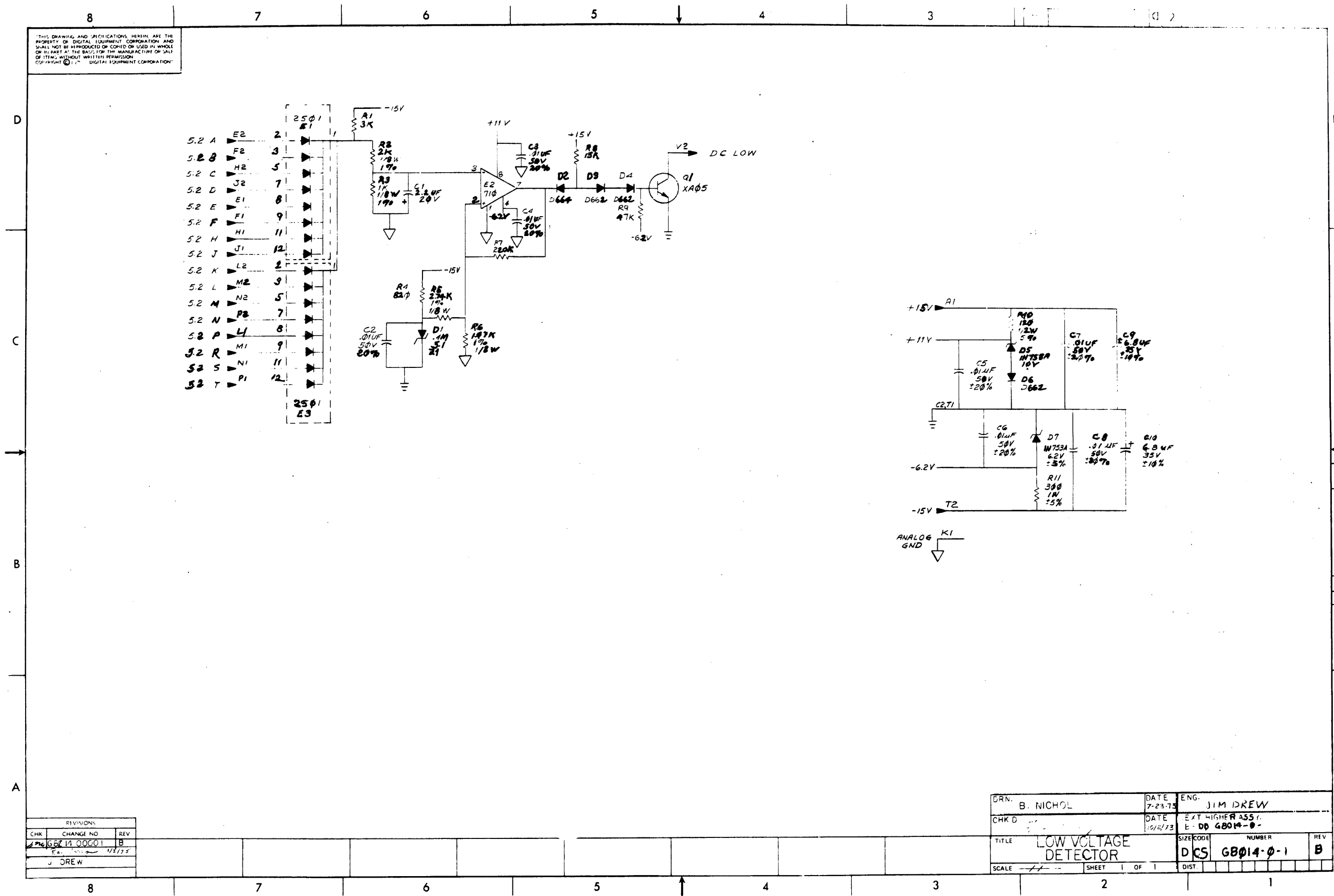
REVISIONS		
CHK	CHANGE NO	REV
4	68013-00001	B
E. Chatter 4-6-75		
J. DREW		
John Drew 10/1/75		

DRN	DATE	CHK'D	DATE	ENG	DATE	PROJ	ENG	DATE	PROD	DATE
H. DENSMORE	4-10-75	J. Drew	9-25-75	J. Drew	10/1/75					
TITLE								SIZE CODE	NUMBER	REV
+10V REFERENCE								D CS	68013-0-1	B
SCALE								SHEET	1 OF 1	DIST.

NEXT HIGHER ASSY
B-DD-G8013-0

D CS 68013-0-1 B

THIS DRAWING AND SPECIFICATIONS HEREIN ARE THE PROPERTY OF DIGITAL EQUIPMENT CORPORATION AND SHALL NOT BE REPRODUCED OR COPIED OR USED IN WHOLE OR IN PART AS THE BASIS FOR THE MANUFACTURE OR SALE OF ITEMS WITHOUT WRITTEN PERMISSION. COPYRIGHT © 1971 DIGITAL EQUIPMENT CORPORATION



REVISIONS		
CHK	CHANGE NO	REV
J	1	B
J	2	B
J	3	B
J	4	B
J	5	B
J	6	B
J	7	B
J	8	B
J	9	B
J	10	B
J	11	B
J	12	B
J	13	B
J	14	B
J	15	B
J	16	B
J	17	B
J	18	B
J	19	B
J	20	B
J	21	B
J	22	B
J	23	B
J	24	B
J	25	B
J	26	B
J	27	B
J	28	B
J	29	B
J	30	B
J	31	B
J	32	B
J	33	B
J	34	B
J	35	B
J	36	B
J	37	B
J	38	B
J	39	B
J	40	B
J	41	B
J	42	B
J	43	B
J	44	B
J	45	B
J	46	B
J	47	B
J	48	B
J	49	B
J	50	B

DRN. B. NICHOL	DATE 7-23-75	ENG. JIM DREW
CHKD	DATE 1/12/73	EXT HIGHER ASSY. E- DD 68014-0-
TITLE LOW VOLTAGE DETECTOR		SIZE CODE DCS
SCALE		NUMBER 68014-0-1
SHEET 1 OF 1		REV B

WIRE TABLE						WIRE TABLE											
ITEM NO.	DESCRIPTION	AWG.	COLOR	CONN	WITH	FROM	TO	REMARKS	ITEM NO.	DESCRIPTION	AWG.	COLOR	CONN	WITH	FROM	TO	REMARKS
40	14	GRN	PC1-2	37	Q1-3		SOLD		40	14	GRN	PC2-2	37	Q1-3		SOLD	
			PC1-3	37	Q2-3		SOLD							Q10-3		SOLD	
					Q3-1		SOLD							Q11-1		SOLD	
					Q4-1		SOLD							Q13-1		SOLD	
					Q5-1		SOLD							Q14-1		SOLD	
					Q6-1		SOLD							Q15-1		SOLD	
					Q7-1		SOLD							Q16-1		SOLD	
41	18	GRN	PC1-4	37	D1-1		SOLD		41	18	GRN	PC2-4	37	D2-1		SOLD	
46	18	BRN			J1-2	12			43	18	RED			J2-2	12		
40	14	GRN	PC1-5	37	Q1-3		SOLD		40	14	GRN	PC2-5	37	D2-3		SOLD	
40	14	GRN	PC1-6	37	Q1-2		SOLD		40	14	GRN	PC2-6	37	Q1-2		SOLD	
41	18	GRN	PC1-7	37	Q2-1		SOLD		41	18	GRN	PC2-7	37	Q10-1		SOLD	
47	18	GRY/BRN			J1-1	12			42	18	GRY/RED			J2-1	12		
40	14	GRN	PC1-8	37	Q2-2		SOLD		40	14	GRN	PC2-8	37	Q10-2		SOLD	
			PC1-9		Q1-1							PC2-9		Q1-1			
			PC1-10		Q3-3							PC2-10		Q11-3			
			PC1-11		Q4-3							PC2-11		Q12-3			
			PC1-12		Q5-3							PC2-12		Q13-3			
			PC1-17		Q6-3							PC2-17		Q14-3			
			PC1-18		Q7-3							PC2-18		Q15-3			
			PC1-19		Q8-3		SOLD					PC2-19		Q16-3		SOLD	
			PC1-13		TB1-4	36						PC2-13		TB2-1	36		
			PC1-14		TB1-3							PC2-14		TB2-2			
			PC1-15		TB1-2							PC2-15		TB2-3			
40	14	GRN	PC1-16	37	TB1-1	36			40	14	GRN	PC2-16	37	TB2-4	36		
							SOLD							D2-2		SOLD	
44	14	BLK	PC1-1	56	D1-2	12			44	14	BLK	PC2-1	56	T2-3	12		
					J1-3												
45	10	RED	BB-A	14.39	BB-B	14.39											
45	10	RED	BB-C	14.39	BB-D	14.39											

REV	DATE	BY

TITLE	REGULATED H.S. ASSY. (2.0V)	REV	E
SCALE	1:1	DATE	7009404-0-0
SHEET	2 OF 2	DRW	

DIGITAL EQUIPMENT CORPORATION
MAYNARD, MASSACHUSETTS
PARTS LIST

MADE BY K. GAMACHE
DATE 12/21/73
ENG JIM DREW
DATE 9/7/74
CHECKED D. HEALY
DATE 1/2/74
SECTION 1
ISSUED SECT. 1

ITEM NO.	DWG NO. / PART NO.	DESCRIPTION	QUANTITY / VARIATION
22	D-CS-5410663-0-1	-2.0V BOARD	2
23	9008268	COMPOUND THERMAL JOINT	10E
24	9008185	NUT, KEPS #6-32, .25 A.F.X.12 THK	40
25	1111481	RECTIFIER	2
26	9006021-1	SCR. PHL PAN HD #6-32 x .31	2
27	9006633	WASHER, LOCK INT. TOOTH #6	3E
28	C-IA-7411137-2-0	BUSSING STRIP #2	1
29	9008201-1	SCR. SLOT. HD PAN SH. METAL #6 x .38	12
30	1210130	SOCKET, TRANSISTOR	16
31	9008274	TAPE, POLY.ADH.BACK .38W X .03 THK	A/R
32	9009283	SPACER, .25 A.F. x .12 LG x #6 HOLE	12
33	9009002	JUMPER	4
34	1503068	TRANSISTOR, DEC 3715	4
35	1509730	TRANSISTOR, 2N5301	12
36	9007928-0	CONN. SOLDERLESS BLUE #14	8
37	9007969	CONN. SOLDERLESS BLUE #14	36
38	9007970	CONN. SOLDERLESS RED #18	2
39	9006070-1	SCR. PHL PAN HD #10-32 x .31	4
40	9107370-55	#14 AWG WIRE STRD INS (GREEN)	13FT
41	9107360-55	#18 AWG WIRE STRD INS (GREEN)	1FT
42	9107410-82	#18 AWG WIRE STRD INS GRY/RED	2FT
43	9107360-22	#18 AWG WIRE STRD INS RED	2FT

TITLE REGULATED HEAT SINK ASSY
-2.0V
ASSY NO. D-UA-7009404-0-0
SIZE CODE A PL
NUMBER 7009404-0-0
REV. ECO NO. E
SHEET 2 OF 4

DEC FORM DEC 16 (325)-1031-N870
DRA 110

MR

DIGITAL EQUIPMENT CORPORATION
MAYNARD, MASSACHUSETTS
PARTS LIST

MADE BY K. GAMACHE
DATE 12/21/73
ENG JIM DREW
DATE 9/7/74
CHECKED D. HEALY
DATE 1/2/74
SECTION 1
ISSUED SECT. 1

ITEM NO.	DWG NO. / PART NO.	DESCRIPTION	QUANTITY / VARIATION
REF 1	D-CS-H761-0-1	CIRCUIT SCHEMATIC H761	x
1	1211480	HEAT SINK	1
2	D-IA-7411262-0-0	MTG PLATE, HEAT SINK	1
3	D-IA-7411000-0-0	SUPPORT, HEAT SINK	1
4	C-IA-7410999-0-0	RET. BRKT., HEAT SINK	1
5	C-IA-7411136-1-0	BUSSING STRIP NO. 1	2
6	C-IA-7411137-1-0	BUSSING STRIP NO. 2	1
7	C-IA-7411136-2-0	BUSSING STRIP NO. 1	2
8	E-IA-7411001-0-0	BRACKET, FAN	1
9	B-MD-7411295-0-0	STANDOFF BUSSING	14
10	1209350-06	CONN., 6 SKT HOUSING	2
11			
12	1209379-00	SOCKET, MAT-N-LOCK	6
13	1210990-01	FAN, SUPER-SOBER	1
14	9007926-01	CONN. SOLDERLESS YEL #10	4
15	9007031	CABLE TIF, 3-3/4 LG x 3/32 WIDE	6
16	1203346	TERMINAL BLOCK 4 TERM	2
17			
18			
19	9009648-8	SCR, SOCKET HD CAP #6-32 x 1.38	14
20	9006331-8	SCR, SOCKET HD CAP #6-32 x .62	16
21			

TITLE REGULATED HEAT SINK ASSY
-2.0V
ASSY NO. D-UA-7009404-0-0
SIZE CODE A PL
NUMBER 7009404-0-0
REV. ECO NO. H761-MR006
SHEET 1 OF 4

DEC FORM DEC 16-(325)-1031-N870
DRA 110

MR

DIGITAL EQUIPMENT CORPORATION
MAYNARD, MASSACHUSETTS

PARTS LIST

MADE BY K. GAMACHE
 DATE 12/21/73
 ENG
 DATE
 CHECKED D. HEALY
 DATE 1/2/74
 SECTION 1
 PROD
 DATE 9-6-74
 ISSUED SECT. 1

ITEM NO.	DWG NO. / PART NO.	DESCRIPTION	QUANTITY / VARIATION
44	9107370-00	#14 AWG WIRE STRD INS (BLK)	3 FT
45	9107390-22	#10 AWG WIRE STRD INS RED	3 FT
46	9107360-11	#18 AWG WIRE STRD INS (BPN)	2 FT
47	9107410-81	#18 AWG WIRE STRD INS (GRY/BRN)	1 FT
48	9107430-39	#18 AWG TWP STRD INS RED/WHIT	1 FT
49	9007775-00	BALL STUD #6-32	1
50	9006020-1	SCR, PHL HD PAN #6-32 x .25	1
51	9006037-1	SCR, PH HD PAN #8-32 x .38	3
52	9006634	WASH, INT TOOTH #8	3
53	9009255	LABEL, ADHESIVE BACK	1
54	9007080	CLAMP, CABLE	2
55	9006635	WASHER, LOCK # 10	4
56	9007920-00	CONN, SOLDERLESS YEL # 10	2
57	9006557	NUT KEPS # 4-40	4
58	9007046	GROMMET	A/R
59	9007594	ADHESIVE, HYBOND 80	A/R
60	9009321	LOCKTITE	A/R
61	9006707	WASHER, FLAT, NYLON #6	2
62	9006669	WASHER, FLAT (.81 X.25 X .032) THK	2
63	1213071-02	INSULATOR, THERMAL RUBBER	2
64	9107714-00	TUBING SHRINKABLE	A/R
65	1210930-02	FAN, 230V, 50HZ/60HZ	1

TITLE REGULATED HEAT SINK ASSY
-2.0V
 SIZE CODE A PL
 ASSY NO. D-UA-7009404-0-0
 NUMBER 7009404-0-0
 REV. ECO NO. E
 SHEET 3 OF 4
 DIST.

DEC FORM DEC 16-(325)-1031-N870
DRA 110

MJR

DIGITAL EQUIPMENT CORPORATION
MAYNARD, MASSACHUSETTS

PARTS LIST

MADE BY K. GAMACHE
 DATE 12/21/73
 ENG JIM DREW
 DATE 9/7/74
 CHECKED D. HEALY
 DATE 1/2/74
 SECTION 1
 PROD R. O'BRIEN
 DATE 9/6/74
 ISSUED SECT. 1

ITEM NO.	DWG NO./PART NO.	DESCRIPTION	QUANTITY VARIATION
66	12-15041-00	THERMOSTAT, 230° F	2
67	7419817-00	BRACKET, MOUNTING, THERMOSTAT	1
68	7419817-01	BRACKET, MOUNTING, THERMOSTAT	1
69	9006332-08	SCREW, CAP SKT 6-32 x 3/4	2

TITLE REGULATED HEAT SINK ASSY
-2.0V
 ASSY NO. D-UA-7009404-0-0
 NUMBER 7009404-0-0
 REV. ECO NO. E
 SHEET 4 OF 4
 DIST.

DEC FORM
DRA 110

MJR

8 7 6 5 4 3 2 1

WIRE TABLE						WIRE TABLE							
ITEM NO.	DESCRIPTION	FROM	TO	REMARKS	ITEM NO.	DESCRIPTION	FROM	TO	REMARKS				
NO.	AWG	COLOR	CONN	WITH	NO.	AWG	COLOR	CONN	WITH				
38	14	GRY	PC1-29	38	01-3	SOLD	38	14	GRY	PC2-26	38	014-3	SOLD
			PC1-27	38	02-3					PC2-27	38	020-3	
			03-1							021-1			
			05-1							023-1			
39	14	GRY	PC1-22	39	01-9	SOLD	39	14	GRY	PC2-25	39	03-3	SOLD
42	18	WHT	PC1-28	36	01-5	12	42	18	WHT	PC2-28	36	12-2	12
41							41						
45			PC1-23	36	01-4	12	45			PC2-23	36	12-1	12
41							41						
41	16	GRY	02-1		01-2		41	16	GRY	020-1		019-2	
39	14		PC1-22	39	02-6		39	14		PC2-22	39	2-2-2	
			PC1-20		2-5-2					PC2-24		2-2-2	
			PC1-21		01-1					PC2-21		019-1	
			PC1-20		03-3					PC2-20		021-3	
			PC1-19		04-3					PC2-19		022-3	
			PC1-18		05-3					PC2-18		023-3	
39		GRY	PC1-17	39	06-3	SOLD	39		GRY	PC2-17	39	024-3	SOLD
28		GRY	T81-1	14	PC1-16	33	28		GRY	T82-1	14	PC2-16	33
28		GRY	T81-2	14	PC1-15	33	28		GRY	T82-2	14	PC2-15	33
28		GRY	T81-3	14	PC1-14	33	28		GRY	T82-3	14	PC2-14	33
			T81-4	14	PC1-13	33				T82-4	14	PC2-13	33
			PC1-1	38	07-3	SOLD				PC2-1	38	013-3	SOLD
			PC1-2	38	08-3					PC2-2	38	014-3	
			09-3										
			010-1		09-1					015-1		018-1	
			012-1		011-1					017-1		018-1	
39	14	GRY	PC1-4	39	02-3	SOLD	39	14	GRY	PC2-4	39	04-3	SOLD
44	18	WHT	PC1-3	36	11-2	12	44	18	WHT	PC2-3	36	12-5	12
43							43						
46			PC1-8	36	11-1	12	46			PC2-8	36	12-4	12
43							43						
43	19		04-1		07-2		43	18	GRY	013-2		014-1	
39	14		PC1-7	39	09-2		39	14	GRY	PC2-5	39	014-2	
			PC1-5		1-5-2					PC2-7		015-2	
			PC1-6		07-1					PC2-8		019-1	
			PC1-9		09-3					PC2-9		019-3	
			PC1-10		010-3					PC2-10		018-3	
			PC1-11		011-3					PC2-11		017-3	
39		GRY	PC1-12	39	012-3	SOLD	39		GRY	PC2-12	39	014-3	SOLD
40		BLK	PC1-30	33	02-2	SOLD	40		BLK	PC2-30	33	04-2	SOLD
			PC1-29	33	01-2	SOLD				PC2-29	33	03-2	SOLD
40	14	BLK			J1-6	12	40	14	BLK			J2-3	12

REVISED	BY	DATE

TITLE REGULATED HS. ASSY.
(-5.2V)
SCALE SHEET 2 OF 2
DRAWING NUMBER 7009405-0-0
REV. AD E

8 7 6 5 4 3 2 1

DIGITAL EQUIPMENT CORPORATION
MAYNARD, MASSACHUSETTS
PARTS LIST

MADE BY K. GAMACHE
DATE 12/13/73
ENG J. DREW
DATE 9/19/74
CHECKED D. HEALY
DATE 1/7/74
PROD R. O'BRIEN
DATE 10/9/74
SECTION 1
ISSUED SECT. 1

ITEM NO.	DWG NO. / PART NO.	DESCRIPTION	QUANTITY / VARIATION
REF	D-CS-H761-Ø-1	CIRCUIT SCHEMATIC H761	x
1	1211480	HEAT SINK	1
2	D-IA-7411262-0-0	MTG. PLATE, HEAT SINK	1
3	D-IA-7411000-0-0	SUPPORT, HEAT SINK	1
4	C-IA-7410999-0-0	RET. BRKT., HEAT SINK	1
5	C-IA-7411136-3-0	BUSSING STRIP NO. 1	4
6	C-IA-7411137-1-0	BUSSING STRIP NO. 2	2
7	C-IA-7411137-2-0	BUSSING STRIP NO. 2	2
8	E-IA-7411001-0-0	BRACKET, FAN	1
9	B-MD-7411295-0-0	STANDOFF, BUSSING	20
10	1209350-06	CONN., 6 SKT HOUSING	2
11			
12	1209379-02	SOCKET, MAT-N-LOCK	12
13	1210930-01	FAN, SUPER-BOXER	1
14	9007926-01	CONN. CRIMP SOLDERLESS YEL #10	8
15	9007031	CABLE TIE 3.75 LG x .09 WIDE	7
16	1203346	TERM BLOCK, 4 TERM	2
17			
18			
19	9009648-8	SCR, SOCKET HD CAP #6-32 x 1.38	20
20	9006331-8	SCR, SOCKET HD CAP #6-32 x .62	26
21			

TITLE REGULATED HEAT SINK ASSY
-5.2V
ASSY NO. D-UA-7009405-0-0
SIZE CODE A PL
NUMBER 7009405-0-0
SHEET 1 OF 4
REV. ECO NO. H761- MK006
E

DEC FORM DEC 16 (325) 1031-NR70
DRA 110

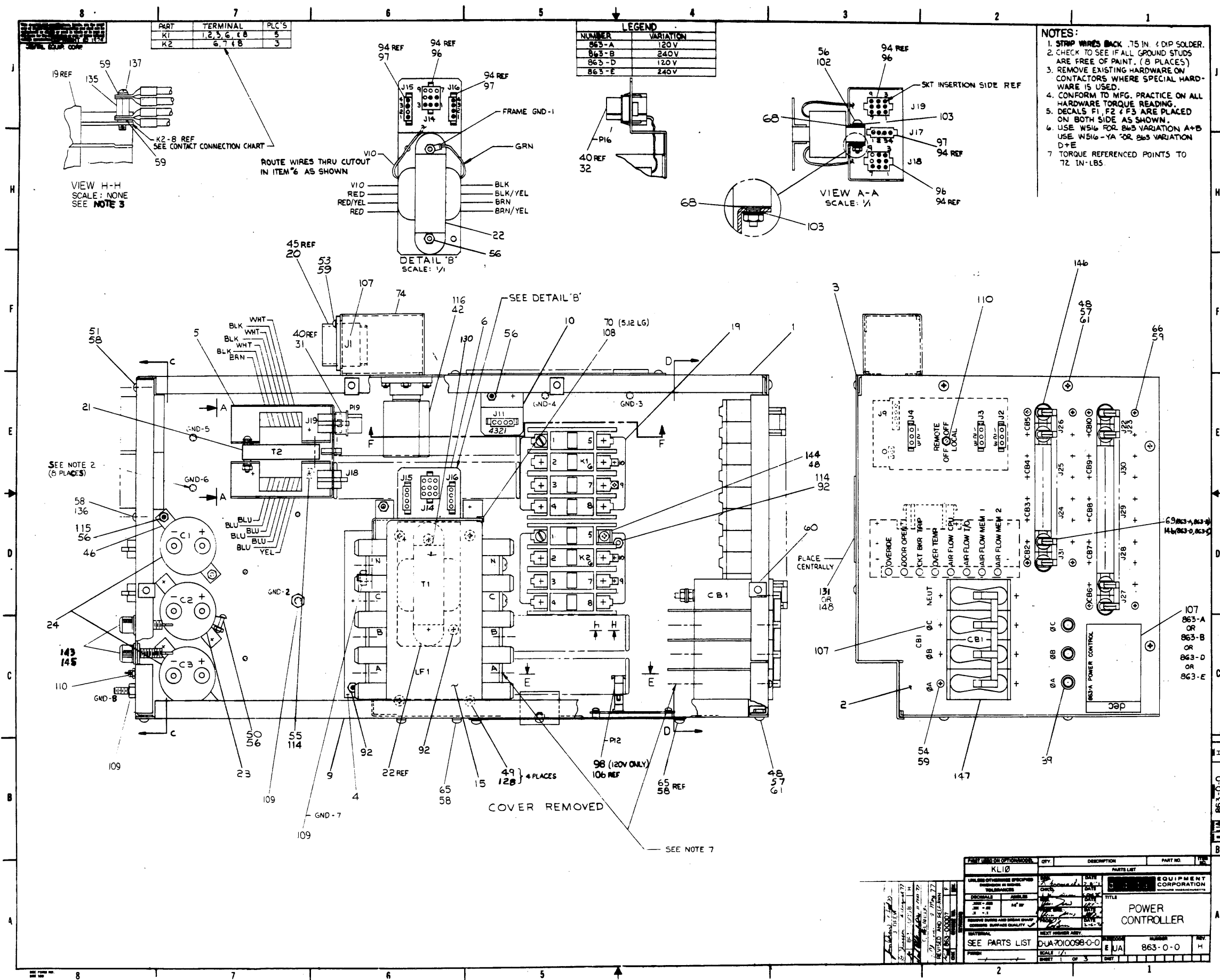
DIGITAL EQUIPMENT CORPORATION
MAYNARD, MASSACHUSETTS
PARTS LIST

MADE BY K. GAMACHE
DATE 12/13/73
ENG J. DREW
DATE 9/19/74
CHECKED D. HEALY
DATE 1/7/74
PROD R. O'BRIEN
DATE 10/9/74
SECTION 1
ISSUED SECT. 1

ITEM NO.	DWG NO. / PART NO.	DESCRIPTION	QUANTITY / VARIATION
22	D-CS-5410665-0-0	-5.2V BOARD	2
23	9008268	COMPOUND THERMAL JOINT	10Z
24	9007081	CABLE CLAMP .25 I.D.	1
25	1111481	RECTIFIER	4
26	9006021-1	SCR. PHL PAN HD #6-32 x .31	2
27	9006633	WASHER, LOCK INT. TOOTH #6	4
28	9006037-1	SCR PHL HD PAN #8-32 x .38	3
29	9008201-1	SCR. SLOT. HD PAN, SH METAL #6 x .38	13
30	1210130	SOCKET, TRANSISTOR	24
31	9008274	TAPE, POLY. ADH. BACK .38W x .38 THK	A/R
32	9009283	SPACER, .25 A.F.X.12 LG X #6 HOLE	12
33	9007920-00	CONN. SOLDERLESS YEL #10	12
34	1503068	TRANSISTOR DEC 3715	8
35	1509730	TRANSISTOR, DEC 5301	16
36	9007969	CONN. SOLDERLESS BLU #14	48
37	9009255	LABEL, ADHESIVE BACK	1
38	9107370-88	#14 AWG WIRE STRD INS. (GRY)	12FT
39	9107370-55	#14 AWG WIRE STRD INS. (GRN)	11FT
40	9107370-00	#14 AWG WIRE STRD INS. (BLK)	5FT
41	9107360-88	#18 AWG WIRE STRD INS. (GRY)	2FT
42	9107360-77	#18 AWG WIRE STRD INS. (VIO)	3FT
43	9107360-55	#18 AWG WIRE STRD INS. (GRN)	2FT

TITLE REGULATED HEAT SINK ASSY
-5.2V
ASSY NO. D-UA-7009405-0-0
SIZE CODE A PL
NUMBER 7009405-0-0
SHEET 2 OF 4
REV. ECO NO. H761- MK006
E

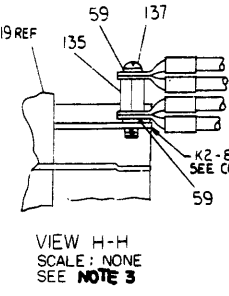
DEC FORM DEC 16 (325) 1031-NR70
DRA 110



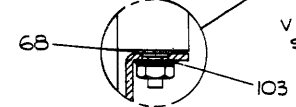
PART	TERMINAL	PLC'S
K1	1, 2, 3, 6, 8	5
K2	6, 7, 8	3

NUMBER	VARIATION
863-A	120V
863-B	240V
863-D	120V
863-E	240V

- NOTES:**
1. STRIP WIRES BACK .75 IN. (DIP SOLDER).
 2. CHECK TO SEE IF ALL GROUND STUDS ARE FREE OF PAINT. (8 PLACES)
 3. REMOVE EXISTING HARDWARE ON CONTACTORS WHERE SPECIAL HARDWARE IS USED.
 4. CONFORM TO MFG. PRACTICE ON ALL HARDWARE TORQUE READING.
 5. DECALS F1, F2 & F3 ARE PLACED ON BOTH SIDE AS SHOWN.
 6. USE WS16 FOR 240V VARIATION A+B USE WS16-YA OR 240V VARIATION D+E
 7. TORQUE REFERENCED POINTS TO 72 IN-LBS.



ROUTE WIRES THRU CUTOUT IN ITEM 6 AS SHOWN



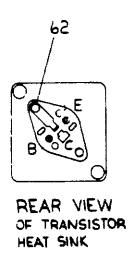
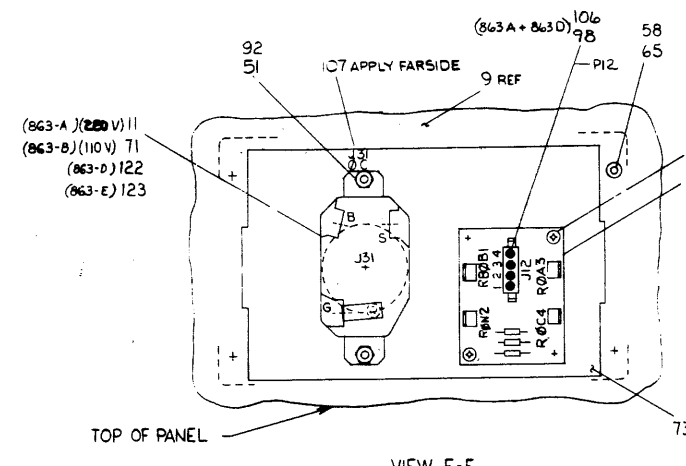
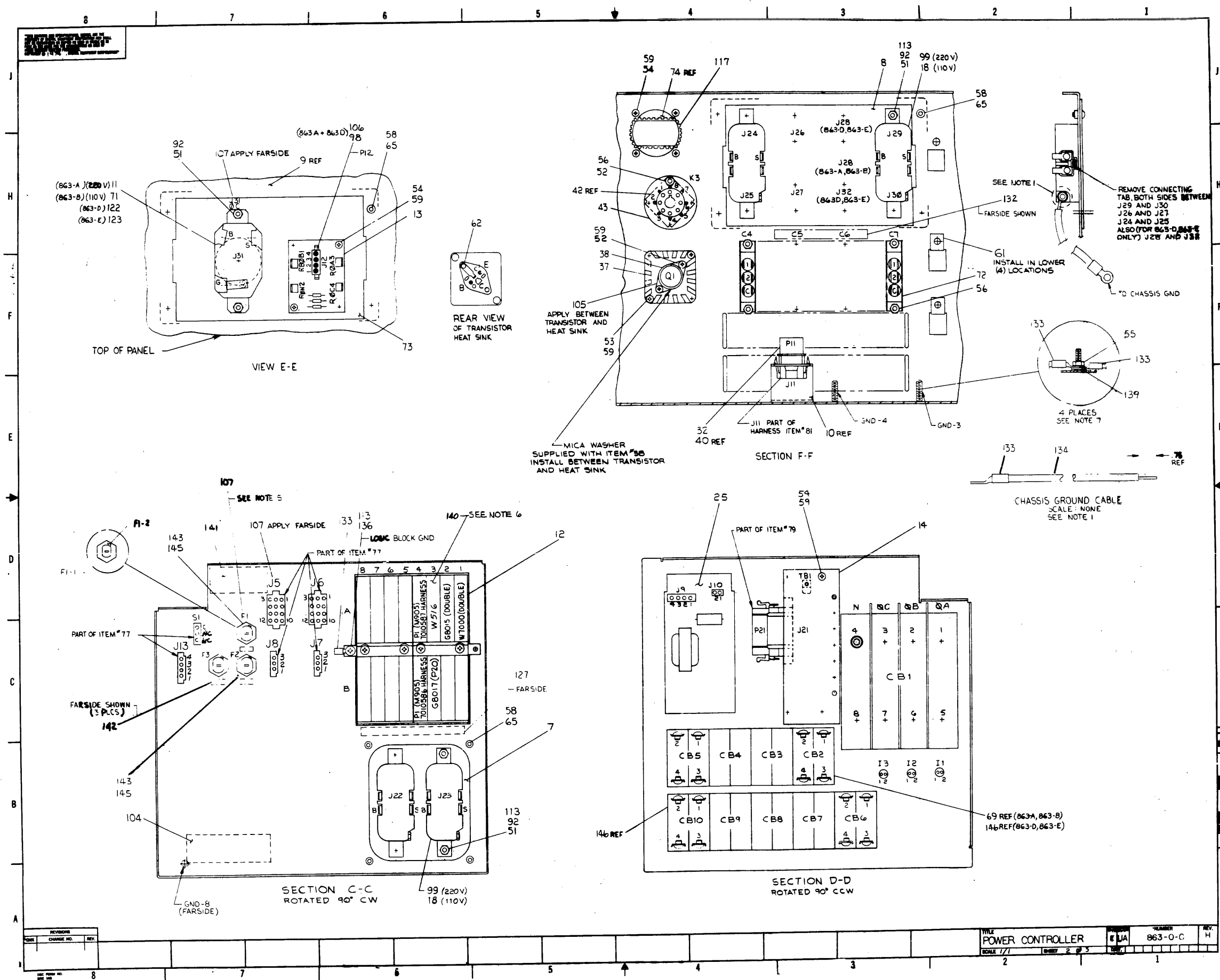
SEE NOTE 2 (5 PLACES)

COVER REMOVED

SEE NOTE 7

REV	DESCRIPTION	DATE	BY	CHKD	APP'D	QTY	DESCRIPTION	PART NO.	REV.
1	ISSUED FOR PRODUCTION	10/17/77	JUA				POWER CONTROLLER	863-0-0	H
2	REVISED AND RECLAIMED	11/17/77	JUA						H
3	REVISED AND RECLAIMED	11/17/77	JUA						H
4	REVISED AND RECLAIMED	11/17/77	JUA						H
5	REVISED AND RECLAIMED	11/17/77	JUA						H

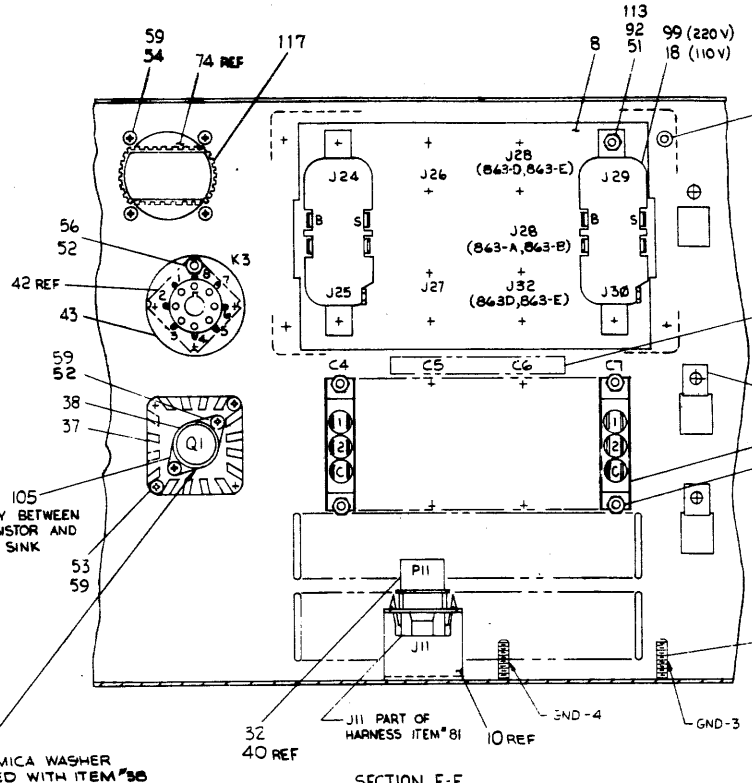
863-0-0



APPLY BETWEEN TRANSISTOR AND HEAT SINK

105

MICA WASHER SUPPLIED WITH ITEM #80 INSTALL BETWEEN TRANSISTOR AND HEAT SINK

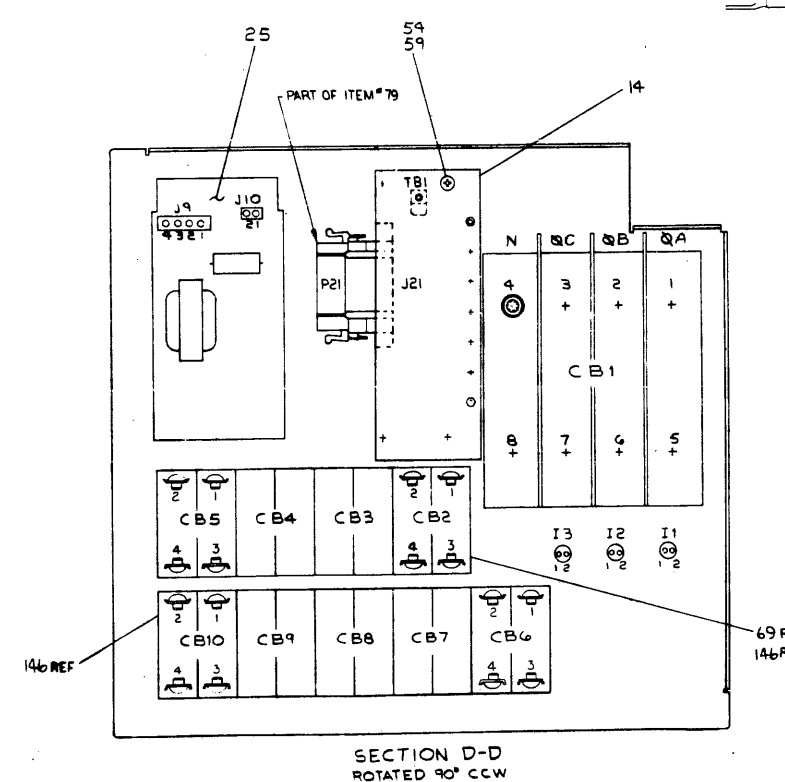
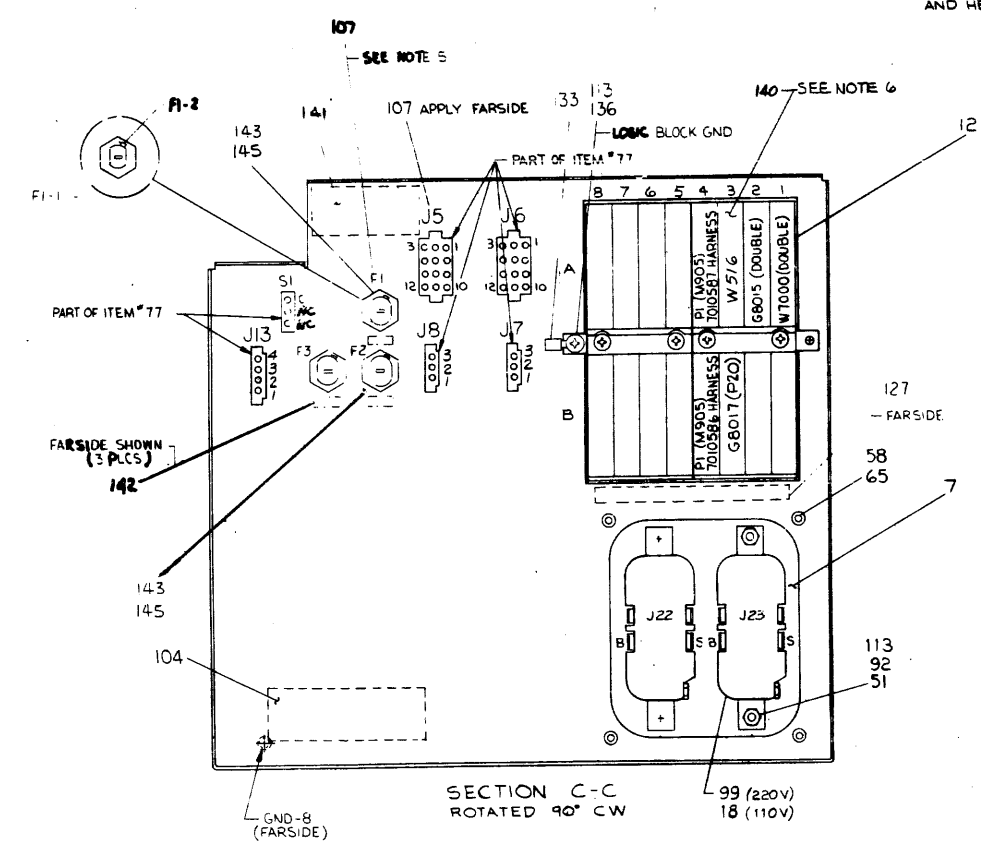
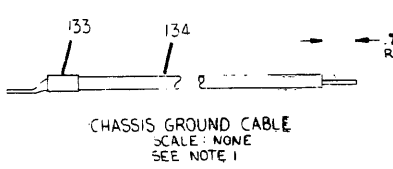
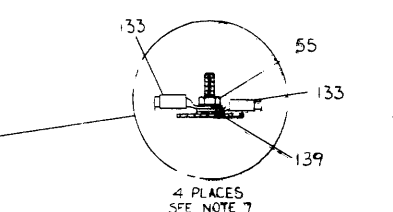


REMOVE CONNECTING TAB BOTH SIDES BETWEEN J29 AND J30 J26 AND J27 J24 AND J25 ALSO (FOR 863-D, 863-E ONLY) J28 AND J32

SEE NOTE 1

132

70 CHASSIS GND



REVISIONS			TITLE		NUMBER		REV.	
NO.	CHANGE NO.	REV.	POWER CONTROLLER		E JA		863-O-C	
8			SCALE 1/1		2 3		H	

WIRE TABLE										
ITEM NO	DESCRIPTION	AWG	COLOR	FROM			TO			REMARKS
				POINT	CONNECTION	TERM	POINT	CONNECTION	TERM	
75	14	TWP	BLK	1	HARNESS			CB18-2		
			BLK	2				CB18-1		
			WHT	3				CB2-2		
			RED	4				CB1-1		
			BLK	5				CB2-2		
			RED	6				CB1-1		
			WHT	7				CB7-2		
			RED	8				CB7-1		
			WHT	9				CB2-2		
			RED	10				CB1-1		
			WHT	11				CB1-8		
			BLK	12				CB1-7		
			RED	13				K2-8		
			RED	14				K2-7		
			RED	15				K2-8		
			WHT	16				K2-5		
			WHT	17						
			WHT	18						
			WHT	19						
			WHT	20						
76	14	TWP	BLK	1	HARNESS			CB2-4		
			RED	2				CB2-3		
			WHT	3				CB2-4		
			RED	4				CB2-3		
			WHT	5				CB7-4		
			RED	6				CB7-3		
			WHT	7				CB2-4		
			RED	8				CB2-3		
			WHT	9				CB2-4		
			RED	10				CB2-3		
			WHT	11				CB4-4		
			RED	12				CB4-3		
			WHT	13				CB2-4		
			RED	14				CB2-3		
			WHT	27				J36-5		
			RED	28				J36-6		
			WHT	25				J26-5		
			RED	26				J26-6		
			WHT	23				J26-5		
			RED	24				J26-6		
			WHT	21				J27-5		
			RED	22				J27-6		
			WHT	19				J26-5		
			RED	20				J26-6		
			WHT	17				J25-5		
			RED	14				J25-6		
			WHT	15				J24-5		
			RED	16				J24-6		
80	14	TWP	RED	25	HARNESS			P1		
			RED	26				AB4 (ITEM #12)		
			RED	27				P14		
			RED	28				P14		
			RED	29				P14		
			RED	30				P14		
			RED	31				P14		
			RED	44				P14		
			RED	45				P14		
			RED	47				P14		
			RED	48				P14		
			RED	49				P14		
			RED	50				P14		
81	14	TWP	BLK	1	HARNESS			P15		
			RED	2				K1-3		
			BLU	3				K1-2		
			BLU	4				K1-1		
			WHT	5						
			WHT	6						
			BLU	19				K3-6		SOLDER+HS
			BLU	20				K3-7		SOLDER+HS
			BLU	21				K3-8		SOLDER+HS
			BLU	27				K2-10		
			RED	25				K1-3		
			RED	26				K2-9		
								J11		ITEM #18 (SEE SHEET 1)
								J9		ITEM #22 (SEE SHEET 2)
			BLU	18				K3-2		SOLDER+HS
			BLU	30				K1-10		
			RED	28				K1-9		
			BLK	6A				F1-2		SOLDER
			BLK	6B				F1-1		
			RED	6C				F2-2		
			RED	6D				F2-1		
			BLU	6E				F3-2		
			BLU	6F				F3-1		SOLDER

WIRE TABLE										
ITEM NO	DESCRIPTION	AWG	COLOR	FROM			TO			REMARKS
				POINT	CONNECTION	TERM	POINT	CONNECTION	TERM	
82	18	WHT	1	HARNESS			K2-5			
		RED	2				K2-7			
		BLK	3				K2-8			
		BLU	4				K2-6			
		BLU	5				C4-1			
		BLU	6				C4-2			
		RED	7				C4-C			
		BLU	8				C5-C			
		BLK	9				C5-1			
		BLK	10				C6-2			
		WHT	11				C6-C			
		RED	12				C7-2			
		BLU	13				C7-1			
		WHT	14				C7-C			
		BLU	15							
		RED	16				K1-6			
		BLU	17				K1-7			
		RED	18				K1-8			
		BLK	19							
82	18	BLK	20	HARNESS			CB1-5		ITEM 83	
		BLK	21				CB1-6		ITEM 83	
		BLK	22				CB1-7		ITEM 83	
		BLK	23				AB3		ITEM 101	
		BLK	24				AB3		ITEM 101	
		BLK	25				AB3		ITEM 101	
		BLK	26				AB3		ITEM 101	
		BLK	27				AB3		ITEM 101	
		BLK	28				AB3		ITEM 101	
		BLK	29				AB3		ITEM 101	
		BLK	30				AB3		ITEM 101	
		BLK	31				AB3		ITEM 101	
		BLK	32				AB3		ITEM 101	
		BLK	33				AB3		ITEM 101	
		BLK	34				AB3		ITEM 101	
		BLK	35				AB3		ITEM 101	
		BLK	36				AB3		ITEM 101	
		BLK	37				AB3		ITEM 101	
		BLK	38				AB3		ITEM 101	
		BLK	39				AB3		ITEM 101	
		BLK	40				AB3		ITEM 101	
		BLK	41				AB3		ITEM 101	
		BLK	42				AB3		ITEM 101	
		BLK	43				AB3		ITEM 101	
		BLK	44				AB3		ITEM 101	
		BLK	45				AB3		ITEM 101	
		BLK	46				AB3		ITEM 101	
		BLK	47				AB3		ITEM 101	
		BLK	48				AB3		ITEM 101	
		BLK	49				AB3		ITEM 101	
		BLK	50				AB3		ITEM 101	
		BLK	51				AB3		ITEM 101	
		BLK	52				AB3		ITEM 101	
		BLK	53				AB3		ITEM 101	
		BLK	54				AB3		ITEM 101	
		BLK	55				AB3		ITEM 101	
		BLK	56				AB3		ITEM 101	
		BLK	57				AB3		ITEM 101	
		BLK	58				AB3		ITEM 101	
		BLK	59				AB3		ITEM 101	
		BLK	60				AB3		ITEM 101	
		BLK	61				AB3		ITEM 101	
		BLK	62				AB3		ITEM 101	
		BLK	63				AB3		ITEM 101	
		BLK	64				AB3		ITEM 101	
		BLK	65				AB3		ITEM 101	
		BLK	66				AB3		ITEM 101	
		BLK	67				AB3		ITEM 101	
		BLK	68				AB3		ITEM 101	
		BLK	69				AB3		ITEM 101	
		BLK	70				AB3		ITEM 101	
		BLK	71				AB3		ITEM 101	
		BLK	72				AB3		ITEM 101	
		BLK	73				AB3		ITEM 101	
		BLK	74				AB3		ITEM 101	
		BLK	75				AB3		ITEM 101	
		BLK	76				AB3		ITEM 101	
		BLK	77				AB3		ITEM 101	
		BLK	78				AB3		ITEM 101	
		BLK	79				AB3		ITEM 101	
		BLK	80				AB3		ITEM 101	
		BLK	81				AB3		ITEM 101	
		BLK	82				AB3		ITEM 101	
		BLK	83				AB3		ITEM 101	
		BLK	84				AB3		ITEM 101	
		BLK	85				AB3		ITEM 101	
		BLK	86				AB3		ITEM 101	
		BLK	87				AB3		ITEM 101	
		BLK	88				AB3		ITEM 101	
		BLK	89				AB3		ITEM 101	
		BLK	90				AB3		ITEM 101	
		BLK	91				AB3		ITEM 101	
		BLK	92				AB3		ITEM 101	
		BLK	93				AB3		ITEM 101	
		BLK	94				AB3		ITEM 101	
		BLK	95				AB3		ITEM 101	
		BLK	96				AB3		ITEM 101	
		BLK	97				AB3		ITEM 101	
		BLK	98				AB3		ITEM 101	
		BLK	99				AB3		ITEM 101	
		BLK	100				AB3		ITEM 101	
		BLK	101				AB3		ITEM 101	
		BLK	102				AB3		ITEM 101	
		BLK	103				AB3		ITEM 101	
		BLK	104				AB3		ITEM 101	
		BLK	105				AB3		ITEM 101	
		BLK	106				AB3		ITEM 101	
		BLK	107				AB3		ITEM 101	
		BLK	108				AB3		ITEM 101	
		BLK	109				AB3		ITEM 101	
		BLK	110				AB3		ITEM 101	
		BLK	111				AB3		ITEM 101</	

DIGITAL EQUIPMENT CORPORATION

MAYNARD, MASSACHUSETTS

PARTS LIST

MADE BY **K. GAMACHE** CHECKED *[Signature]* SECTION
 DATE *2/4/75* PROD *2-6-75* ISSUED SECT.
 ENG *[Signature]* DATE *2/4/75*

ITEM NO.	DWG NO. / PART NO.	DESCRIPTION	QUANTITY	VARIATION
1	E-IA-7411288-0-0	CHASSIS, POWER CONTROL	1	863-A-Ø (120V)
2	E-IA-7412256-0-0	PANEL FRDNT	1	863-D-Ø (120V)
3	D-IA-7411290-0-0	COVER, POWER CONTROL	1	863-B-Ø (240V)
4	D-IA-7412187-0-0	SUPPORT, ILTR O. 1	1	863-E-Ø (240V)
5	C-IA-7412113-0-0	CONN. BRACKET NO.1	1	
6	D-IA-7412118-0-0	CONN. BRACKET NO. 2	1	
7	C-MD-7412122-0-0	PANEL, 2 OUTLETS	1	
8	C-MD-7412082-0-0	PANEL, 4 OUTLETS	1	
9	E-IA-7412278-0-0	PANEL, SIDE	1	
10	C-MD-7412280-0-0	CONN. BRKT NO. 3	1	
11	1211191	RECEPTACLE, TWIST LOCK	-	-
12	C-AD-7004632-0-0	WIRED ASSY (CHASSIS 863 P.C.)	1	1
13	5411159	RESISTOR BOARD	1	1
14	5411157	INDICATOR BOARD	1	1
15	1211493	LINE FILTER	1	1
16	1211496	CIRCUIT BREAKER 75A	1	1
17	1211491	CIRCUIT BREAKER 2 A	8	8
18	1205351	DUPLEX OUTLET	6	6
19	1211746	CONTRACTOR 40 A 4 POLE	2	2
20	1211537	POWER/CONNECTOR	1	1
21	1611490	TRANSFORMER 30	1	1
22	1611546	TRANSFORMER, POWER	1	1

TITLE: POWER CONTROLLER
 ASSY NO. B-UA-863-0-0
 SIZE CODE: A PL
 NUMBER: 863-0-0
 SHEET 1 OF 7
 REV: H
 ECO NO: 863-

DEC FORM DEC 16 (325)-1031-N870
 DRA 110

DIGITAL EQUIPMENT CORPORATION

MAYNARD, MASSACHUSETTS

PARTS LIST

MADE BY **K. GAMACHE** CHECKED *[Signature]* SECTION
 DATE *2/4/75* PROD *2-6-75* ISSUED SECT.
 ENG *[Signature]* DATE *2/4/75*

ITEM NO.	DWG NO. / PART NO.	DESCRIPTION	QUANTITY	VARIATION
23	1010184	CAPACITOR 30,000uf 25V	1	863-A-Ø (120V)
24	1010510	CAPACITOR 6,000uf 50V	2	863-D-Ø (120V)
25	5410206	PILOT CONTROL	1	863-B-Ø (240V)
26	9107765-22	WIRE, INS, STRD #8 AWG (RED)	A/R	A/R/A/R
27	W516	L. V. DETECTOR	1	1
28	W7ØØØ	POWER SUPPLY	1	1
29	G8Ø15	CONTROL LOGIC	1	1
30	G8Ø17	INDICATOR DRIVER	1	1
31	1209351-09	9 PIN CONN HOUSING	1	1
32	1209351-04	4 PIN CONN HOUSING	1	1
33	9107390-66	WIRE, INS, STRD #10 AWG (BLU)	2	2
34	9107390-00	WIRE, INS, STRD #10 AWG (BLK)	A/R	A/R/A/R
35	9107390-99	WIRE, INS, STRD #10 AWG (WHT)	A/R	A/R/A/R
36	9107390-22	WIRE, INS, STRD #10 AWG (RED)	A/R	A/R/A/R
37	1210012-01	HEAT SINK	1	1
38	1503399	TRANSISTOR 3790	1	1
39	1211263	INDICATOR LIGHT	3	3
40	1209378-00	PIN, TERMINAL CONTACT	12	10 12 10
41	917779-54	WIRE, INS, STRD #10 AWG (GRN/YEL.?)	A/R	A/R/A/R
42	1209120	RELAY	1	1
43	1201220	RELAY SOCKET	1	1
44	9107765-66	WIRE, INS, STRD #8 AWG (BLU)	A/R	A/R/A/R

TITLE: POWER CONTROLLER
 ASSY NO. B-UA-863-0-0
 SIZE CODE: A PL
 NUMBER: 863-0-0
 SHEET 2 OF 7
 REV: H
 ECO NO: 863-

DEC FORM DEC 16 (325)-1031-N870
 DRA 110

DIGITAL EQUIPMENT CORPORATION

MAYNARD, MASSACHUSETTS

PARTS LIST

MADE BY	K. GAMACHE	CHECKED	<i>K. Gamache</i>	SECTION
DATE	<i>2/4/75</i>	DATE	<i>4 FEB 75</i>	ISSUED SECT.
ENG	<i>K. Gamache</i>	PROD	<i>K. Gamache</i>	
DATE	<i>2/4/75</i>	DATE	<i>2-6-75</i>	

ITEM NO	DWG NO. / PART NO.	DESCRIPTION	QUANTITY / VARIATION	REV.	ECO NO.
45	1211541	CONTACT PINS, FEMALE 35A	5 5 5		
46	1210430-0-0	CLAMP, CAPACITOR	3 3 3		
47	9107765-00	WIRE, INS, STRD #8 AWG (BLK)	A/R A/R A/R		
48	9006073-1	SCR, PHL PAN HD #10-32 X .50 LG	10 10 10		
49	9026070-1	SCR, PHL PAN HD #10-32 X .31 LG	4 4 4		
50	9006025-1	SCR, PHL PAN HD #6-32 X .62 LG	3 3 3		
51	9006037-1	SCR, PHL PAN HD #8-32 X .38 LG	16 16 16		
52	9006024-1	SCR, PHL PAN HD #6-32 X .50 LG	6 6 6		
53	9006022-1	SCR, PHL PAN HD #6-32 X .38 LG	8 8 8		
54	9006021-1	SCR, PHL PAN HD #6-32 X .31 LG	20 20 20		
55	9006565	KEPS NUT #10-32	11 11 11		
56	9006560	KEPS NUT #6-32	27 27 27		
57	9006635	WASH, LOCK INT. TOOTH #10	14 14 14		
58	9006634	WASH, LOCK INT. TOOTH #8	16 16 16		
59	9006633	WASH, LOCK INT. TOOTH #6	66 66 66		
60	9008196	1/4 TURN CLIP ON RECEPTACLE	4 4 4		
61	9007786	NUT, SPRING TINNERMAN	14 14 14		
62	1210130	TRANSISTOR SOCKET	1 1 1		
63	9009637	TERMINAL, RING CRIMP	3 3 3		
64	9107765-99	WIRE, INS, STRD #8 AWG (WHT)	A/R A/R A/R		
65	9006036-1	SCR, PHL PAN HD #8-32 X .31 LG	14 14 14		
66	9006020-1	SCR PHL PAN HD #6-32 X .25 LG	56 36 36		

TITLE	POWER CONTROLLER	SIZE	A PL	CODE	PL	NUMBER	863-0-0	REV.	H	ECO NO.
ASSY NO.	E-UA-863-0-0	SHEET	3	OF	7	DIST.				

DEC FORM DEC 16 (325) - 1031 - N870
DRA 110

DIGITAL EQUIPMENT CORPORATION

MAYNARD, MASSACHUSETTS

PARTS LIST

MADE BY	K. GAMACHE	CHECKED	<i>K. Gamache</i>	SECTION
DATE	<i>2/4/75</i>	DATE	<i>4 FEB 75</i>	ISSUED SECT.
ENG	<i>K. Gamache</i>	PROD	<i>K. Gamache</i>	
DATE	<i>2/4/75</i>	DATE	<i>2-6-75</i>	

ITEM NO	DWG NO. / PART NO.	DESCRIPTION	QUANTITY / VARIATION	REV.	ECO NO.
67	9007930-00	CONN, SOLDERLESS #18 AWG	5 5 5		
68	9008318	FIBRE WASHER, SHOULDER	4 4 4		
69	1212124-00	CIRCUIT BREAKER, 30 AMP	1 1 1		
70	9007044	GROMMET	A/R A/R A/R		
71	1211194	RECEPTACLE TWIST-LOCK RL5-30	1 1 1		
72	1000034	CAPACITOR 2X.1MFC +20%/-10% 1000VDC	4 4 4		
73	C-IA-7413005-0-0	PLATE, OUTLET 30 AMP	1 1 1		
74	C-IA-7010455-0 0	CONN. HOUSING ASSY	1 1 1		
75	D-IA-7010734-0-0	HARNESS, AC NO.5	1 1 1		
76	E-IA-7010585-0-0	HARNESS, AC NO.2	1 1 1		
77	E-IA-7010586-0-0	HARNESS, DC NO.1	1 1 1		
78	D-IA-7010731-0-0	HARNESS, AC NO.4	1 1 1		
79	D-IA-7010733-0-0	HARNESS, FAULT INDICATOR	1 1 1		
80	E-IA-7010587-0-0	HARNESS, DC NO.3	1 1 1		
81	E-IA-7010588-0-0	HARNESS, TRANSFORMER, AC	1 1 1		
82	D-IA-7010732-0-0	HARNESS, CAPACITOR	1 1 1		
83	1211515	LUG, SOLDERLESS #8 STRAIGHT	16 16 16		
84	9107440-09	WIRE, STRD TWP #14 AWG BLK/WHT	A/R A/R A/R		
85	9007969	CONN, SOLDERLESS #14 AWG (BLU)	7 7 4		
86	9009696	CONN, SOLDERLESS #10 AWG (YEL)	10 10 12		
87	9007926-01	CONN, SOLDERLESS #10 AWG (YEL)	7 7 5		
88	9107360-44	WIRE, INS STRD #18 AWG (YEL)	A/R A/R A/R		

TITLE	POWER CONTROLLER	SIZE	A PL	CODE	PL	NUMBER	863-0-0	REV.	H	ECO NO.
ASSY NO.	E-UA-863-0-0	SHEET	4	OF	7	DIST.				

DEC FORM DEC 16 (325) 1031 N870
DRA 110

DIGITAL EQUIPMENT CORPORATION MAYNARD, MASSACHUSETTS

PARTS LIST

MADE BY **K. GAMACHE** CHECKED *K. Gamache* SECTION
 DATE *Jan 21/75* DATE *4 FEB 75* ISSUED SECT.
 ENG *Jan 21/75* PROD *Lab 2-6-75*
 DATE *2/4/75*

ITEM NO.	DWG NO. / PART NO.	DESCRIPTION	QUANTITY	VARIATION
89	9107360-00	WIRE, INS, STRD #18 AWG (BLK)	A/R	A/R
90	9107764-00	WIRE, INS, STRD #2 AWG (BLK)	A/R	A/R
91	1212086-00	LUG, SOLDERLESS RT ANGLE #2 AWG	8	8
92	9006563	NUT, KEP #8-32	20	20
93	9107764-99	WIRE, INS, STRD #2 AWG (WHT)	A/R	A/R
94	1209379-00	SOCKET, TERMINAL CONTACT	32	32
95	9107360-66	WIRE, INS, STRD #18 AWG (BLU)	A/R	A/R
96	1209350-09	9 SKT CONN HOUSING	3	3
97	1209350-04	4 SKT CONN HOUSING	3	3
98	1212167-01	4 SKT CONN HOUSING (SPECIAL)	1	1
99	1211204	DUPLX OUTLET (230V)	-	6
100	9006024-01	CONN, SOLDERLESS (RED) #18-22 AWG	2	2
101	9007970	CONN, SOLDERLESS (RED) #18-22 AWG	4	4
102	9007853-1	SCR, PHL PAN HD #6-32 X 1.12	2	2
103	9006707	WASHER, FLAT, NYLON	4	4
104	9009255	LABEL, ADHESIVE BACKED	1	1
105	9008268	COMPOUND, THERMAL JOINT	NR	A/R
106	1212170	UNIV. CONN SKT CONTACT	4	4
107	B-DC-7413472-0-0	DECALS, 863 POWER CONTROL	1	1
108	9007594	ADHESIVE, HYBOND 80	AR	AR
109	9008203	NUT, KEP 1/4-20	3	3
110	9006712	WASHER, NYLON	2	2

TITLE **POWER CONTROLLER** SIZE CODE **A PL** NUMBER **863-0-0** REV **H** ECO NO
 ASSY NO. **E-UA-863-0-0** SHEET **5** OF **7** DIST.

DEC FORM DEC 16-(325)-1031-N870
 DRA 110

DIGITAL EQUIPMENT CORPORATION MAYNARD, MASSACHUSETTS

PARTS LIST

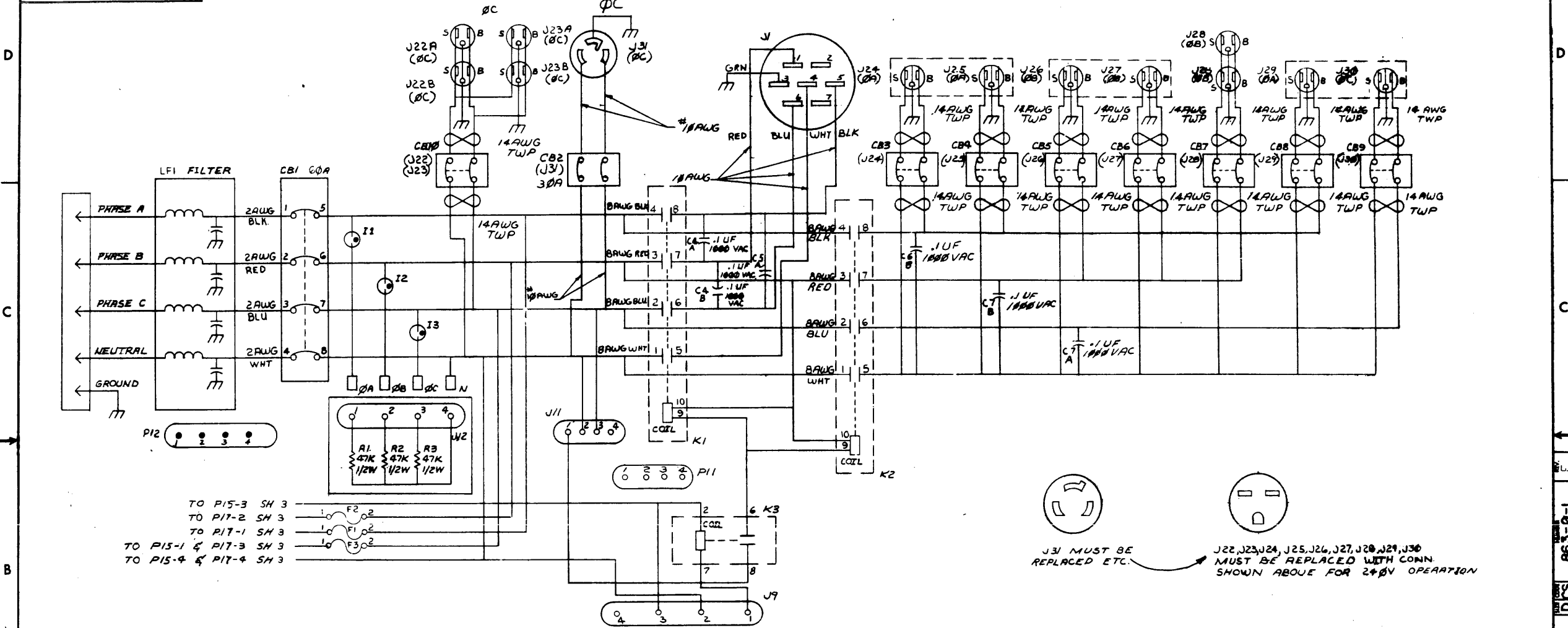
MADE BY **K. GAMACHE** CHECKED *K. Gamache* SECTION
 DATE *Jan 21/75* DATE *4 FEB 75* ISSUED SECT.
 ENG *Jan 21/75* PROD *Lab 2-6-75*
 DATE *2/4/75*

ITEM NO.	DWG NO. / PART NO.	DESCRIPTION	QUANTITY	VARIATION
111	9107370-99	WIRE, INS STRD #14 AWG (WHT)	A/R	A/R
112	9007880	TIES, CABLE	15	15
113	9008151	WASHER, LOCK #8 EXT. TOOTH	21	21
114	9006660	WASHER, FLAT #8	11	11
115	9006653	WASHER, FLAT #6	6	6
116	9107305-2	TUBING, SHRINKABLE	5	5
117	9007036	GROMMET, CATERPILLAR	A/R	A/R
118	9006000-00	CONN, SOLDERLESS #18 AWG (WHT)	1	1
119	9006000-00	CONN, SOLDERLESS #18 AWG (WHT)	1	1
120	9007686	TERMINAL, 80 GA.	4	4
121	9006000-00	TUBING, TETRAFLON	1	1
122	1212315-00	RECEPTACLE, TWISTLOK	-	-
123	1211259-00	RECEPTACLE, TWISTLOK	-	-
124	9006000-00	PLATE, COVER	1	1
125	9107440-29	WIRE 14 AWG RED/WHT	-	A/R
126	9006000-00	CONN, SOLDERLESS #18 AWG (WHT)	7	7
127	9007652	TERMINAL, RING TONGUE #14 #16 AWG	1	1
128	9007651	WASHER, EXT. TOOTH #10	4	4
129	9007624	WASHER, EXT. TOOTH #1/4	1	1
130	3610267	DANGER HI VOLT STICKER	1	1
131	A-DC-7417419-0-0	DANGER HI VOLT STICKER	1	1
132	A-DC-7417418-0-0	NOT FOR CONNECTION STICKER	2	2

TITLE **POWER CONTROLLER** SIZE CODE **A PL** NUMBER **863-0-0** REV **H** ECO NO
 ASSY NO. **E-UA-863-0-0** SHEET **6** OF **7** DIST.

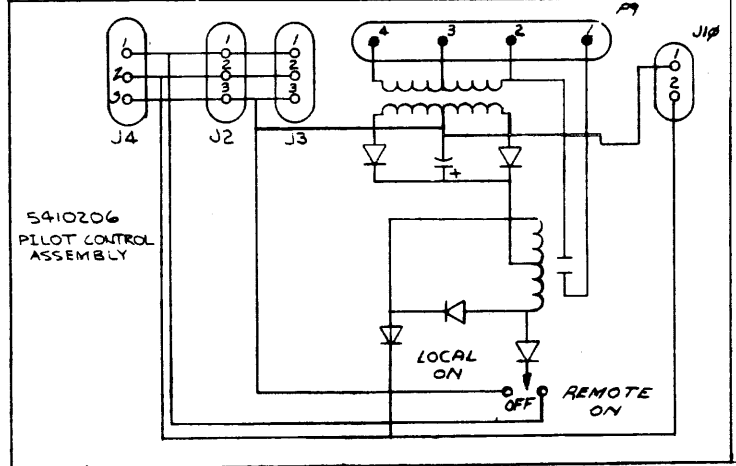
DEC FORM DEC 16-(325)-1031-N870
 DRA 110

THIS DRAWING AND SPECIFICATIONS HEREIN ARE THE PROPERTY OF DIGITAL EQUIPMENT CORPORATION AND SHALL NOT BE REPRODUCED OR COPIED OR USED IN WHOLE OR IN PART AS THE BASIS FOR THE MANUFACTURE OR SALE OF ITEMS WITHOUT WRITTEN PERMISSION. COPYRIGHT © 1974, DIGITAL EQUIPMENT CORPORATION



TO P15-3 SH 3
 TO P17-2 SH 3
 TO P17-1 SH 3
 TO P15-1 & P17-3 SH 3
 TO P15-4 & P17-4 SH 3

NOTE:
 FOR 120V OPERATION JUMPER P12-17
 P12-2 TO P12-3 TO P12-4 J11-1 TO J11-3
 FOR 240V OPERATION JUMPER J11-1 TO J11-2
 REMOVE JUMPER ON P12 CHANGE DUPLEX
 OUTLET PANEL TO 240V PANEL
 ALL WIRING IS 18AWG UNLESS NOTED



J31 MUST BE REPLACED ETC.
 J22, J23, J24, J25, J26, J27, J28, J29, J30 MUST BE REPLACED WITH CONN. SHOWN ABOVE FOR 240V OPERATION

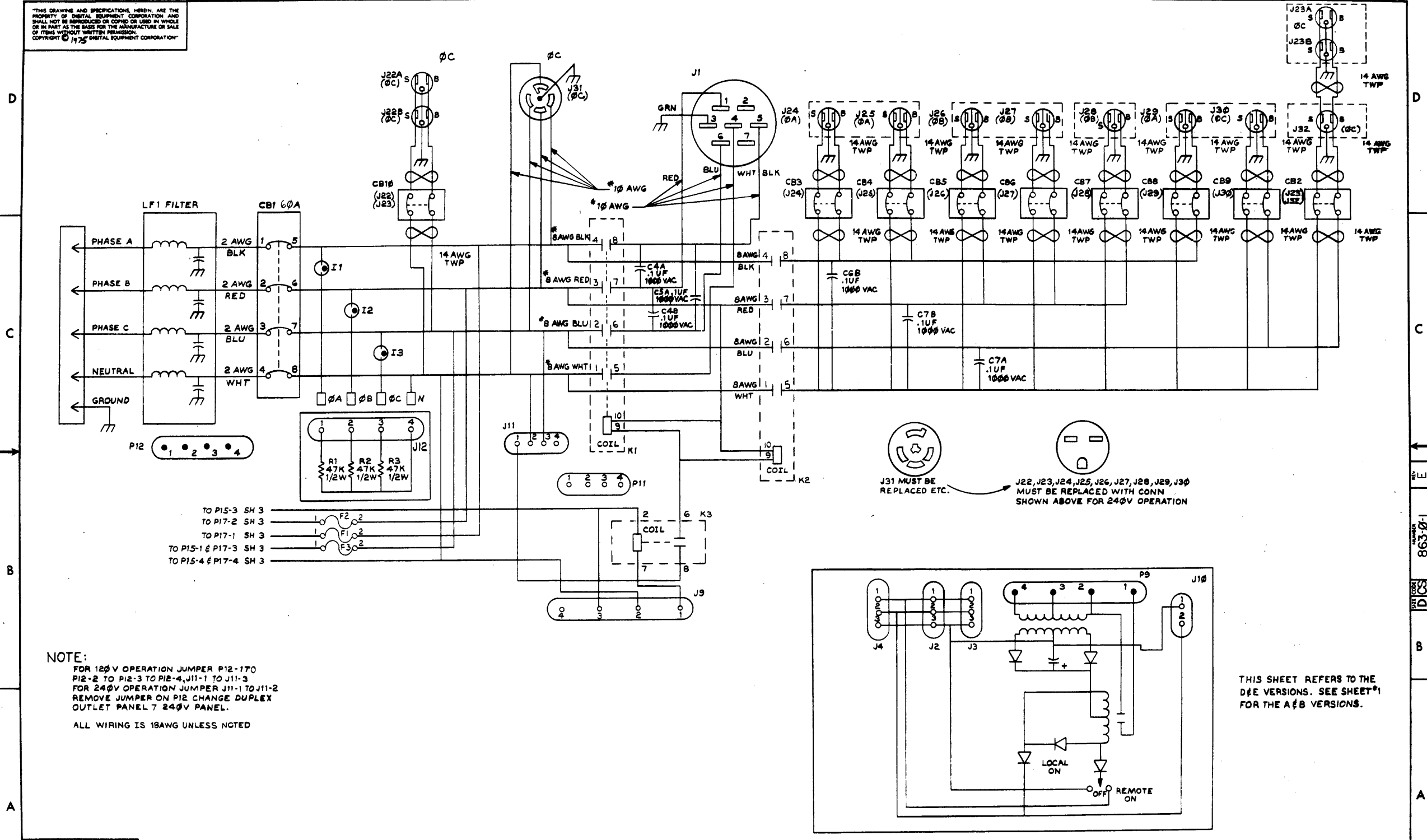
REFER TO THIS SHEET FOR 863 A & B VERSIONS.
 SEE SHEET 2 FOR 863 D & E VERSIONS.

REV.	CHANGE NO.	BY	DATE
1	0007	D	
2	0008	D	
3	0009	D	
4	0010	D	
5	0011	D	
6	0012	D	
7	0013	D	
8	0014	D	
9	0015	D	
10	0016	D	
11	0017	D	

FIRST USED ON OPTION/MODEL	QTY.	DESCRIPTION	PART NO.	ITEM NO.
KL10				
DIMENSIONAL TOLERANCE				
DIMENSIONS ARE MILLIMETERS UNLESS OTHERWISE SPECIFIED				
MILLIMETERS	INCHES	ANGLES		
XXX ±0.10	XXX ±0.008	XX° 30'		
XX ±0.05	XX ±0.005			
X ±0.2	X ±0.1			
THIRD ANGLE PROJECTION	REMOVE BURRS AND BREAK SHARP CORNERS SURFACE QUALITY	NEXT HIGHER ASSY.		
MATERIAL	FINISH	SCALE	SIZE CODE	NUMBER
		SHEET 1 OF 5	DGS	863-0-1
				REV. E

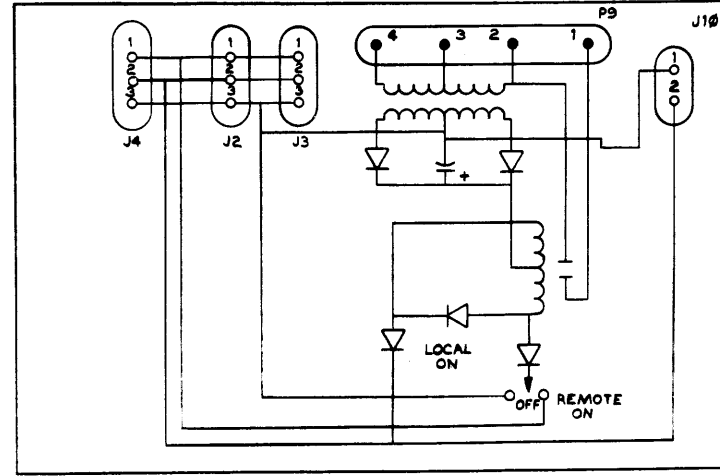
863-0-1

THIS DRAWING AND SPECIFICATIONS, HEREIN, ARE THE PROPERTY OF DIGITAL EQUIPMENT CORPORATION AND SHALL NOT BE REPRODUCED OR COPIED OR USED IN WHOLE OR IN PART AS THE BASIS FOR THE MANUFACTURE OR SALE OF ITEMS WITHOUT WRITTEN PERMISSION. COPYRIGHT © 1975 DIGITAL EQUIPMENT CORPORATION.



NOTE:
 FOR 120V OPERATION JUMPER P12-170
 P12-2 TO P12-3 TO P12-4, J11-1 TO J11-3
 FOR 240V OPERATION JUMPER J11-1 TO J11-2
 REMOVE JUMPER ON P12 CHANGE DUPLEX
 OUTLET PANEL 7 240V PANEL.
 ALL WIRING IS 18AWG UNLESS NOTED

J31 MUST BE REPLACED ETC.
 J22, J23, J24, J25, J26, J27, J28, J29, J30 MUST BE REPLACED WITH CONN SHOWN ABOVE FOR 240V OPERATION



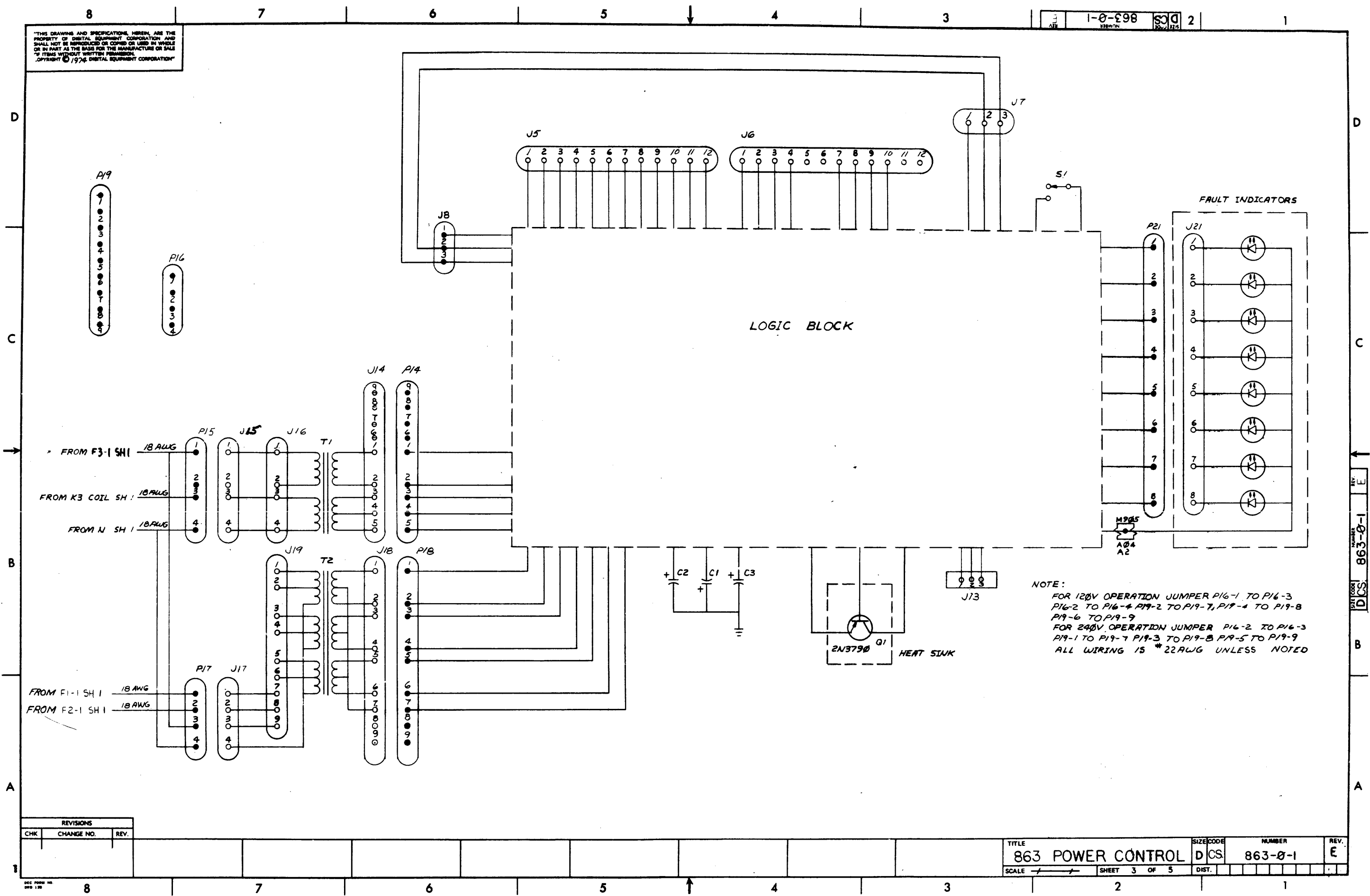
THIS SHEET REFERS TO THE D & E VERSIONS. SEE SHEET #1 FOR THE A & B VERSIONS.

REVISIONS		
CHK	CHANGE NO	REV

TITLE	863 POWER CONTROL	SIZE CODE	D CS	NUMBER	863-0-1	REV.	E
SCALE		SHEET	2 OF 5	DIST.			

"THIS DRAWING AND SPECIFICATIONS, HEREIN, ARE THE PROPERTY OF DIGITAL EQUIPMENT CORPORATION AND SHALL NOT BE REPRODUCED OR COPIED OR USED IN WHOLE OR IN PART AS THE BASIS FOR THE MANUFACTURE OR SALE OF ITEMS WITHOUT WRITTEN PERMISSION. COPYRIGHT © 1974 DIGITAL EQUIPMENT CORPORATION"

1-0-098 DCS 2



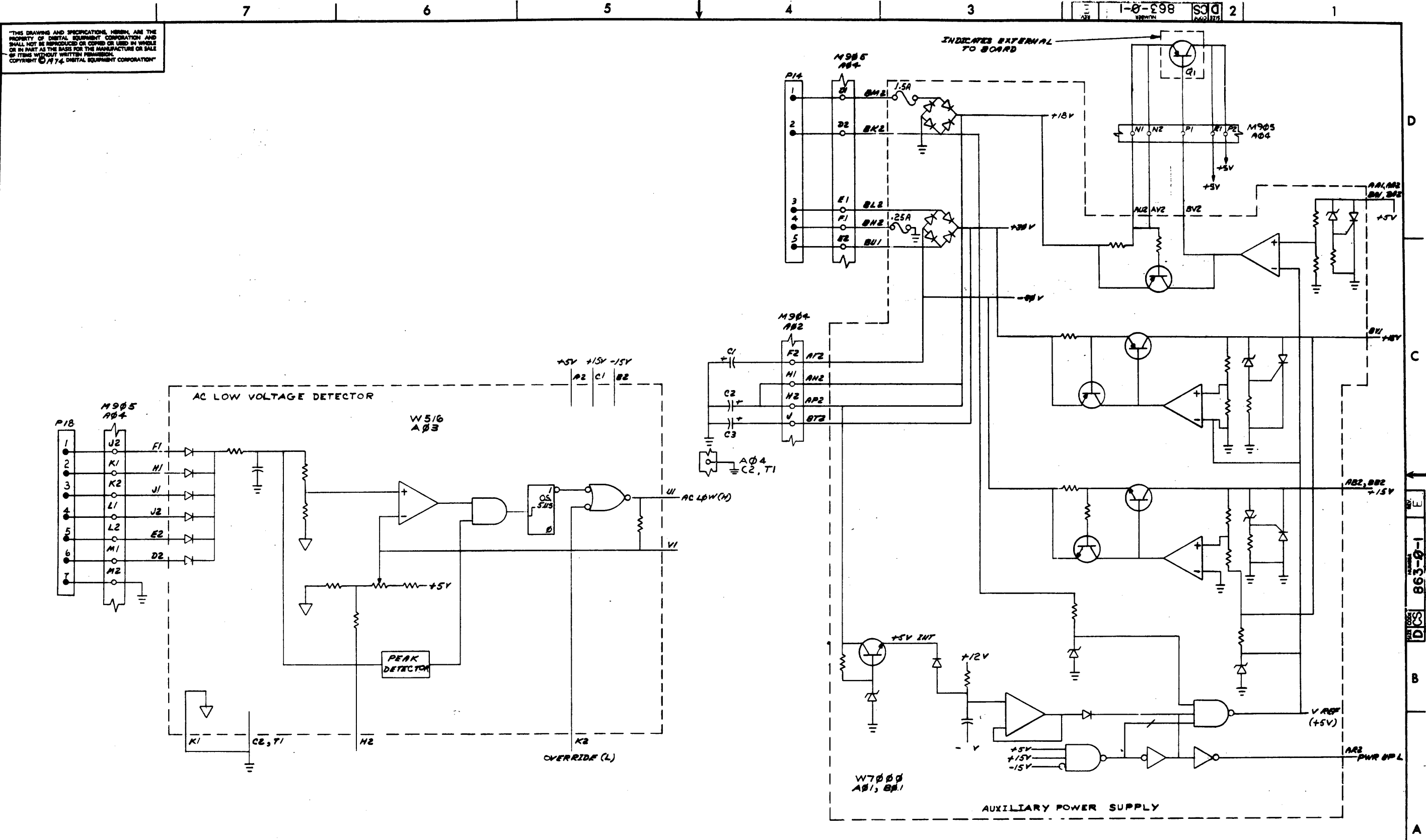
NOTE:
 FOR 120V OPERATION JUMPER P16-1 TO P16-3
 P16-2 TO P16-4 P19-2 TO P19-7, P19-4 TO P19-8
 P19-6 TO P19-9
 FOR 240V OPERATION JUMPER P16-2 TO P16-3
 P19-1 TO P19-7 P19-3 TO P19-8 P19-5 TO P19-9
 ALL WIRING IS *22AWG UNLESS NOTED

REVISIONS		
CHK	CHANGE NO.	REV.

TITLE	863 POWER CONTROL	SIZE CODE	DCS	NUMBER	863-0-1	REV.	E
SCALE	+	SHEET	3 OF 5	DIST.			

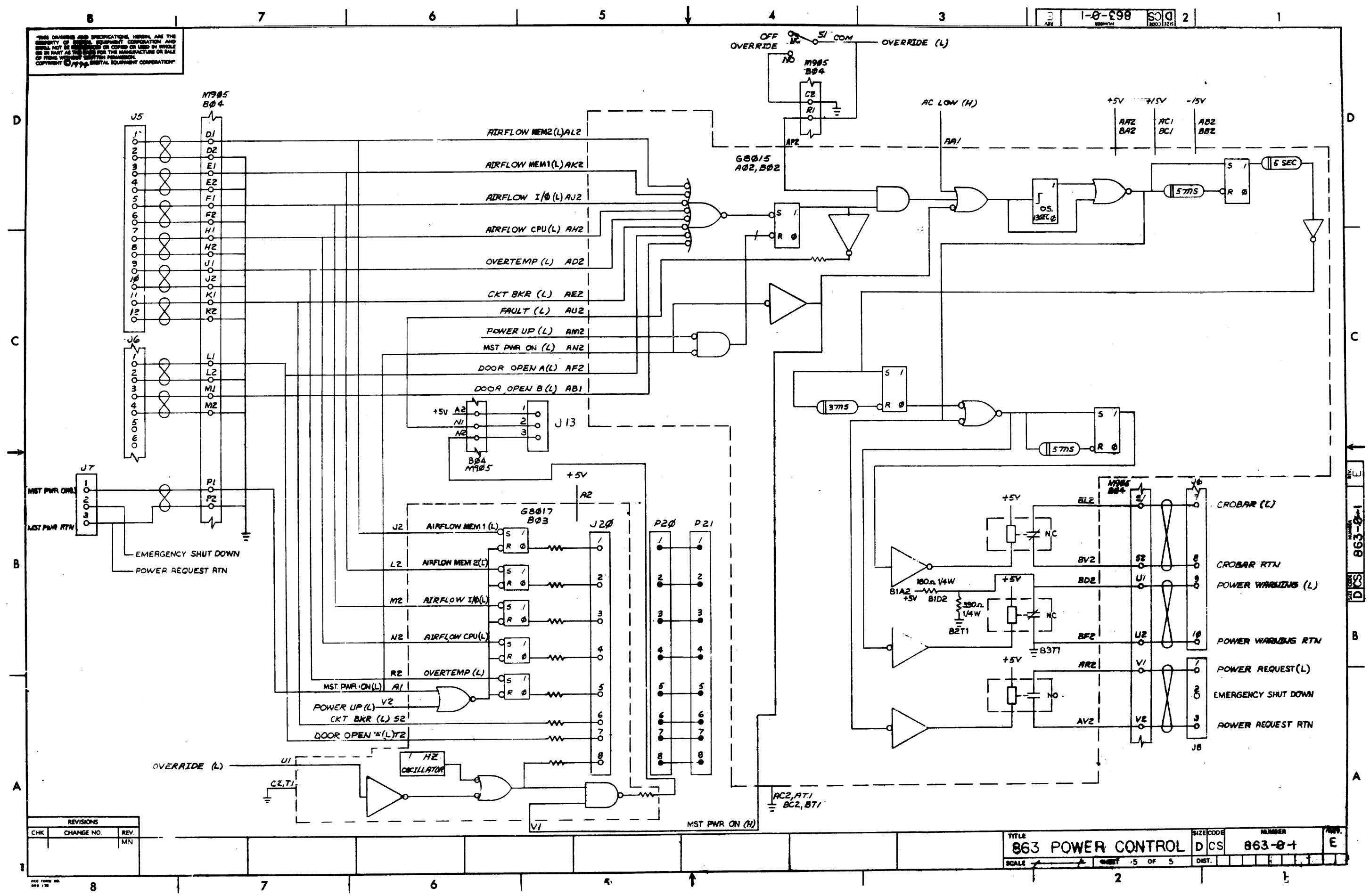
REV. E
 863-0-1
 DCS

THIS DRAWING AND SPECIFICATIONS HEREIN ARE THE PROPERTY OF DIGITAL EQUIPMENT CORPORATION AND SHALL NOT BE REPRODUCED OR COPIED OR USED IN WHOLE OR IN PART AS THE BASIS FOR THE MANUFACTURE OR SALE OF ITEMS WITHOUT WRITTEN PERMISSION. COPYRIGHT © 1974 DIGITAL EQUIPMENT CORPORATION



REVISIONS		
CHK	CHANGE NO.	REV.

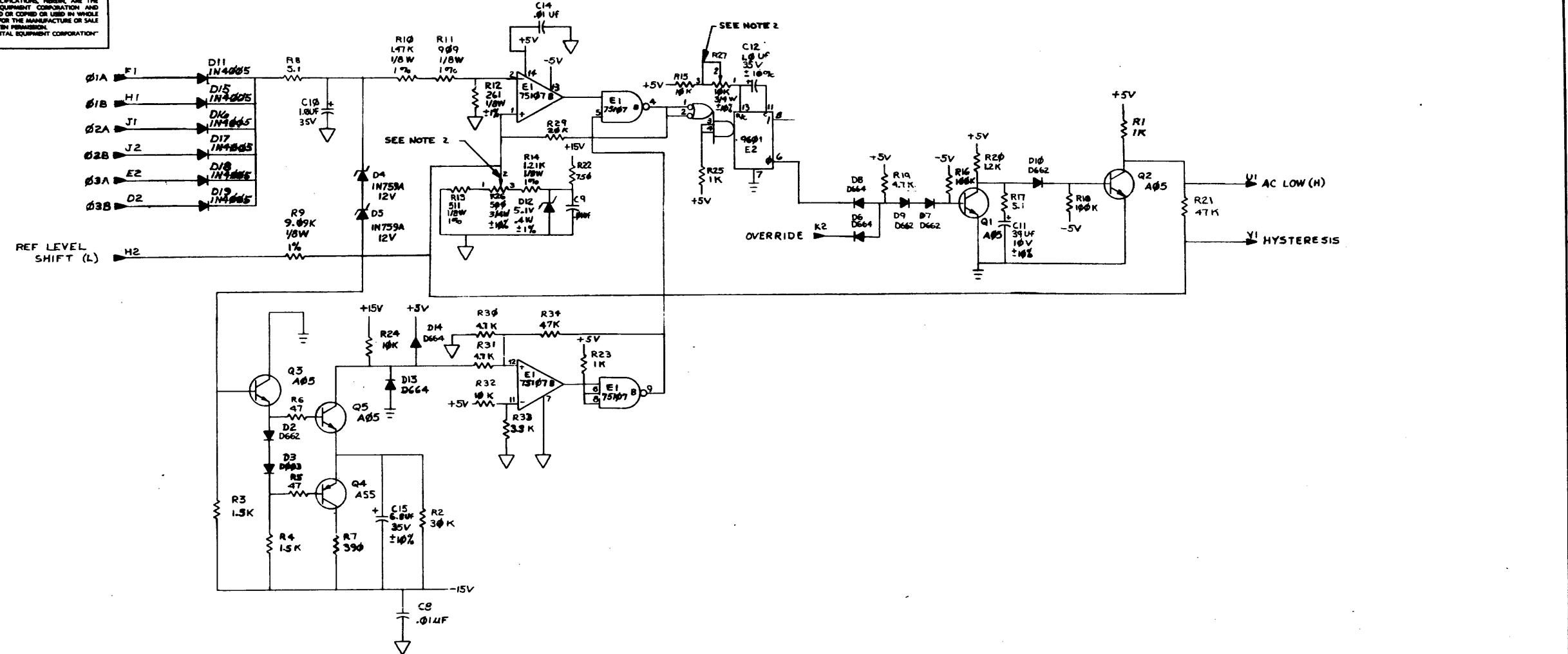
THIS DRAWING AND SPECIFICATIONS HEREIN ARE THE PROPERTY OF DIGITAL EQUIPMENT CORPORATION AND SHALL NOT BE REPRODUCED OR COPIED OR USED IN WHOLE OR IN PART AS THE BASIS FOR THE MANUFACTURE OR SALE OF ITEMS WITHOUT WRITTEN PERMISSION. COPYRIGHT © 1974 DIGITAL EQUIPMENT CORPORATION



REVISIONS		
CHK	CHANGE NO.	REV. MN

TITLE	863 POWER CONTROL	SIZE CODE	D CS	NUMBER	863-01	REV.	E
SCALE	1:1	SHEET	5 OF 5	DIST.			

"THIS DRAWING AND SPECIFICATIONS, HEREIN, ARE THE PROPERTY OF DIGITAL EQUIPMENT CORPORATION AND SHALL NOT BE REPRODUCED OR COPIED OR USED IN WHOLE OR IN PART AS THE BASIS FOR THE MANUFACTURE OR SALE OF ITEMS WITHOUT WRITTEN PERMISSION. COPYRIGHT © 1973, DIGITAL EQUIPMENT CORPORATION"

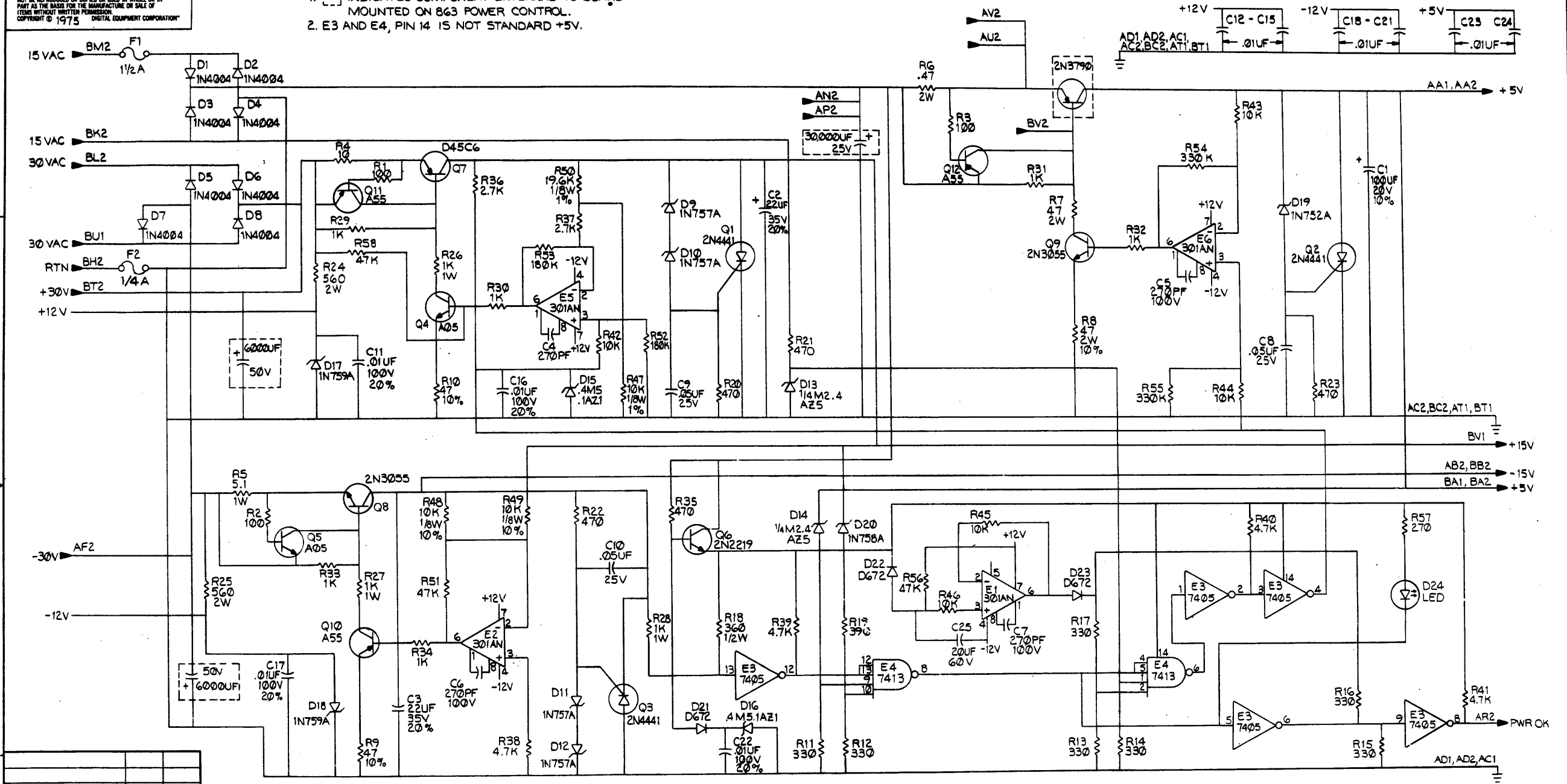


REVISIONS		
CHK	CHANGE NO	REV

TITLE	AC LOW VOLTAGE DETECTOR	SIZE CODE	D	NUMBER	CS W516-0-1	REV.	D
SCALE	1:1	SHEET	2 OF 2	DIST.			

THIS DRAWING AND SPECIFICATIONS HEREIN ARE THE PROPERTY OF DIGITAL EQUIPMENT CORPORATION AND SHALL NOT BE REPRODUCED OR COPIED OR USED IN WHOLE OR IN PART AS THE BASIS FOR THE MANUFACTURE OR SALE OF ITEMS WITHOUT WRITTEN PERMISSION. DIGITAL EQUIPMENT CORPORATION © 1975

- NOTES:**
- INDICATES COMPONENT EXTERNAL TO BOARD MOUNTED ON 863 POWER CONTROL.
 - E3 AND E4, PIN 14 IS NOT STANDARD +5V.



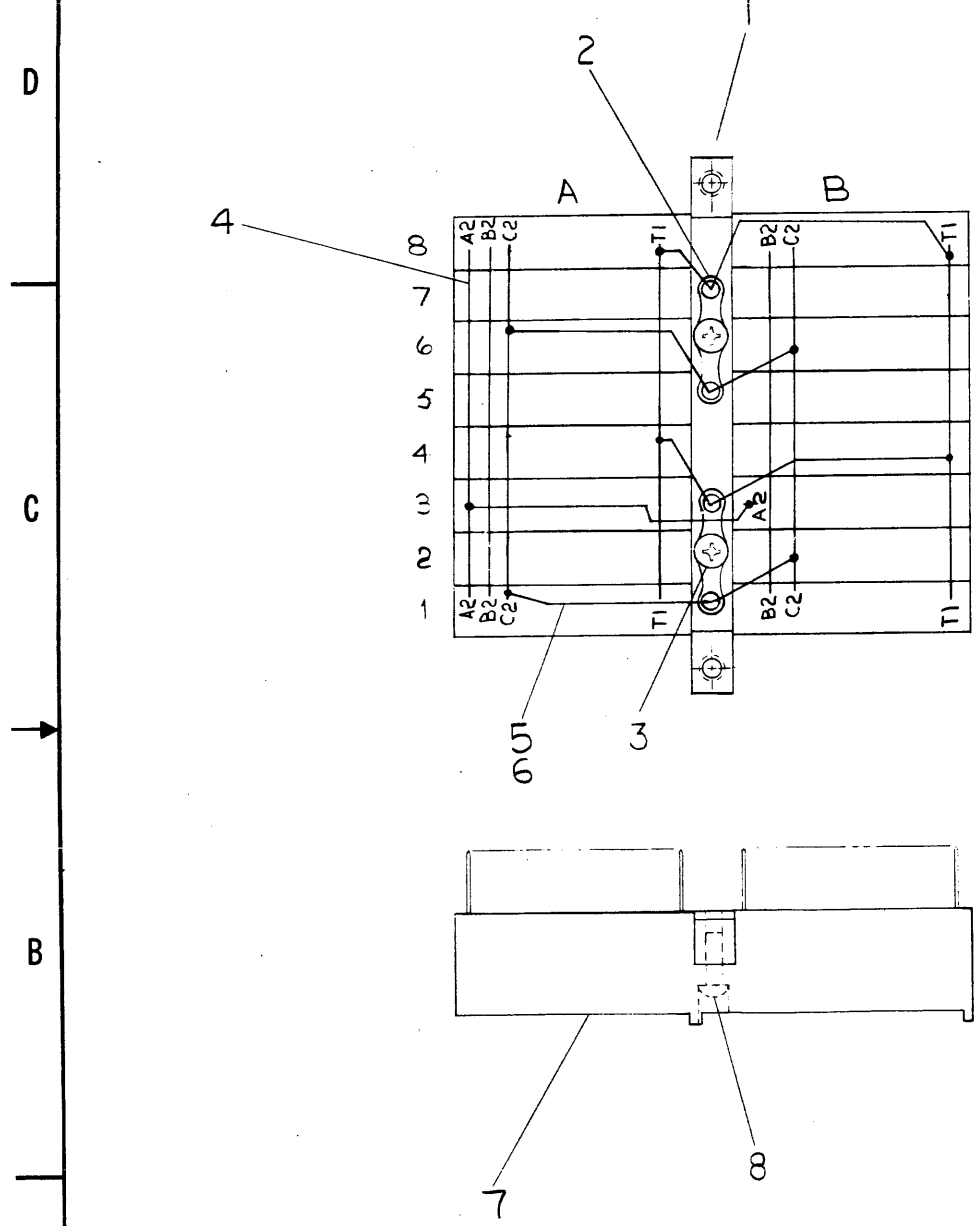
SEE NOTE 2				
I.C. 301AN			7	4
IC TYPE	GND	+5V	+12V	-12V
GND AND 5V ARE USUALLY PIN 7 AND 14 RESPECTIVELY. EXCEPTIONS ARE STATED ABOVE.				
IC PIN LOCATIONS				

QTY	REF. DESIGNATION	DESCRIPTION	PART NO.	ITEM NO.
PARTS LIST				
863				
ETCH BOARD-REV				

DRN E. REMOND	DATE 4-2-75	digital
CHKD. B. CONSTANTINIAN	DATE 6-28-74	
ENG. J. DREW	DATE 10-4-74	
PROJ. ENG. J. DREW	DATE 10-4-74	
PROJ. D. REZEK	DATE 10-4-74	
NEXT HIGHER ASSY B-DD-W7000-0		TITLE AUX POWER SUPPLY
DEC. NO.	EIA NO.	SCALE
SEMICONDUCTOR CONVERSION CHART		SHEET 1 OF 1

This drawing and specifications, herein, are the property of Digital Equipment Corporation and shall not be reproduced or copied or used in whole or in part as the basis for the manufacture or sale of items without written permission. COPYRIGHT © 1973
DIGITAL EQUIP CORP.

NOTES:
 1. CONNECTIONS ON BUSSING ITEM 4-5 TO BE LOCATED AT MINIMUM PRACTICAL HEIGHT ABOVE BLOCKS.
 2. USE YEL WIRE ITEM*10 FOR WRAPPING, PERFORMED PER WIRE LIST OF THIS DWG. USE ITEM*11 FOR TWP (NC HAND WRAP).
 3. SLEEVE ITEMS 12, 13 & 14 WITH ITEM*15.



EXTERNAL COMPONENT TABLE						
ITEM	COMP	POL	FROM	TO	POL	REMARKS
118	RES		B1D2	D2T1		390 Ω
119	RES		B1A2	B1D2		180 Ω
						USE ITEMS 120 + 121 ALSO.

QTY.	DESCRIPTION	PART NO.	ITEM NO.
15	A/R TUBING, TEFLON	9107256-10	15
14	4 TERMPOINT 30 GA	9007655	14
13	1 RES. 390 1/4W 5%	1300309-00	13
12	1 RES. 180 1/4W 5%	1301322-00	12
REF	863 AWT REV STATUS	A-WI-7009632-0	REF
11	1 FT. *30 AWG TWP SOLID INS BLK/WHT	9107720-09	11
10	25 FT. *30 AWG SOLID YEL INS	9105740-44	10
9	1 LABEL, ADHESIVE BACK	9009255	9
8	4 SCR, PHL HD FIL *8-32*.625	9006210-6	8
7	2 CONN BLOCK 288 PIN *H803	E-5G1205348-0-0	7
6	1 FT TUBING, *22 WHT	9107265-09	6
5	2 FT BUS WIRE *22 AWG	9107560-01	5
4	3 FT BUS STRIP	1205541	4
3	2 SCR, PHL HDFIL *8-32*.38	9006418-1	3
2	2 TERMINAL *8 HOLE	9007597	2
1	1 MTG BAR CONN BLOCK	B-MD-7409755-0-0	1

FIRST USED ON OPTION/MODEL 863		PARTS LIST	
UNLESS OTHERWISE SPECIFIED DIMENSION IN INCHES TOLERANCES		DRN: <i>A. Demashe</i> DATE: 10/30/73 CHK'D: DATE: ENG: <i>W. Prudent</i> DATE: 11/5/74 PROJ. ENG: DATE: PROD: DATE: 9/2/74	
DECIMALS: .XXX = .005 .XX = .02 .X = .1	ANGLES: ±0° 30'	digital EQUIPMENT CORPORATION MAYNARD MASSACHUSETTS TITLE: WIRED ASSY (CHASSIS 863 P.C.)	
MATERIAL: SEE PARTS LIST	NEXT HIGHER ASSY:	SIZE CODE: CAD	NUMBER: 7009632-0-0
FINISH:	SCALE: 1/1	DIST.:	REV. B
	SHEET 1 OF 2		

REV.	CHANGE NO.	DATE	BY
A	00003	10/30/73	J. DREW
B	00005	11/5/74	J. DREW

REV. B
 NUMBER 7009632-0-0
 SIZE CODE CAD
 REV. B

"THIS DRAWING AND SPECIFICATIONS, HEREIN, ARE THE PROPERTY OF DIGITAL EQUIPMENT CORPORATION AND SHALL NOT BE REPRODUCED OR COPIED OR USED IN WHOLE OR IN PART AS THE BASIS FOR THE MANUFACTURE OR SALE OF ITEMS WITHOUT WRITTEN PERMISSION. COPYRIGHT © 1974 DIGITAL EQUIPMENT CORPORATION"

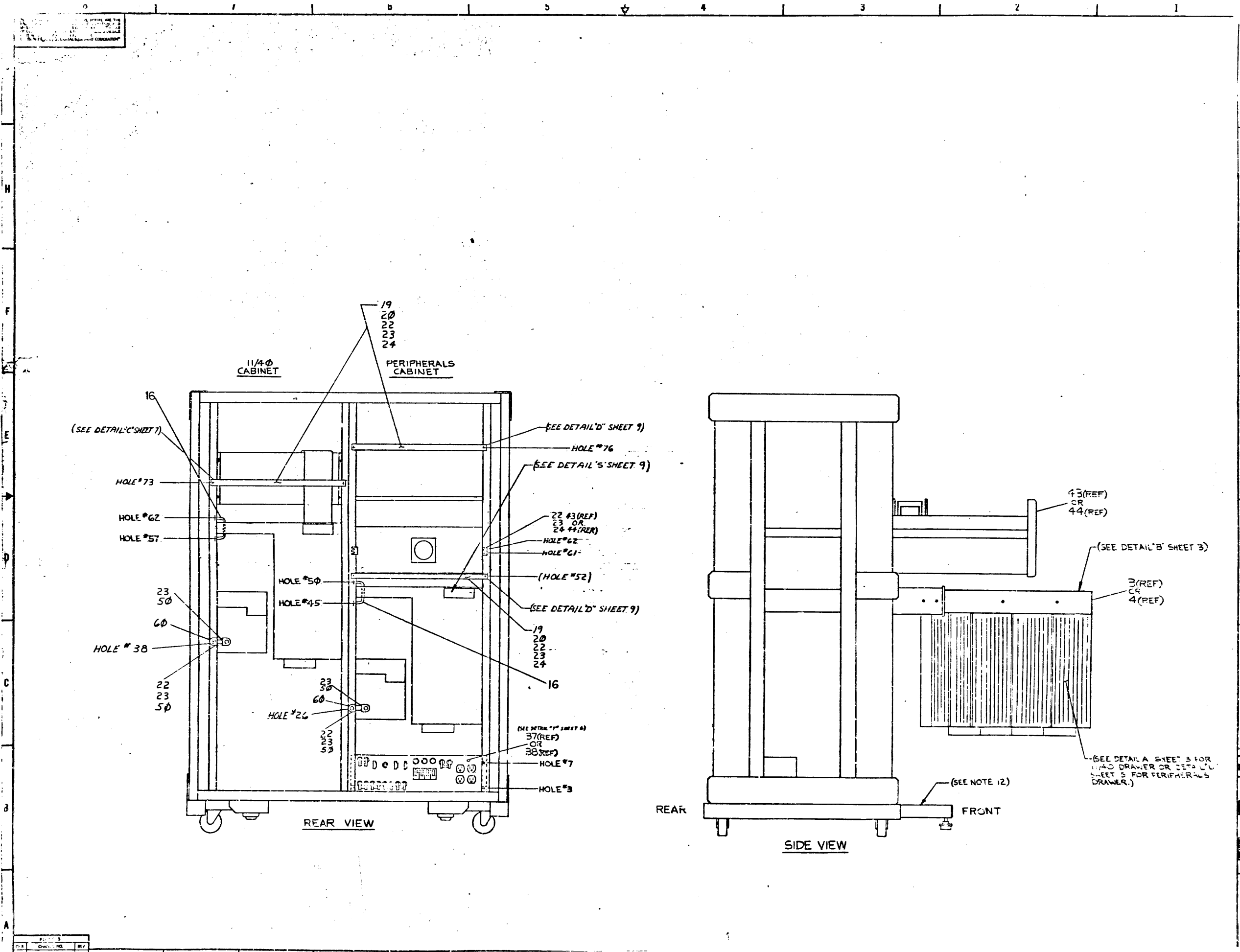
WIRE TABLE					REMARKS
ITEM NO	DESCRIPTION		FROM CONNECTION	TO CONNECTION	SIGNAL NAME
	AWG	COLOR			
10	30	YEL	A01C1	A01C2	GND
			A01C2	A01D1	
			A01D1	A01D2	
			A03C2	A03K1	
			A04C2	A04M2	
			B04C2	B04D2	
			B04D2	B04E2	
			B04E2	B04F2	
			B04F2	B04H2	
			B04H2	B04J2	
			B04J2	B04K2	
			B04K2	B04L2	
			B04L2	B04M2	GND
			B04M2	B04P2	GND
			A01A1	A01A2	+ 5 VOLTS
			A01A2	B01A1	
			B01A1	B01A2	
			A04A2	A04P2	
			A04A2	A04R1	+ 5 VOLTS
			B01V1	A02C1	+15 VOLTS
			A02C1	B02C1	+15 VOLTS
			A03F1	A04J2	PHASE 1A
			A03H1	A04K1	PHASE 1B
			A03J1	A04K2	PHASE 2A
			A03J2	A04L1	PHASE 2B
			A03E2	A04L2	PHASE 3A
			A03D2	A04M1	PHASE 3B
			B01M2	A04D1	18 VAC A
			B01K2	A04D2	18 VAC B
			B01L2	A04E1	3Ø VAC A
			B01U1	A04E2	3Ø VAC B
			B01H2	A04F1	3Ø VAC RTN
			A01N2	A04H1	+18V RAW
			A01P2	A04H2	+18V RAW
			B01T2	A04J1	+3ØV RAW
			A01F2	A04F2	-3ØV RAW
			A02L2	B03J2	AIR FLOW A (L)
			A02C1	A03C1	+15V
			B04A2	A05A2	+5V
			A02M2	B03V2	PWR UP (L)
			B03U2	B04N2	PWR LED (L)
			B02V1	B03V1	MST PWR ON (H)
			B02D2	B01D2	PWR WARNING (L)
			B03T1	B02F2	GND
			B01T1	B02V2	GND

WIRE TABLE					REMARKS
ITEM NO	DESCRIPTION		FROM CONNECTION	TO CONNECTION	SIGNAL NAME
	AWG	COLOR			
10	30	YEL	B03J2	B04D1	AIR FLOW A (L)
			A02K2	B03L2	AIR FLOW B (L)
			B03L2	B04E1	AIR FLOW B (L)
			A02J2	B03M2	AIR FLOW C (L)
			B03M2	B04F1	AIR FLOW C (L)
			A02H2	B03N2	AIR FLOW D (L)
			B03N2	B04H1	AIR FLOW D (L)
			A02D2	B03R2	OVERTEMP (L)
			B03R2	B04J1	OVERTEMP (L)
			A02E2	B03S2	CKT BKR (L)
			B03S2	B04K1	CKT BKR (L)
			A02F2	B03T2	DOOR OPEN A (L)
			B03T2	B04L1	DOOR OPEN A (L)
			A02B1	B04M1	DOOR OPEN B (L)
			A01R2	A02M2	POWER UP (L)
			A02N2	B03A1	PWR REQUEST (L)
			B03A1	B04P1	PWR REQUEST (L)
			A02U2	B04N1	FAULT (L)
			A02A1	A03U1	AC LOW (H)
			A02P2	A03K2	OVERRIDE (L)
			A03K2	B03U1	OVERRIDE (L)
10		YEL	B03U1	B04R1	OVERRIDE (L)
11		BLK/WHT	B02L2	B04S1	CROBAR (L)
		TWP	B02V2	B04S2	CROBAR RTN
		BLK/WHT	B02D2	B04U1	PWR WARNING (L)
		TWP	B02F2	B04U2	PWR WARNING RTN
		BLK/WHT	A02R2	B04V1	PWR DOWN (L)
11		TWP	A02V2	B04V2	PWR DOWN RTN
10		YEL	B01V2	A04P1	+5V DRIVE
10			A01U2	A04N1	+18V
10			A01V2	A04N2	+18V
10	30	YEL	A04N1	A04N2	+18V
12&14			B01A2	B01D2	+5V
13&14			B01D2	B02T1	GND

FIRST USED ON OPTION/MODEL 863	QTY.	DESCRIPTION	PART NO.	ITEM NO.
PARTS LIST				
UNLESS OTHERWISE SPECIFIED DIMENSION IN INCHES	DRN. <i>M. G. G.</i>	DATE	digital EQUIPMENT CORPORATION MAYNARD MASSACHUSETTS	
TOLERANCES	CHK'D	DATE	TITLE	
DECIMALS .xxx = .005 .xx = .02 .x = .1	ANGLES = 0° 30'	DATE 8/15/74	WIRED ASSY (CHASSIS 863 P.C.)	
REMOVE BURRS AND BREAK SHARP CORNERS SURFACE QUALITY Y	PROD. <i>K. J. J.</i>	DATE 8/16/74	NUMBER 7009632-0-0	
MATERIAL SEE PARTS LIST	NEXT HIGHER ASSY.	SCALE NONE	SIZE CODE C AD	REV. B
FINISH	SHEET 2 OF 2	DIST.		

REV	CHANGE NO
CHK	

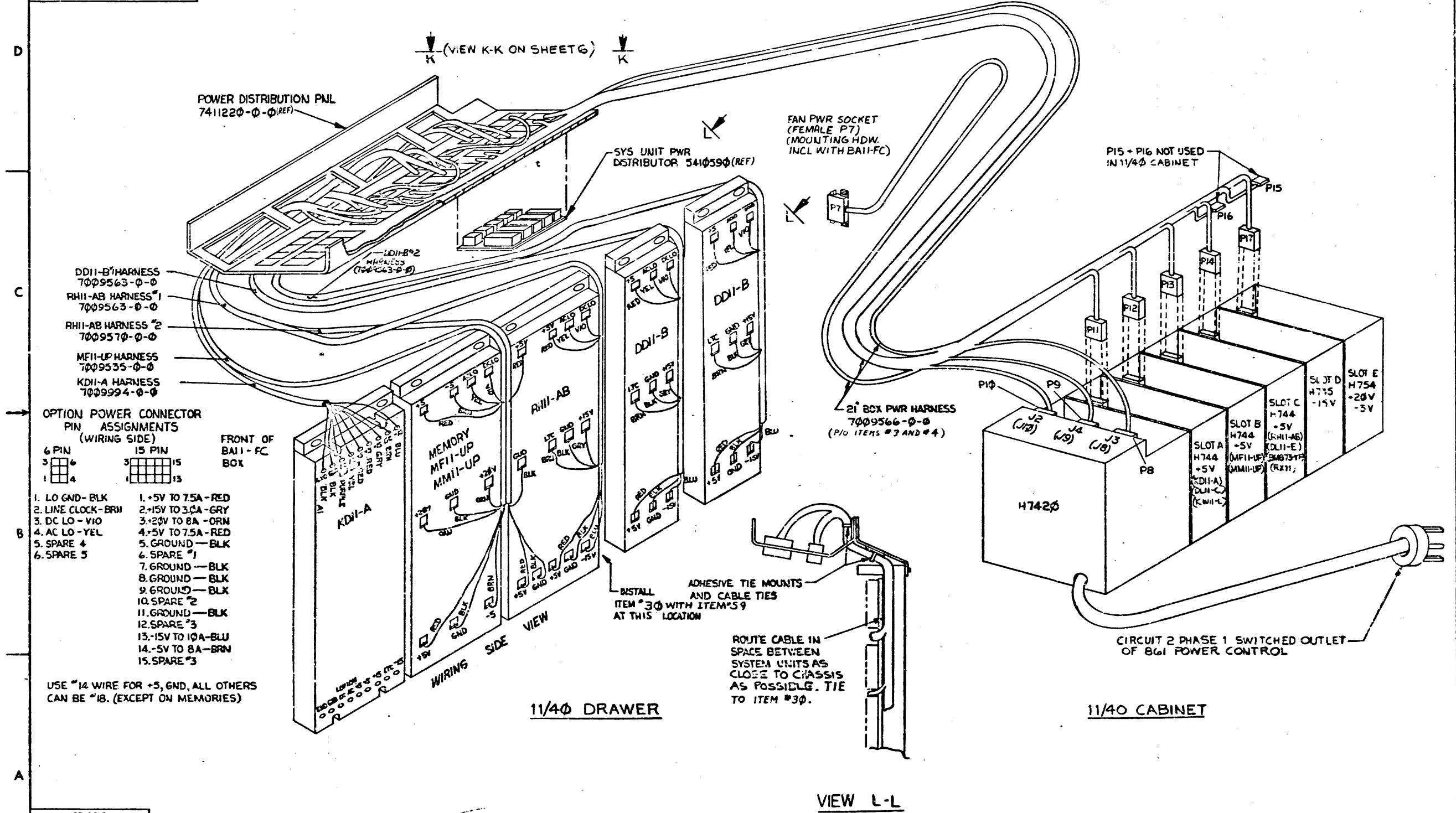
REV B
SIZE CODE C AD
NUMBER 7009632-0-0



REV	NO	DATE	BY

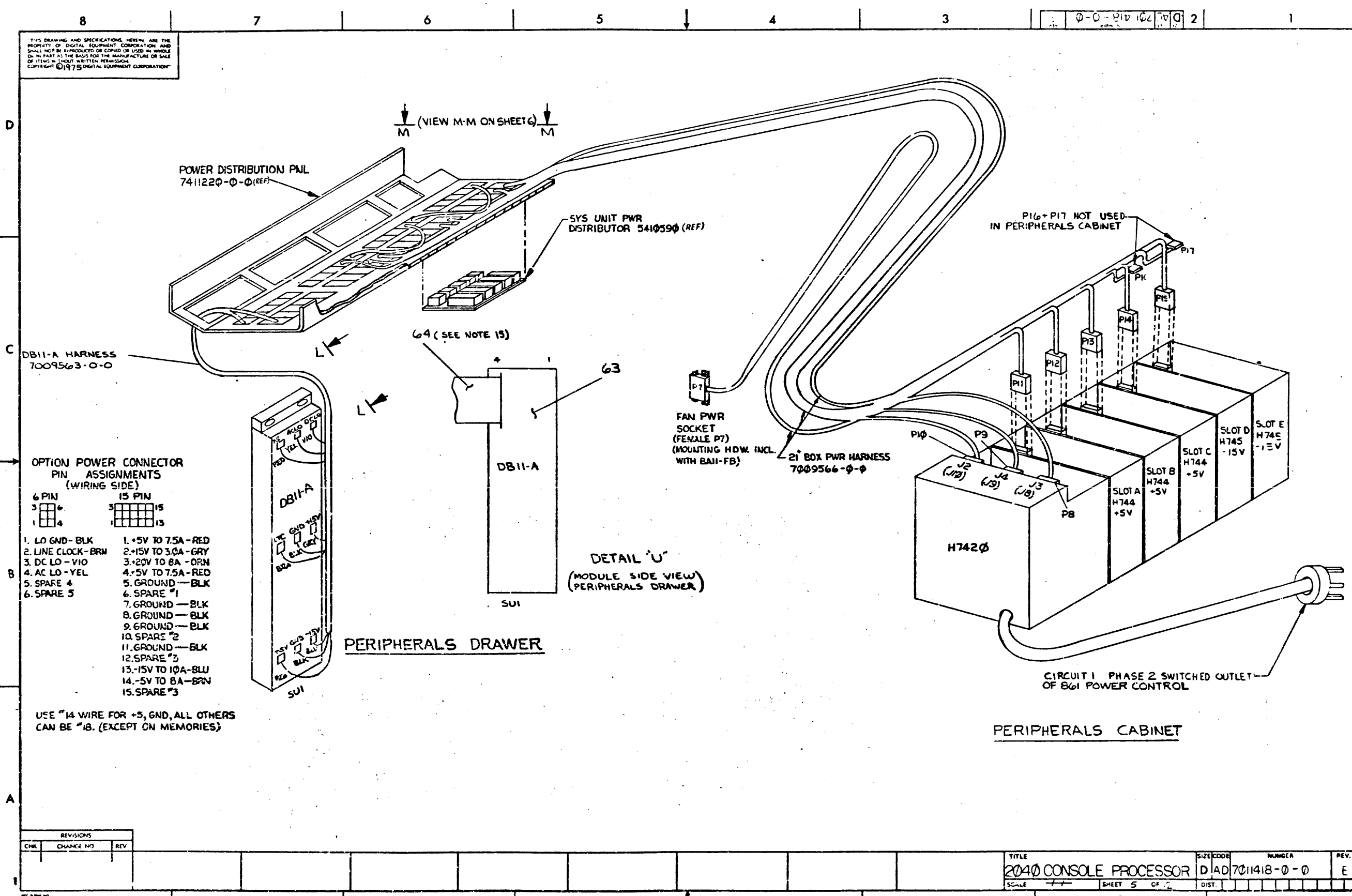
11/4" CABINET
PERIPHERALS CABINET

THIS DRAWING AND SPECIFICATIONS HEREIN ARE THE PROPERTY OF DIGITAL EQUIPMENT CORPORATION AND SHALL NOT BE REPRODUCED OR COPIED IN WHOLE OR IN PART AS THE BASIS FOR THE MANUFACTURE OR SALE OF ITEMS WITHOUT WRITTEN PERMISSION. COPYRIGHT © 1975 DIGITAL EQUIPMENT CORPORATION.



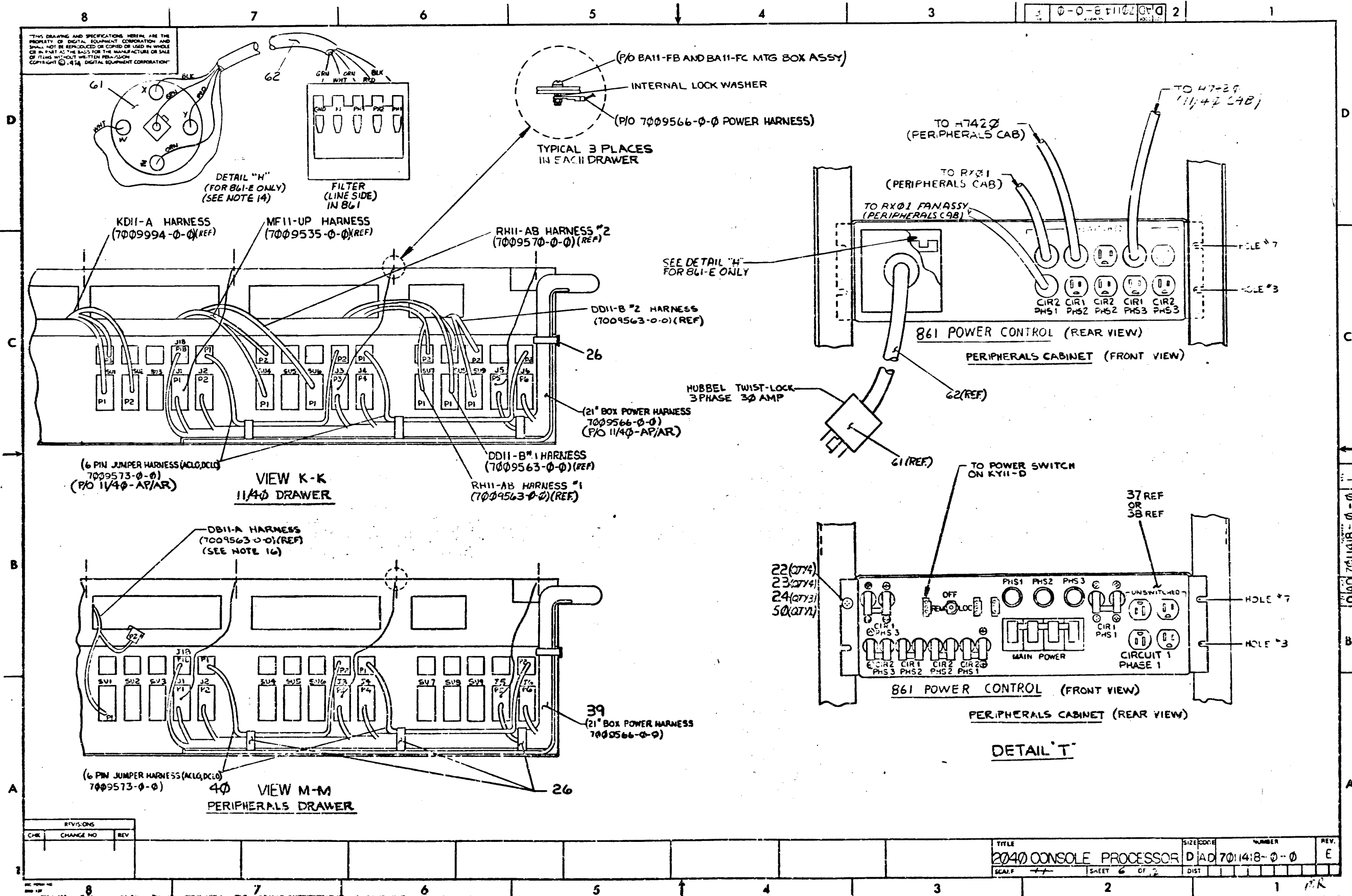
REVISIONS		
CHK	CHANGE NO	REV

THIS DRAWING AND SPECIFICATIONS HEREIN ARE THE PROPERTY OF DIGITAL EQUIPMENT CORPORATION AND SHALL NOT BE REPRODUCED OR COPIED OR USED IN WHOLE OR IN PART AS THE BASIS FOR THE MANUFACTURE OR SALE OF ITEMS WITHOUT WRITTEN PERMISSION. COPYRIGHT © 1975 DIGITAL EQUIPMENT CORPORATION



REVISIONS		
CHK	CHANGE NO	REV

TITLE	SIZE CODE	NUMBER	REV.
2040 CONSOLE PROCESSOR	DAD7011418-0-0	1	E
SCALE 1:1	SHEET 5 OF 12	DIST	

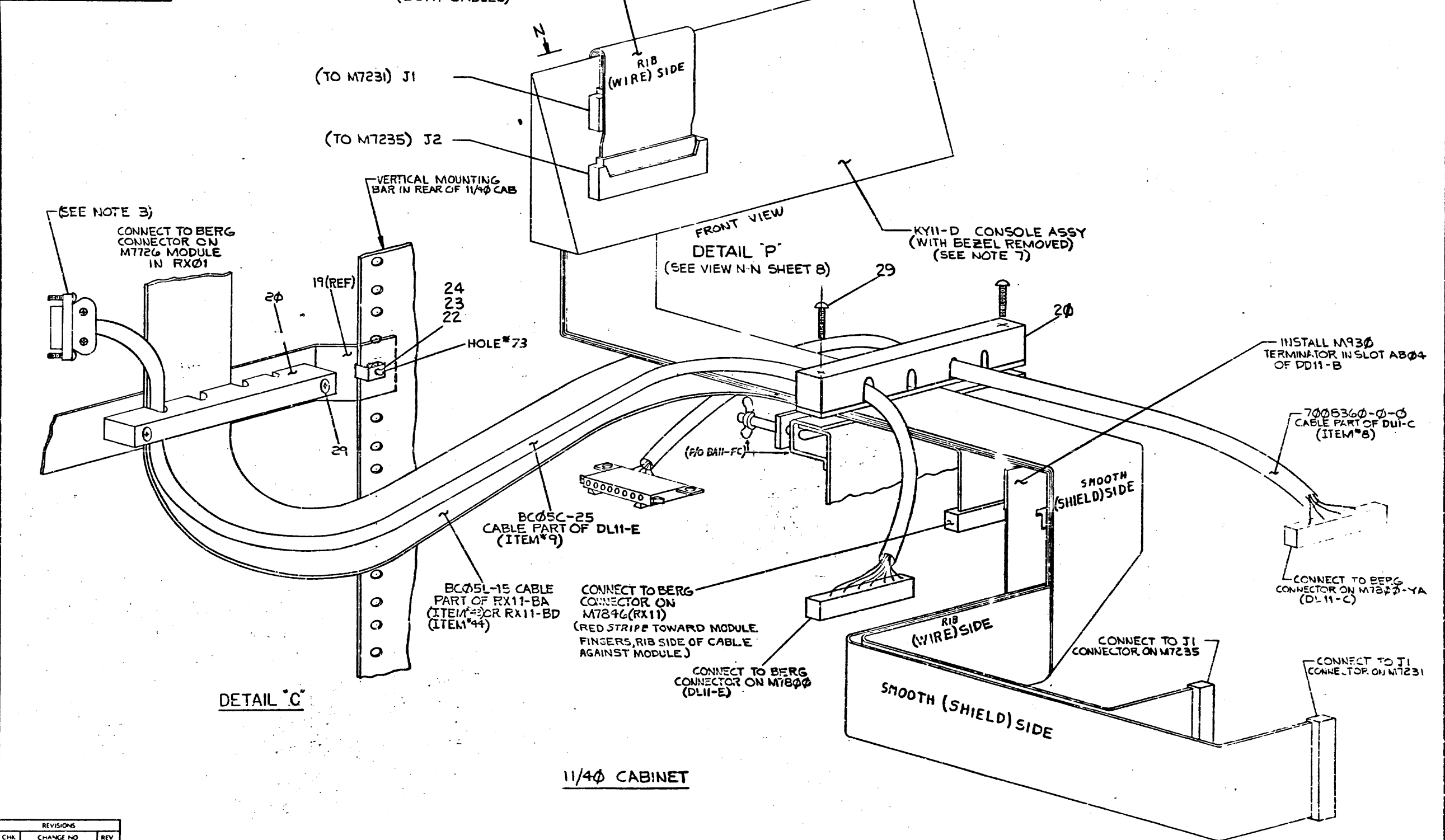


THIS DRAWING AND SPECIFICATIONS HEREIN ARE THE PROPERTY OF DIGITAL EQUIPMENT CORPORATION AND SHALL NOT BE REPRODUCED OR COPIED OR USED IN WHOLE OR IN PART AS THE BASIS FOR THE MANUFACTURE OR SALE OF ITEMS WITHOUT WRITTEN PERMISSION. COPYRIGHT © 1974 DIGITAL EQUIPMENT CORPORATION.

REVISIONS		
CHK	CHANGE NO	REV

TITLE	SIZE CODE	NUMBER	REV.
2040 CONSOLE PROCESSOR	D AD 7011418-0-0	6 OF 2	E
SHEET	DIST		
++	1		

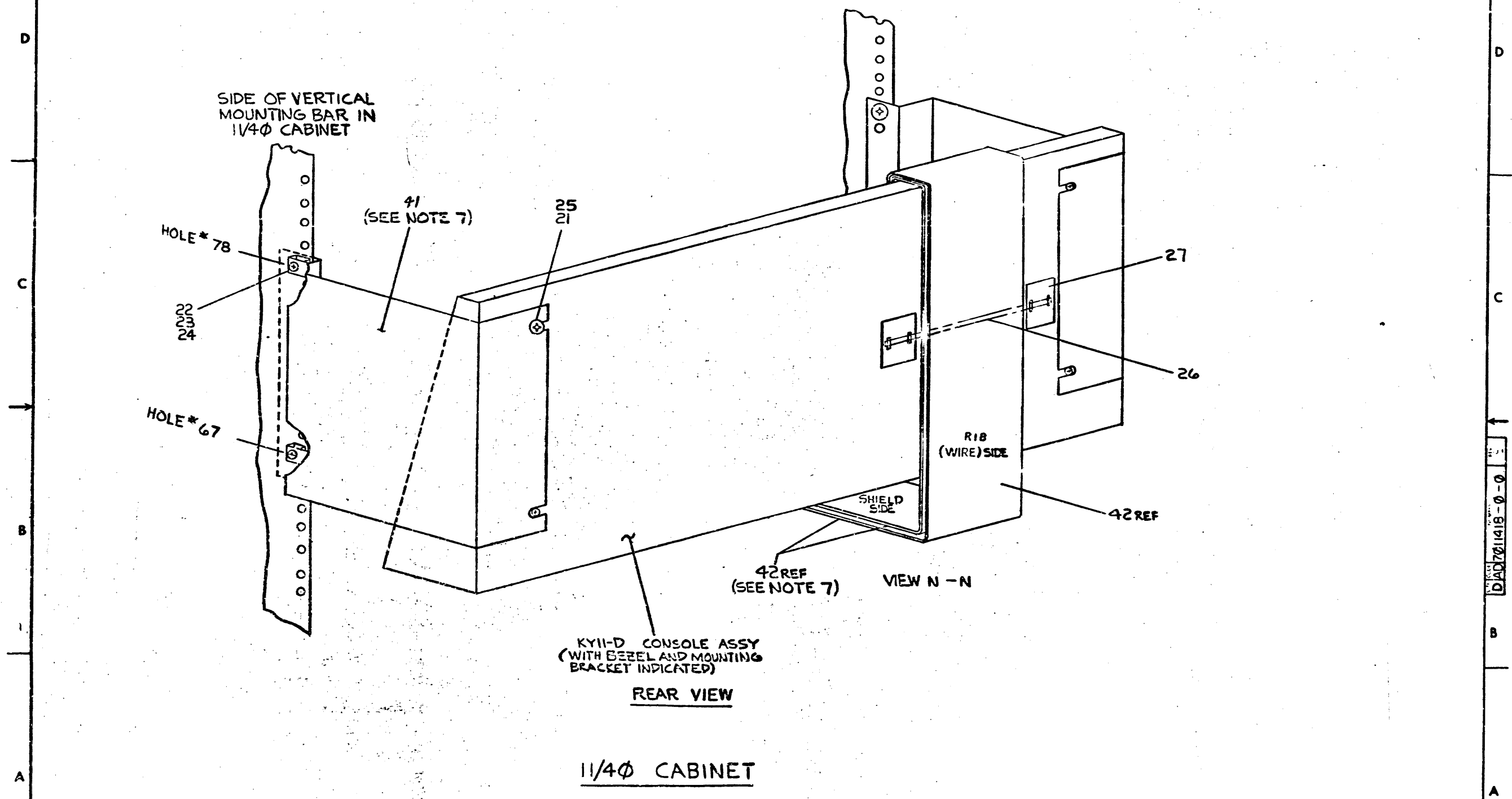
THIS DRAWING AND SPECIFICATIONS HEREIN ARE THE PROPERTY OF DIGITAL EQUIPMENT CORPORATION AND SHALL NOT BE REPRODUCED OR COPIED OR USED IN WHOLE OR IN PART AS THE BASIS FOR THE MANUFACTURE OR SALE OF ITEMS WITHOUT THE WRITTEN PERMISSION OF DIGITAL EQUIPMENT CORPORATION



REVISIONS		
CHR.	CHANGE NO.	REV.

THIS DRAWING AND SPECIFICATIONS HEREIN ARE THE PROPERTY OF DIGITAL EQUIPMENT CORPORATION AND SHALL NOT BE REPRODUCED OR COPIED OR USED IN WHOLE OR IN PART AS THE BASIS FOR THE MANUFACTURE OR SALE OF ITEMS WITHOUT WRITTEN PERMISSION. COPYRIGHT © 1975 DIGITAL EQUIPMENT CORPORATION.

0-0-810102 2

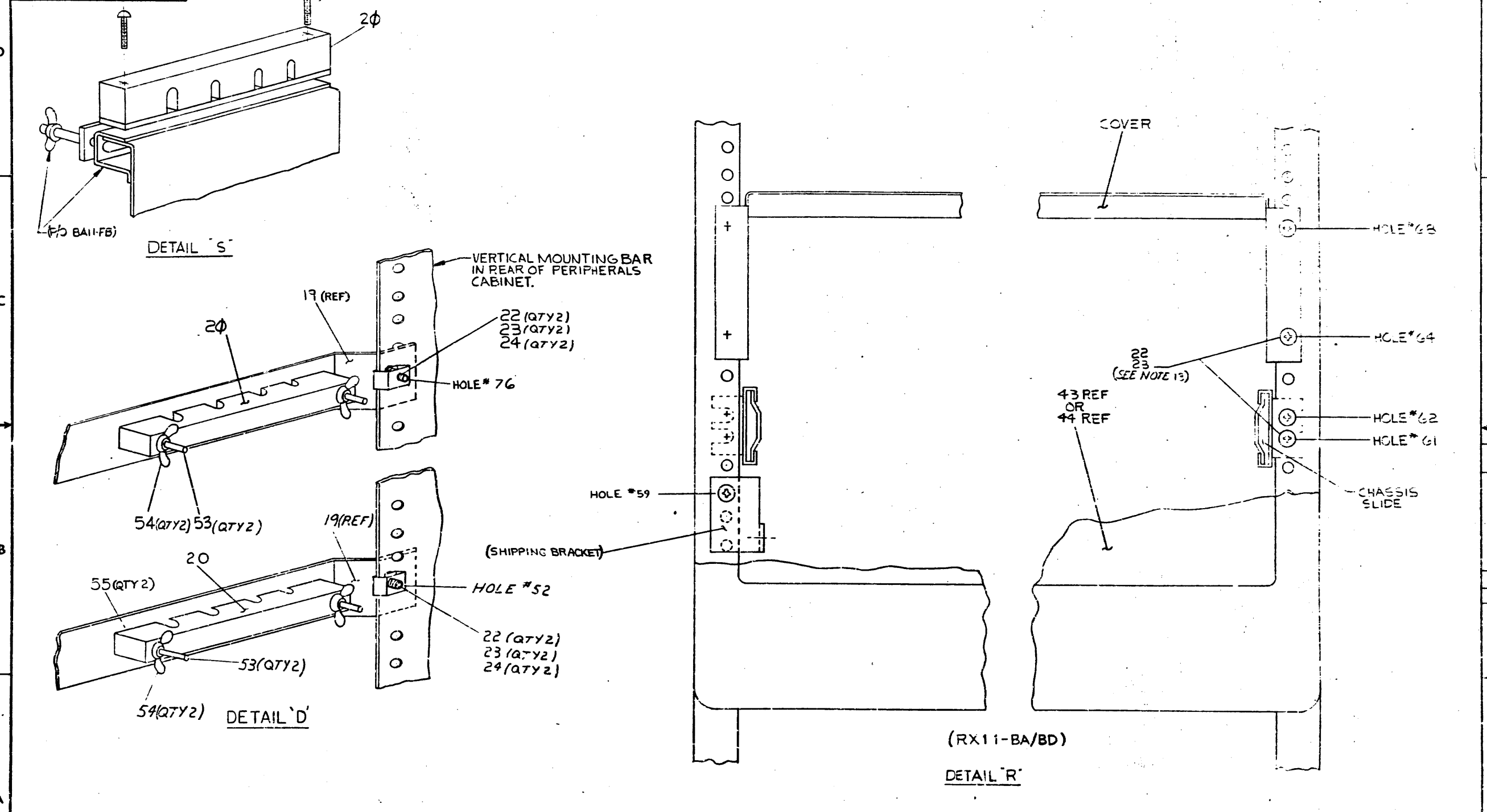


REVISIONS		
CHK	CHANGE NO	REV

TITLE	2040 CONSOLE PROCESSOR	SIZE/COODS	DAD 7011418-0-0	NUMBER	1	REV.	E
SCALE	as shown	SHEET	8 OF 2	DIST.			

8 7 6 5 4 3 2 1

ALL DIMENSIONS AND SPECIFICATIONS HEREIN ARE THE PROPERTY OF DIGITAL EQUIPMENT CORPORATION AND SHALL NOT BE REPRODUCED OR COPIED OR USED IN WHOLE OR IN PART FOR THE MANUFACTURE OR SALE OF ANY PRODUCT WITHOUT THE WRITTEN PERMISSION OF DIGITAL EQUIPMENT CORPORATION.



REV. SONS		
CHK	CHANGE NO.	REV.

8 7 6 5 4 3 2 1

THE DRAWING AND SPECIFICATIONS HEREIN ARE THE PROPERTY OF DIGITAL EQUIPMENT CORPORATION AND SHALL NOT BE REPRODUCED OR COPIED OR USED IN WHOLE OR IN PART AS THE BASIS FOR THE MANUFACTURE OR SALE OF ITEMS WITHOUT THE WRITTEN PERMISSION OF DIGITAL EQUIPMENT CORPORATION.

KD11-A 11-40 PROCESSOR (WIRE LIST REV K)
5418984 ETCHED BACKPLANE (ETCH REV N/A CS REV C)
W7231 DATA PATHS LOCATION ABCDEF04

LOWEST ACCEPTABLE REVISION ETCH REV N/A CS REV D
 JUMPER TABLE

JUMPER	STATE	COMMENTS
W1	IN	WITH NO K111-D OPTION
W2	IN (TO GND)	WITH NO K111-D OR K111-A OPTIONS
W3	IN	WITH NO K111-D OPTION
W4	IN	WITH NO K111-D OPTION
W5	IN	WITH NO K111-D OPTION
W6	IN	WITH NO K111-D OPTION
W7	IN	WITH NO K111-D OPTION
W8	IN	WITH NO K111-D OPTION
W9	IN	WITH NO K111-D OPTION
W10	IN (TO BUS)	WITH NO K111-D OPTION

BC08R-03 CABLE FROM CONNECTOR J1 TO CONNECTOR J1 OF KY11-D CONSOLE (SHIELD AWAY FROM BOARD). BOARD IS NORMALLY RECEIVED IN CORRECT CONFIGURATION.

W7232 MICRO WORD LOCATION ABCDEF03
 LOWEST ACCEPTABLE REVISION ETCH REV N/A CS REV F
 NO JUMPERS
 NO CABLES ARE PLUGGED INTO CONNECTORS J1, J2 AND J3 WITH NO KE11-E AND KE11-F OPTIONS.

W7233 IR DECODE LOCATION ABCDEF05
 LOWEST ACCEPTABLE REVISION ETCH REV N/A CS REV E
 JUMPER TABLE

JUMPER	STATE	COMMENTS
W1	IN	WITH NO KE11-A OPTION
W2	IN	DISABLE ESALUM INPUT

BOARD IS NORMALLY RECEIVED IN CORRECT CONFIGURATION.

W7234 TIMING LOCATION ABCDEF07
 LOWEST ACCEPTABLE REVISION ETCH REV N/A CS REV F
 JUMPER TABLE

JUMPER	STATE	COMMENTS
W1	IN (TO BOVFL)	WITH NO K111-A OPTION
W2	IN (TO GND)	WITH NO K111-D OPTION
W3	IN	REMOVE ONLY FOR IOR TESTING
W4	IN	REMOVE ONLY FOR IOR TESTING
W5	OUT	ENABLES PARITY MEMORY

CLOCK ADJUSTMENTS MADE WITH APPROPRIATE SWITCH (S1) SETTINGS (NOT NORMALLY CHANGED). BOARD IS NORMALLY RECEIVED IN CORRECT CONFIGURATION.

W7235 STATUS LOCATION ABCDEF06
 LOWEST ACCEPTABLE REVISION ETCH REV N/A CS REV H
 JUMPER TABLE

JUMPER	STATE	COMMENTS
W1	IN (TO BOVFL)	WITH NO K111-A OPTION
W2	IN (TO "0")	COVERS ETCHED "W2"
W3	IN (TO "0")	COVERS ETCHED "W3"
W4	IN (TO "0")	COVERS ETCHED "W4"
W5	IN (TO "1")	COVERS ETCHED "W5"
W6	IN (TO "0")	COVERS ETCHED "W6"
W7	IN (TO "1")	COVERS ETCHED "W7"
W8	OUT	ENABLES PARITY MEMORY

W2-W7 JUMPERS FORM POWER FAIL/RESTART VECTOR ADDRESS 24
 BC08R-03 CABLE FROM CONNECTOR J1 TO CONNECTOR J2 OF KY11-D CONSOLE (SHIELD AWAY FROM BOARD). BOARD IS NORMALLY RECEIVED IN CORRECT CONFIGURATION.

W991 UNIBUS JUMPER/TERMINATOR LOCATION A809
 LOWEST ACCEPTABLE REVISION ETCH REV N/A CS REV A
 CONNECTS LOCATION A809 IN KD11-A TO LOCATION A801 IN MF11-UP. NO JUMPERS OR OTHER CONFIGURABLE COMPONENTS.

KY11-DK KL10 PROGRAMMERS CONSOLE
5409701-02 KL10 CONSOLE MODULE
 LOWEST ACCEPTABLE REVISION ETCH REV N/A CS REV L

KW11-L CLOCK
W787 LINE TIME CLOCK LOCATION F03 (KD11-A BACKPLANE)
 LOWEST ACCEPTABLE REVISION ETCH REV N/A CS REV D
 CLOCK STATUS REGISTER (LKS) 777540
 INTERRUPT VECTOR ADDRESS 100
 PRIORITY LEVEL BR0
 JUMPER WIRE IN KD11-A BACKPLANE BETWEEN PIN F03R2 AND PIN F03V2 MUST BE REMOVED WHEN THE KW11-L IS INSTALLED IN ORDER TO ENABLE SIGNAL BG 6 K.
 BOARD IS NORMALLY RECEIVED IN CORRECT CONFIGURATION

MF11-UP AND MW11-UP MEMORIES
5418345 ETCHED BACKPLANE

LOWEST ACCEPTABLE REVISION ETCH REV N/A CS REV C
W9253 16K UNIBUS TIMING LOCATIONS CDEF01 AND CDEF09
 LOWEST ACCEPTABLE REVISION ETCH REV N/A CS REV E
 JUMPER TABLE FOR LOCATION CDEF09

JUMPER	STATE	COMMENTS
W1	IN	WITH NO INTERLEAVING
W2	OUT	WITH NO INTERLEAVING
W3	IN	UPPER 16K ADDRESS BIT A13
W4	IN	UPPER 16K ADDRESS BIT A14
W5	OUT	UPPER 16K ADDRESS BIT A15
W6	IN	UPPER 16K ADDRESS BIT A16
W7	IN	UPPER 16K ADDRESS BIT A17
W8	OUT	WITH NO INTERLEAVING
W9	OUT	WITH NO INTERLEAVING
W10	OUT	WITH NO INTERLEAVING

JUMPER TABLE FOR LOCATION CDEF01

JUMPER	STATE	COMMENTS
W1	IN	WITH NO INTERLEAVING
W2	OUT	WITH NO INTERLEAVING
W3	IN	LOWER 16K ADDRESS BIT A13
W4	IN	LOWER 16K ADDRESS BIT A14
W5	IN	LOWER 16K ADDRESS BIT A15
W6	IN	LOWER 16K ADDRESS BIT A16
W7	IN	LOWER 16K ADDRESS BIT A17
W8	OUT	WITH NO INTERLEAVING
W9	OUT	WITH NO INTERLEAVING
W10	OUT	WITH NO INTERLEAVING

THIS BOARD MAY NOT BE INDIVIDUALLY REPLACED AS IT IS PART OF A SET. WHEN FIELD REPLACEMENT IS NECESSARY THE ENTIRE SET MUST BE REPLACED (H217C, G114, G235, W9293).

G735 X-Y DRIVE LOCATIONS ABCDEF05 AND ABCDEF06

LOWEST ACCEPTABLE REVISION ETCH REV N/A CS REV K
 JUMPER TABLE FOR BOTH LOCATIONS

JUMPER	STATE	COMMENTS
W1	.	SENSE STROBE TIMING
W2	.	SENSE STROBE TIMING
W3	.	SENSE STROBE TIMING
W4	.	SENSE STROBE TIMING
W5	.	MEMORY DRIVE BIAS CURRENT
W6	.	MEMORY DRIVE BIAS CURRENT
W7	.	MEMORY DRIVE BIAS CURRENT

*THE APPROPRIATE JUMPERS IN THIS GROUP ARE INSTALLED DURING MEMORY BUILD TIME TO OPTIMIZE STROBE TIME AND BIAS CURRENT FOR THE OTHER MODULES WITH WHICH IT IS USED (W8293 G114 AND H217). THIS GROUP OF MODULES COMPRISE A SET. INDIVIDUAL MODULES IN THIS SET MAY NOT BE INDISCRIMINATELY INTERCHANGED WITHOUT SPECIFIC ADJUSTMENTS WHICH CAN ONLY BE DONE AT THE FACTORY. WHEN FIELD REPLACEMENT IS NECESSARY, THE ENTIRE SET MUST BE REPLACED (H217C, G114, G235 AND W8293).

G114 16K SENSE/INHIBIT LOCATIONS ABCDEF03 AND ABCDEF09

LOWEST ACCEPTABLE REVISION ETCH REV N/A CS REV E
 NO JUMPERS OR OTHER CONFIGURABLE COMPONENTS.
 THIS BOARD MAY NOT BE INDIVIDUALLY REPLACED AS IT IS PART OF A SET. WHEN FIELD REPLACEMENT IS NECESSARY, THE ENTIRE SET MUST BE REPLACED (H217C, G114, G235 AND W8293).

H217C STACK BOARD LOCATIONS ABCDEF04 AND ABCDEF07

LOWEST ACCEPTABLE REVISION ETCH REV N/A CS REV N/A
 JUMPERS W1 AND W2 ARE CURRENT LOOPS USED FOR TEST PURPOSES ONLY. THIS BOARD MAY NOT BE INDIVIDUALLY REPLACED AS IT IS PART OF A SET. WHEN FIELD REPLACEMENT IS NECESSARY, THE ENTIRE SET MUST BE REPLACED (H217C, G114, G235 AND W8293).

W7259 PARITY CONTROL LOCATION A802

LOWEST ACCEPTABLE REVISION ETCH REV N/A CS REV F
 JUMPER TABLE

JUMPER	STATE	COMMENTS
W1	IN	ADDRESS BIT A01
W2	IN	ADDRESS BIT A02
W3	IN	ADDRESS BIT A03
W4	IN	ADDRESS BIT A04
W5	OUT	USED FOR EXTERNAL CAP IF REQUIRED
W6	IN	IN FOR /UP VERSIONS
W7	IN	DON'T HANG BUS ON PARITY ERROR

W1-W4 CORRESPOND TO A CSR ADDRESS OF 772100. ONLY ONE BOARD REQUIRED PER 32K OF CORE. R18 IS USED TO ADJUST TIME BETWEEN LOW GOING EDGE OF SIGNAL MEASURED ON PIN B02U1 AND HIGH GOING EDGE OF SIGNAL MEASURED ON PIN A02S2 TO 135NS. BOARD IS NORMALLY RECEIVED IN CORRECT CONFIGURATION.

W930 UNIBUS TERMINATOR LOCATION A809

LOWEST ACCEPTABLE REVISION ETCH REV N/A CS REV D
 THIS TERMINATOR WILL BE MOVED TO LOCATION A804 OF THE CPU-BUS LOGIC ASSEMBLY WHEN COMPLETE SYSTEM IS CONFIGURED. NO JUMPERS OR OTHER CONFIGURABLE COMPONENTS.

PH11 AB MASSBUS CONTROLLER
5418067 ETCHED BACKPLANE

LOWEST ACCEPTABLE REVISION ETCH REV N/A CS REV D
W7294 DATA BUFFER CONTROL LOCATION ABCDEF03

LOWEST ACCEPTABLE REVISION ETCH REV N/A CS REV E
 JUMPER TABLE

JUMPER	STATE	COMMENTS
W1	IN	SENSE UNIBUS A PARITY ERROR
W2	IN	SENSE UNIBUS B PARITY ERROR
EE6 PINS 1-16	IN	START COUNT 64 WORDS
EE6 PINS 5-12	OUT	START COUNT 32 WORDS
EE6 PINS 7-10	OUT	START COUNT 16 WORDS
EE6 PINS 2-15	IN	DENABLE HOG MODE
EE6 PINS 3-14	OUT	ENABLE BACK TO BACK MEM CYCLES

BOARD IS NORMALLY RECEIVED IN CORRECT CONFIGURATION.

W7295 BUS CONTROL LOCATION ABCDEF02

LOWEST ACCEPTABLE REVISION ETCH REV N/A CS REV D
 JUMPER TABLE

JUMPER	STATE	COMMENTS
W1	OUT	ADDRESS BIT 12
W2	OUT	ADDRESS BIT 11
W3	OUT	ADDRESS BIT 10
W4	IN	ADDRESS BIT 09
W5	OUT	ADDRESS BIT 08
W6	OUT	ADDRESS BIT 07
W7	OUT	ADDRESS BIT 06
W8	IN	ADDRESS BIT 05
E3 PINS 1-16	OUT	16 32 REGISTERS
E3 PINS 2-15	OUT	16 32 REGISTERS
E3 PINS 3-14	IN	1 16 REGISTERS
E3 PINS 4-13	IN	1 16 REGISTERS
E3 PINS 5-12	IN	SIXTEEN REGISTERS
E3 PINS 6-11	OUT	EIGHT REGISTERS
E3 PINS 7-10	IN	FOUR REGISTERS
E3 PINS 8-9	OUT	TWO REGISTERS
W11	IN	VEC 0 BIT 02
W12	IN	VECTOR BIT 03
W13	OUT	VECTOR BIT 04
W14	IN	VEC OR BIT 05
W15	OUT	VECTOR BIT 06
W16	IN	VECTOR BIT 07
W17	OUT	VECTOR BIT 08
W18	IN	NPP LA NCI
W19	IN	MAINTENANCE (MIF ERRORS)

W1-W8 CORRESPOND TO A BASE ADDRESS OF 776700
 W11-W17 CORRESPOND TO A VECTOR ADDRESS OF 254
 JUMPERS ON E3 ARE SET FOR 20 REGISTERS
 DIP SITE E57 CONTAINS PRIORITY P.06 5409770-0-0 (BRS)
 BOARD IS NORMALLY RECEIVED IN CORRECT CONFIGURATION.

W7296 CONTROL AND STATUS REGISTERS LOCATION EFC1

LOWEST ACCEPTABLE REVISION ETCH REV N/A CS REV B
 INSTALL JUMPER W1 TO ALLOW ONLY UNIBUS A TO BE SELECTED.

W7297 PARITY CONTROL LOCATION C0B1

LOWEST ACCEPTABLE REVISION ETCH REV N/A CS REV A
 NO JUMPERS OR OTHER CONFIGURABLE COMPONENTS
 THERE ARE TWO VISUAL INDICATORS (LED) FOR MASSBUS PARITY ERROR DISPLAY ON THIS BOARD (LIT IF PARITY ERROR DETECTED).

W930A UNIBUS B TERMINATOR LOCATION A804

LOWEST ACCEPTABLE REVISION ETCH REV N/A CS REV B
 JUMPER TABLE

JUMPER	STATE	COMMENTS
W1	OUT	BEGINNING OF BUS
W2	IN	NOT END OF BUS
W3	IN	NOT END OF BUS

THERE IS A VISUAL INDICATOR (LED) FOR AN ILLEGAL JUMPER CONFIGURATION CHECK (LIT IF ILLEGAL).

W9984 CONTROLLER TRANSCEIVER LOCATIONS C0B4, C0B5 AND C0B6

LOWEST ACCEPTABLE REVISION ETCH REV N/A CS REV D
 NO JUMPERS OR OTHER CONFIGURABLE COMPONENTS

W999 UNIBUS POWER FAIL DRIVERS LOCATIONS E04 AND E05

NOTE THE W999 S IN THESE TWO LOCATIONS ARE NOT REQUIRED BY THE PARTICULAR SYSTEMS CONFIGURATION IN WHICH THIS WILL BE USED AND HENCE MUST BE REMOVED FROM THE SYSTEM.

GENERAL NOTE THE THREE SPC SLOTS IN LOCATIONS C0E07, C0E08 AND C0E09 WILL NOT EXIST IN BACKPLANE WIRED TO WIRELIST K-WL RH11 D 12 OR HIGHER. THE THREE 6727 CRYSTAL CONTINUITY MODULES WILL NOT BE NEEDED IN THESE BACKPLANES.

REV	CHANGE NO	REV

THIS DRAWING AND SPECIFICATION HERETO, ARE THE PROPERTY OF DATA EQUIPMENT CORPORATION, AND SHALL NOT BE REPRODUCED OR COPIED OR USED IN WHOLE OR IN PART BY THE BUYER OR ANY OTHER MANUFACTURER OR SALES ORGANIZATION WITHOUT THE WRITTEN PERMISSION OF DATA EQUIPMENT CORPORATION.
 © 1975 DATA EQUIPMENT CORPORATION

DL11-C CONSOLE TERMINAL CONTROLLER

W7900-YA ASYNC LINE INTERFACE LOCATION CDEF89 (DD11-A BACKPLANE)

LOWEST ACCEPTABLE REVISION ETCH REV N/A CS REV H
 JUMPER TABLE

JUMPER	STATE	COMMENTS
J1	EITHER	EIA REQUEST TO SEND
J2	OUT	EIA FORCE BUSY
J3	EITHER	REQUEST TO SEND CONTROL
J4	EITHER	EIA DATA LEADS ONLY
J5	IN	BREAK
J6	OUT	DATA SET INTERRUPTS
J7	OUT	DATA SET STATUS BITS
J8	IN	ERROR BITS
J9	OUT	STOP BITS
J10	IN	STOP BITS
J11	OUT	STOP BITS
Z5B	IN	STOP BITS
NP	OUT	PARITY BITS
EPS	EITHER	PARITY BITS
MB1	OUT	DATA BITS
MB2	OUT	DATA BITS
NI	IN	NPR LATENCY
A3	IN	ADDRESS BIT #3
A4	OUT	ADDRESS BIT #4
A5	OUT	ADDRESS BIT #5
A6	OUT	ADDRESS BIT #6
A7	IN	ADDRESS BIT #7
A8	OUT	ADDRESS BIT #8
A9	OUT	ADDRESS BIT #9
A10	OUT	ADDRESS BIT #10
V3	OUT	VECTOR BIT #3
V4	IN	VECTOR BIT #4
V5	IN	VECTOR BIT #5
V6	OUT	VECTOR BIT #6
V7	OUT	VECTOR BIT #7
V8	OUT	VECTOR BIT #8

THE STOP BIT JUMPERING CORRESPONDS TO ONE STOP BIT.
 THE PARITY BIT JUMPERING CORRESPONDS TO NO HARDWARE PARITY.
 THE DATA BIT JUMPERING CORRESPONDS TO EIGHT DATA BITS.
 A3-A10 CORRESPOND TO A BASE ADDRESS OF 777560.
 V3-V8 CORRESPOND TO A VECTOR ADDRESS OF 69.
 OPERATING SPEED 300 BAUD (SWITCH POSITION #2 FOR BOTH TRANSMIT AND RECEIVE). REMOVE C29 AND C31 CRYSTAL 1805581-7 (4.608MHZ - SPEED GROUP #4) PRIORITY PLUG 5498776-B-0 (BR4)
 RECEIVER STATUS REGISTER (RCSR) 777560
 RECEIVED DATA BUFFER REGISTER (RBUF) 777562
 TRANSMITTER STATUS REGISTER (XCSR) 777564
 TRANSMITTED DATA BUFFER REGISTER (XBUF) 777568

DL11-E REMOTE LINK CONTROLLER

W7900 ASYNC LINE INTERFACE LOCATION CDEF01 (DD11-B BACKPLANE)

LOWEST ACCEPTABLE REVISION ETCH REV N/A CS REV F
 JUMPER TABLE

JUMPER	STATE	COMMENTS
J1	IN	EIA REQUEST TO SEND
J2	OUT	EIA FORCE BUSY
J3	IN	REQUEST TO SEND CONTROL
J4	OUT	EIA DATA LEADS ONLY
J5	IN	BREAK
J6	IN	DATA SET INTERRUPTS
J7	IN	DATA SET STATUS BITS
J8	IN	ERROR BITS
J9	OUT	STOP BITS
J10	IN	STOP BITS
J11	OUT	STOP BITS
Z5B	IN	STOP BITS
NP	OUT	PARITY BITS
EPS	EITHER	PARITY BITS
MB1	OUT	DATA BITS
MB2	OUT	DATA BITS
NI	IN	NPR LATENCY
A3	OUT	ADDRESS BIT #3
A4	IN	ADDRESS BIT #4
A5	IN	ADDRESS BIT #5
A6	IN	ADDRESS BIT #6
A7	OUT	ADDRESS BIT #7
A8	OUT	ADDRESS BIT #8
A9	OUT	ADDRESS BIT #9
A10	IN	ADDRESS BIT #10
V3	OUT	VECTOR BIT #3
V4	OUT	VECTOR BIT #4
V5	OUT	VECTOR BIT #5
V6	IN	VECTOR BIT #6
V7	IN	VECTOR BIT #7
V8	OUT	VECTOR BIT #8

THE STOP BIT JUMPERING CORRESPONDS TO ONE STOP BIT.
 THE PARITY BIT JUMPERING CORRESPONDS TO NO HARDWARE PARITY.
 THE DATA BIT JUMPERING CORRESPONDS TO EIGHT DATA BITS.
 A3-A10 CORRESPOND TO A BASE ADDRESS OF 775610.
 V3-V8 CORRESPOND TO A VECTOR ADDRESS OF 300.
 OPERATING SPEED 300 BAUD (SWITCH POSITION #2 FOR BOTH TRANSMIT AND RECEIVE).
 CRYSTAL 1805581-7 (4.608MHZ - SPEED GROUP #4) PRIORITY PLUG 5498776-B-0 (BR4)
 RECEIVER STATUS REGISTER (RCSR) 775610
 RECEIVED DATA BUFFER REGISTER (RBUF) 775612
 TRANSMITTER STATUS REGISTER (XCSR) 775614
 TRANSMITTED DATA BUFFER REGISTER (XBUF) 775618

DM73-YF BOOTSTRAP ROM LOADER

W873-YF RESTART LOADER LOCATION CDEF22 (DD11-B BACKPLANE)

LOWEST ACCEPTABLE REVISION ETCH REV N/A CS REV -
 DICE INSTALLATION TABLE

DICE	STATE	COMMENTS
D1	OUT	BIT 1 WORD 1
D2	OUT	BIT 1 WORD 2
D3	OUT	BIT 1 WORD 3
D4	OUT	BIT 1 WORD 4
D5	OUT	BIT 2 WORD 1
D6	OUT	BIT 2 WORD 2
D7	OUT	BIT 2 WORD 3
D8	IN	BIT 2 WORD 4
D9	OUT	BIT 3 WORD 1
D10	IN	BIT 3 WORD 2
D11	OUT	BIT 3 WORD 3
D12	IN	BIT 3 WORD 4
D13	OUT	BIT 4 WORD 1
D14	OUT	BIT 4 WORD 2
D15	IN	BIT 4 WORD 3
D16	IN	BIT 4 WORD 4
D17	OUT	BIT 5 WORD 1
D18	OUT	BIT 5 WORD 2
D19	OUT	BIT 5 WORD 3
D20	IN	BIT 5 WORD 4
D21	OUT	BIT 6 WORD 1
D22	OUT	BIT 6 WORD 2
D23	OUT	BIT 6 WORD 3
D24	IN	BIT 6 WORD 4
D25	OUT	BIT 7 WORD 1
D26	OUT	BIT 7 WORD 2
D27	OUT	BIT 7 WORD 3
D28	OUT	BIT 7 WORD 4
D29	OUT	BIT 8 WORD 1
D30	OUT	BIT 8 WORD 2
D31	OUT	BIT 8 WORD 3
D32	IN	BIT 8 WORD 4

JUMPER TABLE

JUMPER	STATE	COMMENTS
W1	IN	FOR 11 40 USE
W2	OUT	FOR 11 05 11 10 AND 11 45 USE
W3	OUT	ENABLE UPPER ROWS

RESISTOR R3 MUST BE REMOVED
 INPUT #1 OFFSET ADDRESS 000 SWAP 1
 INPUT #2 OFFSET ADDRESS 030 D SWAP 1
 INPUT #3 OFFSET ADDRESS 020 D SWAP 1
 INPUT #4 OFFSET ADDRESS 574 D SWAP 22

DM73-YJ BOOTSTRAP ROM LOADER

W873-YJ RESTART LOADER LOCATION CDEF22 (DD11-B BACKPLANE)

LOWEST ACCEPTABLE REVISION ETCH REV N/A CS REV J

THE W873-YJ MODULE SHOULD ALREADY BE CONFIGURED CORRECTLY. HOWEVER, AS A QUICK VERIFY THE MODULE MAY BE COMPARED AGAINST THE FOLLOWING TABLE.

DIODE FIELD

BOOT FUNCTION	STARTING ADDRESS	BIT 8	BIT 7	BIT 6	BIT 5	BIT 4	BIT 3	BIT 2	BIT 1
SWITCH REG	773000	D29 OUT	D25 OUT	D21 OUT	D17 OUT	D13 OUT	D9 OUT	D5 OUT	D1 OUT
R1P04 DISK	773030	D30 OUT	D26 OUT	D22 OUT	D18 IN	D14 IN	D10 IN	D6 OUT	D2 OUT
RX11 FLOPPY	773020	D31 OUT	D27 OUT	D23 OUT	D19 IN	D15 IN	D11 OUT	D7 OUT	D3 OUT
DTE20	773230	D32 OUT	D28 IN	D24 OUT	D20 IN	D16 IN	D12 IN	D8 OUT	D4 OUT

ROM PART NOS.

LOCATION	PART NUMBER
E16	23412A2
E17	23413A2
E18	23414A2
E20	23415A2

JUMPER CONFIG.

W1 IN
 W2 OUT
 W3 OUT
 RESISTOR R3 SHOULD BE REMOVED

DD11-B PERIPHERAL MOUNTING PANEL (WIRE LIST REV)

5410057 ETCHED BACKPLANE

LOWEST ACCEPTABLE REVISION ETCH REV N/A CS REV B

H7420 BULK POWER SUPPLY (CS REV A) 140 AND PERIPHERALS CON

H744 -5V REGULATOR

LOWEST ACCEPTABLE REVISION ETCH REV N/A CS REV D

H745 -15V REGULATOR

LOWEST ACCEPTABLE REVISION ETCH REV N/A CS REV D

H754 -20V -5V REGULATOR

LOWEST ACCEPTABLE REVISION ETCH REV N/A CS REV H

5411006 REGULATOR

LOWEST ACCEPTABLE REVISION ETCH REV N/A CS REV -

REVISIONS		
CHG	CHANGE NO	REV

THIS DRAWING AND SPECIFICATIONS ARE THE PROPERTY OF DIGITAL EQUIPMENT CORPORATION AND SHALL NOT BE REPRODUCED OR COPIED IN WHOLE OR IN PART AS THE BASIS FOR THE MANUFACTURE OR SALE OF ITEMS WITHOUT WRITTEN PERMISSION. COPYRIGHT © 1975 DIGITAL EQUIPMENT CORPORATION.

7726 M7726 MCA PROGRAMMER DRIVE CONTROLLER
 M7846 RX81-RX11 INTERFACE LOCATION CODE#03 (DD11-R BACKPLANE)
 LOWEST ACCEPTABLE REVISION: ETCN REV N/A CS REV E

JUMPER TABLE

JUMPER	STATE	COMMENTS
A3	OUT	ADDRESS BIT 03
A4	OUT	ADDRESS BIT 04
A5	OUT	ADDRESS BIT 05
A6	OUT	ADDRESS BIT 06
A7	IN	ADDRESS BIT 07
A8	IN	ADDRESS BIT 08
A9	OUT	ADDRESS BIT 09
A10	OUT	ADDRESS BIT 10
A11	OUT	ADDRESS BIT 11
A12	OUT	ADDRESS BIT 12
V2	IN	VECTOR BIT 02
V3	IN	VECTOR BIT 03
V4	OUT	VECTOR BIT 04
V5	IN	VECTOR BIT 05
V6	OUT	VECTOR BIT 06
V7	IN	VECTOR BIT 07
V8	OUT	VECTOR BIT 08

A3-A10 CORRESPOND TO A BASE ADDRESS OF 777170
 V2-V8 CORRESPOND TO A VECTOR ADDRESS OF 264
 PRIORITY PLUG: 5499778-0-0 (BR5)
 COMMAND AND STATUS REGISTER (RXCS): 777170
 DATA BUFFER REGISTER (RXDB): 777172
 CABLE BC05L-15 CONNECTED BETWEEN BERG CONNECTOR AND MATING CONNECTOR ON M7726.
 (RED LINE TOWARD FRONT OF DRIVE, RED LINE TOWARD FRONT OF DRIVE)

M7726 MCA PROGRAMMER DRIVE CONTROLLER
 LOWEST ACCEPTABLE REVISION: ETCN REV N/A CS REV E
 NO JUMPERS OR OTHER CONFIGURABLE COMPONENTS.
 THE M7726 MAINTENANCE MODULE SET (M130 M131) WITH OVERLAY A-SS-5589801-0-14
 MAY BE USED TO SINGLE STEP THROUGH THE FIRMWARE. A SPECIAL CONNECTOR IS
 ALLOCATED FOR THIS PURPOSE. THE LIGHT AND SWITCH FUNCTIONS ARE AS FOLLOWS:

SWITCH	FUNCTION
RUN ENAB	ON - M7726 CLOCK OFF - MAINTENANCE CLOCK (CONTINUE)
CONTINUE	ON - ADVANCE FIRMWARE ONE STEP OFF - NORMAL POSITION
ERROR HLT	ON - HALT CONTROLLER WHEN ERROR DETECTED OFF - NO HALT WHEN ERROR DETECTED

LIGHT	FUNCTION
HALT	FIRMWARE HALTED
INST 1 AND 0	INSTRUCTION BITS
SELECT FLD	SELECTS 1 OF 16 CONDITIONS
OP AND C1	CONTROL FUNCTIONS
FIELD	ROW FIELD
PROGRAM COUNTER (0-5)	ADDRESS+1 OF INSTRUCTION DISPLAYED
COUNTER (0-7)	DISPLAYS CONTENTS OF COUNTER REGISTER

CARE MUST BE TAKEN TO PLUG BC05L-15 CABLE INTO ITS APPROPRIATE CONNECTOR PROPERLY ORIENTED.
 (SMOOTH SIDE OF CABLE AGAINST MODULE, RED LINE TOWARD FRONT OF DRIVE)

M7727 READ/WRITE CONTROL
 LOWEST ACCEPTABLE REVISION: ETCN REV N/A CS REV A
 NO JUMPERS OR OTHER CONFIGURABLE COMPONENTS

CONNECTOR TABLE

CONNECTOR	DESCRIPTION
J1	DISK DRIVE INTERFACE CABLE
J2	POWER FROM M7711 POWER SUPPLY
DK0(P3)	HEAD CABLE
DK0(P4)	STEPPER MOTOR
DK0(P5)	HEAD LOAD SOLENOID
DK0(P6)	INDEX SIGNAL
DK0(P7)	TRACK ZERO SIGNAL
DK0(P8)	WRITE PROTECT (NOT USED)
DK1(P3)	HEAD CABLE
DK1(P4)	STEPPER MOTOR
DK1(P5)	HEAD LOAD SOLENOID
DK1(P6)	INDEX SIGNAL
DK1(P7)	TRACK ZERO SIGNAL
DK1(P8)	WRITE PROTECT (NOT USED)

M7711 POWER SUPPLY REGULATOR (541138)
 LOWEST ACCEPTABLE REVISION: ETCN REV N/A CS REV C

REVISIONS		
CHG	CHANGE NO	REV

DIGITAL EQUIPMENT CORPORATION MAYNARD, MASSACHUSETTS			QUANTITY / VARIATION		
PARTS LIST			7011418-1 (120V)	7011418-2 (240V)	
MADE BY K. GAMACHE	CHECKED <i>D. Sireen</i>	SECTION			
DATE 8/5/75	DATE 3 NOV 75	ISSUED SECT.			
ENG <i>Ragna 1st. Olaf</i>	PROD. <i>L. Cornell</i>				
DATE 18 AUG 75	DATE 3 NOV 75				
ITEM NO.	DWG NO. / PART NO.	DESCRIPTION	7011418-1 (120V)	7011418-2 (240V)	
1	E-AD-7011293-1	CABINET ASSY	1	1	
2	E-AD-7011293-1	CABINET ASSY	1	1	
3	D-UA-11/40-AP	BASIC 11/40 (32K PAR MEM 120V)	1	-	
4	D-UA-11/40-AR	BASIC 11/40 (32K PAR MEM 240V)	-	1	
5	D-UA-RH11-AB-0	MASSBUS CONTROLLER	1	1	
6	A-PL-DD11-B-0	PERIPHERAL MTG PANEL	2	2	
7	D-CA-EN073-0	PROCESSOR COOLER (R&S)	1	1	
8	A-PL-DL11-C-0	ASYNC. LINE INT (CONSOLE TERMINAL)	1	1	
9	A-PL-DL11-E-0	ASYNC. LINE INT (REMOTE LINK)	1	1	
10	A-PS-1805501-07-0	CRYSTAL (4.608 MHZ)	2	2	
11	A-PL-KW11-L-0	LINE TIME CLOCK	1	1	
12	D-UA-MS202-B-0	CABLE, UNIBUS JUMPER	5	5	
13	D-MD-7409445-0-0	BRACKET, SUPPORT, HARNESS	2	2	
14	D-IA-7409446-0-0	SUPPORT, HARNESS	2	2	
15	B-MD-7409447-0-0	PLATE, SUPPORT	2	2	
16	A-PL-7010965-0-0	BRACKET, SHIPPING (PROCESSOR)	2	2	
17	E-IA-7409305-2-0	BEZEL REWORK (INCLS BEZEL)	1*	1*	
18	A-PL-7011769-0-0	CONSOLE REWORK (INCLS SILK SCREEN)	1*	1*	
19	C-IA-7410581-0-0	BRACKET, CABLE HOLD-DOWN	3	3	
20	D-PS-1211215-0-0	CABLE CLAMP AND STRAP	5	5	
21	9006039-1	SCREW, PHL PAN HD #8-32 X .50 LG	4	4	
22	9006073-3	SCREW, PHL PAN HD #10-32 X .50 LG	8	8	
TITLE	ASSY NO.	SIZE CODE	NUMBER	REV	ECCO NO.
204# CONSOLE PROCESSOR	E-AD-7011418-0-0	A PL	7011418-0-0	E	KLIC-5 MRD12
	SHEET 1 OF 4	DIST.			

DEC FORM DEC 16 (325)-1031-N870
DRA 110

MR

DIGITAL EQUIPMENT CORPORATION MAYNARD, MASSACHUSETTS			QUANTITY / VARIATION		
PARTS LIST			7011418-1 (120V)	7011418-2 (240V)	
MADE BY K. GAMACHE	CHECKED D. SIREEN	SECTION			
DATE 5-AUG.-75	DATE 3-NOV-75	ISSUED SECT.			
ENG R. OLSEN	PROD L. CORNELL				
DATE 18-AUG.-75	DATE 3-NOV.-75				
ITEM NO.	DWG NO. / PART NO.	DESCRIPTION	7011418-1 (120V)	7011418-2 (240V)	
45	3-378-1657-N673	DECAL, EXPANDER BOX	1*	1*	
45	1700015-9	POWER CORD, 3 CONDUCTOR, 9 FT. (120V)	1	1	
47	1700016-9	POWER CORD, 3 CONDUCTOR, 9 FT. (240V)	1	1	
48	1210822-2	CONN, MATE N 100 2 PIN HSG 1-400310	1	1	
49	1210821-2	CONN, MATE N 100 2 PIN HSG 1-400310	1	1	
50	9006565	NUT, KEPS #10-32	9	9	
51	1209378-03	EXPANDER BOX	2	2	
52	1209379-03	EXPANDER BOX	2	2	
53	9006047-01	SCR, PHL PAN HD #8-32 X 2.00	6	6	
54	9006571	NUT, WING #8-32	4	4	
55	9006662	WASHER, FLAT #8 .063	2	2	
56	9009228-10	SCR., PHL., PAN HD., SEMS #10-32 X .31LG	20	20	
57	9006071-3	SCR, PHL TRUSS HD #10-32 x .375 LG	4	4	
58	9006043-1	SCR, PHL PAN HD #8-32 x 1.00 LG	4	4	
59	9009642	SCR, PHL PAN HD SEMS #8-32 x .25 LG	4	4	
60	9008887	STRAP, JUMPER, BRAID WITH TERMINALS	2	2	
61	1209810	PLUG, 4-POLE, 5-WIRE, TW, LOCK (240V)	-	1	
62	1700028	CORD, POWER, 5-WIRE, 10 AWG	-	AP	
TITLE	ASSY NO.	SIZE CODE	NUMBER	REV	ECCO NO.
204# CONSOLE PROCESSOR	E-AD-7011418-0-0	A PL	7011418-0-0	E	KLIC-5 MRD12
	SHEET 3 OF 4	DIST.			

DEC FORM DEC 16 (325)-1031-N870
DRA 110

MR

DIGITAL EQUIPMENT CORPORATION MAYNARD, MASSACHUSETTS			QUANTITY / VARIATION		
PARTS LIST			7011418-1 (120V)	7011418-2 (240V)	
MADE BY K. GAMACHE	CHECKED <i>D. Sireen</i>	SECTION			
DATE 8/5/75	DATE 3 NOV 75	ISSUED SECT.			
ENG <i>Ragna 1st. Olaf</i>	PROD. <i>L. Cornell</i>				
DATE 18 AUG 75	DATE 3 NOV 75				
ITEM NO.	DWG NO. / PART NO.	DESCRIPTION	7011418-1 (120V)	7011418-2 (240V)	
23	9007651	WASHER, EXT TOOTH LOCK #10	5	5	
24	9007786	NUT, TIERCEPIN #10-32	7	7	
25	9006634	WASHER, INT TOOTH LOCK #8	8	8	
26	9007880	CABLE TIE, NYLON SST-1.5M	20	20	
27	9008264	MOUNT, CABLE TIE, ADHESIVE BACK	10	10	
28	9007867	MOUNT, CABLE TIE, PUSH ON	10	10	
29	9008905-1	SCREW, PHL PAN HD #8-32 X 1.11 LG	6	6	
30	D-IA-7010167-0-0	SUPPORT, HARNESS	1	1	
31	3-378-1638-N573	DECAL, 11/40 BOX	1*	1*	
32	E-UA-B411-FB	MOUNTING BOX ASSY	1	1	
33	E-UA-H7420-A-0	POWER SUPPLY H7420-A (120V)	1	-	
34	E-UA-H7420-B-0	POWER SUPPLY H7420-B (240V)	-	1	
35	E-UA-H744-0-0	45V REGULATOR	3	3	
36	E-UA-H745-0-0	15V REGULATOR	2	2	
37	E-UA-861-D-0	POWER CONTROL (120V)	1	-	
38	E-UA-861-E-0	POWER CONTROL (240V)	-	1	
39	E-IA-7009566-0-0	21" BOX POWER HARNESS	1	1	
40	D-IA-7009573-0-0	6 PIN JUMPER HARNESS	2	2	
41	D-MD-7411583-0-0	BEZEL MOUNTING BRACKET	2	2	
42	C-UA-BC08R-105	CABLE, ECCSR (6 FT)	2	2	
43	D-UA-FX11-PA	FLOPPY DISK SUBSYSTEM (60HZ)	1	-	
44	D-UA-FX11-BD	FLOPPY DISK SUBSYSTEM (50HZ)	-	1	
TITLE	ASSY NO.	SIZE CODE	NUMBER	REV	ECCO NO.
204# CONSOLE PROCESSOR	E-AD-7011418-0-0	A PL	7011418-0-0	E	KLIC-5 MRD12
	SHEET 2 OF 4	DIST.			

DEC FORM DEC 16 (325) 1031 N870
DRA 110

MR

DIGITAL EQUIPMENT CORPORATION MAYNARD, MASSACHUSETTS			QUANTITY / VARIATION		
PARTS LIST			7011418-1 (120V)	7011418-2 (240V)	
MADE BY K. GAMACHE	CHECKED D. SIREEN	SECTION			
DATE 5-AUG.-75	DATE 3-NOV.-75	ISSUED SECT.			
ENG R. OLSEN	PROD L. CORNELL				
DATE 18-AUG-75	DATE 3-NOV.-75				
ITEM NO.	DWG NO./PART NO.	DESCRIPTION	7011418-1 (120V)	7011418-2 (240V)	
63	A-PL-DD11-A	DB11-A BUS REPEATER	1	1	
64	D-UA-BC11A-2-0	CABLE ASSY, UNIBUS	1	1	
65	A-PL-EM373-YJ	BOOTSTRAP LOADER	1	1	
*ITEMS INDICATED ARE INCLUDED FOR COMPLETENESS OF ASSEMBLY BUT DECALS, BEZEL AND SILK SCREEN SHOULD NOT BE INSTALLED UNTIL FINAL SHIP TO END CUSTOMER.					
TITLE	ASSY NO.	SIZE CODE	NUMBER	REV	ECCO NO.
204# CONSOLE PROCESSOR	E-AD-7011418-0-0	A PL	7011418-0-0	E	KLIC-5 MRD12
	SHEET 4 OF 4	DIST.			

DEC FORM DEC 16 (325) 1031 N870
DRA 110

MR

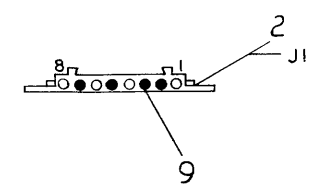
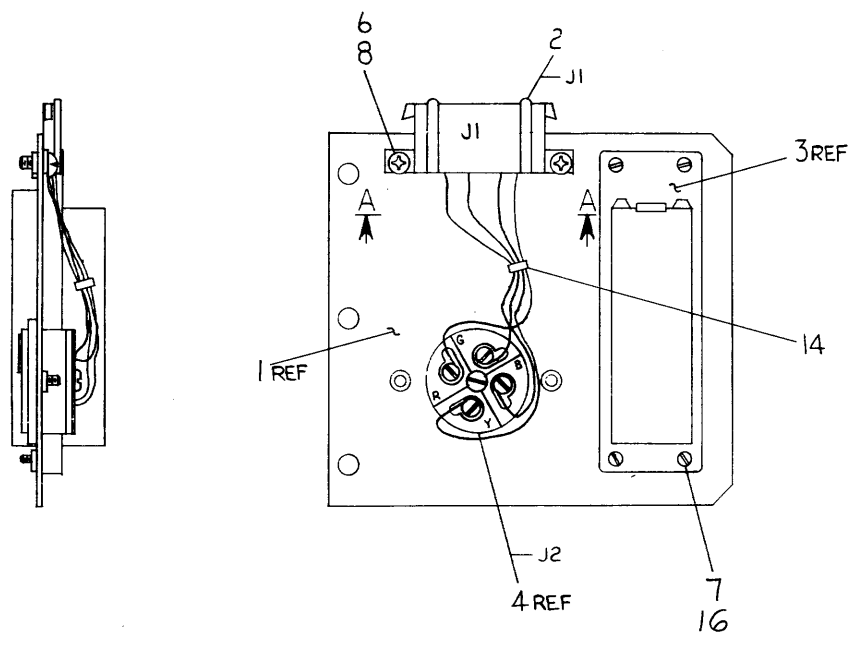
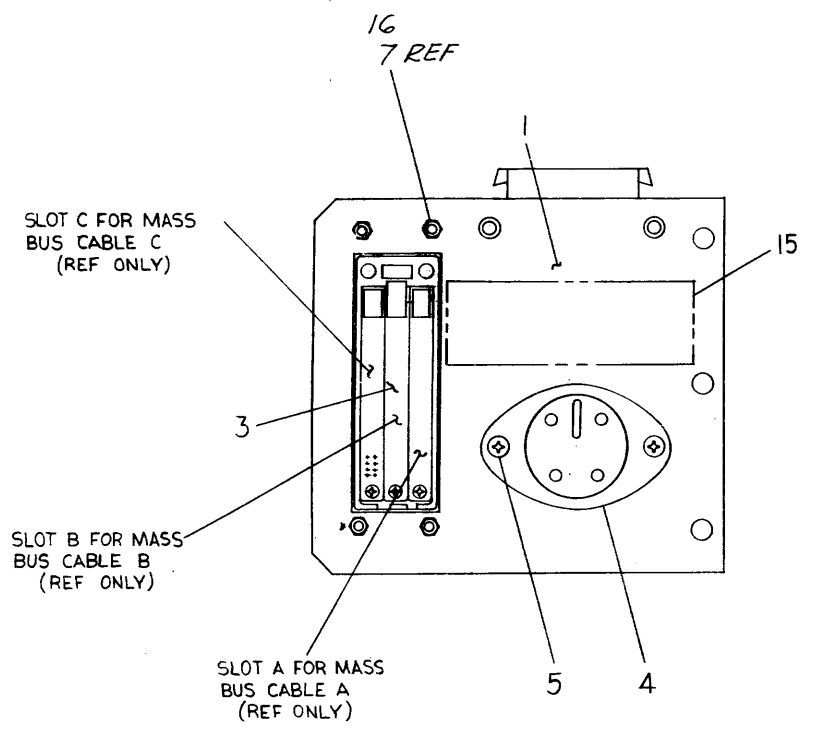
THIS DRAWING AND SPECIFICATIONS HEREIN ARE THE PROPERTY OF DIGITAL EQUIPMENT CORPORATION AND SHALL NOT BE REPRODUCED OR COPIED OR USED IN WHOLE OR IN PART AS THE BASIS FOR THE MANUFACTURE OR SALE OF ITEMS WITHOUT WRITTEN PERMISSION. COPYRIGHT © 1974, DIGITAL EQUIPMENT CORPORATION

WIRE TABLE							
ITEM NO.	DESCRIPTION	FROM	TO		REMARKS		
NO.	AWG	COLOR	CONN	WITH	CONN	WITH	
11	22	BLK	J1-7	ITEM*9	J2-B	---	
13	22	RED	J1-2	ITEM*9	J2-R	---	
10	22	WHT	J1-3	ITEM*9	J2-Y	---	
12	22	GRN	J1-5	ITEM*9	J2-G	---	

DO NOT SCALE DRAWING

Q-C-11E0102 BY D 2

NOTES:
 1. USE ITEM *17 TO CONNECT A TERMINAL WITH STANDARD MATE'N'LOK CONNECTOR TO ITEM*4. ASSEMBLE WITH ITEM 17 CONNECTED TO ITEM 4.



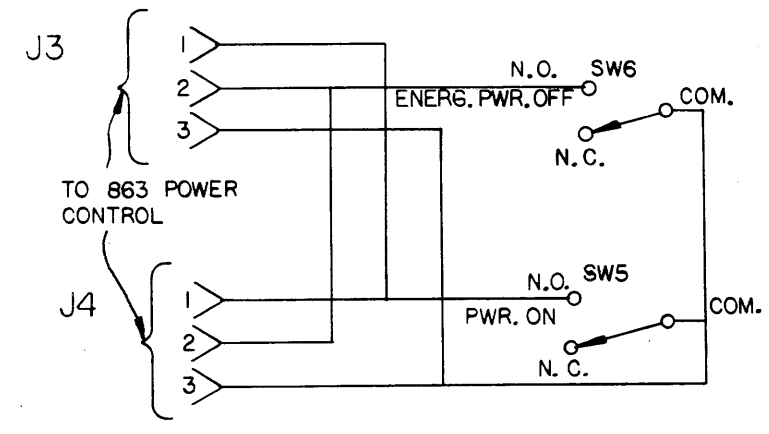
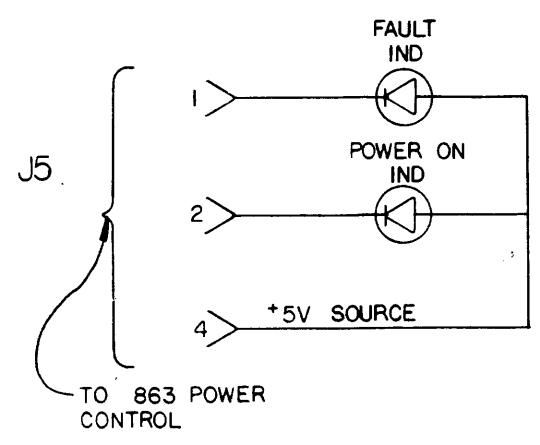
(SEE NOTE 1)

QTY.	DESCRIPTION	PART NO.	ITEM NO.
1	CABLE ASSY, 2838/MATE'N'LOK	D-IA-7014490-2-0	17
4	NUT, KEPS #4-40	9006557	16
1	LABEL, ADHESIVE BACKED	9009255	15
1	TIE CABLE	9007031-0-0	14
4 IN	WIRE #22 AWG STRD (RED)	9107350-22	13
4 IN	WIRE #22 AWG STRD (GRN)	9107350-55	12
4 IN	WIRE #22 AWG STRD (BLK)	9107350-00	11
4 IN	WIRE #22 AWG STRD (WHT)	9107350-99	10
4	TERMINAL SKT CONTACT	1209379-03	9
2	WASHER, INT. TOOTH LOK #6	9006633	8
4	SCR, SLOTTED FIL HD #4-40x.38	9006390-6	7
2	SCR, PHL. PAN HD 6-32x.31	9006021-1	6
2	SCR, PHL. FLAT HD 6-32x.25	9006020-2	5
1	PHONE JACK	120585T-3	4
1	HOUSING ASSY, RECEPTACLE	D-AD-700986H00	3
1	HSG & SKT MATE-N-LOK	1209340-00	2
1	PLATE, CONN.	C-1A-7412711-0-0	1

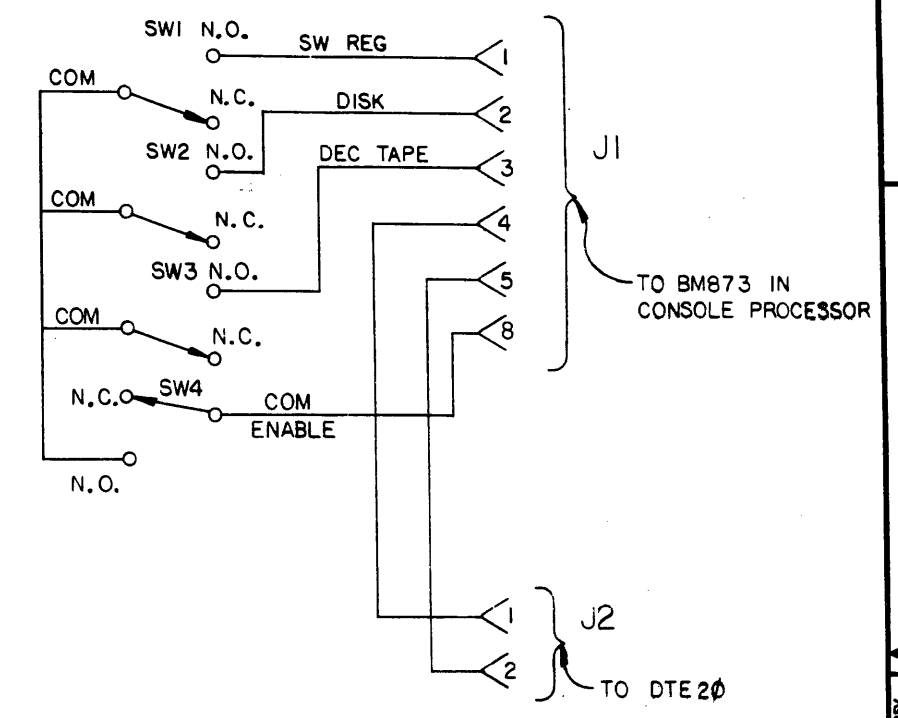
REV.	CHANGE NO.	DATE	BY
1	1	10/31/74	MROOII
2	1	11/14/74	SR HOLMES

FIRST USED ON OPTION/MODEL KLIØ		DATE 10-3-74		digital
DIMENSIONAL TOLERANCE DIMENSIONS ARE IN INCHES UNLESS OTHERWISE SPECIFIED		DATE 10/28/74		
THIRD ANGLE PROJECTION		NEXT HIGHER ASSY.		TITLE PLATE, CABLE CONVERSION ASSY.
MATERIAL SEE PARTS LIST		SIZE CODE D AD		NUMBER 7010311-0-0
FINISH ---		SCALE 1/1		REV. A
SHEET 1 OF 1		DIST.		

"THIS DRAWING AND SPECIFICATIONS, HEREIN, ARE THE PROPERTY OF DIGITAL EQUIPMENT CORPORATION AND SHALL NOT BE REPRODUCED OR COPIED OR USED IN WHOLE OR IN PART AS THE BASIS FOR THE MANUFACTURE OR SALE OF ITEMS WITHOUT WRITTEN PERMISSION. COPYRIGHT © 1975 DIGITAL EQUIPMENT CORPORATION"



SW1 - SW4 ARE MOMENTARY CONTACT SWITCHES



ALL SWITCHES SHOWN IN THE "OFF" POSITION

REV.	
CHG	
CHK	
REV. CHANGE NO.	

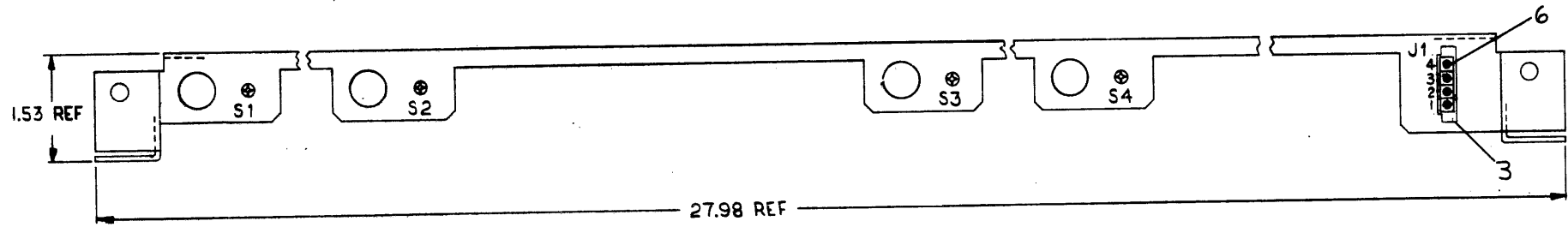
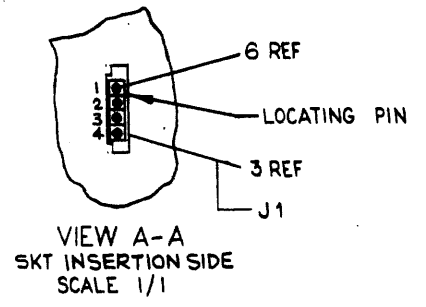
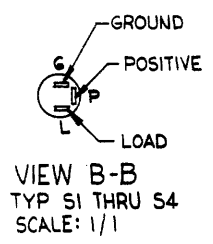
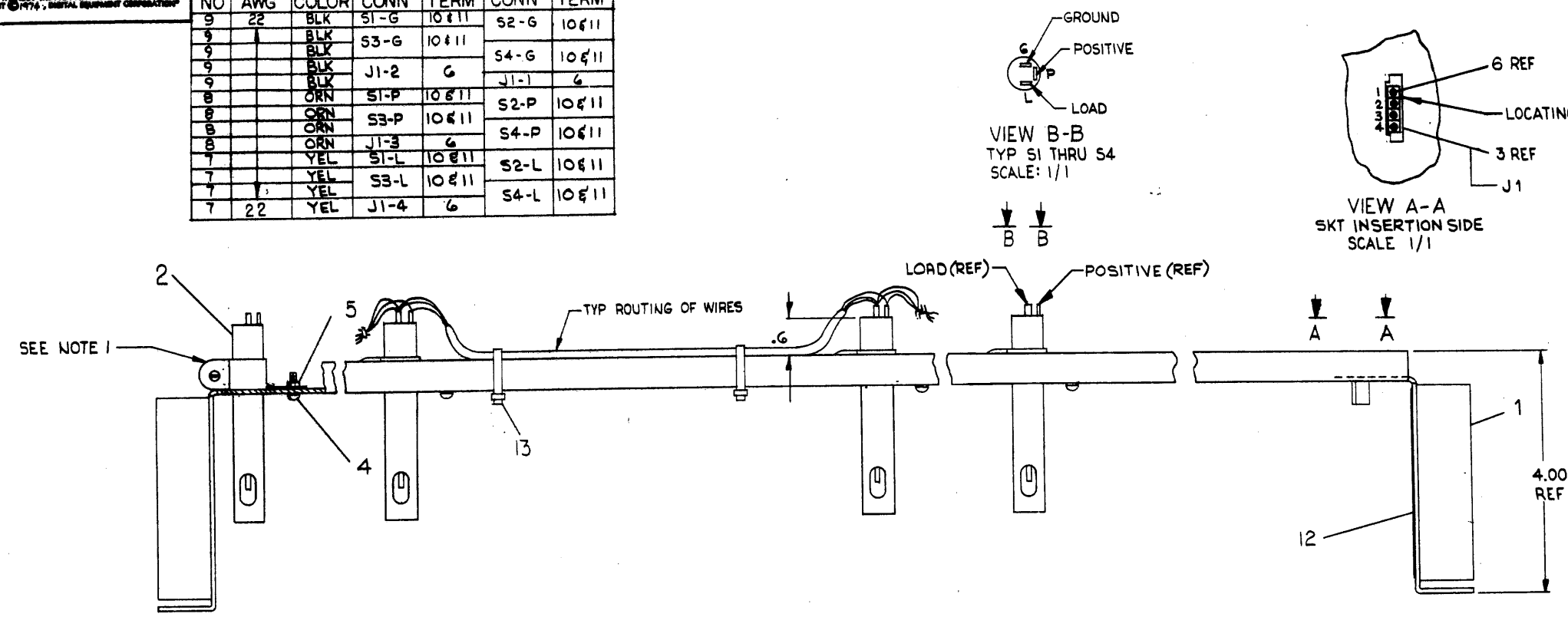
FIRST USED ON OPTION/MODEL	QTY.	DESCRIPTION	PART NO.	ITEM NO.
KL10-C				
PARTS LIST				
DIMENSIONAL TOLERANCE		DRN. <i>M. Golin</i>	DATE <i>20 Nov 75</i>	digital
DIMENSIONS ARE MILLIMETERS INCHES		CHK'D <i>R. Reed</i>	DATE <i>15 Dec 75</i>	
UNLESS OTHERWISE SPECIFIED		ENG. <i>D. Santella</i>	DATE <i>16 Dec 75</i>	
TITLES		PROJ. ENG. <i>R. M. Okey</i>	DATE <i>21 Dec 75</i>	
MILLIMETERS	INCHES	PROD. <i>L. E. Correll</i>	DATE <i>16 Jan 76</i>	SWITCH PANEL
X,XX ±0.10	.XX ±.005	NEXT HIGHER ASSY.		
X,X ±0.5	.X ±.1	MATERIAL B-DD-KL10-C		
X ±.2		FINISH		SCALE
THIRD ANGLE PROJECTION	REMOVE BURRS AND BREAK SHARP CORNERS SURFACE QUALITY ✓	SHEET		OF
		SIZE CODE		NUMBER
		C CS		7011639-0-1
		DIST.		

REV. NUMBER 7011639-0-1

"THE DRAWING AND SPECIFICATIONS HEREIN ARE THE PROPERTY OF DIGITAL EQUIPMENT CORPORATION AND SHALL NOT BE REPRODUCED OR COPIED OR USED IN WHOLE OR IN PART AS THE BASIS FOR THE MANUFACTURE OR SALE OF ITEMS UNLESS WRITTEN PERMISSION IS OBTAINED FROM DIGITAL EQUIPMENT CORPORATION."

WIRE TABLE						
ITEM NO	DESCRIPTION	FROM	TO			
NO	AWG	COLOR	CONN	TERM	CONN	TERM
9	22	BLK	S1-G	10#11	S2-G	10#11
9		BLK	S3-G	10#11	S4-G	10#11
9		BLK	J1-2	G	J1-1	G
8		ORN	S1-P	10#11	S2-P	10#11
8		ORN	S3-P	10#11	S4-P	10#11
8		ORN	J1-3	G		
7		YEL	S1-L	10#11	S2-L	10#11
7		YEL	S3-L	10#11	S4-L	10#11
7	22	YEL	J1-4	G		

NOTES:
1. SWITCH MOUNTING HARDWARE SUPPLIED WITH VANE SWITCH.

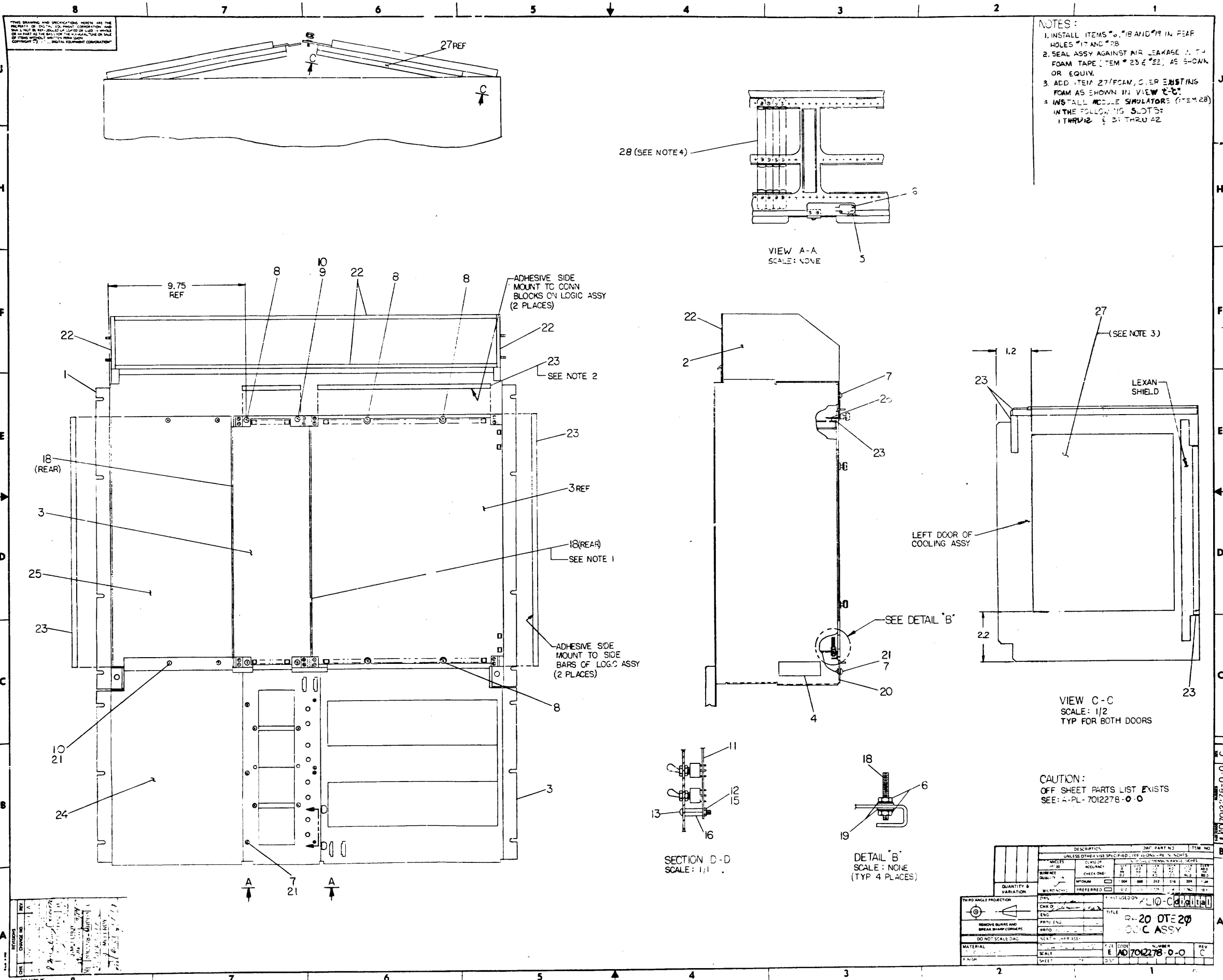


QTY.	DESCRIPTION	PART NO.	ITEM NO.
8	CABLE TIES	9007032	13
1	LABEL ADHESIVE BACK	9009255	12
12	SHRINKABLE TUBING	9107305-02	11
12	TERMINAL QUICK CONNECT	9009137-01	10
A/R	WIRE, 22 AWG STRD (BLK)	9107350-00	9
A/R	WIRE, 22 AWG STRD (ORN)	9107350-33	8
A/R	WIRE, 22 AWG STRD (YEL)	9107350-44	7
4	TERMINAL SKT CONTACT	1209379-06	6
4	NUT, KEP 6-32	9006560	5
4	SCR., PH. HD. PAN 6-32x.38	9006022-1	4
1	CONN SKT HSG 4 PIN	1209350-04	3
4	VANE SWITCH SPST N.O.	1211608	2
1	BRACKET, SWITCH	D-MD-7411372-0-0	1

FIRST USED ON OPTION/MODEL		PARTS LIST	
KL10		digital	
DIMENSIONAL TOLERANCE		DRN. P. Quehaer	DATE 3-18-74
DIMENSIONS ARE IN INCHES UNLESS OTHERWISE SPECIFIED		CHK'D. D. G. Seal	DATE 3/28/74
MILLIMETERS		ENG. J. P. Provident	DATE 3/17/75
XXX = ±0.10	XXX = ±0.08	PROG. J. P. Provident	DATE 3/17/75
XX = ±0.5	XX = ±0.02	PROD. J. P. Provident	DATE 3-26-74
X = ±2	X = ±.1		
THIRD ANGLE PROJECTION	REMOVE BURRS AND BREAK SHARP CORNERS SURFACE QUALITY	NEXT HIGHER ASSY.	
MATERIAL SEE PARTS LIST	FINISH	D-UA-KL10-0-0	SIZE CODE D AD
		SCALE 1/1	NUMBER 7009876-0-0
		SHEET 1 OF 1	REV. A

REV.	CHG. NO.	DATE	BY
1	7009876-0001	A	
2			
3			

REV. A
D AD 7009876-0-0



THIS DRAWING AND SPECIFICATIONS HEREBY ARE THE PROPERTY OF DODGE TO PROTECT CONFIDENTIALITY AND SHALL NOT BE REPRODUCED OR COPIED IN WHOLE OR IN PART WITHOUT THE WRITTEN PERMISSION OF DODGE EQUIPMENT CORPORATION.

- NOTES:
1. INSTALL ITEMS #18 AND #19 IN REAR HOLES #17 AND #28
 2. SEAL ASSY AGAINST AIR LEAKAGE WITH FOAM TAPE (ITEM #23 & #22) AS SHOWN OR EQUIV.
 3. ADD ITEM 27/FOAM OVER EXISTING FOAM AS SHOWN IN VIEW C-C.
 4. INSTALL MODULE SIMULATORS (ITEM 28) IN THE FOLLOWING SLOTS: 1 THRU 12 & 21 THRU 42

28 (SEE NOTE 4)

VIEW A-A
SCALE: NONE

LEFT DOOR OF COOLING ASSY

VIEW C-C
SCALE: 1/2
TYP FOR BOTH DOORS

SECTION D-D
SCALE: 1/1

DETAIL B
SCALE: NONE
(TYP 4 PLACES)

CAUTION:
OFF SHEET PARTS LIST EXISTS
SEE: A-PL-7012278-0-0

REV	DESCRIPTION	DATE	BY	CHKD
1	ISSUED FOR PRODUCTION	10/1/78	J. J. [unclear]	[unclear]
2	REVISION	10/1/78	[unclear]	[unclear]

QUANTITY & VARIATION	DESCRIPTION	UNIT PART NO.	ITEM NO.
1	COOLING ASSY	7012278-0-0	1

THIRD ANGLE PROJECTION	DATE USED ON	FILE NO.
DATE	FILE NO.	FILE NO.
DATE	FILE NO.	FILE NO.
DATE	FILE NO.	FILE NO.

MATERIAL	SCALE	REV
SCALE	SCALE	REV
SCALE	SCALE	REV

DIGITAL EQUIPMENT CORPORATION
MAYNARD, MASSACHUSETTS
PARTS LIST

MADE BY V. SOUZA
DATE 12-29-75
ENG *W. L. ...*
DATE 6 FEB 76

CHECKED *[Signature]*
DATE 2 FEB 76
PROD *[Signature]*
DATE 6 FEB 76

SECTION ISSUED SECT.

ITEM NO.	DWG NO. / PART NO.	DESCRIPTION	SIZE CODE	NUMBER	REV.	ECO NO.	QUANTITY / VARIATION
1	E-IA-7009859-0-0	COOLING ASSY	A PL	7012278-0-0	C	7012278	
2	1213011	BLOWER ASSY					
3	E-AD-7009429-0-0	WIRED ASSY DTE20/RH20					
4	9009255	LABEL ADHESIVE BACK					
5	1210755	SWITCH MICRO					
6	9006557	NUT KEPS 4-40					
7	9006072-1	SCR PHL PAN HD #10-32 X .44					
8	9006075-1	SCR PHL PAN HD #10-32 X .75					
9	9006565	NUT KEPS #10-32					
10	9008909-1	SCR PHL PAN HD #10-32 X .69					
11	D-IA-7010103-2-0	SWITCH ASSY					
12	9008185	NUT KEPS #6					
13	9006028-1	SCR PHL PAN HD #6-32 X 1.00					
14	M8559	I/O BOX LOCK DISTR					
15	9006653	WASHER FLAT #6					
16	9006806	SPACER HEX .62					
17	D-MU-KL110-0-RHDT	MODULE UTILIZATION					
18	B-MD-7413992-0-0	ROD SUPPORT					
19	9006655	WASHER FLAT					
20	D-IA-7011520-0-0	VANE SWITCH ASSY					
21	9006635	WASH LOCK INT TOOTH #10					
22	9008273	FOAM .12 X .25					

TITLE LOGIC ASSY DTE20/RH20
ASSY NO. E-AD-7012278-0-0
SIZE CODE A PL
SHEET 1 OF 2
DIST. 2
REV. C
ECO NO. 7012278
MROO 3

DEC FORM DEC 16-(325)-1031-N870
DRA 110

MR

DIGITAL EQUIPMENT CORPORATION
MAYNARD, MASSACHUSETTS
PARTS LIST

MADE BY *[Signature]*
DATE 12-29-75
ENG *[Signature]*
DATE 6 FEB 76

CHECKED *[Signature]*
DATE 2 FEB 76
PROD *[Signature]*
DATE 6 FEB 76

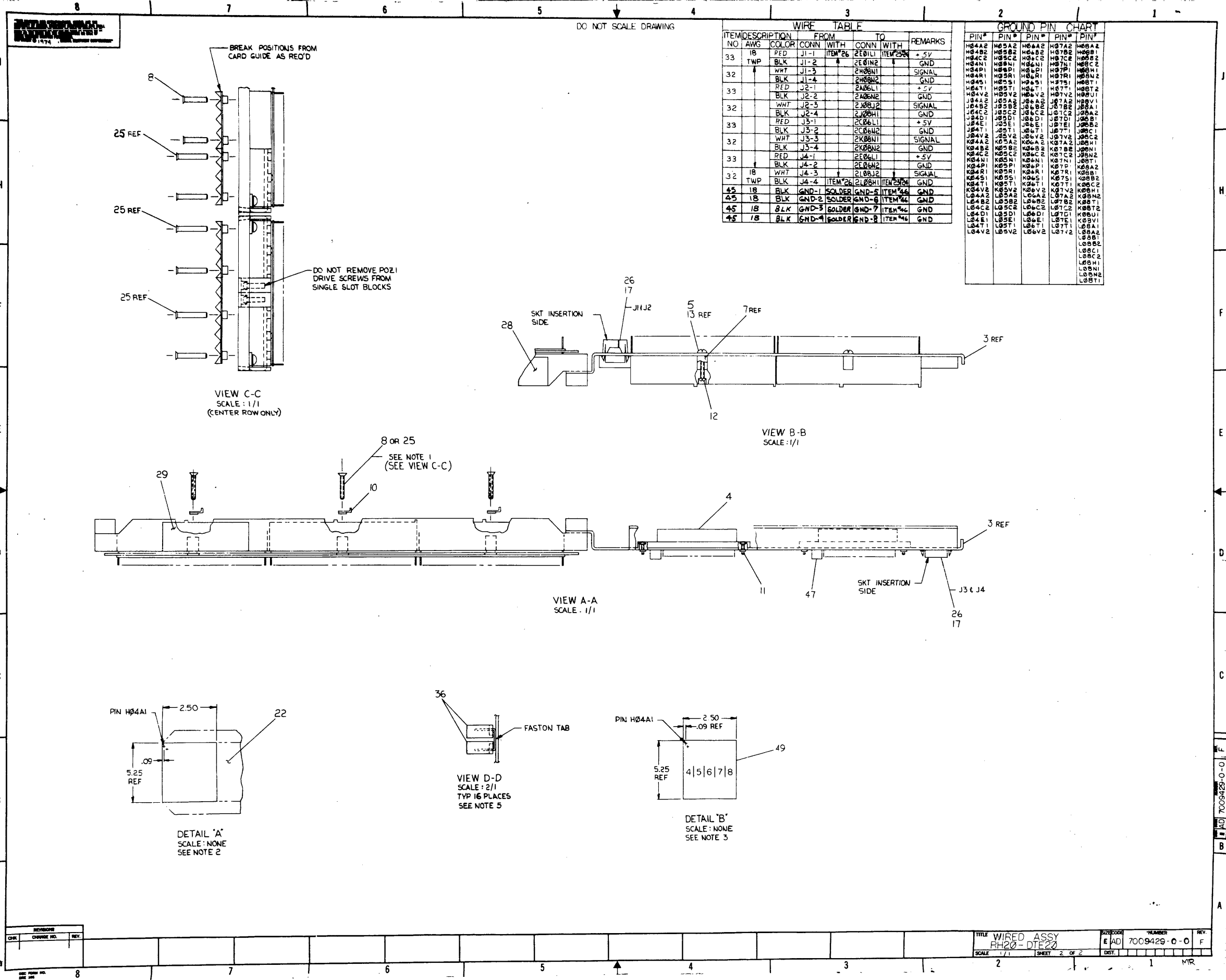
SECTION ISSUED SECT.

ITEM NO.	DWG NO. / PART NO.	DESCRIPTION	SIZE CODE	NUMBER	REV.	ECO NO.	QUANTITY / VARIATION
23	9008274	FOAM .38 X .38					
24	E-IA-7415270-0-0	PANEL BLANK I/O					
25	C-MD-7413681-1-0	PLATE FILLER					
26	D-IA-7012343-0-0	SCREEN, DIFFUSER ASSY (C.P.U.)					
27	9008479-1	FOAM, ADHESIVE BACK 14.50 X 10.50 X .19					
28	C-MD-7420793-0-0	MOD SIMULATOR					

TITLE LOGIC ASSY RH20/DTE20
ASSY NO. E-AD-7012278-0-0
SIZE CODE A PL
SHEET 2 OF 2
DIST. 2
REV. C
ECO NO. 7012278-0-0

DEC FORM DEC 16-(325)-1031-N870
DRA 110

MR



DIGITAL EQUIPMENT CORPORATION
MAYNARD, MASSACHUSETTS.

PARTS LIST

MADE BY V. SOUZA
DATE 2/28/75
ENG Louis J. Carpenter
DATE 3-24-75

CHECKED *[Signature]*
DATE 3-24-75
PROD J. Arthur
DATE 3-24-75

SECTION
ISSUED SECT.

ITEM NO.	DWG NO. / PART NO.	DESCRIPTION	QUANTITY / VARIATION
1	E-AD-7010088-2-0	BACKPLANE ASSY DTE2Ø	1
2	E-AD-7009431-0-0	BACKPLANE ASSY RH2Ø	1
3	E-IA-7411997-0-0	CONN PANEL I/O	1
4	D-IA-7010211-1-0	CONN ASSY MASSBUS	1
5	9006634	WASHER LOCK INT TOOTH #8	20
6	D-MD-7411998-0-0	BAR BACKPLANE TOP & BOT	2
7	C-MD-7412121-0-0	BAR CONN PANEL	2
8	9009070-00	SCR PHL FLAT HD #8-32 X .81	24
9	9006071-1	SCR PHL PAN HD #10-32 X .375	4
10	1210698	CARD GUIDE	24
11	9006390-6	SCR SLOTTED FIL HD #4-40 X .38	32
12	9006120-6	SCR FIL HD POZI DRIVE #8-32 X .62	6
13	9006039-1	SCR PHL PAN HD #8-32 X .50	4
14	1211425	CONN BLOCK 72 PIN	2
15	1210258	CONN BLOCK 288 PIN (H863)	2
16	9006037-1	SCR PHL PAN HD #8-32 X .38	16
17	1209350-04	CONN SKT HSG 4 PIN	4
18	A-DC-7413453-0-0	DECAL DTE/RH2Ø I/O	2
19	K-WL-KL1Ø-Ø-PF	WIRE LIST	REF
20	A-WT-7009429-0	AWT REVISION STATUS SHEET	REF
21	D-IA-500995Ø	GROUND PLANE PROTECTION SHEET	3
22	D-IA-5009785-03	GROUND PLANE	1

TITLE
WIRED ASSY
RH2Ø/DTE2Ø

ASSY NO.
E-AD-7009429-0-0

SIZE CODE
A PL

NUMBER
7009429-0-0

REV. ECO NO.
F 700002
MRO03

SHEET 1 OF 3

DEC FORM DEC 16-(325)-1031-N870
ORA 110

MR

DIGITAL EQUIPMENT CORPORATION
MAYNARD, MASSACHUSETTS.

PARTS LIST

MADE BY V. SOUZA
DATE 2/28/75
ENG Louis J. Carpenter
DATE 3-24-75

CHECKED *[Signature]*
DATE 3-24-75
PROD J. Arthur
DATE 3-24-75

SECTION
ISSUED SECT.

ITEM NO.	DWG NO. / PART NO.	DESCRIPTION	QUANTITY / VARIATION
23	9107302-10	TUBING THIN WALL	AR
24	9009139	TERMINAL	16
25	9009665-2	SCR PHL #5 FLAT HD #8-32 X 1.03	32
26	1209379-02	PIN TERMINAL CONTACT	16
27	9008499	SOLDER PREFORMS	172
28	A-DC-7411881-01	DECAL LOGIC ASSY REVISION	1
29	9009255	LABEL ADHESIVE BACK	1
30	9107720-09	WIRE INS TWP #30 AWG (BLK/WHT)	AR
31	9105740-44	WIRE INS SOLID #30 AWG (YEL)	AR
32	9107430-09	WIRE #18 AWG STRD TWP (BLK/WHT)	AR
33	9107430-02	WIRE #18 AWG STRD TWP (RED/BLK)	AR
34	C-MD-7408967-3-0	STRIP INSULATOR	6
35	9008428	BUS STRIP	AR
36	9009754	SHIELD WIRE	20
37	B-DC-5308753-13-0	DECAL 21 POINT LTR (H)	1
38	B-DC-5308753-15-0	DECAL 21 POINT LTR (J)	1
39	B-DC-5308753-17-0	DECAL 21 POINT LTR (K)	1
40	B-DC-5308753-19-0	DECAL 21 POINT LTR (L)	1
41	9008264	MOUNT, CABLE TIE	1
42	9007880	CABLE TIE	1
43	9006635	WASHER, LOCK INT TOOTH #10	4
44	9107720-69	WIRE, INS TWP #30 AWG (BLU/WHT)	AR

TITLE
WIRED ASSY
RH2Ø/DTE2Ø

ASSY NO.
E-AD-7009429-0-0

SIZE CODE
A PL

NUMBER
7009429-0-0

REV. ECO NO.
F 700002
MRO03

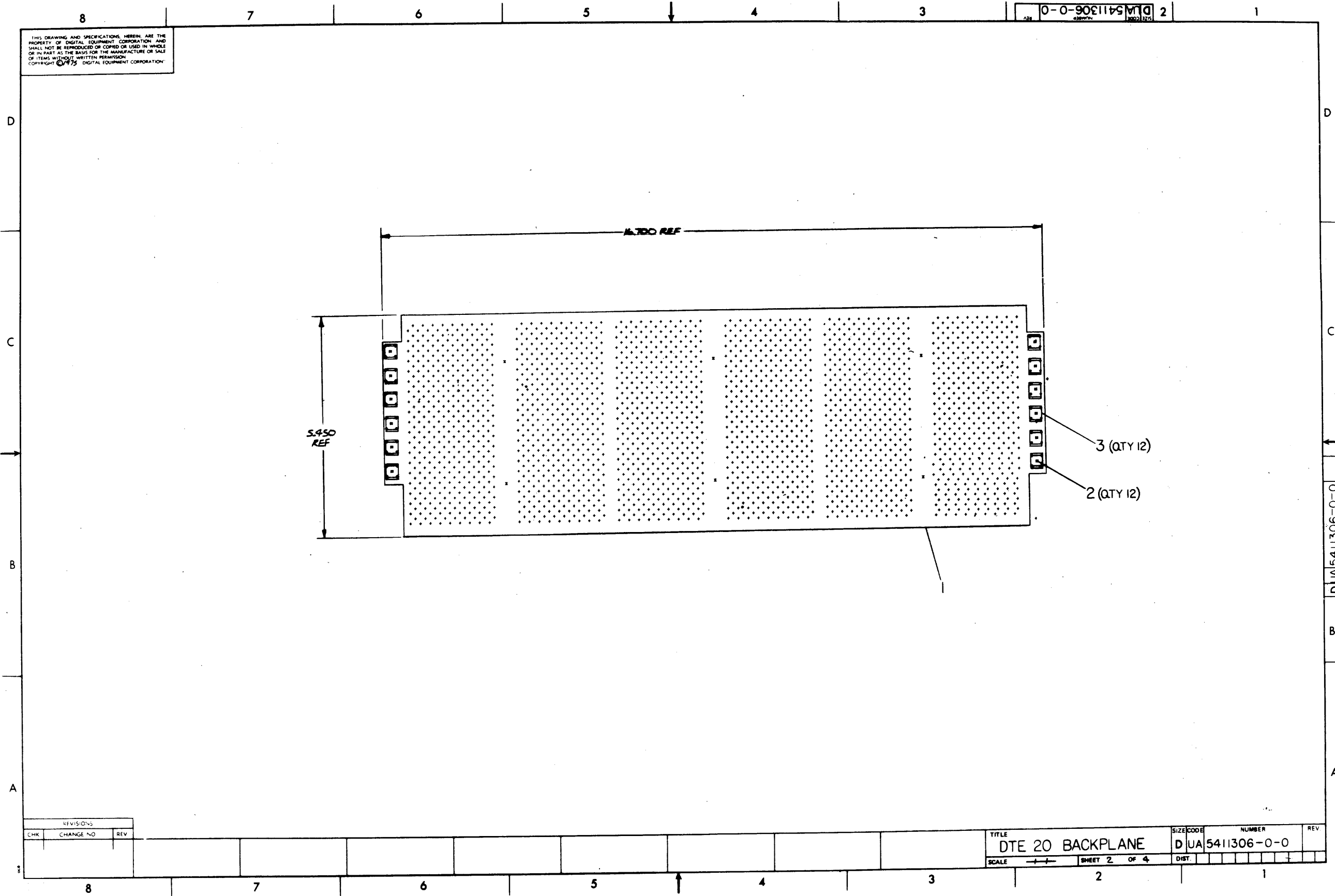
SHEET 2 OF 3

DEC FORM DEC 16-(325)-1031-N870
ORA 110

MR

THIS DRAWING AND SPECIFICATIONS HEREIN ARE THE PROPERTY OF DIGITAL EQUIPMENT CORPORATION AND SHALL NOT BE REPRODUCED OR COPIED OR USED IN WHOLE OR IN PART AS THE BASIS FOR THE MANUFACTURE OR SALE OF ITEMS WITHOUT WRITTEN PERMISSION. COPYRIGHT © 1975 DIGITAL EQUIPMENT CORPORATION.

0-0-9081175 M D 2

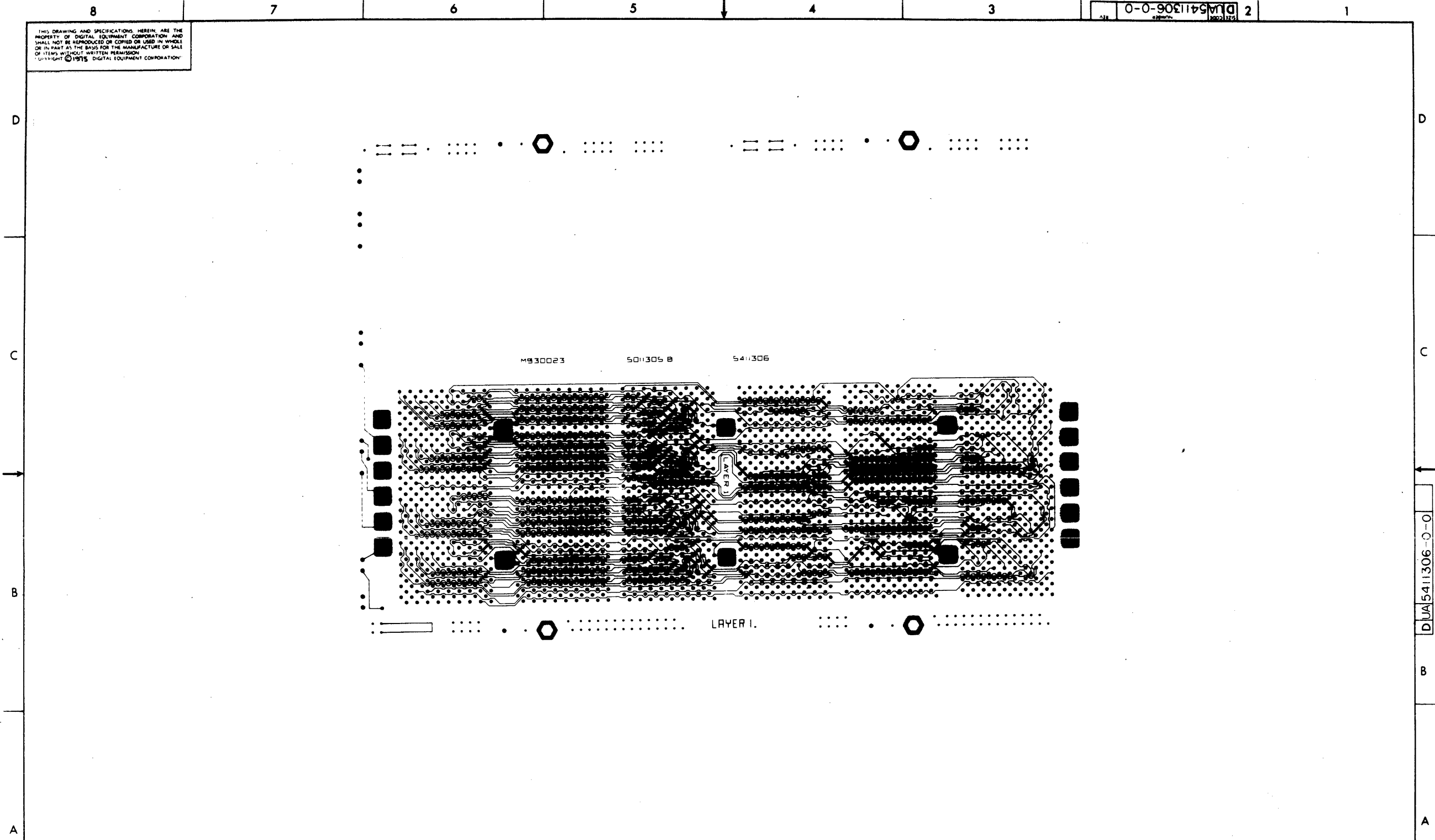
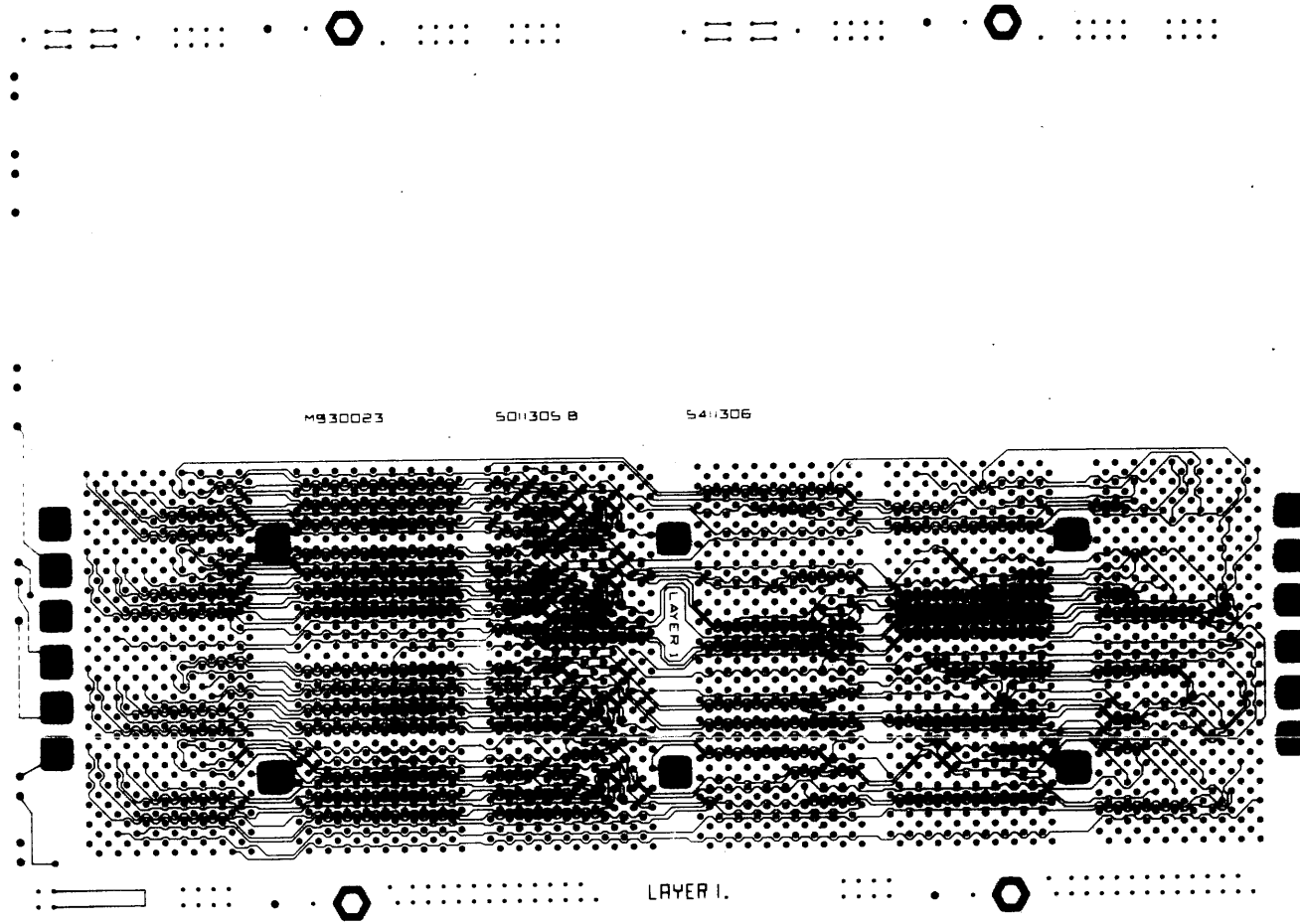


REVISIONS		
CHK	CHANGE NO	REV

TITLE	DTE 20 BACKPLANE	SIZE CODE	DUA 5411306-0-0	NUMBER		REV	
SCALE	1:1	SHEET	2	OF	4	DIST.	

THIS DRAWING AND SPECIFICATIONS HEREIN ARE THE PROPERTY OF DIGITAL EQUIPMENT CORPORATION AND SHALL NOT BE REPRODUCED OR COPIED OR USED IN WHOLE OR IN PART AS THE BASIS FOR THE MANUFACTURE OR SALE OF ITEMS WITHOUT WRITTEN PERMISSION.
 © 1975 DIGITAL EQUIPMENT CORPORATION

DUA 5411306-0-0 2



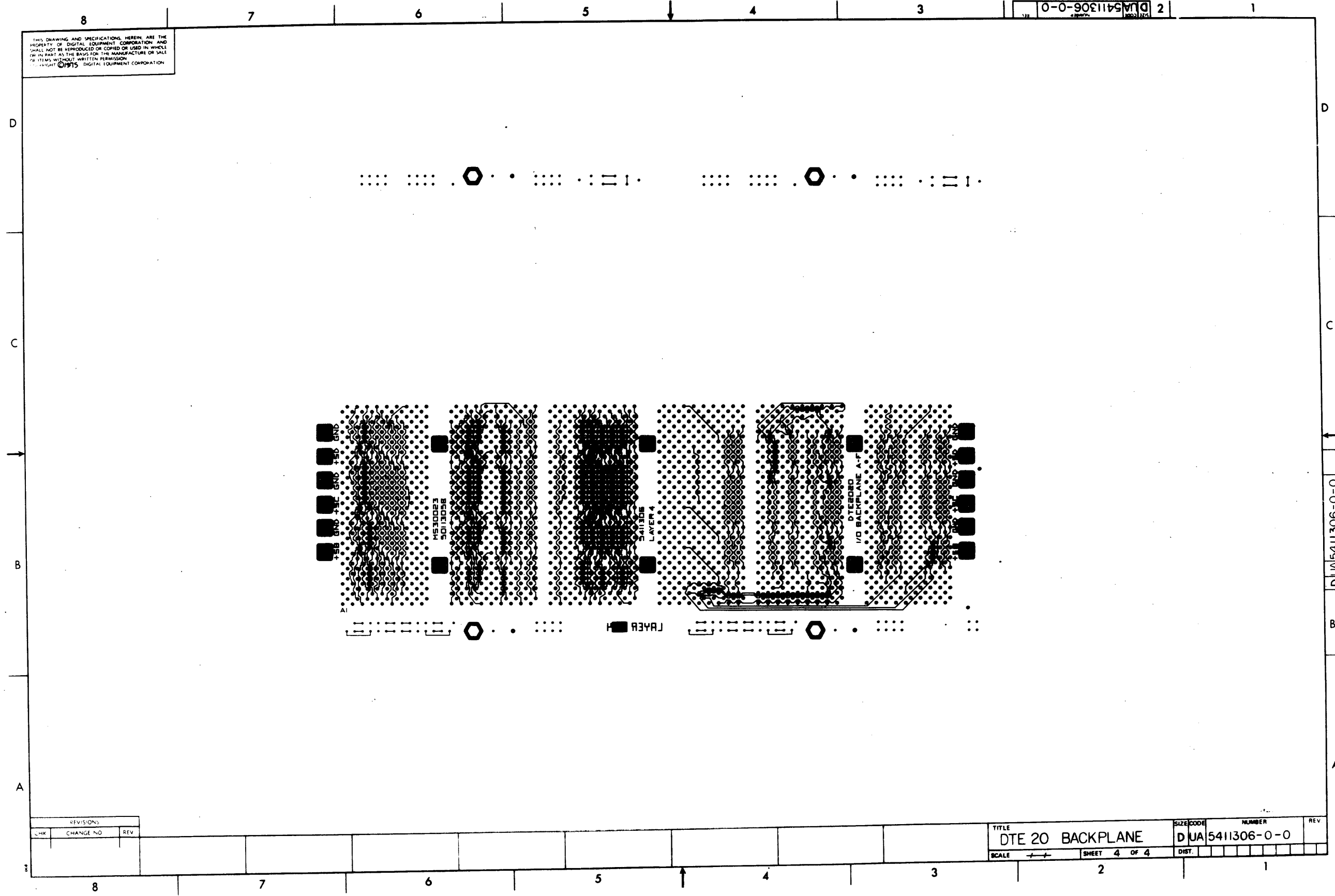
REVISIONS		
CHK	CHANGE NO	REV

TITLE	DTE 20 BACKPLANE	SIZE CODE	D UA	NUMBER	5411306-0-0	REV.	
SCALE	---	SHEET	3	OF	4	DIST	

DUA 5411306-0-0

THIS DRAWING AND SPECIFICATIONS HEREIN ARE THE PROPERTY OF DIGITAL EQUIPMENT CORPORATION AND SHALL NOT BE REPRODUCED OR COPIED OR USED IN WHOLE OR IN PART AS THE BASIS FOR THE MANUFACTURE OR SALE OF ITEMS WITHOUT WRITTEN PERMISSION.
 © 1975 DIGITAL EQUIPMENT CORPORATION

DJA5411306-0-0 2



REVISIONS		
CHK	CHANGE NO	REV

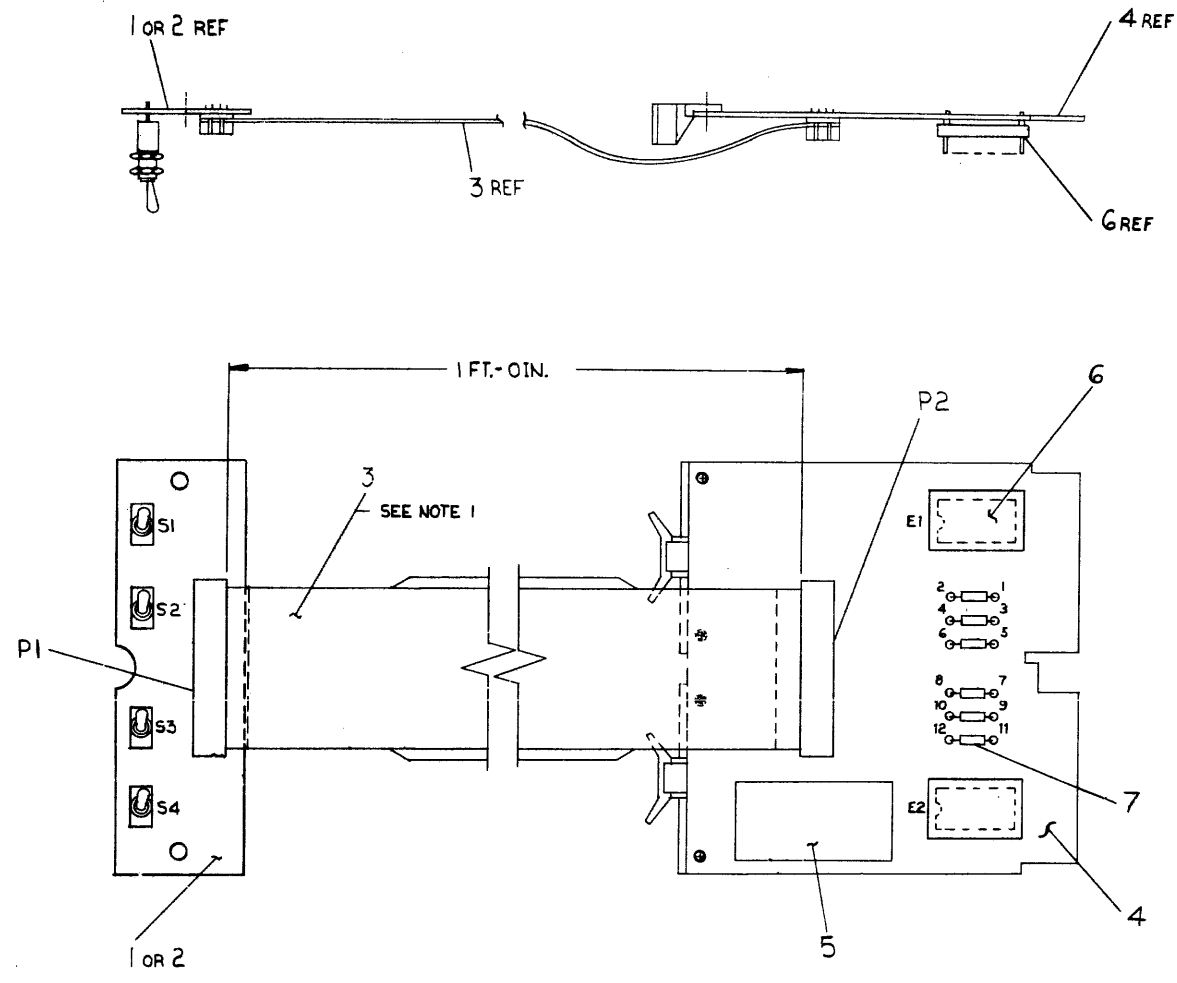
TITLE	DTE 20 BACKPLANE	SIZE CODE	DJA 5411306-0-0	NUMBER	1	REV	
SCALE	++	SHEET	4 OF 4	DIST.			

"THIS DRAWING AND SPECIFICATIONS HEREIN ARE THE PROPERTY OF DIGITAL EQUIPMENT CORPORATION AND SHALL NOT BE REPRODUCED OR COPIED OR USED IN WHOLE OR IN PART AS THE BASIS FOR THE MANUFACTURE OR SALE OF ITEMS WITHOUT WRITTEN PERMISSION. COPYRIGHT © 1974, DIGITAL EQUIPMENT CORPORATION"

DO NOT SCALE DRAWING

NUMBER	VARIATION
7010103-1	1 SWITCH
7010103-2	4 SWITCH

- NOTES:
- CONNECTORS P1 AND P2 TO BE WIRED POINT TO POINT (P1 TO P2)
 - 7010103-1 USES ONLY 1 SWITCH (S2) AND 7010103-2 USES ALL 4 SWITCHES (S1 THRU S4)
 - TRIM AND PREPARE CABLE PER CABLE PROCESS SHEET A-SP-7606485-00
 - TO INSTALL CABLE USE COVER OF CONN. 1210073 (FROM SW. BOARD ASSY REF).
 - SOLDER JUMPERS ITEM 7 TO TERMINALS AS SHOWN.
 - ITEM 6 IS NOT INSTALLED IN E2 WHEN BUILDING 7010103-1.



QTY.	DESCRIPTION	PART NO.	ITEM NO.
6	JUMPER, WHITE INS.	9009185-00	7
2	PLUG, PRIORITY	C-IA-5408780-0-0	6
1	LABEL, ADHESIVE BACK	9009255	5
1	JUMPER, INTERRUPT (DTE20)	D-UA-M8564-0-0	4
A/R	CABLE, RIBBON, 40 COND.	9107747-01	3
1	SWITCH BOARD	D-UA-5411360-0-0	2
-	SWITCH BOARD	D-UA-5411360-YA-0	1

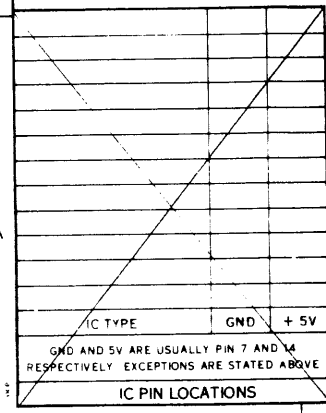
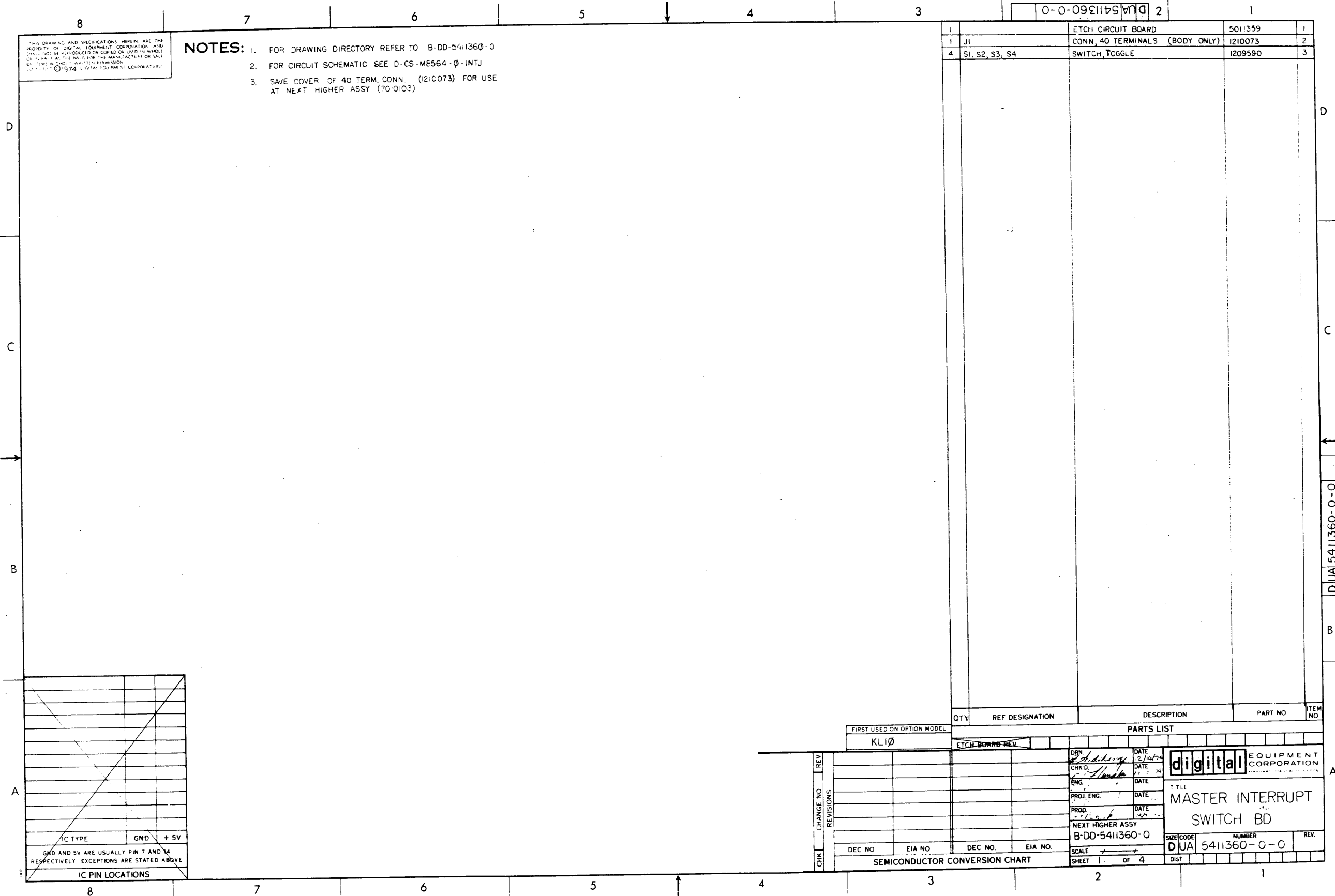
REV.	CHANGE NO.	REV.
1	7010103-00001	A
2	7010103-00002	B
3	7010103-00003	C

QUANTITY VARIATION		QTY.	DESCRIPTION	PART NO.	ITEM NO.																				
FIRST USED ON OPTION/MODEL																									
KL10																									
DIMENSIONAL TOLERANCE		PARTS LIST																							
DIMENSIONS ARE UNLESS OTHERWISE SPECIFIED		<table border="1"> <tr> <td>DRN.</td> <td>DATE</td> </tr> <tr> <td>M. Gochie</td> <td>8-6-74</td> </tr> <tr> <td>ENG.</td> <td>DATE</td> </tr> <tr> <td>12-20-74</td> <td></td> </tr> <tr> <td>DATE</td> <td></td> </tr> <tr> <td>12-30-74</td> <td></td> </tr> <tr> <td>DATE</td> <td></td> </tr> <tr> <td>1/13/75</td> <td></td> </tr> <tr> <td>DATE</td> <td></td> </tr> <tr> <td>1-28-75</td> <td></td> </tr> </table>				DRN.	DATE	M. Gochie	8-6-74	ENG.	DATE	12-20-74		DATE		12-30-74		DATE		1/13/75		DATE		1-28-75	
DRN.	DATE																								
M. Gochie	8-6-74																								
ENG.	DATE																								
12-20-74																									
DATE																									
12-30-74																									
DATE																									
1/13/75																									
DATE																									
1-28-75																									
THIRD ANGLE PROJECTION		TITLE																							
REMOVE BURRS AND BREAK SHARP CORNERS SURFACE QUALITY		SWITCH ASSY.																							
MATERIAL SEE PARTS LIST		NEXT HIGHER ASSY.																							
FINISH		SIZE CODE																							
		D UA KL10-0-0																							
		SCALE 1/1																							
		SHEET 1 OF 1																							
		DIST.																							

PART NO. 7010103-0-0 REV. C

THIS DRAWING AND SPECIFICATIONS HEREIN ARE THE PROPERTY OF DIGITAL EQUIPMENT CORPORATION AND SHALL NOT BE REPRODUCED OR COPIED OR USED IN WHOLE OR IN PART AT THE BASIS FOR THE MANUFACTURE OR SALE OF ITEMS WITHOUT THE WRITTEN PERMISSION OF DIGITAL EQUIPMENT CORPORATION.

- NOTES:**
1. FOR DRAWING DIRECTORY REFER TO B-DD-5411360-0
 2. FOR CIRCUIT SCHEMATIC SEE D-CS-M8564-0-INTJ
 3. SAVE COVER OF 40 TERM. CONN. (I210073) FOR USE AT NEXT HIGHER ASSY (7010103)



QTY	REF DESIGNATION	DESCRIPTION	PART NO	ITEM NO
1	J1	CONN, 40 TERMINALS (BODY ONLY)	I210073	2
4	S1, S2, S3, S4	SWITCH, TOGGLE	I209590	3

FIRST USED ON OPTION MODEL	PARTS LIST
KL10	ETCH BOARD REV

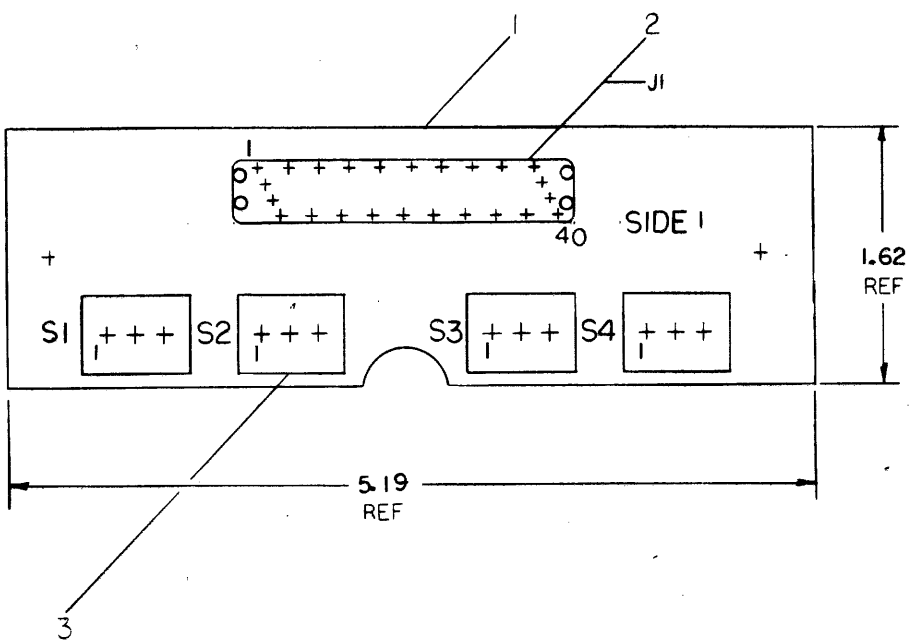
CHK	CHANGE NO	REV	DRN	DATE	digital EQUIPMENT CORPORATION TITLE MASTER INTERRUPT SWITCH BD NEXT HIGHER ASSY B-DD-5411360-0 SCALE SHEET OF 4
	REVISIONS		CHK'D	DATE	
			ENG.	DATE	
			PROJ. ENG.	DATE	
			PROD.	DATE	SIZE CODE DUA 5411360-0-0 NUMBER DIST
					DEC NO EIA NO DEC NO EIA NO SEMICONDUCTOR CONVERSION CHART

DUA 5411360-0-0 2

DUA 5411360-0-0

THIS DRAWING AND SPECIFICATIONS HEREIN ARE THE PROPERTY OF DIGITAL EQUIPMENT CORPORATION AND SHALL NOT BE REPRODUCED OR COPIED OR USED IN WHOLE OR IN PART AS THE BASIS FOR THE MANUFACTURE OR SALE OF ITEMS WITHOUT WRITTEN PERMISSION. COPYRIGHT © 1974, DIGITAL EQUIPMENT CORPORATION.

DUA 5411360-0-0 2



D
C
B
A

D
C
B
A

DUA 5411360-0-0

REVISIONS		
CHK	CHANGE NO	REV

(SIDE 1)

TITLE	SIZE/CODE	NUMBER	REV.
MASTER INTERRUPT SWITCH BD	DUA 5411360-0-0		
SCALE	SHEET 2 OF 4	DIST.	

8 7 6 5 4 3 2 1

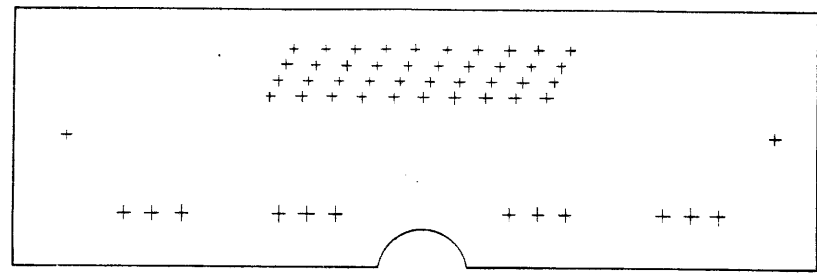
8 7 6 5 4 3 2 1

THE DRAWING AND SPECIFICATIONS HEREBY ARE THE PROPERTY OF DIGITAL EQUIPMENT CORPORATION, AND SHALL NOT BE REPRODUCED OR TRANSMITTED IN ANY FORM OR BY ANY MEANS, ELECTRONIC OR MECHANICAL, INCLUDING PHOTOCOPYING, RECORDING, OR BY ANY INFORMATION STORAGE AND RETRIEVAL SYSTEM, WITHOUT WRITTEN PERMISSION FROM DIGITAL EQUIPMENT CORPORATION.

C-0-0921123 77 D 2

D
C
B
A

D
C
B
A



D 541360-000

(SIDE 2)

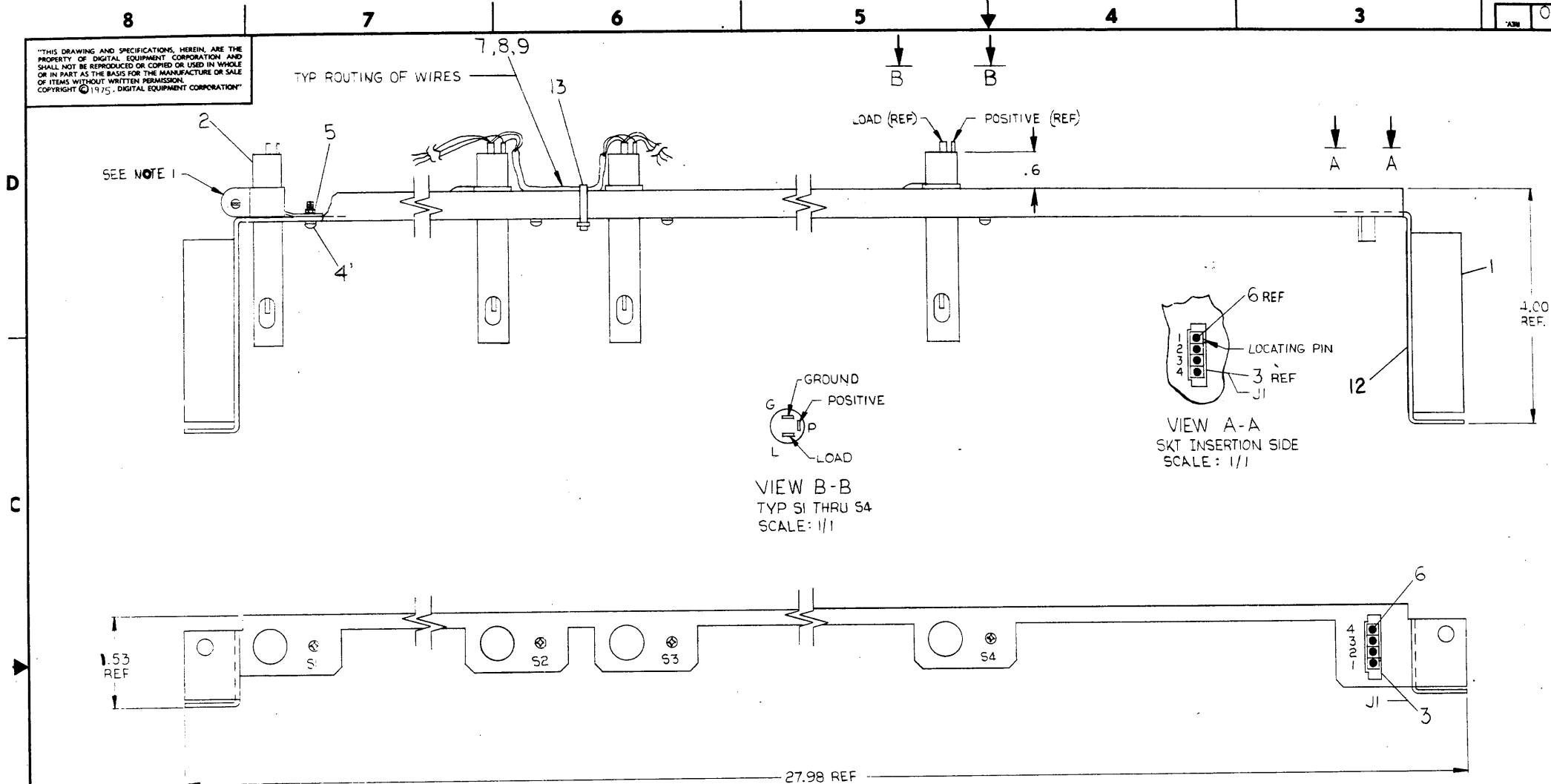
TITLE	DATE	BY	CHKD	NO.	REV.
MASTER INTERRUPT SWITCH	BD	D	JA	541360-0-0	
SCALE	SHEET	OF	SIST		
	4	4			

8 7 6 5 4 3 2 1

"THIS DRAWING AND SPECIFICATIONS, HEREIN, ARE THE PROPERTY OF DIGITAL EQUIPMENT CORPORATION AND SHALL NOT BE REPRODUCED OR COPIED OR USED IN WHOLE OR IN PART AS THE BASIS FOR THE MANUFACTURE OR SALE OF ITEMS WITHOUT WRITTEN PERMISSION. COPYRIGHT © 1975, DIGITAL EQUIPMENT CORPORATION"

0-0-021102 710 2

NOTES:
1. SWITCH MOUNTING HARDWARE SUPPLIED WITH VANE SWITCH.



WIRE TABLE						
ITEM NO	DESCRIPTION	COLOR	FROM CONN	TO CONN	TERM	TERM
9	22	BLK	S1-G	10 & 11	S2-G	10 & 11
			S3-G	10 & 11	S4-G	10 & 11
9		BLK	J1-2	6	J1-1	6
8		CRN	S1-P	10 & 11	S2-P	10 & 11
			S3-P	10 & 11	S4-P	
8		CRN	J1-3	6	S2-L	
7		YEL	S1-L	10 & 11	S4-L	10 & 11
			S3-L	10 & 11		
7	22	YEL	J1-4	6		

ITEM NO	DESCRIPTION	QTY	PART NO
8	CABLE TIES	13	9007032
1	LABEL ADHESIVE BACK	12	9009255
12	SHRINKABLE TUBING	11	907303-02
12	TERMINAL QUICK CONNECT	10	9009137-01
	AIR WIRE, 22 AWG STRD (BLK)	9	907350-00
	AIR WIRE, 22 AWG STRD (GRN)	8	907350-33
	AIR WIRE, 22 AWG STRD (YEL)	7	907350-44
4	TERMINAL SMT CONTACT	6	120939-06
4	NUT, KEPS 6-32	5	9006560
4	SCR PH +D PAN 6-32 x .38	4	9006022-1
1	CONN SKT HSG 4 PIN	3	1209360-04
4	VANE SWITCH SPST M.O.	2	120756
1	BRACKET, SWITCH	1	D-MD-24328-0-0

THIRD ANGLE PROJECTION	DRN. M. J. 6-16-75	FIRST USED ON	KLIC digital
REMOVE BURRS AND BREAK SHARP CORNERS	CHK'D B. H. 6-22-75	TITLE	VANE SWITCH ASSY.
DO NOT SCALE DWG	PROJ. ENG. J. H. 7/1/75	PROJ. NO.	711520-0-0
MATERIAL SEE PARTS LIST	PROD. C. B. 7-23-75	SCALE	1:1
FINISH	NEXT HIGHER ASSY.	SIZE	D
	E-AD-7010101-0-0	CODE	IA
	SCALE	NUMBER	711520-0-0
	SHEET 1 OF 1	DIST.	

REV.	CHANGE NO.	DATE
1		

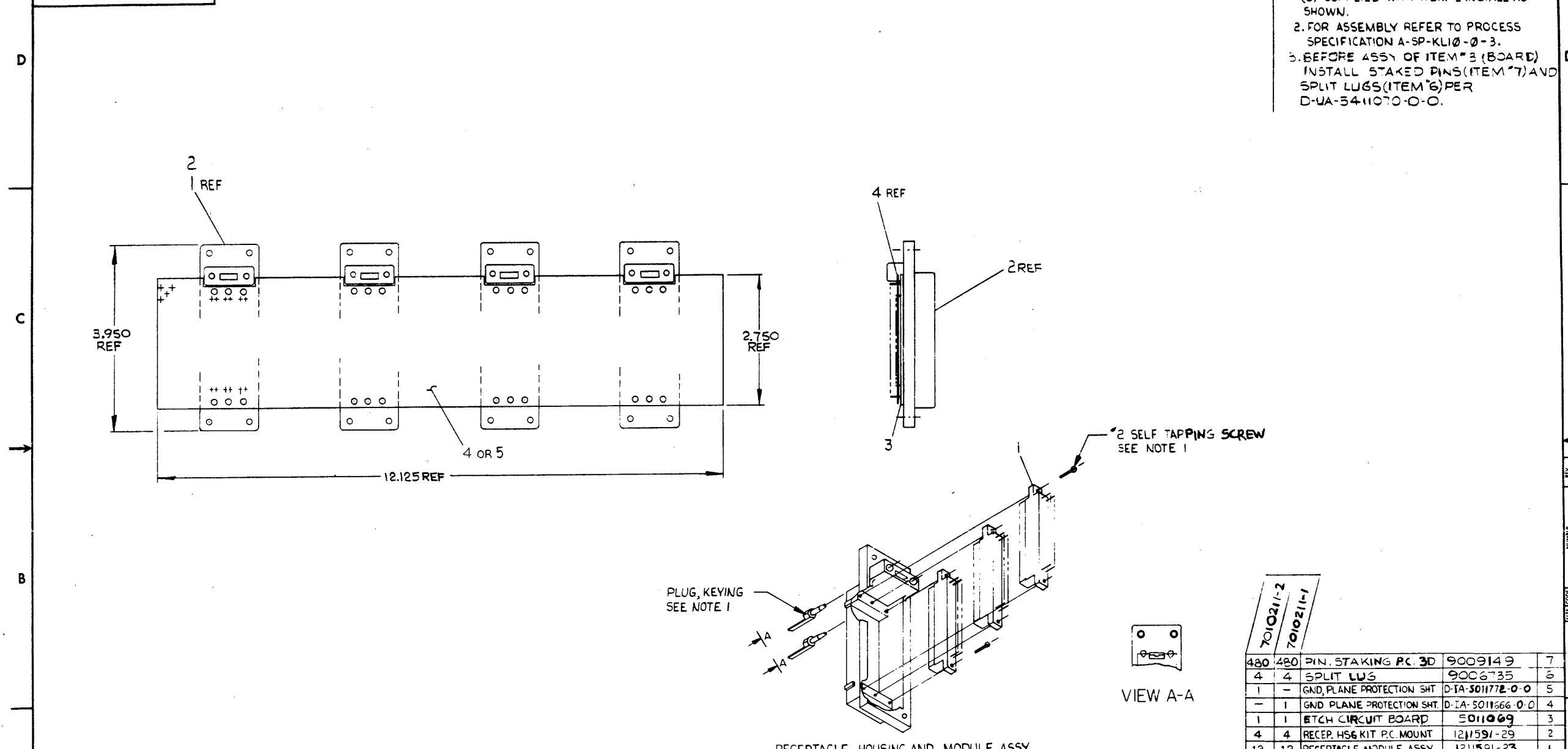
DEC FORM NO. DRD 100-C

REV. 1011520-C-C

8 7 6 5 4 3 2 1

THIS DRAWING AND SPECIFICATIONS HEREIN ARE THE PROPERTY OF DIGITAL EQUIPMENT CORPORATION AND SHALL NOT BE REPRODUCED OR COPIED OR USED IN WHOLE OR IN PART AS THE BASIS FOR THE MANUFACTURE OR SALE OF ITEMS WITHOUT WRITTEN PERMISSION. COPYRIGHT © 1974, DIGITAL EQUIPMENT CORPORATION

NOTES:
 1. PLUG KEYING (6) AND #2 SELF TAPPING SCR (6) SUPPLIED WITH ITEM #2 INSTALL AS SHOWN.
 2. FOR ASSEMBLY REFER TO PROCESS SPECIFICATION A-SP-KLI0-0-3.
 3. BEFORE ASSY OF ITEM #3 (BOARD) INSTALL STAKED PINS (ITEM #7) AND SPLIT LUGS (ITEM #6) PER D-UA-54-11070-0-0.



QTY.	DESCRIPTION	PART NO.	ITEM NO.
480	PIN STAKING PC. 3D	9009149	7
4	SPLIT LUGS	9006735	6
1	GND. PLANE PROTECTION SHT	D-IA-501172-0-0	5
1	GND. PLANE PROTECTION SHT	D-IA-501166-0-0	4
1	ETCH CIRCUIT BOARD	5011069	3
4	RECEP. HSG KIT P.C. MOUNT	1211591-29	2
12	RECEPTACLE MODULE ASSY	1211591-23	1

FIRST USED ON OPTION/MODEL		KLI0	
DIMENSIONAL TOLERANCE		DRN. <i>[Signature]</i>	DATE 7-31-74
DIMENSIONS ARE IN MILLIMETERS UNLESS OTHERWISE SPECIFIED		CHK'D. <i>[Signature]</i>	DATE 8-28-74
MILLIMETERS		ENG. <i>[Signature]</i>	DATE 2-14-75
X,XX = ±0.10	XX = ±0.05	PROG. ENG. <i>[Signature]</i>	DATE 2-24-75
XX = ±0.5	XX = ±0.2	PROG. <i>[Signature]</i>	DATE 11-2-75
X = ±2	X = ±1	TITLE	
THIRD ANGLE PROJECTION		CONN ASSY MASS BUS	
REMOVE BURRS AND BREAK SHARP CORNERS SURFACE QUALITY ✓		NEXT HIGHER ASSY.	
MATERIAL SEE PARTS LIST		E-AD-7009429-0-0	SIZE CODE D IA
FINISH		SCALE 1/1	NUMBER 7010211-0-0
		SHEET 1 OF 1	REV. B

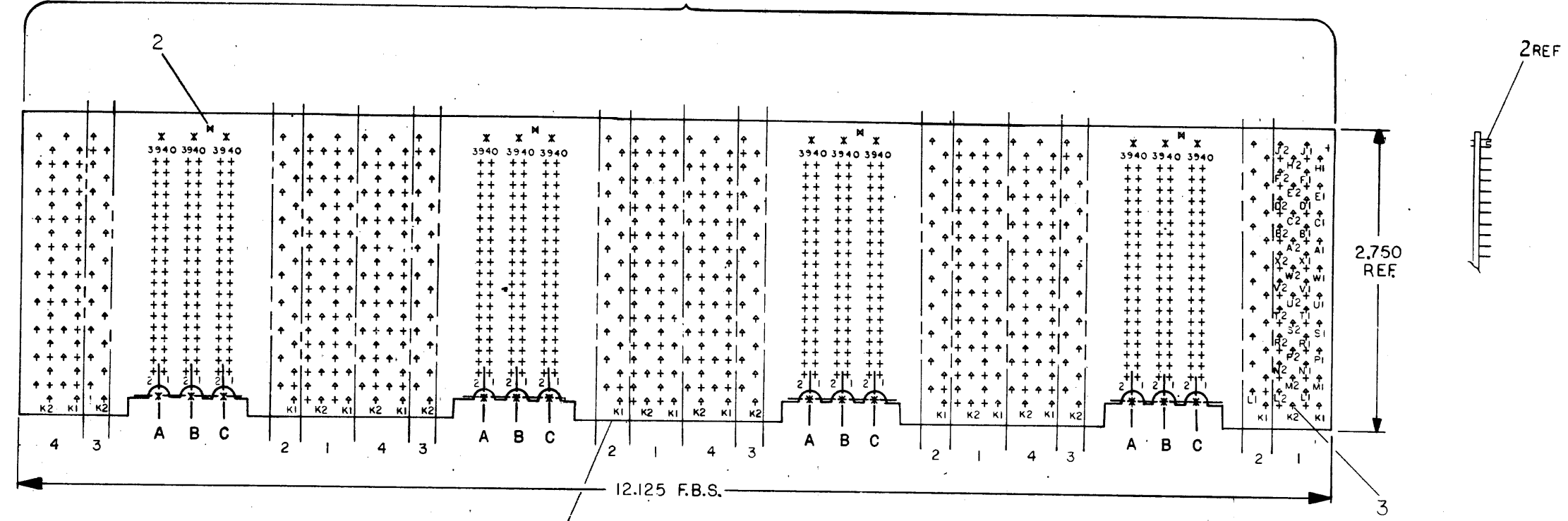
REVISIONS	REV.	DATE	BY	APP.
CHANGE NO.	A			
7010211-00001		4-23-74	J. PROVIDENT	
7010211-00002	B	4-23-74	J. PROVIDENT	

8 7 6 5 4 3 2 1

REV. B
 NUMBER 7010211-0-0
 SIZE CODE D IA

THIS DRAWING AND SPECIFICATIONS, HEREIN, ARE THE PROPERTY OF DIGITAL EQUIPMENT CORPORATION AND SHALL NOT BE REPRODUCED OR TRANSMITTED IN ANY FORM OR BY ANY MEANS, ELECTRONIC OR MECHANICAL, INCLUDING PHOTOCOPYING, RECORDING, OR BY ANY INFORMATION STORAGE AND RETRIEVAL SYSTEM, WITHOUT PERMISSION IN WRITING FROM DIGITAL EQUIPMENT CORPORATION.

THESE ARE STEP AND REPEAT CIRCUITS
NUMBERS 1,2,3,4 DO NOT INDICATE LOGIC SLOTS



↑ INDICATES ITEM 3
X INDICATES ITEM 2

SIDE 1

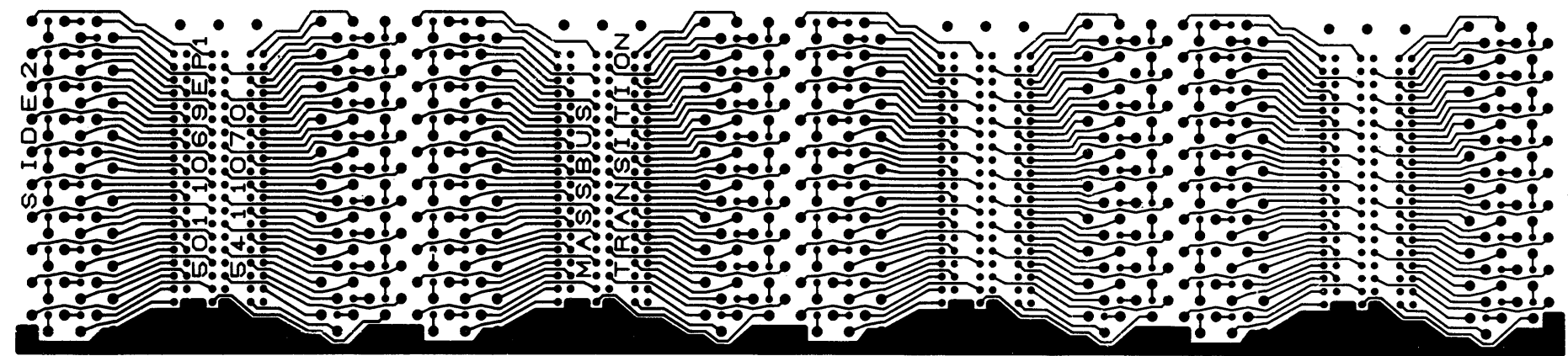
NOTES:

CHG	CHANGE NO	REV

SIGNATURES	DATE	digital
DRN. D.E. OLSON	2-25-79	
CHK. D.P.J. LEBLANC	2-25-79	TITLE RH2Ø MASSBUS TRANSITION
ENG. CARPENITO	2-25-79	
PROJ. ENG. CARPENITO		SCALE 2/1
PROD. J. ARTHUR	2-25-79	
SHT. 2 OF 4		SIZE CODE
ETCH REV E FIRST USED ON		NUMBER
		REV

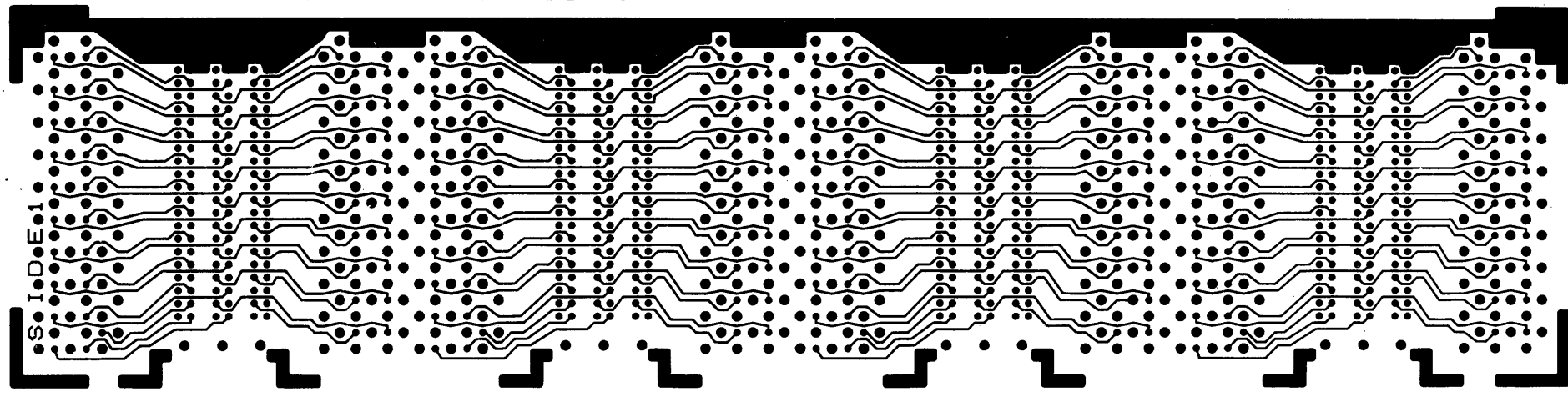
DUA 5411070-0-0 A

THIS DRAWING AND INFORMATION HEREON, AND THE PROPERTY OF DIGITAL EQUIPMENT CORPORATION AND WILL NOT BE DISCLOSED OR REPRODUCED IN WHOLE OR IN PART TO ANY OTHER PERSON OR ORGANIZATION IN WHOLE OR IN PART WITHOUT THE WRITTEN PERMISSION OF DIGITAL EQUIPMENT CORPORATION
COPYRIGHT © 1978



SIDE 2

5411070 5011C69E-P1



SIDE 1

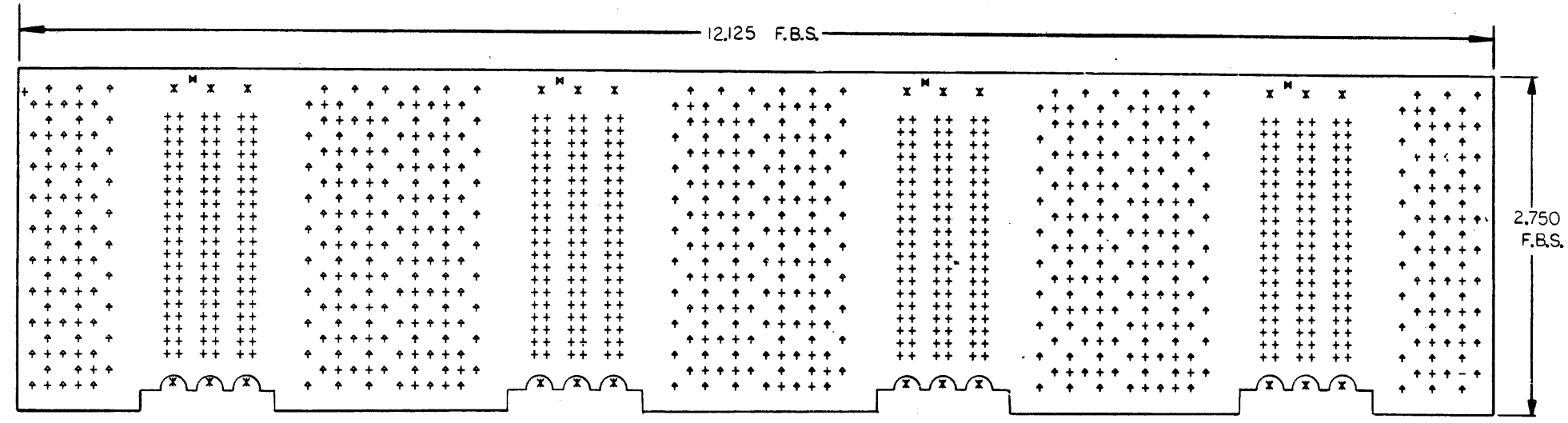
NOTES:

CHANGE NO	REV

SIGNATURES		DATE		TITLE RH20 MASSBUS TRANSITION
DRN. D.E. OLSON		2-25-78		
CHK'D. P.J. LEBLANC		2-25-78		
ENG. CARPENITO		2-25-78		
PROJ. ENG. CARPENITO		2-25-78		
PROD. J. ARTHUR		2-25-78	SIZE	CODE
SCALE 2/1				
SHT. 3 OF 4				

THIS DRAWING AND SPECIFICATIONS, HEREIN, AND THE PROPERTY OF DIGITAL EQUIPMENT CORPORATION AND SHALL NOT BE REPRODUCED OR USED IN WHOLE OR IN PART IN THE FIELD FOR THE CONSTRUCTION OR REPAIR OF ITEMS WITHOUT WRITTEN PERMISSION. EQUIPMENT CORPORATION SEPTEMBER 6 1975

DUA 5411070-0-0 2



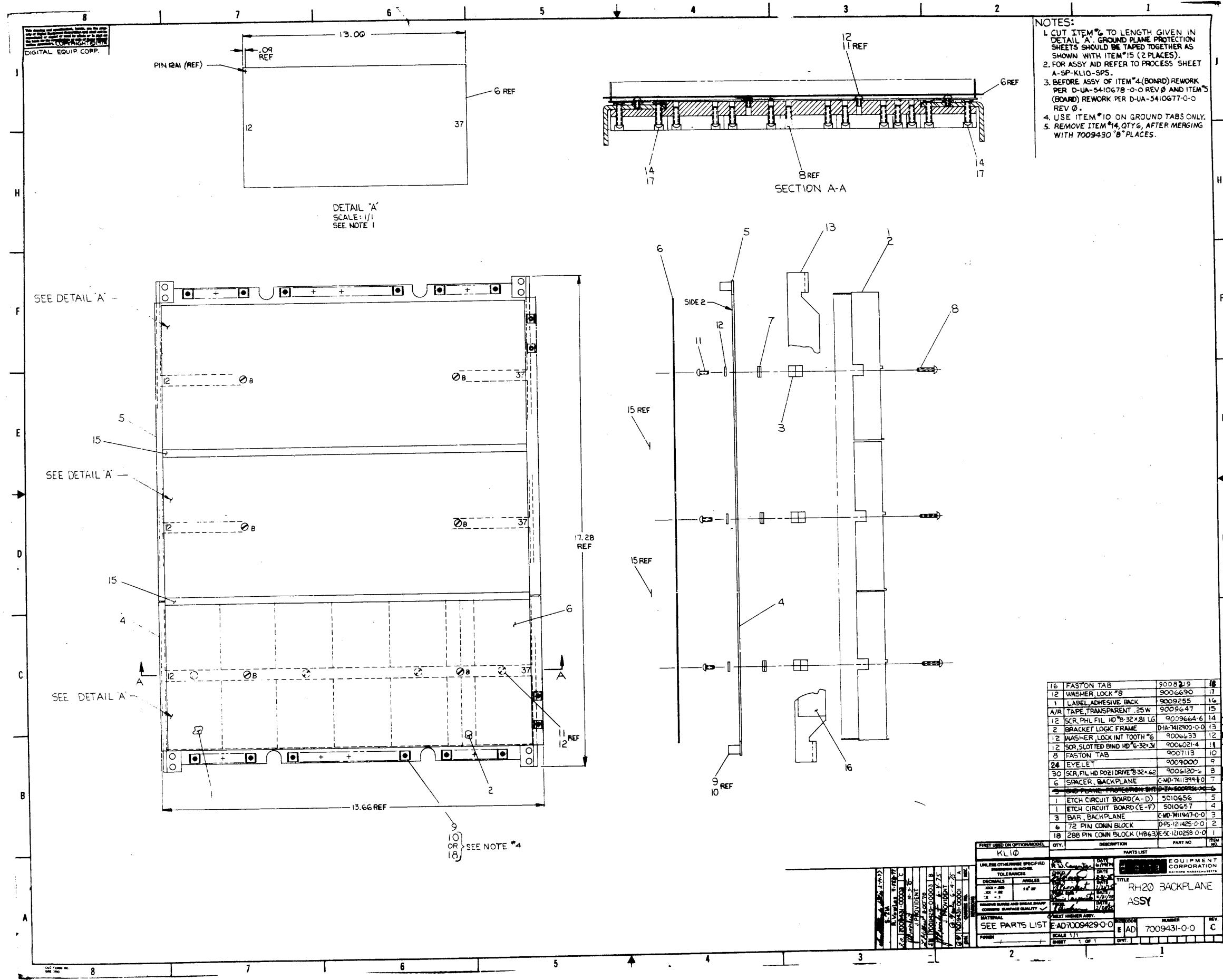
SIDE 2

DUA 5411070-0-0

NOTES:

CHG	NO	REV

SIGNATURES		DATE		TITLE RH20 MASSBUS TRANSITION
DRN. D.E. OLSON		2-25-75		
CHK. D.P. LEBLANC		2-25-75		
ENG. CARPENITO		2-25-75		
PROJ. ENG. CARPENITO		2-25-75		
PROJ. J. ARTHUR		2-25-75	SCALE 2/1	SIZE CODE
SHT. 4 OF 4		DUA	NUMBER 5411070-0-0	REV A
ETCH REV E		FIRST USED ON KLI0		



- NOTES:**
1. CUT ITEM #6 TO LENGTH GIVEN IN DETAIL 'A'. GROUND PLANE PROTECTION SHEETS SHOULD BE TAPED TOGETHER AS SHOWN WITH ITEM #15 (2 PLACES).
 2. FOR ASSY AID REFER TO PROCESS SHEET A-SP-KL10-SPS.
 3. BEFORE ASSY OF ITEM #4 (BOARD) REWORK PER D-UA-5410G78-0-0 REV 0 AND ITEM #3 (BOARD) REWORK PER D-UA-5410G77-0-0 REV 0.
 4. USE ITEM #10 ON GROUND TABS ONLY.
 5. REMOVE ITEM #14, QTY 6, AFTER MERGING WITH 7009430 'B' PLACES.

ITEM NO.	DESCRIPTION	PART NO.	QTY.
16	FASTON TAB	9009000	9
12	WASHER, LOCK #8	9006690	17
1	LABEL, ADHESIVE BACK	9009255	14
A/R	TAPE, TRANSPARENT .25W	9009447	15
12	SCR, PHL HD #8-32x.81 L6	9009664	14
2	BRACKET LOGIC FRAME	DUA-141800-0-0	13
12	WASHER, LOCK INT TOOTH #6	9006633	12
12	SCR, SLOTTED BIND HD #6-32x.34	9006021	4
8	FASTON TAB	9007113	10
24	EYELET	9009000	9
30	SCR, PHL HD #2x.25 DRIVE #32x.62	9006120	8
6	SPACER, BACKPLANE	CMD-7411394	7
1	ETCH CIRCUIT BOARD (A-D)	5010656	5
1	ETCH CIRCUIT BOARD (E-F)	5010657	4
3	BAR, BACKPLANE	CMD-111947-0-0	3
6	72 PIN CONN BLOCK	DPS-121425-0-0	2
18	288 PIN CONN BLOCK (HB63)	ESC-1210258-0-0	1

FIRST USED ON OPTION/MODEL KL10

UNLESS OTHERWISE SPECIFIED DIMENSIONS IN INCHES

TOLERANCES

DECIMALS	ANGLES
.0005	±.005
.001	±.01
.002	±.02
.005	±.05
.01	±.1
.02	±.2
.05	±.5
.1	±1

MATERIAL SEE PARTS LIST

SEE PARTS LIST EAD7009429-0-0

FINISH SCALE 1/1

DATE 1/17/70

BY [Signature]

CHECKED [Signature]

APPROVED [Signature]

DESIGNED [Signature]

DRAWN [Signature]

REVISIONS

REV	DESCRIPTION	DATE
1	INITIAL DESIGN	1/17/70
2	REVISED	1/21/70
3	REVISED	1/21/70
4	REVISED	1/21/70
5	REVISED	1/21/70
6	REVISED	1/21/70
7	REVISED	1/21/70
8	REVISED	1/21/70
9	REVISED	1/21/70
10	REVISED	1/21/70
11	REVISED	1/21/70
12	REVISED	1/21/70
13	REVISED	1/21/70
14	REVISED	1/21/70
15	REVISED	1/21/70
16	REVISED	1/21/70
17	REVISED	1/21/70
18	REVISED	1/21/70
19	REVISED	1/21/70
20	REVISED	1/21/70
21	REVISED	1/21/70
22	REVISED	1/21/70
23	REVISED	1/21/70
24	REVISED	1/21/70
25	REVISED	1/21/70
26	REVISED	1/21/70
27	REVISED	1/21/70
28	REVISED	1/21/70
29	REVISED	1/21/70
30	REVISED	1/21/70
31	REVISED	1/21/70
32	REVISED	1/21/70
33	REVISED	1/21/70
34	REVISED	1/21/70
35	REVISED	1/21/70
36	REVISED	1/21/70
37	REVISED	1/21/70
38	REVISED	1/21/70
39	REVISED	1/21/70
40	REVISED	1/21/70
41	REVISED	1/21/70
42	REVISED	1/21/70
43	REVISED	1/21/70
44	REVISED	1/21/70
45	REVISED	1/21/70
46	REVISED	1/21/70
47	REVISED	1/21/70
48	REVISED	1/21/70
49	REVISED	1/21/70
50	REVISED	1/21/70

TITLE RH20 BACKPLANE ASSY

PROJECT NUMBER EAD7009429-0-0

REVISION 1

DATE 1/21/70

BY [Signature]

CHECKED [Signature]

APPROVED [Signature]

SCALE 1/1

SHEET 1 OF 1

The drawing and specifications herein are the property of Digital Equipment Corporation and shall not be reproduced or copied or used in whole or in part as the basis for the manufacturing or sale of items without written permission. **COPYRIGHT © 1975**

DIGITAL EQUIPMENT CORP.

REWORK INSTRUCTIONS

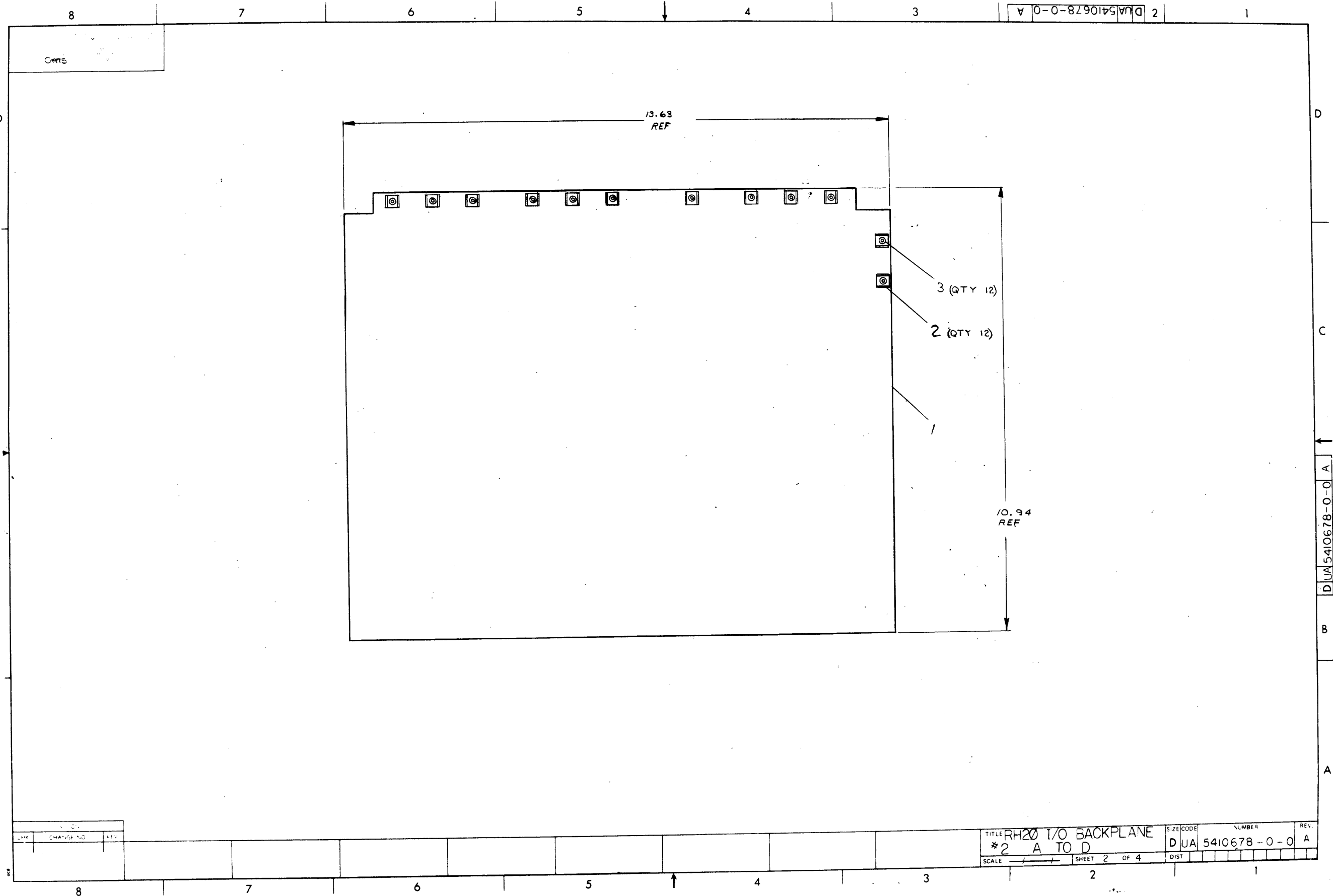
ETCH CUTS SIDE 2 AS SHOWN

- 1 CUT ETCH IN ROW 'A' AT PTH BELOW -5V.
- 2 CUT ETCH IN ROW 'B' AT PTH BELOW PIN BVI.

QTY	REF DESIGNATION	DESCRIPTION	PART NO.	ITEM NO.
1		ETCHED CIRCUIT BOARD	5010657	
12		TAB FASTON	9007113	
12		EYELET	9009000	

FIRST USED ON OPTION MODEL KLIØ		PARTS LIST	
DRN. <i>John Nickol</i>	DATE 1-2-75	digital EQUIPMENT CORPORATION MAYNARD MASSACHUSETTS TITLE RH2Ø I/O BACKPLANE *2 A TO D NEXT HIGHER ASSY B-DD-5410678-0 SIZE CODE D UA NUMBER 5410678-0-0 REV. A	
CHK'D <i>[Signature]</i>	DATE 2-2-75		
ENG. <i>[Signature]</i>	DATE 2/28/75		
PROV. ENGR. <i>[Signature]</i>	DATE 3/19/75		
PRD. <i>[Signature]</i>	DATE 2/16/75		
CHG. NO. 5410678-00001	REV. A	SCALE	SHEET 1 OF 4
SEMICONDUCTOR CONVERSION CHART		DIST.	

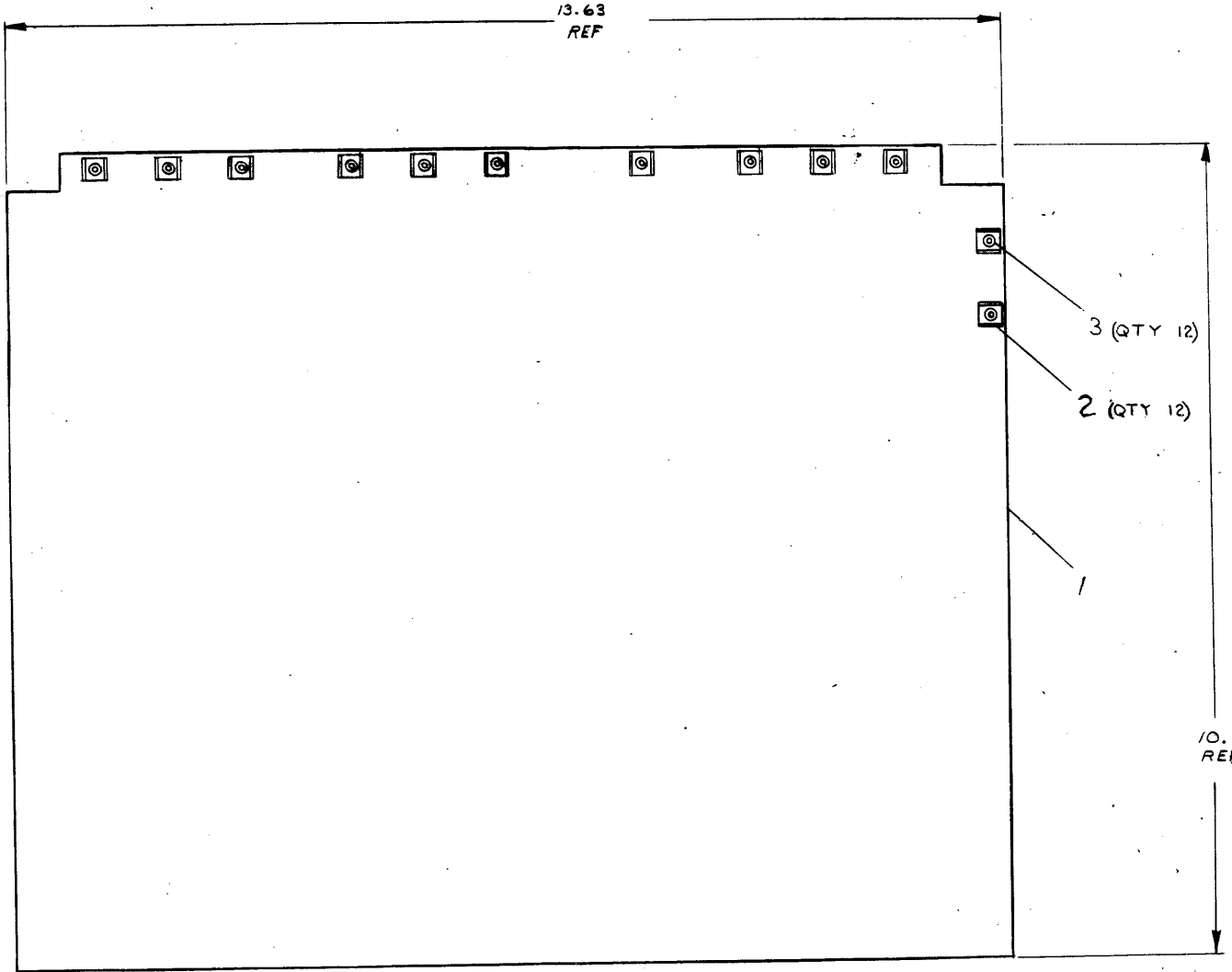
SIZE CODE D UA NUMBER 5410678-0-0 REV. A



8 7 6 5 4 3 2 1

CRMS

DUA5410678-0-0 A



D
C
B
A

DUA5410678-0-0 A

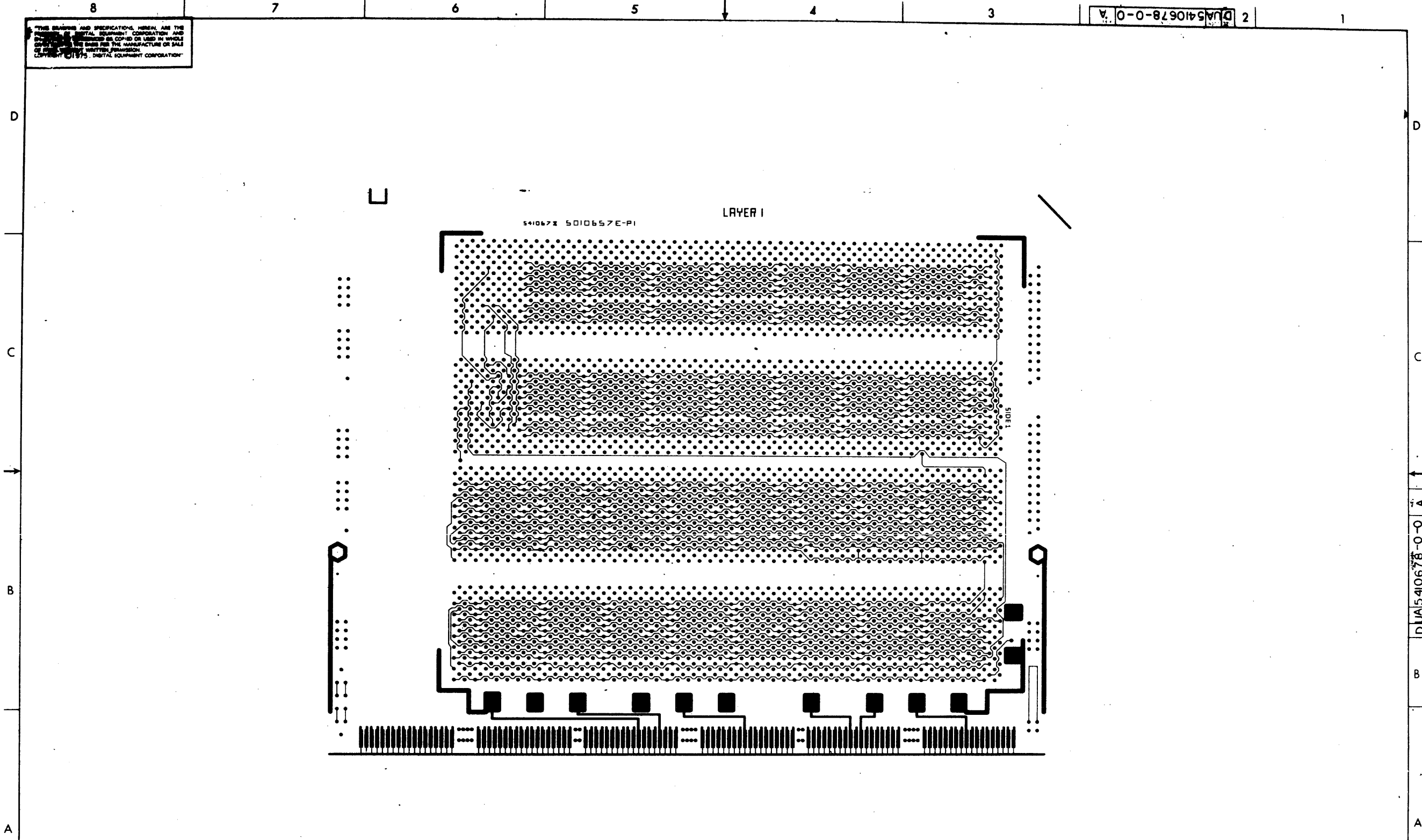
REV	CHANGE NO	BY

8	7	6	5	4	3	2	1
---	---	---	---	---	---	---	---

TITLE	RH20 I/O BACKPLANE	SIZE CODE	DUA	NUMBER	5410678-0-0	REV	A
	*2 A TO D						
SCALE		SHEET	2	OF	4	DIST	

DUA5410678-0-0 2

THE DRAWING AND SPECIFICATIONS HEREIN ARE THE PROPERTY OF DIGITAL EQUIPMENT CORPORATION AND SHALL NOT BE COPIED OR USED IN WHOLE OR IN PART FOR THE MANUFACTURE OR SALE OF EQUIPMENT WITHOUT WRITTEN PERMISSION FROM DIGITAL EQUIPMENT CORPORATION



REVISIONS		
CHK	CHANGE NO.	REV.

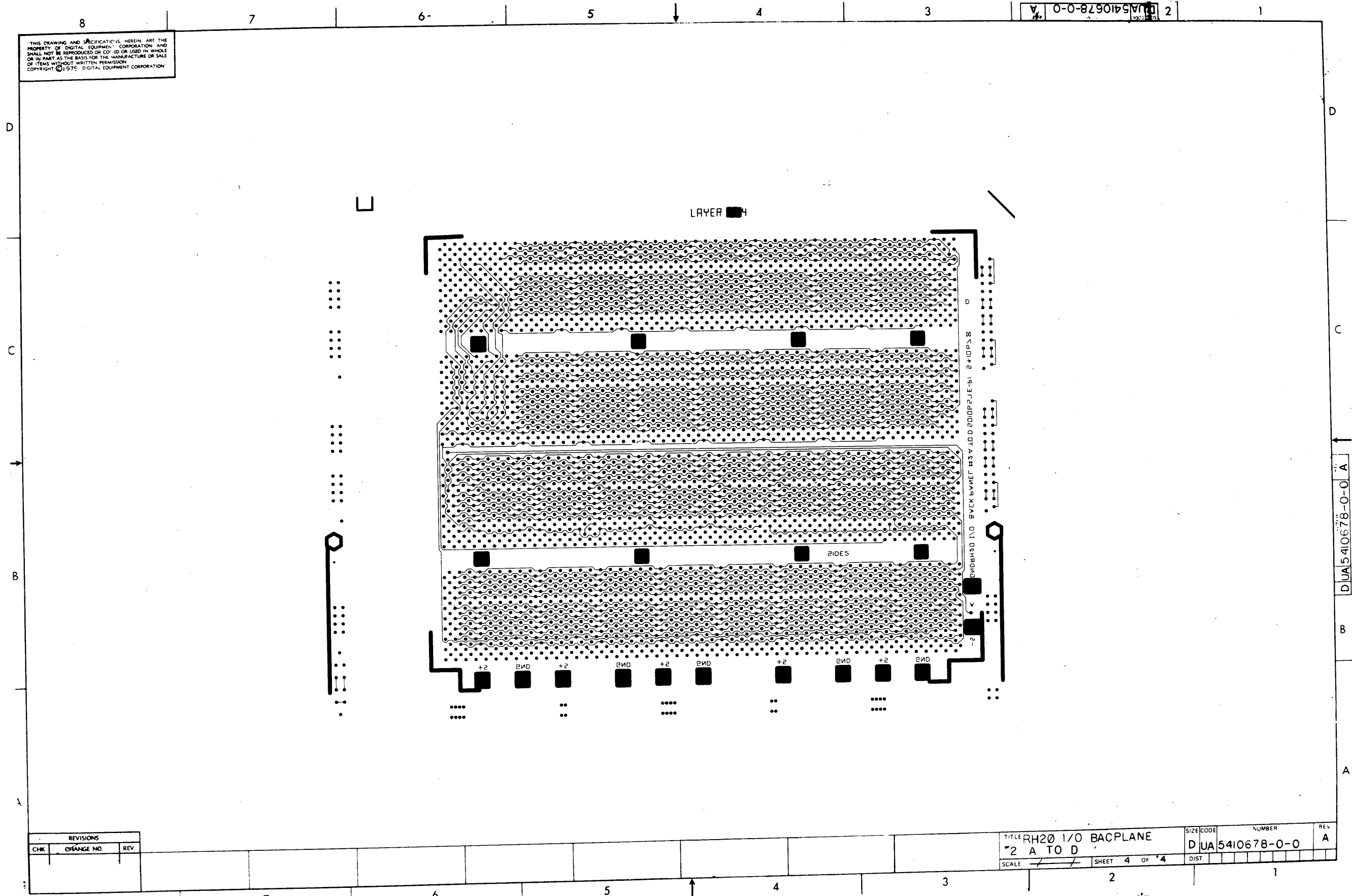
LAYER 1		SIZE CODE	NUMBER	REV.
TITLE: RH20 I/O BACKPLANE		D	UA5410678-0-0	A
"2 A TO D"		DIST.		
SCALE	SHEET 3 OF 4			

8 7 6 5 4 3 2 1

DUA5410678-0-0 A

THIS DRAWING AND SPECIFICATIONS HEREIN ARE THE PROPERTY OF DIGITAL EQUIPMENT CORPORATION AND SHALL NOT BE REPRODUCED OR COPIED OR USED IN WHOLE OR IN PART AS THE BASIS FOR THE MANUFACTURE OR SALE OF ITEMS WITHOUT WRITTEN PERMISSION. COPYRIGHT © 1975, DIGITAL EQUIPMENT CORPORATION.

UA 5410678-0-0 2



LAYER 4

2IDES

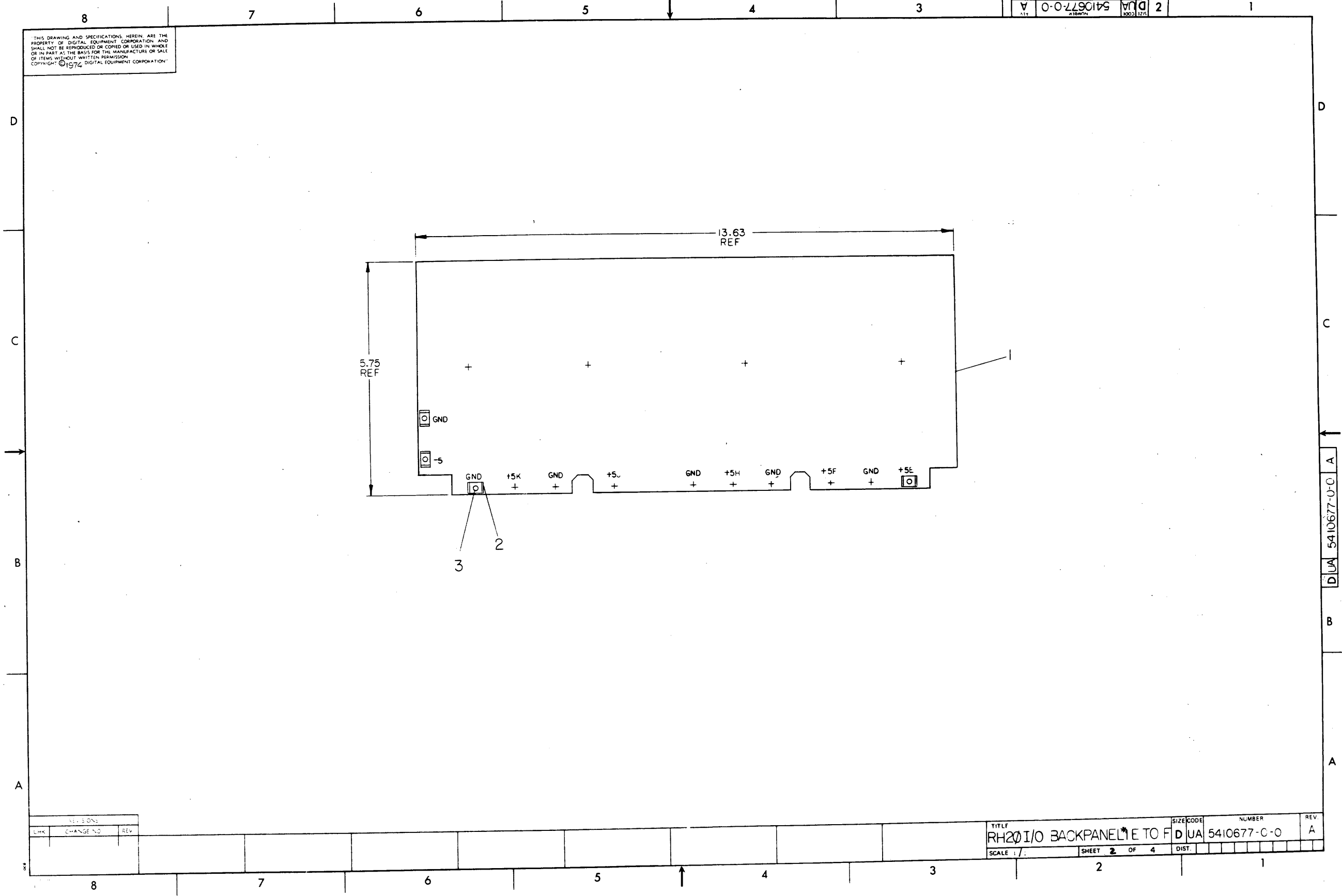
DIPRANSD 110 BUCK BУMEГ #33 V 10 0 2010P2JE-Ы 2 +10P.8

REVISIONS		
CHK	CHANGE NO	REV

TITLE RH20 I/O BACPLANE		SIZE CODE	NUMBER	REV
2 A TO D		D UA 5410678-0-0		A
SCALE	SHEET 4 OF 4	DIST		

THIS DRAWING AND SPECIFICATIONS HEREIN ARE THE PROPERTY OF DIGITAL EQUIPMENT CORPORATION AND SHALL NOT BE REPRODUCED OR COPIED OR USED IN WHOLE OR IN PART AS THE BASIS FOR THE MANUFACTURE OR SALE OF ITEMS WITHOUT WRITTEN PERMISSION. COPYRIGHT © 1972 DIGITAL EQUIPMENT CORPORATION

DUA 5410677-0-0 A 2

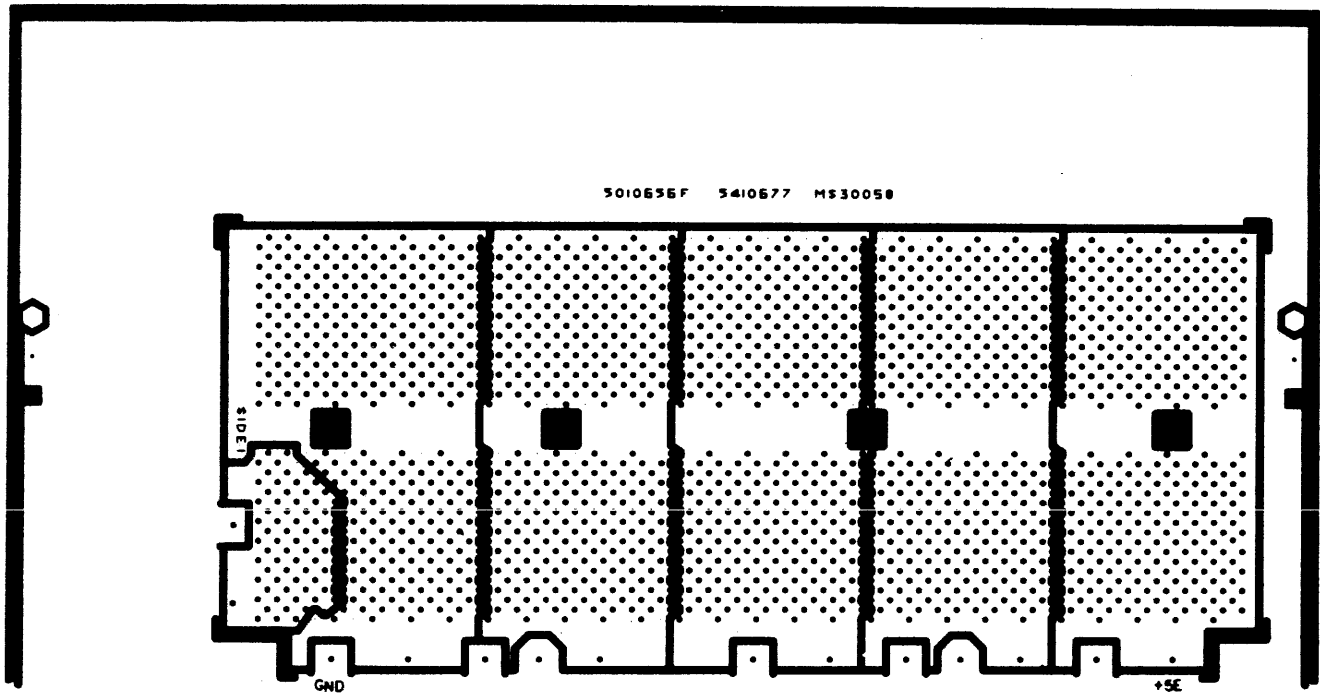


REV. LOG		
CHK	CHANGE NO.	REV.

TITLE: RH20 I/O BACKPANEL E TO F
 SIZE CODE: DUA
 NUMBER: 5410677-C-0
 SCALE: 1/1
 SHEET 2 OF 4
 DIST.:

THIS DRAWING AND SPECIFICATIONS HERIN ARE THE PROPERTY OF DIGITAL EQUIPMENT CORPORATION AND SHALL NOT BE REPRODUCED OR COPIED OR USED IN WHOLE OR IN PART AS THE BASIS FOR THE MANUFACTURE OF SALE OR OTHER PRODUCTS WITHOUT WRITTEN PERMISSION OF DIGITAL EQUIPMENT CORPORATION

DJA 5410677-0-0 2



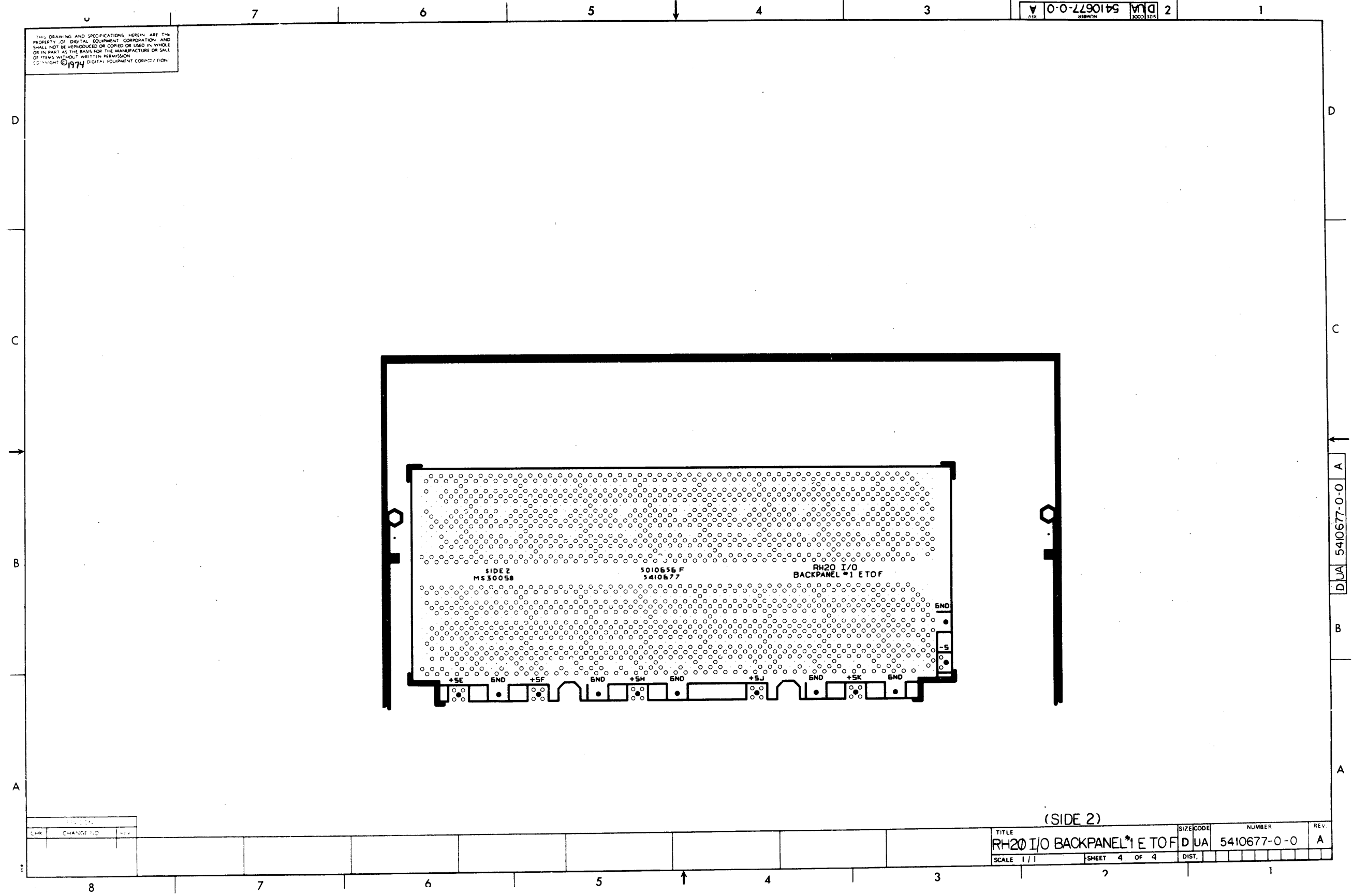
(SIDE 1)

REV	DATE	BY

TITLE	SIZE	CODE	NUMBER	REV
RH20 I/O BACKPANEL	D	UA	5410677-0-0	A
SCALE 1/1	SHEET 3 OF 4	DIST		

THIS DRAWING AND SPECIFICATIONS HEREIN ARE THE PROPERTY OF DIGITAL EQUIPMENT CORPORATION AND SHALL NOT BE REPRODUCED OR COPIED OR USED IN WHOLE OR IN PART AS THE BASIS FOR THE MANUFACTURE OR SALE OF ITEMS WITHOUT WRITTEN PERMISSION.
 COPYRIGHT © 1974 DIGITAL EQUIPMENT CORPORATION

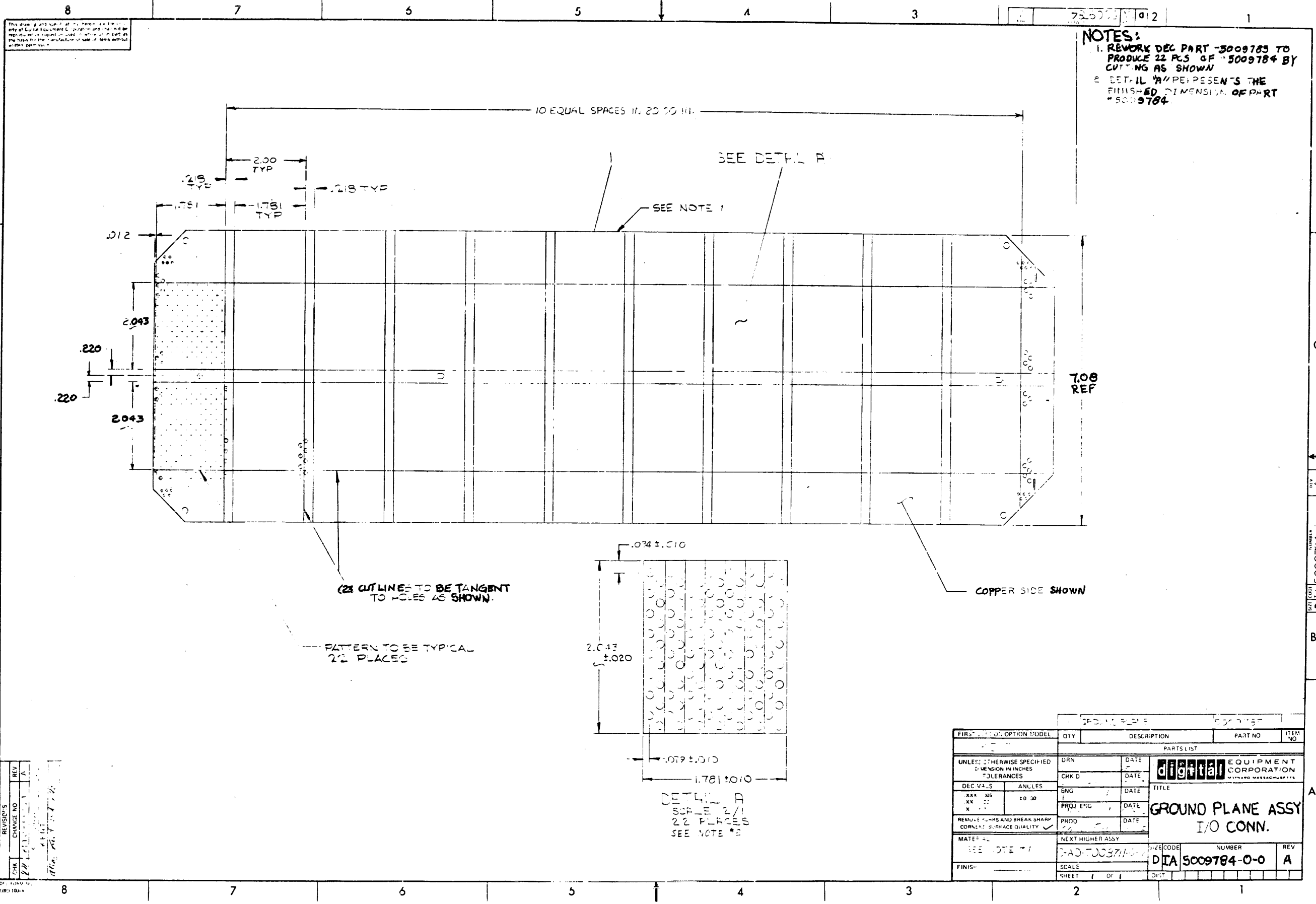
REV. NUMBER
 A 5410677-0-0 2



(SIDE 2)

CHK	CHANGE NO	REV

TITLE	SIZE CODE	NUMBER	REV
RH20 I/O BACKPANEL *1 E TO F	D UA	5410677-0-0	A
SCALE 1/1	SHEET 4 OF 4	DIST.	

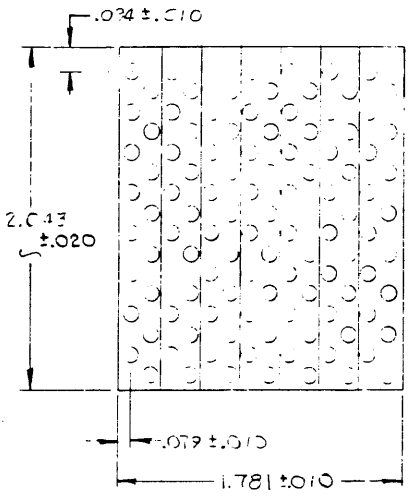


NOTES:
 1. REWORK DEC PART 5009783 TO PRODUCE 22 PCS OF 5009784 BY CUTTING AS SHOWN
 2. DETAIL A REPRESENTS THE FINISHED DIMENSION OF PART 5009784

(2) CUT LINES TO BE TANGENT TO HOLES AS SHOWN.

PATTERN TO BE TYPICAL 2/2 PLACES

COPPER SIDE SHOWN



DETAIL A
 SCALE 2/1
 22 PLACES
 SEE NOTE #2

FIRST OPTION MODEL	QTY	DESCRIPTION	PART NO	ITEM NO
PARTS LIST				
UNLESS OTHERWISE SPECIFIED DIMENSION IN INCHES TOLERANCES	DRN	DATE	digital EQUIPMENT CORPORATION WILMINGTON MASSACHUSETTS	
DECIMALS ANGLES	CHK'D	DATE		
XXX .05 XX .02 X .01	10 30	ENG	DATE	TITLE
REMOVE FILLS AND BREAK SHARP CORNERS SURFACE QUALITY	PROJ ENG	DATE	GROUND PLANE ASSY I/O CONN.	
MATERIAL	NEXT HIGHER ASSY		SIZE CODE	NUMBER
SEE NOTE #1	3-AD-700371-001		DIA	5009784-0-0
FINISH	SCALE	SHEET	OF	REV
		1	1	A

REV	NO	DATE	BY	CHK
A	1			

PART NO: 5009784-0-0
 REV: A

This drawing and specifications, herein, are the property of Digital Equipment Corporation and shall not be reproduced or copied or used in whole or in part as the basis for the manufacture or sale of items without written permission.

WIRE TABLE

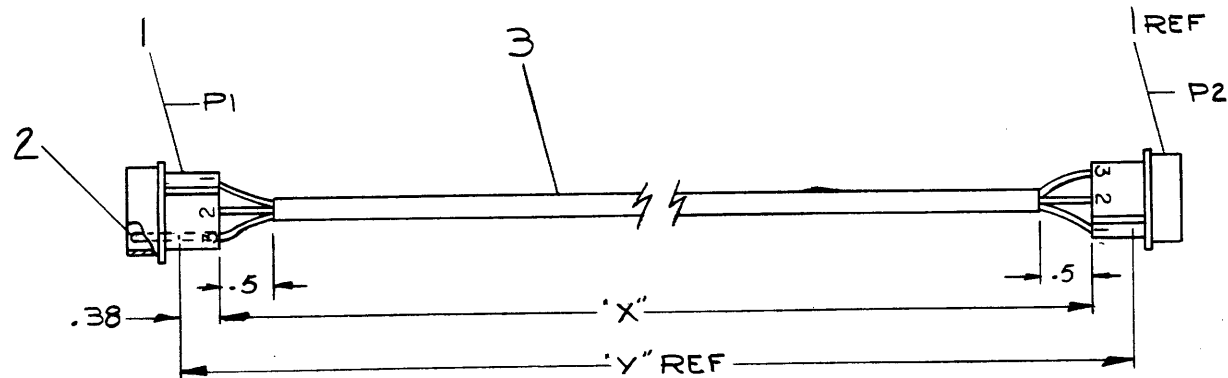
ITEM NO	DESCRIPTION		FROM		TO	
	AWG	COLOR	CONNECTION	WITH	CONNECTION	WITH
3	22	RED	P1-1	2	P2-1	2
3	22	BLK.	P1-2	2	P2-2	2
3	22	GRN	P1-3	2	P2-3	2

LEGEND

NUMBER	DIM'X VARIATION	DIM'Y (PRECUT) REF
7008288-3F	3FT. 6IN ± 1IN.	3FT. 6.8IN ± 1IN.
7008288-8F	8FT. 6IN ± 2IN.	8FT. 6.8IN ± 2IN.
7008288-06	6FT. ± 2IN.	6FT. 0.8IN ± 2IN.
7008288-12	12FT. ± 3IN.	12FT. 0.8IN ± 3IN.
7008288-05	5FT. ± 1IN.	5FT. 0.8IN ± 2IN.
7008288-10	10FT. ± 2IN.	10FT. 0.8IN ± 3IN.
7008288-15	15FT. ± 3IN.	15FT. 0.8IN ± 3IN.
7008288-08	8FT. ± 2IN.	8FT. 0.8IN ± 2IN.
7008288-30	30FT. ± 7IN.	30FT. 0.8IN ± 7IN.
7008288-40	40FT. ± 10IN.	40FT. 0.8IN ± 10IN.

NOTES:

~~THE REMAINING BLK WIRE IS TO BE CUT BACK AT JACKET (BOTH ENDS.)~~



REV.	CHG. NO.	REV.
A	7008288-00001	A
B	7008288-00002	B
C	7008288-00003	C
D	7008288-00004	D
E	7008288-00005	E
F	7008288-00006	F
G	7012401-00003	G
H	7012401-00003	H
I	7012401-00003	I
J	7012401-00003	J
K	7012401-00003	K
L	7012401-00003	L
M	7012401-00003	M
N	7012401-00003	N
O	7012401-00003	O
P	7012401-00003	P
Q	7012401-00003	Q
R	7012401-00003	R
S	7012401-00003	S
T	7012401-00003	T
U	7012401-00003	U
V	7012401-00003	V
W	7012401-00003	W
X	7012401-00003	X
Y	7012401-00003	Y
Z	7012401-00003	Z

UNLESS OTHERWISE SPECIFIED
 DIMENSIONS IN INCHES
 TOLERANCES
 DECIMALS FRACTIONS ANGLES
 ±.005 ±.004 ±.030
 FINAL SURFACE QUALITY
 REMOVE BURRS AND BREAK SHARP CORNERS

QTY.	DESCRIPTION	PART NO.	ITEM NO.
A/R	WIRE, 3 COND #22AWG	9107756	3
6	PIN MALE #G0620-1	1209378-03	2
2	PIN HOUSING #1-480305-0	1209351-03	1

PARTS LIST

DRN. J. Glendon DATE 3/22/71
 CHK'D J. Glendon DATE 3/21/71
 ENG. E.R. Blair DATE 4-7-71
 PROJ. ENG. E.R. Blair DATE 4-7-71
 PROD. H. Call DATE 4/27/71

digital EQUIPMENT CORPORATION
 MAYNARD, MASSACHUSETTS

TITLE
 CABLE ASSY

MATERIAL
 SEE PARTS LIST

FINISH
 #

SCALE
 1

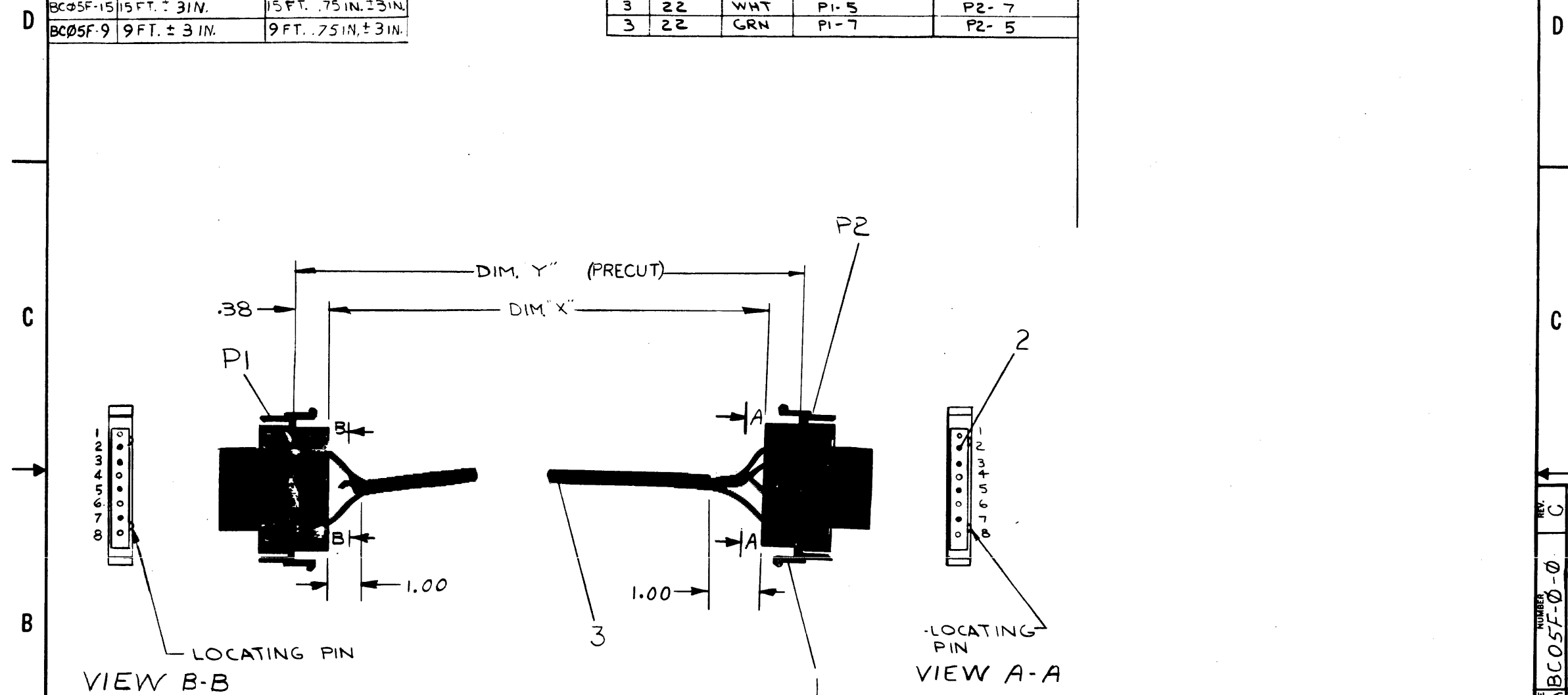
SHEET 1 OF 1

SIZE CODE NUMBER REV.
 CIA 7008288-0-0 H

This drawing and specifications, herein, are the property of Digital Equipment Corporation and shall not be reproduced or copied or used in whole or in part as the basis for the manufacture or sale of items without written permission.

LEGEND			
NUMBER	DIM. X VARIATION	DIM. Y (PRECUT) REF	
BC05F-15	15 FT. ± 3 IN.	15 FT. .75 IN. ± 3 IN.	
BC05F-9	9 FT. ± 3 IN.	9 FT. .75 IN. ± 3 IN.	

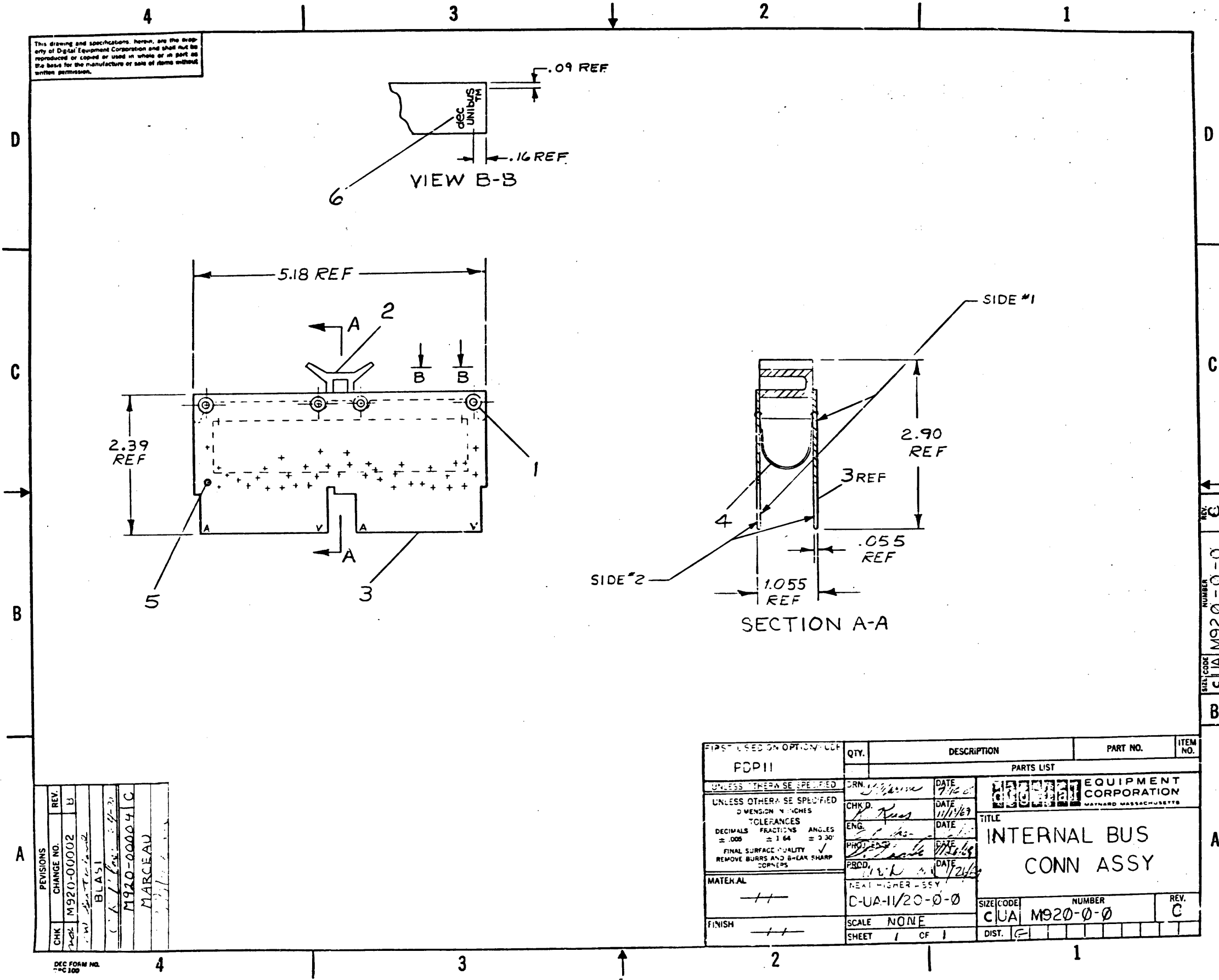
WIRE TABLE				
ITEM NO	DESCRIPTION		FROM	TO
	AWG	COLOR	CONNECTION	CONNECTION
3	22	BLK	P1-2	P2-3
3	22	RED	P1-3	P2-2
3	22	WHT	P1-5	P2-7
3	22	GRN	P1-7	P2-5



REV.	CHANGE NO.	CHK	DATE
A	BC05F-00001	R. FITCH	11-5-71
B	LA36-00119	Robert Fitch	11-9-71
C	BC05F-00002	J. BITTO	7-17-75
		R. FITCH	22 JUN 76

FIRST USED ON OPTION MODEL DF11		PARTS LIST	
QTY.	DESCRIPTION	PART NO.	ITEM NO.
	AR CABLE 4 CONDUCTOR	9107706	3
	B SOCKET (MALE)	1209378-03	2
	Z MATE-N-LOCK (MALE)	1209340-01	1
UNLESS OTHERWISE SPECIFIED		digital EQUIPMENT CORPORATION MAYNARD, MASSACHUSETTS	
UNLESS OTHERWISE SPECIFIED		TITLE CABLE INTERFACE BC05F	
DIMENSION IN INCHES		SIZE CODE NUMBER REV. CUA BC05F-0-0 C	
TOLERANCES		DIST.	
DECIMALS ± .005	FRACTIONS ± 1/64		
ANGLES ± 0°30'			
FINAL SURFACE QUALITY REMOVE BURRS AND BREAK SHARP CORNERS			
MATERIAL		NEXT HIGHER ASSY	
FINISH		SCALE	
		SHEET 1 OF 1	

This drawing and specifications herein, are the property of Digital Equipment Corporation and shall not be reproduced or copied or used in whole or in part as the basis for the manufacture or sale of items without written permission.



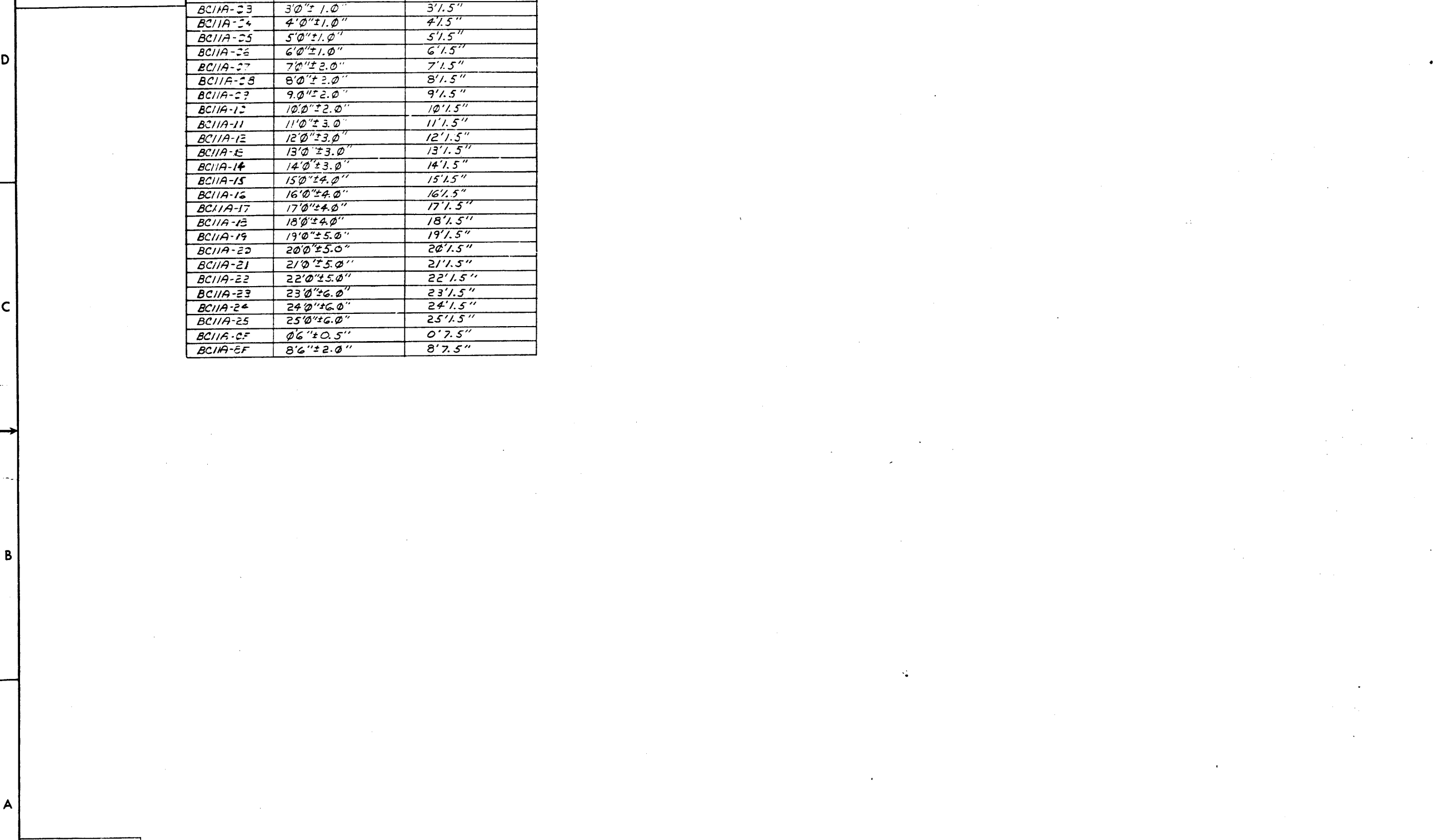
REV.	B
CHANGE NO.	M920-00002
CHK.	BLASI
DATE	11/20/69
BY	MARCEAU
REV.	C
CHANGE NO.	M920-00004
CHK.	MARCEAU
DATE	11/20/69
BY	MARCEAU

FIRST USED ON OPTION	QTY.	DESCRIPTION	PART NO.	ITEM NO.
POP11		PARTS LIST		
UNLESS OTHERWISE SPECIFIED	DRN. <i>[Signature]</i>	DATE 7/72	DIGITAL EQUIPMENT CORPORATION MAYNARD, MASSACHUSETTS	
UNLESS OTHERWISE SPECIFIED	CHK'D. <i>[Signature]</i>	DATE 11/1/69	TITLE	
DIMENSION IN INCHES	ENG. <i>[Signature]</i>	DATE	INTERNAL BUS	
DECIMALS = .000	PROD. <i>[Signature]</i>	DATE 11/20/69	CONN ASSY	
FRACTIONS = 1/64	PROD. <i>[Signature]</i>	DATE 11/20/69	SIZE (CODE)	
ANGLES = 90°	MATERIAL	REAL HIGH-TEMP. SSY	NUMBER	
FINAL SURFACE QUALITY	FINISH	C-UA-11/20-0-0	C UA M920-0-0	
REMOVE BURRS AND BEVEL SHARP CORNERS	SCALE NONE	SHEET 1 OF 1	REV. C	
	DIST. C			

REV. C
NUMBER
C UA M920-0-0

THIS DRAWING AND SPECIFICATIONS HEREIN ARE THE PROPERTY OF DIGITAL EQUIPMENT CORPORATION AND SHALL NOT BE REPRODUCED OR COPIED OR USED IN WHOLE OR IN PART AS THE BASIS FOR THE MANUFACTURE OR SALE OF ITEMS WITHOUT WRITTEN PERMISSION.
 COPYRIGHT © 1975 DIGITAL EQUIPMENT CORPORATION

LEGEND		
NUMBER	DIM X" VARIATION	DIM Y" (PRECUT) REF.
BC11A-02	2'0"±0.5"	2'1.5"
BC11A-03	3'0"±1.0"	3'1.5"
BC11A-04	4'0"±1.0"	4'1.5"
BC11A-05	5'0"±1.0"	5'1.5"
BC11A-06	6'0"±1.0"	6'1.5"
BC11A-07	7'0"±2.0"	7'1.5"
BC11A-08	8'0"±2.0"	8'1.5"
BC11A-09	9'0"±2.0"	9'1.5"
BC11A-10	10'0"±2.0"	10'1.5"
BC11A-11	11'0"±3.0"	11'1.5"
BC11A-12	12'0"±3.0"	12'1.5"
BC11A-13	13'0"±3.0"	13'1.5"
BC11A-14	14'0"±3.0"	14'1.5"
BC11A-15	15'0"±4.0"	15'1.5"
BC11A-16	16'0"±4.0"	16'1.5"
BC11A-17	17'0"±4.0"	17'1.5"
BC11A-18	18'0"±4.0"	18'1.5"
BC11A-19	19'0"±5.0"	19'1.5"
BC11A-20	20'0"±5.0"	20'1.5"
BC11A-21	21'0"±5.0"	21'1.5"
BC11A-22	22'0"±5.0"	22'1.5"
BC11A-23	23'0"±6.0"	23'1.5"
BC11A-24	24'0"±6.0"	24'1.5"
BC11A-25	25'0"±6.0"	25'1.5"
BC11A-0F	0'6"±0.5"	0'7.5"
BC11A-0E	8'6"±2.0"	8'7.5"



REVISIONS		
CHK	CHANGE NO	REV

TITLE	SIZE CODE	NUMBER	REV.
CABLE ASSY (BC11A)	DUA	BC11A-0-0	H
SCALE	SHEET 2 OF 2	DIST.	

H
 BC11A-0-0
 DUA
 H

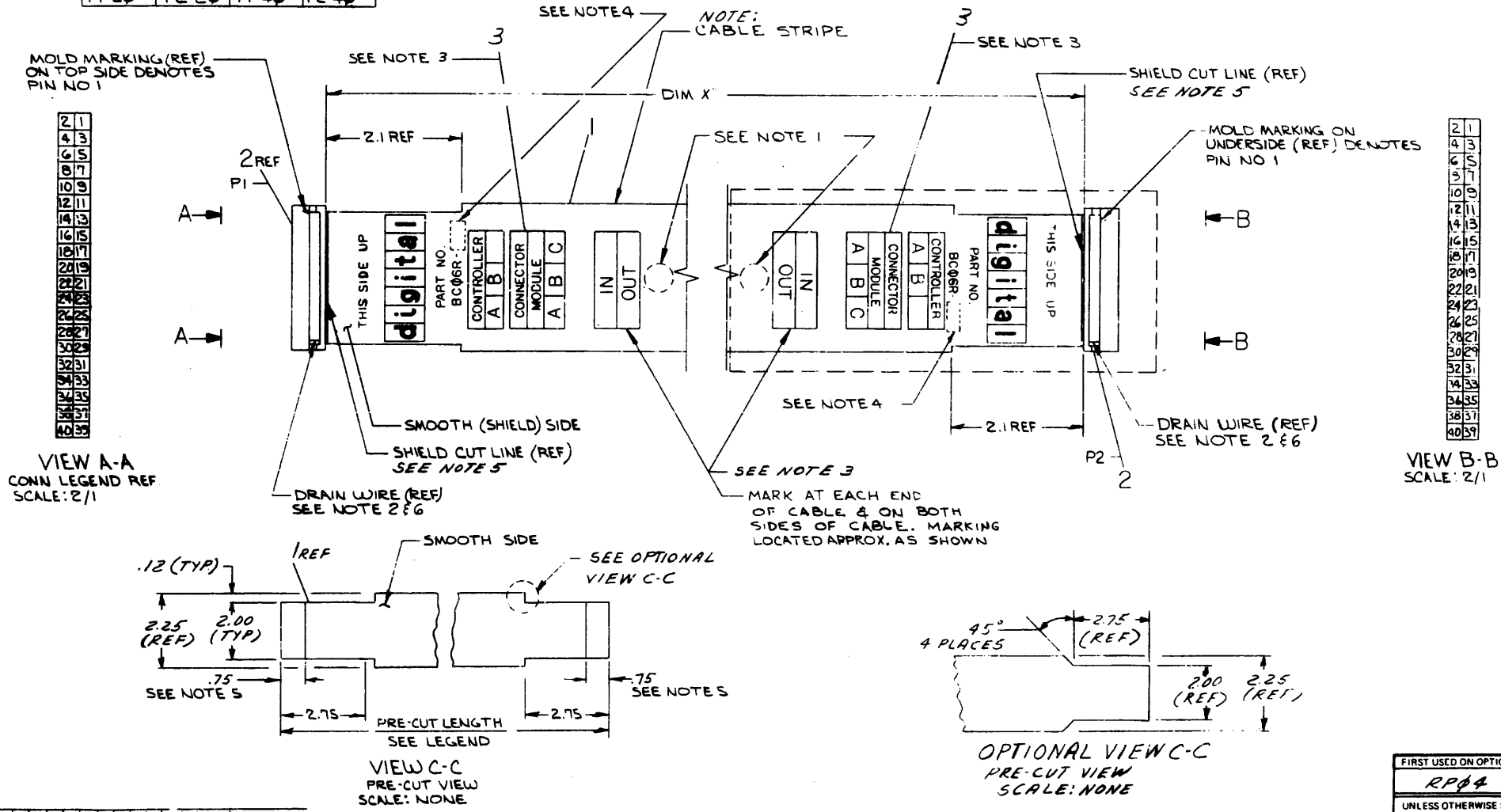
The drawing and specifications herein are the property of Digital Equipment Corporation and shall not be reproduced or stored in whole or in part in any form or by any means without written permission.

COPYRIGHT © 1975 DIGITAL EQUIP CORP.

WIRE TABLE			
FROM	TO	FROM	TO
P1-1	P2-1	P1-21	P2-21
P1-2	P2-2	P1-22	P2-22
P1-3	P2-3	P1-23	P2-23
P1-4	P2-4	P1-24	P2-24
P1-5	P2-5	P1-25	P2-25
P1-6	P2-6	P1-26	P2-26
P1-7	P2-7	P1-27	P2-27
P1-8	P2-8	P1-28	P2-28
P1-9	P2-9	P1-29	P2-29
P1-10	P2-10	P1-30	P2-30
P1-11	P2-11	P1-31	P2-31
P1-12	P2-12	P1-32	P2-32
P1-13	P2-13	P1-33	P2-33
P1-14	P2-14	P1-34	P2-34
P1-15	P2-15	P1-35	P2-35
P1-16	P2-16	P1-36	P2-36
P1-17	P2-17	P1-37	P2-37
P1-18	P2-18	P1-38	P2-38
P1-19	P2-19	P1-39	P2-39
P1-20	P2-20	P1-40	P2-40

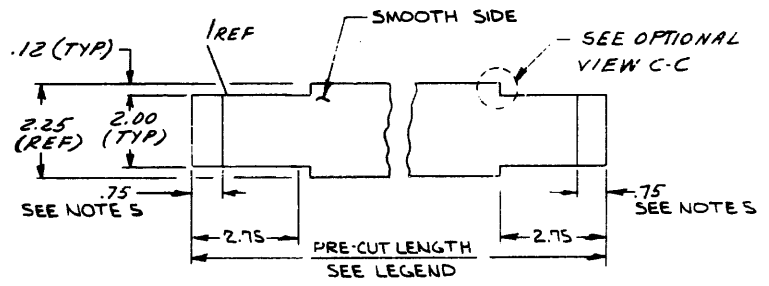
LEGEND			
NUMBER	DIM X"	PRECUT LENGTH	REMARKS
BCØGR-Ø1	1 FT	1 FT 1.5 IN ± 1 IN	SEE PRE-CUT VIEW C-C
BCØGR-Ø2	2 FT	2 FT 1.5 IN ± 1 IN	
BCØGR-Ø3	3 FT	3 FT 1.5 IN ± 1 IN	
BCØGR-Ø4	4 FT	4 FT 1.5 IN ± 1 IN	
* BCØGR-Ø5	4 FT 6 IN	4 FT 7.5 IN ± 1.5 IN	SEE NOTE 7
BCØGR-Ø6	6 FT	6 FT 1.5 IN ± 2 IN	
BCØGR-Ø8	8 FT	8 FT 1.5 IN ± 2 IN	
BCØGR-1Ø	1Ø FT	1Ø FT 1.5 IN ± 2 IN	
BCØGR-12	12 FT	12 FT 1.5 IN ± 3 IN	
BCØGR-2Ø	2Ø FT	2Ø FT 1.5 IN ± 3 IN	
BCØGR-25	25 FT	25 FT 1.5 IN ± 3 IN	
BCØGR-3Ø	3Ø FT	3Ø FT 1.5 IN ± 6 IN	
BCØGR-5Ø	5Ø FT	5Ø FT 1.5 IN ± 1 C FT	
BCØGR-6Ø	6Ø FT	6Ø FT 1.5 IN ± 1.2 FT	
BCØGR-75	75 FT	75 FT 1.5 IN ± 1.5 FT	
BCØGR-1ØØ	1ØØ FT	1ØØ FT 1.5 IN ± 2 FT	
BCØGR-Ø7	7 FT	7 FT 1.5 IN ± 2 IN	
BCØGR-8F	8 FT 6 IN	8 FT 7.5 IN ± 1 IN	SEE PRE-CUT VIEW C-C

- NOTES:
- INSPECTION & TEST STAMPS TO BE PLACED AT EACH END OF THE CABLE ASSEMBLY.
 - DRAIN WIRE CONNECTS TO PIN NO 40.
 - RUBBER STAMP INFORMATION SHOWN USING INK (ITEM 3) & ART WORK DEC NO A-DC-7411099-0-0
 - STAMP APPLICABLE OPTION DASH NO. ACCORDING TO LENGTH.
 - REMOVE SHIELD .75 FROM END OF PRECUT CABLE (SEE VIEW C-C).
 - COVER EXPOSED DRAIN WIRE WITH ITEM 4 PRIOR TO ASSY (BOTH ENDS)
 - * 7. FOR RPØ4, RPØ5, RPØ6 USE WRAP AROUND VINYL LABEL. SEE VARIATIONS ON DRAWING NUMBER A-PS-3615389-0-0. ALSO SEE NEXT HIGHER ASSEMBLY E-IA-7009807-0-0 AND E-IA-7009808-0-0.

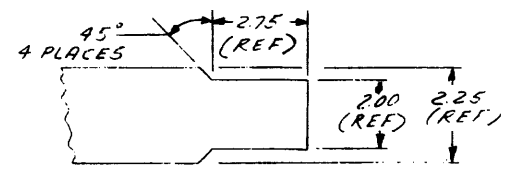


VIEW A-A
CONN LEGEND REF
SCALE: 2/1

VIEW B-B
SCALE: 2/1



VIEW C-C
PRE-CUT VIEW
SCALE: NONE



OPTIONAL VIEW C-C
PRE-CUT VIEW
SCALE: NONE

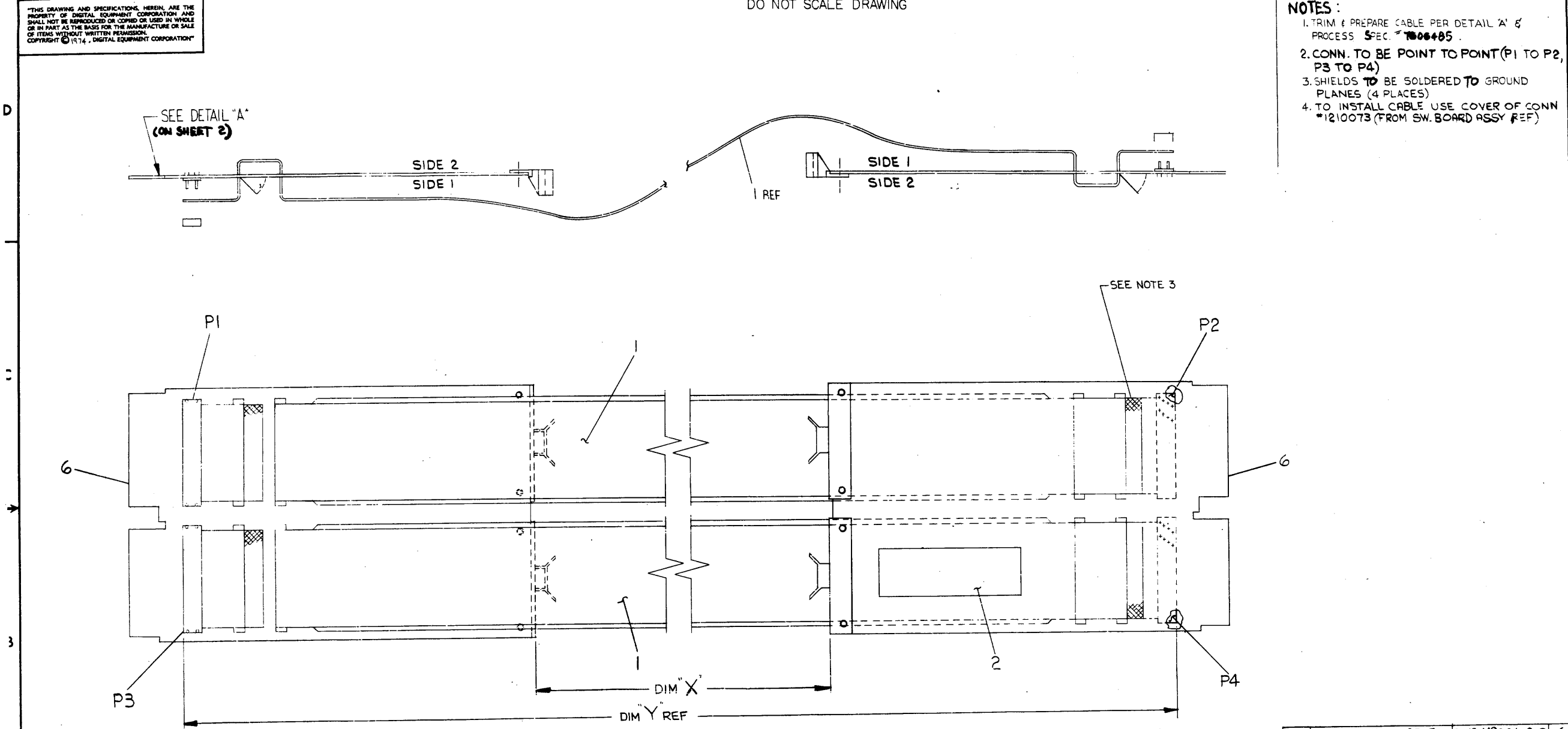
QTY	DESCRIPTION	PART NO	ITEM NO
A/R	PLASTIC TAPE	3612511-0	4
A/R	INK	4901150	3
2	CONNECTOR, 40 SOCKET	1211206	2
A/R	CABLE, 40 COND FLAT W/SHIELD	17-00034	1

FIRST USED ON OPTION/MODEL		PARTS LIST	
RPØ4		digital EQUIPMENT CORPORATION	
UNLESS OTHERWISE SPECIFIED DIMENSION IN INCHES TOLERANCES	DRN: <i>[Signature]</i> DATE: 12-22-73	TITLE: BCØ6R I/O CABLE	
DECIMALS: .005	ENG: <i>[Signature]</i> DATE: 12-22-73	SIZE CODE: NUMBER	
ANGLES: 10° 30'	PROJ: <i>[Signature]</i> DATE: 12/22/73	REV: E	
REMOVE BURRS AND BREAK SHARP CORNERS SURFACE QUALITY	DATE: 12/22/73	SCALE: NONE	
MATERIAL: SEE PARTS LIST	NEXT HIGHER ASSY: E-IA-7009807-0-0	SHEET 1 OF 1	
FINISH: --	DATE: 12/22/73	DIST: []	

CHK	CHANGE NO	REV	DATE
17	BCØGR-0001	A	
18	BCØGR-0002	B	
19	BCØGR-0003	C	
20	BCØGR-0004	D	
21	BCØGR-0005	E	

"THIS DRAWING AND SPECIFICATIONS, HEREIN, ARE THE PROPERTY OF DIGITAL EQUIPMENT CORPORATION AND SHALL NOT BE REPRODUCED OR COPIED OR USED IN WHOLE OR IN PART AS THE BASIS FOR THE MANUFACTURE OR SALE OF ITEMS WITHOUT WRITTEN PERMISSION. COPYRIGHT © 1974 - DIGITAL EQUIPMENT CORPORATION"

- NOTES:**
1. TRIM & PREPARE CABLE PER DETAIL 'A' & PROCESS SPEC. 7806485.
 2. CONN. TO BE POINT TO POINT (P1 TO P2, P3 TO P4)
 3. SHIELDS TO BE SOLDERED TO GROUND PLANES (4 PLACES)
 4. TO INSTALL CABLE USE COVER OF CONN. #1210073 (FROM SW. BOARD ASSY REF)



REV.	CHANGE NO.	DATE
A	BC20C-00001	9 FEB 74
J	PROVIDENT	10 FEB 74

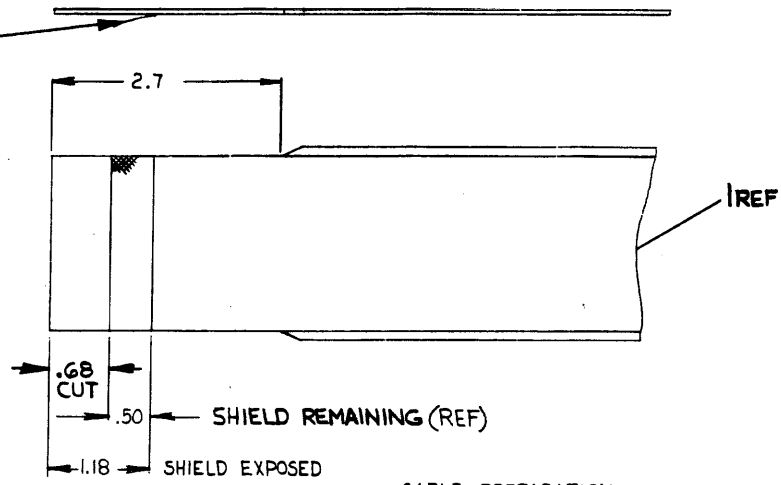
QTY.	DESCRIPTION	PART NO.	ITEM NO.
2	BOARD, S BUS CABLE	D-UA-M9006-0-0	6
2	CLAMP, CABLE	1209764	5
A/R	TAPE, DOUBLE SIDED, .5 WD	9007834	4
4	EYELET	9006750	3
1	LABEL, ADHESIVE BACK	9009255	2
A/R	CABLE, 40 CONDUCTOR	1700004-00	1

FIRST USED ON OPTION/MODEL KL10		DRN M. C. (S) 10-8-74		DATE 10-8-74	
DIMENSIONAL TOLERANCE DIMENSIONS ARE MILLIMETERS UNLESS OTHERWISE SPECIFIED		CHKD 1/23/74		DATE 12-30-74	
MILLIMETERS	INCHES	ANGLES	ENG. 1/23/74	DATE 1/23/74	TITLE CONN. ASSY., S BUS
X,XX ±0.10	XXX ±.008	40° 30'	PROJ. ENG. 1/23/74	DATE 1/23/74	PARTS LIST digital
X.X ±0.5	XX ±.02		PROD. 1/23/74	DATE 1-18-74	
X ±.2	X ±.1		THIRD ANGLE PROJECTION REMOVE BURRS AND BREAK SHARP CORNERS SURFACE QUALITY		NEXT HIGHER ASSY.
MATERIAL SEE PARTS LIST		D-UA-KL10-0-0		SIZE CODE DIA	NUMBER BC20C-0-0
FINISH --		SCALE 1/1		SHEET 1 OF 2	REV. A

"THIS DRAWING AND SPECIFICATIONS HEREIN ARE THE PROPERTY OF DIGITAL EQUIPMENT CORPORATION AND SHALL NOT BE REPRODUCED OR COPIED OR USED IN WHOLE OR IN PART AS THE BASIS FOR THE MANUFACTURE OR SALE OF ITEMS WITHOUT WRITTEN PERMISSION. COPYRIGHT © 1974 DIGITAL EQUIPMENT CORPORATION"

LEGEND		
NUMBER	DIM X'	DIM Y' (PRECUT) REF
BC20C-3C	3FT 3IN	4FT 6IN
BC20C-6C	6FT 3IN	7FT 6IN
BC20C-0K	9IN	2FT 0IN
BC20C-CI	15 IN	2FT 6IN

REMAINING SHIELD (REF)



CABLE PREPARATION
TYP. BOTH ENDS
SEE NOTE 1

SOLDER SHIELDS (REF)

DETAIL "A"

REF

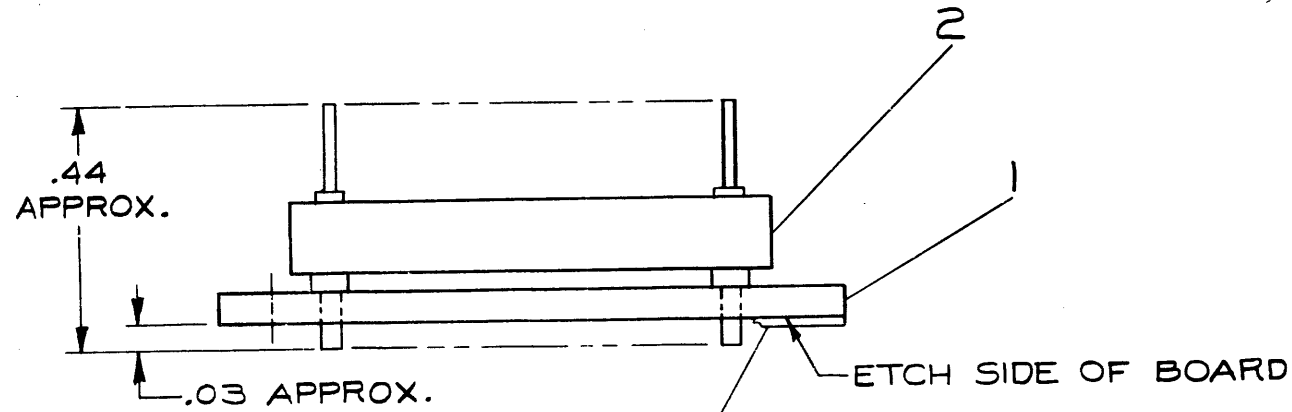
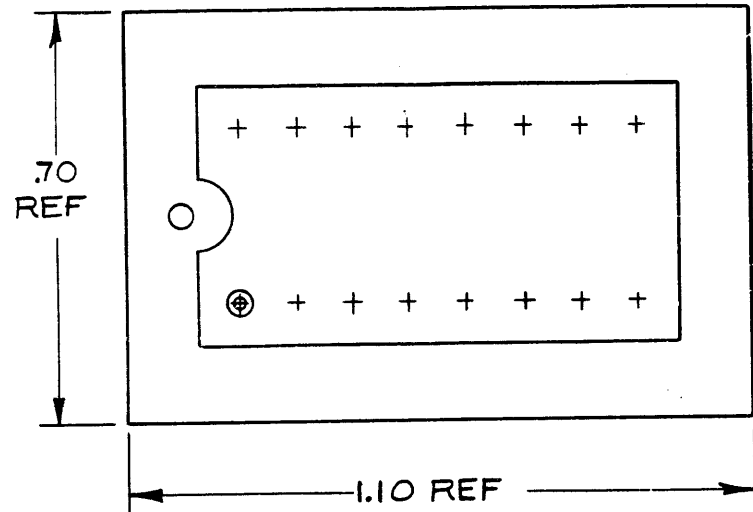
REVISIONS		
CHK	CHANGE NO	REV

TITLE CONN. ASSY., S BUS	SIZE CODE D IA	NUMBER BC20C-0-0	REV. A
SCALE 1/1	SHEET 2 OF 2	DIST.	

This drawing and specifications, herein, are the property of Digital Equipment Corporation and shall not be reproduced or copied or used in whole or in part as the basis for the manufacture or sale of items without written permission.

NOTES:

- CUT OFF EXCESS LENGTH OF PRONGS BEFORE SOLDERING.



TOLERANCE DECIMALS
 XXX = ±.005
 XX = ±.02
 X = ±.1

FIRST USED ON OPTION MODEL
M78Φ

UNLESS OTHERWISE SPECIFIED
 DIMENSION IN INCHES
 TOLERANCES
 DECIMALS FRACTIONS ANGLES
 .001 .002 ± 0°30'
 FINAL SURFACE QUALITY REMOVE BURRS AND BREAK SHARP CORNERS

MATERIAL
 SEE PARTS LISTS

FINISH
 / /

REF	CIRCUIT SCHEMATIC	B-CS-5408780-0-1	ITEM NO.
A/R	TAPE VINYL 3M TRANSPARENT .75 x 1.12	9008269	3
1	PLUG, 16 PRONG, AUGAT	1209837	2
1	ETCH BOARD	D-IA-5008779-0-0	1

QTY.	DESCRIPTION	PART NO.	ITEM NO.
PARTS LIST			
DRN <i>W.F. McCarthy</i>		DATE 5/13/70	
CHK'D <i>J.F. Leming</i>		DATE 5-22-70	
ENG. <i>C.R. Blau</i>		DATE 6/24/70	
PROD. ENG. <i>P. J. Jones</i>		DATE 6-28-70	
PROD. <i>Thao Donald</i>		DATE 6/29/70	
NEXT HIGHER ASSY M78Φ		SCALE 5/1	
SHEET 1 OF 1		DIST. G	

digital EQUIPMENT CORPORATION
 MAYNARD, MASSACHUSETTS

TITLE
**PRIORITY JUMPER
 LEVEL # 6**

REV.	
CHANGE NO.	
CHK	

REV. NUMBER
 CIA 5408780-0-0

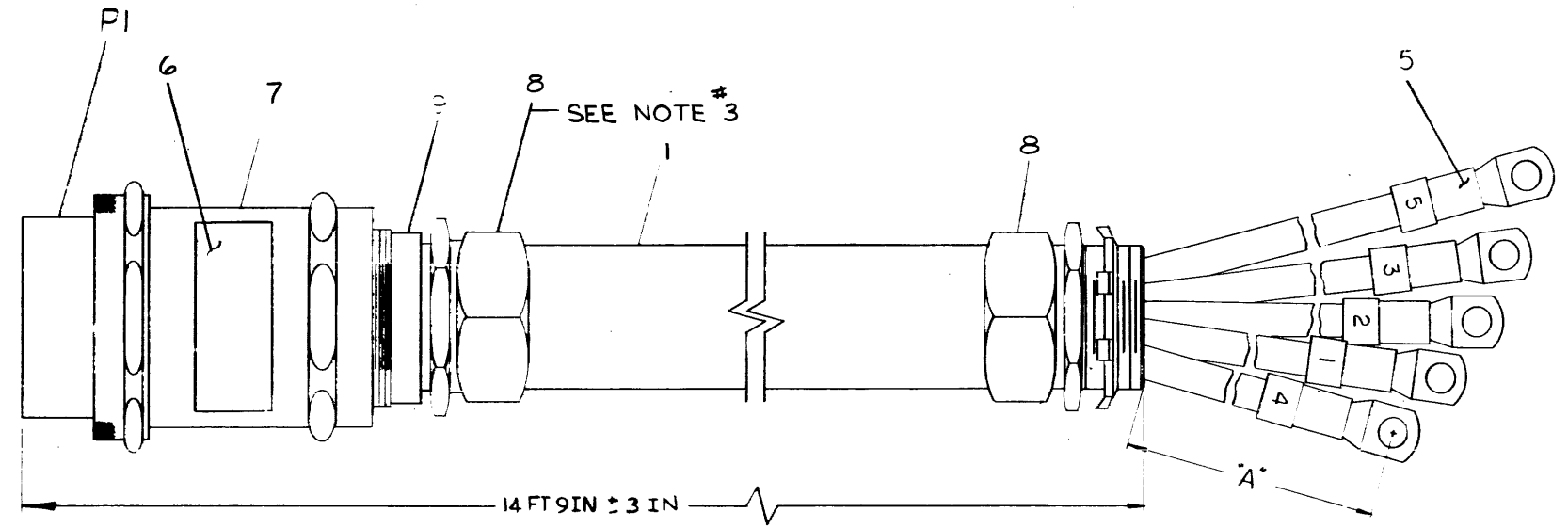
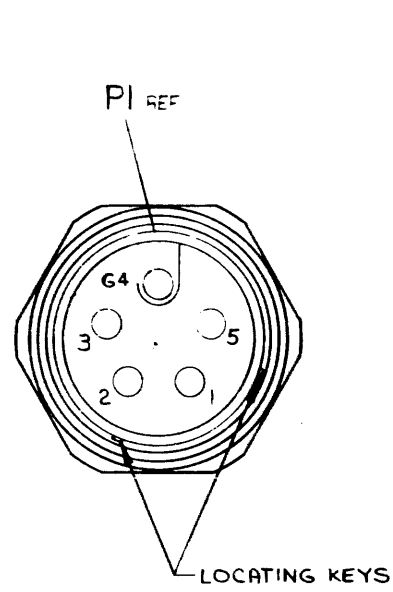
THIS DRAWING AND SPECIFICATIONS HEREIN ARE THE PROPERTY OF DIGITAL EQUIPMENT CORPORATION AND SHALL NOT BE REPRODUCED OR COPIED IN WHOLE OR IN PART AS THE BASIS FOR THE MANUFACTURE OR SALE OF ITEMS WITHOUT WRITTEN PERMISSION. COPYRIGHT © 1975, DIGITAL EQUIPMENT CORPORATION

WIRE TABLE										
ITEM NO.	DESCRIPTION			FROM			TO			LENGTHS DIM "A"
	AWG	COLOR	POINT	CONNECTION	TERM	POINT	CONNECTION	TERM		
3	2	BLK	—	PI-1	—	1	—	ITEM#5	6.25IN ± .5IN	
3	2	BLK	—	PI-2	—	2	—	ITEM#5	7.25IN ± .5IN	
3	2	BLK	—	PI-3	—	3	—	ITEM#5	8.25IN ± .5IN	
2	2	GRN	—	PI-G4	—	4	—	ITEM#5	5.25IN ± .5IN	
4	2	WHT	—	PI-5 (NEUT)	—	5	—	ITEM#5	9.25IN ± .5IN	

LEGEND	
NUMBER	VARIATION
7012210-0	60 HZ

0-0-012210-0-0 2

- NOTES:
- LUGS (ITEM#5) TO BE LABELED WITH BRADY MARKERS.
 - ITEM #7 PLUG ASSEMBLY MATES WITH RECEPTACLE ASSY #1212020 (FOR REF ONLY).
 - REMOVE LOCKING NUT FROM THIS END ONLY, BEFORE ASSEMBLING.
 - TIN 5 PI LEAD ENDS APPROXIMATELY .25 INCH BEFORE ASSEMBLY INTO PI CONNECTOR. SCREW TORQUE TO BE APPROXIMATELY 60 INCH-LBS.



1	BUSHING, REDUCING	1212028	9
2	CONNECTOR	1212029	8
1	PLUG, ASSY, 60 HZ	1212021-00	7
1	LABEL, ADHESIVE BACKED	9009255	6
5	LUG, TERMINAL	1211513-01	5
R/R	WIRE #2 AWG INS WHT	9107764-99	4
R/R	WIRE #2 AWG INS BLK	9107764-00	3
R/R	WIRE #2 AWG INS GRN	9107764-55	2
NR	CONDUIT, FLEXIBLE	1212023	1

QUANTITY / VARIATION		QTY.	DESCRIPTION	PART NO.	ITEM NO.
FIRST USED OR OPTION/MODEL					
KLIØ-C					
DIMENSIONAL TOLERANCE					
DIMENSIONS ARE IN INCHES UNLESS OTHERWISE SPECIFIED					
HELLMETER	INCHES	ANGLES	DATE		
X.XX ± 0.10	XX ± .005	XX' XX"	20 Nov 75		
X.X ± 0.05	XX ± .002	XX'	DATE		
X ± 0.2	X ± .1		5 DEC 75		
TYPED ANGLE PROJECTION			DATE		
REMOVE BURRS AND BREAK SHARP CORNERS SURFACE QUALITY			16 Nov 75		
SEE PARTS LIST			DATE		
FINISH			16 Nov 75		
SCALE 1/1			DATE		
SHEET 1 OF 1			12-17-75		
MATERIAL		SIZE CODE		NUMBER	
D-UR-KLIØ-C-Ø		DIA		702210-0-0	
TITLE		POWER CORD ASSY (60 HZ)			
REV.					

REV	CHANGE NO

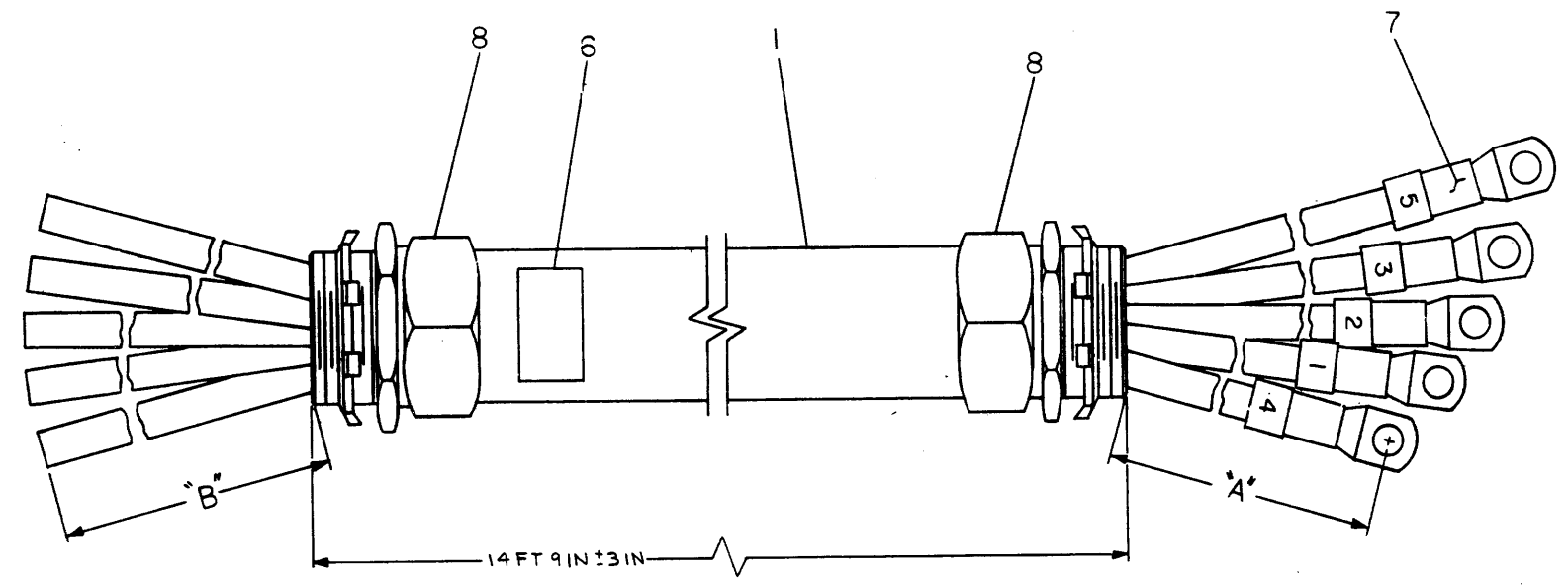
DIA 7012210-0-0

THIS DRAWING AND SPECIFICATIONS HEREIN ARE THE PROPERTY OF DIGITAL EQUIPMENT CORPORATION AND SHALL NOT BE REPRODUCED OR COPIED OR USED IN WHOLE OR IN PART AS THE BASIS FOR THE MANUFACTURE OR SALE OF ITEMS WITHOUT WRITTEN PERMISSION. COPYRIGHT © 1975 DIGITAL EQUIPMENT CORPORATION

ITEM NO.	DESCRIPTION			FROM			TO			LENGTHS DIM 'A'	LENGTHS DIM 'B'
	AWG	COLOR	POINT	CONNECTION	TERM	POINT	CONNECTION	TERM			
3	2	BLK				1		ITEM #7	6.25 IN ± .5 IN	18 IN ± 1 IN	
3	2	BLK				2		ITEM #7	7.25 IN ± .5 IN	18 IN ± 1 IN	
4	2	BRN				3		ITEM #7	8.25 IN ± .5 IN	18 IN ± 1 IN	
2	2	GRN/YEL				4		ITEM #7	5.25 IN ± .5 IN	18 IN ± 1 IN	
5	2	BLU				5		ITEM #7	9.25 IN ± .5 IN	18 IN ± 1 IN	

LEGEND	
NUMBER	VARIATIONS
7012275-0	50 H Z

NOTES:
1. LUGS (ITEM #7) TO BE LABELED WITH BRADY MARKERS.



ITEM NO.	DESCRIPTION	DWG. PART NO.	ITEM NO.
2	CONNECTOR	1212029	8
5	LUG, TERMINAL	1211513-01	7
1	LABEL, ADHESIVE BACKED	9009255	6
AR	WIRE #2 AWG INS BLU	9107764-66	5
AR	WIRE #2 AWG INS BRN	9107764-11	4
AR	WIRE #2 AWG INS BLK	9107764-00	3
AR	WIRE #2 AWG INS GRN/YEL	9107761-54	2
AR	CONDUIT, FLEXIBLE	1212023	1

CLASS OF ACCURACY (CHECK ONE)	NOMINAL DIMENSION RANGE INCHES					
	OVER 18 TO 30	OVER 12 TO 18	OVER 6 TO 12	OVER 3 TO 6	OVER 1.5 TO 3	OVER .5 TO 1.5
MEDIUM	±.004	±.008	±.012	±.018	±.024	±.030
PREFERRED	±.012	±.018	±.028	±.04	±.06	±.09

THIRD ANGLE PROJECTION

REMOVE BURRS AND BREAK SHARP CORNERS

DO NOT SCALE DWG

MATERIAL SEE PARTS LIST

FINISH //

DRN. *S. Olson* 12/1/75

CHK'D *[Signature]*

ENG. *[Signature]*

PROD. *[Signature]*

NEXT HIGHER ASSY.

D-UA-KL10-C-0

SCALE 1/1

SHEET 1 OF 1

FIRST USED ON KL10-C

TITLE POWER CORD ASSY (50 HZ)

SIZE CODE D-IA

NUMBER 7012275-0-0

REV. A

REV.	CHANGE NO.	DATE	BY
1	1	12/1/75	R. MLLANSON

8 7 6 5 4 3 2 1

DIA 7012275-0-0

A B C D

DIGITAL EQUIPMENT CORPORATION MAYNARD, MASSACHUSETTS			QUANTITY VARIATION								
PARTS LIST			KL10-EA	KL10-EB	KL10-EC	KL10-ED	KL10-EE	KL10-EF	KL10-EH	KL10-EJ	
MADE BY <i>C. J. Anderson</i>	CHECKED <i>C. J. Anderson</i>	SECTION 1									
DATE <i>12 APR 77</i>	DATE <i>12 APR 77</i>	ISSUED SECT. 1									
ENG <i>S. M. Chou</i>	PROD <i>M. J. Anderson</i>										
DATE <i>12 APR 77</i>	DATE <i>12 APR 77</i>										
ITEM NO	DWG NO. / PART NO.	DESCRIPTION	KL10-EA	KL10-EB	KL10-EC	KL10-ED	KL10-EE	KL10-EF	KL10-EH	KL10-EJ	
1	MP00300	KL10-E PRINT SET	1	1	1						
2	MP00301	KL10-PV PRINT SET	1	1	1						
3	MP00175	MB20 PRINT SET	1	1	1						
4	B-DD-11/40-0	11/40 PRINT SET	1	1	1						
5	EFX01-MM	RX01/RH11 PRINT SET AND MANUALS	1	1	1						
6	B-DD-RH11-0	RH11 PRINT SET	1	1	1						
7	B-DD-DD11-8	DD11-A PRINT SET	1	1	1						
8	MP00003	DC20 PRINT SET	1	1	1						
9	MP00007	LP20 PRINT SET	1	1	1						
10	MP00006	CD20 PRINT SET	1	1	1						
11	ER00001	CR04/M200 PRINT SET & MANUALS	1	1	1						
12	ER00002	CR04/M1200 PRINT SET & MANUALS	1	1	1						
13	MD-10-DJYD	KL10 2040 CPU DIAG CUSP #1	1	1	1						
14	MD-10-DJYAA-**-YB	2040 FRONT END CPU CUSP #1	1	1	1						
15	MD-10-DJYAB-**-YB	2040 FRONT END CPU CUSP #2	1	1	1						
16	MD-10-DJYAC-**-YB	2040 FRONT END DISK CONTROL CUSP #1	1	1	1						
17	MD-10-DJYAD-**-YB	2040 FRONT END DISK CONTROL CUSP #2	1	1	1						
18	MD-10-DJYBA-**-YB	2040 FRONT END DEC X/11 EXERCISOR CUSP	1	1	1						
19	MD-10-DGYAA-**-YB	KL10 CONSOLE MONITOR CUSP	1	1	1						
20	MD-10-DGYBA-**-YB	KL10 SYSTEM CUSP DISKETTE #1	1	1	1						
21	MD-10-DGYBB-**-YB	KL10 SYSTEM CUSP DISKETTE #2	1	1	1						
22	MD-10-DKYCA-**-YB	KL10 DTE20 & E-BOX CUSP DISKETTE	1	1	1						
TITLE	SHIP LIST KL10-E	ASSY NO. <i>---</i>	SIZE	CODE	NUMBER	REV	ECO NO				
			A	PL	KL10-E-SH	C	1002				
		SHEET 1 OF 4	DIST								

DEC FORM DEC 16 (325)-1031-N870
DRA 110

DIGITAL EQUIPMENT CORPORATION MAYNARD, MASSACHUSETTS			QUANTITY VARIATION								
PARTS LIST			KL10-EA	KL10-EB	KL10-EC	KL10-ED	KL10-EE	KL10-EF	KL10-EH	KL10-EJ	
MADE BY <i>C. J. Anderson</i>	CHECKED <i>C. J. Anderson</i>	SECTION 1									
DATE <i>12 APR 77</i>	DATE <i>12 APR 77</i>	ISSUED SECT. 1									
ENG <i>S. M. Chou</i>	PROD <i>M. J. Anderson</i>										
DATE <i>12 APR 77</i>	DATE <i>12 APR 77</i>										
ITEM NO	DWG NO. / PART NO.	DESCRIPTION	KL10-EA	KL10-EB	KL10-EC	KL10-ED	KL10-EE	KL10-EF	KL10-EH	KL10-EJ	
44	DHYK0	KL10 INSTRUCTION TIMING & TAG BUS CUSP	1	1	1						
45	MD-10-DHYK-**-YB	KL10 FUNCTIONAL DTE20 INTERFACE CUSP	1	1	1						
46	DHYAA	PDP-10 MEMORY DIAGNOSTIC CUSP	1	1	1						
47	DHYA	KL10 BASIC DEVICE DIAGNOSTIC CUSP	1	1	1						
48	DHYBA	KL10 BASIC DEVICE DIAGNOSTIC CUSP	1	1	1						
49	DHYDA	KL10 PERIPHERAL DIAGNOSTIC CUSP	1	1	1						
50	DHYDB	KL10 PERIPHERAL DIAGNOSTIC CUSP	1	1	1						
51	DHYED	KL10 PAGE 7 ISOLATOR CUSP	1	1	1						
52	DHYEC	PDP-10 PARALLEL ROTATING MEMORY	1	1	1						
53	DHYOC	KL10 2040 SYSTEM EXERCISOR CUSP	1	1	1						
54	3012558-1	MICROFICHE READER	1	1	1						
55	3012558-2	MICROFICHE READER	1	1	1						
56	MP00056	RH20 PRINT SET	1	1	1						
57	3612408	FLOPPY DISK	2	2	2						
58	H315-A	TESTER H315-A	2	2	2						
59	H861	TEST CONNECTOR DM11-B	1	1	1						
60	H861	CONN DATA TURN AROUND	2	2	2						
61	LA36-CE	TELETYPE LA36-CE (115V, 60HZ)	1	1	1						
62	LA36-CF	TELETYPE LA36-CF (220V, 60HZ)	1	1	1						
63	LA36-CH	TELETYPE LA36-CH (115V, 50HZ)	1	1	1						
64	LA36-CJ	TELETYPE LA36-CJ (220V, 50HZ)	1	1	1						
65	B-DD-BM873-YA	BM873-YA PRINT SET	1	1	1						
TITLE	SHIP LIST KL10-E	ASSY NO. <i>---</i>	SIZE	CODE	NUMBER	REV	ECO NO				
			A	PL	KL10-E-SH	C	1002				
		SHEET 3 OF 4	DIST								

DEC FORM DEC 16 (325)-1031-N870
DRA 110

DIGITAL EQUIPMENT CORPORATION MAYNARD, MASSACHUSETTS			QUANTITY VARIATION								
PARTS LIST			KL10-EA	KL10-EB	KL10-EC	KL10-ED	KL10-EE	KL10-EF	KL10-EH	KL10-EJ	
MADE BY <i>C. J. Anderson</i>	CHECKED <i>C. J. Anderson</i>	SECTION 1									
DATE <i>12 APR 77</i>	DATE <i>12 APR 77</i>	ISSUED SECT. 1									
ENG <i>S. M. Chou</i>	PROD <i>M. J. Anderson</i>										
DATE <i>12 APR 77</i>	DATE <i>12 APR 77</i>										
ITEM NO	DWG NO. / PART NO.	DESCRIPTION	KL10-EA	KL10-EB	KL10-EC	KL10-ED	KL10-EE	KL10-EF	KL10-EH	KL10-EJ	
23	DHYCB	KL10 E-BOX ISOLATION ROUTINE #1	1	1	1						
24	DHYCC	KL10 E-BOX ISOLATION ROUTINE #2	1	1	1						
25	DHYCA	KL10 E-BOX MEMORY TRACING CUSP	1	1	1						
26	DHYCB	KL10 E-BOX CLOCK SCANOUT CUSP	1	1	1						
27	DHYCC	KL10 E-BOX ISOLATION ROUTINE CUSP	1	1	1						
28	DHYDC	KL10 PAGING CLOCK SCANOUT CUSP	1	1	1						
29	DHYDE	KL10 MEMORY ISOLATION ROUTINE CUSP	1	1	1						
30	DHYEA	KL10 CACHE/ADDRESS METER BOARD CUSP	1	1	1						
31	DHYEB	KL10 WORD0 CLOCK SCANOUT CUSP #1	1	1	1						
32	DHYEC	KL10 WORD0 CLOCK SCANOUT CUSP #2	1	1	1						
33	DHYED	KL10 CUMUL CLOCK SCANOUT CUSP #1	1	1	1						
34	DHYEE	KL10 CUMUL CLOCK SCANOUT CUSP #2	1	1	1						
35	DHYEF	KL10 K1012 BOARD ISOLATION ROUTINE CUSP	1	1	1						
36	DHYEG	KL10 ISOLATION INSTRUCTION CUSP #1	1	1	1						
37	DHYEH	KL10 BASIC INSTRUCTION CUSP #2	1	1	1						
38	DHYEI	KL10 BASIC INSTRUCTION CUSP #3	1	1	1						
39	DHYEJ	KL10 BASIC INSTRUCTION CUSP #4	1	1	1						
40	DHYEK	KL10 BASIC INSTRUCTION RELIABILITY CUSP	1	1	1						
41	DHYEL	KL10 ADVANCED INSTRUCTION CUSP	1	1	1						
42	DHYEM	KL10 CPU/PL MEMORY RELIABILITY CUSP	1	1	1						
43	DHYEN	KL10 CPU PAGING ROUTINE TAG &...	1	1	1						
44	DHYEO	KL10 CPU PAGING ROUTINE TAG &...	1	1	1						
TITLE	SHIP LIST KL10-E	ASSY NO. <i>---</i>	SIZE	CODE	NUMBER	REV	ECO NO				
			A	PL	KL10-E-SH	C	1002				
		SHEET 2 OF 4	DIST								

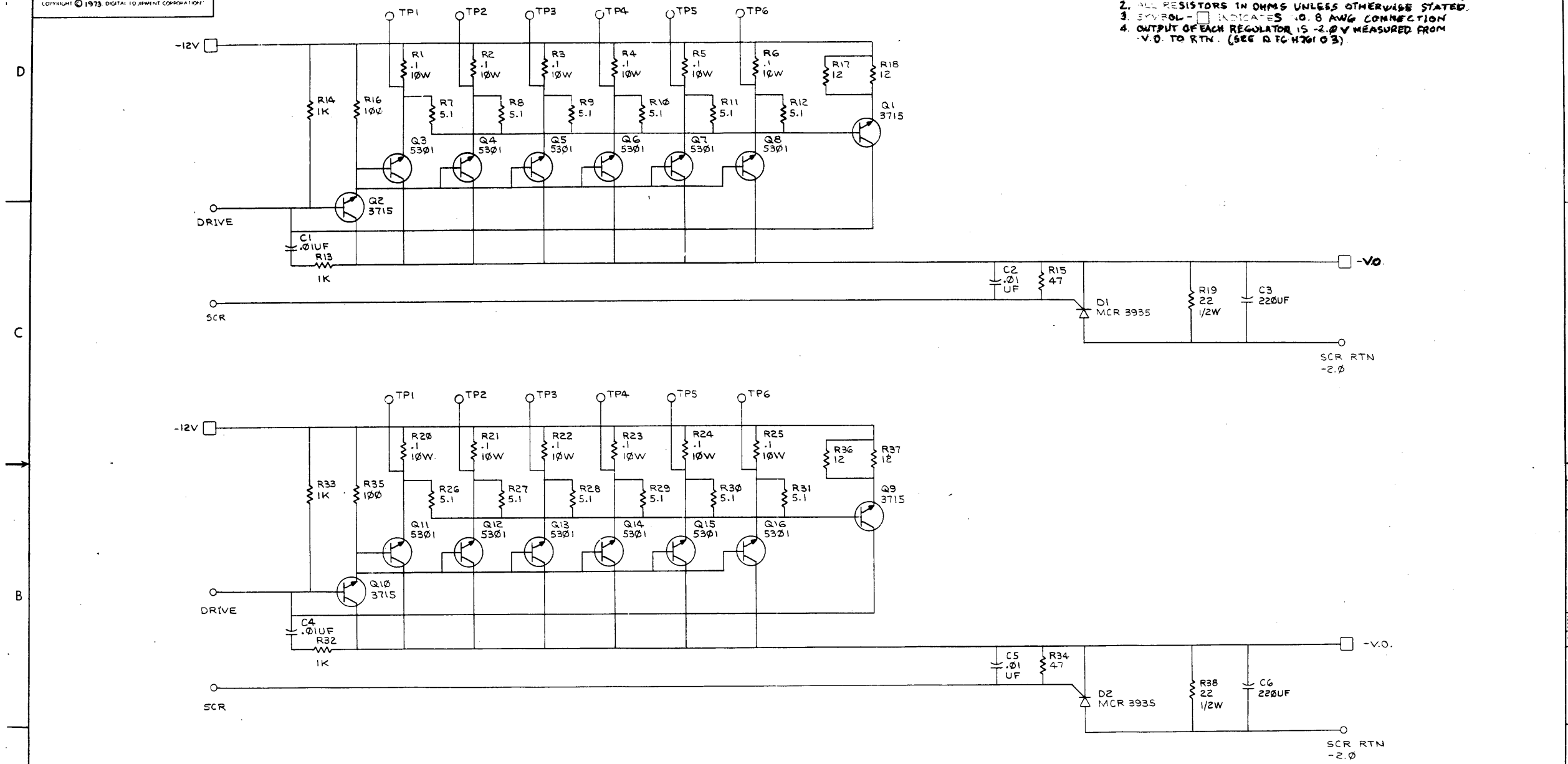
DEC FORM DEC 16 (325)-1031-N870
DRA 110

DIGITAL EQUIPMENT CORPORATION MAYNARD, MASSACHUSETTS			QUANTITY VARIATION								
PARTS LIST			KL10-EA	KL10-EB	KL10-EC	KL10-ED	KL10-EE	KL10-EF	KL10-EH	KL10-EJ	
MADE BY <i>C. J. Anderson</i>	CHECKED <i>C. J. Anderson</i>	SECTION 1									
DATE <i>12 APR 77</i>	DATE <i>12 APR 77</i>	ISSUED SECT. 1									
ENG <i>S. M. Chou</i>	PROD <i>M. J. Anderson</i>										
DATE <i>12 APR 77</i>	DATE <i>12 APR 77</i>										
ITEM NO	DWG NO. / PART NO.	DESCRIPTION	KL10-EA	KL10-EB	KL10-EC	KL10-ED	KL10-EE	KL10-EF	KL10-EH	KL10-EJ	
66	ER00004	LP05 PRINT SET & MANUALS (VOL 2)	1	1	1						
67	ER00003	LP05 PRINT SET & MANUALS (VOL 1)	1	1	1						
68	A-PL-KL10-E-KIT	HARDWARE KIT	1	1	1						
69	ZT101-FK	KLAD-24 DIAGNOSTIC KIT (RP04)	A/RA/R	-	-	A/RA/R	-	-	-	-	
70	ZT102-PL	KLAD-24 DIAGNOSTIC KIT (RP06)	A/RA/P	-	-	A/RA/P	-	-	-	-	
71	ZH101-FK	KLAD-10 DIAGNOSTIC KIT (RP04)	-	-	A/RA/R	-	-	-	-	-	
72	ZH102-PL	KLAD-10 DIAGNOSTIC KIT (RP06)	-	-	A/RA/P	-	-	-	-	-	
73	MP000622	MF20 PRINT SET	-	-	-	1	1	1			
			*REVISION LEVEL AS PER LCREV								
			***OPTIONAL								
			**TWO PER DC20 USED								
TITLE	SHIP LIST KL10-E	ASSY NO. <i>---</i>	SIZE	CODE	NUMBER	REV	ECO NO				
			A	PL	KL10-E-SH	C	1002				
		SHEET 4 OF 4	DIST								

DEC FORM DEC 16 (325)-1031-N870
DRA 110

THIS DRAWING AND SPECIFICATIONS HEREIN ARE THE PROPERTY OF DIGITAL EQUIPMENT CORPORATION AND SHALL NOT BE REPRODUCED OR COPIED OR USED IN WHOLE OR IN PART AS THE BASIS FOR THE MANUFACTURE OR SALE OF ITEMS WITHOUT WRITTEN PERMISSION. COPYRIGHT © 1973 DIGITAL EQUIPMENT CORPORATION.

- NOTES:
1. ALL RESISTORS 1/4W 5% UNLESS OTHERWISE STATED.
 2. ALL RESISTORS IN OHMS UNLESS OTHERWISE STATED.
 3. BYV POL - □ INDICATES NO. 8 AWG CONNECTION.
 4. OUTPUT OF EACH REGULATOR IS -2.0V MEASURED FROM -V.O. TO RTN. (SEE D E C H 701 0 3).



REV.	DATE
1	7/7/73
2	11/2/73
3	11/2/73
4	11/2/73
5	11/2/73
6	11/2/73
7	11/2/73
8	11/2/73

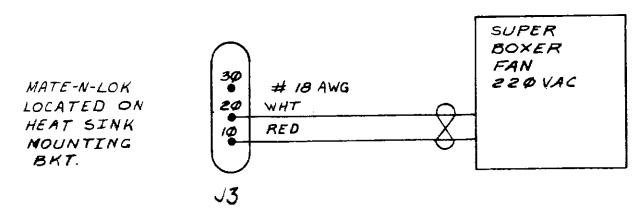
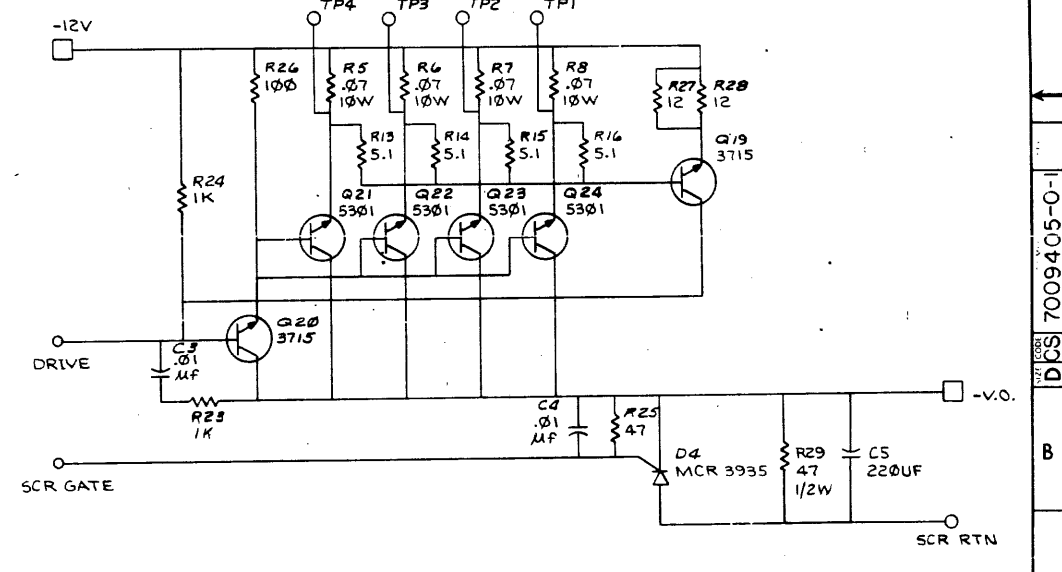
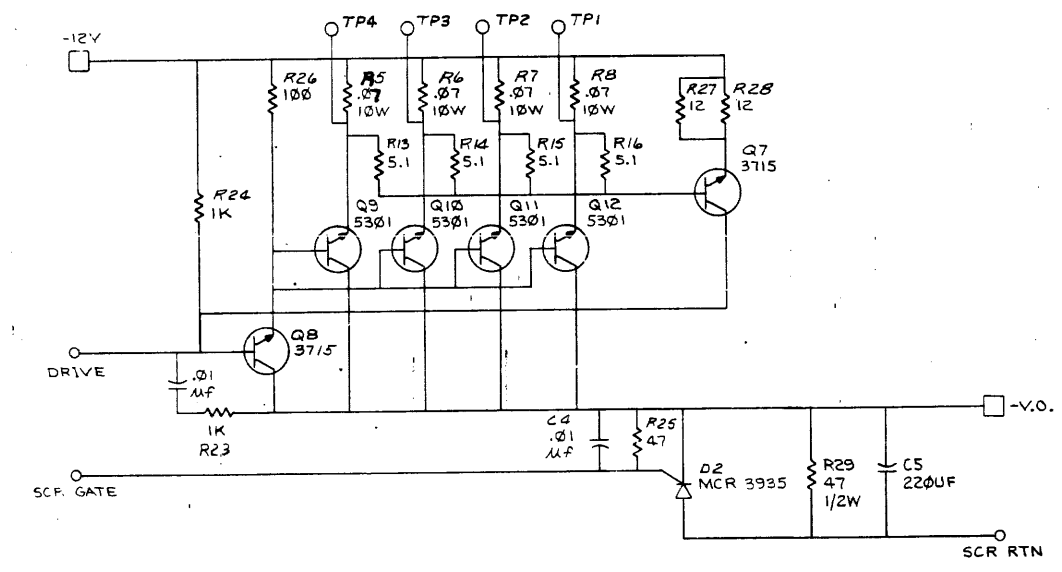
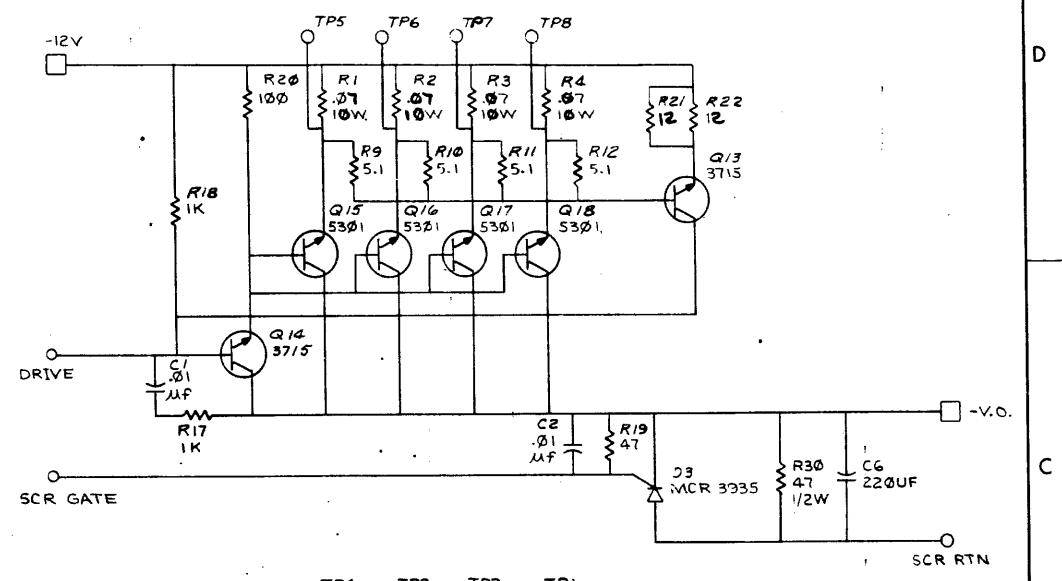
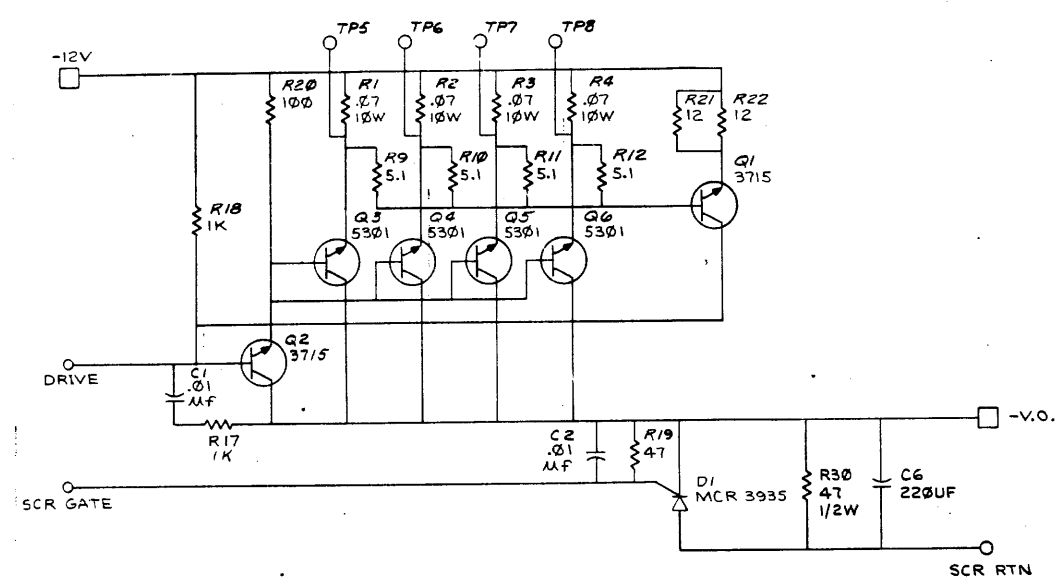
FIRST USED ON OPTION/MODEL	QTY	DESCRIPTION	PART NO.	ITEM NO.
KL10				
PARTS LIST				
UNLESS OTHERWISE SPECIFIED DIMENSION IN INCHES	DRN <i>J. Hamilton</i>	DATE 7/7/73	digital EQUIPMENT CORPORATION MAYNARD, MASSACHUSETTS	
TOLERANCES	CHKD <i>W. J. Ford</i>	DATE 11/2/73		
DECIMALS	ANGLES	ENG <i>W. J. Ford</i>	TITLE -2.0V HEAT SINK ASSY	
.xxx = .005	.0 30'	DATE 11/2/73		
xx = .02		PROJ. ENG <i>W. J. Ford</i>	NUMBER D CS 7009404-0-1	
x = .1		DATE 11/2/73		
REMOVE BURRS AND BREAK SHARP CORNERS SURFACE QUALITY		PROJ. <i>W. J. Ford</i>	REV. DIST	
		DATE 11/2/73		
MATERIAL	NEXT HIGHER ASSY.	SCALE	SHEET 1 OF 1	
FINISH	4761			

D CS 7009404-0-1

THIS DRAWING AND SPECIFICATIONS HEREIN ARE THE PROPERTY OF DIGITAL EQUIPMENT CORPORATION AND SHALL NOT BE REPRODUCED OR COPIED OR USED IN WHOLE OR IN PART AS THE BASIS FOR THE MANUFACTURE OF ANY OTHER EQUIPMENT WITHOUT THE WRITTEN PERMISSION OF DIGITAL EQUIPMENT CORPORATION.

NOTES:
 1. OUTPUT OF EACH REGULATOR IS $-5.2V$ MEASURED FROM -V.O. TO RTN. (SEE D I C H 7 6 1 - 0 8).

NOTES:
 2. ALL RESISTORS: 1/4W 5% UNLESS OTHERWISE STATED.
 3. ALL RESISTORS IN OHMS UNLESS OTHERWISE STATED.
 4. SYMBOL \square INDICATES NO. 8 AWG CONNECTION.



MATE-N-LOK LOCATED ON HEAT SINK MOUNTING BKT.

FIRST USED ON OPTION/MODEL	QTY.	DESCRIPTION	PART NO.	ITEM NO.
KL10				
UNLESS OTHERWISE SPECIFIED DIMENSION IN INCHES				
TOLERANCES				
DECIMALS	ANGLES	DATE		
.xxx = .005	.0 30'	DATE	7/13/75	
.x = .1		DATE	7/14/75	
REMOVE BURRS AND BREAK SHARP CORNERS SURFACE QUALITY Y				
MATERIAL				
NEXT HIGHER ASSY.				
H761				
FINISH				
SCALE				
SHEET 1 OF 1				
TITLE			NUMBER	REV.
-5.2V HEAT SINK ASSY			7009405-0-1	
PARTS LIST			digital EQUIPMENT CORPORATION	
D I C S			WATSON, MASSACHUSETTS	

REV. 1
 DATE 7/13/75
 DRAWN BY
 CHECKED BY
 ENG. BY
 PROJ. ENG. BY
 PROD. BY

D I C S 7009405-0-1

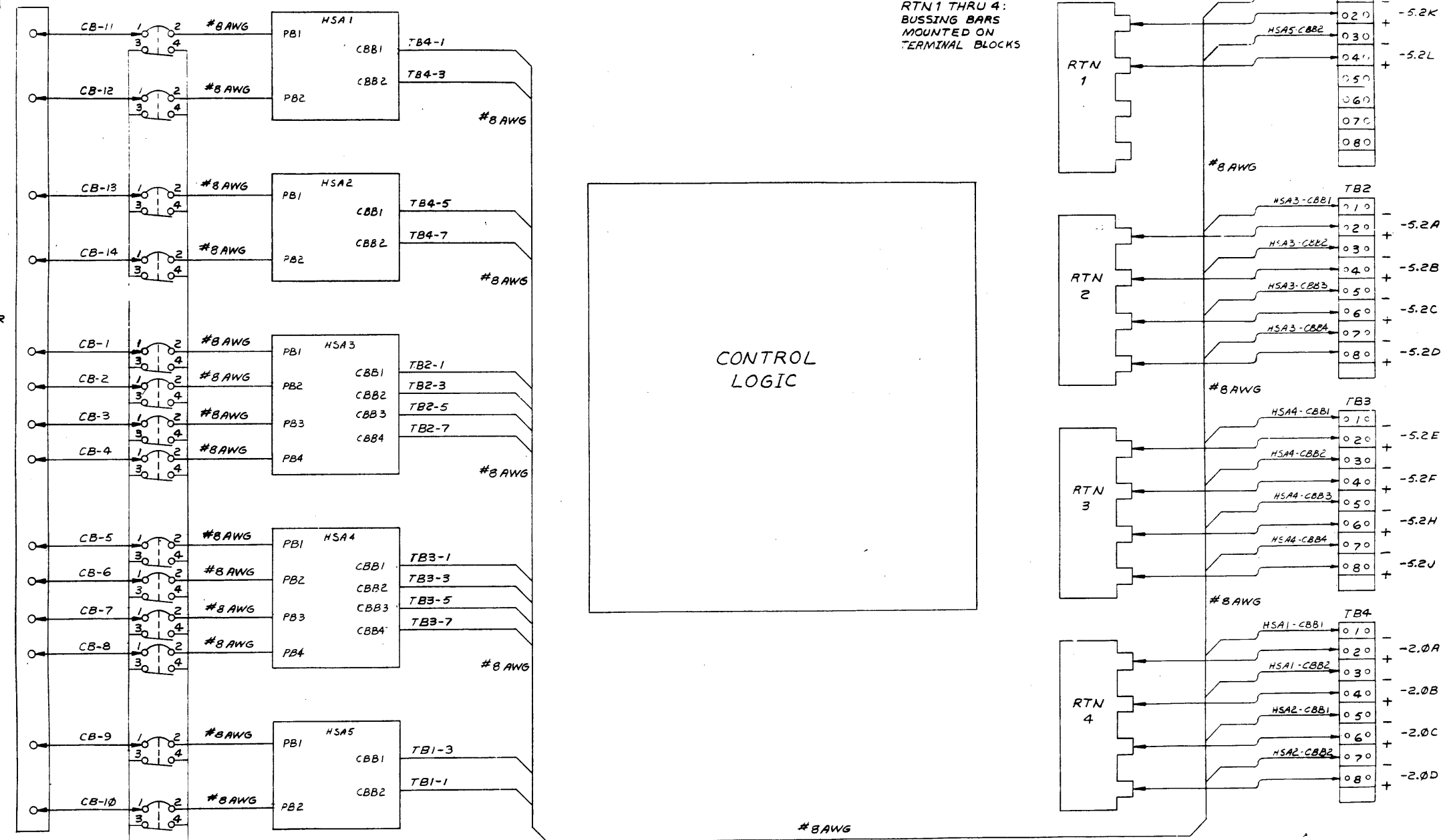
"THIS DRAWING AND SPECIFICATIONS HEREIN ARE THE PROPERTY OF DIGITAL EQUIPMENT CORPORATION AND SHALL NOT BE REPRODUCED OR COPIED OR USED IN WHOLE OR IN PART AS THE BASIS FOR THE MANUFACTURE OR SALE OF ITEMS WITHOUT WRITTEN PERMISSION. COPYRIGHT © 1974, DIGITAL EQUIPMENT CORPORATION"

NOTE: CBB INDICATES COLLECTOR BUS
PB INDICATES POWER BUS

RTN1 THRU 4:
BUSSING BARS
MOUNTED ON
TERMINAL BLOCKS

-12V BUS BAR
MOUNTED ON
CIRCUIT BREAKER
POSTS

CONTROL
LOGIC



J8
MATE N LOK

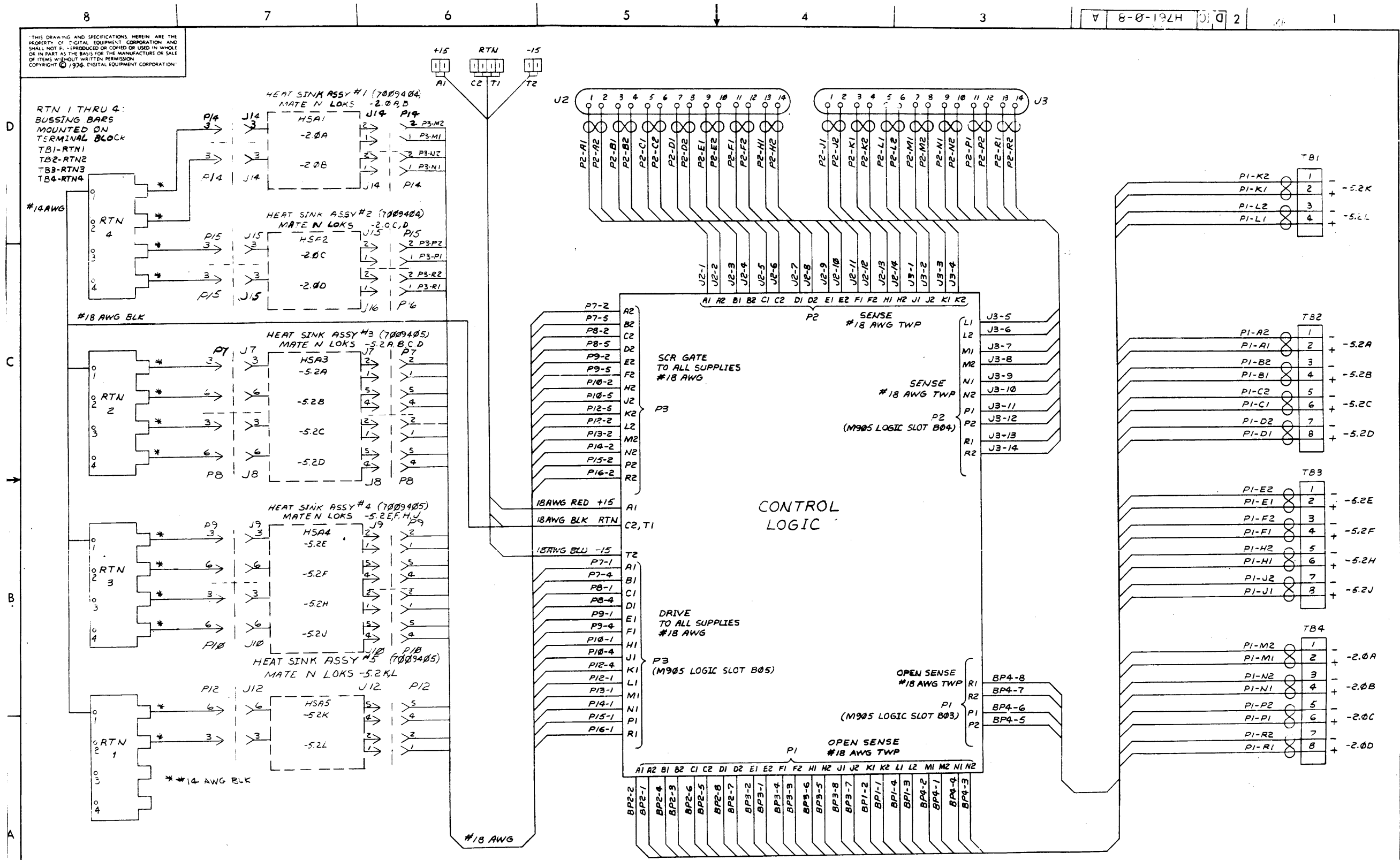
REV.	CHG	NO.	DATE
A	1	1	10/17/73
A	2	1	11/20/73

REVISIONS
CHK: MROD6
BY: J. McELROY
DATE: 10/17/73

FIRST USED ON OPTION/MODEL		QTY.	DESCRIPTION	PART NO.	ITEM NO.
H761					
PARTS LIST					
DIMENSIONAL TOLERANCE		DRN.	DATE	<div style="text-align: center; border: 1px solid black; padding: 5px;"> digital </div>	
DIMENSIONS ARE MILLIMETERS INCHES UNLESS OTHERWISE SPECIFIED		CHK'D	DATE		
MILLIMETERS	INCHES	ENGR.	DATE		
X.XX ±0.10 XX ±0.5 X ±2	.XX ±.005 .XX ±.02 X ±.1	PROJ. ENG.	DATE		
THIRD ANGLE PROJECTION		REMOVE BURRS AND BREAK SHARP CORNERS SURFACE QUALITY		TITLE	
MATERIAL		NEXT HIGHER ASSY.		H761 (POWER)	
FINISH		SCALE		WIRING DIAGRAM	
		SHEET 1 OF 2		NUMBER	
		DIST		H761-2-8	
				REV. A	

REV. A H761-2-8

THIS DRAWING AND SPECIFICATIONS HEREIN ARE THE PROPERTY OF DIGITAL EQUIPMENT CORPORATION AND SHALL NOT BE REPRODUCED OR COPIED OR USED IN WHOLE OR IN PART AS THE BASIS FOR THE MANUFACTURE OR SALE OF ITEMS WITHOUT WRITTEN PERMISSION. COPYRIGHT © 1974 DIGITAL EQUIPMENT CORPORATION.



REVISIONS		
CHK	CHANGE NO	REV

TITLE	H761 (CONTROL)	SIZE	CODE	NUMBER	REV
WIRING DIAGRAM	DIC	H761-0-8	A		
SCALE	SHEET 2 OF 2	DIST			