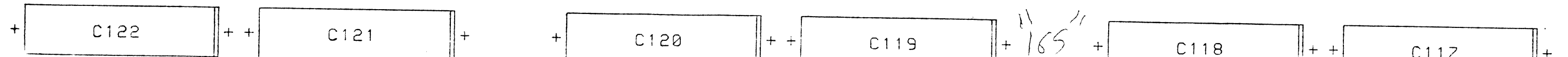
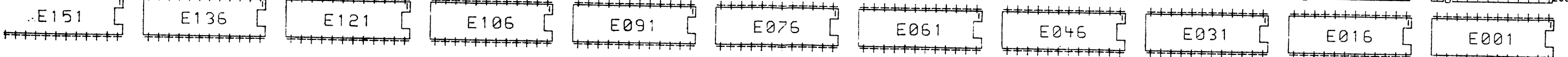
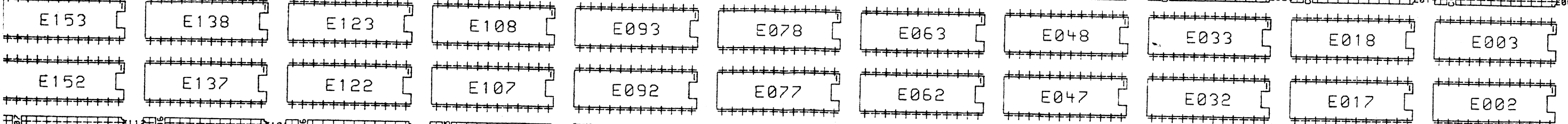
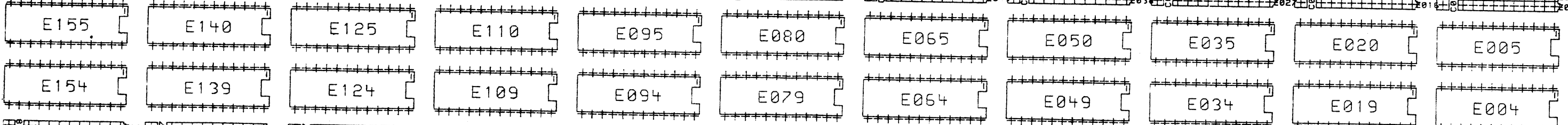
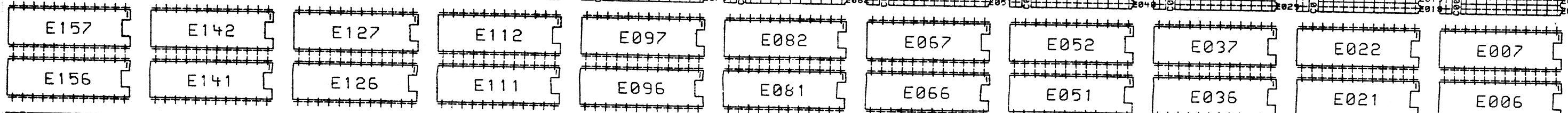
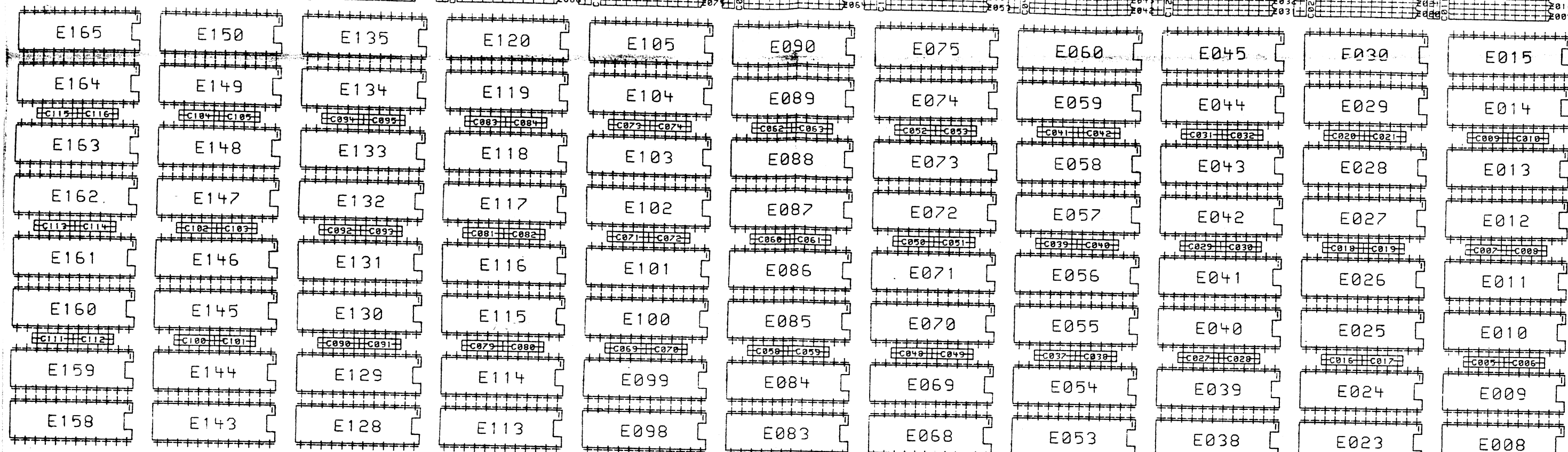
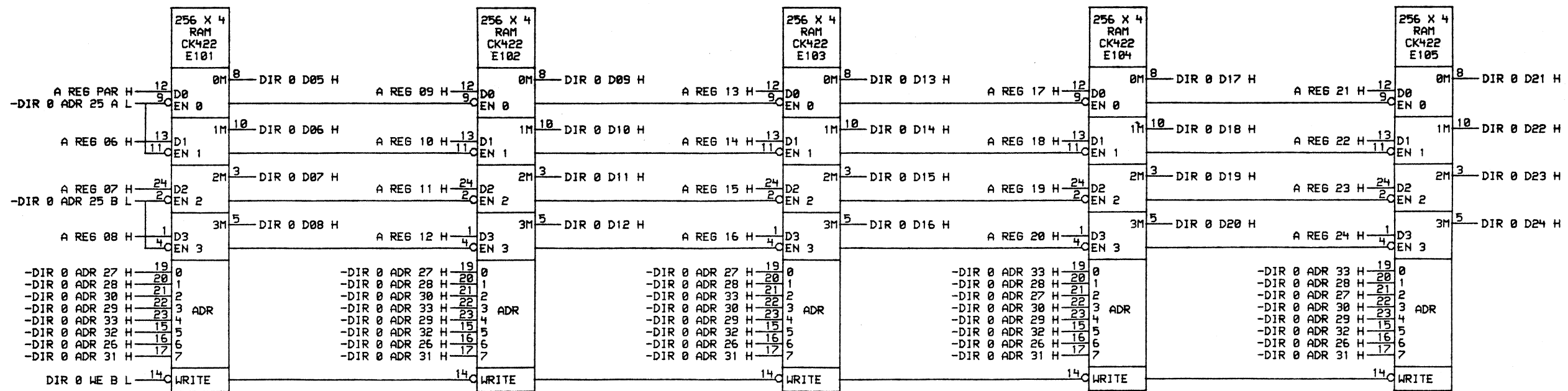
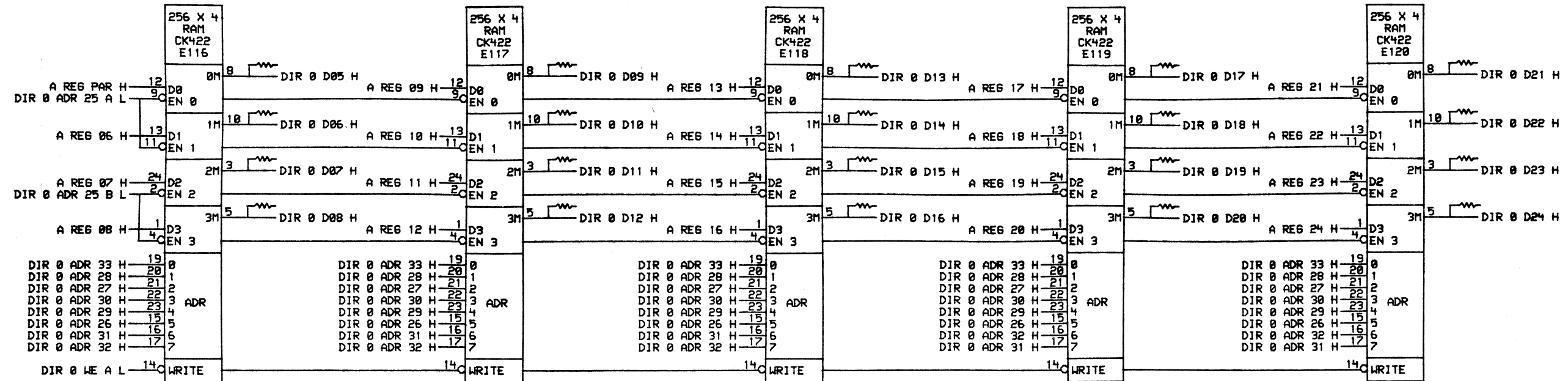


VULCAN:<2080.L0057>24MAP1  
VULCAN:<2080.L0057>24MAP2  
VULCAN:<2080.L0057>24MAP3  
VULCAN:<2080.L0057>24MAP4  
VULCAN:<2080.L0057>43MAP5  
VULCAN:<2080.L0057>24MAP6  
VULCAN:<2080.L0057>54MAP7  
VULCAN:<2080.L0057>24MAP8  
VULCAN:<2080.L0057>24MAP9  
VULCAN:<2080.L0057>24MAPA  
VULCAN:<2080.L0057>24MAPB  
VULCAN:<2080.L0057>53MAPC  
VULCAN:<2080.L0057>54MAPD  
VULCAN:<2080.L0057>24MAPE  
VULCAN:<2080.L0057>24MAPF  
VULCAN:<2080.L0057>24MAPG  
VULCAN:<2080.L0057>51MAPH  
VULCAN:<2080.L0057>52MAPI  
VULCAN:<2080.L0057>50MAPJ  
VULCAN:<2080.L0057>49MAPK  
VULCAN:<2080.L0057>53MAPL  
VULCAN:<2080.L0057>47MAPM  
VULCAN:<2080.L0057>54MAPN

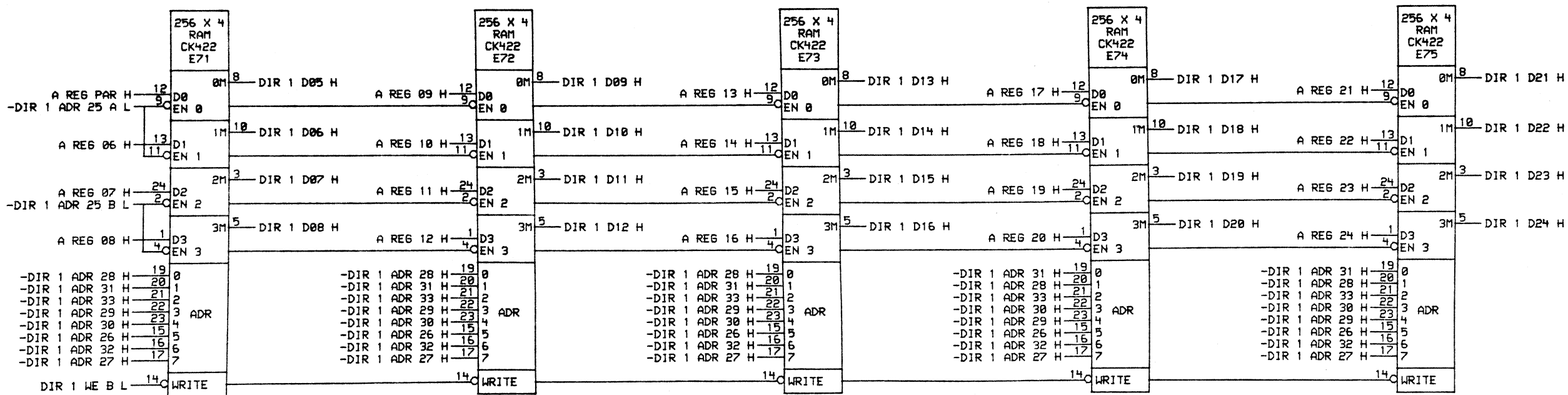
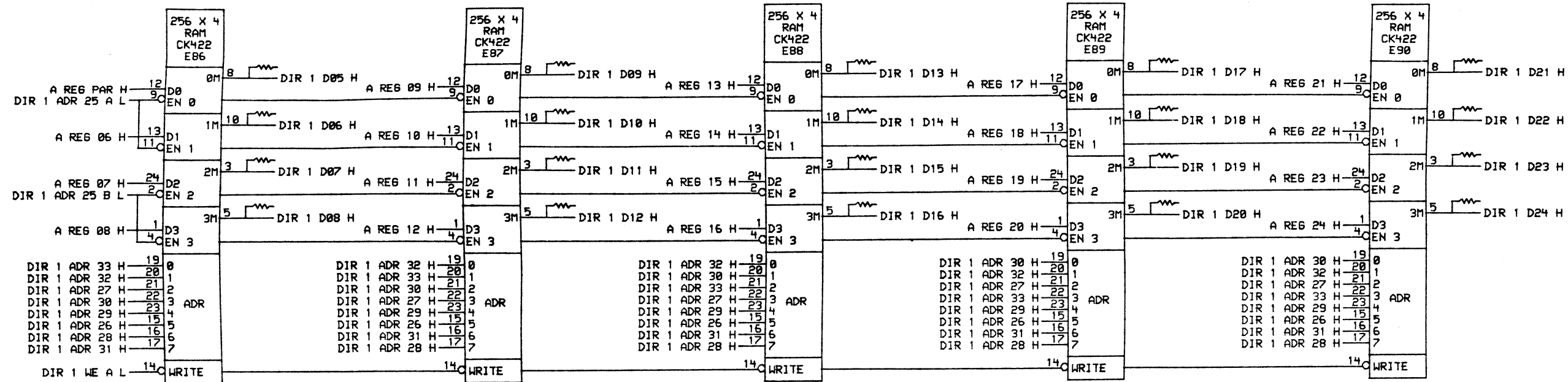




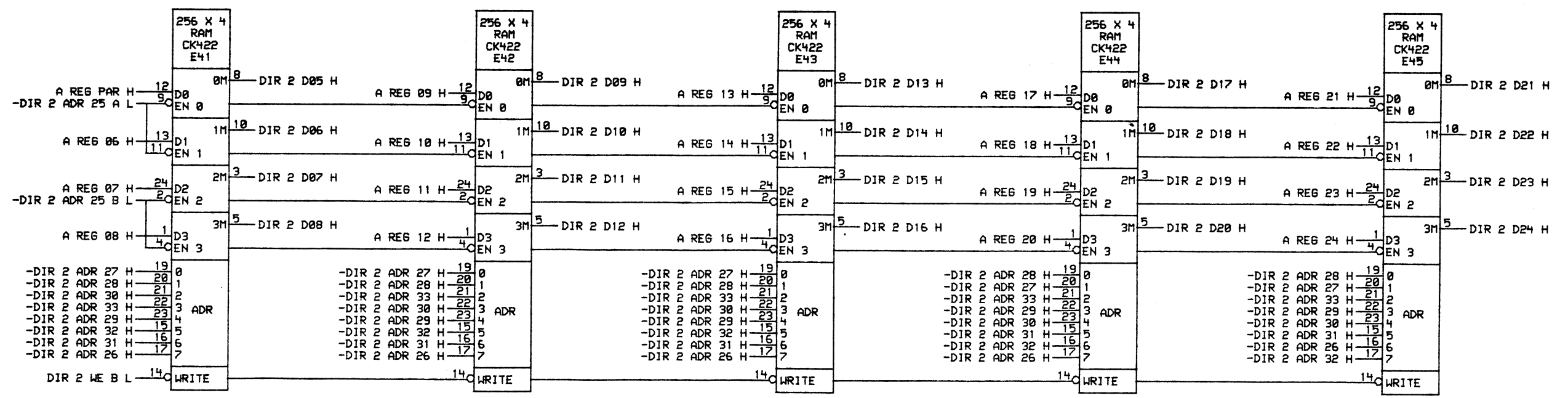
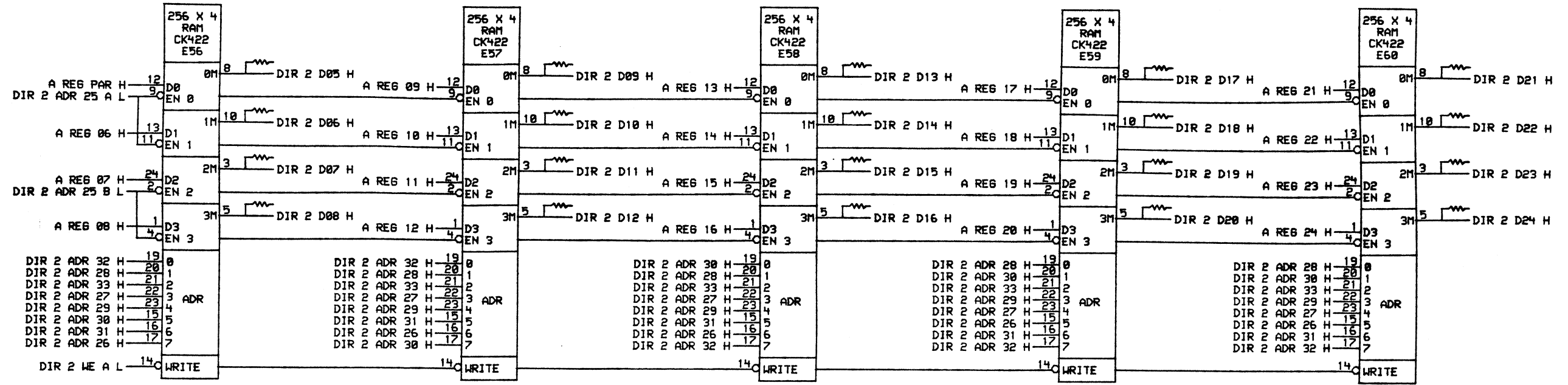




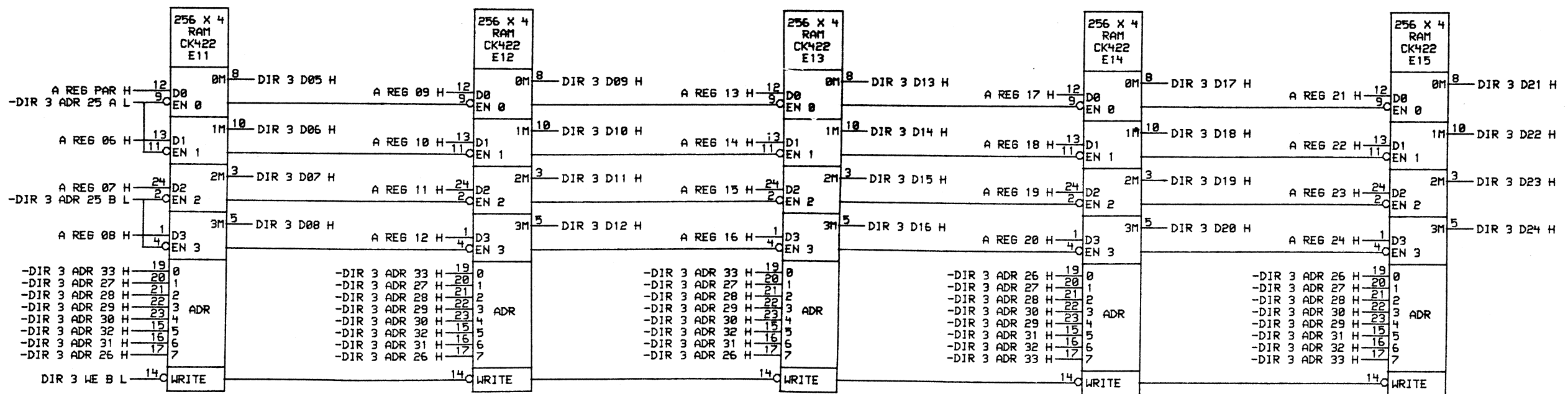
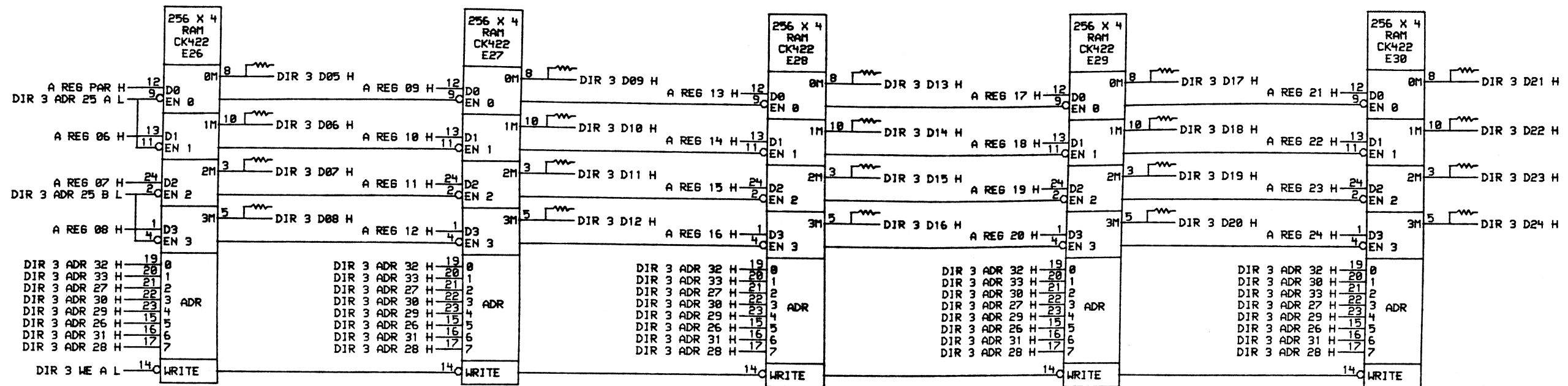
DRN.	DATE	ENG.	DATE	TITLE: CACHE DIRECTORY 0
CHK'D.	DATE	BOARD LOCATION:		00-23
		SHEET 1 OF 1		
VLLCAN (2000.L0057)24MAP1.DRW	09-MAR-81 09:00	NEXT HIGHER ASSEMBLY:		SIZE CODE NUMBER REV.
FIRST USED ON OPTION/MODEL: 2080		B-DD-L0057-0		D CS L0057-0-MAP1



DRN.	DATE	ENG.	DATE	TITLE: CACHE DIRECTORY 1
CHK'D.	01-FEB-82			00-23
	DATE	BOARD LOCATION:	SHEET 1 OF 1	
VULCAN (2000-L0057) 2-MAP2.DRW	09-MAR-81 09:02	NEXT HIGHER ASSEMBLY:	SIZE	CODE
FIRST USED ON OPTION/MODEL: 2000	B-DD-L0057-0		D	CS
			NUMBER	REV.
			L0057-0-MAP2	

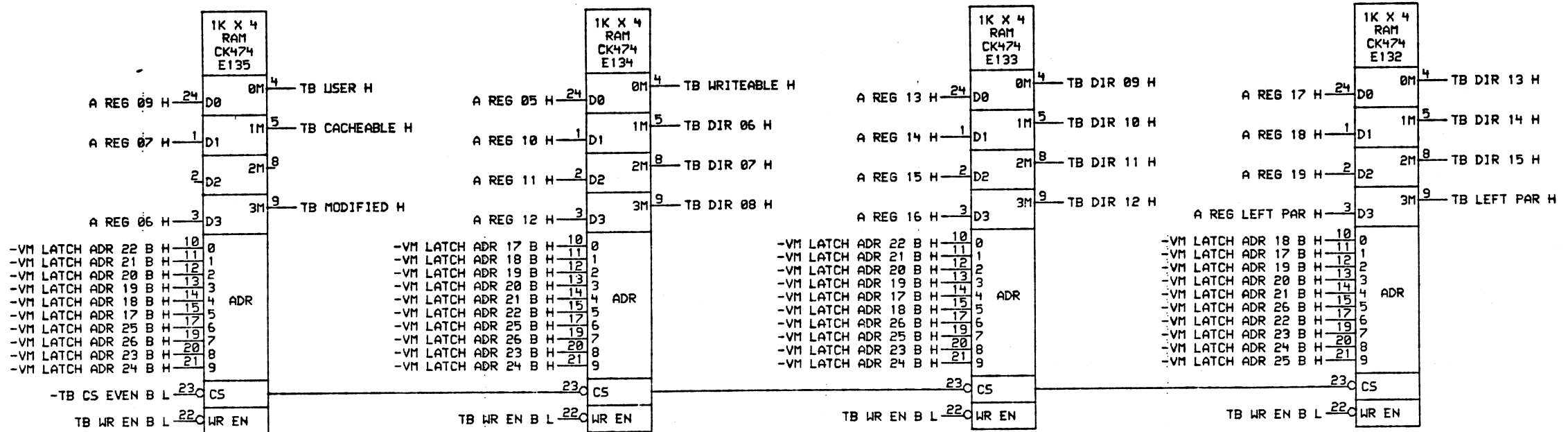
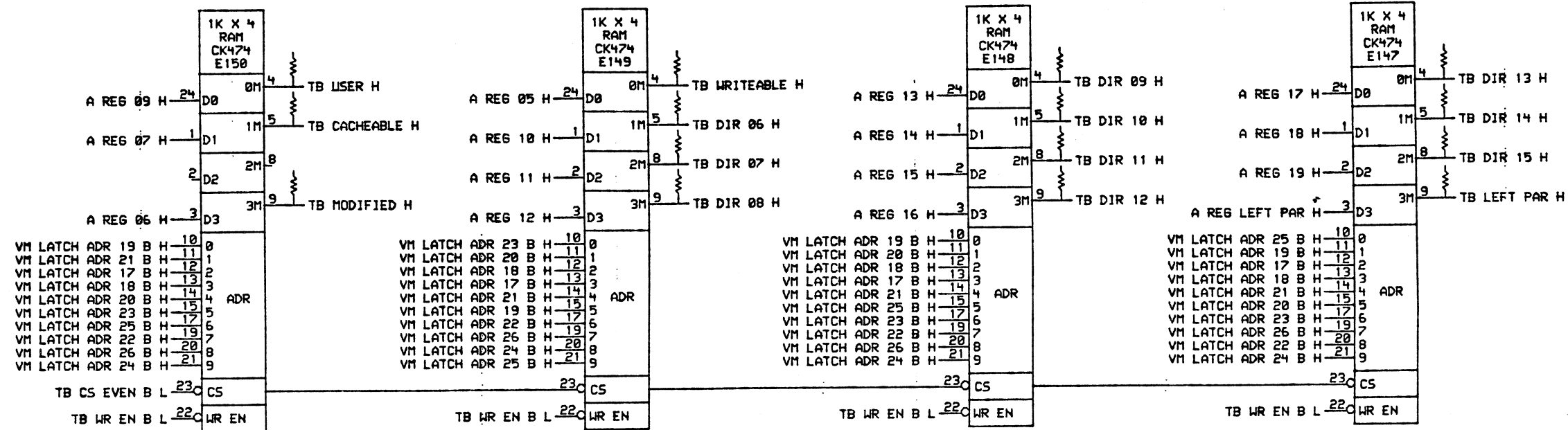


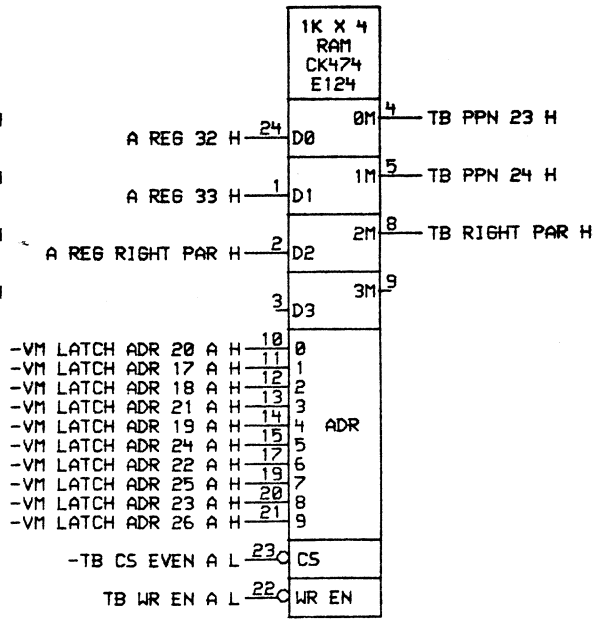
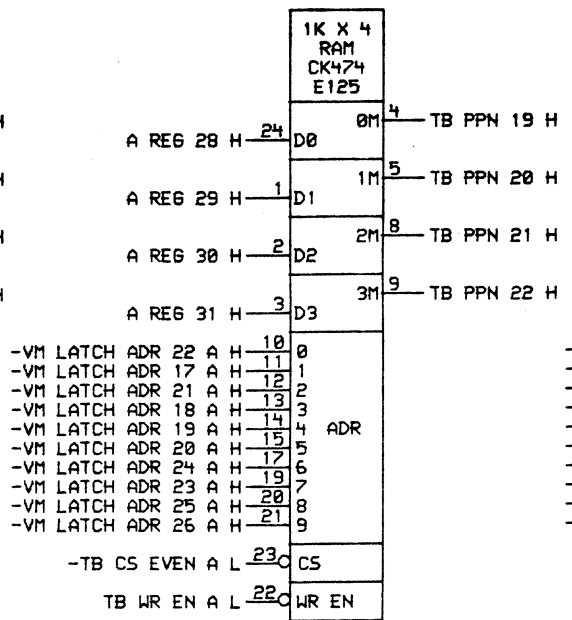
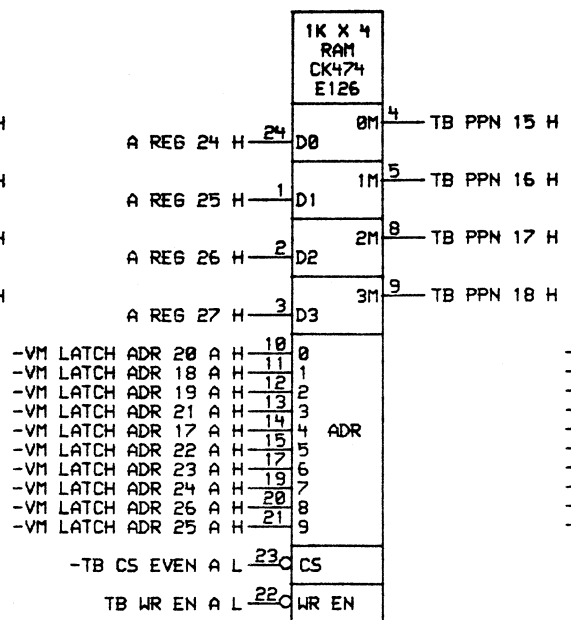
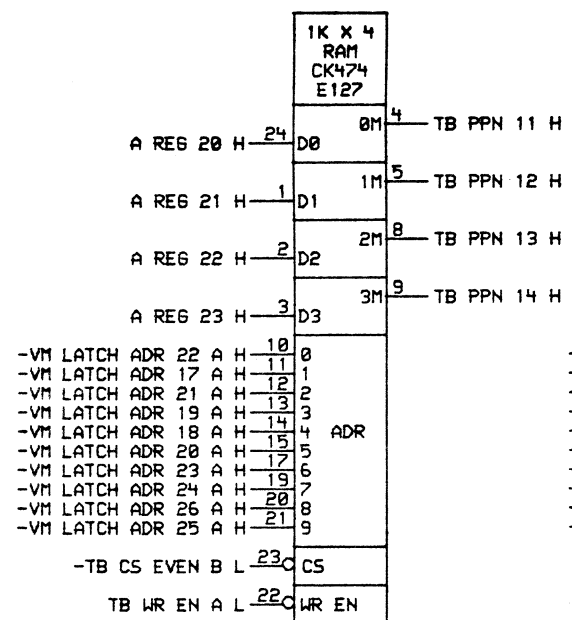
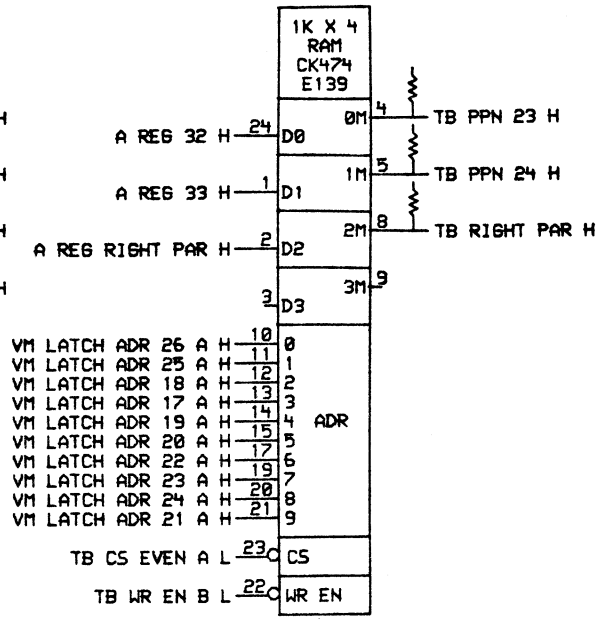
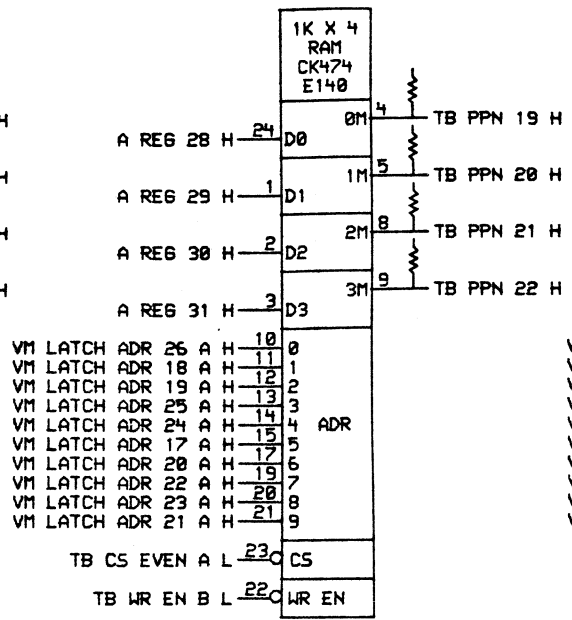
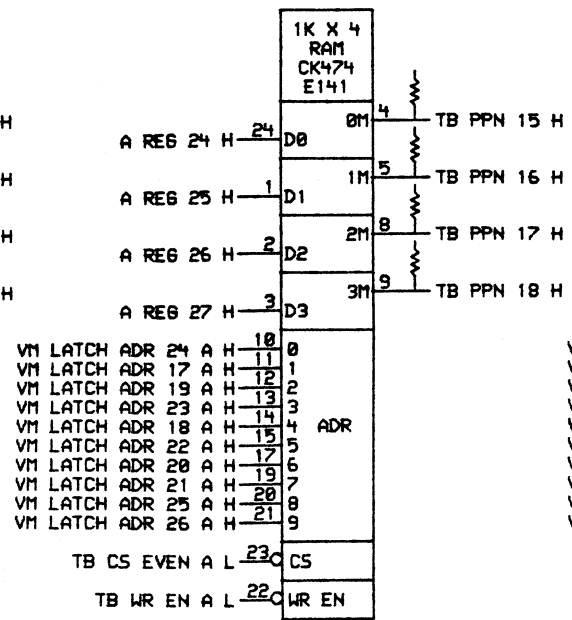
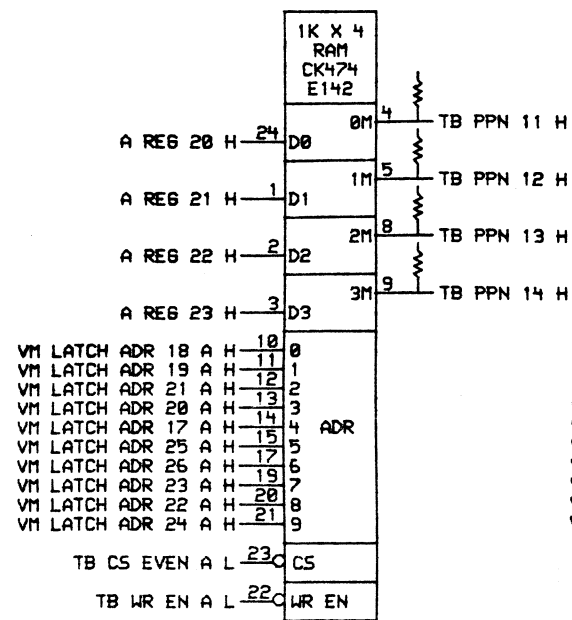
DRN.	DATE	ENG.	DATE	TITLE: CACHE DIRECTORY 2
CHK'D.	DATE	BOARD LOCATION:	SHEET	OF 1
VILLIARD (2000-L0057) MAP3.DRW 09-MAR-81 09:05 NEXT HIGHER ASSEMBLY:				SIZE CODE NUMBER
FIRST USED ON OPTION MODEL: 2080				D C5 L0057-0-MAP3 REV.



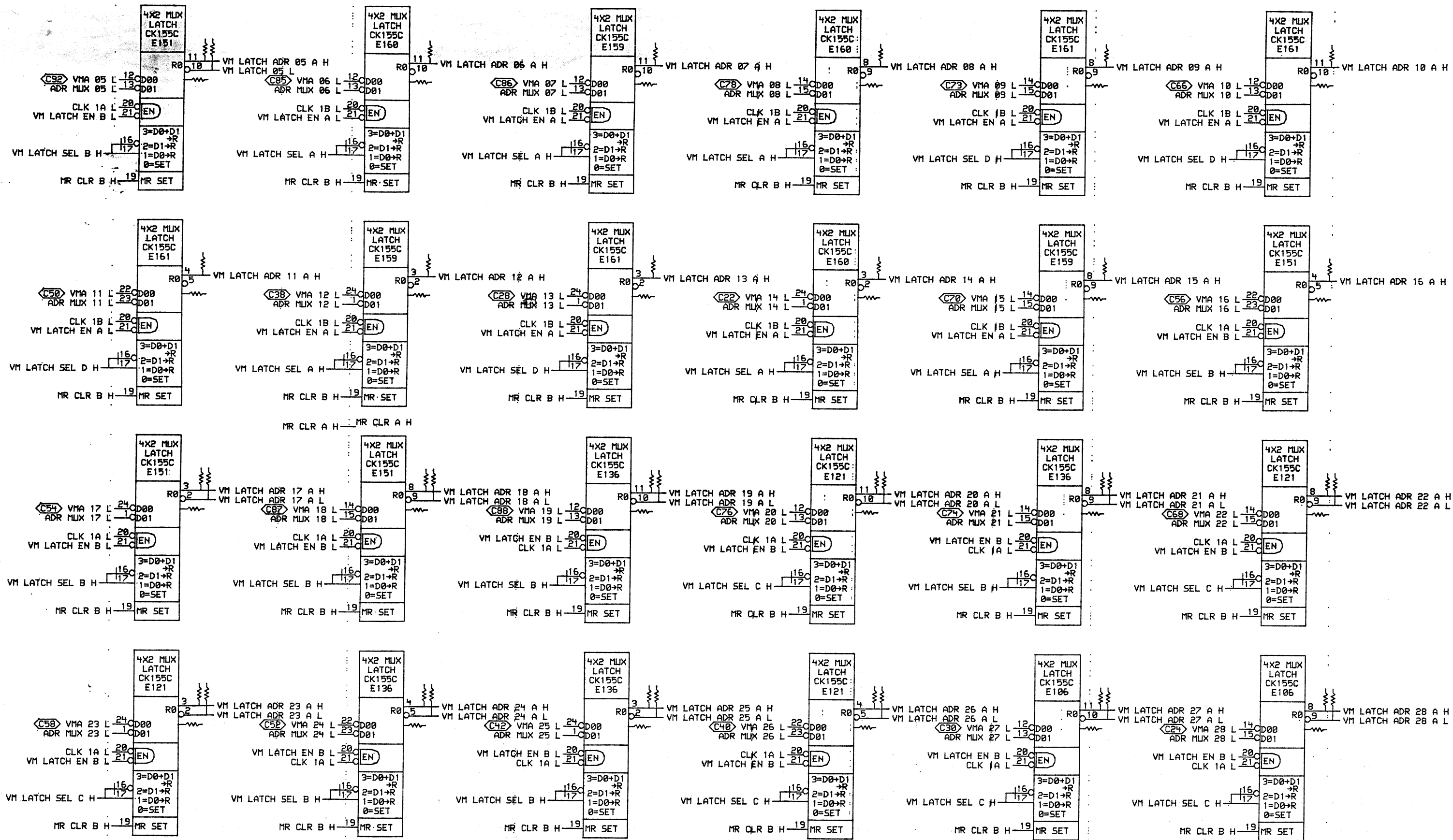
DRN.	DATE	ENG.	DATE	TITLE: CACHE DIRECTORY 3
CHK'D.	DATE	BOARD LOCATION:	SHEET	OF
VULCAN:K2888.L0057-0-MAP4.DRW		09-MAR-81 09:06	NEXT HIGHER ASSEMBLY:	SIZE CODE
FIRST USED ON OPTION/MODEL: 2080		B-DD-L0057-0	NUMBER	REV.
		D	CS	L0057-0-MAP4



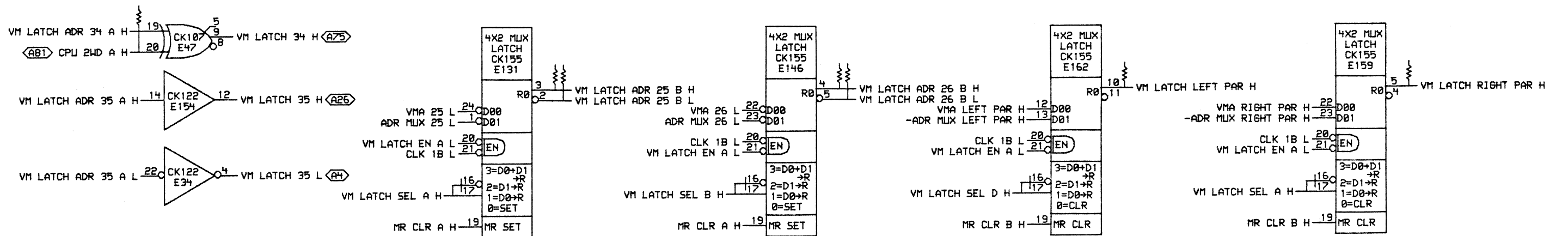
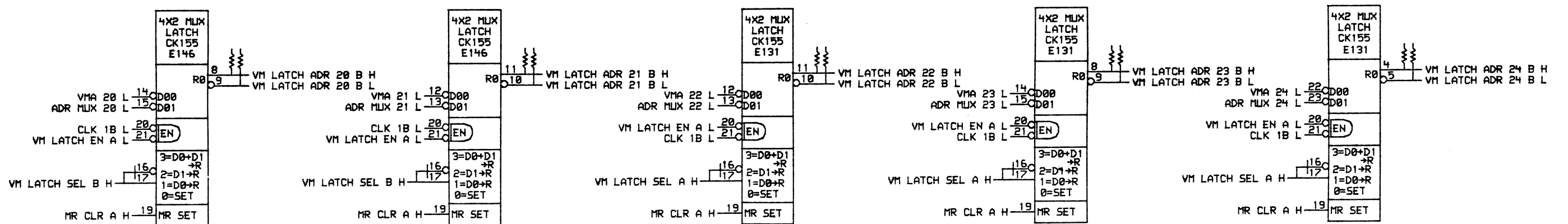
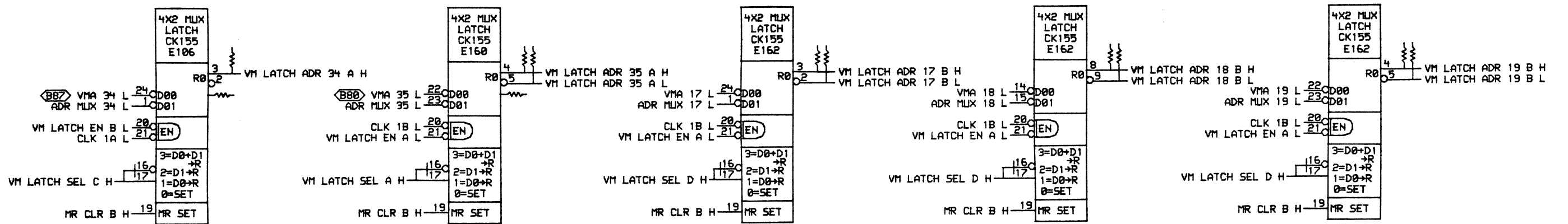
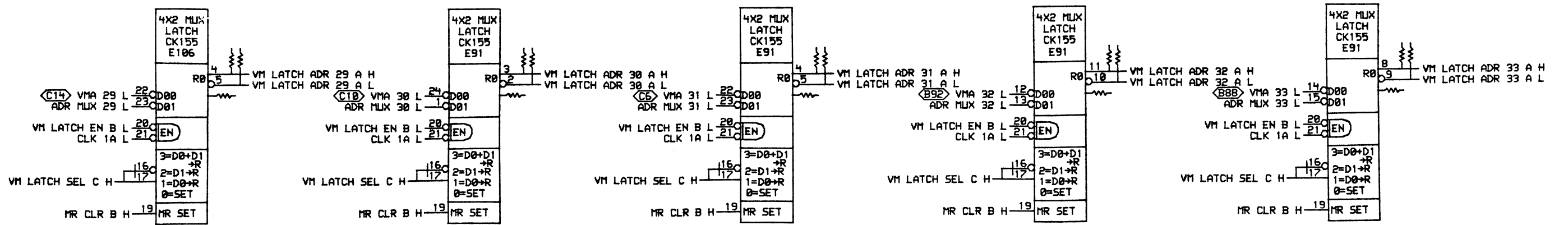




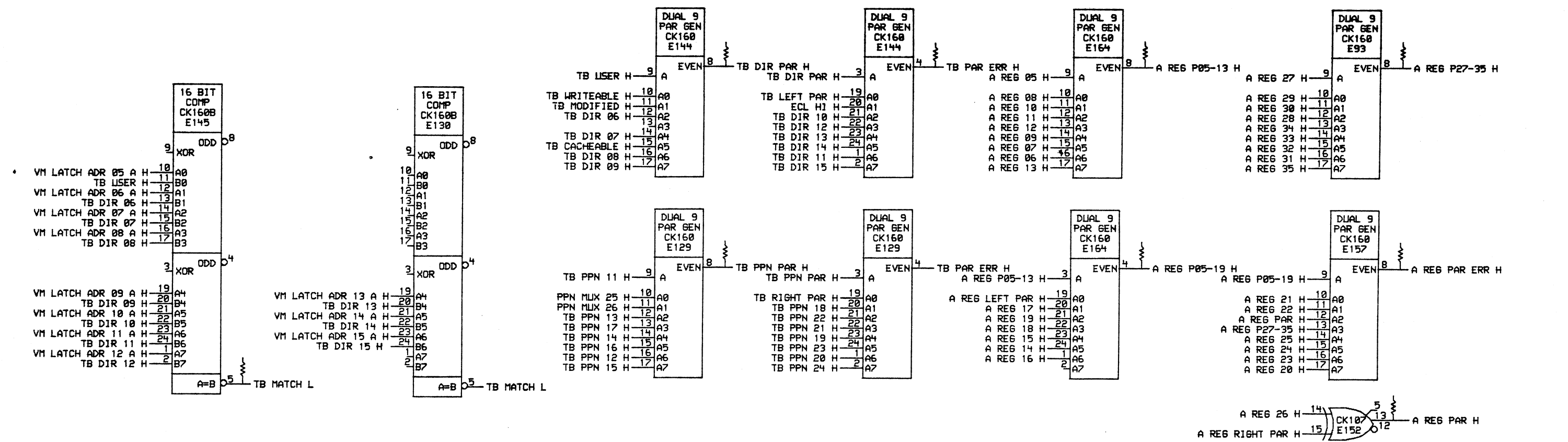
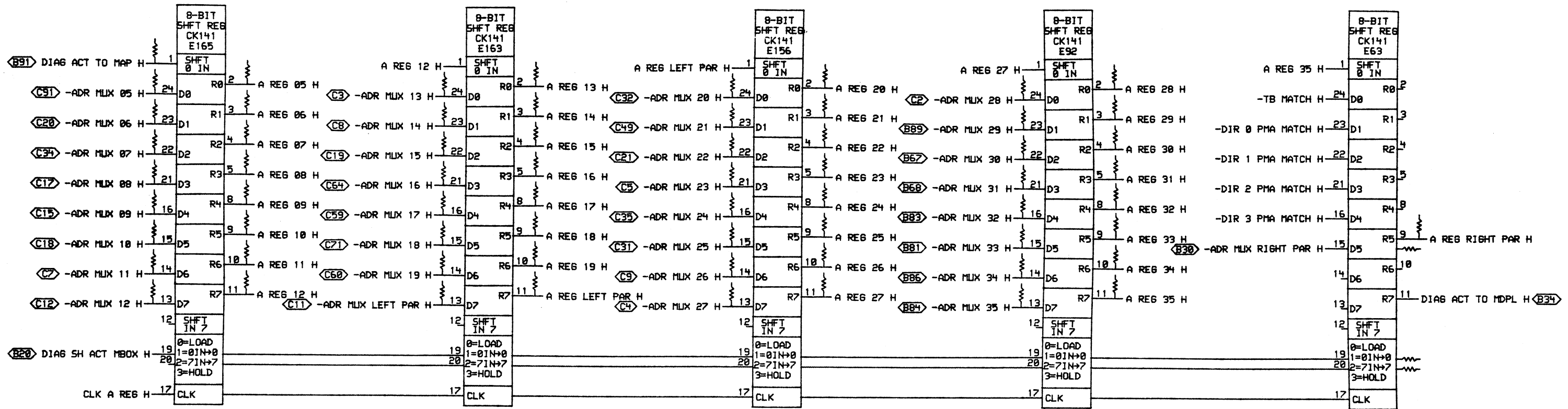
DRN.	DATE	ENG.	DATE	TITLE:
CHK'D.	01-FEB-82			TB PPN 11-24
	DATE	BOARD LOCATION:		
		SHEET	OF	
VULCAN (2080-L-0057) 2-11-82-DRAW 09-MAR-81 09:13				NEXT HIGHER ASSEMBLY:
FIRST USED ON OPTION/MODEL: 2080				B-DD-L0057-0
SIZE	CODE	NUMBER	REV.	
D	CS	L0057-0-MAP6		



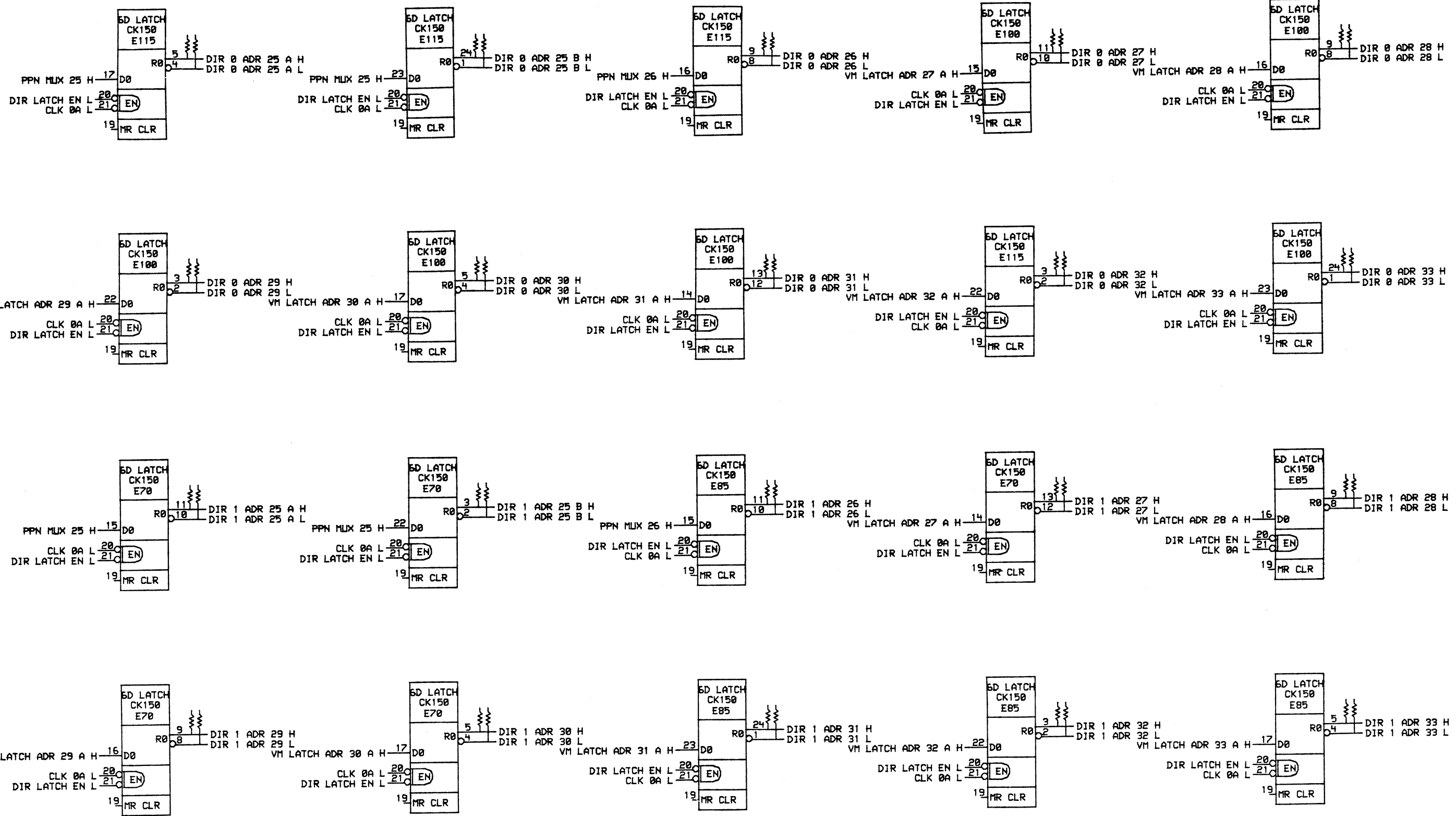
DRN.	DATE	ENG.	DATE	TITLE:
CHK'D.	23-NOV-82			VM LATCH
	DATE	BOARD LOCATION:		05 A - 28 A
		SHEET	OF	
ARCH: C:\HLER\PLTS\34MAP7.DRW	22-NOV-82 14:27	NEXT HIGHER ASSEMBLY:		SIZE CODE
FIRST USED ON OPTION/MODEL:	2080:	B-DD-L0057-0		D C5
				NUMBER
				L0057-0-MAP7
				REV.



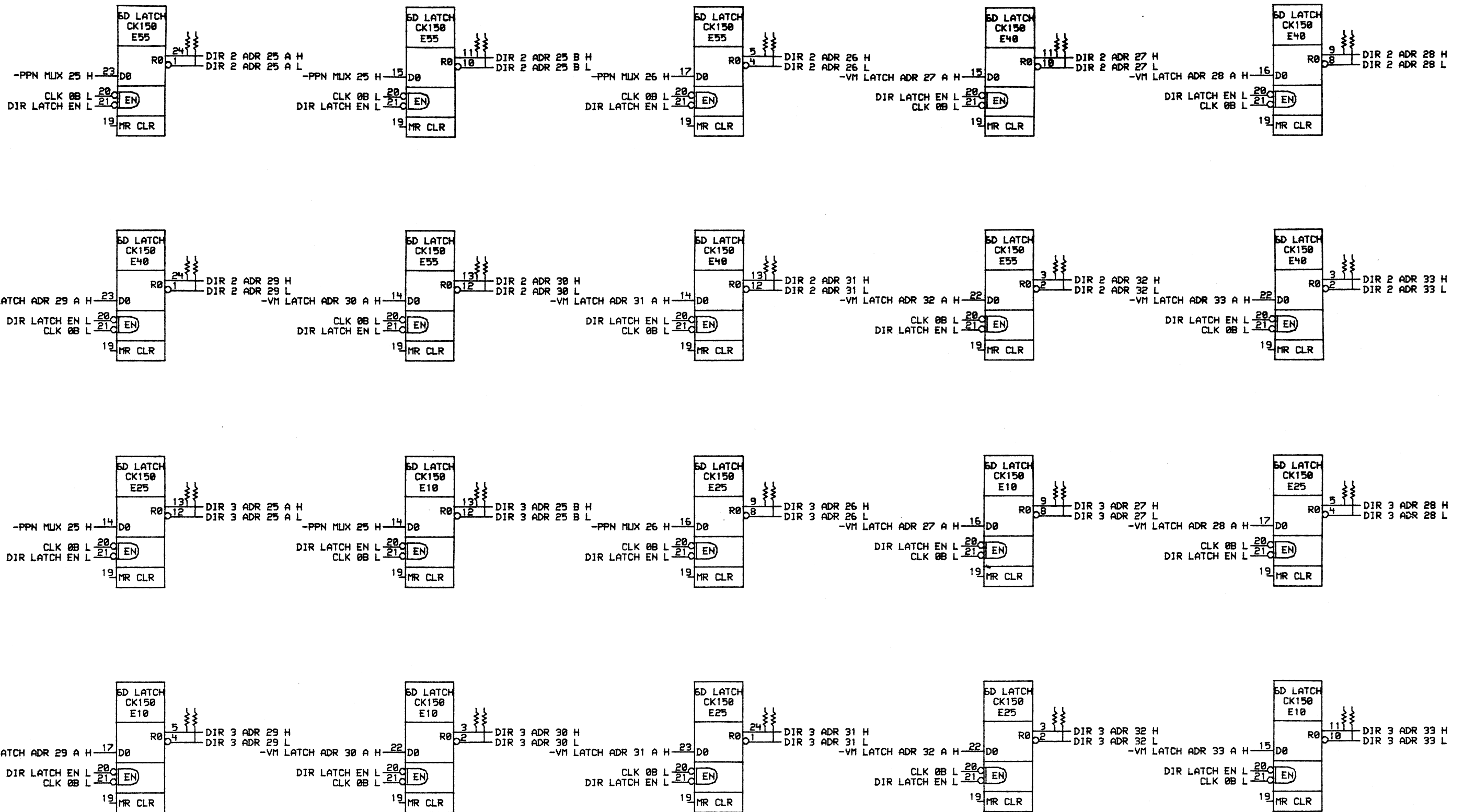
DRN.	DATE	ENG.	DATE	TITLE:
CHK'D.	01-FEB-82			VM LTC 29A-35A
	DATE	BOARD LOCATION:		17B-26B + PAR
		SHEET 2 OF 2		
VIL CAN: (2000-L0057) 2411AP8.DRW	27-JAN-82 15:27	NEXT HIGHER ASSEMBLY:	SIZE CODE	NUMBER
FIRST USED ON OPTION/MODEL: 2080		B-DD-L0057-0	D CS	L0057-0-MAP8
				REV.



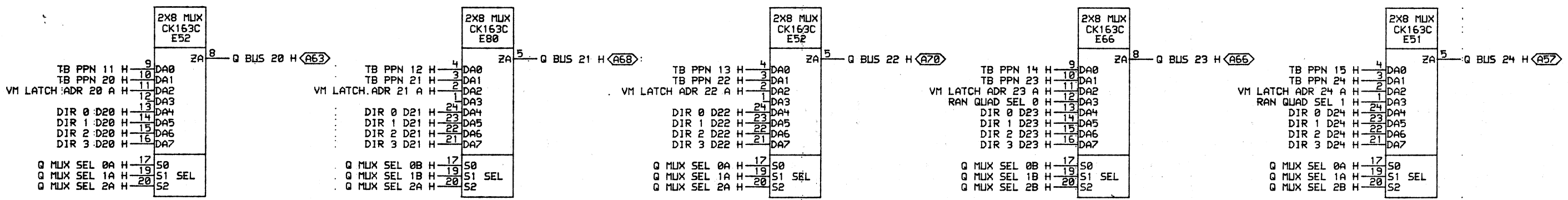
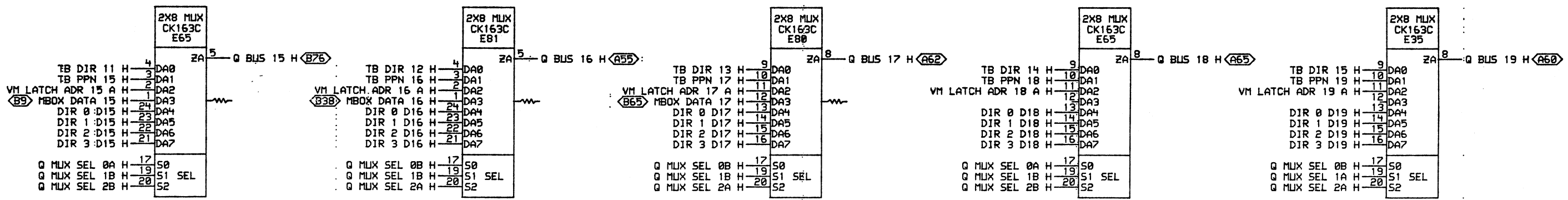
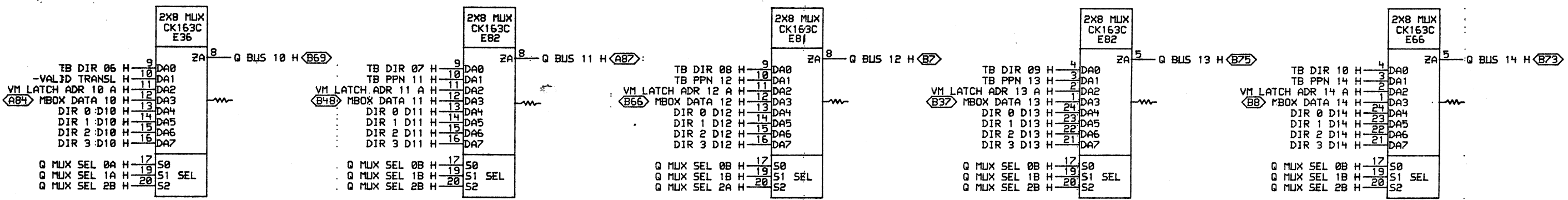
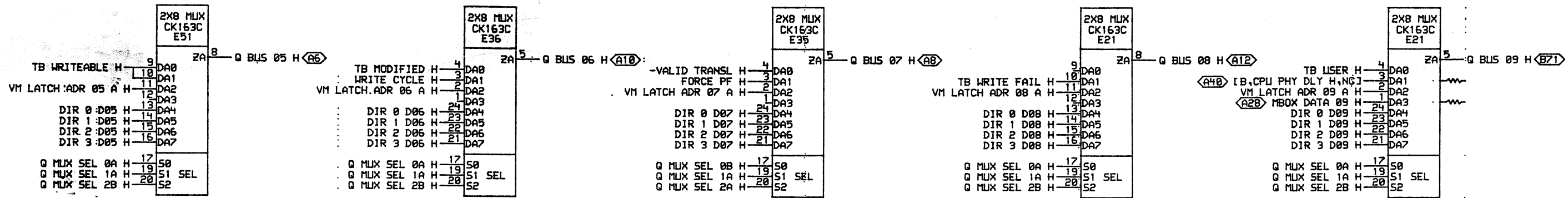
DRN.	DATE	ENG.	DATE	TITLE:	A REG		
CHK'D.	DATE	BOARD LOCATION:	SHEET	OF	SIZE	CODE	NUMBER
VLLCANI<2000-L0057>P1MAP9.DRW	27-JAN-82 15:36	NEXT HIGHER ASSEMBLY:	1	1	D	CS	L0057-0-MAP9
FIRST USED ON OPTION/MODEL:	2080	B-DD-L0057-0					REV.



DRN.	DATE	ENG.	DATE	TITLE:
CHK'D.	01-FEB-82	BOARD LOCATION:		DIR LATH
		SHEET 1 OF 2		0 & 1
VIL CAN (2080-L0057) 2-MAPA.DRW	01-FEB-82 08:34	NEXT HIGHER ASSEMBLY:	SIZE	NUMBER
FIRST USED ON OPTION/MODEL: 2080	B-DD-L0057-0		D CS	L0057-0-MAPA
			REV.	

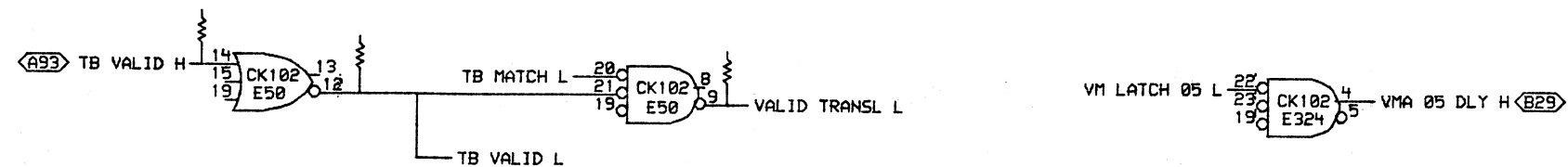
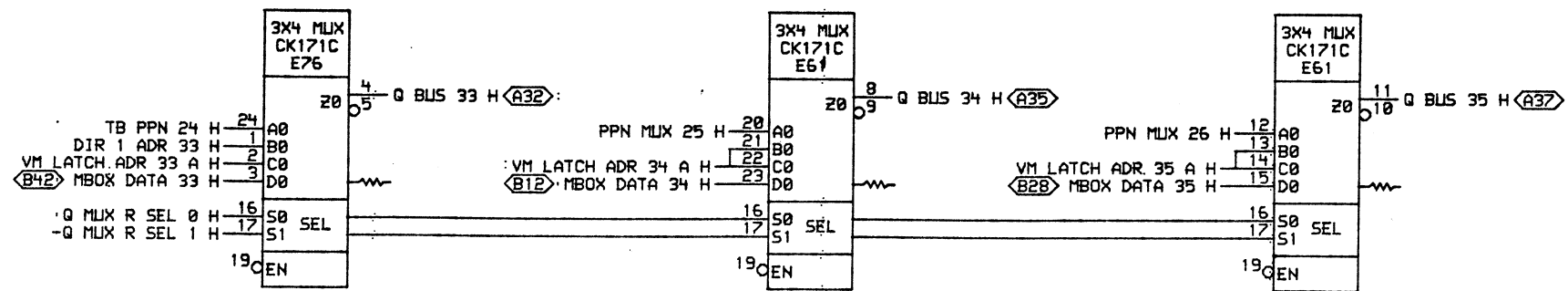
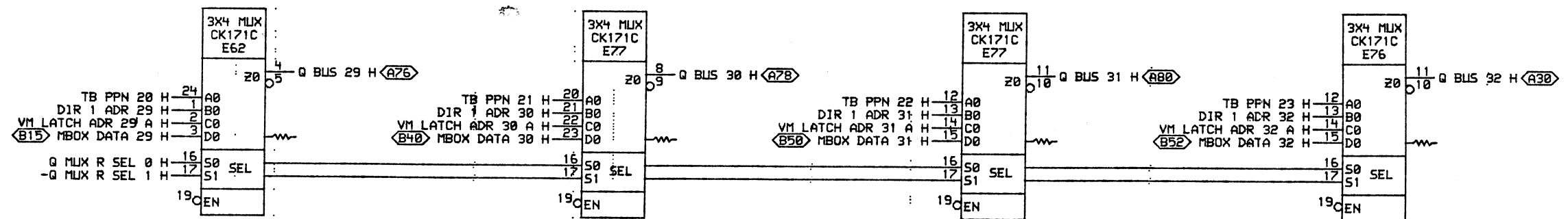
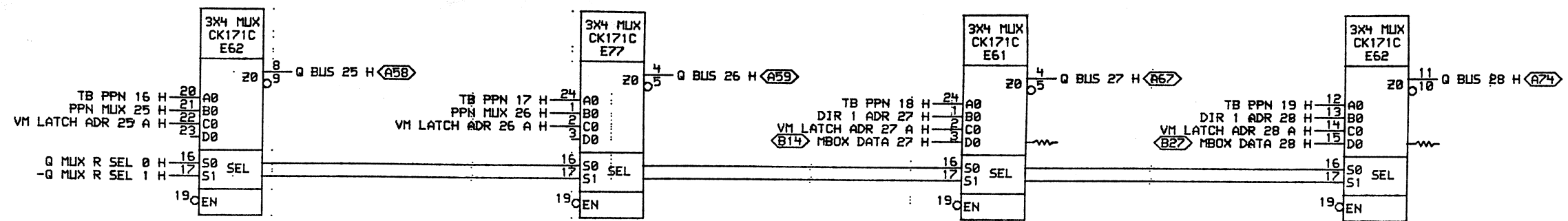


DRN.	DATE	ENG.	DATE	TITLE:
CHK'D.	DATE	BOARD LOCATION:	SHEET	DIR LATCH
VULCANI (2000-L0057) 2-MAPB.DRW	01-FEB-82 08:21	2 OF 2	2	2 & 3
FIRST USED ON OPTION/MODEL: 2000	NEXT HIGHER ASSEMBLY: B-DD-L0057-0	SIZE	CODE	NUMBER
		D	C5	L0057-0-MAPB
				REV. *

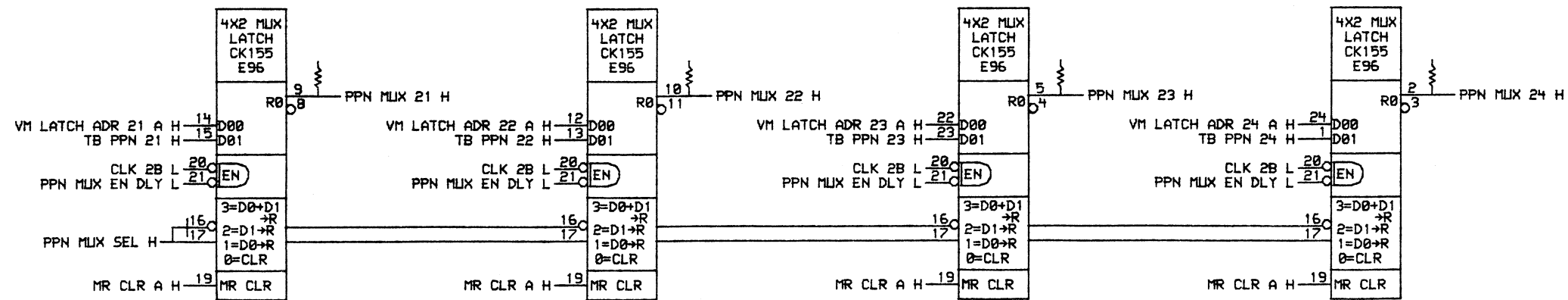
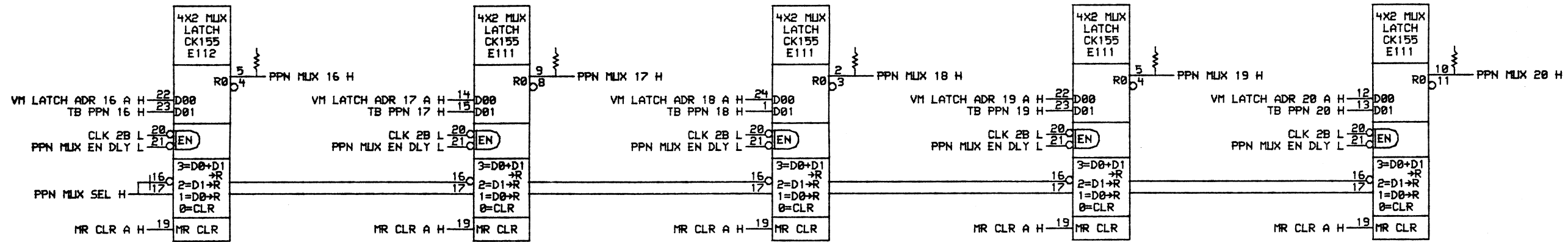
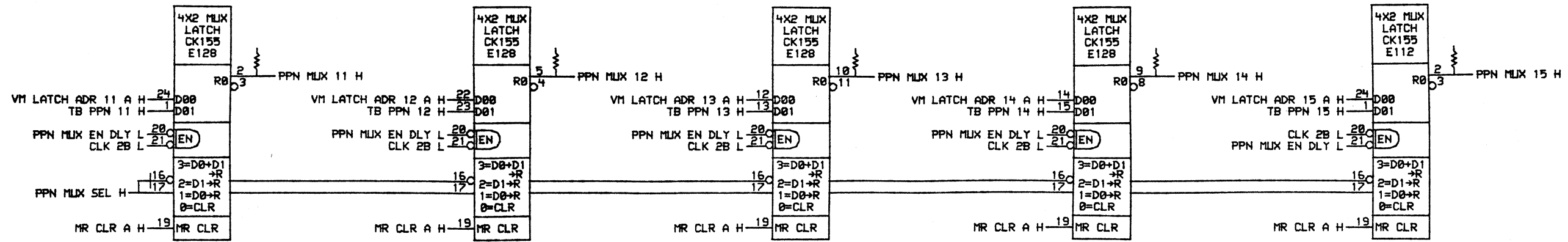


DRN.	DATE	ENG.	DATE	TITLE:
CHK'D.	DATE	BOARD LOCATION:		Q MUX
		SHEET		05 - 24
ARCH: (UHLER.PLOTS) MAPC.DRW	15-NOV-82 14:01	NEXT HIGHER ASSEMBLY:	SIZE	NUMBER
FIRST USED ON OPTION/MODEL:	2080	B-DD-L0057-0	D CS	L0057-0-MAPC
			REV.	*

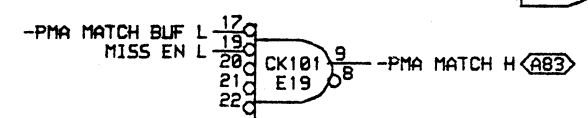
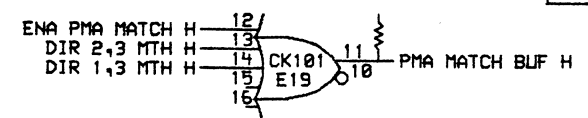
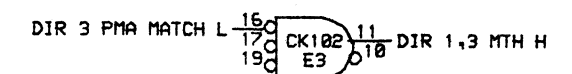
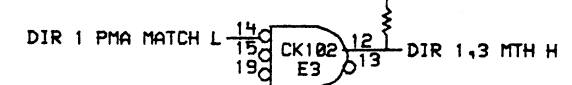
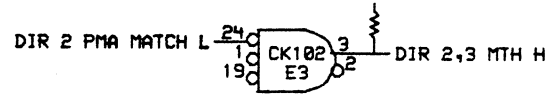
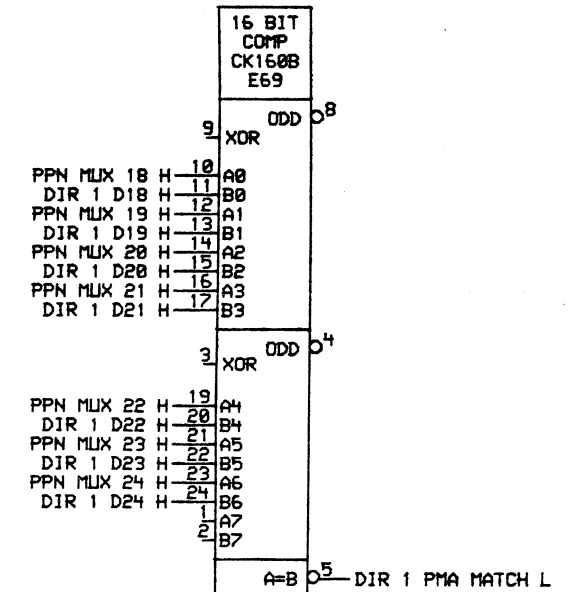
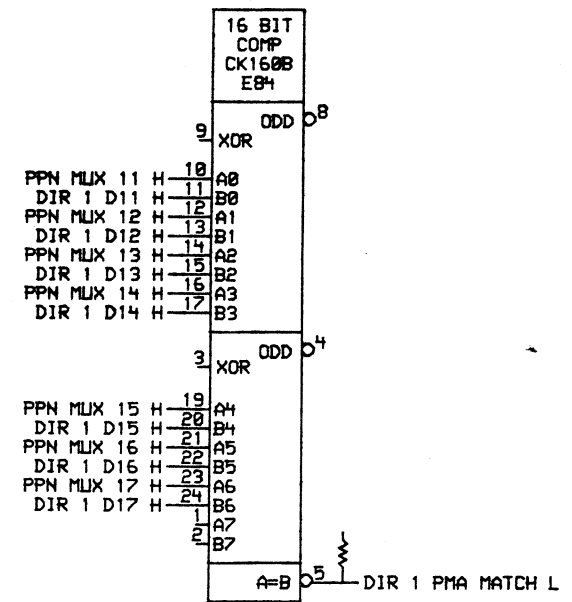
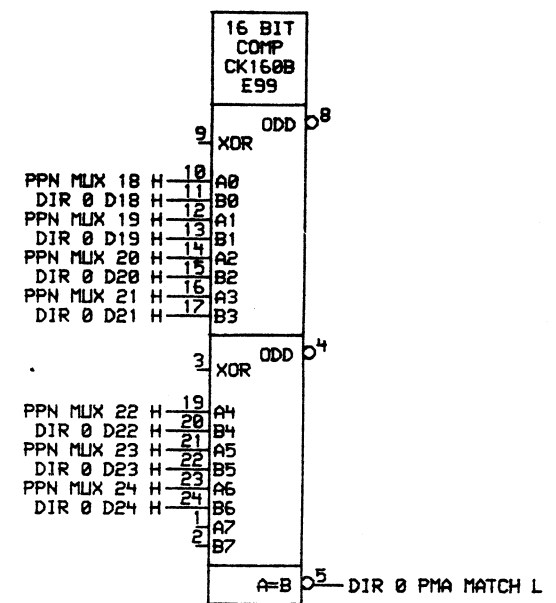
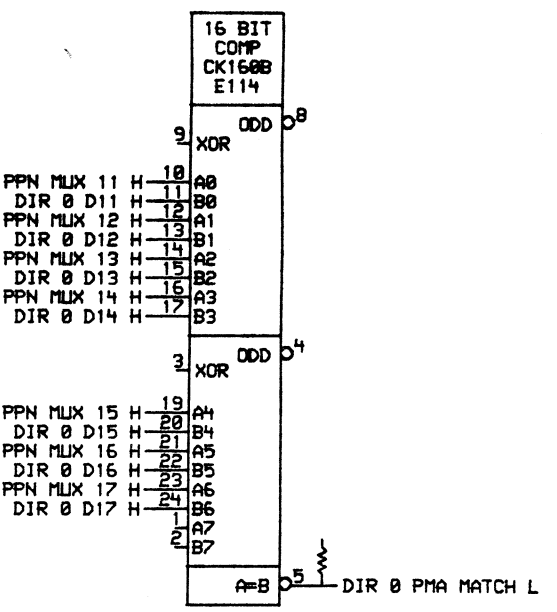
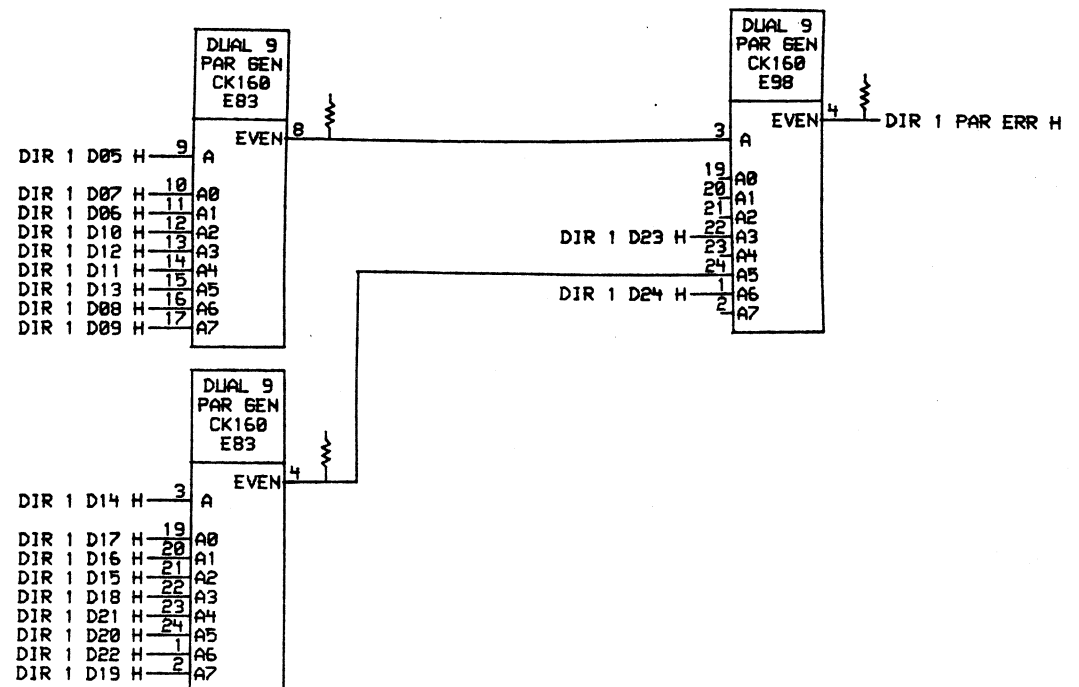
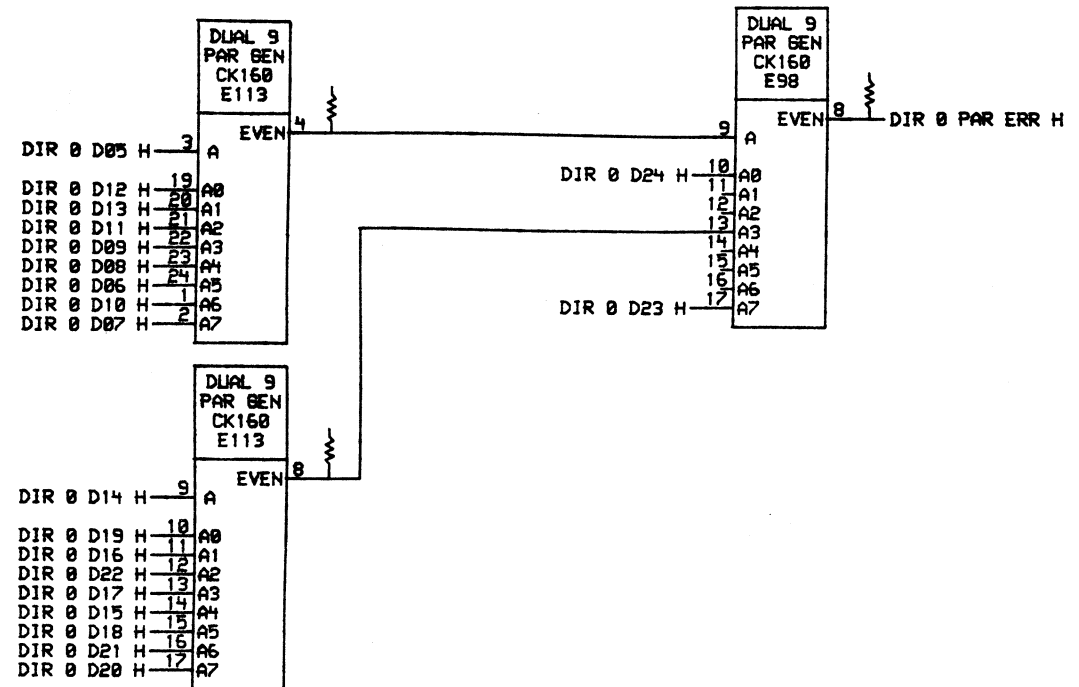




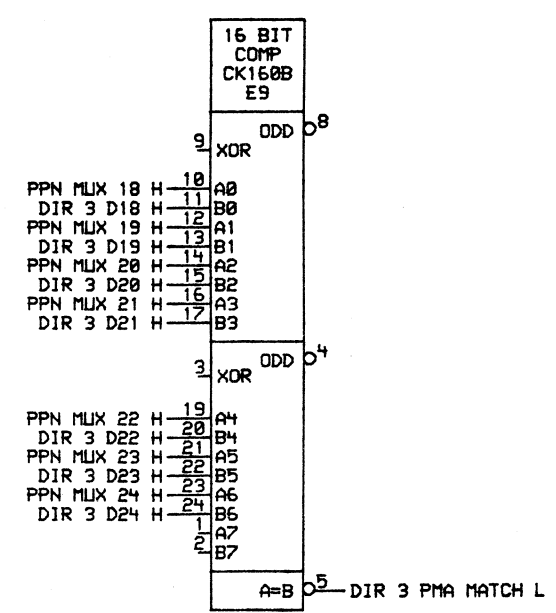
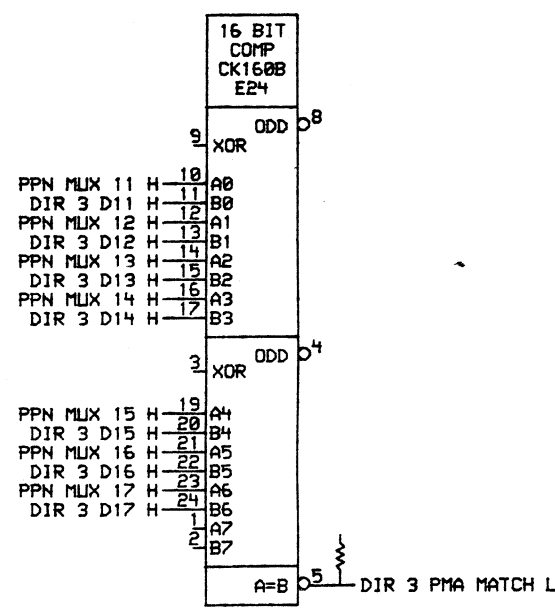
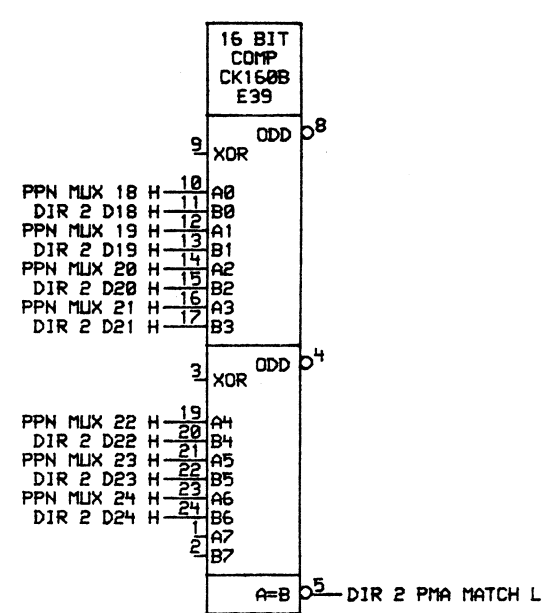
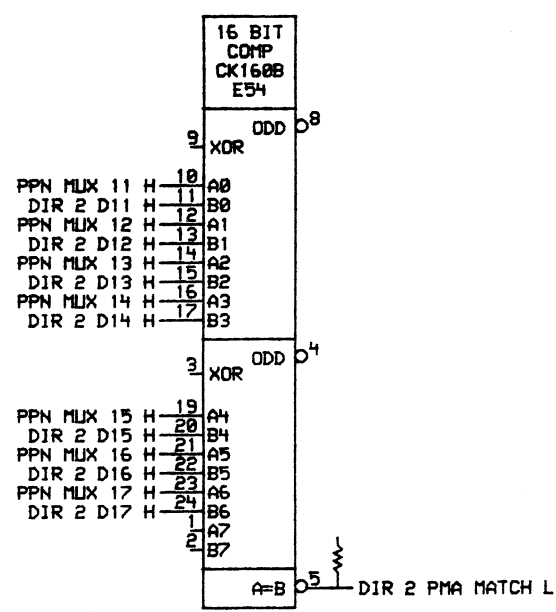
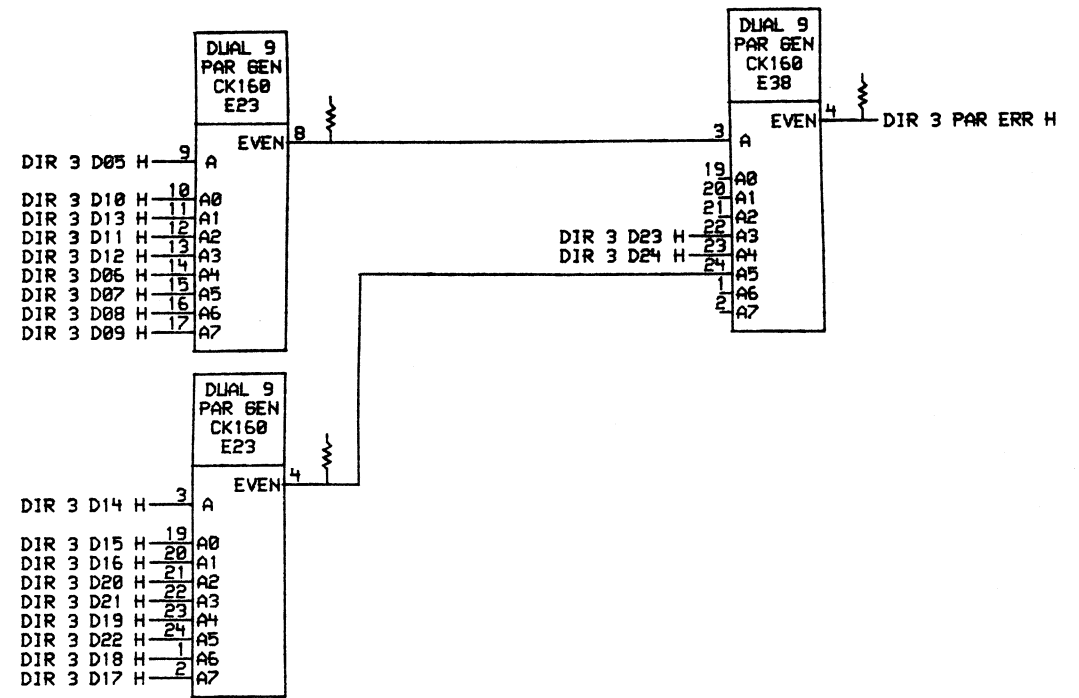
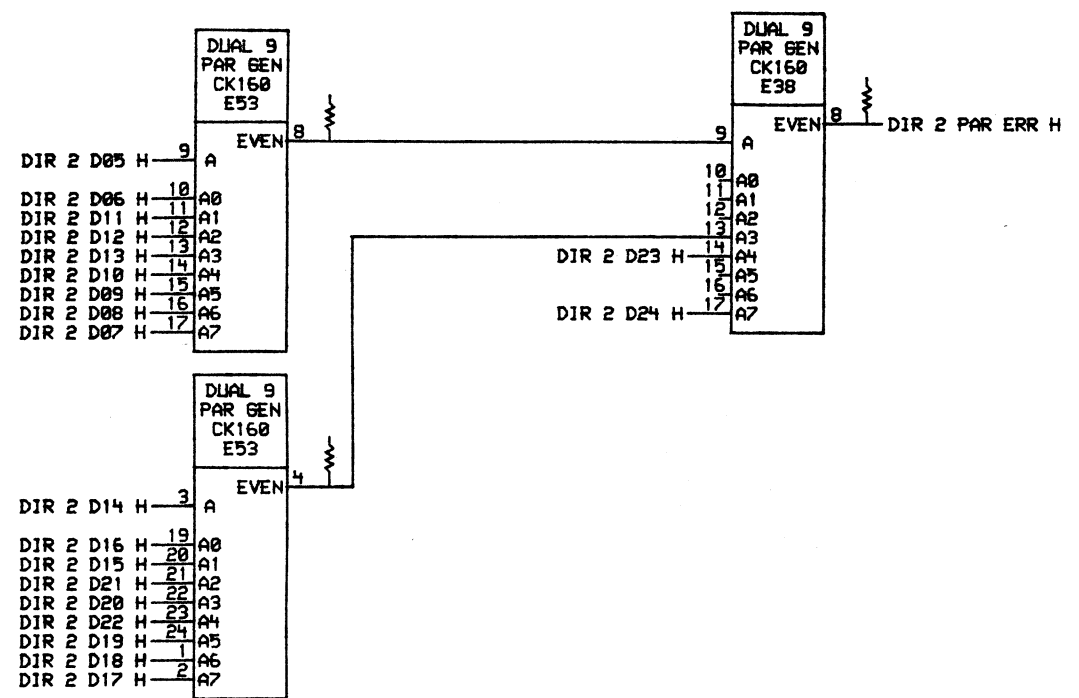
DRN.	DATE	ENG.	DATE	TITLE:	Q MUX 28-35
CHK'D.	DATE	BOARD LOCATION:	SHEET	OF	
ARCH: <UNLDR.PLOTS>MAPD.DRW 22-NOV-82 14:36				NEXT HIGHER ASSEMBLY:	SIZE
FIRST USED ON OPTION/MODEL: 2080				B-DD-L0057-0	CODE
				D	NUMBER
				CS	L0057-0-MAPD
					REV.
					*



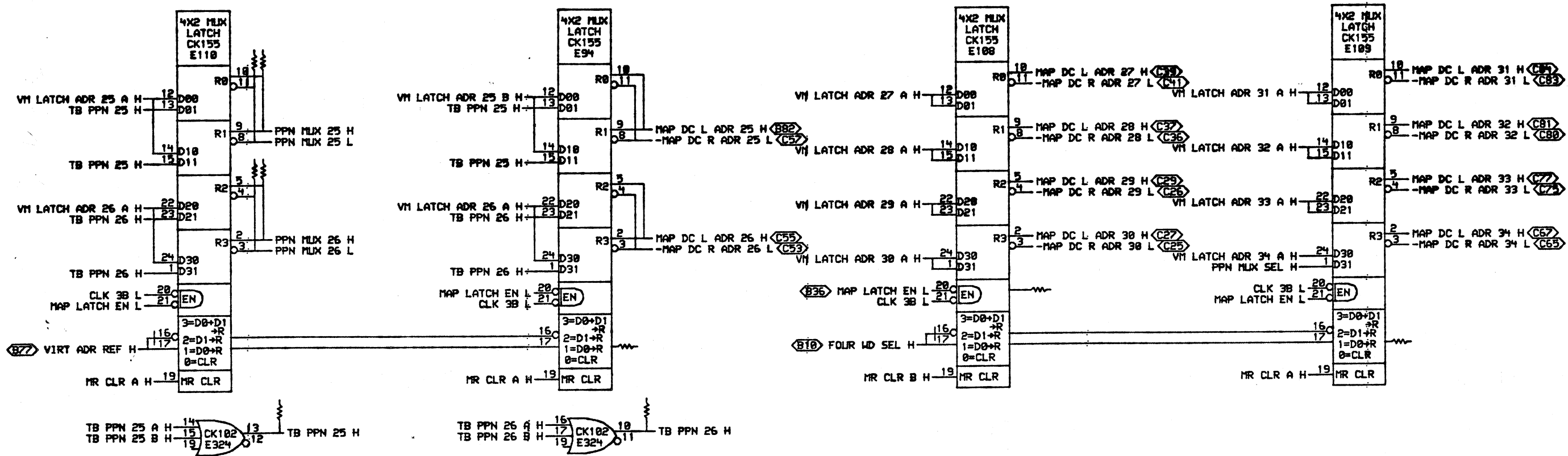
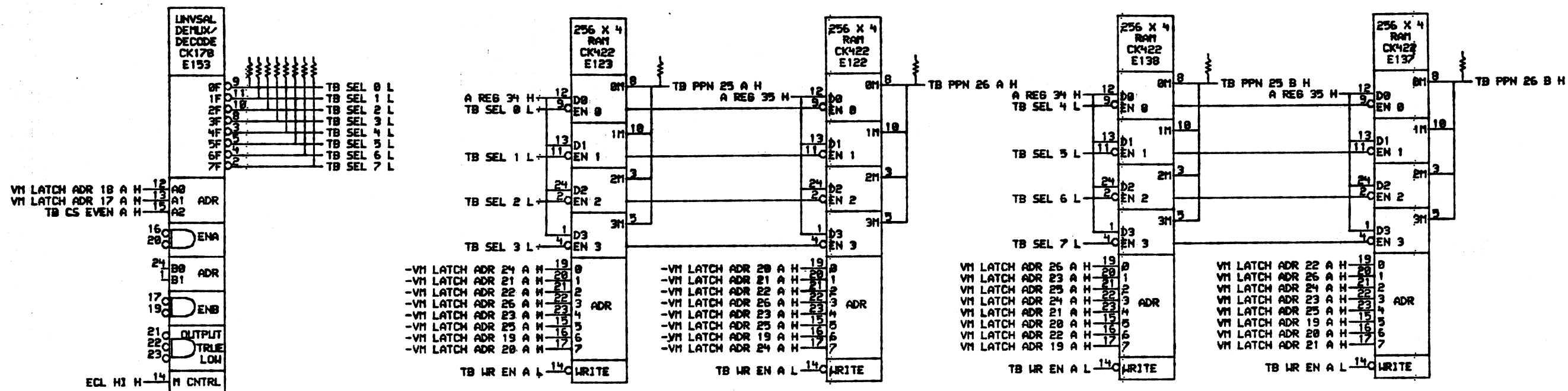
DRN.	DATE	ENG.	DATE	TITLE:	PPN MUX
CHK'D.	01-FEB-82			11-24	
VULCAN: <P088.L0057>2MMAPE.DRW 101-FEB-82 08:05				BOARD LOCATION:	NUMBER
FIRST USED ON OPTION/MODEL: 2080				SHEET 1 OF 1	L0057-0-MAPE
				SIZE CODE	REV.
				D CS	*

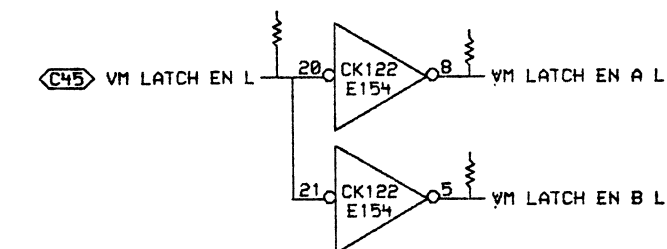
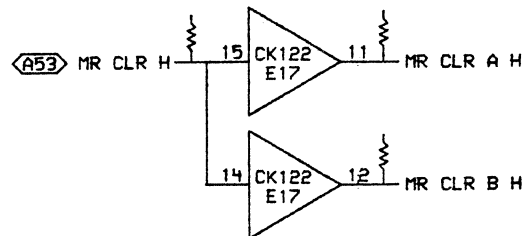
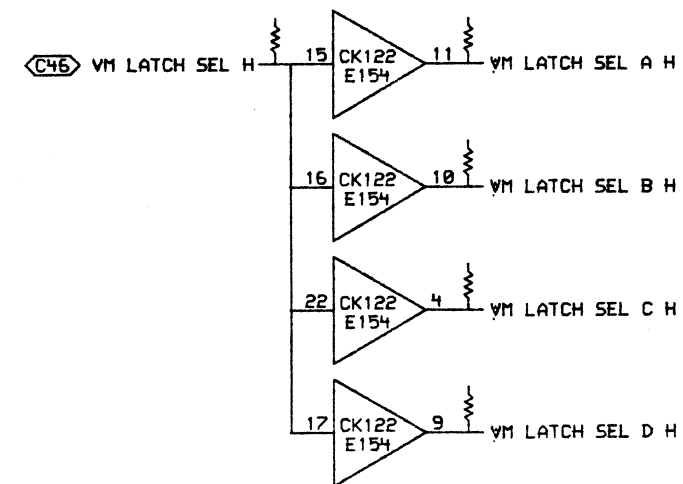
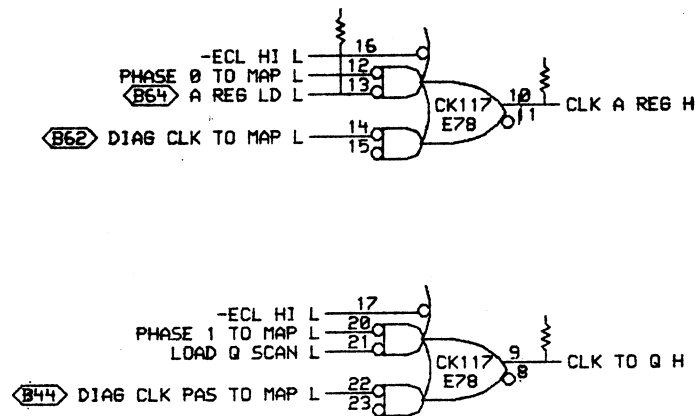
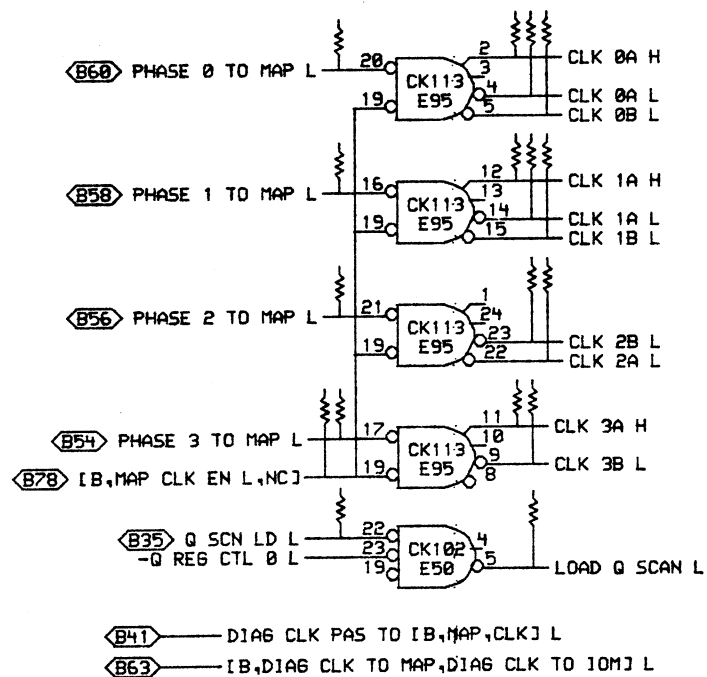
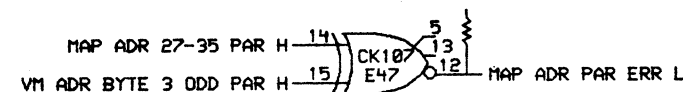
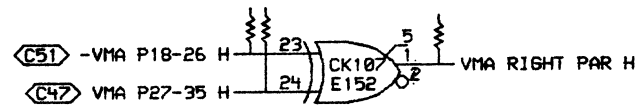
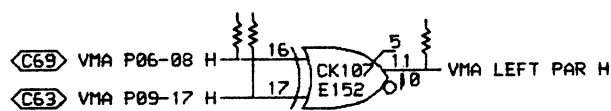
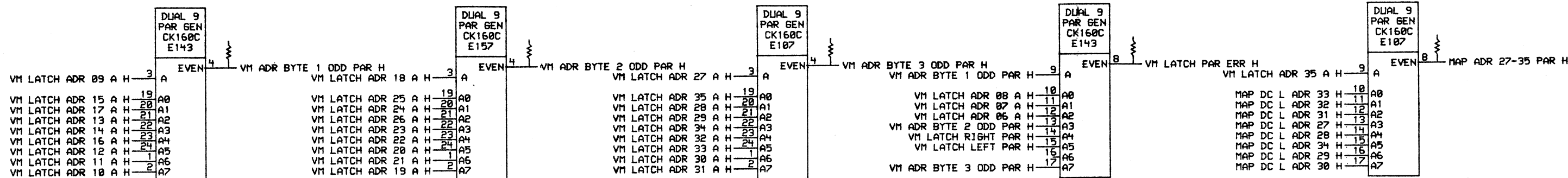


DRN.	DATE	ENG.	DATE	TITLE:
CHK'D.	01-FEB-82			DIR MATCH
	DATE	BOARD LOCATION:		0 & 1
		SHEET	OF	
VULCAN (2080) L0057-0 MAPF.DRW 101-FEB-82 08:51 NEXT HIGHER ASSEMBLY:				NUMBER
FIRST USED ON OPTION/MODEL: 2080				B-DD-L0057-0
SIZE	CODE	NUMBER	REV.	
D	CS	L0057-0-MAPF	*	



DRN.	DATE	ENG.	DATE	TITLE:
CHK'D.	01-FEB-82			DIR MATCH
		BOARD LOCATION:		0-3
		SHEET	OF	
VULCAN (2000-L0057) MAP8.DRW	01-FEB-82 09:02	NEXT HIGHER ASSEMBLY:	SIZE	CODE
FIRST USED ON OPTION/MODEL: 2000	B-DD-L0057-0		D	CS
		NUMBER		REV.
		L0057-0-MAPG		*



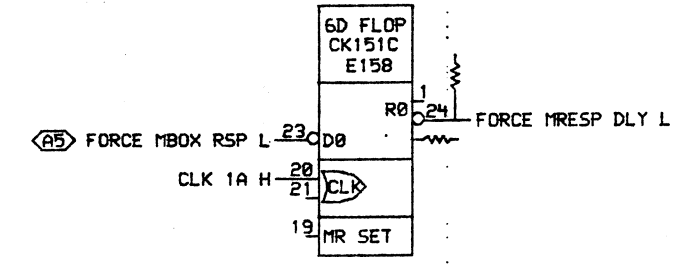
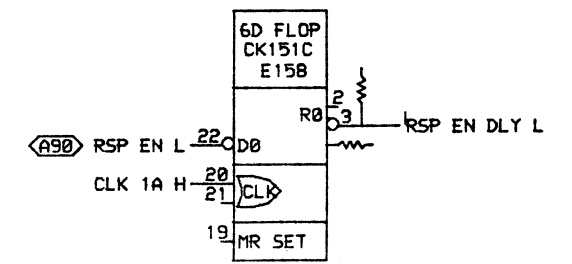
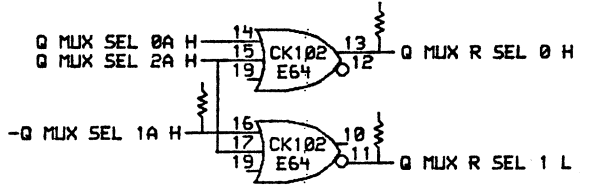
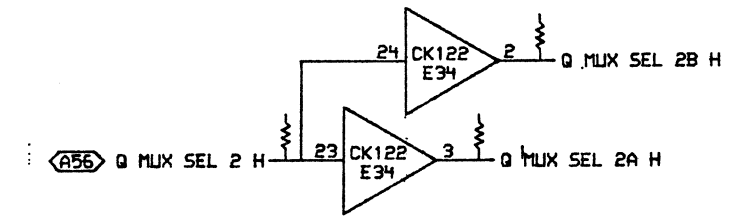
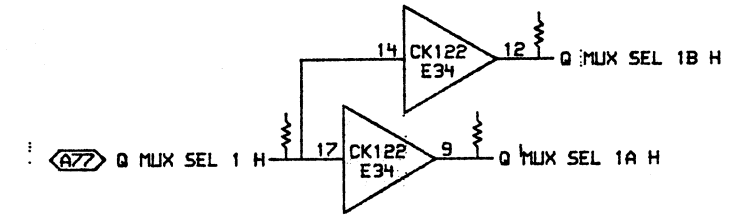
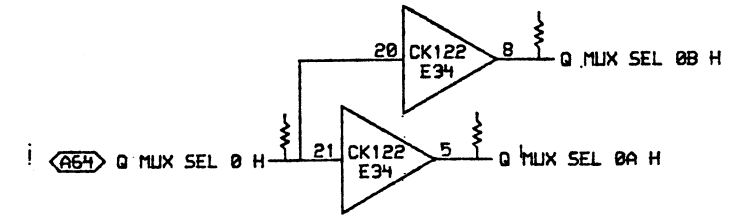
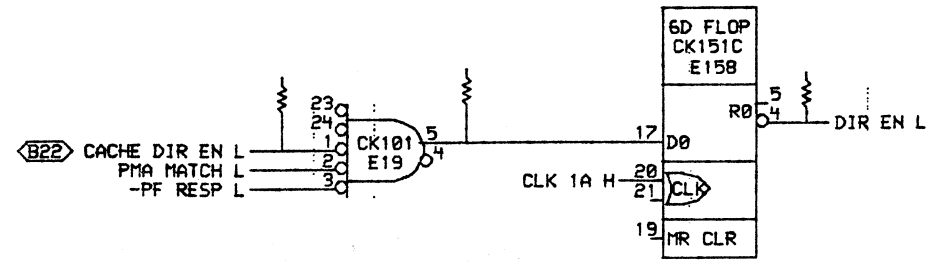
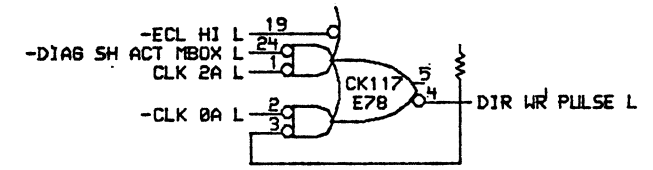
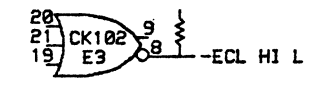
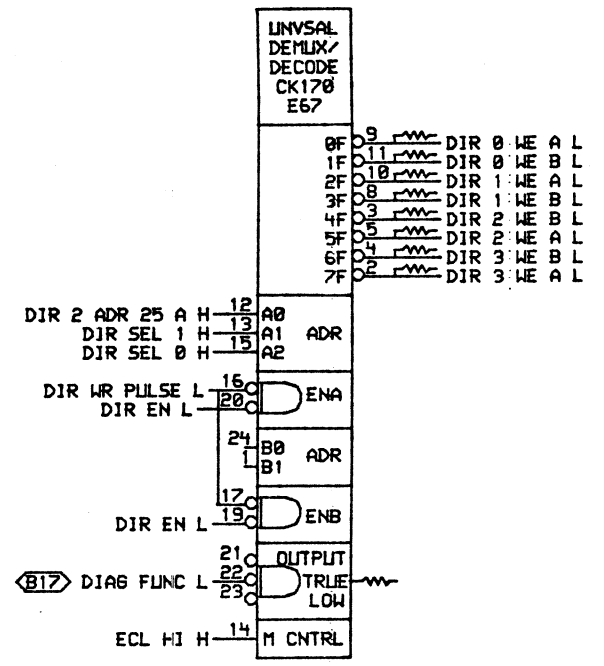
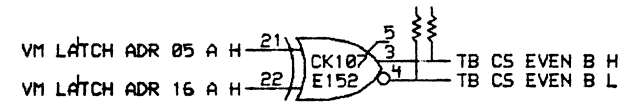
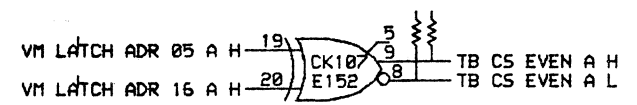
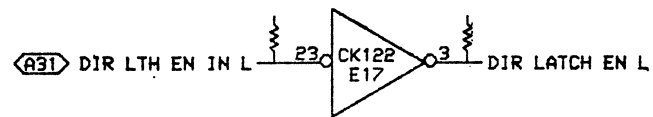
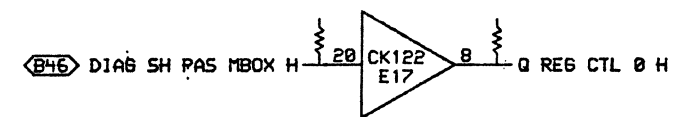
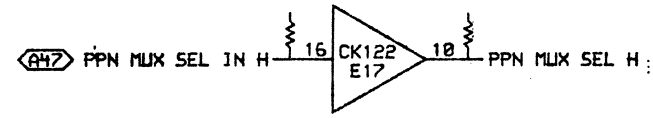
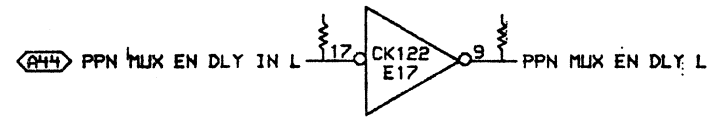
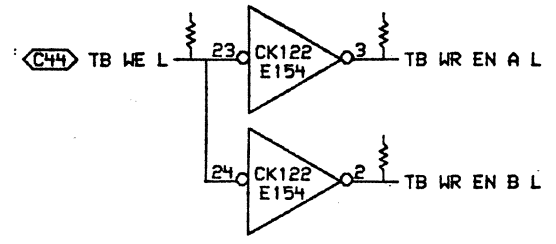


THIS DRAWING AND SPECIFICATIONS ARE THE PROPERTY OF DIGITAL EQUIPMENT CORPORATION AND SHALL NOT BE REPRODUCED OR COPIED OR USED IN WHOLE OR IN PART AS THE BASIS FOR THE MANUFACTURE OR SALE OF ITEMS WITHOUT WRITTEN PERMISSION. COPYRIGHT © 1982. DIGITAL EQUIPMENT CORPORATION

REVISIONS		
CHK	CHANGE NO.	REV

digital	DATE	ENG.	DATE	TITLE:
	10-NOV-82			CLK BUFFER
CHK'D.	DATE	BOARD LOCATION:		
FIRST USED ON OPTION/MODEL: 2080		NEXT HIGHER ASSEMBLY: B-DD-L0057-0		

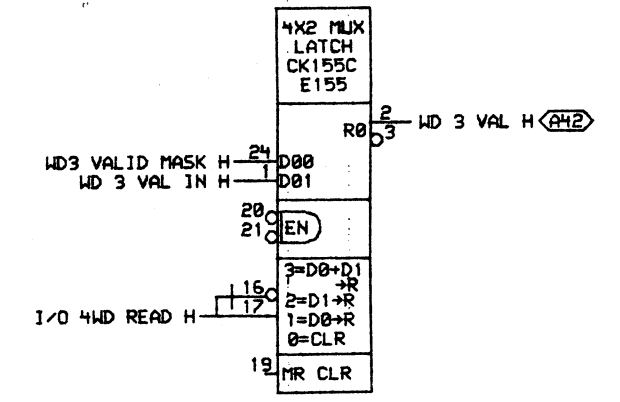
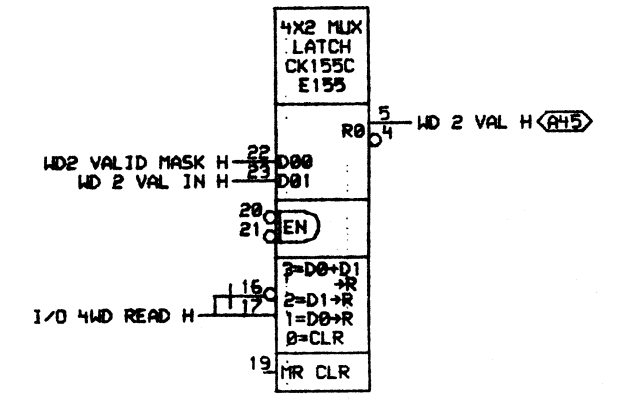
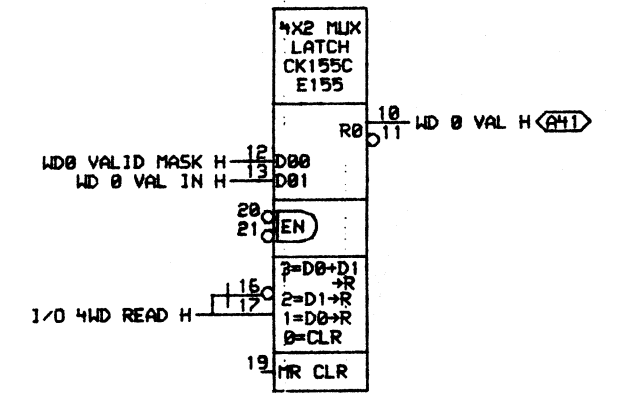
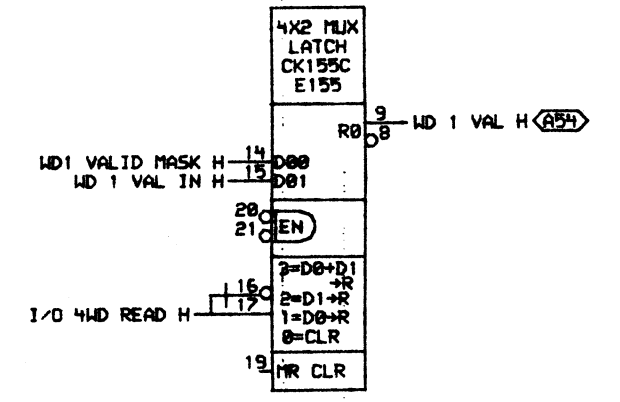
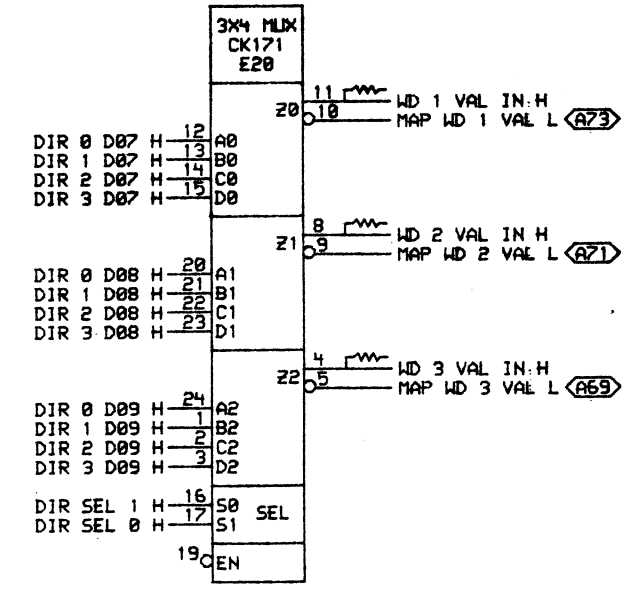
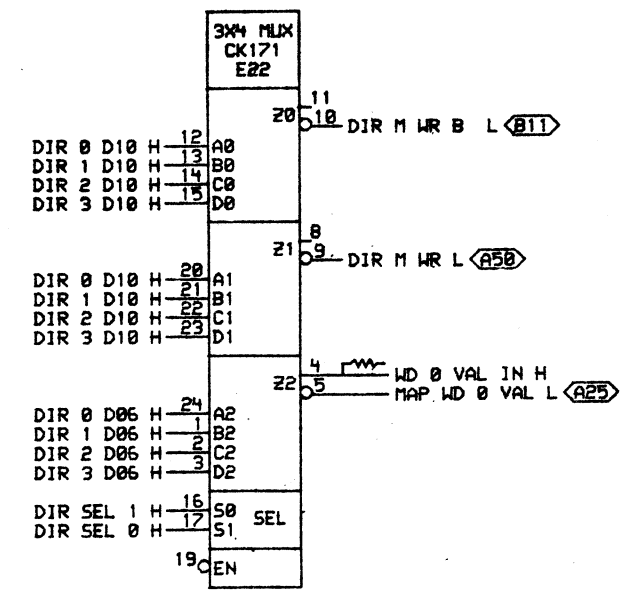
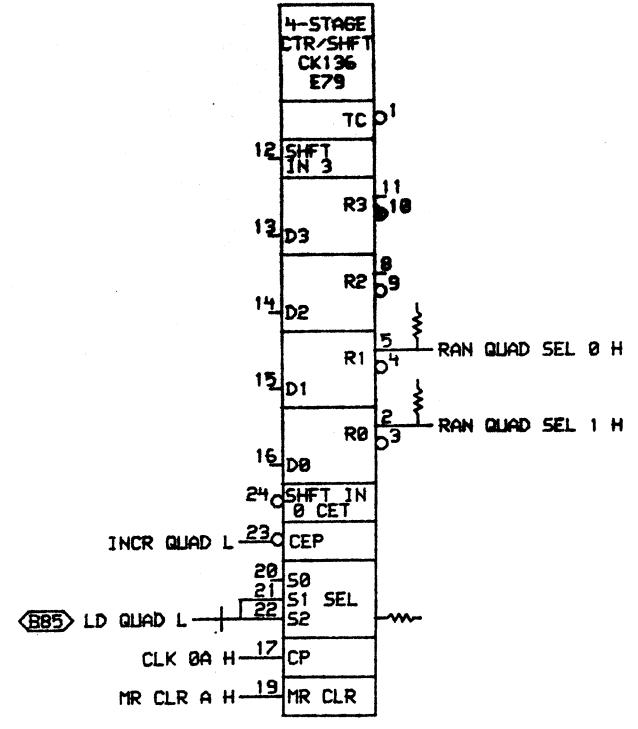
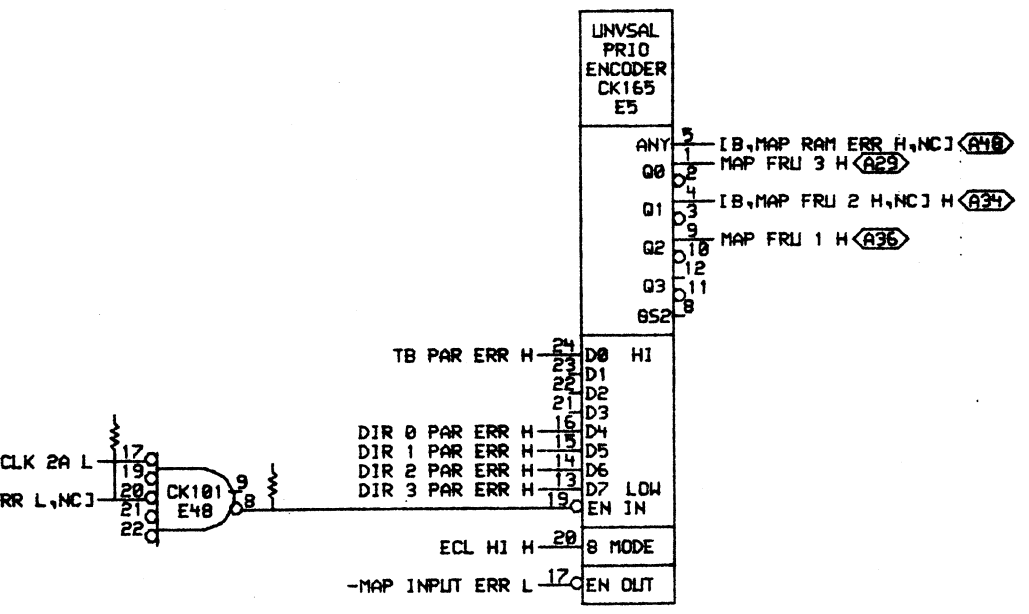
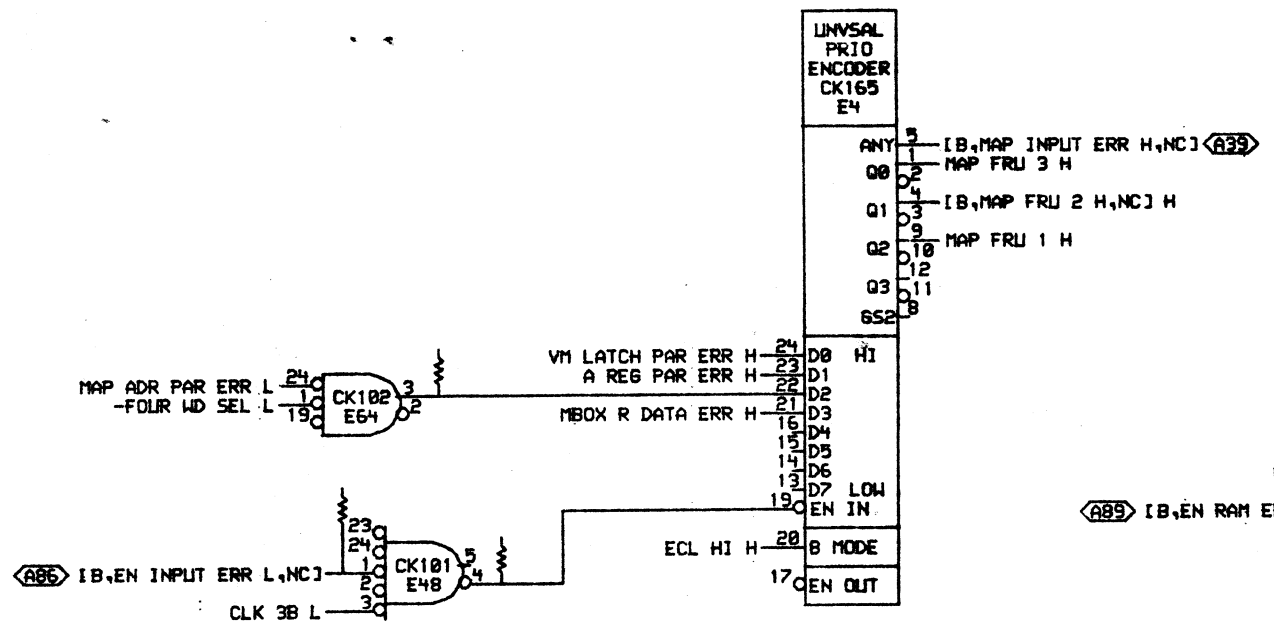
SIZE	CODE	NUMBER	REV.
D	CS	L0057-0-MAPI	*



THIS DRAWING AND SPECIFICATIONS ARE THE PROPERTY OF DIGITAL EQUIPMENT CORPORATION AND SHALL NOT BE REPRODUCED OR COPIED IN WHOLE OR IN PART AS A BASIS FOR THE MANUFACTURE OR SALE OF ITEMS WITHOUT WRITTEN PERMISSION. COPYRIGHT © 1982, DIGITAL EQUIPMENT CORPORATION.

REVISIONS	
CHK	CHANGE NO. REV

digital	DATE	ENG.	DATE	TITLE:	INPUT BUFFERS
	27-OCT-82	J. Jambly			
	DATE	BOARD LOCATION:			
		SHEET 1 OF 1			
VULCAN (2000-L0057) 50MAPJ.DRW	26-OCT-82 08:01	NEXT HIGHER ASSEMBLY:	SIZE CODE	NUMBER	REV.
FIRST USED ON OPTION/MODEL: 2000		B-DD-L0057-0	D CS	L0057-0-MAPJ	*



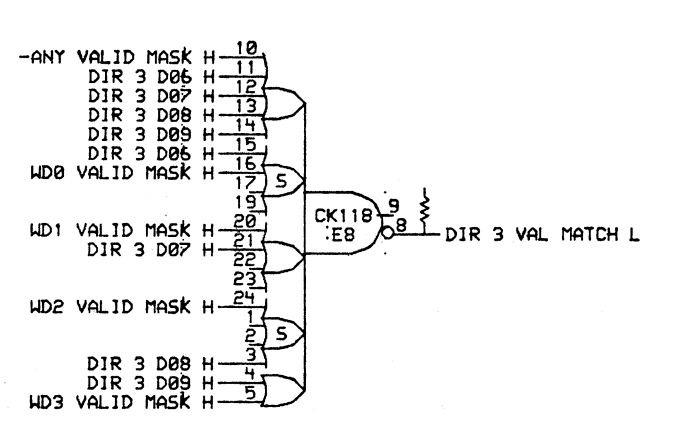
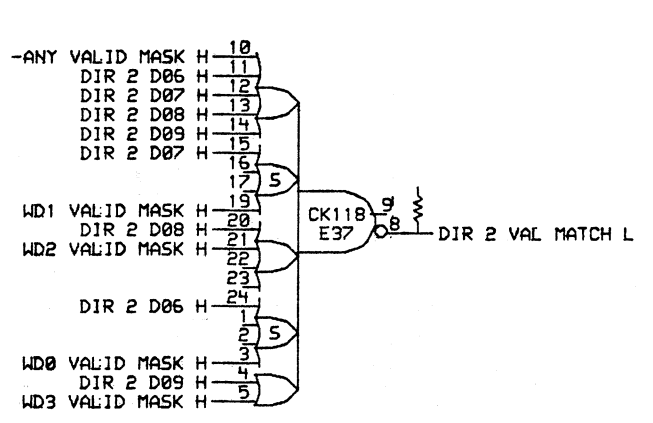
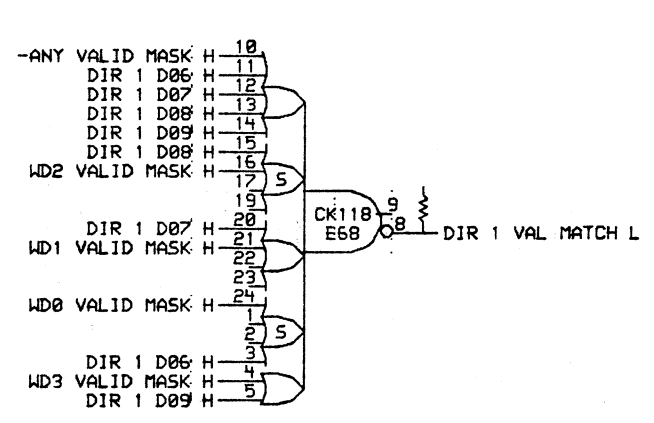
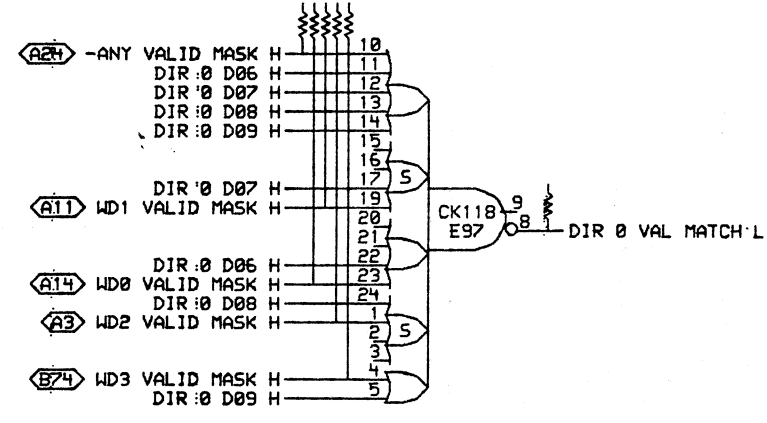
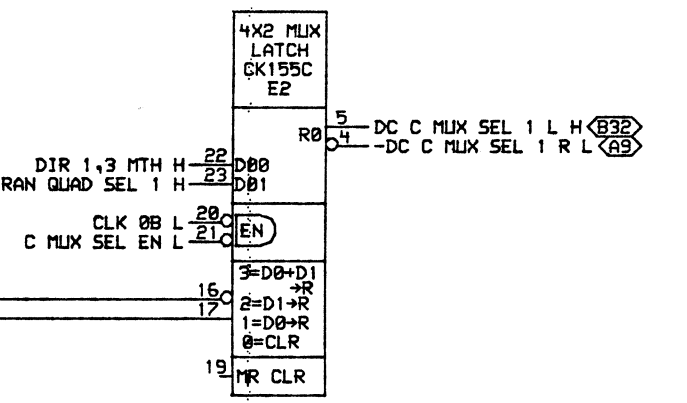
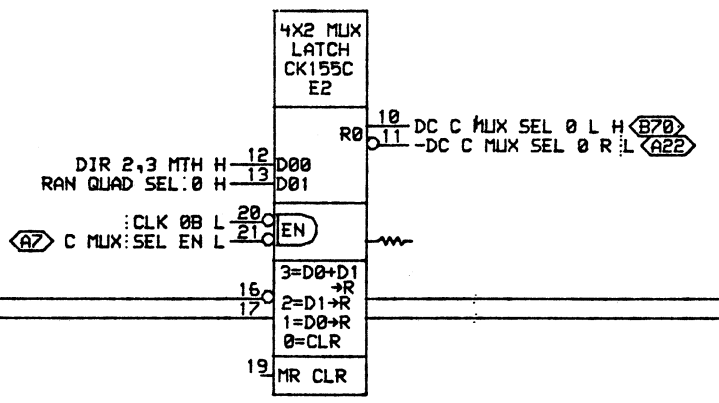
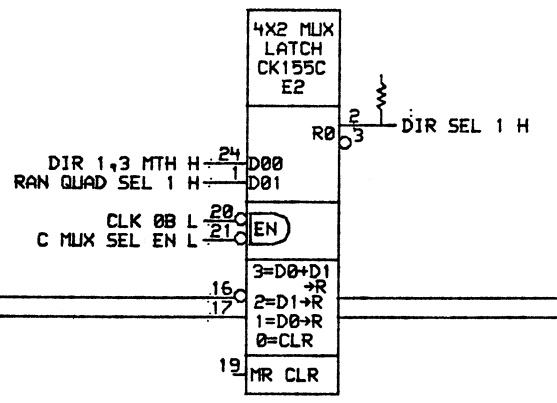
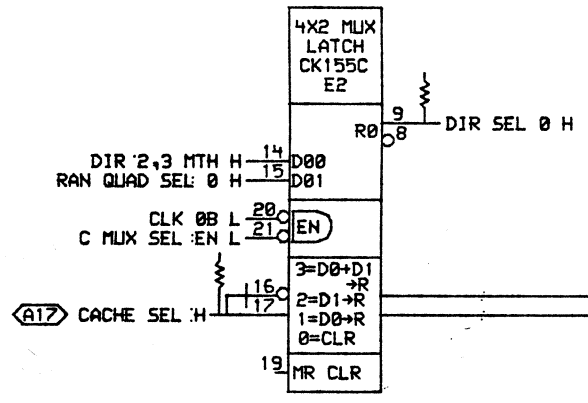
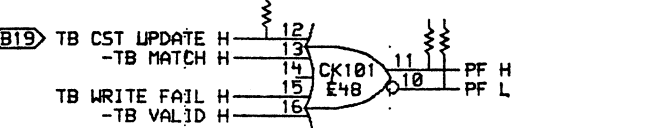
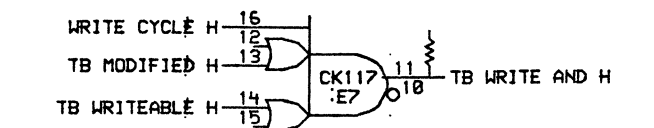
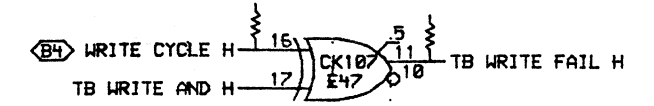
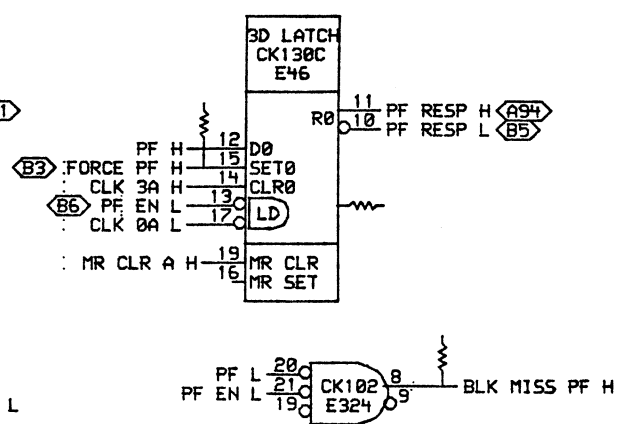
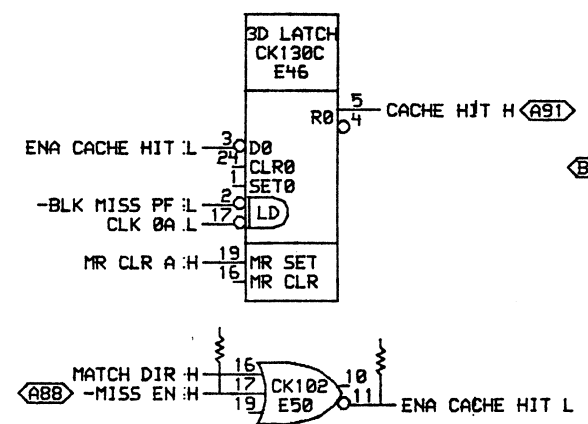
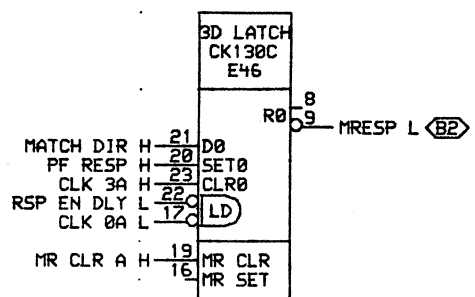
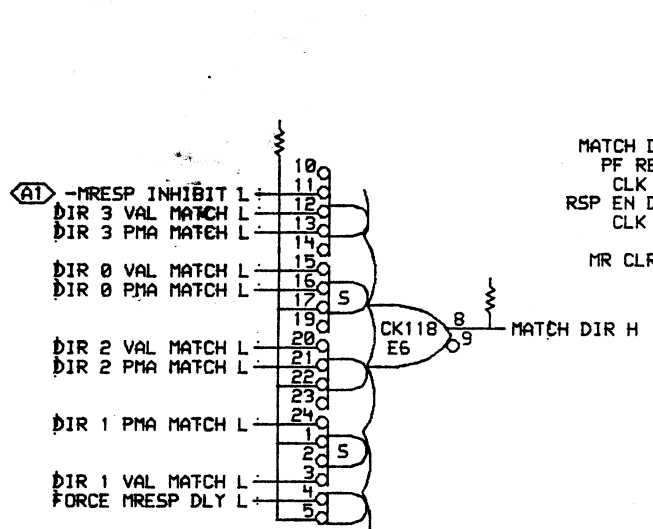
THIS DRAWING AND SPECIFICATIONS ARE THE PROPERTY OF DIGITAL EQUIPMENT CORPORATION AND SHALL NOT BE REPRODUCED OR COPIED OR USED IN WHOLE OR IN PART AS THE BASIS FOR THE MANUFACTURE OR SALE OF ITEMS WITHOUT WRITTEN PERMISSION. COPYRIGHT © 1982, DIGITAL EQUIPMENT CORPORATION.

REVISIONS	
CHK	CHANGE NO. REV

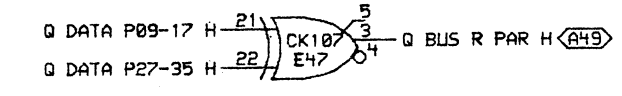
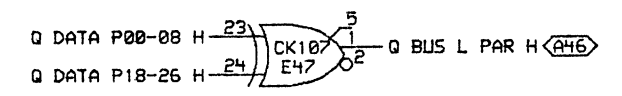
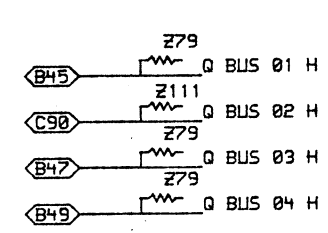
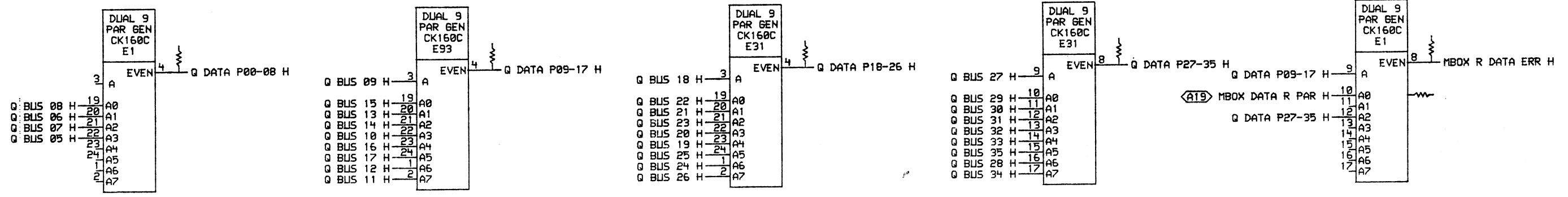
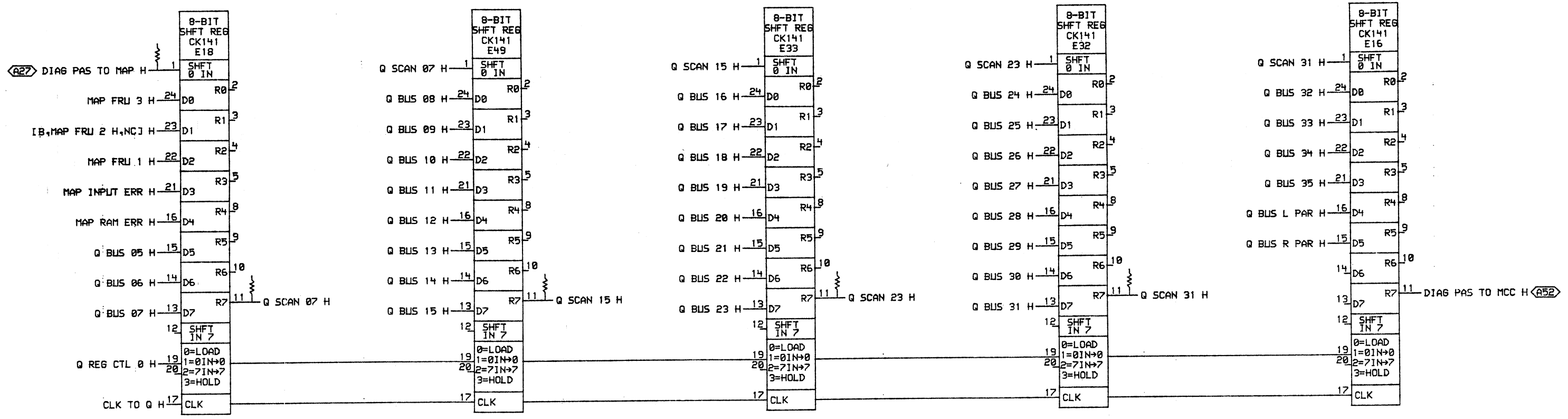
digital	DATE 13-OCT-82	ENG. BOARD LOCATIONS
CHK'D.	DATE	SHEET 1 OF 1
VUL CAN: 2080.L0057-0-SHAPK.DRW	12-OCT-82 07:30	NEXT HIGHER ASSEMBLY:
FIRST USED ON OPTION MODEL: 2080	B-DD-L0057-0	

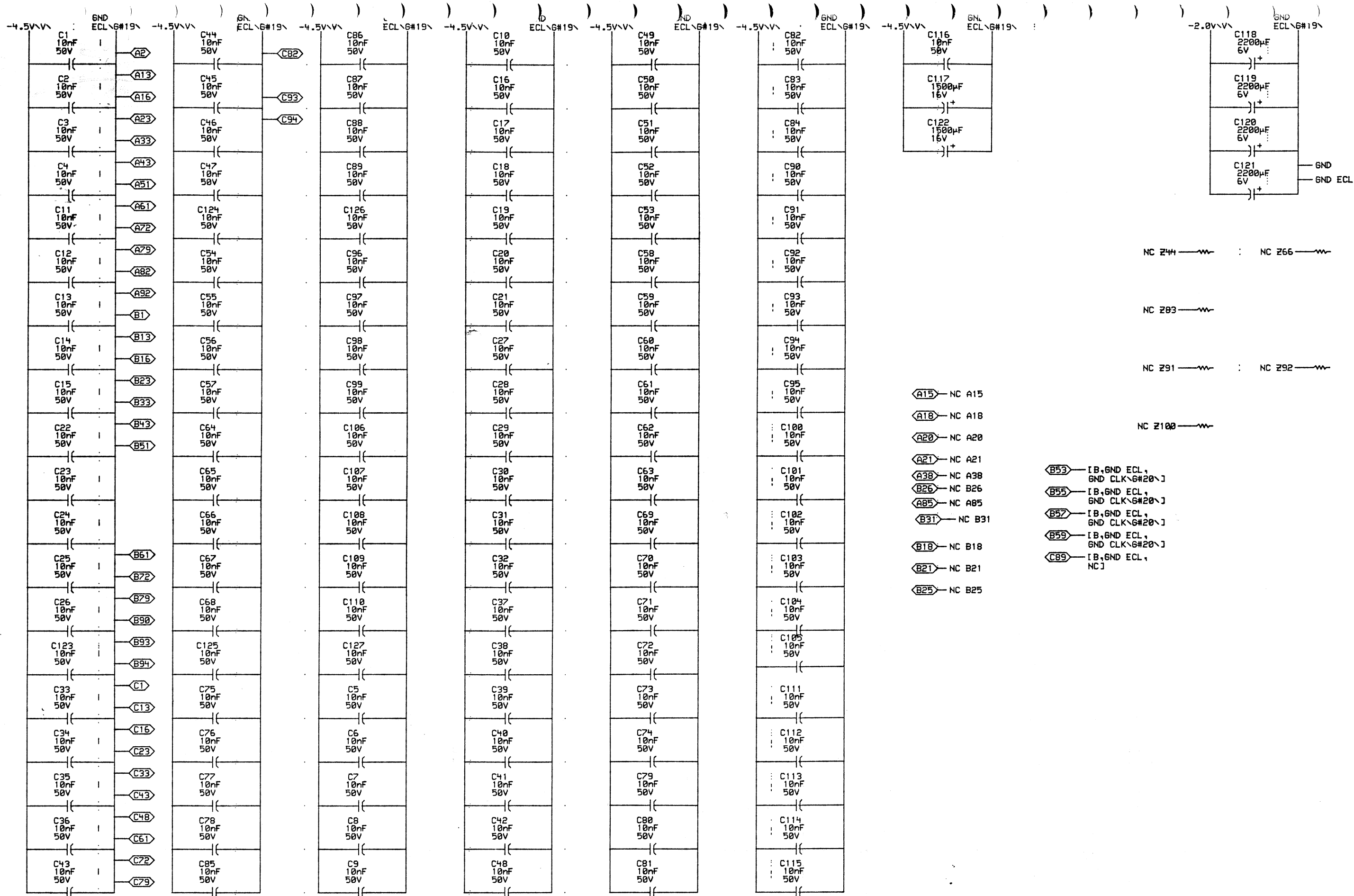
TITLE: ERROR LATCHES + VALID & WRT BITS		REV. *
SIZE D	CODE CS	NUMBER L0057-0-MAPK





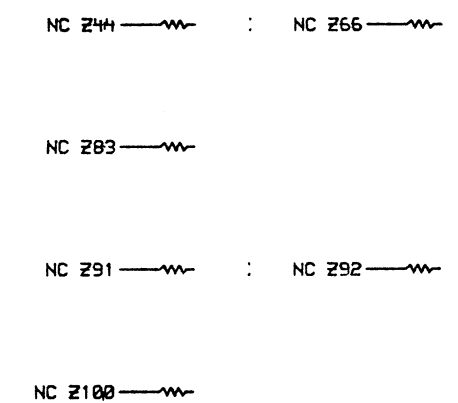
DRN.	DATE	ENG.	DATE	TITLE:
CHK'D.	22-NOV-82			VALID MATCHES
ARCH: (UHLER.PLOTS)31MAPL.DRW 15-NOV-82 16:59 NEXT HIGHER ASSEMBLY:				RSP_SEL_CTL
FIRST USED ON OPTION/MODEL: 2080	B-DD-L0057-0	SHEET 1 OF 1	SIZE CODE	NUMBER
			D CS	L0057-0-MAPL
				REV. *





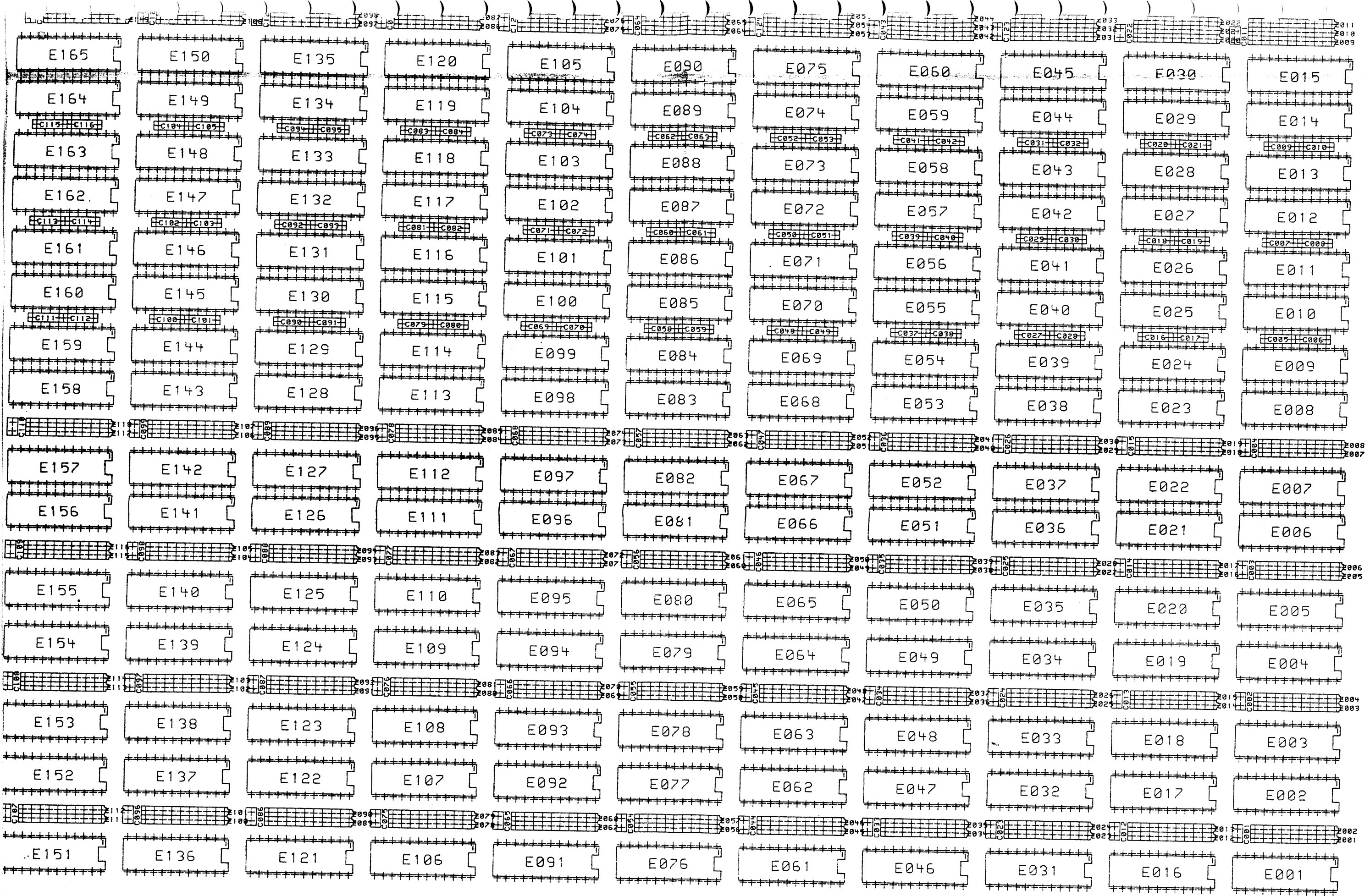
- (A15) NC A15
- (A18) NC A18
- (A20) NC A20
- (A21) NC A21
- (A38) NC A38
- (B26) NC B26
- (B85) NC B85
- (B31) NC B31
- (B18) NC B18
- (B21) NC B21
- (B25) NC B25

- (B53) [B,GND ECL, GND CLK\6#20\]
- (B55) [B,GND ECL, GND CLK\6#20\]
- (B57) [B,GND ECL, GND CLK\6#20\]
- (B59) [B,GND ECL, GND CLK\6#20\]
- (C89) [B,GND ECL, NC]

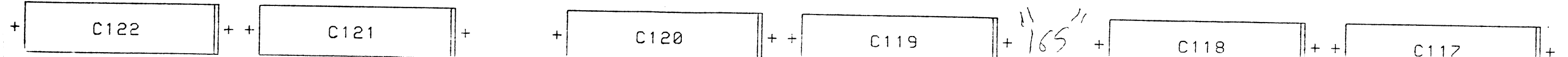


DRN.	DATE	ENG.	DATE	TITLE:
CHK'D.	DATE	BOARD LOCATION:	SHEET 1 OF 1	MAP POWER & GROUND
ARCH: C:\MLER.PLOTS\34\MAPN.DRW	22-NOV-82 14:39	NEXT HIGHER ASSEMBLY:	SIZE CODE	NUMBER
FIRST USED ON OPTION MODEL:	2080	B-DD-L0057-0	D CS	L0057-0-MAPN
			REV.	*

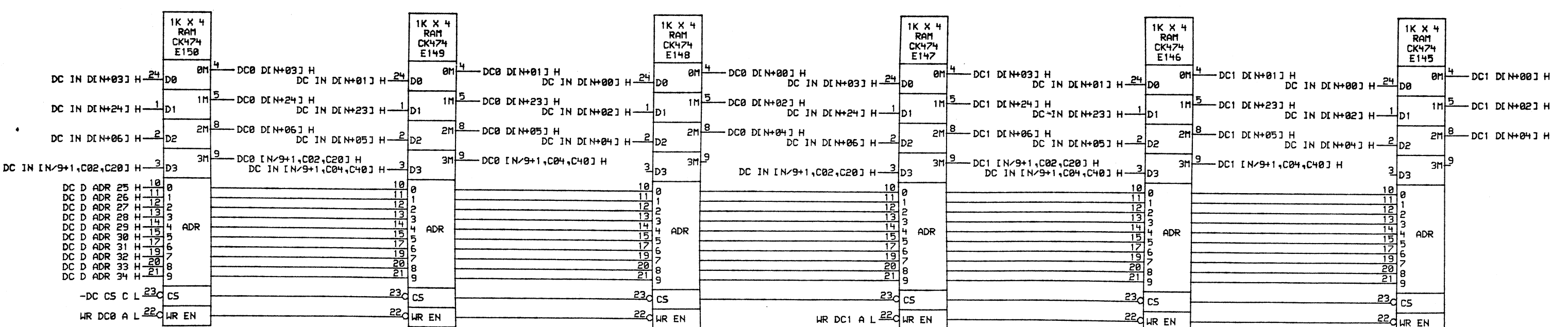
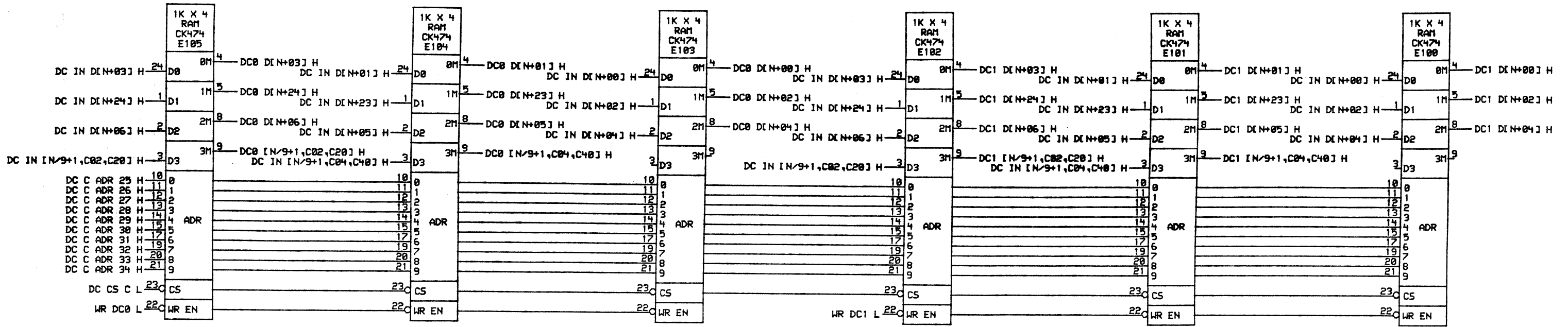
VULCAN:<2080.L0060>19MDP1  
VULCAN:<2080.L0060>19MDP2  
VULCAN:<2080.L0060>19MDP3  
VULCAN:<2080.L0060>19MDP4  
VULCAN:<2080.L0060>19MDP5  
VULCAN:<2080.L0060>19MDP6  
VULCAN:<2080.L0060>19MDP7  
VULCAN:<2080.L0060>19MDP8  
VULCAN:<2080.L0060>26MDP9  
VULCAN:<2080.L0060>22MDPA  
VULCAN:<2080.L0060>22MDPB  
VULCAN:<2080.L0060>19MDPC  
VULCAN:<2080.L0060>19MDPD  
VULCAN:<2080.L0060>19MDPE  
VULCAN:<2080.L0060>19MDPF  
VULCAN:<2080.L0060>19MDPG  
VULCAN:<2080.L0060>19MDPH  
VULCAN:<2080.L0060>26MDPI  
VULCAN:<2080.L0060>19MDPJ  
VULCAN:<2080.L0060>19MDPK  
VULCAN:<2080.L0060>27MDPL  
VULCAN:<2080.L0060>26MDPM  
VULCAN:<2080.L0060>25MDPN  
VULCAN:<2080.L0060>27MDPP  
VULCAN:<2080.L0060>24MDPR

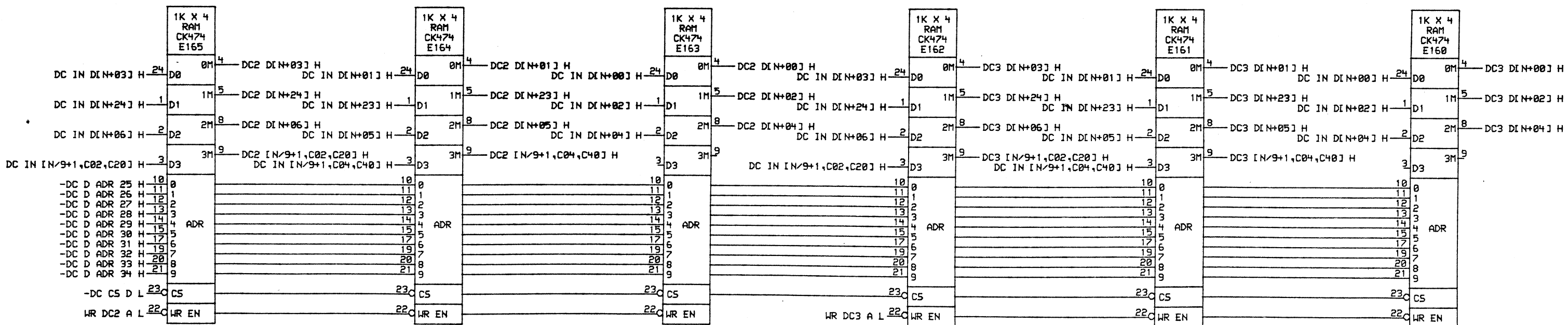
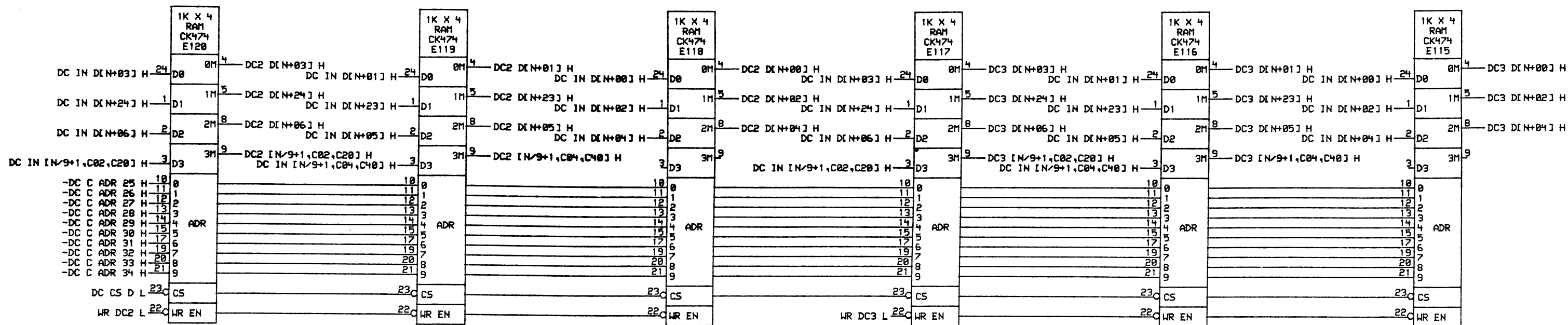


MDP



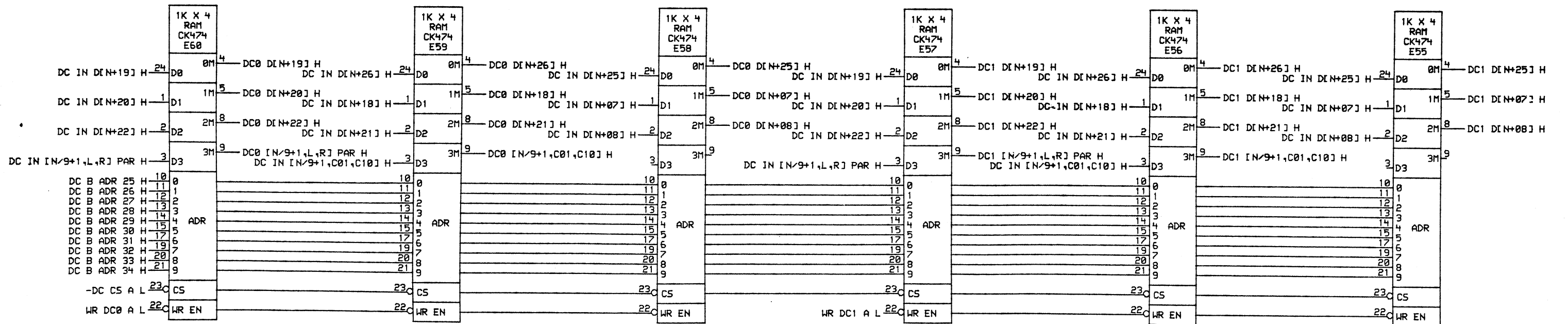
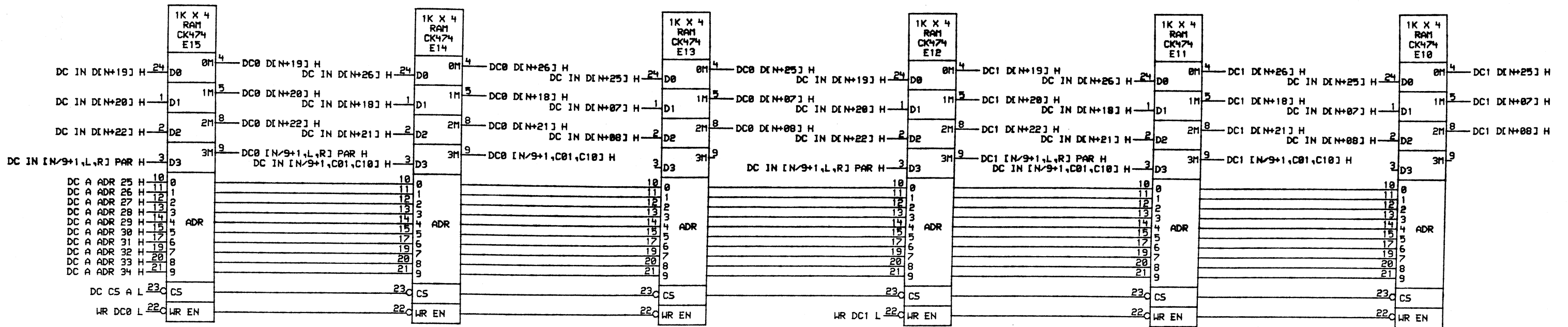




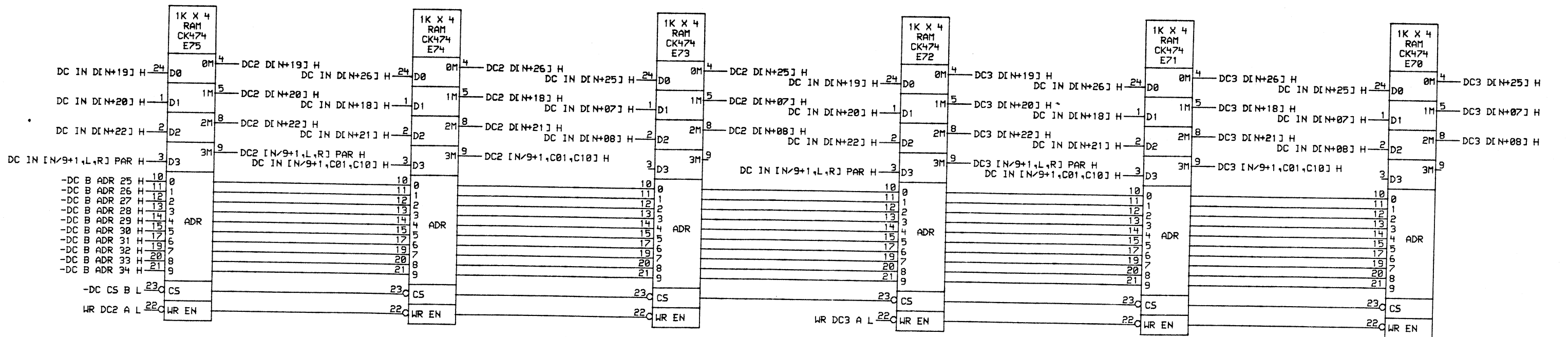
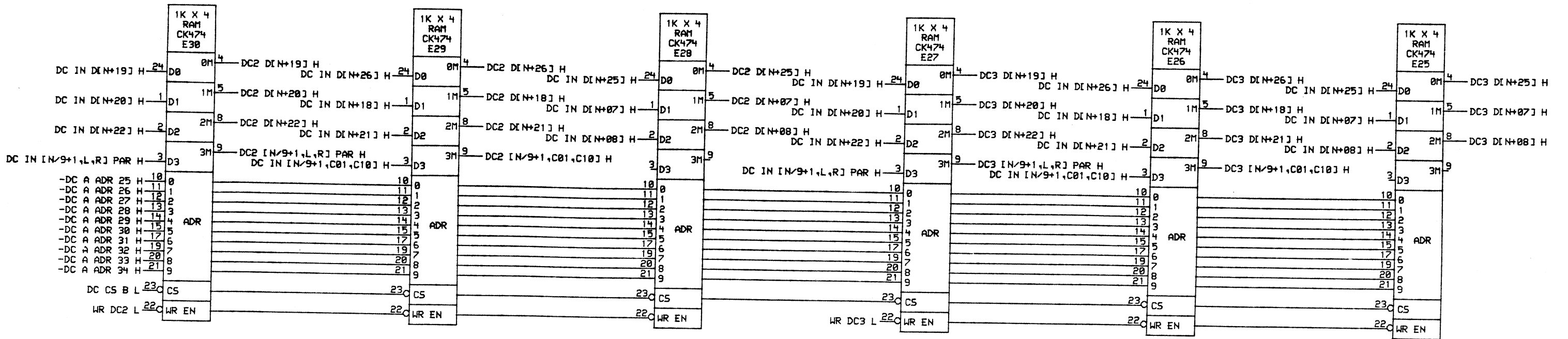


DRN.	DATE	ENG.	DATE	TITLE:	CACHE 2,3 RAM			
CHK'D.	DATE	BOARD LOCATION:	SHEET	OF	SIZE	CODE	NUMBER	REV.
VULCAN (2000-L0060) MDP2 DRN	29-JAN-82	10:42	2	4	D	CS	L0060-0-MDP2	*
FIRST USED ON OPTION/MODEL: 2080					B-DD-L0060-0			

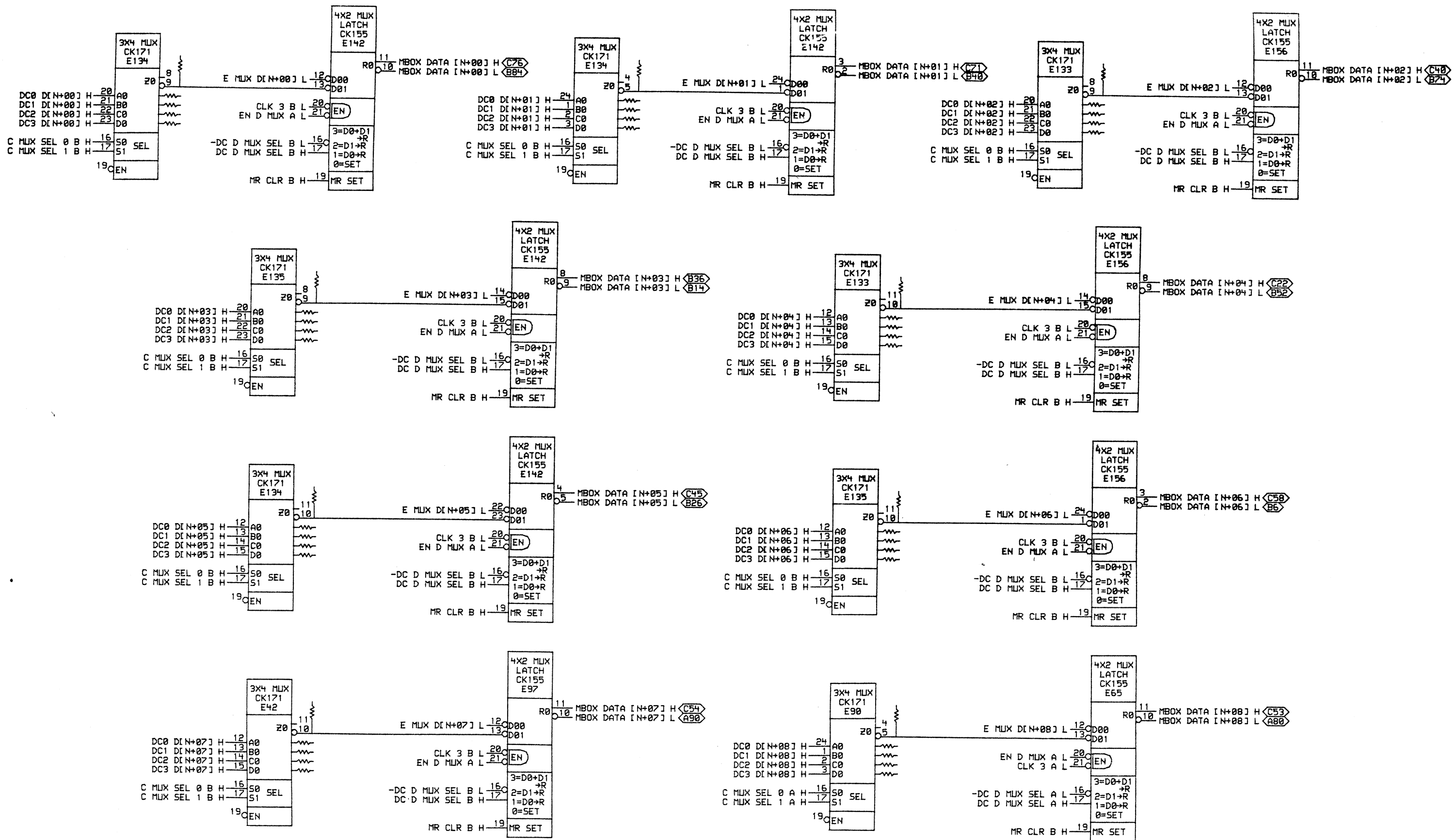




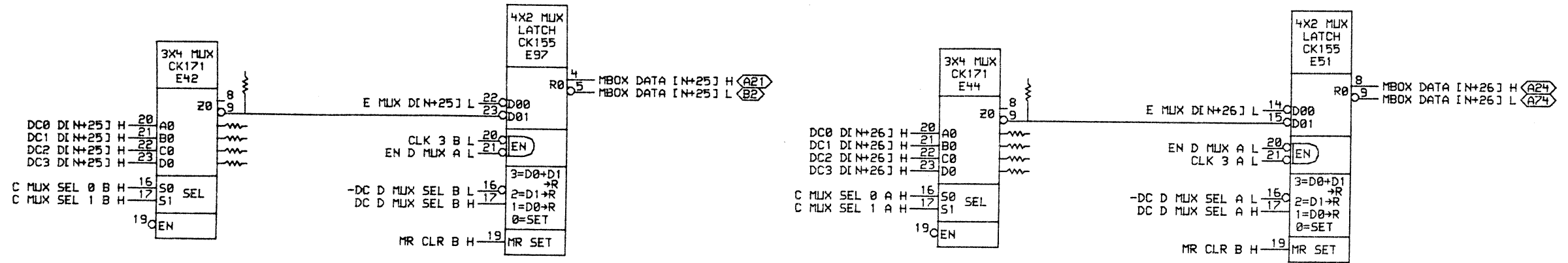
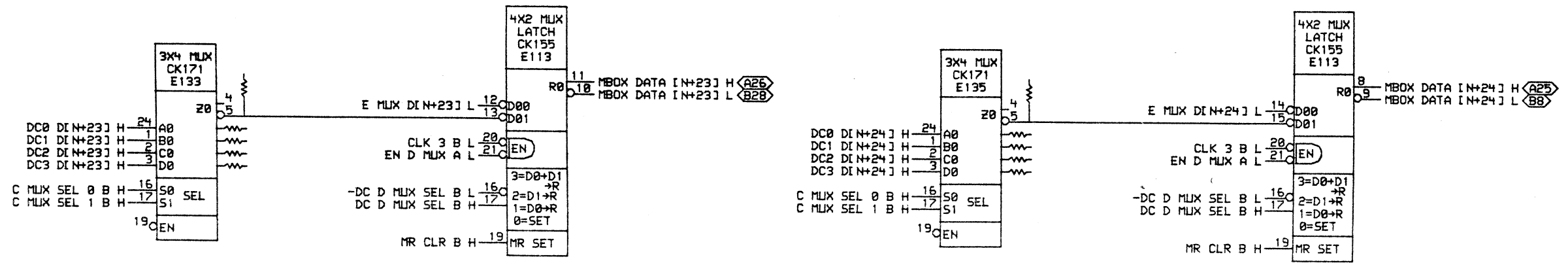
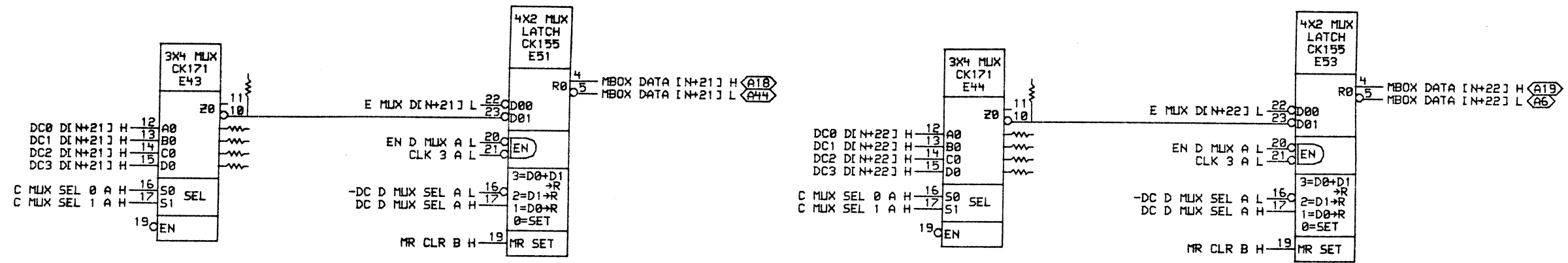
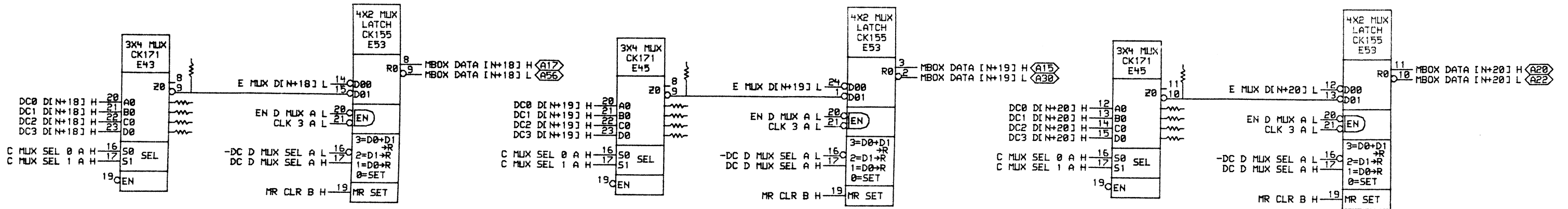
DRN.	DATE	ENG.	DATE	TITLE:	CACHE 0,1 RAM		
CHK'D.	29-JAN-82			BOARD LOCATION:			
VULCAN (P886-L0060) MDP3.DRW 129-JAN-82 10:43 NEXT HIGHER ASSEMBLY:				SHEET	3	OF	4
FIRST USED ON OPTION/MODEL:	2080	B-DD-L0060-0	SIZE	CODE	NUMBER	REV.	
			D	CS	L0060-0-MDP3	*	



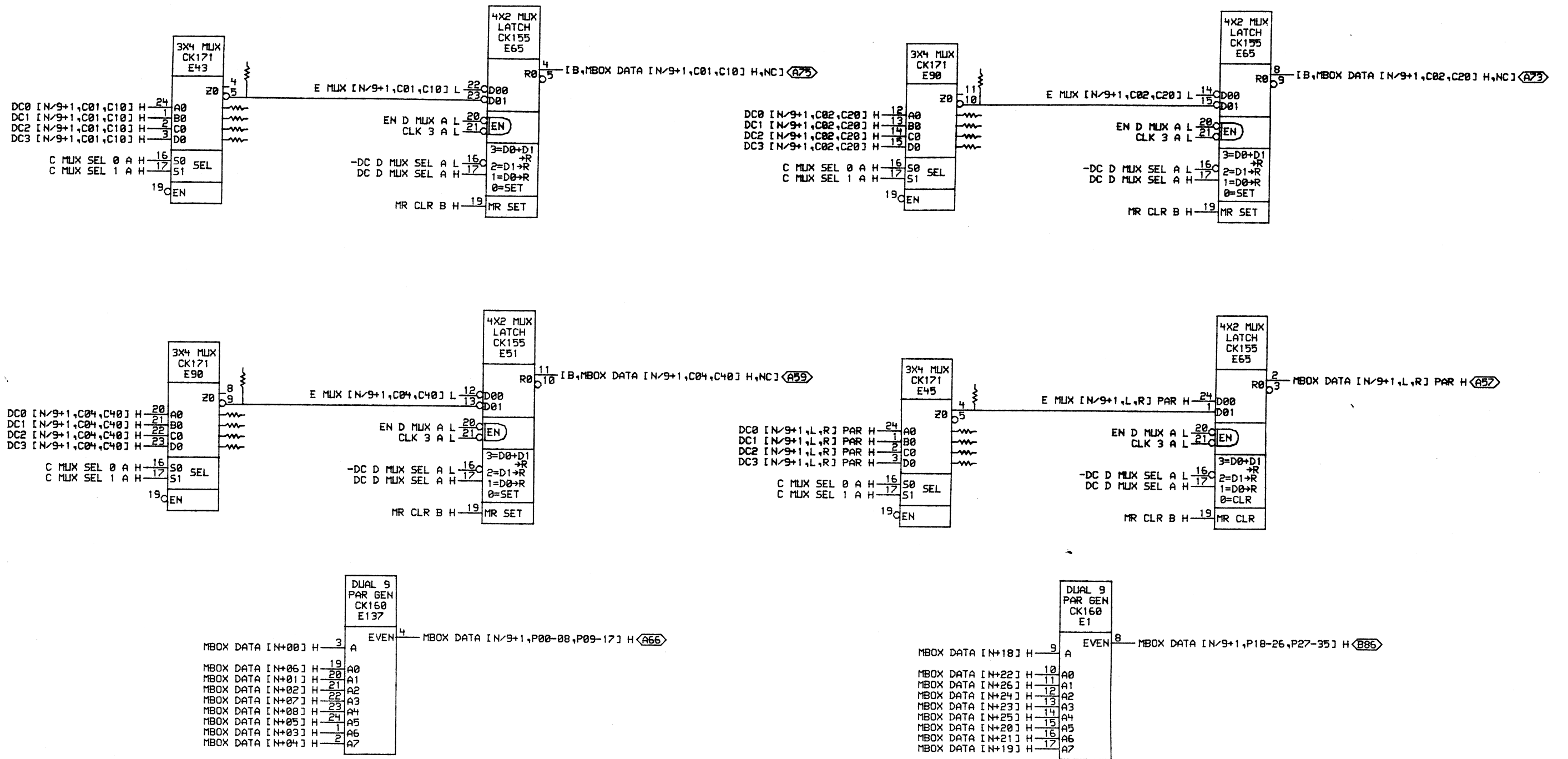
DRN.	DATE	ENG.	DATE	TITLE:
CHK'D.	DATE	BOARD LOCATION:	SHEET	4 OF 4
VULCAN (2080-L0060) 19MDP4.DRW 29-JAN-82 10:43				NEXT HIGHER ASSEMBLY:
FIRST USED ON OPTION/MODEL: 2080				B-DD-L0060-0
SIZE	CODE	NUMBER	REV.	
D	CS	L0060-0-MDP4	*	



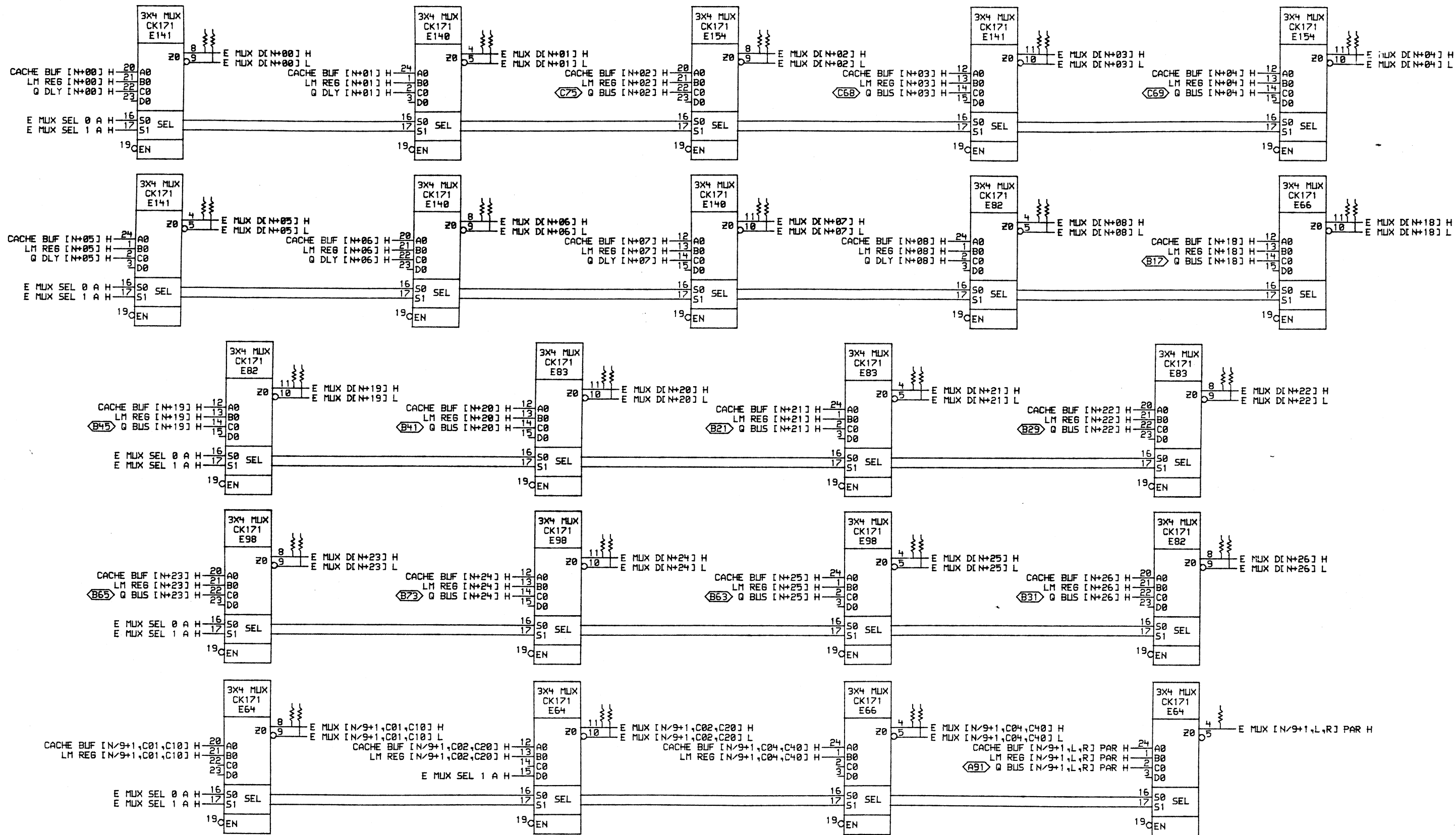
DRN.	DATE	ENG.	DATE	TITLE:
CHK'D.	29-JAN-82			MBOX DATA
FIRST USED ON OPTION/MODEL: 2080				00-08 / 09-17
NEXT HIGHER ASSEMBLY: B-DD-L0060-0				REV. *
SHEET 1 OF 3				SIZE CODE NUMBER
D C5 L0060-0-MDP5				



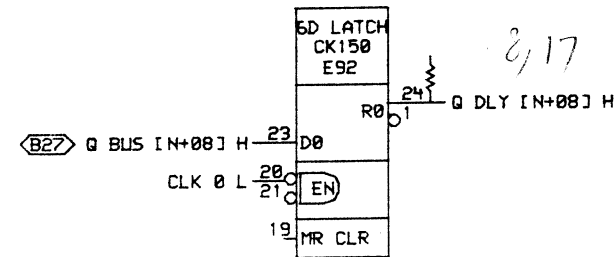
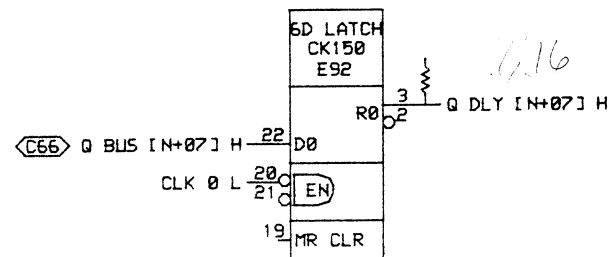
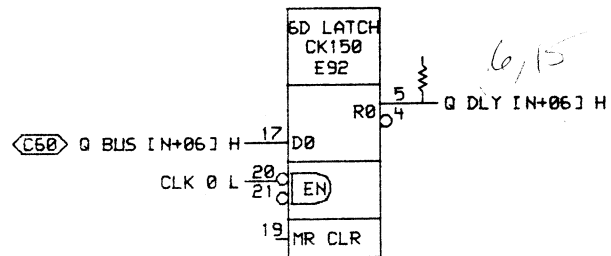
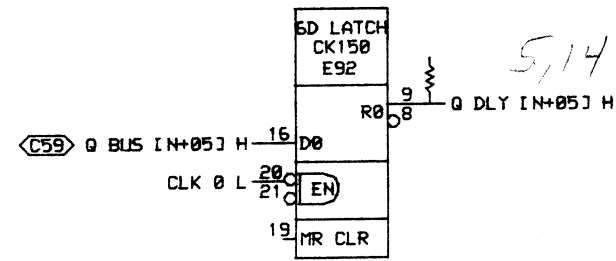
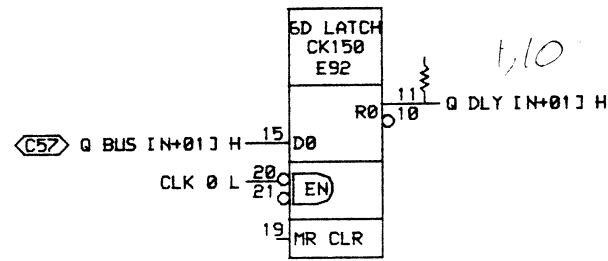
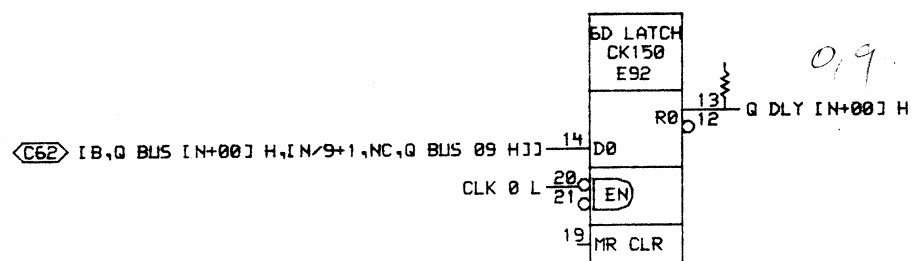
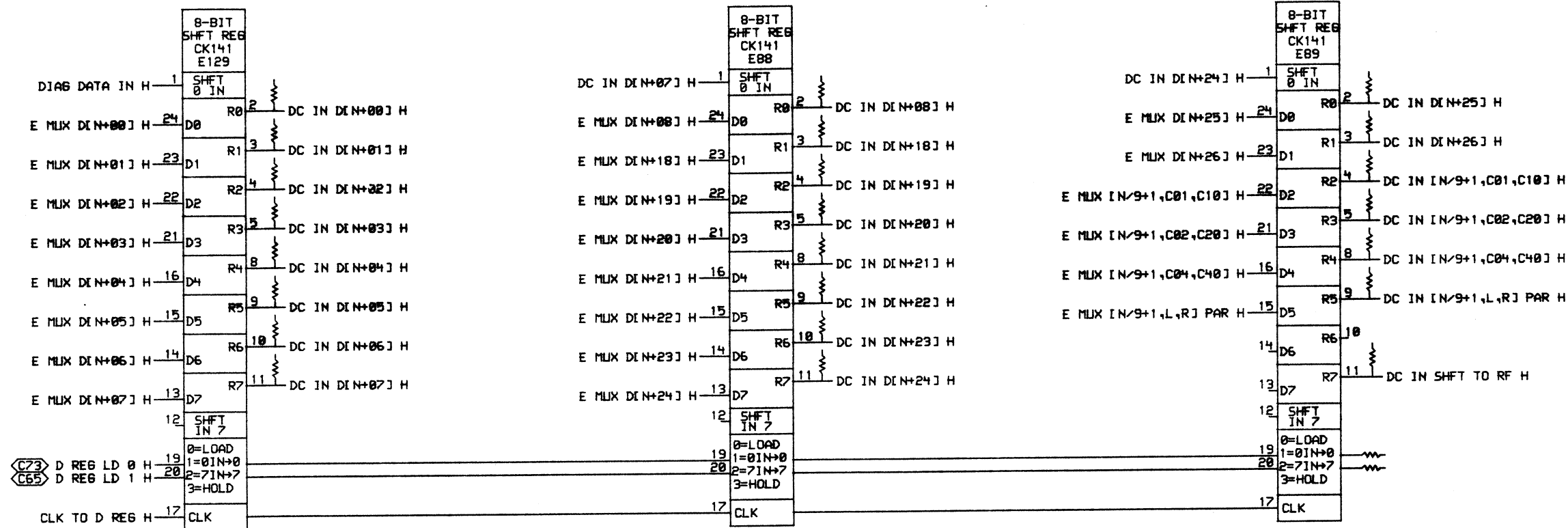
DRN.	DATE	ENG.	DATE	TITLE:
CHK'D.	DATE	BOARD LOCATION:		MBOX DATA
		SHEET 2 OF 3		18-26 / 27-35
VIL CAN (2000.L0060) 9MDP6.DRW 29-JAN-02 10:43		NEXT HIGHER ASSEMBLY:		SIZE CODE
FIRST USED ON OPTION/MODEL: 2080		B-DD-L0060-0		NUMBER
				D CS L0060-0-MDP6
				REV. *



DRN.	DATE	ENG.	DATE	TITLE:
CHK'D.	29 JAN 82			MBOX DATA
		BOARD LOCATION:		C BITS & PAR
		SHEET 3 OF 3		
FIRST USED ON OPTION/MODEL: 2080				SIZE CODE
NEXT HIGHER ASSEMBLY: B-DD-L0060-0				D CS
				NUMBER
				L0060-0-MDP7
				REV.
				*



DRN.	DATE	ENG.	DATE	TITLE:	E MUX		
CHK'D.	DATE	BOARD LOCATION:					
FIRST USED ON OPTION/MODEL:		NEXT HIGHER ASSEMBLY:		SIZE	CODE	NUMBER	REV.
2080		B-DD-L0060-0		D	C5	L0060-0-MDP8	*

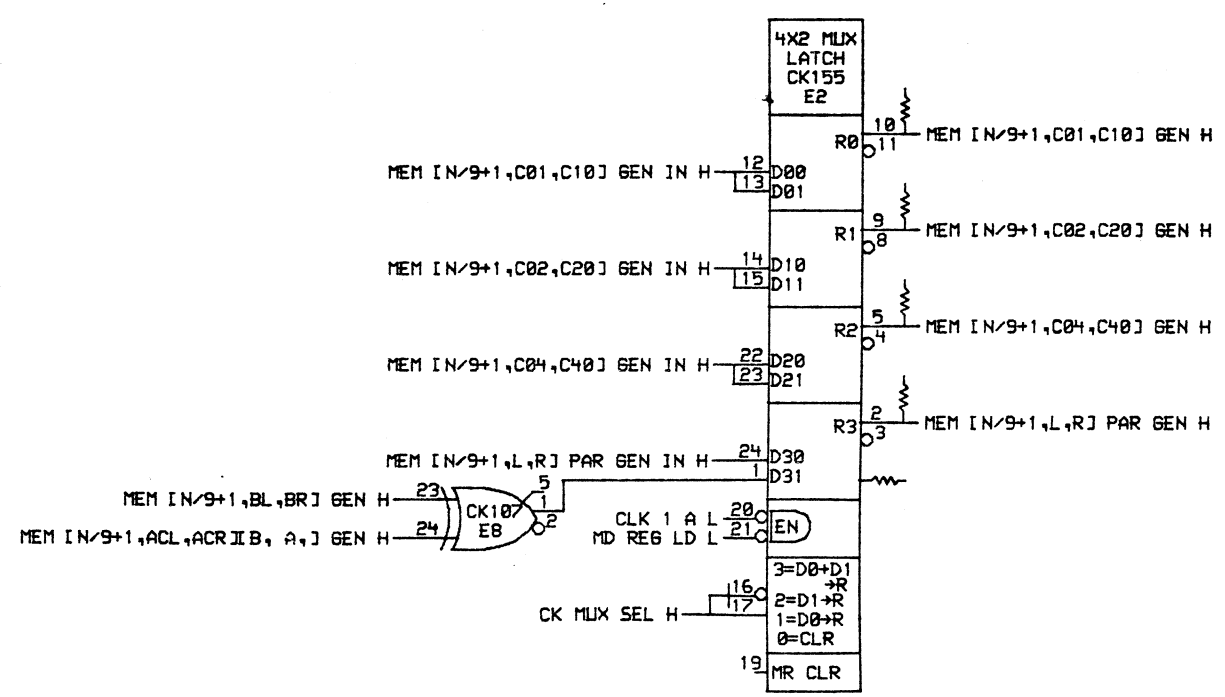
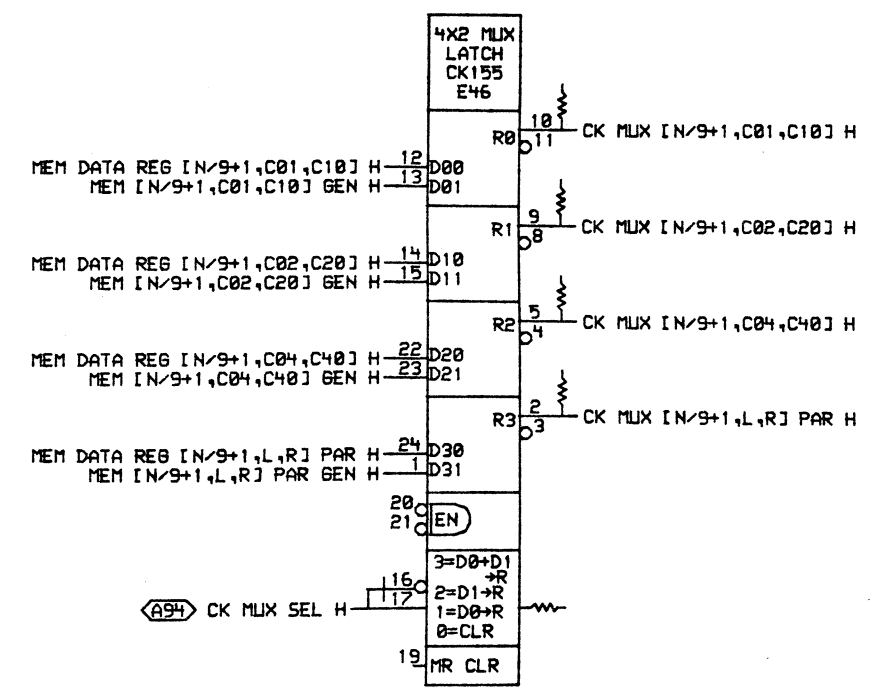
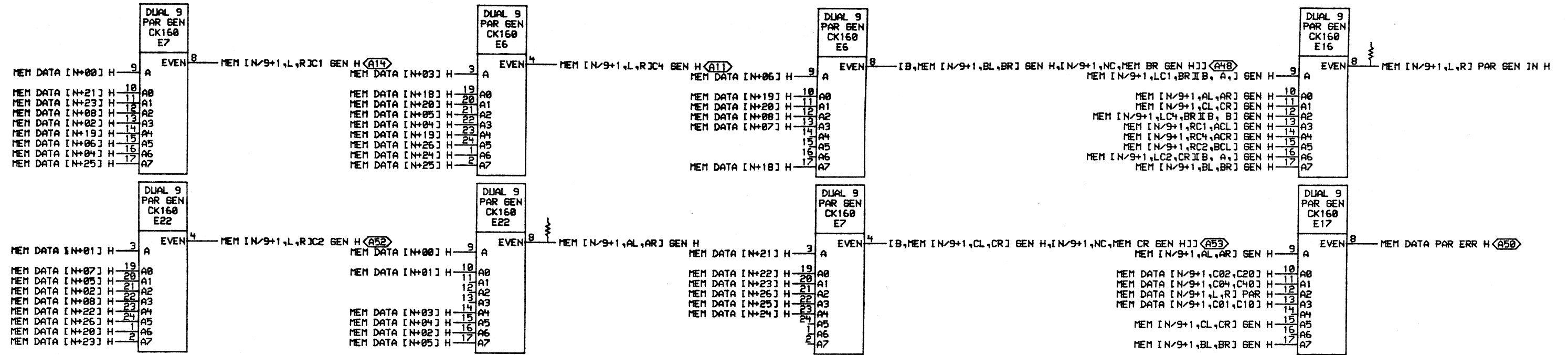
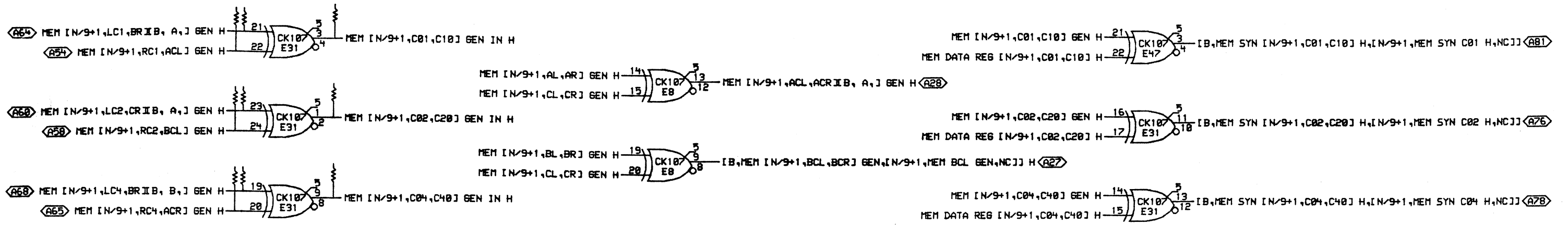


DRN.	DATE	ENG.	DATE	TITLE:	DC IN		
CHK'D.	DATE	BOARD LOCATION:	SHEET 1 OF 1				
VULCAN: (2000..L0060)26MDP9.DRW [02-AUG-82 11:42				NEXT HIGHER ASSEMBLY:	SIZE	CODE	NUMBER
FIRST USED ON OPTION/MODEL:				B-DD-L0060-0	D	CS	L0060-0-MDP9
							REV. *

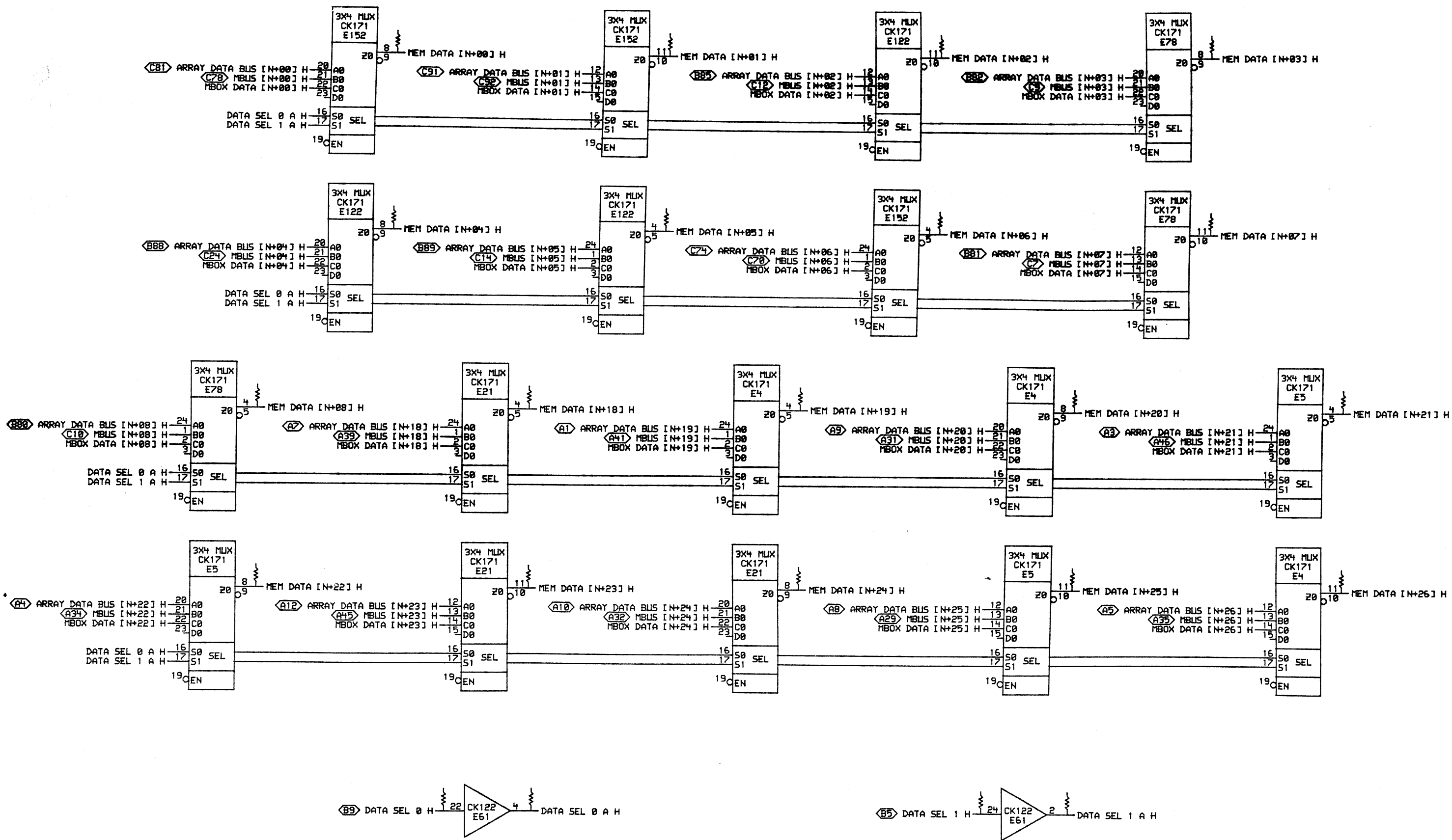




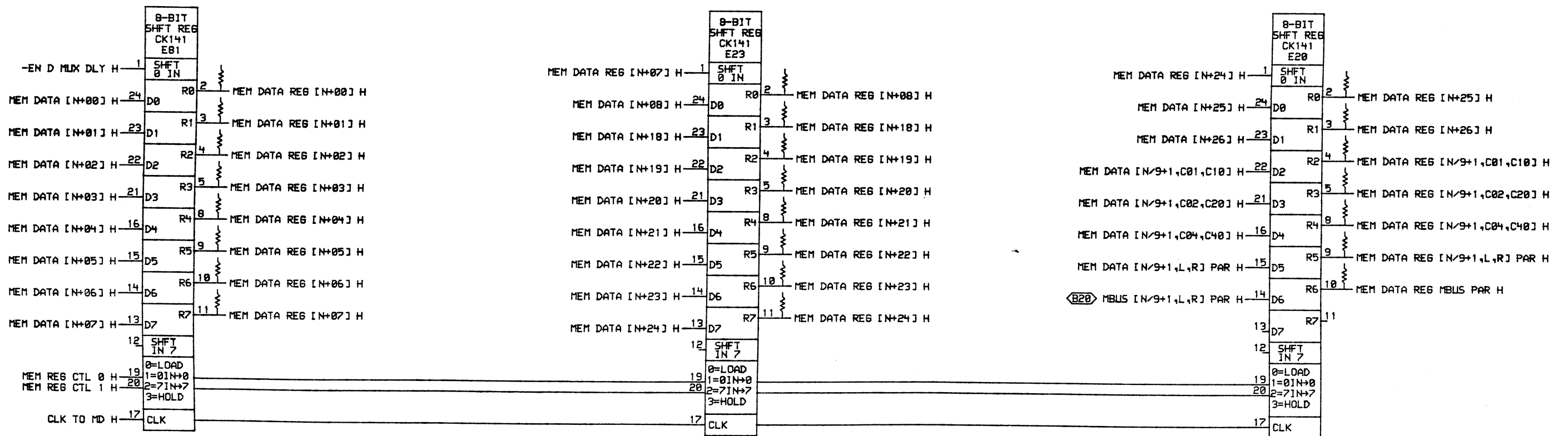
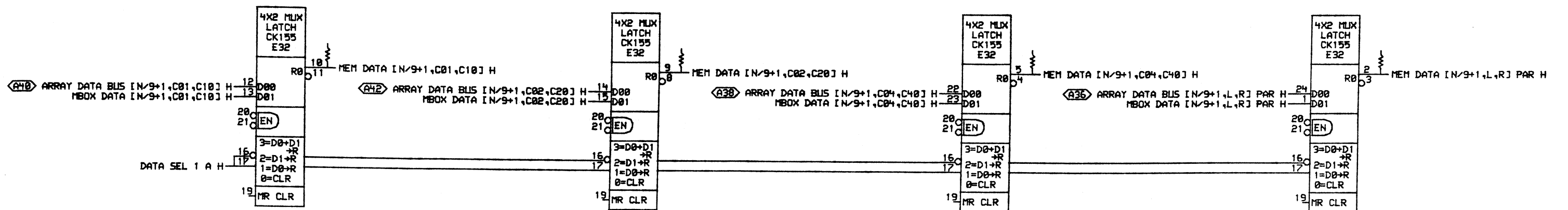




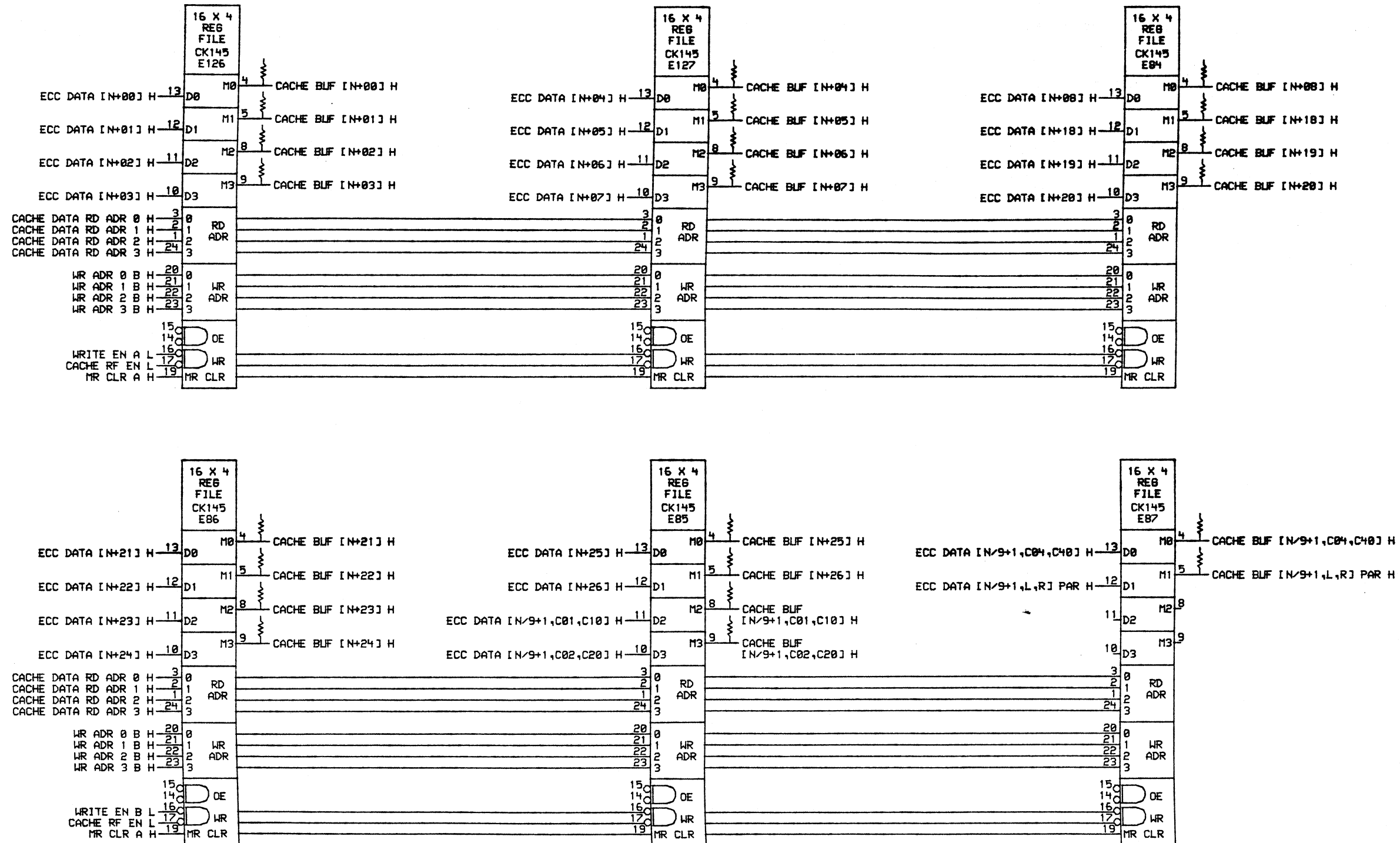
DRN.	DATE	ENG.	DATE	TITLE:
CHK'D.	29-JAN-82			MEM DATA ECC GEN
	DATE	BOARD LOCATION:	SHEET	OF
	29-JAN-82 10:47	B-DD-L0060-0	1	1
FIRST USED ON OPTION/MODEL:	2080	NEXT HIGHER ASSEMBLY:		
SIZE	CODE	NUMBER	REV.	
D	CS	L0060-0-MDPC	*	



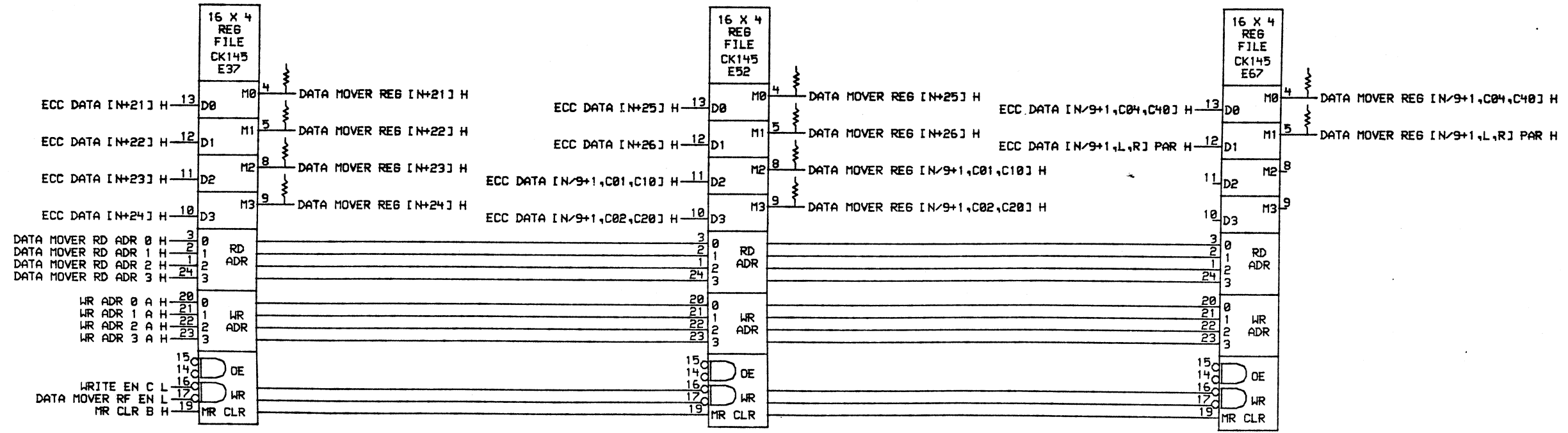
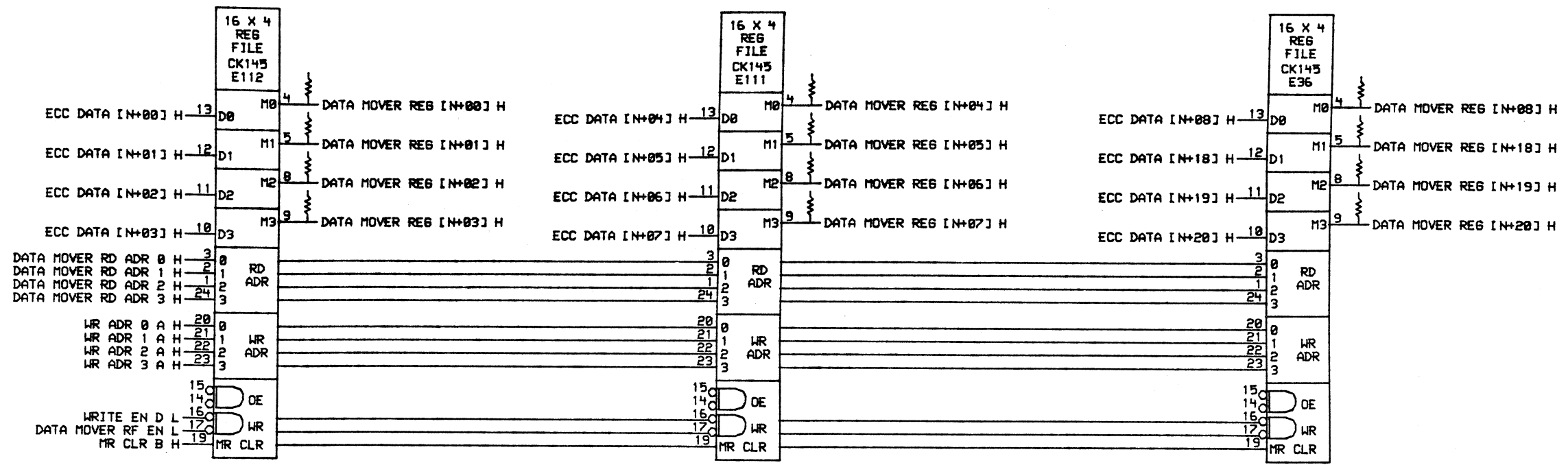
DRN.	DATE	ENG.	DATE	TITLE:
CHK'D.	29-JAN-82			INPUT DATA MUX
VULCAN (2080-L0060) 129DPD.DRW 129-JAN-82 10:47 NEXT HIGHER ASSEMBLY:				SIZE CODE
FIRST USED ON OPTION/MODEL: 2080 B-DD-L0060-0				D CS
NUMBER				REV.
L0060-0-MDPD				*



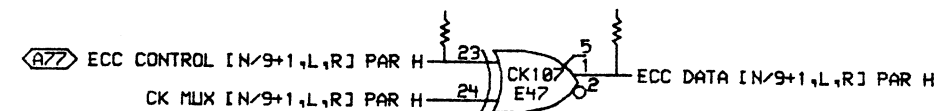
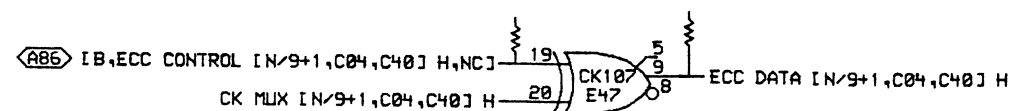
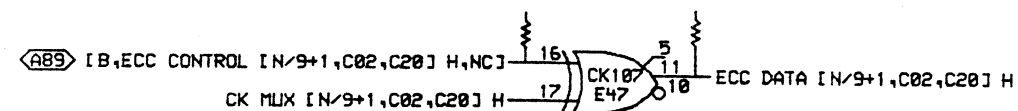
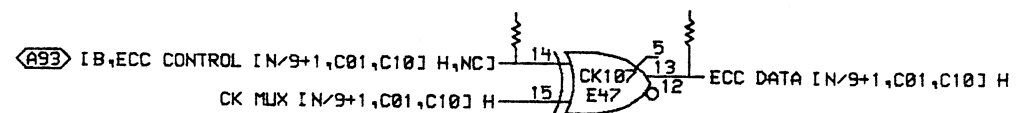
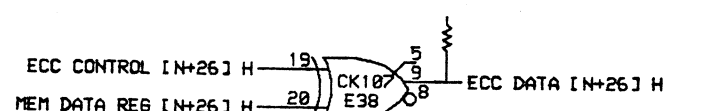
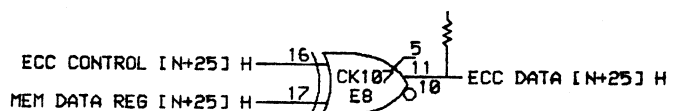
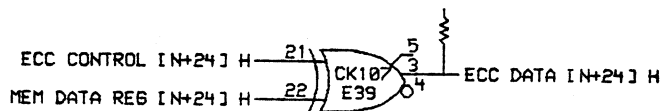
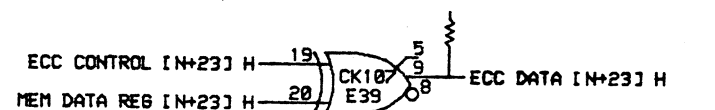
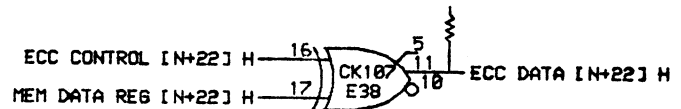
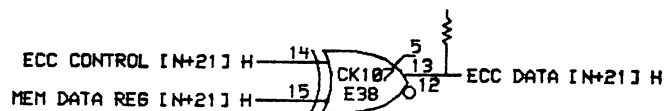
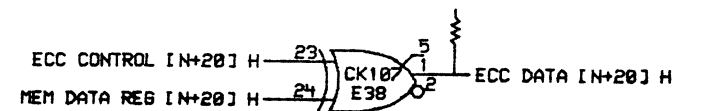
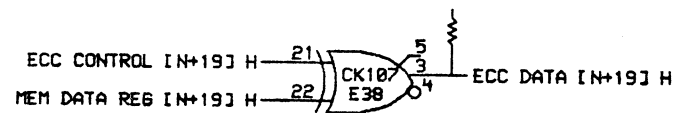
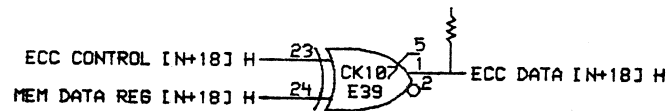
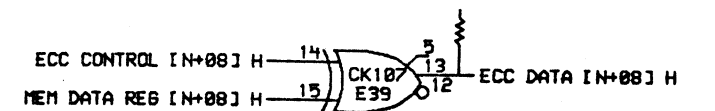
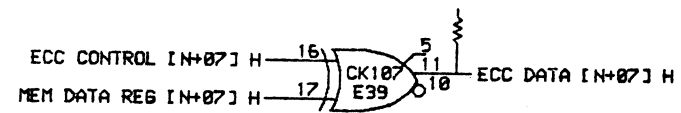
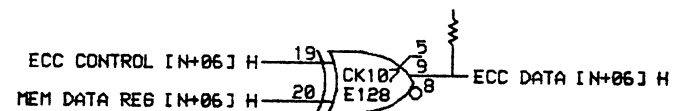
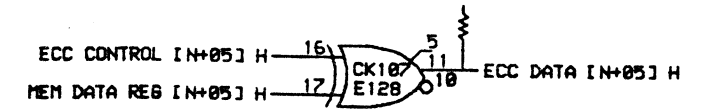
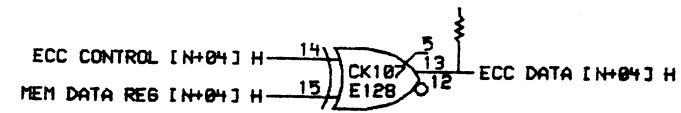
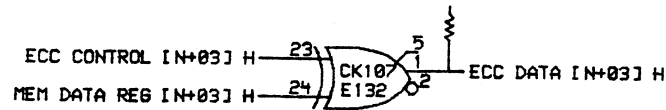
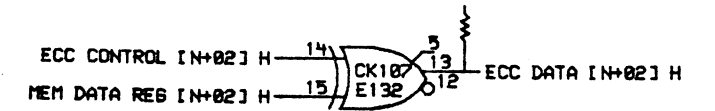
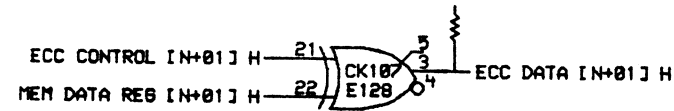
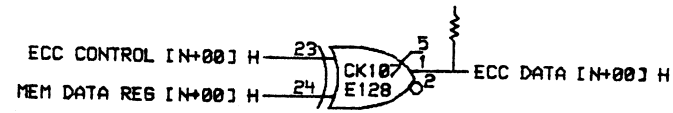
DRN.	DATE	ENG.	DATE	TITLE:	MEM DATA REG		
CHK'D.	DATE	BOARD LOCATION:					
VIL CAN (2000-L0060) 1900PE.DRW		29-JAN-82 10:47	NEXT HIGHER ASSEMBLY:	SIZE	CODE	NUMBER	REV.
FIRST USED ON OPTION/MODEL:		2080	B-DD-L0060-0	D	CS	L0060-0-MDPE	*



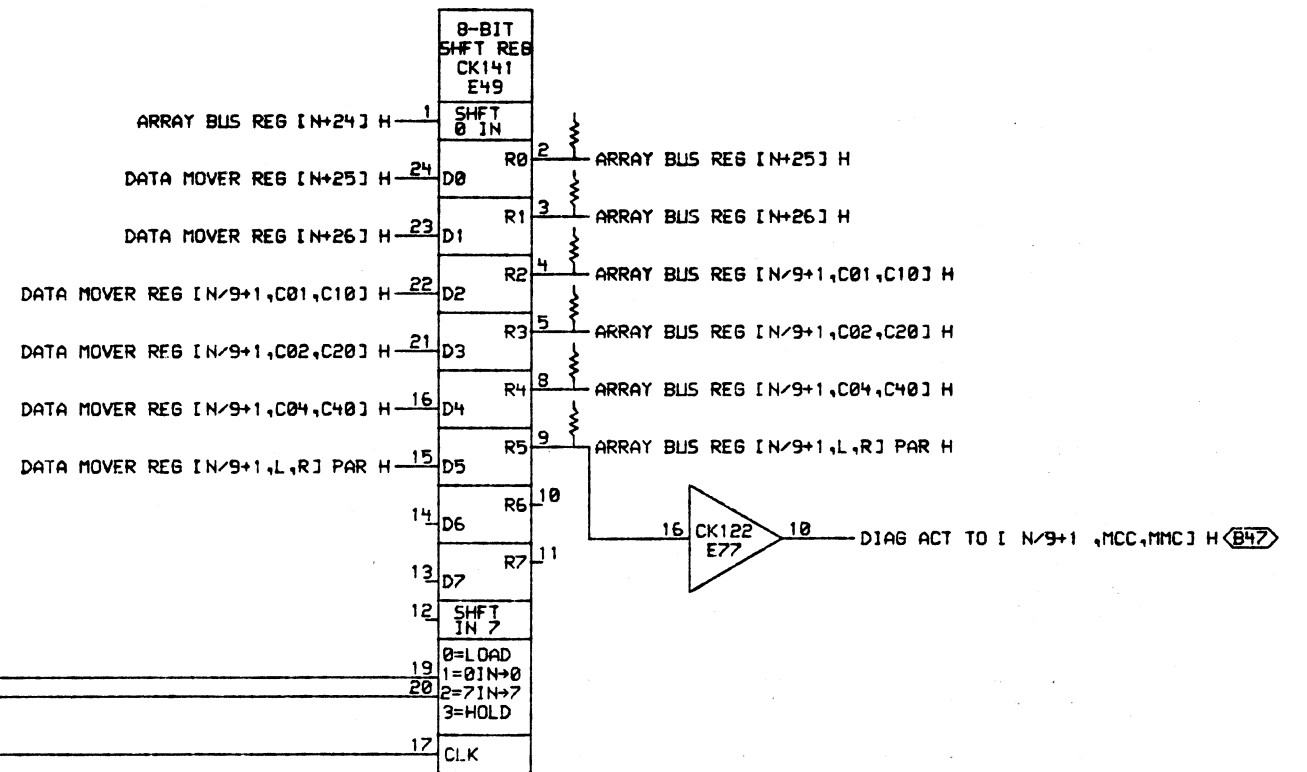
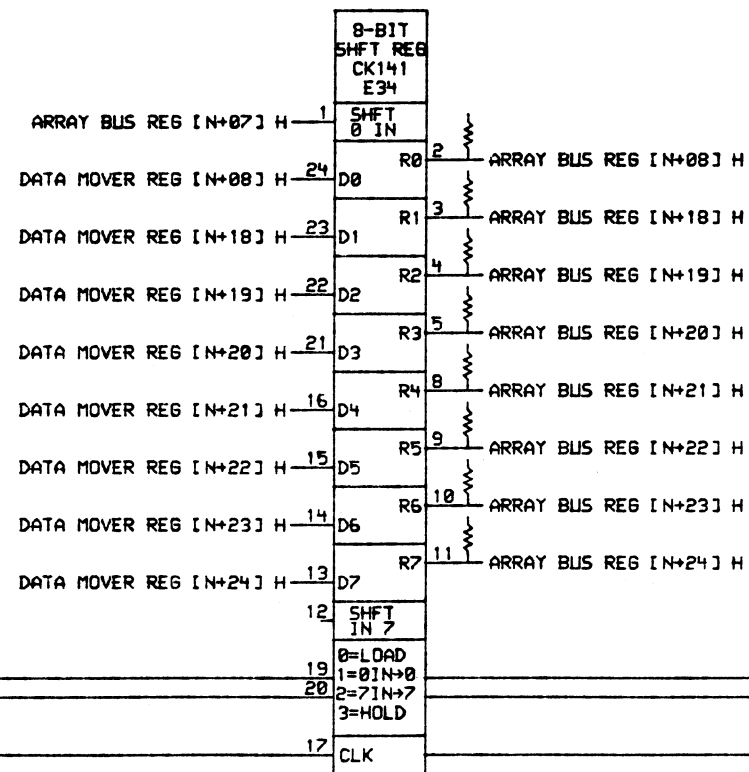
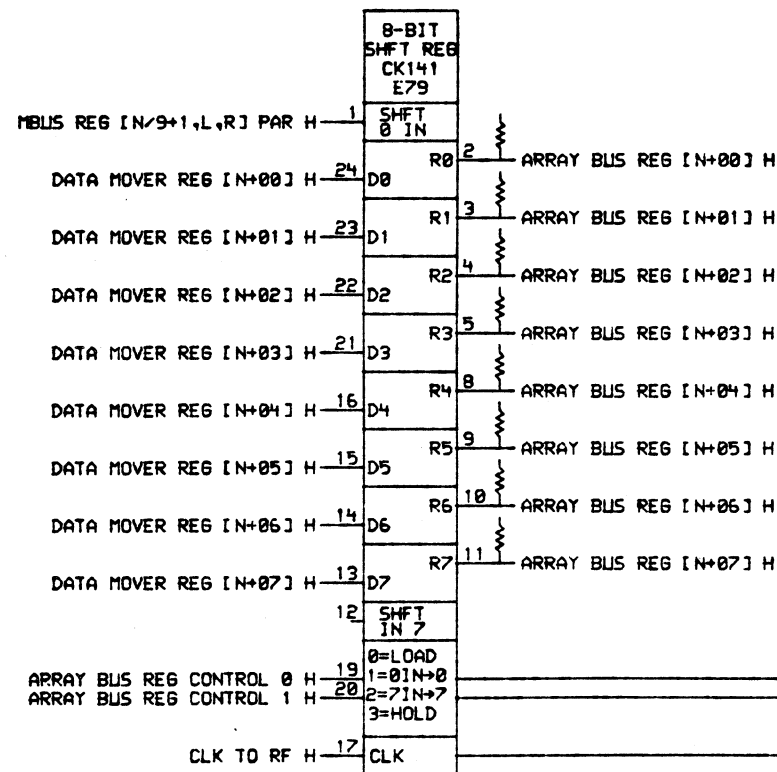
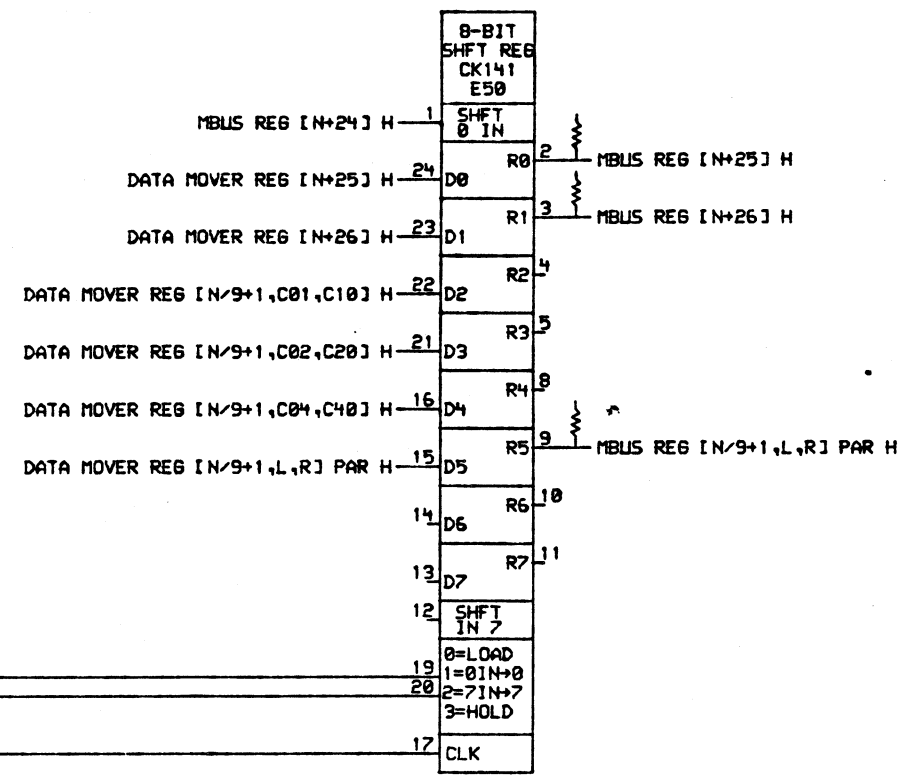
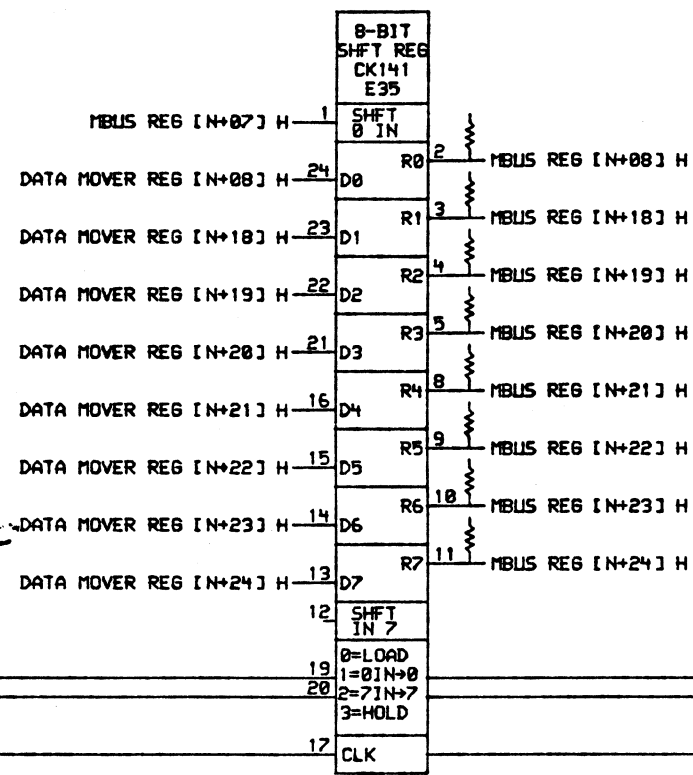
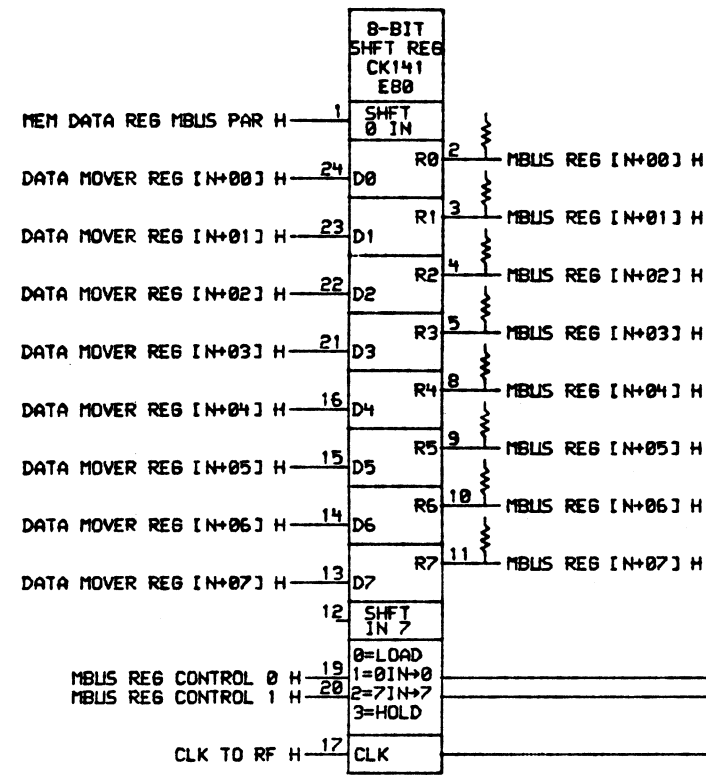
DRN.	DATE	ENG.	DATE	TITLE:
CHK'D.	DATE	BOARD LOCATION:		CACHE DATA
		SHEET 1 OF 1		REG FILE
VILCAN (2000-L0060) MDPF.DRW	29-JAN-02 10:47	NEXT HIGHER ASSEMBLY:	SIZE	CODE
FIRST USED ON OPTION/MODEL: 2080	B-DD-L0060-0		D	C5
			NUMBER	REV.
			L0060-0-MDPF	*



DRN.	DATE	ENG.	DATE	TITLE:
CHK'D.	DATE	BOARD LOCATION:	SHEET 1 OF 1	DATA MOVER REG FILE
VIL CAN (2000.L0060)19DP6.DRW	29-JAN-82 10:50	NEXT HIGHER ASSEMBLY:	SIZE CODE	NUMBER
FIRST USED ON OPTION/MODEL: 2080	B-DD-L0060-0		D C5	L0060-0-MDPG
				REV. *

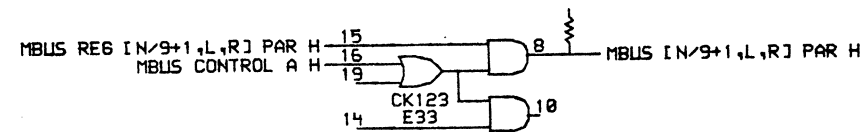
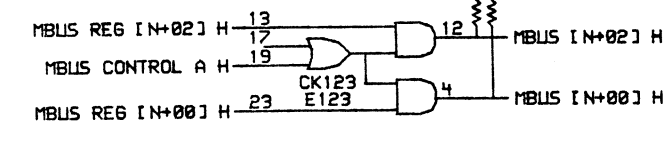
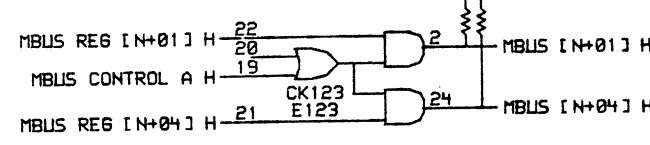
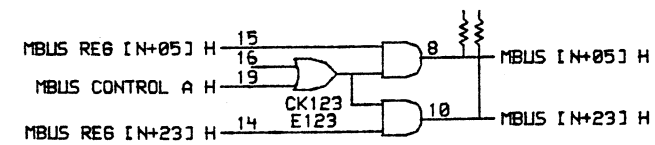
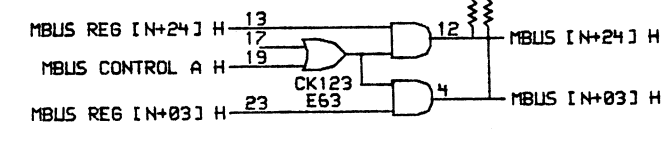
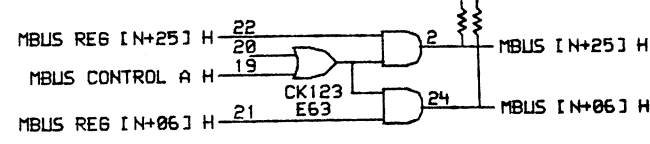
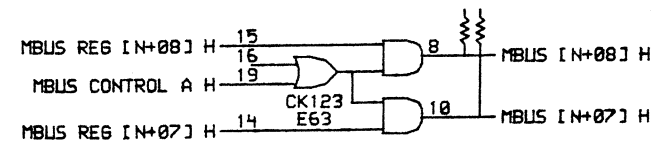
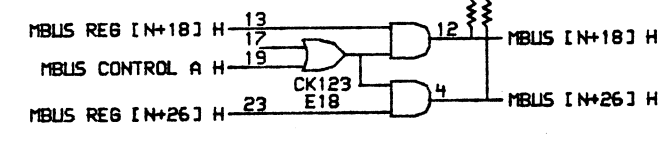
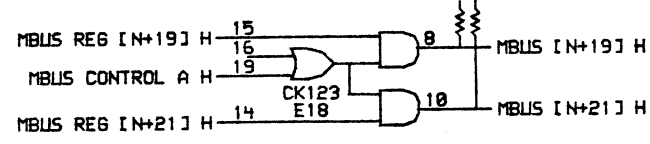
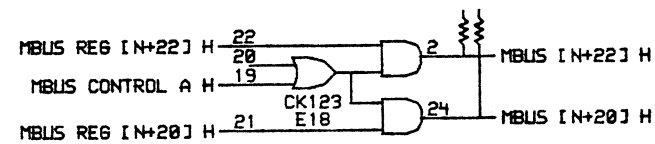
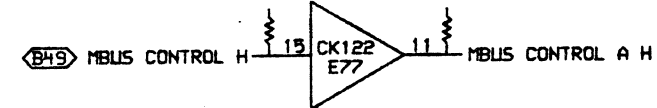
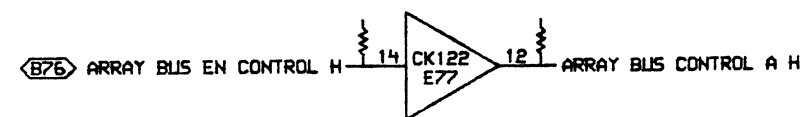
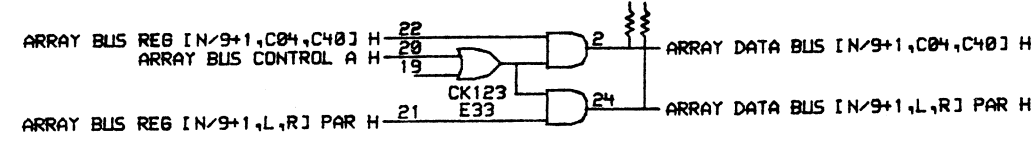
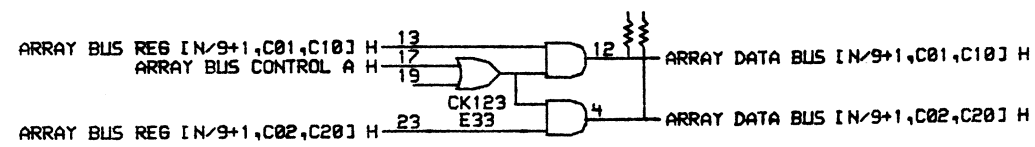
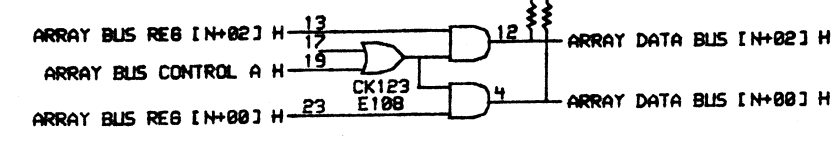
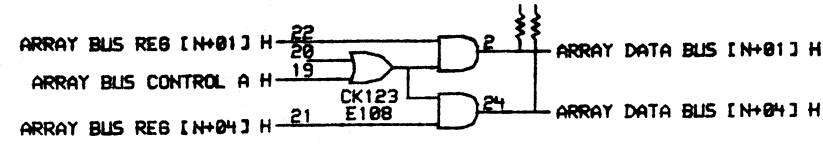
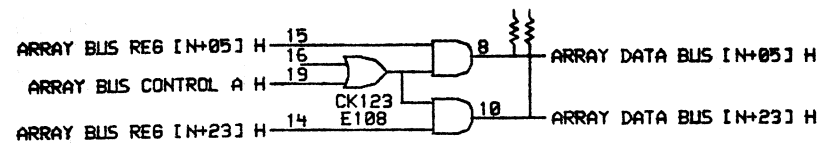
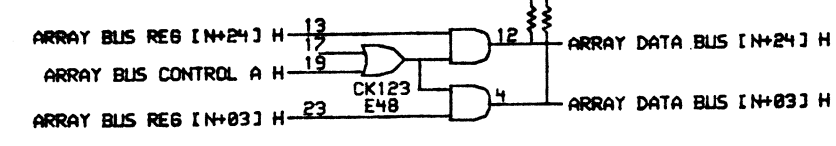
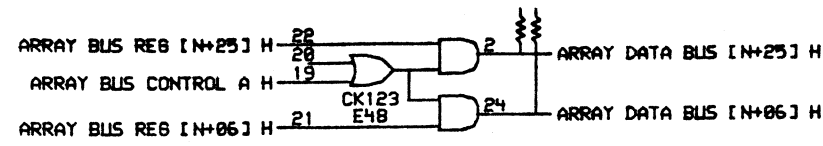
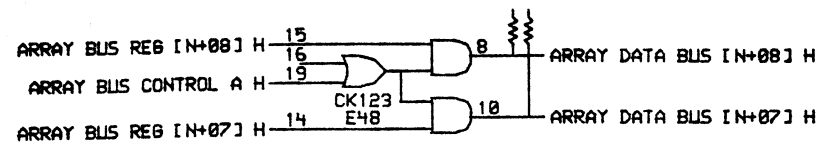
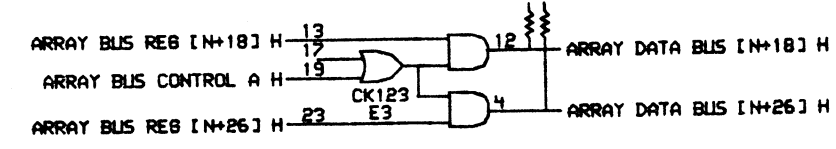
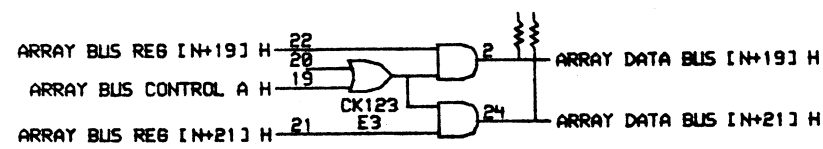
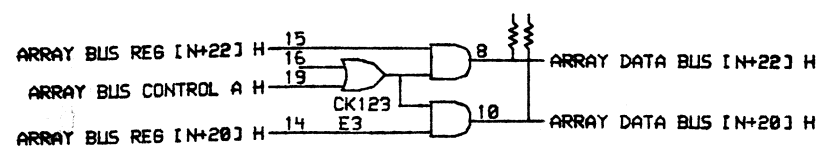


DRN.	DATE	ENG.	DATE	TITLE: ERROR CORRECTION
CHK'D.	29-JAN-82			
VULCAN: (2080-L0060) 19/DPH.DRW		DATE		BOARD LOCATION:
29-JAN-82 10:48		NEXT HIGHER ASSEMBLY:		SHEET 1 OF 1
FIRST USED ON OPTION/MODEL: 2080		B-DD-L0060-0		SIZE CODE
				NUMBER
				REV. *
				D CS L0060-0-MDPH

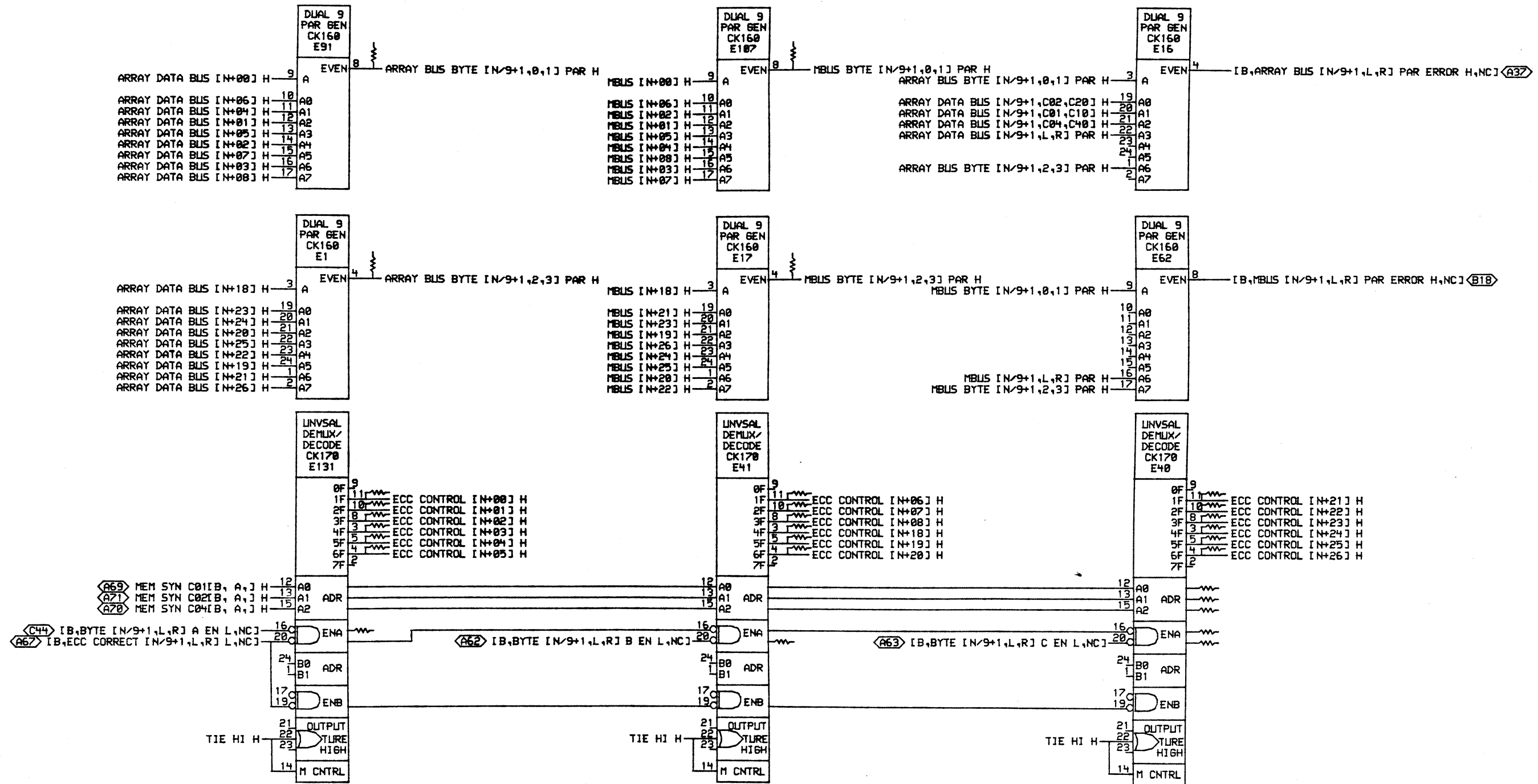


DRN.	DATE	ENG.	DATE	TITLE:
CHK'D.	DATE	BOARD LOCATION:		MBLUS REG ARRAY BUS REG
VULCAN: (2080.J.0060)26MDPI.DRW 102-AL6-82 12:23				SIZE CODE
FIRST USED ON OPTION/MODEL: 2080				NUMBER
NEXT HIGHER ASSEMBLY: B-DD-L0060-0				REV. *

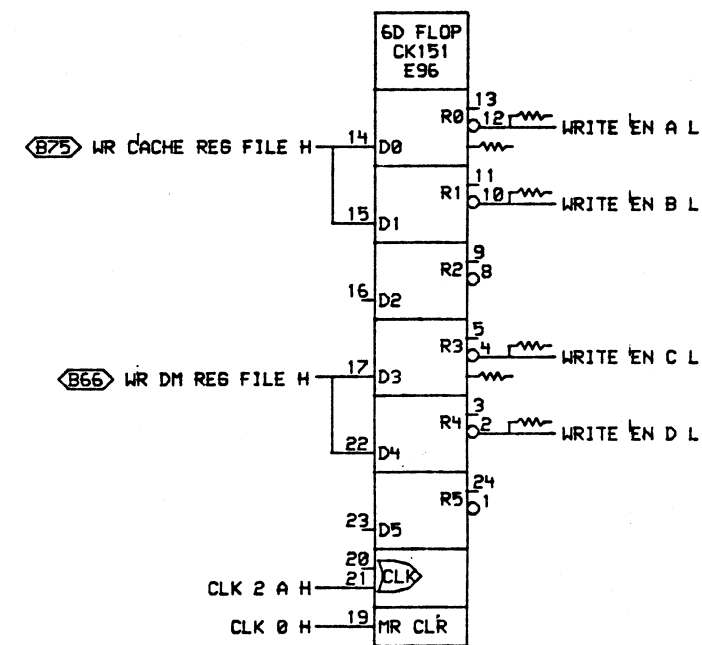
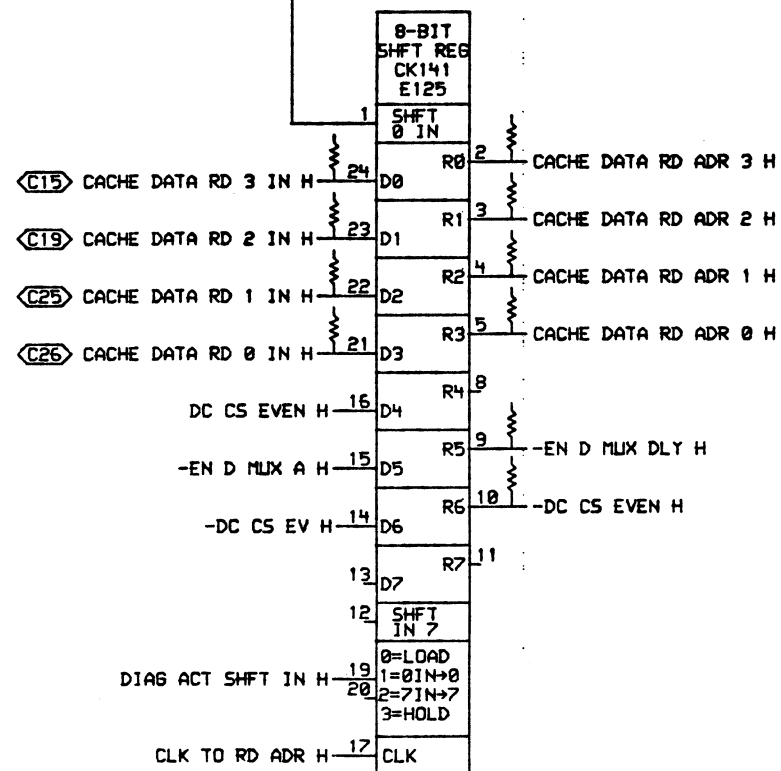
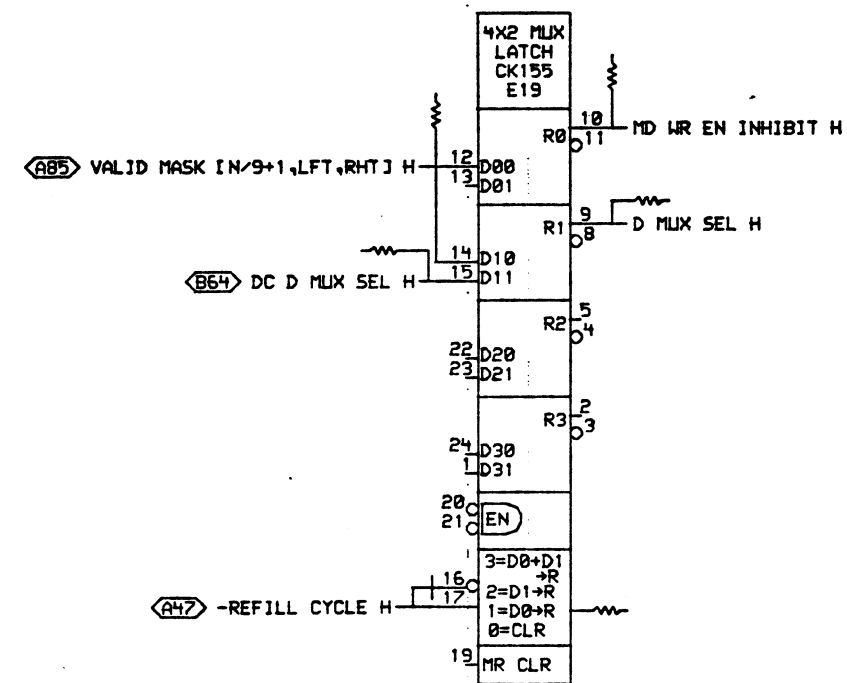
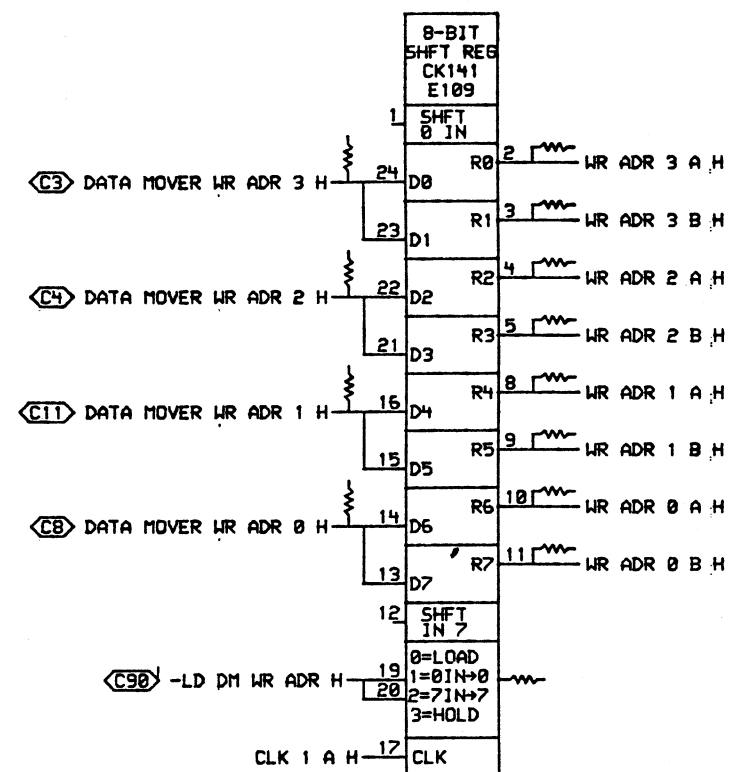
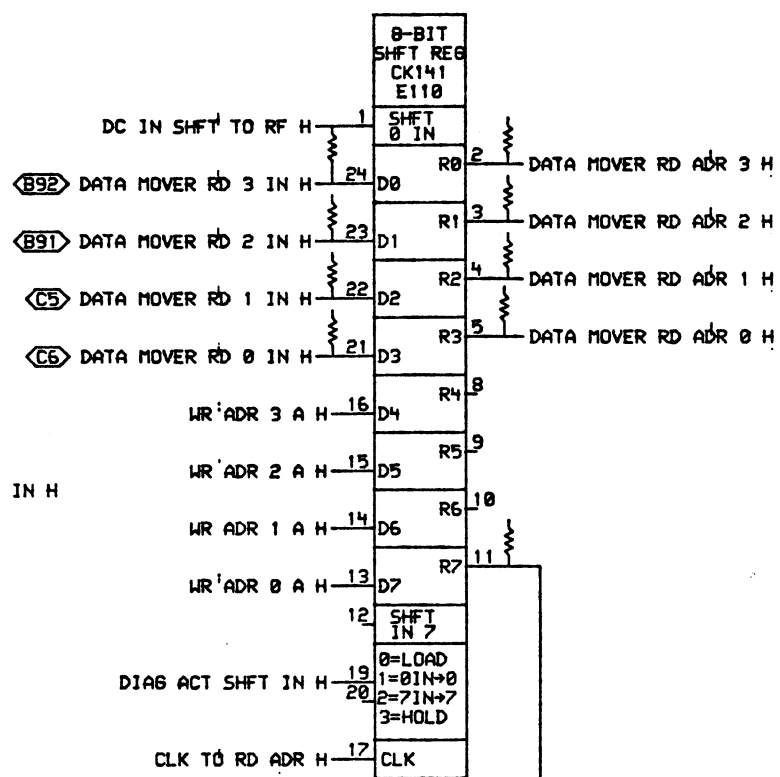
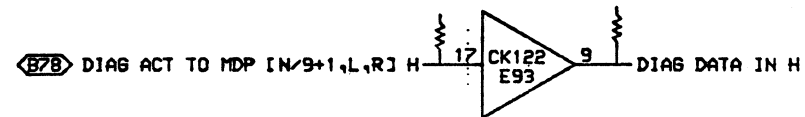


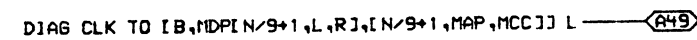
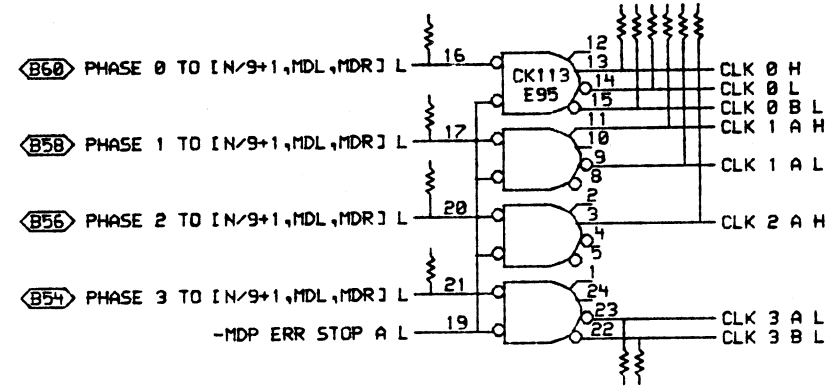
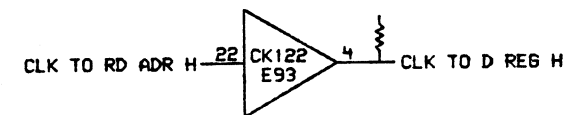
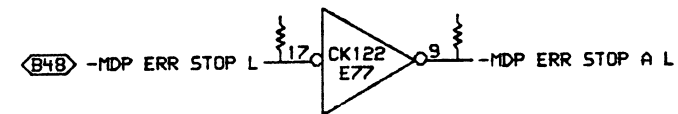
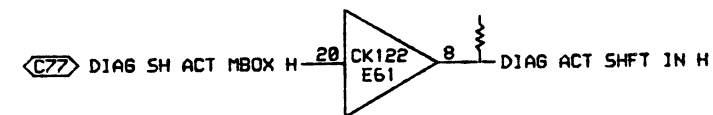
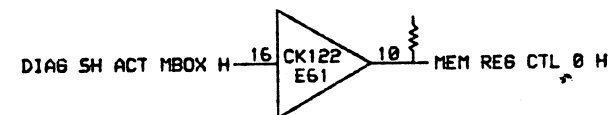
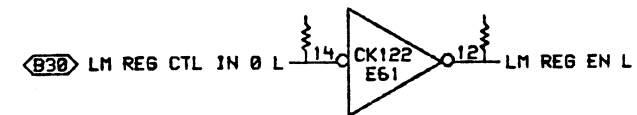
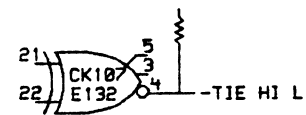
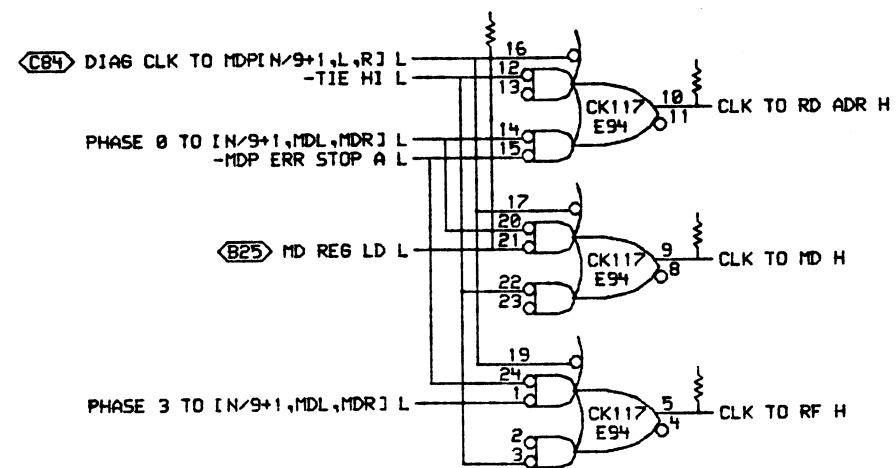
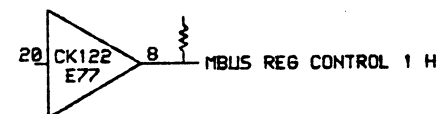
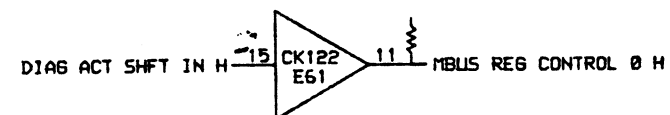
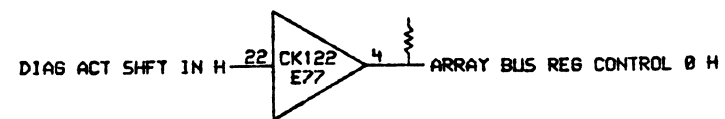


DRN.	DATE	ENG.	DATE	TITLE:	ARRAY BUS DATA	REV.
CHK'D.	DATE	BOARD LOCATION:	SHEET	1	OF	1
VULCANI (2000-L0060) MDPJ.DRW	29-JAN-82 10:48	NEXT HIGHER ASSEMBLY:	SIZE	CODE	NUMBER	*
FIRST USED ON OPTION/MODEL: 2080	B-DD-L0060-0		D	CS	L0060-0-MDPJ	



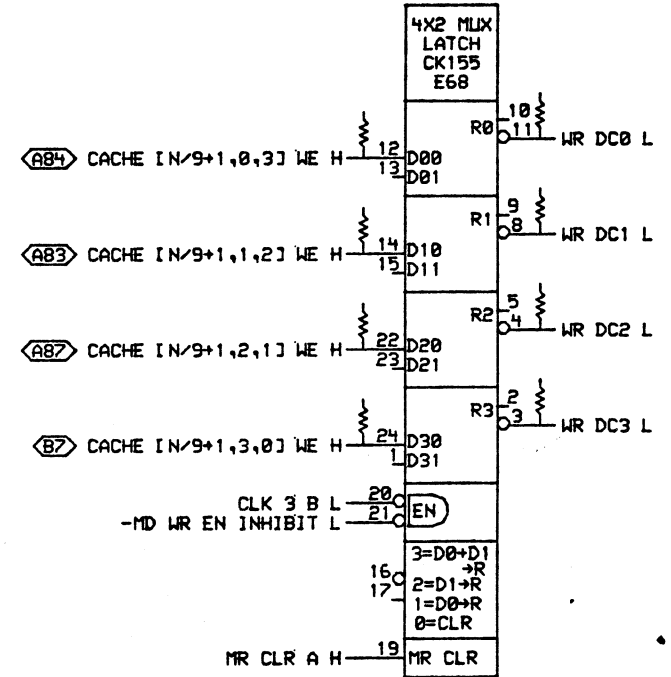
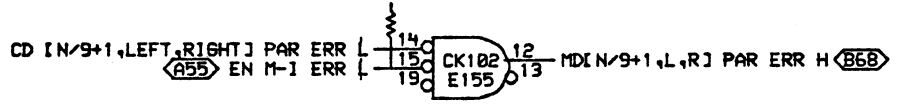
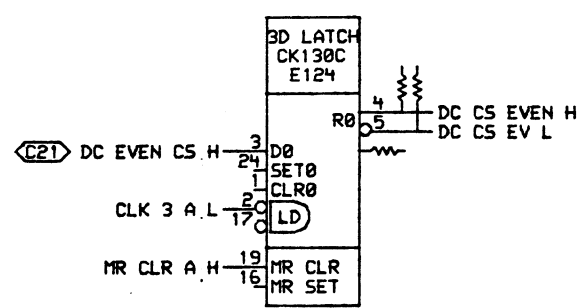
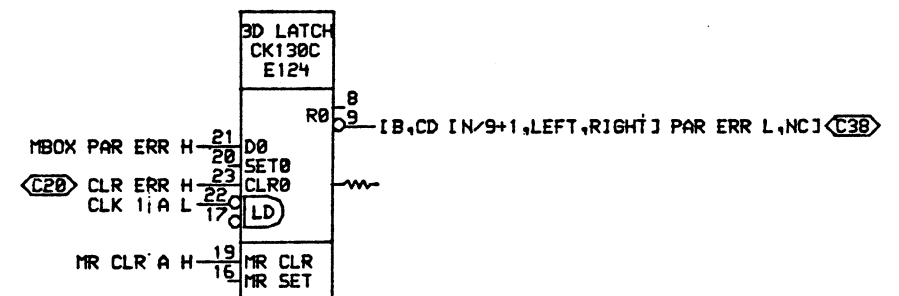
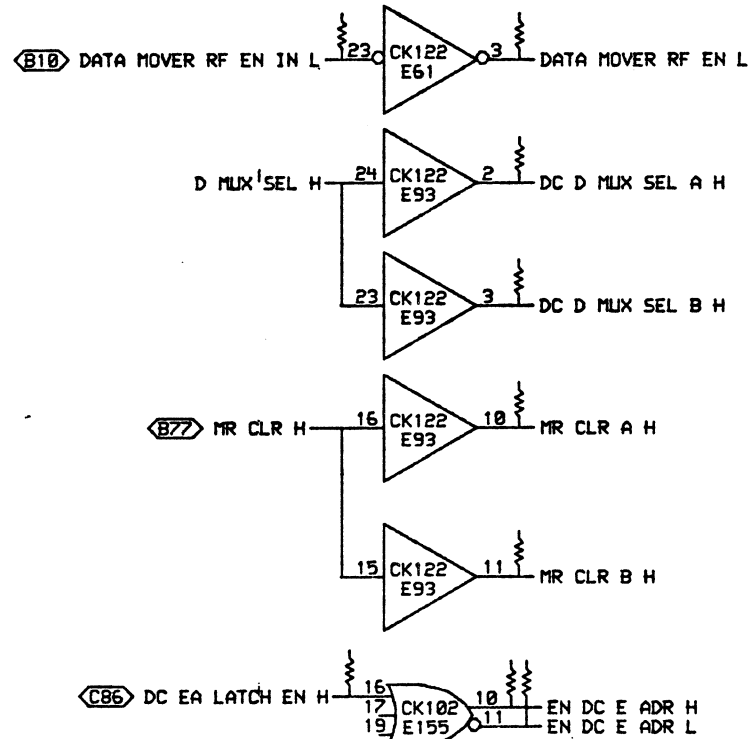
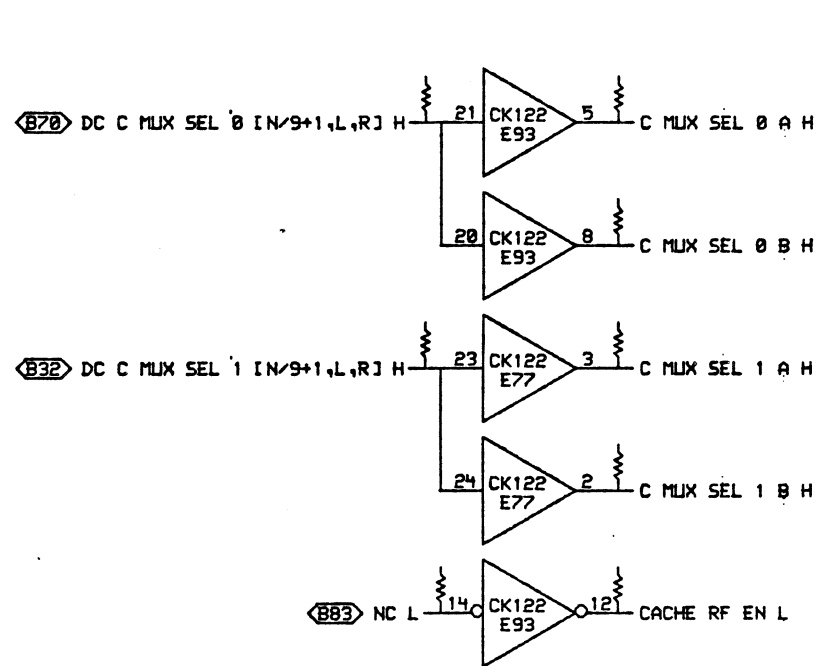
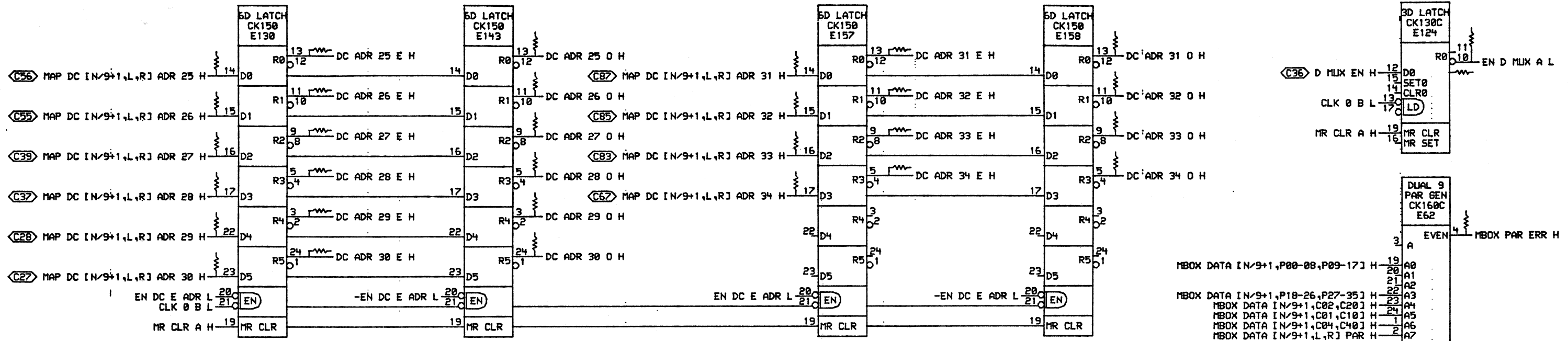
DRN.	DATE	ENG.	DATE	TITLE:
CHK'D.	DATE	BOARD LOCATION:		ARRAY BUS & MBUS
		SHEET	OF	PAR, ECC CONTR.
VILCAM (2000.L0060)19MDPK.DRW	29-JAN-02 10:48	NEXT HIGHER ASSEMBLY:	SIZE CODE	NUMBER
FIRST USED ON OPTION/MODEL: 2080	B-DD-L0060-0		D CS	L0060-0-MDPK
				REV. *





DRN.	DATE	ENG.	DATE	TITLE:
CHK'D.	02-AUG-82			REG CONTR.
VULCAN (2080-L0060)26MDPM.DRW		02-AUG-82 10:30		NEXT HIGHER ASSEMBLY:
FIRST USED ON OPTION/MODEL:		2080		B-DD-L0060-0
SIZE	CODE	NUMBER	REV.	
D	CS	L0060-0-MDPM	*	

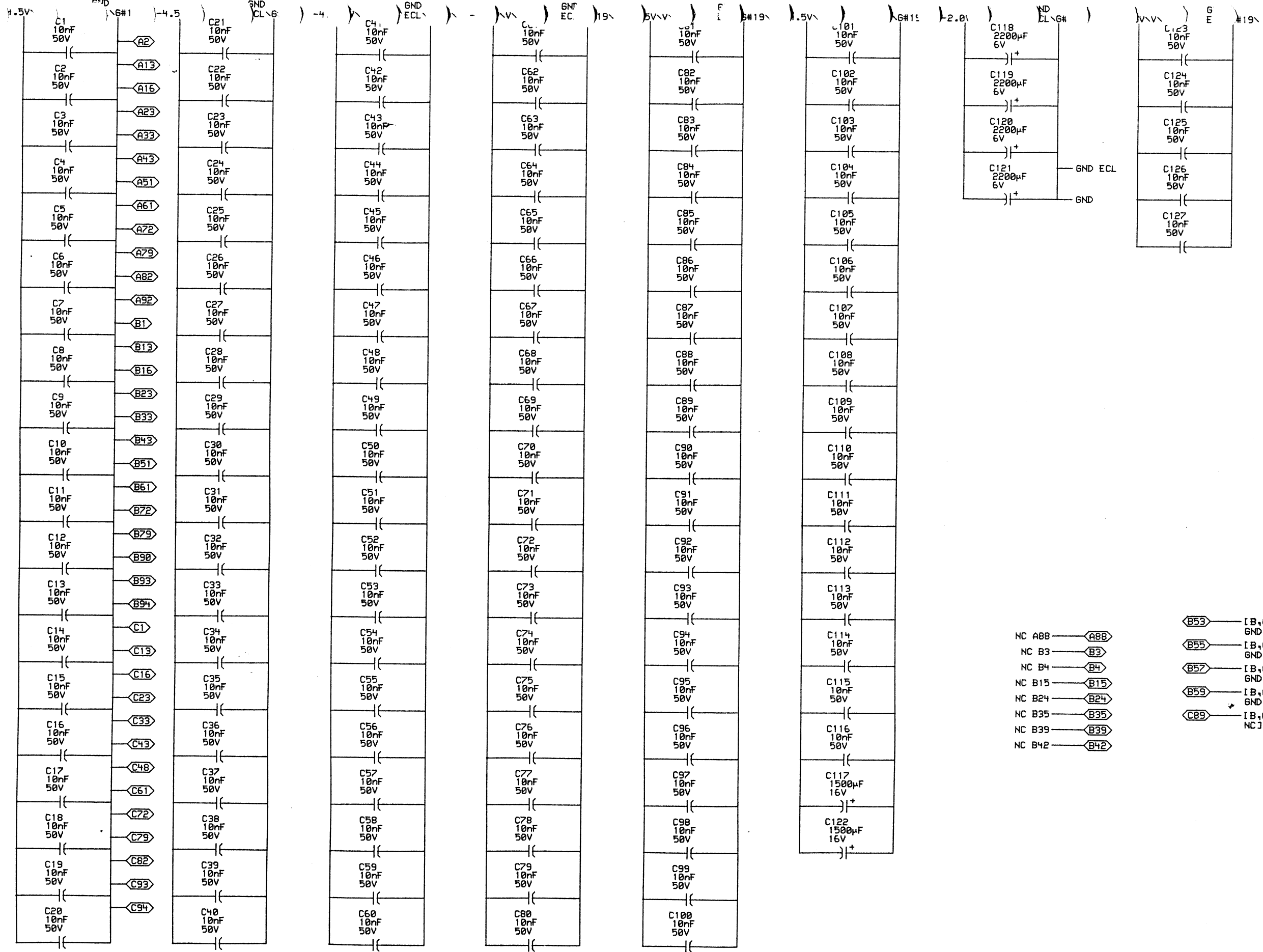




THIS DRAWING AND SPECIFICATIONS ARE THE PROPERTY OF DIGITAL EQUIPMENT CORPORATION AND SHALL NOT BE REPRODUCED OR COPIED OR USED IN WHOLE OR IN PART AS THE BASIS FOR THE MANUFACTURE OR SALE OF ITEMS WITHOUT WRITTEN PERMISSION. COPYRIGHT © 1982, DIGITAL EQUIPMENT CORPORATION.

REVISIONS		
CHK	CHANGE NO.	REV

digital	DATE	ENG.	DATE	TITLE:
	29-AUG-82	J. J. J.		INPUT BUFFERS
VULCAN: (2000-L0060) 27MDPP.DRW		DATE		BOARD LOCATION:
28-AUG-82 09:28				
FIRST USED ON OPTION/MODEL: 2000		NEXT HIGHER ASSEMBLY:		SIZE CODE
		B-DD-L0060-0		D CS
NUMBER			REV.	
L0060-0-MDPP			*	



- NC A88 — A88
- NC B3 — B3
- NC B4 — B4
- NC B15 — B15
- NC B24 — B24
- NC B35 — B35
- NC B39 — B39
- NC B42 — B42
- B53 — IB, GND ECL, GND CLK\G#20\
- B55 — IB, GND ECL, GND CLK\G#20\
- B57 — IB, GND ECL, GND CLK\G#20\
- B59 — IB, GND ECL, GND CLK\G#20\
- B89 — IB, GND ECL, NC

THIS DRAWING AND SPECIFICATIONS, HEREIN, ARE THE PROPERTY OF DIGITAL EQUIPMENT CORPORATION AND SHALL NOT BE REPRODUCED OR COPIED OR USED IN WHOLE OR IN PART AS THE BASIS FOR THE MANUFACTURE OR SALE OF ITEMS WITHOUT WRITTEN PERMISSION. COPYRIGHT © 1982, DIGITAL EQUIPMENT CORPORATION.

REVISIONS		
CHK	CHANGE NO.	REV

digital	DRW. J. J. J.	DATE 29-APR-82	ENG.	DATE	TITLE: MDP POWER & GROUND
	CHK'D.	DATE	BOARD LOCATION: SHEET 1 OF 1	SIZE CODE D C5	NUMBER L0060-0-MDPR
FIRST USED ON OPTION/MODEL: 2000		NEXT HIGHER ASSEMBLY: B-DD-L0060-0		REV. #	

8

7

6

5

4

3

2

1

SIZE CODE NUMBER 05 0300 3215

VULCAN:<2080.CAM>83CAM1  
 VULCAN:<2080.CAM>61CAM2  
 VULCAN:<2080.CAM>62CAM3  
 VULCAN:<2080.CAM>67CAM4  
 VULCAN:<2080.CAM>77CAM5  
 VULCAN:<2080.CAM>45CAM6  
 VULCAN:<2080.CAM>83CAM7  
 VULCAN:<2080.CAM>50CAM8  
 VULCAN:<2080.CAM>14CAM9  
 VULCAN:<2080.CAM>59CAMA  
 VULCAN:<2080.CAM>79CAMB  
 VULCAN:<2080.CAM>CAMC  
 VULCAN:<2080.CAM>10CAMD  
 VULCAN:<2080.CAM>79CAME  
 VULCAN:<2080.CAM>75CAMF  
 VULCAN:<2080.CAM>81CAMG  
 VULCAN:<2080.CAM>78CAMH  
 VULCAN:<2080.CAM>84CAMI  
 VULCAN:<2080.CAM>81CAMJ  
 VULCAN:<2080.CAM>82CAMK  
 VULCAN:<2080.CAM>12CAML  
 VULCAN:<2080.CAM>80CMM  
 VULCAN:<2080.CAM>81CAMN  
 VULCAN:<2080.CAM>22CAMP  
 VULCAN:<2080.CAM>2CAMR  
 VULCAN:<2080.CAM>85CAMS

D

C

B

A

D

C

REV.

NUMBER

SIZE

CODE

SP

D

B

REV.

THIS DRAWING AND SPECIFICATIONS  
 HEREIN ARE THE PROPERTY OF  
 DIGITAL EQUIPMENT CORPORATION AND  
 SHALL NOT BE REPRODUCED OR COPIED  
 OR USED IN WHOLE OR IN PART AS  
 THE BASIS FOR THE MANUFACTURE OR  
 SALE OF ITEMS WITHOUT WRITTEN  
 PERMISSION. COPYRIGHT © 1983  
 DIGITAL EQUIPMENT CORPORATION.

REVISIONS		
CHK	CHANGE NO.	REV

digital	DRW. <i>S. J. J.</i>	DATE 10-FEB-83	ENG.	DATE	TITLE:
	CHK'D.	DATE	BOARD LOCATION:	SHEET	OF
ARCH: <LHLLER.PLOTS>LCAM.DPL.1 10-FEB-83 03:05 NEXT HIGHER ASSEMBLY:					SIZE CODE
FIRST USED ON OPTION/MODEL:					D SP
					NUMBER
					REV.

8

7

6

5

4

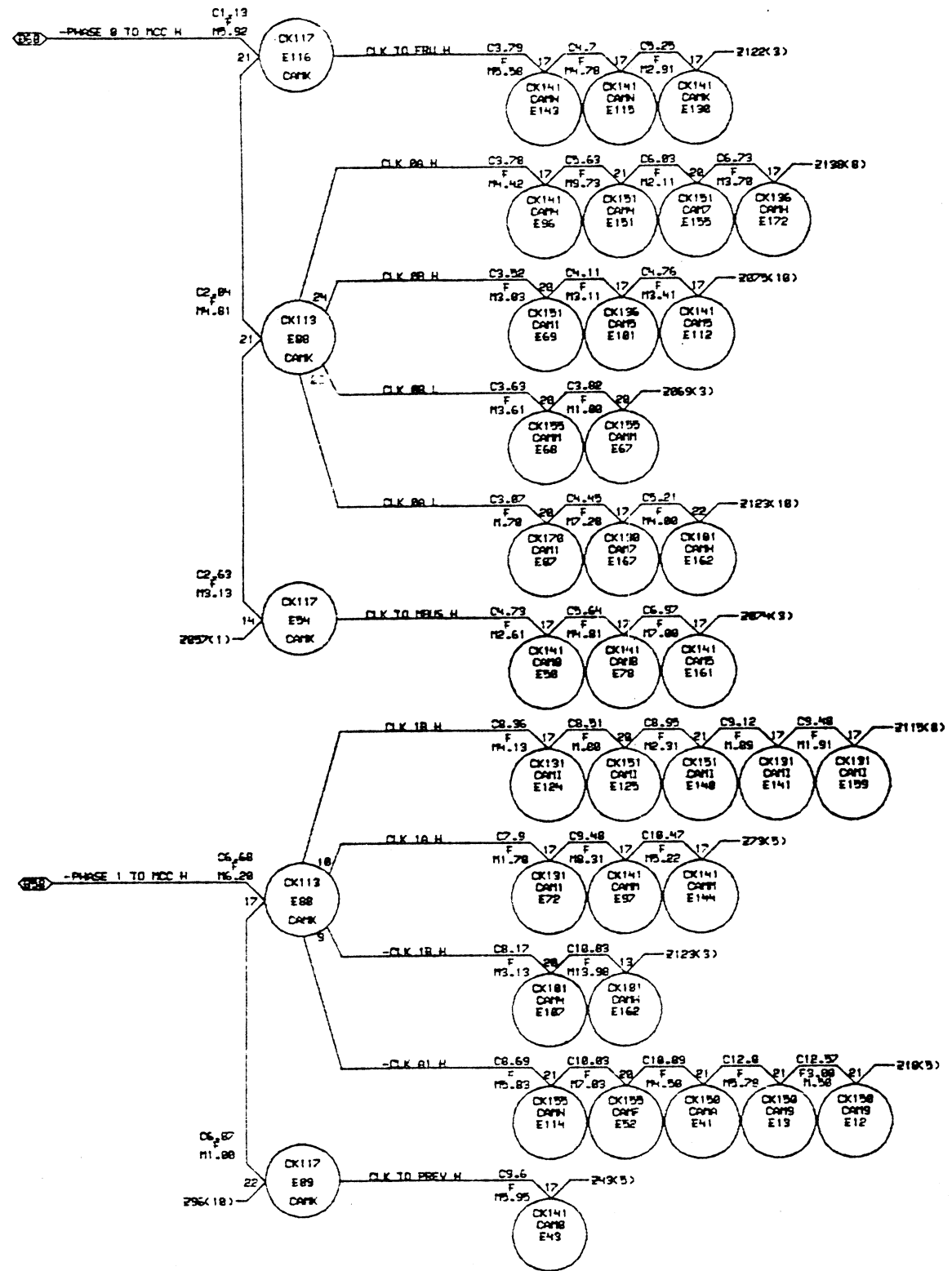
3

2

1




Cam

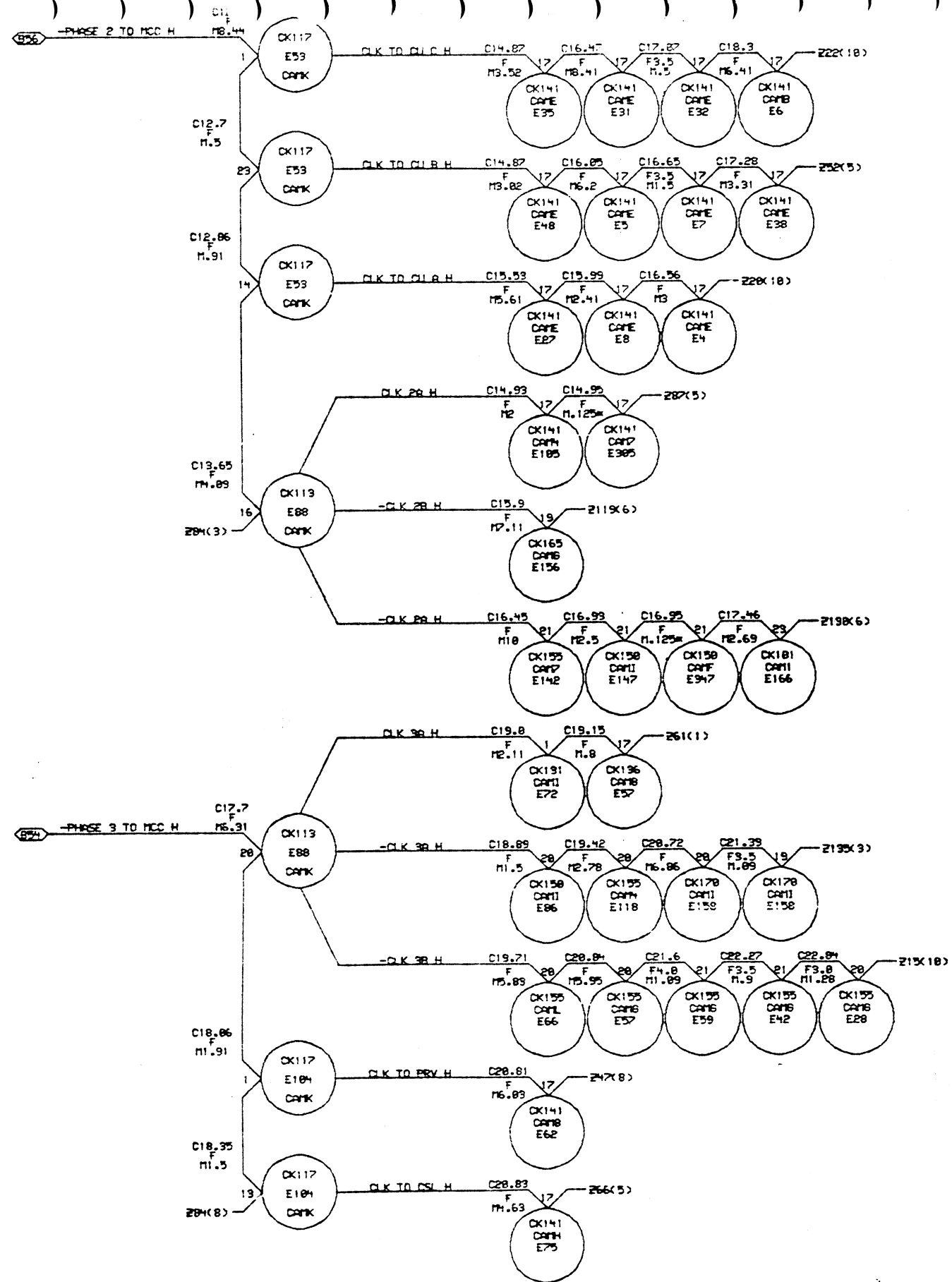


C=CALCULATED TIME  
 D=PROPAGATION DISTANCE  
 F=FIXED LENGTH

CAMI

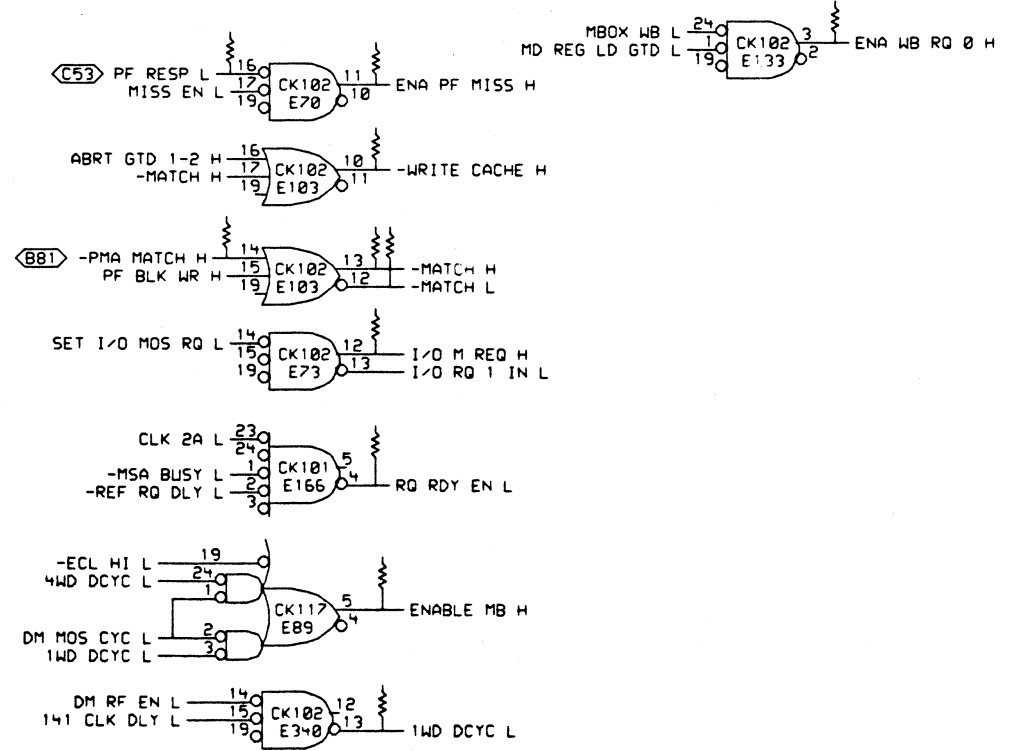
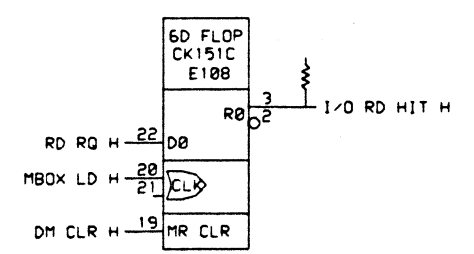
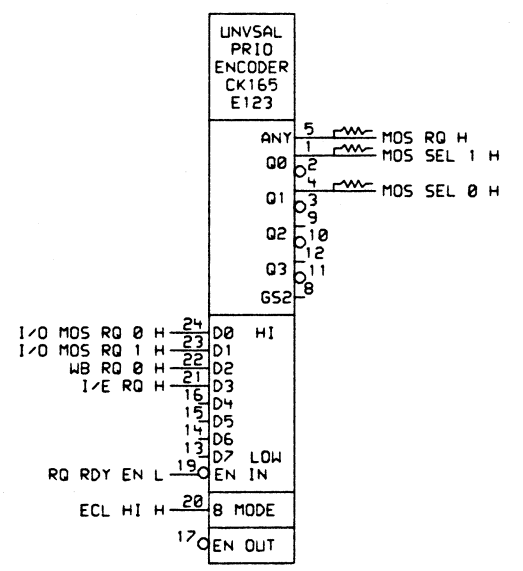
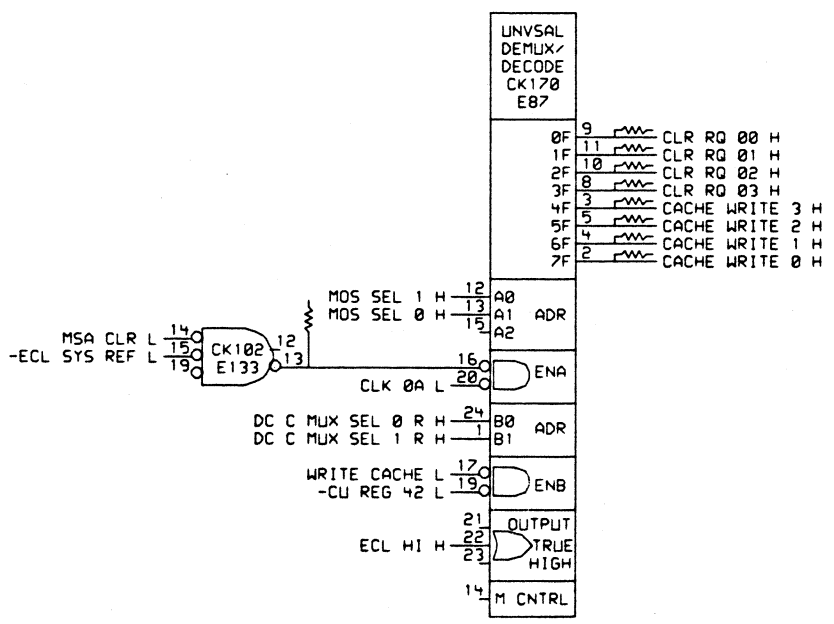
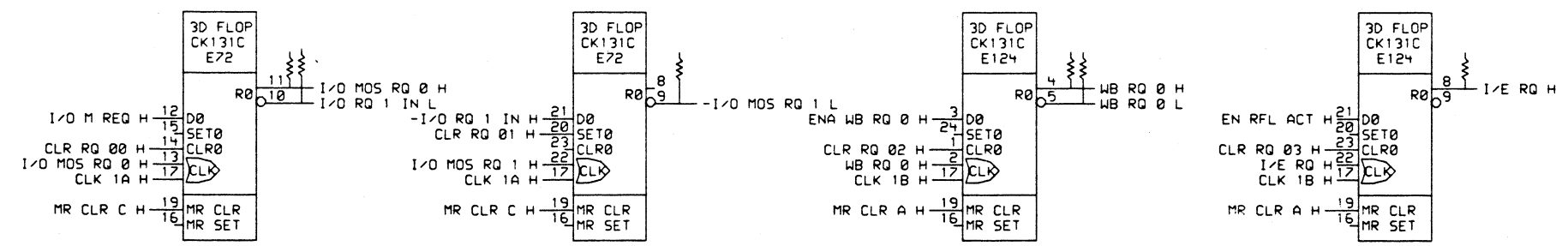
DRN.	DATE	ENG.	DATE	TITLE:
CHK'D.	DATE	BOARD LOCATION:		
				SIZE CODE
				NUMBER
				REV.

VTRAI-CROCK-BLOCKS-MOD-TC1.DRW [09-AUG-82 13:07] NEW HIGH-PRESSURE ASSEMBLY  
 FIRST USED ON OPTION/MODEL: 005



CAMZ

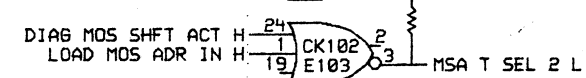
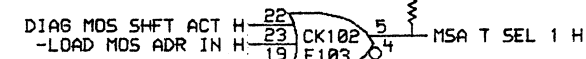
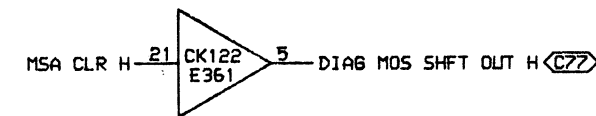
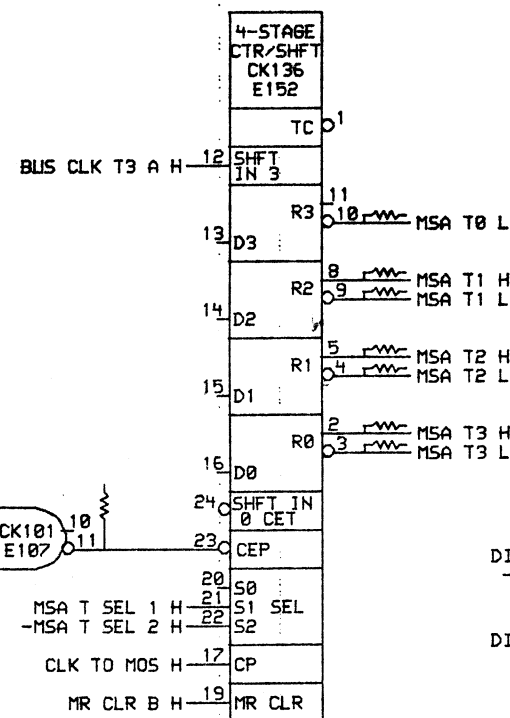
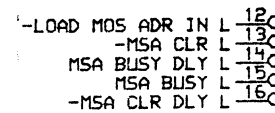
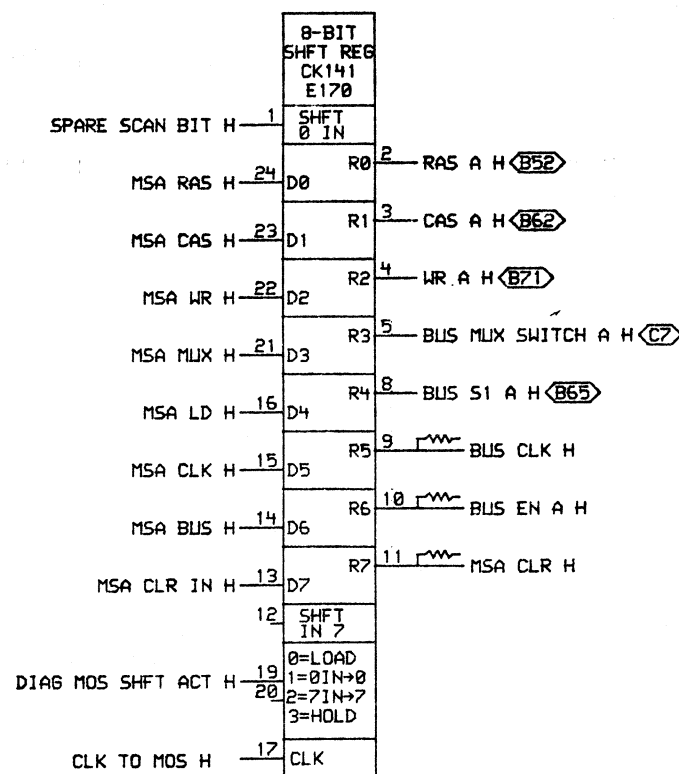
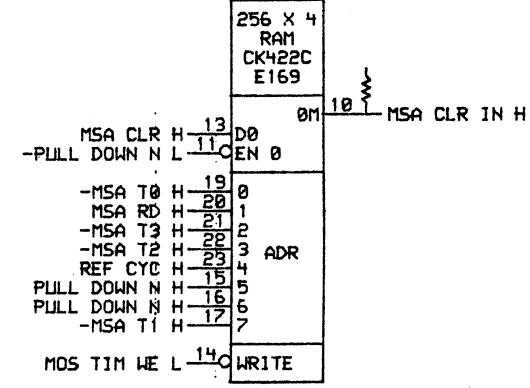
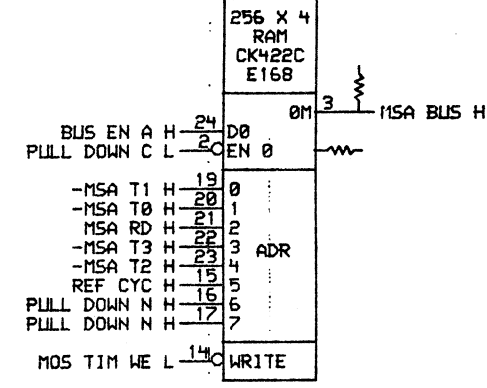
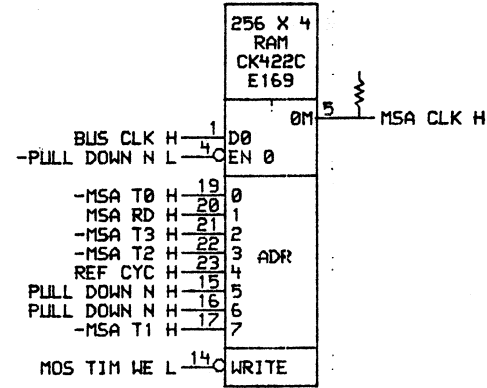
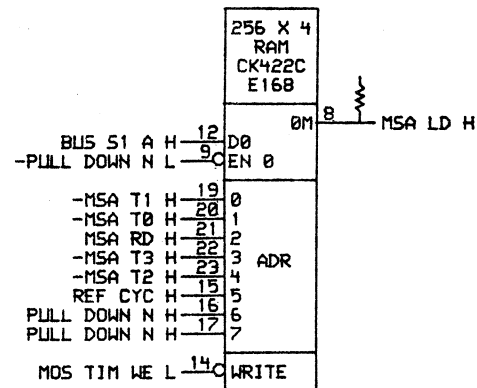
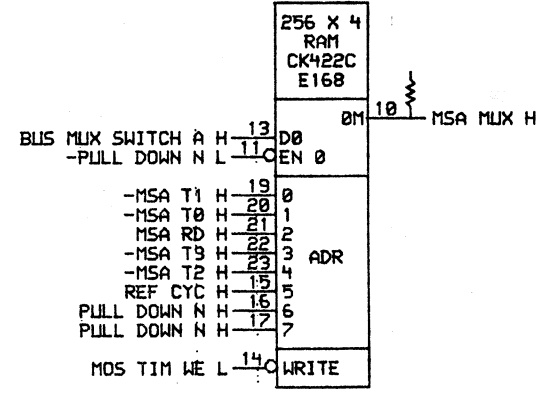
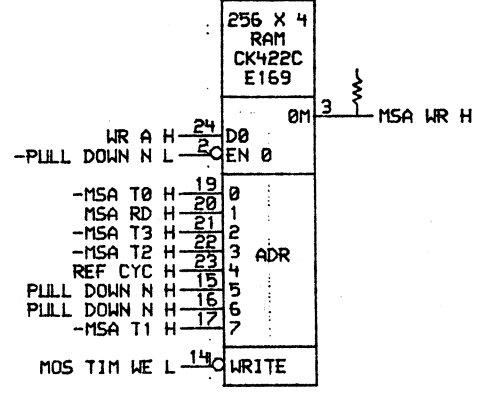
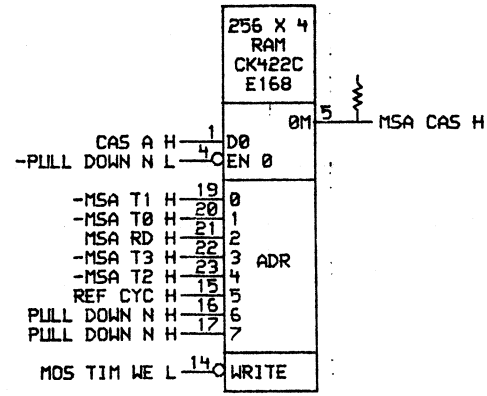
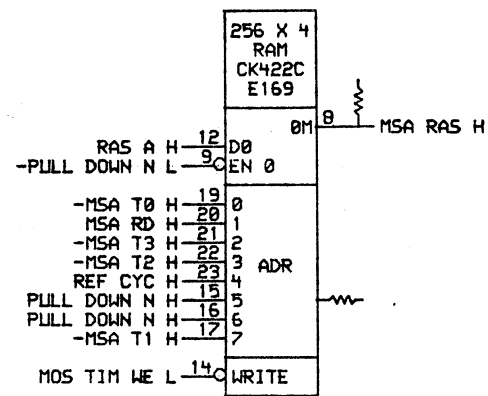
DRN.	DATE	ENG.	DATE	TITLE:
CHK'D.	DATE	BOARD LOCATION:		
XTRAL CLOCK BLOCKS FROM TCR DRU 09-AUG-82 13:18 NEX HIGHER ASSEMBLY:				SIZE CODE
FIRST USED ON OPTION/MODEL:				NUMBER
				REV.

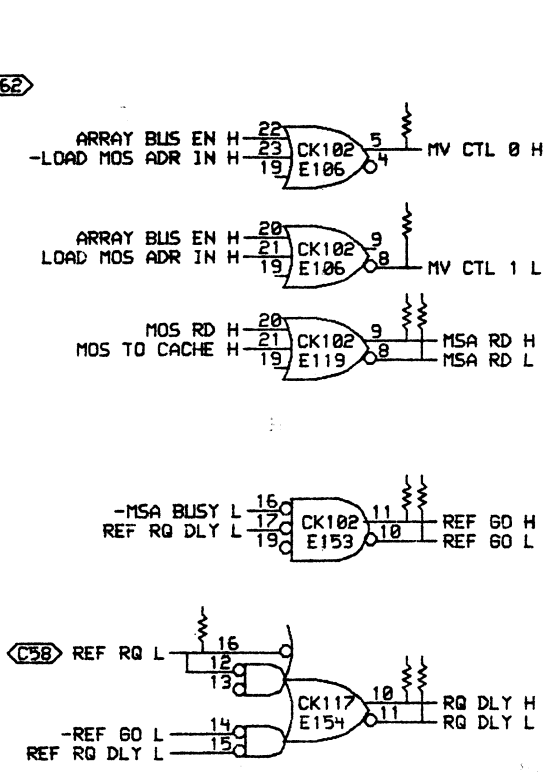
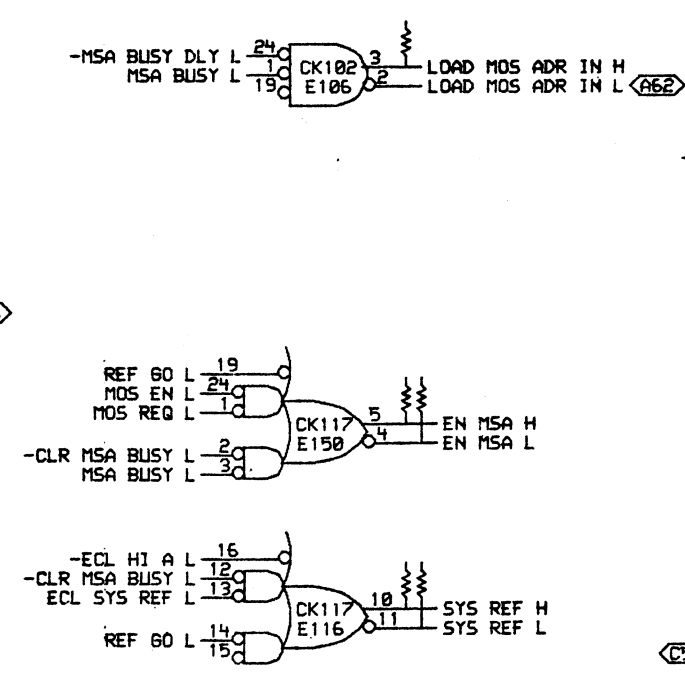
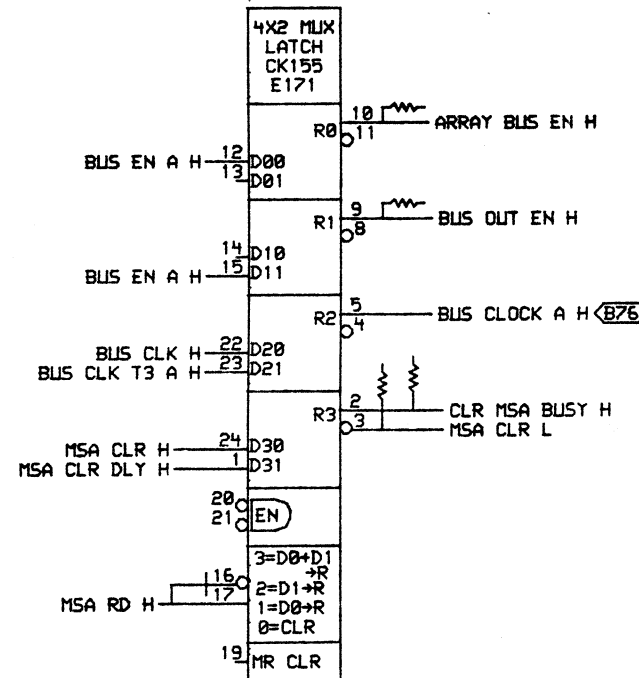
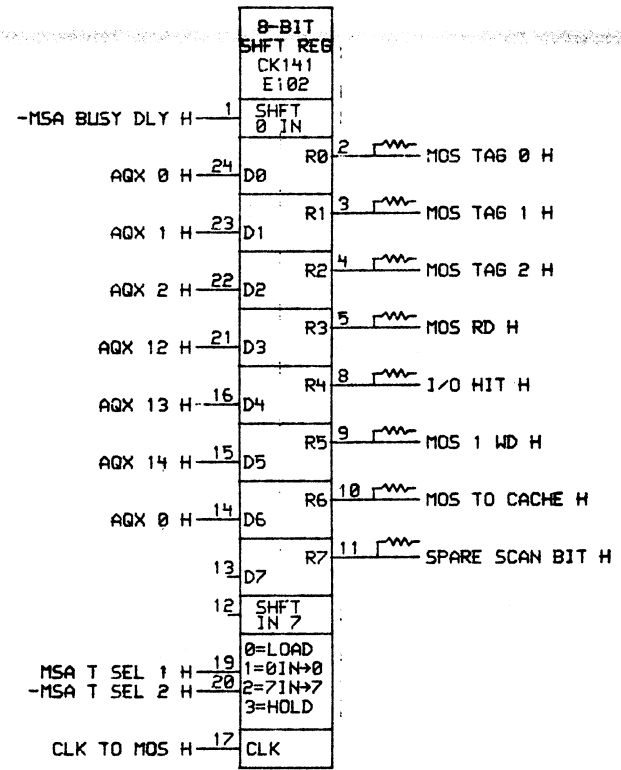
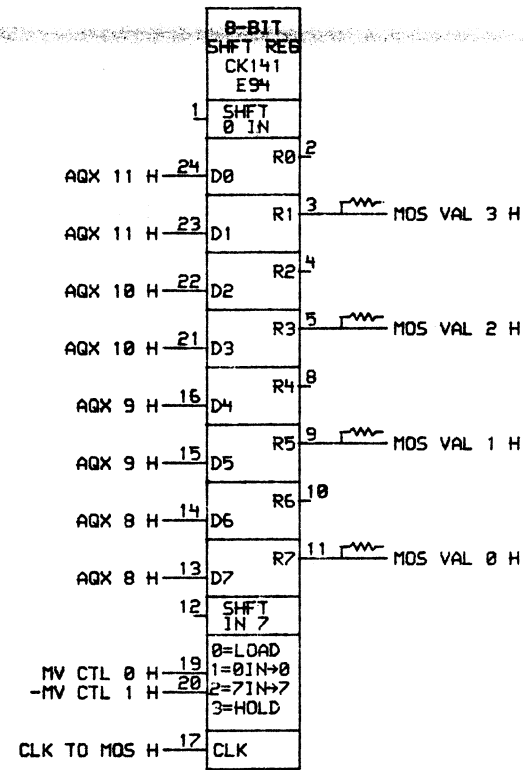
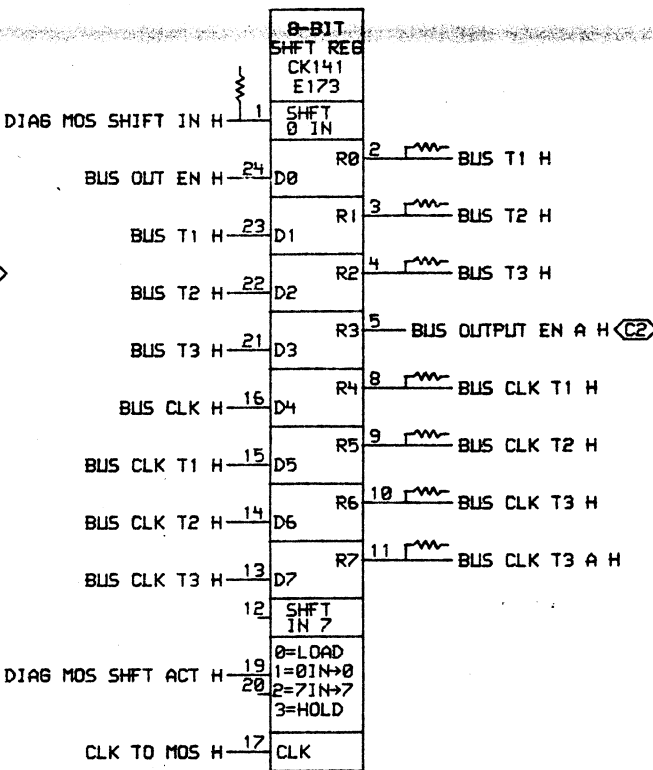
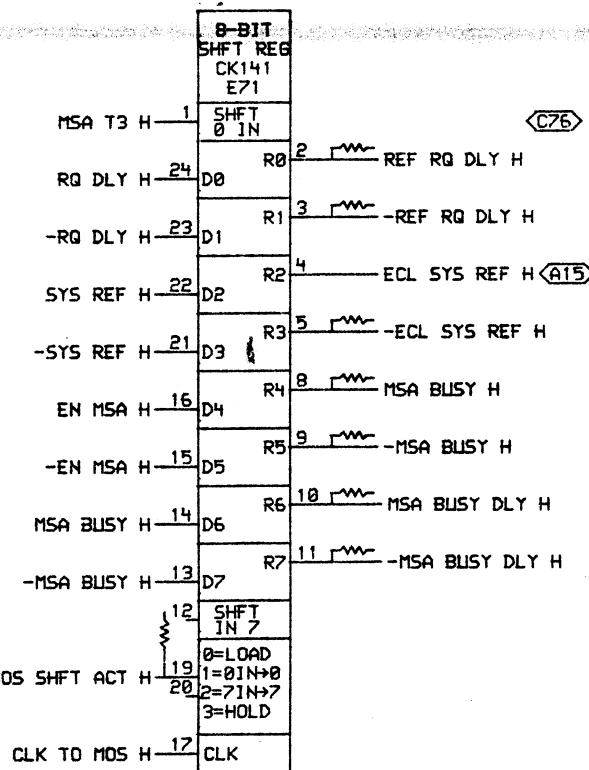


THIS DRAWING AND SPECIFICATIONS ARE THE PROPERTY OF DIGITAL EQUIPMENT CORPORATION AND SHALL NOT BE REPRODUCED OR COPIED OR USED IN WHOLE OR IN PART AS THE BASIS FOR THE MANUFACTURE OR SALE OF ITEMS WITHOUT WRITTEN PERMISSION. COPYRIGHT © 1983. DIGITAL EQUIPMENT CORPORATION.

REVISIONS	
CHK	CHANGE NO. REV

digit@l	DATE	ENG.	DATE	TITLE:
	DATE	BOARD LOCATION:	SHEET	OF
FIRST USED ON OPTION/MODEL: 2000 B-DD-L0059-0				SIZE CODE NUMBER REV. D CS L0059-0-CAM1 *





THIS DRAWING AND SPECIFICATIONS ARE THE PROPERTY OF DIGITAL EQUIPMENT CORPORATION AND SHALL NOT BE REPRODUCED OR COPIED OR USED IN WHOLE OR IN PART AS THE BASIS FOR THE MANUFACTURE OR SALE OF ITEMS WITHOUT WRITTEN PERMISSION. COPYRIGHT © 1982, DIGITAL EQUIPMENT CORPORATION.

REVISIONS	
CHK	CHANGE NO. REV

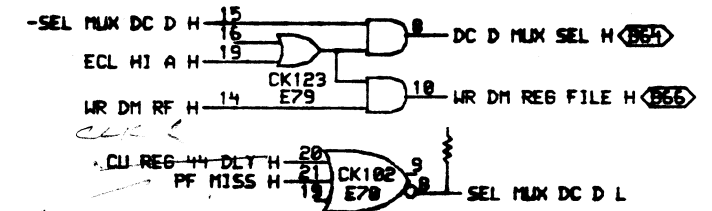
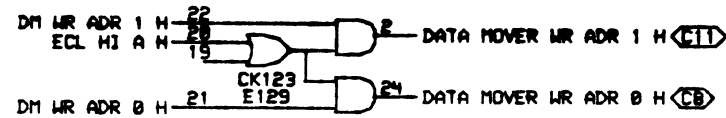
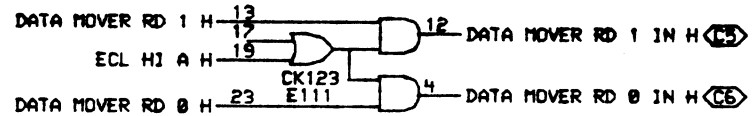
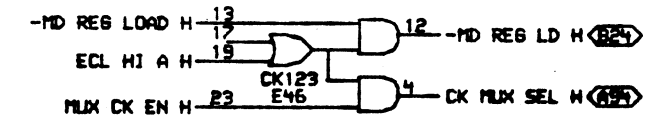
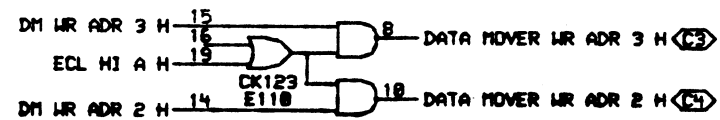
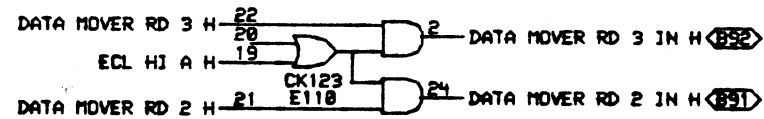
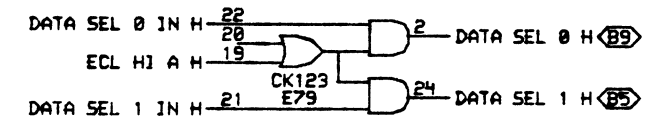
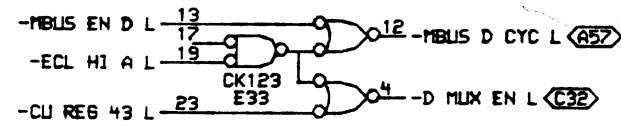
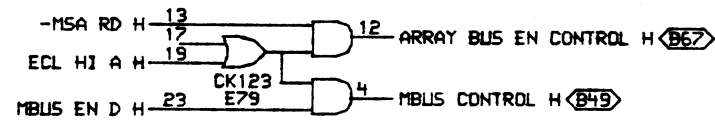
digital	DATE 23-SEP-82	ENG.	DATE	TITLE: MOS START CTL
CHK'D.	DATE	BOARD LOCATION: SHEET 1 OF 1		
VULCAN: (2000.CAM) 62CAMS.DRW	22-SEP-82 14:16	NEXT HIGHER ASSEMBLY: B-DD-L0059-0		
FIRST USED ON OPTION/MODEL: 2080				

SIZE D	CODE CS	NUMBER L0059-0-CAM3	REV. *
--------	---------	---------------------	--------





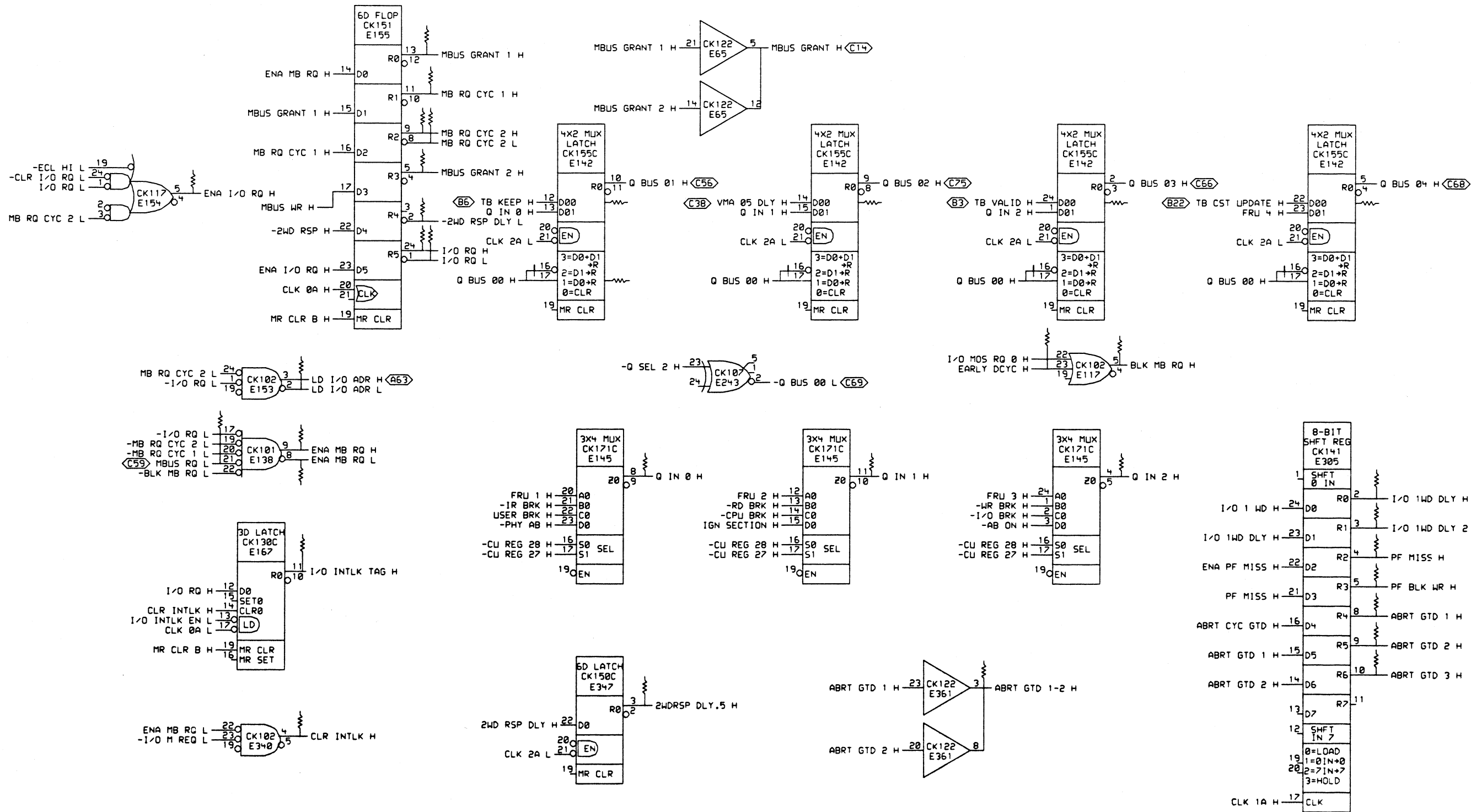




THIS DRAWING AND SPECIFICATIONS, HEREIN, ARE THE PROPERTY OF DIGITAL EQUIPMENT CORPORATION AND SHALL NOT BE REPRODUCED OR COPIED OR USED IN WHOLE OR IN PART AS THE BASIS FOR THE MANUFACTURE OR SALE OF ITEMS WITHOUT WRITTEN PERMISSION. COPYRIGHT © 1982, DIGITAL EQUIPMENT CORPORATION.

REVISIONS	
CHK	CHANGE NO. REV

<b>digital</b>	DATE	ENG.	DATE	TITLE:
	20-MAY-82	J. Family		MDP DMU CONTROL LOGIC
VULCANI (2080, CAM) SCALE: DRW	DATE	BOARD LOCATION:	SIZE	CODE
27-MAY-82 19:01			D	CS
FIRST USED ON OPTION MODEL: 2080	SHEET	OF	NUMBER	REV.
			L0059-0-CAM6	*



THIS DRAWING AND SPECIFICATIONS, HEREIN, ARE THE PROPERTY OF DIGITAL EQUIPMENT CORPORATION AND SHALL NOT BE REPRODUCED OR COPIED OR USED IN WHOLE OR IN PART AS THE BASIS FOR THE MANUFACTURE OR SALE OF ITEMS WITHOUT WRITTEN PERMISSION. COPYRIGHT © 1987, DIGITAL EQUIPMENT CORPORATION.

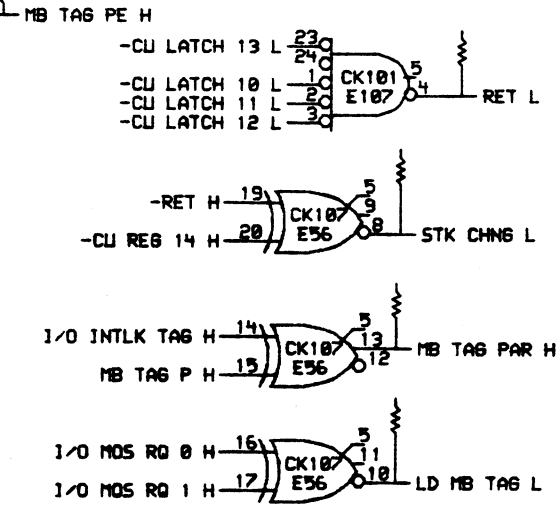
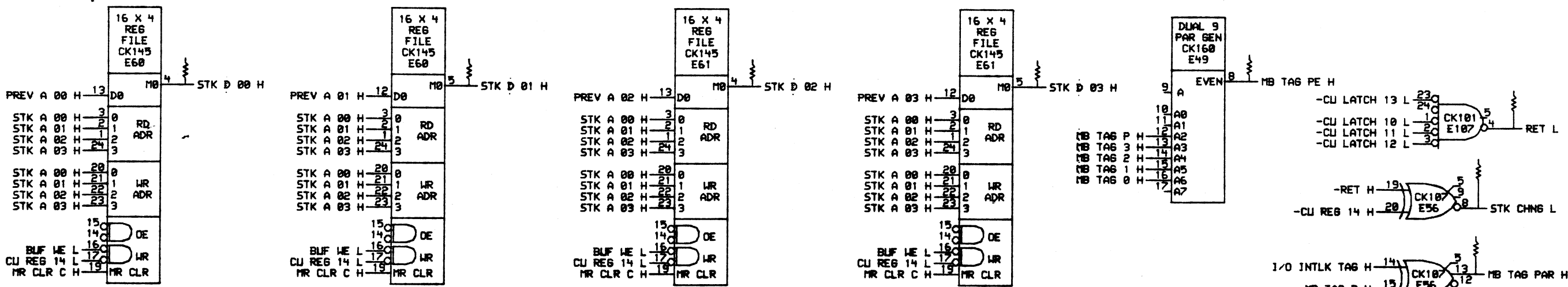
REVISIONS	
CHK	CHANGE NO. REV

**digital** DR. J. J. J. DATE: 01-JAN-87  
 CK'D. DATE: BOARD LOCATION: SHEET 1 OF 1  
 VULCANI:2000.CAM7.CAM7.DRW 03-JAN-83 11:13 NEXT HIGHER ASSEMBLY: B-DD-L0059-0  
 FIRST USED ON OPTION/MODEL: 2080

DATE	ENG.	DATE	TITLE:
SIZE	CODE	NUMBER	REV.
D	CS	L0059-0-CAM7	

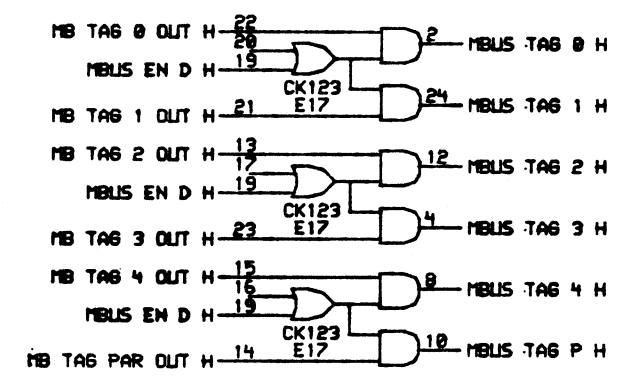
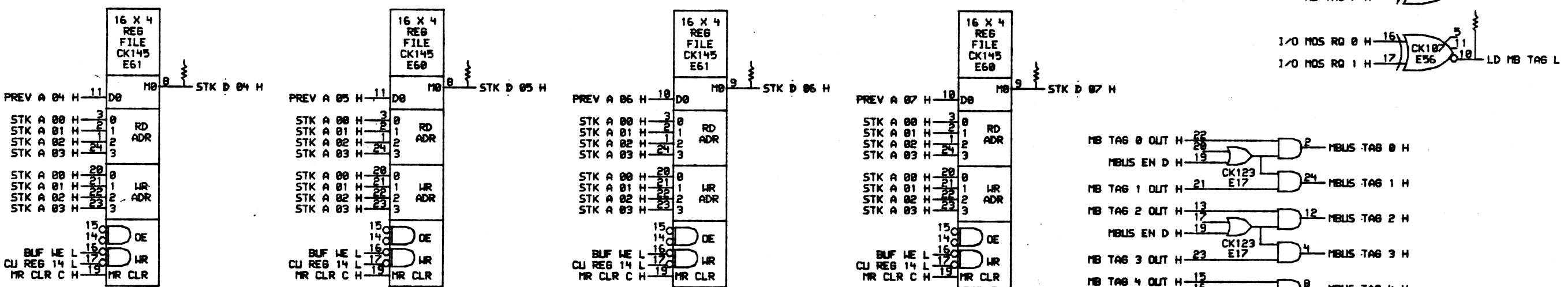
D

D



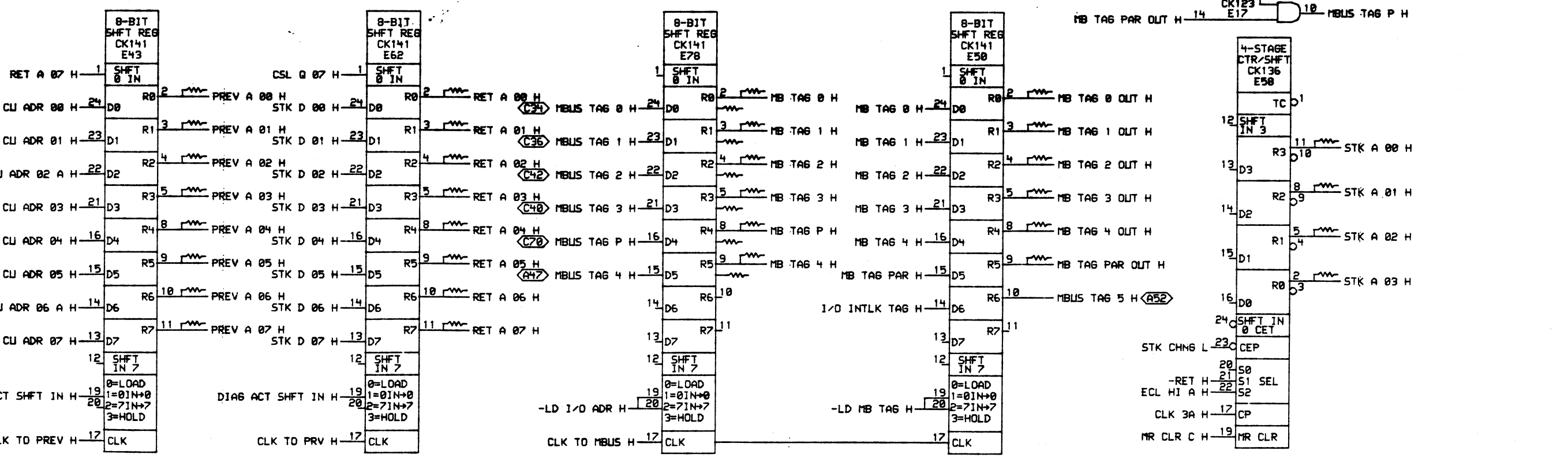
C

C



B

B



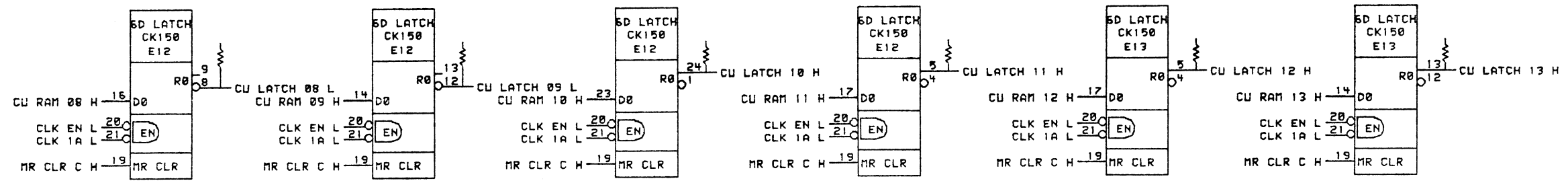
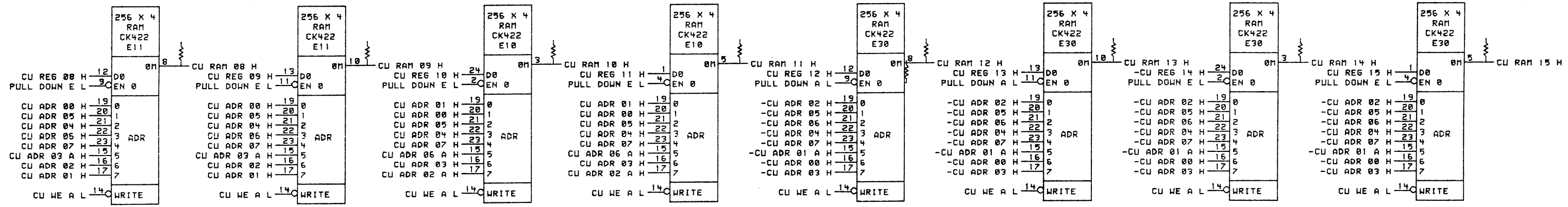
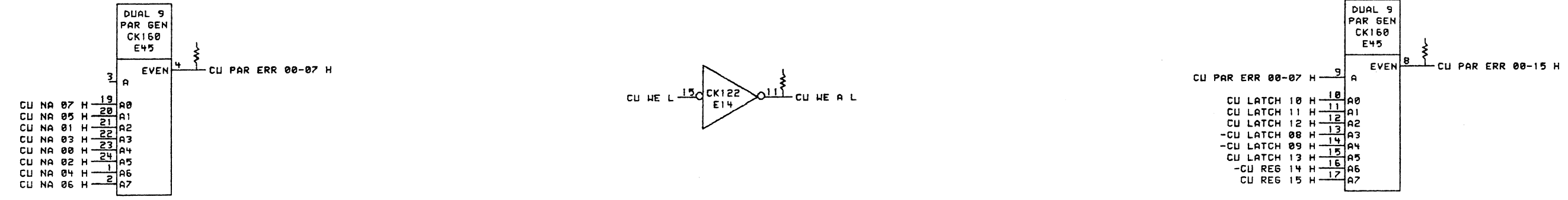
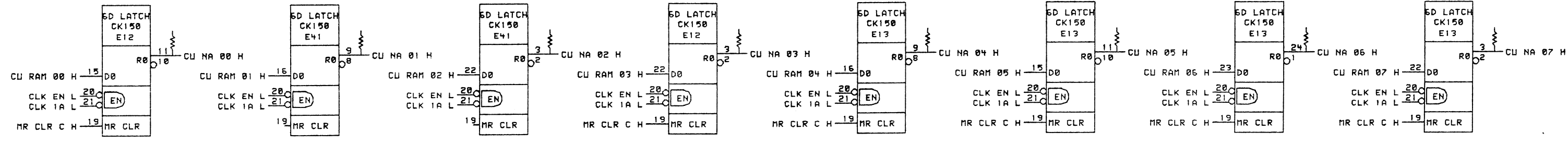
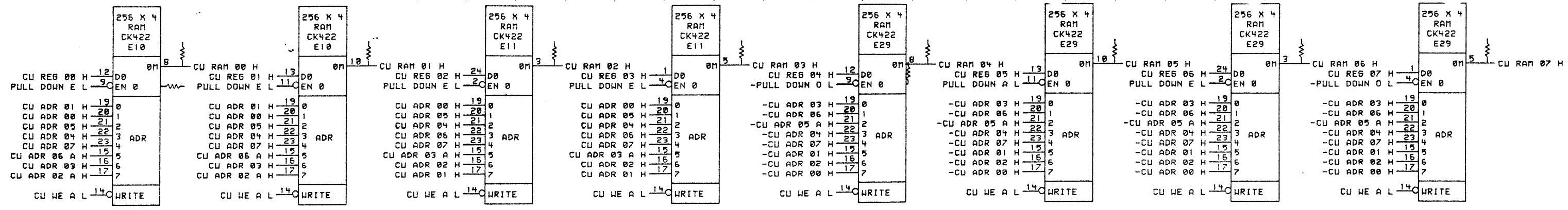
A

A

THIS DRAWING AND SPECIFICATIONS HEREIN ARE THE PROPERTY OF DIGITAL EQUIPMENT CORPORATION AND SHALL NOT BE REPRODUCED OR COPIED OR USED IN WHOLE OR IN PART AS THE BASIS FOR THE MANUFACTURE OR SALE OF ITEMS WITHOUT WRITTEN PERMISSION. COPYRIGHT © 1980, DIGITAL EQUIPMENT CORPORATION.

REVISIONS	
CHK	CHANGE NO. REV

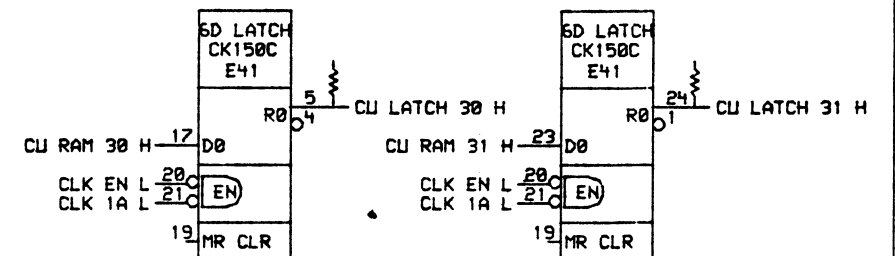
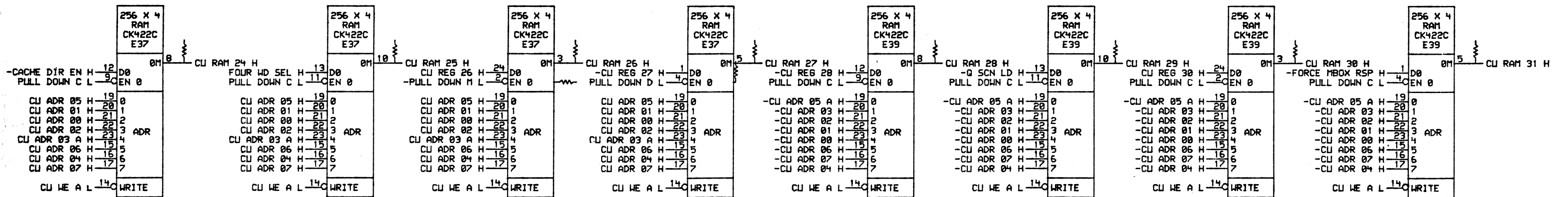
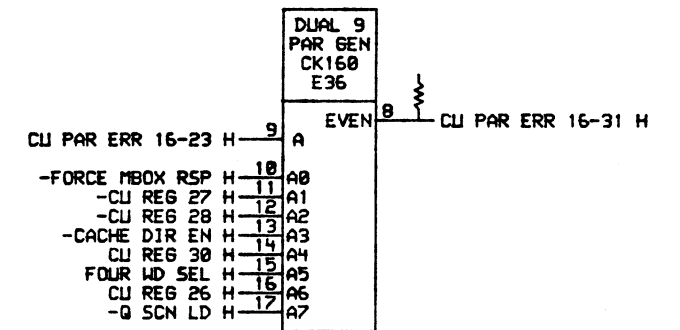
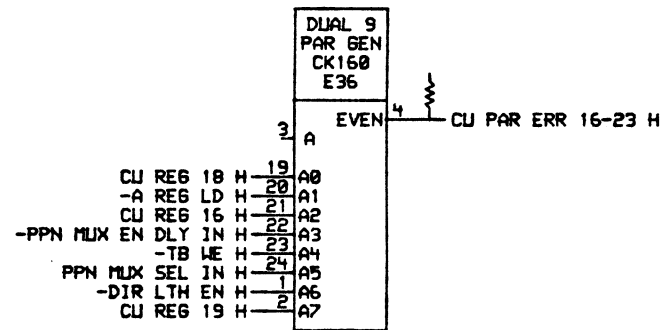
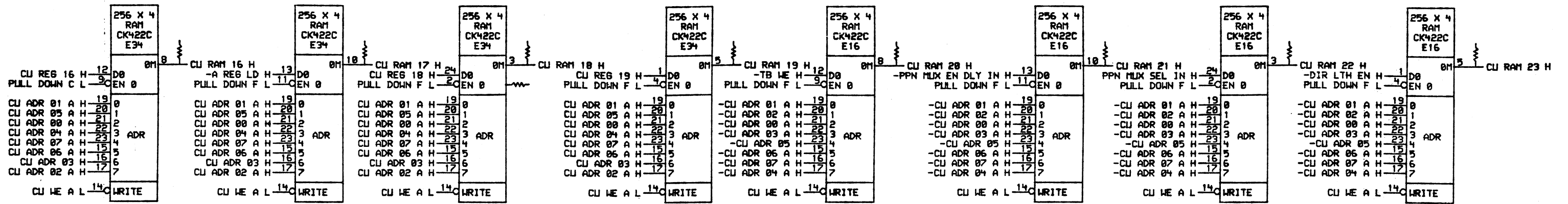
digital	DATE	ENG.	DATE	TITLE:
	12-JUL-82	J. J. J.		CU STACK
	DATE	BOARD LOCATION:		
		SHEET		
VLLCAN: (2000,CAM)250CAM.DRW	11-JUL-82 11:41	NEXT HIGHER ASSEMBLY:	SIZE	CODE
FIRST USED ON OPTION/MODEL: 2000		B-DD-L0059-0	D	CS
			NUMBER	REV.
			L0059-0-CAM8	*



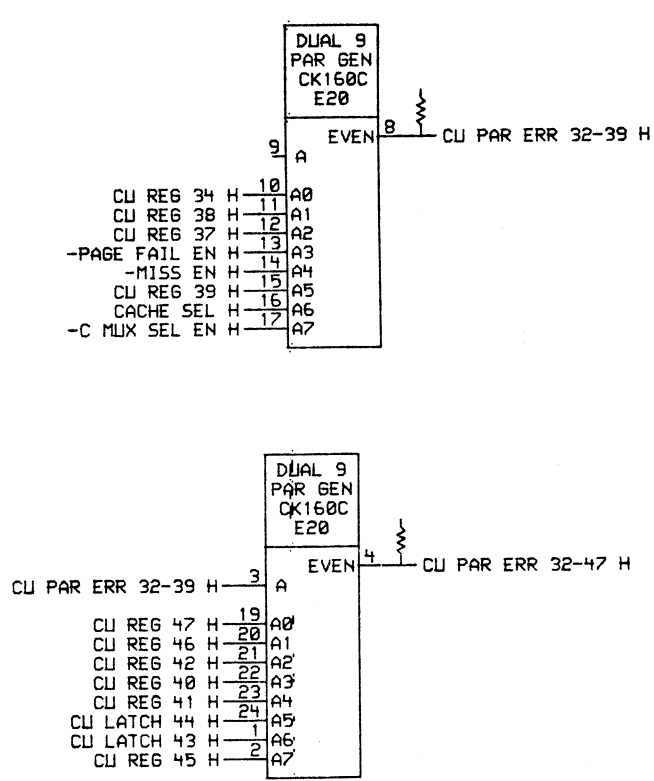
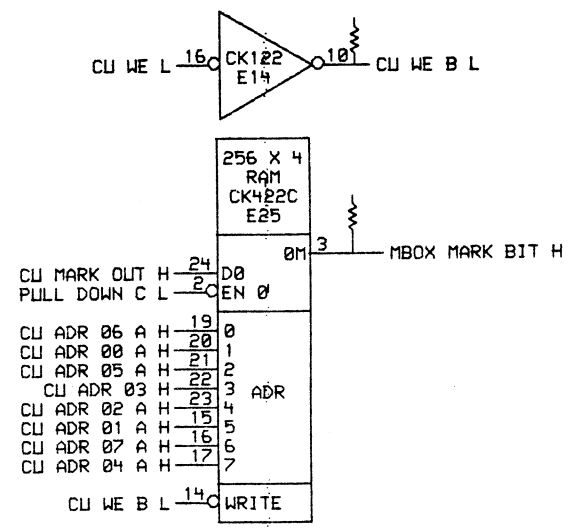
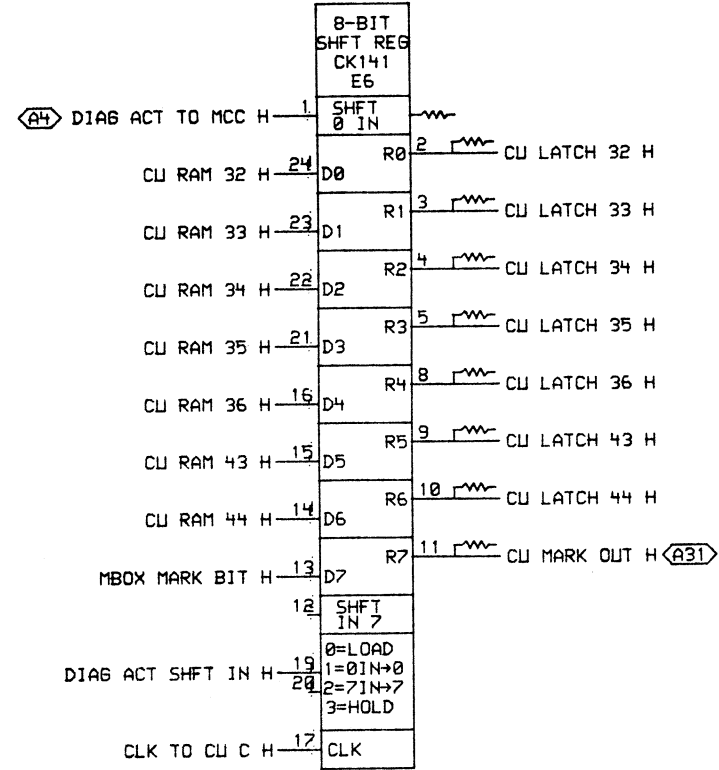
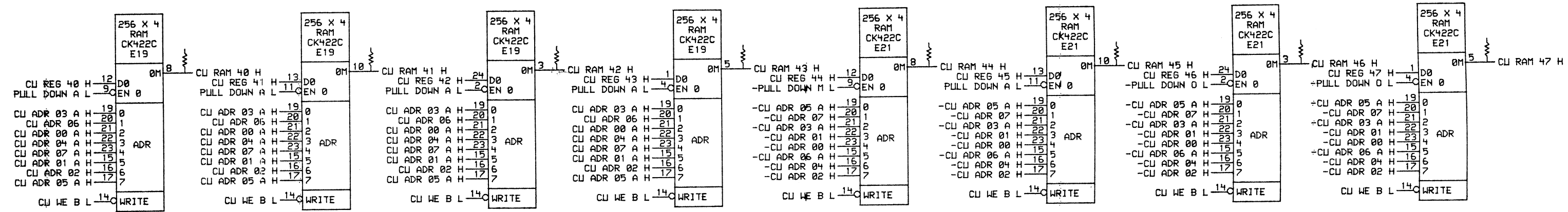
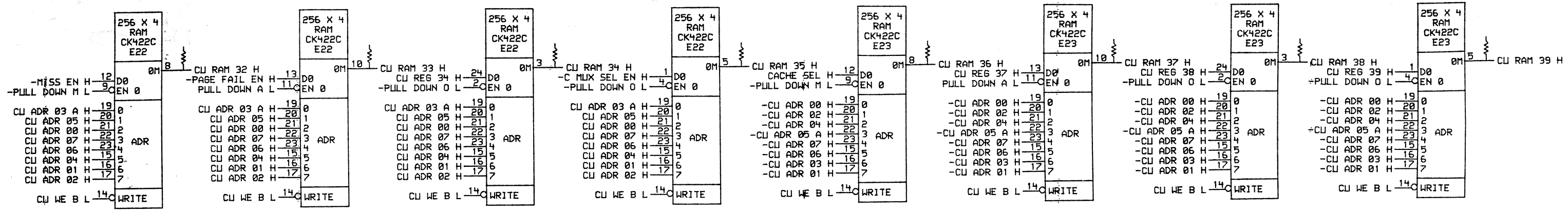
THIS DRAWING AND SPECIFICATIONS, HEREIN, ARE THE PROPERTY OF DIGITAL EQUIPMENT CORPORATION AND SHALL NOT BE REPRODUCED OR COPIED OR USED IN WHOLE OR IN PART AS THE BASIS FOR THE MANUFACTURE OR SALE OF ITEMS WITHOUT WRITTEN PERMISSION. COPYRIGHT © 1982, DIGITAL EQUIPMENT CORPORATION.

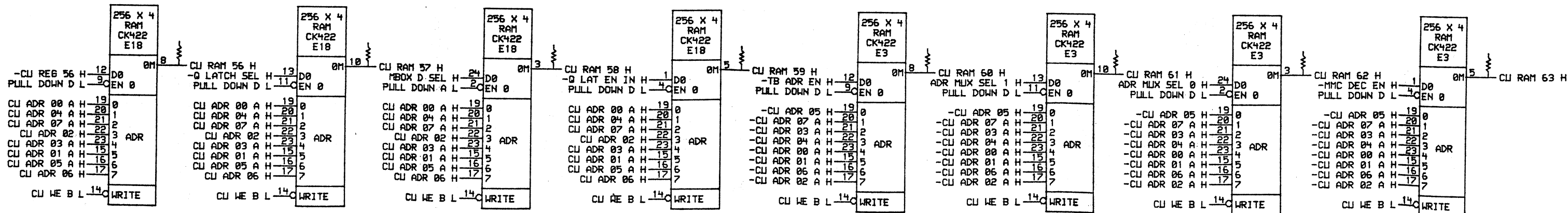
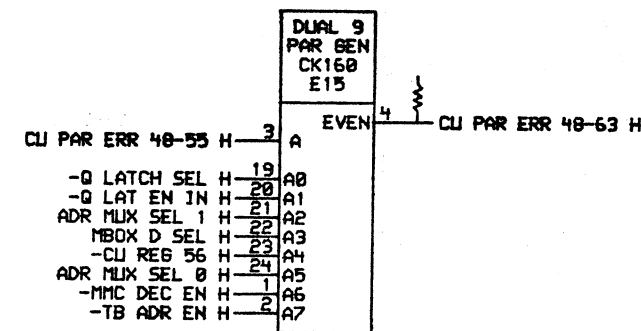
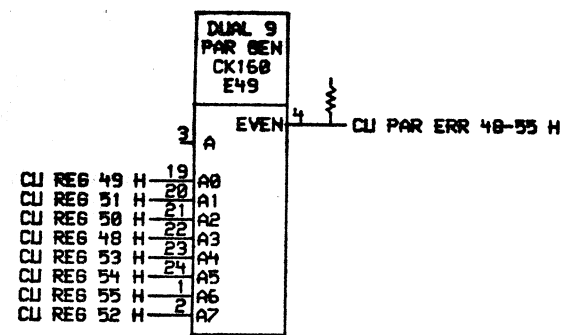
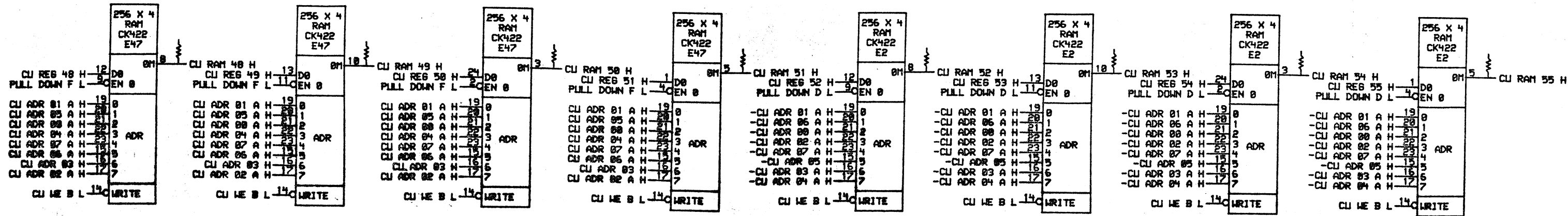
REVISIONS		
CHK	CHANGE NO.	REV

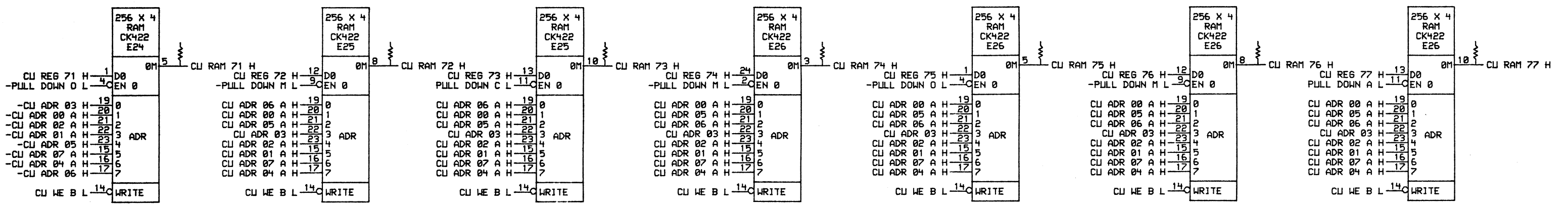
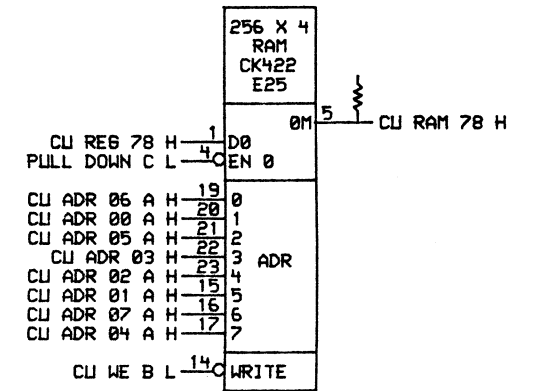
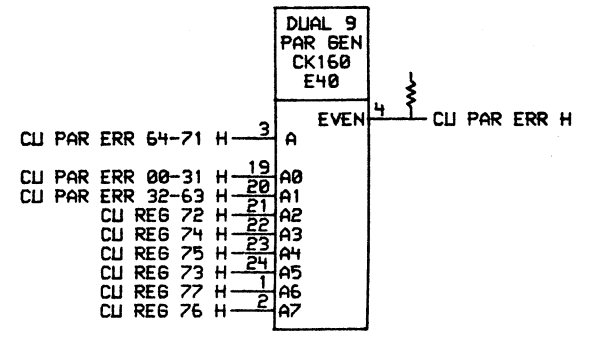
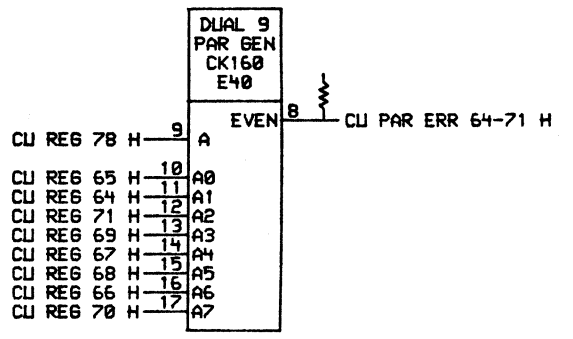
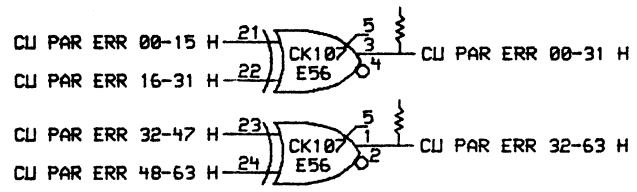
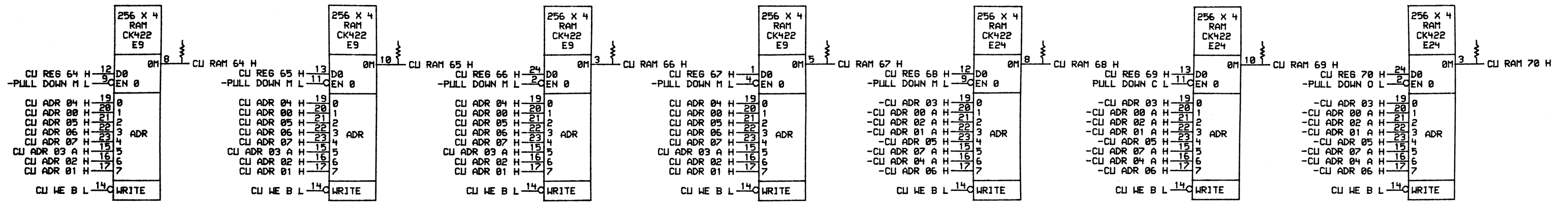
	DATE: 11-MAR-82	ENG.:	DATE:	TITLE: CU RAM 00-15, CU LATCH 00-15 + P
	DATE: 10-MAR-82 21:54	CHK'D: J. J. J.	BOARD LOCATION: SHEET 5 OF 5	SIZE: D
VULCAN: (2000.CAM)14CAM9.DRW		NEXT HIGHER ASSEMBLY: B-DD-L0059-0		NUMBER: L0059-0-CAM9
FIRST USED ON OPTION/MODEL: 2080				REV. *



DRN.	DATE	ENG.	DATE	TITLE:
CHK'D.	24-AUG-82			CU RAM 16-31, CU LATCH 16-31 + P
VILCAN: <2080.CAM>99CAMA.DRW 17-AUG-82 09:44 NEXT HIGHER ASSEMBLY: *				SIZE CODE NUMBER REV.
FIRST USED ON OPTION/MODEL: 2080 B-DD-L0059-0				D CS L0059-0-CAMA *







THIS DRAWING AND SPECIFICATIONS ARE THE PROPERTY OF DIGITAL EQUIPMENT CORPORATION AND SHALL NOT BE REPRODUCED OR COPIED OR USED IN WHOLE OR IN PART AS THE BASIS FOR THE MANUFACTURE OR SALE OF ITEMS WITHOUT WRITTEN PERMISSION. COPYRIGHT © 1982, DIGITAL EQUIPMENT CORPORATION.

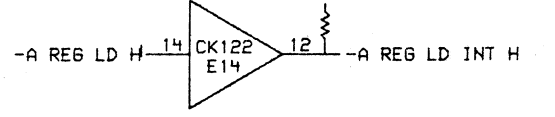
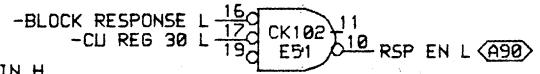
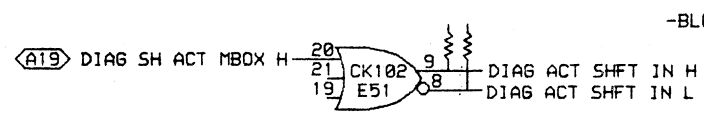
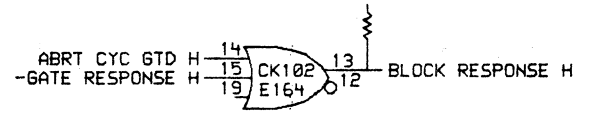
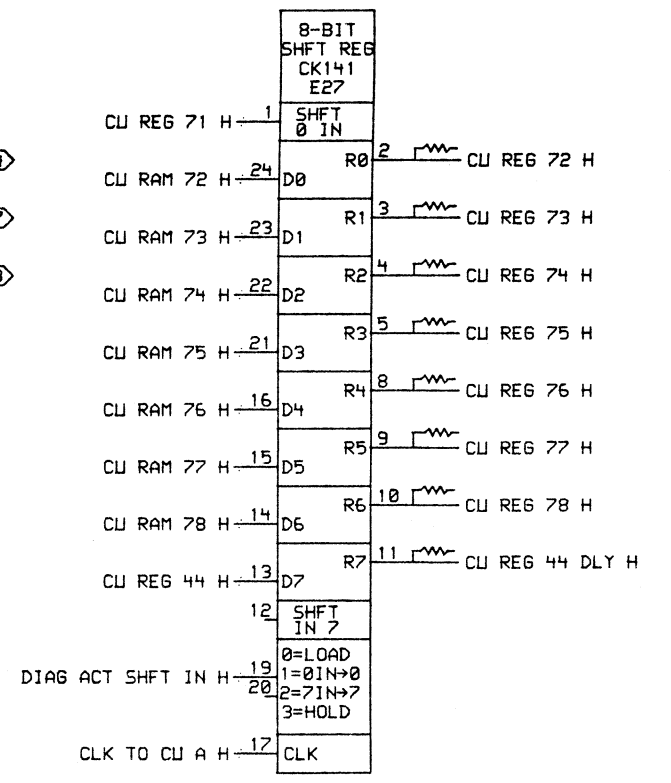
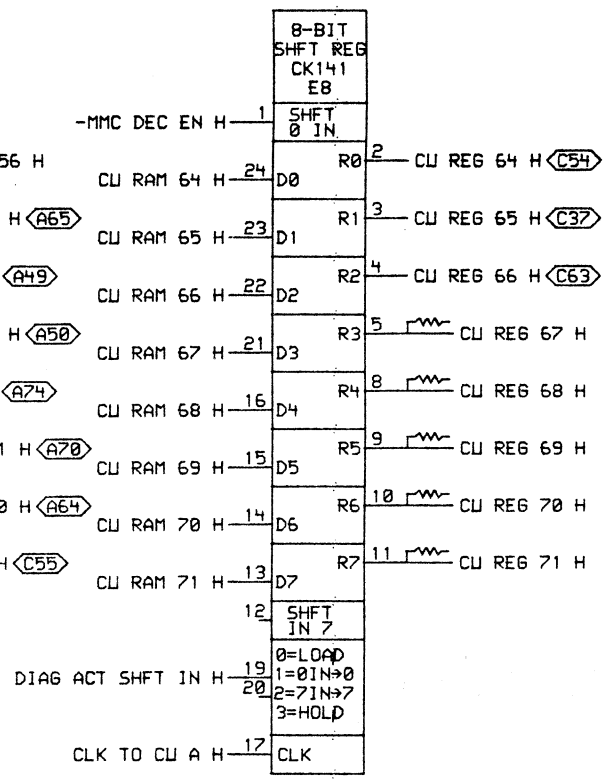
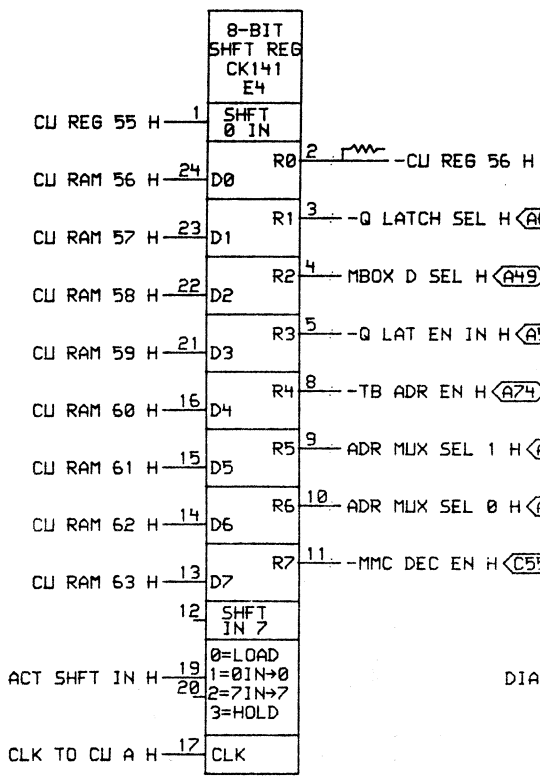
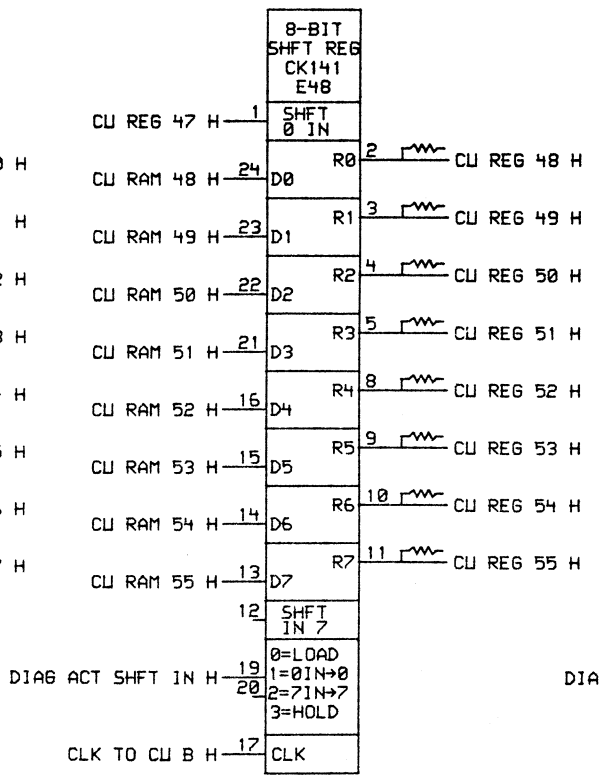
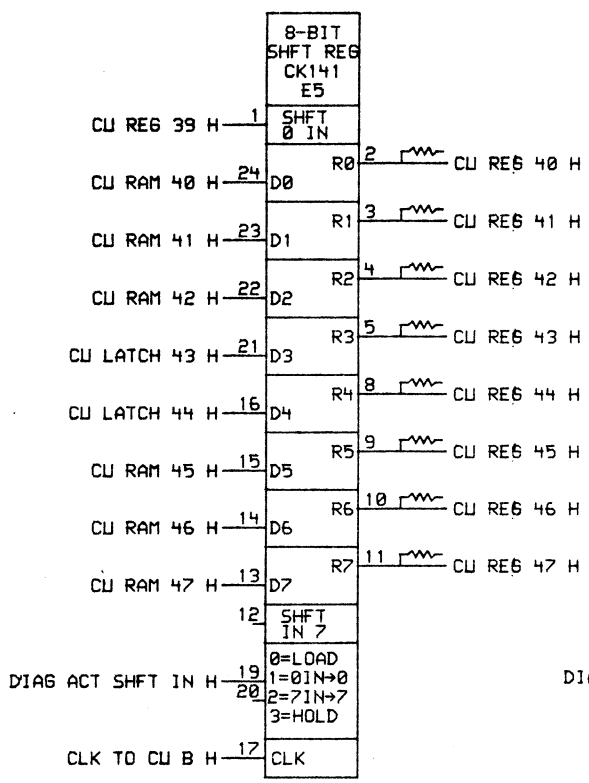
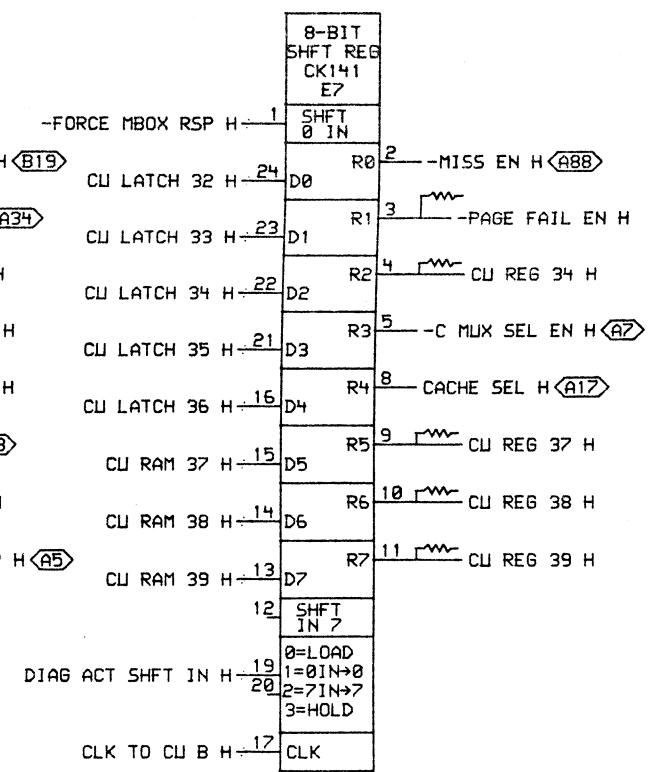
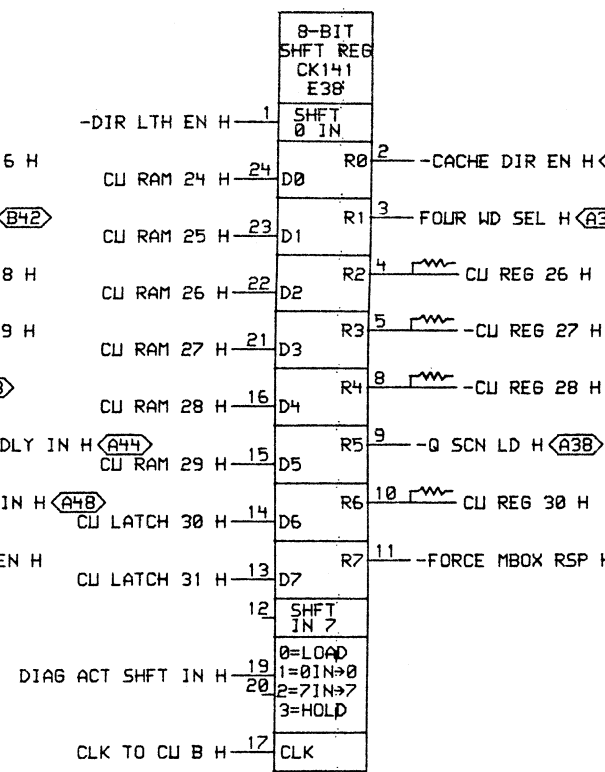
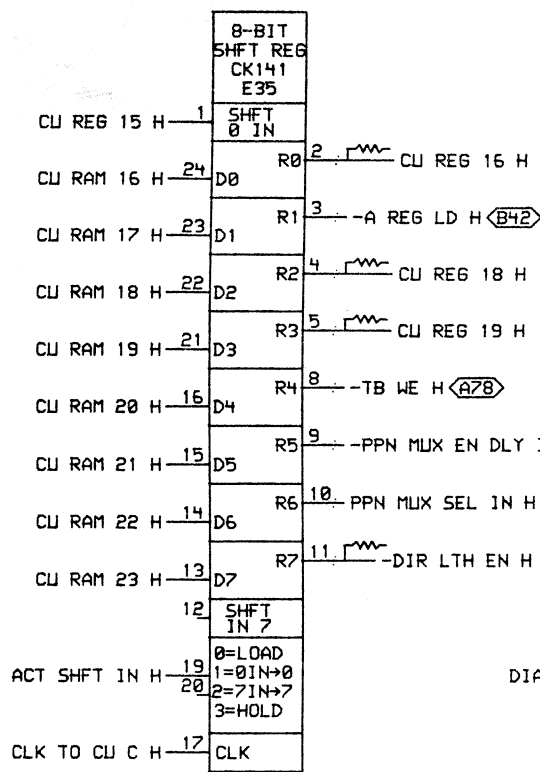
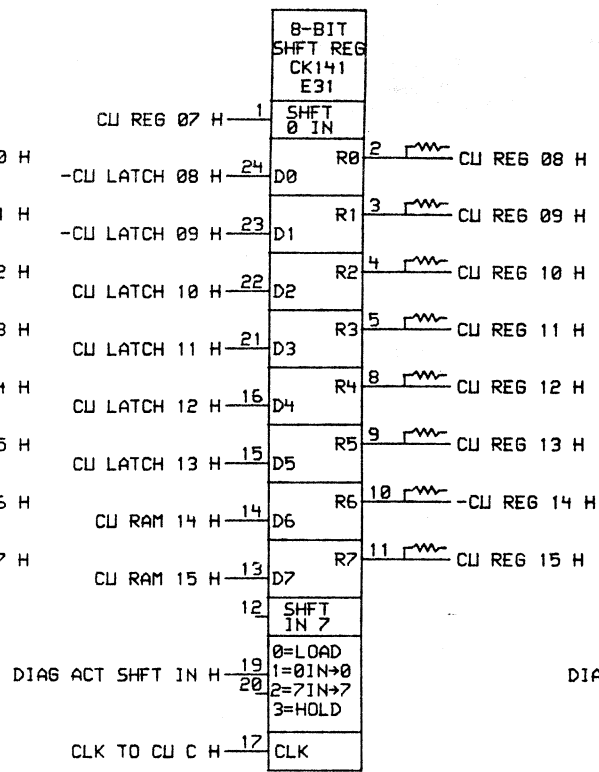
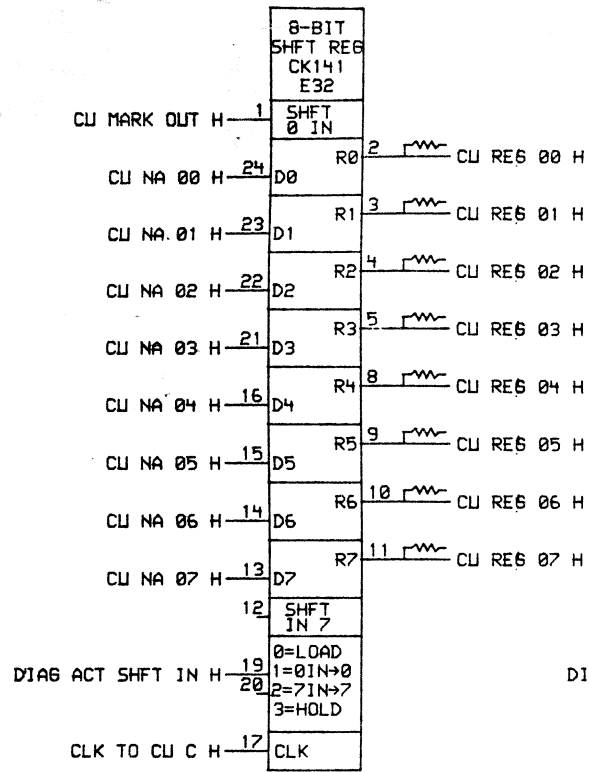
REVISIONS	
CHK	CHANGE NO. / REV

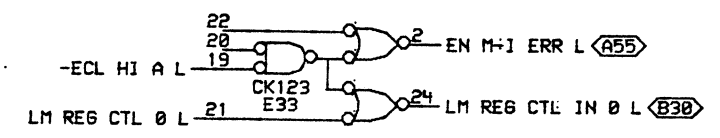
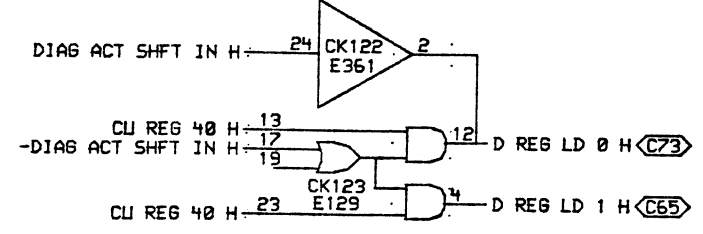
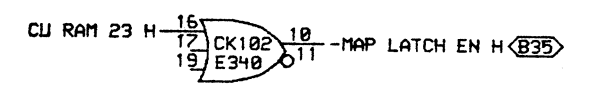
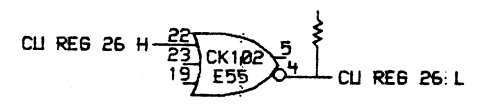
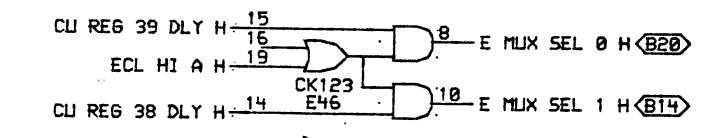
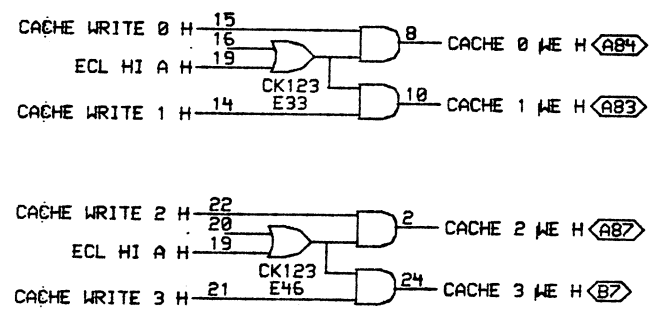
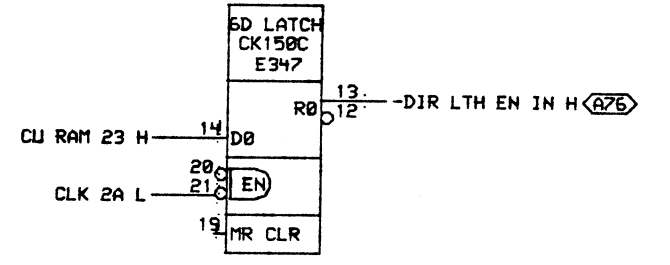
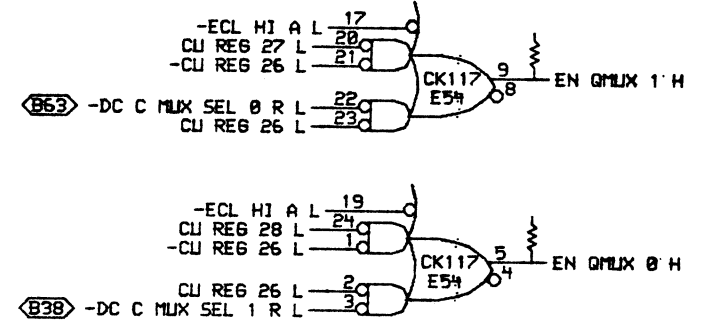
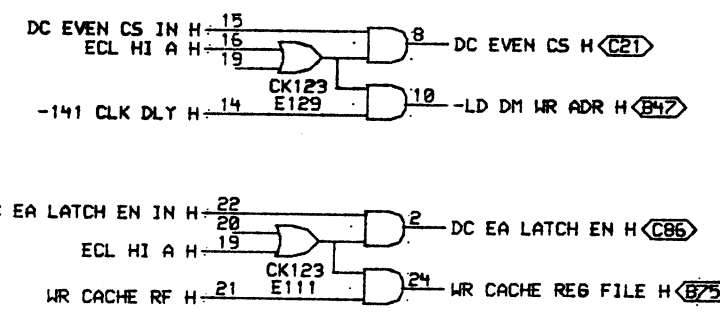
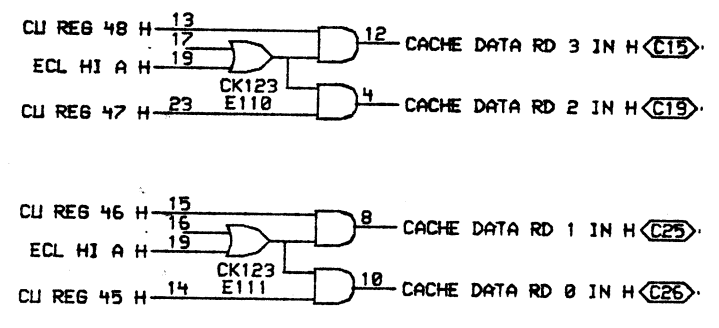
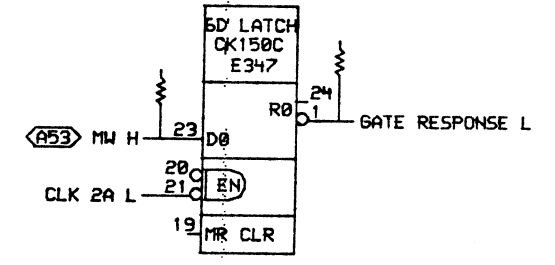
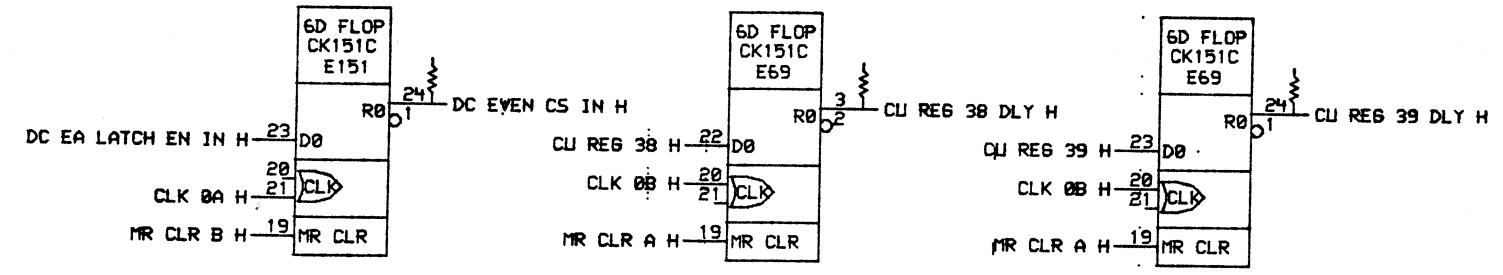
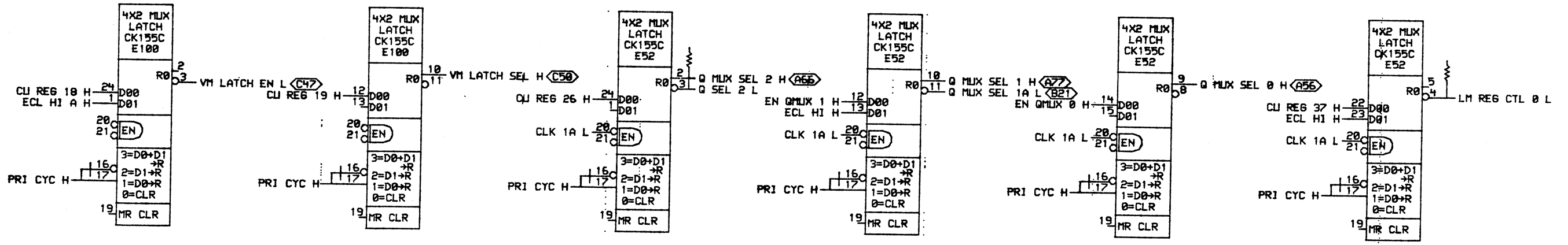
DATE	ENG.	DATE	TITLE
06-MAR-82	J. J. J.		CU RAM 64-73 CU LATCH 64-73 + P

digital	DATE	ENG.	DATE	TITLE
				CU RAM 64-73 CU LATCH 64-73 + P

VULCAN (2000.CAM) \ DCAMD.DRW 105-MAR-82 10:10	NEXT HIGHER ASSEMBLY:	SIZE	CODE	NUMBER	REV.
FIRST USED ON OPTION/MODEL: 2080	B-DD-L0059-0	D	CS	L0059-0-CAMD	*



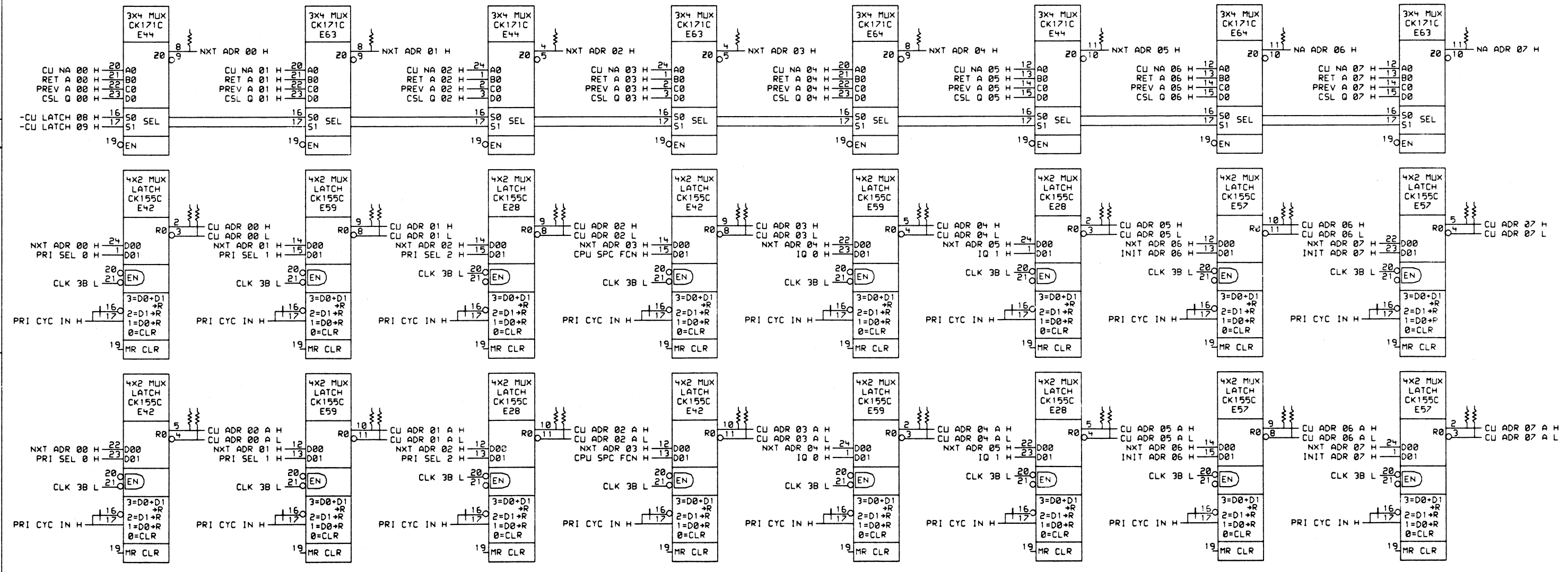
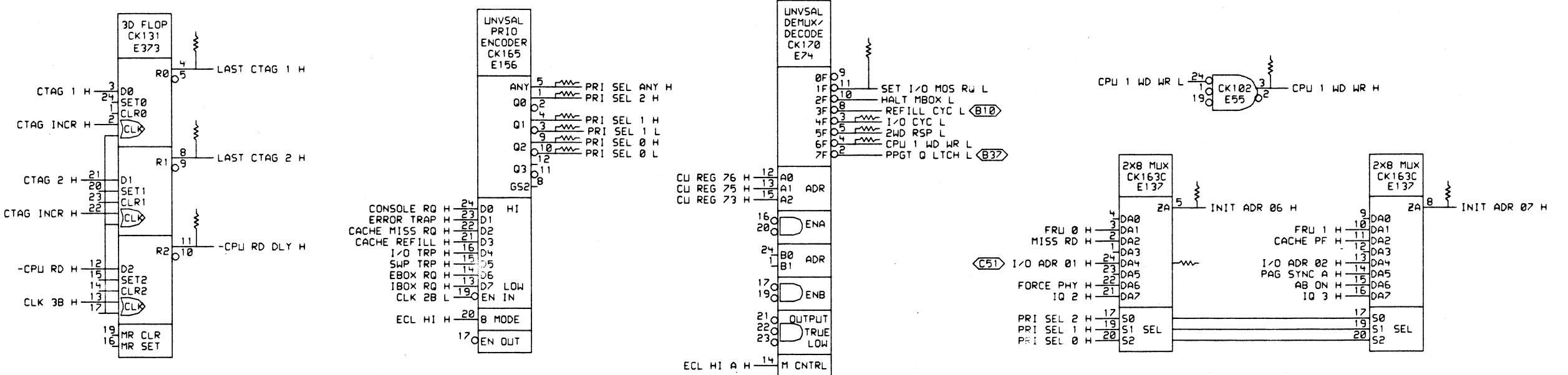




THIS DRAWING AND SPECIFICATIONS ARE THE PROPERTY OF DIGITAL EQUIPMENT CORPORATION AND SHALL NOT BE REPRODUCED OR COPIED OR USED IN WHOLE OR IN PART AS THE BASIS FOR THE MANUFACTURE OR SALE OF ITEMS WITHOUT WRITTEN PERMISSION. COPYRIGHT © 1982, DIGITAL EQUIPMENT CORPORATION.

REVISIONS	
CHK	CHANGE NO. REV.

digital	DATE	ENG.	DATE	TITLE:
	11-NOV-82	J. J. J.	11-NOV-82	MDP CU CONTROL LOGIC
VULCAN: <2880.CAM>75.CAMF.DRW	DATE	BOARD LOCATION:	SHEET	OF
FIRST USED ON OPTION/MODEL: 2080	10-NOV-82 20:28	NEXT HIGHER ASSEMBLY:	B-DD-L0059-0	1
SIZE	CODE	NUMBER	REV.	
D	CS	L0059-0-CAMF	*	

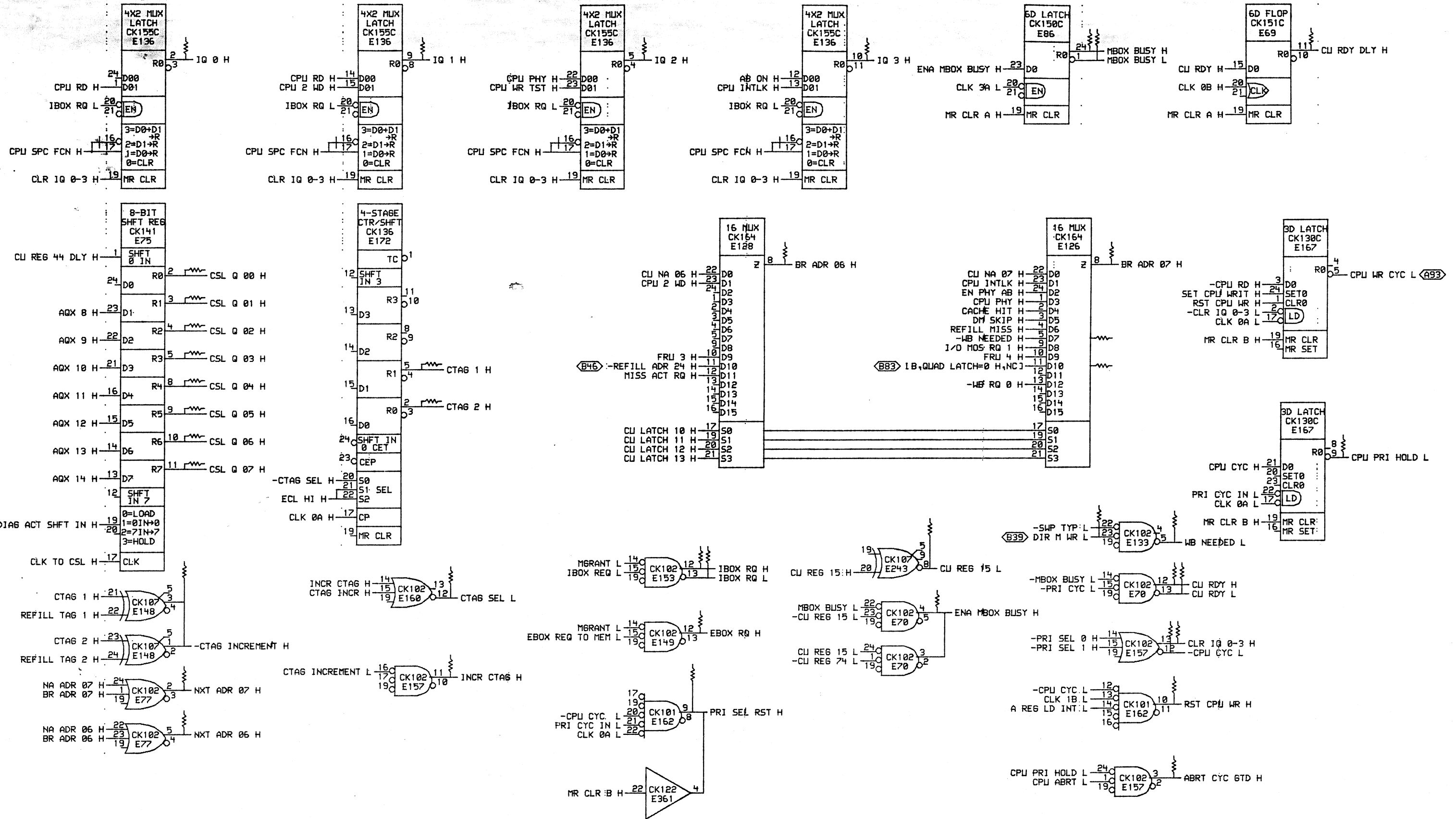


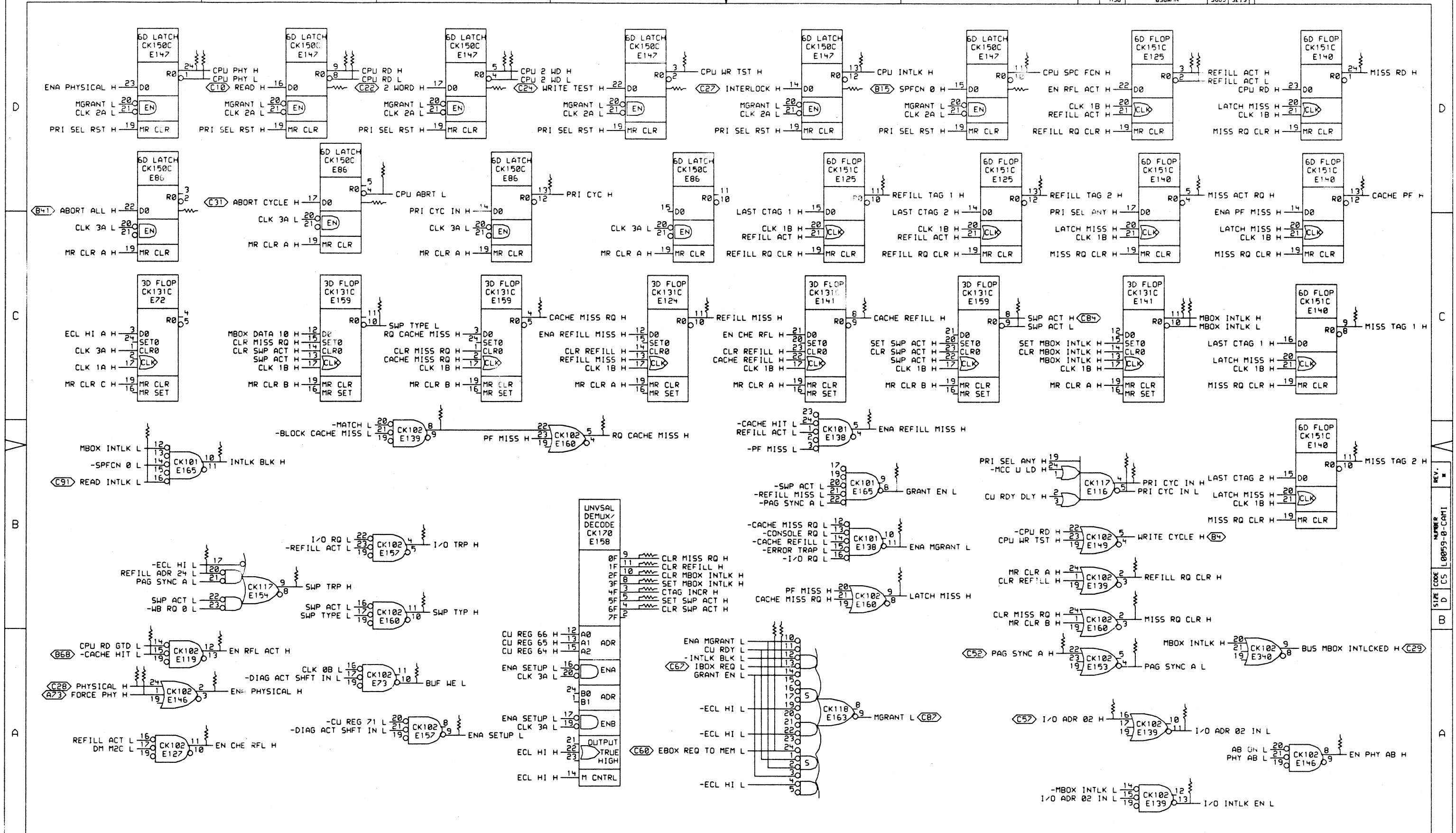
THIS DRAWING AND SPECIFICATIONS HEREIN ARE THE PROPERTY OF DIGITAL EQUIPMENT CORPORATION AND SHALL NOT BE REPRODUCED OR COPIED OR USED IN WHOLE OR IN PART AS THE BASIS FOR THE MANUFACTURE OR SALE OF ITEMS WITHOUT WRITTEN PERMISSION. COPYRIGHT © 1982, DIGITAL EQUIPMENT CORPORATION.

REVISIONS		
CHK	CHANGE NO.	REV

**digit** *DRW. J. J. J.* DATE 22-DEC-82 ENG. DATE BOARD LOCATION: SHEET 1 OF 1  
 VULCAM: (2000, CAM) 31 CAMG, DRW 121-DEC-82 14:09 NEXT HIGHER ASSEMBLY: SIZE CODE NUMBER REV.  
 FIRST USED ON OPTION/MODEL: 2000 B-DD-L0059-0 D CS L0059-0-CAMG \*

REV. 1  
 NUMBER L0059-0-CAMG  
 SIZE D CS

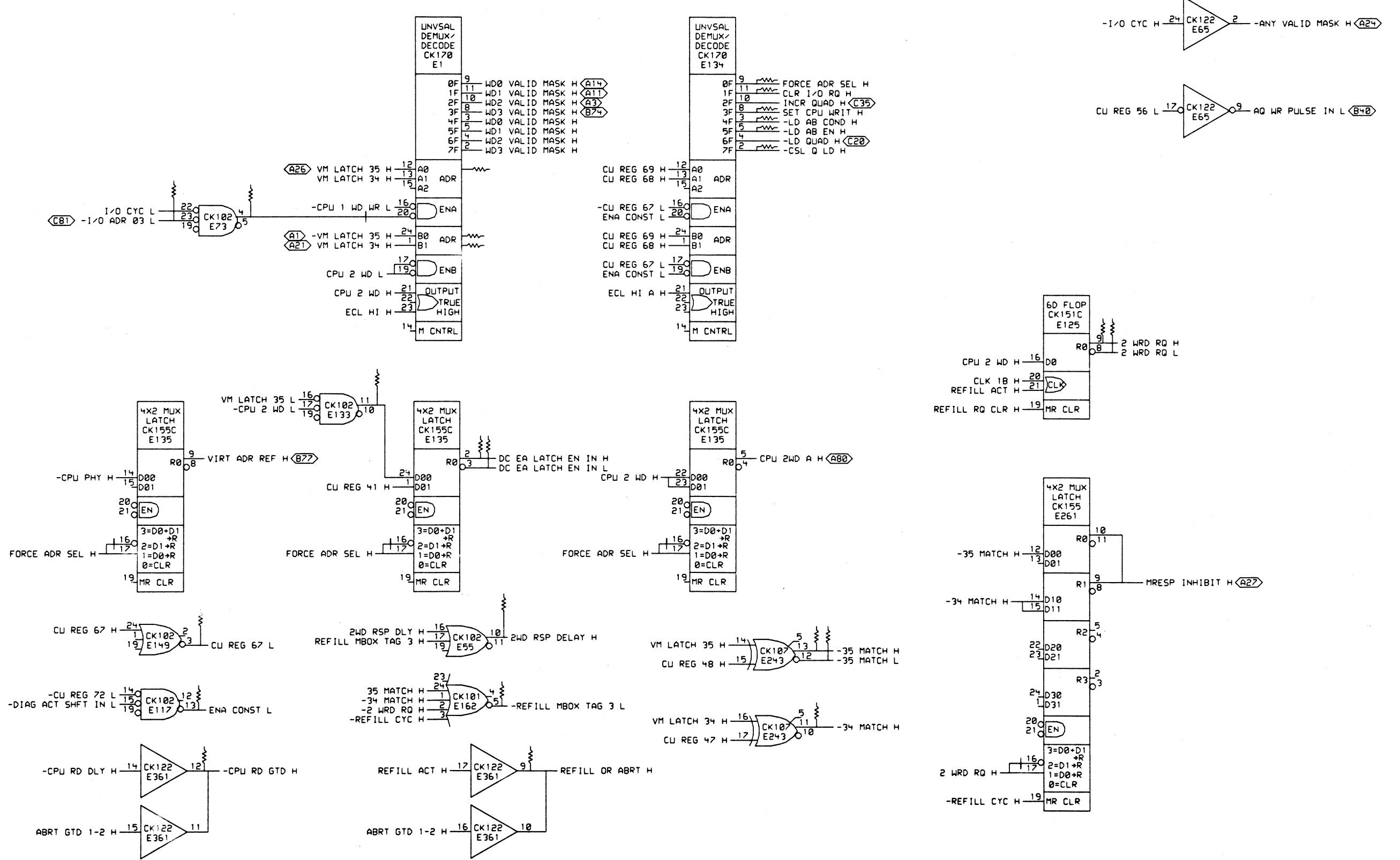




THIS DRAWING AND SPECIFICATIONS ARE THE PROPERTY OF DIGITAL EQUIPMENT CORPORATION AND SHALL NOT BE REPRODUCED OR COPIED OR USED IN WHOLE OR IN PART AS THE BASIS FOR THE MANUFACTURE OR SALE OF ITEMS WITHOUT WRITTEN PERMISSION. COPYRIGHT © 1983, DIGITAL EQUIPMENT CORPORATION.

REVISIONS		
CHK	CHANGE NO.	REV

	DATE	ENG.	DATE	TITLE:	CPU CYC QUAL
	21-JAN-83				
VULCAN: (2080.CAM)BNCAMI.DRW FIRST USED ON OPTION/MODEL: 2080	DATE	BOARD LOCATION:	SHEET 1 OF 1		SIZE CODE
	20-JAN-83 14:59	B-DD-L0059-0			D CS
				NUMBER	REV.
				L0059-0-CAMI	*

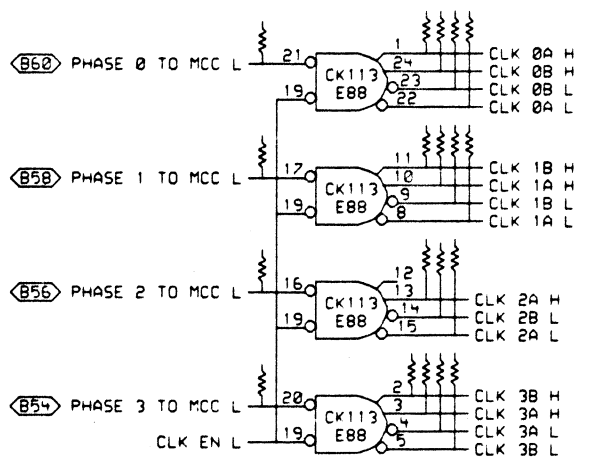
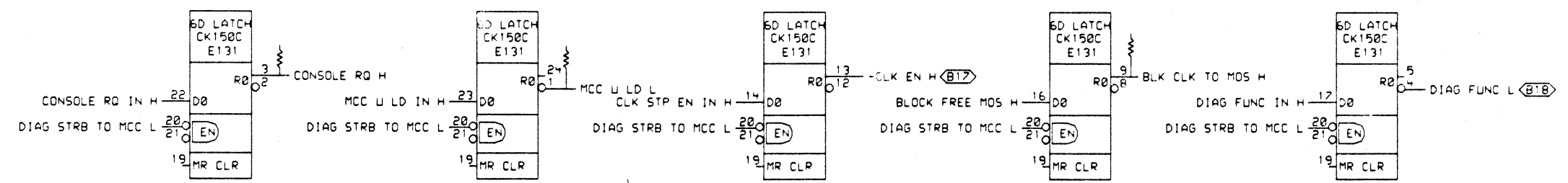


THIS DRAWING AND SPECIFICATIONS HEREIN ARE THE PROPERTY OF DIGITAL EQUIPMENT CORPORATION AND SHALL NOT BE REPRODUCED OR COPIED OR USED IN WHOLE OR IN PART AS THE BASIS FOR THE MANUFACTURE OR SALE OF ITEMS WITHOUT WRITTEN PERMISSION. COPYRIGHT © 1982, DIGITAL EQUIPMENT CORPORATION.

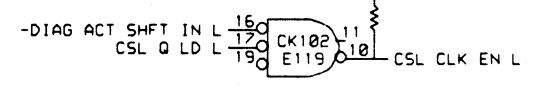
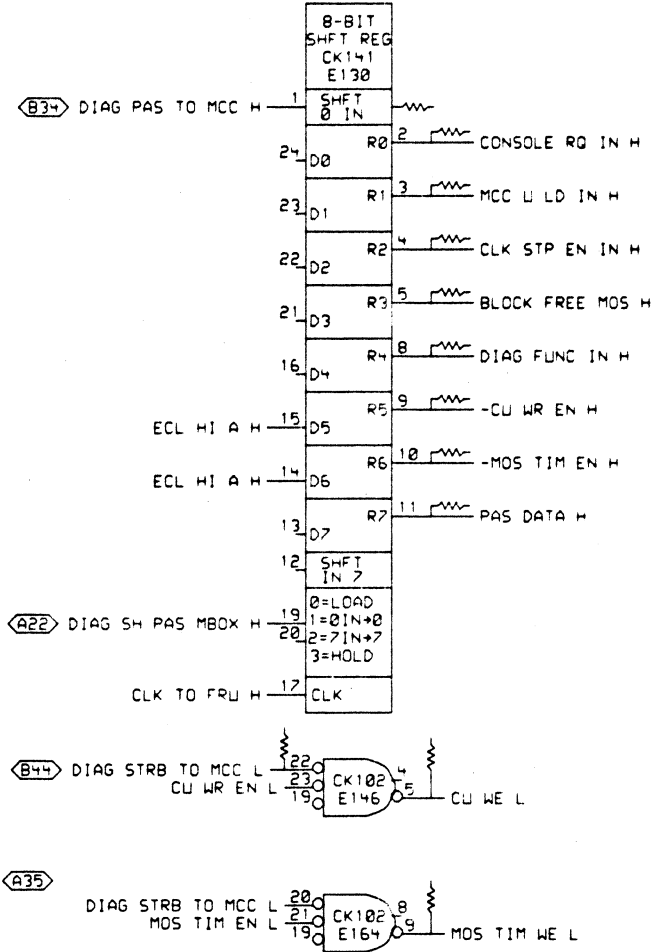
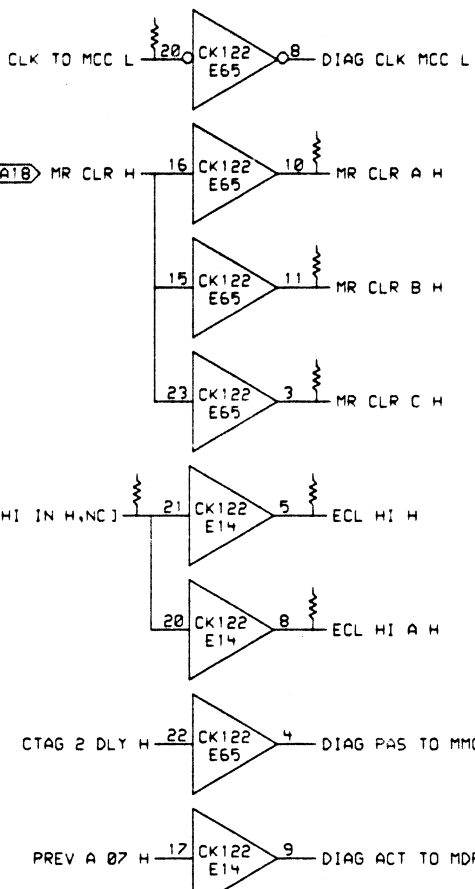
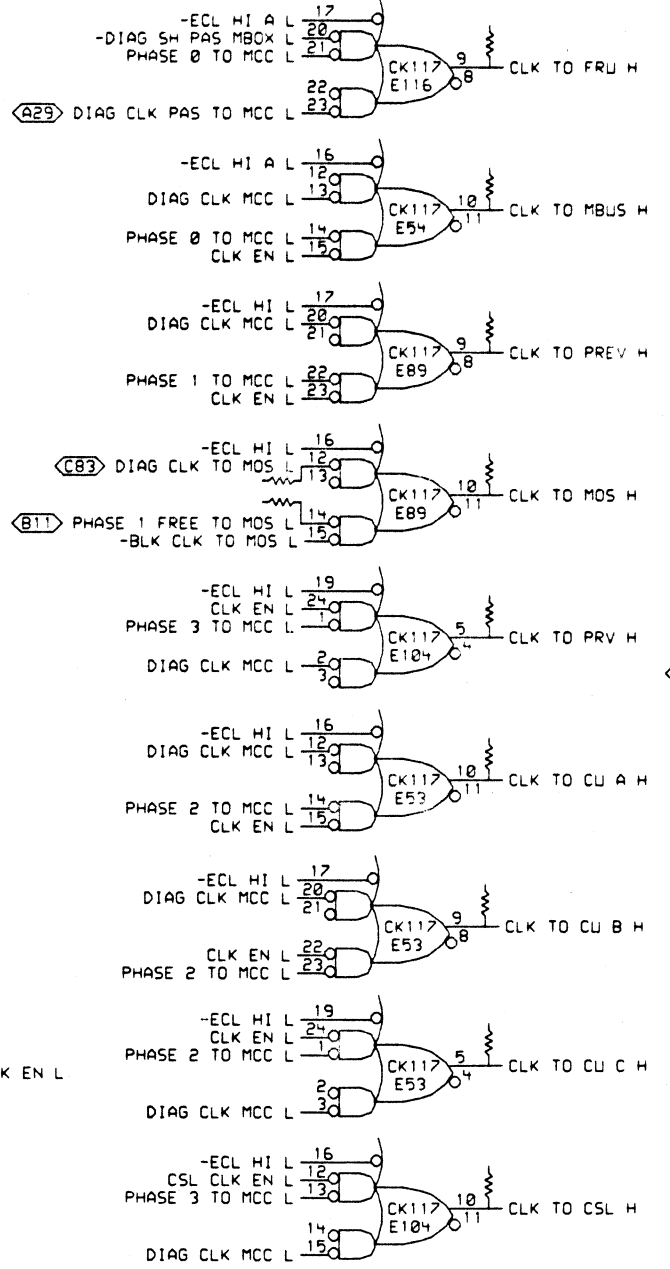
REVISIONS	
CHK	CHANGE NO. REV

digital	DATE	ENG.	DATE	TITLE: MAP CONTROL LOGIC
	22-DEC-82			
VULCANI(2080.CAM)BICAMJ.DRW		DATE	BOARD LOCATION:	
FIRST USED ON OPTION/MODEL: 2080		21-DEC-82 13:24	SHEET 1 OF 1	
		NEXT HIGHER ASSEMBLY:	SIZE CODE	NUMBER
		B-DD-L0059-0	D CS	L0059-0-CAMJ
				REV. *

REV. M  
 NUMBER L0059-0-CAMJ  
 SIZE D  
 CODE CS

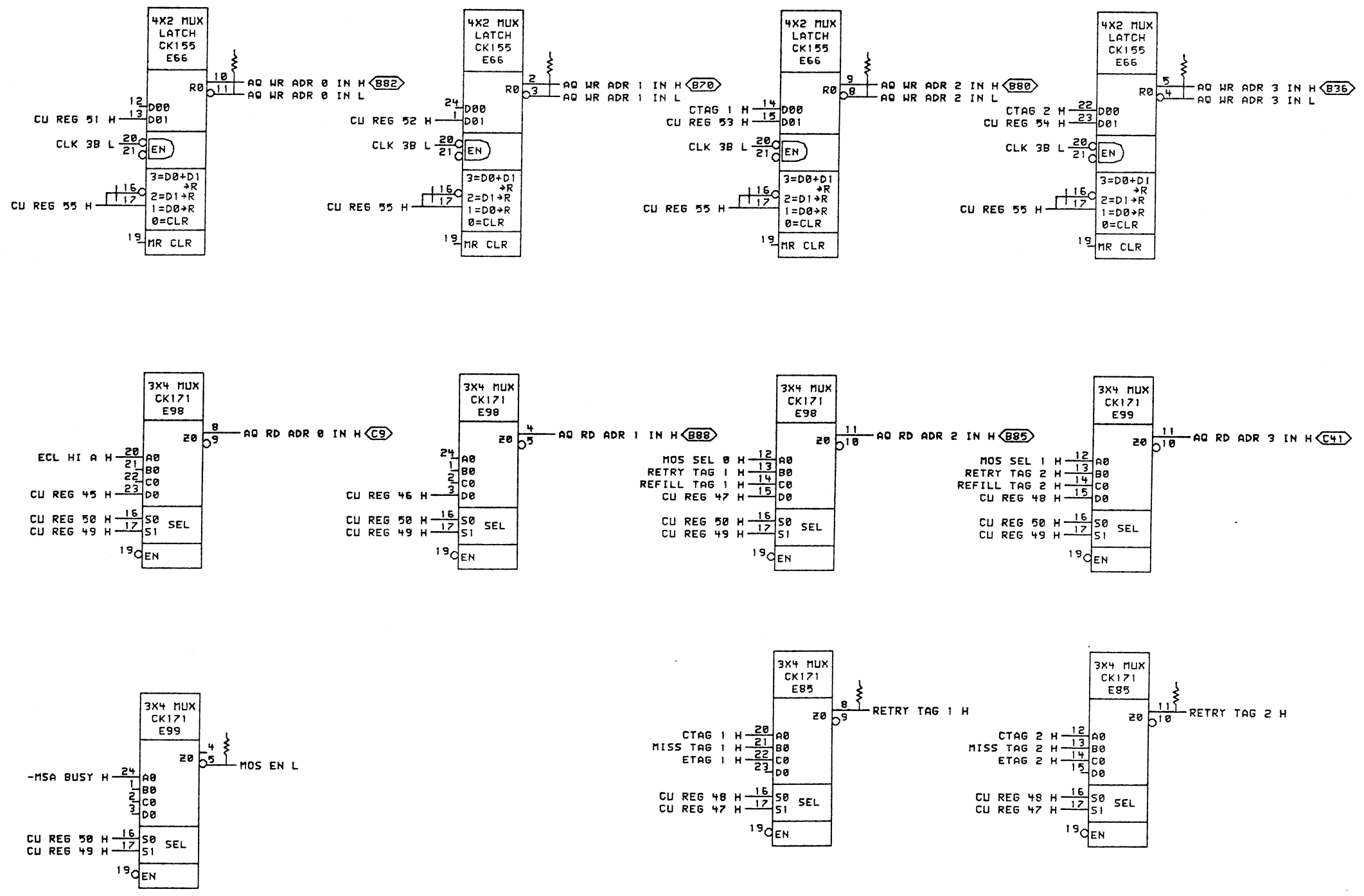


(A10) [B,DIAG CLK MCC L,DIAG CLK TO MDPL L]  
 (A12) [B,DIAG CLK PAS TO MCC L,DIAG CLK PAS TO MAP L]



THIS DRAWING AND SPECIFICATIONS ARE THE PROPERTY OF DIGITAL EQUIPMENT CORPORATION AND SHALL NOT BE REPRODUCED OR COPIED OR USED IN WHOLE OR IN PART AS THE BASIS FOR THE MANUFACTURE OR SALE OF ITEMS WITHOUT WRITTEN PERMISSION. COPYRIGHT © 1982, DIGITAL EQUIPMENT CORPORATION.

REV.	CHG	CHANGE NO.	REV

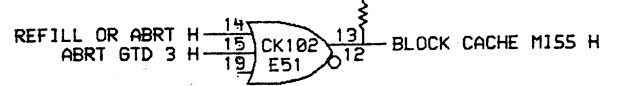
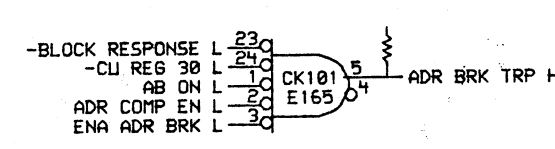
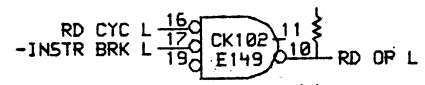
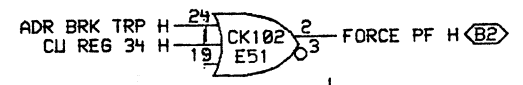
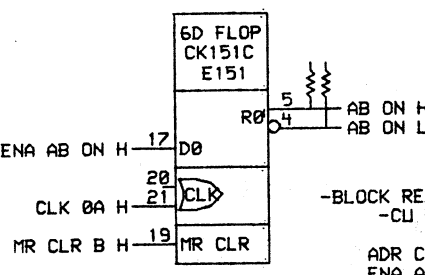
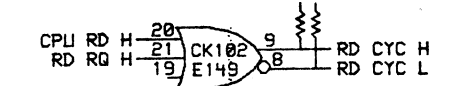
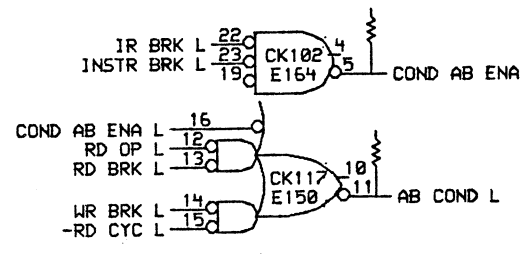
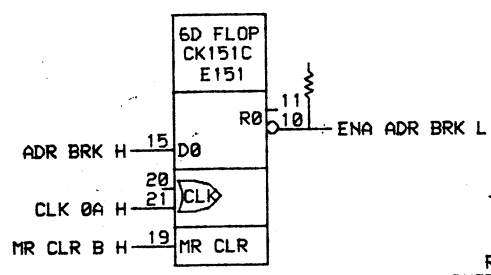
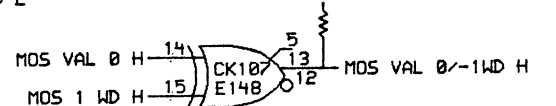
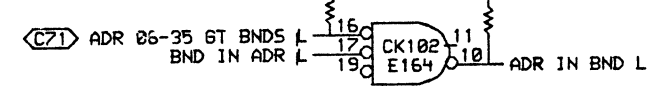
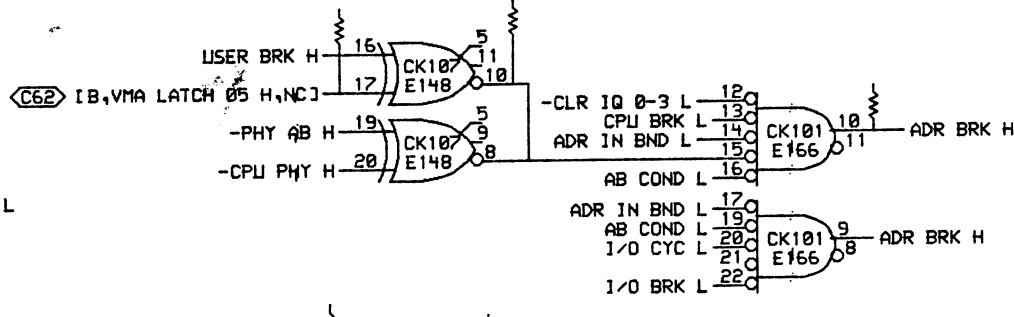
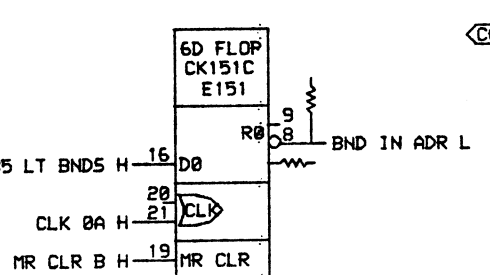
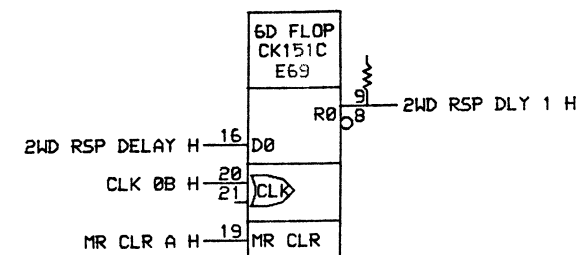
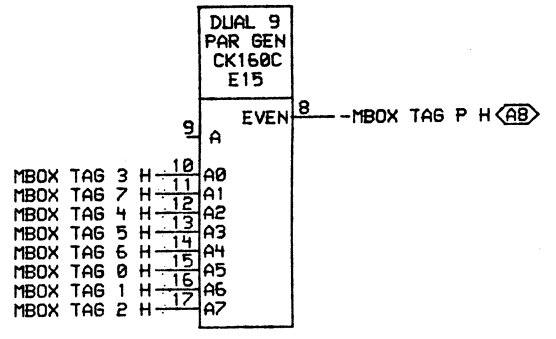
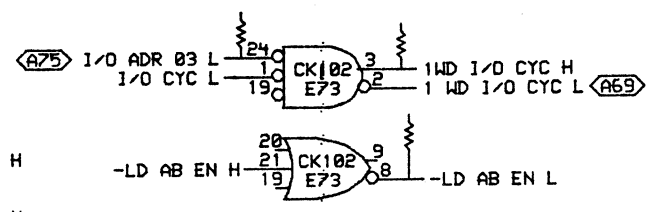
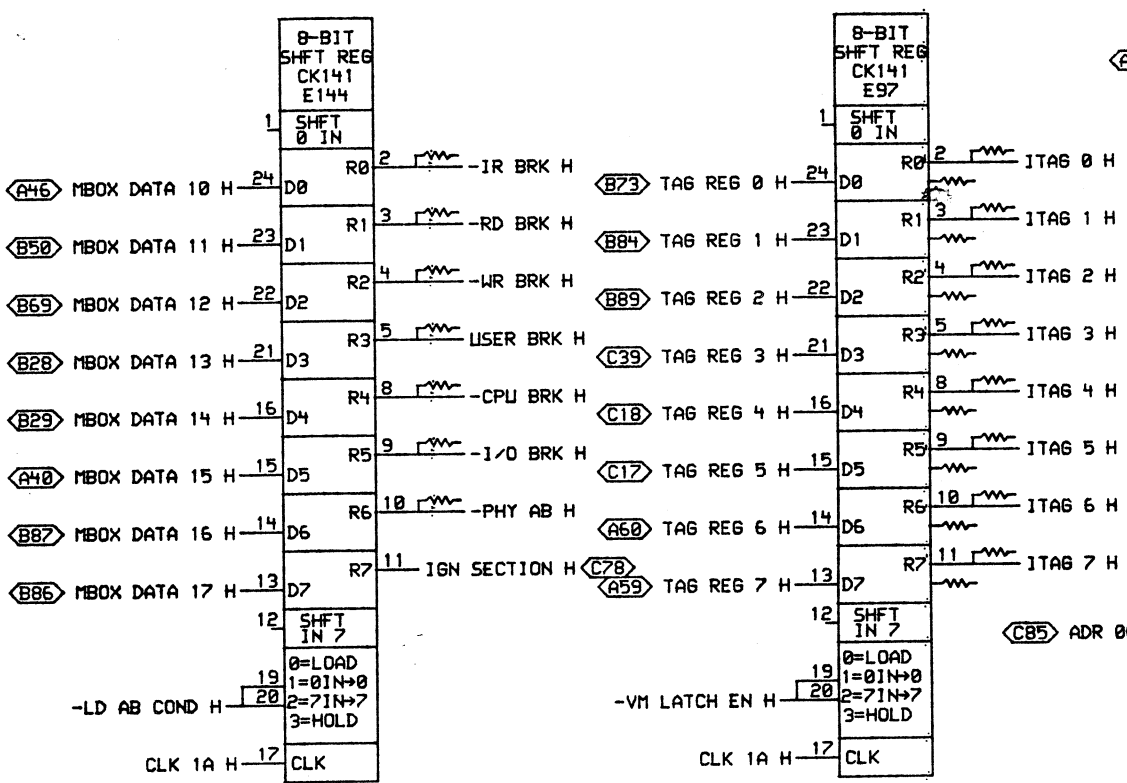
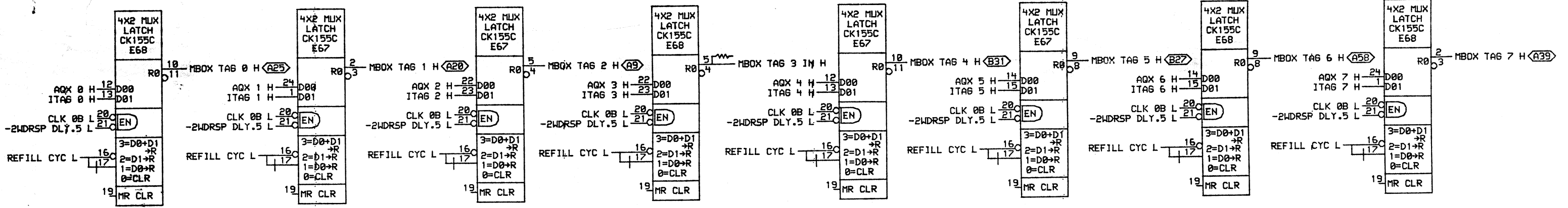


THIS DRAWING AND SPECIFICATIONS ARE THE PROPERTY OF DIGITAL EQUIPMENT CORPORATION AND SHALL NOT BE REPRODUCED OR COPIED OR USED IN THE MANUFACTURE OR SALE OF ITEMS WITHOUT WRITTEN PERMISSION. COPYRIGHT © 1982, DIGITAL EQUIPMENT CORPORATION.

REVISIONS		
CHK	CHANGE NO.	REV

digital	DRW. <i>J. J. J.</i>	DATE 11-MAR-82	ENG.	DATE	TITLE:
	CHK'D.	DATE	BOARD LOCATION:	SHEET 1 OF 1	
VULCAN: (2080.CAM) 12CAML.DRW 10-MAR-82 09:54		NEXT HIGHER ASSEMBLY:		SIZE CODE	NUMBER
FIRST USED ON OPTION/MODEL: 2080		B-DD-L0059-0		D CS	L0059-0-CAML
					REV. *



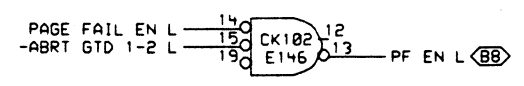
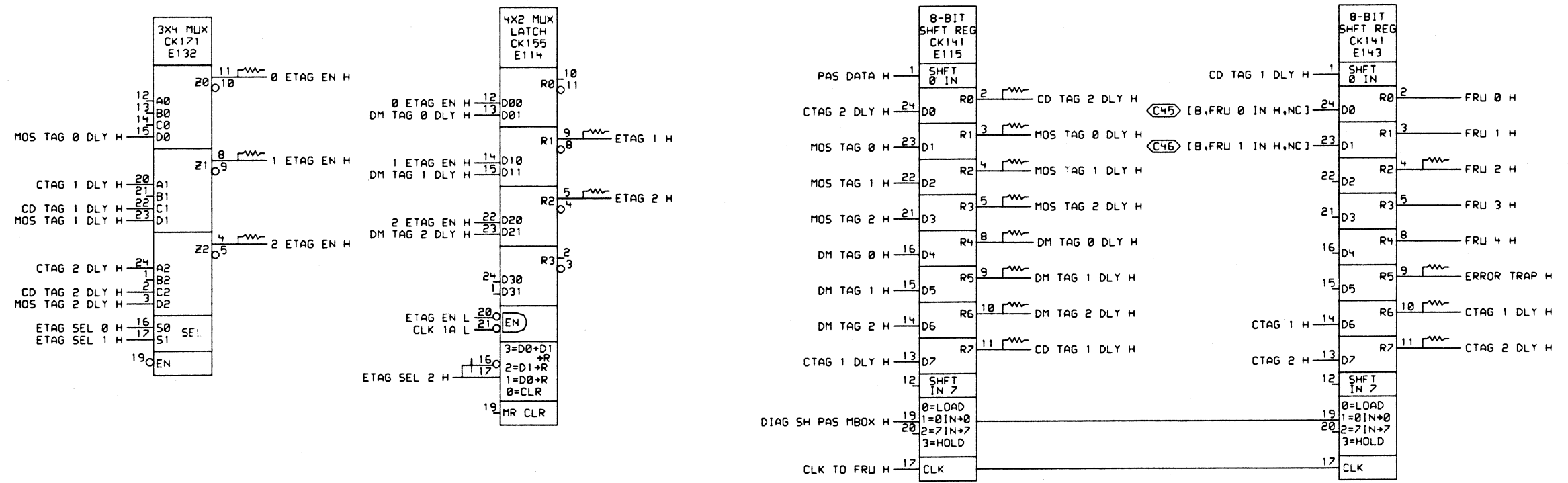


THIS DRAWING AND SPECIFICATIONS ARE THE PROPERTY OF DIGITAL EQUIPMENT CORPORATION AND SHALL NOT BE REPRODUCED OR COPIED OR USED IN WHOLE OR IN PART AS THE BASIS FOR THE MANUFACTURE OR SALE OF ITEMS WITHOUT WRITTEN PERMISSION. COPYRIGHT © 1982, DIGITAL EQUIPMENT CORPORATION.

CHK	CHANGE NO.	REV

REV.	NUMBER	DATE	BY	CHK'D.

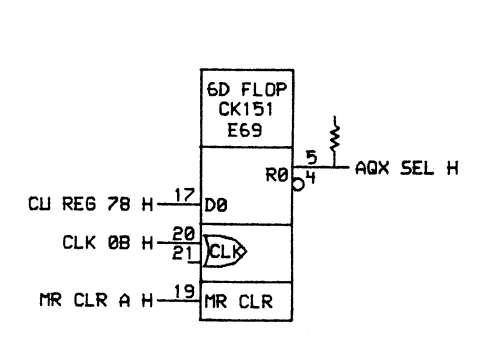
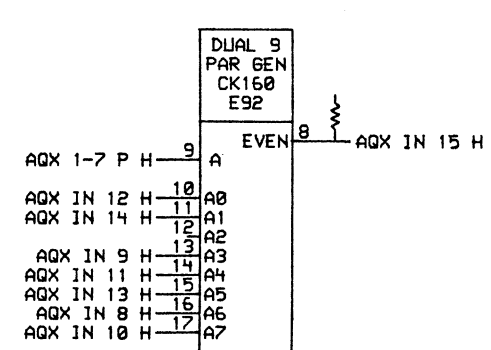
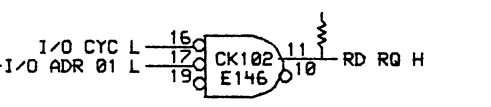
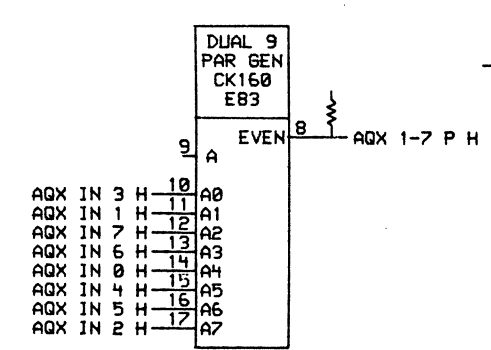
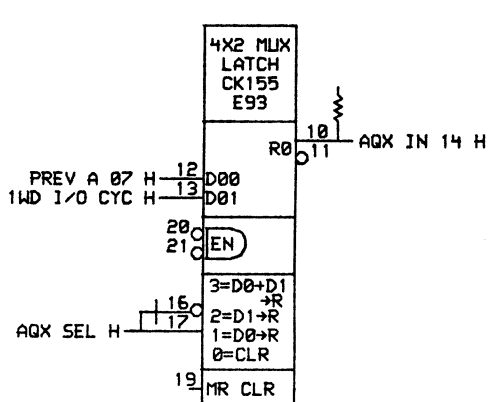
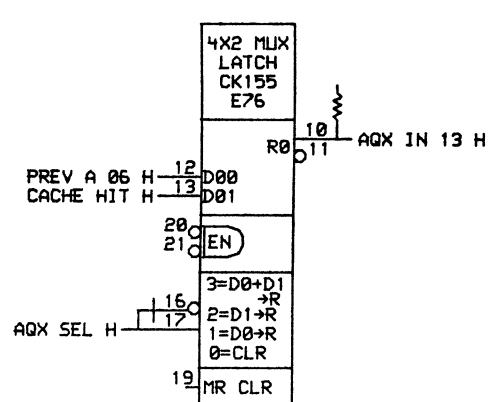
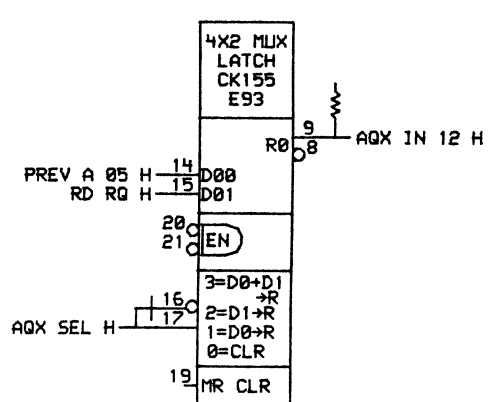
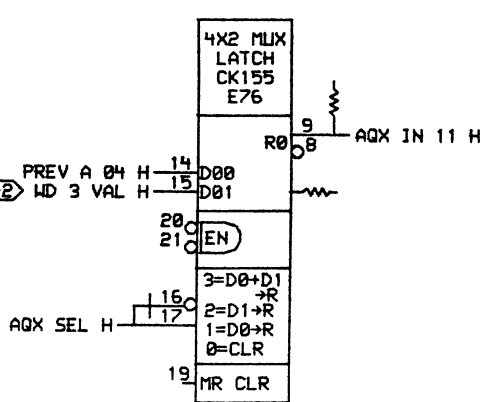
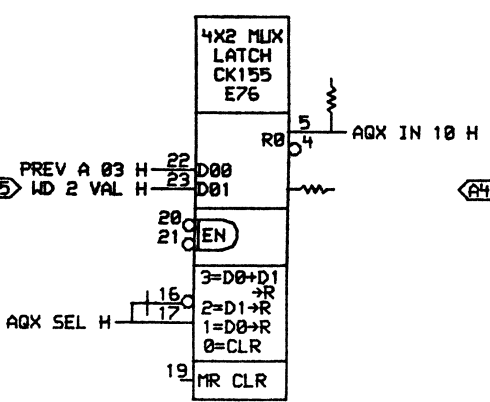
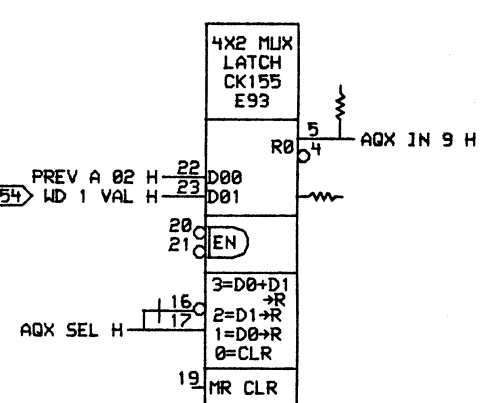
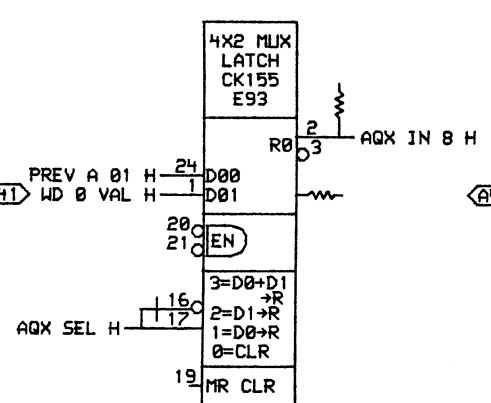
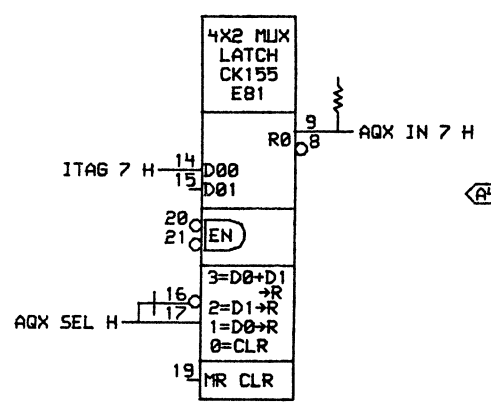
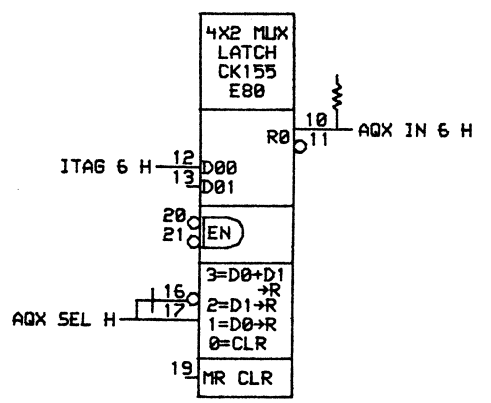
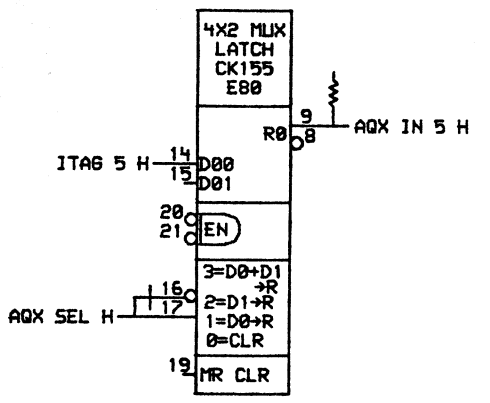
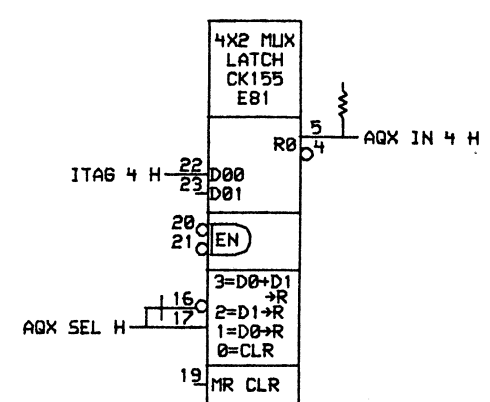
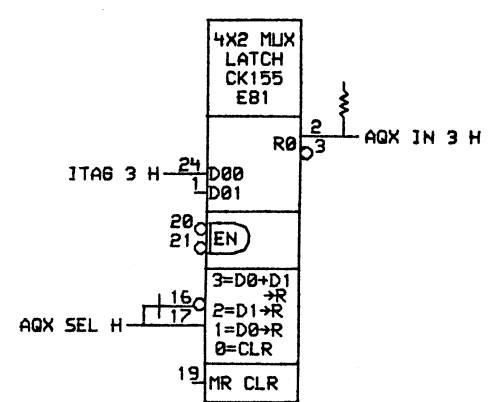
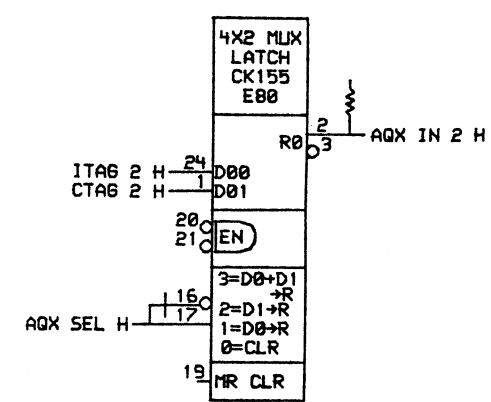
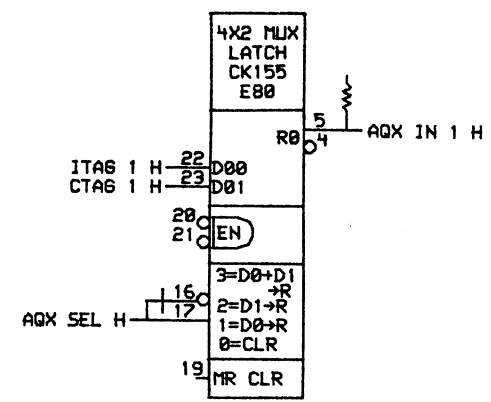
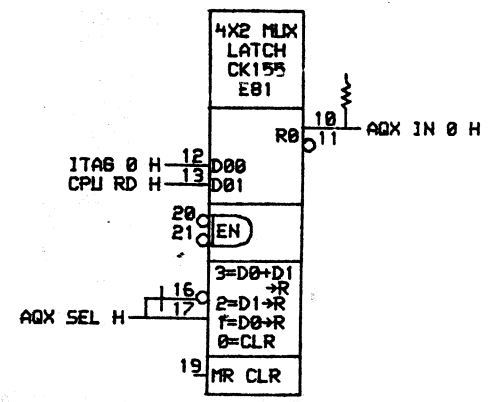
		DATE: 07-DEC-82 DATE: BOARD LOCATION: SHEET:  OF: NEXT HIGHER ASSEMBLY: FIRST USED ON OPTION/MODEL: 2080	ENG. DATE: TITLE: IBOX TAGS
SIZE	CODE	NUMBER	REV.
D	CS	L0059-0-CAMM	*

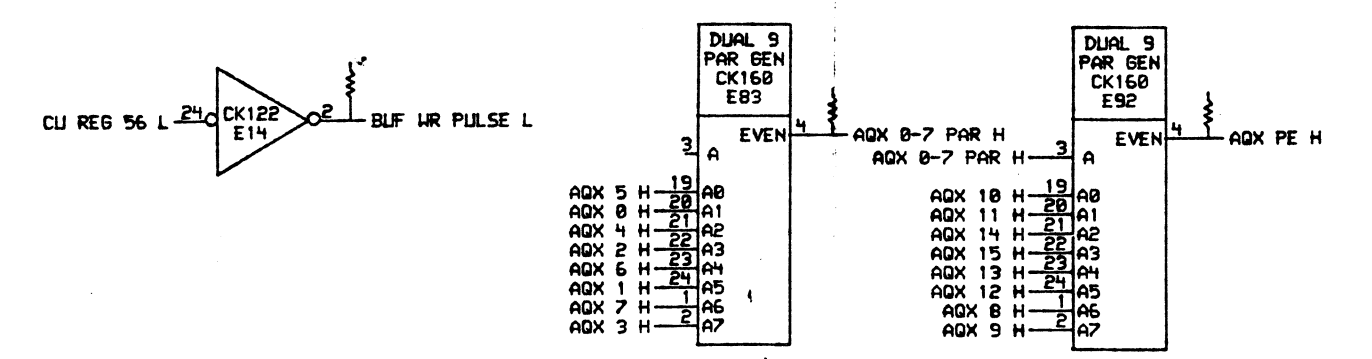
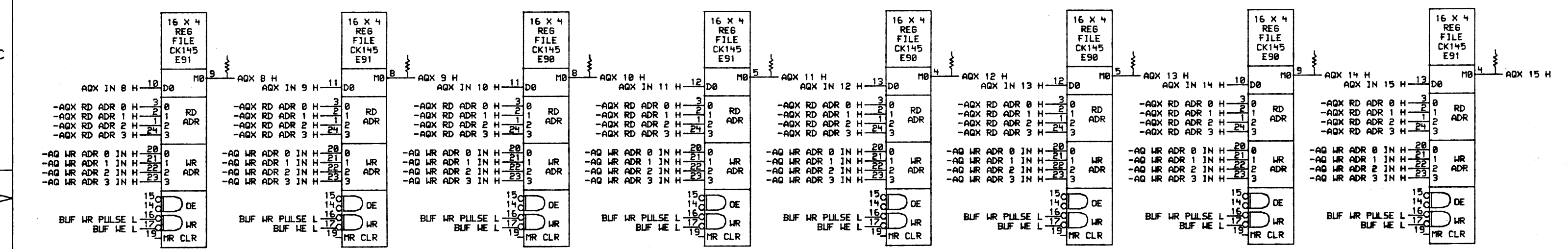
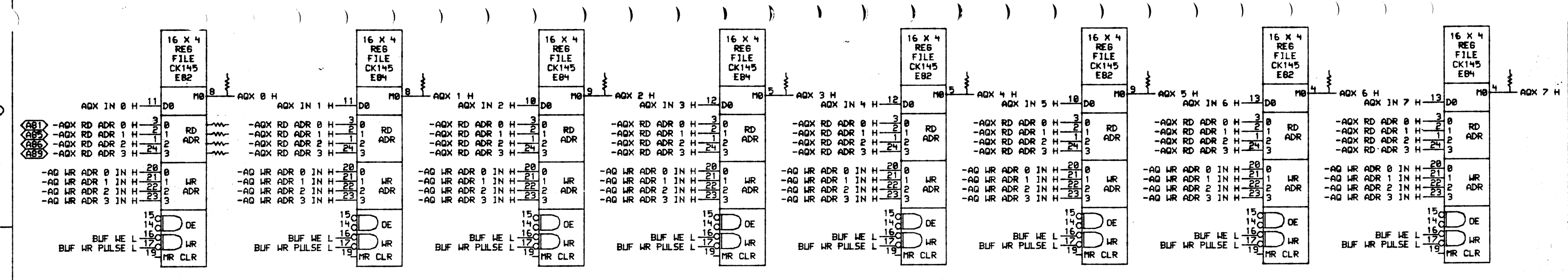


THIS DRAWING AND SPECIFICATIONS, HEREIN, ARE THE PROPERTY OF DIGITAL EQUIPMENT CORPORATION AND SHALL NOT BE REPRODUCED OR COPIED OR USED IN WHOLE OR IN PART AS THE BASIS FOR THE MANUFACTURE OR SALE OF ITEMS WITHOUT WRITTEN PERMISSION. COPYRIGHT © 1982 DIGITAL EQUIPMENT CORPORATION.

CHK	CHANGE NO.	REV

	DATE 22-DEC-82	ENG.	DATE	TITLE: MCC FRU
	DATE	BOARD LOCATION:	SHEET 1 OF 1	
VULCANI<2000.CAM>BICAMN.DRW 21-DEC-82 13:33 NEXT HIGHER ASSEMBLY: B-DD-L0059-0				SIZE CODE D CS NUMBER L0059-0-CAMN REV. *

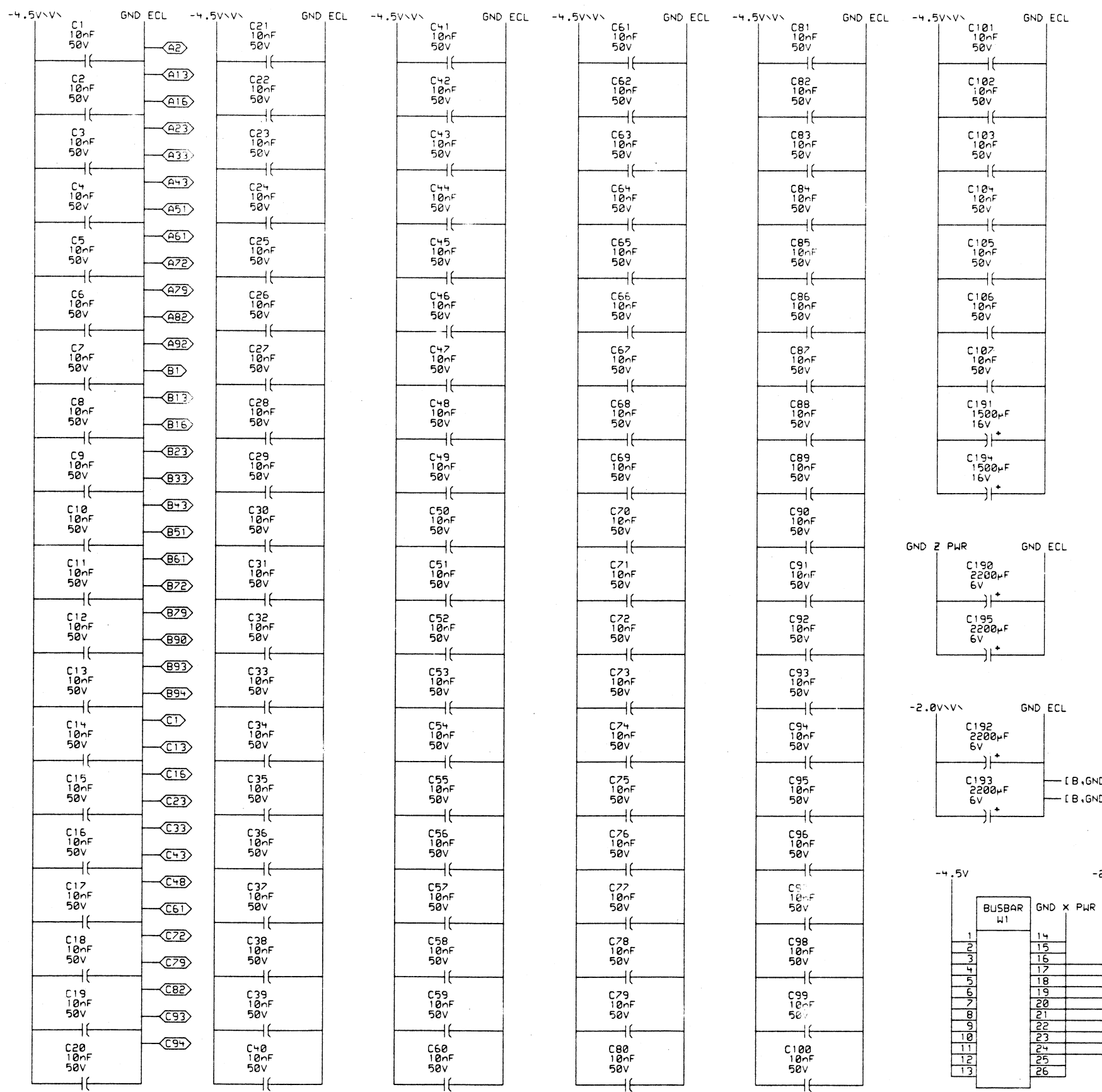




REVISIONS			DATE		TITLE	
CHK	CHANGE NO.	REV	DATE	ENG.	DATE	NUMBER

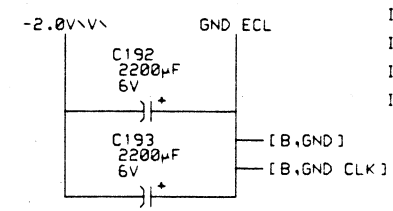
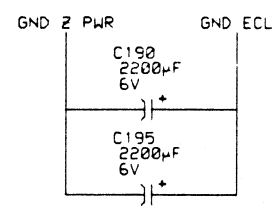
  

		DATE: 2/20/68 ENG.: [Signature]		TITLE: ADR QUE EXTENSION AQX 00-15	
FIRST USED ON OPTION MODEL: 2080		B-DD-L0059-0		D CS L0059-0-CAMR	

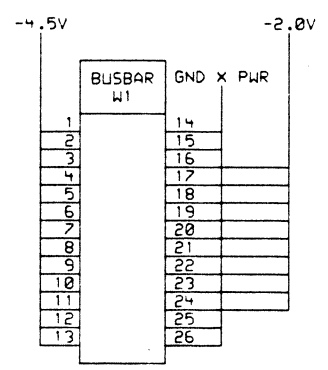
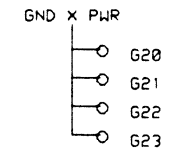
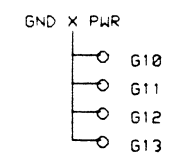


- ⓅB53 - GND CLK
- ⓅB55 - GND CLK
- ⓅB57 - GND CLK
- ⓅB59 - GND CLK

- ⓅA37 - NC A37
- ⓅA67 - NC A67
- ⓅA68 - NC A68
- ⓅA71 - NC A71
- ⓅB12 - NC B12
- ⓅB25 - NC B25
- ⓅB26 - NC B26
- ⓅB32 - NC B32
- ⓅB45 - NC B45
- ⓅB48 - NC B48
- ⓅB78 - NC B78
- ⓅC30 - NC C30
- ⓅC44 - NC C44
- ⓅC74 - NC C74
- ⓅC80 - NC C80
- ⓅC88 - NC C88
- ⓅC90 - NC C90
- ⓅC92 - NC C92
- ⓅC89 - [B.GND ECL,NC]



- I100 - [D,IMP1,NC]
- I110 - [D,IMP1,NC]
- I200 - [D,IMP2,NC]
- I210 - [D,IMP2,NC]



THIS DRAWING AND SPECIFICATIONS HEREIN ARE THE PROPERTY OF DIGITAL EQUIPMENT CORPORATION AND SHALL NOT BE REPRODUCED OR COPIED OR USED IN WHOLE OR IN PART AS THE BASIS FOR THE MANUFACTURE OR SALE OF ITEMS WITHOUT WRITTEN PERMISSION. COPYRIGHT © 1983, DIGITAL EQUIPMENT CORPORATION.

REVISIONS	
CHK	CHANGE NO. REV

digital	DRN. J. J. J.	DATE 10-FEB-83	ENG.	DATE	TITLE: CAM
	C.K.D.	DATE	BOARD LOCATION:	SHEET 1 OF 1	POWER AND GROUND
VULCAN: 2080.CAM185CAMS.DRW 09-FEB-83 18:36		NEXT HIGHER ASSEMBLY: B-DD-L0058-0		SIZE D	CODE CS
FIRST USED ON OPTION/MODEL: 2080		NUMBER		REV. *	

<2080.L0058>59MCC1 ✓  
<2080.L0058>47MCC2 ✓  
<2080.L0058>54MCC4 ✓  
<2080.L0058>57MCC5 ✓  
<2080.L0058>53MCC6 ✓  
<2080.L0058>35MCC7 ✓  
<2080.L0058>56MCC8 ✓  
<2080.L0058>53MCC9 ✓  
<2080.L0058>12MCCA ✓  
<2080.L0058>13MCCB ✓  
<2080.L0058>12MCCC ✓  
<2080.L0058>MCCD ✓  
<2080.L0058>MCC E ✓  
<2080.L0058>40MCCF ✓  
<2080.L0058>54MCCG ✓  
<2080.L0058>38MCC H ✓  
<2080.L0058>55MCCI ✓  
<2080.L0058>51MCCJ ✓  
<2080.L0058>60MCCK ✓  
<2080.L0058>47MCC L ✓  
<2080.L0058>59MCC M ✓  
<2080.L0058>39MCC N ✓  
<2080.L0058>58MCC P ✓  
<2080.L0058>53MCC R ✓  
<2080.L0058>40MCC S ✓  
<2080.L0058>58MCC V ✓

E165 CK136	E150 CK102	E135 CK141	E120 CK102	E105 CK141	E090 CK131	E075 CK136	E060 CK171	E045 CK160	E030 CK141	E015 CK150
E164 CK131	E149 CK131	E134 CK141	E119 CK102	E104 CK155	E089 CK164	E074 CK145	E059 CK171	E044 CK141	E029 CK150	E014 CK141
E163 CK155	E148 CK170	E133 CK422	E118 CK102	E103 CK102	E088 CK155	E073 CK171	E058 CK155	E043 CK150	E028 CK422	E013 CK422
E162 CK155	E147 CK165	E132 CK422	E117 CK151	E102 CK151	E087 CK141	E072 CK145	E057 CK141	E042 CK422	E027 CK422	E012 CK422
E161 CK171	E146 CK102	E131 CK136	E116 CK163	E101 CK101	E086 CK151	E071 CK141	E056 CK141	E041 CK422	E026 CK422	E011 CK422
E160 CK141	E145 CK165	E130 CK101	E115 CK141	E100 CK102	E085 CK141	E070 CK102	E055 CK155	E040 CK155	E025 CK155	E010 CK141
E159 CK117	E144 CK171	E129 CK151	E114 CK131	E099 CK155	E084 CK150	E069 CK107	E054 CK422	E039 CK422	E024 CK141	E009 CK422
E158 CK102	E143 CK117	E128 CK102	E113 CK102	E098 CK164	E083 CK102	E068 CK160	E053 CK422	E038 CK141	E023 CK160	E008 CK141
E157 CK151	E142 CK107	E127 CK136	E112 CK117	E097 CK141	E082 CK171	E067 CK155	E052 CK141	E037 CK422	E022 CK422	E007 CK422
E156 CK141	E141 CK160	E126 CK155	E111 CK102	E096 CK102	E081 CK170	E066 CK155	E051 CK145	E036 CK422	E021 CK141	E006 CK160
E155 CK141	E140 CK101	E125 CK141	E110 CK150	E095 CK171	E080 CK113	E065 CK160	E050 CK145	E035 CK155	E020 CK422	E005 CK141
E154 CK123	E139 CK117	E124 CK170	E109 CK123	E094 CK102	E079 CK117	E064 CK141	E049 CK145	E034 CK151	E019 CK102	E004 CK422
E153 CK118	E138 CK102	E123 CK171	E108 CK150	E093 CK155	E078 CK102	E063 CK160	E048 CK145	E033 CK117	E018 CK422	E003 CK422
E152 CK165	E137 CK141	E122 CK155	E107 CK141	E092 CK155	E077 CK155	E062 CK155	E047 CK122	E032 CK160	E017 CK122	E002 CK141
E151 CK102	E136 CK123	E121 CK123	E106 CK123	E091 CK123	E076 CK141	E061 CK155	E046 CK123	E031 CK123	E016 CK122	E001 CK170

mcc

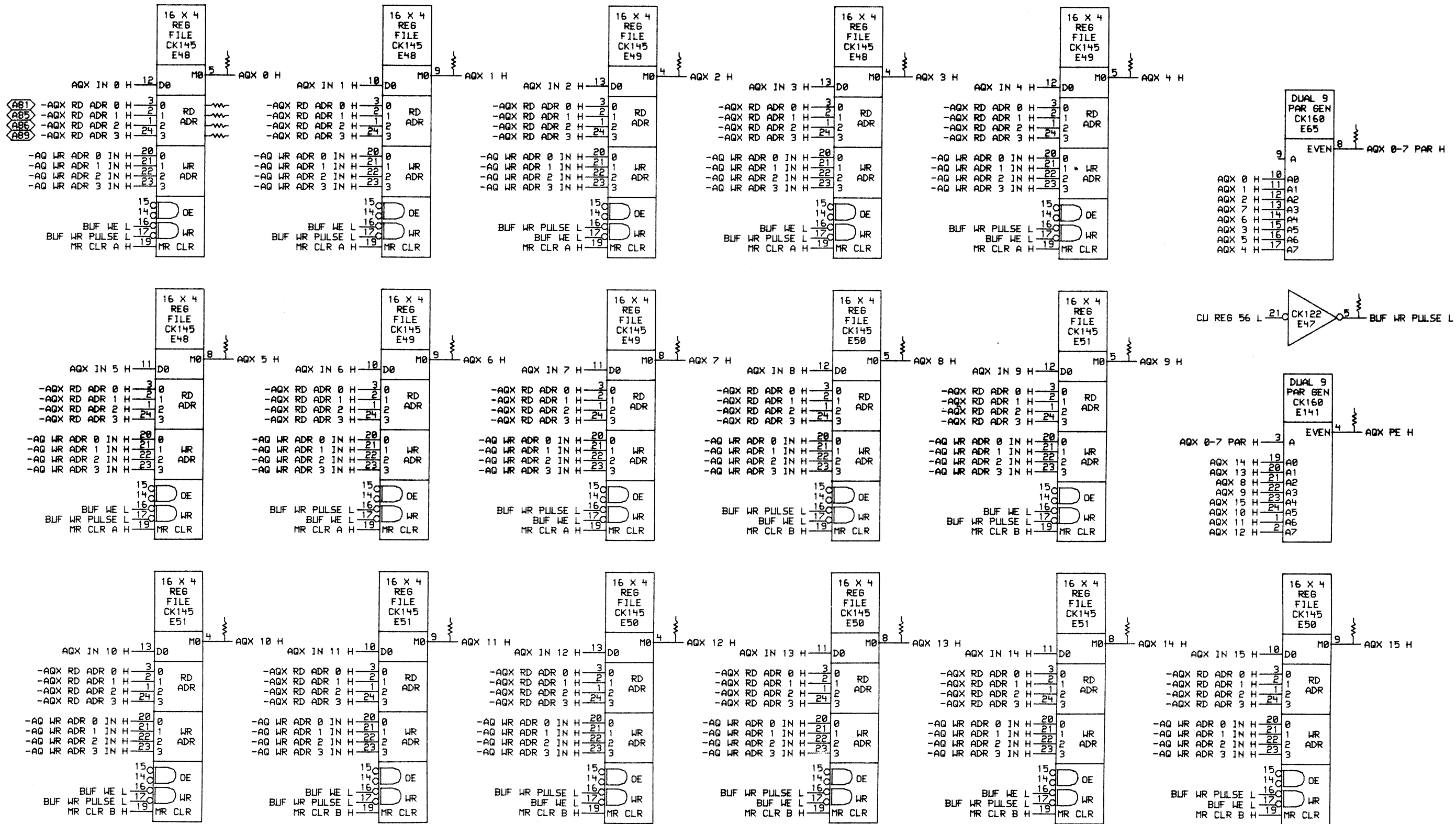
+ C122 + + C121 + + C120 + + C119 + + C118 + + C117 +

D

C

B

A



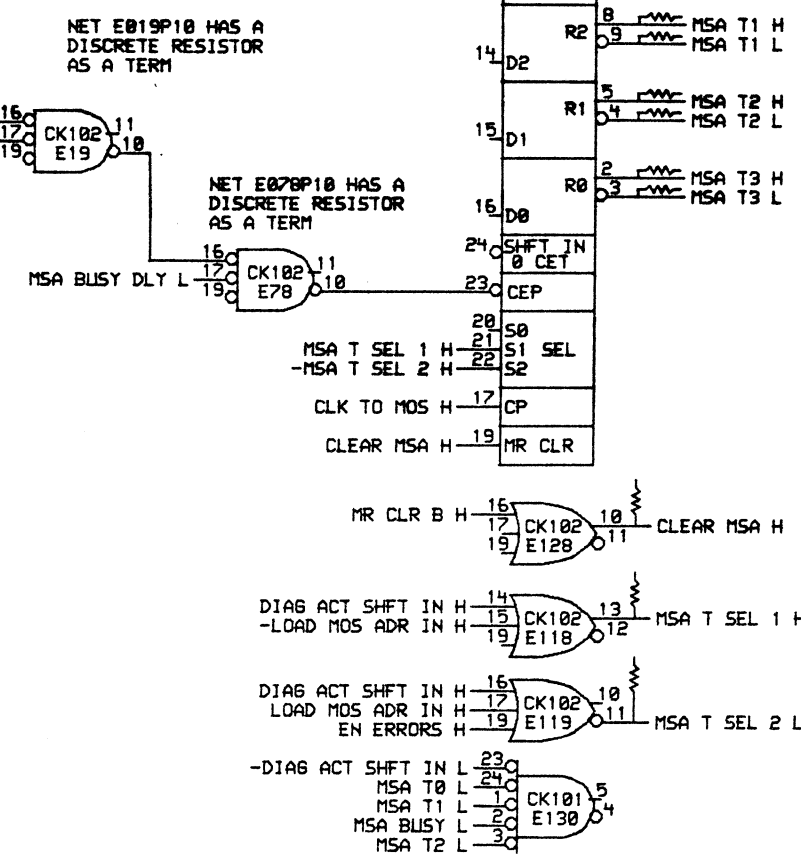
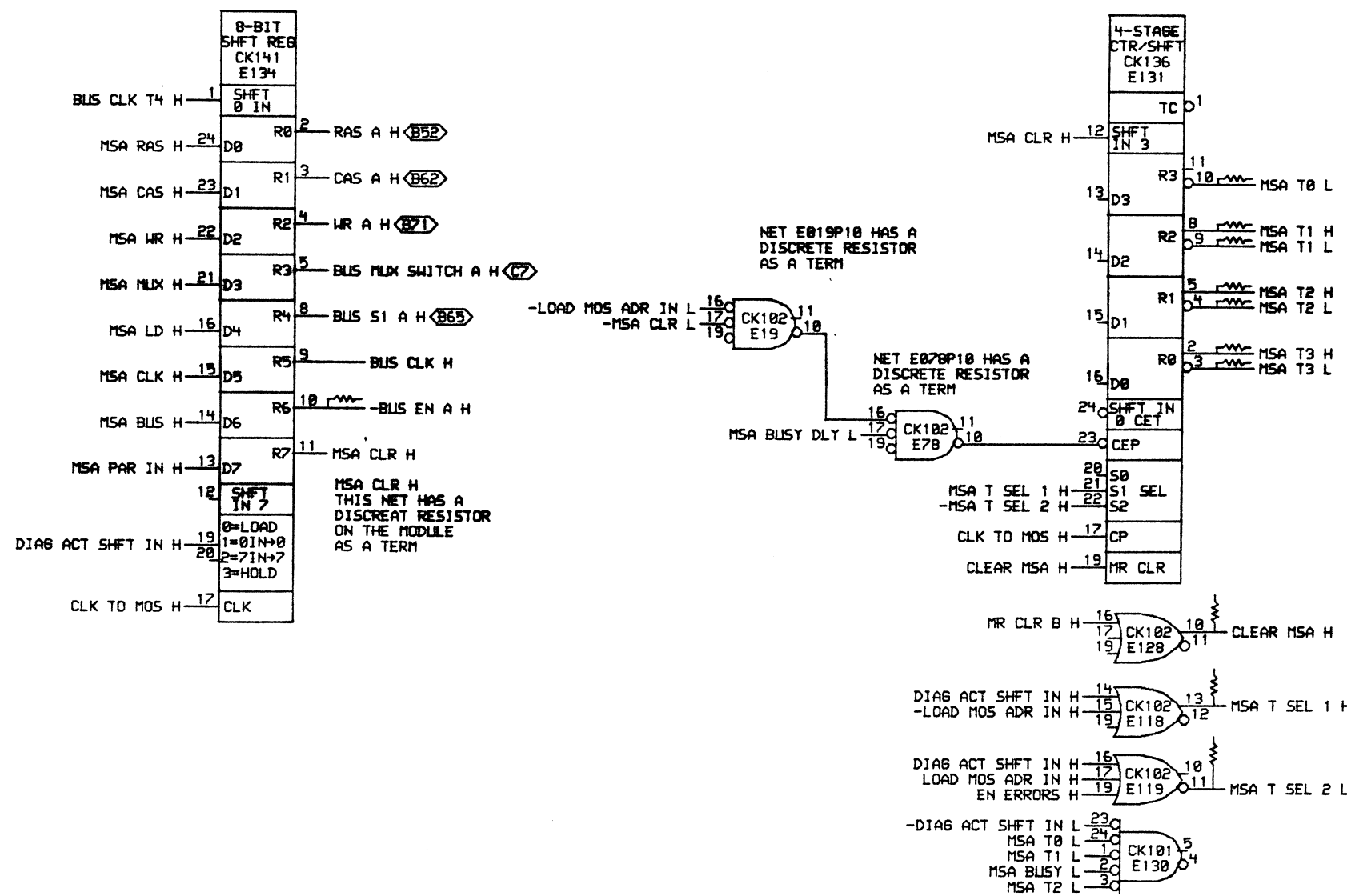
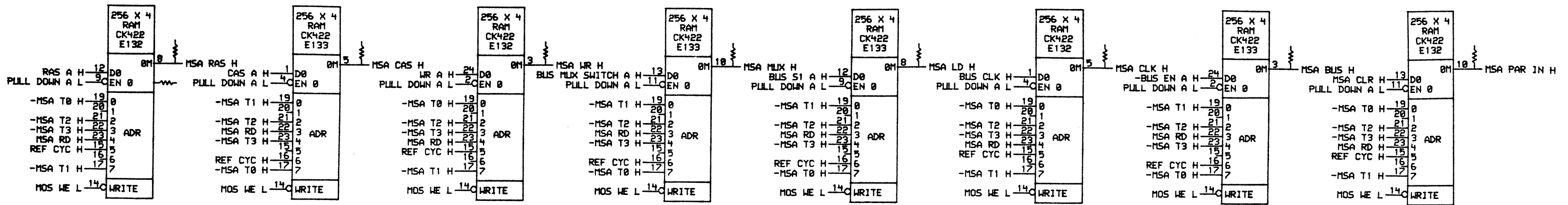
THIS DRAWING AND SPECIFICATIONS ARE THE PROPERTY OF DIGITAL EQUIPMENT CORPORATION AND SHALL NOT BE REPRODUCED OR COPIED OR USED IN WHOLE OR IN PART AS THE BASIS FOR THE MANUFACTURE OR SALE OF ITEMS WITHOUT WRITTEN PERMISSION. COPYRIGHT © 1982, DIGITAL EQUIPMENT CORPORATION.

REVISIONS		
CHK	CHANGE NO.	REV

**digital** *John*  
 DATE: 22-FEB-82  
 DATE: 22-FEB-82  
 BOARD LOCATION: SHEET 1 OF 1  
 FIRST USED ON OPTION/MODEL: 2080 B-DD-L0058-0

TITLE: ADR QUT EXTENSION AQX 00-15		DATE:	ENG.:
SIZE: D	CODE: CS	NUMBER: L0058-0-MCC1	REV.:

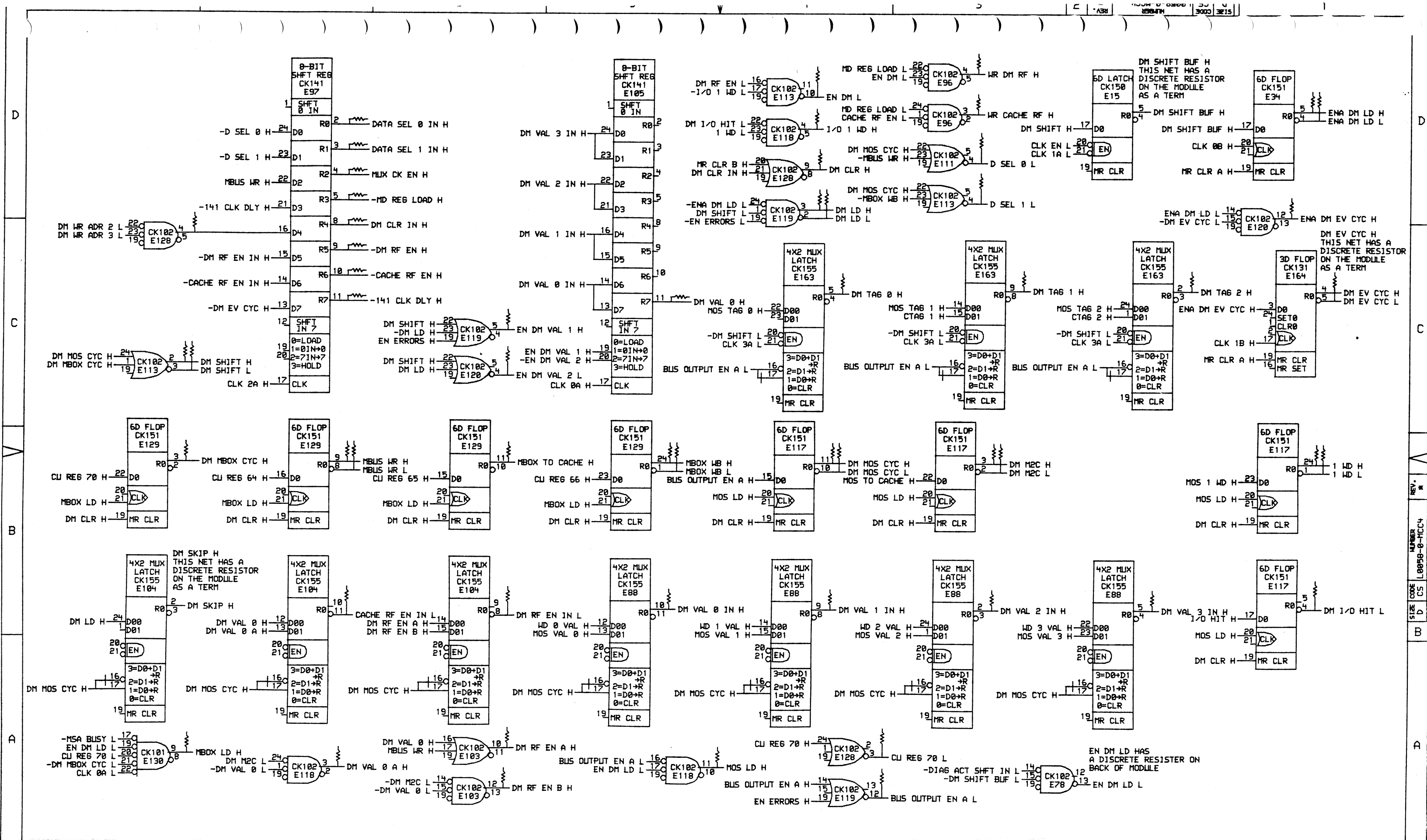




THIS DRAWING AND SPECIFICATIONS HERETOIN ARE THE PROPERTY OF DIGITAL EQUIPMENT CORPORATION AND SHALL NOT BE REPRODUCED OR COPIED OR USED IN WHOLE OR IN PART AS THE BASIS FOR THE MANUFACTURE OR SALE OF ITEMS WITHOUT WRITTEN PERMISSION. COPYRIGHT © 1982 DIGITAL EQUIPMENT CORPORATION

REVISIONS	
CHK	CHANGE NO. REV.

digital	DATE	ENG.	DATE	TITLE:
	27-JAN-82			MOS SEQUENCER CTL A
SHEET 1 OF 1		BOARD LOCATION:		SIZE
FIRST USED ON OPTION/MODEL: 2080		NEXT HIGHER ASSEMBLY:		CODE
B-DD-L0058-0				D CS
NUMBER				REV.
L0058-0-MCC2				*

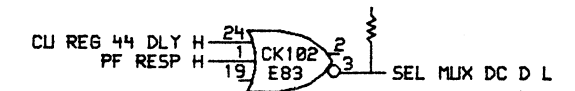
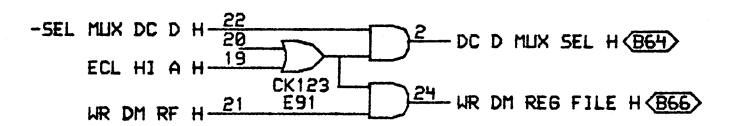
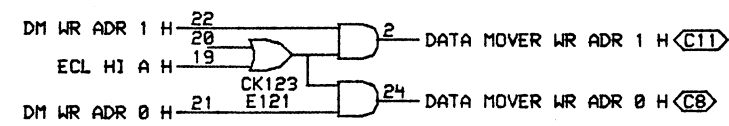
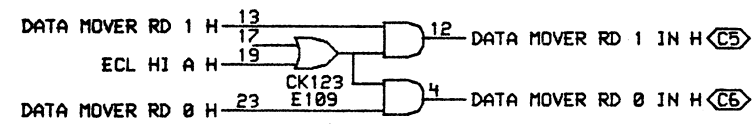
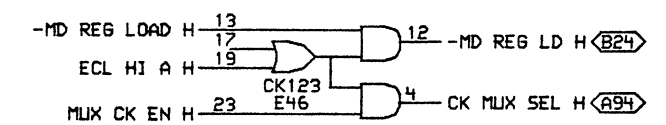
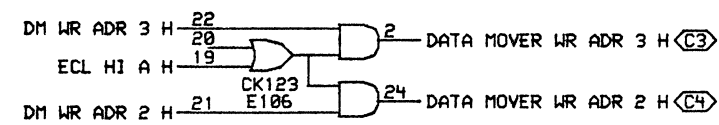
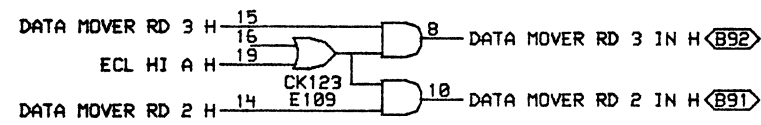
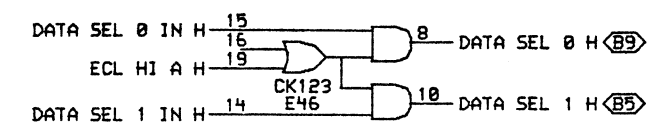
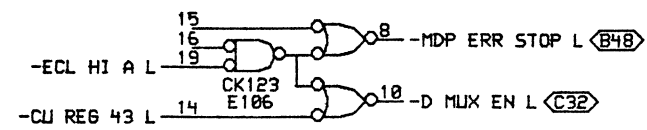
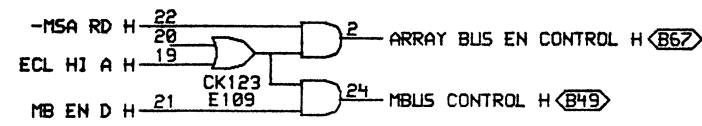


THIS DRAWING AND SPECIFICATIONS ARE THE PROPERTY OF DIGITAL EQUIPMENT CORPORATION AND SHALL NOT BE REPRODUCED OR COPIED OR USED IN WHOLE OR IN PART AS THE BASIS FOR THE MANUFACTURE OR SALE OF ITEMS WITHOUT WRITTEN PERMISSION. COPYRIGHT © 1982 DIGITAL EQUIPMENT CORPORATION

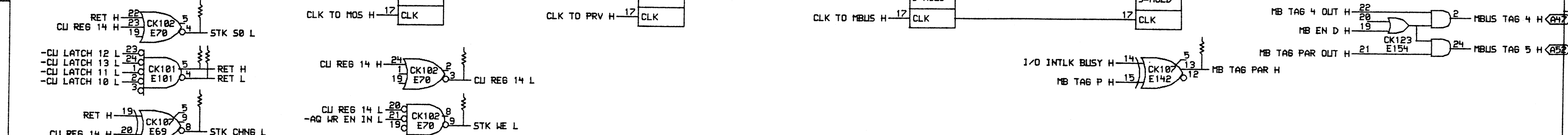
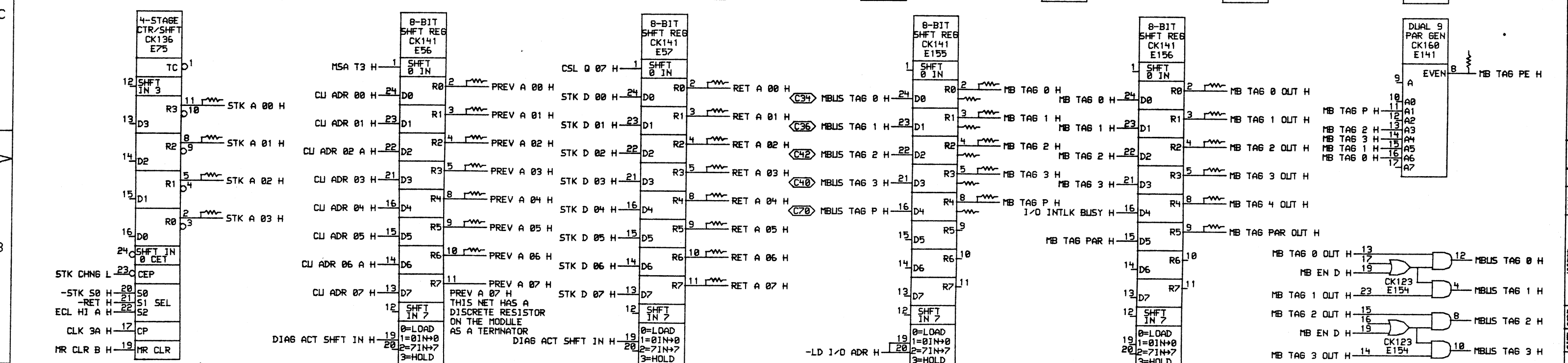
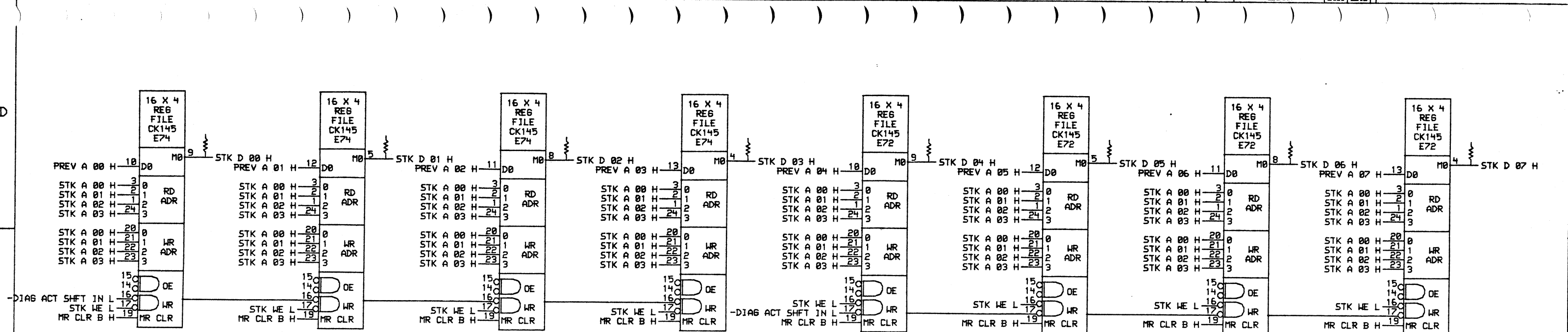
REVISIONS		
CHK	CHANGE NO.	REV

digital	DRN: J. J. J.	DATE: 06-FEB-82	ENG.	DATE	TITLE: DATA MOVER CTL
	CHK'D.	DATE	BOARD LOCATION:	SHEET 1 OF 1	
VLL CAN (2000-L0058) MCCC4 DRW 05-FEB-82 15:30 NEXT HIGHER ASSEMBLY:			SIZE CODE	NUMBER	REV.
FIRST USED ON OPTION/MODEL: 2000			D	CS L0058-0-MCC4	*

EN DM LD HAS A DISCRETE RESISTOR ON BACK OF MODULE	EN DM LD L	EN DM LD L	EN DM LD L	EN DM LD L	EN DM LD L
DM SKIP H THIS NET HAS A DISCRETE RESISTOR ON THE MODULE AS A TERM	DM SKIP H	DM SKIP H	DM SKIP H	DM SKIP H	DM SKIP H
DM EV CYC H THIS NET HAS A DISCRETE RESISTOR ON THE MODULE AS A TERM	DM EV CYC H	DM EV CYC H	DM EV CYC H	DM EV CYC H	DM EV CYC H



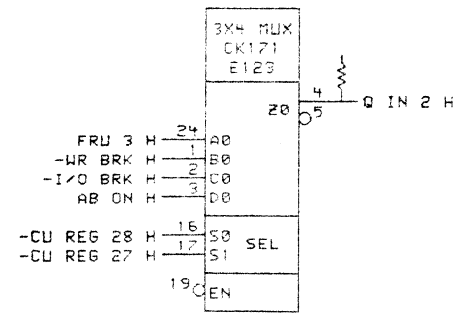
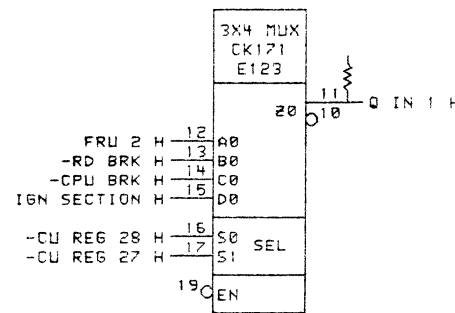
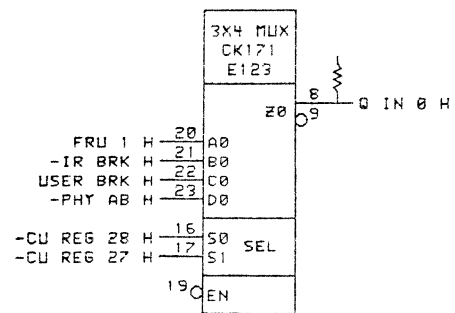
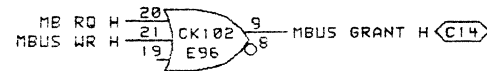
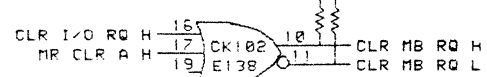
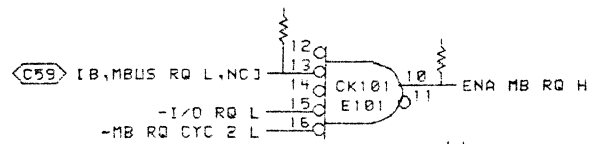
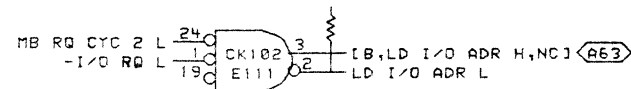
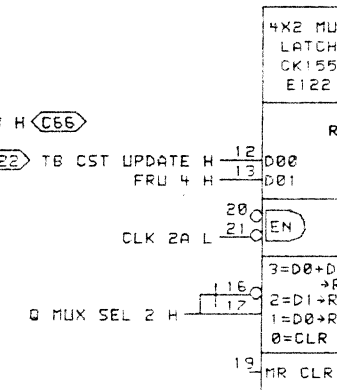
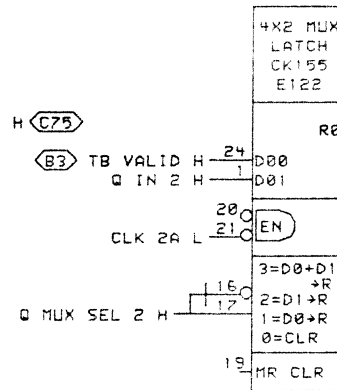
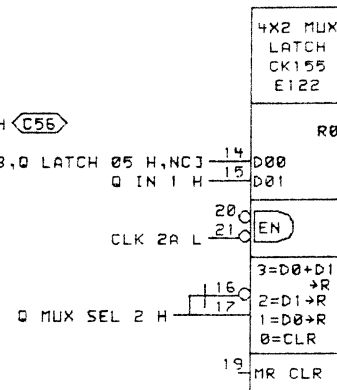
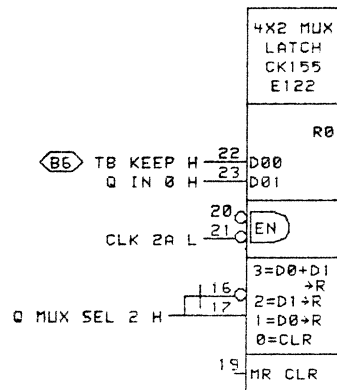
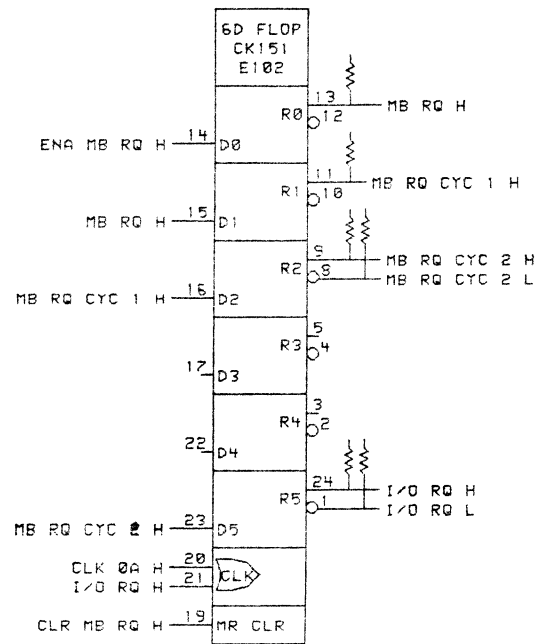
DRN.	DATE	ENG.	DATE	TITLE:
CHK'D.	DATE	BOARD LOCATION:		MDP DMU CONTROL LOGIC
VILCANI (2080.L0058)57MCC5.DRW	11-FEB-82	SHEET 1 OF 1		NUMBER L0058-0-MCC5
FIRST USED ON OPTION/MODEL: 2080	10-FEB-82 13:53	NEXT HIGHER ASSEMBLY: B-DD-L0058-0	SIZE D	CODE C5
				REV. *

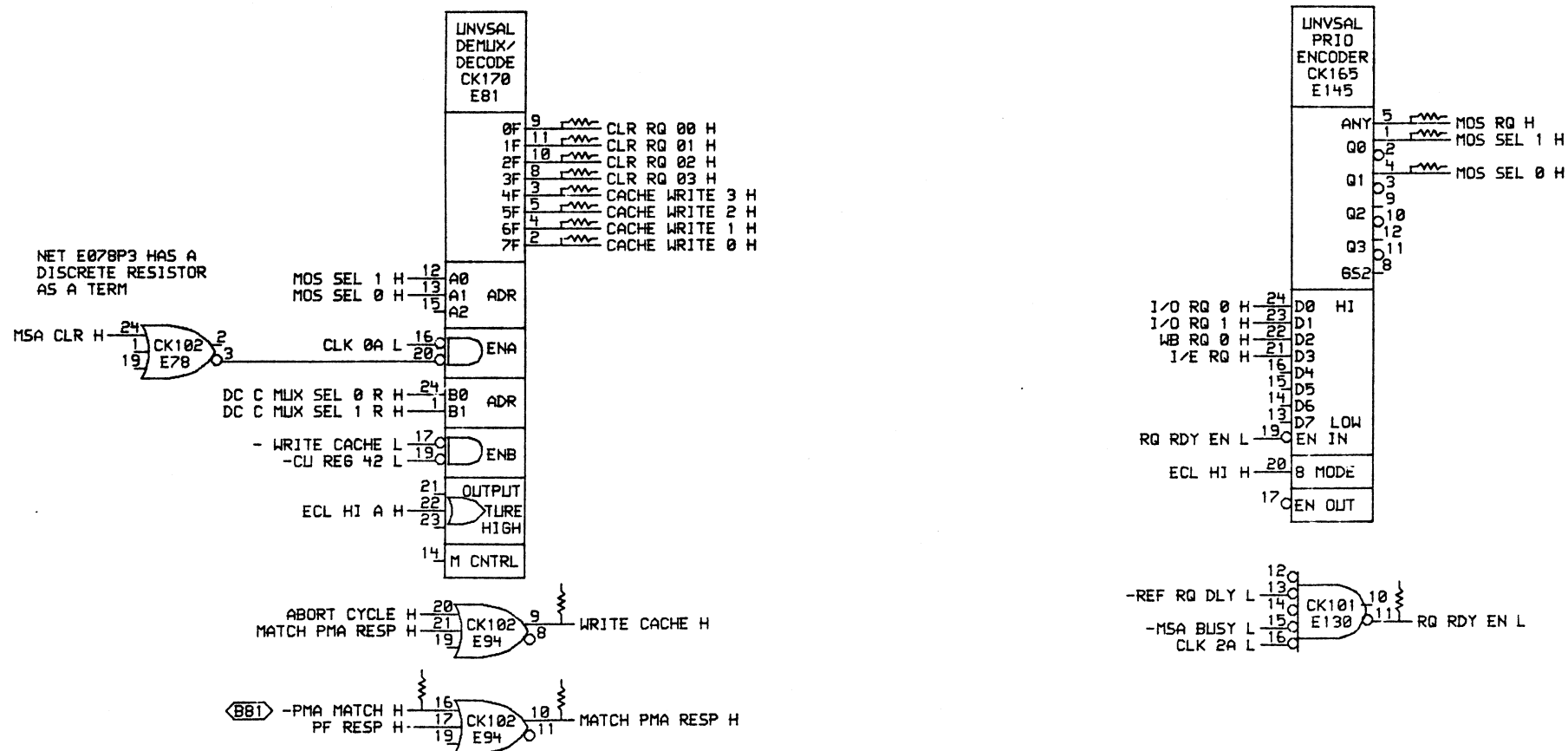
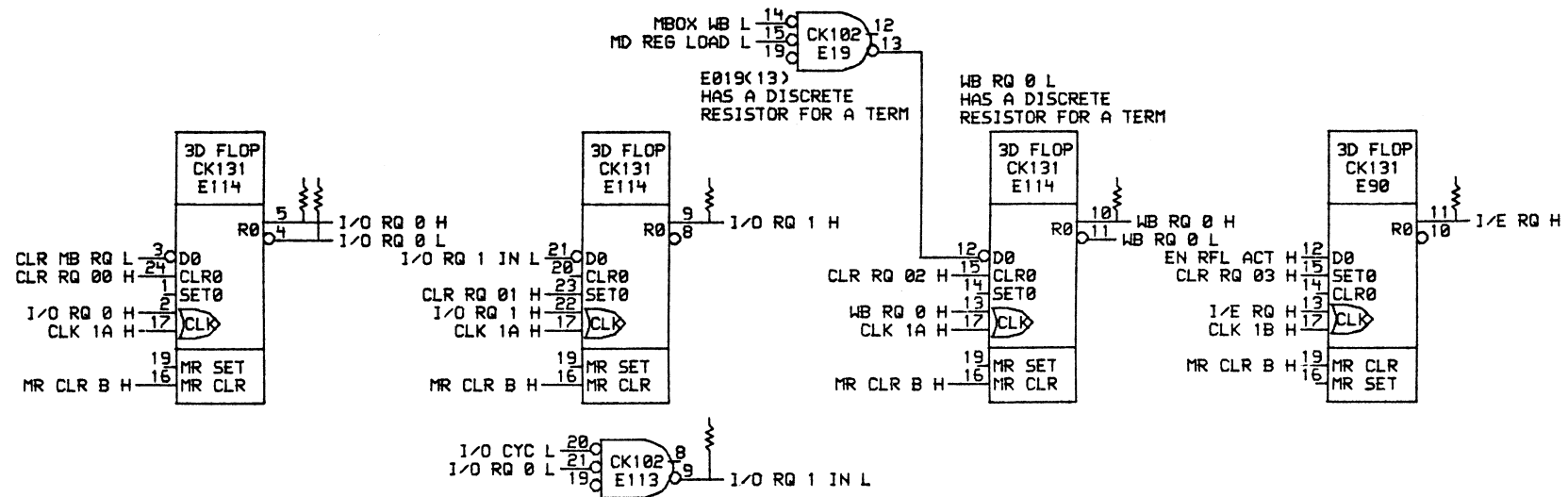


THIS DRAWING AND SPECIFICATIONS HEREIN ARE THE PROPERTY OF DIGITAL EQUIPMENT CORPORATION AND SHALL NOT BE REPRODUCED OR COPIED OR USED IN WHOLE OR IN PART AS THE BASIS FOR THE MANUFACTURE OR SALE OF ITEMS WITHOUT WRITTEN PERMISSION. COPYRIGHT © 1982 DIGITAL EQUIPMENT CORPORATION.

REVISIONS		
CHK	CHANGE NO.	REV

	DRN. J. J. J.	DATE 02-FEB-82	ENG.	DATE	TITLE: CU STACK
	CHK'D.	DATE	BOARD LOCATION:	SHEET 1 OF 1	SIZE: D
VIL CANI (2888-L-0098) 53 MCC6.DRW 04-FEB-82 12:28		NEXT HIGHER ASSEMBLY: B-DD-L0058-0		NUMBER L0058-0-MCC6	REV. *



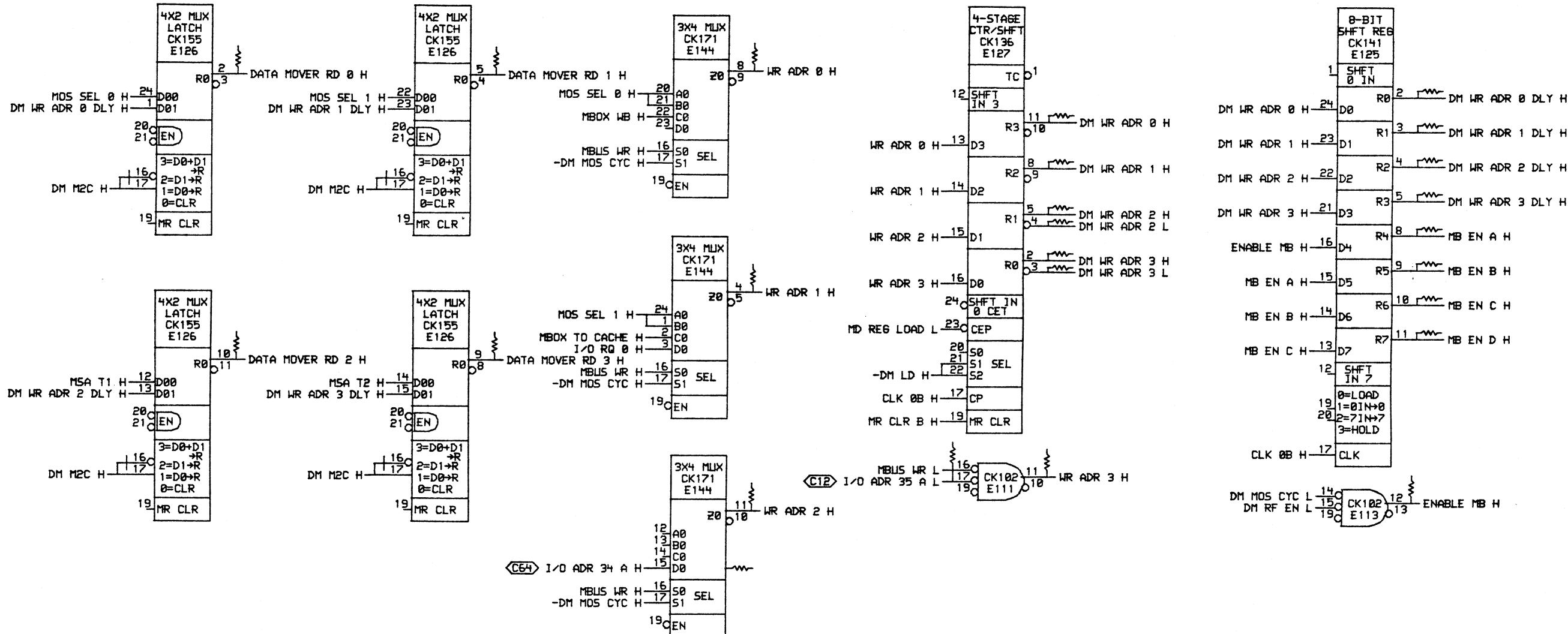


THIS DRAWING AND SPECIFICATIONS ARE THE PROPERTY OF DIGITAL EQUIPMENT CORPORATION AND SHALL NOT BE REPRODUCED OR COPIED OR USED IN WHOLE OR IN PART AS THE BASIS FOR THE MANUFACTURE OR SALE OF ITEMS WITHOUT WRITTEN PERMISSION. COPYRIGHT © 1982. DIGITAL EQUIPMENT CORPORATION

REVISIONS		
CHK	CHANGE NO.	REV

8	7	6	5	4	3	2	1
---	---	---	---	---	---	---	---

	DATE	ENG.	DATE	TITLE:
	18-FEB-82			MOS RQ FF MOS PRI EN
CHK'D.	DATE	BOARD LOCATION:	SHEET	OF
VILCAN: <2000.L0058>56MCCB.DRW	09-FEB-82 09:19	NEXT HIGHER ASSEMBLY:	SIZE	CODE
FIRST USED ON OPTION/MODEL: 2000	B-DD-L0058-0	NUMBER	L0058-0-MCC8	REV. *

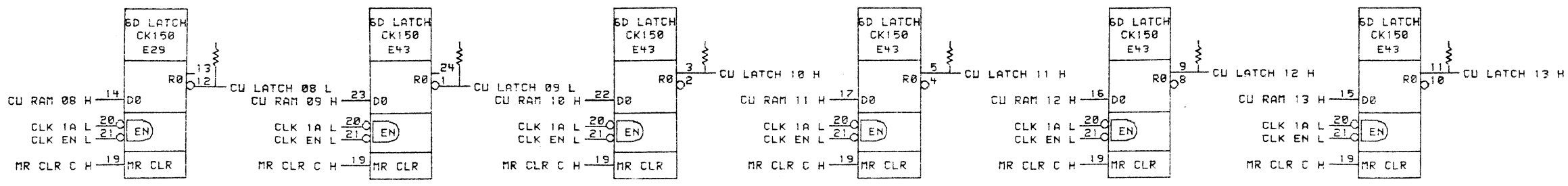
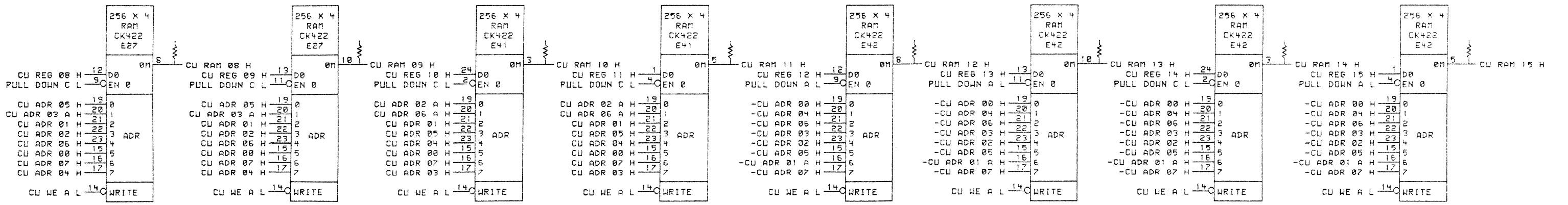
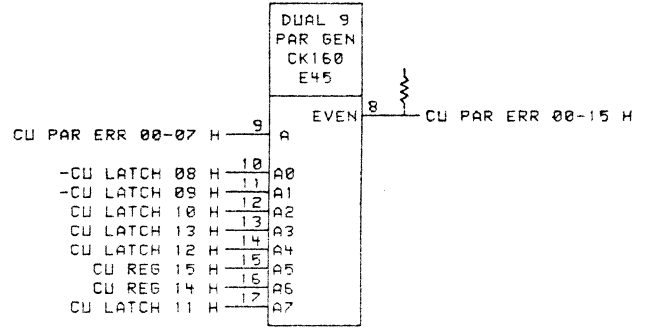
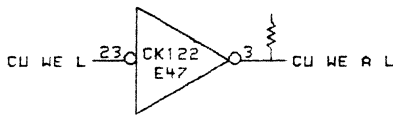
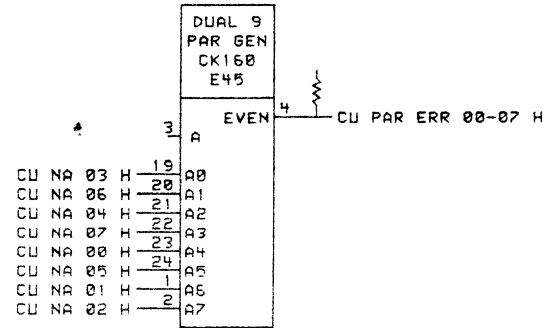
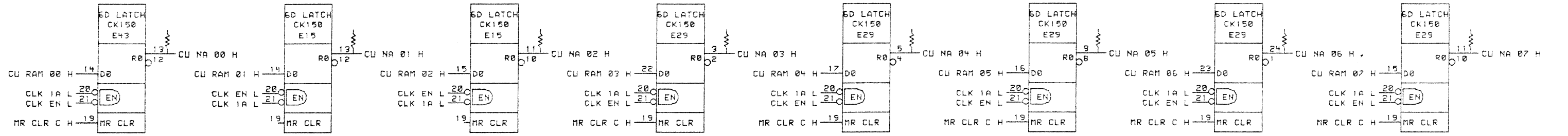
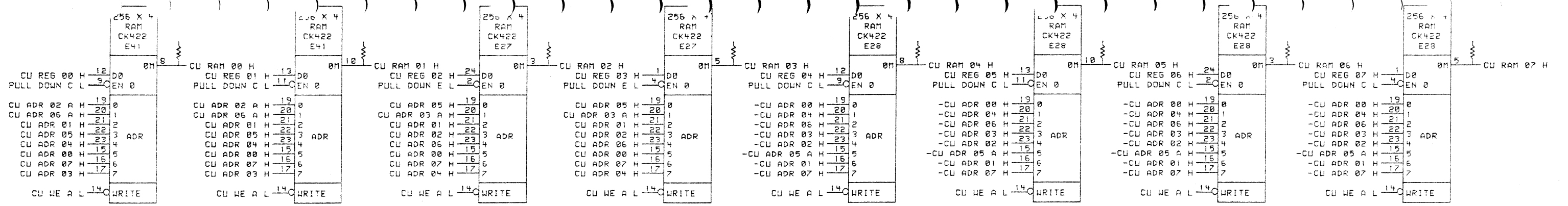


THIS DRAWING AND SPECIFICATIONS ARE THE PROPERTY OF DIGITAL EQUIPMENT CORPORATION AND SHALL NOT BE REPRODUCED OR COPIED OR USED IN WHOLE OR IN PART AS THE BASIS FOR THE MANUFACTURE OR SALE OF ITEMS WITHOUT WRITTEN PERMISSION. COPYRIGHT © 1982, DIGITAL EQUIPMENT CORPORATION.

REVISIONS		
CHK	CHANGE NO.	REV

DATE	ENG.	DATE	TITLE:
05-FEB-82	J. J. J.		DM RD/WR ADR CTL
DATE	BOARD LOCATION:		
	SHEET 1 OF 1		
VIL CAN (2080-L0058) 53MC:9-DRAW		04-FEB-82 12:29	NEXT HIGHER ASSEMBLY:
FIRST USED ON OPTION/MODEL: 2080		B-DD-L0058-0	

SIZE	CODE	NUMBER	REV.
D	CS	L0058-0-MCC9	*



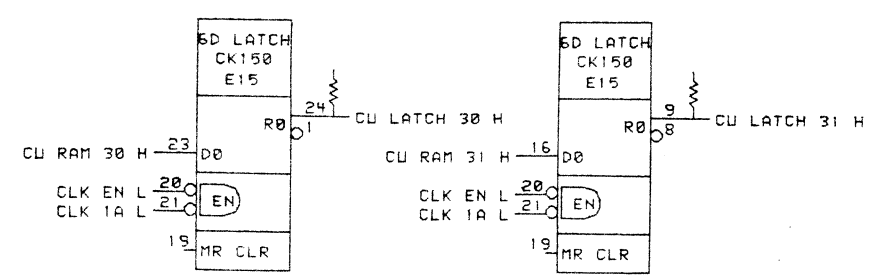
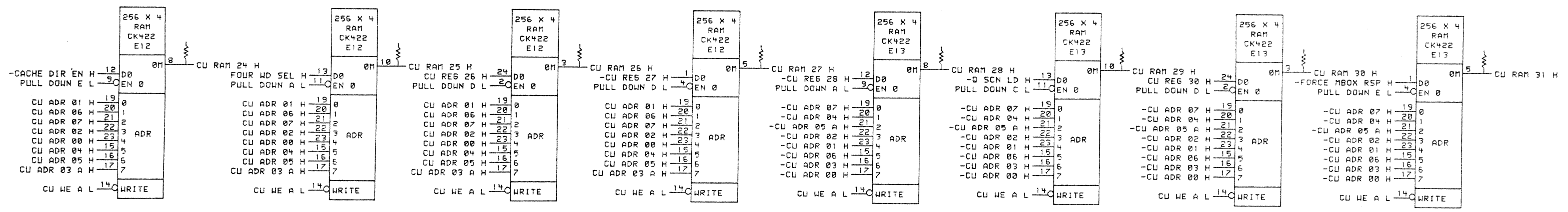
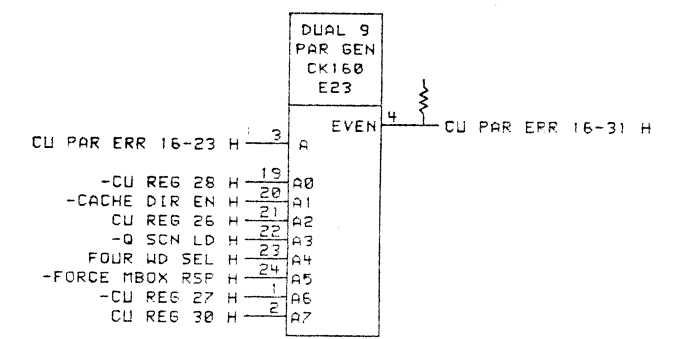
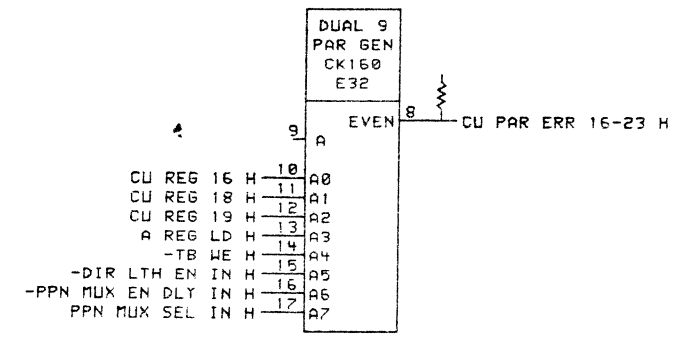
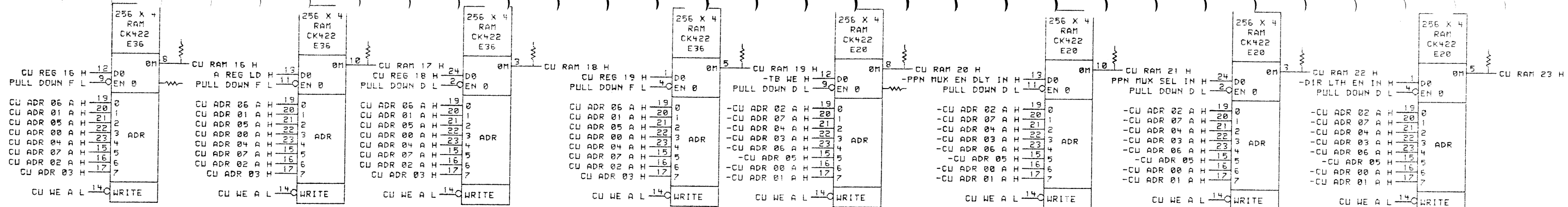
THIS DRAWING AND SPECIFICATIONS HEREIN ARE THE PROPERTY OF DIGITAL EQUIPMENT CORPORATION AND SHALL NOT BE REPRODUCED OR COPIED OR USED IN WHOLE OR IN PART AS THE BASIS FOR THE MANUFACTURE OR SALE OF ITEMS WITHOUT WRITTEN PERMISSION. COPYRIGHT © 1988, DIGITAL EQUIPMENT CORPORATION.

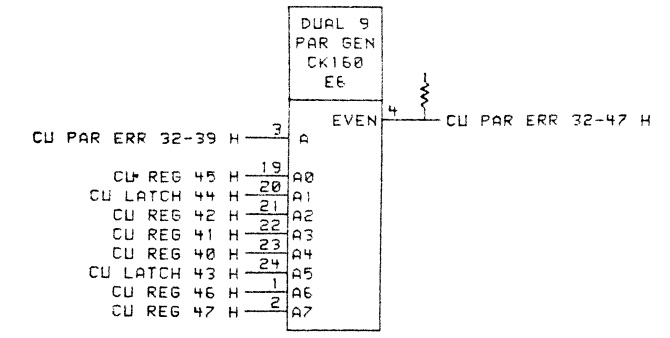
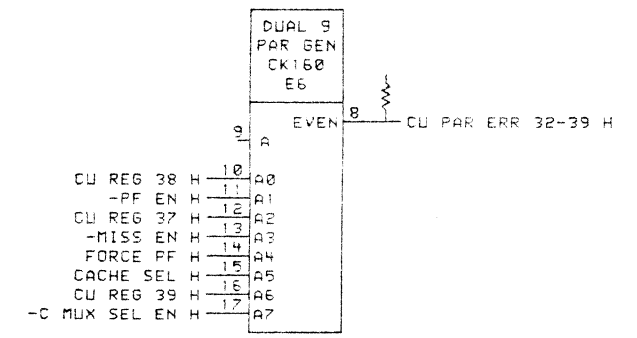
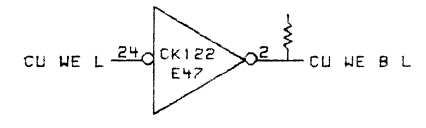
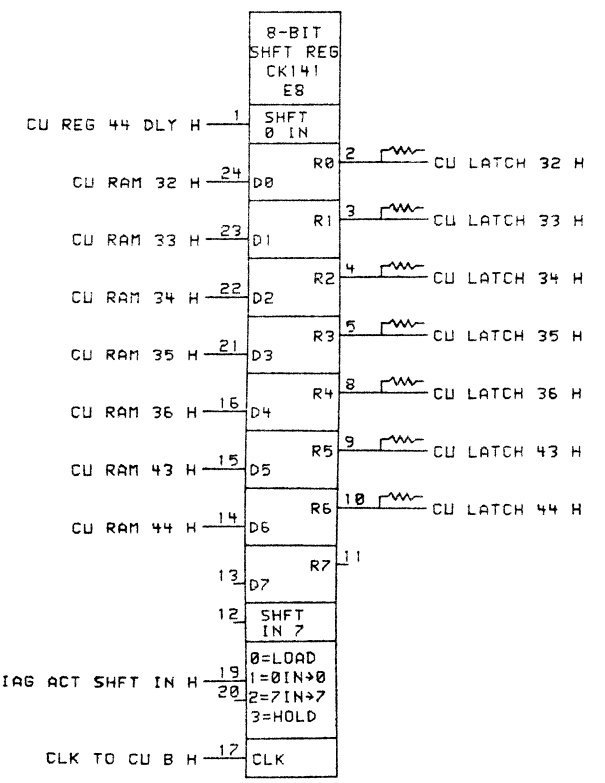
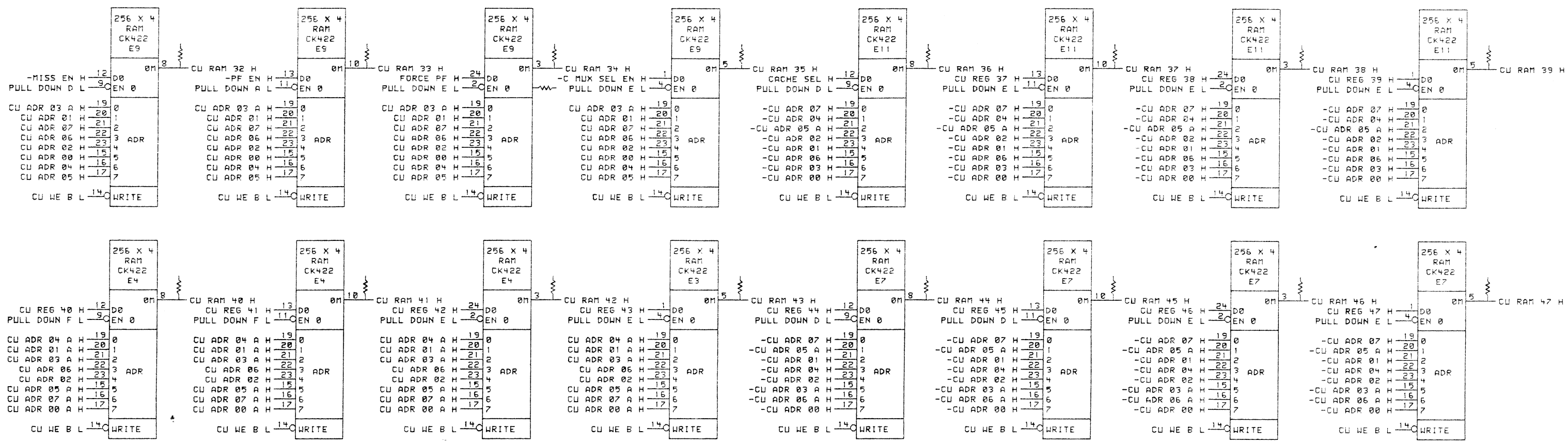
REVISIONS		
CHK	CHANGE NO.	REV

digital	DATE	ENG.	DATE
	DATE	BOARD LOCATION:	SHEET 1 OF 5
VULCAN: (0000.L0058)1MCCA.DRW		23-OCT-81 11:45	NEXT HIGHER ASSEMBLY:
FIRST USED ON OPTION/MODEL: 2080		B-DD-L0058-0	

TITLE: CU RAM 00-15, CU LATCH 00-15 + P			
SIZE	CODE	NUMBER	REV.
D	CS	L0058-0-MCCA	*







THIS DRAWING AND SPECIFICATIONS, HEREIN, ARE THE PROPERTY OF DIGITAL EQUIPMENT CORPORATION AND SHALL NOT BE REPRODUCED OR COPIED OR USED IN WHOLE OR IN PART AS THE BASIS FOR THE MANUFACTURE OR SALE OF ITEMS WITHOUT WRITTEN PERMISSION. COPYRIGHT © 1982, DIGITAL EQUIPMENT CORPORATION.

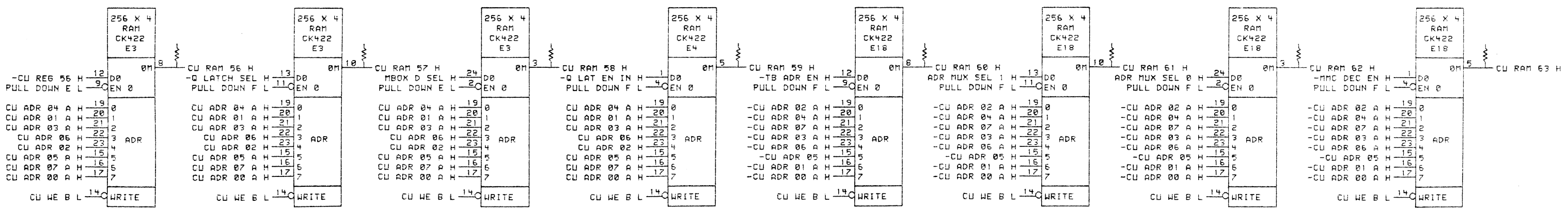
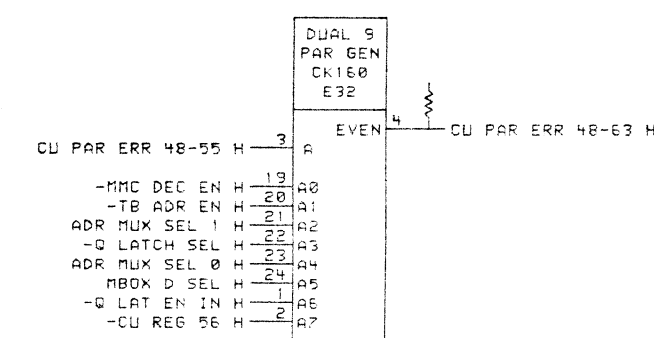
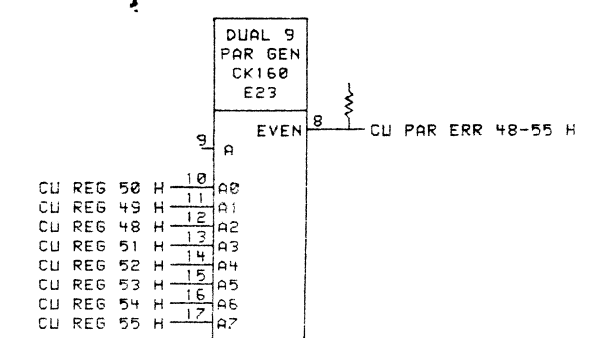
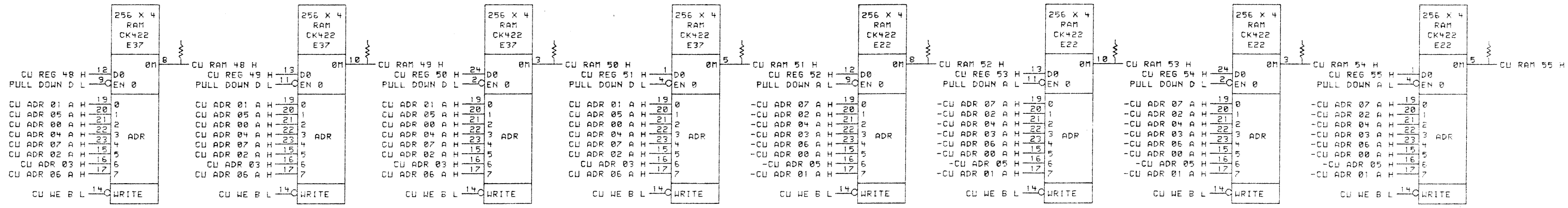
REVISIONS	
CHK	CHANGE NO. REV

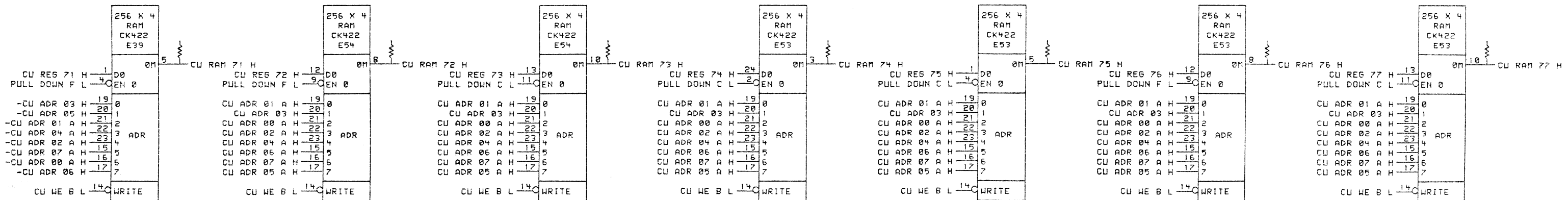
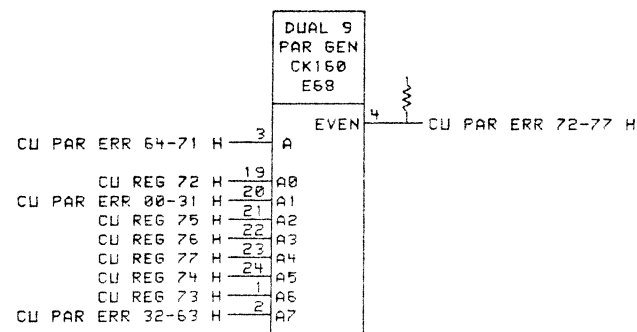
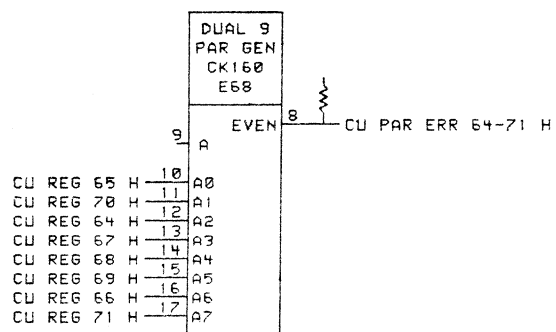
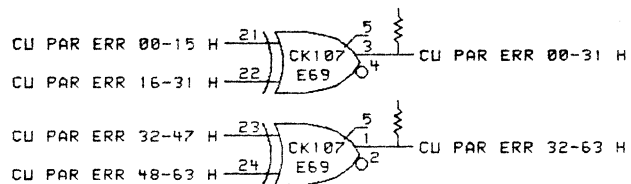
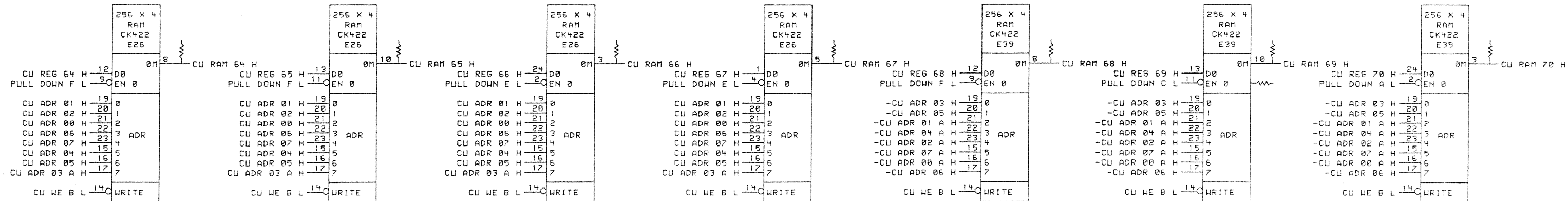
DATE	ENG.	DATE	TITLE:
04-JAN-82			CU RAM 32-47,
DATE	BOARD LOCATION:	SHEET	CU LATCH 32-47 + P
07-NOV-81 09:45		3 OF 5	
FIRST USED ON OPTION MODEL:	NEXT HIGHER ASSEMBLY:	SIZE CODE	NUMBER
2000	R-00-1005-0	05	10050-2-XXXX

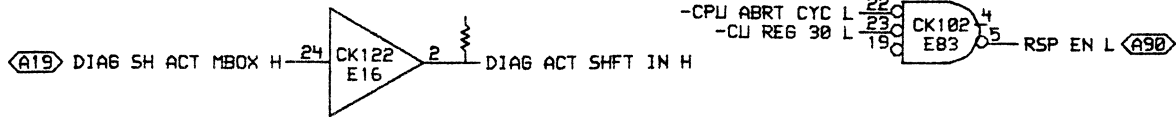
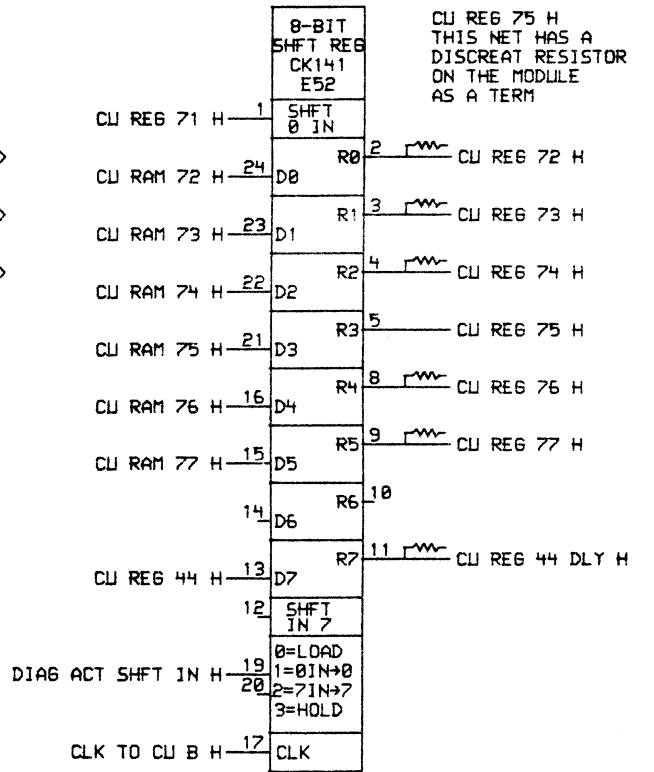
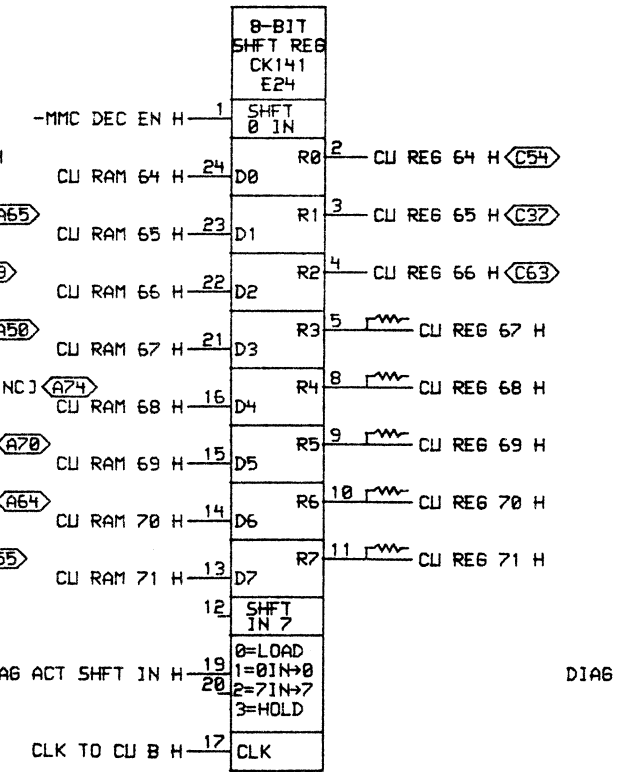
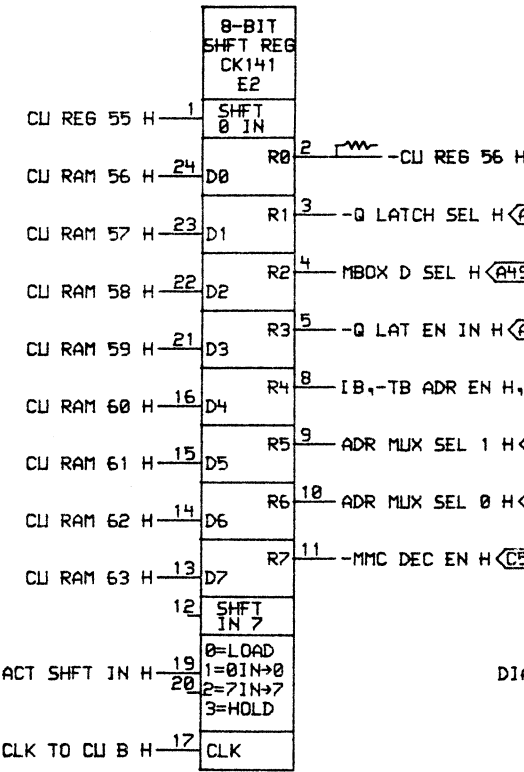
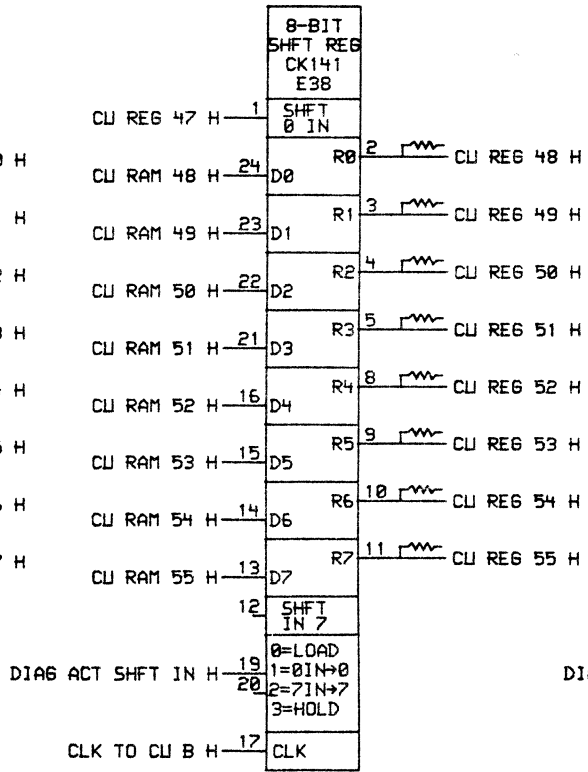
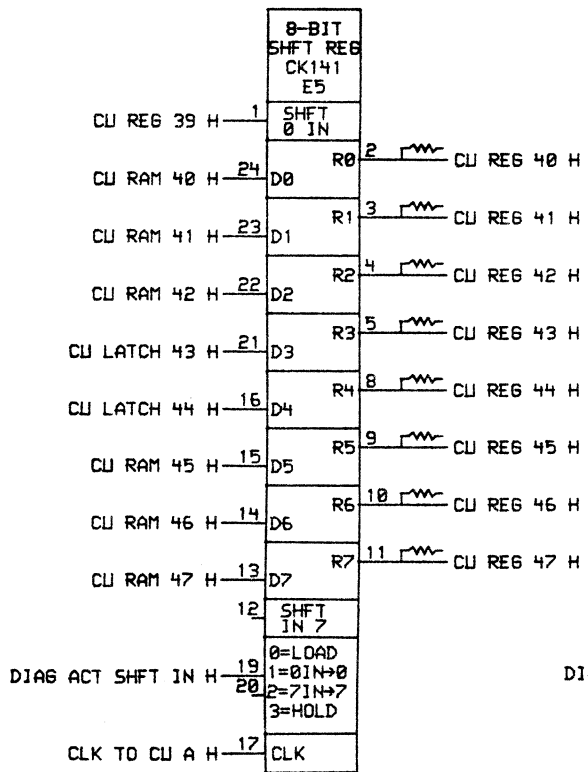
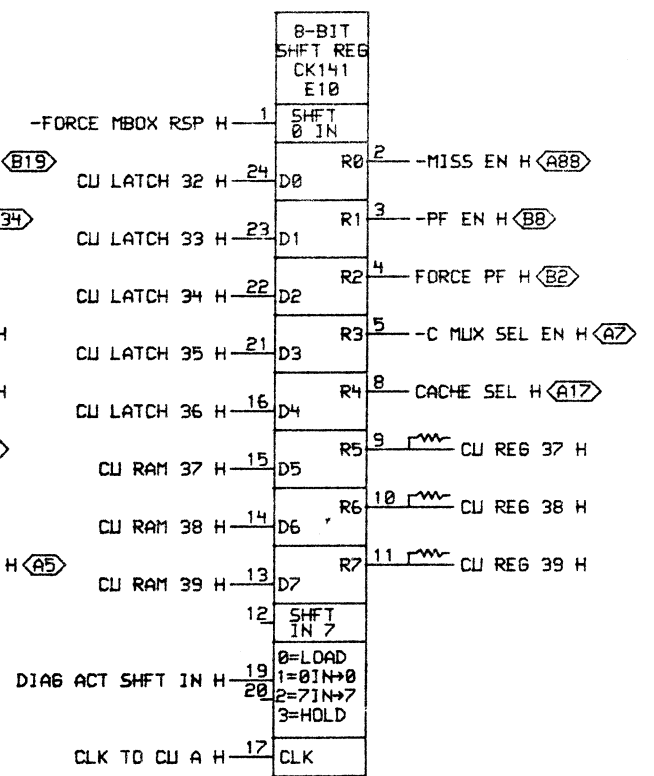
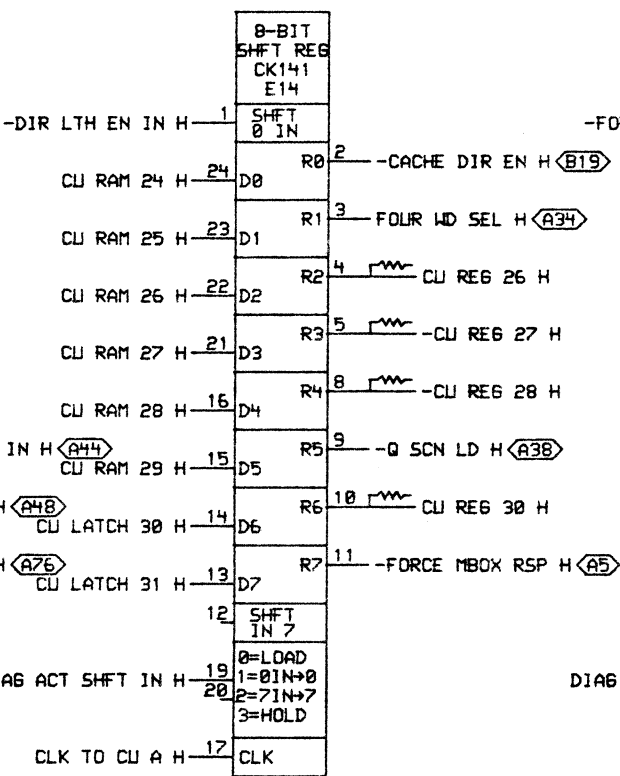
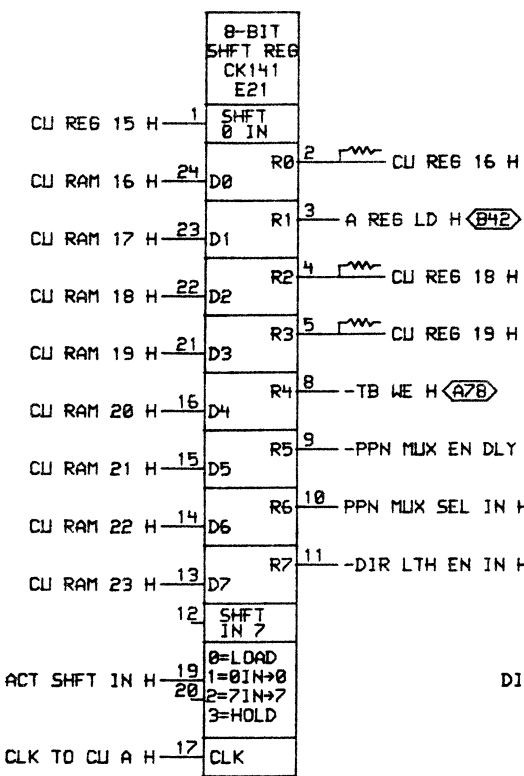
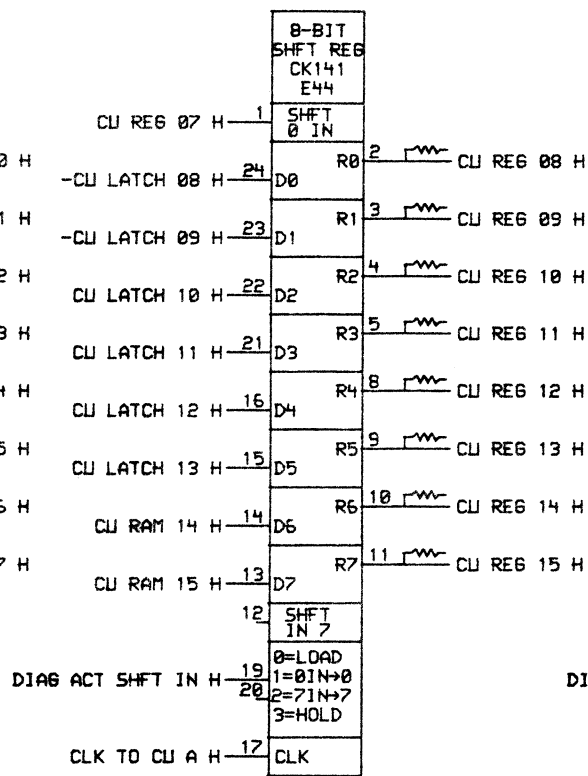
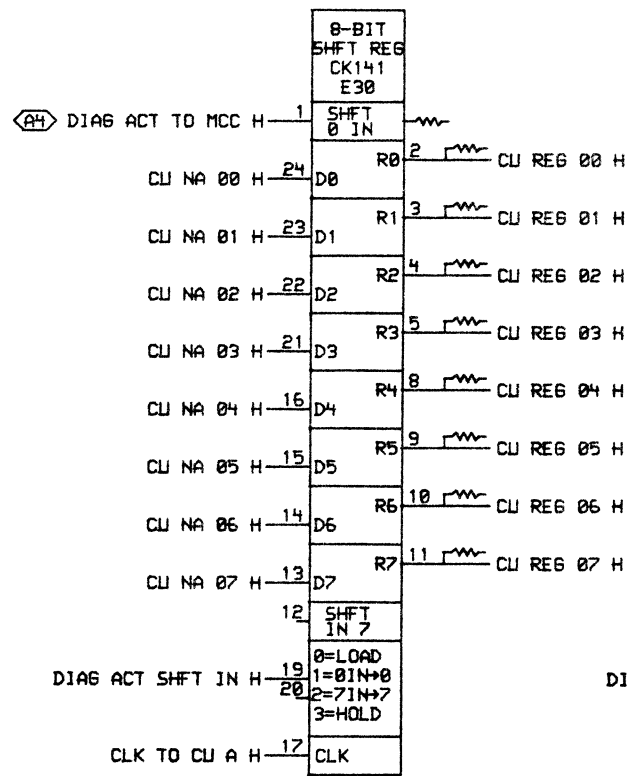
digital *DR. J. J. J.* *CHK'D.*

VULCAN (P000, L0050) 10000, DRW 07-NOV-81 09:45

REV. 1

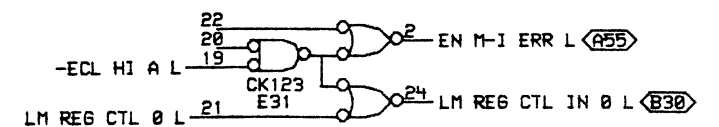
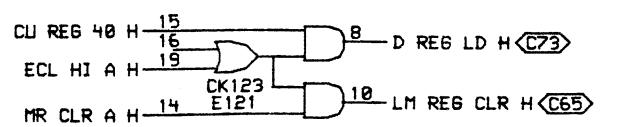
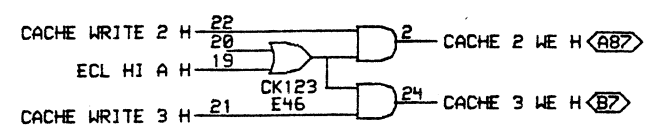
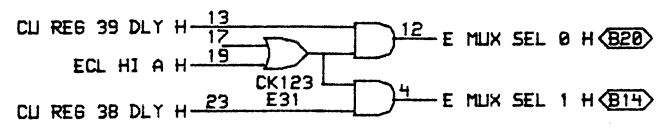
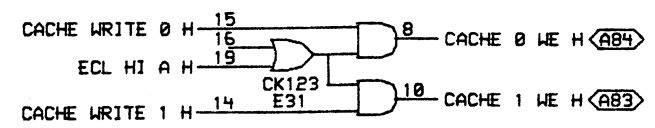
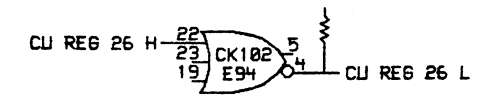
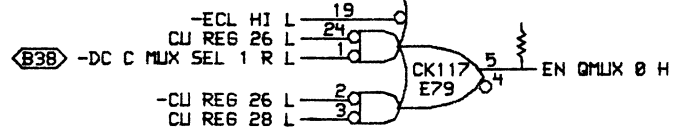
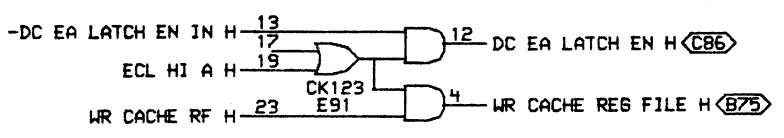
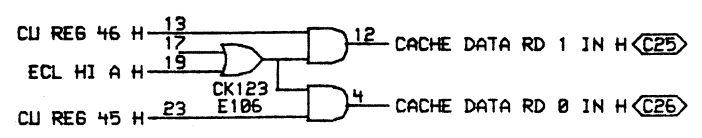
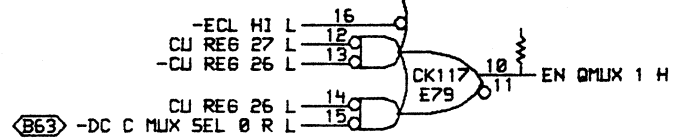
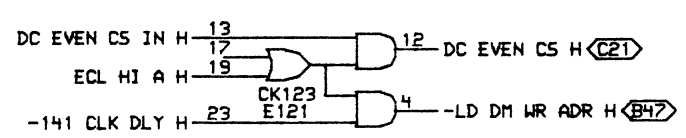
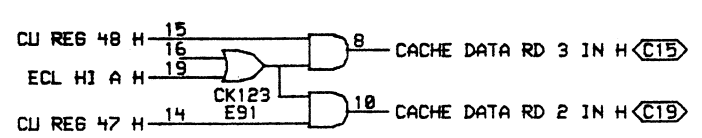
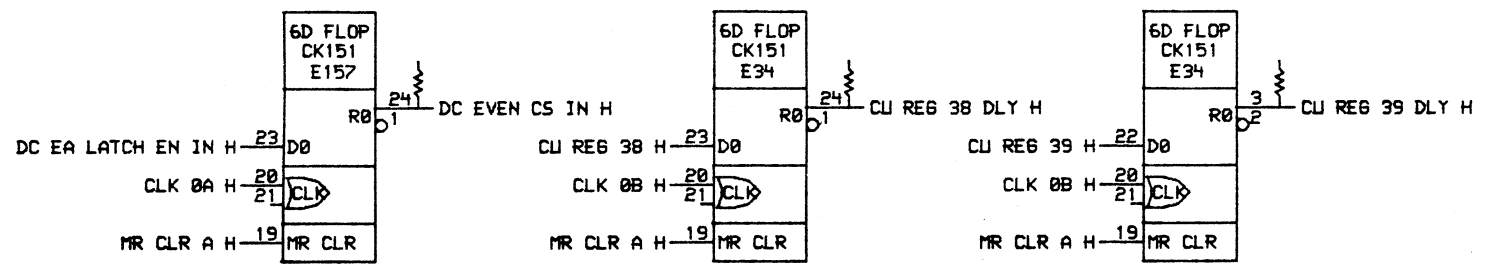
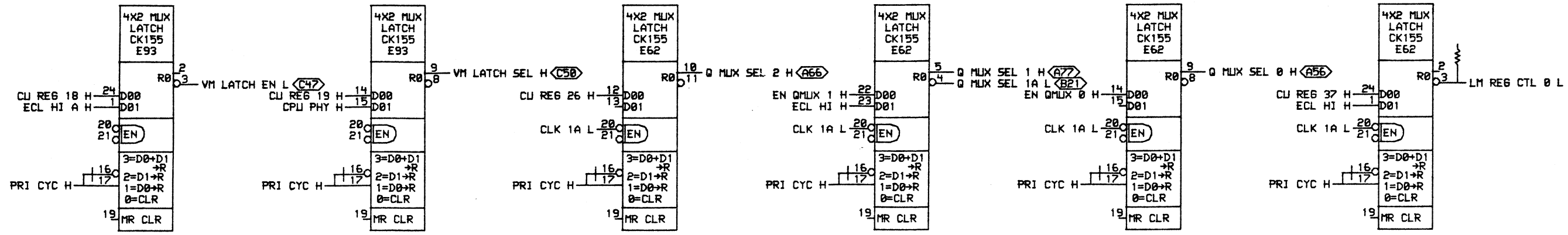






CU REG 75 H  
THIS NET HAS A  
DISCREAT RESISTOR  
ON THE MODULE  
AS A TERM

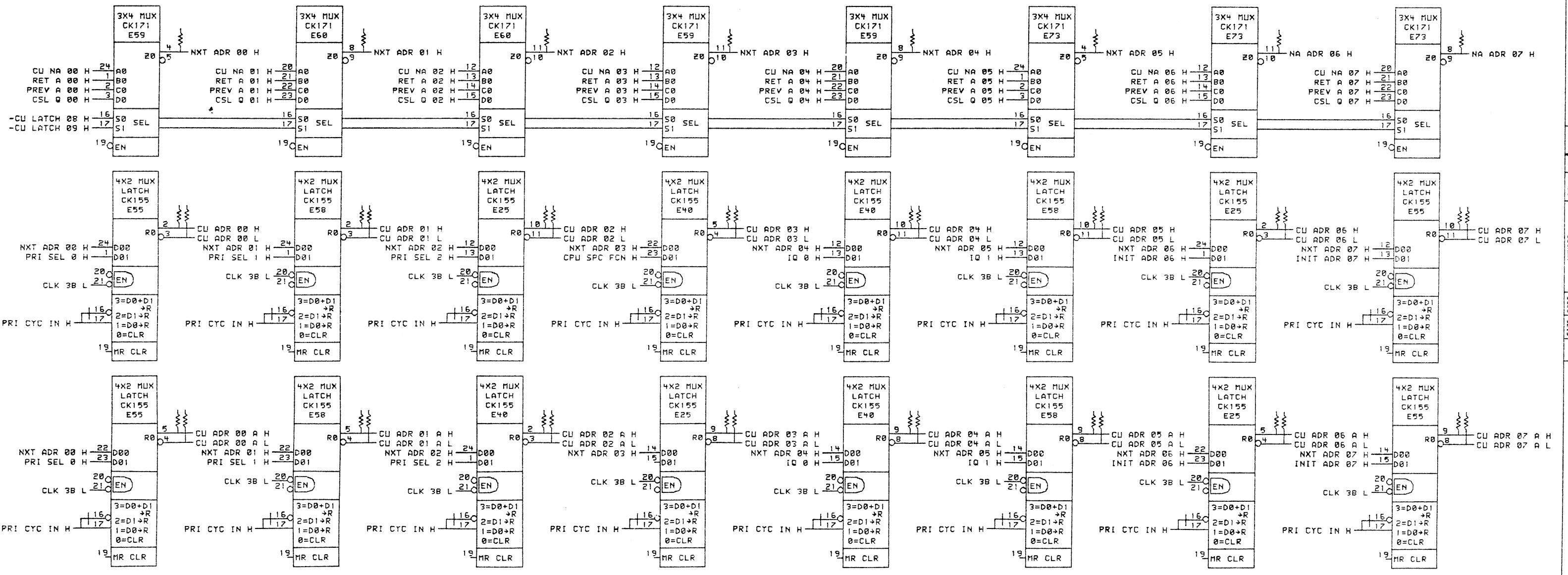
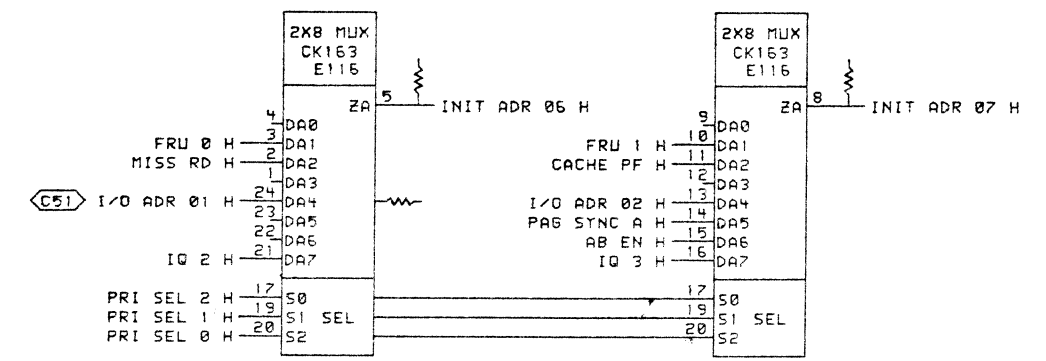
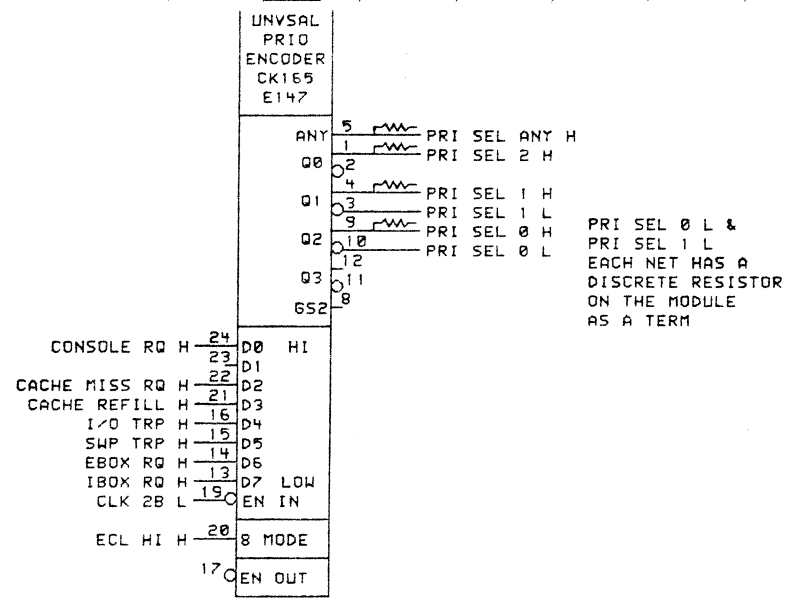
DRN.	DATE	ENG.	DATE	TITLE:
CHK'D.	DATE	BOARD LOCATION:	SHEET	OF
VILCANI 2000-L0058-MCCF.DRW 06-JAN-02 15:59				NEXT HIGHER ASSEMBLY:
FIRST USED ON OPTION/MODEL: 2000				B-DD-L0058-0
SIZE	CODE	NUMBER	REV.	
D	C5	L0058-0-MCCF	*	



THIS DRAWING AND SPECIFICATIONS ARE THE PROPERTY OF DIGITAL EQUIPMENT CORPORATION AND SHALL NOT BE REPRODUCED OR COPIED OR USED IN WHOLE OR IN PART AS THE BASIS FOR THE MANUFACTURE OR SALE OF ITEMS WITHOUT WRITTEN PERMISSION. COPYRIGHT © 1982, DIGITAL EQUIPMENT CORPORATION

REVISIONS	
CHK	CHANGE NO. REV

digital	DATE ENG.	DATE	TITLE:
	06-FEB-82		MDP CU CONTROL LOGIC
DATE	BOARD LOCATION:	SHEET	OF
05-FEB-82 15:36	B-DD-L0058-0	1	1
FIRST USED ON OPTION/MODEL:	NEXT HIGHER ASSEMBLY:	SIZE	CODE
2080	B-DD-L0058-0	D	CS
		NUMBER	REV.
		L0058-0-MCCG	*



THIS DRAWING AND SPECIFICATIONS, HEREIN, ARE THE PROPERTY OF DIGITAL EQUIPMENT CORPORATION AND SHALL NOT BE REPRODUCED OR COPIED OR USED IN WHOLE OR IN PART AS THE BASIS FOR THE MANUFACTURE OR SALE OF ITEMS WITHOUT WRITTEN PERMISSION. COPYRIGHT © 1982, DIGITAL EQUIPMENT CORPORATION.

REVISIONS		
CHK	CHANGE NO.	REV

**digital**

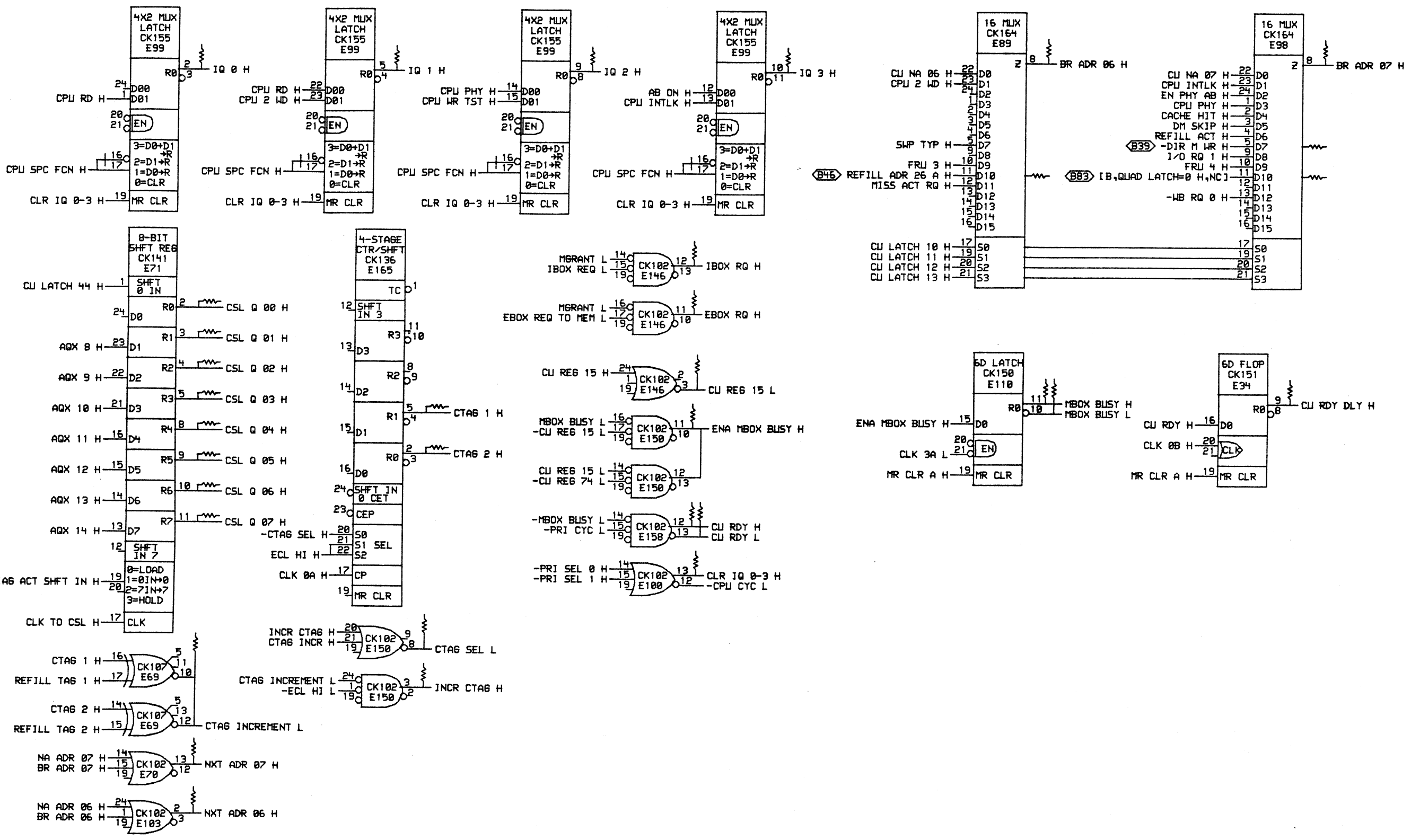
DATE: 04-JAN-82  
ENG. [Signature]  
CHK'D.

DATE: [Blank]  
BOARD LOCATION:  
SHEET 1 OF 1

VULCAN (2000.L0058) MCCH.DRW 04-JAN-82 14:26  
FIRST USED ON OPTION/MODEL: 2000

NEXT HIGHER ASSEMBLY: B-DD-L0058-0

TITLE:	SIZE:	CODE:	NUMBER:	REV.:
	D	CS	L0058-0-MCCH	*

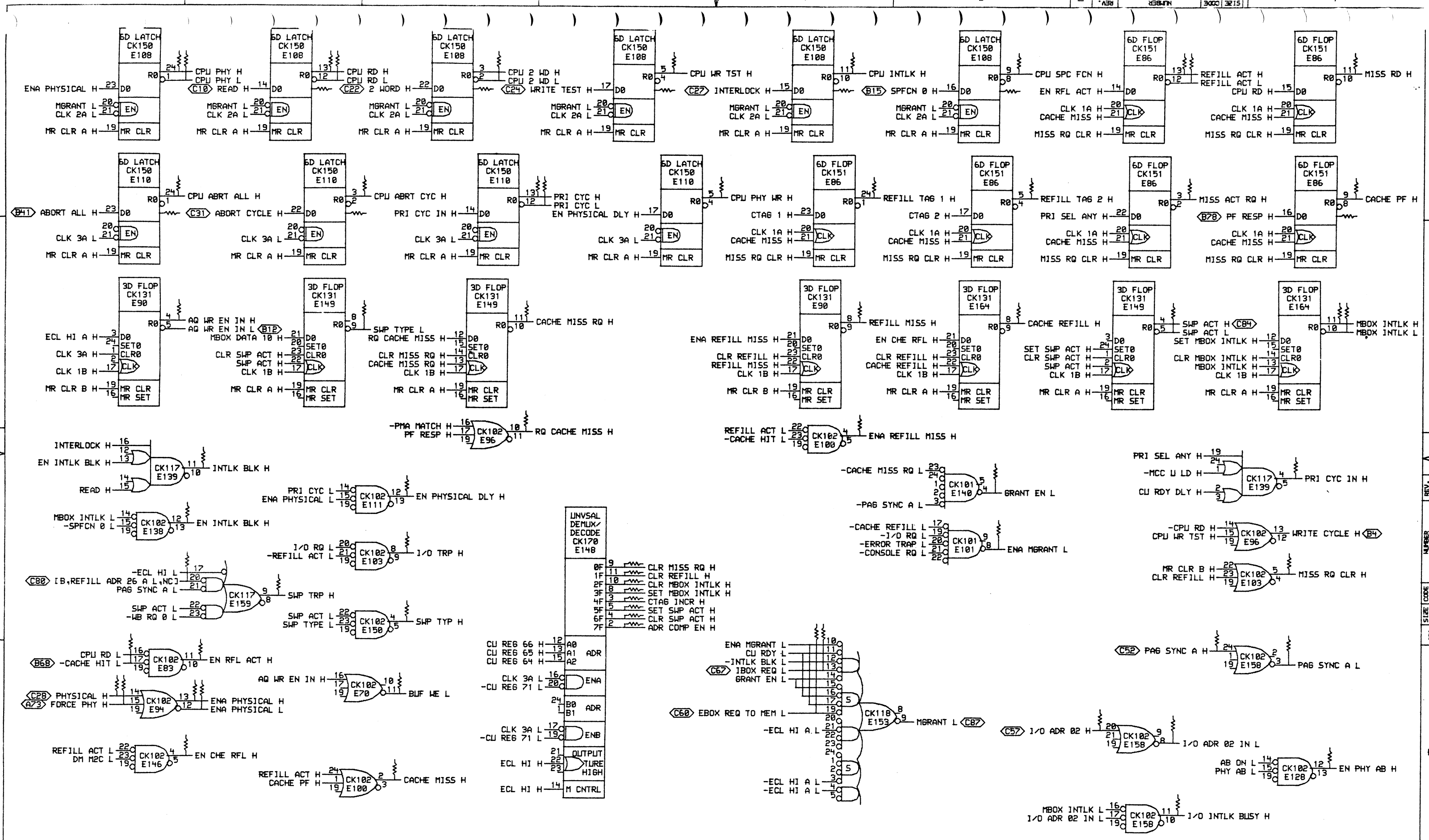


THIS DRAWING AND SPECIFICATIONS ARE THE PROPERTY OF DIGITAL EQUIPMENT CORPORATION AND SHALL NOT BE REPRODUCED OR COPIED OR USED IN WHOLE OR IN PART AS THE BASIS FOR THE MANUFACTURE OR SALE OF ITEMS WITHOUT WRITTEN PERMISSION. COPYRIGHT © 1982, DIGITAL EQUIPMENT CORPORATION.

REVISIONS	
CHK	CHANGE NO. REV

digital	DATE	ENG.	DATE	TITLE:	
	06-FEB-82				
CHK'D.	DATE	BOARD LOCATION:	SHEET	OF	
			1	1	
VIL CAN (2080-L0058) MCCI DRW 05-FEB-82 17:56		NEXT HIGHER ASSEMBLY:	SIZE CODE	NUMBER	REV.
FIRST USED ON OPTION MODEL: 2080		B-DD-L0058-0	D CS	L0058-0-MCCI	*



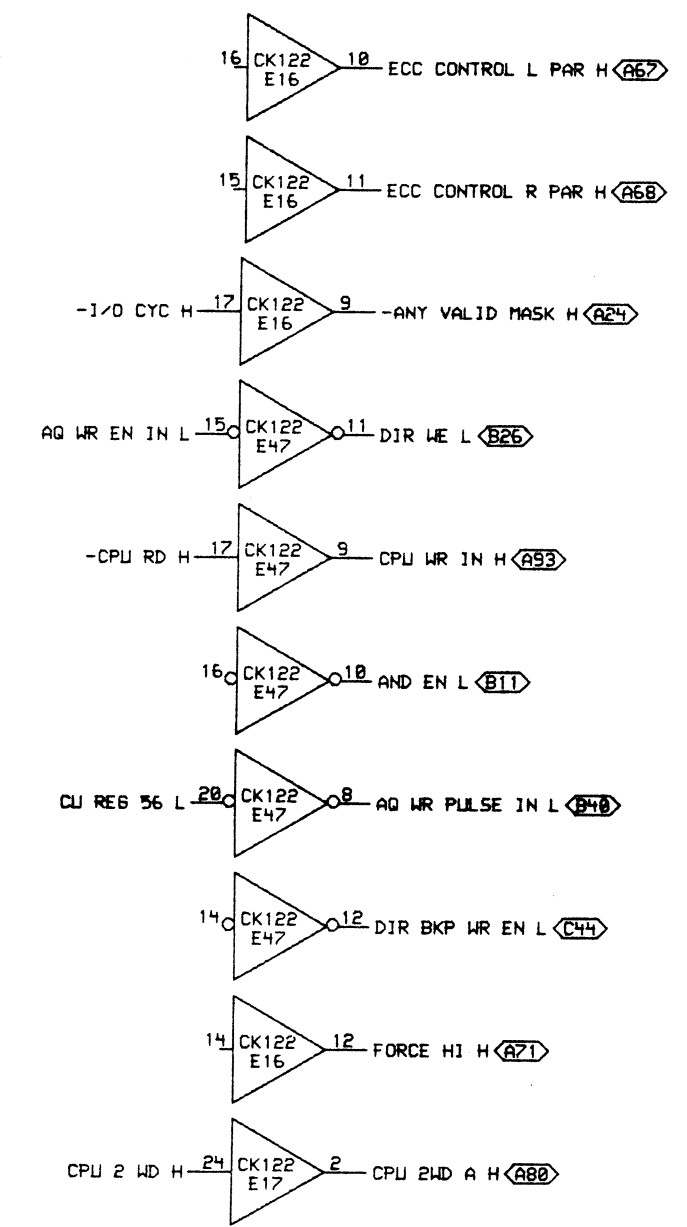
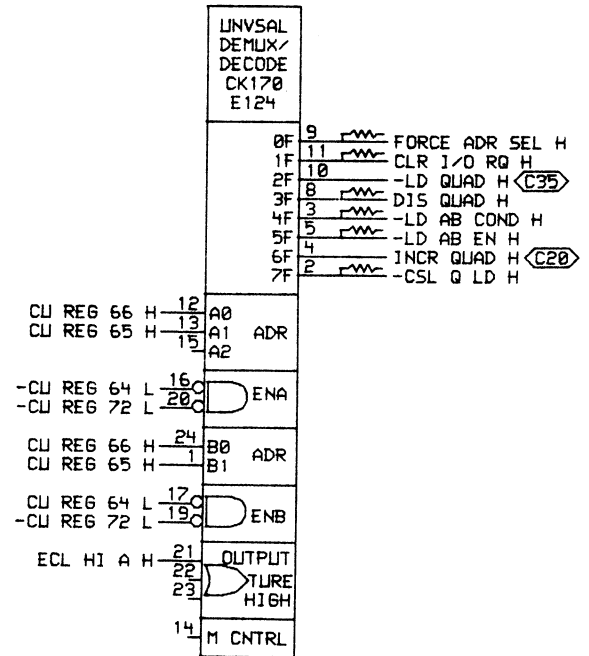
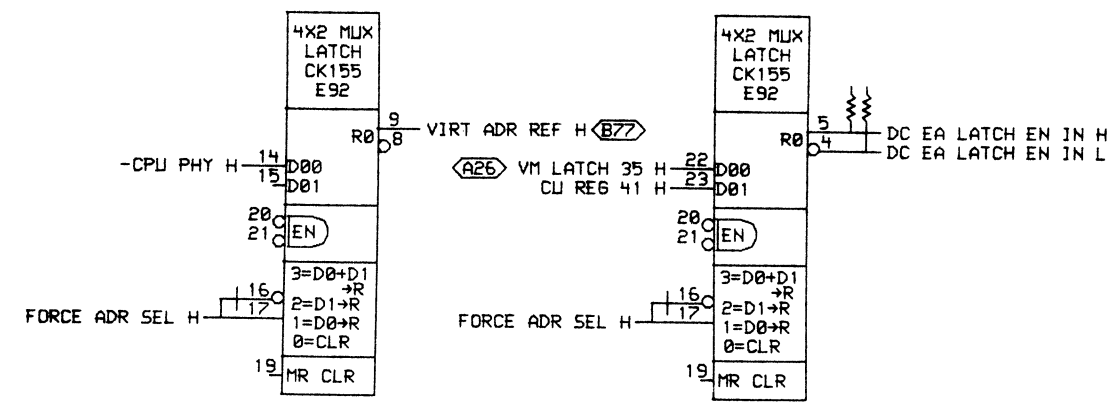
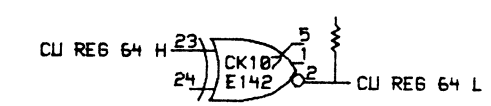
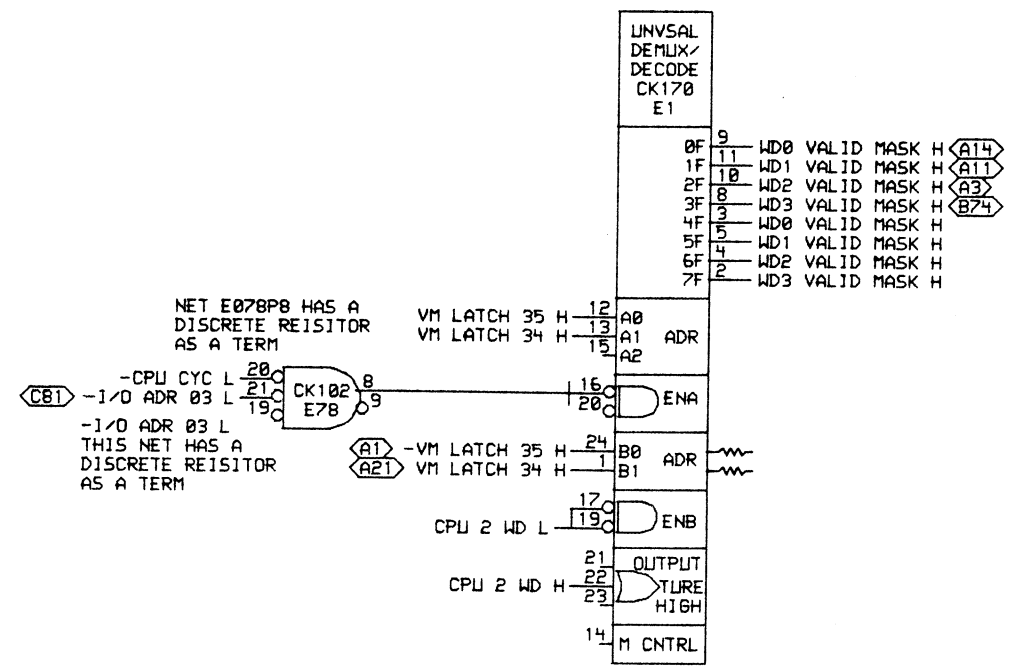


THIS DRAWING AND SPECIFICATIONS ARE THE PROPERTY OF DIGITAL EQUIPMENT CORPORATION AND SHALL NOT BE REPRODUCED OR COPIED OR USED IN WHOLE OR IN PART AS THE BASIS FOR THE MANUFACTURE OR SALE OF ITEMS WITHOUT WRITTEN PERMISSION. COPYRIGHT © 1982, DIGITAL EQUIPMENT CORPORATION.

REVISIONS	
CHK	CHANGE NO. REV.

0F	9	CLR MISS RQ H
1F	11	CLR REFILL H
2F	10	CLR MBOX INTLK H
3F	8	SET MBOX INTLK H
4F	9	CTAG INCR H
5F	5	SET SWP ACT H
6F	4	CLR SWP ACT H
7F	2	ADR COMP EN H

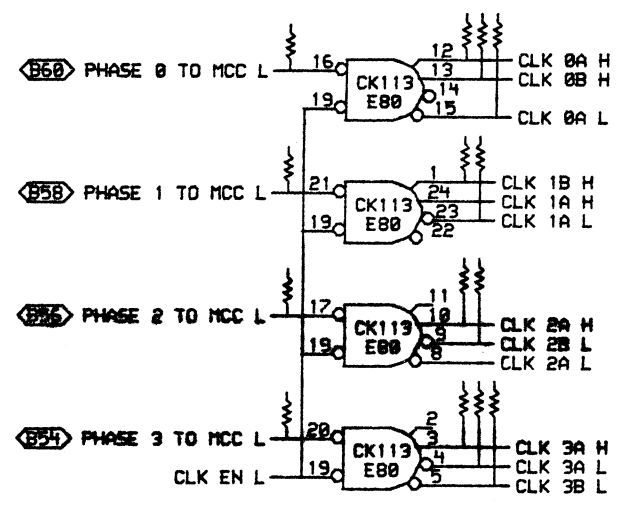
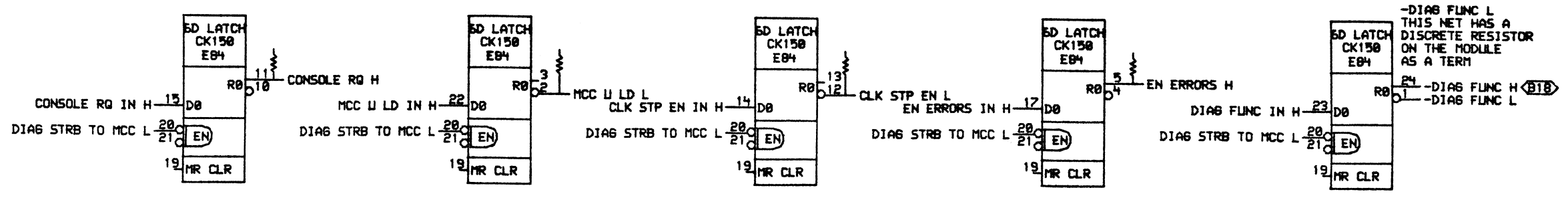
digital	DATE	04-FEB-82	ENG.	DATE		TITLE:	CPU CYC QUAL
	CHK'D.						
VIL CAN (2080) L0058-0-MCCJ.DRW		03-FEB-82 18:00	NEXT HIGHER ASSEMBLY:			SIZE	CODE
FIRST USED ON OPTION/MODEL:		2080	B-DD-L0058-0			NUMBER	REV.
						D	CS L0058-0-MCCJ



THIS DRAWING AND SPECIFICATIONS ARE THE PROPERTY OF DIGITAL EQUIPMENT CORPORATION AND SHALL NOT BE REPRODUCED OR COPIED OR USED IN WHOLE OR IN PART AS THE BASIS FOR THE MANUFACTURE OR SALE OF ITEMS WITHOUT WRITTEN PERMISSION. COPYRIGHT © 1982, DIGITAL EQUIPMENT CORPORATION.

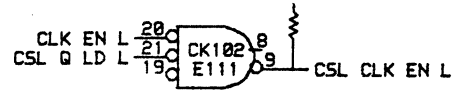
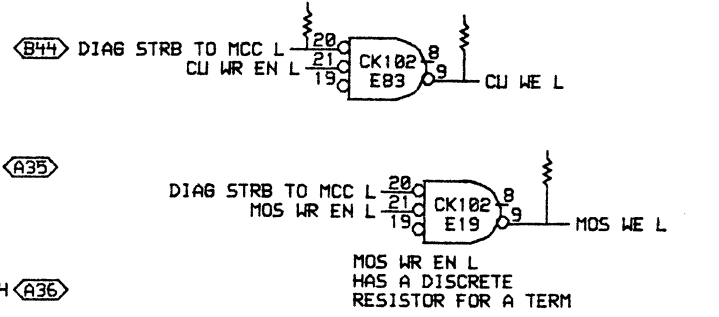
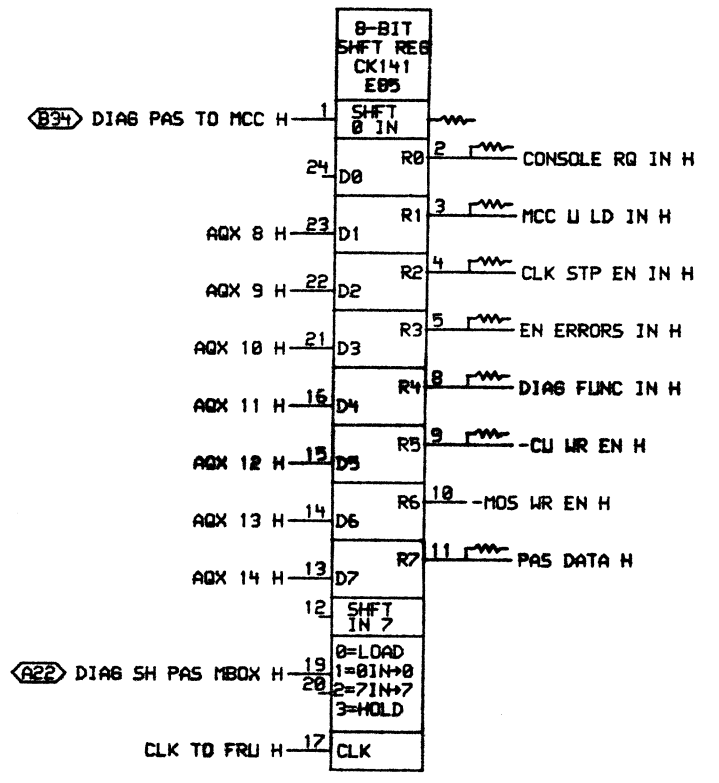
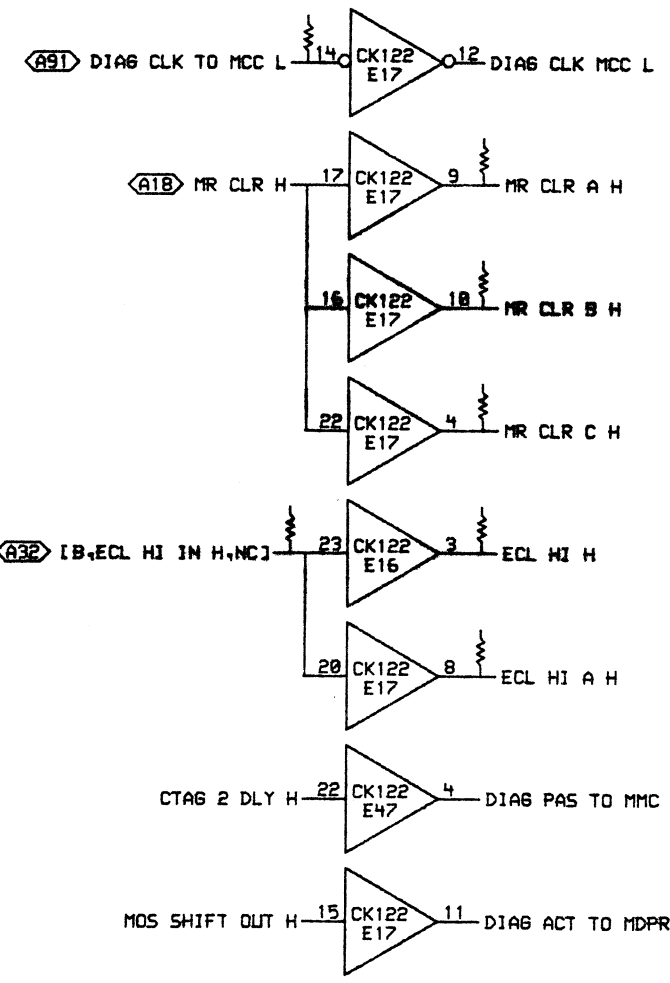
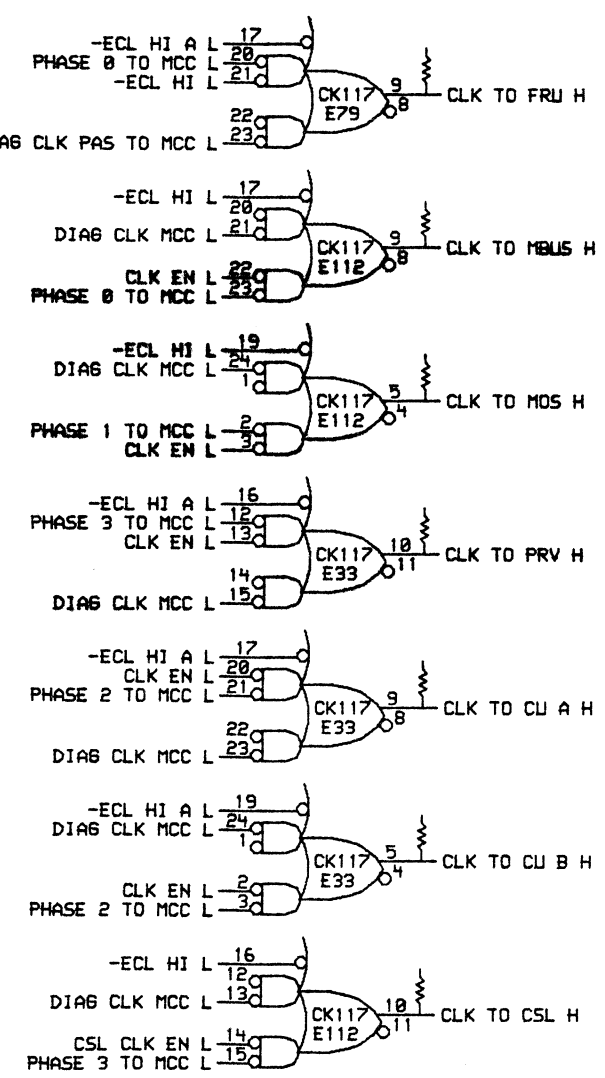
REVISIONS		
CHK	CHANGE NO.	REV.

digital	DATE	ENG.	DATE	TITLE: MAP CONTROL LOGIC
	25-FEB-82			
CHK'D.	DATE	BOARD LOCATION:	SHEET	OF
24-FEB-82 22:56			1	1
FIRST USED ON OPTION/MODEL: 2080	B-DD-L0058-0	NEXT HIGHER ASSEMBLY:	SIZE	CODE
			D	CS
		NUMBER	L0058-0-MCCK	REV.
				*



CLK 1A H  
THIS NET HAS A  
DISCRETE RESISTOR  
AS A TERM

CLK 2A L  
THIS NET HAS A  
DISCRETE RESISTOR  
AS A TERM

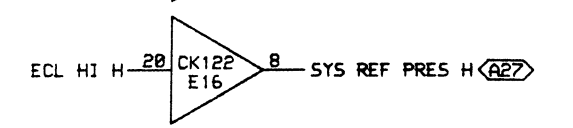
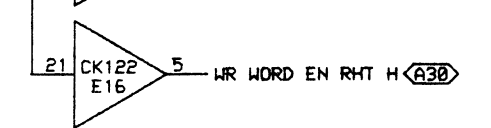
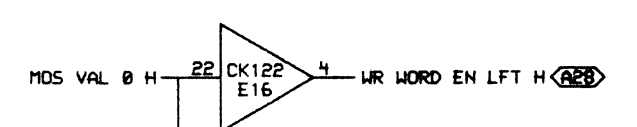
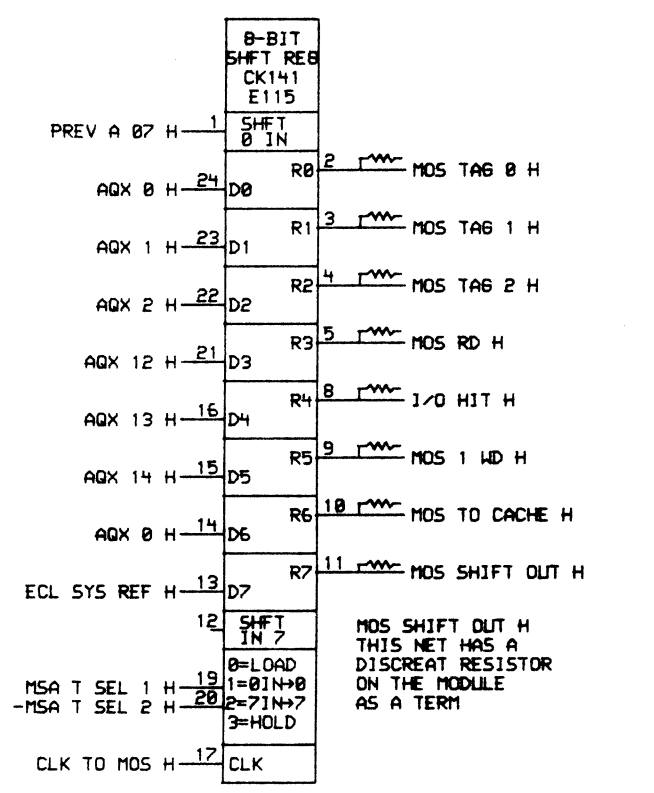
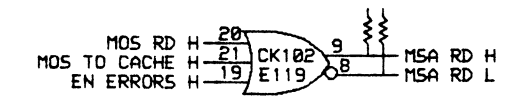
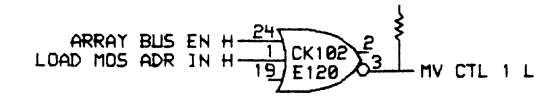
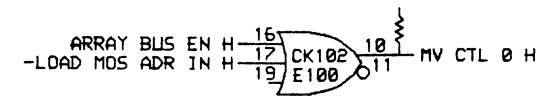
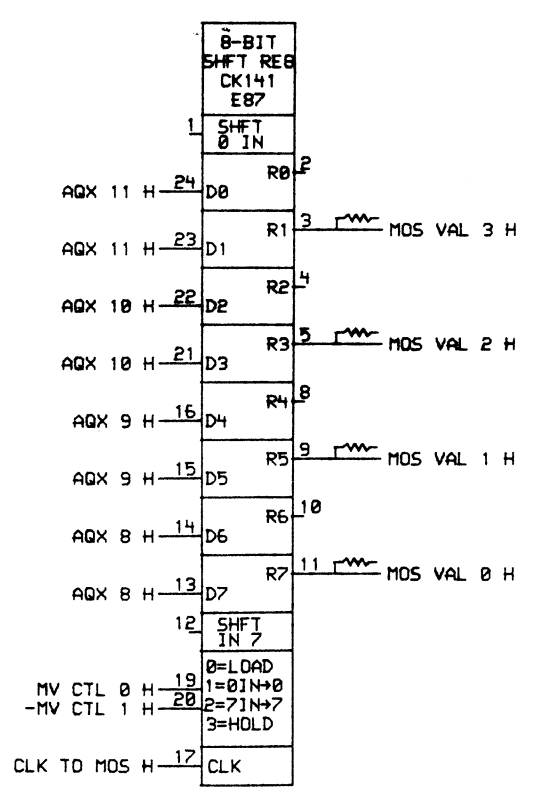
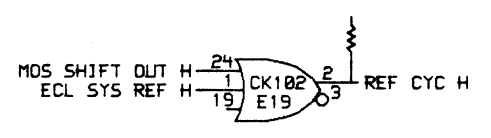
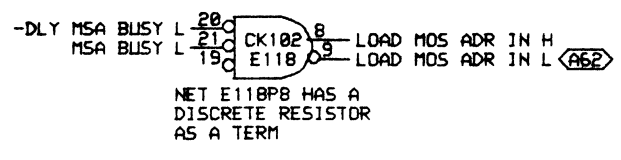
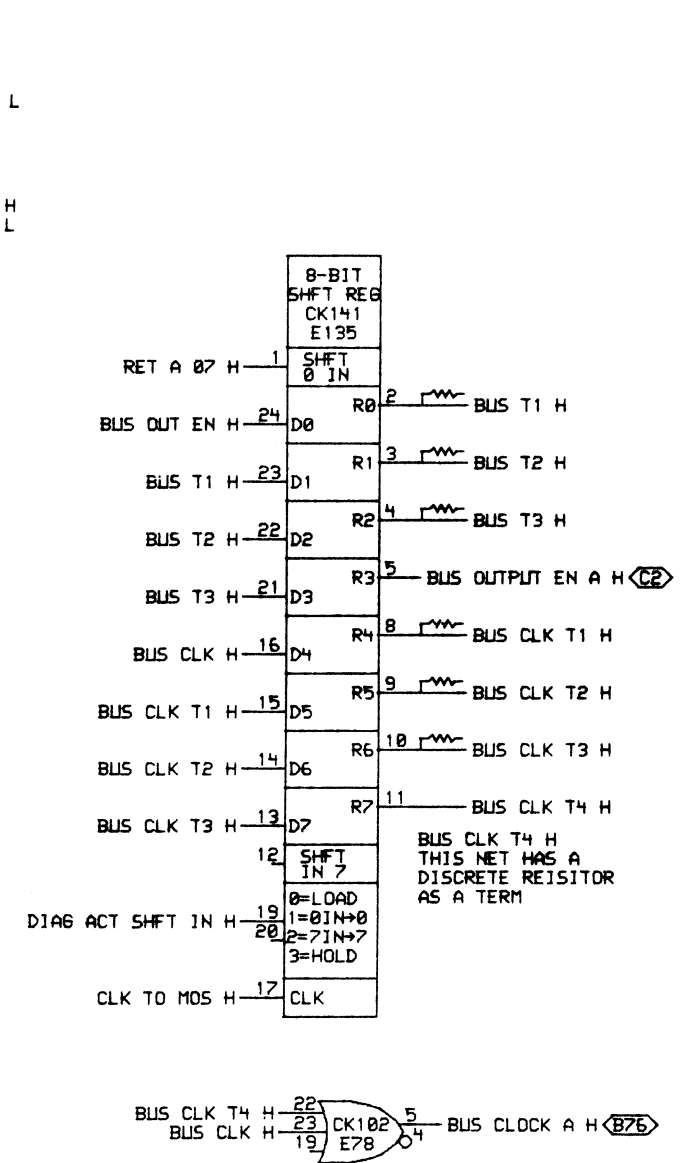
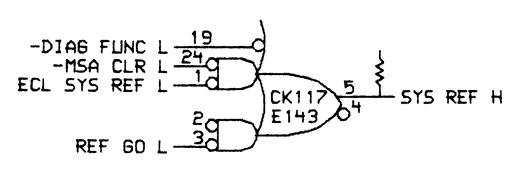
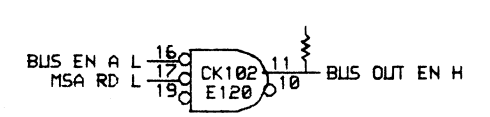
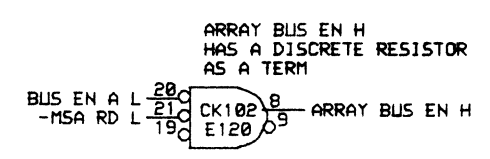
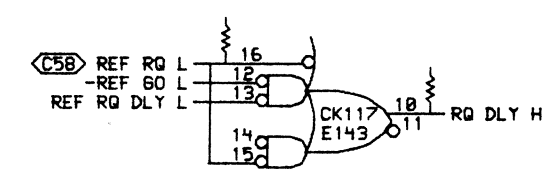
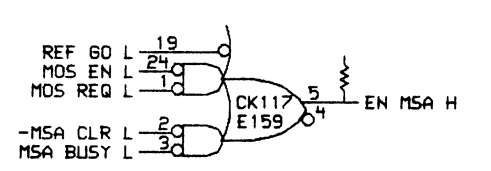
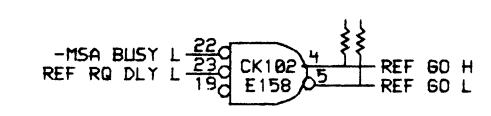
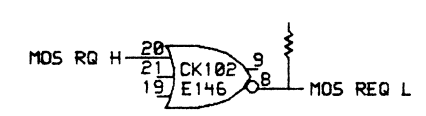
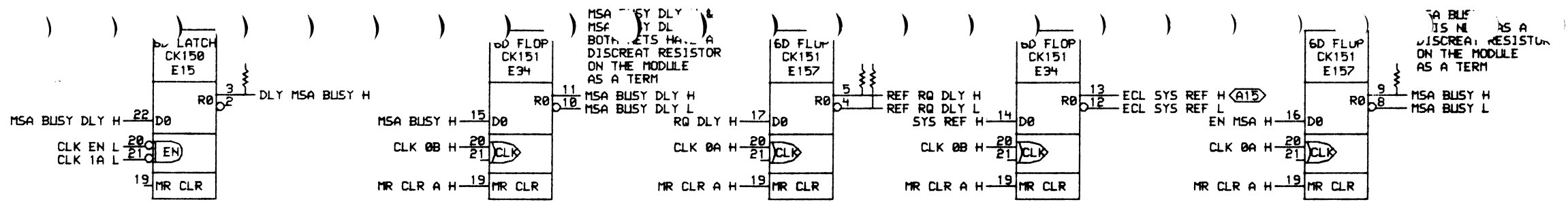


THIS DRAWING AND SPECIFICATIONS ARE THE PROPERTY OF DIGITAL EQUIPMENT CORPORATION AND SHALL NOT BE REPRODUCED OR COPIED OR USED IN WHOLE OR IN PART AS THE BASIS FOR THE MANUFACTURE OR SALE OF ITEMS WITHOUT WRITTEN PERMISSION. COPYRIGHT © 1982, DIGITAL EQUIPMENT CORPORATION.

REVISIONS	
CHK	CHANGE NO. REV

8	7	6	5	4	3	2	1
---	---	---	---	---	---	---	---

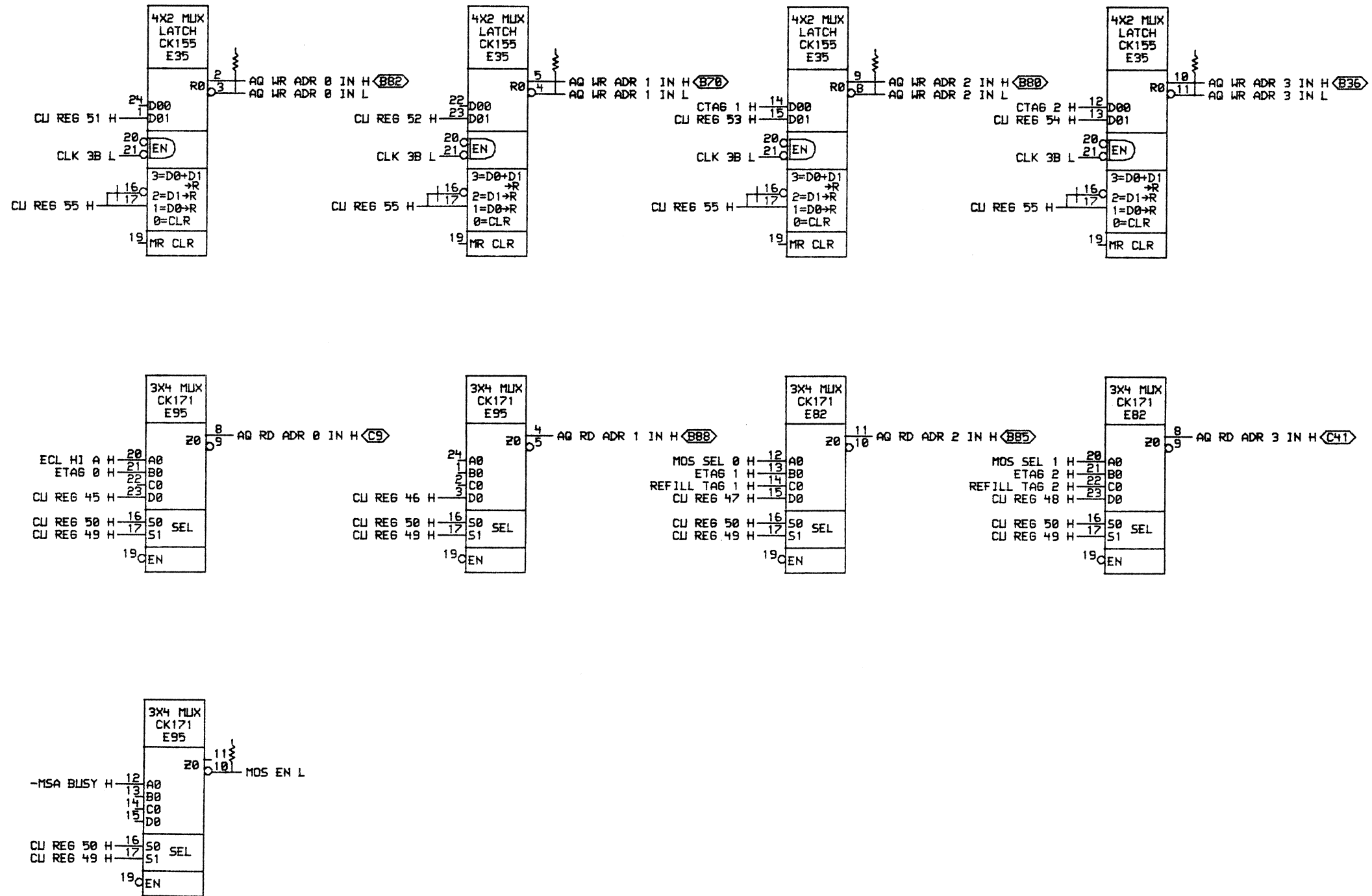
digital	DATE	ENG.	DATE	TITLE:	CLK BUFFER
	26-JAN-82				
CHK'D.	DATE	BOARD LOCATION:	SHEET	OF	
	26-JAN-82 10:46	NEXT HIGHER ASSEMBLY:	1	1	
FIRST USED ON OPTION/MODEL:	2080	B-DD-L0058-0	SIZE	CODE	NUMBER
			D	CS	L0058-0-MCCL
					REV. *



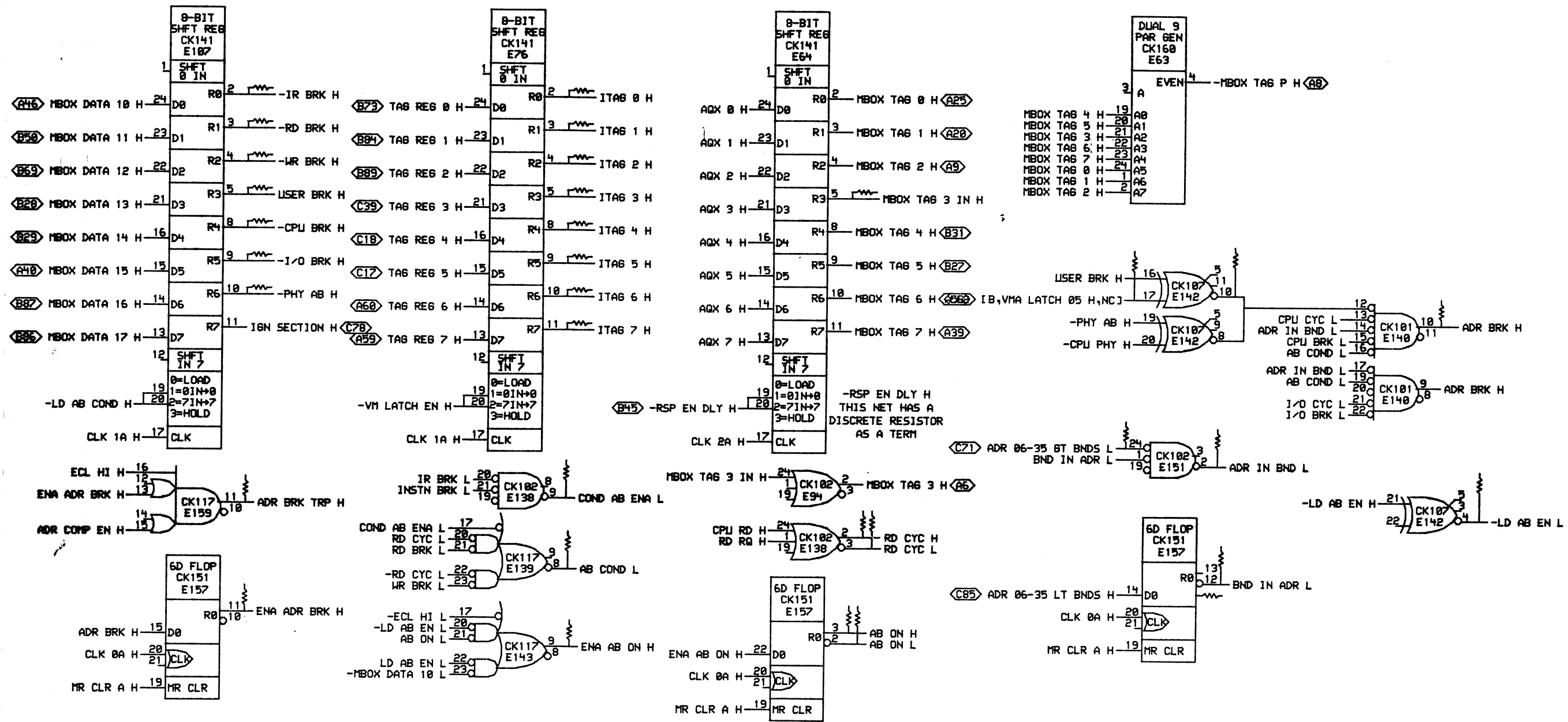
THIS DRAWING AND SPECIFICATIONS ARE THE PROPERTY OF DIGITAL EQUIPMENT CORPORATION AND SHALL NOT BE REPRODUCED OR COPIED OR USED IN WHOLE OR IN PART AS THE BASIS FOR THE MANUFACTURE OR SALE OF ITEMS WITHOUT WRITTEN PERMISSION. COPYRIGHT © 1982. DIGITAL EQUIPMENT CORPORATION.

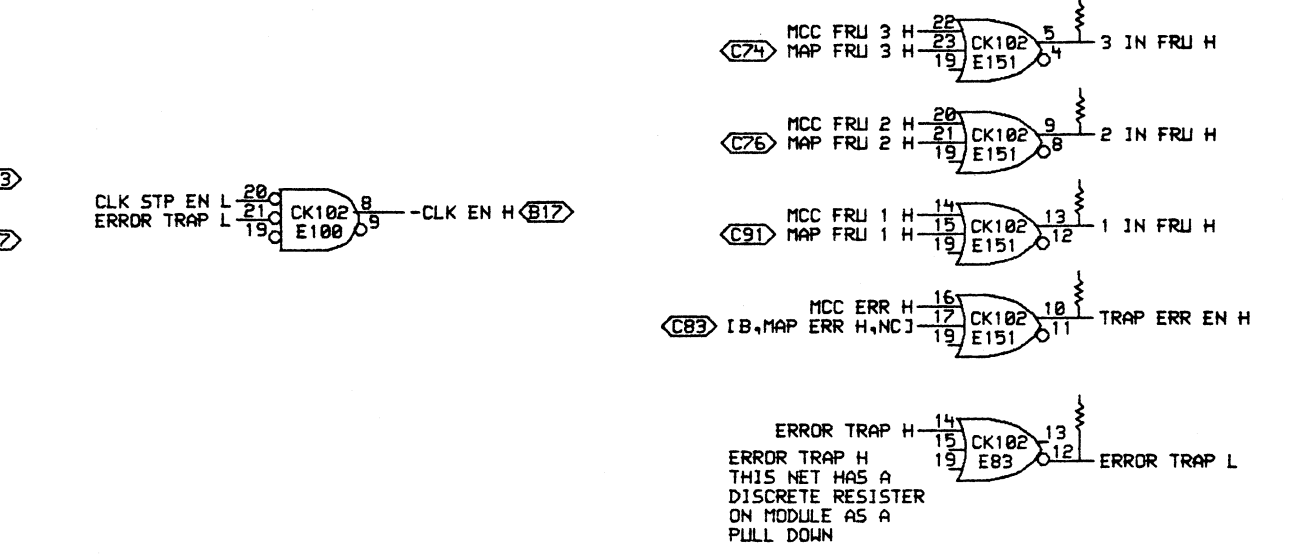
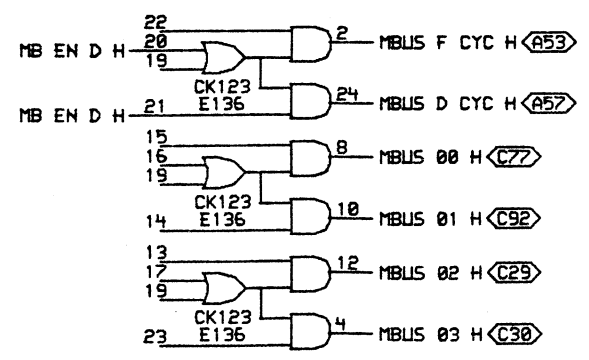
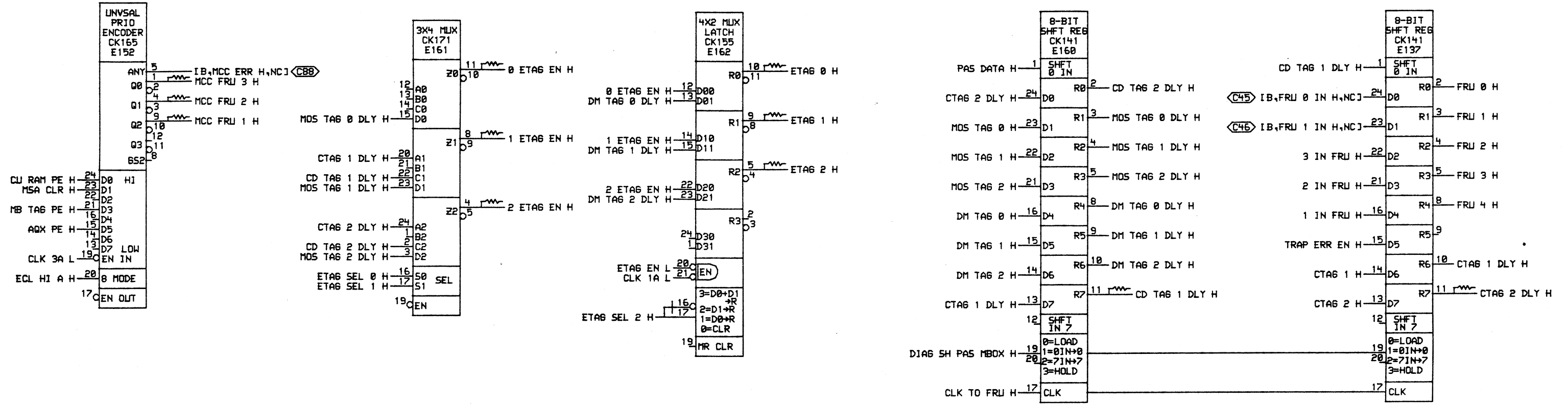
REVISIONS		
CHK	CHANGE NO.	REV

	DATE	ENG.	DATE	TITLE:	MOS START CTL
	22-FEB-82				
DATE	BOARD LOCATION:	SHEET	OF	SIZE	CODE
22-FEB-82 10:15	B-DL-0058-0	1	1	D	CS
FIRST USED ON OPTION/MODEL:	NEXT HIGHER ASSEMBLY:	NUMBER	REV.		
2080	B-DD-L0058-0	L0058-0-MMCM	*		



DRN.	DATE	ENG.	DATE	TITLE:
CHK'D.	DATE	BOARD LOCATION:		
SHEET 1 OF 1				
FIRST USED ON OPTION/MODEL: 2000				
SIZE	CODE	NUMBER	REV.	
D	C5	L0058-0-MCCN	*	

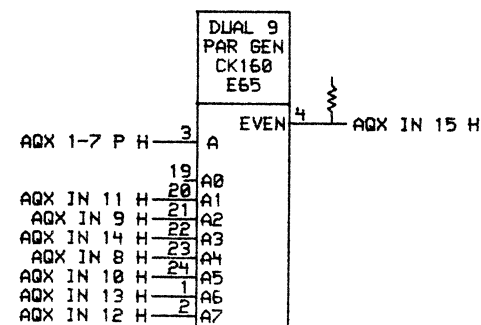
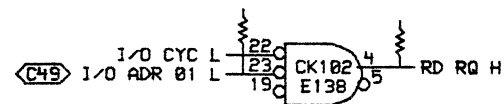
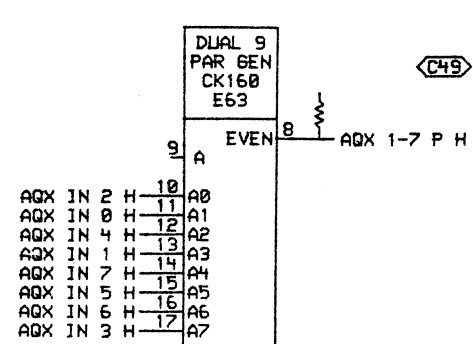
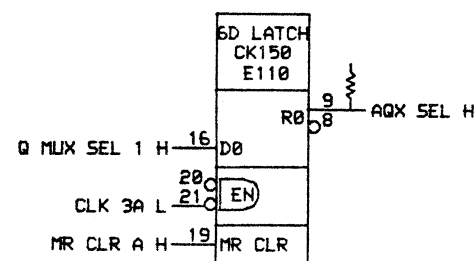
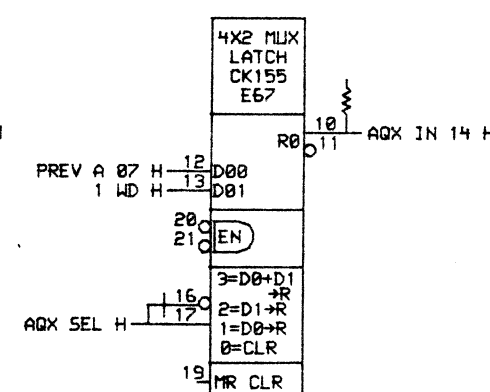
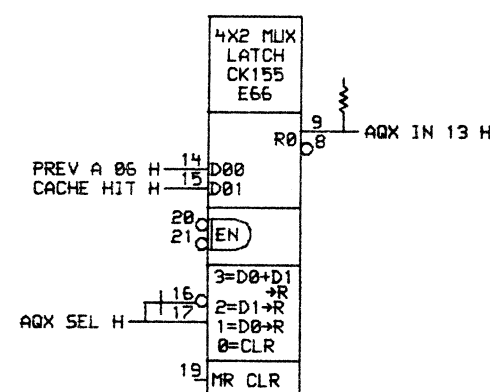
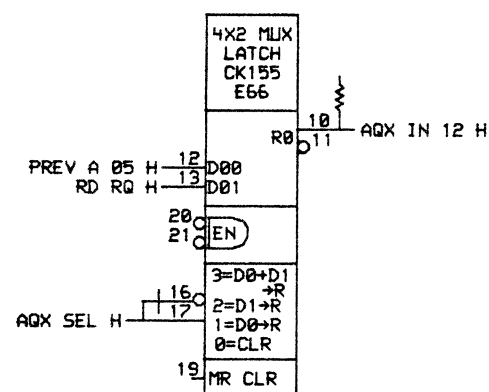
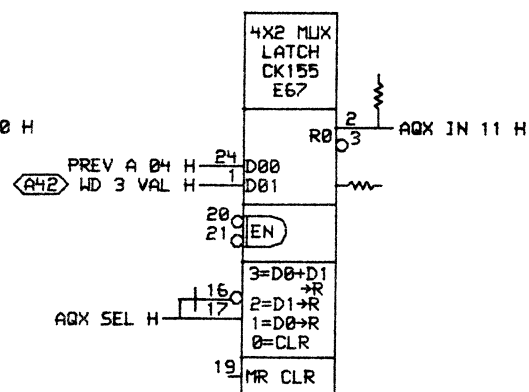
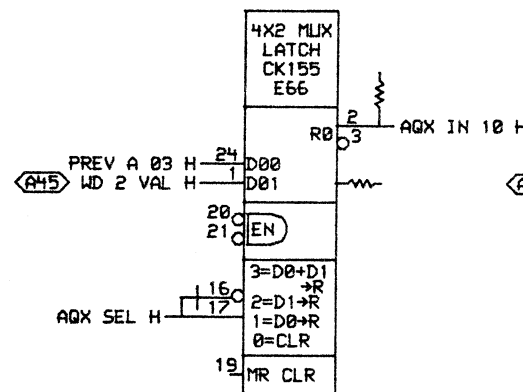
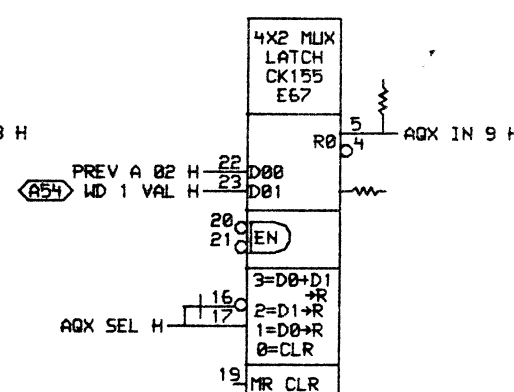
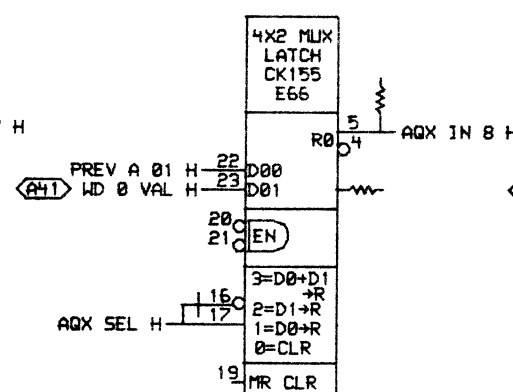
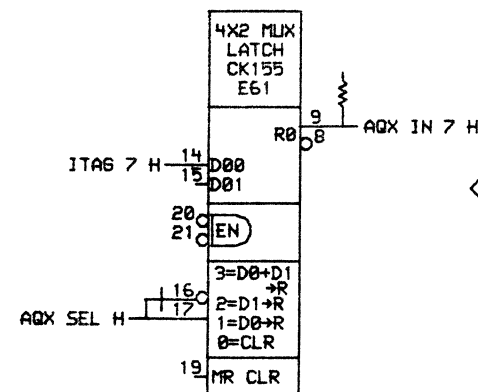
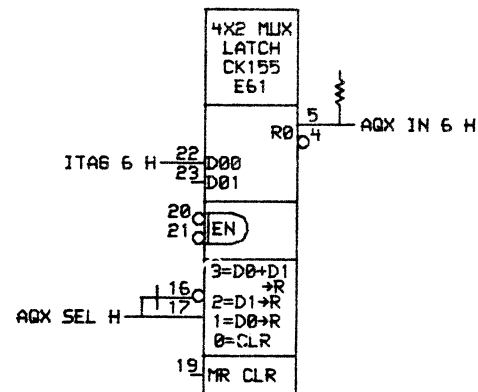
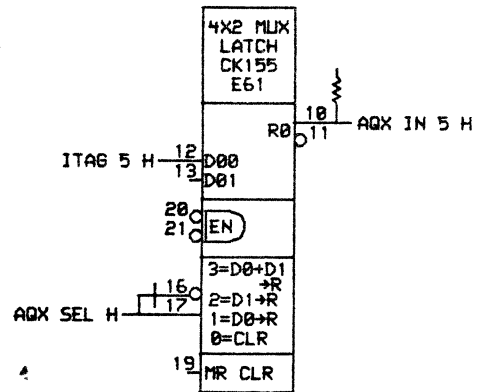
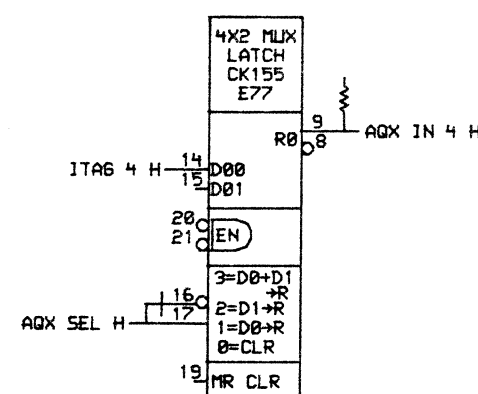
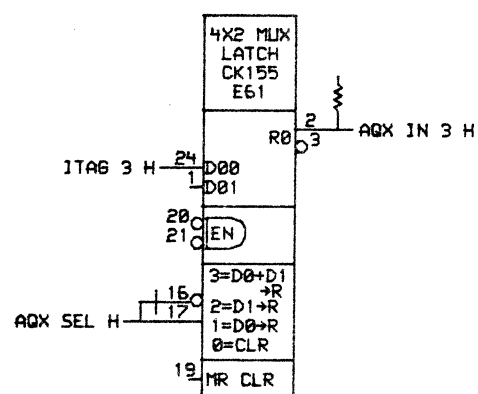
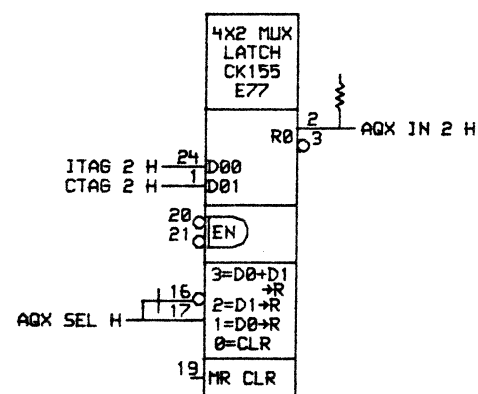
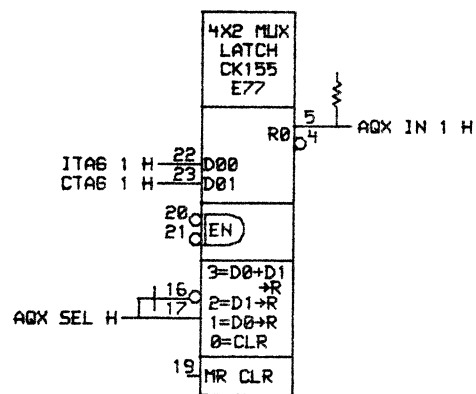
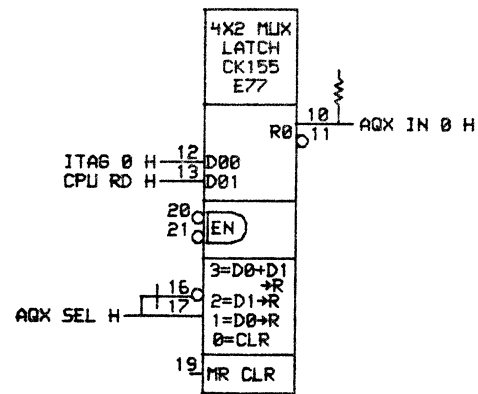




THIS DRAWING AND SPECIFICATIONS ARE THE PROPERTY OF DIGITAL EQUIPMENT CORPORATION AND SHALL NOT BE REPRODUCED OR COPIED OR USED IN WHOLE OR IN PART AS THE BASIS FOR THE MANUFACTURE OR SALE OF ITEMS WITHOUT WRITTEN PERMISSION. COPYRIGHT © 1982, DIGITAL EQUIPMENT CORPORATION.

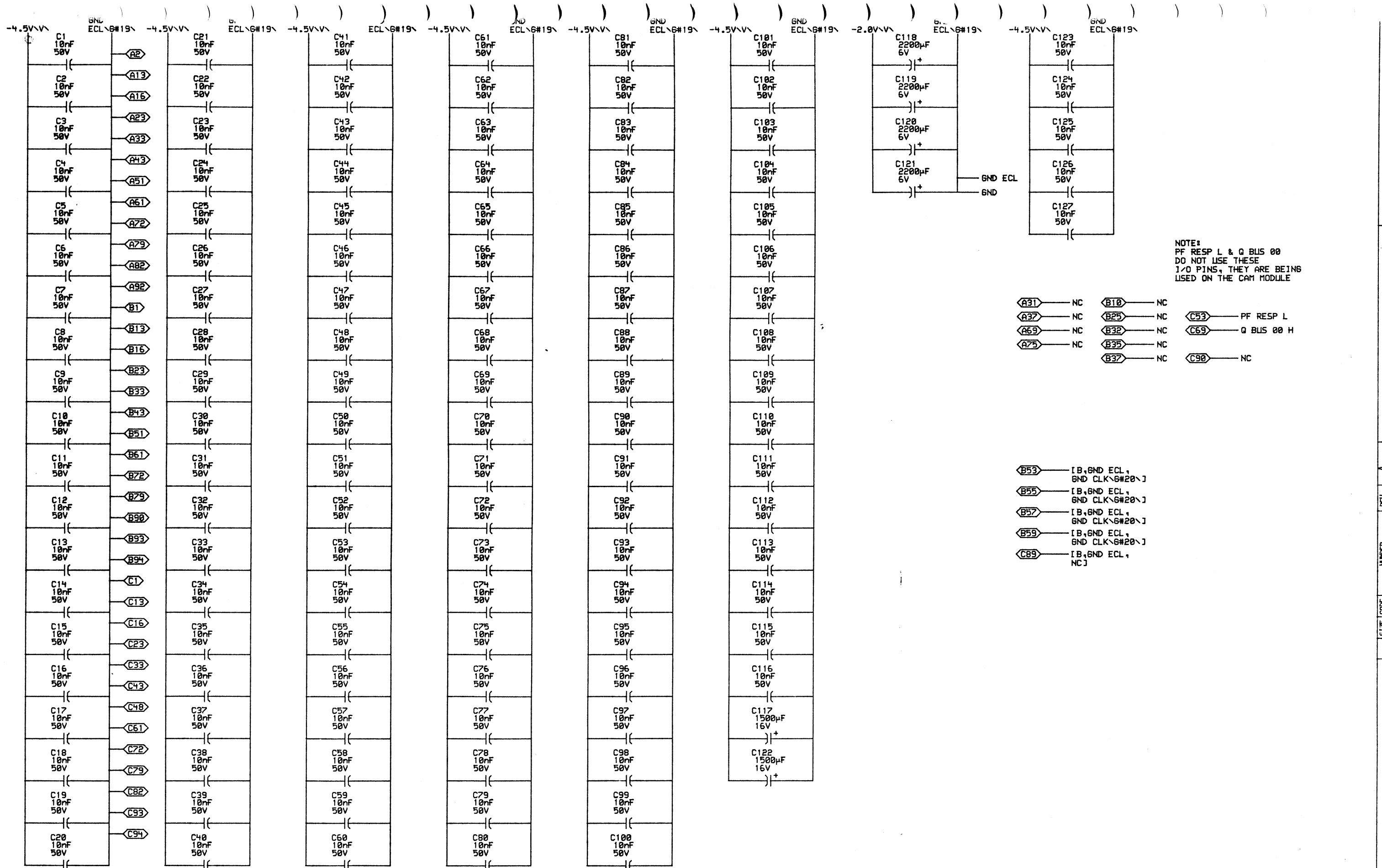
REVISIONS		
CHK	CHANGE NO.	REV

<b>digital</b>	DATE: 02-FEB-82	ENG.	DATE:	TITLE: MCC FRU
DRN: J. J. J. J.	DATE: 04-FEB-82 12:33	BOARD LOCATION: SHEET 1 OF 1	SIZE: D	CODE: CS
VULCAN (2080) L0058-MCCR.DRW	FIRST USED ON OPTION/MODEL: 2080	NEXT HIGHER ASSEMBLY: B-DD-L0058-0	NUMBER: L0058-0-MCCR	REV. *



DRN.	DATE	ENG.	DATE	TITLE:
CHK'D.	DATE	BOARD LOCATION:		
VLL DWH <2000.L0058> M0000.DRW 06-JAN-02 15:56		NEXT HIGHER ASSEMBLY:		SIZE CODE
FIRST USED ON OPTION/MODEL: 2000		B-DD-L0058-0		NUMBER
				REV. *





NOTE:  
 PF RESP L & G BUS 00  
 DO NOT USE THESE  
 I/O PINS, THEY ARE BEING  
 USED ON THE CAM MODULE

- A31 — NC
- A37 — NC
- A69 — NC
- A75 — NC
- B10 — NC
- B25 — NC
- B32 — NC
- B35 — NC
- B37 — NC
- C53 — PF RESP L
- C69 — G BUS 00 H
- C90 — NC

- B53 — [B, GND ECL, GND CLK G#20]
- B55 — [B, GND ECL, GND CLK G#20]
- B57 — [B, GND ECL, GND CLK G#20]
- B59 — [B, GND ECL, GND CLK G#20]
- C89 — [B, GND ECL, NC]

THIS DRAWING AND SPECIFICATIONS  
 HEREIN ARE THE PROPERTY OF  
 DIGITAL EQUIPMENT CORPORATION AND  
 SHALL NOT BE REPRODUCED OR COPIED  
 OR USED IN WHOLE OR IN PART AS  
 THE BASIS FOR THE MANUFACTURE OR  
 SALE OF ITEMS WITHOUT WRITTEN  
 PERMISSION. COPYRIGHT © 1982  
 DIGITAL EQUIPMENT CORPORATION

REVISIONS	
CHK	CHANGE NO. REV

digital	DATE	ENG.	DATE	TITLE:
	20-FEB-82			MCC POWER & GROUND
CHK'D.	DATE	BOARD LOCATION:	SHEET	OF
			1	1
FIRST USED ON OPTION/MODEL: 2080		NEXT HIGHER ASSEMBLY: B-DD-L0058-0		SIZE CODE
				D C5
				NUMBER
				L0058-0-MCCV
				REV.
				*

8

7

6

5

4

3

2

1

REV. 1 A3b 838-74 d5 3000 d 3215

VULCAN:<2080.L0061>25MMC1  
 VULCAN:<2080.L0061>25MMC2  
 VULCAN:<2080.L0061>25MMC3  
 VULCAN:<2080.L0061>25MMC4  
 VULCAN:<2080.L0061>25MMC5  
 VULCAN:<2080.L0061>45MMC6  
 VULCAN:<2080.L0061>53MMC7  
 VULCAN:<2080.L0061>25MMC8  
 VULCAN:<2080.L0061>59MMC9  
 VULCAN:<2080.L0061>52MMCA  
 VULCAN:<2080.L0061>58MMCB  
 VULCAN:<2080.L0061>58MMCC  
 VULCAN:<2080.L0061>25MMCD  
 VULCAN:<2080.L0061>25MMCE  
 VULCAN:<2080.L0061>39MMCF  
 VULCAN:<2080.L0061>51MMCG  
 VULCAN:<2080.L0061>49MMCH  
 VULCAN:<2080.L0061>25MMC I  
 VULCAN:<2080.L0061>35MMCJ  
 VULCAN:<2080.L0061>48MMCK  
 VULCAN:<2080.L0061>50MMCL  
 VULCAN:<2080.L0061>56MMCM  
 VULCAN:<2080.L0061>60MMCN  
 VULCAN:<2080.L0061>44MMCP  
 VULCAN:<2080.L0061>58MMCR  
 VULCAN:<2080.L0061>61MMCS

D

D

C

C

B

B

A

A

REV. NUMBER SIZE CODE SP D B

THIS DRAWING AND SPECIFICATIONS  
 HEREIN ARE THE PROPERTY OF  
 DIGITAL EQUIPMENT CORPORATION AND  
 SHALL NOT BE REPRODUCED OR COPIED  
 OR USED IN WHOLE OR IN PART AS  
 THE BASIS FOR THE MANUFACTURE OR  
 SALE OF ITEMS WITHOUT WRITTEN  
 PERMISSION. COPYRIGHT © 1983  
 DIGITAL EQUIPMENT CORPORATION

REVISIONS		
CHK	CHANGE NO.	REV

digital  
 ARCH: <UHLER.PLOTS>LMC.DPL.1  
 FIRST USED ON OPTION/MODEL:

DRN. J. J. J. J.  
 CHK'D. DATE 10-FEB-83

ENG. DATE BOARD LOCATION: SHEET OF NEXT HIGHER ASSEMBLY:

DATE	TITLE:	SIZE	CODE	NUMBER	REV.
D	SP				

8

7

6

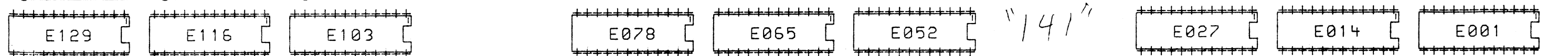
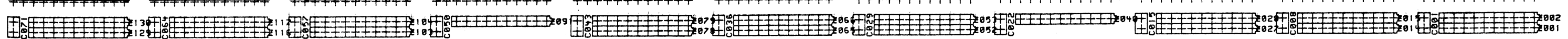
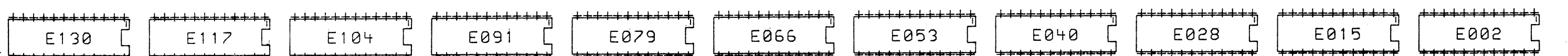
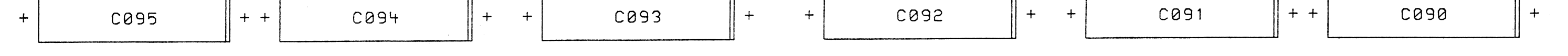
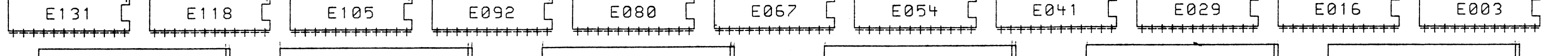
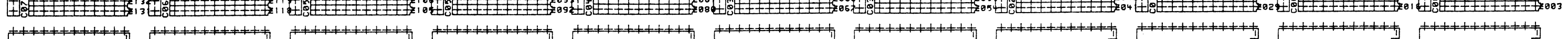
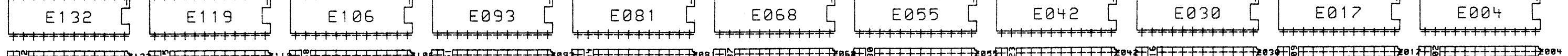
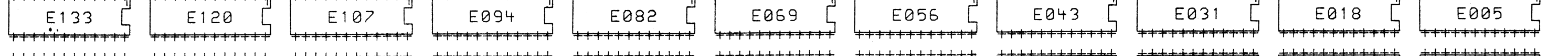
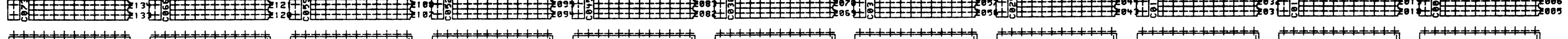
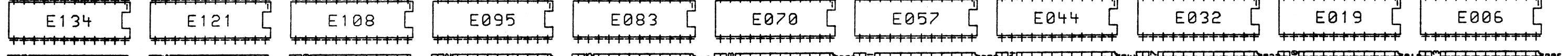
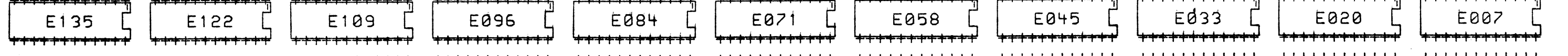
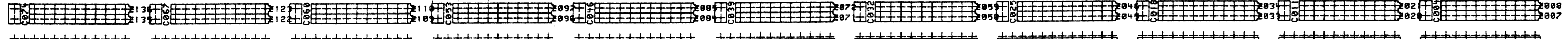
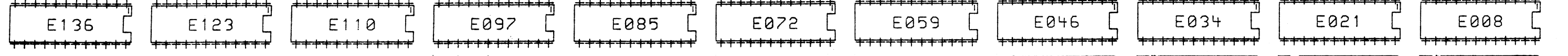
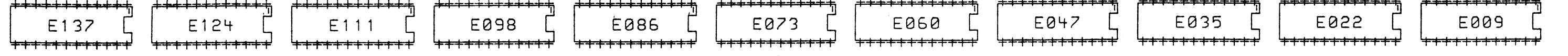
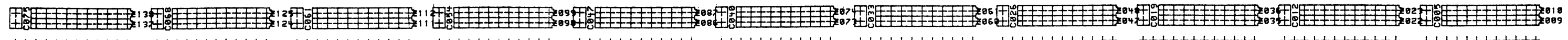
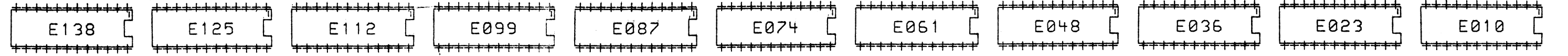
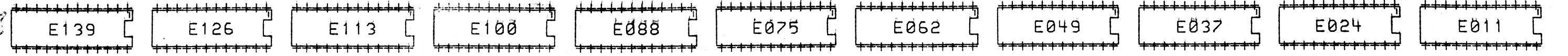
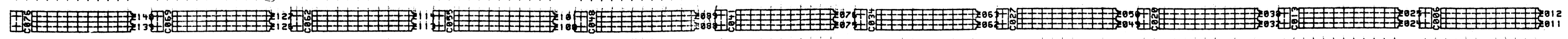
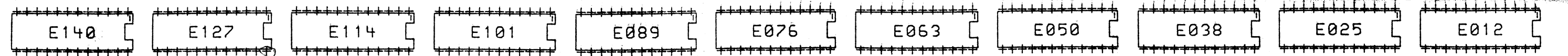
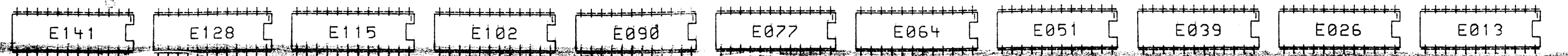
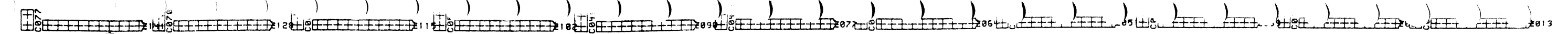
5

4

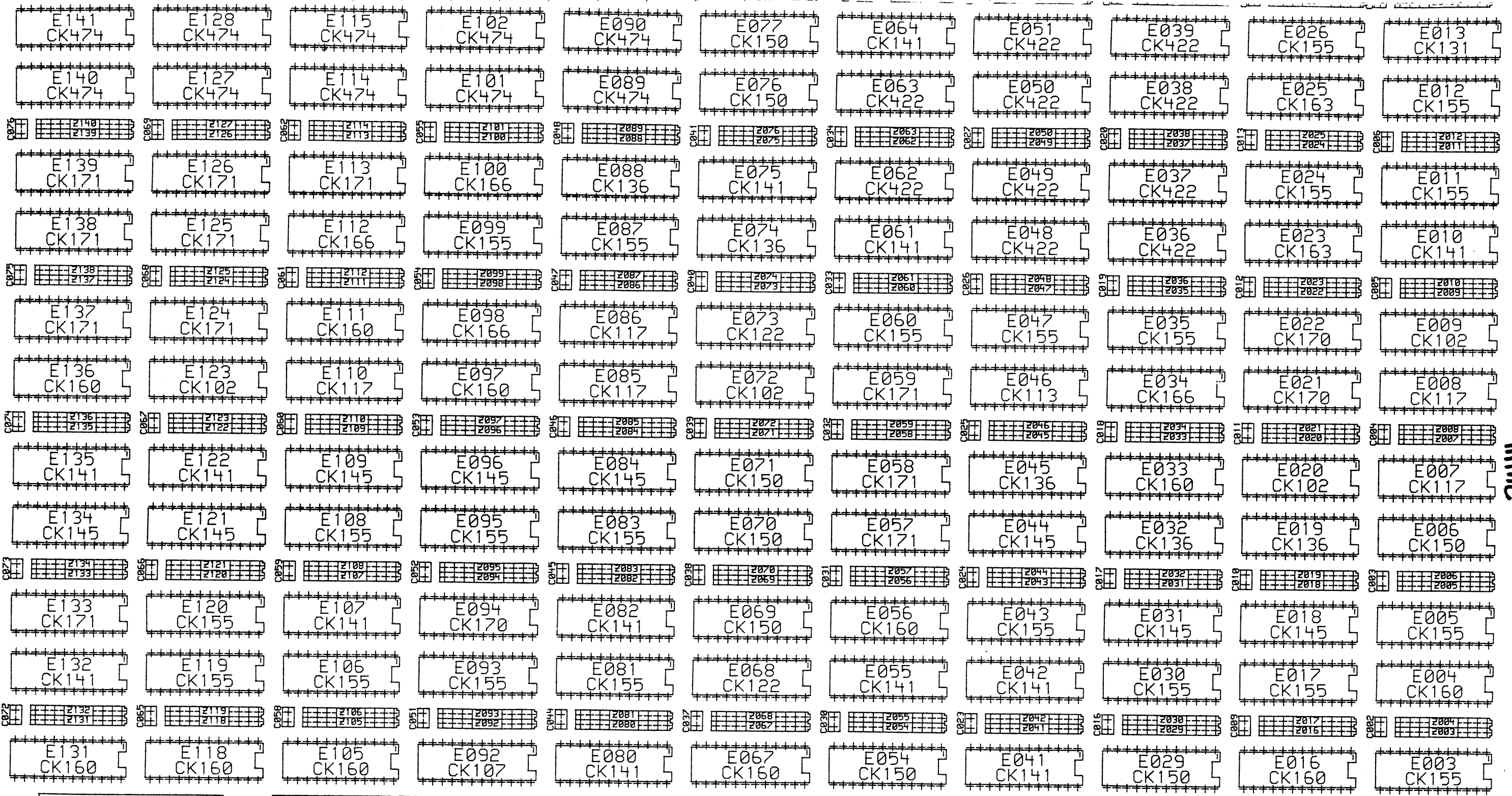
3

2

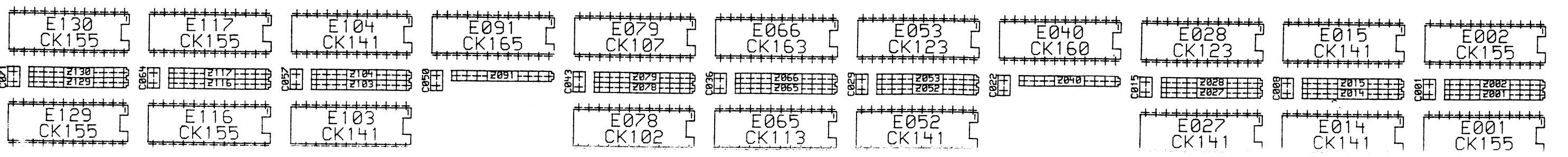
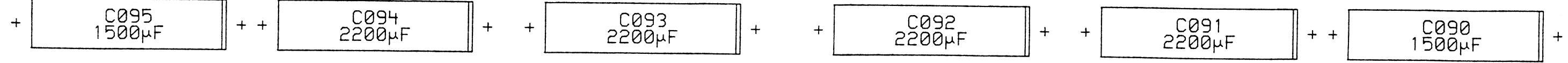
1



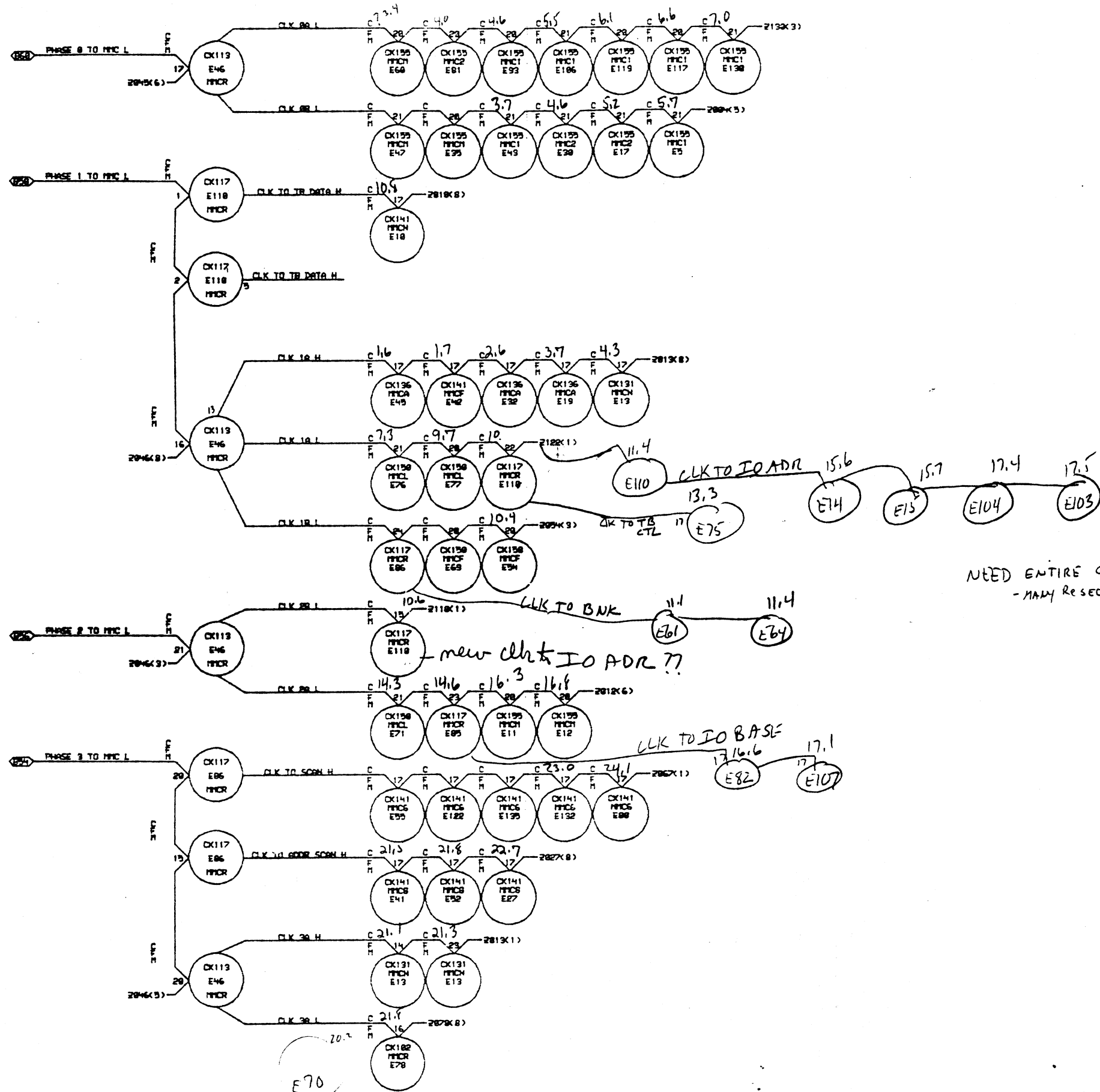
141



7mm



D  
C  
B  
A



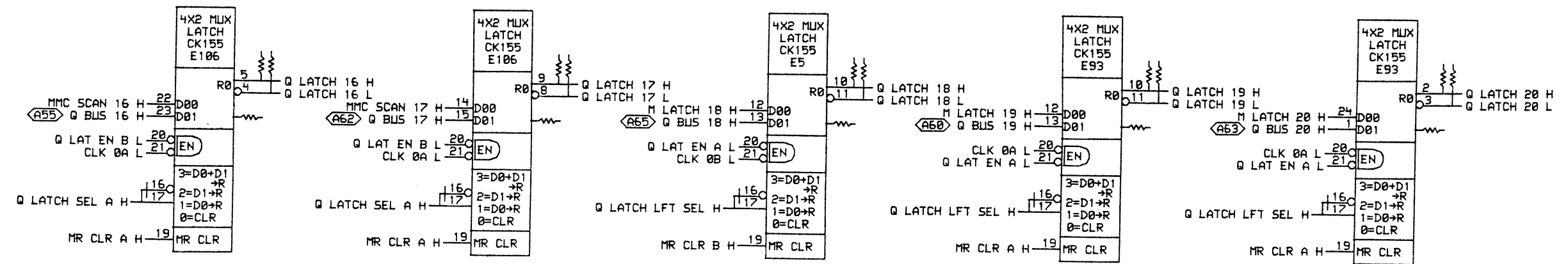
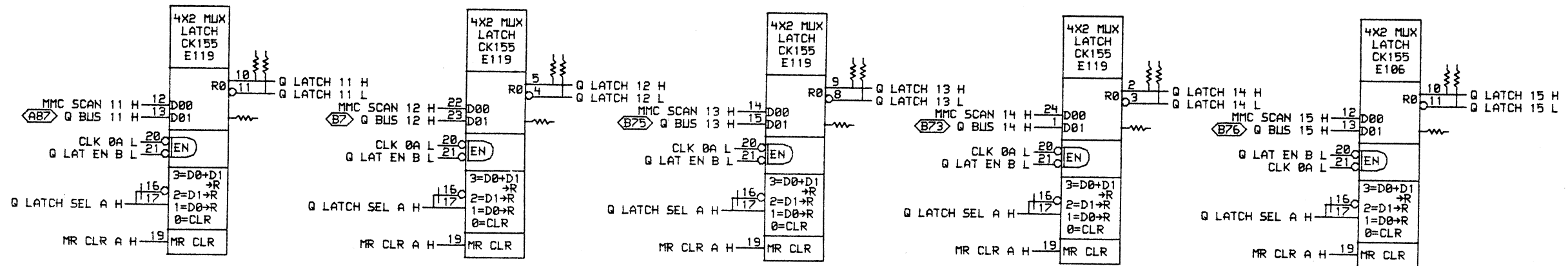
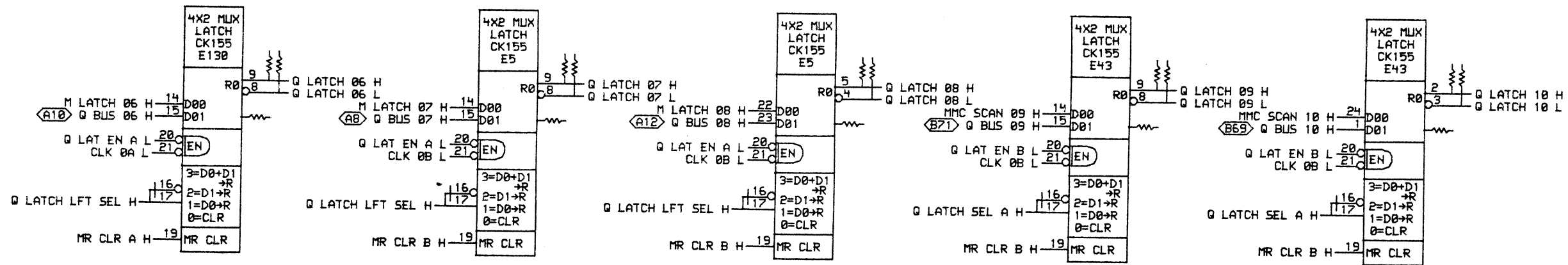
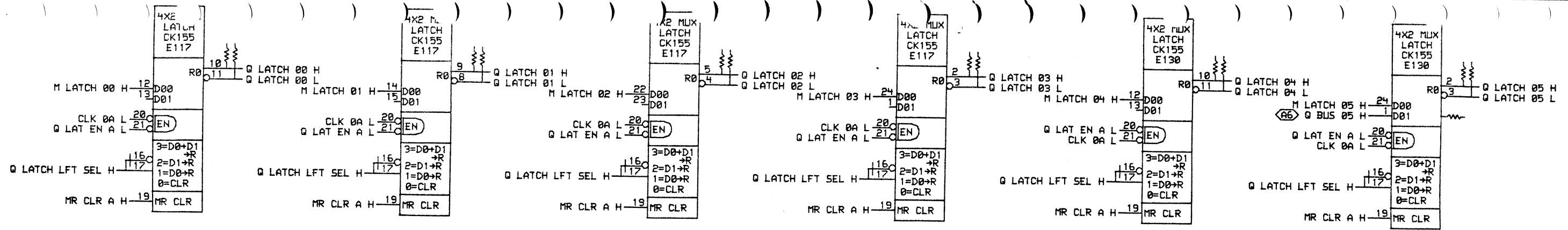
NEED ENTIRE CALCULATION  
- MANY RESEQUENCED NETS

E70

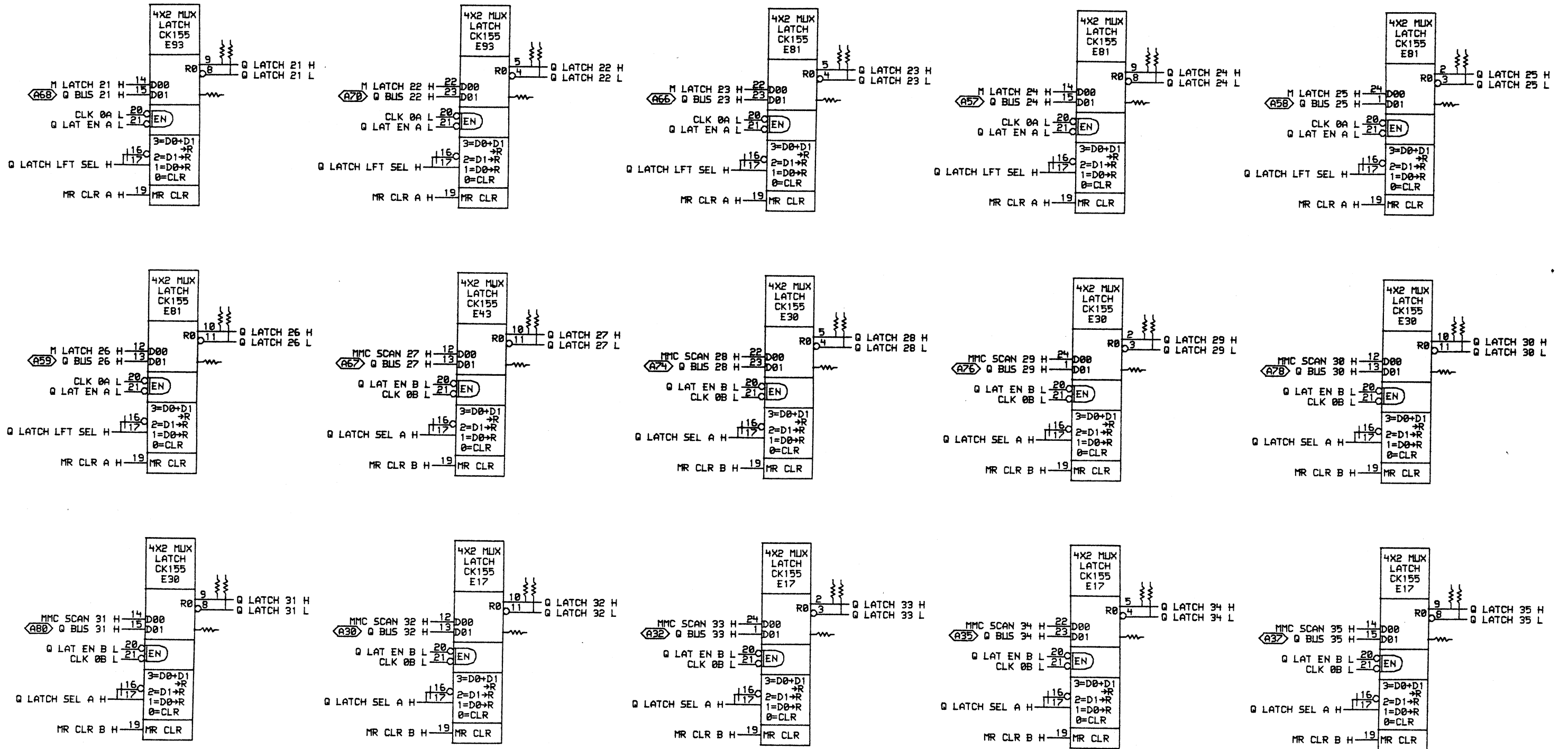
MHC

DRN.	DATE	ENG.	DATE	TITLE:
CHK'D.	DATE	BOARD LOCATION:		
SHEET		OF	SIZE	CODE
FIRST USED ON OPTION/MODEL:		NUMBER	REV.	

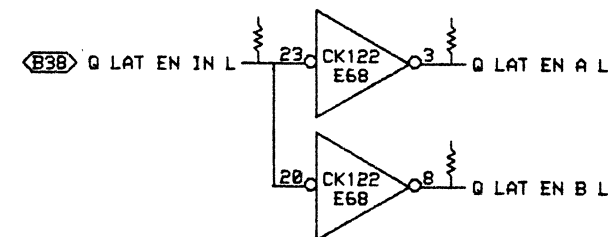
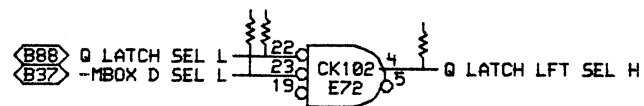
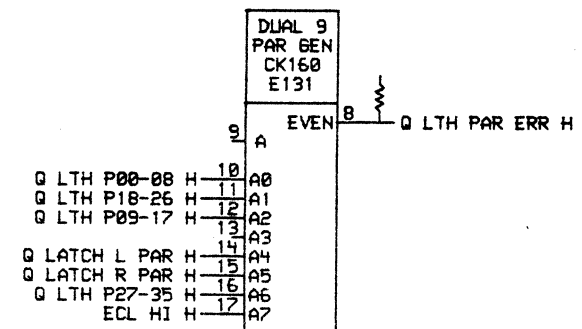
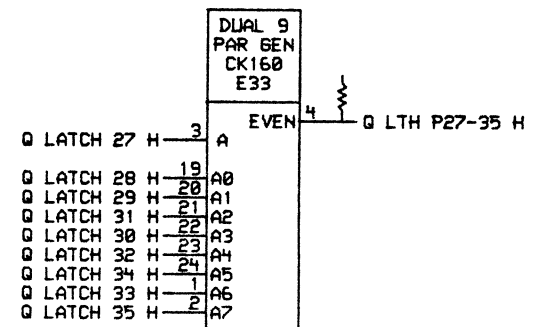
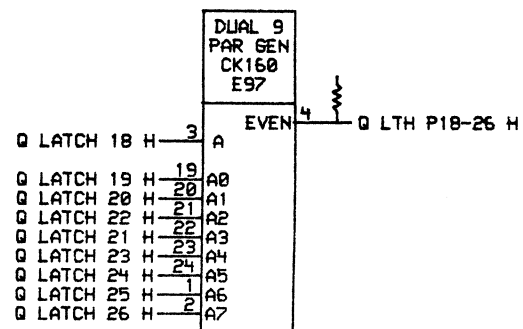
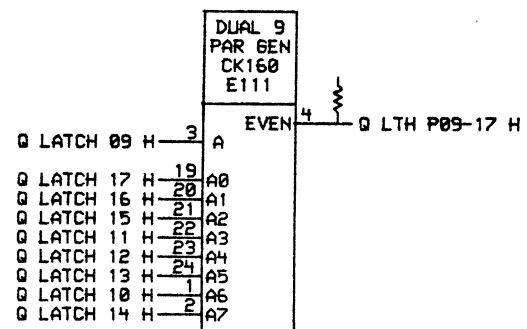
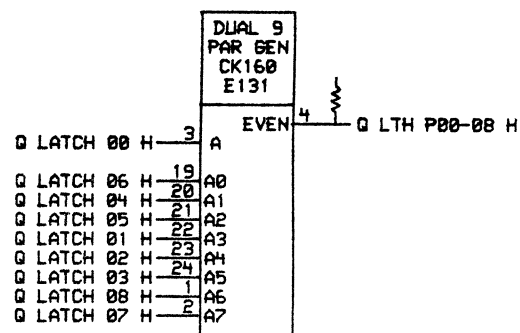
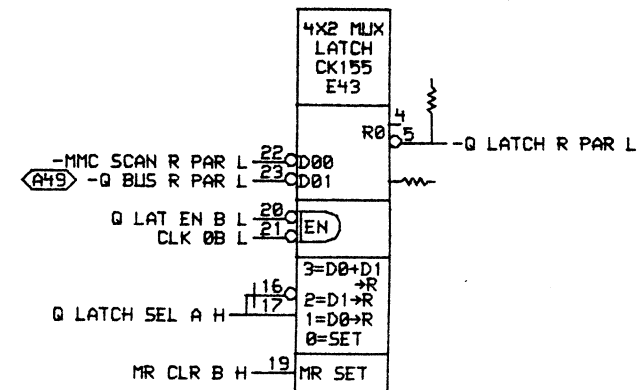
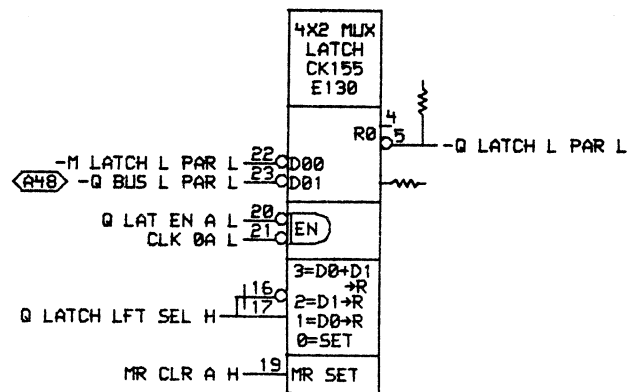
23-SEP-82  
17-JUL-82 23:00 NEXT HIGHER ASSEMBLY:  
C 05



DRN.	DATE	ENG.	DATE	TITLE:
CHK'D.	DATE	BOARD LOCATION:		Q LATCH
		SHEET	OF	BITS 00-20
FIRST USED ON OPTION/MODEL: 2080				NUMBER
NEXT HIGHER ASSEMBLY: B-DD-L0061-0				REV. *
SIZE	CODE	NUMBER		
D	CS	L0061-0-MMC1		

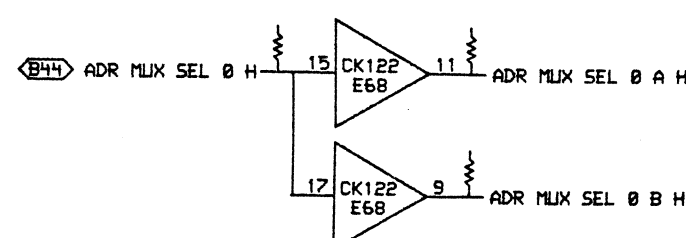
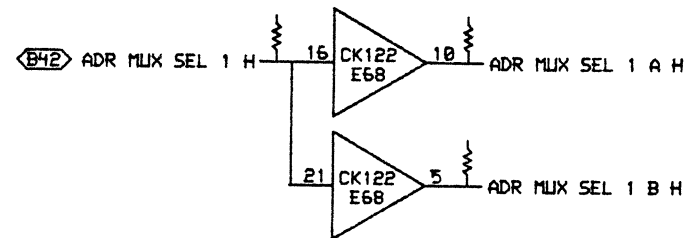
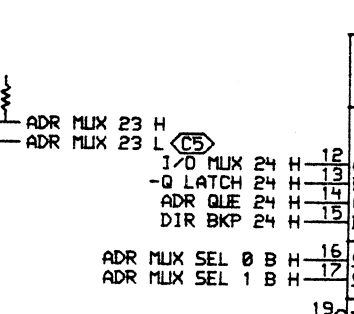
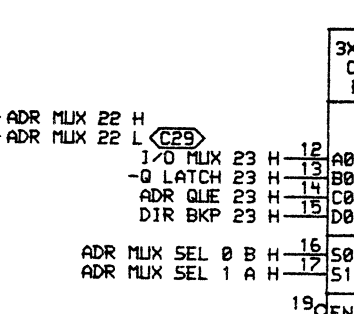
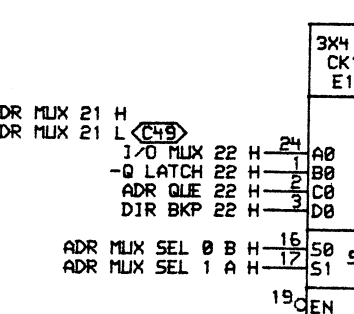
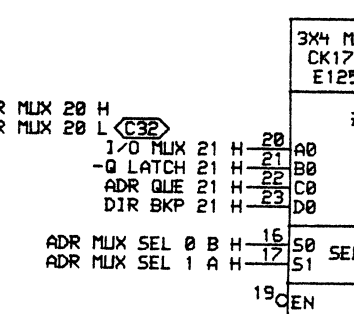
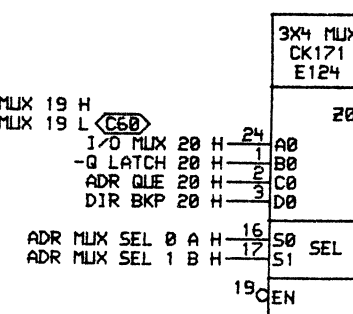
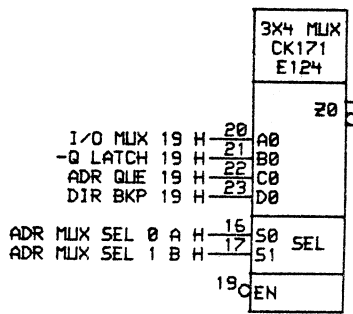
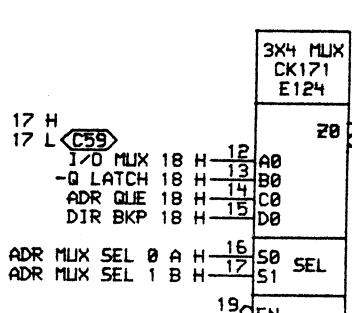
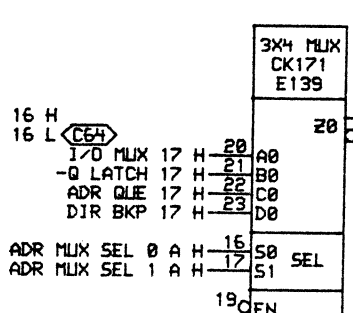
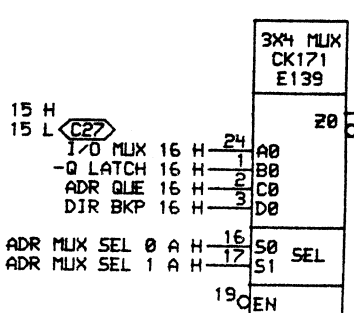
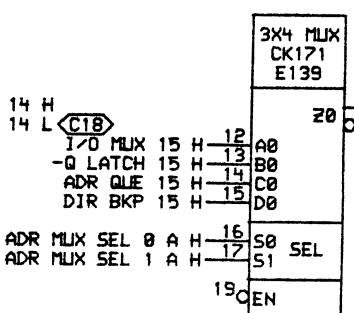
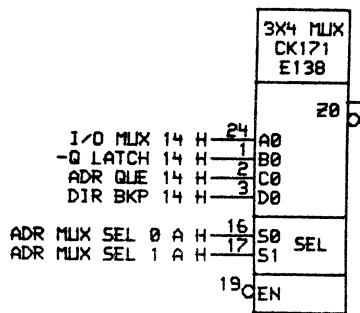
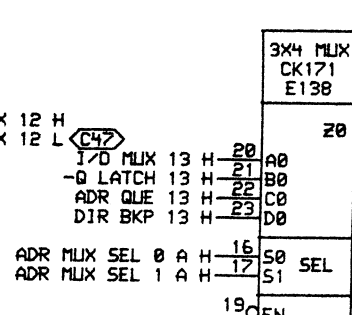
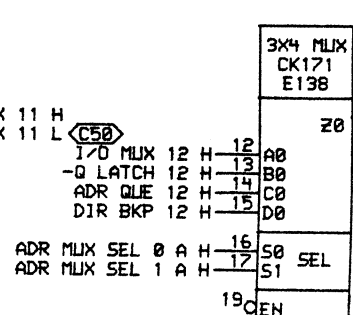
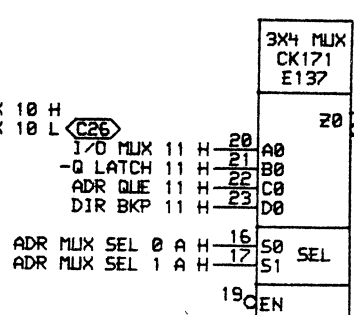
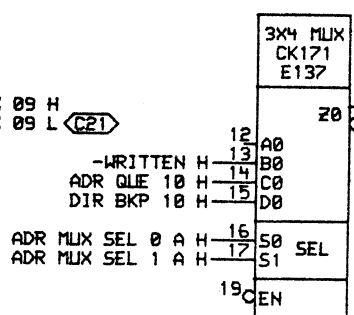
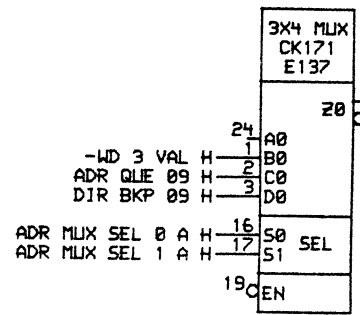
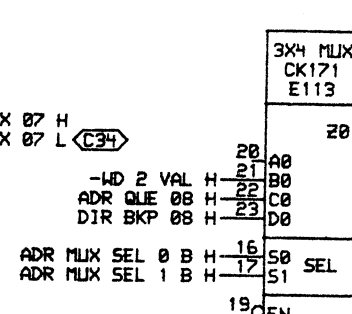
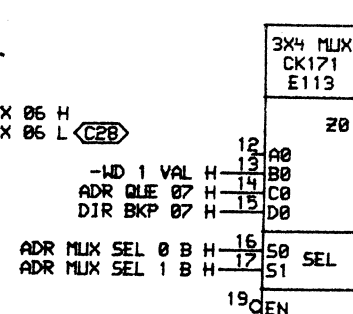
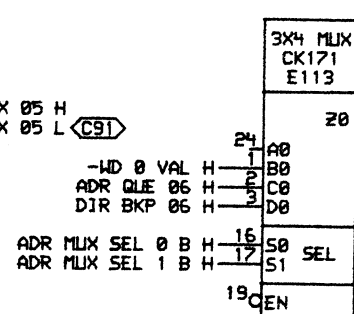
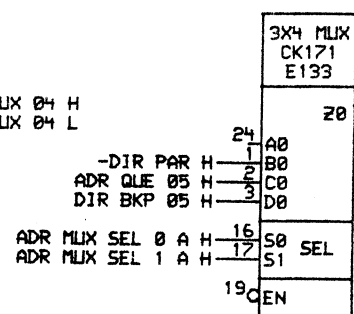
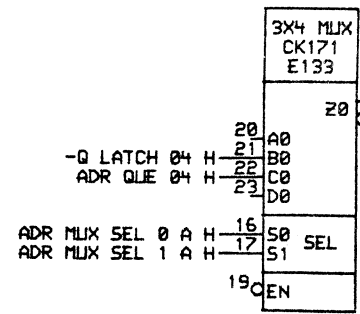


DRN.	DATE	ENG.	DATE	TITLE:
CHK'D.	02-FEB-82	B-D		Q LATCH
	DATE	BOARD LOCATION:		BITS 21 - 34
	01-FEB-82 15:43	SHEET 2 OF 3		
FIRST USED ON OPTION/MODEL: 2080 B-DD-L0061-0				NEXT HIGHER ASSEMBLY:
SIZE	CODE	NUMBER	REV.	
D	C5	L0061-0-MMC2	*	

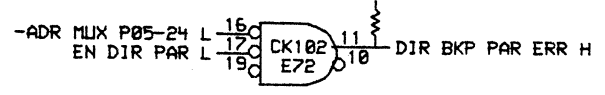
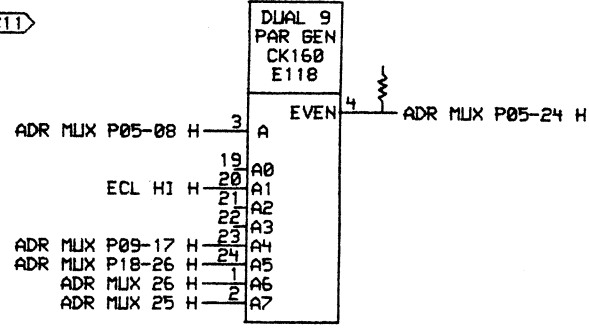
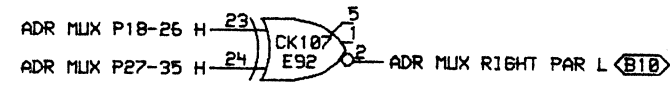
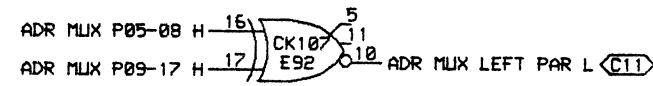
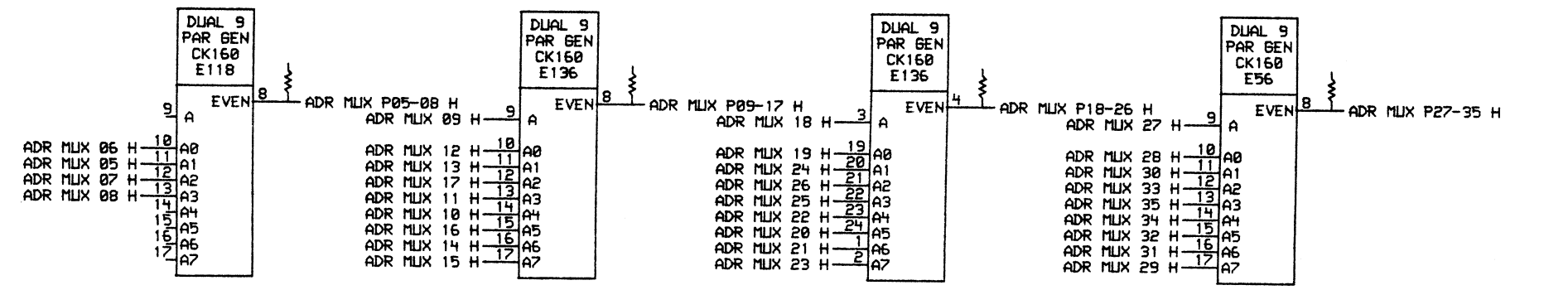
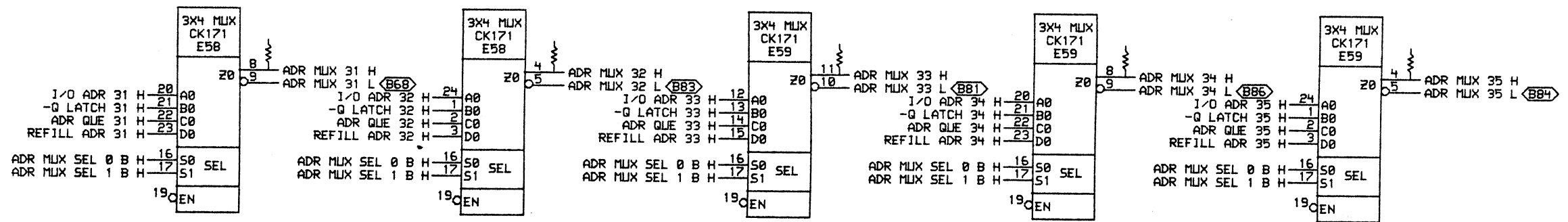
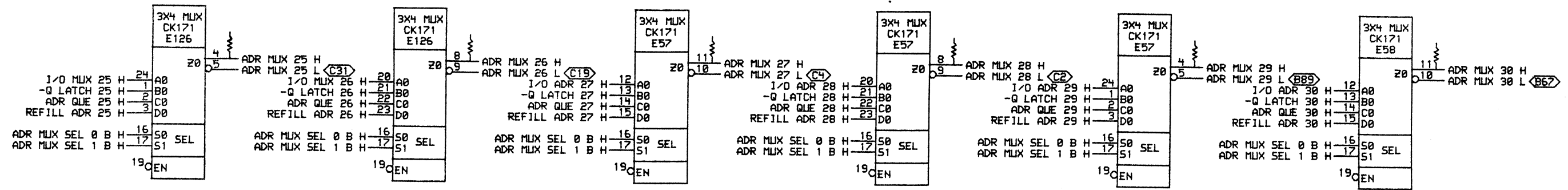


DRN.	DATE	ENG.	DATE	TITLE:
CHK'D.	DATE	BOARD LOCATION:	SHEET	Q LATCH CTL & PARITY
VILCANI <E880> L0061-0-MMC3.DRW 02-FEB-82 07:30 NEXT HIGHER ASSEMBLY:				SIZE CODE NUMBER
FIRST USED ON OPTION/MODEL: 2080 B-DD-L0061-0				D CS L0061-0-MMC3 REV. *

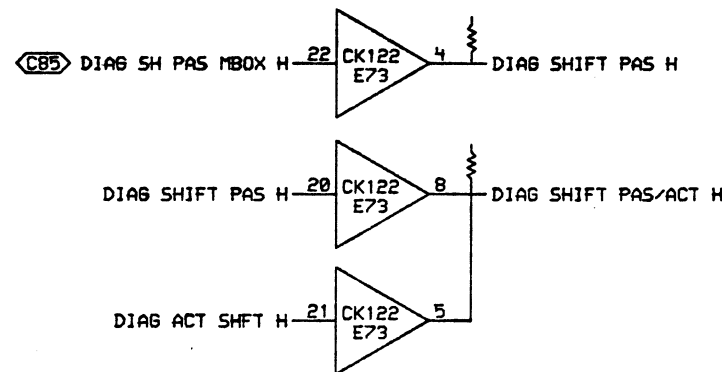
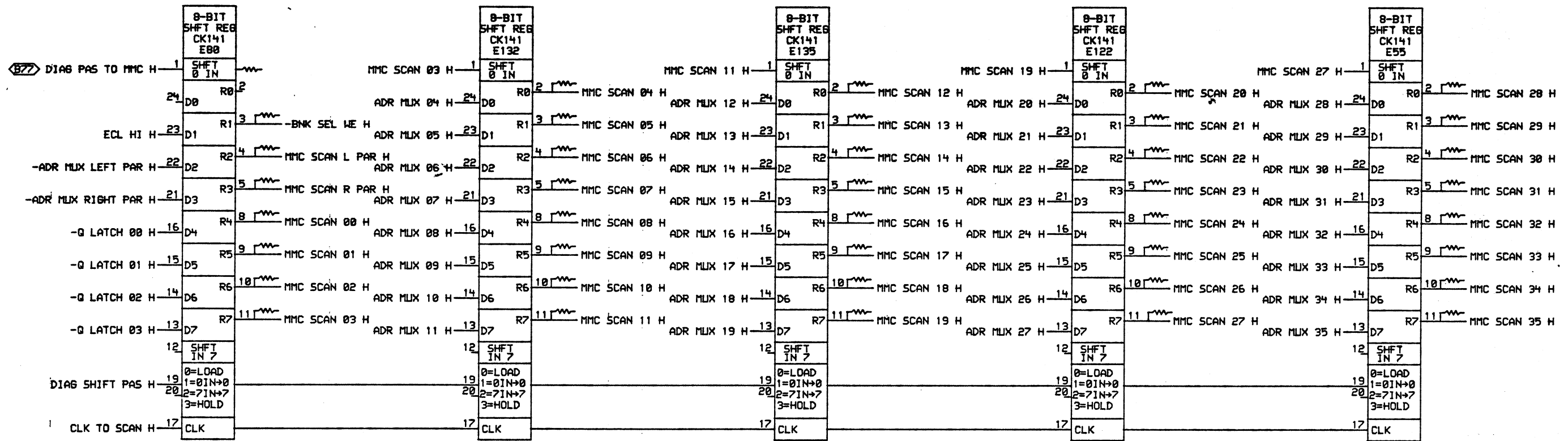


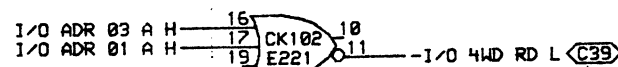
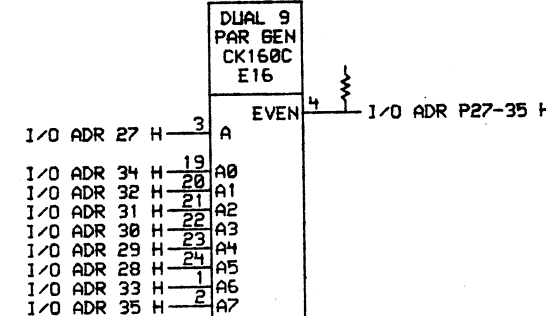
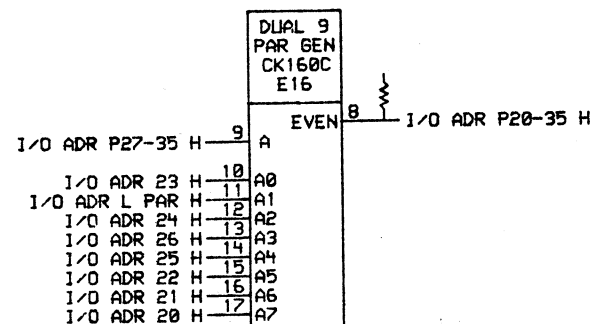
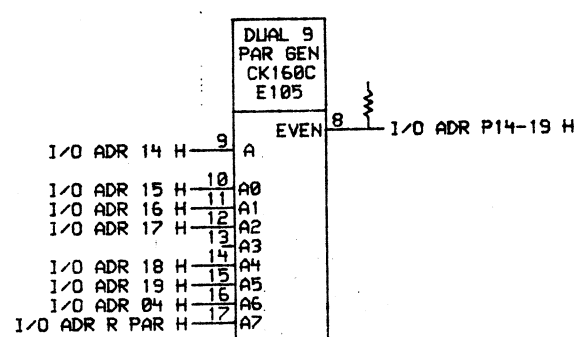
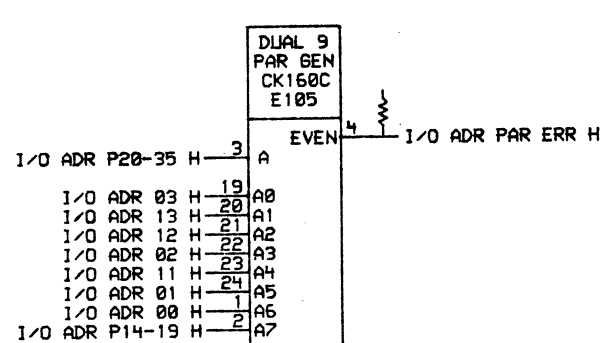
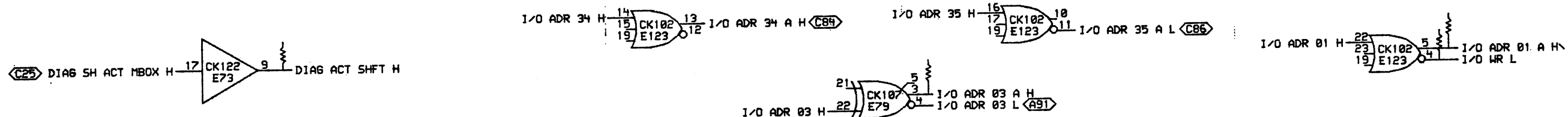
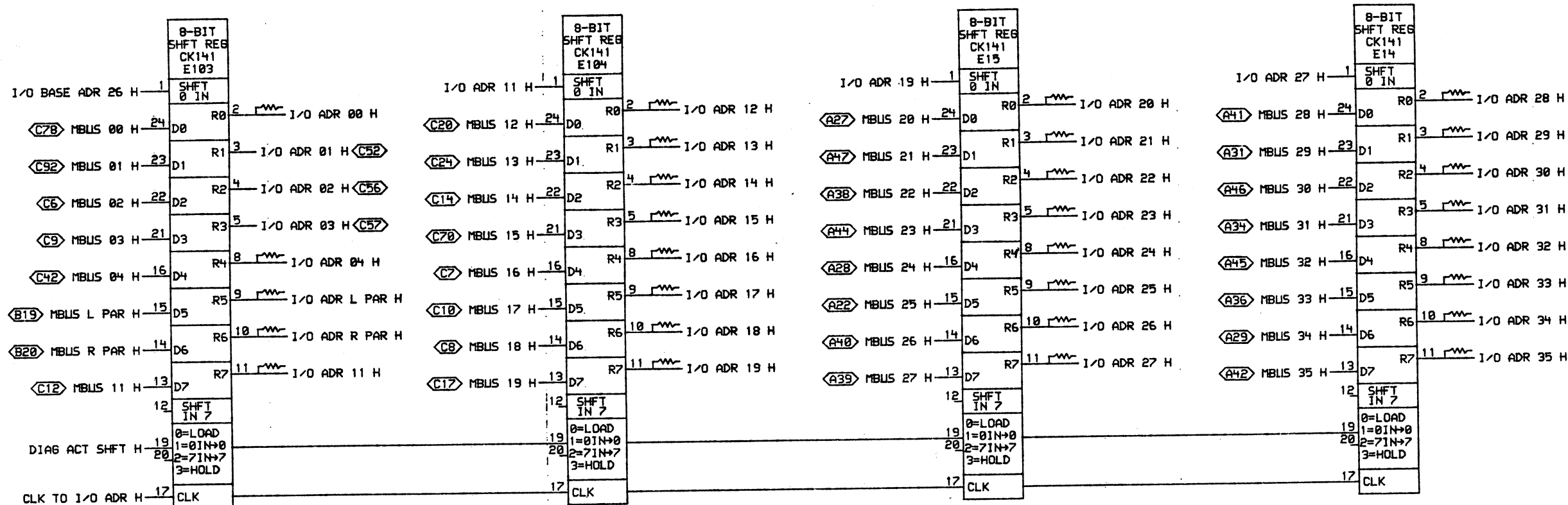


DRN.	DATE	ENG.	DATE	TITLE:
CHK'D.	DATE	BOARD LOCATION:		ADR MUX
		SHEET	OF 2	BITS 04-24
FIRST USED ON OPTION/MODEL: 2080				NUMBER
B-DD-L0061-0				L0061-0-MMC4
SIZE	CODE	REV.		
D	CS	*		



DRN.	DATE	ENG.	DATE	TITLE:
CHK'D.	02-FEB-82			ADR MUX BITS 25-35 & P
VILCANT (2080.L0061)23MMCS.DRW	DATE	BOARD LOCATION:	SHEET	OF
FIRST USED ON OPTION/MODEL:	01-FEB-82 14:41	NEXT HIGHER ASSEMBLY:	B-DD-L0051-0	
SIZE	CODE	NUMBER	REV.	
D	CS	L0061-0-MMC5	*	

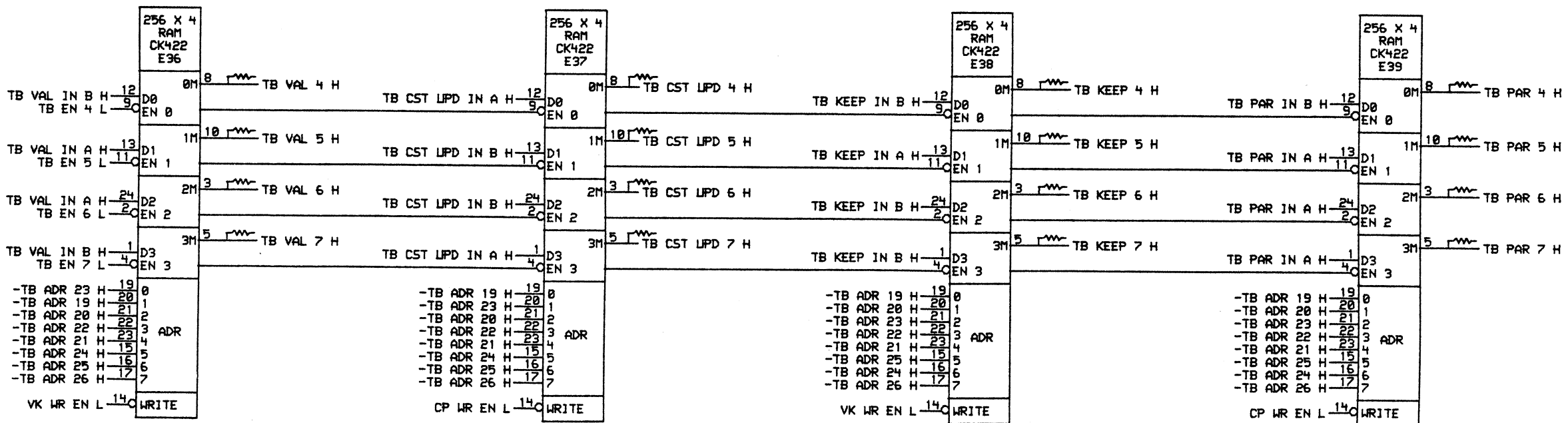
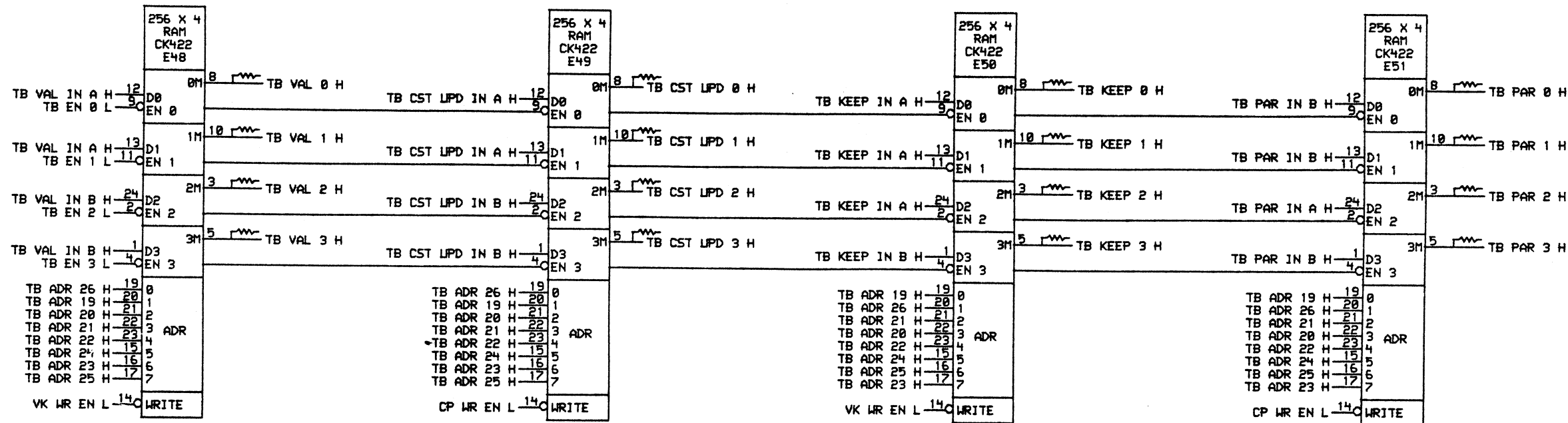


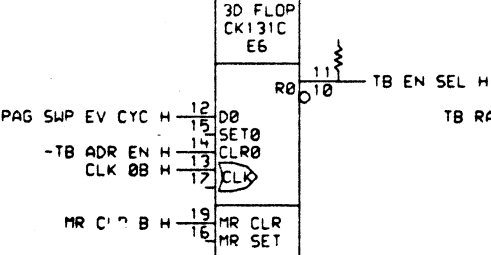
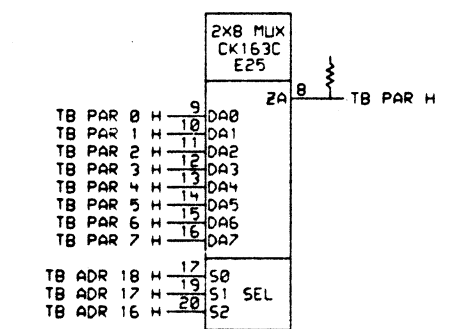
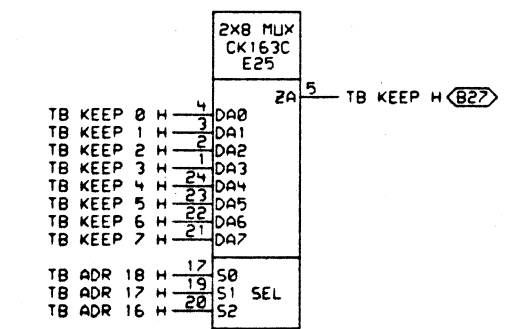
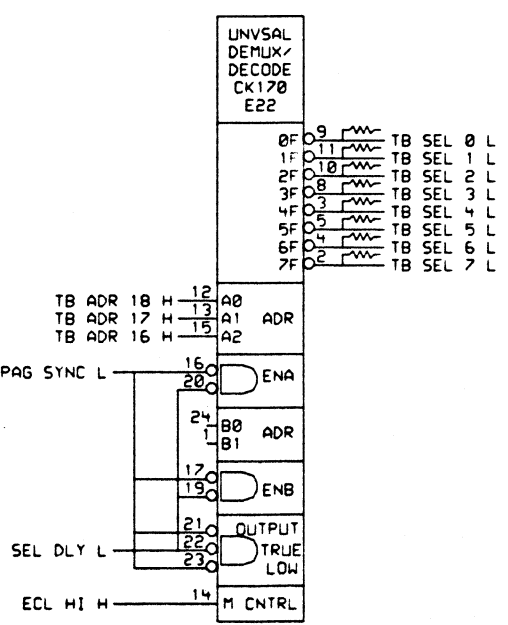
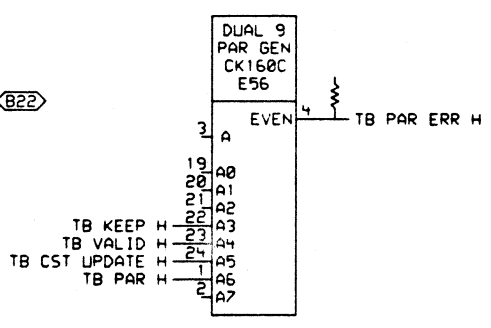
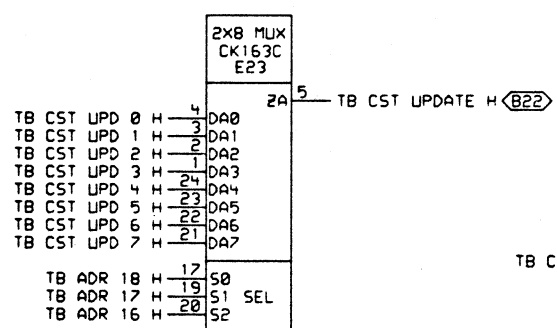
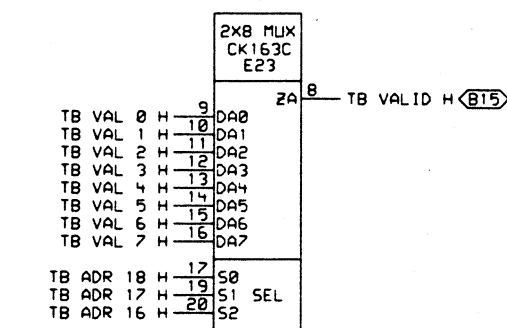
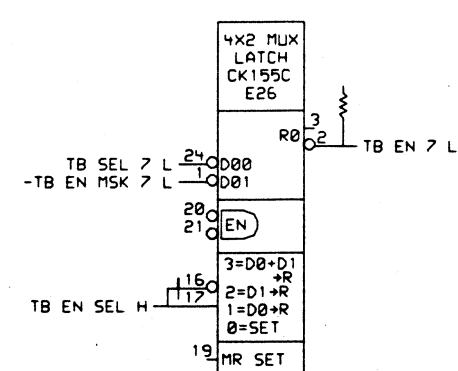
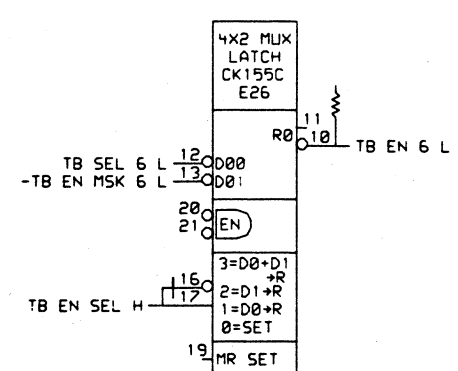
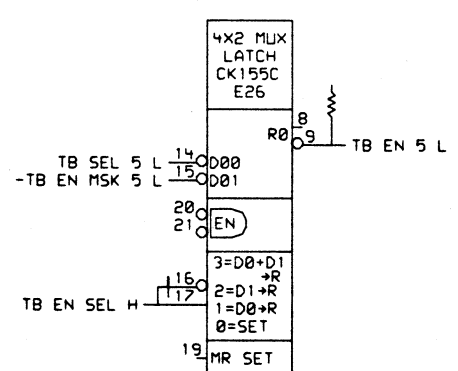
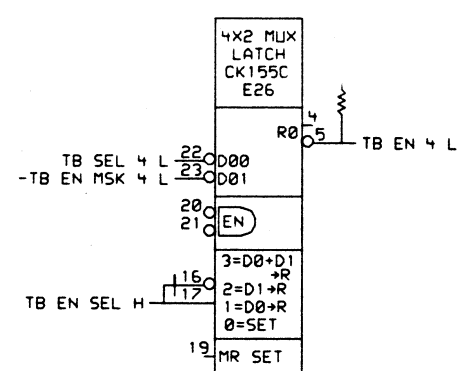
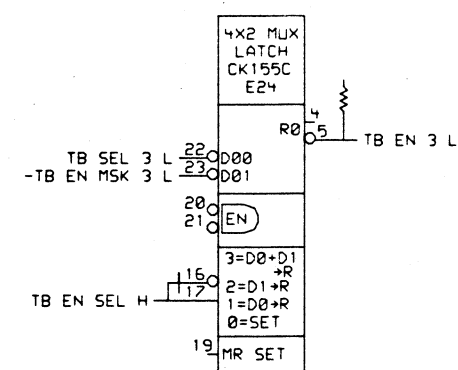
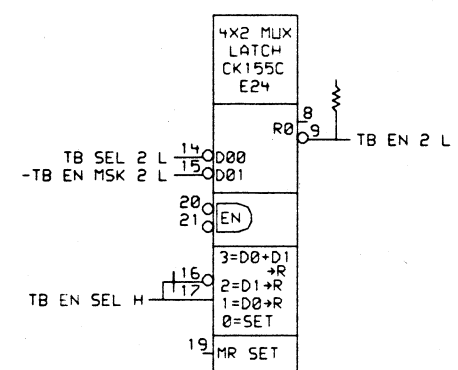
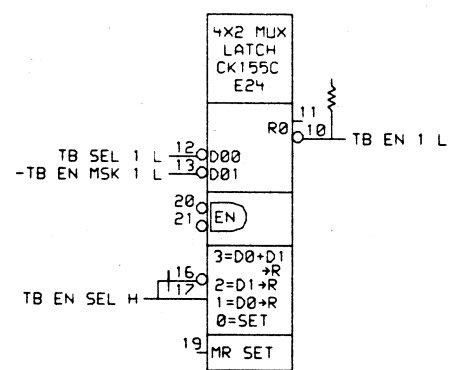
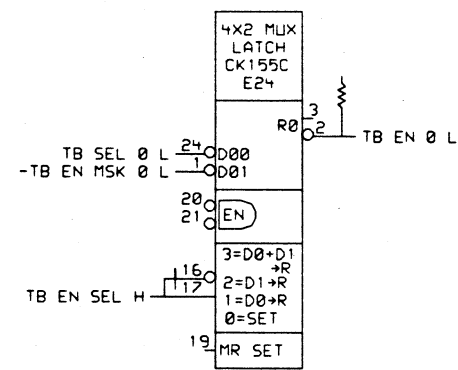


THIS DRAWING AND SPECIFICATIONS ARE THE PROPERTY OF DIGITAL EQUIPMENT CORPORATION AND SHALL NOT BE REPRODUCED OR COPIED IN WHOLE OR IN PART AS THE BASIS FOR THE MANUFACTURE OR SALE OF ITEMS WITHOUT WRITTEN PERMISSION. COPYRIGHT © 1982, DIGITAL EQUIPMENT CORPORATION.

REVISIONS		
CHK	CHANGE NO.	REV

digital	DRN: J. Looney	DATE: 12-OCT-82	ENG.	DATE	TITLE: I/O ADR LATCH
	CHK'D.	DATE	BOARD LOCATION:	SHEET 1 OF 1	BITS 04-35 + P
VUL CAN: (2000) L0061-0-MMC7.DRW		11-OCT-82 18:30	NEXT HIGHER ASSEMBLY:	SIZE: D	CODE: CS
FIRST USED ON OPTION/MODEL: 2000		B-DD-L0061-0		NUMBER: L0061-0-MMC7	REV: *

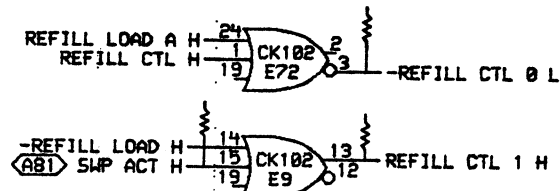
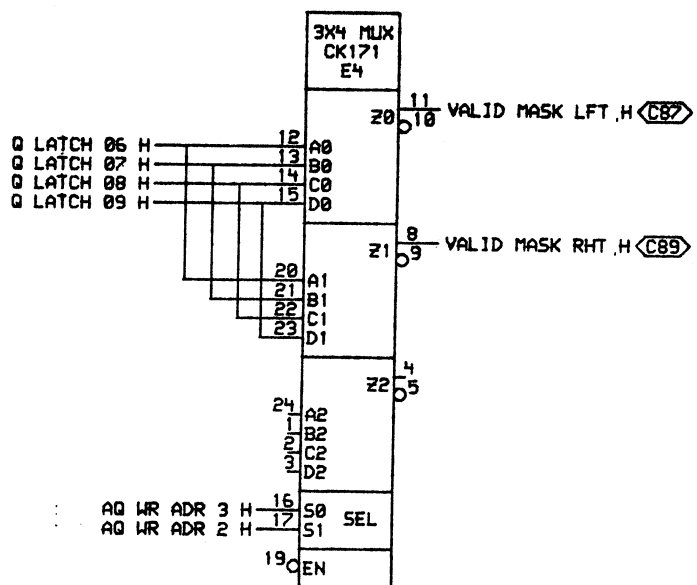
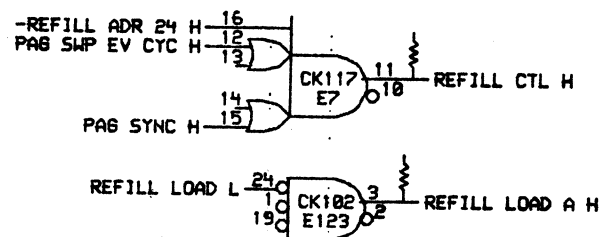
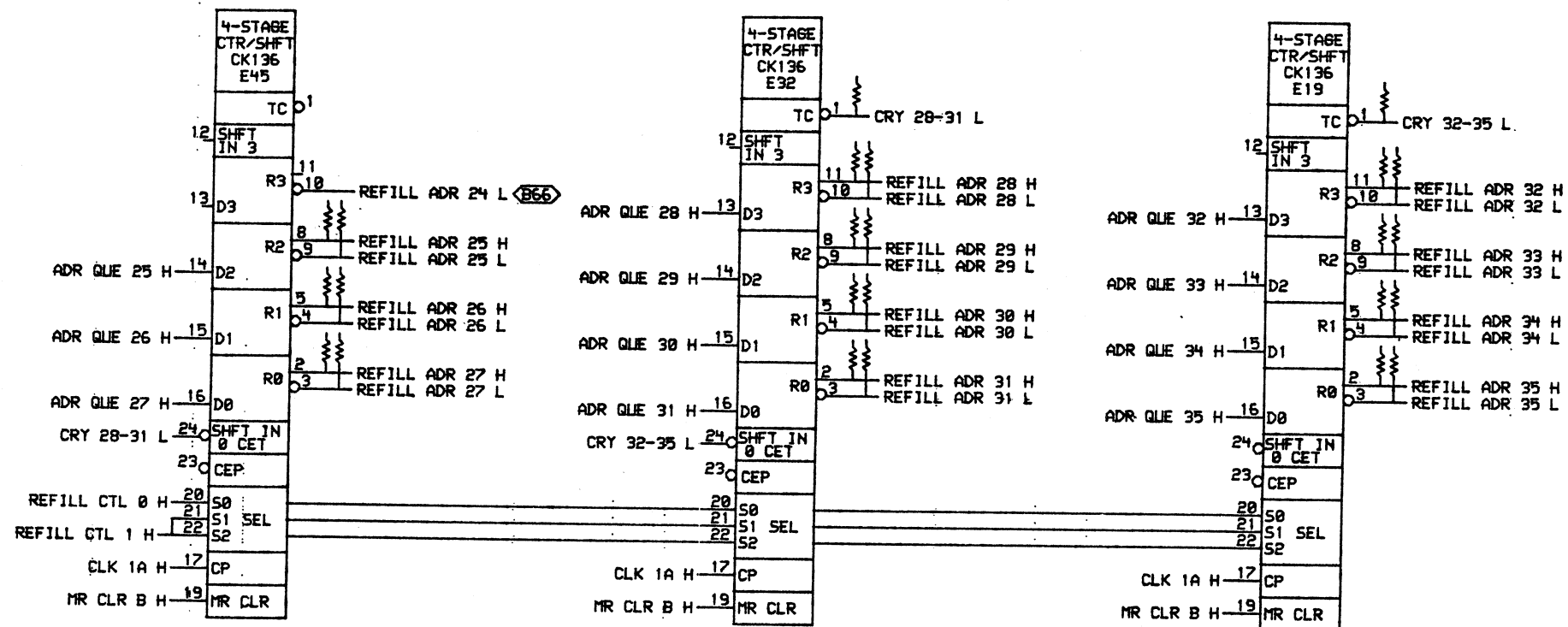


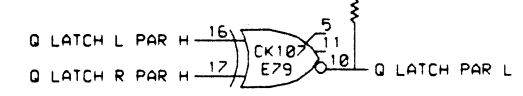
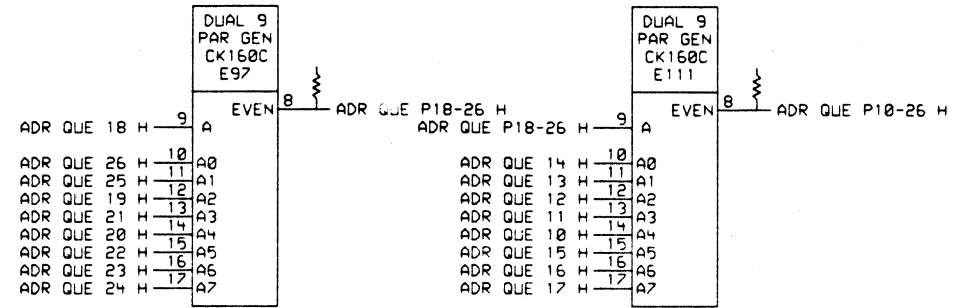
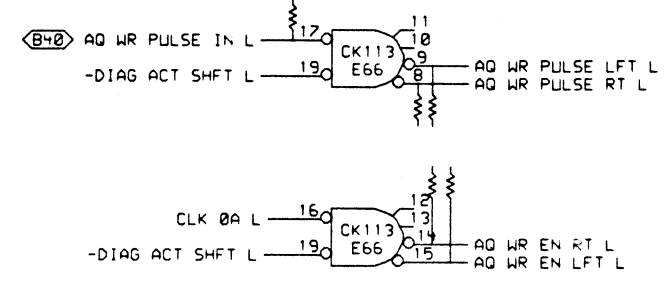
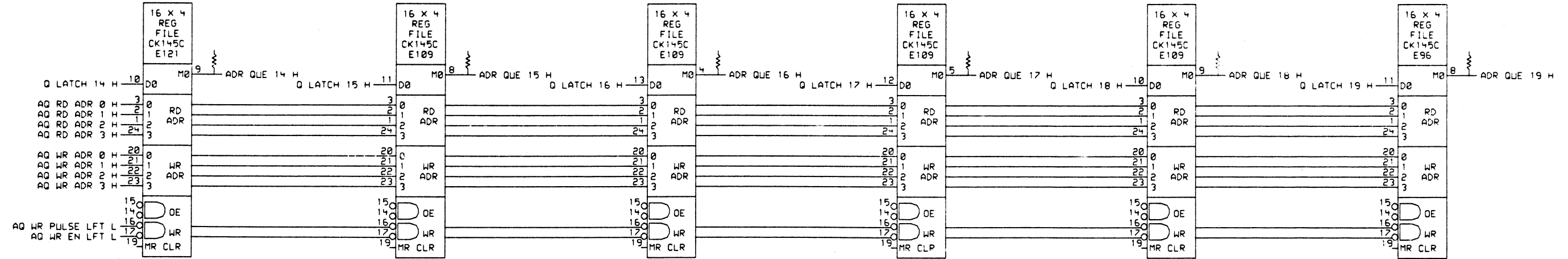
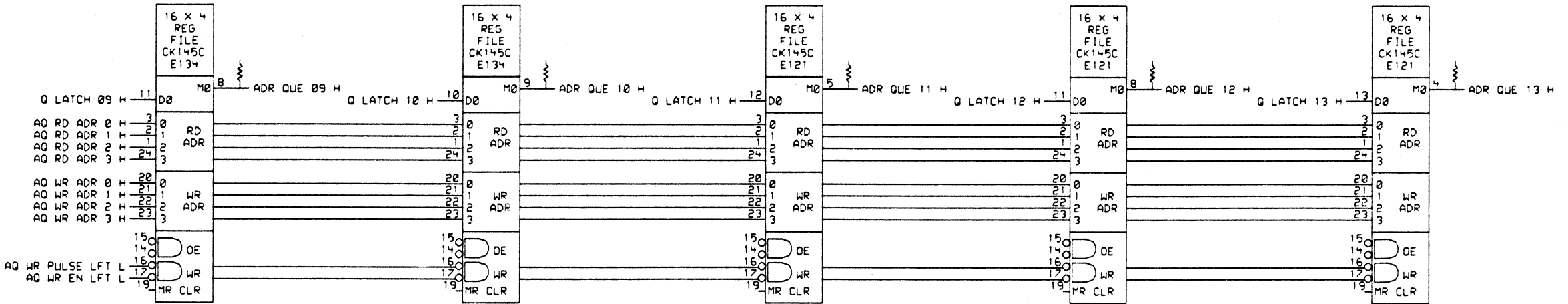
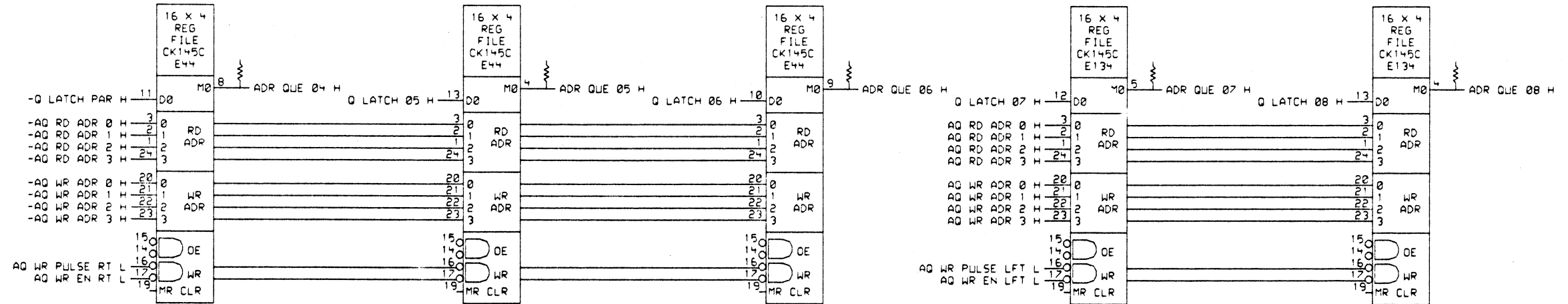


THIS DRAWING AND SPECIFICATIONS ARE THE PROPERTY OF DIGITAL EQUIPMENT CORPORATION AND SHALL NOT BE REPRODUCED OR COPIED OR USED IN WHOLE OR IN PART AS THE BASIS FOR THE MANUFACTURE OR SALE OF ITEMS WITHOUT WRITTEN PERMISSION. COPYRIGHT © 1982. DIGITAL EQUIPMENT CORPORATION.

REVISIONS		
CHK	CHANGE NO.	REV

digital	DATE	ENG.	DATE	TITLE:
	30-DEC-82	J. J. J.		TB CLR
	DATE	BOARD LOCATION:		
	29-DEC-82 12:57	SHEET 2 OF 2		
	FIRST USED ON OPTION/MODEL:	NEXT HIGHER ASSEMBLY:	SIZE CODE	NUMBER
	2080	B-DD-L0061-0	D CS	L0061-0-MMC9
			REV.	



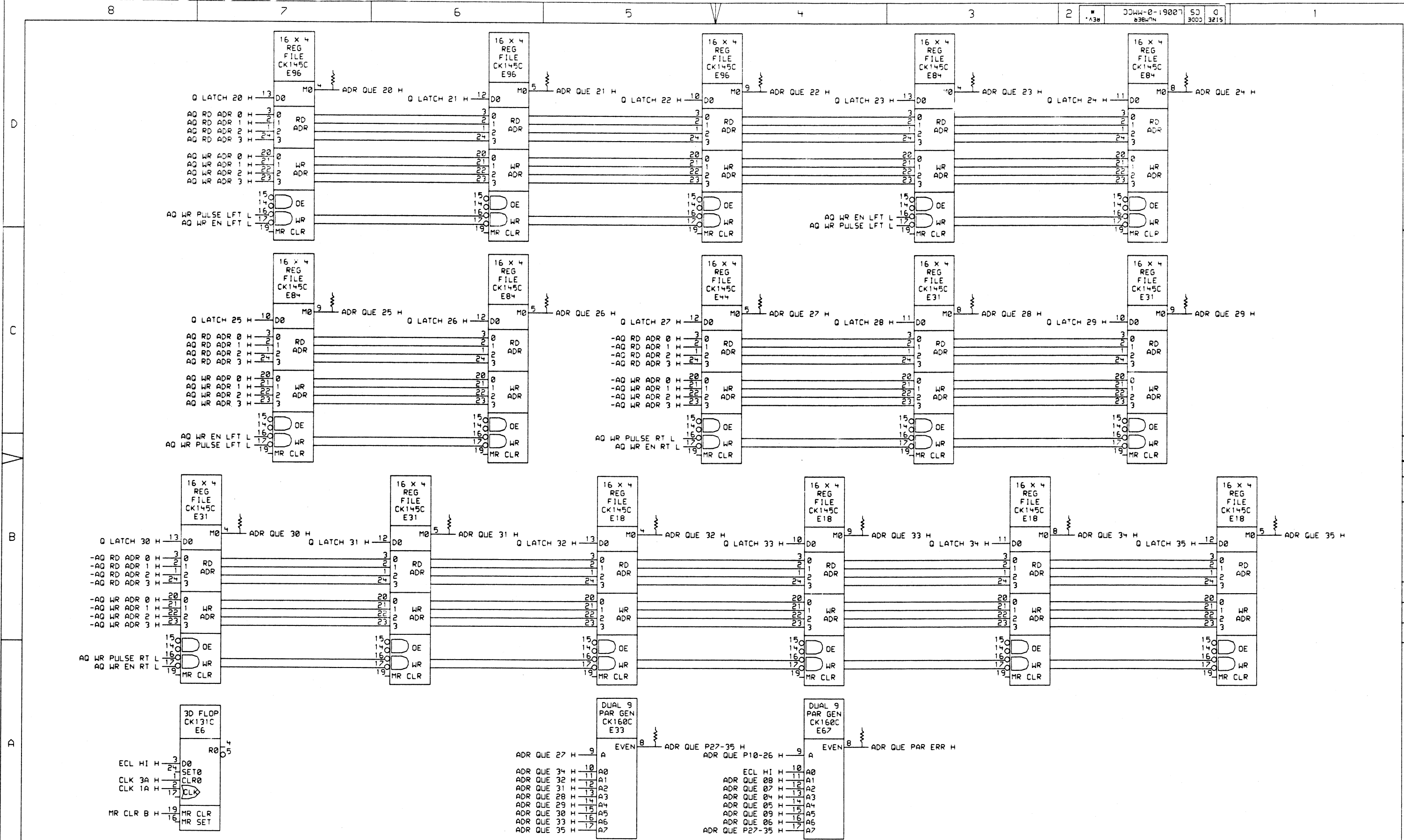


THIS DRAWING AND SPECIFICATIONS ARE THE PROPERTY OF DIGITAL EQUIPMENT CORPORATION AND SHALL NOT BE REPRODUCED OR COPIED OR USED IN WHOLE OR IN PART AS THE BASIS FOR THE MANUFACTURE OR SALE OF ITEMS WITHOUT WRITTEN PERMISSION. COPYRIGHT © 1982, DIGITAL EQUIPMENT CORPORATION.

CHK	CHANGE NO.	REV

digital	DATE	ENG.	DATE	TITLE:
	28-DEC-82	J. J. J.		ADR QUE BITS
VULCAN: (2880, L0061) 58MMEB.DRW	DATE	BOARD LOCATION:	SHEET	NUMBER
	27-DEC-82 15:23	1 OF 2	1	04 - 19
FIRST USED ON OPTION/MODEL: 2880	NEXT HIGHER ASSEMBLY:	SIZE	CODE	REV.
	B-DD-L0061-0	D	CS	*



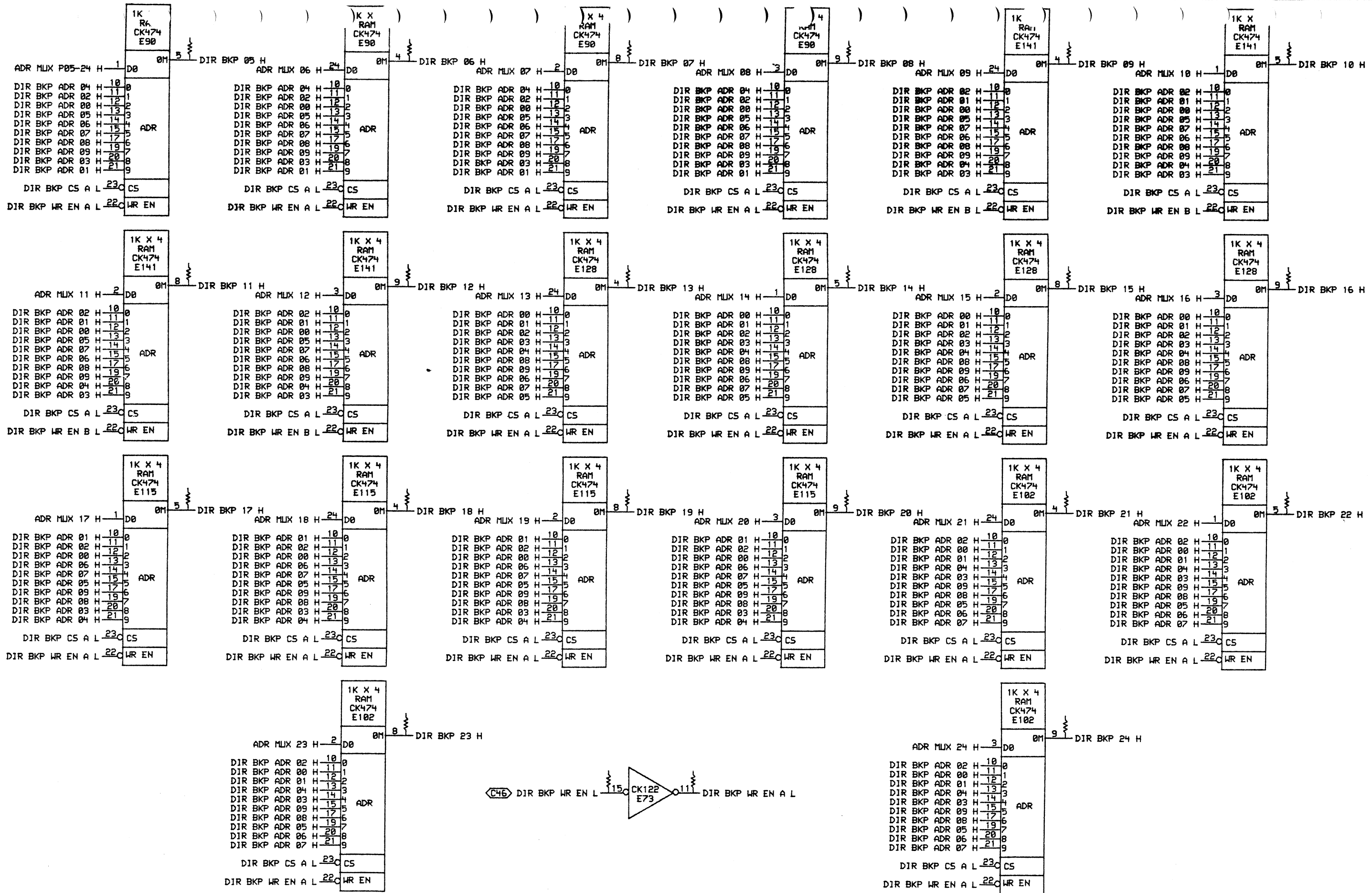


THIS DRAWING AND SPECIFICATIONS ARE THE PROPERTY OF DIGITAL EQUIPMENT CORPORATION AND SHALL NOT BE REPRODUCED OR COPIED OR USED IN WHOLE OR IN PART AS THE BASIS FOR THE MANUFACTURE OR SALE OF ITEMS WITHOUT WRITTEN PERMISSION. COPYRIGHT © 1982, DIGITAL EQUIPMENT CORPORATION.

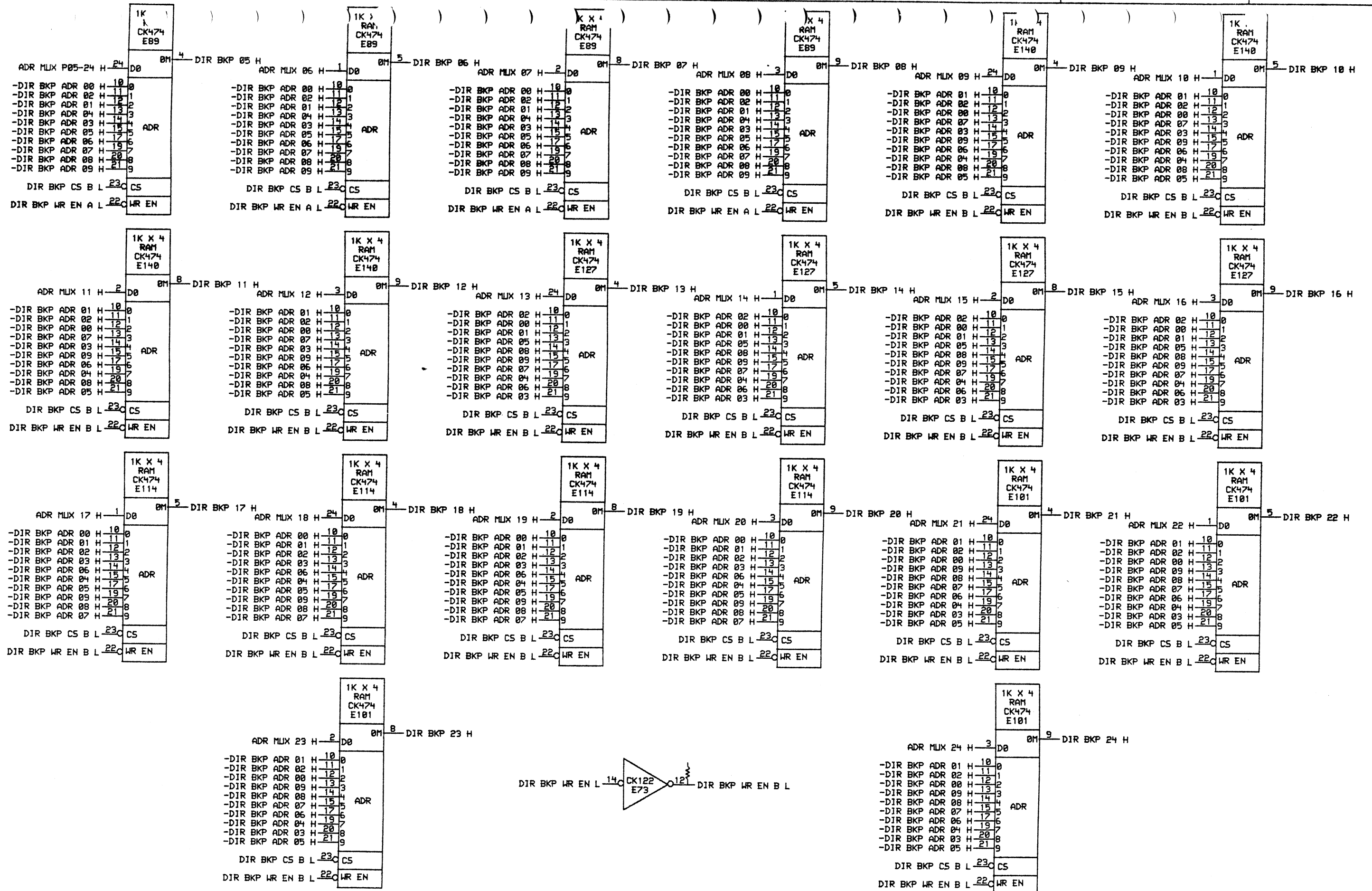
REVISIONS		
CHK	CHANGE NO.	REV

DATE	ENG.	DATE	TITLE:
28-DEC-82			ADR QUE BITS
DATE	BOARD LOCATION:	SHEET	NUMBER
27-DEC-82 15:20	2	2	20 - 35
FIRST USED ON OPTION/MODEL:	NEXT HIGHER ASSEMBLY:	SIZE	CODE
2080	B-DD-L0061-0	D	CS

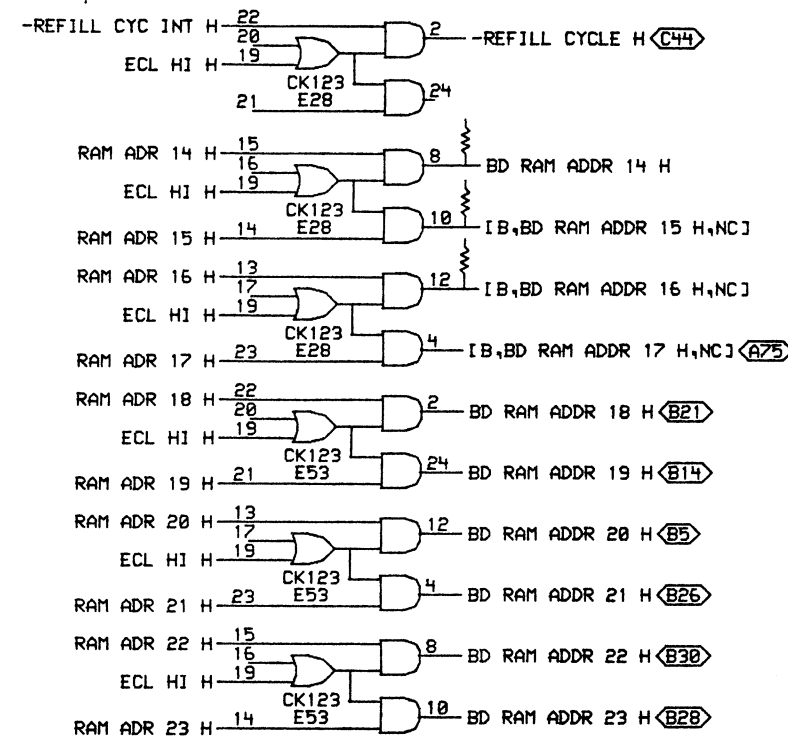
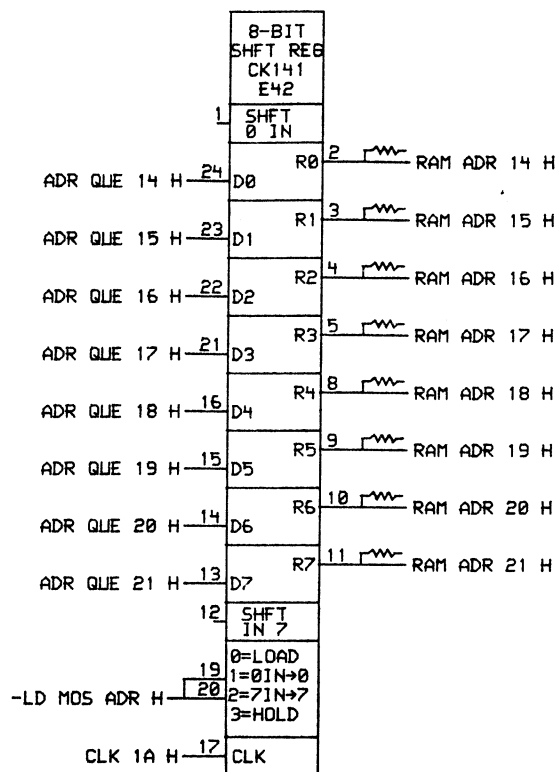
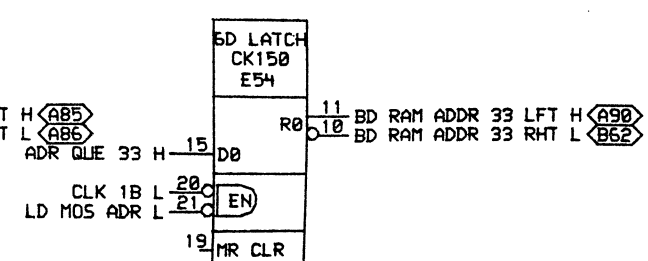
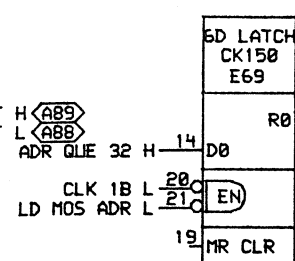
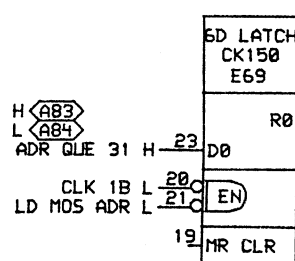
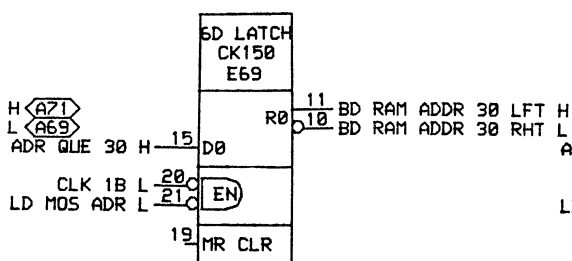
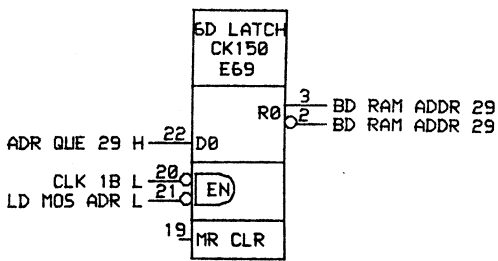
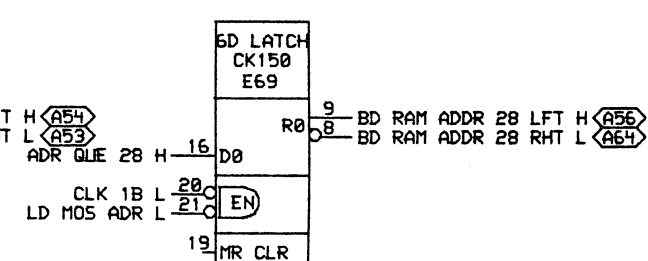
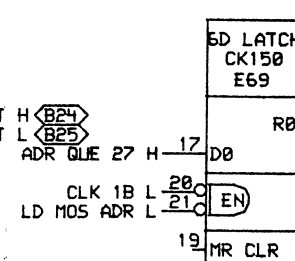
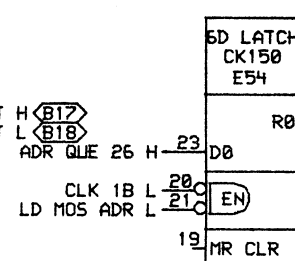
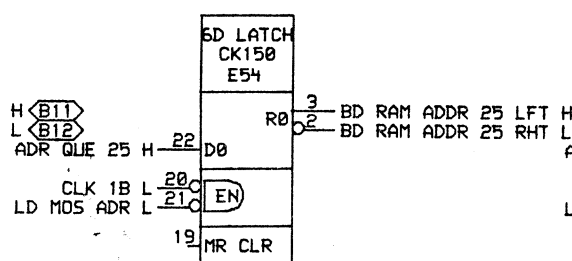
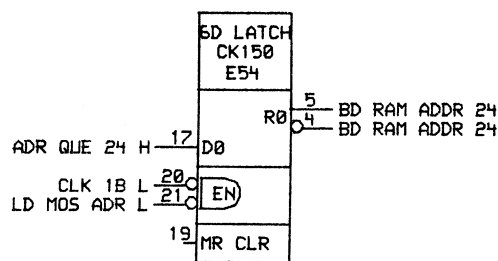
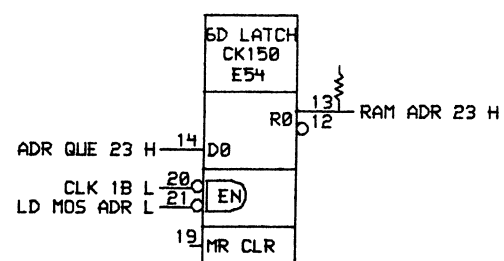
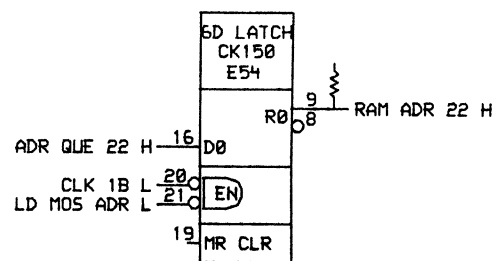
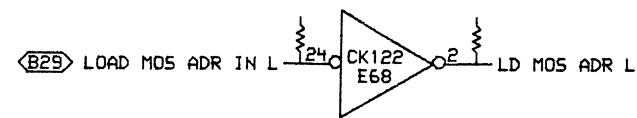
REV.	NUMBER	REV.
*	L0061-0-MMCC	*



DRN.	DATE	ENG.	DATE	TITLE:
CHK'D.	DATE	BOARD LOCATION:		DIR BACKUP
		SHEET	OF	BITS 05-24
VULCANI C2000-L006125MMCD.DRW	01-FEB-82 14:37	NEXT HIGHER ASSEMBLY:	SIZE	CODE
FIRST USED ON OPTION/MODEL:	2080	B-DD-L0061-0	D	CS
			NUMBER	REV.
			L0061-0-MMCD	*



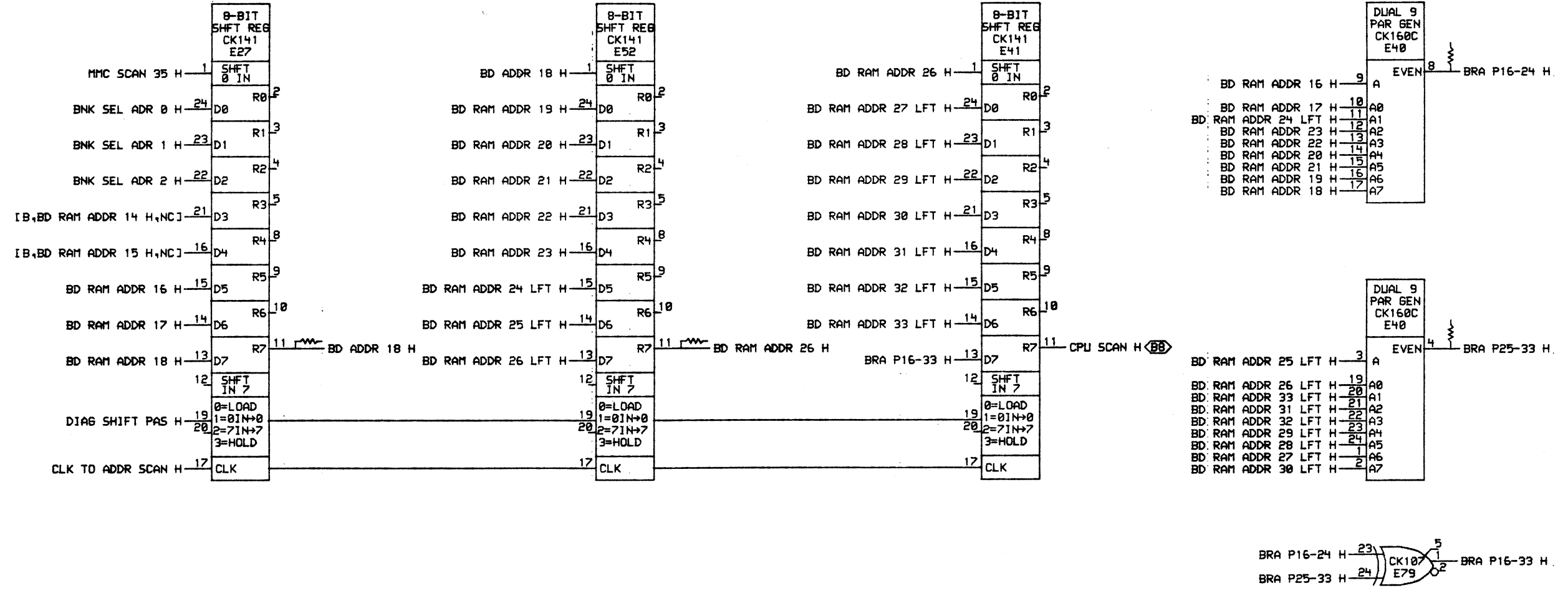
DRN.	DATE	ENG.	DATE	TITLE:
CHK'D.	02-FEB-82			DIR BACKUP
		BOARD LOCATION:		05-24
		SHEET	2 OF 2	
VIL CAN (2000-L0061) 2000-DRH	01-FEB-82 14:35	NEXT HIGHER ASSEMBLY:		SIZE CODE
FIRST USED ON OPTION/MODEL:	2080	B-DD-L0061-0		D CS
				NUMBER
				L0061-0-MMCE
				REV.
				*



THIS DRAWING AND SPECIFICATIONS ARE THE PROPERTY OF DIGITAL EQUIPMENT CORPORATION AND SHALL NOT BE REPRODUCED OR COPIED OR USED IN WHOLE OR IN PART AS THE BASIS FOR THE MANUFACTURE OR SALE OF ITEMS WITHOUT WRITTEN PERMISSION. COPYRIGHT © 1982, DIGITAL EQUIPMENT CORPORATION.

REVISIONS		
CHK	CHANGE NO.	REV.

	DRN. Family CHK'D.	DATE 30-APR-82 DATE	ENG.	DATE	TITLE: MEM ADDR BITS 14-33
	VLLCAN: (2000.L0061)MMCF.DRI	29-APR-82 19:06 NEXT HIGHER ASSEMBLY:	BOARD LOCATION:	SHEET 1 OF 1	SIZE CODE NUMBER REV.
FIRST USED ON OPTION/MODEL: 2000 B-DD-L0061-0					

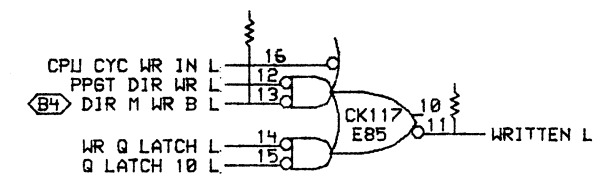
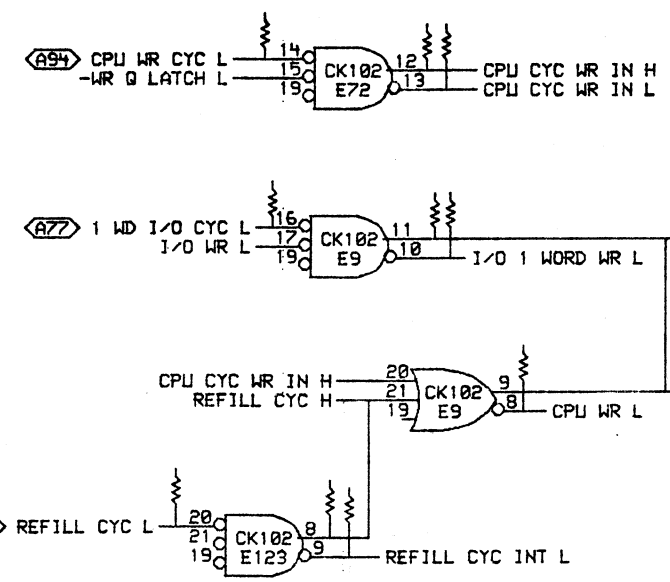
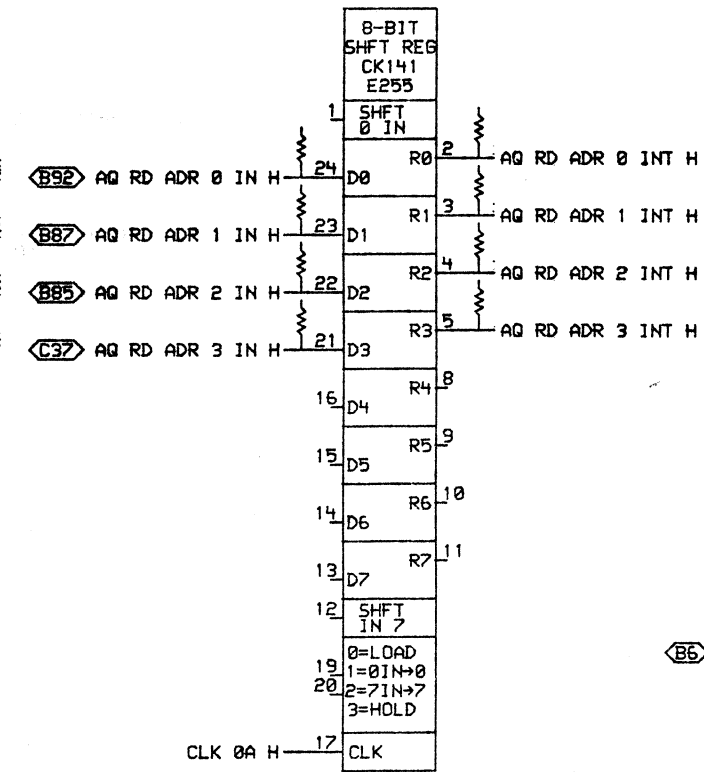
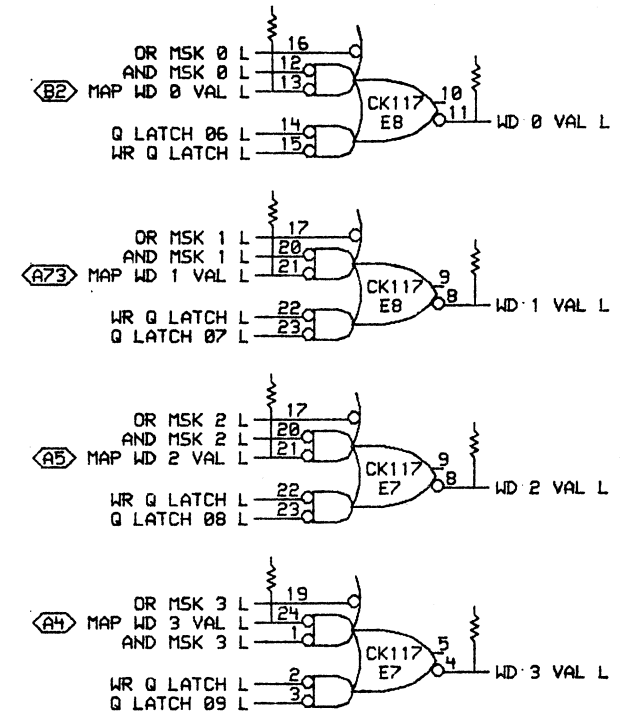
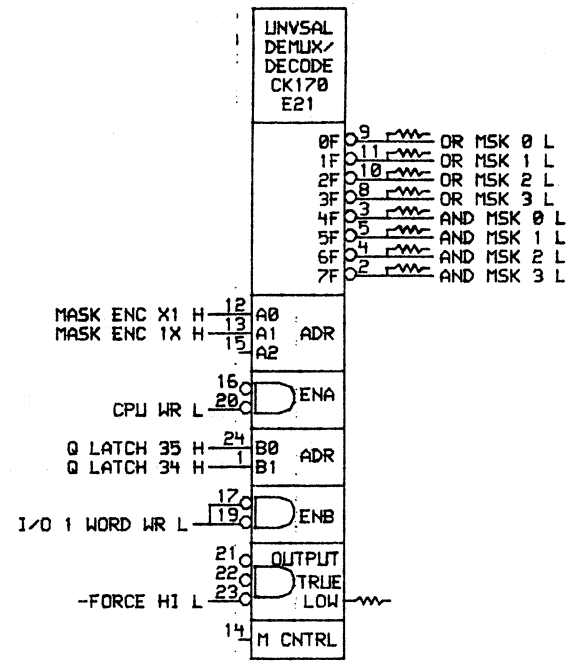
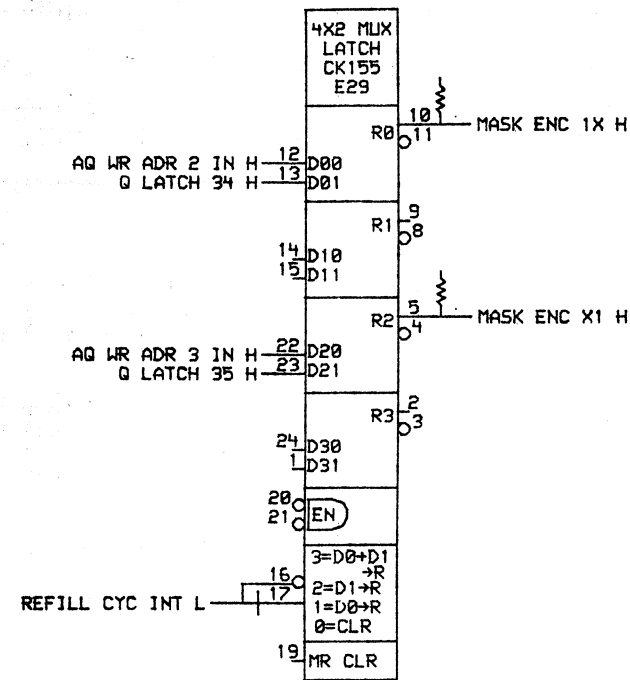


THIS DRAWING AND SPECIFICATIONS ARE THE PROPERTY OF DIGITAL EQUIPMENT CORPORATION AND SHALL NOT BE REPRODUCED OR COPIED OR USED IN WHOLE OR IN PART AS THE BASIS FOR THE MANUFACTURE OR SALE OF ITEMS WITHOUT WRITTEN PERMISSION. COPYRIGHT © 1982, DIGITAL EQUIPMENT CORPORATION.

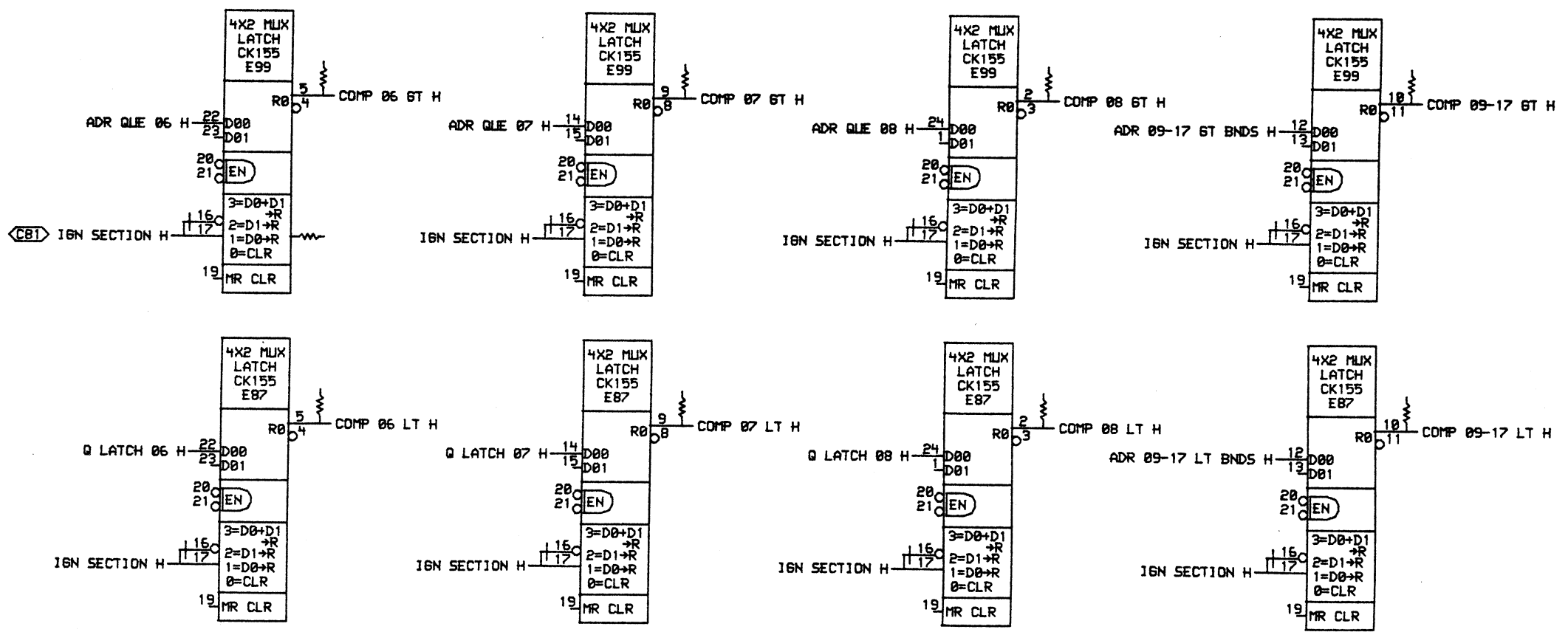
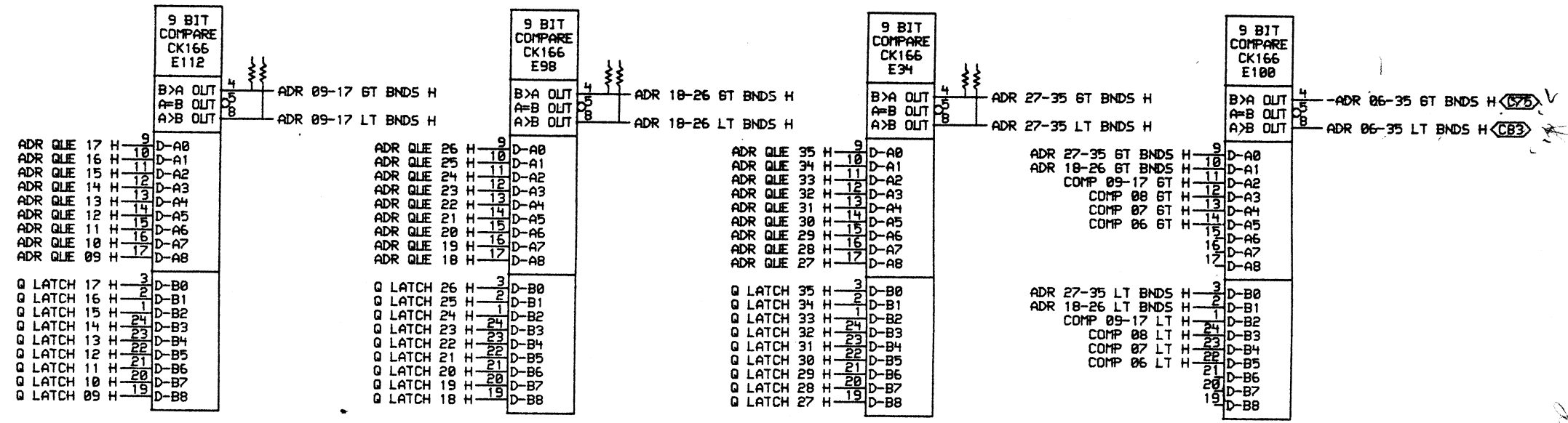
REVISIONS		
CHK	CHANGE NO.	REV.

DATE	ENG.	DATE	TITLE:
04-OCT-82			
DATE	BOARD LOCATION:	SHEET	OF
03-OCT-82 15:27		1	1
FIRST USED ON OPTION/MODEL:	NEXT HIGHER ASSEMBLY:	SIZE	CODE
2080	B-DD-L0061-0	D	CS

digital	DRN	DATE	ENG.	DATE	TITLE:
CHK'D.		04-OCT-82			
VILCANI <2080-L0061> 51MMCS.DRW	03-OCT-82 15:27	NEXT HIGHER ASSEMBLY:	SIZE	CODE	NUMBER
2080	B-DD-L0061-0	D	CS	L0061-0-MMCG	REV. *



A = Bound  
B = Ref Adr



B=R  
A=cmp

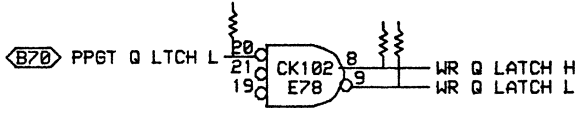
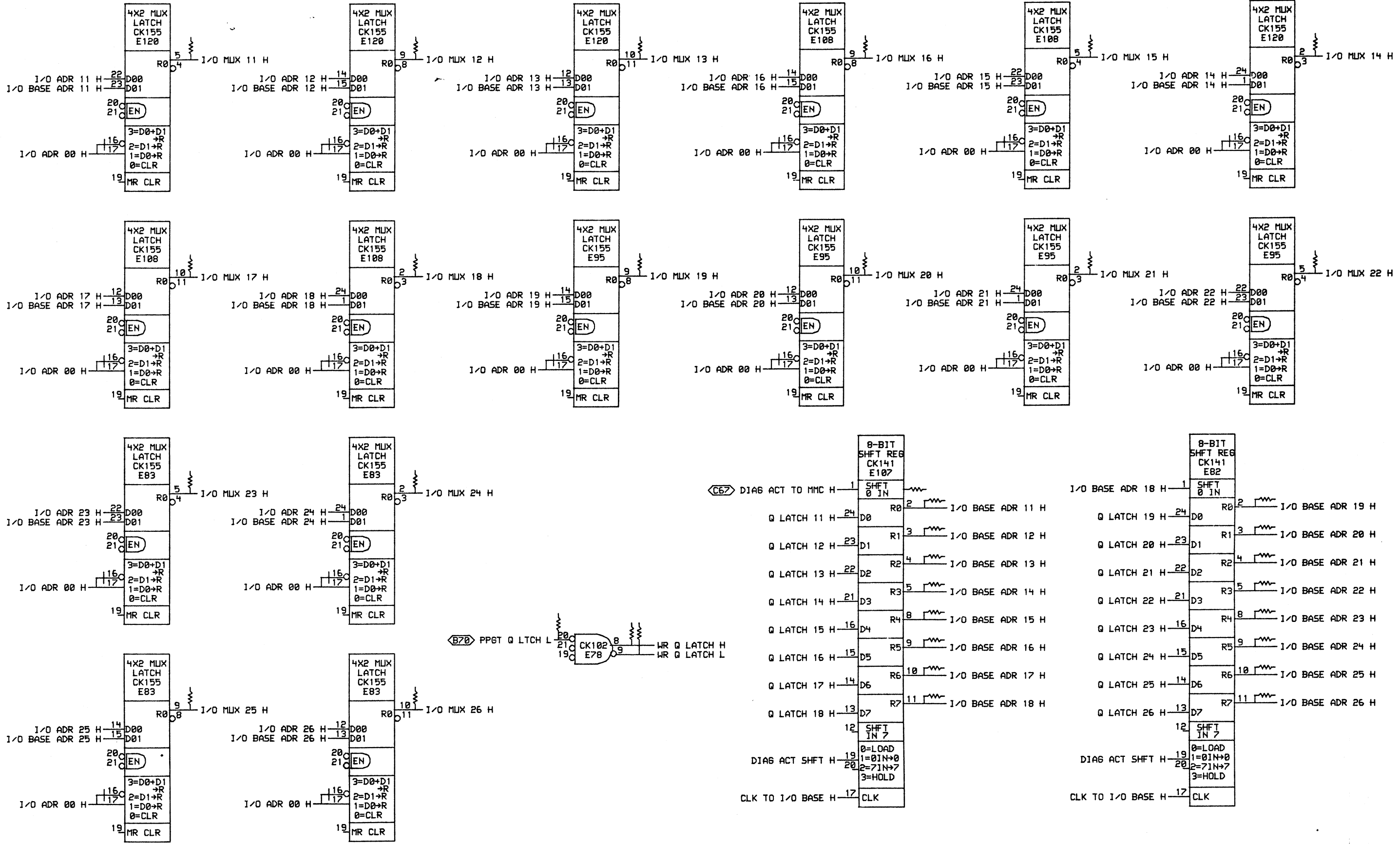
ADR ≤ END ≤

↓  
BND ≤ ADR ≤ Bnd  
↑

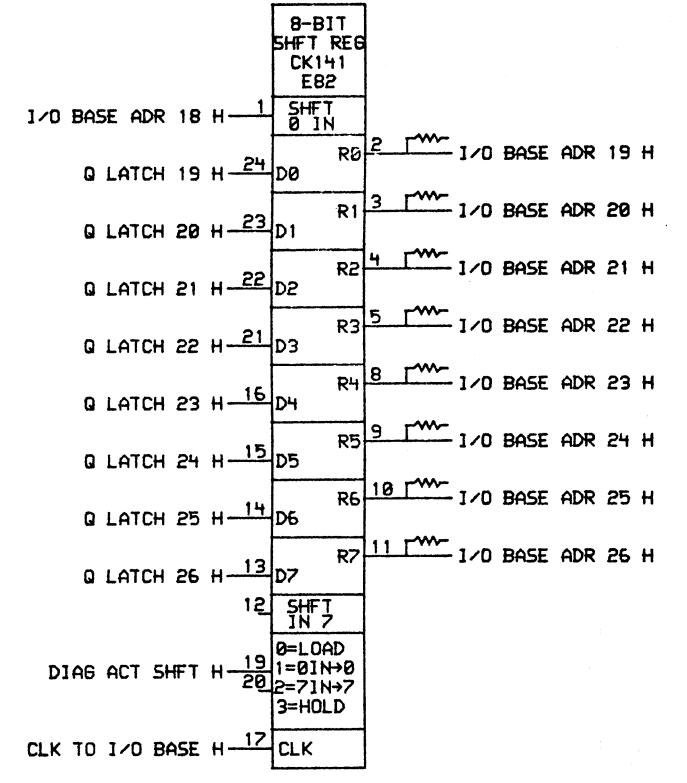
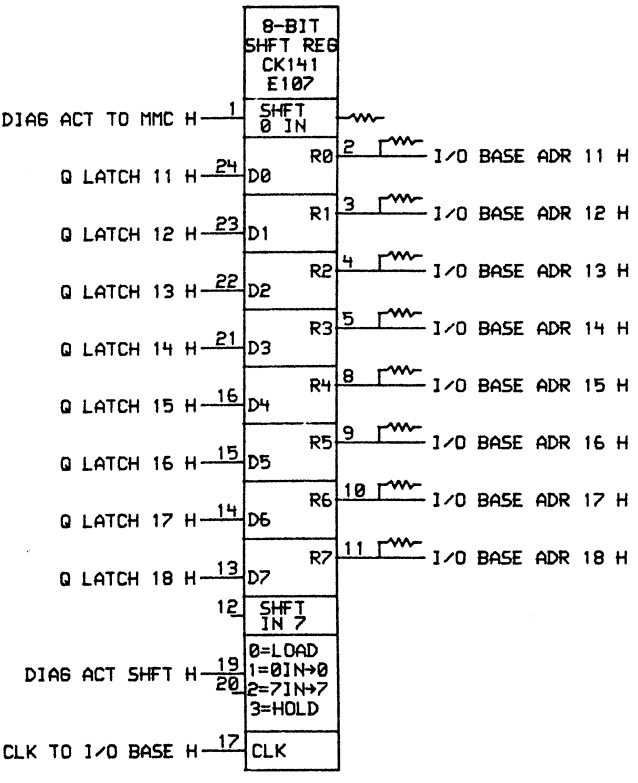
A > B ⇒ BND > ADR  
⇒ ADR ≤ BND

B > A ⇒ ADR > BND  
⇒ BND ≤ ADR

DRN.	DATE	ENG.	DATE	TITLE:
CHK'D.	02-FEB-82			ADR BRK
	DATE	BOARD LOCATION:		COMPARATORS
		SHEET	OF	
VILCAM (2000-1-0061) MMCI DRN 01-FEB-82 13:39 NEXT HIGHER ASSEMBLY:				SIZE CODE
FIRST USED ON OPTION/MODEL: 2000 B-DD-L0061-0				NUMBER
				L0061-0-MMCI
				REV. *



(C67) DIAG ACT TO MMC H



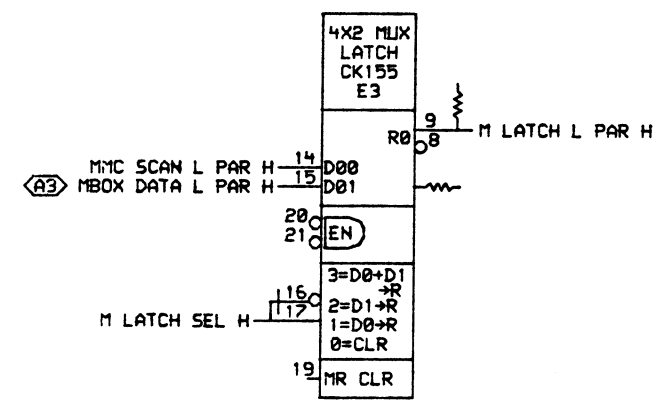
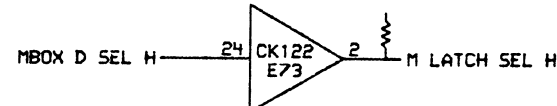
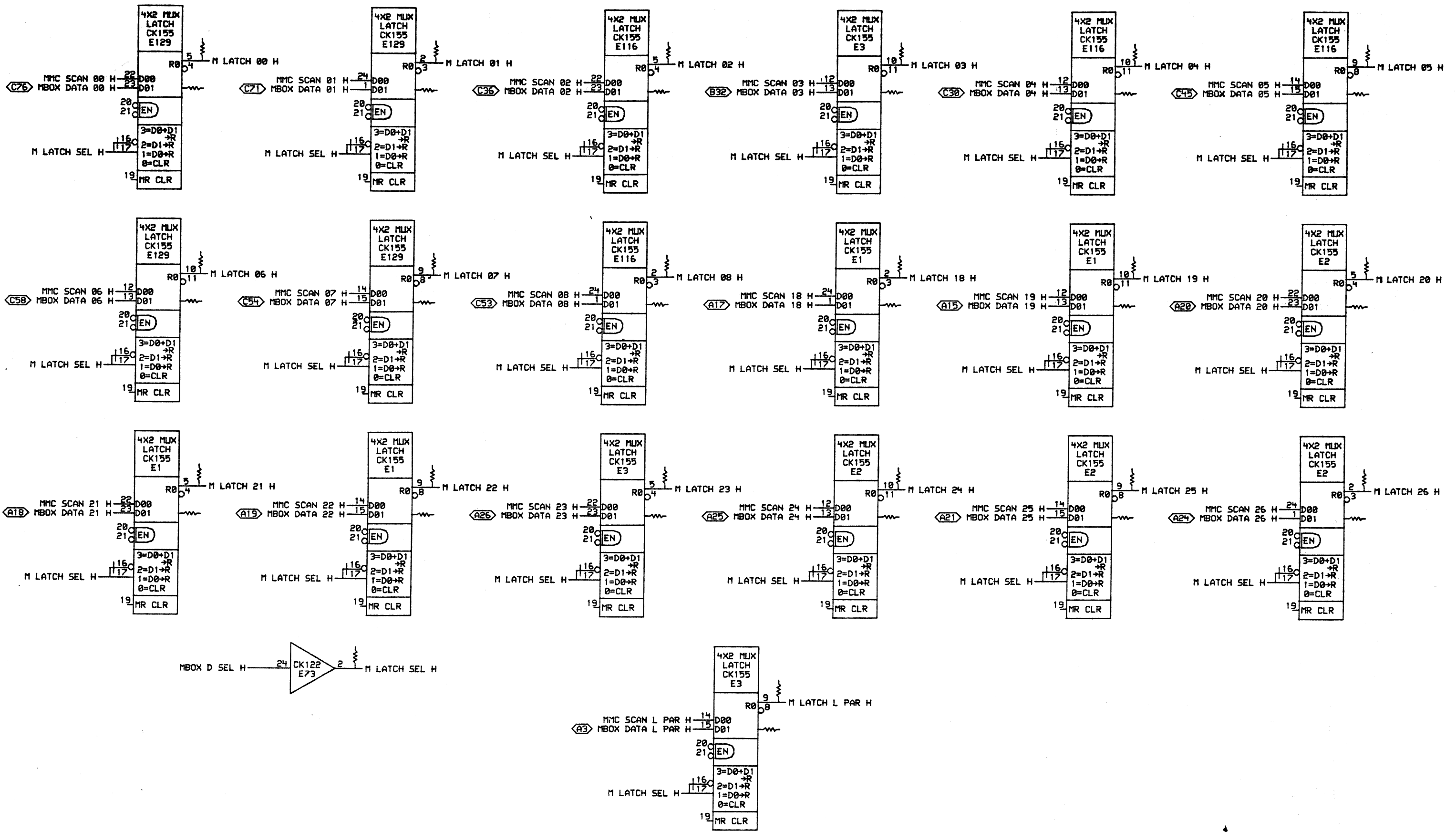
THIS DRAWING AND SPECIFICATIONS ARE THE PROPERTY OF DIGITAL EQUIPMENT CORPORATION AND SHALL NOT BE REPRODUCED OR COPIED OR USED IN WHOLE OR IN PART AS THE BASIS FOR THE MANUFACTURE OR SALE OF ITEMS WITHOUT WRITTEN PERMISSION. COPYRIGHT © 1982, DIGITAL EQUIPMENT CORPORATION.

REVISIONS	
CHK	CHANGE NO. REV.

digital	DATE	ENG.	DATE	TITLE:
	27-APR-82			I/O BASE ADR 11-26
CHK'D.	DATE	BOARD LOCATION:	SHEET	OF
			1	1
FIRST USED ON OPTION/MODEL: 2080		NEXT HIGHER ASSEMBLY: B-DD-L0061-0		SIZE CODE
				D CS

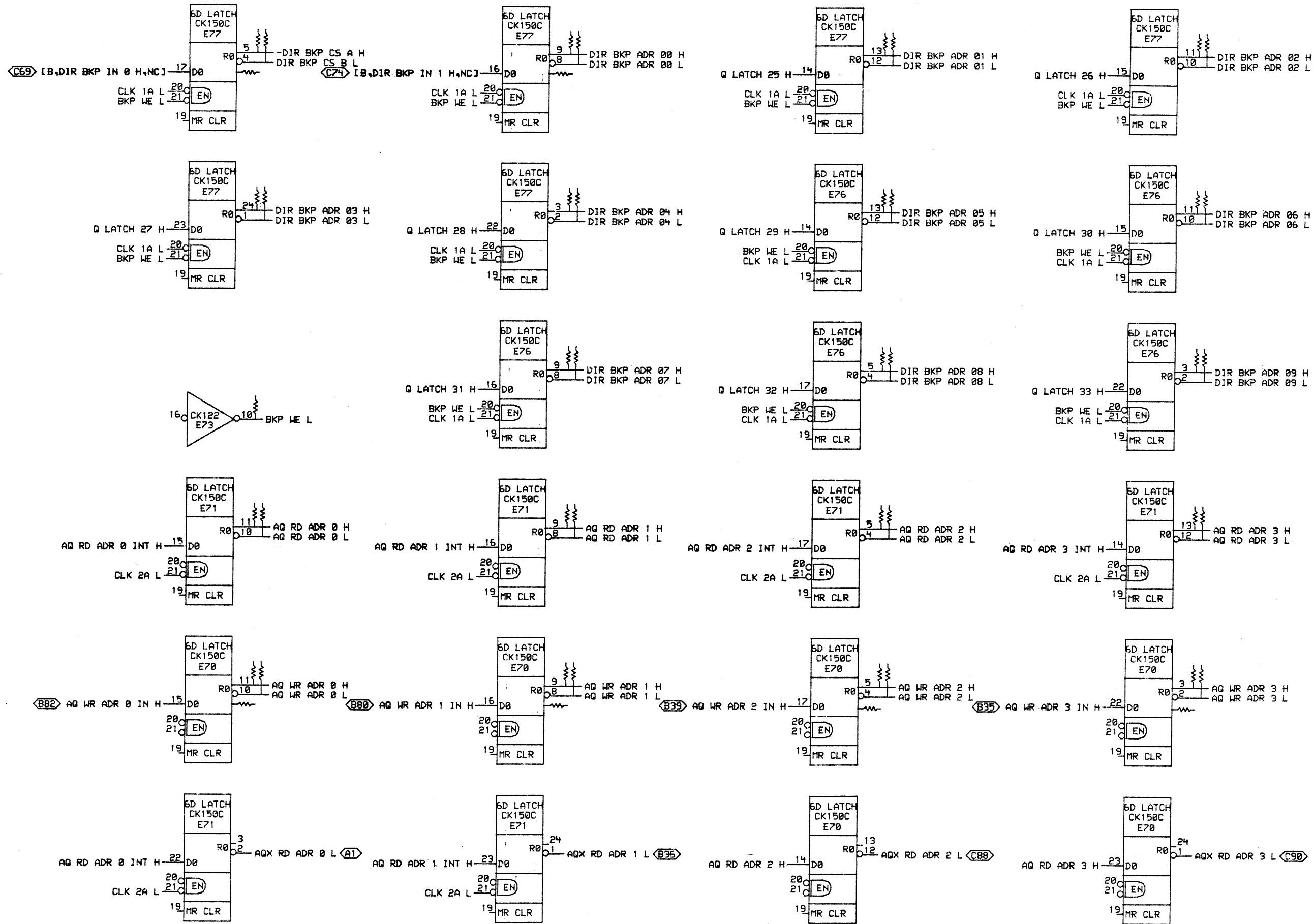
NUMBER	REV.
L0061-0-MMCJ	*





REV. #  
 NUMBER  
 L0061-0-MMCK  
 CODE  
 CS  
 SIZE  
 D  
 B  
 A

REVISIONS		DATE		TITLE	
CHK	CHANGE NO.	DATE	ENG.	DATE	TITLE
		09-AUG-82			M LATCH
					00-08 & 18-26
FIRST USED ON OPTION/MODEL: 2080		BOARD LOCATION: B-DD-L0061-0		SIZE	CODE
				D	CS
				NUMBER	REV.
				L0061-0-MMCK	*

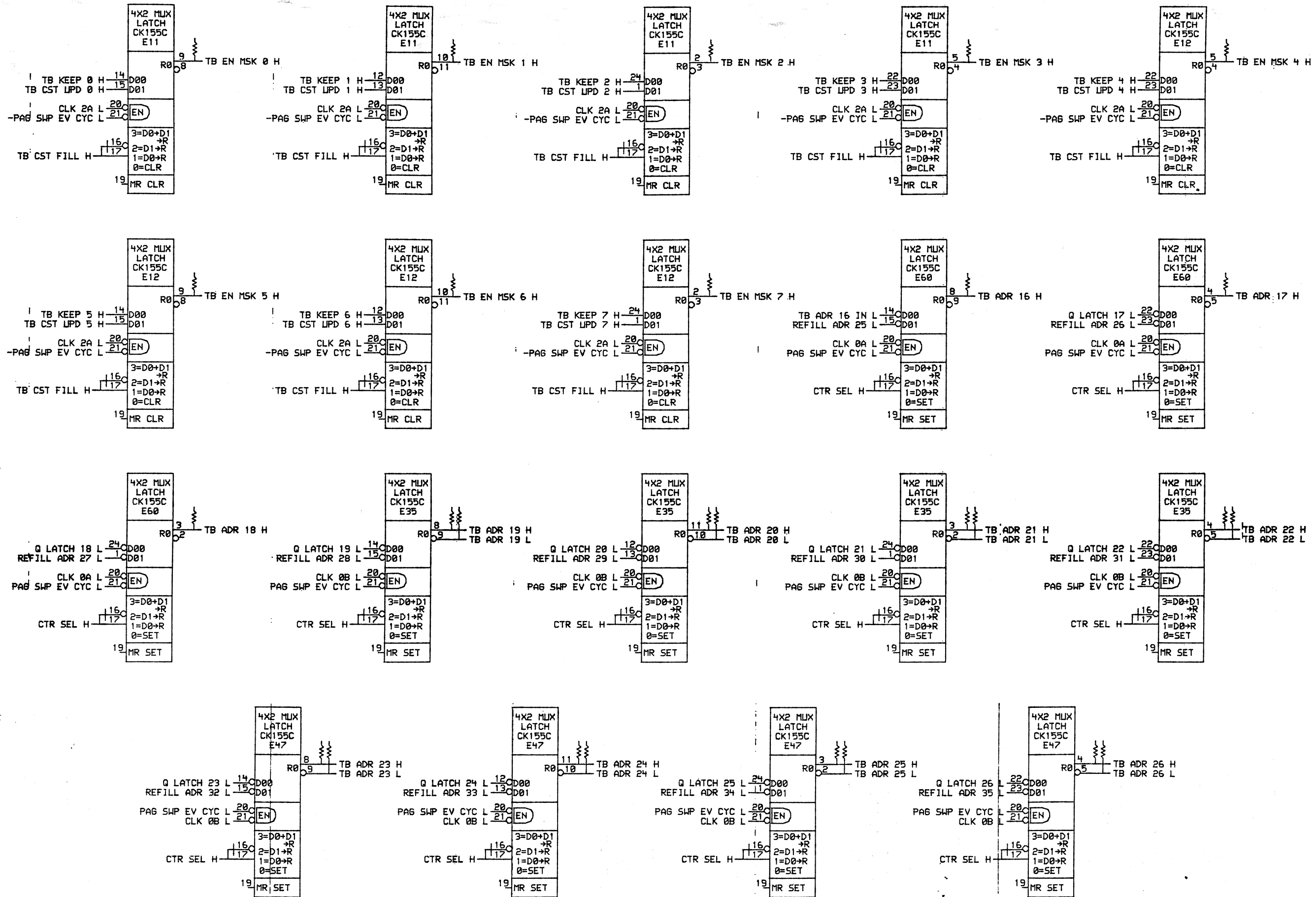


THIS DRAWING AND SPECIFICATIONS ARE THE PROPERTY OF DIGITAL EQUIPMENT CORPORATION AND SHALL NOT BE REPRODUCED OR COPIED OR USED IN WHOLE OR IN PART AS THE BASIS FOR THE MANUFACTURE OR SALE OF ITEMS WITHOUT WRITTEN PERMISSION. COPYRIGHT © 1982, DIGITAL EQUIPMENT CORPORATION.

REVISIONS		
CHK	CHANGE NO.	REV.

8	7	6	5	4	3	2	1
---	---	---	---	---	---	---	---

	DRN. <i>J. J. J.</i>	DATE 28-SEP-82	ENG.	DATE	TITLE:	
	CHK'D.			BOARD LOCATION:		
VAL CAN (2080 L0061) SOMMCL.DRW 28-SEP-82 07:27		NEXT HIGHER ASSEMBLY:		SIZE CODE D CS	NUMBER L0061-0-MMCL	REV. *
FIRST USED ON OPTION/MODEL: 2080			B-DD-L0061-0			



D  
 C  
 B  
 A

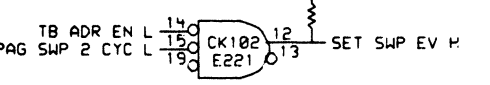
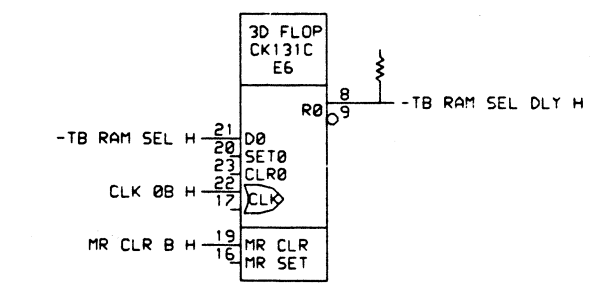
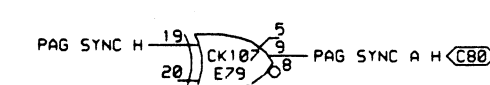
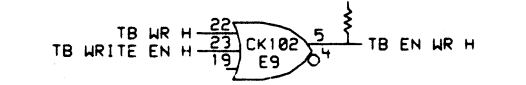
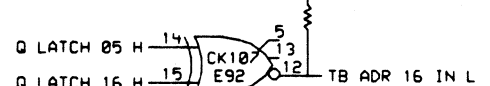
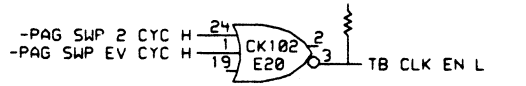
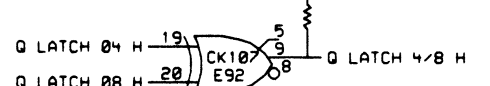
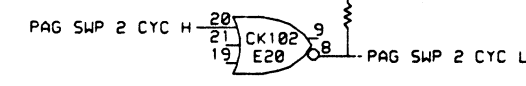
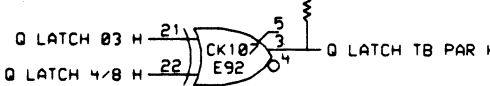
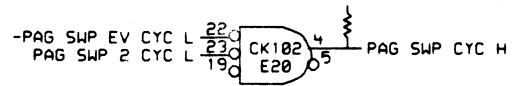
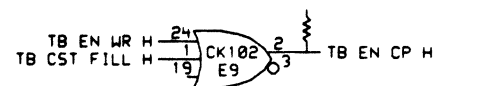
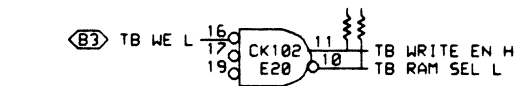
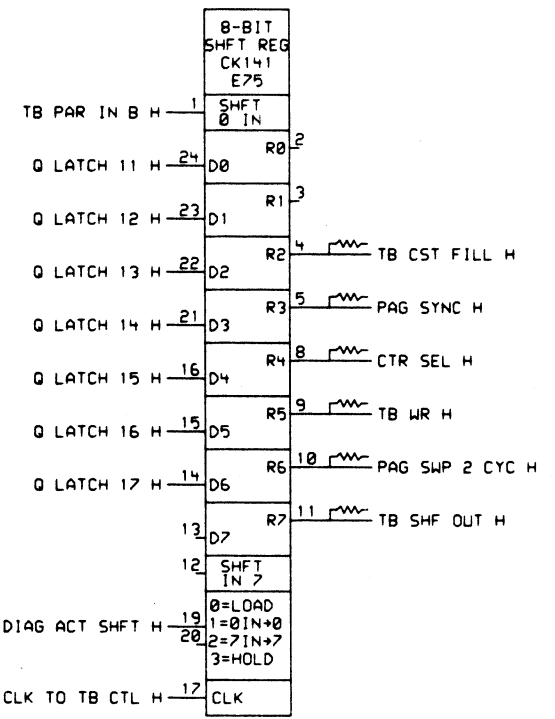
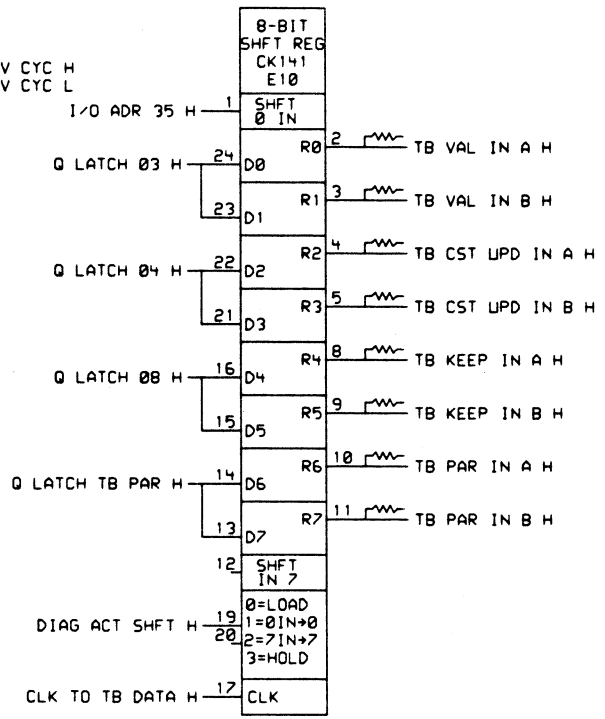
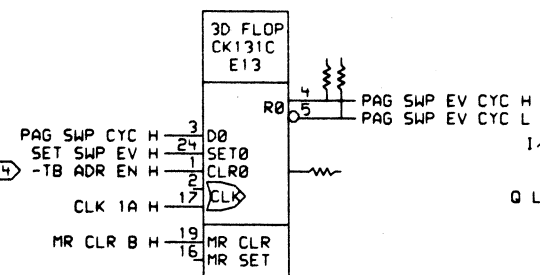
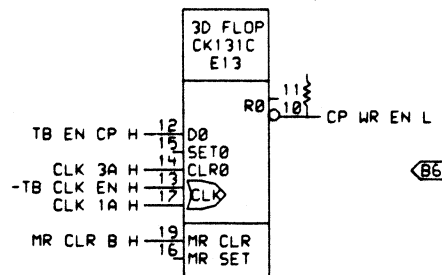
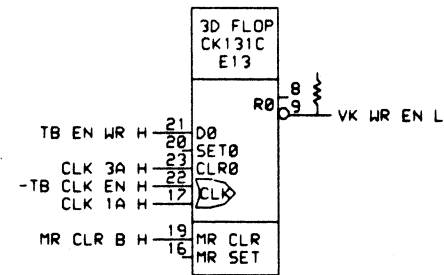
THIS DRAWING AND SPECIFICATIONS ARE THE PROPERTY OF DIGITAL EQUIPMENT CORPORATION AND SHALL NOT BE REPRODUCED OR COPIED IN WHOLE OR IN PART AS PERMITTED BY THE MANUFACTURE OR SALE OF ITEMS WITHOUT WRITTEN PERMISSION. COPYRIGHT © 1982, DIGITAL EQUIPMENT CORPORATION.

REVISIONS	
CHK	CHANGE NO. REV

digital  
 DATE 03-NOV-82  
 BOARD LOCATION: SHEET 1 OF 1  
 TITLE: TB ADR BITS 16-26  
 FIRST USED ON OPTION/MODEL: 2080 B-DD-L0061-0

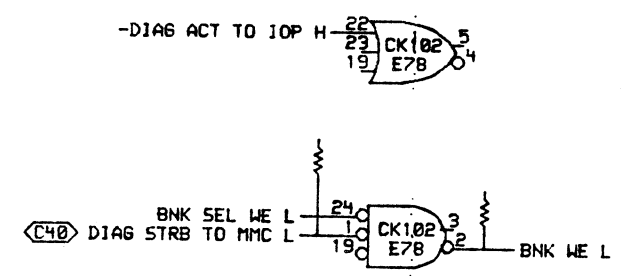
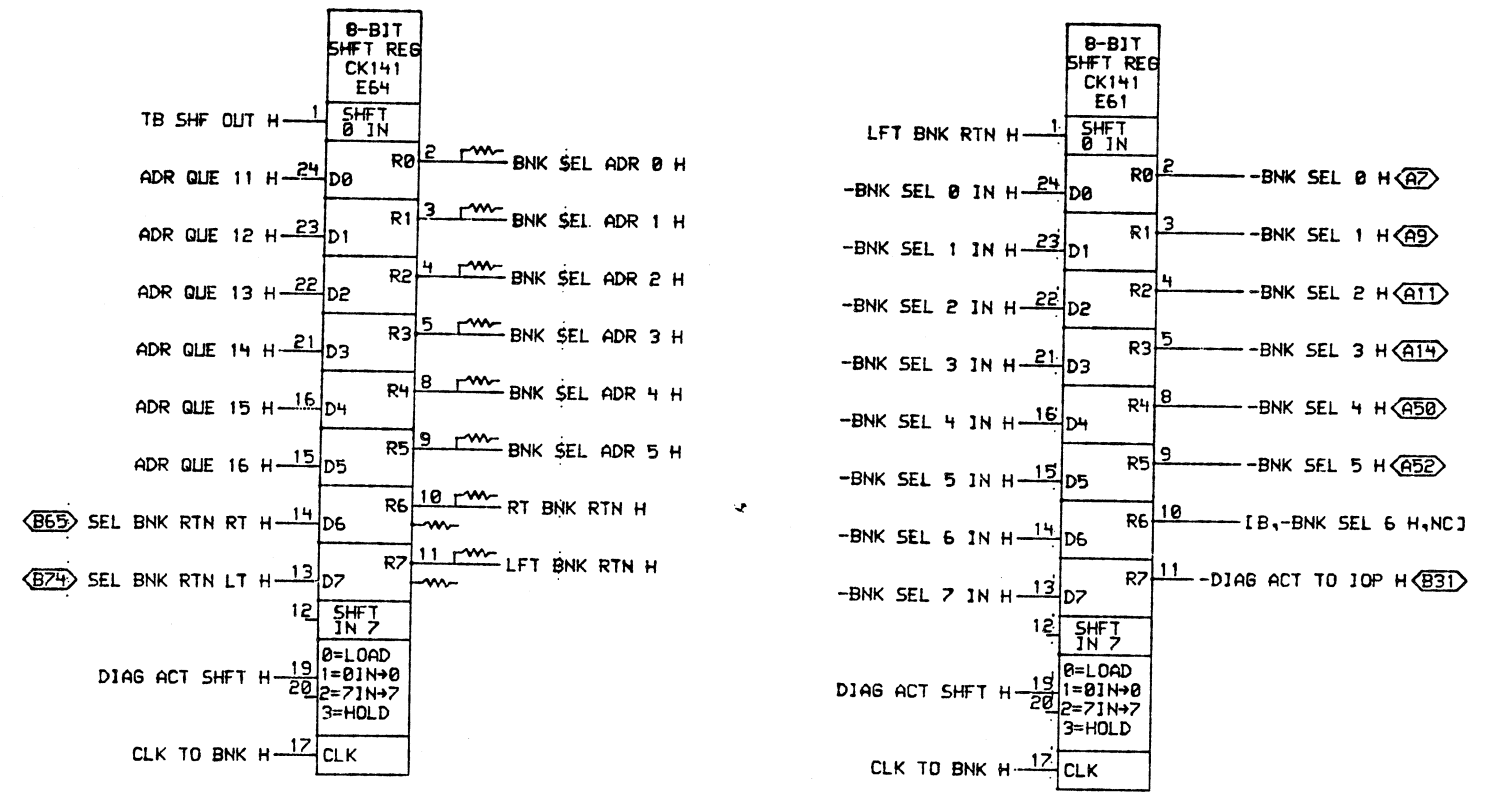
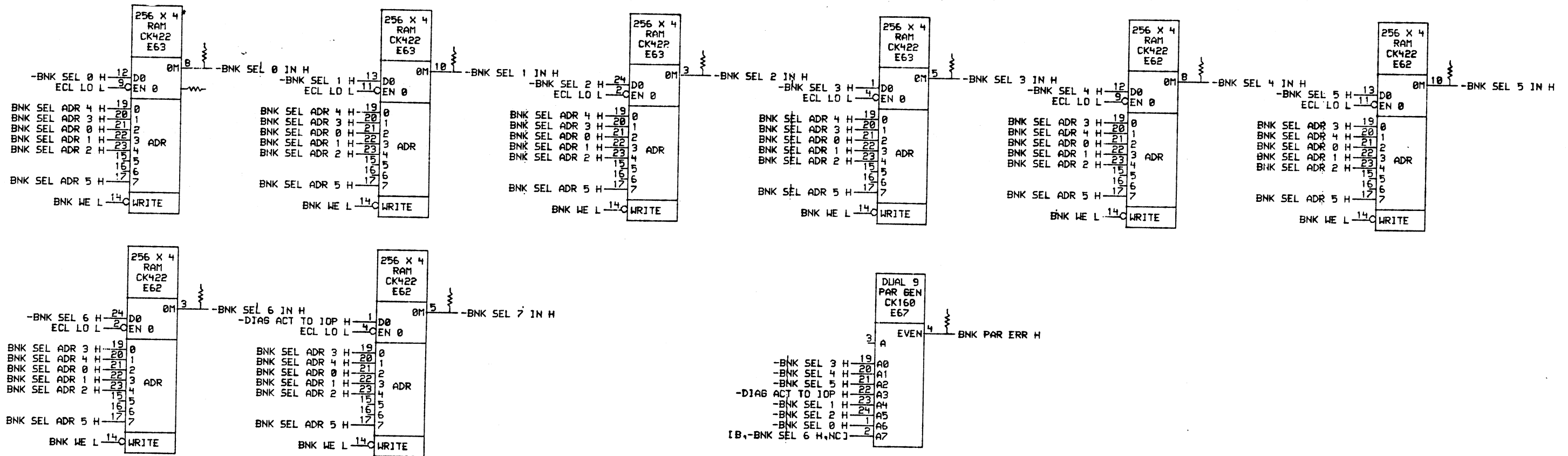
SIZE	CODE	NUMBER	REV.
D	CS	L0061-0-MMCM	*

8 7 6 5 4 3 2 1



DRN.	DATE	ENG.	DATE	TITLE:	TB ADR CONTROL		
CHK'D.	DATE	BOARD LOCATION:	SHEET	1	OF	1	
ARCH: <UMLER.PLOTS>57MMCN.DRW 15-NOV-82 06:48				NEXT HIGHER ASSEMBLY:	SIZE	CODE	NUMBER
FIRST USED ON OPTION/MODEL: 2080				B-DD-L0061-0	D	CS	L0061-0-MMCN
							REV. *

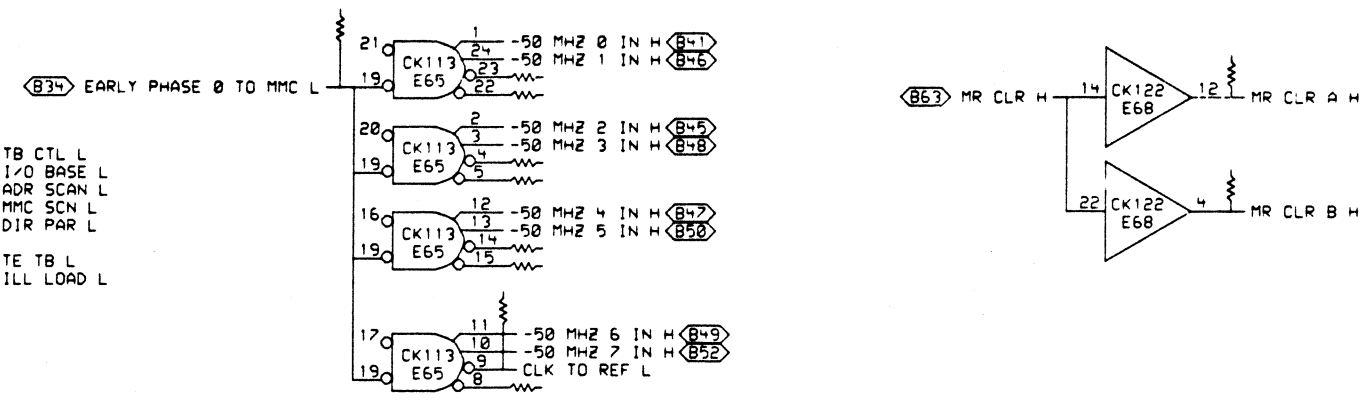
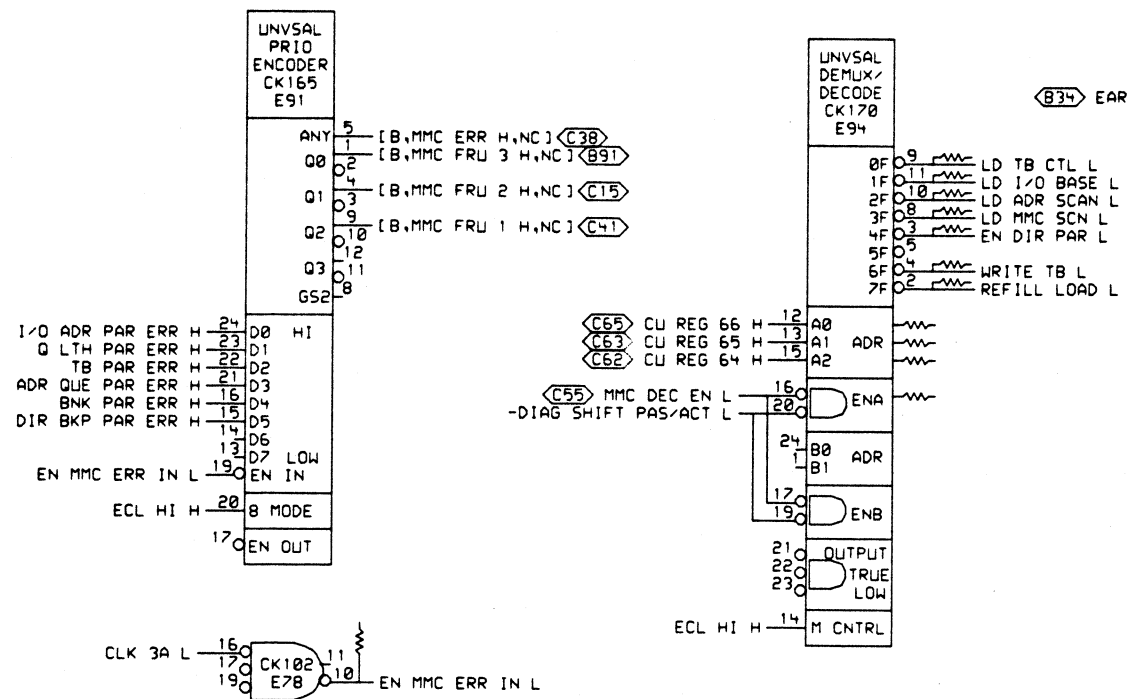
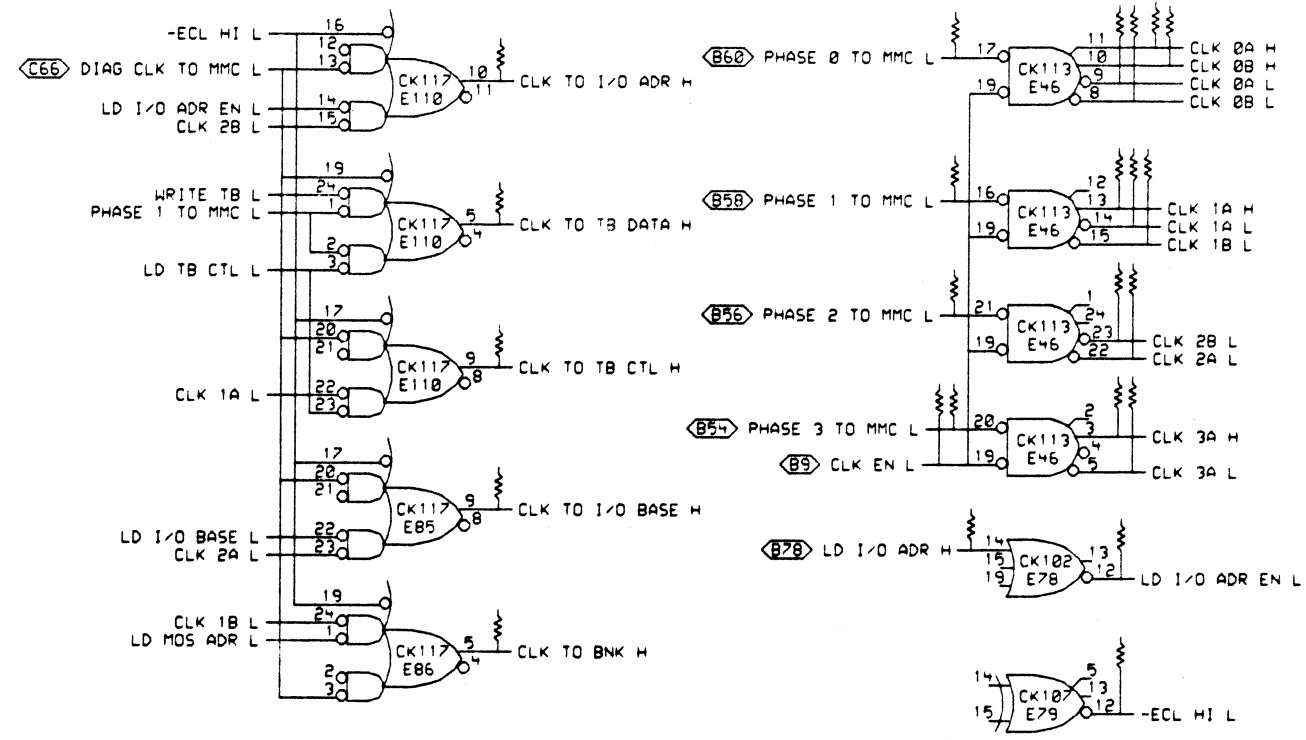
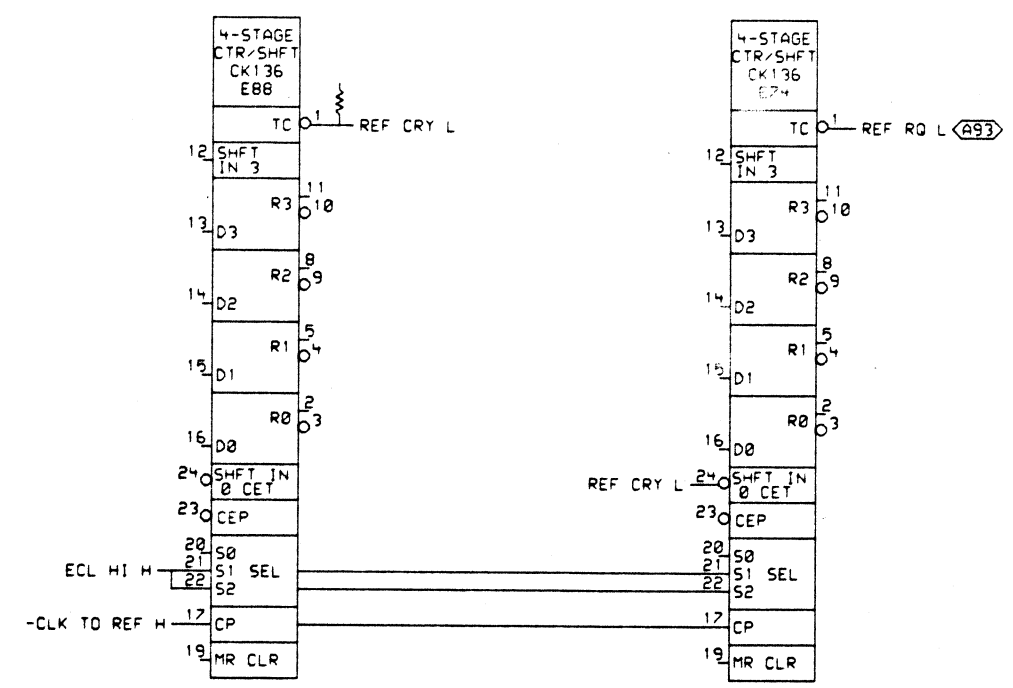
8 7 6 5 4 3 2 1



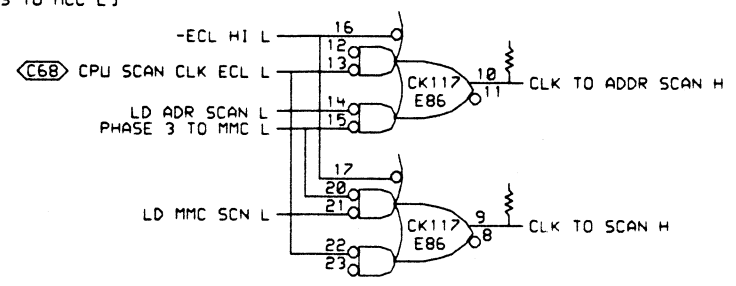
THIS DRAWING AND SPECIFICATIONS HEREIN ARE THE PROPERTY OF DIGITAL EQUIPMENT CORPORATION AND SHALL NOT BE REPRODUCED OR COPIED OR USED IN WHOLE OR IN PART AS THE BASIS FOR THE MANUFACTURE OR SALE OF ITEMS WITHOUT WRITTEN PERMISSION. COPYRIGHT © 1982, DIGITAL EQUIPMENT CORPORATION.

REVISIONS	
CHK	CHANGE NO. REV

digital	DATE	ENG.	DATE	TITLE:
	14-11-82			
CHK'D.	DATE	BOARD LOCATION:		
		SHEET		
VULCAN (2888 LAB 61) MMCP DRW 114-JUL-82 07:29		NEXT HIGHER ASSEMBLY:		SIZE CODE
FIRST USED ON OPTION/MODEL: 2080		B-DD-L0061-0		D CS
NUMBER			REV.	
L0061-0-MMCP			*	

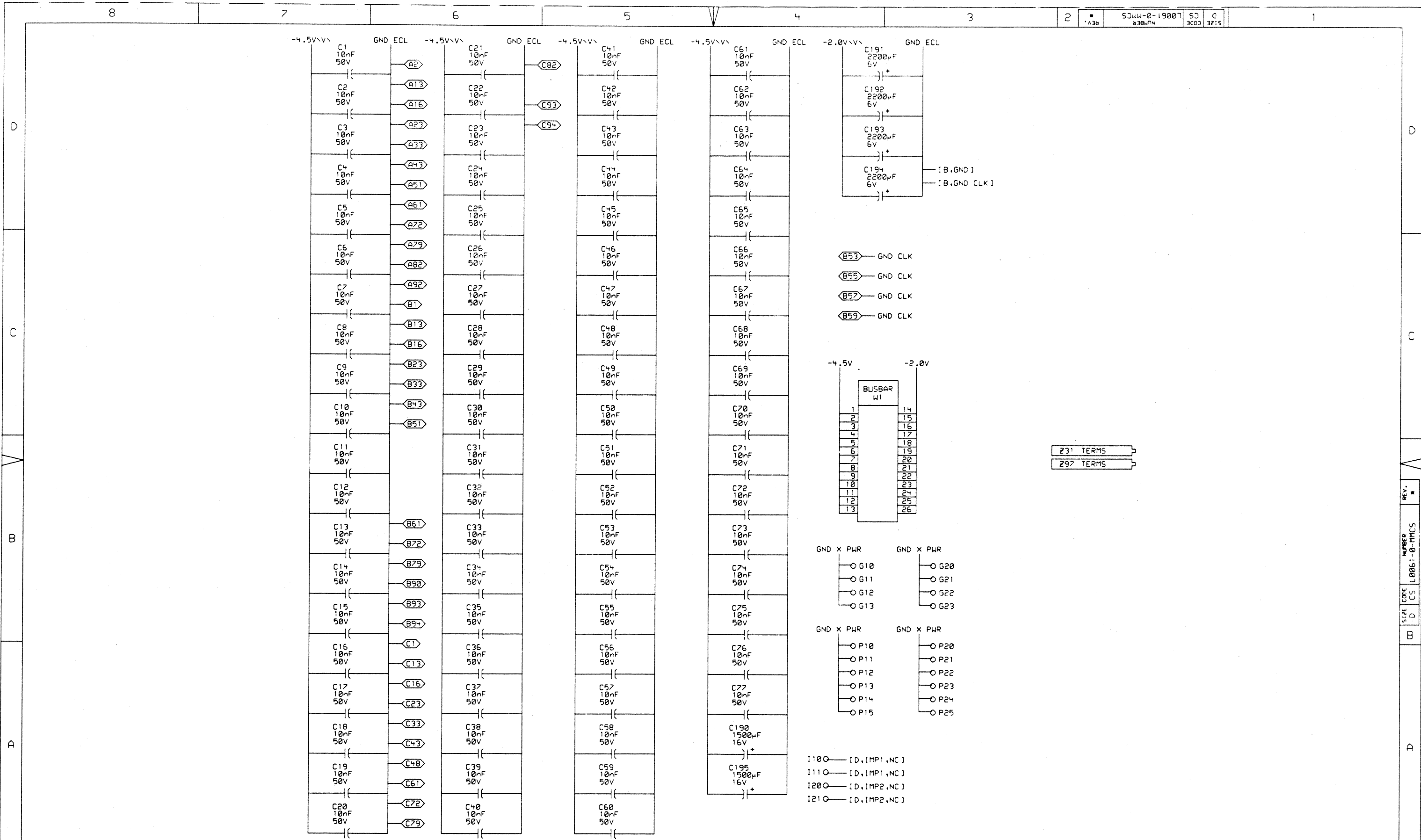


C77 [B,DIAG CLK TO MMC L,DIAG CLK TO MDP R L]  
 C51 [B,CPU SCAN CLK ECL L,DIAG CLK PAS TO MCC L]



THIS DRAWING AND SPECIFICATIONS ARE THE PROPERTY OF DIGITAL EQUIPMENT CORPORATION AND SHALL NOT BE REPRODUCED OR COPIED OR USED IN WHOLE OR IN PART AS THE BASIS FOR THE MANUFACTURE OR SALE OF ITEMS WITHOUT WRITTEN PERMISSION. COPYRIGHT © 1982, DIGITAL EQUIPMENT CORPORATION.

REVISIONS	
CHK	CHANGE NO. REV



THIS DRAWING AND SPECIFICATIONS HEREIN ARE THE PROPERTY OF DIGITAL EQUIPMENT CORPORATION AND SHALL NOT BE REPRODUCED OR COPIED OR USED IN WHOLE OR IN PART AS THE BASIS FOR THE MANUFACTURE OR SALE OF ITEMS WITHOUT WRITTEN PERMISSION. COPYRIGHT © 1983, DIGITAL EQUIPMENT CORPORATION.

REVISIONS		
CHK	CHANGE NO.	REV

**digital** DR. *Tommy* DATE 18-FEB-83 ENG. DATE TITLE: MMC POWER AND GROUND

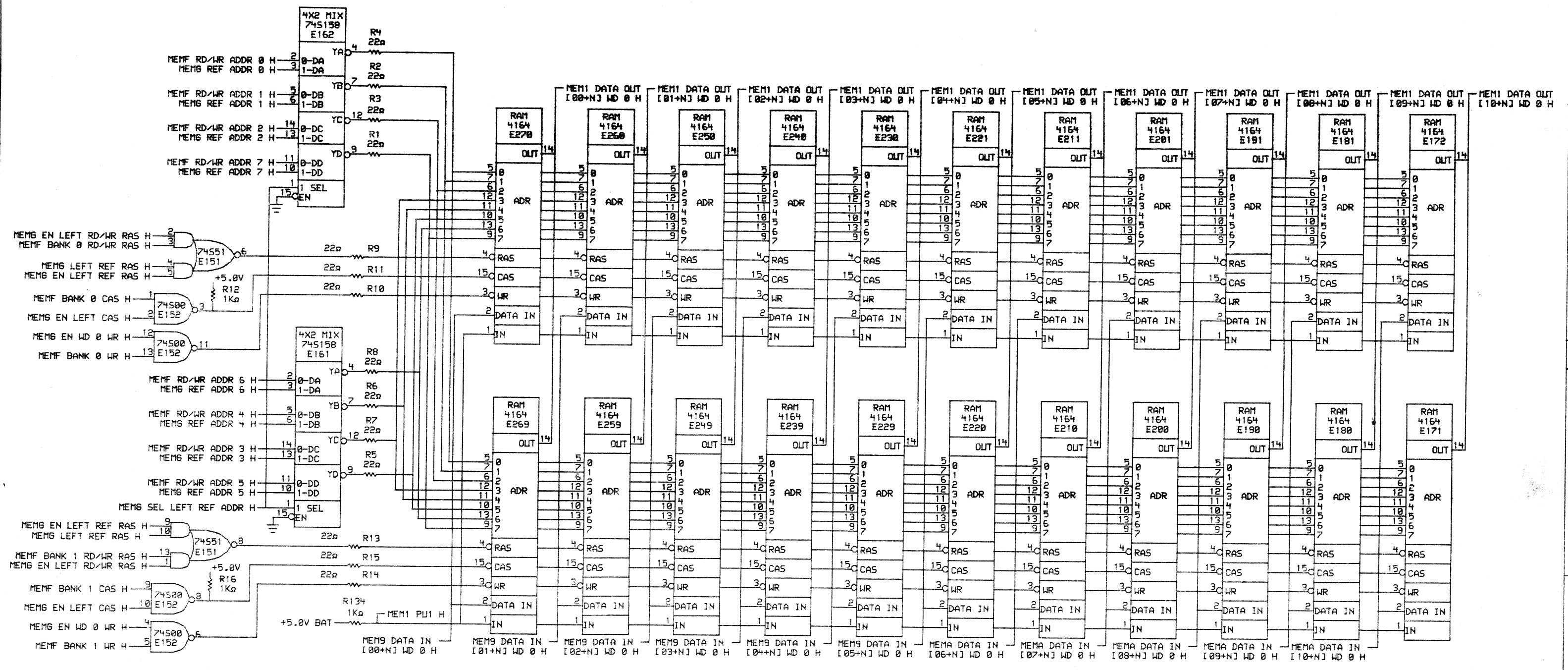
VULCAN:K2080.L0061-0-MMCS.DRW 109-FEB-83 18:04 NEXT HIGHER ASSEMBLY: SHEET 1 OF 1

FIRST USED ON OPTION/MODEL: 2080 B-DD-L0061-0

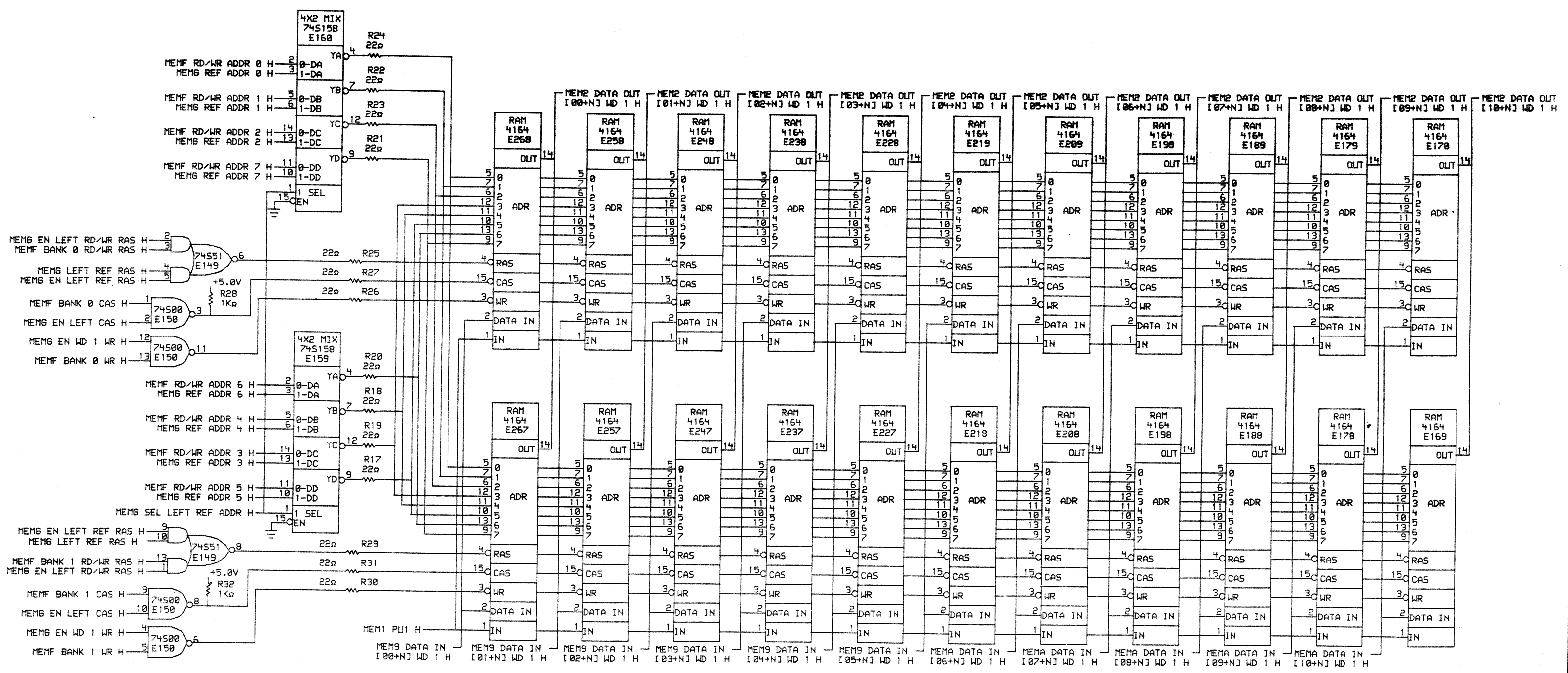
SIZE CODE D CS L0061-0-MMCS NUMBER REV. \*

VULCAN:<2080.L0030>TARR1  
VULCAN:<2080.L0030>TARR2  
VULCAN:<2080.L0030>TARR3  
VULCAN:<2080.L0030>TARR4  
VULCAN:<2080.L0030>TARR5  
VULCAN:<2080.L0030>TARR6  
VULCAN:<2080.L0030>TARR7  
VULCAN:<2080.L0030>TARR8  
VULCAN:<2080.L0030>TARR9  
VULCAN:<2080.L0030>TARRA  
VULCAN:<2080.L0030>TARRB  
VULCAN:<2080.L0030>TARRC  
VULCAN:<2080.L0030>TARRD  
VULCAN:<2080.L0030>TARRE  
VULCAN:<2080.L0030>TARRF  
VULCAN:<2080.L0030>TARRG  
VULCAN:<2080.L0030>TARRH  
VULCAN:<2080.L0030>TARRI





DRN.	DATE	ENG.	DATE	TITLE:
CHK'D.	DATE	BOARD LOCATION:		DATA 00-10
		SHEET		WORD 0
FIRST USED ON OPTION/MODEL: 2080				REV.
NEXT HIGHER ASSEMBLY:				NUMBER
B-DD-L0030-0				L0030-0-MEM1
SIZE	CODE			
D	CS			



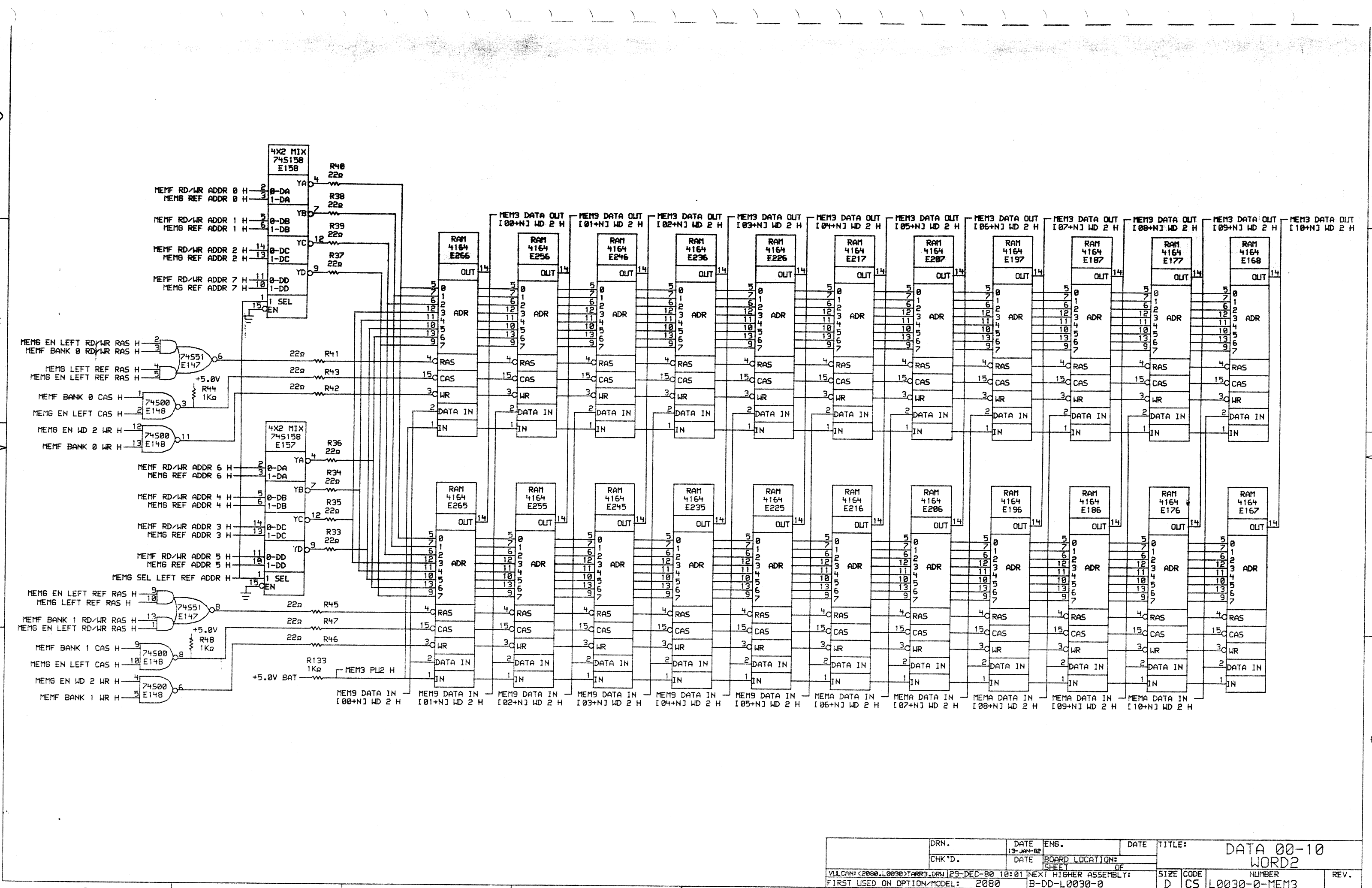
DRN.	DATE	ENG.	DATE	TITLE:
CHK'D.	DATE	BOARD LOCATION:		DATA 00-10
		SHEET OF		WORD 1
VULCAN: <2000.L0030>TARR2.DRW	29-DEC-80 09:56	NEXT HIGHER ASSEMBLY:	SIZE CODE	NUMBER
FIRST USED ON OPTION/MODEL:	2000	B-DD-L0030-0	D C5	L0030-0-MEM2
				REV.

D

C

B

A



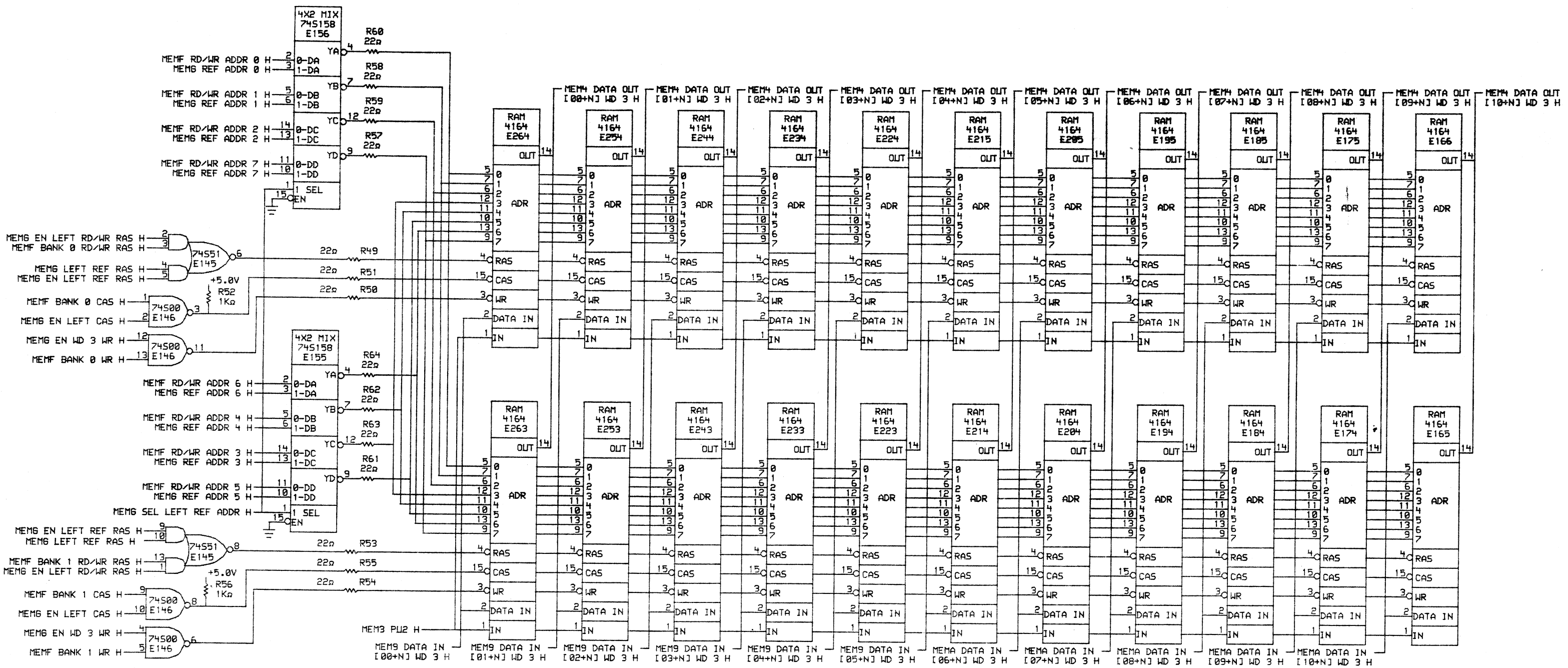
D

C

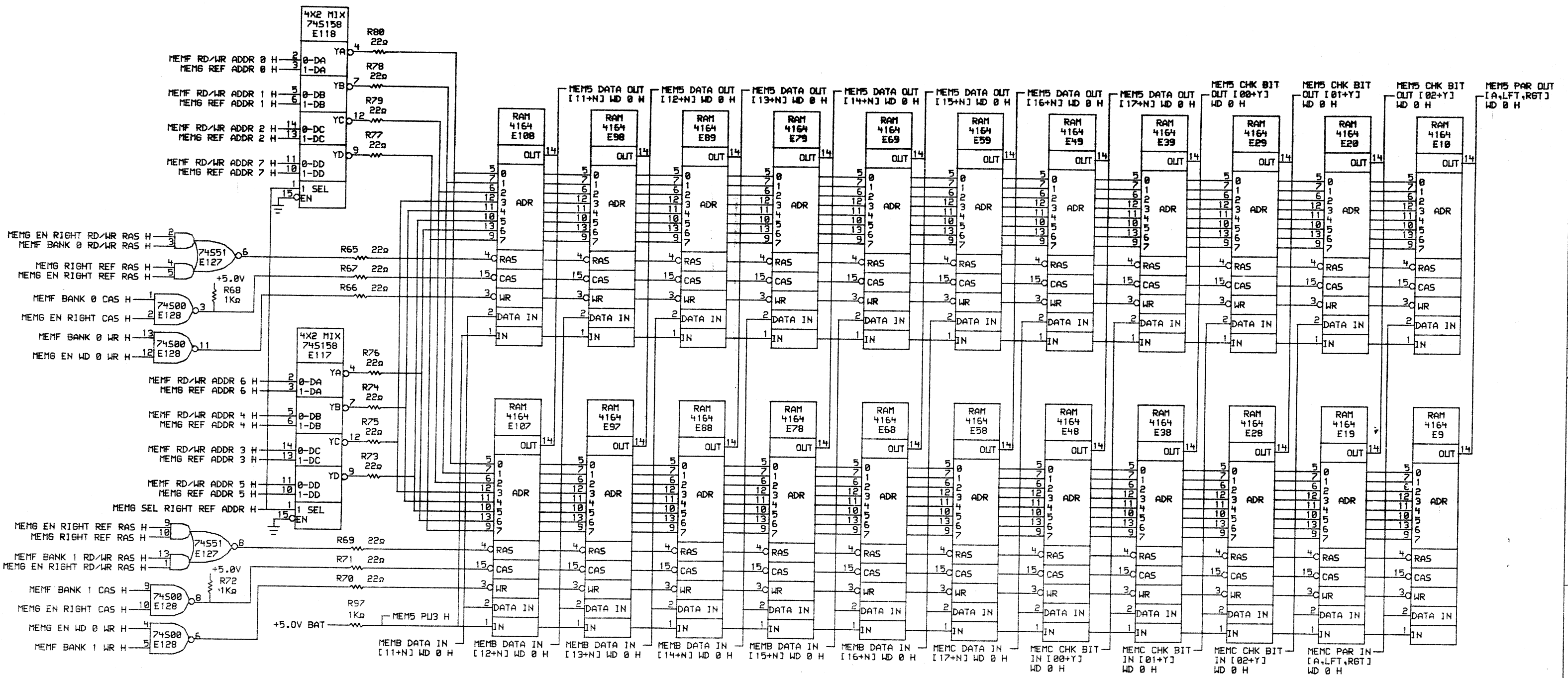
B

A

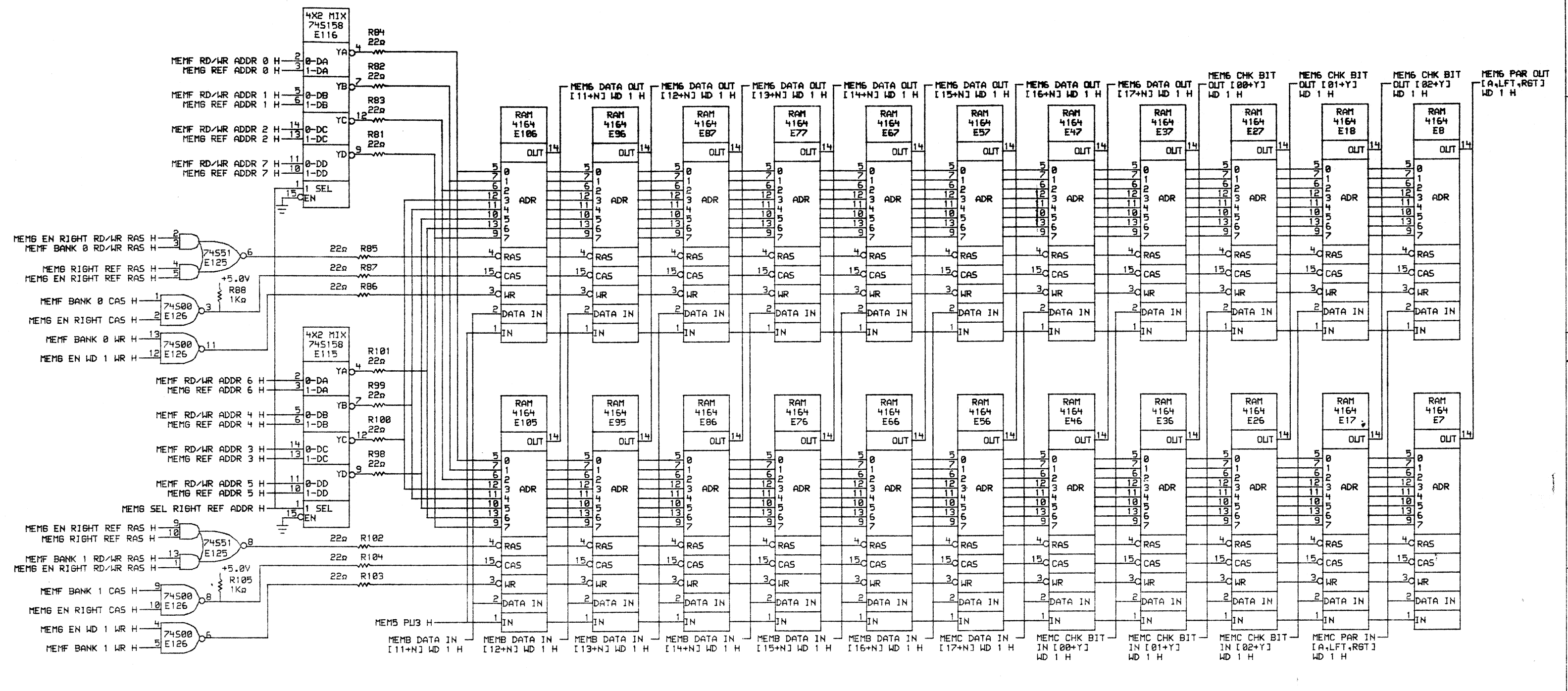
DRN.	DATE	ENG.	DATE	TITLE:
CHK'D.	DATE	BOARD LOCATION:		DATA 00-10
VILCAN: (2000.L0030)TARR3.DRW 29-DEC-80 10:01				WORD2
FIRST USED ON OPTION/MODEL: 2080				NUMBER
NEXT HIGHER ASSEMBLY: B-DD-L0030-0				REV.
SIZE	CODE	NUMBER		
D	CS	L0030-0-MEM3		



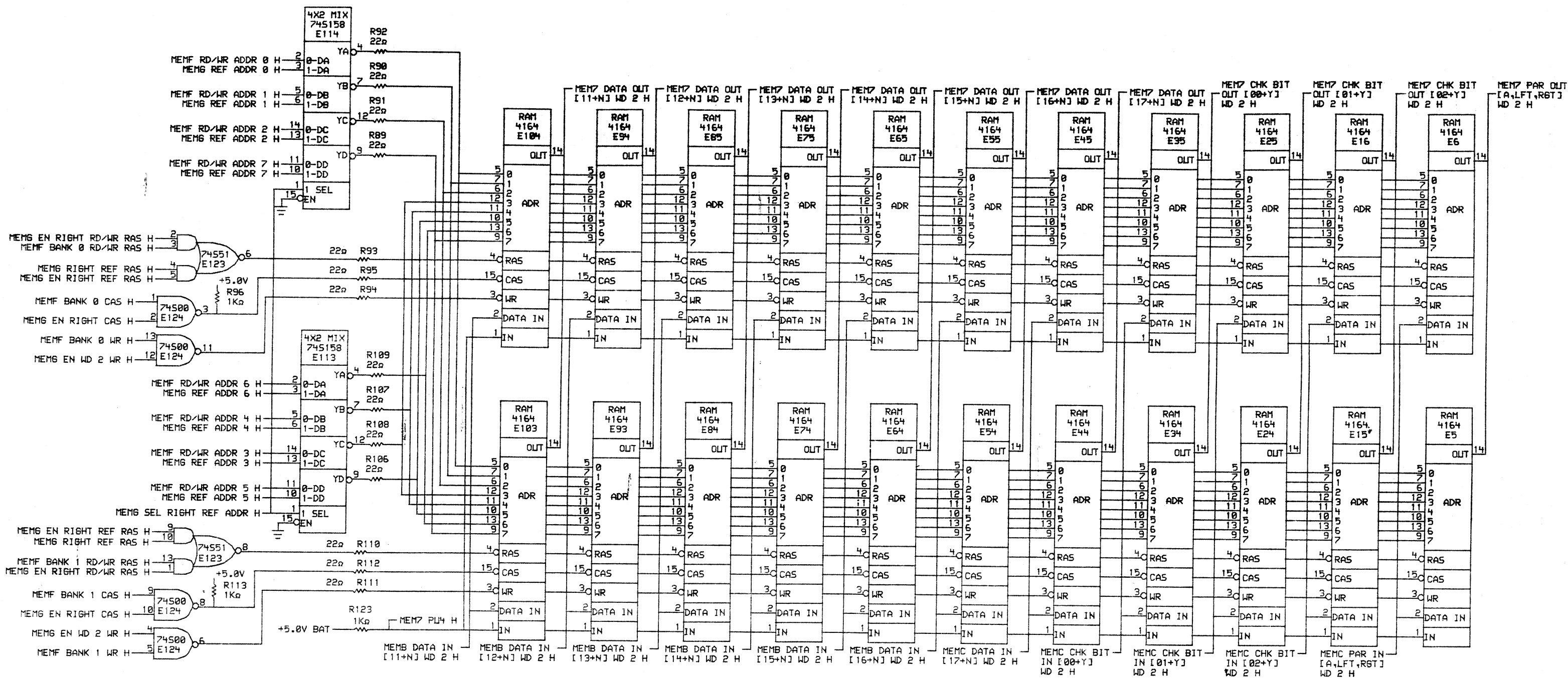
DRN.	DATE	ENG.	DATE	TITLE:
CHK'D.	DATE	BOARD LOCATION:		DATA 00-10
VILCANI (2000.L0030)TARRY.DRW [29-DEC-80 10:06				WORD 3
FIRST USED ON OPTION/MODEL: 2000				NUMBER
NEXT HIGHER ASSEMBLY: B-DD-L0030-0				REV.
SIZE CODE				L0030-0-MEM4
D CS				



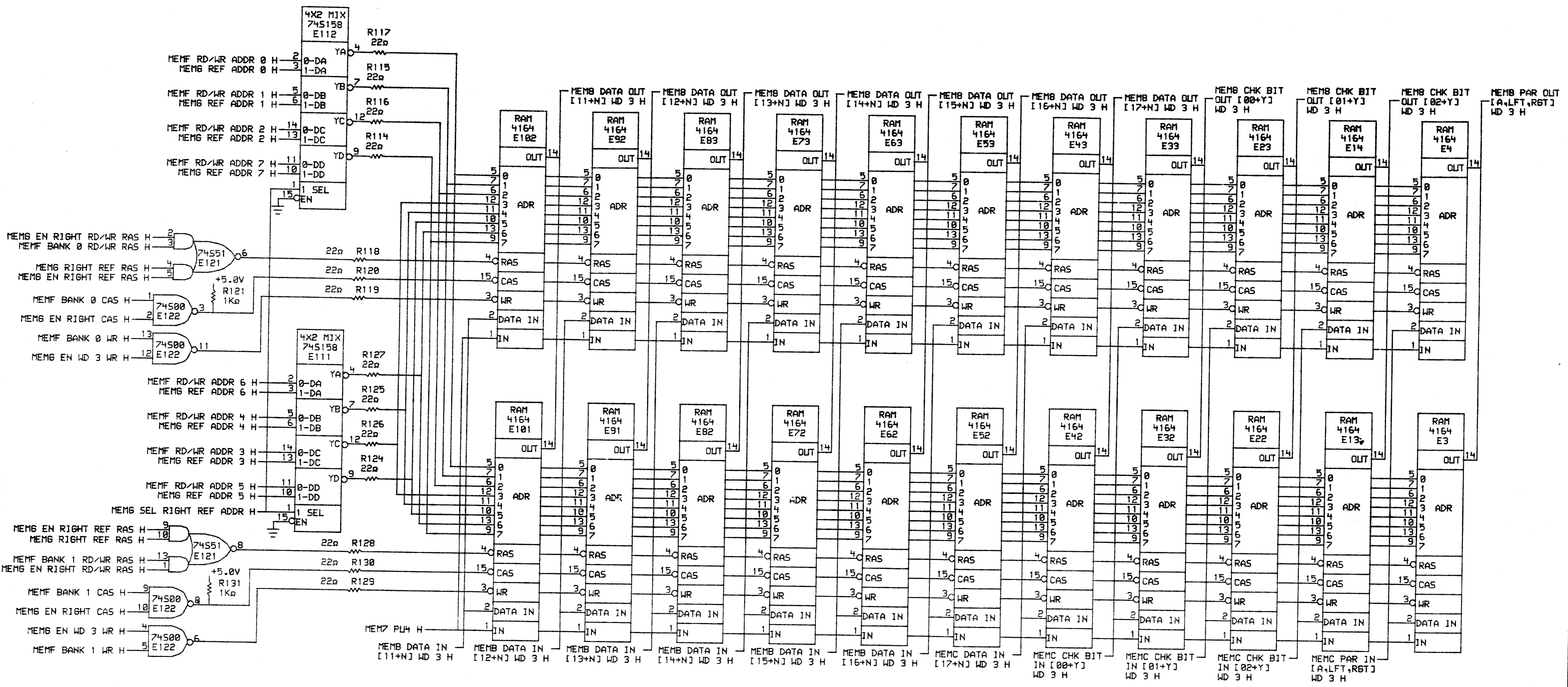
DRN.	DATE	ENG.	DATE	TITLE:
CHK'D.	DATE	BOARD LOCATION:		DATA 11-PAR
		SHEET		WORD 0
VULCAN (2000.L0030)TARRS.DRW 129-DEC-80 10:25 NEXT HIGHER ASSEMBLY:				SIZE CODE NUMBER
FIRST USED ON OPTION/MODEL: 2000 B-DD-L0030-0				D CS L0030-0-MEM5
				REV.



DRN.	DATE	ENG.	DATE	TITLE:
CHK'D.	DATE	BOARD LOCATION:		11-PAR
		SHEET	OF	WORD 1
VULCAN (2000.L0030)TARR6.DRW 29-DEC-80 10:32 NEXT HIGHER ASSEMBLY:				SIZE CODE
FIRST USED ON OPTION/MODEL: 2080 B-DD-L0030-0				D CS L0030-0-MEM6
				NUMBER
				REV.

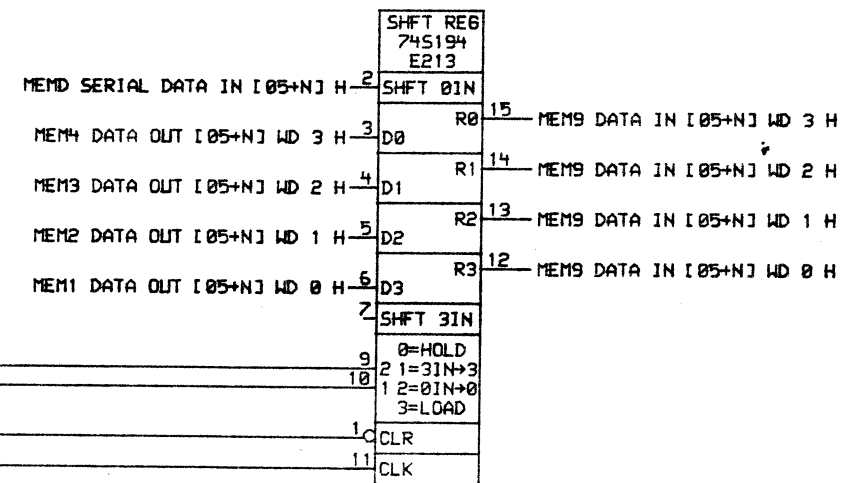
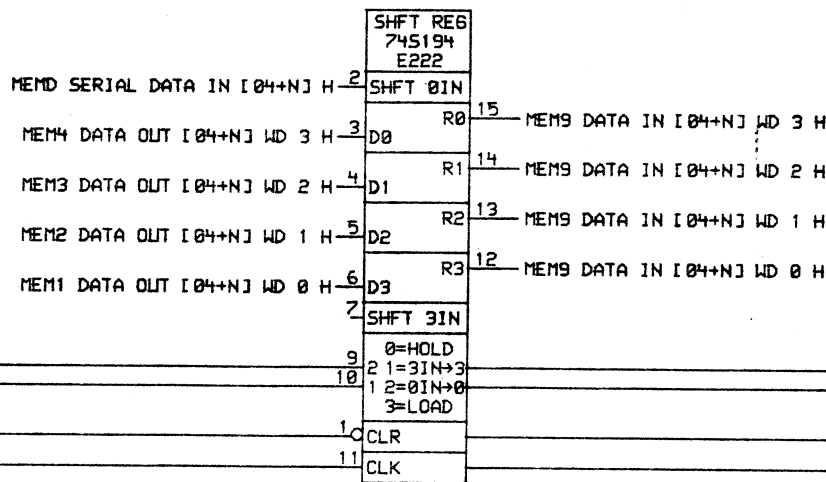
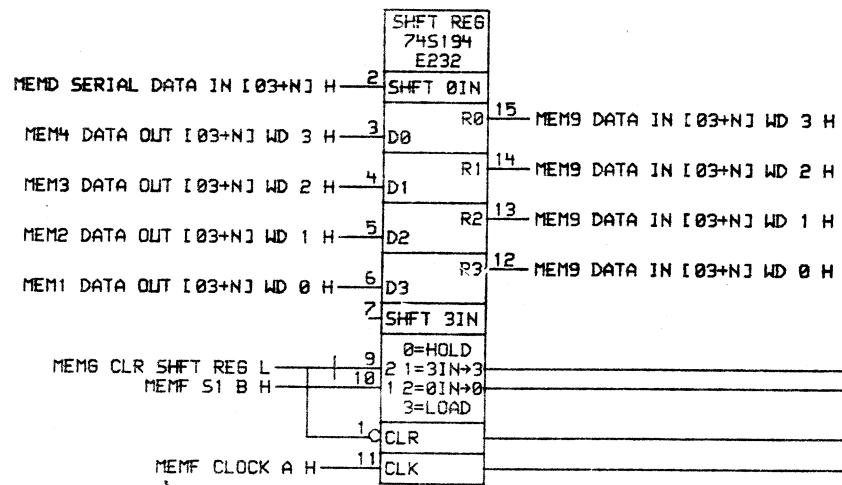
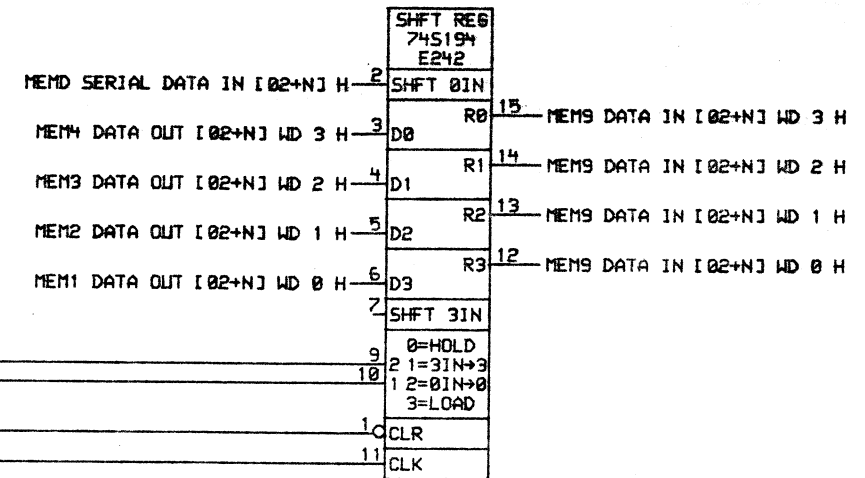
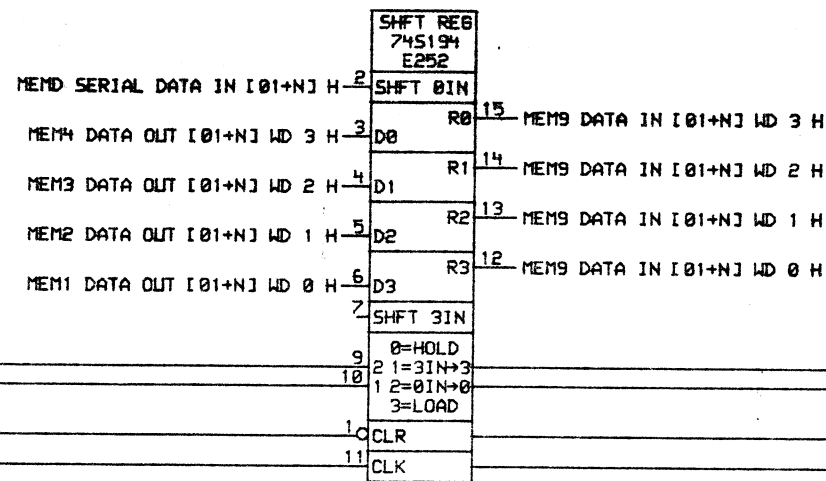
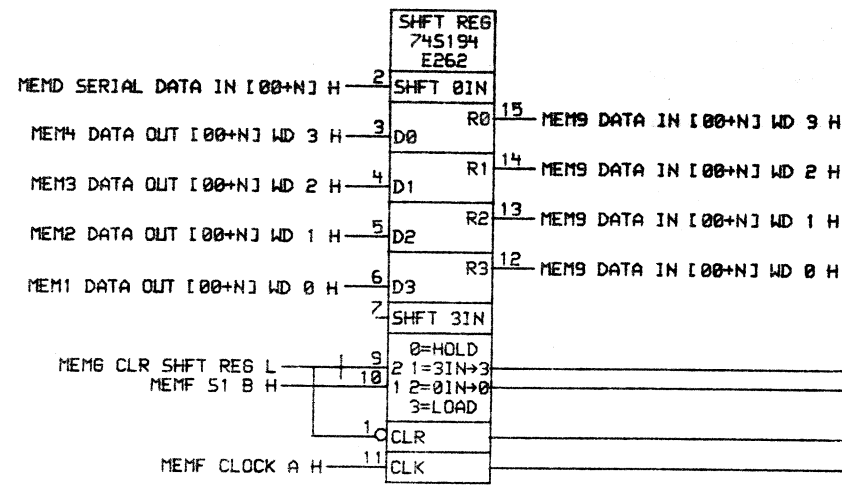


DRN.	DATE	ENG.	DATE	TITLE:
CHK'D.	DATE	BOARD LOCATION:		DATA 11-PAR
VLL CAN (2080-L0030) TARR7.DRW 29-DEC-80 10:34				WORD 2
FIRST USED ON OPTION MODEL: 2080				REV.
NEXT HIGHER ASSEMBLY: B-DD-L0030-0				NUMBER
SIZE	CODE	D C5		L0030-0-MEM7

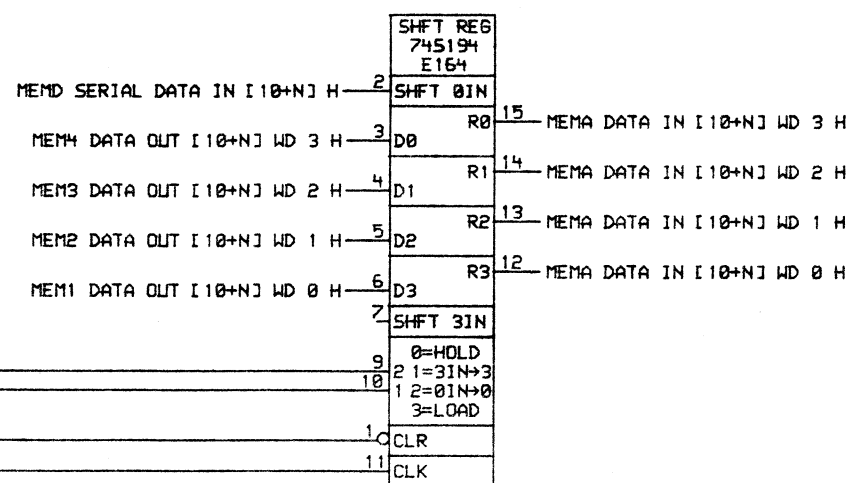
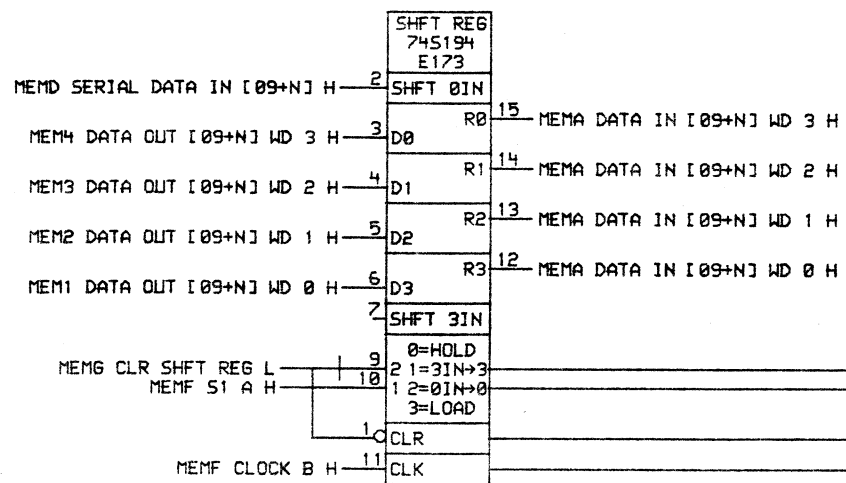
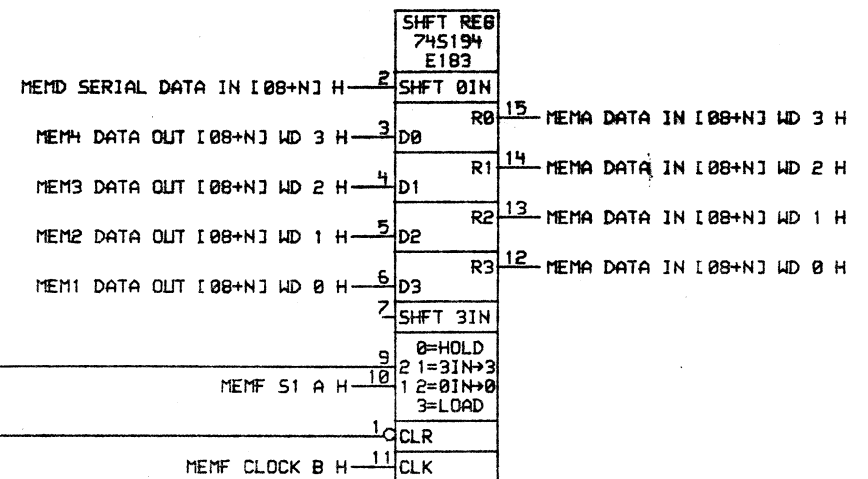
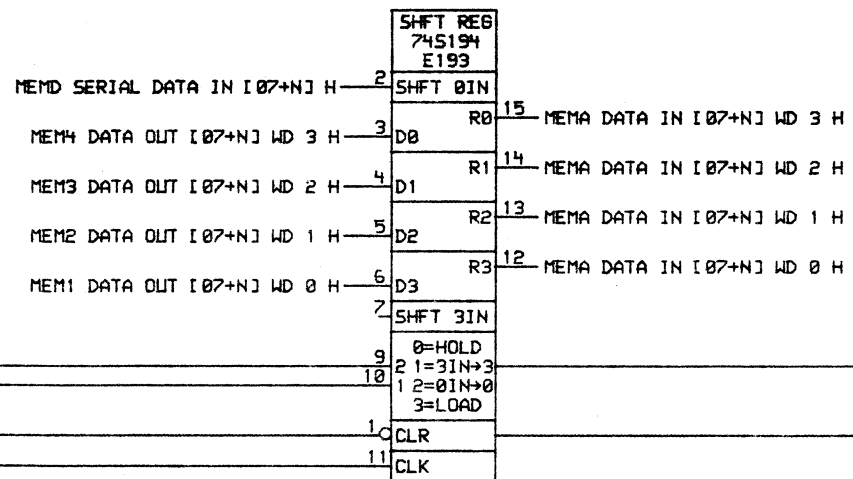
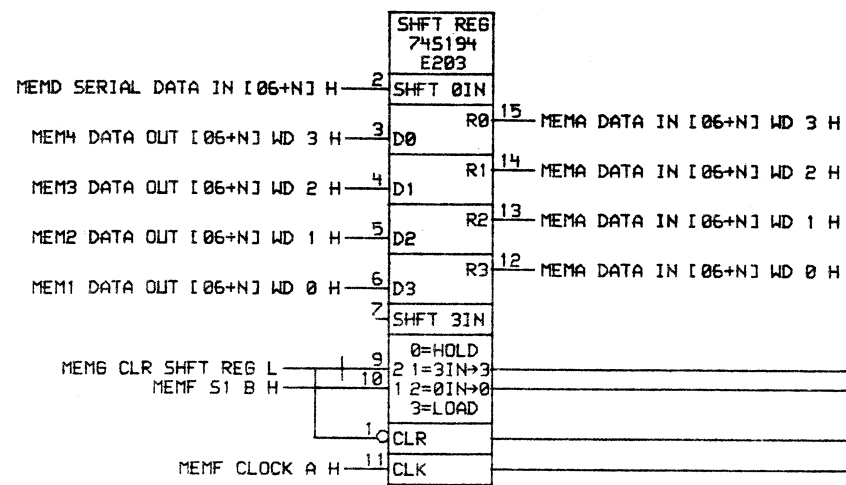


DRN.	DATE	ENG.	DATE	TITLE:
CHK'D.	DATE	BOARD LOCATION:		DATA 11-PAR
		SHEET	OF	WORD 3
VULCAN (2080.L0030)TARRS.DRW [29-DEC-80 10:35] NEXT HIGHER ASSEMBLY:				SIZE CODE
FIRST USED ON OPTION/MODEL: 2080 B-DD-L0030-0				NUMBER
				REV.
				D CS L0030-0-MEM8

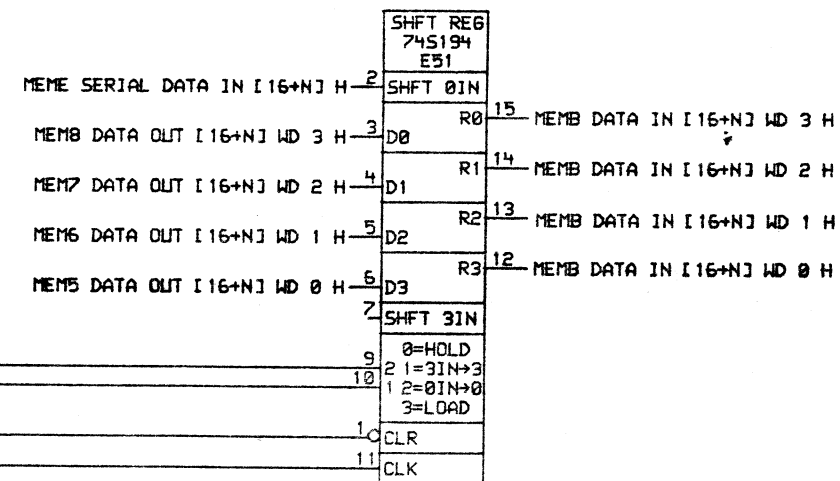
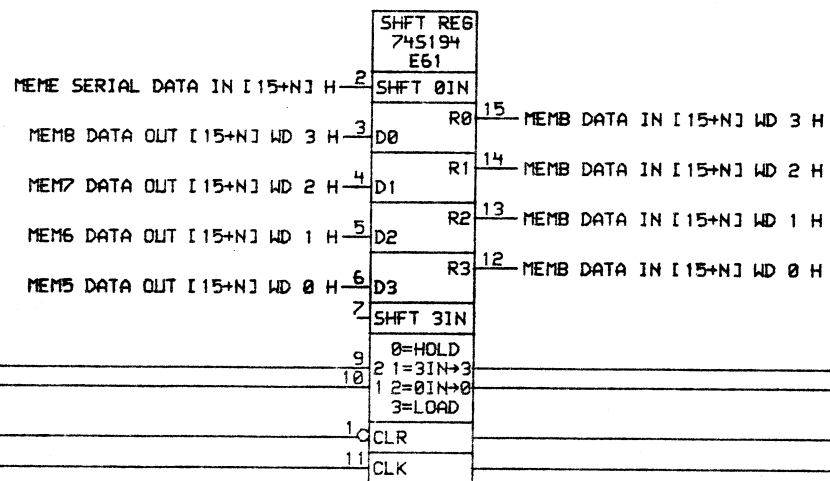
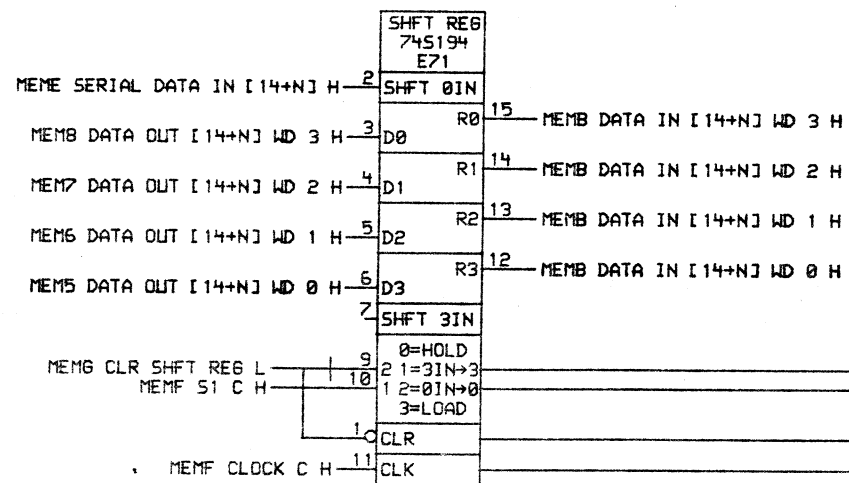
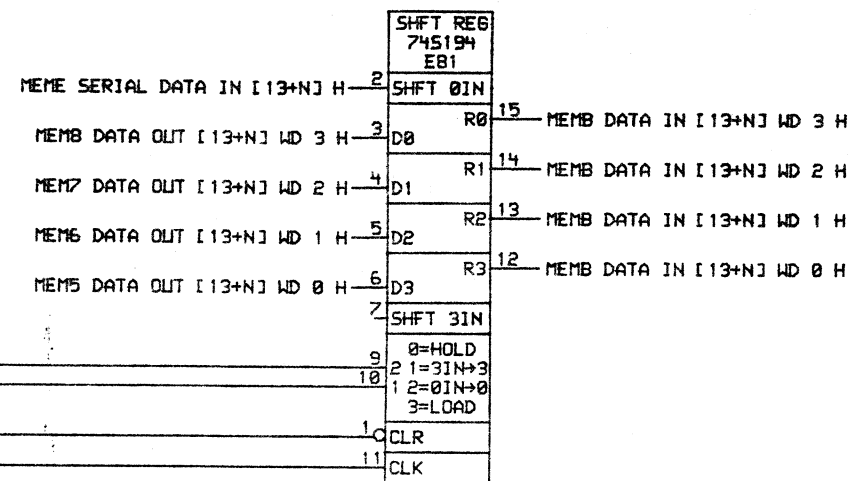
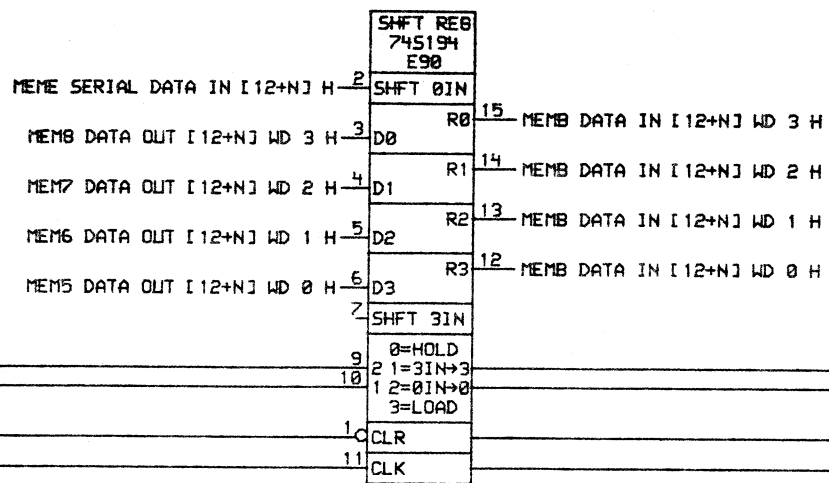
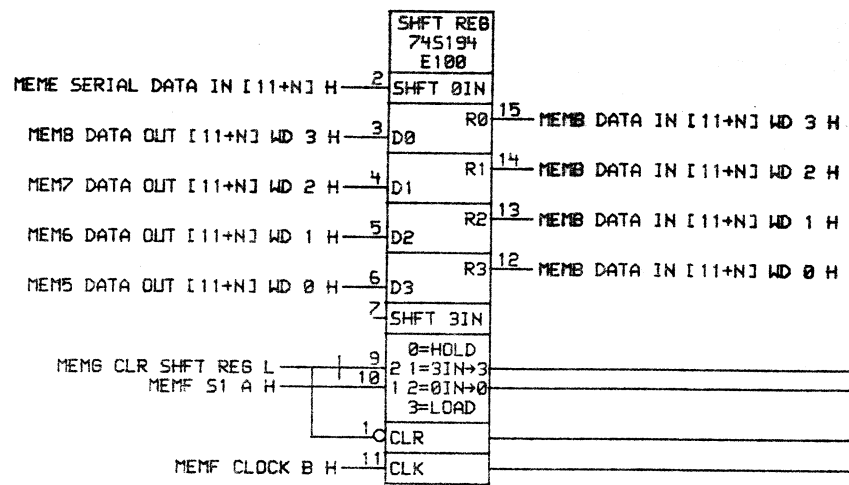


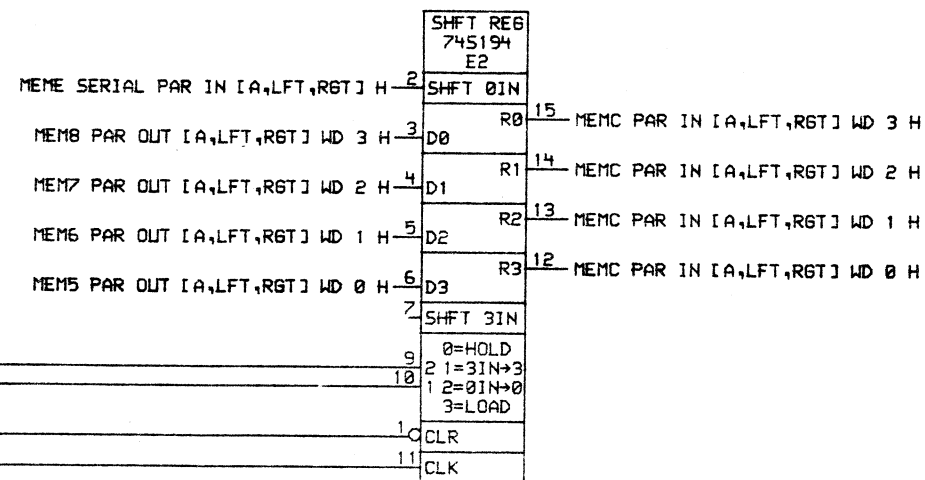
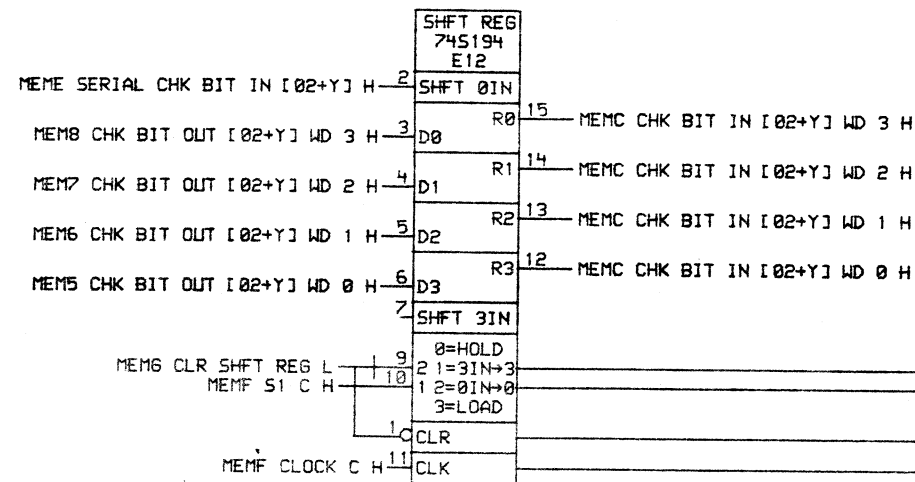
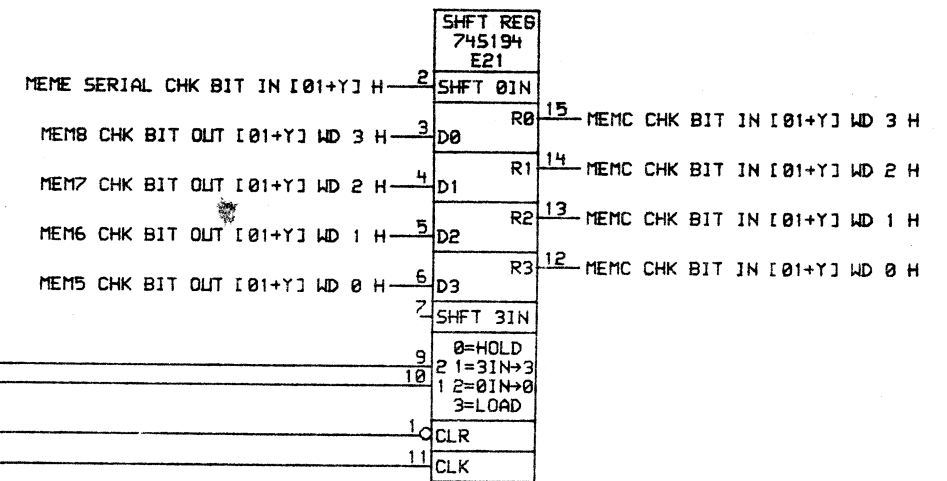
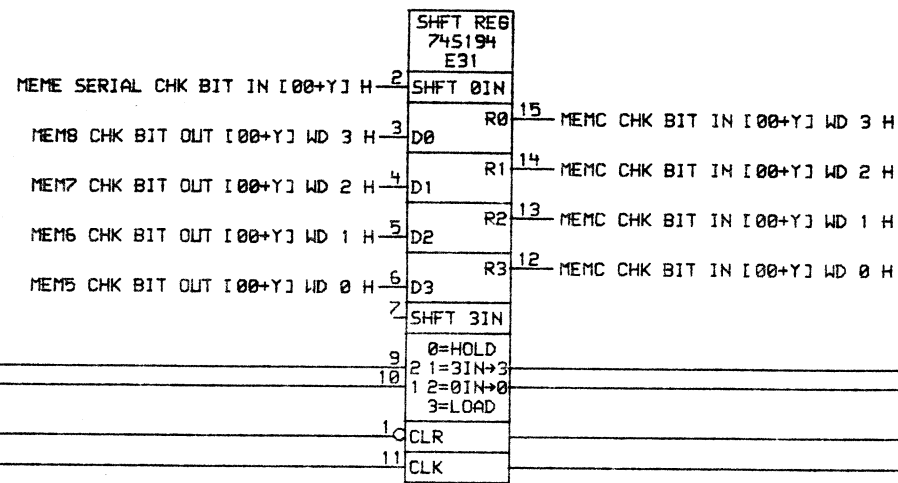
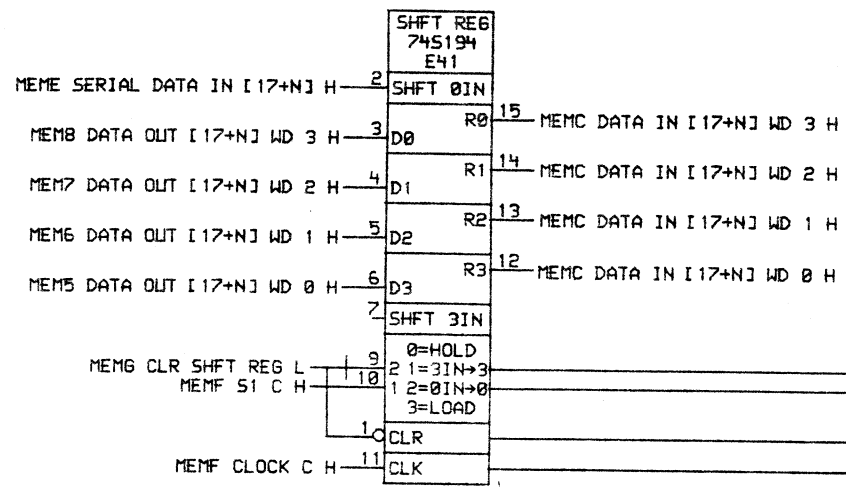


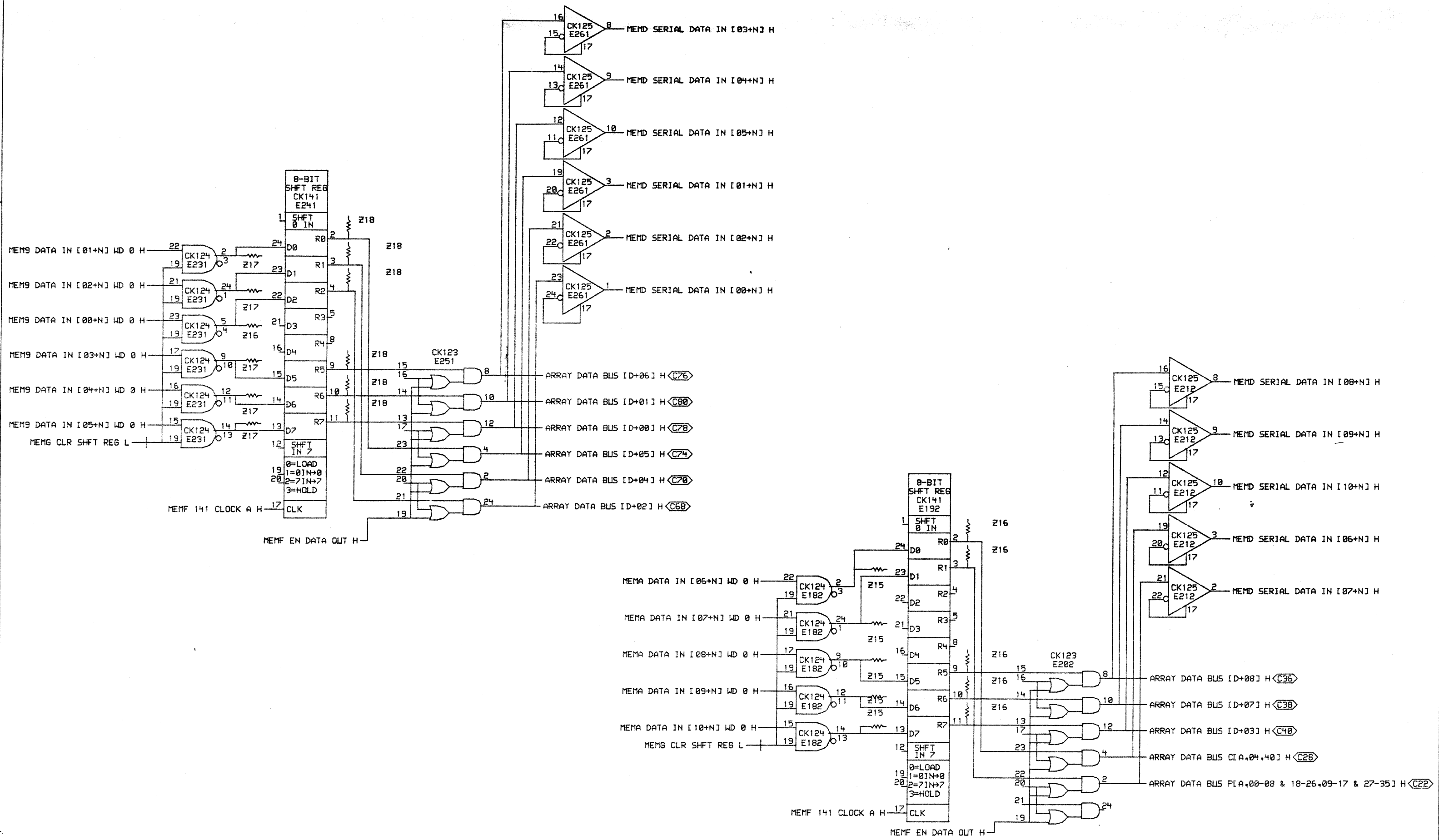
DRN.	DATE	ENG.	DATE	TITLE:
CHK'D.	DATE	BOARD LOCATION:		DATA REG 0-5
VULCAN: <2000.L0030>TARRS.DRW   24-AUG-00 09:12 NEXT HIGHER ASSEMBLY:				SIZE CODE NUMBER REV.
FIRST USED ON OPTION/MODEL: 2000 B-DD-L0030-0				D CS L0030-0-MEM9



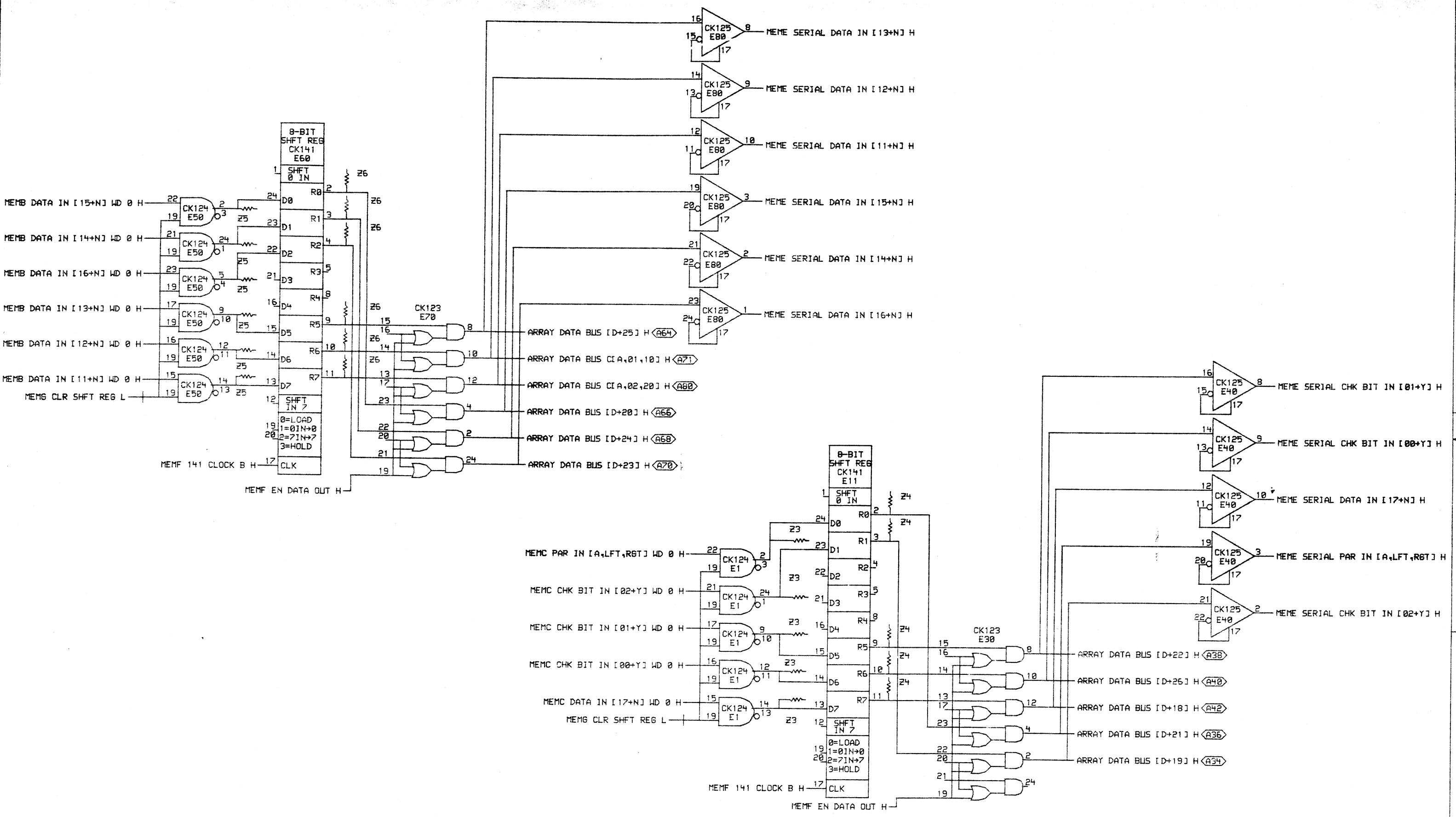
DRN.	DATE	ENG.	DATE	TITLE:	DATA REG 6-10		
CHK'D.	DATE	BOARD LOCATION:	SHEET	OF	SIZE	CODE	NUMBER
VILCAN (2000-L0030)TARRA.DRW (24-AUG-80 09:13) NEXT HIGHER ASSEMBLY:				8	D	C5	L0030-0-MEMA
FIRST USED ON OPTION/MODEL: 2000 B-DD-L0030-0				1			REV.



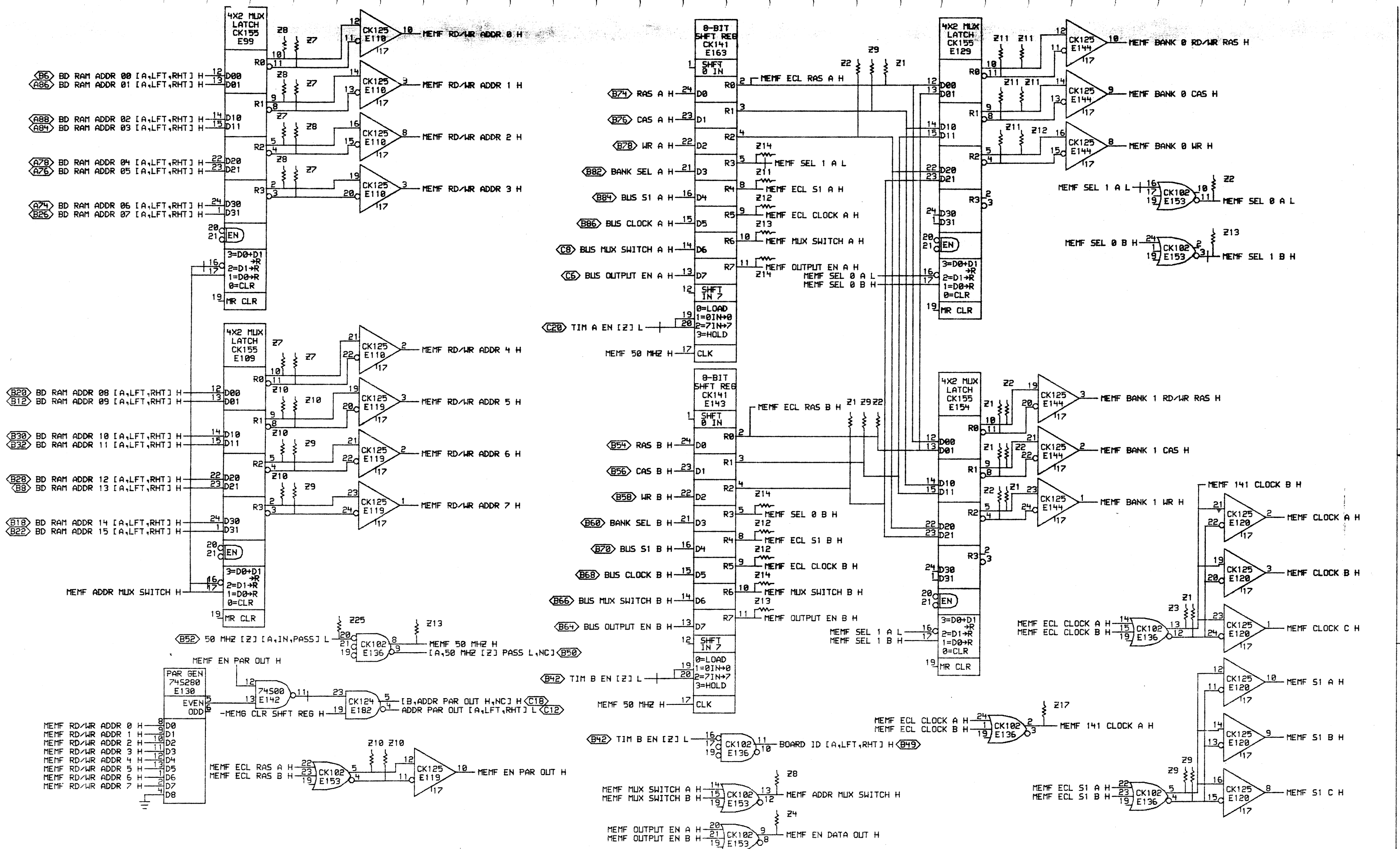




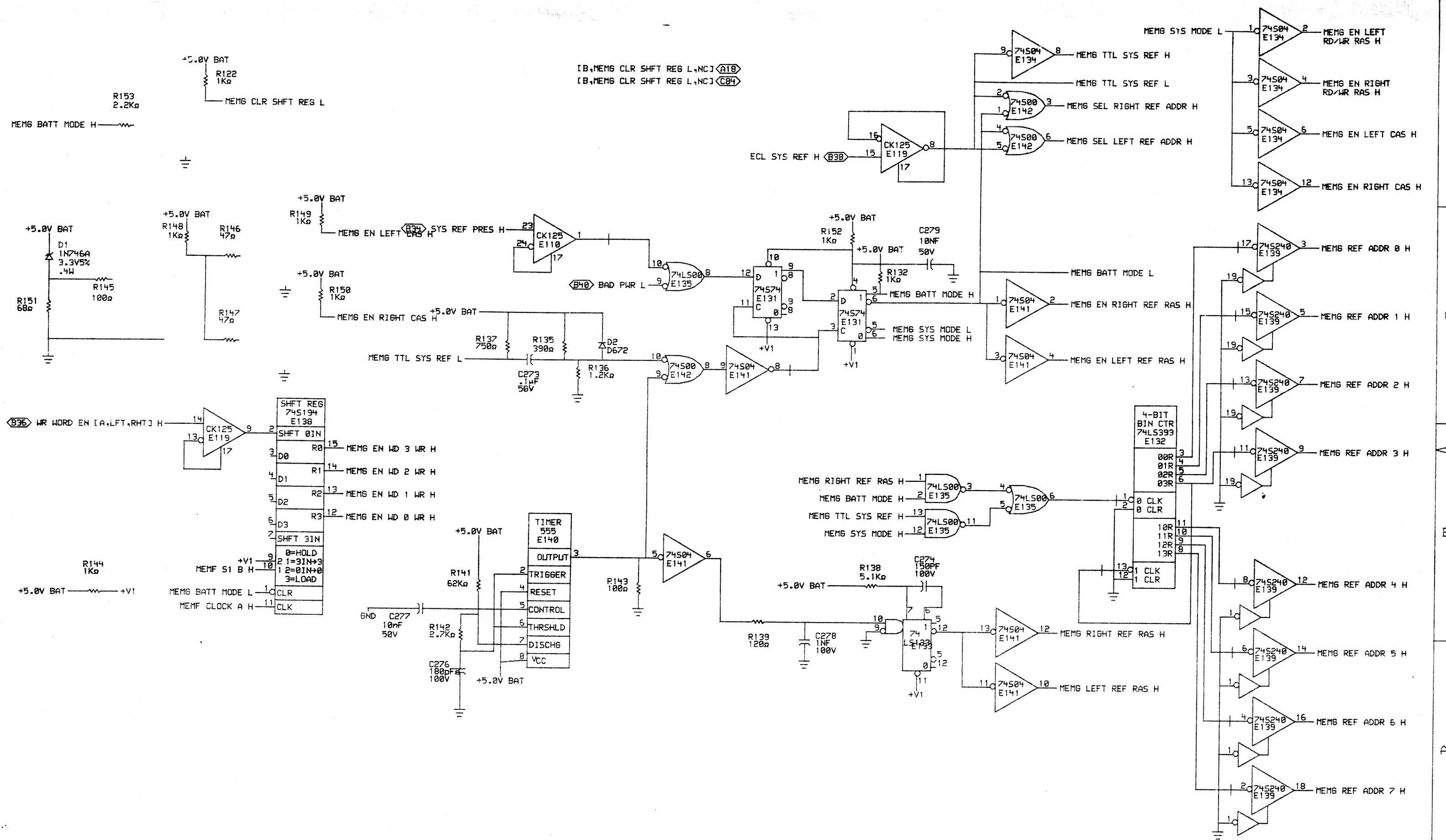
DRN.	DATE	ENG.	DATE	TITLE:
CHK'D.	DATE	BOARD LOCATION:		BUS 0-10
VILCAN: <2080.L0030>TARD.DRW	29-DEC-80 10:50	NEXT HIGHER ASSEMBLY:		
FIRST USED ON OPTION/MODEL:	2080	B-DD-L0030-0		
SIZE	CODE	NUMBER	REV.	
D	CS	L0030-0-MEMD		



DRN.	DATE	ENG.	DATE	TITLE:
CHK'D.	DATE	BOARD LOCATION:	SHEET	BUS 11-17 CHK 0-2, PAR
VILCAN: <2000.L0030>TARRE.DRW 129-DEC-00 10:56 NEXT HIGHER ASSEMBLY:				SIZE CODE NUMBER
FIRST USED ON OPTION/MODEL: 2000 B-DD-L0030-0				D CS L0030-0-MEME REV.



DRN.	DATE	ENG.	DATE	TITLE:
CHK'D.	13 JAN 82			ECL CONTROL LOGIC
VLLCAN (2000.L0030)TARR.DRW	DATE	BOARD LOCATION:	SHEET	OF
FIRST USED ON OPTION/MODEL:	29-DEC-80 11:21	NEXT HIGHER ASSEMBLY:	SIZE	CODE
			D	CS
			L0030-0-MEMF	REV.



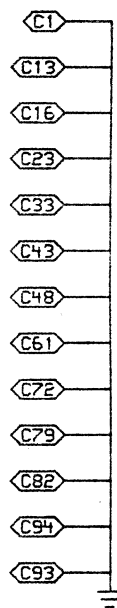
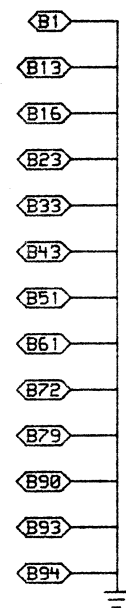
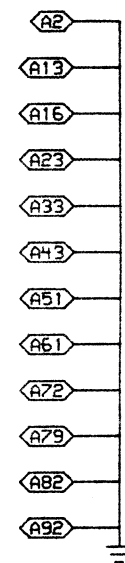
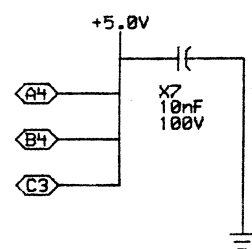
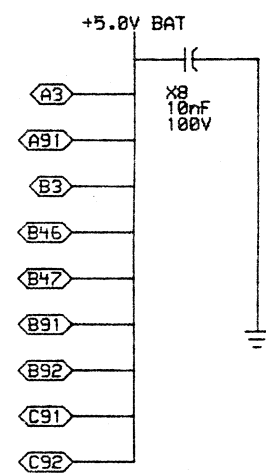
DRN.	DATE	ENG.	DATE	TITLE:
CHK'D.	DATE	BOARD LOCATION:		TTL CONTROL LOGIC
VULCAN <2000.L0030> TARRS.DRW   27-AUG-80 05:11		NEXT HIGHER ASSEMBLY:		SIZE CODE NUMBER REV.
FIRST USED ON OPTION/MODEL:				D CS L0030-0-MEM



A21 I A,I C,NC,ARRAY DATA BUS 21 H,NC],I C,NC,NC,ARRAY DATA BUS 30 HJJ] Z219  
 A29 I A,I C,NC,ARRAY DATA BUS 19 H,NC],I C,NC,NC,ARRAY DATA BUS 28 HJJ] Z219  
 A37 I A,I C,NC,ARRAY DATA BUS 22 H,NC],I C,NC,NC,ARRAY DATA BUS 31 HJJ] Z219  
 A39 I A,I C,NC,ARRAY DATA BUS 26 H,NC],I C,NC,NC,ARRAY DATA BUS 35 HJJ] Z219  
 A41 I A,I C,NC,ARRAY DATA BUS 18 H,NC],I C,NC,NC,ARRAY DATA BUS 27 HJJ] Z219  
 A45 I A,I C,NC,ARRAY DATA BUS 25 H,NC],I C,NC,NC,ARRAY DATA BUS 34 HJJ] Z220  
 A49 I A,I C,NC,ARRAY DATA BUS 24 H,NC],I C,NC,NC,ARRAY DATA BUS 33 HJJ] Z220  
 A53 I A,I C,NC,ARRAY DATA BUS 20 H,NC],I C,NC,NC,ARRAY DATA BUS 29 HJJ] Z220  
 A55 I A,I C,NC,ARRAY DATA BUS 23 H,NC],I C,NC,NC,ARRAY DATA BUS 32 HJJ] Z220  
 A59 I A,I C,NC,ARRAY DATA BUS C01 H,NC],I C,NC,NC,ARRAY DATA BUS C10 HJJ] Z220  
 A63 I A,I C,NC,ARRAY DATA BUS C02 H,NC],I C,NC,NC,ARRAY DATA BUS C20 HJJ] Z220  
 A73 I A,I C,NC,BD RAM ADDR 06 LFT H,NC], I C,NC,NC,BD RAM ADDR 06 RHT HJJ] Z221  
 A75 I A,I C,NC,BD RAM ADDR 05 LFT H,NC], I C,NC,NC,BD RAM ADDR 05 RHT HJJ] Z221  
 A77 I A,I C,NC,BD RAM ADDR 04 LFT H,NC], I C,NC,NC,BD RAM ADDR 04 RHT HJJ] Z221  
 A83 I A,I C,NC,BD RAM ADDR 03 LFT H,NC], I C,NC,NC,BD RAM ADDR 03 RHT HJJ] Z221  
 A85 I A,I C,NC,BD RAM ADDR 01 LFT H,NC], I C,NC,NC,BD RAM ADDR 01 RHT HJJ] Z221  
 A87 I A,I C,NC,BD RAM ADDR 02 LFT H,NC], I C,NC,NC,BD RAM ADDR 02 RHT HJJ] Z221

B5 I A,I C,NC,BD RAM ADDR 00 LFT H,NC], I C,NC,NC,BD RAM ADDR 00 RHT HJJ] Z222  
 B7 I A,I C,NC,BD RAM ADDR 13 LFT H,NC], I C,NC,NC,BD RAM ADDR 13 RHT HJJ] Z222  
 B11 I A,I C,NC,BD RAM ADDR 09 LFT H,NC], I C,NC,NC,BD RAM ADDR 09 RHT HJJ] Z222  
 B17 I A,I C,NC,BD RAM ADDR 14 LFT H,NC], I C,NC,NC,BD RAM ADDR 14 RHT HJJ] Z222  
 B19 I A,I C,NC,BD RAM ADDR 08 LFT H,NC], I C,NC,NC,BD RAM ADDR 08 RHT HJJ] Z222  
 B21 I A,I C,NC,BD RAM ADDR 15 LFT H,NC], I C,NC,NC,BD RAM ADDR 15 RHT HJJ] Z222  
 B25 I A,I C,NC,BD RAM ADDR 07 LFT H,NC], I C,NC,NC,BD RAM ADDR 07 RHT HJJ] Z223  
 B27 I A,I C,NC,BD RAM ADDR 12 LFT H,NC], I C,NC,NC,BD RAM ADDR 12 RHT HJJ] Z223  
 B29 I A,I C,NC,BD RAM ADDR 10 LFT H,NC], I C,NC,NC,BD RAM ADDR 10 RHT HJJ] Z223  
 B31 I A,I C,NC,BD RAM ADDR 11 LFT H,NC], I C,NC,NC,BD RAM ADDR 11 RHT HJJ] Z223  
 B35 I C,NC,WR WORD EN LFT,WR WORD EN RHT] H Z223  
 B37 I C,NC,NC,ECL SYS REF HJ] Z223  
 B41 I A,NC,TIM B EN [Z] L] Z223  
 B53 I C,NC,NC,RAS B HJ] Z224  
 B55 I C,NC,NC,CAS B HJ] Z225  
 B57 I C,NC,NC,WR B HJ] Z224  
 B59 I C,NC,NC,BANK SEL B HJ] Z225  
 B63 I C,NC,NC,BUS OUTPUT EN B HJ] Z224  
 B65 I C,NC,NC,BUS MUX SWITCH B HJ] Z225  
 B67 I C,NC,NC,BUS CLOCK B HJ] Z224  
 B69 I C,NC,NC,BUS S1 B HJ] Z224  
 B71 I C,NC,SYS REF PRES H,NC] Z225  
 B73 I C,NC,NC,RAS A HJ] Z224  
 B75 I C,NC,NC,CAS A HJ] Z225  
 B77 I C,NC,NC,WR A HJ] Z226  
 B81 I C,NC,NC,BANK SEL A HJ] Z226  
 B83 I C,NC,NC,BUS S1 A HJ] Z226  
 B85 I C,NC,NC,BUS CLOCK A HJ] Z226  
 C5 I C,NC,NC,BUS OUTPUT EN A HJ] Z226  
 C7 I C,NC,NC,BUS MUX SWITCH A HJ] Z226  
 C19 I A,NC,TIM A EN [Z] L] Z227  
 C21 I A,I C,NC,ARRAY DATA BUS 03 H,NC], I C,NC,NC,ARRAY DATA BUS 12 HJJ] Z227  
 C23 I A,I C,NC,ARRAY DATA BUS 07 H,NC], I C,NC,NC,ARRAY DATA BUS 16 HJJ] Z227  
 C25 I A,I C,NC,ARRAY DATA BUS 08 H,NC], I C,NC,NC,ARRAY DATA BUS 17 HJJ] Z227  
 C27 I A,I C,NC,ARRAY DATA BUS P00-08 & 18-26 H,NC], I C,NC,NC,ARRAY DATA BUS P09-17 & 27-35 HJJ] Z227  
 C29 I A,I C,NC,ARRAY DATA BUS C04 H,NC], I C,NC,NC,ARRAY DATA BUS C40 HJJ] Z227  
 C31 I A,I C,NC,ARRAY DATA BUS 00 H,NC], I C,NC,NC,ARRAY DATA BUS 09 HJJ] Z228  
 C33 I A,I C,NC,ARRAY DATA BUS 01 H,NC], I C,NC,NC,ARRAY DATA BUS 10 HJJ] Z228  
 C35 I A,I C,NC,ARRAY DATA BUS 06 H,NC], I C,NC,NC,ARRAY DATA BUS 15 HJJ] Z228  
 C37 I A,I C,NC,ARRAY DATA BUS 04 H,NC], I C,NC,NC,ARRAY DATA BUS 13 HJJ] Z228  
 C39 I A,I C,NC,ARRAY DATA BUS 02 H,NC], I C,NC,NC,ARRAY DATA BUS 11 HJJ] Z228  
 C41 I A,I C,NC,ARRAY DATA BUS 05 H,NC], I C,NC,NC,ARRAY DATA BUS 14 HJJ] Z228  
 C11 I C,NC,ADDR PAR OUT LFT L, ADDR PAR OUT RHT L] Z215

DRN.	DATE	ENG.	DATE	TITLE:	TERMINATORS		
CHK *D.	DATE	BOARD LOCATION:					
VULCAN: <2000.L0030>TARRH.DRN   29-DEC-80 09:38 NEXT HIGHER ASSEMBLY:				SIZE	CODE	NUMBER	REV.
FIRST USED ON OPTION/MODEL:				D	CS	L0030-0-MEMH	



GND TTL

GND ECL

-4.5V — -5.2V

DRN.	DATE	ENG.	DATE	TITLE:	POWER GND, CAPS
CHK'D.	DATE	BOARD LOCATION:	SHEET	OF	
VULCANI (2000.L0030)TARRI.DRW 124-AUG-80 11:06				NEXT HIGHER ASSEMBLY:	SIZE
FIRST USED ON OPTION/MODEL:				D	CS
				NUMBER	REV.
				L0030-0-MEMI	1