

STOP!  
READ THIS!

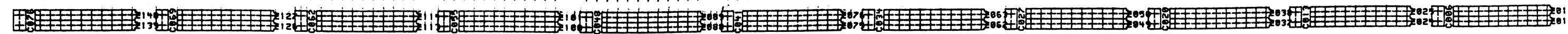
THIS DRAWER CONTAINS THE ONLY COPY OF HISTORICAL  
PDP-10 INFORMATION IN THE COMPANY. DO NOT DESTROY THIS.  
SEND IT TO THE COMPANY ARCHIVES.

/GMM

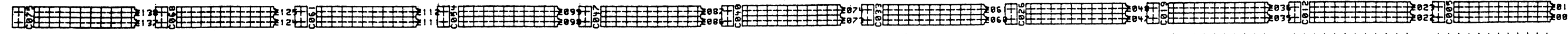
VULCAN:<2080.L0046>71SCA1  
VULCAN:<2080.L0046>65SCA2  
VULCAN:<2080.L0046>21SCA3  
VULCAN:<2080.L0046>27SCA4  
VULCAN:<2080.L0046>22SCA5  
VULCAN:<2080.L0046>SCA6  
VULCAN:<2080.L0046>66SCA7  
VULCAN:<2080.L0046>64SCA8  
VULCAN:<2080.L0046>22SCA9  
VULCAN:<2080.L0046>57SCAA  
VULCAN:<2080.L0046>71SCAB  
VULCAN:<2080.L0046>68SCAC  
VULCAN:<2080.L0046>71SCAD  
VULCAN:<2080.L0046>70SCAE  
VULCAN:<2080.L0046>24SCAF  
VULCAN:<2080.L0046>46SCAG  
VULCAN:<2080.L0046>67SCAH  
VULCAN:<2080.L0046>67SCAI  
VULCAN:<2080.L0046>21SCAJ  
VULCAN:<2080.L0046>66SCAK  
VULCAN:<2080.L0046>72SCAL



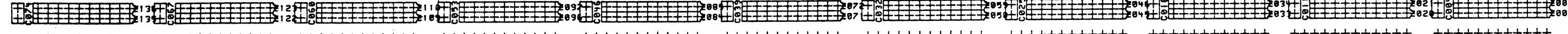
E141	E128	E115	E102	E090	E077	E064	E051	E039	E026	E013
E140	E127	E114	E101	E089	E076	E063	E050	E038	E025	E012



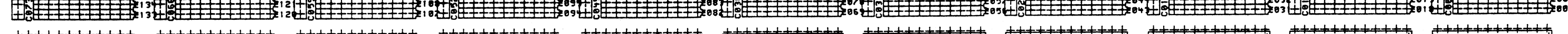
E139	E126	E113	E100	E088	E075	E062	E049	E037	E024	E011
E138	E125	E112	E099	E087	E074	E061	E048	E036	E023	E010



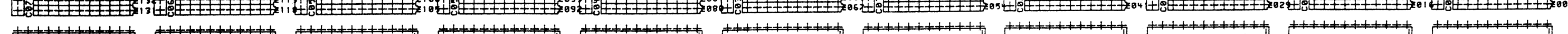
E137	E124	E111	E098	E086	E073	E060	E047	E035	E022	E009
E136	E123	E110	E097	E085	E072	E059	E046	E034	E021	E008



E135	E122	E109	E096	E084	E071	E058	E045	E033	E020	E007
E134	E121	E108	E095	E083	E070	E057	E044	E032	E019	E006



E133	E120	E107	E094	E082	E069	E056	E043	E031	E018	E005
E132	E119	E106	E093	E081	E068	E055	E042	E030	E017	E004



E131	E118	E105	E092	E080	E067	E054	E041	E029	E016	E003	
+ C095 + +		C094		+ + C093		+ + C092		+ + C091		+ + C090 +	

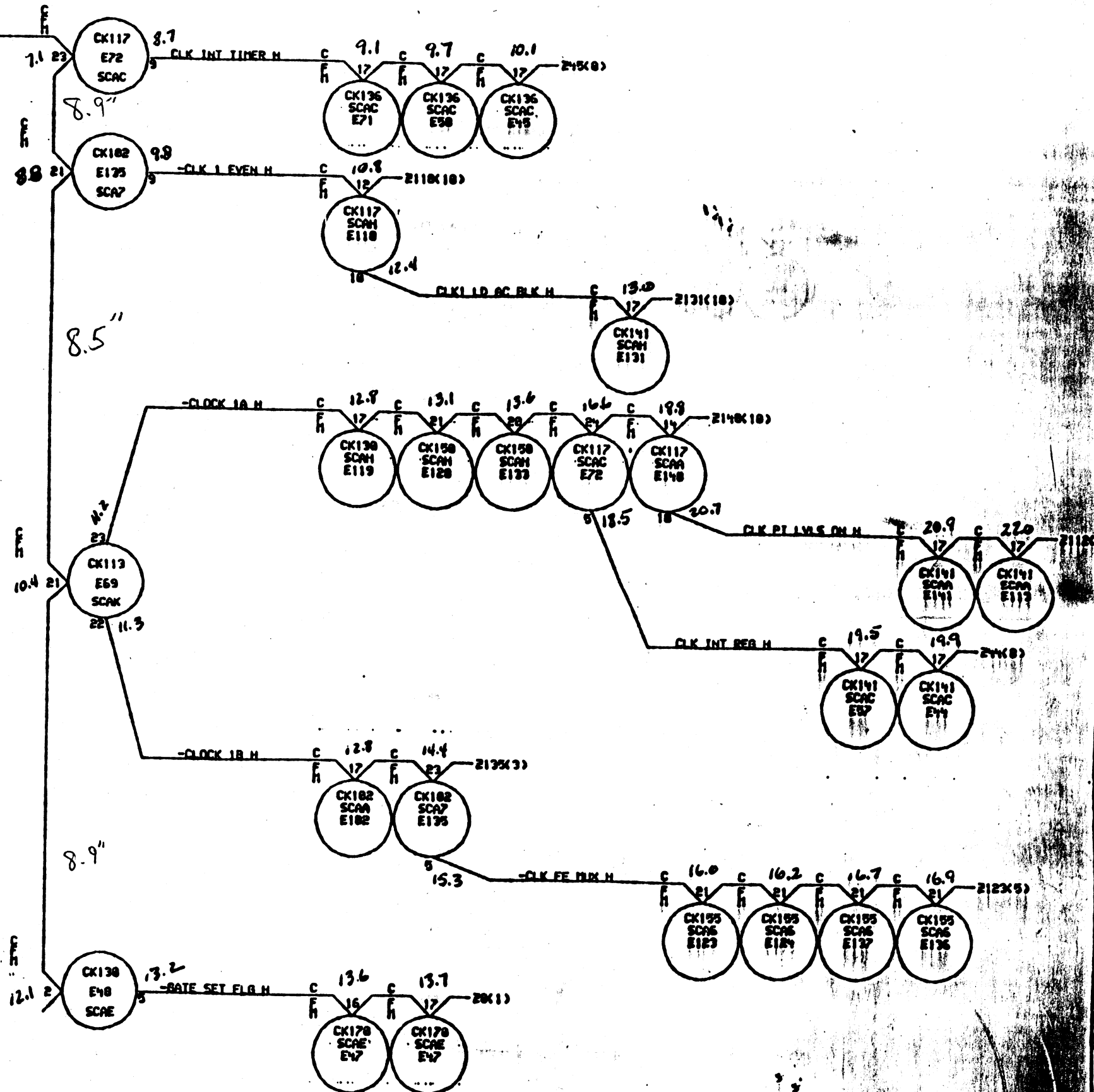
E130	E117	E104	E091	E079	E066	E053	E040	E028	E015	E002
------	------	------	------	------	------	------	------	------	------	------

E129	E116	E103	E078	E065	E052	"141"	E027	E014	E001
------	------	------	------	------	------	-------	------	------	------



+5.5 ns.

7104



8.9"

8.5"

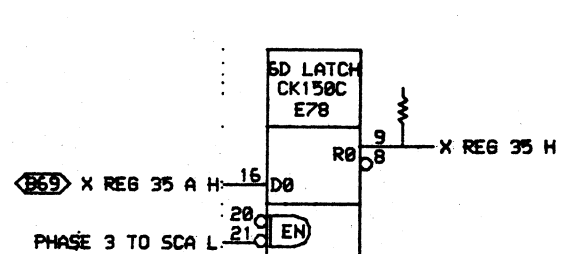
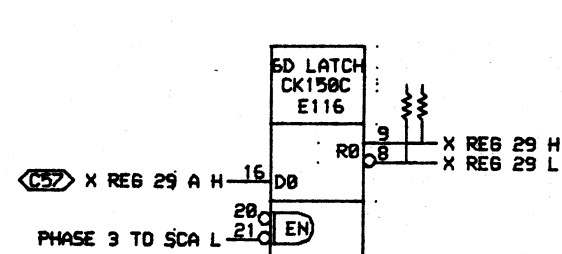
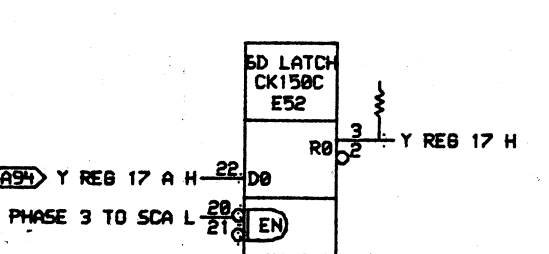
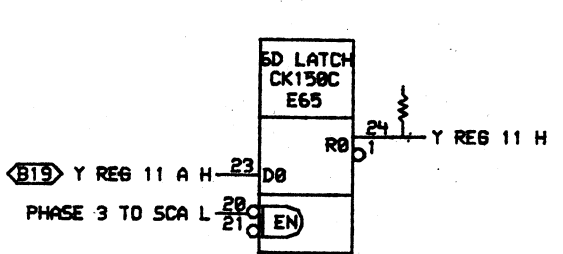
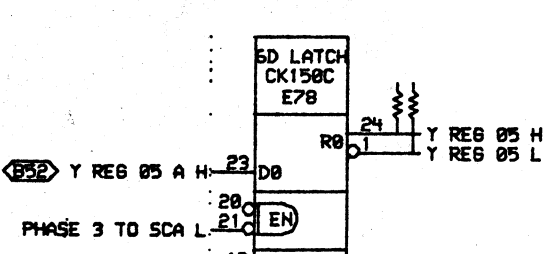
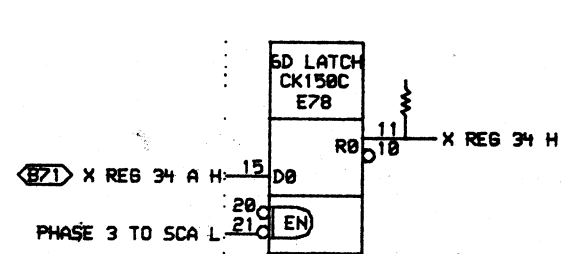
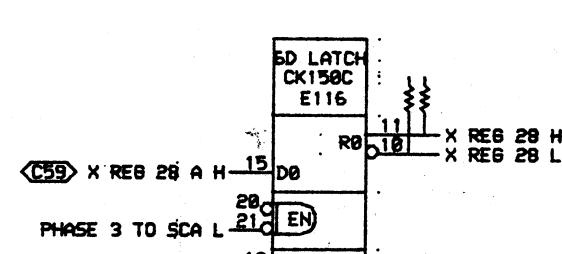
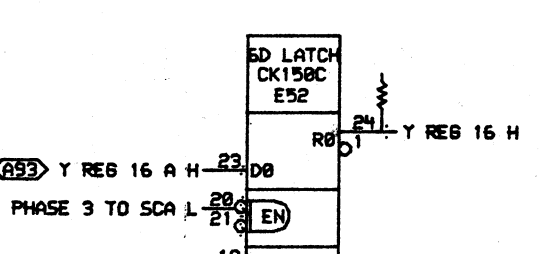
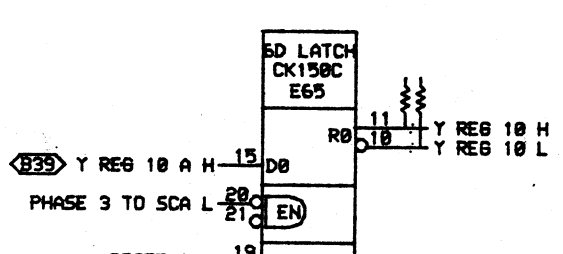
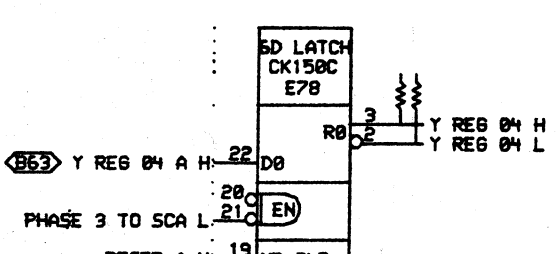
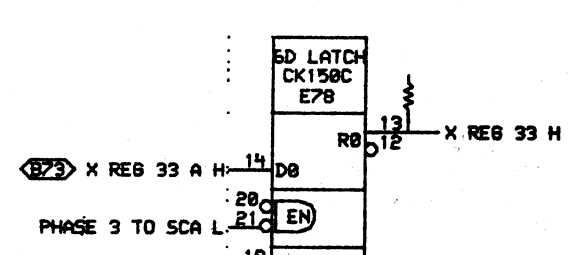
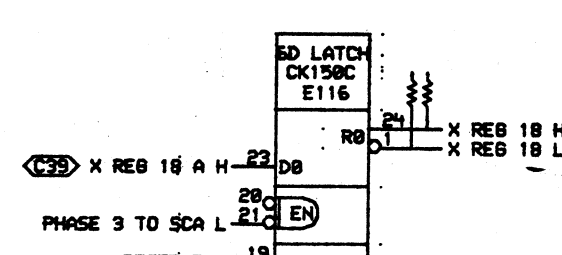
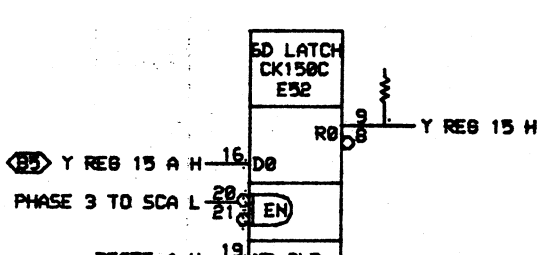
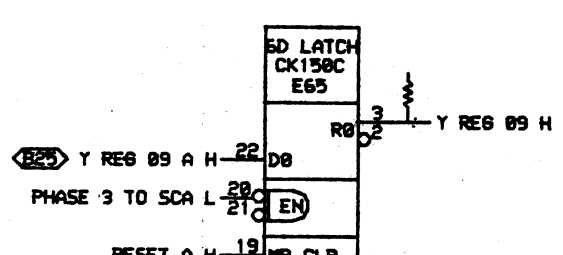
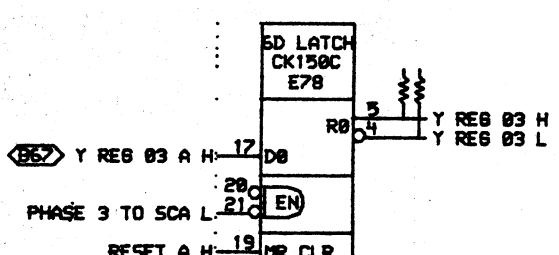
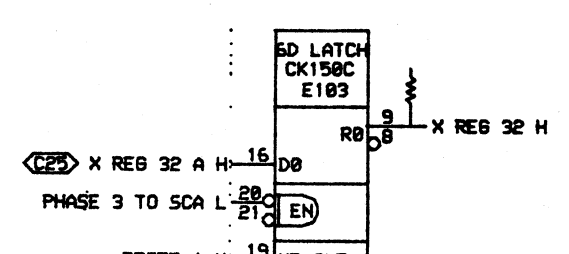
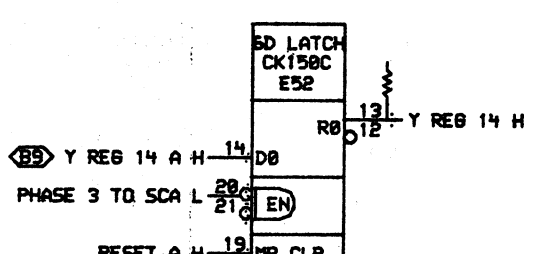
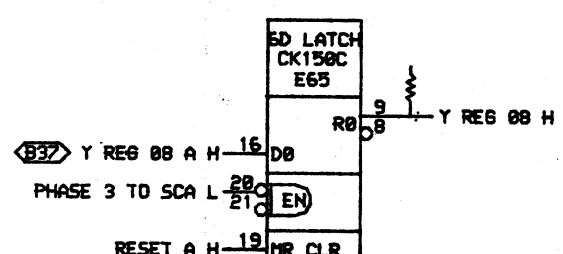
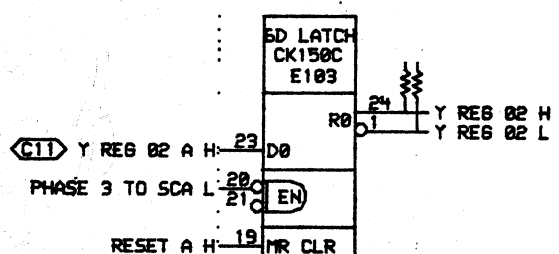
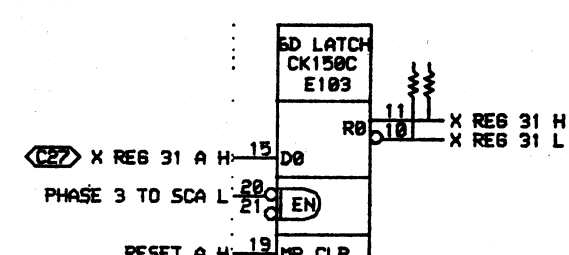
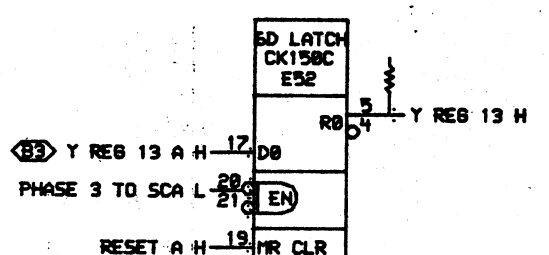
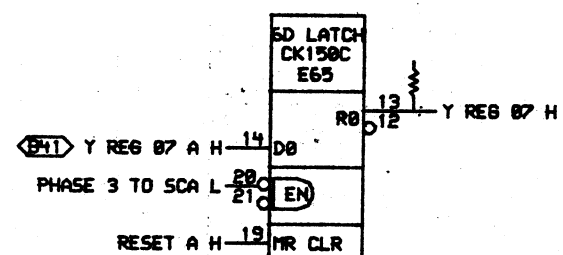
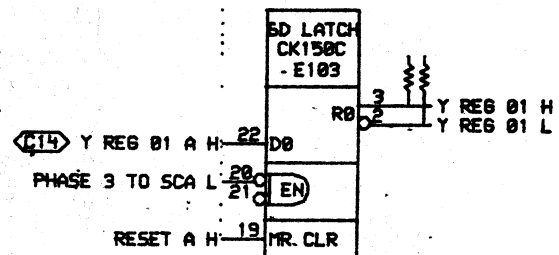
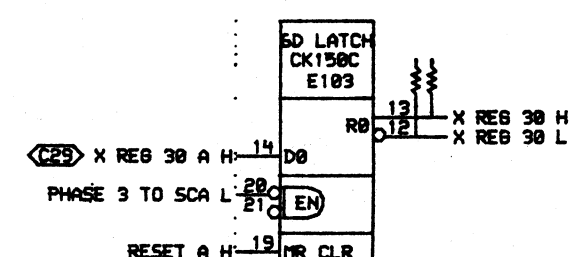
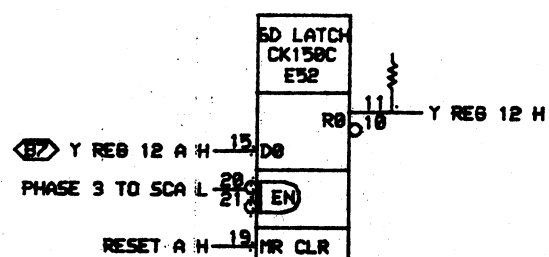
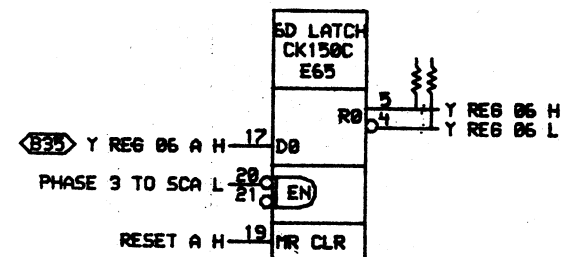
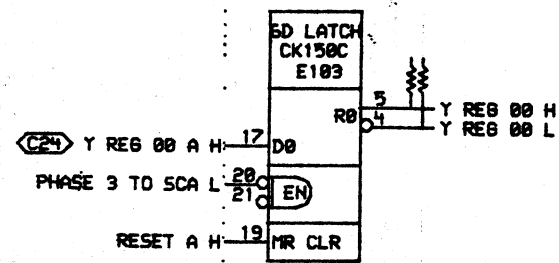
8.9"

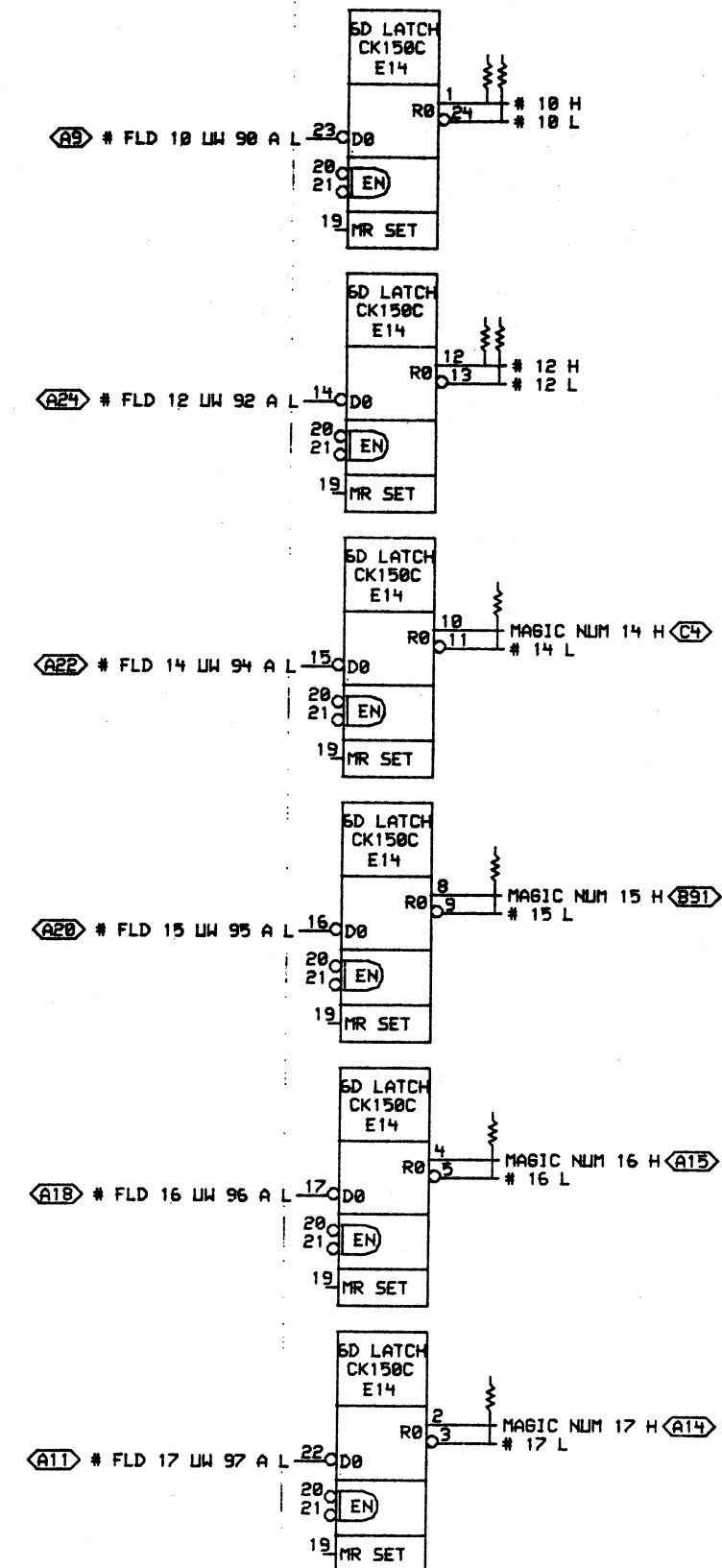
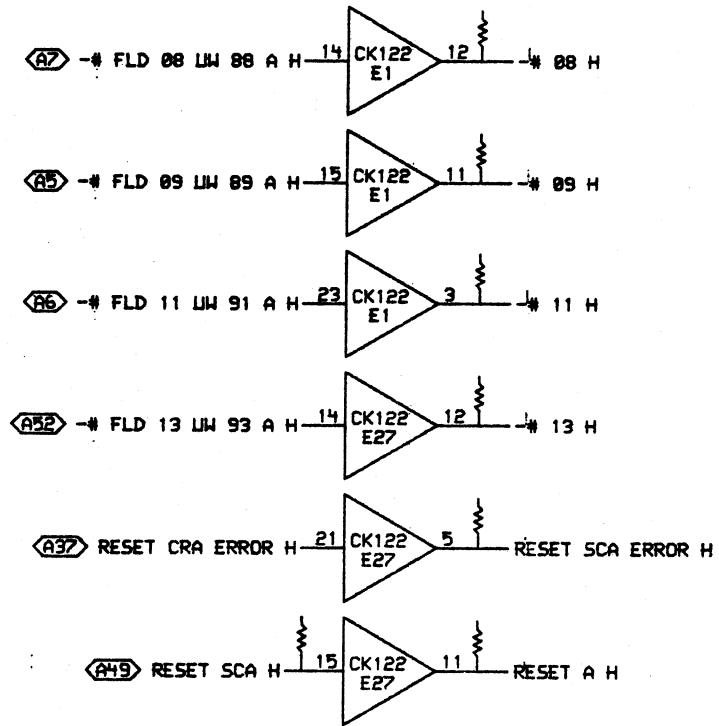
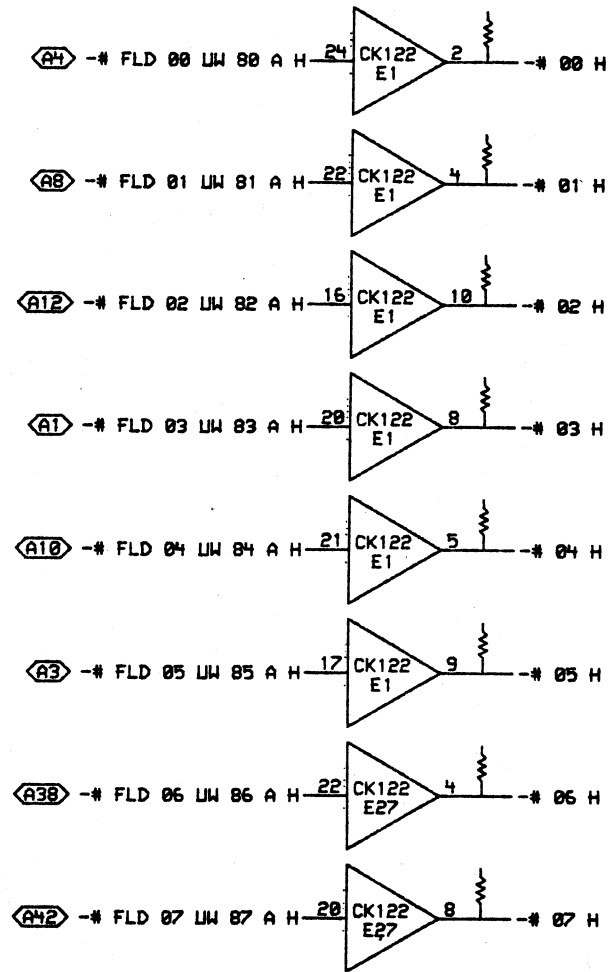
SCA  
BB  
MEASURED

OK'd by Dave Hartwell 10/18/82

DRN.	DATE	ENG.	DATE	TITLE:
CHK'D.	DATE	REVISION	BOARD LOCATION	
MIL-CAN (MOR) SCA 2B DRN 20-11-82 09115 NEXT HIGHER ASSEMBLY:				SIZE CODE
FIRST USED ON OPTION MODEL:				D CS
8	7	6	5	4
				3
				2
				1







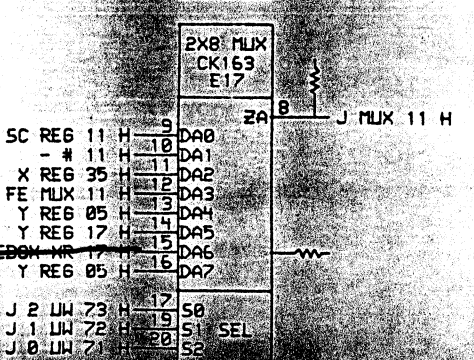
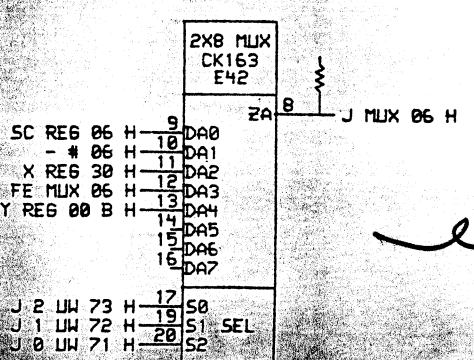
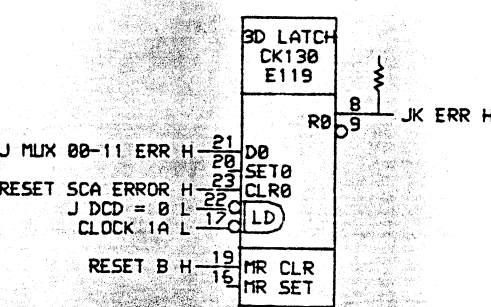
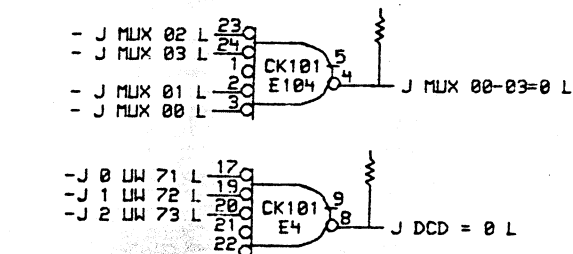
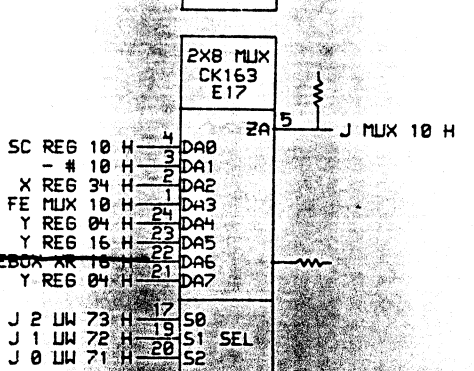
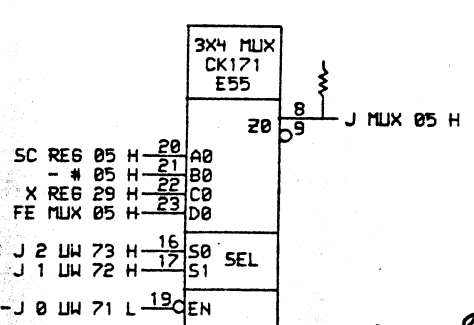
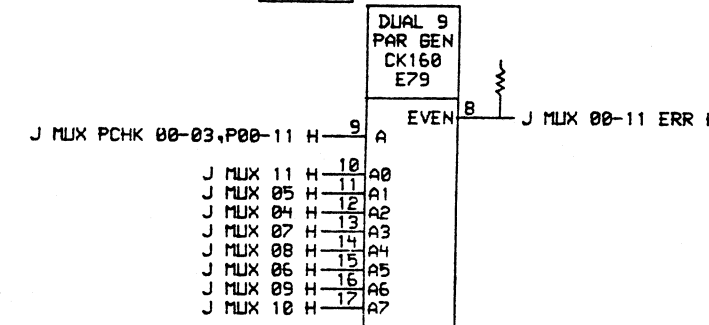
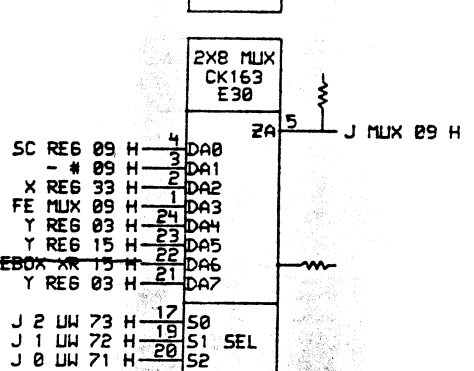
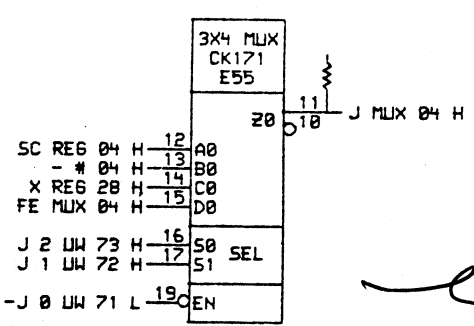
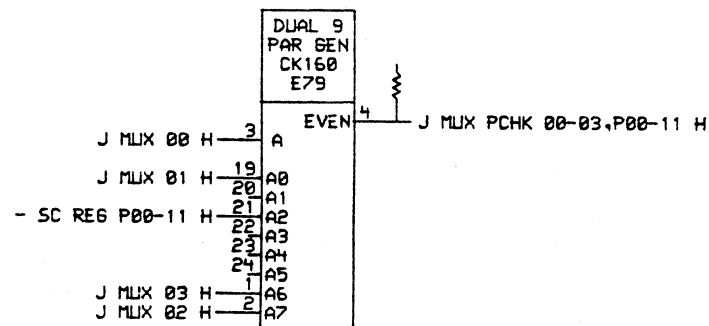
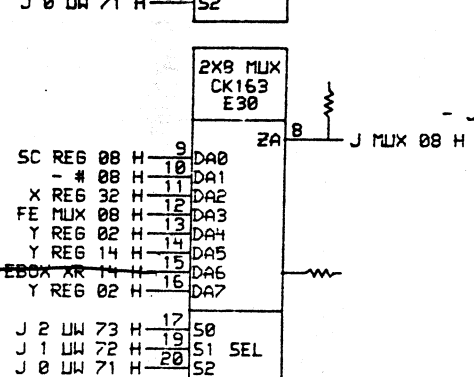
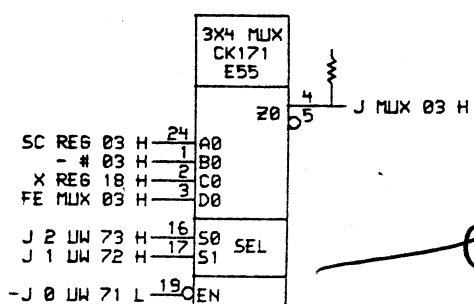
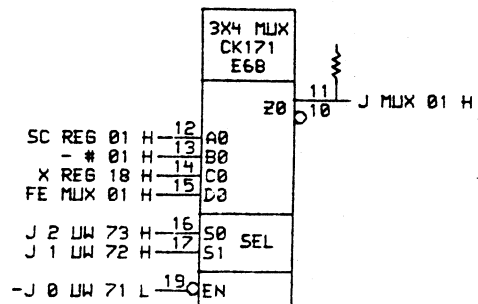
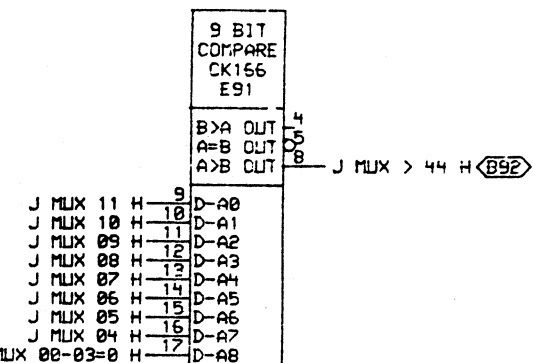
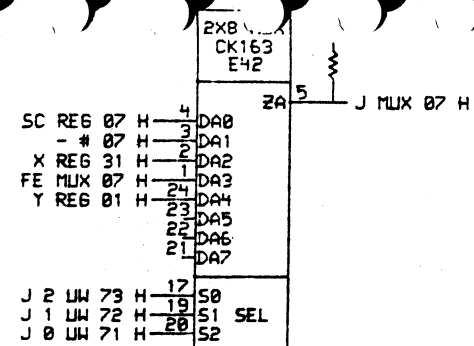
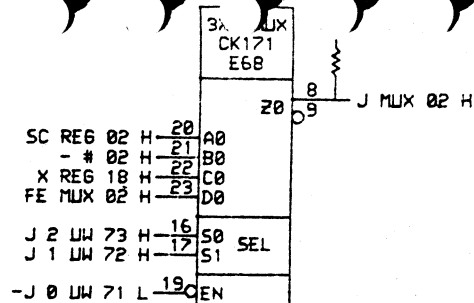
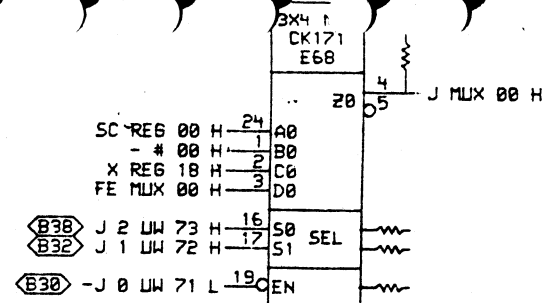
THIS DRAWING AND SPECIFICATIONS ARE THE PROPERTY OF DIGITAL EQUIPMENT CORPORATION AND SHALL NOT BE REPRODUCED OR COPIED OR USED IN WHOLE OR IN PART AS THE BASIS FOR THE MANUFACTURE OR SALE OF ITEMS WITHOUT WRITTEN PERMISSION. COPYRIGHT © 1982, DIGITAL EQUIPMENT CORPORATION.

REVISIONS	
CHK	CHANGE NO. REV

digital	DRW. <i>J. Lamy</i>	DATE 15-OCT-82	ENG.	DATE	TITLE: # FLD INPUT
	CHK'D.	DATE	BOARD LOCATION:	SHEET OF	
FIRST USED ON OPTION/MODEL:			NEXT HIGHER ASSEMBLY:		SIZE CODE D CS
			NUMBER L0046-0-SCA2		REV.

D C B A REV. NUMBER L0046-0-SCA2





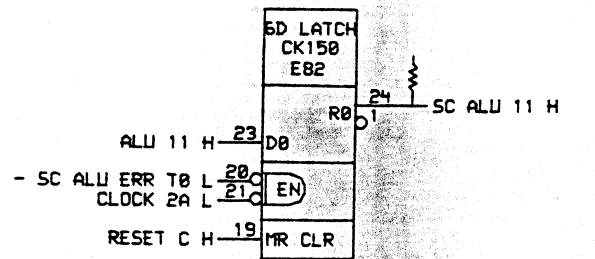
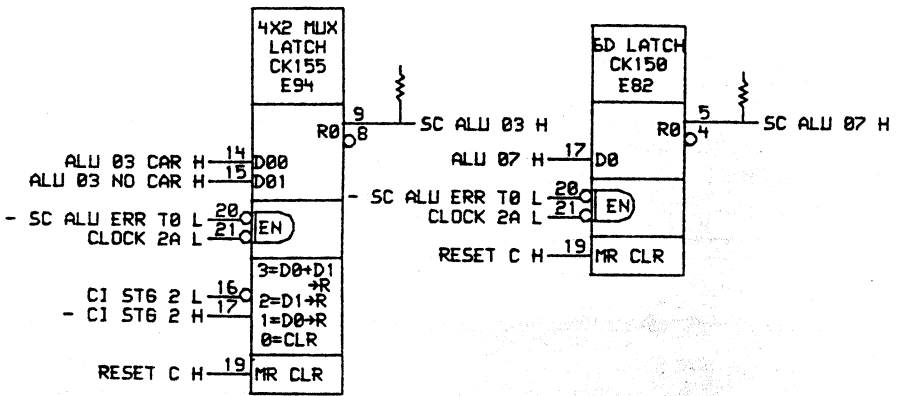
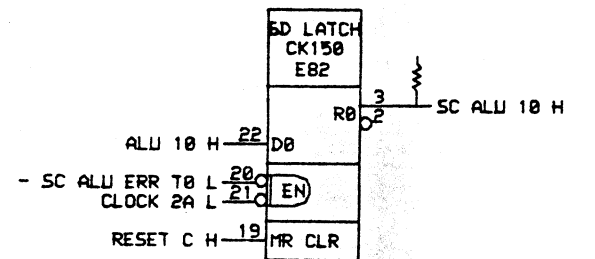
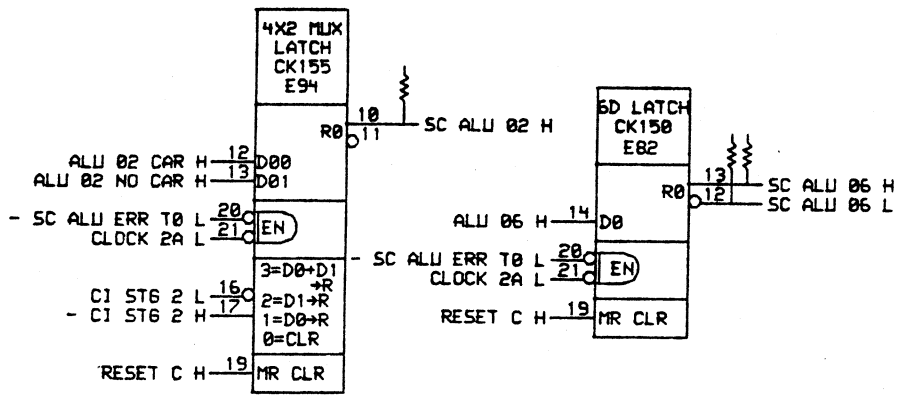
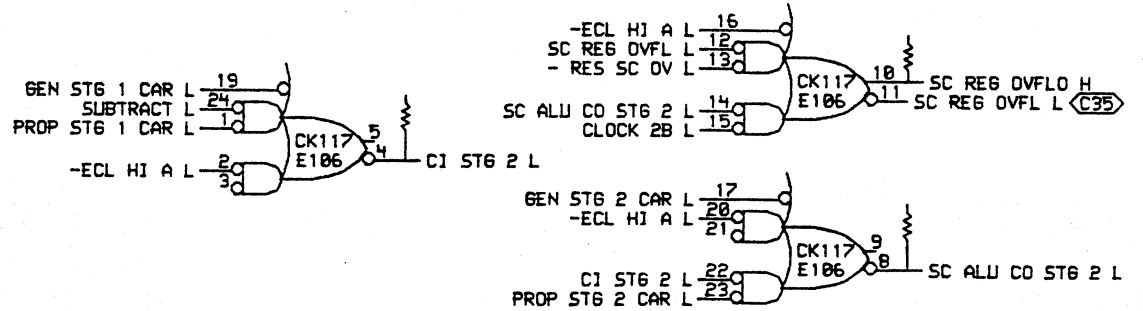
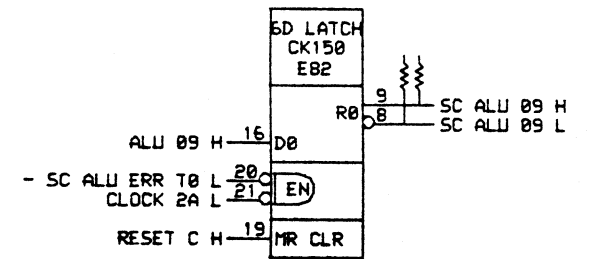
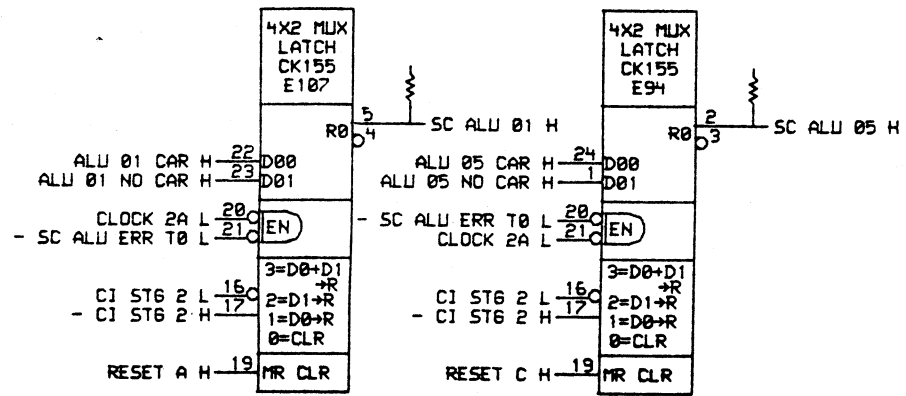
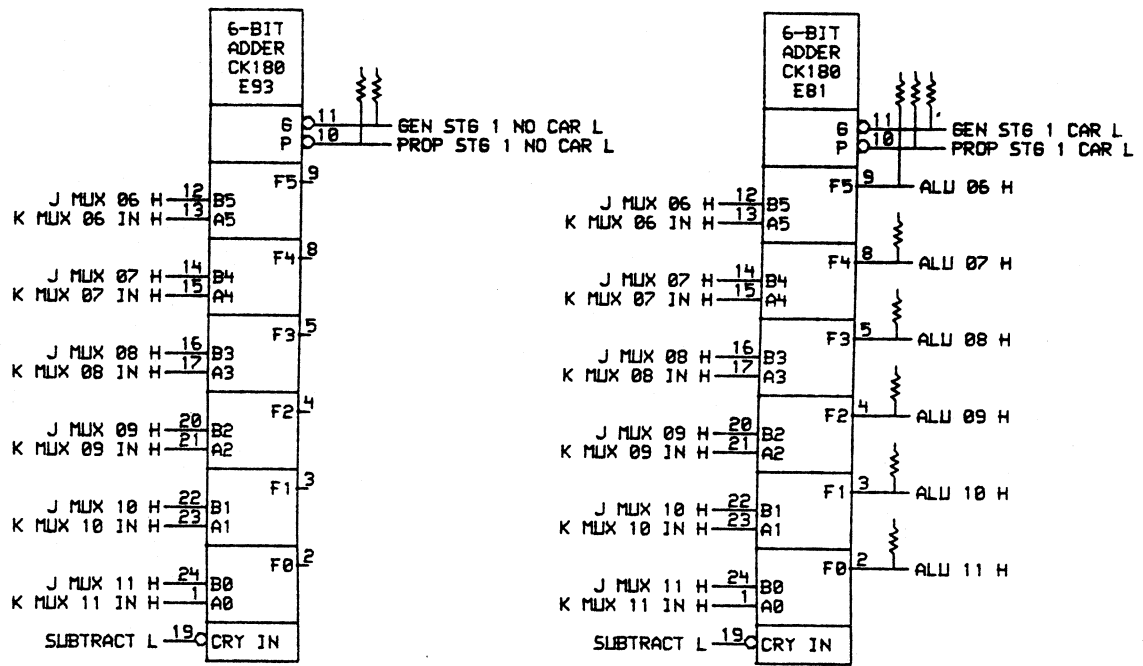
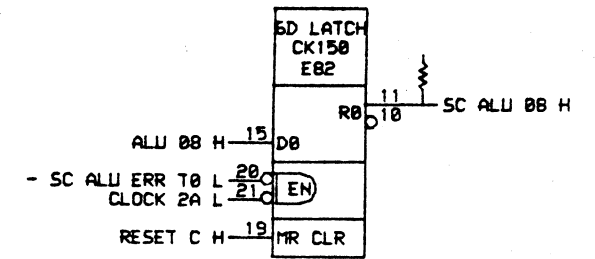
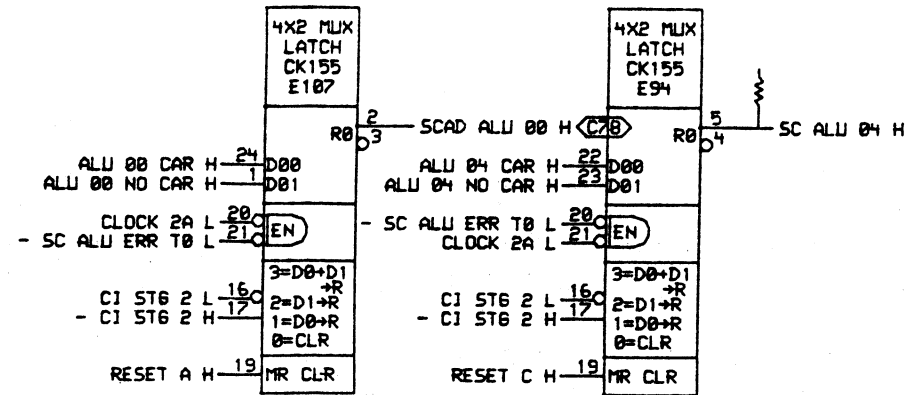
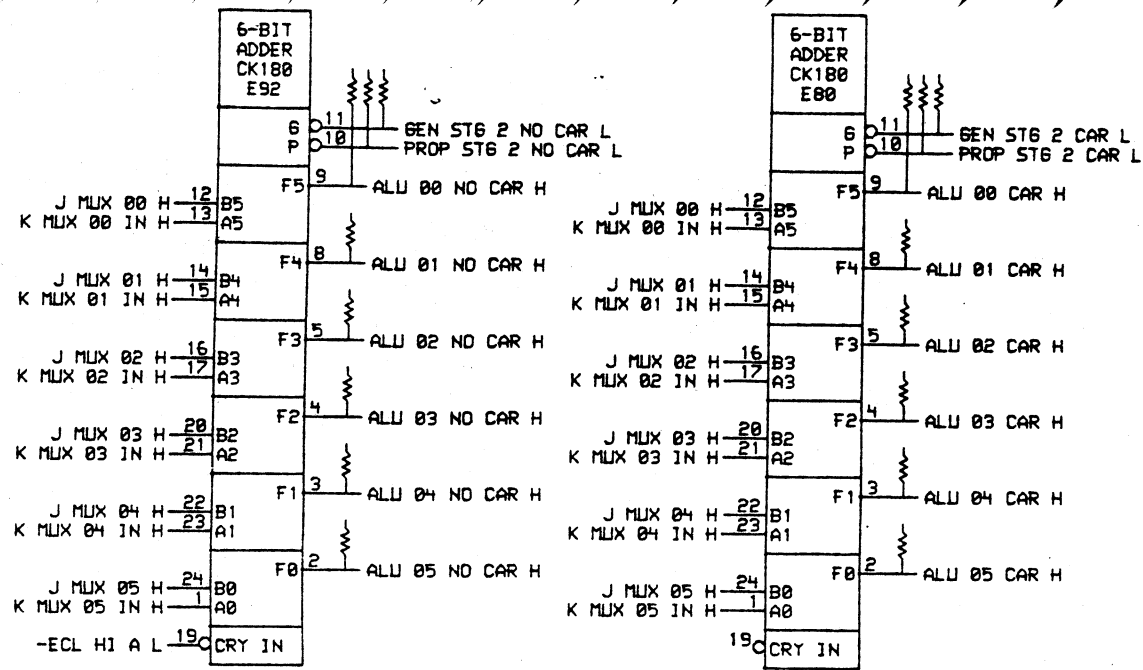
THIS DRAWING AND SPECIFICATIONS HEREIN ARE THE PROPERTY OF DIGITAL EQUIPMENT CORPORATION AND SHALL NOT BE REPRODUCED OR COPIED OR USED IN WHOLE OR IN PART AS THE BASIS FOR THE MANUFACTURE OR SALE OF ITEMS WITHOUT WRITTEN PERMISSION. COPYRIGHT © 1982, DIGITAL EQUIPMENT CORPORATION.

REVISIONS	
CHK	CHANGE NO. REV

digital	DATE	ENG.	DATE	TITLE:
	09-FEB-82			J MUX 00-11
CHK'D.	DATE	BOARD LOCATION:	SIZE CODE NUMBER REV.	
		SHEET	D	CS L0046-0-SCA3
FIRST USED ON OPTION/MODEL:		NEXT HIGHER ASSEMBLY:		



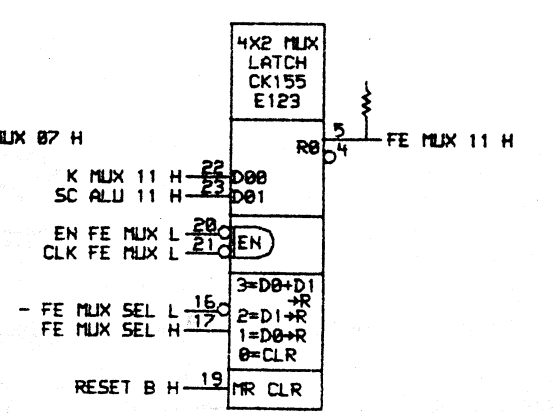
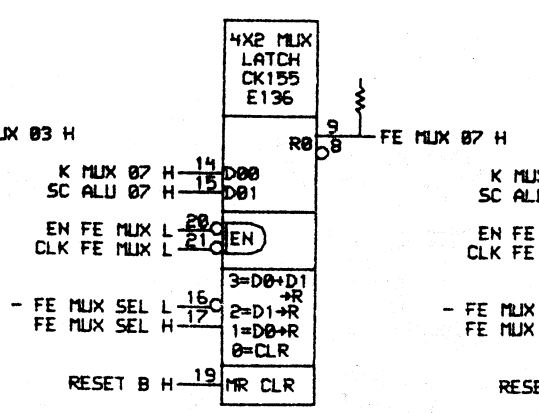
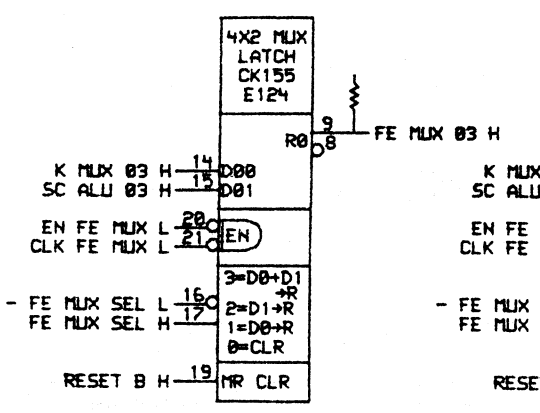
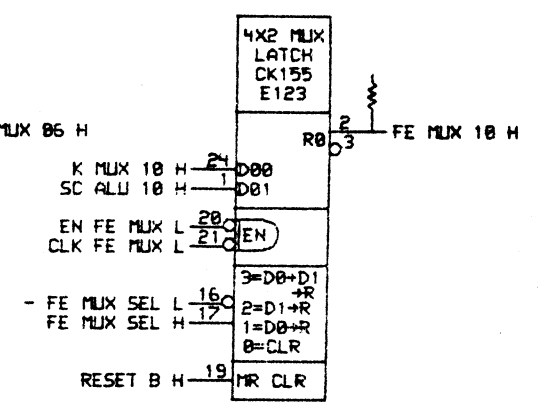
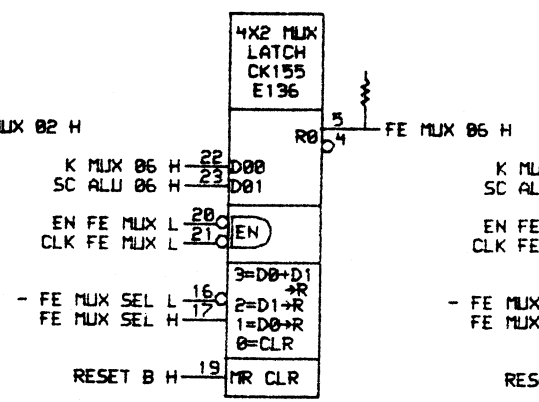
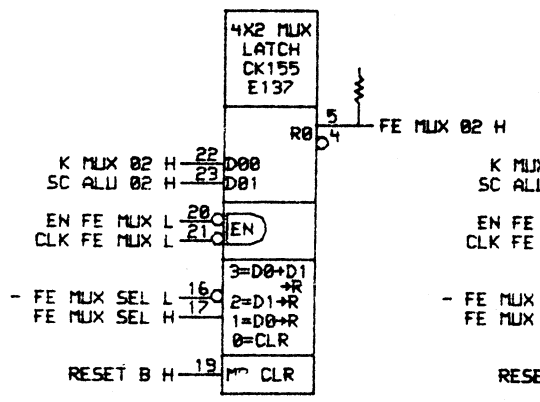
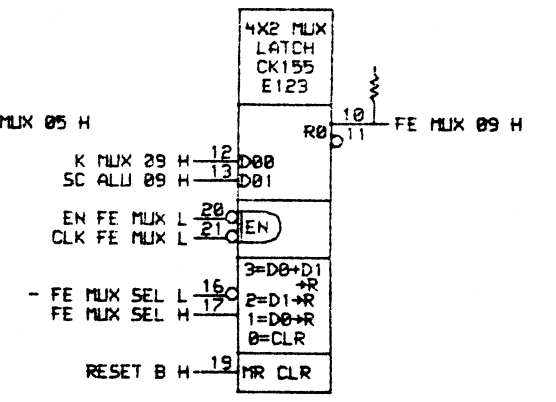
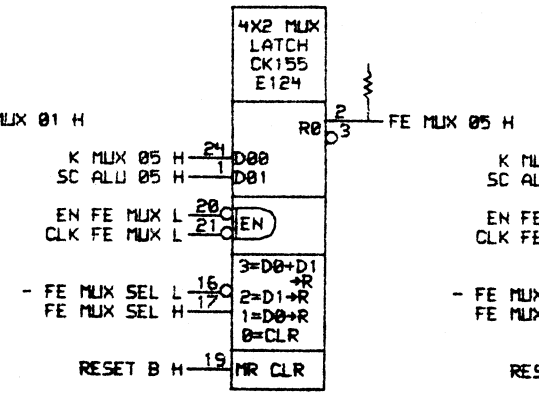
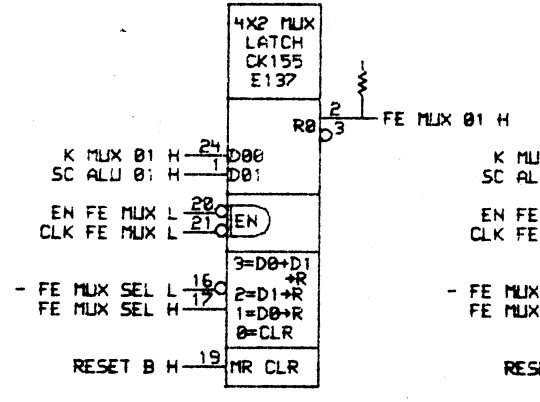
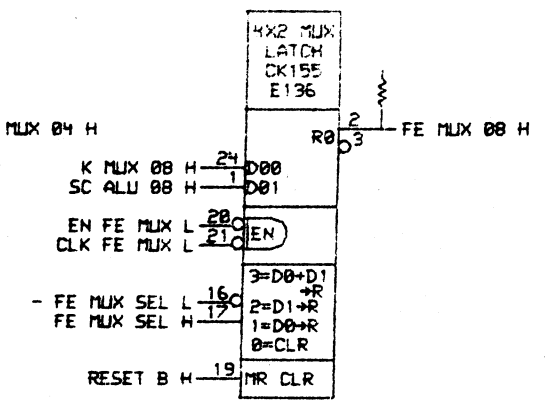
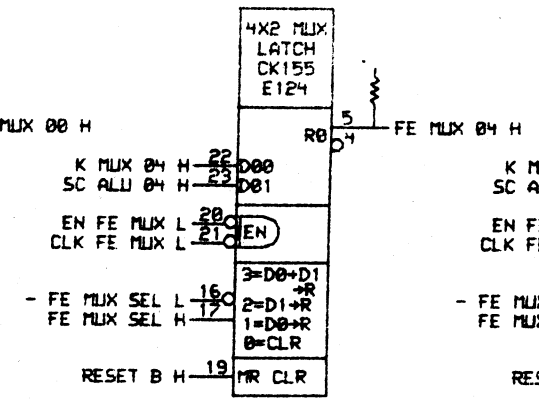
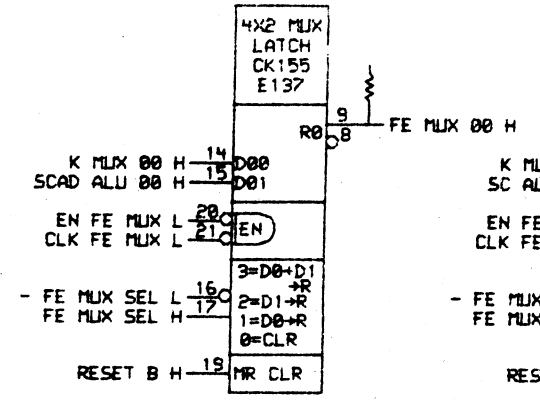
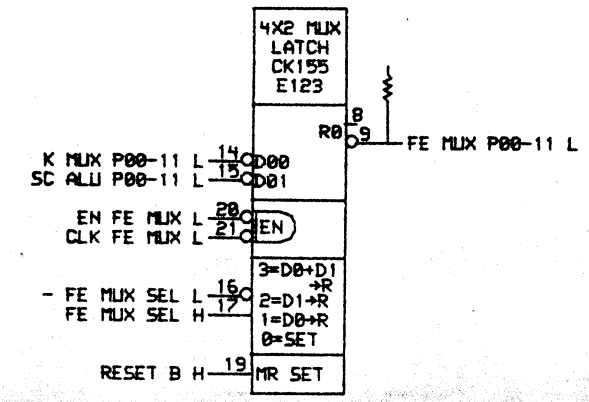
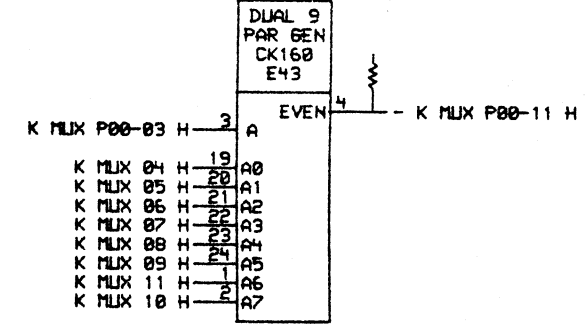
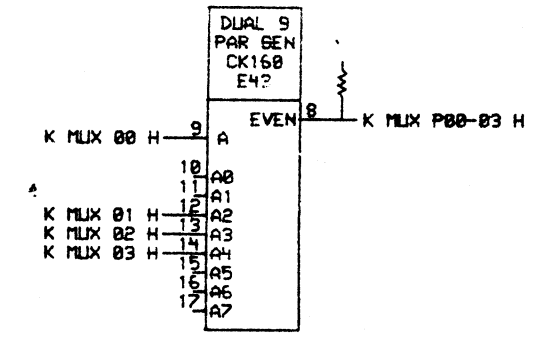
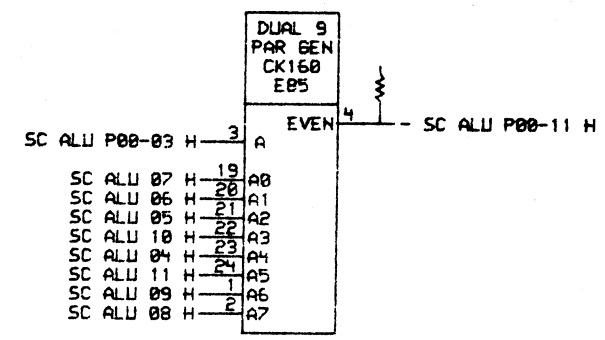
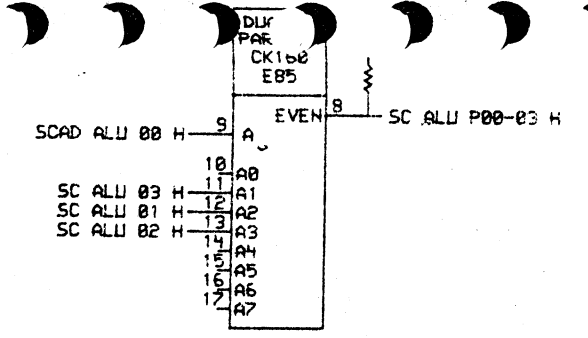




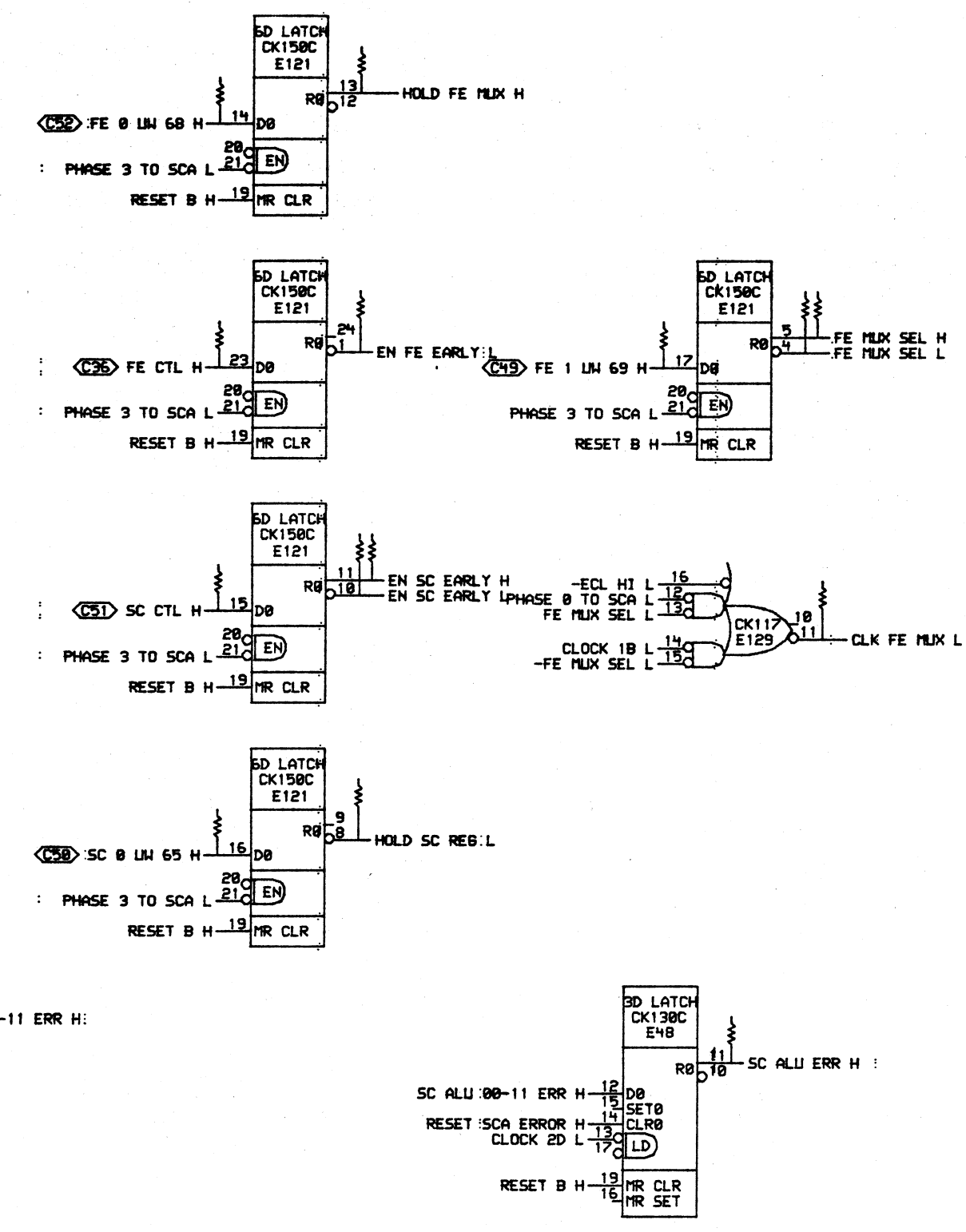
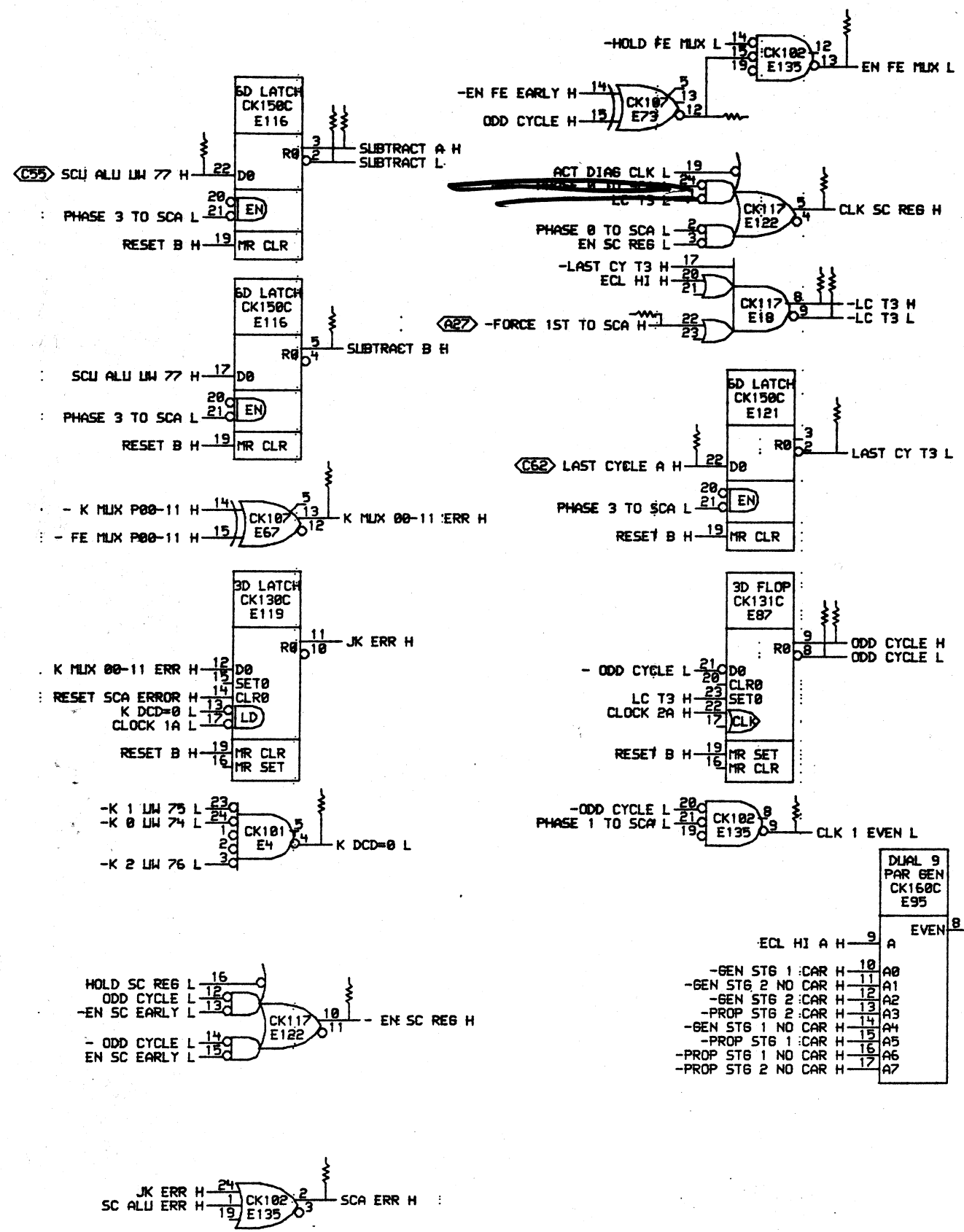
THIS DRAWING AND SPECIFICATIONS ARE THE PROPERTY OF DIGITAL EQUIPMENT CORPORATION AND SHALL NOT BE REPRODUCED OR COPIED OR USED IN WHOLE OR IN PART AS THE BASIS FOR THE MANUFACTURE OR SALE OF ITEMS WITHOUT WRITTEN PERMISSION. COPYRIGHT © 1982, DIGITAL EQUIPMENT CORPORATION.

REVISIONS
CHK CHANGE NO. REV

digital	DATE	ENG.	DATE	TITLE:	SC ALU 00-11
	CHK'D.	DATE	BOARD LOCATION:	SIZE CODE	NUMBER
FIRST USED ON OPTION/MODEL:				D	CS L0046-0-SCA5

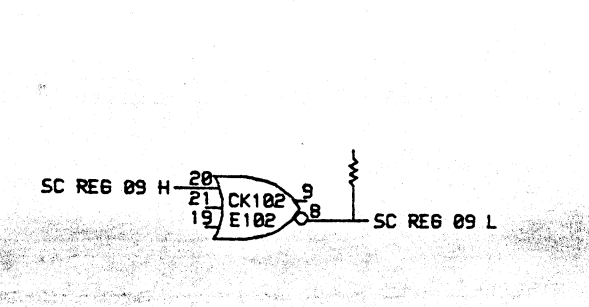
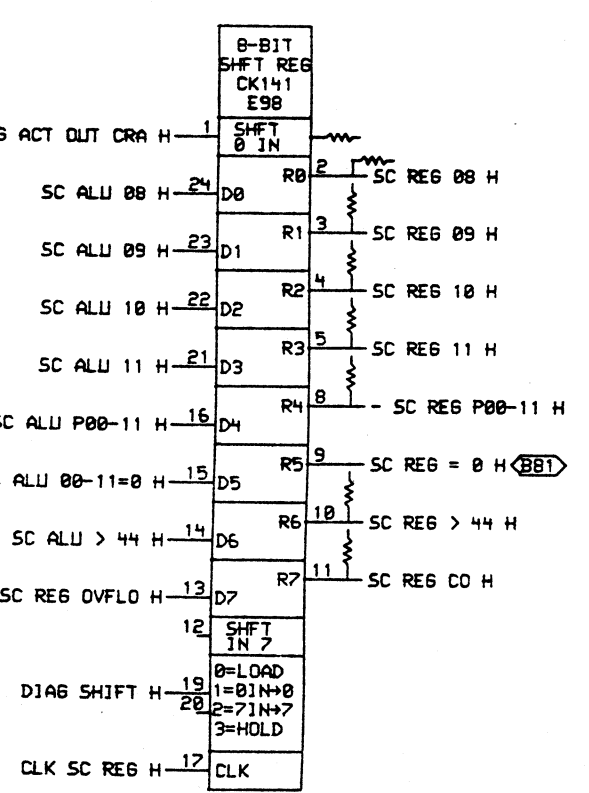
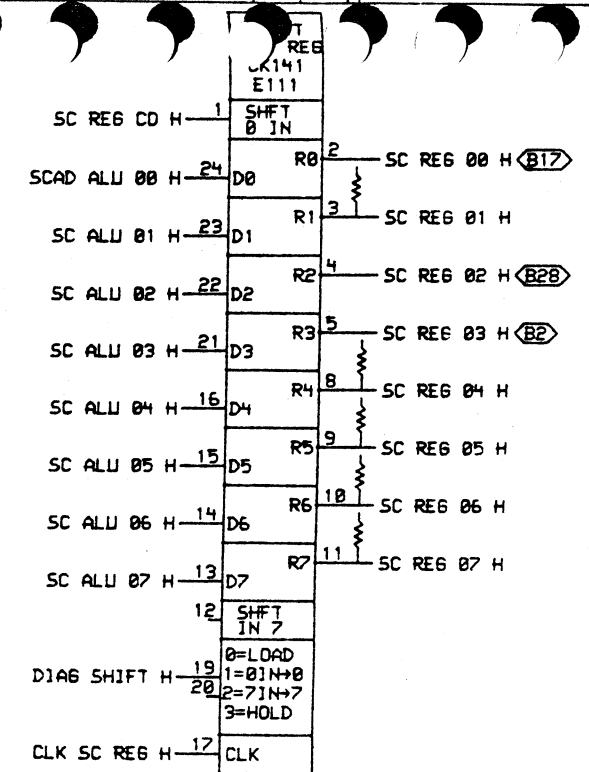
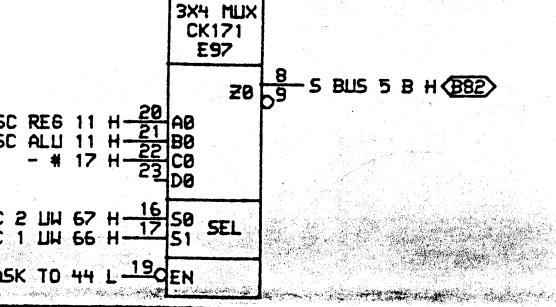
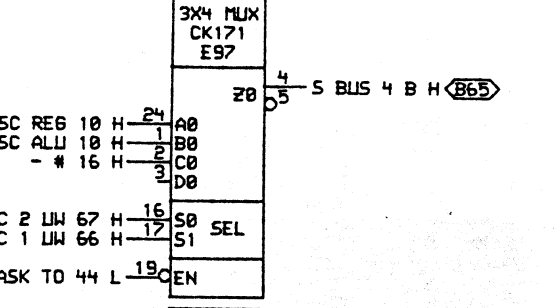
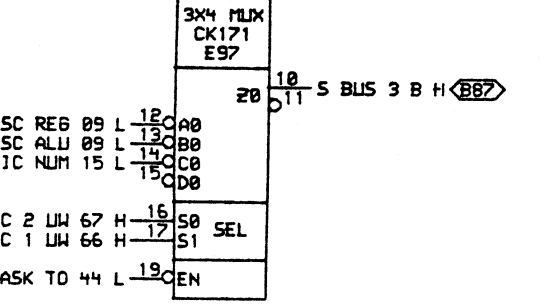
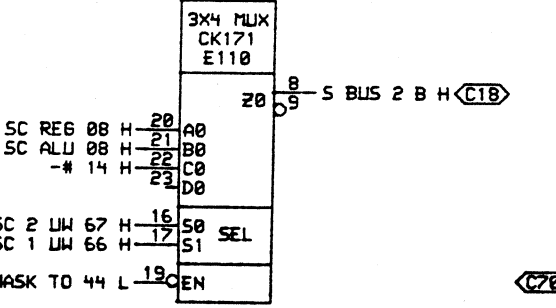
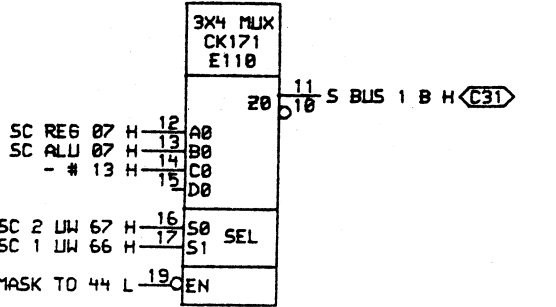
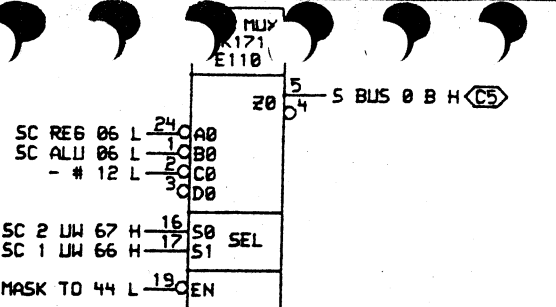
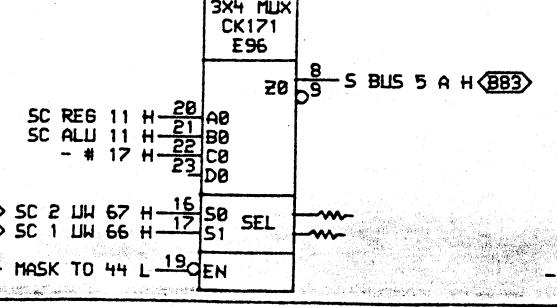
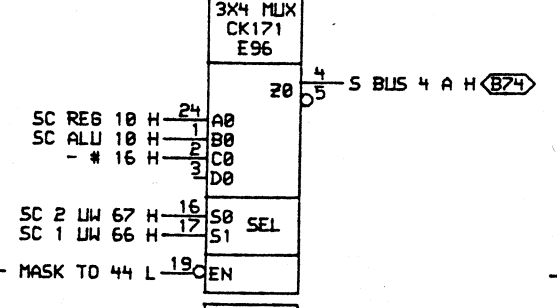
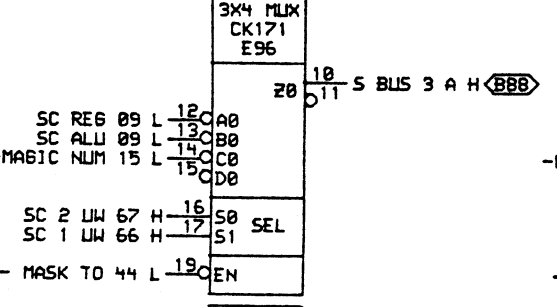
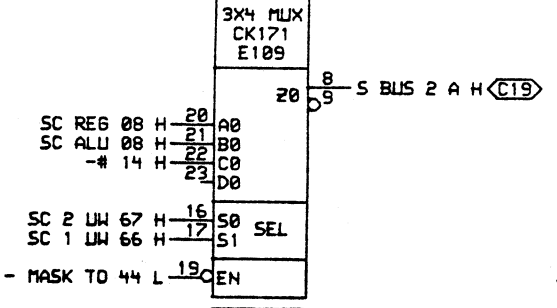
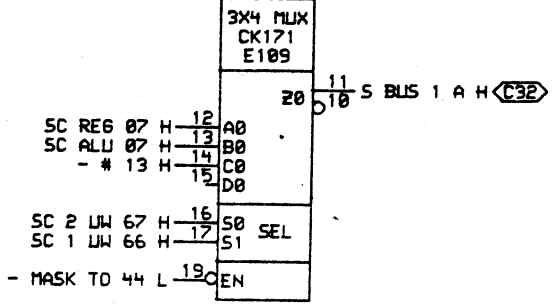
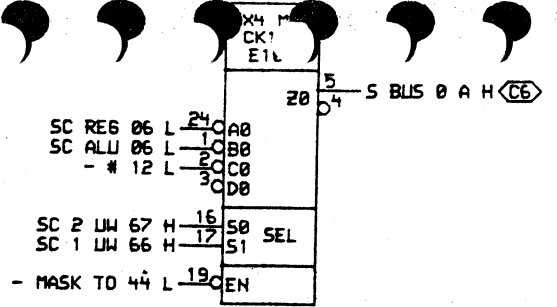
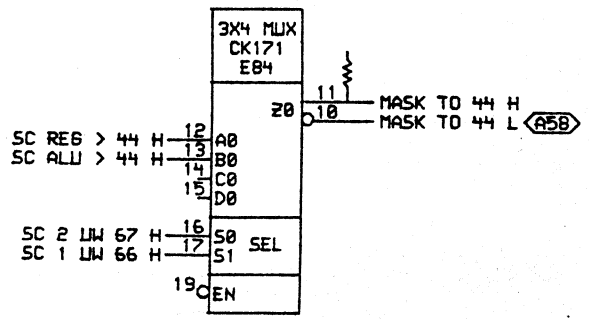
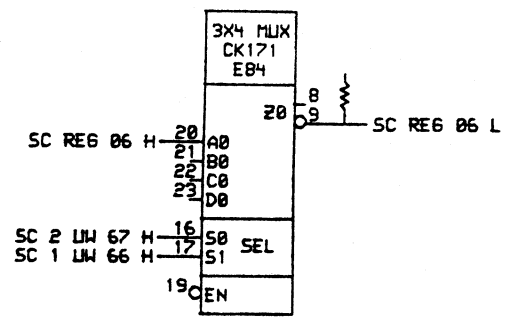
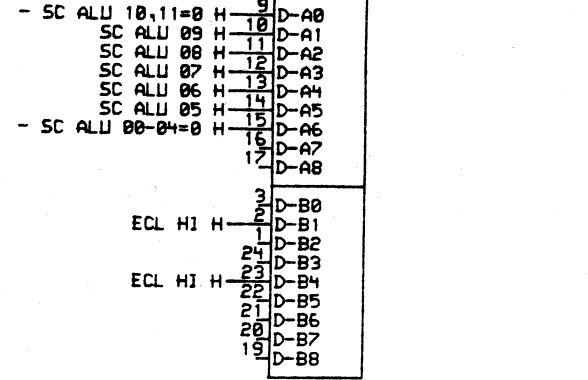
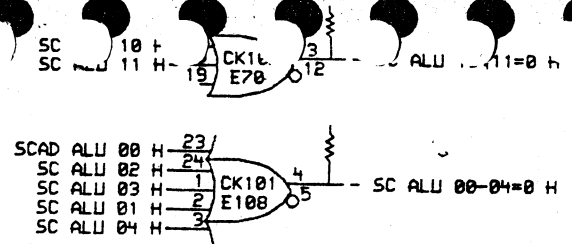


DRN.	DATE	ENG.	DATE	TITLE:
CHK'D.	31-DEC-01			FE MUX FE REG
BOARD LOCATION:				NUMBER
NEXT HIGHER ASSEMBLY:				L0046-0-SCA6
FIRST USED ON OPTION/MODEL:				REV.
				D C5



DUAL 9 PAR GEN CK150C E95	
9	EVEN
10	A0
11	A1
12	A2
13	A3
14	A4
15	A5
16	A6
17	A7



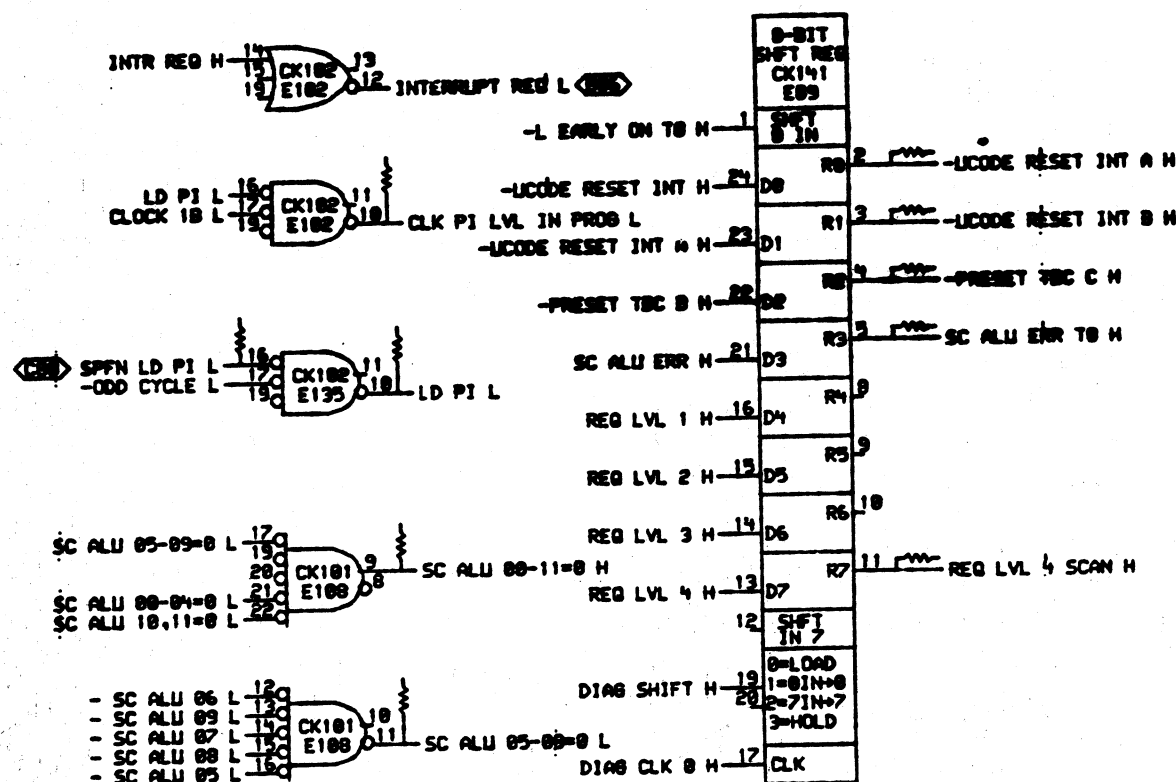
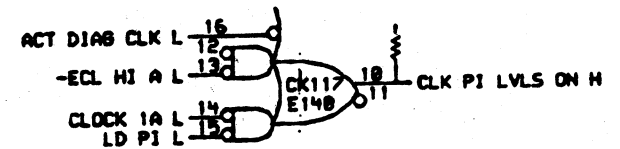
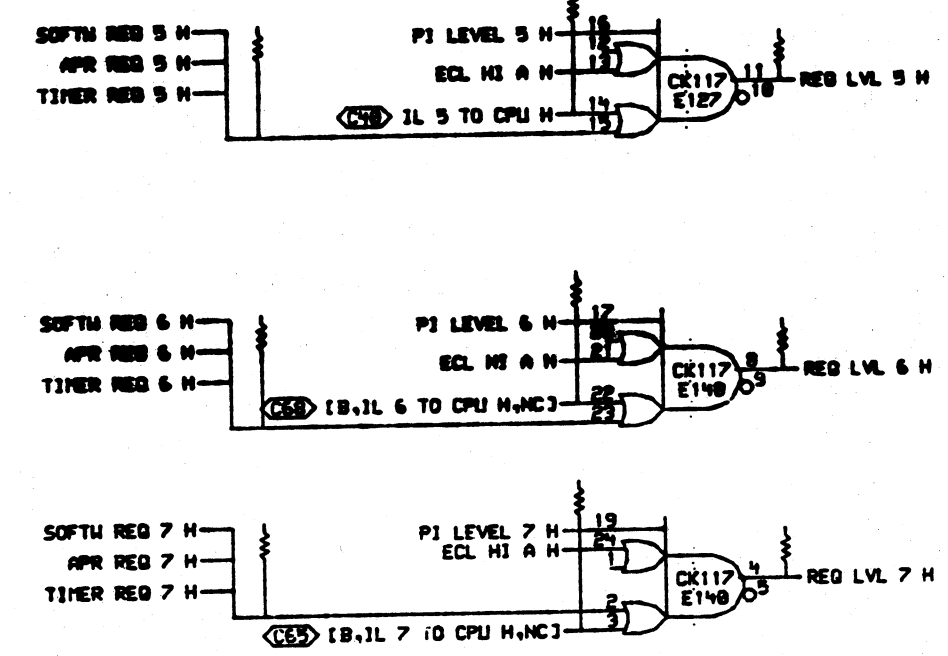
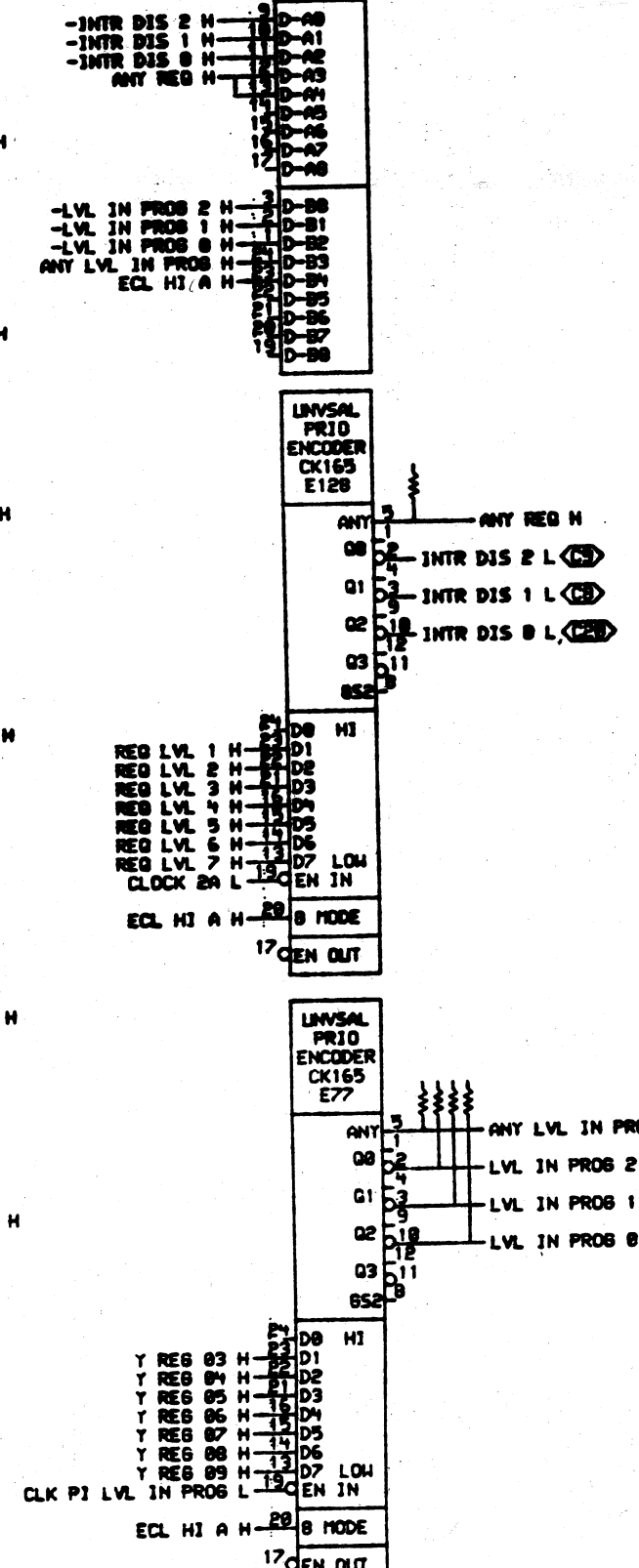
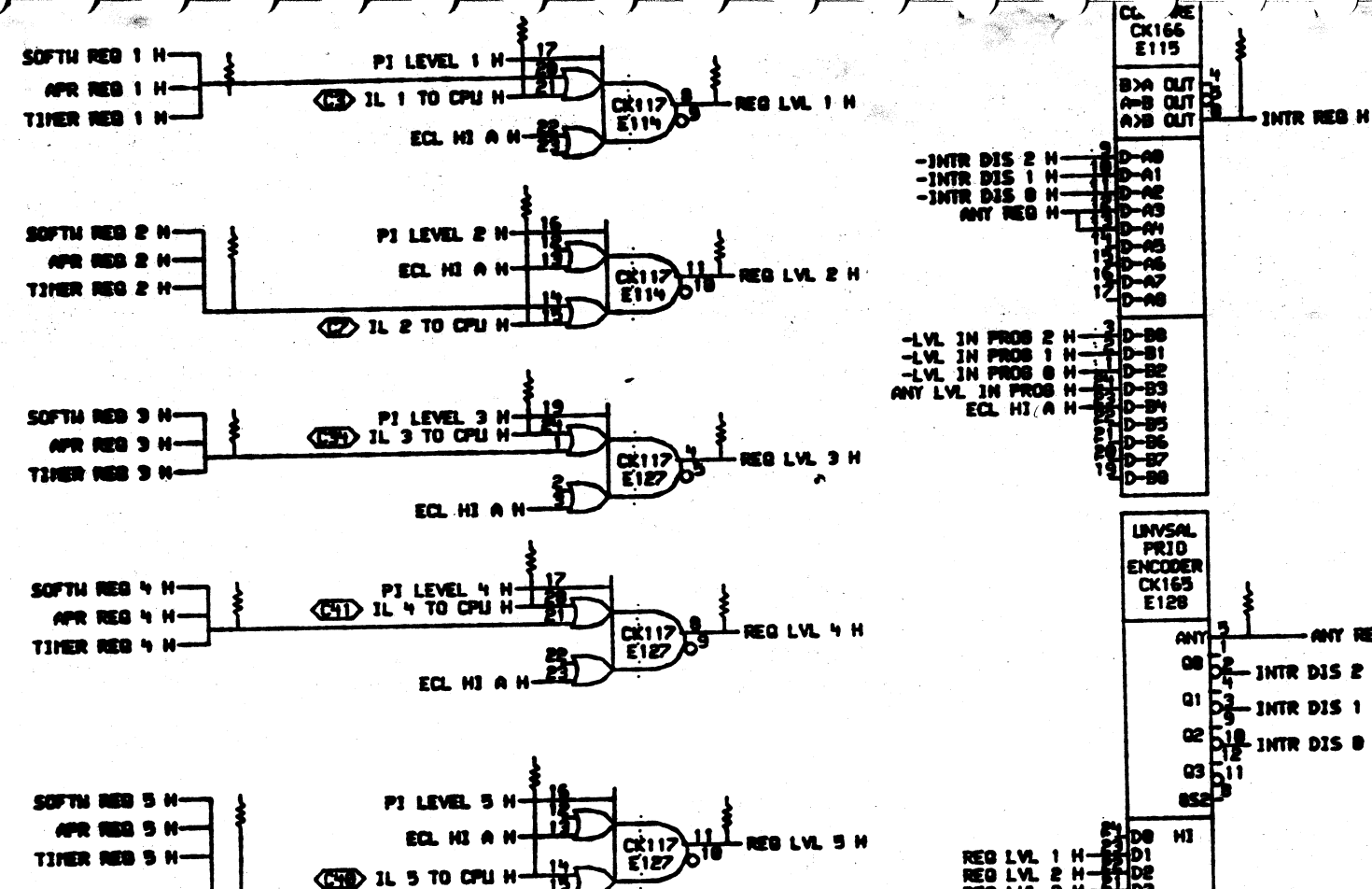
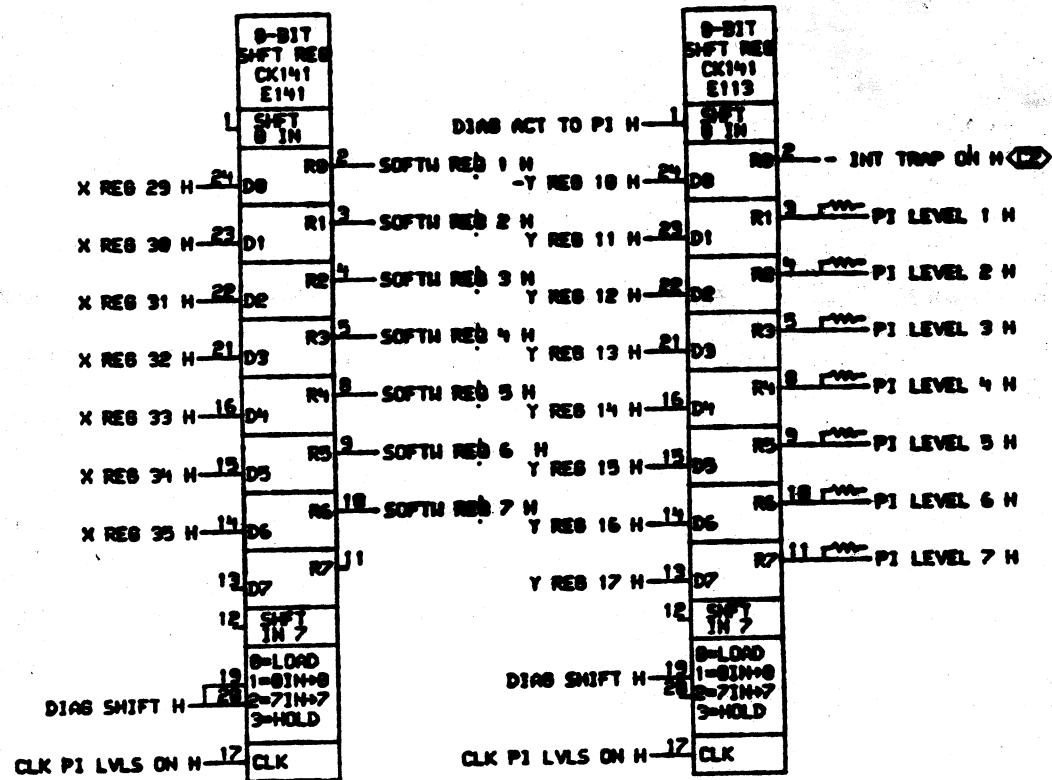


THIS DRAWING AND SPECIFICATIONS ARE THE PROPERTY OF DIGITAL EQUIPMENT CORPORATION AND SHALL NOT BE REPRODUCED OR COPIED OR USED IN WHOLE OR IN PART AS THE BASIS FOR THE MANUFACTURE OR SALE OF ITEMS WITHOUT WRITTEN PERMISSION. COPYRIGHT © 1982 DIGITAL EQUIPMENT CORPORATION.

REVISIONS		
CHK	CHANGE NO.	REV

digital	DR. J. J. J.	DATE 09-FEB-82	ENG.	DATE	TITLE: S BUS 0-5 A,B
	CHK'D.	DATE	BOARD LOCATION:	SHEET	OF
VAL CAN (P000 L0016) ZESCA9.DRW 09-FEB-82 01:55			NEXT HIGHER ASSEMBLY:	SIZE D	CODE CS L0046-0-SCA9
FIRST USED ON OPTION/MODEL:			NUMBER	REV.	

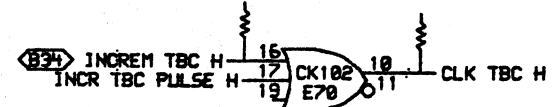
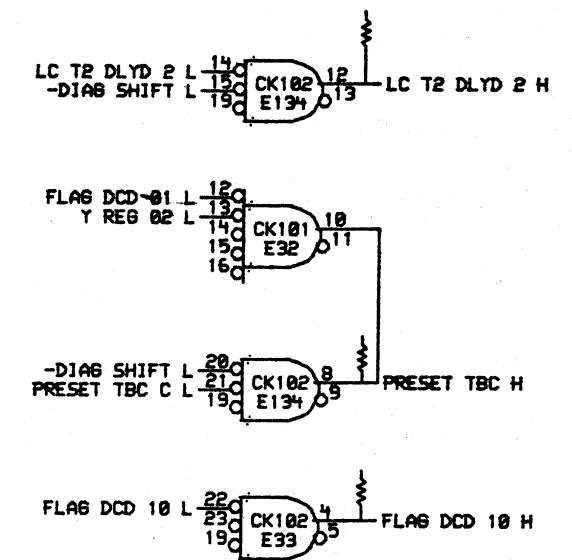
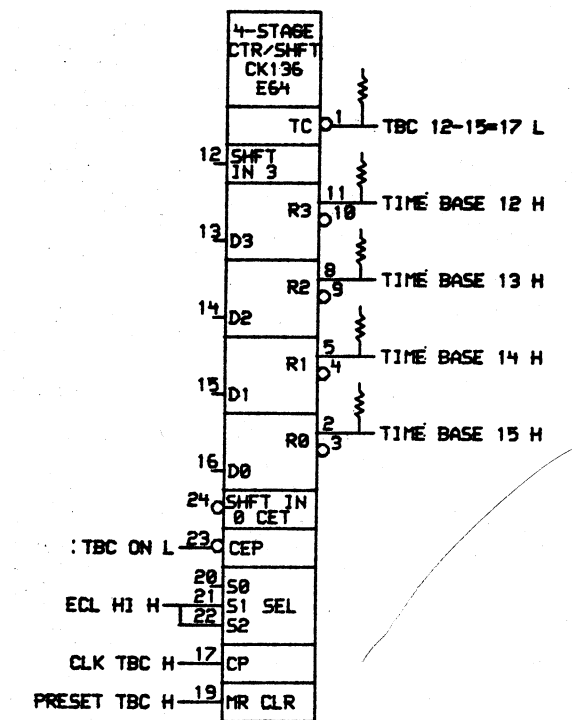
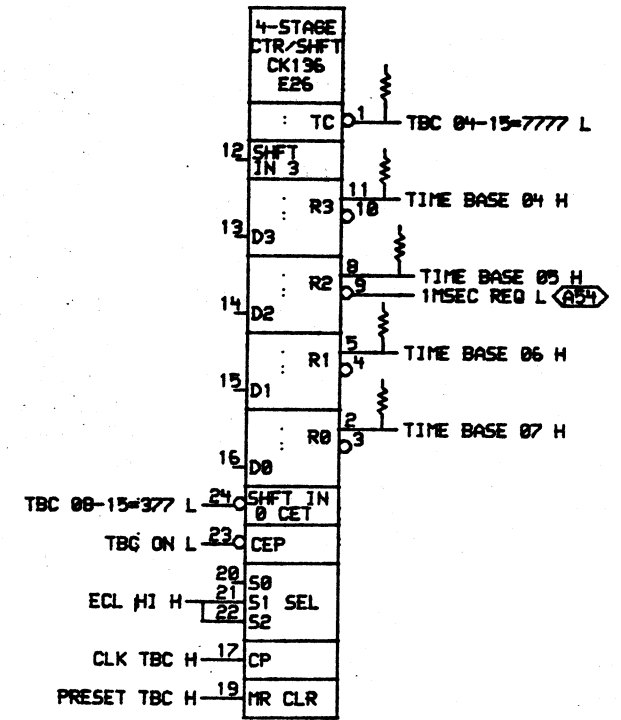
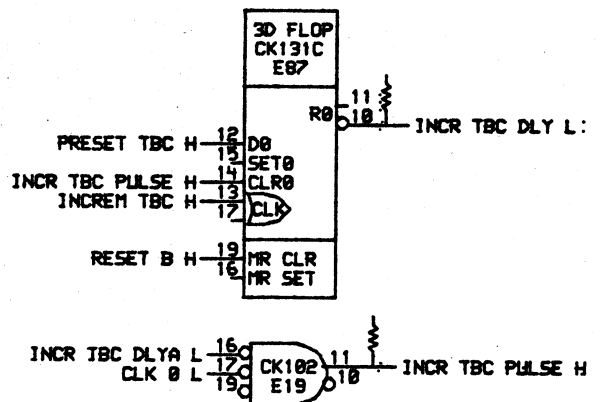
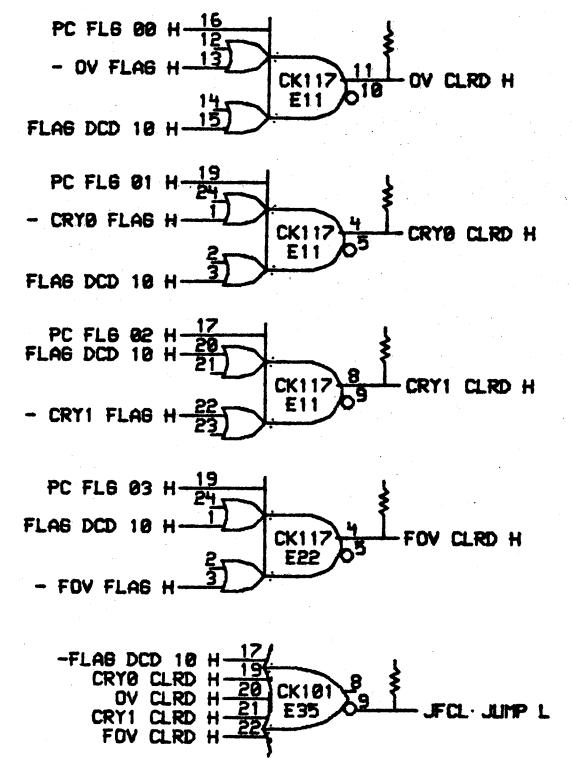
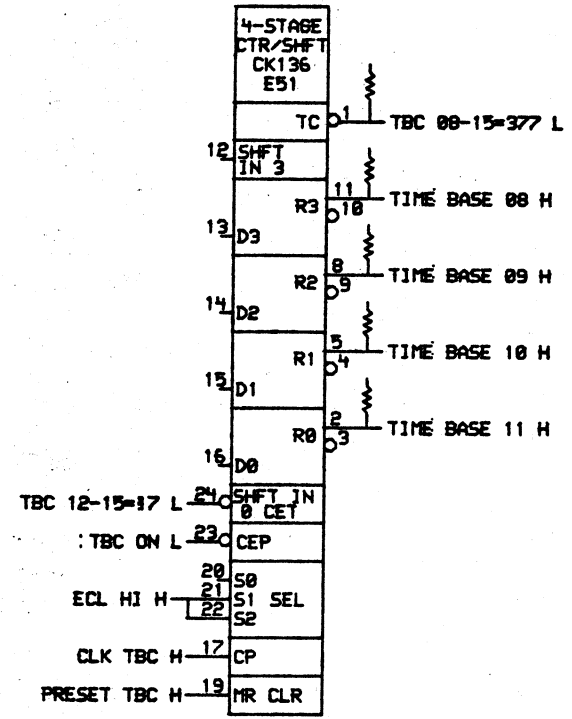
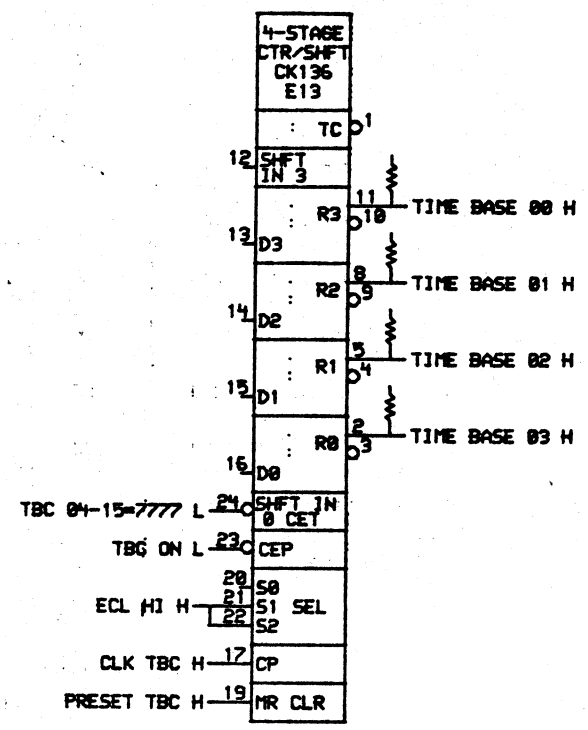
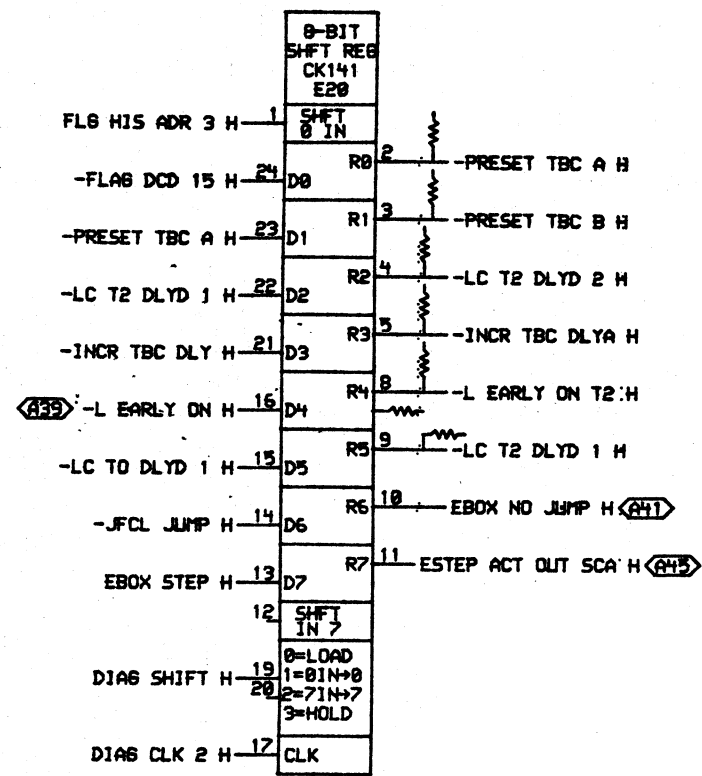


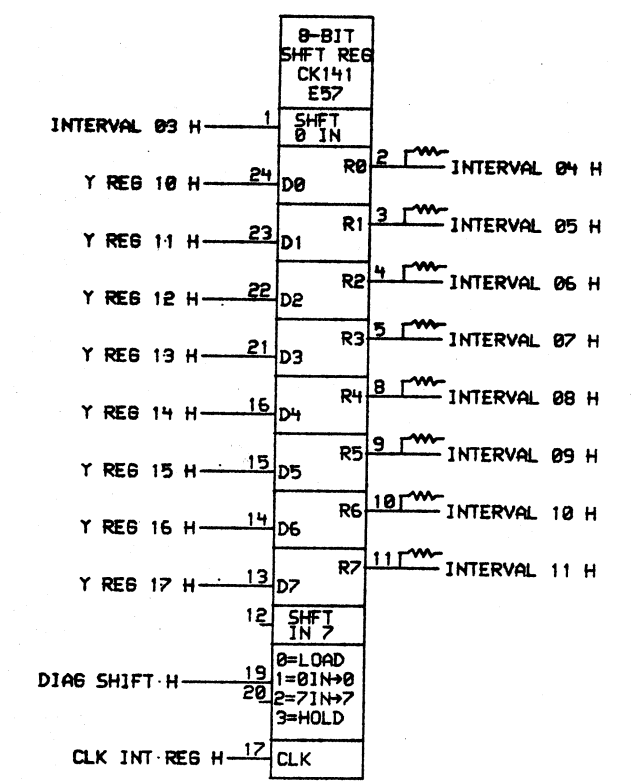
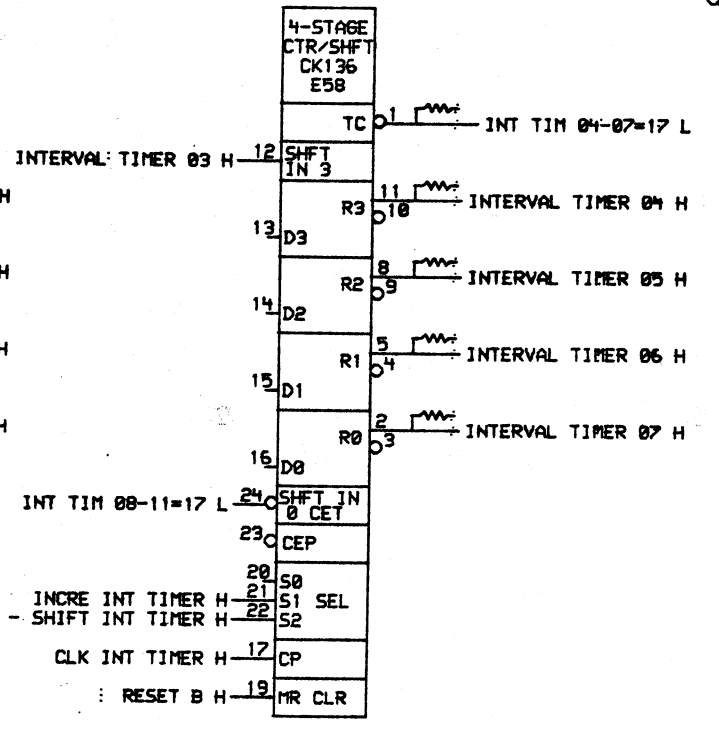
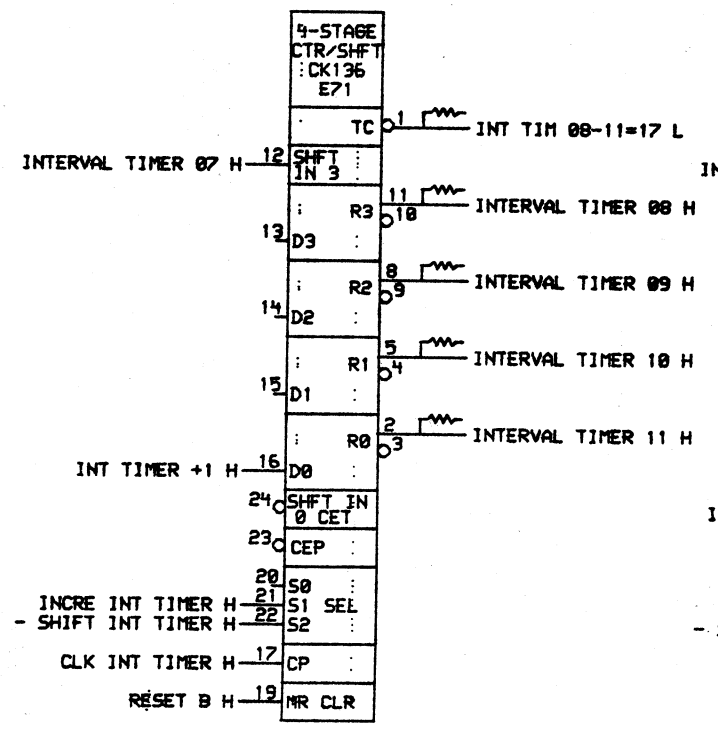
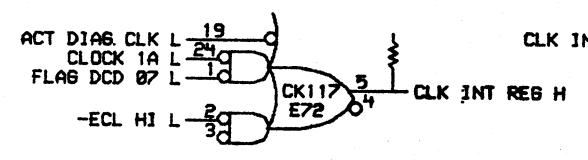
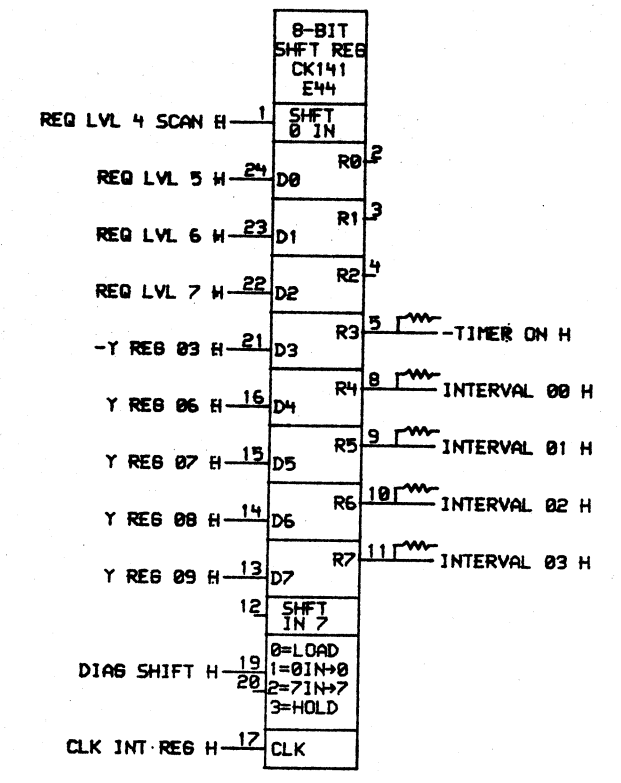
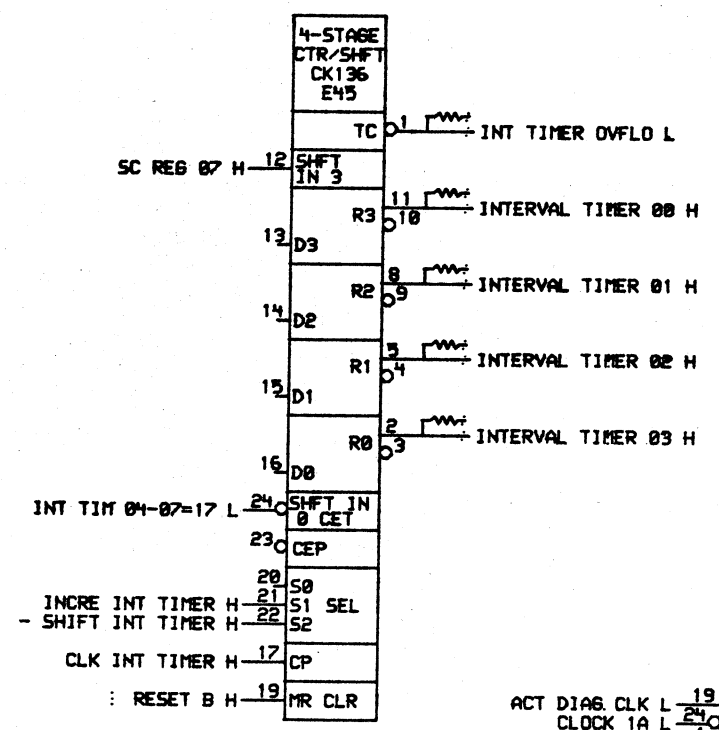
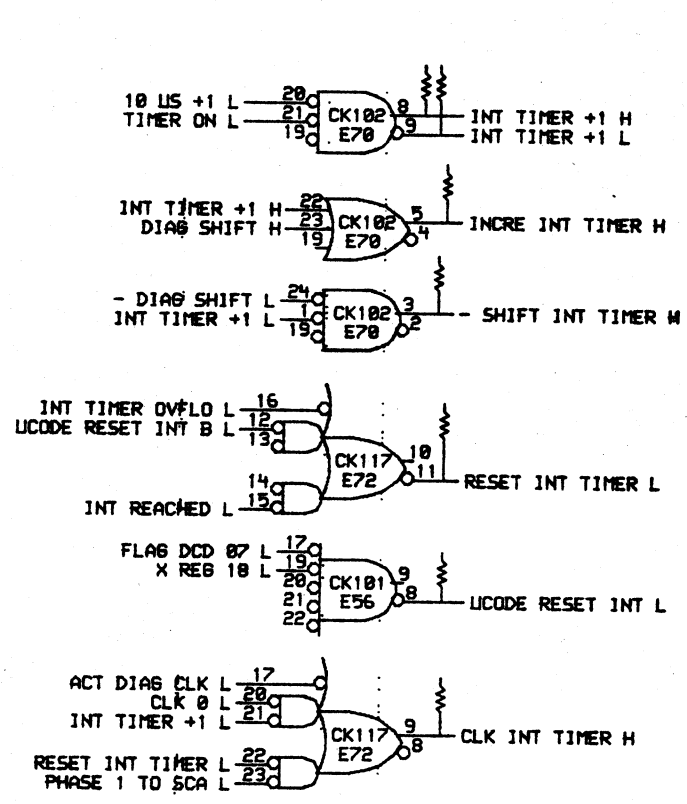


THIS DRAWING AND SPECIFICATIONS ARE THE PROPERTY OF DIGITAL EQUIPMENT CORPORATION AND ARE NOT TO BE REPRODUCED OR IN ANY MANNER FOR THE MANUFACTURE OF ANY PARTS OR ASSEMBLIES WITHOUT THE WRITTEN PERMISSION OF DIGITAL EQUIPMENT CORPORATION.

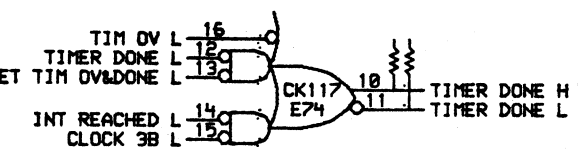
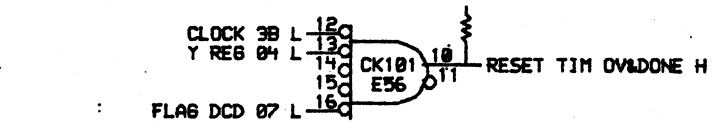
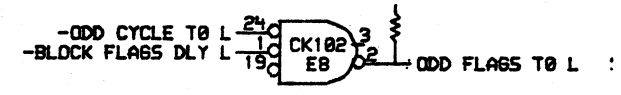
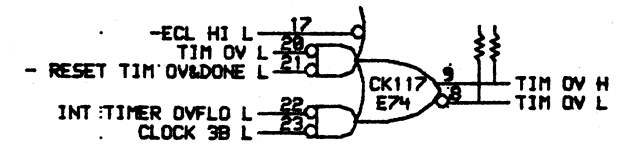
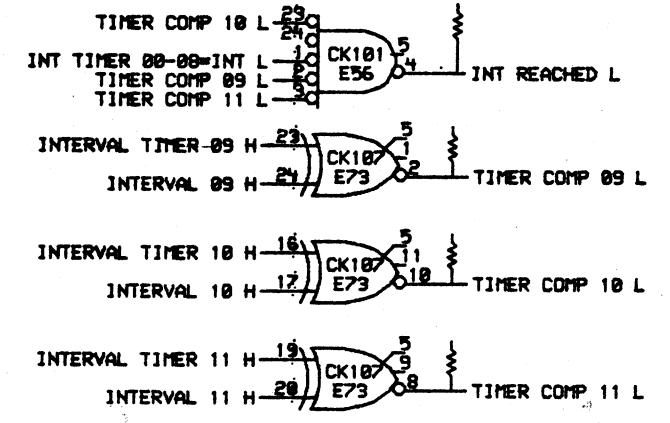
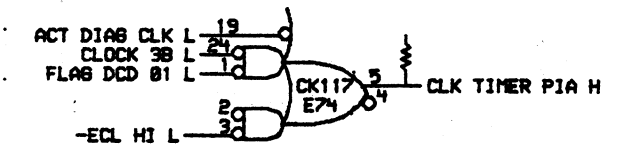
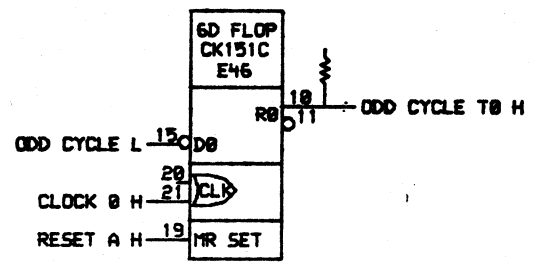
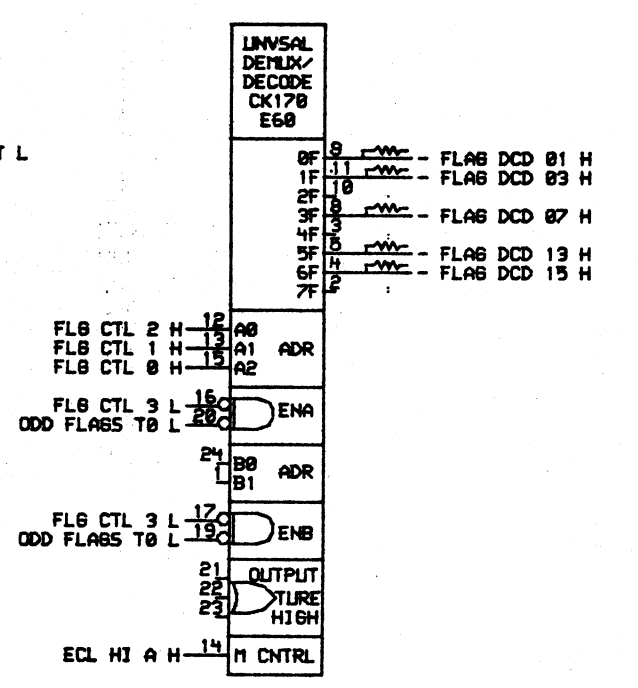
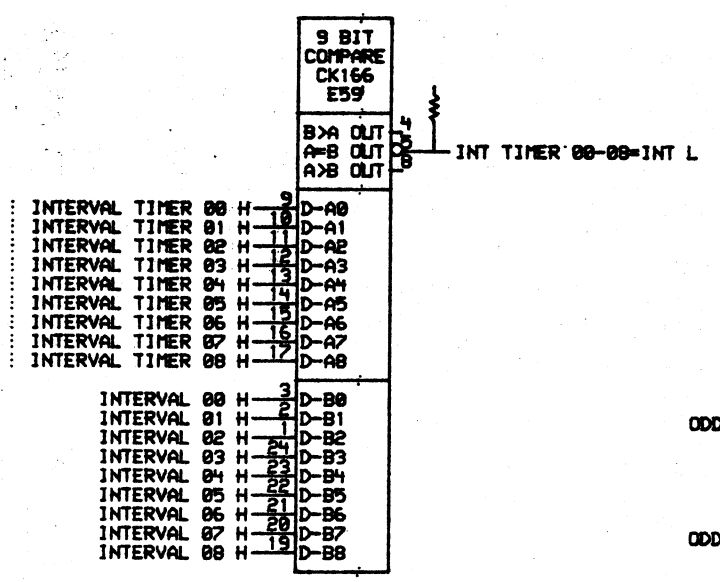
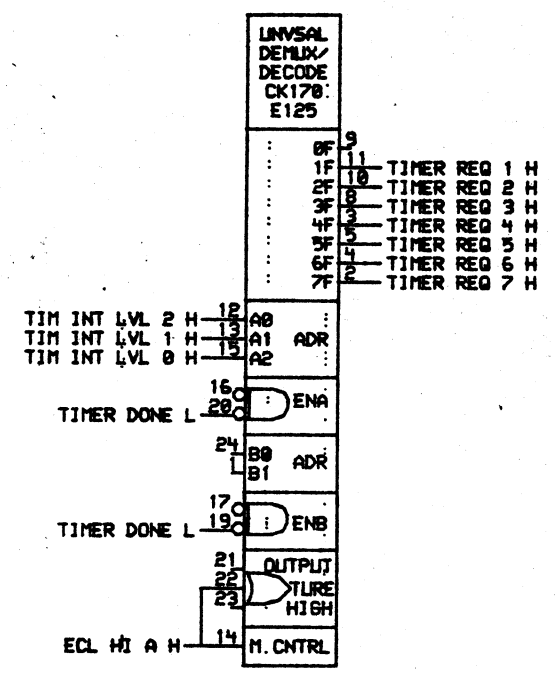
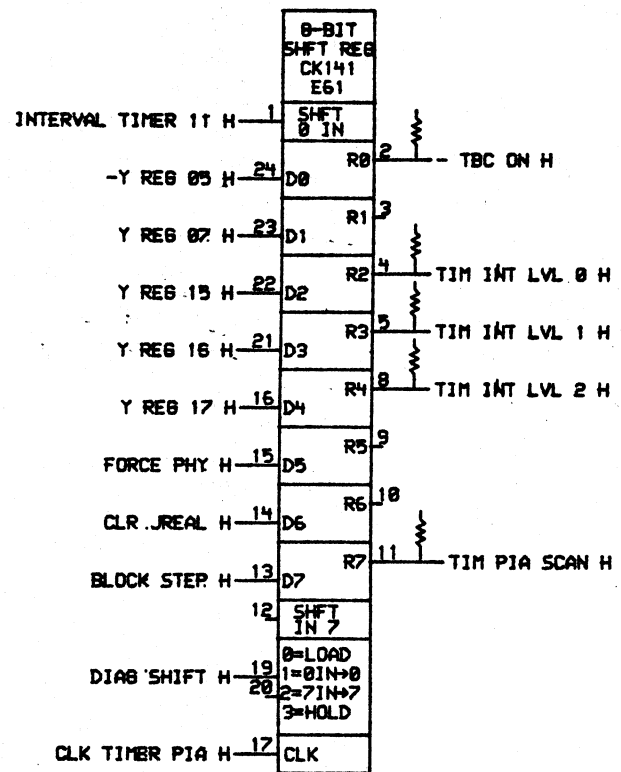
REVISIONS
CHK CHANGE NO. REV

	DRG. <i>J. J. J.</i>	DATE 17-11-62	ENG.	DATE	TITLE: <b>PI SYSTEM</b>
	CHK'D.	DATE	BOARD LOCATION	SHEET	SIZE CODE NUMBER REV.
FIRST USED ON OPTION MODEL: 116-11-62 2219 NEXT HIGHER ASSEMBLY:					D CS L0046-0-SCAA 1





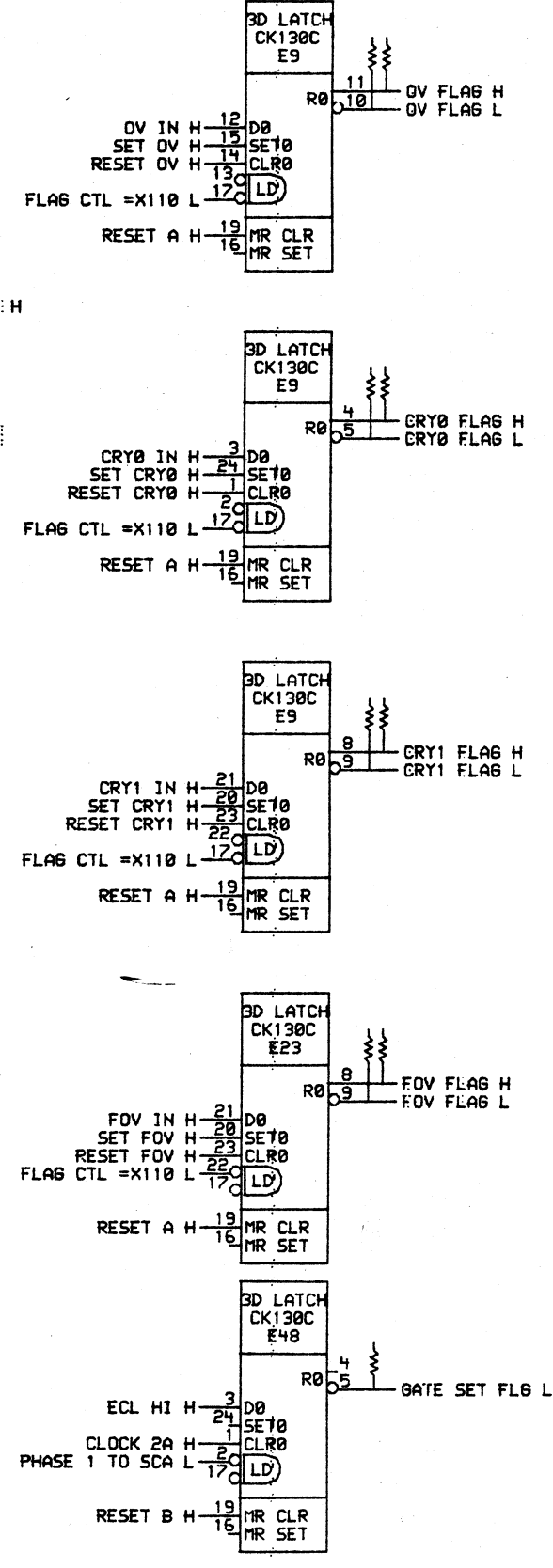
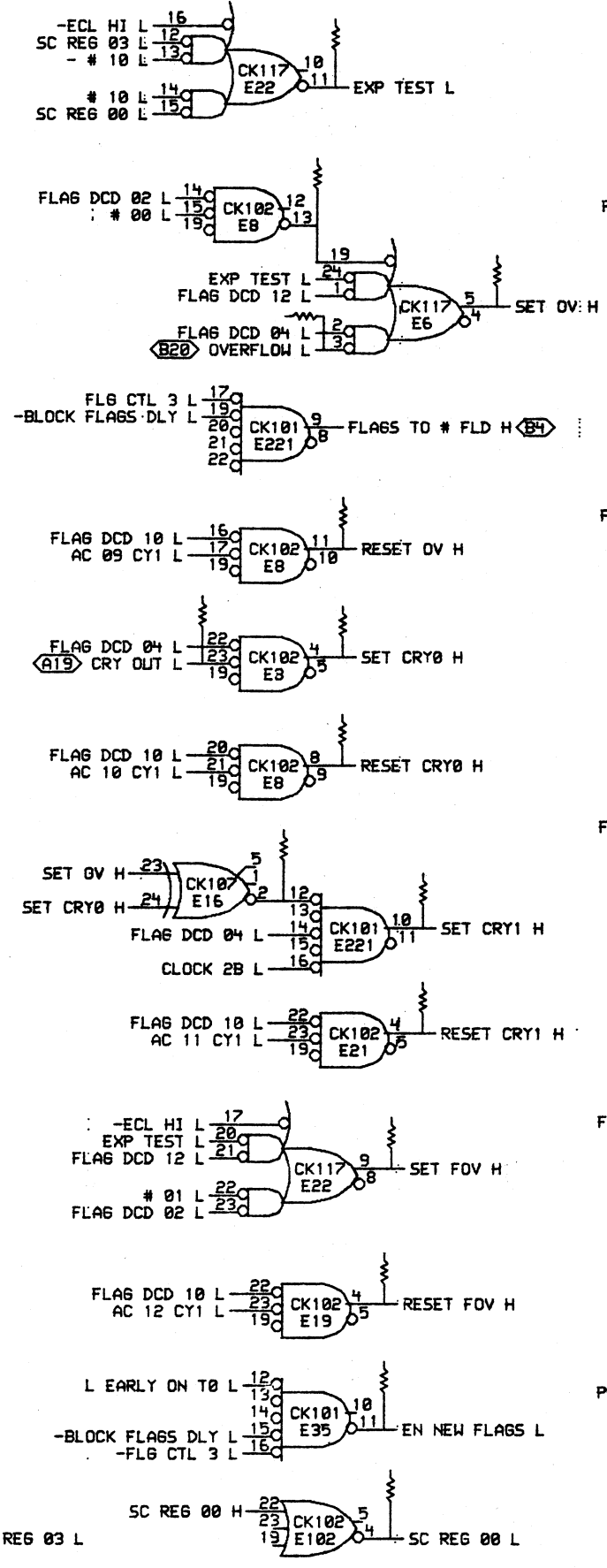
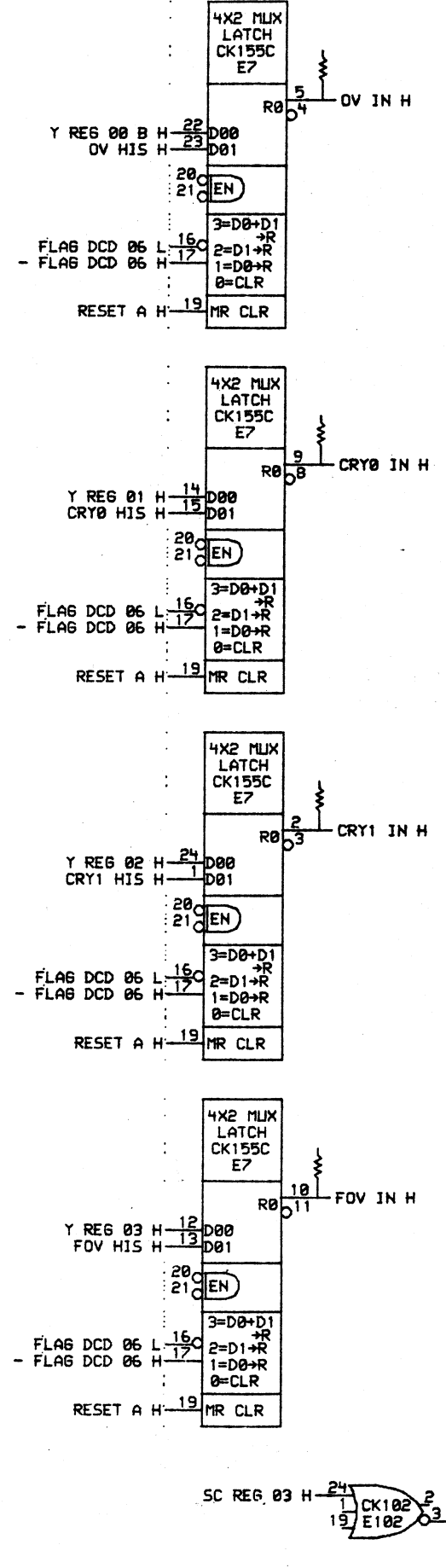
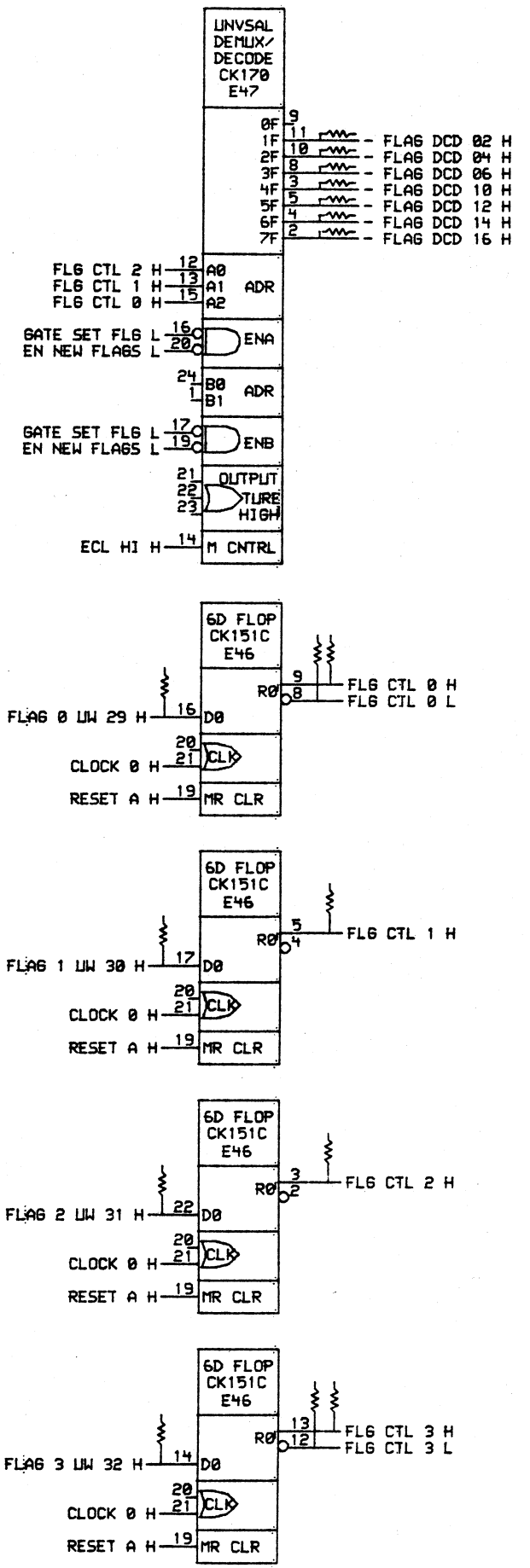




THIS DRAWING AND SPECIFICATIONS ARE THE PROPERTY OF DIGITAL EQUIPMENT CORPORATION AND SHALL NOT BE REPRODUCED OR COPIED OR USED IN WHOLE OR IN PART AS THE BASIS FOR THE MANUFACTURE OR SALE OF ITEMS WITHOUT WRITTEN PERMISSION. COPYRIGHT © 1982, DIGITAL EQUIPMENT CORPORATION.

REVISIONS	
CHK	CHANGE NO. REV

digital	DATE	ENG.	DATE	TITLE
	12-NOV-82	J. J. J.		TIMER INTERRUPT SYSTEM
	DATE	BOARD LOCATION	SHEET	
	12-NOV-82 10:56			
	FIRST USED ON OPTION/MODEL:	NEXT HIGHER ASSEMBLY:	SIZE	CODE
			D	CS
			NUMBER	REV.
			L0046-0-SCAD	

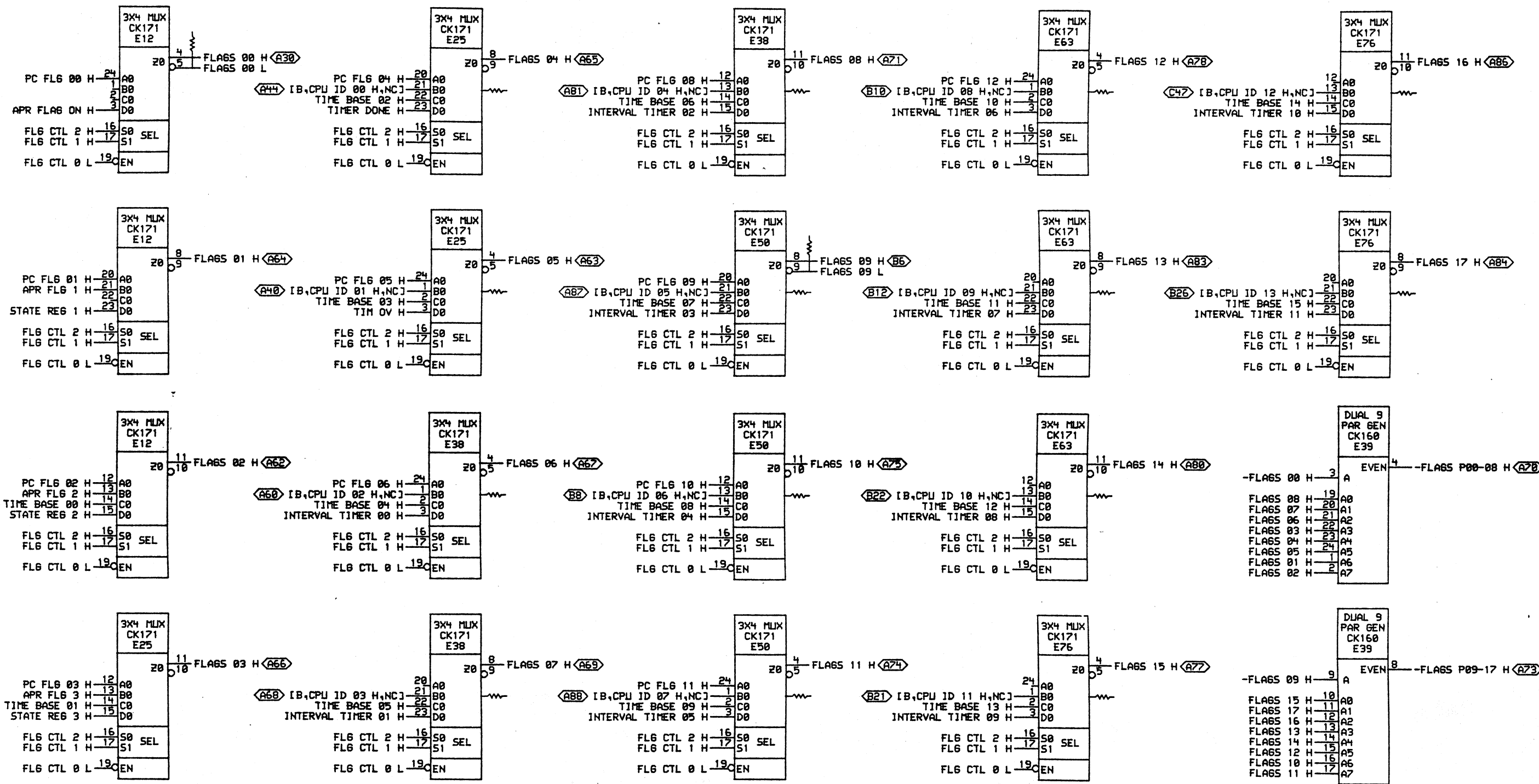


THIS DRAWING AND SPECIFICATIONS ARE THE PROPERTY OF DIGITAL EQUIPMENT CORPORATION AND SHALL NOT BE REPRODUCED OR COPIED IN WHOLE OR IN PART AS A BASIS FOR THE MANUFACTURE OR SALE OF ITEMS WITHOUT WRITTEN PERMISSION. COPYRIGHT © 1982, DIGITAL EQUIPMENT CORPORATION.

REVISIONS	
CHK	CHANGE NO. REV

8	7	6	5	4	3	2	1
---	---	---	---	---	---	---	---

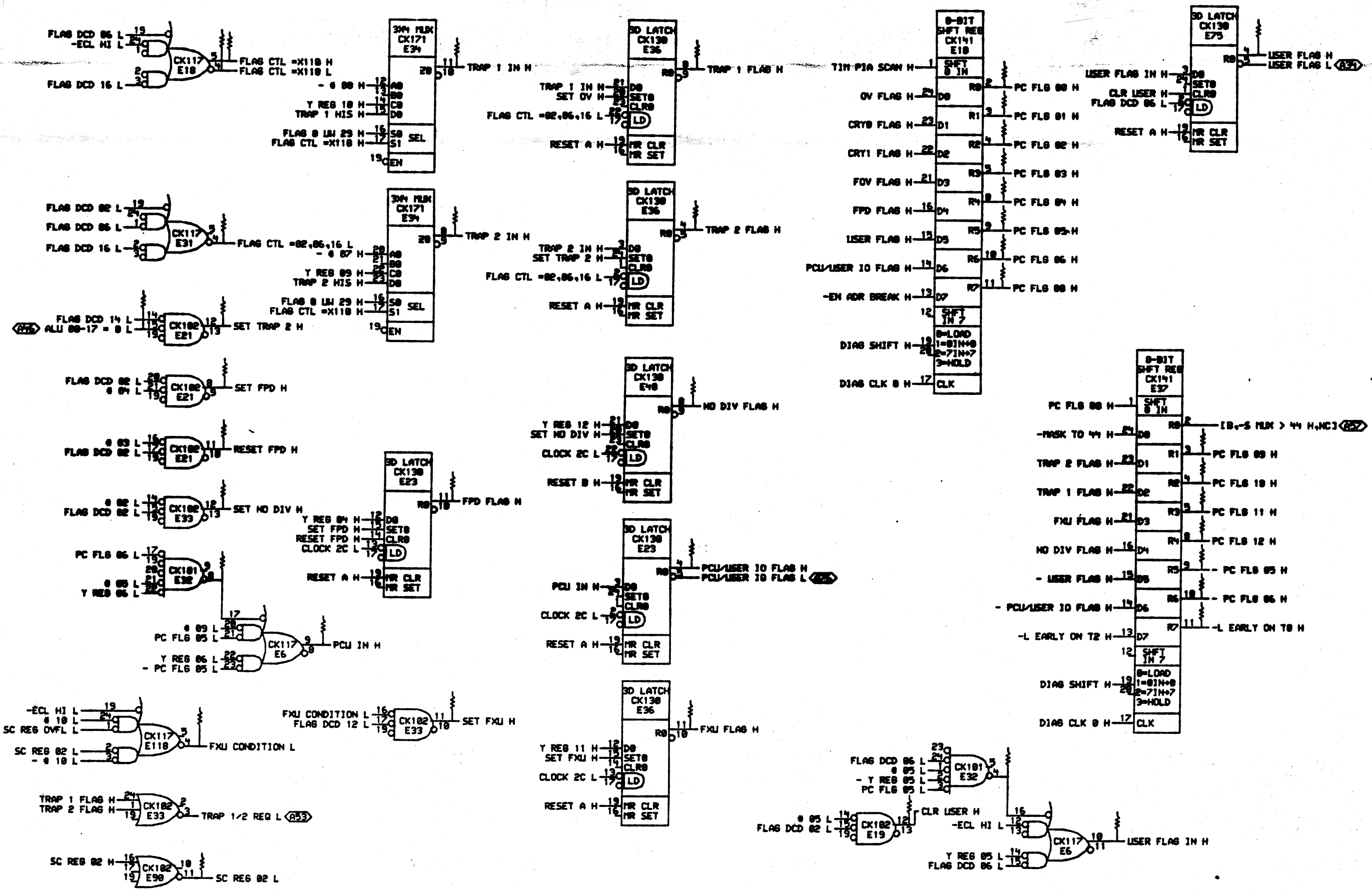
digital	DRN. J. L. L...	DATE 12-NOV-82	ENG.	DATE	TITLE: OV, CRY0-1, FOV FLAGS
	CHK'D.	DATE	BOARD LOCATION:	SHEET	OF
VULCAN (2000-1004) SCALE DRAW		11-NOV-82 18:30	NEXT HIGHER ASSEMBLY:		SIZE CODE NUMBER REV.
FIRST USED ON OPTION/MODEL:		D CS L0046-0-SCAE			



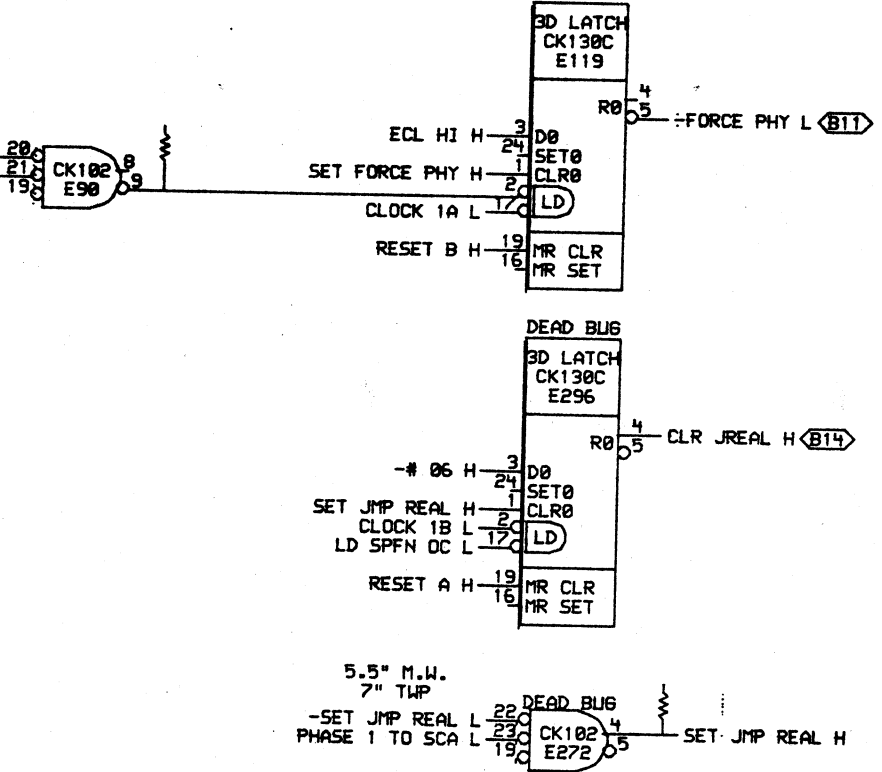
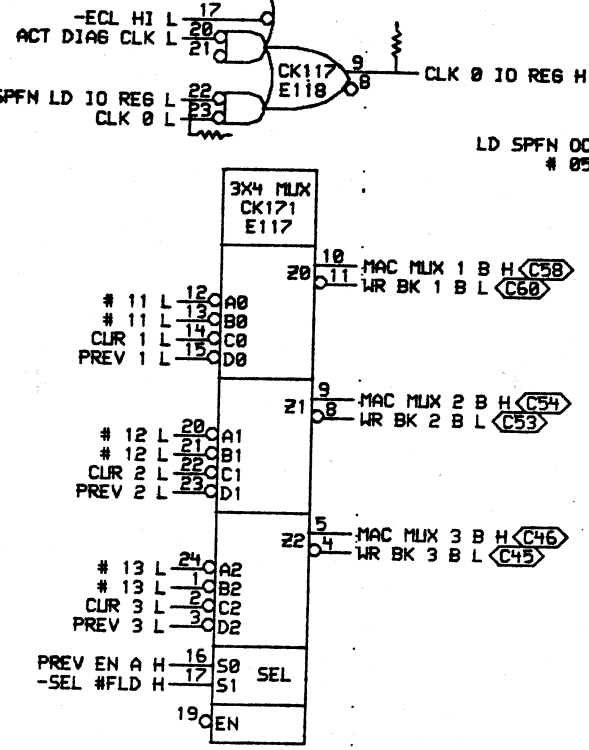
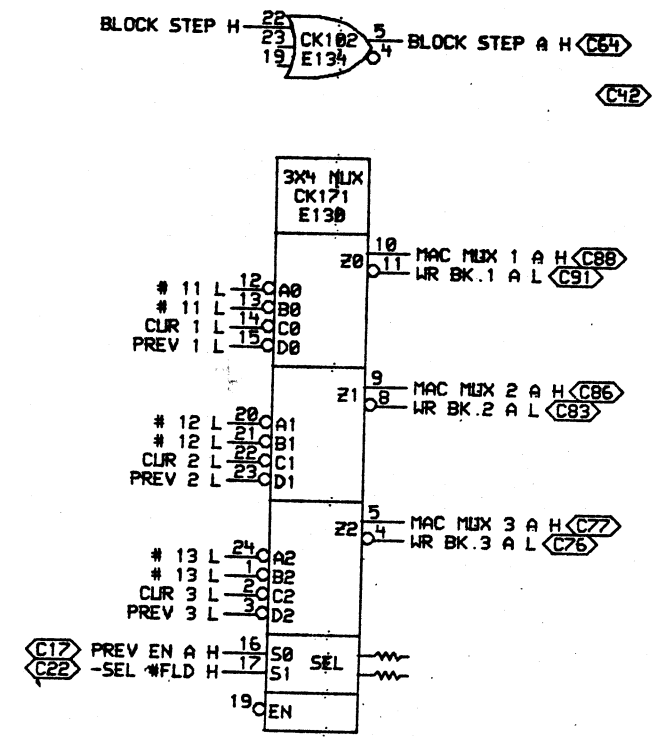
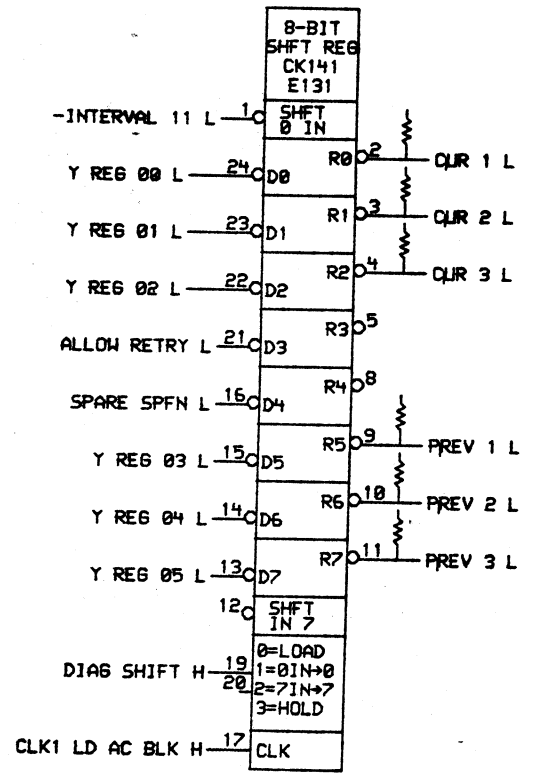
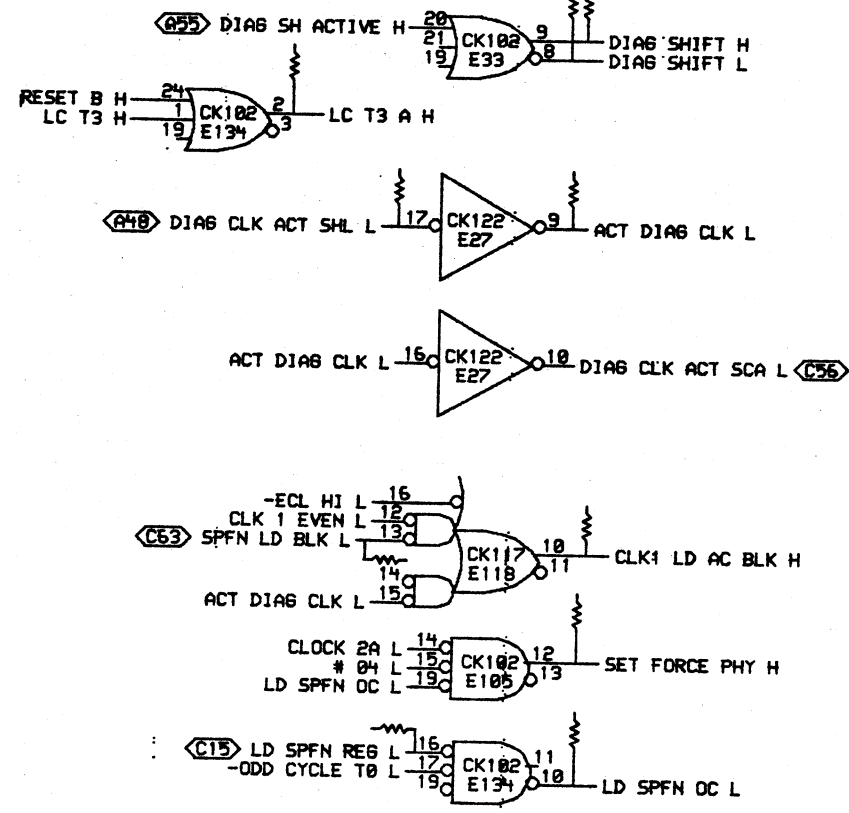
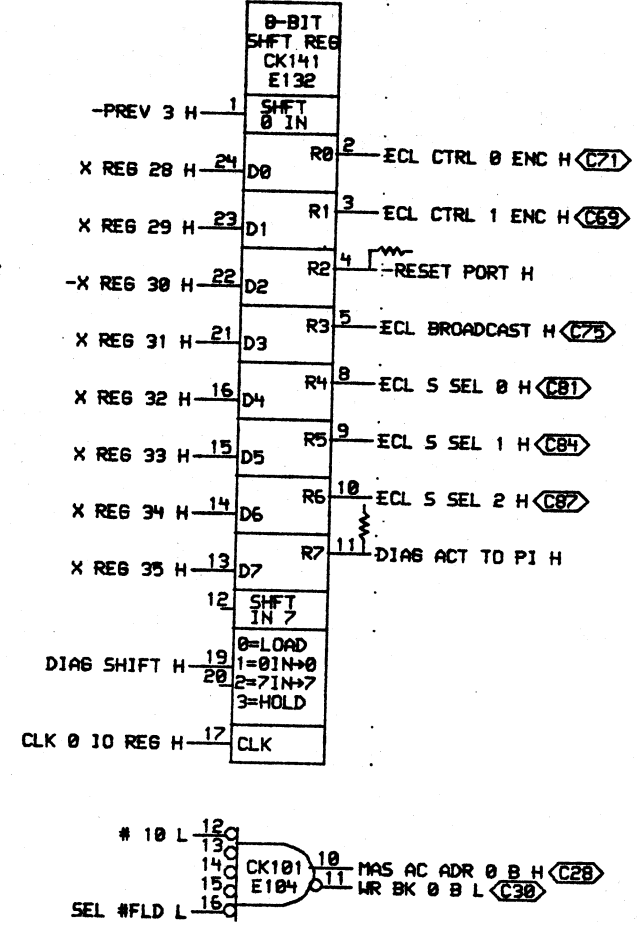
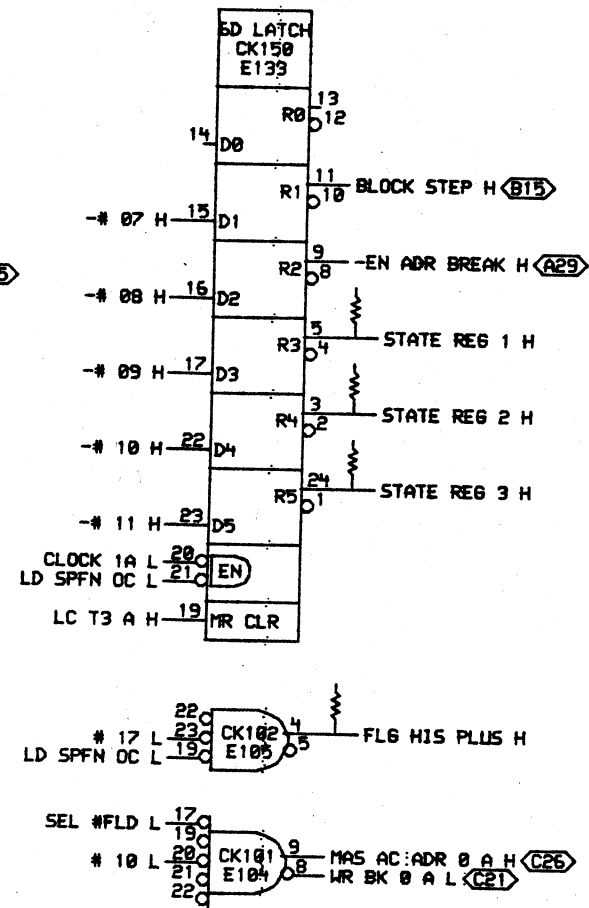
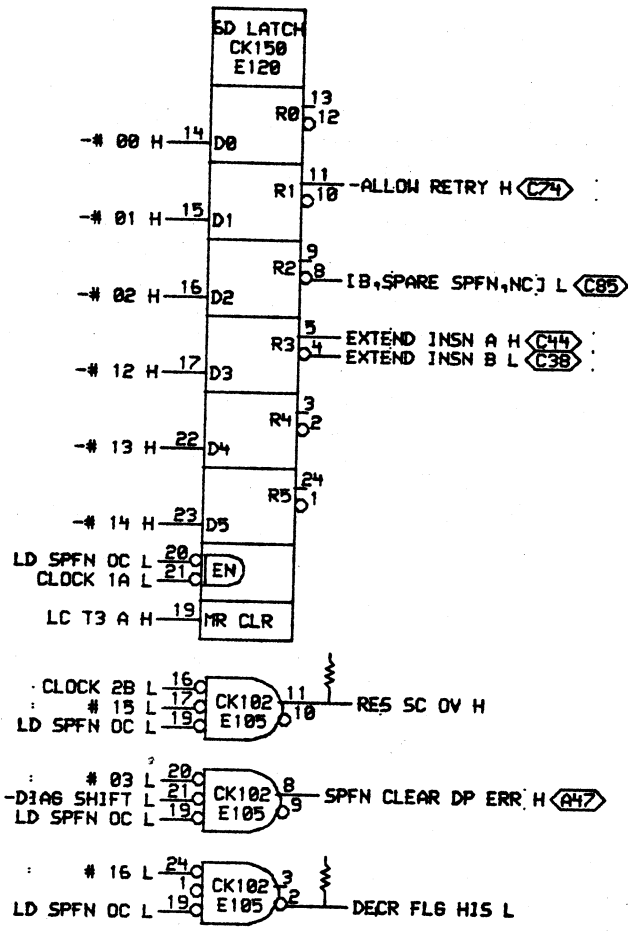
THIS DRAWING AND SPECIFICATIONS ARE THE PROPERTY OF DIGITAL EQUIPMENT CORPORATION AND SHALL NOT BE REPRODUCED OR COPIED OR USED IN WHOLE OR IN PART AS THE BASIS FOR THE MANUFACTURE OF ANY ITEM WITHOUT WRITTEN PERMISSION. COPYRIGHT © 1982 DIGITAL EQUIPMENT CORPORATION.

REVISIONS		
CHK	CHANGE NO.	REV

	DATE: 09-1982	ENG.	DATE:	TITLE: FLAGS MUX 00-17
	CHK'D: J. J. J.	BOARD LOCATION:	SHEET OF:	
FIRST USED ON OPTION/MODEL: 100-MAR-82 1758		NEXT HIGHER ASSEMBLY:		SIZE CODE: D CS
NUMBER: L0046-0-SCAF			REV.	



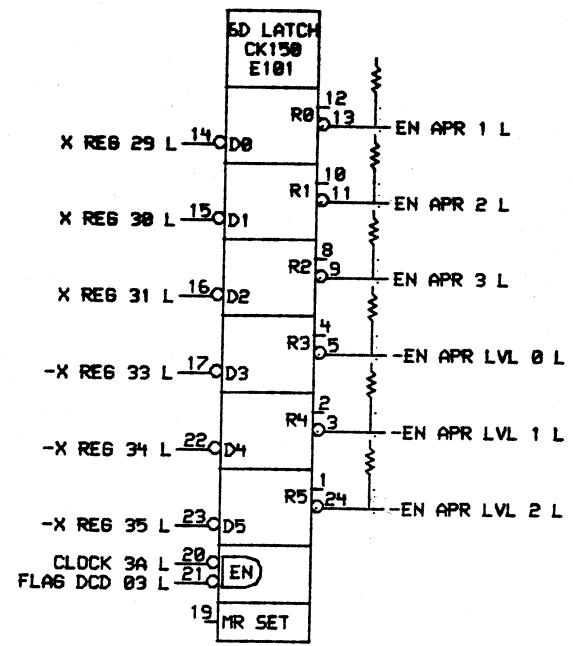
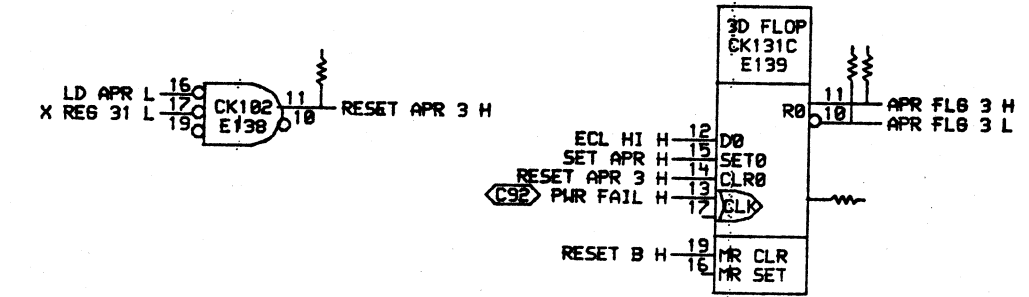
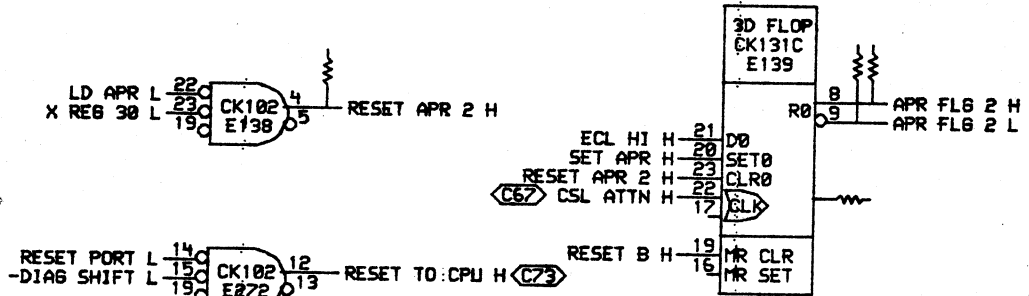
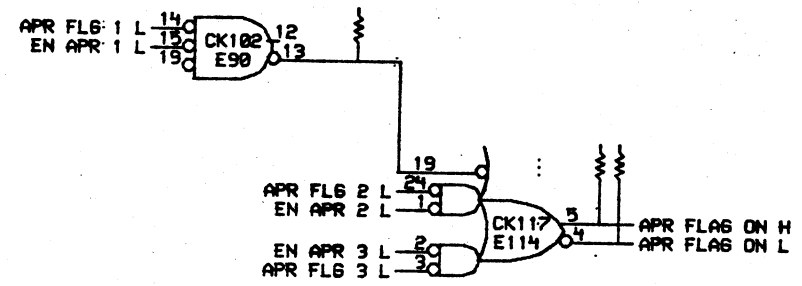
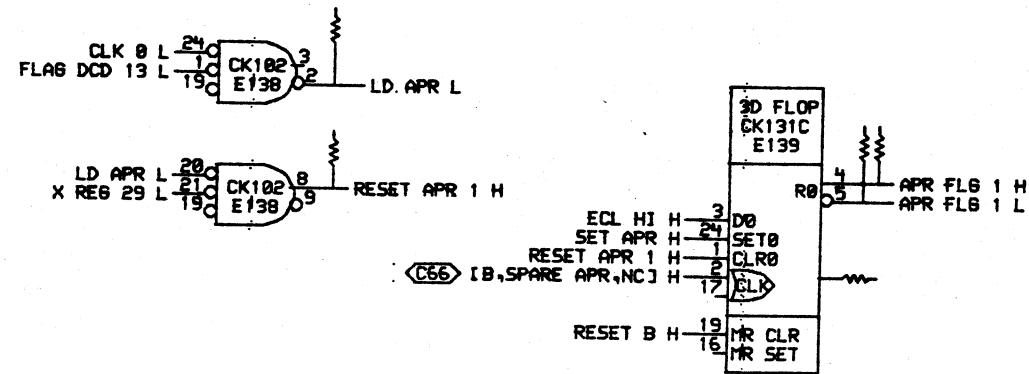
THIS DRAWING AND SPECIFICATIONS ARE THE PROPERTY OF DIGITAL EQUIPMENT CORPORATION AND ARE NOT TO BE REPRODUCED OR COPIED IN ANY MANNER WITHOUT THE WRITTEN PERMISSION OF THE MANUFACTURER.		<b>REVISIONS</b> CHK CHANGE NO. REV		<b>digital</b>		DESIGNED BY: <i>J. Early</i> CK'D.	DATE: 12-11-66 DATE:	ENG.	DATE:	TITLE: TRAP 1, 2, NO DIV PCU, USER FLAGS
8	7	6	5	4	3	2	1	BOARD LOCATION:		SIZE: D CODE: CS NUMBER: L0046-0-SCAG
FIRST USED ON OPTION MODEL:						NEXT HIGHER ASSEMBLY:		REV.		



THIS DRAWING AND SPECIFICATIONS ARE THE PROPERTY OF DIGITAL EQUIPMENT CORPORATION AND SHALL NOT BE REPRODUCED OR COPIED OR USED IN WHOLE OR IN PART AS THE BASIS FOR THE MANUFACTURE OR SALE OF ITEMS WITHOUT WRITTEN PERMISSION. COPYRIGHT © 1988 DIGITAL EQUIPMENT CORPORATION.

REVISIONS	
CHK	CHANGE NO. REV

digital	DATE 11-NOV-82	ENG.	DATE	TITLE: SPFN, IO REG, MAC ADDR
VIA CAN# 2080-L0046-0-SCAH	10-NOV-82 18:23	NEXT HIGHER ASSEMBLY:	SIZE D	CODE CS
FIRST USED ON OPTION/MODEL: 2080	B-DD-L0046-0		NUMBER L0046-0-SCAH	REV.



UNVSAL DENUX/ DECODE CK170 E126	
0F	11
1F	10
2F	08
3F	07
4F	06
5F	05
6F	04
7F	03

EN APR LVL 2 H	12	A0
EN APR LVL 1 H	13	A1
EN APR LVL 0 H	14	A2
APR FLAG ON L	20	ENA
APR FLAG ON L	19	ENB
ECL HI H	22	OUTPUT
ECL HI H	23	TURE HIGH
ECL HI H	14	M CNTRL

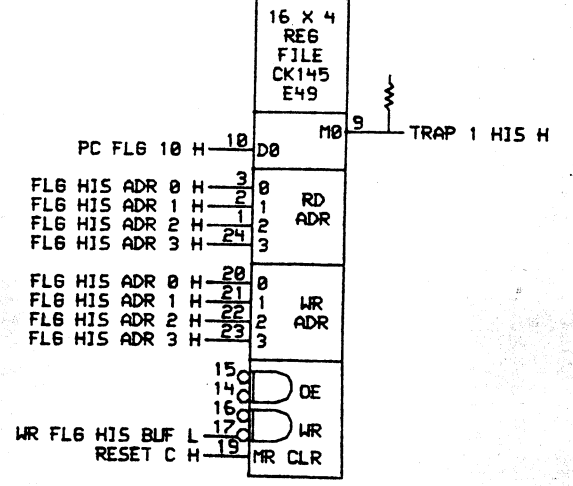
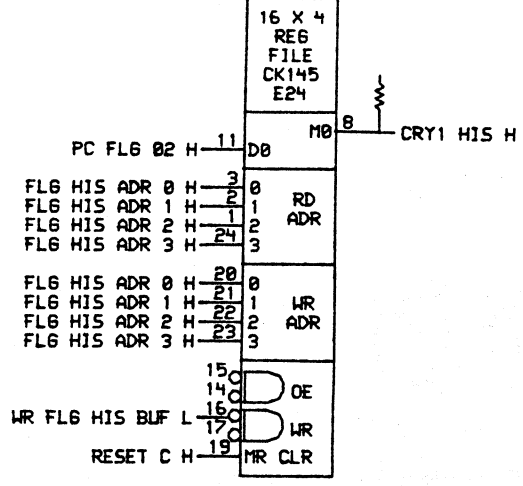
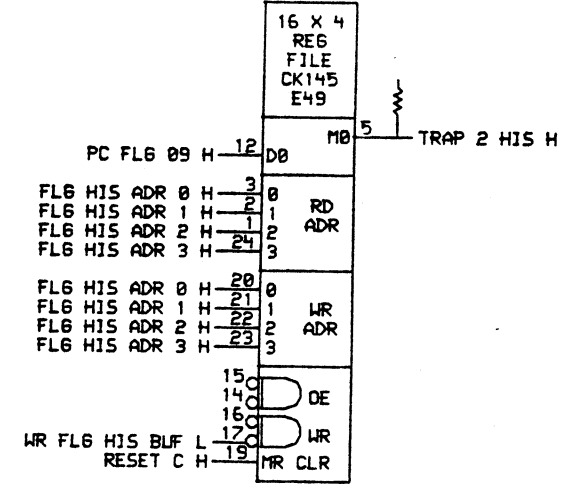
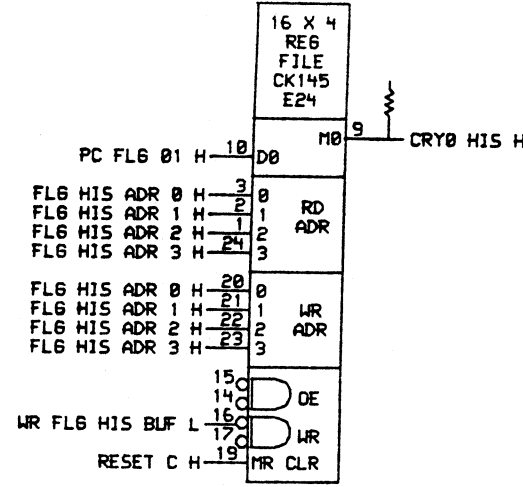
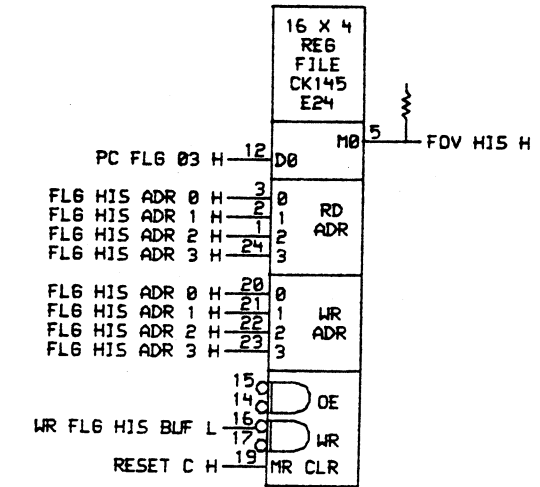
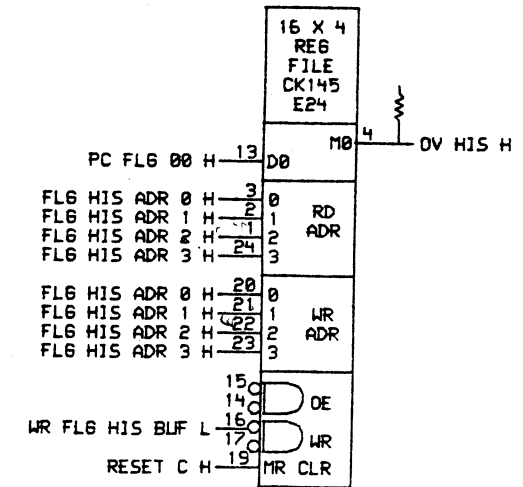
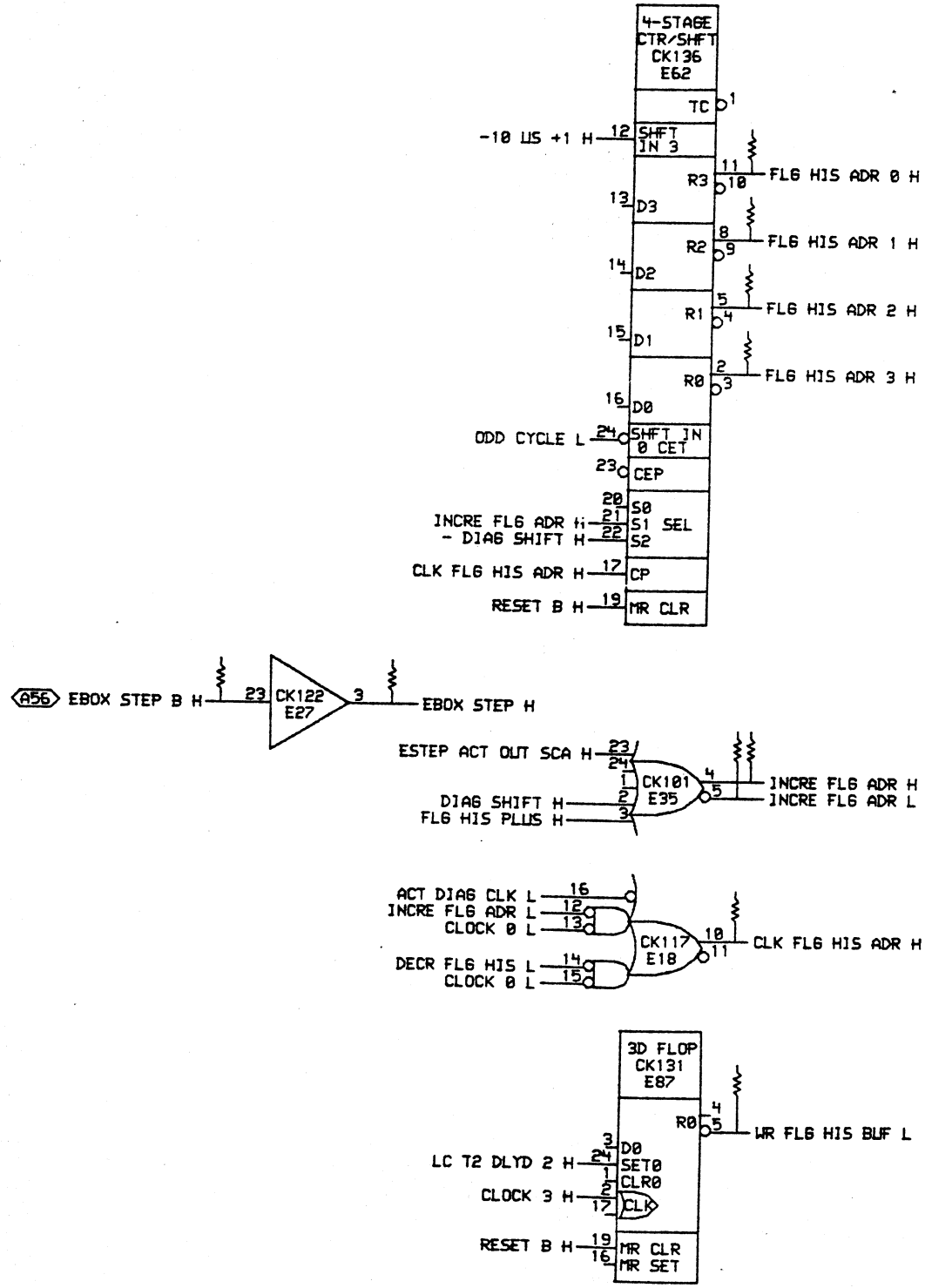
THIS DRAWING AND SPECIFICATIONS ARE THE PROPERTY OF DIGITAL EQUIPMENT CORPORATION AND SHALL NOT BE REPRODUCED OR COPIED OR USED IN WHOLE OR IN PART AS A BASIS FOR THE MANUFACTURE OR SALE OF ITEMS WITHOUT WRITTEN PERMISSION. COPYRIGHT © 1982. DIGITAL EQUIPMENT CORPORATION.

REVISIONS	
CHK	CHANGE NO. REV

digital	DATE	ENG.	DATE	TITLE:
	11-NOV-82			APR FLAGS 1-4
CHK'D.	DATE	BOARD LOCATION:	SHEET OF	
VULCAN (2000-10046-0-SCAI) DRAW	11-NOV-82 17:52	NEXT HIGHER ASSEMBLY:	SIZE	CODE
FIRST USED ON OPTION/MODEL:			D	CS
			NUMBER	REV.
			L0046-0-SCAI	



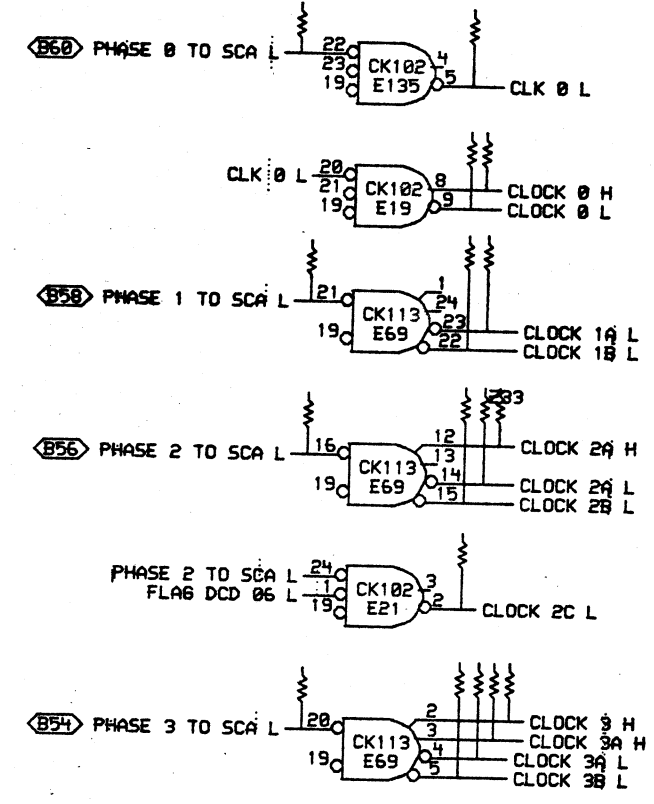
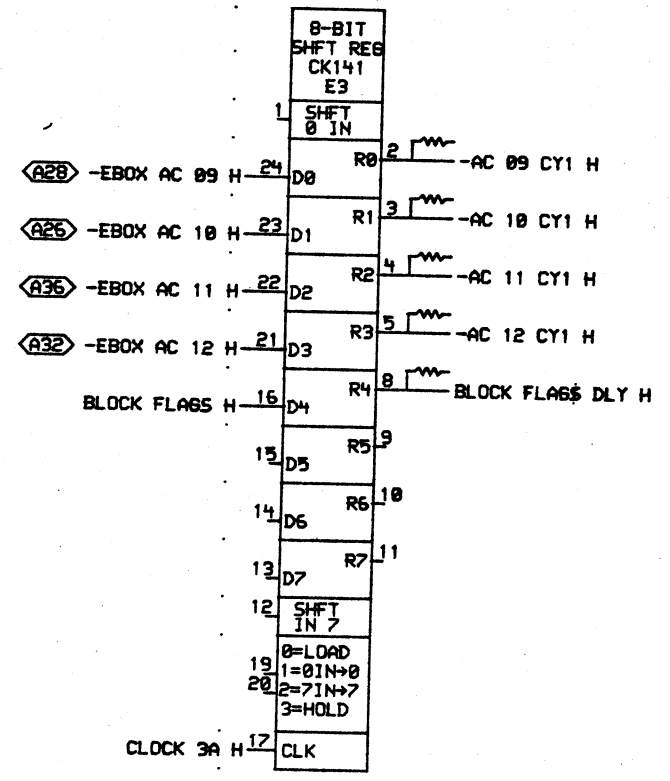
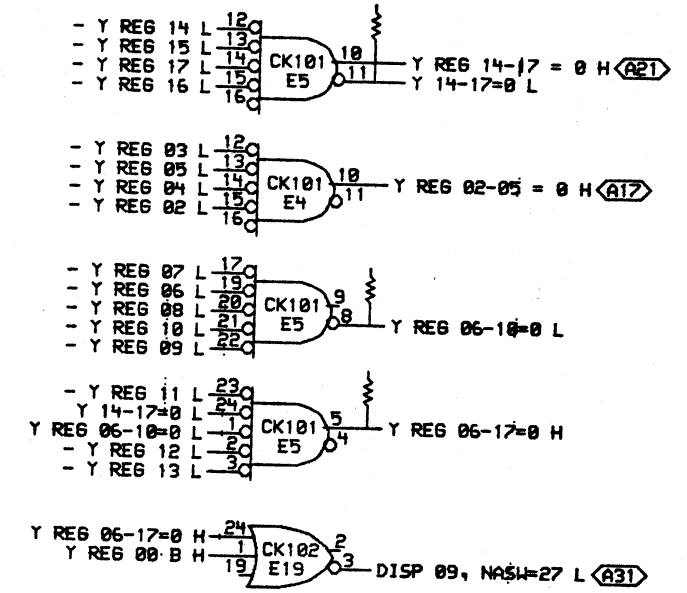
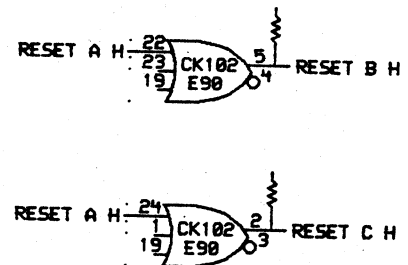
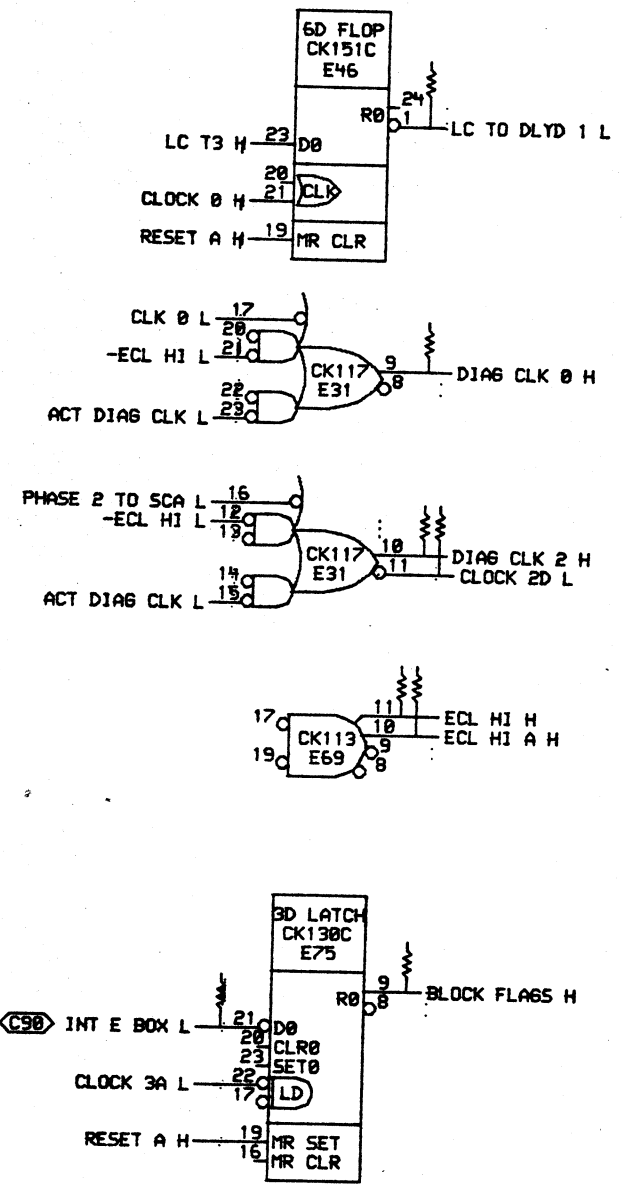
D  
C  
B  
A



THIS DRAWING AND SPECIFICATIONS HEREIN ARE THE PROPERTY OF DIGITAL EQUIPMENT CORPORATION AND SHALL NOT BE REPRODUCED OR COPIED OR USED IN WHOLE OR IN PART AS THE BASIS FOR THE MANUFACTURE OR SALE OF ITEMS WITHOUT WRITTEN PERMISSION. COPYRIGHT © 1982, DIGITAL EQUIPMENT CORPORATION.

REVISIONS		
CHK	CHANGE NO.	REV

	DATE	ENG.	DATE	TITLE:
	05-FEB-82	J. J. J.		FLAG HISTORY BUFFER
CHK'D.	DATE	BOARD LOCATION:		
		SHEET		
FIRST USED ON OPTION/MODEL:			SIZE	CODE
			D	CS
			NUMBER	REV.
			1.0046-A-SCAJ	



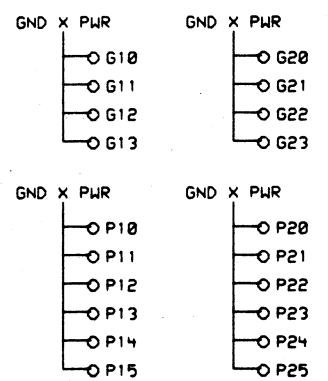
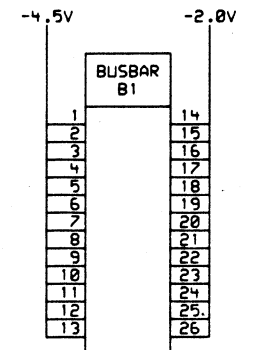
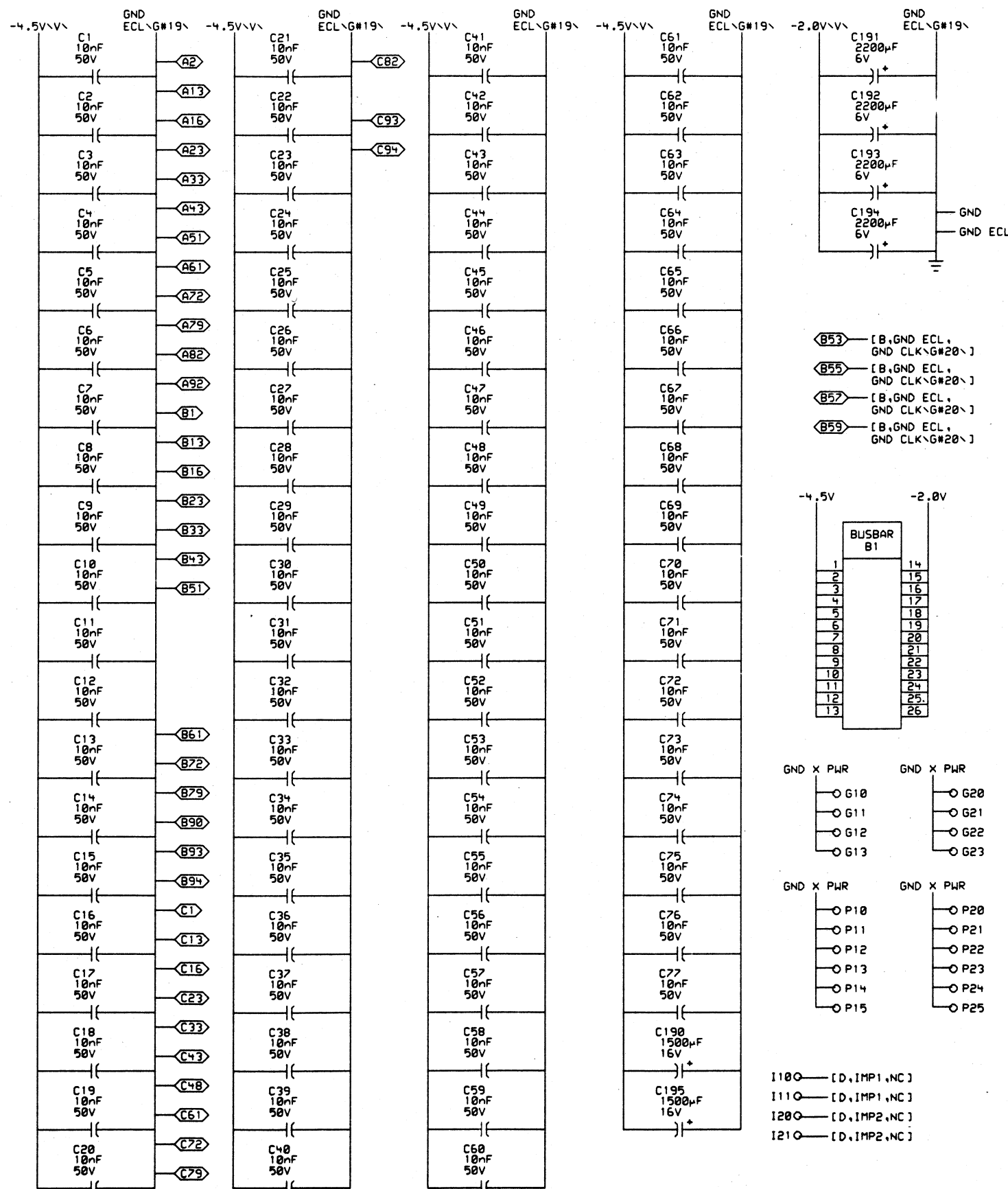
REVISIONS	
CHK	CHANGE NO. REV

digital	DATE	ENG.	DATE	TITLE:
	11-NOV-82			IO DRIVE
	DATE	BOARD LOCATION:		
		SHEET		
FIRST USED ON OPTION/MODEL: 2080		NEXT HIGHER ASSEMBLY:		SIZE CODE
				D CS
				NUMBER
				L0046-0-SCAK
				REV.

8	7	6	5	4	3	2	1
---	---	---	---	---	---	---	---

D  
 C  
 REV.  
 NUMBER  
 L0046-0-SCAK  
 CS  
 D  
 B  
 A





- 1180 [D,IMP1,NC]
- 1110 [D,IMP1,NC]
- 1200 [D,IMP2,NC]
- 1210 [D,IMP2,NC]

THIS DRAWING AND SPECIFICATIONS HEREIN ARE THE PROPERTY OF DIGITAL EQUIPMENT CORPORATION AND SHALL NOT BE REPRODUCED OR COPIED OR USED IN WHOLE OR IN PART AS THE BASIS FOR THE MANUFACTURE OR SALE OF ITEMS WITHOUT WRITTEN PERMISSION. COPYRIGHT © 1982, DIGITAL EQUIPMENT CORPORATION.

REVISIONS	
CHK	CHANGE NO. REV

	DATE 22-DEC-82	ENG.	DATE	TITLE: SCA POWER & GROUND
	CHK'D.			
VIA COM: (2000, L0046) 25CAL.DRW 121-DEC-82 09:47 FIRST USED ON OPTION/MODEL: 2080		BOARD LOCATION: SHEET 1 OF 1 NEXT HIGHER ASSEMBLY: B-DD-L0046-0		SIZE CODE D CS NUMBER L0046-0-SCAL REV. *



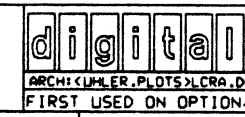
VULCAN:<2080.L0049>83CRA1  
 VULCAN:<2080.L0049>29CRA2  
 VULCAN:<2080.L0049>4CRA3  
 VULCAN:<2080.L0049>72CRA4  
 VULCAN:<2080.L0049>83CRA5  
 VULCAN:<2080.L0049>83CRA6  
 VULCAN:<2080.L0049>83CRA7  
 VULCAN:<2080.L0049>83CRA8  
 VULCAN:<2080.L0049>83CRA9  
 VULCAN:<2080.L0049>76CRAA  
 VULCAN:<2080.L0049>28CRAB  
 VULCAN:<2080.L0049>83CRAC  
 VULCAN:<2080.L0049>83CRAD  
 VULCAN:<2080.L0049>68CRAE  
 VULCAN:<2080.L0049>76CRAF  
 VULCAN:<2080.L0049>81CRAG  
 VULCAN:<2080.L0049>83CRAH  
 VULCAN:<2080.L0049>83CRAI  
 VULCAN:<2080.L0049>84CRAJ

D  
C  
B  
A

D  
C  
B  
A

THIS DRAWING AND SPECIFICATIONS  
 HEREIN ARE THE PROPERTY OF  
 DIGITAL EQUIPMENT CORPORATION AND  
 SHALL NOT BE REPRODUCED OR COPIED  
 OR USED IN WHOLE OR IN PART AS  
 THE BASIS FOR THE MANUFACTURE OR  
 SALE OF ITEMS WITHOUT WRITTEN  
 PERMISSION. COPYRIGHT © 1983.  
 DIGITAL EQUIPMENT CORPORATION

REVISIONS		
CHK	CHANGE NO.	REV



CHK'D. *D. Family*

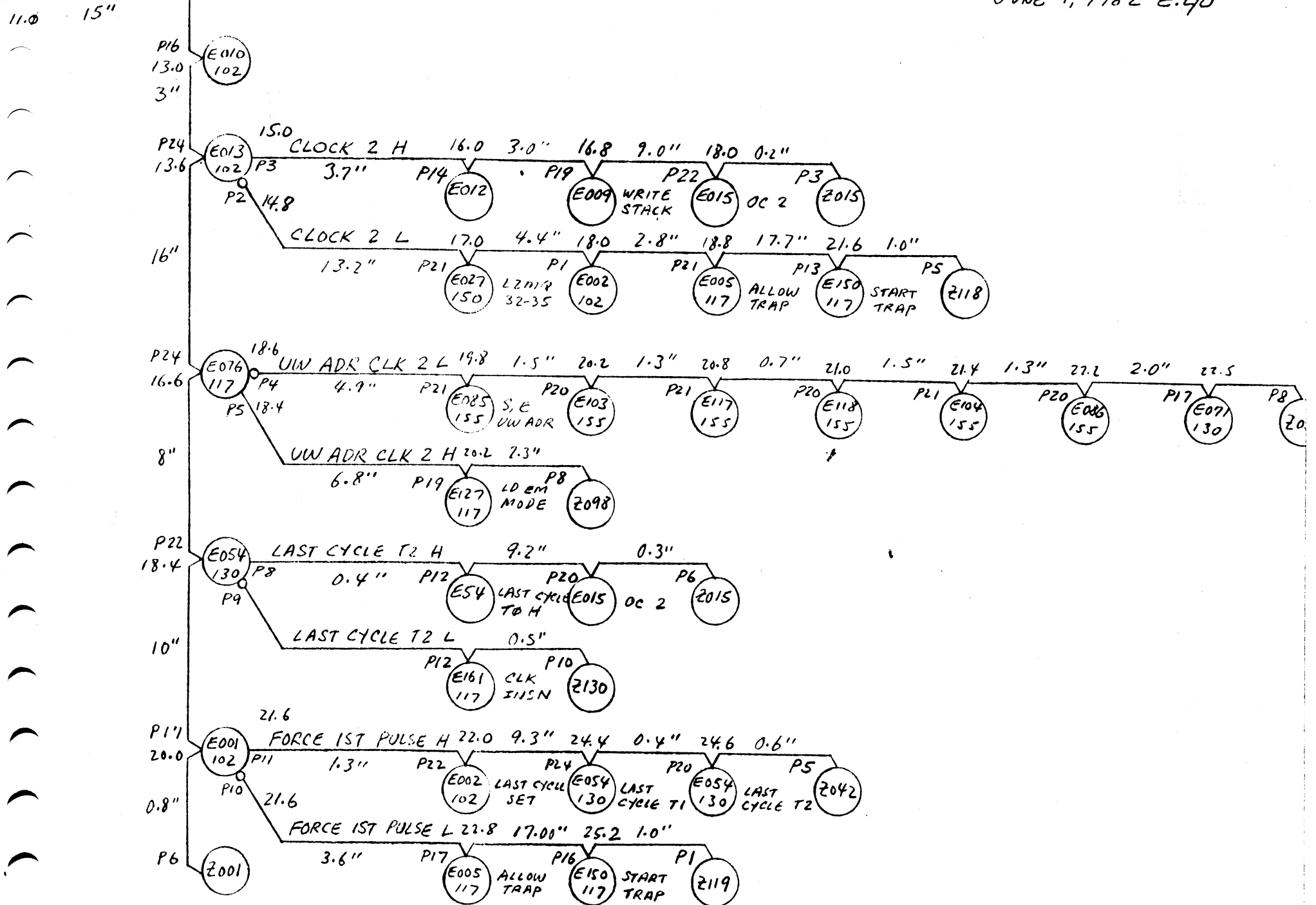
DATE 04-FEB-83  
 DATE 04-FEB-83 03:05  
 BOARD LOCATION:  
 SHEET OF

ENG.	DATE	TITLE:
SIZE D	CODE SP	NUMBER
		REV.

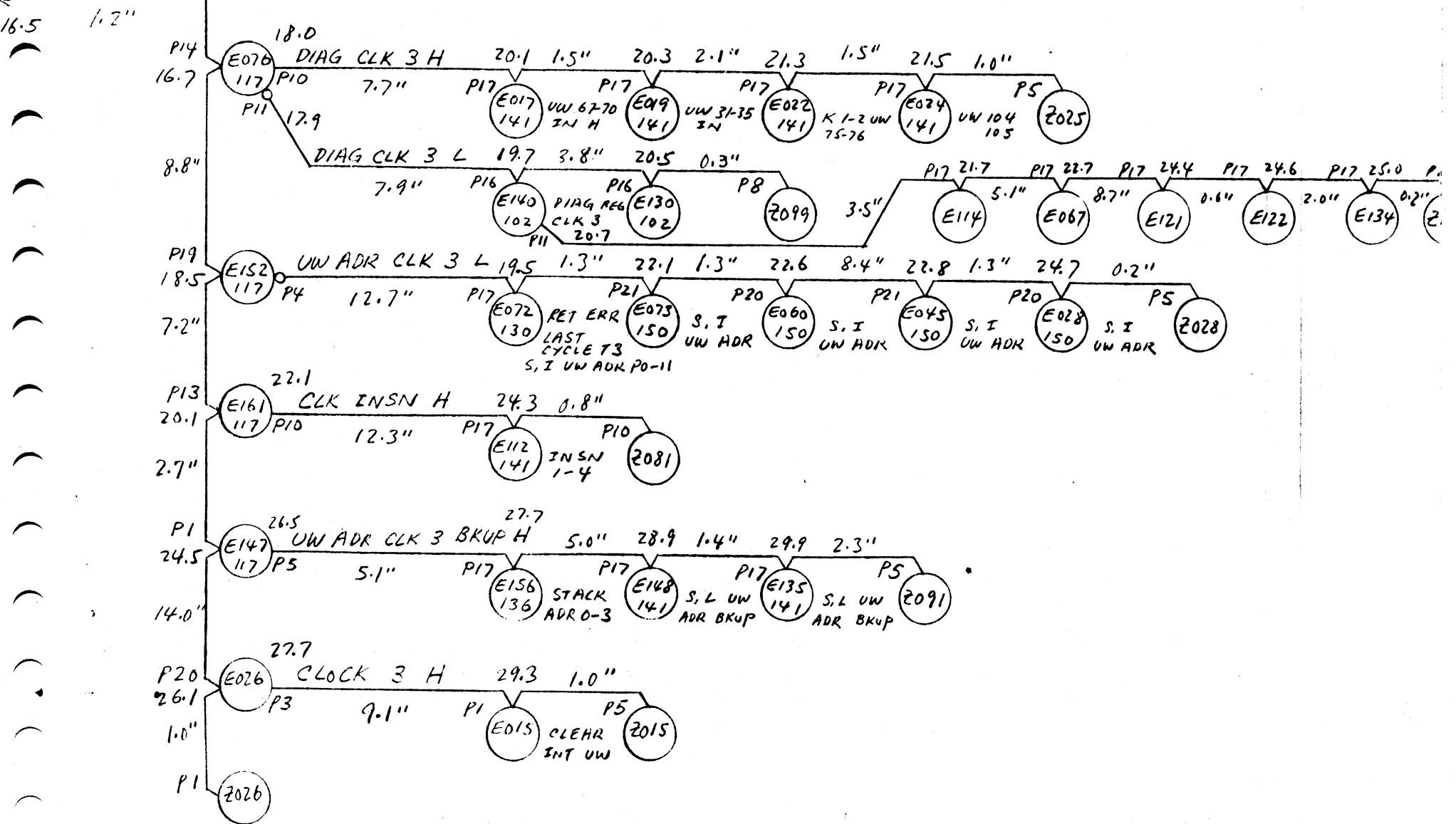


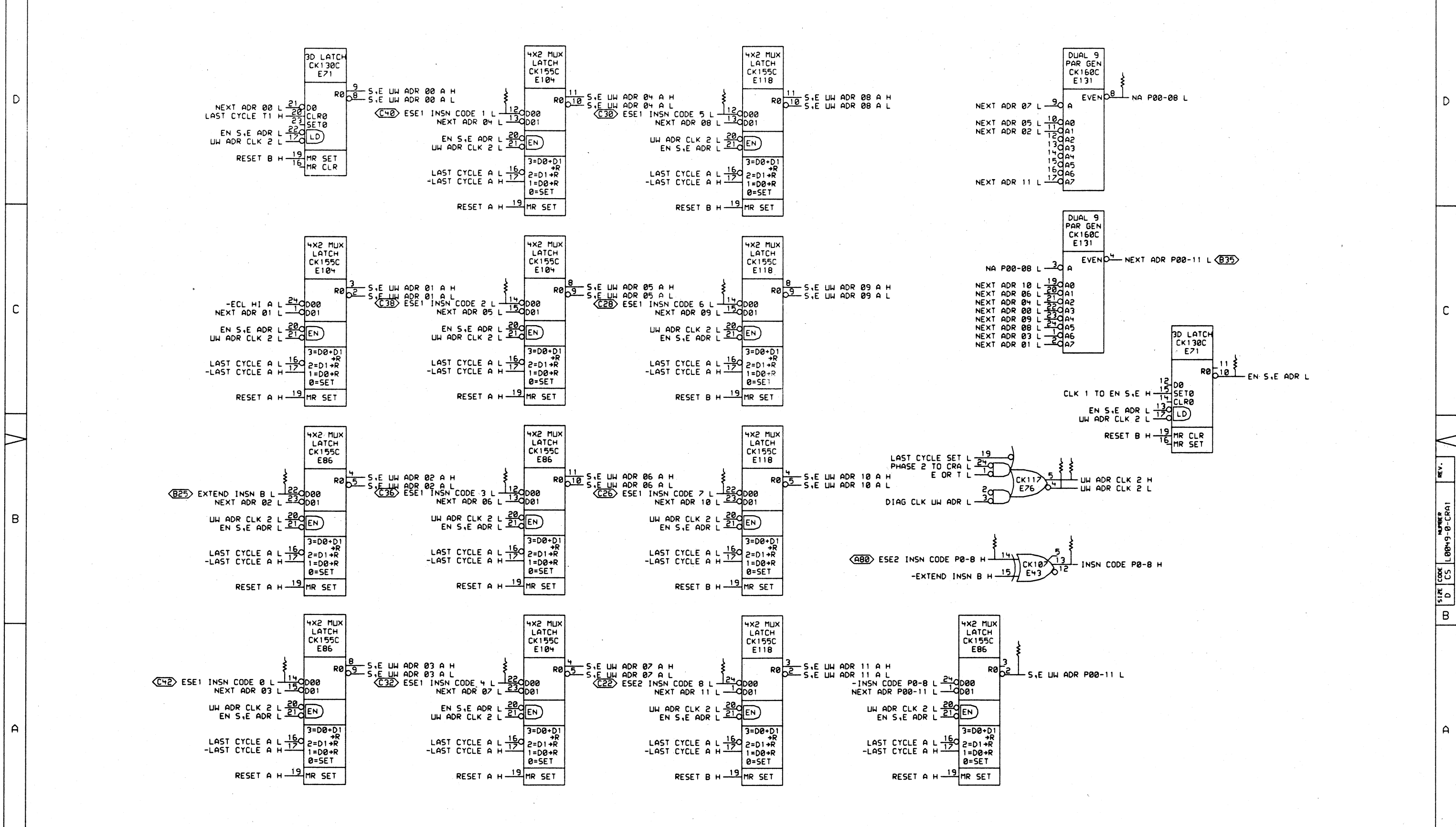
PHASE 2 TO CRA L

JUNE 1, 1982 E.L.U



PHASE 3 TO CRA L

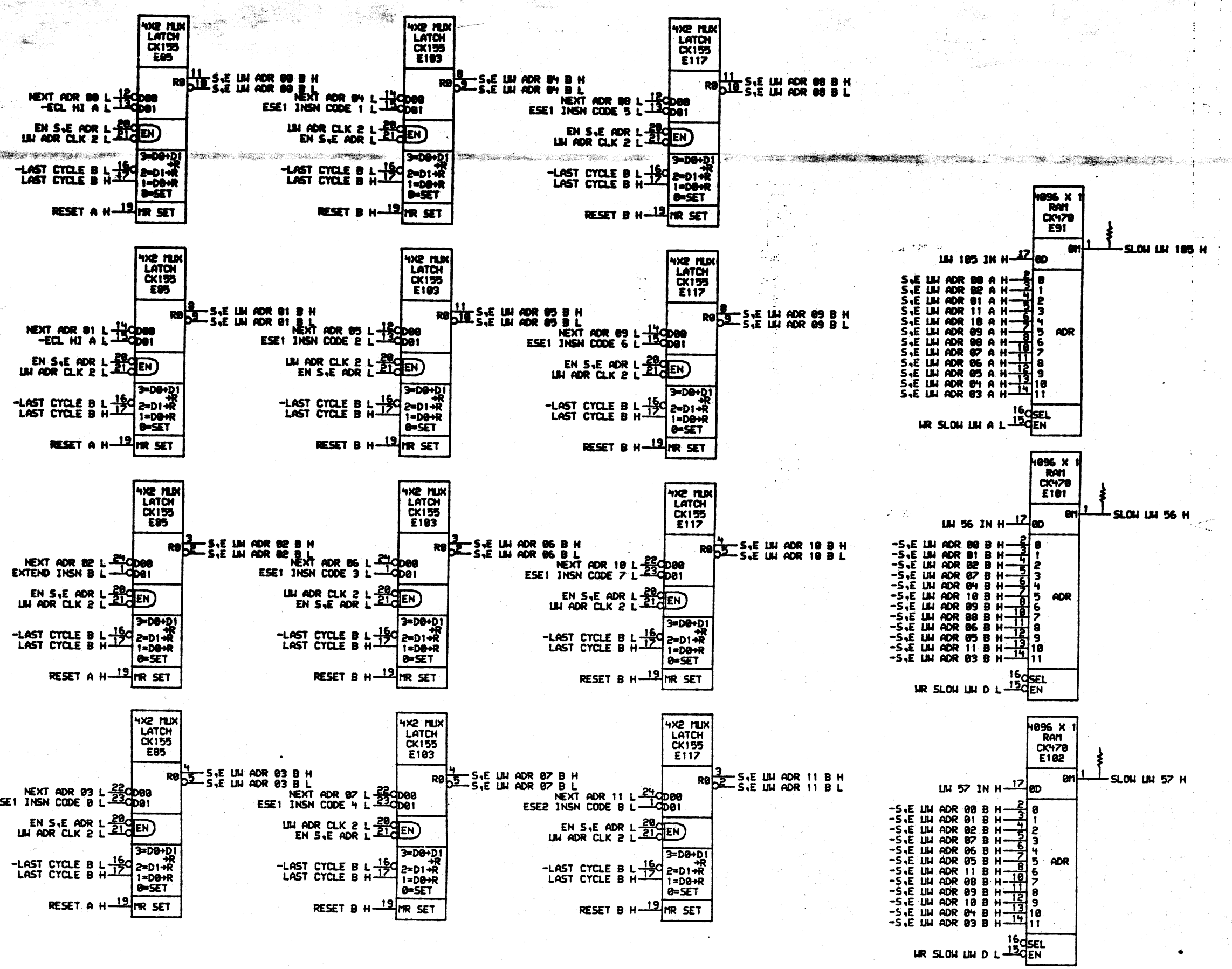




THIS DRAWING AND SPECIFICATIONS ARE THE PROPERTY OF DIGITAL EQUIPMENT CORPORATION AND SHALL NOT BE REPRODUCED OR COPIED OR USED IN WHOLE OR IN PART AS THE BASIS FOR THE MANUFACTURE OR SALE OF ITEMS WITHOUT WRITTEN PERMISSION. COPYRIGHT © 1983, DIGITAL EQUIPMENT CORPORATION.

REVISIONS		
CHK	CHANGE NO.	REV.

	DATE	ENG.	DATE	TITLE:
	25-JAN-83	J. J. J.		SLOW, EARLY CONTROL ADR
VULCAN-2000-L0049-0-CRA1.DRW		NEXT HIGHER ASSEMBLY:		SIZE CODE
FIRST USED ON OPTION/MODEL:				D CS
NUMBER			REV.	
L0049-0-CRA1				



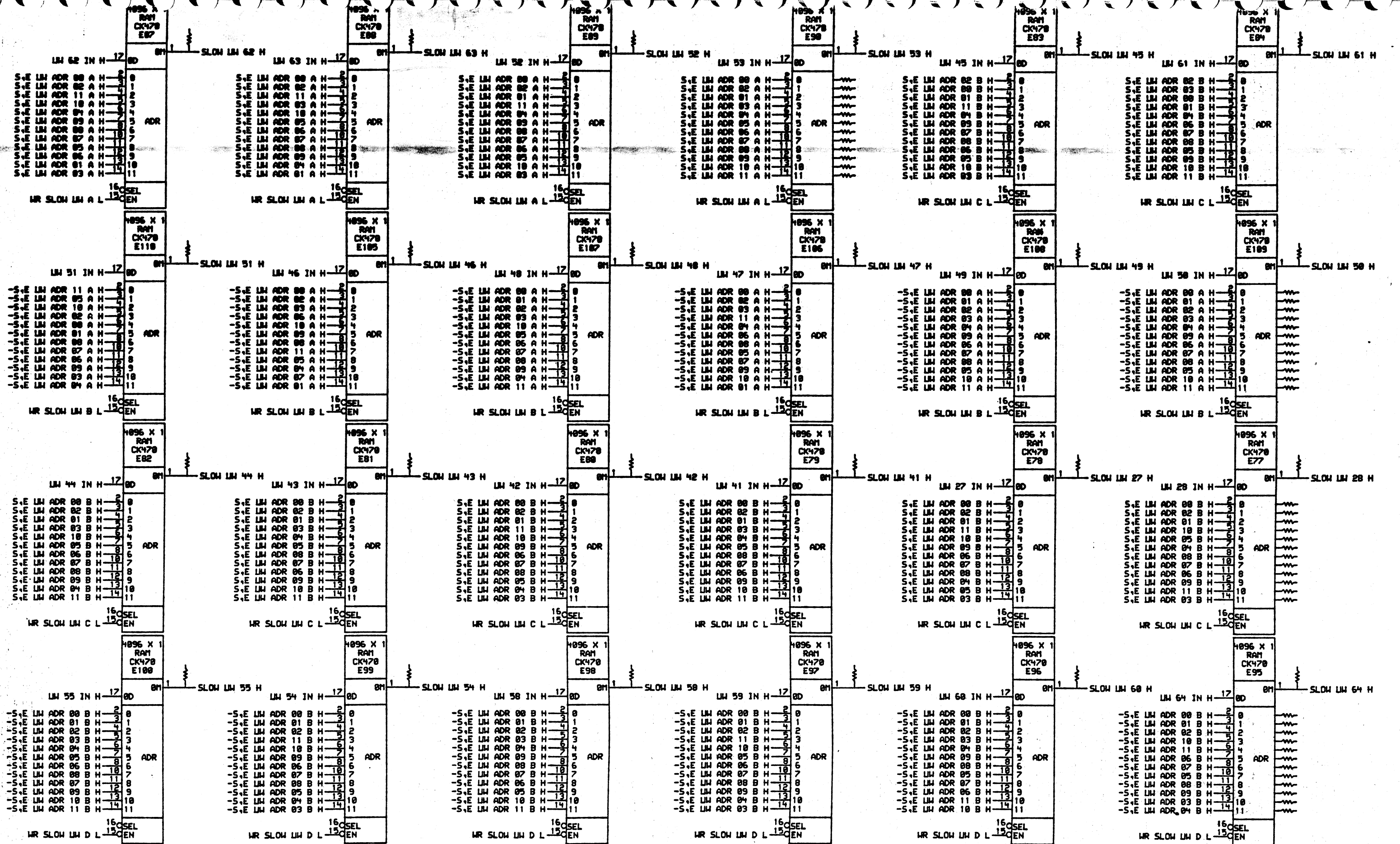
THIS DRAWING AND SPECIFICATIONS ARE THE PROPERTY OF DIGITAL EQUIPMENT CORPORATION AND SHALL NOT BE REPRODUCED OR COPIED IN WHOLE OR IN PART AS THE BASIS FOR THE MANUFACTURE OR SALE OF ITEMS WITHOUT WRITTEN PERMISSION. COPYRIGHT © 1982. DIGITAL EQUIPMENT CORPORATION

REVISIONS	
CHK	CHANGE NO. REV

	DATE 19-JAN-82 DATE BOARD LOCATION SHEET OF	ENG. DATE TITLE: SLOW, EARLY CONTROL ADR
	FIRST USED ON OPTION/MODEL:	NEXT HIGHER ASSEMBLY:

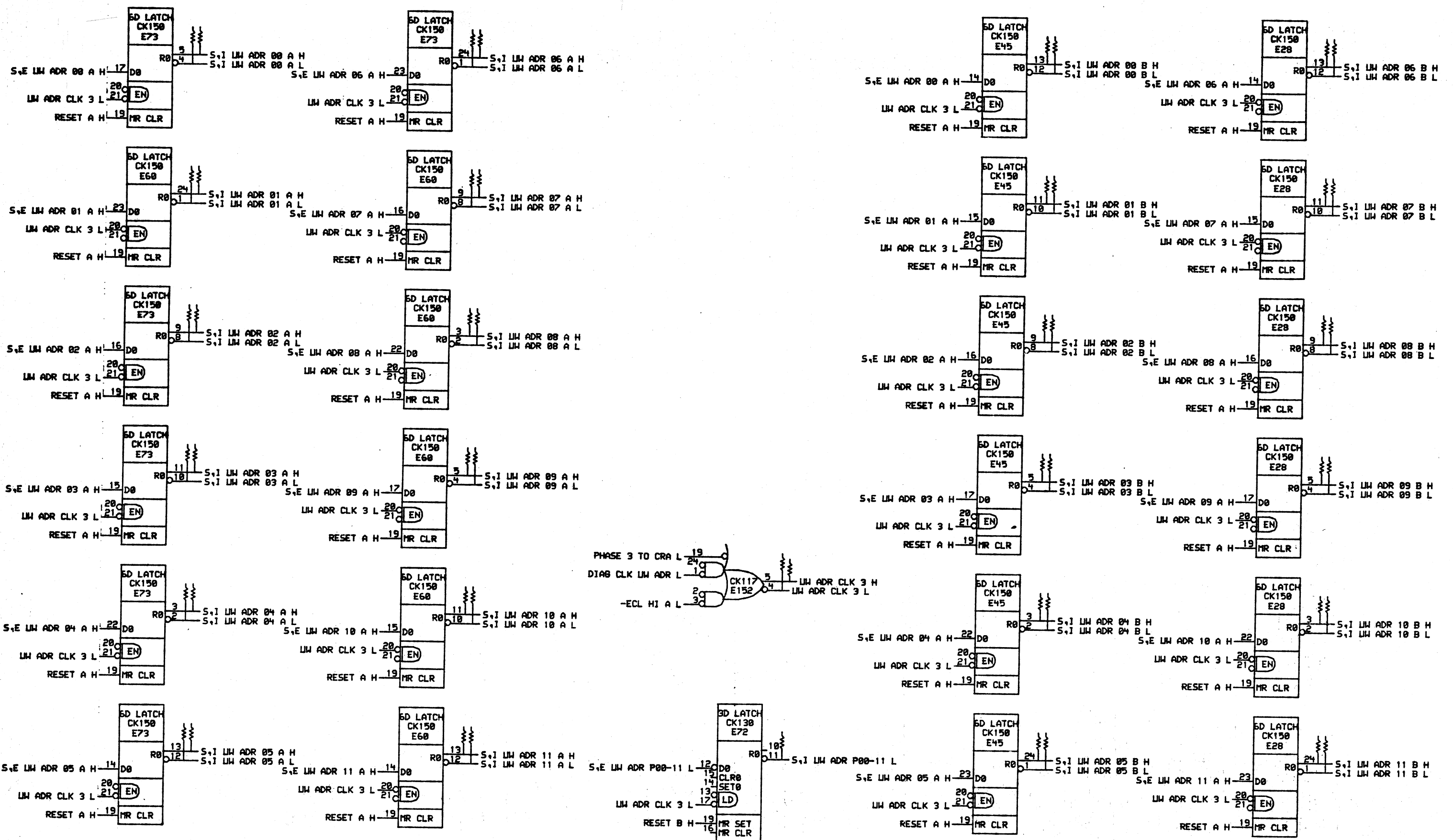
D  
 C  
 REV.  
 NUMBER L0049-0-CRA2  
 SIZE CODE CS  
 D  
 B  
 A





DRN.	DATE	ENG.	DATE	TITLE:
CHK'D.	DATE	BOARD LOCATION:		SLOW, EARLY CTLS
		SHEET		00-17,28,37,38
FIRST USED ON OPTION MODEL:				SIZE CODE NUMBER REV.
				D CS L0049-0-CRA3





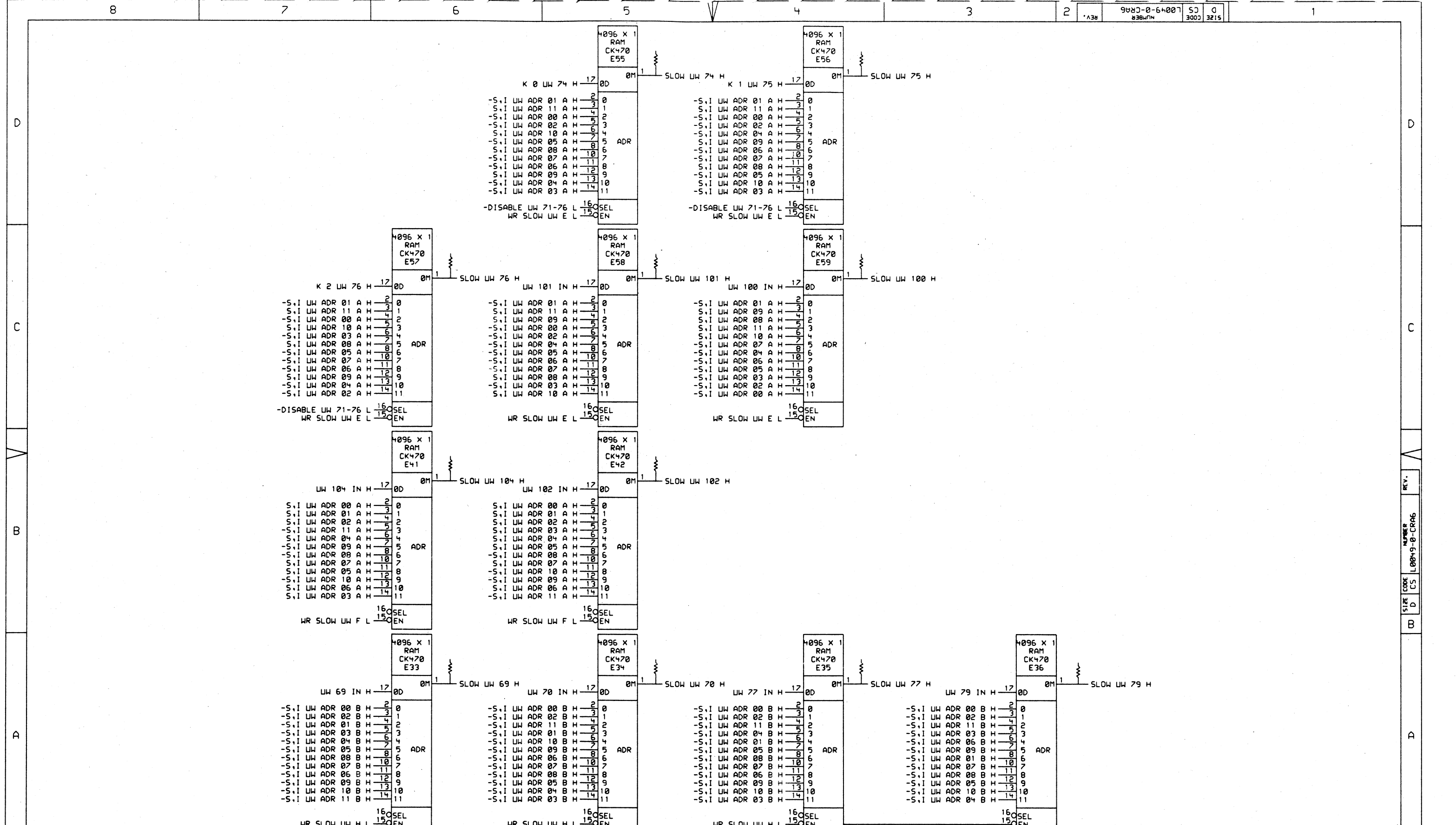
REV. NUMBER BOARD NUMBER CODE SIZE D B A  
 CS L0049-B-CRAY

THIS DRAWING AND SPECIFICATIONS ARE THE PROPERTY OF DIGITAL EQUIPMENT CORPORATION AND SHALL NOT BE REPRODUCED OR COPIED IN ANY MANNER WITHOUT WRITTEN PERMISSION. COPYRIGHT © 1988, DIGITAL EQUIPMENT CORPORATION.

REVISIONS	
CHK	CHANGE NO. REV

	DR. J. J. J.	DATE 14-AUG-82	ENG.	DATE	TITLE: SLOW, INTER CTL ADR REG
	CHK'D.	DATE	BOARD LOCATION:	SHEET	OF
FIRST USED ON OPTION/MODEL:		NEXT HIGHER ASSEMBLY:		SIZE CODE D CS	NUMBER L0049-B-CRAY



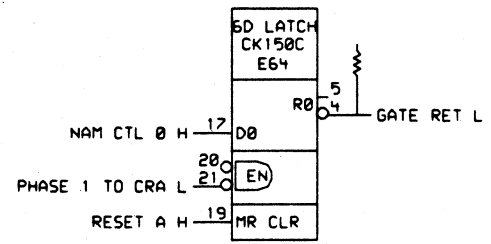
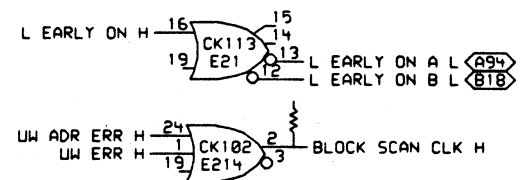
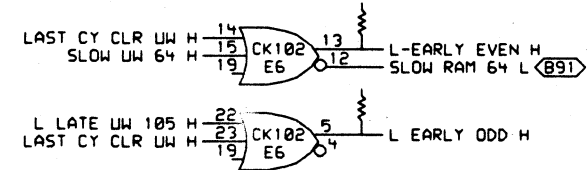
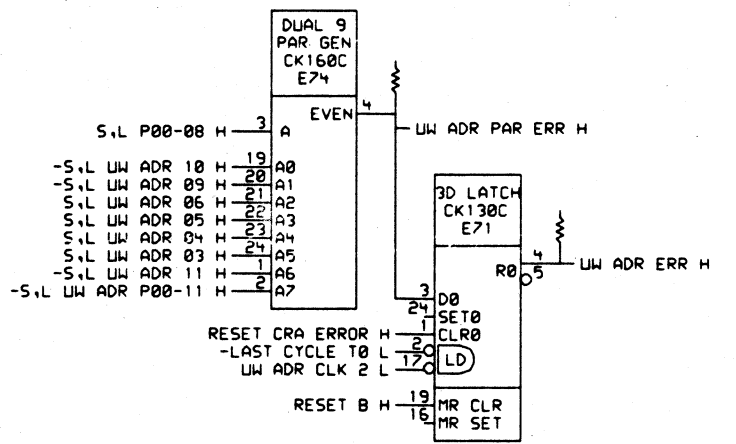
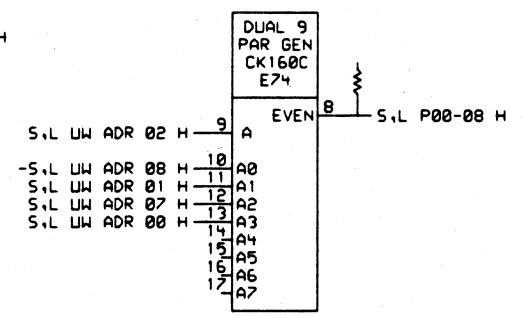
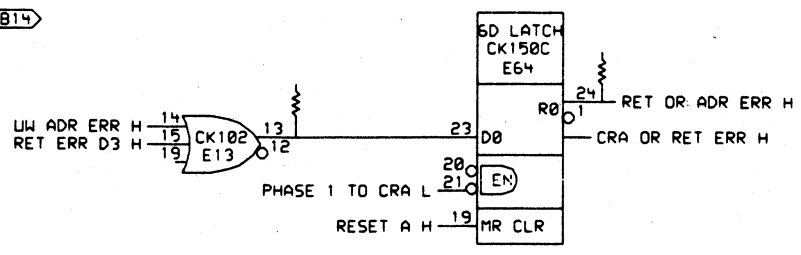
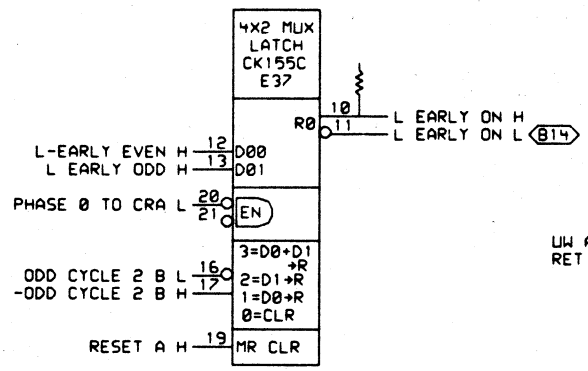
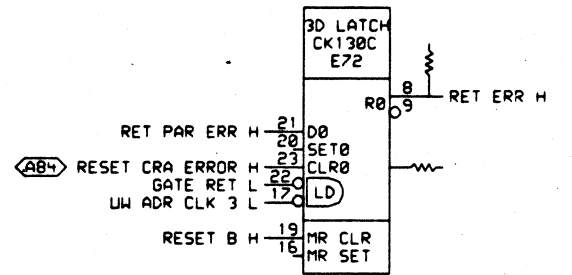
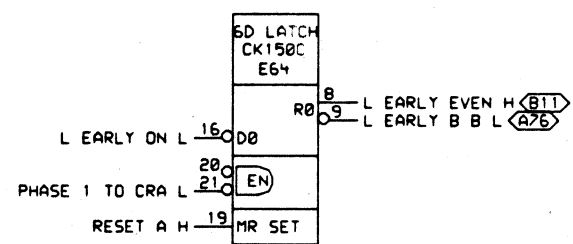
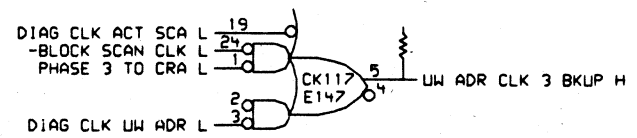
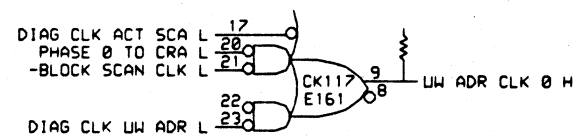
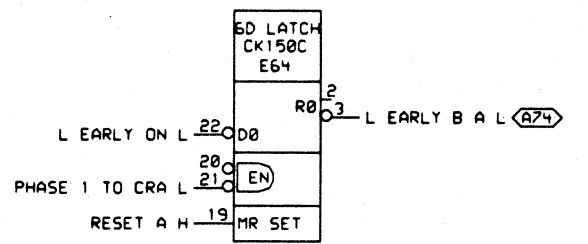
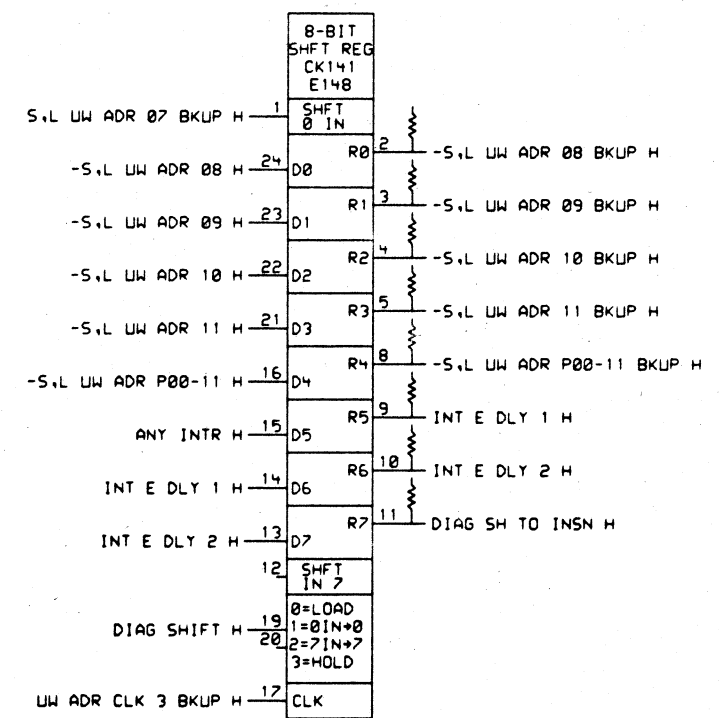
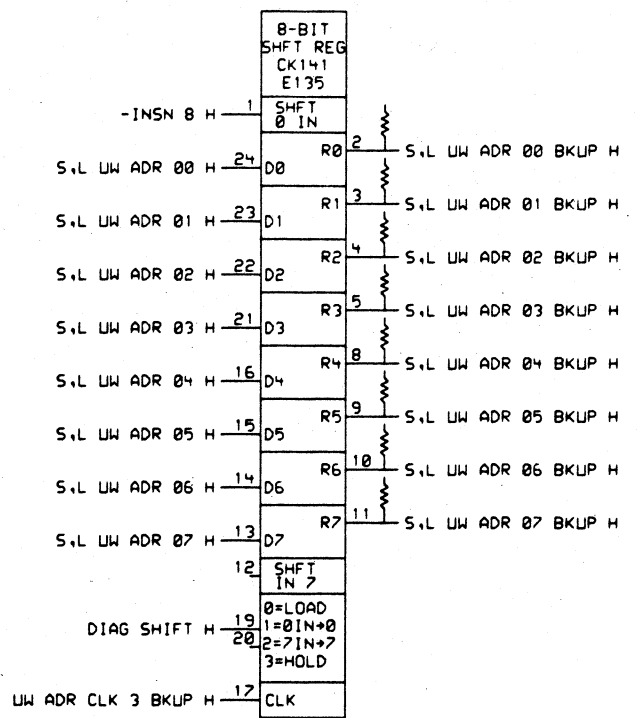
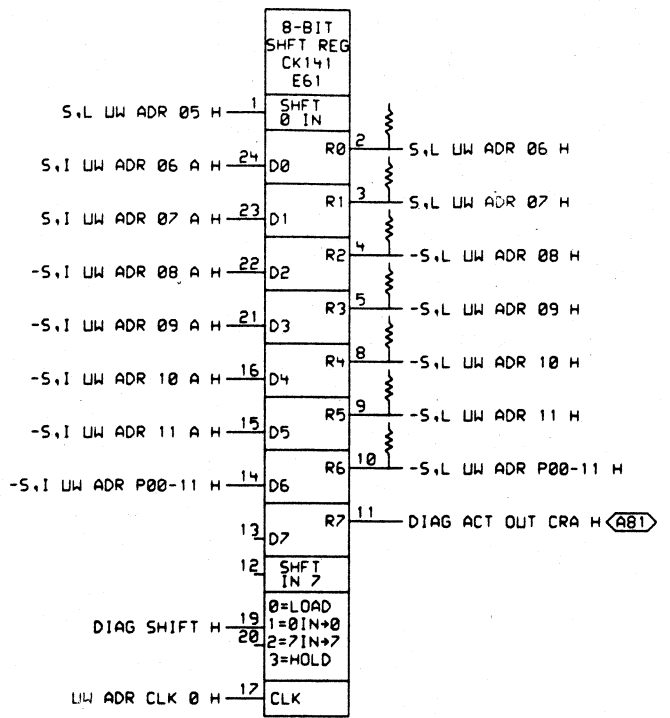
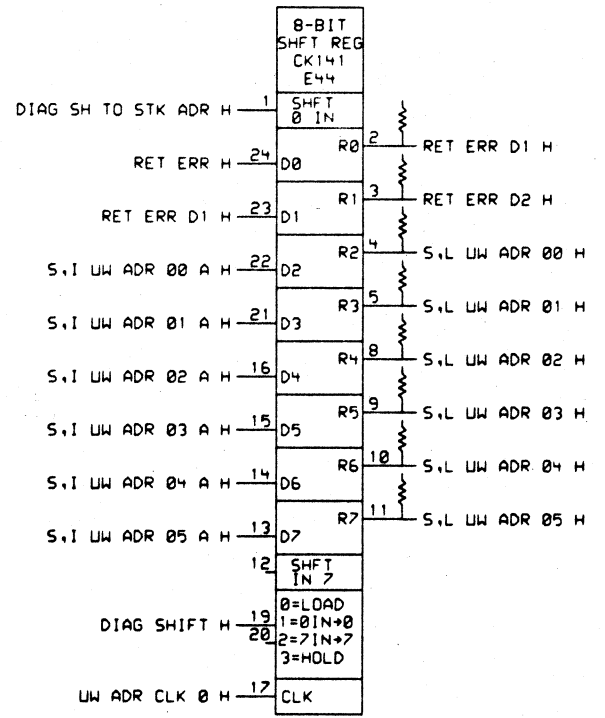


THIS DRAWING AND SPECIFICATIONS, HEREIN, ARE THE PROPERTY OF DIGITAL EQUIPMENT CORPORATION AND SHALL NOT BE REPRODUCED OR COPIED OR USED IN WHOLE OR IN PART AS THE BASIS FOR THE MANUFACTURE OR SALE OF ITEMS WITHOUT WRITTEN PERMISSION. COPYRIGHT © 1983, DIGITAL EQUIPMENT CORPORATION.

REVISIONS		
CHK	CHANGE NO.	REV.

**digital** *DR. J. J. J.* DATE 26-JAN-83 ENG. DATE 26-JAN-83 TITLE: SLOW, LATE CTLS 19-23, 25-7, 40-7

VULCAN: (2000.L0049)3CRA6.DRW 125-JAN-83 08:36 BOARD LOCATION: SHEET OF FIRST USED ON OPTION/MODEL: NEXT HIGHER ASSEMBLY: SIZE CODE NUMBER REV. D CS L0049-0-CRA6

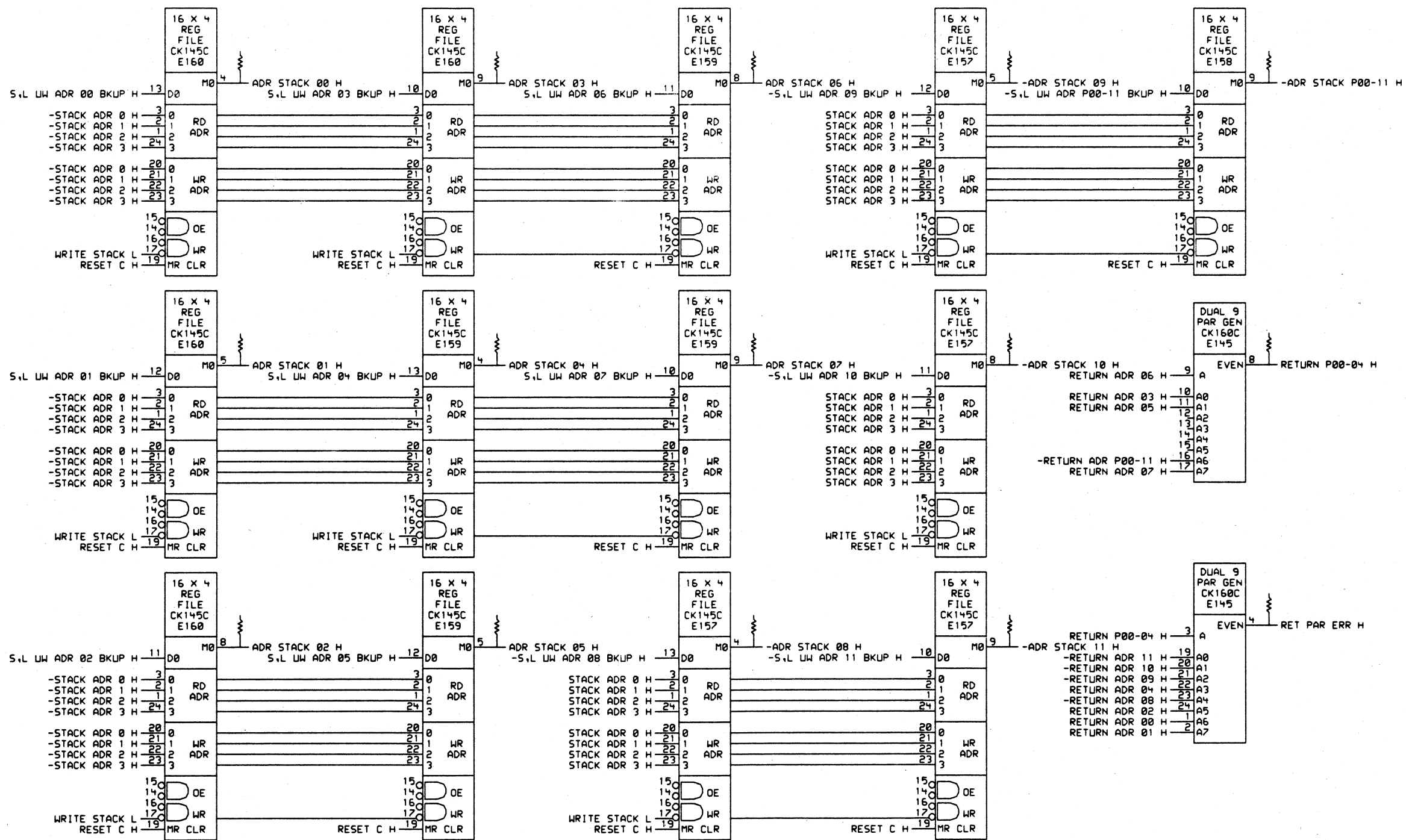


THIS DRAWING AND SPECIFICATIONS ARE THE PROPERTY OF DIGITAL EQUIPMENT CORPORATION AND SHALL NOT BE REPRODUCED OR COPIED OR USED IN WHOLE OR IN PART AS THE BASIS FOR THE MANUFACTURE OR SALE OF ITEMS WITHOUT WRITTEN PERMISSION. COPYRIGHT © 1983, DIGITAL EQUIPMENT CORPORATION.

REVISIONS	CHK	CHANGE NO.	REV

digital	DATE	ENG.	DATE	TITLE:
	26-JAN-83	J. Family		SLOW LATE ADDRESS ERROR
	DATE	BOARD LOCATION:	SHEET	OF
	125-JAN-83 12:30			
FIRST USED ON OPTION/MODEL:				SIZE CODE
				D CS
				NUMBER
				L0049-0-CRA7
				REV.





THIS DRAWING AND SPECIFICATIONS ARE THE PROPERTY OF DIGITAL EQUIPMENT CORPORATION AND SHALL NOT BE REPRODUCED OR COPIED OR USED IN WHOLE OR IN PART AS THE BASIS FOR THE MANUFACTURE OR SALE OF ITEMS WITHOUT WRITTEN PERMISSION. COPYRIGHT © 1983, DIGITAL EQUIPMENT CORPORATION.

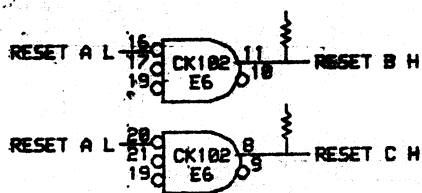
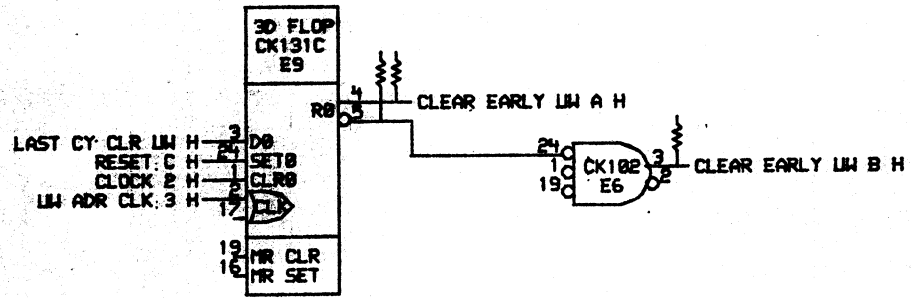
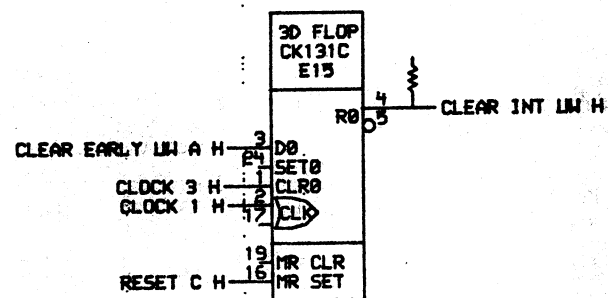
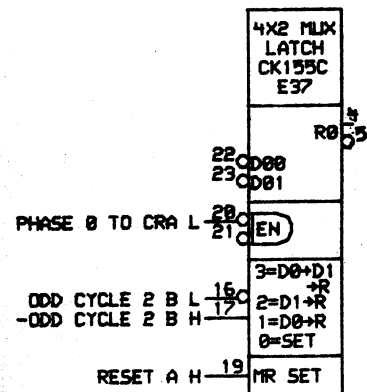
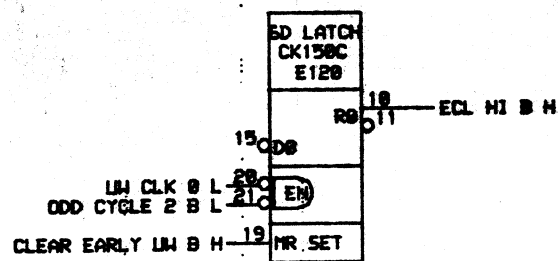
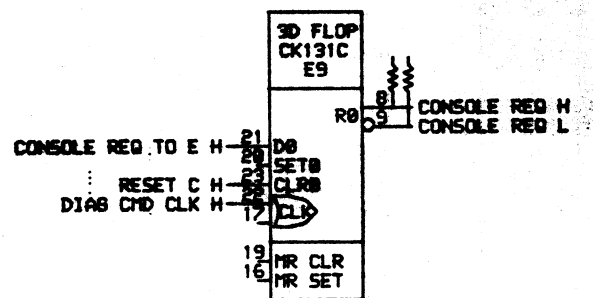
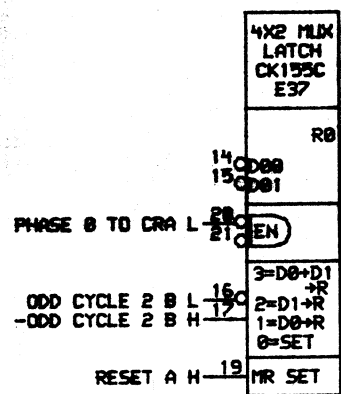
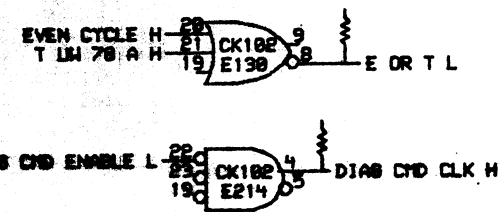
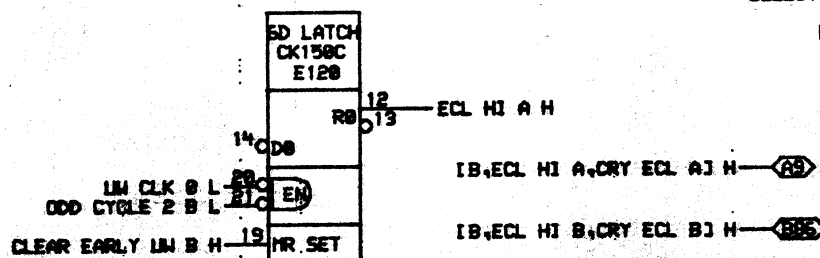
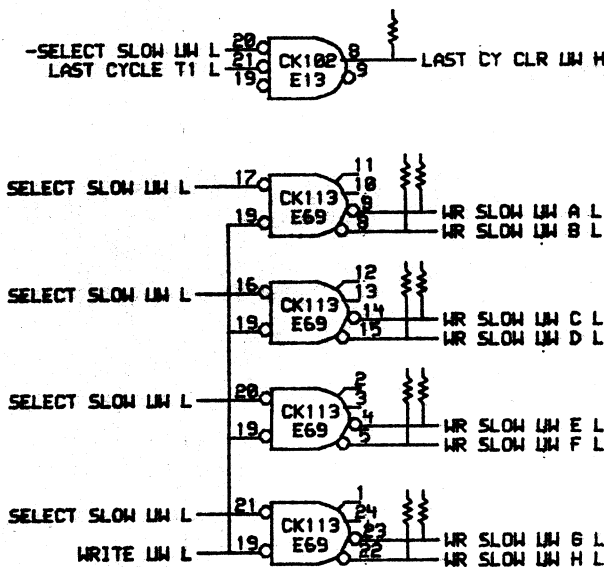
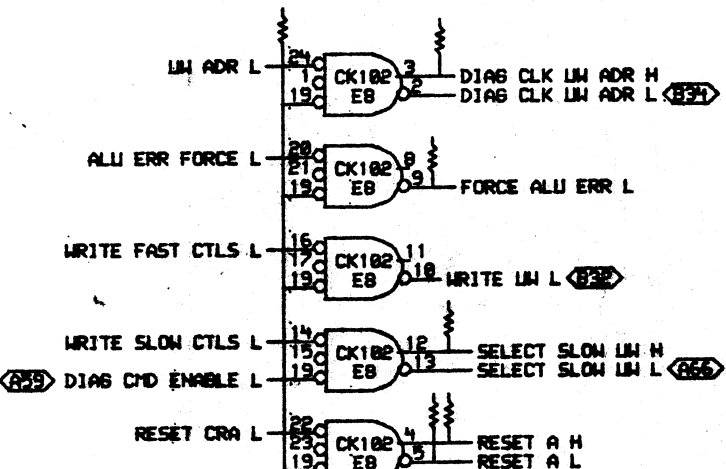
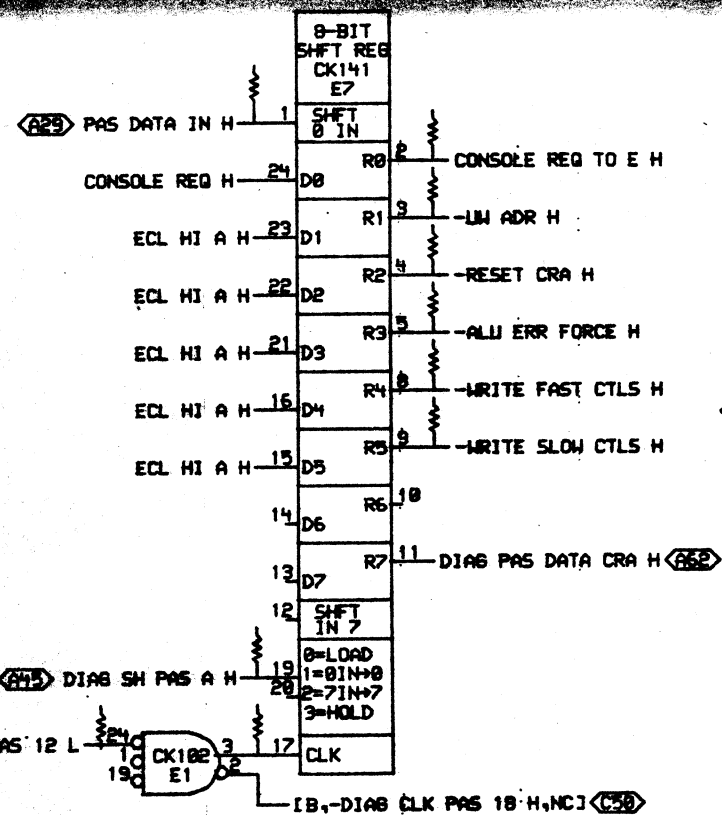
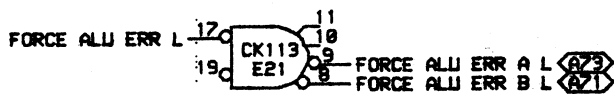
REVISIONS	
CHK	CHANGE NO. REV.

digital  
 DATE 26-JAN-83  
 DATE 25-JAN-83 09:17  
 FIRST USED ON OPTION/MODEL: 25-JAN-83 09:17

ENG. DATE  
 BOARD LOCATION: SHEET OF

TITLE: ADR STACK PAR CHK  
 NUMBER L0049-0-CRA9  
 SIZE CODE D CS  
 REV.





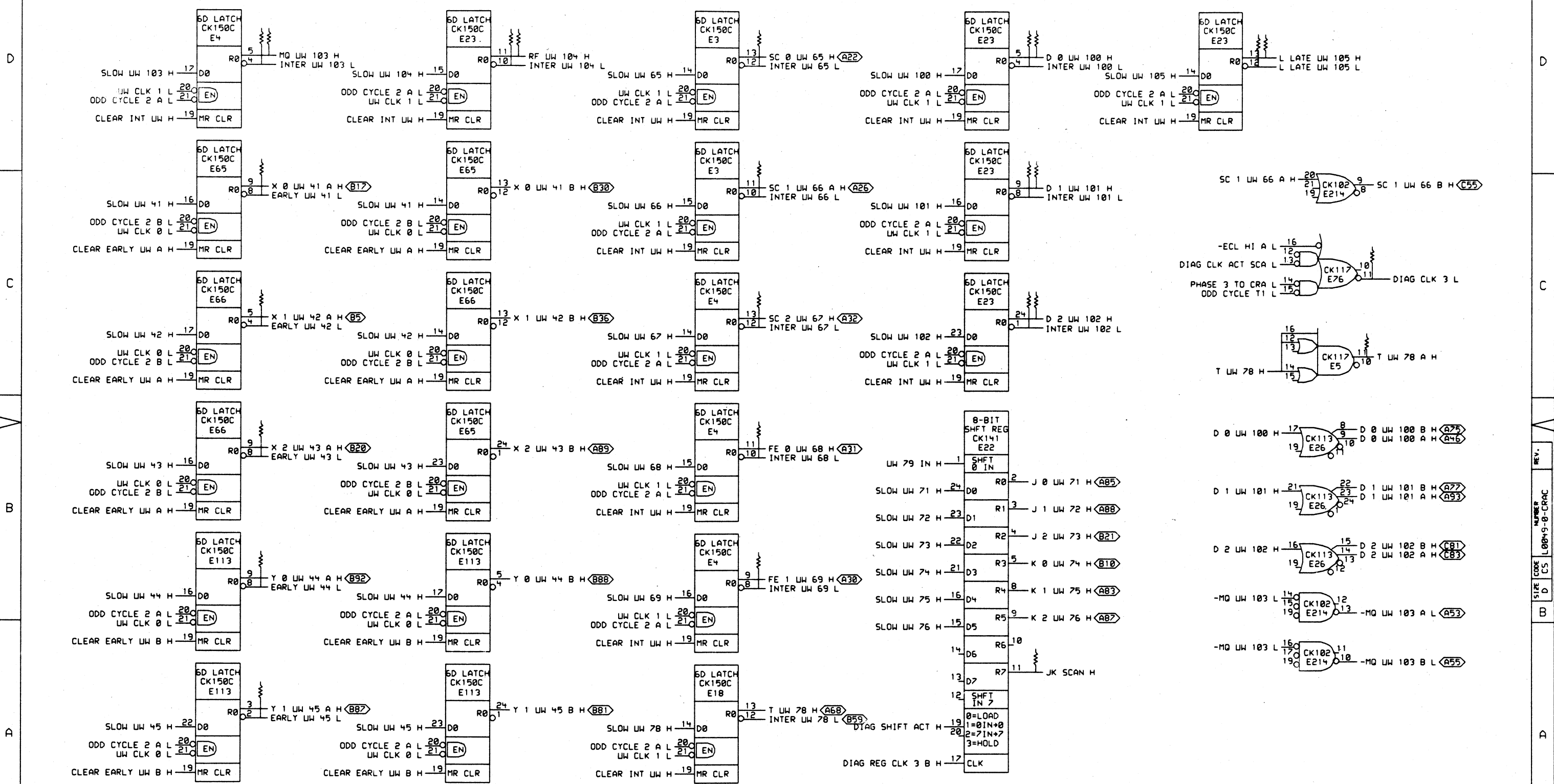
D  
C  
B  
A

THIS DRAWING AND SPECIFICATIONS ARE THE PROPERTY OF DIGITAL EQUIPMENT CORPORATION. IT IS TO BE USED ONLY FOR THE MANUFACTURE OF THE EQUIPMENT SPECIFIED HEREIN. IT IS NOT TO BE REPRODUCED OR TRANSMITTED IN ANY FORM OR BY ANY MEANS, ELECTRONIC OR MECHANICAL, INCLUDING PHOTOCOPYING, RECORDING, OR BY ANY INFORMATION STORAGE AND RETRIEVAL SYSTEM. WITHOUT WRITTEN PERMISSION, DIGITAL EQUIPMENT CORPORATION.

REVISIONS	DATE	ENG.	DATE	TITLE:
CHK CHANGE NO. REV	09-OCT-82	J. J. J.		MISC CLKS, CTLS & BUFFERING

digital	VLSI GROUP	DATE	ENG.	DATE	TITLE:
		01-OCT-82	J. J. J.		MISC CLKS, CTLS & BUFFERING
FIRST USED ON OPTION MODEL:		BOARD LOCATION	NUMBER	REV.	
		CS	L0049-0-CRAA		

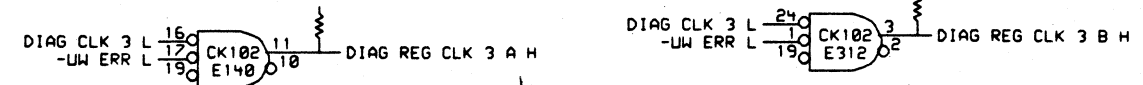
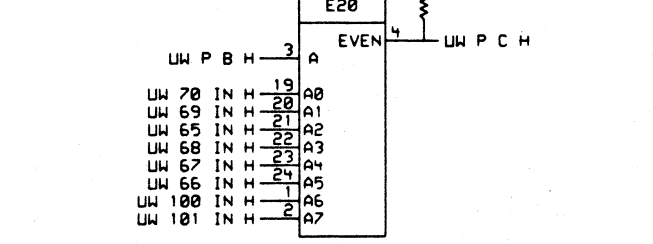
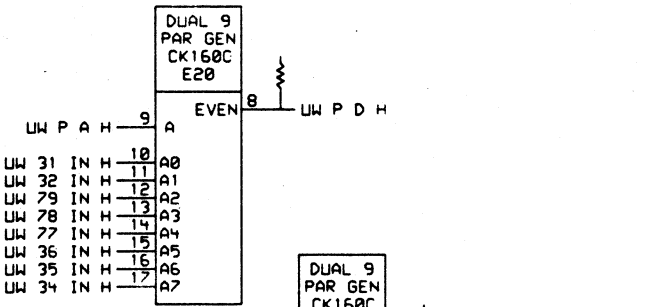
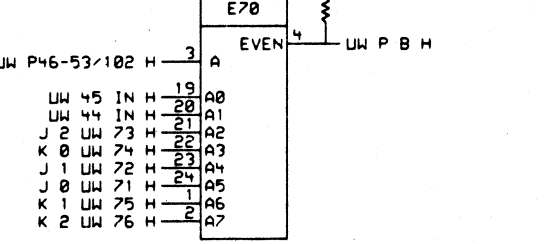
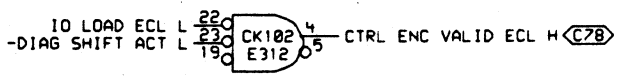
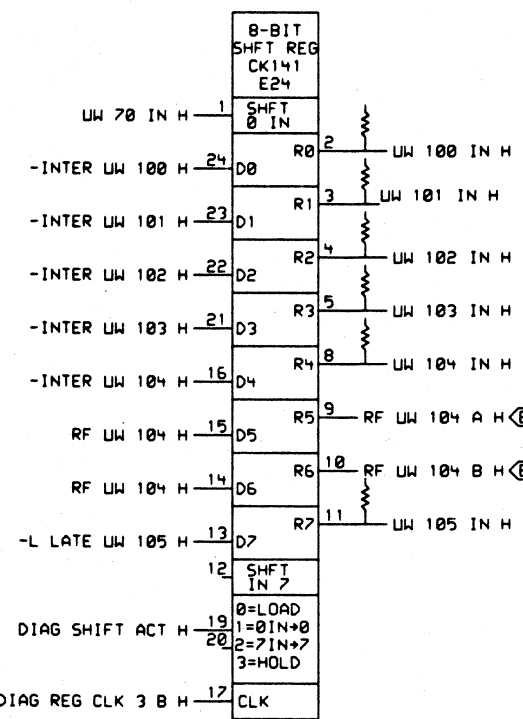
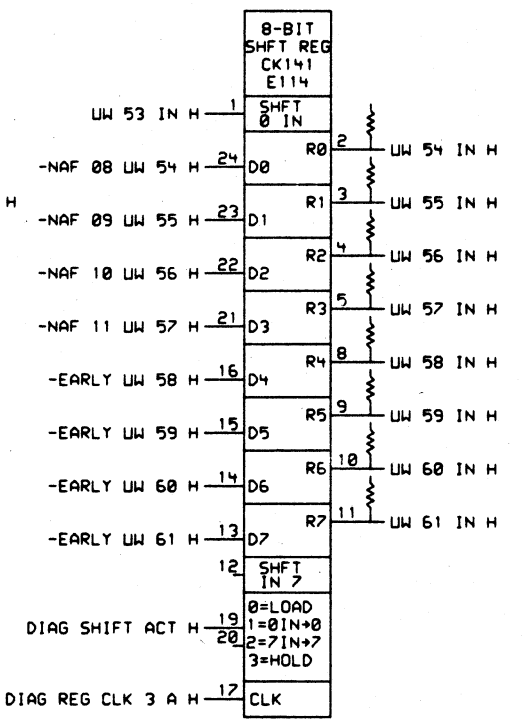
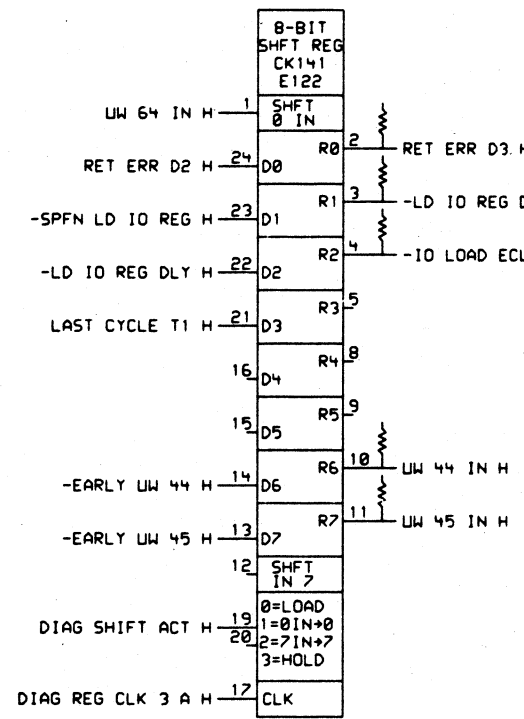
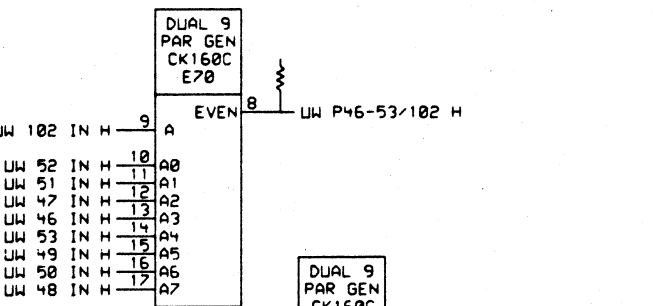
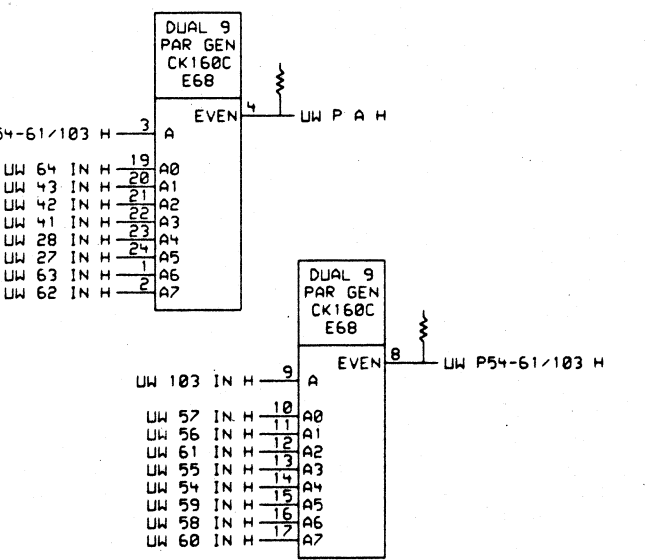
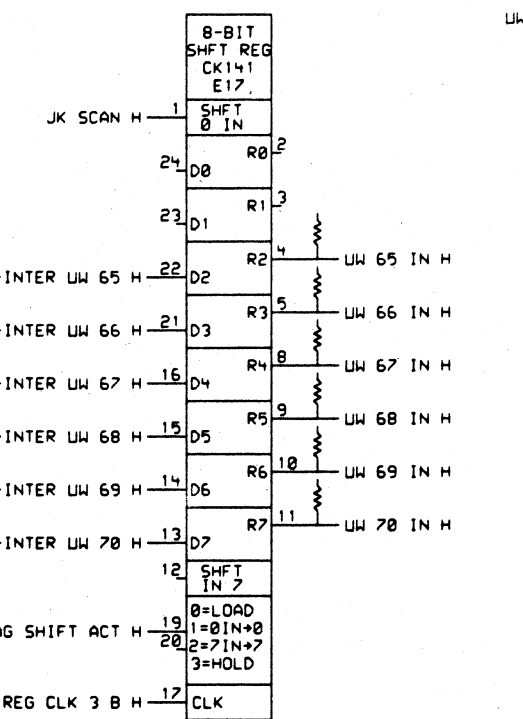
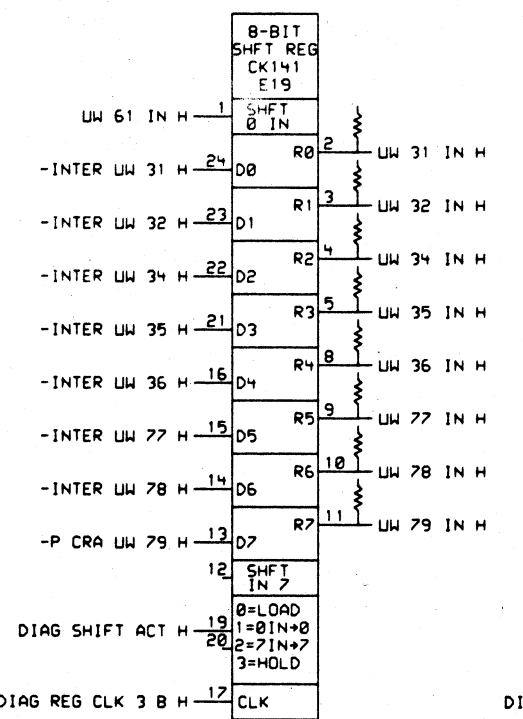
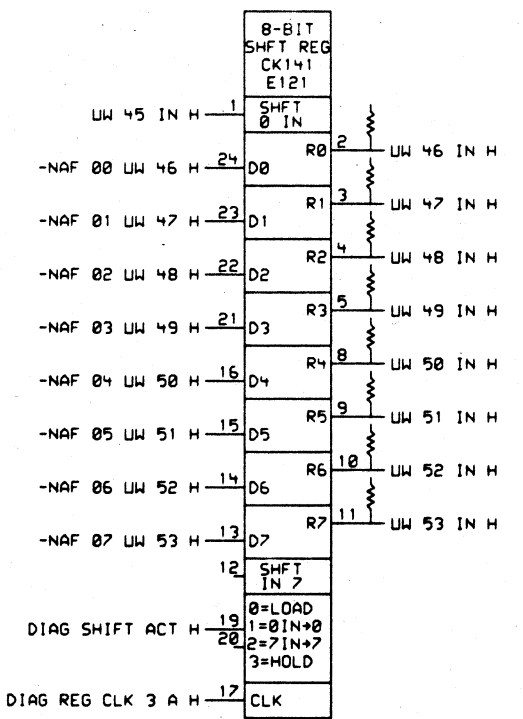
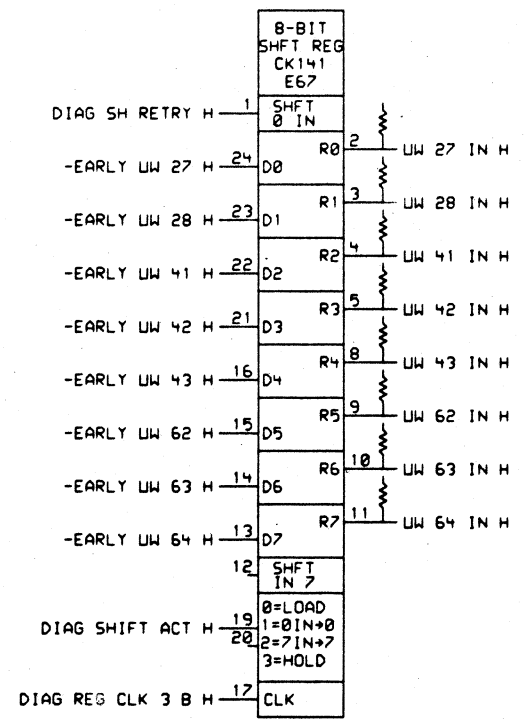




THIS DRAWING AND SPECIFICATIONS ARE THE PROPERTY OF DIGITAL EQUIPMENT CORPORATION AND SHALL NOT BE REPRODUCED OR COPIED OR USED IN WHOLE OR IN PART AS THE BASIS FOR THE MANUFACTURE OR SALE OF ITEMS WITHOUT WRITTEN PERMISSION. COPYRIGHT © 1983, DIGITAL EQUIPMENT CORPORATION.

REVISIONS		
CHK	CHANGE NO.	REV

digital	DATE	ENG.	DATE	TITLE:
	26-JAN-83			LATE CONTROLS
CHK'D.	DATE	BOARD LOCATION:	SHEET	19-23,25-7,40-7
VULCAN(2000.L0049)03CRAC.DRW	25-JAN-83 09:21	NEXT HIGHER ASSEMBLY:	SIZE	CODE
FIRST USED ON OPTION/MODEL:			D	CS
			NUMBER	REV.
			L0049-0-CRAC	



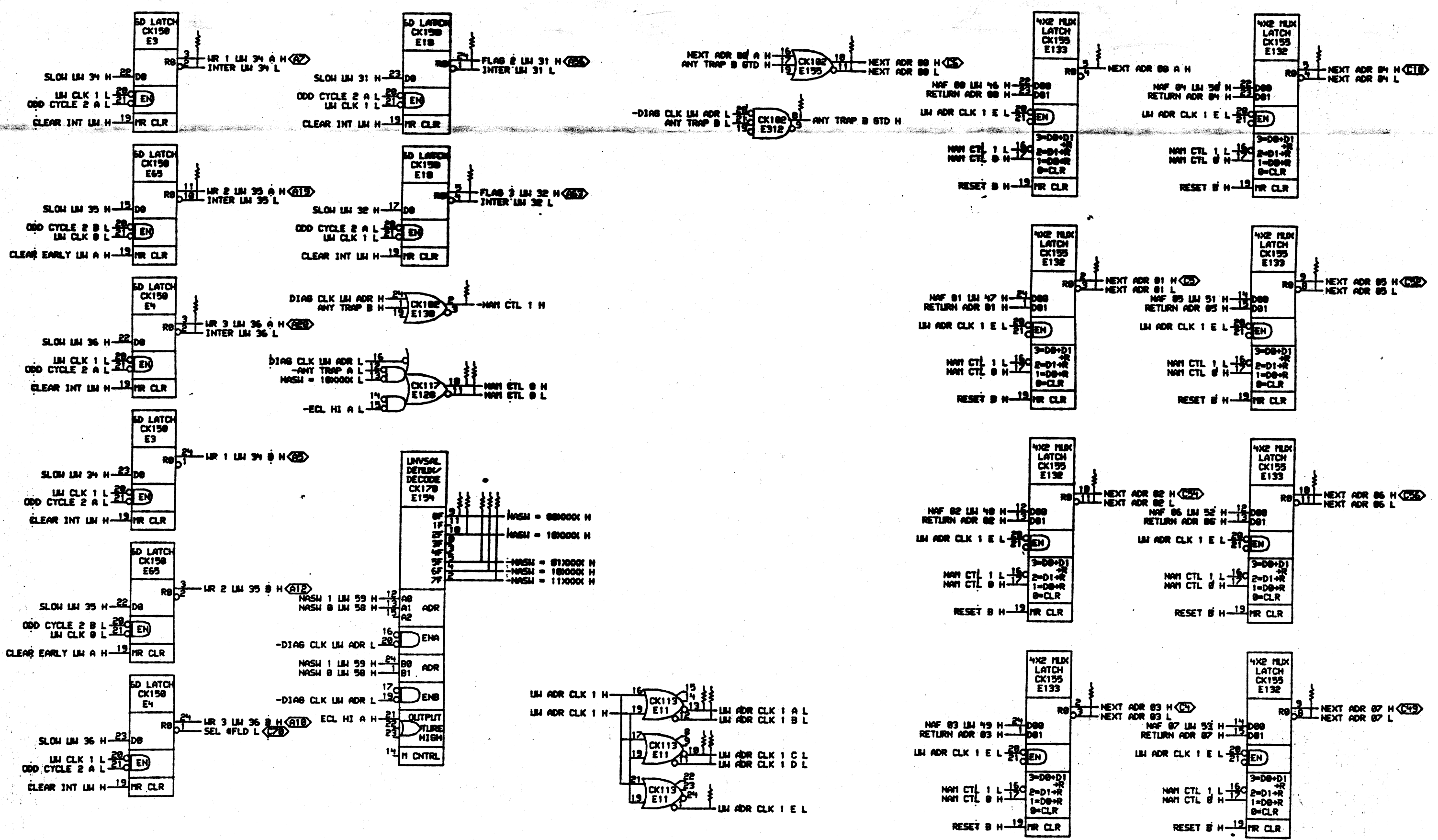
THIS DRAWING AND SPECIFICATIONS HEREIN ARE THE PROPERTY OF DIGITAL EQUIPMENT CORPORATION AND SHALL NOT BE REPRODUCED OR COPIED OR USED IN WHOLE OR IN PART AS THE BASIS FOR THE MANUFACTURE OR SALE OF ITEMS WITHOUT WRITTEN PERMISSION. COPYRIGHT © 1983, DIGITAL EQUIPMENT CORPORATION.

REVISIONS		
CHK	CHANGE NO.	REV

digital  
 VLSI CAN (2000 L0049-0-CRAD) DRW 25-JAN-83 13:03  
 FIRST USED ON OPTION/MODEL:

DATE 26-JAN-83  
 DATE  
 BOARD LOCATION: SHEET OF  
 NEXT HIGHER ASSEMBLY:

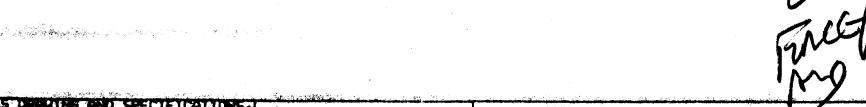
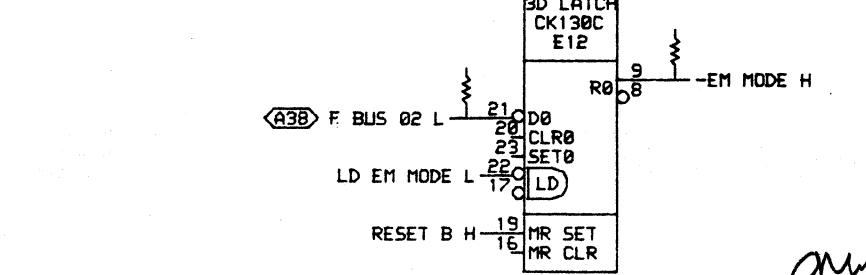
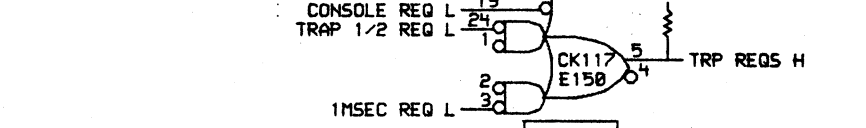
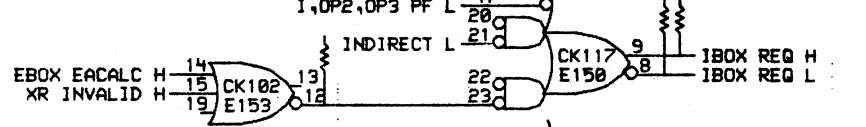
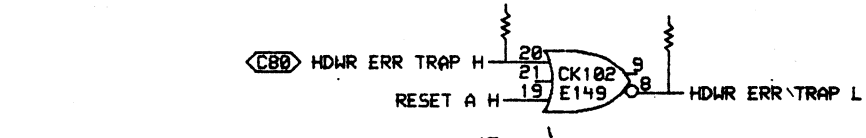
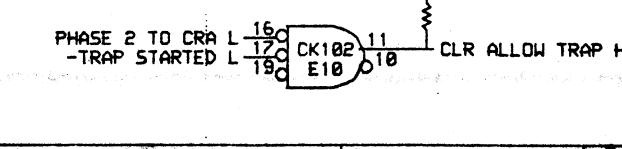
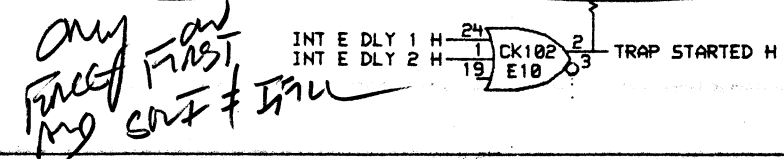
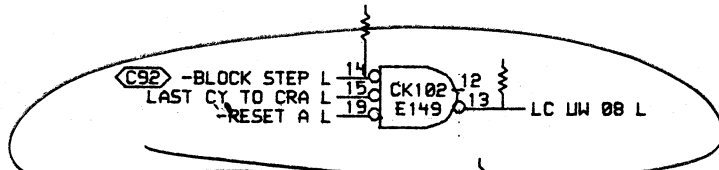
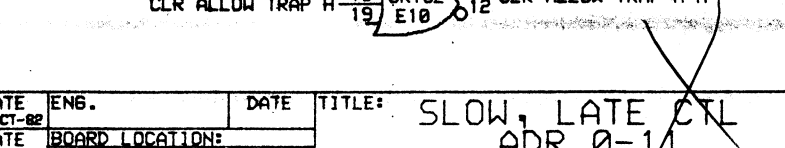
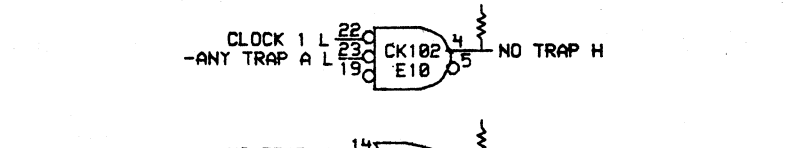
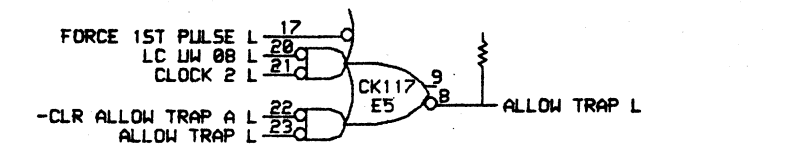
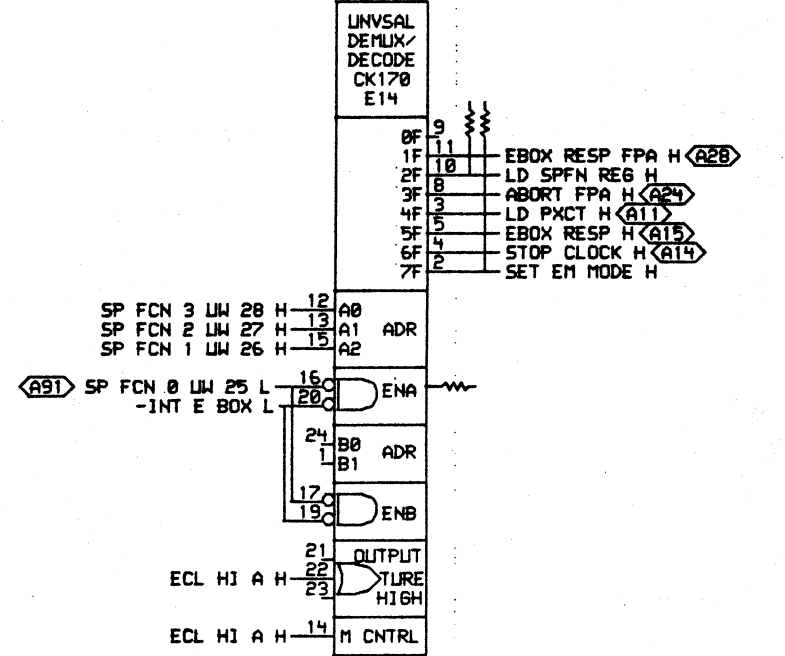
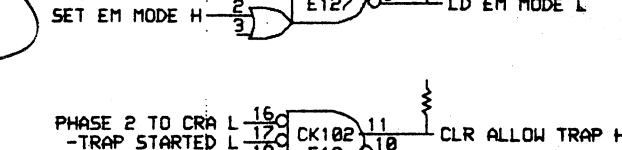
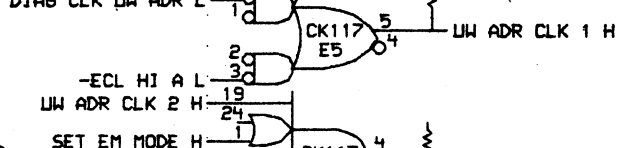
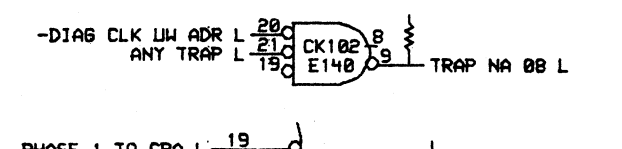
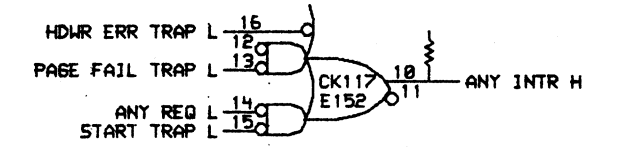
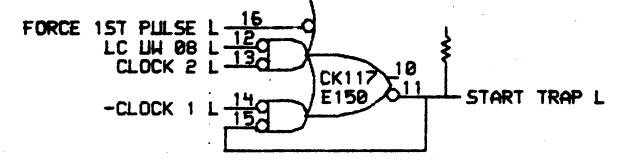
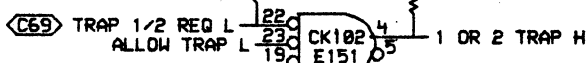
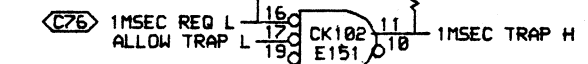
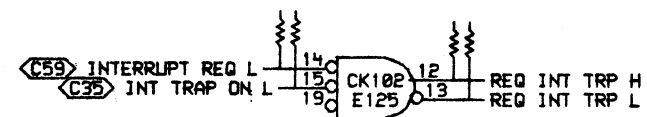
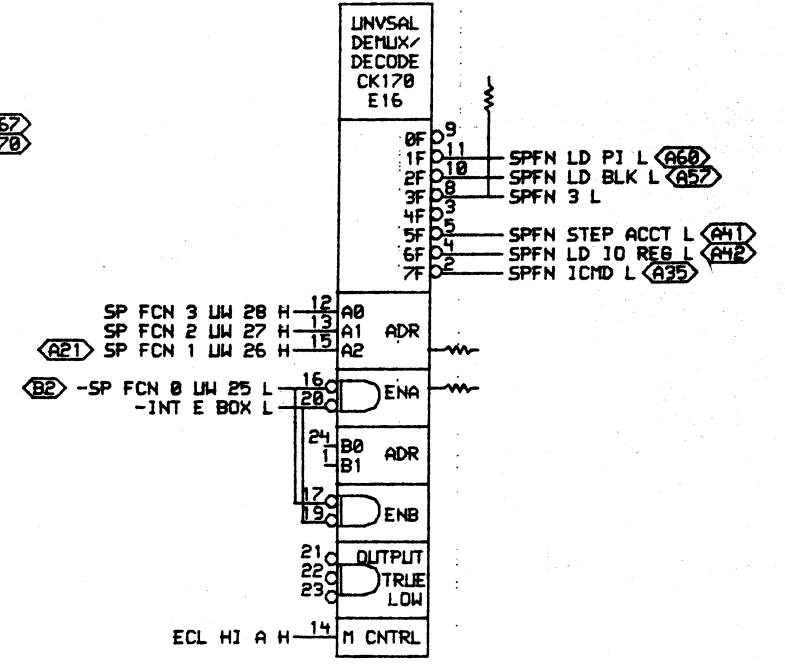
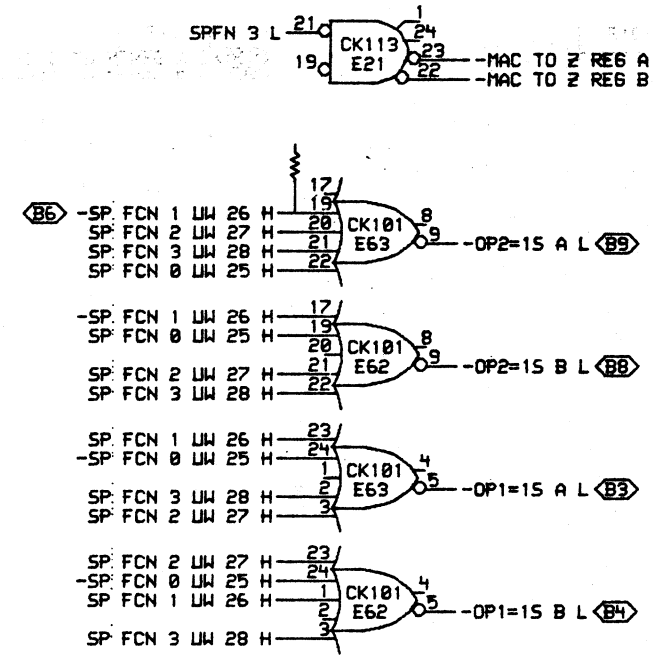
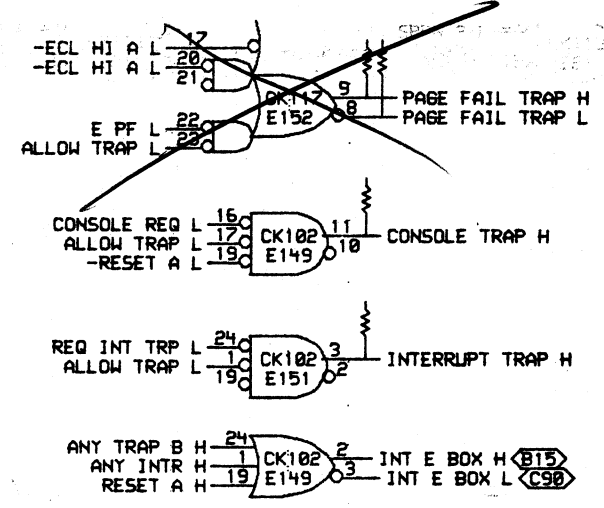
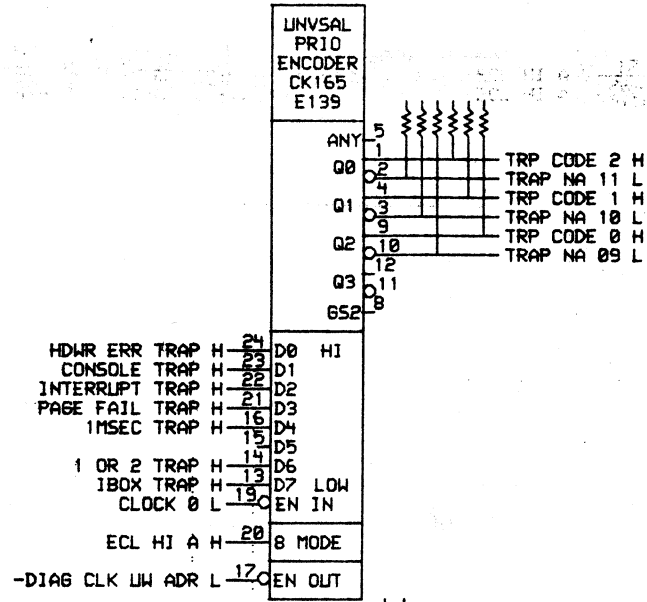
ENG. DATE TITLE: DIAG CONTROL REG 00-34, 39-47  
 SIZE CODE CS L0049-0-CRAD  
 NUMBER REV.



REVISIONS	
CHK	CHANGE NO. REV

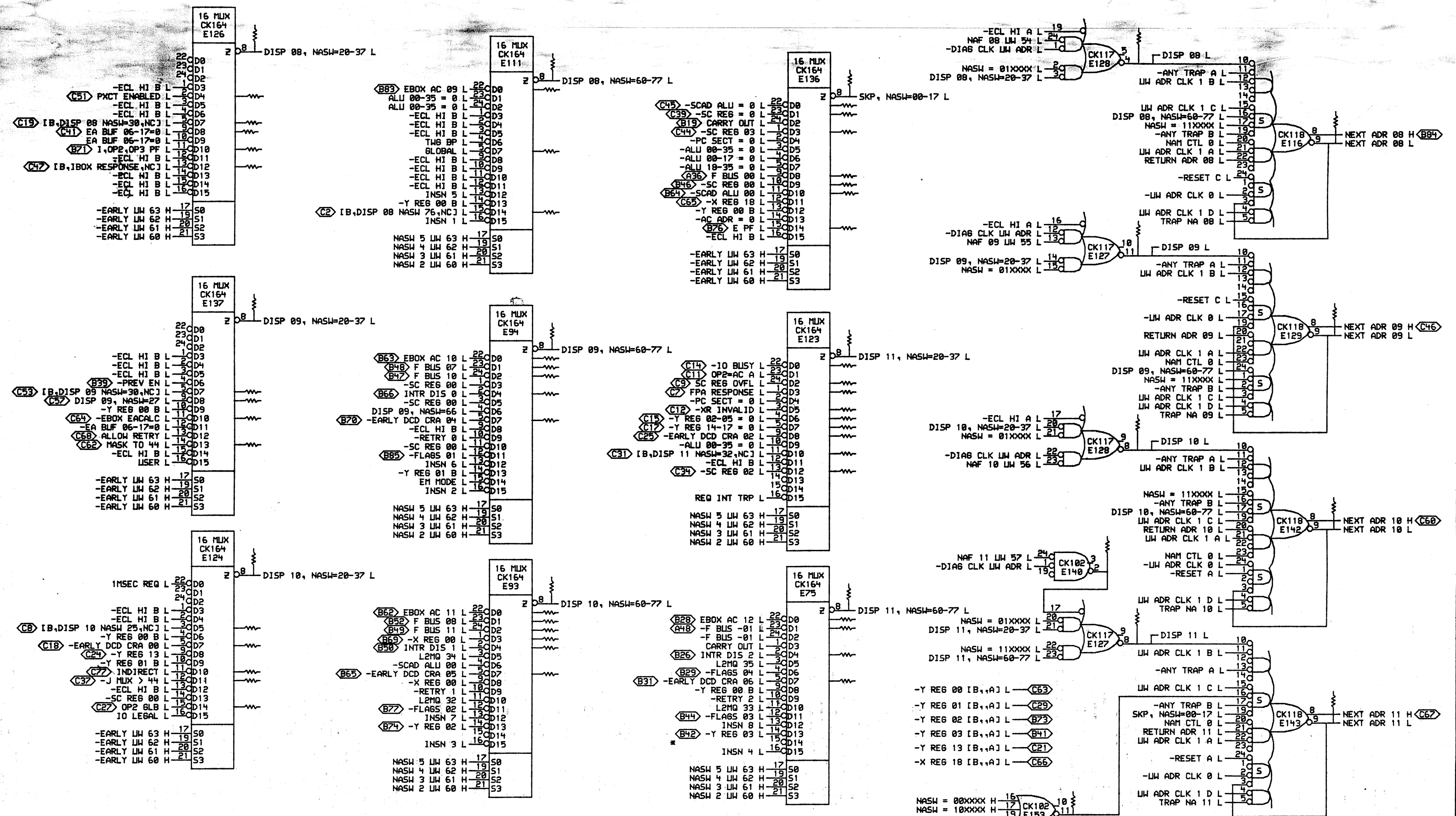
	DR. J. L. L...	DATE 12-11-68	ENG.	DATE	TITLE: INTER CONTROLS 76,77,80,81,83
	CK'D.	DATE	BOARD LOCATION	REV.	
FIRST USED ON OPTION MODEL: 116-JL-82 2048 NEXT HIGHER ASSEMBLY:					SIZE CODE NUMBER REV. D CS L0049-0-CRAE





*any trap first  
no conf # 1/11*



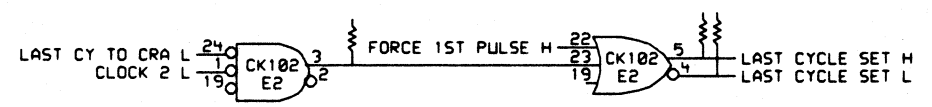
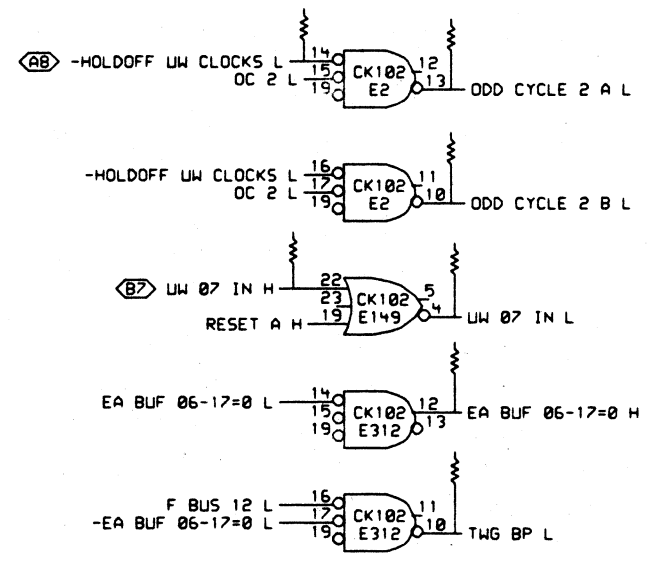
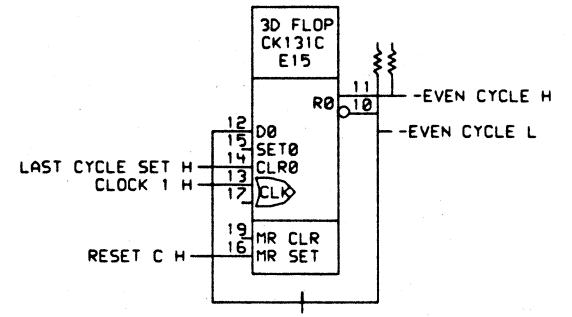
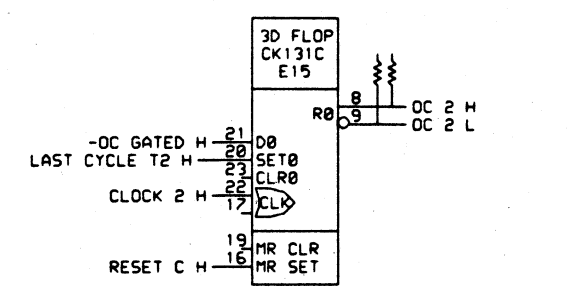
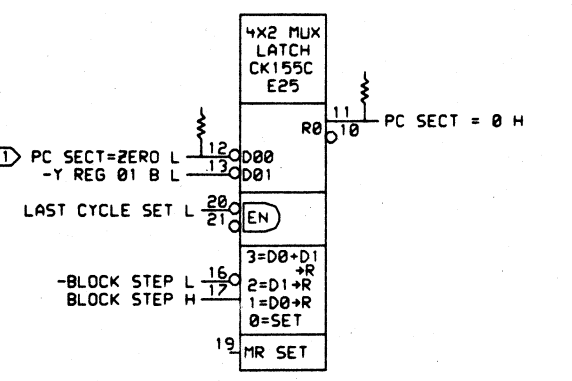
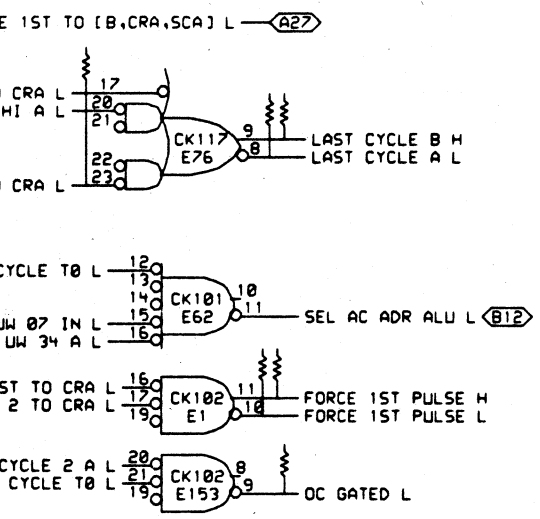
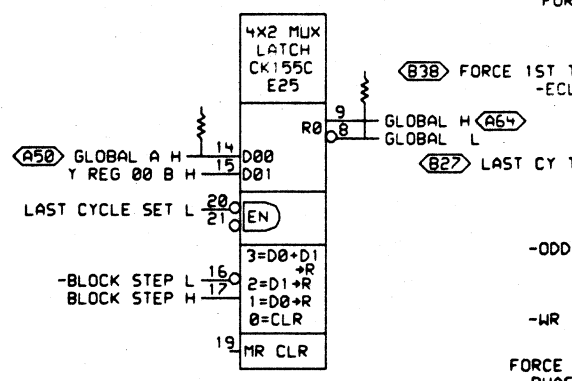
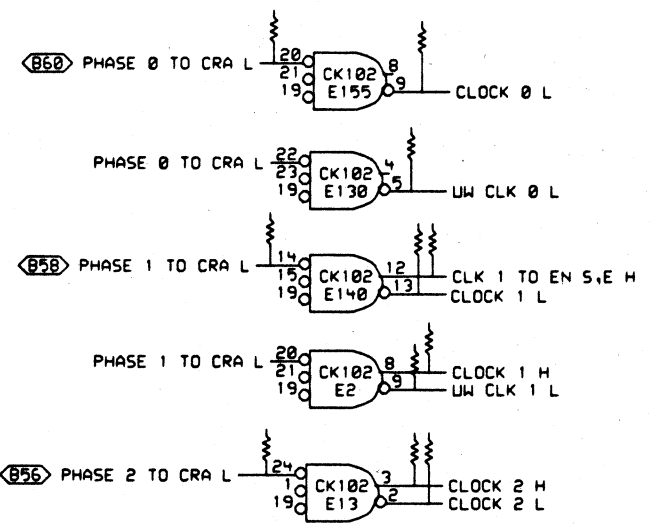
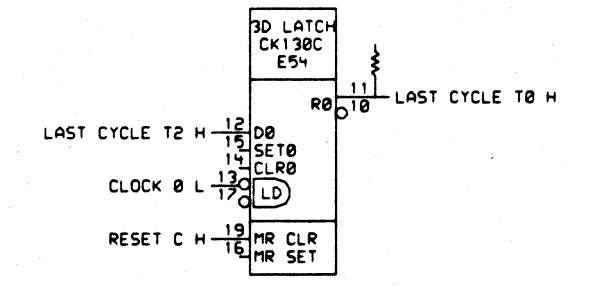
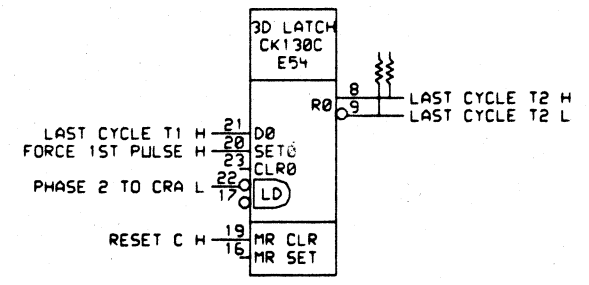
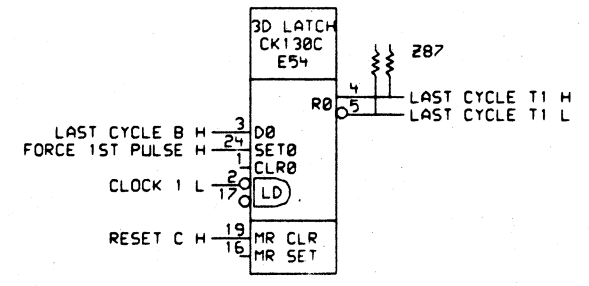
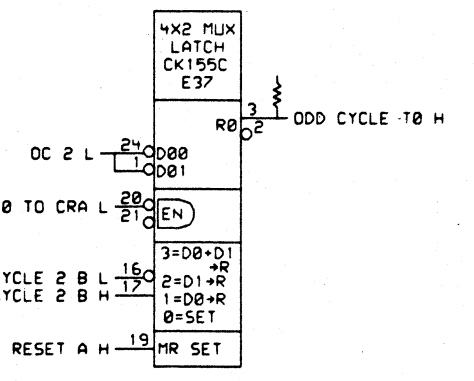
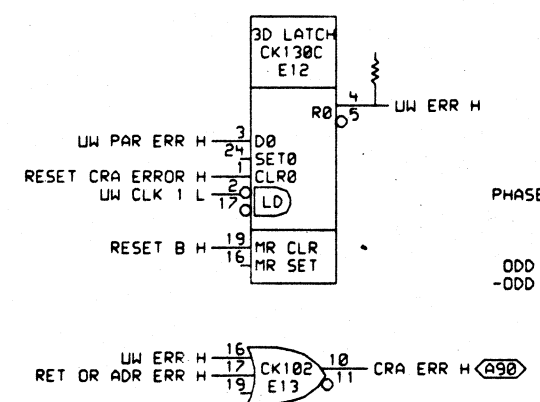
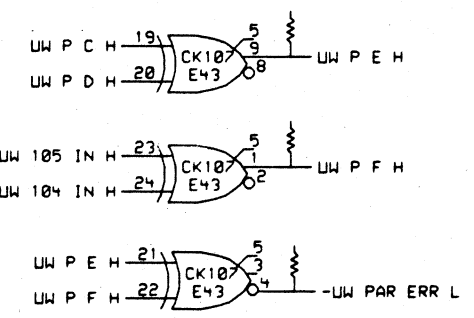


\*NOTE: STUBS HERE TERMINATE ON SCA.

PRINTS DRAWINGS AND SPECIFICATIONS ARE THE PROPERTY OF DIGITAL EQUIPMENT CORPORATION AND SHALL NOT BE REPRODUCED OR COPIED IN WHOLE OR IN PART AS THE BASIS FOR THE MANUFACTURE OR SALE OF ITEMS WITHOUT WRITTEN PERMISSION. COPYRIGHT © 1989, DIGITAL EQUIPMENT CORPORATION

REVISIONS	
CHK	CHANGE NO. REV

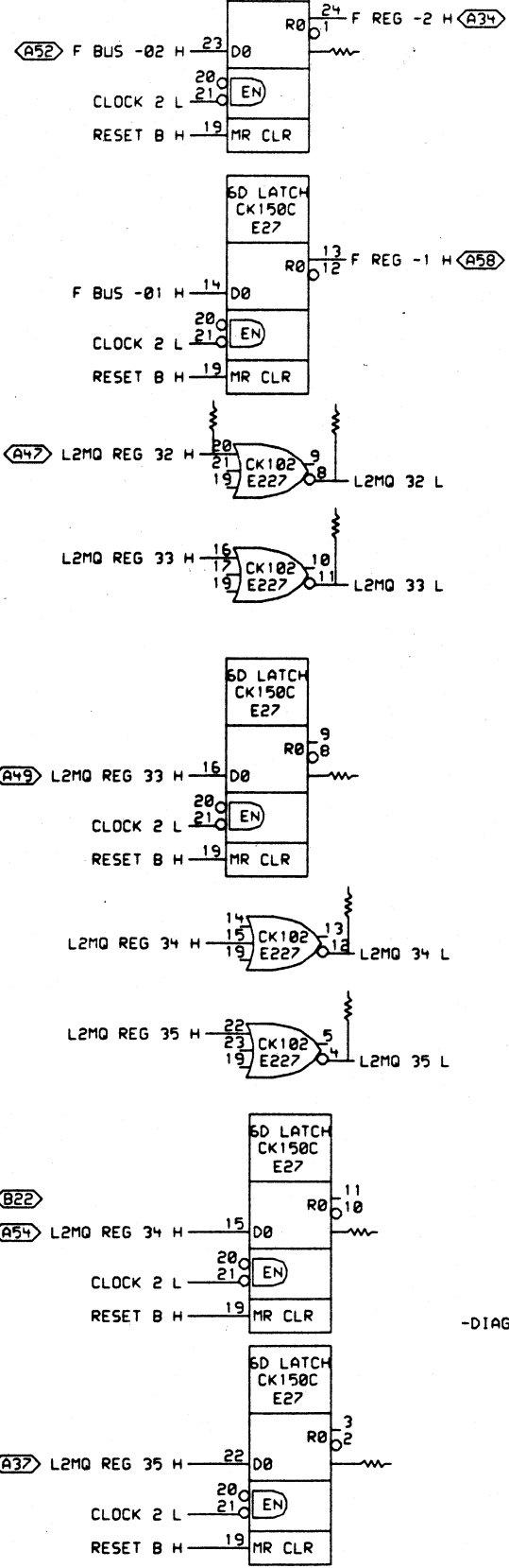
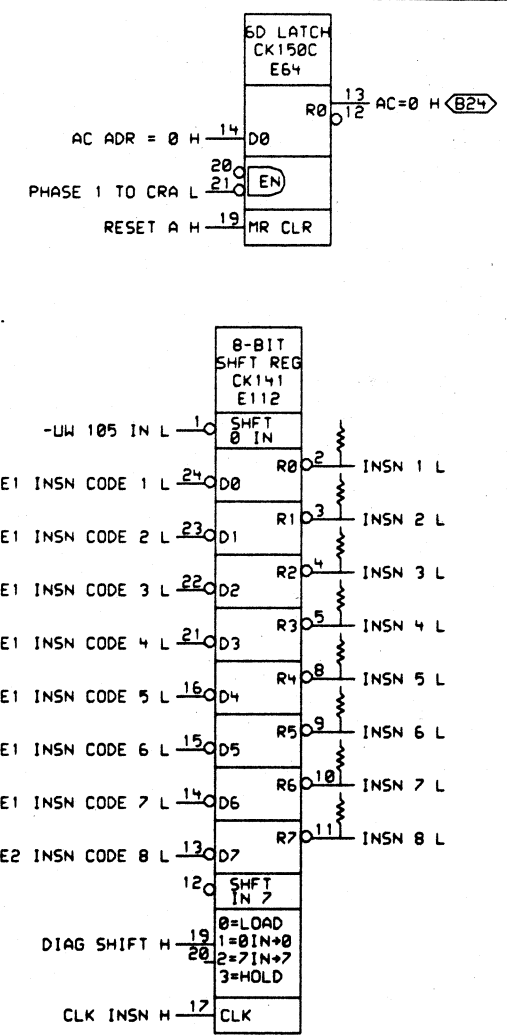
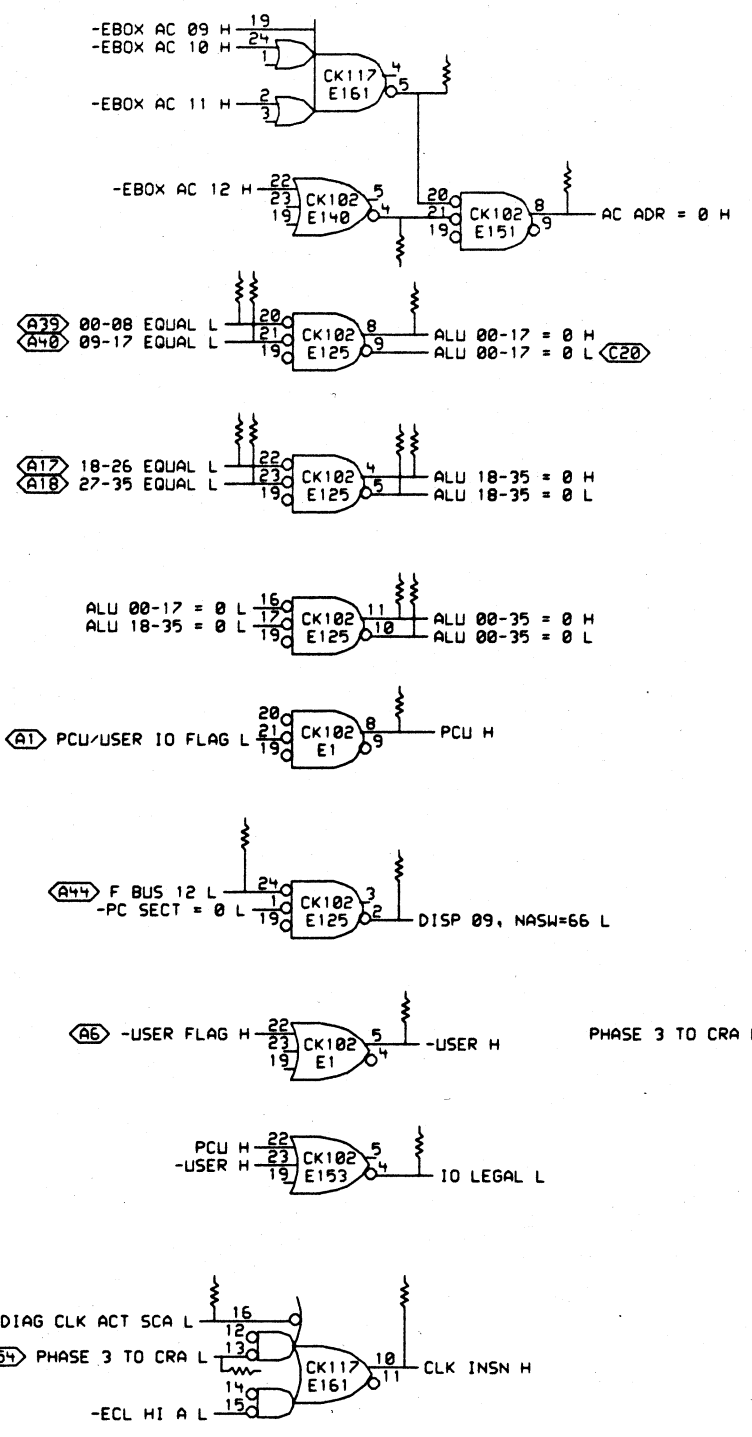
digital	DATE	ENG.	DATE	TITLE:
	06-JAN-89	J. J. J.		NEXT ADDRESS
	DATE	BOARD LOCATION:		00-11
		SHEET		
VIL-CAM-0800-LOG-981CRAG-DRW 05-JAN-83 09:05 NEXT HIGHER ASSEMBLY:				SIZE CODE
FIRST USED ON OPTION/MODEL:				D C5 L0049-0-CRAG

THIS DRAWING AND SPECIFICATIONS ARE THE PROPERTY OF DIGITAL EQUIPMENT CORPORATION AND SHALL NOT BE REPRODUCED OR COPIED OR USED IN WHOLE OR IN PART AS THE BASIS FOR THE MANUFACTURE OR SALE OF ITEMS WITHOUT WRITTEN PERMISSION. COPYRIGHT © 1983. DIGITAL EQUIPMENT CORPORATION.

REVISIONS	CHK	CHANGE NO.	REV

digital	DATE	ENG.	DATE	TITLE:
	25-JAN-83	J. Jansky		MISC CLOCKS, ERRORS, CTL'S
	DATE	BOARD LOCATION:	SHEET	OF
	25-JAN-83 10:36			
FIRST USED ON OPTION/MODEL:	NEXT HIGHER ASSEMBLY:	SIZE CODE	NUMBER	REV.
		D CS	L0049-0-CRAH	

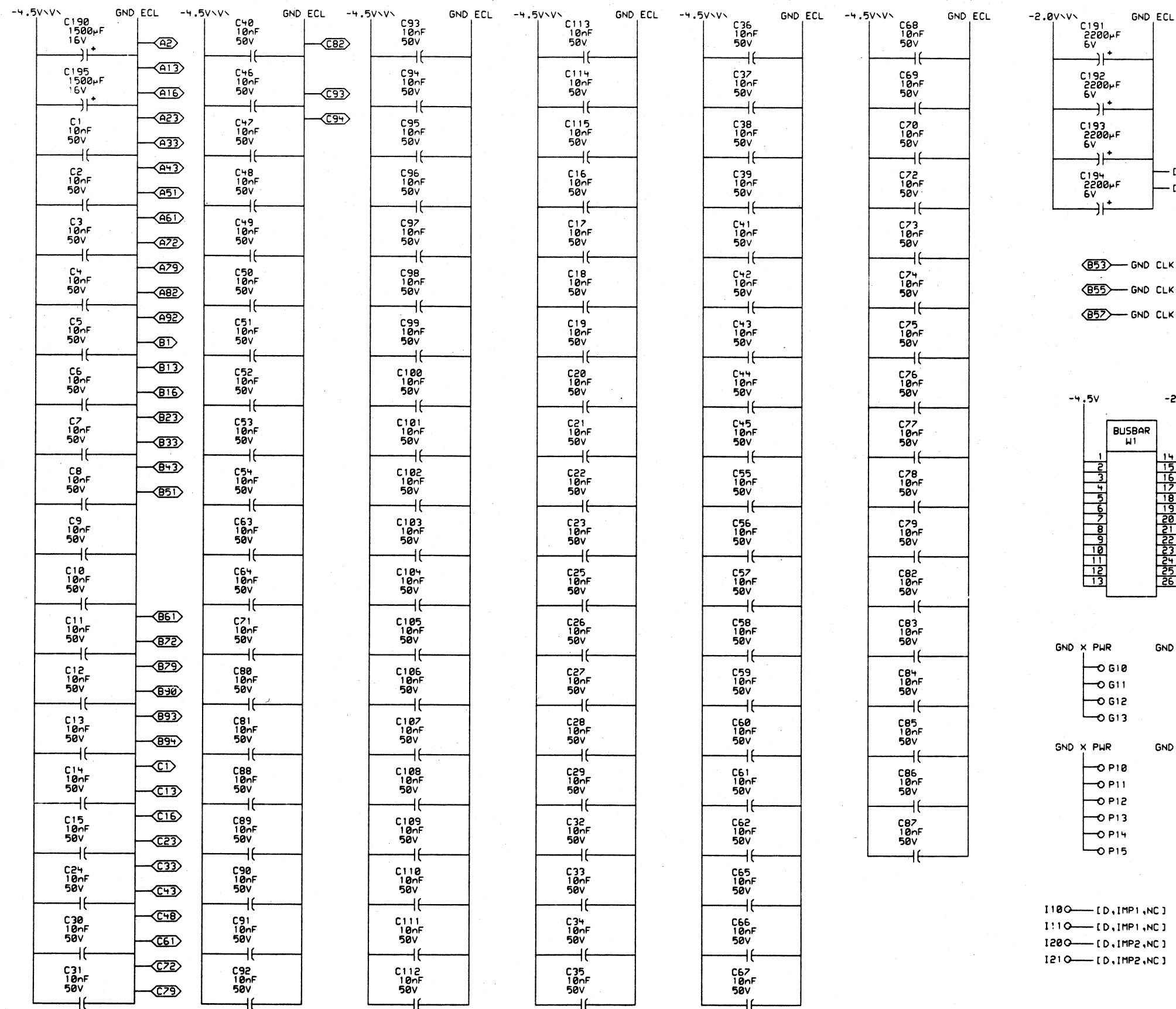


[B,CARRY OUT,CRY OUT] L B48  
 [B,EBOX STEP A,EBOX STEP B] H C88

THIS DRAWING AND SPECIFICATIONS ARE THE PROPERTY OF DIGITAL EQUIPMENT CORPORATION AND SHALL NOT BE REPRODUCED OR COPIED OR USED IN WHOLE OR IN PART AS THE BASIS FOR THE MANUFACTURE OR SALE OF ITEMS WITHOUT WRITTEN PERMISSION. COPYRIGHT © 1983, DIGITAL EQUIPMENT CORPORATION.

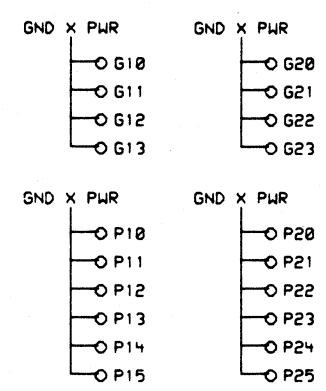
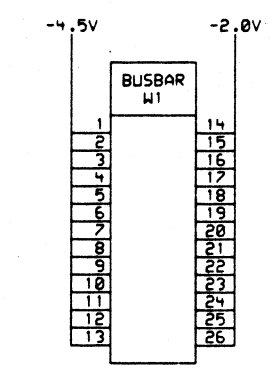
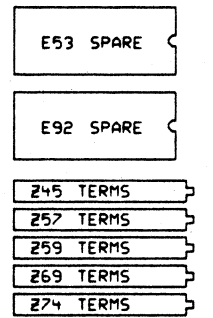
REVISIONS		
CHK	CHANGE NO.	REV

digital	DATE	ENG.	DATE	TITLE:
	26-JAN-83			
CHK'D.	DATE	BOARD LOCATION:	SHEET	OF
	25-JAN-83 10:01	NEXT HIGHER ASSEMBLY:	SIZE CODE	NUMBER
FIRST USED ON OPTION/MODEL:			D CS L0049-0-CRAI	REV.



- (A69) NC A69
- (A78) NC A78
- (B89) NC B89
- (C73) NC C73
- (C74) NC C74
- (C75) NC C75
- (C85) NC C85
- (C86) NC C86
- (C87) NC C87
- (C91) NC C91
- (C89) [B,GND ECL,NC]

NOTE: E53 AND E92 ARE 18 PIN SLOTS



- I180 [D,IMP1,NC]
- I110 [D,IMP1,NC]
- I200 [D,IMP2,NC]
- I210 [D,IMP2,NC]

THIS DRAWING AND SPECIFICATIONS ARE THE PROPERTY OF DIGITAL EQUIPMENT CORPORATION AND SHALL NOT BE REPRODUCED OR COPIED OR USED IN WHOLE OR IN PART AS THE BASIS FOR THE MANUFACTURE OR SALE OF ITEMS WITHOUT WRITTEN PERMISSION. COPYRIGHT © 1983. DIGITAL EQUIPMENT CORPORATION


REVISIONS		
CHK	CHANGE NO.	REV

	DATE: 08-FEB-83	ENG.:	DATE:	TITLE: POWER & GROUND CAPS
	CHK'D: J. J. J.	BOARD LOCATION:	SHEET: 1 OF 1	
FIRST USED ON OPTION/MODEL: 2080		NEXT HIGHER ASSEMBLY: B-DD-L0046-0		SIZE CODE: D CS
NUMBER: L0049-0-CRAJ			REV.:	0

PROTOJ:<2080.L0047.REVD>3DSHL1  
 PROTOJ:<2080.L0047.REVD>3DSHL2  
 PROTOJ:<2080.L0047.REVD>3DSHL3  
 PROTOJ:<2080.L0047.REVD>3DSHL4  
 PROTOJ:<2080.L0047.REVD>3DSHL5  
 PROTOJ:<2080.L0047.REVD>3DSHL6  
 PROTOJ:<2080.L0047.REVD>8DSHL7  
 PROTOJ:<2080.L0047.REVD>3DSHL8  
 PROTOJ:<2080.L0047.REVD>5DSHL9  
 PROTOJ:<2080.L0047.REVD>3DSHLA  
 PROTOJ:<2080.L0047.REVD>3DSHLB  
 PROTOJ:<2080.L0047.REVD>3DSHLC  
 PROTOJ:<2080.L0047.REVD>3DSHLD  
 PROTOJ:<2080.L0047.REVD>3DSHLE  
 PROTOJ:<2080.L0047.REVD>3DSHLF  
 PROTOJ:<2080.L0047.REVD>15DSHLG  
 PROTOJ:<2080.L0047.REVD>3DSHLH  
 PROTOJ:<2080.L0047.REVD>15DSHLI  
 PROTOJ:<2080.L0047.REVD>17DSHLJ  
 PROTOJ:<2080.L0047.REVD>10DSHLK  
 PROTOJ:<2080.L0047.REVD>18DSHLL  
 PROTOJ:<2080.L0047.REVD>19DSHLM

THIS DRAWING AND SPECIFICATIONS  
HEREIN ARE THE PROPERTY OF  
DIGITAL EQUIPMENT CORPORATION AND  
SHALL NOT BE REPRODUCED OR COPIED  
OR USED IN WHOLE OR IN PART AS  
THE BASIS FOR THE MANUFACTURE OR  
SALE OF ITEMS WITHOUT WRITTEN  
PERMISSION. COPYRIGHT © 1983,  
DIGITAL EQUIPMENT CORPORATION.

REVISIONS		
CHK	CHANGE NO.	REV

	DRN: <i>S. J. J.</i>	DATE: 02-FEB-83	ENG:	DATE:	TITLE:
	CHK'D:	DATE:	BOARD LOCATION:	DATE:	
ARCH: (LIMLER.PLOTS)\DASH.DPL.1			02-FEB-83 03:07	NEXT HIGHER ASSEMBLY:	SIZE: D SP
FIRST USED ON OPTION/MODEL:					NUMBER:      REV.:

REV. A  
NUMBER  
SIZE CODE



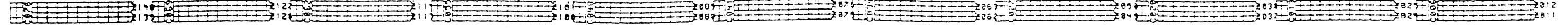
E145	E132	E119	E106	E095	E081	E067	E053	E041	E027	E013
E144	E131	E118	E105	E094	E080	E066	E052	E040	E026	E012
E143	E130	E117	E104	E093	E079	E065	E051	E039	E025	E011
E142	E129	E116	E103	E092	E078	E064	E050	E038	E024	E010
E141	E128	E115	E102	E091	E077	E063	E050	E037	E023	E010
E140	E127	E114	E101	E090	E076	E062	E049	E036	E022	E009
E139	E126	E113	E100	E089	E075	E061	E048	E035	E021	E008
E138	E125	E112	E099	E088	E074	E060	E047	E034	E020	E007
E137	E124	E111	E098	E087	E073	E059	E046	E033	E019	E006
E136	E123	E110	E097	E086	E072	E058	E045	E032	E018	E005
E135	E122	E109	E096	E085	E071	E057	E044	E031	E017	E004
E134	E121	E108	E095	E084	E070	E056	E043	E030	E016	E003
+ C095 +		+ C094 +		+ C093 +		+ C092 +		+ C091 +		+ C090 +
E135	E122	E109	E096	E083	E069	E055	E042	E029	E015	E002
E134	E121	E108	E095	E082	E068	E054	E028	E014	E001	

SHL/SFR



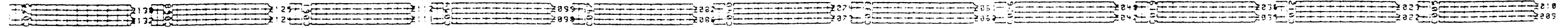
E141 E128 E115 E102 E090 E077 E064 E051 E039 E026 E013

E140 E127 E114 E101 E089 E076 E063 E050 E038 E025 E012



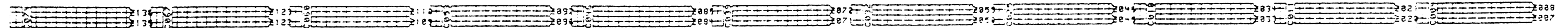
E139 E126 E113 E100 E088 E075 E062 E049 E037 E024 E011

E138 E125 E112 E099 E087 E074 E061 E048 E036 E023 E010



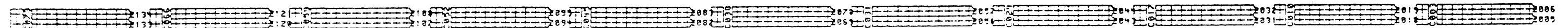
E137 E124 E111 E098 E086 E073 E060 E047 E035 E022 E009

E136 E123 E110 E097 E085 E072 E059 E046 E034 E021 E008



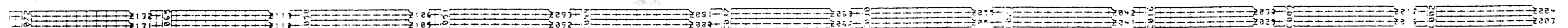
E135 E122 E109 E096 E084 E071 E058 E045 E033 E020 E007

E134 E121 E108 E095 E083 E070 E057 E044 E032 E019 E006



E133 E120 E107 E094 E082 E069 E056 E043 E031 E018 E005

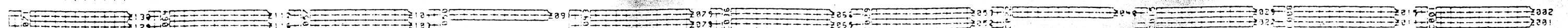
E132 E119 E106 E093 E081 E068 E055 E042 E030 E017 E004



E131 E118 E105 E092 E080 E067 E054 E041 E029 E016 E003

+ C095 + + C094 + + C093 + + C092 + + C091 + + C090 +

E130 E117 E104 E091 E079 E066 E053 E040 E028 E015 E002

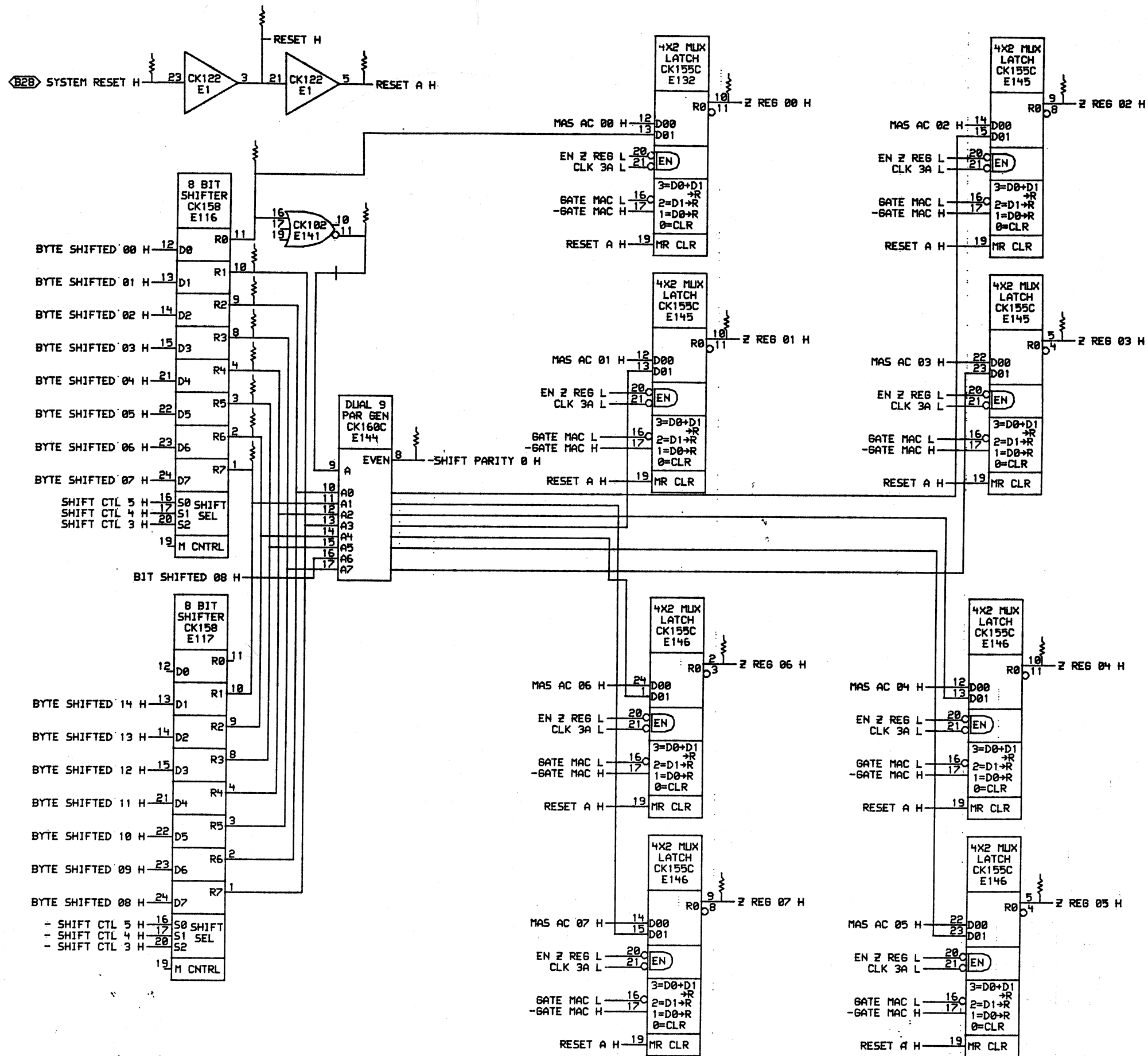


E129 E116 E103 E090 E078 E065 E052 E039 E027 E014 E001

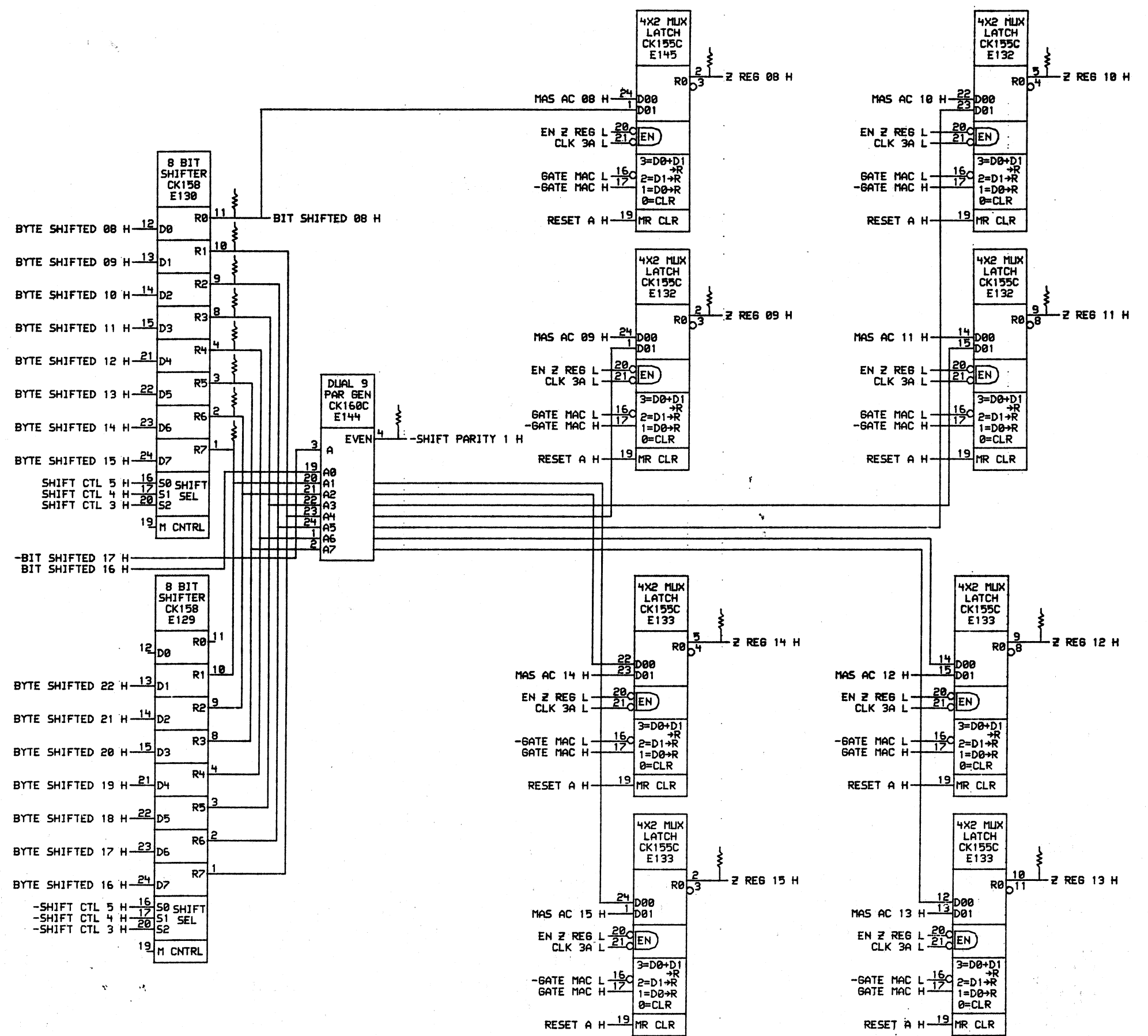
SHL





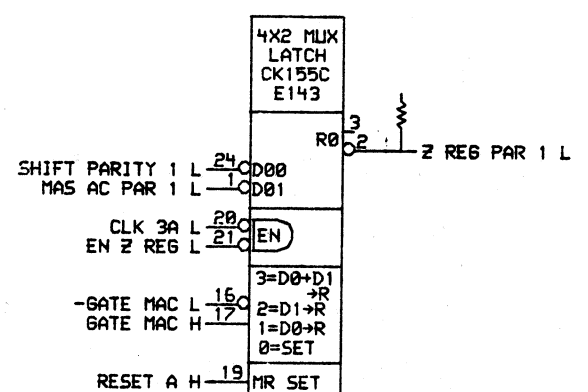
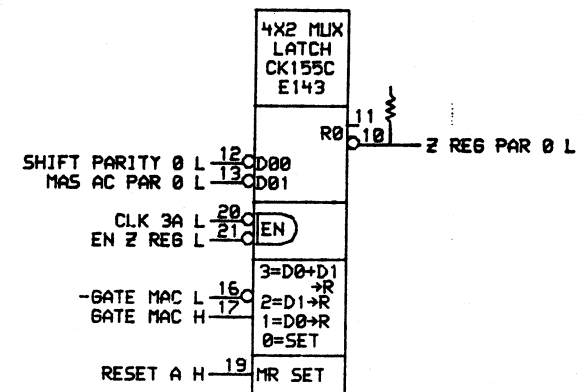
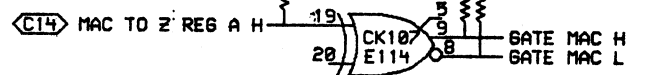
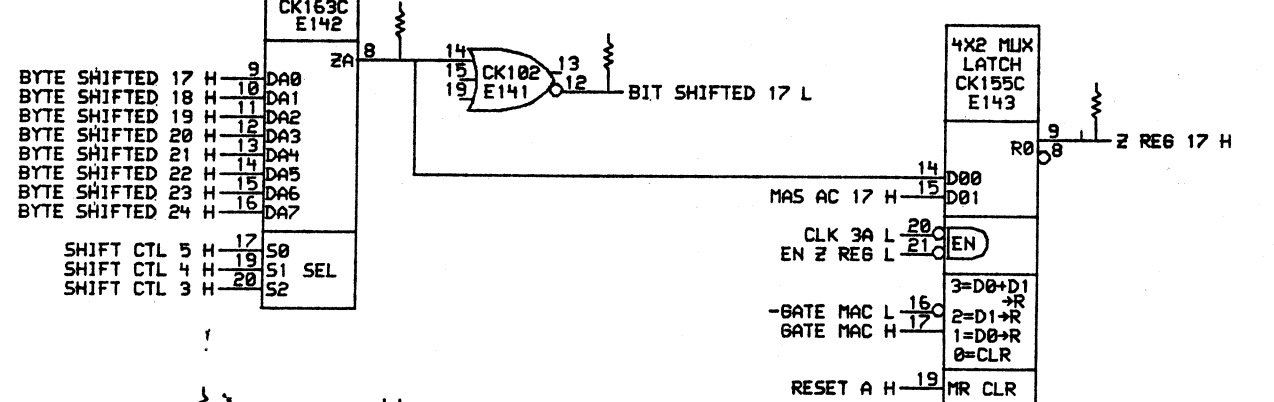
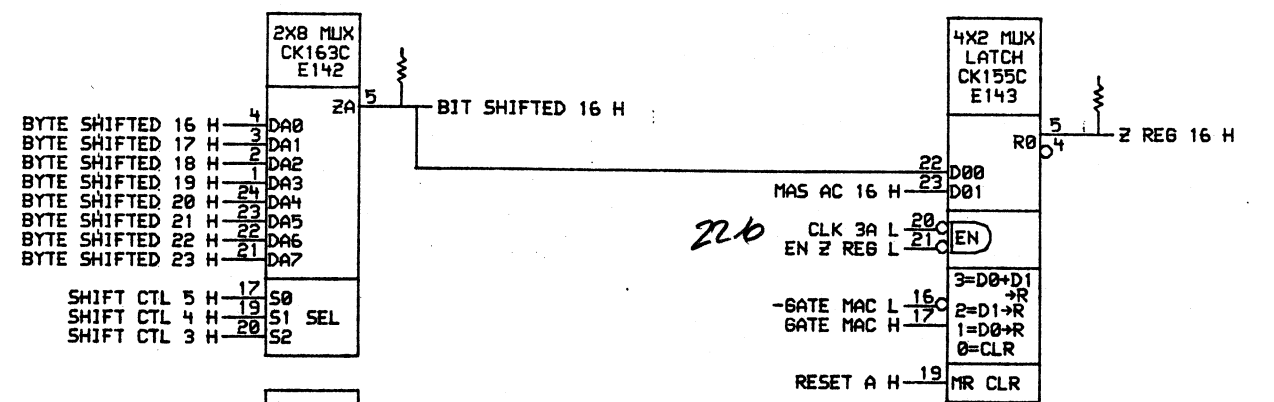
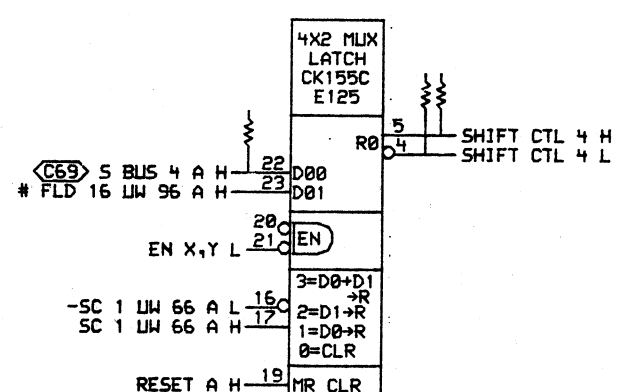
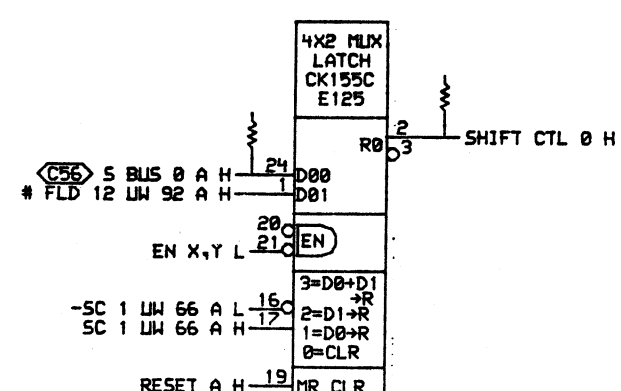
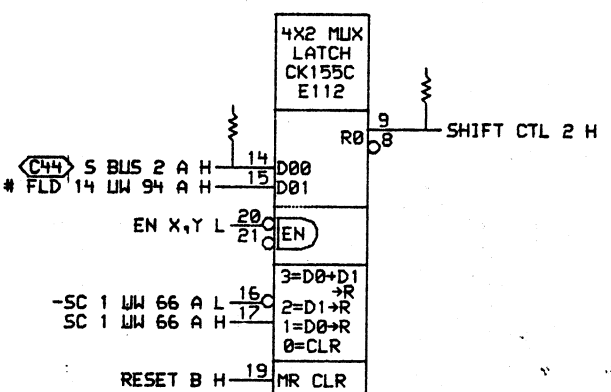
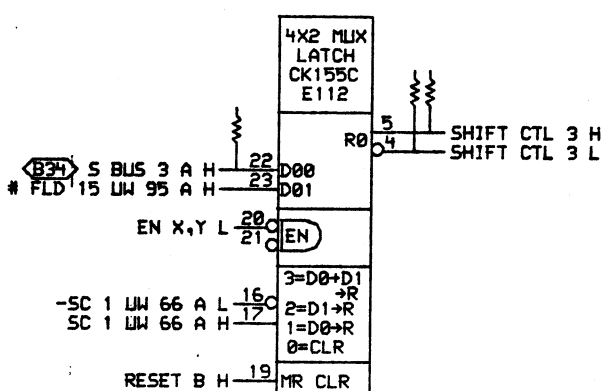
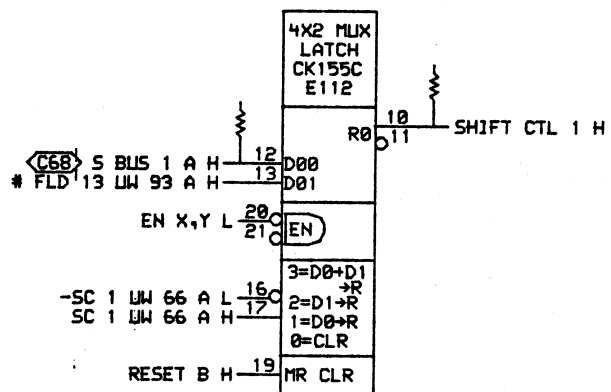
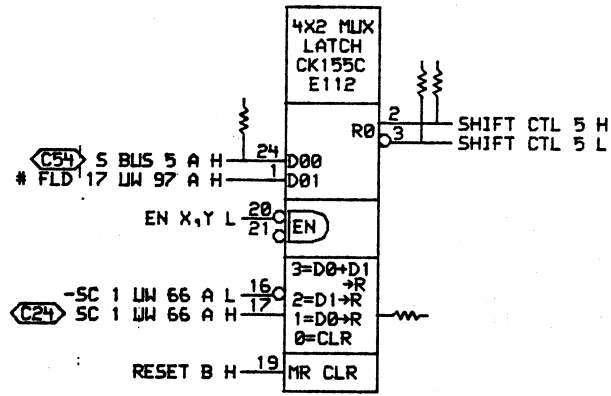


DRN.	DATE	ENG.	DATE	TITLE:
CHK'D.	DATE	BOARD LOCATION	SHEET 1 OF 1	0-7 BIT SHIFT Z REG 00-07
FIRST USED ON OPTION/MODEL: 2080				SIZE CODE NUMBER REV. D CS L0047-0-SHL1 *



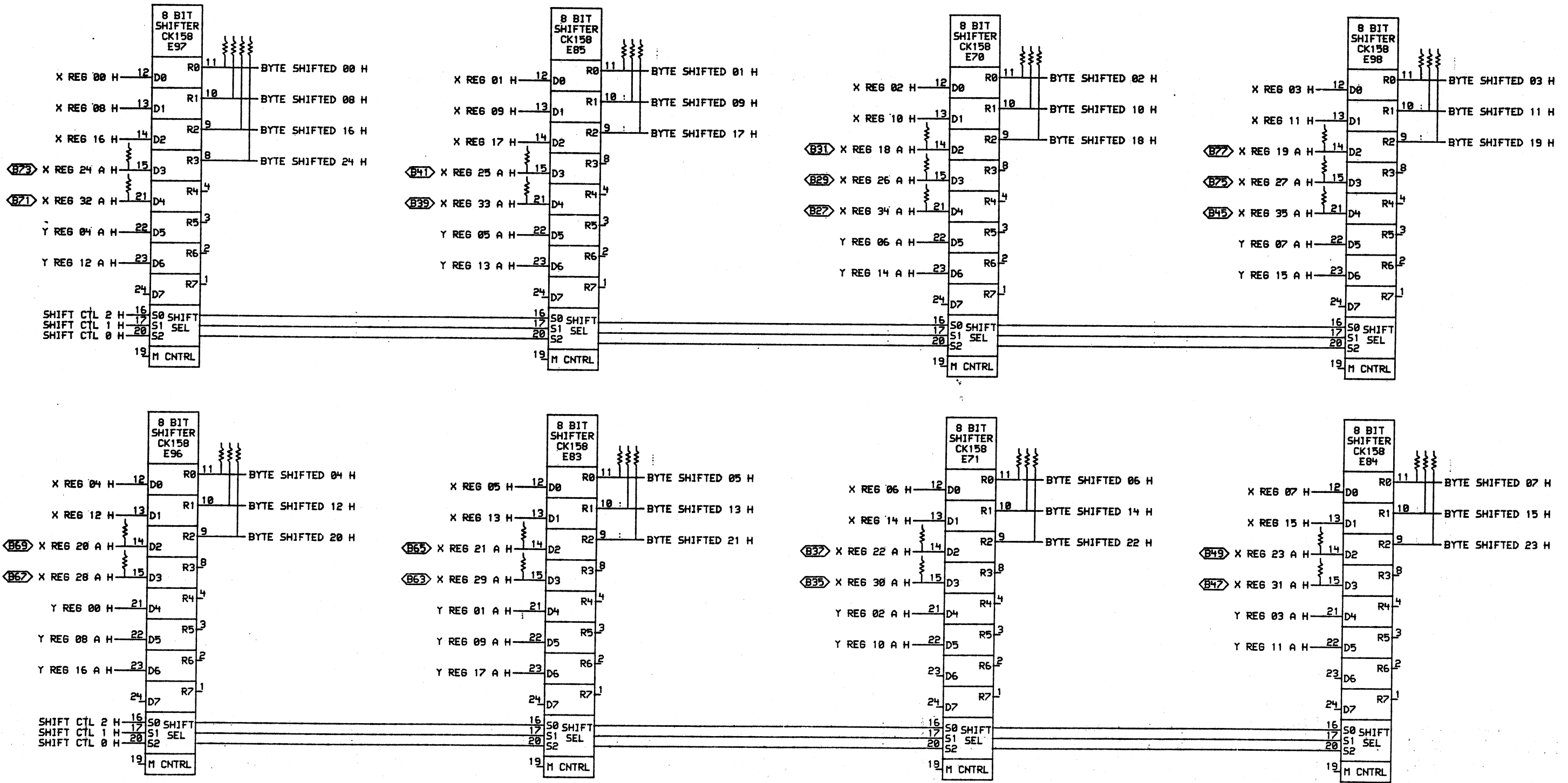
DRN.	DATE	ENG.	DATE	TITLE:	0-7 BIT SHIFT Z REG 08-15		
CHK'D.	DATE	BOARD LOCATION:	SHEET	OF	SIZE	CODE	NUMBER
FIRST USED ON OPTION/MODEL: 2080				NEXT HIGHER ASSEMBLY: B-DD-L0047-0		D	CS L0047-0-SHL2
							REV. *

D  
C  
B  
A

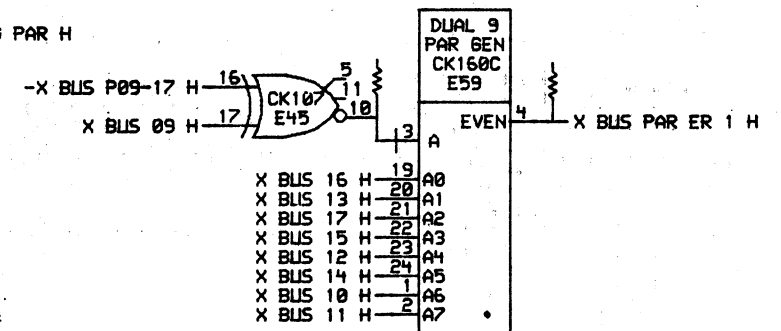
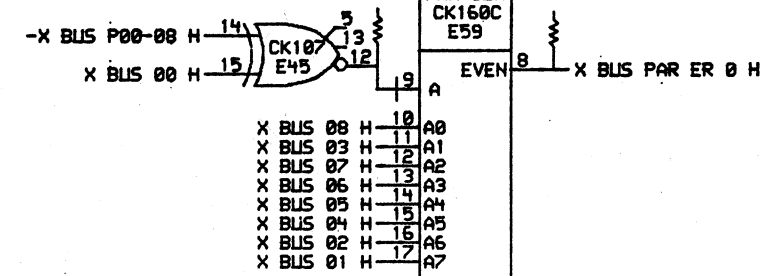
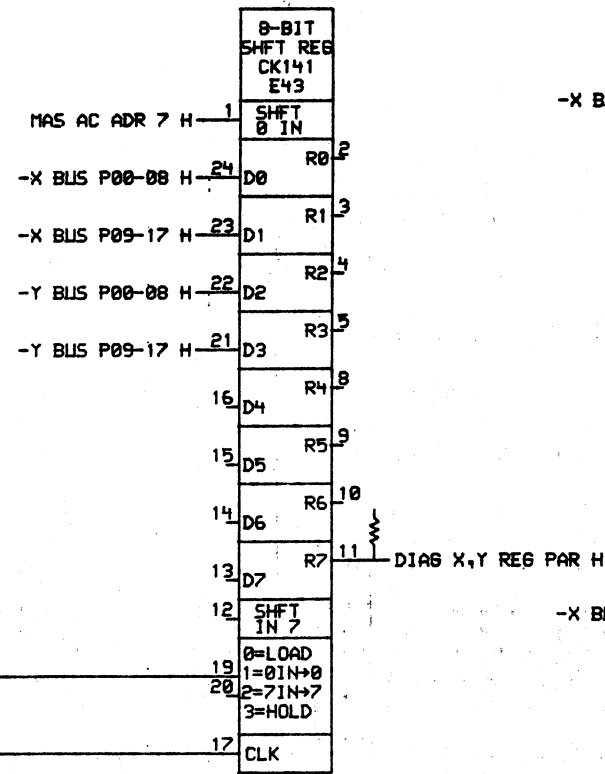
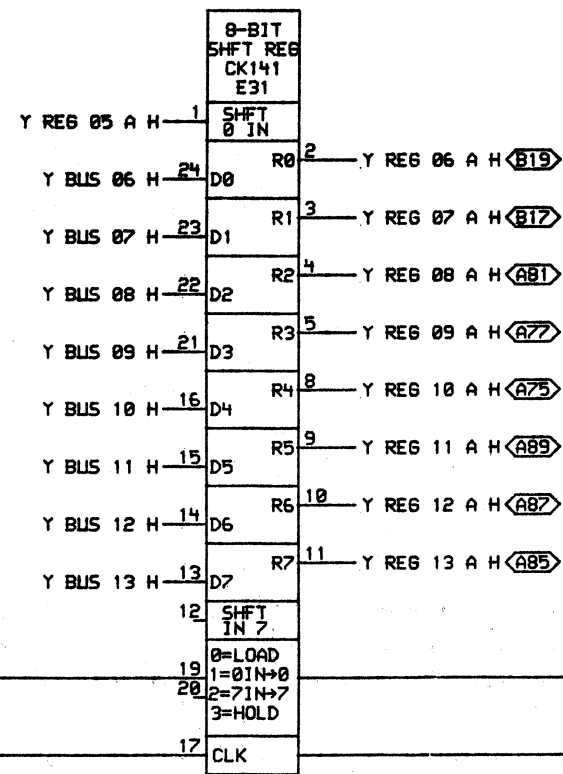
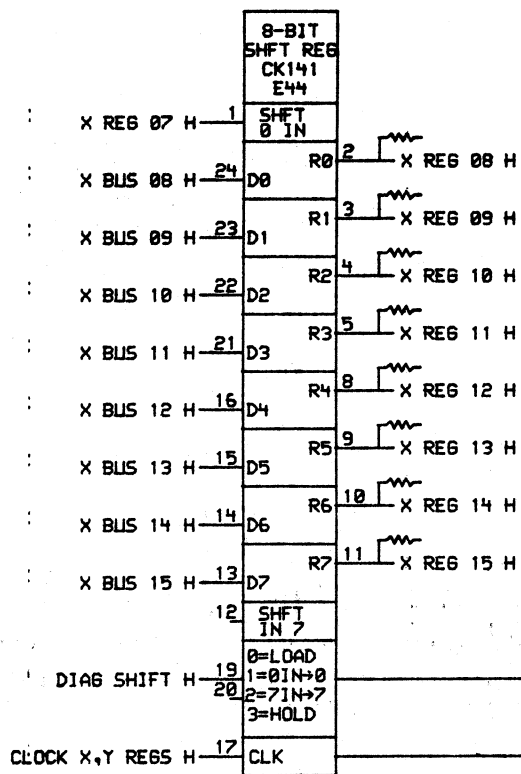
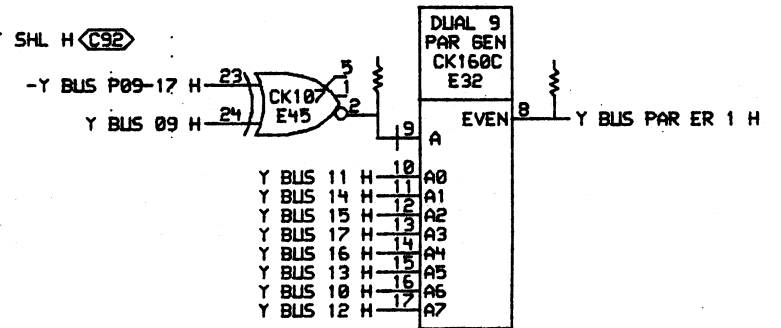
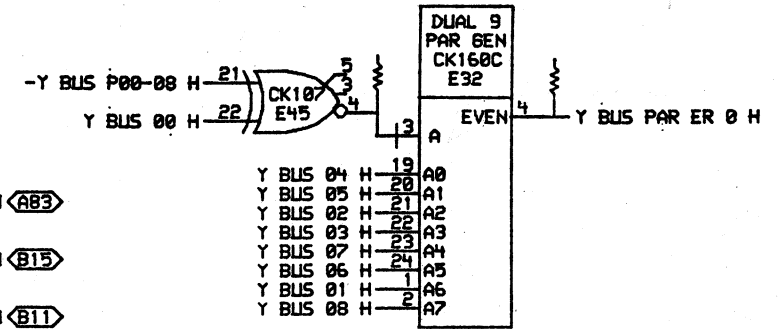
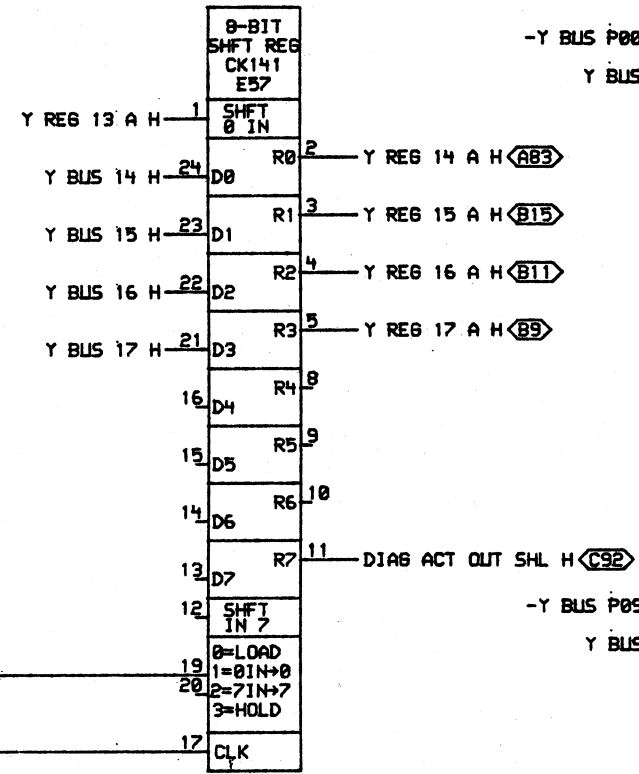
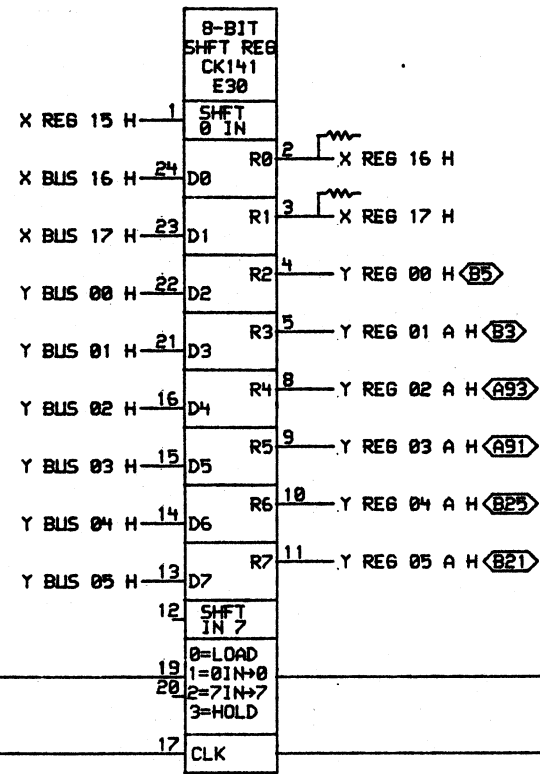
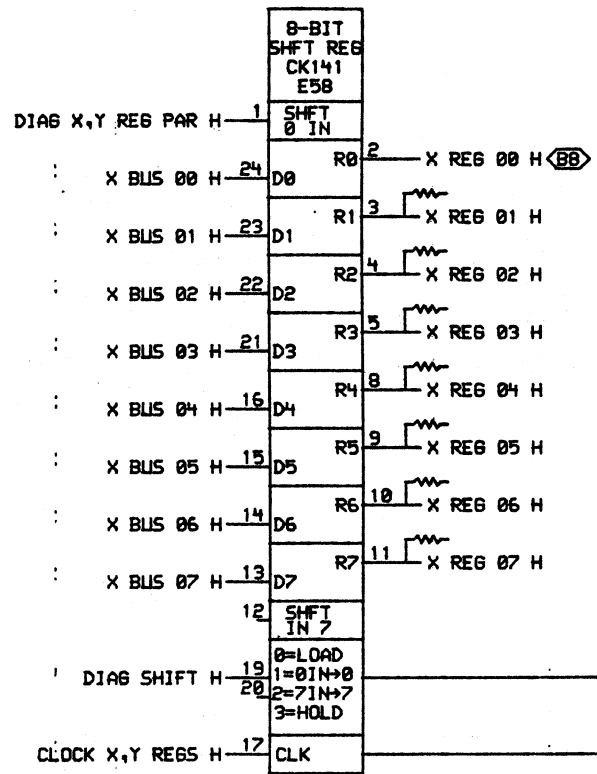


DRN.	DATE	ENG.	DATE	TITLE:
CHK'D.	DATE	BOARD LOCATION:		0-7 BIT SHIFT
		SHEET	OF '1	Z REG 16,17
FIRST USED ON OPTION/MODEL:				SIZE CODE
NEXT HIGHER ASSEMBLY:				NUMBER
B-DD-L0047-0				L0047-0-SHL3
				REV. *

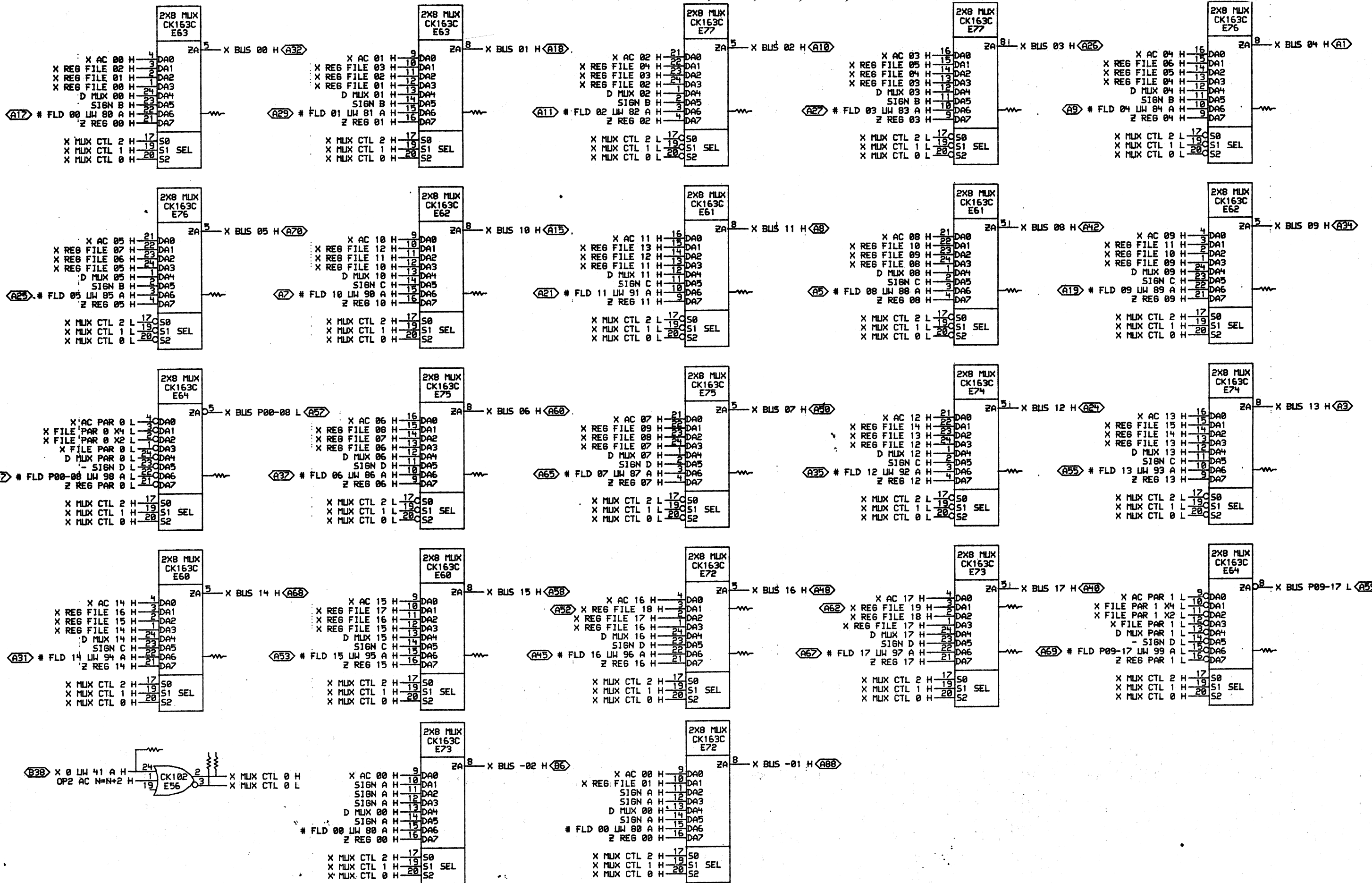




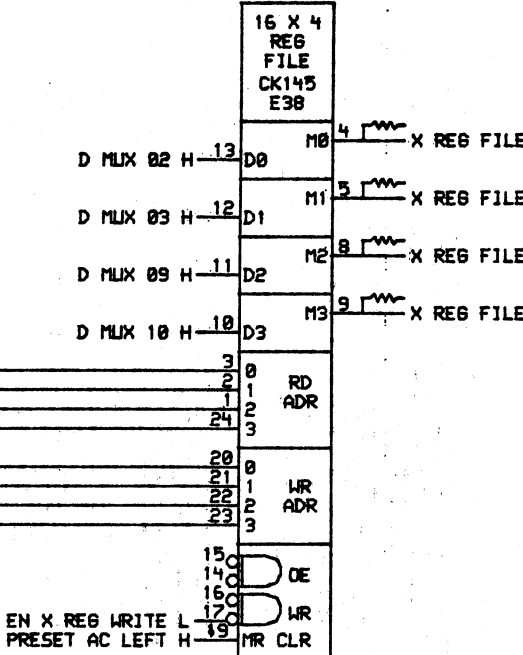
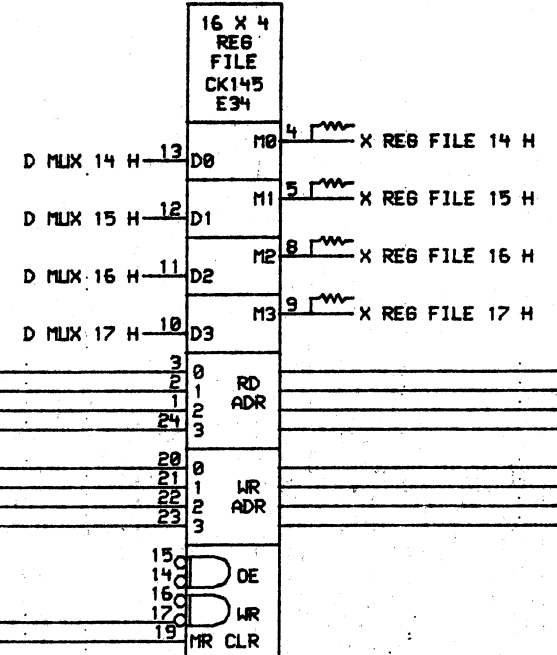
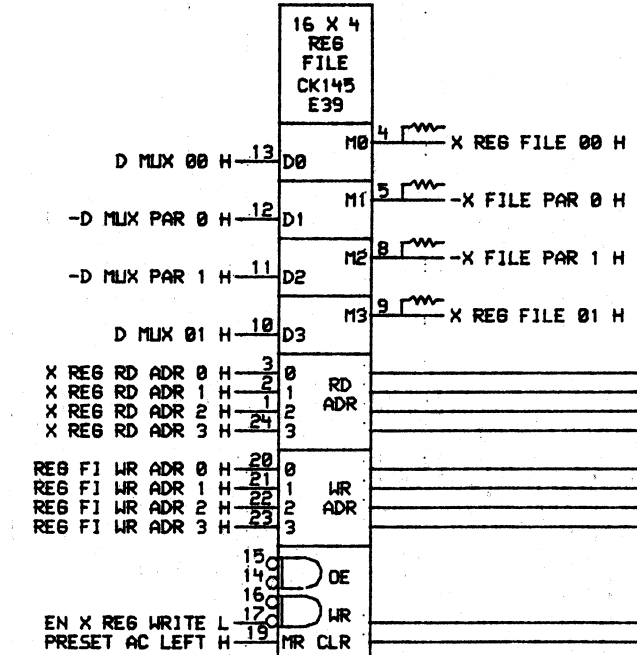
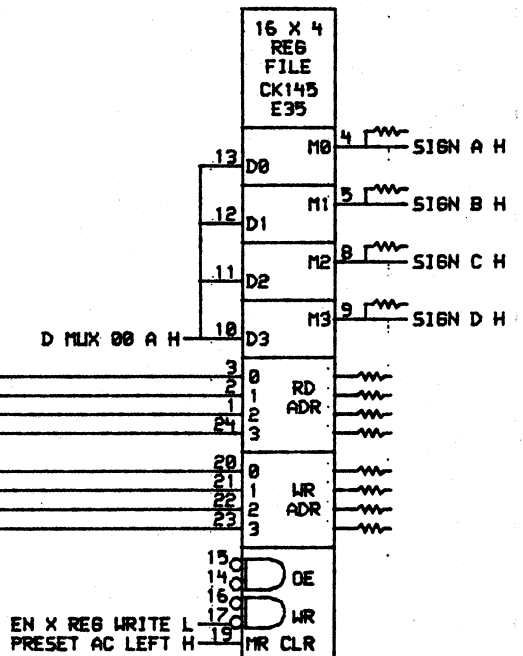
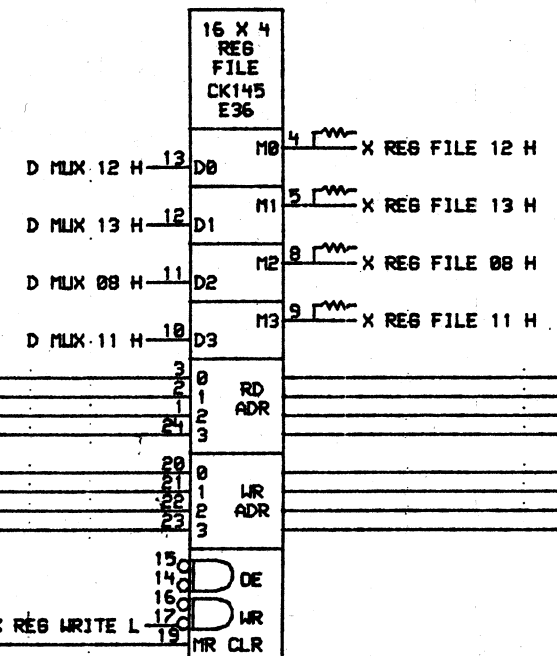
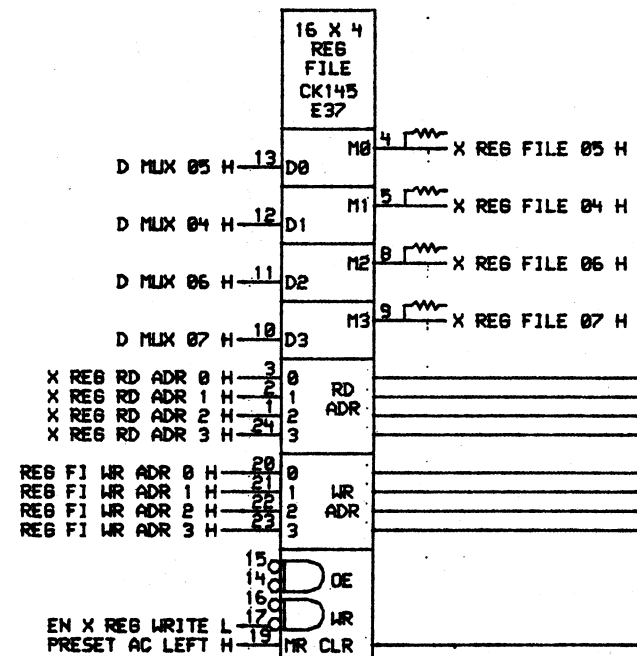
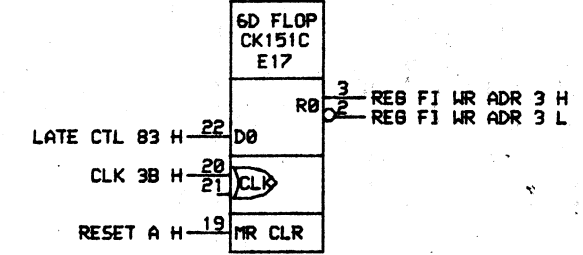
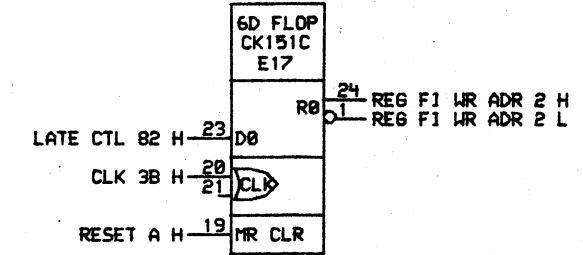
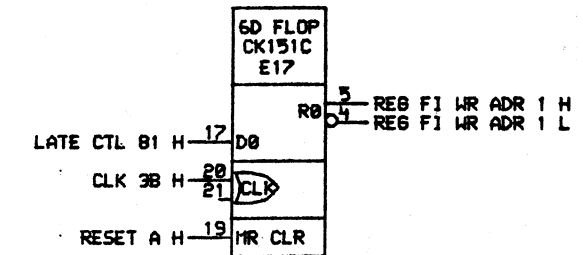
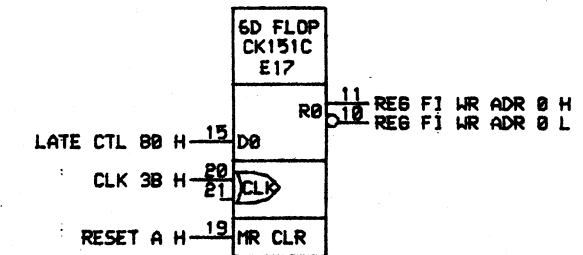
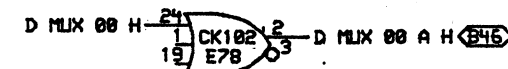
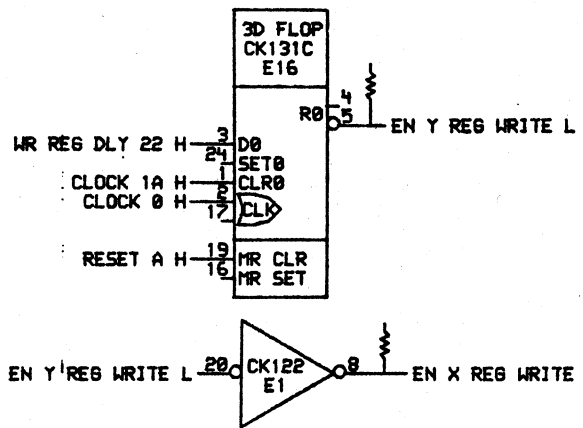
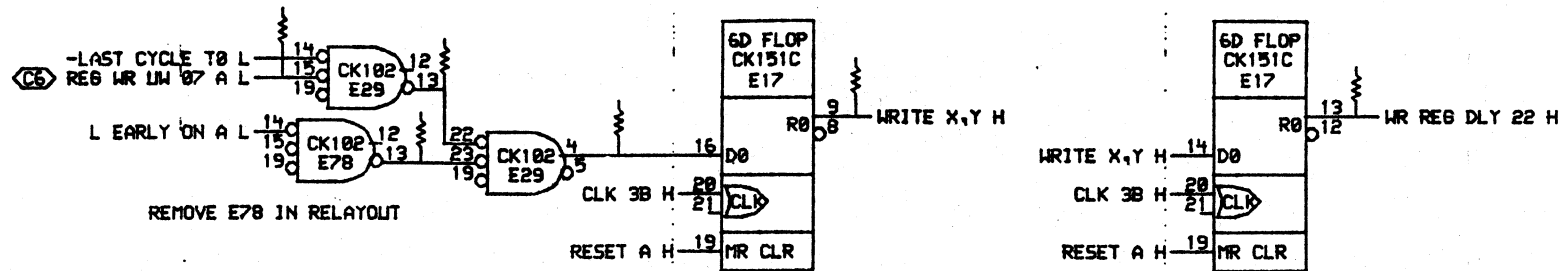
DRN.	DATE	ENG.	DATE	TITLE:
CHK'D.	DATE	BOARD LOCATION:	SHEET	0-4 BYTE SHIFT BITS 00-24
FIRST USED ON OPTION/MODEL:				NUMBER
NEXT HIGHER ASSEMBLY:				REV. *
B-DD-L0047-0				L0047-0-SHL4



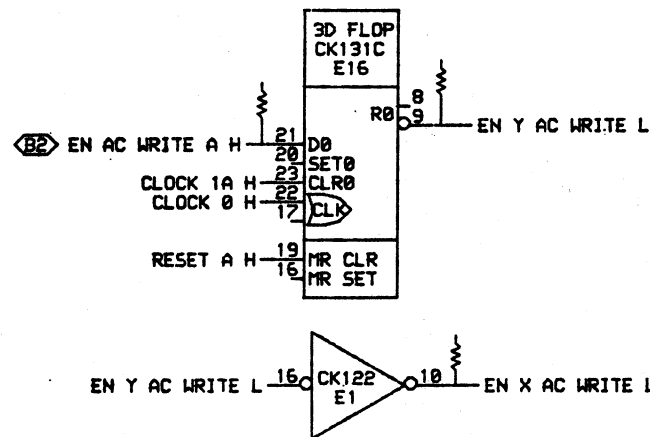
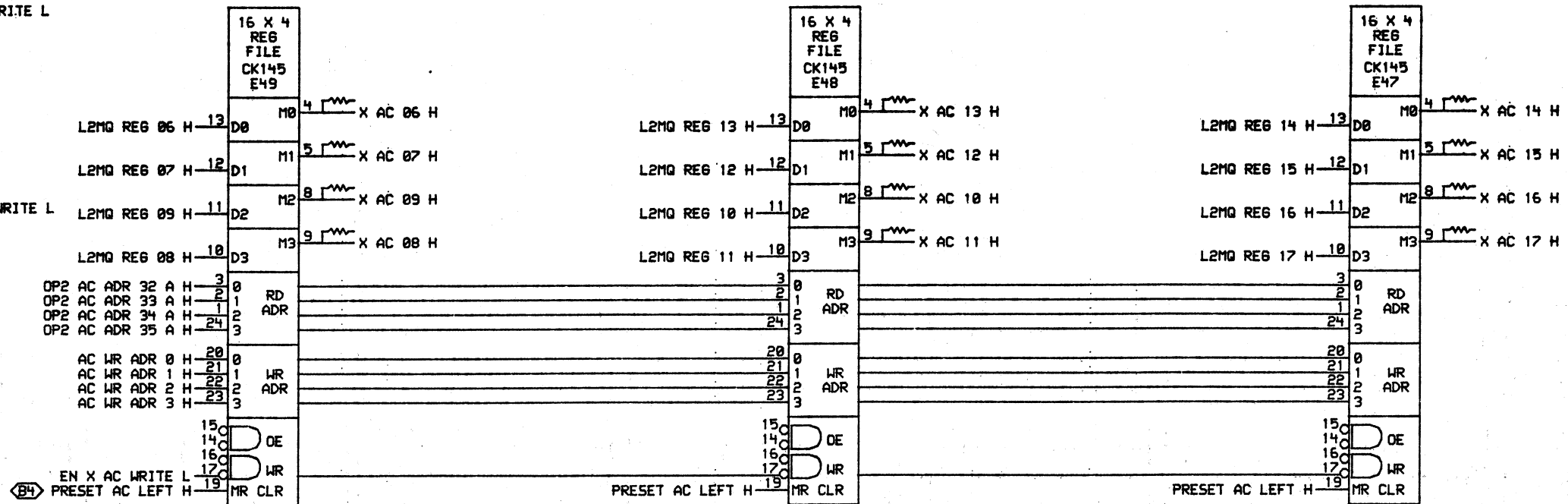
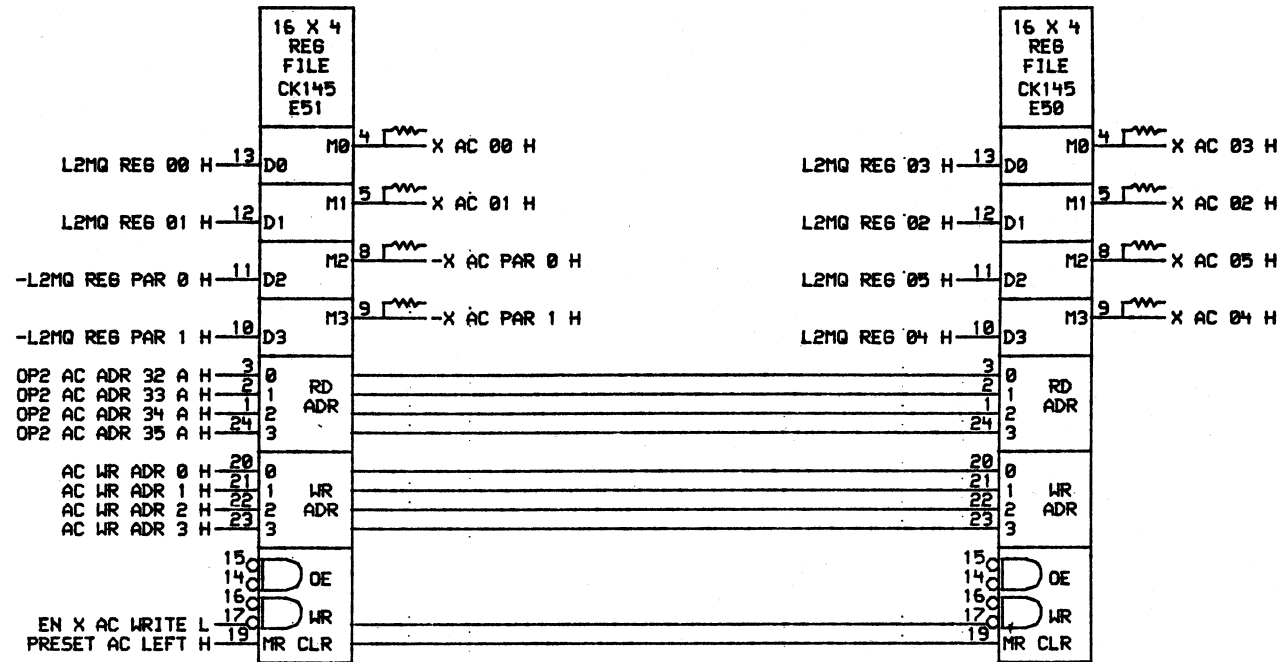
DRN.	DATE	ENG.	DATE	TITLE:
CHK'D.	DATE	BOARD LOCATION:		X,Y REGS 00-17
		SHEET	OF	X,Y DIAG SCAN
PROT. # (CROSS-REF. NEW) 30413.DRW	19-SEP-82 10:36	NEXT HIGHER ASSEMBLY:	SIZE	CODE
FIRST USED ON OPTION/MODEL:	B-DD-L0047-0		D	CS
			NUMBER	REV.
			L0047-0-SHL5	*



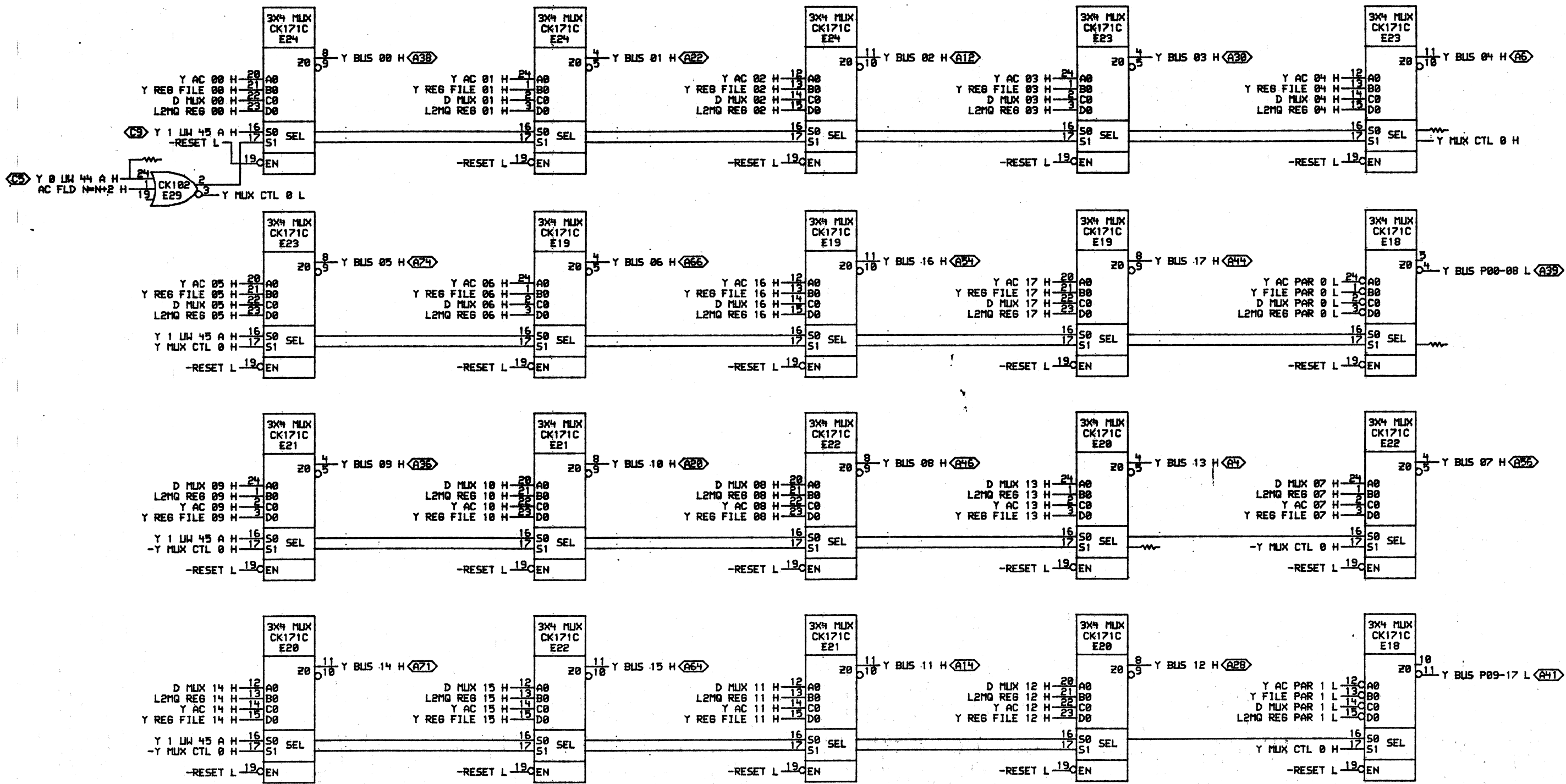
DRN.	DATE	ENG.	DATE	TITLE: X MUX BYTES 0,1
CHK'D.	DATE	BOARD LOCATION:	SHEET 1 OF 1	
FIRST USED ON OPTION/MODEL:				SIZE CODE NUMBER REV. D CS L0047-0-SHL6 *



DRN.	DATE	ENG.	DATE	TITLE:
CHK'D.	DATE	BOARD LOCATION:	SHEET	1 OF 1
FIRST USED ON OPTION/MODEL:				B-DD-L0047-0
SIZE	CODE	NUMBER	REV.	
D	C5	L0047-0-SHL7	*	

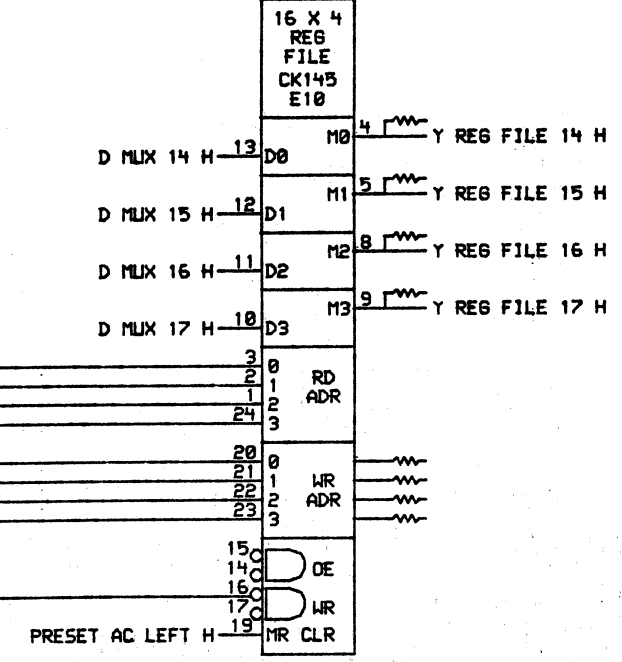
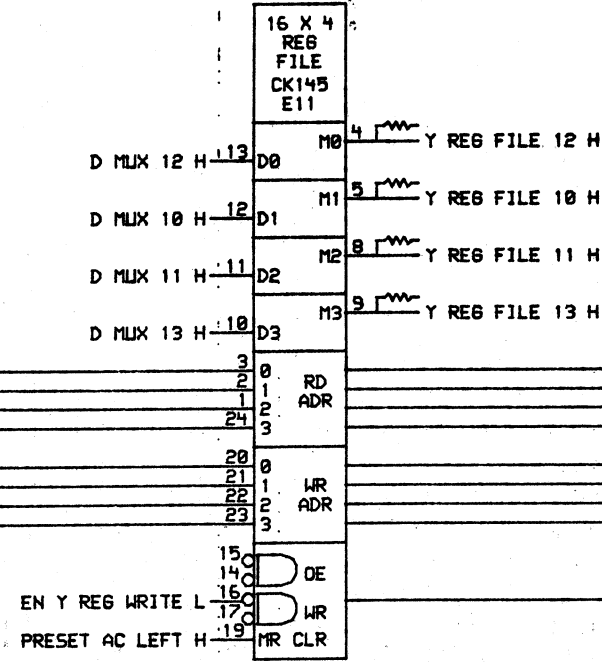
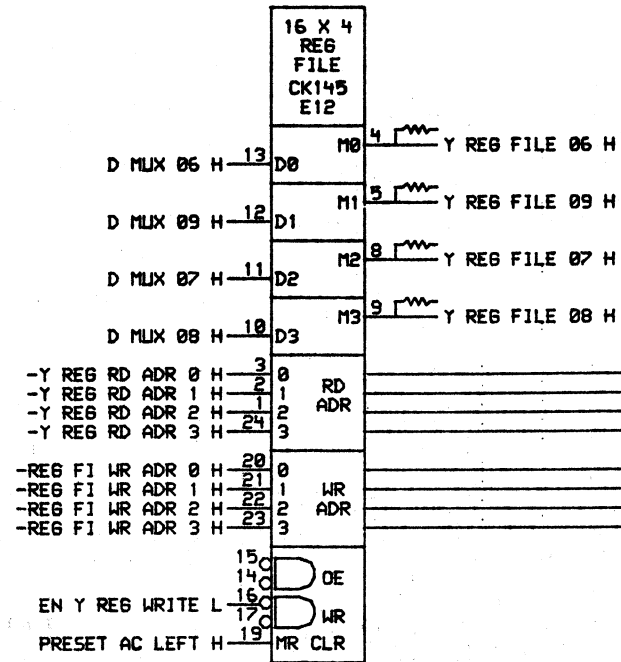
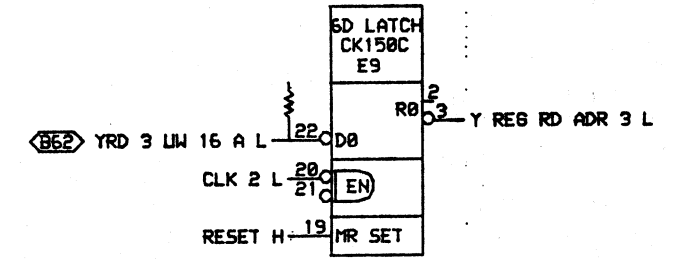
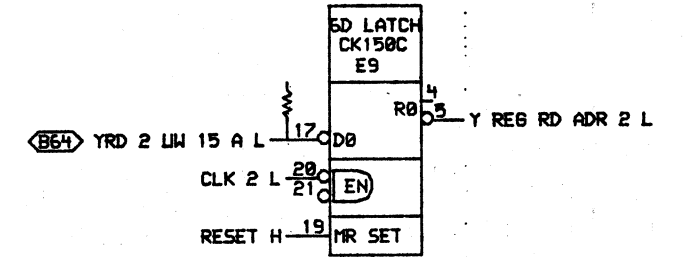
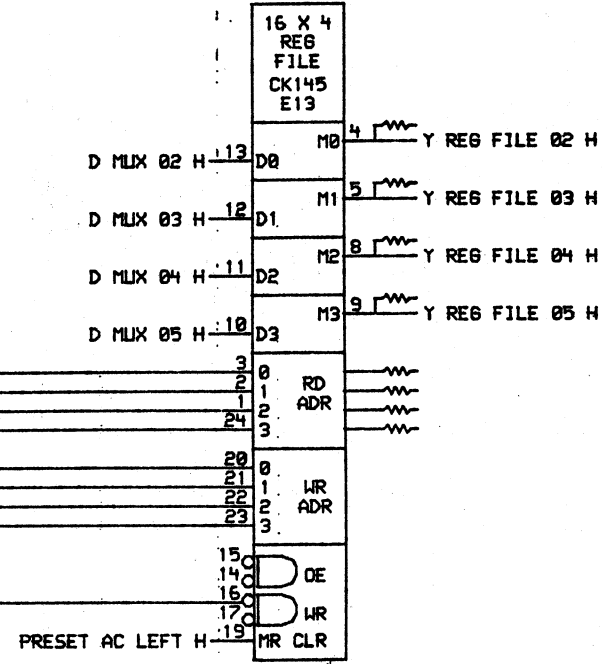
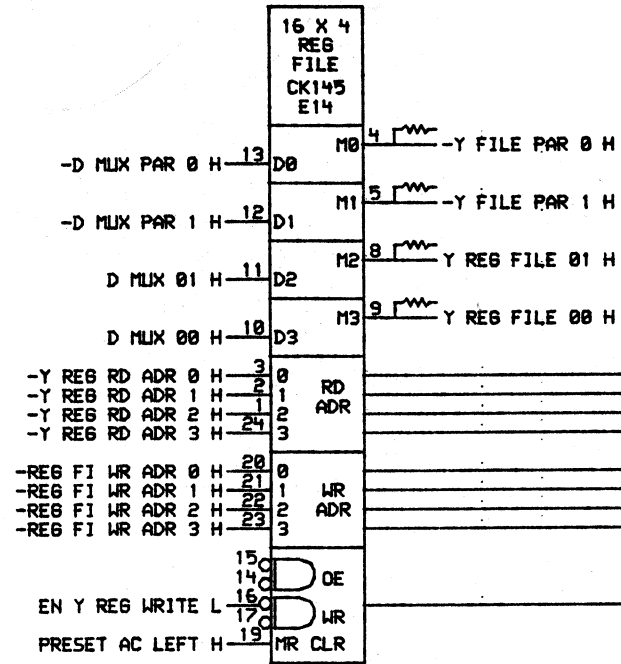
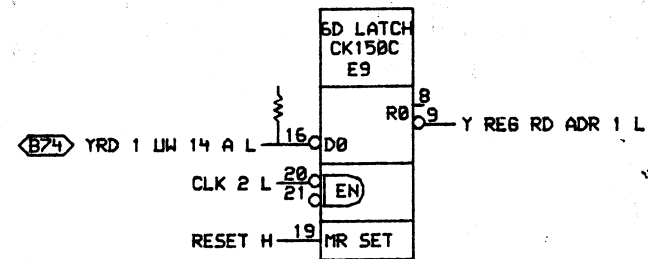
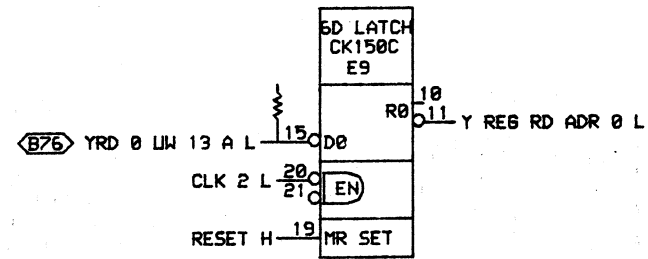
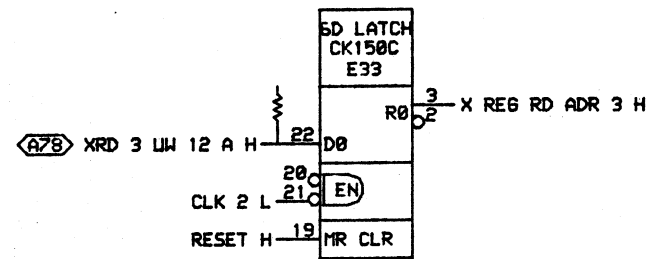
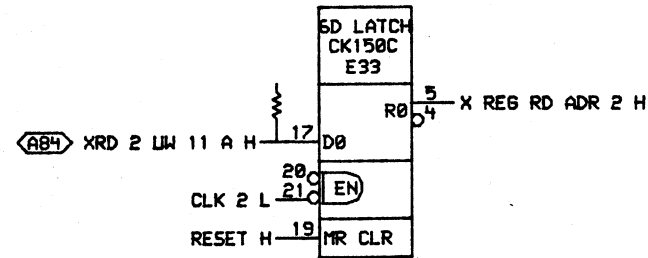
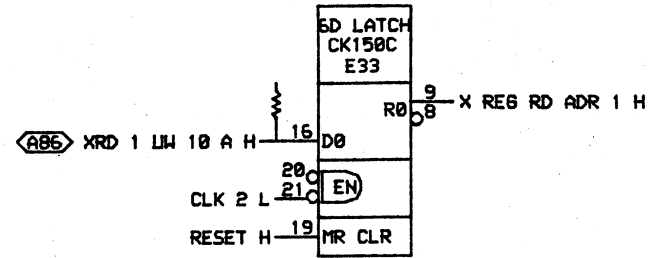
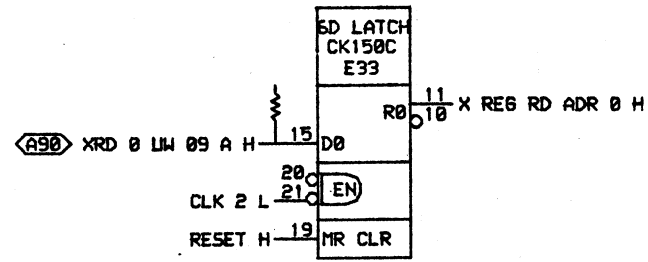


DRN.	DATE	ENG.	DATE	TITLE:
CHK'D.	DATE	BOARD LOCATION:	SHEET	OF
FIRST USED ON OPTION/MODEL:				B-DD-L0047-0
SIZE	CODE	NUMBER	REV.	
D	CS	L0047-0-SHL8	*	

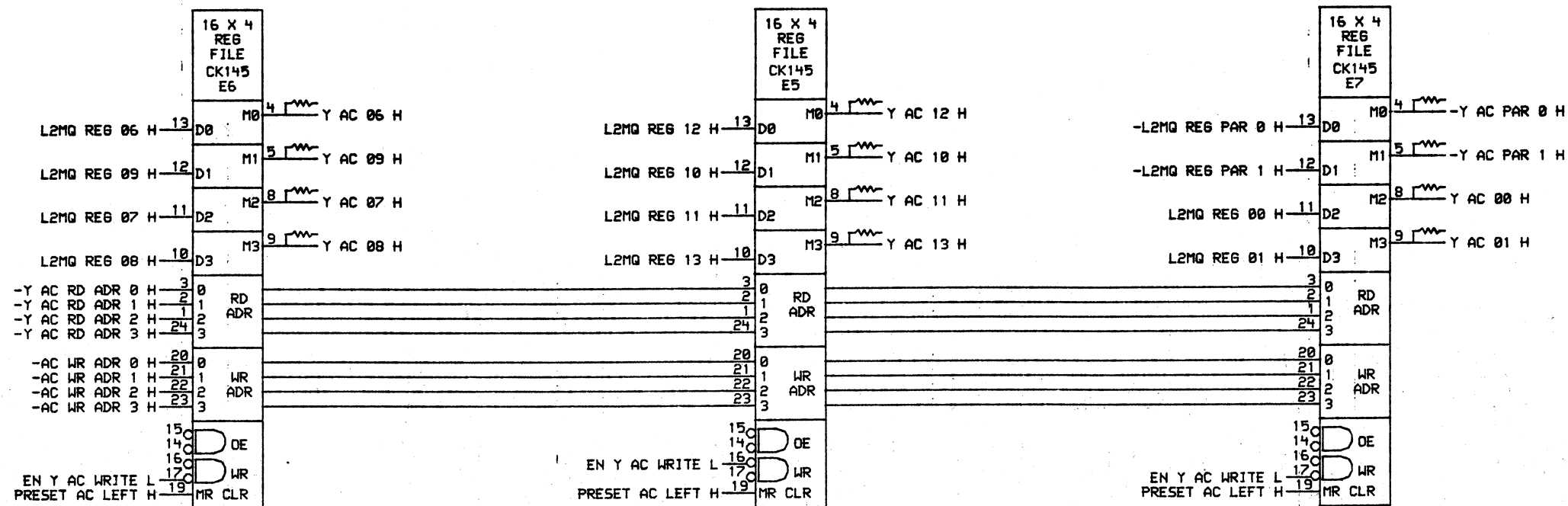
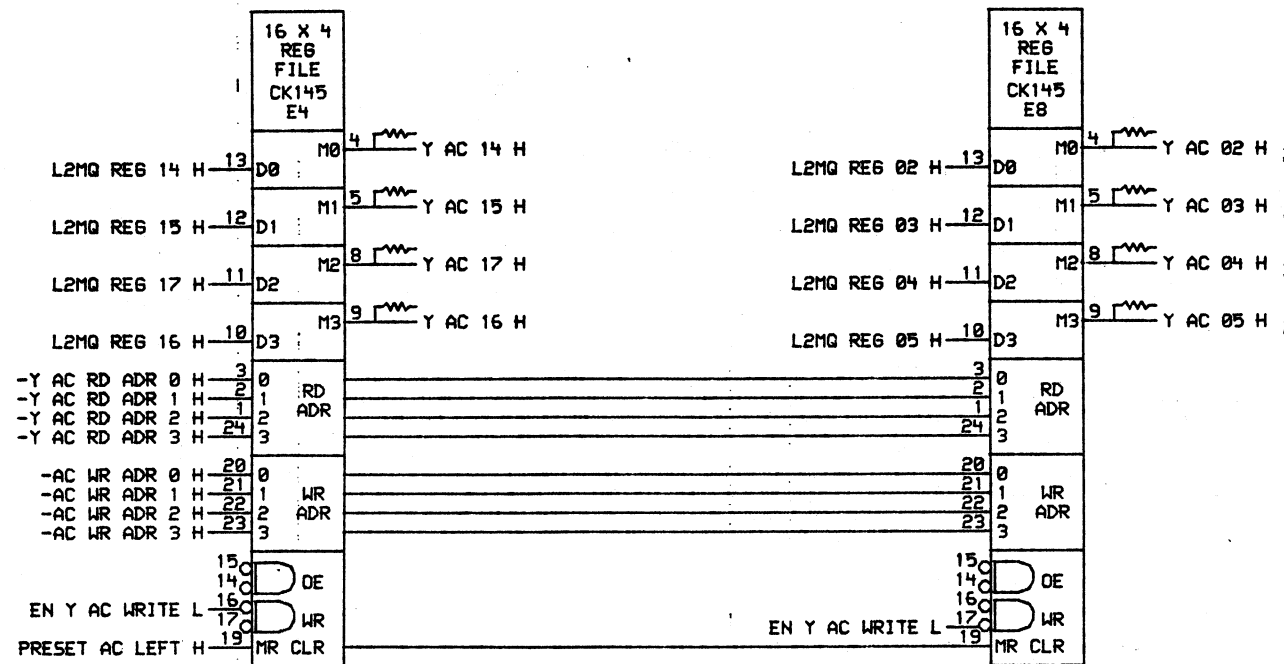


DRN.	DATE	ENG.	DATE	TITLE:	Y MUX 00-17		
CHK'D.	DATE	BOARD LOCATION:	SHEET 1 OF 1		SIZE	CODE	NUMBER
FIRST USED ON OPTION/MODEL:				NEXT HIGHER ASSEMBLY:		D	CS
25-SEP-82 10:22				B-DD-L0047-0		L0047-0-SHL9	REV. *

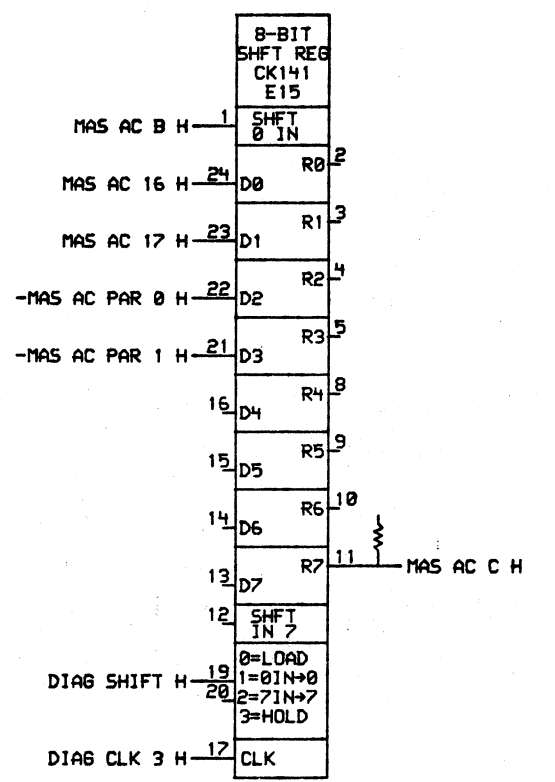
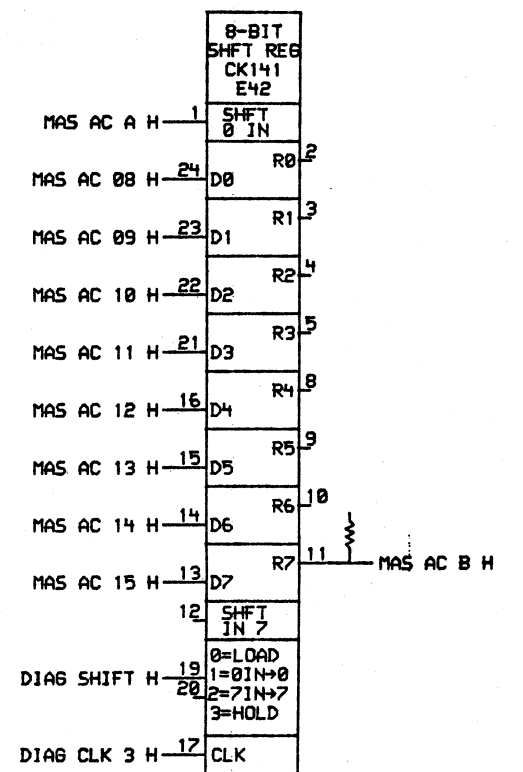
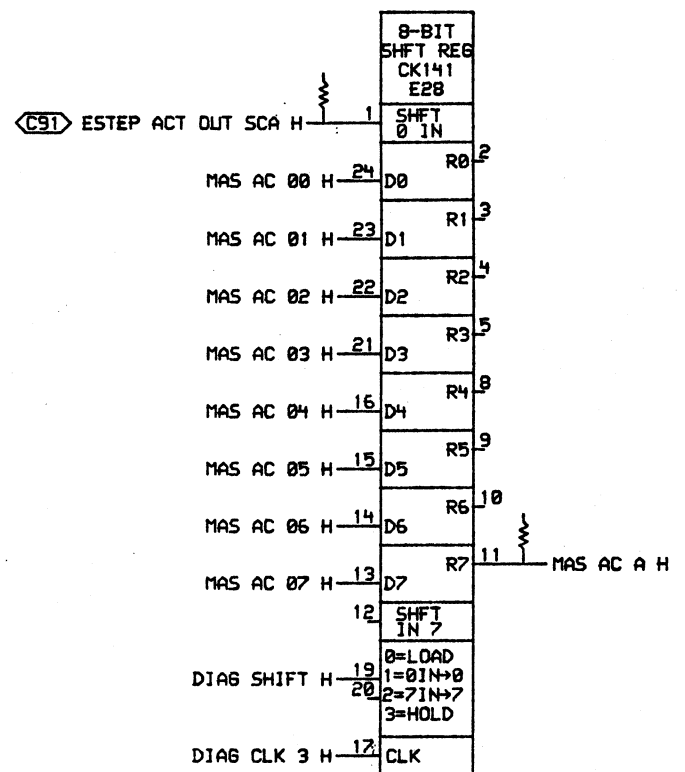
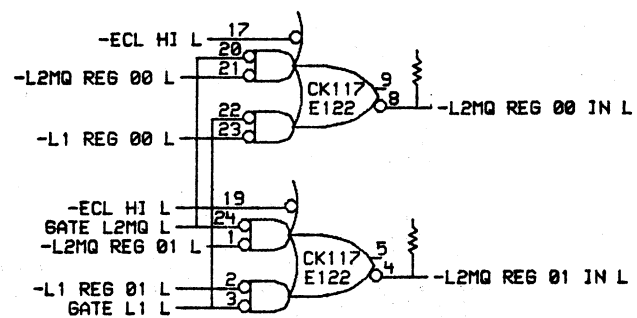
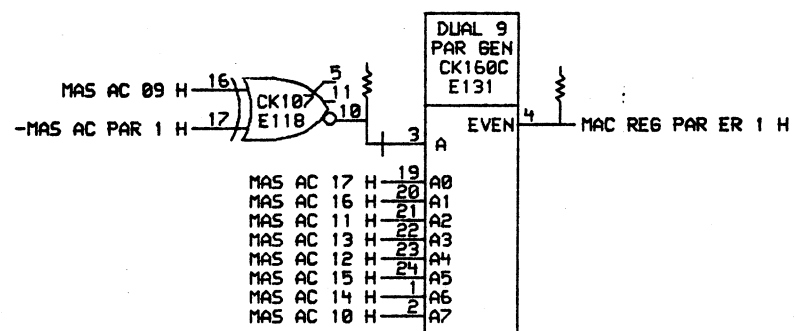
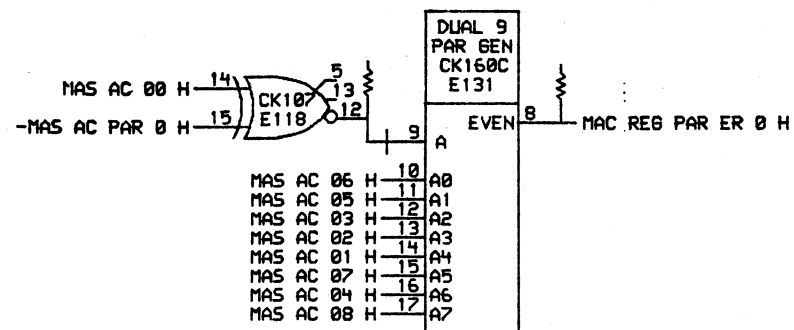




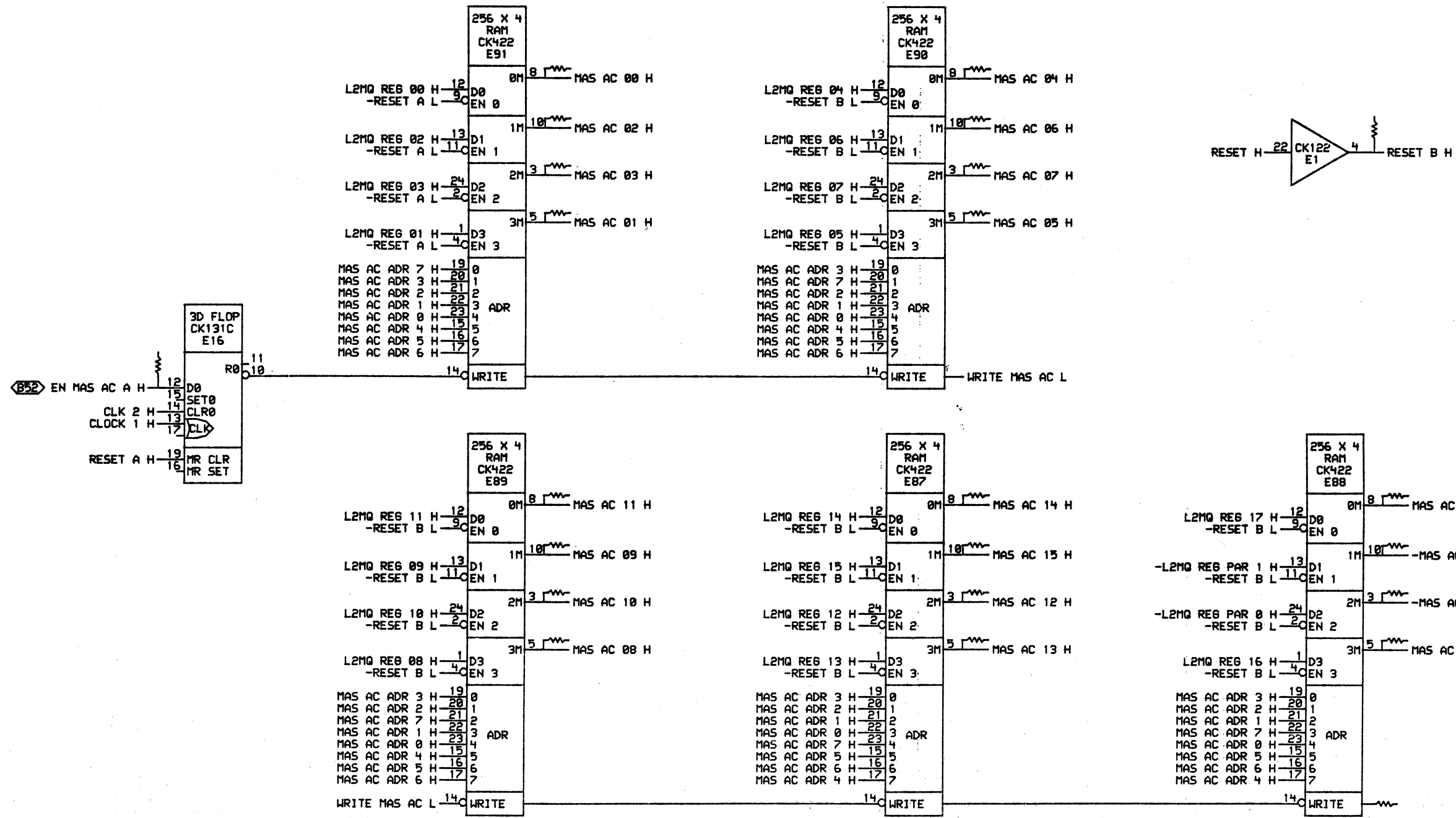
DRN.	DATE	ENG.	DATE	TITLE:	Y REG FILE		
CHK'D.	DATE	BOARD LOCATION:	SHEET	1	BYTES 0,1		
FIRST USED ON OPTION/MODEL:				B-DD-L0047-0	SIZE	CODE	NUMBER
				D	CS	L0047-0-SHLA	REV. *



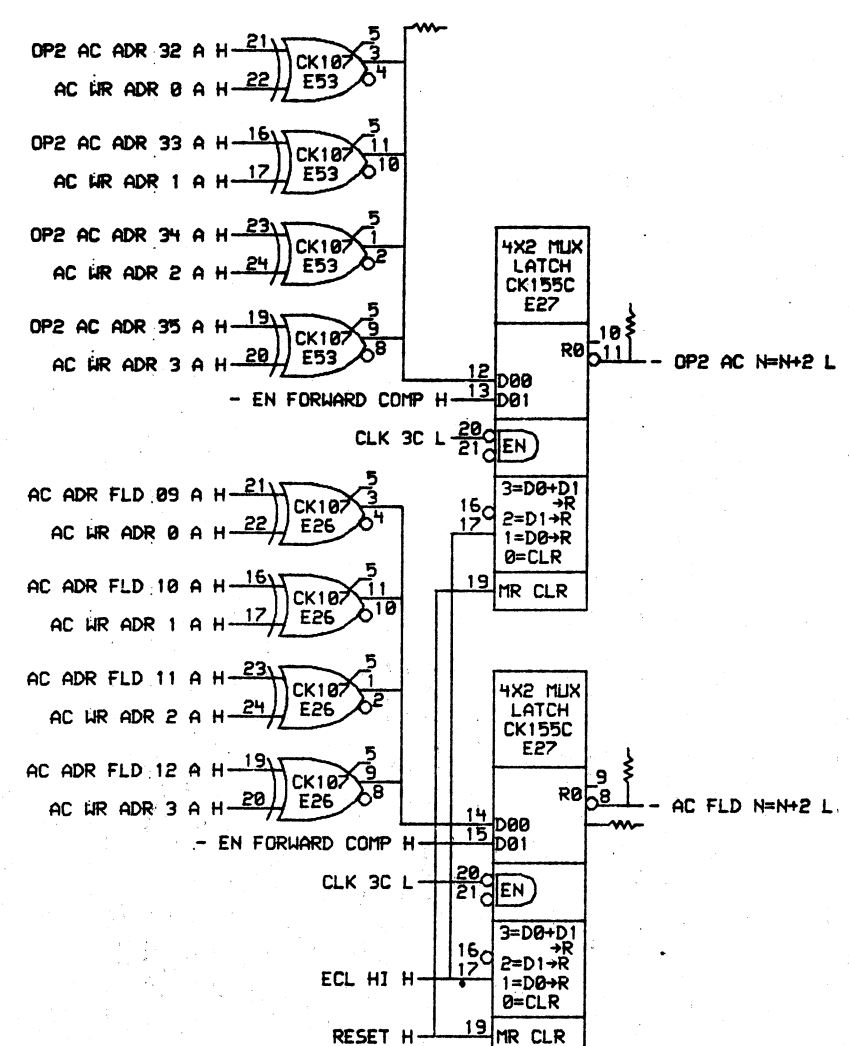
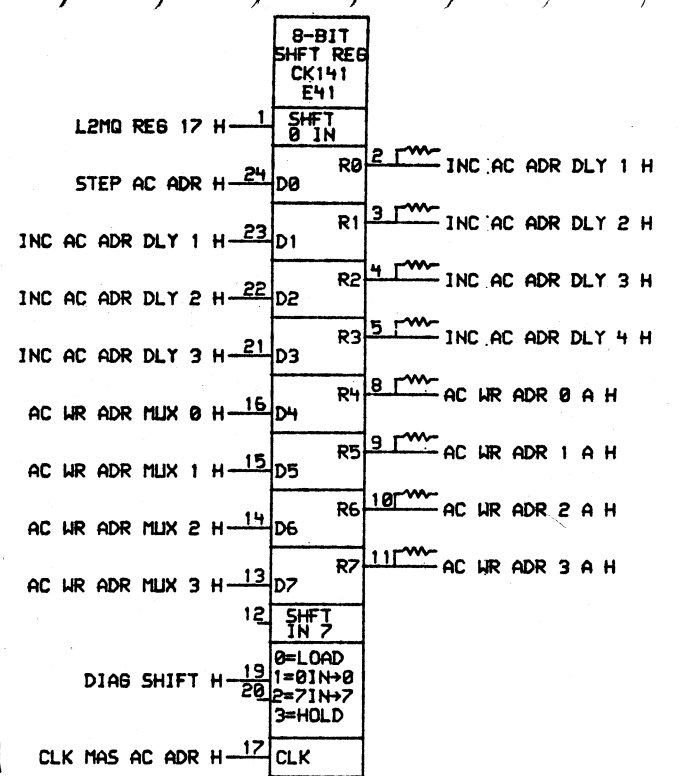
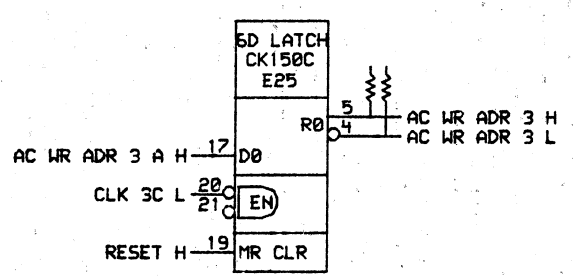
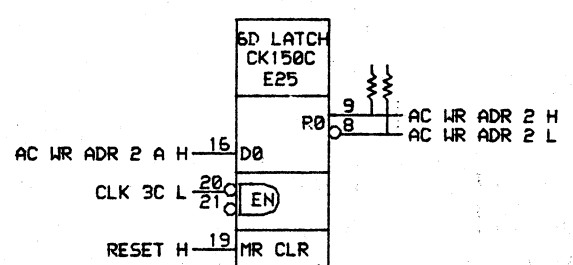
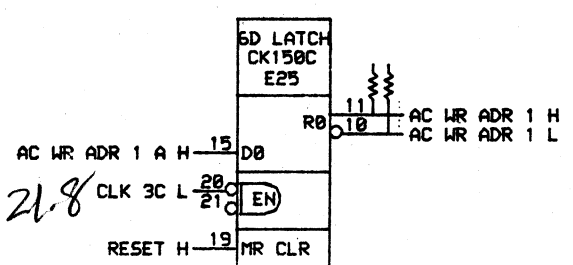
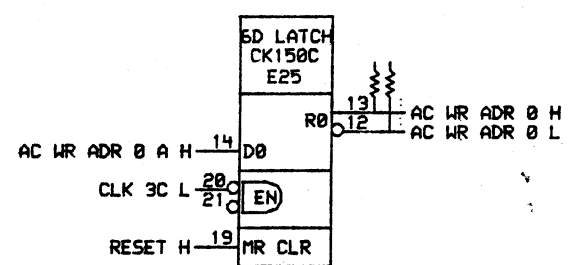
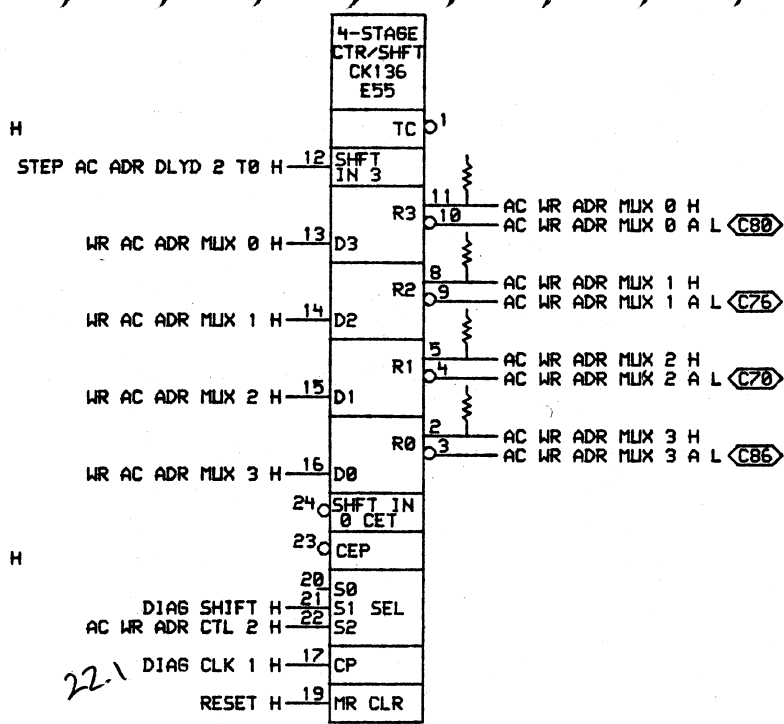
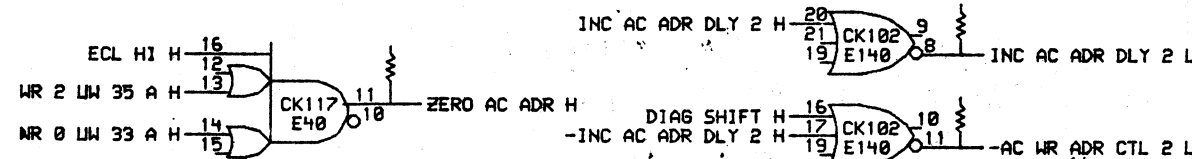
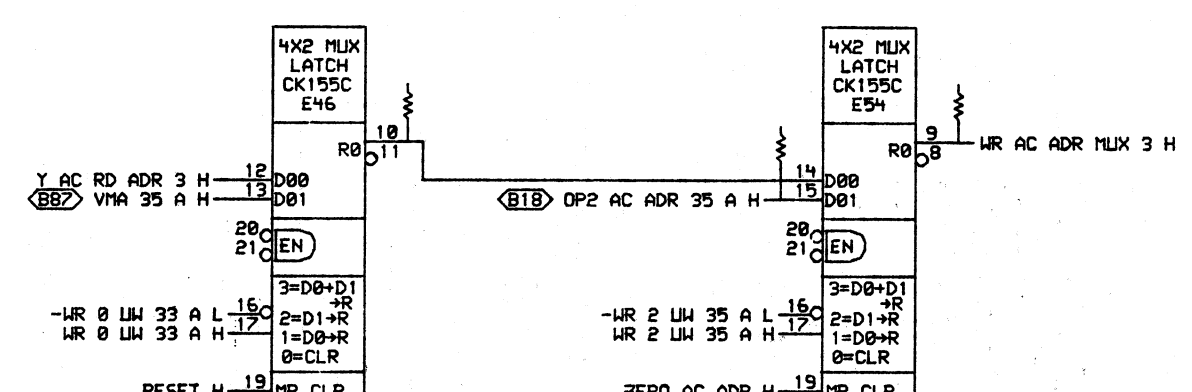
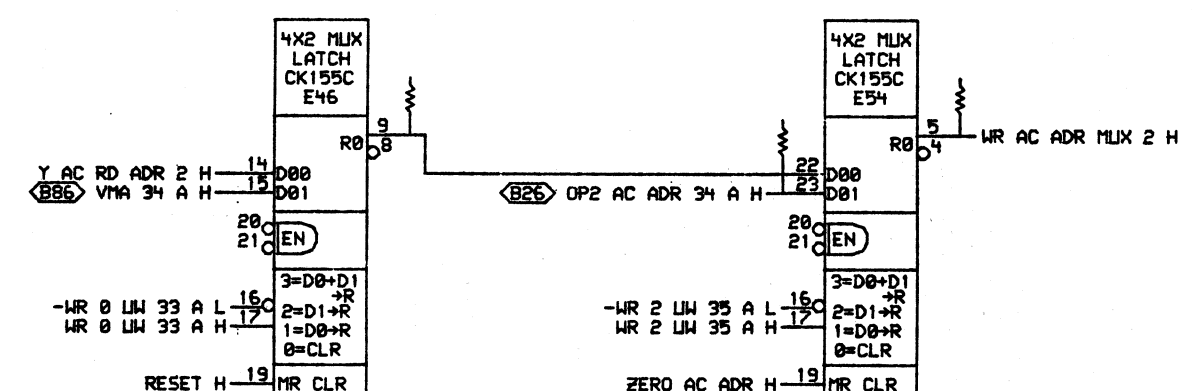
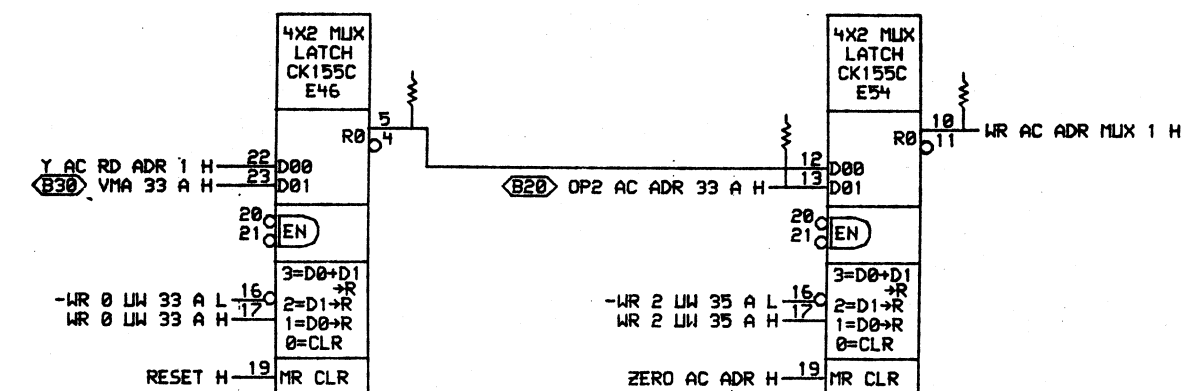
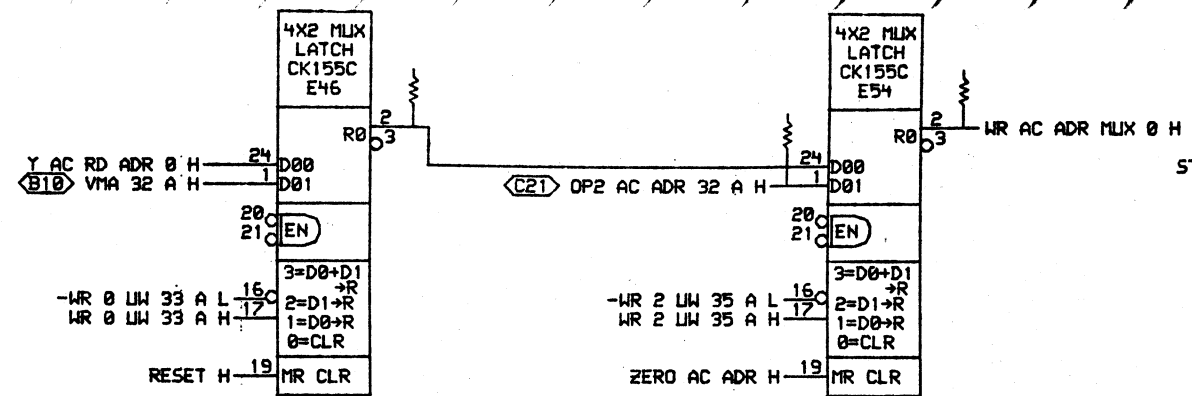
DRN.	DATE	ENG.	DATE	TITLE:
CHK'D.	DATE	BOARD LOCATION:	SHEET	OF
FIRST USED ON OPTION/MODEL:				NEXT HIGHER ASSEMBLY:
SIZE	CODE	NUMBER	REV.	
D	CS	L0047-0-SHLB	*	



DRN.	DATE	ENG.	DATE	TITLE:	MAC REG BY 0,1		
CHK'D.	DATE	BOARD LOCATION:		PC,L2MQ 0,1 IN			
PHOTO IN (2000) L0047_REV0304MLC.DWG 19-SEP-82 10:37				NEXT HIGHER ASSEMBLY:	SIZE	CODE	NUMBER
FIRST USED ON OPTION/MODEL:				B-DD-L0047-0	D	CS	L0047-0-SHLC
							REV. *

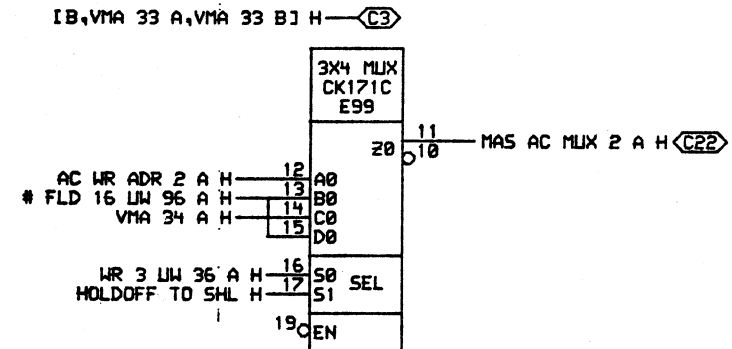
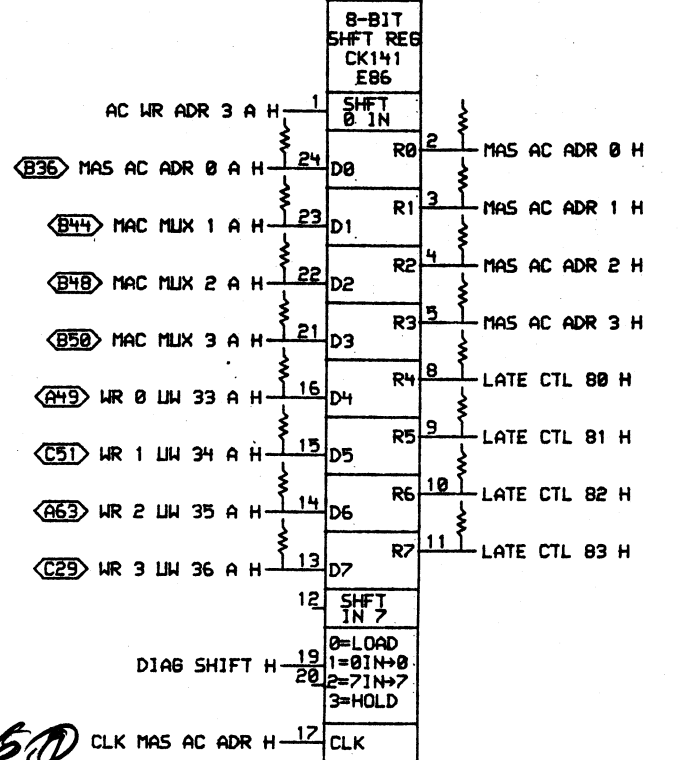
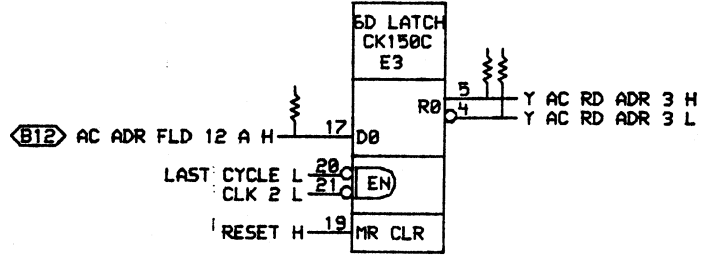
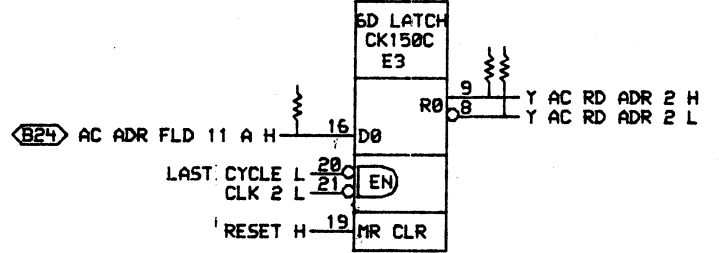
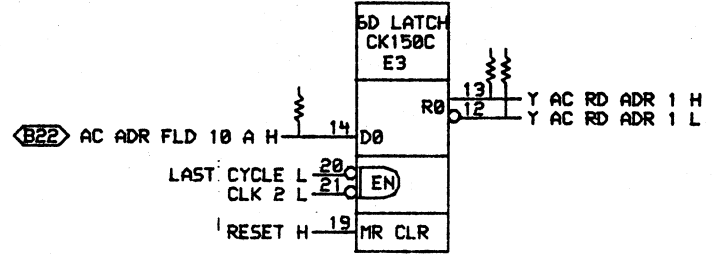
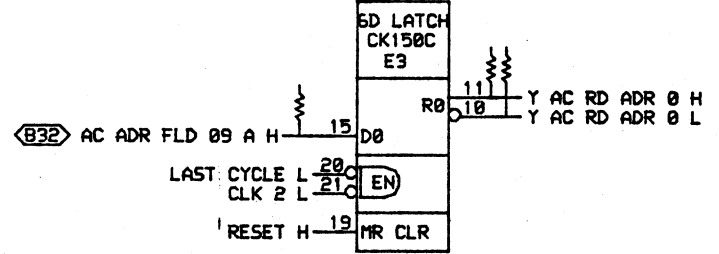
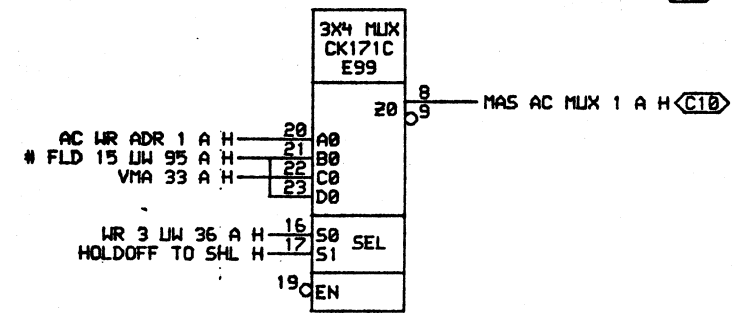
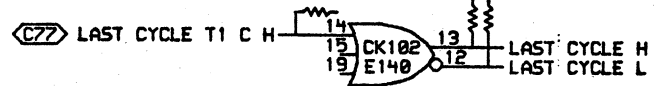
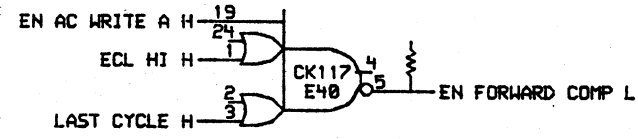
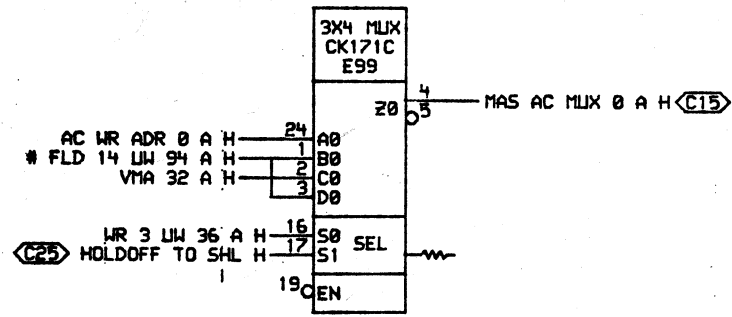


DRN.	DATE	ENG.	DATE	TITLE:
CHK'D.	29-SEP-82			MASTER AC
	DATE	BOARD LOCATION:		BYTES 0,1
		SHEET	OF	
PROTID: JCP808-1-IMP7-REV0-30SHLD.DRW	19-SEP-82 10:38	NEXT HIGHER ASSEMBLY:	SIZE	CODE
FIRST USED ON OPTION/MODEL:	B-DD-L0047-0		D	CS
			NUMBER	REV.
			L0047-0-SHLD	*

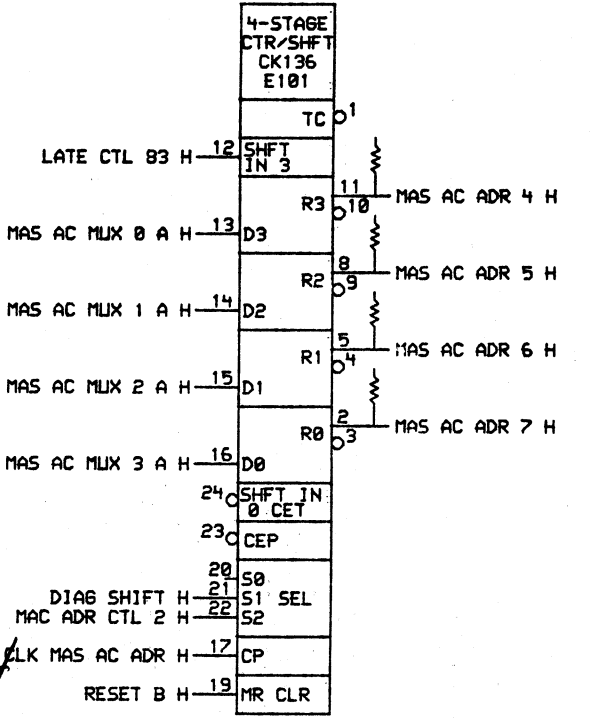
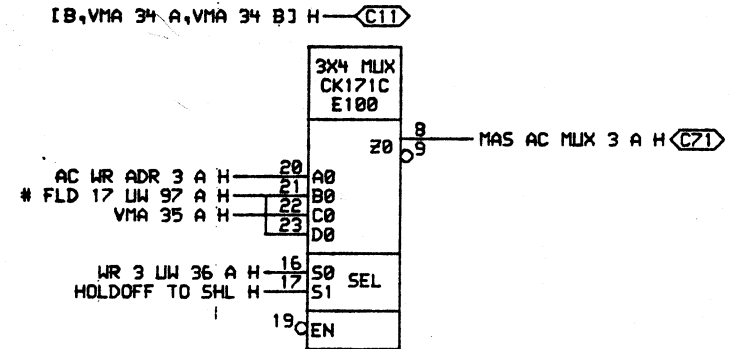


DRN.	DATE	ENG.	DATE	TITLE:
CHK'D.	DATE	BOARD LOCATION:		AC RD, WR ADR
		SHEET		ALL, MUX, & REG
FIRST USED ON OPTION MODEL:				REV. *

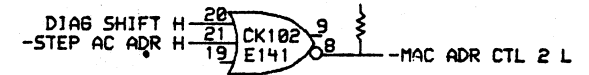
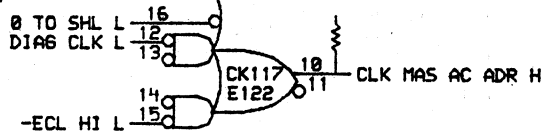
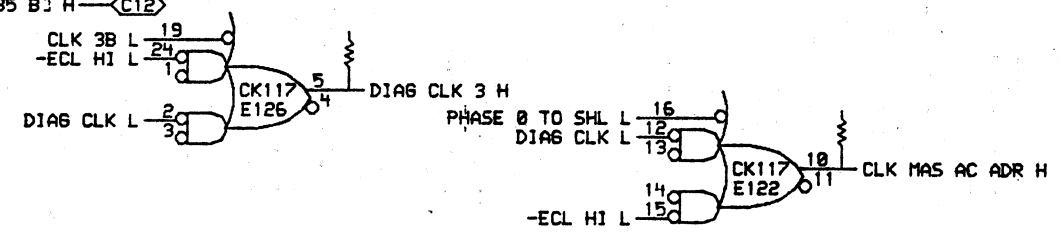
19-SEP-82 10:38 NEXT HIGHER ASSEMBLY: B-DD-L0047-0



6.0

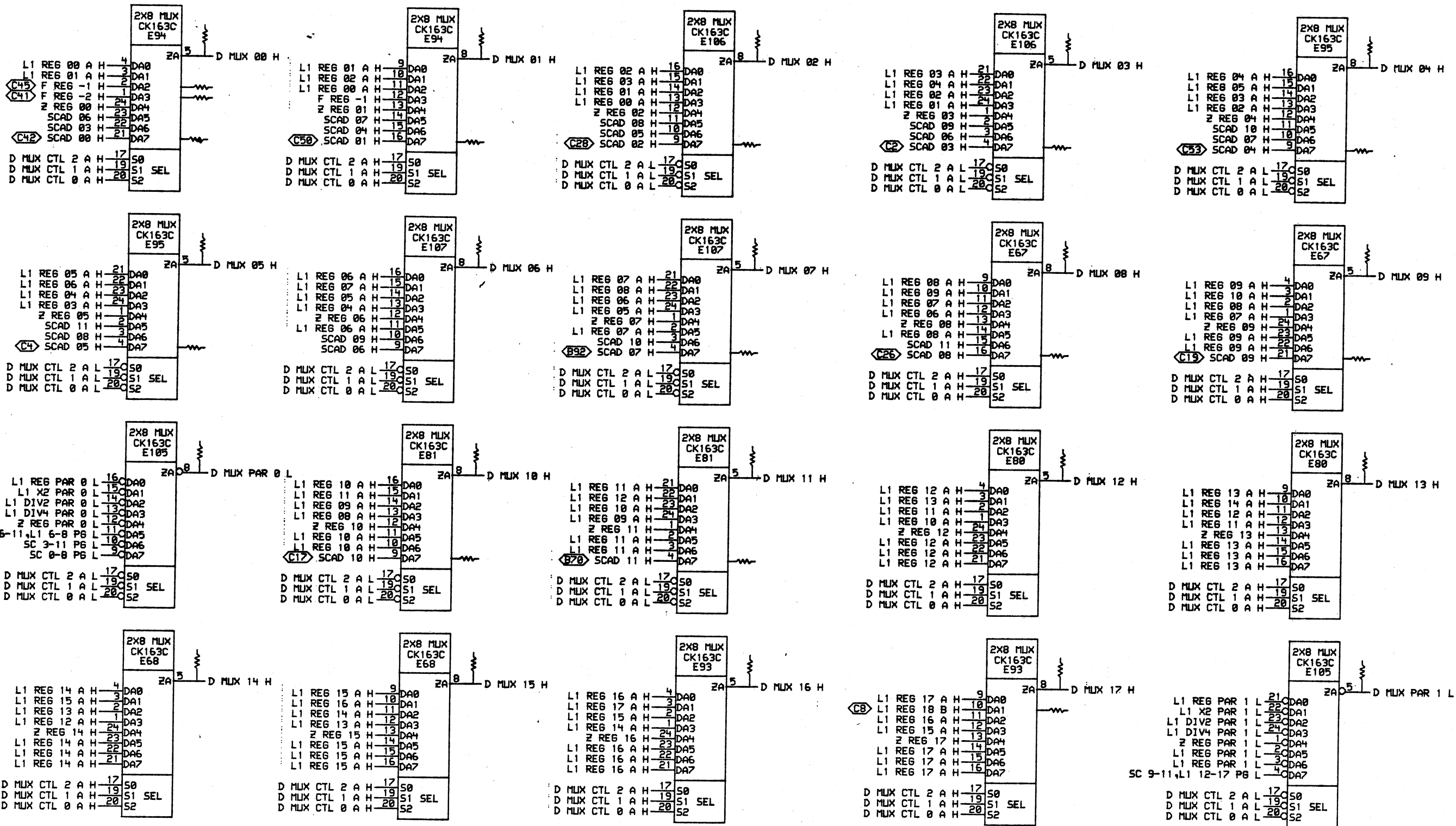


5.2



DRN.	DATE	ENG.	DATE	TITLE:
CHK'D.	DATE	BOARD LOCATION:		Y AC ADR MUX
		SHEET 1 OF 1		MAC WR MUX
PROTOL (C800, L0047, REV0) 30547.DRW	19-SEP-82 10:38	NEXT HIGHER ASSEMBLY:	SIZE CODE	NUMBER
FIRST USED ON OPTION/MODEL:	B-DD-L0047-0		D CS	L0047-0-SHLF
				REV. *

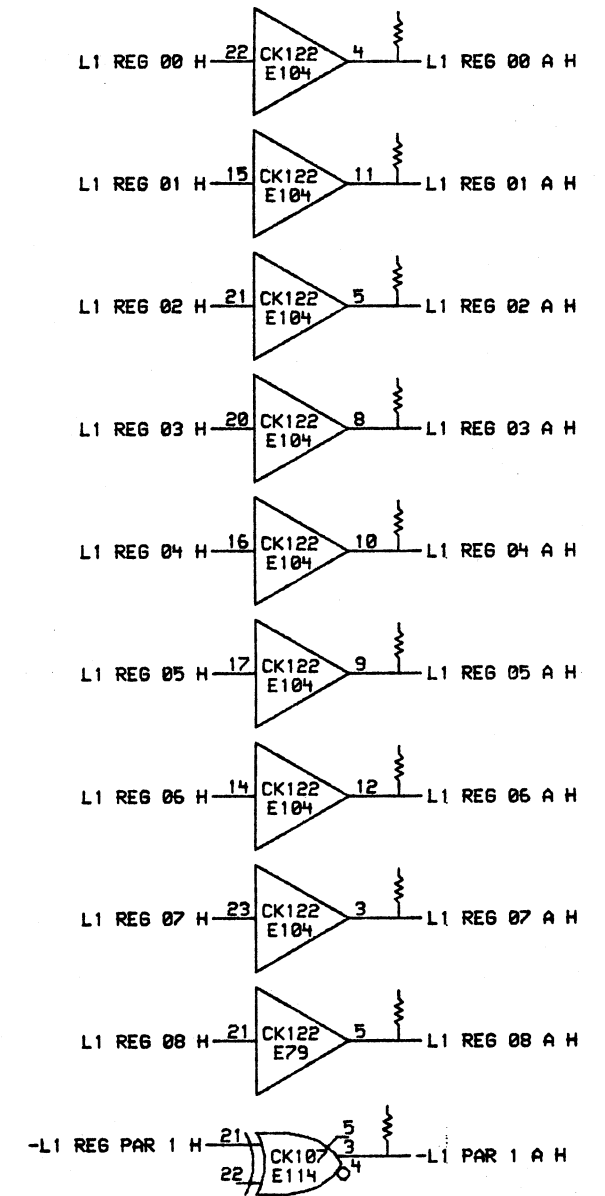
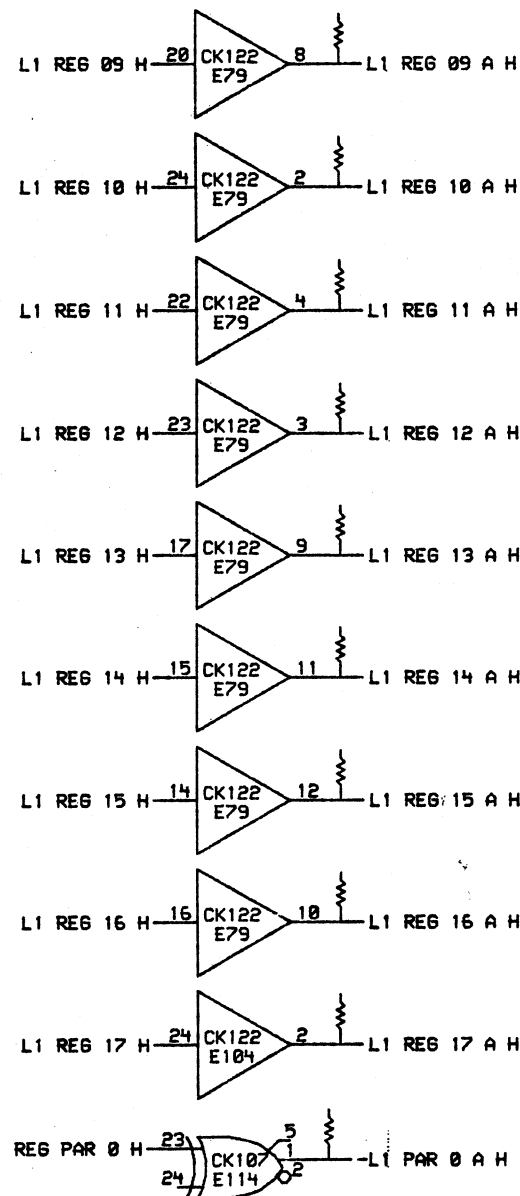
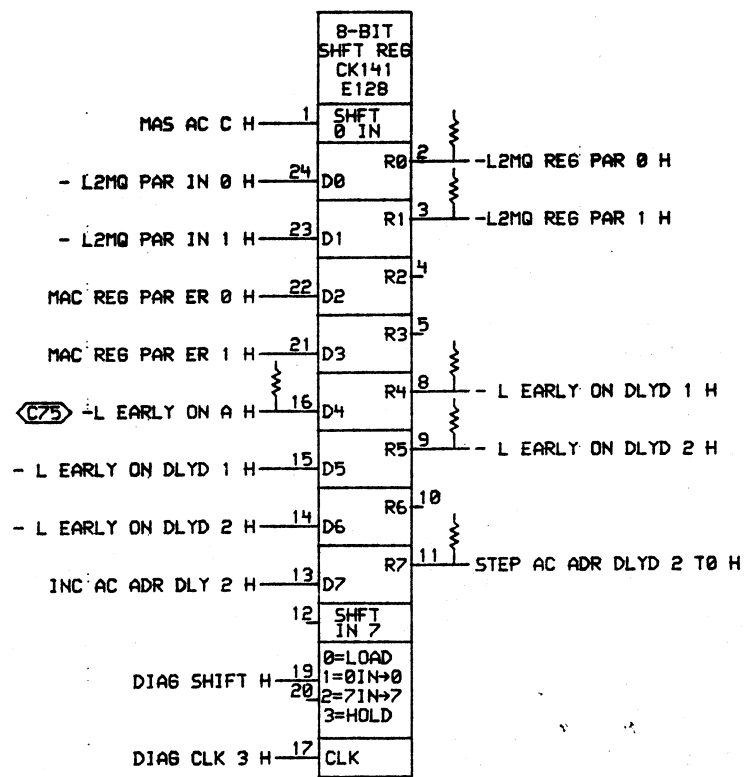
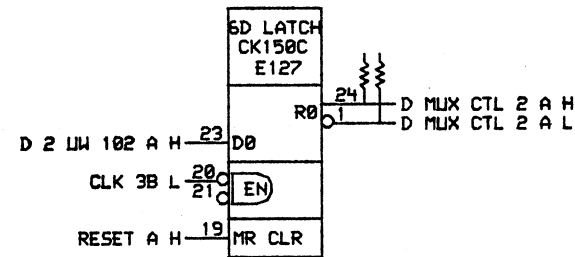
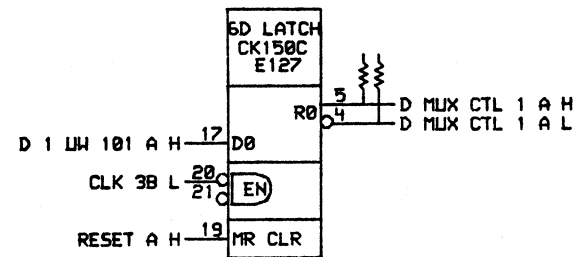
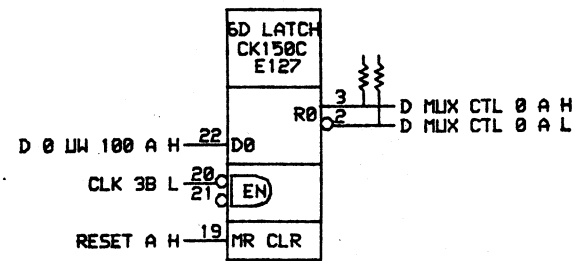




THIS DRAWING AND SPECIFICATIONS ARE THE PROPERTY OF DIGITAL EQUIPMENT CORPORATION AND SHALL NOT BE REPRODUCED OR COPIED IN WHOLE OR IN PART AS A BASIS FOR THE MANUFACTURE OR SALE OF ITEMS WITHOUT WRITTEN PERMISSION. COPYRIGHT © 1982, DIGITAL EQUIPMENT CORPORATION.

REVISIONS		
CHK	CHANGE NO.	REV

	DATE	ENG.	DATE	TITLE:
	04-NOV-82			D MUX 00-17
CHK'D.	DATE	BOARD LOCATION:		
		SHEET 1 OF 1		
FIRST USED ON OPTION/MODEL:		NEXT HIGHER ASSEMBLY:		SIZE CODE
03-NOV-82 08:57		B-DD-L0047-0		D CS
NUMBER			REV.	
L0047-0-SHLG			*	



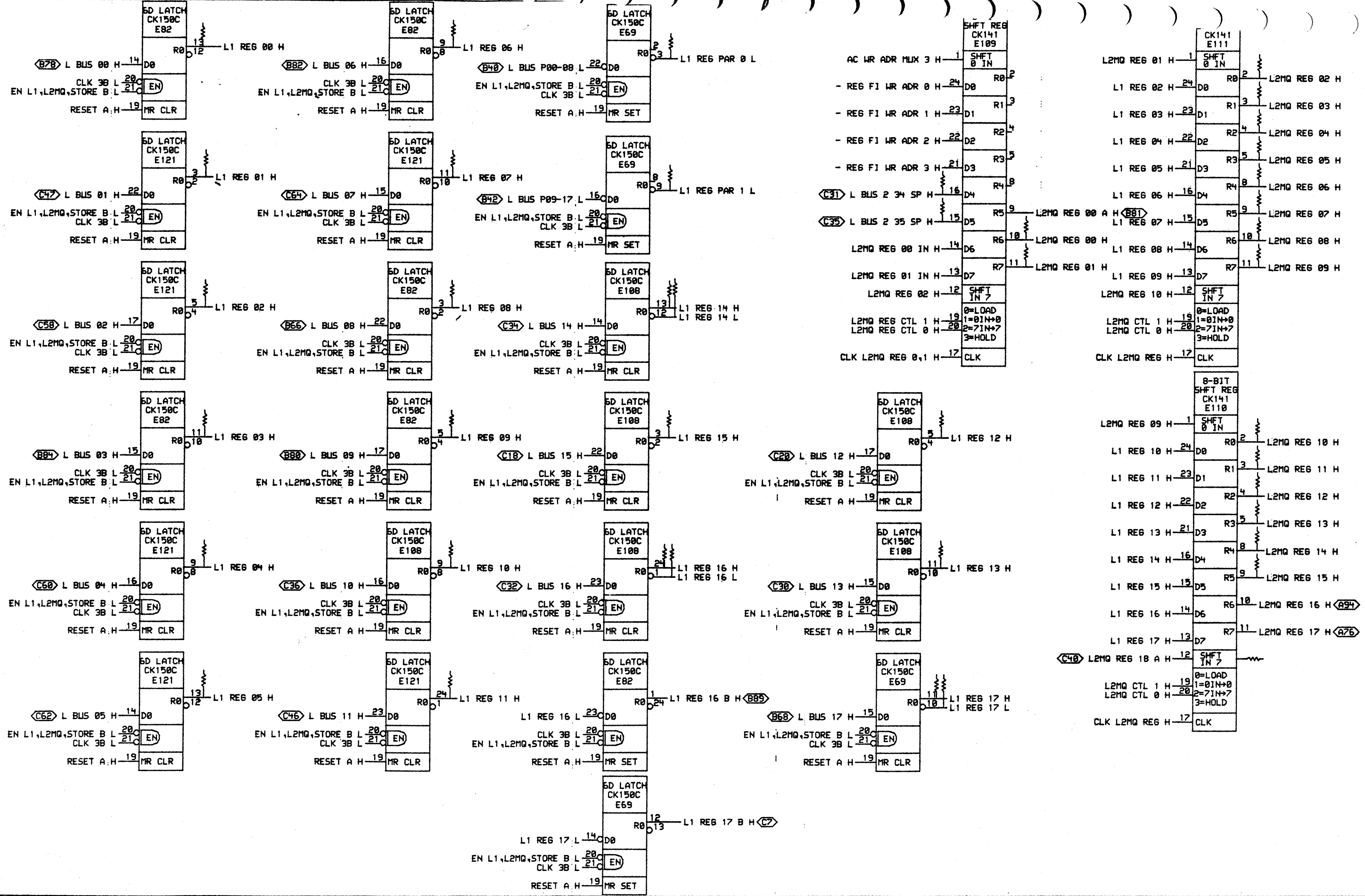
DRN.	DATE	ENG.	DATE	TITLE:	SCAD MUX		
CHK'D.	DATE	BOARD LOCATION:					
PROJECT (P000-L0047-REV0) SHLH.DRW 19-SEP-02 10:39				NEXT HIGHER ASSEMBLY:	SIZE	CODE	NUMBER
FIRST USED ON OPTION/MODEL:				B-DD-L0047-0	D	CS	L0047-0-SHLH
							REV. *

D

C

B

A

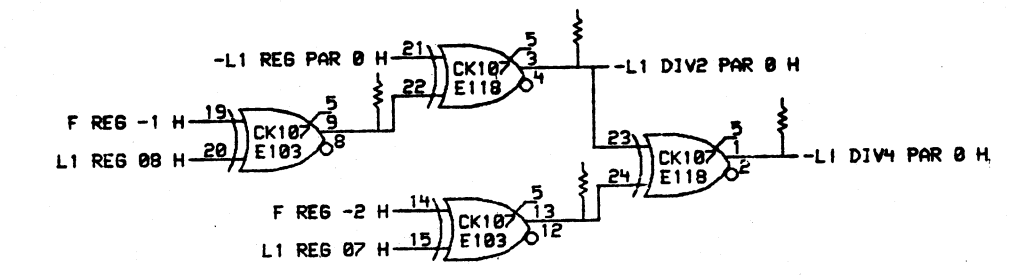
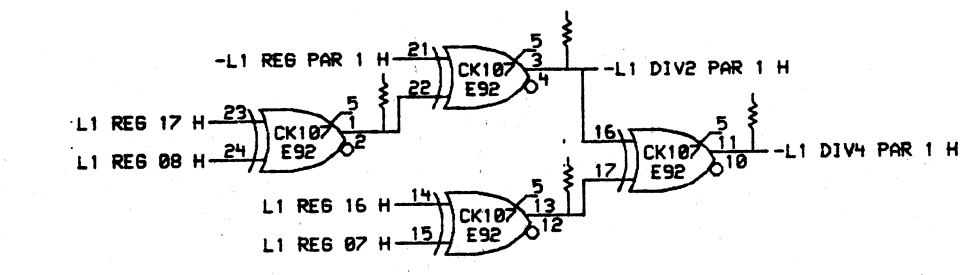
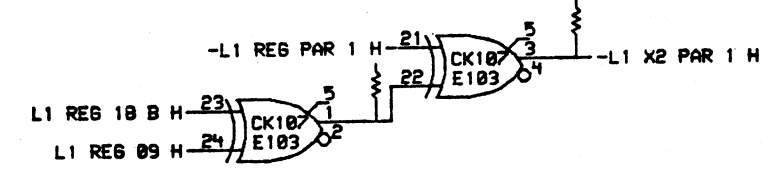
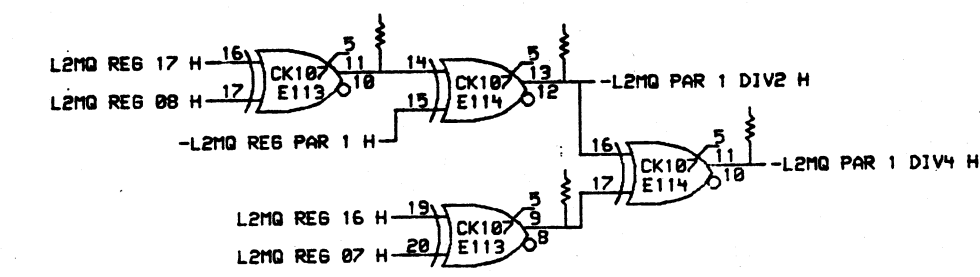
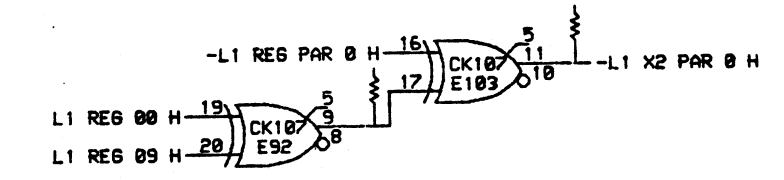
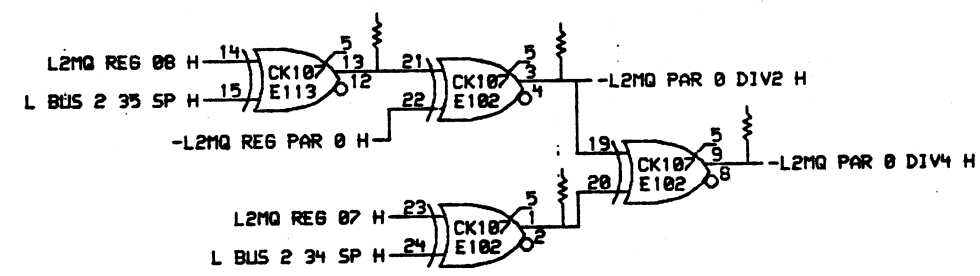
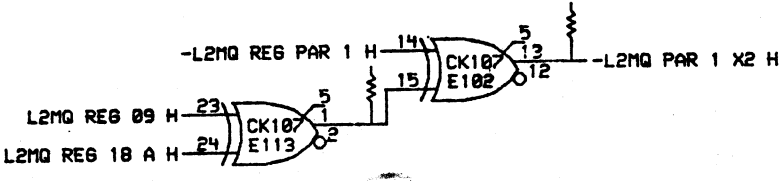
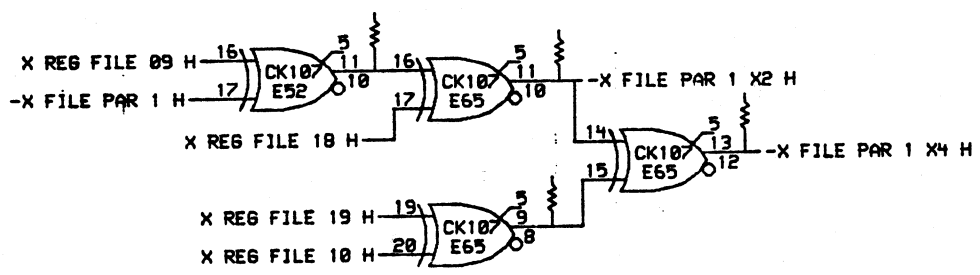
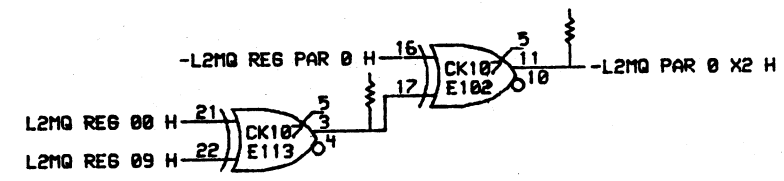
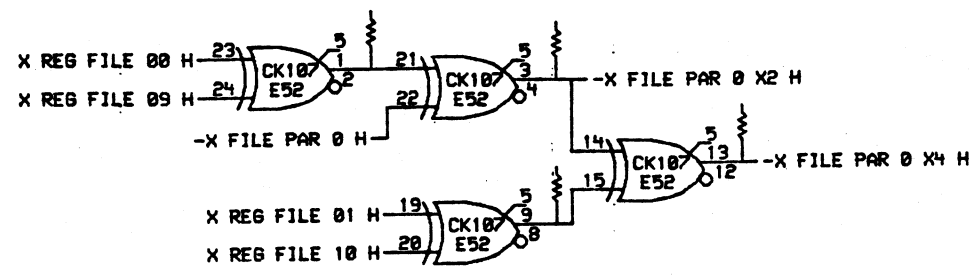


THIS DRAWING AND SPECIFICATIONS ARE THE PROPERTY OF DIGITAL EQUIPMENT CORPORATION AND SHALL NOT BE REPRODUCED OR COPIED IN WHOLE OR IN PART AS A BASIS FOR THE MANUFACTURE OR REPAIR OF ANY EQUIPMENT WITHOUT WRITTEN PERMISSION FROM DIGITAL EQUIPMENT CORPORATION.

REVISIONS	
CHK	CHANGE NO. REV

digital	DATE	ENG.	DATE	TITLE:
	04-NOV-82			L1, L2MQ REGS
DRW. J. J. J.	DATE	BOARD LOCATION:	NUMBER	
CHK'D.		SHEET 1 OF 1	L0047-0-SHLI	
PROTOD (2800, L0047, REV) 1505M, 2, DRW 03-NOV-82 09:03	NEXT HIGHER ASSEMBLY:		SIZE	CODE
FIRST USED ON OPTION/MODEL:	B-DD-L0047-0		D	CS





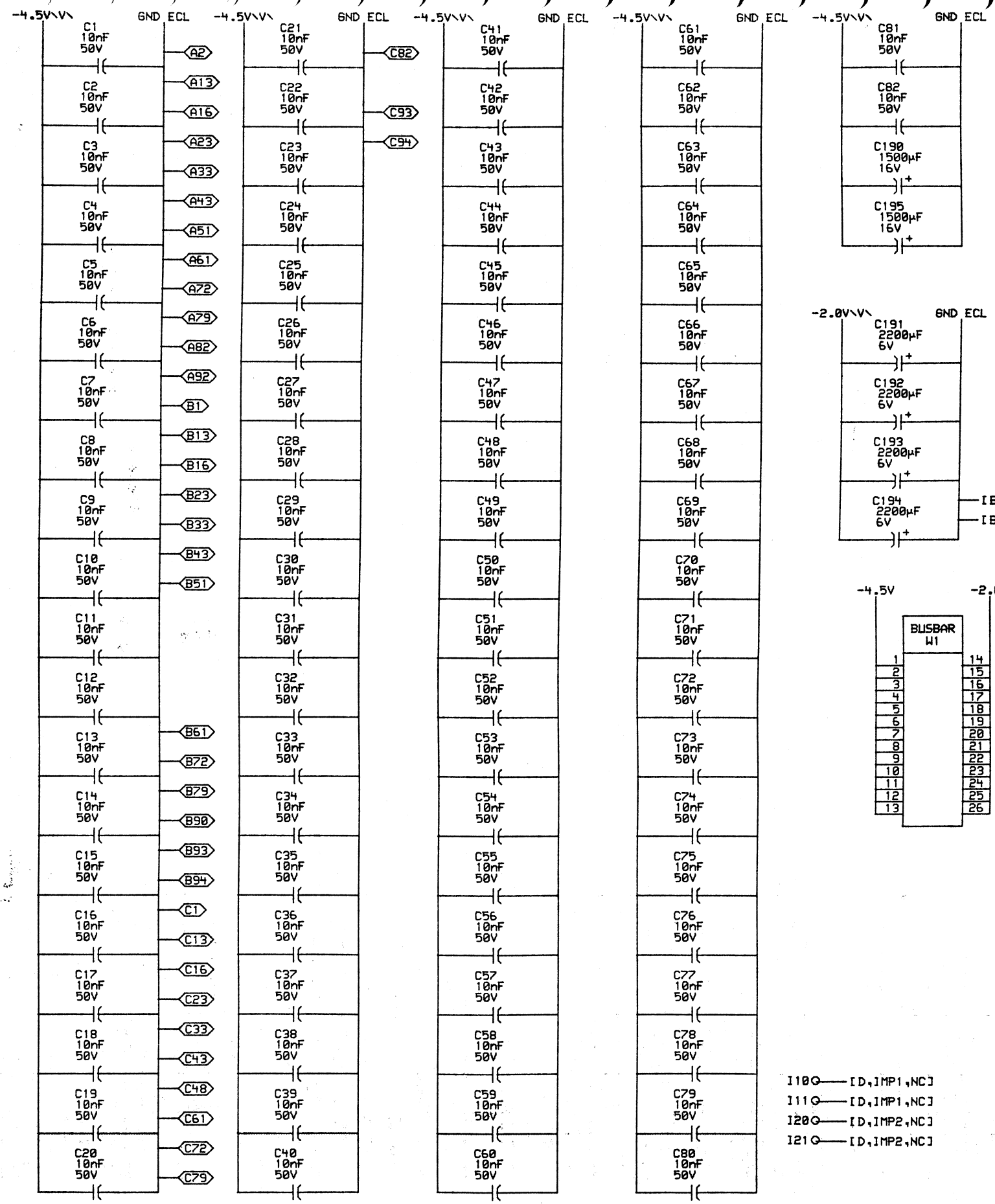
THIS DRAWING AND SPECIFICATIONS ARE THE PROPERTY OF DIGITAL EQUIPMENT CORPORATION AND SHALL NOT BE REPRODUCED OR COPIED OR USED IN WHOLE OR IN PART AS THE BASIS FOR THE MANUFACTURE OR SALE OF ITEMS WITHOUT WRITTEN PERMISSION. COPYRIGHT © 1988. DIGITAL EQUIPMENT CORPORATION.

REVISIONS	
CHK	CHANGE NO. REV

digital	DATE	ENG.	DATE	TITLE:
	20-OCT-82			SHIFT PARITY ADJUSTMENT
CHK'D.	DATE	BOARD LOCATION:	SHEET	OF
	19-OCT-82 11:33	NEXT HIGHER ASSEMBLY:		
FIRST USED ON OPTION/MODEL:	B-DD-L0047-0	SIZE	CODE	NUMBER
		D	CS	L0047-0-SHLK
				REV.
				*





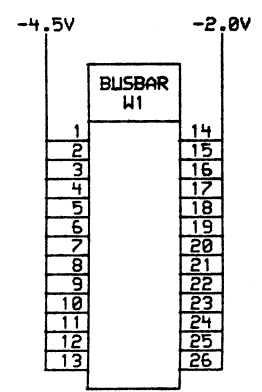
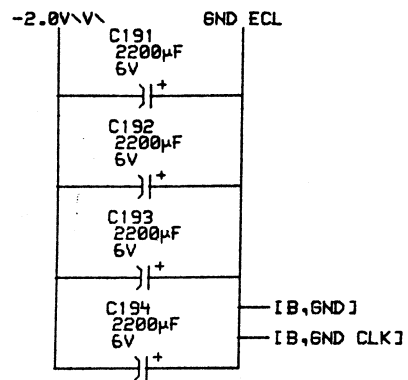


- ⓅB53 — GND CLK
- ⓅB55 — GND CLK
- ⓅB57 — GND CLK
- ⓅB59 — GND CLK

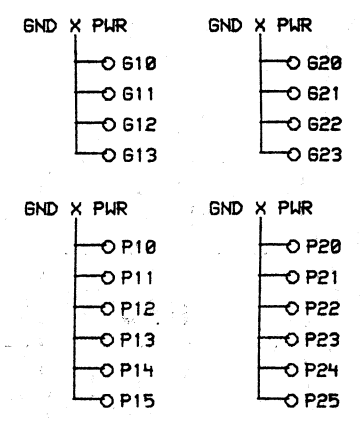
- ⓅA73 — NC A73
- ⓅB7 — NC B7
- ⓅC27 — NC C27
- ⓅC37 — NC C37
- ⓅC38 — NC C38
- ⓅC39 — NC C39
- ⓅC52 — NC C52
- ⓅC55 — NC C55
- ⓅC57 — NC C57
- ⓅC59 — NC C59
- ⓅC63 — NC C63
- ⓅC61 — NC C81
- ⓅC85 — NC C85
- ⓅC87 — NC C87
- ⓅC88 — NC C88
- ⓅC89 — NC C89

E2 SPARE

- Z2 TERMS
- Z48 TERMS
- Z122 TERMS



- I10 — [D,IMP1,NC]
- I11 — [D,IMP1,NC]
- I20 — [D,IMP2,NC]
- I21 — [D,IMP2,NC]



THIS DRAWING AND SPECIFICATIONS ARE THE PROPERTY OF DIGITAL EQUIPMENT CORPORATION AND SHALL NOT BE REPRODUCED OR COPIED OR USED IN WHOLE OR IN PART AS THE BASIS FOR THE MANUFACTURE OR SALE OF ITEMS WITHOUT WRITTEN PERMISSION. COPYRIGHT © 1983 DIGITAL EQUIPMENT CORPORATION.

REVISIONS	
CHK	CHANGE NO. REV

	DATE 02-FEB-83 DATE 01-FEB-83 20:48 NEXT HIGHER ASSEMBLY: B-DD-L0047-0	ENG. BOARD LOCATION: SHEET 1 OF 1	DATE TITLE: CSHL POWER & GROUND
	FIRST USED ON OPTION/MODEL: 2080	SIZE CODE D CS	NUMBER L0047-0-SHLM



E145	E132	E119	E106	E094	E081	E067	E053	E041	E027	E013
E144	E131	E118	E105	E093	E079	E065	E052	E040	E026	E012
E143	E130	E117	E104	E091	E077	E063	E050	E037	E023	E010
E142	E129	E116	E103	E090	E076	E062	E049	E036	E022	E009
E141	E128	E115	E102	E089	E075	E061	E048	E035	E021	E008
E140	E127	E114	E101	E088	E074	E060	E047	E034	E020	E007
E139	E126	E113	E100	E087	E073	E059	E046	E033	E019	E006
E138	E125	E112	E099	E086	E072	E058	E045	E032	E018	E005
E137	E124	E111	E098	E085	E071	E057	E044	E031	E017	E004
E136	E123	E110	E097	E084	E070	E056	E043	E030	E016	E003
+ C095		+ C094		+ C093		+ C092		+ C091		+ C090
E135	E122	E109	E096	E083	E069	E055	E042	E029	E015	E002
E134	E121	E108	E082	E068	E054	E028	E014	E001		

SHL/SFR

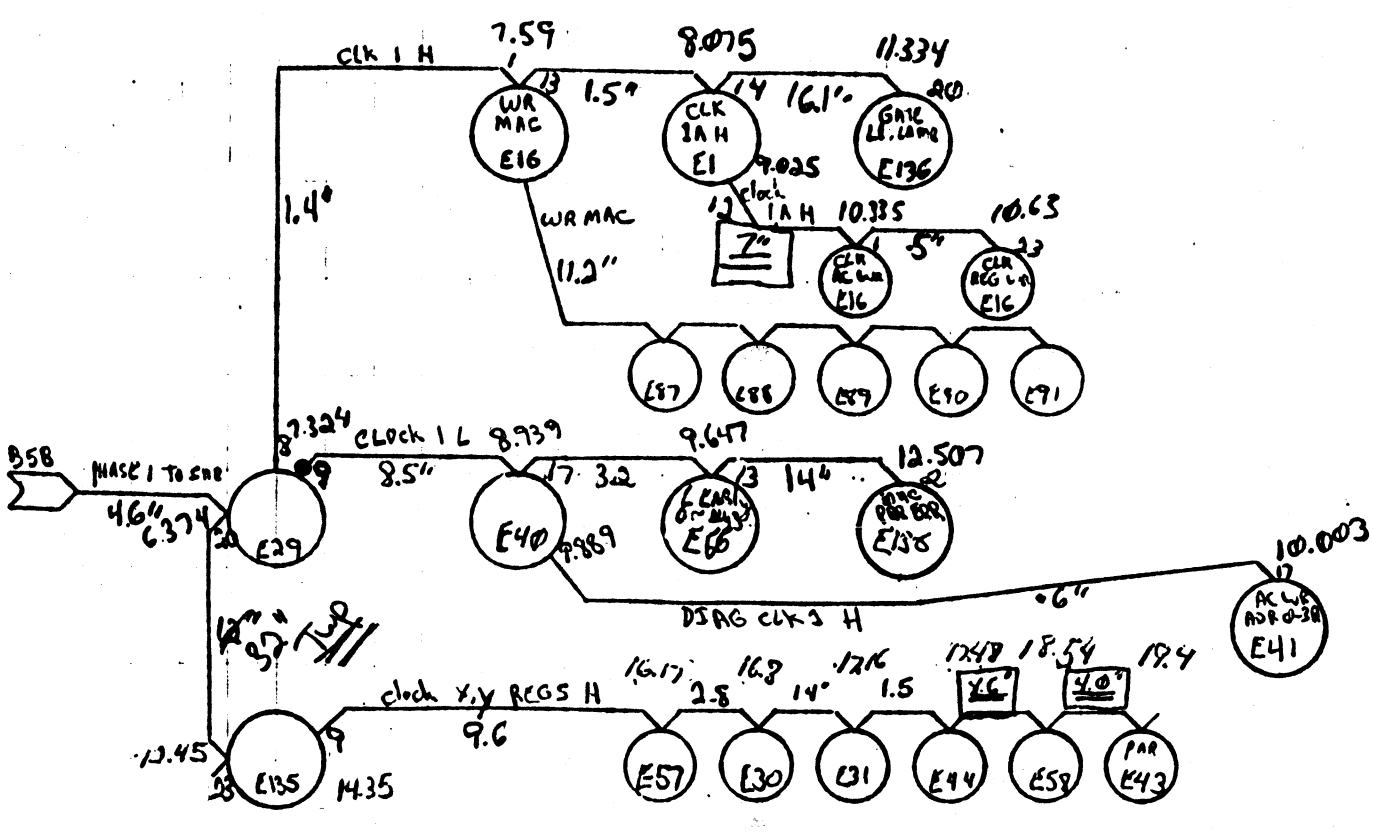
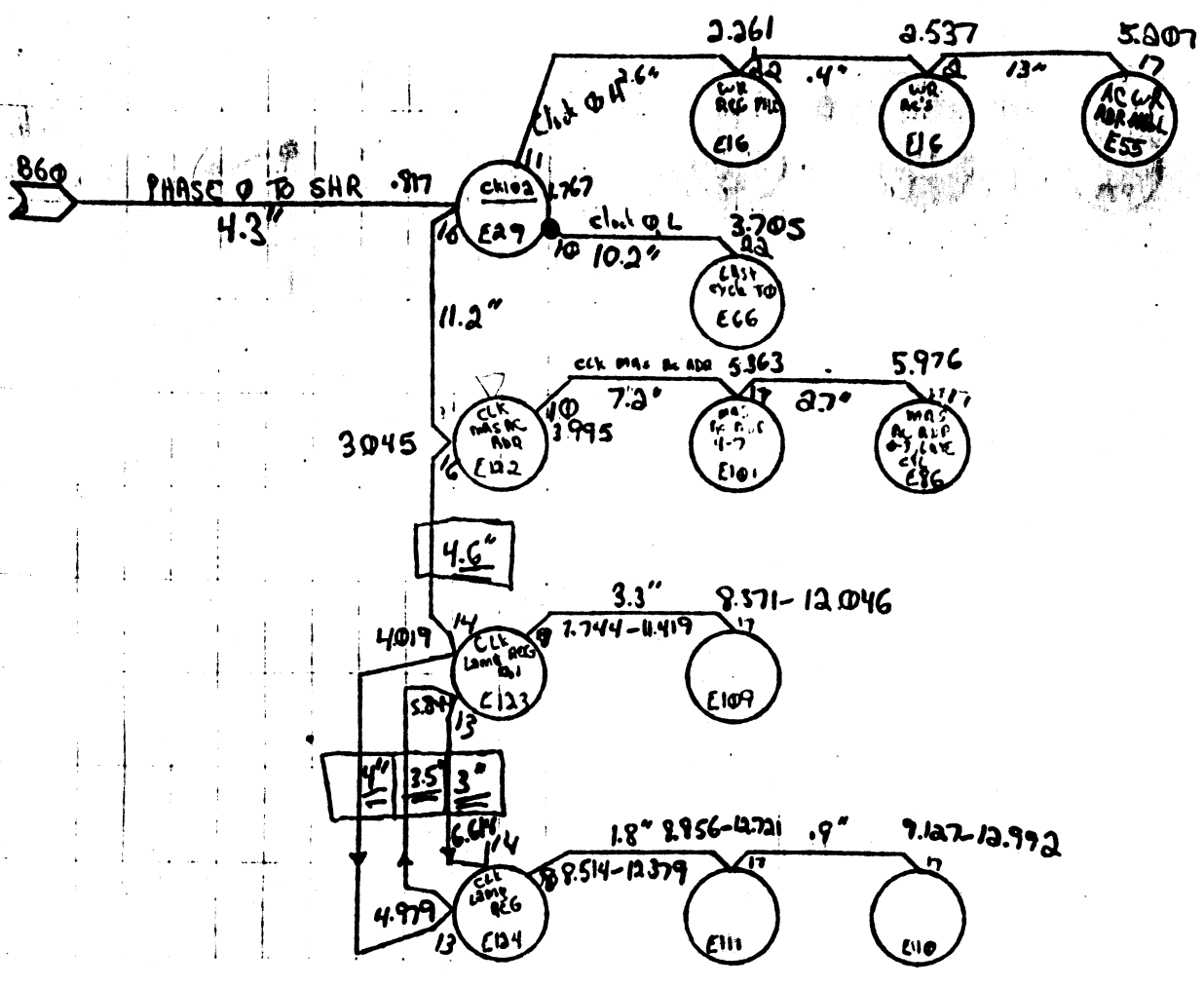
E141	E128	E115	E102	E090	E077	E064	E051	E039	E026	E013
E140	E127	E114	E101	E089	E076	E063	E050	E038	E025	E012
E139	E126	E113	E100	E088	E075	E062	E049	E037	E024	E011
E138	E125	E112	E099	E087	E074	E061	E048	E036	E023	E010
E137	E124	E111	E098	E086	E073	E060	E047	E035	E022	E009
E136	E123	E110	E097	E085	E072	E059	E046	E034	E021	E008
E135	E122	E109	E096	E084	E071	E058	E045	E033	E020	E007
E134	E121	E108	E095	E083	E070	E057	E044	E032	E019	E006
E133	E120	E107	E094	E082	E069	E056	E043	E031	E018	E005
E132	E119	E106	E093	E081	E068	E055	E042	E030	E017	E004
E131	E118	E105	E092	E080	E067	E054	E041	E029	E016	E003
+ C095		+ C094		+ C093		+ C092		+ C091		+ C090
E130	E117	E104	E091	E079	E066	E053	E040	E028	E015	E002
E129	E116	E103	E078	E065	E052	E039	E027	E014	E001	

# CSHR

10/18/82

SHR TIMING D.W.H

NEW 146 LAYOUT

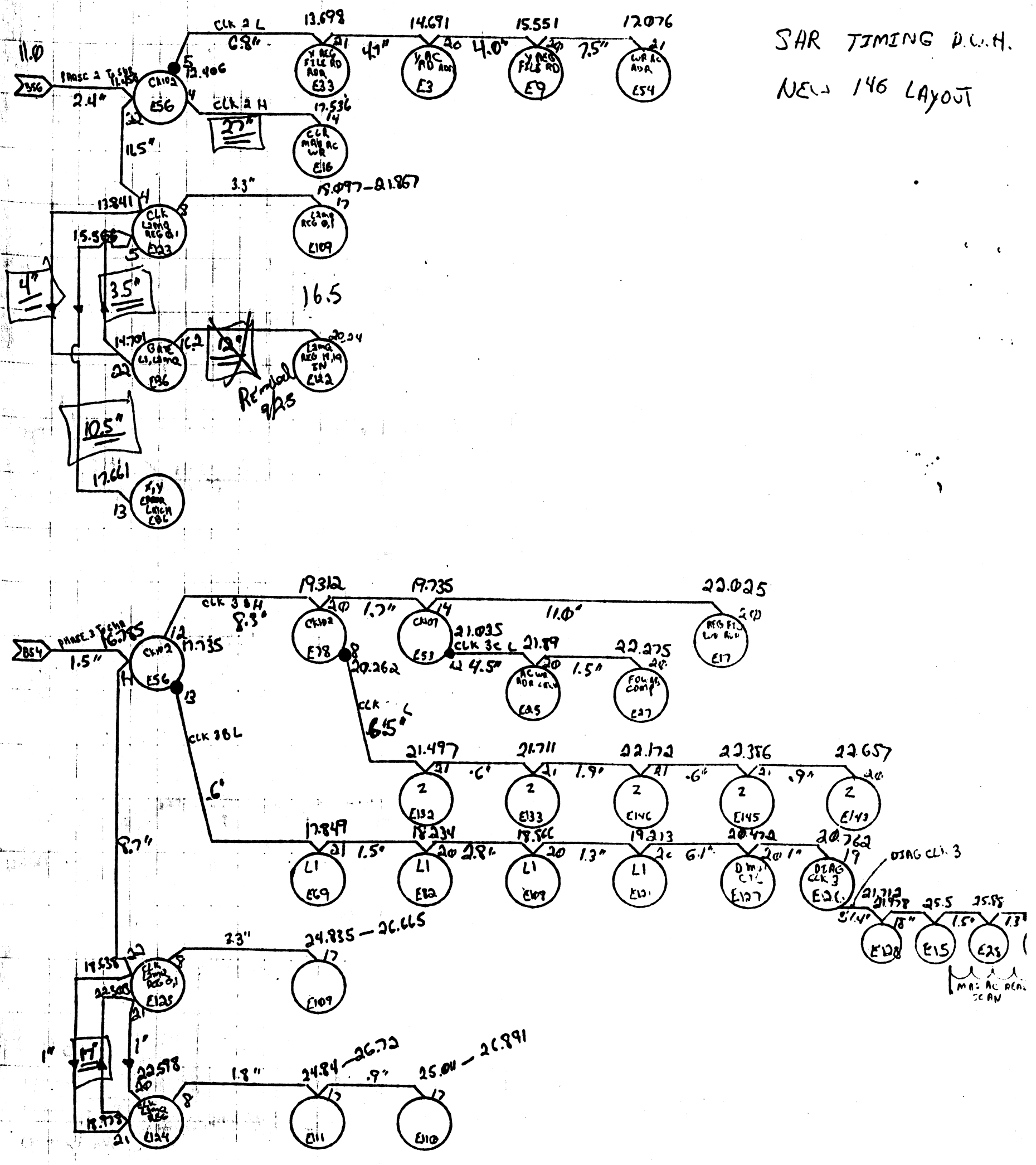


Too Late  
clock approx 10.12

SHR  
PROTO  
OK by D.H. 10/18/82

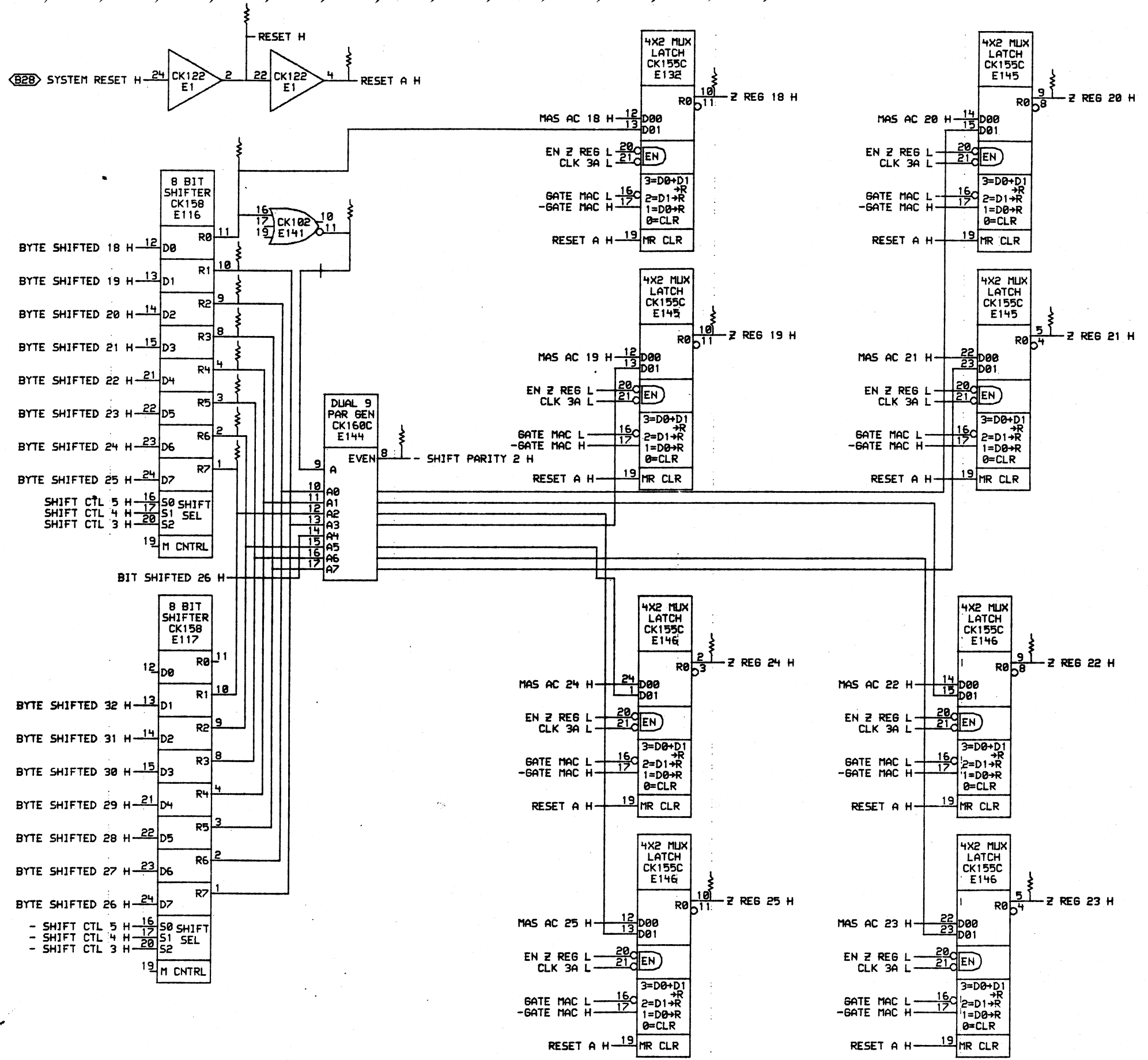
5/10/82

SAR TIMING P.W.H.  
NEW 146 LAYOUT



171  
342  
127



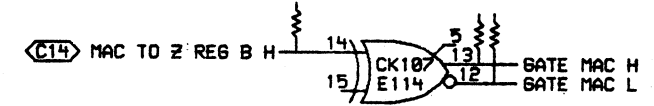
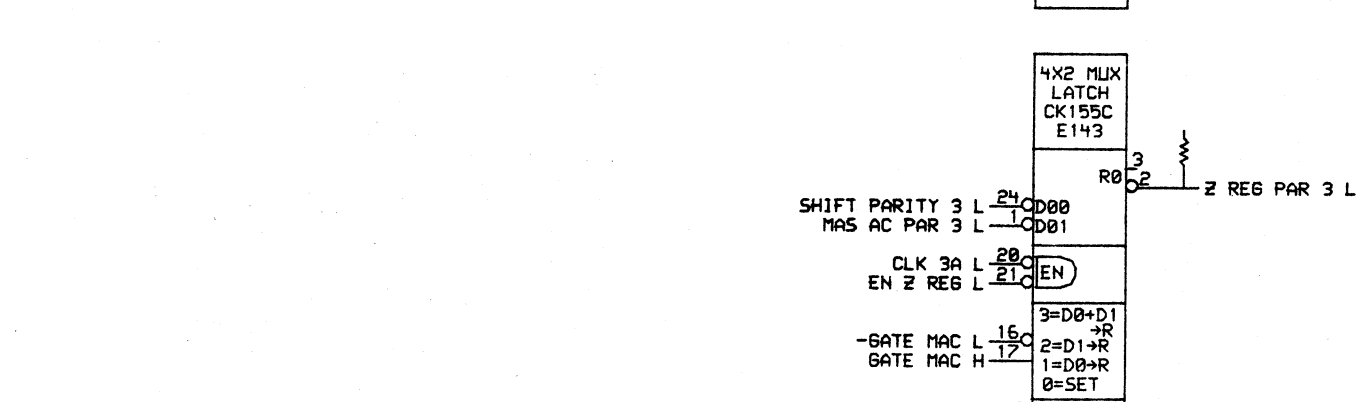
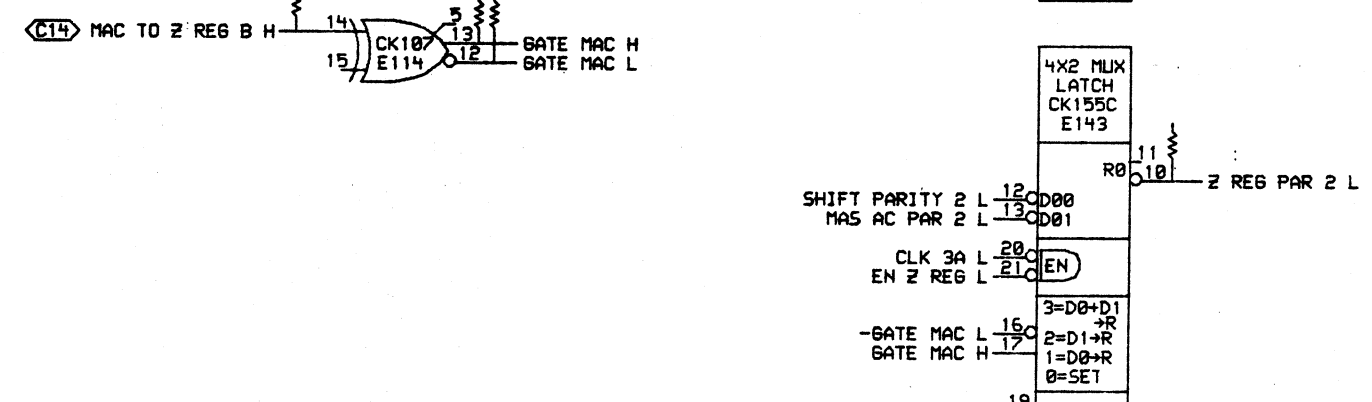
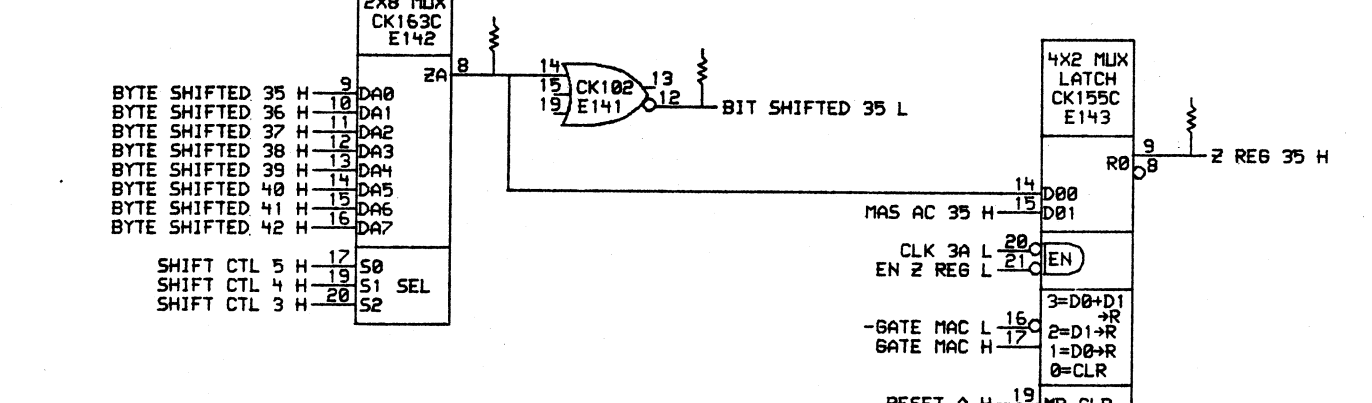
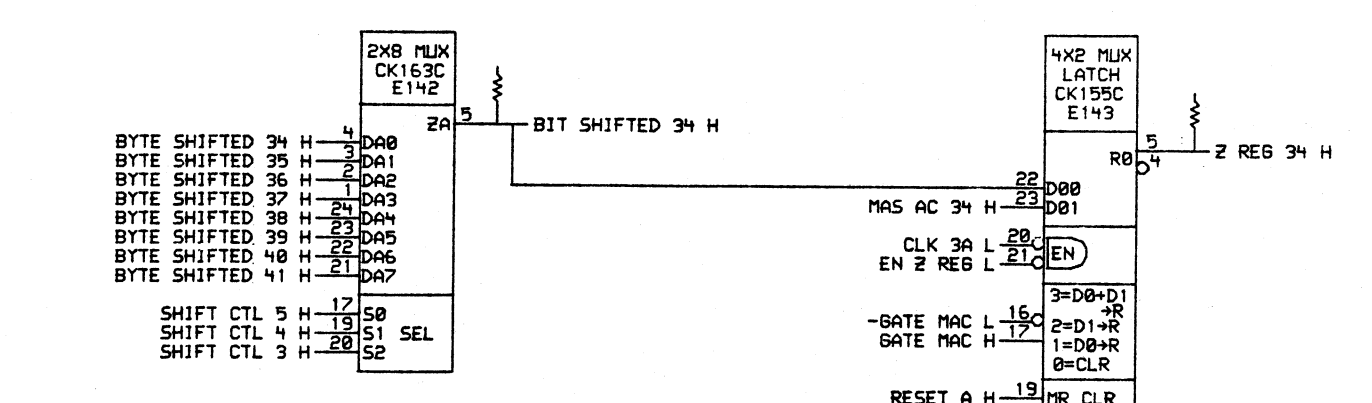
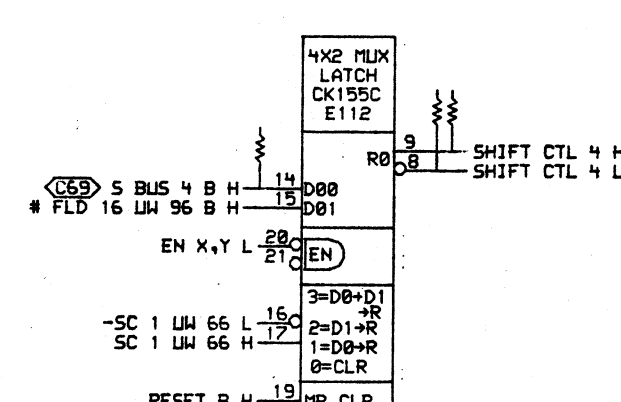
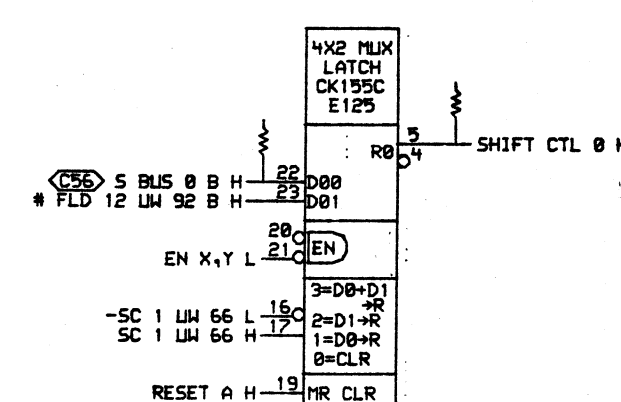
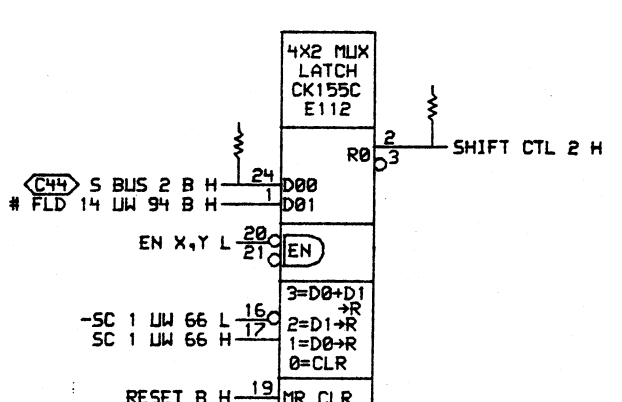
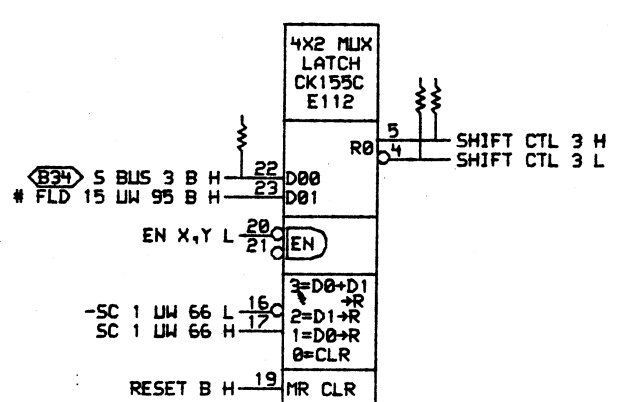
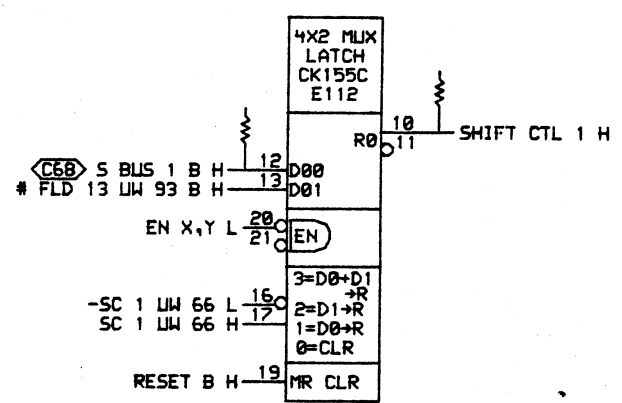
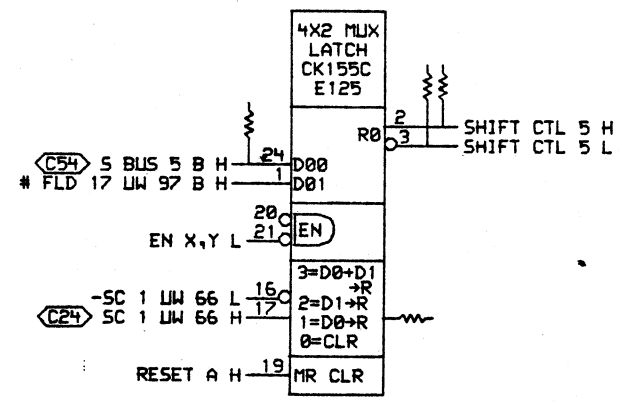


DRN.	DATE	ENG.	DATE	TITLE:	0-7 BIT SHIFT Z REG 00-07		
CHK'D.	DATE	BOARD LOCATION:	SHEET 1 OF 1		SIZE	CODE	NUMBER
FIRST USED ON OPTION/MODEL: 2080				DATE	REV.	*	
B-DD-L0071-0				2080	D	CS	L0071-0-SHR1

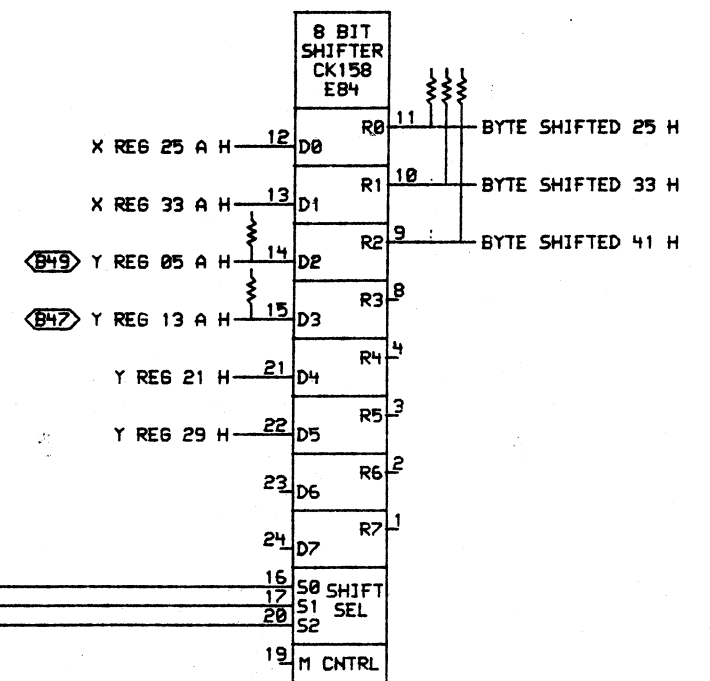
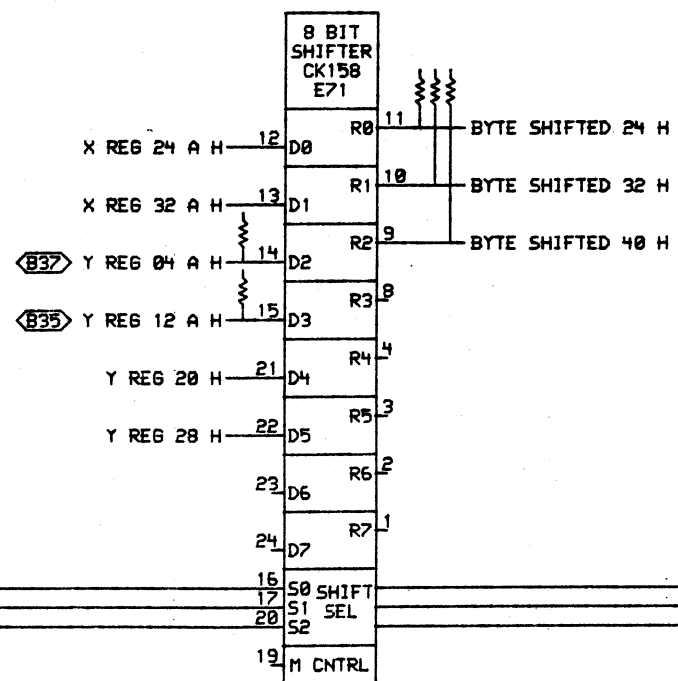
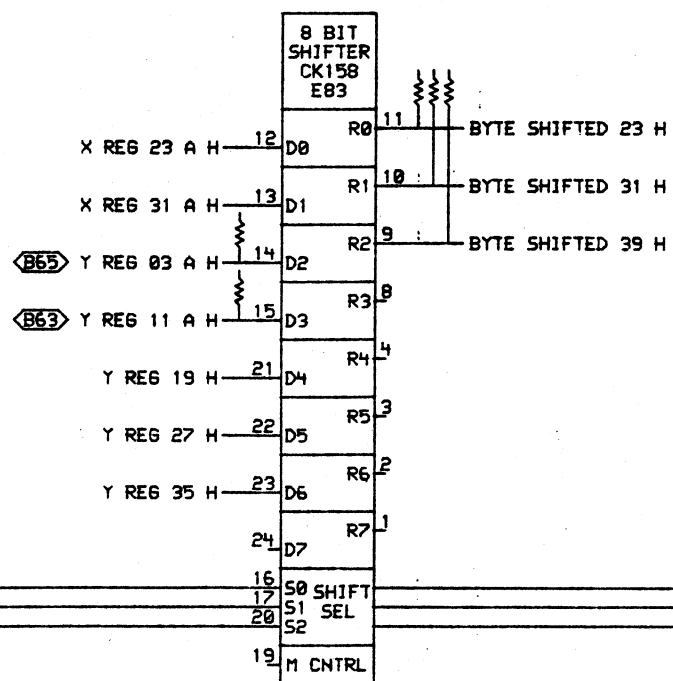
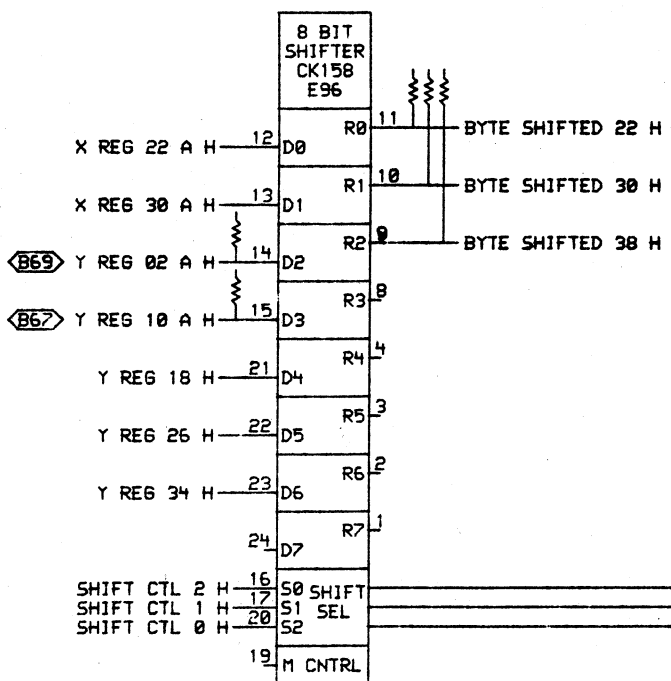
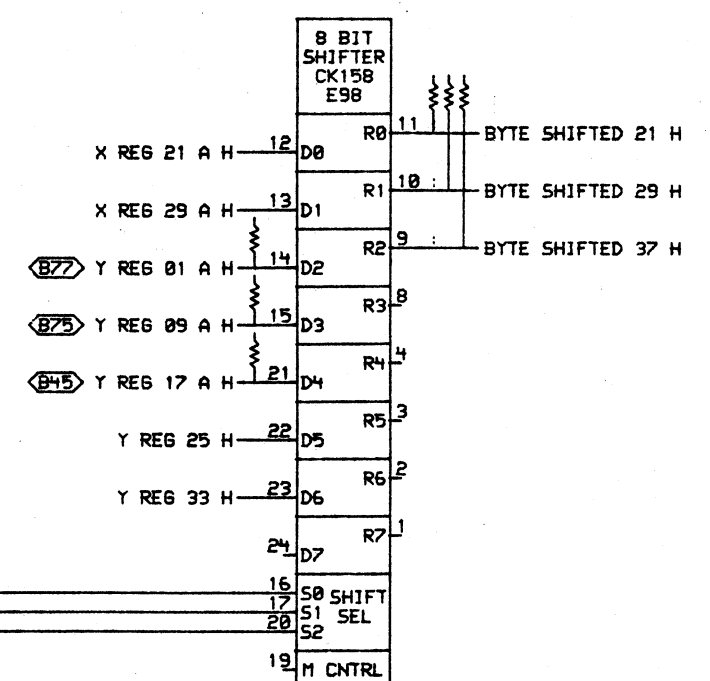
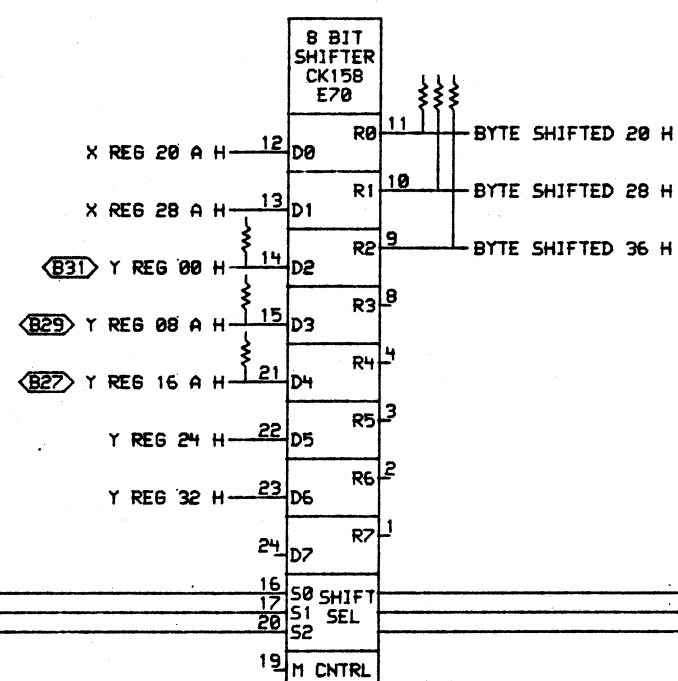
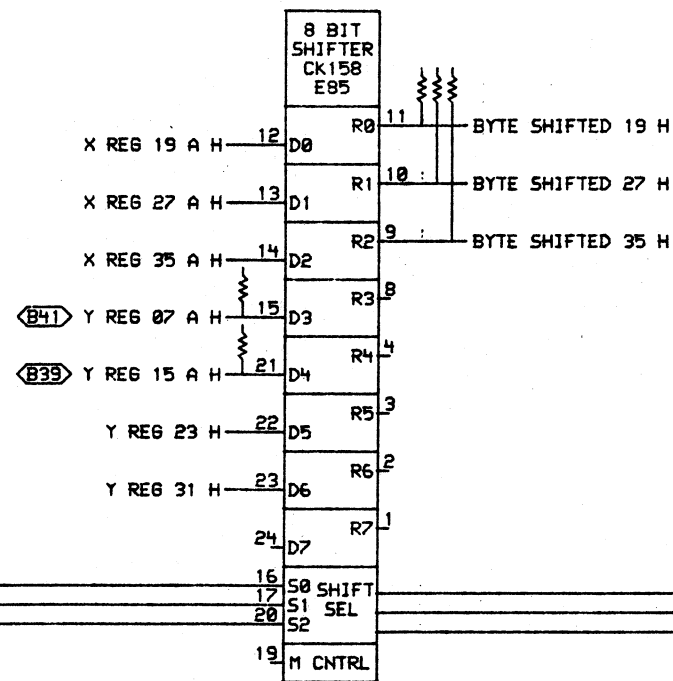
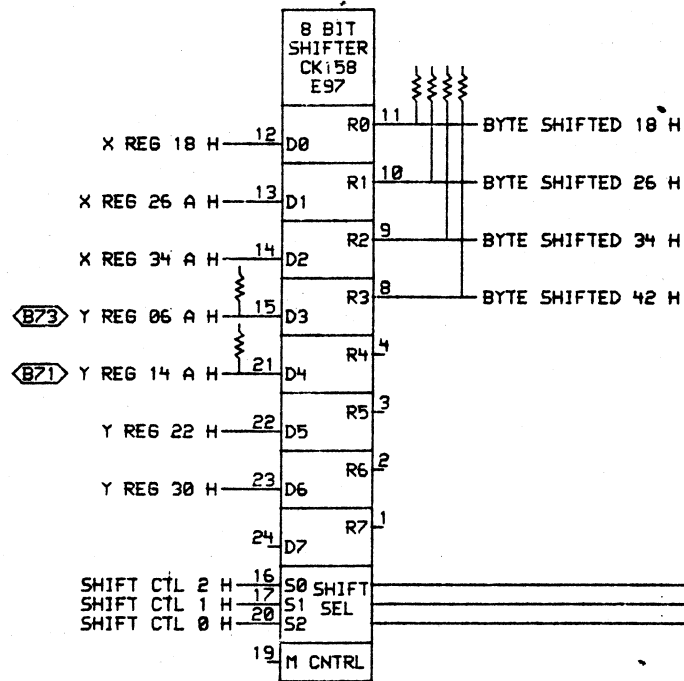
D  
C  
B  
A

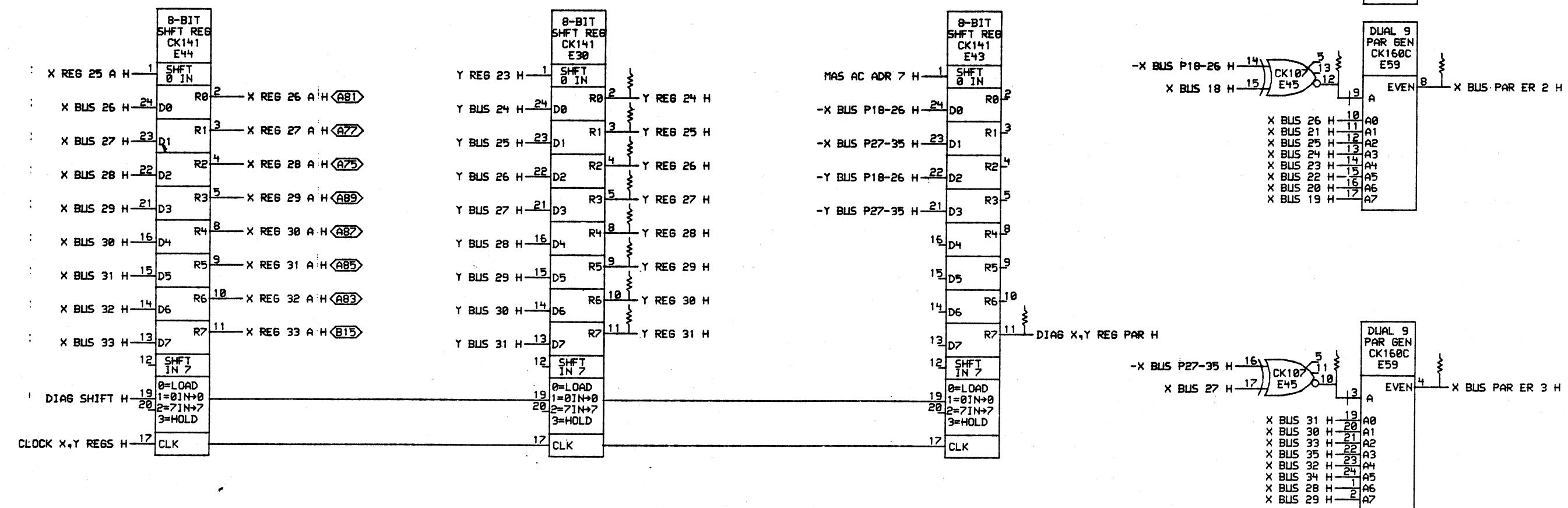
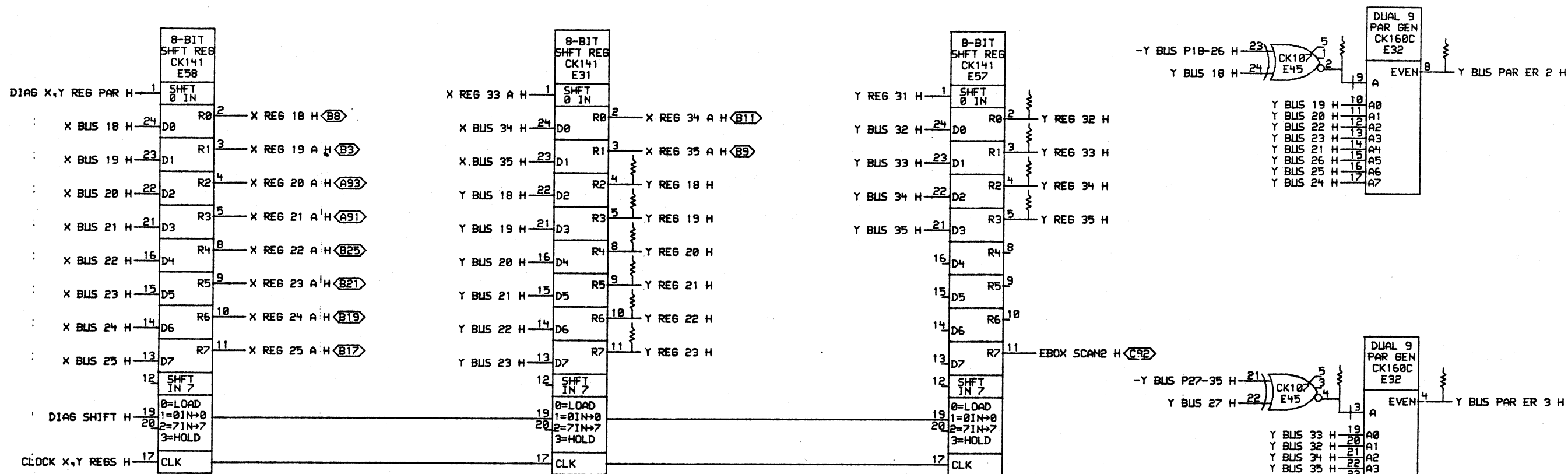
D  
C  
B  
A



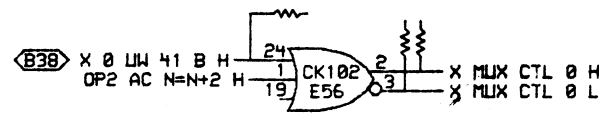
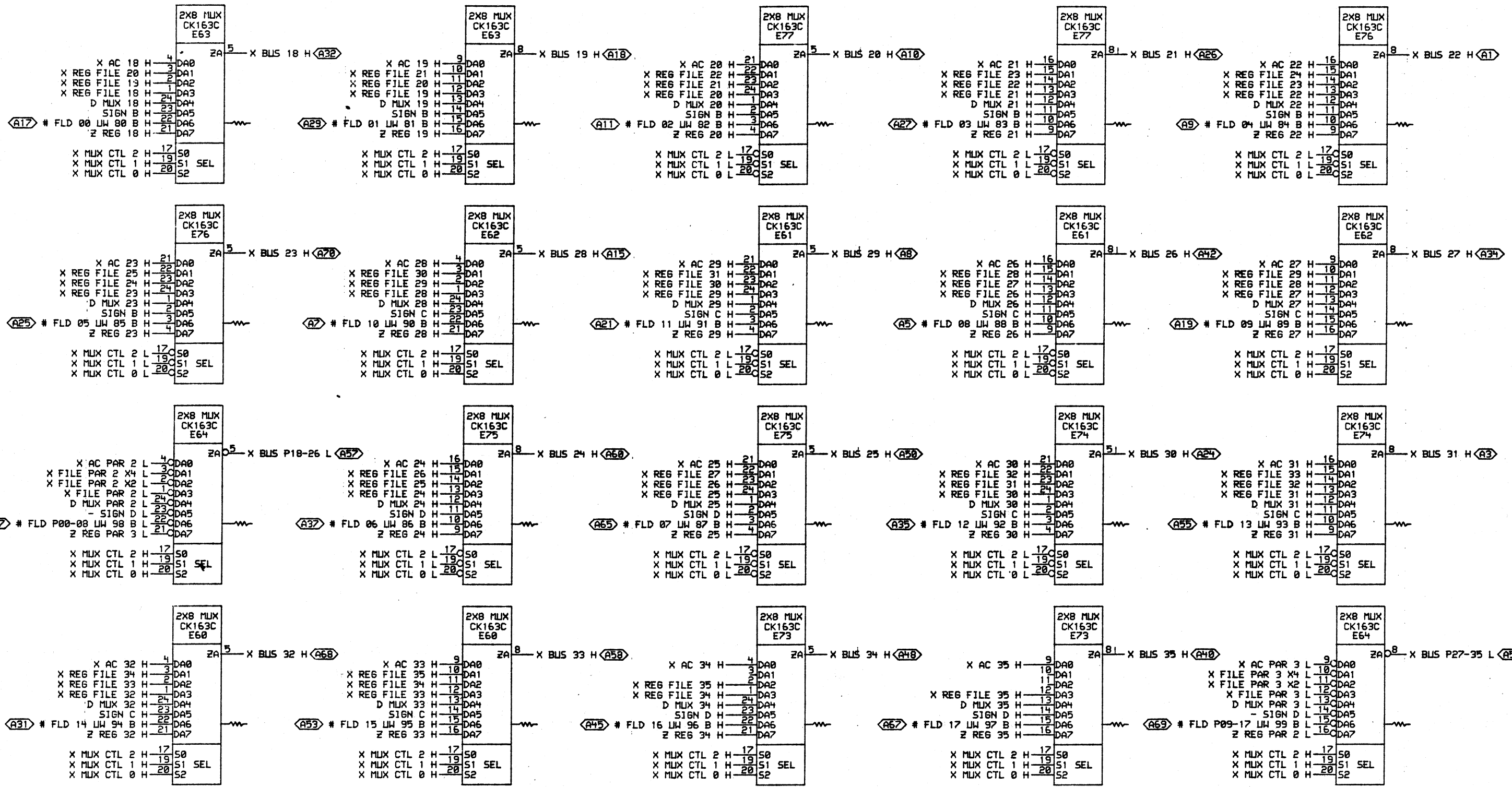


DRN.	DATE	ENG.	DATE	TITLE:
CHK'D.	DATE	BOARD LOCATION:		0-7 BIT SHIFT
		SHEET	OF	Z REG 16,17
PROTOLIN (2000-1-0071-REV) (2000-1-0071-REV) (20-SEP-82 06:53)	NEXT HIGHER ASSEMBLY:	SIZE	CODE	NUMBER
FIRST USED ON OPTION/MODEL: 2080	B-DD-L0071-0	D	CS	L0071-0-SHR3
				REV. *

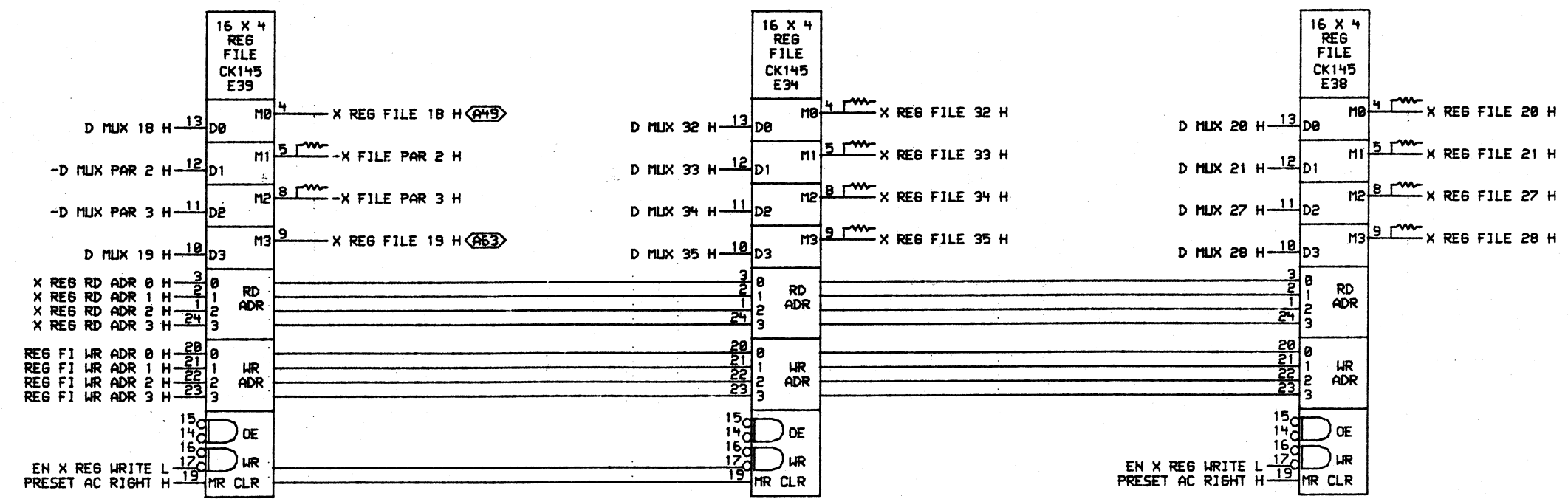
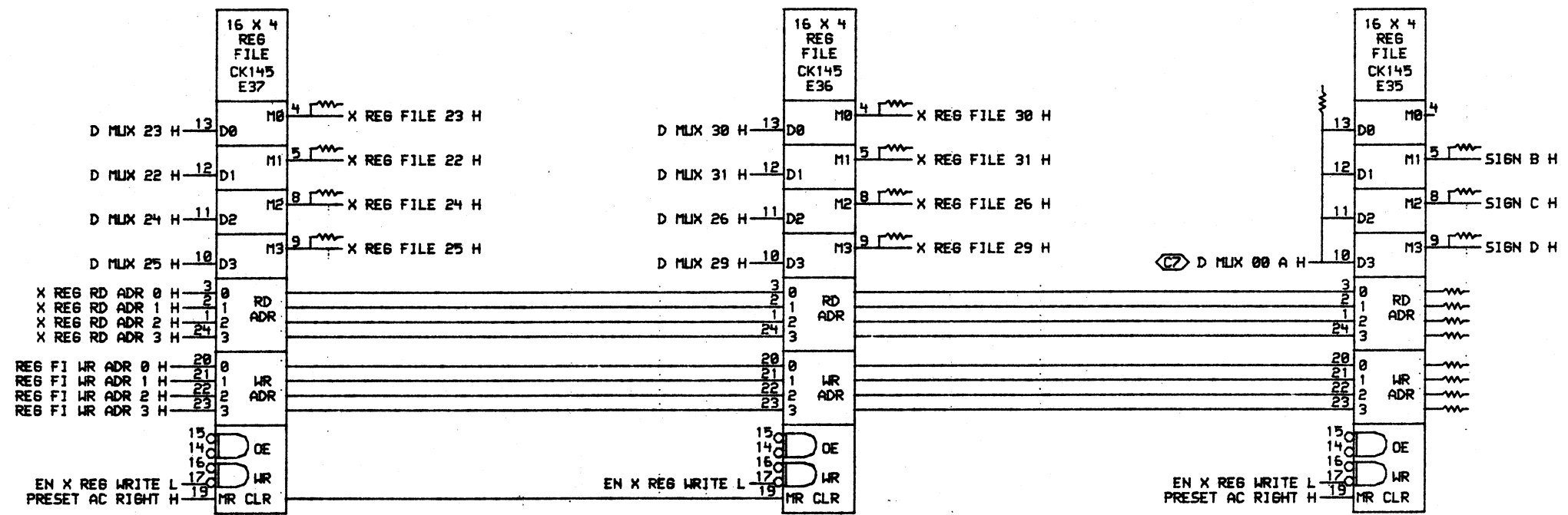
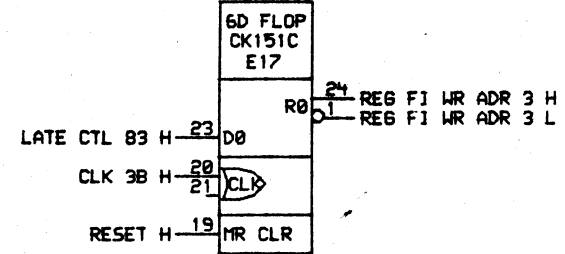
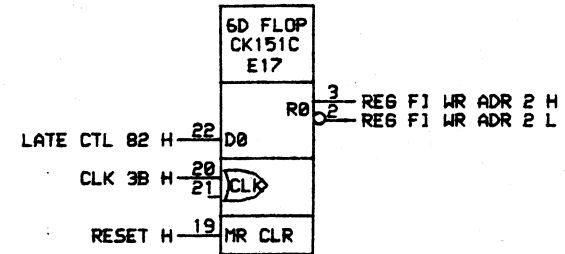
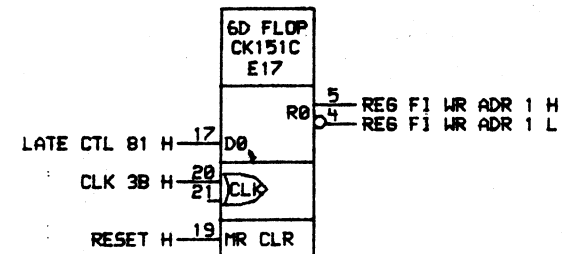
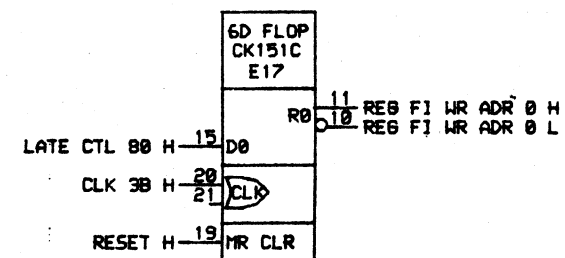
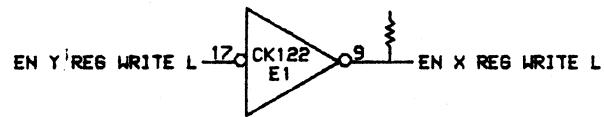
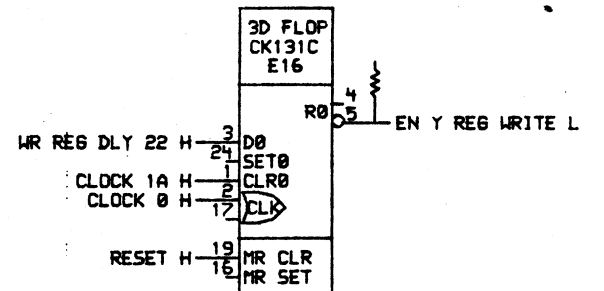
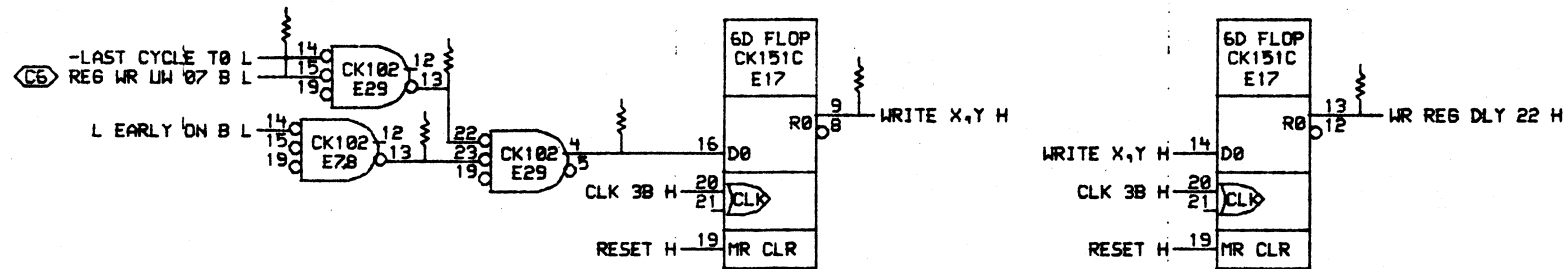




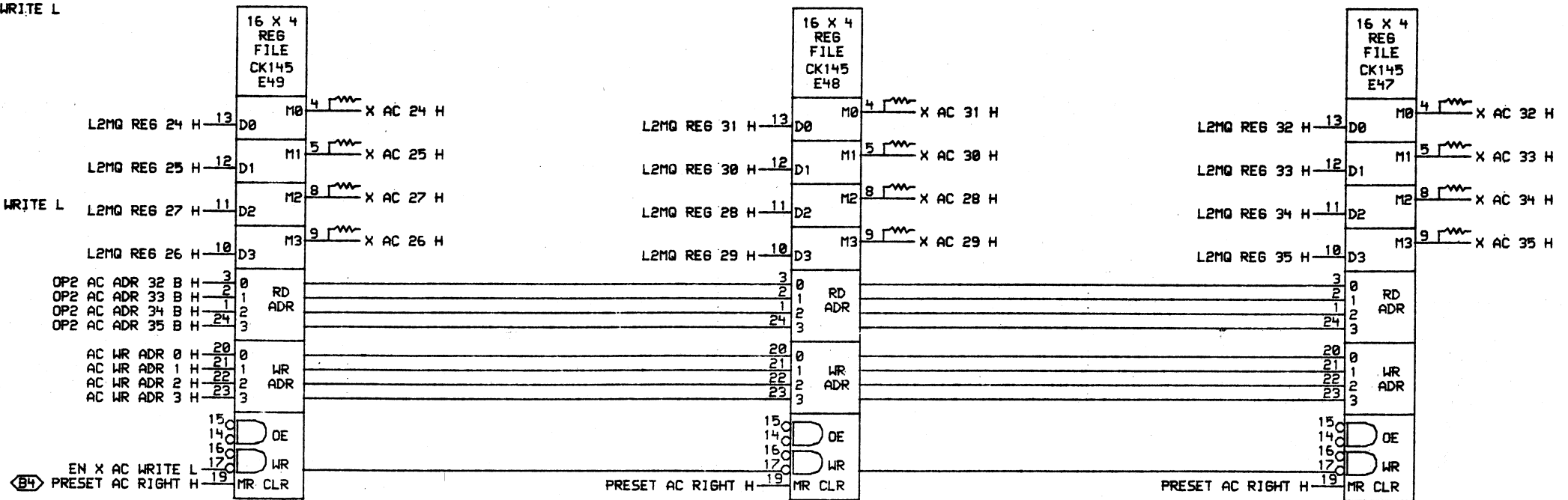
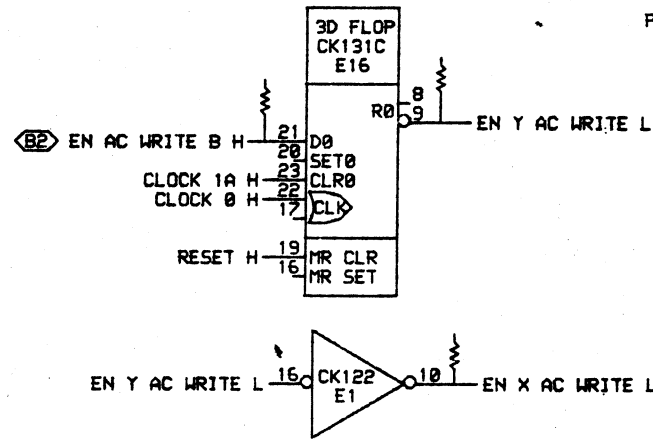
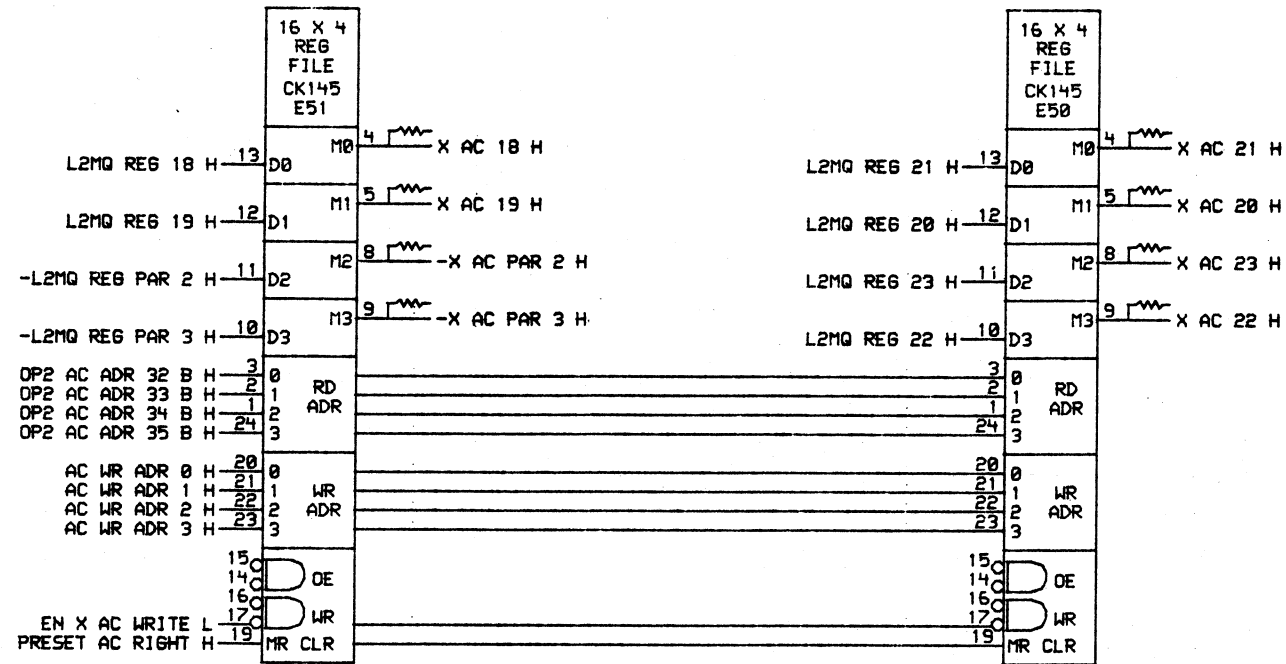
DRN.	DATE	ENG.	DATE	TITLE:
CHK'D.	DATE	BOARD LOCATION:	SHEET	OF
FIRST USED ON OPTION/MODEL: 2080				B-DD-L0071-0
SIZE	CODE	NUMBER	REV.	
D	CS	L0071-0-SHR5	*	



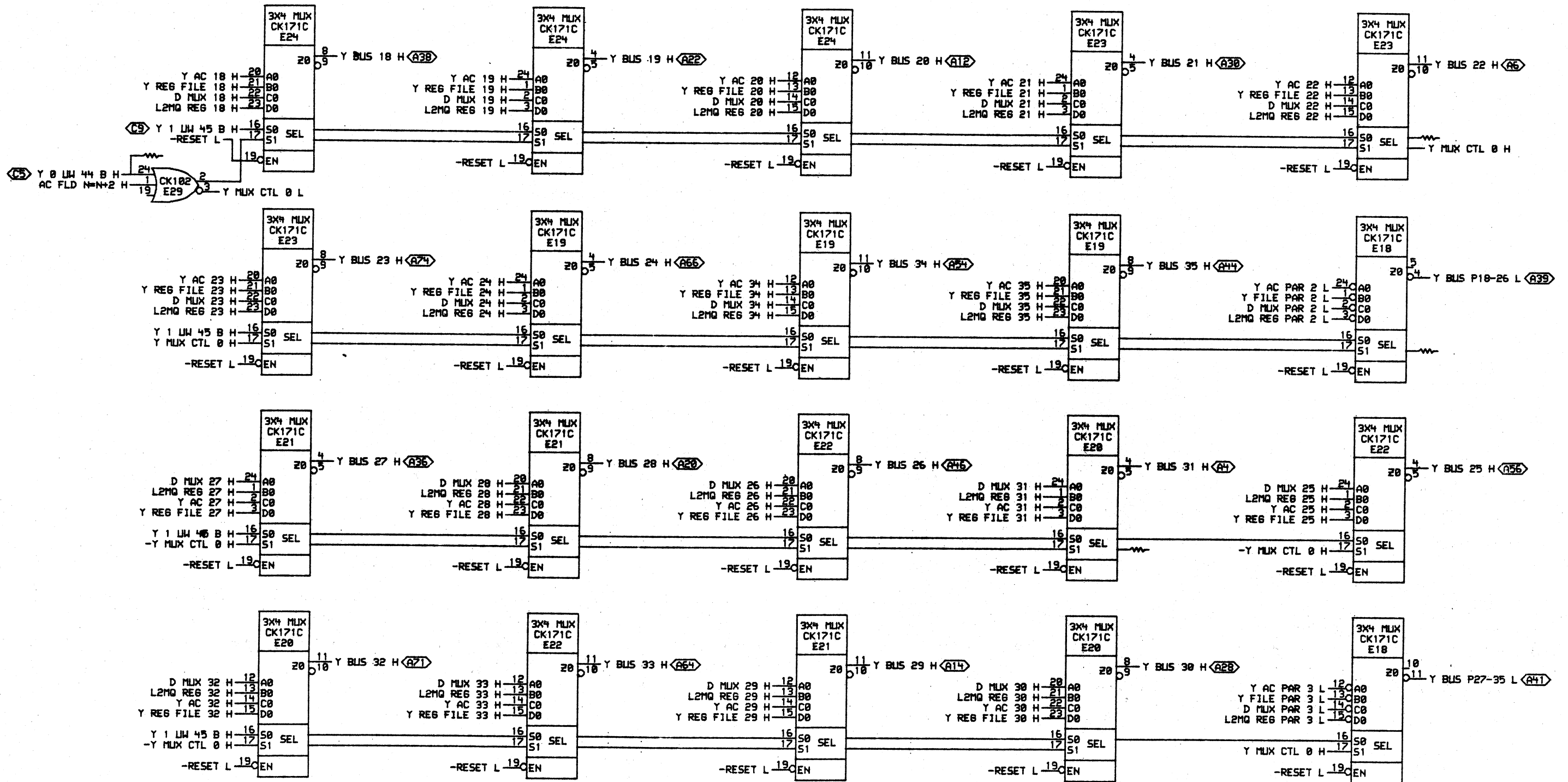




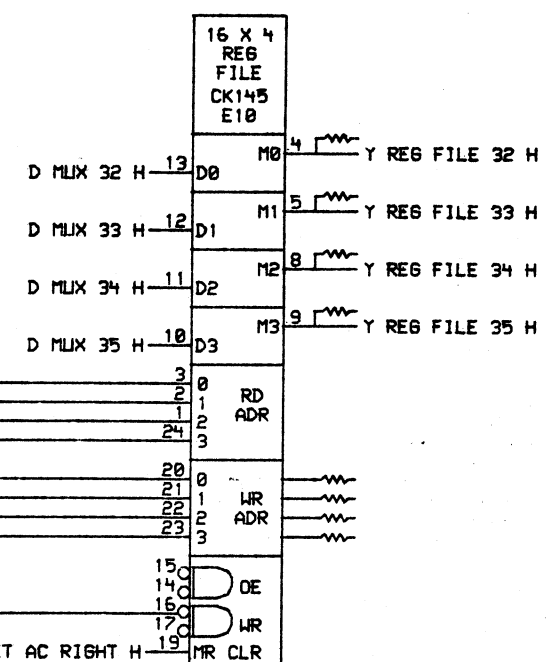
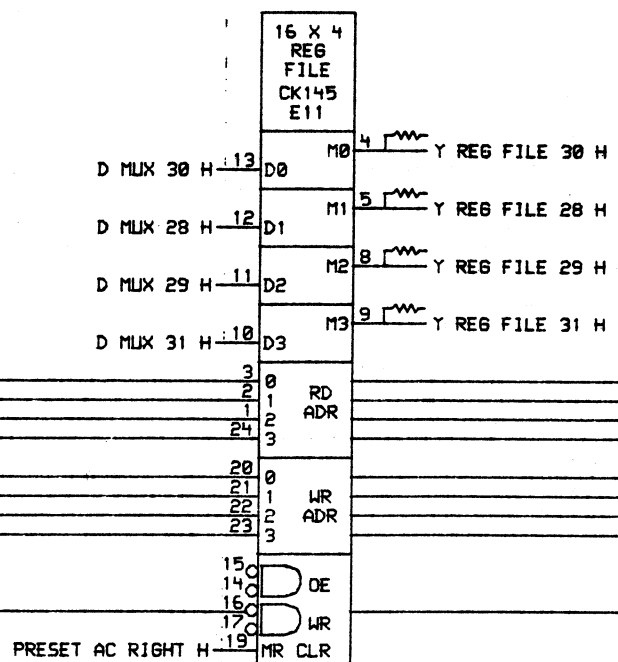
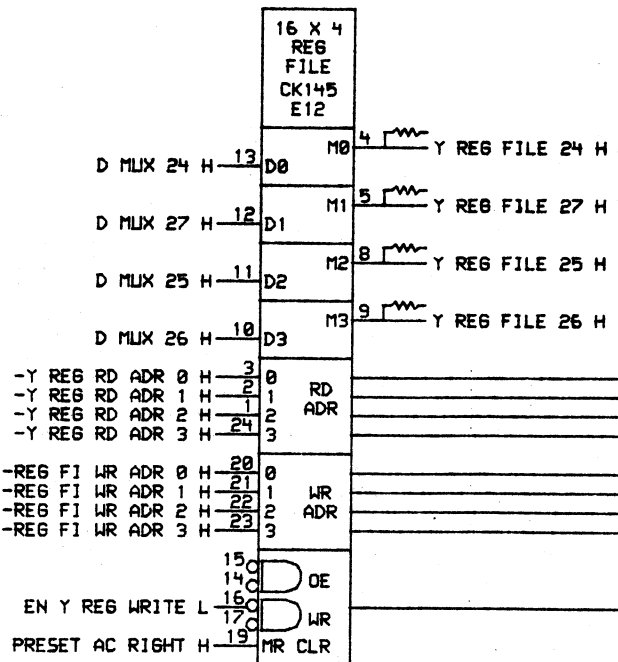
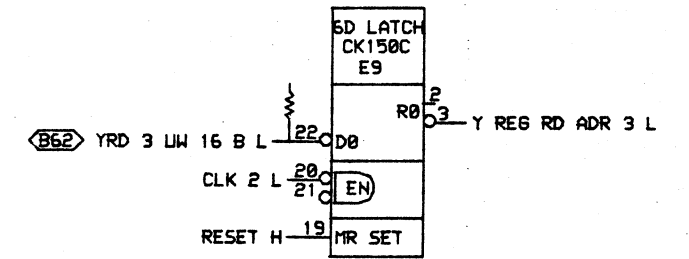
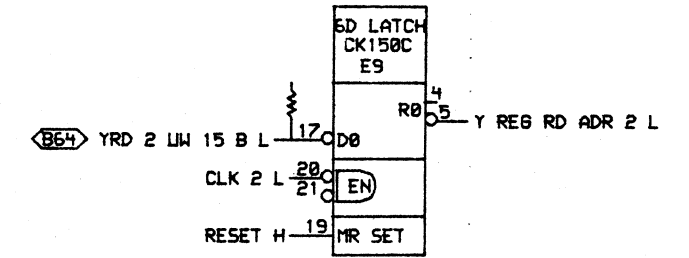
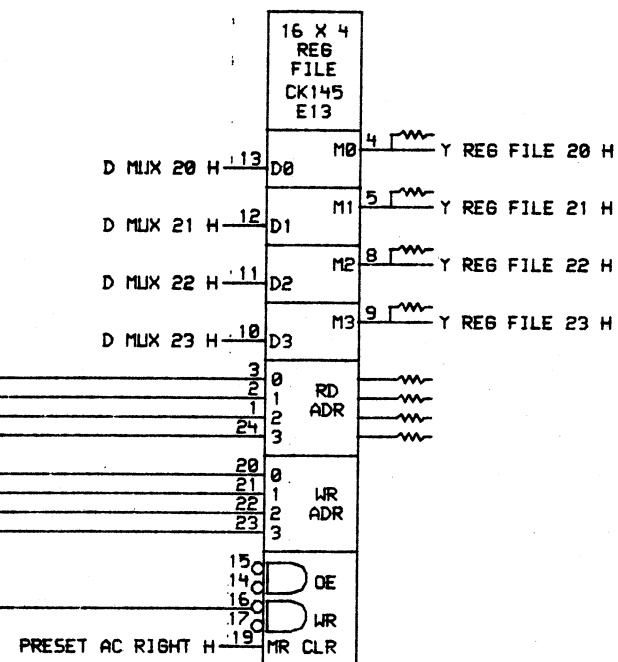
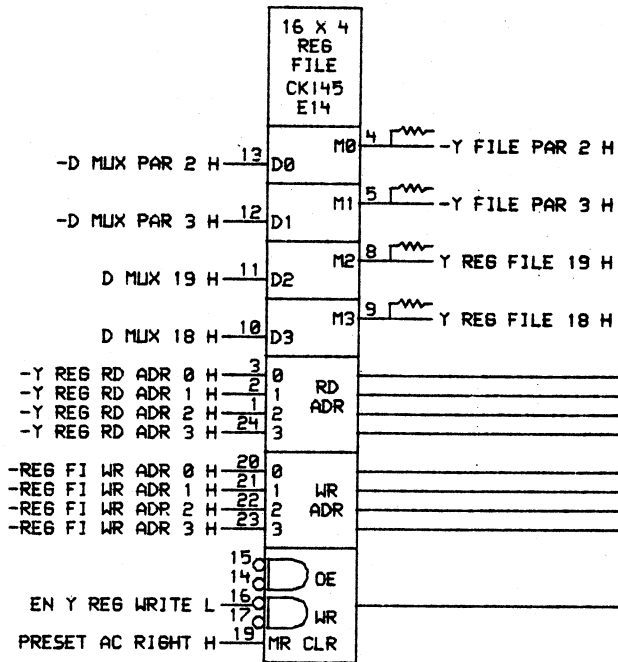
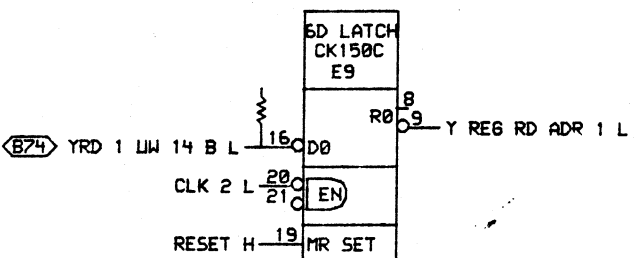
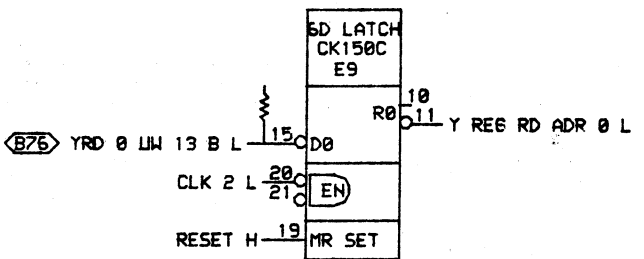
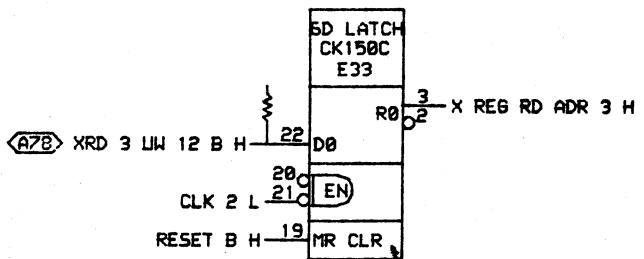
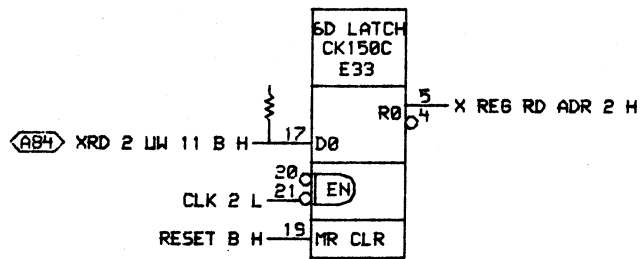
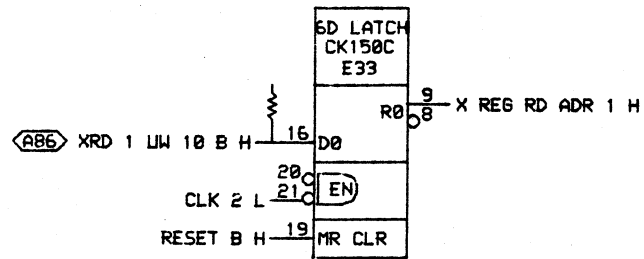
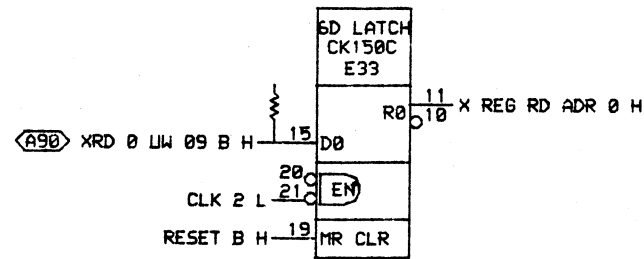
DRN.	DATE	ENG.	DATE	TITLE:
CHK'D.	DATE	BOARD LOCATION:	SHEET	OF
PROT.D. (2000.L0071.REV)7CSHR7.DRW 28-SEP-02 21:24 NEXT HIGHER ASSEMBLY: B-DD-L0071-0				X REG FILE BYTES 0,1
FIRST USED ON OPTION/MODEL:	2000	B-DD-L0071-0	SIZE	CODE
			D	CS
			NUMBER	REV.
			L0071-0-SHR7	*



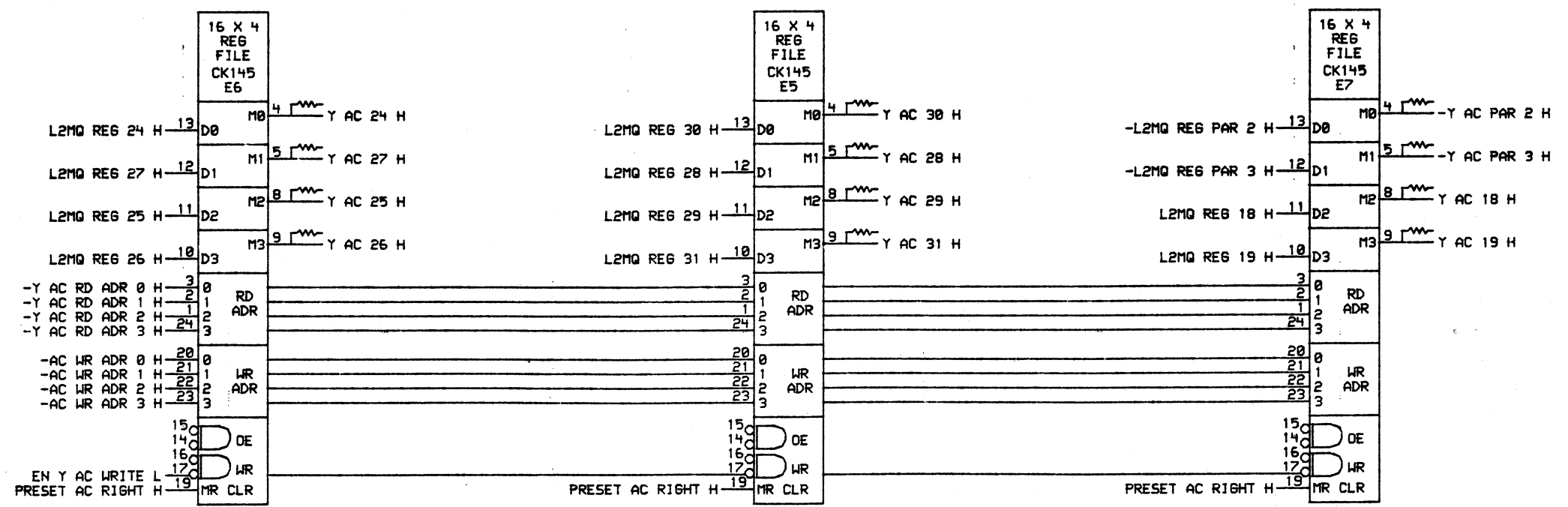
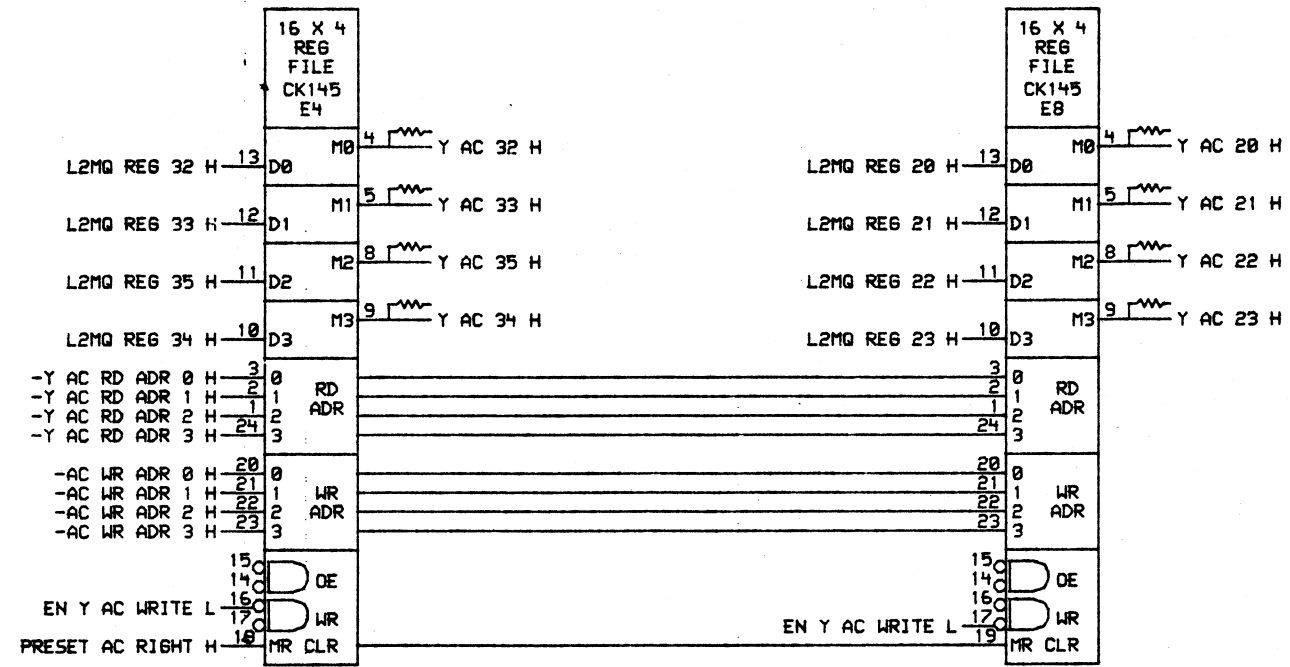
DRN.	DATE	ENG.	DATE	TITLE:
CHK'D.	DATE	BOARD LOCATION:	SHEET	X AC FILE
PROTOLN <2000-L0071-REV0>PCSHRD.DRW	20-SEP-82 06:54	NEXT HIGHER ASSEMBLY:	1	BYTES 0,1
FIRST USED ON OPTION/MODEL:	2080	B-DD-L0071-0		
SIZE	CODE	NUMBER	REV.	
D	CS	L0071-0-SHR8	*	



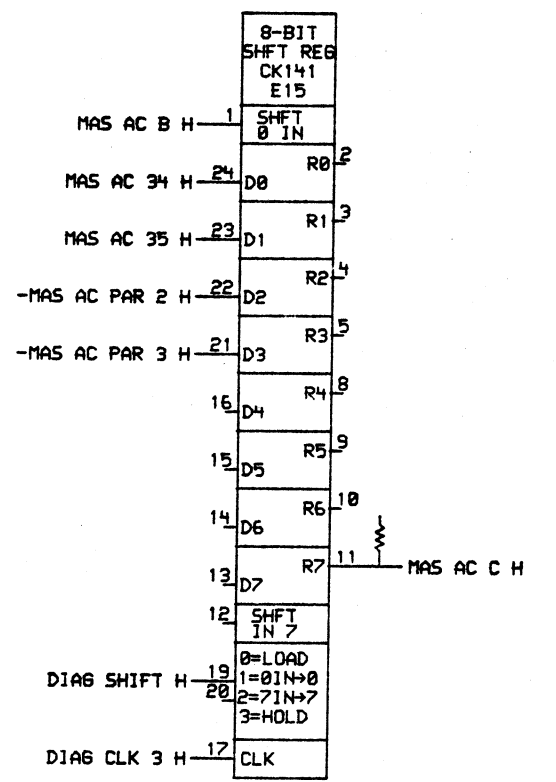
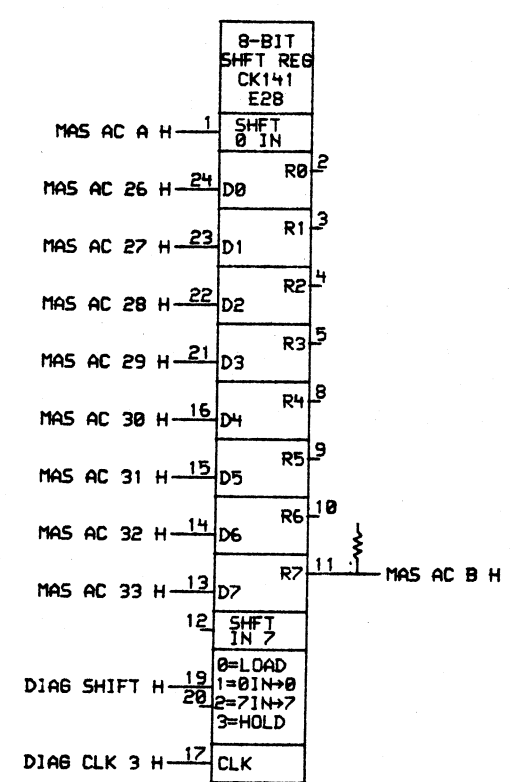
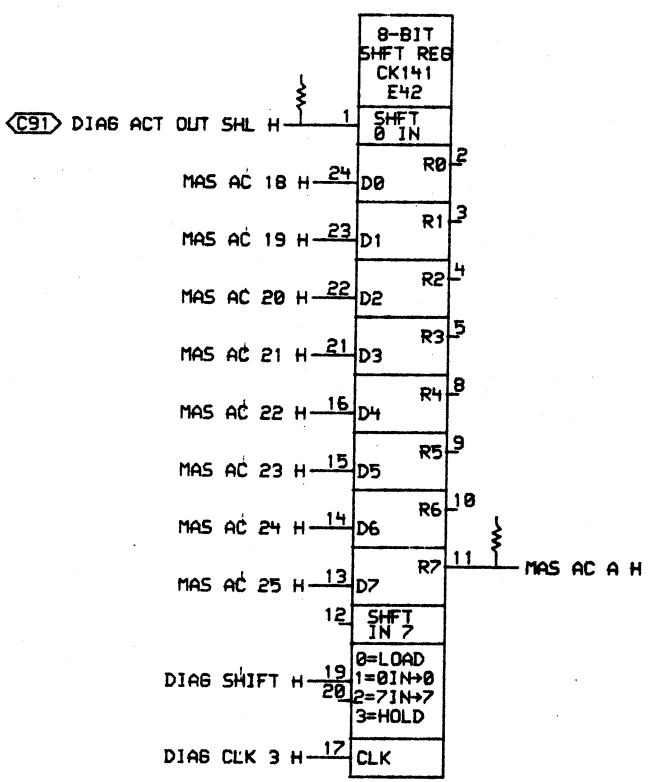
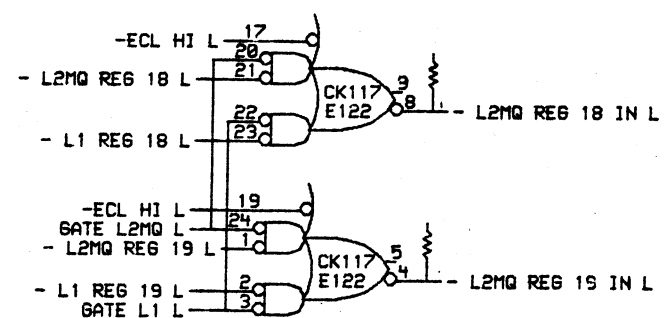
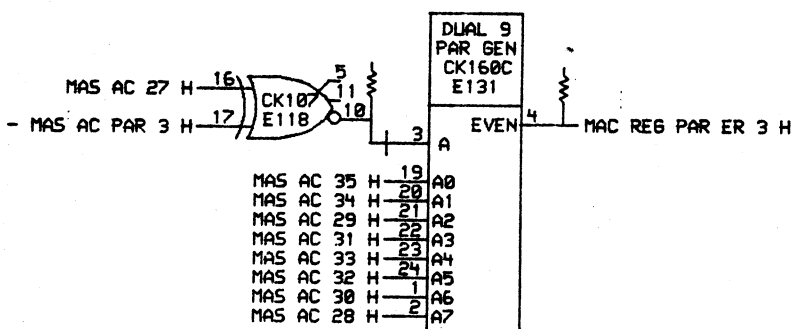
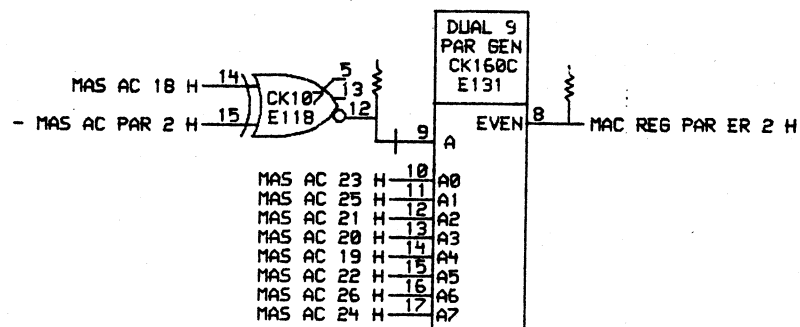
DRN.	DATE	ENB.	DATE	TITLE:
CHK'D.	20-SEP-82			Y MUX 00-17
		BOARD LOCATION:		
		SHEET	OF	
FIRST USED ON OPTION/MODEL:	2080	NEXT HIGHER ASSEMBLY:	B-DD-L0071-0	SIZE CODE
		NUMBER	L0071-0-SHR9	REV. *



DRN.	DATE	ENG.	DATE	TITLE:
CHK'D.	DATE	BOARD LOCATION:	Y REG FILE	
FIRST USED ON OPTION/MODEL: 2080		SHEET 1 OF 1	BYTES 0,1	
NEXT HIGHER ASSEMBLY: B-DD-L0071-0		SIZE	CODE	NUMBER
		D	CS	L0071-0-SHRA
				REV. *

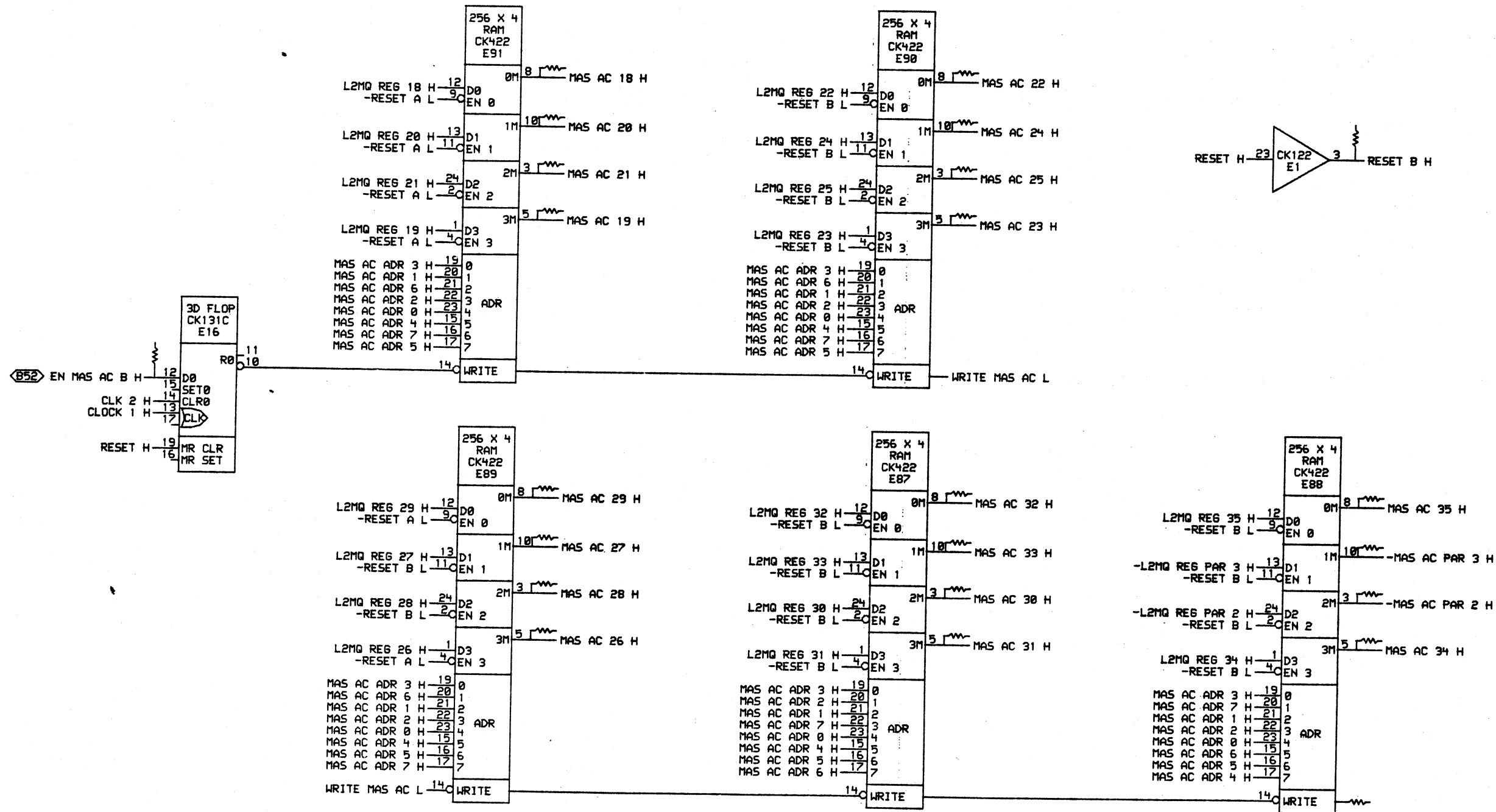


DRN.	DATE	ENG.	DATE	TITLE:	Y AC FILE		
CHK'D.	23-SEP-82	BOARD LOCATION:		BYTES 0,1			
PROTOLJ (P000.L0071.REV)ECSHRB.DRW		20-SEP-82 06:54	NEXT HIGHER ASSEMBLY:	SIZE	CODE	NUMBER	REV.
FIRST USED ON OPTION/MODEL: 2000		B-DD-L0071-0		D	CS	L0071-0-SHRB	*



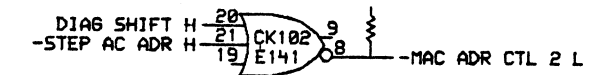
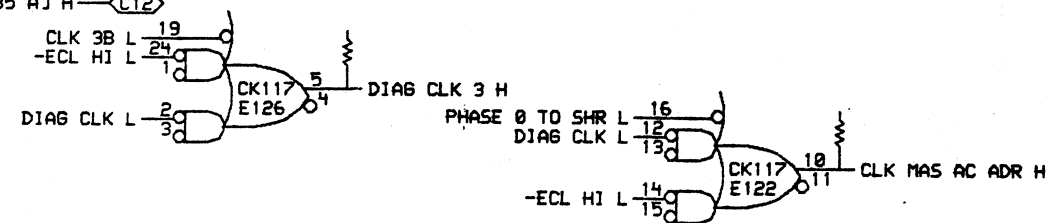
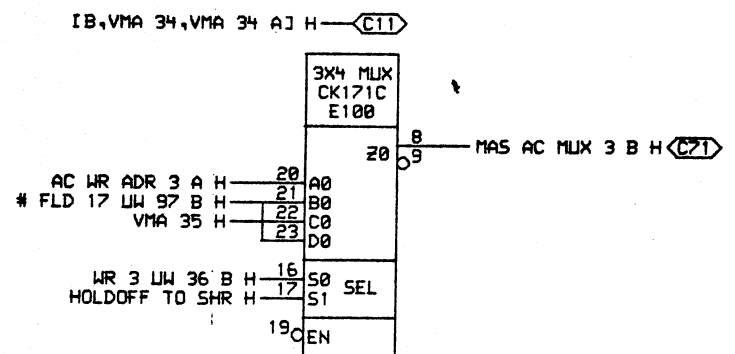
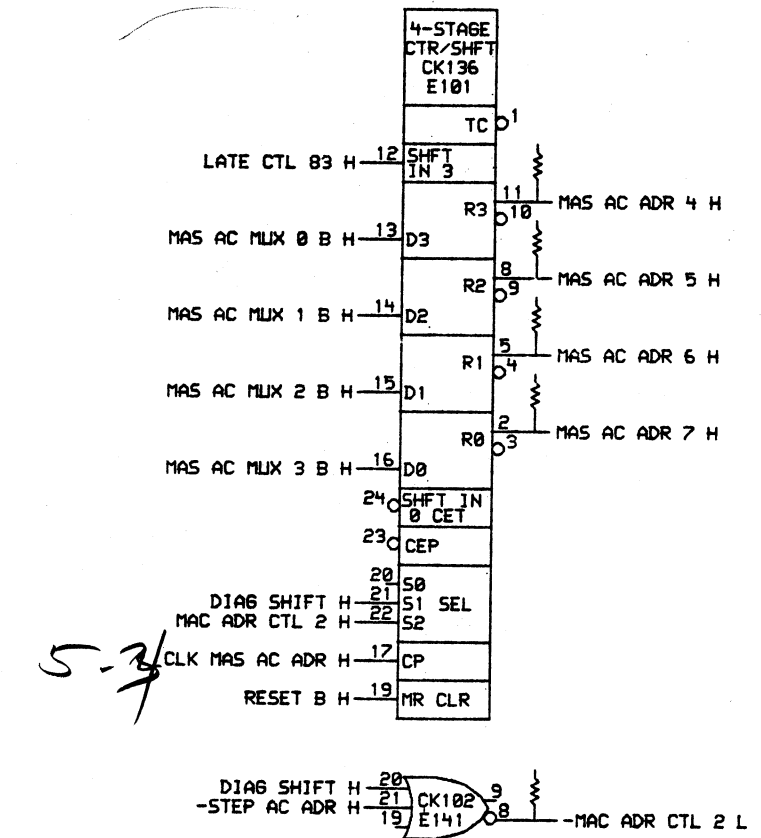
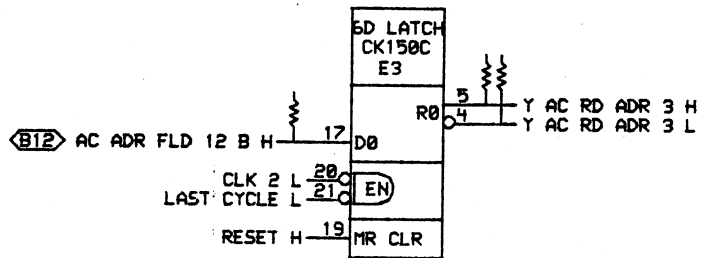
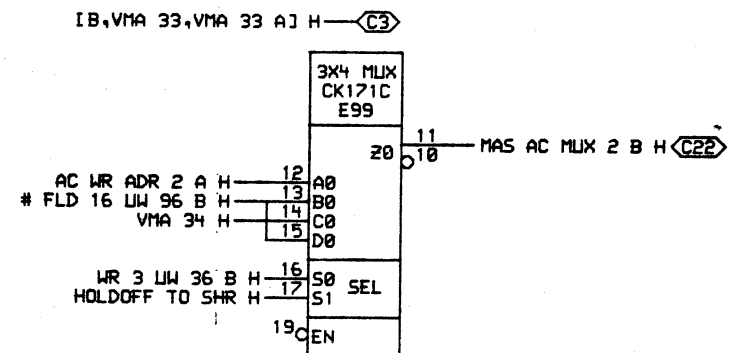
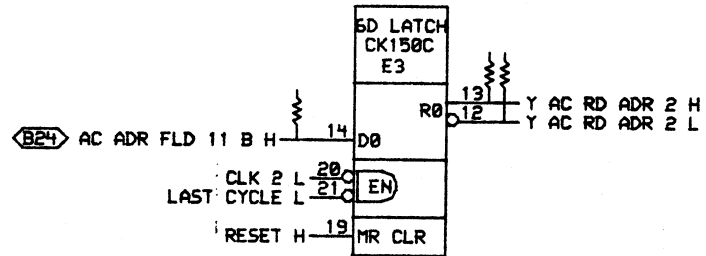
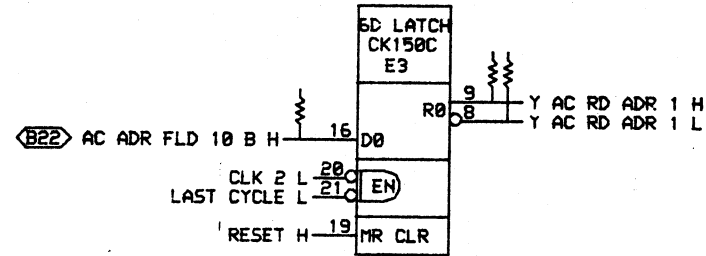
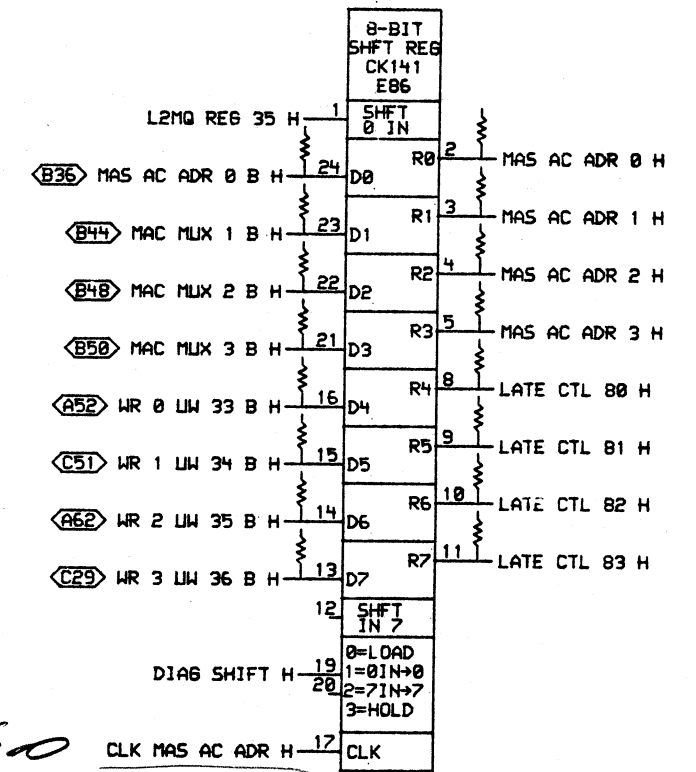
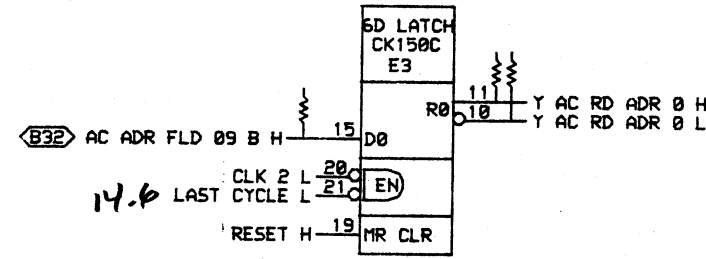
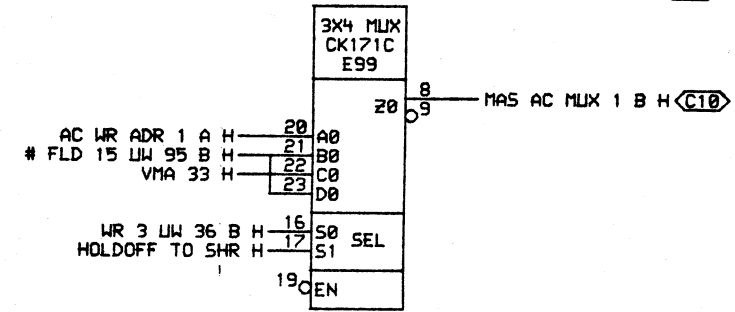
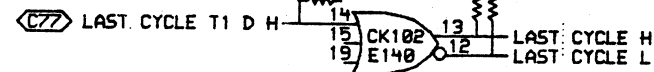
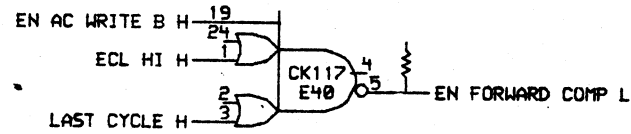
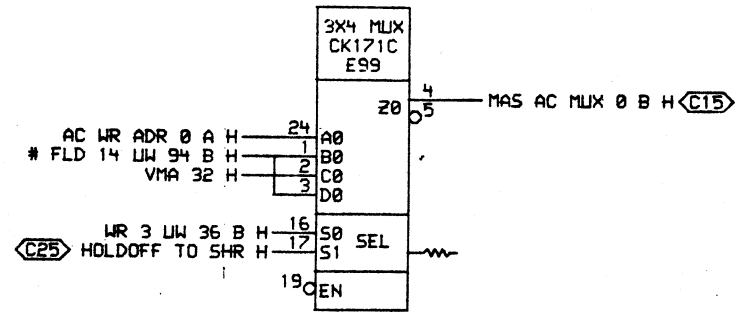
DRN.	DATE	ENG.	DATE	TITLE:
CHK'D.	23-SEP-82			MAC REG BY 0,1
	DATE	BOARD LOCATION:		PC, L2MQ 0,1 IN
		SHEET	OF	
FIRST USED ON OPTION/MODEL: 2080		NEXT HIGHER ASSEMBLY: B-DD-L0071-0		SIZE CODE NUMBER REV.
				D CS L0071-0-SHRC *



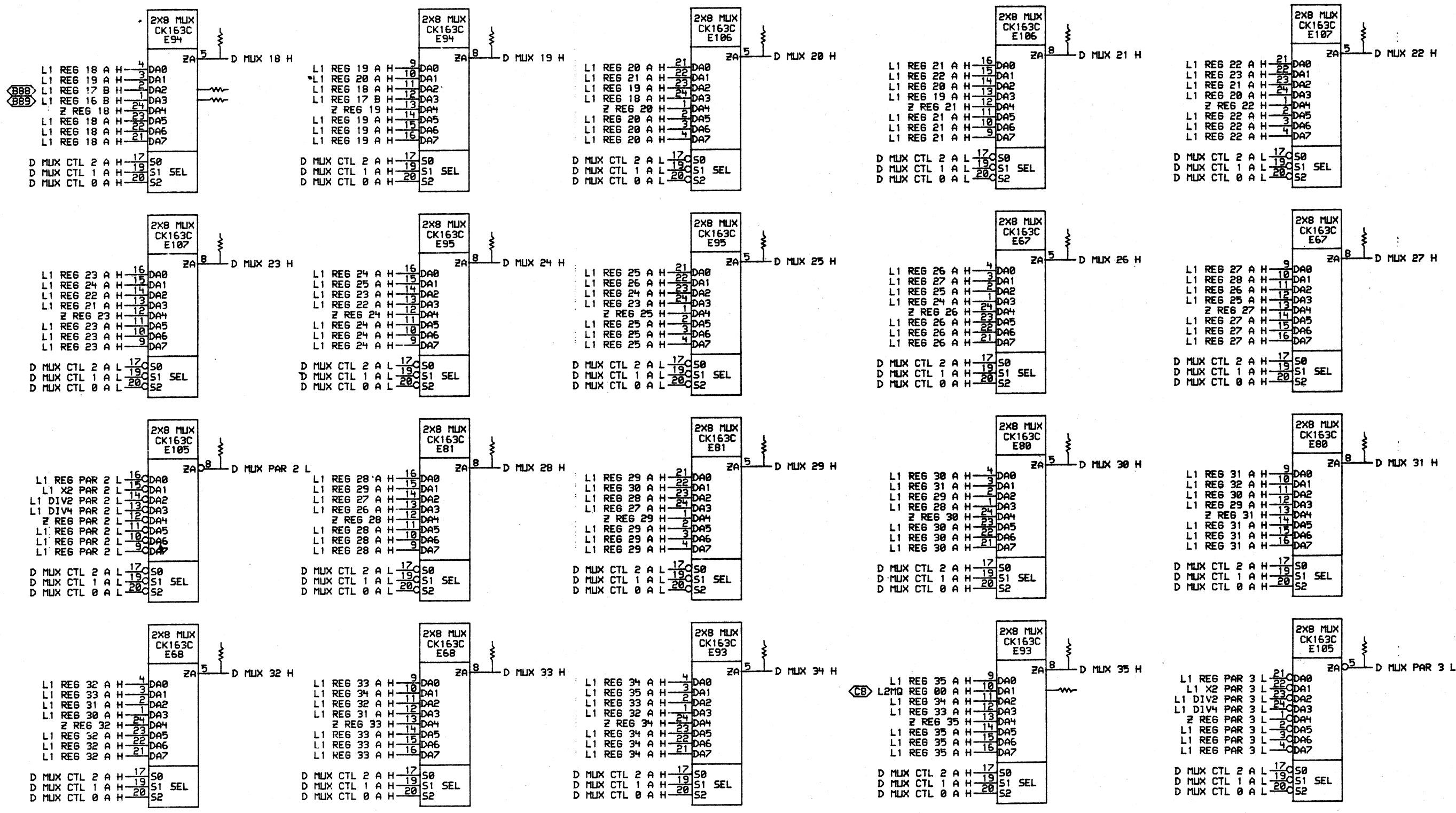


DRN.	DATE	ENG.	DATE	TITLE:
CHK'D.	23-SEP-82	BOARD LOCATION:		MASTER AC
		SHEET 1 OF 1		BYTES 0,1
PROJ. NO. (2000-L0071-REV) DESIGNED BY	20-SEP-82 06:54	NEXT HIGHER ASSEMBLY:	SIZE	CODE
FIRST USED ON OPTION/MODEL:	2080	B-DD-L0071-0	D	CS
			NUMBER	REV.
			L0071-0-SHRD	*





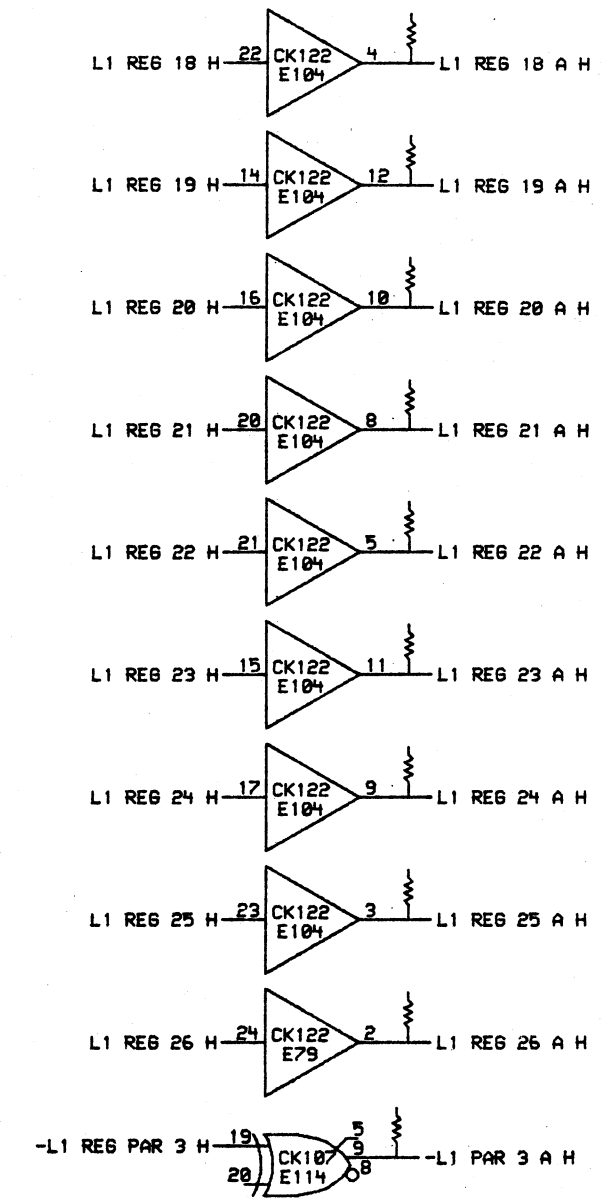
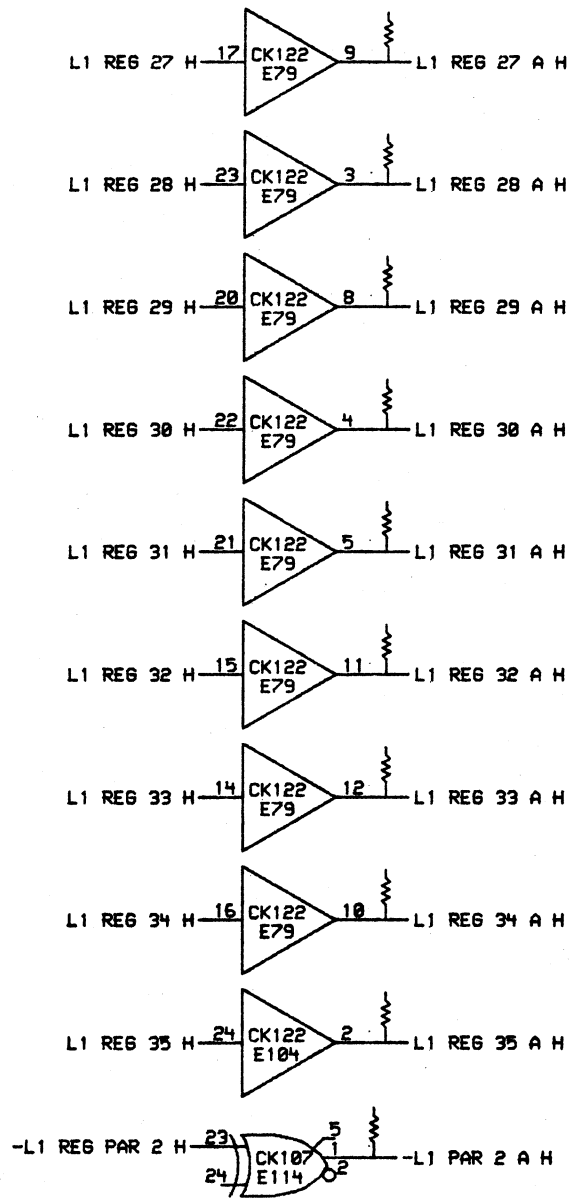
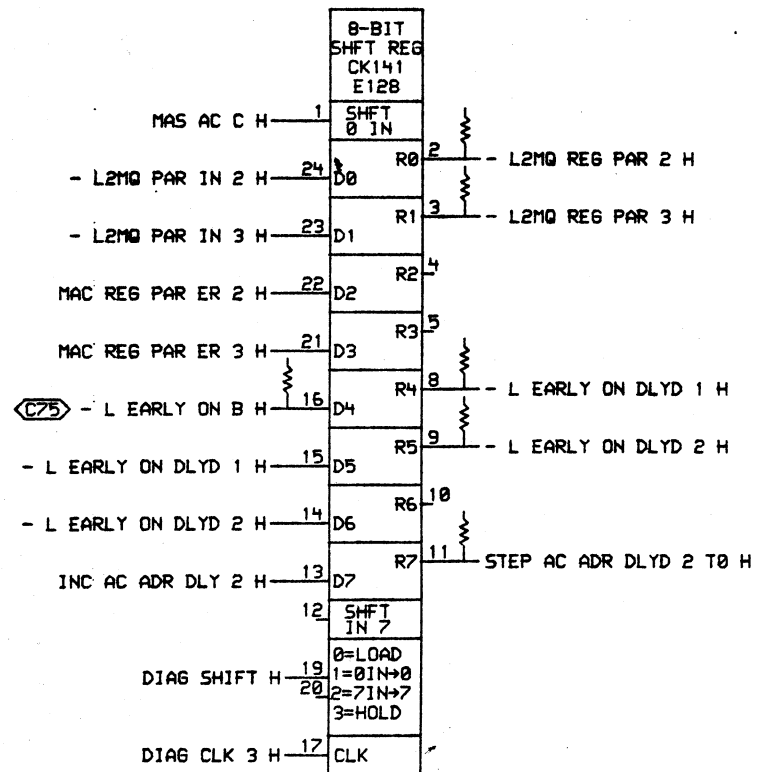
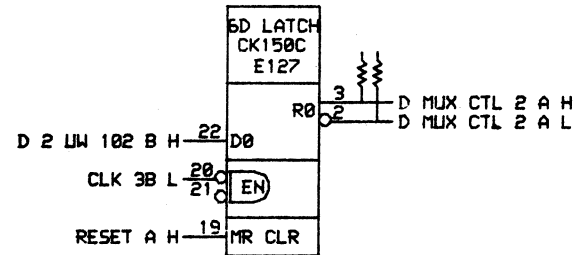
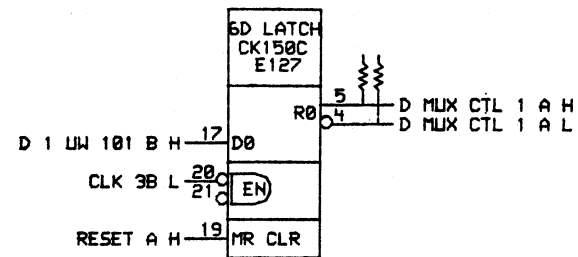
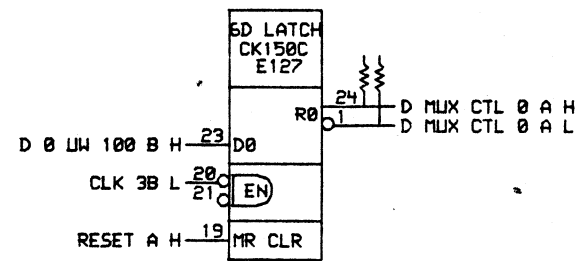
DRN.	DATE	ENG.	DATE	TITLE:
CHK'D.	23-SEP-82			Y AC ADR MUX
		BOARD LOCATION:		MAC WR MUX
		SHEET	OF	
PROTOK: L0071.REV: PCSHRF.DRN	20-SEP-82 06:54	NEXT HIGHER ASSEMBLY:	SIZE	CODE
FIRST USED ON OPTION/MODEL: 2080	B-DD-L0071-0		D	CS
			NUMBER	REV.
			L0071-0-SHRF	*



DRN.	DATE	ENG.	DATE	TITLE:	D MUX 00-17		
CHK'D.	DATE	BOARD LOCATION:	SHEET 1 OF 1		SIZE	CODE	NUMBER
FIRST USED ON OPTION/MODEL: 2080				NEXT HIGHER ASSEMBLY: B-DD-L0071-0	D	CS	L0071-0-SHRG
							REV. *

D  
C  
V  
B  
A

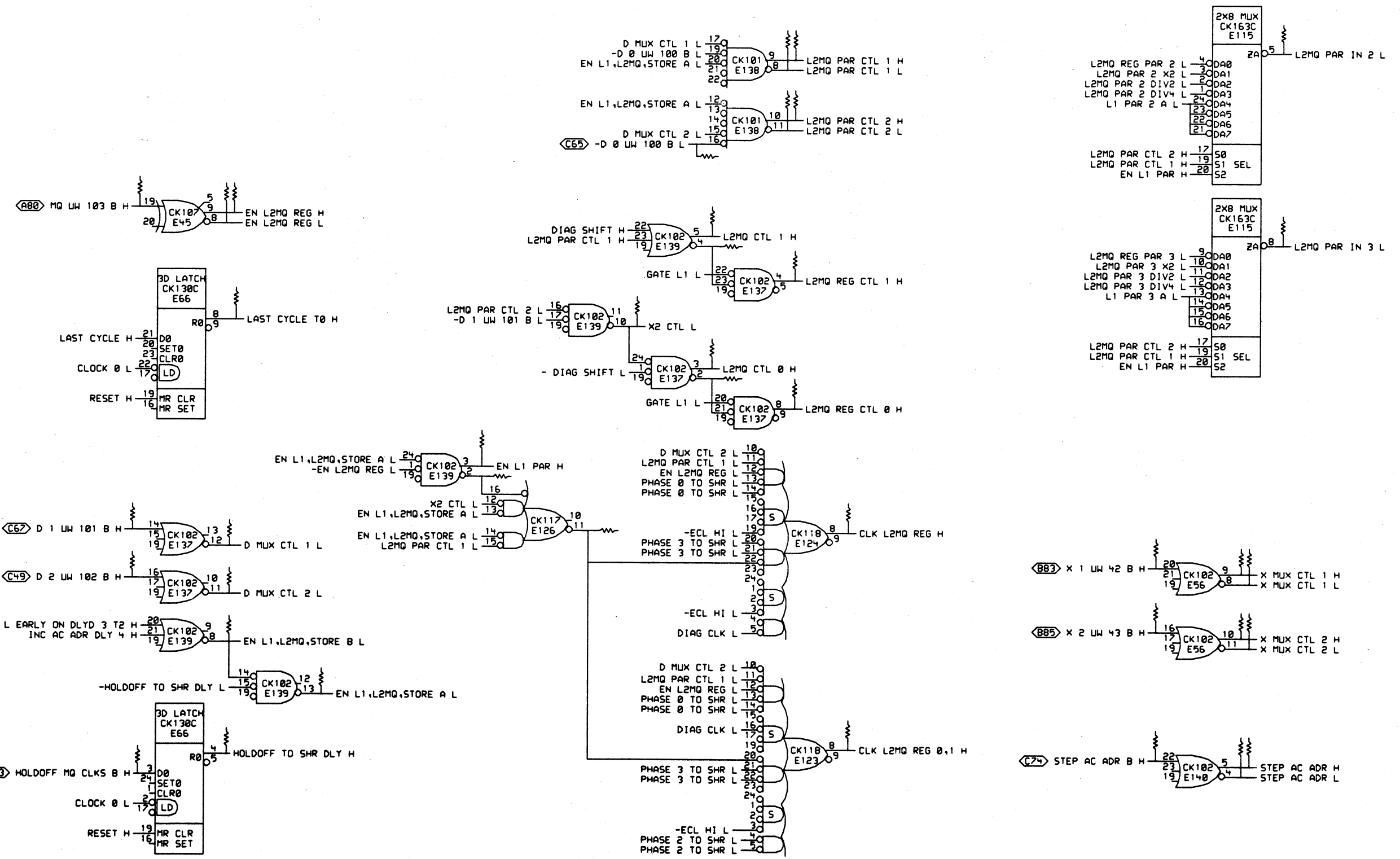
D  
C  
B  
A



DRN.	DATE	ENG.	DATE	TITLE:	SCAD MUX		
CHK'D.	DATE	BOARD LOCATION:	SHEET	OF	SIZE	CODE	NUMBER
PROTOL (2000) L0071.REVC (2000) DRN	20-SEP-82 06:55	NEXT HIGHER ASSEMBLY:	B-DD-L0071-0	D	CS	L0071-0-SHRH	REV. *
FIRST USED ON OPTION/MODEL:	2000						





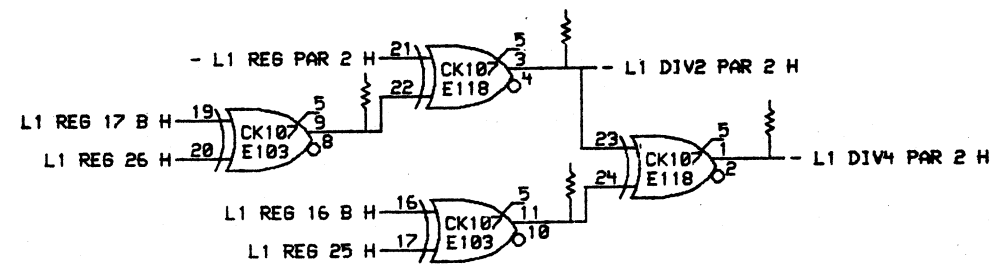
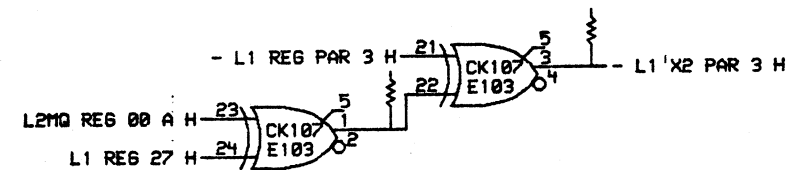
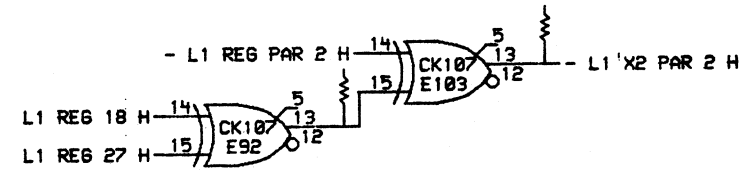
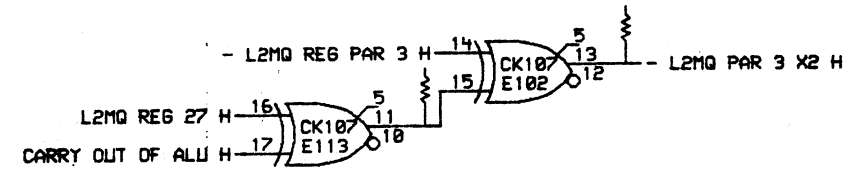
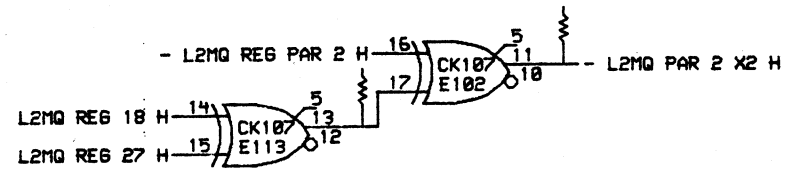
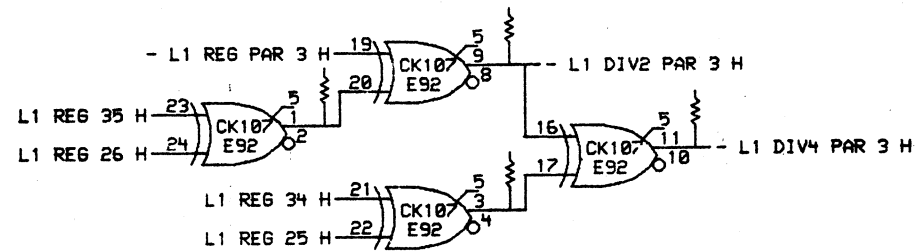
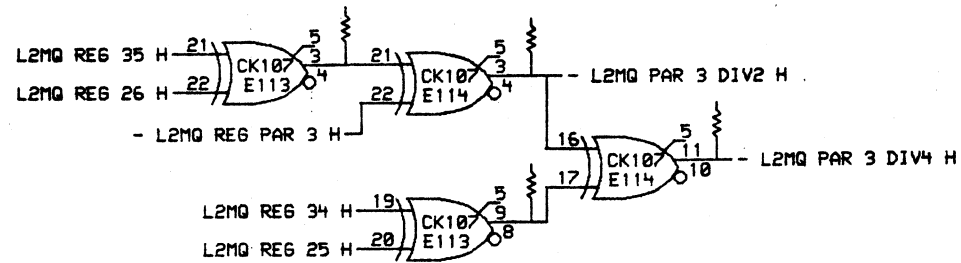
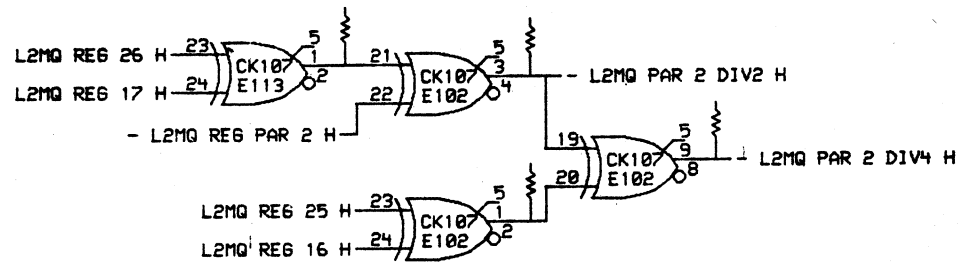
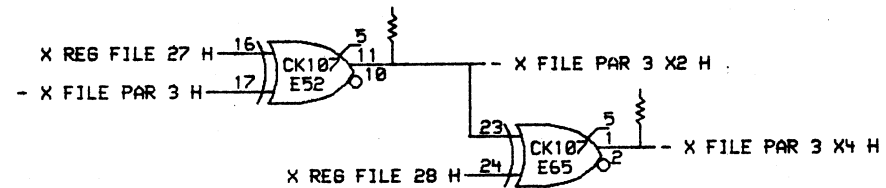
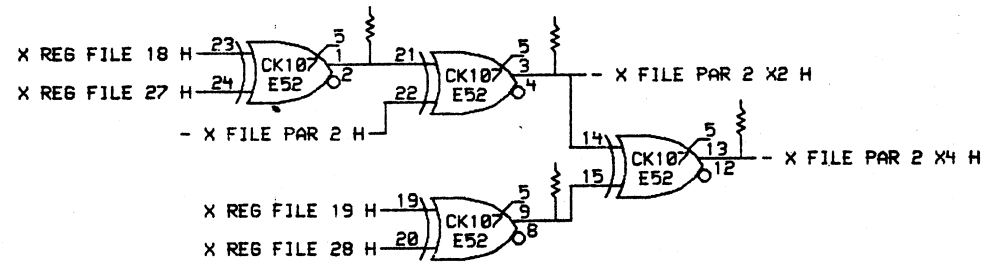


THIS DRAWING AND SPECIFICATIONS ARE THE PROPERTY OF DIGITAL EQUIPMENT CORPORATION AND SHALL NOT BE REPRODUCED OR COPIED OR USED IN WHOLE OR IN PART AS THE BASIS FOR THE MANUFACTURE OR SALE OF ITEMS WITHOUT WRITTEN PERMISSION. COPYRIGHT © 1982. DIGITAL EQUIPMENT CORPORATION.

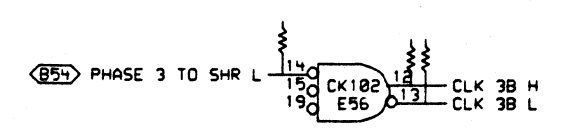
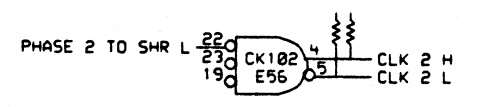
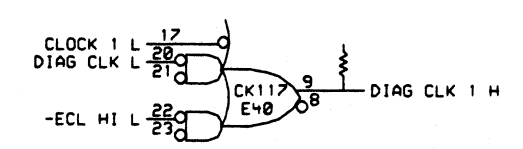
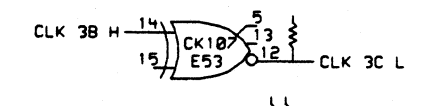
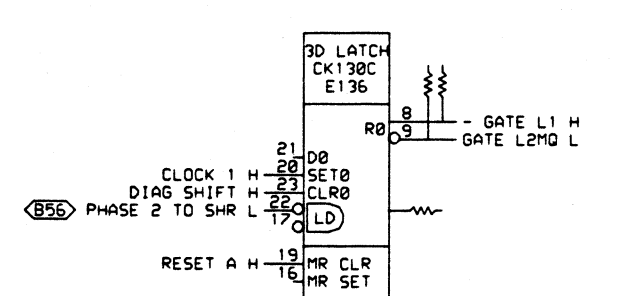
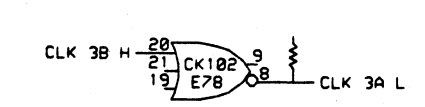
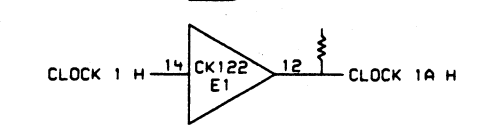
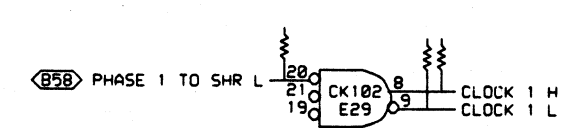
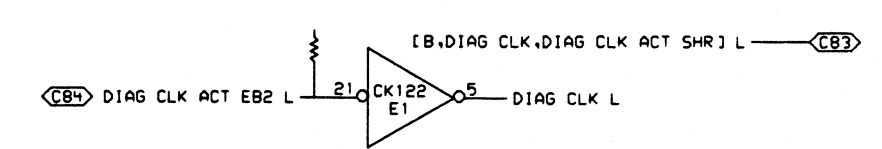
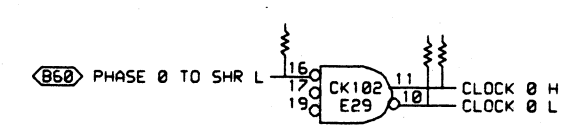
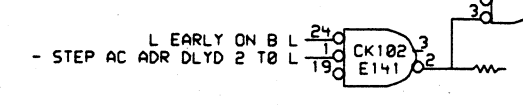
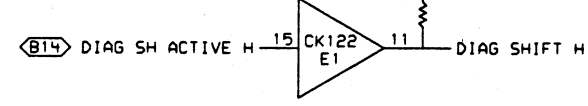
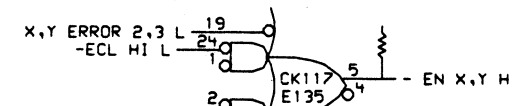
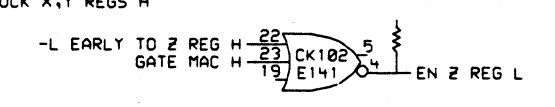
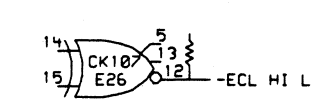
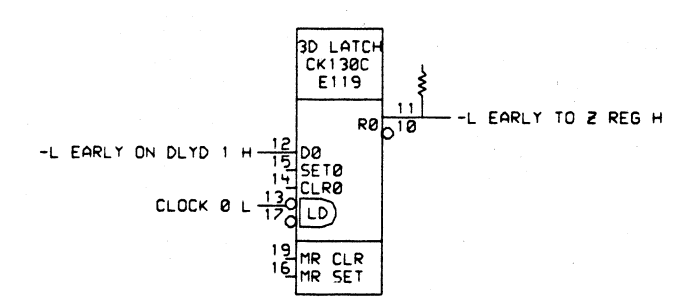
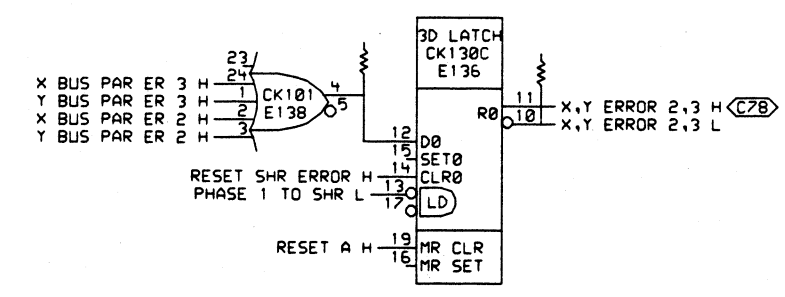
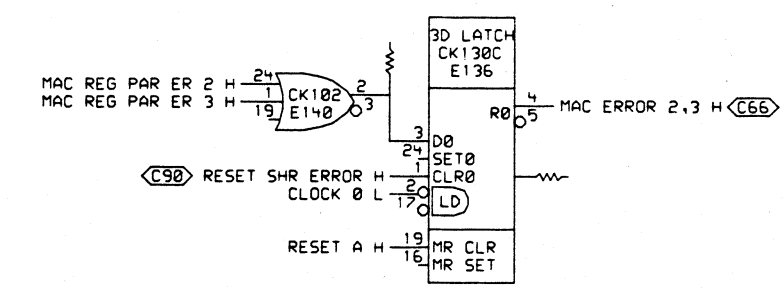
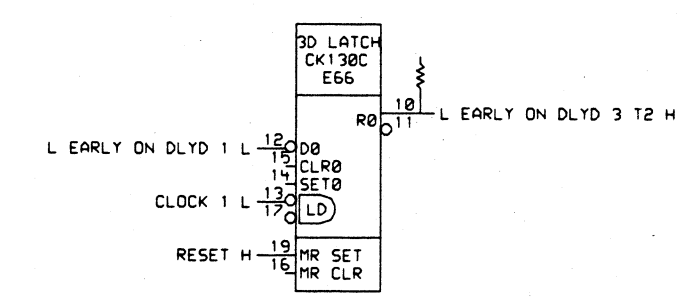
REVISIONS		
CHK	CHANGE NO.	REV.

DATE: 27-DEC-82	ENG.:	DATE:	TITLE: D MUX, L2MQ CTL L2MQ REG PAR
DATE:	BOARD LOCATION:	SHEET: 1	OF: 1
DATE: 22-DEC-82 17:59	NEXT HIGHER ASSEMBLY:	SIZE CODE: D CS	NUMBER: L0071-0-SHRJ
FIRST USED ON OPTION/MODEL: 2080	B-DD-L0071-0	REV. #:	

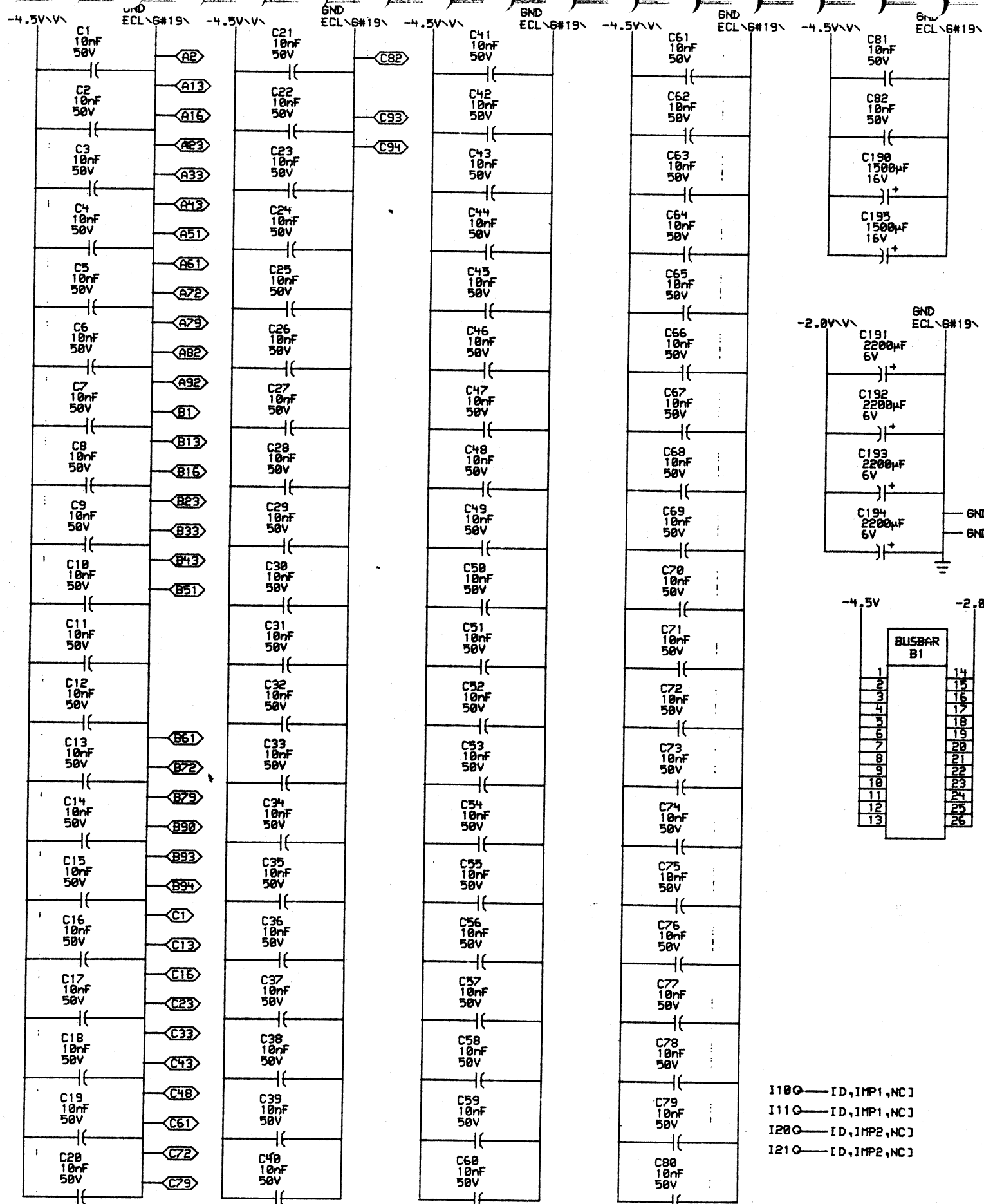
DATE: 27-DEC-82	ENG.:	DATE:	TITLE: D MUX, L2MQ CTL L2MQ REG PAR
DATE:	BOARD LOCATION:	SHEET: 1	OF: 1
DATE: 22-DEC-82 17:59	NEXT HIGHER ASSEMBLY:	SIZE CODE: D CS	NUMBER: L0071-0-SHRJ
FIRST USED ON OPTION/MODEL: 2080	B-DD-L0071-0	REV. #:	



DRN.	DATE	ENG.	DATE	TITLE:
CHK'D.	23-SEP-82			SHIFT PARITY ADJUSTMENT
	DATE	BOARD LOCATION:	SHEET 1 OF 1	
PROT.D. C:\P800\10071.REV.C\SHRK.DRW	20-SEP-82 06:55	NEXT HIGHER ASSEMBLY:	SIZE	CODE
FIRST USED ON OPTION/MODEL: 2080	B-DD-L0071-0		D	CS
			NUMBER	REV.
			L0071-0-SHRK	*

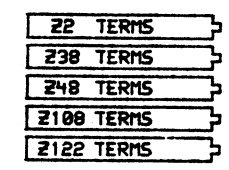
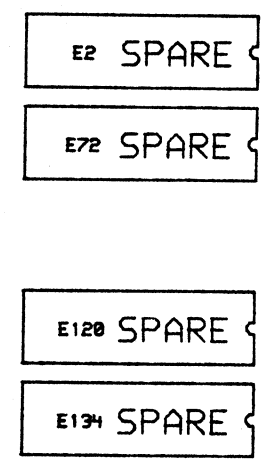


DRN.	DATE	ENG.	DATE	TITLE:
CHK'D.	12-JAN-83			ERR CTL
	DATE	BOARD LOCATION:	SHEET	CLK GATING
			1 OF 1	
ARCHICUM/PL015/19CSHRL	11-JAN-83 10:00	NEXT HIGHER ASSEMBLY:	SIZE	CODE
FIRST USED ON OPTION/MODEL:	2080	B-DD-L0071-0	D	CS
			NUMBER	REV.
			L0071-0-SHRL	*

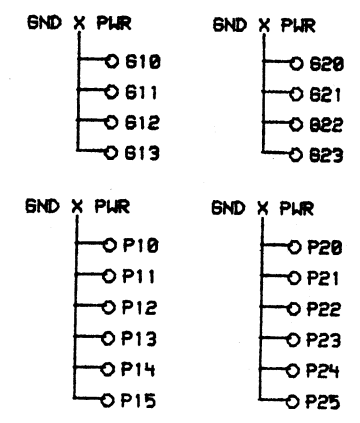


- (B53) [B,GND ECL, GND CLK\G#19\]
- (B55) [B,GND ECL, GND CLK\G#19\]
- (B57) [B,GND ECL, GND CLK\G#19\]
- (B59) [B,GND ECL, GND CLK\G#19\]

- (A73) NC A73
- (A88) NC A88
- (B5) NC B5
- (B6) NC B6
- (B7) NC B7
- (B70) NC B70
- (B92) NC B92
- (C2) NC C2
- (C4) NC C4
- (C17) NC C17
- (C19) NC C19
- (C26) NC C26
- (C27) NC C27
- (C28) NC C28
- (C38) NC C38
- (C41) NC C41
- (C42) NC C42
- (C45) NC C45
- (C50) NC C50
- (C52) NC C52
- (C53) NC C53
- (C55) NC C55
- (C57) NC C57
- (C59) NC C59
- (C63) NC C63
- (C81) NC C81
- (C85) NC C85
- (C87) NC C87
- (C88) NC C88
- (C89) NC C89



- I100 [D,IMP1,NC]
- I110 [D,IMP1,NC]
- I200 [D,IMP2,NC]
- I210 [D,IMP2,NC]



DRN.	DATE	ENG.	DATE	TITLE:
CHK'D.	DATE	BOARD LOCATION:		SHR POWER & GROUND
FIRST USED ON OPTION/MODEL: 2080 B-DD-L0071-0				SIZE CODE NUMBER REV. D CS L0071-0-SHRM *

VULCAN:<2080.L0051>43MVE1  
VULCAN:<2080.L0051>43MVE2  
VULCAN:<2080.L0051>43MVE3  
VULCAN:<2080.L0051>43MVE4  
VULCAN:<2080.L0051>43MVE5  
VULCAN:<2080.L0051>43MVE6  
VULCAN:<2080.L0051>43MVE7  
VULCAN:<2080.L0051>43MVE8  
VULCAN:<2080.L0051>43MVE9  
VULCAN:<2080.L0051>43MVEA  
VULCAN:<2080.L0051>43MVEB  
VULCAN:<2080.L0051>43MVEC  
VULCAN:<2080.L0051>43MVED  
VULCAN:<2080.L0051>43MVEE  
VULCAN:<2080.L0051>43MVEF  
VULCAN:<2080.L0051>43MVEG  
VULCAN:<2080.L0051>43MVEH  
VULCAN:<2080.L0051>43MVEI  
VULCAN:<2080.L0051>43MVEJ  
VULCAN:<2080.L0051>43MVEK  
VULCAN:<2080.L0051>44MVEL  
VULCAN:<2080.L0051>44MVEM  
VULCAN:<2080.L0051>43MVEN

E141 E128 E115 E102 E090 E077 E064 E051 E039 E026 E013

E140 E127 E114 E101 E089 E076 E063 E050 E038 E025 E012

E139 E126 E113 E100 E088 E075 E062 E049 E037 E024 E011

E138 E125 E112 E099 E087 E074 E061 E048 E036 E023 E010

E137 E124 E111 E098 E086 E073 E060 E047 E035 E022 E009

E136 E123 E110 E097 E085 E072 E059 E046 E034 E021 E008

E135 E122 E109 E096 E084 E071 E058 E045 E033 E020 E007

E134 E121 E108 E095 E083 E070 E057 E044 E032 E019 E006

E133 E120 E107 E094 E082 E069 E056 E043 E031 E018 E005

E132 E119 E106 E093 E081 E068 E055 E042 E030 E017 E004

E131 E118 E105 E092 E080 E067 E054 E041 E029 E016 E003

+ C095 + + C094 + + C093 + + C092 + + C091 + + C090 +

E130 E117 E104 E091 E079 E066 E053 E040 E028 E015 E002

E129 E116 E103 E078 E065 E052

E129 E116 E103 E078 E065 E052

E129 E116 E103 E078 E065 E052

E129 E116 E103 E078 E065 E052

E129 E116 E103 E078 E065 E052

E129 E116 E103 E078 E065 E052

E129 E116 E103 E078 E065 E052

E129 E116 E103 E078 E065 E052

E129 E116 E103 E078 E065 E052

E129 E116 E103 E078 E065 E052

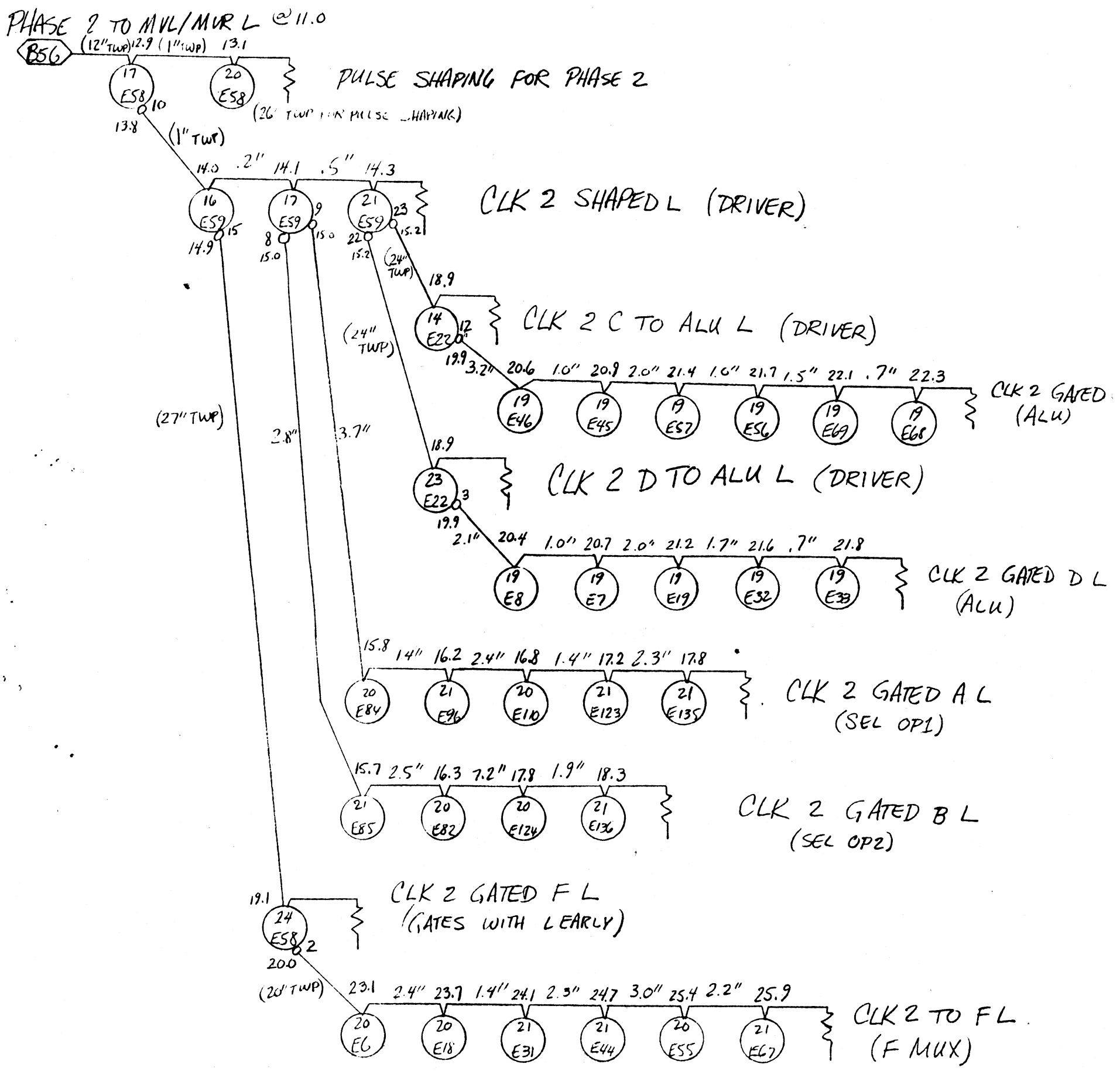
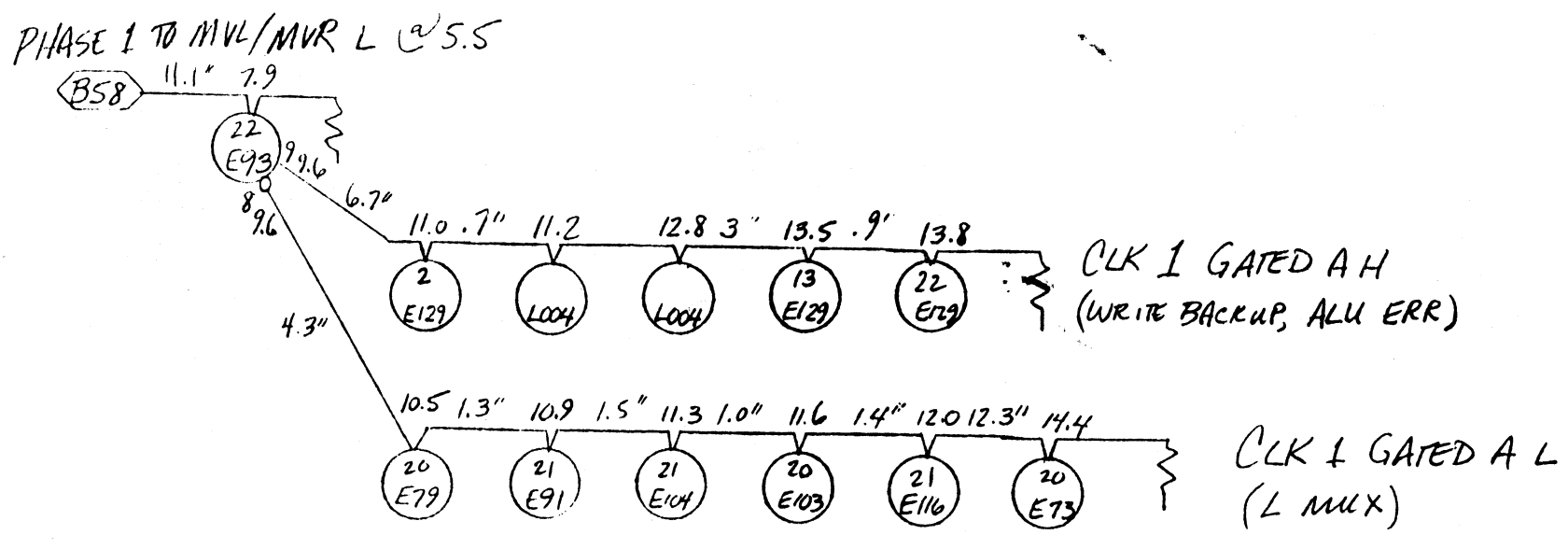
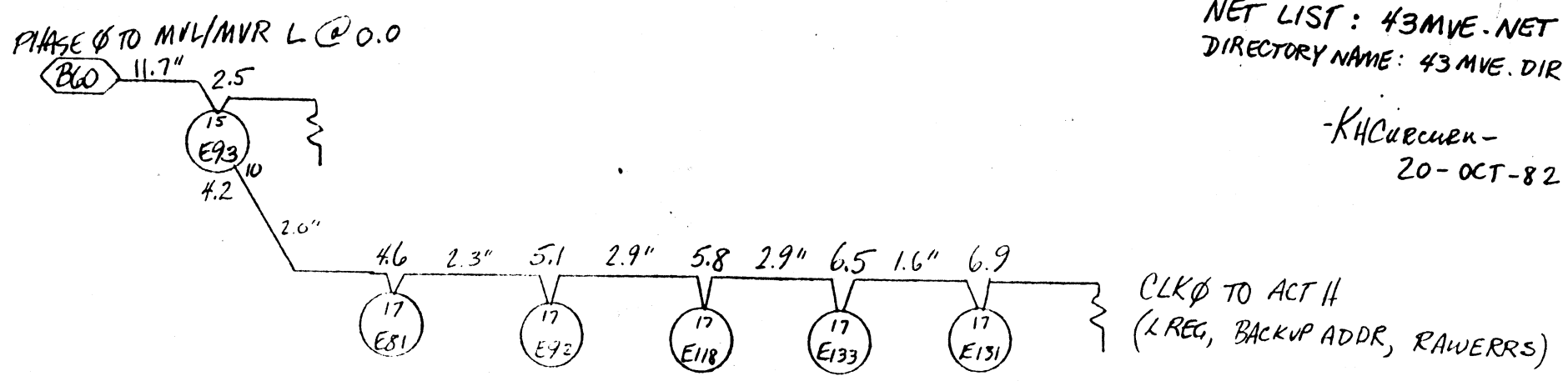
"141"



# MVE

MVE CLOCK DIAGRAM  
 @ECO LEVEL 43 (6-OCT-82)  
 DATE OF PRINTS: ALL PRINTS WERE  
 UPDATED TO 43MVE.DRW ON 6-OCT  
 NET LIST: 43MVE.NET  
 DIRECTORY NAME: 43MVE.DIR

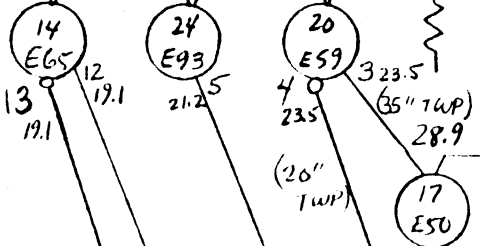
-KHCURCUMEN-  
 20-OCT-82



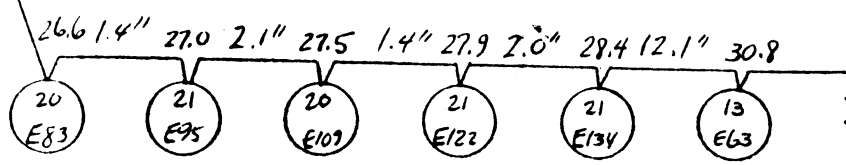
# (MVE page 2)

PHASE 3 TO MVL/MVR L @ 16.5

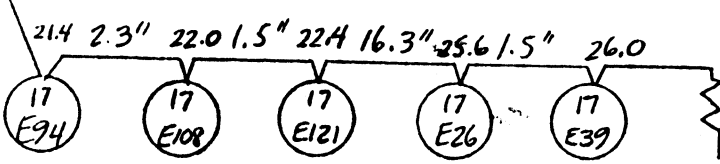
854 8.3" 19.2 6.0" 19.5 (20" TWP) 22.6



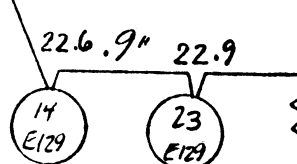
CLK 3 TO PG (ALU GENERATE HOLD REGISTER)



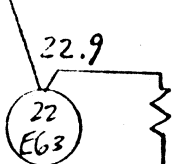
CLK 3 TO RF L (RF MUX, INPUT ERR)



DIAG CLK ACT H (AC BACKUP SCAN, F SCAN)



CLK 3 UNGATED H (CLEAR WRITE PULSE TO BACKUP RAMS)



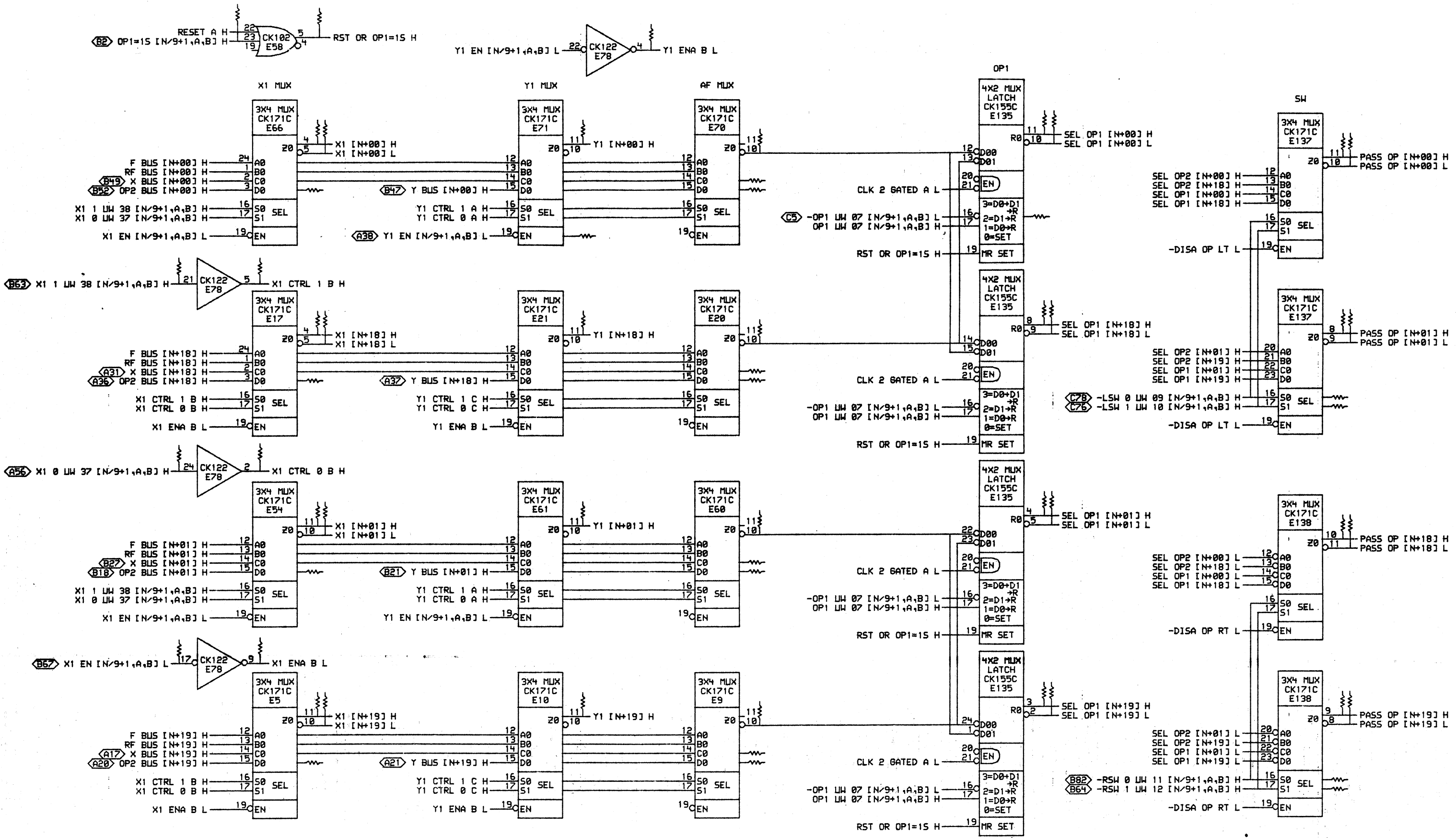
CLK 3 UNGATED L (OUTPUT ERR)

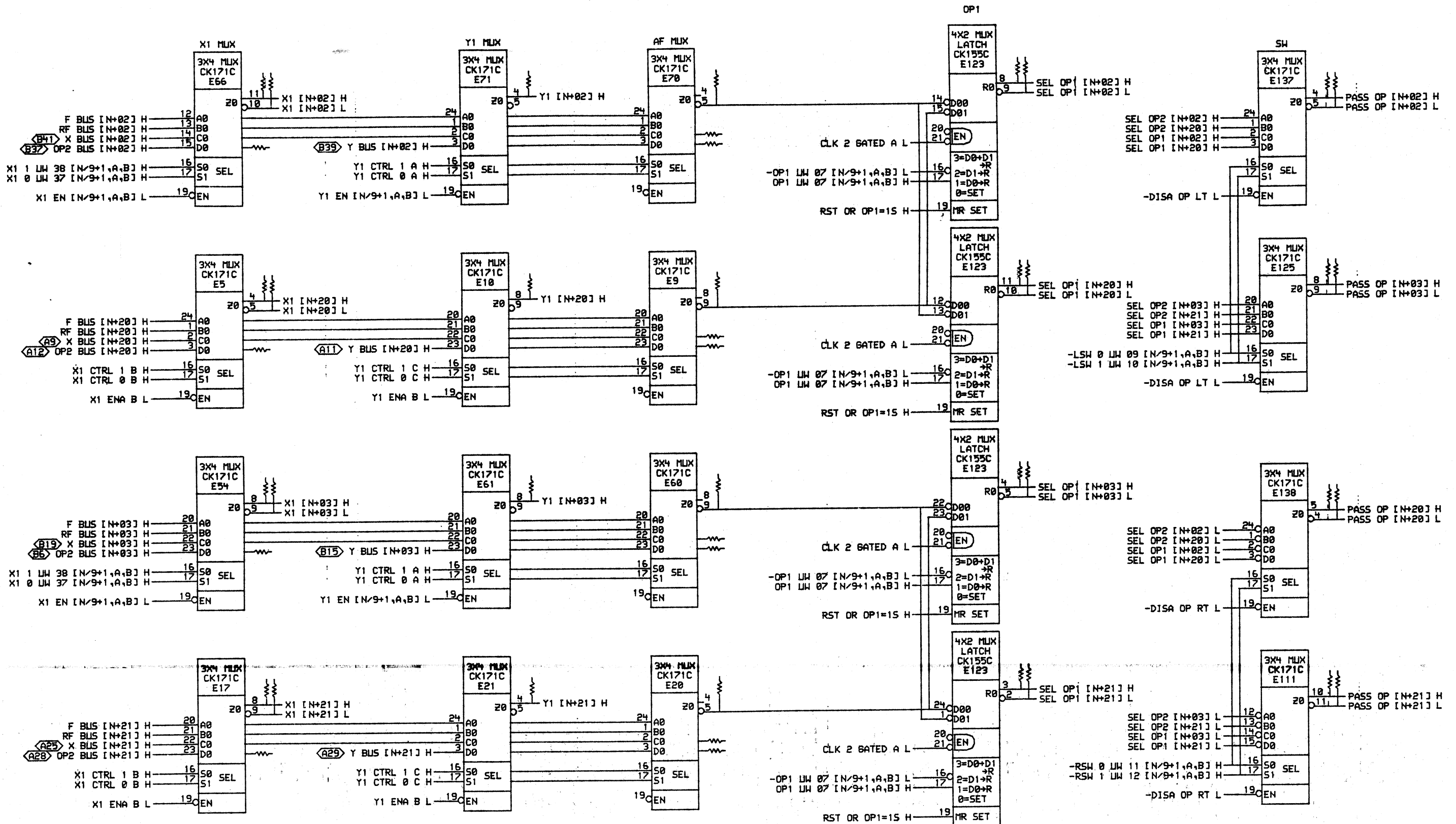
MUST HAVE BEEN A  
2-BIT BUS  
NO INFO ON THIS FIXED LENGTH!

19.2"

18"

.5"

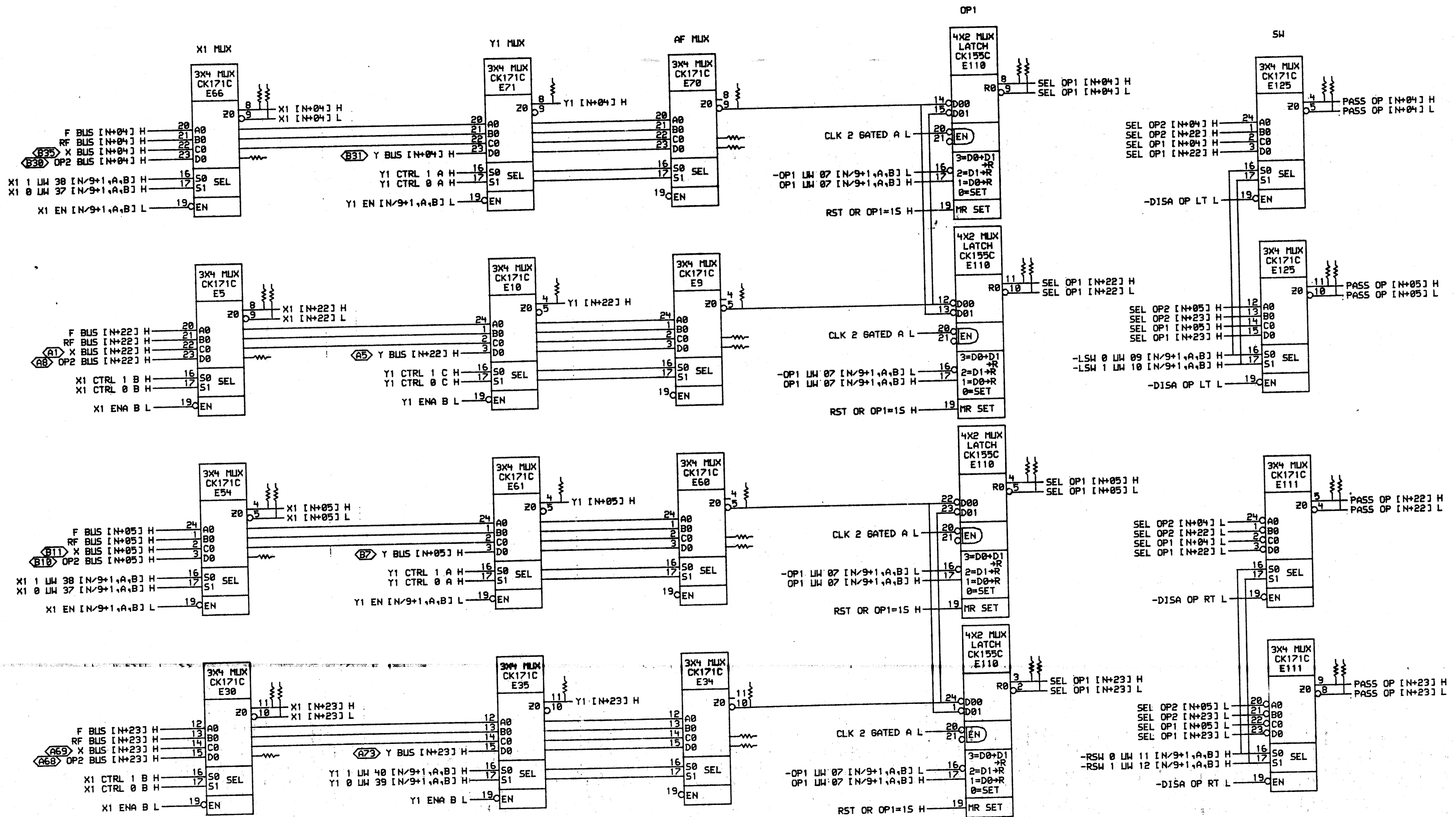




THIS DRAWING AND SPECIFICATIONS ARE THE PROPERTY OF DIGITAL EQUIPMENT CORPORATION AND SHALL NOT BE REPRODUCED OR COPIED OR USED IN WHOLE OR IN PART AS THE BASIS FOR THE MANUFACTURE OR SALE OF ITEMS WITHOUT WRITTEN PERMIT FROM DIGITAL EQUIPMENT CORPORATION.

REVISIONS	
CHK	CHANGE NO. REV

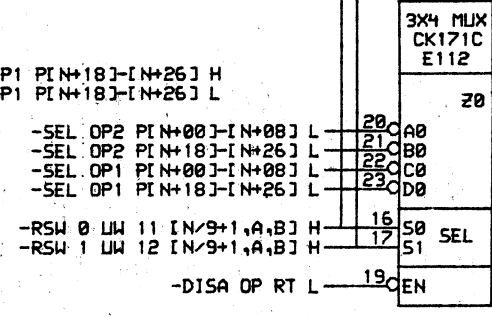
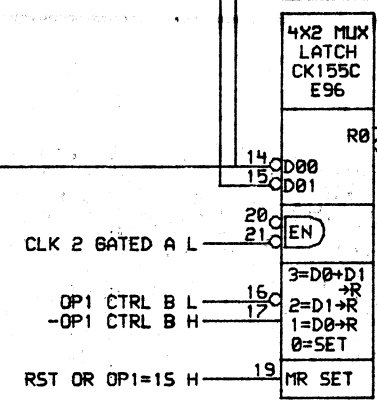
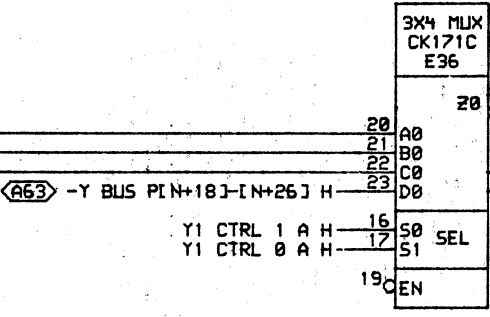
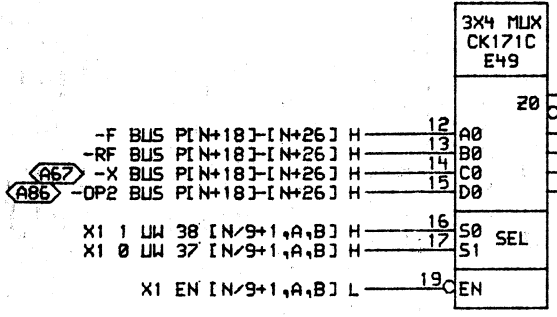
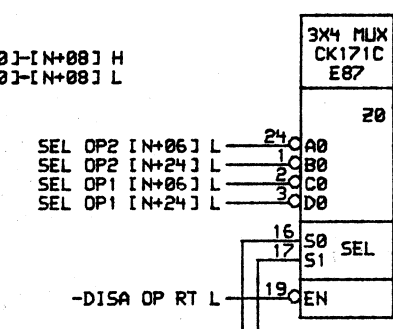
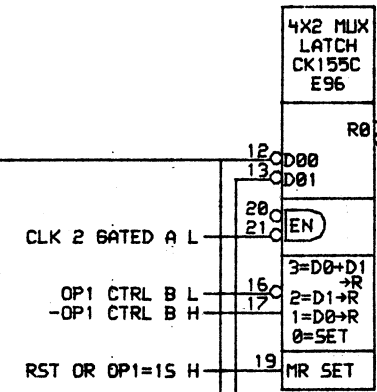
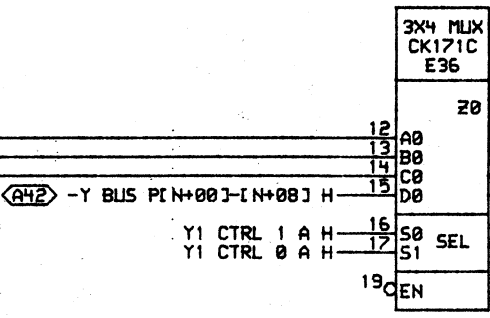
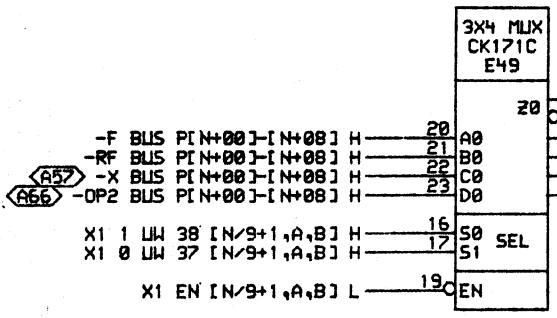
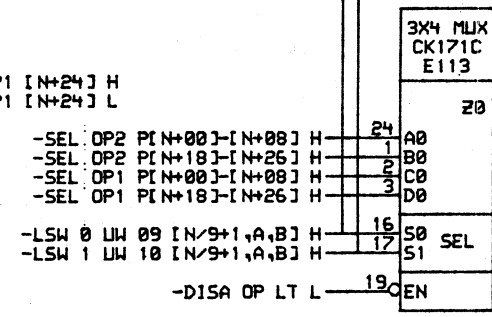
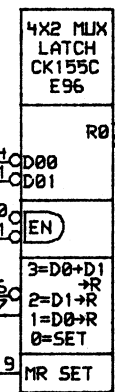
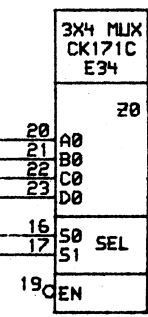
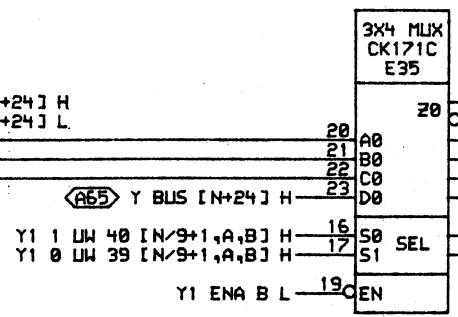
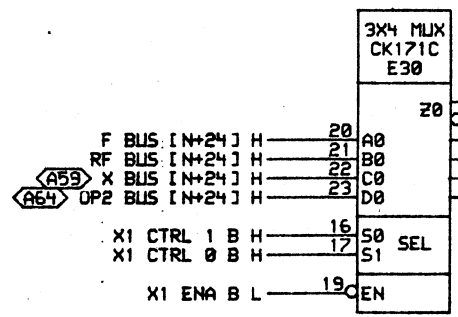
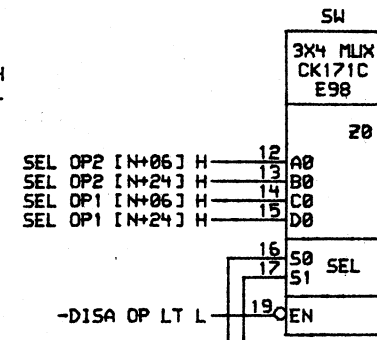
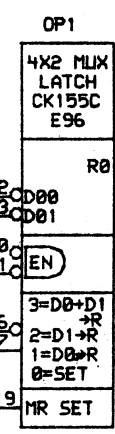
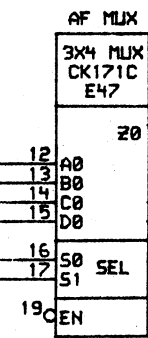
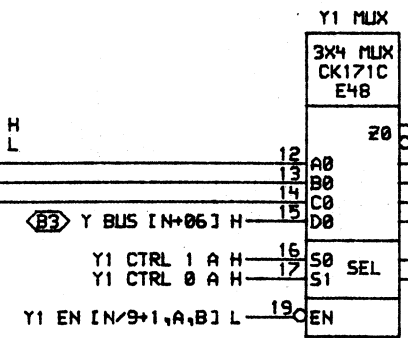
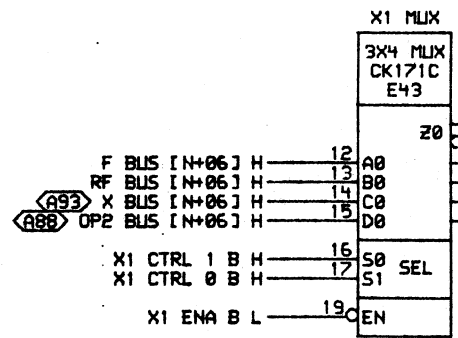
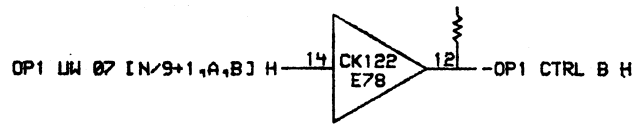
	DATE ENG.	DATE	TITLE:
	08-OCT-82		FWD, EARLY MVE
CHK'D.	DATE	BOARD LOCATION:	N+ 2, 3, 20, 21
		SHEET	
VULCAN (2888 L0051) MVE2.DRW 07-OCT-82 12:01 NEXT HIGHER ASSEMBLY:			SIZE CODE
FIRST USED ON OPTION/MODEL:			D CS
			NUMBER
			L0051-0-MVE2
			REV.



THIS DRAWING AND SPECIFICATIONS ARE THE PROPERTY OF DIGITAL EQUIPMENT CORPORATION AND SHALL NOT BE REPRODUCED OR COPIED IN ANY MANNER OR IN PART AS A BASIS FOR THE MANUFACTURE OF ANY ITEMS WITHOUT WRITTEN PERMISSION. COPYRIGHT © 1982, DIGITAL EQUIPMENT CORPORATION.

REVISIONS	
CHK	CHANGE NO. REV

digital	DRN. <i>J. J. J.</i>	DATE 88-OCT-82	ENG.	DATE	TITLE: FWD, EARLY MVE
	CHK'D.	DATE	BOARD LOCATION:	SHEET	N+ 4, 5, 22, 23
FIRST USED ON OPTION/MODEL:					SIZE CODE D CS
NEXT HIGHER ASSEMBLY:					NUMBER L0051-0-MVE3
					REV.



THIS DRAWING AND SPECIFICATIONS ARE THE PROPERTY OF DIGITAL EQUIPMENT CORPORATION AND SHALL NOT BE REPRODUCED OR COPIED IN ANY MANNER OR IN PART AS THE BASIS FOR THE MANUFACTURE OR SALE OF ANY ITEMS WITHOUT WRITTEN PERMIT. COPYRIGHT © 1982, DIGITAL EQUIPMENT CORPORATION.

REVISIONS
CHK CHANGE NO. REV

digital *John* DATE ENG. DATE BOARD LOCATION: SHEET OF

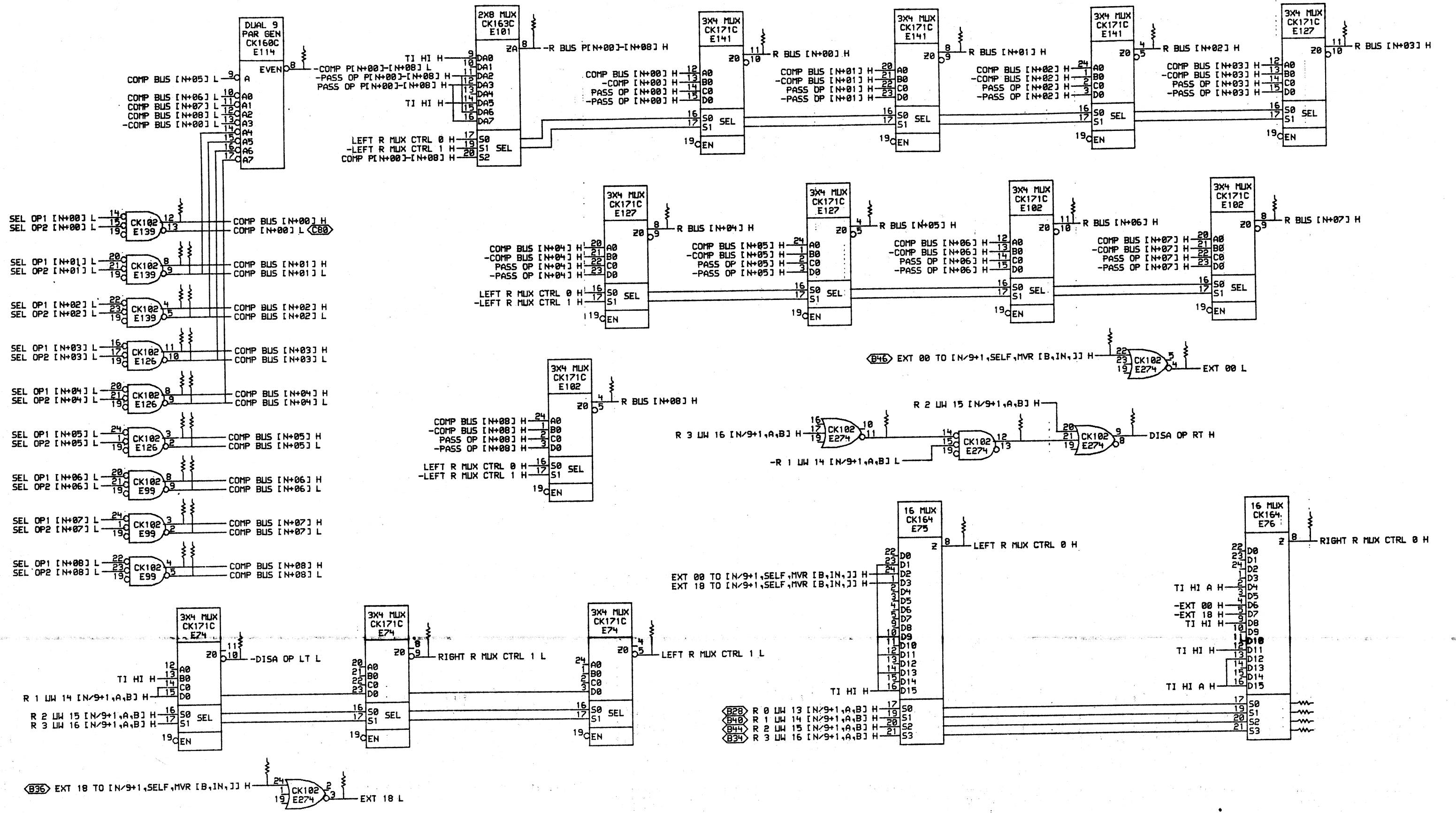
VIL CAN (2088) L0051-MVE4.DRW 07-OCT-82 12:04 NEXT HIGHER ASSEMBLY:

FIRST USED ON OPTION/MODEL:

TITLE: FWD, EARLY MVE P, N+6, 24	SIZE CODE D CS	NUMBER L0051-0-MVE4	REV.
----------------------------------	----------------	---------------------	------







THIS DRAWING AND SPECIFICATIONS  
HEREIN ARE THE PROPERTY OF  
DIGITAL EQUIPMENT CORPORATION AND  
SHALL NOT BE REPRODUCED OR COPIED  
OR USED IN WHOLE OR IN PART AS  
THE BASIS FOR THE MANUFACTURE OR  
SALE OF ITEMS WITHOUT WRITTEN  
PERMISSION. COPYRIGHT © 1982  
DIGITAL EQUIPMENT CORPORATION

REVISIONS		
CHK	CHANGE NO.	REV

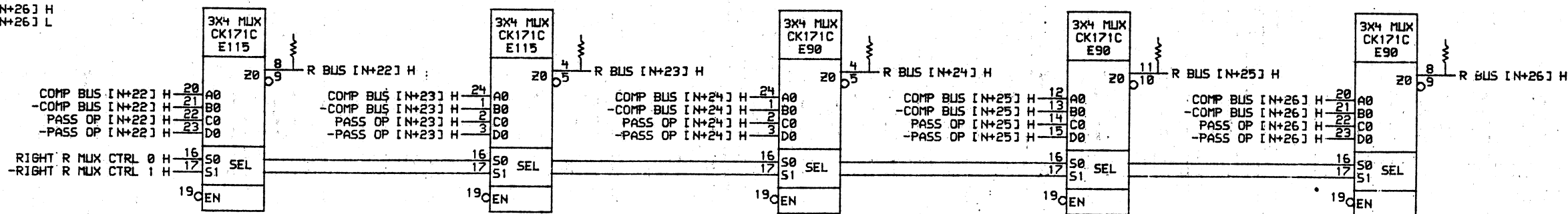
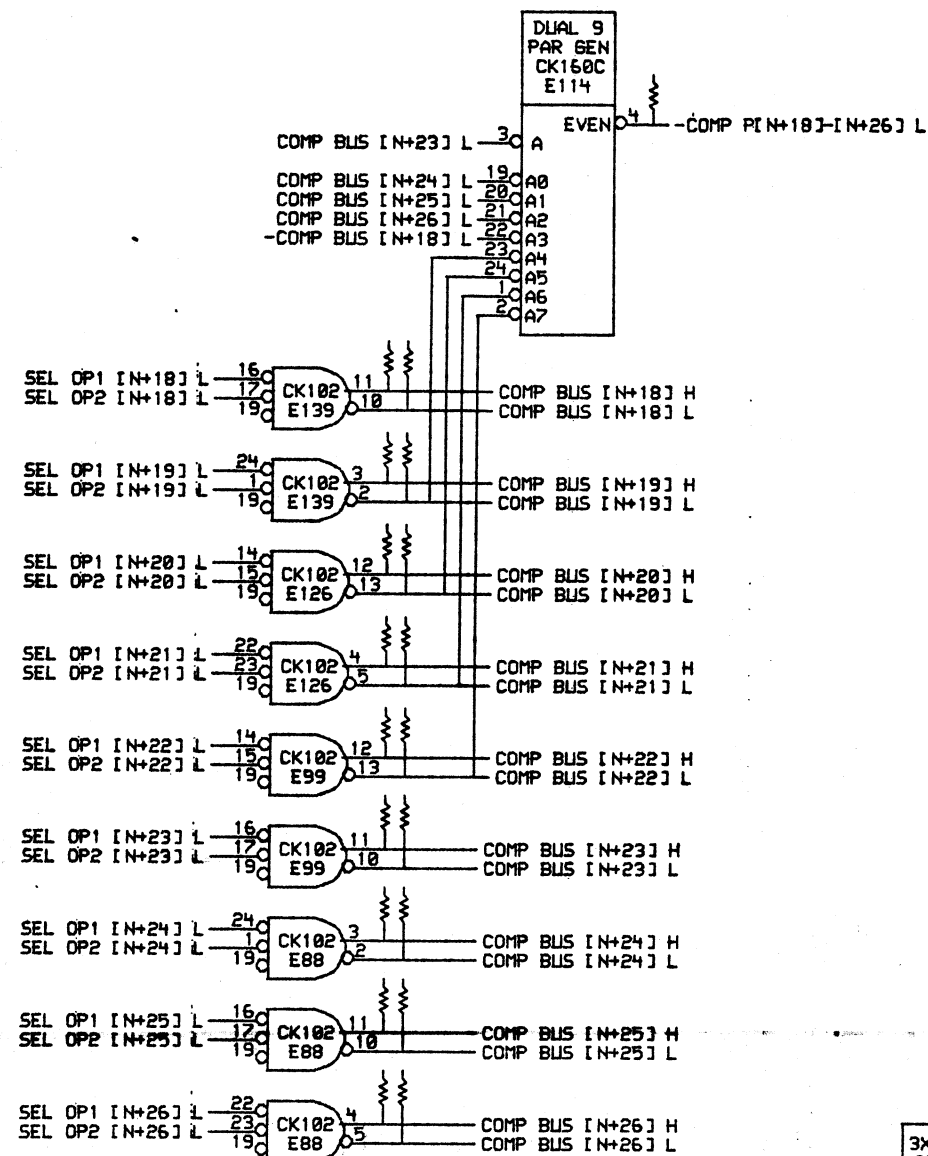
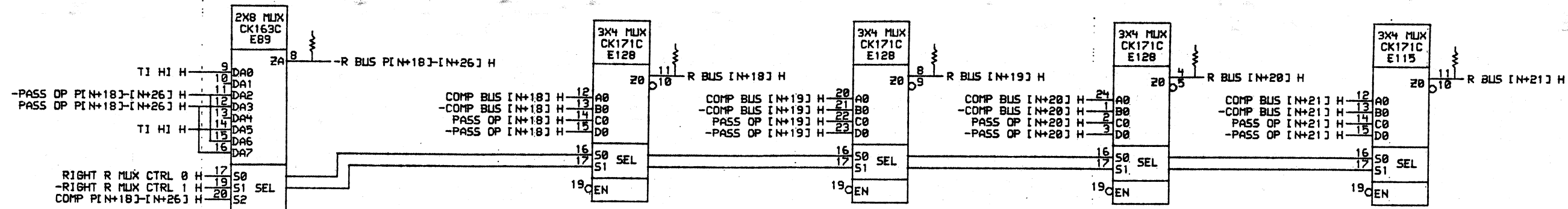
digital	DATE	ENG.	DATE	TITLE:
	08-OCT-82	J. J. J.		COMP BUS N+ 0-8 LEFT R BUS
	DATE	BOARD LOCATION:		
		SHEET		
VULCAN: (2000.L0051) MVE6.DRW 07-OCT-82 12:07				SIZE CODE
FIRST USED ON OPTION/MODEL:				D CS
NEXT HIGHER ASSEMBLY:				NUMBER
				L0051-0-MVE6
				REV.

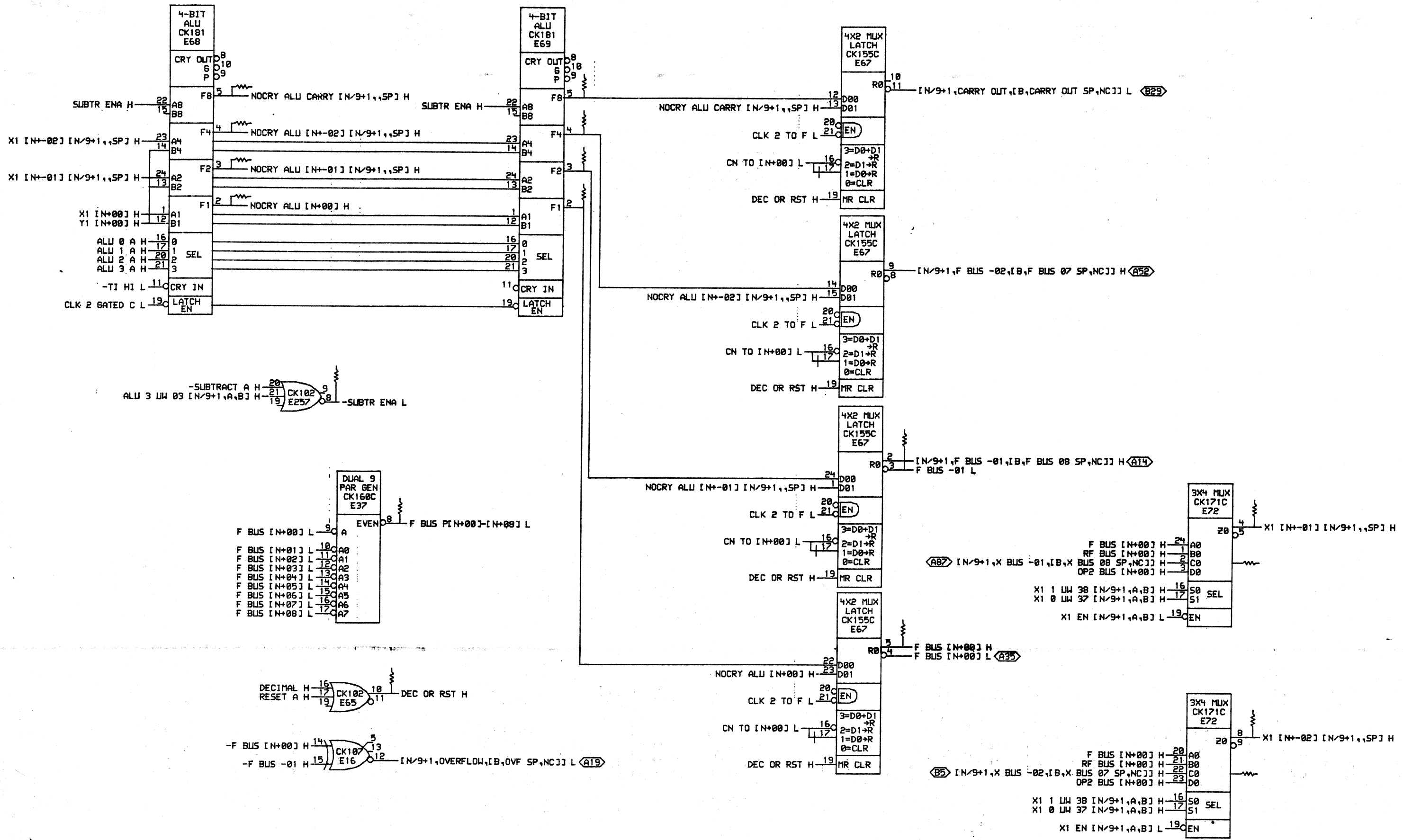
8	7	6	5	4	3	2	1
---	---	---	---	---	---	---	---

D  
C  
B  
A

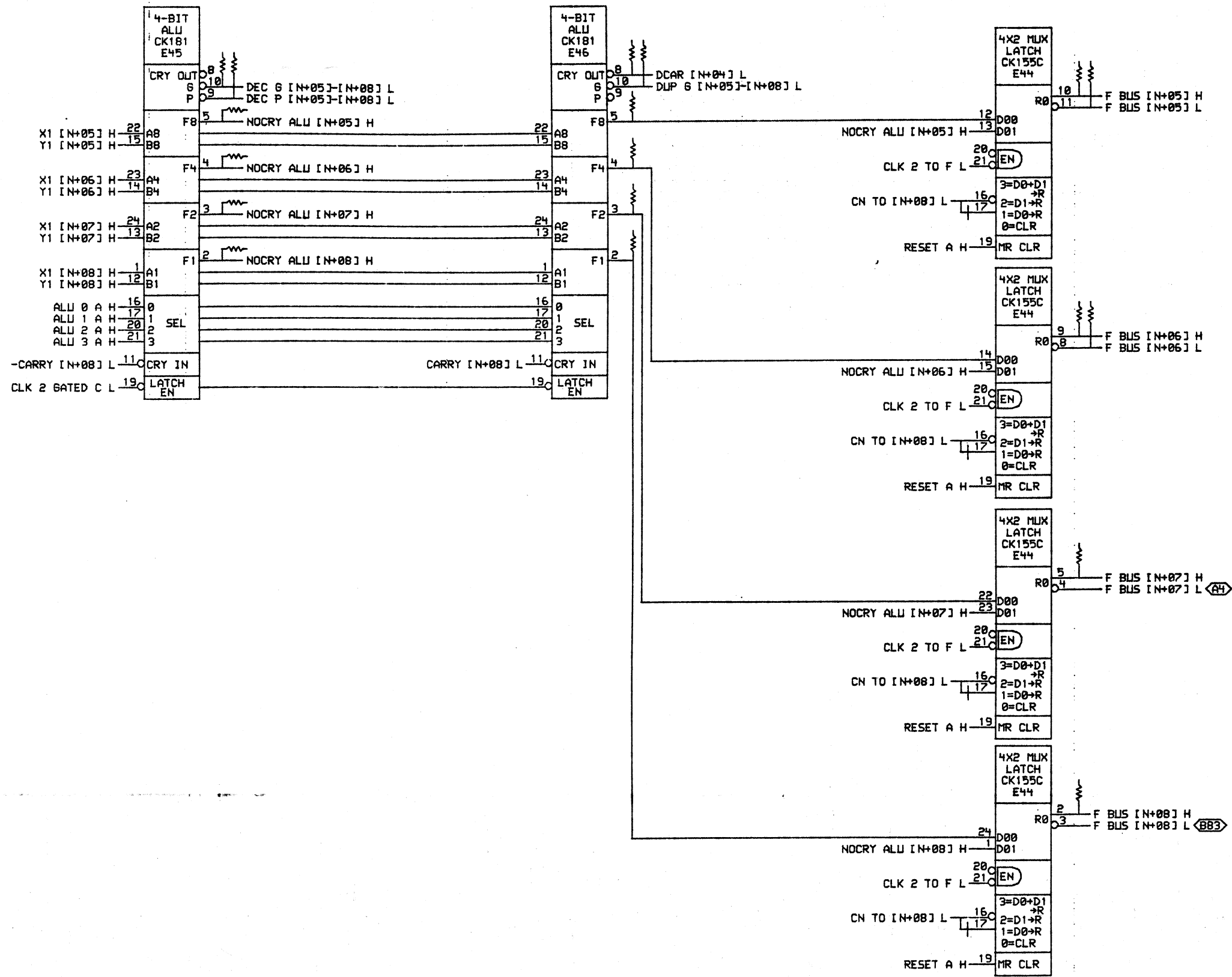
REV. NUMBER L0051-0-MVE6

SIZE CODE D CS









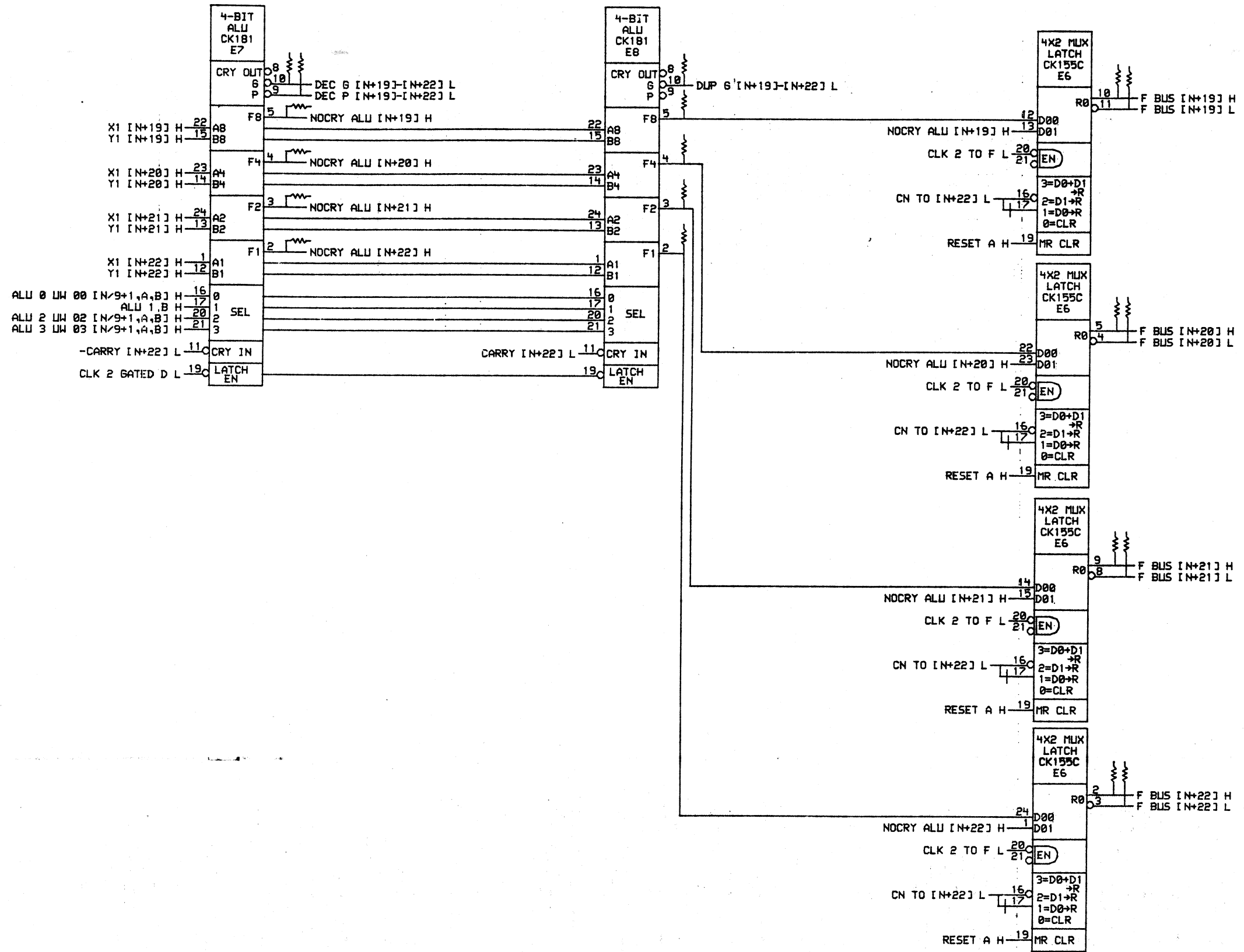
THIS DRAWING AND SPECIFICATIONS ARE THE PROPERTY OF DIGITAL EQUIPMENT CORPORATION AND SHALL NOT BE REPRODUCED OR COPIED OR USED IN WHOLE OR IN PART AS THE BASIS FOR THE MANUFACTURE OR SALE OF ITEMS WITHOUT WRITTEN PERMISSION. COPYRIGHT © 1982, DIGITAL EQUIPMENT CORPORATION.

REVISIONS		
CHK	CHANGE NO.	REV

digital	DRN. <i>J. J. J.</i>	DATE 88-OCT-82	ENG.	DATE	TITLE: ALU, F MUX
	CHK'D.	DATE	BOARD LOCATION:	SHEET OF	BITS N+05 - N+08
VULCAN: (2000.L0051)MVEA.DRW 06-OCT-82 21:01			NEXT HIGHER ASSEMBLY:		SIZE CODE NUMBER REV.
FIRST USED ON OPTION/MODEL:					D CS L0051-0-MVEA

REV. NUMBER L0051-0-MVEA

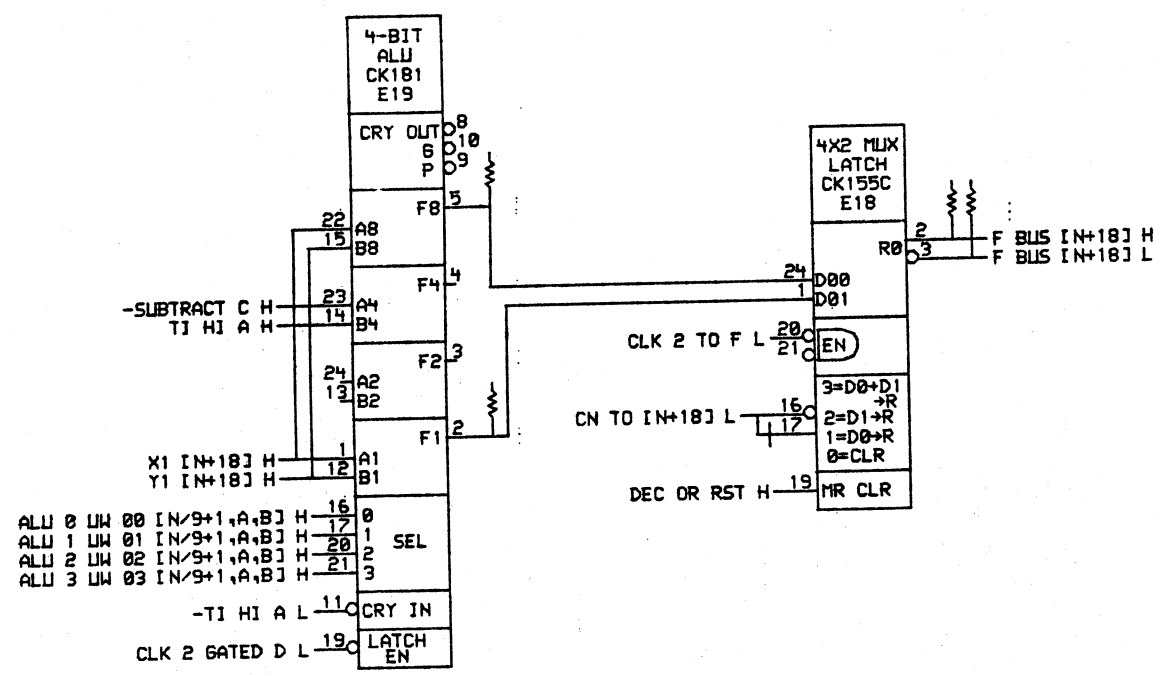
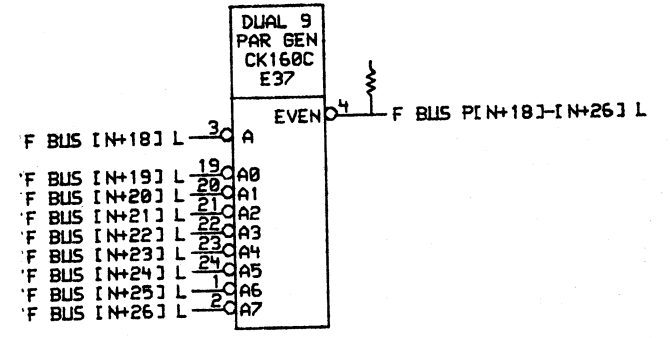
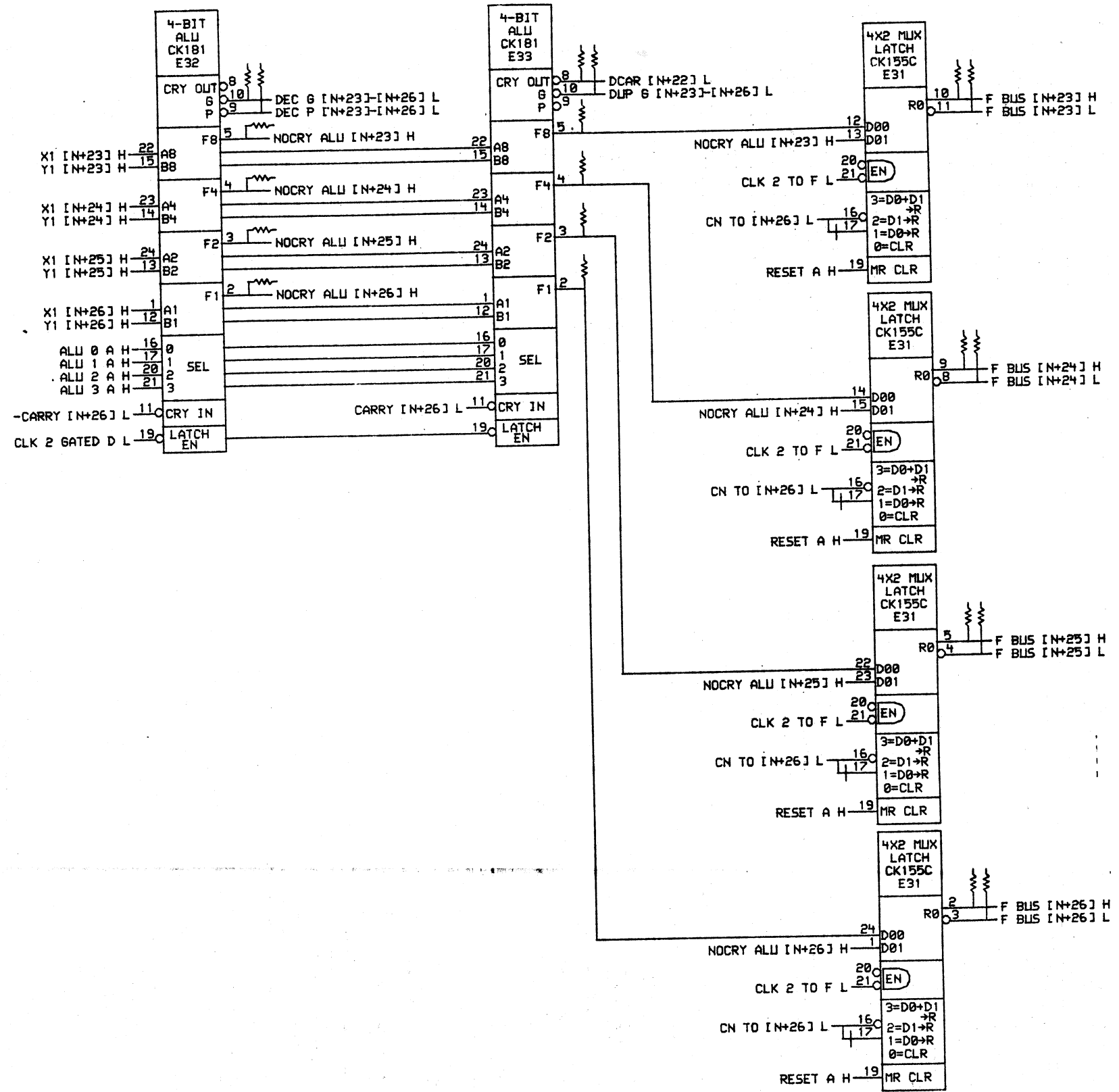




THIS DRAWING AND SPECIFICATIONS HEREIN ARE THE PROPERTY OF DIGITAL EQUIPMENT CORPORATION AND SHALL NOT BE REPRODUCED OR COPIED OR USED IN WHOLE OR IN PART AS THE BASIS FOR THE MANUFACTURE OR SALE OF ITEMS WITHOUT WRITTEN PERMISSION. COPYRIGHT © 1988, DIGITAL EQUIPMENT CORPORATION.

REVISIONS		
CHK	CHANGE NO.	REV

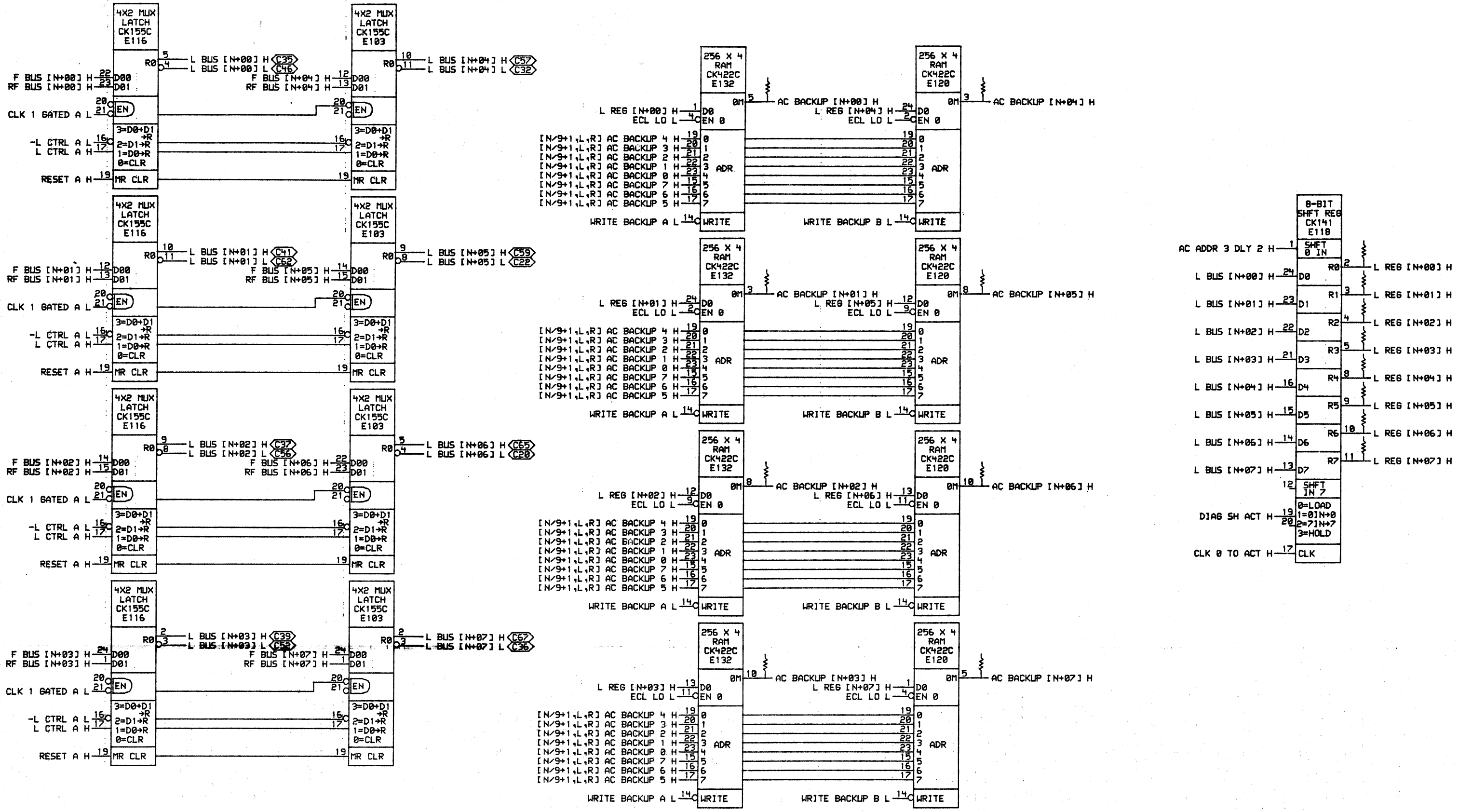
	DRW. <i>J. J. J.</i>	DATE 88-OCT-82	ENG.	DATE	TITLE: ALU, F MUX
	CHK'D.	DATE	BOARD LOCATION:	SHEET OF	BITS N+19 - N+22
VIL CAN: <2000> L0051 1/4 31MEB.DRW 106-OCT-82 21:01 NEXT HIGHER ASSEMBLY:					SIZE CODE NUMBER REV. D CS L0051-0-MVEB

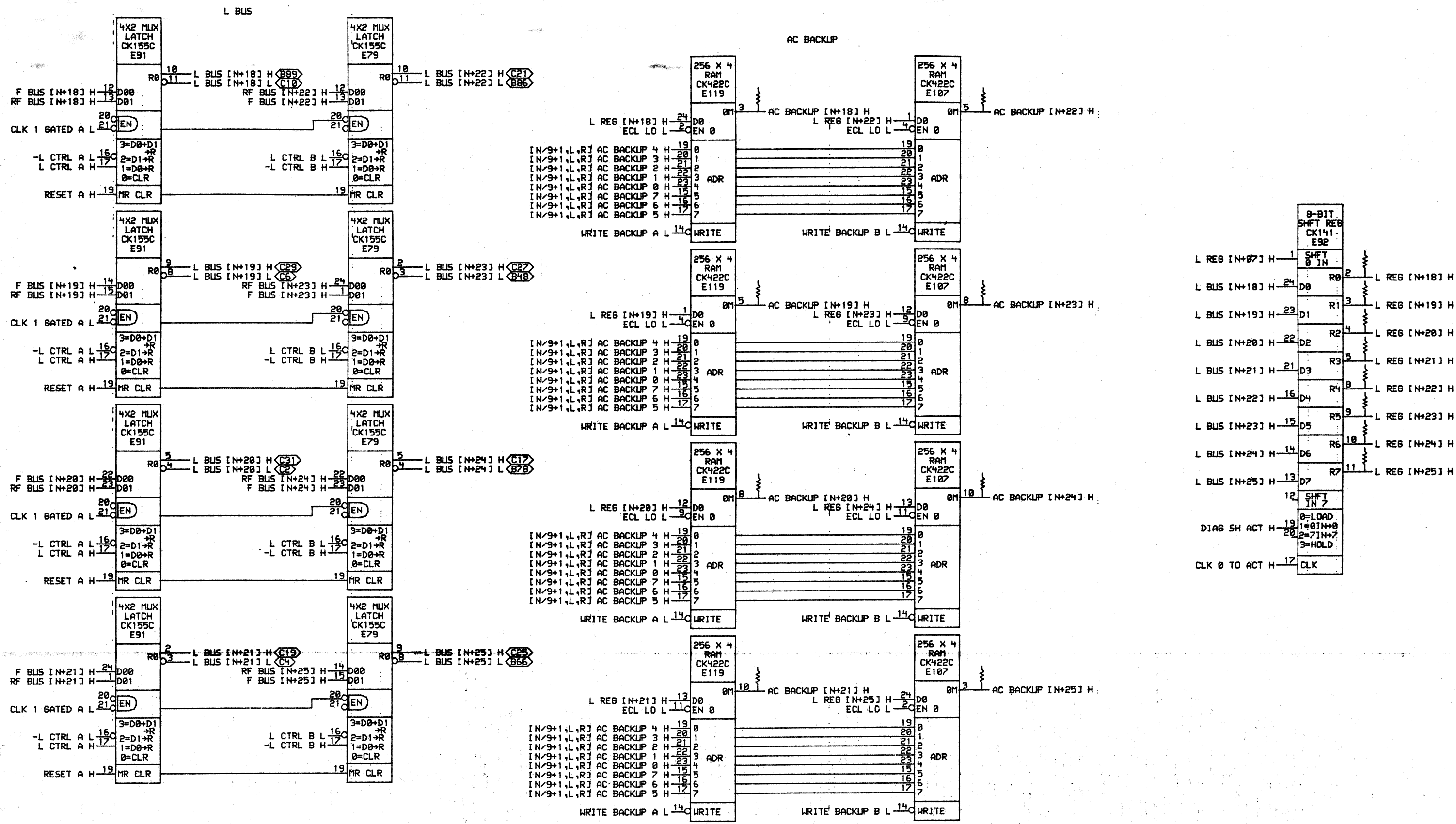


THIS DRAWING AND SPECIFICATIONS ARE THE PROPERTY OF DIGITAL EQUIPMENT CORPORATION AND SHALL NOT BE REPRODUCED OR COPIED OR USED IN WHOLE OR IN PART AS THE BASIS FOR THE MANUFACTURE OR SALE OF ITEMS WITHOUT WRITTEN PERMISSION. COPYRIGHT © 1982, DIGITAL EQUIPMENT CORPORATION.

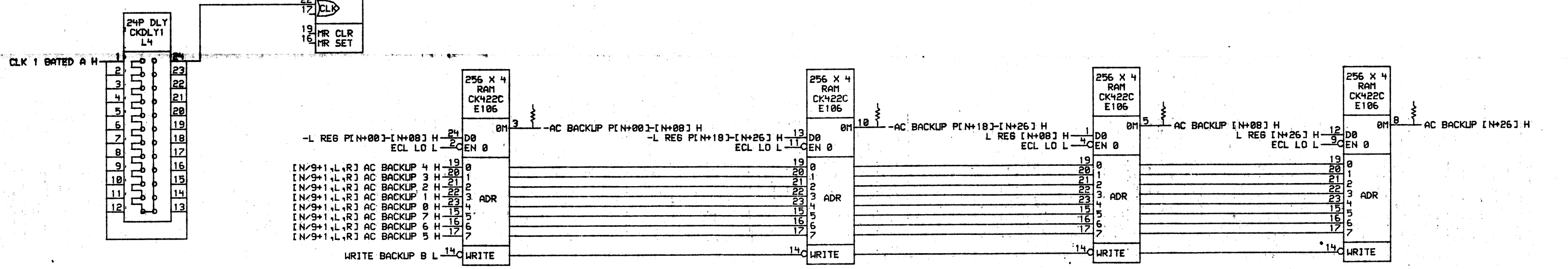
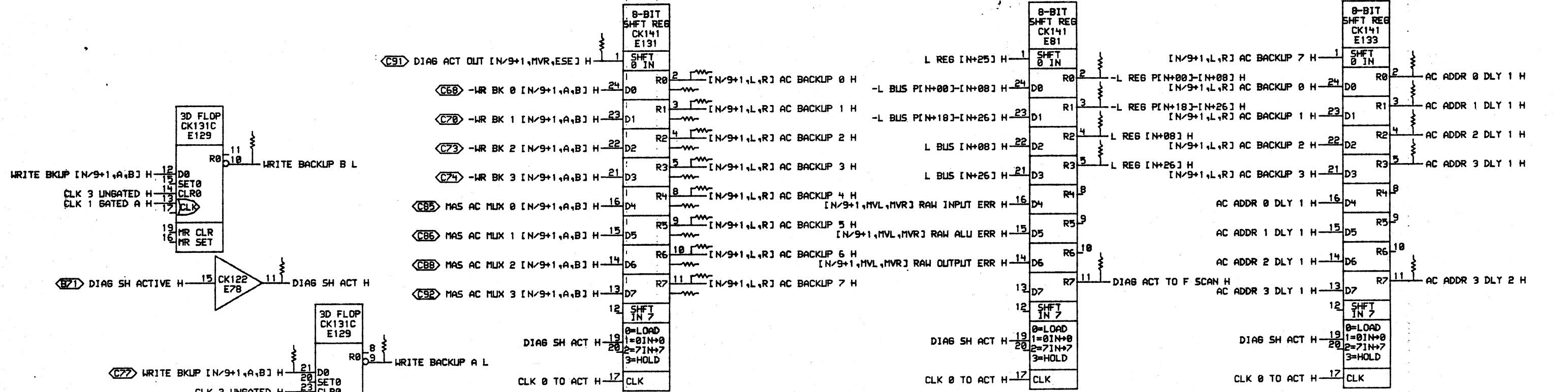
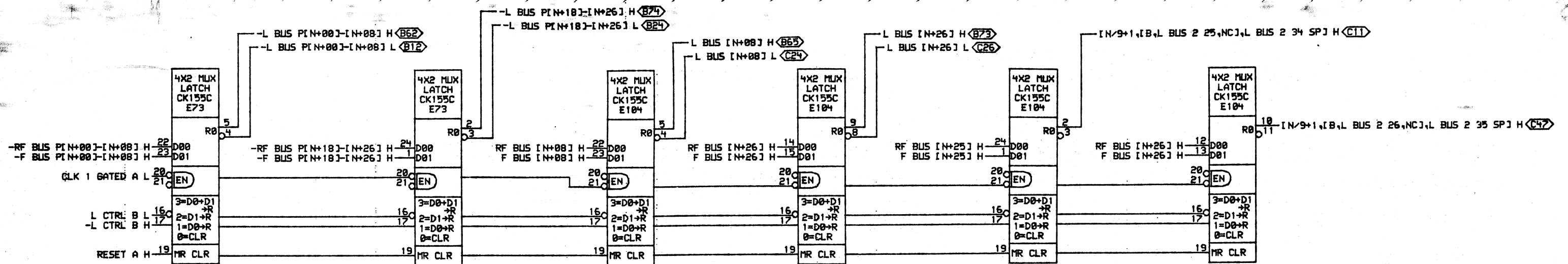
REVISIONS		
CHK	CHANGE NO.	REV

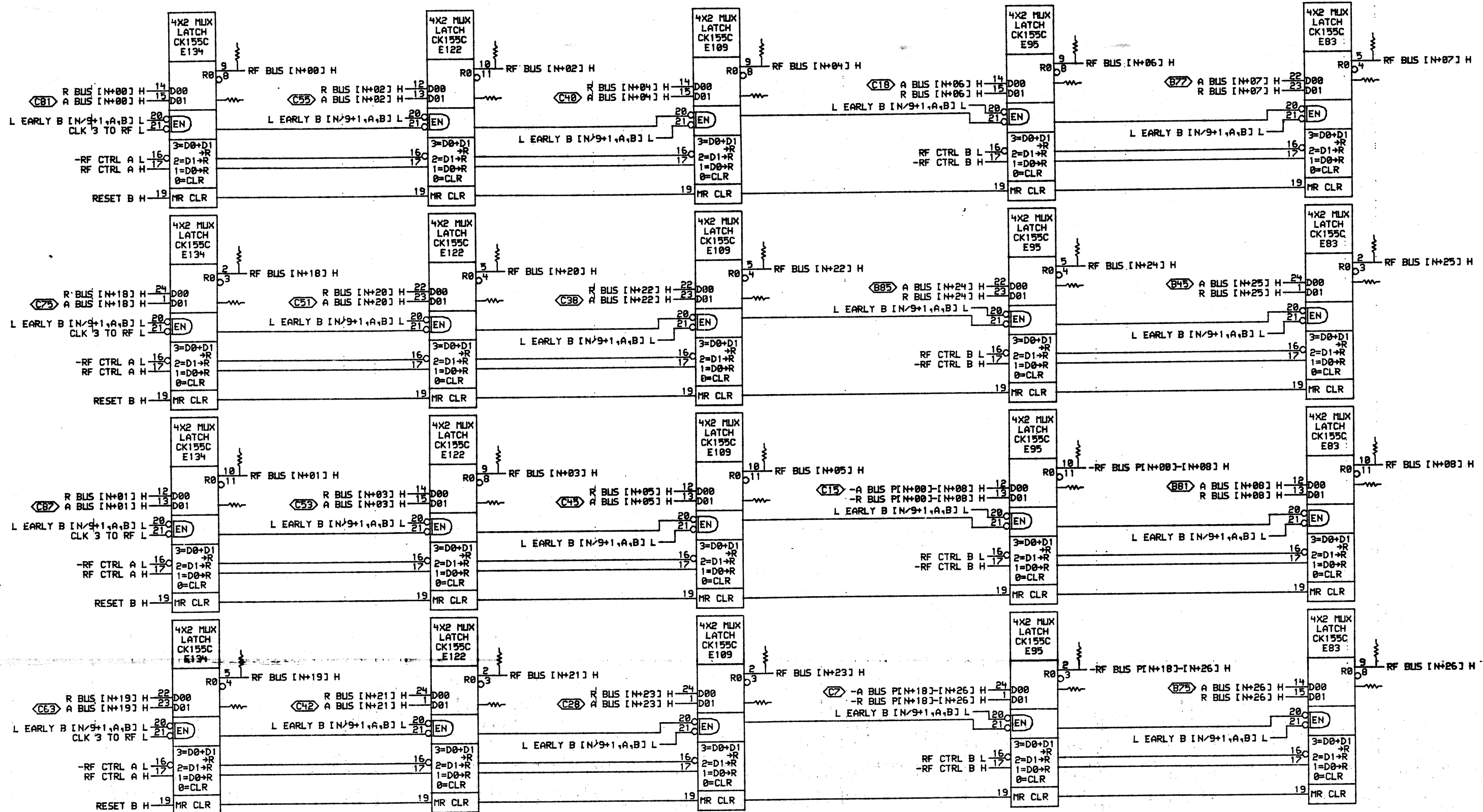
digital	DRN. <i>J. Family</i>	DATE 88-OCT-82	ENG.	DATE	TITLE: ALU, F MUX
	CHK'D.	DATE	BOARD LOCATION:	SHEET OF	BITS N+18, N+23-N+26
VUL CAN: <P888 L 0051 M VEC.DRW 106-OCT-82 21:02 NEXT HIGHER ASSEMBLY:					SIZE CODE NUMBER REV.
FIRST USED ON OPTION/MODEL:					D CS L0051-0-MVEC





D  
 C  
 B  
 A



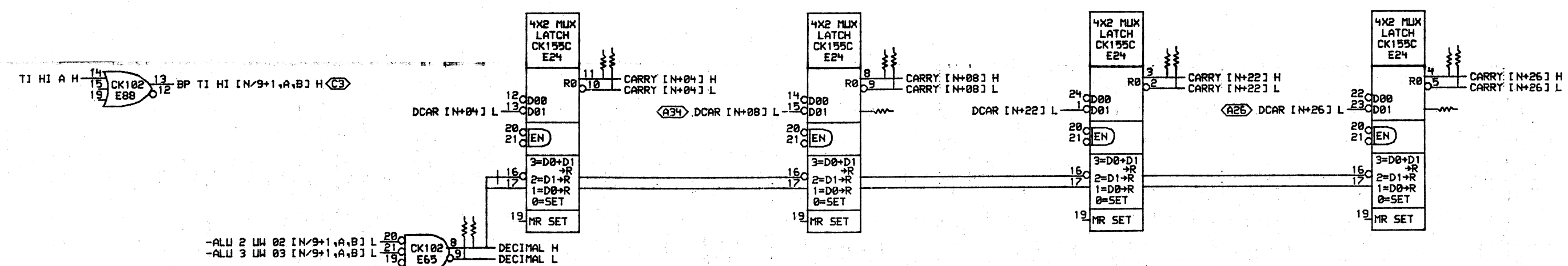
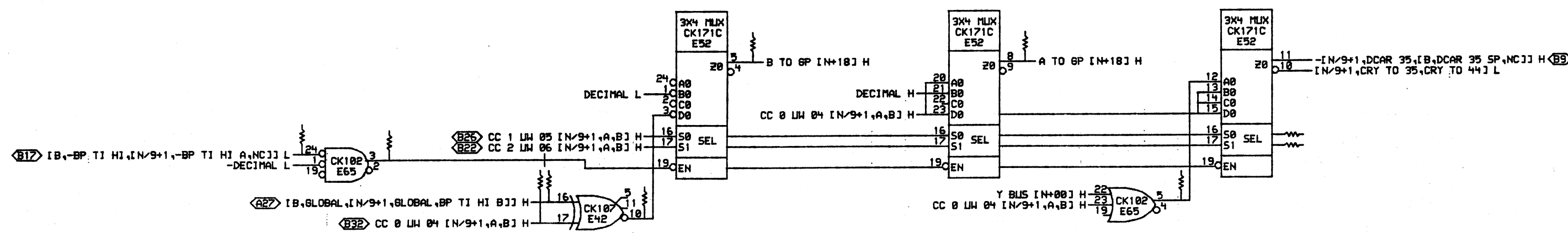
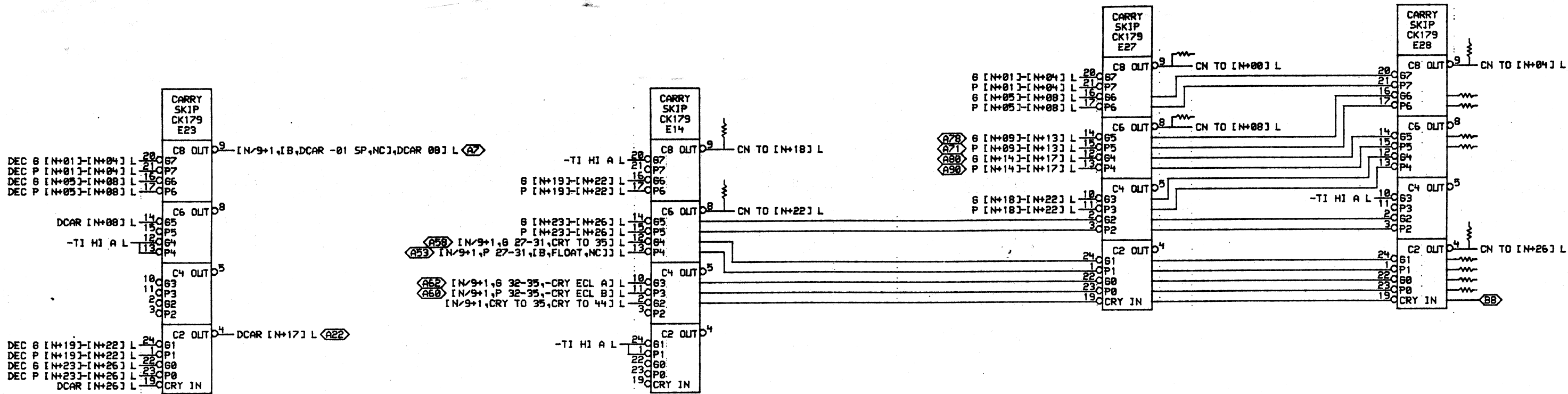


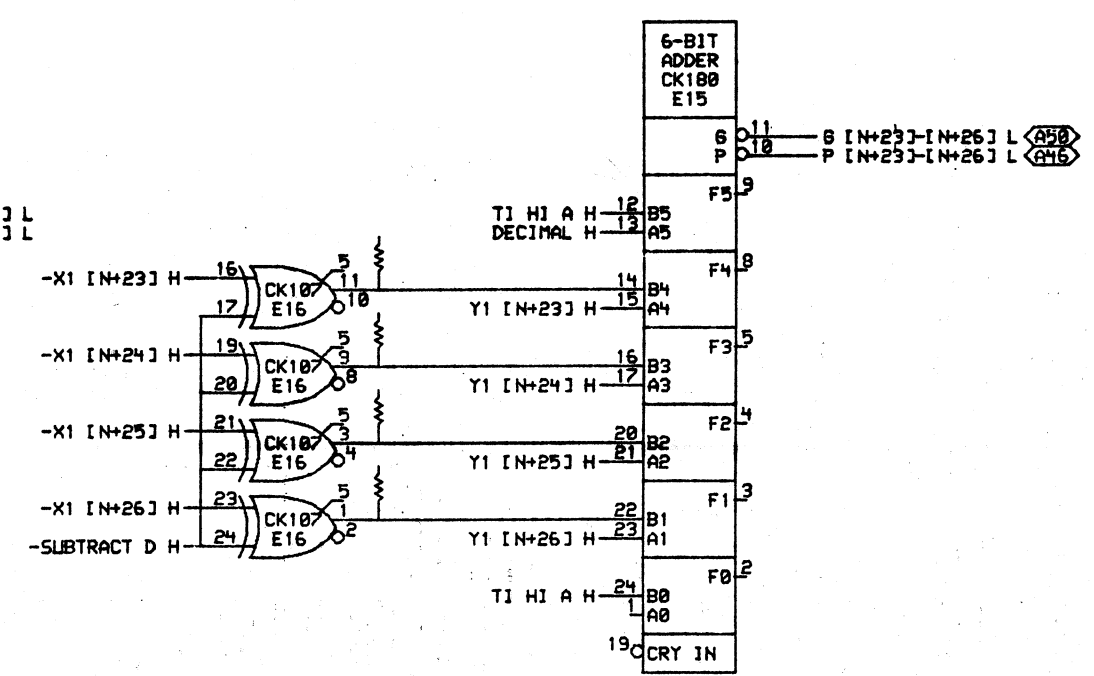
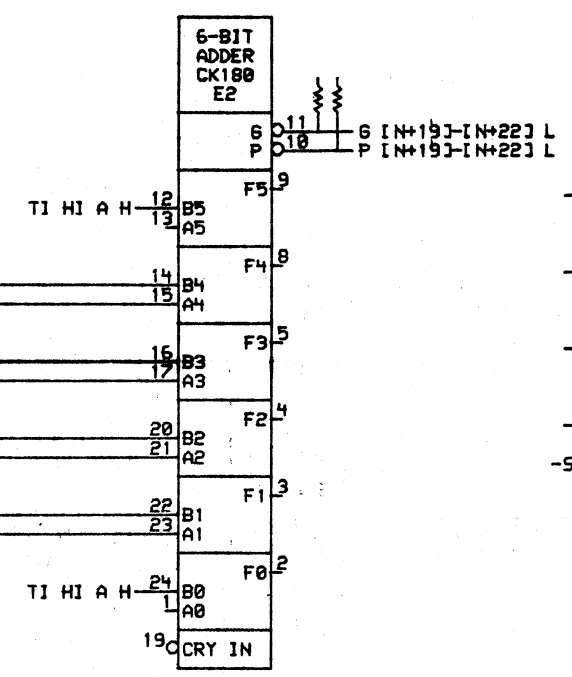
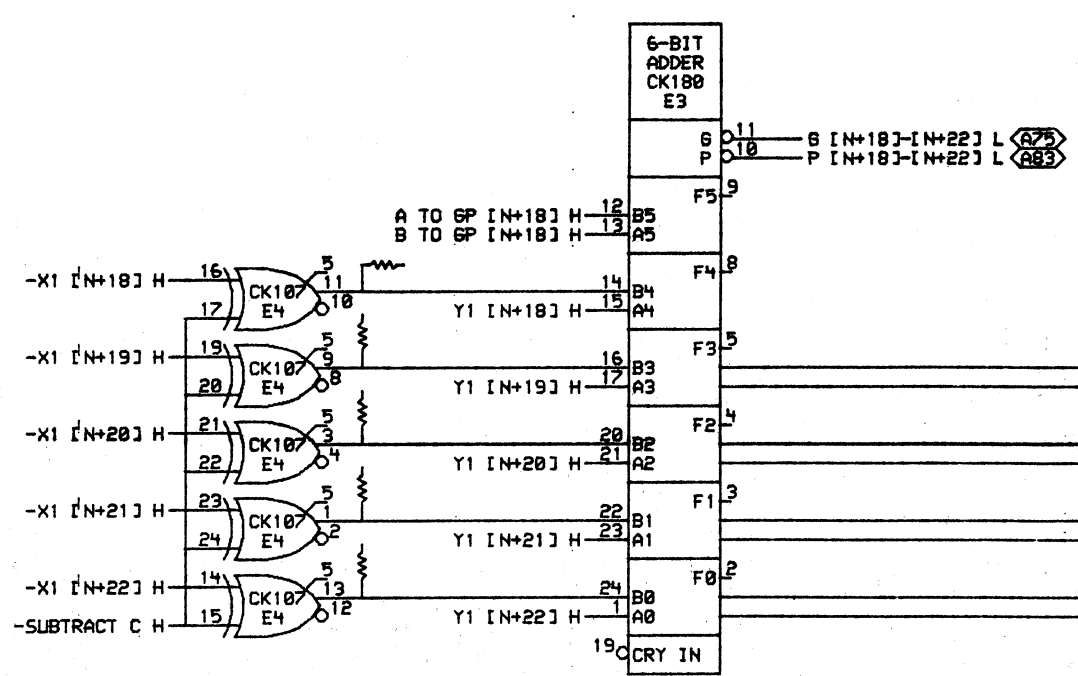
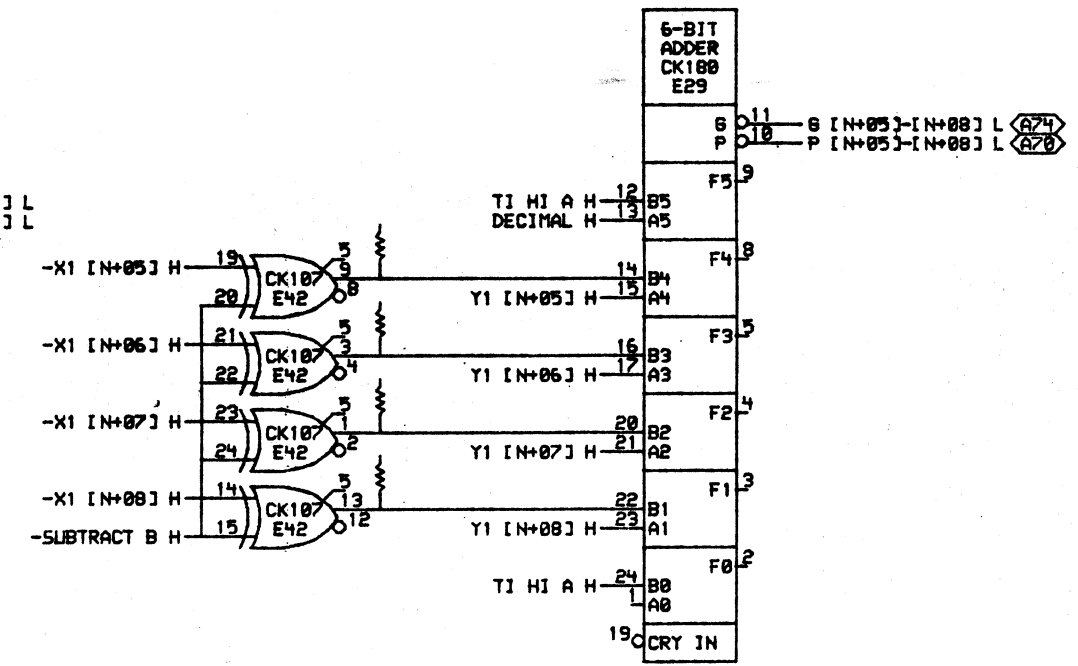
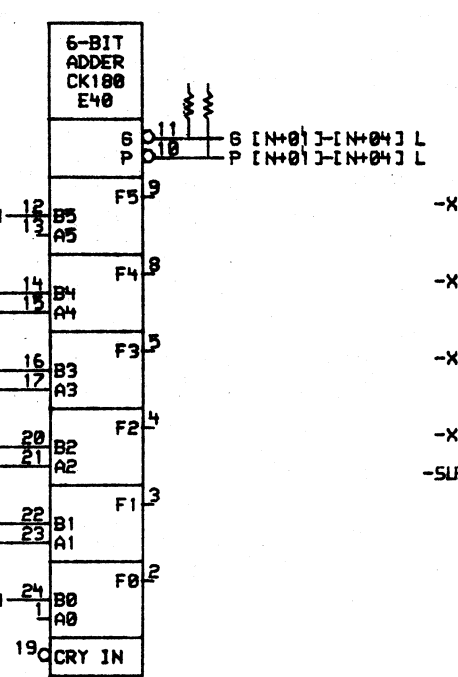
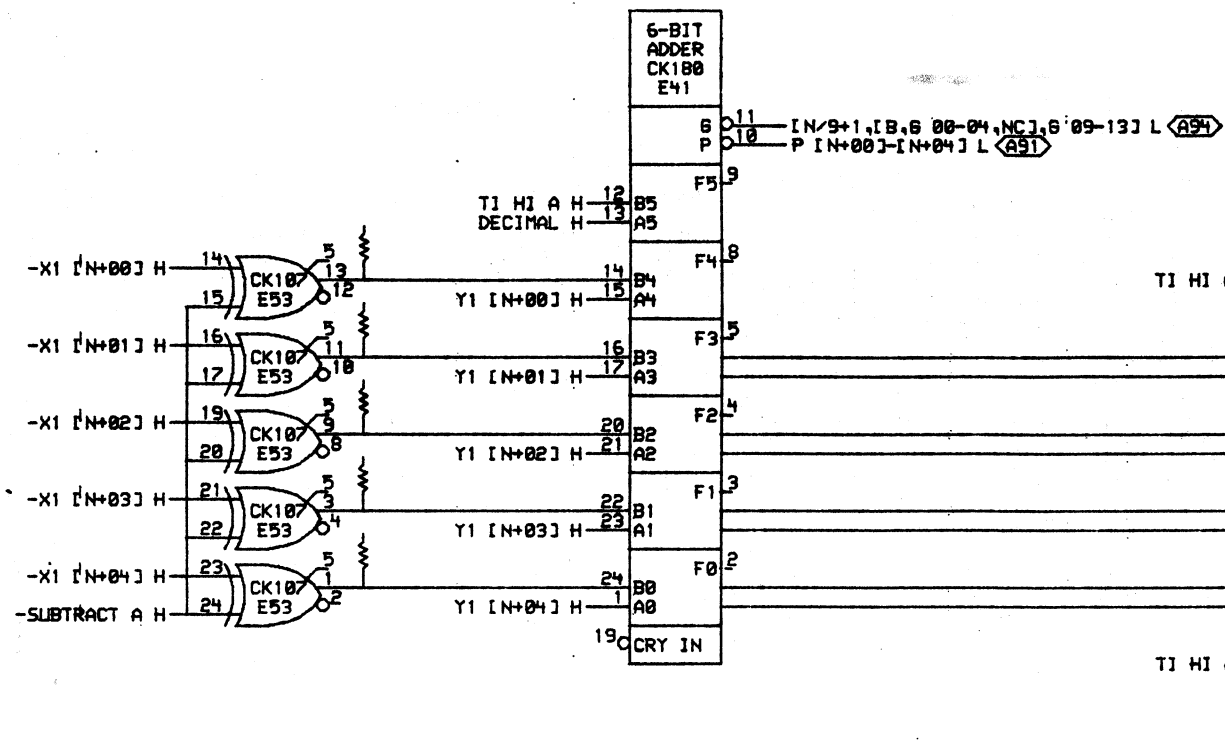
D  
 C  
 REV.  
 NUMBER  
 CS L0051-0-MVEG  
 D  
 B  
 A

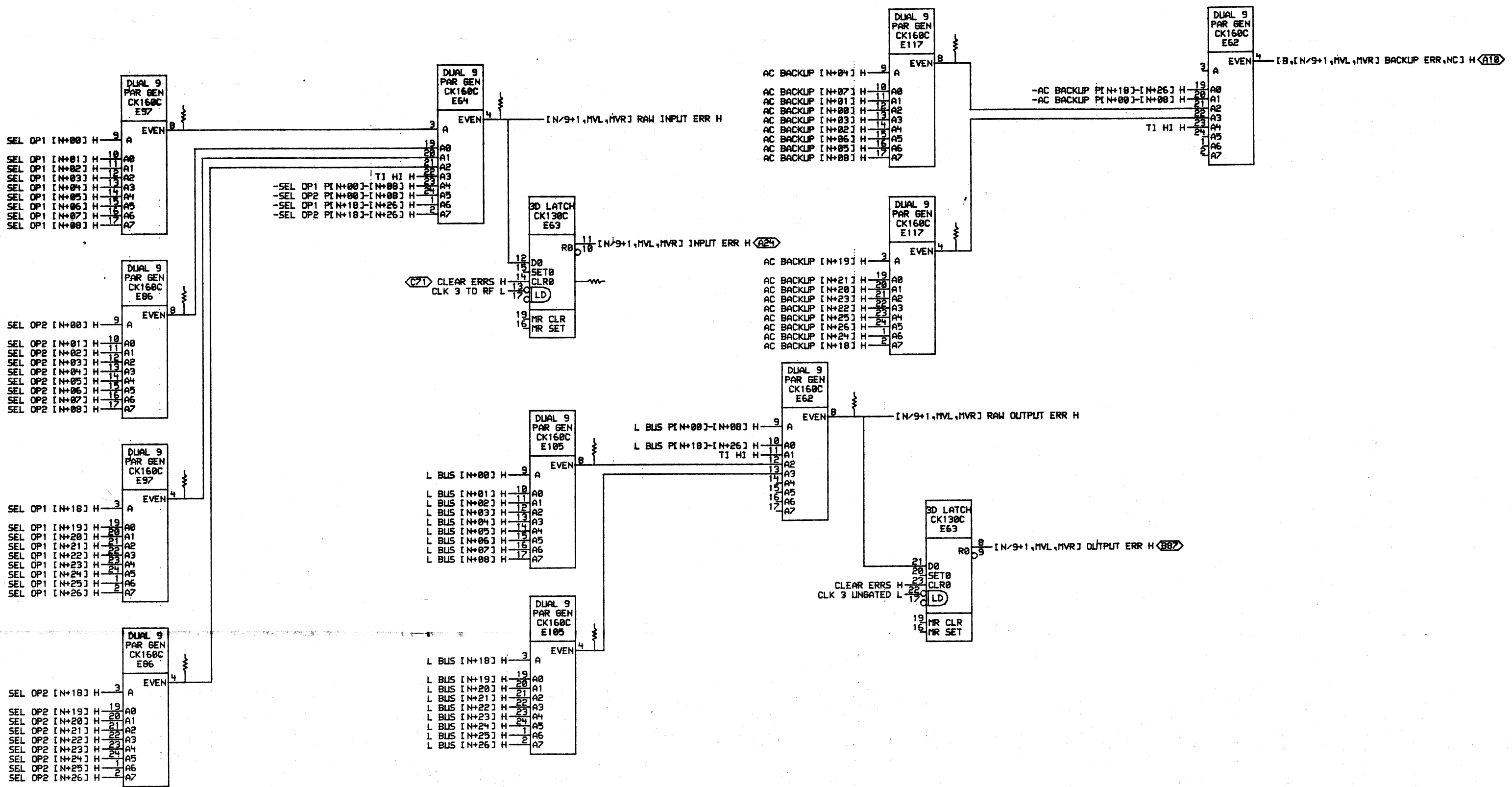
THIS DRAWING AND SPECIFICATIONS ARE THE PROPERTY OF DIGITAL EQUIPMENT CORPORATION AND SHALL NOT BE REPRODUCED OR COPIED OR LENT IN WHOLE OR IN PART AS THE BASIS FOR THE MANUFACTURE OR SALE OF ANY ITEMS WITHOUT WRITTEN PERMISSION. COPYRIGHT © 1982, DIGITAL EQUIPMENT CORPORATION.		<b>REVISIONS</b> CHK CHANGE NO. REV		<b>digital</b> DRN: J. Lowrey CHK'D:		DATE: 00-OCT-82 DATE: 06-OCT-82 21:05	ENG. BOARD LOCATION: SHEET OF	DATE:	TITLE: RF BUS	SIZE: D CODE: CS	NUMBER: L0051-0-MVEG	REV.:
				FIRST USED ON OPTION/MODEL:		NEXT HIGHER ASSEMBLY:						









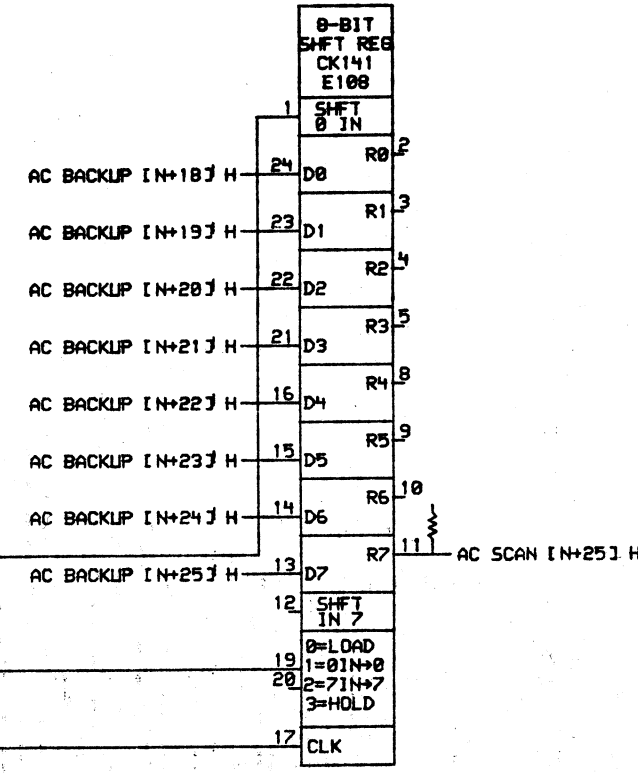
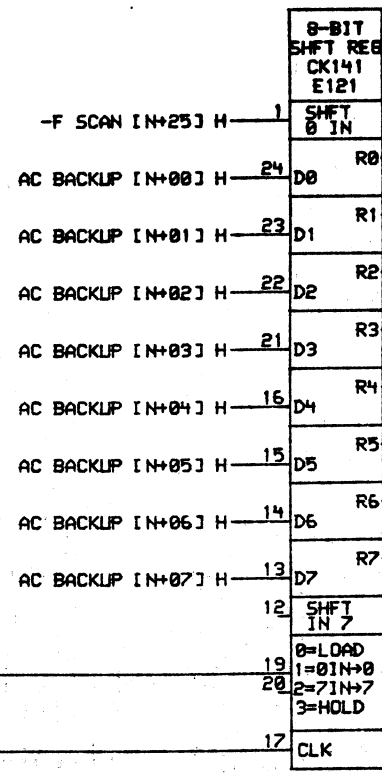
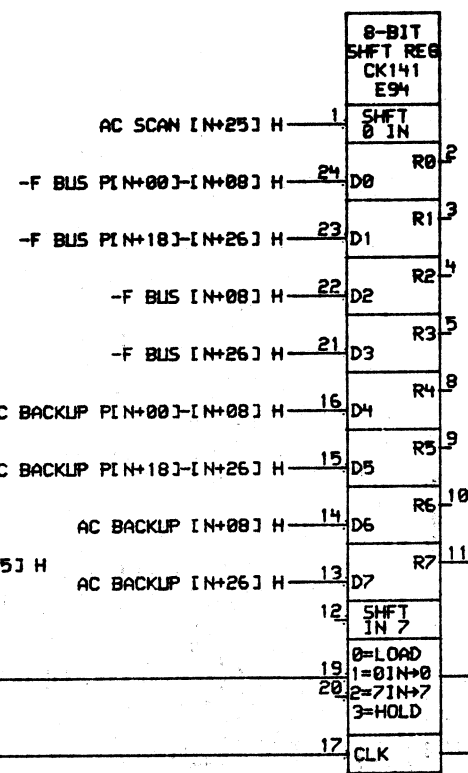
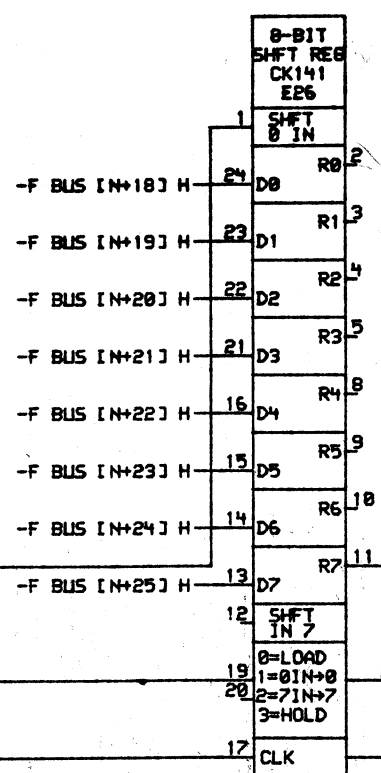
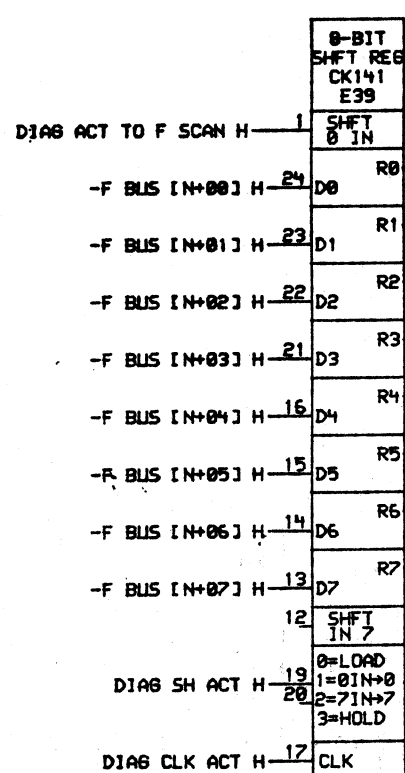
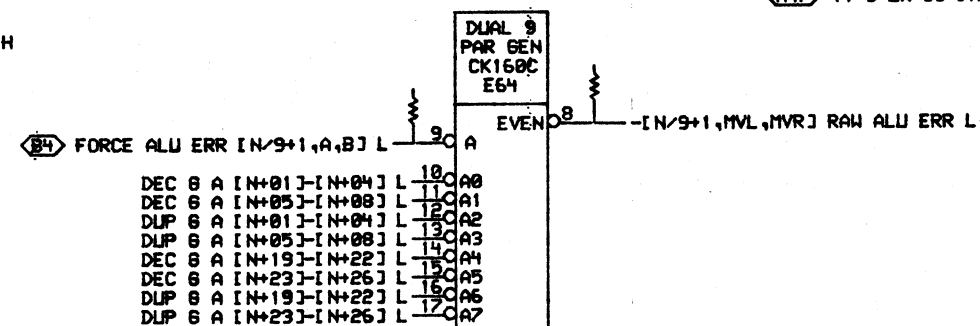
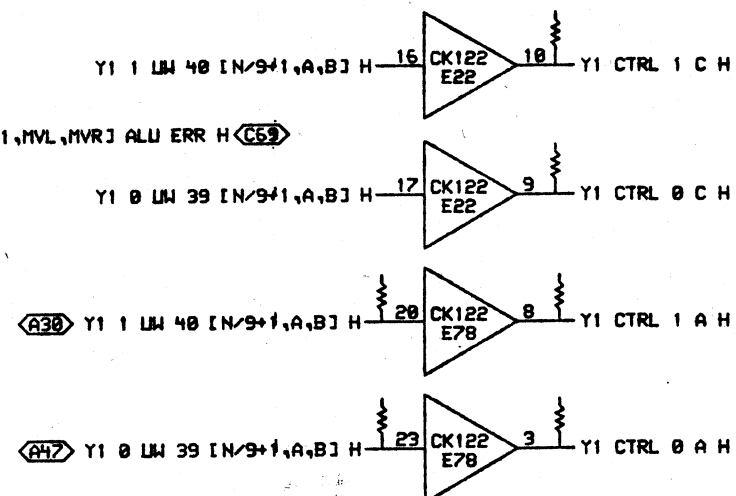
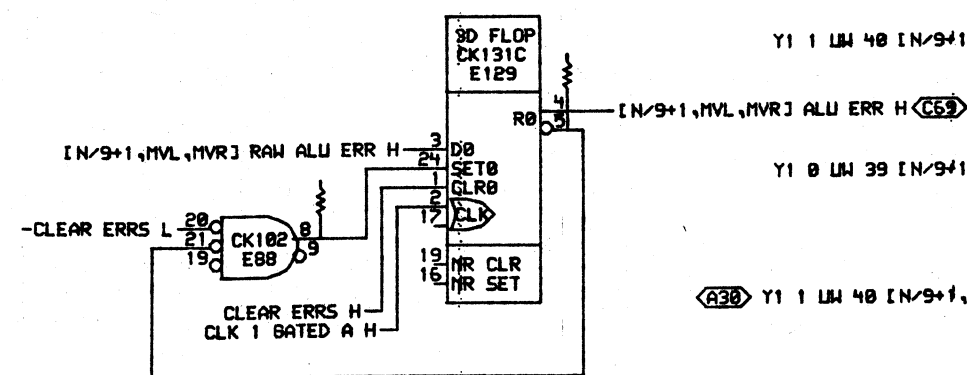
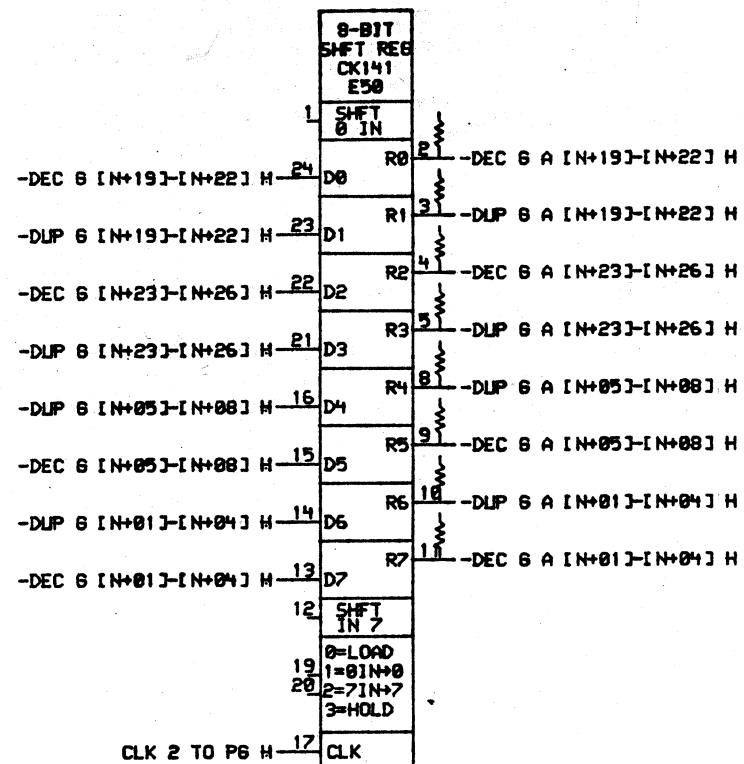
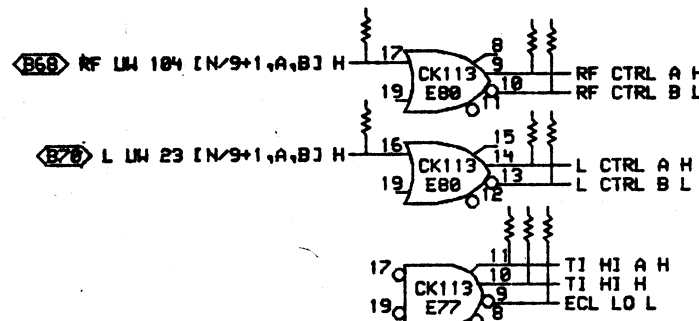
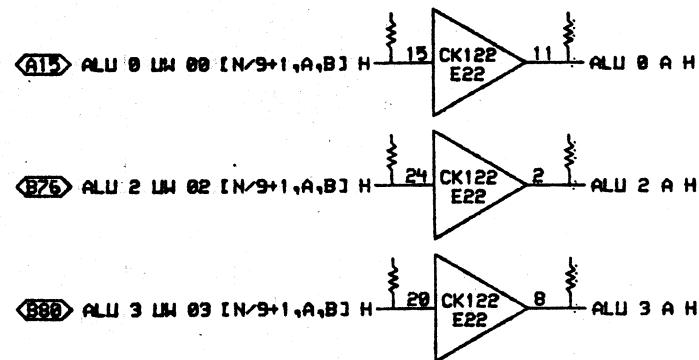


THIS DRAWING AND SPECIFICATIONS ARE THE PROPERTY OF DIGITAL EQUIPMENT CORPORATION AND SHALL NOT BE REPRODUCED OR COPIED OR USED IN WHOLE OR IN PART OR THE BASIS FOR THE MANUFACTURE OR SALE OF ITEMS WITHOUT WRITTEN PERMIT FROM DIGITAL EQUIPMENT CORPORATION. COPYRIGHT © 1982.

REVISIONS	
CHK	CHANGE NO. REV.

	DATE 06-OCT-82 ENG. <i>J. J. J.</i> DATE BOARD LOCATION SHEET OF	DATE TITLE: INPUT/OUTPUT ERR
	VIL CANI < 2000 > L0051-MVEK.DRW 06-OCT-82 21:07 FIRST USED ON OPTION MODEL:	NEXT HIGHER ASSEMBLY:

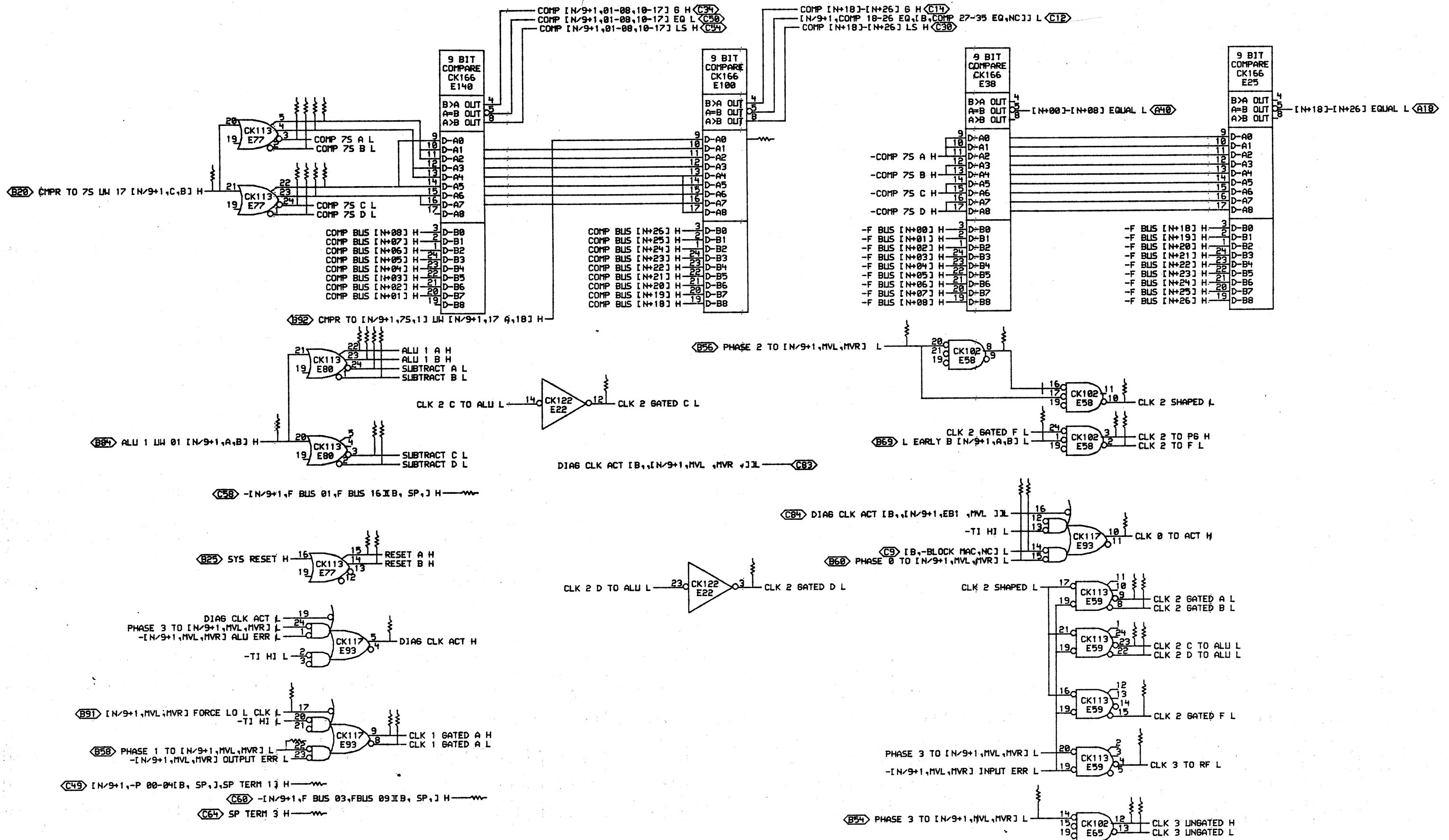
REV. NUMBER L0051-0-MVEK



[B,DIAG ACT OUT [N/9+1,MVL,MVR],[N/9+1,EBX SCAN],DIAG ACT OUT MVR] H (C8)

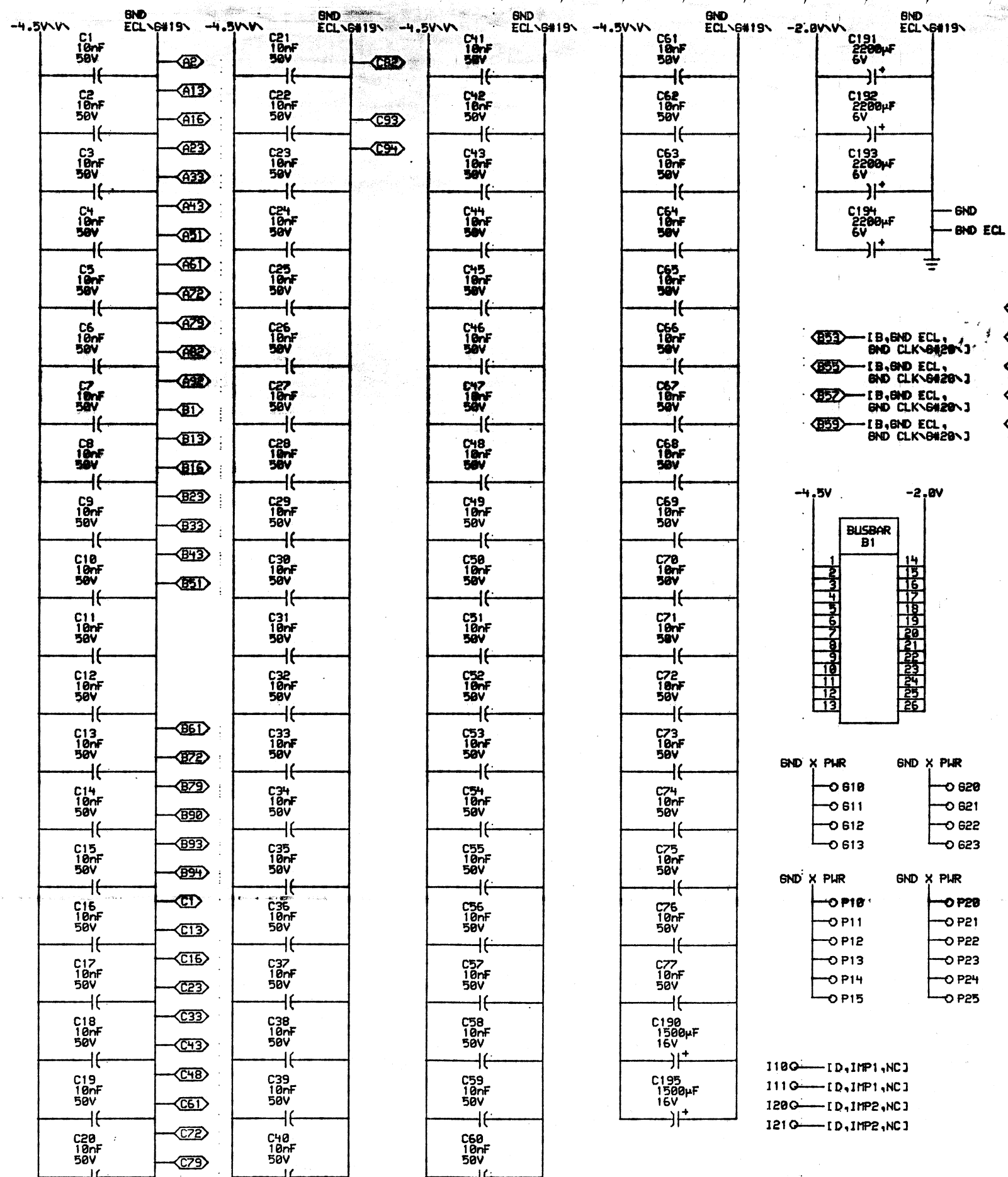
D  
 C  
 B  
 A

REV.  
 NUMBER  
 L0051-0-MVEL  
 CS  
 D  
 B  
 A



D  
 C  
 B  
 A





SPARE E1

SPARE E31

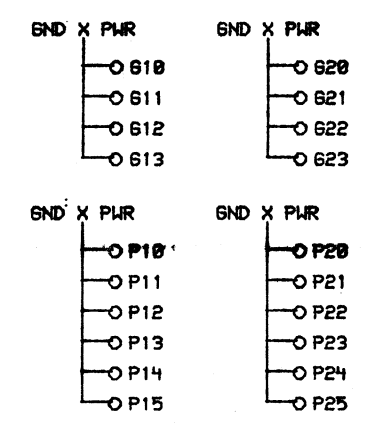
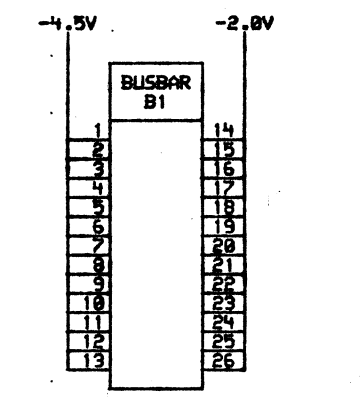
TERMS 211

TERMS 230

TERMS 253

TERMS 278

- A2 NC A3
- A32 NC A32
- B53 IB, BND ECL, BND CLK\6\20\
- B54 IB, BND ECL, BND CLK\6\20\
- B57 IB, BND ECL, BND CLK\6\20\
- B58 IB, BND ECL, BND CLK\6\20\
- C41 NC C44
- C45 NC C66
- C59 GND
- C50 OPEN H



- 1180 [D,IMP1,NC]
- 1110 [D,IMP1,NC]
- 1200 [D,IMP2,NC]
- 1210 [D,IMP2,NC]

THIS DRAWING AND SPECIFICATIONS ARE THE PROPERTY OF DIGITAL EQUIPMENT CORPORATION AND SHALL NOT BE REPRODUCED OR COPIED OR USED IN WHOLE OR IN PART AS THE BASIS FOR THE MANUFACTURE OR SALE OF ITEMS WITHOUT WRITTEN PERMISSION. COPYRIGHT © 1982, DIGITAL EQUIPMENT CORPORATION.

REVISIONS	
CHK	CHANGE NO. REV

	DRN. <i>J. J. J.</i>	DATE 80-OCT-82	ENG.	DATE	TITLE: 141 MVE POWER & GROUND	
	CHK'D.	DATE	BOARD LOCATION: SHEET 1 OF 1			
VULCAN (2000) L0051-MVEN.DRW		106-OCT-82 21:09	NEXT HIGHER ASSEMBLY: B-DD-L0051-0	SIZE CODE D CS	NUMBER L0051-0-MVEN	REV. *
FIRST USED ON OPTION/MODEL: 2080						

VULCAN:<2080.L0048.REVB>13BCLK1  
 VULCAN:<2080.L0048.REVB>13BCLK2  
 VULCAN:<2080.L0048.REVB>11BCLK3  
 VULCAN:<2080.L0048.REVB>13BCLK4  
 VULCAN:<2080.L0048.REVB>13BCLK5  
 VULCAN:<2080.L0048.REVB>BCLK6  
 VULCAN:<2080.L0048.REVB>BCLK7  
 VULCAN:<2080.L0048.REVB>BCLK8  
 VULCAN:<2080.L0048.REVB>3BCLK9  
 VULCAN:<2080.L0048.REVB>13BCLKA  
 VULCAN:<2080.L0048.REVB>13BCLKB  
 VULCAN:<2080.L0048.REVB>13BCLKC  
 VULCAN:<2080.L0048.REVB>13BCLKD  
 VULCAN:<2080.L0048.REVB>13BCLKE  
 VULCAN:<2080.L0048.REVB>13BCLKF  
 VULCAN:<2080.L0048.REVB>14BCLKG  
 VULCAN:<2080.L0048.REVB>15BCLKH

D

C

B

D

D

C

REV.

NUMBER

SIZE CODE SP

B

D

THIS DRAWING AND SPECIFICATIONS  
 HEREIN ARE THE PROPERTY OF  
 DIGITAL EQUIPMENT CORPORATION AND  
 SHALL NOT BE REPRODUCED OR COPIED  
 OR USED IN WHOLE OR IN PART AS  
 THE BASIS FOR THE MANUFACTURE OR  
 SALE OF ITEMS WITHOUT WRITTEN  
 PERMISSION. COPYRIGHT © 1983.  
 DIGITAL EQUIPMENT CORPORATION

REVISIONS		
CHK	CHANGE NO.	REV

digital

DRN. J. J. J. J.  
 CHK'D.

DATE 10-FEB-83

ENG. DATE BOARD LOCATION:

SHEET OF

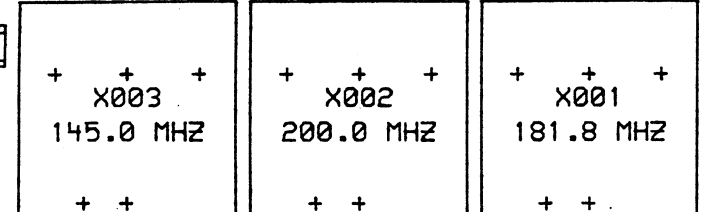
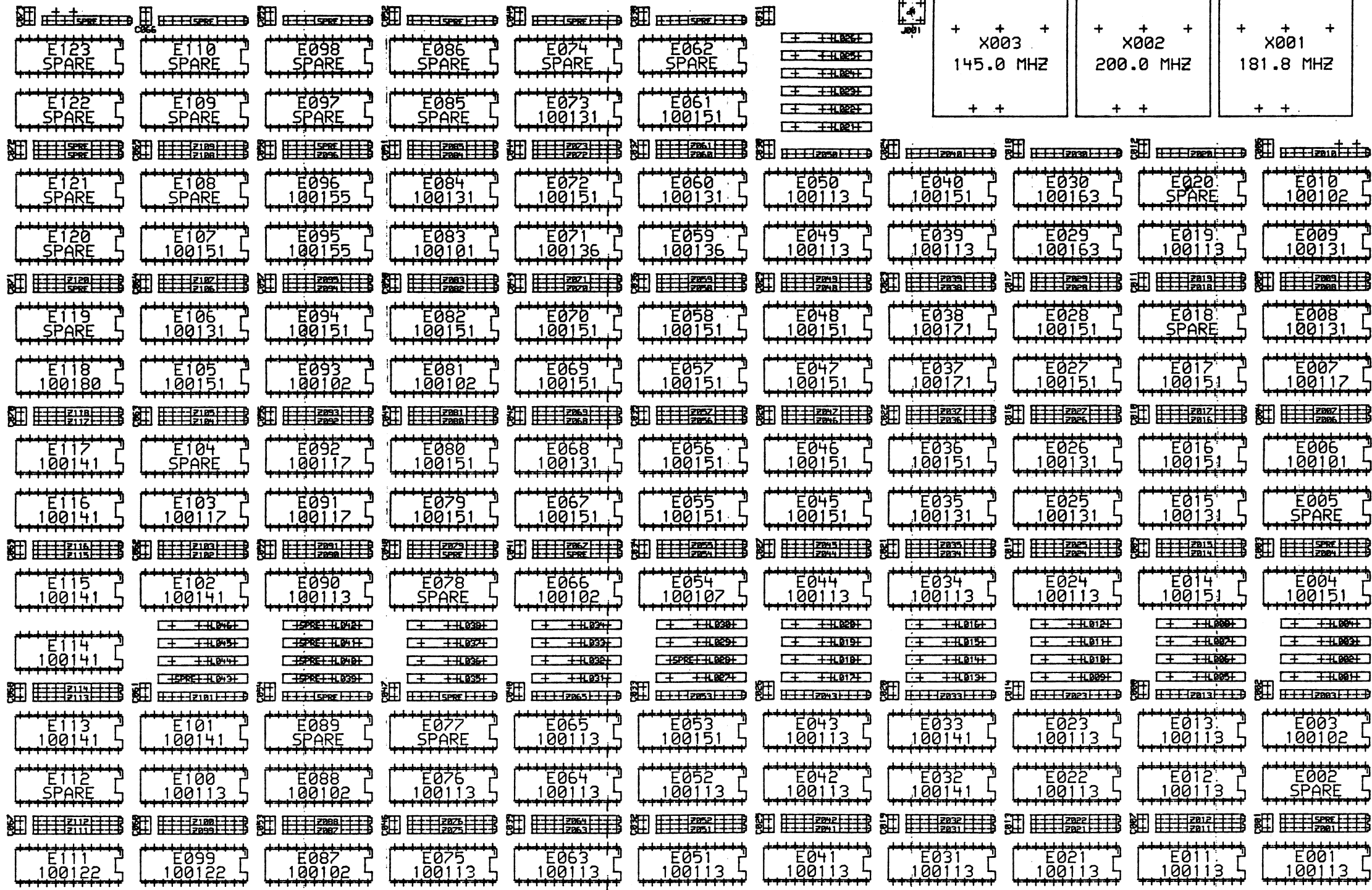
TITLE:

ARCH:KUMLER.PLOT5\LCLK.DPL.1 10-FEB-83 03:05 NEXT HIGHER ASSEMBLY:  
 FIRST USED ON OPTION/MODEL:

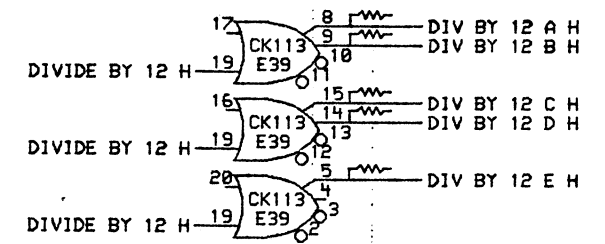
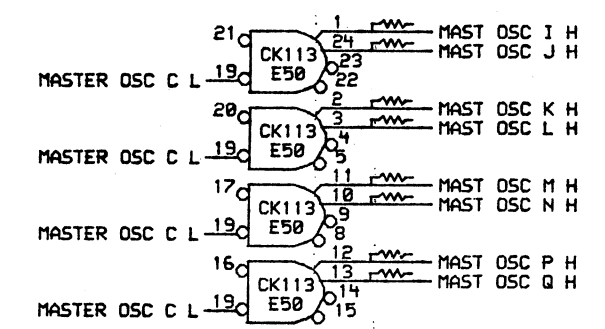
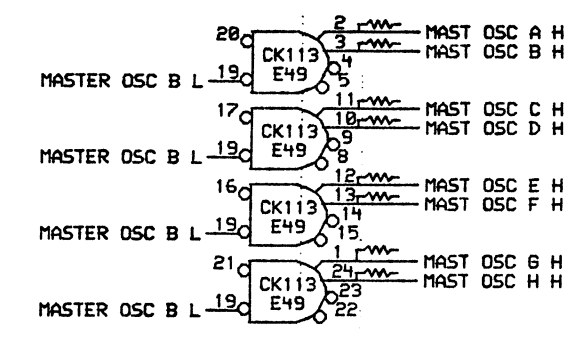
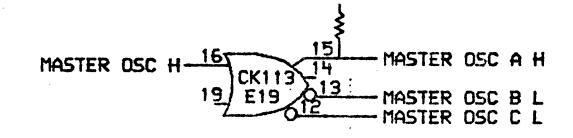
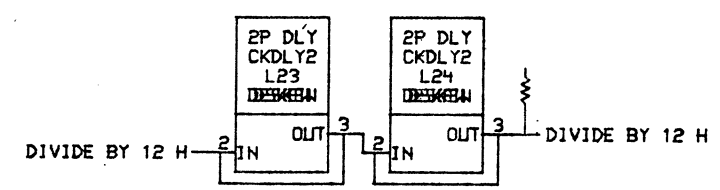
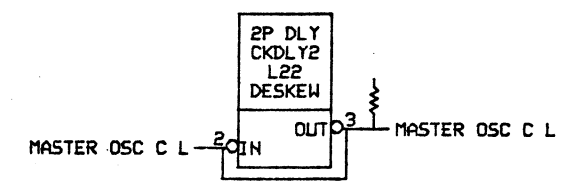
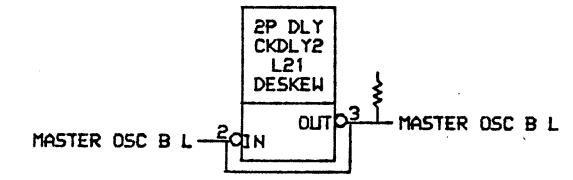
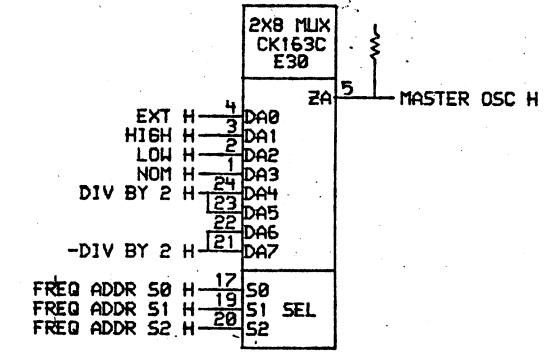
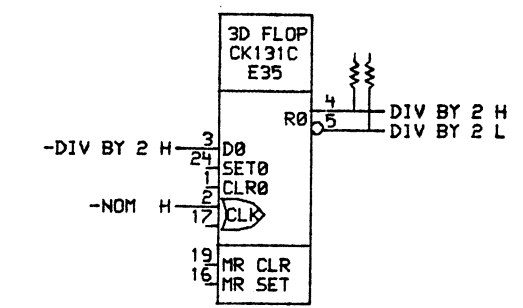
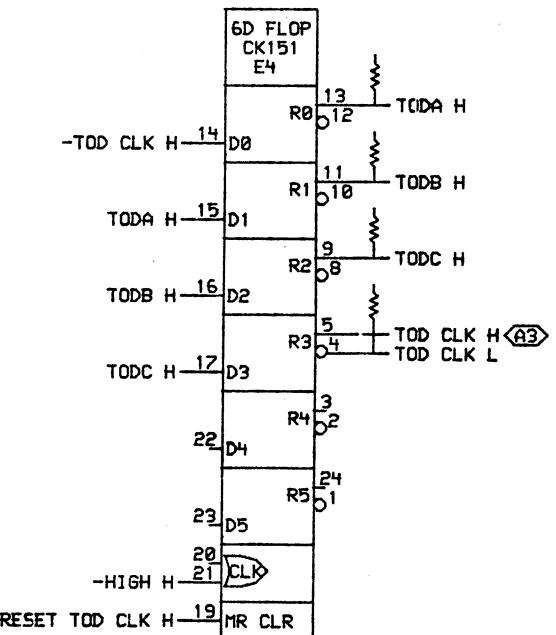
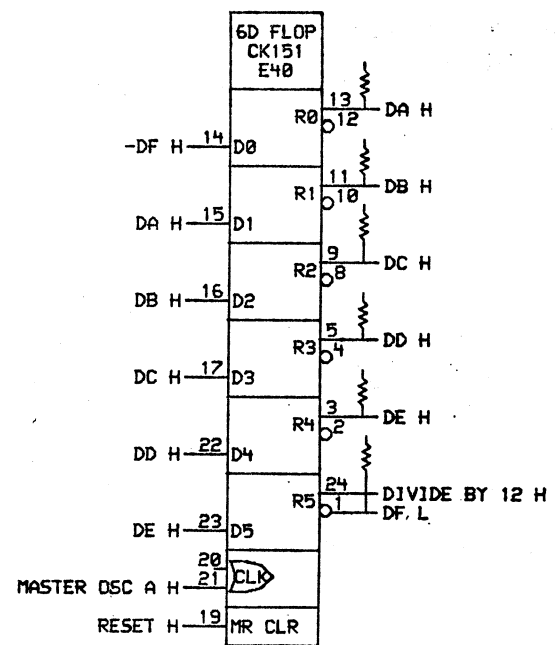
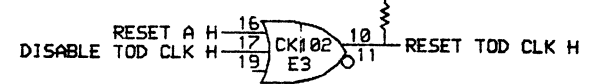
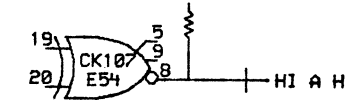
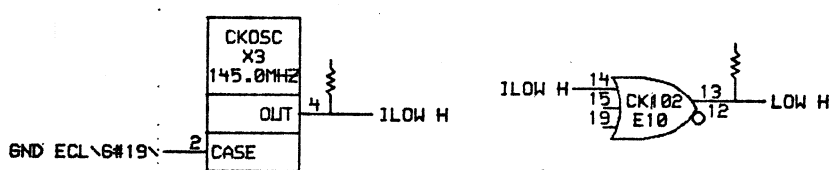
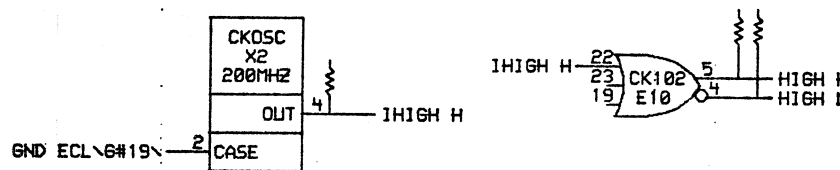
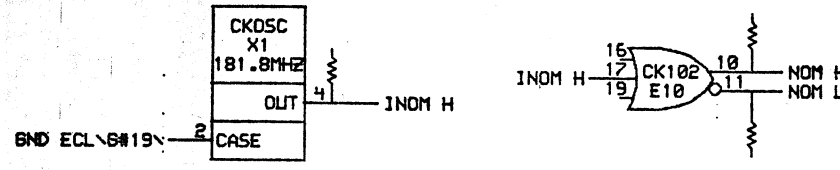
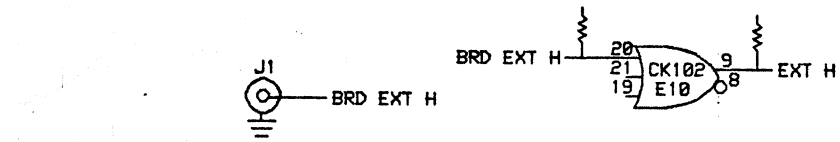
SIZE CODE D SP

NUMBER

REV.

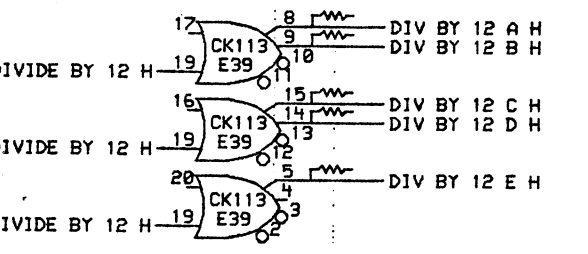
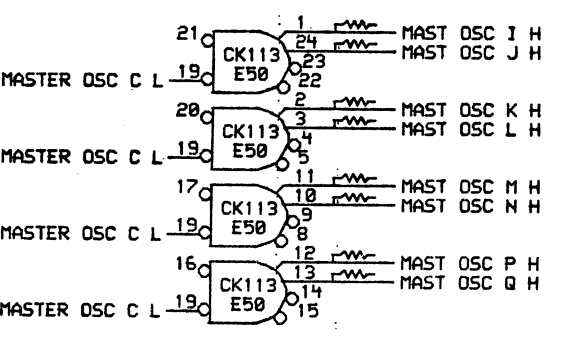
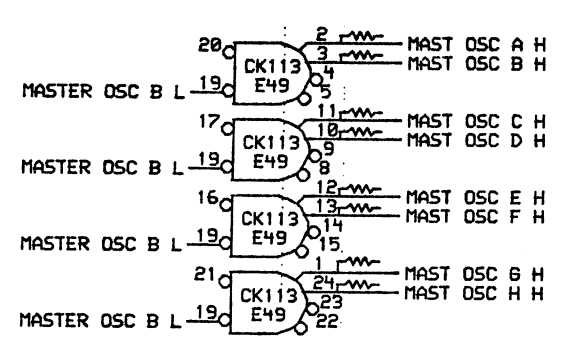
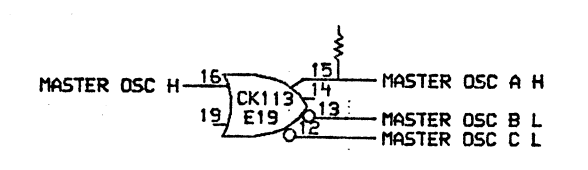
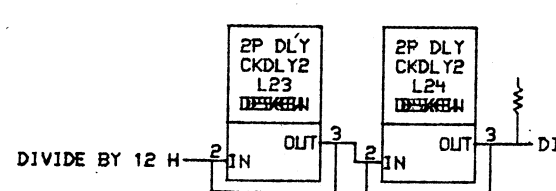
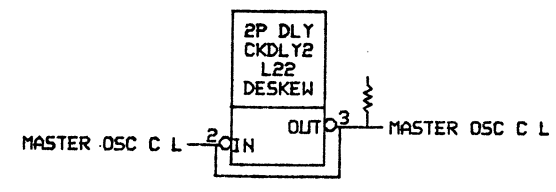
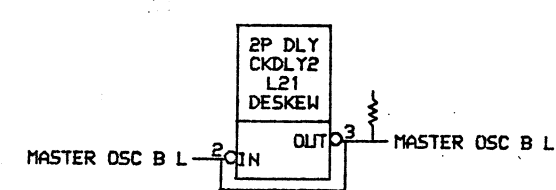
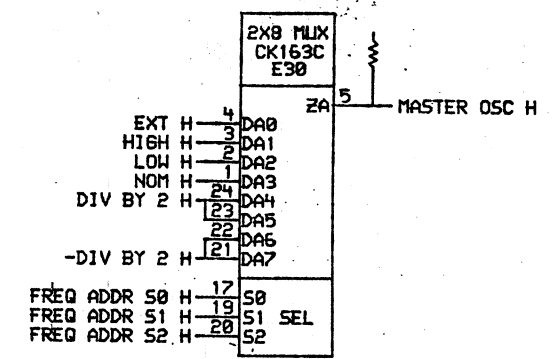
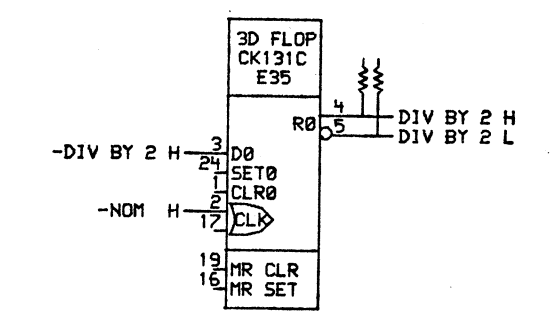
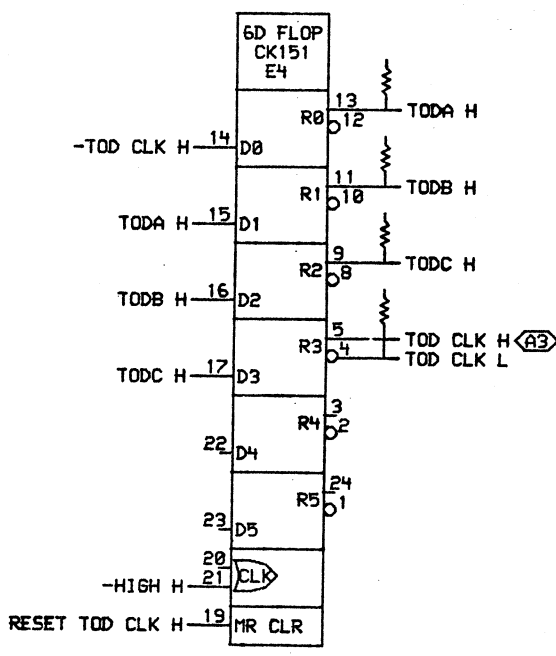
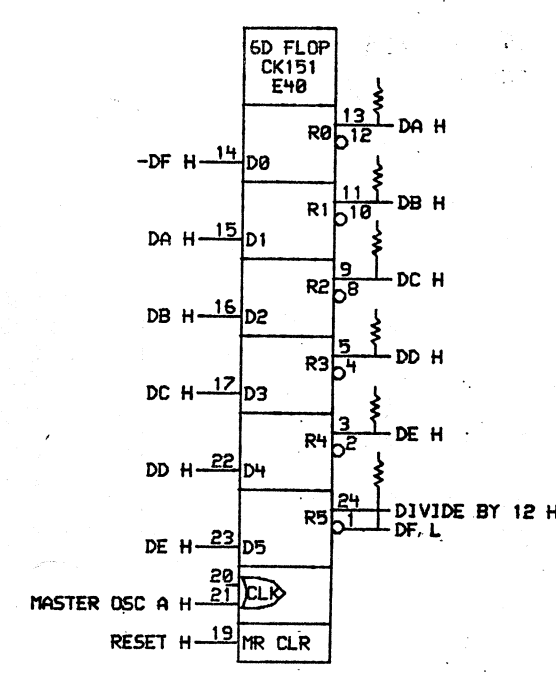
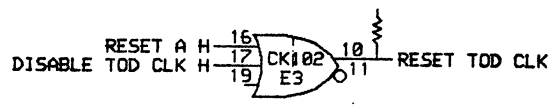
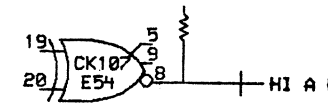
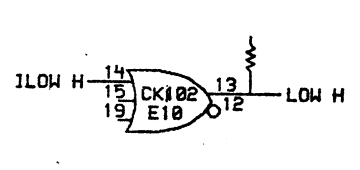
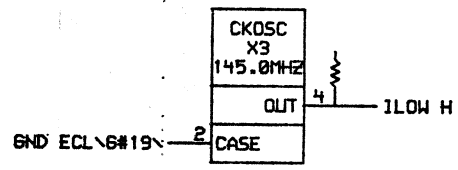
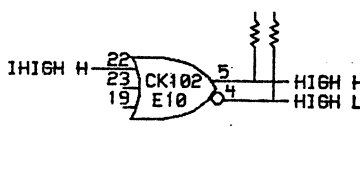
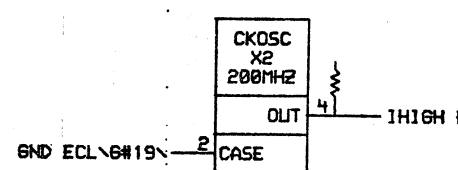
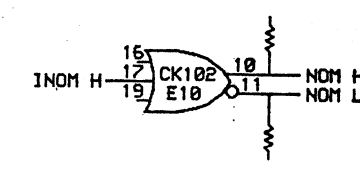
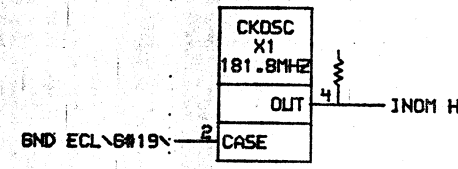
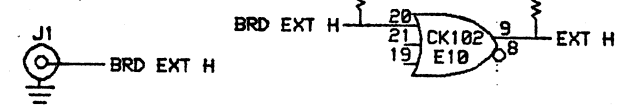


DRN.	DATE	ENG.	DATE	TITLE
CHK'D.	DATE	CHK'D.	DATE	BCLOCK UNIT ASSEMBLY
FIRST USED ON OPTION/MODEL: 2080				REV. B



DRN.	DATE	ENG.	DATE	TITLE:
CHK'D.	DATE	BOARD LOCATION:		MAST OSC AND PHASE GENERATOR
FIRST USED ON OPTION/MODEL: 2080				SIZE CODE NUMBER REV.
				D CS L0048-1-CLK1

D

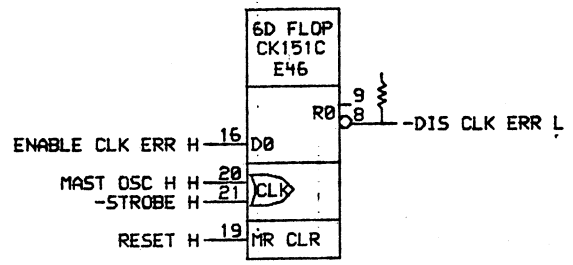
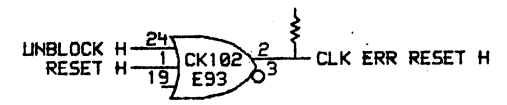
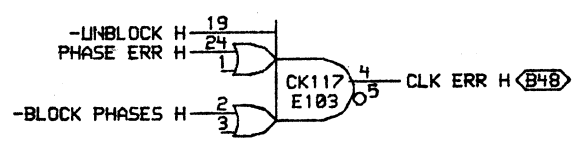
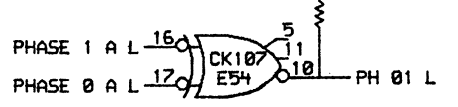
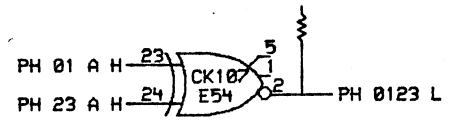
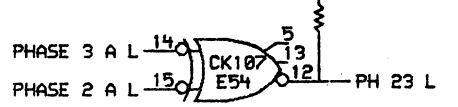
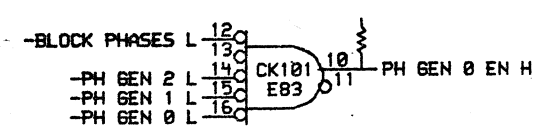
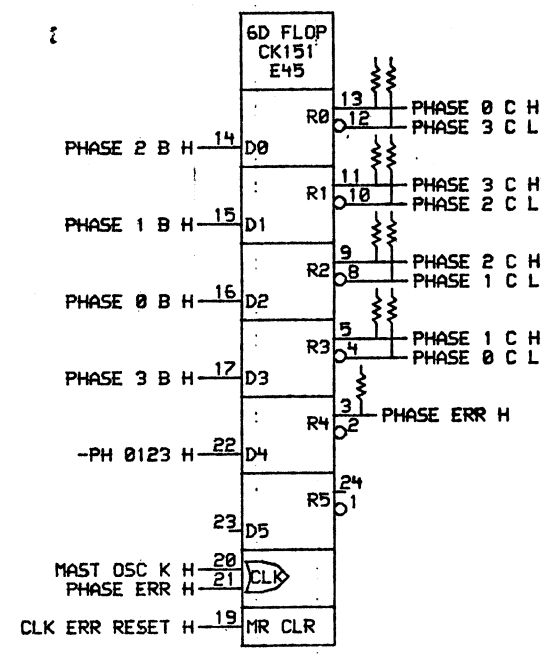
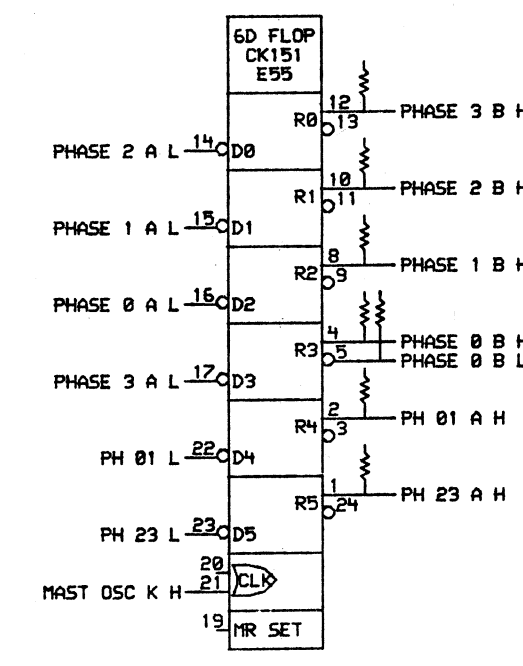
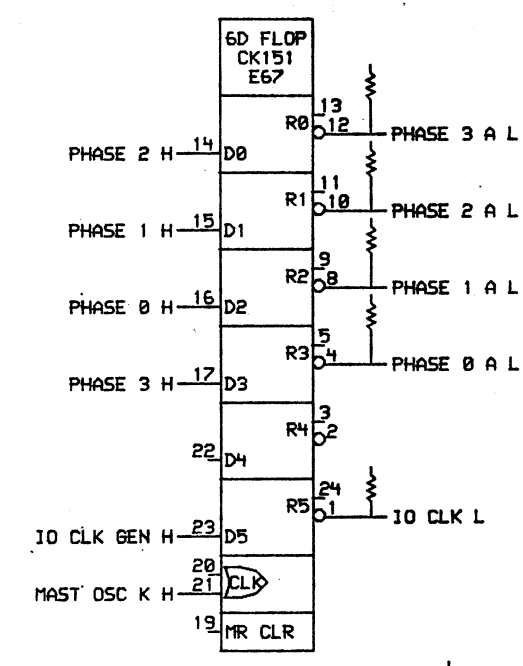
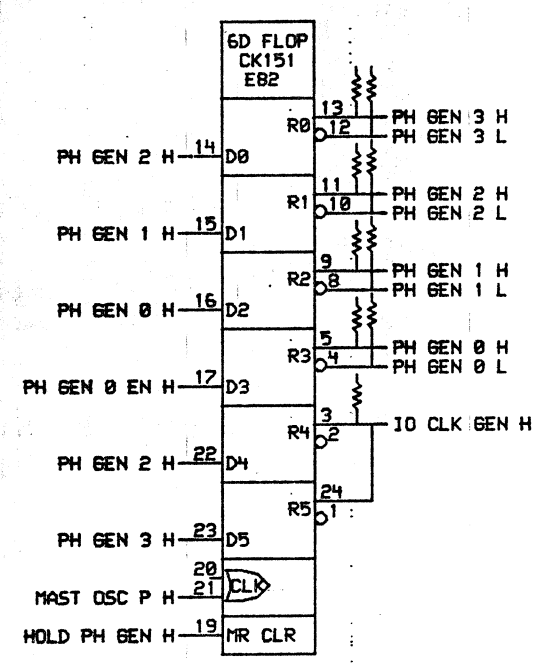
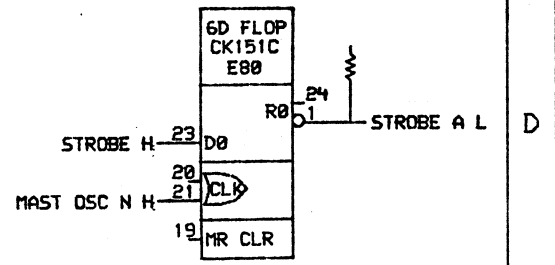
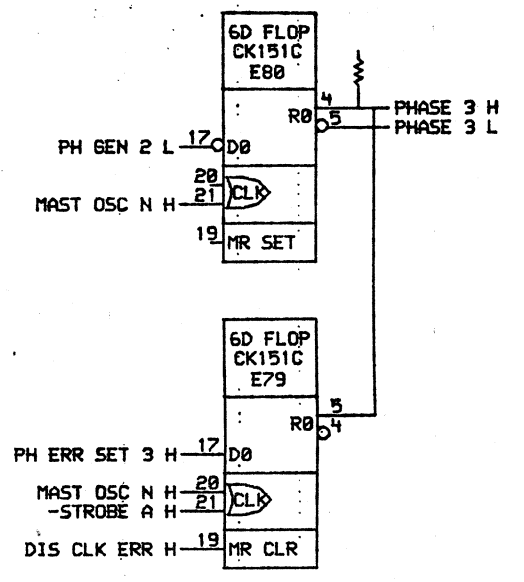
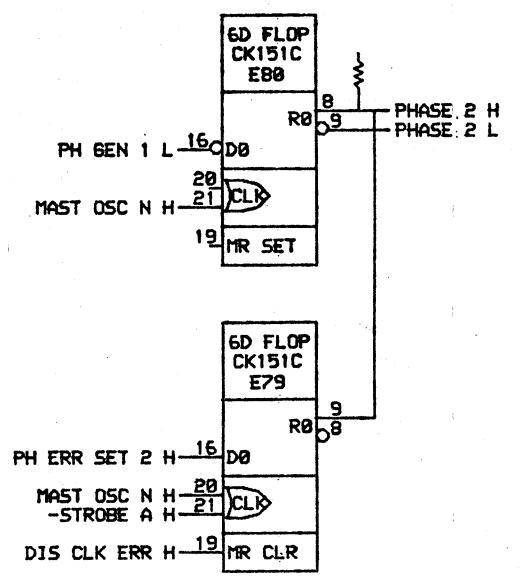
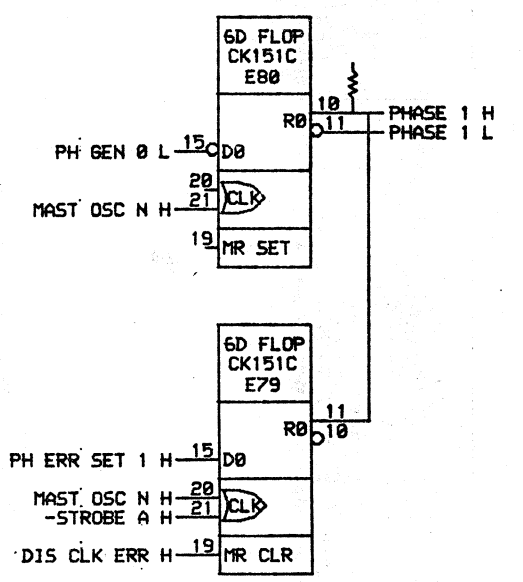
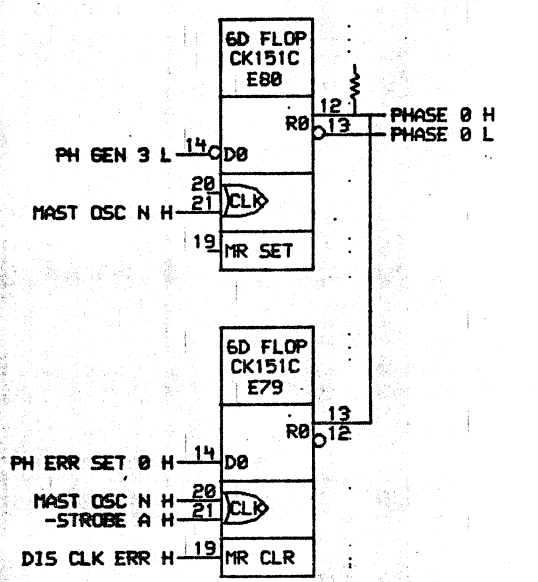


C

B

A

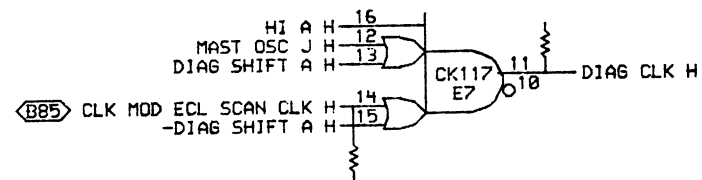
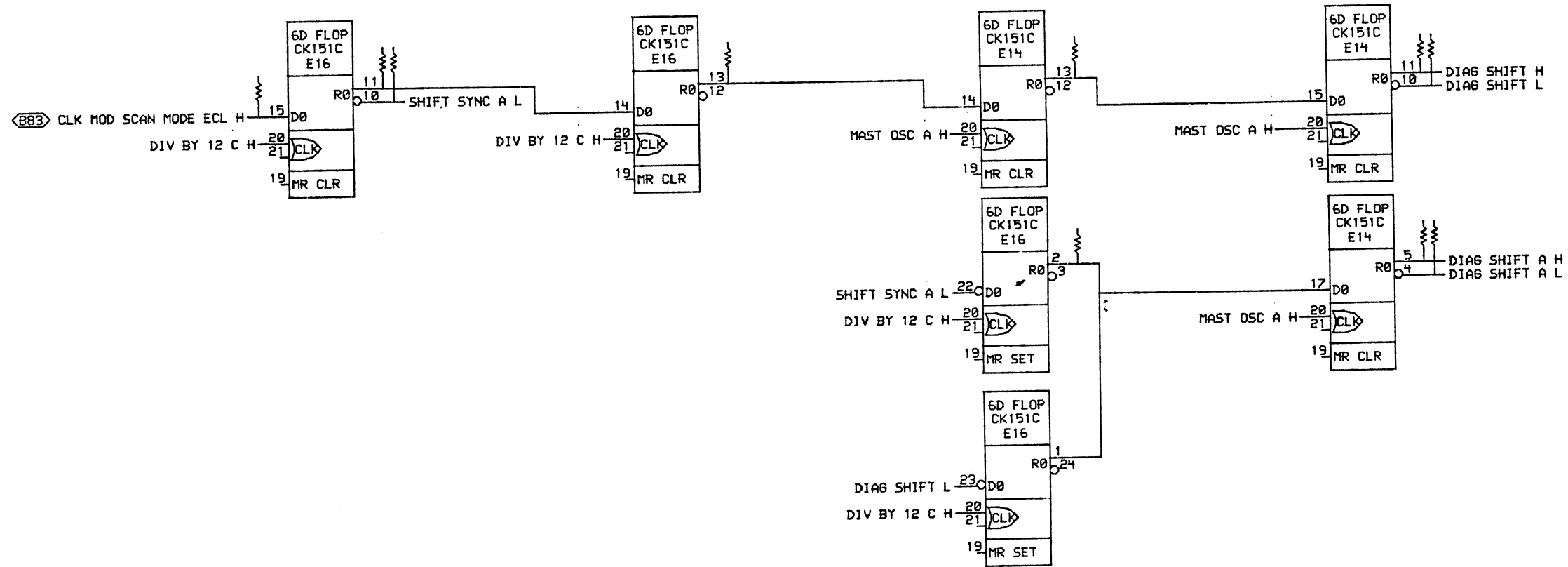
DRN.	DATE	ENG.	DATE	TITLE:
CHK'D.	22-SEP-82			MAST OSC AND PHASE GENERATOR
	DATE	BOARD LOCATION:		
		SHEET	OF	
FIRST USED ON OPTION/MODEL: 2080				SIZE CODE NUMBER REV.
				D CS L0048-1-CLK1



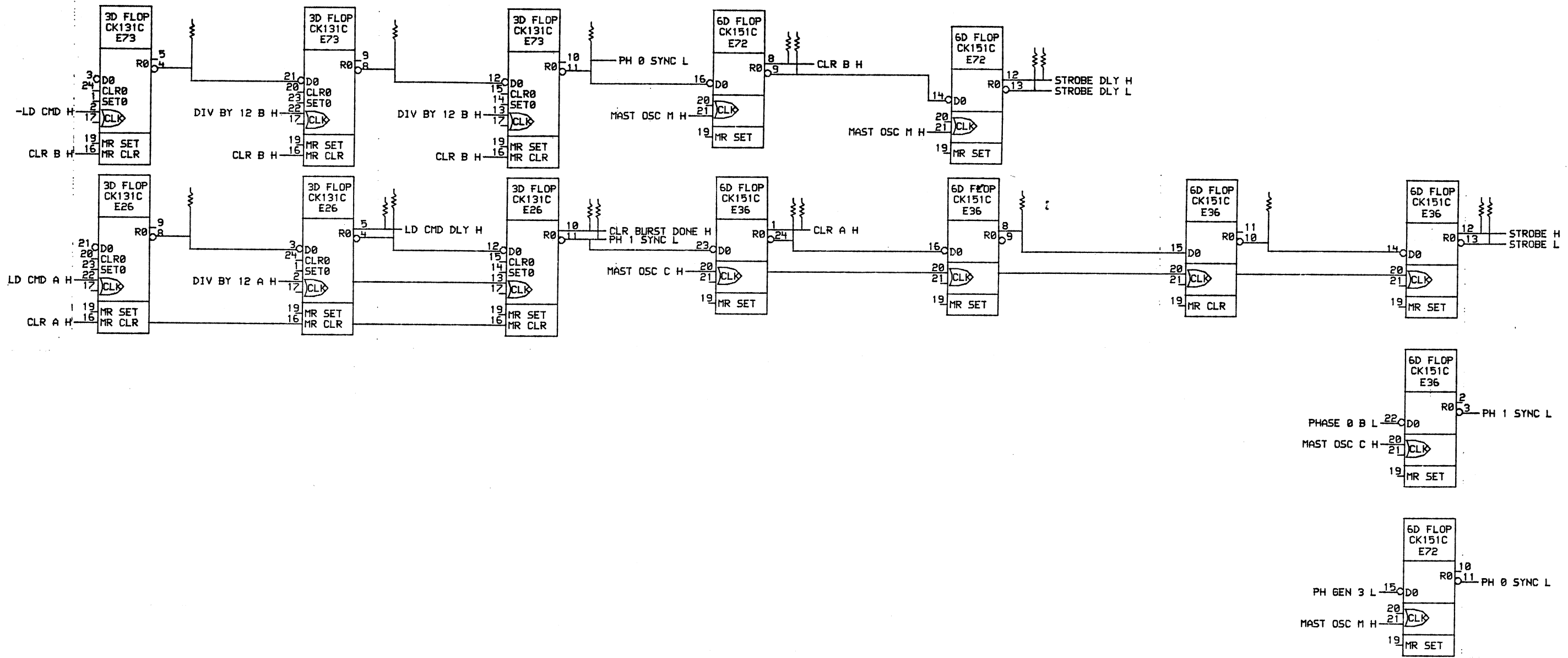
DRN.	DATE	ENG.	DATE	TITLE:
CHK'D.	DATE	BOARD LOCATION:		PHASE SOURCE
		SHEET	OF	CLK ERROR
FIRST USED ON OPTION/MODEL: 2080				SIZE
				CODE
				NUMBER
				REV.



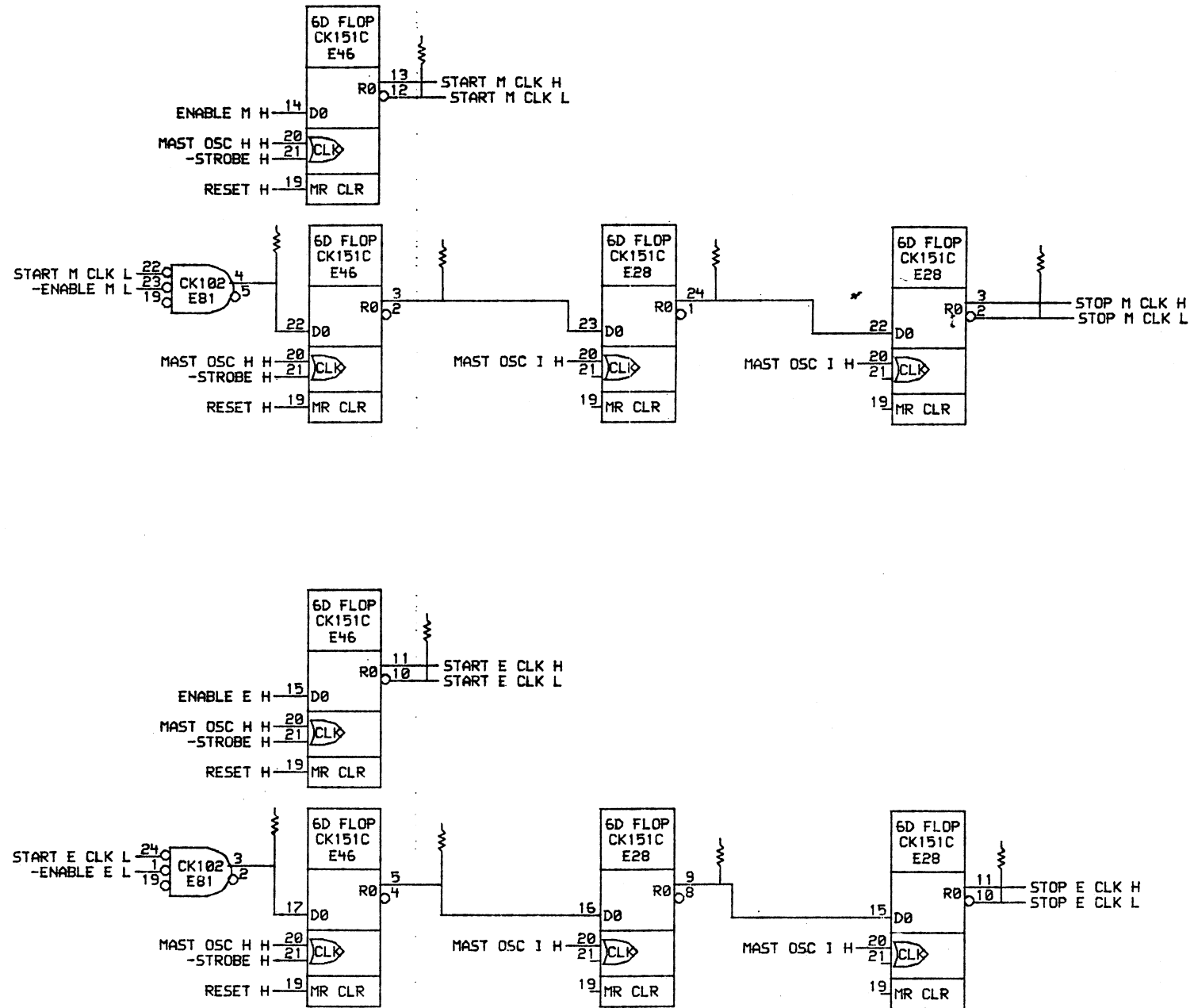




DRN.	DATE	ENG.	DATE	TITLE:	DIAG SHIFT CONTROL		
CHK'D.	DATE	BOARD LOCATION:	SHEET	OF	SIZE	CODE	NUMBER
FIRST USED ON OPTION/MODEL:				D	CS	L0048-1-CLK5	REV.



DRN.	DATE	ENG.	DATE	TITLE:	SCAN CONTROL LOGIC		
CHK'D.	DATE	BOARD LOCATION:	SHEET	OF	SIZE	CODE	NUMBER
FIRST USED ON OPTION/MODEL:				17-SEP-82 07:30	NEXT HIGHER ASSEMBLY:	D	CS L0048-1-CLK6
							REV.



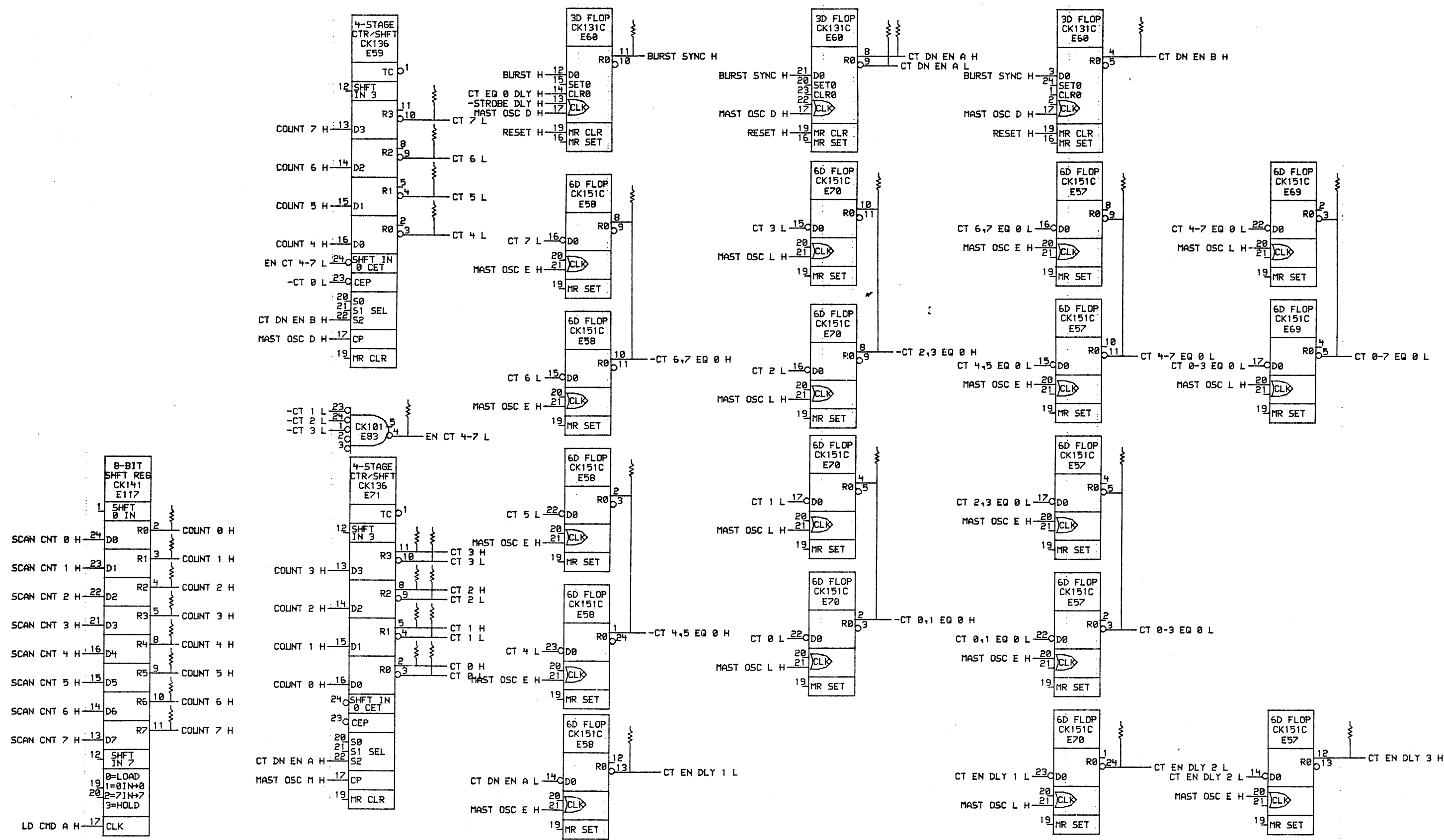
DRN.	DATE	ENG.	DATE	TITLE:
CHK'D.	DATE	BOARD LOCATION:		START/STOP
		SHEET	OF	CLOCK LOGIC
VILCANN<P888.L0048.REV0>CLK7.DRN	17-SEP-82 07:30	NEXT HIGHER ASSEMBLY:	SIZE	CODE
FIRST USED ON OPTION/MODEL:			D	CS
			NUMBER	REV.
			L0048-1-CLK7	

D

C

B

A



DRN.	DATE	ENG.	DATE	TITLE: BURST E/M CONTROL LOGIC
CHK'D.	DATE	BOARD LOCATION:	SHEET	OF
VIL CAM (2000.L0048.REV0) BCLB.DRW 17-SEP-82 07:31 NEXT HIGHER ASSEMBLY:				SIZE CODE NUMBER REV.
FIRST USED ON OPTION/MODEL:				D C5 L0048-1-CLK8

8

7

6

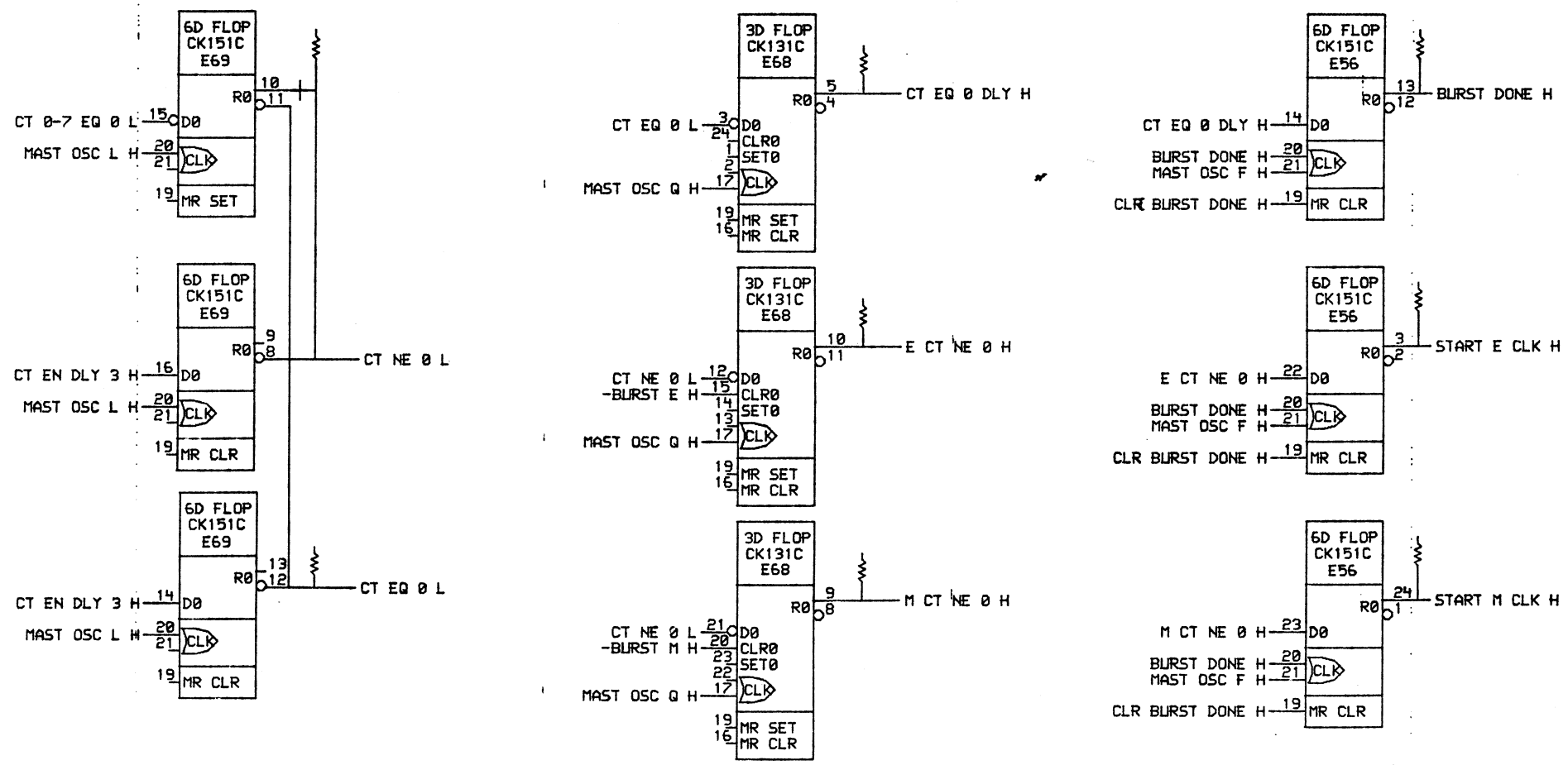
5

4

3

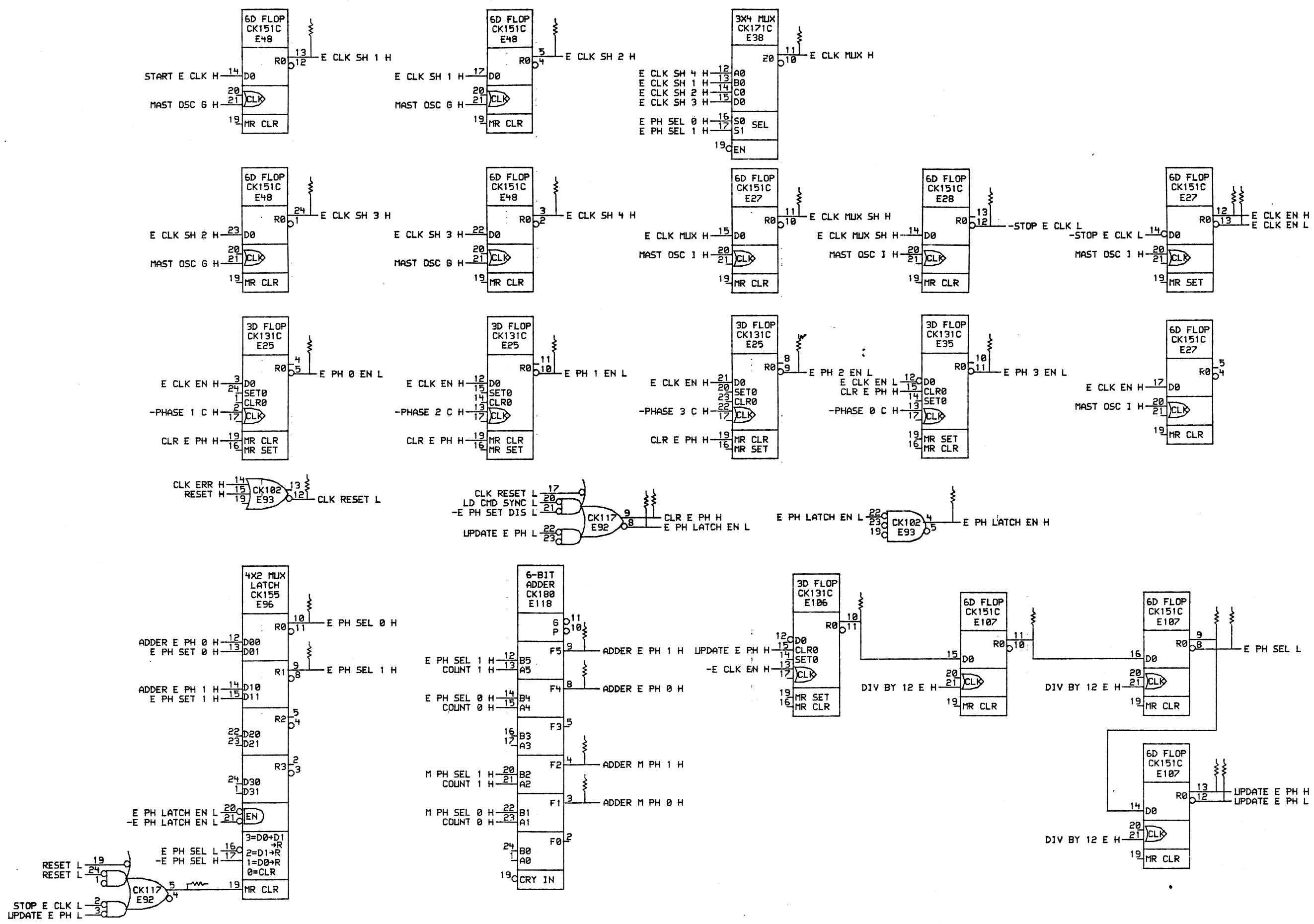
2

1



DRN.	DATE	ENG.	DATE	TITLE: BURST E/M CONTROL LOGIC
CHK'D.	DATE	BOARD LOCATION:	SHEET	OF
VILCANT (2888.L0048.REV) 30CLK9.DRW 17-SEP-82 07:34 NEXT HIGHER ASSEMBLY!				SIZE CODE NUMBER REV.
FIRST USED ON OPTION/MODEL:				D CS L0048-1-CLK9 1





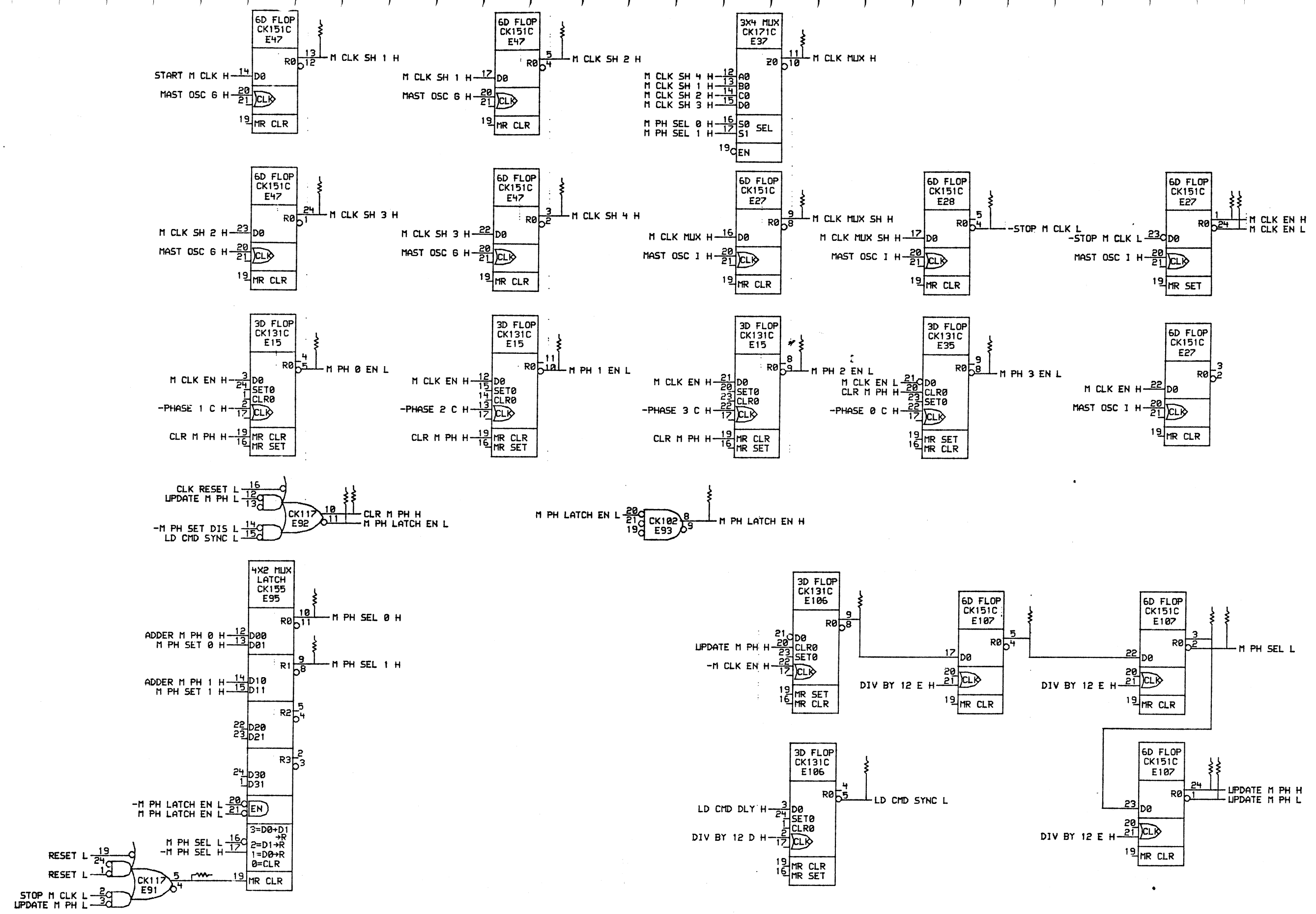
DRN.	DATE	ENG.	DATE	TITLE:
CHK'D.	22-SEP-82			PHASE ALIGNMENT LOGIC
VUL CAN (2988, L0048, REV B) 130CLKA.DRW		NEXT HIGHER ASSEMBLY:		SIZE CODE NUMBER REV.
FIRST USED ON OPTION/MODEL:		D CS L0048-1-CLKA		

D

C

B

A



DRN.	DATE: 22-SEP-82	ENG.	DATE	TITLE: PHASE ALIGNMENT LOGIC
CHK'D.	DATE	BOARD LOCATION:	SHEET	OF
FIRST USED ON OPTION/MODEL:				NEXT HIGHER ASSEMBLY:
SIZE	CODE	NUMBER	REV.	
D	CS	L0048-1-CLKB		

8

7

6

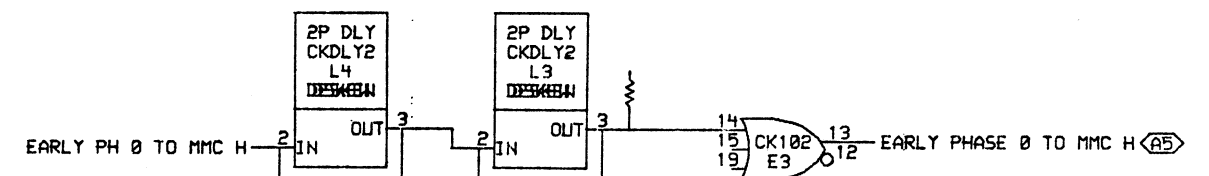
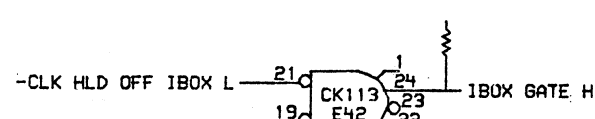
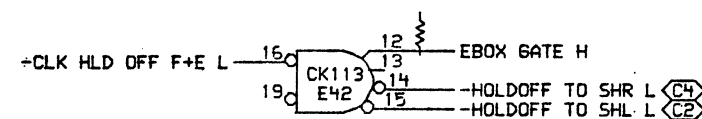
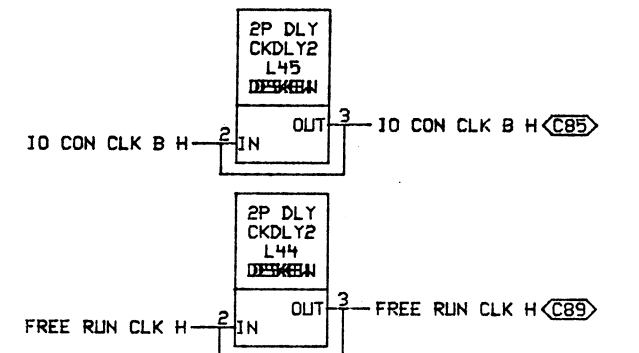
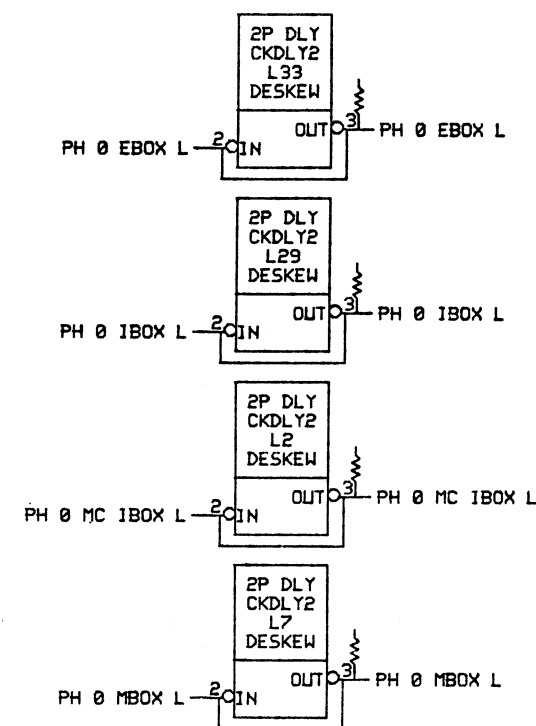
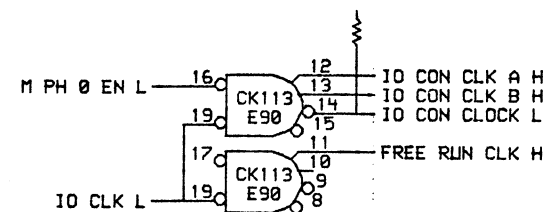
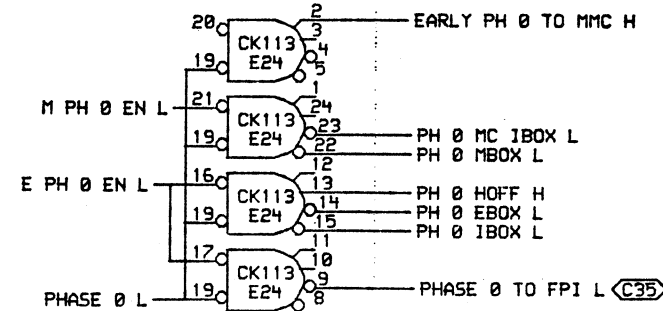
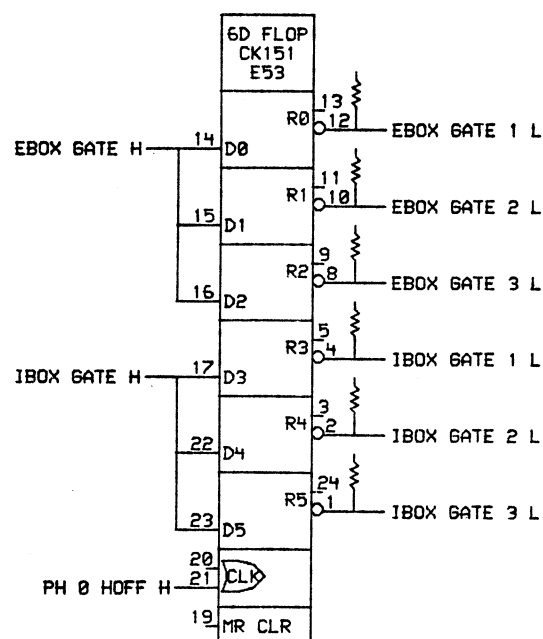
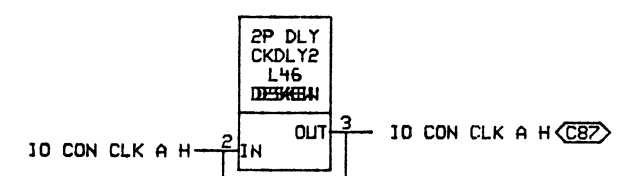
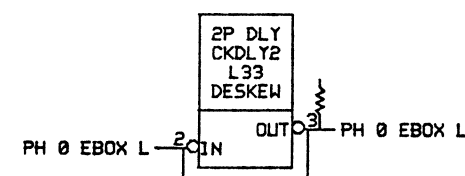
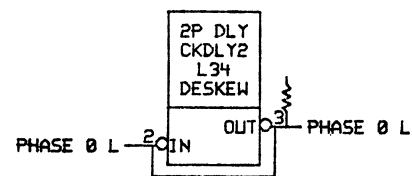
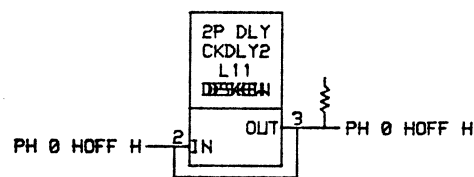
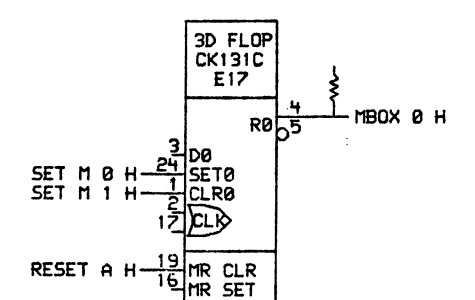
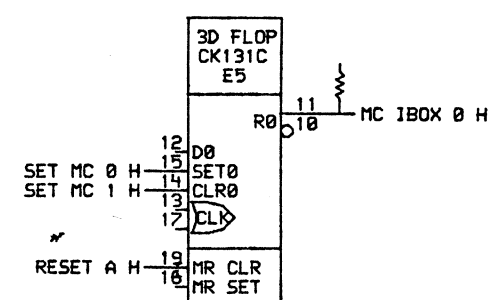
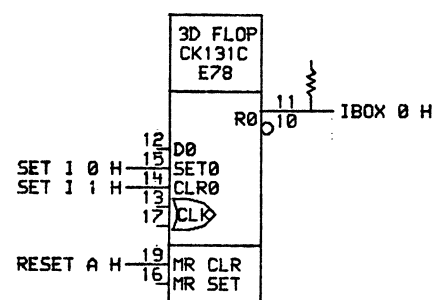
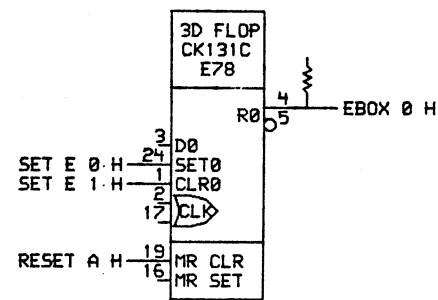
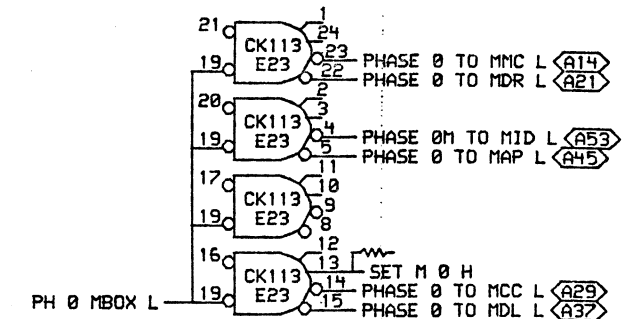
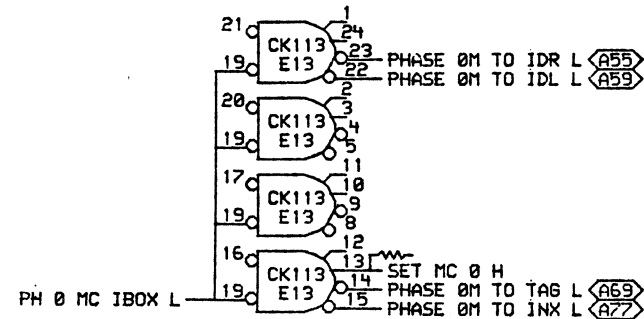
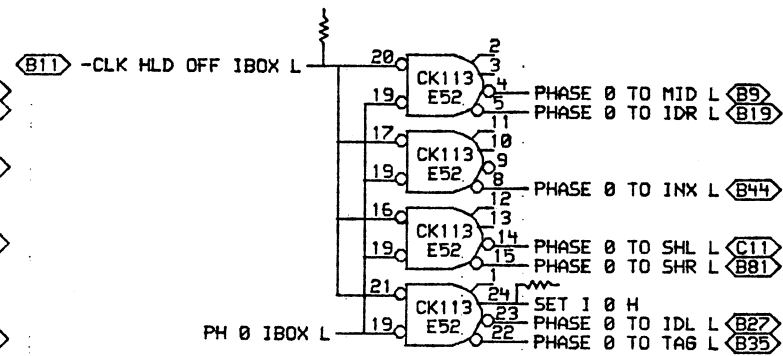
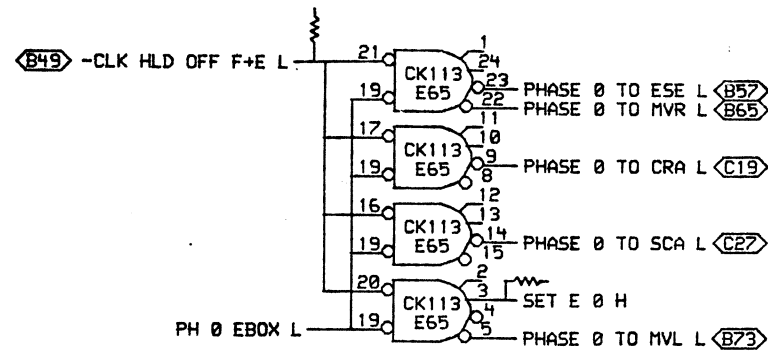
5

4

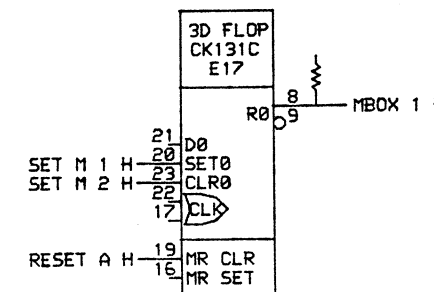
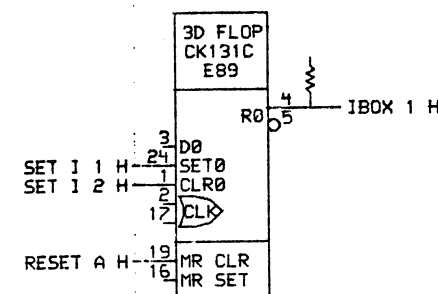
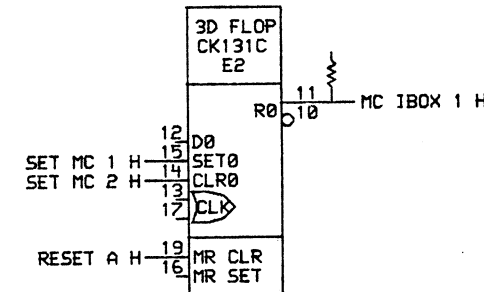
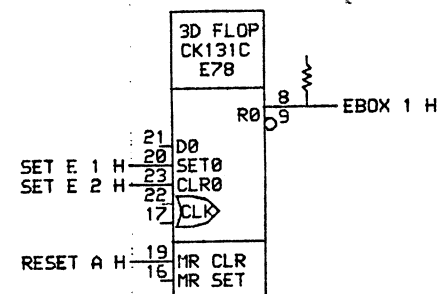
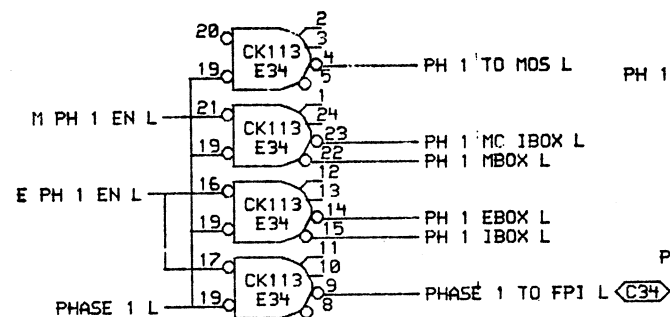
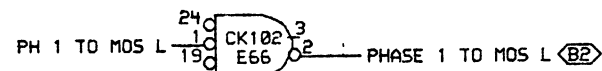
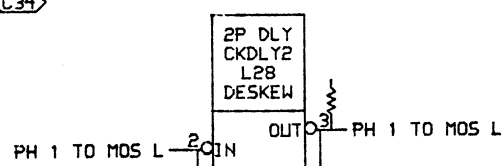
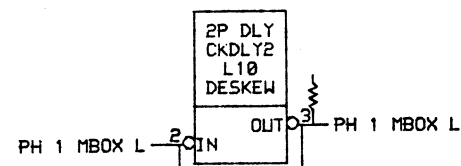
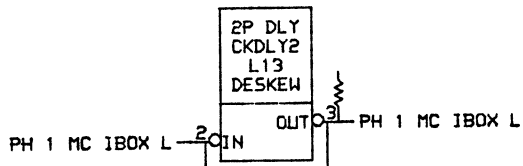
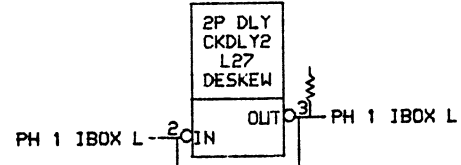
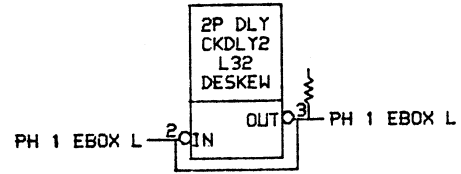
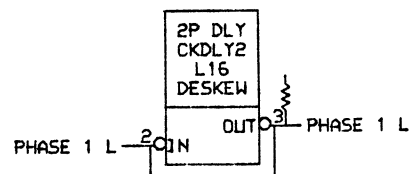
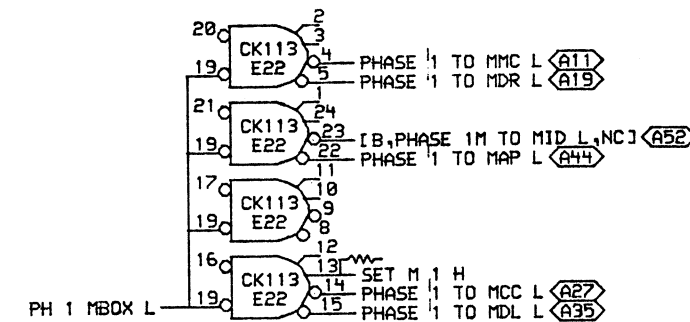
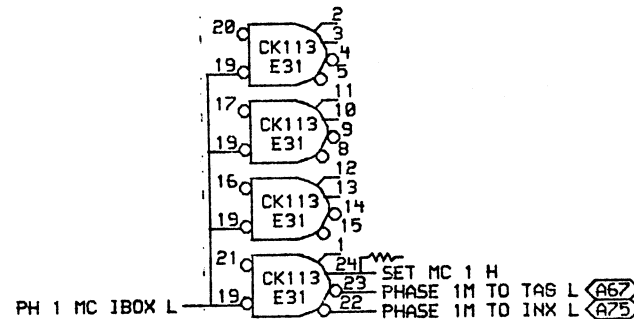
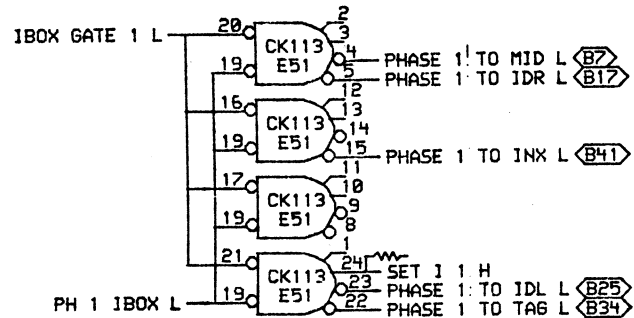
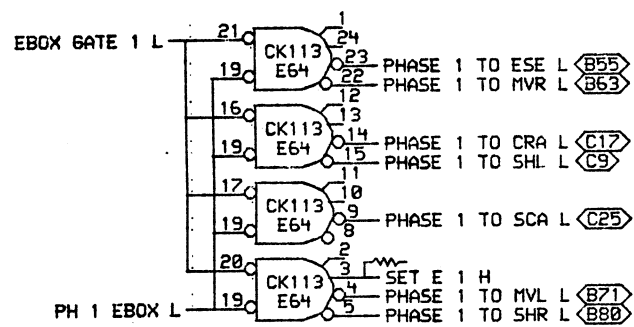
3

2

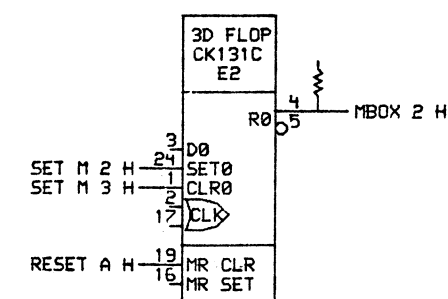
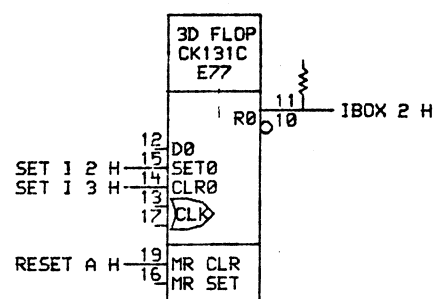
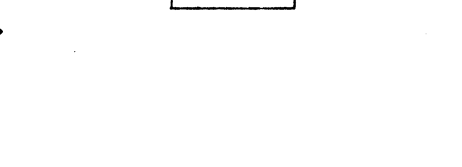
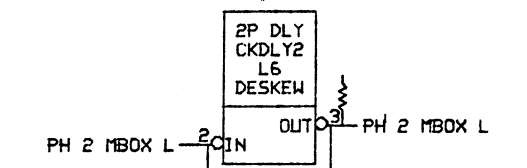
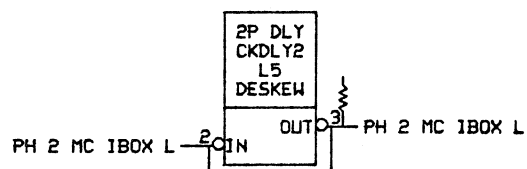
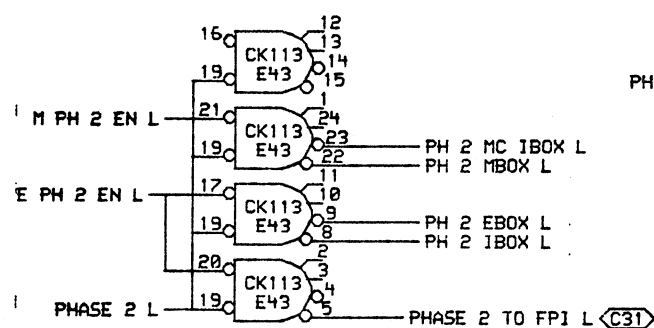
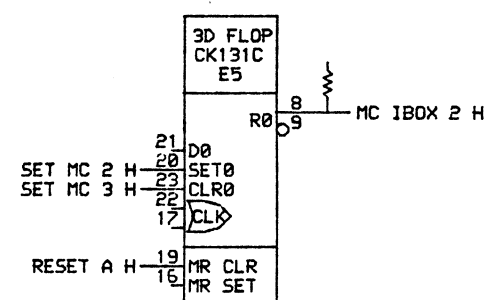
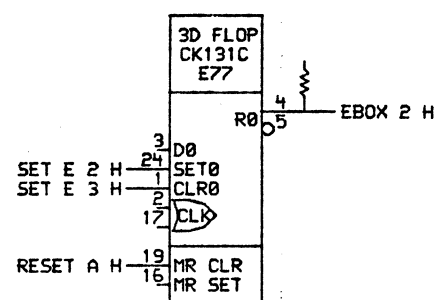
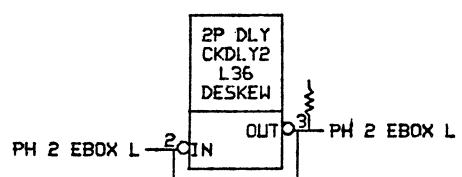
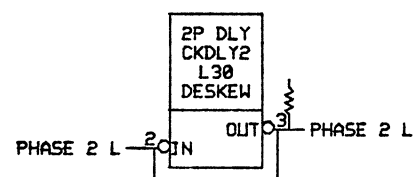
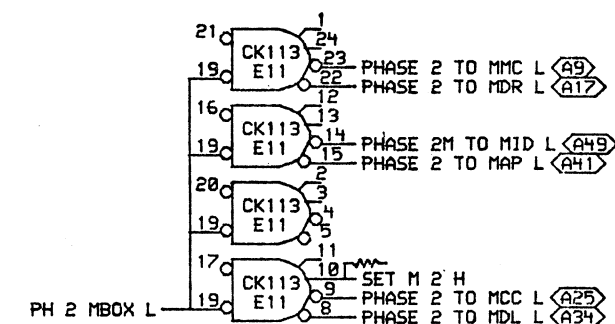
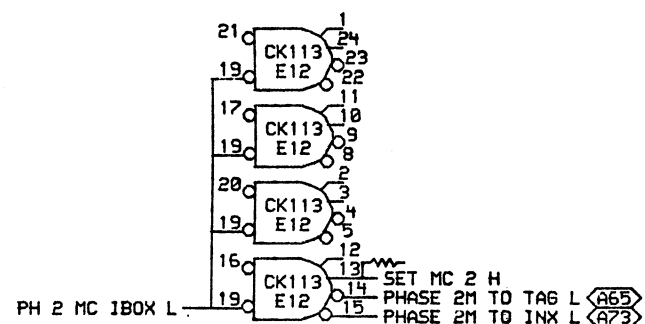
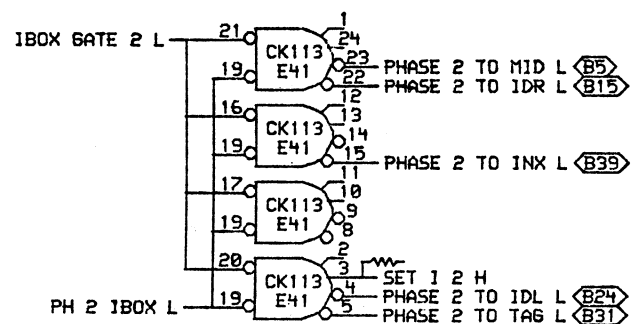
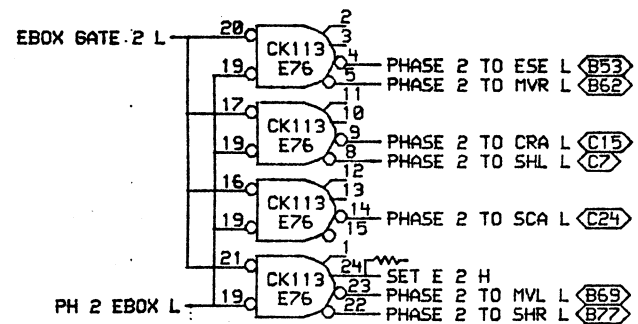
1



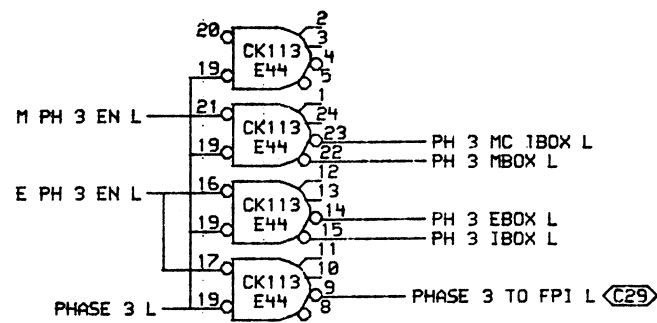
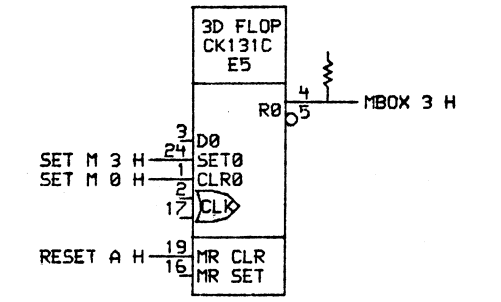
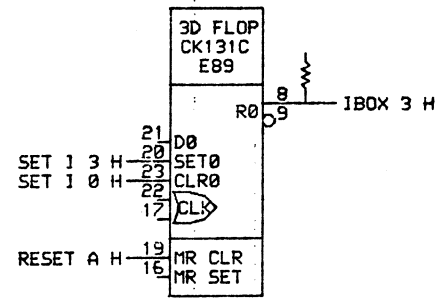
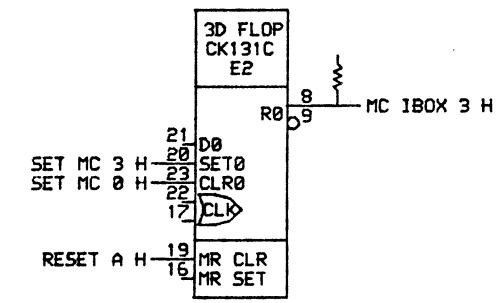
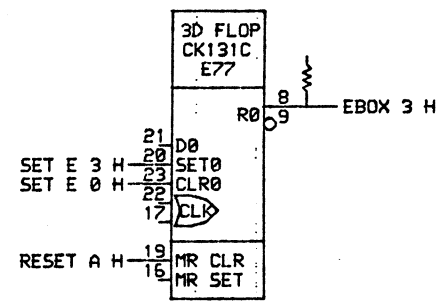
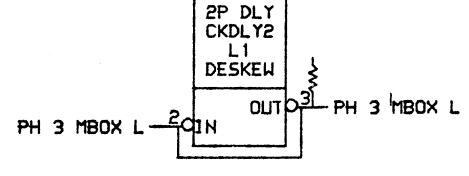
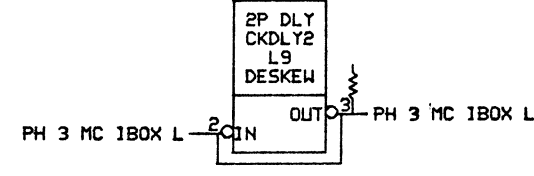
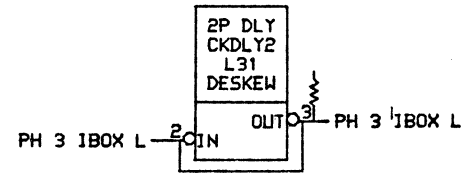
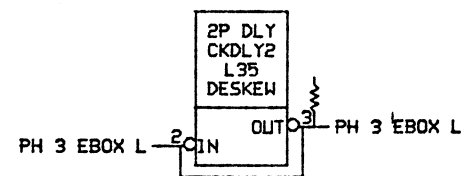
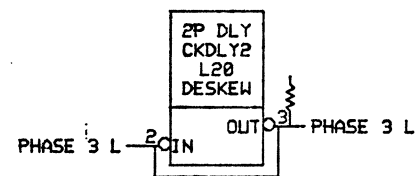
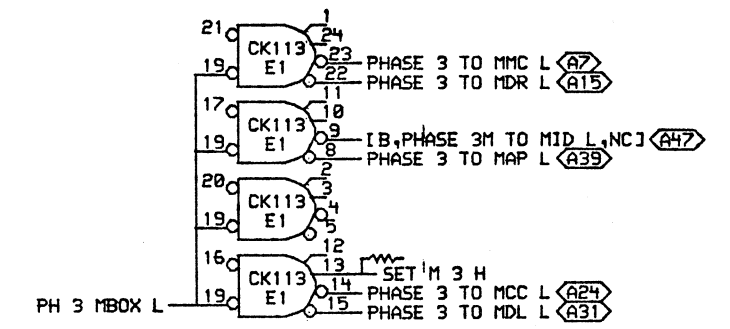
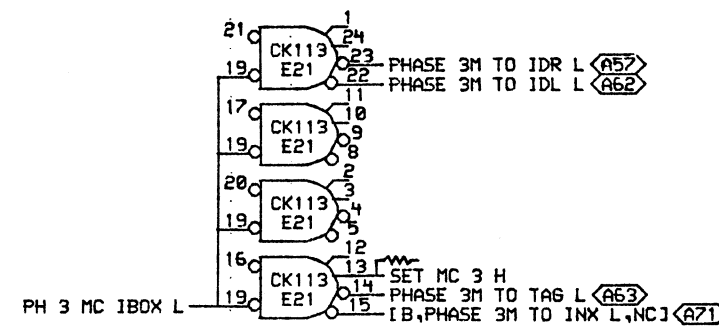
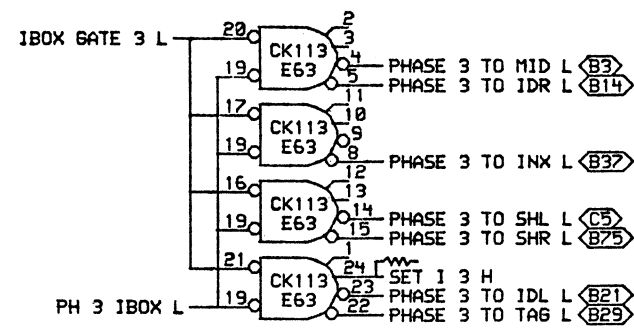
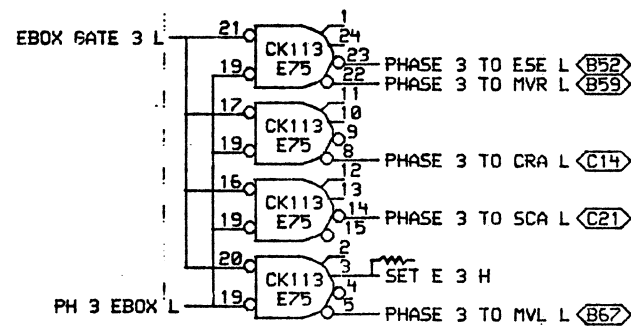
DRN.	DATE	ENG.	DATE	TITLE:
CHK'D.	DATE	BOARD LOCATION:		PHASE 0 FANOUT
		SHEET	OF	CLOCK HOLDOFF
FIRST USED ON OPTION/MODEL:				SIZE
				CODE
				NUMBER
				REV.



DRN.	DATE	ENG.	DATE	TITLE:	PHASE 1 FANOUT		
CHK'D.	DATE	BOARD LOCATION:	SHEET	OF	SIZE	CODE	NUMBER
VILL CANN (2000) L0048 REV D 1 SECLKD.DRW	21-SEP-82 17:49	NEXT HIGHER ASSEMBLY:			D	CS	L0048-1-CLKD
FIRST USED ON OPTION/MODEL:							REV.



DRN.	DATE	ENG.	DATE	TITLE:
CHK'D.	22-SEP-82			PHASE 2 FANOUT
FIRST USED ON OPTION/MODEL:		NEXT HIGHER ASSEMBLY:		SIZE CODE
VLL CANN (2008.L0048.REV0)130CLKE.DRW [21-SEP-82 19:32				D  CS
				NUMBER
				L0048-1-CLKE
				REV.



DRN.	DATE	ENG.	DATE	TITLE:	PHASE 3 FANOU
CHK'D.	22-SEP-82			BOARD LOCATION:	
VILCANN (2008) LAMP REV 138 CLK JAW 21-SEP-82 18:47 NEXT HIGHER ASSEMBLY?				SHEET	OF
FIRST USED ON OPTION/MODEL:				SIZE	CODE
				D	CS
				NUMBER	REV.
				L0048-1-CLKF	






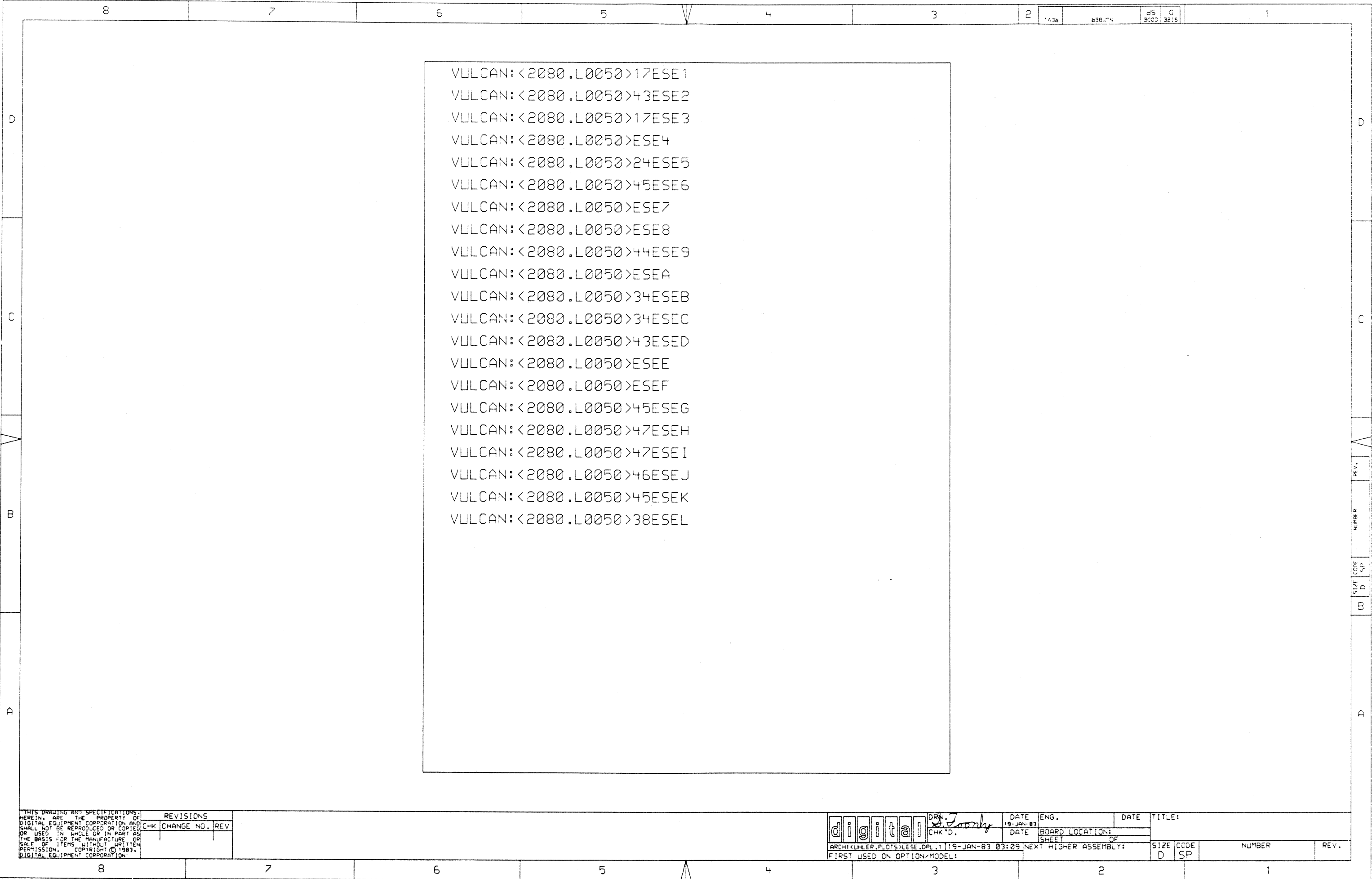


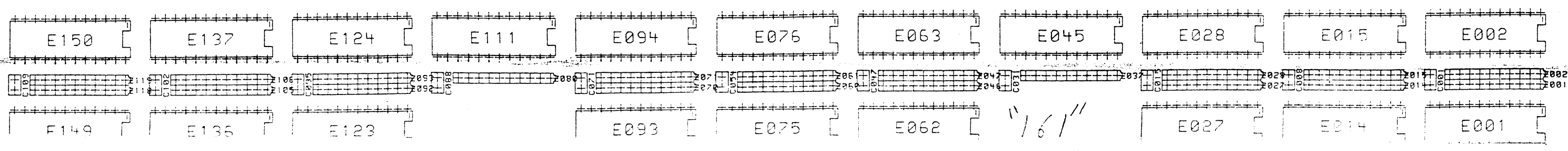
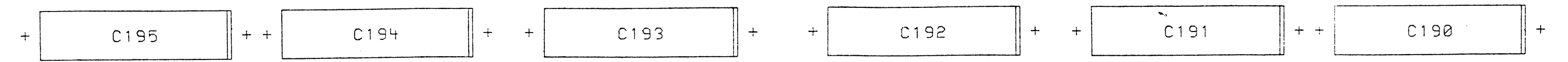
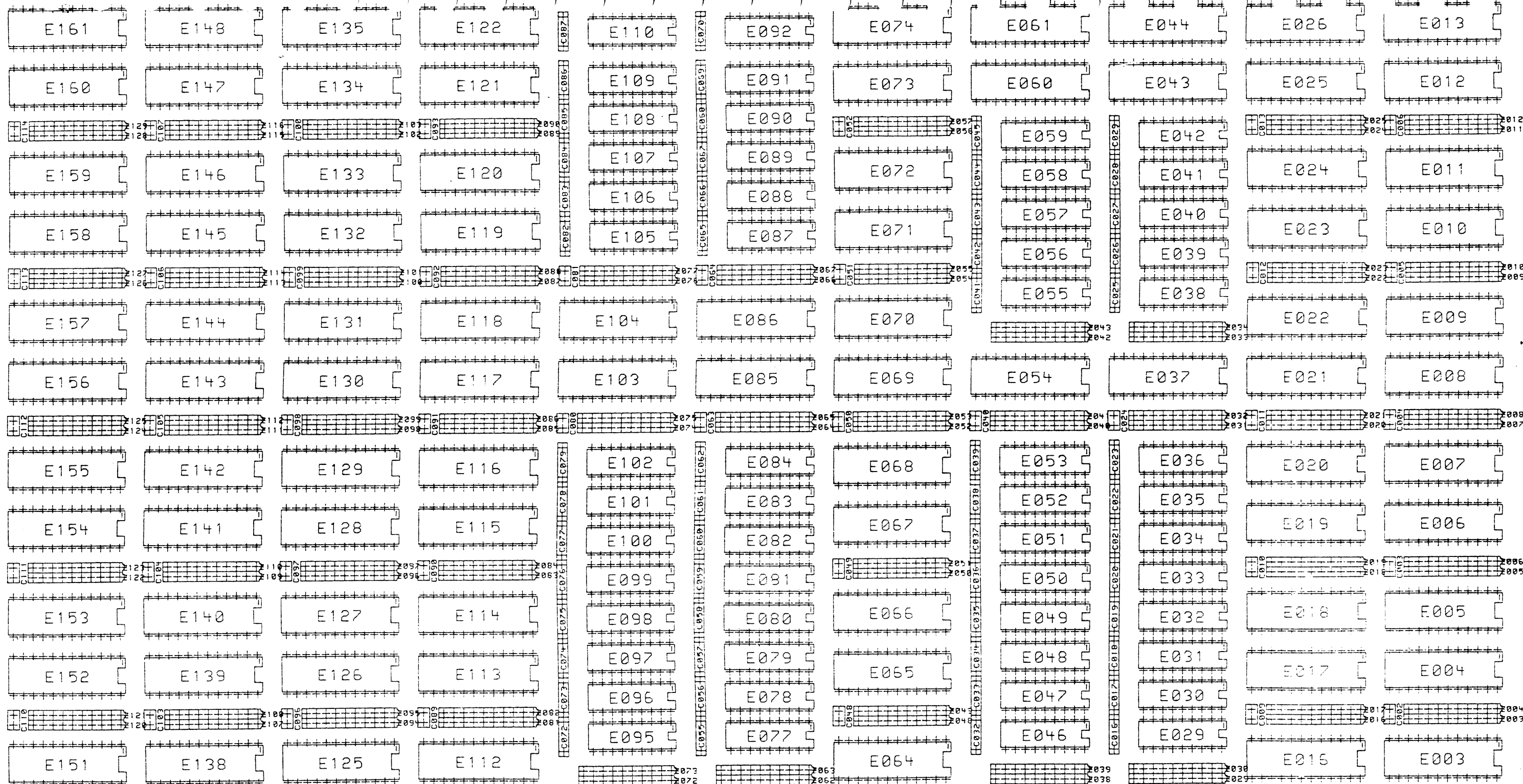
VULCAN: <2080.L0050>17ESE1  
 VULCAN: <2080.L0050>43ESE2  
 VULCAN: <2080.L0050>17ESE3  
 VULCAN: <2080.L0050>ESE4  
 VULCAN: <2080.L0050>24ESE5  
 VULCAN: <2080.L0050>45ESE6  
 VULCAN: <2080.L0050>ESE7  
 VULCAN: <2080.L0050>ESE8  
 VULCAN: <2080.L0050>44ESE9  
 VULCAN: <2080.L0050>ESEA  
 VULCAN: <2080.L0050>34ESEB  
 VULCAN: <2080.L0050>34ESEC  
 VULCAN: <2080.L0050>43ESED  
 VULCAN: <2080.L0050>ESEE  
 VULCAN: <2080.L0050>ESEF  
 VULCAN: <2080.L0050>45ESEG  
 VULCAN: <2080.L0050>47ESEH  
 VULCAN: <2080.L0050>47ESEI  
 VULCAN: <2080.L0050>46ESEJ  
 VULCAN: <2080.L0050>45ESEK  
 VULCAN: <2080.L0050>38ESEL

THIS DRAWING AND SPECIFICATIONS  
 HEREIN ARE THE PROPERTY OF  
 DIGITAL EQUIPMENT CORPORATION AND  
 SHALL NOT BE REPRODUCED OR COPIED  
 OR USED IN WHOLE OR IN PART AS  
 THE BASIS FOR THE MANUFACTURE OR  
 SALE OF ITEMS WITHOUT WRITTEN  
 PERMISSION. COPYRIGHT © 1987.  
 DIGITAL EQUIPMENT CORPORATION

REVISIONS		
CHK	CHANGE NO.	REV

	DRN: <i>J. Jorjky</i> CHK'D.	DATE: 19-JAN-83 DATE:	ENG. BOARD LOCATION:	DATE:	TITLE:
	ARCH: KUMLER.PLOTS\LESE.DPL.119-JAN-83 03:09 FIRST USED ON OPTION/MODEL:	SHEET:	OF:	NEXT HIGHER ASSEMBLY:	SIZE: D CODE: SP

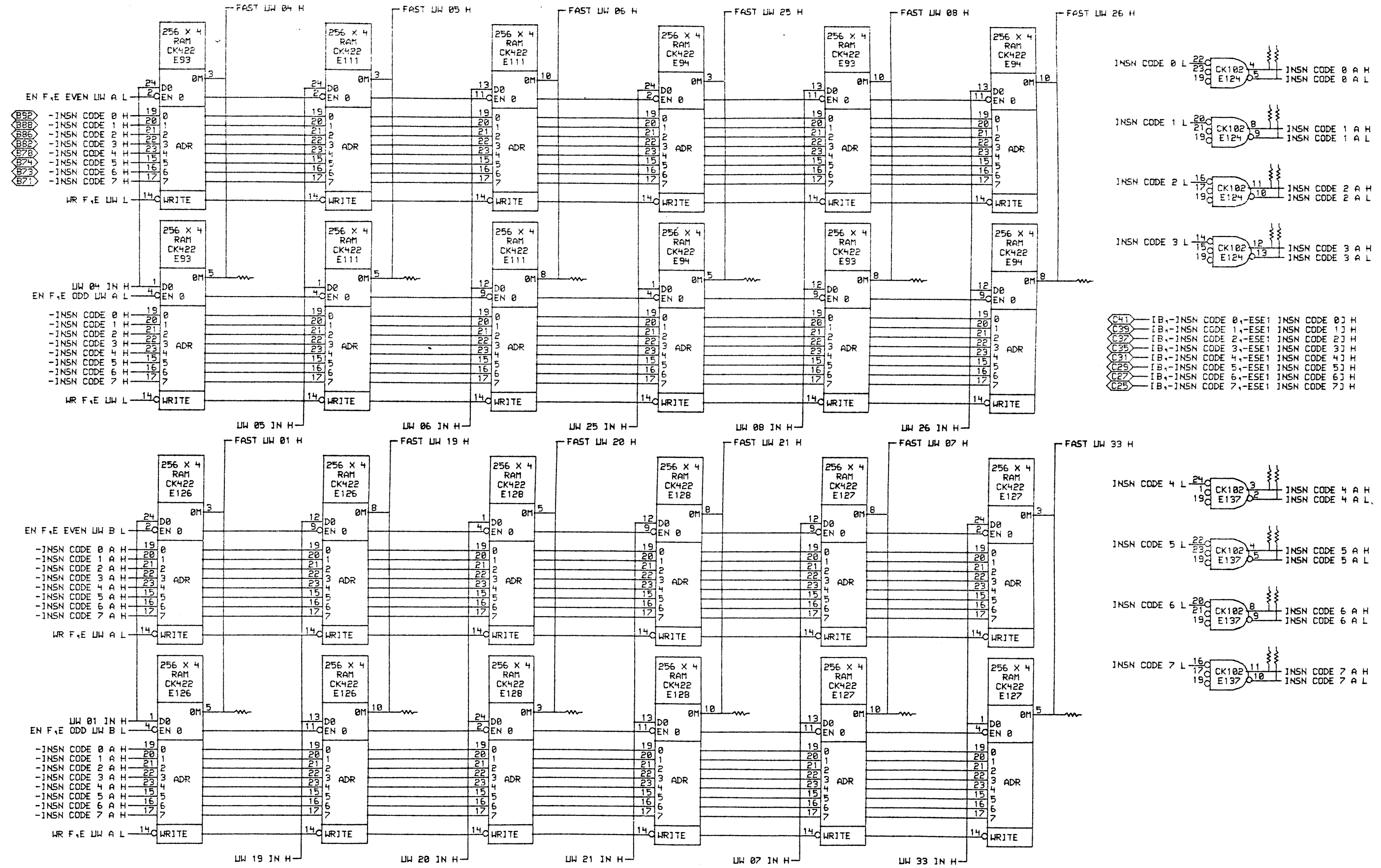










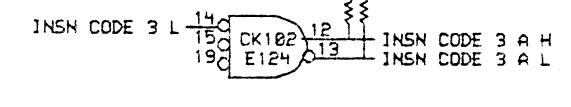
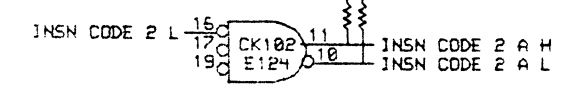
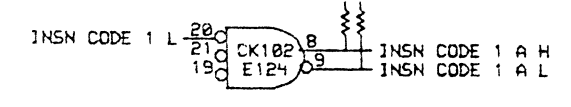
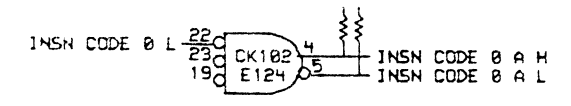


- (B92) - INSN CODE 0 H
- (B88) - INSN CODE 1 H
- (B86) - INSN CODE 2 H
- (B82) - INSN CODE 3 H
- (B78) - INSN CODE 4 H
- (B74) - INSN CODE 5 H
- (B73) - INSN CODE 6 H
- (B71) - INSN CODE 7 H

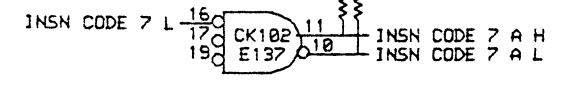
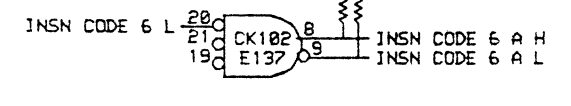
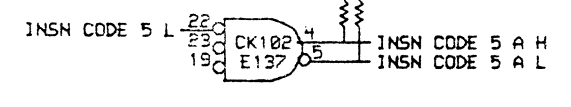
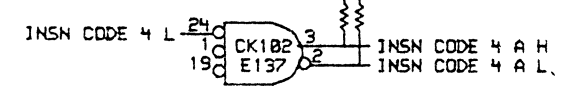
- INSN CODE 0 H
- INSN CODE 1 H
- INSN CODE 2 H
- INSN CODE 3 H
- INSN CODE 4 H
- INSN CODE 5 H
- INSN CODE 6 H
- INSN CODE 7 H

- INSN CODE 0 A H
- INSN CODE 1 A H
- INSN CODE 2 A H
- INSN CODE 3 A H
- INSN CODE 4 A H
- INSN CODE 5 A H
- INSN CODE 6 A H
- INSN CODE 7 A H

- INSN CODE 0 A H
- INSN CODE 1 A H
- INSN CODE 2 A H
- INSN CODE 3 A H
- INSN CODE 4 A H
- INSN CODE 5 A H
- INSN CODE 6 A H
- INSN CODE 7 A H



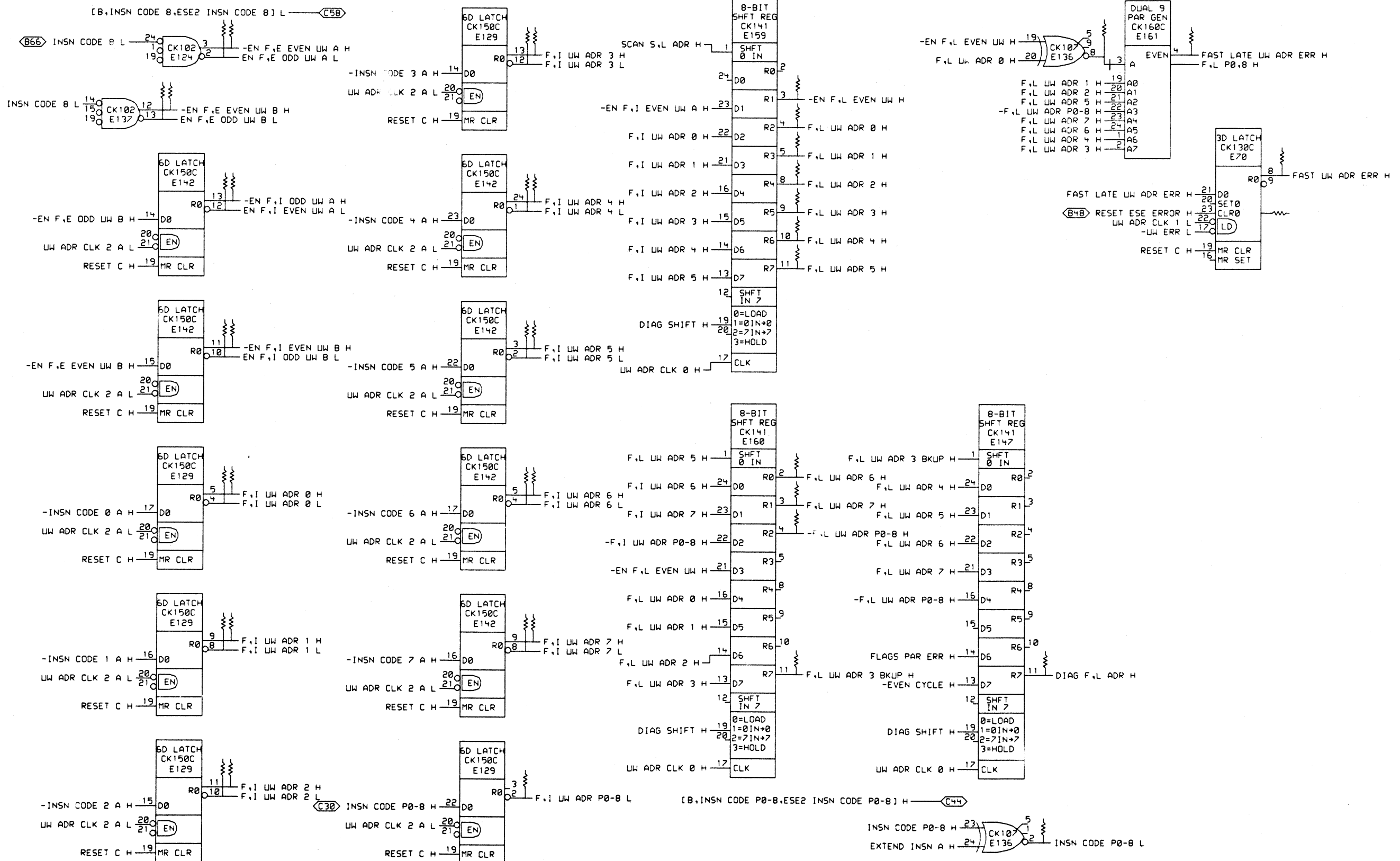
- (C41) IB, - INSN CODE 0, - ESE1 INSN CODE 0 J H
- (C39) IB, - INSN CODE 1, - ESE1 INSN CODE 1 J H
- (C37) IB, - INSN CODE 2, - ESE1 INSN CODE 2 J H
- (C35) IB, - INSN CODE 3, - ESE1 INSN CODE 3 J H
- (C31) IB, - INSN CODE 4, - ESE1 INSN CODE 4 J H
- (C29) IB, - INSN CODE 5, - ESE1 INSN CODE 5 J H
- (C27) IB, - INSN CODE 6, - ESE1 INSN CODE 6 J H
- (C25) IB, - INSN CODE 7, - ESE1 INSN CODE 7 J H



THIS DRAWING AND SPECIFICATIONS ARE THE PROPERTY OF DIGITAL EQUIPMENT CORPORATION AND SHALL NOT BE REPRODUCED OR COPIED OR USED IN WHOLE OR IN PART AS THE BASIS FOR THE MANUFACTURE OR SALE OF ITEMS WITHOUT WRITTEN PERMISSION. COPYRIGHT © 1982, DIGITAL EQUIPMENT CORPORATION.

REVISIONS	
CHK	CHANGE NO. REV

digital	DATE	ENG.	DATE	TITLE:
	02-FEB-82			FAST, EARLY LW
CHK'D.	DATE	BOARD LOCATION:	SHEET	OF
FIRST USED ON OPTION/MODEL:		NEXT HIGHER ASSEMBLY:		SIZE
				D CS
				NUMBER
				L0050-0-ESE1
				REV.

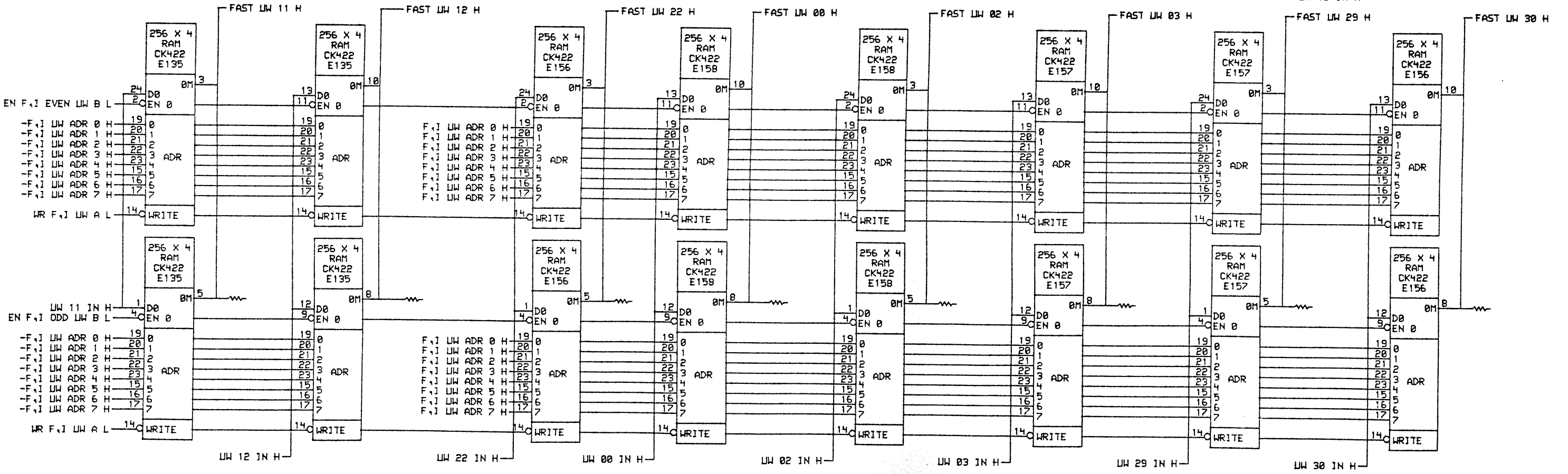
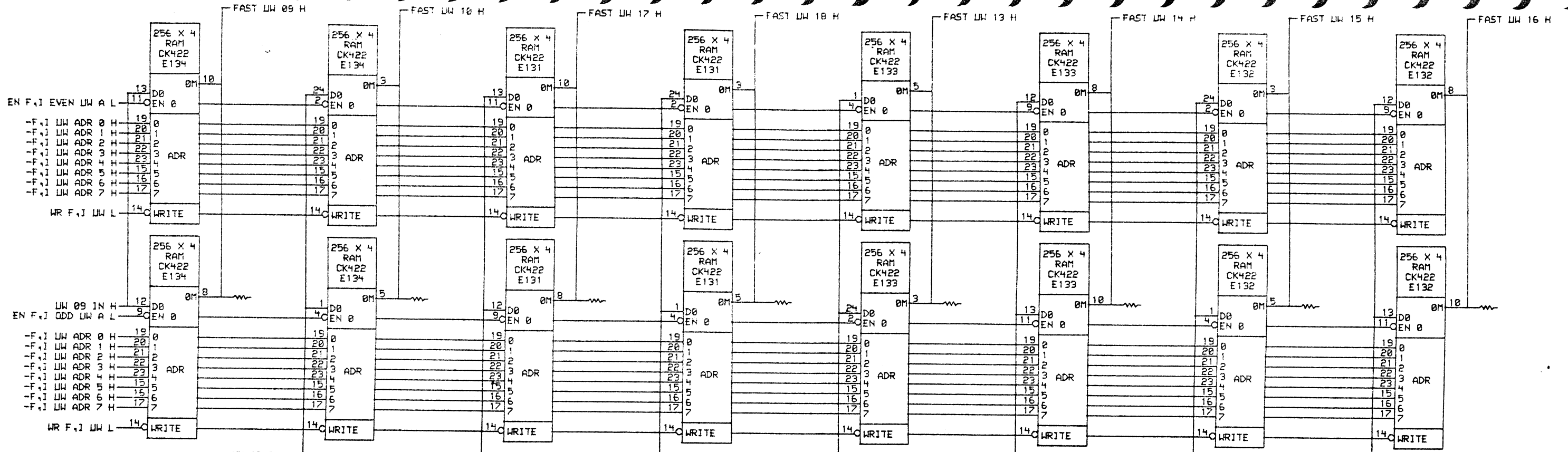


THIS DRAWING AND SPECIFICATIONS HEREIN ARE THE PROPERTY OF DIGITAL EQUIPMENT CORPORATION AND SHALL NOT BE REPRODUCED OR COPIED OR USED IN WHOLE OR IN PART AS THE BASIS FOR THE MANUFACTURE OR SALE OF ITEMS WITHOUT WRITTEN PERMISSION. COPYRIGHT © 1982, DIGITAL EQUIPMENT CORPORATION.

REVISIONS	
CHK	CHANGE NO. REV

digital	DATE	ENG.	DATE	TITLE:
	22-DEC-82	J. J. J.		FAST, INTER & LATE CTL ADR
	DATE	BOARD LOCATION:		
	20-DEC-82 16:40	SHEET		
FIRST USED ON OPTION/MODEL:		NEXT HIGHER ASSEMBLY:		SIZE CODE
				D CS L0050-0-ESE2
			NUMBER	REV.

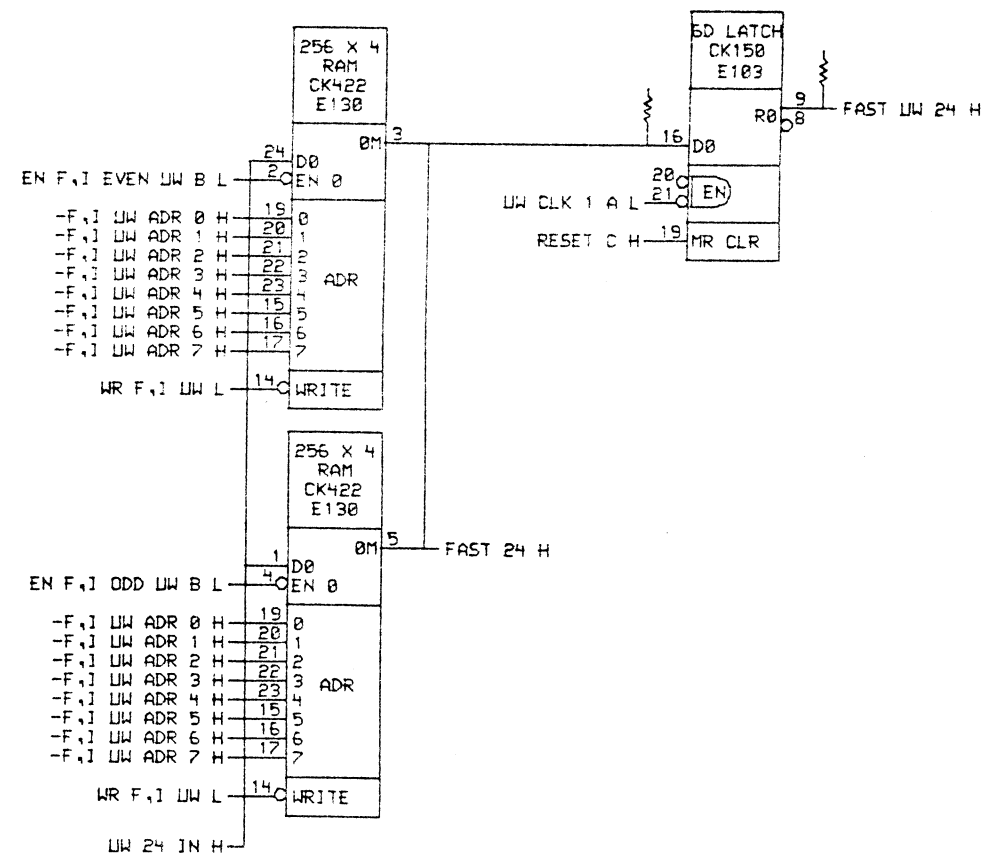
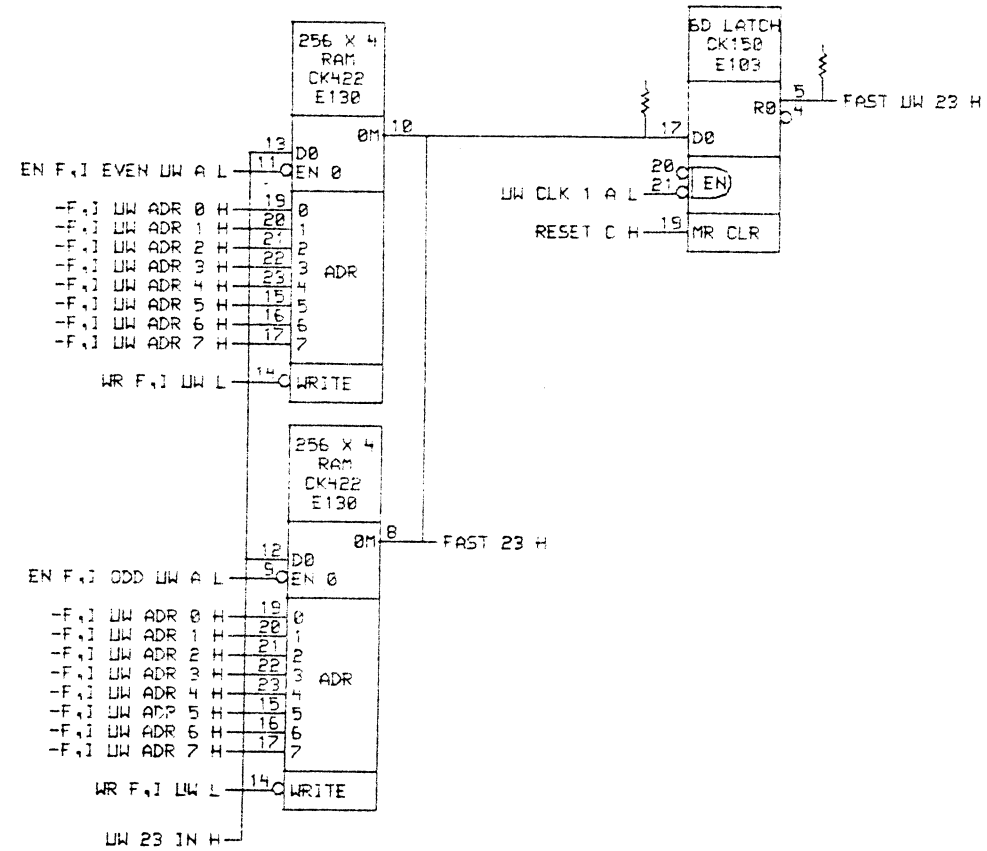




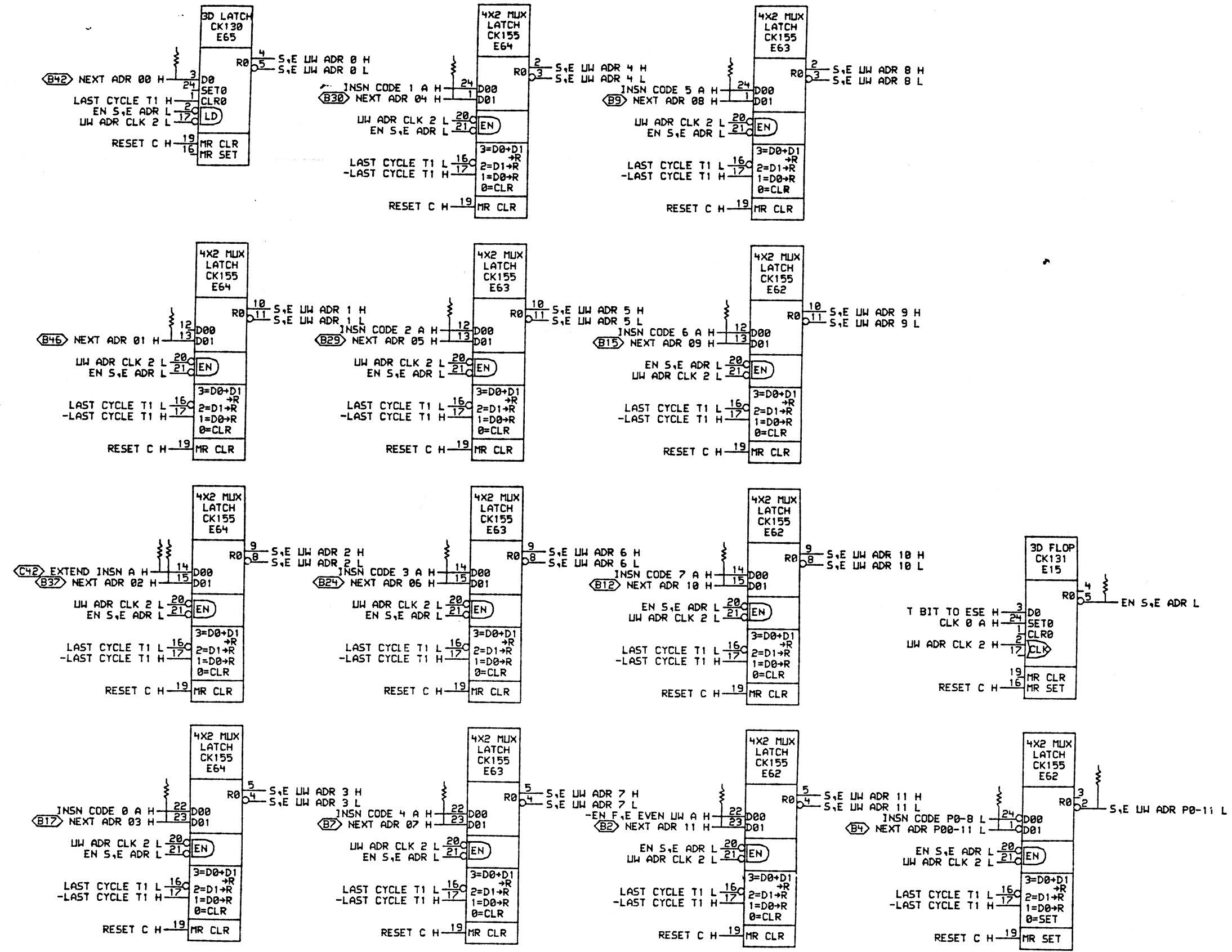
THIS DRAWING AND SPECIFICATIONS ARE THE PROPERTY OF DIGITAL EQUIPMENT CORPORATION AND SHALL NOT BE REPRODUCED OR COPIED OR USED IN WHOLE OR IN PART AS THE BASIS FOR THE MANUFACTURE OR SALE OF ITEMS WITHOUT WRITTEN PERMISSION. COPYRIGHT © 1982, DIGITAL EQUIPMENT CORPORATION.

REVISIONS	
CHK	CHANGE NO. / REV

	DATE: 03-FEB-82	ENG.:	DATE:	TITLE: FAST, INTER LW 09-22, 29, 30
	CHK'D: [Signature]	BOARD LOCATION:	SHEET OF:	
VUL CAN: (2080) L0050-017ESE3.DRW 02-FEB-82 18:41		NEXT HIGHER ASSEMBLY:		SIZE: D
FIRST USED ON OPTION/MODEL:		CODE: CS	NUMBER: L0050-0-ESE3	REV.:



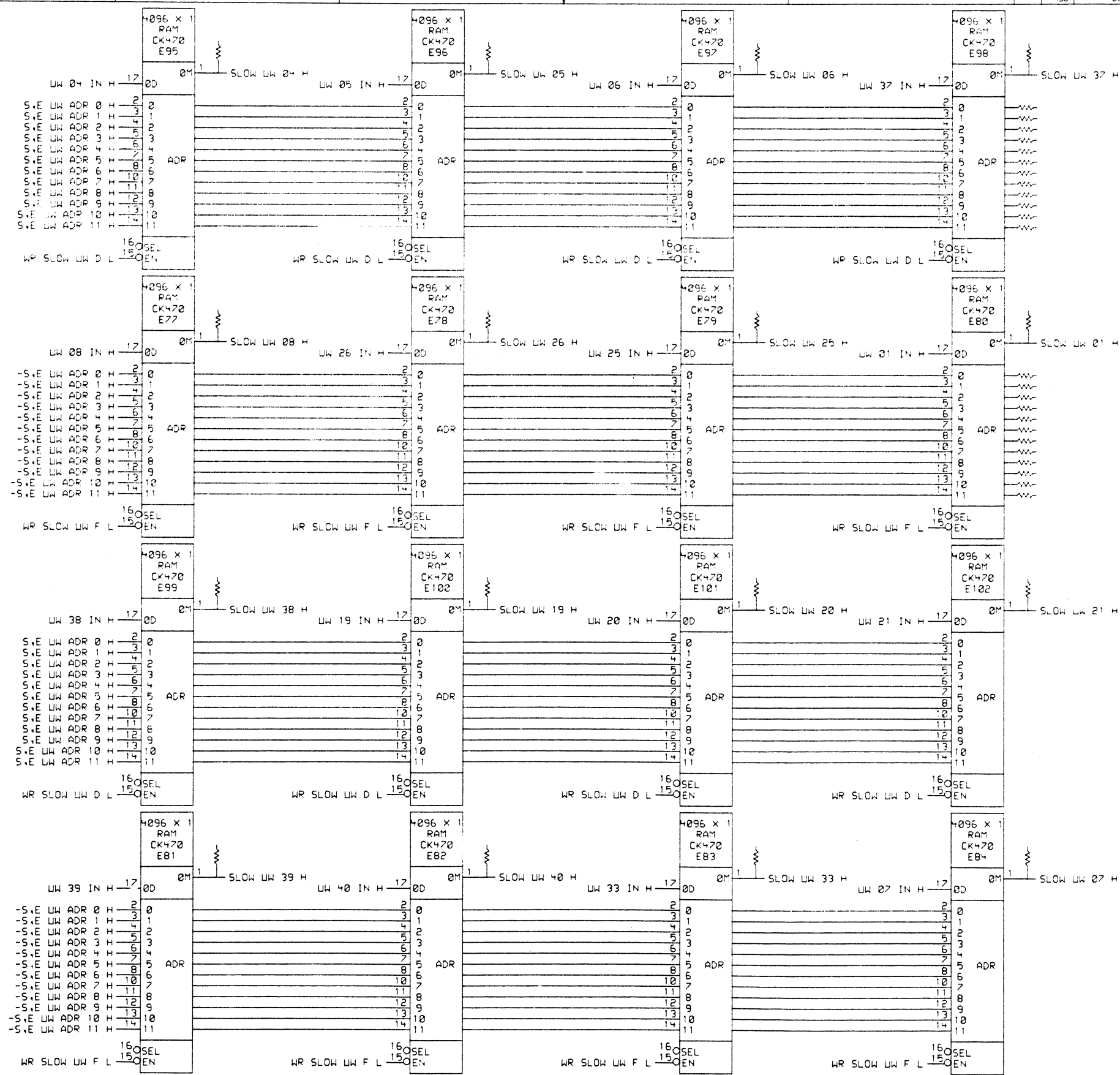
DRN.	DATE	ENG.	DATE	TITLE:
CHK'D.	DATE	BOARD LOCATION:		FAST, LATE LW
VILCANI <2000.L0050> ESE4.DRW 18-JUN-81 20:49 NEXT HIGHER ASSEMBLY:				23, 24
FIRST USED ON OPTION/MODEL:	SIZE	CODE	NUMBER	REV.
	D	CS	10050-0-ESE4	



THIS DRAWING AND SPECIFICATIONS ARE THE PROPERTY OF DIGITAL EQUIPMENT CORPORATION AND SHALL NOT BE REPRODUCED OR COPIED OR USED IN WHOLE OR IN PART AS THE BASIS FOR THE MANUFACTURE OR SALE OF ITEMS WITHOUT WRITTEN PERMISSION. COPYRIGHT © 1982, DIGITAL EQUIPMENT CORPORATION.

REVISIONS	
CHK	CHANGE NO. REV

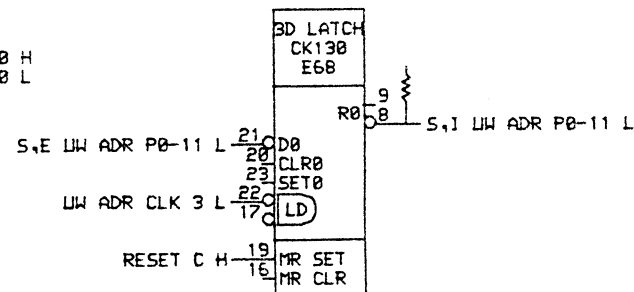
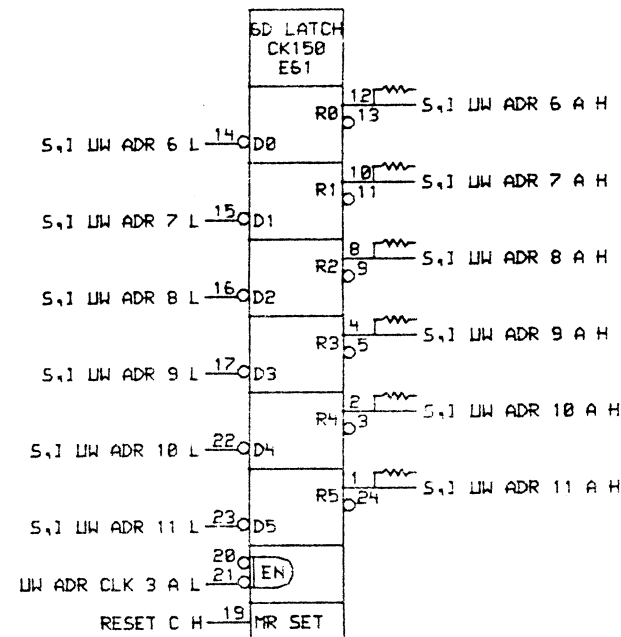
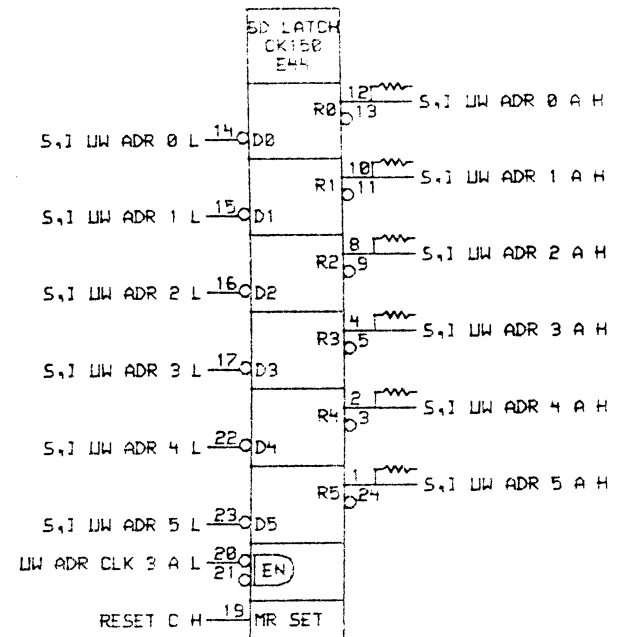
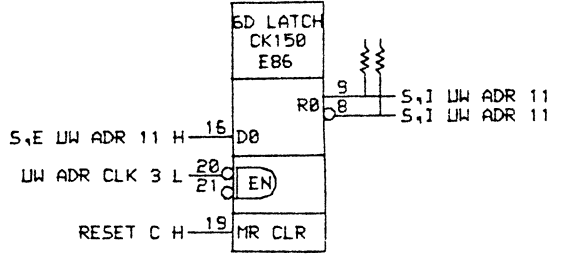
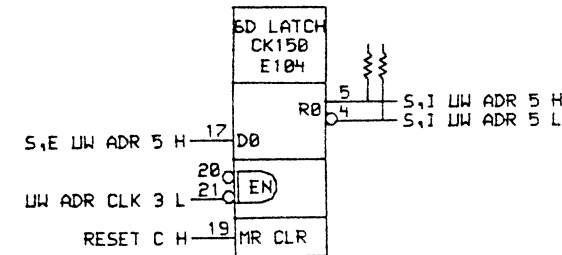
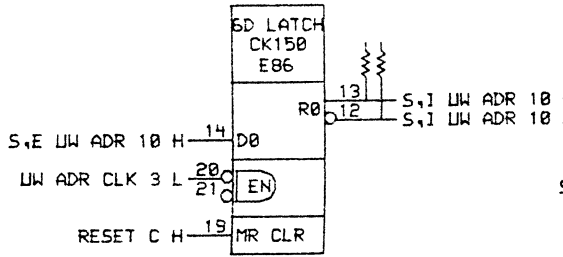
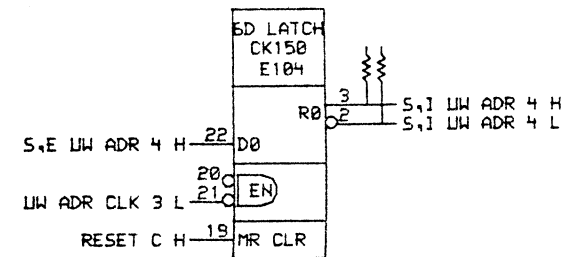
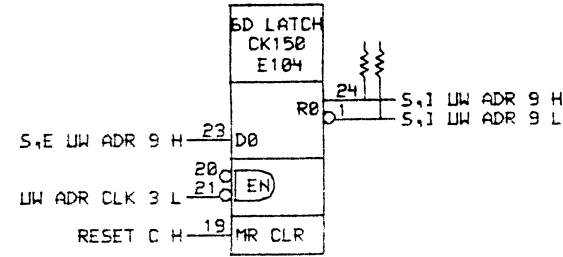
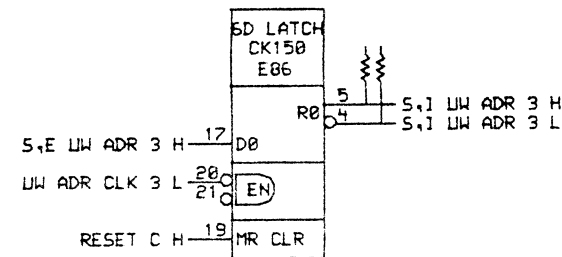
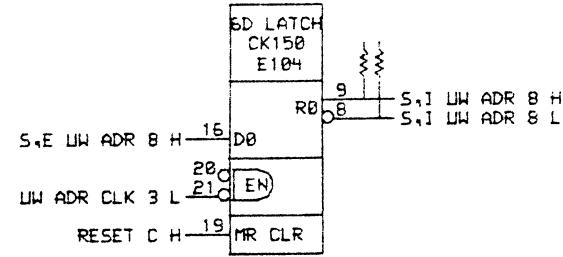
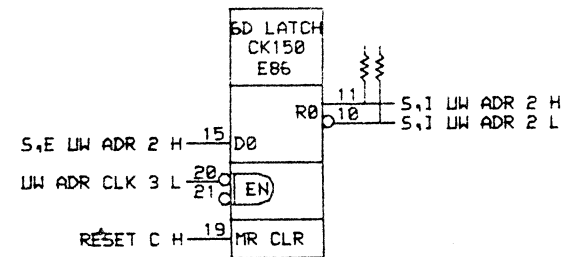
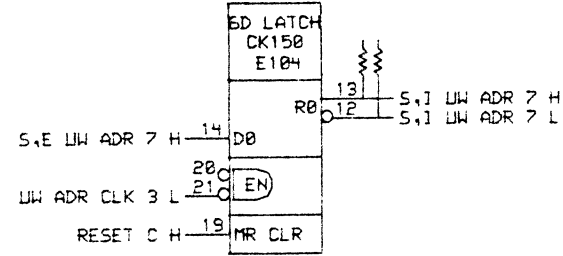
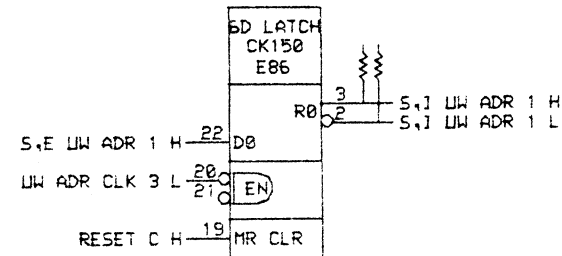
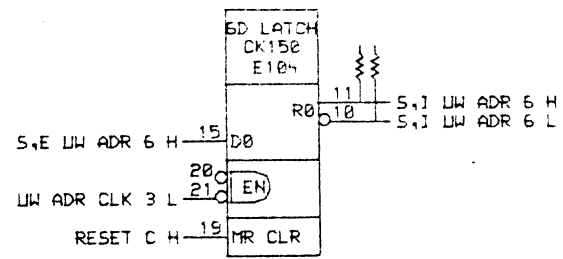
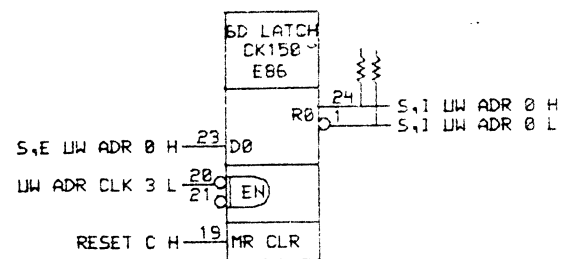
digital	DATE	ENG.	DATE	TITLE:
	30-APR-82			SLOW, EARLY CONTROL ADR
CHK'D.	DATE	BOARD LOCATION:	SHEET	OF
VLCAM (2000-L-0050) ESE5.DRW	29-APR-82 23:16	NEXT HIGHER ASSEMBLY:	SIZE	CODE
FIRST USED ON OPTION/MODEL:			D	CS
			NUMBER	REV.
			L0050-0-ESE5	



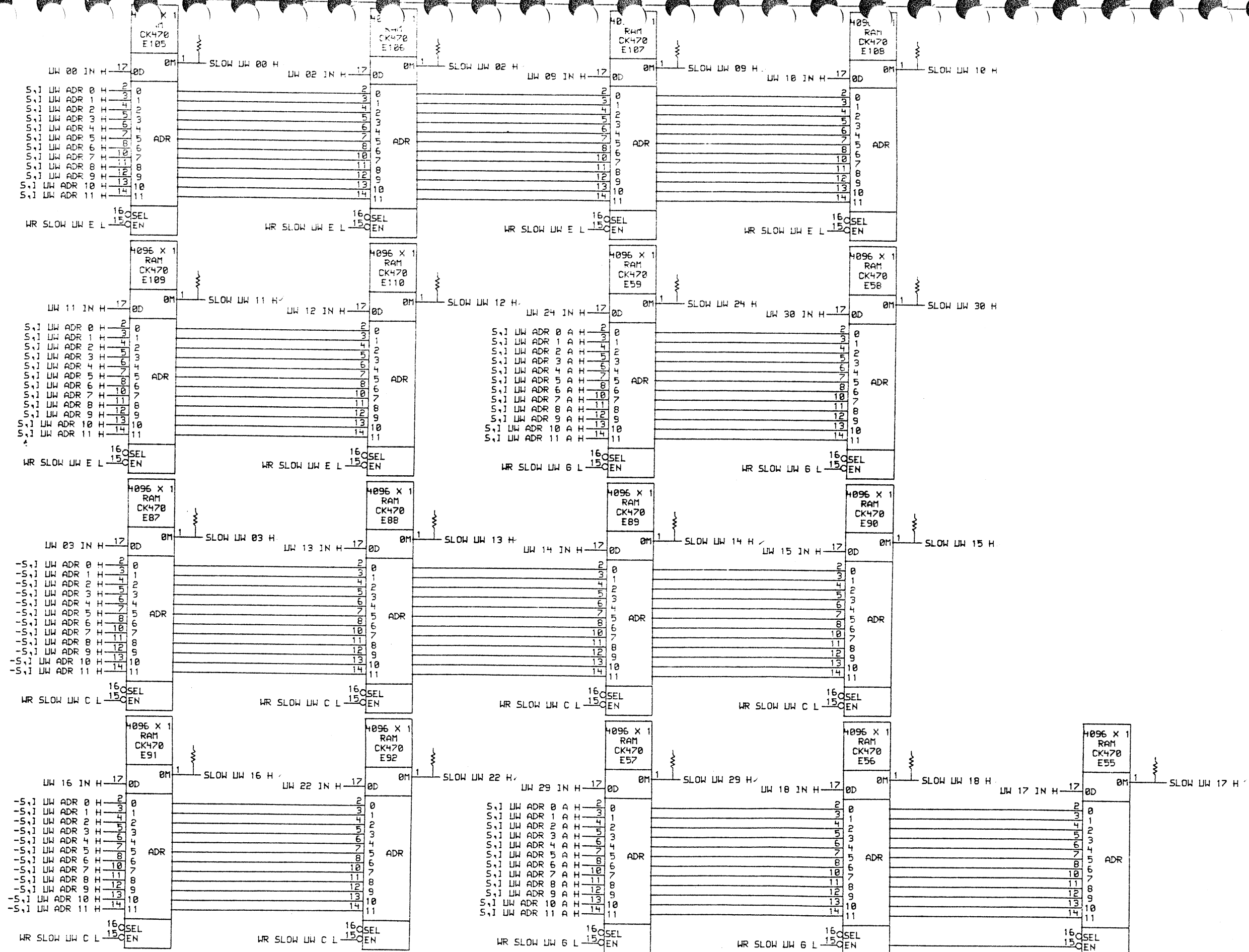
THIS DRAWING AND SPECIFICATIONS  
HEREIN ARE THE PROPERTY OF  
DIGITAL EQUIPMENT CORPORATION AND  
SHALL NOT BE REPRODUCED OR COPIED  
OR USED IN WHOLE OR IN PART AS  
THE BASIS FOR THE MANUFACTURE OR  
SALE OF ITEMS WITHOUT WRITTEN  
PERMISSION. COPYRIGHT © 1983,  
DIGITAL EQUIPMENT CORPORATION.

REVISIONS		
CHK	CHANGE NO.	REV

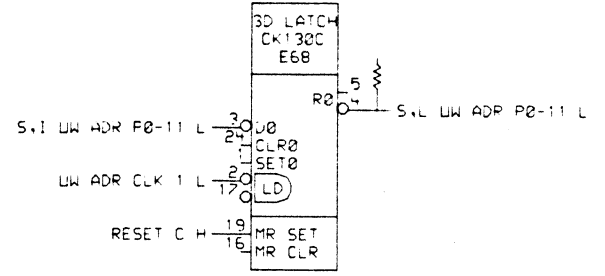
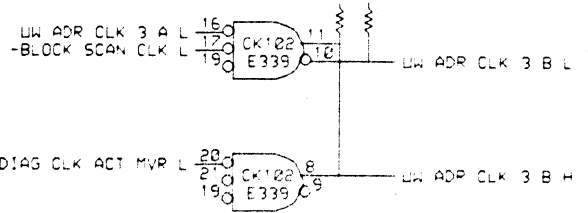
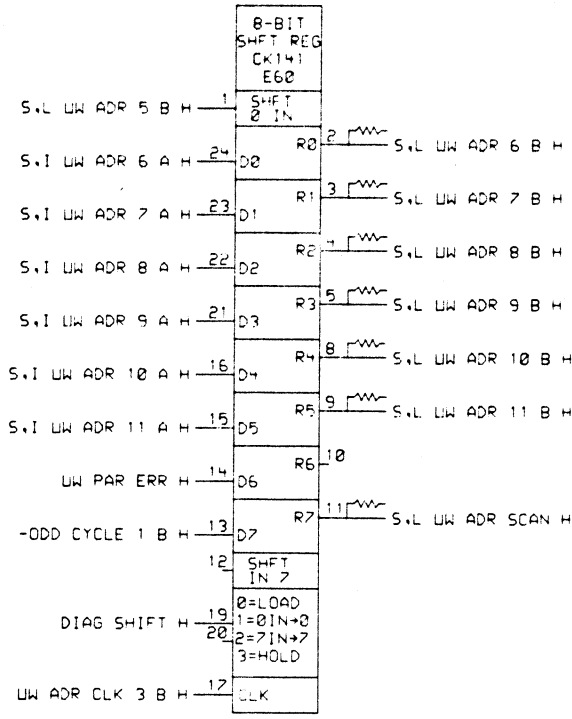
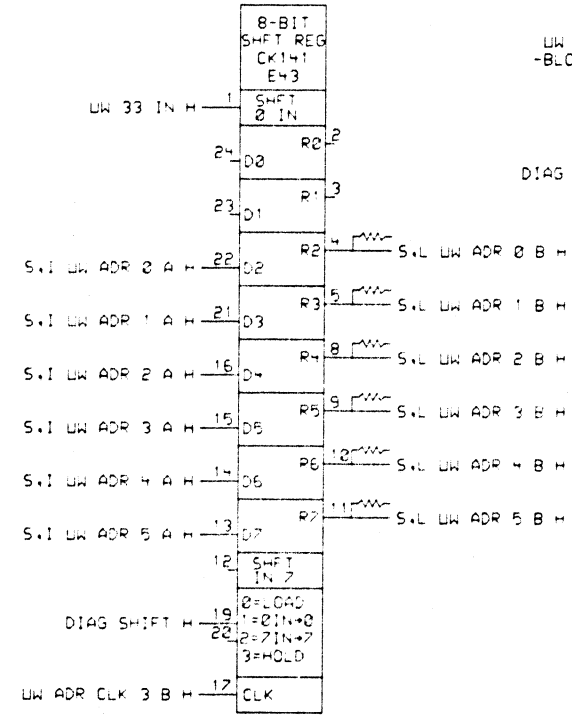
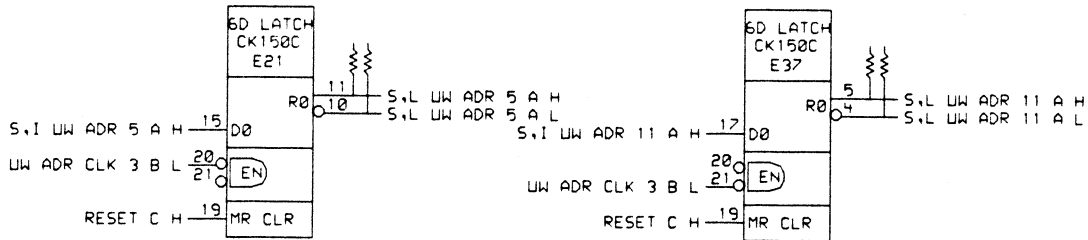
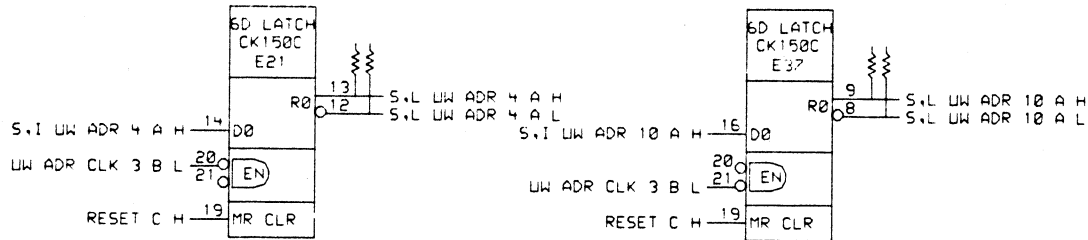
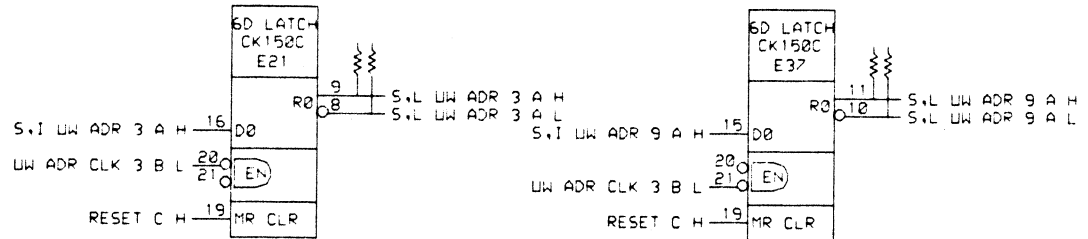
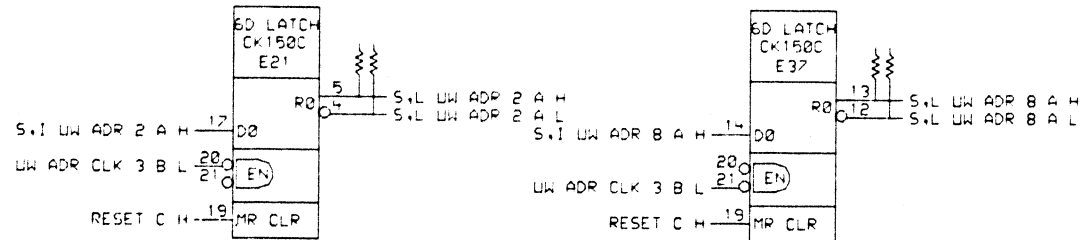
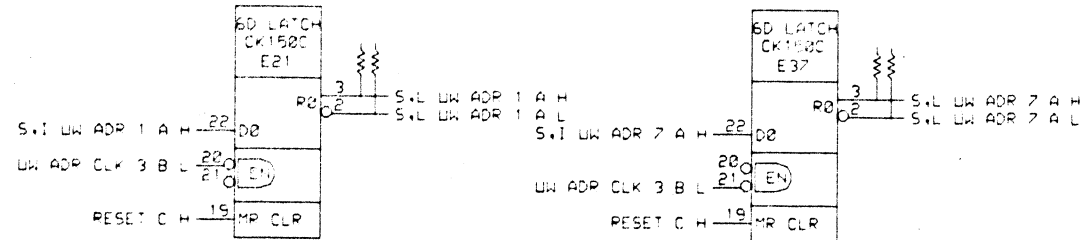
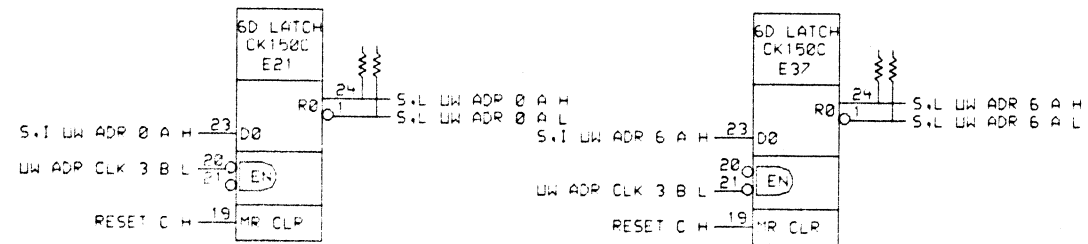
	DATE	ENG.	DATE	TITLE: SLOW, EARLY LW 00-8
	11-JAN-83			25, 26, 33, 37-40
DATE	BOARD LOCATION:	SHEET		OF
10-JAN-83 20:59				
FIRST USED ON OPTION MODEL:				NEXT HIGHER ASSEMBLY:
SIZE	CODE	NUMBER	REV.	
D	CS	L0050-0-ESE6		



DRN.	DATE	ENG.	DATE	TITLE:	SLOW, INTER CTL ADR REG
CHK'D.	DATE	BOARD LOCATION:	SHEET	OF	
VULCANI (2000.L0050)E5E7.DRW 18-JUN-81 20:50				NEXT HIGHER ASSEMBLY:	SIZE CODE
FIRST USED ON OPTION/MODEL:				D	CS
				NUMBER	REV.
				L0050-0-E5E7	



D  
 C  
 B  
 A



THIS DRAWING AND SPECIFICATIONS ARE THE PROPERTY OF DIGITAL EQUIPMENT CORPORATION AND SHALL NOT BE REPRODUCED OR COPIED OR USED IN WHOLE OR IN PART AS THE BASIS FOR THE MANUFACTURE OR SALE OF ITEMS WITHOUT WRITTEN PERMISSION. COPYRIGHT © 1983, DIGITAL EQUIPMENT CORPORATION.

REVISIONS	
CHK	CHANGE NO. REV.

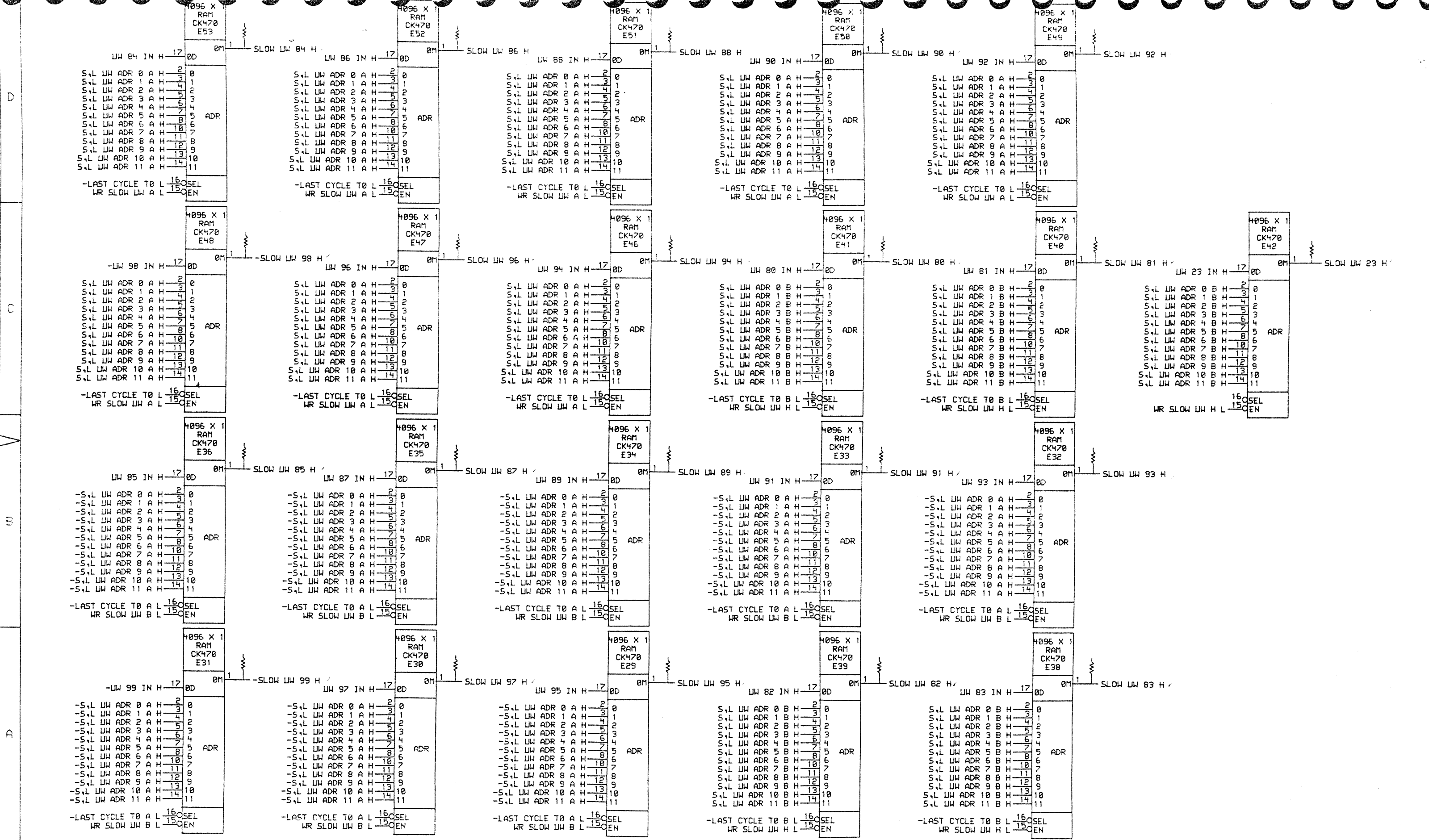
digital  
VULCAN: (2080.L0050) + ESE9.DRW 10-JAN-83 16:03  
FIRST USED ON OPTION/MODEL:

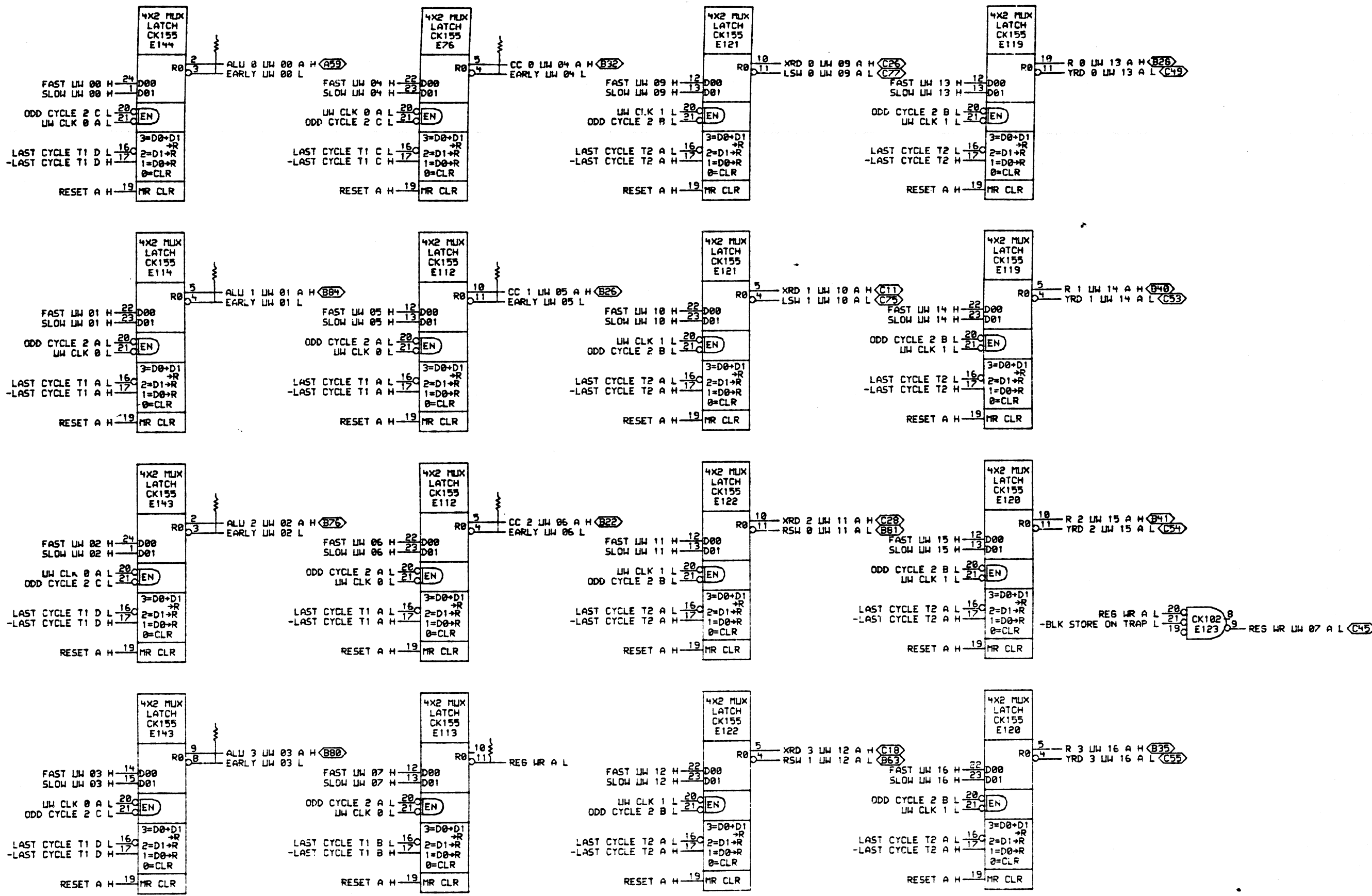
DATE 11-JAN-83  
DATE 10-JAN-83  
ENG. BOARD LOCATION: SHEET OF  
NEXT HIGHER ASSEMBLY:

TITLE: SLOW, LATE CTL ADR 0-11  
SIZE CODE D CS NUMBER L0050-0-ESE9 REV.

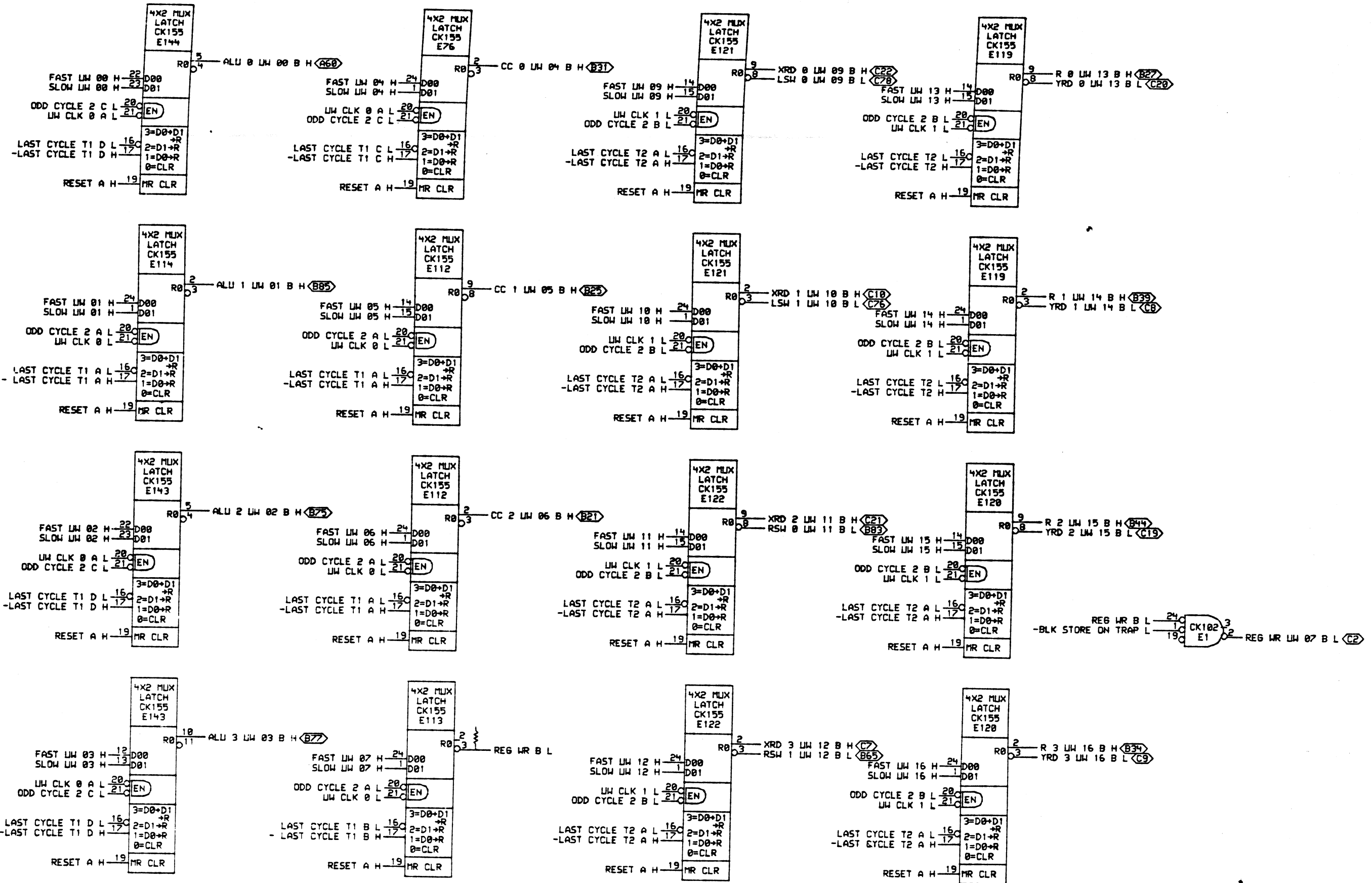
REV. 1  
L0050-0-ESE9  
CS  
D  
U  
A

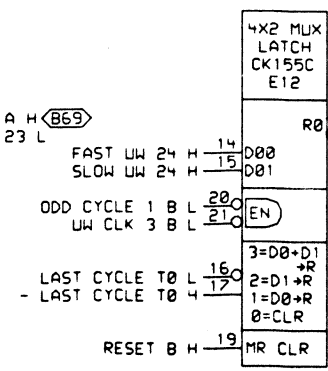
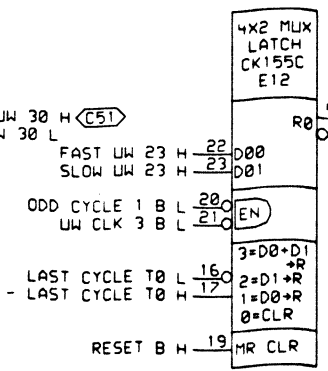
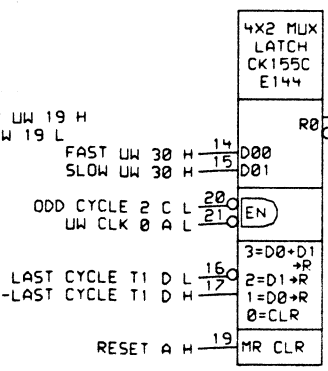
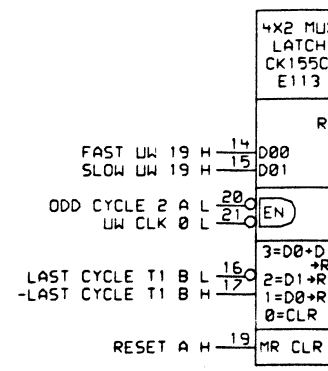
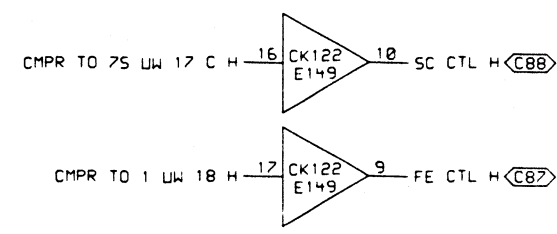
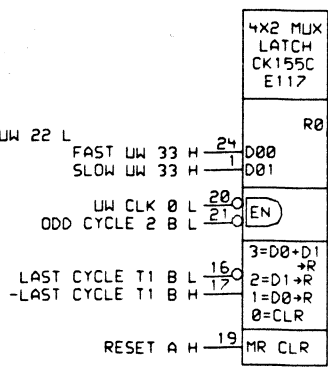
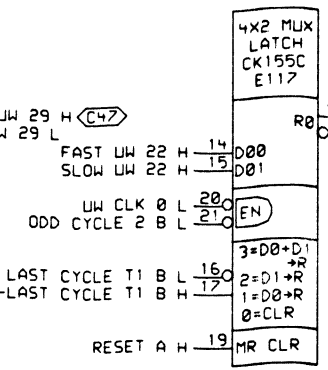
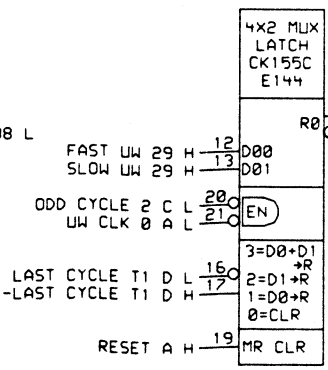
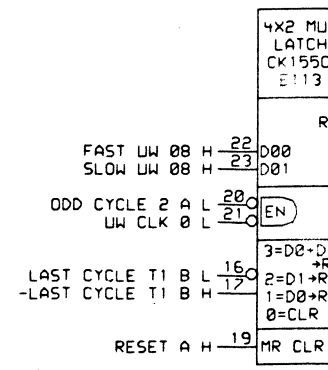
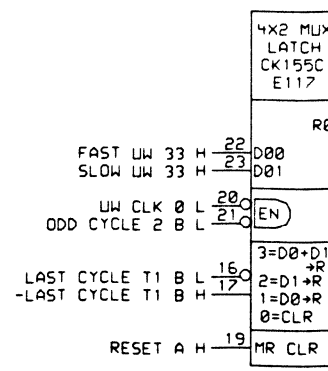
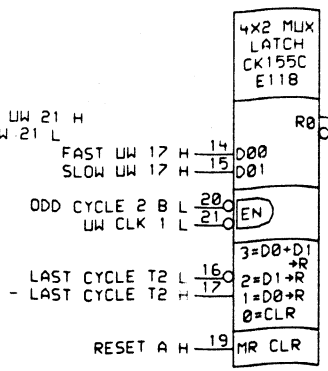
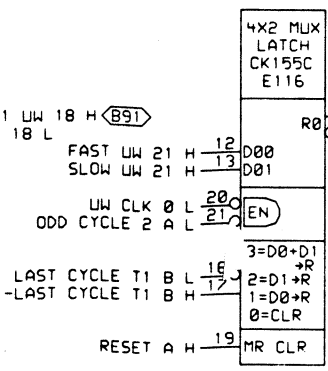
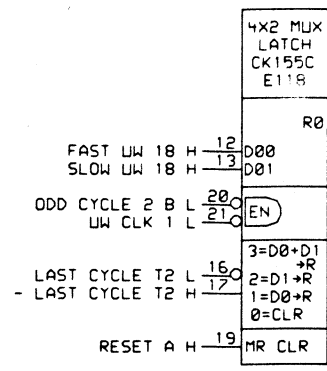
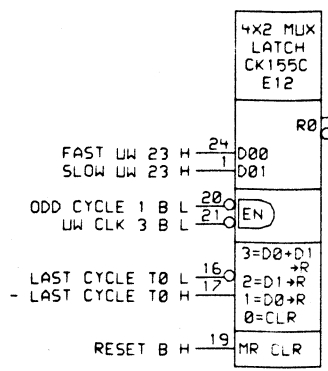
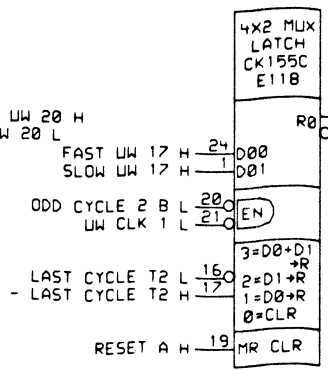
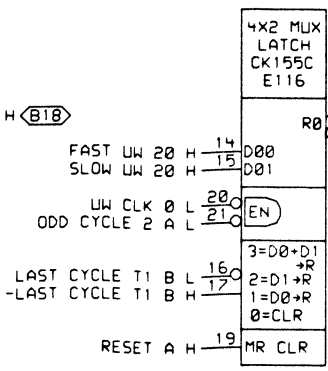
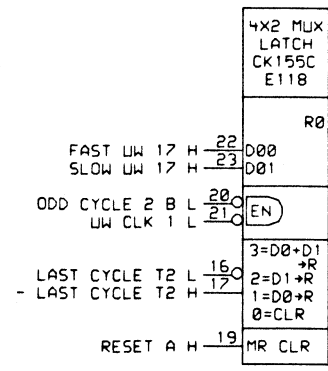






REV. 1  
 SIZE CODE CS  
 NUMBER L0050-0-ESEB





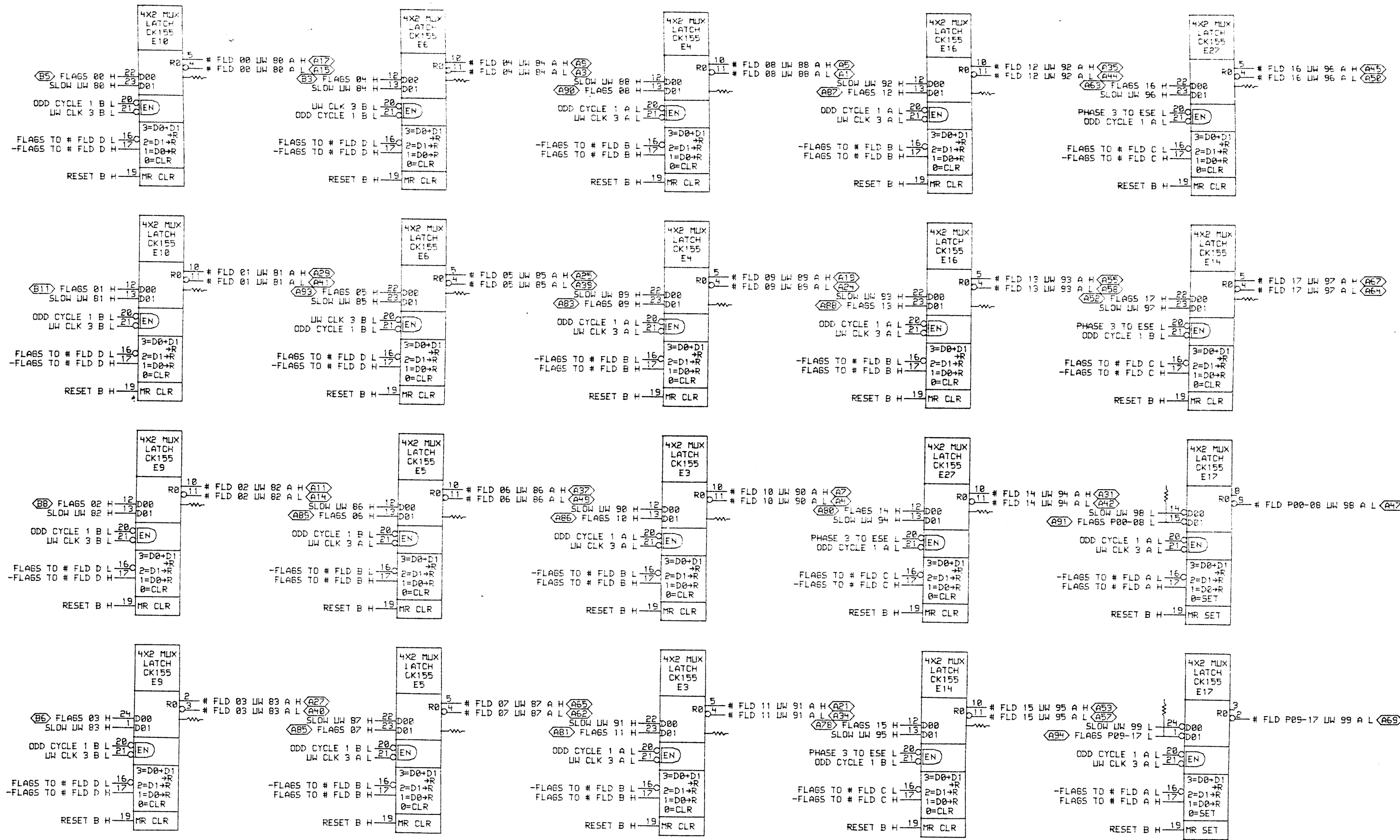
THIS DRAWING AND SPECIFICATIONS ARE THE PROPERTY OF DIGITAL EQUIPMENT CORPORATION AND SHALL NOT BE REPRODUCED OR COPIED OR USED IN WHOLE OR IN PART AS THE BASIS FOR THE MANUFACTURE OR SALE OF ITEMS WITHOUT WRITTEN PERMISSION. COPYRIGHT © 1982, DIGITAL EQUIPMENT CORPORATION.

REVISIONS		
CHK	CHANGE NO.	REV

**digital** *DRN. J. J. J.* DATE 22-DEC-82 ENG. BOARD LOCATION: SHEET OF  
 VULCAN: 2000 L0050-0-ESED.DRW 20-DEC-82 16:46 NEXT HIGHER ASSEMBLY: FIRST USED ON OPTION/MODEL:

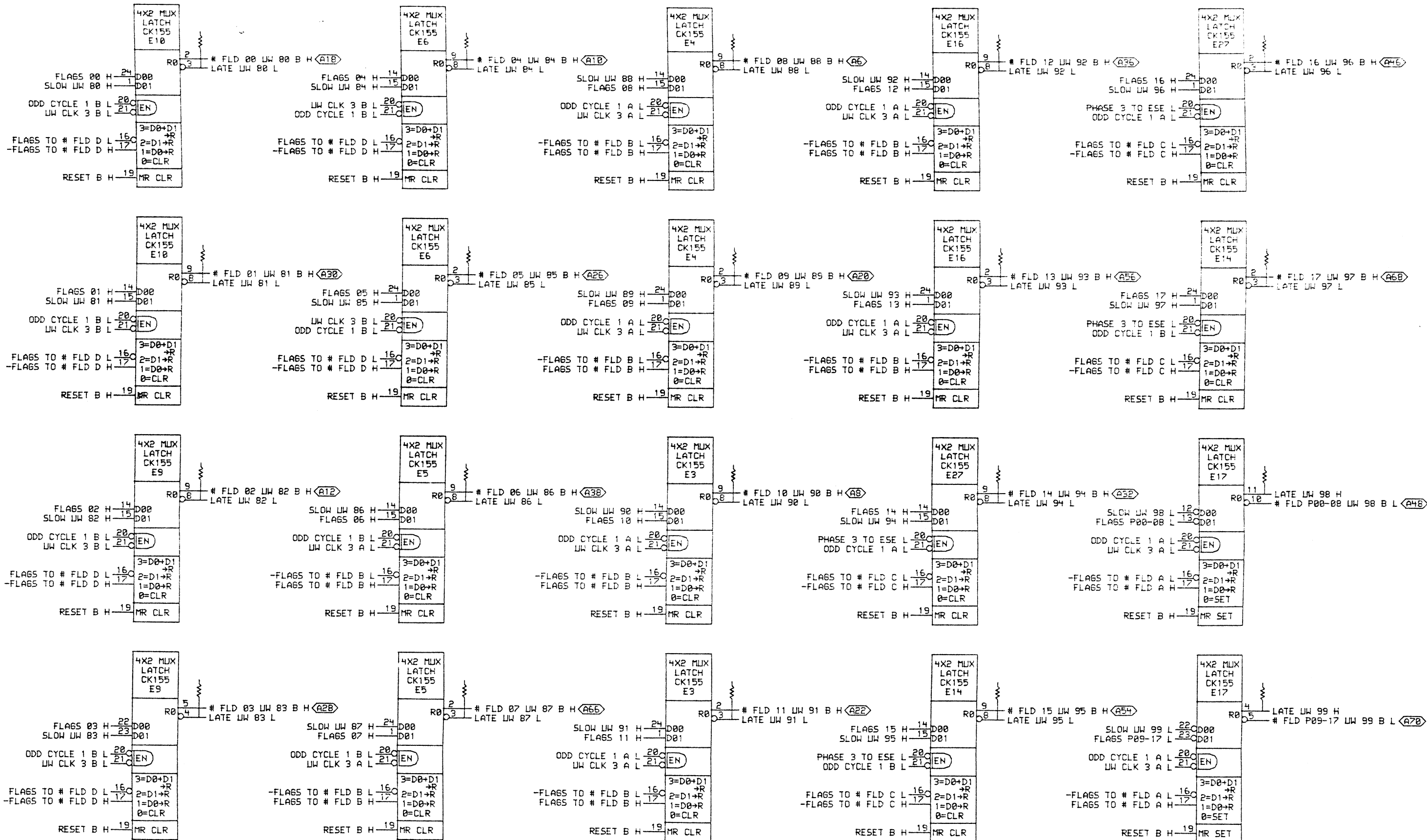
TITLE: UW 08, 17-24  
 29, 30, 33  
 SIZE CODE D CS L0050-0-ESED NUMBER REV.

REV. L0050-0-ESED

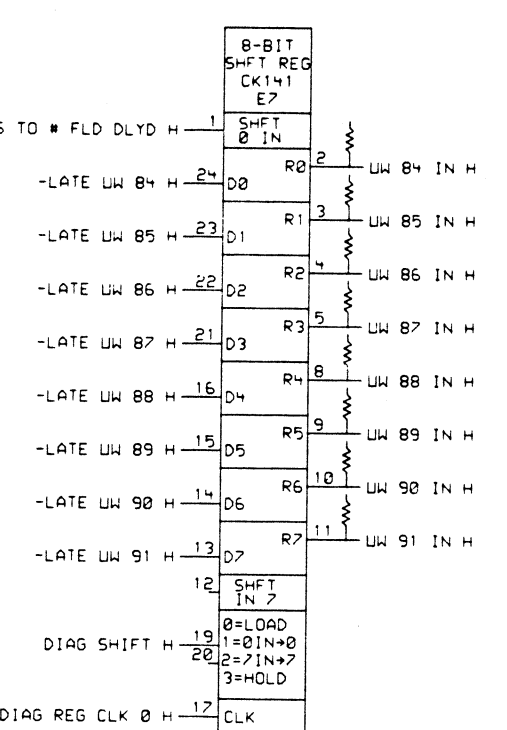
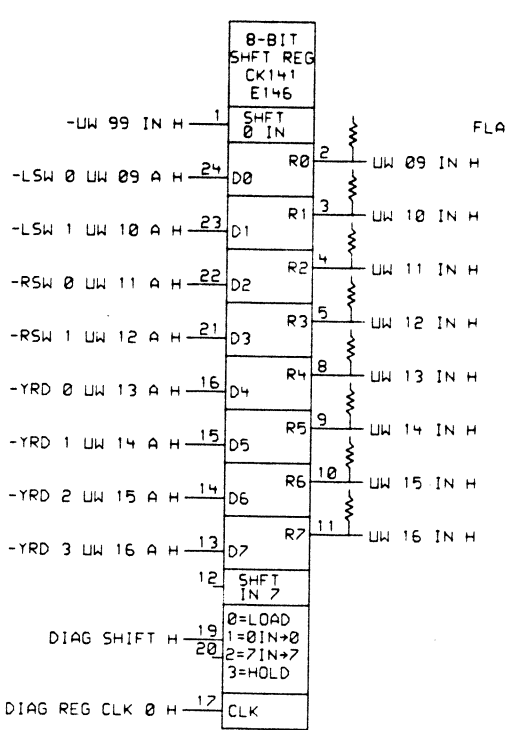
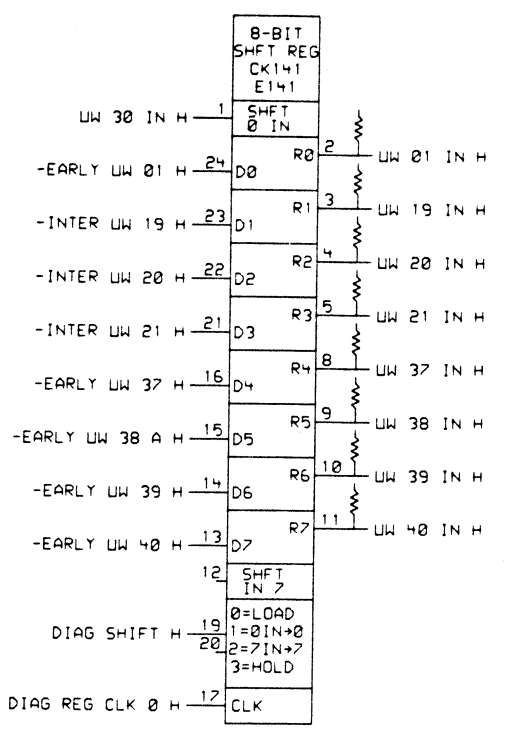
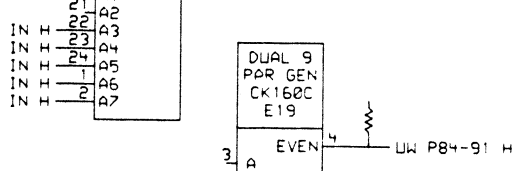
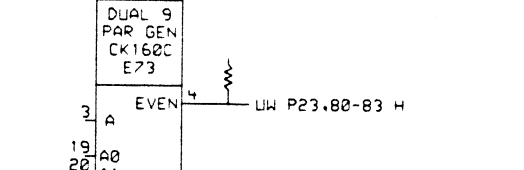
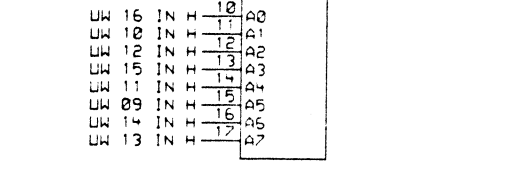
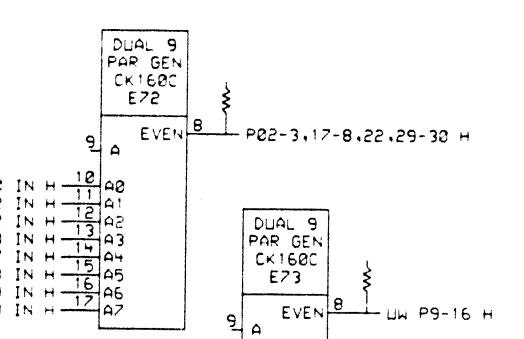
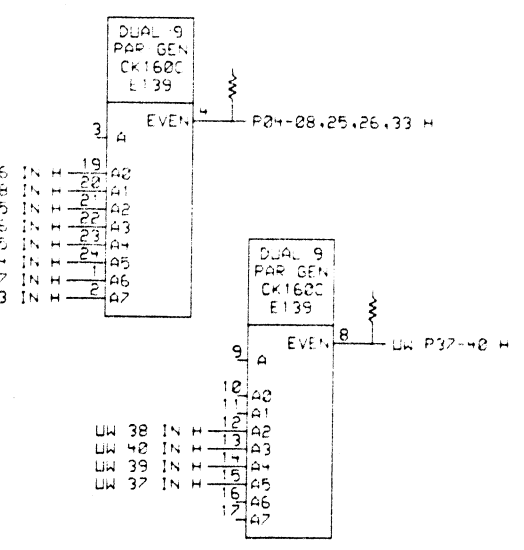
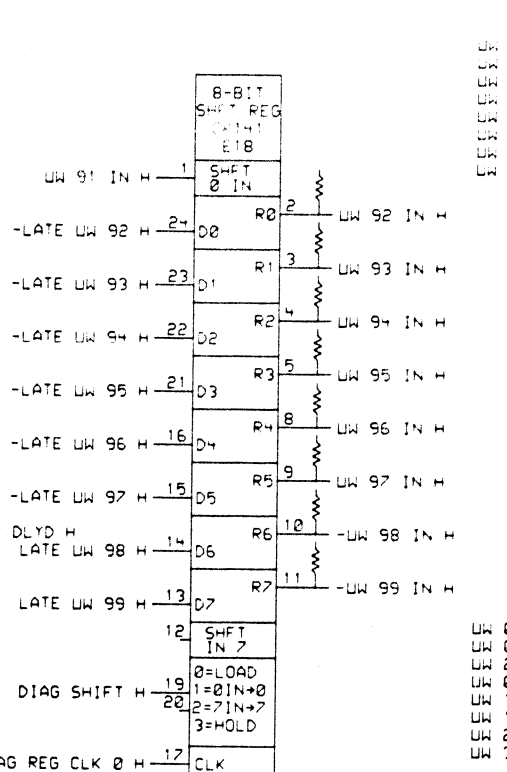
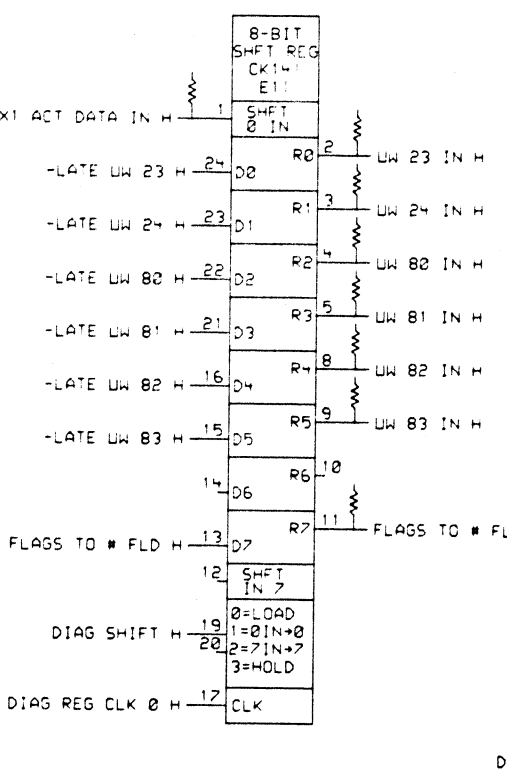
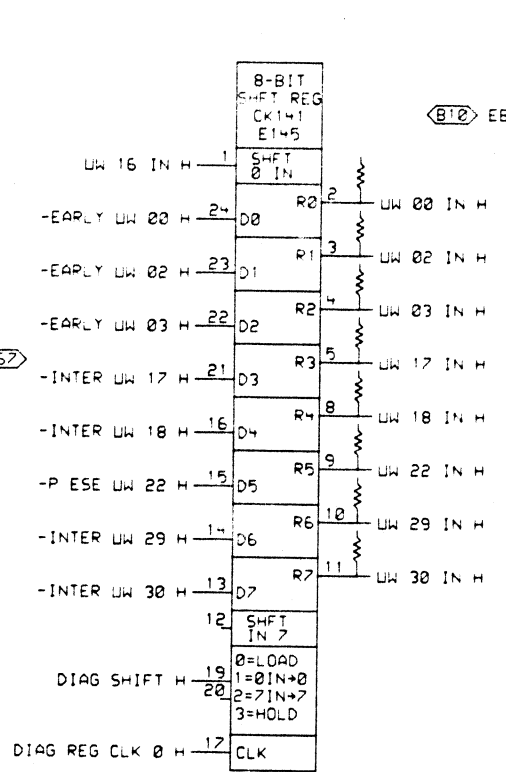
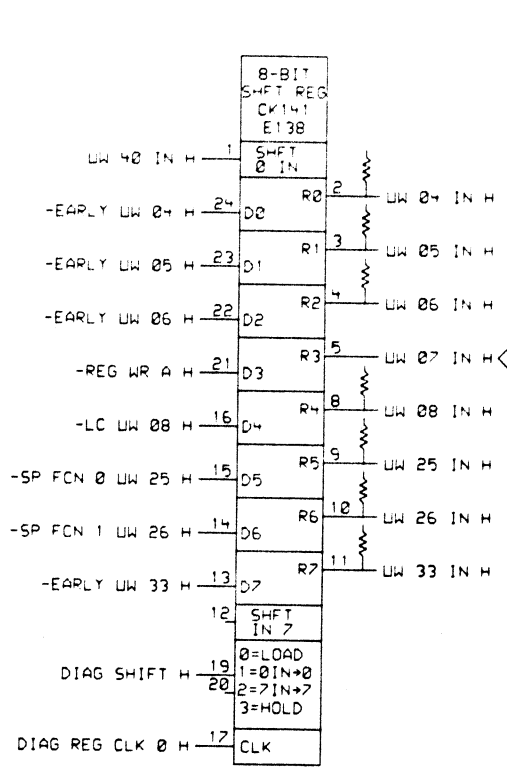


DRN.	DATE	ENG.	DATE	TITLE: # FLD MUX 00-17 TO SHL, SCA
CHK'D.	DATE	BOARD LOCATION:		
VLE CANI (2000) L0050-ESEE DRN 10-JUN-81 20:51		NEXT HIGHER ASSEMBLY:		SIZE CODE NUMBER REV.
FIRST USED ON OPTION/MODEL:				D CS L0050-0-ESEE





DRN.	DATE	ENG.	DATE	TITLE: # FLD MUX 00-17 TO SHR, PAR CHK
CHK'D.	DATE	BOARD LOCATION:		
V.L.CAN (2088.L0050) ESEF.DRW	18-JUN-81	20:51	NEXT HIGHER ASSEMBLY:	SIZE CODE NUMBER REV.
FIRST USED ON OPTION/MODEL:				D C5 L0050-0-ESEF



THIS DRAWING AND SPECIFICATIONS ARE THE PROPERTY OF DIGITAL EQUIPMENT CORPORATION AND SHALL NOT BE REPRODUCED OR COPIED OR USED IN WHOLE OR IN PART AS THE BASIS FOR THE MANUFACTURE OR SALE OF ITEMS WITHOUT WRITTEN PERMISSION. COPYRIGHT © 1983, DIGITAL EQUIPMENT CORPORATION.

REV.	CHG	NO.	REV

digital	DRN	DATE	ENG.	DATE	TITLE:
	CHK'D.	11-JAN-83	J. Jansky		UW DIAG REG 00-26
VULCAN: (2000-L0050-0-ESEG.DRW)		DATE	BOARD LOCATION:	29, 30, 33, 37-40, 80-99	
FIRST USED ON OPTION/MODEL:		SHEET	OF	SIZE	CODE
		10	21	D	CS
		10-JAN-83 21:02	NEXT HIGHER ASSEMBLY:	NUMBER	REV.
				L0050-0-ESEG	

REV. NUMBER L0050-0-ESEG

D











