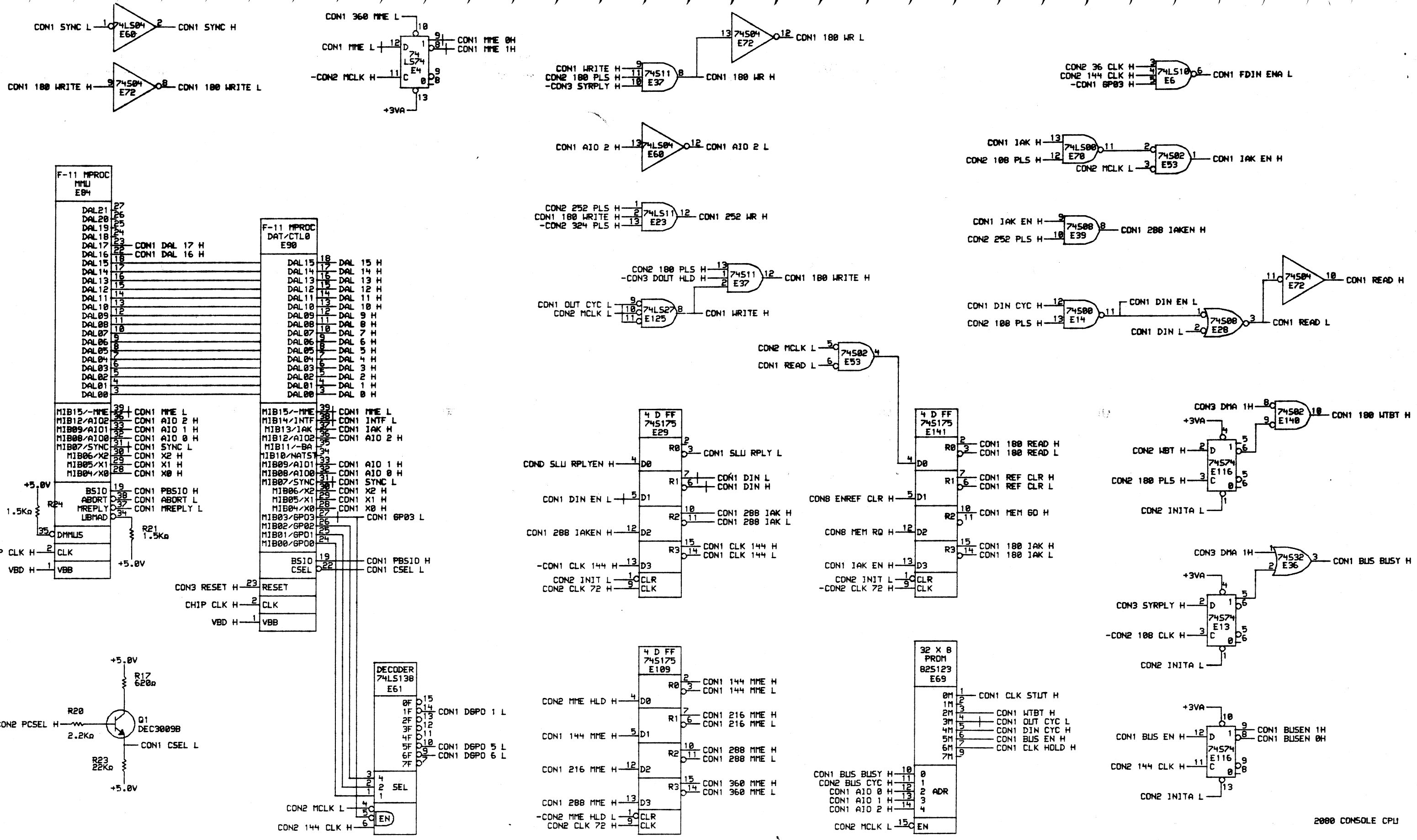
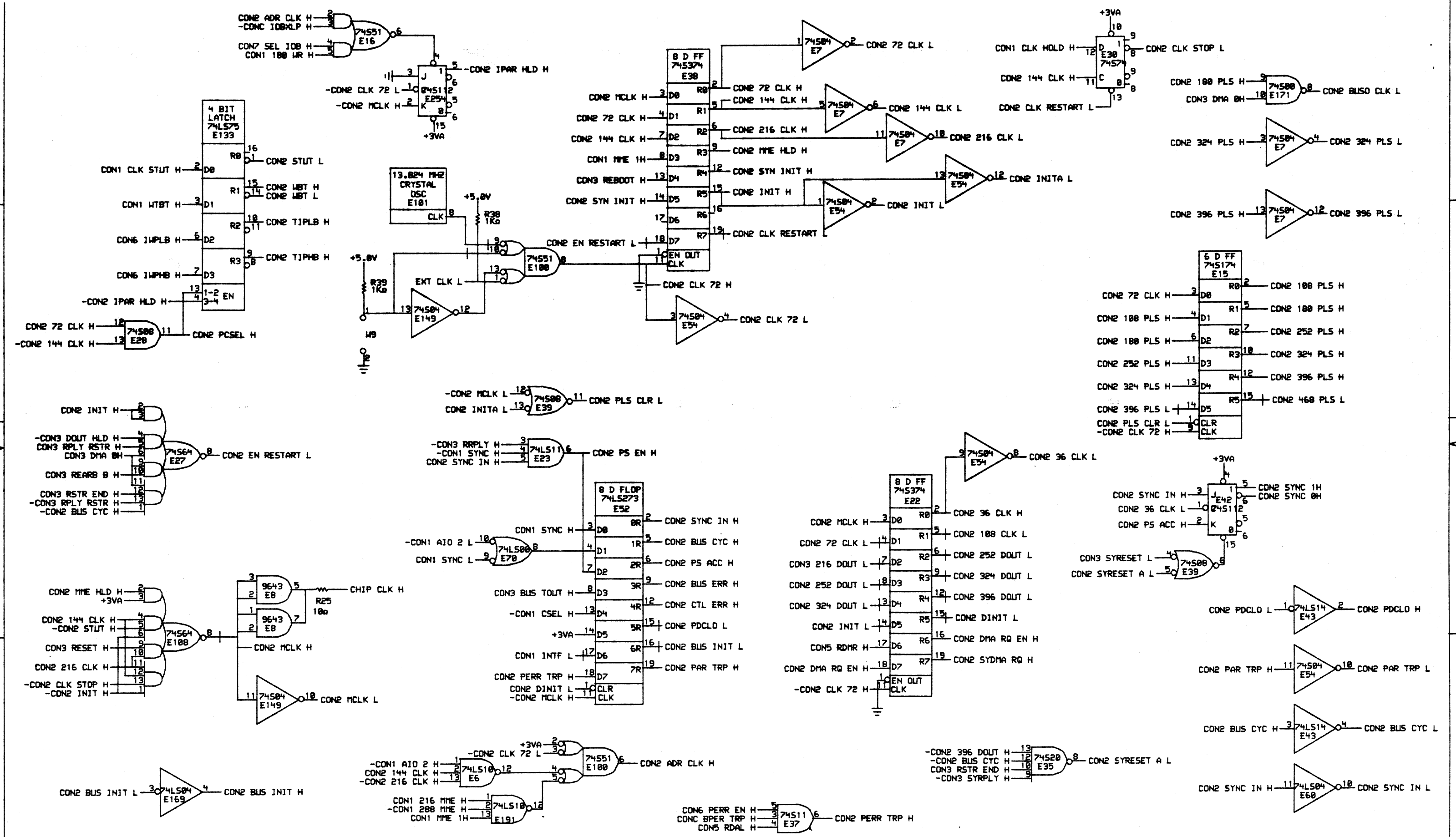


4CSL1
4CSL2
3CSL3
5CSL4
4CSL5
3CSL6
3CSL7
2CSL8
3CSL9
CSLA
2CSLB
4CSLC
1CSLD
2CSLE
2CSLF
2CSLG
2CSLI
3CSLJ
1CSLM
2CSLN
4CSLP

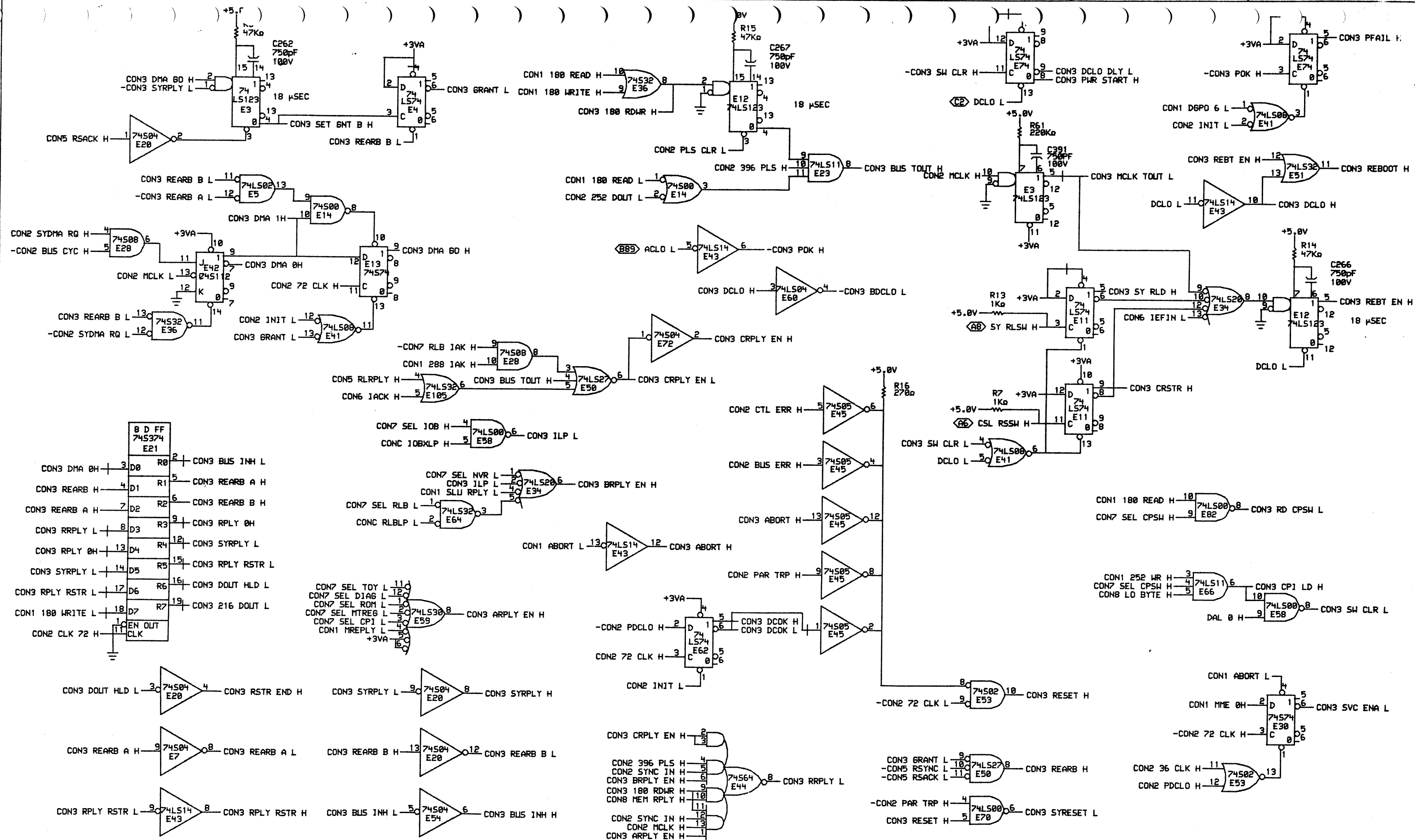


2080 CONSOLE CPU

DRN.	DATE	ENG.	DATE	TITLE:
CHK'D.	DATE	BOARD LOCATION:		2080 CONSOLE CPU
VLLCANI (2080.L0063)XCSL1.DRW 110-MAY-82 13:57 NEXT HIGHER ASSEMBLY:				SIZE CODE NUMBER REV.
FIRST USED ON OPTION/MODEL: 2080 D-DD-L0063-0				D CS L0063-0-CON1

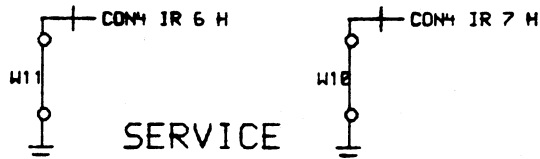
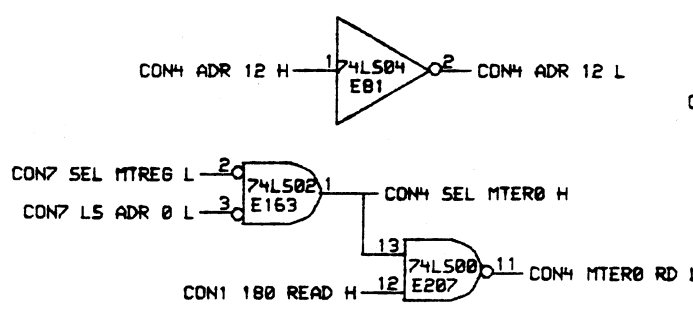
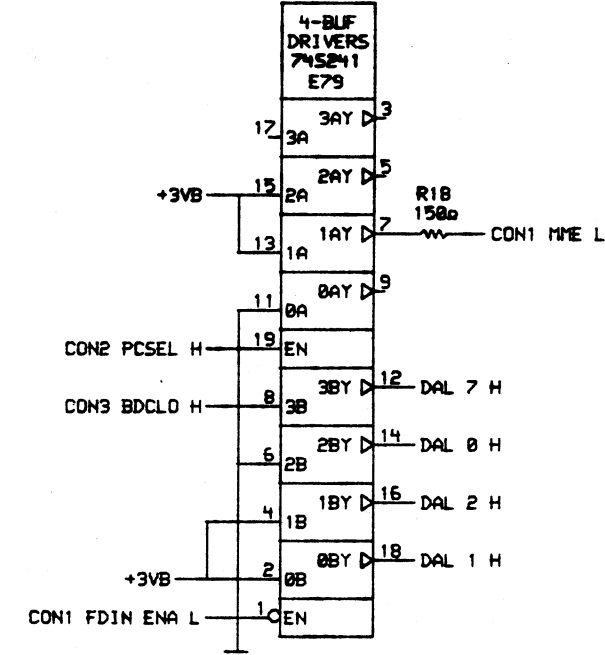
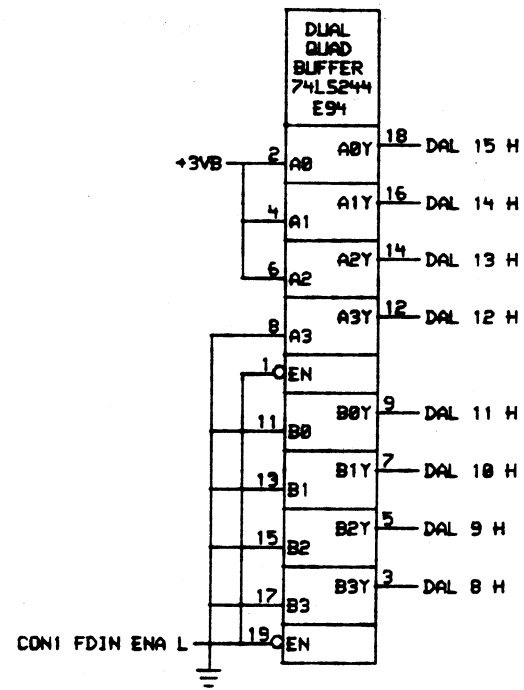


DRN.	DATE	ENG.	DATE	TITLE:	2080 CONSOLE
CHK'D.	DATE	BOARD LOCATION:			
VILCAN (2080-L0063) MSLP.DWG 107-MAY-82 11:05 NEXT HIGHER ASSEMBLY:				SIZE	CODE
FIRST USED ON OPTION MODEL: 2080				D-DD-L0063-0	
				NUMBER	REV.
				D C5 L0063-0-CON2	

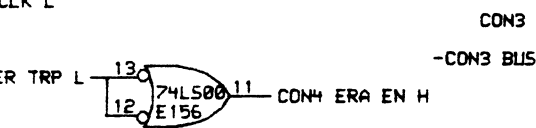
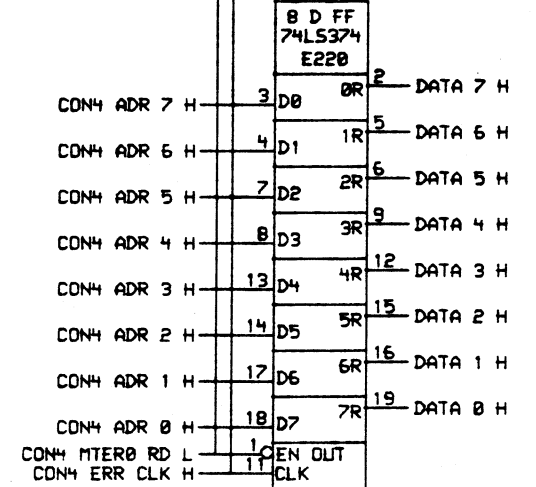
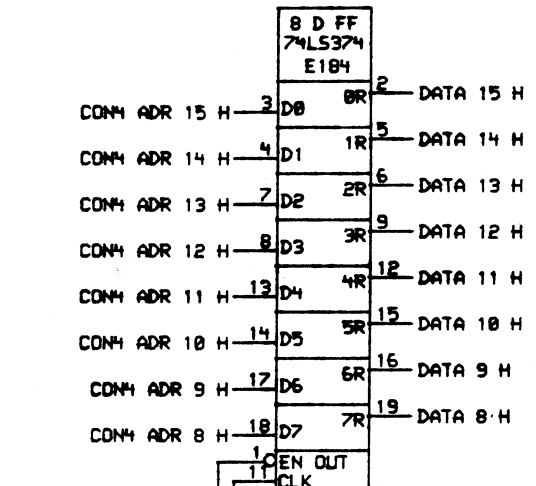
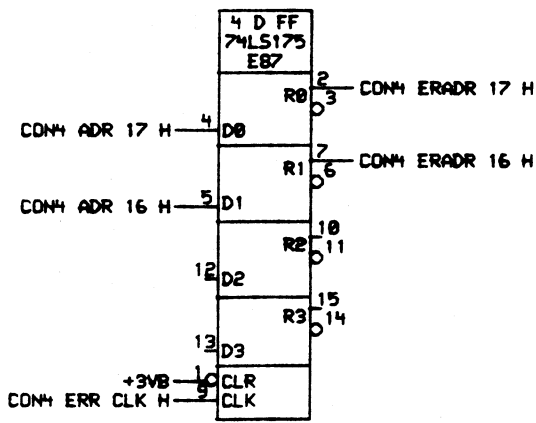
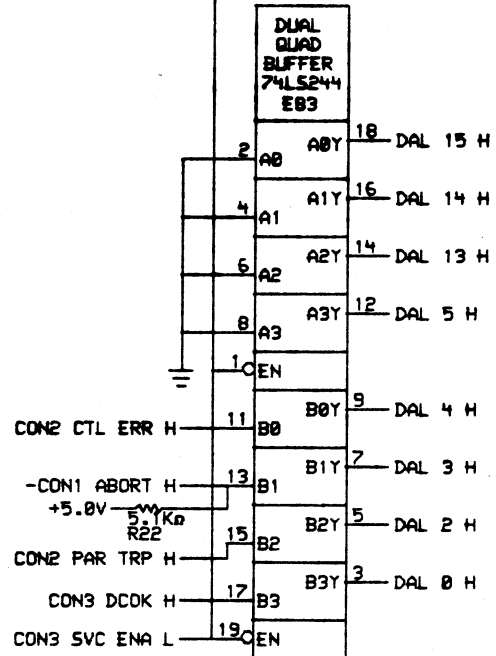
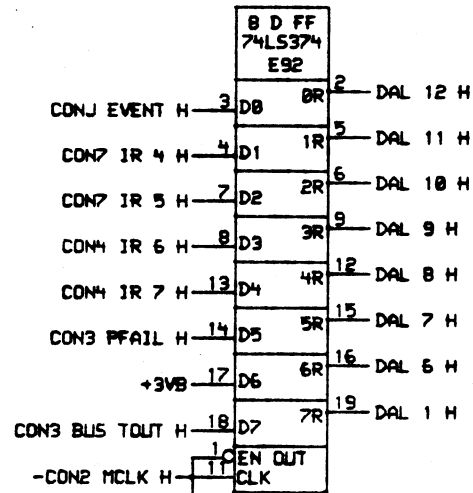


DRN.	DATE	ENG.	DATE	TITLE:
CHK'D.	07-APR-82			2080 CONSOLE
VIL CANI CP080.L 0063)CSL 3.DRW [31-MAR-82 10:09		BOARD LOCATION:		SIZE CODE
FIRST USED ON OPTION MODEL: 2080		NEXT HIGHER ASSEMBLY:		NUMBER
		D-DD-L0063-0		REV.

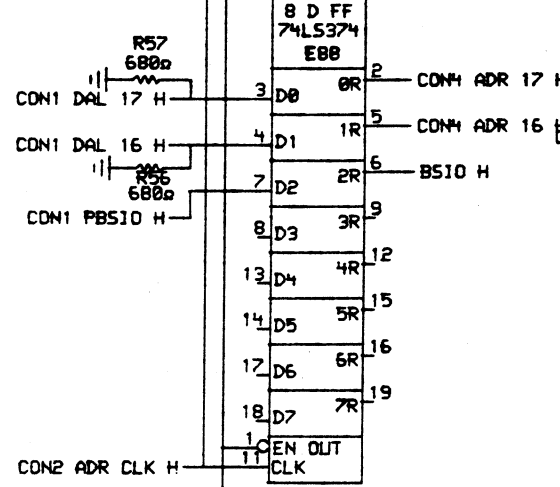
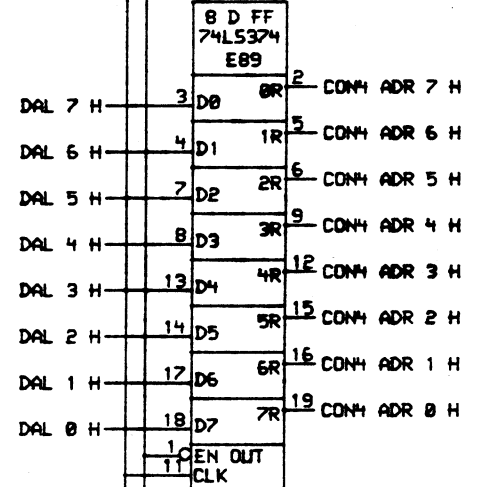
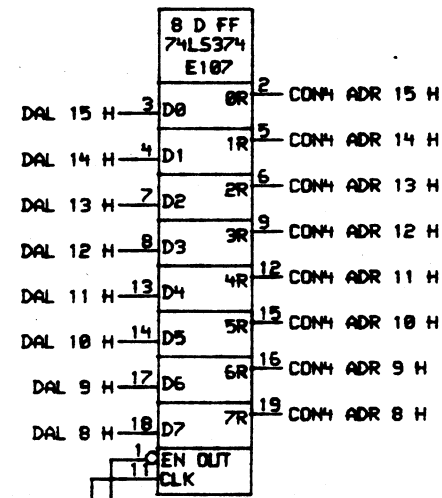
POWER UP



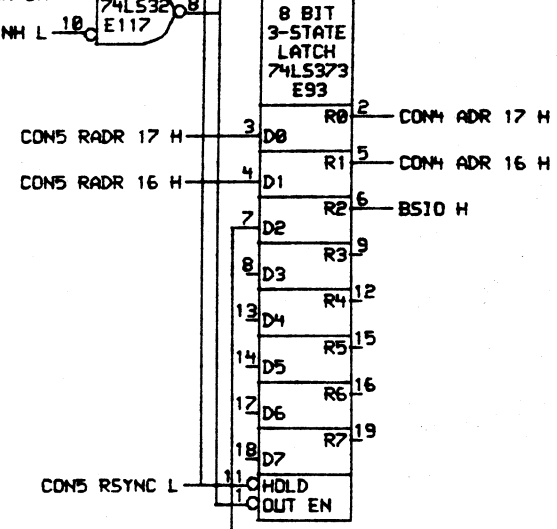
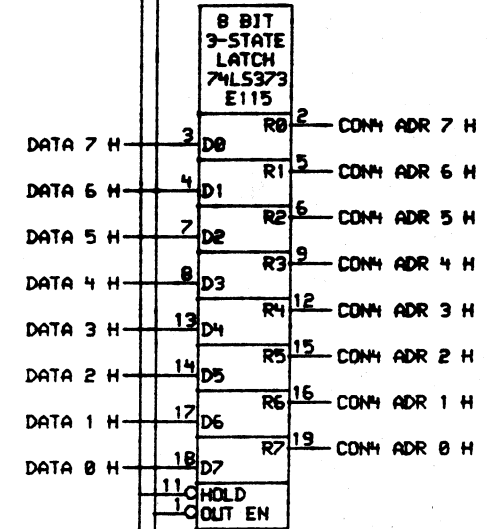
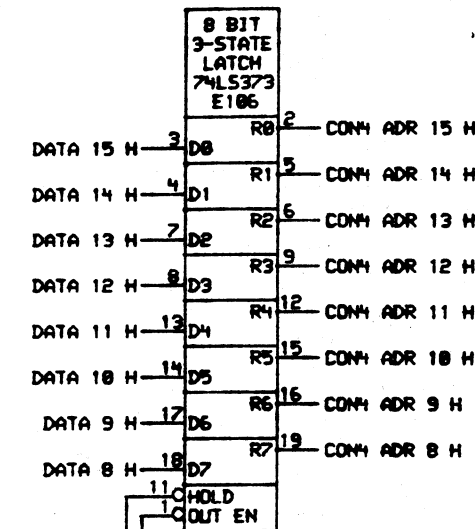
SERVICE



AD. RES. LATCH

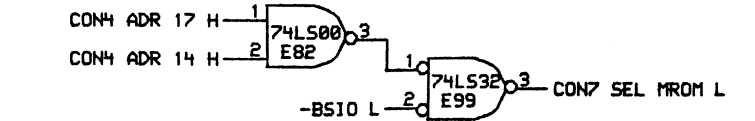
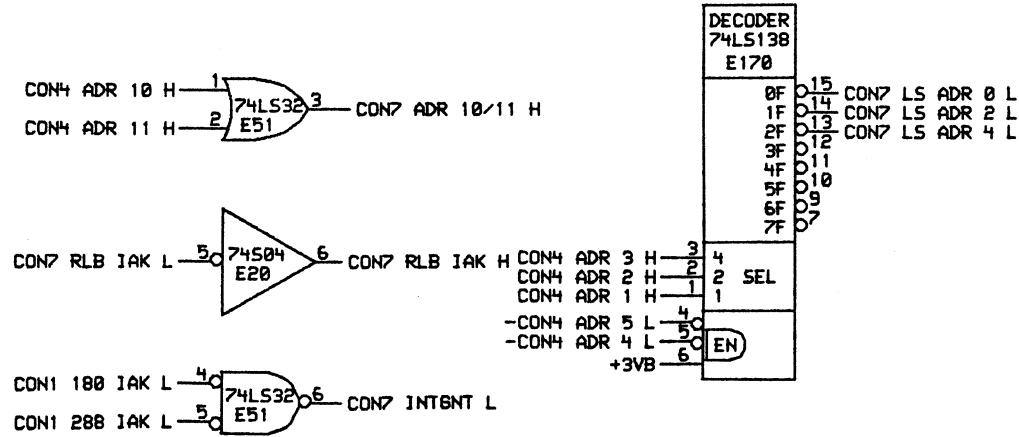
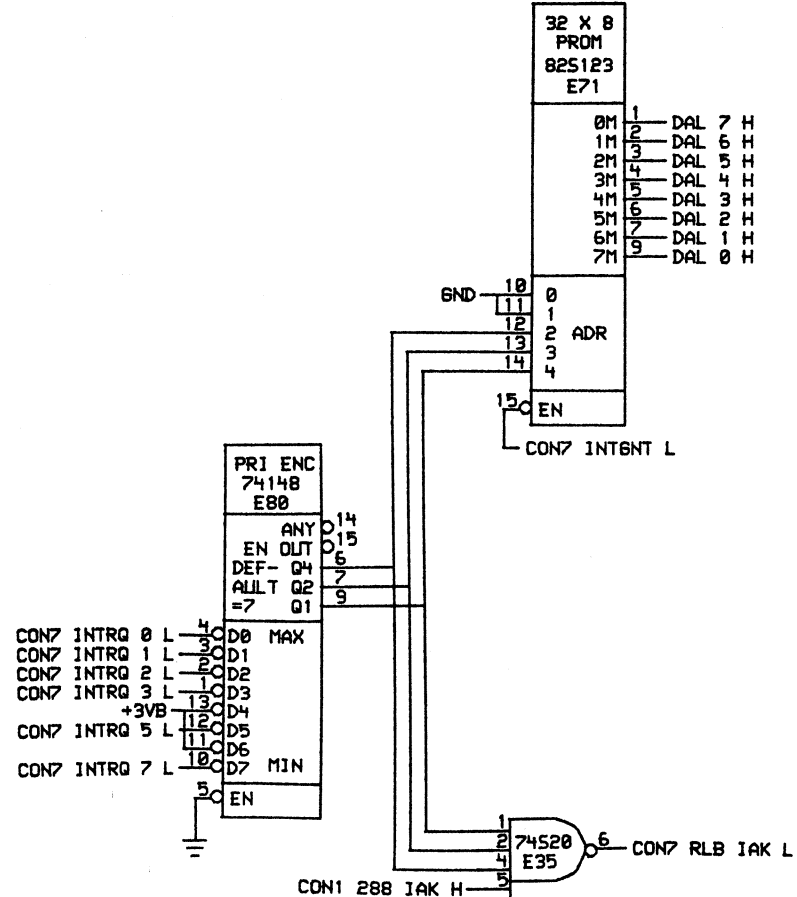
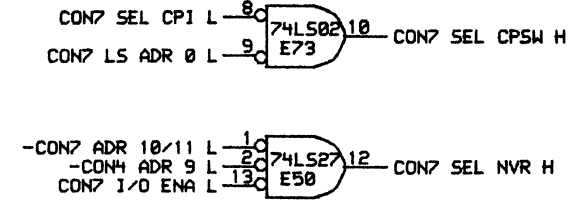
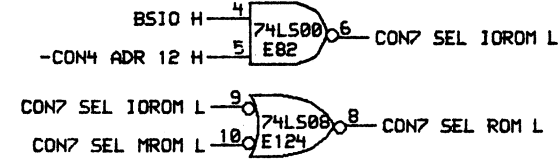
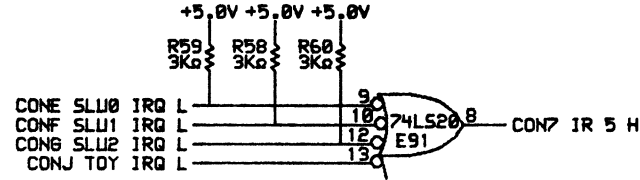
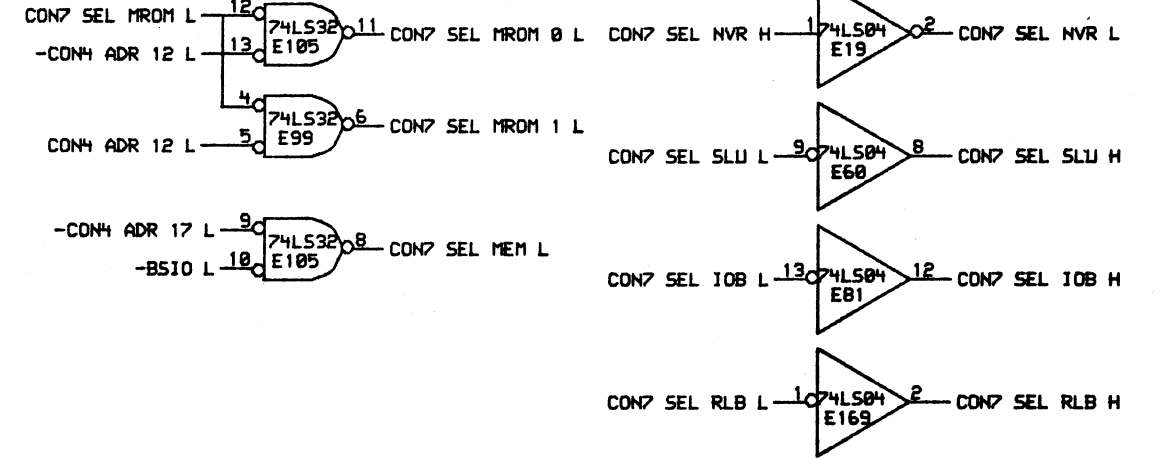
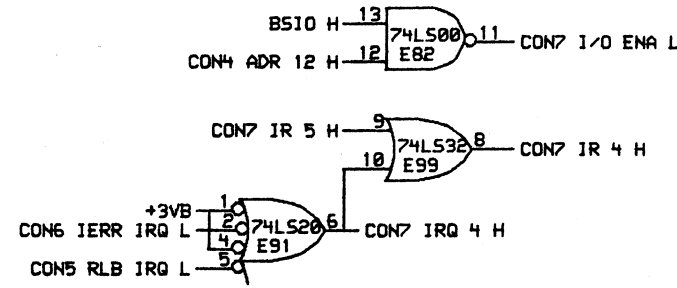
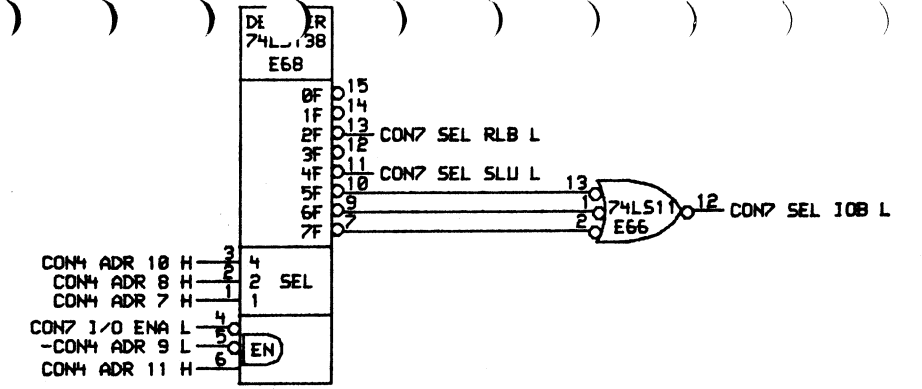
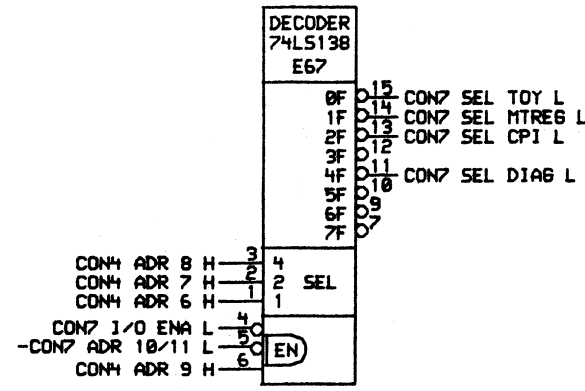
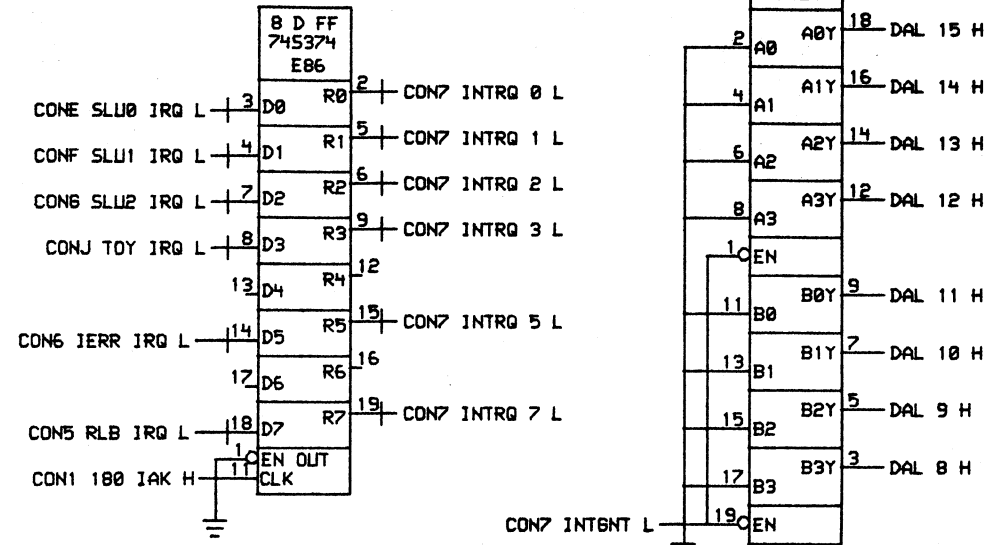


DM1 ADDRESS LATCH

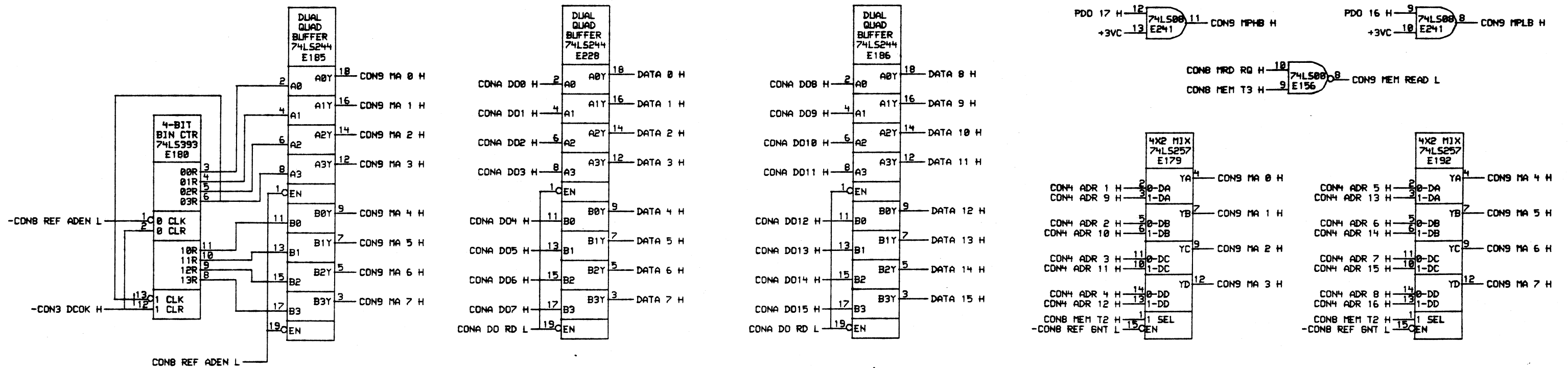
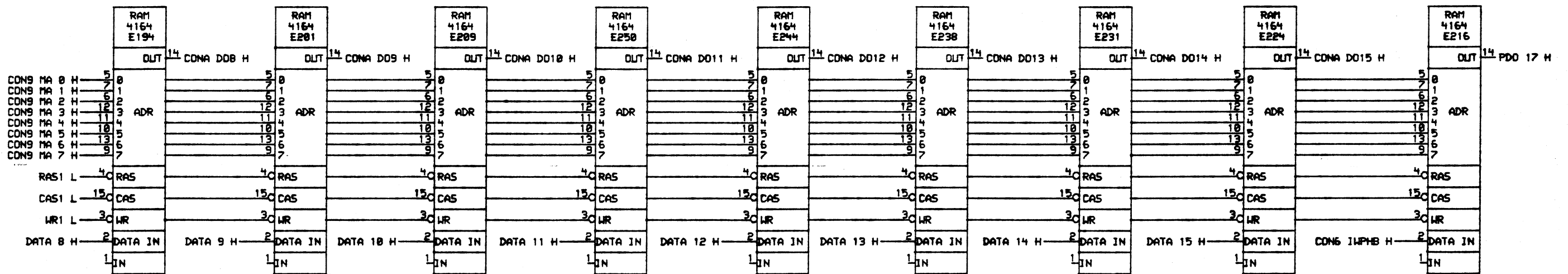
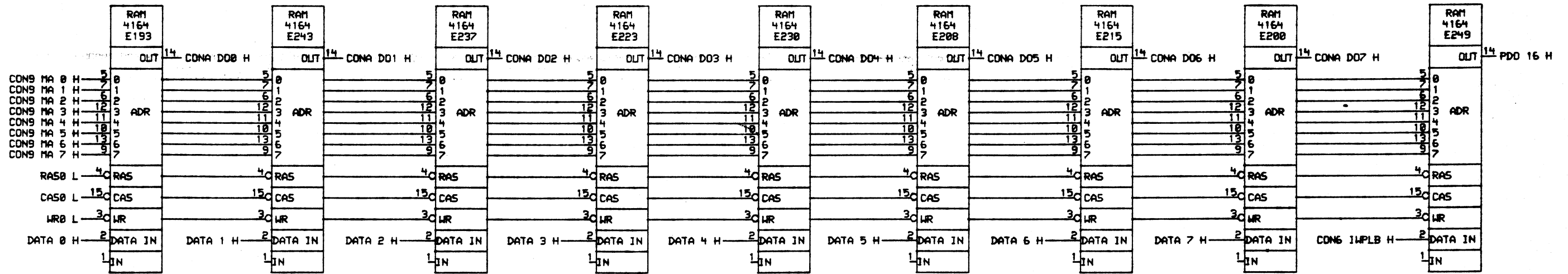


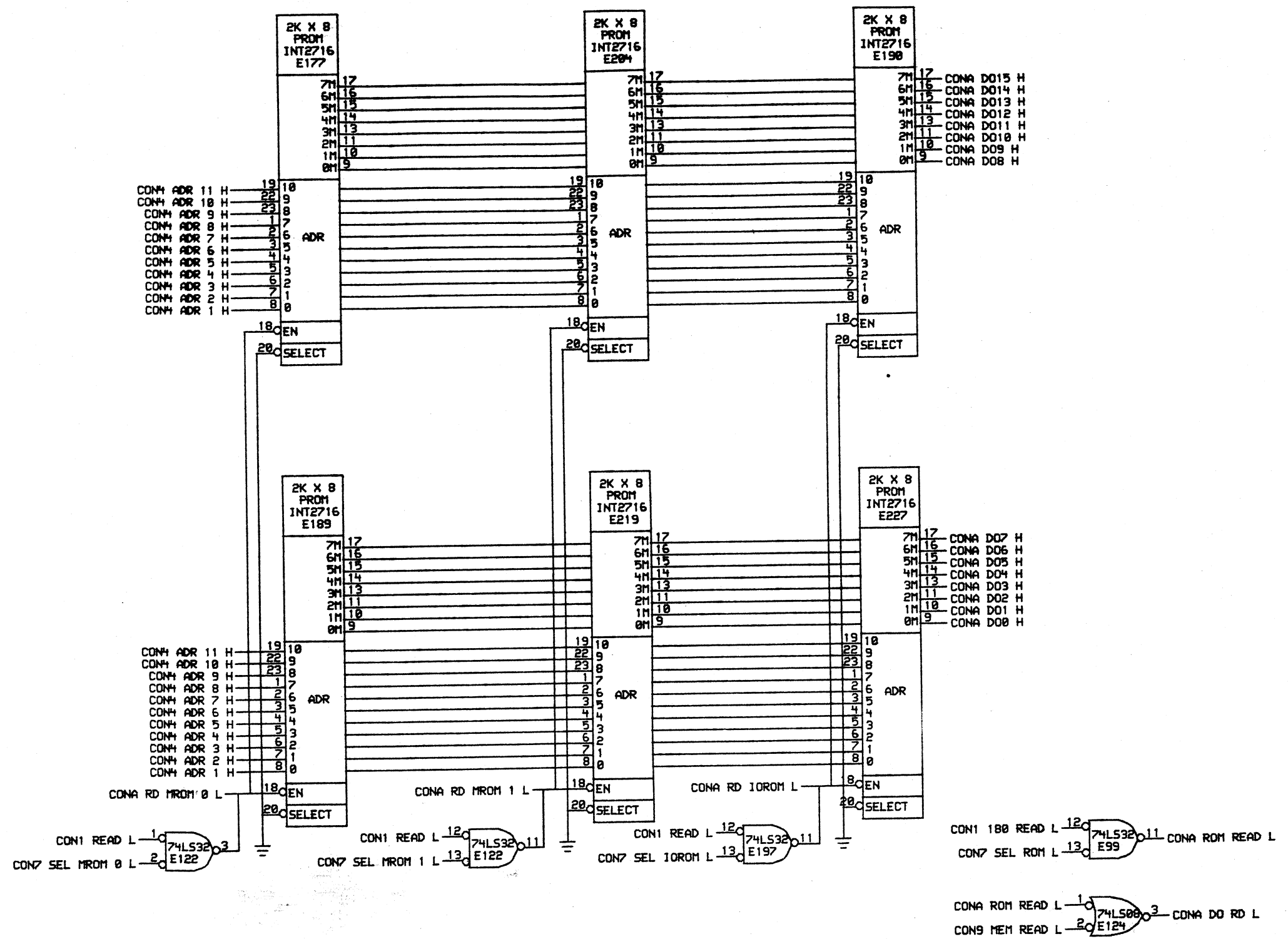
DRN.	DATE	ENG.	DATE	TITLE:
CHK'D.	DATE	BOARD LOCATION:		CONSOLE
VILCAN (2000.L0063)SCL4.DRW 07-MAY-82 11:25		NEXT HIGHER ASSEMBLY:		SIZE CODE
FIRST USED ON OPTION/MODEL: 2080		D-DD-L0063-0		NUMBER
				REV.

INT VECTOR REG

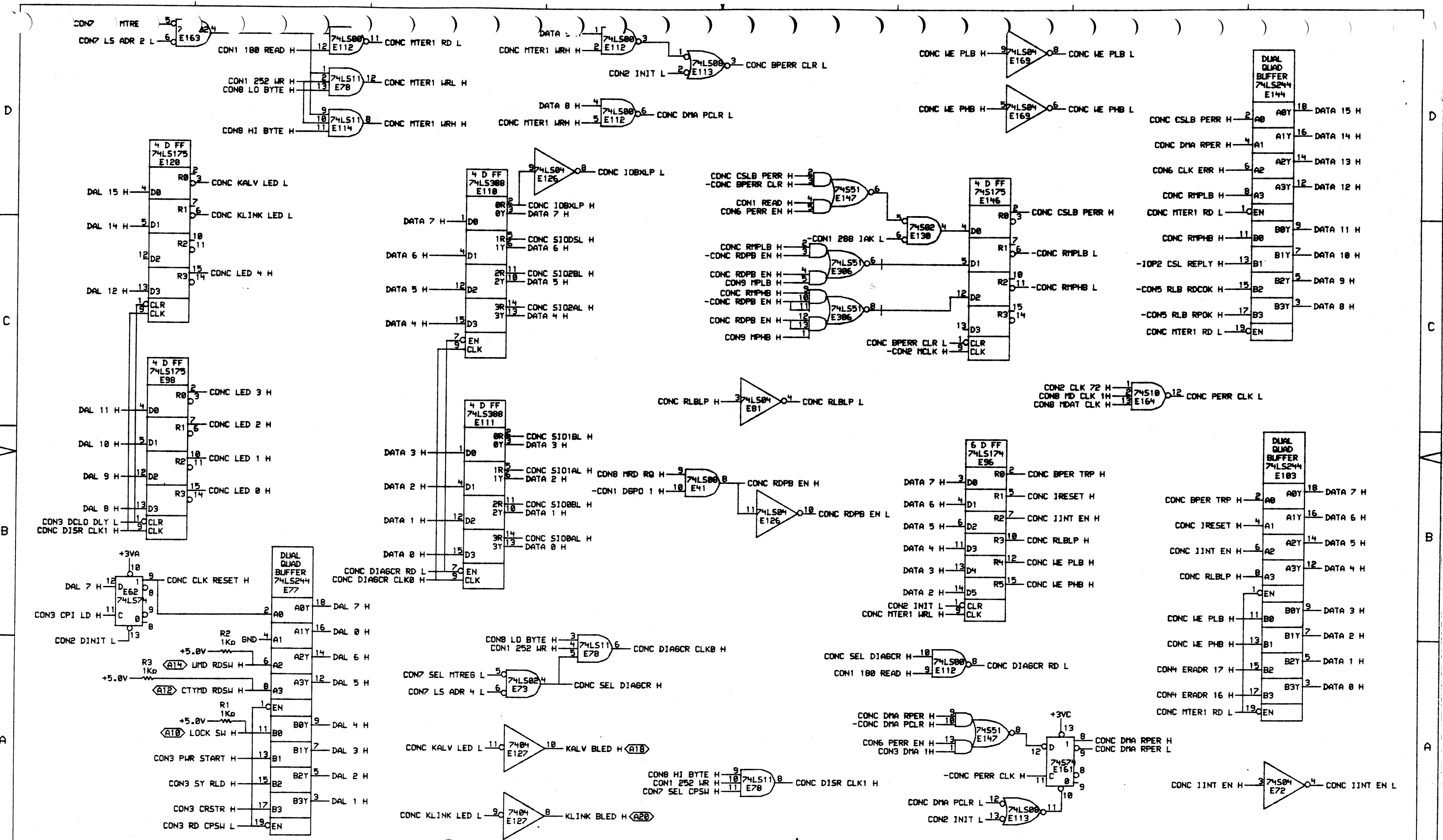


DRN.	DATE	ENG.	DATE	TITLE:
CHK'D.	DATE	BOARD LOCATION	SHEET	OF
VILCANI (2080, L0063) 3CSL7.DRN 31-MAR-82 11:27 NEXT HIGHER ASSEMBLY:				2080 CONSOLE MISCELLANEOUS
FIRST USED ON OPTION MODEL:	2080	D-DD-L0063-0	SIZE CODE	NUMBER
			D	CS L0063-0-CON7
				REV.



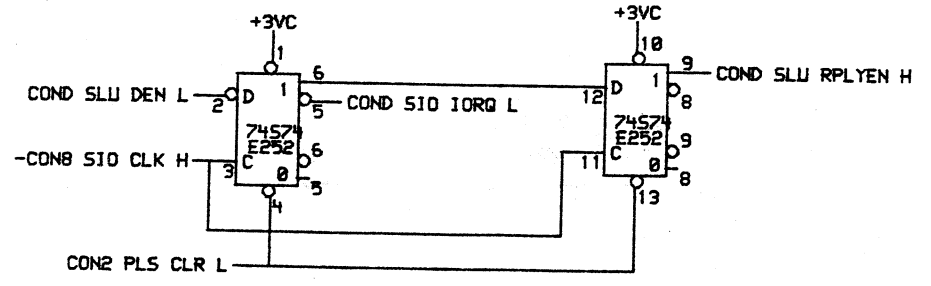
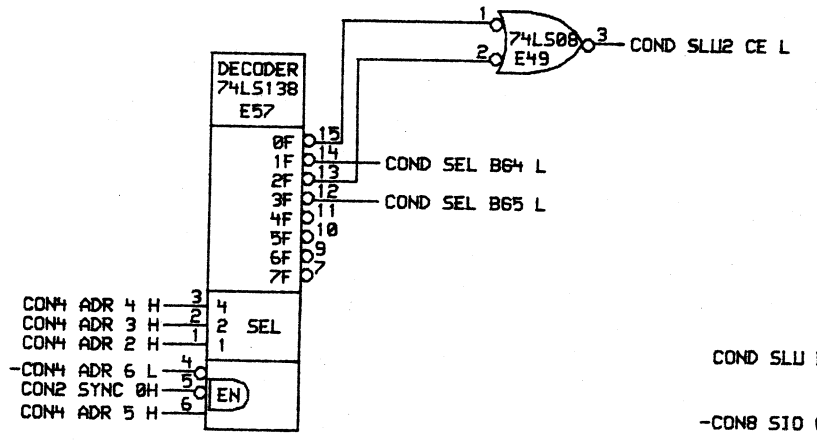
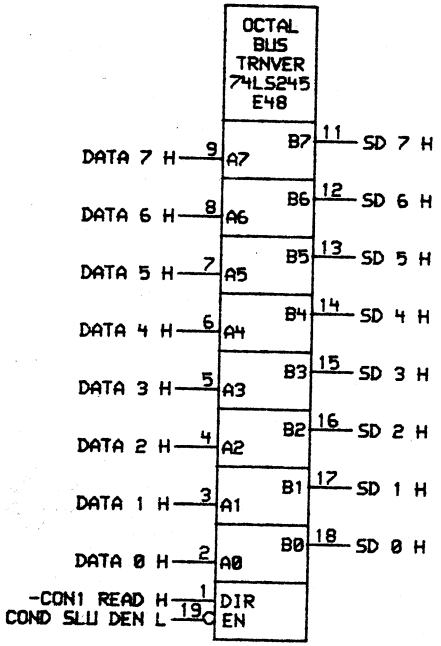
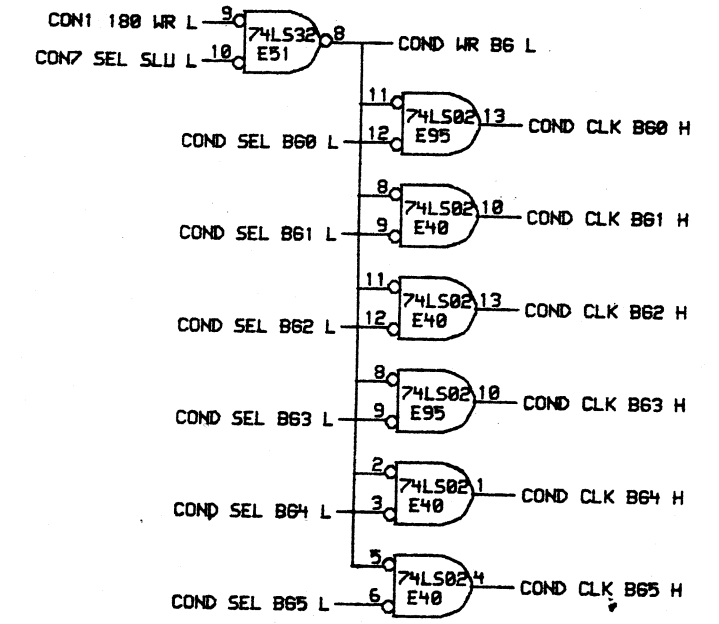
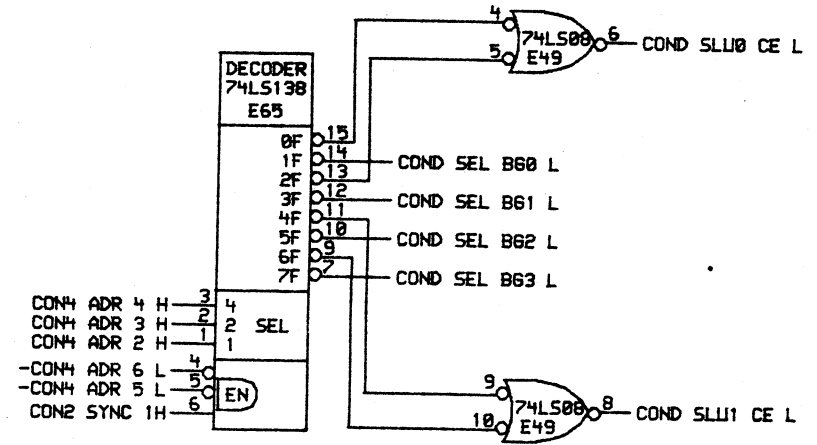
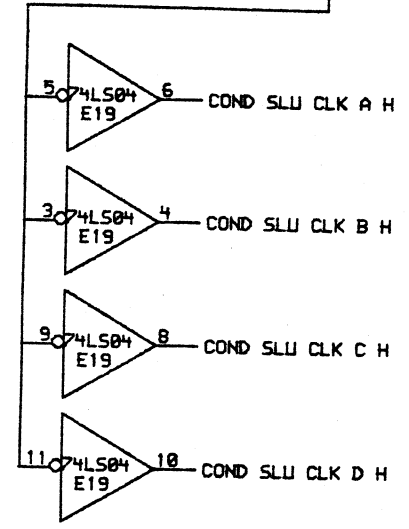
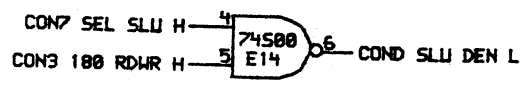
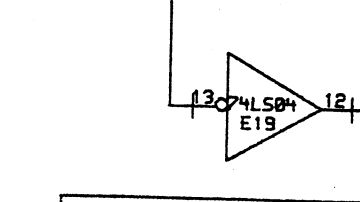


DRN.	DATE	ENG.	DATE	TITLE:
CHK'D.	DATE	BOARD LOCATION:	SHEET	OF 1
VILCANI (2080.L0063)CLA.DRW 13-NOV-80 10:44				NEXT HIGHER ASSEMBLY:
FIRST USED ON OPTION/MODEL: 2080				D-DD-L0063-0
SIZE	CODE	NUMBER	REV.	
D	CS	L0063-0-CONA		

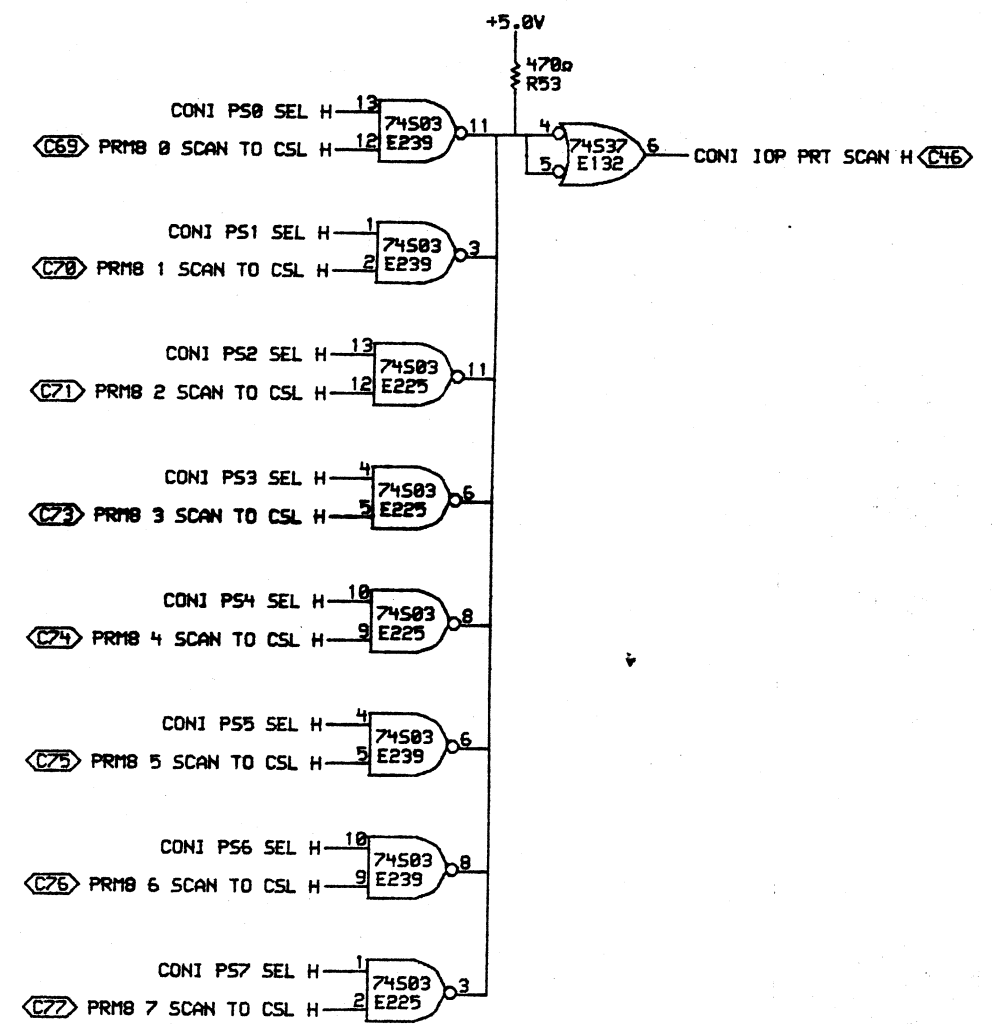
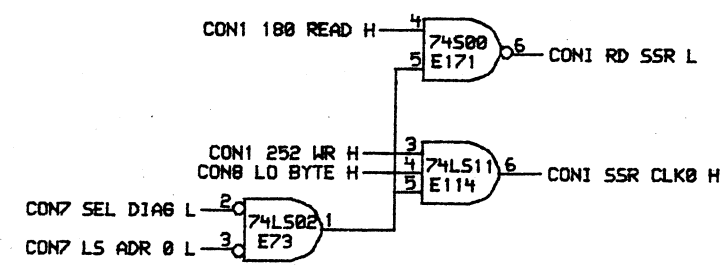
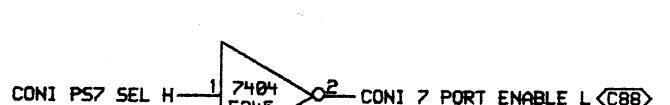
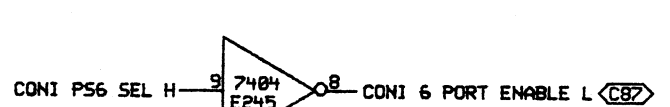
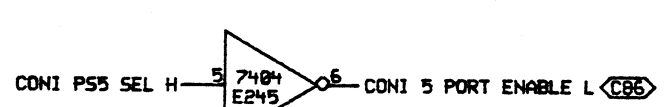
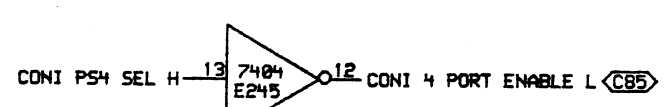
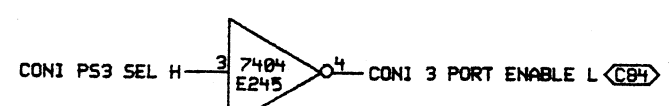
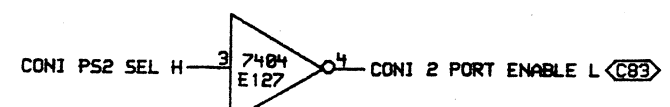
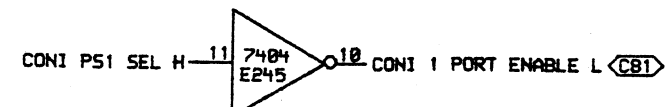
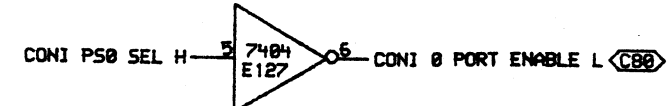
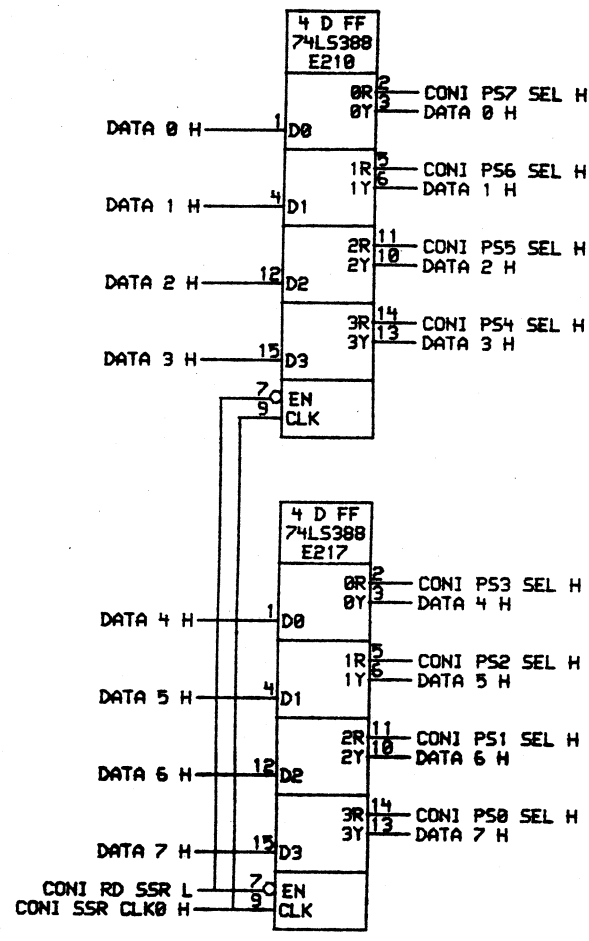


DRN.	DATE	ENG.	DATE	TITLE:	2080 CONSOLE
CHK'D.	DATE	BOARD LOCATION:	SHEET	OF	1
VILCAN (2080) L0063-0-CONC.DRM	05-MAY-82	10:42	NEXT HIGHER ASSEMBLY:	SIZE	CODE
FIRST USED ON OPTION/MODEL:	2080	D-DD-L0063-0	NUMBER	L0063-0-CONC	REV.

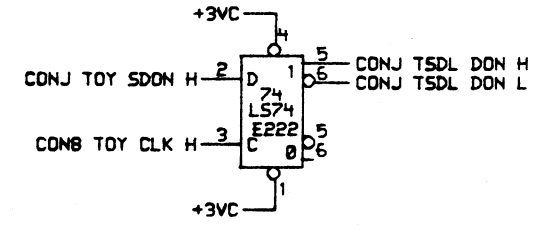
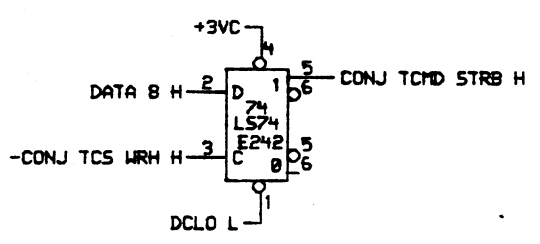
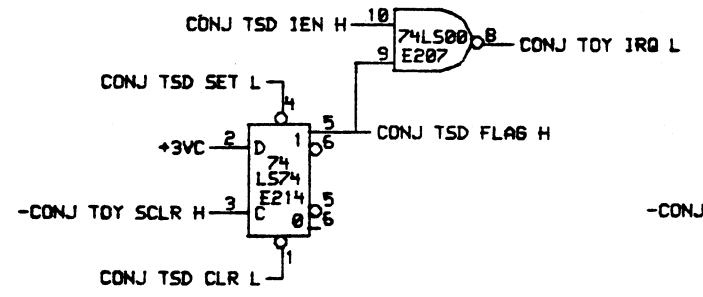
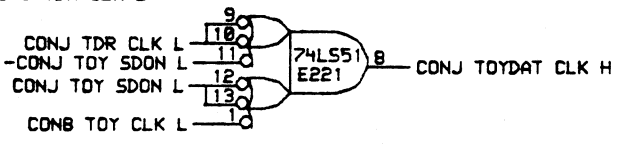
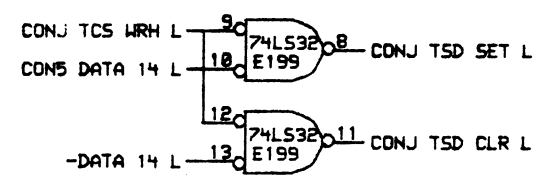
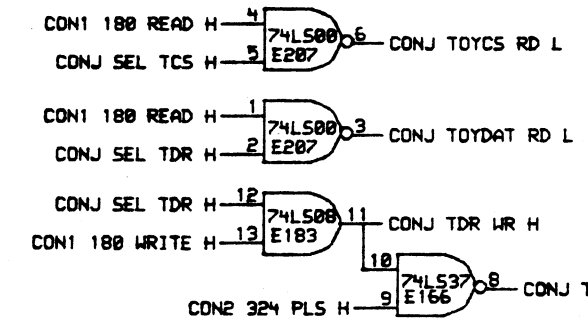
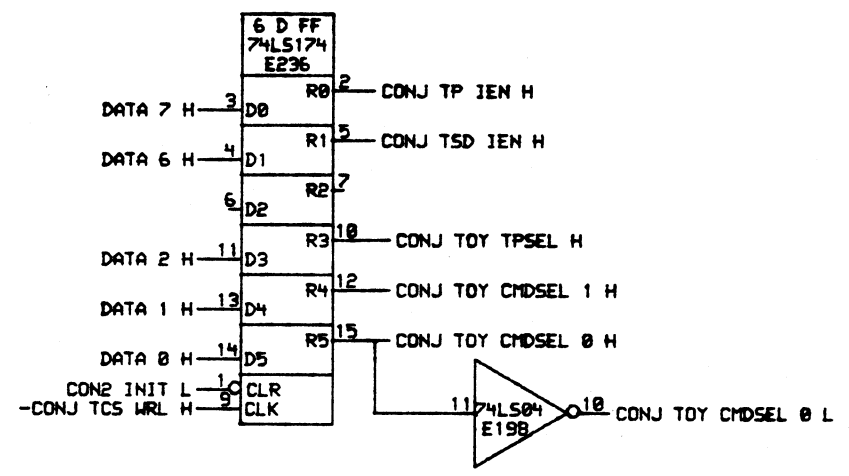
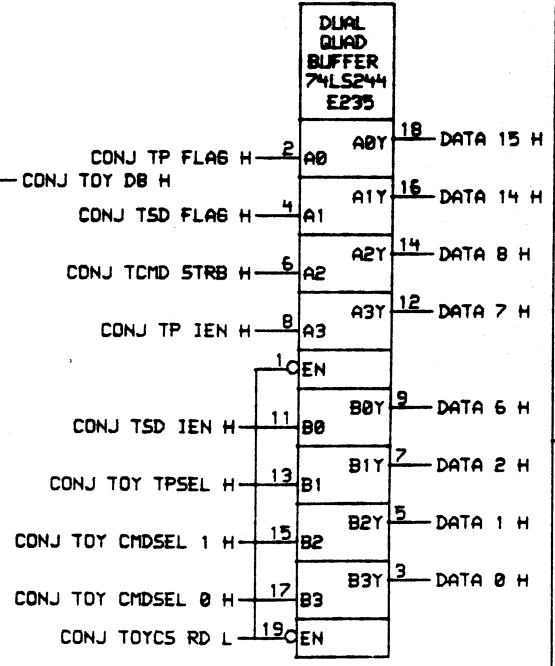
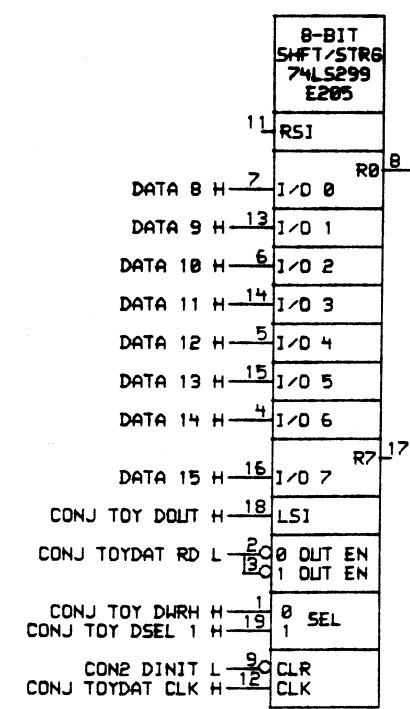
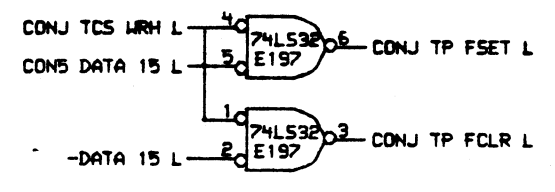
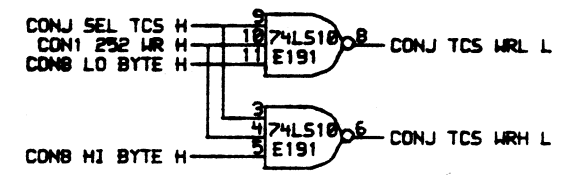
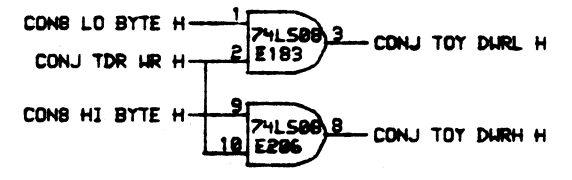
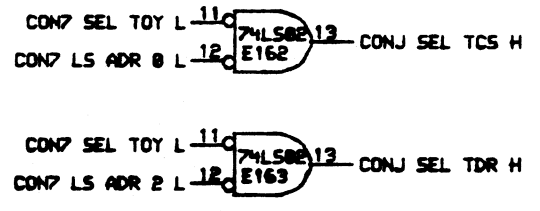
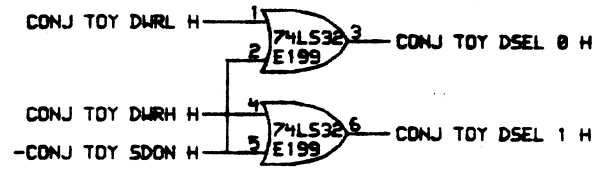
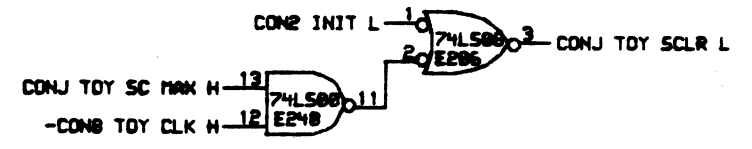
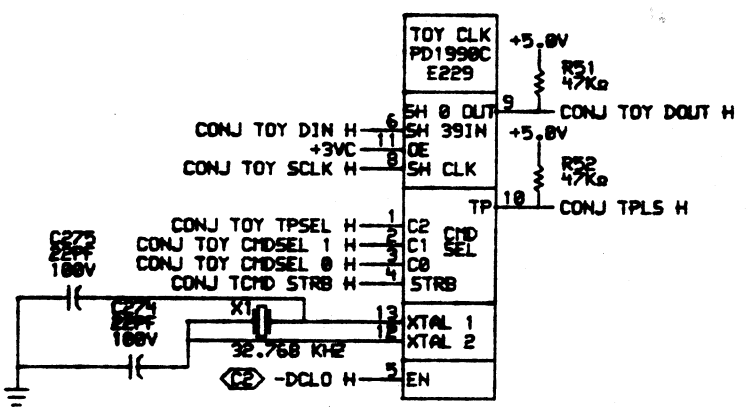
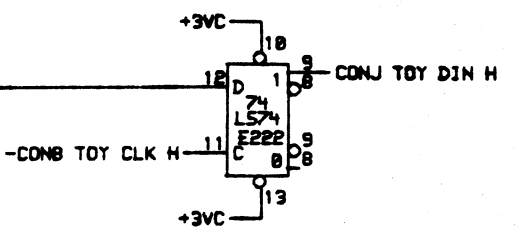
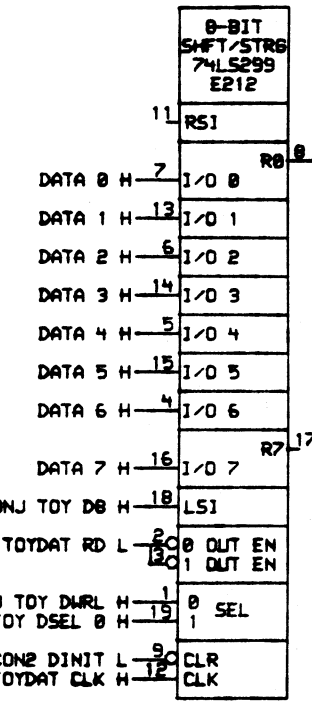
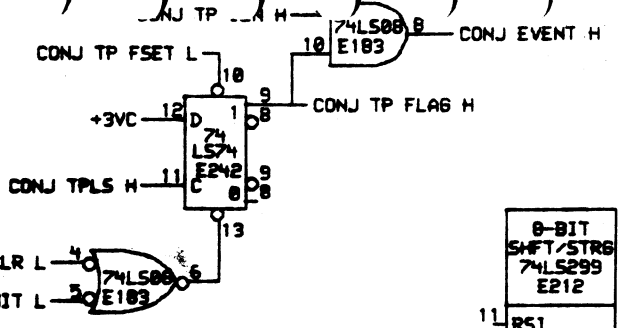
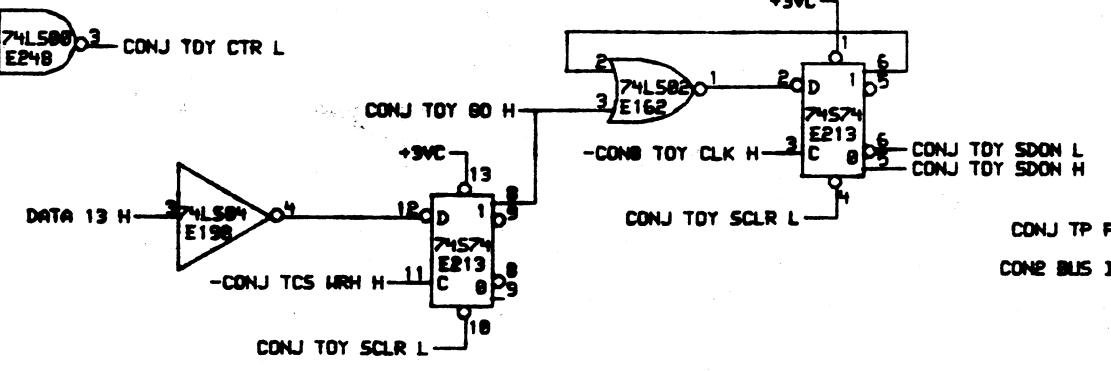
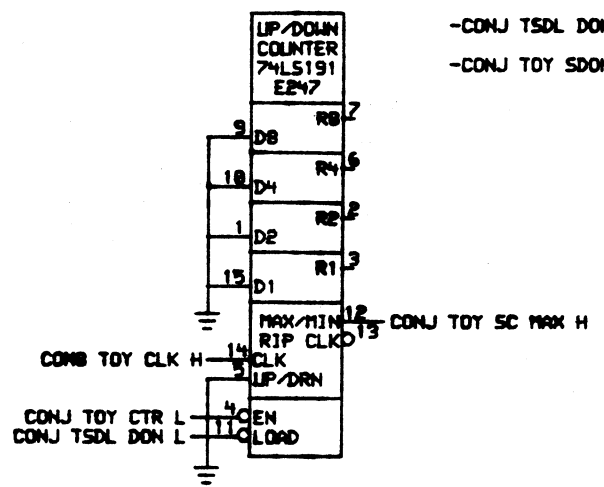
5.0688 MHz
CRYSTAL
OSC
E300



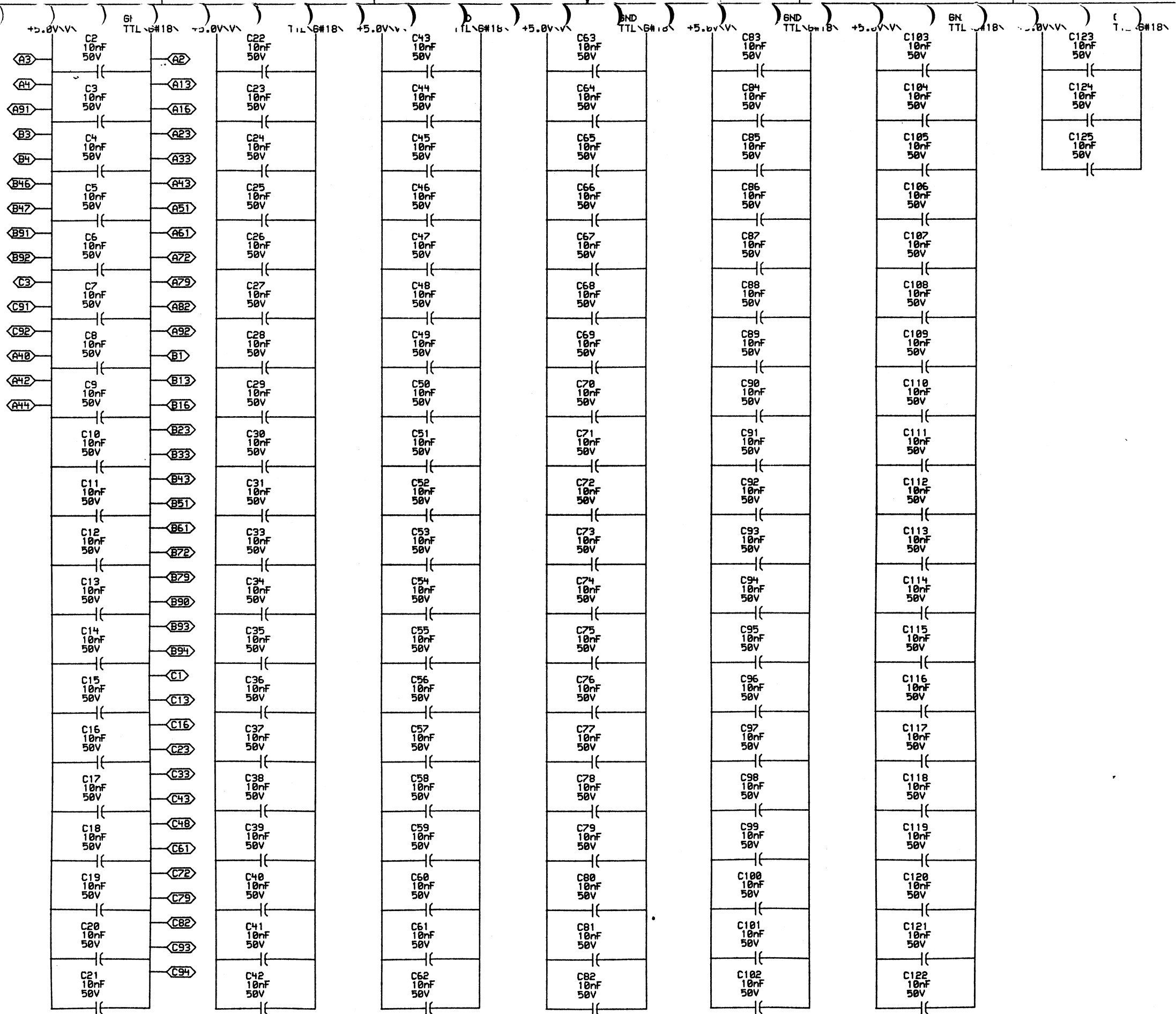
DRN.	DATE	ENG.	DATE	TITLE:
CHK'D.	12-JAN-82			2080 CONSOLE
VLLCAN (2080-L0063)ICSLD.DRW		16-OCT-81 16:58		NEXT HIGHER ASSEMBLY:
FIRST USED ON OPTION/MODEL: 2080		D-DD-L0063-0		SIZE CODE NUMBER REV.
				D CS L0063-0-COND



DRN.	DATE	ENG.	DATE	TITLE:
CHK'D.	DATE	BOARD LOCATION:	SHEET	1 OF 1
VILCAN (2080, L0063) ECL1.DRW [23-OCT-81 09:42] NEXT HIGHER ASSEMBLY:				SIZE CODE NUMBER REV.
FIRST USED ON OPTION/MODEL: 2080 D-DD-L0063-0				D CS L0063-0-CONI

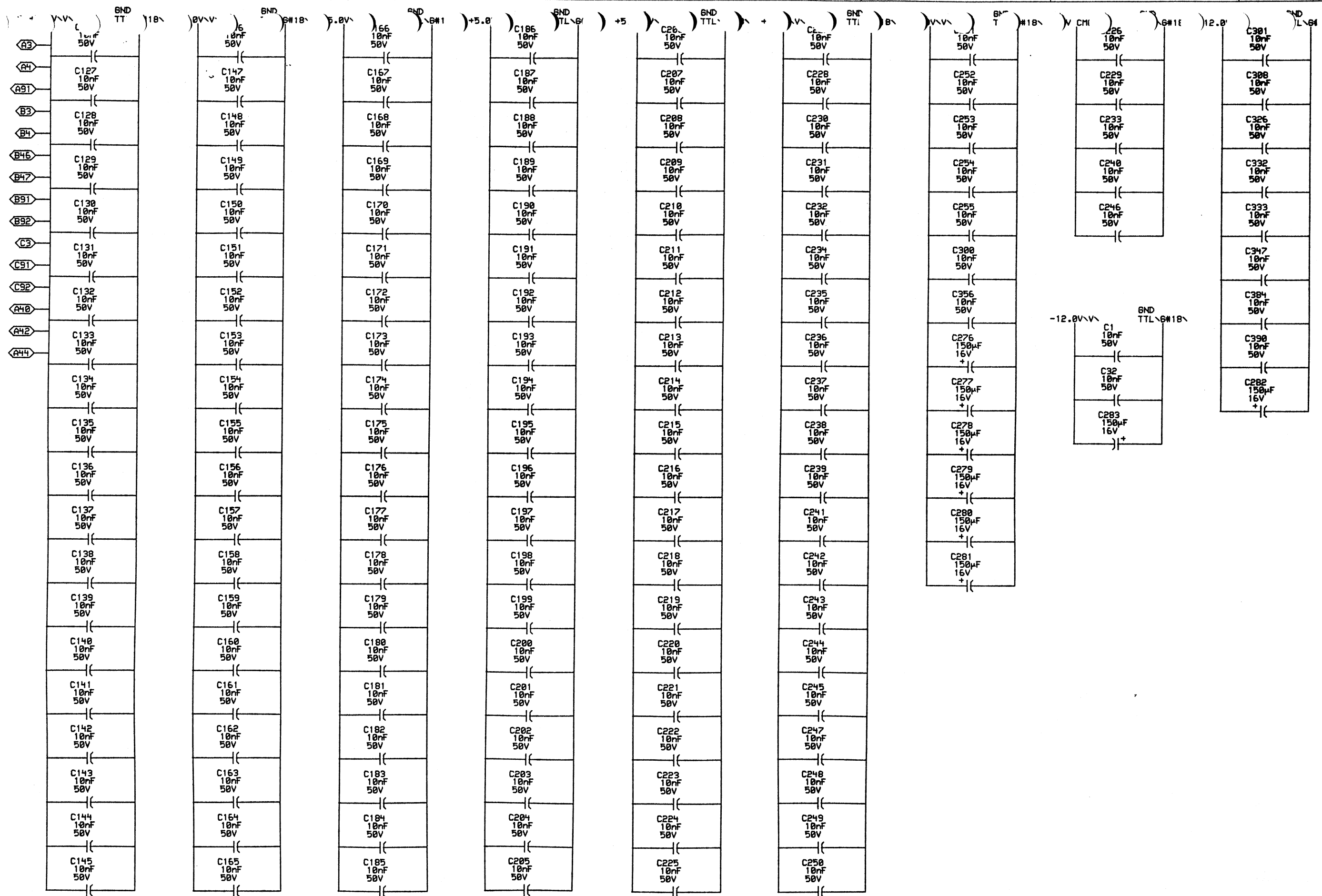


DRN.	DATE	ENG.	DATE	TITLE:	2080 CONSOLE
CHK'D.	DATE	BOARD LOCATION:			
MIL-CAN (FORM L063) REVISION 07-MAY-82 11:31 NEXT HIGHER ASSEMBLY:				SIZE	CODE
FIRST USED ON OPTION MODEL: 2000				D-DD-L063-0	NUMBER
				D	REV.



DRN.	DATE	ENG.	DATE	TITLE:
CHK'D.	DATE	BOARD LOCATION:	SHEET	OF
VULCANI (2000.L0063)CSLM.DRN 31-MAR-82 14:05				NEXT HIGHER ASSEMBLY:
FIRST USED ON OPTION MODEL:				B-DD-L0063-0
SIZE	CODE	NUMBER	REV.	
D	CS	L0063-0-CSLM	*	

PLUS FIVE VOLT
POWER AND GROUND



DRN.	DATE	ENG.	DATE	TITLE:
CHK'D.	DATE	BOARD LOCATION:	SHEET	OF
VILCANI (2000.L0063)PCSLN.DRW 31-MAR-82 14:08 NEXT HIGHER ASSEMBLY:				SIZE CODE
FIRST USED ON OPTION MODEL:				NUMBER
B-DD-L0063-0				REV.
D				C5 L0063-0-CSLN

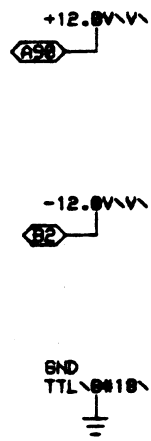
NC-A1
NC-A2
NC-A3
NC-A4
NC-A5
NC-A6
NC-A7
NC-A8
NC-A9
NC-A10
NC-A11
NC-A12
NC-A13
NC-A14
NC-A15
NC-A16
NC-A17
NC-A18
NC-A19
NC-A20
NC-A21
NC-A22
NC-A23
NC-A24
NC-A25
NC-A26
NC-A27
NC-A28
NC-A29
NC-A30
NC-A31

NC-B2
NC-B4
NC-B5
NC-B6
NC-B7
NC-B8
NC-B9

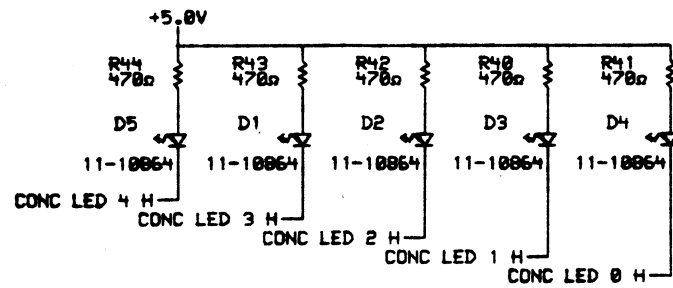
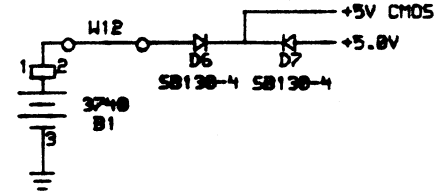
NC-C2
NC-C3
NC-C4
NC-C5
NC-C6
NC-C7
NC-C8
NC-C9
NC-C10
NC-C11
NC-C12
NC-C13
NC-C14
NC-C15
NC-C16
NC-C17
NC-C18
NC-C19
NC-C20
NC-C21
NC-C22
NC-C23
NC-C24
NC-C25
NC-C26
NC-C27
NC-C28
NC-C29
NC-C30
NC-C31
NC-C32
NC-C33
NC-C34
NC-C35
NC-C36
NC-C37
NC-C38
NC-C39
NC-C40
NC-C41
NC-C42
NC-C43
NC-C44
NC-C45
NC-C46
NC-C47
NC-C48
NC-C49
NC-C50
NC-C51
NC-C52
NC-C53
NC-C54
NC-C55
NC-C56
NC-C57
NC-C58
NC-C59
NC-C60
NC-C61
NC-C62
NC-C63
NC-C64
NC-C65
NC-C66
NC-C67
NC-C68
NC-C69
NC-C70
NC-C71
NC-C72
NC-C73
NC-C74
NC-C75
NC-C76
NC-C77
NC-C78
NC-C79
NC-C80
NC-C81
NC-C82
NC-C83
NC-C84
NC-C85
NC-C86
NC-C87
NC-C88
NC-C89
NC-C90

GND
TTL-GND
A5
A7
A9
A11
A13
A15
A17
A19
A21
A23
A25
A27
A29
A31
A33
A35
A37
A39
A41
A43
A45
A47
A49
A51
A53
A55
A57
A59
A61
A63
A65
A67
A69
A71
A73
A75

GND
TTL-GND
B5
B7
B9
B11
B13
B15
B17
B19
B21
B23
B25
B27
B29
B31
B33
B35
B37
B39
B41
B43
B45
B47
B49
B51
B53
B55
B57
B59
B61
B63
B65
B67
B69
B71
B73
B75
B77
B79
B81
B83
B85
B87

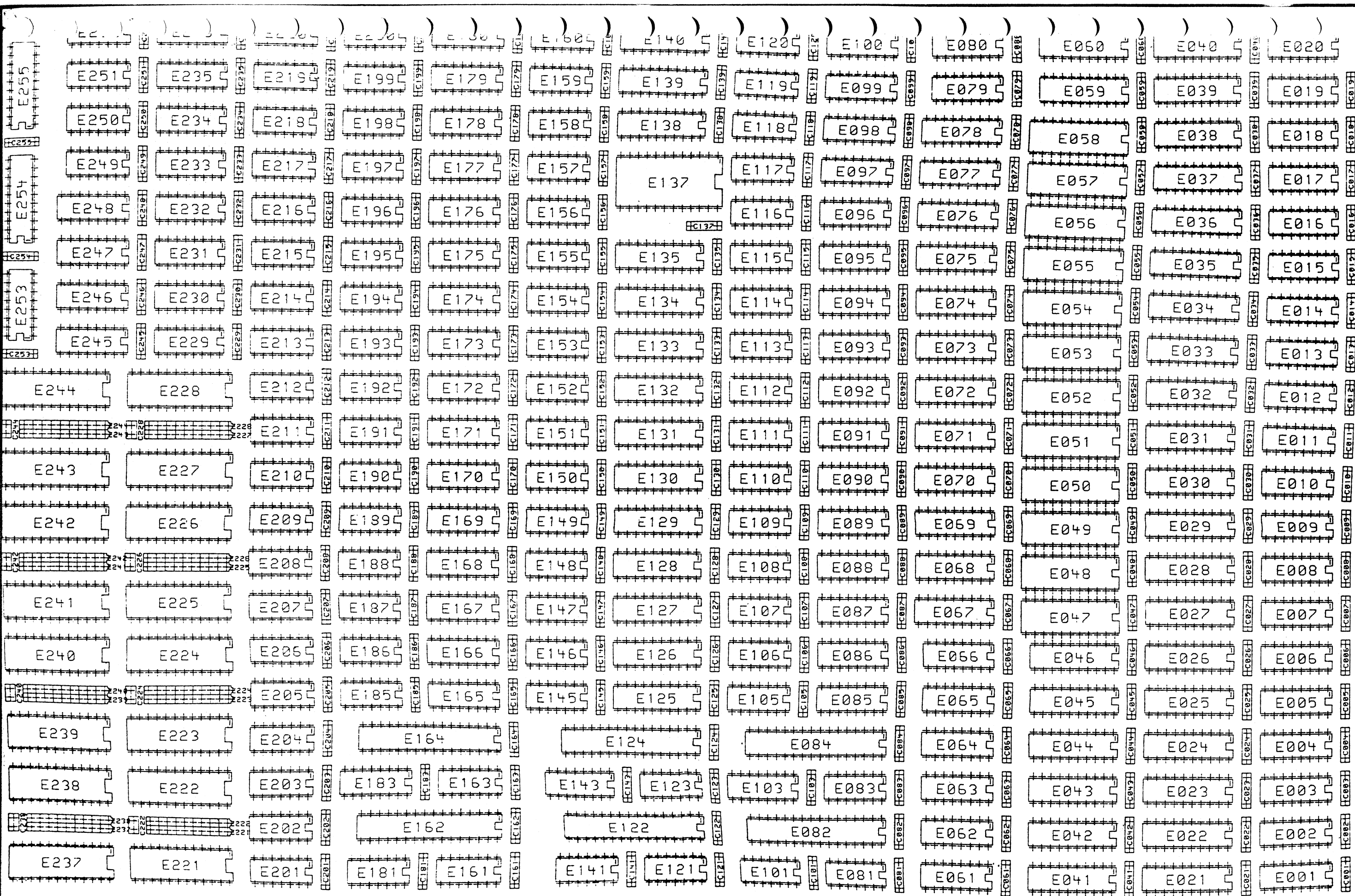


- PD1990C E229 14 +5V CMOS
- 6561 E226 18 +5V CMOS
- 6561 E248 18 +5V CMOS
- 6561 E246 18 +5V CMOS
- 6561 E233 18 +5V CMOS

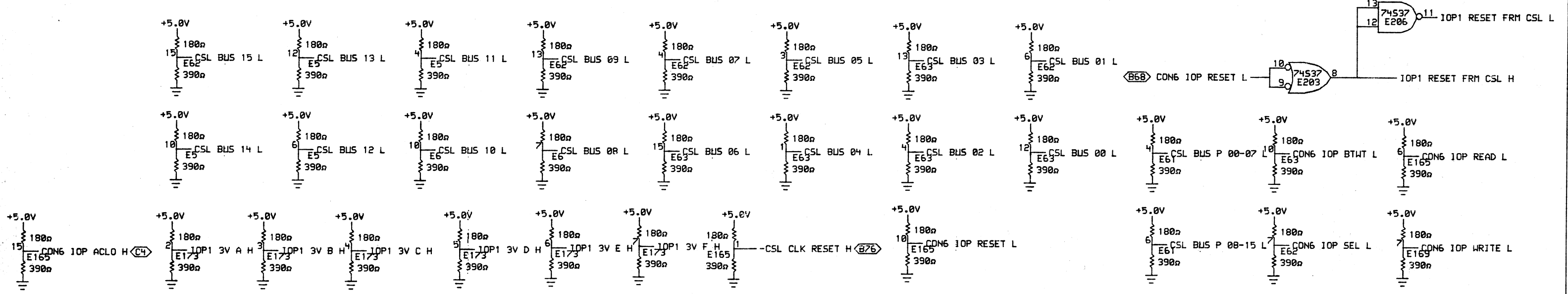
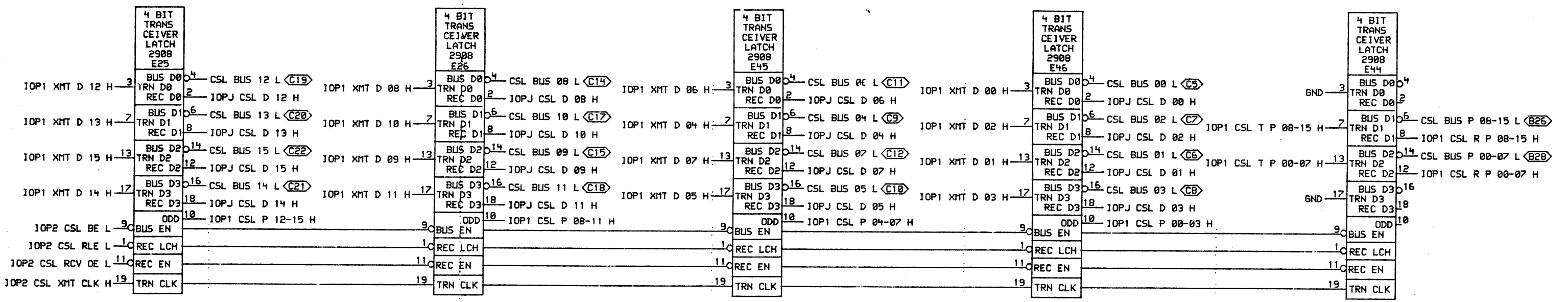
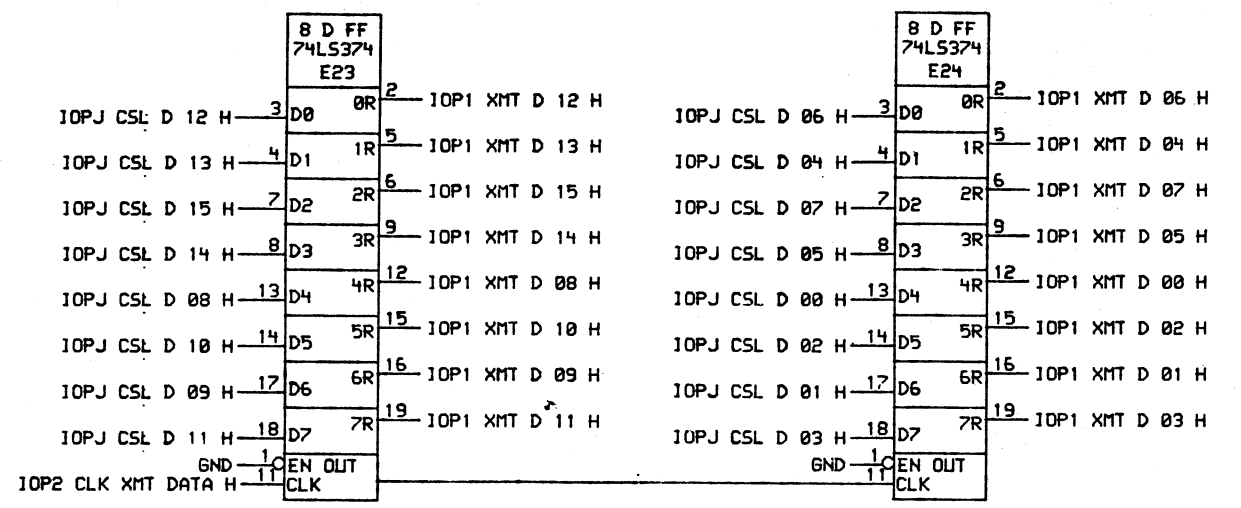
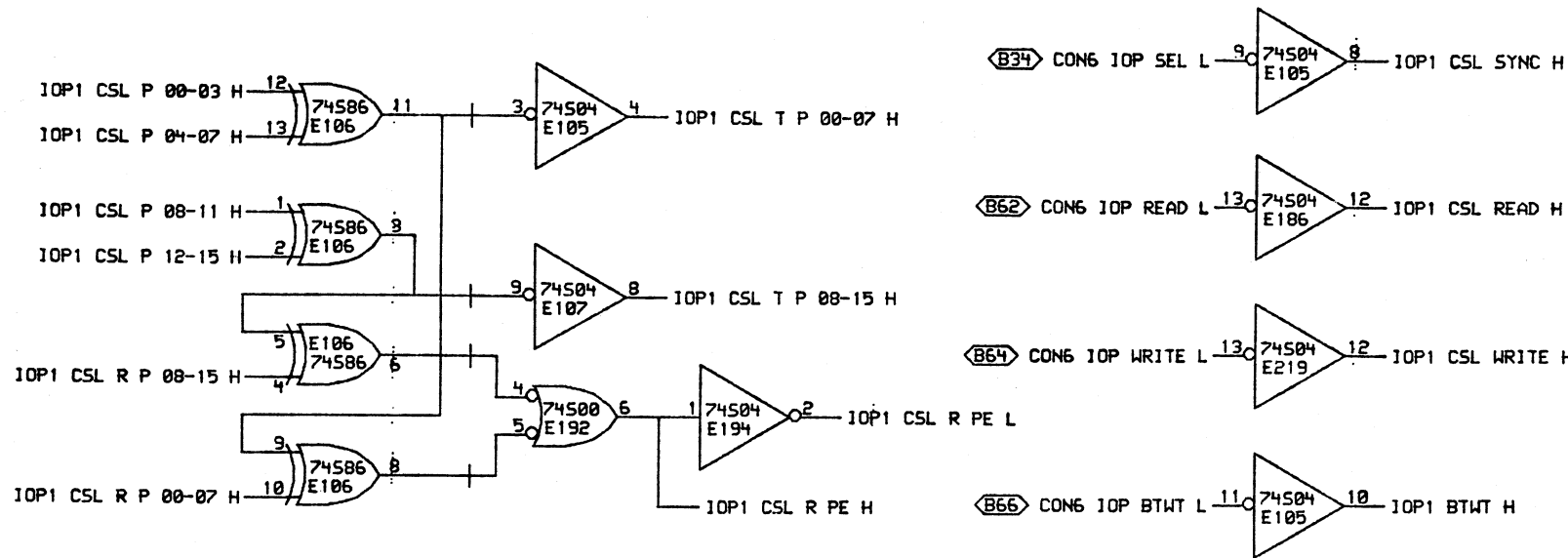


DRN.	DATE	ENG.	DATE	TITLE:
CHK'D.	DATE	BOARD LOCATION:		2080 CONSOLE
		SHEET	OF	PWR/GND
VLLCAN(2080.L0063)MCLP.DRW 07-MAY-82 14:28 NEXT HIGHER ASSEMBLY:				SIZE
FIRST USED ON OPTION/MODEL: 2080 D-DD-L0063-0				CODE
				NUMBER
				REV.
				D C5 L0063-0-CAP2

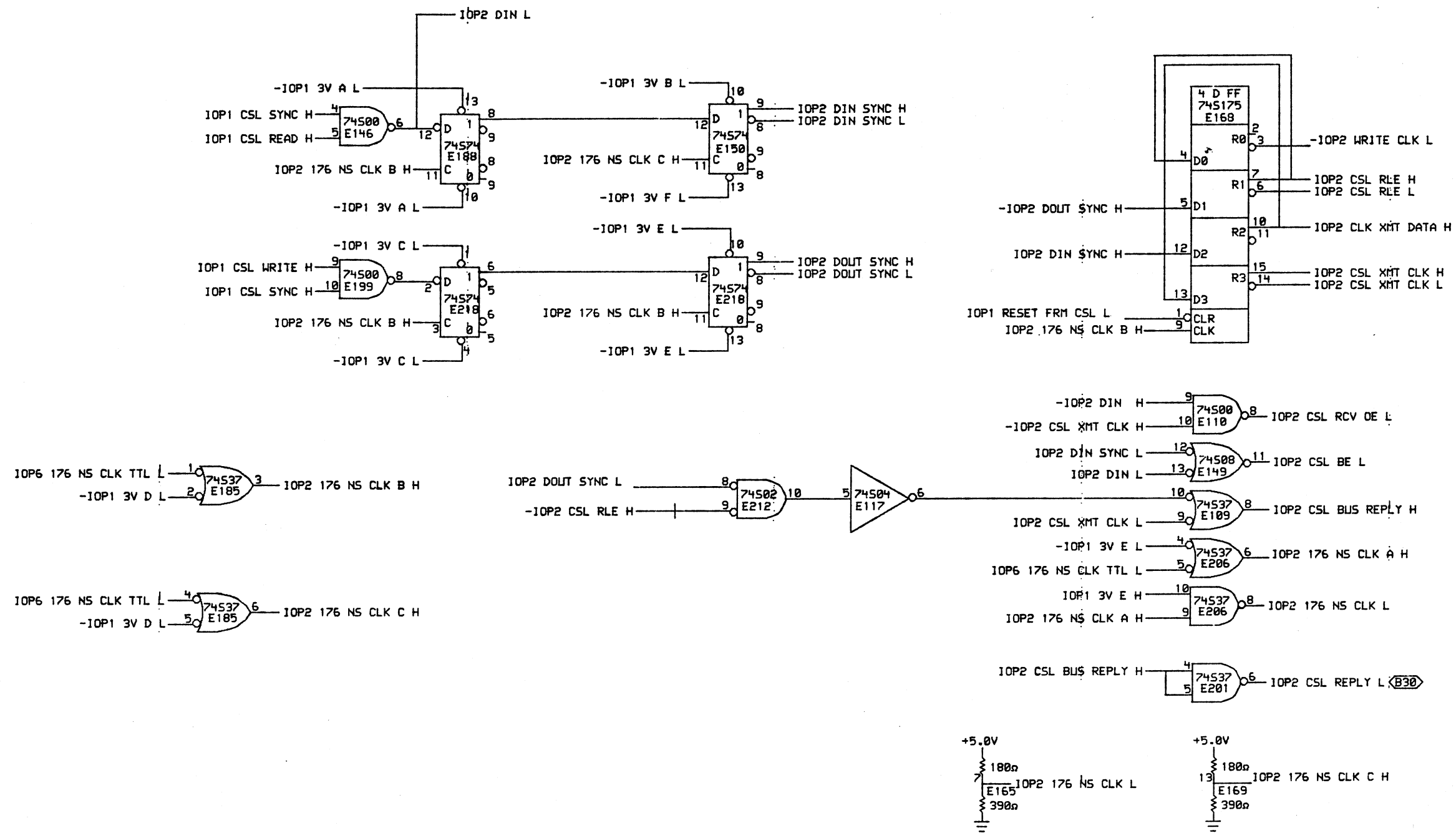
VULCAN:<2080.L0062>32IOP1
VULCAN:<2080.L0062>28IOP2
VULCAN:<2080.L0062>40IOP3
VULCAN:<2080.L0062>40IOP4
VULCAN:<2080.L0062>1IOP5
VULCAN:<2080.L0062>5IOP6
VULCAN:<2080.L0062>40IOP7
VULCAN:<2080.L0062>40IOP8
VULCAN:<2080.L0062>40IOP9
VULCAN:<2080.L0062>47IOPA
VULCAN:<2080.L0062>47IOPB
VULCAN:<2080.L0062>47IOPC
VULCAN:<2080.L0062>1IOPD
VULCAN:<2080.L0062>50IOPE
VULCAN:<2080.L0062>52IOPF
VULCAN:<2080.L0062>53IOPG
VULCAN:<2080.L0062>54IOPH
VULCAN:<2080.L0062>45IOPJ
VULCAN:<2080.L0062>50IOPK
VULCAN:<2080.L0062>51IOPL
VULCAN:<2080.L0062>27IOPM
VULCAN:<2080.L0062>47IOPN
VULCAN:<2080.L0062>43IOPD
VULCAN:<2080.L0062>IOPR
VULCAN:<2080.L0062>IOPS



TOP

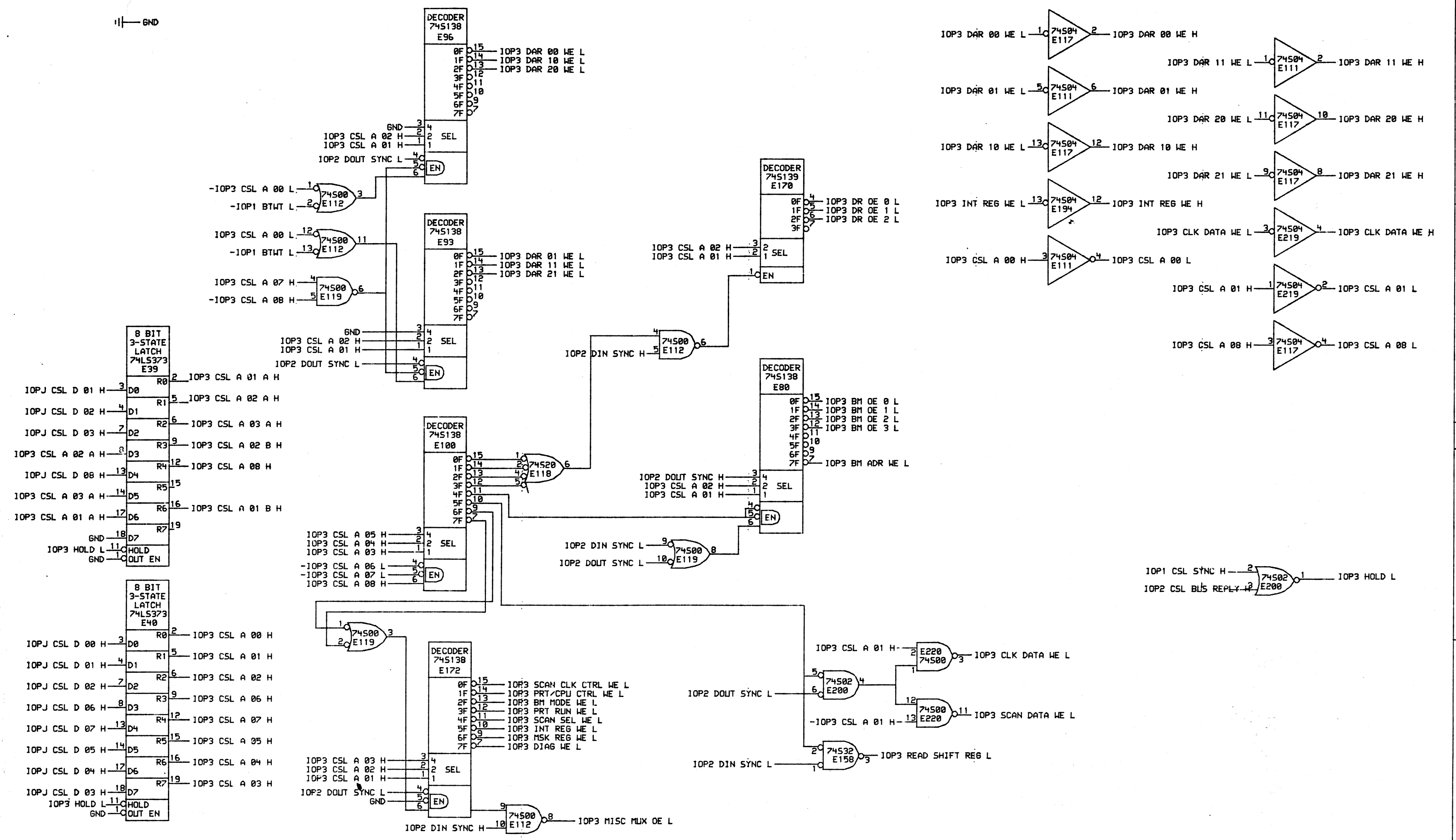


DRN.	DATE	ENG.	DATE	TITLE:
CHK'D.	07-11-82			CSL INTERFACE TRANSCEIVERS
VUL CANE (2080-1-062) IOP1.DRW		DATE		BOARD LOCATION:
FIRST USED ON OPTION/MODEL:		NEXT HIGHER ASSEMBLY:		SHEET OF
SIZE	CODE	NUMBER	REV.	
D	CS	L0062-0-IOP1		

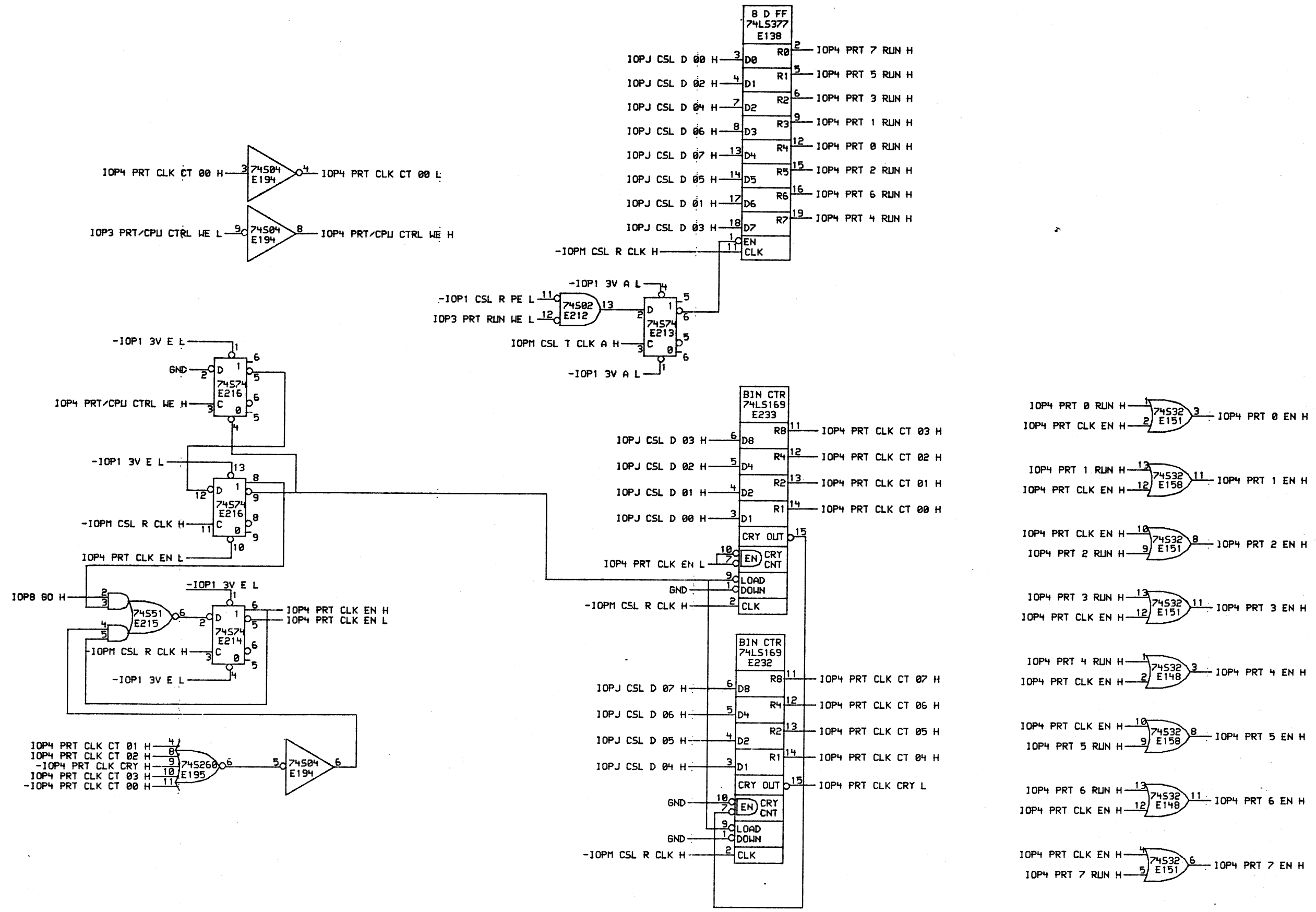


DRN.	DATE	ENG.	DATE	TITLE:	CSL SEQ		
CHK'D.	DATE	BOARD LOCATION:	SHEET	OF	SIZE	CODE	NUMBER
VILCAN: (2000.L0062)2010P2.DRW 04-JUN-82 13:45 NEXT HIGHER ASSEMBLY: *				D	CS	L0062-0-IOP2	REV.
FIRST USED ON OPTION/MODEL:							

GND



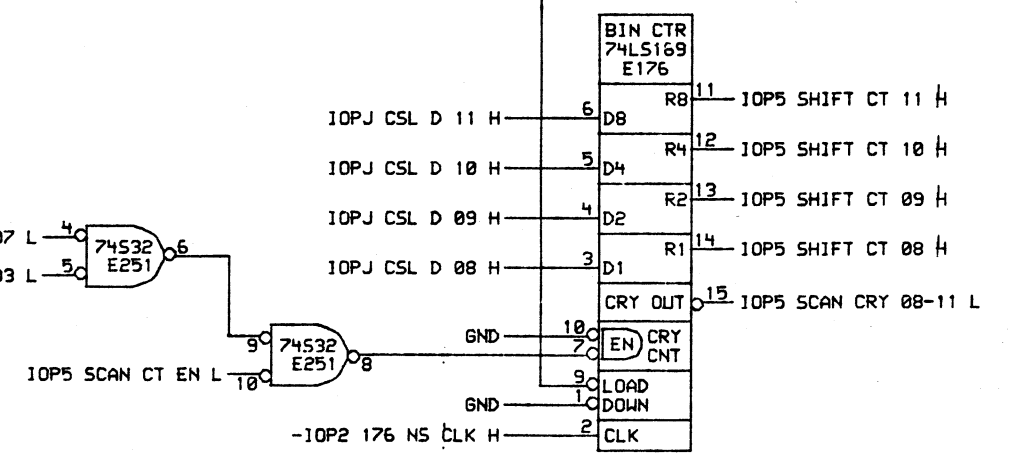
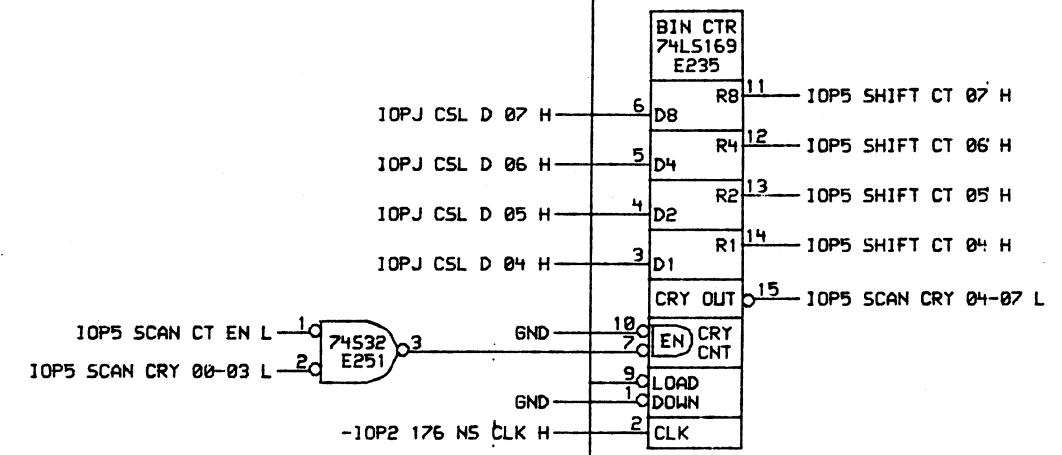
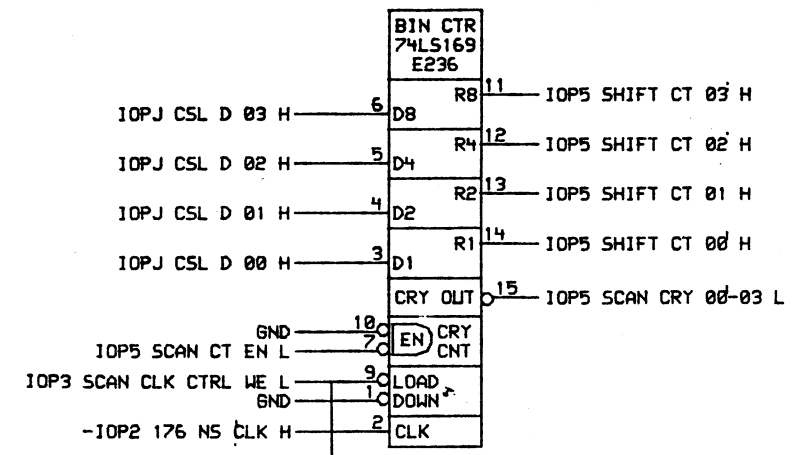
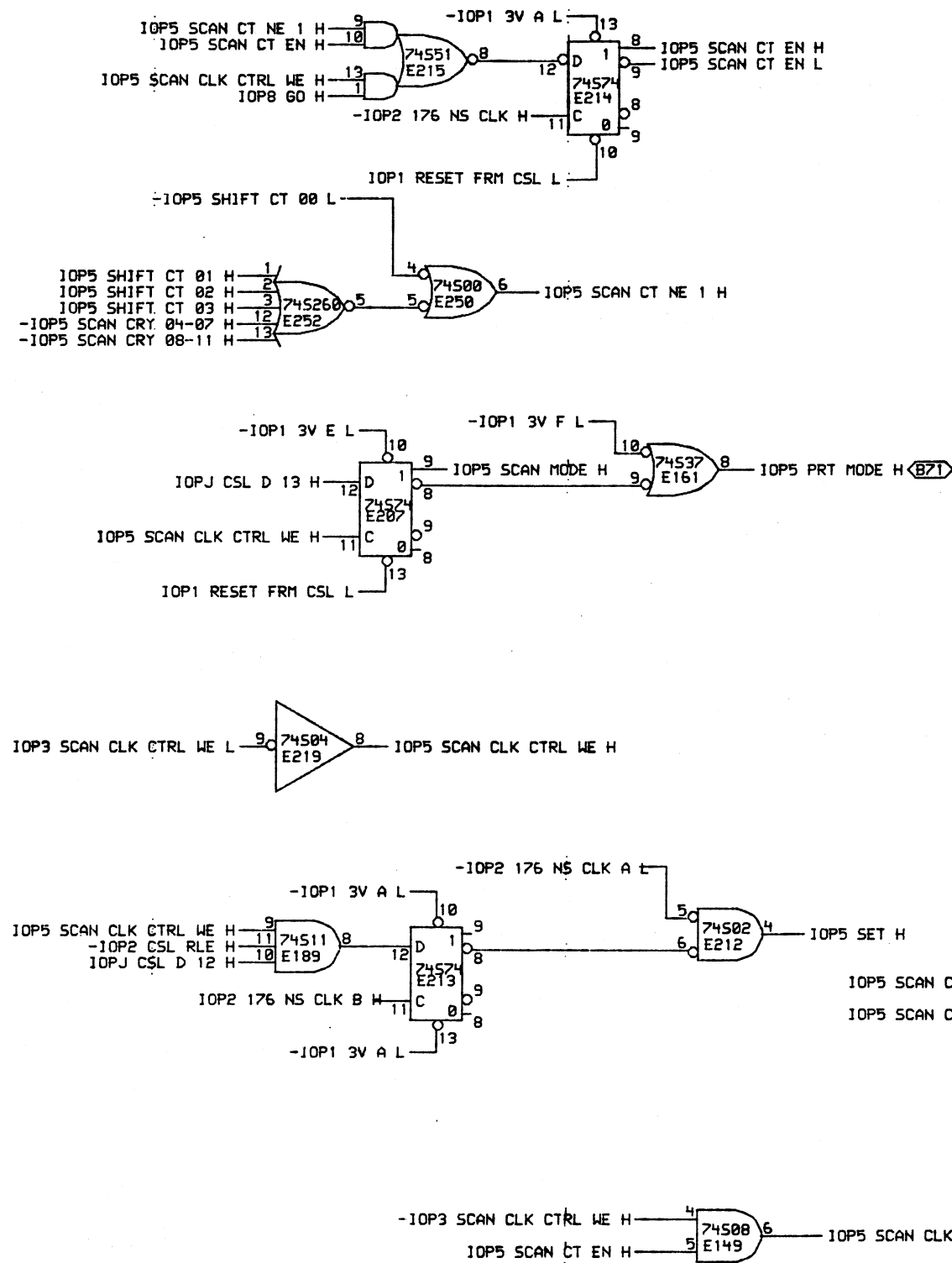
DRN.	DATE	ENG.	DATE	TITLE:	CSL ADR SEL		
CHK'D.	DATE	BOARD LOCATION:	SHEET	OF	SIZE	CODE	NUMBER
VLL CAN: <2000.L0062>@IOP3.DRW 13-MAY-82 14:49 NEXT HIGHER ASSEMBLY:				REV.	D	CS	L0062-0-IOP3



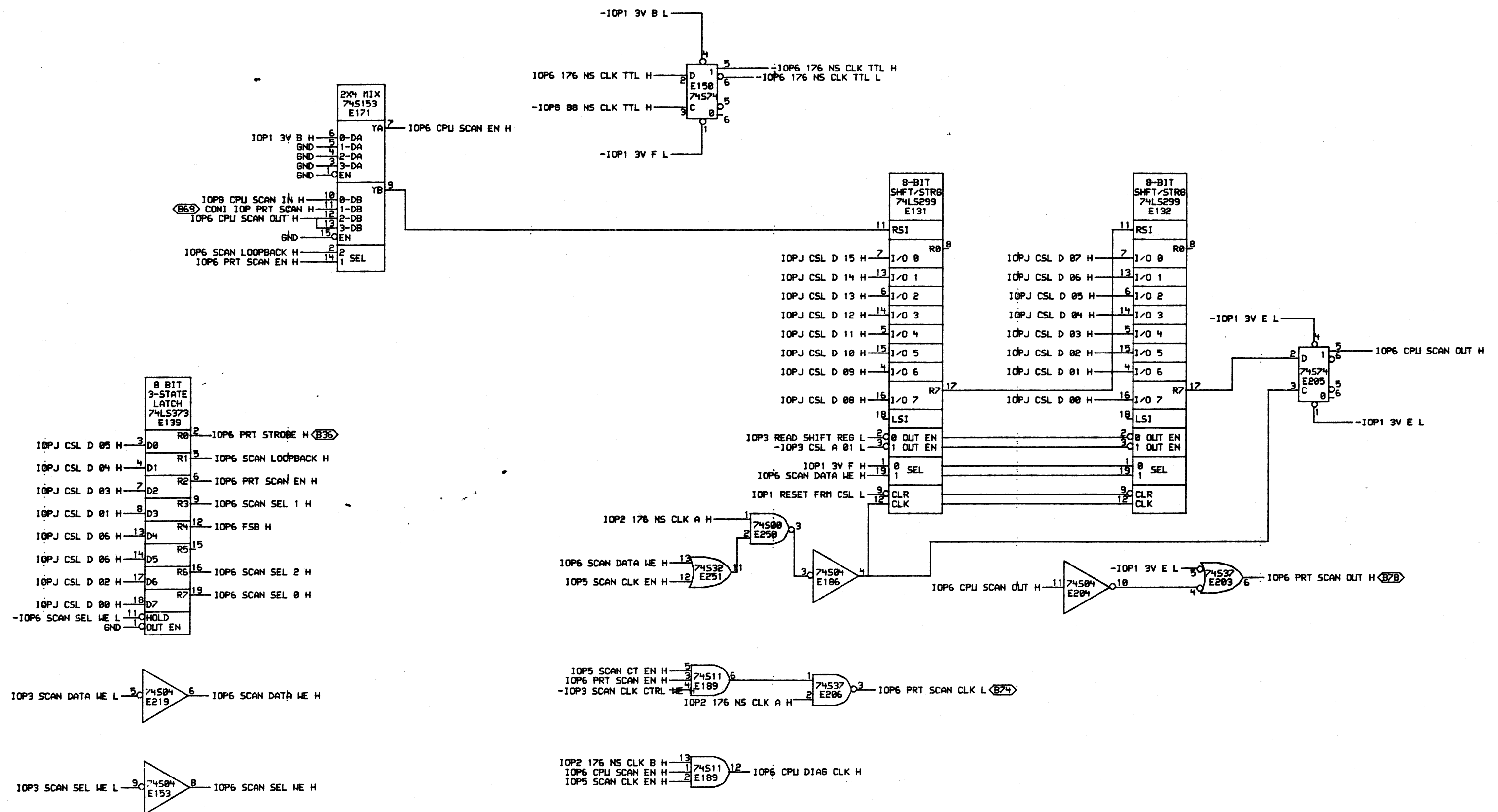
DRN.	DATE	ENG.	DATE	TITLE:
CHK'D.	DATE	BOARD LOCATION:	SHEET	OF
VIL CAN: <2888.L0062> IOP4.DRW 13-MAY-82 14:50 NEXT HIGHER ASSEMBLY:				SIZE CODE
FIRST USED ON OPTION/MODEL:				NUMBER
				REV.

PORT CLK CTRL
BURST MODE

D CS L0062-0-IOP4



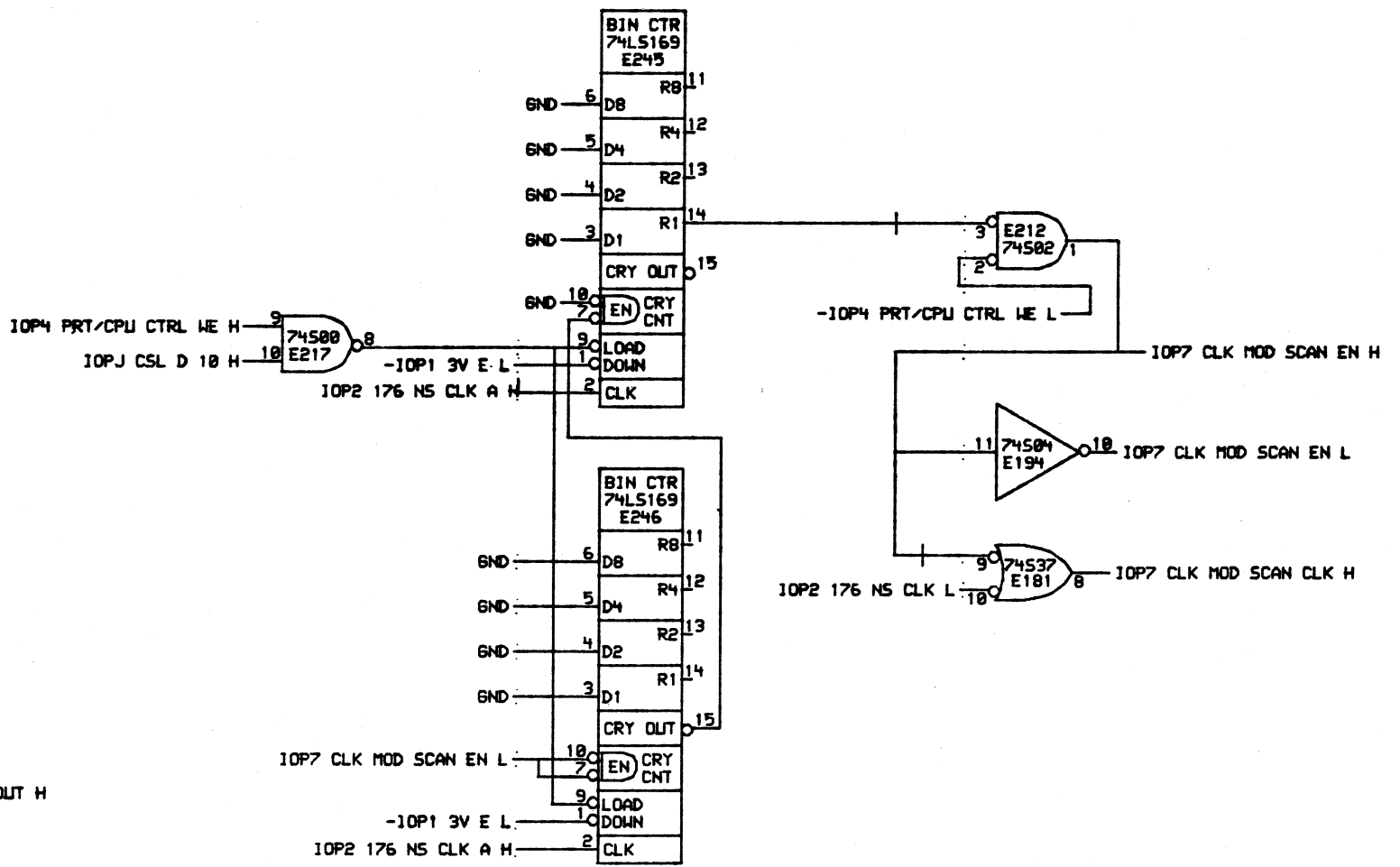
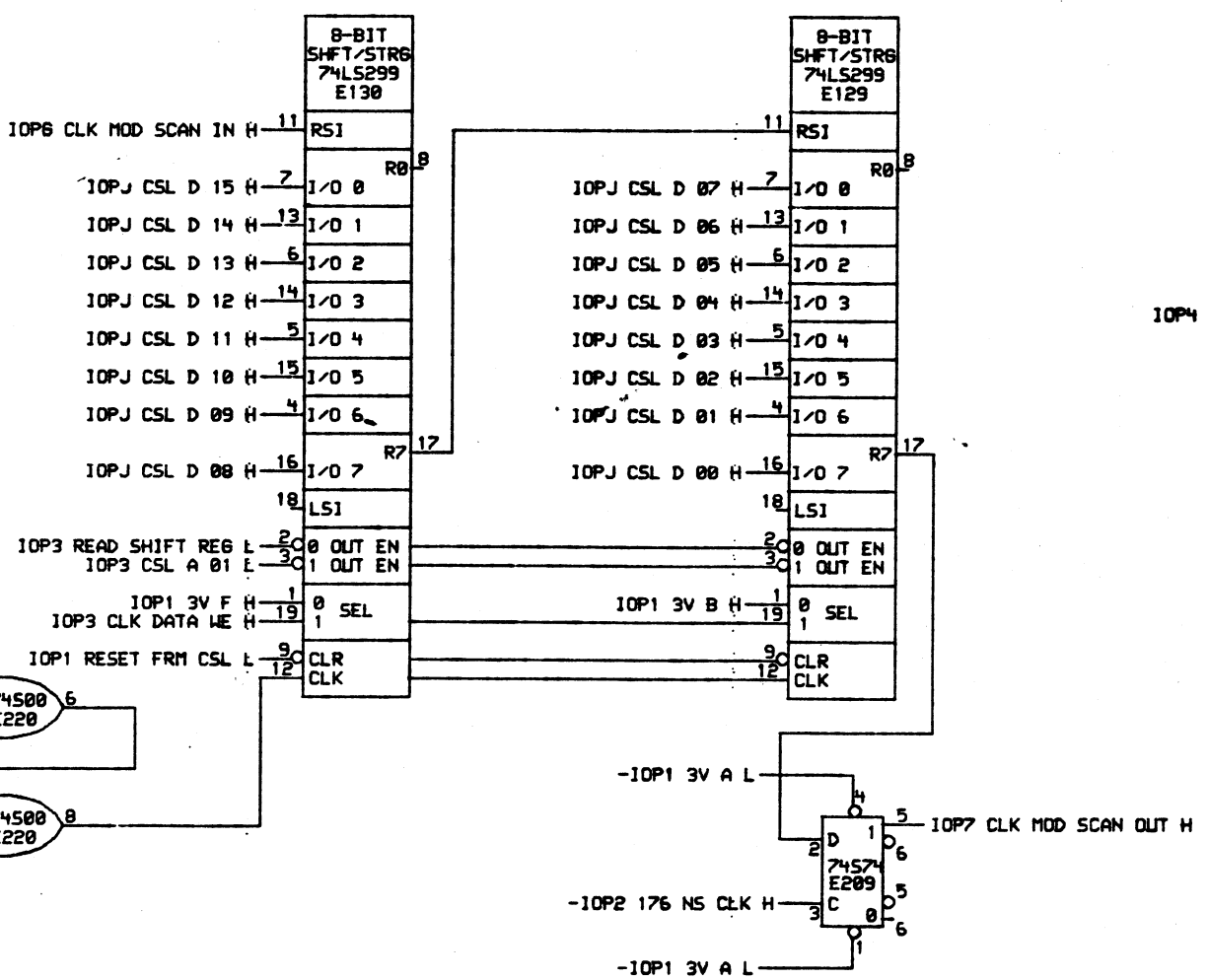
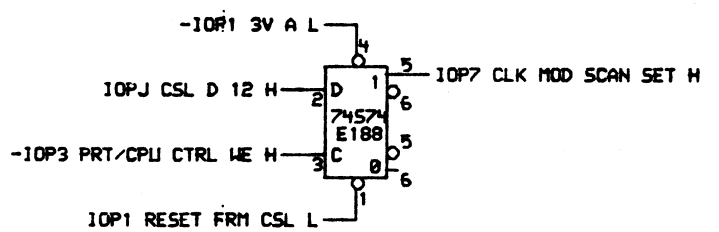
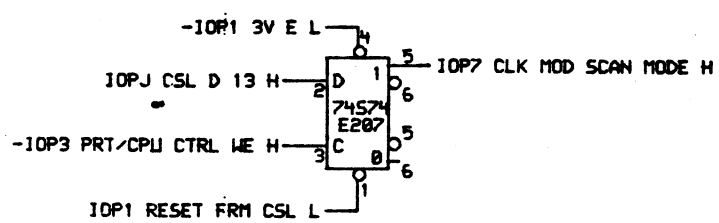
DRN.	DATE	ENG.	DATE	TITLE: DIAG SHIFT CLOCK BURST CONTROL
CHK'D.	DATE	BOARD LOCATION:	SHEET	OF
VULCAN: <2000.L0062> IOP5.DRN	16-DEC-81 13:41	NEXT HIGHER ASSEMBLY:	SIZE	CODE
FIRST USED ON OPTION/MODEL:			D	CS
			L0062-0-IOP5	NUMBER
				REV.



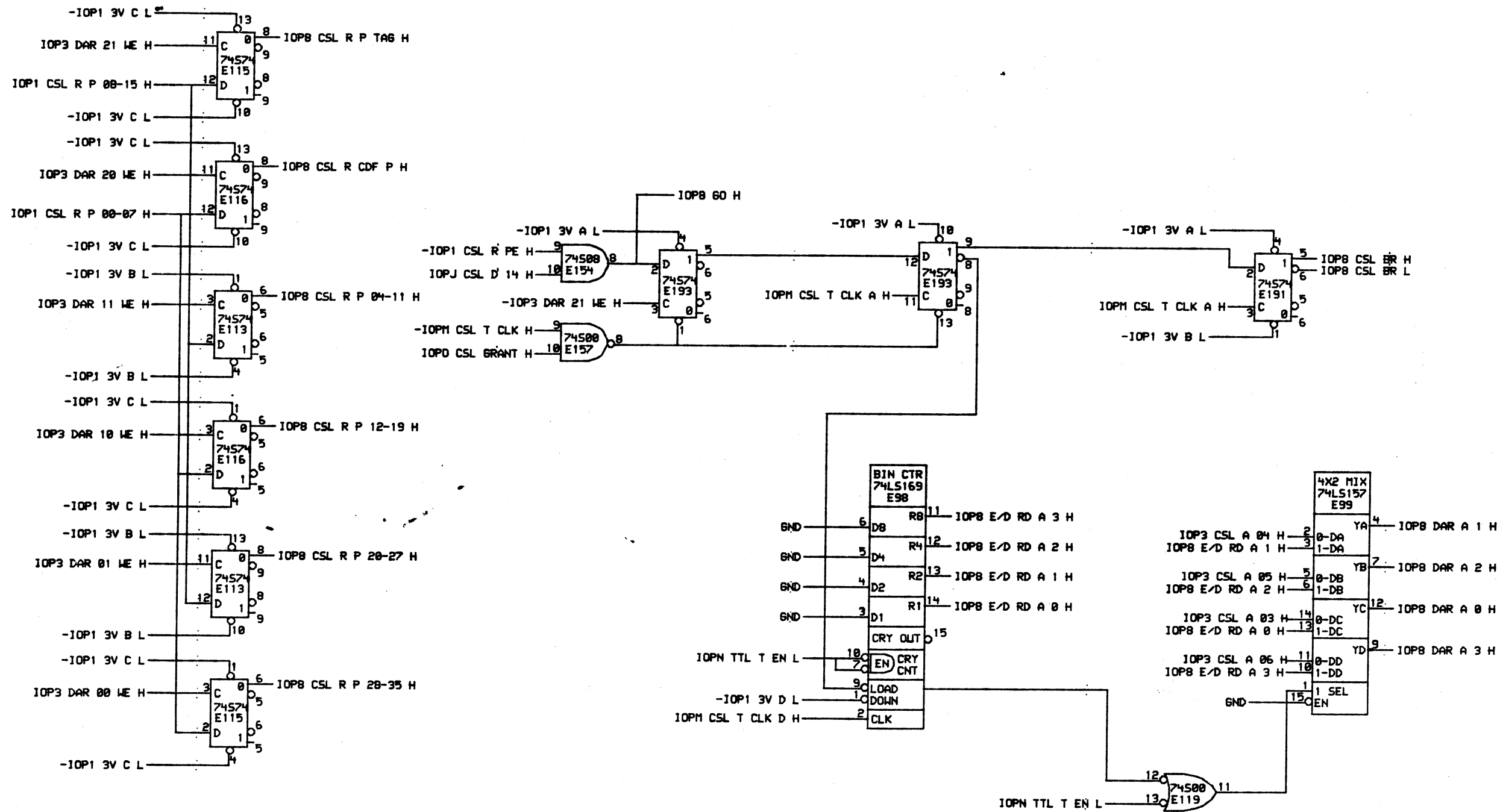
DRN.	DATE	ENG.	DATE	TITLE:
CHK'D.	DATE	BOARD LOCATION	SHEET	OF
VILCAN: <2000.L0062>S10PC.DRW 23-JUN-82 13:23 NEXT HIGHER ASSEMBLY:				SIZE
FIRST USED ON OPTION/MODEL:				CODE
				NUMBER
				REV.

SCAN SHFT REG CTRL

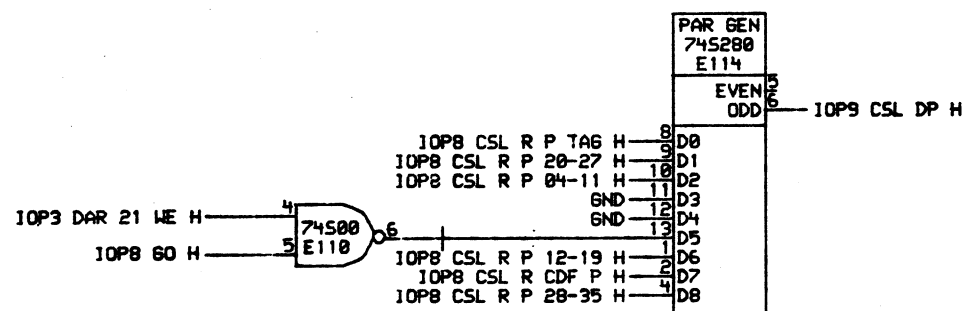
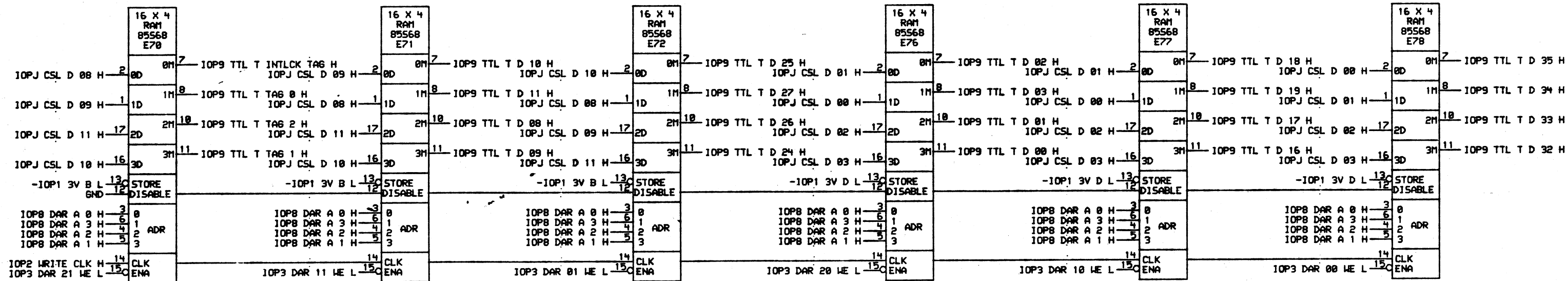
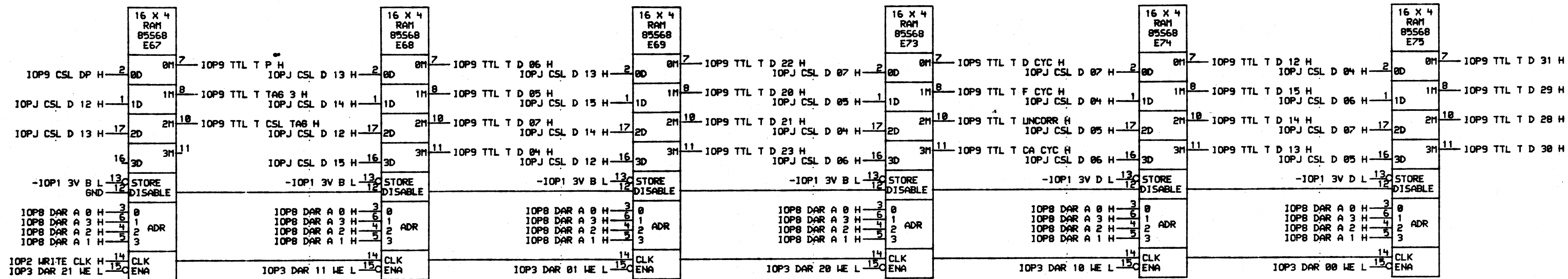
NUMBER L0062-0-IOP6



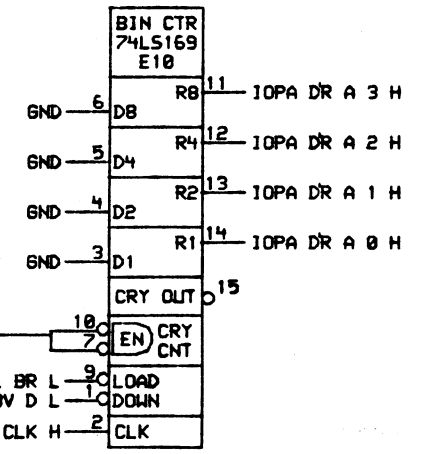
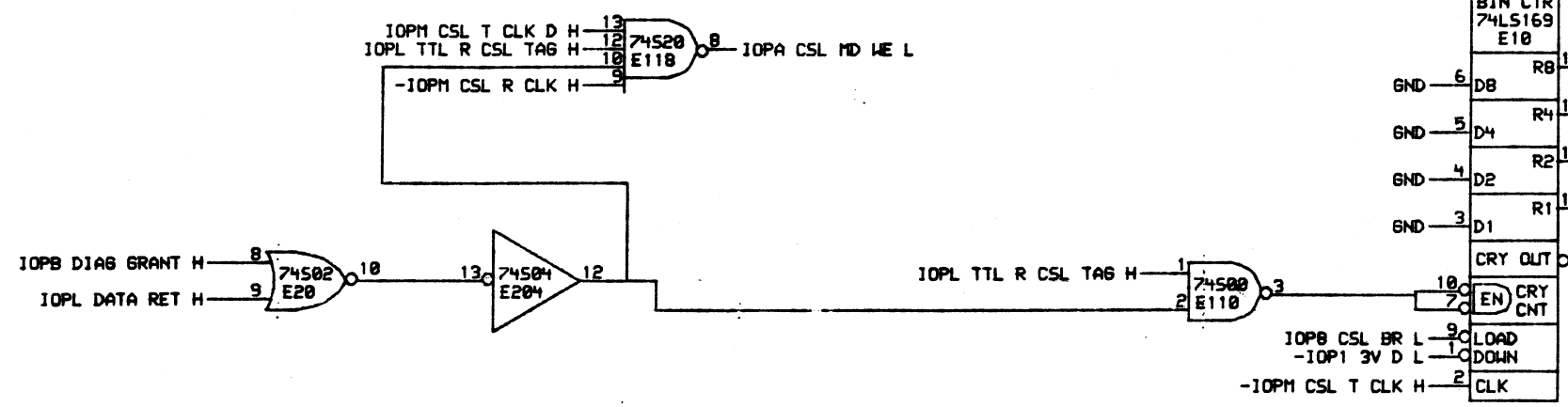
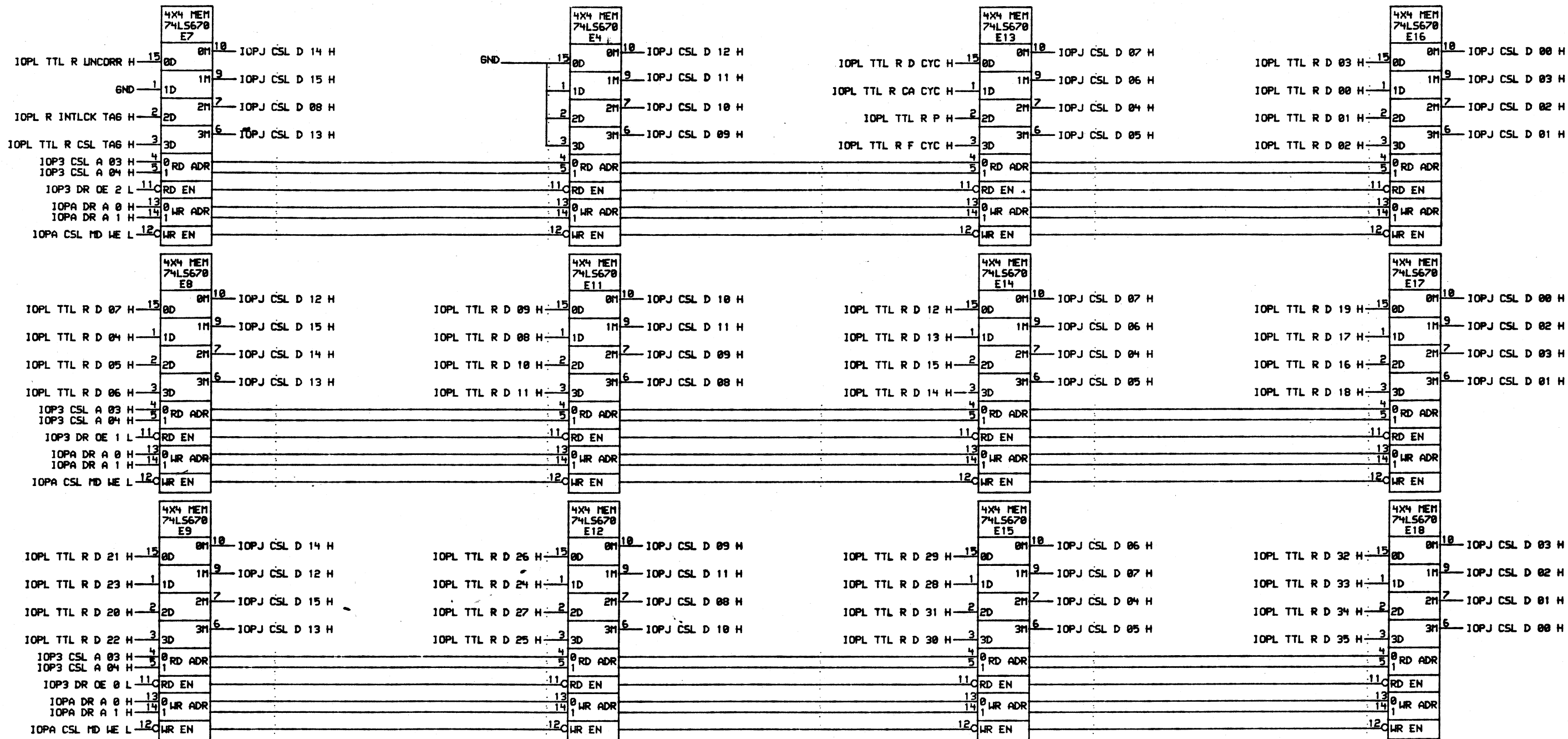
DRN.	DATE	ENG.	DATE	TITLE: CLK MODULE, SCAN
CHK'D.	DATE	BOARD LOCATION:		
VULCAN: C:\PROJ\10062\1010P7.DRW 13-MAY-82 14:52		NEXT HIGHER ASSEMBLY:		SIZE CODE NUMBER REV.
FIRST USED ON OPTION/MODEL:				D CS L0062-0-IOP7 1



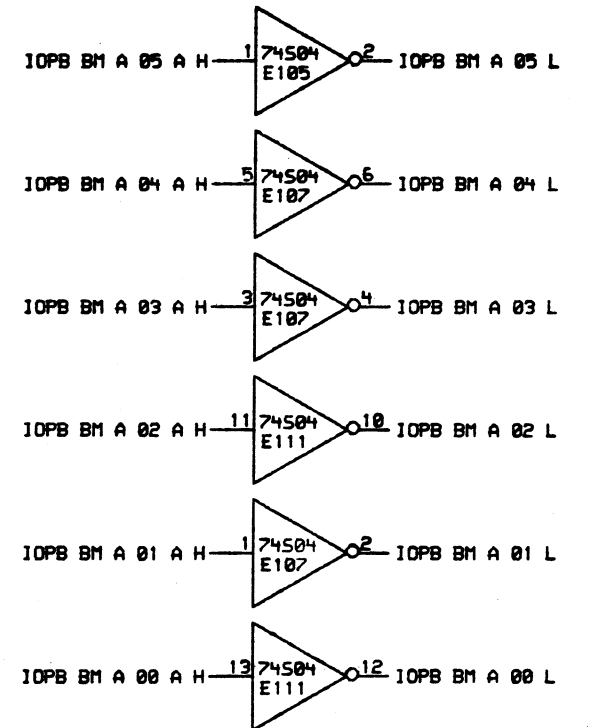
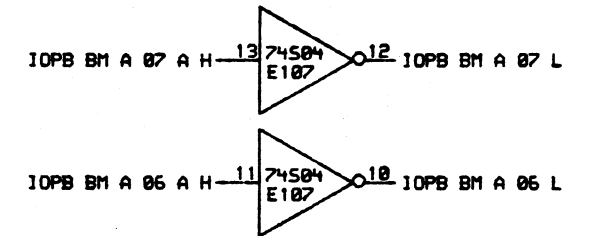
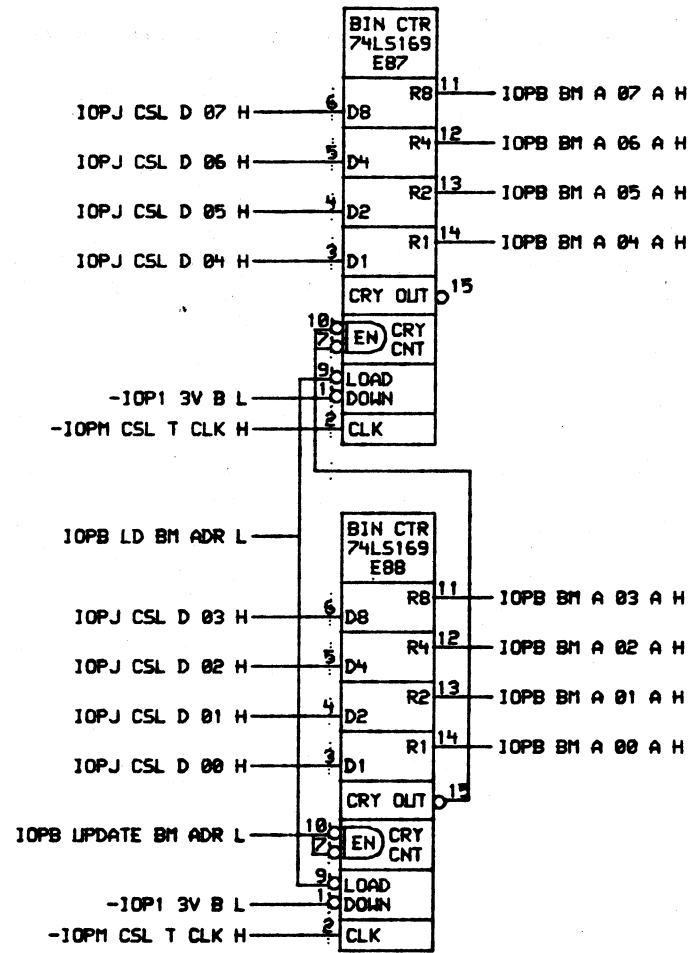
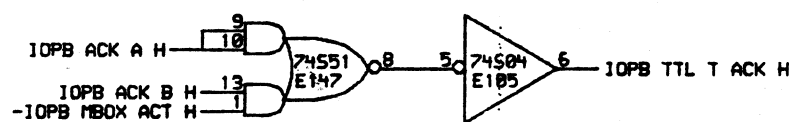
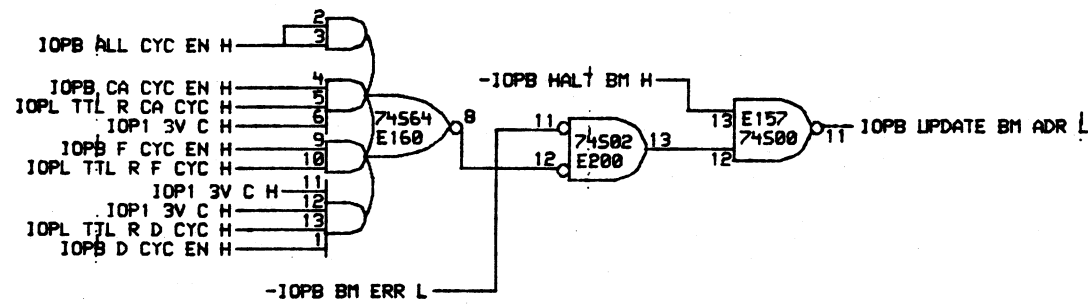
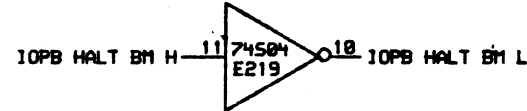
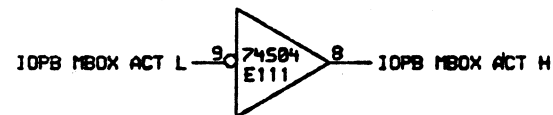
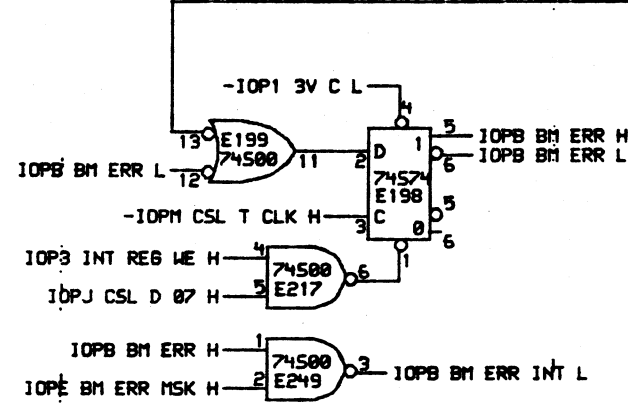
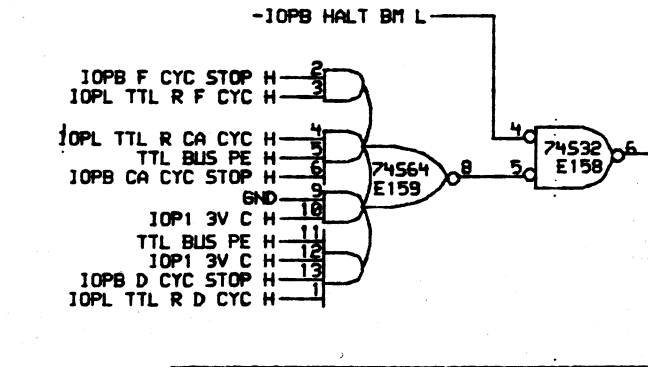
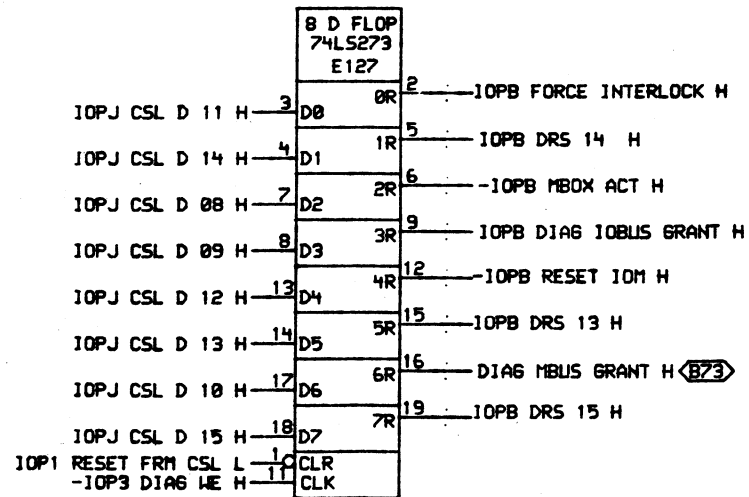
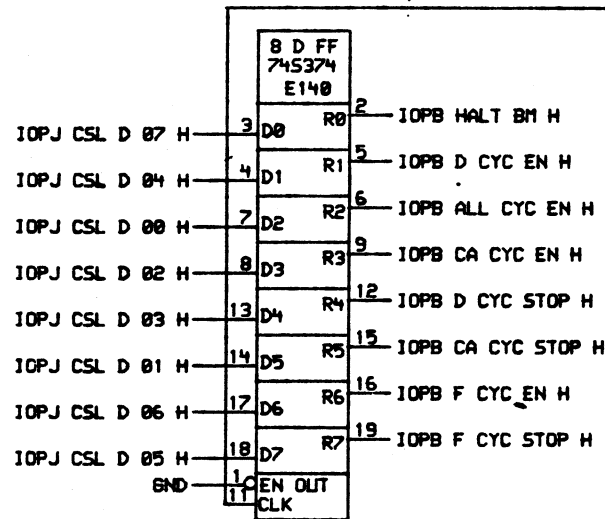
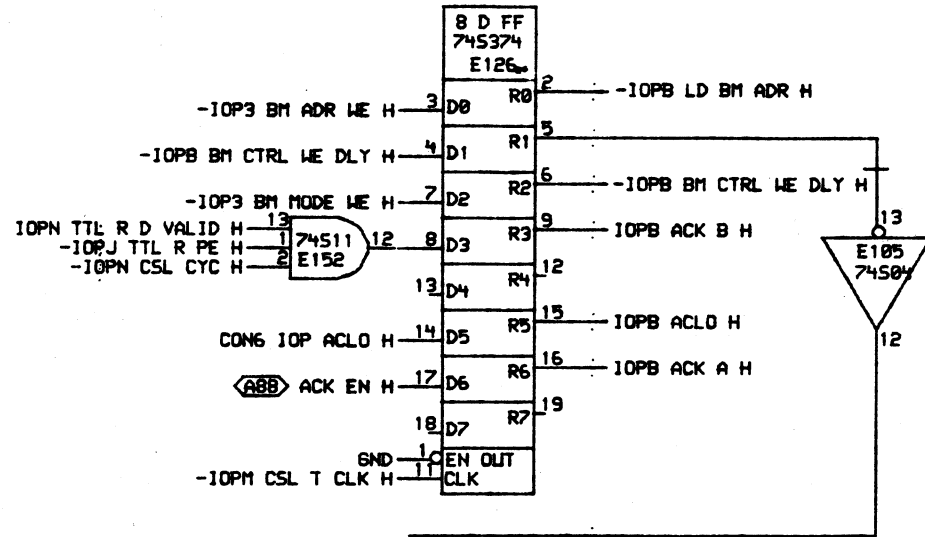
DRN.	DATE	ENG.	DATE	TITLE:	DATA/ADR REG		
CHK'D.	DATE	BOARD LOCATION:	SHEET	OF	SIZE	CODE	NUMBER
FIRST USED ON OPTION/MODEL:				NEXT HIGHER ASSEMBLY:	D	CS	L0062-0-IOP8
VULCAN (P000) L0062-0-IOP8.DRW 13-MAY-82 14:52							REV.



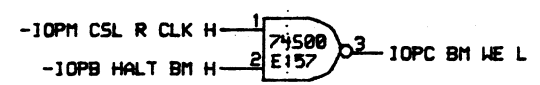
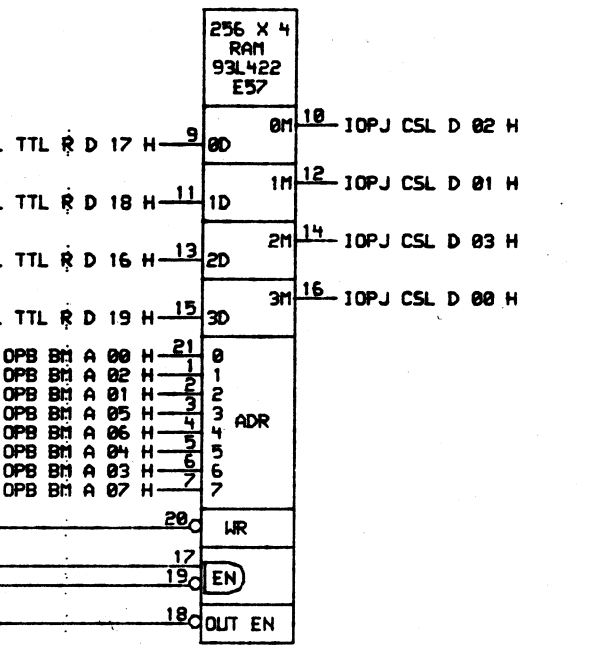
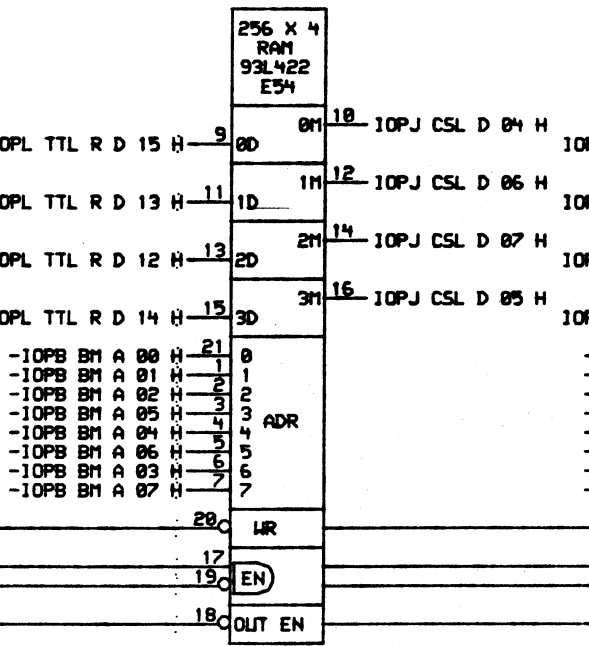
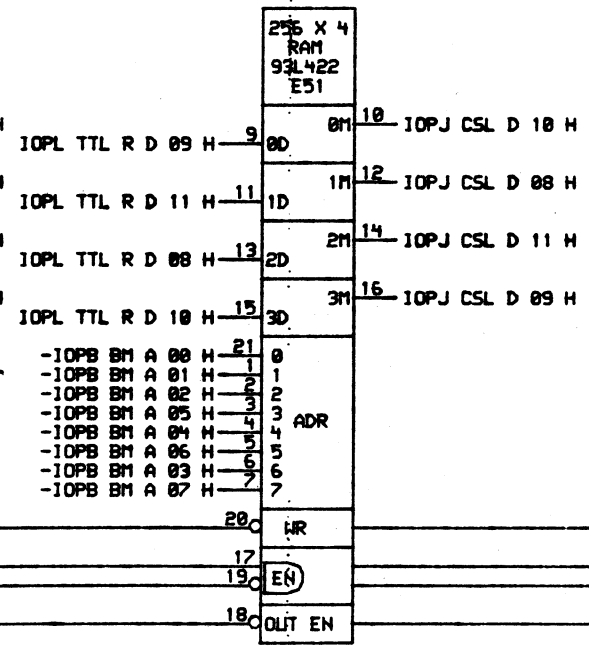
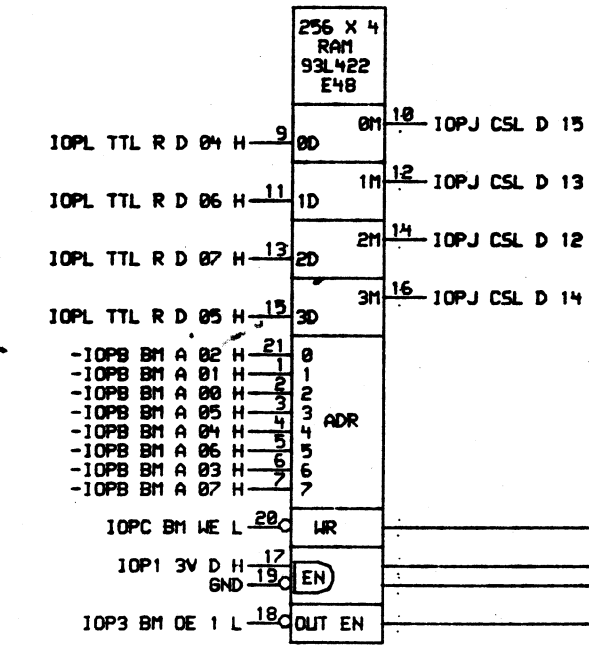
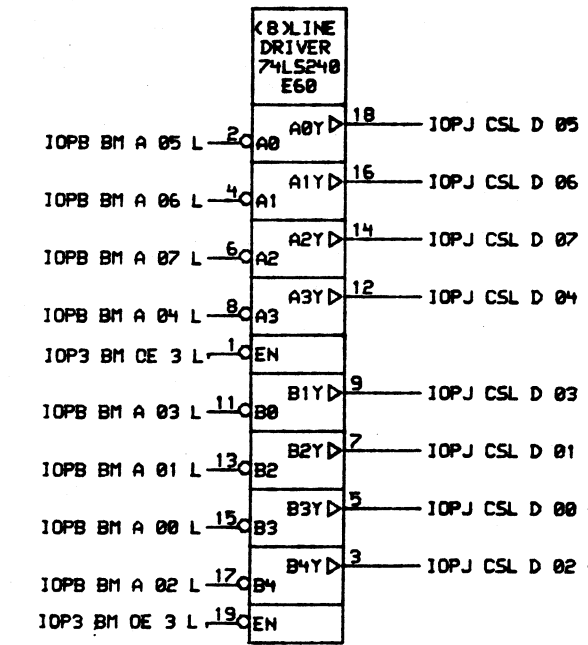
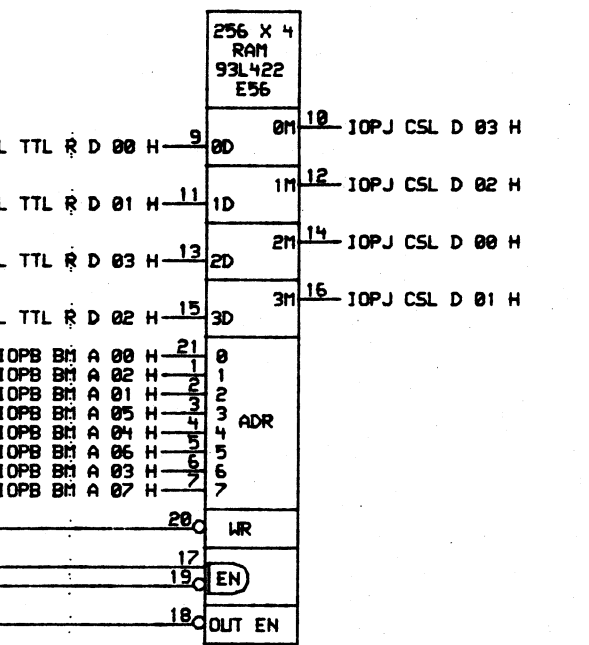
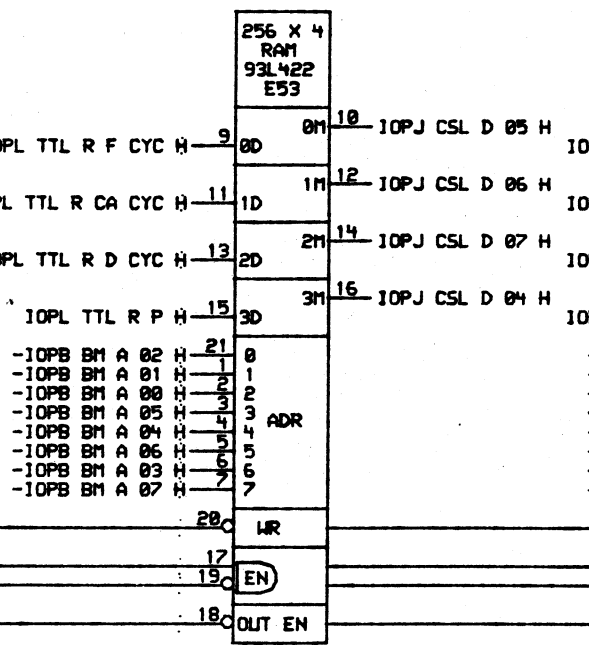
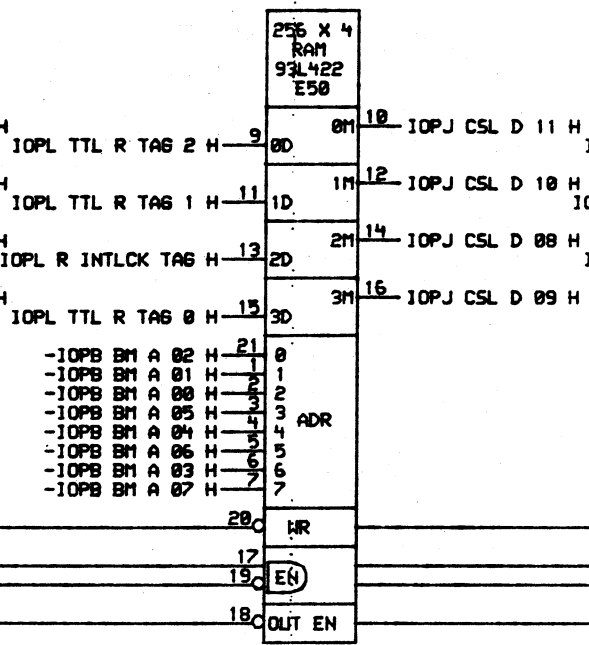
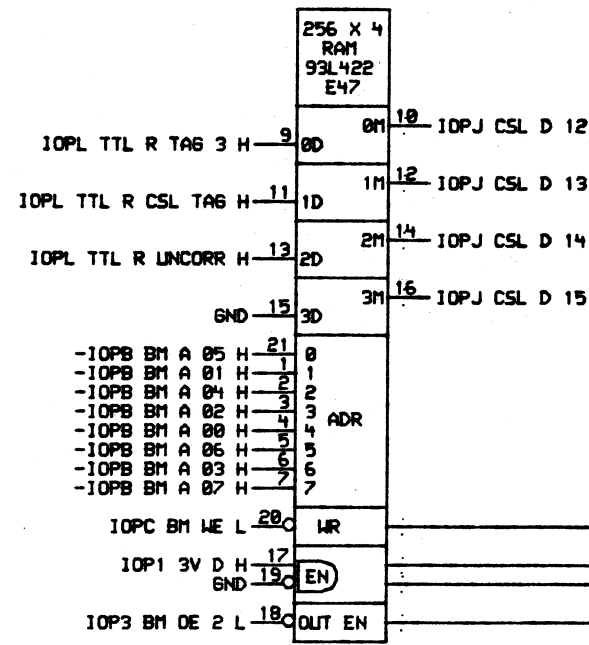
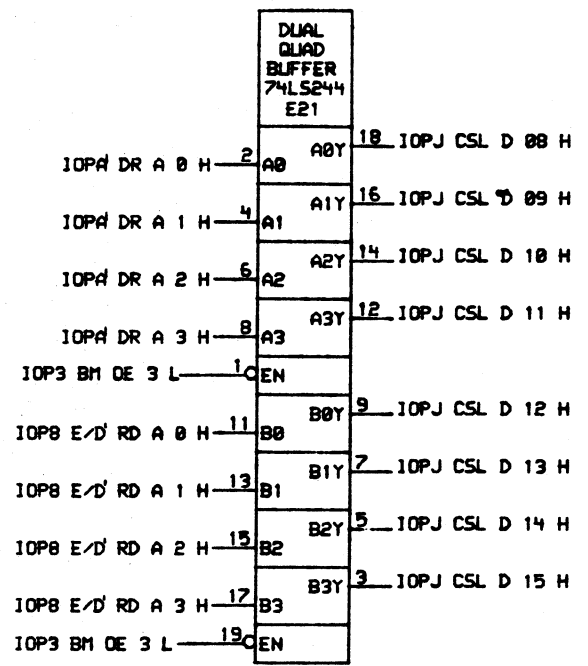
DRN.	DATE	ENG.	DATE	TITLE:
CHK'D.	DATE	BOARD LOCATION	SHEET	CSL DATA/ ADDRESS BFR
VIL CHN: C888 L062-0-IOP9.DRM 13-MAY-82 14:53 NEXT HIGHER ASSEMBLY:				SIZE CODE NUMBER REV.
FIRST USED ON OPTION/MODEL:				D CS L0062-0-IOP9

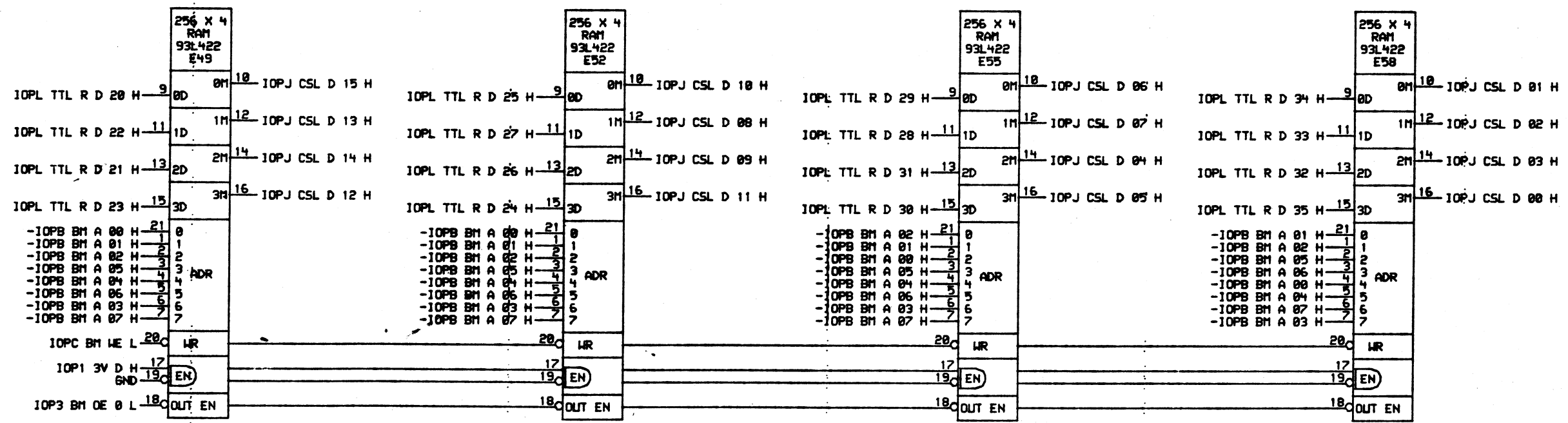


DRN.	DATE	ENG.	DATE	TITLE:	CSL DATA BFR
CHK'D.	DATE	BOARD LOCATION:	SHEET	REV.	
VIL CAN: (2000 L 0062) 310PA.DRW 125-MAY-82 12:19 NEXT HIGHER ASSEMBLY:				SIZE	CODE
FIRST USED ON OPTION/MODEL:				D	CS
				NUMBER	L0062-0-10PA

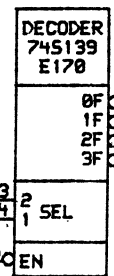
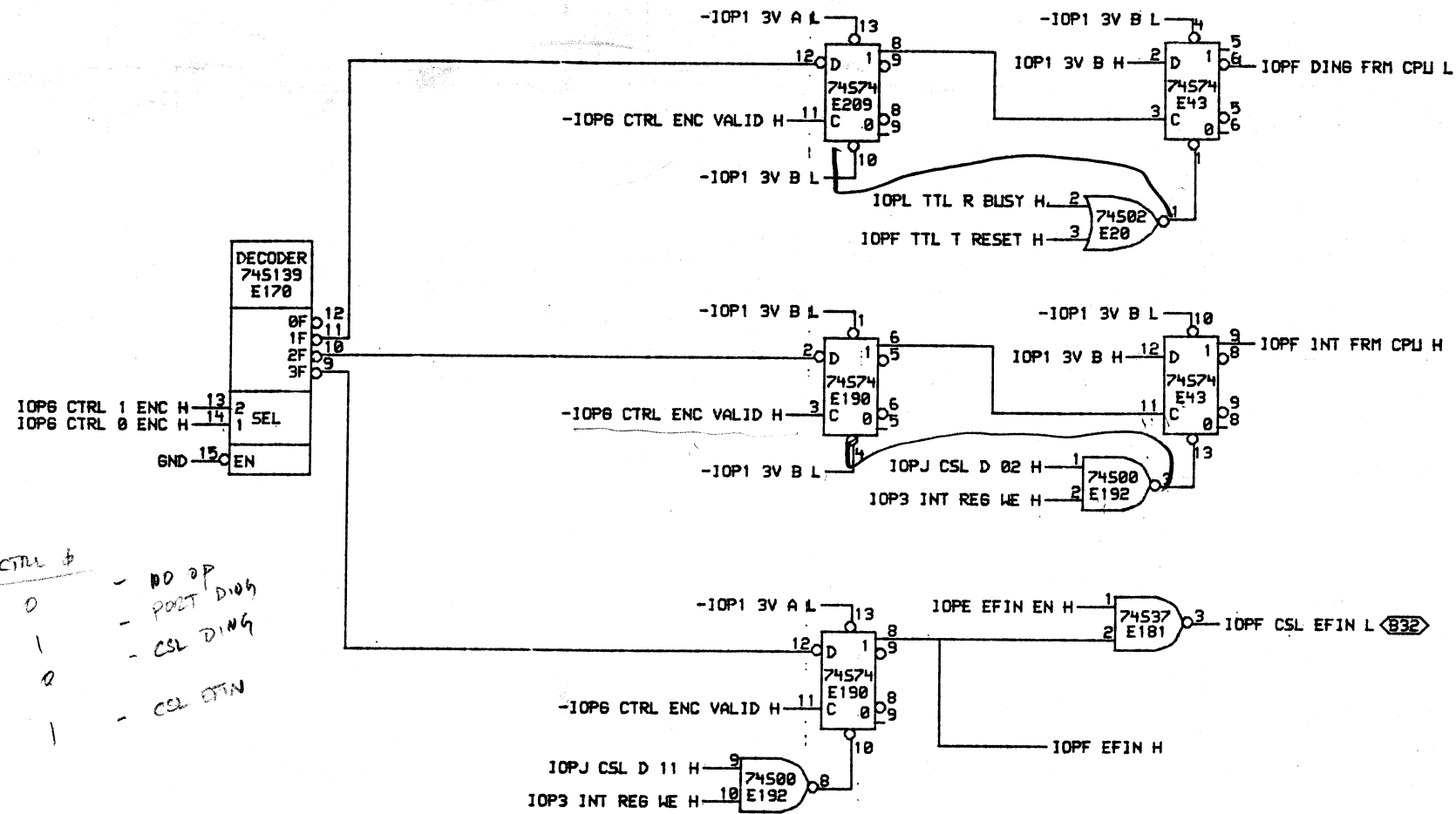


DRN.	DATE	ENG.	DATE	TITLE:	BM CTRL BM ADR		
CHK'D.	DATE	BOARD LOCATION:	SHEET	OF			
VUL CAN (2000) L0062-0-10PB.DRW 123-JUN-82 13:33				NEXT HIGHER ASSEMBLY:	SIZE CODE	NUMBER	REV.
FIRST USED ON OPTION/MODEL:					D	CS	L0062-0-10PB

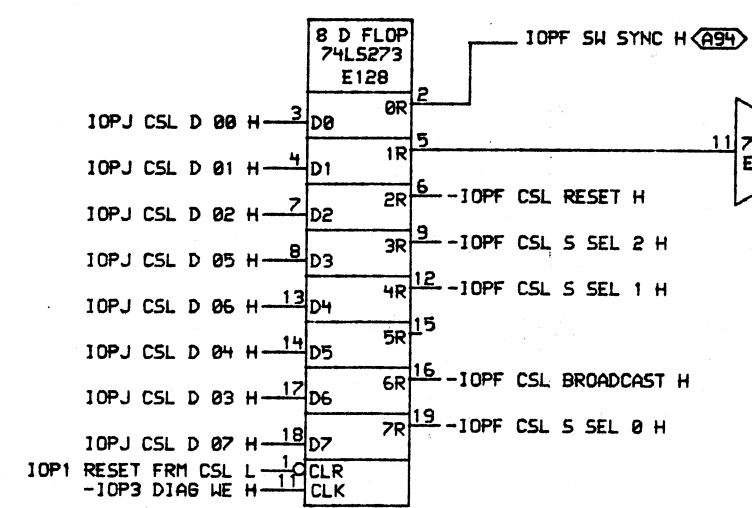
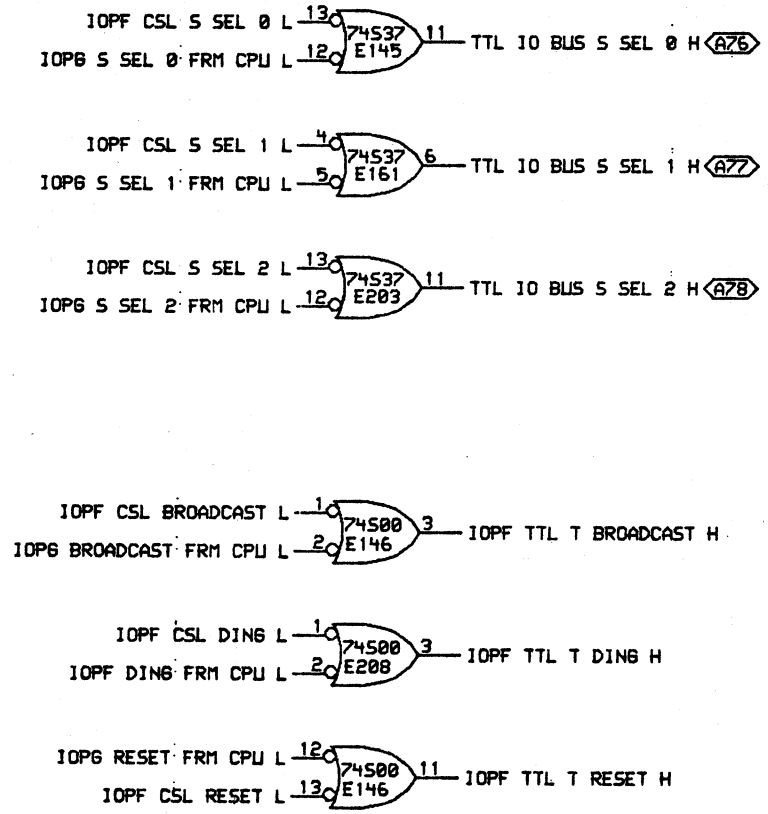


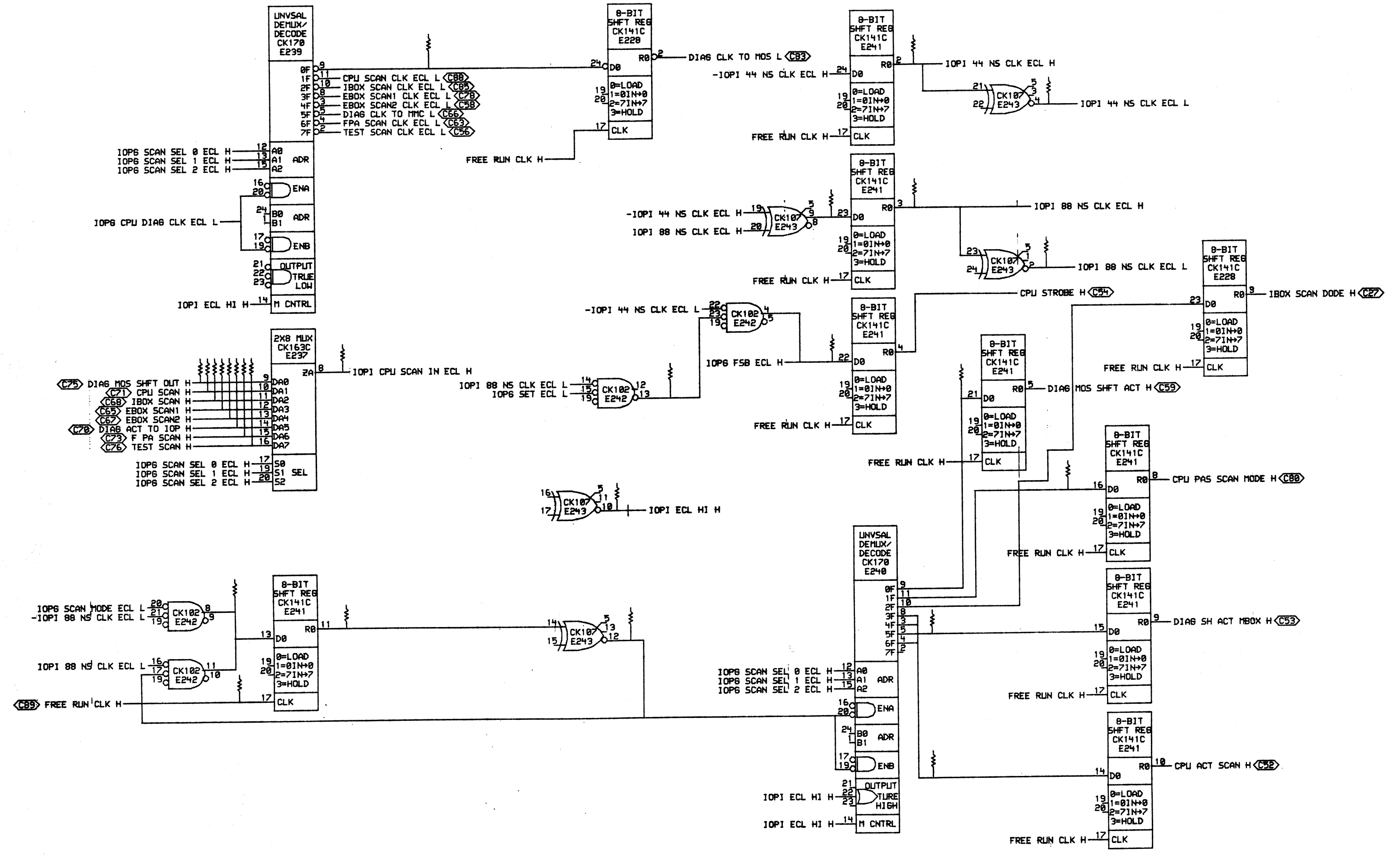


DRN.	DATE	ENG.	DATE	TITLE:
CHK'D.	DATE	BOARD LOCATION:		BUS RECORDER
VULCAN (2000.L0062)110PD.DRW	18-JAN-82 12:50	SHEET	OF	BITS 20-35
FIRST USED ON OPTION/MODEL:		NEXT HIGHER ASSEMBLY:		NUMBER
				L0062-0-10PD
		SIZE	CODE	REV.
		D	CS	



CTRL 1 CTRL 0
 0 0 - NO OP
 0 1 - POST DING
 1 0 - CSL DING
 1 1 - CSL EFIN





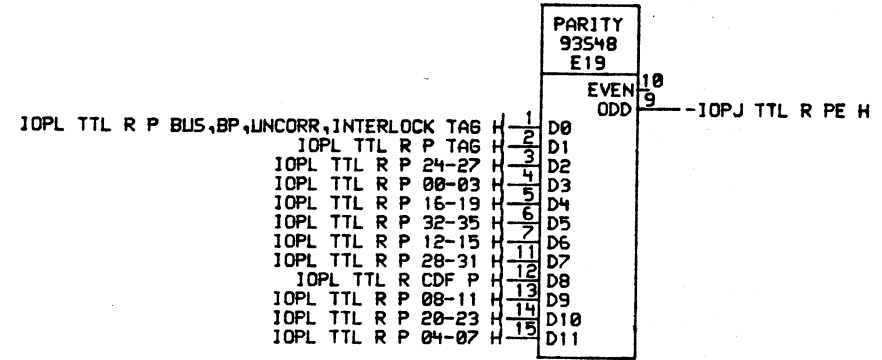
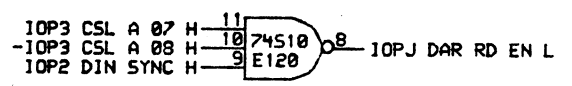
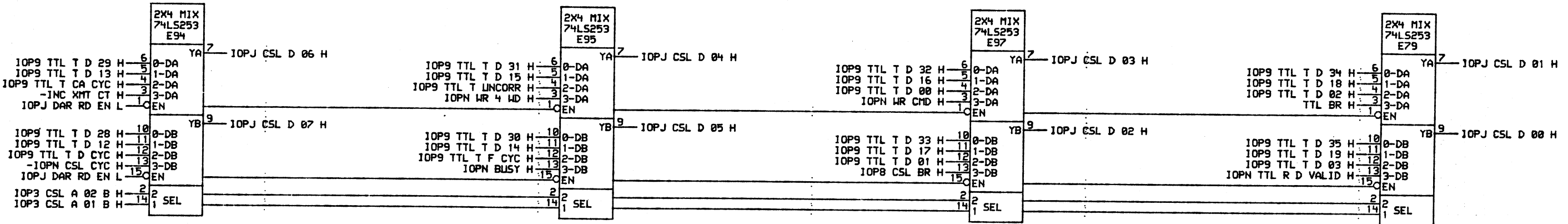
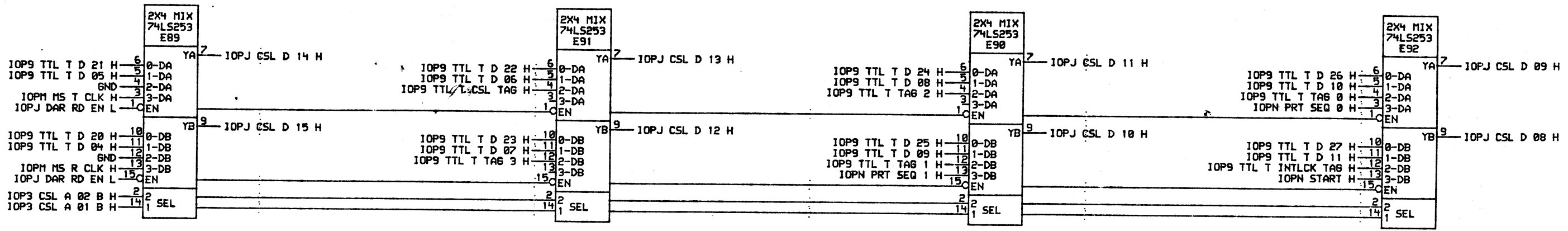
THIS DRAWING AND SPECIFICATIONS ARE THE PROPERTY OF DIGITAL EQUIPMENT CORPORATION AND SHALL NOT BE REPRODUCED OR COPIED OR USED IN WHOLE OR IN PART AS THE BASIS FOR THE MANUFACTURE OR SALE OF ITEMS WITHOUT WRITTEN PERMISSION. COPYRIGHT © 1982, DIGITAL EQUIPMENT CORPORATION.

REVISIONS	
CHK	CHANGE NO. REV

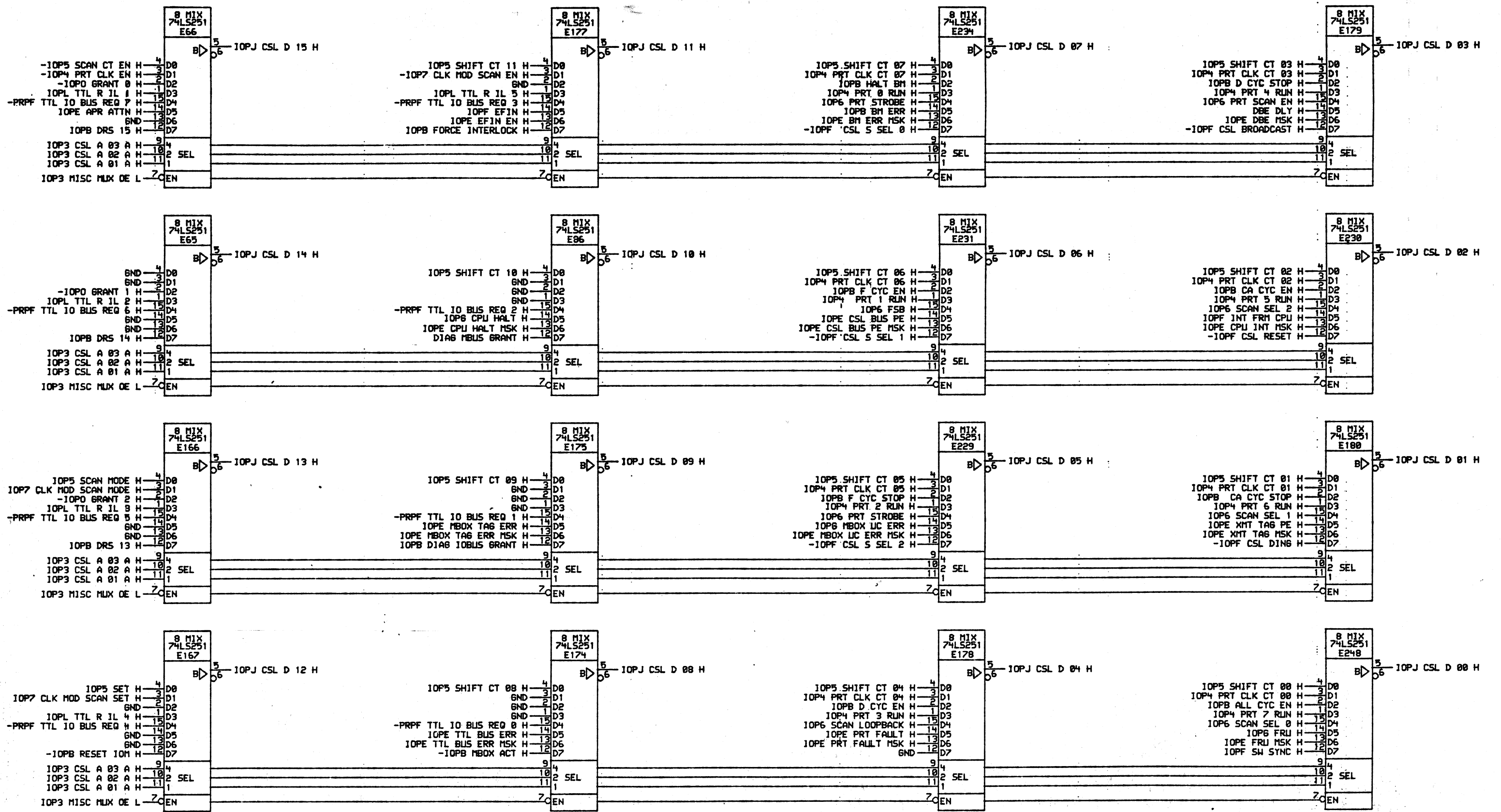
	DRN: J. J. J. J.	DATE: 00-OCT-82	ENG.	DATE	TITLE: ECL INTERFACE
	CHK'D.	DATE	BOARD LOCATION:	SHEET OF	
VIL CAN: C2000 L0062-0-IOPI.DRW 07-OCT-82 17:38 NEXT HIGHER ASSEMBLY:					SIZE CODE NUMBER REV. D CS L0062-0-IOPI 1

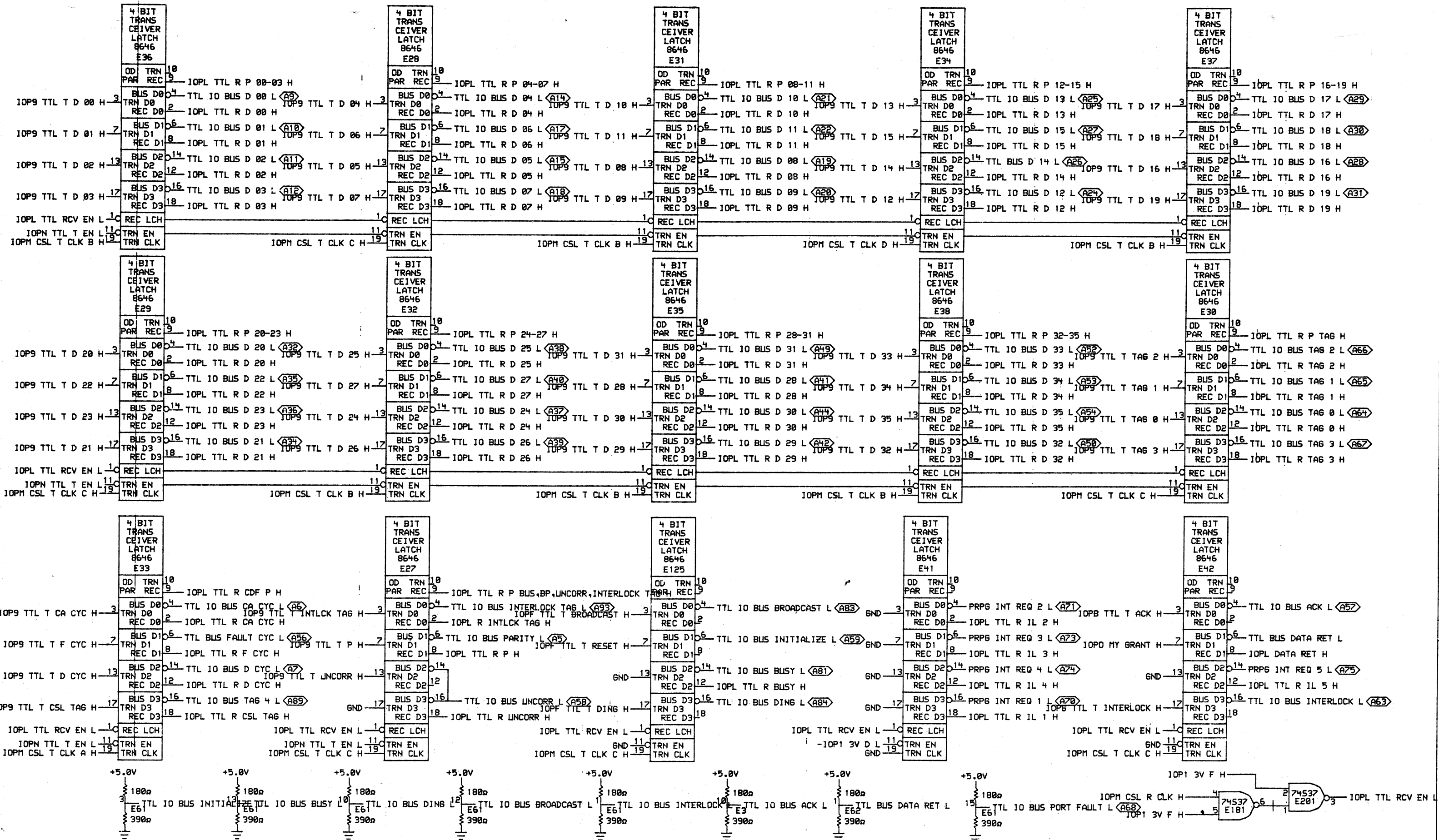
8	7	6	5	4	3	2	1
---	---	---	---	---	---	---	---

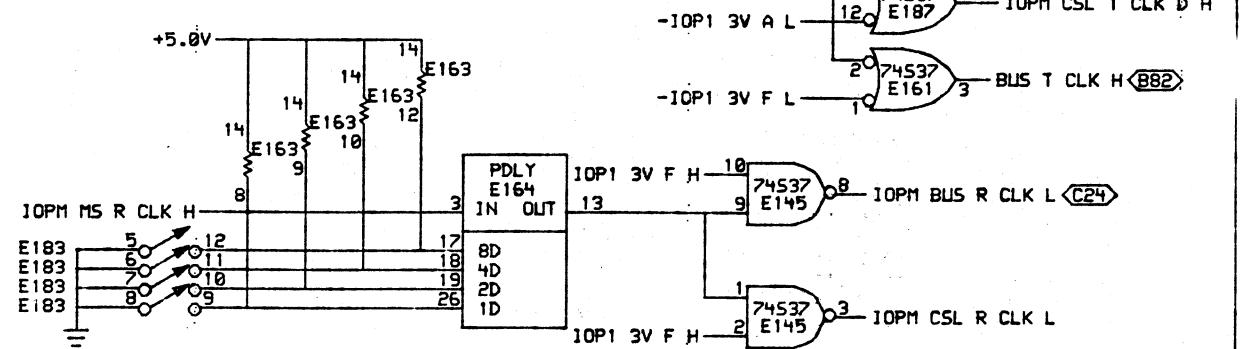
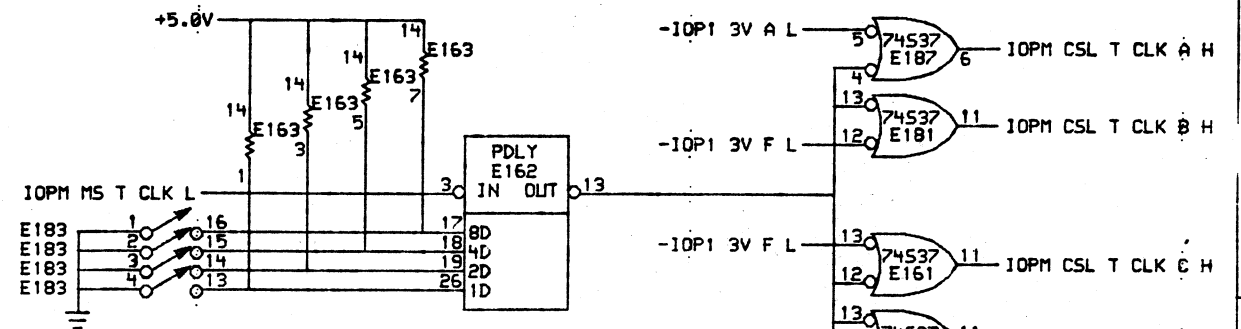
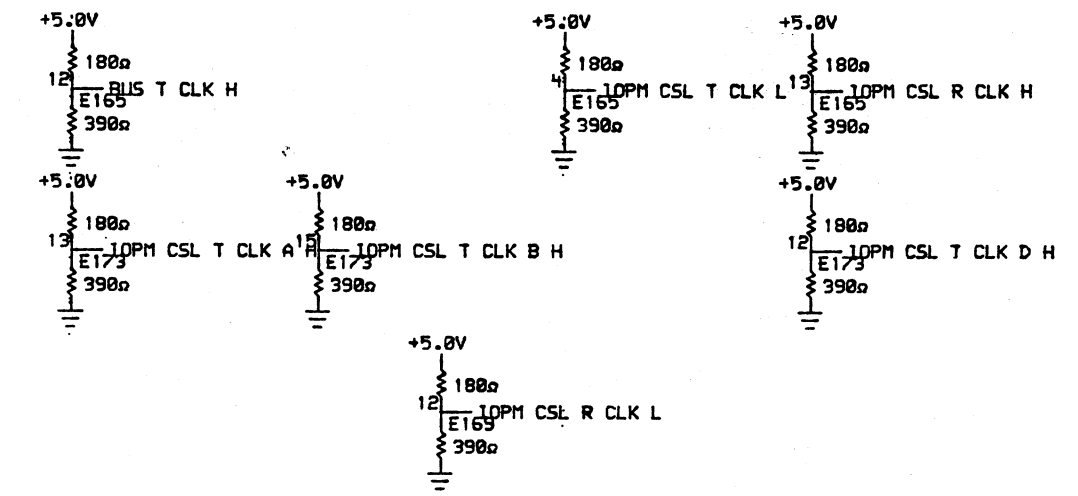
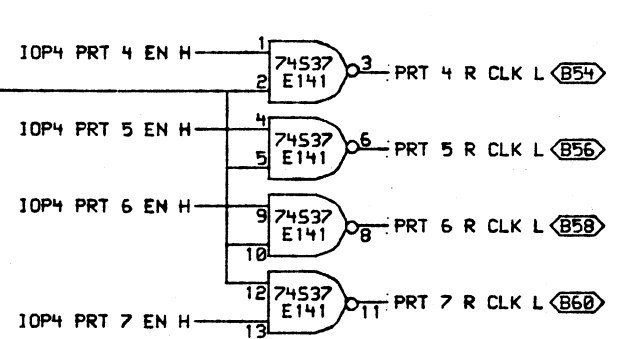
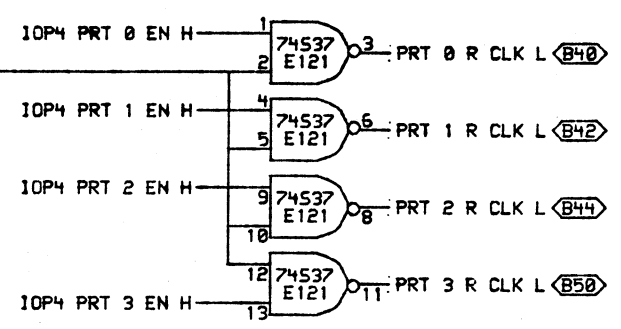
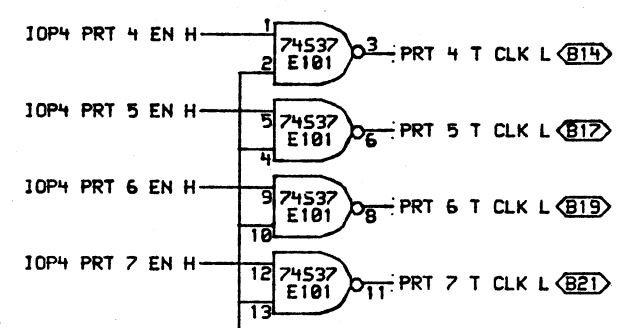
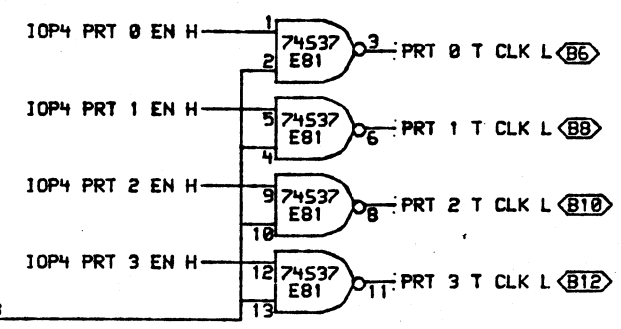
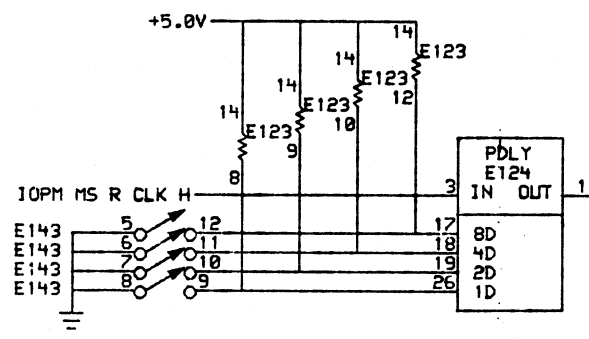
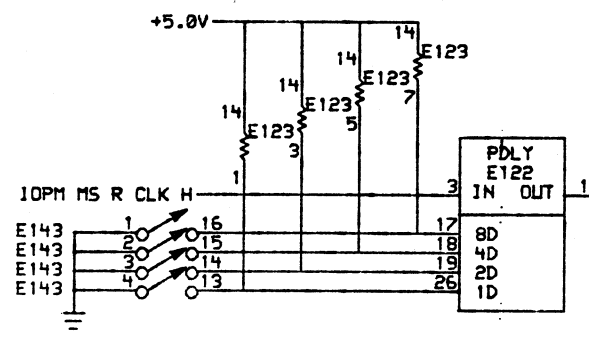
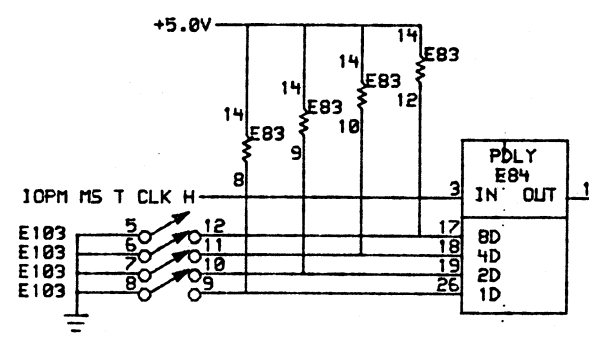
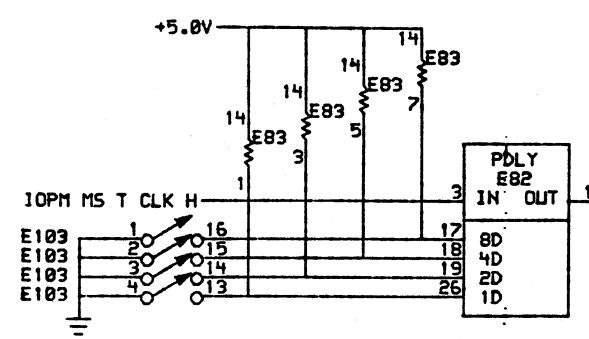
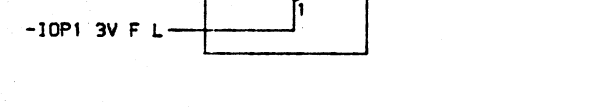
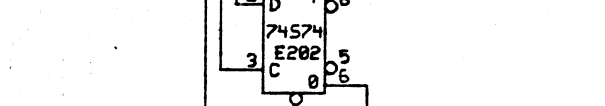
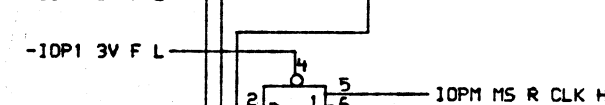
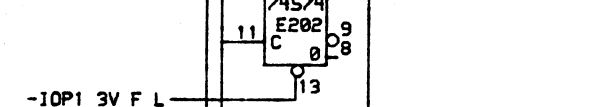
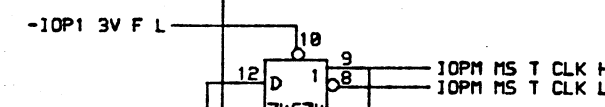
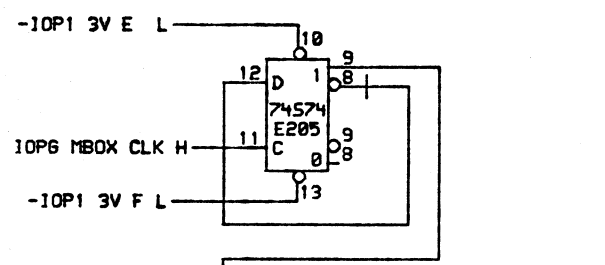
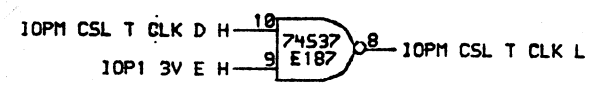
REV. NUMBER L0062-0-IOPI



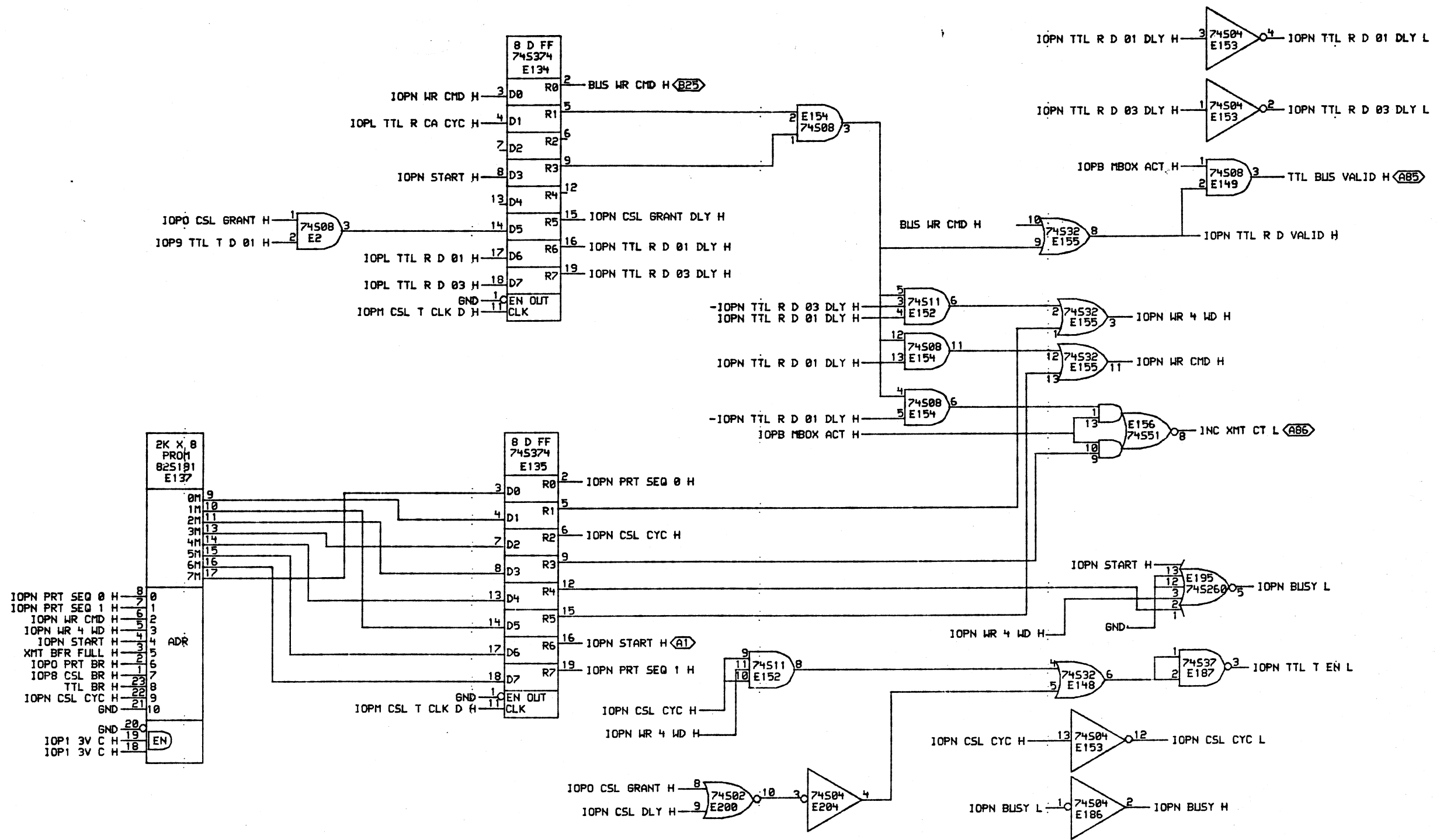
DRN.	DATE	ENG.	DATE	TITLE:
CHK'D.	DATE	BOARD LOCATION:		CSL MEM D MLX
VIL DAW (2000, L0062) 10: GPJ.DRW 23-JUN-82 14:14				SIZE CODE
FIRST USED ON OPTION/MODEL:				D CS
NEXT HIGHER ASSEMBLY:				NUMBER
				L0062-0-IOPJ
				REV.



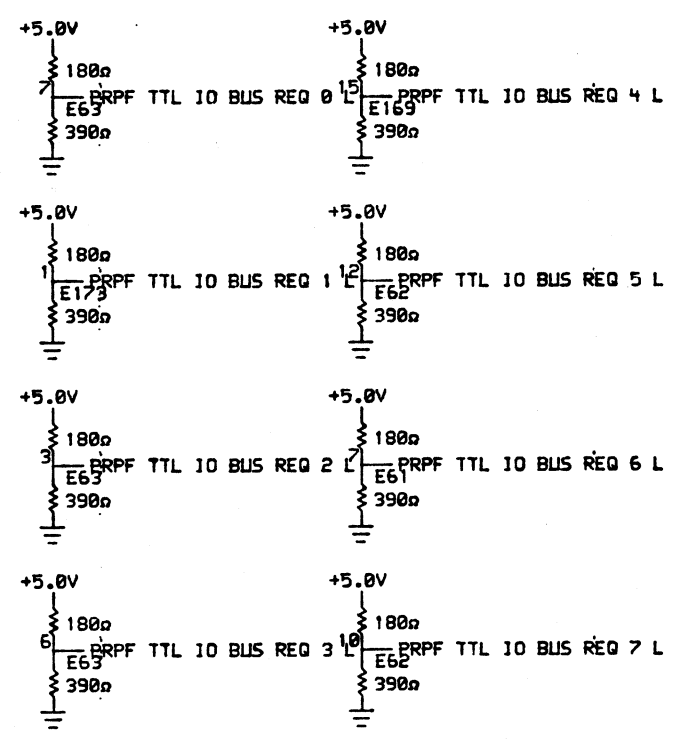
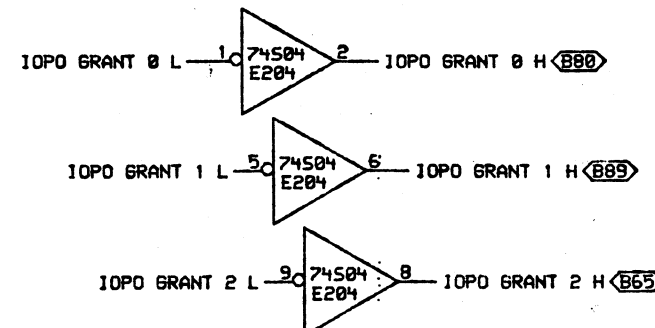
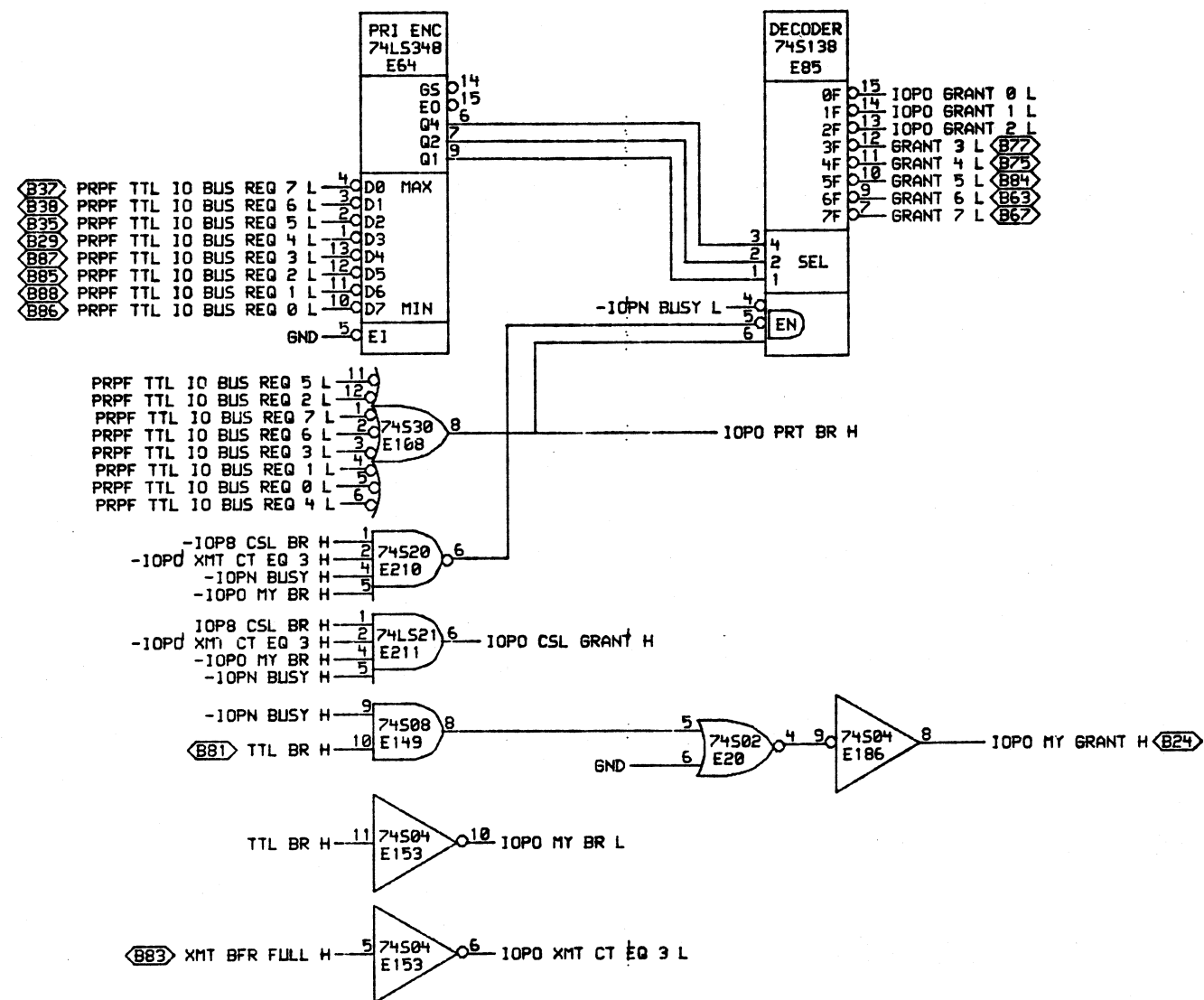




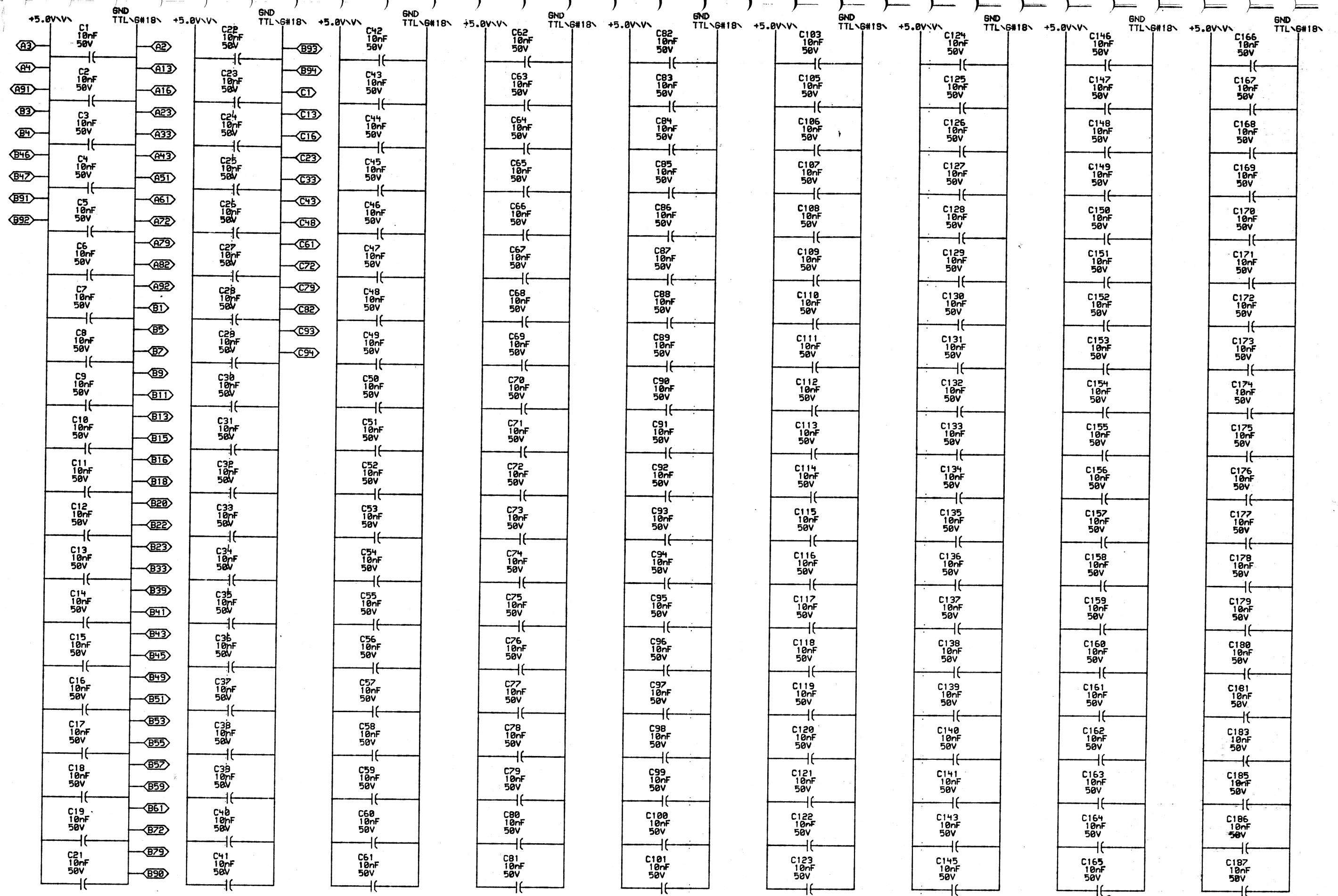
DRM.	DATE	ENG.	DATE	TITLE:
CHK'D.	DATE	BOARD LOCATION:		T CLK
VIL C001 (2000_1006) 27 IOPM.DRW	127-JAN-82 14:25	SHEET	OF	R CLK
FIRST USED ON OPTION/MODEL:		NEXT HIGHER ASSEMBLY:		NUMBER
				D CS L0062-0-IOPM
				REV.



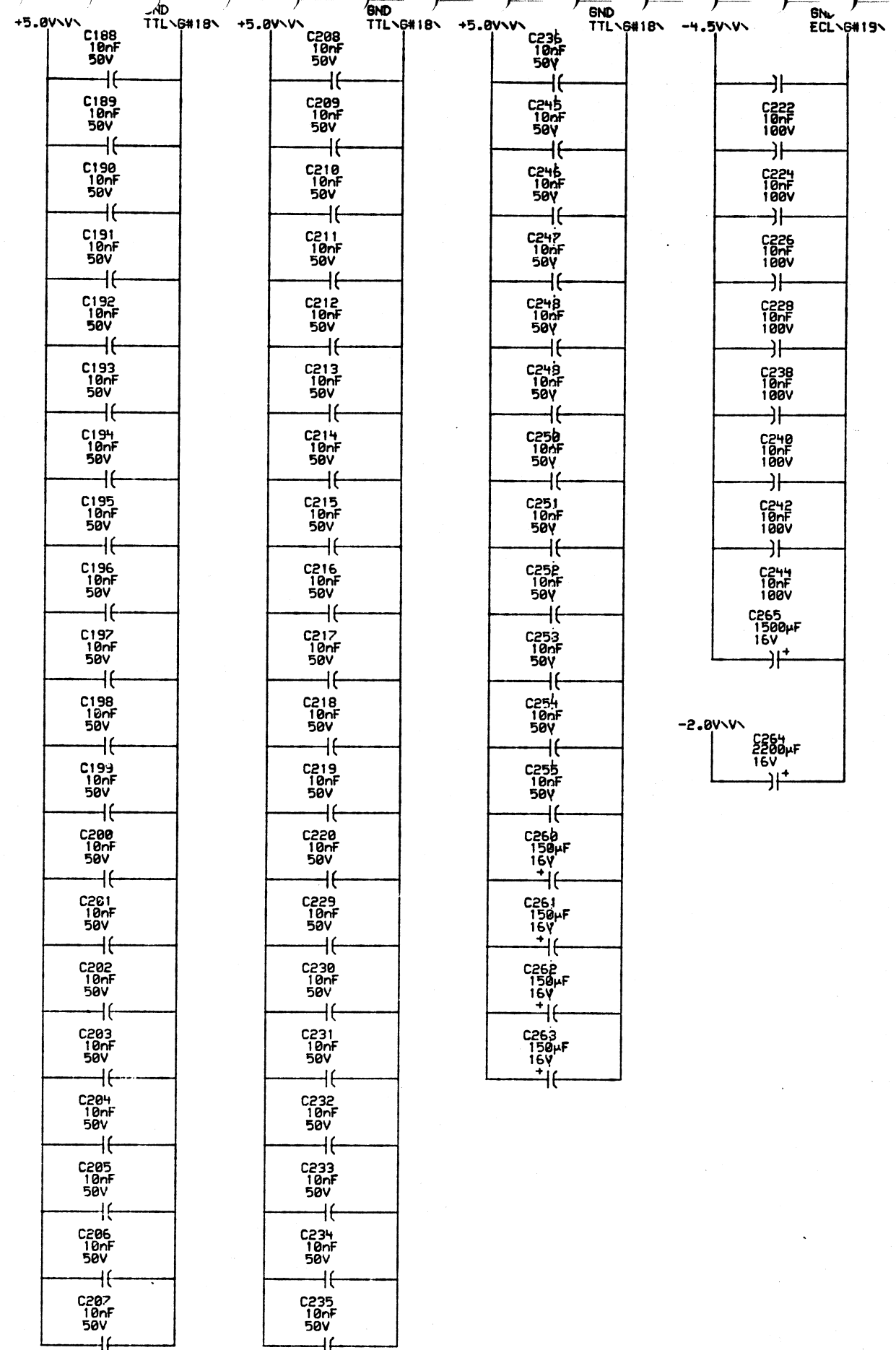
DRN.	DATE	ENG.	DATE	TITLE:
CHK'D.	DATE	BOARD LOCATION:		TTL BUS SEQ
VILCAN: (2888, L0062, 37) IOPN.DRW 23-JUN-82 14:36				NEXT HIGHER ASSEMBLY:
FIRST USED ON OPTION/MODEL:				SIZE CODE NUMBER REV.
				D C5 L0062-0-IOPN 1



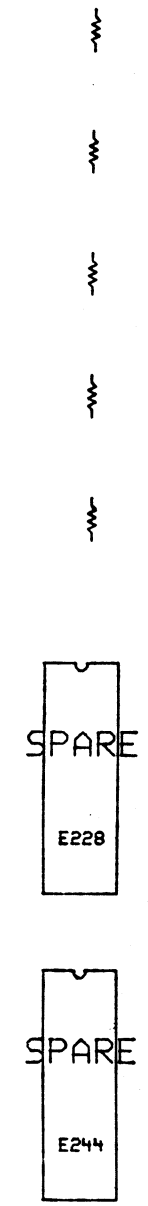
DRN.	DATE	ENG.	DATE	TITLE:	BUS REQ BUS GRANT		
CHK'D.	DATE	BOARD LOCATION:	OF	SIZE	CODE	NUMBER	REV.
FIRST USED ON OPTION/MODEL:				D	CS	L0062-0-IOPO	



DRN.	DATE	ENG.	DATE	TITLE:
CHK'D.	DATE	BOARD LOCATION:		IOP MODULE
		SHEET		PWR & GND 1
VILCAN: (2000.L0062)IOPR.DRW 19-FEB-81 14:06 NEXT HIGHER ASSEMBLY:				SIZE CODE NUMBER
FIRST USED ON OPTION MODEL:				D CS L0062-0-IOPR
				REV.



- ⏏ GND ECL
- ⏏ GND TTL
- ⊖ AB — NC
- ⊖ A45 — NC
- ⊖ A46 — NC
- ⊖ A47 — NC
- ⊖ A48 — NC
- ⊖ A55 — NC
- ⊖ A60 — NC
- ⊖ A62 — NC
- ⊖ A65 — NC
- ⊖ A67 — NC
- ⊖ C2 — NC
- ⊖ C31 — NC
- ⊖ C46 — NC
- ⊖ C50 — NC
- ⊖ A90 — NC
- ⊖ B2 — NC
- ⊖ C3 — NC
- ⊖ C91 — NC
- ⊖ C92 — NC

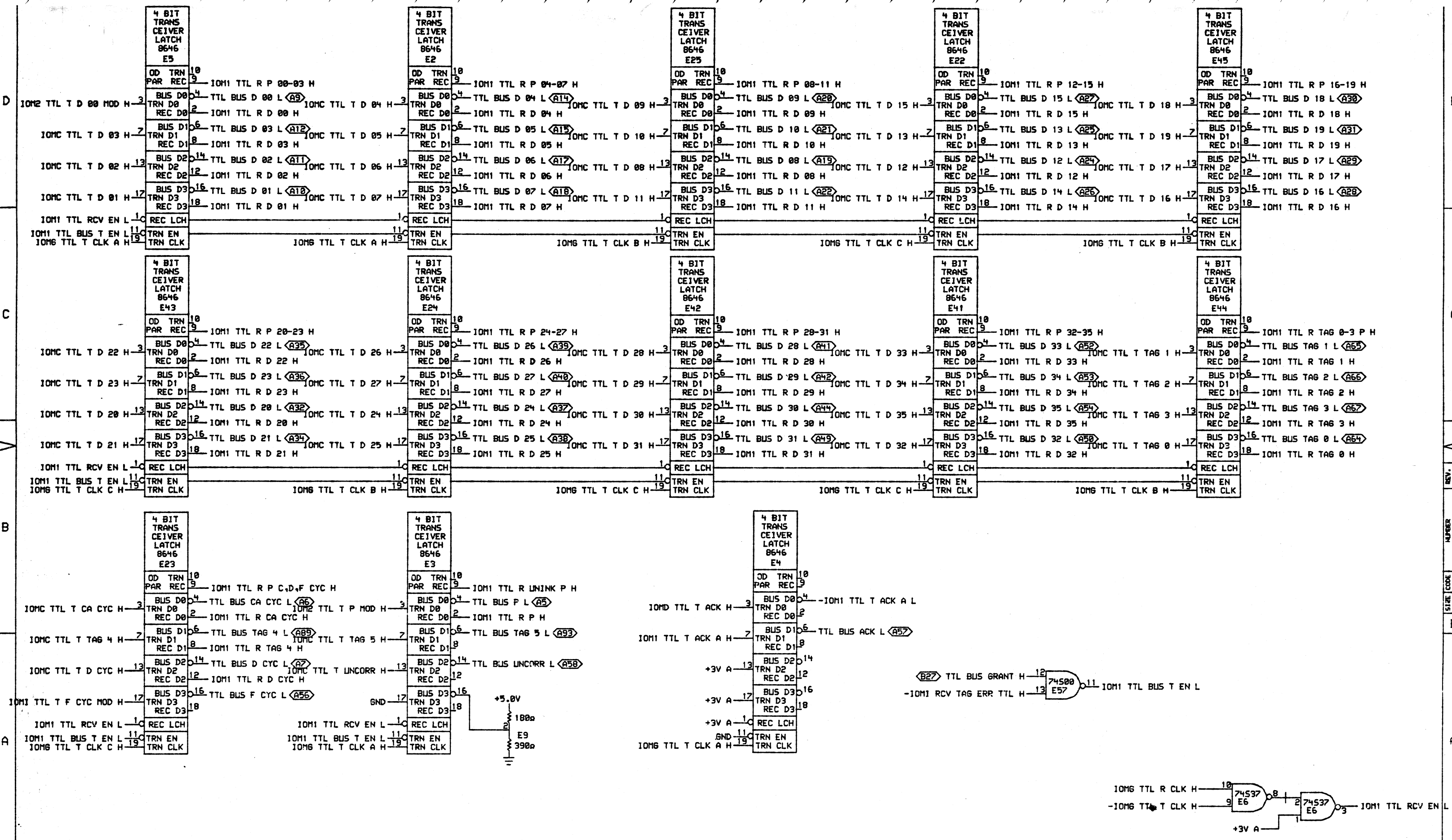


DRN.	DATE	ENG.	DATE	TITLE:
CHK'D.	DATE	BOARD LOCATION:		IOP MODULE
FIRST USED ON OPTION/MODEL:				NUMBER
NEXT HIGHER ASSEMBLY:				REV.
SIZE CODE				D CS L0062-0-IOPS

VULCAN:<2080.L0068>16IOM1
VULCAN:<2080.L0068>20IOM2
VULCAN:<2080.L0068>9IOM3
VULCAN:<2080.L0068>9IOM4
VULCAN:<2080.L0068>20IOM5
VULCAN:<2080.L0068>21IOM6
VULCAN:<2080.L0068>21IOM7
VULCAN:<2080.L0068>IOM8
VULCAN:<2080.L0068>9IOM9
VULCAN:<2080.L0068>12IOMA
VULCAN:<2080.L0068>16IOMB
VULCAN:<2080.L0068>20IOMC
VULCAN:<2080.L0068>15IOMD
VULCAN:<2080.L0068>21IOME
VULCAN:<2080.L0068>22IOMF
VULCAN:<2080.L0068>22IOMG
VULCAN:<2080.L0068>14IOMH
VULCAN:<2080.L0068>21IOMI
VULCAN:<2080.L0068>16IOMJ
VULCAN:<2080.L0068>21IOMK

E164	E151	E138	E125	E112	E099	E086	E073	E060	E040	E0205
E163	E150	E137	E124	E111	E098	E085	E072	E059	E039	E019
E162	E149	E136	E123	E110	E097	E084	E071	E057	E037	E017
E161	E148	E135	E122	E109	E096	E083	E070	E056	E036	E016
E160	E147	E134	E121	E108	E095	E082	E069	E055	E035	E015
E159	E146	E133	E120	E107	E094	E081	E068	E054	E034	E014
E158	E145	E132	E119	E106	E093	E080	E067	E053	E033	E013
E157	E144	E131	E118	E105	E092	E079	E066	E052	E032	E012
E156	E143	E130	E117	E104	E091	E078	E065	E051	E031	E011
E155	E142	E129	E116	E103	E090	E077	E064	+R005+	+R003+	+R001+
E154	E141	E128	E115	E102	E089	E076	E063	+R006+	+R004+	+R002+
E153	E140	E127	E114	E101	E088	E075	E062	E049	E029	E009
E152	E139	E126	E113	E100	E087	E074	E061	E048	E028	E008
								E047	E027	E007
								E046	E026	E006
								E045	E025	E005
								E044	E024	E004
								E043	E023	E003
								E042	E022	E002
								E041	E021	E001

TOM



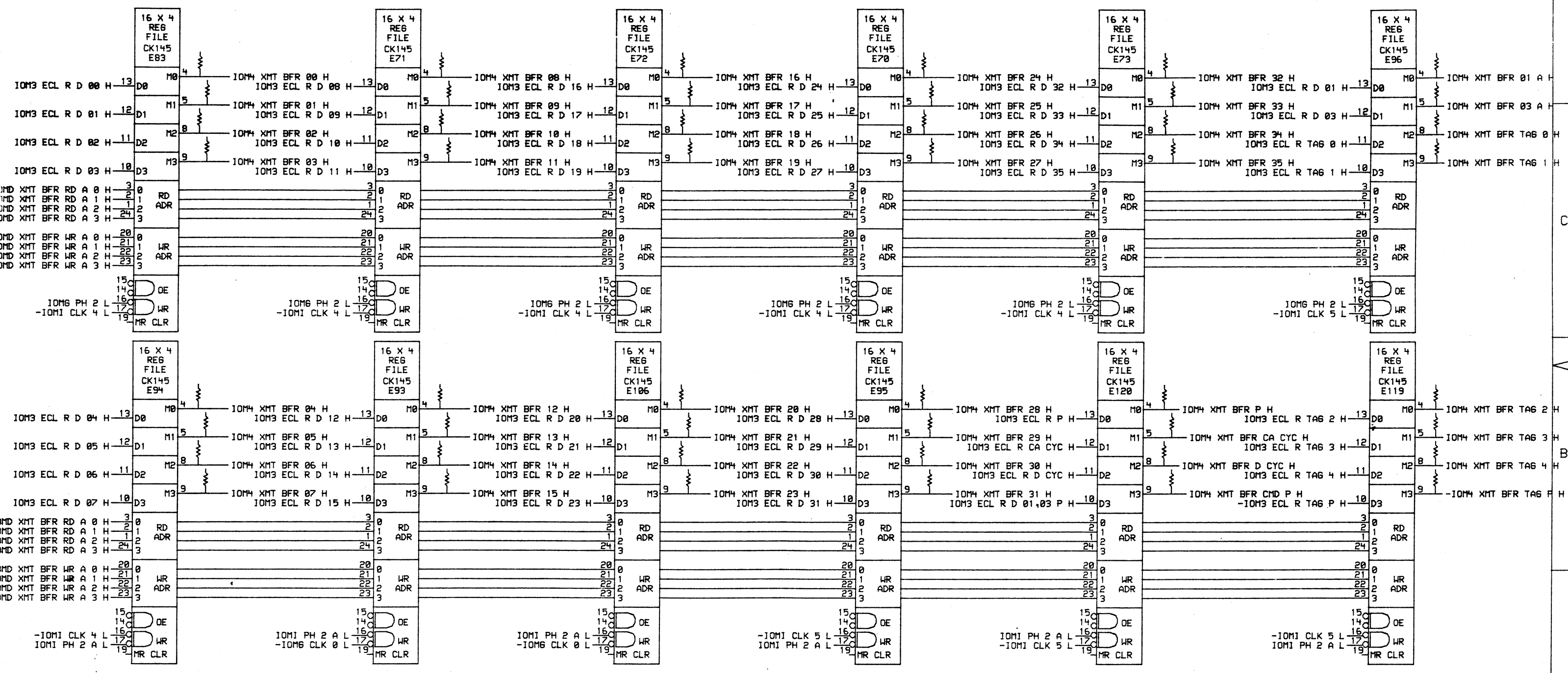
THIS DRAWING AND SPECIFICATIONS ARE THE PROPERTY OF DIGITAL EQUIPMENT CORPORATION AND SHALL NOT BE REPRODUCED OR COPIED OR USED IN WHOLE OR IN PART AS THE BASIS FOR THE MANUFACTURE OR SALE OF ITEMS WITHOUT WRITTEN PERMISSION. COPYRIGHT © 1982, DIGITAL EQUIPMENT CORPORATION.

REVISIONS	
CHK	CHANGE NO. REV

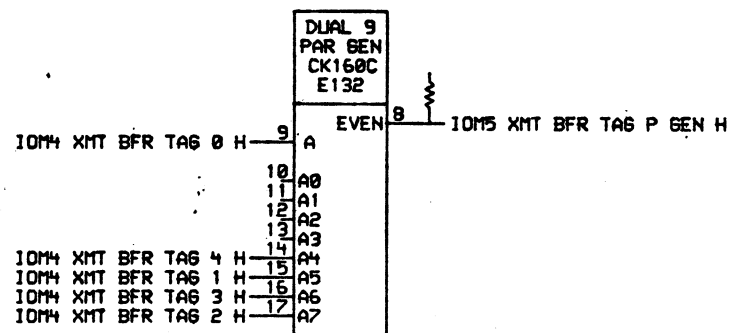
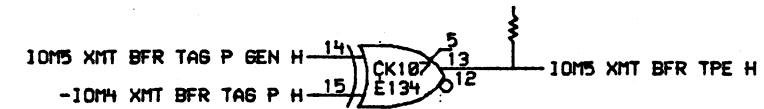
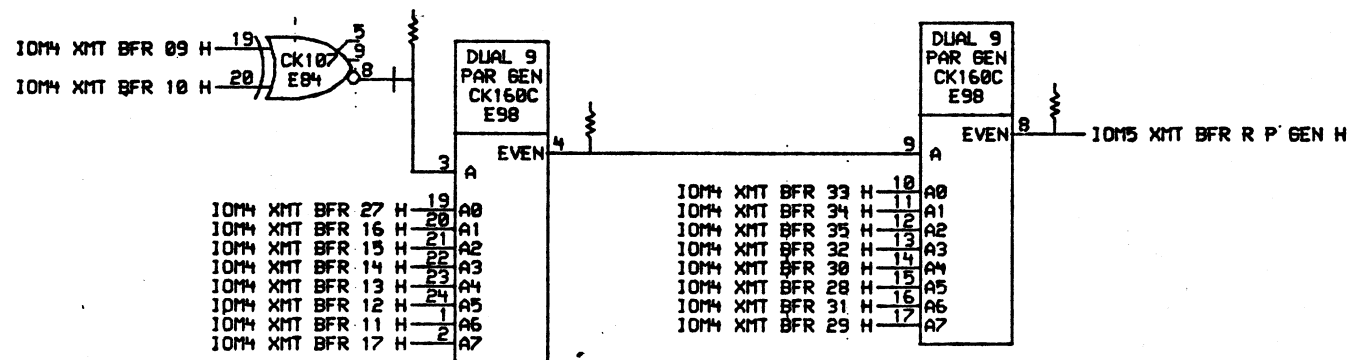
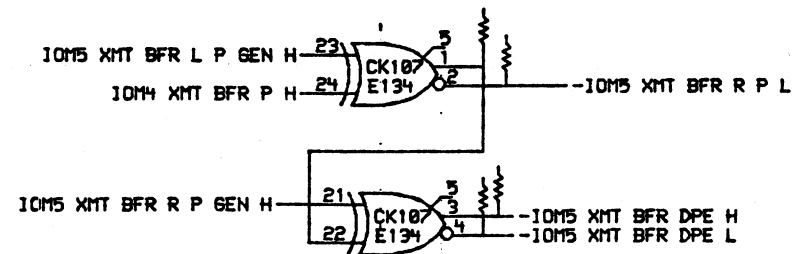
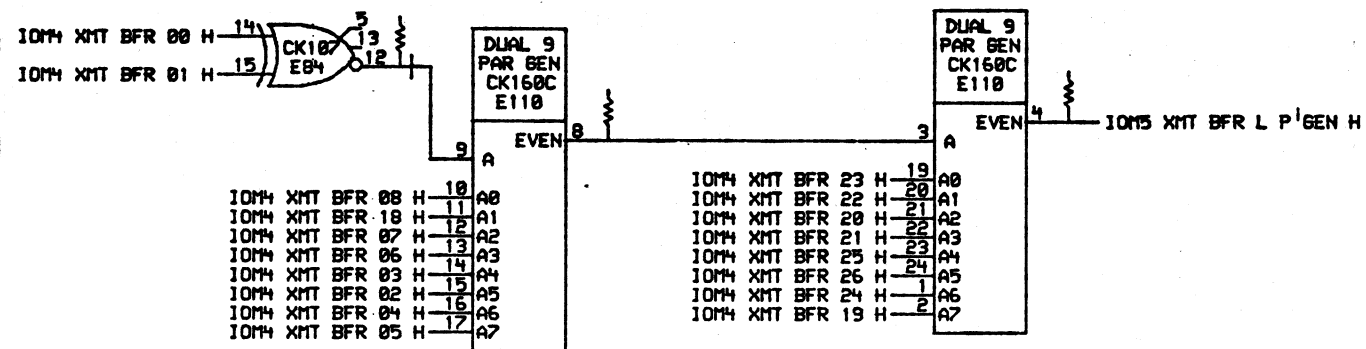
digital	DRW. J. J. J.	DATE 22 JUN 82	ENG.	DATE	TITLE: TTL BUS TRANSCEIVERS
	CHK'D.	DATE	BOARD LOCATION:	SHEET OF	SIZE CODE NUMBER REV.
VUL CAN (2000-1-0068) 161011.DRW 121-JUN-82 17:23		NEXT HIGHER ASSEMBLY:		D CS L0068-0-10M1	

8	7	6	5	4	3	2	1
---	---	---	---	---	---	---	---

REV. NUMBER L0068-0-10M1
SIZE D
CODE CS



DRN.	DATE	ENG.	DATE	TITLE:
CHK'D.	DATE	BOARD LOCATION:		XMT REG FILE
FIRST USED ON OPTION/MODEL:		NEXT HIGHER ASSEMBLY:		D00-D35
VULCAN (2080.L0068) 910TH.DRW 24-DEC-81 13:39		SHEET OF		NUMBER
		SIZE CODE		REV.
		D CS		L0068-0-IOM4



THIS DRAWING AND SPECIFICATIONS ARE THE PROPERTY OF DIGITAL EQUIPMENT CORPORATION AND SHALL NOT BE REPRODUCED OR COPIED OR USED IN WHOLE OR IN PART AS THE BASIS FOR THE MANUFACTURE OR SALE OF ITEMS WITHOUT WRITTEN PERMISSION. COPYRIGHT © 1982, DIGITAL EQUIPMENT CORPORATION.

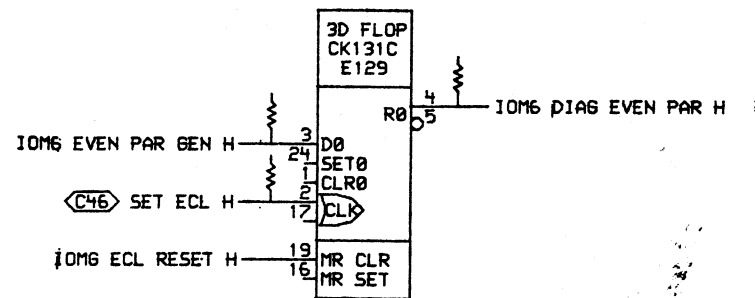
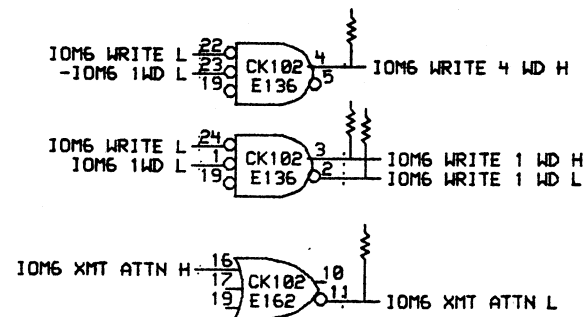
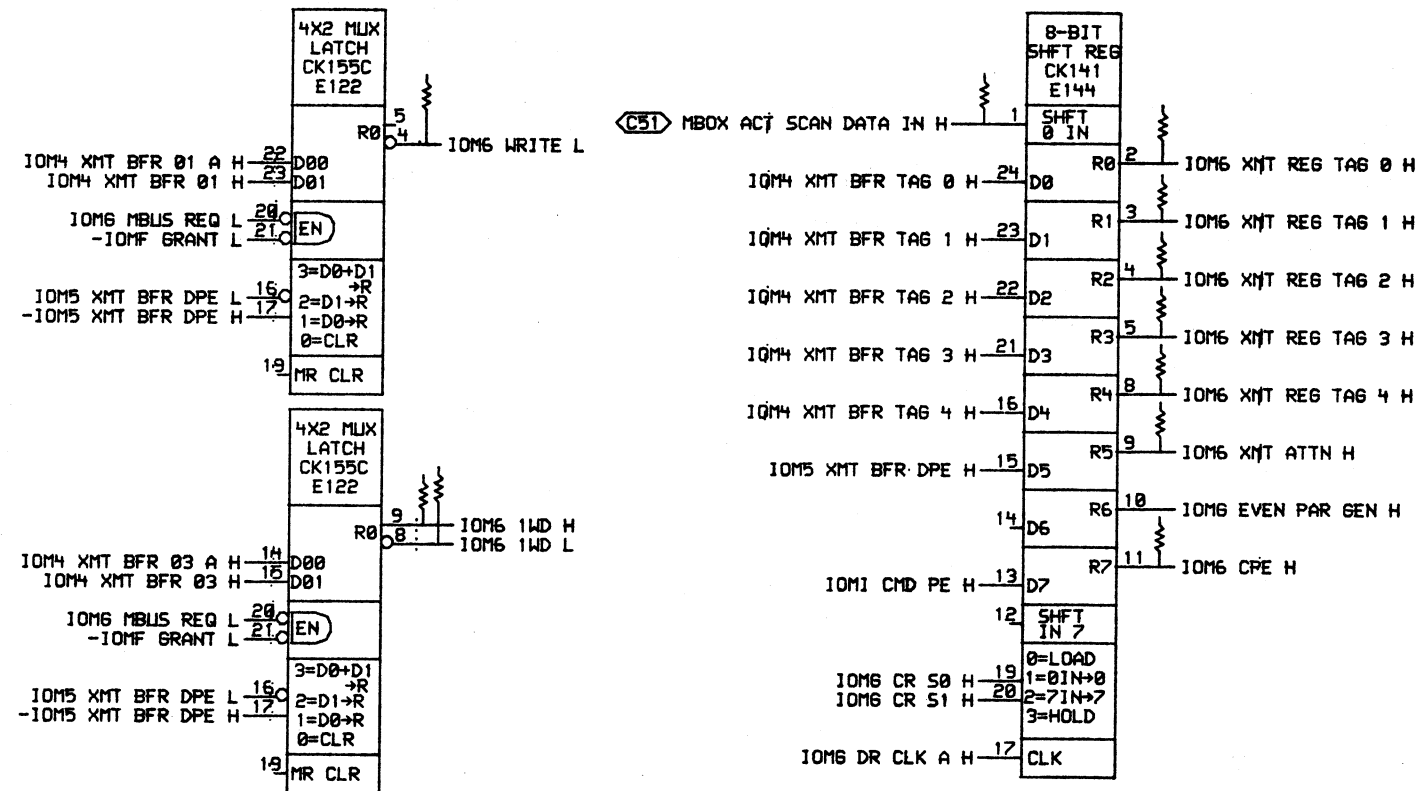
REVISIONS		
CHK	CHANGE NO.	REV

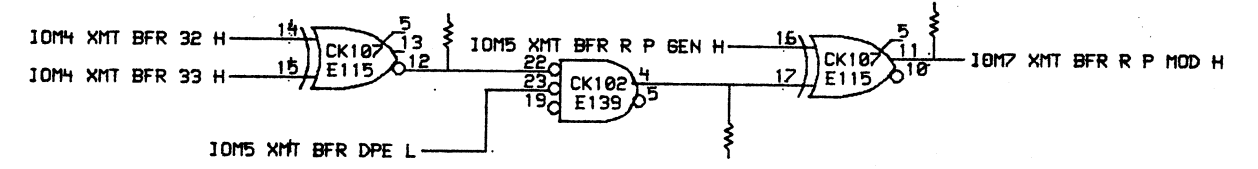
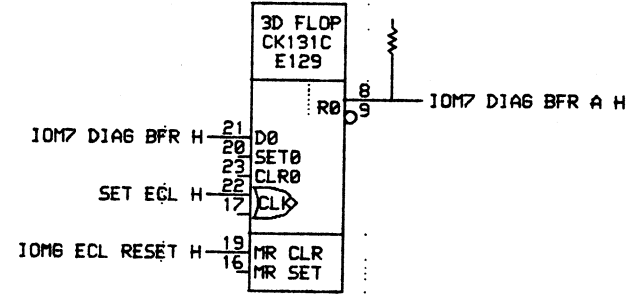
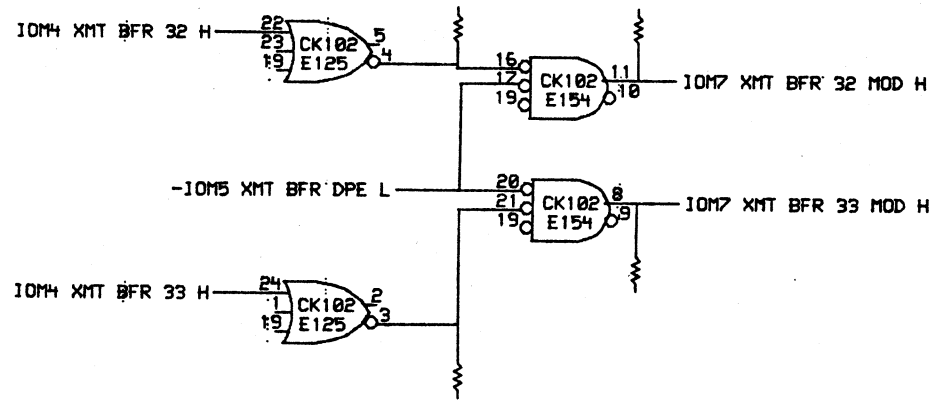
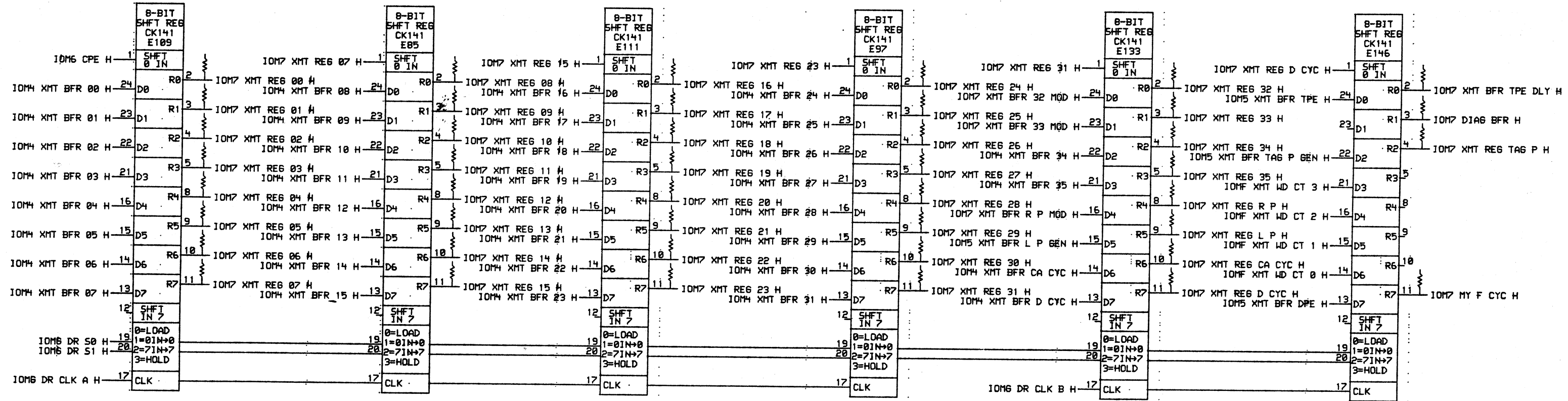
8	7	6	5	4	3	2	1
---	---	---	---	---	---	---	---

	DRN. <i>J. J. J.</i> CHK'D.	DATE 26-AUG-82 ENG.	DATE BOARD LOCATION:	TITLE: XMT BFR P GEN XMT BFR P CHK
	VUL CAN (2000 L0068) 201Q12.DRW 25-AUG-82 09:27 FIRST USED ON OPTION/MODEL:	DATE 25-AUG-82 09:27 SHEET OF	NEXT HIGHER ASSEMBLY:	SIZE CODE D CS NUMBER L0068-0-10M5

D
 C
 B
 A

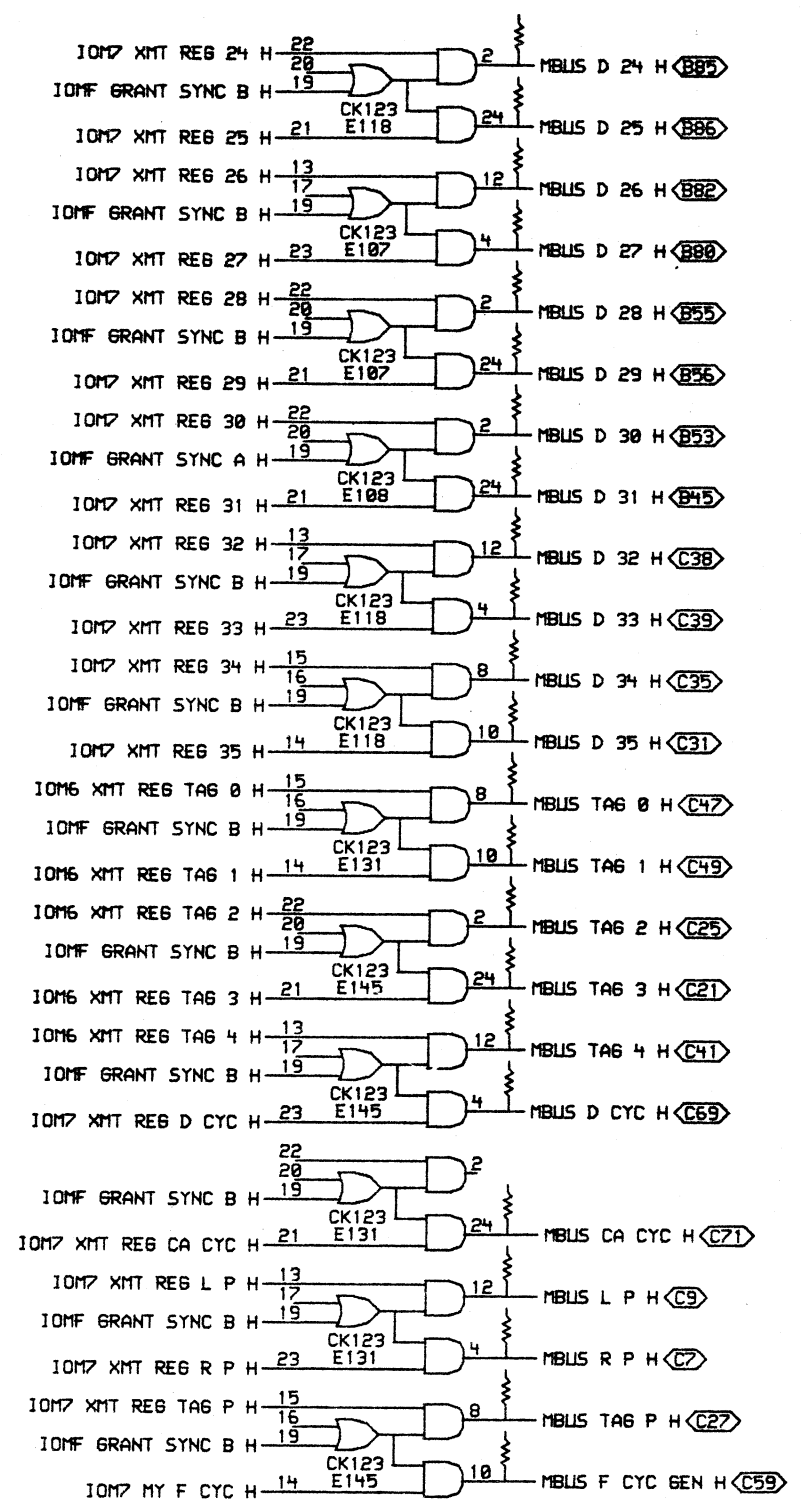
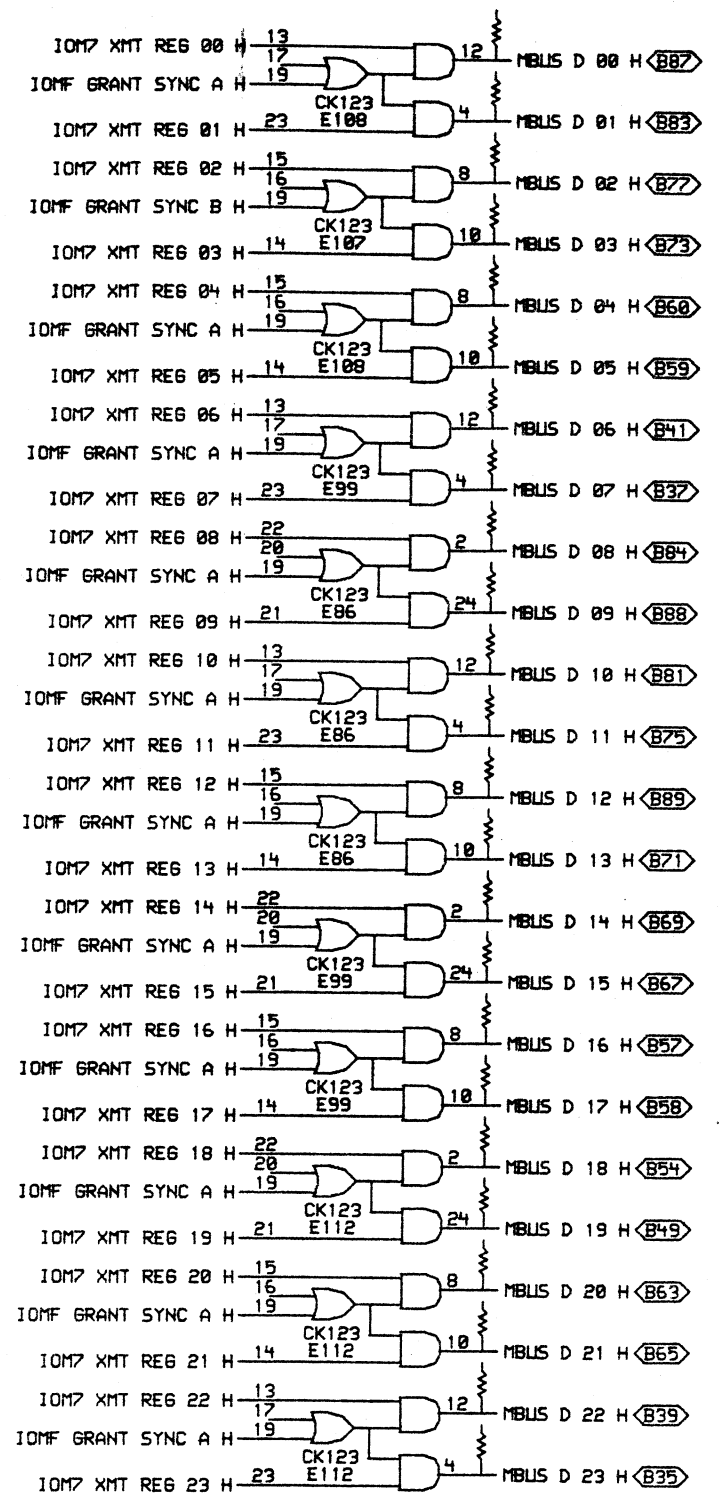
REV.
 NUMBER L0068-0-10M5
 SIZE CODE D CS
 B





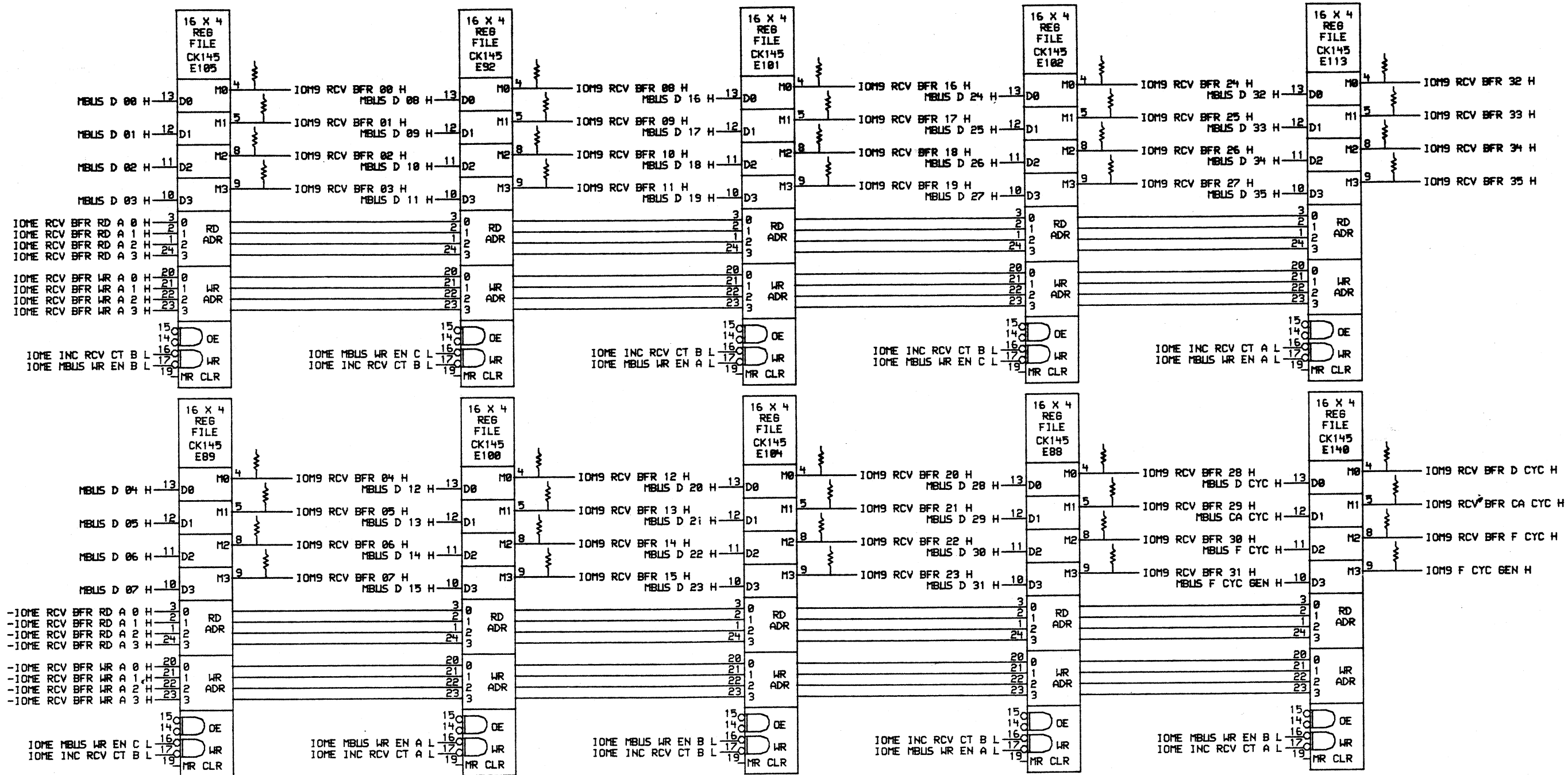
THIS DRAWING AND SPECIFICATIONS ARE THE PROPERTY OF DIGITAL EQUIPMENT CORPORATION AND SHALL NOT BE REPRODUCED OR COPIED OR USED IN WHOLE OR IN PART AS THE BASIS FOR THE MANUFACTURE OF ITEMS WITHOUT WRITTEN PERMISSION. COPYRIGHT (C) 1982.

REVISIONS		
CHK	CHANGE NO.	REV.

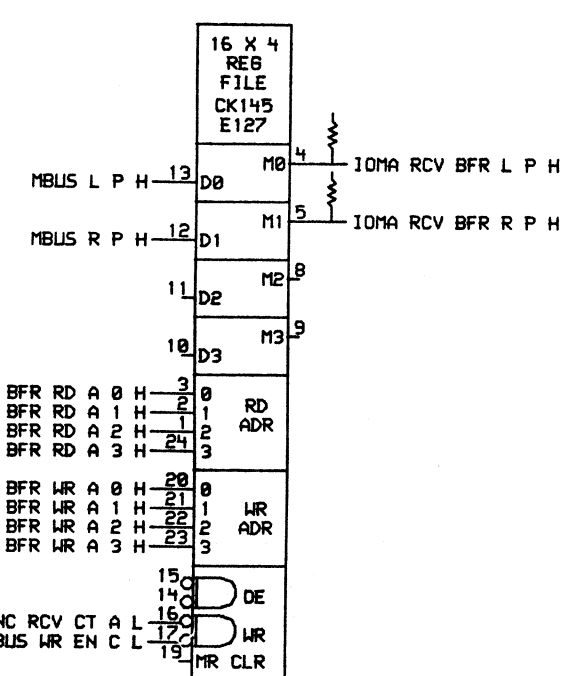
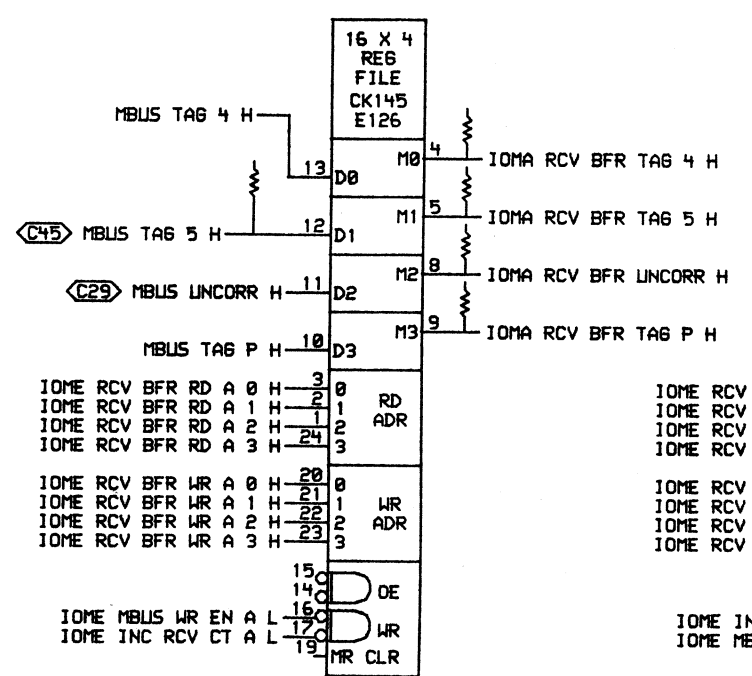
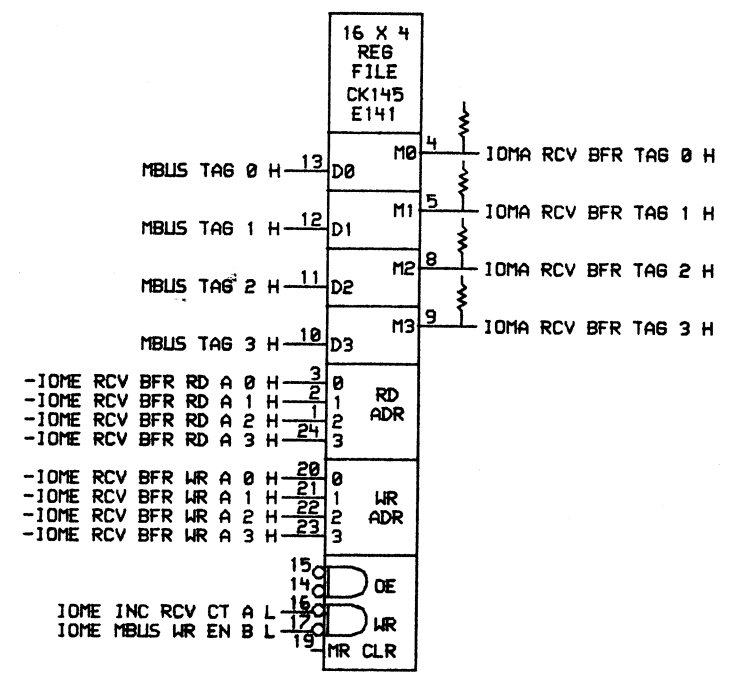


(C63) — MBLUS F CYC H

DRN.	DATE	ENG.	DATE	TITLE:	MBLUS DRIVERS				
CHK'D.	DATE	BOARD LOCATION:							
VILCAN (2000.L0068)IOM8.DRW 09-NOV-81 13:40				NEXT HIGHER ASSEMBLY:		SIZE	CODE	NUMBER	REV.
FIRST USED ON OPTION/MODEL:						D	CS	L0068-0-IOM8	



DRN.	DATE	ENG.	DATE	TITLE:	RCV REG FILE		
CHK'D.	DATE	BOARD LOCATION:	SHEET	D00-D35			REV.
VILCANI (2000.L0068)9109.DRW 02-DEC-81 17:24 NEXT HIGHER ASSEMBLY:				SIZE	CODE	NUMBER	
FIRST USED ON OPTION/MODEL:				D	CS	L0068-0-IOM9	



THIS DRAWING AND SPECIFICATIONS HEREIN ARE THE PROPERTY OF DIGITAL EQUIPMENT CORPORATION AND SHALL NOT BE REPRODUCED OR COPIED OR USED IN WHOLE OR IN PART AS THE BASIS FOR THE MANUFACTURE OR SALE OF ITEMS WITHOUT WRITTEN PERMISSION. COPYRIGHT © 1982, DIGITAL EQUIPMENT CORPORATION.

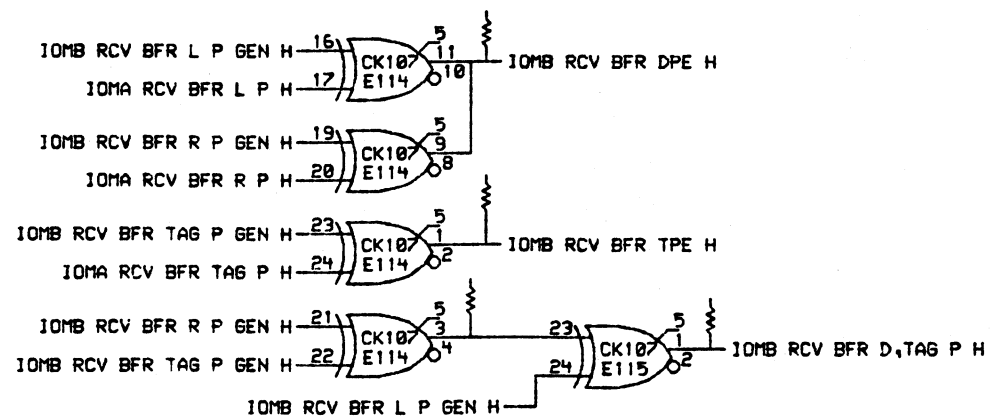
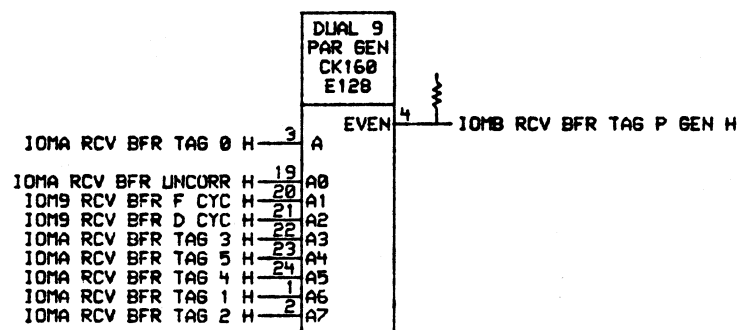
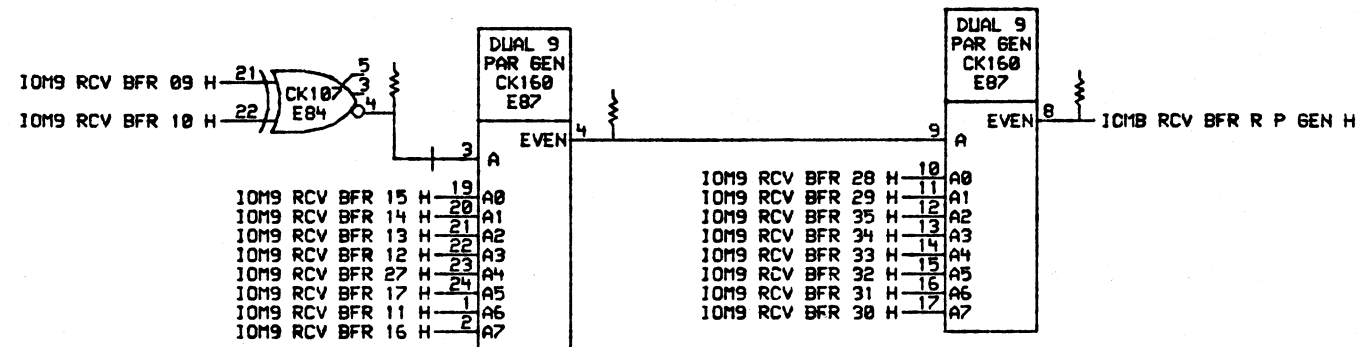
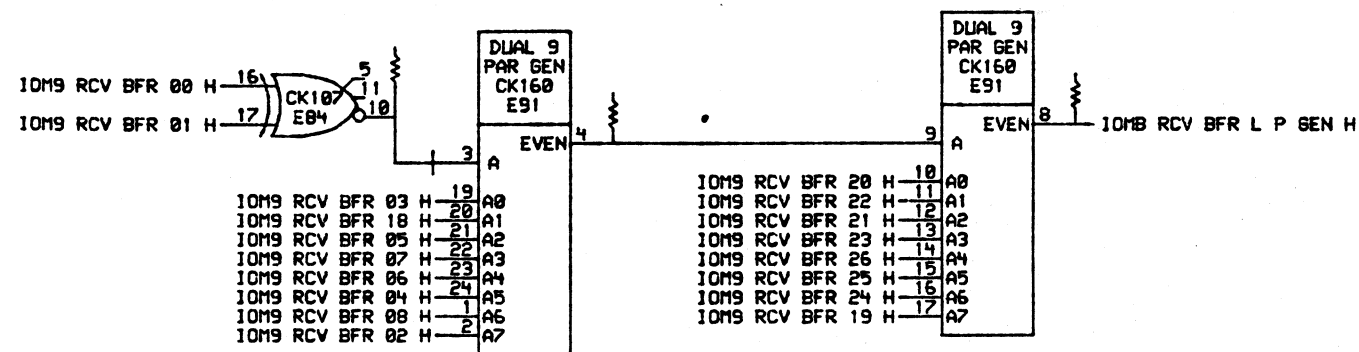
REVISIONS		
CHK	CHANGE NO.	REV

	DATE 16-APR-82	ENG.	DATE	TITLE: RCV REG FILE TAG,P,D,F,CYC
	DATE	CHK'D. <i>J. J. J.</i>	BOARD LOCATION: SHEET OF	SIZE CODE D CS
FIRST USED ON OPTION MODEL: VULCAN (2000-L0068) IOMA.DRW 15-APR-82 09:37				NUMBER L0068-0-IOMA
NEXT HIGHER ASSEMBLY:				REV.

D C B A

REV. NUMBER L0068-0-IOMA

SIZE CODE D CS



D
C
B
A

REV.
NUMBER
L0068-0-10MB
CS
D

THIS DRAWING AND SPECIFICATIONS ARE THE PROPERTY OF DIGITAL EQUIPMENT CORPORATION AND SHALL NOT BE REPRODUCED OR COPIED IN WHOLE OR IN PART AS A BASIS FOR THE MANUFACTURE OR SALE OF ITEMS WITHOUT WRITTEN PERMISSION. COPYRIGHT © 1988. DIGITAL EQUIPMENT CORPORATION		REVISIONS CHK CHANGE NO. REV	digital VILCAM (2008.10MS0)1610MB.DRW FIRST USED ON OPTION/MODEL:	DRN. J. J. J. J. CHK'D.	DATE 22-JUN-82 DATE 21-JUN-82 17:26	ENG. BOARD LOCATION: SHEET OF	DATE NEXT HIGHER ASSEMBLY:	TITLE: MBUS P CHK RCV L,R P GEN	SIZE CODE D CS NUMBER L0068-0-10MB	REV.
-------------------------------------------------------------------------------------------------------------------------------------------------------------------------------------------------------------------------------------------------------------------------	--	---------------------------------	-------------------------------------------------------------------------	----------------------------	----------------------------------------	----------------------------------	-------------------------------	---------------------------------	---------------------------------------	------

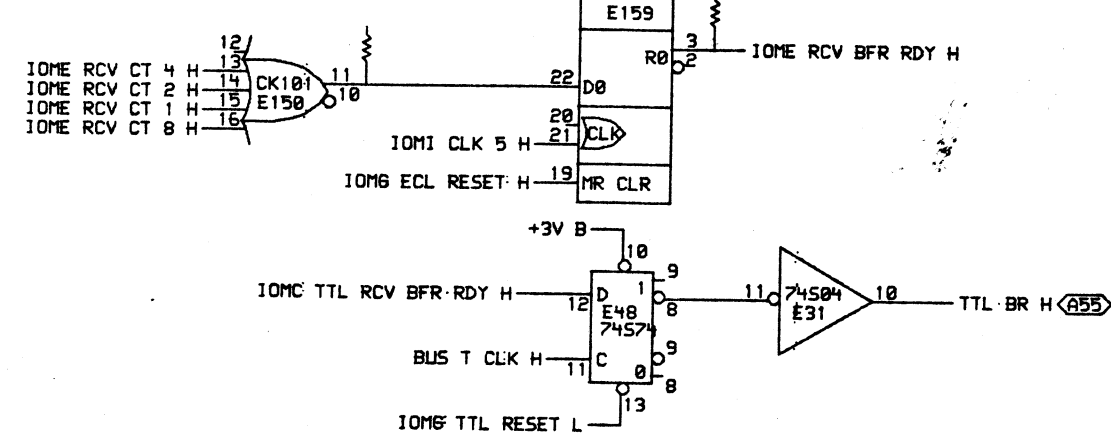
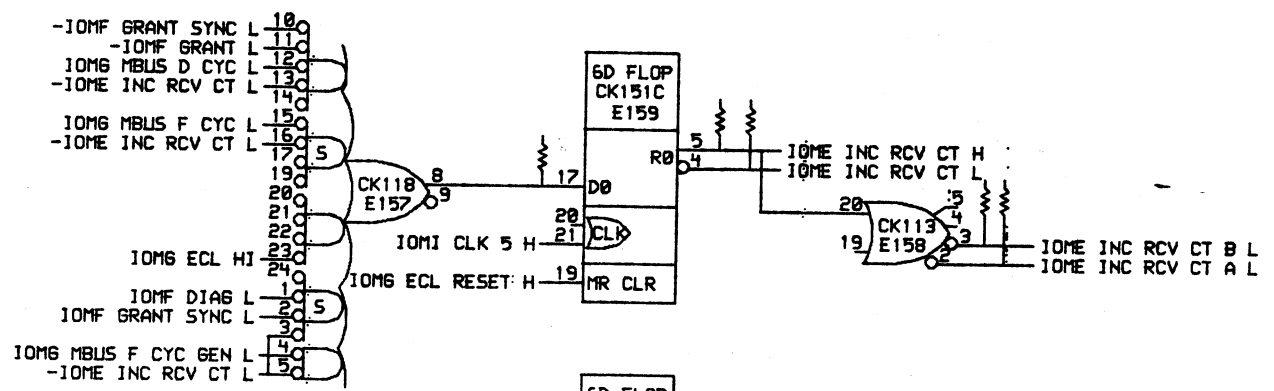
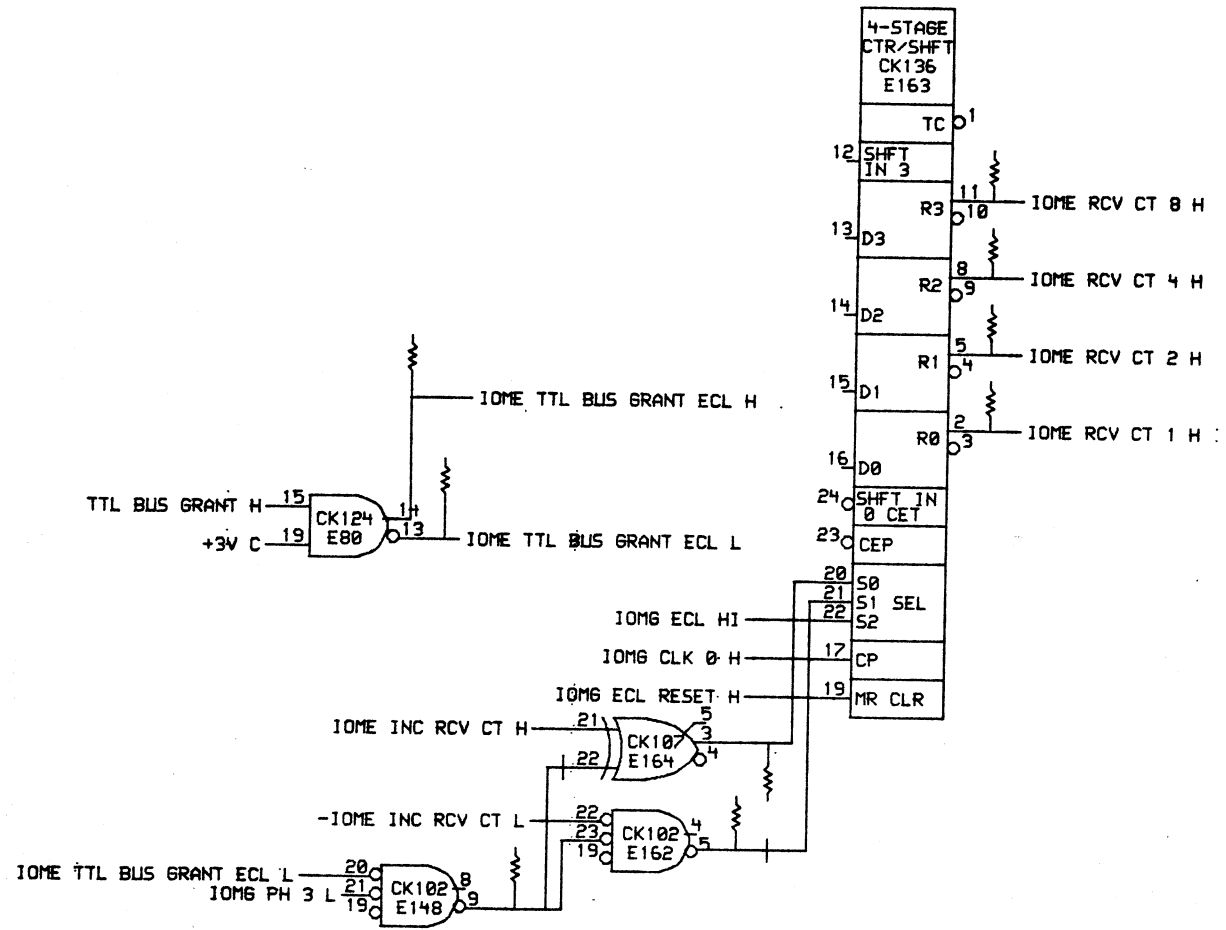
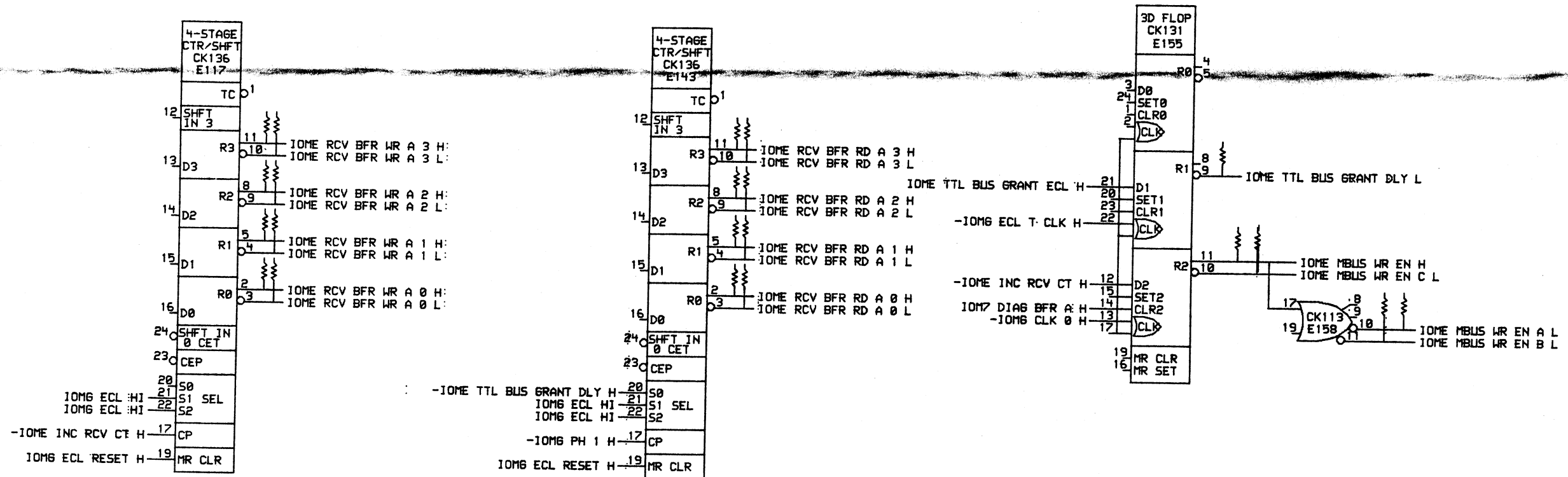


D
 C
 B
 A

THIS DRAWING AND SPECIFICATIONS ARE THE PROPERTY OF DIGITAL EQUIPMENT CORPORATION AND SHALL NOT BE REPRODUCED OR COPIED OR USED IN WHOLE OR IN PART AS THE BASIS FOR THE MANUFACTURE OR SALE OF ITEMS WITHOUT WRITTEN PERMISSION. COPYRIGHT © 1982, DIGITAL EQUIPMENT CORPORATION.

REVISIONS	
CHK	CHANGE NO. REV

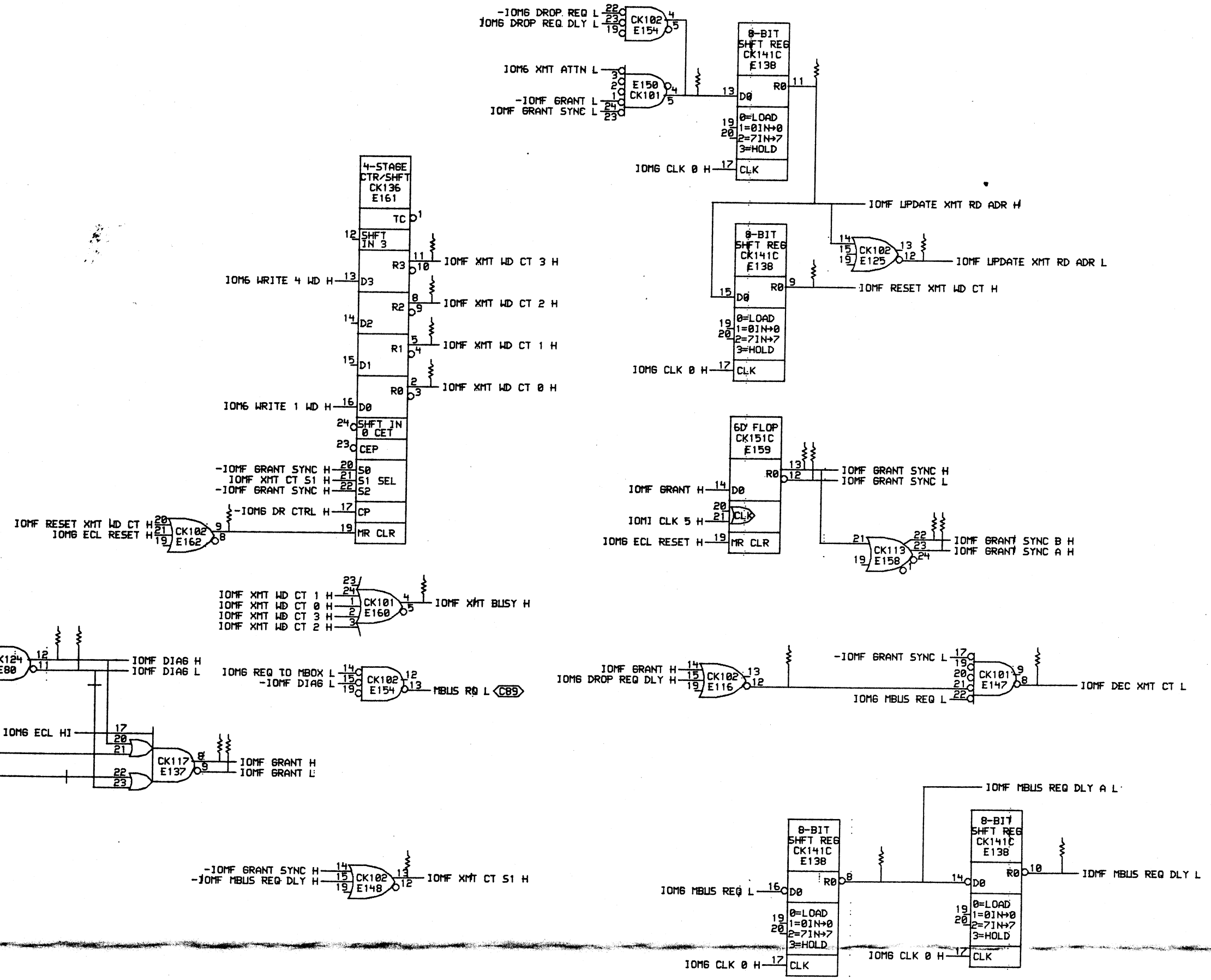
	DRN. <i>J. J. J.</i>	DATE 26-AUG-82	ENG. .	DATE	TITLE: ECL-TTL TRANSLATORS
	CHK'D.	DATE	BOARD LOCATION:	SHEET OF	
VULCAN (2000 L0068-0) IOMC.DRW 125-AUG-82 10:03 NEXT HIGHER ASSEMBLY:			SIZE CODE	NUMBER	REV.
FIRST USED ON OPTION/MODEL:			D	CS	L0068-0-IOMC



THIS DRAWING AND SPECIFICATIONS ARE THE PROPERTY OF DIGITAL EQUIPMENT CORPORATION AND SHALL NOT BE REPRODUCED OR COPIED OR USED IN WHOLE OR IN PART AS THE BASIS FOR THE MANUFACTURE OR SALE OF ITEMS WITHOUT WRITTEN PERMISSION. COPYRIGHT © 1982, DIGITAL EQUIPMENT CORPORATION.

REVISIONS	
CHK	CHANGE NO. REV

digital	DRW. J. J. J.	DATE 24-NOV-82	ENG.	DATE	TITLE: RCV REG FILE ADR REQ COUNT
	CHK'D.	DATE	BOARD LOCATION:	SHEET	OF
VLLCAN1 (2000.L0068) 1106.DRW 110-NOV-82 15:46 NEXT HIGHER ASSEMBLY:					SIZE CODE NUMBER REV.
FIRST USED ON OPTION/MODEL:					D CS L0068-0-IOME

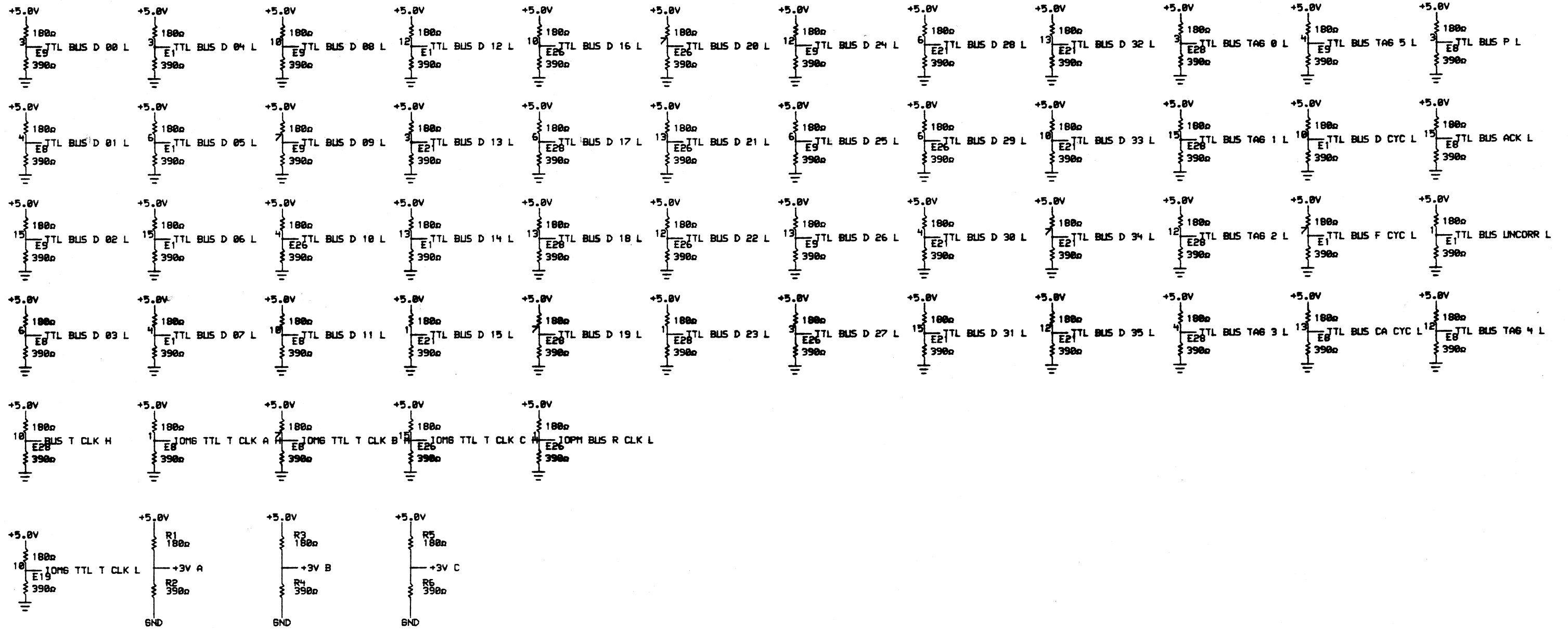


D

C

B

A



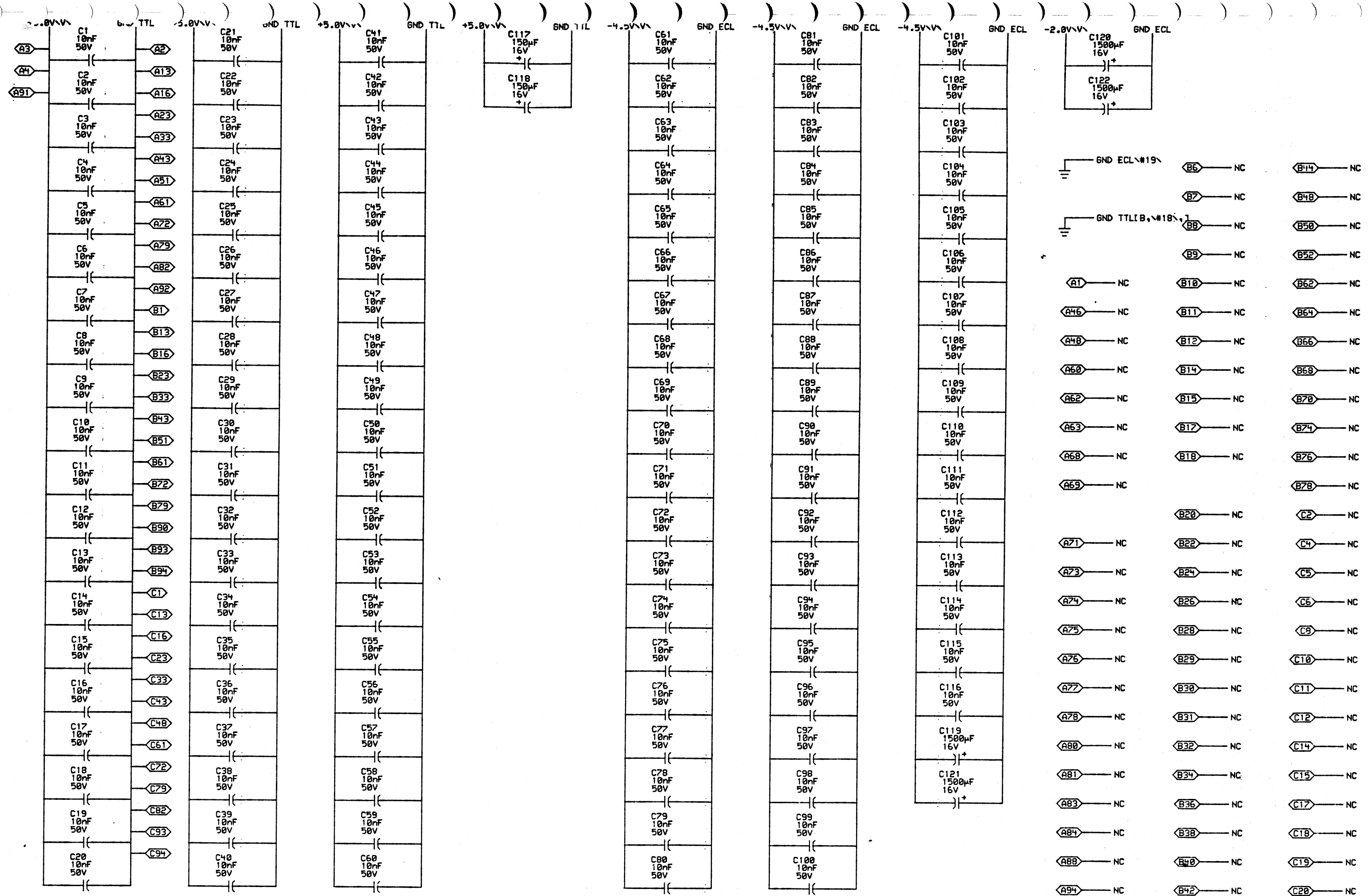
THIS DRAWING AND SPECIFICATIONS HEREIN ARE THE PROPERTY OF DIGITAL EQUIPMENT CORPORATION AND SHALL NOT BE REPRODUCED OR COPIED OR USED IN WHOLE OR IN PART AS THE BASIS FOR THE MANUFACTURE OR SALE OF ITEMS WITHOUT WRITTEN PERMISSION. COPYRIGHT © 1982 - DIGITAL EQUIPMENT CORPORATION.

REVISIONS	
CHK	CHANGE NO. REV

	DATE	ENG.	DATE	TITLE:
	13-MAY-82			TTL BUS TERMINATORS
	DATE	BOARD LOCATION:		
		SHEET		
FIRST USED ON OPTION MODEL:		NEXT HIGHER ASSEMBLY:		

SIZE	CODE	NUMBER	REV.
D	CS	L0068-0-10MH	

REV. NUMBER L0068-0-10MH



THIS DRAWING AND SPECIFICATIONS
HEREIN ARE THE PROPERTY OF
DIGITAL EQUIPMENT CORPORATION AND
SHALL NOT BE REPRODUCED OR COPIED
OR USED IN WHOLE OR IN PART AS
THE BASIS FOR THE MANUFACTURE OR
SALE OF OTHER ITEMS WITHOUT WRITTEN
PERMISSION. COPYRIGHT © 1982,
DIGITAL EQUIPMENT CORPORATION.

REVISIONS		
CHK	CHANGE NO.	REV

	DATE	ENG.	DATE	TITLE:
	21-31-82	J. J. J.		IOM MODULE PWR & GND 1
	DATE	BOARD LOCATION:		
		SHEET		
FIRST USED ON OPTION/MODEL:				SIZE CODE
				D CS
NEXT HIGHER ASSEMBLY:				NUMBER
				L0068-0-IOMJ
				REV.

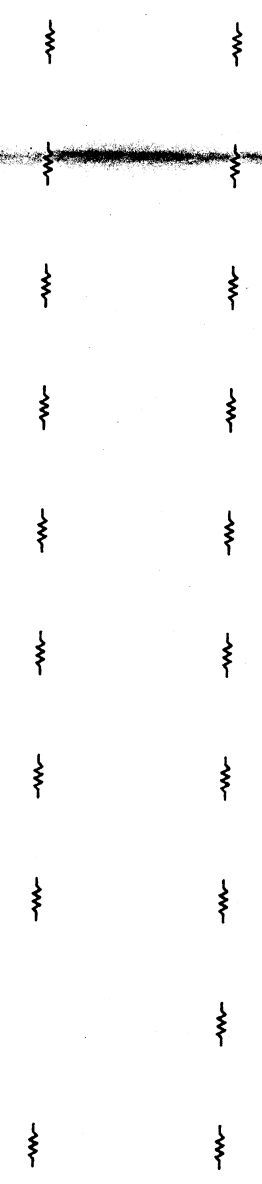
D
 C
 REV.
 NUMBER
 L0068-0-IOMJ
 SIZE
 CODE
 CS
 D
 A

- C22 — NC C80 — NC
- C24 — NC C83 — NC
- C26 — NC C84 — NC
- C28 — NC C86 — NC
- C30 — NC C87 — NC
- C32 — NC C88 — NC
- C34 — NC C90 — NC
- C36 — NC A90 — NC NOTE: UNUSED +12.0V
- C40 — NC B2 — NC NOTE: UNUSED -12.0V
- C42 — NC B3 — NC NOTE: UNUSED +5.0V
- C44 — NC B4 — NC NOTE: UNUSED +5.0V
- B46 — NC NOTE: UNUSED +5.0V
- C50 — NC B47 — NC NOTE: UNUSED +5.0V
- C52 — NC B91 — NC NOTE: UNUSED +5.0V
- C54 — NC B92 — NC NOTE: UNUSED +5.0V
- C56 — NC C3 — NC NOTE: UNUSED +5.0V
- C57 — NC C91 — NC NOTE: UNUSED +5.0V
- C58 — NC C92 — NC NOTE: UNUSED +5.0V
- C60 — NC
- C62 — NC
- C64 — NC
- C68 — NC
- C70 — NC
- C73 — NC
- C74 — NC
- C75 — NC
- C76 — NC
- C77 — NC
- C78 — NC

SPARE
E90

SPARE
E103

NOTE: THE FOLLOWING TTL DIP
LOCATIONS ARE ALSO SPARES
E7, E13, E14, E15, E16, E17, E18
E20, E27, E33, E47, E53



THIS DRAWING AND SPECIFICATIONS
HEREIN ARE THE PROPERTY OF
DIGITAL EQUIPMENT CORPORATION AND
SHALL NOT BE REPRODUCED OR COPIED
OR USED IN WHOLE OR IN PART AS
THE BASIS FOR THE MANUFACTURE OR
SALE OF ITEMS WITHOUT WRITTEN
PERMISSION. COPYRIGHT © 1982
DIGITAL EQUIPMENT CORPORATION.

REVISIONS		
CHK	CHANGE NO.	REV

digital
V.L.C.M.: (2088-1-0068)2110MK.DRM [17-NOV-82.12:08] NEXT HIGHER ASSEMBLY:
FIRST USED ON OPTION/MODEL:

DRN. *St. J. J. J.* DATE 24-NOV-82 ENG. DATE
CHK'D. DATE BOARD LOCATION: SHEET OF

TITLE: IOM MODULE PWR & GND 2
SIZE CODE D CS L0068-0-10MK NUMBER REV.

REV. NUMBER L0068-0-10MK CS D CS L0068-0-10MK

8

7

6

5

4

3

2

1

D

D

C

C

B

B

A

A

VULCAN: <2000.L0064>44PRP1
 VULCAN: <2000.L0064>44PRP2
 VULCAN: <2000.L0064>27PRP3
 VULCAN: <2000.L0064>39PRP4
 VULCAN: <2000.L0064>48PRP5
 VULCAN: <2000.L0064>PRP6
 VULCAN: <2000.L0064>46PRP7
 VULCAN: <2000.L0064>32PRP8
 VULCAN: <2000.L0064>49PRP9
 VULCAN: <2000.L0064>11PRPA
 VULCAN: <2000.L0064>39PRPB
 VULCAN: <2000.L0064>27PRPC
 VULCAN: <2000.L0064>11PRPD
 VULCAN: <2000.L0064>42PRPE
 VULCAN: <2000.L0064>45PRPF
 VULCAN: <2000.L0064>49PRPG
 VULCAN: <2000.L0064>47PRPH
 VULCAN: <2000.L0064>PRPI
 VULCAN: <2000.L0064>44PRPJ

DRN.	DATE	ENG.	DATE	TITLE:
CHK'D.	DATE	BOARD LOCATION:		
ARCHICAD PLOT: <PRPDIR.DPL> 13-DEC-82 08:07				
FIRST USED ON OPTION/MODEL:				
NEXT HIGHER ASSEMBLY:		SIZE	CODE	NUMBER
		D	SP	
				REV.

8

7

6

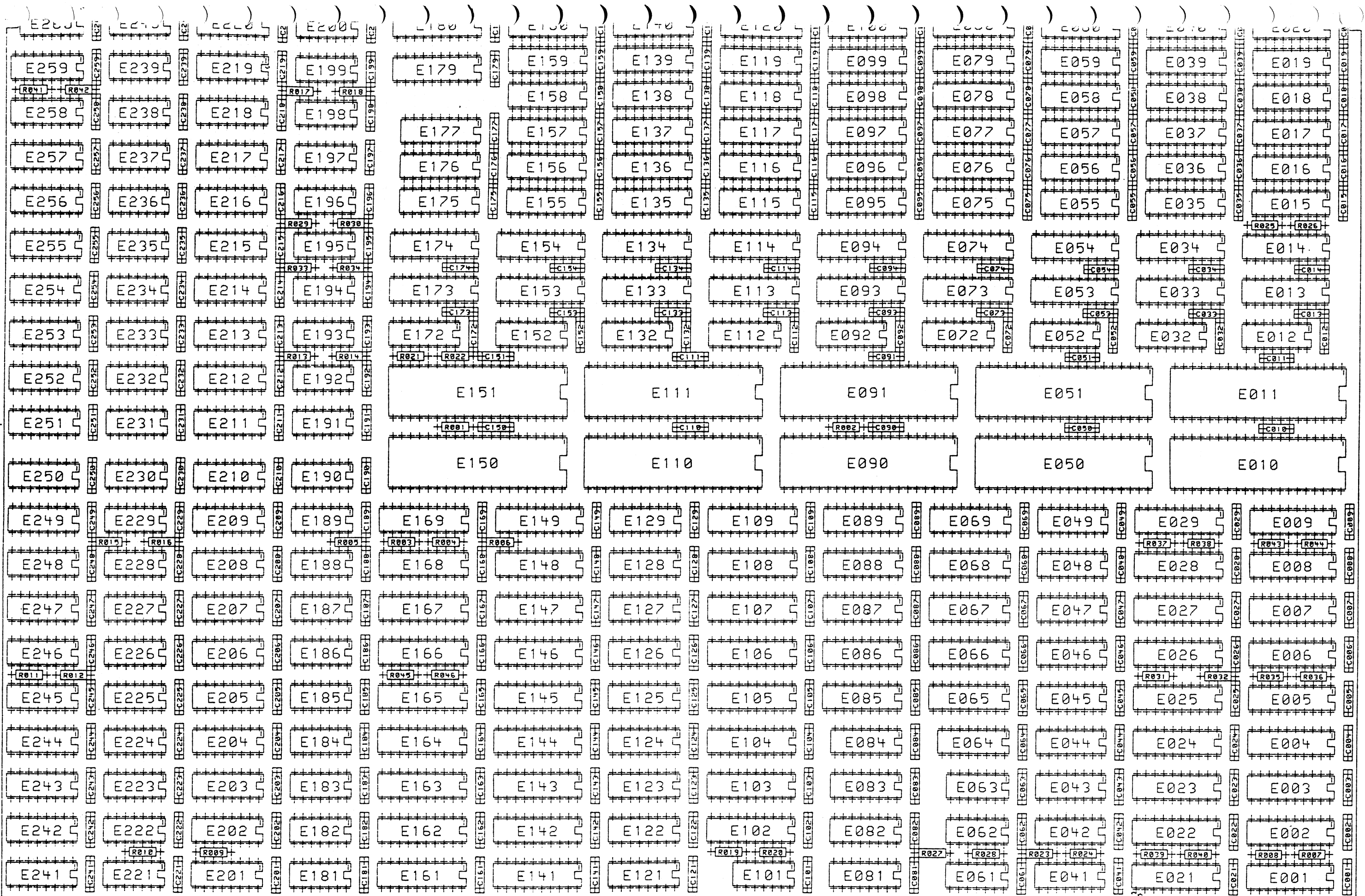
5

4

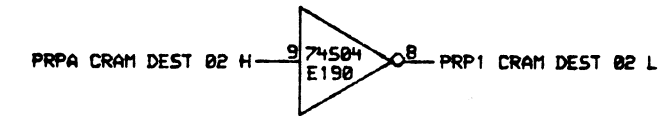
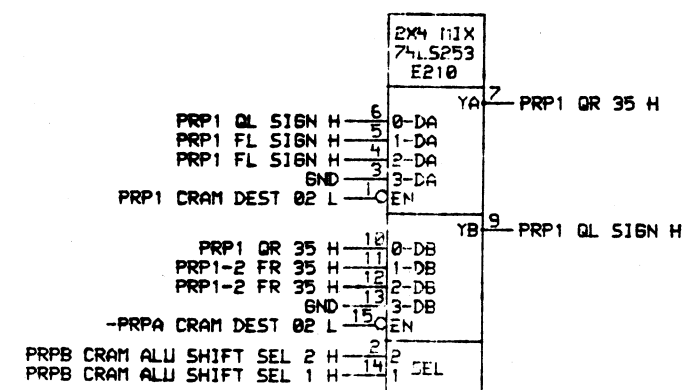
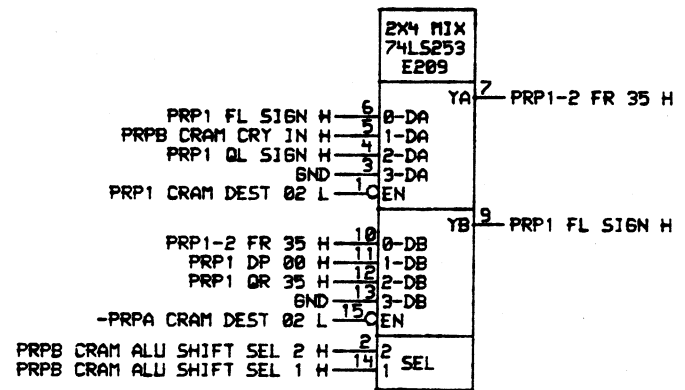
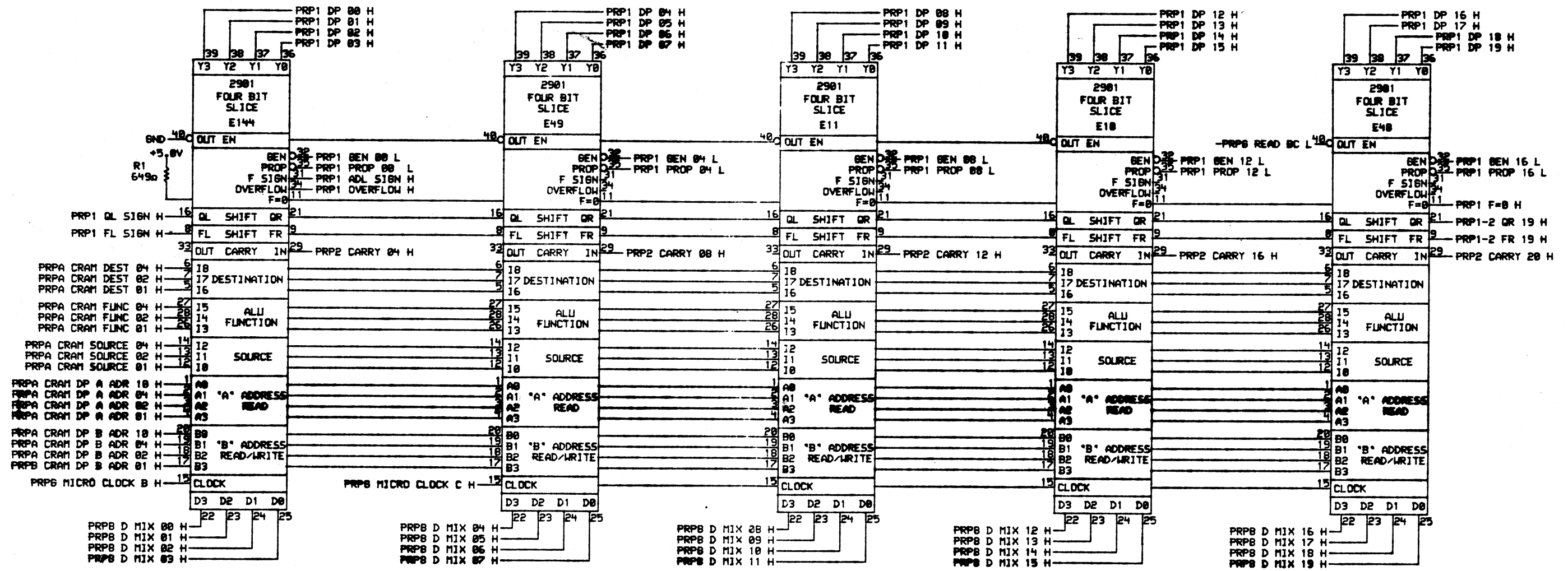
3

2

1



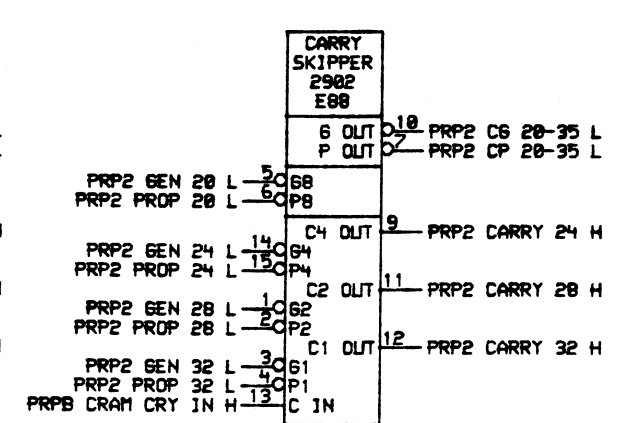
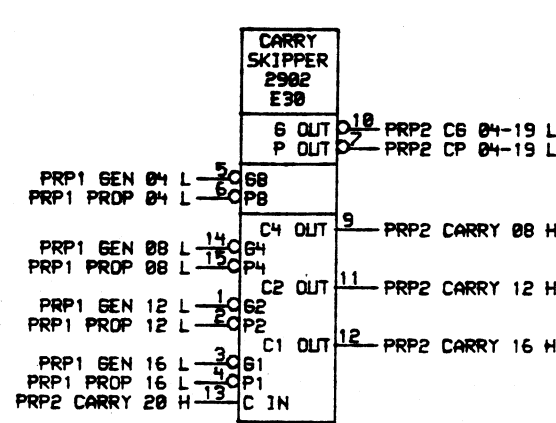
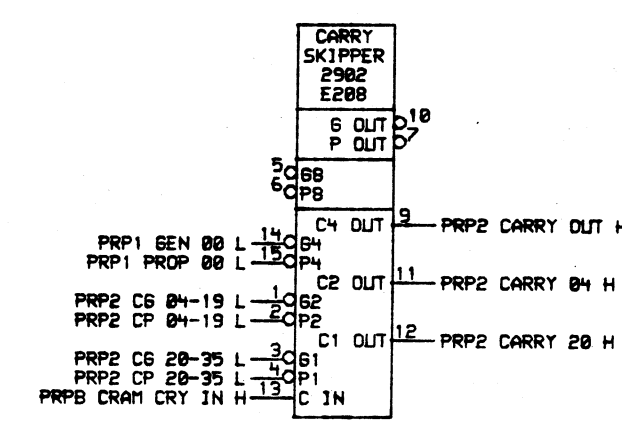
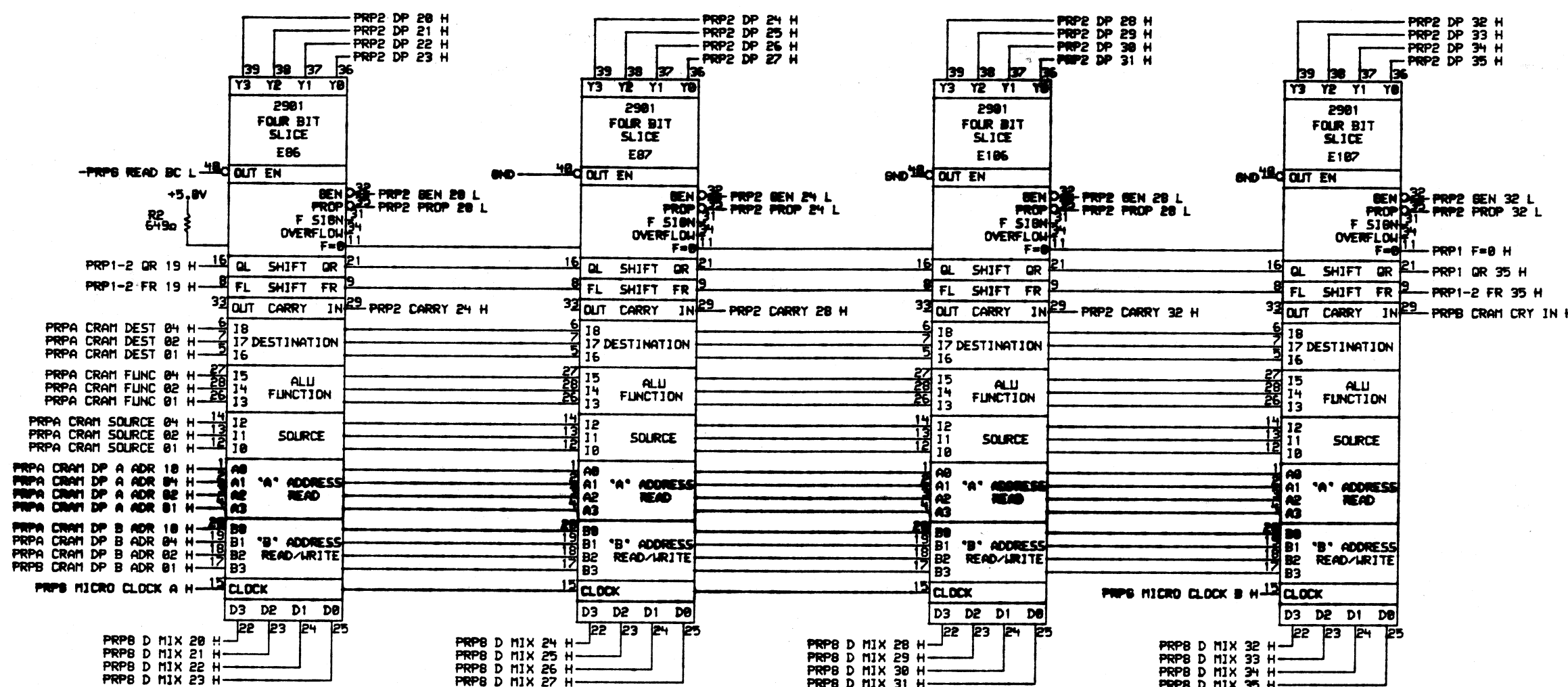
P.P.P

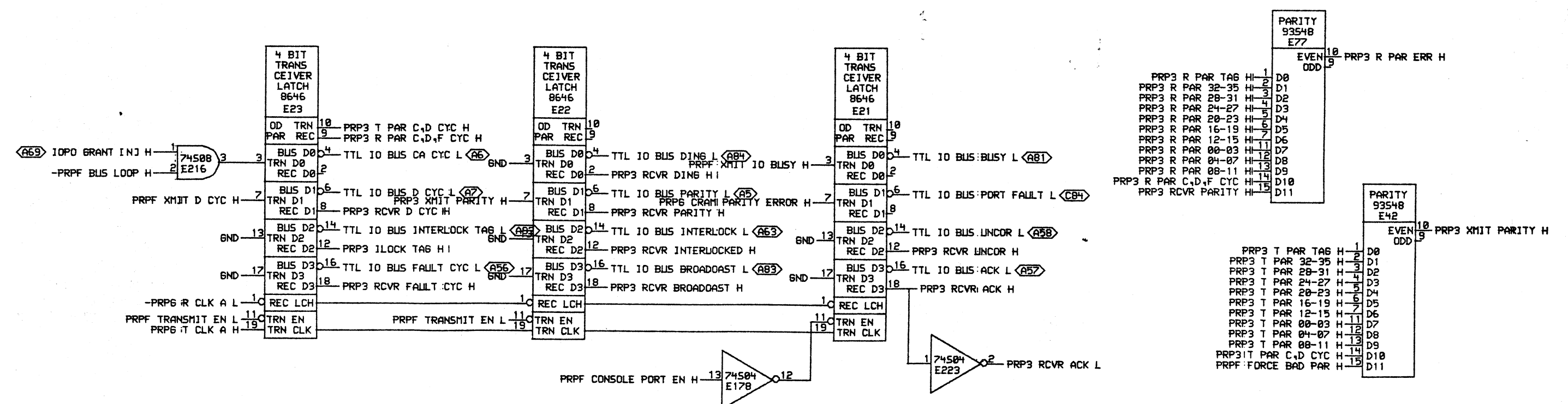
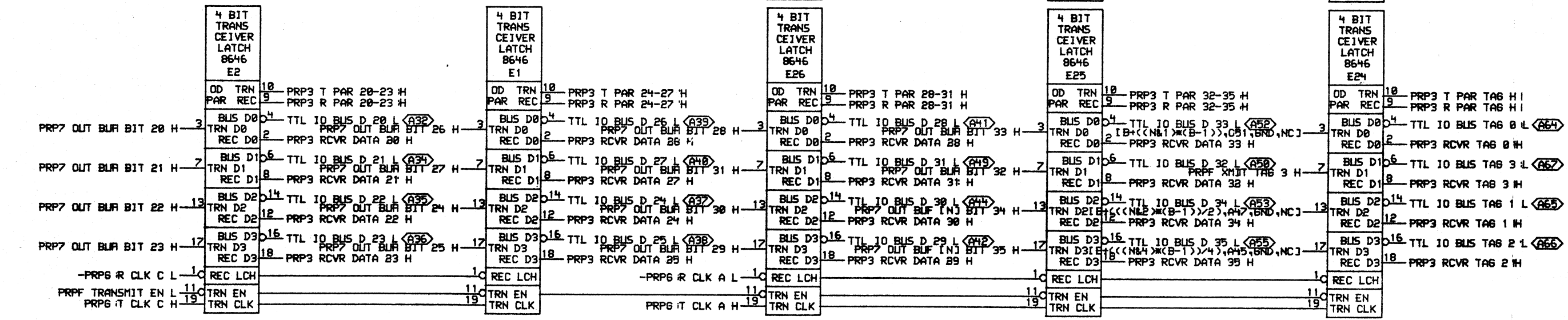
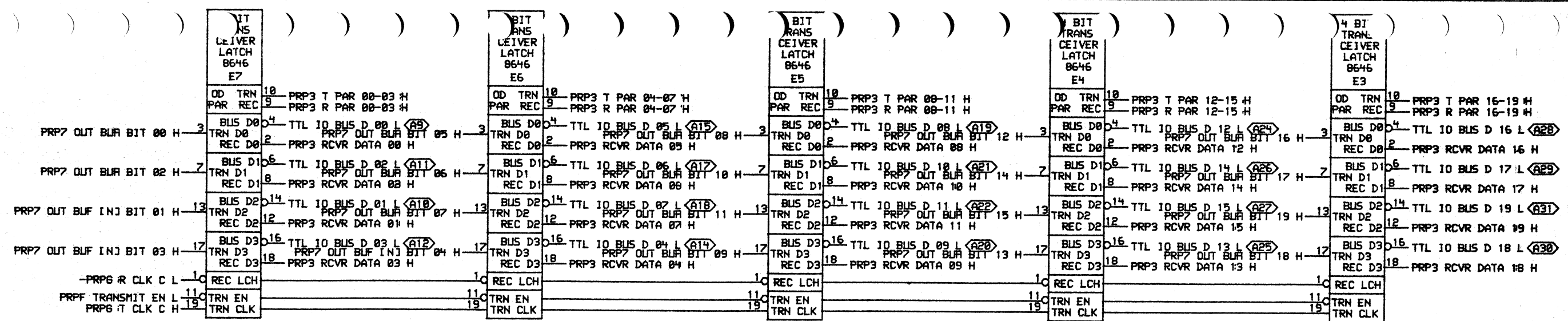


THIS DRAWING AND SPECIFICATIONS ARE THE PROPERTY OF DIGITAL EQUIPMENT CORPORATION AND SHALL NOT BE REPRODUCED OR COPIED OR USED IN WHOLE OR IN PART AS THE BASIS FOR THE MANUFACTURE OR THE SALE OF ITEMS UNLESS WRITTEN PERMISSION IS OBTAINED FROM DIGITAL EQUIPMENT CORPORATION.

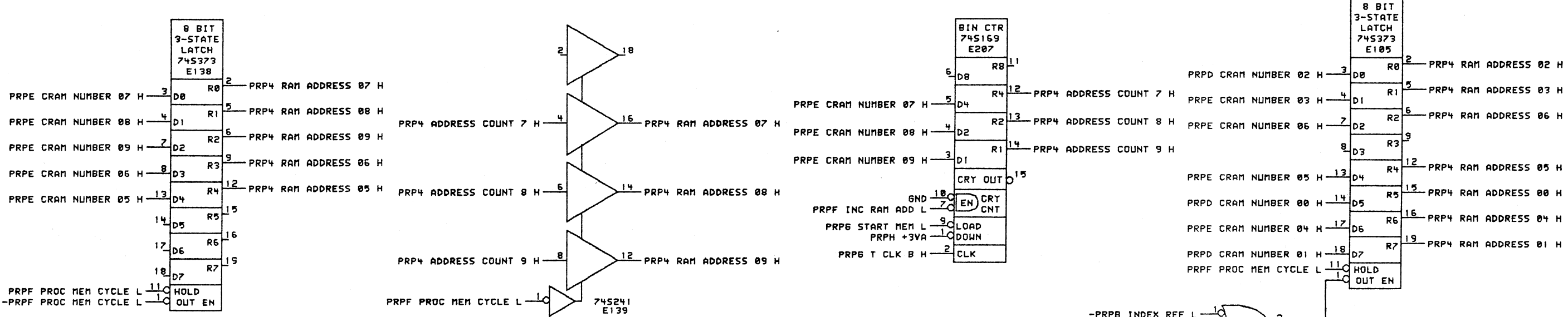
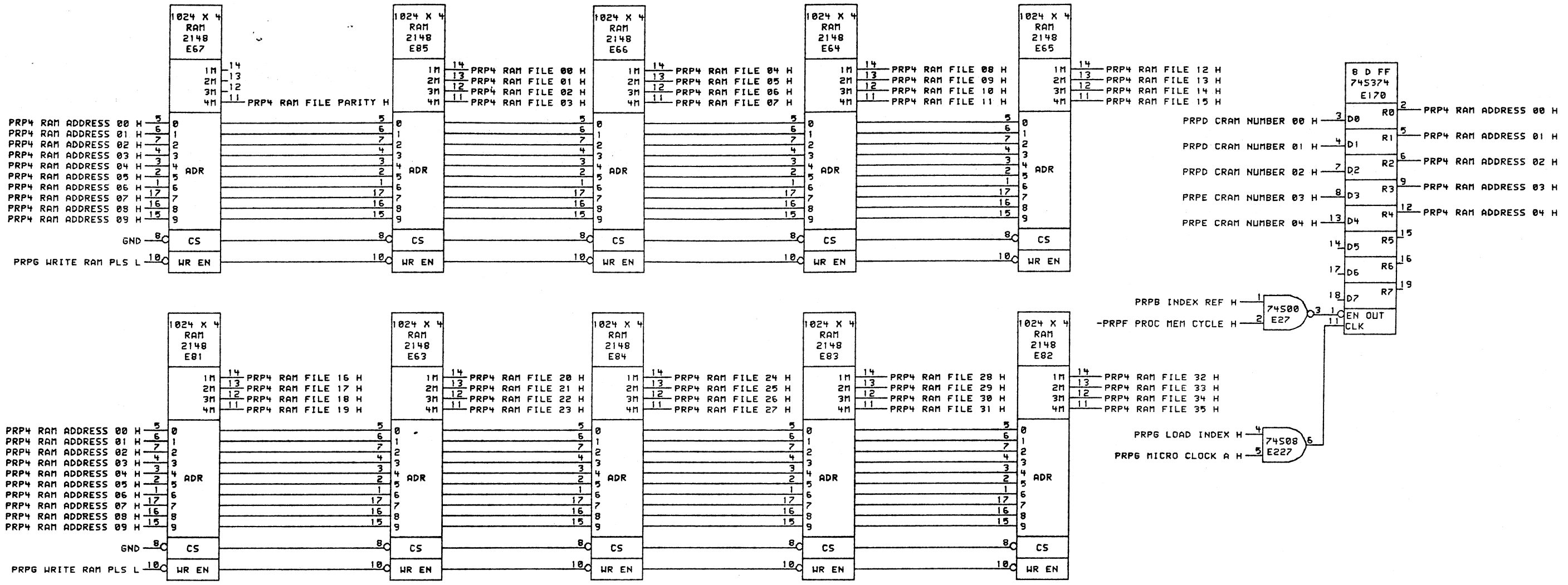
REVISIONS	
CHK	CHANGE NO. REV

	DATE ENG.	DATE	TITLE:
	24-MAY-82		KC10 PORT DP LEFT
DATE BOARD LOCATION:	DATE SHEET	OF	
VILL CORN (CROSS) L 0804 1100 1100 124-MAY-82 12:53	NEXT HIGHER ASSEMBLY:	SIZE CODE	NUMBER
FIRST USED ON OPTION/MODEL: KC10	B-DD-L0064-0	D CS	L0064-0-PRP1
			REV. A1





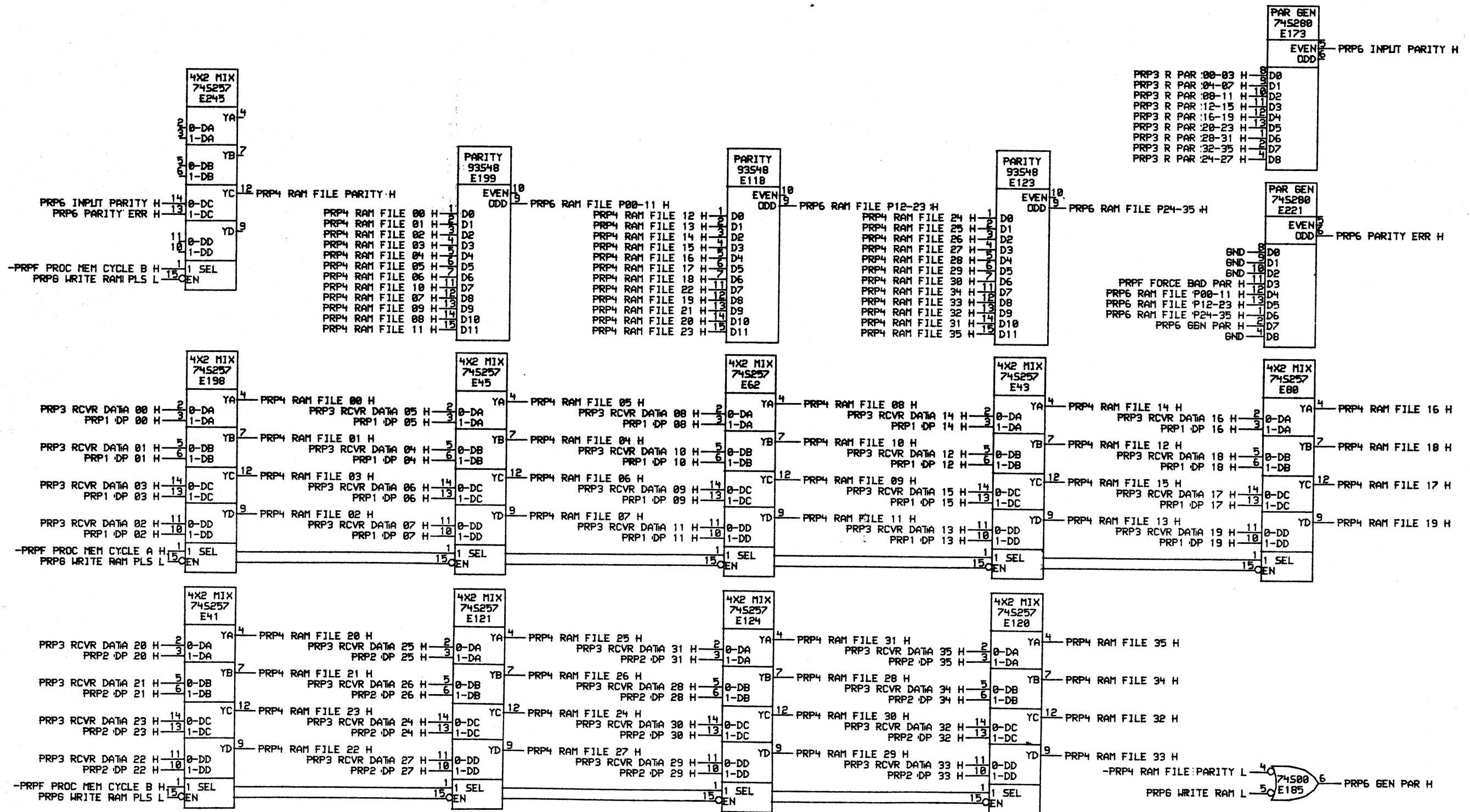
DRN.	DATE	ENG.	DATE	TITLE:
CHK'D.	12-JAN-82	BOARD LOCATION:		2080 PORT IO BUS XCVRS
VILCANI (2080-L0064) E7-PRP3.DRW	04-DEC-81	12:48	NEXT HIGHER ASSEMBLY:	SIZE CODE NUMBER REV.
FIRST USED ON OPTION MODEL: KC10	B-DD-L0064-0			D CS L0064-0-PRP3 A1



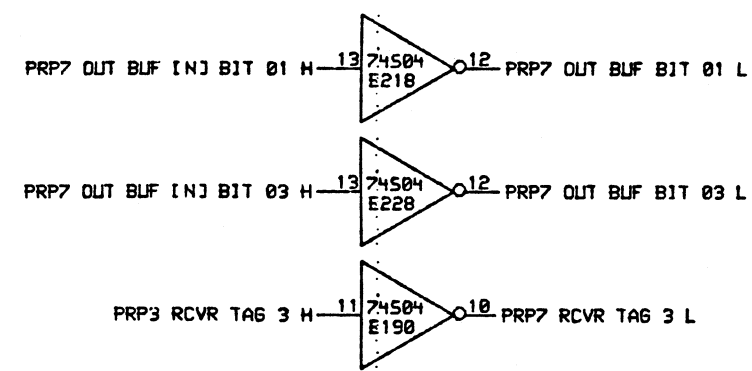
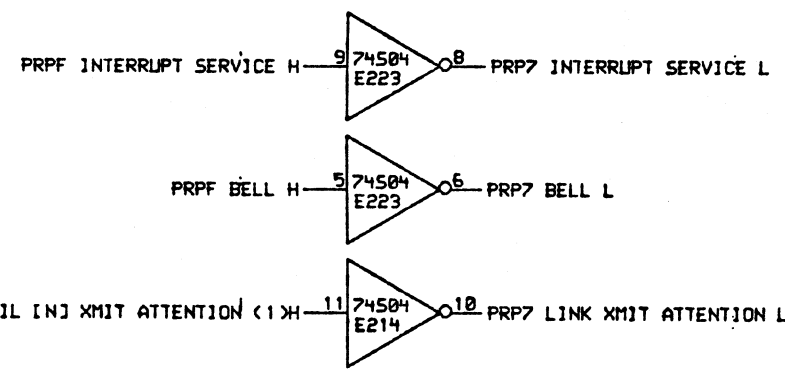
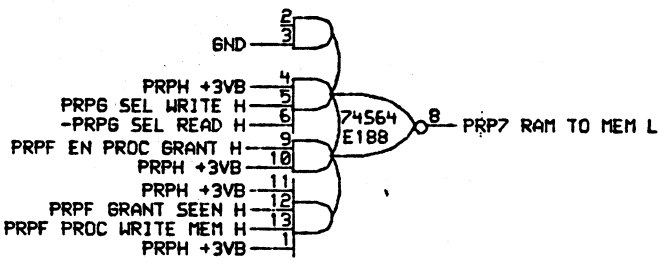
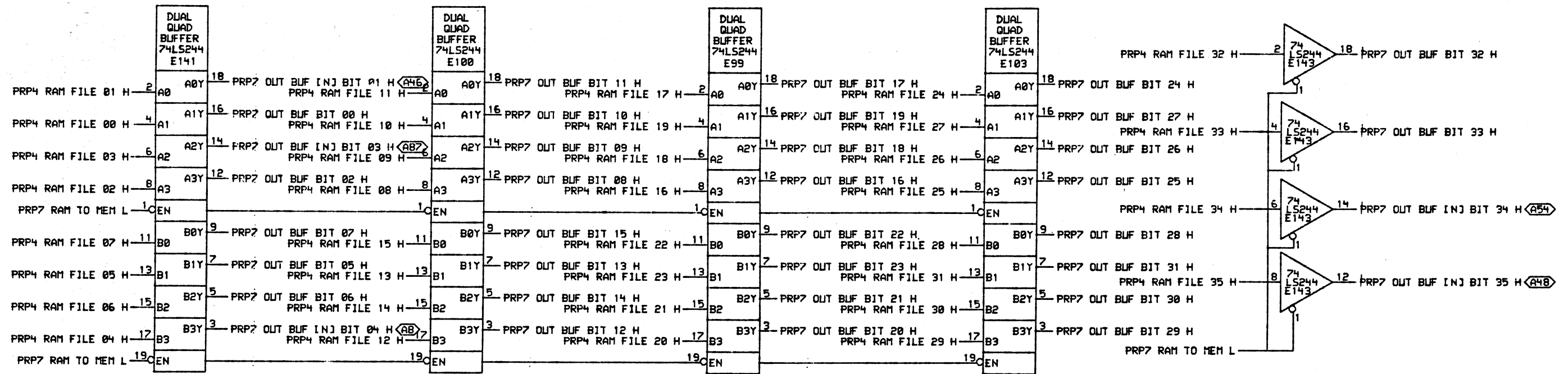
THIS DRAWING AND SPECIFICATIONS ARE THE PROPERTY OF DIGITAL EQUIPMENT CORPORATION AND SHALL NOT BE REPRODUCED OR COPIED OR USED IN WHOLE OR IN PART AS THE BASIS FOR THE MANUFACTURE OR SALE OF ITEMS WITHOUT WRITTEN PERMISSION. COPYRIGHT © 1982, DIGITAL EQUIPMENT CORPORATION.

REVISIONS		
CHK	CHANGE NO.	REV

	DRN. <i>W. Stephenson</i> CHK'D.	DATE 12-MAR-82 DATE 12-MAR-82	ENG.	DATE	TITLE: 2080 PORT RAM FILE
VULCAN: <E000.L0064>39PRP4.DRW 11-MAR-82 15:47		BOARD LOCATION:		SHEET 1 OF 1	SIZE CODE NUMBER REV.
FIRST USED ON OPTION/MODEL:		NEXT HIGHER ASSEMBLY: B-DD-L0064-0		D CS L0064-0-PRP4	



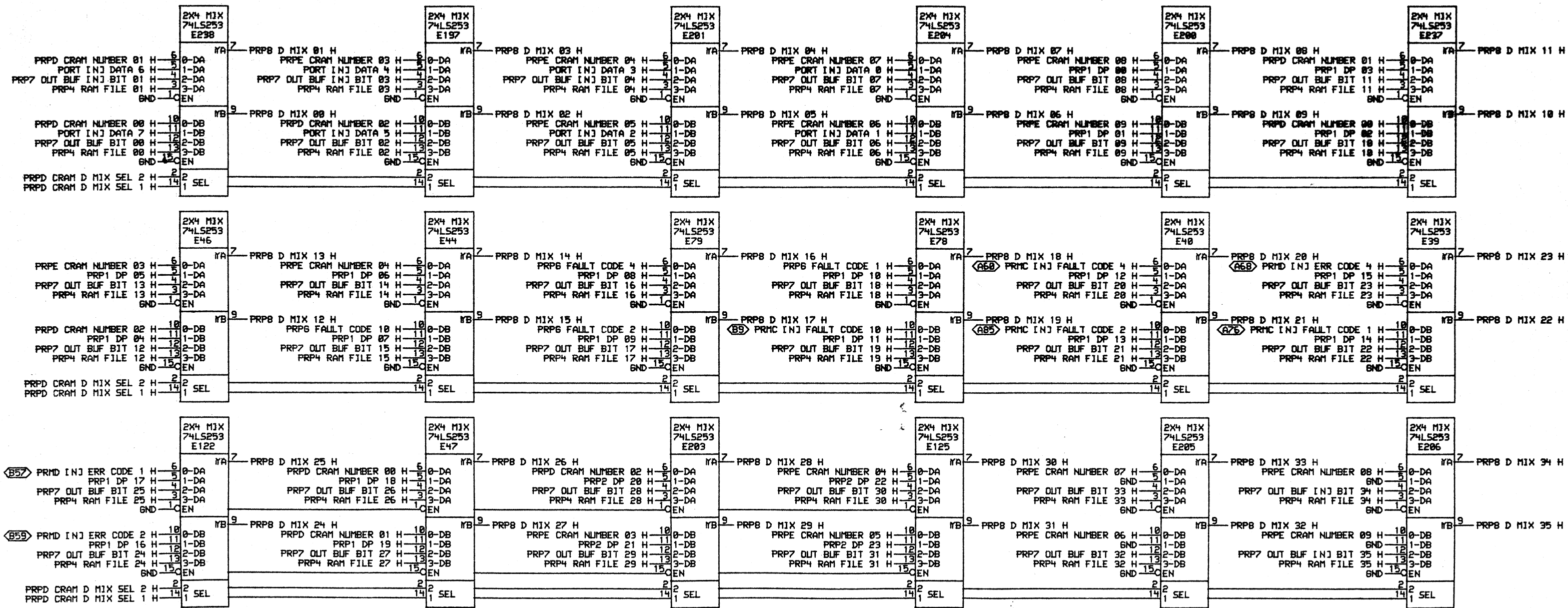
DRN.	DATE	ENG.	DATE	TITLE:
CHK'D.	12-JAN-82			2080 PORT RAM DATA MIX
	DATE	BOARD LOCATION:		
	12-JAN-82	SHEET 1 OF 1		
VULCAN (2080.L0064) PRP6.DRW 104-JUL-81 15:15	NEXT HIGHER ASSEMBLY:	SIZE	CODE	NUMBER
FIRST USED ON OPTION/MODEL:	B-DD-L0064-0	D	CS	L0064-0-PRP6
				REV.



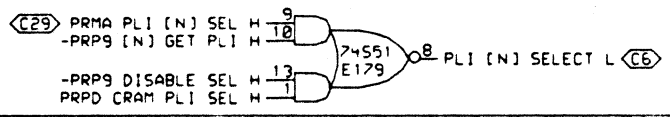
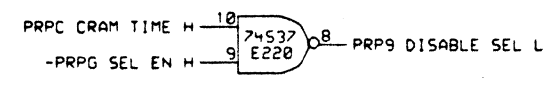
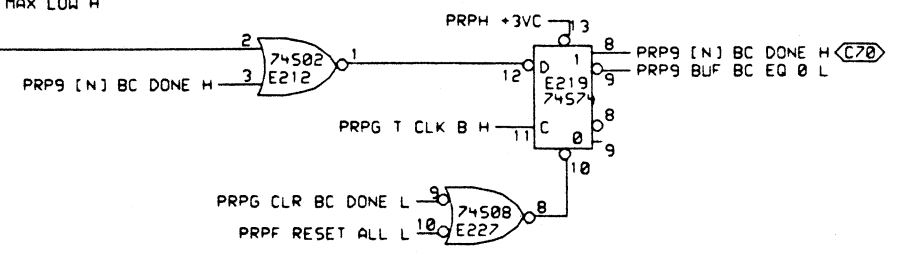
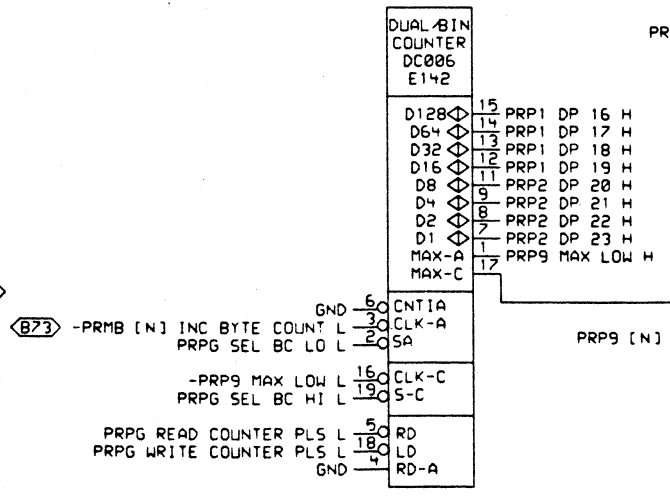
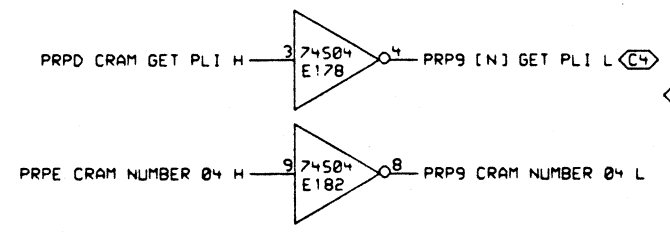
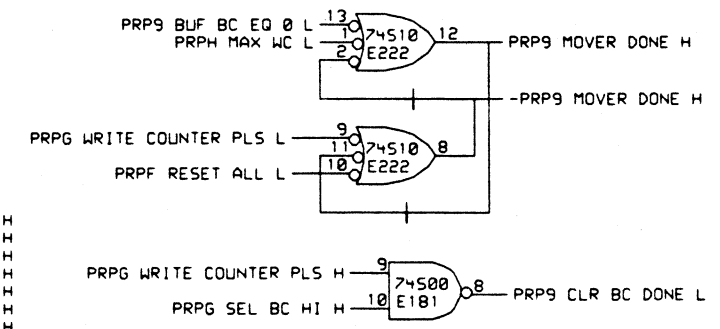
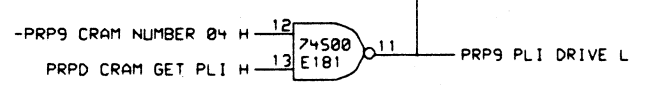
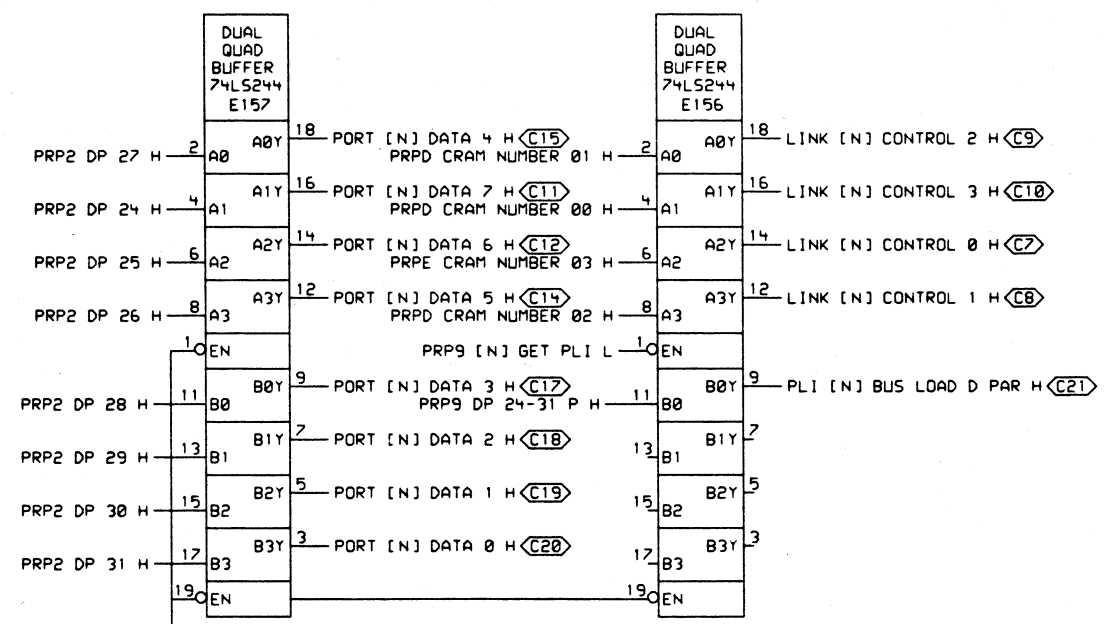
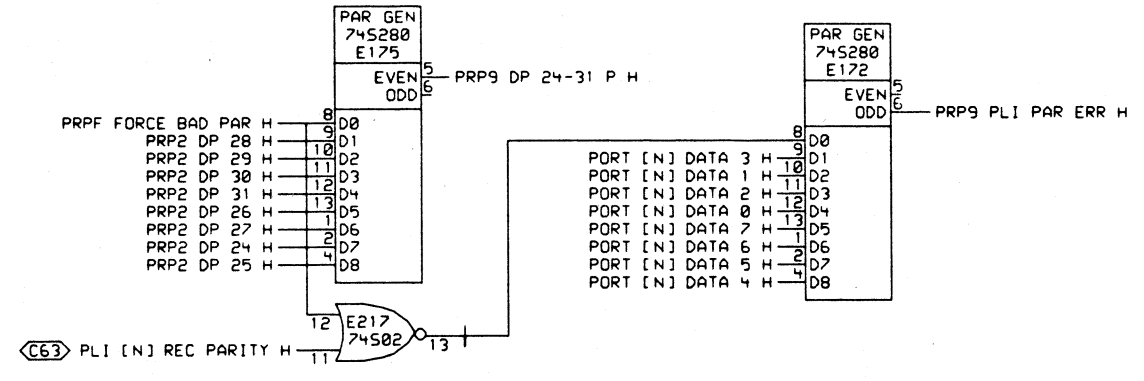
THIS DRAWING AND SPECIFICATIONS HEREIN ARE THE PROPERTY OF DIGITAL EQUIPMENT CORPORATION AND SHALL NOT BE REPRODUCED OR COPIED OR USED IN WHOLE OR IN PART AS THE BASIS FOR THE MANUFACTURE OR SALE OF ITEMS WITHOUT WRITTEN PERMISSION. COPYRIGHT © 1982, DIGITAL EQUIPMENT CORPORATION.

REVISIONS	
CHK	CHANGE NO. REV

digital	DRN. <i>W. Johnson</i>	DATE 03-11-82	ENG.	DATE	TITLE: 2080 PORT RAM TO MEM
	CHK'D.	DATE 03-11-82	BOARD LOCATION:	SHEET 1 OF 1	SIZE CODE NUMBER REV. D CS L0064-0-PRP7
MIL-CAN (288) L0064-0-PRP7.DRW 102-JUL-82 09:06		NEXT HIGHER ASSEMBLY: B-DD-L0064-0		FIRST USED ON OPTION/MODEL:	



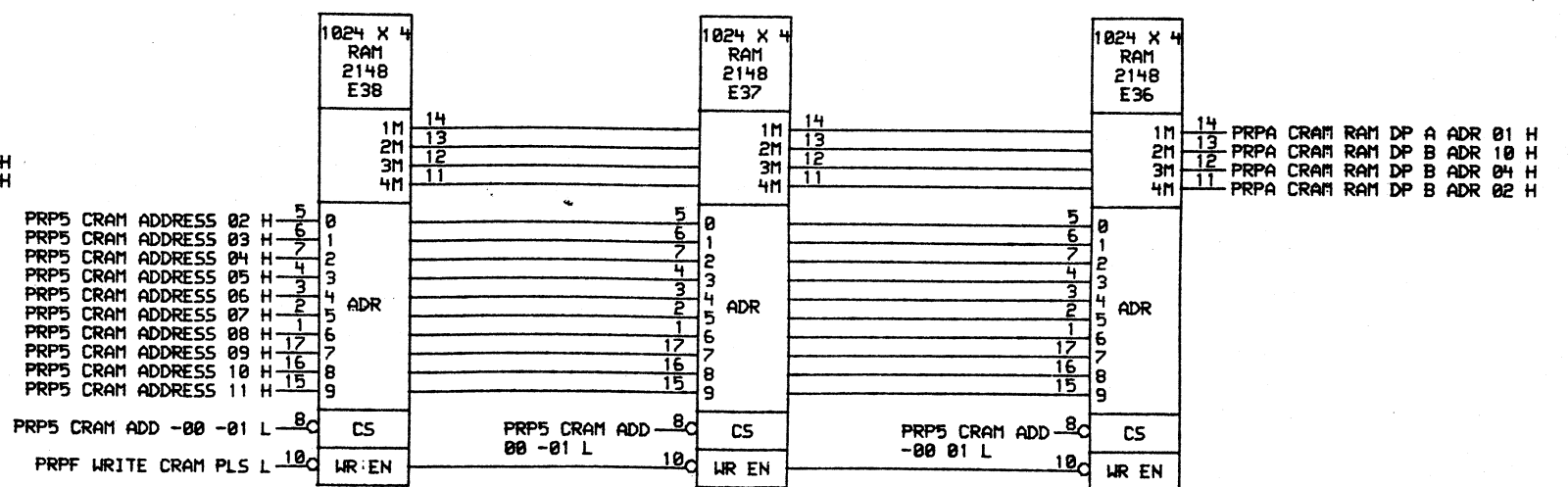
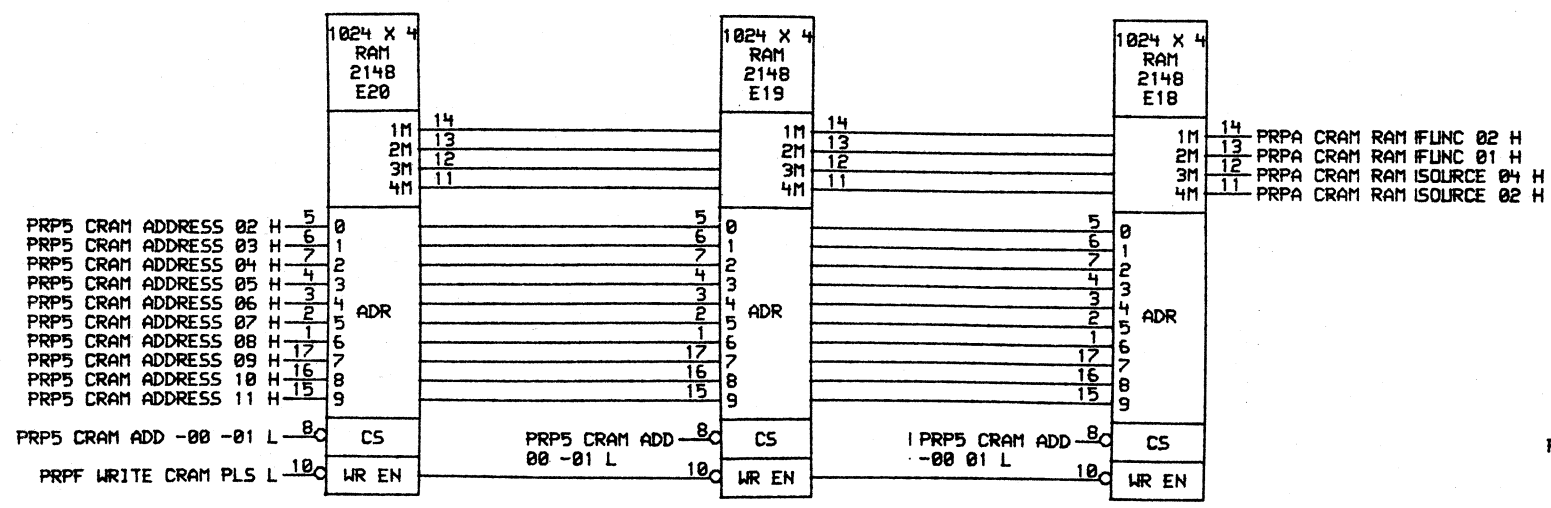
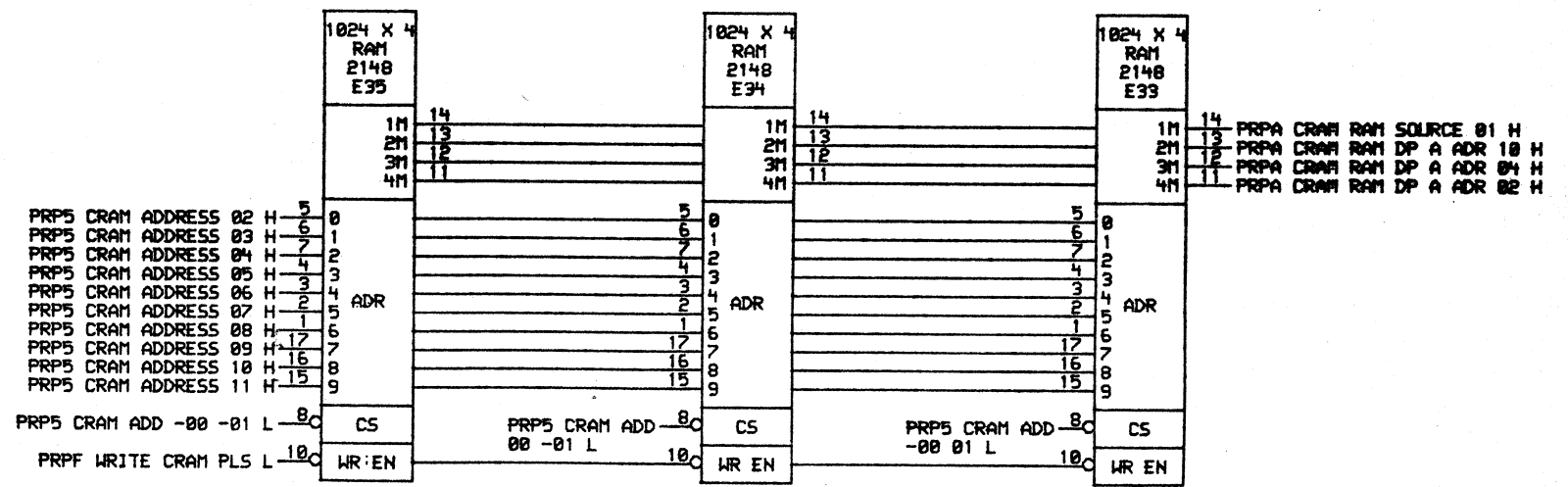
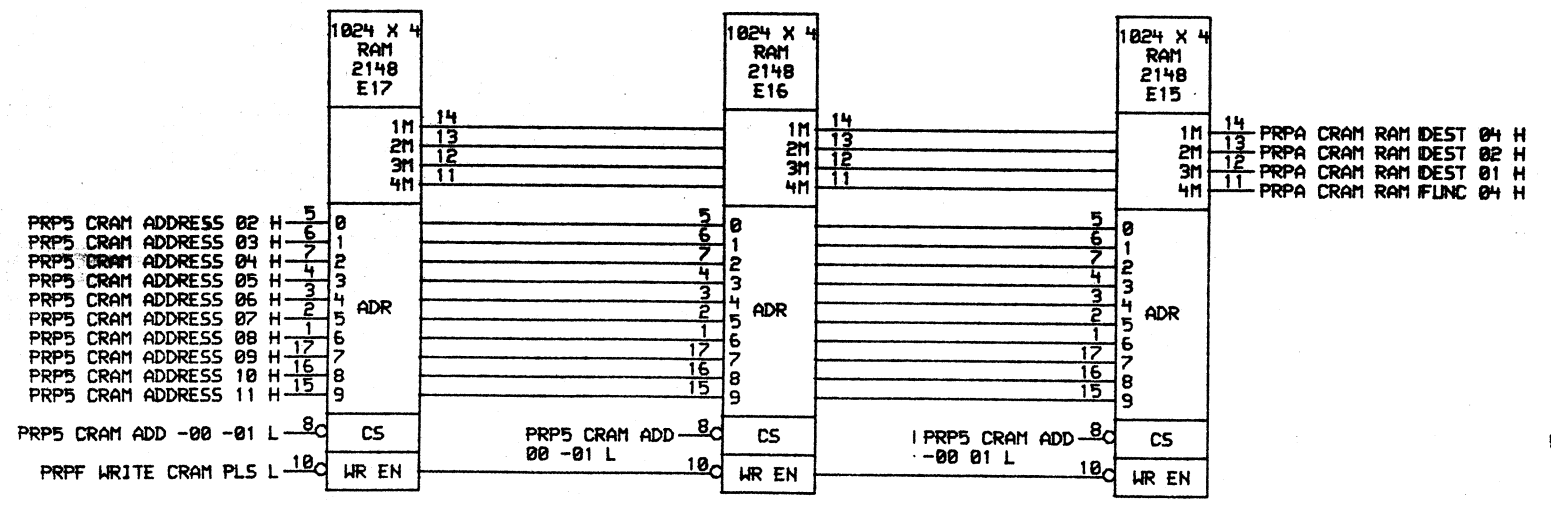
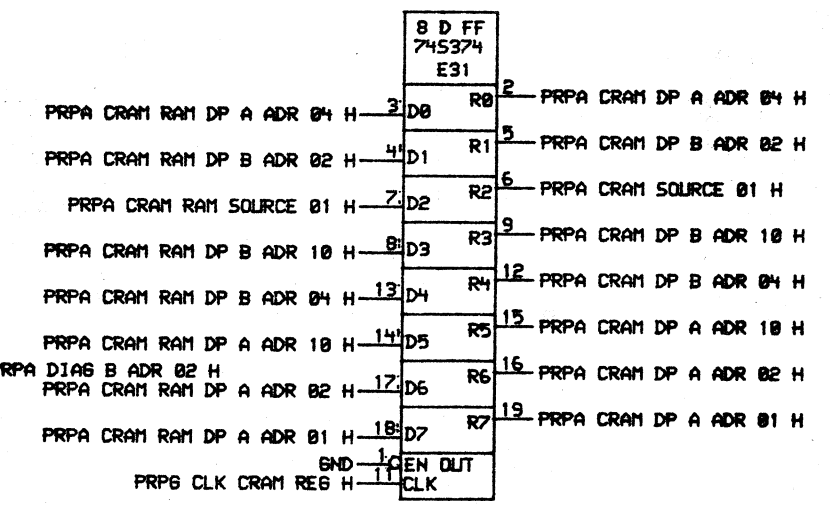
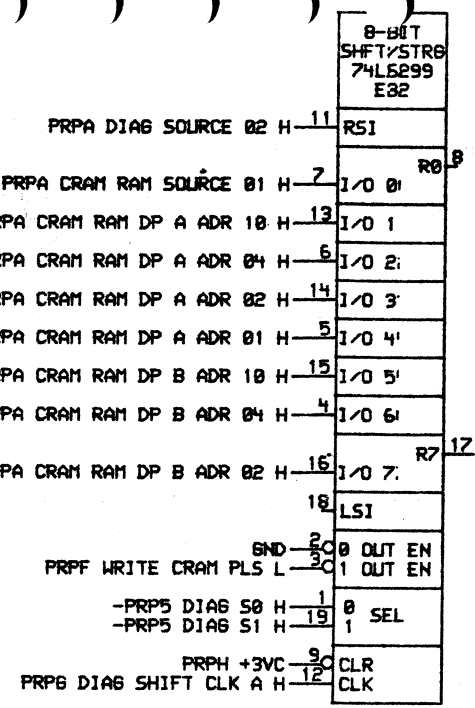
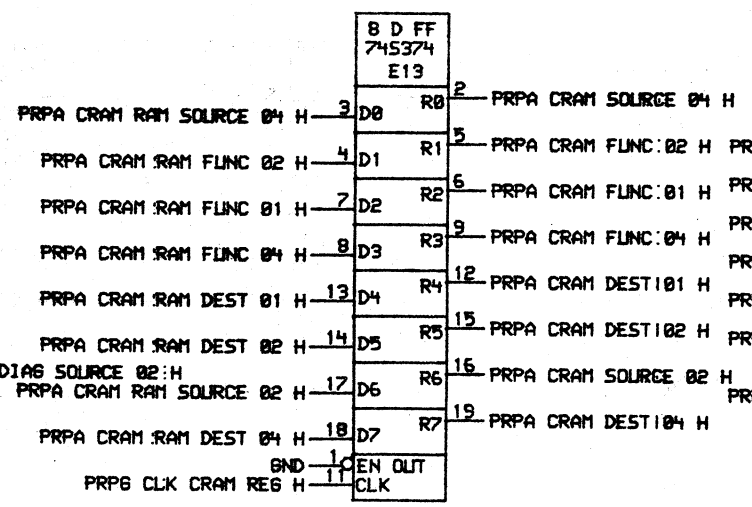
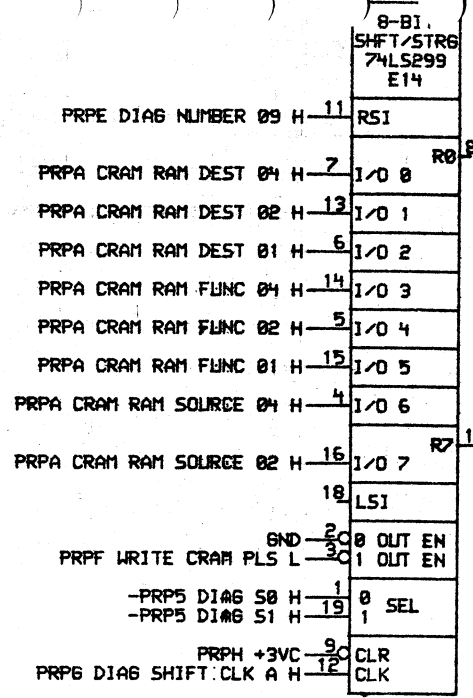
DRN.	DATE	ENG.	DATE	TITLE:
CHK'D.	12-JAN-81	B-D	12-JAN-81	2080 PORT INPUT TO 2901
VULCAN 2080-1-0064-0-PRP8.DRW [22-DEC-81 12:08 NEXT HIGHER ASSEMBLY:				SIZE CODE NUMBER REV.
FIRST USED ON OPTION/MODEL:				B-DD-L0064-0 D C5 L0064-0-PRP8 1



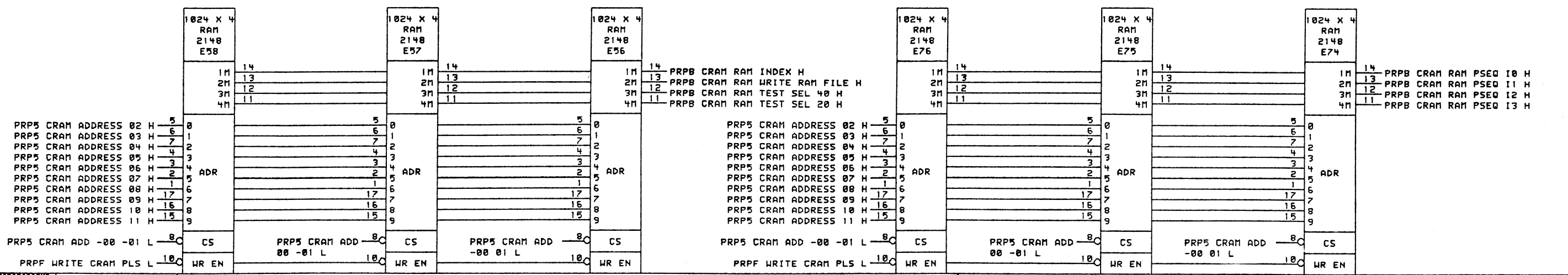
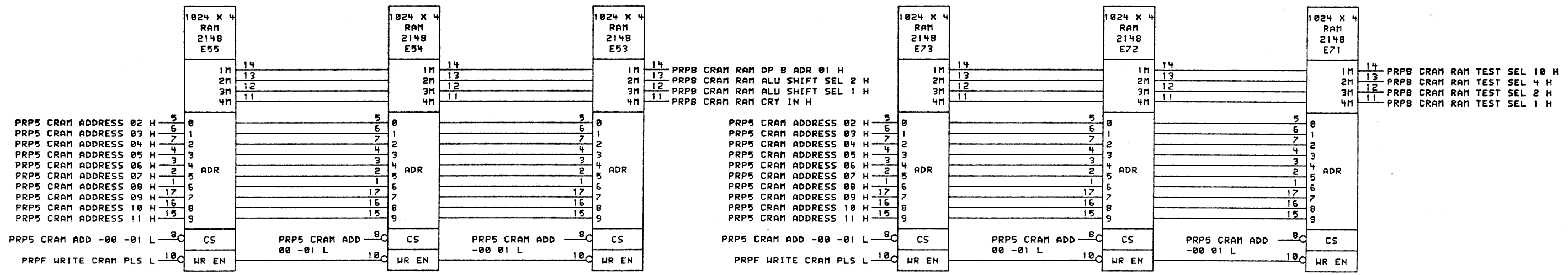
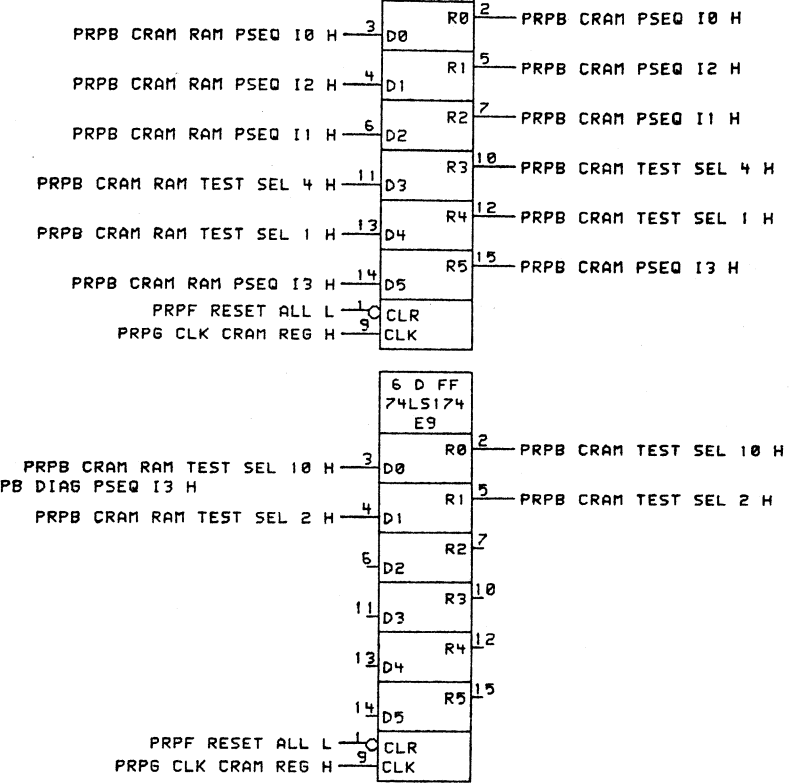
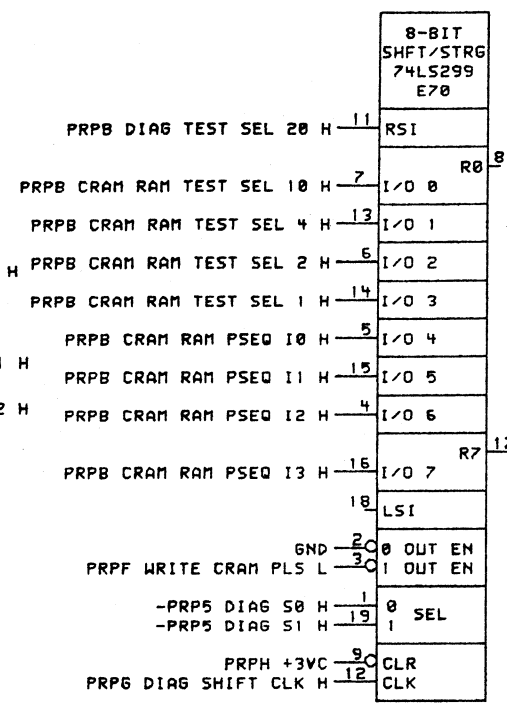
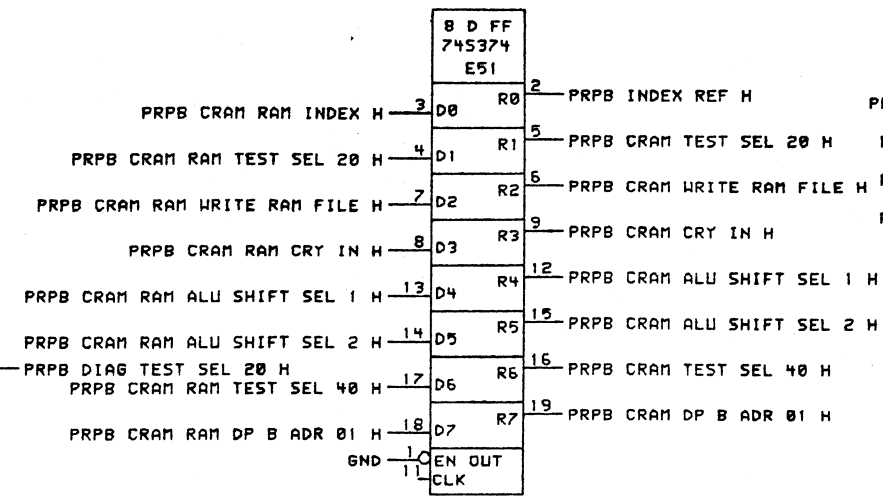
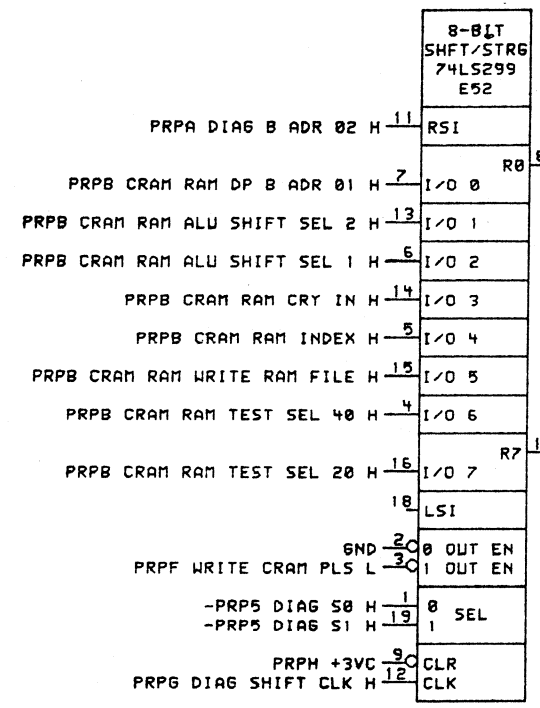
THIS DRAWING AND SPECIFICATIONS ARE THE PROPERTY OF DIGITAL EQUIPMENT CORPORATION AND SHALL NOT BE REPRODUCED OR COPIED OR USED IN WHOLE OR IN PART AS THE BASIS FOR THE MANUFACTURE OR SALE OF ITEMS WITHOUT WRITTEN PERMISSION. COPYRIGHT © 1982. DIGITAL EQUIPMENT CORPORATION.

REVISIONS		
CHK	CHANGE NO.	REV

digital	DRN. <i>W. Stedman</i>	DATE ENG. 11-DEC-82	DATE	TITLE: 2080 PORT PLI TO MOVER
	CHK'D.	DATE BOARD LOCATION: 11-DEC-82 SHEET 1 OF 1		
FIRST USED ON OPTION/MODEL: KC10		NEXT HIGHER ASSEMBLY: B-DD-KC10-0		
SIZE	CODE	NUMBER	REV.	
D	CS	L0064-0-PRP9		



DRN.	DATE	ENG.	DATE	TITLE:
CHK'D.	12-JAN-82	BOARD LOCATION:		2080 PORT
	12-JAN-82	SHEET	OF	CRAM J
VULCANI (2080-L0064)11PRPA.DRW	127-OCT-81 12:58	NEXT HIGHER ASSEMBLY:		NUMBER
FIRST USED ON OPTION/MODEL:	B-DD-L0064-0	SIZE	CODE	L0064-0-PRPA
		REV.		



THIS DRAWING AND SPECIFICATIONS HEREIN ARE THE PROPERTY OF DIGITAL EQUIPMENT CORPORATION AND SHALL NOT BE REPRODUCED OR COPIED OR USED IN WHOLE OR IN PART AS THE BASIS FOR THE MANUFACTURE OR SALE OF ITEMS WITHOUT WRITTEN PERMISSION. COPYRIGHT © 1982. DIGITAL EQUIPMENT CORPORATION

REVISIONS		
CHK	CHANGE NO.	REV

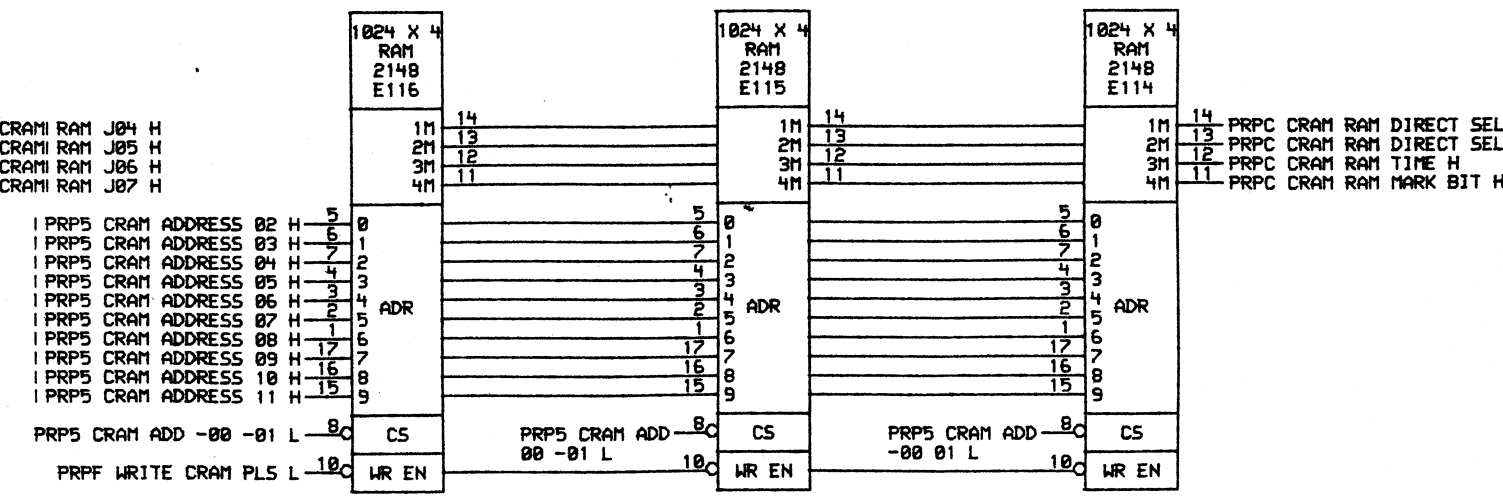
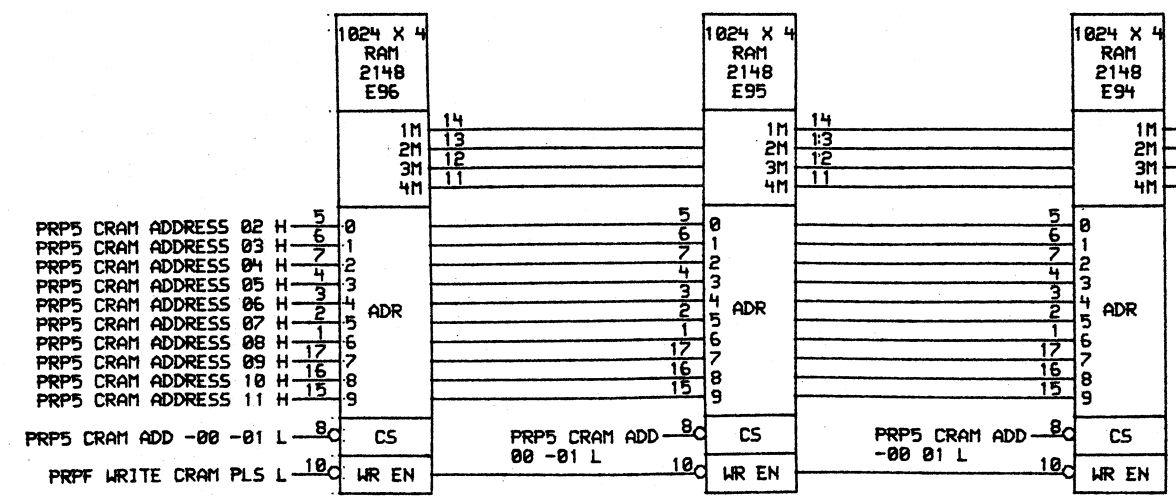
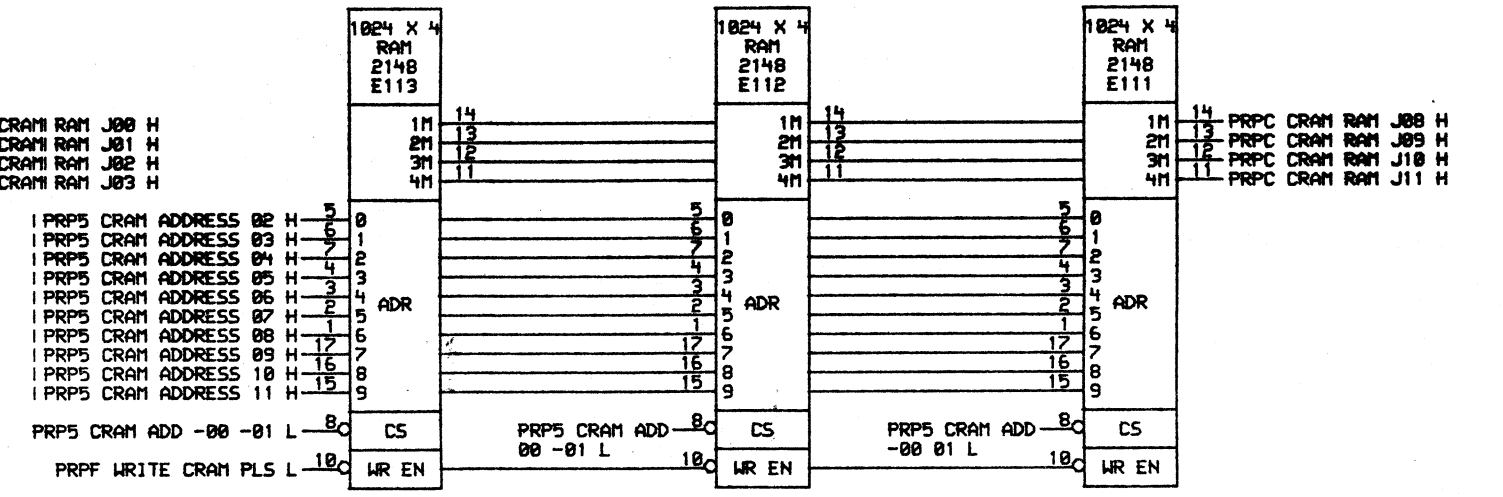
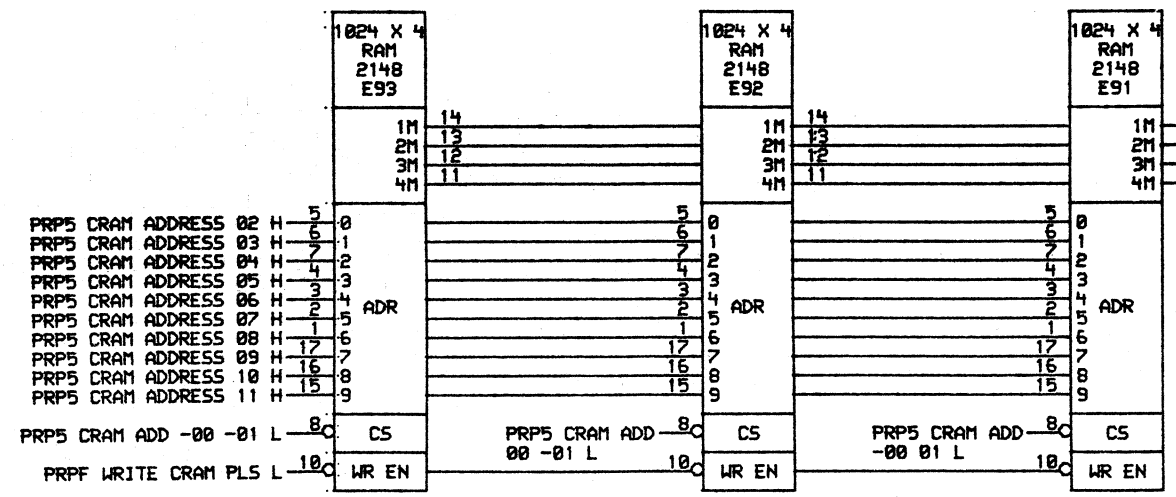
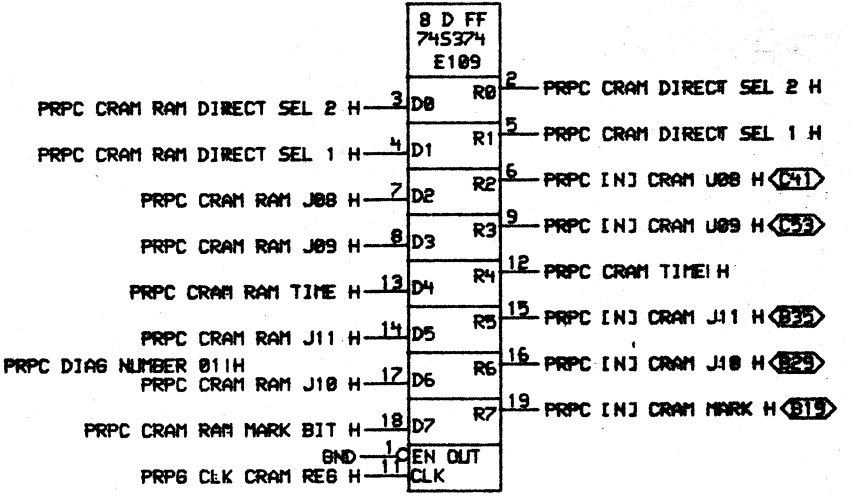
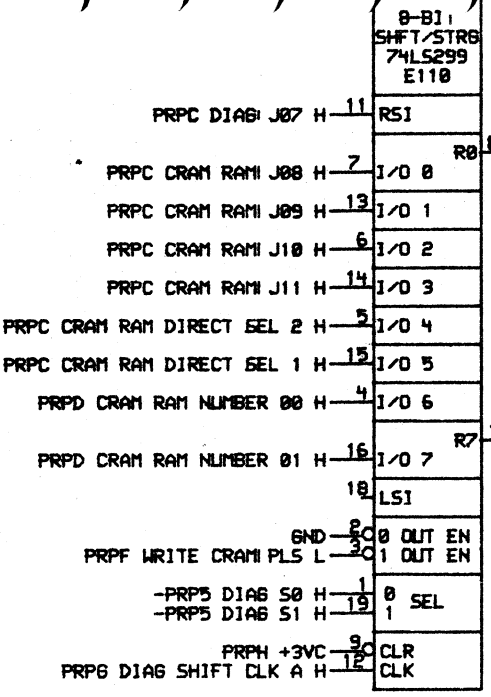
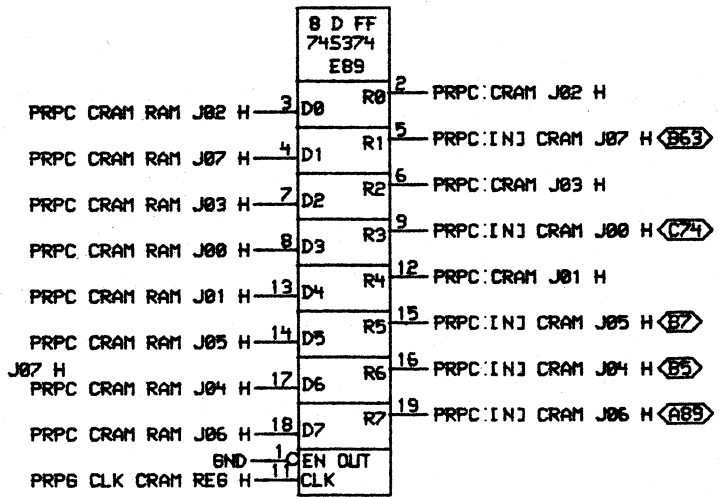
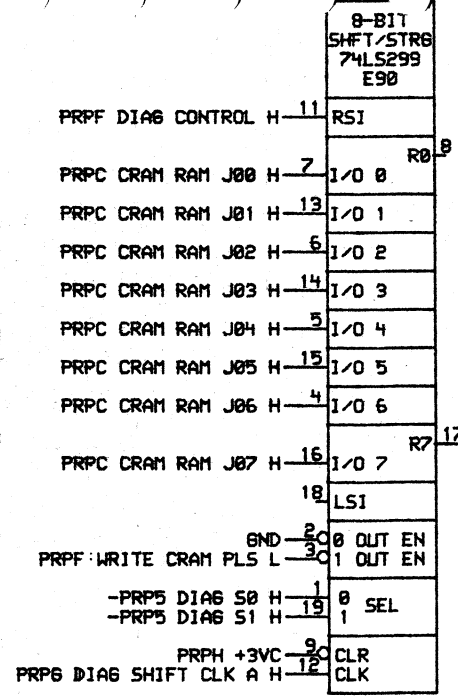
digital DRN. *U. Stephenson* DATE ENG. DATE TITLE: 2080 PORT CRAM K

CHK'D. DATE BOARD LOCATION: 12-MAR-82 SHEET 1 OF 1

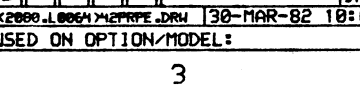
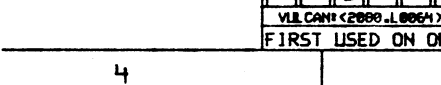
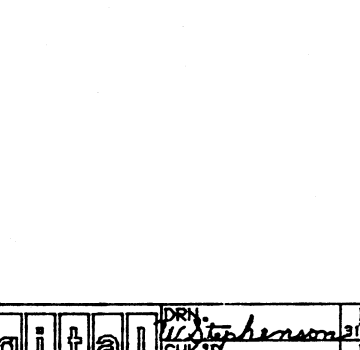
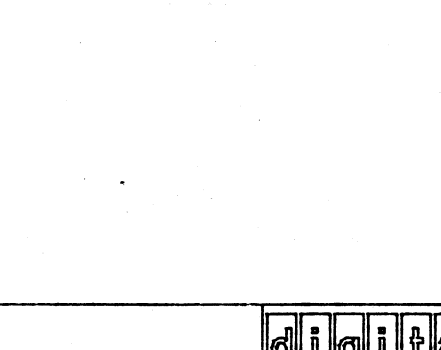
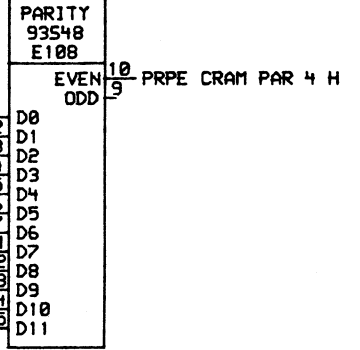
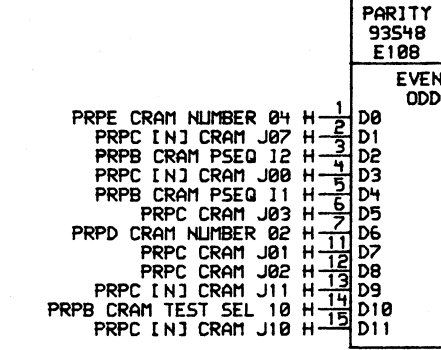
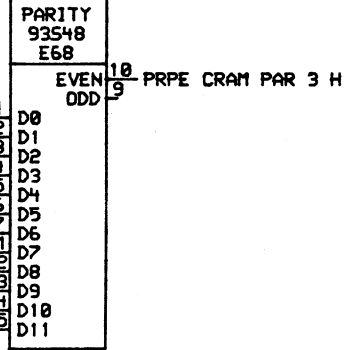
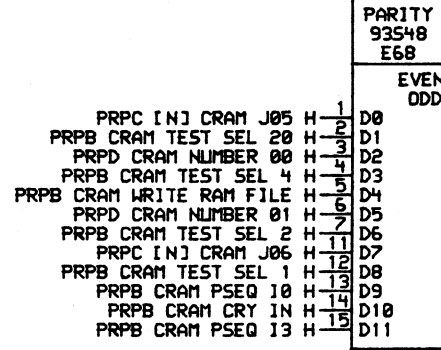
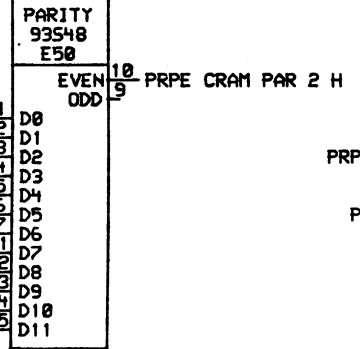
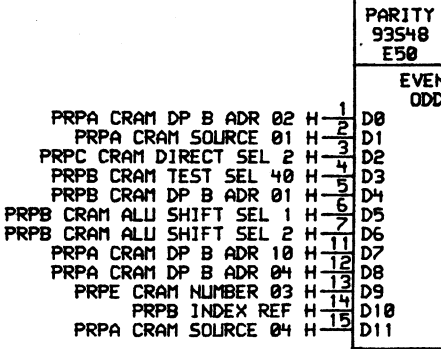
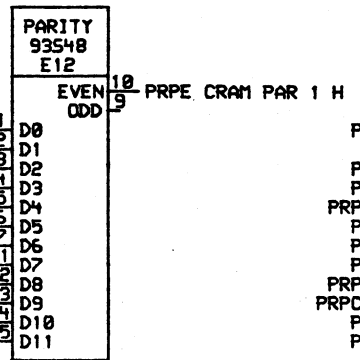
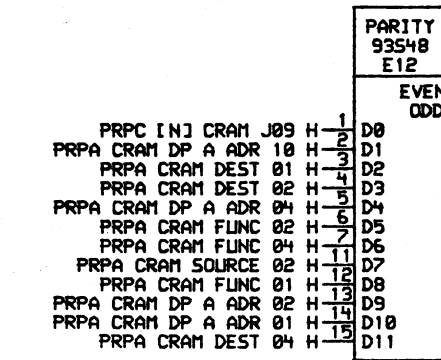
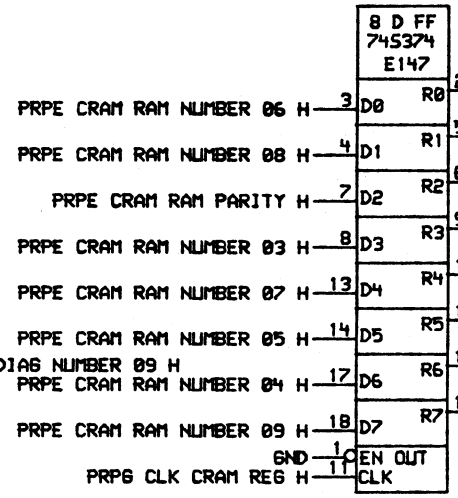
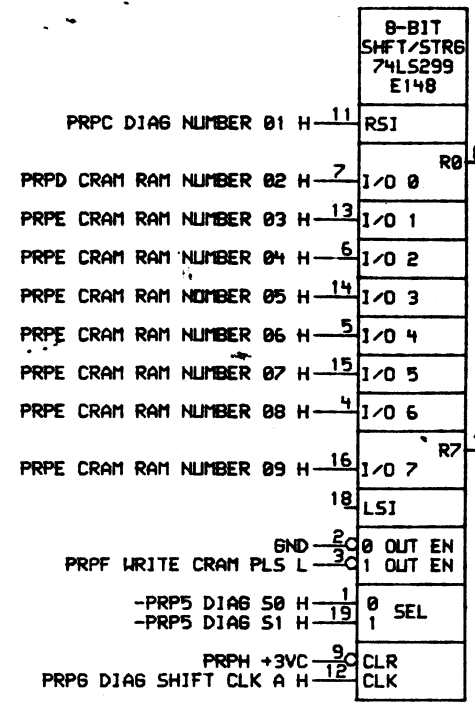
VULCAN: (2080.L0064)39PRPB.DRW 11-MAR-82 11:03 NEXT HIGHER ASSEMBLY: B-DD-L0064-0

FIRST USED ON OPTION/MODEL: B-DD-L0064-0

SIZE	CODE	NUMBER	REV.
D	CS	L0064-0-PRPB	



DRN.	DATE	ENG.	DATE	TITLE:
CHK'D.	DATE	BOARD LOCATION:		2080 PORT
	12-JAN-81	1 OF 1		GRAM L
VLLCARI (2080-L0064) 27PRPC-DRAW	104-DEC-81 12:56	NEXT HIGHER ASSEMBLY:	SIZE CODE	NUMBER
FIRST USED ON OPTION/MODEL:	B-DD-L0064-0		D CS	L0064-0-PRPC
			REV.	



THIS DRAWING AND SPECIFICATIONS ARE THE PROPERTY OF DIGITAL EQUIPMENT CORPORATION AND SHALL NOT BE REPRODUCED OR COPIED OR USED IN WHOLE OR IN PART AS THE BASIS FOR THE MANUFACTURE OR SALE OF ITEMS WITHOUT WRITTEN PERMISSION. COPYRIGHT © 1982, DIGITAL EQUIPMENT CORPORATION.

REVISIONS		
CHK	CHANGE NO.	REV

digitai

DRN. *W. Stephenson*

DATE ENG. 31-MAR-82

DATE BOARD LOCATION: 31-MAR-82 SHEET 1 OF 1

VLSI CAN (2880-L0064) METRIE.DRW 130-MAR-82 10:02 NEXT HIGHER ASSEMBLY: B-DD-L0064-0

FIRST USED ON OPTION/MODEL:

TITLE: 2080 PORT CRAM N

SIZE CODE NUMBER REV. D CS L0064-0-PRPE

8

7

6

5

4

3

2

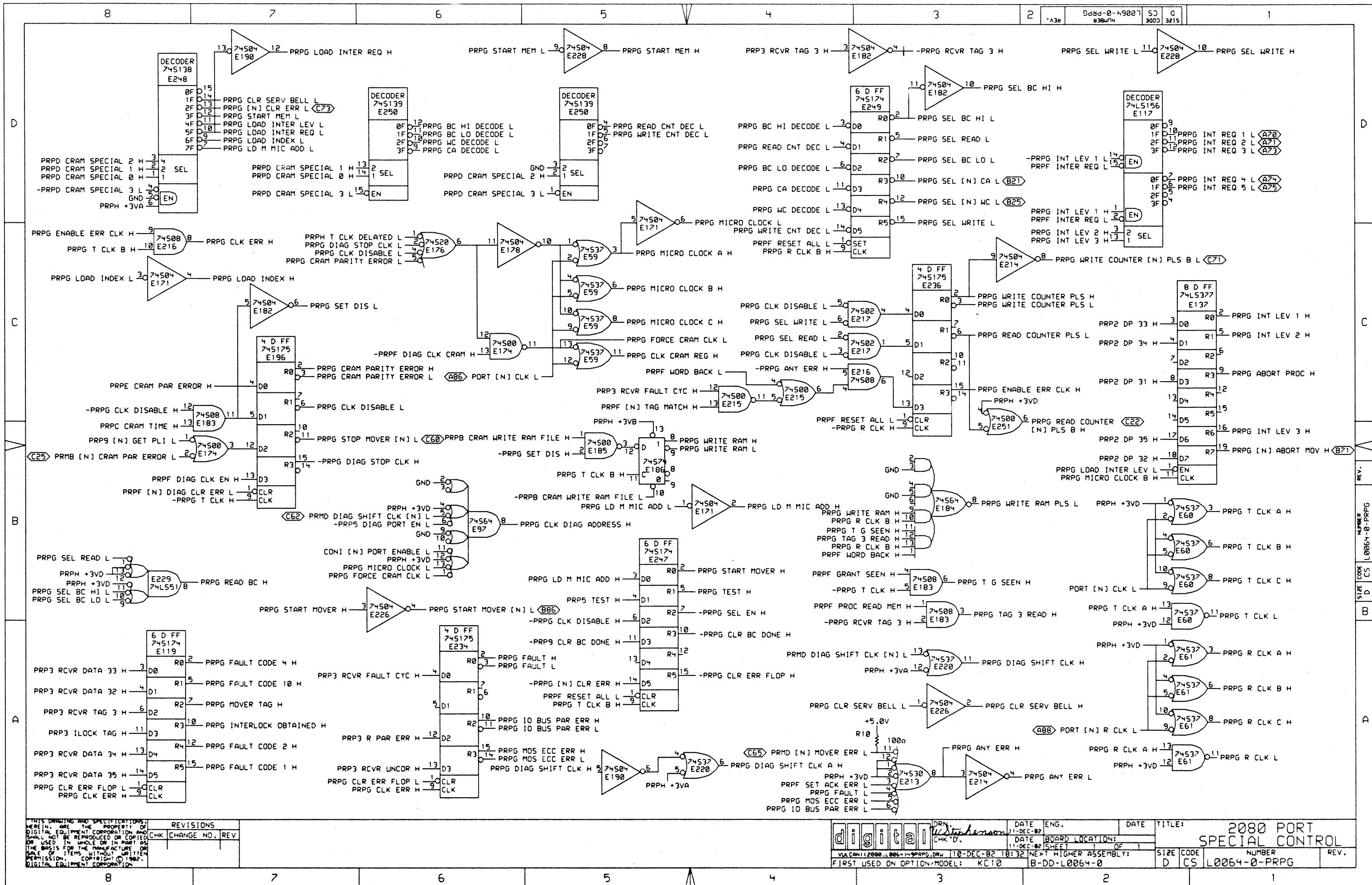
1

REV. NUMBER L0064-0-PRPE

SIZE D

CODE CS

REV.

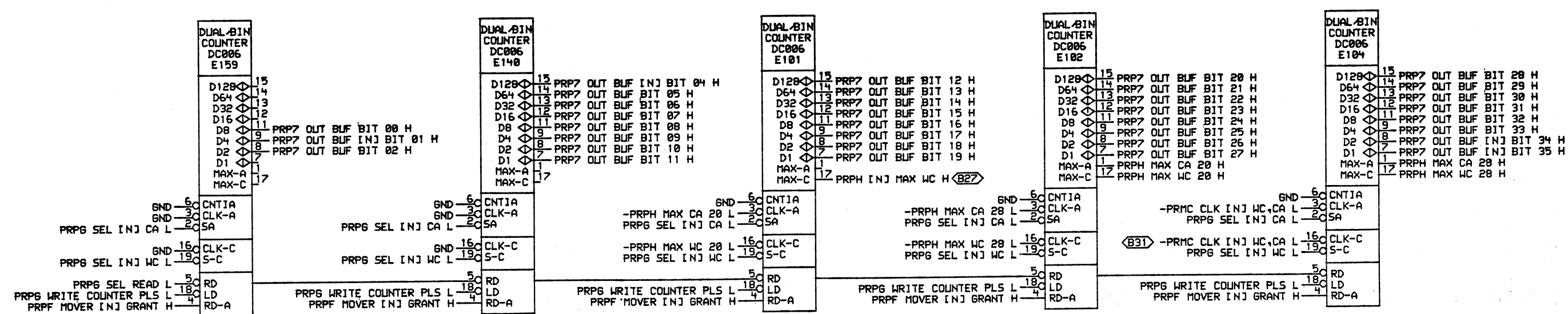
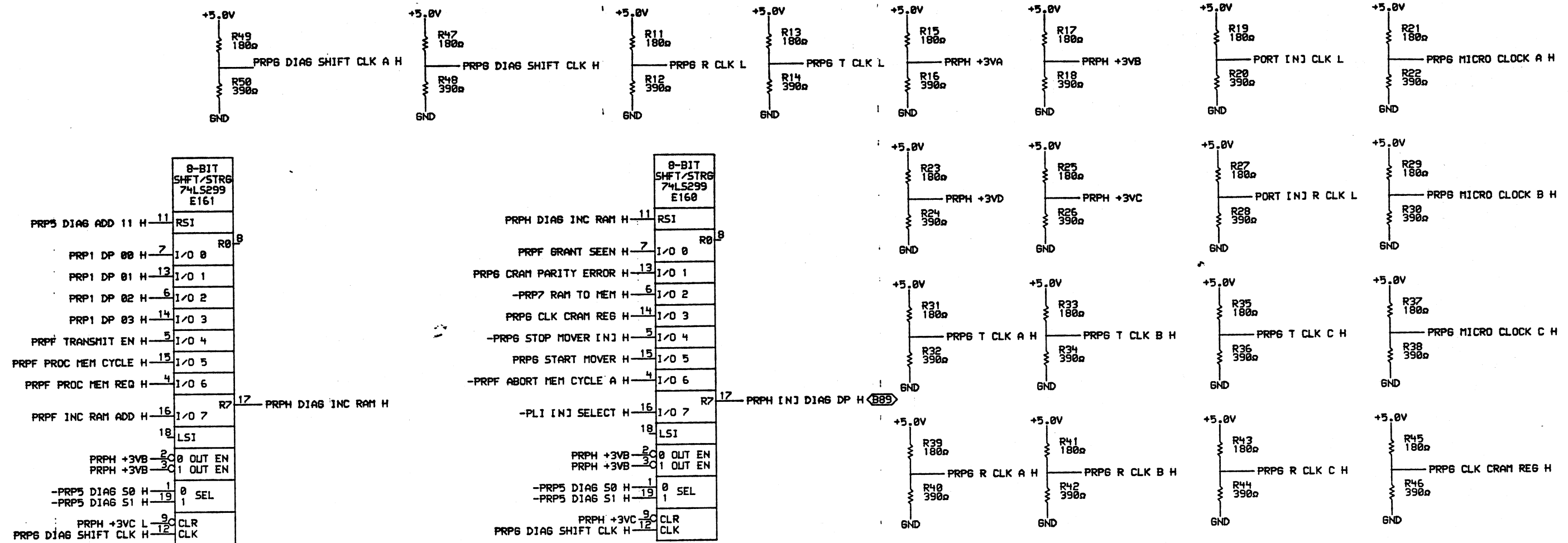


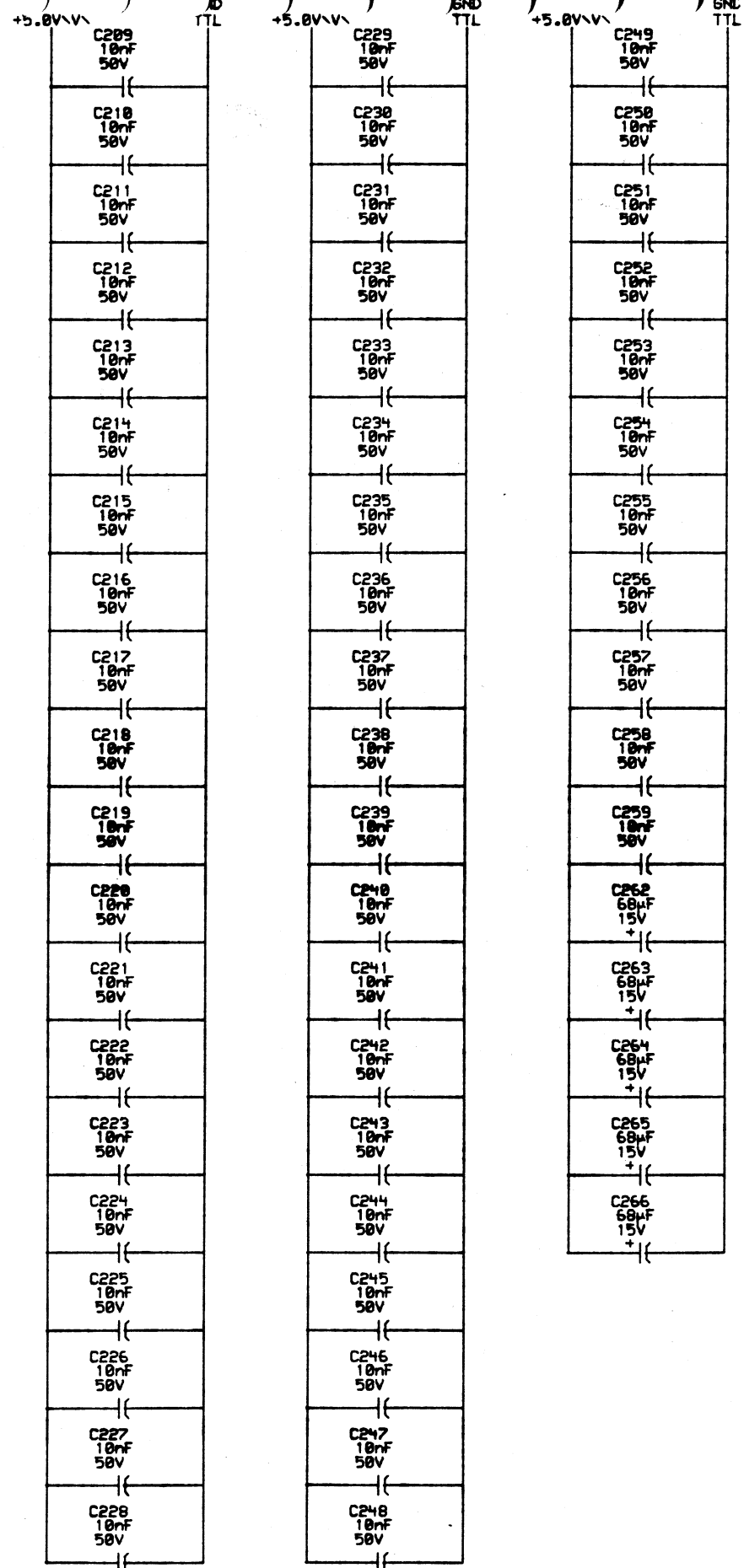
THIS DRAWING AND SPECIFICATIONS ARE THE PROPERTY OF DIGITAL EQUIPMENT CORPORATION AND SHALL NOT BE REPRODUCED OR COPIED OR USED IN WHOLE OR IN PART AS THE BASIS FOR THE MANUFACTURE OR SALE OF ITEMS WITHOUT WRITTEN PERMISSION. COPYRIGHT © 1982, DIGITAL EQUIPMENT CORPORATION.

REVISIONS	
CHK	CHANGE NO. / REV

DATE	ENG.	DATE	TITLE:
11-DEC-82	DRN. Stephenson	11-DEC-82	2080 PORT SPECIAL CONTROL

digitai	DRN. Stephenson	DATE	ENG.	DATE	TITLE:
FIRST USED ON OPTION MODEL: KC10		NEXT HIGHER ASSEMBLY: B-DD-L0064-0		SIZE	CODE
				D	CS
				NUMBER	REV.
				L0064-0-PRPG	





GND TTLE B, 6#18, J

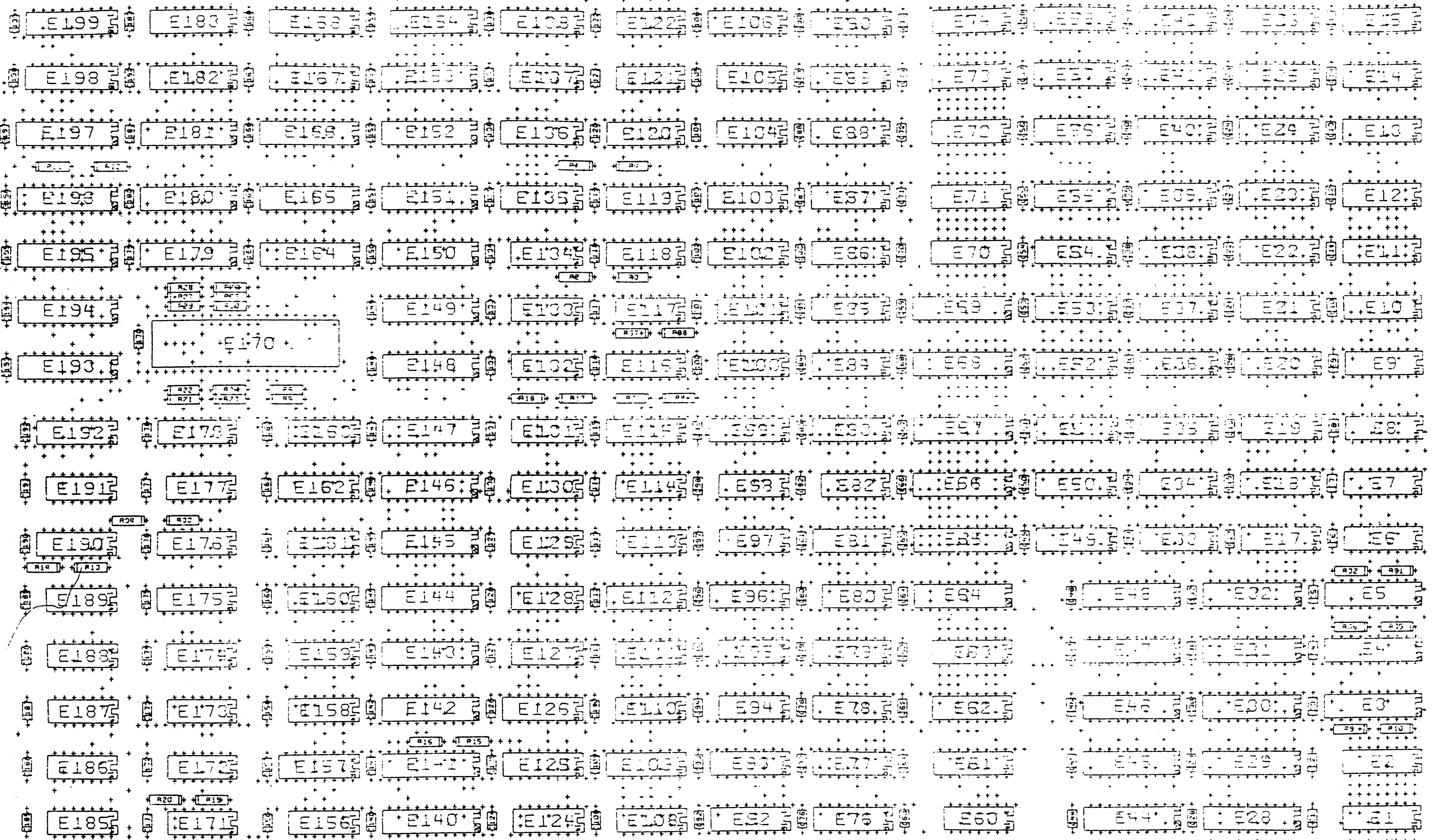
- A1 — NC
- A90 — NC NOTE: UNLISED +12 V
- A91 — NC
- B2 — NC NOTE: UNLISED -12 V
- B5 — NC
- B8 — NC
- B10 — NC
- B11 — NC
- B12 — NC
- B14 — NC
- B15 — NC
- B17 — NC
- B18 — NC
- B20 — NC
- B22 — NC
- B24 — NC
- B26 — NC
- B28 — NC
- B30 — NC
- B32 — NC
- B34 — NC
- B36 — NC
- B37 — NC
- B38 — NC
- B39 — NC
- B40 — NC
- B42 — NC
- B44 — NC
- B45 — NC
- B48 — NC
- B49 — NC
- B50 — NC
- B53 — NC
- B54 — NC
- B56 — NC
- B58 — NC
- B60 — NC
- B62 — NC
- B64 — NC
- B65 — NC
- B66 — NC
- B67 — NC
- B68 — NC
- B69 — NC
- B70 — NC
- B74 — NC
- B75 — NC
- B76 — NC
- B77 — NC
- B78 — NC
- B80 — NC
- B81 — NC
- B82 — NC
- B83 — NC
- B84 — NC
- B85 — NC
- C2 — NC
- C30 — NC
- C45 — NC
- C47 — NC
- C52 — NC
- C54 — NC
- C55 — NC
- C56 — NC
- C57 — NC
- C58 — NC
- C64 — NC
- C75 — NC
- C76 — NC
- C77 — NC
- C78 — NC
- C85 — NC
- C87 — NC
- C89 — NC
- C90 — NC

THIS DRAWING AND SPECIFICATIONS ARE THE PROPERTY OF DIGITAL EQUIPMENT CORPORATION AND SHALL NOT BE REPRODUCED OR TRANSMITTED IN ANY FORM OR BY ANY MEANS, ELECTRONIC OR MECHANICAL, INCLUDING PHOTOCOPYING, RECORDING, OR BY ANY INFORMATION STORAGE AND RETRIEVAL SYSTEM, WITHOUT WRITTEN PERMISSION OF DIGITAL EQUIPMENT CORPORATION.

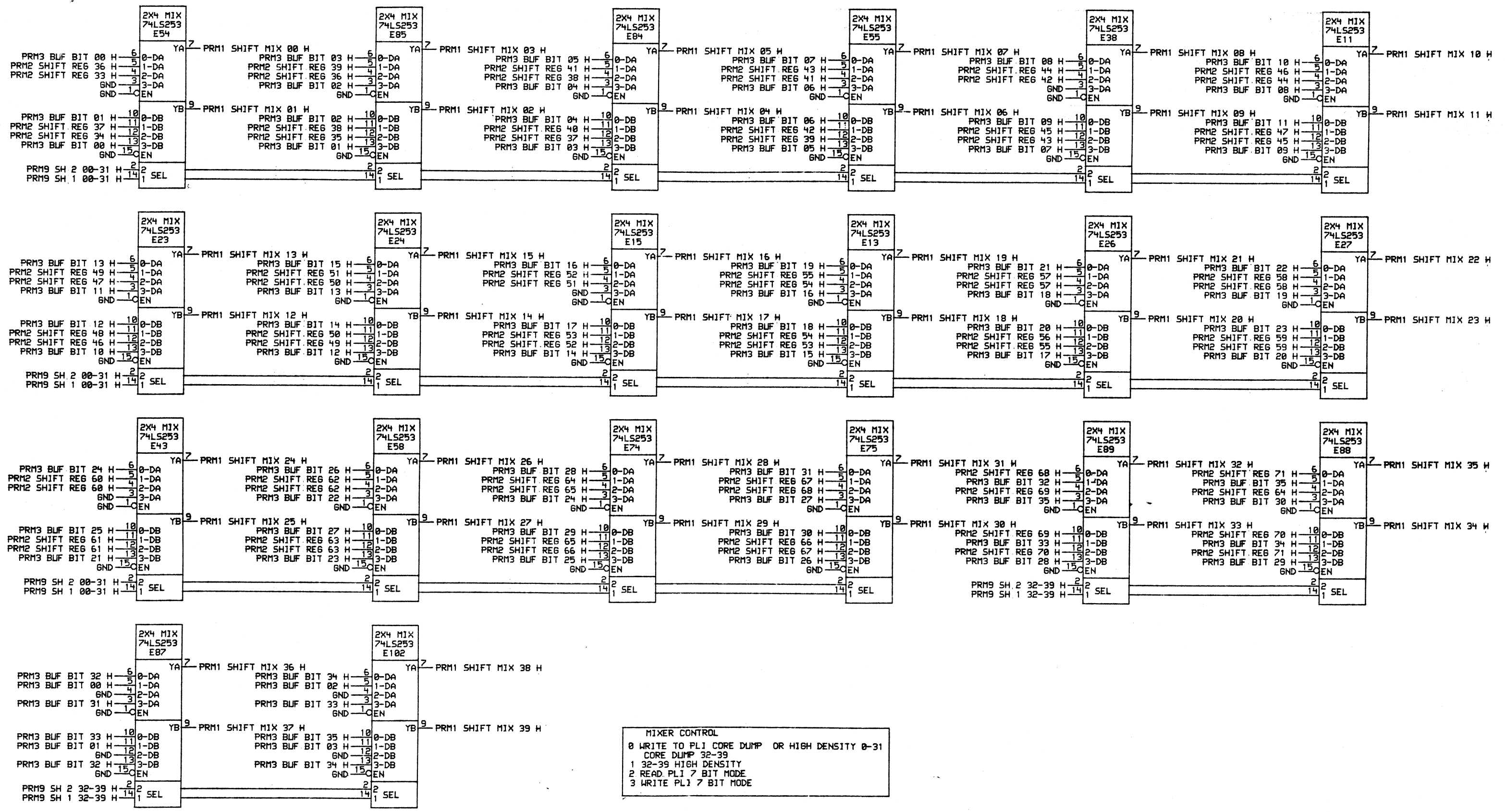
REVISIONS	
CHK	CHANGE NO. REV

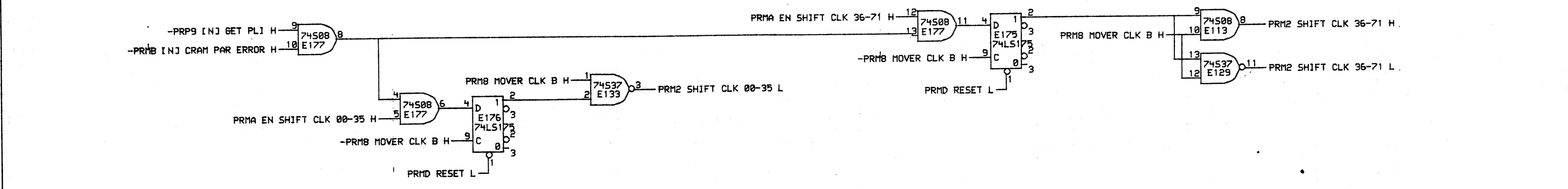
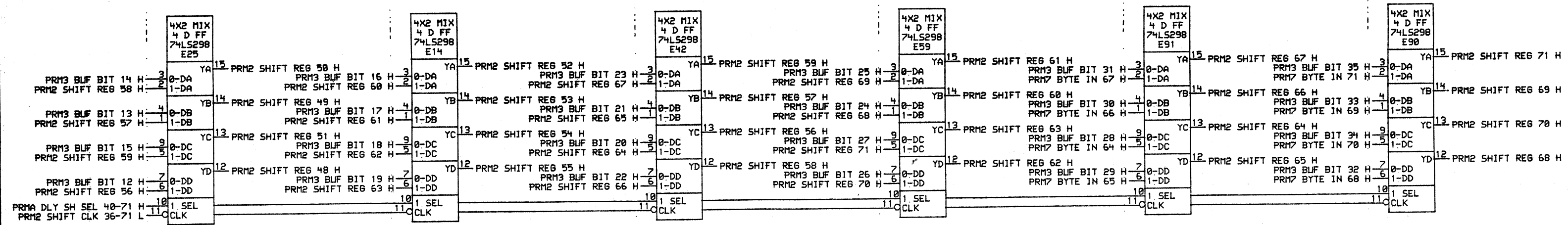
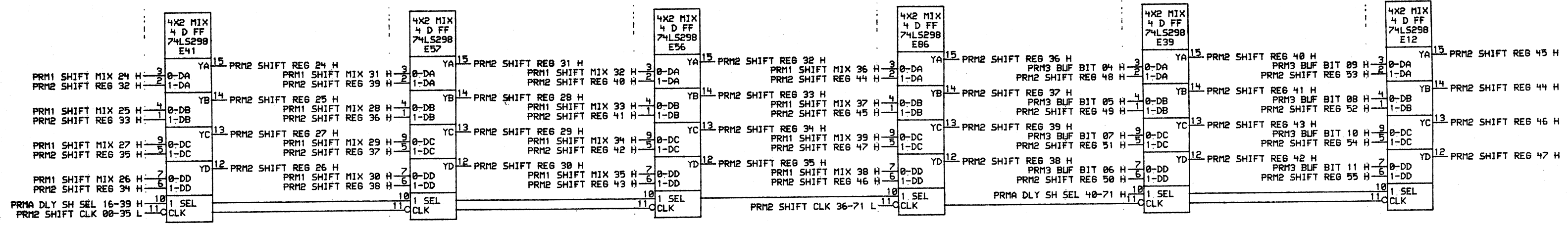
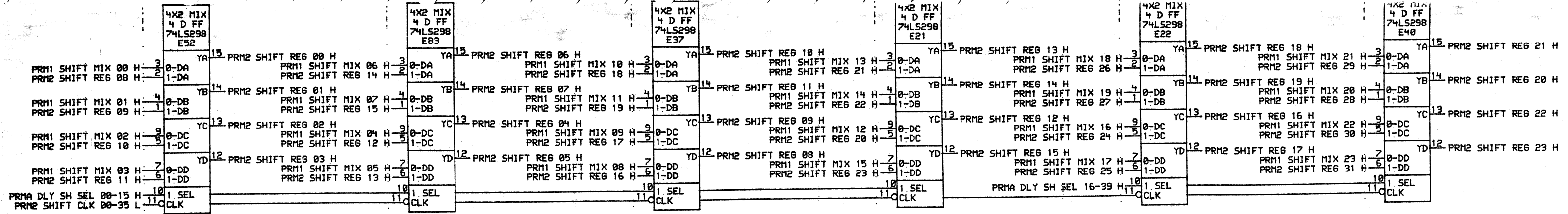
	DATE	ENG.	DATE	TITLE:
	127-MAY-82	TJ:35	127-MAY-82	2080 PORT PWR & GND 2
VAL CORP. 300 BROADWAY, NEW YORK, NY 10013 FIRST USED ON OPTION MODEL:	BOARD LOCATION SHEET	NEXT HIGHER ASSEMBLY:	SIZE CODE D CS	NUMBER L0064-0-PRPJ
				REV. B-DD--0

VULCAN:<2080.L0070>36PRM1
VULCAN:<2080.L0070>35PRM2
VULCAN:<2080.L0070>16PRM3
VULCAN:<2080.L0070>16PRM4
VULCAN:<2080.L0070>22PRM5
VULCAN:<2080.L0070>28PRM6
VULCAN:<2080.L0070>24PRM7
VULCAN:<2080.L0070>34PRM8
VULCAN:<2080.L0070>16PRM9
VULCAN:<2080.L0070>35PRMA
VULCAN:<2080.L0070>34PRMB
VULCAN:<2080.L0070>33PRMC
VULCAN:<2080.L0070>34PRMD
VULCAN:<2080.L0070>28PRME
VULCAN:<2080.L0070>PRMF
VULCAN:<2080.L0070>30PRMG

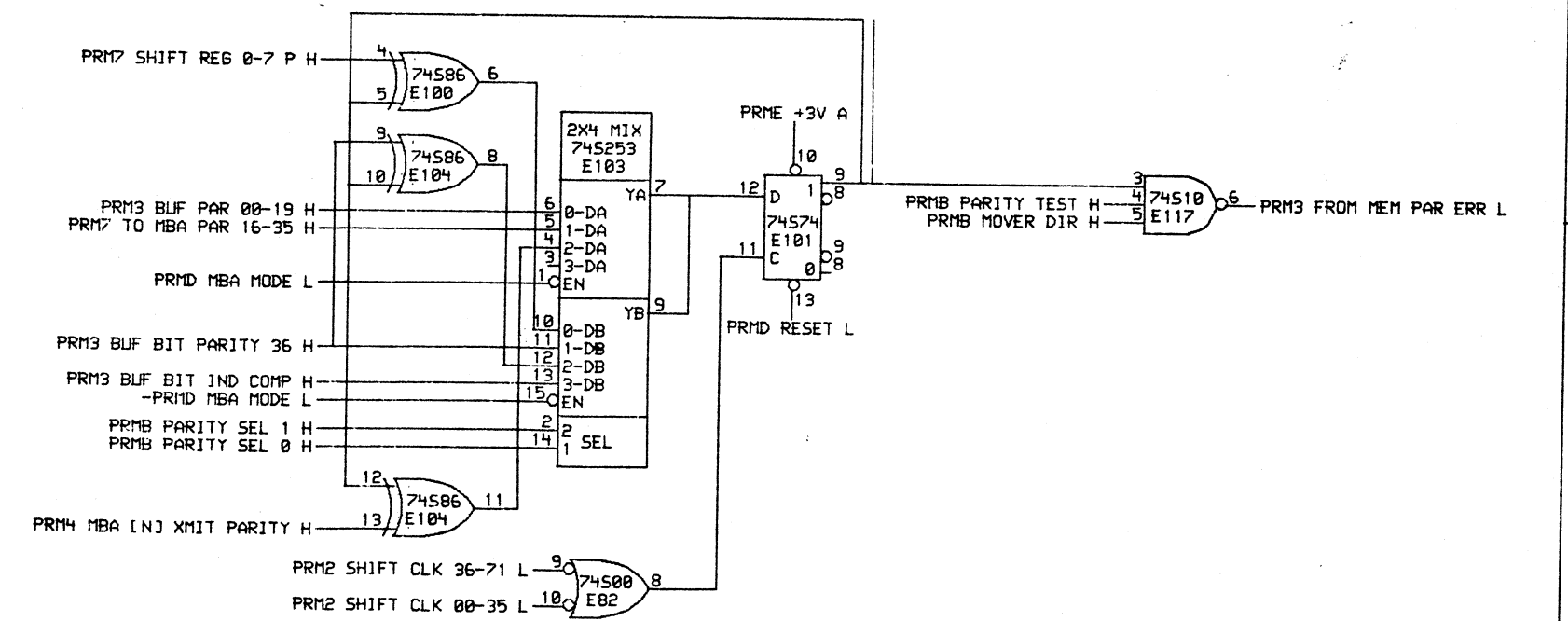
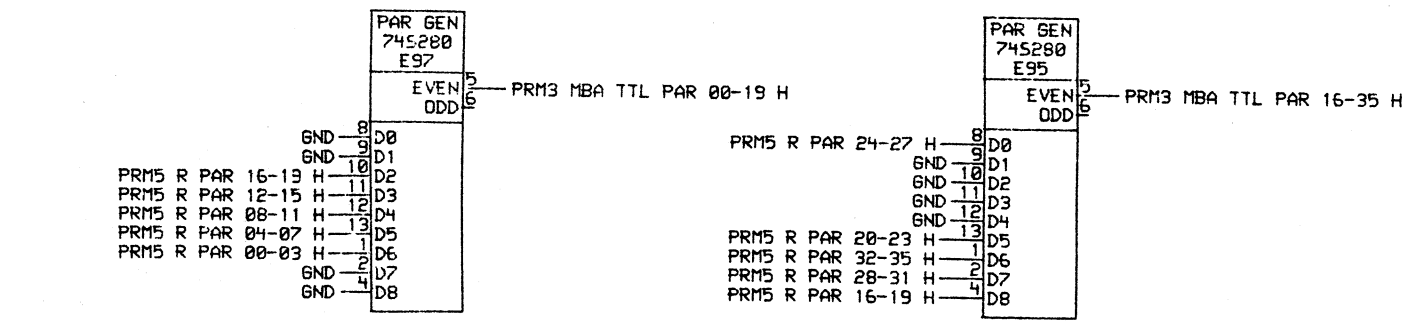
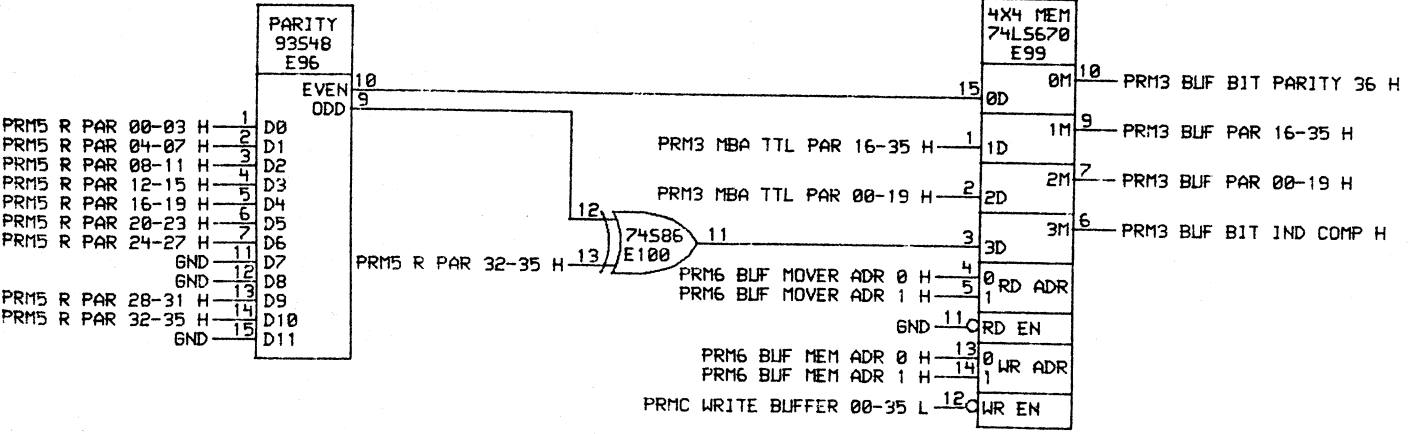
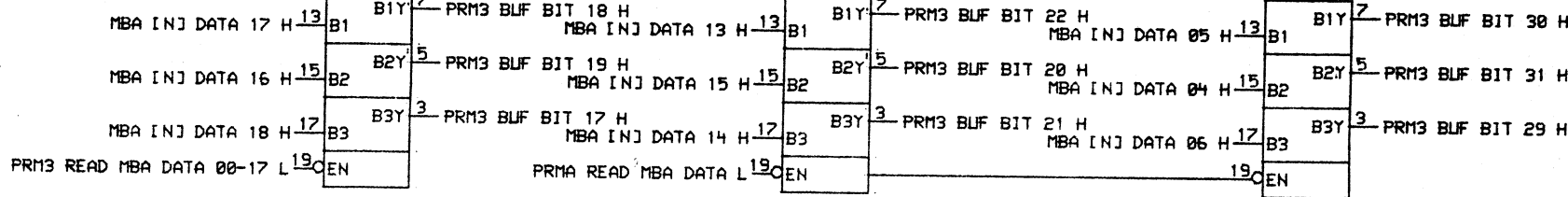
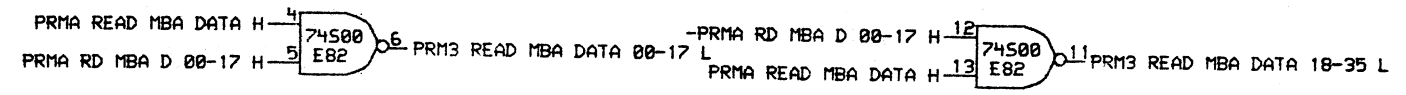
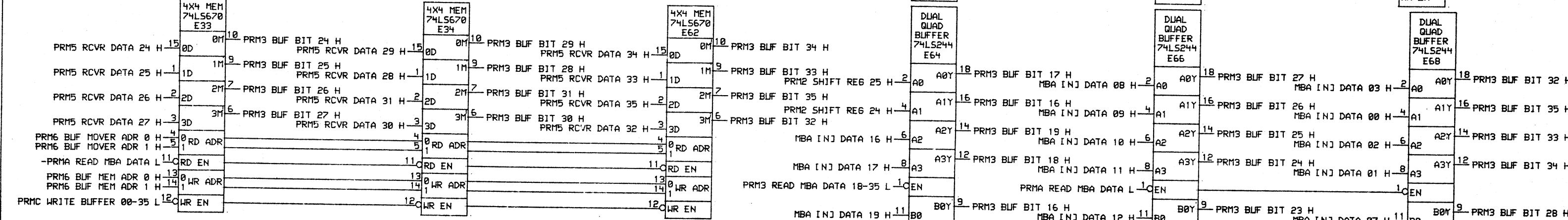
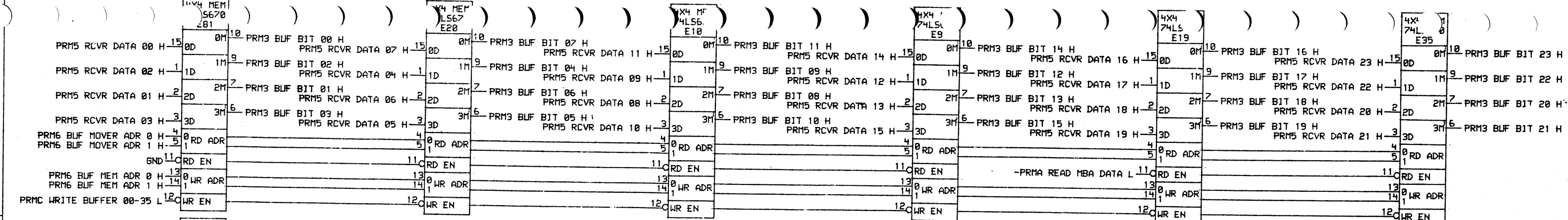


PRM

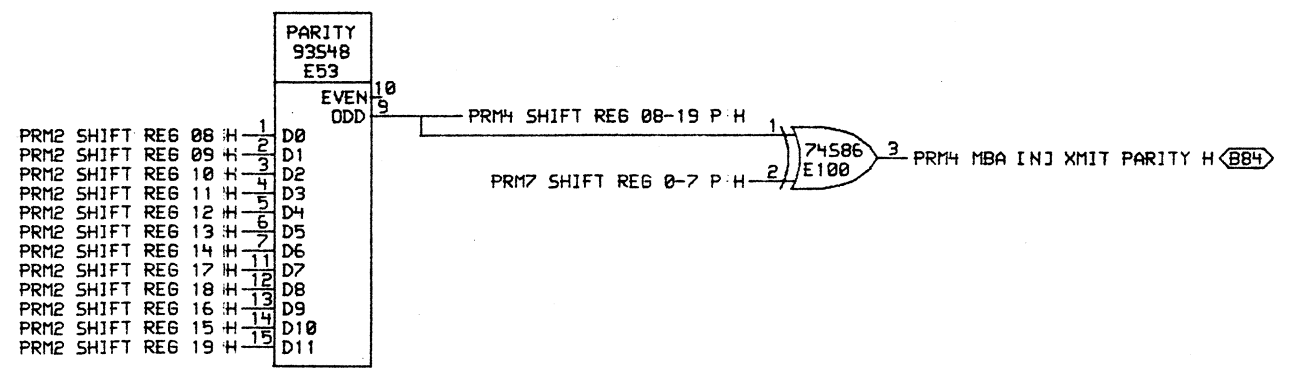
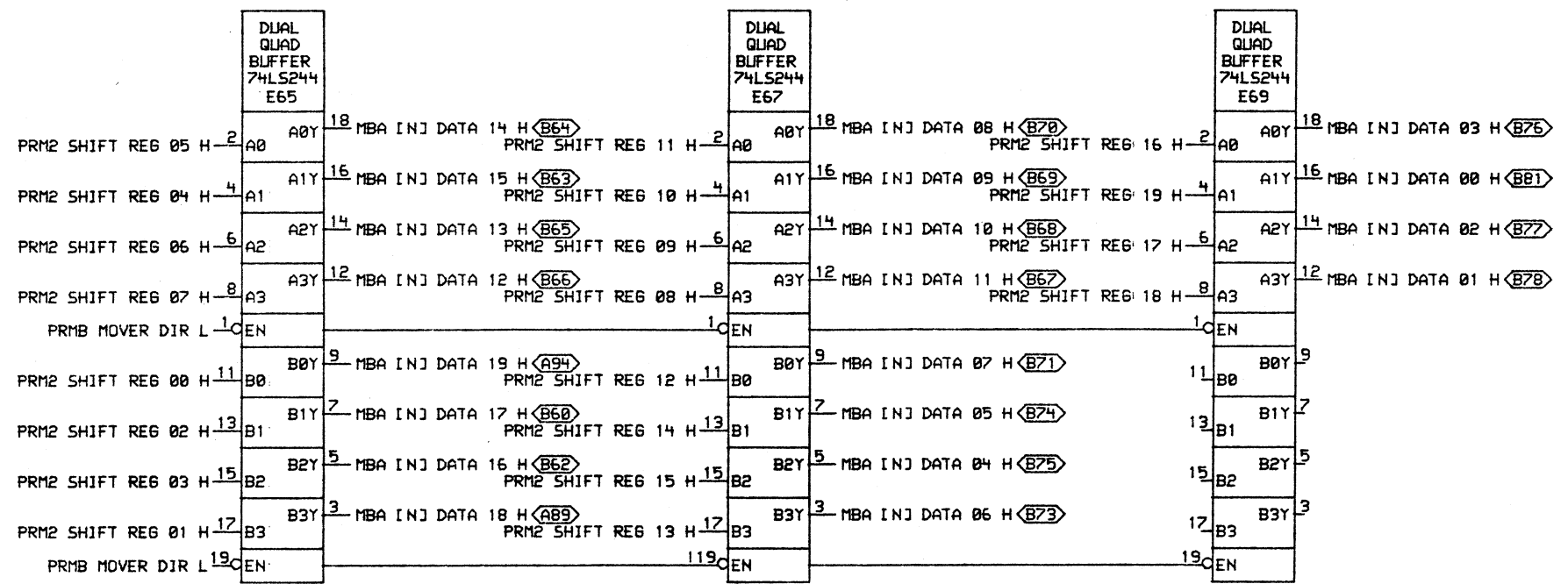




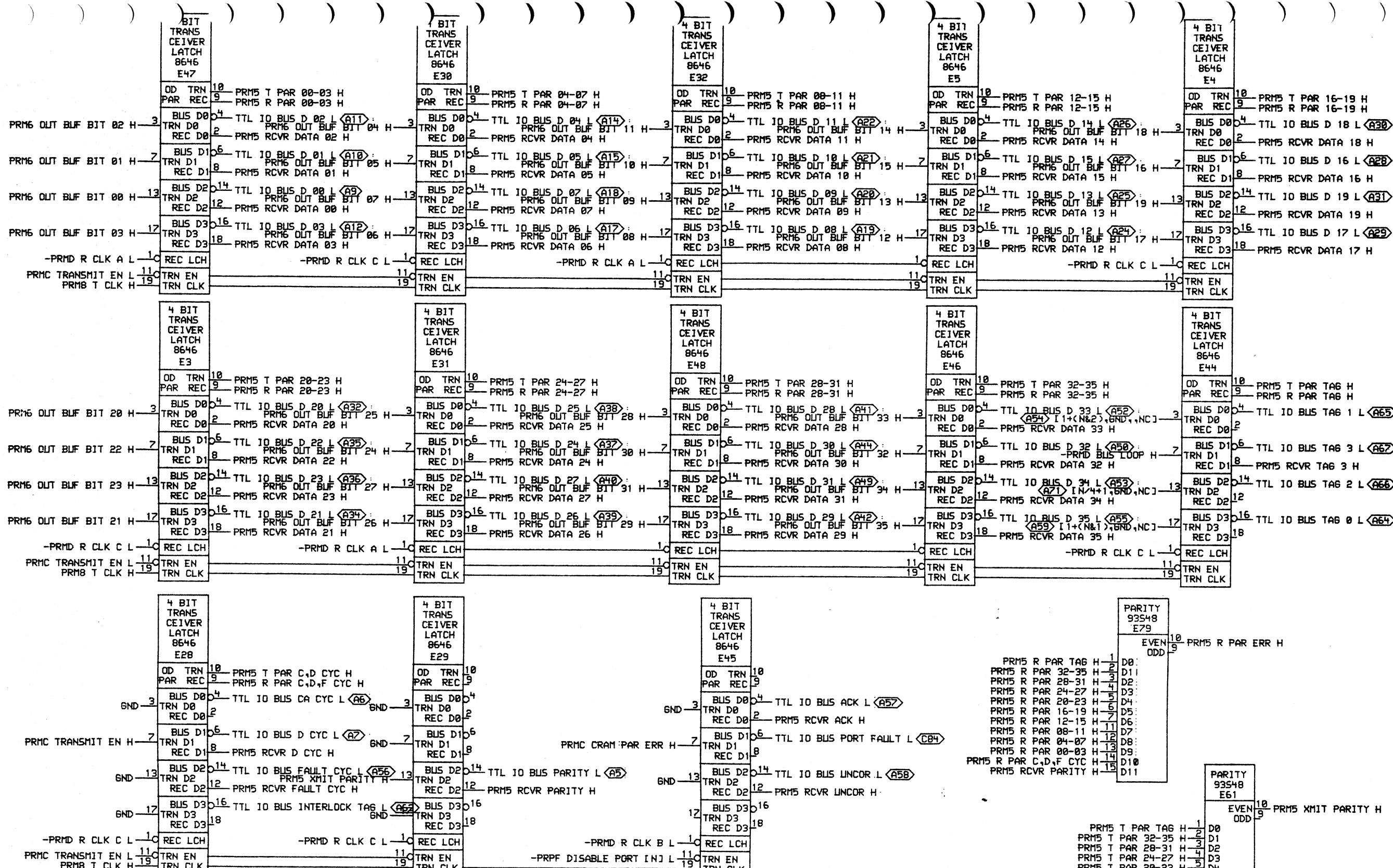
THIS DRAWING AND SPECIFICATIONS ARE THE PROPERTY OF DIGITAL EQUIPMENT CORPORATION AND SHALL NOT BE REPRODUCED OR COPIED OR USED IN WHOLE OR IN PART AS THE BASIS FOR THE MANUFACTURE OR SALE OF ITEMS WITHOUT WRITTEN PERMISSION. COPYRIGHT © 1982, DIGITAL EQUIPMENT CORPORATION.		REVISIONS CHK CHANGE NO. REV	digital DRN: <i>W. Stevenson</i> CHK'D:	DATE: 04-SEP-82 DATE: 04-SEP-82 SHEET: 1 OF 1	ENG. BOARD LOCATION: OF 1 NEXT HIGHER ASSEMBLY: B-DD-KC10-0	TITLE: KC10 PORT MOVER SHIFTER	SIZE: D CODE: CS NUMBER: L0070-0-PRM2	REV.
------------------------------------------------------------------------------------------------------------------------------------------------------------------------------------------------------------------------------------------------------------------------------------	--	----------------------------------------	------------------------------------------------------	-----------------------------------------------------	----------------------------------------------------------------	--------------------------------	---------------------------------------------	------



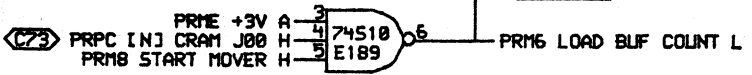
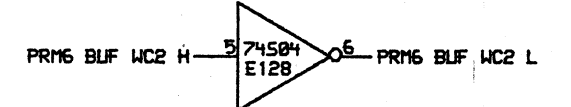
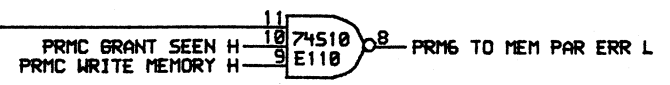
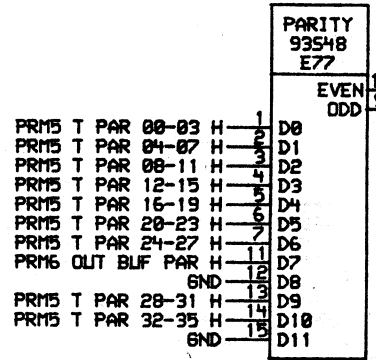
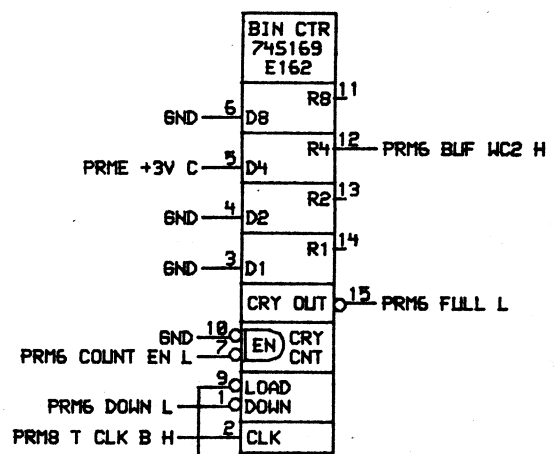
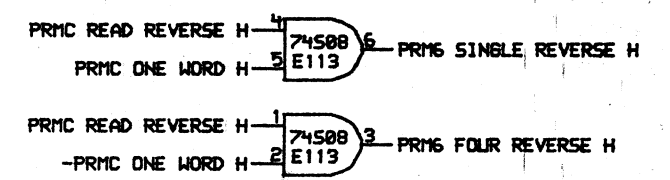
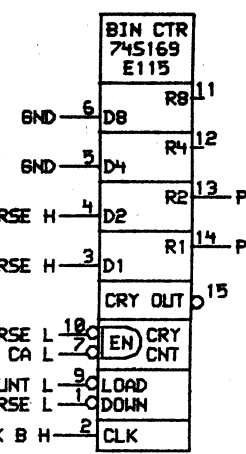
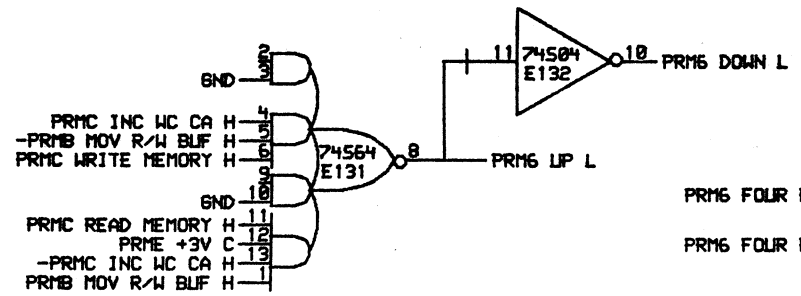
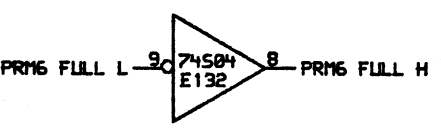
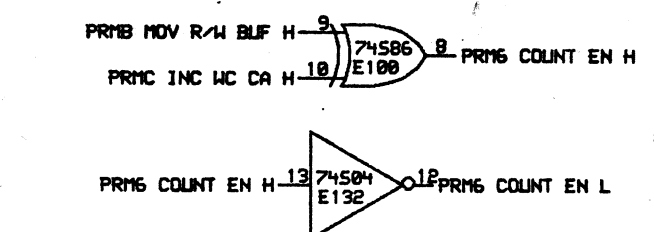
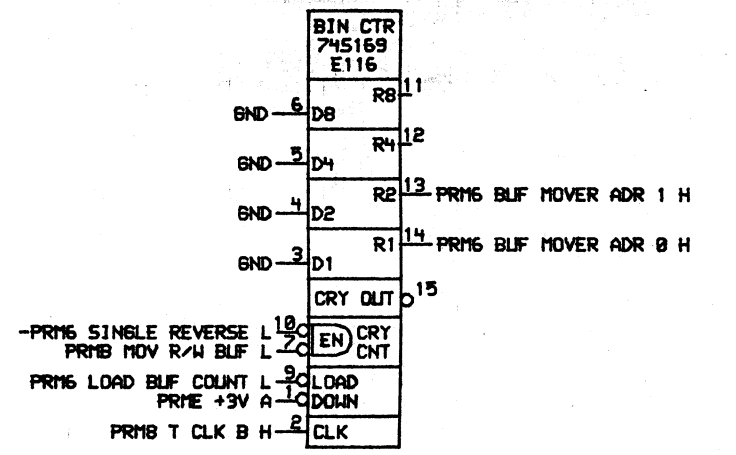
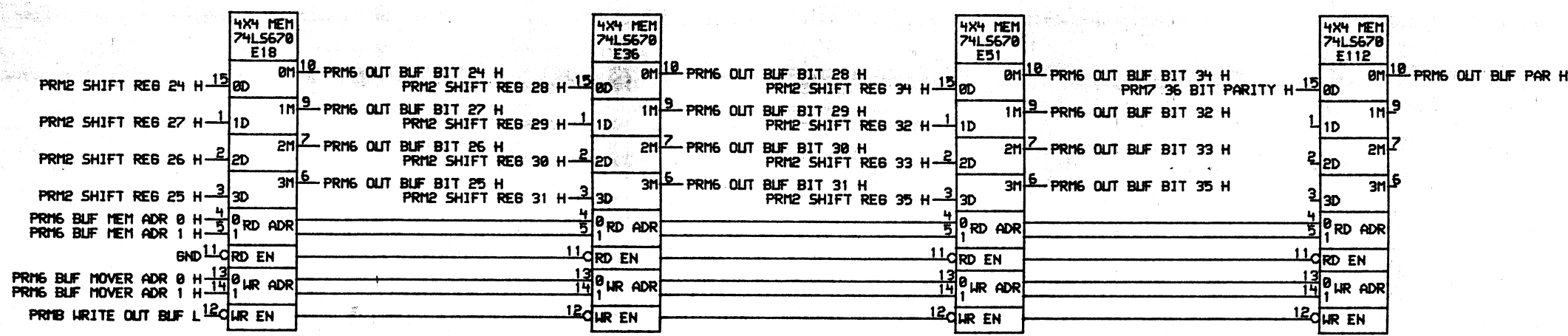
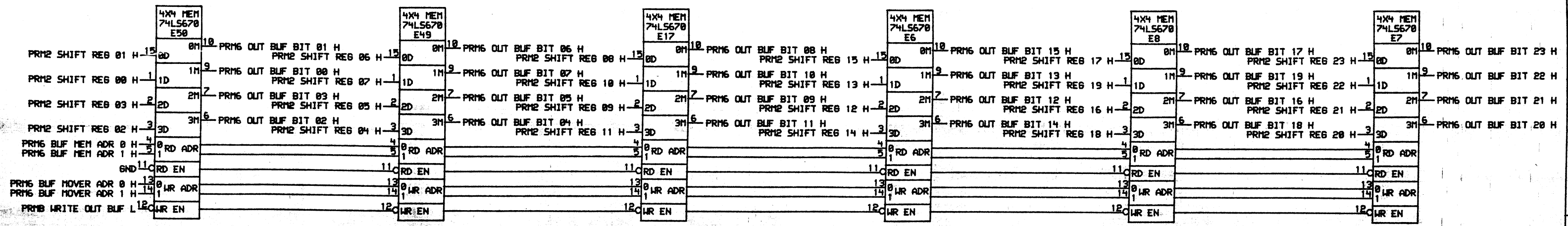
DRN.	DATE	ENG.	DATE	TITLE:
CHK'D.	12-JAN-82			KC10 PORT MOVER FROM MEM BUF 00-35
VLSI CAN: (2000-L0070)16PRM3_DRN		04-DEC-81 12:43	NEXT HIGHER ASSEMBLY:	SIZE CODE INUMBER REV.
FIRST USED ON OPTION/MODEL:		KC10	B-DD-KC10-0	D CS L0070-0-PRM3

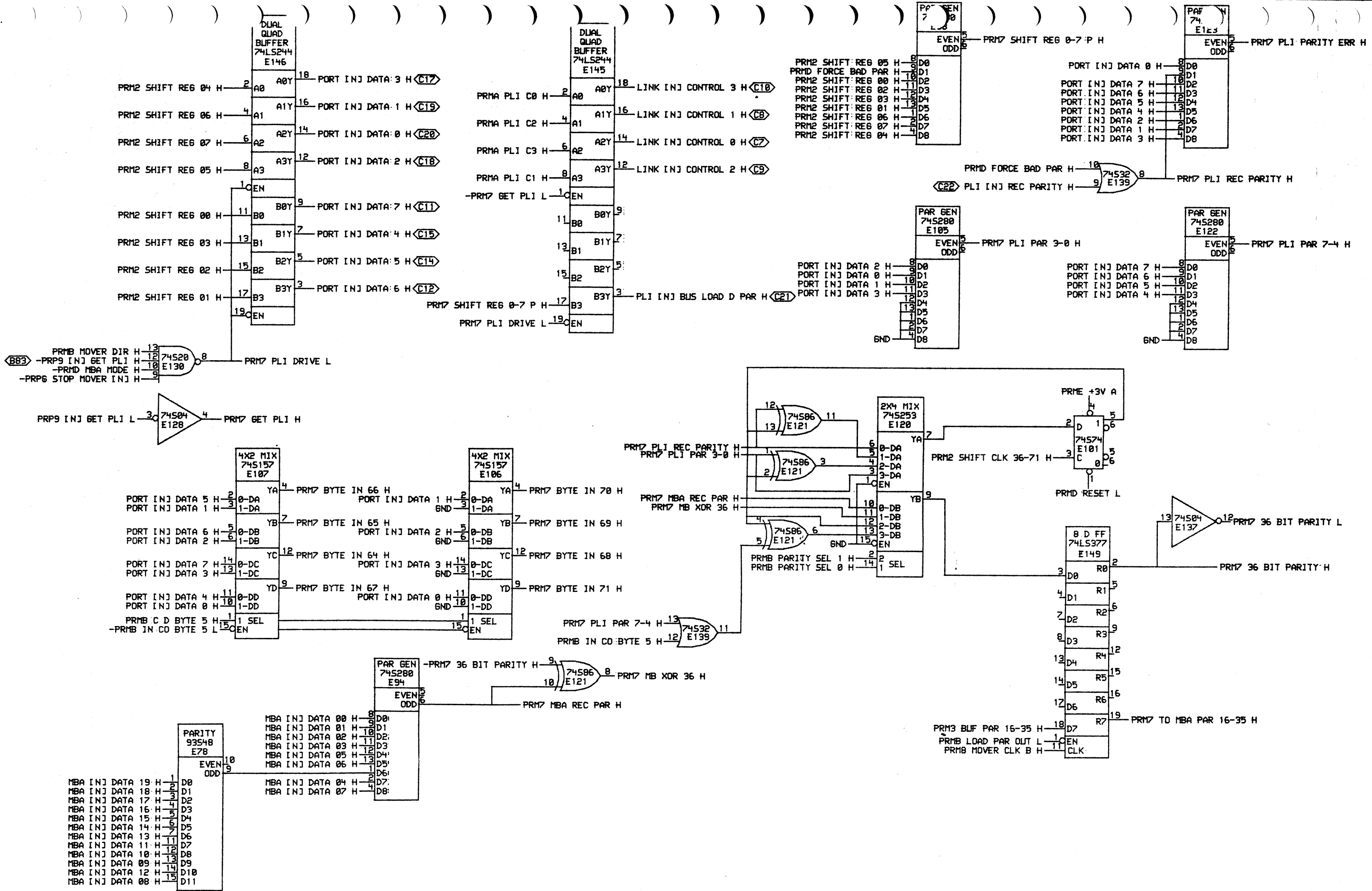


DRN.	DATE	ENG.	DATE	TITLE:	KC10 PORT MOVER PORT TO MBA		
CHK'D.	DATE	BOARD LOCATION:	SHEET	OF	1	1	
VULCAN: <2880> L0070 16PRM.DRW 04-DEC-81 12:44 NEXT HIGHER ASSEMBLY:				SIZE	CODE	NUMBER	REV.
FIRST USED ON OPTION/MODEL: KC10				D	CS	L0070-0-PRM4	

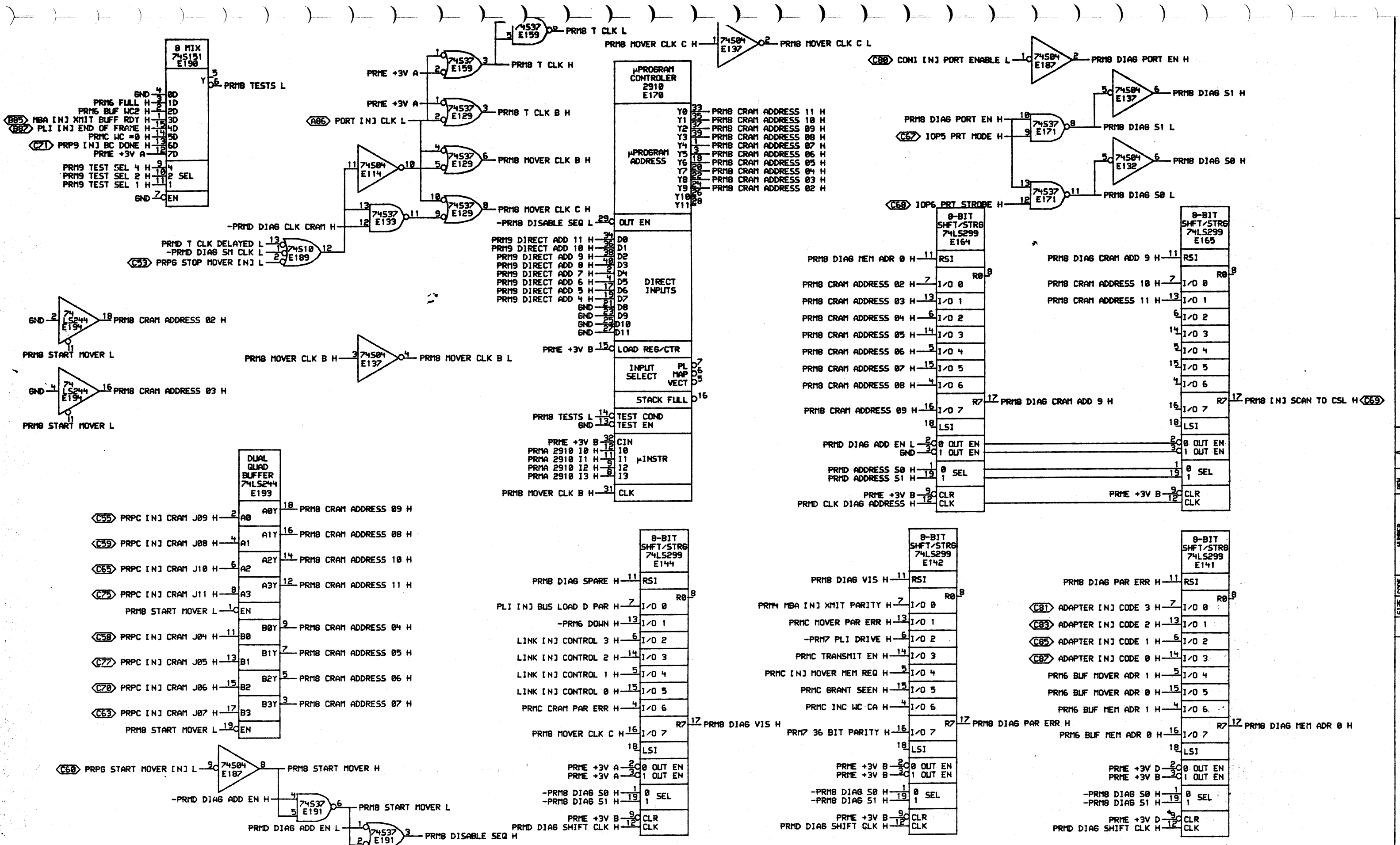


DRN.	DATE	ENG.	DATE	TITLE:
CHK'D.	12-JAN-82	BOARD LOCATION:		KC10 PORT MOVER
	12-JAN-82	SHEET	OF	IO BUS XCVRS
VULCAN (2080-10070) 22-PRM5.DRW	22-DEC-81	15:03	NEXT HIGHER ASSEMBLY:	SIZE CODE NUMBER REV.
FIRST USED ON OPTION/MODEL:	KC10	B-DD-KC10-0		D CS L0070-0-PRM5 A1



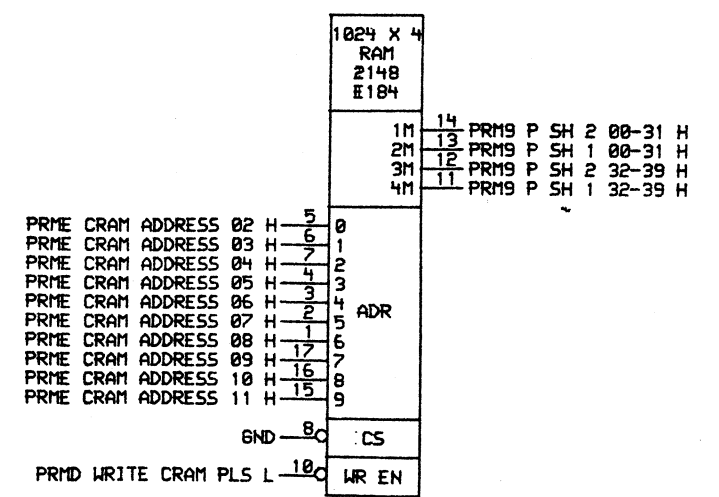
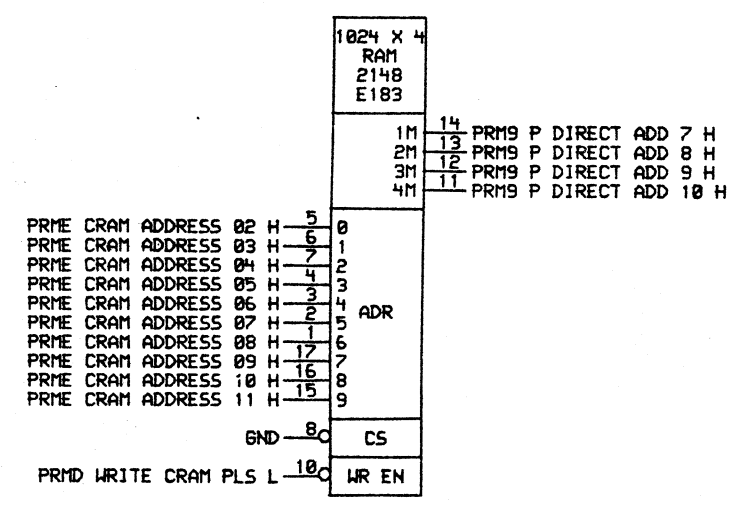
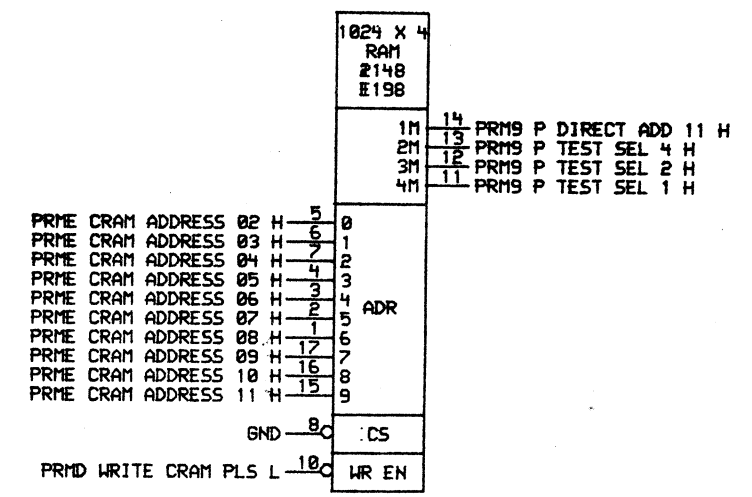
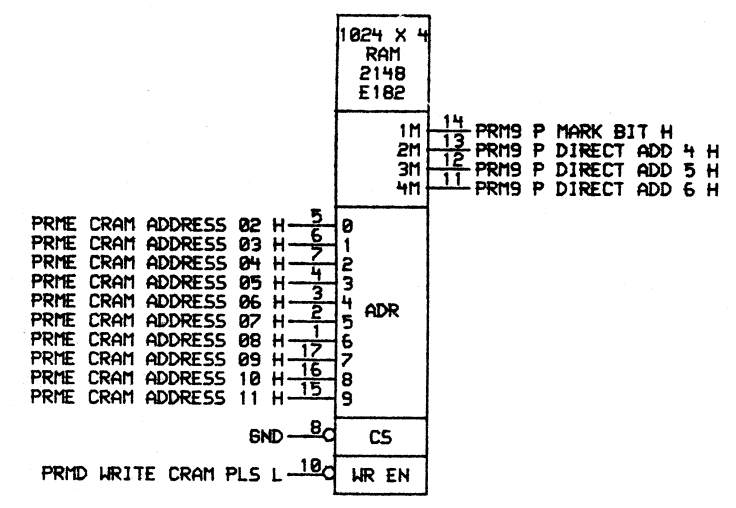
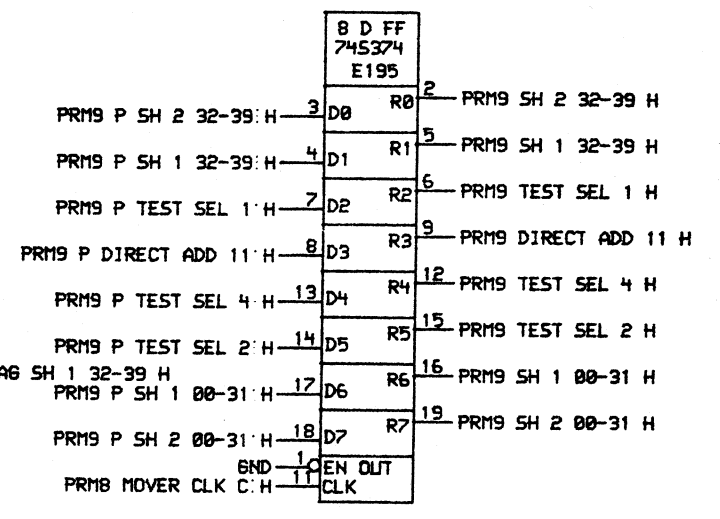
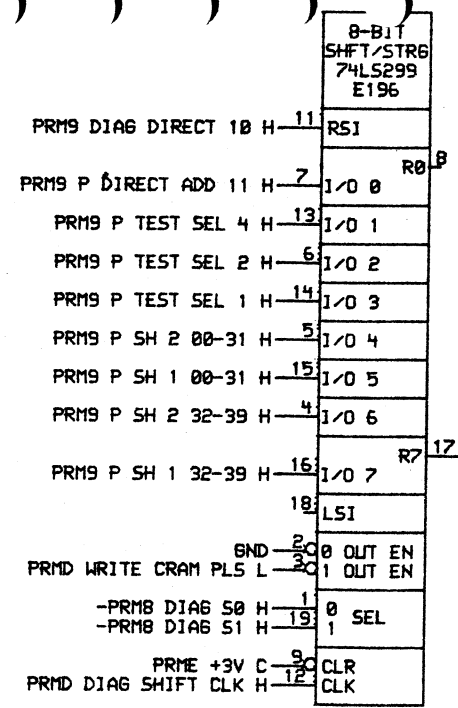
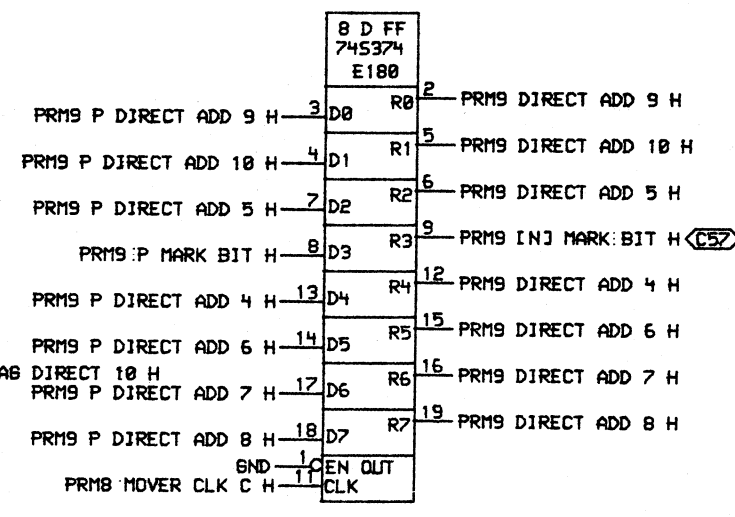
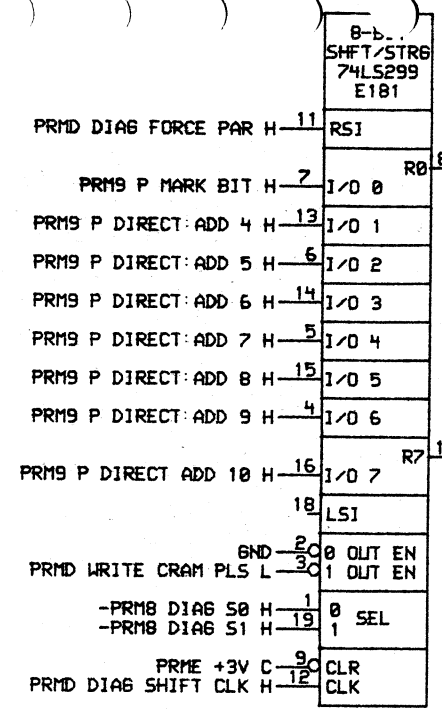


DRN.	DATE	ENG.	DATE	TITLE:
CHK'D.	12-JAN-82			KC10 PORT MOVER
	DATE	BOARD LOCATION:		PLI TO MOVER
		SHEET OF		
VULCAN (2880-1-0870) PRM7.DRW	29-DEC-81	14:44	NEXT HIGHER ASSEMBLY:	SIZE CODE NUMBER REV.
FIRST USED ON OPTION/MODEL:	KC10	B-DD-KC10-0		D CS L0070-0-PRM7

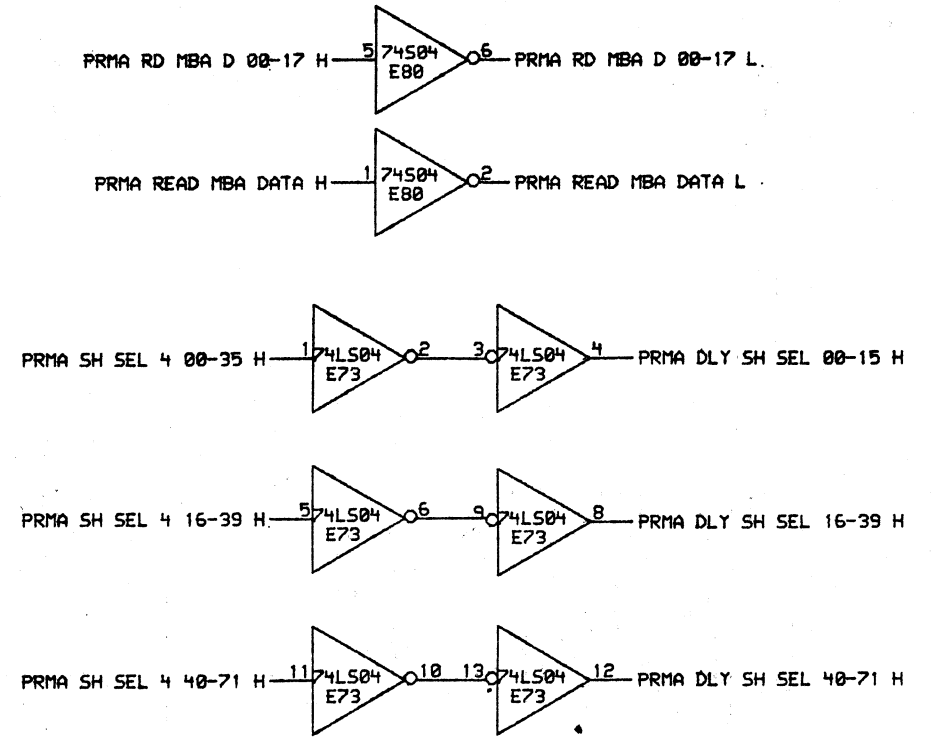
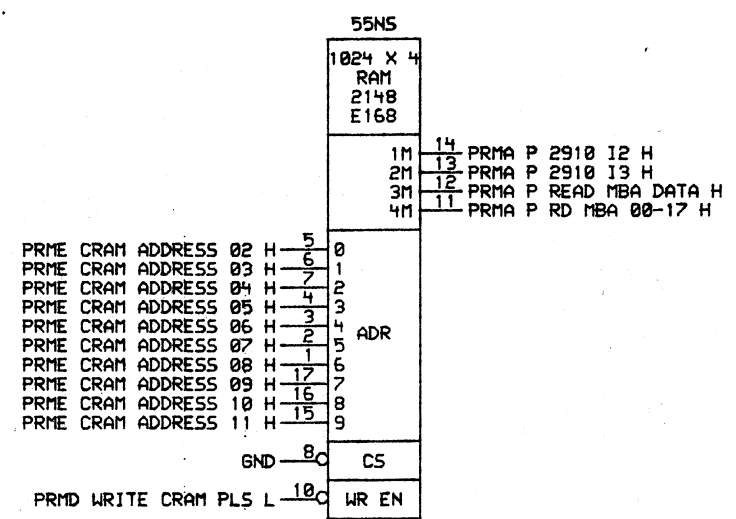
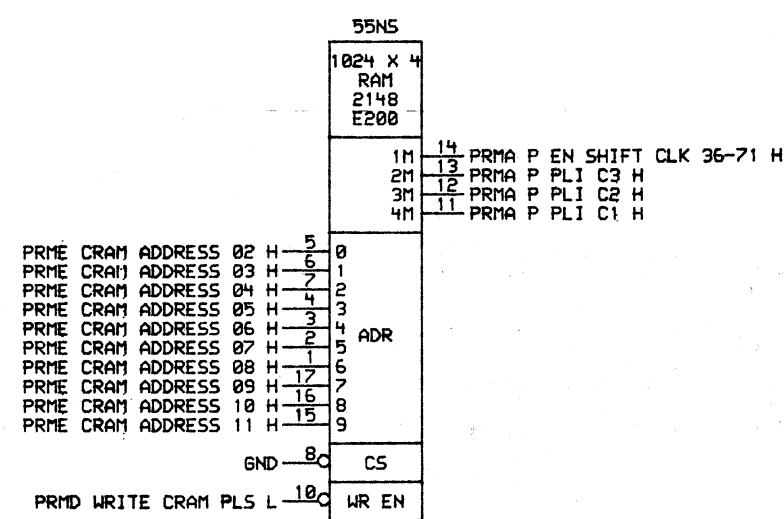
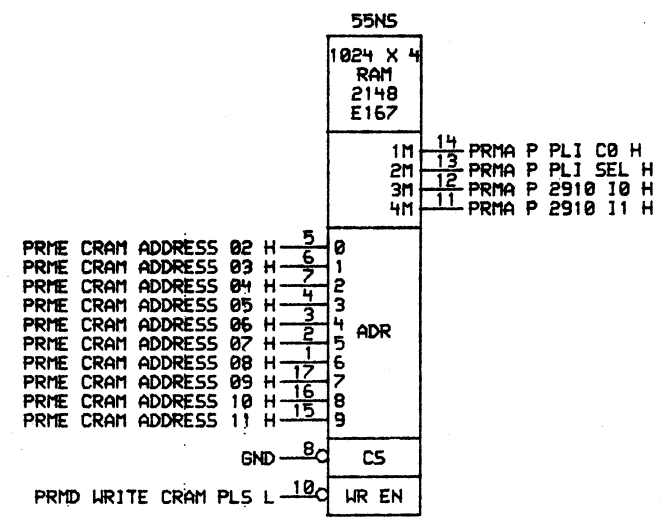
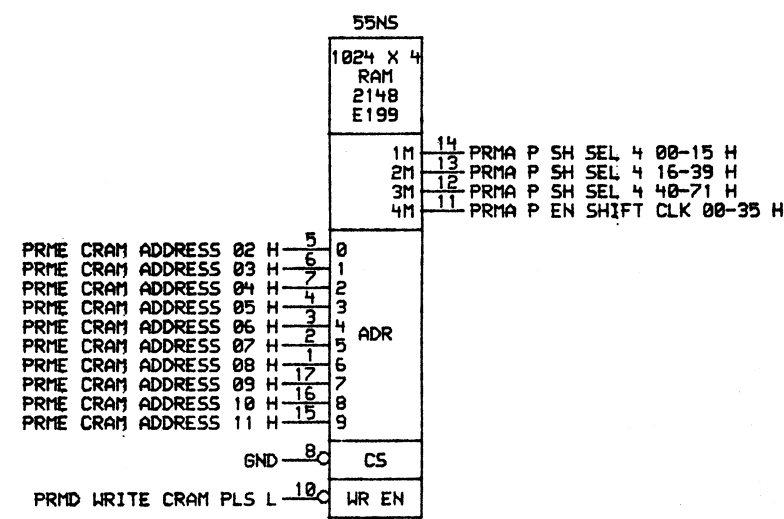
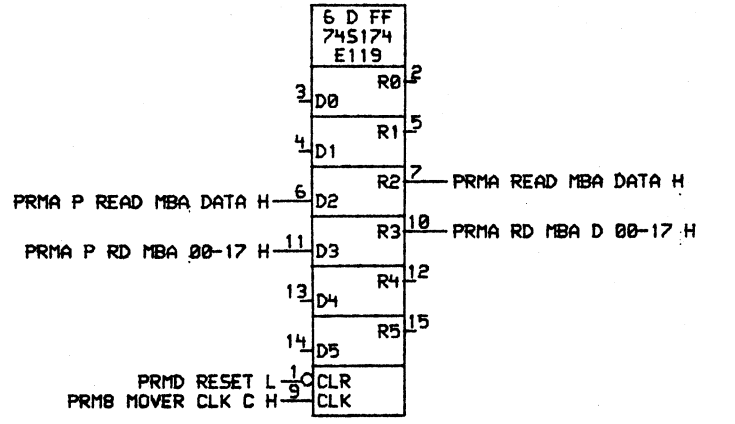
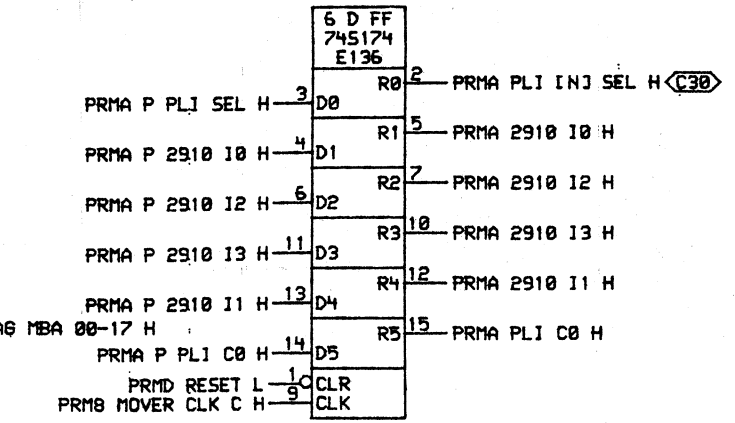
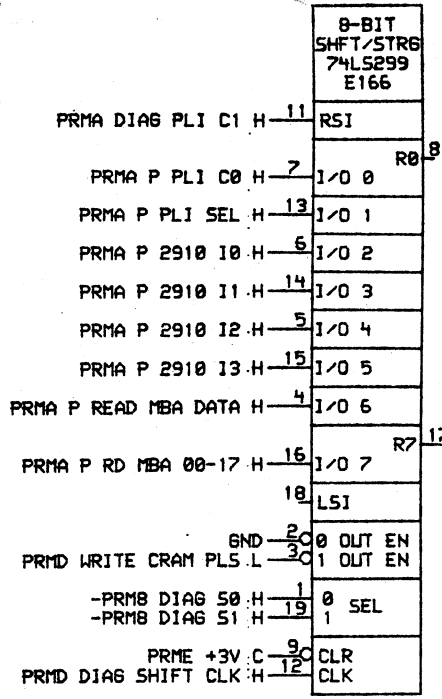
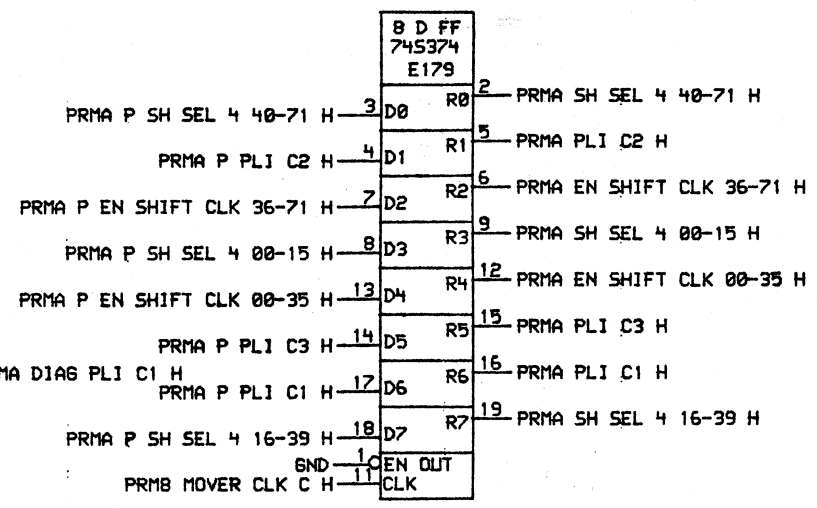
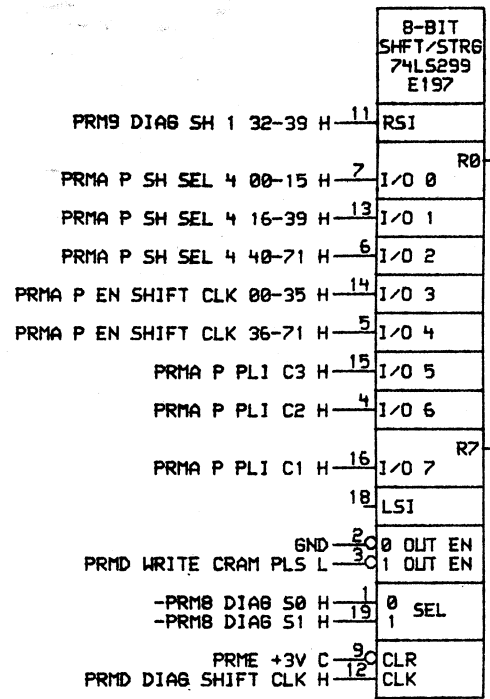


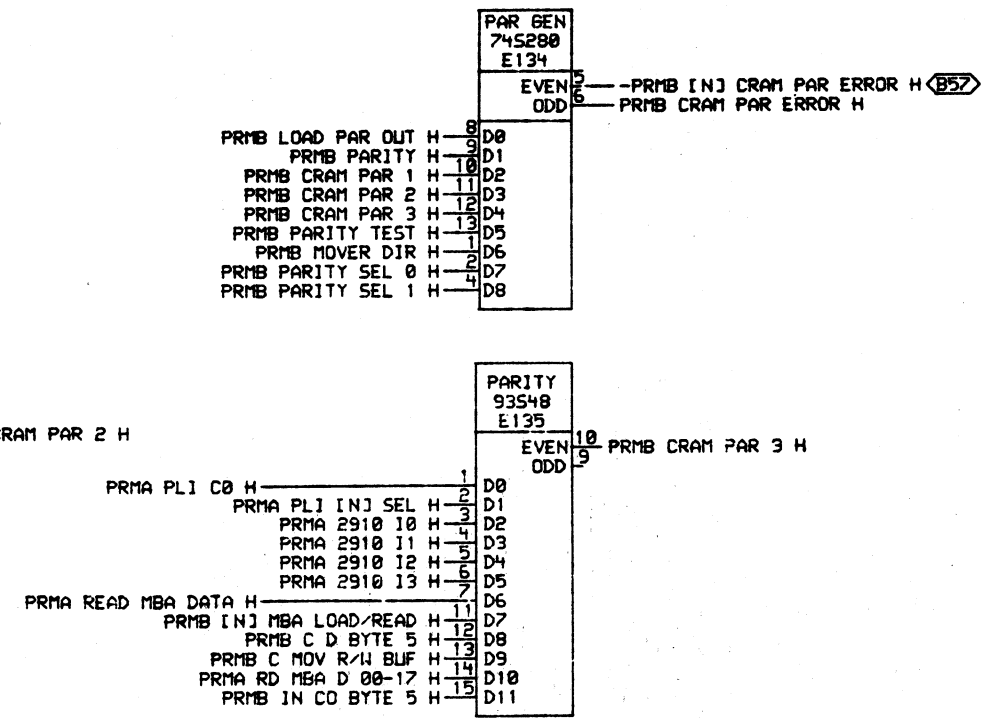
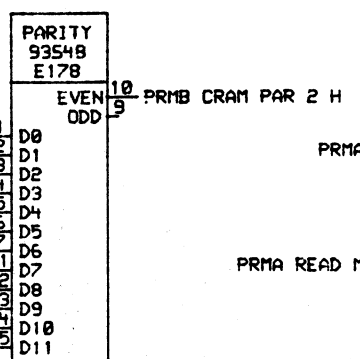
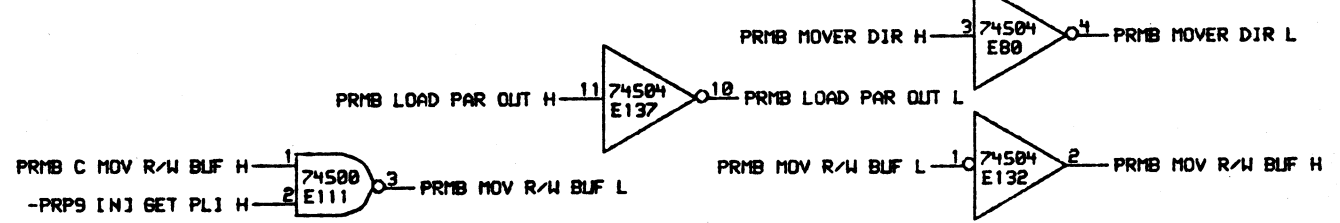
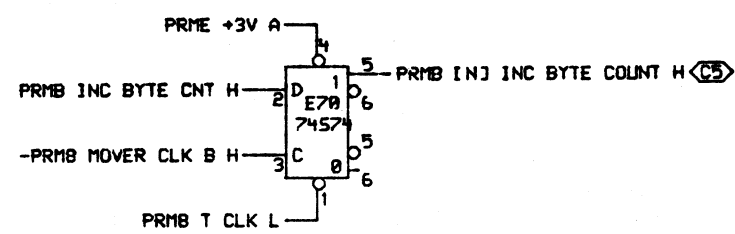
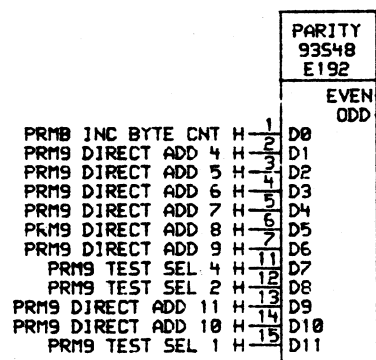
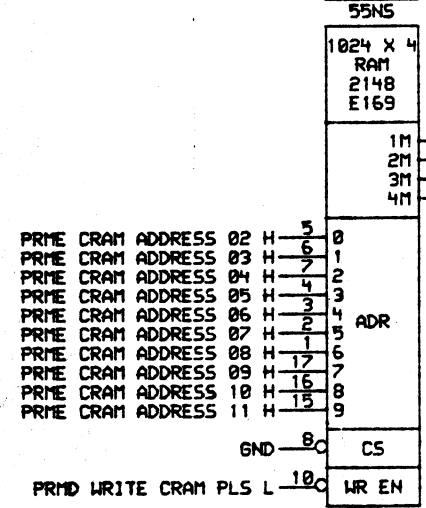
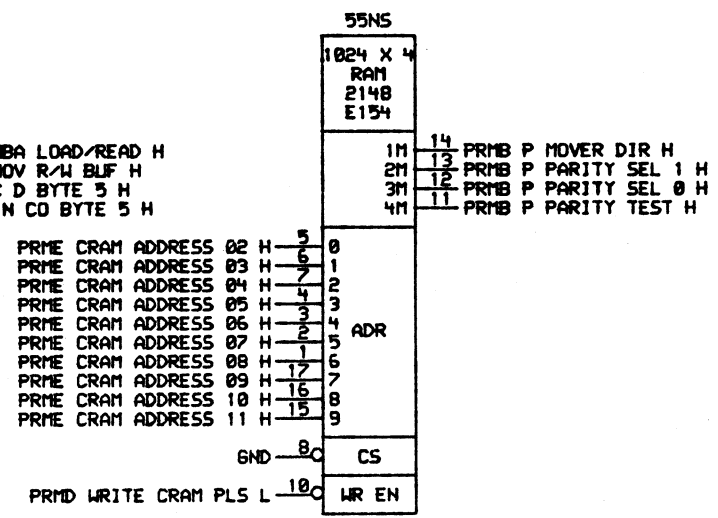
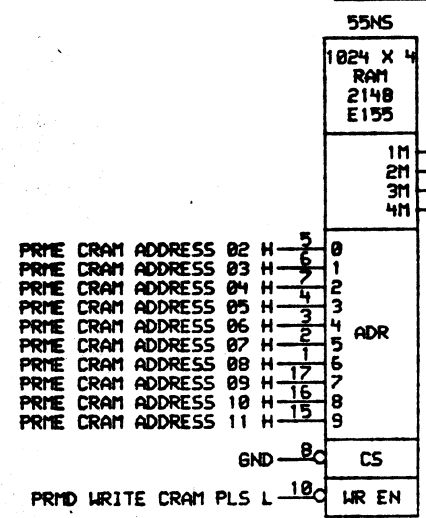
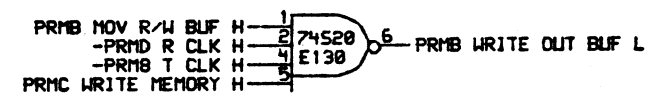
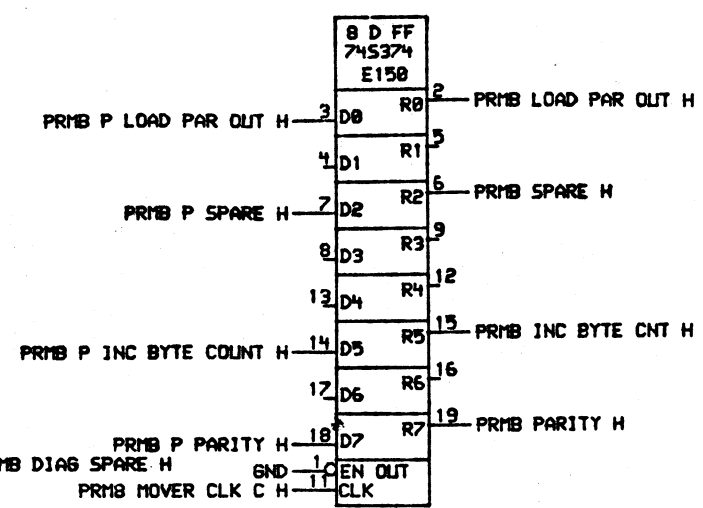
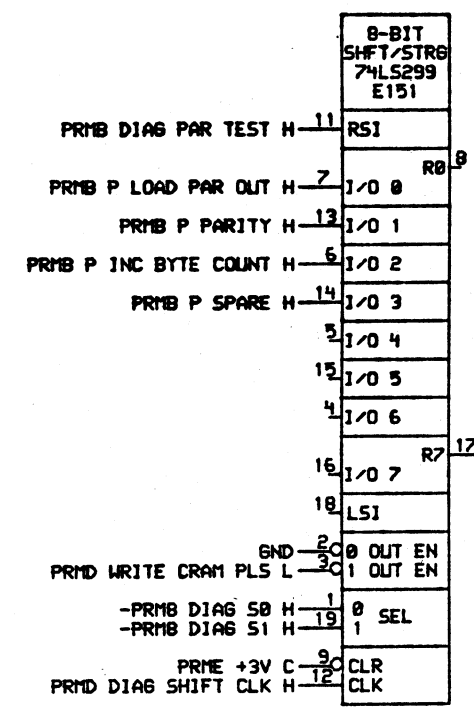
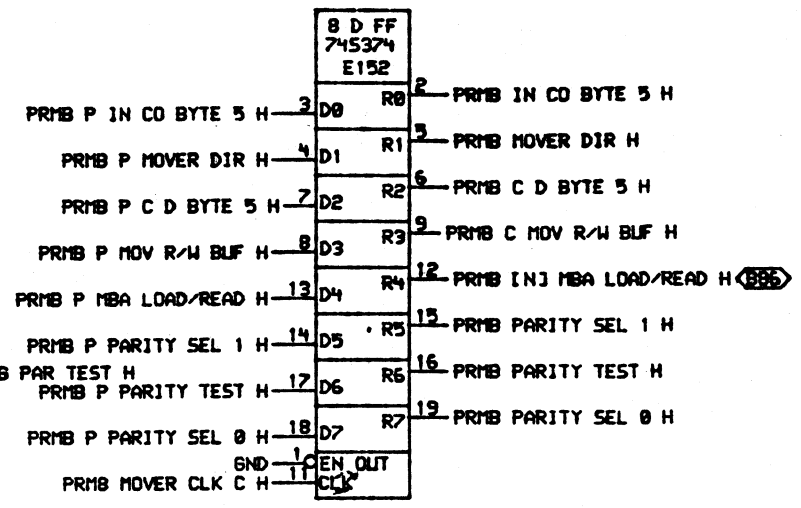
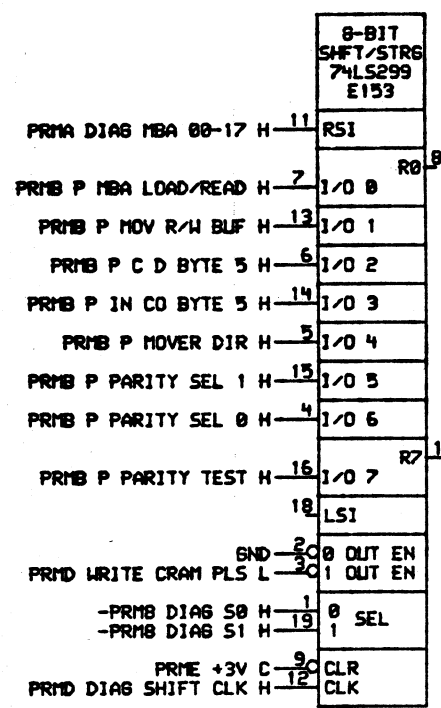
THIS DRAWING AND SPECIFICATIONS ARE THE PROPERTY OF DIGITAL EQUIPMENT CORPORATION AND SHALL NOT BE REPRODUCED OR COPIED OR USED IN WHOLE OR IN PART AS THE BASIS FOR THE MANUFACTURE OR SALE OF ITEMS WITHOUT WRITTEN PERMISSION. COPYRIGHT © 1982, DIGITAL EQUIPMENT CORPORATION.		REVISIONS CHK CHANGE NO. REV	digital DRN. <i>W. Stephenson</i> CHK'D.	DATE ENG. 21-JUL-82 DATE BOARD LOCATION: 31-JUL-82 SHEET 1 OF 1	DATE 31-JUL-82 NEXT HIGHER ASSEMBLY: B-DD-KC10-0	TITLE: KC10 PORT MOVER MOVER SEQUENCER	SIZE CODE D CS NUMBER L0070-0-PRMB	REV.
------------------------------------------------------------------------------------------------------------------------------------------------------------------------------------------------------------------------------------------------------------------------------------	--	----------------------------------------	-------------------------------------------------------	--------------------------------------------------------------------	-----------------------------------------------------	-----------------------------------------------	---------------------------------------	------

D
 C
 B
 A



DRN.	DATE	ENG.	DATE	TITLE
CHK'D.	12-JAN-82			KC10 PORT MOVER
				CRAM L
VIL CAN: (2880-L0070)16PRM9.DRW 104-DEC-81 12:49 NEXT HIGHER ASSEMBLY:				SIZE CODE NUMBER
FIRST USED ON OPTION/MODEL: KC10 B-DD-KC10-0				D CS L0070-0-PRM9
				REV.





THIS DRAWING AND SPECIFICATIONS ARE THE PROPERTY OF DIGITAL EQUIPMENT CORPORATION AND SHALL NOT BE REPRODUCED OR COPIED OR USED IN WHOLE OR IN PART AS THE BASIS FOR THE MANUFACTURE OR SALE OF ITEMS WITHOUT WRITTEN PERMISSION. COPYRIGHT © 1982, DIGITAL EQUIPMENT CORPORATION.

REVISIONS		
CHK	CHANGE NO.	REV

digital DRN: *W. Stephenson* DATE ENG: 21-JUL-82 DATE: 31-JUL-82

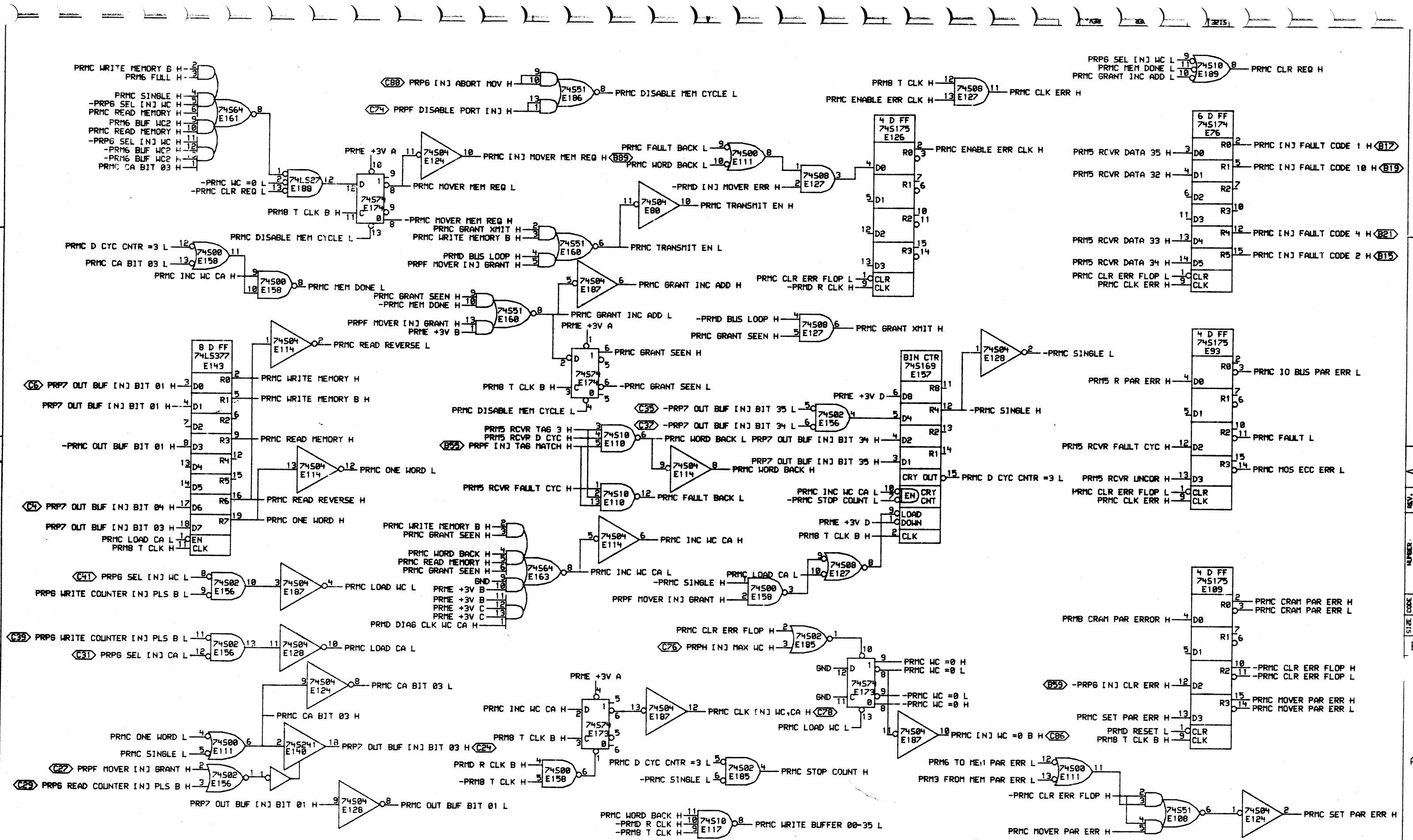
CHK'D: DATE BOARD LOCATION: 31-JUL-82 SHEET 1 OF 1

TITLE: KC10 PORT MOVER CRAM N

VLSI DRAWING: 2088.L0070-0-PRMB.DRW 30-JUL-82 15:19 NEXT HIGHER ASSEMBLY: B-DD-KC10-0

FIRST USED ON OPTION/MODEL: KC10

SIZE	CODE	NUMBER	REV.
D	CS	L0070-0-PRMB	

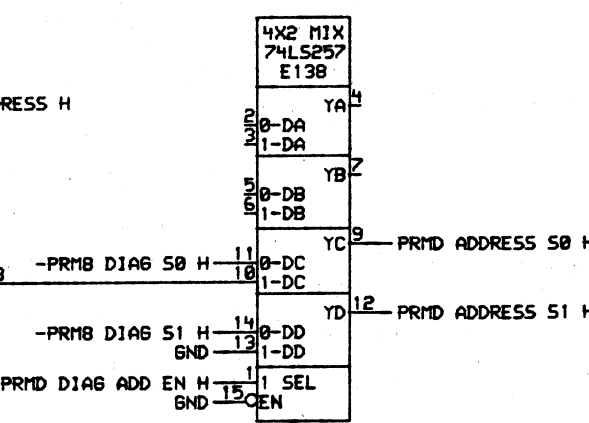
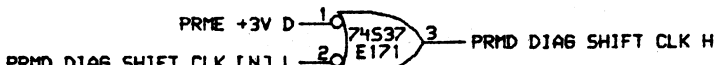
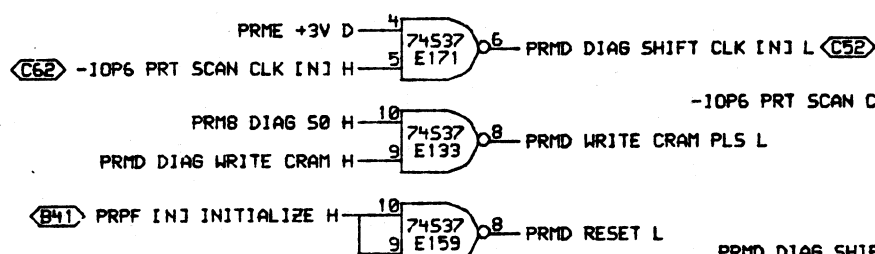
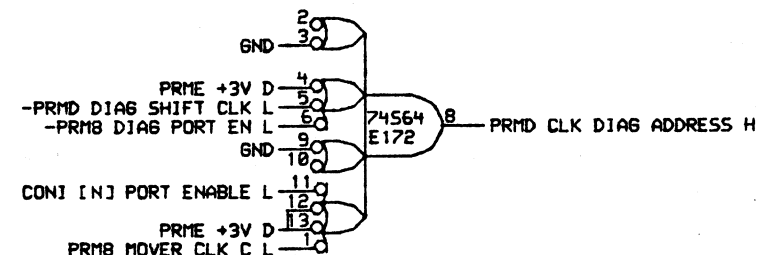
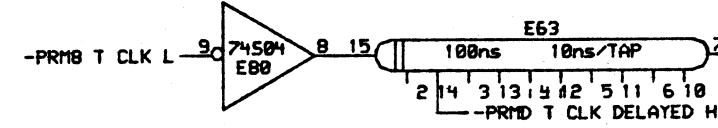
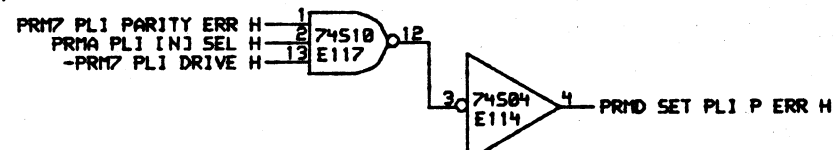
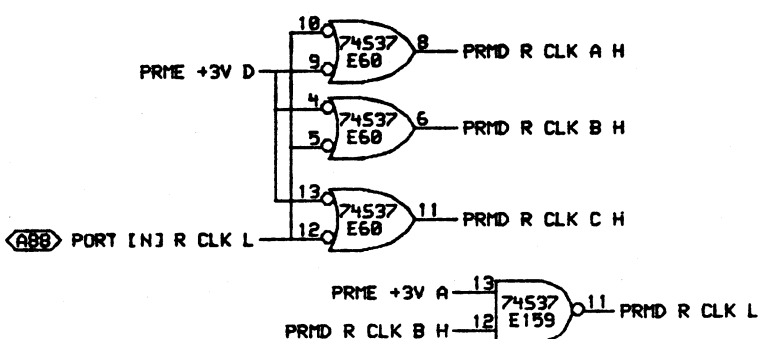
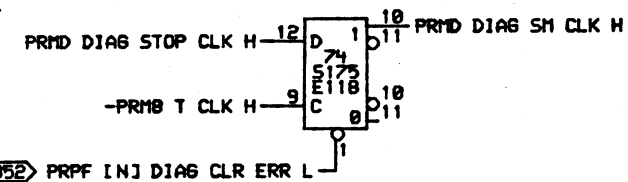
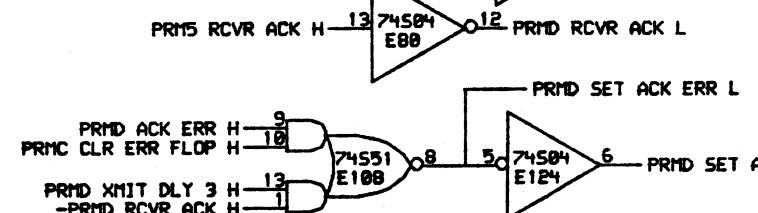
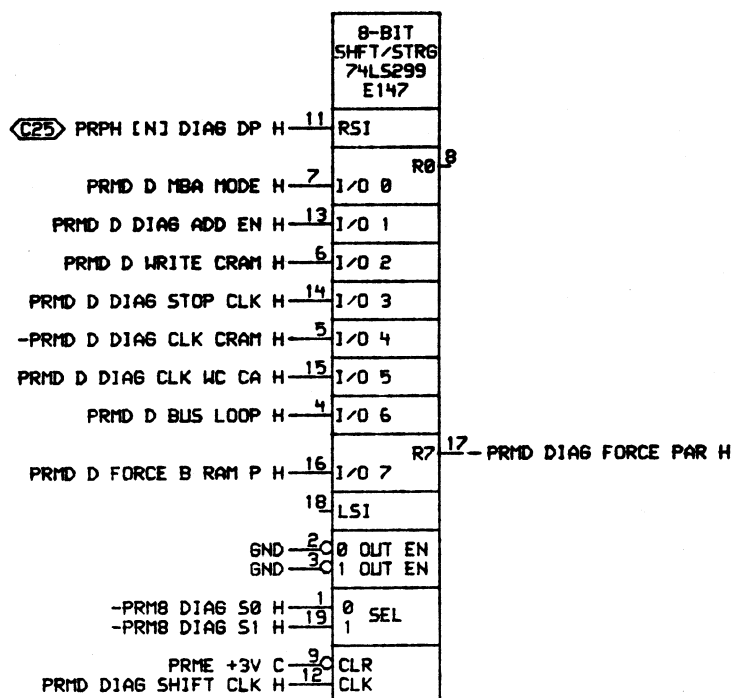
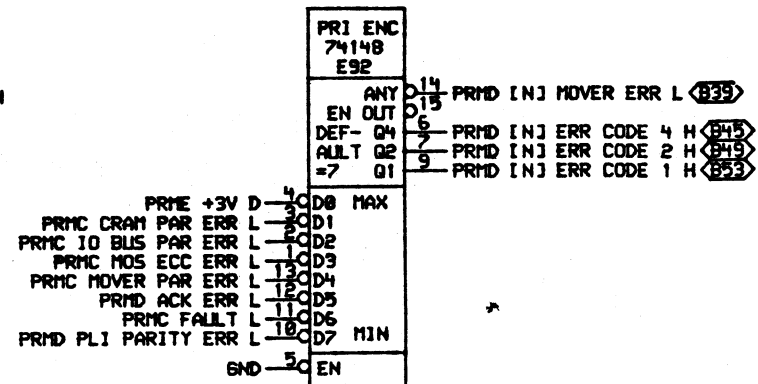
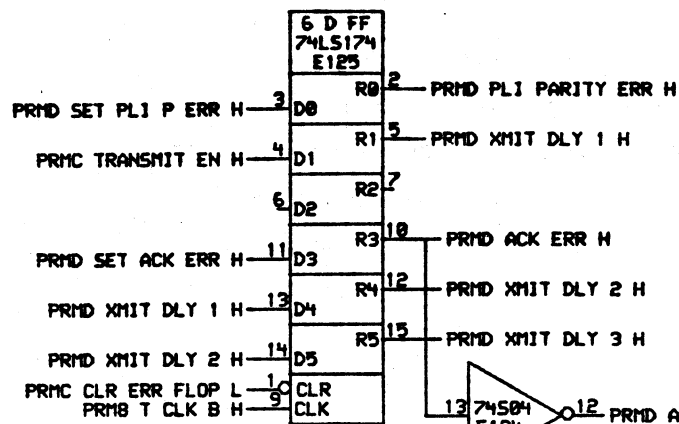
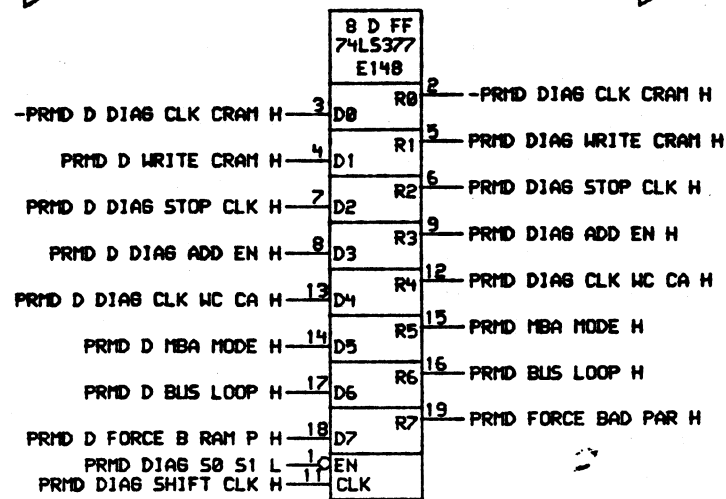


THIS DRAWING AND SPECIFICATIONS ARE THE PROPERTY OF DIGITAL EQUIPMENT CORPORATION AND SHALL NOT BE REPRODUCED OR COPIED OR USED IN WHOLE OR IN PART AS THE BASIS FOR THE MANUFACTURE OR SALE OF ITEMS WITHOUT WRITTEN PERMISSION. COPYRIGHT © 1982 DIGITAL EQUIPMENT CORPORATION.

REVISIONS	
CHK	CHANGE NO. REV

8	7	6	5	4	3	2	1
---	---	---	---	---	---	---	---

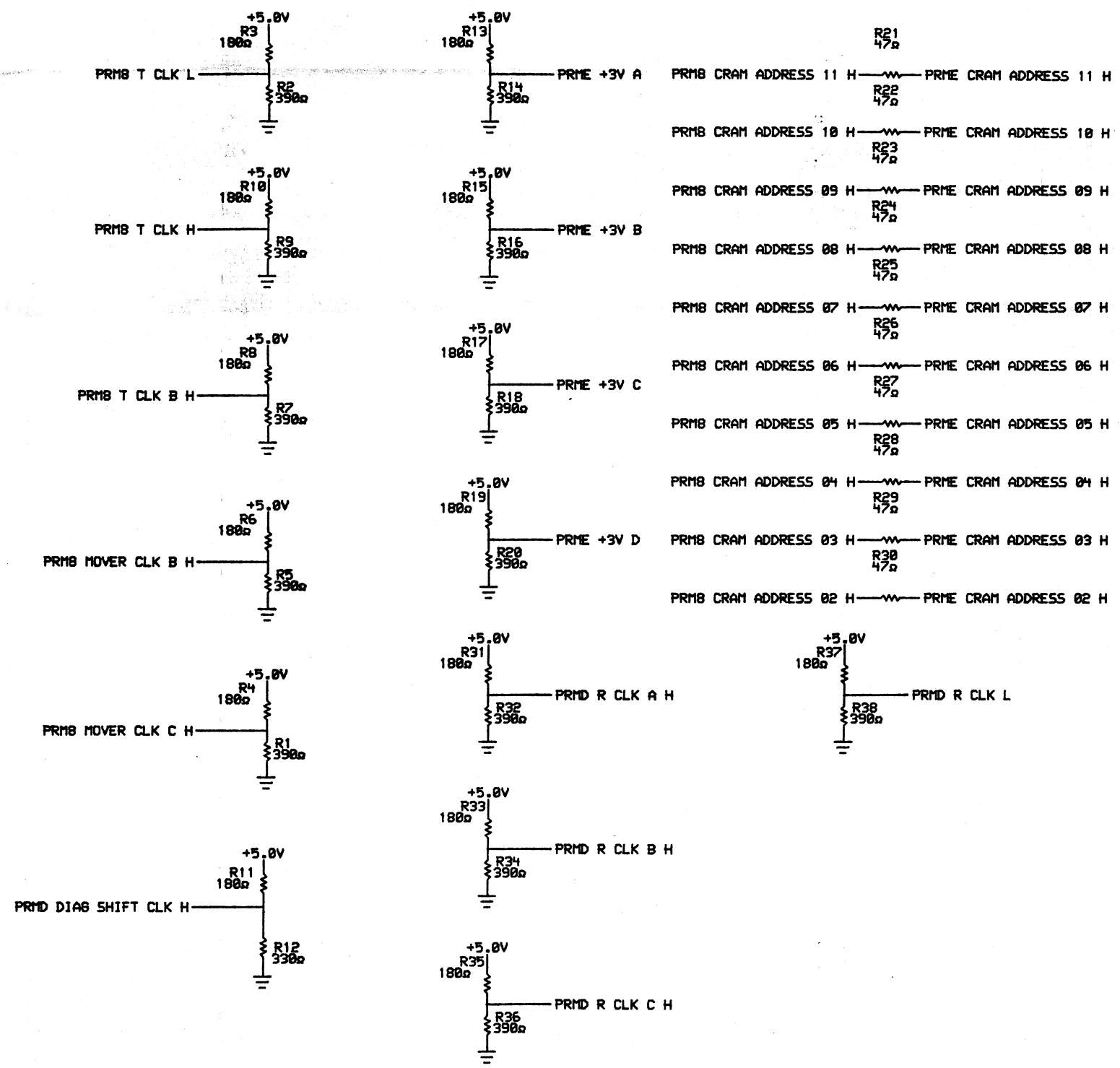
digital	DRN. J. J. J.	DATE 29-JUN-82	ENG.	DATE	TITLE: KC10 PORT MOVER TTL BUS CONTROL
	CHK'D.	DATE	BOARD LOCATION:	SHEET 1 OF 1	SIZE CODE NUMBER REV. D CS L0070-0-PRMC
VUL CANC (2000) L0070-0-PRMC-DRN 24-JUN-82 18:33 NEXT HIGHER ASSEMBLY: E18F7		ON OPTION/MODEL: KC10		B-DD-KC10-0	



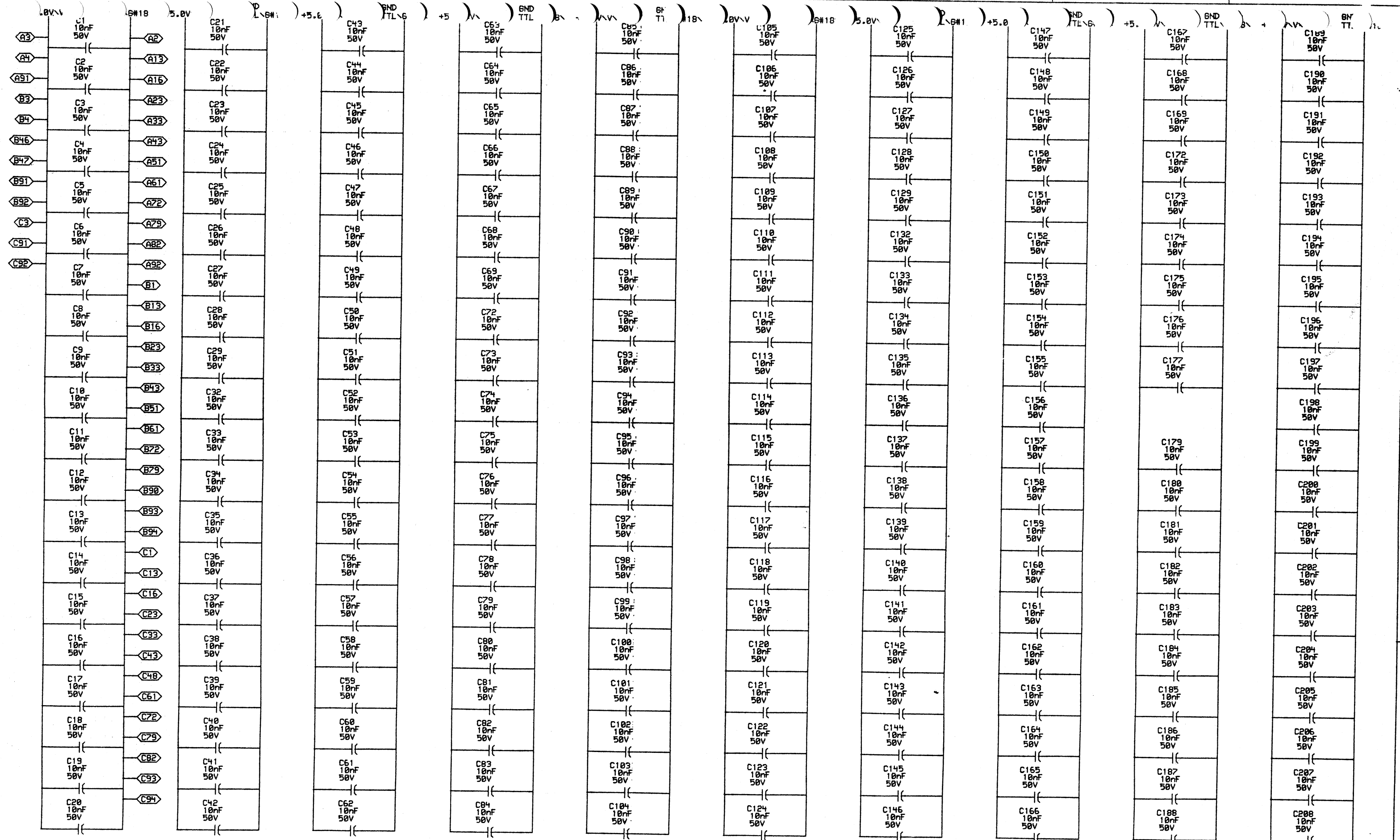
THIS DRAWING AND SPECIFICATIONS ARE THE PROPERTY OF DIGITAL EQUIPMENT CORPORATION AND SHALL NOT BE REPRODUCED OR COPIED OR USED IN WHOLE OR IN PART AS THE BASIS FOR THE MANUFACTURE OR SALE OF ITEMS WITHOUT WRITTEN PERMISSION. COPYRIGHT © 1982, DIGITAL EQUIPMENT CORPORATION.

REVISIONS		
CHK	CHANGE NO.	REV

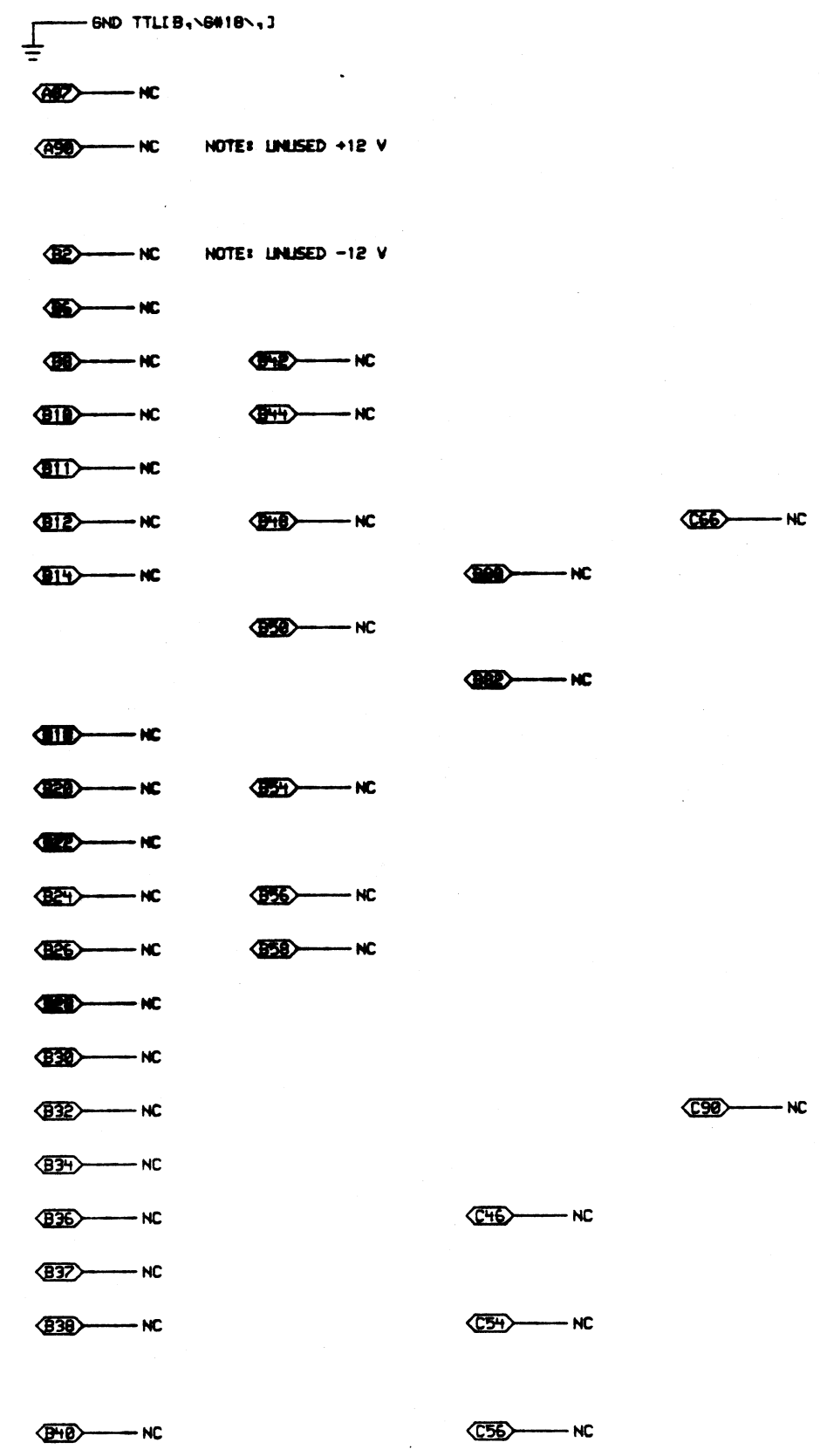
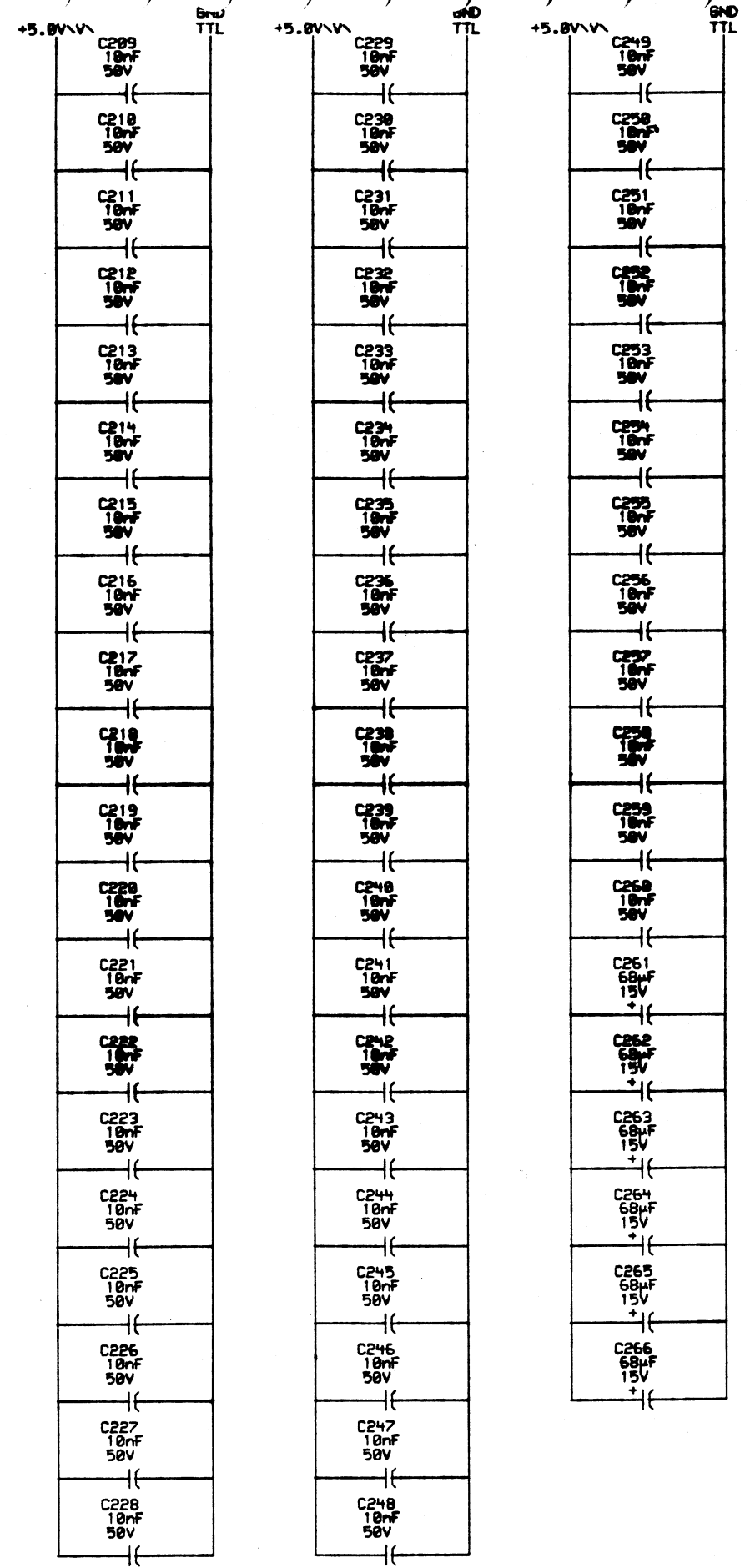
	DRN: <i>W. Stephen</i>	DATE: 31-JUL-82	ENG.	DATE	TITLE: KC10 PORT MOVER INPUT TO SHIFTER
	CHK'D:	DATE: 31-JUL-82	BOARD LOCATION:	SHEET 1 OF	SIZE CODE: D CS
VULCAN (2888-10070) PRMD.DRW 30-JUL-82 14:55 NEXT HIGHER ASSEMBLY: B-DD-KC10-0		FIRST USED ON OPTION/MODEL: KC10		NUMBER: L0070-0-PRMD	REV.



DRN.	DATE	ENG.	DATE	TITLE: KC10 PORT MOVER RESISTORS
CHK'D.	DATE	BOARD LOCATION:		
VULCAN: C000-L0070-PRME.DRW 105-MAR-02 16:26 NEXT HIGHER ASSEMBLY: B-DD-KC10-0				SIZE CODE NUMBER REV.
FIRST USED ON OPTION/MODEL: KC10				D CS L0070-0-PRME 1



DRN.	DATE	ENG.	DATE	TITLE:
CHK'D.	DATE	BOARD LOCATION:	2080 PORT PWR & GND 1	
VULCAN (2080-L0070-PRM) DRN 109-DEC-81 19:15		NEXT HIGHER ASSEMBLY:		SIZE CODE
FIRST USED ON OPTION/MODEL:		B-DD--0		D CS
				NUMBER L0070-0-PRM
				REV.



THIS DRAWING AND SPECIFICATIONS ARE THE PROPERTY OF...
 ALL RIGHTS RESERVED...
 NO PART OF THIS DRAWING...
 MAY BE REPRODUCED OR TRANSMITTED...
 IN ANY FORM OR BY ANY MEANS...
 WITHOUT PERMISSION IN WRITING...
 FROM THE COMPANY...

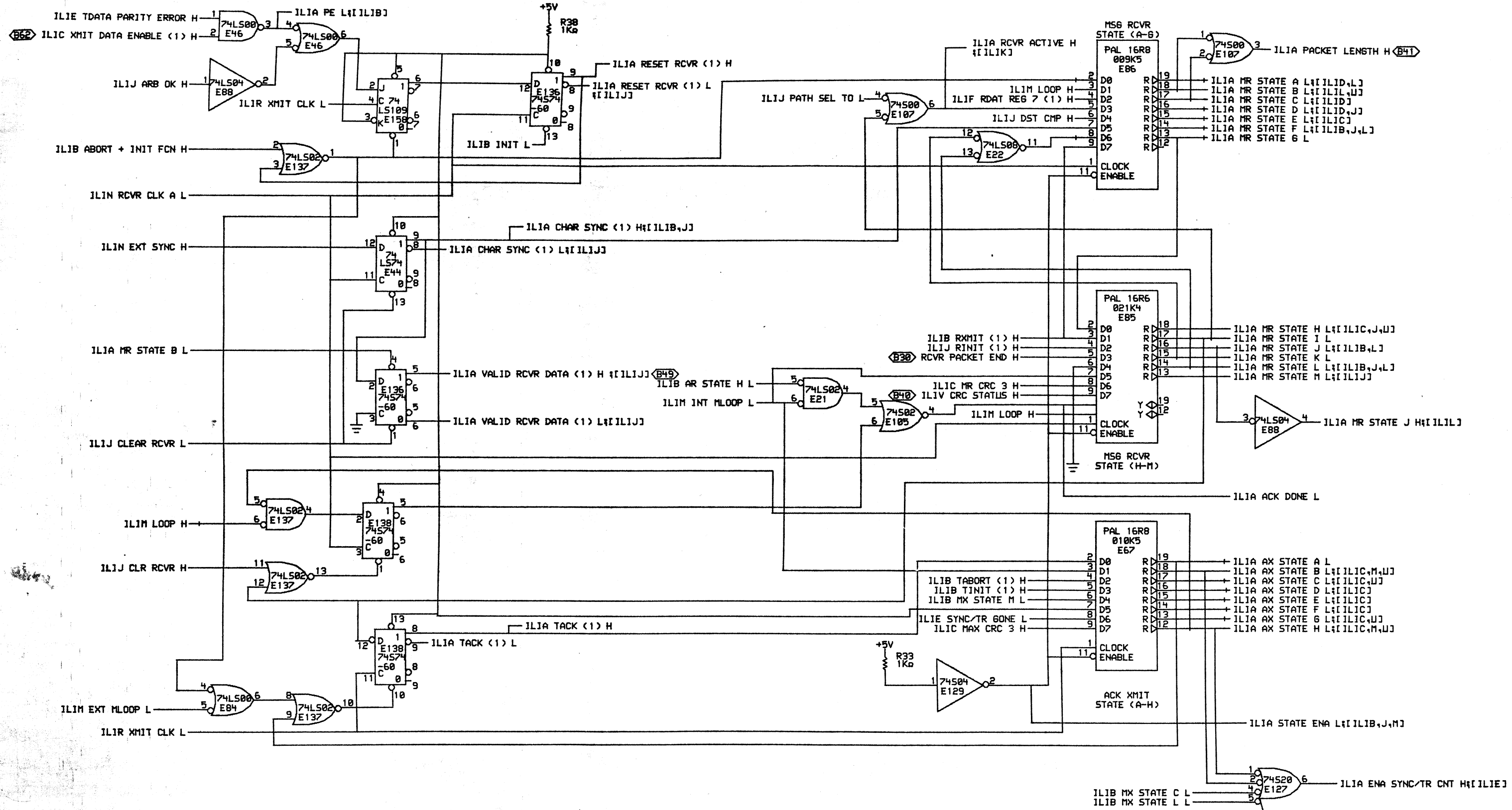
REVISIONS	
CHK	CHANGE NO. REV.

digitai	DATE	ENG.	DATE	TITLE:
	19-MAY-82			2080 PORT PWR & GND 2
CHK'D.	DATE	BOARD LOCATION	SHEET	OF
FIRST USED ON OPTION MODEL:			B-DD--0	

SIZE	CODE	NUMBER	REV.
D	CS	L0070-0-PRMG	

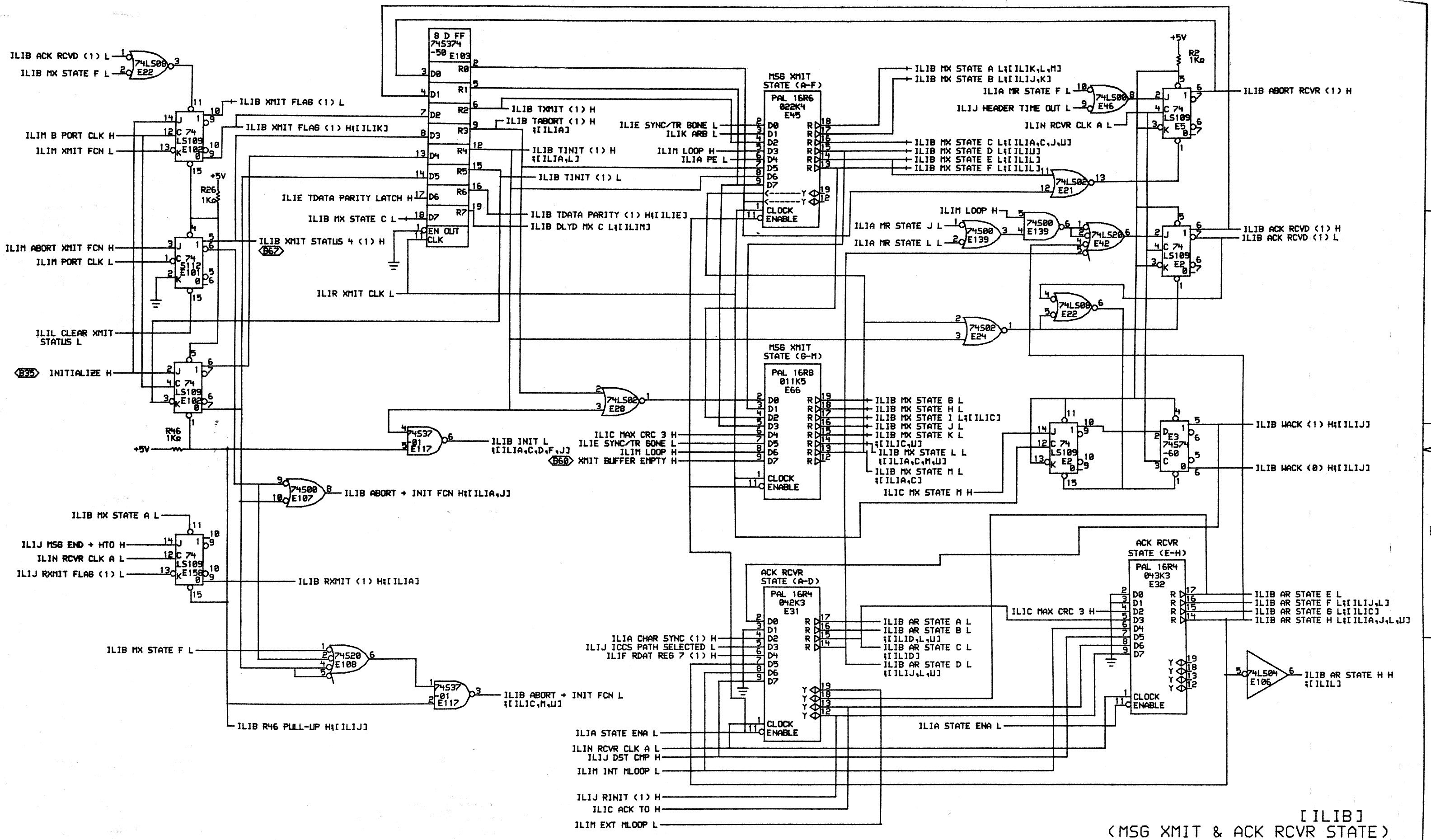
D
 C
 B
 A
 REV.
 L0070-0-PRMG
 CS
 D
 B
 A

IL11
IL12
IL13
IL14
IL15
IL16
IL17
IL18
IL19
IL1A
IL1B
IL1C
IL1D
IL1E
IL1F
IL1H
IL1J
IL1K
IL1L

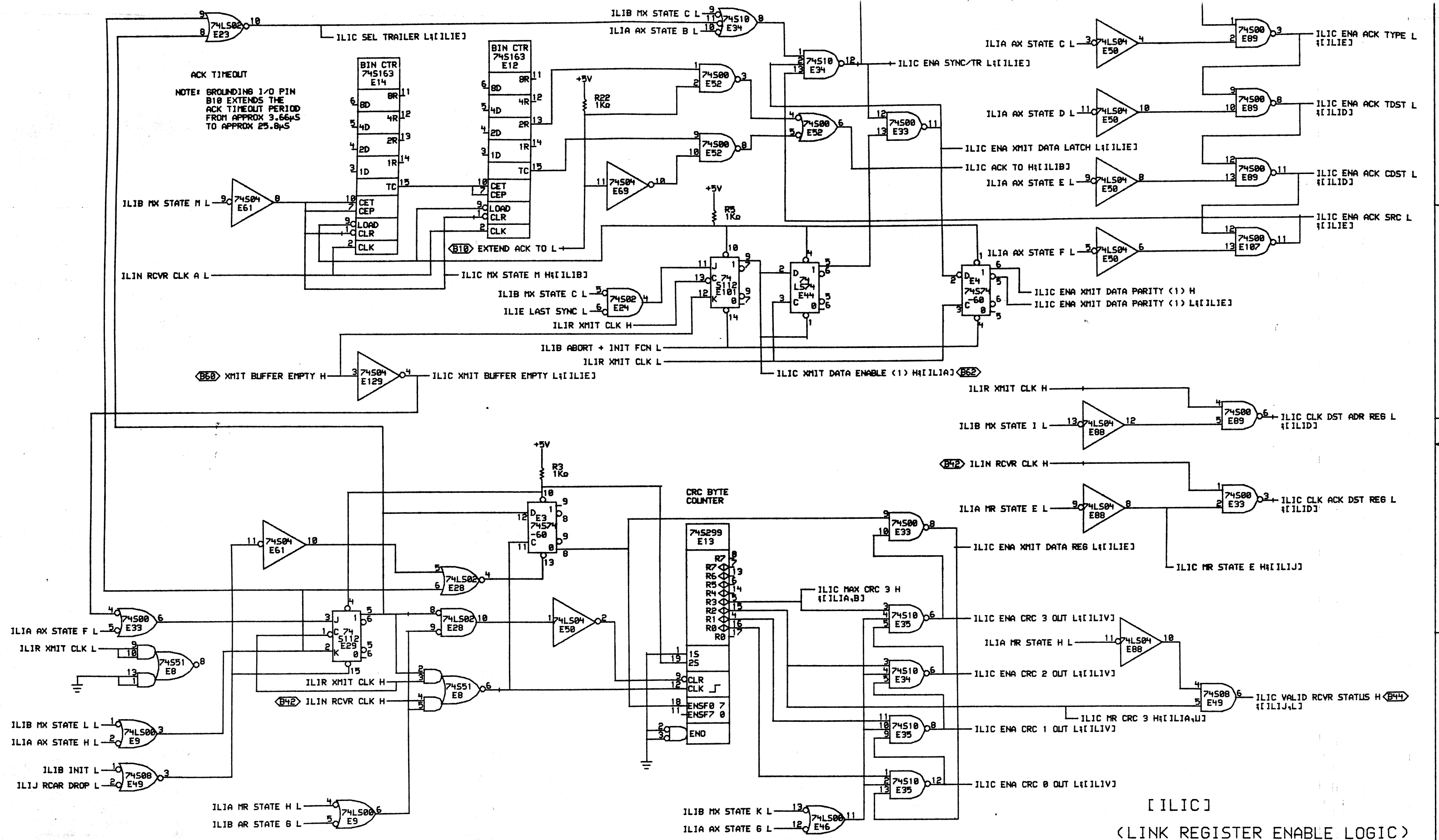


[ILIA]
 (MSG RCVR & ACK XMIT STATE)

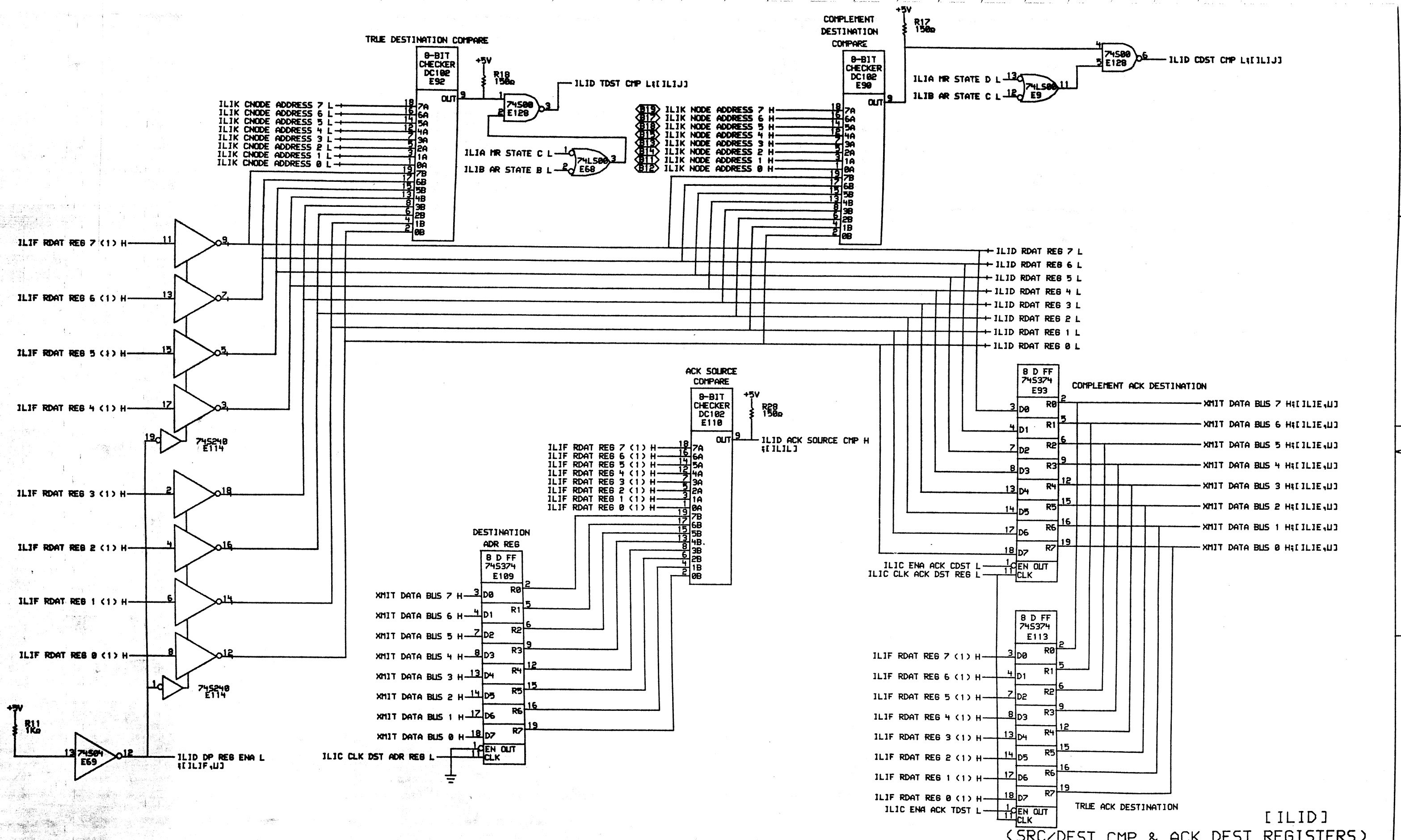
DRN.	DATE	ENG.	DATE	TITLE	INTERPROCESSOR LINK INTERFACE (ILI)
CHK'D.	DATE	BOARD LOCATION	DATE	REV.	
FIRST USED ON OPTION/MODEL: CI780				D-IA-L0100-0-1	D CS L0100-0-ILIA



DRN.	DATE	ENG.	DATE	TITLE:
REV.	REV.	REV.	REV.	INTERPROCESSOR LINK INTERFACE ILO
FIRST USED ON OPTION/MODEL: CI780				D-LA-L0100-0-1
SIZE	CODE	NUMBER	REV.	
D	C5	L0100-0-ILIB	A	

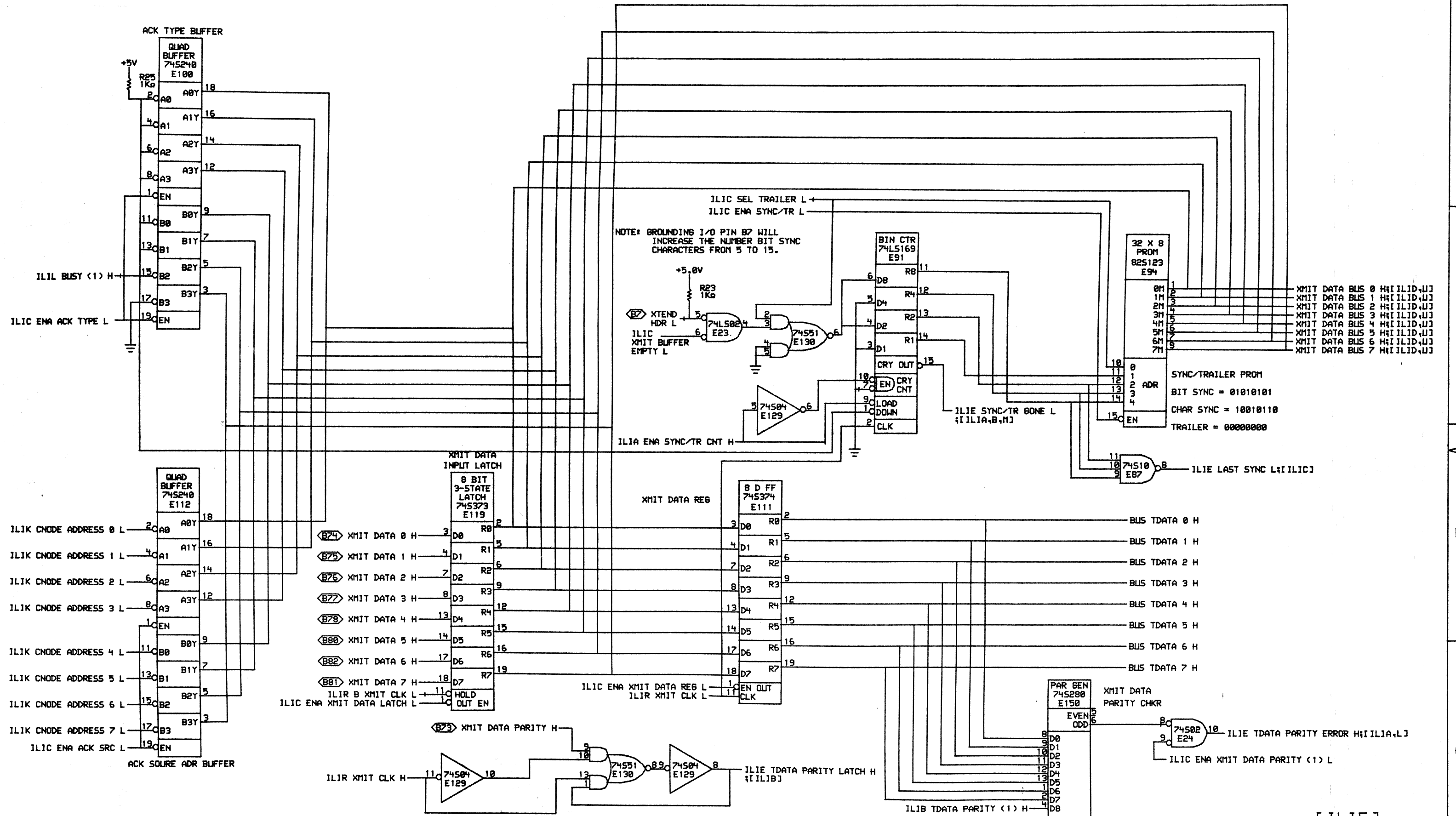


DRN.	DATE	ENG.	DATE	TITLE:
CR'D.	DATE	BOARD LOCATION	SHEET	INTERPROCESSOR LINK INTERFACE (ILI)
FIRST USED ON OPTION/MODEL: C1780 D-LA-L0100-0-1				REV. A



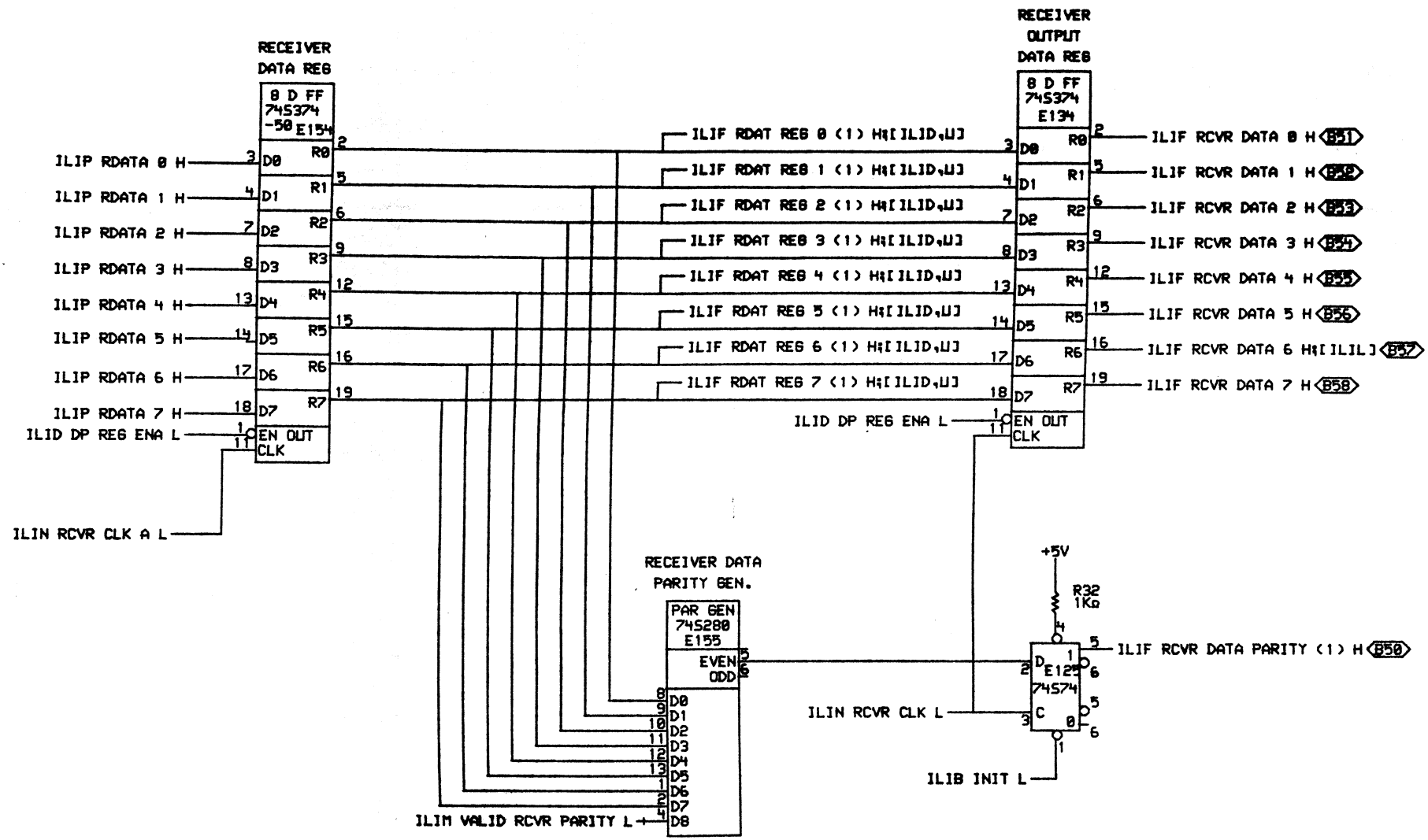
[ILID]
 (SRC / DEST CMP & ACK DEST REGISTERS)

DRN.	DATE	ENG.	DATE	TITLE
CR'D.	DATE	DRN.	DATE	INTERPROCESSOR LINK INTERFACE (ILI)
FIRST USED ON OPTION/MODEL: C1700 D-UA-L0100-0-1				REV. A



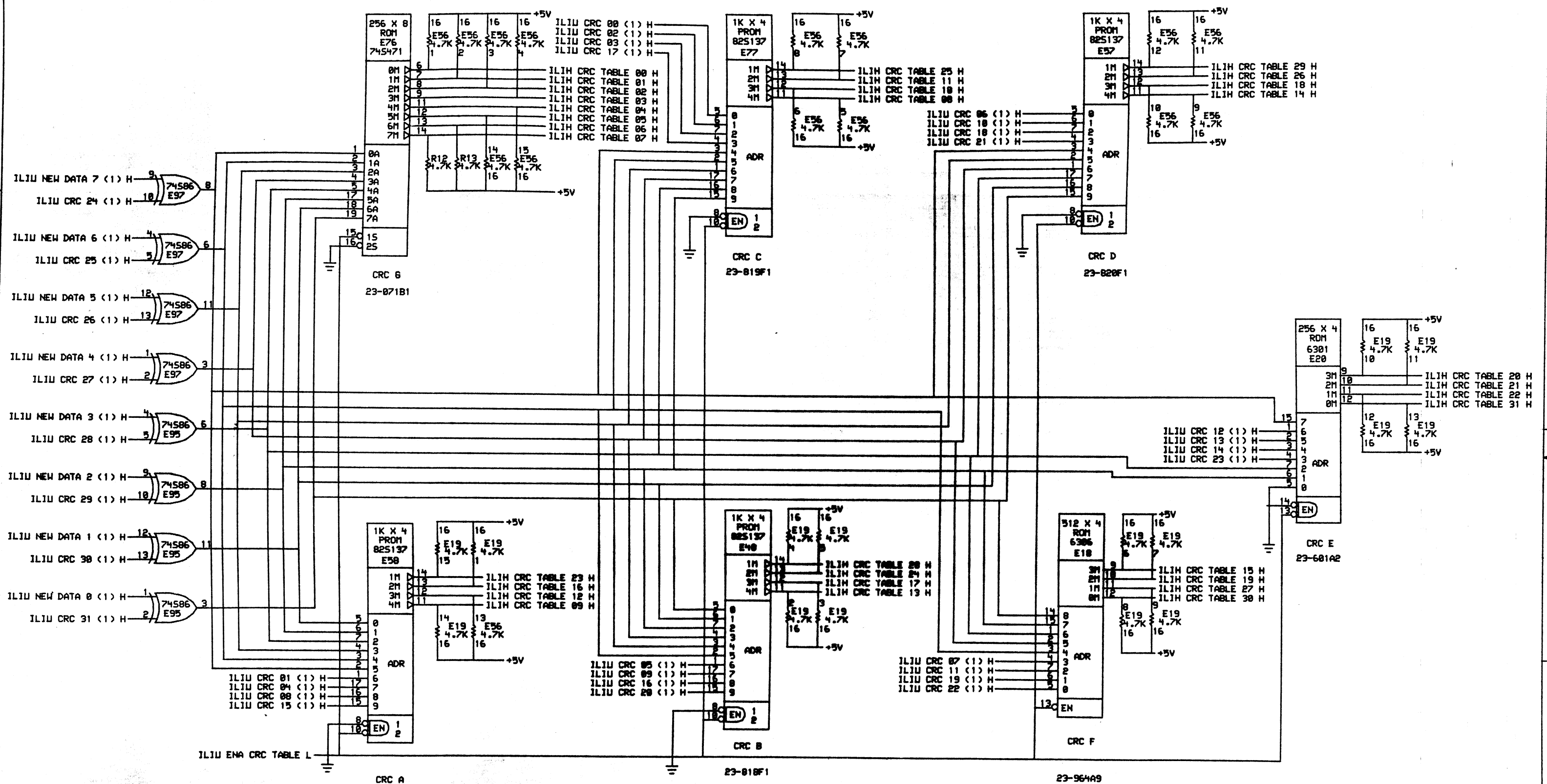
[ILIE]
(TRANSMIT DATA PATH)

DRN.	DATE	ENG.	DATE	TITLE:
CHK'D.	DATE	REVISION	SHEET	OF 20
VILCWB (FORM L0100) P15.DWG (6-MAR-82 09:19) NEXT HIGHER ASSEMBLY:				SIZE CODE NUMBER REV.
FIRST USED ON OPTION/MODEL: C1700 D-UA-L0100-0-1				D CS L0100-0-ILIE A



[ILIF]
(RCVR DATA REGISTERS)

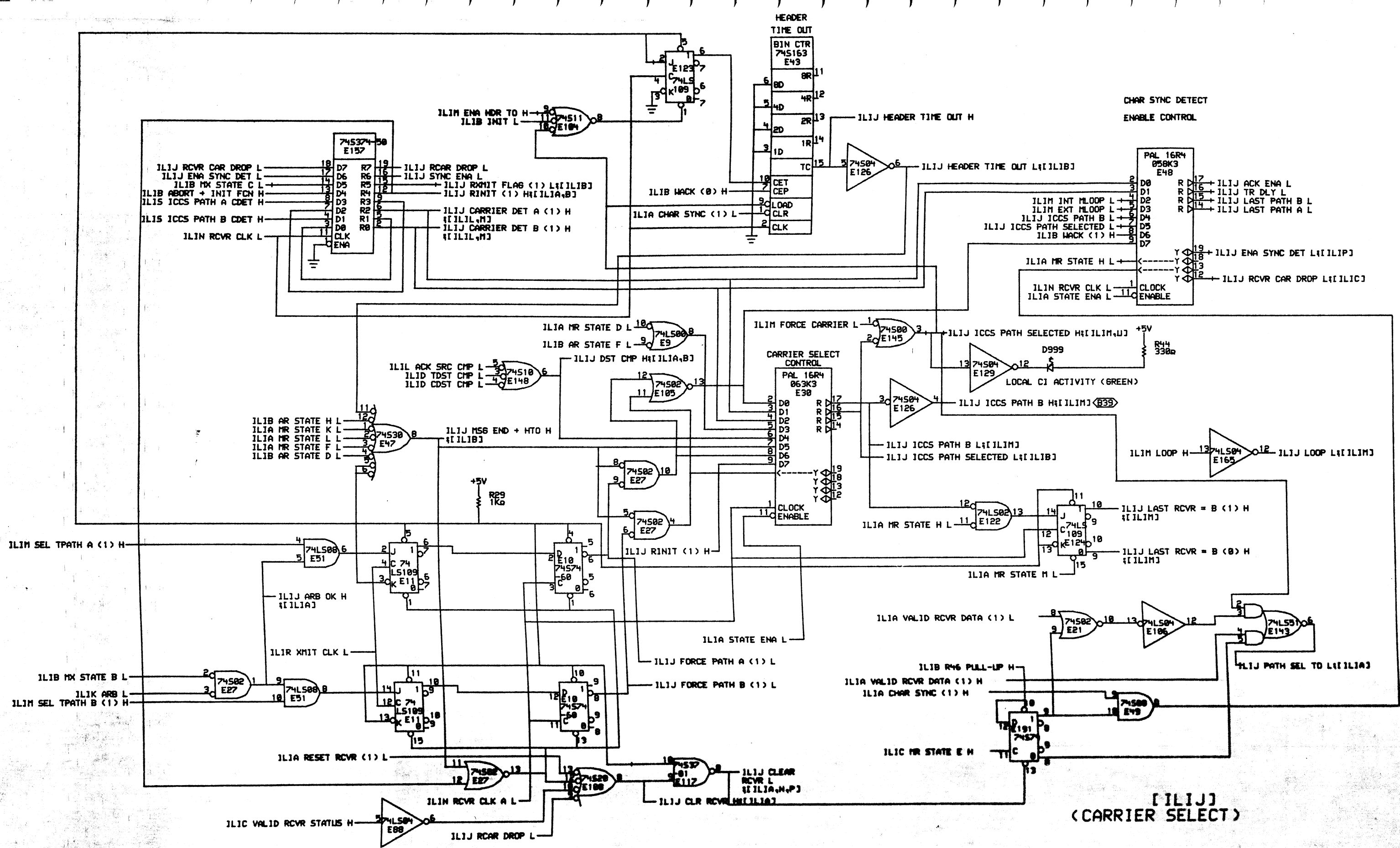
DRN.	DATE	ENB.	DATE	TITLE
CHK'D.	DATE	BOARD LOCATION	REV.	INTERPROCESSOR LINK INTERFACE (ILI)
FIRST USED ON OPTION/MODEL: C1780				D CS L0100-0-ILIF
D-UA-L0100-0-1				A



NOTE: FOR FORWARD REFERENCING, SIGNALS ILIH CRC TABLE 00-31 H ALSO APPEAR ON SHEET ILIU.

[ILIH]
(CRC LOOKUP TABLE)

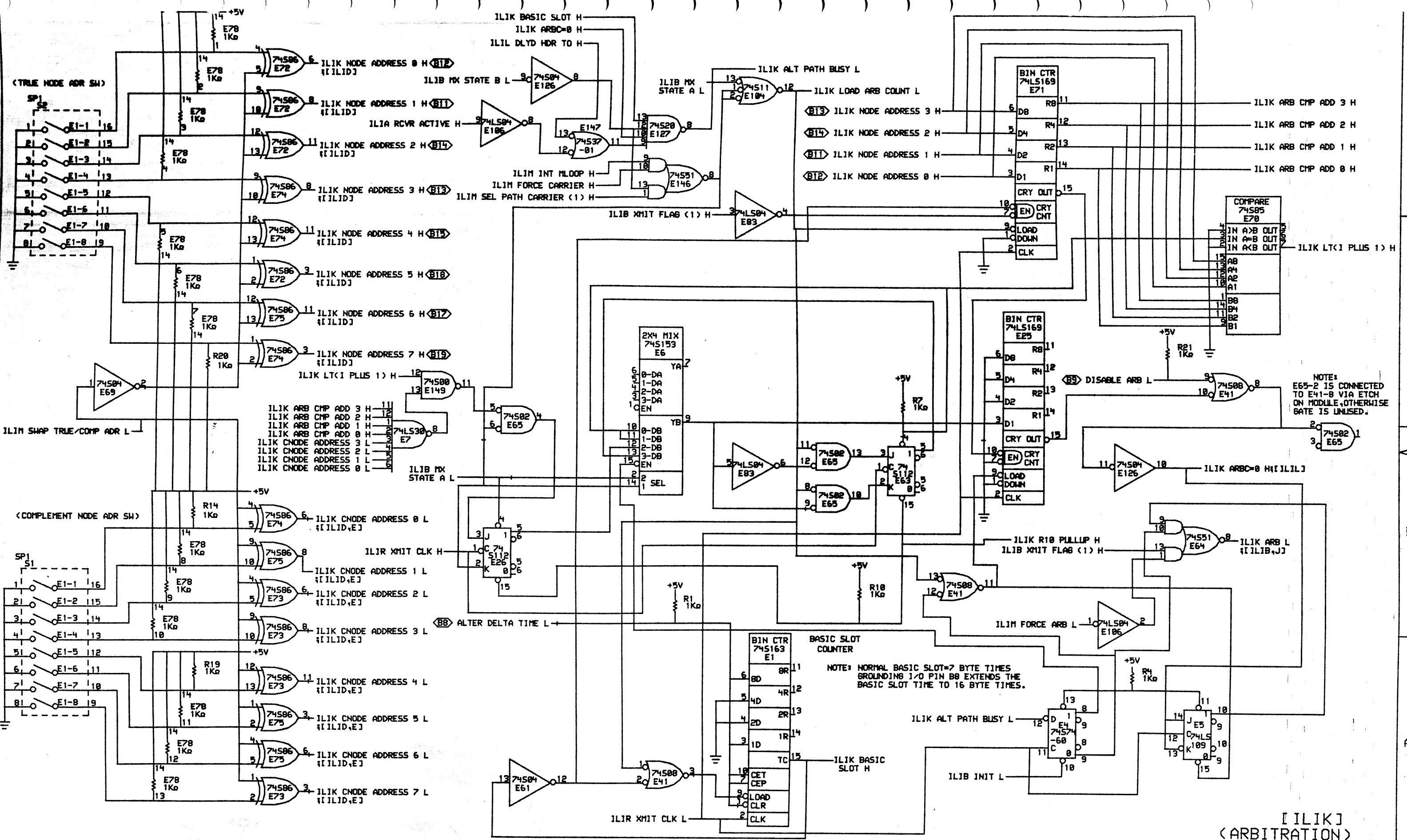
DATE	DATE ENG.	DATE	TITLE: INTERPROCESSOR LINK INTERFACE (ILI)
CHK'D.	DATE	BOARD LOCATION	SIZE CODE NUMBER REV.
FIRST USED ON OPTION/MODEL: CI780 D-UA-L0100-0-1			D C5 L0100-0-ILIH A



[ILIJ]
(CARRIER SELECT)

CHK'D.	DATE	ENG.	DATE	TITLE	REV.
				INTERPROCESSOR LINK INTERFACE (ILIJ)	
				SHEET	
VULCAN (2000-10100) APIL0.DRW 102-MAR-82 09:19	NEXT HIGHER ASSEMBLY:			SIZE CODE	NUMBER
FIRST USED ON OPTION/MODEL: C1780	D-UA-L0100-0-1			D C5	L0100-0-ILIJ A

8 7 6 5 4 3 2 1

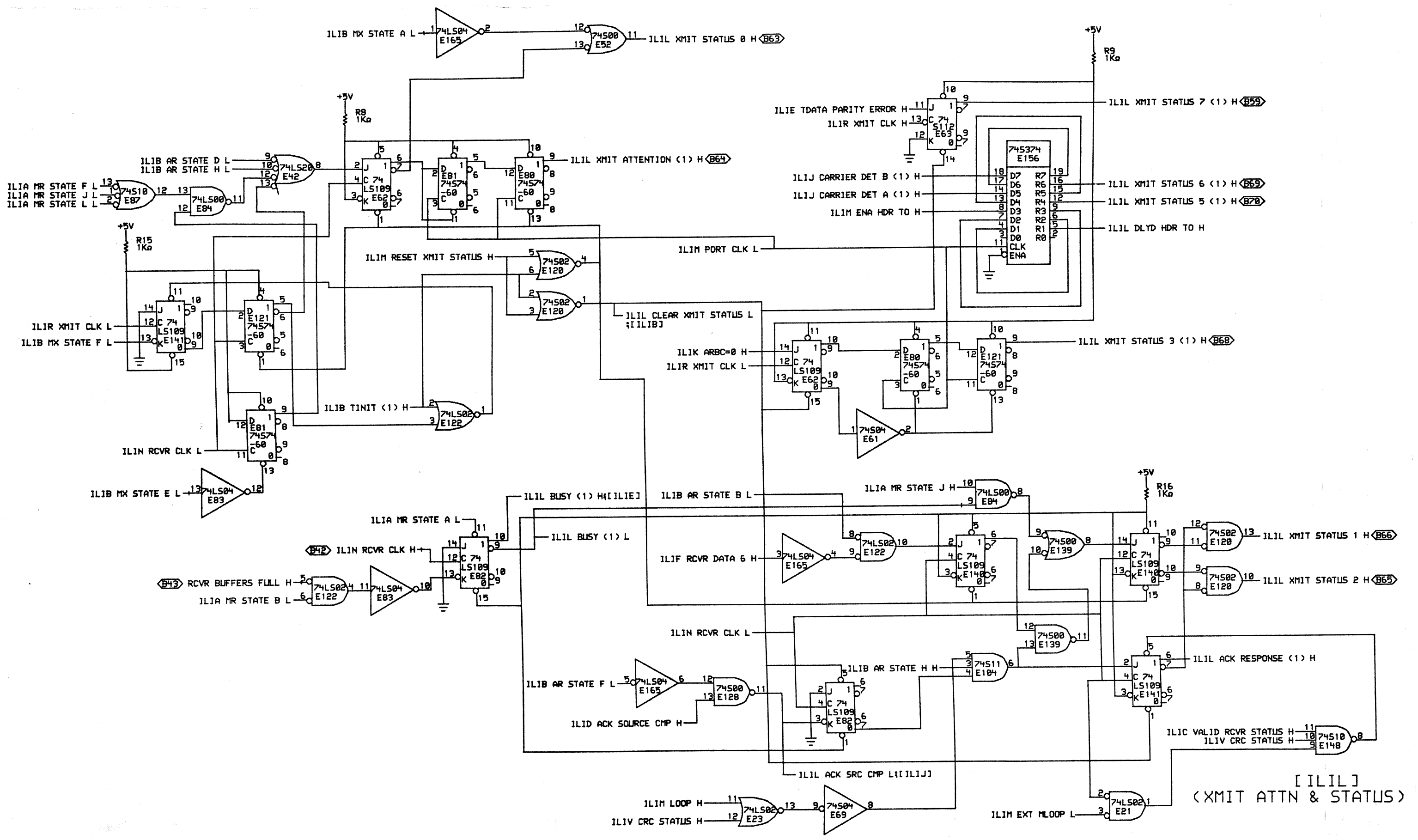


[ILIK]
 (ARBITRATION)

NOTE: E65-2 IS CONNECTED TO E41-8 VIA ETCH ON MODULE, OTHERWISE GATE IS UNUSED.

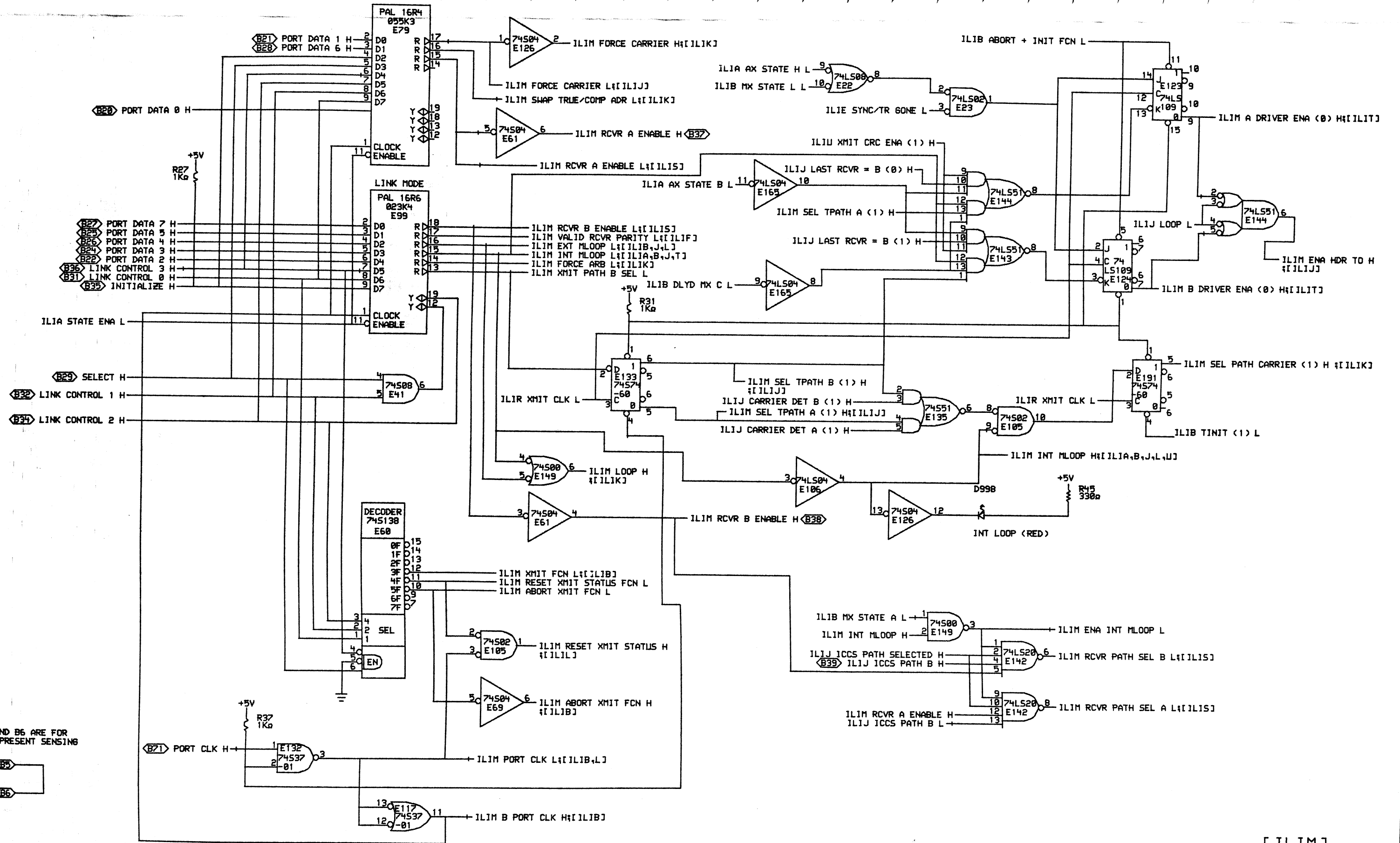
NOTE: NORMAL BASIC SLOT=7 BYTE TIMES. GROUNDING I/O PIN B8 EXTENDS THE BASIC SLOT TIME TO 16 BYTE TIMES.

DRN.	DATE	ENG.	DATE	TITLE:
CHK'D.	DATE	BOARD LOCATION:	SHEET	9 OF 20
VILCAN (2000.L0100)P119.DRN 02-MAR-82 09:19 NEXT HIGHER ASSEMBLY:				SIZE CODE
FIRST USED ON OPTION/MODEL: C1780 D-UA-L0100-0-1				NUMBER
				REV. A



[ILIL]
(XMIT ATTN & STATUS)

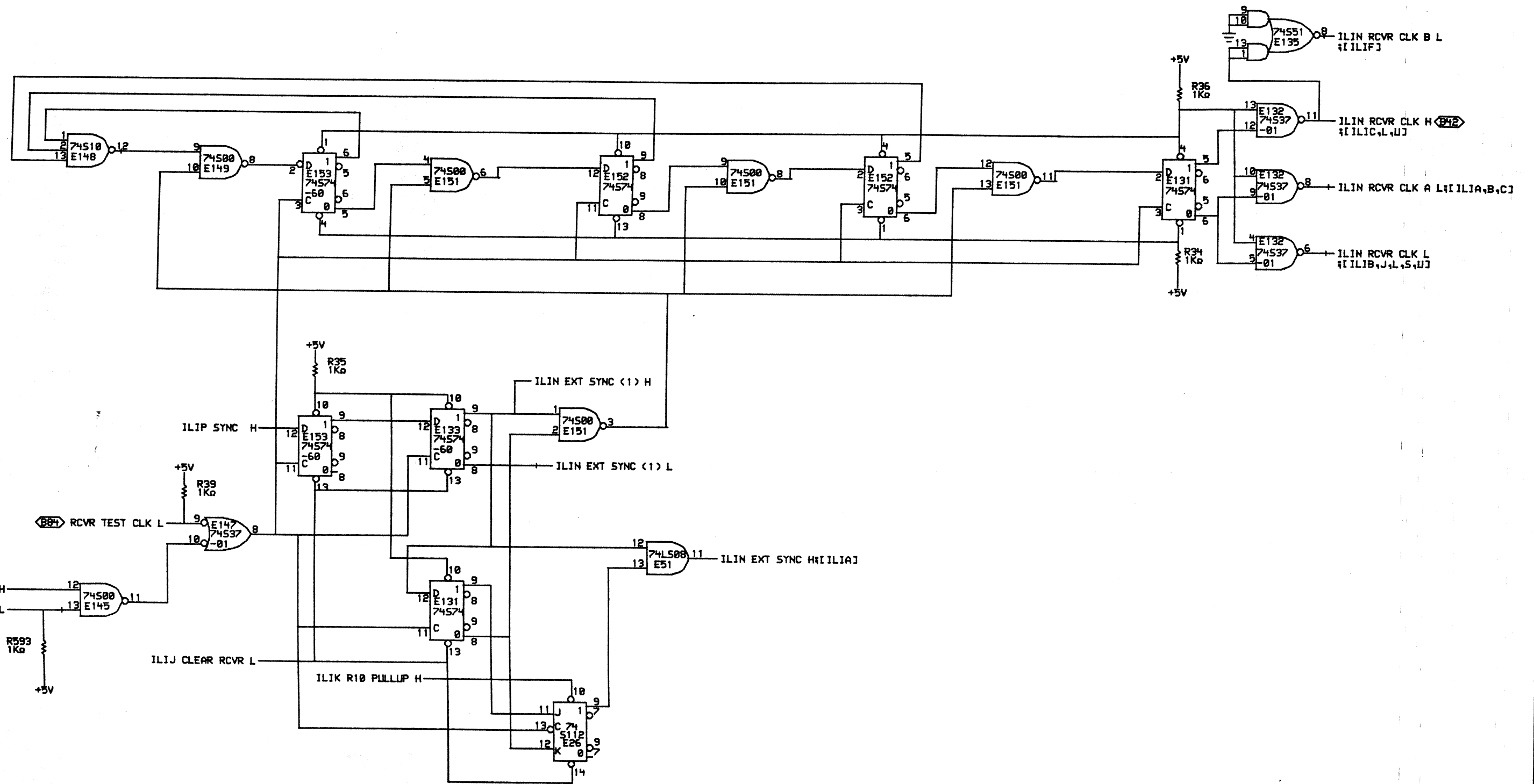
DRN.	DATE	ENG.	DATE	TITLE:
CHK'D.	DATE	BOARD LOCATION:		INTERPROCESSOR
		SHEET	OF	LINK INTERFACE (ILI)
VILCWP (2000) L0100-0-ILIL.DRW	02-MAR-82	09:20	NEXT HIGHER ASSEMBLY:	SIZE CODE NUMBER REV.
FIRST USED ON OPTION/MODEL:	CI780	D-LA-L0100-0-1		D CS L0100-0-ILIL A



NOTE: B5 AND B6 ARE FOR MODULE PRESENT SENSING

[ILIM]
(LINK CONTROL & ICCS ENA)

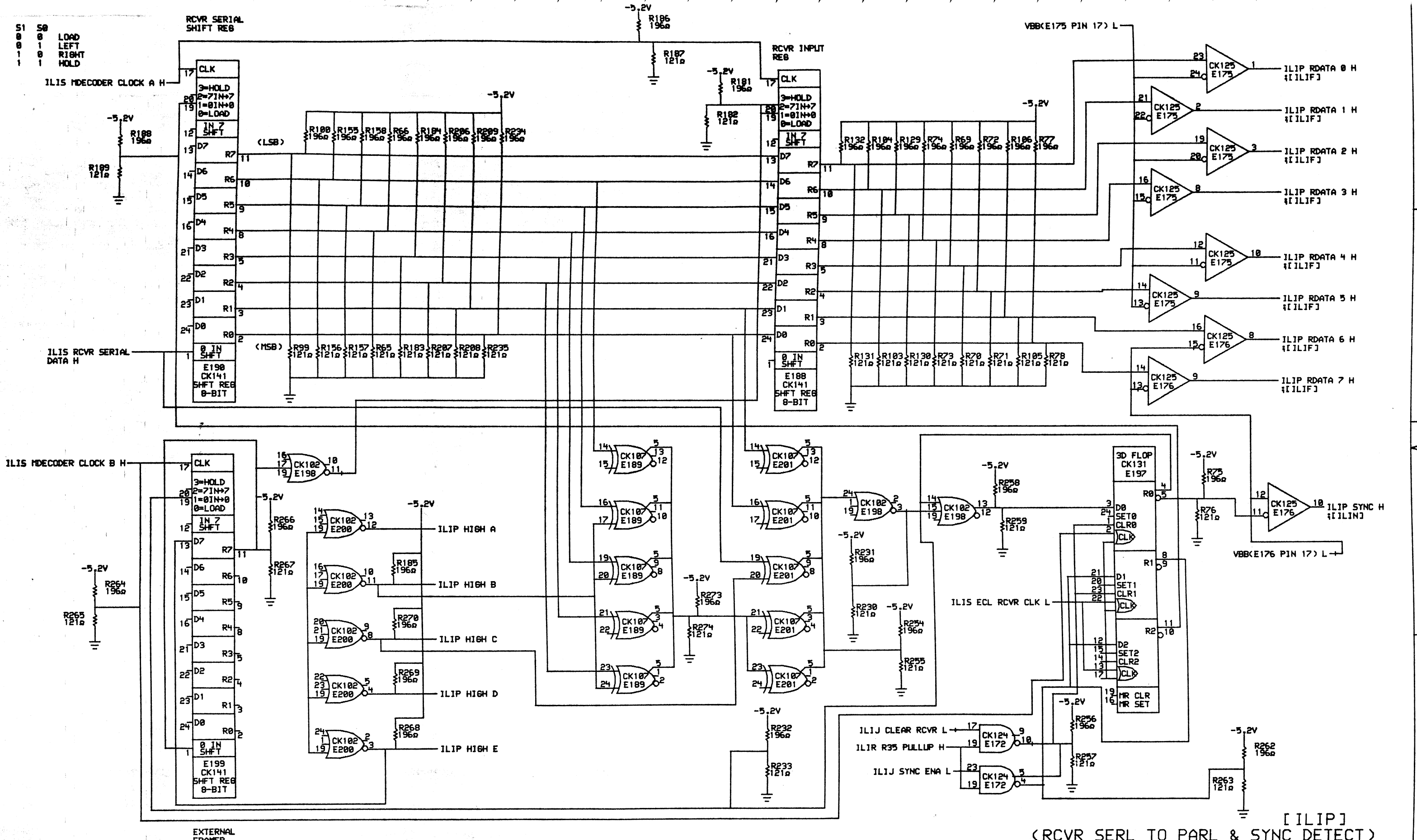
DATE	REV.	DATE	TITLE
11/11/80	1	11/11/80	INTERPROCESSOR LINK INTERFACE (ILI)
DATE	REV.	DATE	REV.
11/11/80	1	11/11/80	1
FIRST USED ON OPTION/MODEL: C1780		D-LA-L0100-0-1	
D		CS L0100-0-ILIM	



[ILIN]
(INTERNAL RCVR TIMING SOURCE)

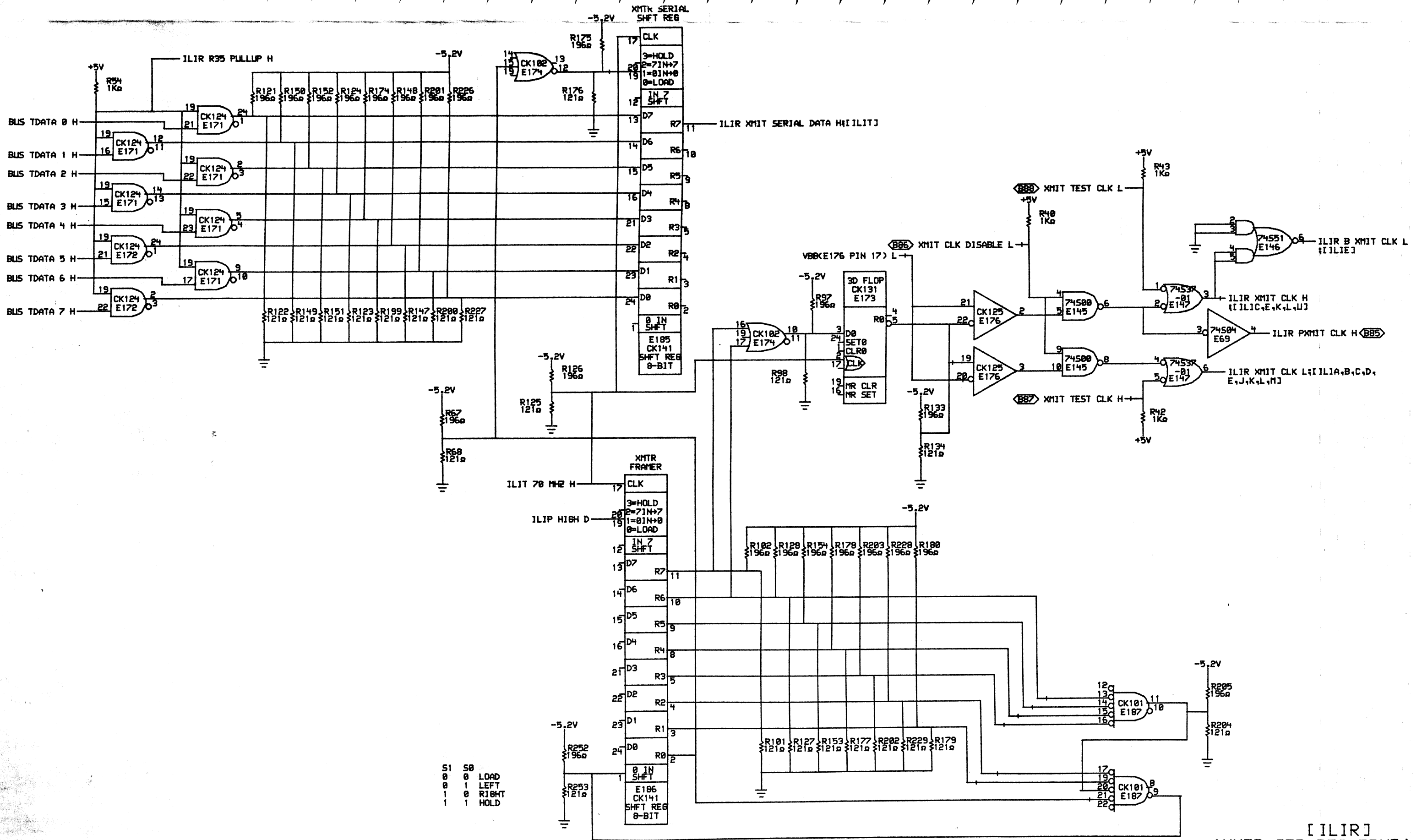
DATE	ENG.	DATE	REV.	TITLE
CHK'D.	DATE	BOARD LOCATION	SHEET	OF
FIRST USED ON OPTION/MODEL: C1780				D-LIA-L0100-0-1
SIZE	CODE	NUMBER	REV.	
D	CS	L0100-0-ILIN	A	

S1 50
 0 0 LOAD
 0 1 LEFT
 1 0 RIGHT
 1 1 HOLD



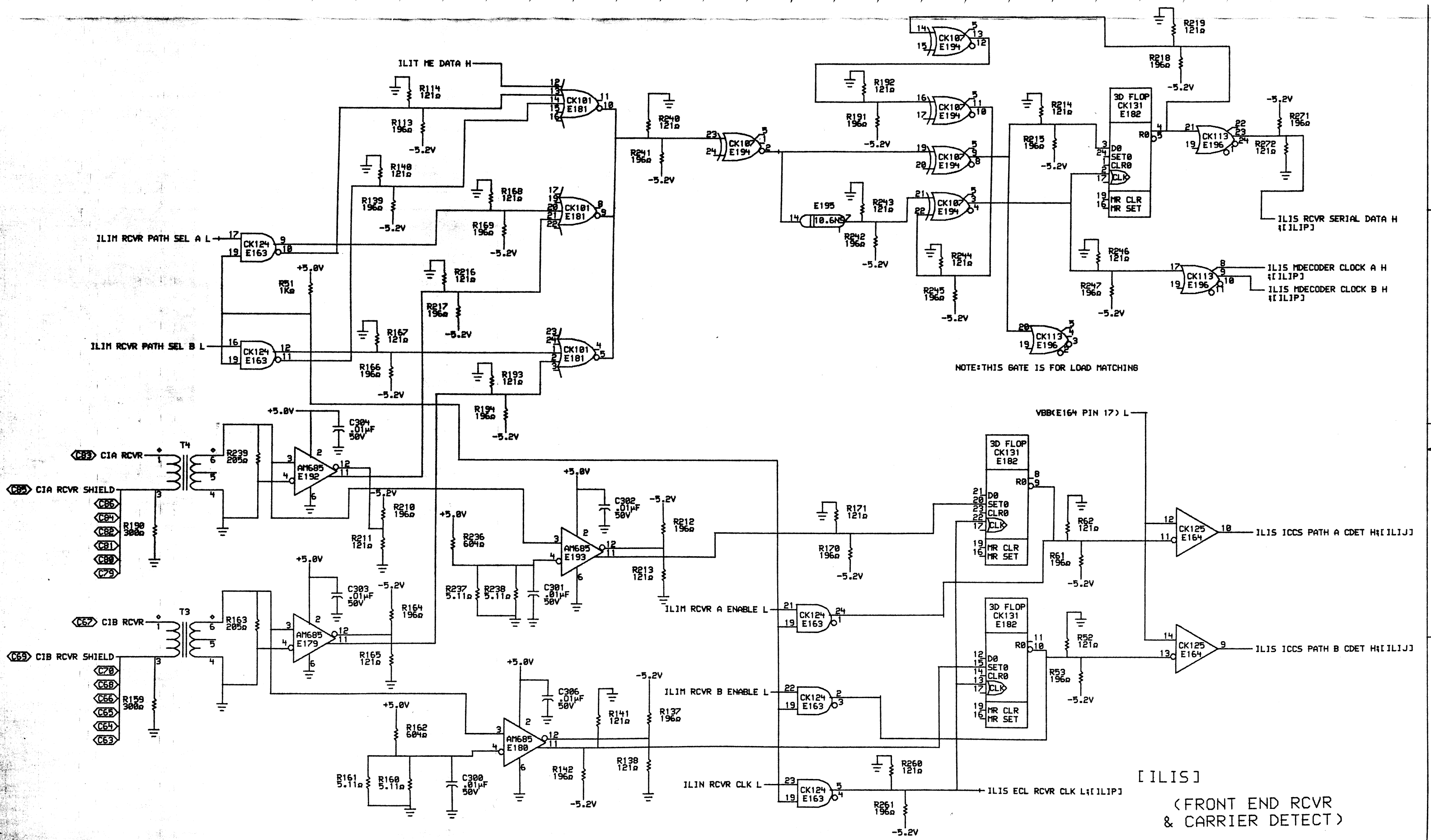
[ILIP]
 (RCVR SERL TO PARL & SYNC DETECT)

DRN.	DATE	REV.	DATE	TITLE
DRN'D.	DATE	REV.	DATE	INTERPROCESSOR LINK INTERFACE (ILIP)
FIRST USED ON OPTION/MODEL: C1700 D-LA-L0100-0-1				D CS L0100-0-ILIP

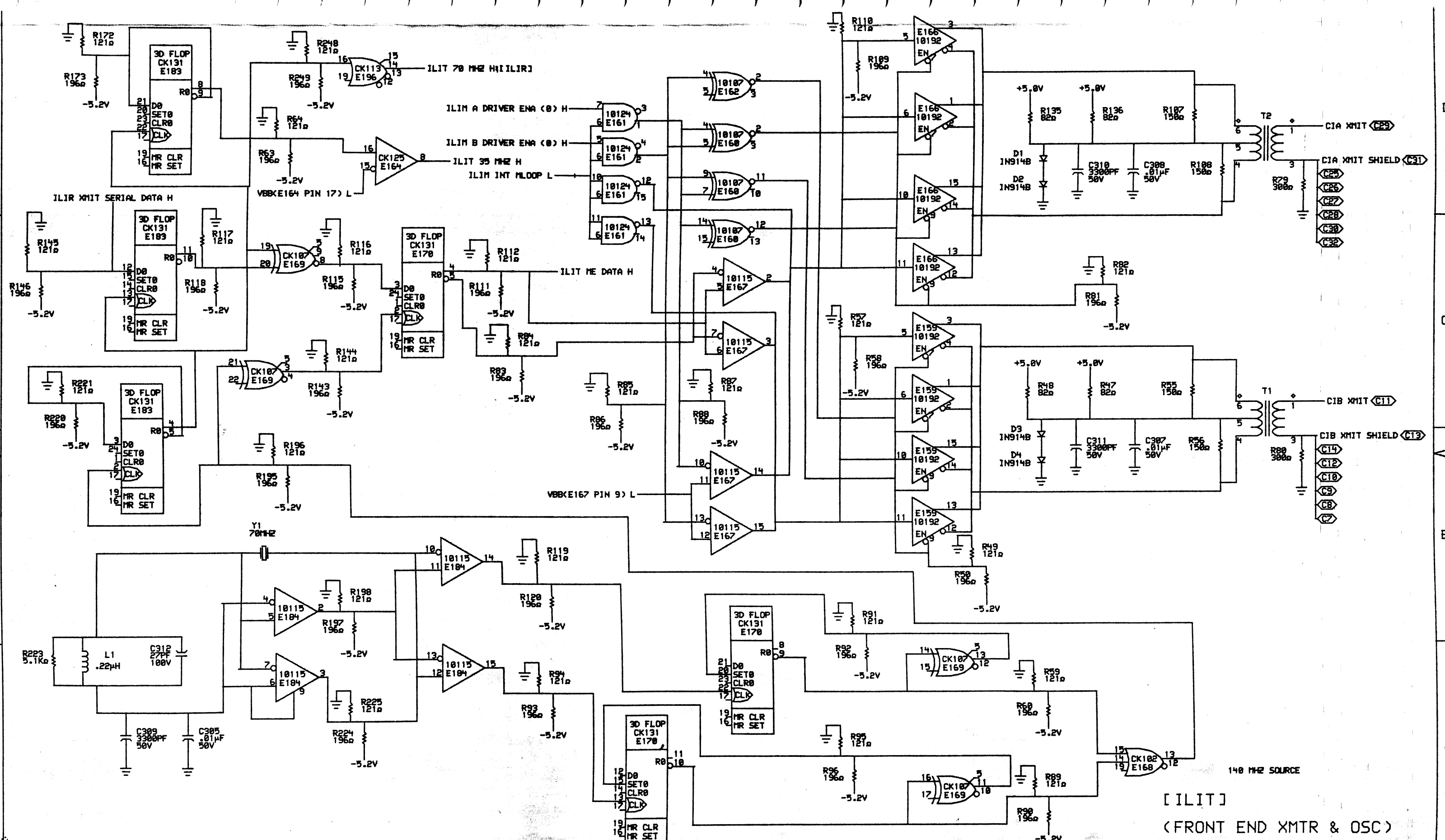


[ILIR]
(XMTR SER REG FRMR)

DRN.	DATE	ENG.	DATE	TITLE:
CHK'D.	DATE	LOCATIONS	SHEET 14 OF 20	INTERPROCESSOR LINK INTERFACE (ILI)
FIRST USED ON OPTION MODEL: C1700 D-UA-L0100-0-1				SIZE CODE NUMBER REV. D C5 L0100-0-ILIR A

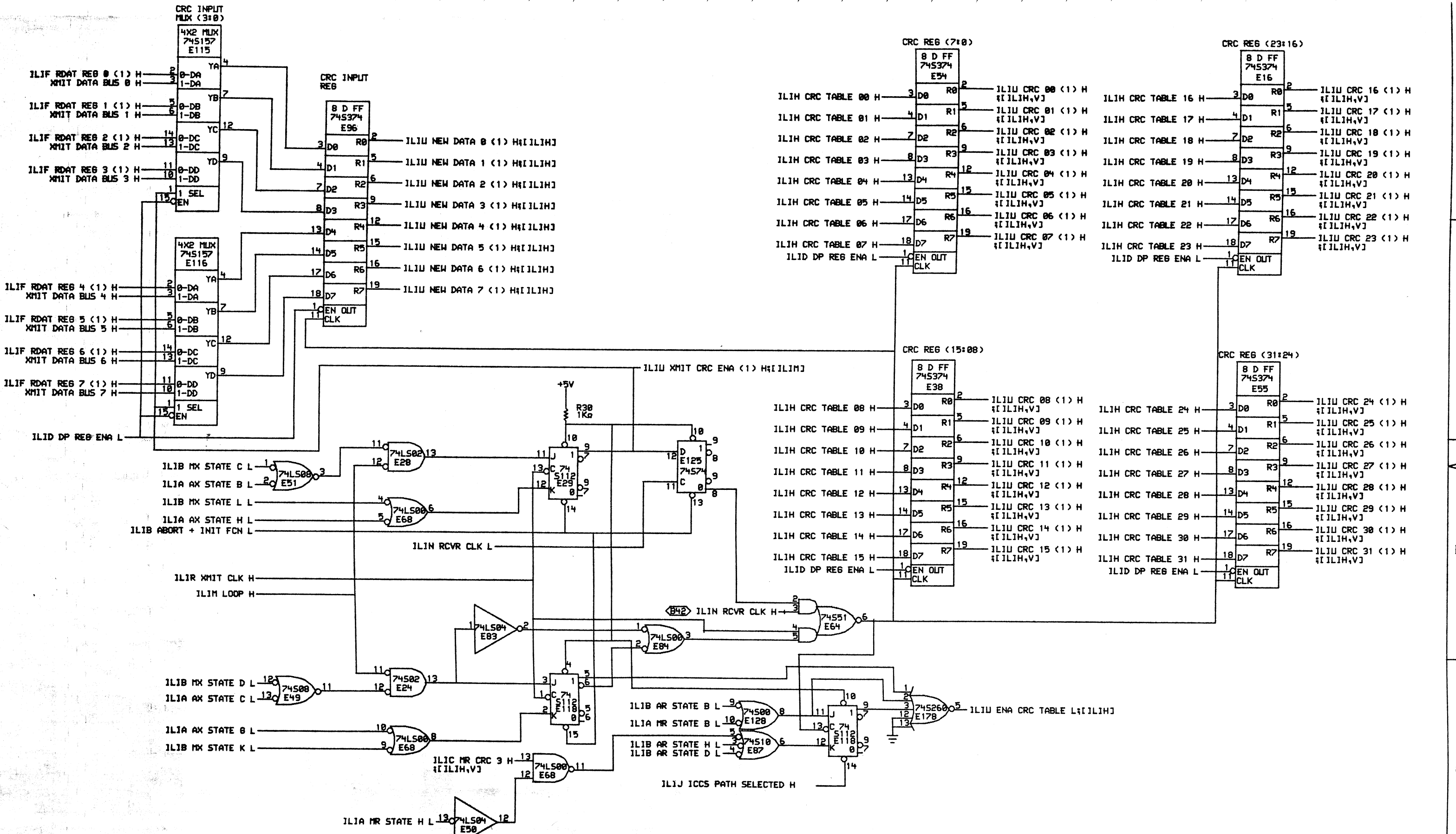


DATE	ENG.	DATE	TITLE	INTERPROCESSOR LINK INTERFACE (ILI)
CHK'D.	DATE	BOARD LOCATION		
FIRST USED ON OPTION/MODEL: C1780 D-LA-L0100-0-1			SIB CODE	NUMBER
			D CS L0100-0-ILIS	REV. A



[ILIT]
 (FRONT END XMITR & OSC)

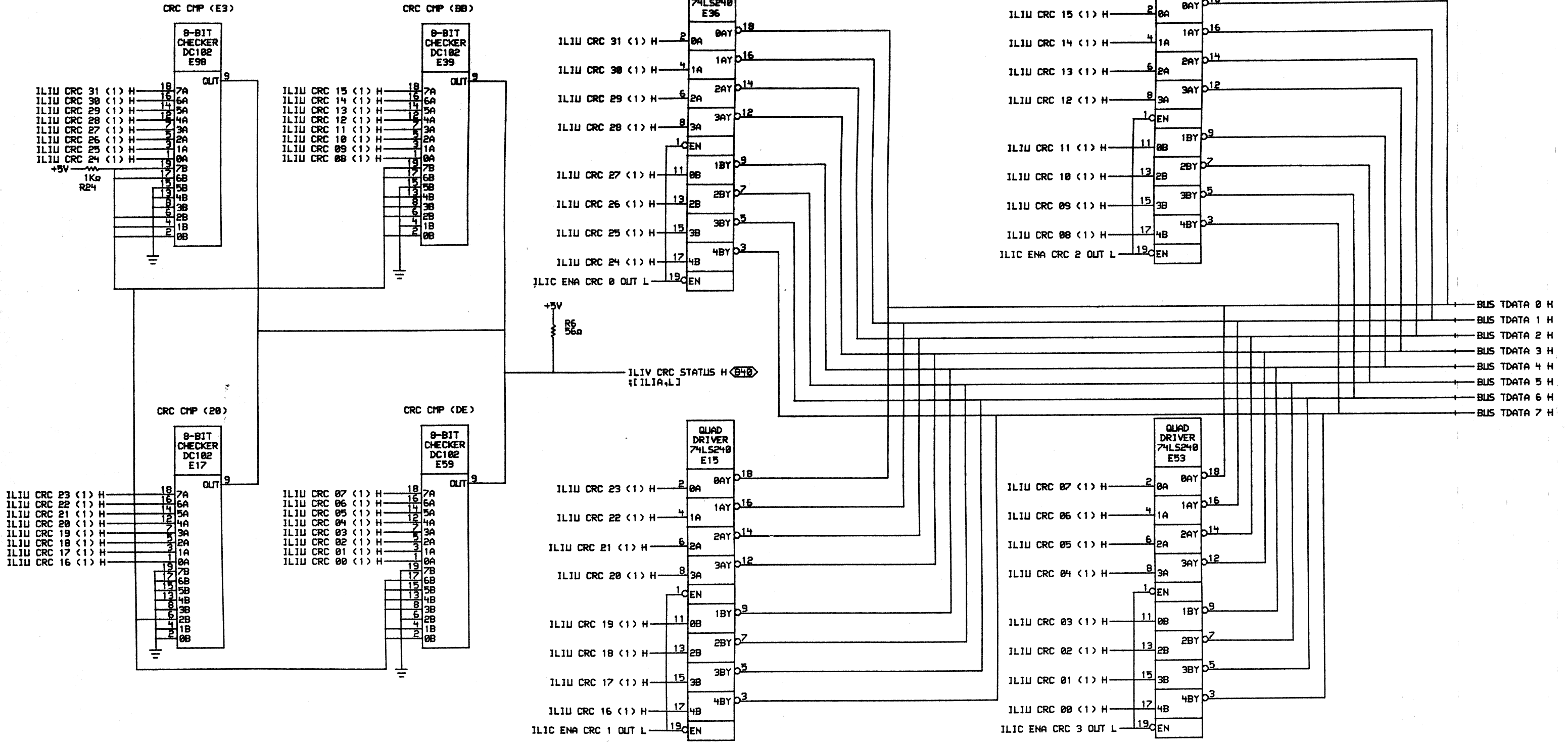
DWN. CKR'D.	DATE ENG. DATE	ENG. DESIG. LOCATION SHEET 16 OF 20	DATE 15 08 70	TITLE: INTERPROCESSOR LINK INTERFACE (ILI)
FIRST USED ON OPTION/MODEL: C1780 10-11A-L0100-0-1				SIZE CODE D CS L0100-0-1
				NUMBER A



[ILIU]
(CRC INPUT & OUTPUT REG.)

DATE	ENG.	DATE	TITLE:
DATE	BOARD LOCATION	SHEET	INTERPROCESSOR LINK INTERFACE (ILI)
FIRST USED ON OPTION/MODEL:			SIZE/EDGE NUMBER
C1780			D-UA-L0100-0-1
			D CS L0100-0-ILIU
			REV. A

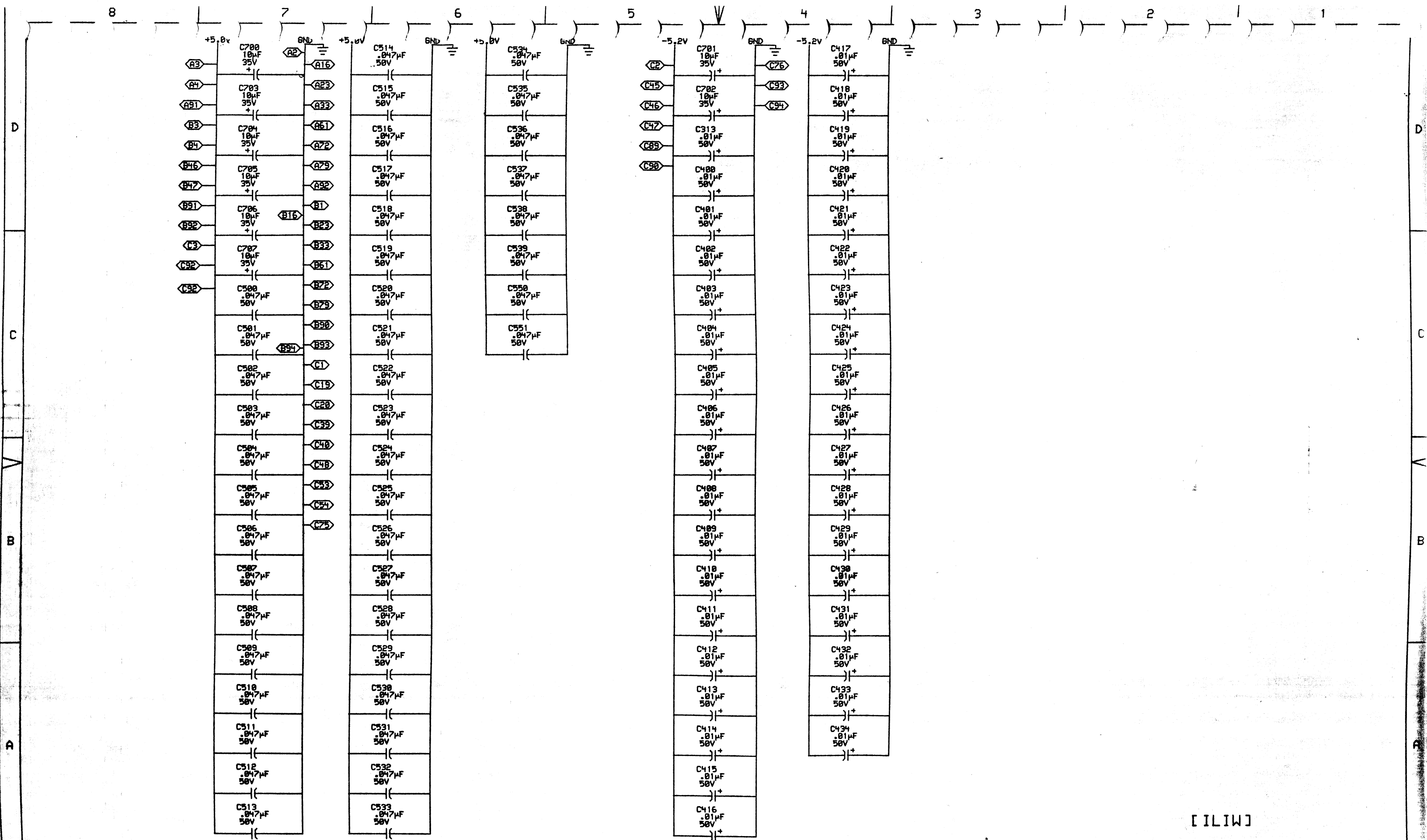
CORRECT CRC RESULT = DE BB 20 E3 (HEX)
(00:31)



CRC OUTPUT BUFFERS

[ILIV]
(CRC COMPARE & OUTPUT)

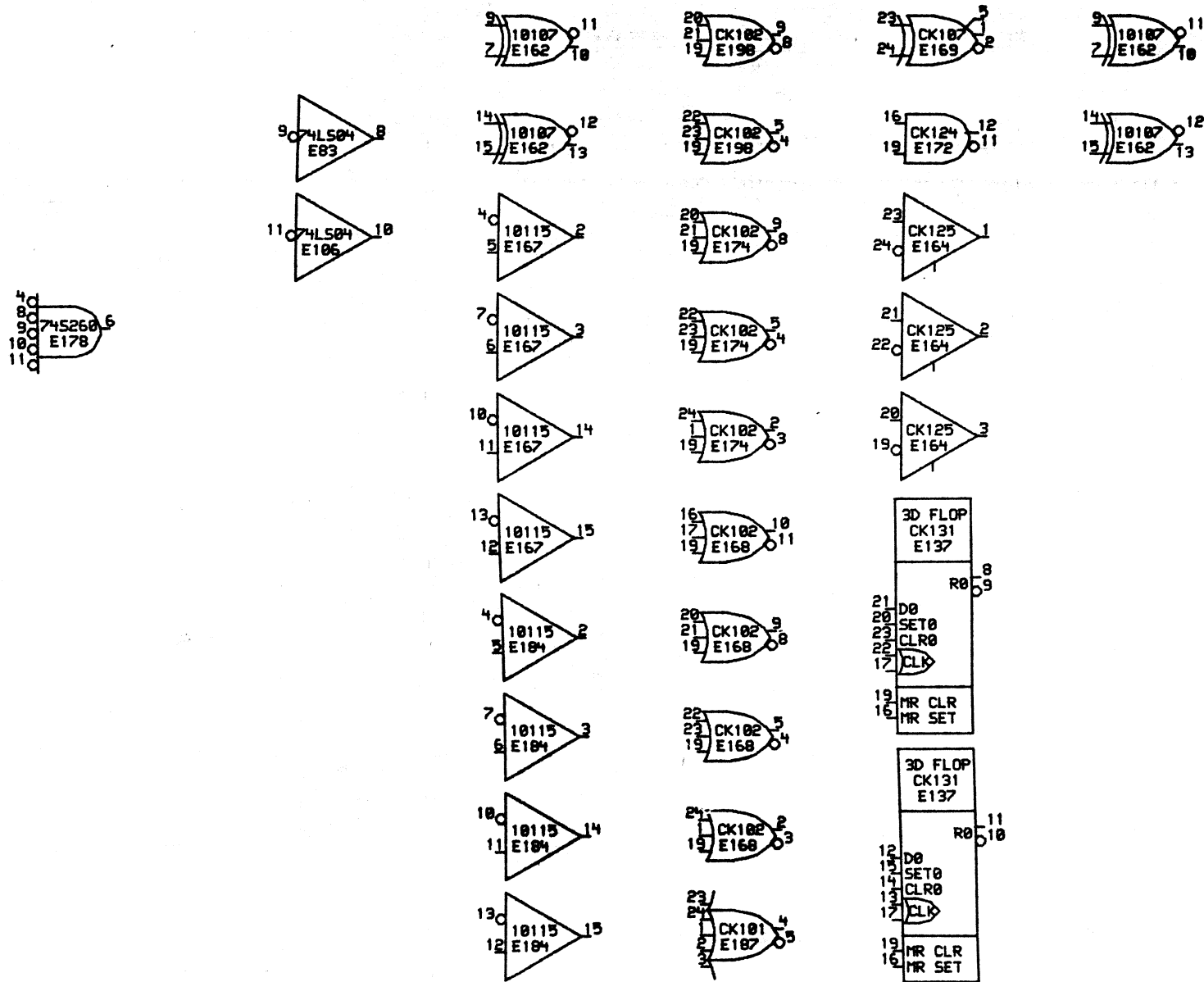
DRN.	DATE	ENG.	DATE	TITLE:
CHK'D.	DATE	BOARD LOCATION	SHEET 18 OF 20	INTERPROCESSOR LINK INTERFACE (ILI)
FIRST USED ON OPTION/MODEL: CI780				SIZE CODE NUMBER REV. D C5 L0100-0-ILIV A



[ILIWI]

DRN.	DATE	ENG.	DATE	TITLE
				INTERPROCESSOR LINK INTERFACE (ILIWI)
FIRST LISTED ON OPTION MODEL: C1700				D-UA-L0100-0-1
				D CS L0100-0-ILIWI

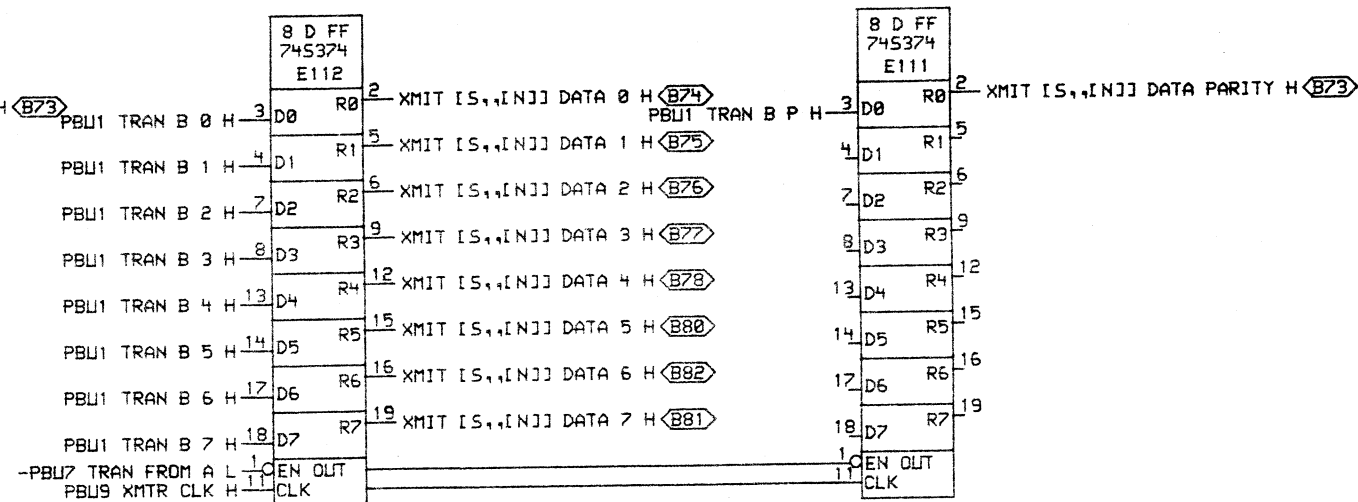
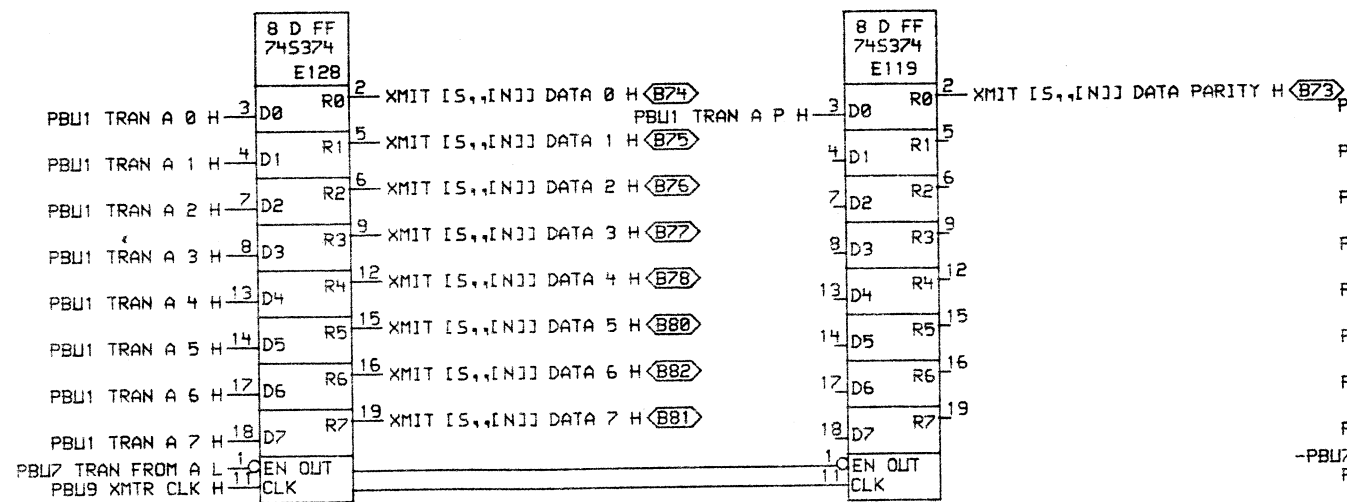
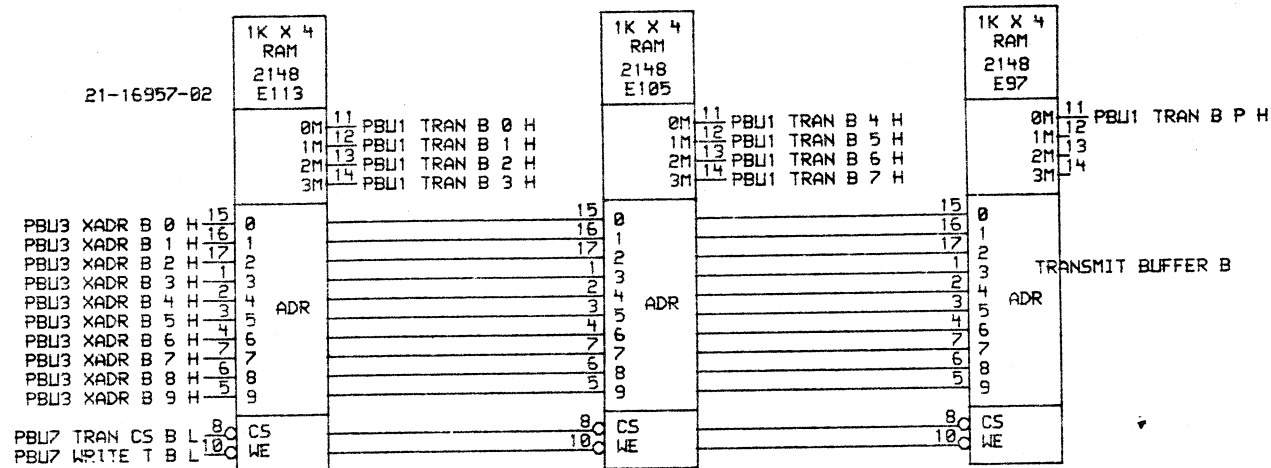
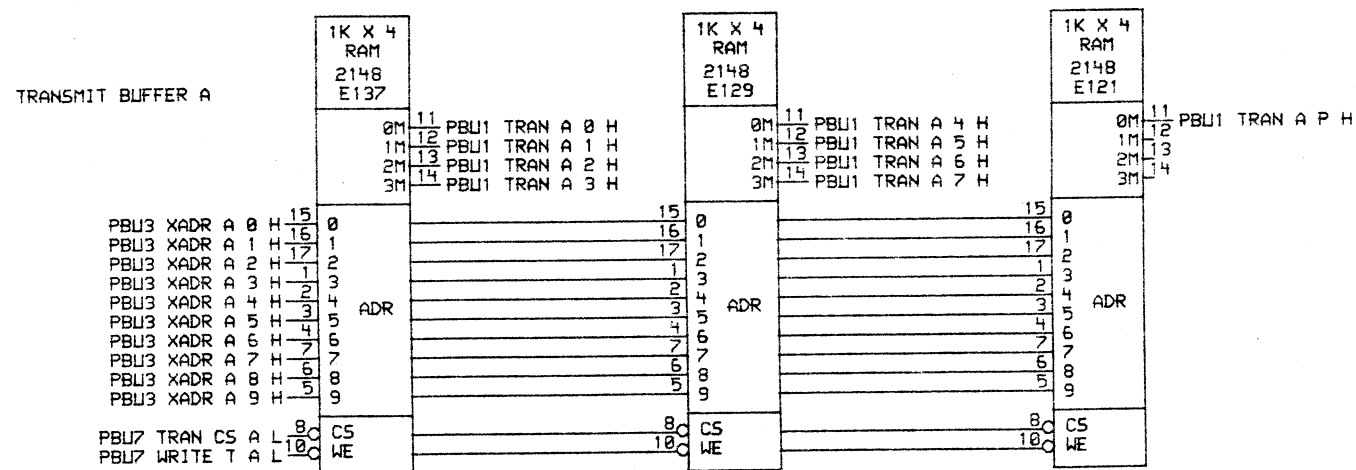
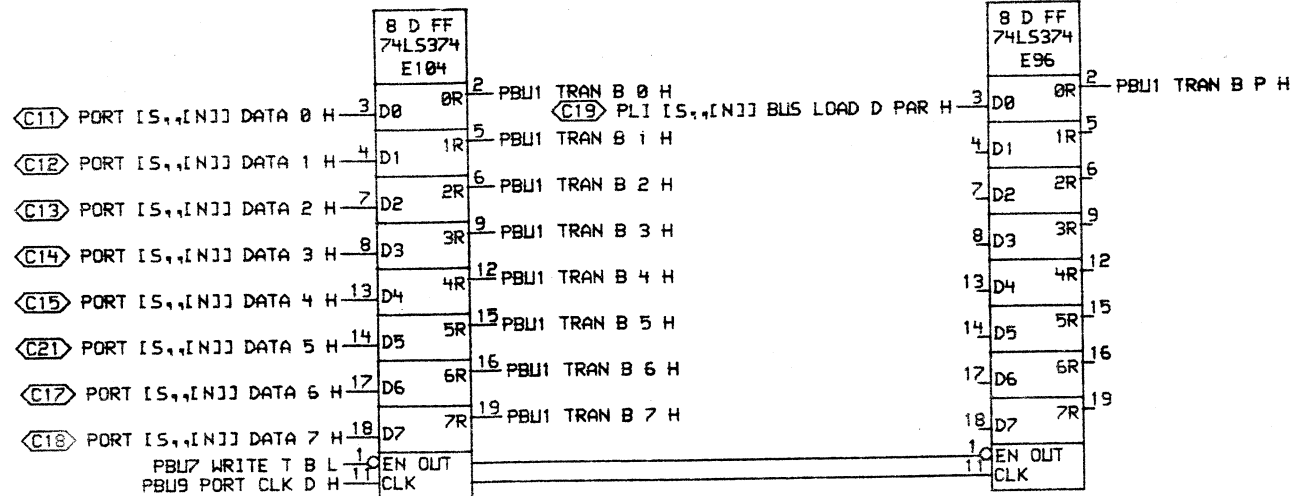
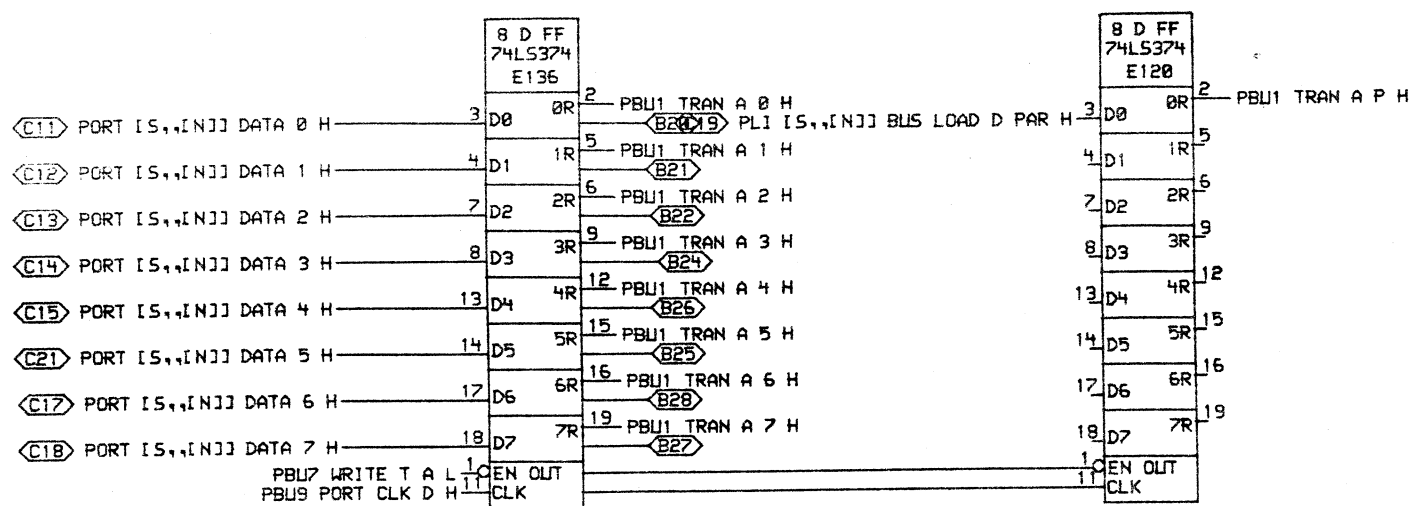
SPARE GATES AND I/O PINS



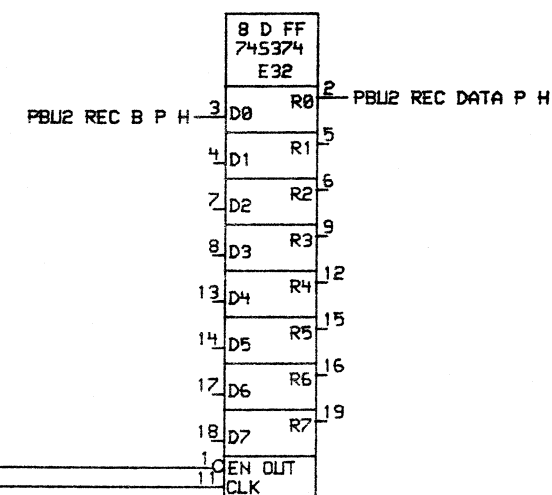
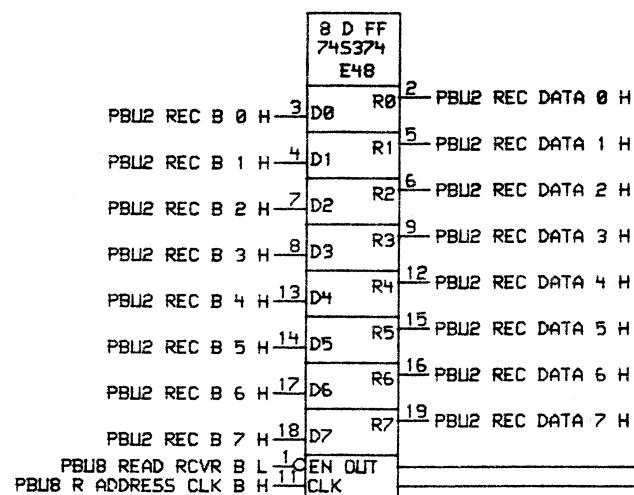
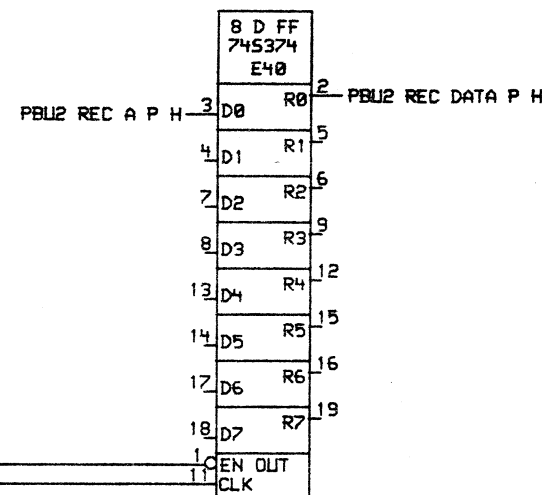
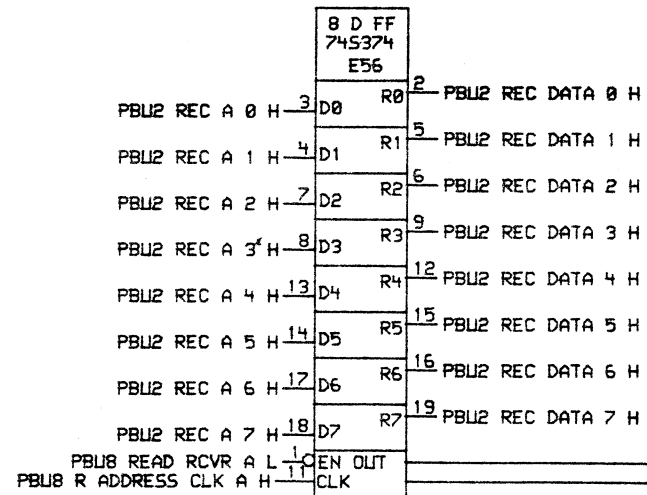
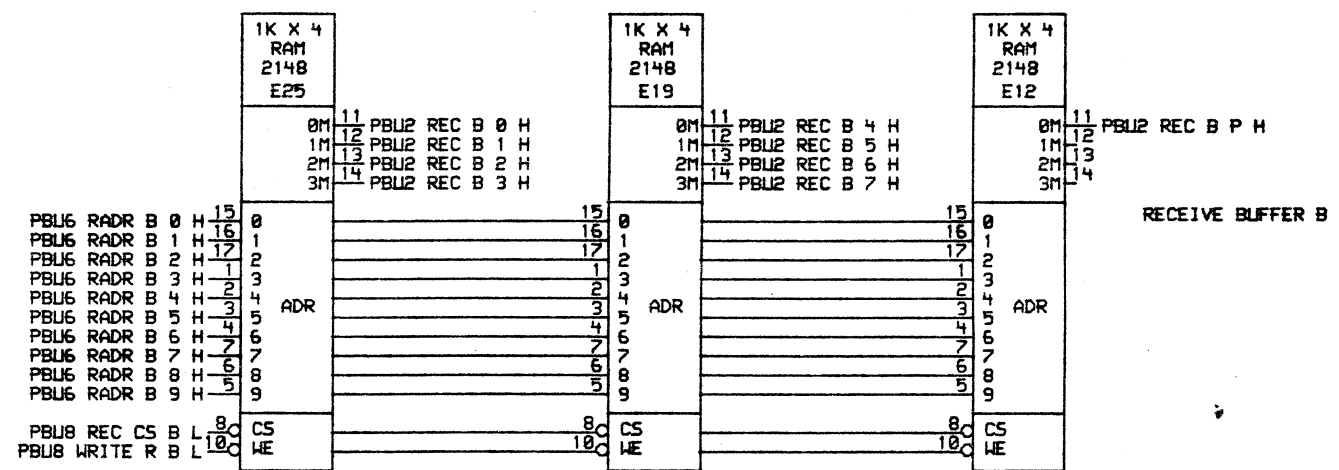
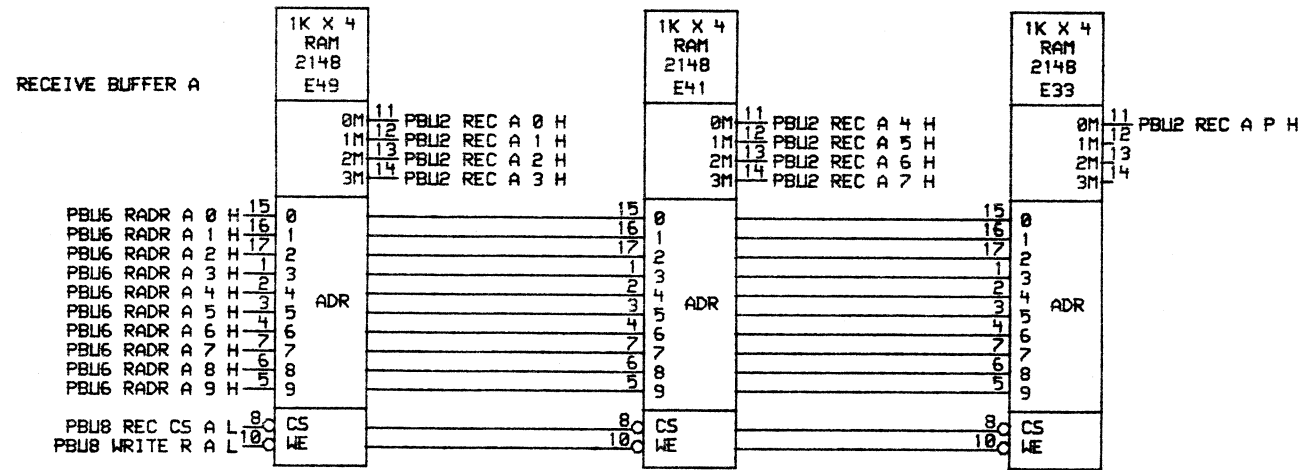
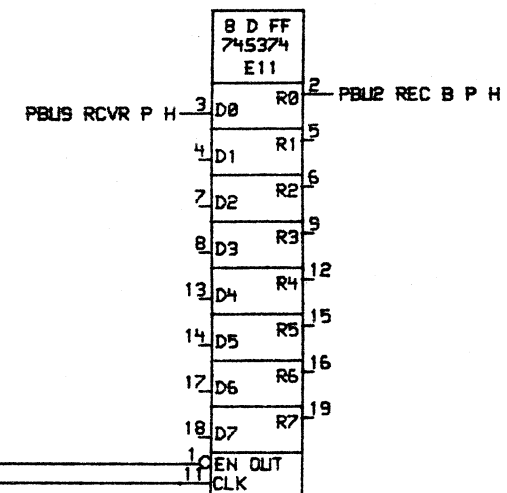
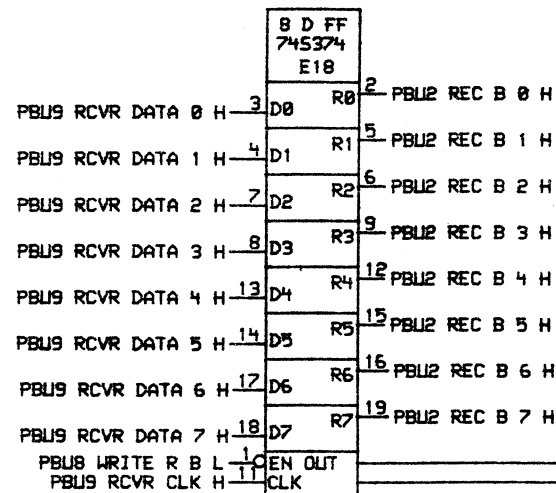
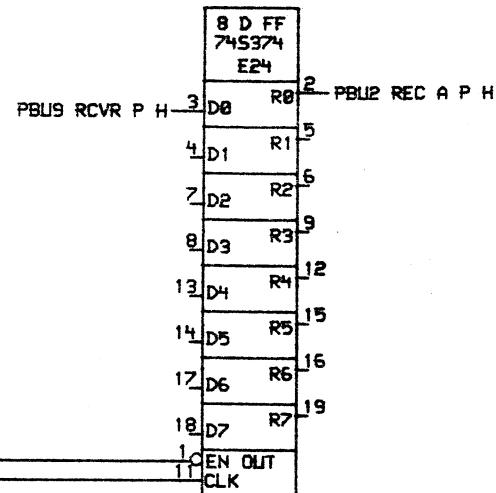
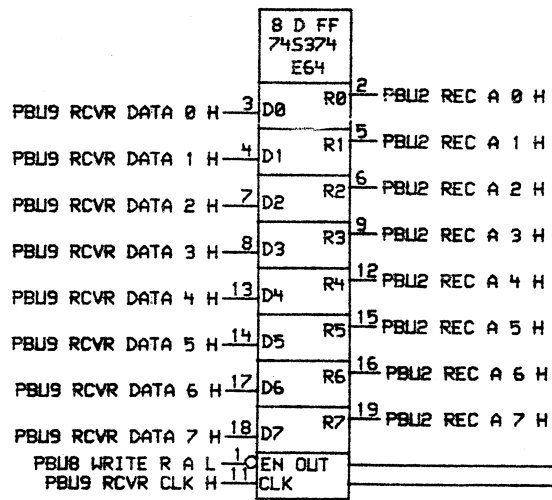
[ILIX]

DATE	ENG.	DATE	ENG.	DATE	TITLE
					INTERPROCESSOR
					LINK INTERFACE (ILIX)
DATE	ENG.	DATE	ENG.	DATE	REV.
					A
FIRST USED ON OPTION MODEL: C1780			D-LA-L0100-0-1		D CS L0100-0-ILIX

<2080.L0067>4PBU1
<2080.L0067>PBU2
<2080.L0067>4PBU3
<2080.L0067>4PBU4
<2080.L0067>4PBU5
<2080.L0067>4PBU6
<2080.L0067>4PBU7
<2080.L0067>PBU8
<2080.L0067>4PBU9
<2080.L0067>4PBUA
<2080.L0067>PBUB

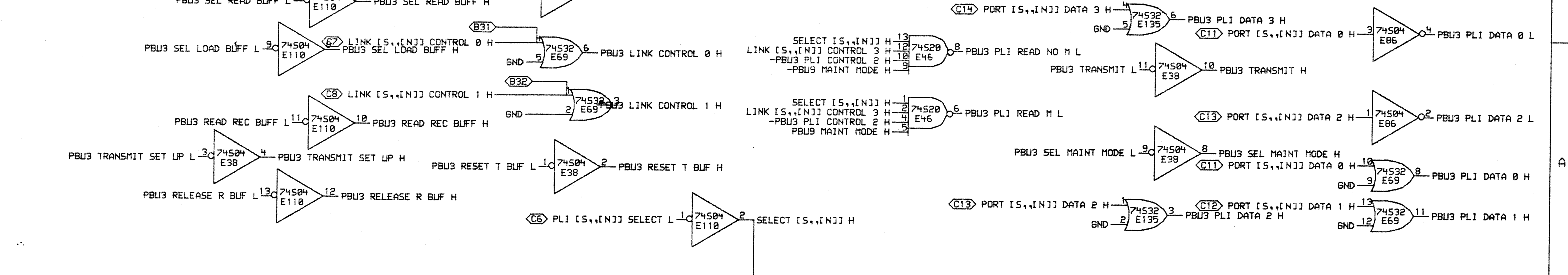
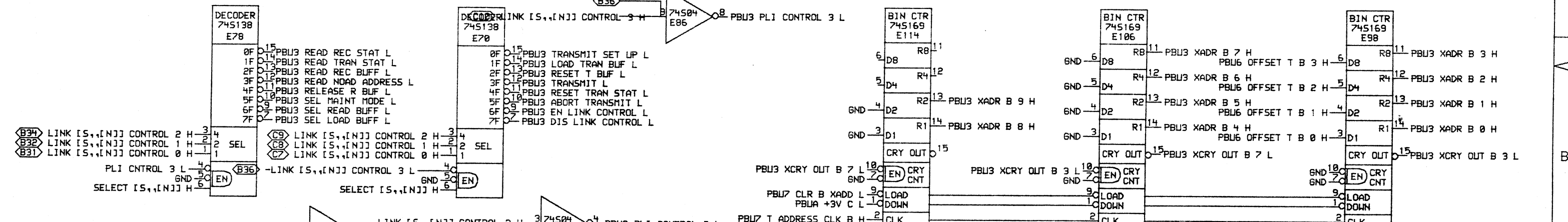
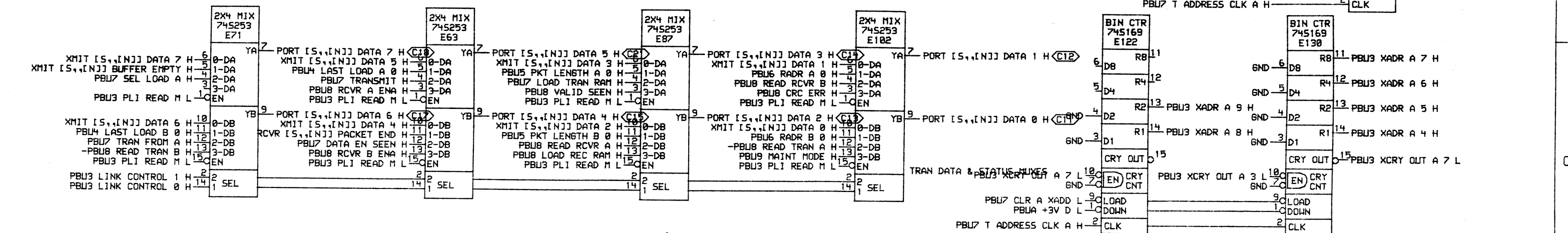
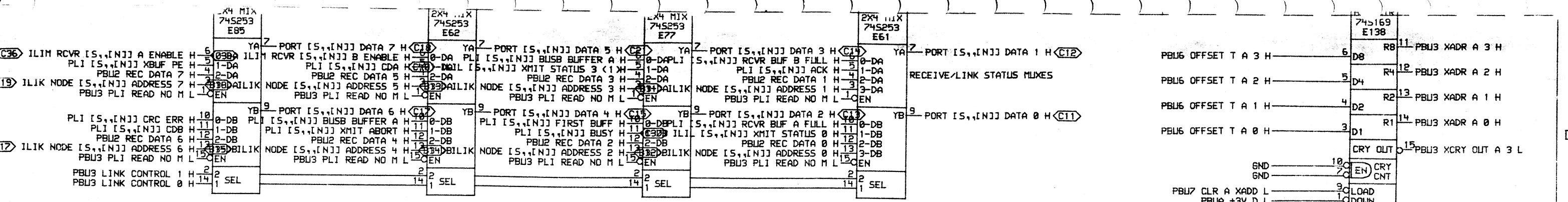


DRN.	DATE	ENG.	DATE	TITLE:
CHK'D.	DATE	BOARD LOCATION:		PACKET BUFFER TRANSMIT BUFF
VILCANT (2000-L0067) PBU1.DRW 18-DEC-81 20:19 NEXT HIGHER ASSEMBLY:				SIZE
FIRST USED ON OPTION/MODEL: HSC50				CS
				NUMBER
				L0109-0-PBU1
				REV.



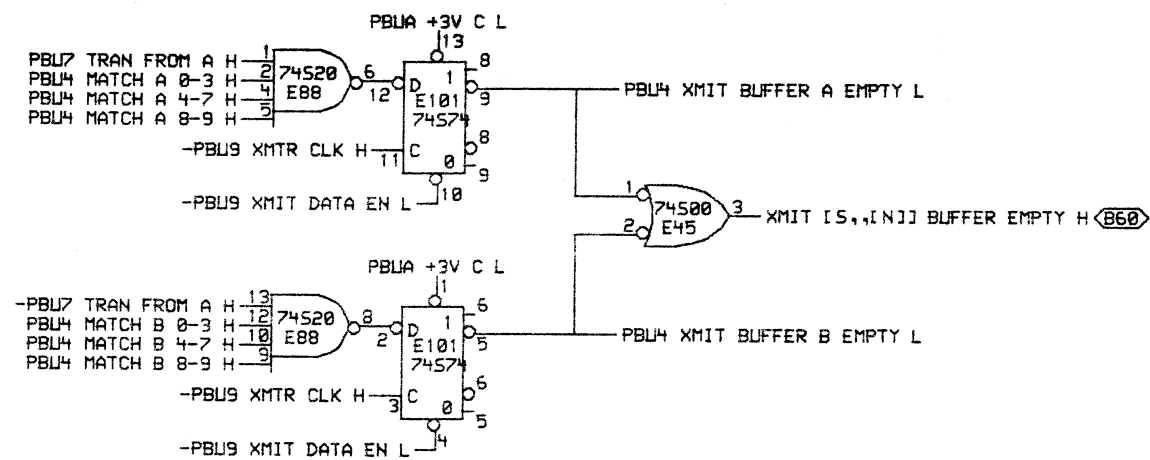
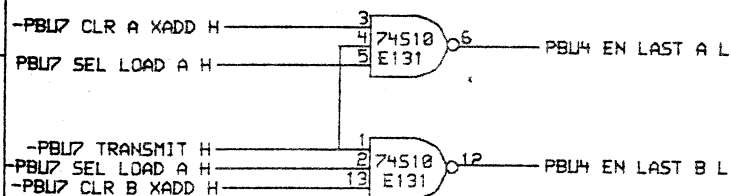
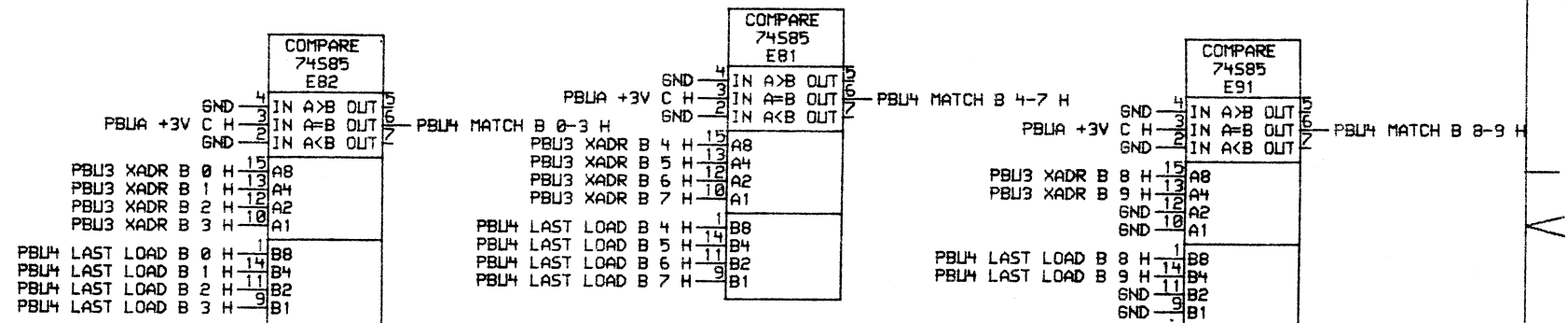
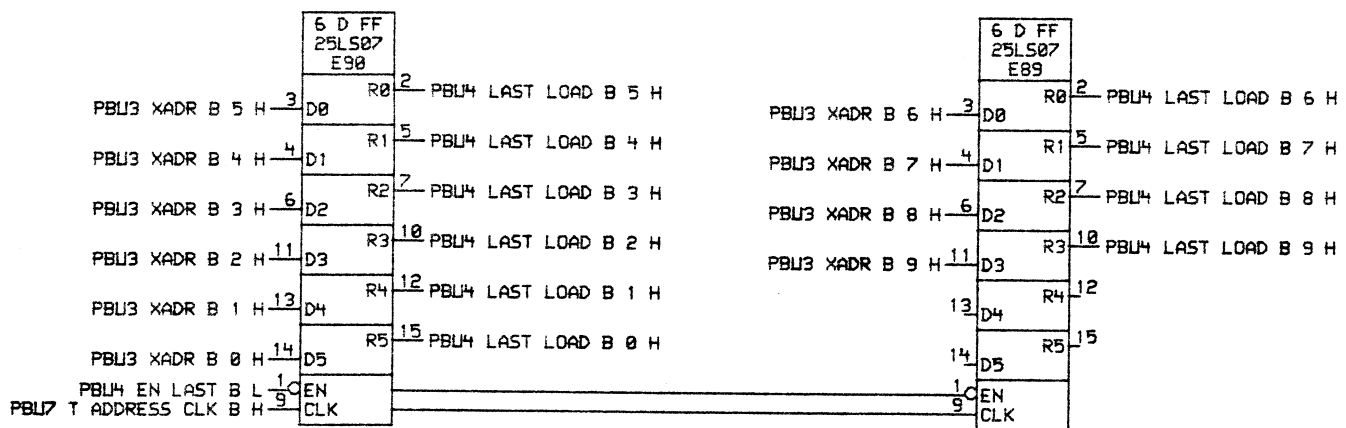
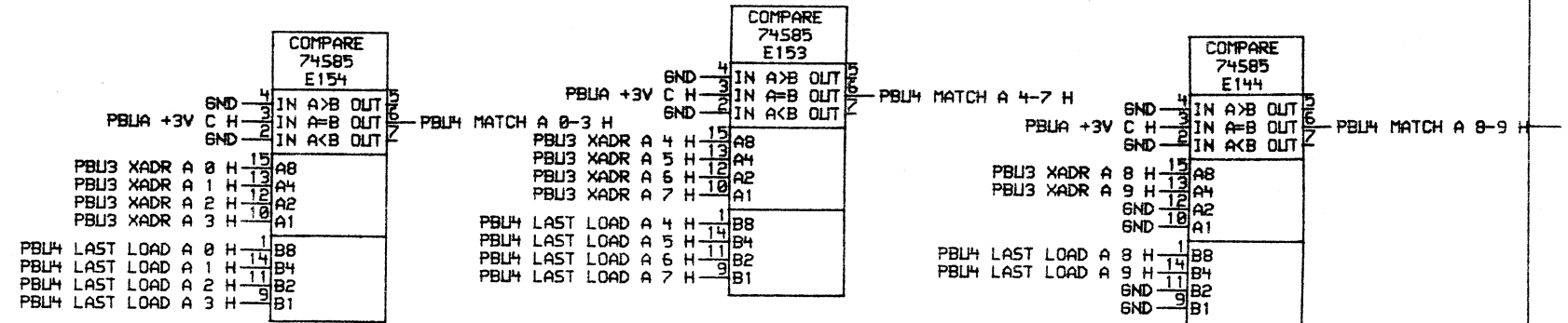
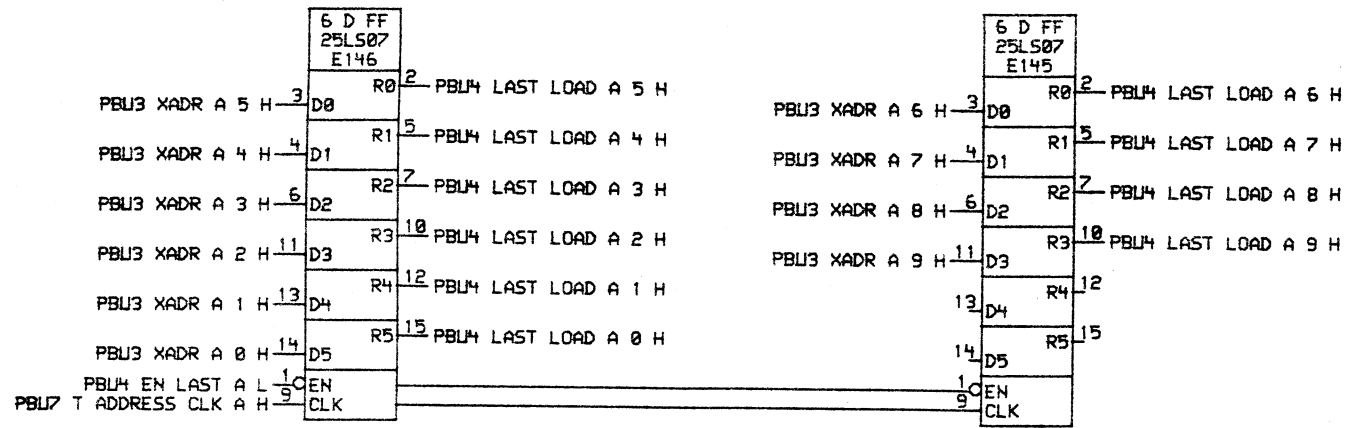
DRN.	DATE	ENG.	DATE	TITLE:
CHK'D.	12-JAN-82	BOARD LOCATION:		PACKET BUFFER
		SHEET	2 OF 12	RECEIVE BUFF
VIL CAN: <2080.L0067>PBLU2.DRW	05-AUG-81 11:28	NEXT HIGHER ASSEMBLY:		NUMBER
FIRST USED ON OPTION/MODEL:	2080	HSC 50		L0109-P02-PBLU2
		SIZE	CODE	REV.
		D	CS	

D
C
B
A

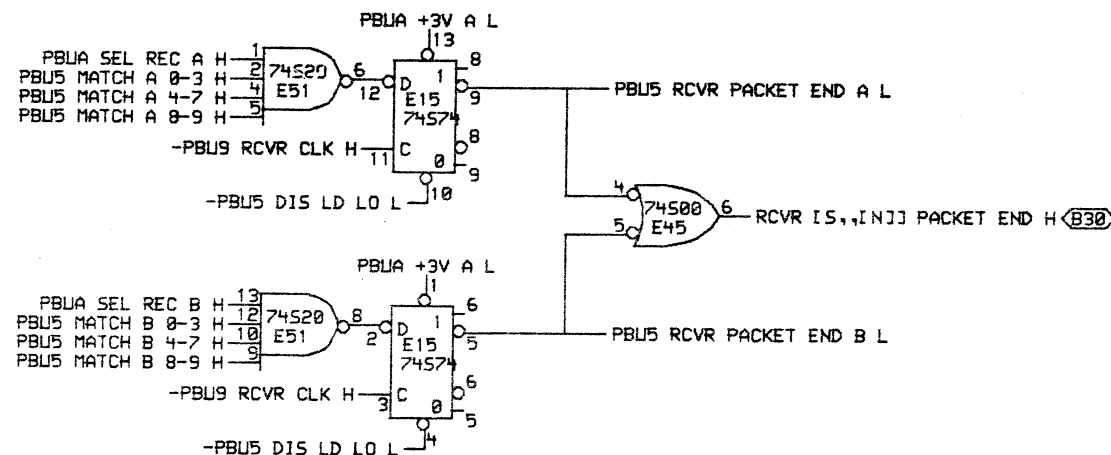
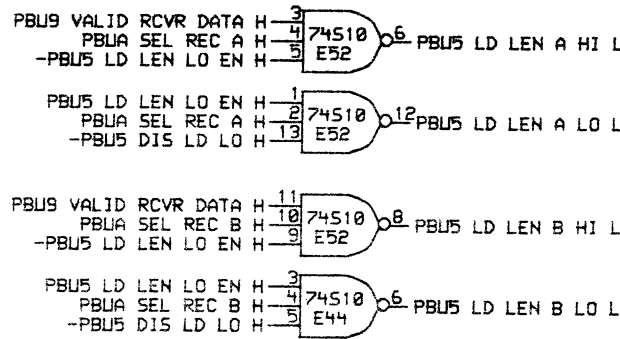
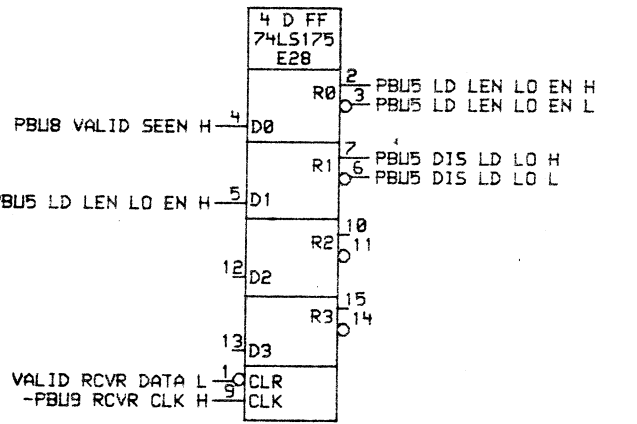
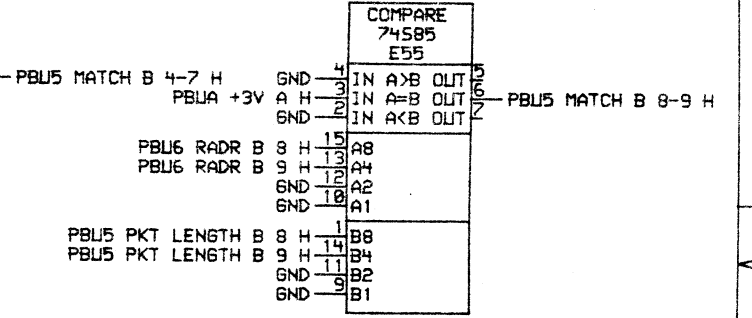
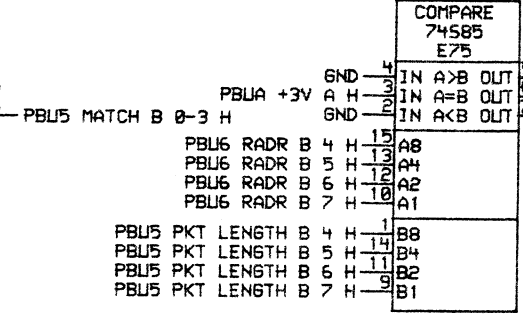
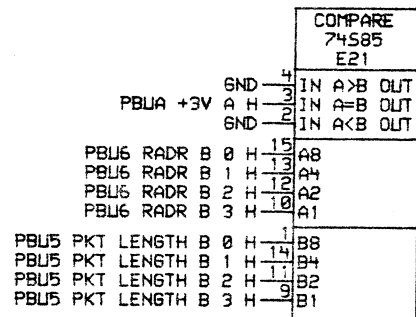
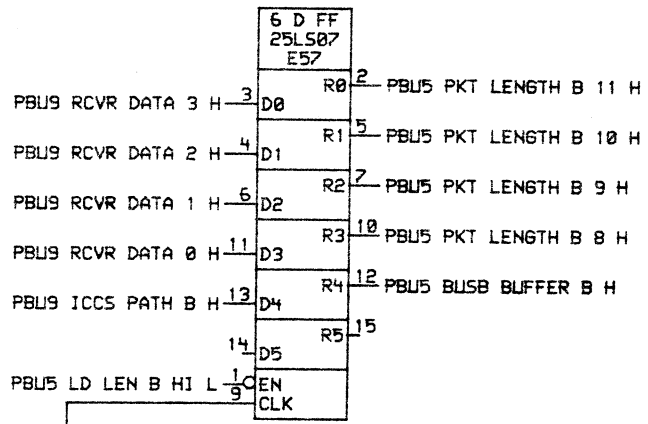
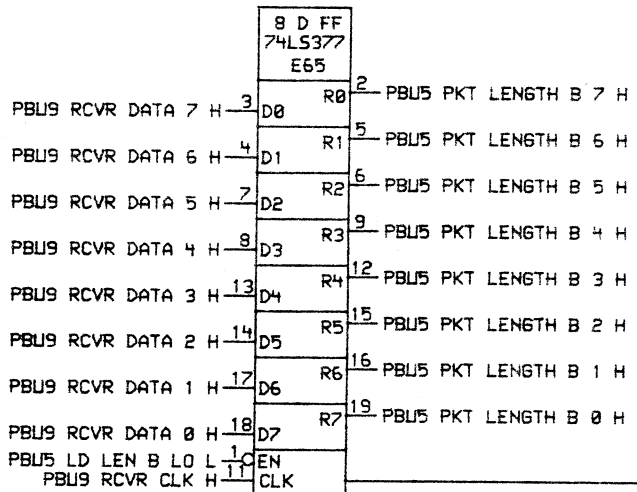
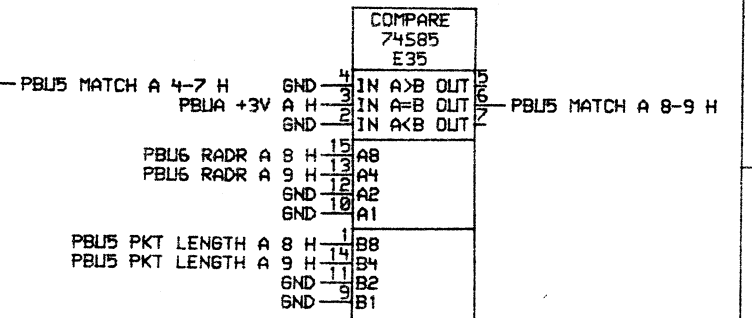
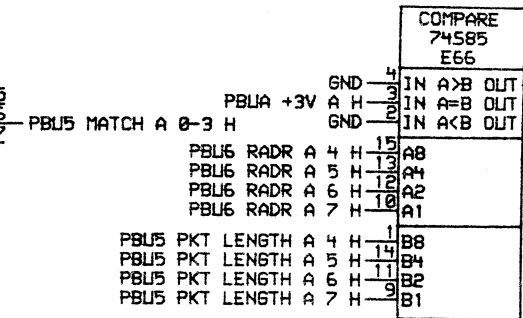
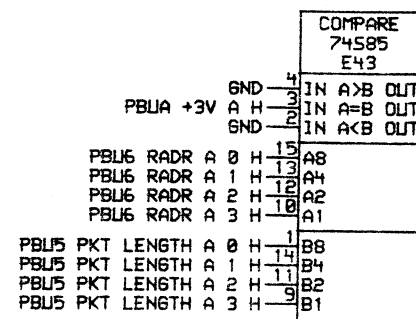
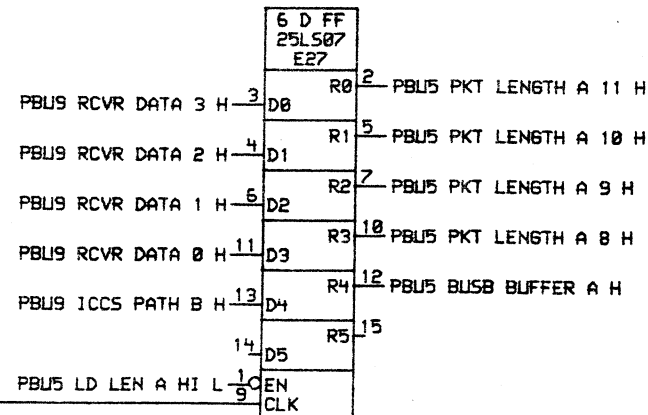
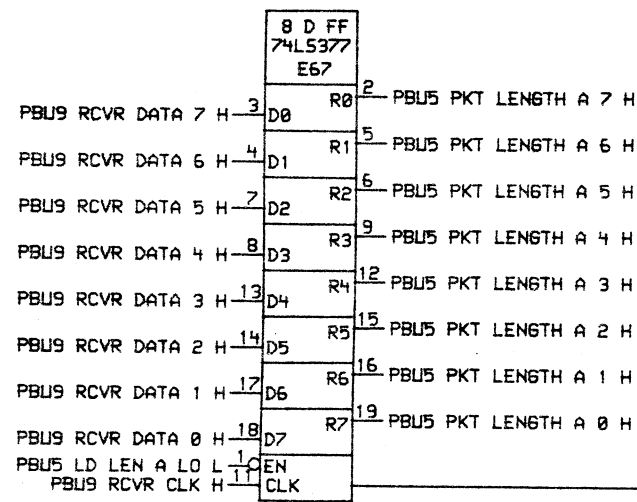


DRN.	DATE	ENG.	DATE	TITLE:
CHK'D.	DATE	BOARD LOCATION:		PACKET BUFFER
		SHEET 3 OF 12		READ MULTIPLEXERS
VULCAN (2000.1.0067) PBU3.DRW	22-DEC-81 20:11	NEXT HIGHER ASSEMBLY:	SIZE	CODE
FIRST USED ON OPTION MODEL: HSC 50	HSC 50		D	CS
			NUMBER	REV.
			L0109-P03-PBU31	

TRANSMIT PACKET SIZE COMPARATORS

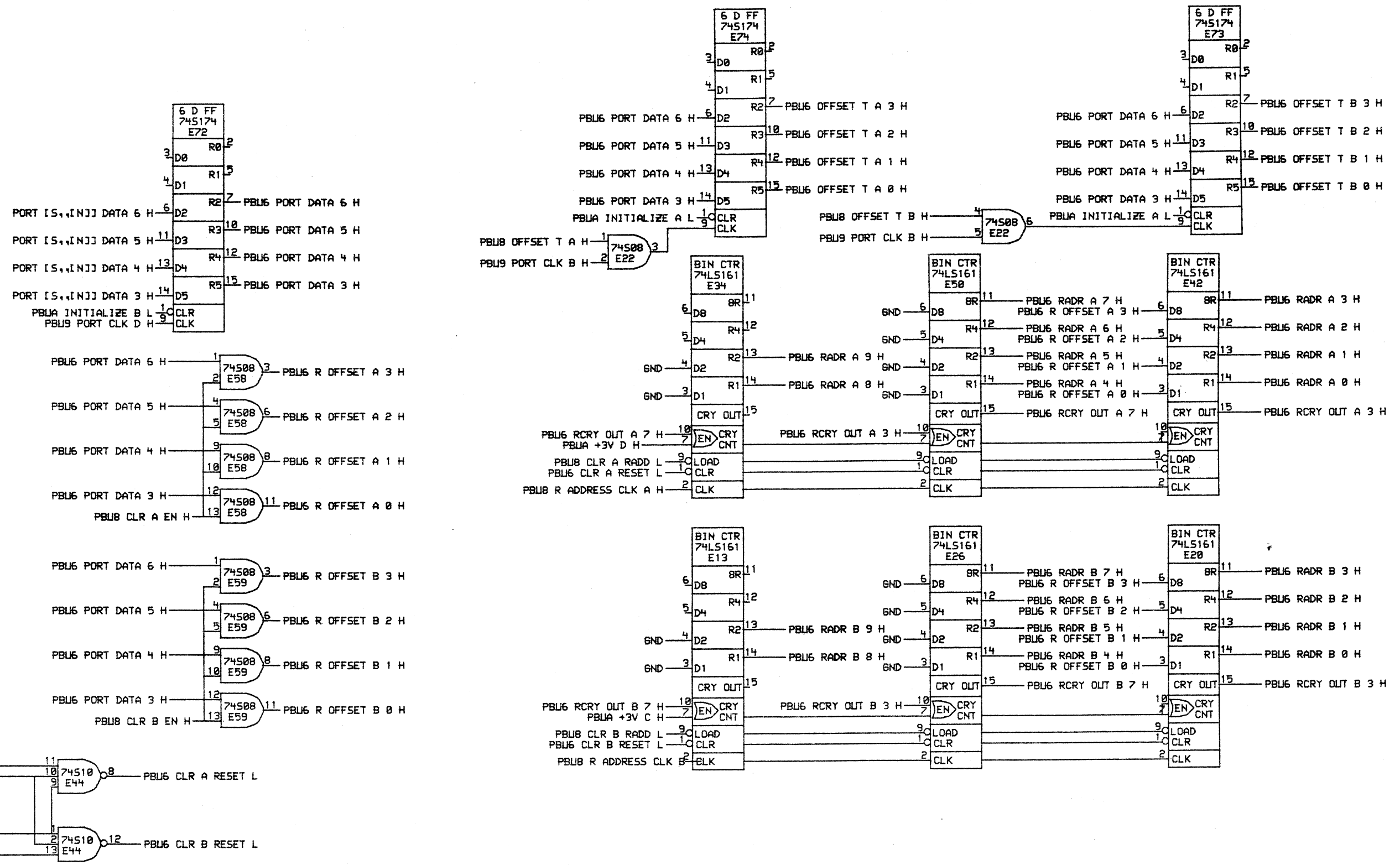


DRN.	DATE	ENG.	DATE	TITLE:
CHK'D.	DATE	BOARD LOCATION:	SHEET	OF
FIRST USED ON OPTION/MODEL: 2080				HSC 50
VULCAN: 2080.L0067	HPBLM.DRW	18-DEC-81	20:23	NEXT HIGHER ASSEMBLY:
SIZE	CODE	NUMBER	REV.	
D	CS	L0109-P04-PBU4		

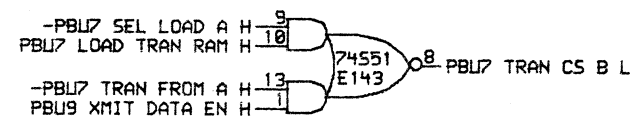
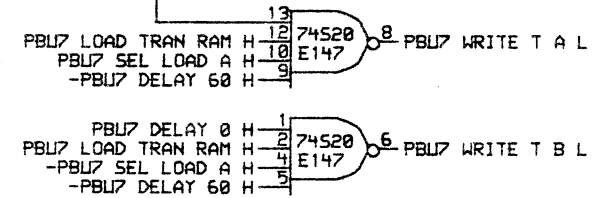
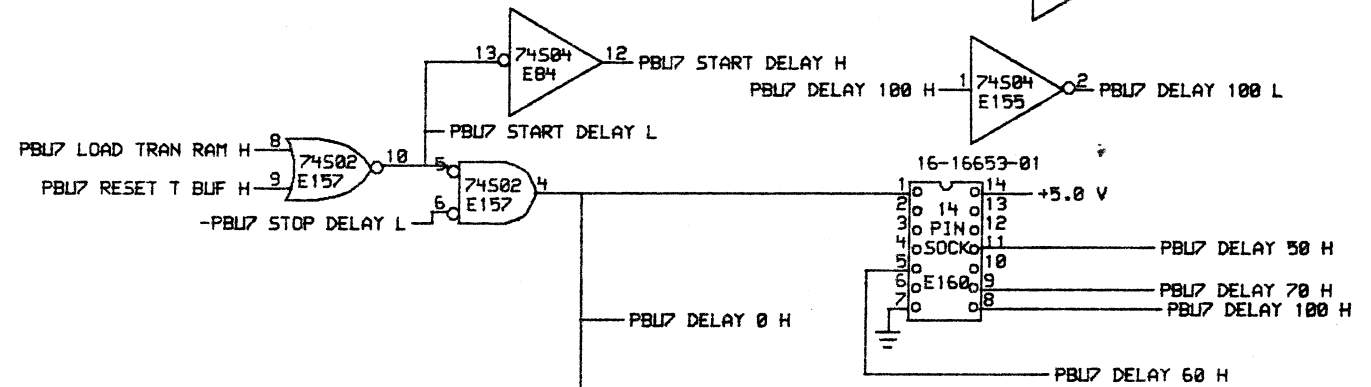
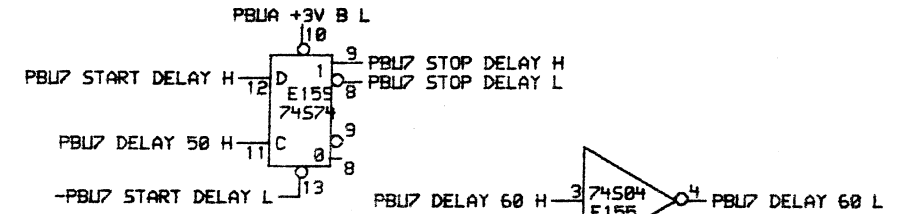
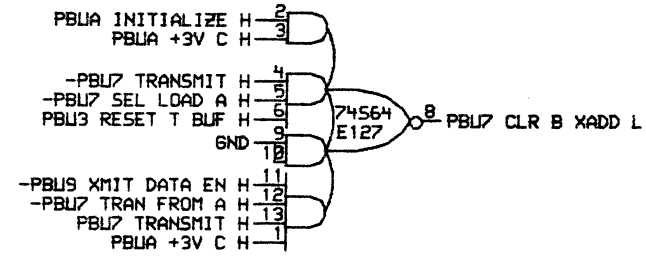
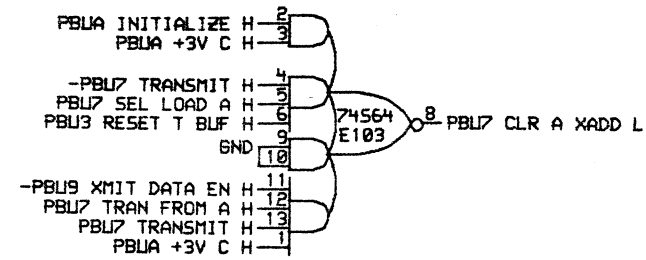
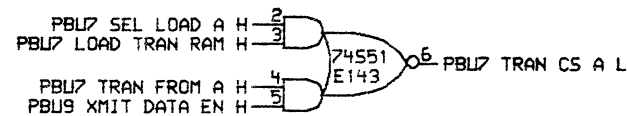
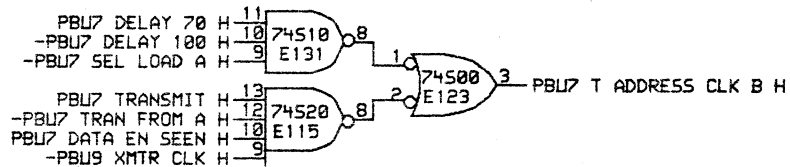
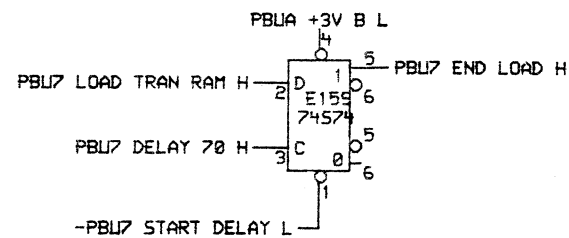
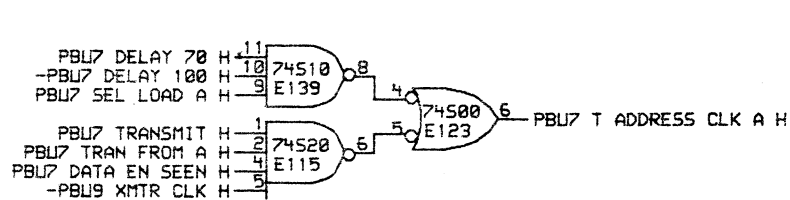
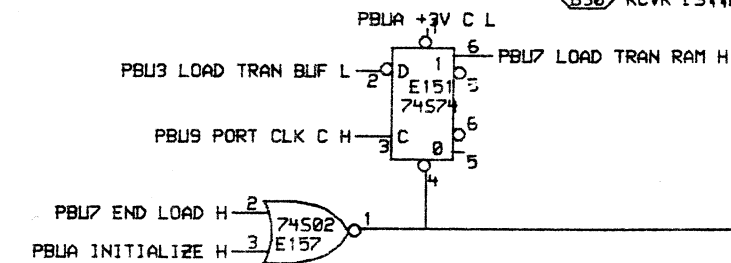
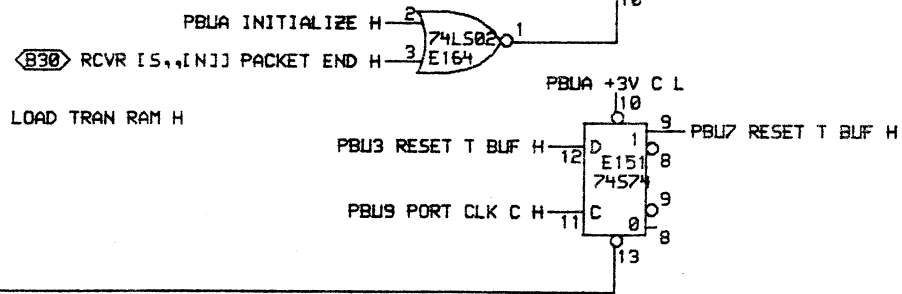
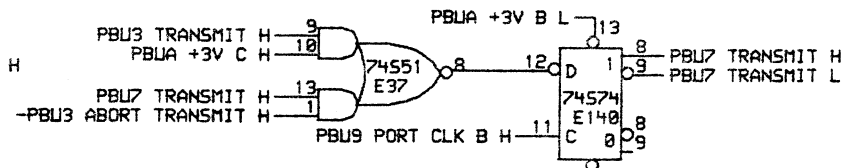
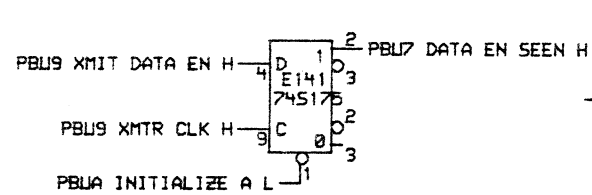
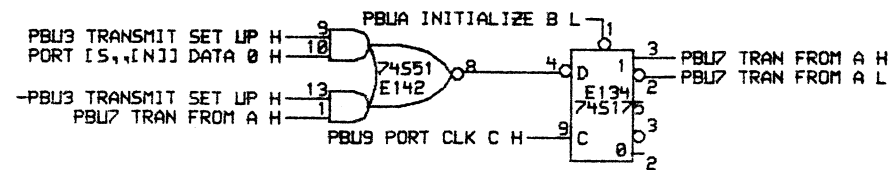
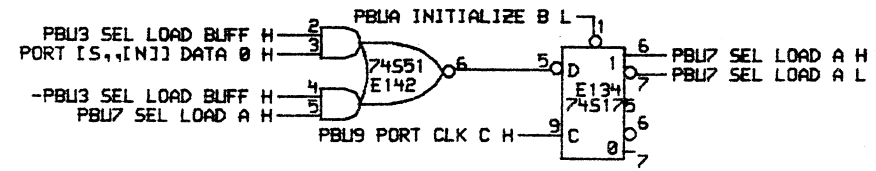
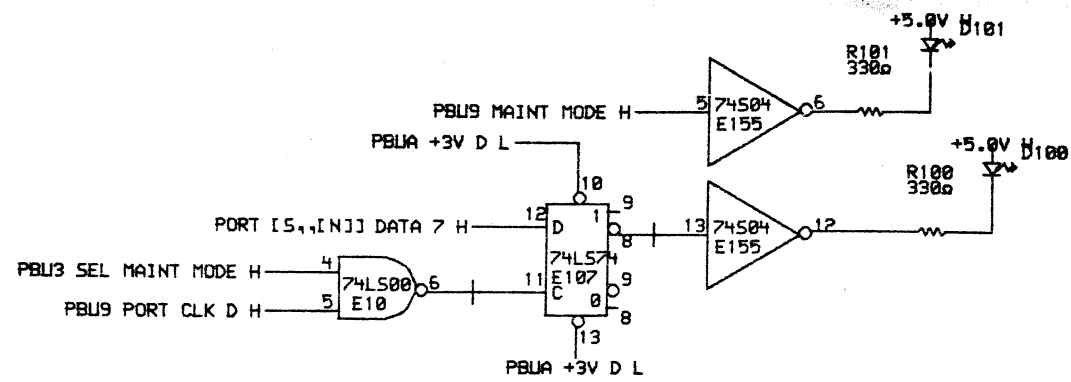


RECEIVE PACKET COMPARATORS

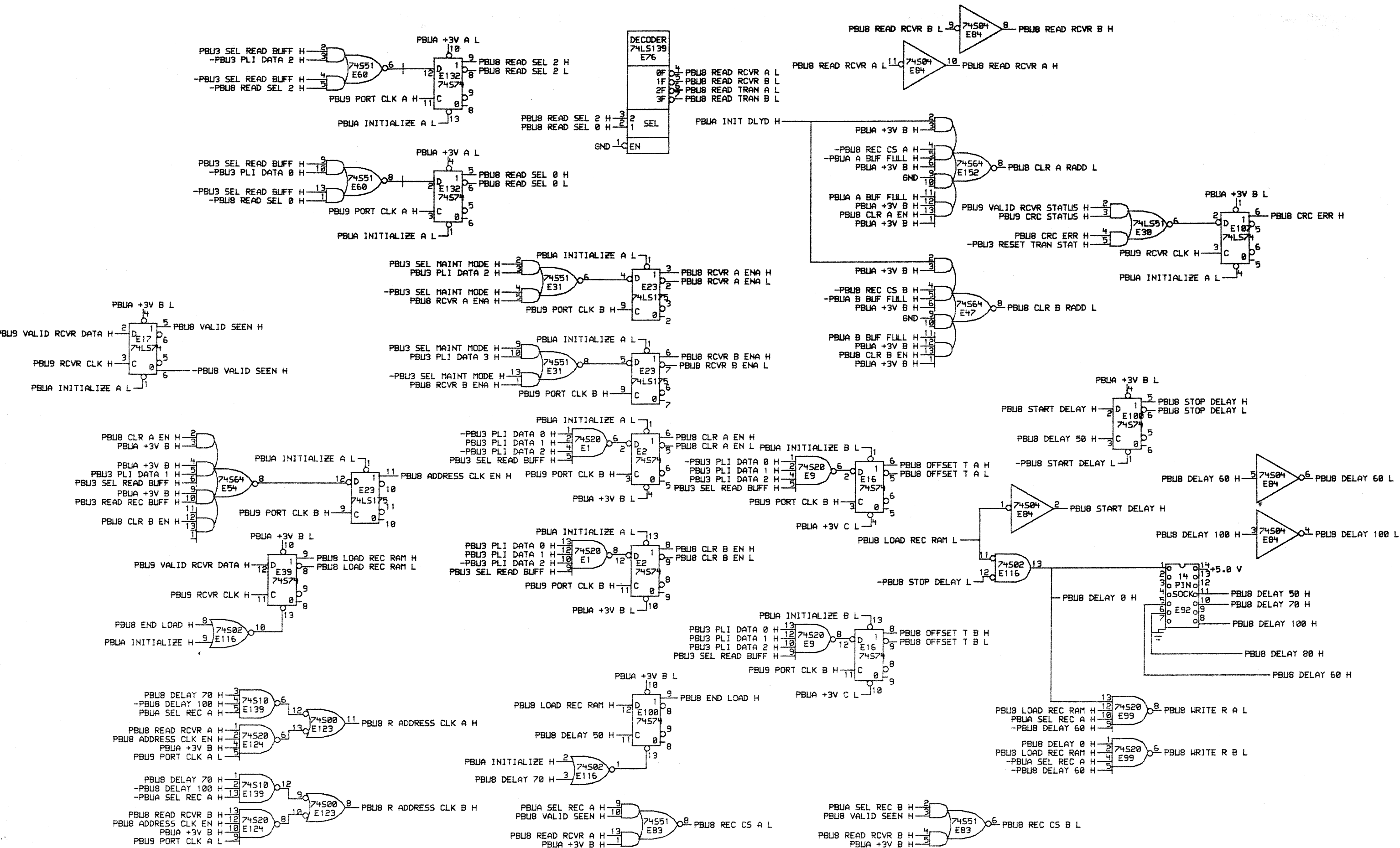
DRN.	DATE	ENG.	DATE	TITLE:
CHK'D.	12-JAN-82			PACKET BUFFER
	DATE	BOARD LOCATION:	SHEET	5 OF 12
VLLCAN: <2080.L0067>PBU5.DRW	18-DEC-81	20:25	NEXT HIGHER ASSEMBLY:	HSC 50
FIRST USED ON OPTION/MODEL:	HSC 50	HSC 50	SIZE	CODE
			D	CS
			L0109-P05-PBU5	REV.



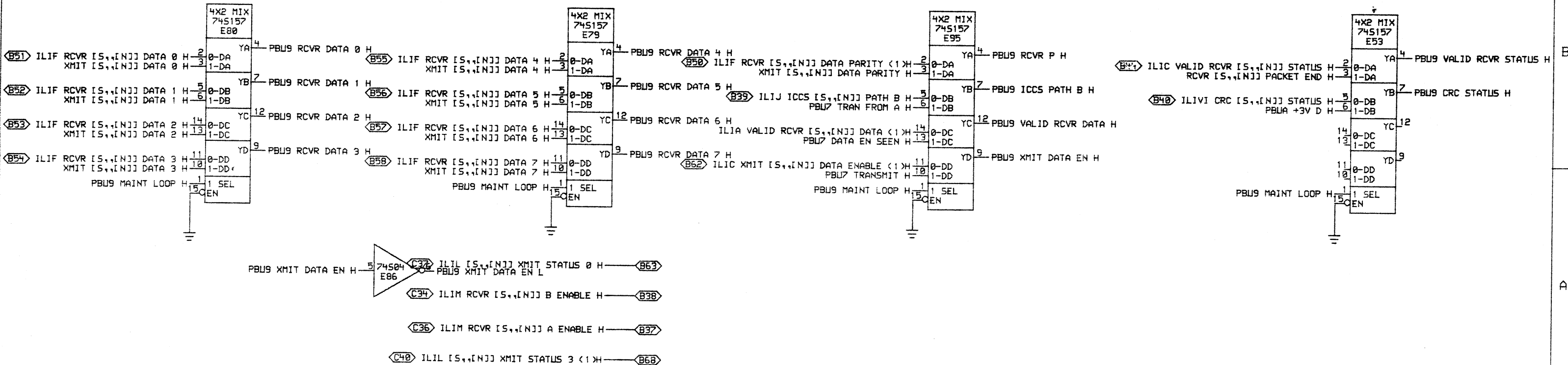
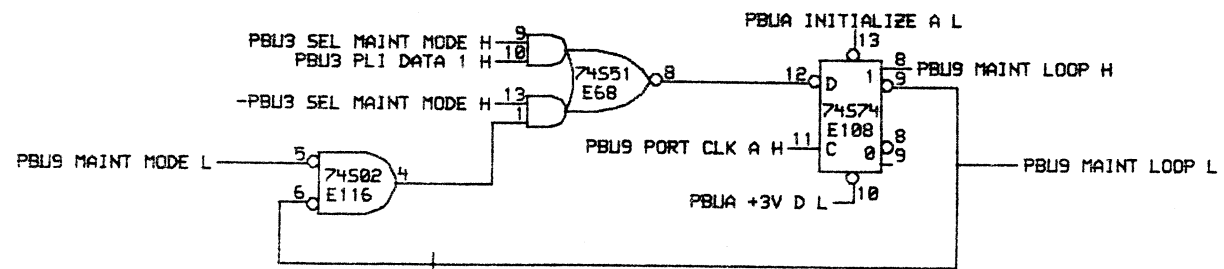
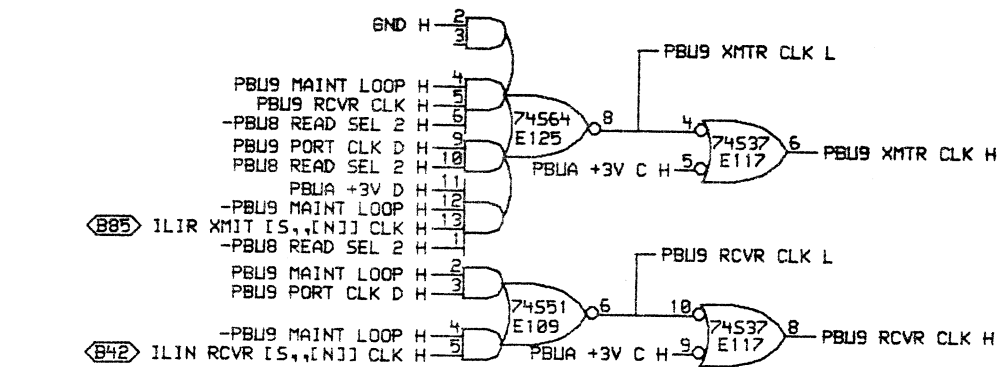
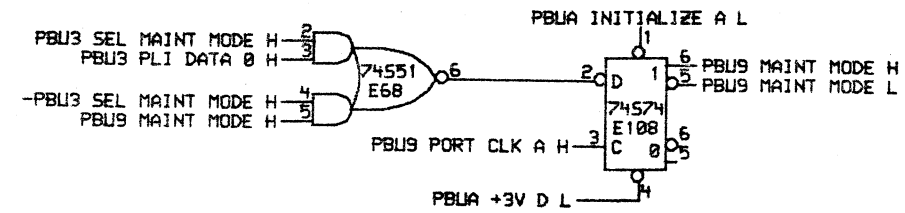
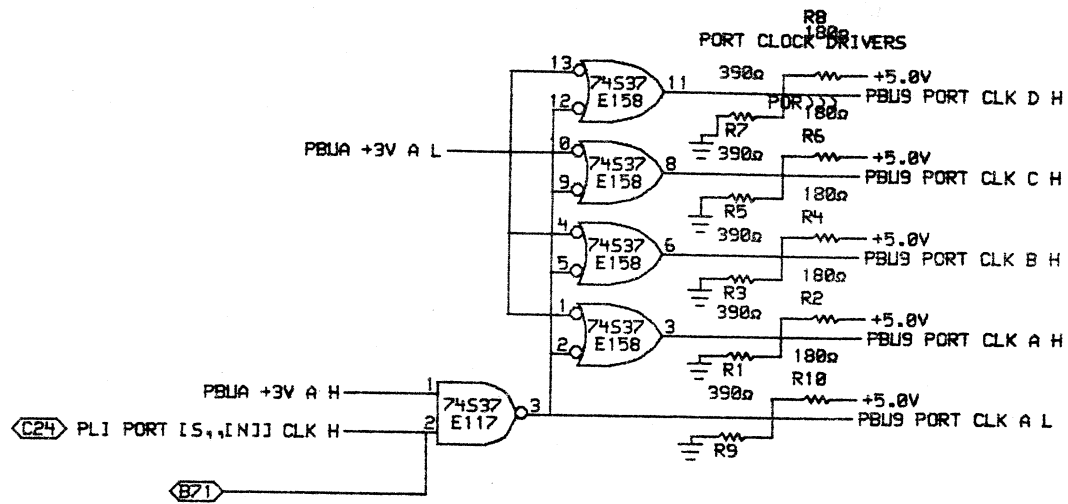
DRN.	DATE	ENB.	DATE	TITLE:
CHK'D.	12-JAN-82			PACKET BUFFER REC ADDRESS
VILCANI (2080, L0067) PBU6.DRW 18-DEC-81 20:26				BOARD LOCATION: SHEET 6 OF 12
FIRST USED ON OPTION/MODEL: 2080				SIZE CODE NUMBER REV. D CS L0109-P06-PBU6



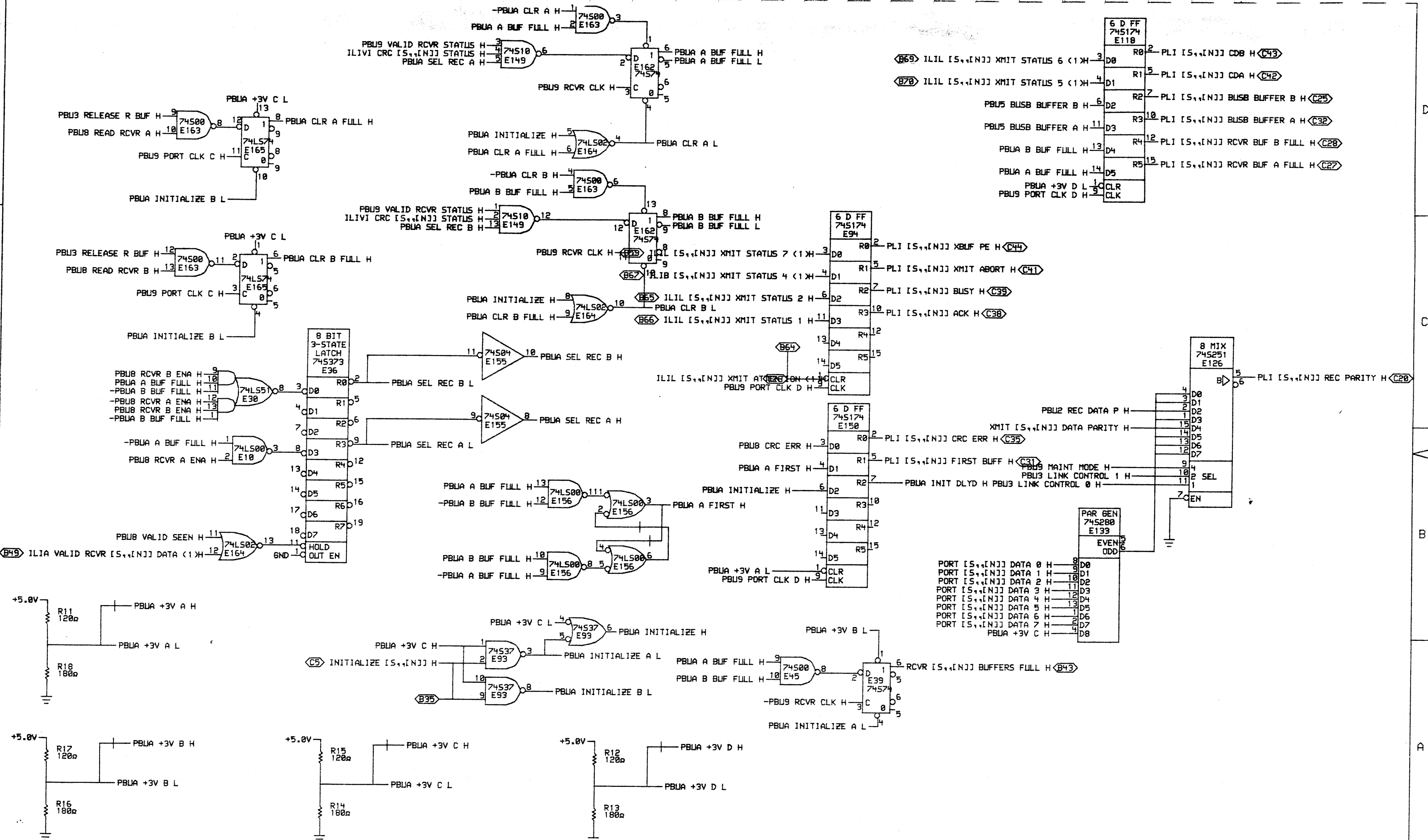
DRN.	DATE	ENG.	DATE	TITLE:
CHK'D.	DATE	BOARD LOCATION:		PACKET BUFFER TRANSMIT CONTROL
SHEET 7 OF 12				SIZE CODE
FIRST USED ON OPTION/MODEL: HSC 50				D CS
NEXT HIGHER ASSEMBLY: HSC 50				NUMBER
				L0109-P07-PBU7
				REV.



DRN.	DATE	ENG.	DATE	TITLE:
CHK'D.	DATE	BOARD LOCATION:	SHEET	8 OF 12
VILCAN (2000.L0067) PBU8.DRW 105-AUG-81 11:36 NEXT HIGHER ASSEMBLY: HSC 50				SIZE CODE NUMBER D CS L0109-P08-PBU8
REV.				



DRN.	DATE	ENG.	DATE	TITLE:
CHK'D.	DATE	BOARD LOCATION:	SHEET	OF
VLL CASH (2000.L0067) PBLU9.DRW 18-DEC-81 20:31 NEXT HIGHER ASSEMBLY:				SIZE CODE NUMBER REV.
FIRST USED ON OPTION/MODEL: HSC 50 HSC 50				D CS L0109-P09-PBU9



6 D FF 745174 E118	R0	2	PLI IS,,[N]] CDB H (C43)
	R1	5	PLI IS,,[N]] CDA H (C42)
	R2	7	PLI IS,,[N]] BUSB BUFFER B H (C25)
	R3	10	PLI IS,,[N]] BUSB BUFFER A H (C32)
	R4	12	PLI IS,,[N]] RCVR BUF B FULL H (C28)
	R5	15	PLI IS,,[N]] RCVR BUF A FULL H (C27)
	1	CLR	
	9	CLK	

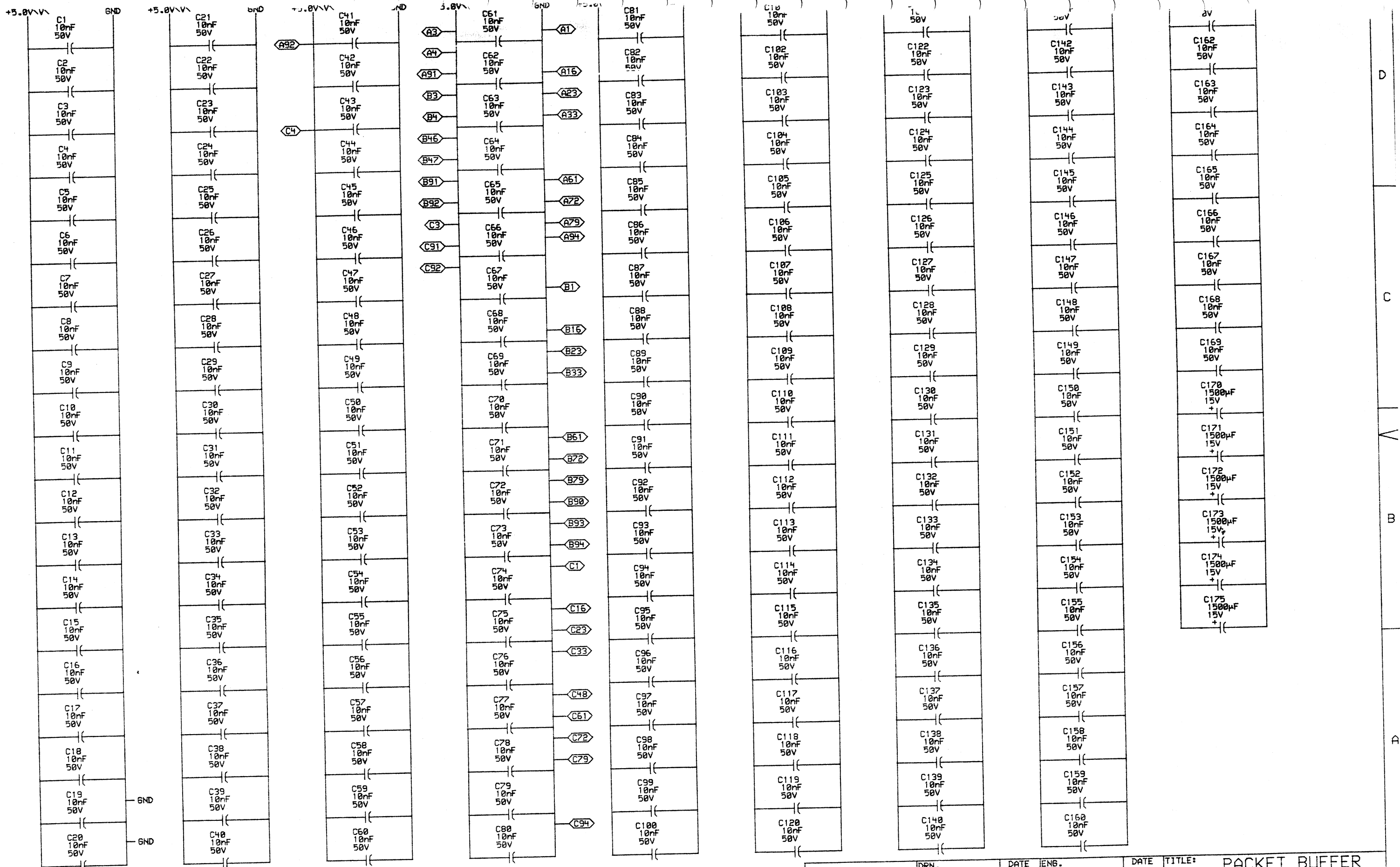
6 D FF 745174 E94	R0	2	PLI IS,,[N]] XBUF PE H (C44)
	R1	5	PLI IS,,[N]] XMIT ABORT H (C41)
	R2	7	PLI IS,,[N]] BUSY H (C39)
	R3	10	PLI IS,,[N]] ACK H (C38)
	R4	12	
	R5	15	
	1	CLR	
	9	CLK	

8 MIX 745251 E126	B	6	PLI IS,,[N]] REC PARITY H (C20)
D0	2	PLI IS,,[N]] CRC ERR H (C35)	
D1	3		
D2	1		
D3	15		
D4	14		
D5	13		
D6	12		
D7	11		
9	4		
10	2		
11	1		
7	EN		

PAR GEN 745280 E133	5	
EVEN	6	
ODD	7	

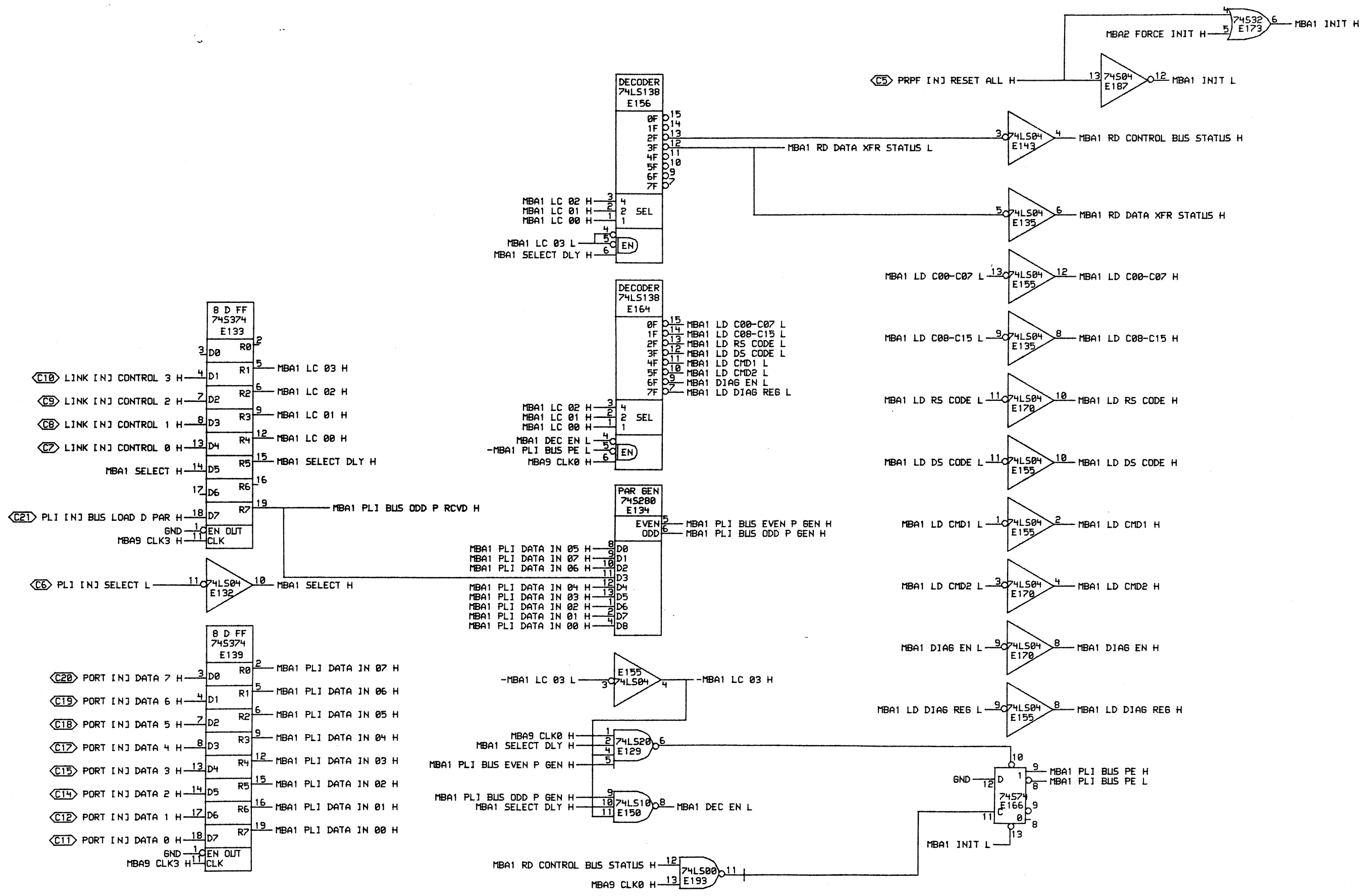
PORT IS,,[N]] DATA 0 H	8	D0
PORT IS,,[N]] DATA 1 H	9	D1
PORT IS,,[N]] DATA 2 H	10	D2
PORT IS,,[N]] DATA 3 H	11	D3
PORT IS,,[N]] DATA 4 H	12	D4
PORT IS,,[N]] DATA 5 H	13	D5
PORT IS,,[N]] DATA 6 H	14	D6
PORT IS,,[N]] DATA 7 H	15	D7
PBUA +3V C H	4	D8

DRN.	DATE	ENG.	DATE	TITLE:
CHK'D.	12-JAN-82			PACKET BUFFER RECEIVER SELECT
	DATE	BOARD LOCATION:	SHEET	OF
VILCANI (2000.L0067) PBUA.DRW	18-DEC-81	20:32	10	12
FIRST USED ON OPTION/MODEL:	HSC 50	HSC 50		
SIZE	CODE	NUMBER	REV.	
D	CS	L0109-P10-PBUA		

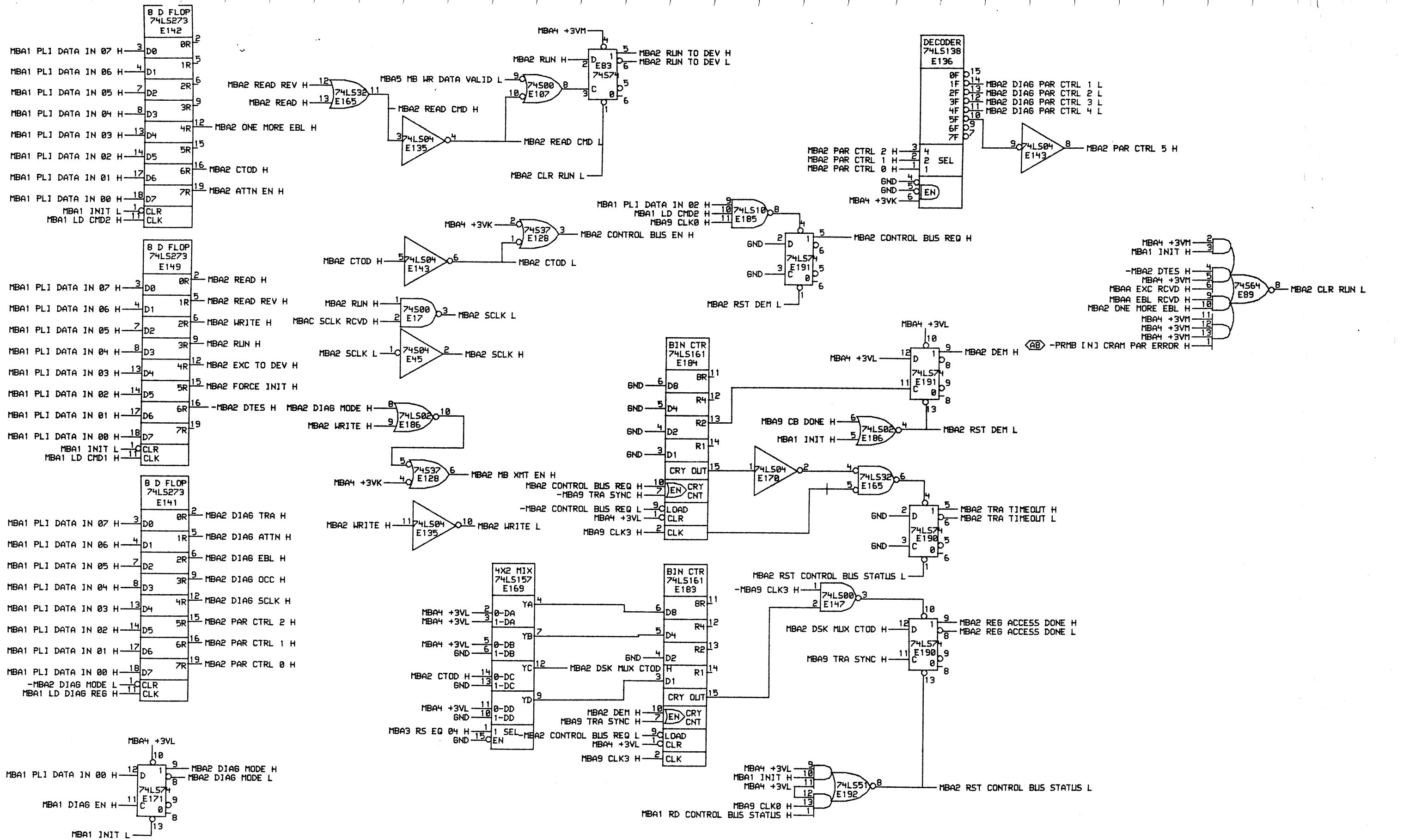


DRN.	DATE	ENG.	DATE	TITLE:
CHK'D.	12-JAN-82			PACKET BUFFER PWR & GND CAPS
VILCAN\2000.L0067\PBJB.DRW 05-AUG-81 11:38 NEXT HIGHER ASSEMBLY:				SIZE CODE NUMBER REV.
FIRST USED ON OPTION/MODEL: HSC 50 HSC 50				D CS L0109-P11-PBJB 1

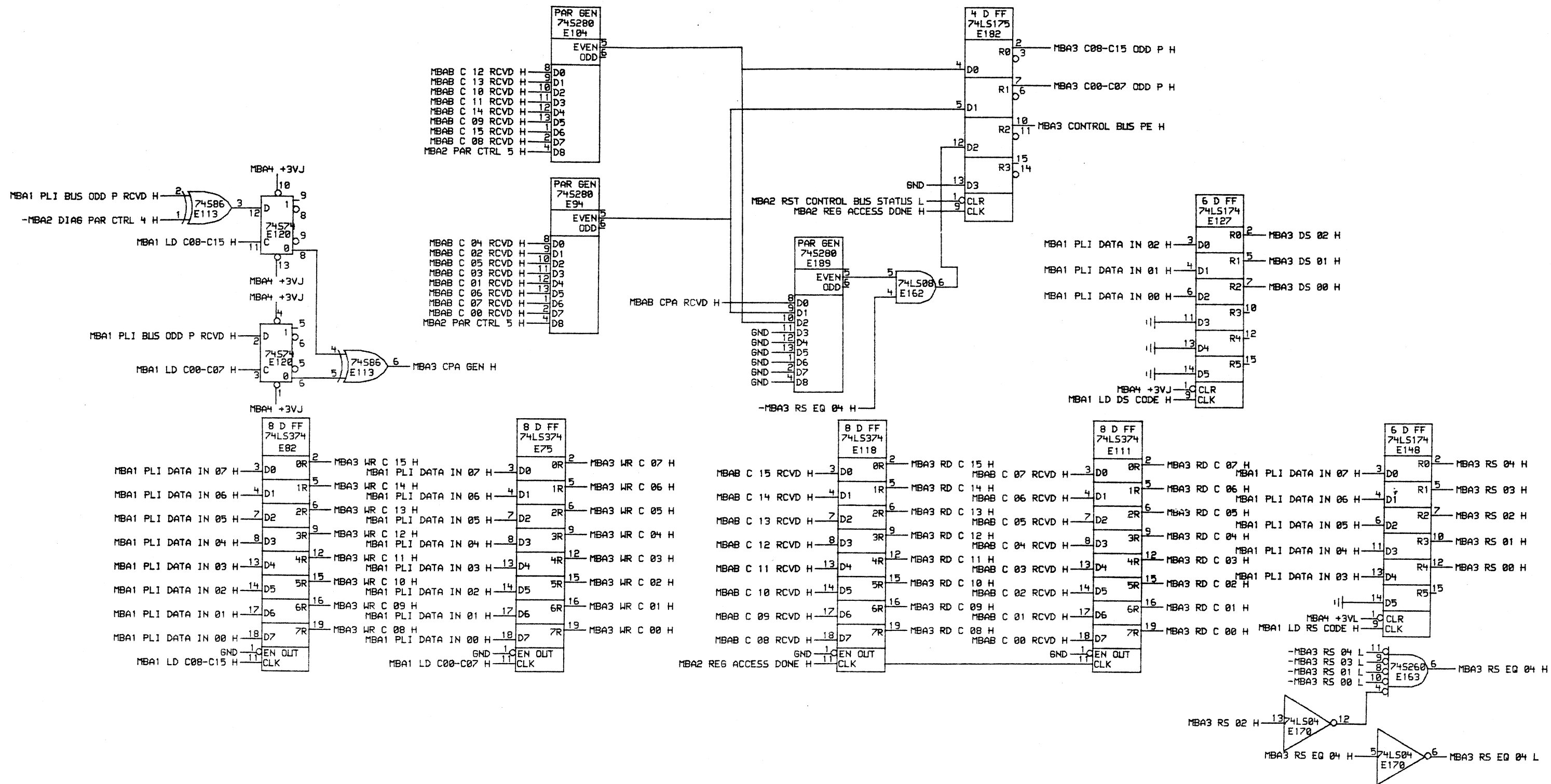
<2080.L0065>14MBA1
<2080.L0065>18MBA2
<2080.L0065>MBA3
<2080.L0065>17MBA4
<2080.L0065>21MBA5
<2080.L0065>19MBA6
<2080.L0065>20MBA7
<2080.L0065>16MBA8
<2080.L0065>14MBA9
<2080.L0065>12MBA
<2080.L0065>12MBAB
<2080.L0065>12MBAC
<2080.L0065>6MBAD
<2080.L0065>21MBAE
<2080.L0065>21MBAF



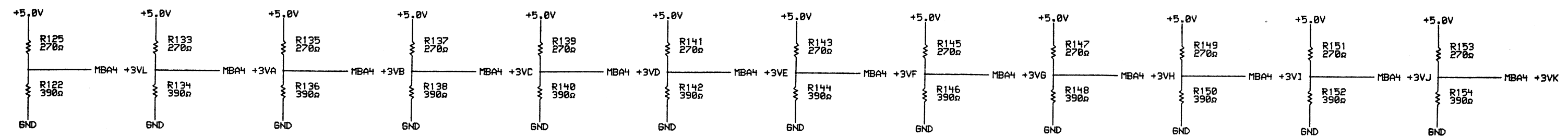
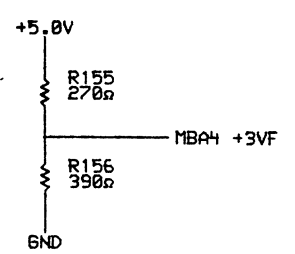
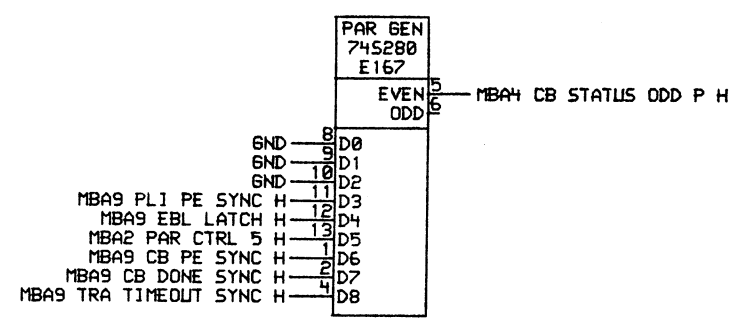
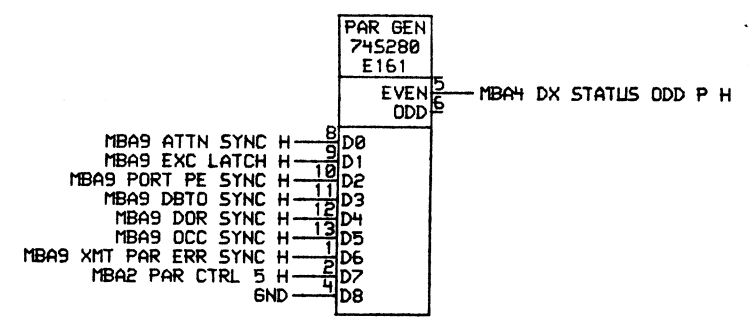
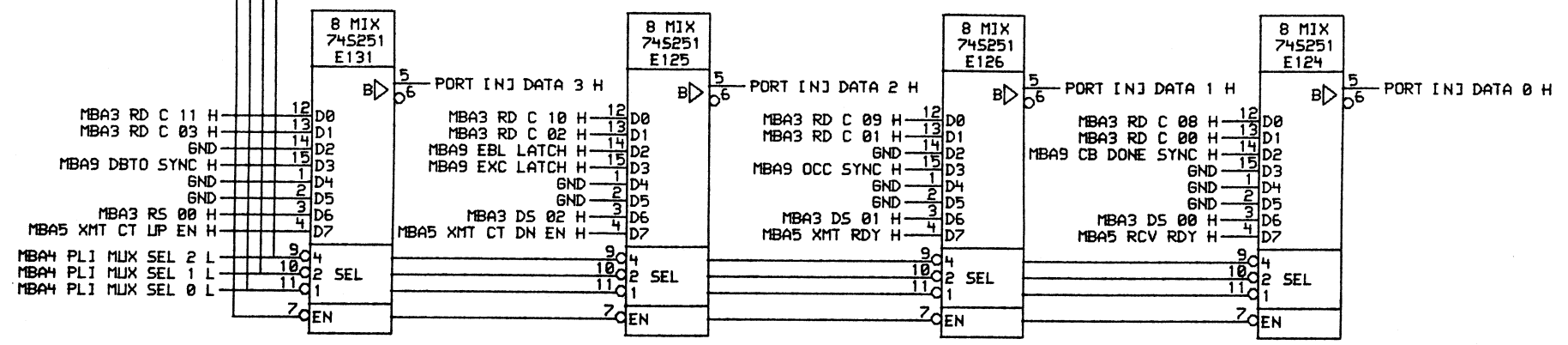
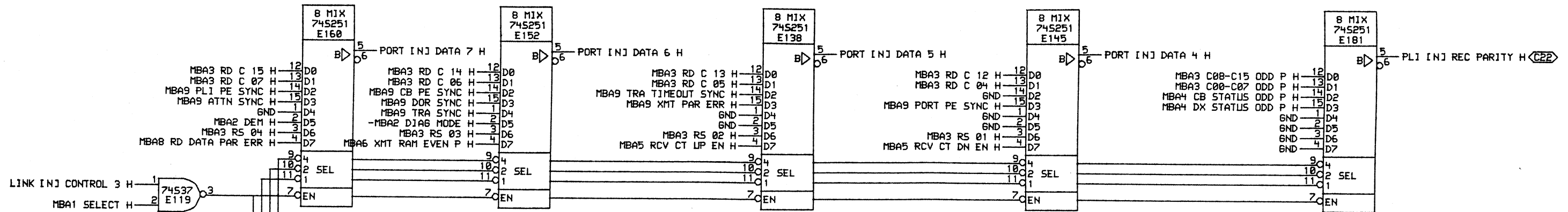
DRN.	DATE	ENG.	DATE	TITLE
CHK'D.	DATE	BOARD LOCATION		LINK CTRL DEC PLI BUS BFR
FIRST USED ON OPTION MODEL:				SIZE CODE
NEXT HIGHER ASSEMBLY:				NUMBER
D CS L0065-0-MBA1				REV.



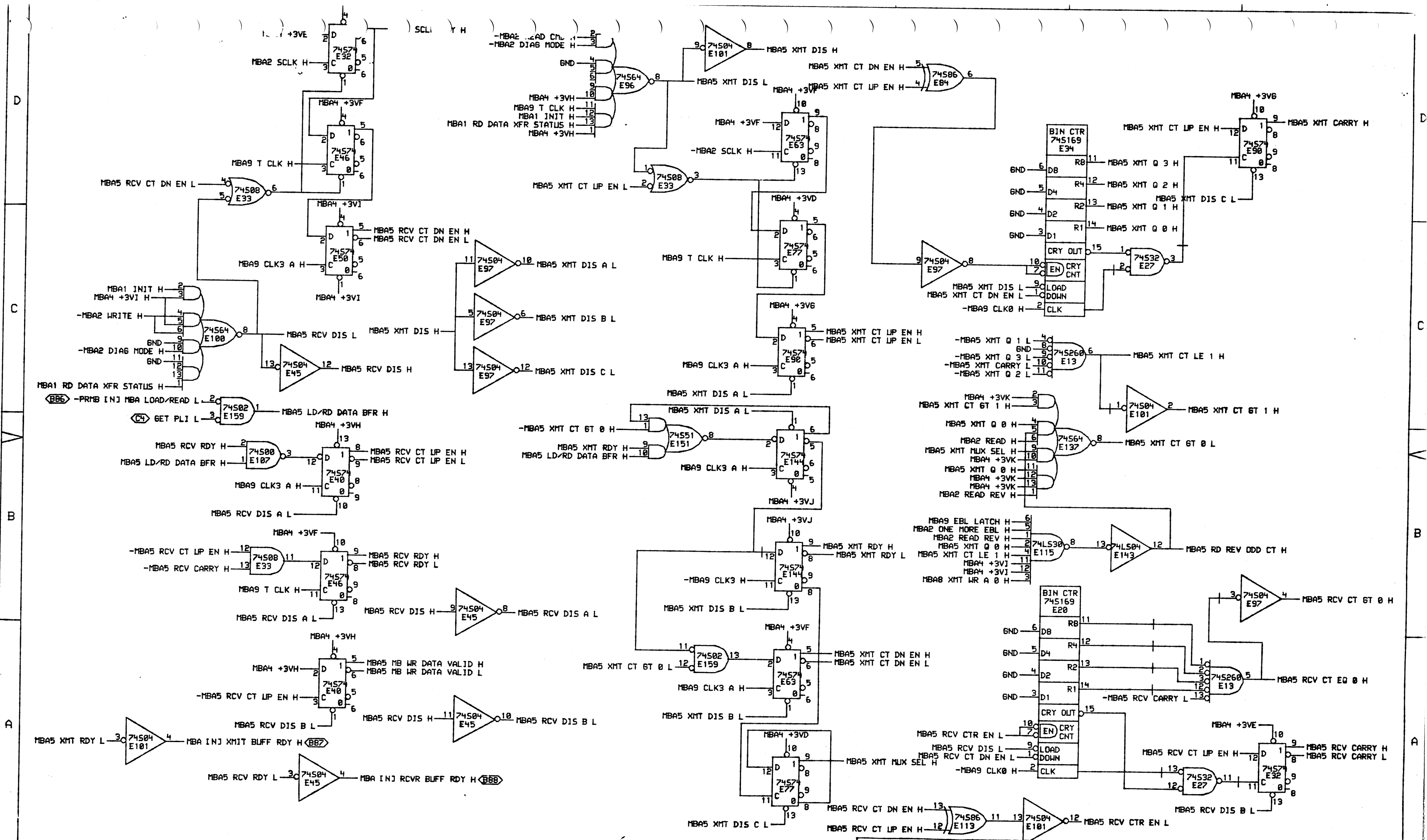
DRW.	DATE	ENG.	DATE	TITLE:
CHK'D.	DATE	BOARD LOCATION:		CMD REG, DIAG REG
		REV.		MB INTERFACE
FIRST USED ON OPTION/MODEL:				SIZE CODE NUMBER REV.
124-FEB-82 09:34 NEXT HIGHER ASSEMBLY:				D CS L0065-0-MBA2



DRN.	DATE	ENG.	DATE	TITLE:	CNTL BUS BFR PARITY	
CHK'D.	DATE	BOARD LOCATION:	SHEET	OF	SIZE	CODE
VULCAN: <2000.L0065>MBA3.DRW 12-AUG-81 08:14 NEXT HIGHER ASSEMBLY:				NUMBER	REV.	
FIRST USED ON OPTION/MODEL:				D	CS	L0065-0-MBA3



DRN.	DATE	ENG.	DATE	TITLE:	PLI BUS MUX		
CHR'D.	DATE	BOARD LOCATION:	SHEET	OF	SIZE	CODE	NUMBER
VILCAN (C800-L0065) 17MB4-DW 112-FEB-82 16:31				NEXT HIGHER ASSEMBLY:	D	CS	L0065-0-MBA4
FIRST USED ON OPTION/MODEL:							REV.



DESIGNED BY	DATE	ENGINEER	DATE	TITLE
CHK'D.	30-MAR-82			MASSBUS DATA BUS CONTROLS
	DATE	BOARD LOCATION		
	SHEET	OF		
FIRST USED ON OPTION/MODEL:				SIZE CODE NUMBER REV.
		D CS L0065-0-MBA5		

8

7

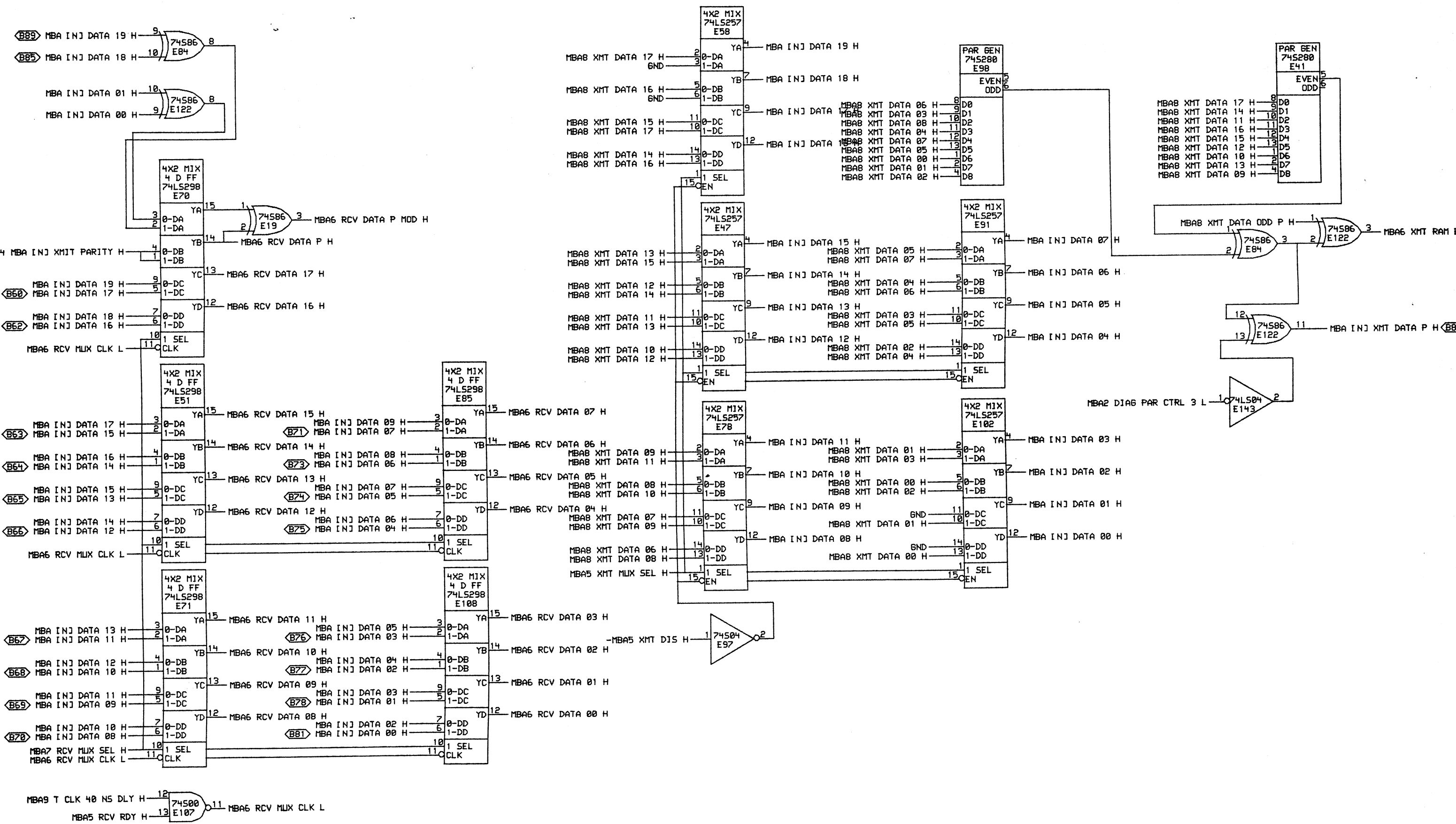
6

5

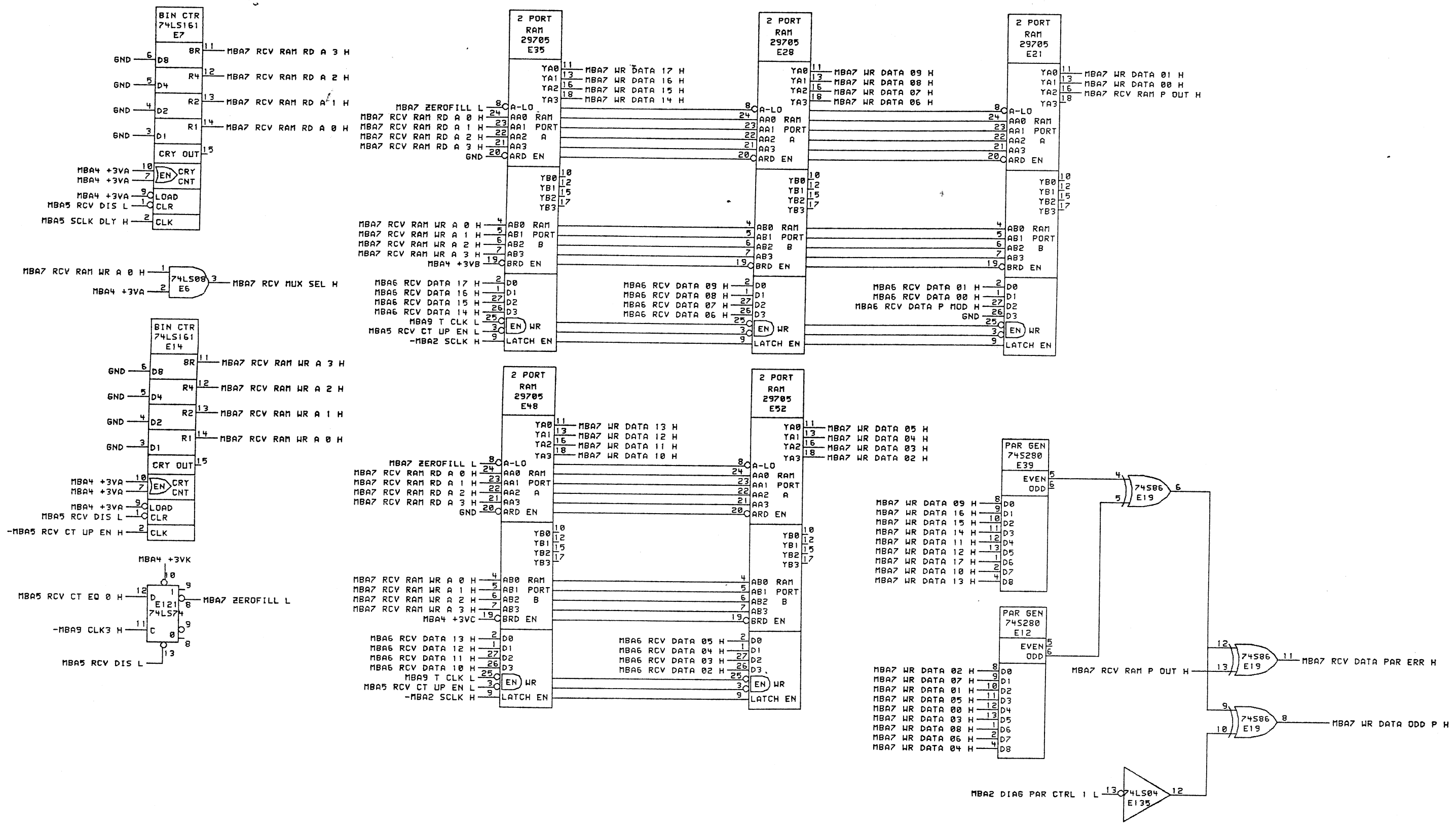
4

3

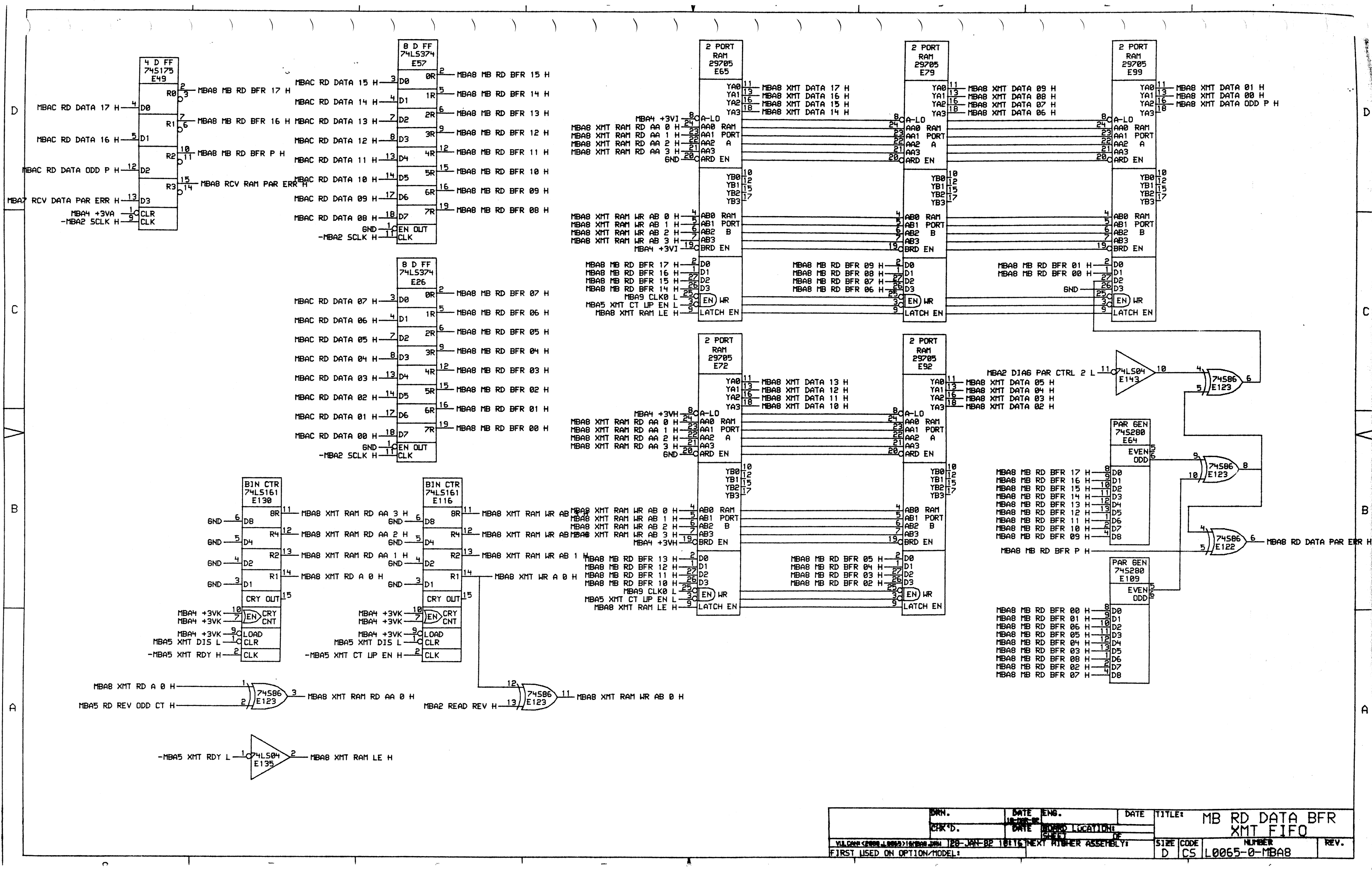
A



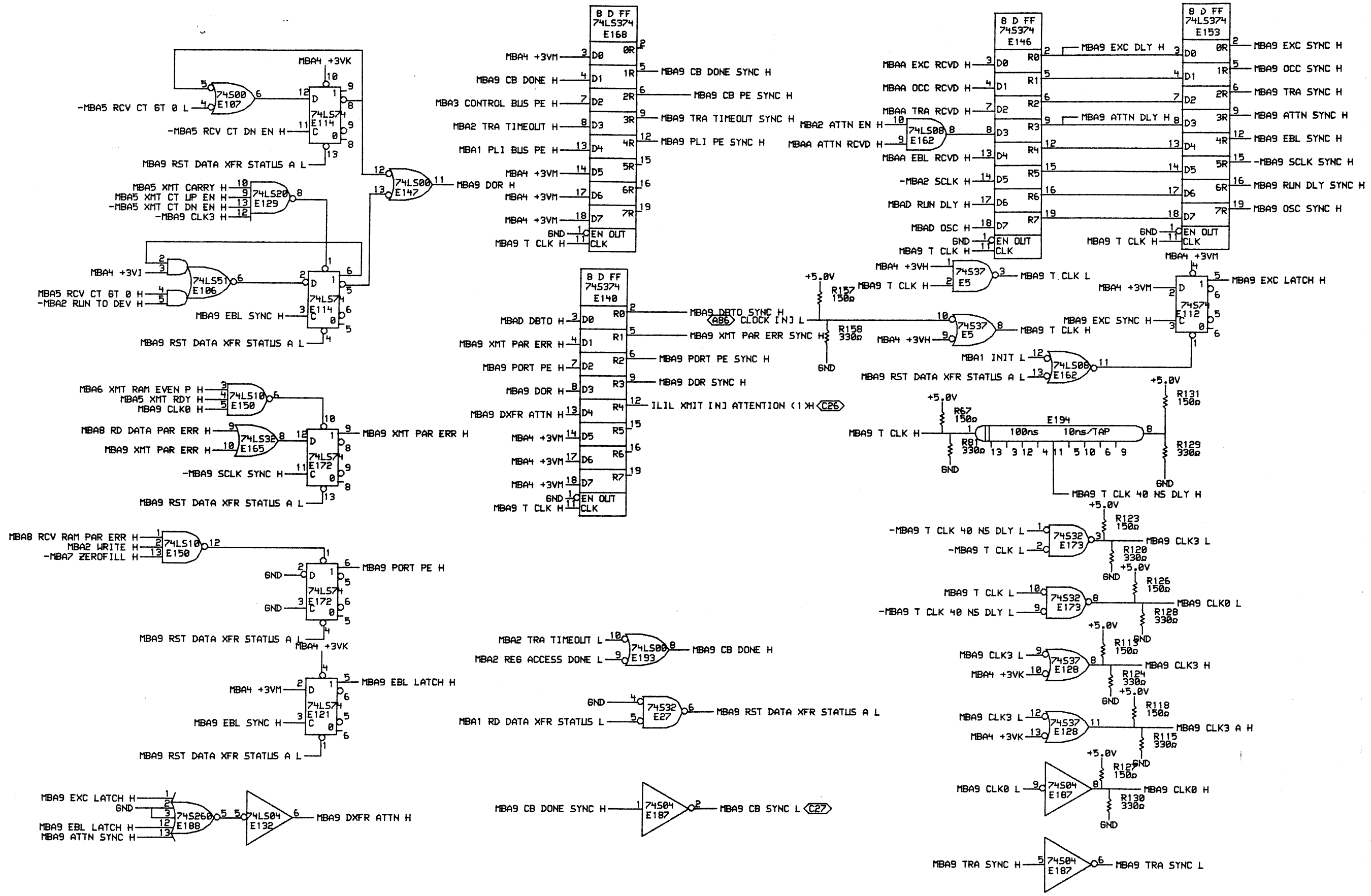
DRN.	DATE	ENG.	DATE	TITLE:
CHK'D.	DATE	BOARD LOCATION:		XMT MUX XMT PARITY
VIL CANI (2000.L0065)19MBA6.DRI 04-MAR-82 10:33 NEXT HIGHER ASSEMBLY:				SIZE CODE NUMBER REV.
FIRST USED ON OPTION/MODEL:				D C5 L0065-0-MBA6



DRN.	DATE	ENG.	DATE	TITLE:
CHK'D.	24-MAR-82			RCVR FIFO
VULCAN<2000.L0065>MBA7.DRW 05-MAR-82 09:01 NEXT HIGHER ASSEMBLY:				SIZE CODE NUMBER REV.
FIRST USED ON OPTION/MODEL:				D CS L0065-0-MBA7

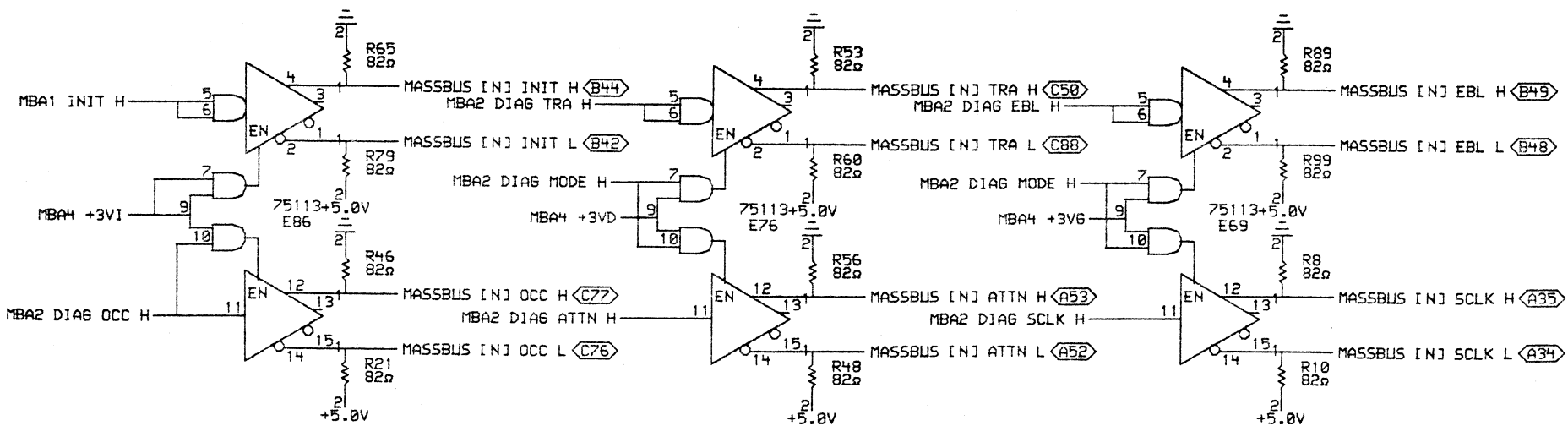
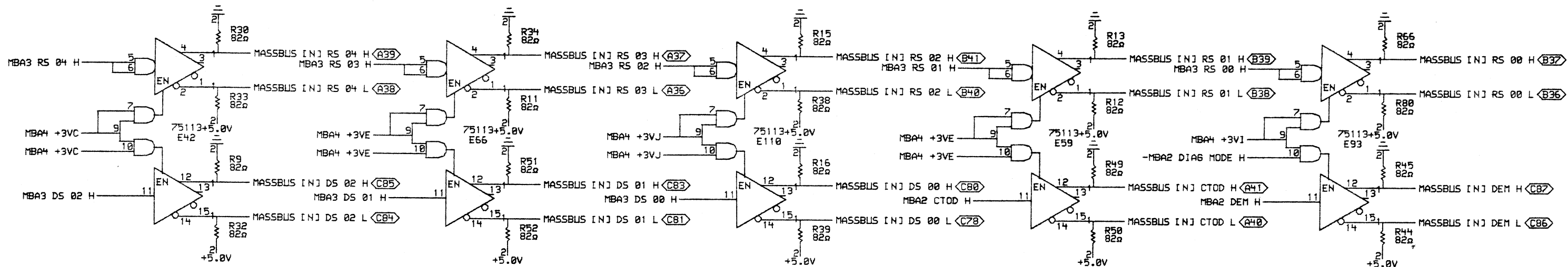
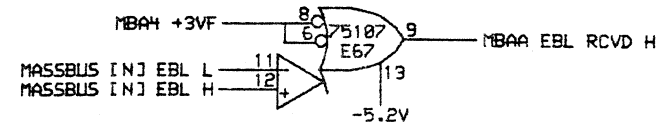
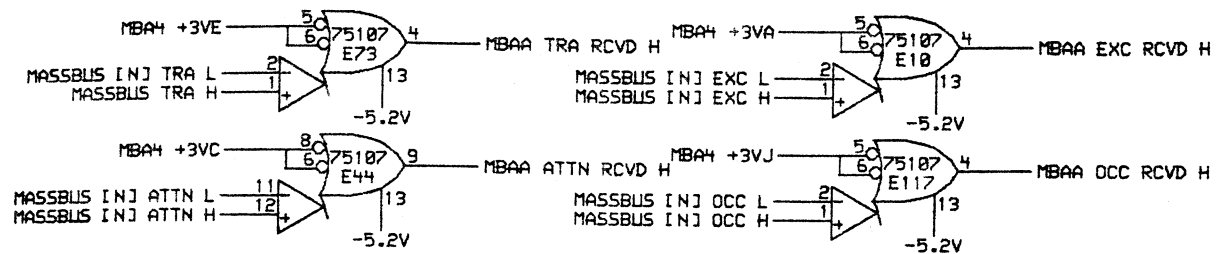


DRN.	DATE	ENG.	DATE	TITLE
CHK'D.	DATE	DESIGN LOCATION		MB RD DATA BFR XMT FIFO
VIL CMT 5000 J. L. M. 2/10/85 J. M. 1/28 JAN 82 10115 NEXT HIGHER ASSEMBLY				SIZE CODE NUMBER REV.
FIRST USED ON OPTION/MODEL:				D CS L0065-0-MB8

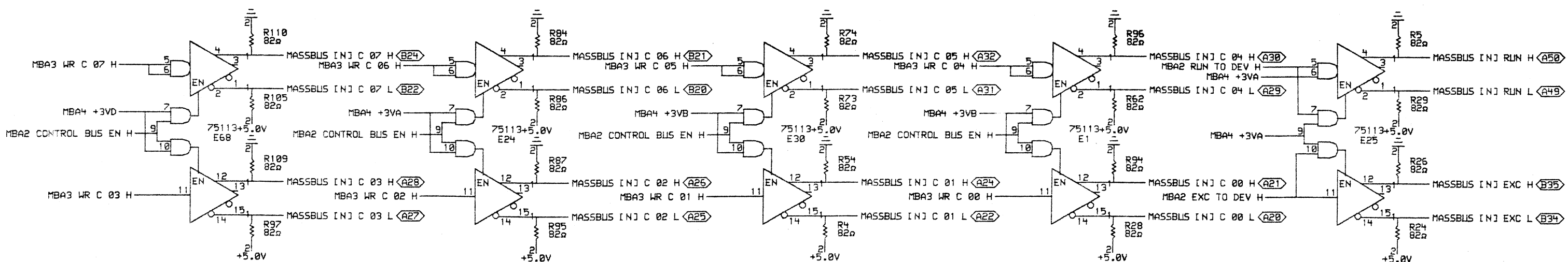
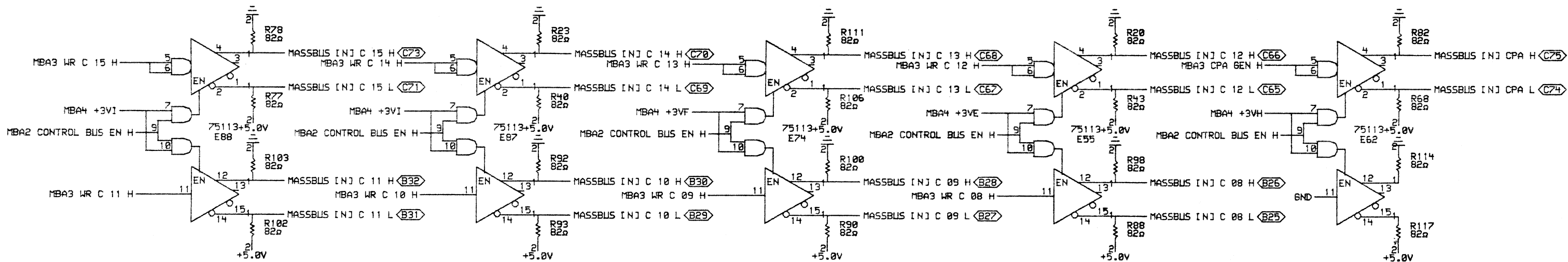
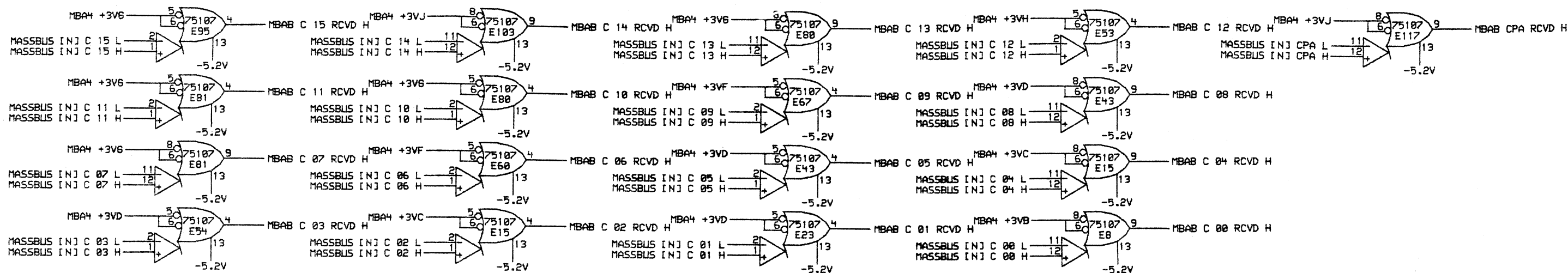


DRN.	DATE	ENG.	DATE	TITLE:
CHK'D.	DATE	BOARD LOCATION:		
VALCAN (CEN) 100-1483-14 MB9-001 02-MAR-82 10:00 NEXT HIGHER ASSEMBLY:				SIZE CODE
FIRST USED ON OPTION/MODEL:				NUMBER
				REV.

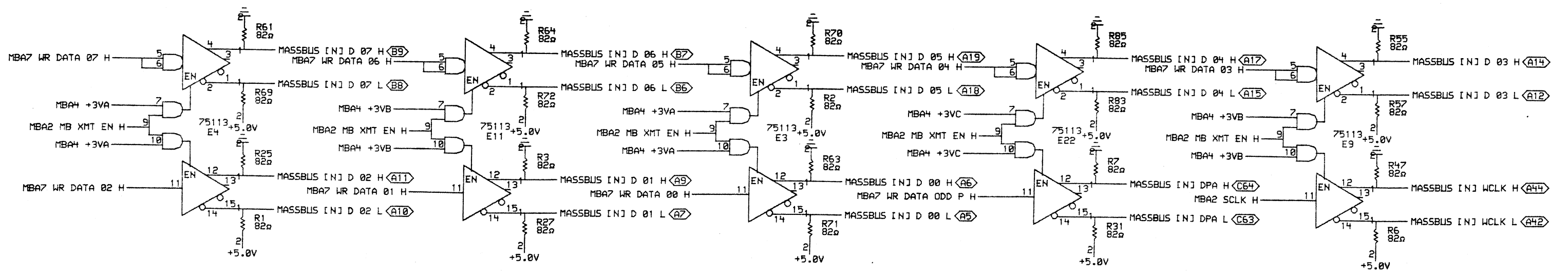
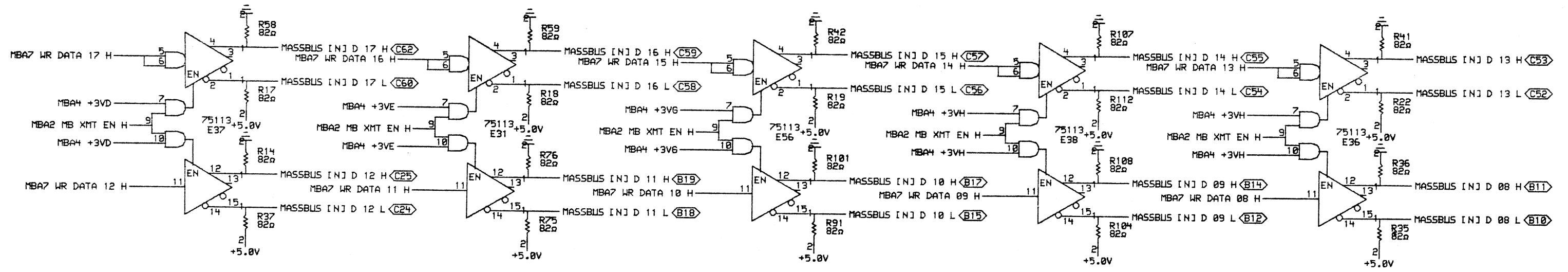
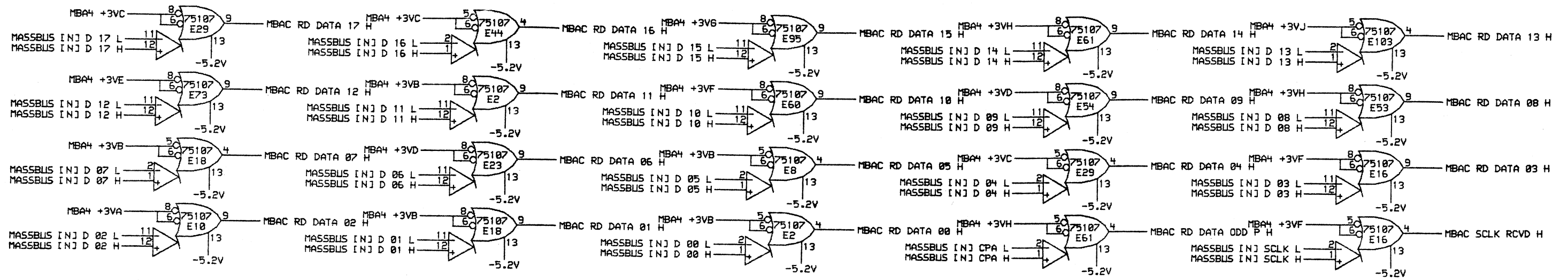
D C5 L0065-0-MB9



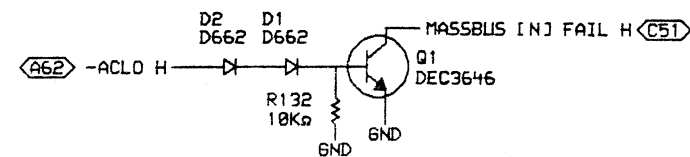
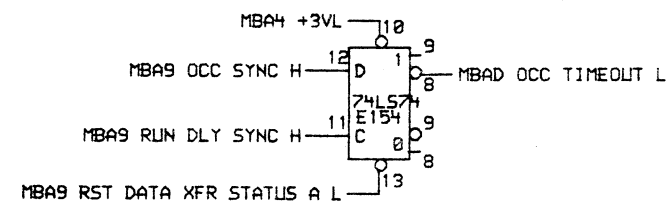
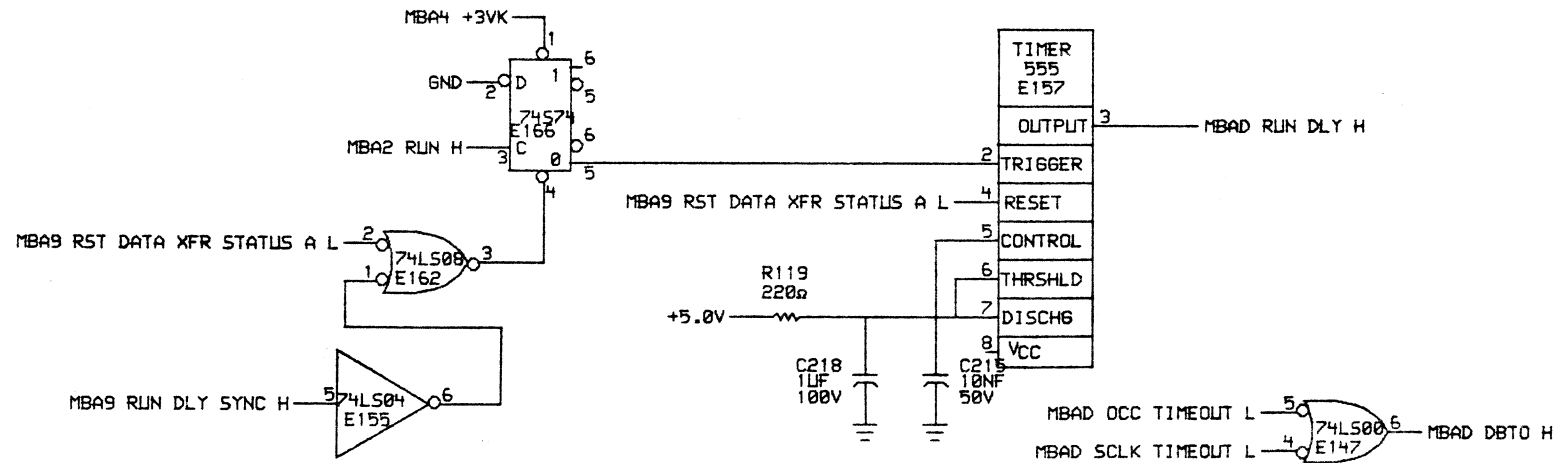
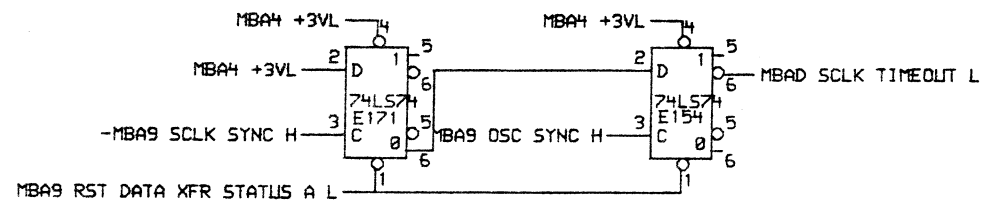
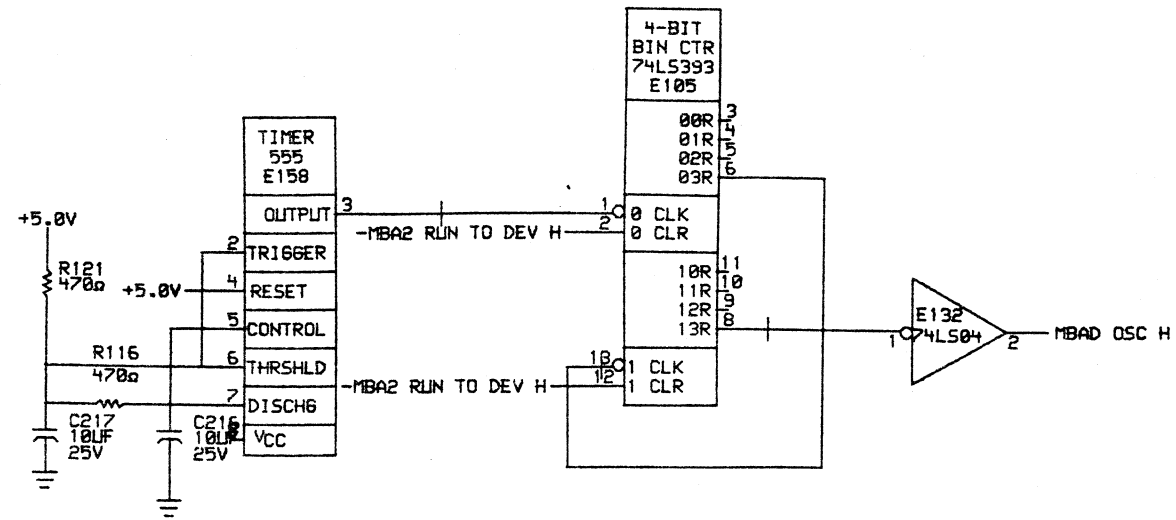
DRN.	DATE	ENG.	DATE	TITLE:
CHK'D.	DATE	BOARD LOCATION:		RS, DS DRIVERS
VIA CAN: <2000.L0065>12MBA.DRW	28-DEC-01 11:05	SHEET	OF	DIAG DRIVERS
FIRST USED ON OPTION/MODEL:		NEXT HIGHER ASSEMBLY:		NUMBER
				L0065-0-MBAA
				REV.



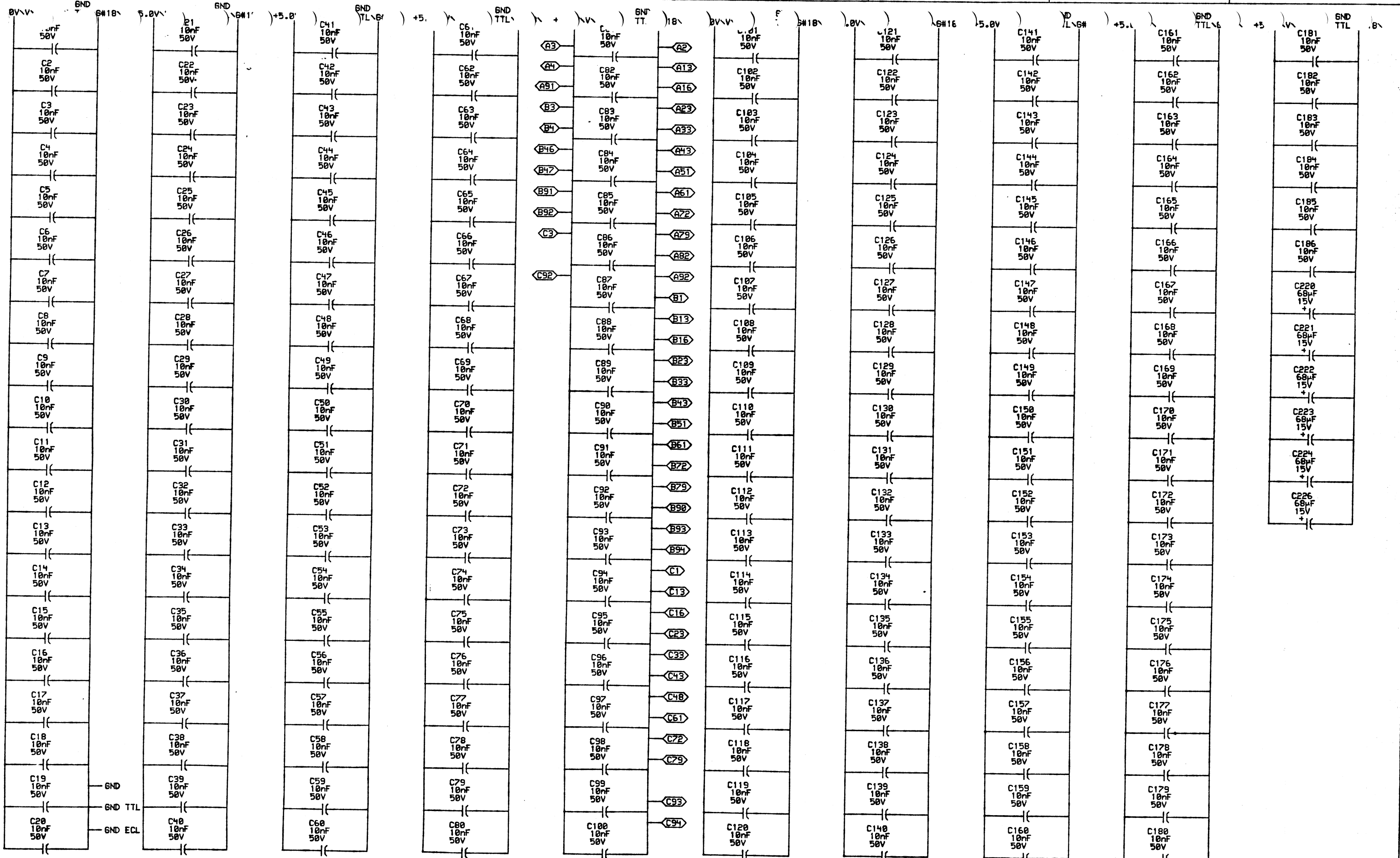
DRN.	DATE	ENG.	DATE	TITLE:
CHK'D.	DATE	BOARD LOCATION:		CONTROL BUS DRIVERS/RECEIVERS
VIL CANI (2800-L0065) 12MBAB.DRW		28-DEC-81 11:09		NEXT HIGHER ASSEMBLY:
FIRST USED ON OPTION/MODEL:				SIZE CODE NUMBER REV.
				D CS L0065-0-MBAB



DRN.	DATE	ENG.	DATE	TITLE:
CHK'D.	DATE	BOARD LOCATION:		DATA BUS DRIVERS/RECEIVERS
FIRST USED ON OPTION/MODEL:				SIZE CODE NUMBER REV.
VILCANT (2000.L0065)12MBAC.DRW 28-DEC-81 11:14 NEXT HIGHER ASSEMBLY:				D C5 L0065-0-MBAC



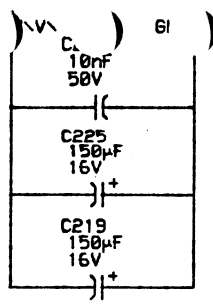
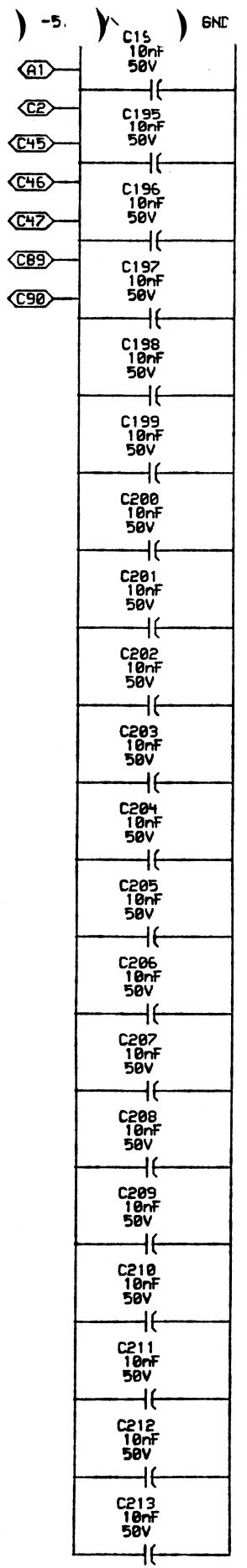
DRN.	DATE	ENG.	DATE	TITLE:
CHK'D.	12-JAN-82			
VULCAN\2080.L0065\MBAD.DRN 08-DEC-81 21:07		NEXT HIGHER ASSEMBLY:		SIZE
FIRST USED ON OPTION/MODEL:				D
NUMBER			REV.	
L0065-0-MBAD				



DRN.	DATE	ENG.	DATE	TITLE:
CHK'D.	DATE	BOARD LOCATION:		MBA
		SHEET	OF	PWR/GND CAPS
VILCAN (CROSS-LOGGED) DRAW 29-MAR-82 12:32 NEXT HIGHER ASSEMBLY:				SIZE CODE
FIRST USED ON OPTION MODEL: JUPITER				D CS L0065-0-MBAE
				NUMBER
				JUPITER
				REV.
				*

D
C
B
A

- | | | |
|----------|----------|----------|
| A45 - NC | A88 - NC | C40 - NC |
| A46 - NC | A89 - NC | C41 - NC |
| A47 - NC | A90 - NC | C42 - NC |
| A48 - NC | A93 - NC | C44 - NC |
| A54 - NC | A94 - NC | C49 - NC |
| A55 - NC | B2 - NC | |
| A56 - NC | B5 - NC | |
| A57 - NC | B45 - NC | |
| A58 - NC | B50 - NC | |
| A59 - NC | B52 - NC | |
| A60 - NC | B53 - NC | |
| A63 - NC | B54 - NC | |
| A64 - NC | B55 - NC | |
| A65 - NC | B56 - NC | |
| A66 - NC | B57 - NC | |
| A67 - NC | B58 - NC | |
| A68 - NC | B59 - NC | |
| A69 - NC | B80 - NC | |
| A70 - NC | B82 - NC | |
| A71 - NC | | |
| A73 - NC | | |
| A74 - NC | C28 - NC | |
| A75 - NC | C29 - NC | |
| A76 - NC | C30 - NC | |
| A77 - NC | C31 - NC | |
| A78 - NC | C32 - NC | |
| A80 - NC | C34 - NC | |
| A81 - NC | C35 - NC | |
| A83 - NC | C36 - NC | |
| A84 - NC | C37 - NC | |
| A85 - NC | C38 - NC | |
| A87 - NC | C39 - NC | |



GND ECLIB, \#19, J

DRN.	DATE	ENG.	DATE	TITLE:
CHK'D.	DATE	BOARD LOCATION:		MBA
FIRST USED ON OPTION/MODEL: JUPITER				PWR/GND CAPS
NEXT HIGHER ASSEMBLY: JUPITER				NUMBER
SIZE	CODE	NUMBER	REV.	
D	CS	L0065-0-MBAF	*	