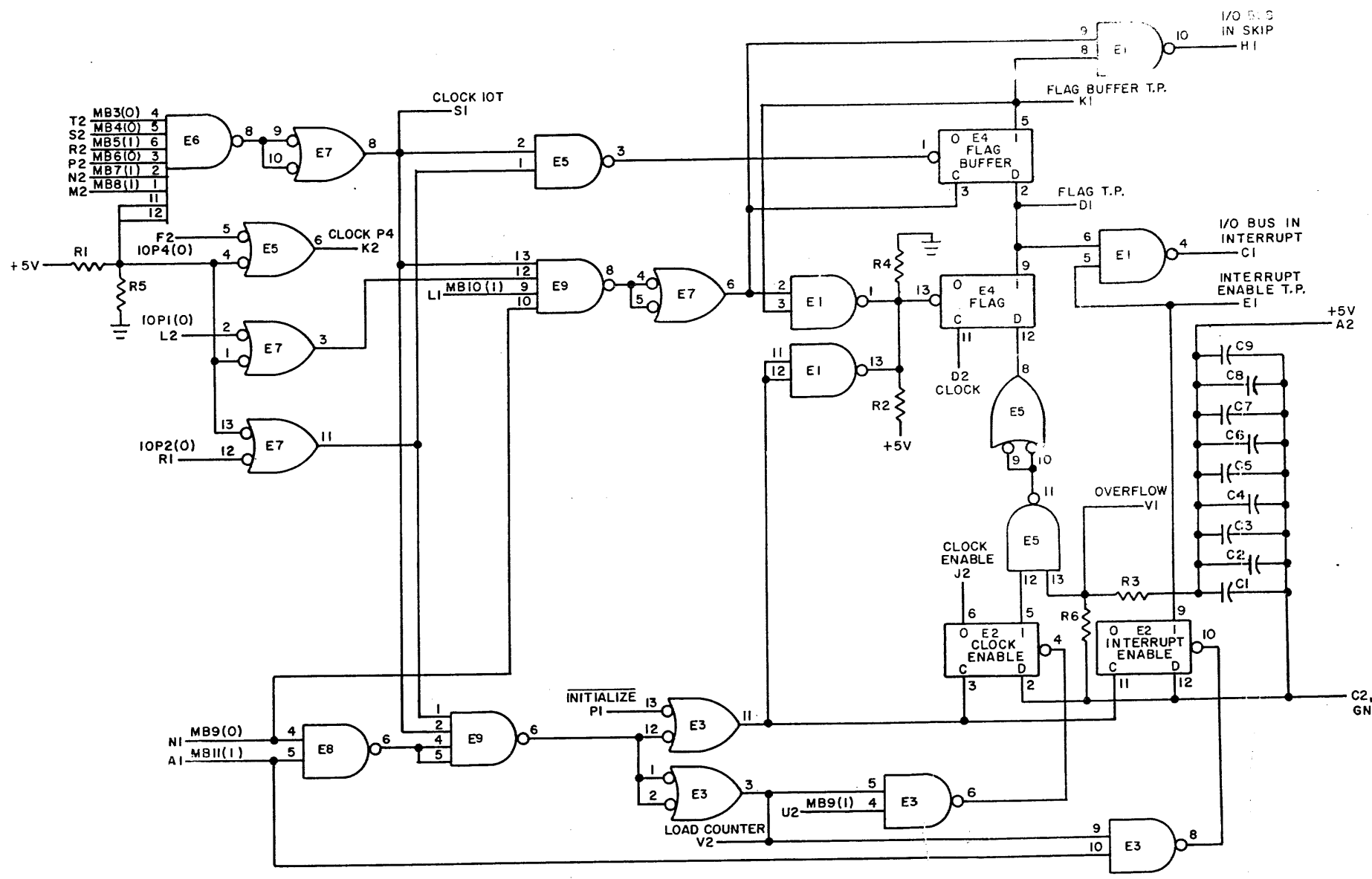


THIS SCHEMATIC IS FURNISHED ONLY FOR TEST AND MAINTENANCE PURPOSES. THE CIRCUITS ARE PROPRIETARY IN NATURE AND SHOULD BE TREATED ACCORDINGLY. COPYRIGHT 1968 BY DIGITAL EQUIPMENT CORPORATION



REFERENCE DESIGNATION	DESCRIPTION	PART NO.
R4 - R6	RES. 1.5K 1/4W 5% CC	1300391
E9	INTEGRATED CKT. DEC7420N	1905577
E3, E5, E7, E8	INTEGRATED CKT. DEC7400N	1905575
E6	INTEGRATED CKT. DEC7430N	1905578
E2, E4	INTEGRATED CKT. DEC7474N	1905547
E1	INTEGRATED CKT. DEC7401N	1905590
R1 - R3	RES. 750 1/4W 5% CC	1301401
C1 - C9	CAP. .01MFD 100V 20% DISC	1001610
PARTS LIST		A-PL-M708-0-0

REVISIONS	CHK	CHG	NO.	REV.
				A
				B
				C

DRN. <i>Dr. Waller</i>	DATE <i>3-5-68</i>
CHK'D <i>[Signature]</i>	DATE <i>3/21/68</i>
ENG. <i>[Signature]</i>	DATE <i>4/11/68</i>
PROD.	DATE

TRANSISTOR & DIODE CONVERSION CHART			
DEC	EIA	DEC	EIA

digital		TITLE	
EQUIPMENT CORPORATION		CLOCK CONTROL M708	
SIZE	CODE	NUMBER	REV.
C	CS	M708-0-1	C
PRINTED CIRCUIT REV.			C

REV. C
NUMBER
M708-0-1
SIZE CODE
CS

PINK 101 344 1834 1-3