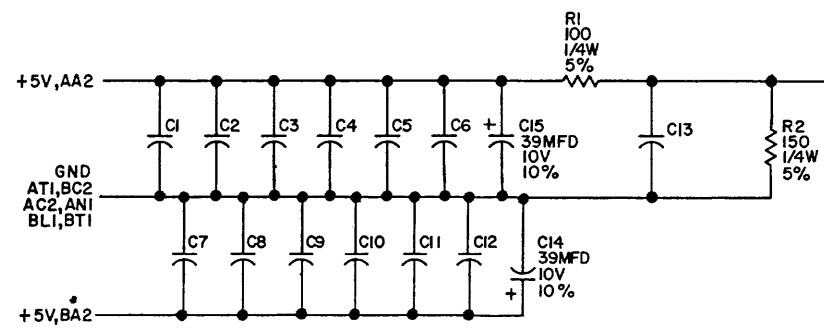
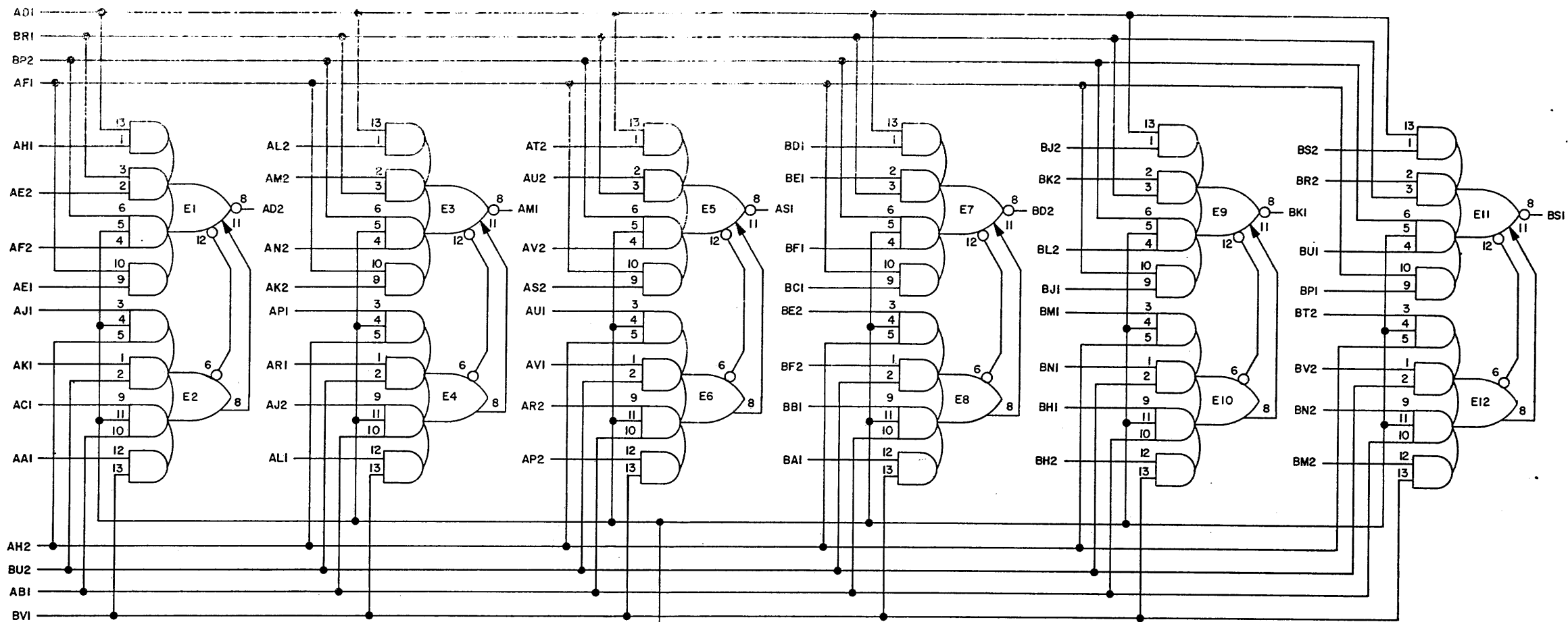


THIS SCHEMATIC IS FURNISHED ONLY FOR TEST AND MAINTENANCE PURPOSES. THE CIRCUITS ARE PROPRIETARY IN NATURE AND SHOULD BE TREATED ACCORDINGLY. COPYRIGHT 1970 BY DIGITAL EQUIPMENT CORPORATION



UNLESS OTHERWISE INDICATED:  
 CAPACITORS ARE .01MFD, 100V, 20%  
 E2, E4, E6, E8, E10, E12 ARE DEC1074H62  
 E1, E3, E5, E7, E9, E11 ARE DEC1074H53  
 PIN 7 ON EACH IC = GND  
 PIN 14 ON EACH IC = +5V

REVISIONS CHK CHG NO. REV [Signature] 00001 B	DRN. ALLAN RITCEY DATE 1-20-70	TRANSISTOR & DIODE CONVERSION CHART				TITLE 8X6 DATA MIXER MI78
	CHK'D [Signature] DATE 7-16-70	DEC	EIA	DEC	EIA	
ENG. [Signature] DATE 7-7-70	DATE 7-7-70				NUMBER MI78-0-1	REV B
DEC FORM NO. DRC 102	PROB. [Signature] DATE 10/20/70				PRINTED CIRCUIT REV. B	

REV. B  
 NUMBER MI78-0-1  
 SIZE CODE C CS

MI78-0-1