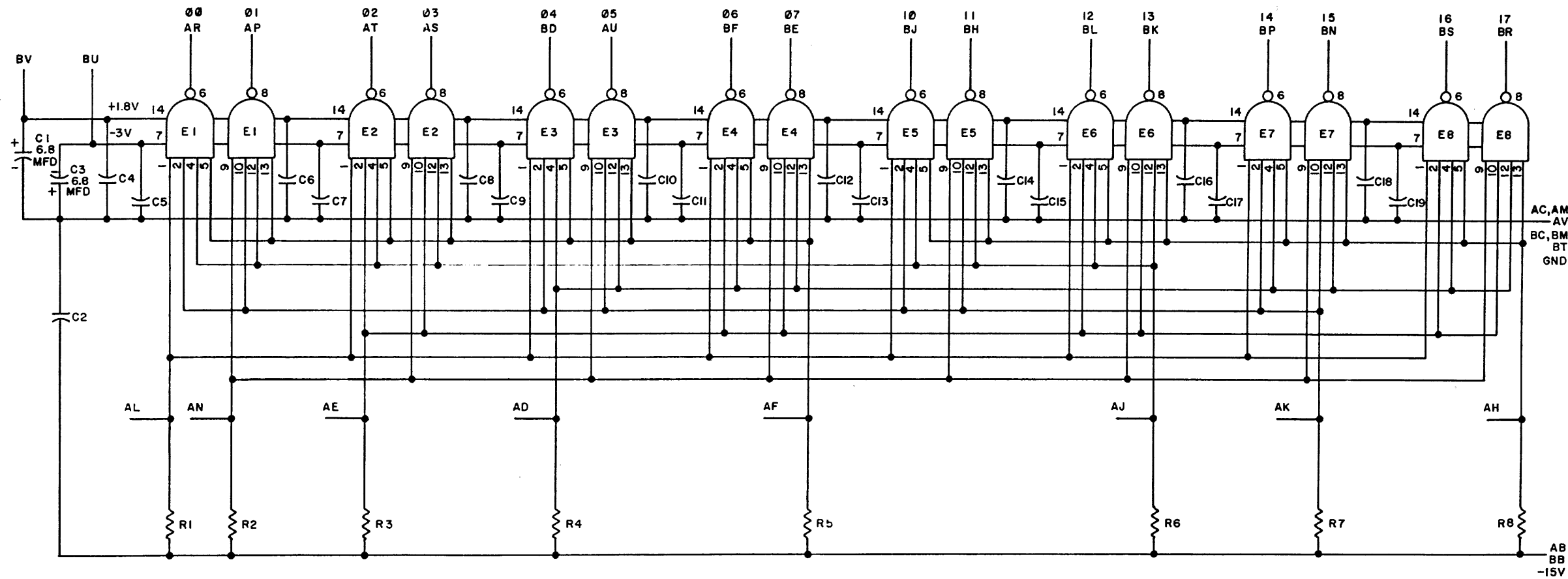


THIS SCHEMATIC IS FURNISHED ONLY FOR TEST AND MAINTENANCE PURPOSES. THE CIRCUITS ARE PROPRIETARY IN NATURE AND SHOULD BE TREATED ACCORDINGLY. COPYRIGHT 1967 BY DIGITAL EQUIPMENT CORPORATION



UNLESS OTHERWISE INDICATED:
CAPACITORS ARE .01 MFD

RESISTORS ARE 1,500; 1/4 W; 5%
E1 THRU E8 ARE TEXAS INSTRUMENT SN7440N
OR FAIRCHILD U6A900959X



REV. NUMBER
CS B199-0-1

REVISIONS CHG NO. REV.	DRN. <i>M. Haller</i> DATE <i>3-2-67</i>	TRANSISTOR & DIODE CONVERSION CHART				digital EQUIPMENT CORPORATION MAYNARD, MASSACHUSETTS	TITLE FM ADDRESS DECODER B199				
	CHK'D. DATE	DEC	EIA	DEC	EIA		SIZE C	CODE CS	NUMBER B199-0-1	REV.	
	ENG. DATE	<td> </td> <td> </td> <td> </td> <td> </td> <td> </td> <td> </td> <td> </td> <td> </td>									
	PROD. DATE										