

MASTER DRAWING LIST

MAINTENANCE MANUALS		UNIT VARIATIONS															
		LINC8-0	LINC8-L	LINC8-M	LINC8-P												
NO.	TITLE																
LINC8-0	LINC 8	X	X	X	X												

USED ON OPTIONS																

REVISIONS	REV.	DATE	CHG. NO.	APP'D.	DRN.	DATE	<div style="font-size: 2em; font-weight: bold; margin-bottom: 5px;">digital</div> EQUIPMENT CORPORATION <small>MAYNARD, MASSACHUSETTS</small>
	A	9/71	MISC-86	A. V.	ANDRUCHOW	10-1-66	
					CHK'D.	DATE	
					DAIGNEAULT	10-1-66	
					ENG.	DATE	
				R. CLAYTON	10-1-66	TITLE	
				PROJ. ENG.	DATE	LINC + PDP8 FUNCTIONS	
				R. CLAYTON	10-1-66		
				PROD.	DATE		
				R. CLAYTON	10-1-66		
				FIRST USED ON			
				LINC 8			
				SCALE 1/4		SIZE CODE	
						A ML	
				SHEET 1 OF 5		NUMBER	
						LINC8-0	
						REV.	
						A	
						DIST.	

DRA 131

Dec 16-(325)-1048-N471

PRINT SET		DWG. NO.	REV. LET.	NO. OF SHEETS	TITLE	OPTION NO.
LINC8-0						
X		D-FD-LINC8-0-9		2	MANUAL & AUTO OPERATIONS	
X		D-FD-LINC8-0-30		1	FLOW DIAGRAM, LOAD	
X		D-DI-LINC8-0-14	D	3	DRAWING INDEX LIST	
X		D-BS-LINC8-0-2		1	DATA TERM, PANEL LOGIC	
X		D-BS-LINC8-0-L2		1	B REGISTER	
X		D-BS-LINC8-0-L3		1	S & P REGISTER	
X		D-BS-LINC8-0-L4		1	LINC, LEFT HALF A REGISTER	
X		D-BS-LINC8-0-L5		1	RIGHT HALF A REGISTER	
X		D-BS-LINC8-0-L6	A	1	R & Z REGISTERS	
X		D-BS-LINC8-0-L7	A	1	PDP-8 AC INPUT GATES	
X		D-BS-LINC8-0-L14		1	CONTROL REG. & INST DECODERS	
X		D-BS-LINC8-0-L15	A	1	TIME PULSE DISTRIBUTOR	
X		D-BS-LINC8-0-L16	F	1	LINC INTERFACE CONTROL	
X		D-BS-LINC8-0-L17	B	1	IOT DECODERS	
X		D-BS-LINC8-0-L18	B	1	CONTROL FUNCTIONS	
X		D-BS-LINC8-0-L19		1	SKIP NETS	
X		D-BS-LINC8-0-L20	A	1	CONTROL PULSE GATES	
X		D-BS-LINC8-0-L21	A	1	SPZTN & DIS. CONT. PULSES	
X		D-BS-LINC8-0-L22	A	1	A & B REGISTER CONTROL PULSES	
X		D-BS-LINC8-0-L26	A	1	MEMORY EXTENSION	
X		D-BS-LINC8-0-L28		1	LINC SWITCHES & INDICATORS	
X		D-BS-LINC8-0-M8		1	PDP-8 ADDR INPUT GATE	
X		D-BS-LINC8-0-M9		1	MAG TAPE READER/WRITER	
X		D-BS-LINC8-0-M10	B	1	MAG TAPE MOTION CONTROL	
TITLE		LINC8				
				SHEET 2 OF 5	SIZE CODE	NUMBER
					A ML	LINC8-0
						REV.
						A

DRA 137

DEC 16 (325)-1043-1-N471

PRINT SET					DWG. NO.	REV. LET.	NO. OF SHEETS	TITLE	OPTION NO.	
LINC8-Ø										
X					D-BS-LINC8-M11	A	1	MAGTAPE TIMING GEN.		
X					D-BS-LINC8-Ø-M12	A	1	MAG TAPE MODE CONTROL		
X					D-BS-LINC8-Ø-M13	C	1	MAG TAPE MARK WINDOW		
X					D-BS-LINC8-Ø-M111	C	1	TELEPRINTER		
X					D-BS-LINC8-Ø-M112	A	1	X AXIS SELECTION		
X					D-BS-LINC8-Ø-M113	A	1	Y AXIS SELECTION		
X					D-BS-LINC8-Ø-M115	C	1	SENSE AMPS, INHIBIT DRIVERS MEM. CONT.		
X					D-BS-LINC8-Ø-M116	A	1	IN - OUT BUFFERS		
X					D-BS-LINC8-Ø-P23	B	1	DATA BITS ØØ-11 GATES		
X					D-BS-LINC8-Ø-P24	B	1	ANALOG SYSTEM		
X					D-BS-LINC8-Ø-P25		1	MB REGISTER MODS.		
X					D-BS-LINC8-Ø-P27		1	PDP-8 SWITCHES & INDICATORS		
X					D-BS-LINC8-Ø-P1Ø2	A	1	ACCUMULATOR		
X					D-BS-LINC8-Ø-P1Ø3		1	AC CONTROL		
X					D-BS-LINC8-Ø-P1Ø4	A	1	PC & MA REGISTERS		
X					D-BS-LINC8-Ø-P1Ø5	A	1	MB REGISTER CONTROL		
X					D-BS-LINC8-Ø-P1Ø6	B	1	MAJOR STATES & INSTRUCTION REG.		
X					D-BS-LINC8-Ø-P1Ø8	B	1	MA PC CONTROL		
X					D-BS-LINC8-Ø-P1Ø9	B	1	TIMING KEYS, SWS, & RUN		
X					D-BS-LINC8-Ø-P11Ø	D	1	INPUT-OUTPUT CONTROL		
X					D-MU-LINC8-Ø-3		1	MODULE UTILIZATION LIST		
X					A-PL-LINC8-Ø-3		1	MODULE UTILIZATION PARTS LIST		
X					D-MU-LINC8-Ø-L1Ø	H	1	PANELS LE - LJ		
X					D-MU-LINC8-Ø-L11	B	1	PANELS LA--LD		
TITLE					LINC 8	SHEET 3 OF 5		SIZE A CODE ML	NUMBER LINC8-Ø	REV. A

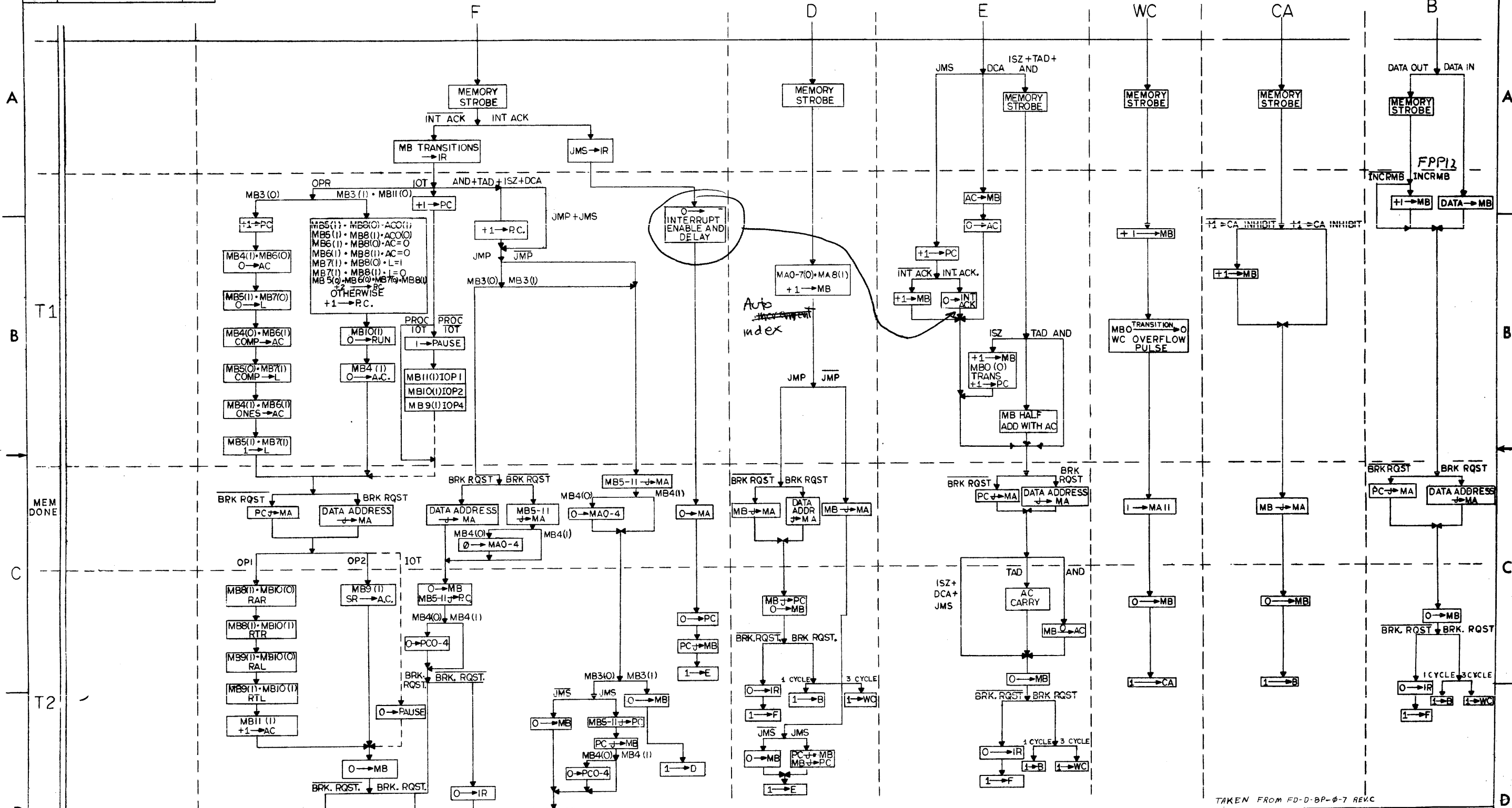
DRA 132
DEC 16-(325)-1048-1-N471

PRINT SET					DWG. NO.	REV. LET.	NO. OF SHEETS	TITLE	OPTION NO.	
LINC8-Ø										
X					D-MU-LINC8-Ø-M3	E	1	PANELS MA - MD		
X					D-MU-LINC8-Ø-M4	H	1	PANELS ME - MJ		
X					D-MU-LINC8-Ø-P3	F	1	PANELS PE TO PJ		
X					D-MU-LINC8-Ø-P4	D	1	PANELS PA TO PD		
X					D-IC-LINC8-Ø-4		2	CABLES FOR LINC8		
X					D-IC-LINC8-Ø-5		1	I/O LISTINGS		
X					D-IC-LINC8-Ø-6		1	CABLE LISTING		
X					D-IC-LINC8-Ø-1Ø		1	POWER WIRING AC & DC		
X					D-IC-LINC8-Ø-11		1	CABLE LAYOUT OF CONTROL PANEL		
X					D-IC-LINC8-Ø-12		1	AC CABLES		
X					A-CP-LINC8-Ø-7		1	EXTERNAL COMPONENT LIST		
X					A-PL-LINC8-Ø-8		1	MODULE PARTS LIST		
X					D-UA-LINC8-Ø-Ø		3	LINC8 ASSEMBLY		
X					A-PL-LINC8-Ø-Ø		8	LINC8 PARTS LIST		
X					D-AD-7005108-0-0	A	1	BUSS BAR		
X					D-AD-7005109-0-0		1	BUSS BAR		
X					D-AD-7005110-0-0		4	BUSS BAR		
TITLE					LINC 8	SHEET 4 OF 5		SIZE A CODE ML	NUMBER LINC8-Ø	REV. A

DRA 132
DEC 16-(325)-1048-1-N471

PRINT SET					DWG. NO.	REV. LET.	NO. OF SHEETS	TITLE	OPTION NO.	
LINC8-Ø										
X					K-WL-LINC8-Ø-L9	M	1	WIRE LIST		
X					K-WL-LINC8-Ø-M2	H	1	WIRE LIST		
X					K-WL-LINC8-Ø-P2	K	1	WIRE LIST		
X					E-OD-LINC8-Ø-13		1	OUTLINE DRAWINGS		
X					D-SD-LINC8-Ø-1		1	SYSTEM CONFIGURATION		
TITLE					LINC8	SHEET 5 OF 5		SIZE CODE A ML	NUMBER LINC8-Ø	REV. A

DRA 132
DEC 16 (325)-1048-1-N471



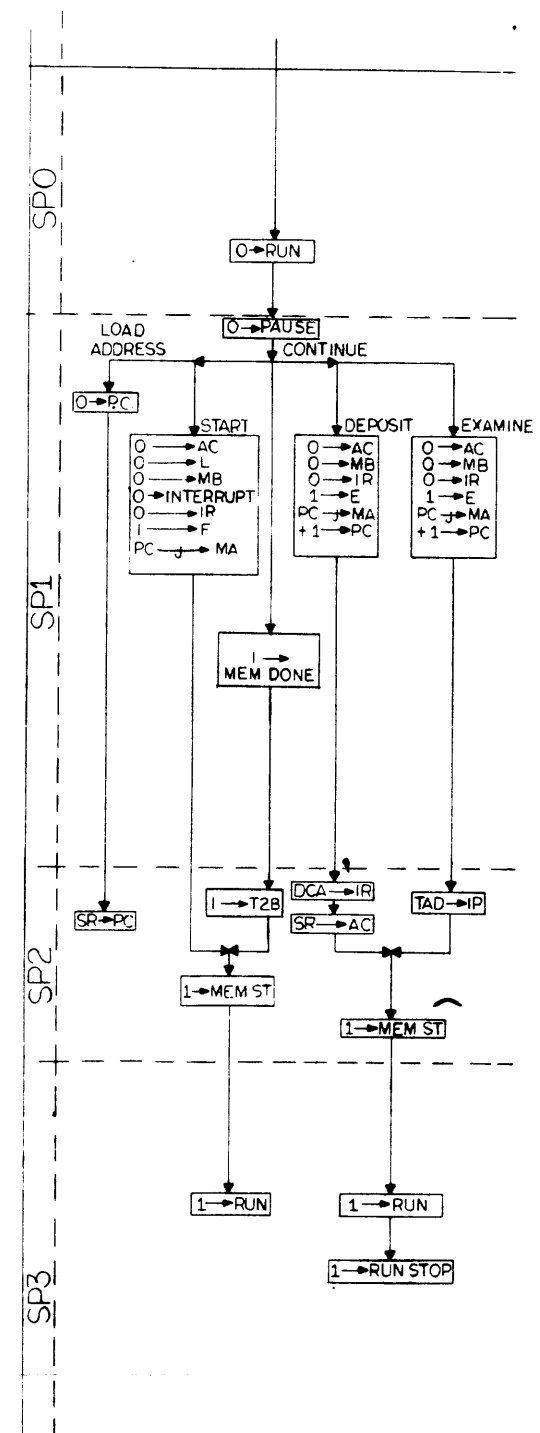
MEM DONE

REV. LTR.

REV. NO.	DATE	ENG.	PROJ. ENG.	PROJ. NO.
1	7-17-66			
2	7-18-66			
3	7-20-66			
4				
5				
6				

digital
EQUIPMENT CORPORATION
MAYNARD, MASSACHUSETTS

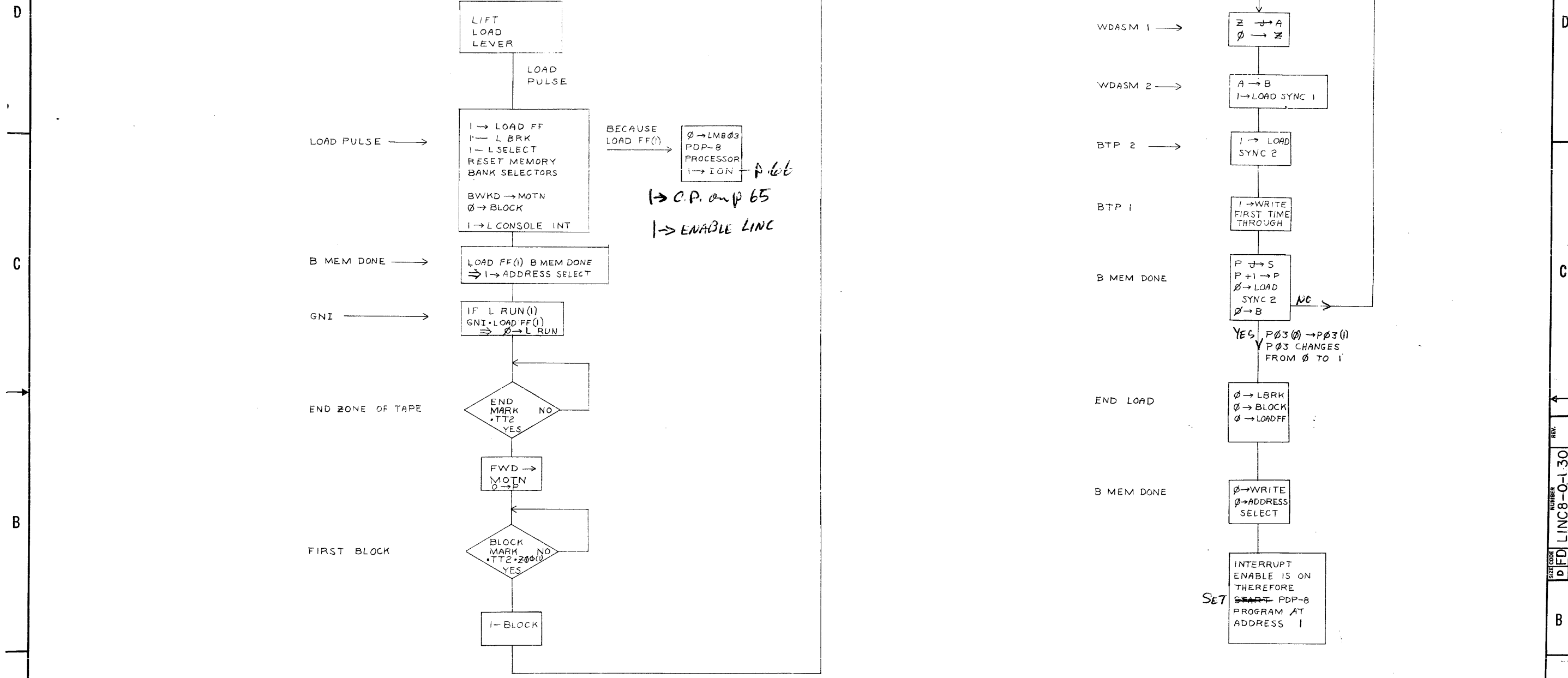
TITLE FLOW DIAGRAM AUTOMATIC OPERATIONS		
FOR		
CODE FD	DRWG. NO. D-LINC 8-0-9	REV. LTR.
ASSY NO.	SHEET 1 OF 2	DIST.



REV. LTR.		DRAWN		DATE		 digital EQUIPMENT CORPORATION MAYNARD, MASSACHUSETTS		TITLE	
NO.		CHECKED		DATE				FLOW DIAGRAM	
DATE		ENG		DATE				MANUAL OPERATIONS	
ENG		PROJ. ENG		DATE				FOR	
		PROD.		DATE				CODE	
		1/17/66		1/18/66		FD		D-LINC 8-0-9	
		1/20/66		1/20/66		ASSY. NO.		REV. LTR.	
		1/20/66		1/20/66		SCALE		SHEET 2 OF 2	
						DIST.			

TAKEN FROM FD-D-BP-4-7 RECC

This drawing and specifications, herein, are the property of Digital Equipment Corporation and shall not be reproduced or copied or used in whole or in part as the basis for the manufacture or sale of items without written permission.



REV.	
CHK	
REVISIONS	
CHANGE NO.	

QTY.	DESCRIPTION	PART NO.	ITEM NO.
PARTS LIST			
UNLESS OTHERWISE SPECIFIED		DATE 7/27/66	
UNLESS OTHERWISE SPECIFIED		DATE 7/27/66	
DIMENSION IN INCHES		DATE 7/27/66	
TOLERANCES		DATE 7/27/66	
DECIMALS	FRACTIONS	ANGLES	DATE 7/27/66
±.005	± 1/64	± 0°30'	DATE 7/27/66
FINAL SURFACE QUALITY		DATE 7/27/66	
REMOVE BURRS AND BREAK SHARP CORNERS		DATE 7/27/66	
MATERIAL		DATE 7/27/66	
FIRST USED ON		DATE 7/27/66	
LINC 8		DATE 7/27/66	
FINISH		DATE 7/27/66	
SCALE		DATE 7/27/66	
SHEET 1 OF 1		DATE 7/27/66	
DIST.		DATE 7/27/66	
TITLE		DATE 7/27/66	
FLOW DIAGRAM, LOAD		DATE 7/27/66	
SIZE CODE		DATE 7/27/66	
D/FD		DATE 7/27/66	
NUMBER		DATE 7/27/66	
LINC8-0-30		DATE 7/27/66	
REV.		DATE 7/27/66	

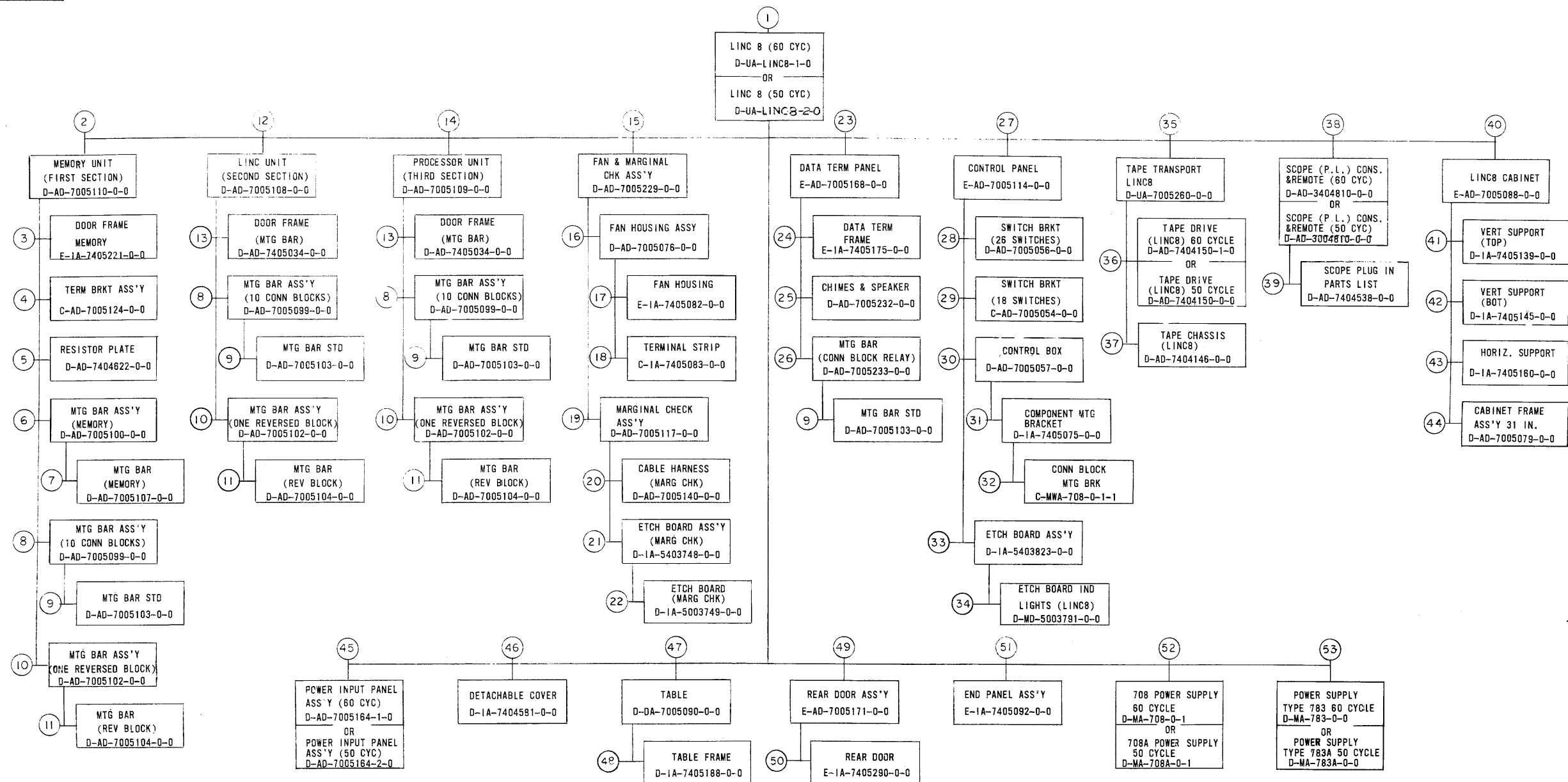
This drawing and specifications, herein, are the property of Digital Equipment Corporation and shall not be reproduced or copied or used in whole or in part as the basis for the manufacture or sale of items without written permission.

D

C

B

A



D

C

B

A

REV	ECO # 2733 A
CHK	EXTENSIVE CHANGES SEE ECO # 2733 & 3036
HA	ECO 4029
CHGD	DWG NO. OF ITEMS UNDER FIND NO. #28 & 29 SHT #3
CHG'D	ROCKER SWITCHES IN FIND NO. 29 SHT #3
MISC	0008
VARTANIAN	

REF FROM NO. CRD 100

8

7

6

5

4

3

2

1

QTY.	DESCRIPTION	PART NO.	ITEM NO.
PARTS LIST			
UNLESS OTHERWISE SPECIFIED			
DIMENSION IN INCHES			
TOLERANCES			
DECIMALS	FRACTIONS	ANGLES	
= .005	= 1/64	= 0°30'	
FINAL SURFACE QUALITY REMOVE BURRS AND BREAK SHARP CORNERS			
MATERIAL			
FINISH			
DRN. <i>W. Marshall</i> DATE 2-13-67			
CHK'D. <i>W. Marshall</i> DATE 4-18-67			
ENG. <i>W. Marshall</i> DATE 5-11-67			
PROJ. ENGS. <i>W. Marshall</i> DATE 5-10-67			
PROD. <i>W. Marshall</i> DATE 5-10-67			
FIRST USED ON D-UA-LINC8-0-0			
SCALE		SHEET 1 OF 3	
TITLE		DWG INDEX LIST LINC8	
SIZE CODE		NUMBER	
DUI LINC8-0-14		D	
DIST.		REV.	
G		D	

REV. D
NUMBER
DUI LINC8-0-14
SIZE CODE

ELECTRICAL				ELECTRICAL			
FIND NO.	DESCRIPTION	PART NO.	DEPT USAGE	FIND NO.	DESCRIPTION	PART NO.	DEPT USAGE
1	LINC8 OUTLINE DRAWING FLOW DIAGRAM, LOAD SYSTEM CONFIGURATION DATA TERM. PANEL LOGIC MODULE UTIL. (D. T. PANEL) MODULE PARTS LIST CABLES FOR LINC8 I/O LISTINGS CABLE LISTING EXTERNAL COMPONENT LIST MANUAL & AUTO OPERATIONS MODULE PARTS LIST POWER WIRING AC & DC CABLE LAYOUT OF CONTROL PANEL AC CABLES	A-WL-LINC8-0 B-OD-LINC8-0-13 D-FD-LINC8-0-30 D-SD-LINC8-0-1 D-BS-LINC8-0-2 D-MU-LINC8-0-3 A-PL-LINC8-0-3 D-IC-LINC8-0-4 D-IC-LINC8-0-5 D-IC-LINC8-0-6 A-CP-LINC8-0-7 D-FD-LINC8-0-9 A-PL-LINC8-0-8 D-IC-LINC8-0-10 D-IC-LINC8-0-11 A-IC-LINC8-0-12		15	FAN & MARGINAL CHECK ASSY	D-AD-7005229-0-0	
				16	FAN HOUSING ASSY	D-AD-7005076-0-0	
				19	MARGINAL CHECK ASSY	D-AD-7005117-0-0	
				23	DATA TERM PANEL	E-AD-7005168-0-0	
				25	CHIMES & SPEAKER	D-AD-7005232-0-0	
				27	CONTROL PANEL	E-AD-7005114-0-0	
				37	TAPE CHASSIS	D-AD-7404146-0-0	
2	MEMORY UNIT (FIRST SECTION) WIRING LIST PANELS MA-MD PANELS ME-MJ PDP-8 ADDR INPUT GATE MAG TAPE READER/WRITER MAG TAPE MOTION CONTROL MAG TAPE TIMING GEN. MAG TAPE MODE CONTROL MAG TAPE MARK WINDOW TELEPRINTER X AXIS SELECTION Y AXIS SELECTION SENSE AMPS, INH. DRIVERS MEM. CONT. IN-OUT BUFFERS BUSS BAR	A-WL-LINC8-0-M K-WL-LINC8-0-M2 D-MU-LINC8-0-M3 D-MU-LINC8-0-M4 D-BS-LINC8-0-M8 D-BS-LINC8-0-M9 D-BS-LINC8-0-M10 D-BS-LINC8-0-M11 D-BS-LINC8-0-M12 D-BS-LINC8-0-M13 D-BS-LINC8-0-M111 D-BS-LINC8-0-M112 D-BS-LINC8-0-M113 D-BS-LINC8-0-M115 D-BS-LINC8-0-M116 D-AD-7005110-0-0		37	TAPE CHASSIS	D-AD-7404146-0-0	
				38	SCOPE PARTS LIST CONSOLE & REMOTE	U-AD-3004810-0-0	
				39	SCOPE PLUG IN PARTS LIST	D-AD-7404538-0-0	
				45	POWER INPUT PANEL ASSY	D-AD-7005164-0-0	
				52	708 POWER SUPPLY 708A POWER SUPPLY	C-CS-708 C-CS-708A	
				53	783 POWER SUPPLY 783A POWER SUPPLY	C-CS-783 C-CS-783A	
	REGISTER PLATE	D-AD-7404633-0-0					
12	LINC UNIT (SECOND SECTION) WIRING LIST PANELS LE-LJ PANELS LA-LD B REGISTER S & R REGISTER LINC. LEFT HALF A REGISTER RIGHT HALF A REGISTER R & Z REGISTERS PDP-8 AC INPUT GATES CONTROL REG. & INST DECODERS TIME PULSE DISTRIBUTOR LINC INTERFACE CONTROL I/O DECODERS CONTROL FUNCTIONS SKIP NETS CONTROL PULSE GATES S P Z T N & DIS. CONT. PULSES A & B REGISTER CONTROL PULSES MEMORY EXTENSION LINC SWITCHES & INDICATORS BUSS BAR	A-WL-LINC8-0-L K-WL-LINC8-0-L9 D-MU-LINC8-0-L10 D-MU-LINC8-0-L11 D-BS-LINC8-0-L2 D-BS-LINC8-0-L3 D-BS-LINC8-0-L4 D-BS-LINC8-0-L5 D-BS-LINC8-0-L6 D-BS-LINC8-0-L7 D-BS-LINC8-0-L14 D-BS-LINC8-0-L15 D-BS-LINC8-0-L16 D-BS-LINC8-0-L17 D-BS-LINC8-0-L18 D-BS-LINC8-0-L19 D-BS-LINC8-0-L20 D-BS-LINC8-0-L21 D-BS-LINC8-0-L22 D-BS-LINC8-0-L26 D-BS-LINC8-0-L28 D-AD-7005108-0-0					
14	PROCESSOR UNIT (THIRD SECTION) WIRE LIST PANELS PE TO PJ PANELS PA TO PD DATA BITS 00-11 GATES ANALOG SYSTEM MB REGISTER MODS. PDP-8 SWITCHES & INDICATORS ACCUMULATOR AC CONTROL PC & MA REGISTER MB REGISTER CONTROL MAJOR STATES & INSTRUCTION REG. MA, PC CONTROL TIMING, KEYS, SMS, & RUN INPUT-OUTPUT CONTROL BUS BAR	A-WL-LINC8-0-P K-WL-LINC8-0-P2 D-MU-LINC8-0-P3 D-MU-LINC8-0-P4 D-BS-LINC8-0-P23 D-BS-LINC8-0-P24 D-BS-LINC8-0-P25 D-BS-LINC8-0-P27 D-BS-LINC8-0-P102 D-BS-LINC8-0-P103 D-BS-LINC8-0-P104 D-BS-LINC8-0-P105 D-BS-LINC8-0-P106 D-BS-LINC8-0-P108 D-BS-LINC8-0-P109 D-BS-LINC8-0-P110 D-AD-7005109-0-0					
	RESISTOR PLATE	D-AC-7404622-0-0					

MECHANICAL				MECHANICAL			
FIND NO.	DESCRIPTION (CONTINUED)	PART NO.	DEPT USAGE	FIND NO.	DESCRIPTION (CONTINUED)	PART NO.	DEPT USAGE
43	HORIZONTAL SUPPORT HORIZONTAL SUPPORT (P.L.)	D-IA-7405180-0-0 A-PL-7405180-0-0					
44	CABINET FRAME ASS'Y 31 CABINET FRAME ASS'Y 31 (P.L.)	D-AD-7005079-0-0 A-PL-7005079-0-0					
45	POWER INPUT PANEL ASSY 60 CYCLE POWER INPUT PANEL, 60 CYC (P.L.) POWER INPUT PANEL ASSY 50 CYCLE POWER INPUT PANEL, 50 CYC (P.L.) MTG PANEL (POWER INPUT) POWER INPUT PANEL INPUT POWER PANEL SCOTCHCAL FILM DECAL	D-AD-7005164-1-0 A-PL-7005164-1-0 D-AD-7005164-2-0 A-PL-7005164-2-0 D-MD-7405276-0-0 D-MD-7405275-0-0 SS-100104-1 A-SS-7405579-0-0					
46	DETACHABLE COVER DETACHABLE COVER (P.L.) KICK PLATE	D-IA-7405181-0-0 A-PL-7405181-0-0 B-MD-7405181-1-0					
47	TABLE TABLE (P.L.) TABLE TOP TABLE FRAME	D-AD-7005090-0-0 A-PL-7005090-0-0 D-IA-7405353-0-0 D-IA-7405188-0-0					
48	TABLE FRAME TABLE FRAME (P.L.)	D-IA-7405188-0-0 A-PL-7405188-0-0					
49	REAR DOOR ASS'Y REAR DOOR (P.L.) HINGE PIN (TOP) HINGE PIN (BOT) DOOR SPACER (BOT)	E-AD-7005171-0-0 A-PL-7005171-0-0 B-MD-20400-7 B-MD-20400-8 A-MD-7405312-0-0					
50	REAR DOOR	E-IA-7405290-0-0					
51	END PANEL ASS'Y END PANEL (P.L.)	E-IA-7405092-0-0 E-IA-7405092-0-0					
52	708 POWER SUPPLY (60 CYCLE) 708 POWER SUPPLY (60 CYC) (P.L.) 708A POWER SUPPLY (50 CYCLE) 708A POWER SUPPLY (50 CYC) (P.L.)	D-MA-708-0-1 D-MA-708-0-1 D-MA-708A-0-1 D-MA-708A-0-1					
53	POWER SUPPLY TYPE 783 (60 CYCLE) POWER SUPPLY TYPE 783 (60 CYC) (P.L.) POWER SUPPLY TYPE 783 (50 CYCLE) POWER SUPPLY TYPE 783 (50 CYC) (P.L.)	D-MA-783-0-0 A-PL-783-0-0 (P.L.) D-MA-783A-0-0 A-PL-783A-0-0					

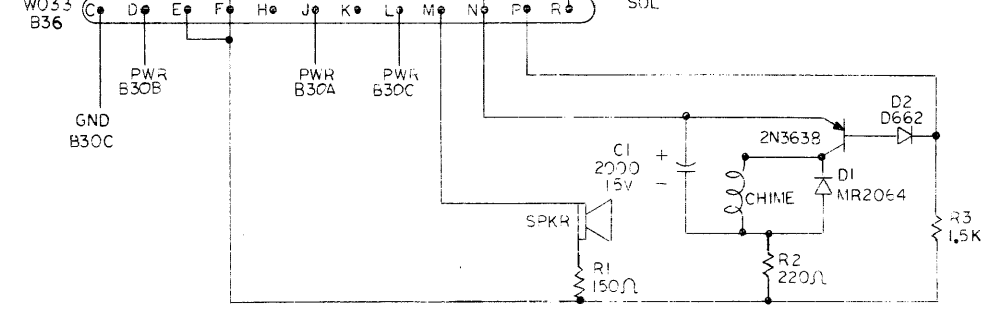
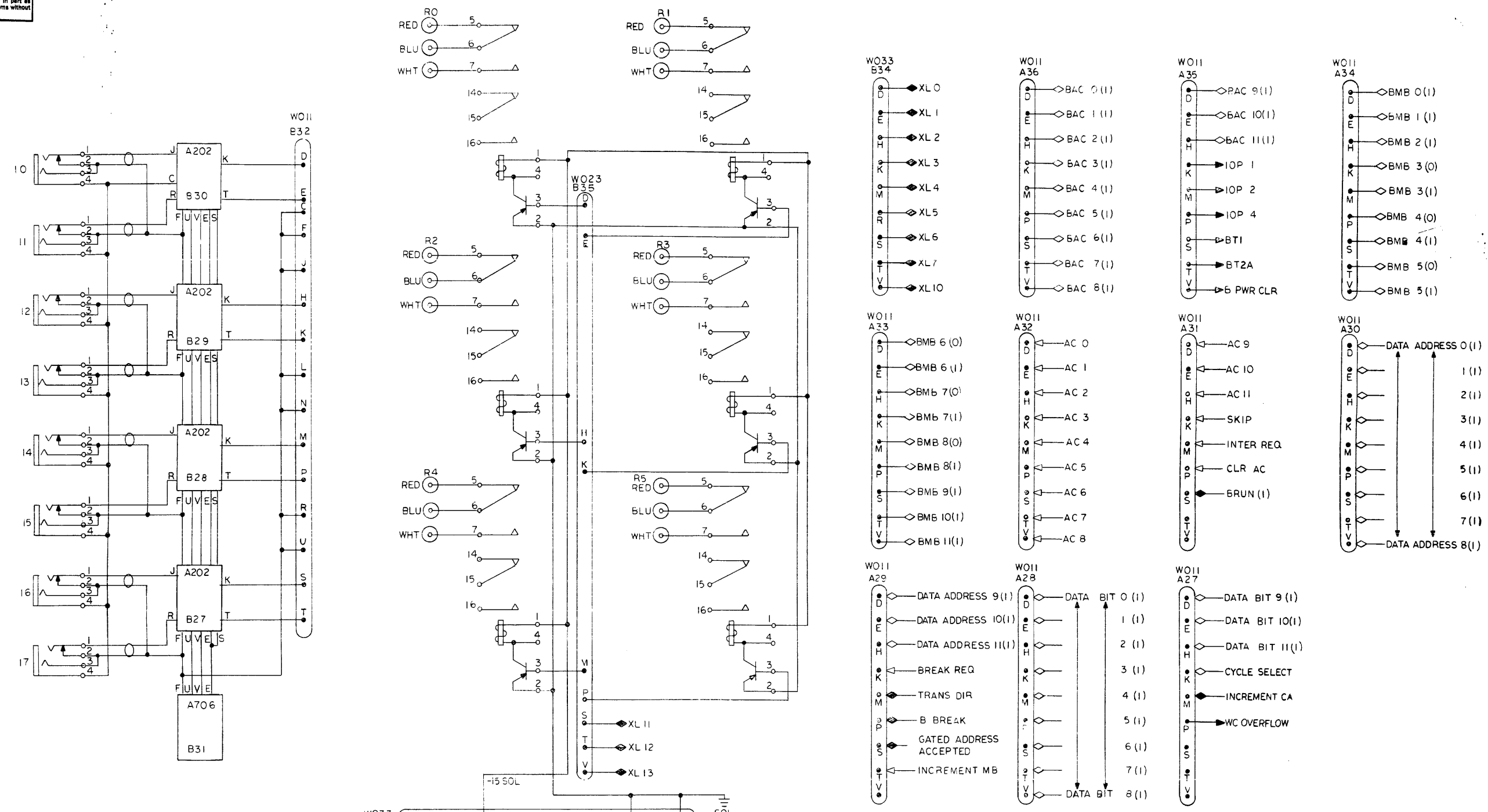
REV	CHANGE NO.	CHK	REVISIONS
UNLESS OTHERWISE SPECIFIED		UNLESS OTHERWISE SPECIFIED	
DIMENSION IN INCHES		DIMENSION IN INCHES	
TOLERANCES	ANGLES	TOLERANCES	
DECIMALS FRACTIONS	ANGLES	DECIMALS FRACTIONS	
= .005 = 1/64	= 0°30'	= .005 = 1/64	
FINAL SURFACE QUALITY		FINAL SURFACE QUALITY	
REMOVE BURRS AND BREAK SHARP CORNERS		REMOVE BURRS AND BREAK SHARP CORNERS	
MATERIAL	FINISH	MATERIAL	
++	++	++	
PARTS LIST		PARTS LIST	
QTY.	DESCRIPTION	PART NO.	ITEM NO.
UNLESS OTHERWISE SPECIFIED		UNLESS OTHERWISE SPECIFIED	
DIMENSION IN INCHES		DIMENSION IN INCHES	
TOLERANCES	ANGLES	TOLERANCES	
DECIMALS FRACTIONS	ANGLES	DECIMALS FRACTIONS	
= .005 = 1/64	= 0°30'	= .005 = 1/64	
FINAL SURFACE QUALITY		FINAL SURFACE QUALITY	
REMOVE BURRS AND BREAK SHARP CORNERS		REMOVE BURRS AND BREAK SHARP CORNERS	
MATERIAL	FINISH	MATERIAL	
++	++	++	
DRN		DATE	
C.H.R.D.		DATE	
ENG		DATE	
PROJ. ENG		DATE	
PART		DATE	
FIRST USED ON		FIRST USED ON	
D-UA-LINC8-0-0		D-UA-LINC8-0-0	
SCALE		SCALE	
SHEET 2 OF 3		SHEET 2 OF 3	
TITLE		TITLE	
DWG INDEX LIST		DWG INDEX LIST	
LINC8		LINC8	
SIZE CODE		NUMBER	
D/DI LINC8-0-14		D	
REV		REV	
0		0	

This drawing and specifications, herein, are the property of Digital Equipment Corporation and shall not be reproduced or copied or used in whole or in part as the basis for the manufacture or sale of items without written permission.

REV. NUMBER SIZE CODE
2-0-6-2-2 a 2

D
C
B
A

D
C
B
A



REV.	
CHANGE NO.	
CHK	

DEL FORM NO. DRD 102

QTY.	DESCRIPTION	PART NO.	ITEM NO.
PARTS LIST			
TITLE			
DATA TERM PANEL LOGIC			
MATERIAL		FIRST USED ON	
FINISH		SCALE	
UNLESS OTHERWISE SPECIFIED		UNLESS OTHERWISE SPECIFIED	
DIMENSION IN INCHES		DATE	
TOLERANCES		DATE	
DECIMALS FRACTIONS ANGLES		DATE	
= .005 = 3/64 = 9/32		DATE	
FINAL SURFACE QUALITY		DATE	
REMOVE BURRS AND BREAK SHARP CORNERS		DATE	
MATERIAL		FIRST USED ON	
FINISH		SCALE	
UNLESS OTHERWISE SPECIFIED		UNLESS OTHERWISE SPECIFIED	
DIMENSION IN INCHES		DATE	
TOLERANCES		DATE	
DECIMALS FRACTIONS ANGLES		DATE	
= .005 = 3/64 = 9/32		DATE	
FINAL SURFACE QUALITY		DATE	
REMOVE BURRS AND BREAK SHARP CORNERS		DATE	

REV. NUMBER
D BS LINC-0-2

A

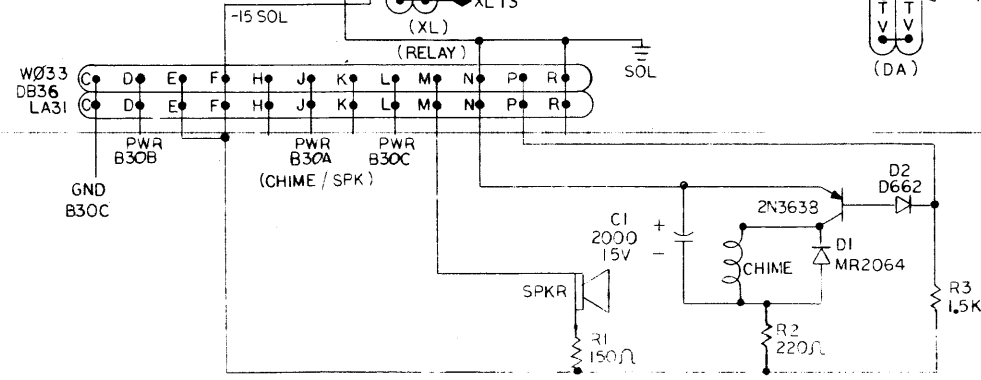
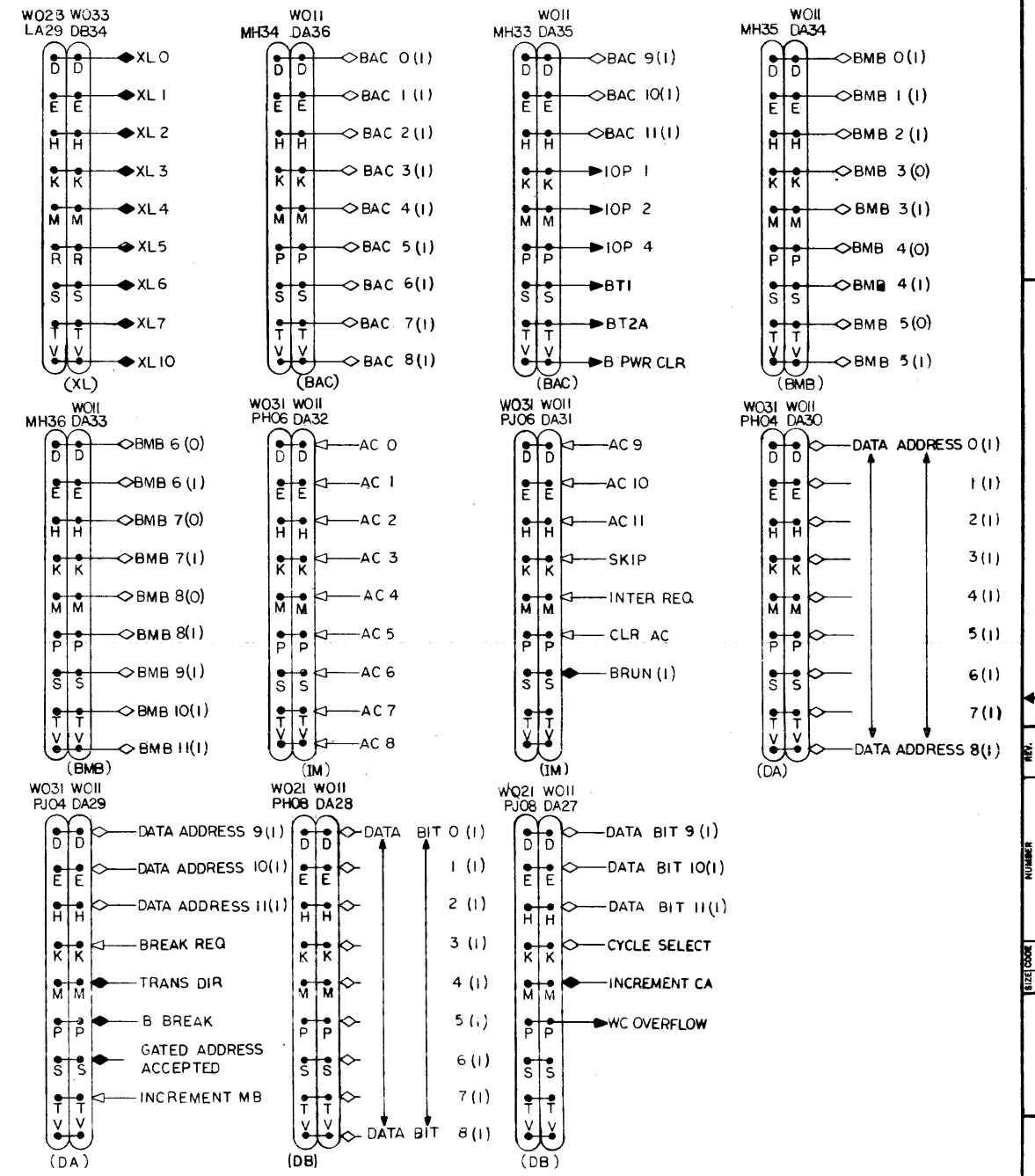
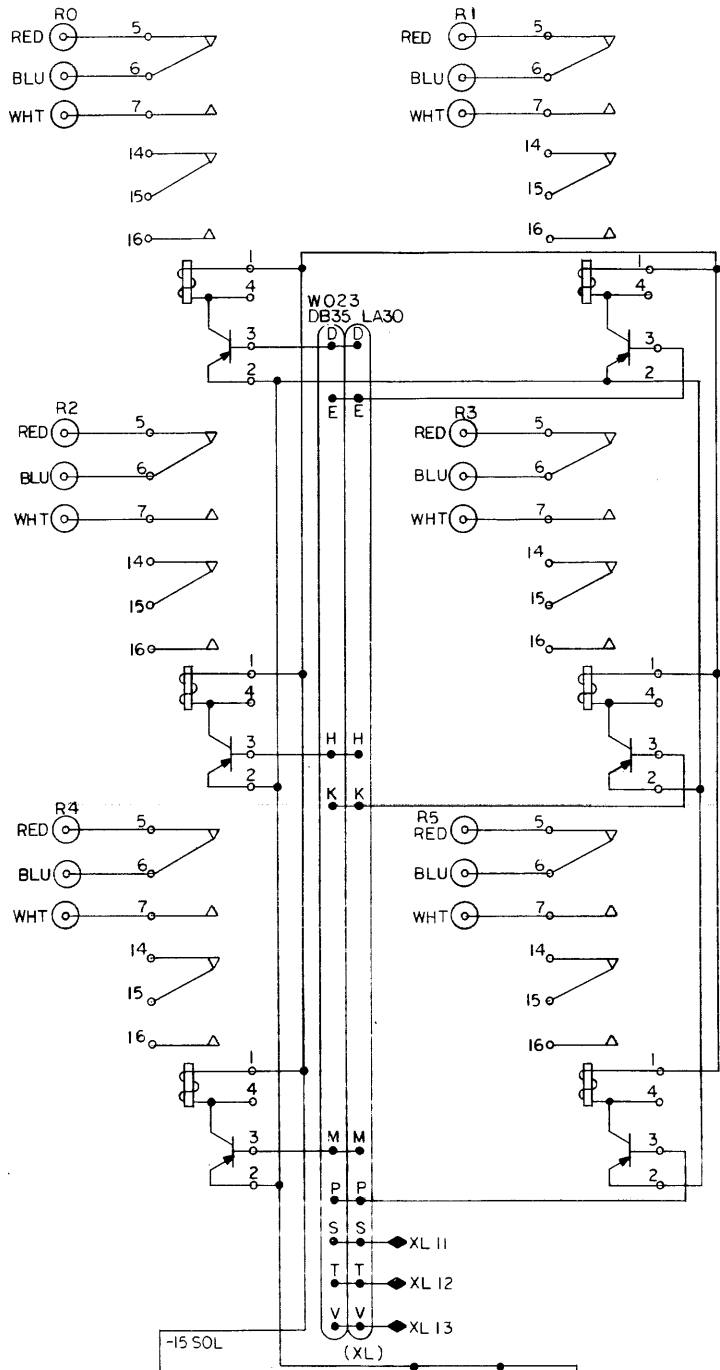
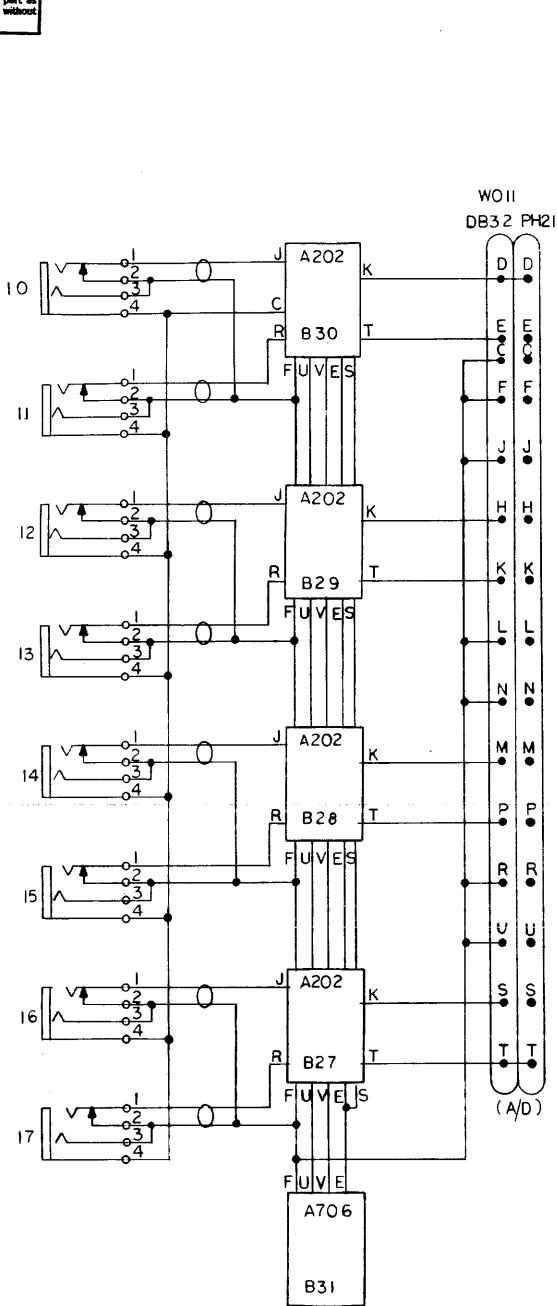
This drawing and specifications herein are the property of Digital Equipment Corporation and shall not be reproduced or copied or used in whole or in part as the basis for the manufacture or sale of items without written permission.

D

C

B

A



REVISIONS	CHANGE NO.	REV.	A
CHK	LINC-00004	REV.	5-1-74
MILTON		5-1-74	

DEC FORM NO. DRD 102

UNLESS OTHERWISE SPECIFIED	DRN	DATE	9-13-64
UNLESS OTHERWISE SPECIFIED	CHKD	DATE	7-19-64
DIMENSION IN INCHES	ENG	DATE	
TOLERANCES	PROJ. ENR.	DATE	
DECIMALS FRACTIONS ANGLES	PROD.	DATE	
±.005 ±.004 ±.030	FIRST USED ON		
FINAL SURFACE QUALITY	CA-LINC-0-0		
REMOVE BURRS AND BREAK SHARP CORNERS			

QTY.	DESCRIPTION	PART NO.	ITEM NO.
PARTS LIST			
digital EQUIPMENT CORPORATION MAYNARD, MASSACHUSETTS			
TITLE DATA TERM PANEL LOGIC			
SCALE		SIZE CODE	NUMBER
SHEET 1 OF 1		D/BS	LINC-0-2
DIST.		REV.	A

D

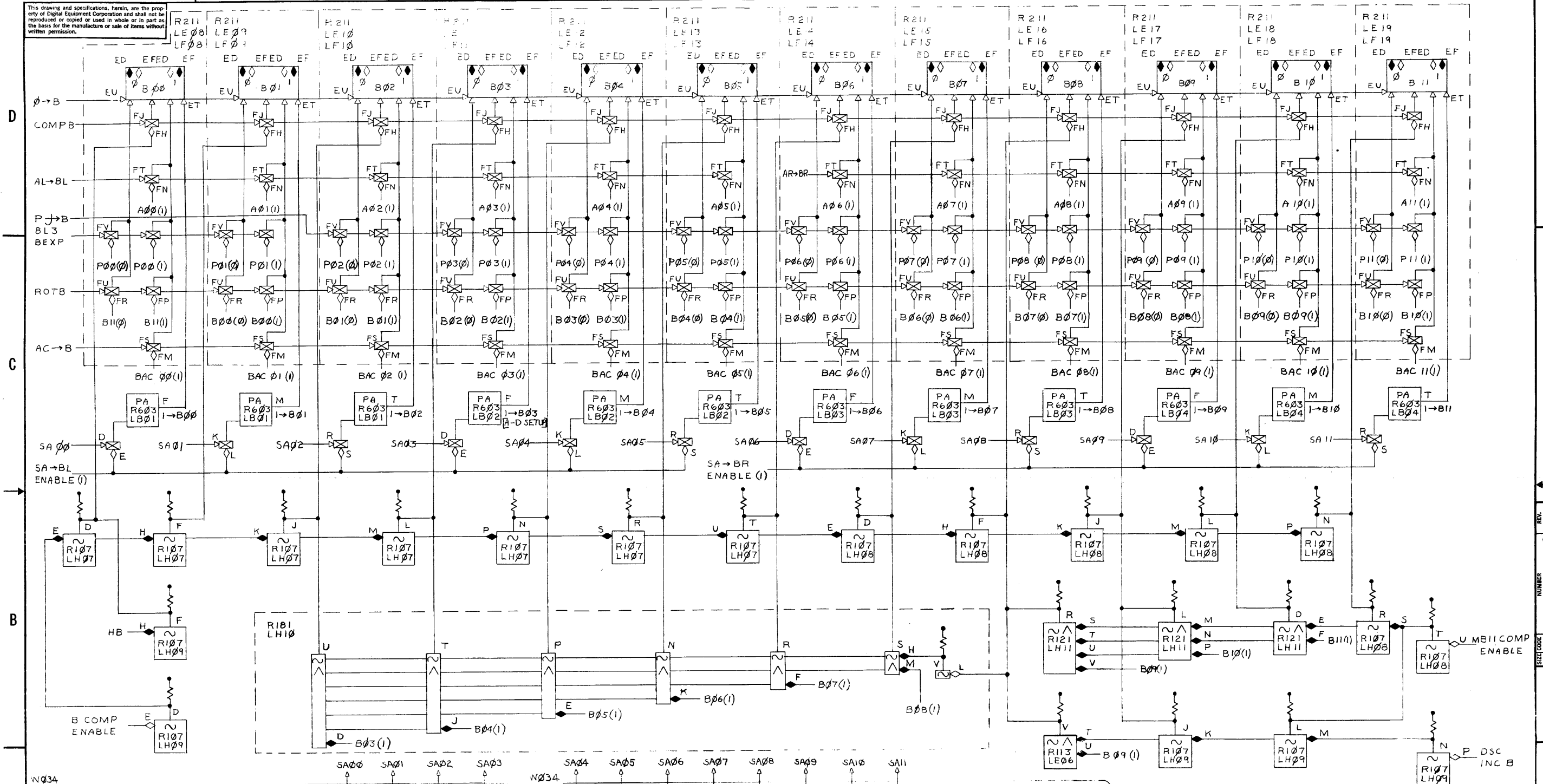
C

B

A

SIZE CODE NUMBER D/BS LINC-0-2

This drawing and specifications, herein, are the property of Digital Equipment Corporation and shall not be reproduced or copied or used in whole or in part as the basis for the manufacture or sale of items without written permission.



W034	SA00	SA01	SA02	SA03	SA04	SA05	SA06	SA07	SA08	SA09	SA10	SA11					
PA01	A	B	D	E	F	H	J	K	L	M	N	P	R	S	T	U	V
LA21	A	B	D	E	F	H	J	K	L	M	N	P	R	S	T	U	V
LA22	A	B	D	E	F	H	J	K	L	M	N	P	R	S	T	U	V
RK32	A	B	D	E	F	H	J	K	L	M	N	P	R	S	T	U	V
MD40	D	E	F	H	J	K	L	M	N	P	R	S	T	U	V		

REV.	CHANGE NO.	DESCRIPTION
1	1	LINC8-0004
2	1	REVISION

MB11 COMPENABLE	L18	AB0 TO AB5	L04
P TO B	L22	AB6 TO A11	L05
R TO B	L22	AC TO B	L22
SA TO BL ENABLE	L22	AL TO BL	L22
SA TO BR ENABLE	L22	AR TO BR	L22
B TO B	L22	B/C TO BAC 11	L17
BL3 BEXP	L20	BCOMENABLE	L15
		COMP B	L22
		DSC INCB	L18
		HB	L18

UNLESS OTHERWISE SPECIFIED	DRN	DATE	7/27/66
UNLESS OTHERWISE SPECIFIED	CHK'D	DATE	10/66
DIMENSION IN INCHES	ENG.	DATE	
TOLERANCES	PROJ. ENG.	DATE	
DECIMALS FRACTIONS ANGLES	PROD.	DATE	
±.005 ± 1/64 ± 0°30'			
FINAL SURFACE QUALITY			
REMOVE BURRS AND BREAK SHARP CORNERS			
MATERIAL			
FIRST USED ON			
LINC 8			
SCALE	SIZE CODE	NUMBER	REV.
SHEET 1 OF 1	DBS	LINC8-0-L2	A
	DIST.		

REV. A
NUMBER
LINC8-0-L2
REV. A

This drawing and specifications, herein, are the property of Digital Equipment Corporation and shall not be reproduced or copied or used in whole or in part as the basis for the manufacture or sale of items without written permission.

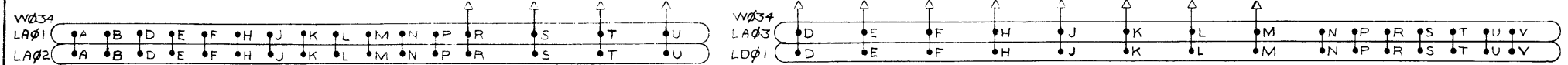
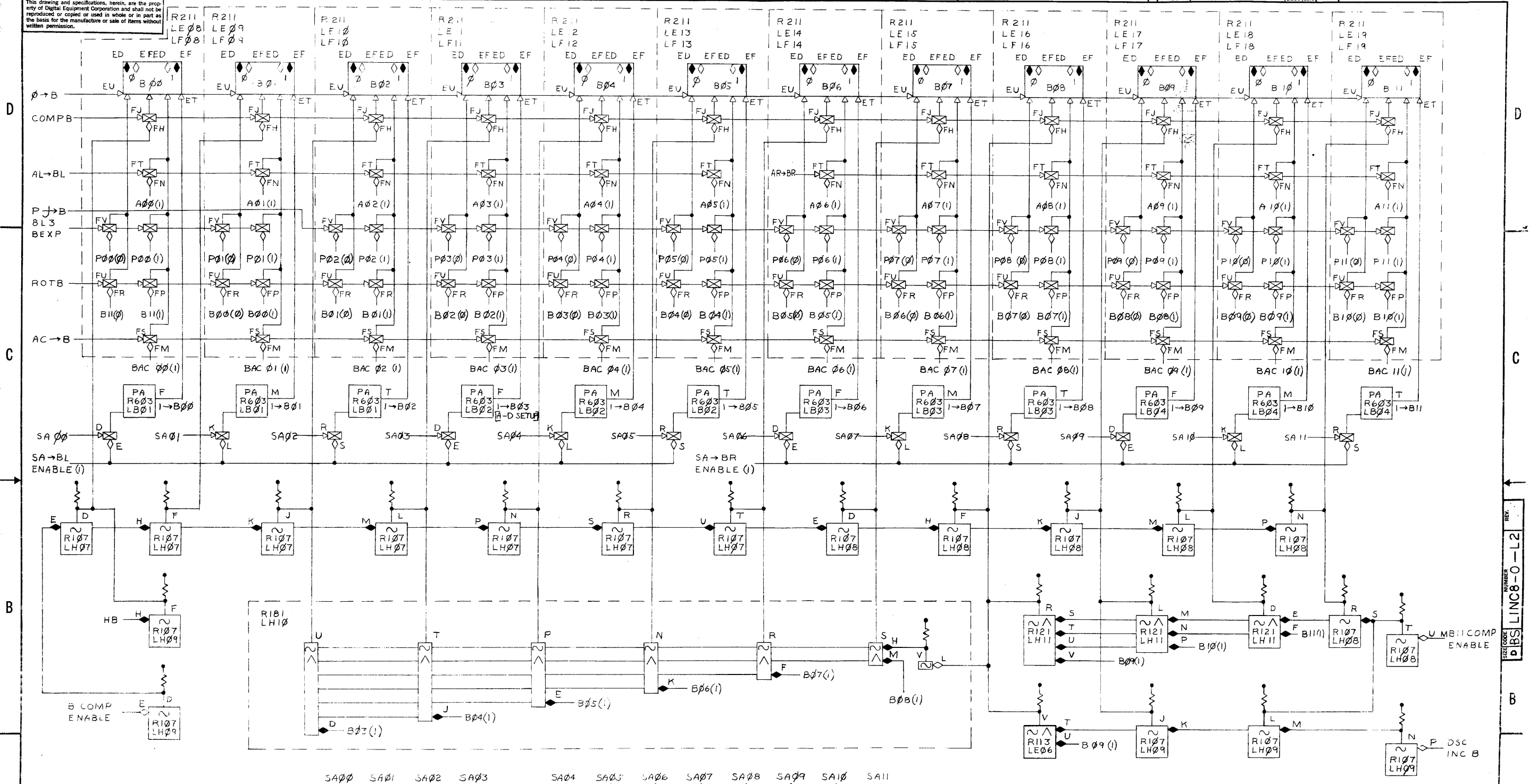


Table with columns for REVISIONS, CHANGE NO., and CHK.

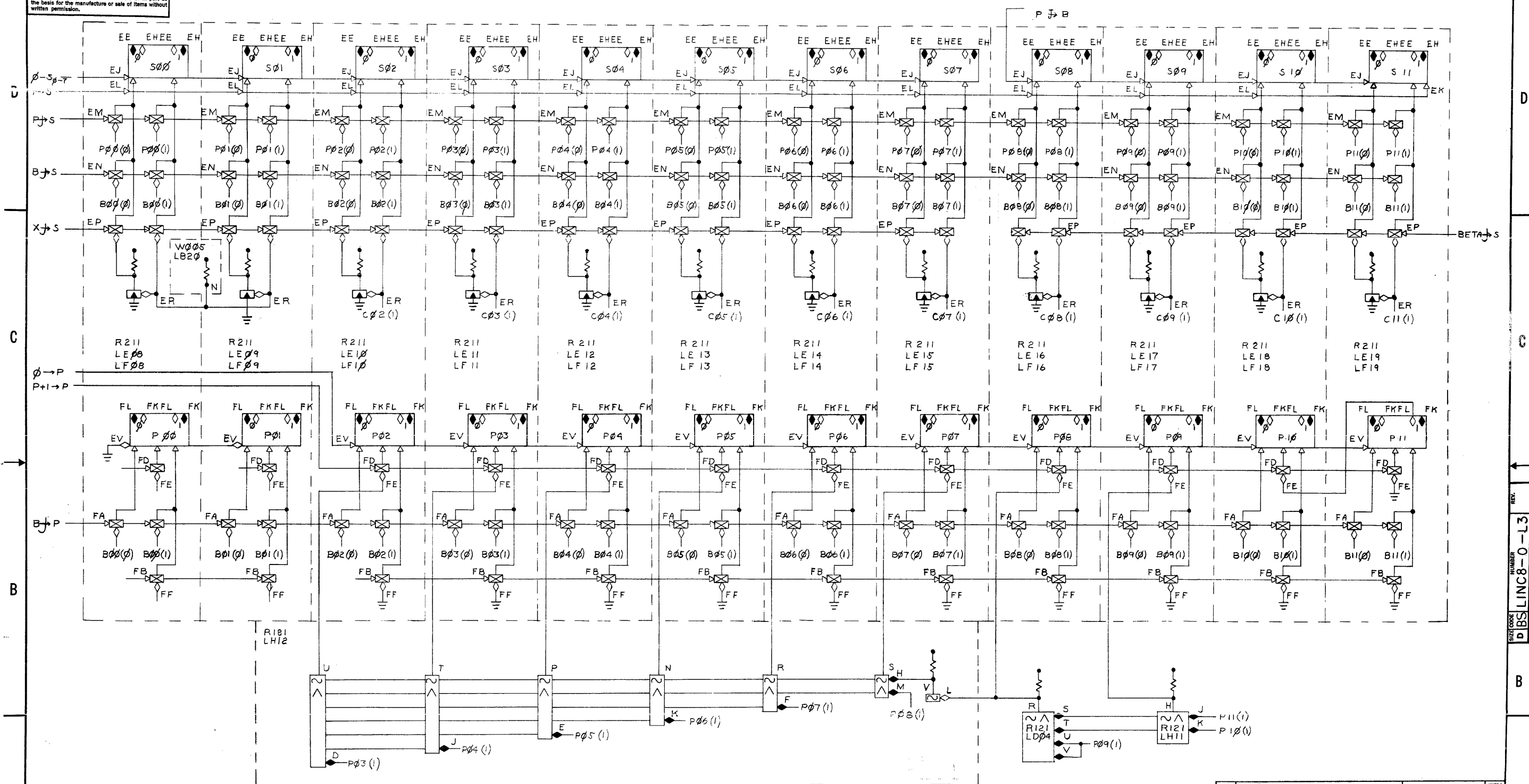
Parts list table with columns for QTY., DESCRIPTION, PART NO., and ITEM NO. It lists various components like R211, R603, R107, R113, R121, R127, R128, R129, R130, R131, R132, R133, R134, R135, R136, R137, R138, R139, R140, R141, R142, R143, R144, R145, R146, R147, R148, R149, R150.

UNLESS OTHERWISE SPECIFIED DIMENSION IN INCHES TOLERANCES DECIMALS FRACTIONS ANGLES ±.005 ± 1/64 ± 0°30' FINAL SURFACE QUALITY REMOVE BURRS AND BREAK SHARP CORNERS

Engineering drawing header including fields for DATE, CHK'D., ENG., PROJ. ENG., PROD., FIRST USED ON (LINC 8), SCALE, SHEET, OF, DIST., and REV. It also features the Digital Equipment Corporation logo and the title 'B REGISTER'.

This drawing and specifications, herein, are the property of Digital Equipment Corporation and shall not be reproduced or copied or used in whole or in part as the basis for the manufacture or sale of items without written permission.

139 37-0-80117 BSB 2 1



REV.	
CHG.	
REVISIONS	CHANGE NO.

B TO P	L21
B TO S	L21
BETA TO S	L21
C02 TO C 11	L14
P TO B	L22
P TO S	L21
P 1 TO P	L21
X TO S	L21
B TO P	L2B
B TO S (P-7)	L21
I TO S	L2B

UNLESS OTHERWISE SPECIFIED
 DIMENSION IN INCHES
 TOLERANCES
 DECIMALS FRACTIONS ANGLES
 ±.005 ± 1/64 ± 0°30'
 FINAL SURFACE QUALITY
 REMOVE BURRS AND BREAK SHARP CORNERS

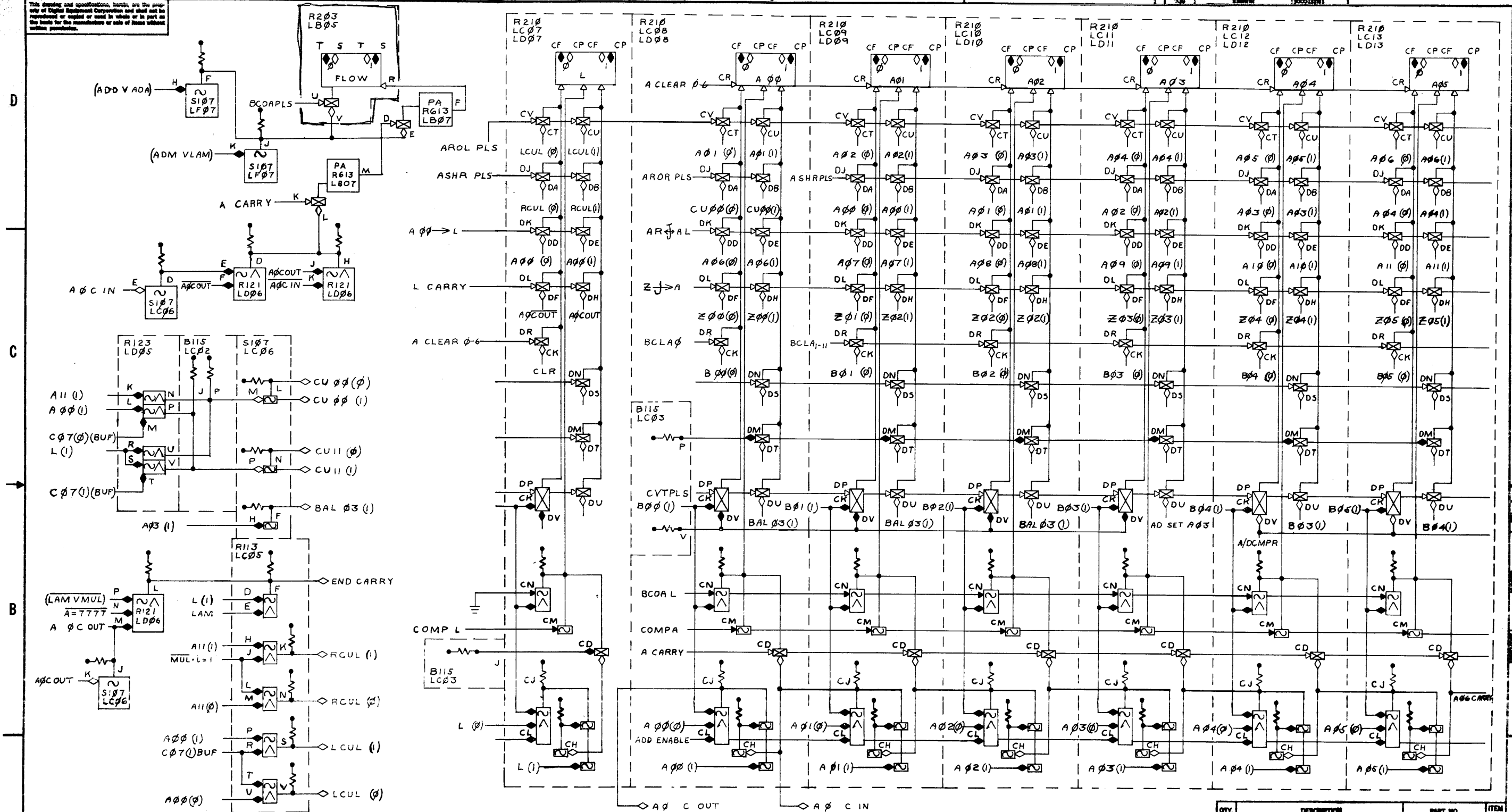
MATERIAL

FINISH

QTY.	DESCRIPTION	PART NO.	ITEM NO.
PARTS LIST			
DPN <i>R.D. Dennis</i> DATE <i>7/27/66</i> CHVD <i>W. J. Cant</i> DATE <i>8-15-66</i> ENG <i>W. J. Cant</i> DATE <i>10-1-66</i> PROJ. ENG. DATE <i>7-1-66</i> PROD. DATE <i>7-1-66</i>		digital EQUIPMENT CORPORATION WATYARD, MASSACHUSETTS	
TITLE S + P REGISTERS			
FIRST USED ON LINC 8		SIZE CODE DBS LINC 8-0-L3	NUMBER REV.
SCALE SHEET OF		DIST.	

NUMBER
 DBS LINC 8-0-L3
 REV.

This drawing and specifications, herein, are the property of Digital Equipment Corporation and shall not be reproduced or copied or used in whole or in part in any form for the manufacture or sale of items without written permission.



REV	
CHANGE NO.	
DATE	

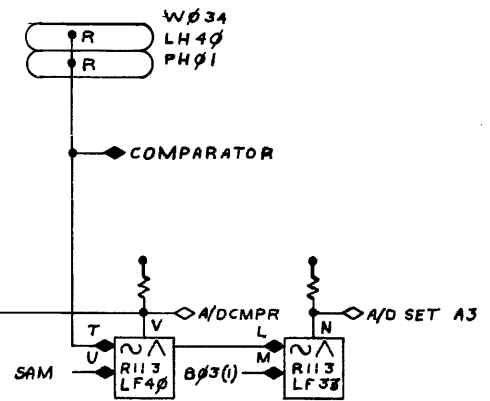
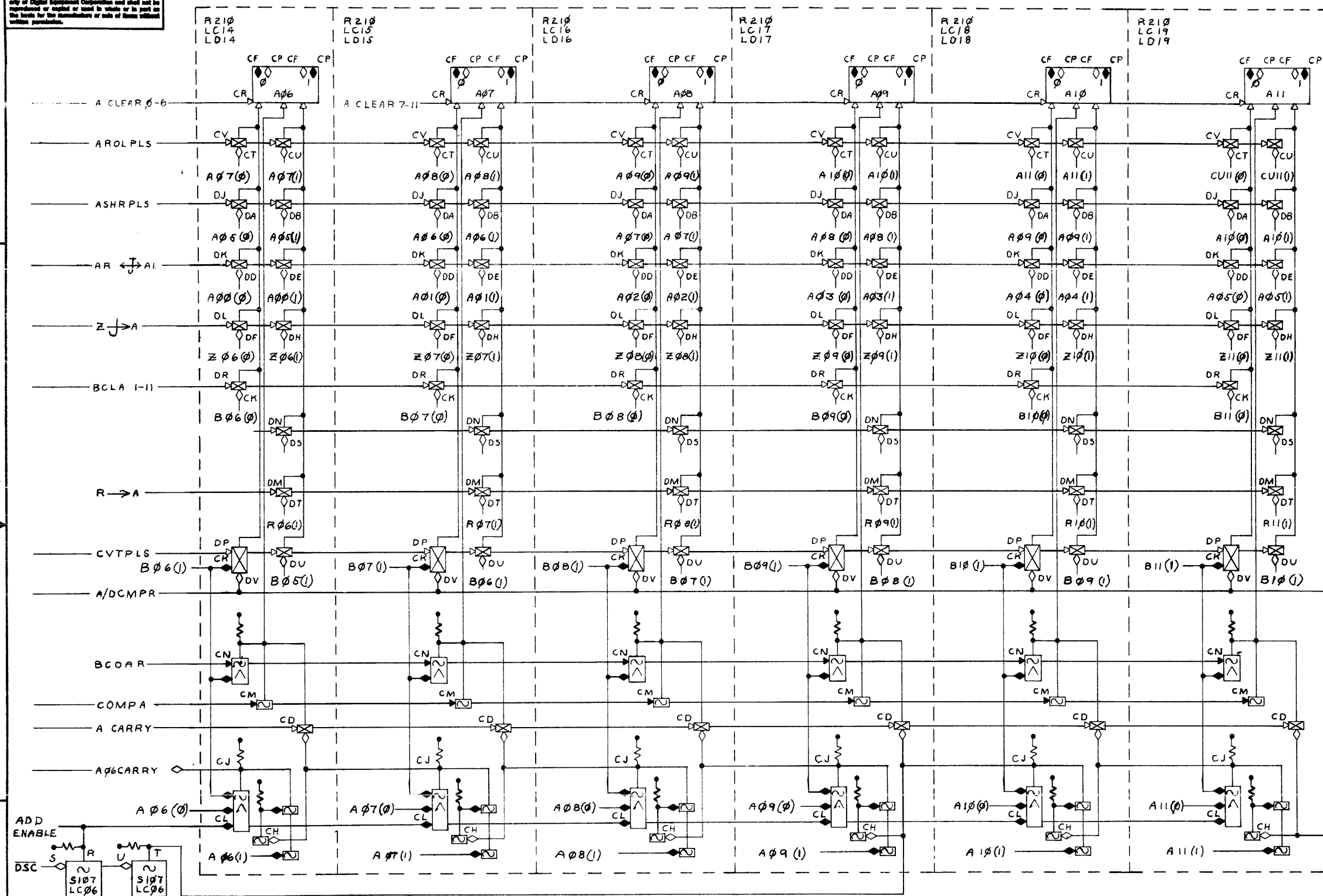
Z00 TO Z04	L06	BC3AL	L22	A CARRY	L22
Z05	L06	BC0APLS	L22	A CLEAR 0 06	L20
A TO D COMPAR	L05	CB7 (BUF)	L14	A EG 7777	L19
		CLR	L18	AB6 TO A11	L05
		COMP L	L22	AR TO FM AL	L22
		1 EQ 1 NCT MUL	L18	AR3PLS	L22
		L CARRY	L20	AR0RPLS	L22
		LAM	L14	ASHRPLS	L22
		(ADD V ADA)	L18	AB0 TO L	L20
		(ADM V LAM)	L18	AB6 CARRY	L05
		(LAM V MUL)	L18	BB0 TO B05	L02
				BCLA B	L22

UNLESS OTHERWISE SPECIFIED
 DIMENSION IN INCHES
 TOLERANCES
 DECIMALS FRACTIONS ANGLES
 ± .008 ± 1/64 ± 0°30'

MATERIAL
 FINISH

QTY.	DESCRIPTION	PART NO.	ITEM NO.
PARTS LIST			
DATE: 7/2/66 ENG: [Signature] DATE: 3-10-66 PROL ENG: [Signature] DATE: 10-1-66 PROD: [Signature] DATE: 10-1-66 FIRST USED ON: LINC 8			
TITLE		EQUIPMENT CORPORATION	
LINK, LEFT HALF		MAYFIELD, MASSACHUSETTS	
A REGISTER		SIZE CODE	NUMBER
SCALE		D B S LINC8-O-L4	
SHEET 1 OF 1		REV.	

This drawing and specifications, herein, are the property of Digital Equipment Corporation and shall not be reproduced or copied or used in whole or in part as the basis for the manufacture of any of items without written permission.



REV.	REVISIONS
1	CHANGE NO.

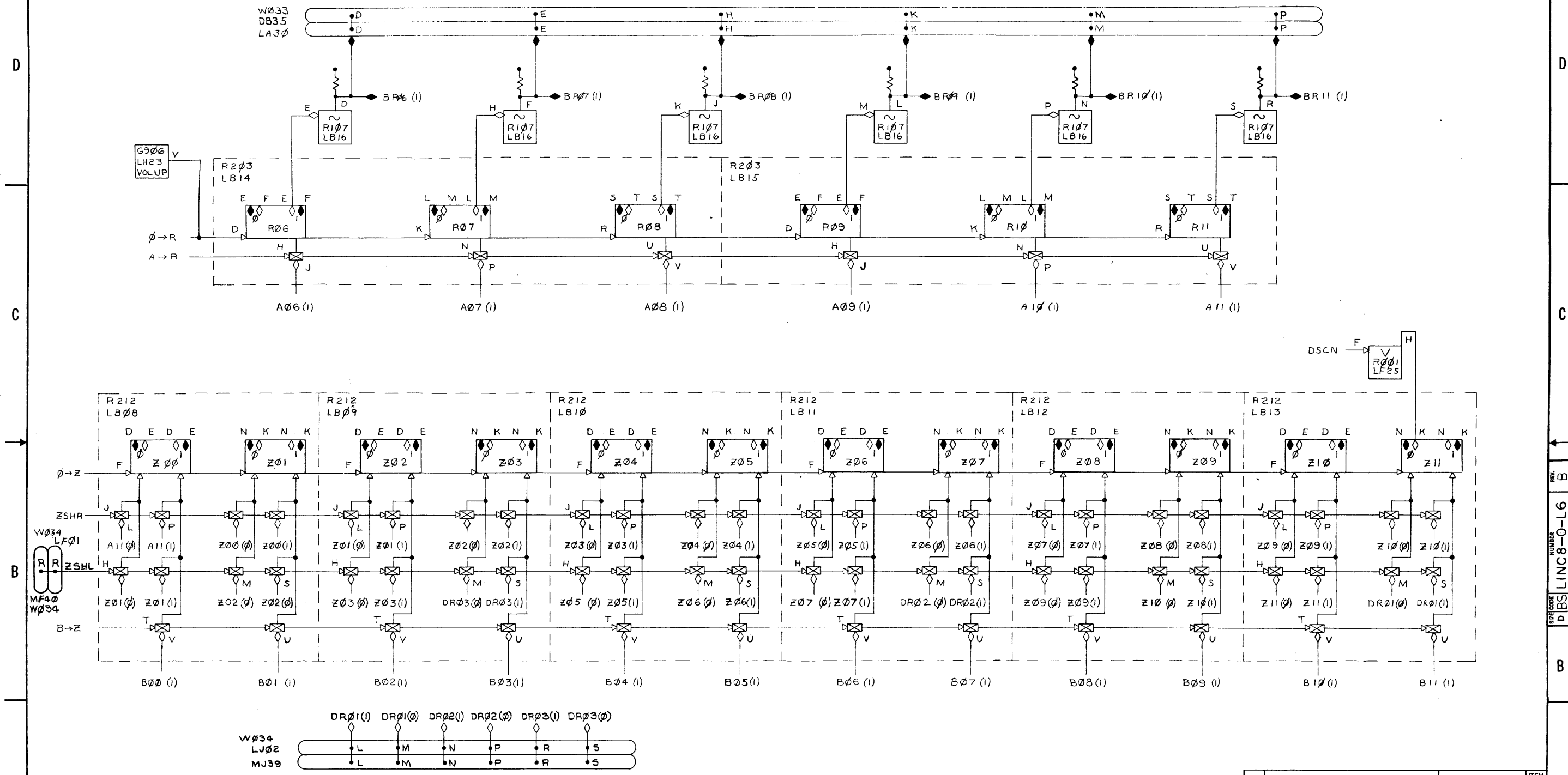
DSC	L14
END CARRY	L84
R TO A	L22
R06 TO R11	L86
SAM	L14
Z TO A	L22
Z06 TO Z11	L86

A CLEAR 0-06	L28
A CLEAR 7-11	L22
A06 TO A07	L84
A08 TO A11	L82
BCLA 1-11	L22
BCOAR	L22
COMP A	L22
COMPARATOR	P24
CU 11(0)	L84
CU 11(1)	L84
CVTPLS	L22

UNLESS OTHERWISE SPECIFIED:
 DIMENSIONS IN INCHES
 TOLERANCES
 DECIMALS FRACTIONS ANGLES
 ±.005 ±.001 ±.030
 FINAL SURFACE QUALITY
 REMOVE BURRS AND BREAK SHARP CORNERS

QTY.	DESCRIPTION	PART NO.	ITEM NO.
PARTS LIST			
DIGITAL EQUIPMENT CORPORATION			
TITLE: RIGHT HALF A REGISTER			
LINC 8			
DIBS LINC8-0-L5			

This drawing and specifications, herein, are the property of Digital Equipment Corporation and shall not be reproduced or copied or used in whole or in part as the basis for the manufacture or sale of items without written permission.



REV.	NO.	DATE	BY	CHK'D
A	1	7/2/66	R. E. Camier	
B	1	7/2/66	R. E. Camier	

REVISIONS
 CHANGE NO. 12/13/66
 EX. LINC 8-00004
 J. MILTON

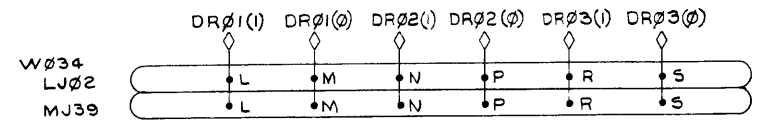
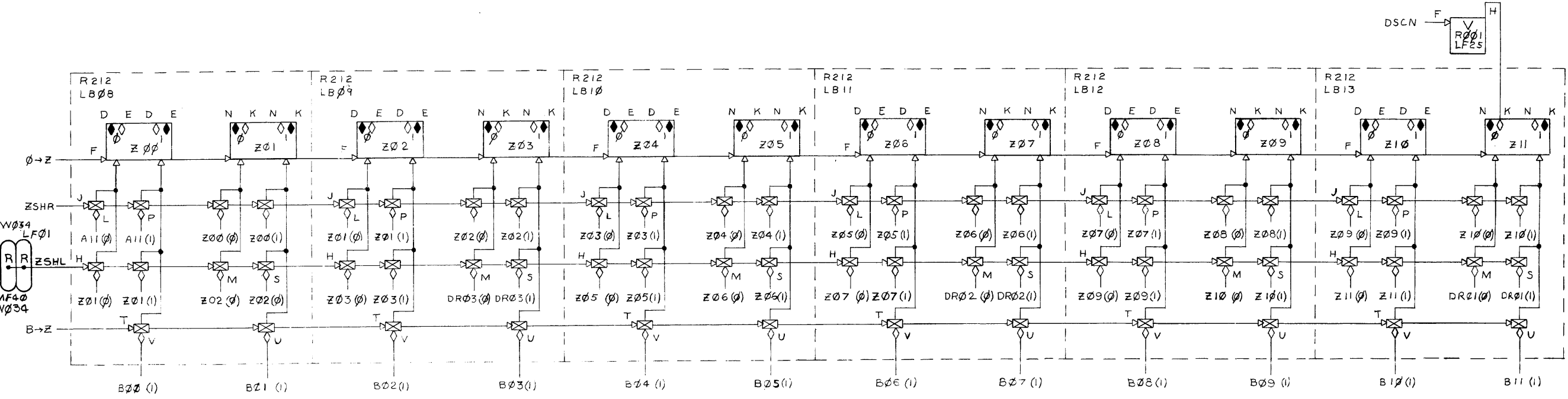
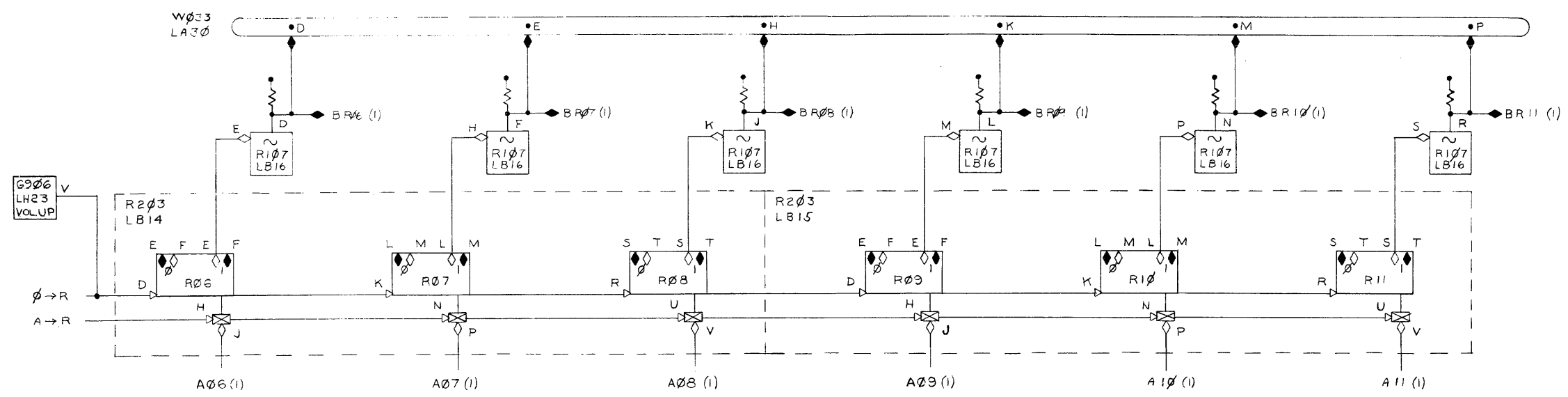
A TO R	L20
A06 TO A11	L05
B TO Z	L21
B00 TO B11	L02
DR1-DR3	M09
DSCN	L21
ZSHR	L21
Ø TO R	L20
Ø TO Z	L21

UNLESS OTHERWISE SPECIFIED		DATE	7/2/66
DIMENSION IN INCHES		DATE	7/2/66
TOLERANCES		DATE	7/2/66
DECIMALS	FRACTIONS	ANGLES	
± .005	± 1/64	± 0°30'	
FINAL SURFACE QUALITY		DATE	
REMOVE BURRS AND BREAK SHARP CORNERS		DATE	
MATERIAL		DATE	
FINISH		DATE	

QTY.	DESCRIPTION	PART NO.	ITEM NO.
	PARTS LIST		
	digital EQUIPMENT CORPORATION MAYNARD, MASSACHUSETTS		
	TITLE RZ REGISTERS		
	FIRST USED ON LINC 8	SIZE CODE D BS	NUMBER LINC 8-0-L6
	SCALE	OF	REV. B

REV. B
NUMBER
LINC 8-0-L6

This drawing and specifications, herein, are the property of Digital Equipment Corporation and shall not be reproduced or copied or used in whole or in part as the basis for the manufacture or sale of items without written permission.



A TO R	L20
A06 TO A11	L25
B TO Z	L21
B00 TO B11	L22
DR1-DR3	M09
DSCN	L21
ZSHR	L21
Ø TO R	L20
Ø TO Z	L21

UNLESS OTHERWISE SPECIFIED
 DIMENSION IN INCHES
 TOLERANCES
 DECIMALS FRACTIONS ANGLES
 ±.005 ± 1/64 ± 0'30"
 FINAL SURFACE QUALITY
 REMOVE BURRS AND BREAK SHARP CORNERS

QTY.	DESCRIPTION	PART NO.	ITEM NO.
PARTS LIST			
DRN R. E. Carrier		DATE 7/27/66	digital EQUIPMENT CORPORATION MAYNARD, MASSACHUSETTS
CHK'D. [Signature]		DATE 11/1/66	
ENG. [Signature]		DATE 12/22/66	TITLE R&Z REGISTERS
PROJ. ENG. [Signature]		DATE 1/2/67	FIRST USED ON LINC 8
PROD. [Signature]		DATE 1/2/67	
MATERIAL		SIZE CODE NUMBER REV. D BS LINC8-C-L6 A	
FINISH		SCALE SHEET OF DIST.	

REV.	CHANGE NO.	DATE	BY
A	1	11/30/66	[Signature]

This drawing and specifications, herein, are the property of Digital Equipment Corporation and shall not be reproduced or copied or used in whole or in part as the basis for the manufacture or sale of items without written permission.

D

C

B

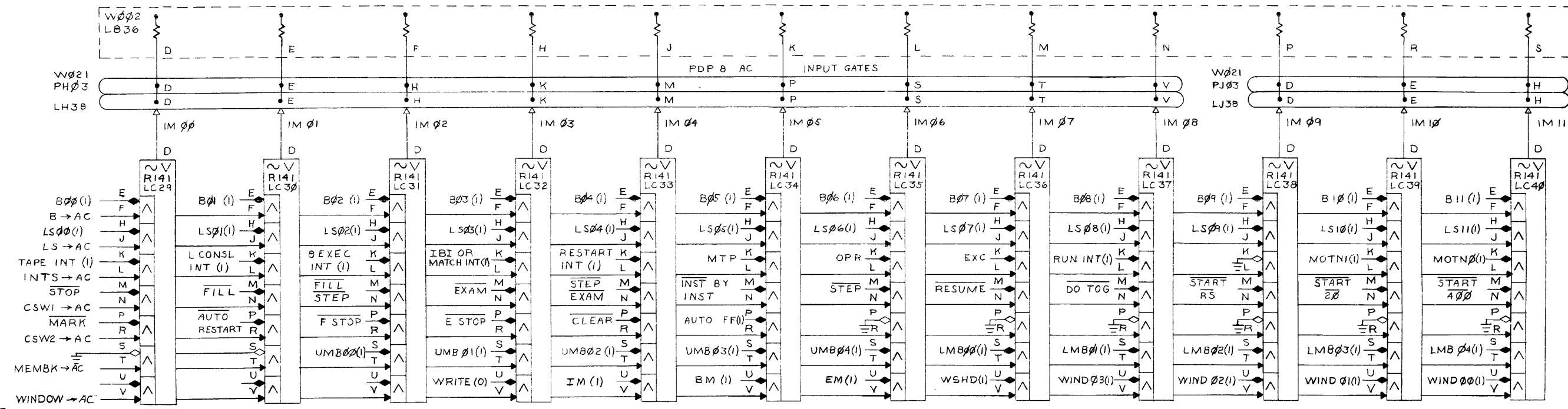
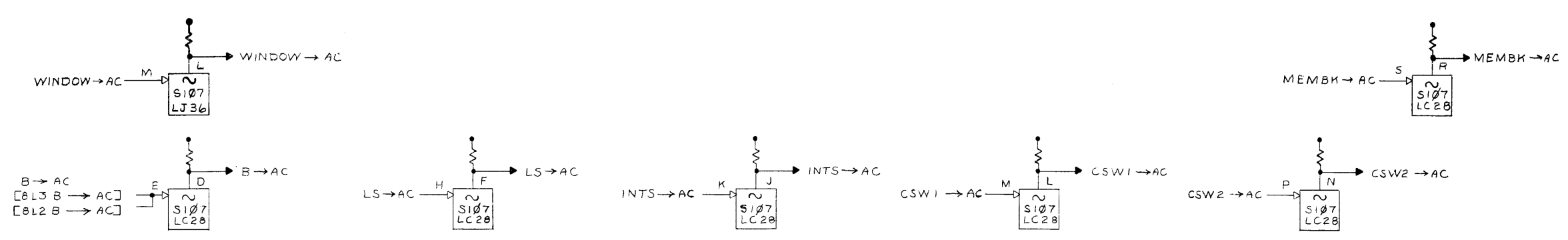
A

D

C

B

A



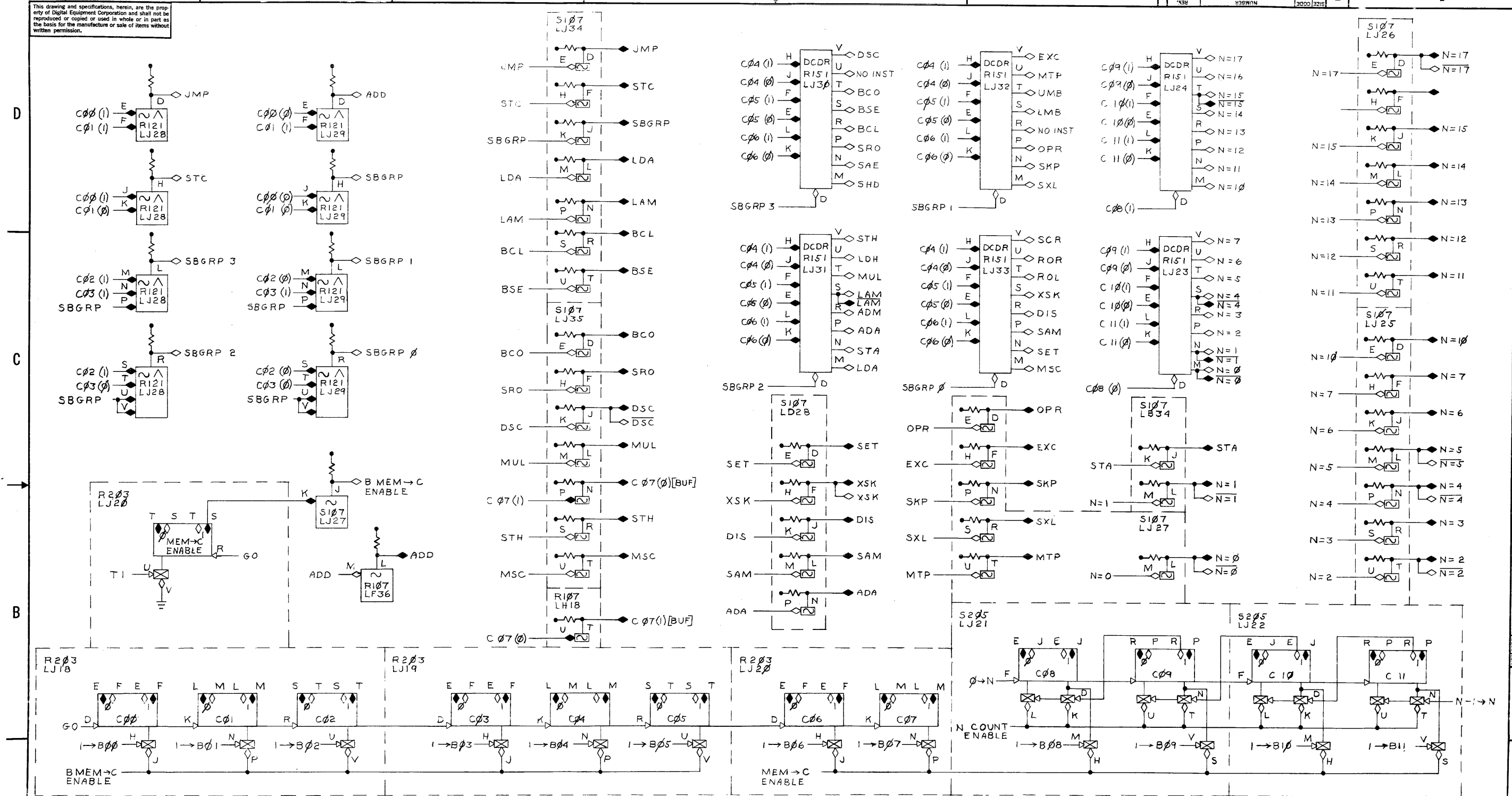
REV.	CHANGE NO.	DATE
A	2-23-67	

AUTO FF	L16	LMB 01 TO LMB 04	L26	STEP	L16
AUTO RESTART	L16	LS TO AC	L17	STEP EXAM	L16
B TO AC	L17, L20	LS 00 TO LS 08	L19	STOP	L18
CLEAR	L16	LS 09 TO LS 11	L19	TAPE INT	L16
DO TCG	L16	MARK	L16	UMB00 TO UMB04	L26
E STOP	L16	MOTN00 TO MCTN01	M12	B EXEC INT	L16
EXAM	L16	MTP	L14	WINDOW - AC	L17
EXC	L14	OPR	L14	WIND 00-03	M13
F STOP	L16	RESTART INT	L16	WRITE	M12
FILL	L16	RESUME	L16	EM	M13
FILL STEP	L16	RUN INT	L16	BM	M12
IBI OR MATCH INT	L16	START RS	L16		
INST BY INST	L16	START 20	L16		
LCNSL INT	L16	START 400	L16		
		B 00-01	L02		

QTY.	DESCRIPTION	PART NO.	ITEM NO.
	PARTS LIST		

UNLESS OTHERWISE SPECIFIED	DRN	DATE	digital CORPORATION WATYARD, MASSACHUSETTS
UNLESS OTHERWISE SPECIFIED	CHKD.	DATE	
TOLERANCES	ENG.	DATE	
DIMENSION IN INCHES	PROJ. ENGR.	DATE	
DECIMALS FRACTIONS ANGLES	PROD.	DATE	TITLE PDP-8 AC INPUT GATES
±.005 ±.1/64 ±.030			MATERIAL LINC 8
FINAL SURFACE QUALITY REMOVE BURRS AND BREAK SHARP CORNERS			FINISH SCALE SHEET OF
			SIZE CODE DBS LINC8-0-L7
			NUMBER 2
			REV. A

This drawing and specifications, herein, are the property of Digital Equipment Corporation and shall not be reproduced or copied or used in whole or in part as the basis for the manufacture or sale of items without written permission.



REV.	CHANGE NO.

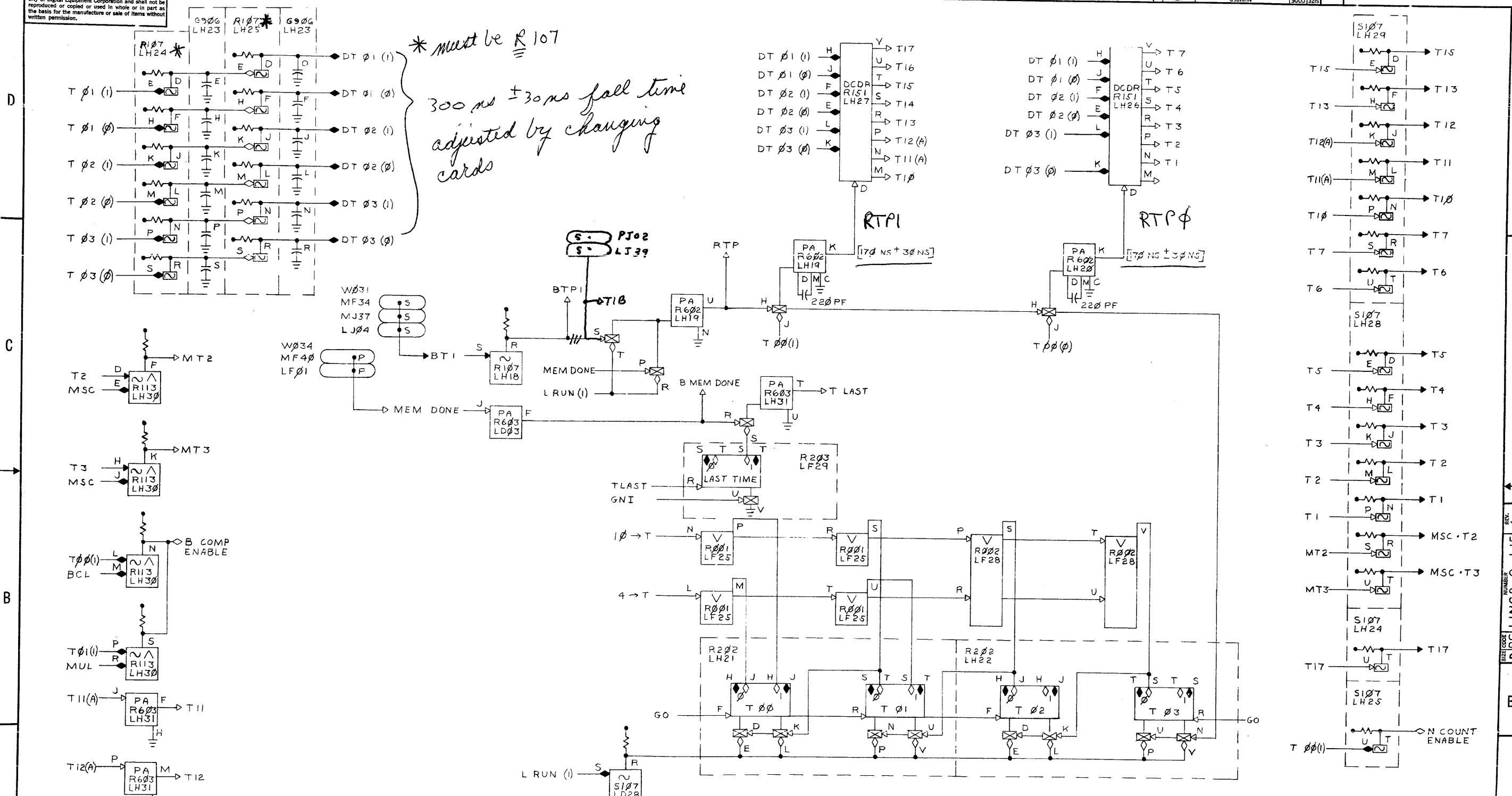
GO	L16
N COUNT ENABLE	L15
N-1 TO N	L21
0 TO N	L21
1 B00 TO 1 B11	L02

QTY.	DESCRIPTION	PART NO.	ITEM NO.
PARTS LIST			

DRW. <i>R. P. Berman</i> CHKD. <i>W. J. ...</i> ENG. <i>W. J. ...</i> PROJ. ENG. <i>W. J. ...</i> PRD. <i>W. J. ...</i>	DATE <i>7/17/66</i> DATE <i>7/17/66</i> DATE <i>10/1/66</i> DATE <i>10/1/66</i>	TITLE CONTROL REG + INST DECODERS	EQUIPMENT CORPORATION MAYNARD, MASSACHUSETTS
---	--	---	---

This drawing and specifications, herein, are the property of Digital Equipment Corporation and shall not be reproduced or copied or used in whole or in part as the basis for the manufacture or sale of items without written permission.

* must be $R \approx 107$
 $300 \text{ ns} \pm 30 \text{ ns}$ fall time
 adjusted by changing cards



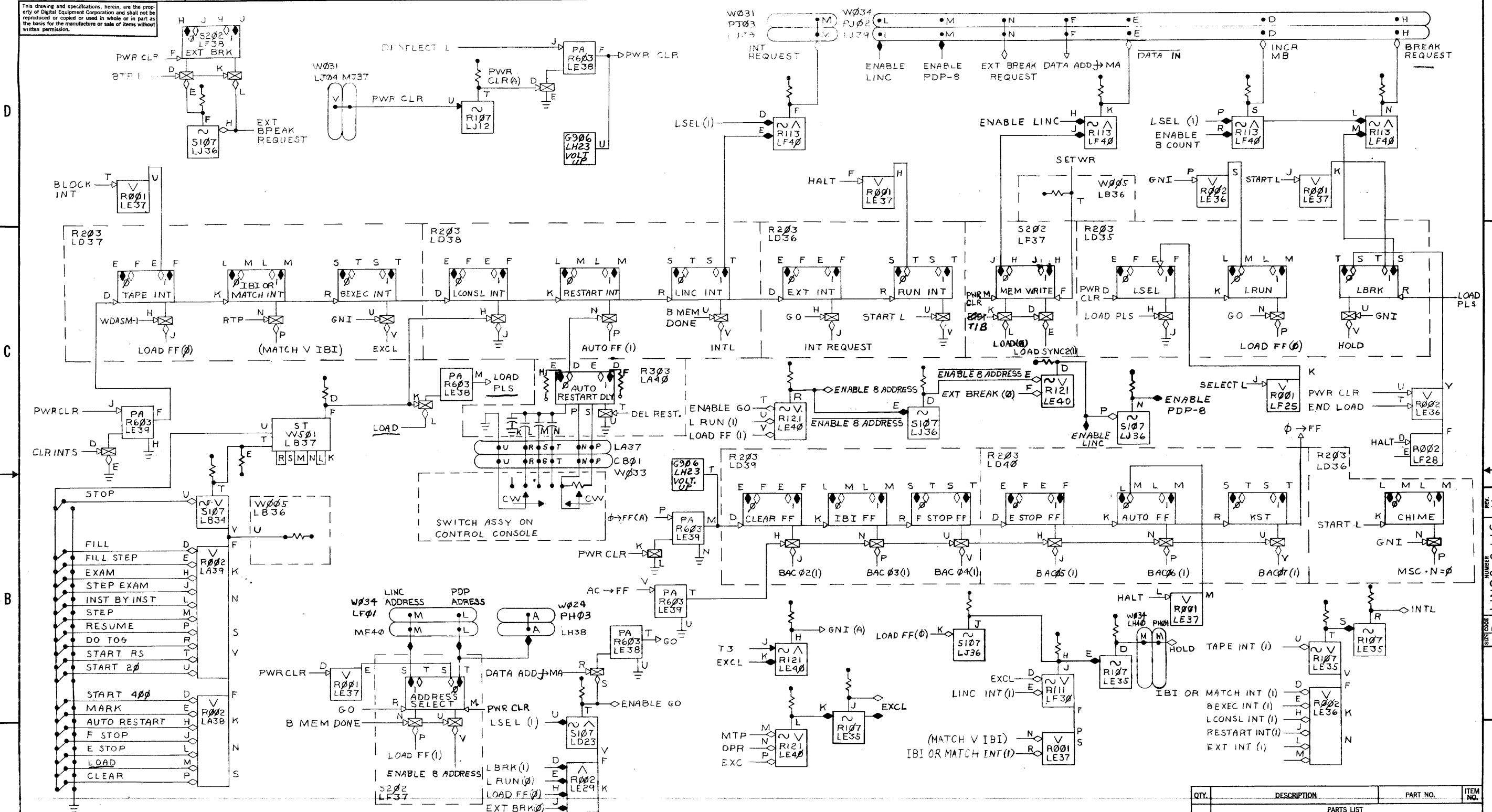
REV.	CHANGE NO.	DATE	BY
A	6	12/13/60	

BCL	L14
GO	L16
L RUN	L16
MSC	L14
MUL	L14
10 TO T	L21
4 TO T	L21

UNLESS OTHERWISE SPECIFIED		DRN	DATE
DIMENSION IN INCHES		CHK'D	DATE
TOLERANCES		ENG.	DATE
DECIMALS	FRACTIONS	PROJ. ENG.	DATE
±.005	± 1/64	PROD.	DATE
ANGLES		FIRST USED ON	
± 0°30'		LINC 8	
FINAL SURFACE QUALITY		SCALE	
REMOVE BURRS AND BREAK SHARP CORNERS		SHEET 1 OF 1	

QTY.	DESCRIPTION	PART NO.	ITEM NO.
PARTS LIST			
TITLE			
TIME PULSE DISTRIBUTOR			
SIZE CODE		NUMBER	REV.
DBS LINC8-0-L15			A

This drawing and specifications, herein, are the property of Digital Equipment Corporation and shall not be reproduced or copied or used in whole or in part as the basis for the manufacture or sale of items without written permission.



REVISIONS

CHK	NO.	DATE	BY	DESCRIPTION
	A	8-21-66	A	ECO# 12144
	B	11-22-66	A	ECO# 12145
	C	3-28-67	A	ECO# 12146
	D	7-15-67	A	ECO# 12147
	E	7-15-67	A	ECO# 12148
	F	11-22-67	A	ECO# 12149
	G	1-23-68	A	ECO# 12150
	H	7-15-67	A	ECO# 12151
	I	7-15-67	A	ECO# 12152
	J	7-15-67	A	ECO# 12153
	K	7-15-67	A	ECO# 12154
	L	7-15-67	A	ECO# 12155

AC TO FF L20
B MEM DONE L15
BAC 02 L17
BAC 03 L17
SELECT LINC L17
Deselect LINC L17

BAC 04 L17
BAC 05 L17
BAC 06 L17
BAC 07 L17
BLOCK INT M12
BTP 1 L15
CLR INTS L17
DEL REST L17
ENABLE B COUNT L18
EXT LOAD L21
EX INT L14
GNI L16
GNI(A) L20
EXT BREAK REQ P23

HALT L20
LOAD FF M12
LOAD SYNC 2 M12
MATCH V IBI L19
MSC N EQ B L18
MTP L14
OPR L14
RTP L15
SET #R L20
START L L17
T3 L13
WBASW-1 M12
B TO FF(A) L20

UNLESS OTHERWISE SPECIFIED
UNLESS OTHERWISE SPECIFIED
DIMENSION IN INCHES
TOLERANCES
DECIMALS FRACTIONS ANGLES
±.005 ±.001 ±.030°
FINAL SURFACE QUALITY
REMOVE BURRS AND BREAK SHARP CORNERS

QTY. DESCRIPTION PART NO. ITEM NO.

DRN DATE 11/22/66
CHK'D DATE 11/22/66
ENG. DATE 11/22/66
PROL. ENG. DATE
PROD. DATE

FIRST USED ON LINC 8

SCALE SHEET 1 OF 1

REV. H

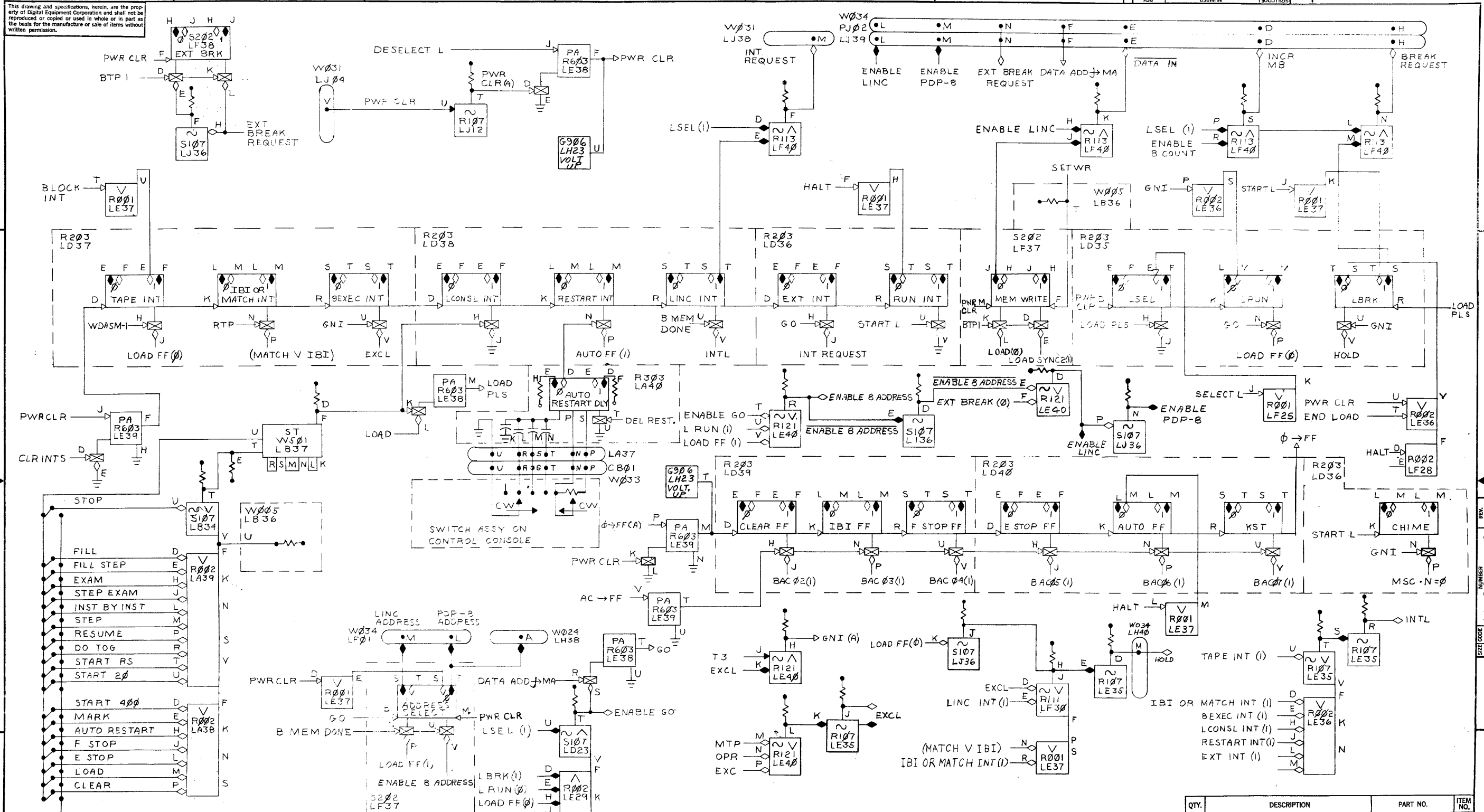
digital EQUIPMENT CORPORATION
MAYNARD, MASSACHUSETTS

TITLE
**LINC
INTERFACE
CONTROL**

SIZE CODE NUMBER
DBS LINC8-0-L16

DIST.

This drawing and specifications, herein, are the property of Digital Equipment Corporation and shall not be reproduced or copied or used in whole or in part as the basis for the manufacture or sale of items without written permission.



REV.	CHANGE NO.	DATE	BY	CHKD.
A	1	12/16/66	W. J.
B	2	1/17/67
C	3	3-28-67
D	4	7-14-67
E	5	7-23-67
F	6	7-23-67
G	7	7-23-67
H	8	7-23-67

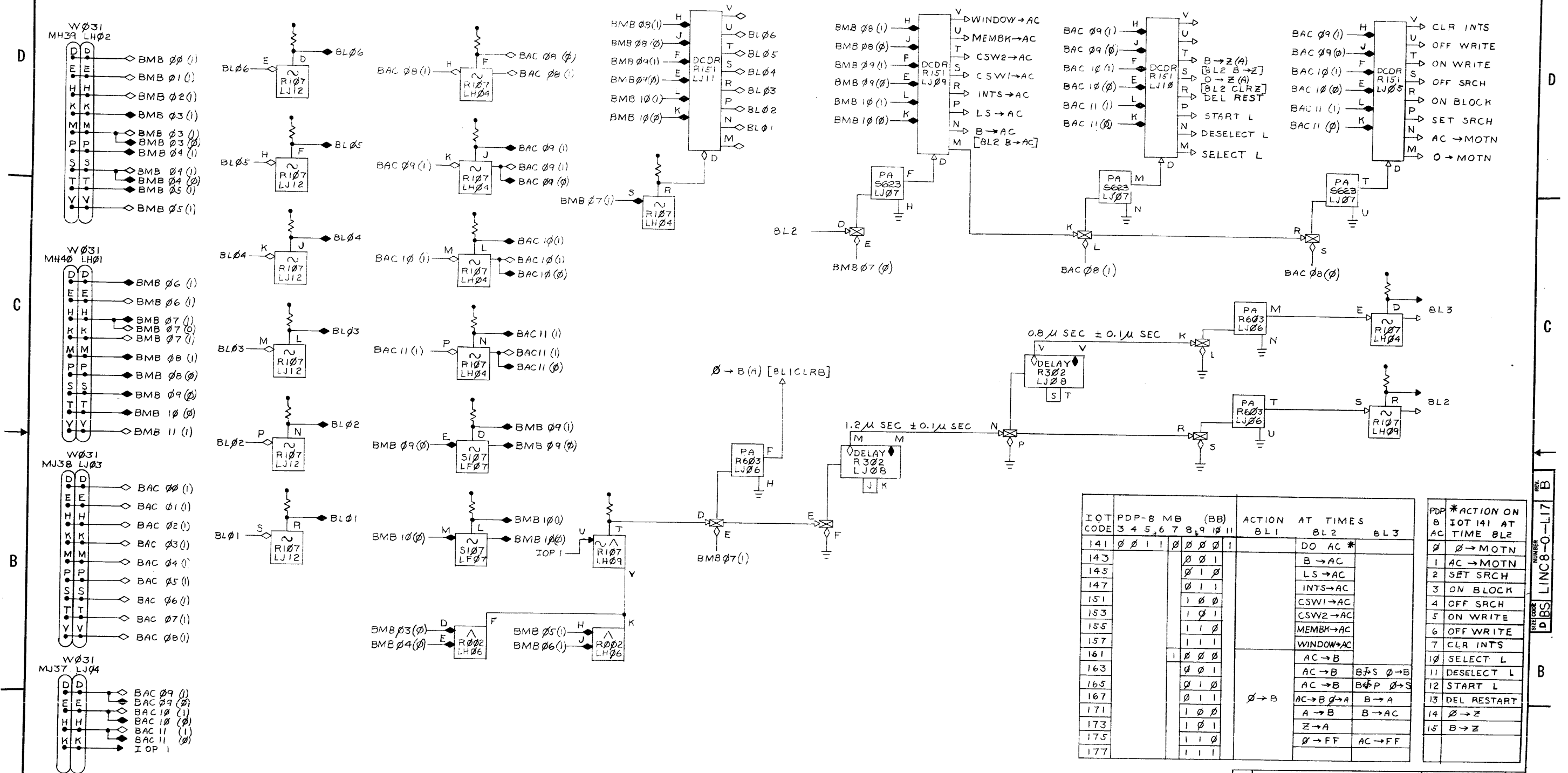
SYMBOL	DESCRIPTION	QTY.
AC TO FF	L20	1
BAC 02	L17	1
BAC 03	L17	1
BAC 04	L17	1
BAC 05	L17	1
BAC 06	L17	1
BAC 07	L17	1
BLOCK INT	W12	1
BTP 1	L15	1
CLR INTS	L17	1
DEL REST	L17	1
ENABLE B COUNT	L18	1
END LOAD	L21	1
EXC	L14	1
GNI	L18	1
GNI (A)	L20	1
EXT BREAK REQ	P23	1
HALT	L20	1
LOAD FF	W12	1
LOAD SYNC 2	W12	1
MATCH V IBI	L19	1
MSC-N ED B	L18	1
MTP	L14	1
OPR	L14	1
RTP	L15	1
SET WR	L20	1
START L	L17	1
T3	L15	1
WDASM-1	W12	1
B TO FF(A)	L20	1

SYMBOL	DESCRIPTION	QTY.
AC TO FF	L20	1
BAC 04	L17	1
BAC 05	L17	1
BAC 06	L17	1
BAC 07	L17	1
BLOCK INT	W12	1
BTP 1	L15	1
CLR INTS	L17	1
DEL REST	L17	1
ENABLE B COUNT	L18	1
END LOAD	L21	1
EXC	L14	1
GNI	L18	1
GNI (A)	L20	1
EXT BREAK REQ	P23	1
HALT	L20	1
LOAD FF	W12	1
LOAD SYNC 2	W12	1
MATCH V IBI	L19	1
MSC-N ED B	L18	1
MTP	L14	1
OPR	L14	1
RTP	L15	1
SET WR	L20	1
START L	L17	1
T3	L15	1
WDASM-1	W12	1
B TO FF(A)	L20	1

SYMBOL	DESCRIPTION	QTY.
AC TO FF	L20	1
BAC 04	L17	1
BAC 05	L17	1
BAC 06	L17	1
BAC 07	L17	1
BLOCK INT	W12	1
BTP 1	L15	1
CLR INTS	L17	1
DEL REST	L17	1
ENABLE B COUNT	L18	1
END LOAD	L21	1
EXC	L14	1
GNI	L18	1
GNI (A)	L20	1
EXT BREAK REQ	P23	1
HALT	L20	1
LOAD FF	W12	1
LOAD SYNC 2	W12	1
MATCH V IBI	L19	1
MSC-N ED B	L18	1
MTP	L14	1
OPR	L14	1
RTP	L15	1
SET WR	L20	1
START L	L17	1
T3	L15	1
WDASM-1	W12	1
B TO FF(A)	L20	1

QTY.	DESCRIPTION	PART NO.	ITEM NO.
	PARTS LIST		
	UNLESS OTHERWISE SPECIFIED: DRN DATE 7/2/66		
	UNLESS OTHERWISE SPECIFIED: DATE 6/15/66		
	DIMENSION IN INCHES		
	TOLERANCES		
	DECIMALS FRACTIONS ANGLES		
	±.005 ± 1/64 ± 0°30'		
	FINAL SURFACE QUALITY		
	REMOVE BURRS AND BREAK SHARP CORNERS		
	MATERIAL		
	FINISH		
	SCALE		
	SHEET OF 1		
	DIST.		

This drawing and specifications, herein, are the property of Digital Equipment Corporation and shall not be reproduced or copied in whole or in part as the basis for the manufacture or sale of items without written permission.



IOT CODE	PDP-8 MB (BB)											ACTION AT TIMES			PDP ACTION ON B IOT 141 AT AC TIME BL2
	3	4	5	6	7	8	9	10	11	BL1	BL2	BL3			
141	0	0	1	1	0	0	0	0	1				DO AC *		
143					0	0	1						B → AC		
145					0	1	0						LS → AC		
147					0	1	1						INTS → AC		
151					1	0	0						CSW1 → AC		
153					1	0	1						CSW2 → AC		
155					1	1	0						MEMBK → AC		
157					1	1	1						WINDOW → AC		
161					1	0	0	0					AC → B		
163					0	0	1						AC → B B → S 0 → B		
165					0	1	0						AC → B B → P 0 → S		
167					0	1	1						0 → B AC → B 0 → A B → A		
171					1	0	0						A → B B → AC		
173					1	0	1						Z → A		
175					1	1	0						0 → FF AC → FF		
177					1	1	1								

REV.	NO.	DATE	BY	CHKD.
A	1	2-23-67		

B TO Z(A) L20

UNLESS OTHERWISE SPECIFIED
DIMENSION IN INCHES
TOLERANCES
DECIMALS FRACTIONS ANGLES
±.005 ± 1/64 ± 0°30'

FINAL SURFACE QUALITY
REMOVE BURRS AND BREAK SHARP CORNERS

DATE 7/27/66
DATE 2-16-66
DATE 1-1-66
DATE 1-1-66

DRN R.E. Bernier
CHKD. J. Capron
ENG. J. Capron
PROJ. ENG. J. Capron
PROJ. J. Capron

DATE 7/27/66
DATE 2-16-66
DATE 1-1-66
DATE 1-1-66

MATERIAL

FINISH

SCALE

SHEET OF

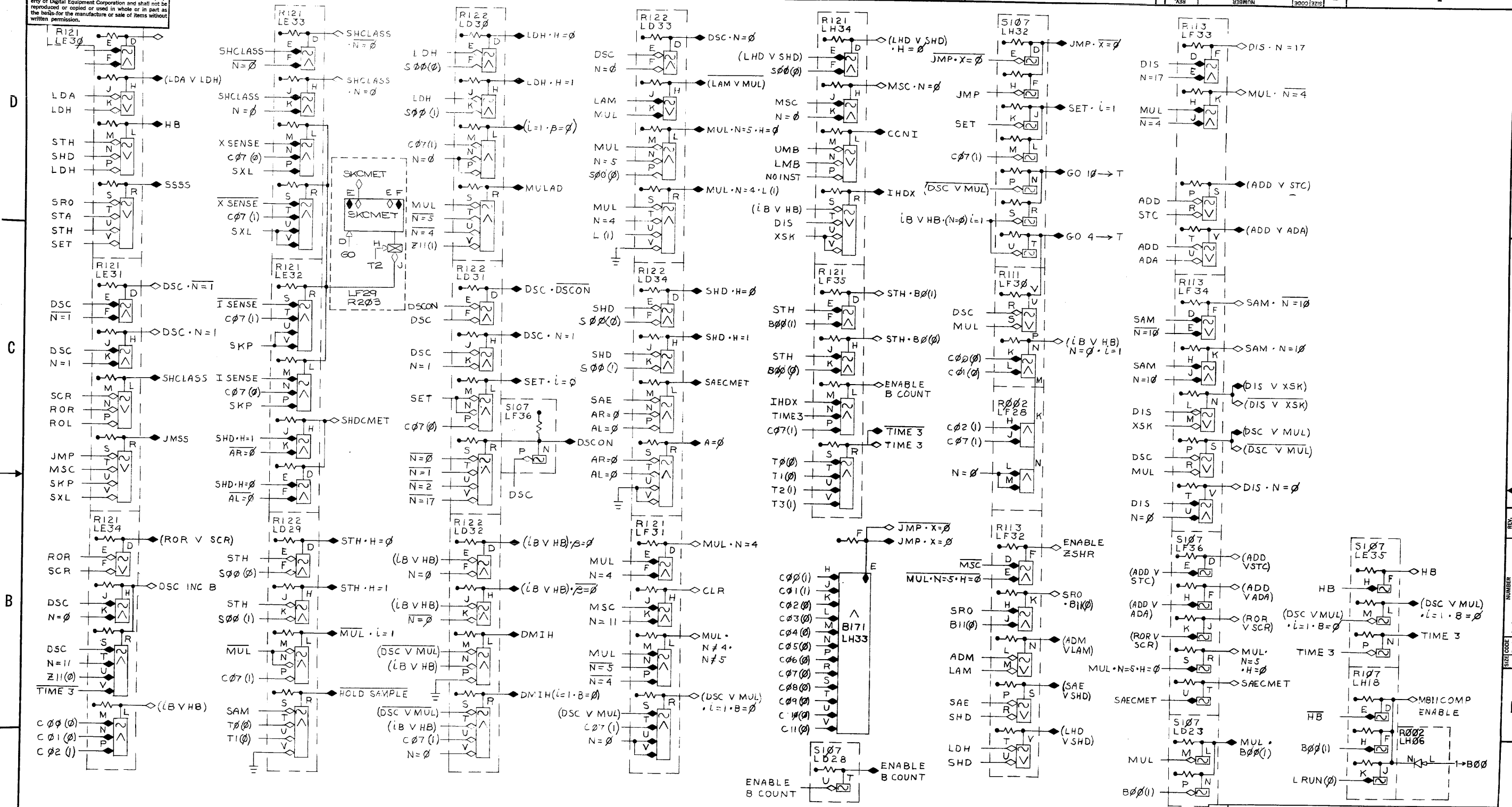
PARTS LIST

digital EQUIPMENT CORPORATION
MAYNARD, MASSACHUSETTS

IOT DECODERS

SIZE CODE NUMBER REV.
D BS LINC8-0-L17 B

This drawing and specifications, herein, are the property of Digital Equipment Corporation and shall not be reproduced or copied in whole or in part as the basis for the manufacture or sale of items without written permission.



REV.	DATE	BY	CHKD.
3	11-15-66	A	
REVISIONS			
CHG	NO.	DESCRIPTION	DATE
1	3	LINC 8-0-118	11-15-66
2	1	SCANLON	11-15-66

ADA	L14	CB3	L14	L	L84	N EQ 10	L14	SRO	L14
ADM	L14	CB4	L14	LRUN	L16	N EQ 11	L14	STA	L14
AL EQ 8	L19	CB5	L14	LDA	L14	N EQ 17	L14	STC	L14
AR EQ 8	L19	CB6	L14	LDH	L14	NO INST	L14	STH	L14
B11	L82	CB7	L14	LDM	L14	ROR	L14	SXL	L14
CB0	L14	CB8	L14	LMB	L14	ROR	L14	T00	L15
CB1	L14	CB9	L14	MSC	L14	S 00	L83	T01	L15
CB2	L14	C10	L14	MUL	L14	SAE	L14	T02	L15
		C11	L14	N EQ 00	L14	SAM	L14	T03	L15
		D15	L14	N EQ 01	L14	SCR	L14	UMB	L14
		DSC	L14	N EQ 02	L14	SET	L14	XSENSE	L19
		ISENSE	L19	N EQ 04	L14	SHD	L14	XSK	L14
		JMP	L14	N EQ 05	L14	SKP	L14	Z11	L86

QTY.	DESCRIPTION	PART NO.	ITEM NO.
	PARTS LIST		
	UNLESS OTHERWISE SPECIFIED		
	DIMENSION IN INCHES		
	TOLERANCES		
	DECIMALS FRACTIONS ANGLES		
	±.005 ±.004 ±.030		
	FINAL SURFACE QUALITY		
	REMOVE BURRS AND BREAK SHARP CORNERS		
	MATERIAL		
	FINISH		

DATE	11/16/66
DATE	11/16/66
DATE	11/16/66
DATE	11/16/66
DATE	11/16/66
DATE	11/16/66
DATE	11/16/66
DATE	11/16/66
DATE	11/16/66
DATE	11/16/66

digital EQUIPMENT CORPORATION
MAYNARD MASSACHUSETTS

CONTROL FUNCTIONS

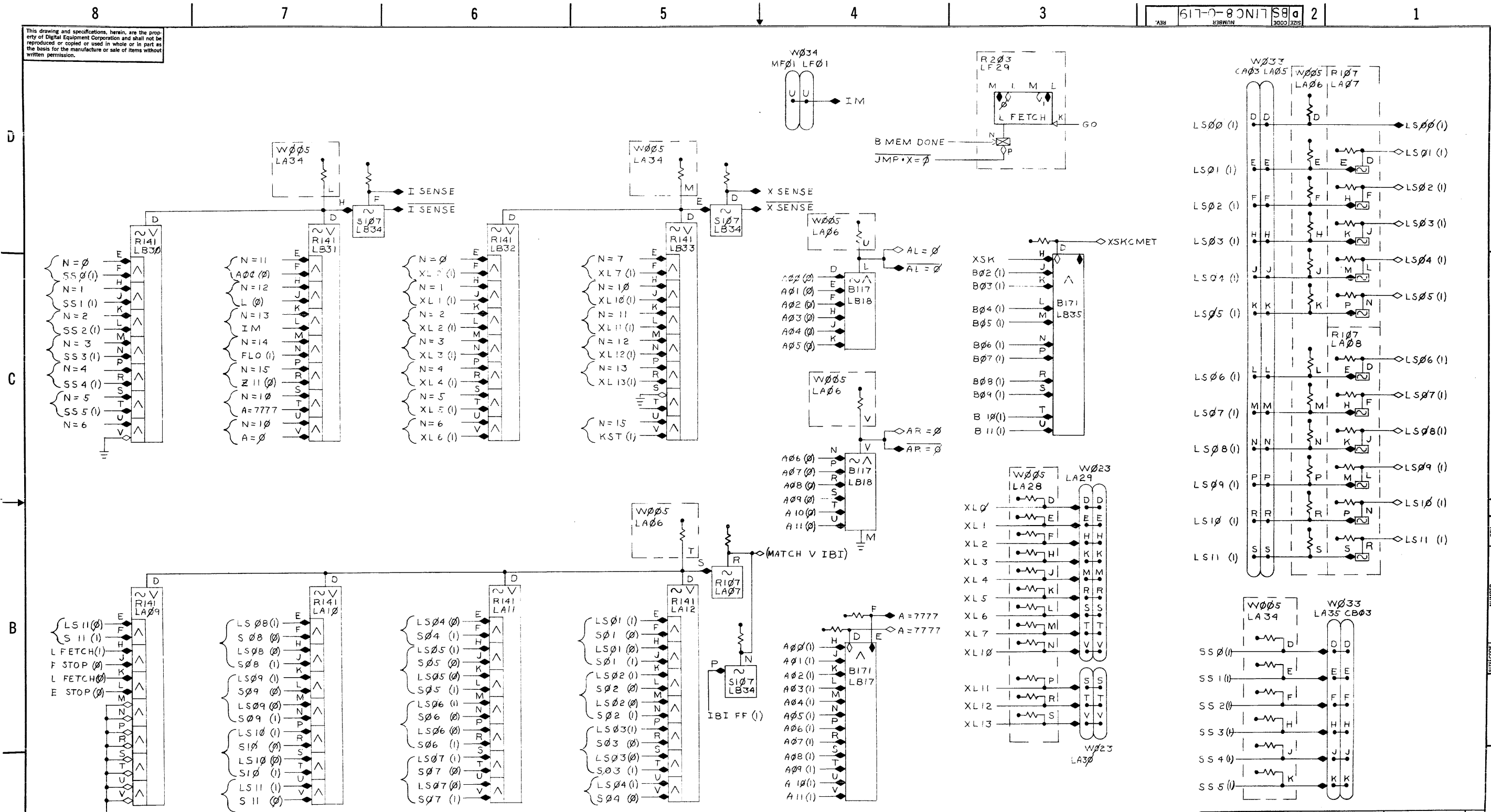
SIZE CODE: D BS LINC 8-0-118 REV. B

SHEET 1 OF 1

This drawing and specifications, herein, are the property of Digital Equipment Corporation and shall not be reproduced or copied or used in whole or in part as the basis for the manufacture or sale of items without written permission.

D
C
B
A

D
C
B
A



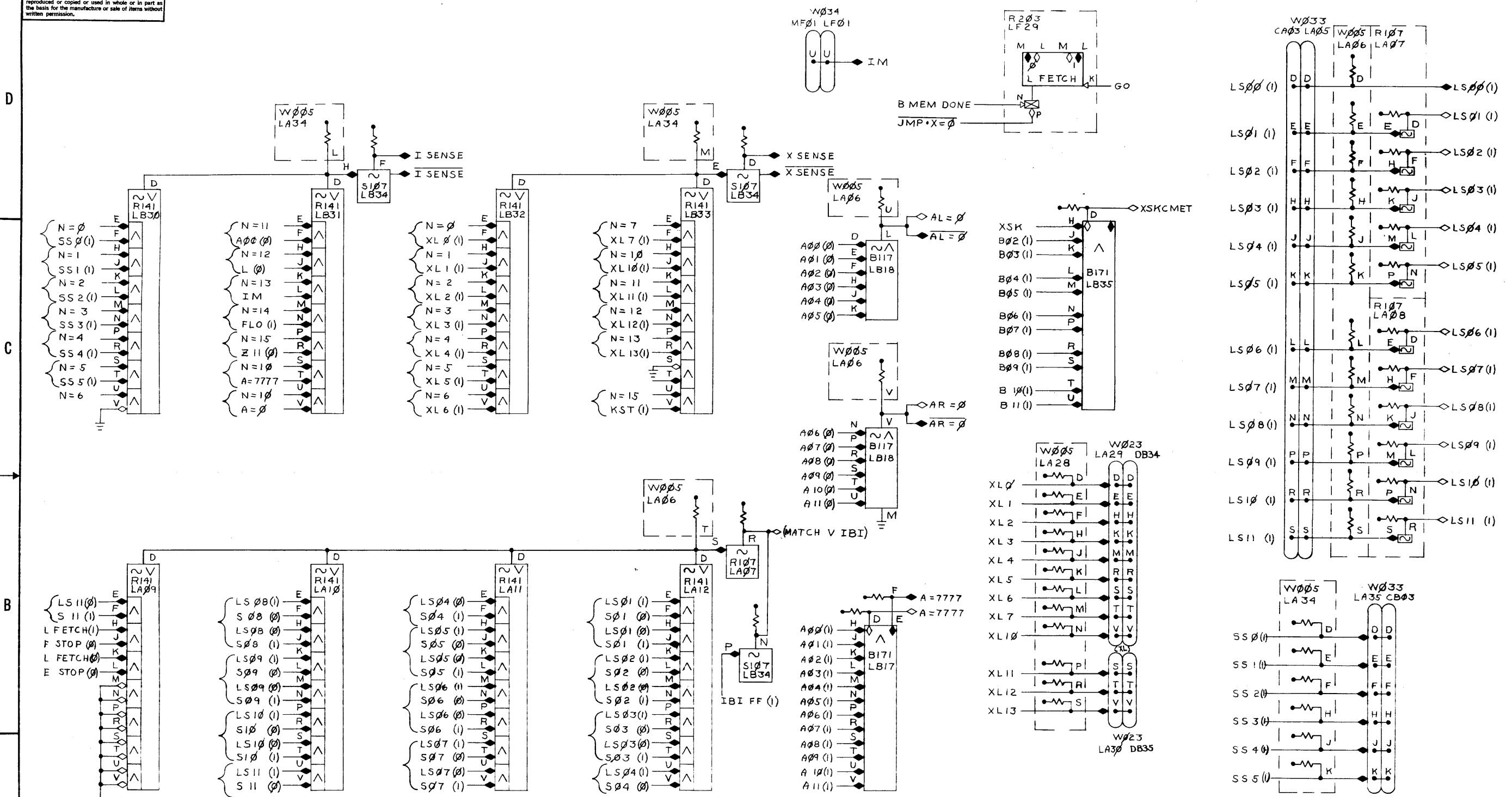
REV.	CHANGE NO.

UNLESS OTHERWISE SPECIFIED
 DIMENSION IN INCHES
 TOLERANCES
 DECIMALS FRACTIONS ANGLES
 ±.005 ± 1/64 ± 0°30'
 FINAL SURFACE QUALITY
 REMOVE BURRS AND BREAK SHARP CORNERS

QTY.	DESCRIPTION	PART NO.	ITEM NO.
PARTS LIST			
TITLE SKIP NETS			
LINC 8		SIZE CODE D BS	NUMBER LINC8-0-L19
SCALE		REV.	
SHEET		OF	
DIST.		REV.	

REV. NUMBER
D BS LINC8-0-L19

This drawing and specifications, herein, are the property of Digital Equipment Corporation and shall not be reproduced or copied or used in whole or in part as the basis for the manufacture or sale of items without written permission.



REVISIONS

CHK	CHANGE NO.	REV.	A
SP	LINC8-0004	A	

W. J. Deane
MILTON

A 08	L04	A 06	L05	B08	L02	N EQ 00	L14	N EQ 15	L14
A 09	L04	A 07	L05	B09	L02	N EQ 01	L14	S 01	L03
A 10	L04	A 08	L05	B10	L02	N EQ 02	L14	S 02	L03
A 11	L04	A 09	L05	B11	L02	N EQ 03	L14	S 03	L03
A 12	L04	A 10	L05	E STOP FF	L16	N EQ 04	L14	S 04	L03
A 13	L04	A 11	L05	F STOP FF	L16	N EQ 05	L14	S 05	L03
A 14	L04	B MEM DONE	L15	FLO	L04	N EQ 06	L14	S 06	L03
A 15	L04	B 02	L02	GNI	L21	N EQ 07	L14	S 07	L03
		B 03	L02	GO	L16	N EQ 08	L14	S 08	L03
		B 04	L02	IM	M13	N EQ 09	L14	S 09	L03
		B 05	L02	IBI FF	L16	N EQ 10	L14	S 10	L03
		B 06	L02	KST	L16	N EQ 11	L14	S 11	L03
		B 07	L02	L	L04	N EQ 12	L14	S 10	L03
						N EQ 13	L14	S 11	L03
						N EQ 14	L14	XSK	L14

UNLESS OTHERWISE SPECIFIED		DATE	12/1/66
UNLESS OTHERWISE SPECIFIED		DATE	12/1/66
DIMENSION IN INCHES		DATE	12/1/66
TOLERANCES		DATE	12/1/66
DECIMALS FRACTIONS ANGLES		DATE	12/1/66
± .005 ± 1/64 ± 0°30'		DATE	12/1/66
FINAL SURFACE QUALITY		DATE	12/1/66
REMOVE BURRS AND BREAK SHARP CORNERS		DATE	12/1/66
MATERIAL		DATE	12/1/66
FINISH		DATE	12/1/66

DRN: R. J. Deane
CHKD: W. J. Deane
ENG: R. J. Deane
PROD. ENG.: W. J. Deane
PROD.: W. J. Deane

ITEM NO. 1

QTY. DESCRIPTION PART NO. ITEM NO.

PARTS LIST

digital EQUIPMENT CORPORATION
MAYNARD, MASSACHUSETTS

TITLE: SKIP NETS

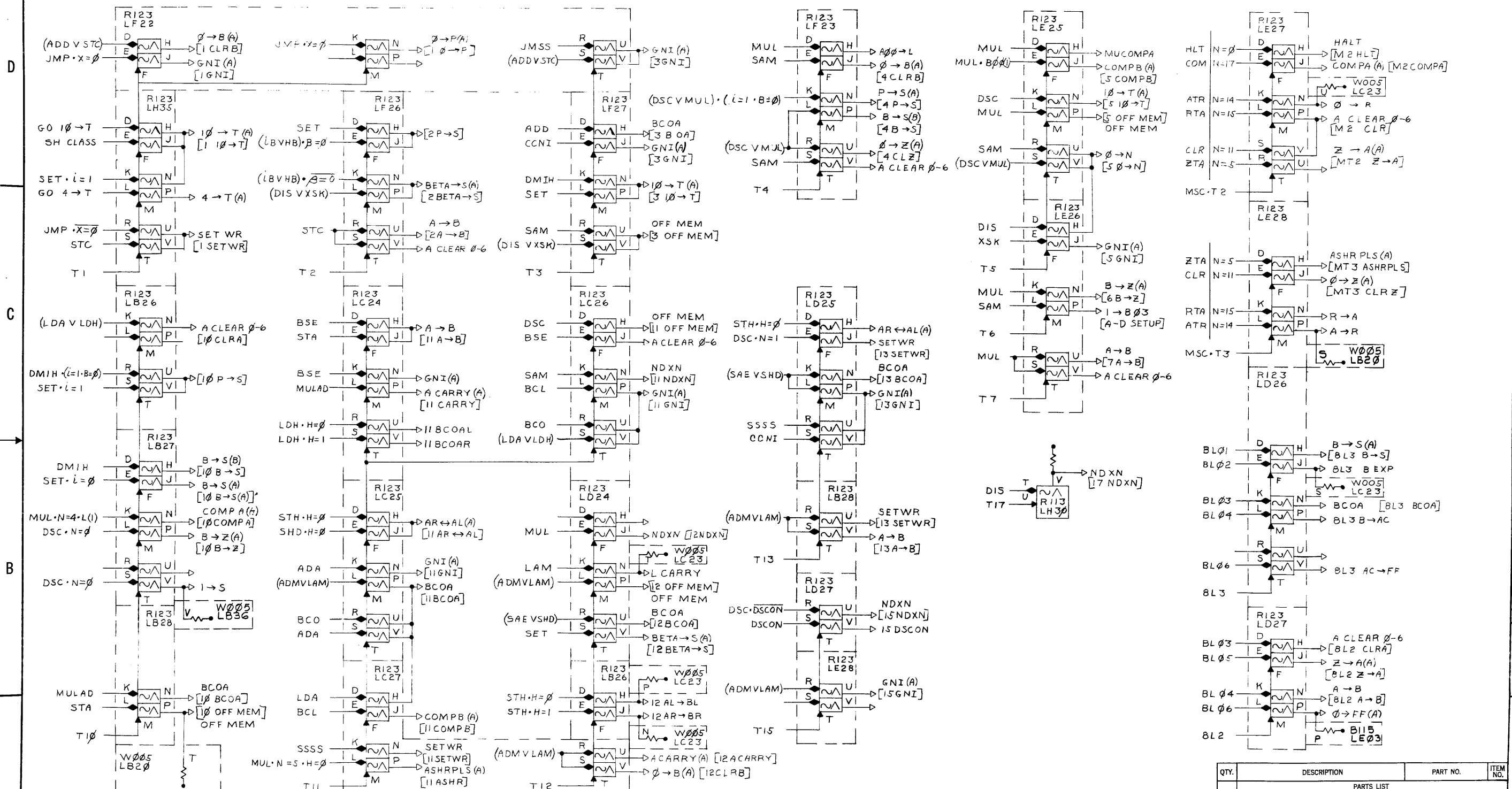
SIZE CODE: DBS LINC8-0-L19

NUMBER: 8

REV. A

SHEET 41 OF 51

This drawing and specifications, herein, are the property of Digital Equipment Corporation and shall not be reproduced or copied or used in whole or in part as the basis for the manufacture or sale of items without written permission.



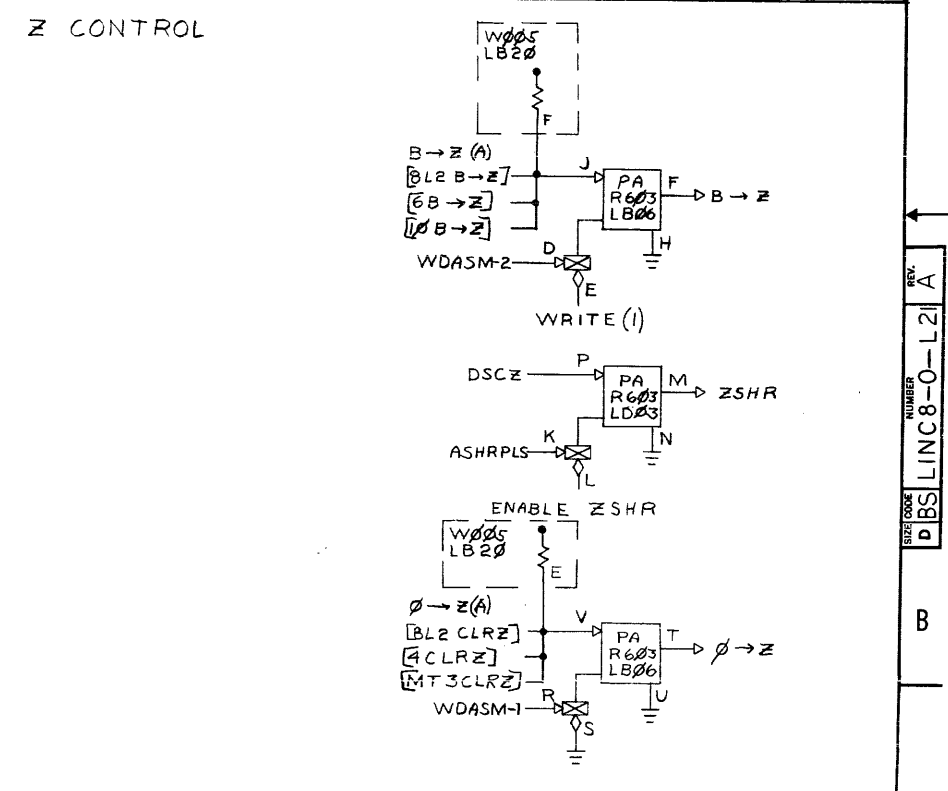
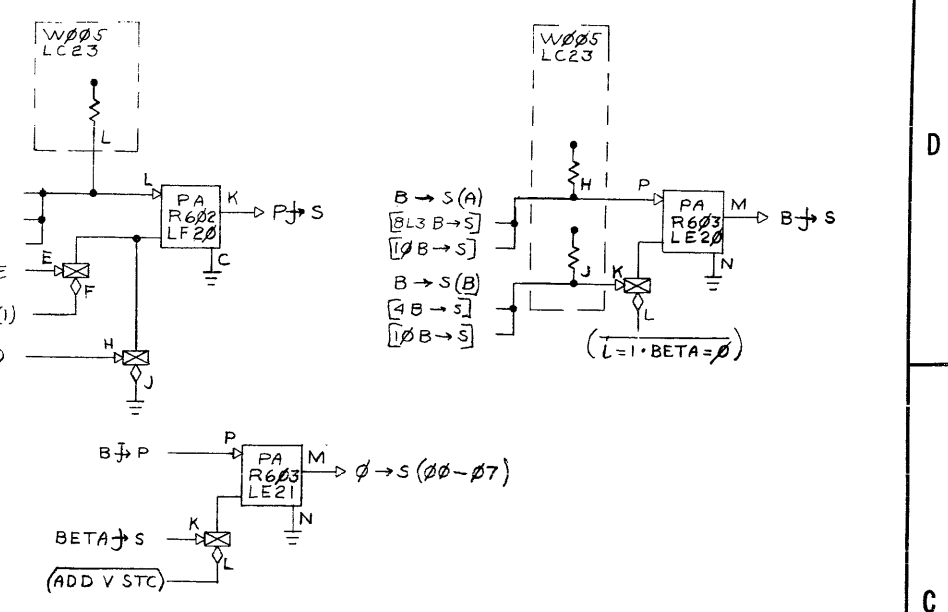
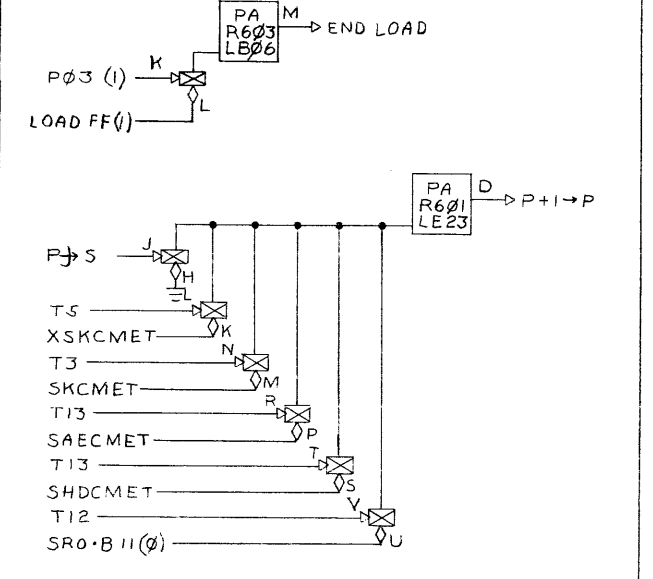
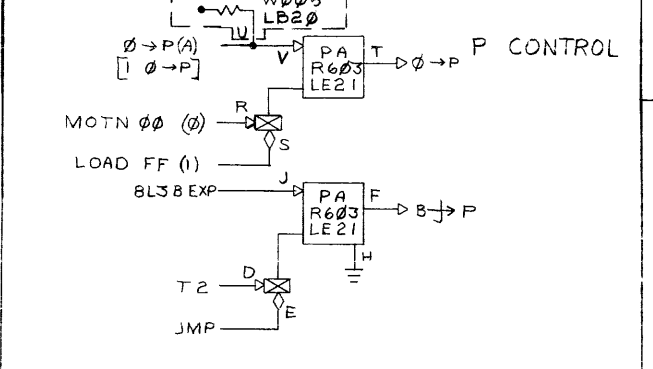
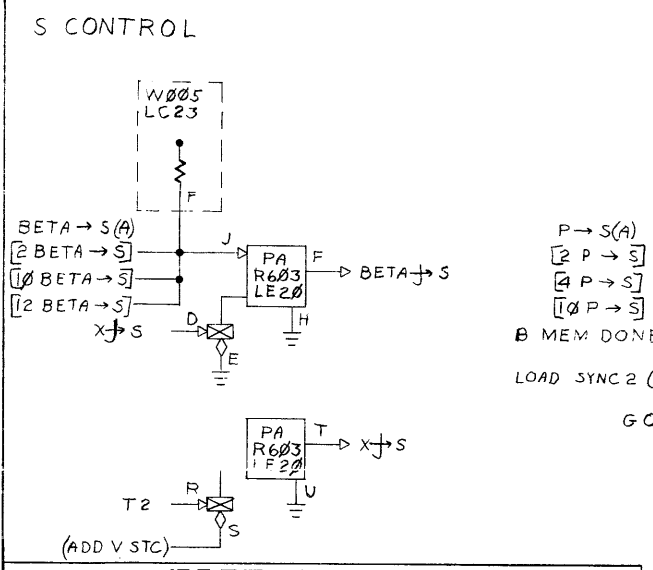
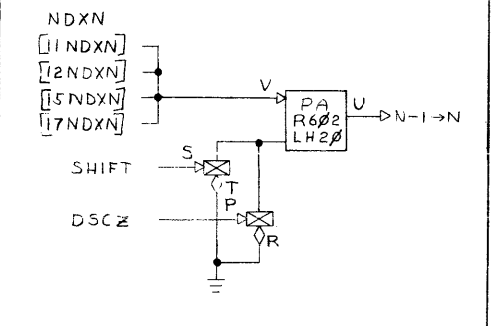
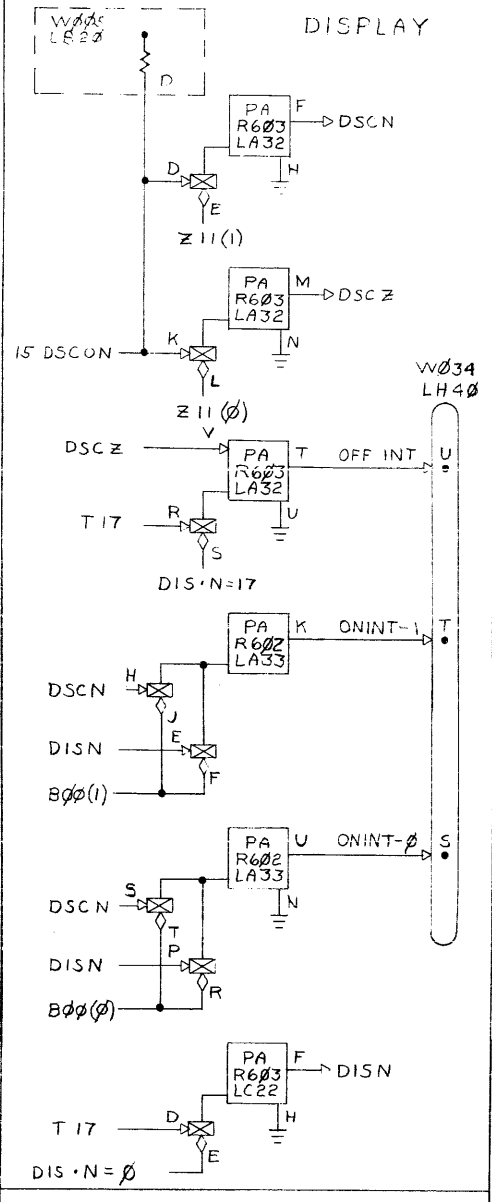
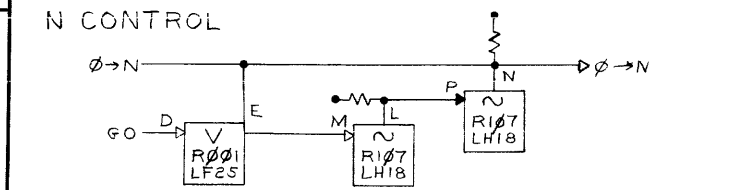
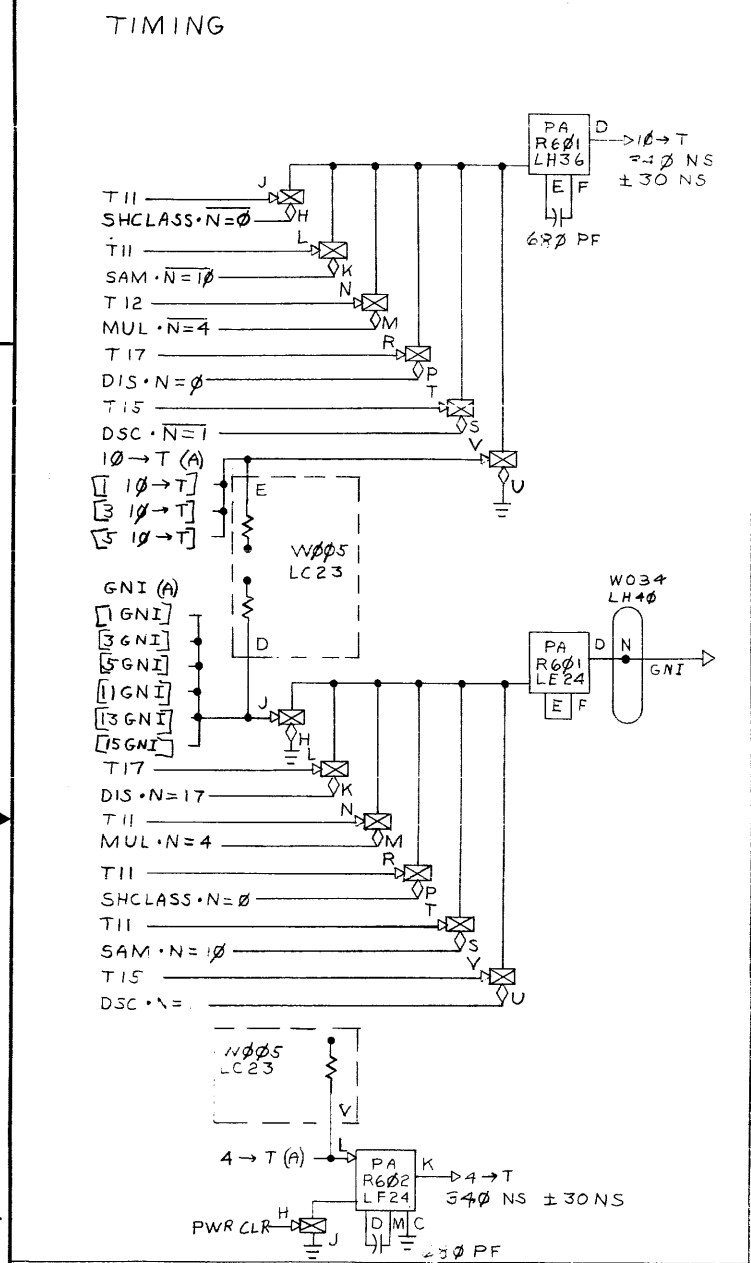
CHK	NO.	REV.	DATE	BY
1	12	2	11/8/67	T. Chubb

NO.	DESCRIPTION	NO.	DESCRIPTION	NO.	DESCRIPTION	NO.	DESCRIPTION	NO.	DESCRIPTION	NO.	DESCRIPTION	NO.	DESCRIPTION
114	ADA	114	DMS	114	LAM	114	N EQ 14	114	SET	114	T05	115	
114	ADD	118	DMIH	118	LDA	118	N EQ 15	118	SET .1 EQ 1	118	T06	115	
114	BCL	118	DMIH. (1EQ1 B EQ 0)	118	LDH. H EQ 1	118	N EQ 17	118	SHCLASS	118	T07	115	
114	BCO	118	DSC	118	MSC. T02	118	(ADD STG)	118	SHD. H EQ 0	118	T10	115	
117	BL2	118	DSC. DSCON	118	MSC. T03	118	(ADM LAM)	118	STA	118	T11	115	
117	BL3	118	DSC. N EQ 0	118	SSSS	118	(DSC MUL)	118	STC	118	T12	115	
117	BL4	118	DSC. N EQ 1	118	MUL	118	(DSC MUL)	118	STA	118	T13	115	
117	BL5	118	DSCON	118	MULAD	118	(DSC MUL)	118	STC	118	T15	115	
117	BL6	118	GO 10 TO T	118	MUL. B0(1)	118	(DSC MUL)	118	STH. H EQ 0	118	T16	115	
117	BL6	118	GO 4 TO T	118	MUL. N EQ 4 L(1)	118	(1B HB), BETA EQ 0	118	STH. H EQ 1	118	T17	115	
114	BSE	118	JMP X EQ 0	118	MUL. N EQ 5 H EQ 0	118	(1B HB), BETA UNEQ 0	118	T01	115	118	XSK	114
118	CCNI	118	JMP X UNEQ 0	118	N EQ 00	114	(LDA LDH)	118	T02	115	118	XSK	114
		118	JMSS	118	N EQ 05	114	(SAE SHD)	118	T03	115	118	8L2	117
		118		118	N EQ 11	114	SAM	118	T04	114		8L3	117

QTY.	DESCRIPTION	PART NO.	ITEM NO.
	PARTS LIST		
	UNLESS OTHERWISE SPECIFIED: DIMENSION IN INCHES		
	TOLERANCES: DECIMALS FRACTIONS ANGLES		
	± .005 ± 1/64 ± 0°30'		
	FINAL SURFACE QUALITY: REMOVE BURRS AND BREAK SHARP CORNERS		
	MATERIAL: LINC 8		
	FINISH: SCALE SHEET 1 OF 1		

digital EQUIPMENT CORPORATION
WAYNAD, MASSACHUSETTS
TITLE: CONTROL PULSE GATES

This drawing and specifications, herein, are the property of Digital Equipment Corporation and shall not be reproduced or copied in whole or in part as the basis for the manufacture or sale of items without written permission.



REV.	CHANGE NO.	DATE
A	INC 81-00006	7-1-77

REVISIONS
SOLIVA

SYMBOL	DESCRIPTION	QTY
ASHRPLS	L22	1
B MEM DONE	L15	1
B TO S(A)	L20	1
B TO S(B)	L20	1
B TO Z(A)	L20	1
B TO Z(B)	L20	1
BETA TO S(A)	L20	1
DIS · N EQ 0	L18	1
DSC · N EQ 1	L18	1
DSC · N UNEQ 1	L20	1
ENABLE ZSHR	L18	1
GNI(A)	L20	1
JMP	L14	1
LOAD FF	M12	1
LOAD SYNC 2	M12	1

SYMBOL	DESCRIPTION	QTY
MOTN 00	M12	1
MUL · N EQ 04	L18	1
MUL · N UNEQ 04	L18	1
NDXN	L20	1
P TO S(A)	L20	1
P03	L03	1
PWR CLR	L16	1
(ADD V ADA)	L18	1
(ADD V STC)	L18	1
(I EQ 1 BETA EQ 0)	L18	1
SAECMET	L18	1
SAM · N EQ 10	L18	1
SAM · N UNEQ 10	L18	1

SYMBOL	DESCRIPTION	QTY
T15	L15	1
T17	L15	1
WDASM-1	M12	1
WDASM-2	M12	1
WRITE	M12	1
XSKCMET	L18	1
Z11	L06	1
ZSHL	L21	1
0 TO Z(A)	L20, L17	1
10 TO T(A)	L20	1
15 DSCN	L20	1
4 TO T(A)	L20	1
BLS B EXP	L20	1

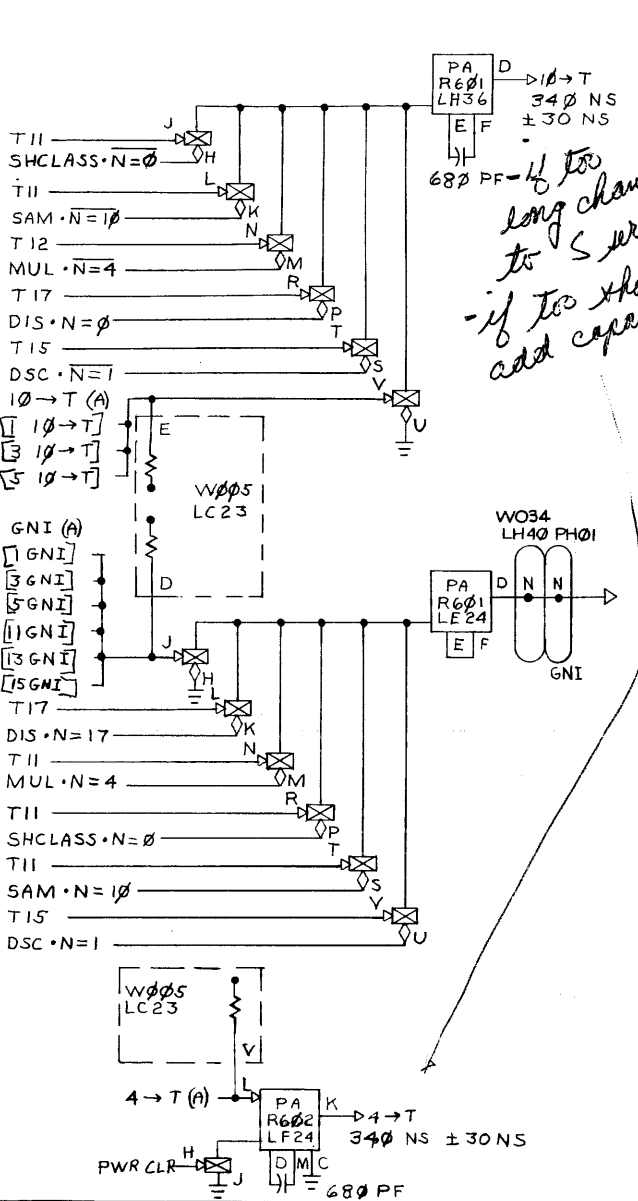
REV. A
NUMBER
D B S L I N C 8 - 0 - L 2 1

QTY.	DESCRIPTION	PART NO.	ITEM NO.
PARTS LIST			
UNLESS OTHERWISE SPECIFIED			
DIMENSION IN INCHES			
TOLERANCES			
DECIMALS FRACTIONS ANGLES			
± .005 ± 1/64 ± 0°30'			
MATERIAL			
FINISH			

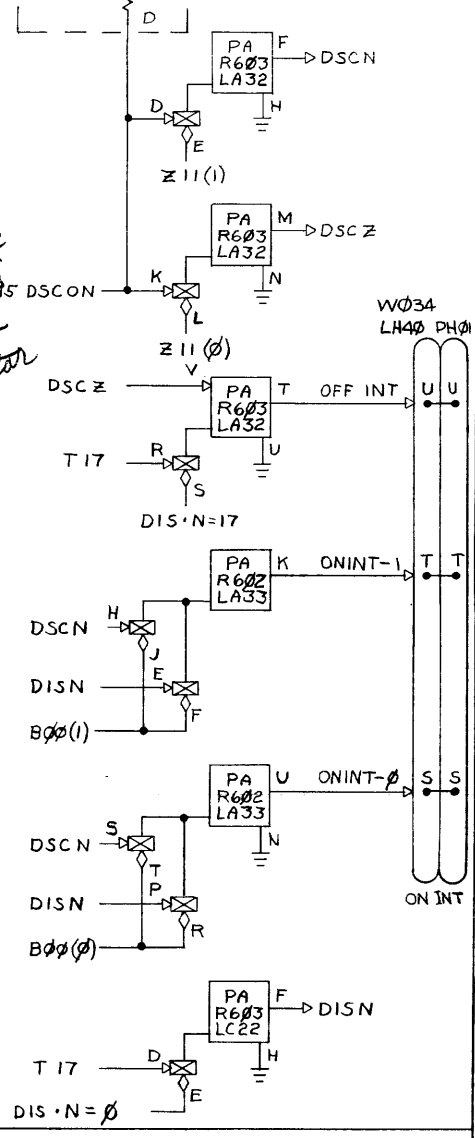
DRN. <i>R. E. Remier</i>	DATE <i>7/1/77</i>	digital CORPORATION WATYARD, MASSACHUSETTS
CHK'D. <i>[Signature]</i>	DATE <i>[Signature]</i>	
ENG. <i>[Signature]</i>	DATE <i>[Signature]</i>	
PROD. <i>[Signature]</i>	DATE <i>[Signature]</i>	
FIRST USED ON		TITLE
LINC 8		S P Z T N & DIS. CONT. PULSES
SCALE	SHEET 1 OF 1	SIZE CODE
		D B S L I N C 8 - 0 - L 2 1
		NUMBER
		REV. A

This drawing and specifications, herein, are the property of Digital Equipment Corporation and shall not be reproduced or copied in whole or in part as the basis for the manufacture or sale of items without written permission.

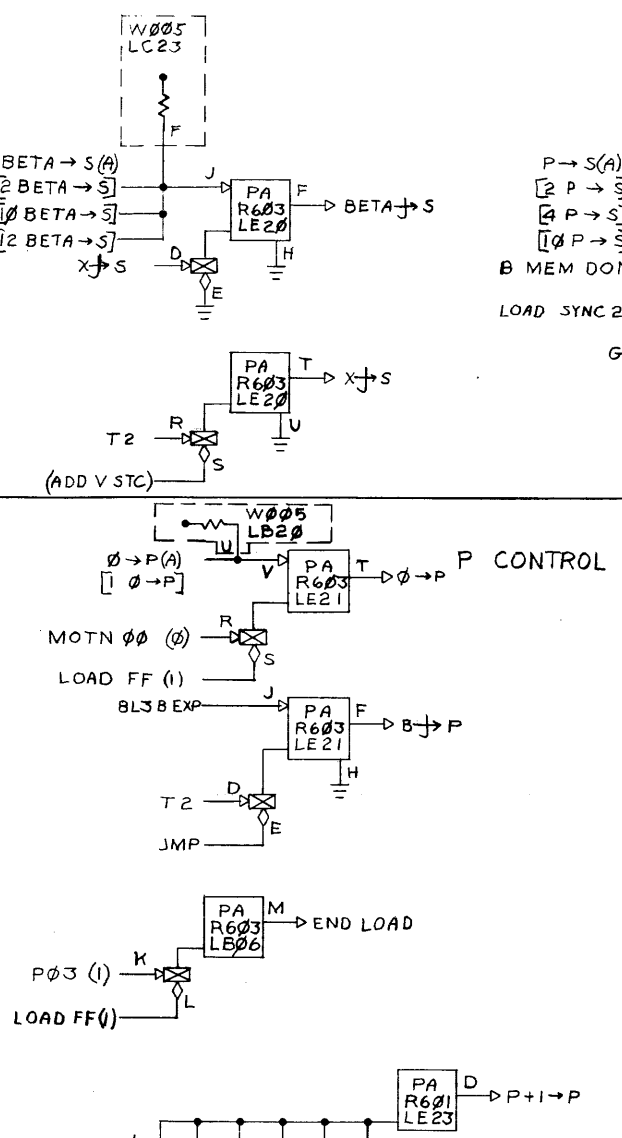
TIMING



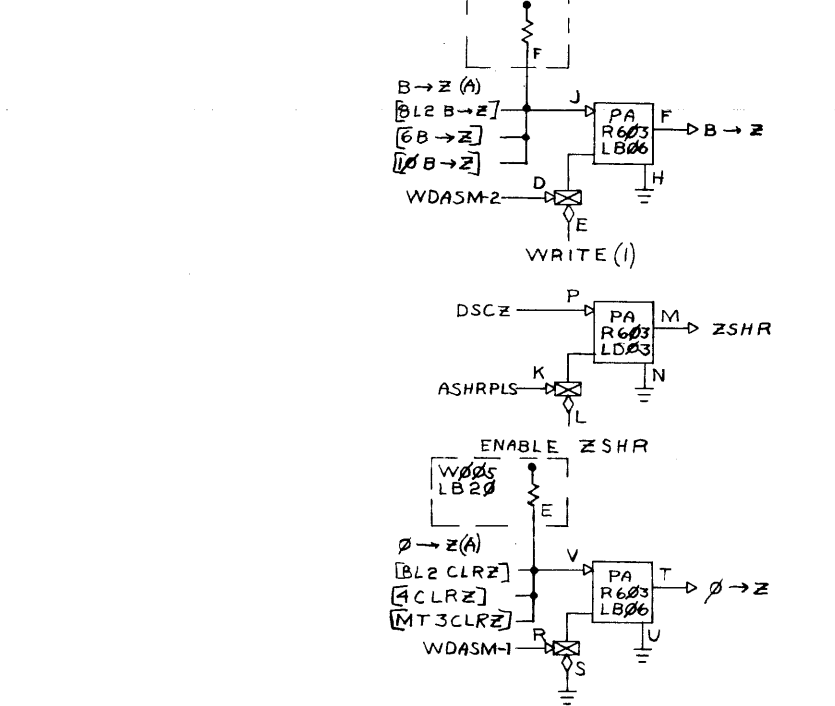
DISPLAY



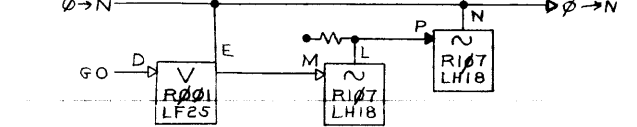
S CONTROL



Z CONTROL



N CONTROL



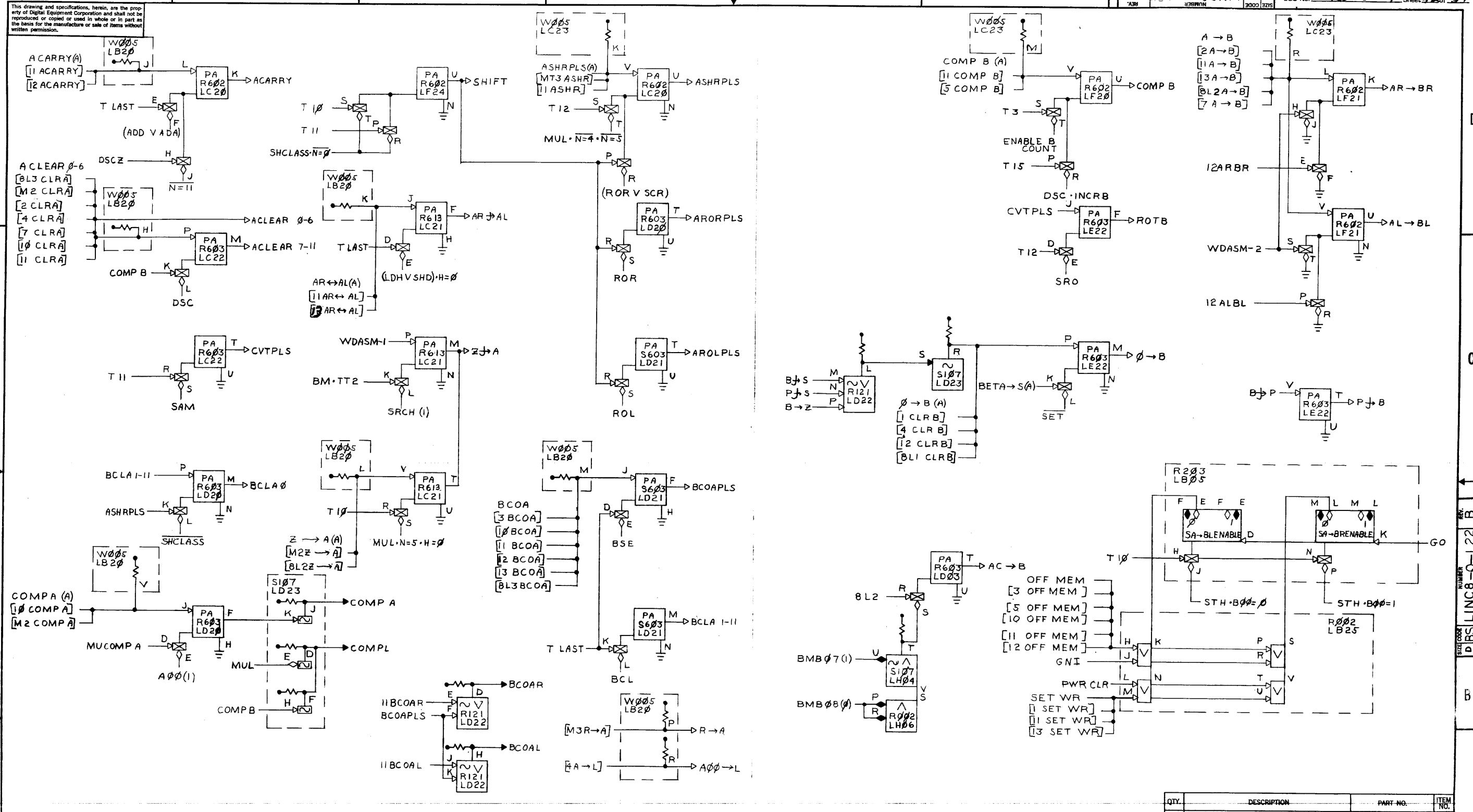
REV.	CHG. NO.	DATE
A	INC 81-0006	7-1-71
B	LINC8-0004	7-26-71

ASHRPLS L22	B TO S(A) L20	MOTN 00 M12	SHCLASS.N EQ 0 L18	T15 L15
B MEM DONE L15	B TO S(B) L20	MUL.N EQ 04 L18	SHCLASS.N UNEQ 0 L18	T17 L15
	B TO Z(A) L20	MUL.N UNEQ 04 L18	SHDCMET L18	WDASM-1 M12
	B TO 00 L02	NDXN L20	SHIFT L22	WDASM-2 M12
	BETA TO S(A) L20	P TO S(A) L20	SKCMET L18	WRITE M12
	DIS.N EQ 0 L18	P03 L03	SR0.B11(0) L18	XSKCMET L19
	DSC.N EQ 1 L18	PWR CLR L16	T02 L15	Z11 L06
	DSC.N UNEQ 1 L20	(ADD V ADA) L18	T03 L15	ZSHL L21
	ENABLE ZSHR L18	(ADD V STC) L18	T05 L15	0 TO Z(A) L20, L17
	GNI(A) L20	(1 EQ 1-BETA EQ 0) L18	T10 L15	10 TO T(A) L20
	JMP L14	SAECMET L18	T11 L15	15 DSCN L20
	LOAD FF L14	SAM.N EQ 10 L18	T12 L15	4 TO T(A) L20
	LOAD SYNC 2 M12	SAM.N UNEQ 10 L18	T13 L15	8L3 BEXP L20

QTY.	DESCRIPTION	PART NO.	ITEM NO.
PARTS LIST			
UNLESS OTHERWISE SPECIFIED			
UNLESS OTHERWISE SPECIFIED			
DIMENSION IN INCHES			
TOLERANCES			
DECIMALS	FRACTIONS	ANGLES	
±.005	± 1/64	± 0°30'	
FINAL SURFACE QUALITY			
REMOVE BURRS AND BREAK SHARP CORNERS			
MATERIAL			
FINISH			

REV. NUMBER LINC8-0-L21 B

A



REVISIONS

REV.	CHANGE NO.	DATE
1	22	11/16/62
2	22	11/16/62

ECO # 22
 J. J. ...
 J. J. ...
 J. J. ...

ACLEAR 0-6	L20	ABO TO L	L20	DSC	L14	R TO A	L20	T10	L15
A TO B	L20	B TO P	L21	DSC INCB	L18	ROL	L14	T11	L15
A 00	L04	B TO S	L21	DSCZ	L18	ROR	L14	T12	L15
AR TO FM AL(A)	L20	B TO Z	L21	ENABLE B COUNT	L21	(ADD V ADA)	L18	T15	L15
		BCL	L14	GNI	L21	(LHD V SHD) H EQ 0	L18	WDASM-1	M12
		BCOA	L20	GO	L16	(ROR V SCR)	L18	WDASM-2	M12
		BETA TO S(A)	L20	MUCOMPA	L20	SET	L14	Z TO A(A)	L20
		BMB 07	L17	MUL	L14	SET WR	L20	11 BCOAL	L20
		BMB 08	L17	MUL N EQ 5. H EQ 0	L18	SRCH	L14	12 AL TO BL	L20
		BM, TT 02	L18	MUL N UNEQ 4. N UNEQ 5	L18	SHCLASS. N UNEQ 0	L18	12 AR TO BR	L20
		BSE	L14	N20 11	L14	SRO	L14	12 ALBL	L20
		COMP A(A)	L20	OFF MEM	L20	T LAST	L15		
		COMP B(A)	L20	PWR CLR	L16				

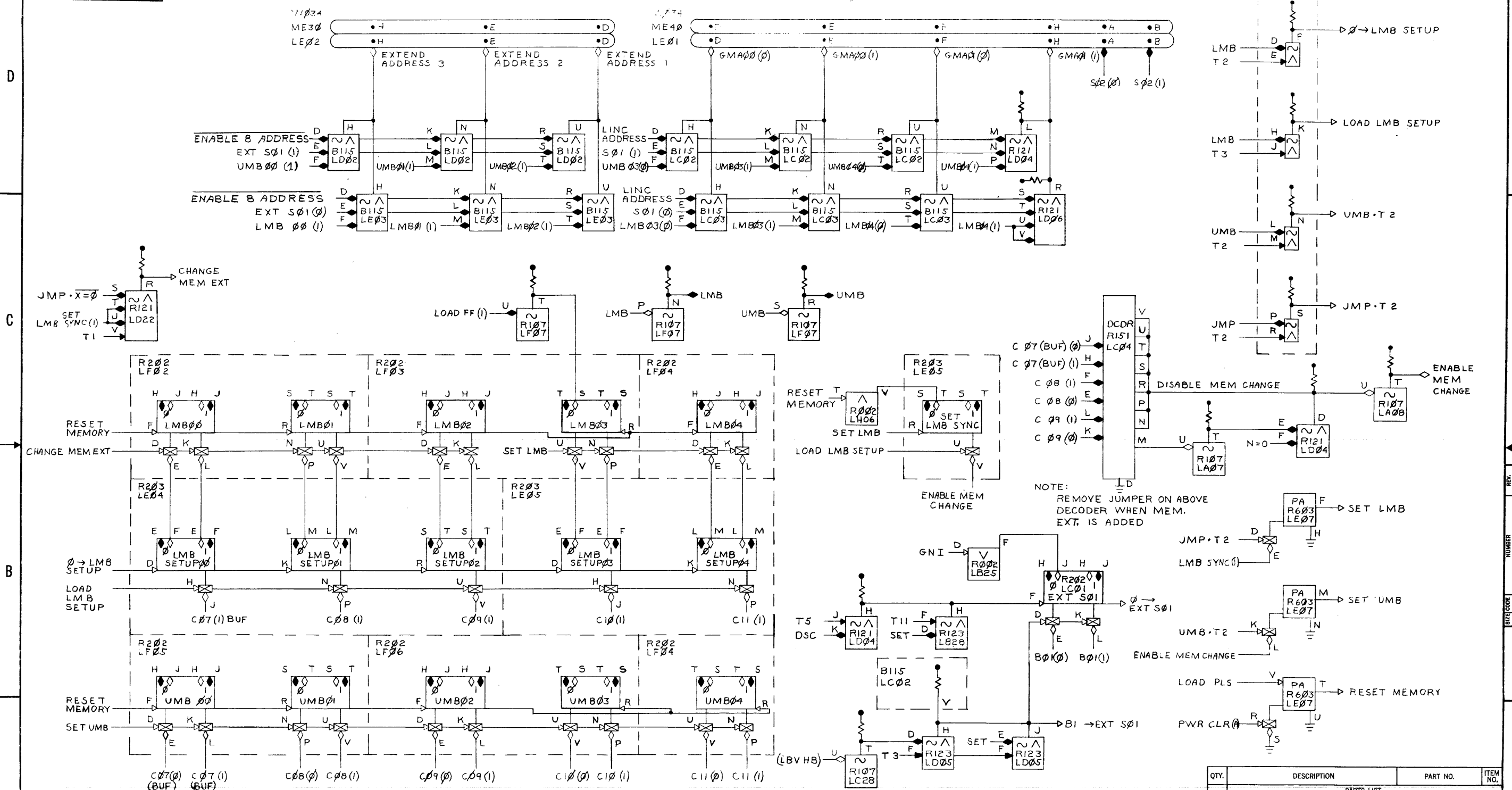
QTY.	DESCRIPTION	PART NO.	ITEM NO.
PARTS LIST			
	UNLESS OTHERWISE SPECIFIED	DRN	DATE
	UNLESS OTHERWISE SPECIFIED	CHK'D	DATE
	DIMENSION IN INCHES	ENG.	DATE
	TOLERANCES	PROJ. ENG.	DATE
	DECIMALS FRACTIONS ANGLES	PROD.	DATE
	± .005 ± 1/64 ± 0°30'	FIRST USED ON	
	FINAL SURFACE QUALITY	LINC 8	
	REMOVE BURRS AND BREAK SHARP CORNERS	SCALE	
		SHEET 1 OF 1	
		DIST.	

TITLE
A & B REGISTER CONTROL PULSES

digital EQUIPMENT CORPORATION
 MAYNARD, MASSACHUSETTS

SIZE CODE NUMBER
D BS LINC 8-0-L22

This drawing and specifications herein are the property of Digital Equipment Corporation and shall not be reproduced or copied or used in whole or in part as the basis for the manufacture or sale of items without written permission.



REVISIONS

CHK	CHANGE NO.	REV.
	14-3-20-47	A
	14-3-20-47	B

ECO 14-3-20-47
LINC 8-0004
MILTON

QTY.	DESCRIPTION	PART NO.	ITEM NO.
	B01	L02	L21
	C07 (BUF)	L14	L18
	C08-C11	L14	L14
	ENABLE B ADDRESS	L16	L14
	DSC	L14	L14
	GNI	L14	L14
	JMP	L14	L14
	LMB	L14	L14
	LOAD FF	M12	L14
	LOAD PLS	L16	L14
	N EQ 00	L14	L14
	PWR CLR	L16	L14
	SET	L14	L14
	S01-S02	L03	L15
	T1-T11	L15	L14
	UMB	L14	L14

UNLESS OTHERWISE SPECIFIED

DRN: *R. Benin* DATE: *7/2/66*

CHK'D: *W. Gignault* DATE: *5-12-66*

ENG: *J. Gignault* DATE: *5-12-66*

PROL ENG: *J. Gignault* DATE: *5-12-66*

PROD: *J. Gignault* DATE: *5-12-66*

MATERIAL: _____

FINISH: _____

SCALE: _____

SHEET 1 OF 2

UNLESS OTHERWISE SPECIFIED
DIMENSION IN INCHES
TOLERANCES
DECIMALS FRACTIONS ANGLES
±.005 ± 1/64 ± 0°30'
FINAL SURFACE QUALITY
REMOVE BURRS AND BREAK SHARP CORNERS

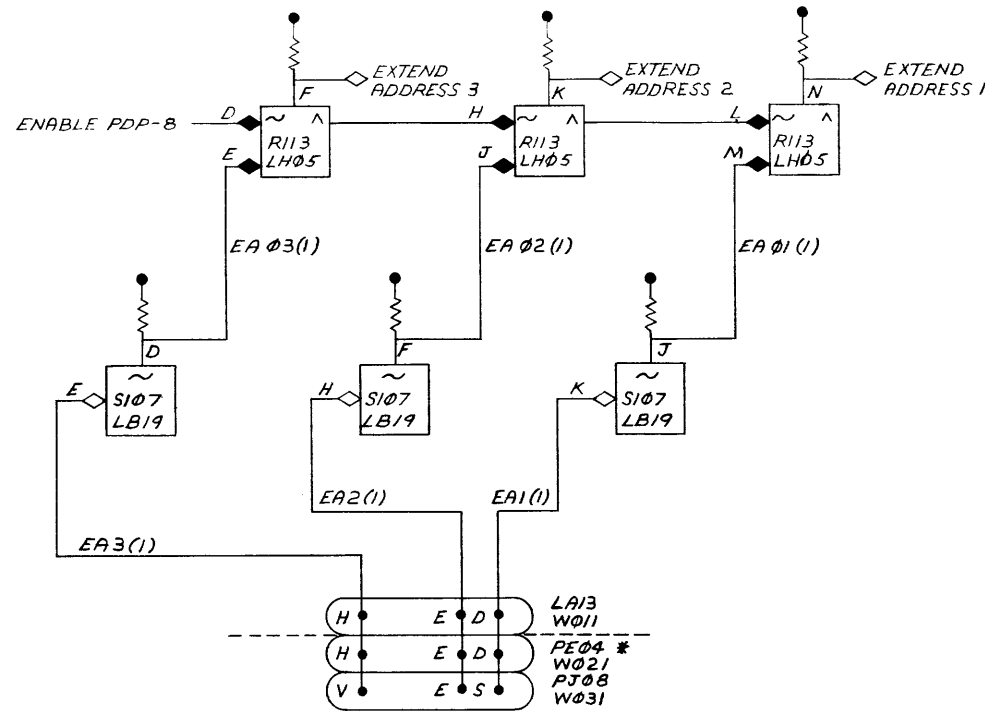
digital EQUIPMENT CORPORATION
MAYNARD, MASSACHUSETTS

TITLE
MEMORY EXTENSION

FIRST USED ON
LINC 8

SIZE CODE: **D B S LINC 8-0-L26** NUMBER: _____ REV: **E**

"THIS DRAWING AND SPECIFICATIONS, HEREIN, ARE THE PROPERTY OF DIGITAL EQUIPMENT CORPORATION AND SHALL NOT BE REPRODUCED OR COPIED OR USED IN WHOLE OR IN PART AS THE BASIS FOR THE MANUFACTURE OR SALE OF ITEMS WITHOUT WRITTEN PERMISSION. COPYRIGHT © DIGITAL EQUIPMENT CORPORATION"



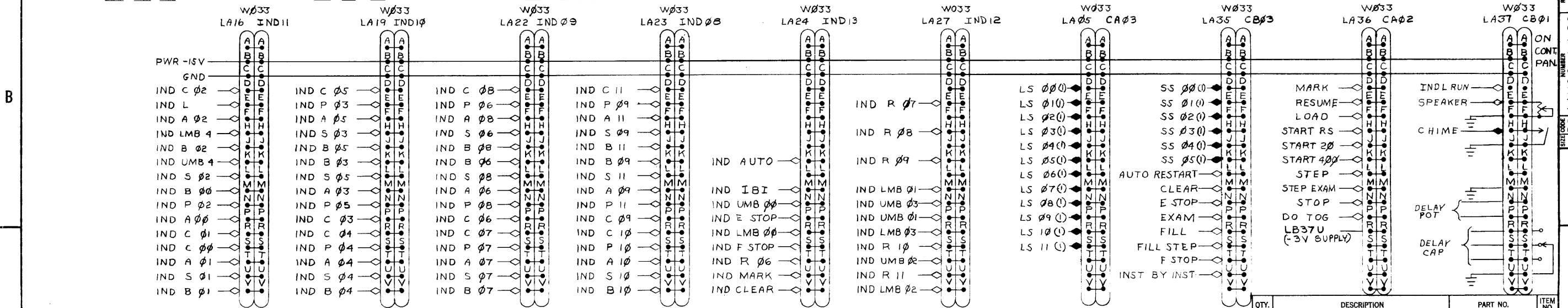
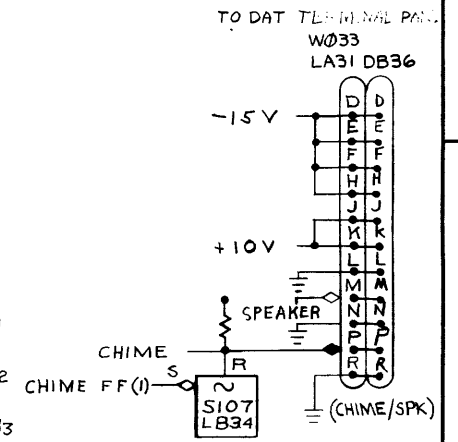
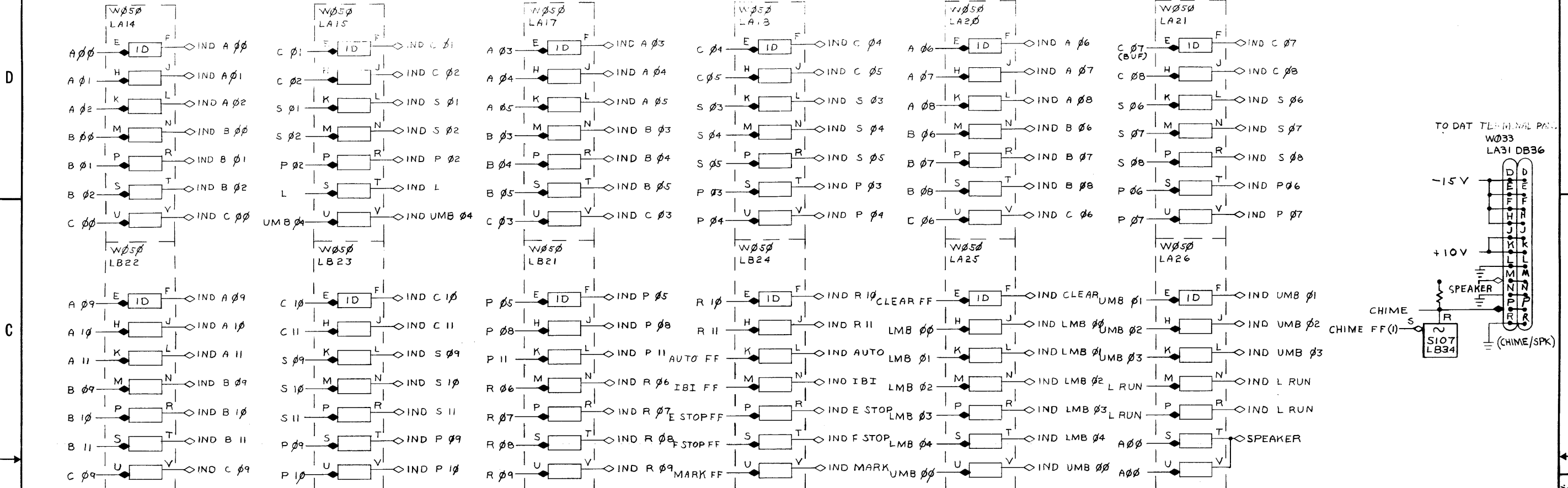
* IF CABLING DIRECT FROM DWB-E, ADD CABLE PE04 TO LA13. IF CABLING VIA A DM01, DO NOT USE CABLE FROM PE04 TO LA13, BUT INSERT CABLE FROM DM01. SLOT ALL TO LINC8-L, SLOT LA13.

REV.	
CHANGE NO.	
CHK	

FIRST USED ON OPTION/MODEL		QTY.	DESCRIPTION	PART NO.	ITEM NO.
LINC8					
DIMENSIONAL TOLERANCE		PARTS LIST			
DIMENSIONS ARE MILLIMETERS INCHES UNLESS OTHERWISE SPECIFIED		DRN R BENIER DATE 7-66	DATE 7-66	digital	
		CHK'D P DAIGNAULT DATE 7-66	DATE 7-66		
MILLIMETERS	INCHES	ANGLES	ENG. R CLAYTON DATE 7-66	TITLE MEMORY EXTENSION	
X.XX ±0.10	.XX ±0.005	±0° 30'	PROJ. ENG. R CLAYTON DATE 7-66		
X.X ±0.5	.X ±0.02		PROD. R CLAYTON DATE 7-66		
X ±2	.X ±.1				
THIRD ANGLE PROJECTION	REMOVE BURRS AND BREAK SHARP CORNERS SURFACE QUALITY ✓	NEXT HIGHER ASSY.		SIZE CODE D BS	NUMBER LINC8-0-L26
	MATERIAL	SCALE		REV. B	
	FINISH	SHEET 2 OF 2		DIST.	

This drawing and specifications, herein, are the property of Digital Equipment Corporation and shall not be reproduced or copied or used in whole or in part as the basis for the manufacture or sale of items without written permission.

ALL INDICATOR INPUTS COMING FROM FLIP FLOPS COME FROM THE 1 NEG. SIDE (I.E. A φφ(1) →)

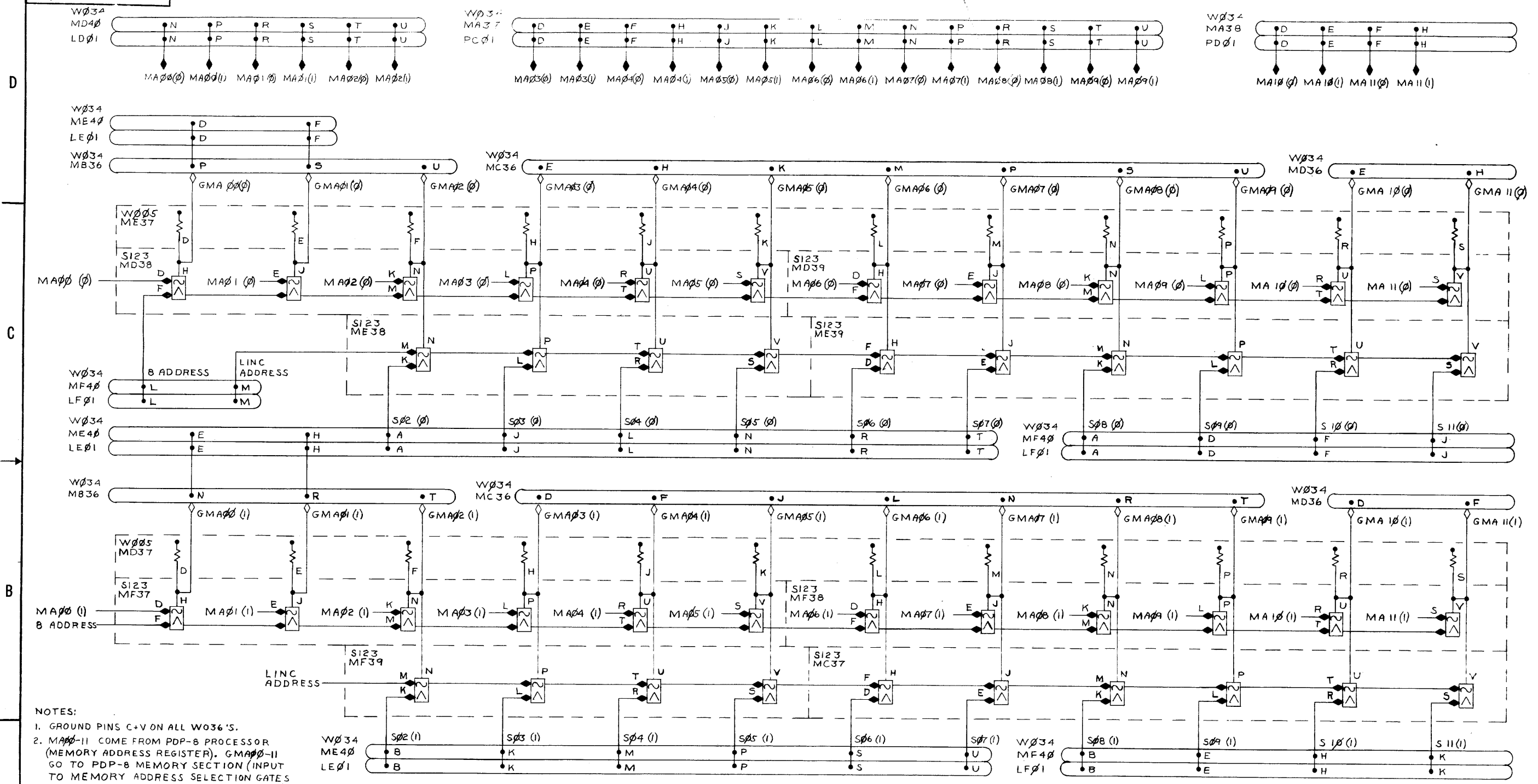


QTY.	DESCRIPTION	PART NO.	ITEM NO.
	PARTS LIST		
	UNLESS OTHERWISE SPECIFIED		
	DIMENSION IN INCHES		
	TOLERANCES		
	DECIMALS FRACTIONS ANGLES		
	±.005 ± 1/64 ± 0°30'		
	FINAL SURFACE QUALITY REMOVE BURRS AND BREAK SHARP CORNERS		
	MATERIAL		
	FINISH		
	UNLESS OTHERWISE SPECIFIED		
	DIN		
	DATE		
	CHKD.		
	DATE		
	ENG.		
	DATE		
	PROF. ENG.		
	DATE		
	PROD.		
	DATE		
	FIRST USED ON		
	LINC 8		
	SCALE		
	SHEET 1 OF 1		
	DIST.		
	TITLE		
	LINC SWITCHES & INDICATORS		
	EQUIPMENT CORPORATION		
	MAYNARD, MASSACHUSETTS		
	SIZE CODE		
	NUMBER		
	REV.		
	D BS LINC8-0-L28 A		

REV.	CHANGE NO.	DATE
A	00004	11-16-66

CHKD. J. MILTON
ENG. J. MILTON

This drawing and specifications, herein, are the property of Digital Equipment Corporation and shall not be reproduced or copied or used in whole or in part as the basis for the manufacture or sale of items without written permission.



- NOTES:
- GROUND PINS C+V ON ALL W036'S.
 - MA00-11 COME FROM PDP-8 PROCESSOR (MEMORY ADDRESS REGISTER). GMA00-11 GO TO PDP-8 MEMORY SECTION (INPUT TO MEMORY ADDRESS SELECTION GATES AND BUFFERS FOR MEMORY EXTENSION) GMA00-11 GO TO ALL LOCATIONS CALLED OUT AS MA00-11 IN PDP-8 MEMORY SECTION.

REV.	CHG.	NO.	DATE
1	A	0004	11-11-66
2	A	0004	11-11-66
3	A	0004	11-11-66

GMA 00	L26
GMA 01	U26
LINC ADDRESS	L16
S02 TO S11	L03
B ADDRESS	L16

QTY.	DESCRIPTION	PART NO.	ITEM NO.
PARTS LIST			
UNLESS OTHERWISE SPECIFIED			
DIMENSION IN INCHES			
TOLERANCES			
DECIMALS	FRACTIONS	ANGLES	
± .005	± 1/64	± 0°30'	
FINAL SURFACE QUALITY			
REMOVE BURRS AND BREAK SHARP CORNERS			
MATERIAL		FINISH	
DRN: R.E. Bernier		DATE: 11/11/66	
CHK'D: [Signature]		DATE: 11/11/66	
ENG: [Signature]		DATE: 11/11/66	
PROJ. ENG: [Signature]		DATE: 11/11/66	
PROD: [Signature]		DATE: 11/11/66	
FIRST USED ON			
LINC 8			
SCALE		SHEET 1 OF 1	
FINISH		DISTRIBUTION	
DISTRIBUTION		NUMBER	
DISTRIBUTION		LINC 8-0-M 8	
DISTRIBUTION		REV. A	

REV. A
NUMBER
D BS LINC 8-0-M 8

This drawing and specifications herein are the property of Digital Equipment Corporation and shall not be reproduced or copied or used in whole or in part as the basis for the manufacture or sale of items without written permission.

D

C

B

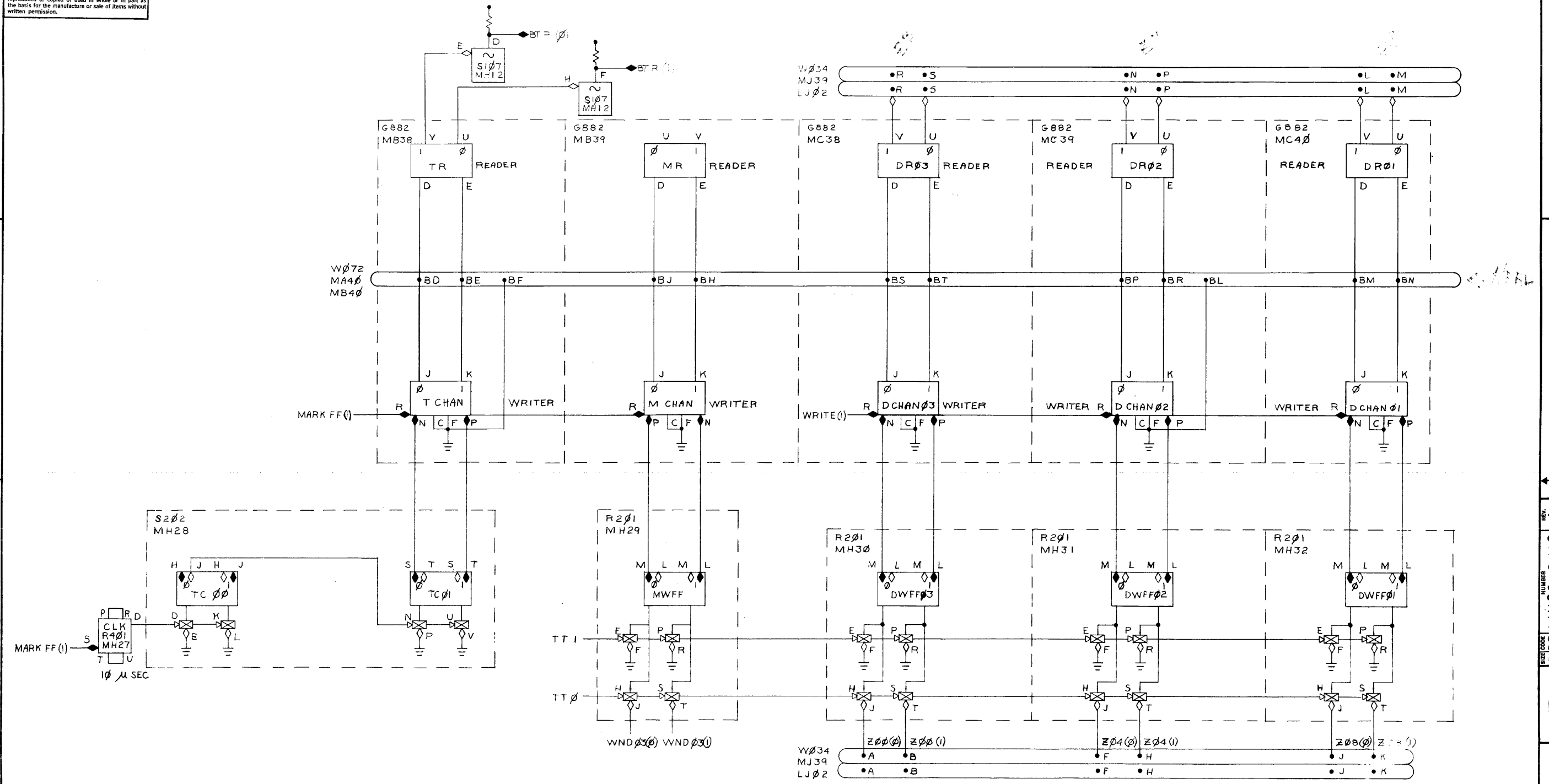
A

D

C

B

A



REV.	CHG.	NO.	DATE
A	1	1	11/1/64

J. MILTON
 S. D. DILLON

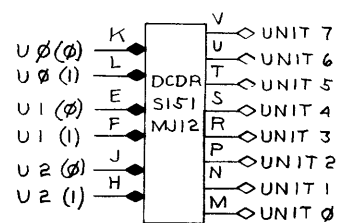
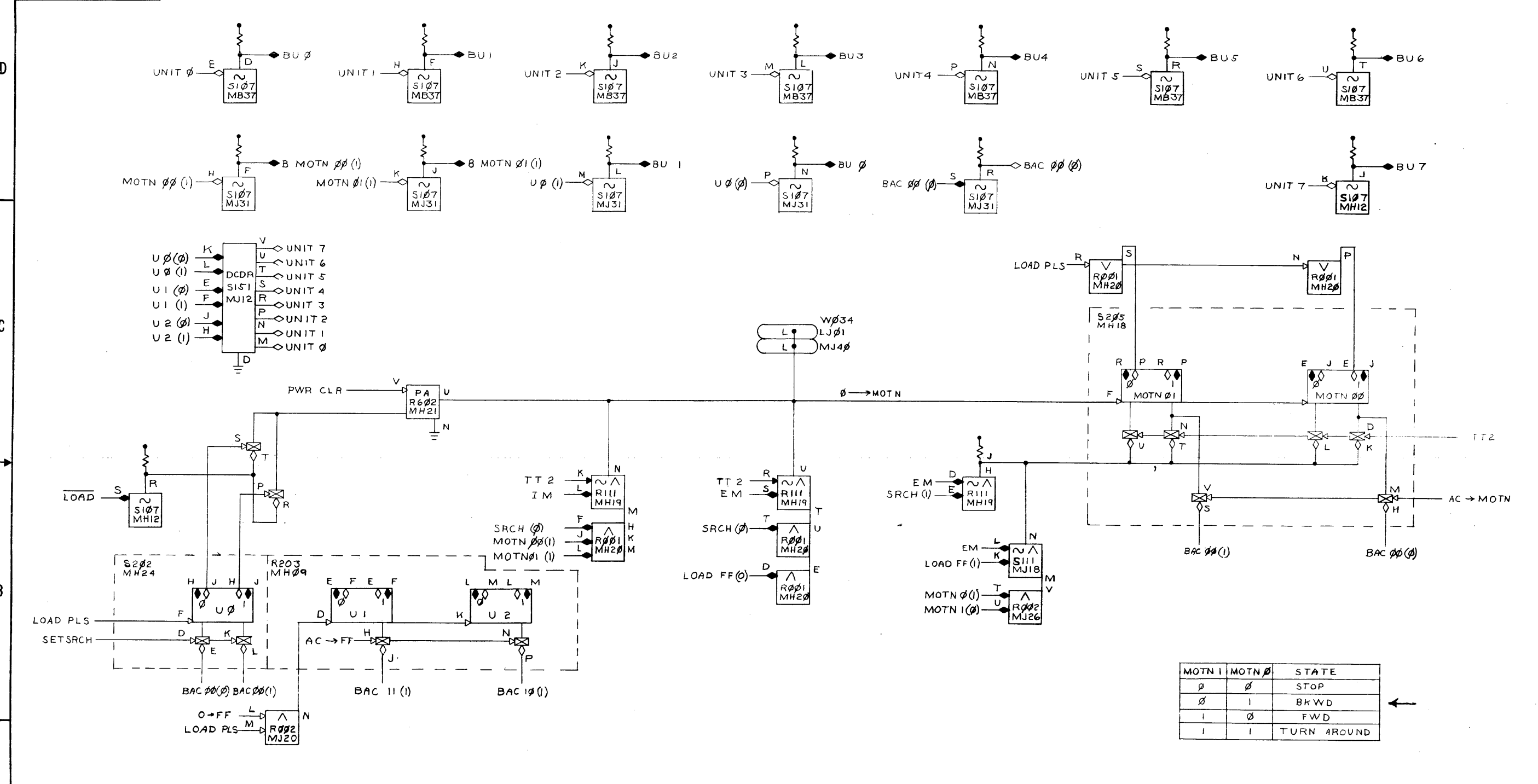
MARK FF	M12
WRITE	M12
Z00 TO Z06	L06

UNLESS OTHERWISE SPECIFIED	DATE
UNLESS OTHERWISE SPECIFIED	DATE
TOLERANCES	DATE
DECIMALS FRACTIONS ANGLES	DATE
± .005 ± 1/64 ± 0°30'	DATE
FINAL SURFACE QUALITY	DATE
REMOVE BURRS AND BREAK SHARP CORNERS	DATE
MATERIAL	DATE
FIRST USED ON	DATE
LINC 8	

QTY.	DESCRIPTION	PART NO.	ITEM NO.
PARTS LIST			
digital EQUIPMENT CORPORATION MAYNARD, MASSACHUSETTS			
TITLE MAG TAPE READER / WRITER			
SCALE	NUMBER	REV.	
SHEET OF	D B S L I N C 8 - 0 - M 9	A	

REV. A
NUMBER
D B S L I N C 8 - 0 - M 9

This drawing and specifications, herein, are the property of Digital Equipment Corporation and shall not be reproduced or copied or used in whole or in part as the basis for the manufacture or sale of items without written permission.



MOTN 1	MOTN 0	STATE
0	0	STOP
0	1	BKWD
1	0	FWD
1	1	TURN AROUND

REV.	DATE	BY	CHKD
1	2-27-67	A	
2	1-16-69	J. SCANLON	
3	4-25-74	J. MILTON	

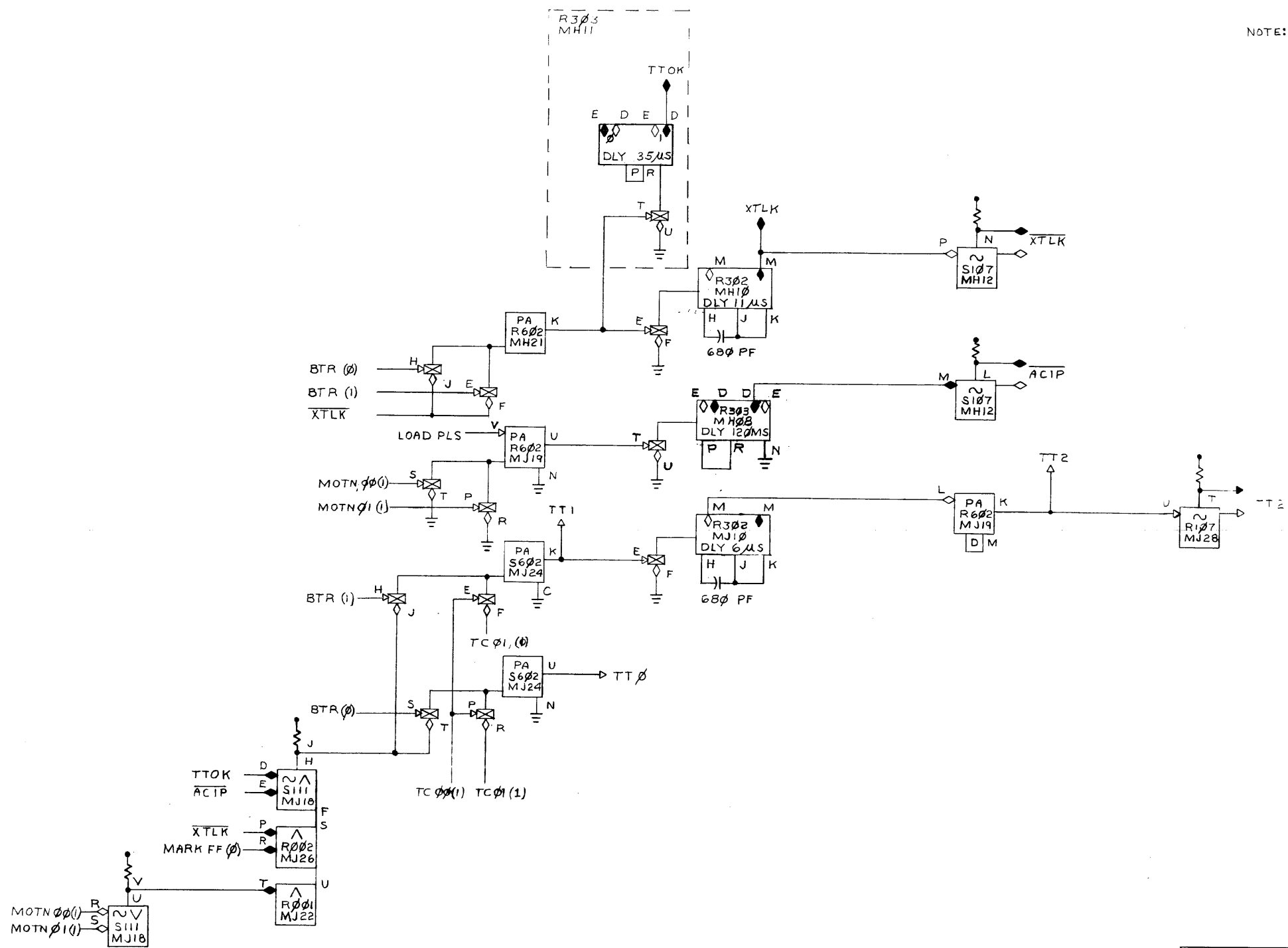
AC TO FF	L17
AC TO MOTN	L17
EM	M13
LOAD FF	M12
LOAD PLS	L16
SET SRCH	L17
0 TO FF	L17
0 TO MOTN	L17
TT 2	M11

QTY.	DESCRIPTION	PART NO.	ITEM NO.
PARTS LIST			
UNLESS OTHERWISE SPECIFIED			
DIMENSIONS IN INCHES			
TOLERANCES			
DECIMALS FRACTIONS ANGLES			
±.005 ±.1/64 = 0°00'			
FINAL SURFACE QUALITY REMOVE BURRS AND BREAK SHARP CORNERS			
MATERIAL			
FINISH			
FIRST USED ON			
LINC 8			
SCALE			
SHEET 1 OF 1			
TITLE			
MAG TAPE MOTION CONTROL			
SIZE CODE		NUMBER	
DIBS LINC 8-0-M10		REV. C	
DISTRIBUTION			

REVISIONS LINC 8-0-M10

This drawing and specifications, herein, are the property of Digital Equipment Corporation and shall not be reproduced or copied or used in whole or in part as the basis for the manufacture or sale of items without written permission.

NOTE: TTOK = 40μS ON 50CPS SYSTEMS



REV.	CHANGE NO.	DATE
1	2-27-67	A
2		B

LINC-01004
 MILTON
 J. MILTON
 J. MILTON

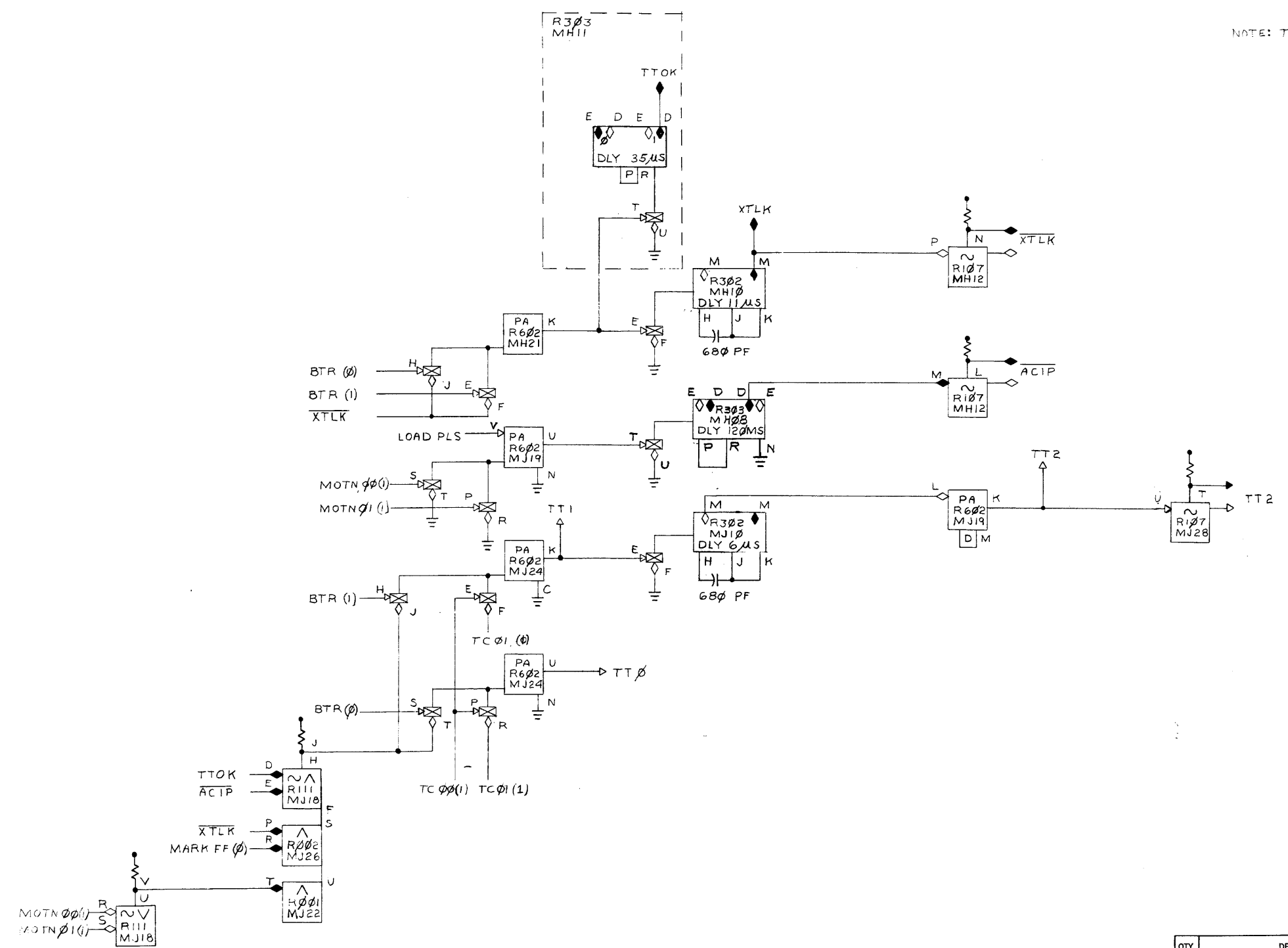
BTR	M09
LCAD FF	M12
MARK FF	M12
MOTN 00	M1B
MOTN 01	M1B

UNLESS OTHERWISE SPECIFIED	
DIMENSION IN INCHES	TOLERANCES
DECIMALS	FRACTIONS
± .005	± 1/64
ANGLES	± 0°30'
FINAL SURFACE QUALITY REMOVE BURRS AND BREAK SHARP CORNERS	

QTY.	DESCRIPTION	PART NO.	ITEM NO.
PARTS LIST			
digital EQUIPMENT CORPORATION MAYNARD, MASSACHUSETTS			
TITLE MAG TAPE TIMING GEN.			
DRN. P. P. Berner		DATE 4/27/66	
CHK'D. R. J. Clayton		DATE 6/16/66	
ENG. R. J. Clayton		DATE 4/16/66	
PROJ. ENG. R. J. Clayton		DATE 4/16/66	
PROD. R. J. Clayton		DATE 4/16/66	
FIRST USED ON LINC 8			
SCALE		SIZE CODE	NUMBER
SHEET 1 OF 1		DBS	LINC 8-0-M11
		DIST.	REV. B

This drawing and specifications, herein, are the property of Digital Equipment Corporation and shall not be reproduced or copied or used in whole or in part as the basis for the manufacture or sale of items without written permission.

NOTE: TTOK = 40μS ON 50CPS SYSTEMS

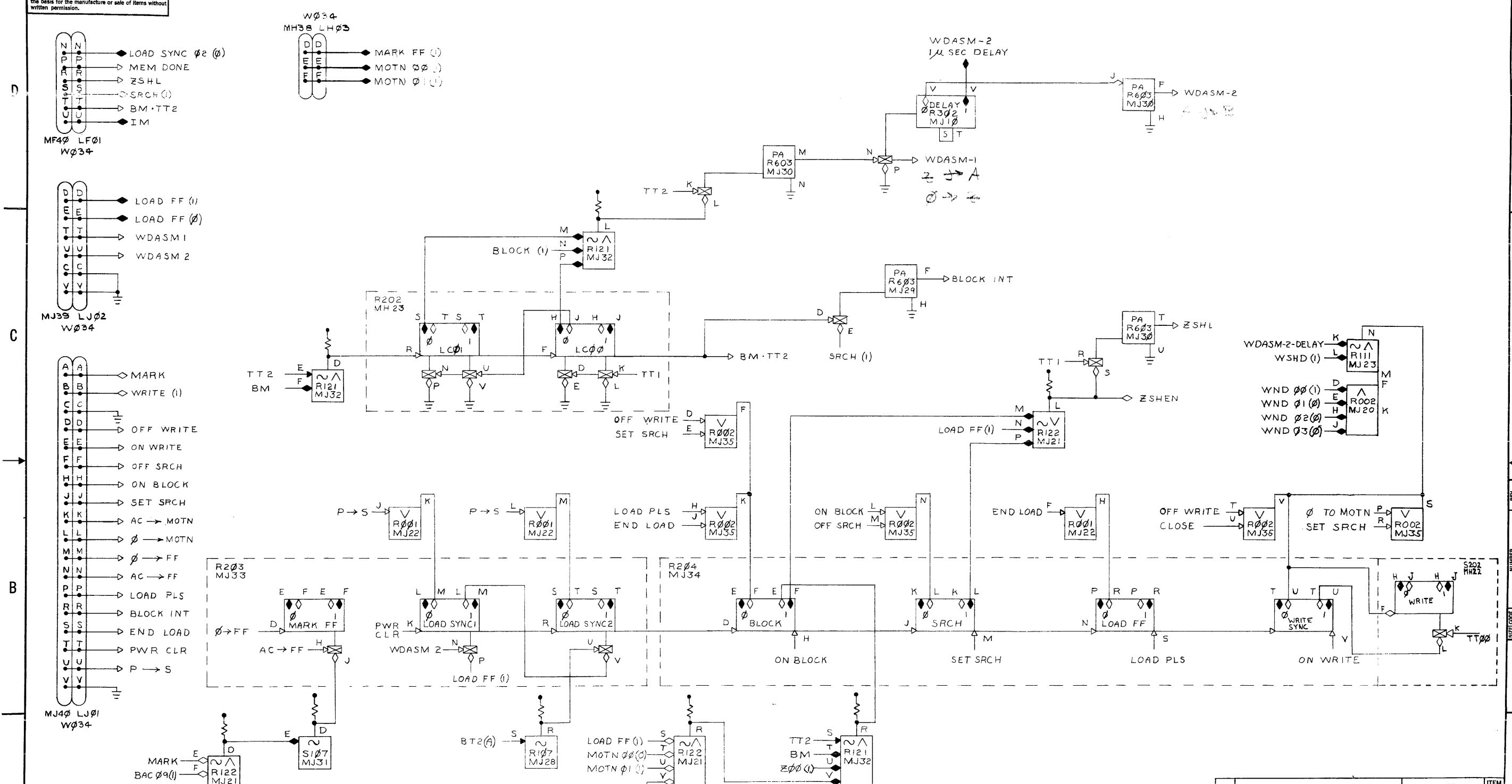


BTR	M00
LCAD FF	M12
MARK FF	M12
MOTN 00	M18
MOTN 01	M18

REV.	CHANGE NO.	DATE
1	2-27-67	A

QTY.	DESCRIPTION	PART NO.	ITEM NO.
PARTS LIST			
UNLESS OTHERWISE SPECIFIED		DWN <i>P. E. Bernier</i> DATE <i>7/27/66</i>	
UNLESS OTHERWISE SPECIFIED		CHK'D <i>K. J. ...</i> DATE <i>...</i>	
DIMENSION IN INCHES		ENG. <i>K. J. ...</i> DATE <i>...</i>	
TOLERANCES		PROJ. ENG. <i>K. J. ...</i> DATE <i>...</i>	
DECIMALS FRACTIONS ANGLES		PROD. <i>K. J. ...</i> DATE <i>...</i>	
± .005 ± 1/64 ± 0°30'		FIRST USED ON	
FINAL SURFACE QUALITY ✓		LINC 8	
REMOVE BURRS AND BREAK SHARP CORNERS		SCALE	
MATERIAL		SHEET 1 OF 1	
FINISH		DIST.	
		TITLE	
		MAG TAPE TIMING GEN.	
		digital EQUIPMENT CORPORATION	
		MAYNARD, MASSACHUSETTS	
		SIZE CODE NUMBER REV.	
		DBS LINC8-0-MII A	

This drawing and specifications, herein, are the property of Digital Equipment Corporation and shall not be reproduced or copied or used in whole or in part as the basis for the manufacture or sale of items without written permission.



REV.	CHANGE NO.	DATE
1	FCO # 176-32-67	11-1-66

AC TO FF	L17	P TO S	L21
AC TO MOTN	L17	FWR CLR	L16
BM	M13	SET SRCH	L17
CLOSE	M13	Ø TO FF	L17
END LOAD	L21	Ø TO MOTN	L17
LOAD	L28		
LOAD FLS	L16		
MARK	L16		
OFF SRCH	L17		
OFF WRITE	L17		
ON BLOCK	L17		
ON WRITE	L17		

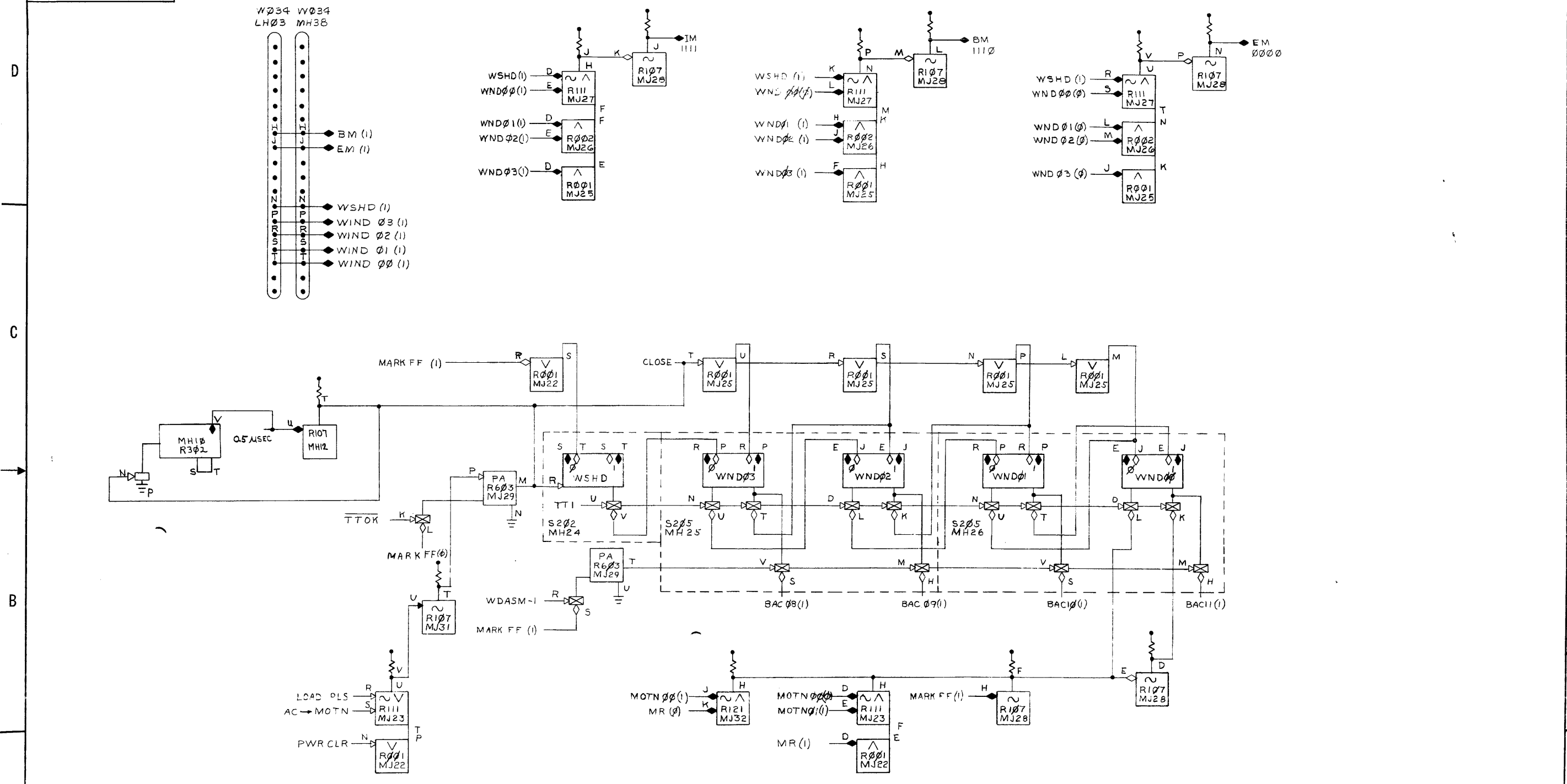
QTY.	DESCRIPTION	PART NO.	ITEM NO.
PARTS LIST			
	UNLESS OTHERWISE SPECIFIED		
	UNLESS OTHERWISE SPECIFIED		
	DIMENSION IN INCHES		
	TOLERANCES		
	DECIMALS FRACTIONS ANGLE		
	±.005 ± 1/64 ± 0'30"		
	FINAL SURFACE QUALITY		
	REMOVE BURRS AND BREAK SHARP CORNERS		
	MATERIAL		
	FIRST USED ON		
	LINC 8		
	FINISH		
	SCALE		
	SHEET 1 OF 1		

digital EQUIPMENT CORPORATION
MAYNARD, MASSACHUSETTS
TITLE
MAG TAPE MODE CONTROL

SIZE CODE	NUMBER	REV.
D B S LINC 8-0-MI2		A

REV. A
NUMBER
LINC 8-0-MI2
SIZE CODE

This drawing and specifications, herein, are the property of Digital Equipment Corporation and shall not be reproduced or copied or used in whole or in part as the basis for the manufacture or sale of items without written permission.



REV.	CHANGE NO.	DATE	BY
1	2-27-67		A
2			
3			
4			
5			
6			
7			
8			

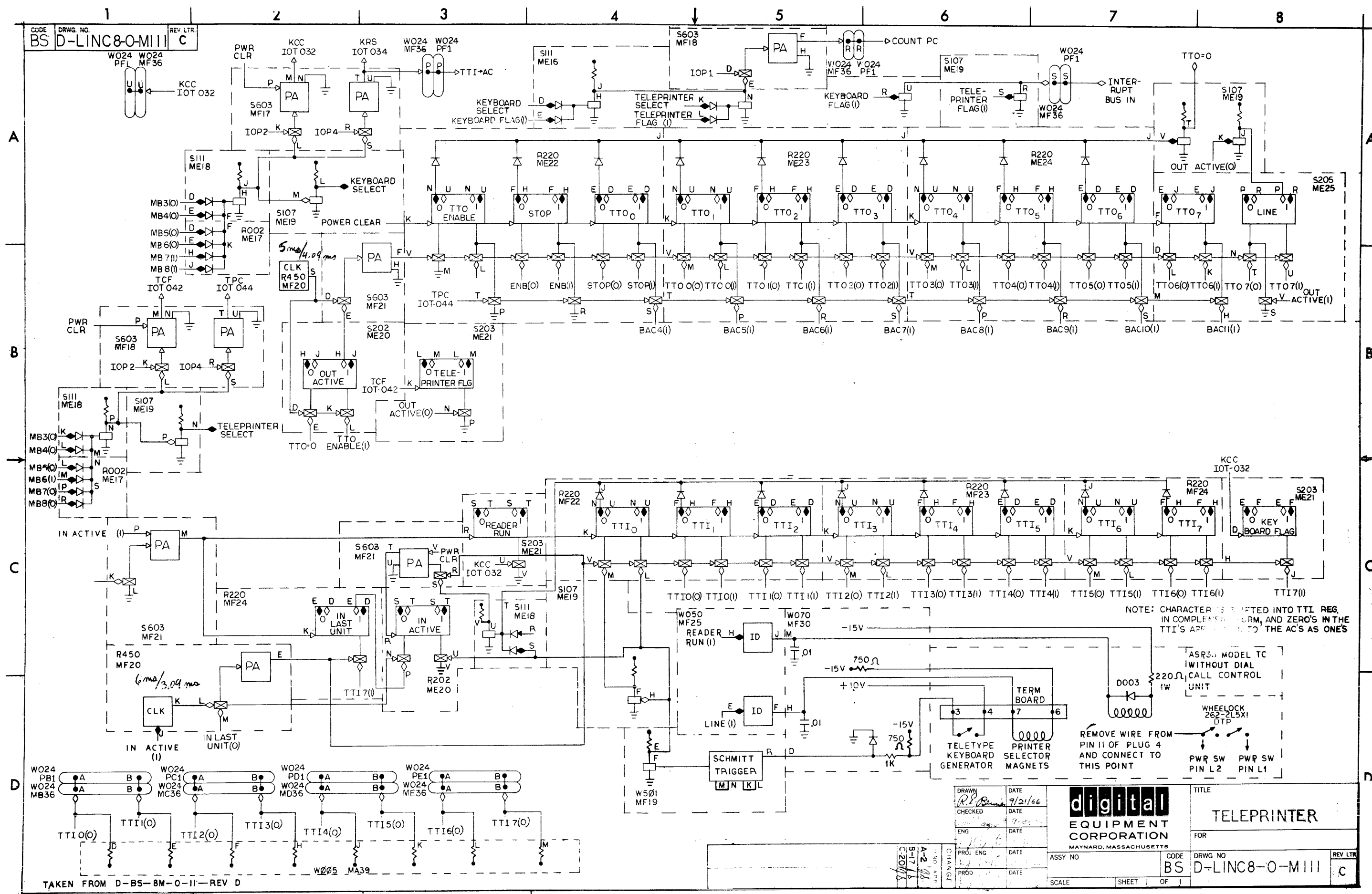
REV.	CHANGE NO.	DATE	BY
1	2-27-67		A
2			
3			
4			
5			
6			
7			
8			

REV.	CHANGE NO.	DATE	BY
1	2-27-67		A
2			
3			
4			
5			
6			
7			
8			

REV.	CHANGE NO.	DATE	BY
1	2-27-67		A
2			
3			
4			
5			
6			
7			
8			

REV.	CHANGE NO.	DATE	BY
1	2-27-67		A
2			
3			
4			
5			
6			
7			
8			

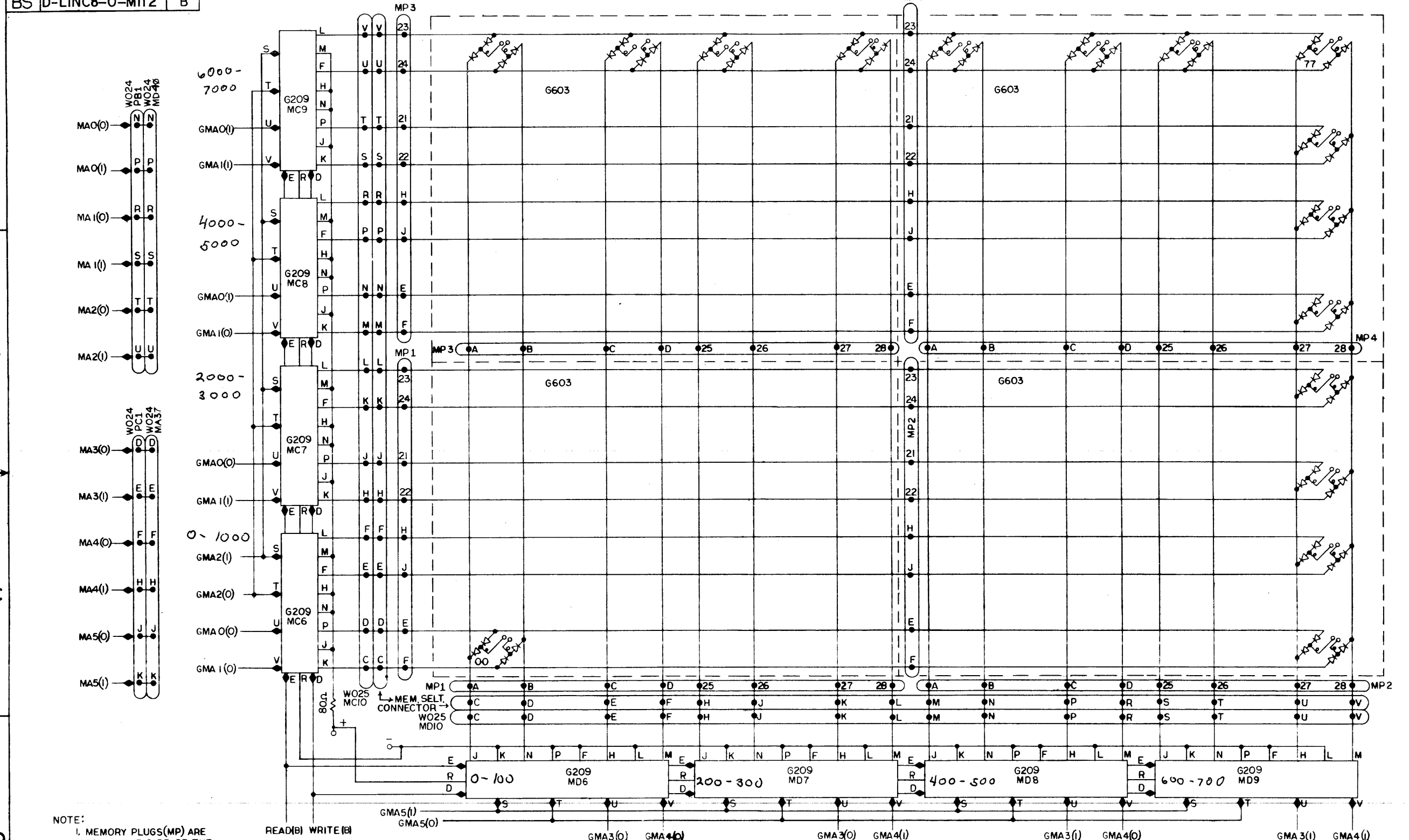
REV. C
 NUMBER 8-0-M13
 SIZE CODE D



TAKEN FROM D-BS-8M-0-II-REV D

DRAWN <i>R.P. B...</i> CHECKED ENG PROD	DATE 9/21/66 DATE DATE	digital EQUIPMENT CORPORATION MAYNARD, MASSACHUSETTS	TITLE TELEPRINTER FOR
ASSY NO SCALE	DATE DATE	CODE BS	DRWG NO D-LINC8-0-M111 REV LTR C

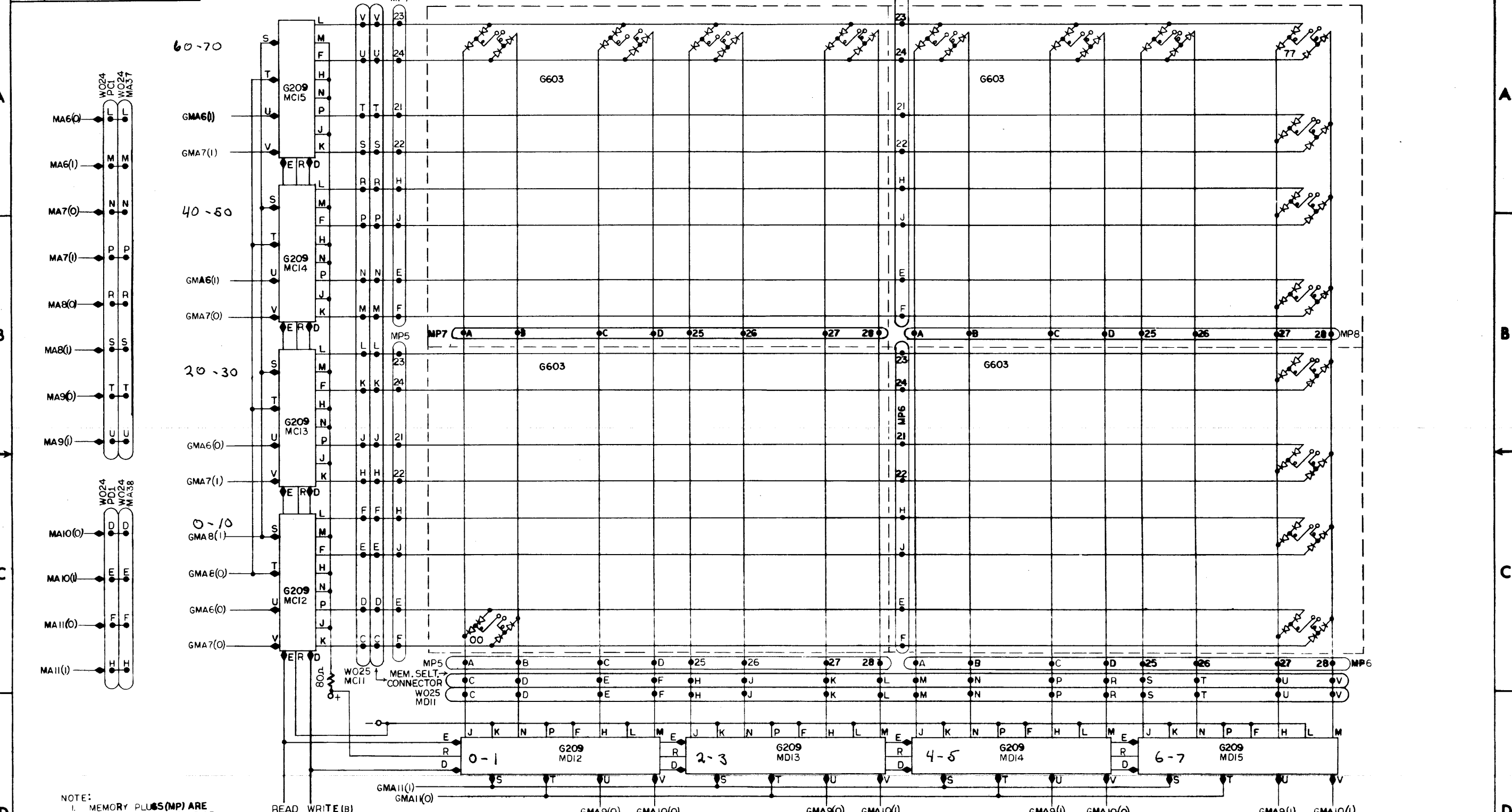
CODE BS
 DRWG. NO. D-LINC8-0-M112
 REV. LTR. B



NOTE:
 1. MEMORY PLUGS(MP) ARE LOCATED ON THE SIDE OF THE MEMORY STACK.
 2. TAKEN FROM D-BS-8M-0-12 REV B

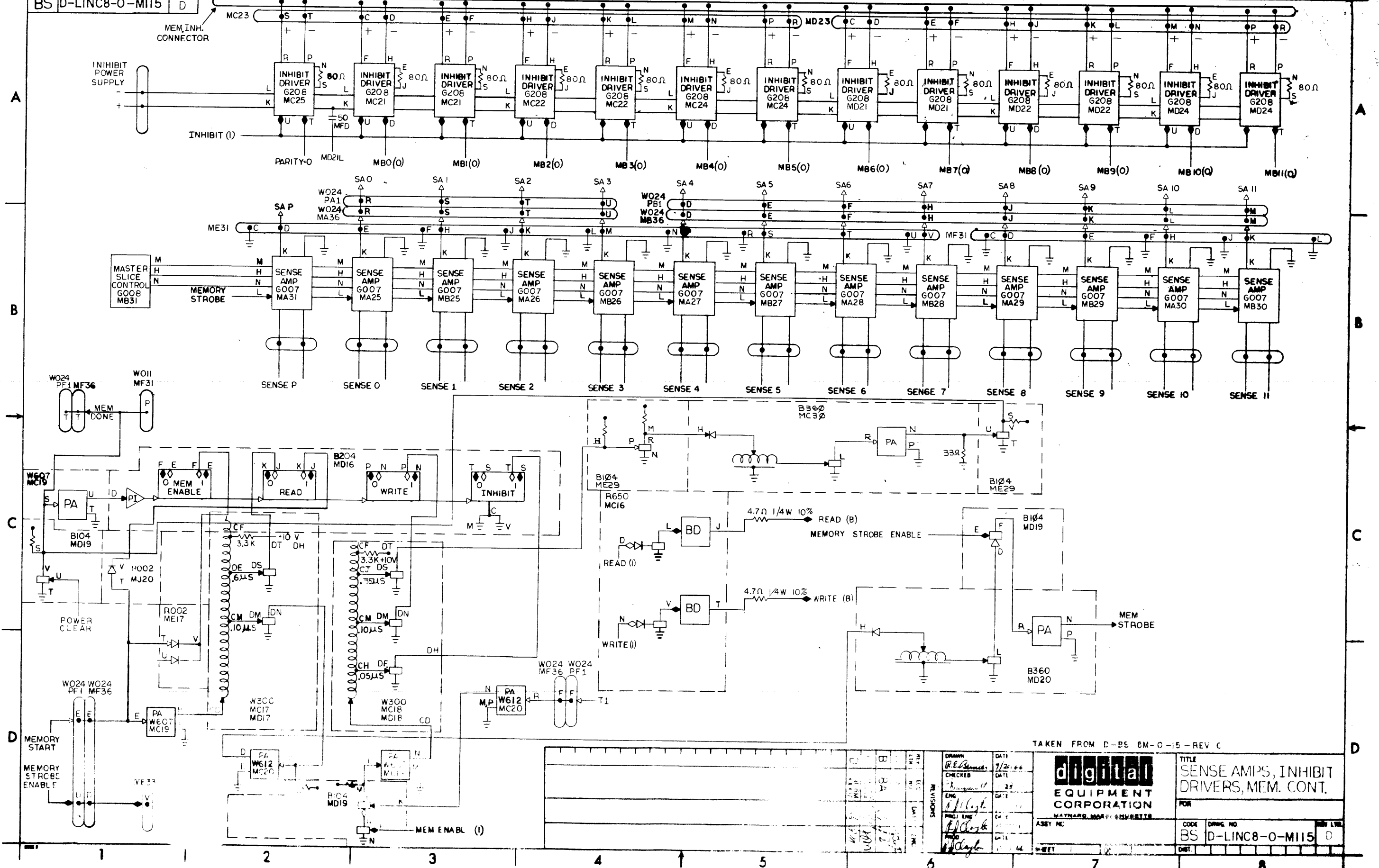
REV. LTR.		DATE		<p>digital EQUIPMENT CORPORATION MAYNARD, MASSACHUSETTS</p>	TITLE	
A		9/20/66			X AXIS SELECTION	
B		7/23/66			FOR	
C		10-1-66			ASSY NO	
D		10-1-66			SHEET OF	
REV. LTR.	DATE	REV. LTR.	DATE	CODE	DRWG. NO.	REV. LTR.
B	4/17/64	A	4/17/64	BS	D-LINC8-0-M112	B

CODE **BS** DRWG. NO. **D-LINC8-0-M113** REV. LTR. **B**



NOTE:
 1. MEMORY PLUS(MP) ARE LOCATED ON THE SIDE OF THE MEMORY STACK.
 2. TAKEN FROM D-B5-8M-0-13-REV B

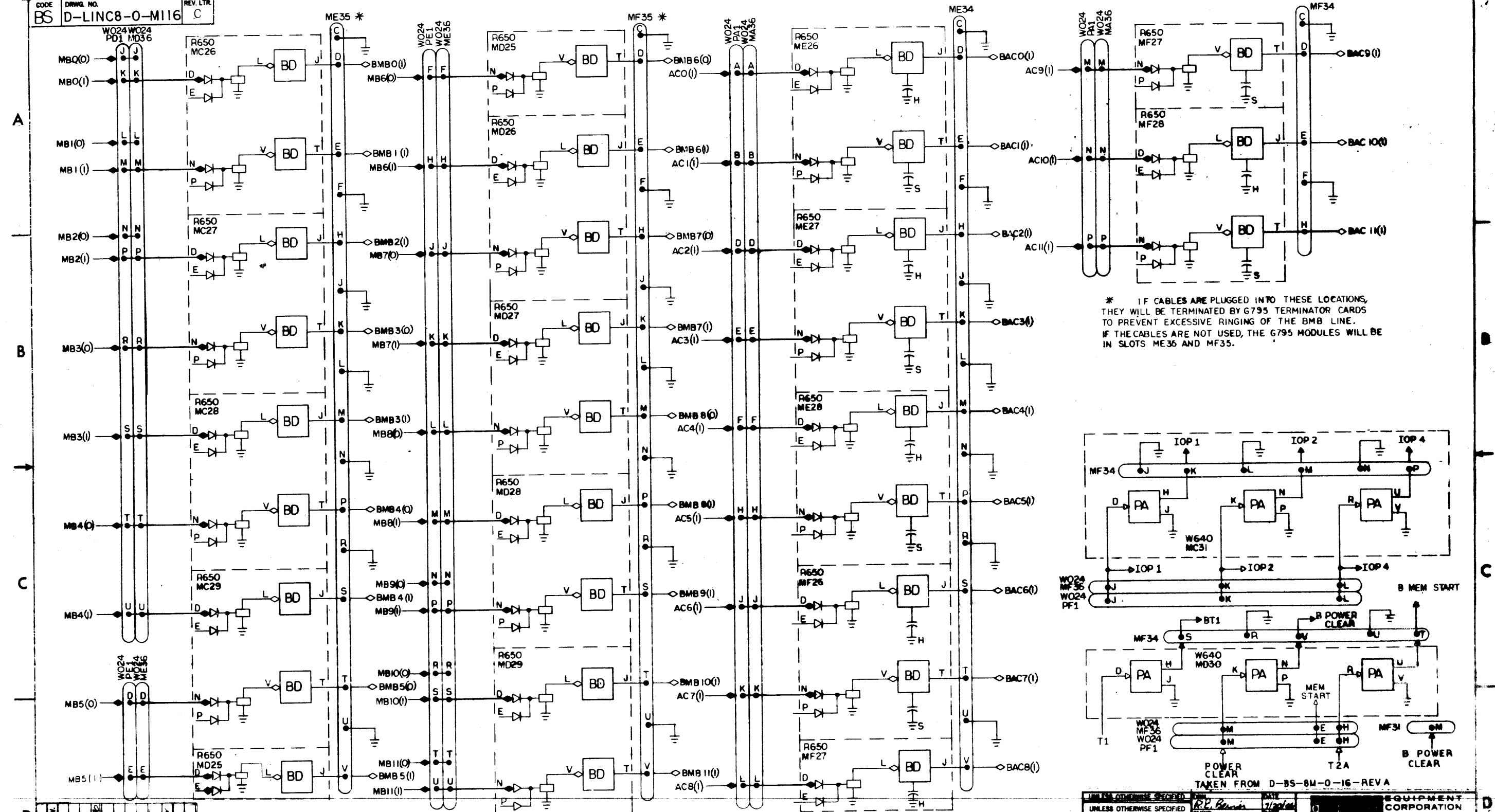
REV. LTR. NO. DATE A LINC8-0-M113 7/20/66 B 00004 4/14/66		DRAWN <i>R.E. P...</i> DATE 7/20/66 CHECKED <i>R...</i> DATE 7/23/66 ENGR <i>R.A. Clayton</i> DATE 10-1-66 PROJ ENGR <i>R.A. Clayton</i> DATE 10-1-66 PROD <i>R.A. Clayton</i> DATE 10-1-66		TITLE Y AXIS SELECTION FOR CODE DRWG. NO. REV. LTR. BS D-LINC8-0-M113 B	
EQUIPMENT CORPORATION MAYNARD, MASSACHUSETTS		ASSY NO. _____ SHEET _____ OF _____		DIST. _____	



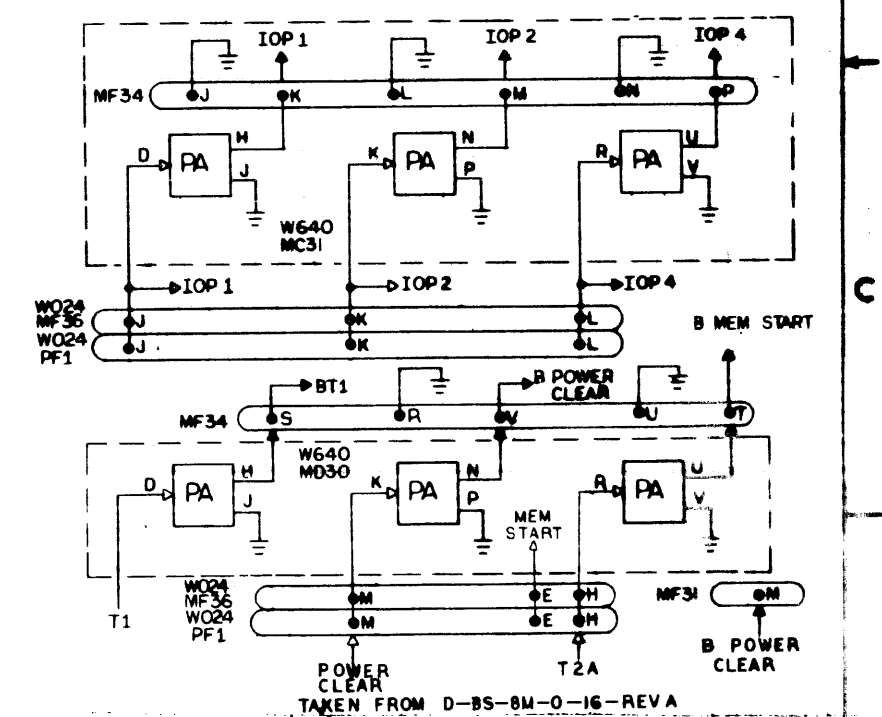
TAKEN FROM D-BS 8M-0-15-REV C

REVISIONS 1 2 3 4 5 6 7 8	DRAWN: R. L. ... DATE: 7/20/66	TITLE digital EQUIPMENT CORPORATION SENSE AMPS, INHIBIT DRIVERS, MEM. CONT.
	CHECKED: ... DATE: ...	
	ENG: ... DATE: ...	
	PROJ. ENG: ... DATE: ...	
FOR:	ASST. NO.:	CODE: BS DRAWING NO.: D-LINC8-0-M115 REV. LTR.: D

CODE BS
 DRWG. NO. D-LINC8-0-M116
 REV. LTR. C



* IF CABLES ARE PLUGGED INTO THESE LOCATIONS, THEY WILL BE TERMINATED BY G795 TERMINATOR CARDS TO PREVENT EXCESSIVE RINGING OF THE BMB LINE. IF THE CABLES ARE NOT USED, THE G795 MODULES WILL BE IN SLOTS ME36 AND MF35.

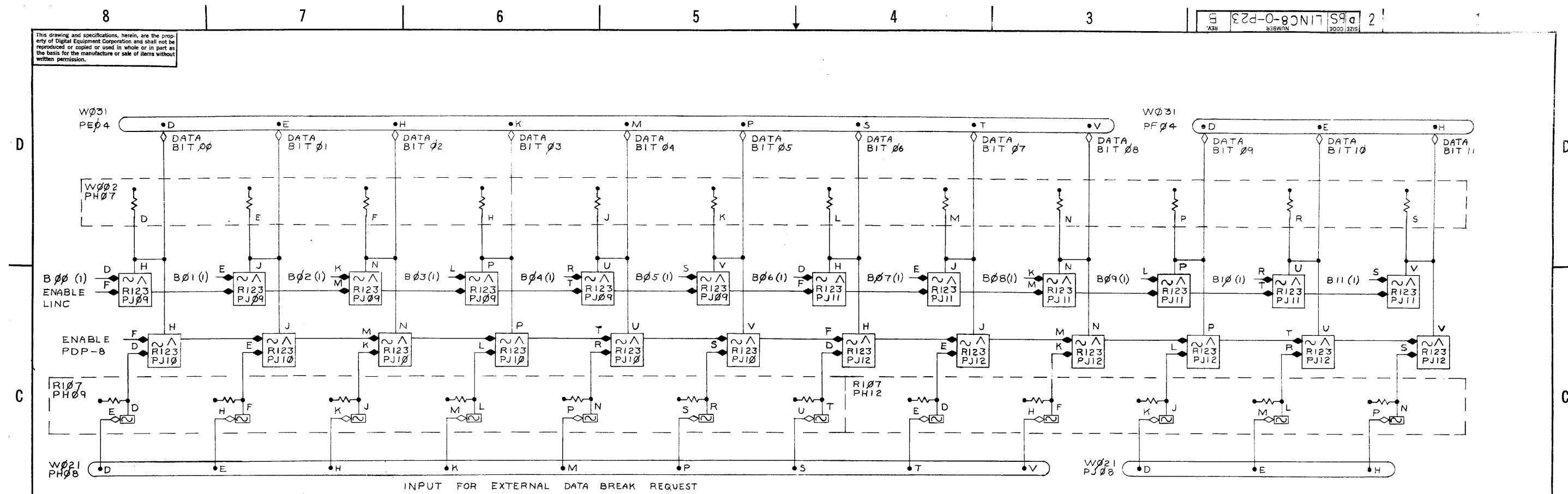


REV. NO.	REV.
1	A
2	B
3	C
4	D

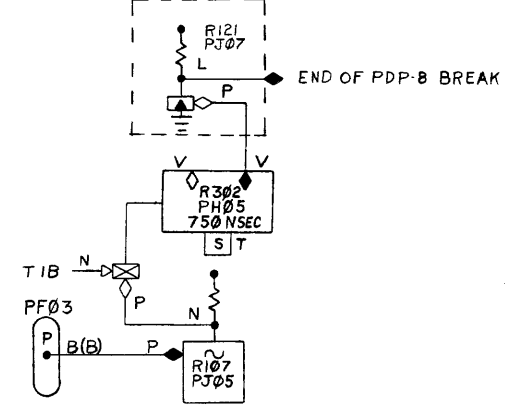
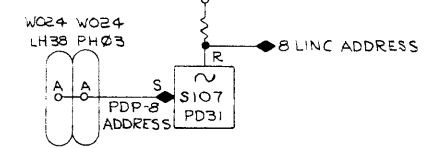
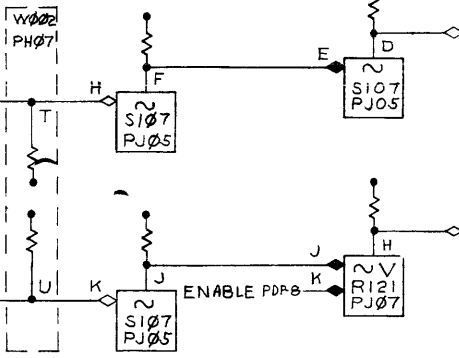
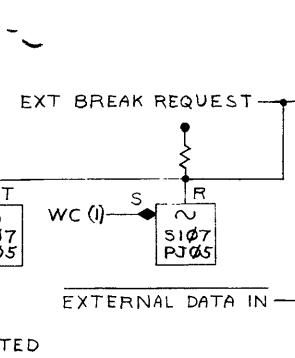
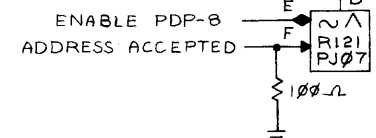
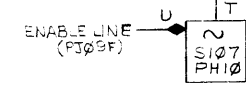
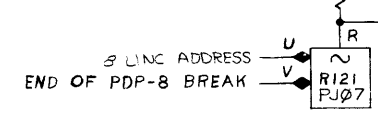
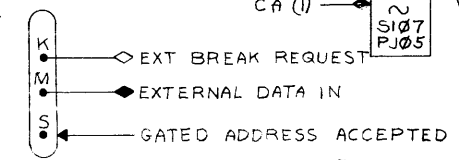
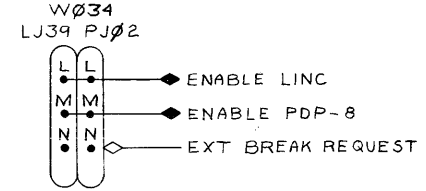
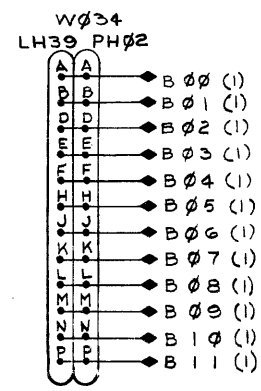
ED REED
 MILTON
 LINC8-00008
 LINC8-00004
 MILTON

UNLESS OTHERWISE SPECIFIED DIMENSIONS IN INCHES	DATE 7-83-66	EQUIPMENT CORPORATION MILWAUKEE, WISCONSIN
TOLERANCES DECIMALS FRACTIONS ANGLES ± .005 ± 1/64 ± 0°30'	DATE 10-1-66	
MATERIAL	FRONT USE ONLY	IN OUT BUFFERS
FINISH	SCALE	
LINC 8		SIZE CODE D BSLINC8-0-M116
SHEET 1 OF 1		DIST.

This drawing and specifications, herein, are the property of Digital Equipment Corporation and shall not be reproduced or copied or used in whole or in part as the basis for the manufacture or sale of items without written permission.



INPUT FOR EXTERNAL DATA BREAK REQUEST



REV.	CHANGE NO.	DATE	BY
1	100-235	9-20-61	A
2	100-235	1-15-62	B
3	100-235	7-15-62	B
4	100-235	11-15-62	B
5	100-235	1-15-63	B
6	100-235	1-15-63	B
7	100-235	1-15-63	B
8	100-235	1-15-63	B

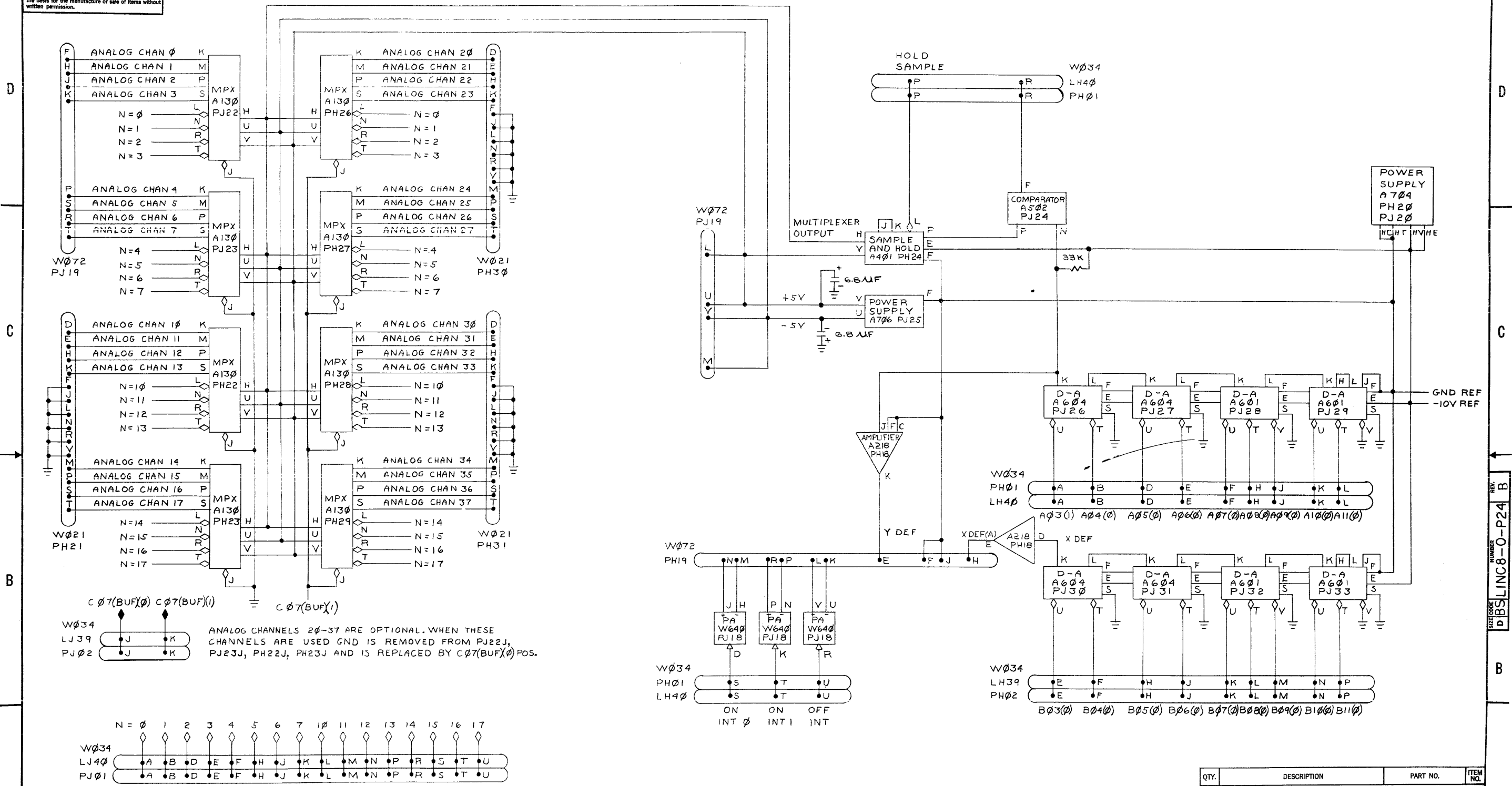
B00-B11 L02

UNLESS OTHERWISE SPECIFIED	DRN	DATE
DIMENSION IN INCHES	W. W. W.	7-15-62
TOLERANCES	W. W. W.	8-15-62
DECIMALS	W. W. W.	1-15-63
FRACTIONS	W. W. W.	1-15-63
ANGLES	W. W. W.	1-15-63
± .005	W. W. W.	1-15-63
± 1/64	W. W. W.	1-15-63
± 0°30'	W. W. W.	1-15-63
FINAL SURFACE QUALITY	W. W. W.	1-15-63
REMOVE BURRS AND BREAK SHARP CORNERS	W. W. W.	1-15-63
MATERIAL	W. W. W.	1-15-63
FINISH	W. W. W.	1-15-63

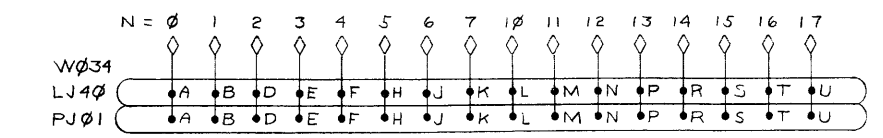
QTY.	DESCRIPTION	PART NO.	ITEM NO.
PARTS LIST			
UNLESS OTHERWISE SPECIFIED			
DIMENSION IN INCHES			
TOLERANCES			
DECIMALS FRACTIONS ANGLES			
± .005 ± 1/64 ± 0°30'			
FINAL SURFACE QUALITY			
REMOVE BURRS AND BREAK SHARP CORNERS			
MATERIAL			
FINISH			
FIRST USED ON			
LINC 8			
SCALE			
SHEET 1 OF 1			
TITLE			
DATA BITS			
00-11 GATES			
SIZE CODE			
NUMBER			
DBS LINC8-0-P23			
REV.			
B			
DISTRIBUTION			
DIST.			

This drawing and specifications, herein, are the property of Digital Equipment Corporation and shall not be reproduced or copied or used in whole or in part as the basis for the manufacture or sale of items without written permission.

BS LINC8-0-P24
REV. B



ANALOG CHANNELS 20-37 ARE OPTIONAL. WHEN THESE CHANNELS ARE USED GND IS REMOVED FROM PJ22J, PJ23J, PH22J, PH23J AND IS REPLACED BY CØ7(BUF)(Ø) POS.



REV.	CHANGE NO.	DATE	BY
A	0001	1-10-69	J. SCANLON
B	0002	1-10-69	L. GALE

QTY.	DESCRIPTION	PART NO.	ITEM NO.
	PARTS LIST		
A 03-A 05	L04		
A 08-A 11	L05		
B 03-B 11	L02		
C 07(BUF)	L14		
HOLD SAMPLE	L18		
N=0-N=16	L14		
OFF INT	L21		
ON INT-0	L21		
ON INT-1	L21		

DRN	DATE	TITLE
A 03-A 05	12/1/66	ANALOG SYSTEM
B 03-B 11	8/15/66	
C 07(BUF)	12/1/66	
HOLD SAMPLE	12/1/66	
N=0-N=16	12/1/66	
OFF INT	12/1/66	
ON INT-0	12/1/66	
ON INT-1	12/1/66	

BS LINC8-0-P24 REV. B

This drawing and specifications, herein, are the property of Digital Equipment Corporation and shall not be reproduced or copied or used in whole or in part as the basis for the manufacture or sale of items without written permission.

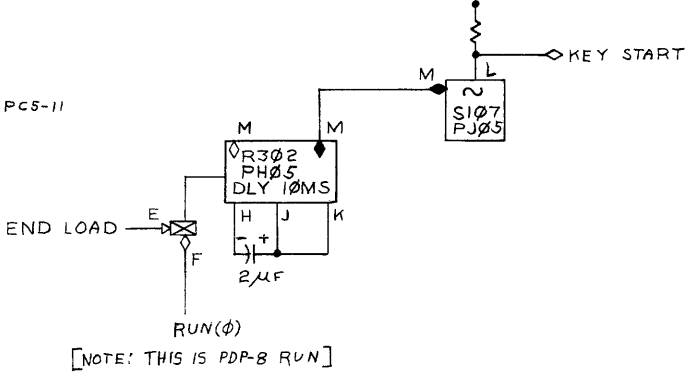
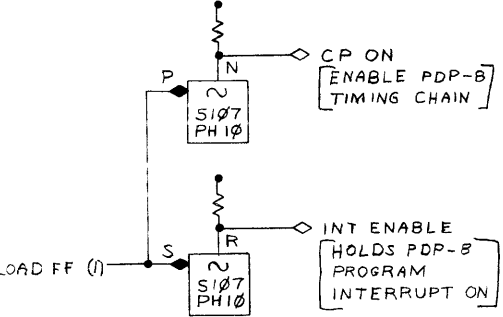
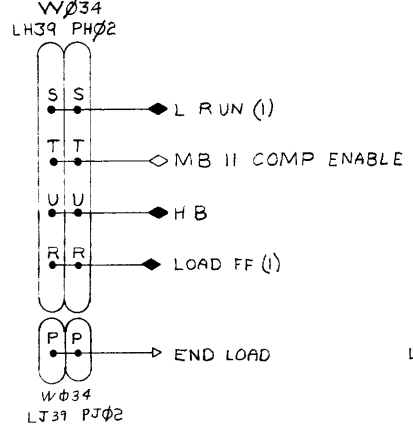
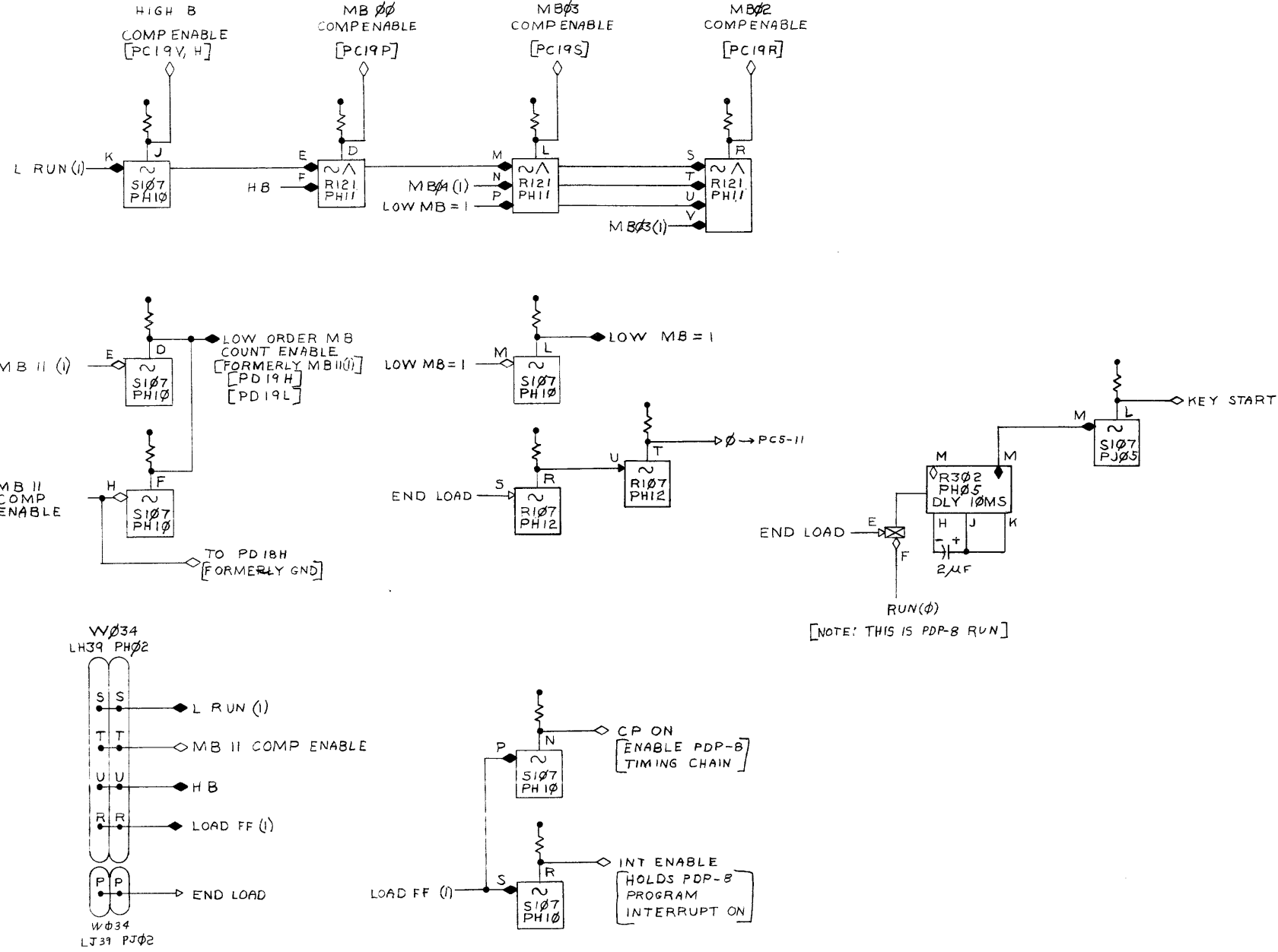


Table with columns for REVISIONS, CHANGE NO., REV., and CHK.

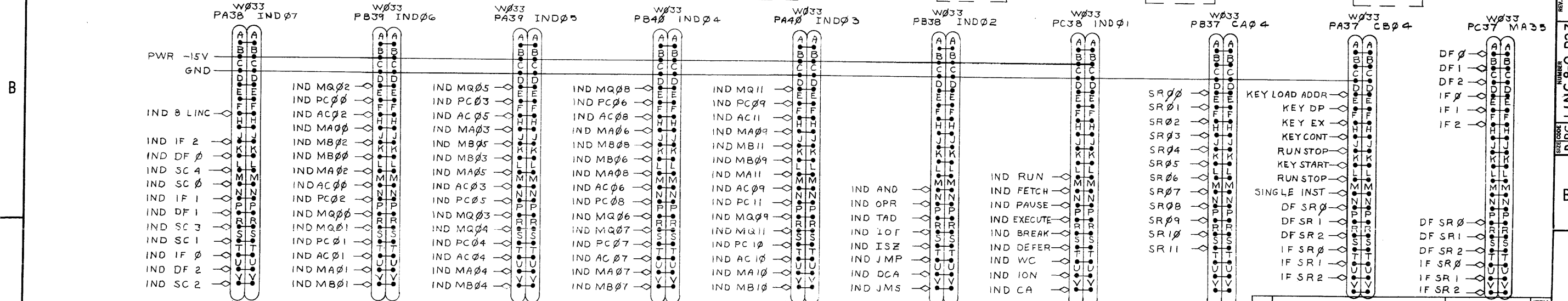
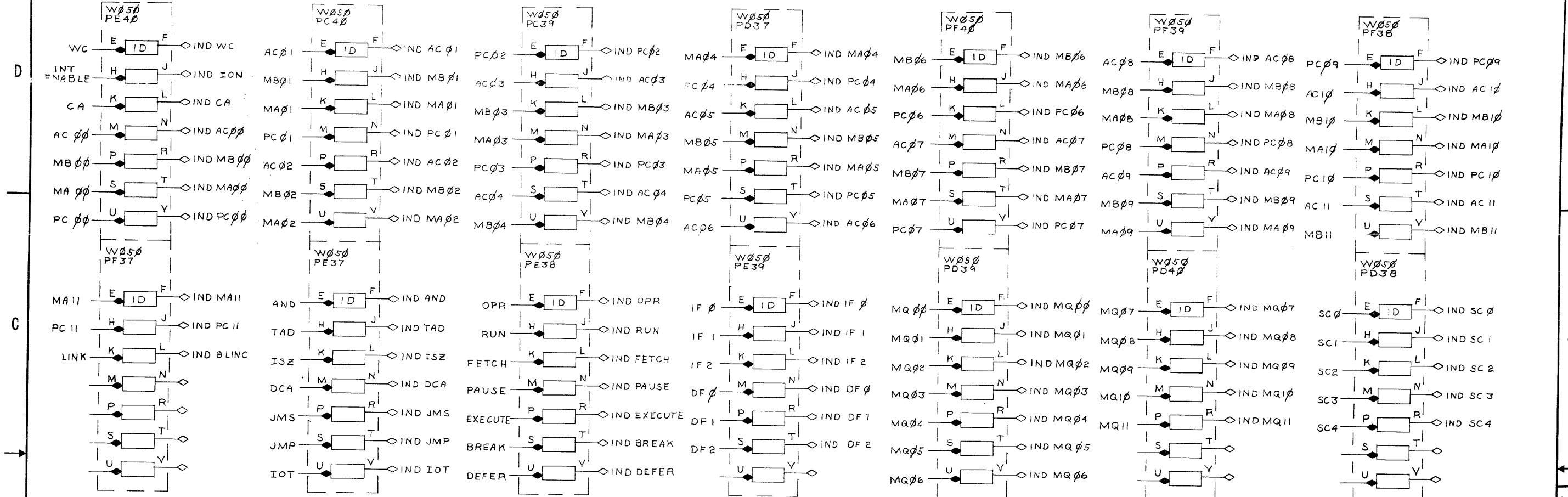
Table with columns for END LOAD, HB, L RUN, and MB 11 COMP ENABLE, with corresponding part numbers L21, L18, L16, and L18.

UNLESS OTHERWISE SPECIFIED... TOLERANCES... DIMENSION IN INCHES... DECIMALS FRACTIONS ANGLES... MATERIAL... FINISH

Table with columns for QTY., DESCRIPTION, PART NO., ITEM NO., and a title block for 'MB & LOAD MODS. IN PDP-8'.

This drawing and specifications, herein, are the property of Digital Equipment Corporation and shall not be reproduced or copied or used in whole or in part as the basis for the manufacture or sale of items without written permission.

ALL INDICATOR INPUTS COMING FROM FLIP FLOPS COME FROM THE 1 NEG SIDE. (I.E. A 0 0 (1) →)



QTY.	DESCRIPTION	PART NO.	ITEM NO.
	KEY LOAD ADDR		
	KEY DP		
	KEY EX		
	KEY CONT		
	RUN STOP		
	KEY START		
	RUN STOP		
	SINGLE INST		
	DF SR 0		
	DF SR 1		
	DF SR 2		
	IF SR 0		
	IF SR 1		
	IF SR 2		
	SR 0		
	SR 1		
	SR 2		
	SR 3		
	SR 4		
	SR 5		
	SR 6		
	SR 7		
	SR 8		
	SR 9		
	SR 10		
	SR 11		

REV.	CHANGE NO.

UNLESS OTHERWISE SPECIFIED
 DIMENSION IN INCHES
 TOLERANCES
 DECIMALS FRACTIONS ANGLES
 ±.005 ± 1/64 ± 0'30"

FINAL SURFACE QUALITY
 REMOVE BURRS AND BREAK SHARP CORNERS

MATERIAL

FINISH

UNLESS OTHERWISE SPECIFIED
 DATE 12/16/66
 DATE 12/16/66
 DATE 12/16/66
 DATE 12/16/66

DRN
 CHK'D.
 ENG.
 PROJ. ENG.
 PROJ. MGR.

DATE 12/16/66
 DATE 12/16/66
 DATE 12/16/66
 DATE 12/16/66

EQUIPMENT CORPORATION
 MAYNARD, MASSACHUSETTS

TITLE
PDP 8 SWITCHES & INDICATORS

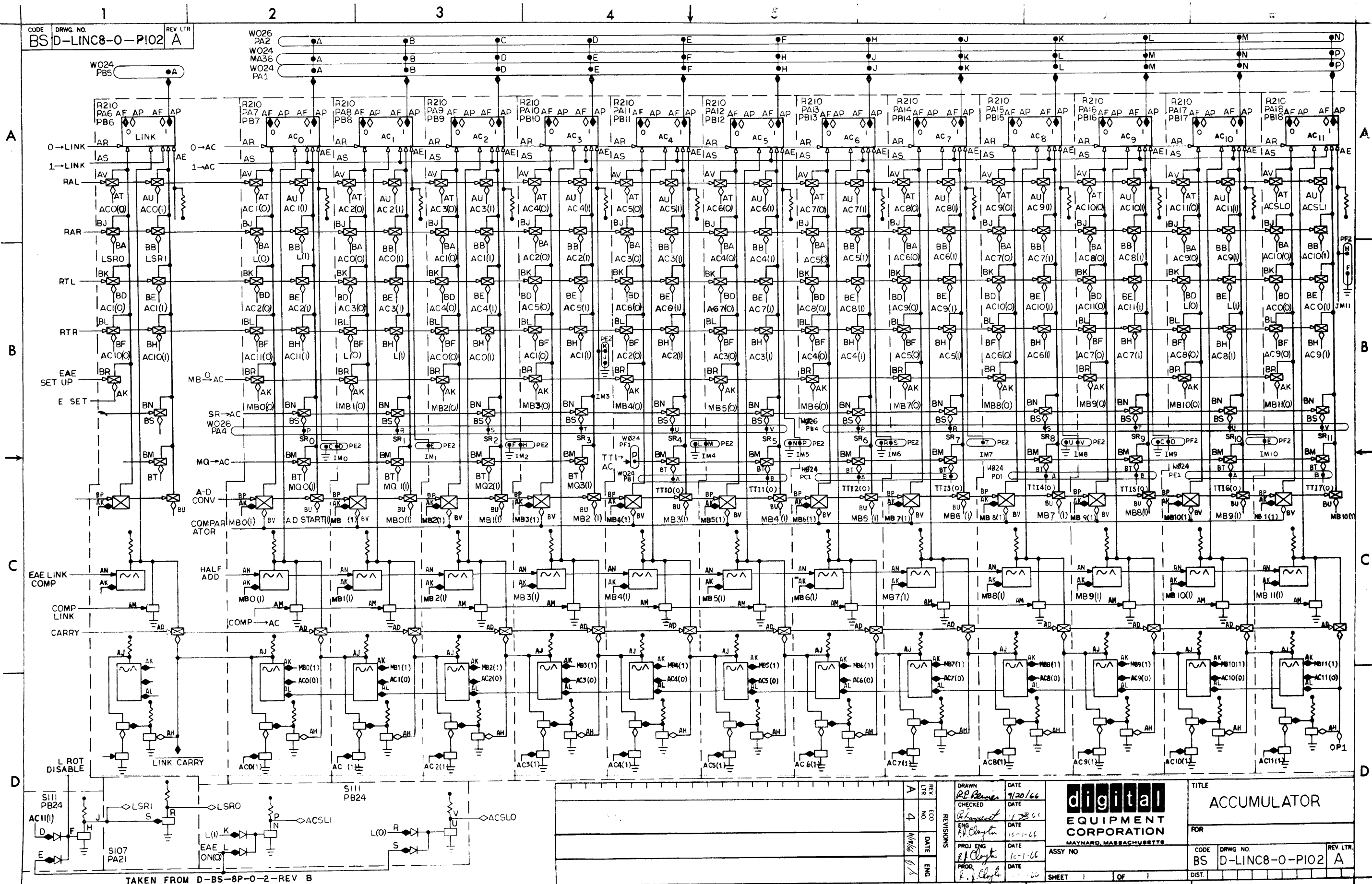
FIRST USED ON
 LINC 8

SCALE
 SHEET 1 OF 1

DIST.

SIZE CODE DBS
 NUMBER LINC 8-0-P27
 REV.

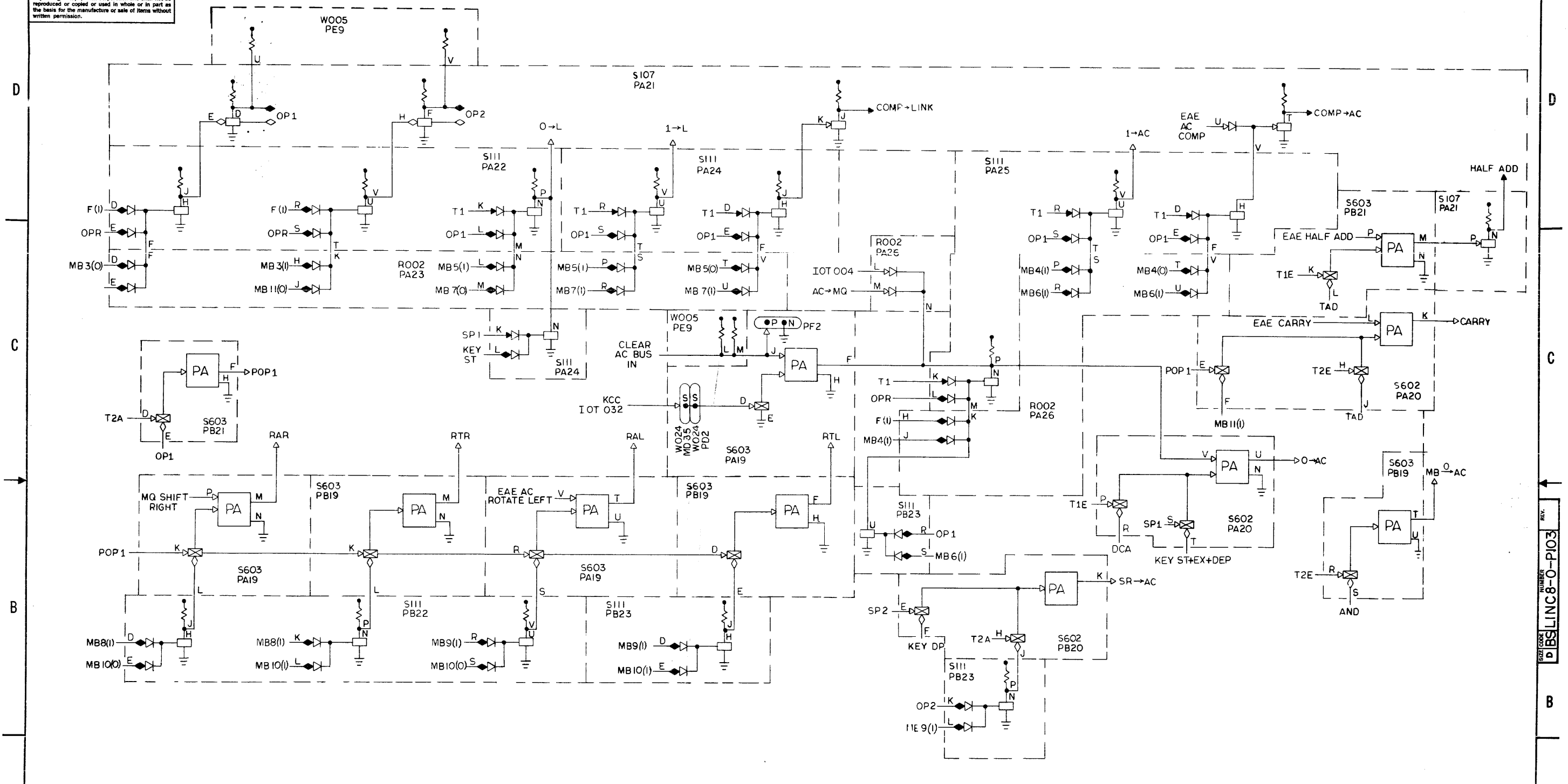
CODE BS DRWG. NO. D-LINC8-0-PI02 REV. LTR A



TAKEN FROM D-BS-8P-0-2-REV B

REV. LTR	REVISIONS	DATE	BY	DATE	BY	DATE	BY	DATE	BY	DATE	BY	DATE	BY	DATE	BY	DATE	BY	DATE	BY	DATE	BY		
	NO.	DATE	BY																			DATE	BY
DRAWN: R.P. Remick 7/20/66 CHECKED: [Signature] 1/23/66 ENG: R.P. Remick 10-1-66 PROJ. ENG: R.P. Remick 10-1-66 PROD: [Signature] 10-1-66												DATE: 7/20/66 CHECKED: 1/23/66 DATE: 10-1-66 DATE: 10-1-66		digital EQUIPMENT CORPORATION MAYNARD, MASSACHUSETTS		TITLE: ACCUMULATOR FOR:		CODE: BS DRWG. NO.: D-LINC8-0-PI02 REV. LTR: A		ASSY. NO.: SHEET: 1 OF 1		DIST.:	

This drawing and specifications, herein, are the property of Digital Equipment Corporation and shall not be reproduced or copied or used in whole or in part as the basis for the manufacture or sale of items without written permission.

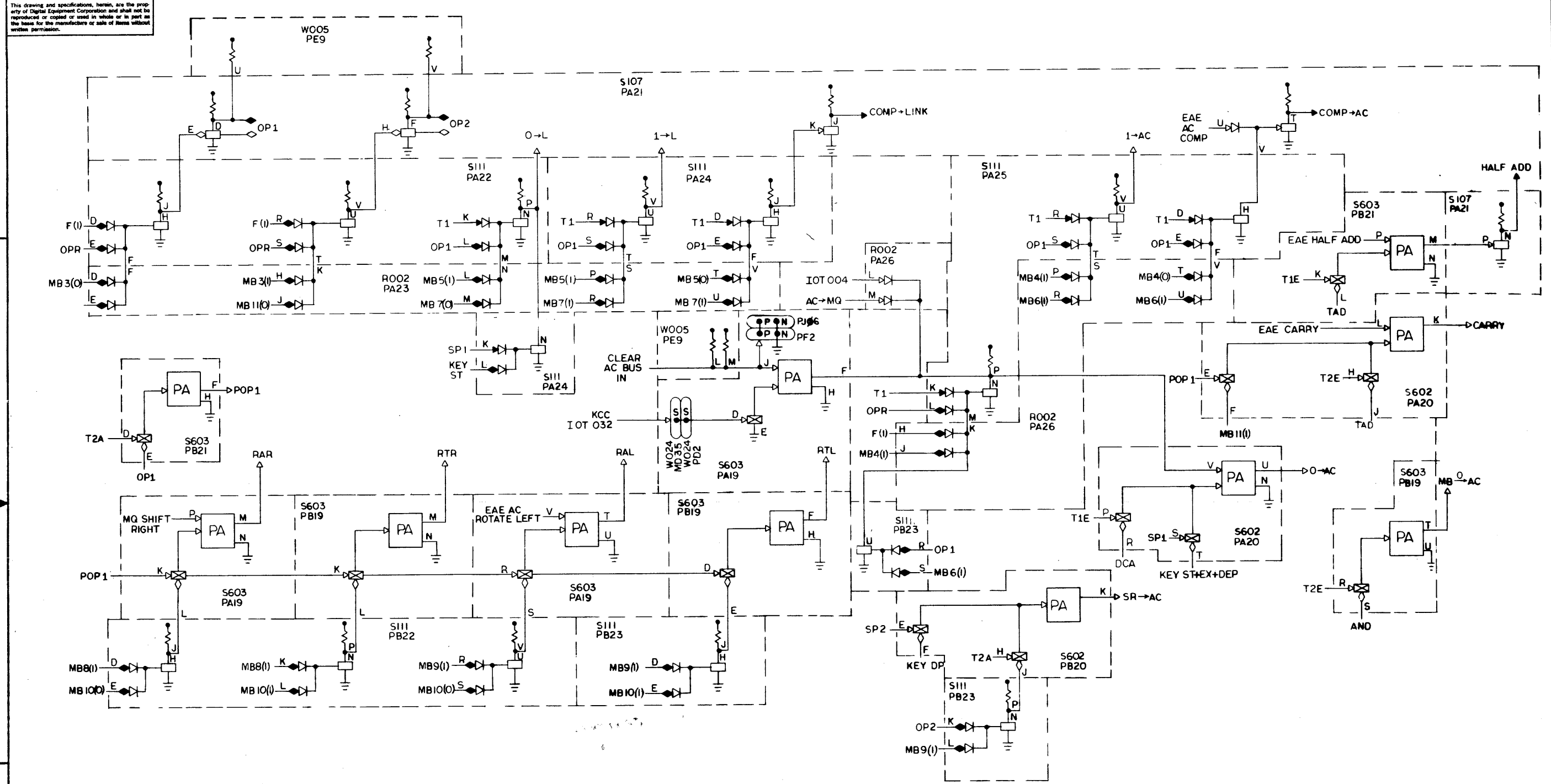


TAKEN FROM D-BS-8P-0-3-REV C

QTY.	DESCRIPTION	PART NO.	ITEM NO.
PARTS LIST			
DIGITAL EQUIPMENT CORPORATION MAYFIELD MASSACHUSETTS			
TITLE AC CONTROL			
UNLESS OTHERWISE SPECIFIED		DRN <i>R.P. Bennett</i>	DATE 9/20/66
DIMENSION IN INCHES		CHKD <i>R.P. Bennett</i>	DATE 9/23/66
TOLERANCES		ENG. <i>R.P. Bennett</i>	DATE 10-1-66
DECIMALS FRACTIONS ANGLES		PROV. ENG. <i>R.P. Bennett</i>	DATE 10-1-66
± .005 ± 1/64 ± 0°30'		PROD. <i>R.P. Bennett</i>	DATE 10-1-66
FINAL SURFACE QUALITY REMOVE BURRS AND BREAK SHARP CORNERS		FIRST USED ON LINC 8	
MATERIAL		SIZE CODE D B S	NUMBER LINC 8 - 0 - P I 0 3
FINISH		SCALE	REV.
SHEET		OF	

REVISIONS	REV.
CHANGE INC.	
CHK	

This drawing and specifications, herein, are the property of Digital Equipment Corporation and shall not be reproduced or copied or used in whole or in part as the basis for the manufacture or sale of items without written permission.



REV.	A
CHANGE NO.	4
CHK.	J. MILTON
DATE	4-25-67
BY	J. MILTON

DEC FORM NO. DPH 100 ELL LEVEL 103 PLAIN

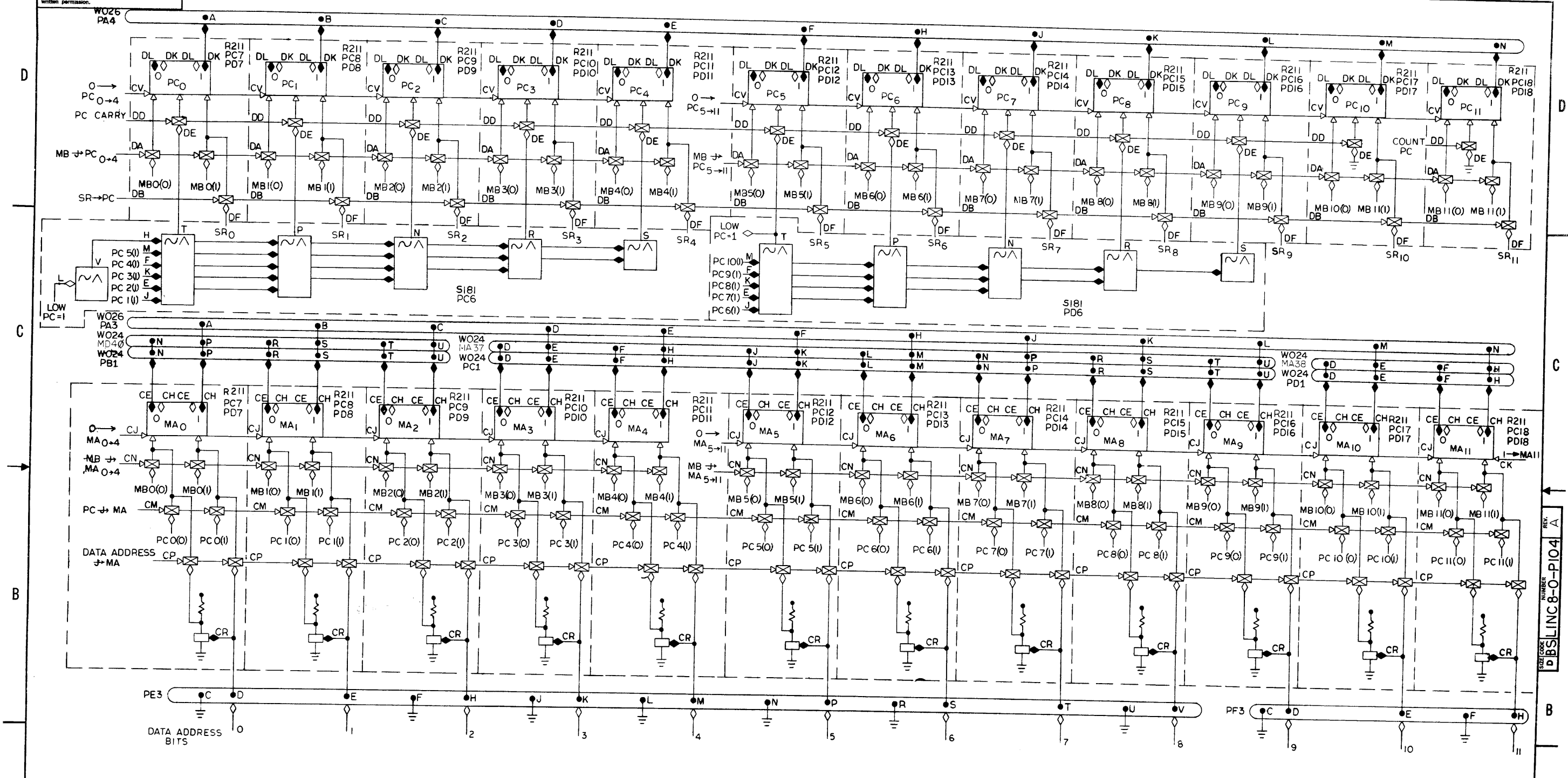
TAKEN FROM D-BS-8P-0-3-REV C

QTY.	DESCRIPTION	PART NO.	ITEM NO.
PARTS LIST			
UNLESS OTHERWISE SPECIFIED			
DIMENSION IN INCHES			
TOLERANCES			
DECIMALS	FRACTIONS	ANGLES	
± .005	± 1/64	± 0°30'	
FINAL SURFACE QUALITY			
REMOVE BURRS AND BREAK SHARP CORNERS			
MATERIAL			
FINISH			
UNLESS OTHERWISE SPECIFIED			
DRW.	R.P. Remick	DATE	9/20/66
CHKD.	P. Raymond	DATE	11/23/66
ENG.	R.P. Remick	DATE	5-11-66
PROJ. ENG.	R.P. Remick	DATE	10-1-66
PROD.	R.P. Remick	DATE	10-1-66
FIRST USED ON			
LINC 8			
SCALE			
SHEET 2 OF 1			
SIZE CODE		NUMBER	REV.
D B S L I N C 8 - 0 - P I O 3			A
TITLE			
AC CONTROL			
EQUIPMENT CORPORATION MAYNARD, MASSACHUSETTS			

D B S L I N C 8 - 0 - P I O 3

This drawing and specifications, herein, are the property of Digital Equipment Corporation and shall not be reproduced or copied or used in whole or in part as the basis for the manufacture or sale of items without written permission.

REV. 2
 NUMBER D-BS-LINC8-0-PI04
 SIZE CODE



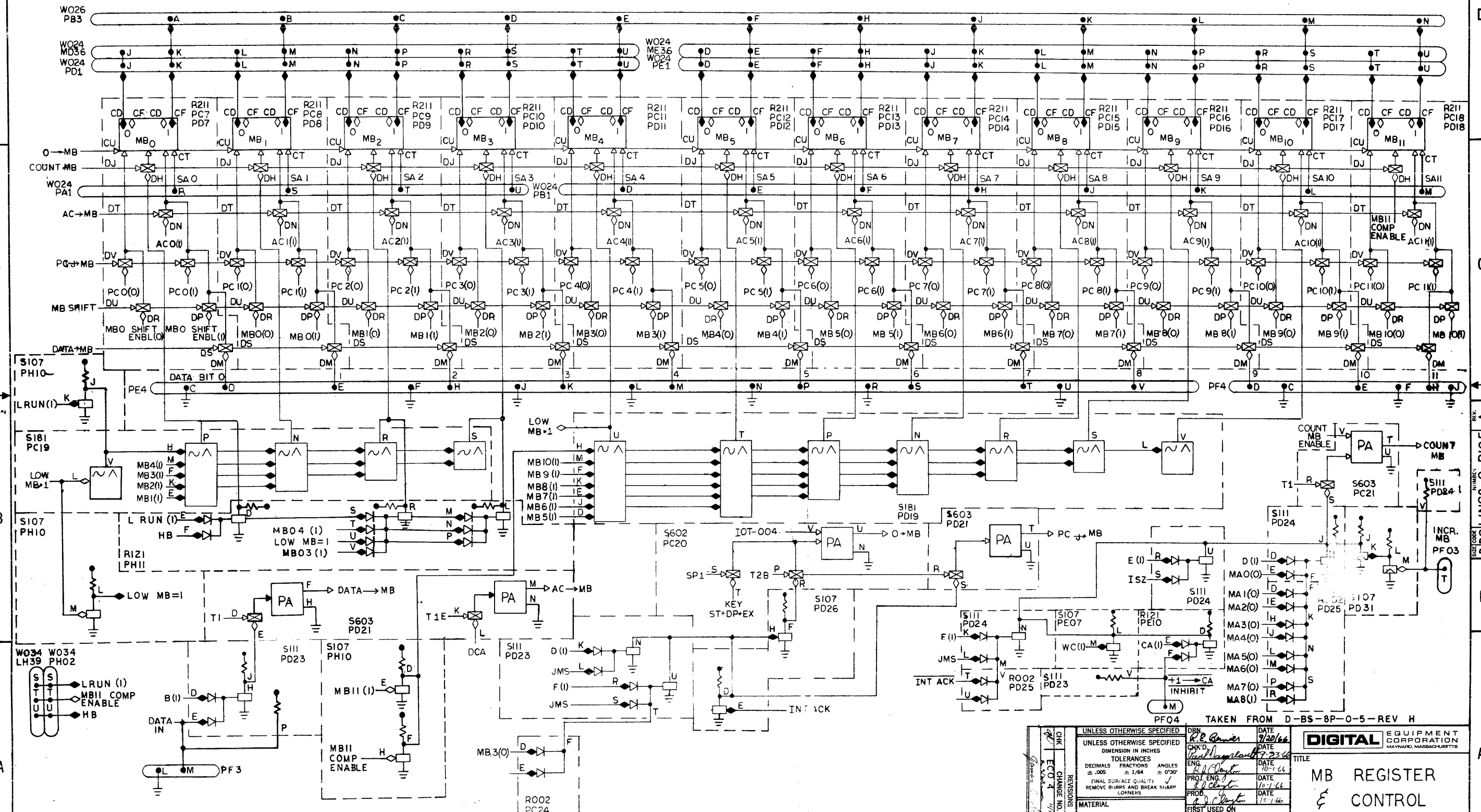
REVISIONS

CHK	CHANGE NO.	REV.
1	LINC8P-00005	A
2	1-19-70	
3	J. MILTON	
4	7-9-70	

TAKEN FROM D-BS-8P-0-4-REV C

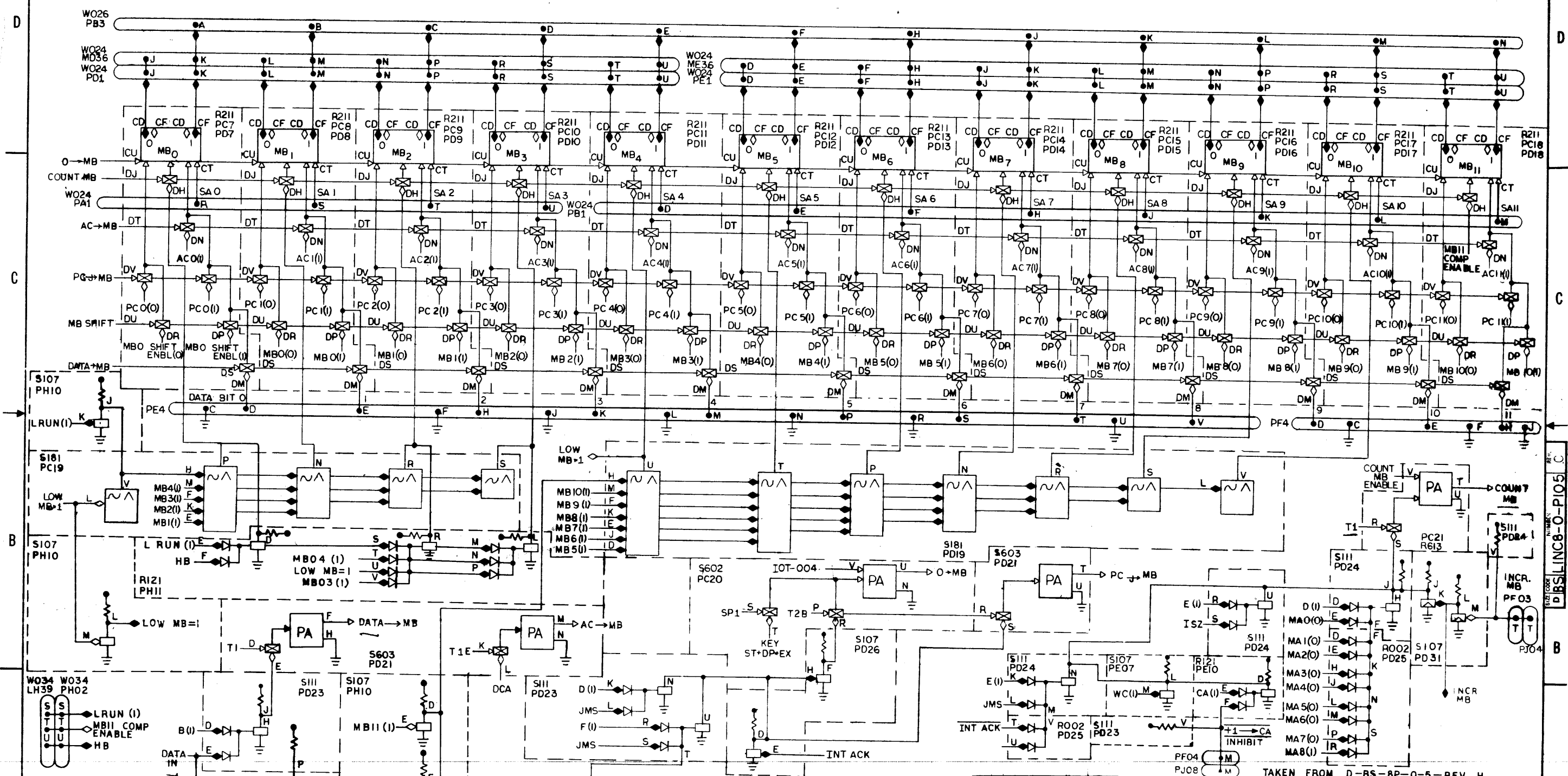
QTY.	DESCRIPTION	PART NO.	ITEM NO.																
PARTS LIST																			
<table border="1"> <tr> <td>UNLESS OTHERWISE SPECIFIED</td> <td>DATE</td> </tr> <tr> <td>DRW: R.P. Berman</td> <td>9/20/66</td> </tr> <tr> <td>CHK'D: J. Milgram</td> <td>9-30-66</td> </tr> <tr> <td>ENG: R.P. Berman</td> <td>10-1-66</td> </tr> <tr> <td>PROD. ENG: J. Milgram</td> <td>10-1-66</td> </tr> <tr> <td>DATE</td> <td>10-1-66</td> </tr> <tr> <td>DATE</td> <td>10-1-66</td> </tr> <tr> <td>DATE</td> <td>10-1-66</td> </tr> </table>				UNLESS OTHERWISE SPECIFIED	DATE	DRW: R.P. Berman	9/20/66	CHK'D: J. Milgram	9-30-66	ENG: R.P. Berman	10-1-66	PROD. ENG: J. Milgram	10-1-66	DATE	10-1-66	DATE	10-1-66	DATE	10-1-66
UNLESS OTHERWISE SPECIFIED	DATE																		
DRW: R.P. Berman	9/20/66																		
CHK'D: J. Milgram	9-30-66																		
ENG: R.P. Berman	10-1-66																		
PROD. ENG: J. Milgram	10-1-66																		
DATE	10-1-66																		
DATE	10-1-66																		
DATE	10-1-66																		
TITLE PC & MA REGISTERS		EQUIPMENT CORPORATION MAYNARD, MASSACHUSETTS																	
MATERIAL LINC 8		SCALE DIST.																	
FINISH		NUMBER D-BS-LINC8-0-PI04																	
SHEET		REV. A																	

This drawing and specifications, herein, are the property of Digital Equipment Corporation and shall not be reproduced or copied or used in whole or in part as the basis for the manufacture or sale of items without written permission.



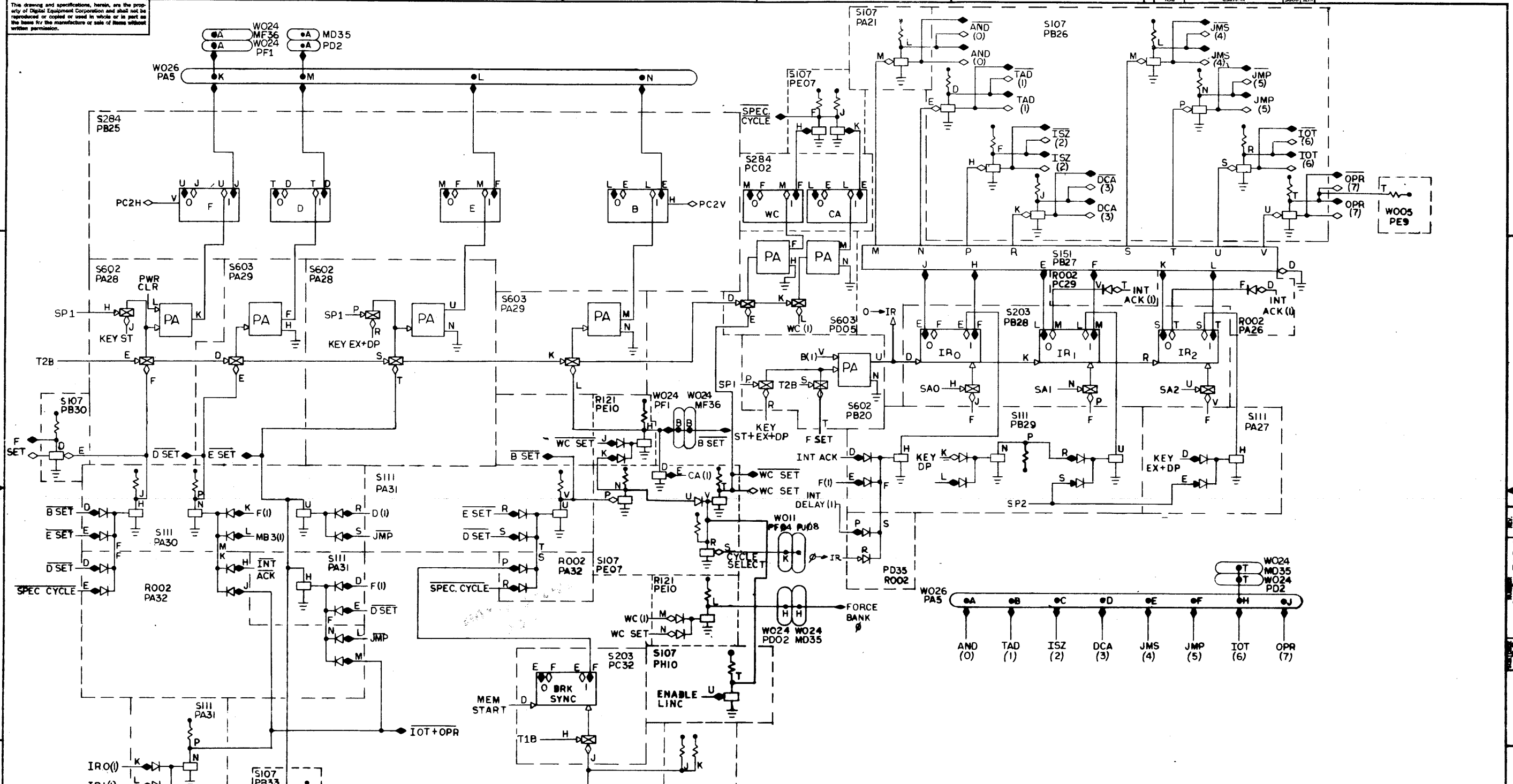
CHG ECO 4 REVISIONS CHANGE NO. REV.	UNLESS OTHERWISE SPECIFIED	DATE	DIGITAL EQUIPMENT CORPORATION MAYFIELD, MASSACHUSETTS
	UNLESS OTHERWISE SPECIFIED	DATE	
	TOLERANCES	DATE	
	DIMENSION IN INCHES DECIMALS FRACTIONS ANGLES ±.005 ± 1/64 ± 0'30" FINAL SURFACE QUALITY REMOVE BURRS AND BREAK SHARP EDGES	DATE	
MATERIAL		DATE	TITLE MB REGISTER CONTROL
FINISH		DATE	
FIRST USED ON		DATE	SIZE CODE NUMBER REV. DBS LINC8-0-PI05 A
SCALE		DATE	
SHEET 1 OF 1		DIST.	

This drawing and specifications, herein, are the property of Digital Equipment Corporation and shall not be reproduced or copied in whole or in part as the basis for the manufacture or sale of items without written permission.



<p>UNLESS OTHERWISE SPECIFIED</p> <p>DIMENSION IN INCHES</p> <p>TOLERANCES</p> <p>DECIMALS FRACTIONS ANGLES</p> <p>±.005 ±.004 ±.030</p> <p>FINAL SURFACE QUALITY</p> <p>REMOVE BURRS AND BREAK SHARP CORNERS</p>		<p>DATE 7/20/66</p> <p>DATE 7/23/66</p> <p>DATE 7/23/66</p> <p>DATE 10/1/66</p> <p>DATE 11/1/66</p>	<p>DIGITAL EQUIPMENT CORPORATION MAYNARD, MASSACHUSETTS</p> <p>MB REGISTER & CONTROL</p>
<p>FINISH</p>		<p>SCALE</p> <p>SHEET 1 OF 1</p>	
<p>REVISIONS</p> <p>NO. 1</p> <p>DATE 7/20/66</p> <p>BY R.P. BAKER</p> <p>CHKD. R.P. BAKER</p> <p>ENG. R.P. BAKER</p> <p>PROJ. ENG. R.P. BAKER</p> <p>PROD. R.P. BAKER</p>		<p>TITLE</p> <p>SIZE CODE</p> <p>NUMBER</p> <p>REV.</p>	<p>TAKEN FROM D-BS-8P-0-5-REV H</p>

This drawing and specifications, herein, are the property of Digital Equipment Corporation and shall not be reproduced or copied or used in whole or in part as the basis for the manufacture or sale of items without written permission.

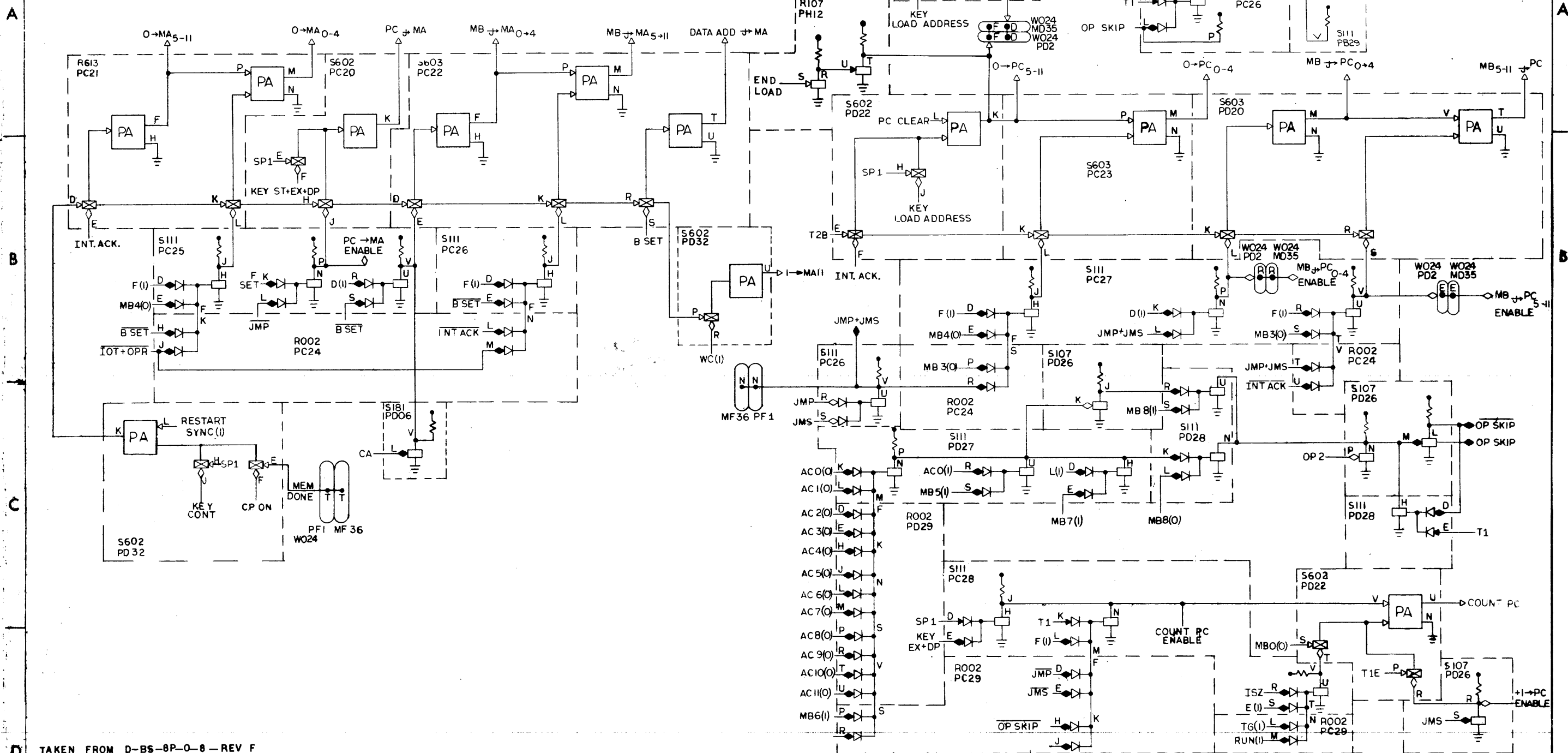


REV	DATE	BY	CHKD	DESCRIPTION
1	11/14/66	J. MILTON	J. MILTON	REVISED
2	12/1/66	J. MILTON	J. MILTON	REVISED
3	12/1/66	J. MILTON	J. MILTON	REVISED
4	12/1/66	J. MILTON	J. MILTON	REVISED

TAKEN FROM D-BS-8P-0-6-REV P

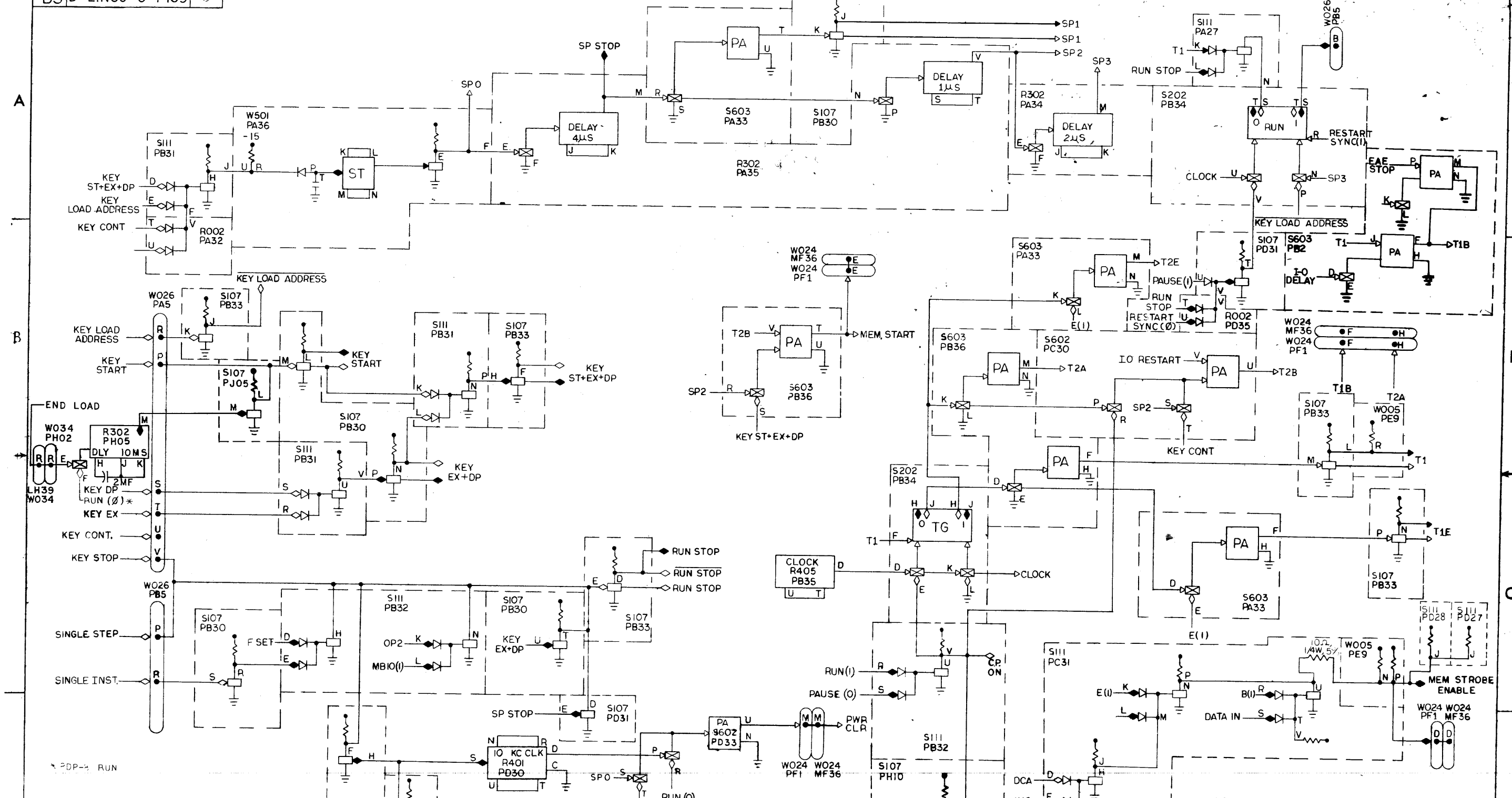
QTY.	DESCRIPTION	PART NO.	ITEM NO.
PARTS LIST			
DIGITAL CORPORATION MAYNARD, MASSACHUSETTS			
UNLESS OTHERWISE SPECIFIED		DATE	
DIMENSION IN INCHES		9/20/66	
TOLERANCES		DATE	
DECIMALS	FRACTIONS	9-23-66	
± .005	± 1/64	DATE	
ANGLES		10-1-66	
± 0°30'		DATE	
FINAL SURFACE QUALITY		10-1-66	
REMOVE BURRS AND BREAK SHARP CORNERS		DATE	
MATERIAL		11-1-66	
FINISH		DATE	
FIRST USED ON			
LINC 8			
SCALE		NUMBER	
SHEET 1 OF 1		DBS LINC 8-0-PI06	
DIST.		REV. C	

CODE BS
 DRWG. NO. D-LINC8-0-PI08
 REV. LTR. C



TAKEN FROM D-BS-8P-0-8-REV F

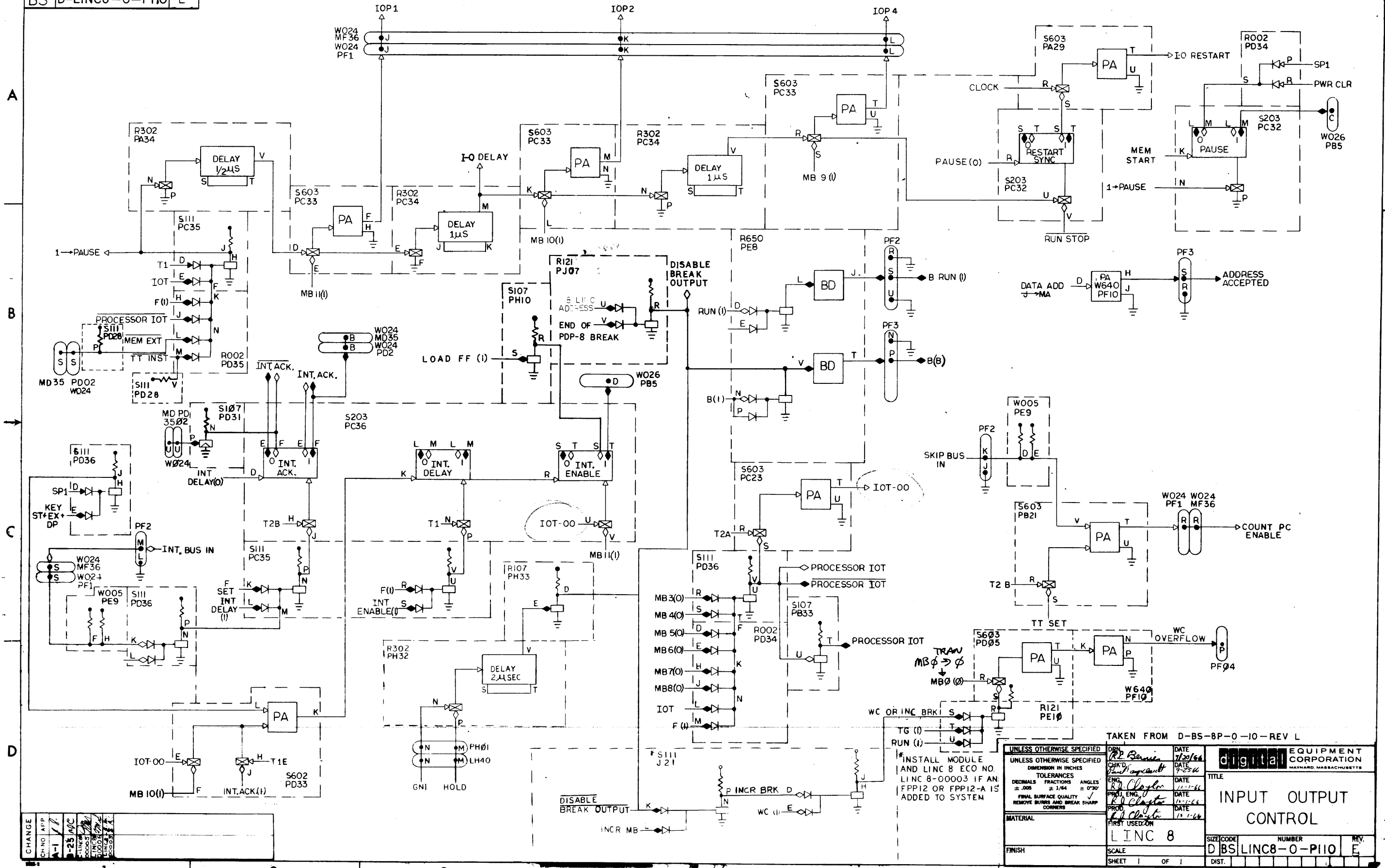
DRAWN: R.P. Benin CHECKED: [Signature] DATE: 7/20/66		DATE: 7/30/66 DATE: 10-1-66 DATE: 1-1-66 DATE: 1-1-66		digital EQUIPMENT CORPORATION MAYNARD, MASSACHUSETTS	TITLE MA, PC CONTROL
REV. NO. 25 ECD. NO. LINC8-0-PI08 DATE: 4/74		ASSY NO. [Blank] OF [Blank]			FOR
CODE BS DRWG. NO. D-LINC8-0-PI08 REV. LTR. C				ASSY NO. [Blank] OF [Blank]	



TAKEN FROM D-BS-8P-0-9-REV F

UNLESS OTHERWISE SPECIFIED DIMENSION IN INCHES DECIMALS FRACTIONS ANGLES ±.005 ± 1/64 ± 0°30' FINAL SURFACE QUALITY REMOVE BURRS AND BREAK SHARP CORNERS	DRN R. E. Conner	DATE 7/20/66	digital EQUIPMENT CORPORATION MATYARD MASSACHUSETTS
	CHK'D Paul J. Conner	DATE 9/2/66	
	ENG. R. J. Conner	DATE 11-1-66	
MATERIAL	PROJ. ENG. R. J. Conner	DATE 10-1-66	TITLE TIMING, KEYS SWS & RUN
FIRST USED ON LINC 8	PROD. Conner	DATE 11-1-66	SIZE CODE D BS LINC8-0-PI09
FINISH	SCALE	SHEET 1 OF 1	NUMBER REV. C
			DIST.

A-1
B-7
C



CHANGE	NO.	DATE	BY	CHK'D
1	1	11-1-66	R. J. Clayton	R. J. Clayton
2	1	11-1-66	R. J. Clayton	R. J. Clayton

UNLESS OTHERWISE SPECIFIED
 DIMENSION IN INCHES
 TOLERANCES
 DECIMALS FRACTIONS ANGLES
 ±.005 ± 1/64 ± 0°30'
 FINAL SURFACE QUALITY
 REMOVE BURRS AND BREAK SHARP
 CORNERS

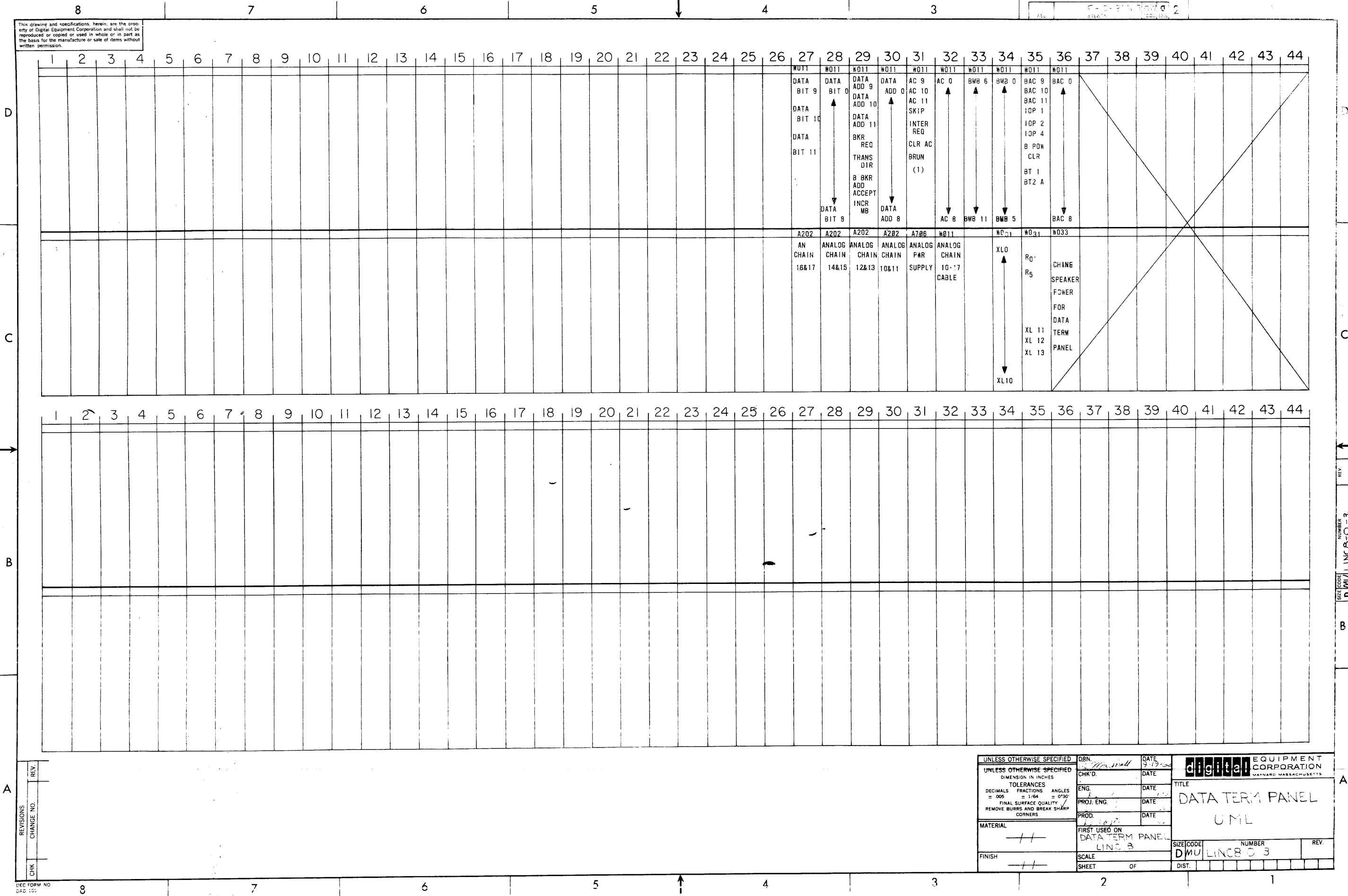
DRN	R. J. Clayton	DATE	11-1-66
CHK'D	R. J. Clayton	DATE	11-1-66
ENG.	R. J. Clayton	DATE	11-1-66
PROD.	R. J. Clayton	DATE	11-1-66
FIRST USED ON	LINC 8		
SCALE		SHEET	OF

digital EQUIPMENT CORPORATION MAYNARD, MASSACHUSETTS	
TITLE INPUT OUTPUT CONTROL	
SIZE CODE	NUMBER
D BS LINC8-0-PI10	E

TAKEN FROM D-BS-8P-0-10-REV L

*INSTALL MODULE
 AND LINC 8 ECO NO.
 LINC 8-00003 IF AN
 FPP12 OR FPP12-A IS
 ADDED TO SYSTEM

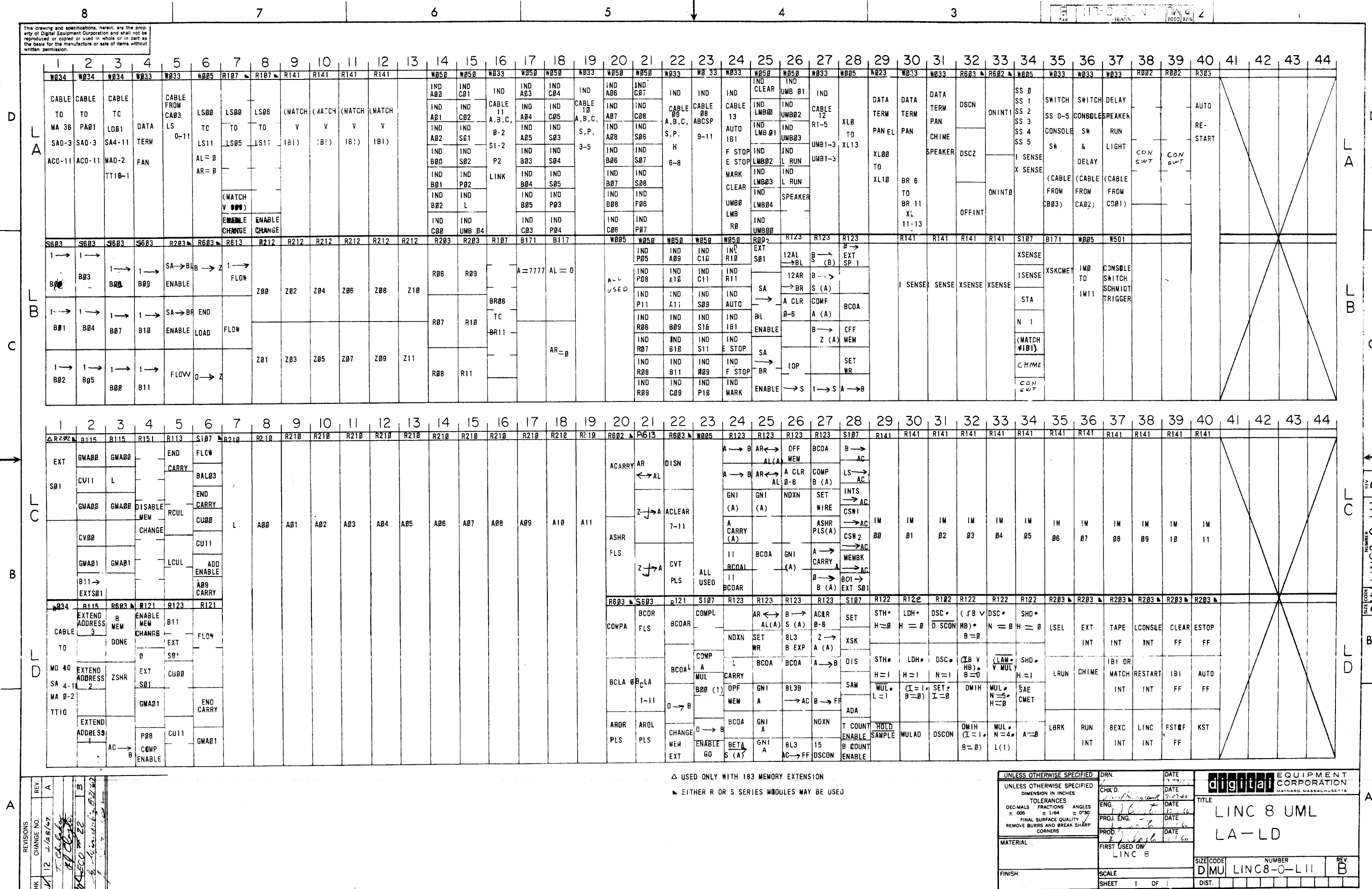
This drawing and specifications herein are the property of Digital Equipment Corporation and shall not be reproduced or copied or used in whole or in part as the basis for the manufacture or sale of items without written permission.



UNLESS OTHERWISE SPECIFIED		DRN: <i>W. Small</i>	DATE: <i>9-19-68</i>	 digital EQUIPMENT CORPORATION <small>MAYNARD, MASSACHUSETTS</small>
UNLESS OTHERWISE SPECIFIED		CHK'D.	DATE	
DIMENSION IN INCHES		ENG.	DATE	
TOLERANCES		PROJ. ENG.	DATE	
DECIMALS = .005		FRACTIONS = 1/64		TITLE DATA TERM PANEL UML
ANGLES = 0°30'		FINAL SURFACE QUALITY / REMOVE BURRS AND BREAK SHARP CORNERS		
MATERIAL		FIRST USED ON		SIZE/CODE D MU LINC 8-T-O-3
FINISH		DATA TERM PANEL		
SCALE		SHEET OF		NUMBER DIST.
SHEET OF		SHEET OF		

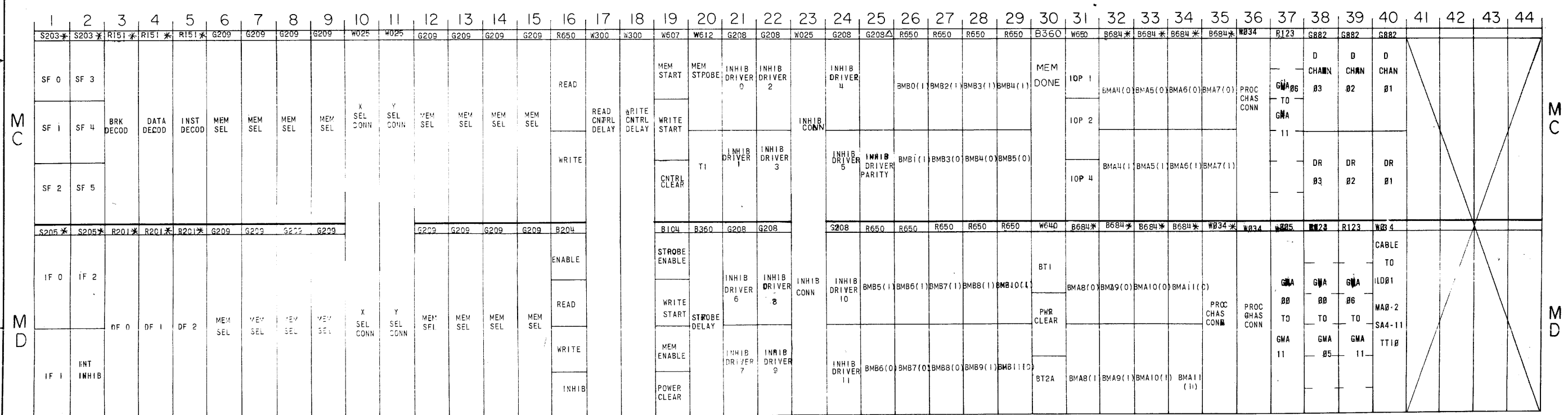
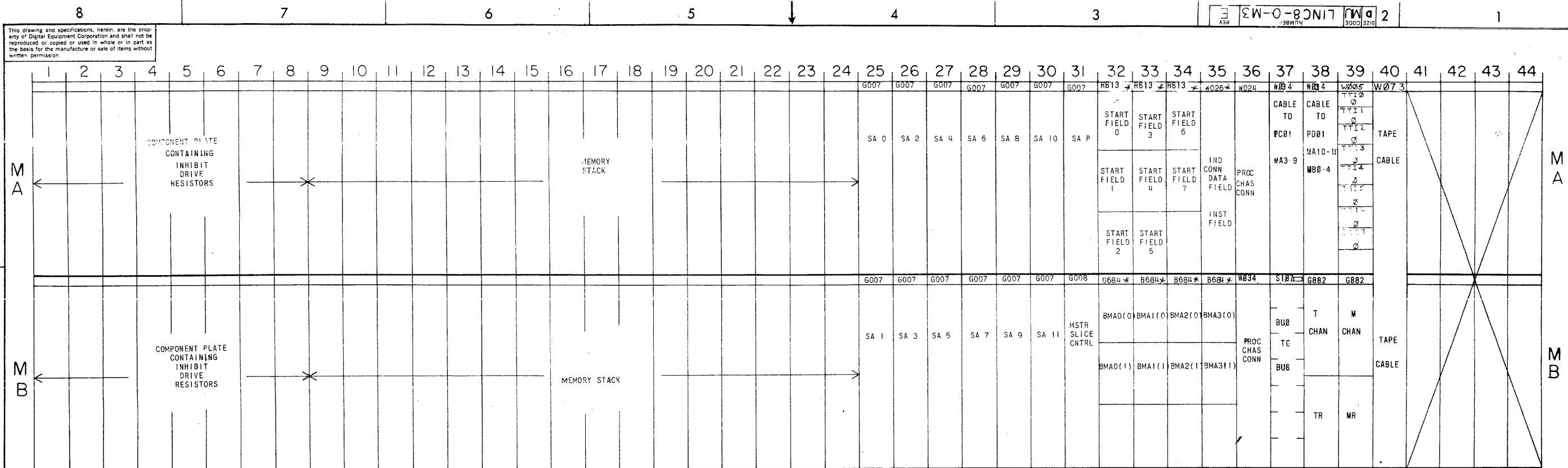
SIZE/CODE: D MU LINC 8-T-O-3
 NUMBER: 3
 REV:

This drawing and specifications, herein, are the property of Digital Equipment Corporation and shall not be reproduced or copied or used in whole or in part as the basis for the manufacture or sale of items without written permission.



▲ USED ONLY WITH 183 MEMORY EXTENSION
 ▲ EITHER R OR S SERIES MODULES MAY BE USED

UNLESS OTHERWISE SPECIFIED: DRN. DATE	UNLESS OTHERWISE SPECIFIED: DIMENSION IN INCHES	TOLERANCES: DECIMALS FRACTIONS ANGLES	DECIMALS: .005, .010, .015, .020, .030, .040, .050, .060, .070, .080, .090, .100	FRACTIONS: 1/64, 1/32, 3/32, 1/8, 3/16, 1/4, 3/8, 1/2, 5/8, 3/4, 7/8, 1	ANGLES: 0°30', 0°45', 0°15'	FINAL SURFACE QUALITY: REMOVE BURRS AND BREAK SHARP CORNERS	MATERIAL: LINC 8	FINISH: SCALE	SHEET: 1 OF 1
UNLESS OTHERWISE SPECIFIED: DRN. DATE	UNLESS OTHERWISE SPECIFIED: DIMENSION IN INCHES	TOLERANCES: DECIMALS FRACTIONS ANGLES	DECIMALS: .005, .010, .015, .020, .030, .040, .050, .060, .070, .080, .090, .100	FRACTIONS: 1/64, 1/32, 3/32, 1/8, 3/16, 1/4, 3/8, 1/2, 5/8, 3/4, 7/8, 1	ANGLES: 0°30', 0°45', 0°15'	FINAL SURFACE QUALITY: REMOVE BURRS AND BREAK SHARP CORNERS	MATERIAL: LINC 8	FINISH: SCALE	SHEET: 1 OF 1



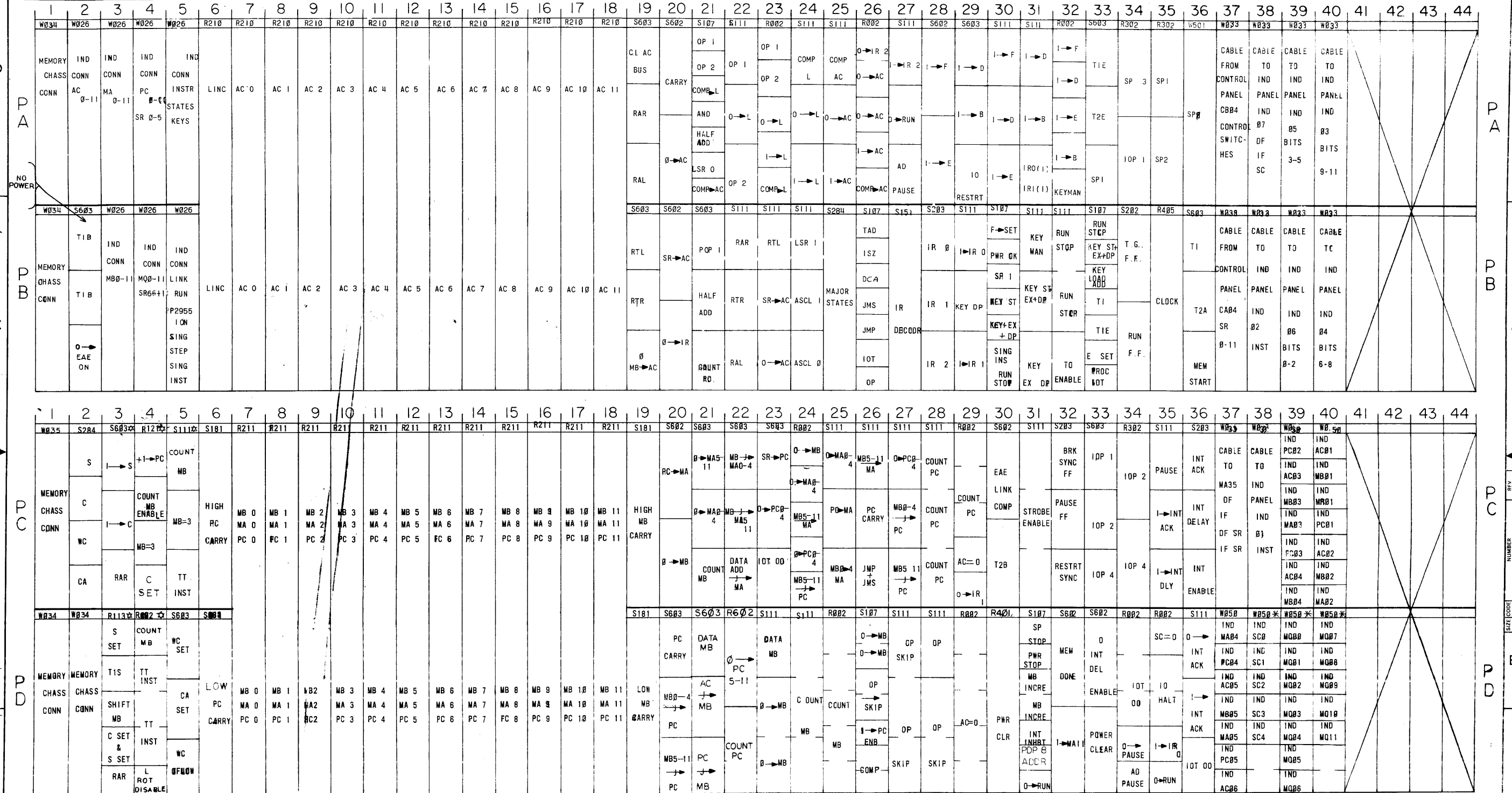
REVISIONS

CHK	CHANGE NO.	REV.	A
ECO	8	1-6-67	
ECO	17	6-22-67	B
ECO	21	8-21-67	C
ECO	22	8-21-67	
ECO	23	8-21-67	
ECO	24	8-21-67	
ECO	25	8-21-67	
ECO	26	8-21-67	
ECO	27	8-21-67	
ECO	28	8-21-67	
ECO	29	8-21-67	
ECO	30	8-21-67	
ECO	31	8-21-67	
ECO	32	8-21-67	
ECO	33	8-21-67	
ECO	34	8-21-67	
ECO	35	8-21-67	
ECO	36	8-21-67	
ECO	37	8-21-67	
ECO	38	8-21-67	
ECO	39	8-21-67	
ECO	40	8-21-67	
ECO	41	8-21-67	
ECO	42	8-21-67	
ECO	43	8-21-67	
ECO	44	8-21-67	

* USED ONLY WITH 183 MEMORY EXTENSION CONTROL
 □ USED ONLY WITH ADDITIONAL LINC TAPE TRANSPORTS
 △ USED ONLY WITH 188 PARITY OPTION

UNLESS OTHERWISE SPECIFIED		DRN.	DATE
UNLESS OTHERWISE SPECIFIED		CHK'D.	DATE
DIMENSION IN INCHES		ENG.	DATE
TOLERANCES		PROJ. ENG.	DATE
DECIMALS = .005		PROD.	DATE
FRACTIONS = 1/64			
ANGLES = 0°30'			
FINAL SURFACE QUALITY			
REMOVE BURRS AND BREAK SHARP CORNERS			
MATERIAL	FIRST USED ON		
FINISH	LINC 8		
SCALE			
SHEET	OF		
TITLE		digital EQUIPMENT CORPORATION MAYNARD, MASSACHUSETTS	
LINC 8 UML		MA - MD	
SIZE CODE	NUMBER	REV.	
DMU LINC8-0-M3		E	

This drawing and specifications, herein, are the property of Digital Equipment Corporation and shall not be reproduced or copied in whole or in part as the basis for the manufacture or sale of items without written permission.



REV.	CHG. NO.	DATE	BY	APP.
A	11-11-66	11-11-66	J. MILTON	
B	11-11-66	11-11-66	J. MILTON	
C	11-11-66	11-11-66	J. MILTON	
D	11-11-66	11-11-66	J. MILTON	

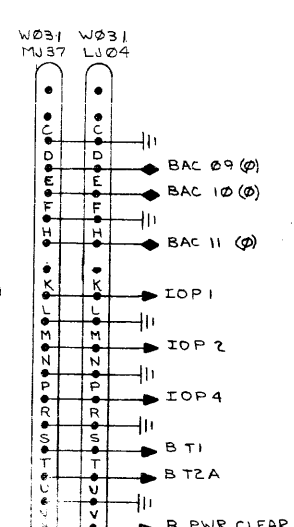
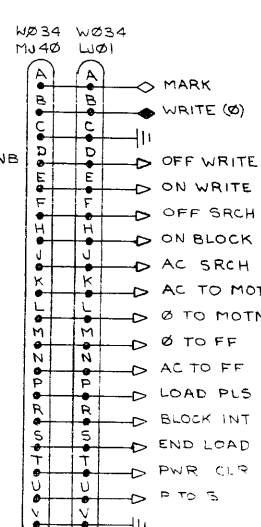
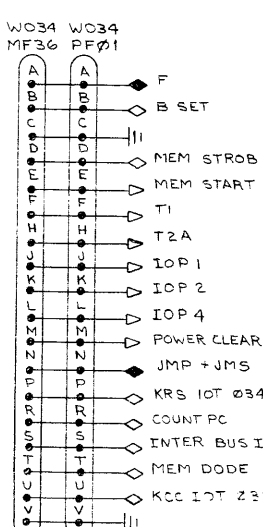
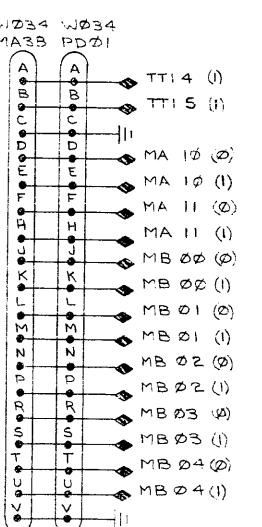
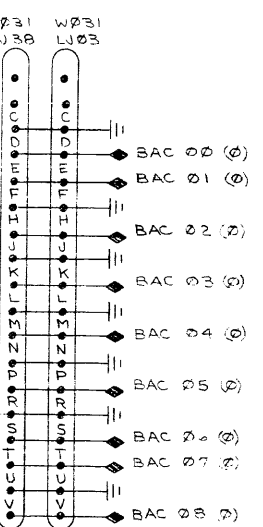
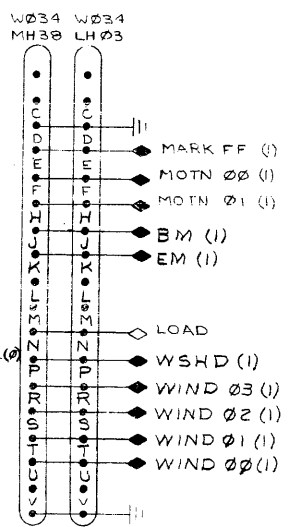
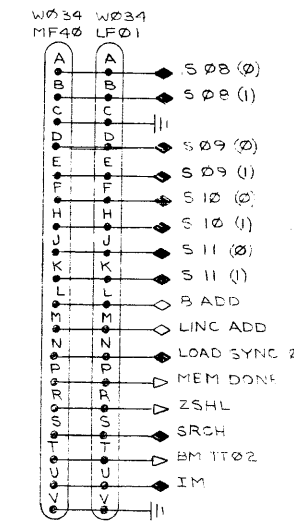
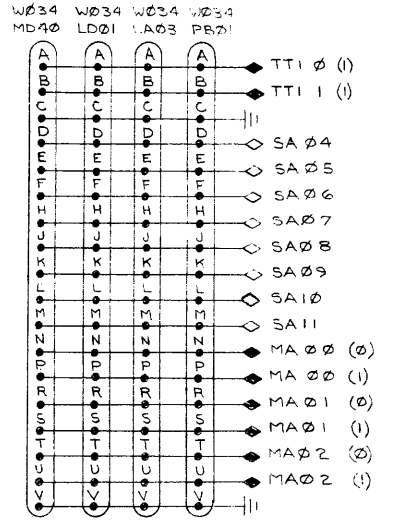
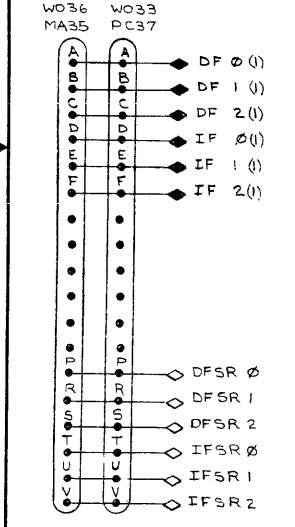
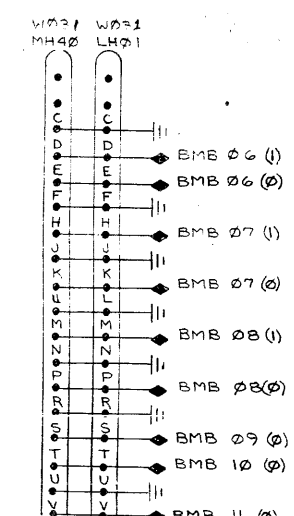
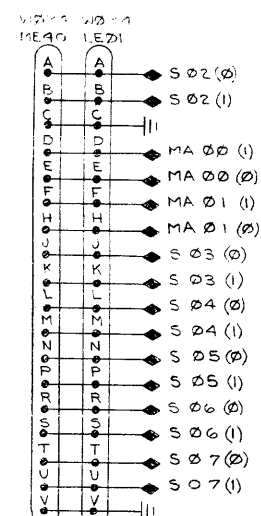
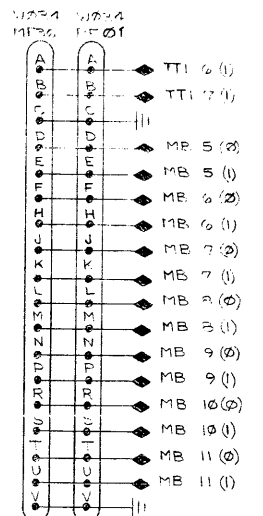
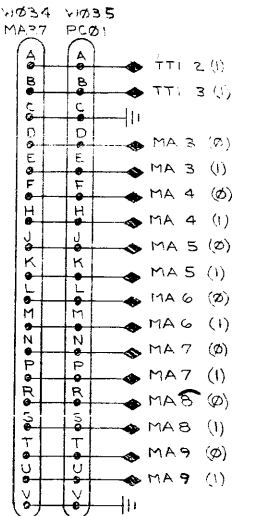
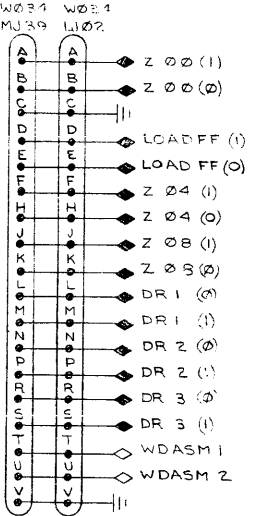
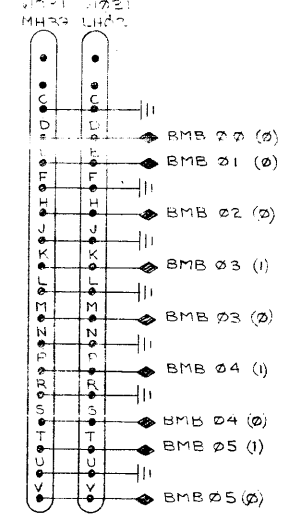
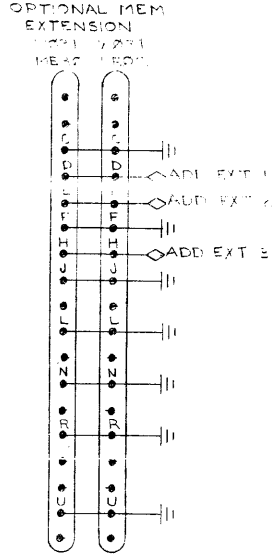
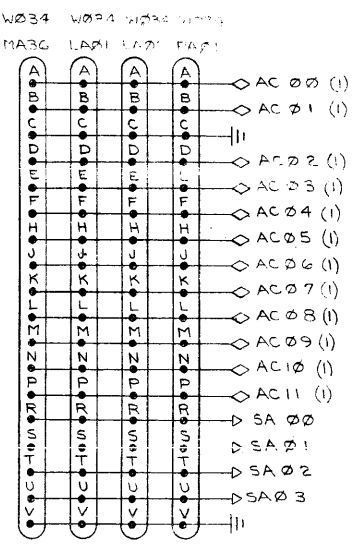
USED ONLY WITH 681 DATA LINE
 USED ONLY WITH 182 EAE

UNLESS OTHERWISE SPECIFIED		DRN.	DATE
UNLESS OTHERWISE SPECIFIED		CHK'D.	DATE
DIMENSION IN INCHES		ENG.	DATE
TOLERANCES		PROJ. ENG.	DATE
DECIMALS FRACTIONS ANGLES		PHOD.	DATE
= .005 = 1/64 = 0°30'		FIRST USED ON	
FINAL SURFACE QUALITY		LINC 8	
REMOVE BURRS AND BREAK SHARP CORNERS		LINC 8 UML	
MATERIAL		PA-PD	
FINISH		SCALE	
SHEET		OF	
DIST.		REV.	
SIZE CODE		NUMBER	
DMU LINC8-0-P4		D	

This drawing and specifications, herein, are the property of Digital Equipment Corporation and shall not be reproduced or copied or used in whole or in part as the basis for the manufacture or sale of items without written permission.

D
C
B
A

CHK	REV.	CHANGE NO.
2	A	2-27-67
1	B	AN ECR # 16
	C	des LINC8L 00002
	D	FV LINC8M-00005

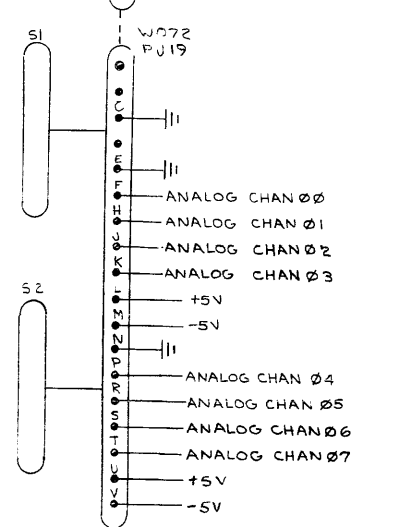
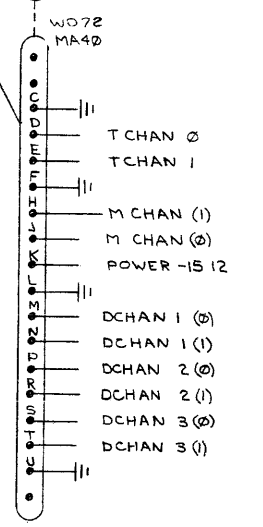
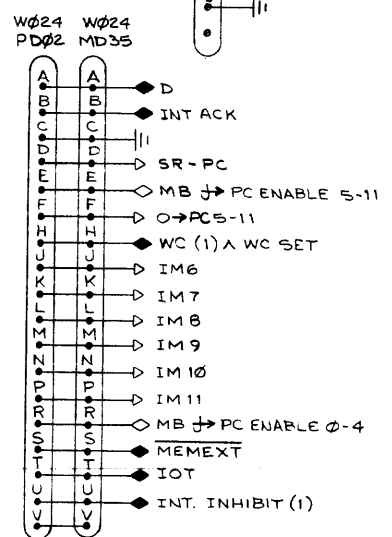
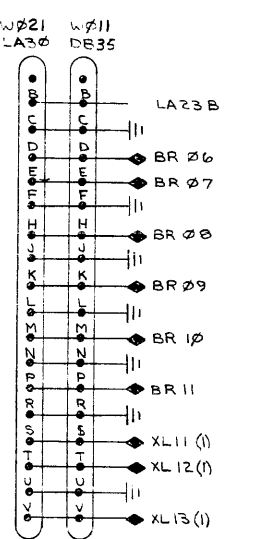
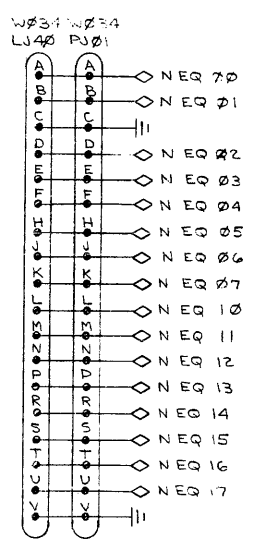
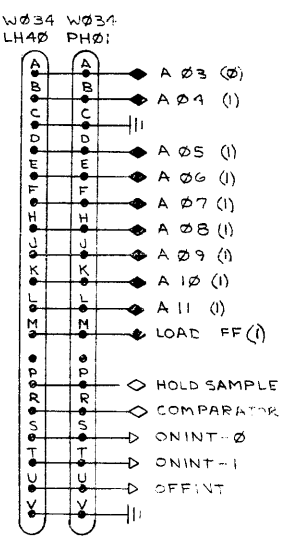
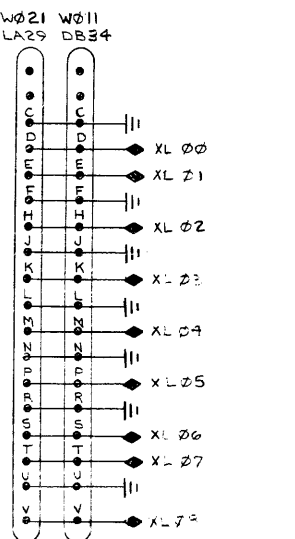
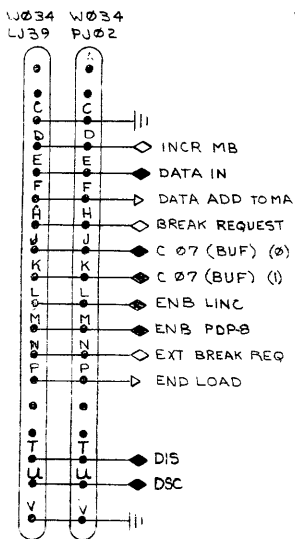
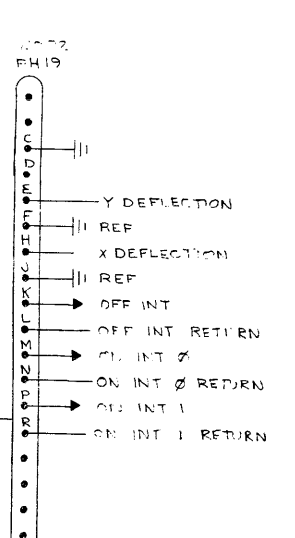
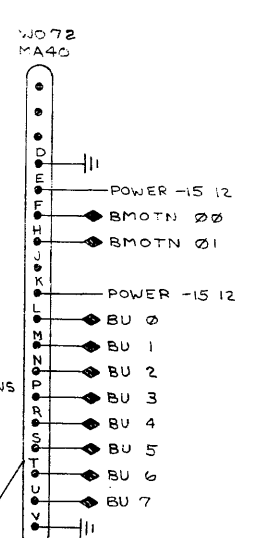
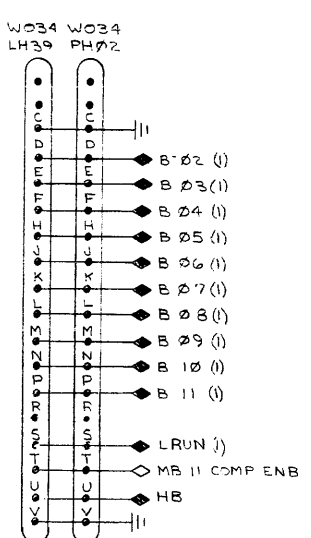
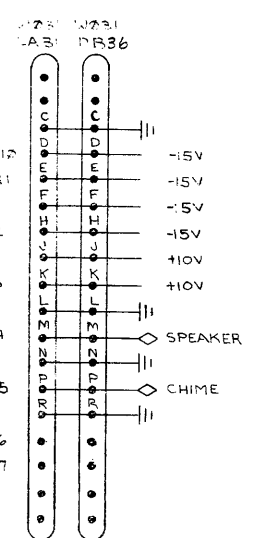
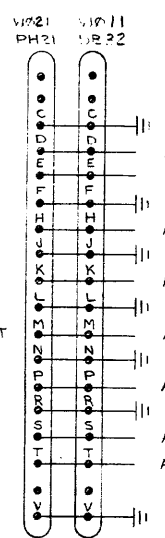
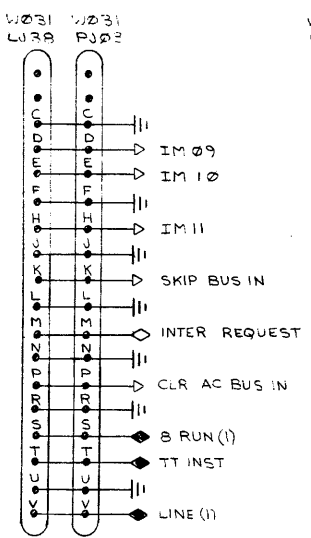
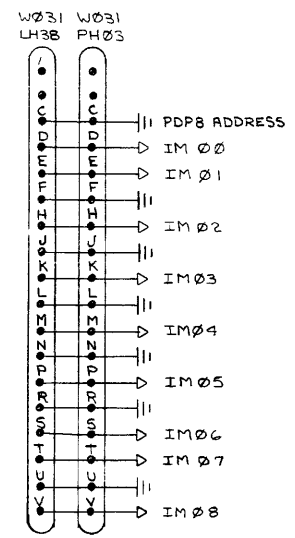


QTY.	DESCRIPTION	PARTS LIST	PART NO.	ITEM NO.																																																												
		<table border="1"> <tr> <td colspan="2">UNLESS OTHERWISE SPECIFIED</td> <td>DRN</td> <td>DATE</td> </tr> <tr> <td colspan="2">UNLESS OTHERWISE SPECIFIED</td> <td>CHK'D</td> <td>DATE</td> </tr> <tr> <td colspan="2">DIMENSION IN INCHES</td> <td>ENG</td> <td>DATE</td> </tr> <tr> <td>DECIMALS</td> <td>FRACTIONS</td> <td>PROJ. ENG.</td> <td>DATE</td> </tr> <tr> <td>±.005</td> <td>± 1/64</td> <td>PROD.</td> <td>DATE</td> </tr> <tr> <td colspan="2">ANGLES</td> <td colspan="2"></td> </tr> <tr> <td colspan="2">± 0°30'</td> <td colspan="2"></td> </tr> <tr> <td colspan="4">FINAL SURFACE QUALITY</td> </tr> <tr> <td colspan="4">REMOVE BURRS AND BREAK SHARP CORNERS</td> </tr> <tr> <td colspan="2">MATERIAL</td> <td colspan="2">FIRST USED ON</td> </tr> <tr> <td colspan="2">FINISH</td> <td colspan="2">LINC 8</td> </tr> <tr> <td colspan="2"></td> <td>SIZE CODE</td> <td>NUMBER</td> </tr> <tr> <td colspan="2"></td> <td>DIC LINC8-0-4</td> <td>REV. D</td> </tr> <tr> <td colspan="2">SCALE</td> <td colspan="2">DIST.</td> </tr> <tr> <td colspan="2">SHEET 1 OF 2</td> <td colspan="2"></td> </tr> </table>			UNLESS OTHERWISE SPECIFIED		DRN	DATE	UNLESS OTHERWISE SPECIFIED		CHK'D	DATE	DIMENSION IN INCHES		ENG	DATE	DECIMALS	FRACTIONS	PROJ. ENG.	DATE	±.005	± 1/64	PROD.	DATE	ANGLES				± 0°30'				FINAL SURFACE QUALITY				REMOVE BURRS AND BREAK SHARP CORNERS				MATERIAL		FIRST USED ON		FINISH		LINC 8				SIZE CODE	NUMBER			DIC LINC8-0-4	REV. D	SCALE		DIST.		SHEET 1 OF 2			
UNLESS OTHERWISE SPECIFIED		DRN	DATE																																																													
UNLESS OTHERWISE SPECIFIED		CHK'D	DATE																																																													
DIMENSION IN INCHES		ENG	DATE																																																													
DECIMALS	FRACTIONS	PROJ. ENG.	DATE																																																													
±.005	± 1/64	PROD.	DATE																																																													
ANGLES																																																																
± 0°30'																																																																
FINAL SURFACE QUALITY																																																																
REMOVE BURRS AND BREAK SHARP CORNERS																																																																
MATERIAL		FIRST USED ON																																																														
FINISH		LINC 8																																																														
		SIZE CODE	NUMBER																																																													
		DIC LINC8-0-4	REV. D																																																													
SCALE		DIST.																																																														
SHEET 1 OF 2																																																																
		<table border="1"> <tr> <td colspan="2">UNLESS OTHERWISE SPECIFIED</td> <td>DRN</td> <td>DATE</td> </tr> <tr> <td colspan="2">UNLESS OTHERWISE SPECIFIED</td> <td>CHK'D</td> <td>DATE</td> </tr> <tr> <td colspan="2">DIMENSION IN INCHES</td> <td>ENG</td> <td>DATE</td> </tr> <tr> <td>DECIMALS</td> <td>FRACTIONS</td> <td>PROJ. ENG.</td> <td>DATE</td> </tr> <tr> <td>±.005</td> <td>± 1/64</td> <td>PROD.</td> <td>DATE</td> </tr> <tr> <td colspan="2">ANGLES</td> <td colspan="2"></td> </tr> <tr> <td colspan="2">± 0°30'</td> <td colspan="2"></td> </tr> <tr> <td colspan="4">FINAL SURFACE QUALITY</td> </tr> <tr> <td colspan="4">REMOVE BURRS AND BREAK SHARP CORNERS</td> </tr> <tr> <td colspan="2">MATERIAL</td> <td colspan="2">FIRST USED ON</td> </tr> <tr> <td colspan="2">FINISH</td> <td colspan="2">LINC 8</td> </tr> <tr> <td colspan="2"></td> <td>SIZE CODE</td> <td>NUMBER</td> </tr> <tr> <td colspan="2"></td> <td>DIC LINC8-0-4</td> <td>REV. D</td> </tr> <tr> <td colspan="2">SCALE</td> <td colspan="2">DIST.</td> </tr> <tr> <td colspan="2">SHEET 1 OF 2</td> <td colspan="2"></td> </tr> </table>			UNLESS OTHERWISE SPECIFIED		DRN	DATE	UNLESS OTHERWISE SPECIFIED		CHK'D	DATE	DIMENSION IN INCHES		ENG	DATE	DECIMALS	FRACTIONS	PROJ. ENG.	DATE	±.005	± 1/64	PROD.	DATE	ANGLES				± 0°30'				FINAL SURFACE QUALITY				REMOVE BURRS AND BREAK SHARP CORNERS				MATERIAL		FIRST USED ON		FINISH		LINC 8				SIZE CODE	NUMBER			DIC LINC8-0-4	REV. D	SCALE		DIST.		SHEET 1 OF 2			
UNLESS OTHERWISE SPECIFIED		DRN	DATE																																																													
UNLESS OTHERWISE SPECIFIED		CHK'D	DATE																																																													
DIMENSION IN INCHES		ENG	DATE																																																													
DECIMALS	FRACTIONS	PROJ. ENG.	DATE																																																													
±.005	± 1/64	PROD.	DATE																																																													
ANGLES																																																																
± 0°30'																																																																
FINAL SURFACE QUALITY																																																																
REMOVE BURRS AND BREAK SHARP CORNERS																																																																
MATERIAL		FIRST USED ON																																																														
FINISH		LINC 8																																																														
		SIZE CODE	NUMBER																																																													
		DIC LINC8-0-4	REV. D																																																													
SCALE		DIST.																																																														
SHEET 1 OF 2																																																																

FILE CODE
D I C L I N C 8 - 0 - 4

A

This drawing and specifications, herein, are the property of Digital Equipment Corporation and shall not be reproduced or copied or used in whole or in part as the basis for the manufacture or sale of items without written permission.



REVISIONS	REV.
CHANGE NO.	
CHK	

QTY.	DESCRIPTION	PART NO.	ITEM NO.
PARTS LIST			
UNLESS OTHERWISE SPECIFIED			
DIMENSION IN INCHES			
TOLERANCES			
DECIMALS	FRACTIONS	ANGLES	
± .005	± 1/64	± 0'30"	
FINAL SURFACE QUALITY REMOVE BURRS AND BREAK SHARP CORNERS			
MATERIAL		FIRST USED ON	
---		LINC8	
FINISH		SCALE	
---		SHEET 2 OF 2	
DRN <i>G. Marshall</i>		DATE 3-27-64	
CHK'D <i>S. S. Sargent</i>		DATE 9-20-64	
ENG. <i>S. S. Sargent</i>		DATE 1-1-65	
PROJ. ENG. <i>S. S. Sargent</i>		DATE 1-1-65	
PROD. <i>S. S. Sargent</i>		DATE 1-1-65	
TITLE		CABLES, LINC 8	
SIZE CODE		NUMBER	
D I C L I N C 8 - 0 - 4		REV.	
DIST.		0	

This drawing and specifications, herein, are the property of Digital Equipment Corporation and shall not be reproduced or copied or used in whole or in part as the basis for the manufacture or sale of items without written permission.

D

C

B

A

SIGNAL	SYMBOL	INTERF CONN	DATA TERM PNL	MODULE TERMINAL	MODULE TYPE
PROGRAMMED DATA TRANSFER INPUT SIGNALS					
AC 9	PE2D	DA32D	PA7E	H21D	
1	E	E	8E		
2	H	H	9E		
3	K	K	10E		
4	M	M	11E		
5	P	P	12E		
6	S	S	13E		
7	T	T	14E		
8	PE2V	DA32V	15E		
9	PF2D	DA31D	16E		
10	E	E	17E		
AC 11	H	H	18E	R21D	
CLEAR AC	P	P	PA19J	S603	
INTERRUPT REQUEST	M	M	PD36K	S111	
SKIP	K	DA31K	PB21V	S603	
PROGRAMMED DATA TRANSFER OUTPUT SIGNALS					
BAC 0(1)	ME34D	DA36D	ME26J	R650	
1(1)	E	E	ME26T		
2(1)	H	H	ME27J		
3(1)	K	K	ME27T		
4(1)	M	M	ME28J		
5(1)	P	P	ME28T		
6(1)	S	S	MF26J		
7(1)	T	T	MF26T		
8(1)	ME34V	DA36V	MF27J		
9(1)	MF34D	DA35D	MF27T		
10(1)	E	E	MF28J		
BAC 11(1)	H	H	MF28T	R650	
IOP 1	K	K	MC31H	W640	
2	M	M	MC31N	W640	
IOP 4	MF34P	DA35P	MC31U	W640	
BMB 3(0)	ME35K	DA34K	MC27T	R650	
3(1)	M	M	MC28J		
4(0)	P	P	MC28T		
4(1)	S	S	MC29J		
5(0)	T	T	MC29T		
5(1)	ME35V	DA34V	MD25J		
6(0)	MF35D	DA33D	MD25T		
6(1)	MF35E	E	MD26J		
7(0)	H	H	MD26T		
7(1)	K	K	MD27J		
8(0)	M	M	MD27T		
8(1)	MF35P	DA33P	MD28J	R650	
DATA BREAK TRANSFER INPUT SIGNALS					
DATA ADDRESS 0(1)	PH04D	DA30D	PC7R	R211	
1(1)	E	E	8R		
2(1)	H	H	9R		
3(1)	K	K	10R		
4(1)	M	M	11R		
5(1)	P	P	12R		
6(1)	S	S	13R		
7(1)	T	T	14R		
8(1)	PH04V	DA30V	15R		
9(1)	PJ04D	DA29D	16R		
10(1)	B	E	17R		
DATA ADDRESS 11(1)	PJ04H	DA29H	PC18R	R211	
DATA BIT 0(1)	PH08D	DA28D	PH09E	S107	
1(1)	E	E	H		
DATA BIT 2(1)	PH08H	DA28H	PH09K	S107	

SIGNAL	SYMBOL	INTERF CONN	DATA TERM PNL	MODULE TERMINAL	MODULE TYPE
DATA BIT 3(1)	PH08K	DA28K	PH09M	S107	
4(1)	M	M	P		
5(1)	P	P	S		
6(1)	S	S	PH09U		
7(1)	T	DA28T	PH12E		
8(1)	V	DA28V	H		
9(1)	PJ04D	DA27D	K		
10(1)	E	27E	M		
11(1)	PJ08H	27H	PH12P		
BREAK REQUEST	PJ04K	29K	PJ05H		
TRANSFER DIRECTION	D4M	29M	PJ05K	S107	
INCREMENT MB	D4T	29T	PD31M	S107	
CYCLE SELECT	D8K	27K	PET5	S107	
INCREMENT CA	PJ08M	DA27M	PET0F	RT21	
DATA BREAK TRANSFER OUTPUT SIGNALS					
BMB 0(1)	ME35D	DA34D	MC26J	R650	
1(1)	E	E	26T		
2(1)	H	H	27J		
3(1)	M	M	28J		
4(1)	S	S	MC29J		
5(1)	ME35V	DA34V	MD25J		
6(1)	MF35E	DA33E	MD26J		
7(1)	K	K	27J		
8(1)	P	P	28J		
9(1)	S	S	28T		
10(1)	T	T	29J		
11(1)	MF35V	DA33V	MD29T		
B BREAK	PJ04P	DA29P	PE8T	R650	
ADDRESS ACCEPTED	PJ04S	DA29S	PF10U	W640	
WC OVERFLOW	PJ08P	DA27P	FF10N	W640	
MISCELLANEOUS INPUT SIGNALS					
ADDR EXTENSION 1	ME30D	ME8K, MC3K	S107, S151		
2	E	ME8H, MC3E	S107, S151		
ADDR EXTENSION 3	ME30H	ME8E, MC3J	S107, S151		
MISCELLANEOUS OUTPUT SIGNALS					
B RUN (1)	PF2S	DA31S	PE8J	R650	
DATA FIELD 0(1)	ME30K		ME7L	S107	
1(1)	M		ME7N		
DATA FIELD 2(1)	ME30P		ME7R	S107	
BT 1	MF34S	DA35S	MD30H	W640	
BT 2A	T	T	U		
B POWER CLEAR	MF34V	DA35V	MD30N	W640	

*DIRECTION IS INTO PDP-8 WHEN SIGNAL IS -3v, OUT OF PDP-8 WHEN GROUND POTENTIAL.
 **THE INCREMENT MB INPUT TO THE PDP-8 MUST BE THE OUTPUT OF A GATING CIRCUIT THAT ENABLES GENERATION OF THE GROUND LEVEL SIGNAL ONLY WHEN THE B BREAK SIGNAL IS PRESENT.

D

C

B

A

REV.	
CHG.	
NO.	

REV. NUMBER LINC8-0-5

QTY.	DESCRIPTION	PART NO.	ITEM NO.
PARTS LIST			
UNLESS OTHERWISE SPECIFIED: DRN. DATE			
UNLESS OTHERWISE SPECIFIED: CHK'D. DATE			
DIMENSION IN INCHES: ENG. DATE			
TOLERANCES: DECIMALS FRACTIONS ANGLES: ±.005 ±.1/64 ± 90°			
FINAL SURFACE QUALITY: REMOVE BURRS AND BREAK SHARP CORNERS			
MATERIAL: FIRST USED ON			
FINISH: SCALE			
SHEET OF			
TITLE: digital EQUIPMENT CORPORATION MAYNARD, MASSACHUSETTS		I/O LISTINGS	
SIZE CODE: D IC LINC8-0-5		NUMBER: REV.	
DIST.		1	

This drawing and specifications, herein, are the property of Digital Equipment Corporation and shall not be reproduced or copied or used in whole or in part as the basis for the manufacture or sale of items without written permission.

CABLE NO	TYPE	FROM-TO	FUNCTION REMARKS
7405554-1-0	W034 W034	MA36-LA01	PDP-8 MEM-PROC I (11)
7405559-4-0	W034 W034	MA37-PC01	PDP-8 MEM-PROC III
7405554-4-0	W034 W034	MA38-PD01	PDP-8 MEM-PROC IV (9)
↑ -5-0	↑	ME36-PE01	LINC ADDRESS I (9)
↑ -5-0	↑	MF36-PF01	LINC ADDRESS II
↑ -1-0	↑	MD40-LD01	PDP-8 MEM-PROC II (11)
↑ -1-0	↑	ME40-LE01	PDP-8 MEM-PROC V
7405554-2-0	W034-W034	MF40-LF01	PDP-8 MEM-PROC VI
7405554-2-0	W034-W034	MH38-LH03	TAPE SYSTEM III
7405552-2-0	W031-W031	MH39-LH02	BMB 0-5
↑ -1-0	↑	MH40-LH01	BMB 6-11
↑ -2-0	↑	MJ37-LJ04	BAC 9-11 IOP 1,2,4, ETC.
7405552-2-0	W031-W031	MJ38-LJ03	BAC 0-8
7405554-1-0	W034-W034	MJ39-LJ02	TAPE SYSTEM II
7405554-1-0	W034-W034	MJ40-LJ01	TAPE SYSTEM I
7405555-1-0	W033-W036	MA35-PC37	OPTIONAL MEM EXT SW & IND (4&6)
7005187-0-0	W073	MA40 MB40	TAPE UNIT TAPE TRANSPORT CABLE (10)
7405552-3-0	W031-W031	ME30-LA02	OPTIONAL EXT DAT ADD
7005186-0-0	W072	PH19 PJ19	SCOPE SCOPE DISPLAY
7405552-2-0	W031-W031	LH38-PH03	INPUT MIXER (AC 0-8)
↑ 4-1-0	↑	LH39-PH02	BO-11 & A 0-2
↑ 4-1-0	↑	LH40-PH01	A 3-11 & A-D SIGNAL
7405552-2-0	W031-W031	LJ38-PJ03	INPUT MIXER (AC 9-11) ETC.
7405554-1-0	W034-W034	LJ39-PJ02	MISC BREAK & A-D SIGNAL
↑ -1-0	↑	LJ40-PJ01	N00-N17
↑ -3-0	↑	LA02-PA01	PDP-8 MEM-PROC I
7405554-3-0	W034-W034	LA03-PB01	PDP-8 MEM-PROC II
			DATA TERMINAL PANEL
7405556-7-0	W021-W011	MH33-DA35	PDP-8 IO BAC 9-11 IOP (5)
↑	↑	MH34-DA36	PDP-8 IO BAC 0-8 (5)
		MH35-DA34	PDP-8 IO BMB 0-5 (5)
		MH36-DA33	PDP-8 IO BMB 6-11 (5)
		PH04-DA30	PDP-8 IO DATA ADD 0-8 (5)
		PJ04-DA29	PDP-8 IO DATA ADD 9-11 (5)
		PH06-DA32	PDP-8 IO INPUT MIXER 0-8 (5)
		PJ06-DA31	PDP-8 IO INPUT MIXER 9-11 (5)
		PH08-DA28	PDP-8 IO DATA BITS 0-8 (5)
		PJ08-DA27	PDP-8 IO DATA BITS 9-11 (5)
7405556-7-0	W021-W011	PH21-DB32	LINC ANALOG CHAIN 10-17 (5)
7405553-7-0	W033-W033	LA31-DB36	LINC CHIME POWER SPEAKER
7405556-7-0	W021-W011	LA29-DB34	LINC XL-0-10
7405556-7-0	W021-W011	LA30-DB35	LINC RELAYS XL 11-13
			INDICATOR CABLES
7405553-6-0	W033-W033	IND01-PC-38	PDP-8 RUN FETCH ETC. (1)
↑ -5-0	↑	02-PB-38	PDP-8 INSTRUCTIONS (1)
↑ -4-0	↑	03-PA40	PDP-8 BITS 9-11 (1)
↑ -4-0	↑	04-PB40	PDP-8 BITS 6-8 (1)
↑ -3-0	↑	05-PA39	PDP-8 BITS 3-5 (1)
↑ -3-0	↑	06-PB39	PDP-8 BITS 0-2 (1)
↑ -2-0	↑	07-PA38	PDP-8 INST-FIELD & DATA FIELD (1)
↑ -2-0	↑	08-LA23	LINC BITS 9-11 (1)
↑ -2-0	↑	09-LA22	6-8 (1)
↑ -2-0	↑	10-LA19	3-5 (1)
↑ -2-0	↑	11-LA16	LINC BITS 0-2 (1)
↑ -2-0	↑	12-LA27	LINC UMB, R LMB (1)
7405553-1-0	W033-W033	IND13-LA24	LINC AUTO IBI ETC (1)

CABLE NO	TYPE	FROM-TO	FUNCTION REMARKS
			CONTROL CONSOLE
7405553-1-0	W033-W033	CA02-LA36	LINC CONTROL SWITCHES (1)
↑ -1-0	↑	CB02-LA37	DELAY; AUDIO CHIME (1)
↑ -1-0	↑	CA03-LA05	LEFT SWITCH (1)
7405553-1-0	W033-W033	CB03-LA35	LINC SENSE SW & CONTROL SW (1)
7405555-2-0	W036-W033	CA04-PB37	PDP-8 RIGHT SWITCH (2)
7405555-2-0	W036-W033	CB04-PA37	PDP-8 CONTROL SWITCH (3)
			STANDARD IO CABLE TO PERIPHERAL
	W021	ME34	BAC 0-8
		MF34	BAC 9-11 IOP
		ME35	BMB 0-5
		MF35	BMB 6-11
		PE02	INPUT MIXER 0-8
		PF02	INPUT MIXER 9-11
		PH04	DATA ADD 0-8 (8)
		PJ04	DATA ADD 9-11 (8)
		PH08	DATA BITS 0-8 (8)
		PJ08	DATA BITS 9-11 (8)
7005423-0-0	TAPE UNIT TO TAPE UNIT		LINC 8 TAPE EXTENSION CABLE (10)

M = MEMORY SECTION
 L = LINC SECTION
 P = PROCESSOR SECTION
 D = DATA TERM PANEL
 IND = INDICATORS
 C = CONTROL SWITCHES

NOTES:

- JUMPER PIN 'B'
- JUMPER PIN 'B' OF W033, JUMPER PIN 'B' & 'C' OF W036, 100 OHM PINS D-V OF W036
- JUMPER PIN 'B' OF W033, JUMPER PIN 'B' & 'C' OF W036, 100 OHM ON PINS D-H & K & M-V TO OHM ON PINS J & L OF W036
- D664 DIODES PINS A-N, 100 OHM RESISTORS PINS P-V OF W036
JUMPER PINS A & B OF W033
- COAX CABLE
- OPTIONAL FOR EXTENDED MEMORY
- OPTIONAL FOR EAE
- ONLY ONE BREAK DEVICE IS ALLOWED UNLESS DM01 (MULTIPLEXER) IS USED THEREFORE EITHER DATA TERM PANEL OR PERIPHERAL BREAK DEVICE MAY BE USED.
- 220 OHM RESISTORS IN MEMORY END OF CABLE 100 OHM RESISTORS IN PROCESSOR END OF CABLE.
- ONE CABLE ADDITIONAL FOR EACH ADDITIONAL DUAL TAPE UNIT.
- 100Ω RESISTORS IN SERIES WITH PINS A AND B IN BOTH ENDS OF THE CABLE.

REV.	CHG	NO.	DATE	BY
1	ECO H 2926	A		
2	ADDED D-IA-7005423	B		
3	-0-0 EXTENSION CABLE AND NOTE 10	B		

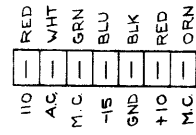
K. J. Chenier 4/10/67
 J. G. ...
 ...
 ...

QTY.	DESCRIPTION	PART NO.	ITEM NO.
PARTS LIST			
UNLESS OTHERWISE SPECIFIED		DRN. <i>W. J. ...</i>	DATE <i>7-23-66</i>
DIMENSION IN INCHES		CHK'D. <i>W. J. ...</i>	DATE <i>7-23-66</i>
TOLERANCES		ENG. <i>W. J. ...</i>	DATE <i>7-23-66</i>
DECIMALS ± .005	FRACTIONS ± 1/64	PROL. ENG. <i>W. J. ...</i>	DATE <i>7-23-66</i>
ANGLES ± 0°30'		PROD. <i>W. J. ...</i>	DATE <i>7-23-66</i>
FINAL SURFACE QUALITY REMOVE BURRS AND BREAK SHARP CORNERS		FIRST USED ON	LINC
MATERIAL		SCALE	
FINISH		SHEET	OF
TITLE		SIZE CODE	NUMBER
CABLE LIST		DIC LINC 3-C-6	REV. B
DIST.			

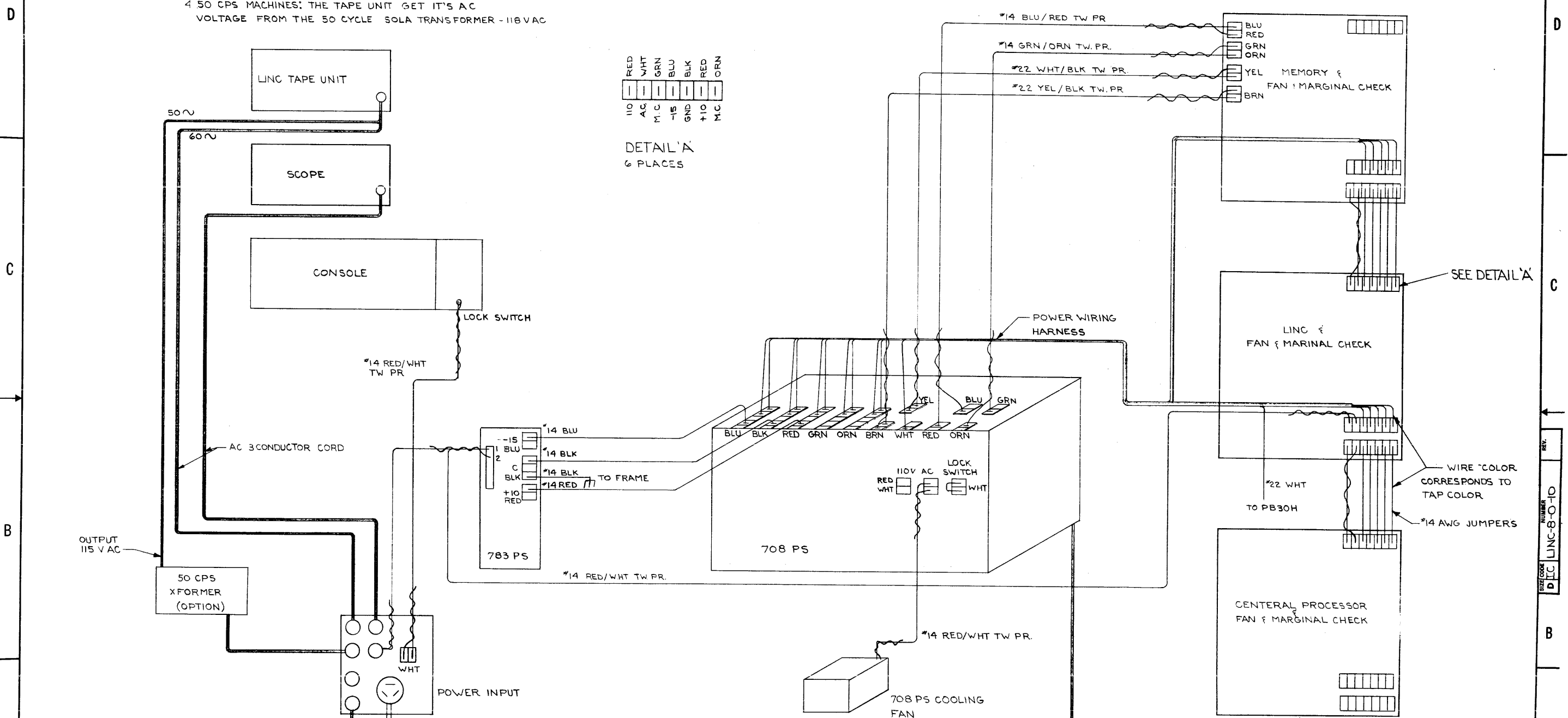
This drawing and specifications, herein, are the property of Digital Equipment Corporation and shall not be reproduced or copied or used in whole or in part as the basis for the manufacture or sale of items without written permission.

NOTES:

1. LOCK SWITCH ON 708 PS HAS TO BE JUMPED.
2. RUN AC WIRES SEPARATE FROM D.C. WIRES
3. 50 CPS MACHINES: THE AC INPUT & LOGIC FANS ARE CONNECTED TO TERMINALS #3 & 4 OF 783A PS.
4. 50 CPS MACHINES: THE TAPE UNIT GET IT'S AC VOLTAGE FROM THE 50 CYCLE SOLA TRANSFORMER - 118VAC



DETAIL 'A'
6 PLACES



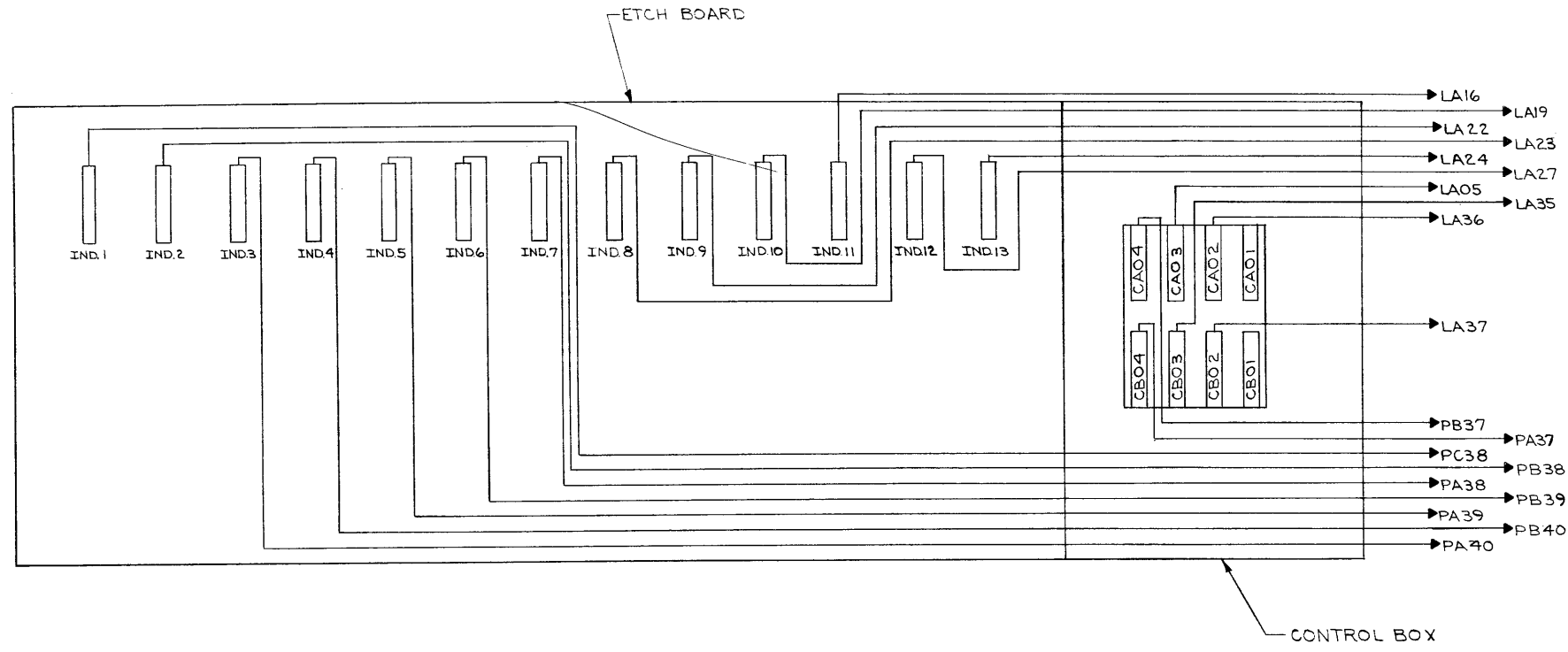
QTY.	DESCRIPTION	PART NO.	REV. NO.
PARTS LIST			
1	POWER WIRING AC & DC	D-UA-LINC8-0-0	
1	783 PS		
1	708 PS		
1	708 PS COOLING FAN		
1	LINC TAPE UNIT		
1	SCOPE		
1	CONSOLE		
1	50 CPS XFORMER (OPTION)		
1	708 PS FAN & MARGINAL CHECK		
1	LINC & FAN & MARGINAL CHECK		
1	CENTRAL PROCESSOR FAN & MARGINAL CHECK		
1	708 PS MEMORY & FAN & MARGINAL CHECK		

UNLESS OTHERWISE SPECIFIED	DRN. <i>W Marshall</i>	DATE 11-17-66
UNLESS OTHERWISE SPECIFIED	CHK'D. <i>W Marshall</i>	DATE 12-17-66
DIMENSION IN INCHES	ENG. <i>W Marshall</i>	DATE 1/18/67
TOLERANCES	PROJ. ENGR. <i>W Marshall</i>	DATE 2-1-67
DECIMALS FRACTIONS ANGLES	PROJ. <i>W Marshall</i>	DATE 2-1-67
±.005 ± 1/64 ± 0°30'		
FINAL SURFACE QUALITY		
REMOVE BURRS AND BREAK SHARP CORNERS		
MATERIAL	FIRST USED/ON	
FINISH	SCALE NONE	

REVISIONS	REV.
CHANGE NO.	
CHK	

This drawing and specifications herein, are the property of Digital Equipment Corporation and shall not be reproduced or copied or used in whole or in part as the basis for the manufacture or sale of items without written permission.

NOTES:
1. CABLES ARE TO BE LAYED IN PATTERN SHOWN SO THEY WILL LAY FLAT



REAR VIEW OF CONTROL PANEL

CHK	REVISIONS	REV.
	CHANGE NO.	

DEC FORM NO. DRD 102

QTY.	DESCRIPTION	PART NO.	ITEM NO.
PARTS LIST			
UNLESS OTHERWISE SPECIFIED		DRN. <i>Expt. stat</i>	DATE 11-18-66
UNLESS OTHERWISE SPECIFIED		CHK'D. <i>Expt. stat</i>	DATE 11-18-66
DIMENSION IN INCHES		ENG. <i>Expt. stat</i>	DATE 11-17-67
TOLERANCES		PRGJ. ENG. <i>Expt. stat</i>	DATE 2-2-67
DECIMALS ± .005		FRAC. ± 1/64	ANGLES ± 0°30'
FINAL SURFACE QUALITY		REMOVE BURRS AND BREAK SHARP CORNERS	DATE 2-1-67
MATERIAL		FIRST USED ON	
FINISH		D-UA LINC8-0-0	
SCALE NONE		SIZE CODE NUMBER REV.	
SHEET 1 OF 1		D IC LINC8-0-11	

digital EQUIPMENT CORPORATION
MAYNARD, MASSACHUSETTS

TITLE
CABLE LAYOUT OF CONTROL PANEL

REV. NUMBER
D IC LINC8-0-11

A

This drawing and specifications, herein, are the property of Digital Equipment Corporation and shall not be reproduced or copied or used in whole or in part as the basis for the manufacture or sale of items without written permission.

POWER CORD

#12-20 (J.W. MILLER) 20' 10/3 600V CORD WITH A 30 AMP HUBBEL TWIST LOCK MALE CONN ON ONE END AND A 30 AMP HUBBEL TWIST LOCK FEMALE CONN ON OTHER END

708 P.S.

EXTENSION CORD #34-3FT (P.W.C.) MALE TO FEMALE CONN

783 P.S.

EXTENSION CORD #34-3FT (P.W.C.) REMOVE FEMALE CONN BY CUTTING TO 28 IN. LONG ADD SOLDERLESS CONN #36242 (AMP). (GND WIRE IS CUT OFF)

TAPE UNIT

(60 C.P.S.)

EXTENSION CORD 7 FT LONG (WABER) WITH MALE TO FEMALE CONNECTOR.

TAPE UNIT

(50 C.P.S.)

THIS CORD COMES FROM 50 CYCLES SOLA TRANSFORMER.

- (1) INPUT CORD: EXT CORD #34-3 FT. (P.W.C.) 28 IN. LG, MALE PLUG ON ONE END & 36242 (AMP) CONN ON OTHER END.
- (2) OUTPUT CORD: EXT. CORD 7 FT LONG (WABER) 44 IN LG FEMALE CONN ON ONE END & 36242 AMP CONN ON OTHER END.

REV. NUMBER A IC LINC8-0-12

REVISIONS	REV.	
	CHANGE NO.	
	CHK	

DO NOT SCALE DRAWING		DRN. <i>S. Nally</i>	DATE 12/16/66	
UNLESS OTHERWISE SPECIFIED DIMENSION IN INCHES		CHK'D. <i>S. Nally</i>	DATE 12/16/66	
TOLERANCES		ENG. <i>R. C. Clark</i>	DATE 11/17/67	TITLE AC CORDS
DECIMALS ± .005	FRACTIONS ± 1/64	PROJ. ENG. <i>R. C. Clark</i>	DATE 2-7-61	
ANGLES ± 0°30'		PROD. <i>R. C. Clark</i>	DATE 2-7-67	
FINAL SURFACE QUALITY ✓ REMOVE BURRS AND BREAK SHARP CORNERS		FIRST USED ON		
MATERIAL //		A-PL-LINC8-0-0		SIZE CODE A IC
FINISH //		SCALE		NUMBER LINC8-0-12
		SHEET 1 OF 1		REV.
		DIST.		

DEC FORM NO. DRA 100

PARTS LIST		DIGITAL EQUIPMENT CORPORATION MAYNARD, MASSACHUSETTS				REVISIONS		
PART NO.	DRWG. NO.	NO. REQD.	DESCRIPTION ITEM — STOCK SIZE — CAT. NO. — MFG.	DEC. STOCK NO.	CHANGE NO.	DATE	ENG.	
			LINC 8		A-6	12/66	RJC	
		1	G906 Linc Cap and Pwr Up		B-11	2-24 67	MC	
		3	B115 DIODE GATE		C-17	6-22-67		
		3	B171 DIODE GATE		D-18	8-15-67		
		2	R001 DIODE NETWORK		E-LINC8M- 00001	11/26/67		
		7	R002 DIODE NETWORK		F-LINC8L- 00001	12/29/67		
		6	R107 INVERTER		H-LINC8M- 00003	3-11-68	DM	
		6	R107 or S107 INVERTER					
		16	S107 INVERTER					
		1	R111 DIODE GATE					
		7	R113 DIODE GATE					
		15	R121 NAND GATE					
		6	R122 NOR GATE					
		21	R123 DIODE GATE					
		13	R151 BINARY TO OCTAL DECODER					
		2	R181 or S181 DC CARRY CHAIN					
MADE BY B. MARSHALL		DATE 10-12-66	TITLE MODULE PARTS LIST		SIZE A	CODE PL	NUMBER LINC8-0-8	REV. H
CHECKED P. DAIGNEAULT		DATE 10-26-66	FOR LINC 8		ASSY. NO.		SHEET 1 OF 18	
ENG. <i>P. Daigneault</i>		DATE 10/31/66						

DEC FORM NO.
DRA 109

PARTS LIST		DIGITAL EQUIPMENT CORPORATION MAYNARD, MASSACHUSETTS				REVISIONS		
PART NO.	DRWG. NO.	NO. REQD.	DESCRIPTION ITEM — STOCK SIZE — CAT. NO. — MFG.	DEC. STOCK NO.	CHANGE NO.	DATE	ENG.	
			LINC 8					
		5	R202 OR S202 DUAL FLIP-FLOP					
		2	S202 DUAL FLIP-FLOP					
		2	R203 TRIPLE FLIP-FLOP					
		12	R203 or S203 TRIPLE FLIP-FLOP					
		2	S205 DUAL FLIP-FLOP					
		13	R210 PDP-8 ACCUMULATOR					
		12	R211 MA, MB, PC					
		6	R212 MQ REGISTER					
		1	R302 DELAY (ONE SHOT)					
		20	R141 AND/NOR GATE					
		1	R303 INTERGRATING ONE SHOT					
		1	B117 DIODE GATE					
		3	R601 PULSE AMPLIFIER					
		7	R602 or S602 PULSE AMPLIFIER					
MADE BY B. MARSHALL		DATE 10-12-66	TITLE MODULE PARTS LIST		SIZE A	CODE PL	NUMBER LINC8-0-8	REV. H
CHECKED P. DAIGNEAULT		DATE 10-26-66	FOR LINC 8		ASSY. NO.		SHEET 2 OF 18	
ENG.		DATE						

DEC FORM NO.
DRA 109

PARTS LIST		DIGITAL EQUIPMENT CORPORATION MAYNARD, MASSACHUSETTS				REVISIONS		
PART NO.	DRWG. NO.	NO. REQD.	DESCRIPTION ITEM — STOCK SIZE — CAT. NO. — MFG.		DEC. STOCK NO.	CHANGE NO.	DATE	ENG.
			LINC 8					
		15	R603 or S603 PULSE AMPLIFIER					
		4	S603 PULSE AMPLIFIER					
		1	R613					
		6	W005 CLAMPED LOAD					
		1	W023 CONNECTOR BOARD					
		5	W031 SIGNAL CABLE CONNECTOR					
		14	W033 CONNECTOR					
		14	W034 CONNECTOR					
		12	W050 INDICATOR DRIVER					
		1	W501 SCHMITT TRIGGER					
		1	S623 PULSE AMPLIFIER					
MADE BY B. MARSHALL		DATE 10-12-66	TITLE		SIZE A	CODE PL	NUMBER	REV. H
CHECKED P. DAIGNEAULT		DATE 10-26-66	MODULE PARTS LIST		ASSY. NO.		LINC8-0-8	
ENG.		DATE	LINC 8				SHEET 3 OF 18	

DEC FORM NO.
DRA 109

PARTS LIST		DIGITAL EQUIPMENT CORPORATION MAYNARD, MASSACHUSETTS				REVISIONS		
PART NO.	DRWG. NO.	NO. REQD.	DESCRIPTION ITEM — STOCK SIZE — CAT. NO. — MFG.		DEC. STOCK NO.	CHANGE NO.	DATE	ENG.
			PDP 8 (MEMORY)					
		13	G007 SENSE AMPLIFIER					
		1	G008 MASTER SLICE CONTROL					
		6	G208 INHIBIT DRIVER					
		16	G209 MEMORY SELECTOR					
		1	R002 DIODE NETWORK					
		6	R220 8-BIT SHIFT REGISTER					
		10	R650 BUS DRIVER					
		1	R405 CRYSTAL CLOCK					
		2	S111 DIODE GATE					
		1	S107 INVERTER					
		6	S202 DUAL FLIP-FLOP					
		1	S203 TRIPLE FLIP-FLOP					
		1	S205 DUAL FLIP-FLOP					
		4	S603 PULSE AMPLIFIER					
		1	W050 IND DRIVER					
MADE BY B. Marshall		DATE 10-12-66	TITLE		SIZE A	CODE PL	NUMBER	REV. H
CHECKED P. Daigneault		DATE 10-26-66	MODULE PARTS LIST		ASSY. NO.		LINC 8-0-8	
ENG.		DATE	LINC 8				SHEET 4 OF 18	

DEC FORM NO.
DRA 109

PARTS LIST		DIGITAL EQUIPMENT CORPORATION MAYNARD, MASSACHUSETTS				REVISIONS		
PART NO.	DRWG. NO.	NO. REQD.	DESCRIPTION ITEM — STOCK SIZE — CAT. NO. — MFG.	DEC. STOCK NO.	CHANGE NO.	DATE	ENG.	
			PDP 8 (MEMORY)					
		1	W070 TELETYPE CONNECTOR					
		2	W300 DELAY LINE					
		1	W607 PULSE AMPLIFIER					
		1	W640 PULSE AMPLIFIER					
		1	W650					
		2	B104 INVERTER					
		1	B204 QUARDUPLE FLIP-FLOP					
		2	B300 DELAY WITH PULSE AMPLIFIER					
		1	B602 PULSE AMPLIFIER					
		4	W011 SIGNAL CABLE CONNECTOR					
		3	W024 CONNECTOR BOARD					
		3	W025 CONNECTOR BOARD					
		3	W034 CONNECTOR					
MADE BY B. Marshall		DATE 10-12-66	TITLE MODULE PARTS LIST		SIZE A	CODE PL	NUMBER LINC 8-0-8	REV. H
CHECKED P. Daigneault		DATE 10-26-66	FOR LINC 8		ASSY. NO.		SHEET 5 OF 18	

DEC FORM NO.
DRA 109

PARTS LIST		DIGITAL EQUIPMENT CORPORATION MAYNARD, MASSACHUSETTS				REVISIONS		
PART NO.	DRWG. NO.	NO. REQD.	DESCRIPTION ITEM — STOCK SIZE — CAT. NO. — MFG.	DEC. STOCK NO.	CHANGE NO.	DATE	ENG.	
			PDP 8 (PROCESSOR)					
		13	R210 PDP-8 ACCUMULATOR					
		12	R211 MA, MB, PC					
		12	S603 PULSE AMPLIFIER					
		8	S602 PULSE AMPLIFIER					
		8	S107 INVERTER					
		23	S111 DIODE GATE					
		10	R002 DIODE NETWORK					
		3	S203 TRIPLE FLIP-FLOP					
		3	R302 DELAY (ONE SHOT)					
		1	S202 DJAL FLIP-FLOP					
		2	S284 QJADRAFLOP					
		1	S151 BINARY-TO-OCTAL DECODER					
		1	R405 CRYSTAL CLOCK					
		1	R410 CLOCK					
		4	S181 DC CARRY CHAIN					
MADE BY B. Marshall		DATE 10-12-66	TITLE MODULE PARTS LIST		SIZE A	CODE PL	NUMBER LINC 8-0-8	REV. H
CHECKED P. Daigneault		DATE 10-26-66	FOR LINC 8		ASSY. NO.		SHEET 6 OF 18	

DEC FORM NO.
DRA 109

PARTS LIST		DIGITAL EQUIPMENT CORPORATION MAYNARD, MASSACHUSETTS				REVISIONS		
PART NO.	DRWG. NO.	NO. REQD.	DESCRIPTION ITEM — STOCK SIZE — CAT. NO. — MFG.		DEC. STOCK NO.	CHANGE NO.	DATE	ENG.
			PDP-8 (PROCESSOR)					
		1	W501 SCHMITT TRIGGER					
		1	R650 BUS DRIVER					
		1	W005 CLAMPED LOADS					
		1	R121 NAND GATE					
		1	W640 PULSE AMPLIFIER					
		7	W024 CONNECTOR BOARD					
		4	W011 SIGNAL CABLE CONNECTOR					
		2	W031 SIGNAL CABLE CONNECTOR					
		7	W026 CONNECTOR BOARD					
MADE BY B. Marshall		DATE 10-12-66	TITLE MODULE PARTS LIST		SIZE A	CODE PL	NUMBER LINC 8-0-8	REV. H
CHECKED P. Daigneault		DATE 10-26-66	FOR LINC 8		ASSY. NO.		SHEET 7 OF 18	
ENG.		DATE						

DEC FORM NO
DRA 109

PARTS LIST		DIGITAL EQUIPMENT CORPORATION MAYNARD, MASSACHUSETTS				REVISIONS		
PART NO.	DRWG. NO.	NO. REQD.	DESCRIPTION ITEM — STOCK SIZE — CAT. NO. — MFG.		DEC. STOCK NO.	CHANGE NO.	DATE	ENG.
			LINC 8 (MEM)					
		3	R001 DIODE NETWORK					
		3	R002 DIODE NETWORK					
		2	R107 INVERTER					
		2	S107 INVERTER					
		1	R111 DIODE GATE					
		3	R111 or S111 DIODE GATE					
		1	R121 NAND GATE					
		1	R122 NOR GATE					
		8	R123 DIODE GATE					
		4	R201 FLIP-FLOP					
		3	R202 or S202 DUAL FLIP-FLOP					
		1	S203 or R203 TRIPLE FLIP-FLOP					
		1	R204 QUADRUPLE FLIP-FLOP					
		3	S205 DUAL FLIP-FLOP					
MADE BY B. MARSHALL		DATE 10-12-66	TITLE MODULE PARTS LIST		SIZE A	CODE PL	NUMBER LINC8-0-8	REV. H
CHECKED P. DAIGNEAULT		DATE 10-26-66	FOR LINC 8		ASSY. NO.		SHEET 8 OF 18	
ENG.		DATE						

DEC FORM NO
DRA 109

PARTS LIST		DIGITAL EQUIPMENT CORPORATION MAYNARD, MASSACHUSETTS				REVISIONS		
PART NO.	DRWG. NO.	NO. REQD.	DESCRIPTION ITEM — STOCK SIZE — CAT. NO. — MFG.		DEC. STOCK NO.	CHANGE NO.	DATE	ENG.
			LINC 8 (MEM)					
		2	R302 DELAY ONE SHOT					
		2	R303 INTERGATING ONE SHOT					
		1	R602 PULSE AMPLIFIER					
		2	R602 or S602 PULSE AMPLIFIER					
		2	R603 or S603 PULSE AMPLIFIER					
		1	R401 CLOCK					
		5	G885					
		3	W005 CLAMPED LOADS					
		4	W031 SIGNAL CABLE CONNECTOR					
		9	W034 CONNECTOR					
		1	W073 LINC8 SCOPE CABLE CONNECTOR					
		1	S202 DUAL FLIP FLOP					
MADE BY B. MARSHALL		DATE 10-12-66	TITLE MODULE PARTS LIST		SIZE A	CODE PL	NUMBER LINC8-0-8	REV. H
CHECKED P. DAIGNEAULT		DATE 10-26-66	FOR LINC 8		ASSY. NO.		SHEET 9 OF 18	
ENG.		DATE						

DEC FORM NO.
DRA 109

PARTS LIST		DIGITAL EQUIPMENT CORPORATION MAYNARD, MASSACHUSETTS				REVISIONS		
PART NO.	DRWG. NO.	NO. REQD.	DESCRIPTION ITEM — STOCK SIZE — CAT. NO. — MFG.		DEC. STOCK NO.	CHANGE NO.	DATE	ENG.
			LINC 8 (PROC)					
		1	W035 CONNECTOR					
		4	W034 CONNECTOR					
		6	W031 SIGNAL CABLE CONNECTOR					
		1	R302 DELAY ONE SHOT					
		1	W002 CLAMPED LOADS					
		3	W021 SIGNAL CABLE CONNECTOR					
		10	W033 CONNECTOR					
		10	W050 INDICATOR DRIVER					
		2	R107 INVERTER					
		2	S107 INVERTER					
		2	R121 NAND GATE					
		1	W500 HIGH IMPEDANCE FOLLOWER					
		1	W072 LINC8 SCOPE CABLE CONNECTOR					
		1	A704-10V PRECISION POWER SUPPLY					
		4	A130 MULTIPLEXER LINC-8					
MADE BY B. MARSHALL		DATE 10-12-66	TITLE MODULE PARTS LIST		SIZE A	CODE PL	NUMBER LINC8-0-8	REV. H
CHECKED P. DAIGNEAULT		DATE 10-26-66	FOR LINC 8		ASSY. NO.		SHEET 10 OF 18	
ENG.		DATE						

DEC FORM NO.
DRA 109

PARTS LIST		DIGITAL EQUIPMENT CORPORATION MAYNARD, MASSACHUSETTS				REVISIONS			
PART NO.	DRWG. NO.	NO. REQD.	DESCRIPTION ITEM — STOCK SIZE — CAT. NO. — MFG.		DEC. STOCK NO.	CHANGE NO.	DATE	ENG.	
			LINC 8 (PROC)						
		1	A401 SAMPLE FOUR HOLD						
		4	R123 DIODE GATE						
		1	W640 PULSE AMPLIFIER						
		1	A502 DIFFERENCE AMPLIFIER						
		1	A706 POWER SUPPLY FOR A202						
		4	A604 TWO BIT DAC						
		4	A601 THREE BIT DAC						
MADE BY B. MARSHALL		DATE 10-12-66	TITLE MODULE PARTS LIST			SIZE A	CODE PL	NUMBER LINC8-0-8	REV. H
CHECKED P. DAIGNEAULT		DATE 10-26-66	FOR LINC 8			ASSY. NO.		SHEET 11 OF 18	
ENG.		DATE							

DEC FORM NO.
DRA 109

PARTS LIST		DIGITAL EQUIPMENT CORPORATION MAYNARD, MASSACHUSETTS				REVISIONS			
PART NO.	DRWG. NO.	NO. REQD.	DESCRIPTION ITEM — STOCK SIZE — CAT. NO. — MFG.		DEC. STOCK NO.	CHANGE NO.	DATE	ENG.	
			#182 EAE (OPTION)						
		12	S111 DIODE GATE						
		2	R123 DIODE GATE						
		5	R002 DIODE NETWORK						
		1	S107 INVERTER						
		3	S603 PULSE AMPLIFIER						
		4	S205 DUAL FLIP-FLOP						
		2	S203 TRIPLE FLIP-FLOP						
		1	R405 CRYSTAL CLOCK						
		2	S602 PULSE AMPLIFIER						
		6	R212 MQ REGISTER						
		3	W050 INDICATOR DRIVER						
		1	S603 PULSE AMPLIFIER						
MADE BY B. Marshall		DATE 10-12-66	TITLE MODULE PARTS LIST			SIZE A	CODE PL	NUMBER LINC 8-0-8	REV. H
CHECKED P. Daigneault		DATE 10-26-66	FOR LINC 8			ASSY. NO.		SHEET 12 OF 18	
ENG.		DATE							

DEC FORM NO.
DRA 109

PARTS LIST		DIGITAL EQUIPMENT CORPORATION MAYNARD, MASSACHUSETTS				REVISIONS		
PART NO.	DRWG. NO.	NO. REQD.	DESCRIPTION ITEM — STOCK SIZE — CAT. NO. — MFG.	DEC. STOCK NO.	CHANGE NO.	DATE	ENG.	
			KR01 POWER INTERRUPT (OPTION)					
		2	R302 DELAY ONE SHOT					
		1	R002 DIODE NETWORK					
		1	S107 INVERTER					
		1	W501 SCHMITT TRIGGER					
		1	S602 PULSE AMPLIFIER					
			LINC A-D MUL CHANNEL (OPTION)					
		4	A130 MULTIPLEXER LINC-8					
		2	W021 SIGNAL CABLE CONNECTOR					
MADE BY B. Marshall		DATE 10-12-66	TITLE MODULE PARTS LIST		SIZE A	CODE PL	NUMBER LINC 8-0-8	REV. H
CHECKED P. Daigneault		DATE 10-26-66	FOR LINC 8		ASSY. NO.		SHEET 13 OF 18	
ENG.		DATE						

DEC FORM NO.
DRA 109

PARTS LIST		DIGITAL EQUIPMENT CORPORATION MAYNARD, MASSACHUSETTS				REVISIONS		
PART NO.	DRWG. NO.	NO. REQD.	DESCRIPTION ITEM — STOCK SIZE — CAT. NO. — MFG.	DEC. STOCK NO.	CHANGE NO.	DATE	ENG.	
			189 A-D- CONVERTER (OPTION)					
		1	A502 DIFFERENCE AMPLIFIER					
		5	A604 TWO BIT DAC					
		1	A704 -10V PRECISION POWER SUPPLY					
		1	S603 PULSE AMPLIFIER					
		1	S203 TRIPLE FLIP-FLOP					
		1	R401 CLOCK					
		1	R302 DELAY ONE SHOT					
			ADDITIONAL LINC TAPE TRANSPORT					
		1	R203 TRIPLE FLIP-FLOP					
		1	S151 BINARY TO OCTAL DECODER					
MADE BY Bob Marshall		DATE 10-12-66	TITLE MODULE PARTS LIST		SIZE A	CODE PL	NUMBER LINC 8-0-8	REV. H
CHECKED P. Daigneault		DATE 10-26-66	FOR LINC 8		ASSY. NO.		SHEET 14 OF 18	
ENG.		DATE						

DEC FORM NO.
DRA 109

PARTS LIST		DIGITAL EQUIPMENT CORPORATION MAYNARD, MASSACHUSETTS				REVISIONS		
PART NO.	DRWG. NO.	NO. REQD.	DESCRIPTION ITEM — STOCK SIZE — CAT. NO. — MFG.		DEC. STOCK NO.	CHANGE NO.	DATE	ENG.
			681 DATE LINE (OPTION)					
		2	S603 PULSE AMPLIFIER					
		1	S111 DIODE GATE					
		1	R002 DIODE NETWORK					
		1	R113 DIODE GATE					
		1	R121 NAND GATE					
		1	R123 DIODE GATE					
		1	S107 INVERTER					
MADE BY B. Marshall		DATE 10-12-66	TITLE MODULE PARTS LIST		SIZE A	CODE PL	NUMBER LINC 8-0-8	REV. H
CHECKED P. Daigneault		DATE 10-26-66	FOR LINC 8		ASSY. NO.		SHEET 15 OF 18	
ENG.		DATE						

DEC FORM NO.

PARTS LIST		DIGITAL EQUIPMENT CORPORATION MAYNARD, MASSACHUSETTS				REVISIONS		
PART NO.	DRWG. NO.	NO. REQD.	DESCRIPTION ITEM — STOCK SIZE — CAT. NO. — MFG.		DEC. STOCK NO.	CHANGE NO.	DATE	ENG.
			186 PARITY (OPTION)					
		1	G208 INHIBIT DRIVER					
		1	R002 DIODE NETWORK					
		1	S111 DIODE GATE					
		6	B130 THREE BIT PARITY CIRCUIT					
		1	B360 DELAY WITH PULSE AMPLIFIER					
		1	B104 INVERTER					
		1	S603 PULSE AMPLIFIER					
		1	S202 DUAL FLIP-FLOP					
MADE BY B. Marshall		DATE 10-12-66	TITLE MODULE PARTS LIST		SIZE A	CODE PL	NUMBER LINC 8-0-8	REV. H
CHECKED P. Daigneault		DATE 10-26-66	FOR LINC 8		ASSY. NO.		SHEET 16 OF 18	
ENG.		DATE						

DEC FORM NO.
DRA 109

PARTS LIST		DIGITAL EQUIPMENT CORPORATION MAYNARD, MASSACHUSETTS				REVISIONS		
PART NO.	DRWG. NO.	NO. REQD.	DESCRIPTION ITEM — STOCK SIZE — CAT. NO. — MFG.	DEC. STOCK NO.	CHANGE NO.	DATE	ENG.	
			183 MEMORY EXTENSION CONTROL					
		1	W050 INDICATOR DRIVER					
		3	R613 PULSE AMPLIFIER					
		3	R202-S202 DUAL FLIP-FLOP					
		1	R203-S203 TRIPLE FLIP-FLOP					
		1	B115 DIODE GATE					
		6	R201 FLIP-FLOP					
		2	R002 DIODE NETWORK					
		2	S107 INVERTER					
		3	S111 DIODE GATE					
		2	S603 PULSE AMPLIFIER					
		2	R123 DIODE GATE					
		1	W640 PULSE AMPLIFIER					
		12	B684 BUS DRIVER					
		2	S203 TRIPLE FLIP-FLOP					
		3	S151 BINARY TO OCTAL DECODER					
MADE BY B. Marshall		DATE 10-12-66	TITLE MODULE PARTS LIST		SIZE A	CODE PL	NUMBER LINC 8-0-8	REV. H
CHECKED P. Daigneault		DATE 10-26-66	FOR LINC 8		ASSY. NO.		SHEET 17 OF 18	
ENG.		DATE						

DEC FORM NO.
DRA 109

PARTS LIST		DIGITAL EQUIPMENT CORPORATION MAYNARD, MASSACHUSETTS				REVISIONS		
PART NO.	DRWG. NO.	NO. REQD.	DESCRIPTION ITEM — STOCK SIZE — CAT. NO. — MFG.	DEC. STOCK NO.	CHANGE NO.	DATE	ENG.	
		2	S205 DUAL FLIP FLOP					
			183 MEMORY EXTENSION CONTROL					
		1	W034 CONNECTOR					
		7	W011 SIGNAL CABLE CONNECTOR					
		1	W026 CONNECTOR BOARD					
MADE BY B. Marshall		DATE 10-12-66	TITLE MODULE PARTS LIST		SIZE A	CODE PL	NUMBER LINC 8-0-8	REV. H
CHECKED P. Daigneault		DATE 10-26-66	FOR LINC 8		ASSY. NO.		SHEET 18 OF 18	
ENG.		DATE						

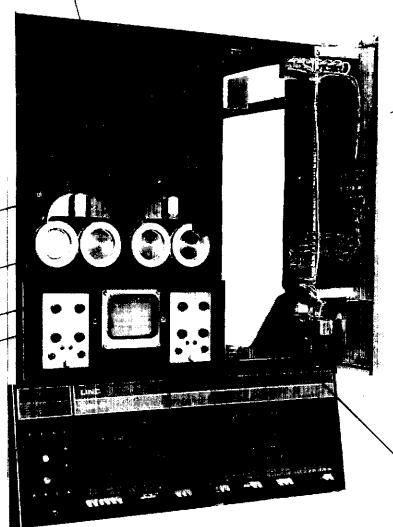
DEC FORM NO.
DRA 109

This drawing and specifications, herein, are the property of Digital Equipment Corporation and shall not be reproduced or copied or used in whole or in part as the basis for the manufacture or sale of items without written permission.

NOTES:

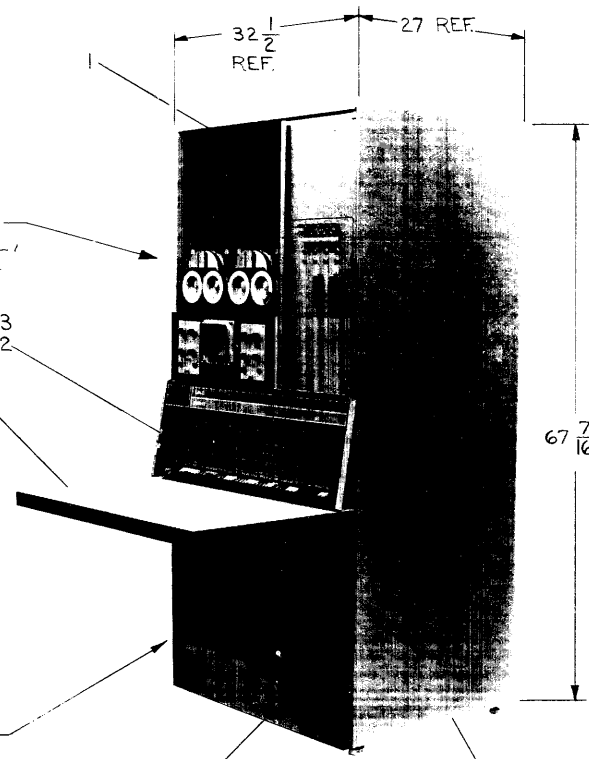
- 1 FOR MTG OF SHIPPING BRKT REFER TO (D-AD-7605120-0-0) SH #3 OF 5 SECTION H-H.
- 2 FOR DWG INDEX LIST REFER TO D-DI-LINC8-0-14
- 3 FOR MTC OF 1 LINC TAPE SEE DETAIL 'A' & SEC J-J & H-H FOR MTC OF 2 LINC TAPES SEE DETAIL 'E' & SEC K-K & L-L

PANEL CONFIGURATION IS INCORRECT SEE DETAIL 'A'

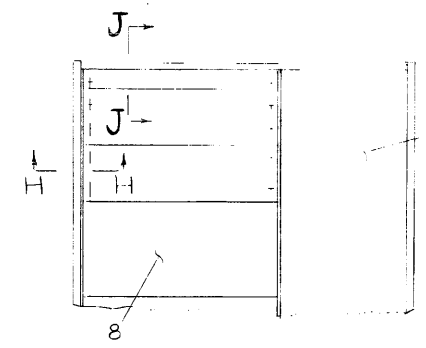


DETAIL 'A'

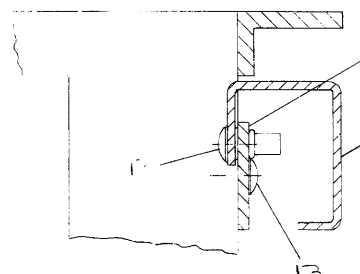
SEE DETAIL 'A' SEE DETAIL 'E'



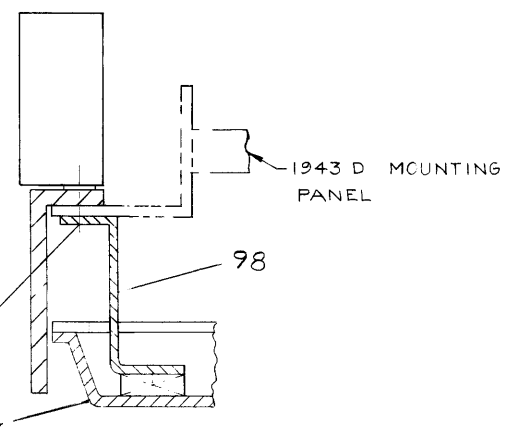
SEE DETAIL 'B'



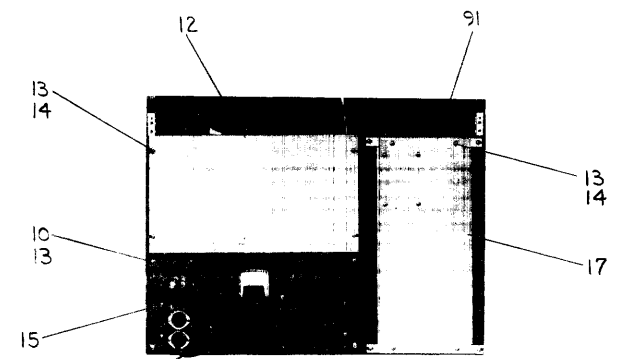
DETAIL 'A' FOR MTG. OF ONE LINC TAPE SEE NOTE 3



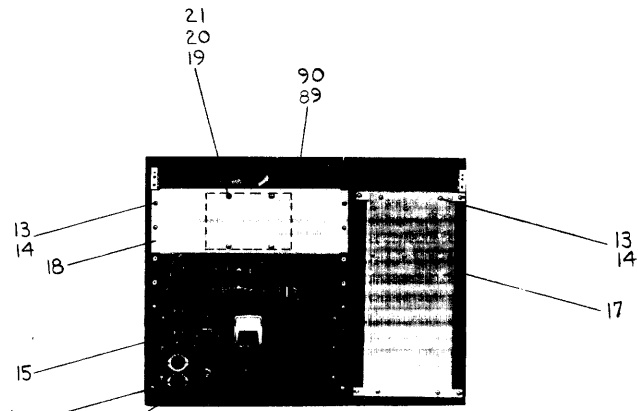
SECTION J - J



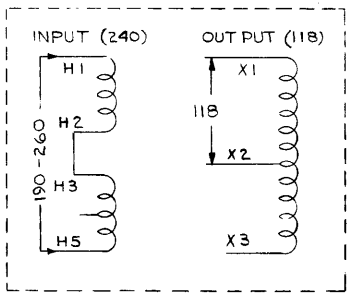
SECTION H-H



DETAIL 'B' WITH COVER REMOVED (60 CYCLE MACHINE)



DETAIL 'B' WITH COVER REMOVED (50 CYCLE MACHINE)



INTERNAL HOOK-UP OF SOLA TRANS. FOR 50 CYCLE MACHINE

REV	CHG	NO.	DATE	BY
A	ECO	2231		
B	ECO	2733		
C	ECO	3290		

DEL. BY THRU 5/6
ADDED 100-SHEET #2
5/2/67
CHG. ASSY TO AGREE
W/14 DETAILS-SEE
P. 235 REL.
7-20-67
ADDED INFO. FOR MTG
LINC TAPE
5/1/67

UNLESS OTHERWISE SPECIFIED		UNLESS OTHERWISE SPECIFIED		UNLESS OTHERWISE SPECIFIED	
DRN	DATE	CHK'D	DATE	ENG	DATE
DR	12-7-66	DR	6-7-67	EC	8/1/67
PROJ. ENG	DATE	PROJ. ENG	DATE	PROJ. ENG	DATE
PROJ. ENG	DATE	PROJ. ENG	DATE	PROJ. ENG	DATE
PROJ. ENG	DATE	PROJ. ENG	DATE	PROJ. ENG	DATE

PARTS LIST	
QTY.	DESCRIPTION
	LINC8 60 CYCLE MACH
	LINC8 50 CYCLE MACH
	D-UA-LINC8-1-0
	D-UA-LINC8-2-0

SIZE CODE	NUMBER	REV.
DUA	LINC8-0-0	C

TITLE: LINC8 ASSEMBLY

SCALE: NONE

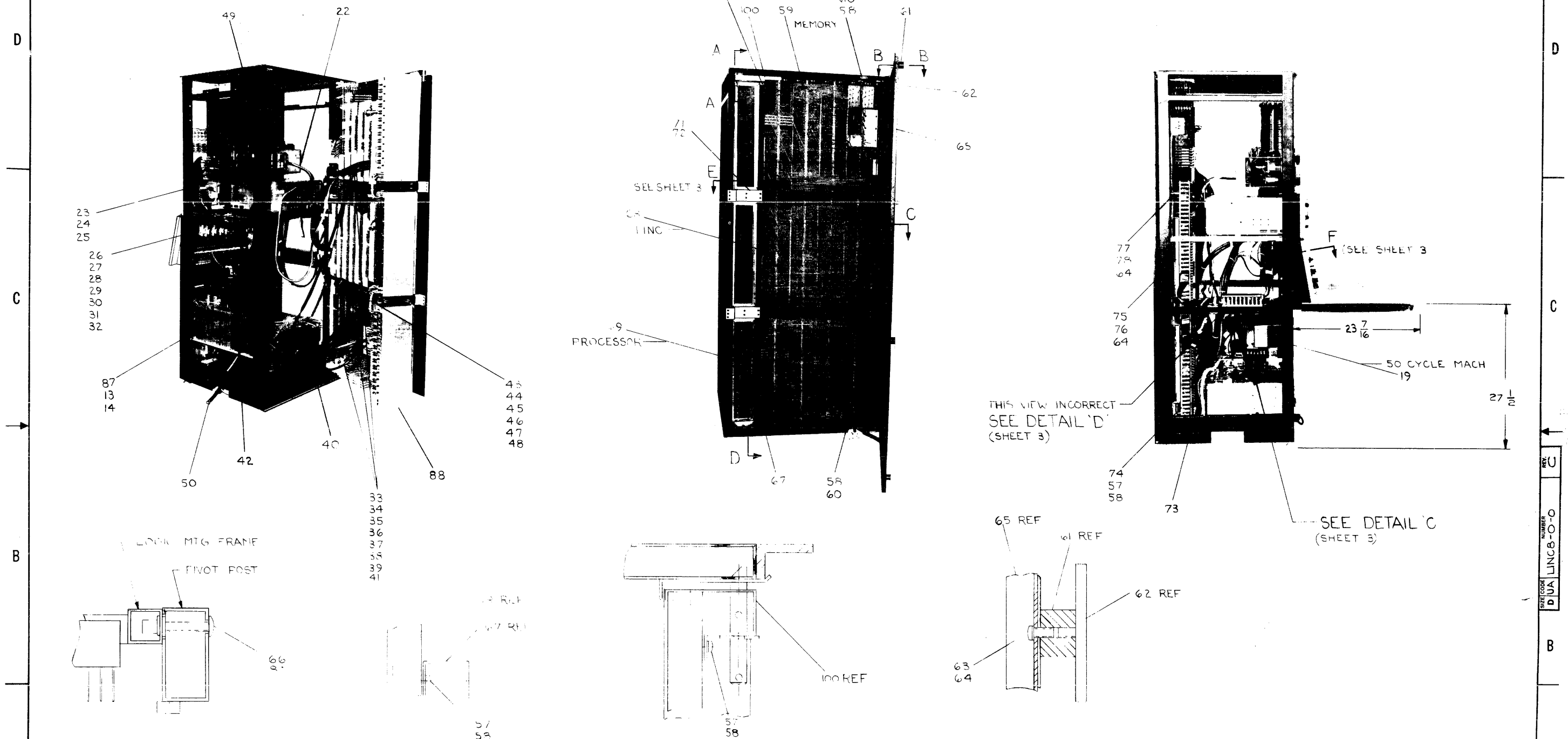
SHEET 1 OF 3

REV. U
NUMBER
DUA LINC8-0-0

B

A

This drawing and specifications herein are the property of Digital Equipment Corporation and shall not be reproduced or copied or used in whole or in part as the basis for the manufacture or sale of items without written permission.



REV.	CHANGE NO.

QTY	DESCRIPTION	PART NO.	ITEM NO.
PARTS LIST			
UNLESS OTHERWISE SPECIFIED	DRN	DATE	digital EQUIPMENT CORPORATION MAYNARD, MASSACHUSETTS
UNLESS OTHERWISE SPECIFIED	CHK'D	DATE	
TOLERANCES			
DECIMALS	FRACTIONS	ANGLES	TITLE
±.005	± 1/64	± 0.30	LINC8 ASSEMBLY
FINAL SURFACE QUALITY			
REMOVE BURRS AND BREAK SHARP EDGES			
MATERIAL	FIRST USED ON	DATE	REV.
FINISH	SCALE	SHEET	OF

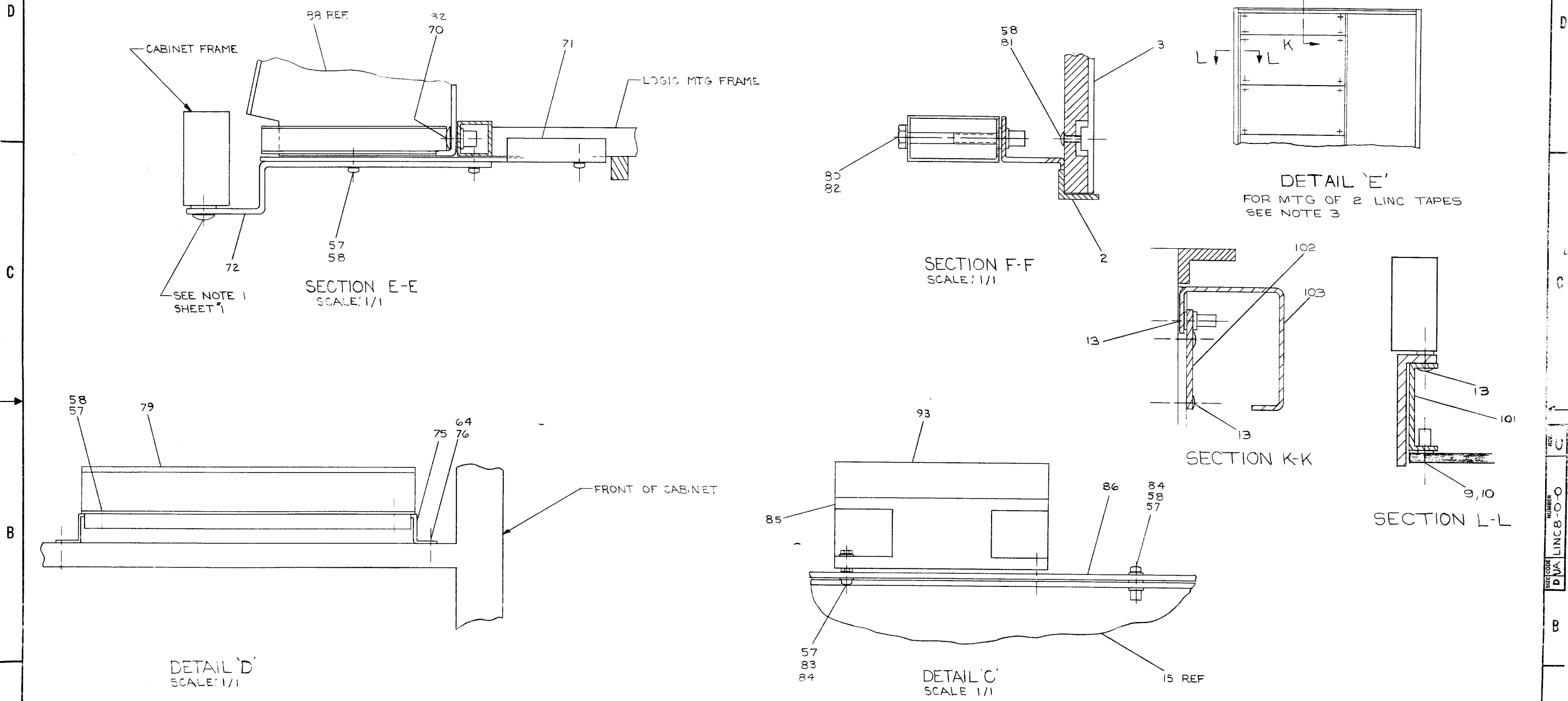
REV. C
NUMBER
LINC8-0-0
SIZE CODE
DUA

B

A

This drawing and specifications herein are the property of Digital Equipment Corporation and shall not be reproduced or copied or used in whole or in part as the basis for the manufacture or sale of items without written permission.

REV. NUMBER 0-D-B-001 3000 2



REV.	
CHANGE NO.	
CHK	

QTY.	DESCRIPTION	PART NO.	ITEM NO.
PARTS LIST			
UNLESS OTHERWISE SPECIFIED		DRN	DATE
DIMENSION IN INCHES		CHK'D	DATE
TOLERANCES		ENG	DATE
DECIMALS	FRACTIONS	ANGLES	DATE
± .005	± 1/64	± 0°30'	2/2/67
FINAL SURFACE QUALITY		PROJ. ENG.	DATE
REMOVE BURRS AND BREAK SHARP CORNERS		PROD.	DATE
MATERIAL		FIRST USED ON	
FINISH		SCALE NONE	
		SHEET 3 OF 3	
		SIZE CODE	NUMBER
		DUAL LINC 8 0-C	REV. C
		DIST. G	

SHEET CODE DUAL LINC 8 0-C
 NUMBER
 REV. C

DIGITAL EQUIPMENT CORPORATION MAYNARD, MASSACHUSETTS			QUANTITY										REVISIONS			
PARTS LIST			D-UA-LINC8-1-0	D-UA-LINC8-2-0									CHANGE NO.	DATE	ENG.	
ITEM NO	DWG NO	DESCRIPTION														
1	A-PL-7005088-0-0	LINC 8 CABINET	1	1												
2	A-PL-7005114-0-0	CONTROL PANEL	1	1												
3	E-SC-7405106-0-0	GLASS PANEL	1	1												
4	A-PL-7005090-0-0	TABLE	1	1												
5	A-PL-7405181-0-0	DETACHABLE COVER	1	1												
6	E-IA-7405092-0-0	END PANEL ASSY	2	2												
7	A-PL-7005168-0-0	DATA TERM PANEL	1	1												
8	A-PL-7005260-0-0	TAPE TRANSPORT LINC8 (60CYC)	A/R													
8	A-PL-7005260-0-0	TAPE TRANSPORT LINC8 (50 CYC)	A/R													
9		SCR PHL HD TRUSS 10-32 X 5/8 BLK PASSIVATE	A/RA/R	10												
10		WASH. 3/8 O.D. X 1/4 I.D. X .020 THK NYLON	A/RA/R	10												
11	A-PL-3004810-1-0	CONSOLE REMOTE SCOPE (60 CYCLE)	1													
11	A-PL-3004810-2-0	CONSOLE & REMOTE SCOPE (50 CYCLE)		1												
12	B-MD-5100	STD FRONT PANEL "F" SIZE STOCK #7402027	1													
MADE BY R. MARSHALL		DATE 12-7-66	TITLE LINC 8 ASSEMBLY				DRWG. NO. A-PL-LINC8-0-0				REV. LTR. C					
CHECKED D. HEALY		DATE 12-13-66	FOR 50 CYCLE MACH LINC8-2-0 60 CYCLE MACH LINC8-1-0				ASSY NO (3 SHEETS) D-UA-LINC8-0-0				SHEET 1 OF 8					
ENG R. Casola		DATE 2/2/67	G													

DIGITAL EQUIPMENT CORPORATION MAYNARD, MASSACHUSETTS			QUANTITY										REVISIONS			
PARTS LIST			D-UA-LINC8-1-0	D-UA-LINC8-2-0									CHANGE NO.	DATE	ENG.	
ITEM NO	DWG NO	DESCRIPTION														
13		SCR PHL TRUSS 10-32 X 5/8 SST	A/RA/R	3												
14		WASH INT TOOTH #10		16	16											
15	MA-D-708-0-1	708 POWER SUPPLY		1												
15	MA-D-708A-0-1	708A POWER SUPPLY			1											
16	A-IC-LINC8-0-12	708 P.S. CORD #34-3 FT (P.W.C.)		1	1											
17	MA-D-783-0-1	783 POWER SUPPLY		1												
17	MA-D-783A-0-1	783A POWER SUPPLY			1											
18	D-MD-7405324-0-0	MTG PANEL (SOLA TRANS)			1											
19		SOLA TRANS #23-22-612 TYPE CVS			1											
20		SCR PHL TRUSS H 1/4-20 X 1/2 SST			4											
21		NUT, KEPS 1/4-20 SST			4											
22	D-IA-7005187-0-0	LINC TAPE UNIT-W073 CABLE		1	1											
23	C-IA-7405556-7-0	W021-W011 CABLE		11	11											
24	C-IA-7405553-7-0	W033-W033 CABLE		1	1											
MADE BY R. MARSHALL		DATE 12-7-66	TITLE LINC 8 ASSEMBLY				DRWG. NO. A-PL-LINC8-0-0				REV. LTR. C					
CHECKED D. HEALY		DATE 12-14-66	FOR G				ASSY NO D-UA-LINC8-0-0				SHEET 2 OF 8					
ENG R. Casola		DATE 2/2/67	G													

DIGITAL EQUIPMENT CORPORATION MAYNARD, MASSACHUSETTS			QUANTITY										REVISIONS					
PARTS LIST			D-UA-LINC8-1-0	D-UA-LINC8-2-0	LINC 8-ASSEMBLY											CHANGE NO.	DATE	ENG.
ITEM NO.	DWG NO.	DESCRIPTION																
25	C-IA-7405552-4-0	W031-W031 CABLE	2	2														
26	C-IA-7405553-1-0	W033-W033 CABLE	5	5														
27	C-IA-7405553-2-0	W033-W033 CABLE	6	6														
28	C-IA-7405553-3-0	W033-W033 CABLE	2	2														
29	C-IA-7405553-4-0	W033-W033 CABLE	2	2														
30	C-IA-7405553-5-0	W033-W033 CABLE	1	1														
31	C-IA-7405553-6-0	W033-W033 CABLE	1	1														
32	C-IA-7405553-2-0	W036-W033 CABLE	2	2														
33	C-IA-7405552-1-0	W031-W031 CABLE	1	1														
34	C-IA-7405552-2-0	W031-W031 CABLE	5	5														
35	C-IA-7405554-1-0	W034-W034 CABLE	10	10														
36	C-IA-7405554-2-0	W034-W034 CABLE	1	1														
37	C-IA-7405554-3-0	W034-W034 CABLE	2	2														
38	C-IA-7405554-4-0	W034-W034 CABLE	2	2														
MADE BY R. MARSHALL	DATE 12-7-66	TITLE LINC 8-ASSEMBLY	DRWG. NO. A-PL-LINC8-0-0										REV. LTR. C					
CHECKED D. HEALY	DATE 12-14-66	FOR	ASSY NO D-UA-LINC8-0-0										SHEET 3 OF 8					
ENG <i>R. Casole</i>	DATE 2/2/67																	

DIGITAL EQUIPMENT CORPORATION MAYNARD, MASSACHUSETTS			QUANTITY										REVISIONS					
PARTS LIST			D-UA-LINC8-1-0	D-UA-LINC8-2-0	LINC 8-ASSEMBLY											CHANGE NO.	DATE	ENG.
ITEM NO.	DWG. NO.	DESCRIPTION																
39	C-IA-7405554-5-0	W034-W034 CABLE	2	2														
40	D-IA-7005186-0-0	SCOPE-W072 CABLE	1	1														
41	D-IA-7405552-3-0	W031-W031 CABLE	1	1														
42		FASPIN #34-D-4-14R LEHIGH METALS	2	2														
43		JUMPER POWER (RED) DEC STOCK #7403401	2	2														
44		JUMPER POWER (BLU) DEC STOCK #7403401	2	2														
45		JUMPER POWER (BLK) DEC STOCK #7403358	2	2														
46		JUMPER POWER (ORN) DEC STOCK #7403403	2	2														
47		JUMPER POWER (GRN) DEC STOCK #7403402	2	2														
48		JUMPER PWR, RED/WHT TW PR #18 WIRE X 8" LG #42025-1 ON ENDS OF WIRE	1	1														
49	A-IC-LINC8-0-12	TAPE UNIT (60 C.P.S.) EXT CORD 7 FT. LG (WABER)	1															
50	A-IC-LINC8-0-12	POWER CORD 20 FT #12-20 J.W. MILLER	1															
51	C-MD-7405094-0-0	BRACKET LATCH	1															
MADE BY R. MARSHALL	DATE 12/7/66	TITLE LINC 8 ASSEMBLY	DRWG. NO. A-PL-LINC8-0-0										REV. LTR. C					
CHECKED D. HEALY	DATE 12/14/66	FOR	ASSY NO D-UA-LINC8-0-0										SHEET 4 OF 8					
ENG <i>R. Casole</i>	DATE 2/2/67																	

DIGITAL EQUIPMENT CORPORATION MAYNARD, MASSACHUSETTS			QUANTITY										REVISIONS		
PARTS LIST			D-UA-LINC8-1-0	D-UA-LINC8-2-0	LINC 8 ASSEMBLY								CHANGE NO	DATE	ENG.
ITEM NO	DWG NO	DESCRIPTION													
52		POP RIVET 5/32 #AD54ABS USMC	4	4											
53	C-MD-20407-3	PLENUM DOOR LATCH SPRING	1	1											
54	C-MD-20407-4	PLENUM DOOR LATCH PIN	1	1											
55		ROLL PIN 1/8 DIA X 1 1/8 LG SST	1	1											
56		ROLL PIN 1/8 DIA X 5/8 LG SST	1	1											
57		SCR PHL PAN H #6-32 x 5/8 SST	25	25											
58		WASHER INT TOOTH #6	29	29											
59	A-PL-7005110-0-0	MEMORY UNIT (FIRST SECTION)	1	1											
60		SCR PHL PAN H #6-32 x 1/4 SST	4	4											
61	A-MD-7405321-0-0	SPACER VENT STRIP	4	4											
62	D-MD-7405278-1-0	VENT STRIP (GRAY)	1	1											
63		SCR PHL PAN H #10-32 x 1/2 SST	4	4											
64		WASH. EXT TOOTH #10	9	9											
65	A-PL-7005171-0-0	DOOR ASSEMBLY	1	1											
MADE BY R. MARSHALL		DATE 12-7-66	TITLE LINC8 ASSEMBLY			DRWG. NO. A-PL-LINC8-0-0						REV. LTR. C			
CHECKED D. HEALY		DATE 12-14-66	FOR			ASSY NO D-UA-LINC8-0-0						SHEET 5 OF 8			
ENG <i>R. Coyle</i>		DATE 2/2/67	G												

DIGITAL EQUIPMENT CORPORATION MAYNARD, MASSACHUSETTS			QUANTITY										REVISIONS		
PARTS LIST			D-UA-LINC8-1-0	D-UA-LINC8-2-0	LINC 8 ASSEMBLY								CHANGE NO	DATE	ENG.
ITEM NO	DWG NO	DESCRIPTION													
66		SCR PHL HD TRUSS 1/4-20 X 1 1/2 SST	9	9											
67	C-MD-7405315-0-0	MAGNET CATCH	1	1											
68	A-PL-7005108-0-0	LINC UNIT (SECOND SECTION)	1	1											
69	A-PL-7005109-0-0	PROCESSOR UNIT (THIRD SECTION)	1	1											
70		SCR PHL HD TRUSS 1/4-20 X 5/8 SST	9	9											
71	B-MD-7405093-0-0	INTERMEDIATE SUPPORT	2	2											
72	C-MD-7405291-0-0	SHIPPING BRKT	2	2											
73	E-IA-7405511-0-0	POWER WIRING HARNESS	1	1											
74	D-MD-7405632-0-0	CABLE DUCT #2	1	1											
75	D-MD-7405327-0-0	CABLE HOLD DOWN	2	2											
76		SCR PHL PAN H 10-32 X 5/8 SST	4	4											
77		STANDOFF 1/4 ID X 3/8 OD 1 1/4	1	1											
78		SCR. PHL HD PAN 10-32 X 2 SST	1	1											
79	C-MD-7405633-1-0	CABLE DUCT #1	1	1											
MADE BY R. MARSHALL		DATE 12-7-66	TITLE LINC8 ASSEMBLY			DRWG. NO. A-PL-LINC8-0-0						REV. LTR. C			
CHECKED D. HEALY		DATE 12-14-66	FOR			ASSY NO D-UA-LINC8-0-0						SHEET 6 OF 8			
ENG <i>R. Coyle</i>		DATE 2/2/67	G												

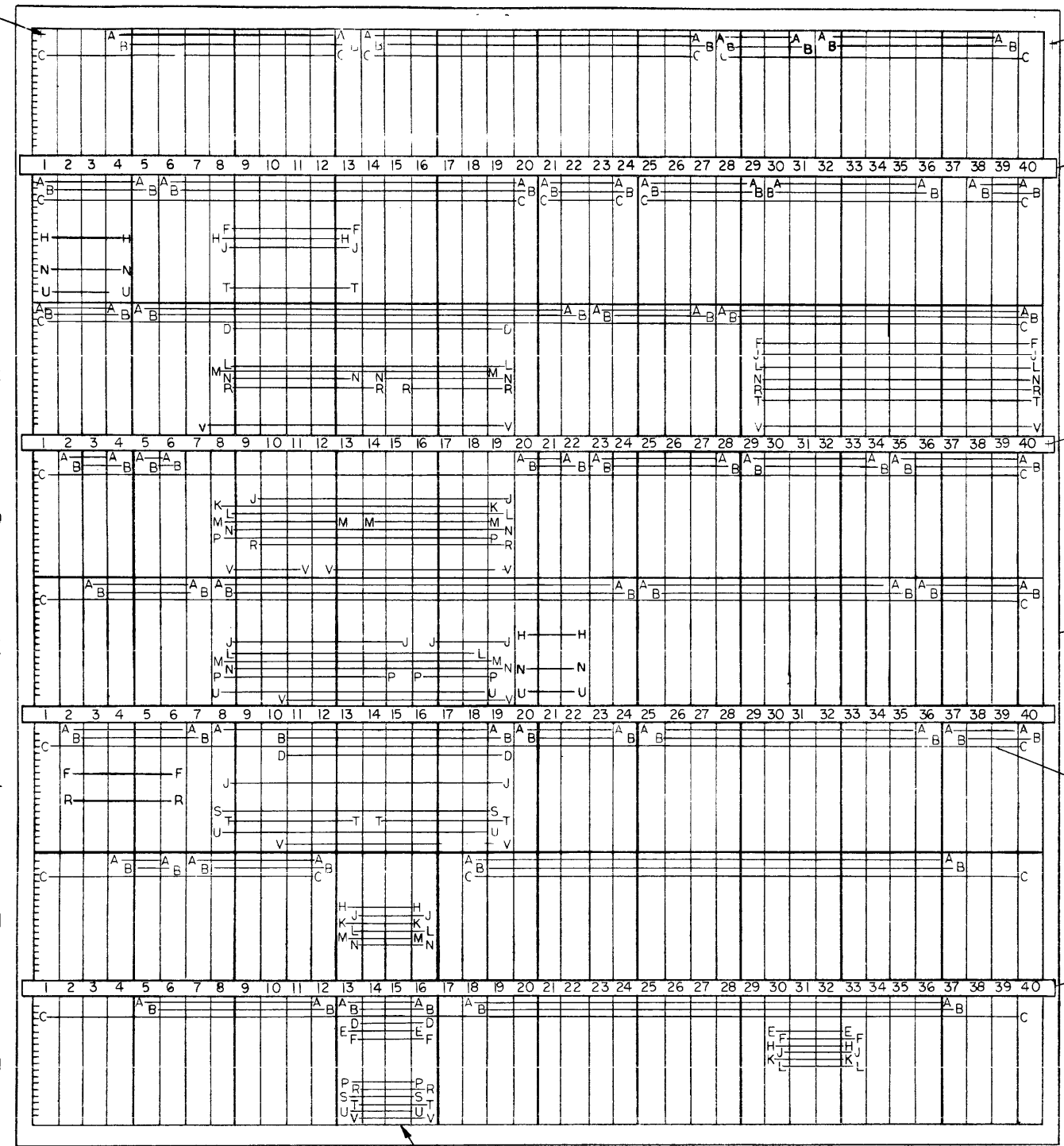
DIGITAL EQUIPMENT CORPORATION MAYNARD, MASSACHUSETTS			QUANTITY										REVISIONS			
PARTS LIST			D-UA-LINC8-1-0	D-UA-LINC8-2-0	LINC 8 OPTION									CHANGE NO	DATE	ENG.
ITEM NO	DWG NO	DESCRIPTION														
80		BOLT, HEX 1/4-20 X 2 1/2 SST	4	4												
81		SCR PHL HD TRUSS 6-32 X 7/16 SST	6	6												
82		WASHER EXT TOOTH 1/4-20	22	22												
83		NUT, KEPS 6-32 SST	8	8												
84		WASH 3/16 ID X 5/16 OD 1/32 THK SST	12	12												
85		MUFFIN FAN, 115 VAC, 60 CYC, 14W DEC STOCK #33-MUFFIN FAN	1	1												
86	C-MD-7405625-0-0	SHIELD, 708 POWER SUPPLY	1	1												
87	A-PL-7005164-1-0	POWER INPUT PANEL ASS'Y	1													
87	A-PL-7005164-2-0	POWER INPUT PANEL ASS'Y		1												
88	A-PL-7005229-0-0	FAN & MARGINAL CHK ASS'Y	3	3												
89	A-IC-LINC8-0-12	TAPE UNIT (50 CYCLES) REWORK TO 28" LG		1												
90	A-IC-LINC8-0-12	TAPE UNIT (50 CYCLES) REWORK TO 44" LG.		1												
91	A-IC-LINC8-0-12	783 P.S. REWORK 34-3 FT. TO 28" LONG	1													
92	SEE MDL	LINC8 MASTER DWG LIST	1	1												
MADE BY R. MARSHALL		DATE 12/ 7/66	TITLE LINC 8 ASSEMBLY										DRWG. NO. A-PL-LINC8-0-0		REV. LTR.	
CHECKED D. HEALY		DATE 12/16/66	FOR										ASSY NO D-UA-LINC8-0-0		SHEET 7 OF 8	C
ENG <i>R. Coyle</i>		DATE 2/2/67														

DIGITAL EQUIPMENT CORPORATION MAYNARD, MASSACHUSETTS			QUANTITY										REVISIONS			
PARTS LIST			D-UA-LINC8-1-0	D-UA-LINC8-2-0	LINC 8 OPTION									CHANGE NO	DATE	ENG.
ITEM NO	DWG NO	DESCRIPTION														
93		ROTRON GRILLE/FILTER DEC STOCK #7403018	1	1												
94	MD-C-20400-27	STOP ROD	1	1												
95		CARR FASTENER RATCHET PLATE HS-47285	1	1												
96	C-MD-7405203-0-0	FILLER	1	1												
97	B-IA-7405760-0-0	PANEL, BLANK	1	1												
98	C-IA-7405570-2-0	COVER, RETAINER	4	4												
99	C-MD-7405644-0-0	COVER, REWORK	2	2												
100	C-AD-7005439-0-0	LATCH BRACKET	1	1												
101	C-IA-7406137-0-0	MTG BRACKET (TAPE DRIVE)	1	1												
102	B-IA-7406564-0-0	PANEL, BLANK	1	1												
103	B-MD-7406565-0-0	FILLER	1	1												
MADE BY R. MARSHALL		DATE 12- 7-66	TITLE LINC 8 ASSEMBLY										DRWG. NO. A-PL-LINC8-0-0		REV. LTR.	
CHECKED D. HEALY		DATE 12-16-66	FOR										ASSY NO D-UA-LINC8-0-0		SHEET 8 OF 8	C
ENG <i>R. Coyle</i>		DATE 2/2/67														

This drawing and specifications, herein, are the property of Digital Equipment Corporation and shall not be reproduced or copied or used in whole or in part as the basis for the manufacture or sale of items without written permission.

NOTES:
1. REFER TO DWG # D-AD-7005050-0-0 FOR ASS'Y PROCEDURES.

PIN 'A'



6 - POP RIVET (1 REQ'D)

2 - MTG. BAR #7005099-0-0 (3 REQ'D)

5 - WASHER (8 REQ'D)

4 - SCREW (8 REQ'D)

1 - DOOR FRAME #7405034-0-0 (1 REQ'D)

7 - VOLTAGE CHAIN #12-3584-032 (AS REQ'D)

3 - MTG. BAR #7005102-0-0 (1 REQ'D)

REVERSED BLOCK

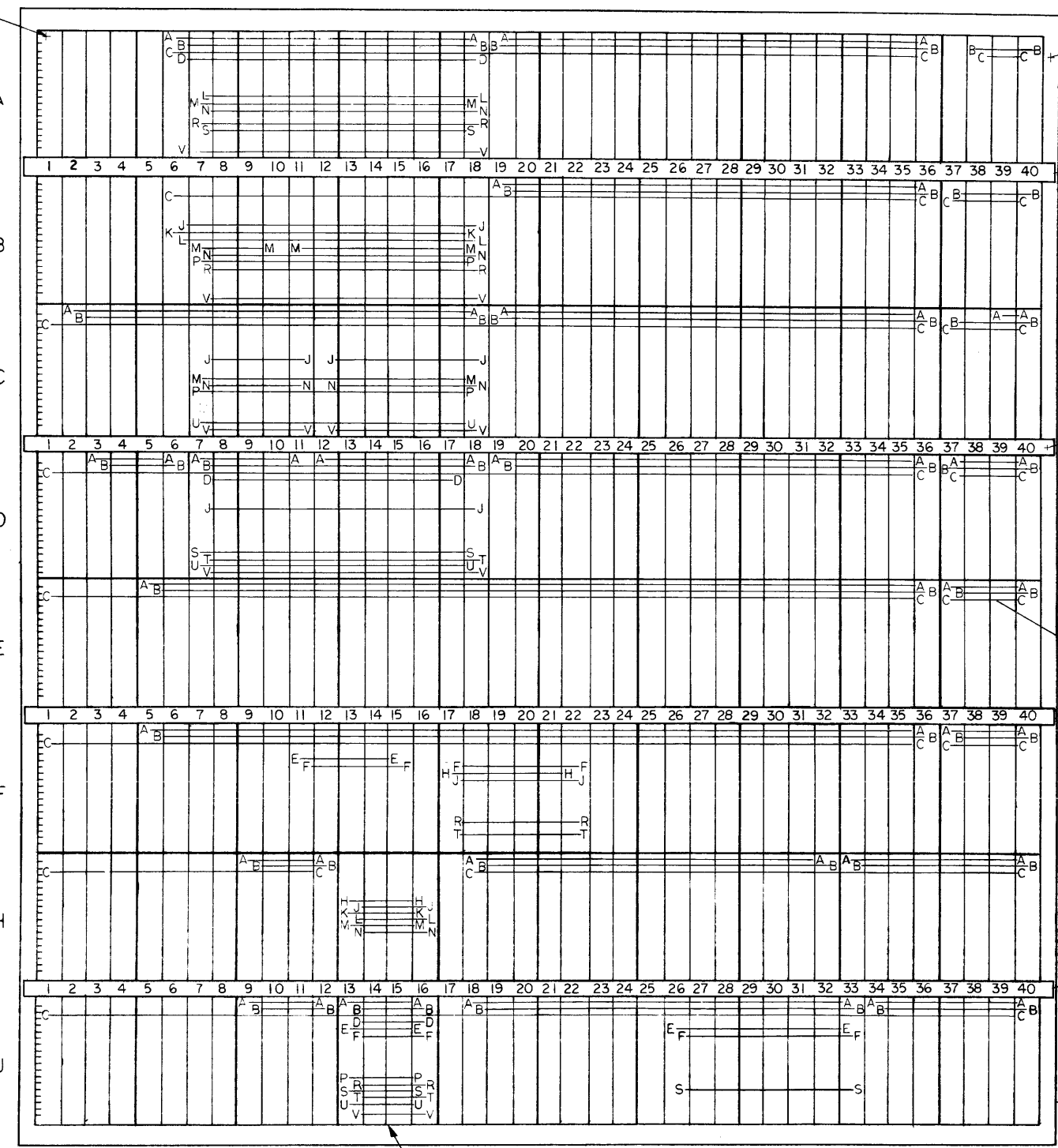
REV.	CHANGE NO.	DATE
A	2-23-67	

QTY.	DESCRIPTION	PART NO.	ITEM NO.
PARTS LIST			
UNLESS OTHERWISE SPECIFIED		DRN. <i>G Marshall</i> DATE 4-13-66 CHECKED <i>Abraham</i> DATE 4-13-66 ENG. <i>David D. Galt</i> DATE 4/20/66 PROJ. ENG. DATE PROD. DATE	
UNLESS OTHERWISE SPECIFIED		EQUIPMENT CORPORATION MAYNARD, MASSACHUSETTS	
DIMENSION IN INCHES TOLERANCES DECIMALS FRACTIONS ANGLES ±.005 ± 1/64 ± 0'30" FINAL SURFACE QUALITY REMOVE BURRS AND BREAK SHARP CORNERS		TITLE <h3 style="text-align: center;">LINC UNIT (SECOND SECTION)</h3>	
MATERIAL	---	FIRST USED ON	UA-E-LINC8-0-0
FINISH	---	SCALE NONE	
SHEET OF		SIZE CODE	NUMBER
		DAD 7005108-0-0	REV. A

This drawing and specifications, herein, are the property of Digital Equipment Corporation and shall not be reproduced or copied or used in whole or in part as the basis for the manufacture or sale of items without written permission.

0-0-601500Z (REV) 2

NOTES:
1. REFER TO DWG. "D-AD-7005050-0-0 FOR ASS'Y PROCEDURES



- 7 - POP RIVET (1 REQ'D)
- 6 - MTG. BAR #7005099-0-0 (3 REQ'D)
- 5 - WASHER (8 REQ'D)
- 4 - SCREW (8 REQ'D)
- 3 - VOLTAGE CHAIN #12-3584-032 (AS REQ'D)
- 2 - MTG. BAR #7005102-0-0 (1 REQ'D)
- 1 - DOOR FRAME #7005034-0-0 (1 REQ'D)

REVISIONS	REV.
CHANGE NO.	
CHK	

QTY.	DESCRIPTION	PART NO.	ITEM NO.
PARTS LIST			
UNLESS OTHERWISE SPECIFIED		DRN: <i>W. Marshall</i> DATE: 4-14-66	
UNLESS OTHERWISE SPECIFIED		DATE: 4-15-66	
DIMENSION IN INCHES		DATE: 4-15-66	
TOLERANCES		DATE: 4-15-66	
DECIMALS	FRACTIONS	ANGLES	DATE: 4-15-66
± .005	± 1/64	± 0°30'	DATE: 4-15-66
FINAL SURFACE QUALITY		DATE: 4-15-66	
REMOVE BURRS AND BREAK SHARP CORNERS		DATE: 4-15-66	
MATERIAL		FIRST USED ON	
//		UA-E-LINC B-0-0	
FINISH		SCALE NONE	
//		SHEET OF	
		DIST.	
		REV.	

DIGITAL EQUIPMENT CORPORATION
MAYNARD, MASSACHUSETTS

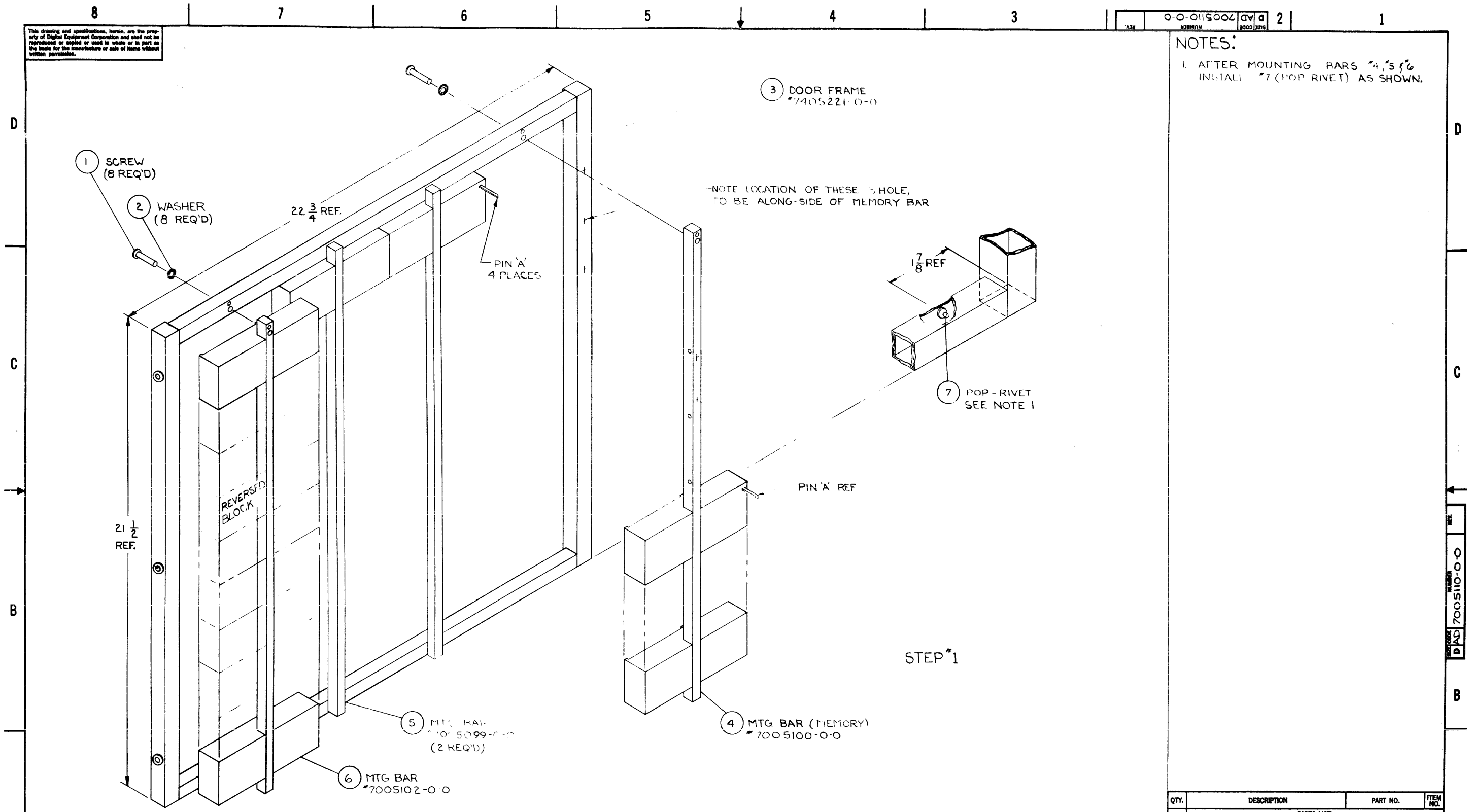
TITLE
CENTRAL PROC. UNIT
(THIRD SECT)

SIZE CODE: D AD 7005109-0-0
NUMBER: 7005109-0-0
REV.:

REV. NUMBER 7005109-0-0

This drawing and specifications, herein, are the property of Digital Equipment Corporation and shall not be reproduced or copied or used in whole or in part as the basis for the manufacture or sale of items without written permission.

NOTES:
 1. AFTER MOUNTING BARS 4, 5 & 6
 INSTALL 7 (POP RIVET) AS SHOWN.



REVISIONS
 CHANGE NO.
 CHK

UNLESS OTHERWISE SPECIFIED
 DIMENSION IN INCHES
 TOLERANCES
 DECIMALS FRACTIONS ANGLES
 ±.008 ± 1/64 ± 0'30"
 FINAL SURFACE QUALITY
 REMOVE BURRS AND BREAK SHARP CORNERS

DRN. *C. Marshall* DATE 4-26-66
 CHKD. *[Signature]* DATE 5-2-66
 ENG. *[Signature]* DATE 5/13/66
 PROJ. ENG. *[Signature]* DATE 8/10/66
 PROJ. *[Signature]* DATE 8-23-66

MATERIAL //
 FINISH //

PARTS LIST

QTY.	DESCRIPTION	PART NO.	ITEM NO.

TITLE
DIGITAL EQUIPMENT CORPORATION
 MAYNARD, MASSACHUSETTS

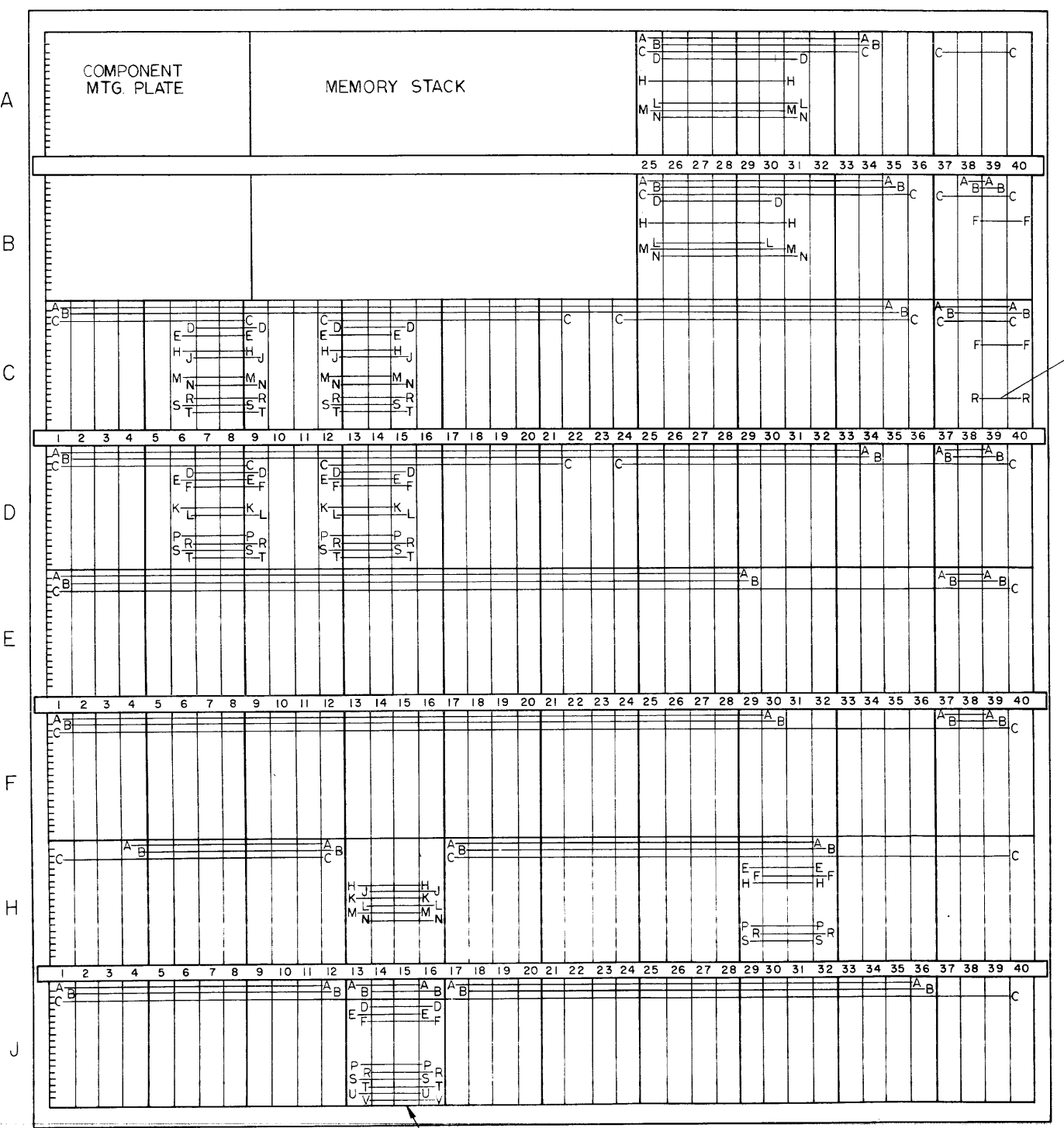
MEMORY UNIT
 (FIRST SECTION)

SIZE/CODE NUMBER REV.
 D AD 7005110-0-0 1

SCALE 1/2
 SHEET 1 OF 4

REV. 1
 PART NO. 7005110-0-0
 D AD

This drawing and specifications, herein, are the property of Digital Equipment Corporation and shall not be reproduced or copied or used in whole or in part as the basis for the manufacture or sale of items without written permission.



23 VOLTAGE CHAIN
#12-3584-032
(AS REQ'D)

REVERSED BLOCK

STEP #2

REV.	
CHANGE NO.	
CHK	

QTY.	DESCRIPTION	PART NO.	ITEM NO.
PARTS LIST			
UNLESS OTHERWISE SPECIFIED			
DIMENSION IN INCHES			
TOLERANCES			
DECIMALS	FRACTIONS	ANGLES	
± .005	± 1/64	± 0°00'	
FINAL SURFACE QUALITY ✓			
REMOVE BURRS AND BREAK SHARP CORNERS			
MATERIAL	FIRST USED ON		
---	LINC 8		
FINISH	SCALE NONE		
---	SHEET 2 OF 4		
TITLE		SIZE/CODE	NUMBER
DIGITAL EQUIPMENT CORPORATION MAYFIELD, MASSACHUSETTS		D AD	7005110-0-0
			REV.
MEMORY UNIT (FIRST SECTION)		DIST.	

REV. 2
DATE 4-2-66
DRN. C. Marshall
CHK'D. [Signature]
ENG. [Signature]
PROJ. ENG. [Signature]
PROJ. [Signature]

REV. 1
DATE 5-4-66
DRN. [Signature]
CHK'D. [Signature]
ENG. [Signature]
PROJ. ENG. [Signature]
PROJ. [Signature]

REV. 1

This drawing and specifications, herein, are the property of Digital Equipment Corporation and shall not be reproduced or copied or used in whole or in part as the basis for the manufacture or sale of items without written permission.

NOTES:

REMOVE EXISTING SCREW & WASHER TO INSTALL #8 (RETAINER CATCH)

RETAINER CATCH #7405215-0-0

9 MEMORY MTG. BRKT. #7405203-0-0

10 WASHER (11 REQ'D)

11 SCREW (8 REQ'D)

22 $\frac{3}{4}$ REF.

12 CAPACITOR

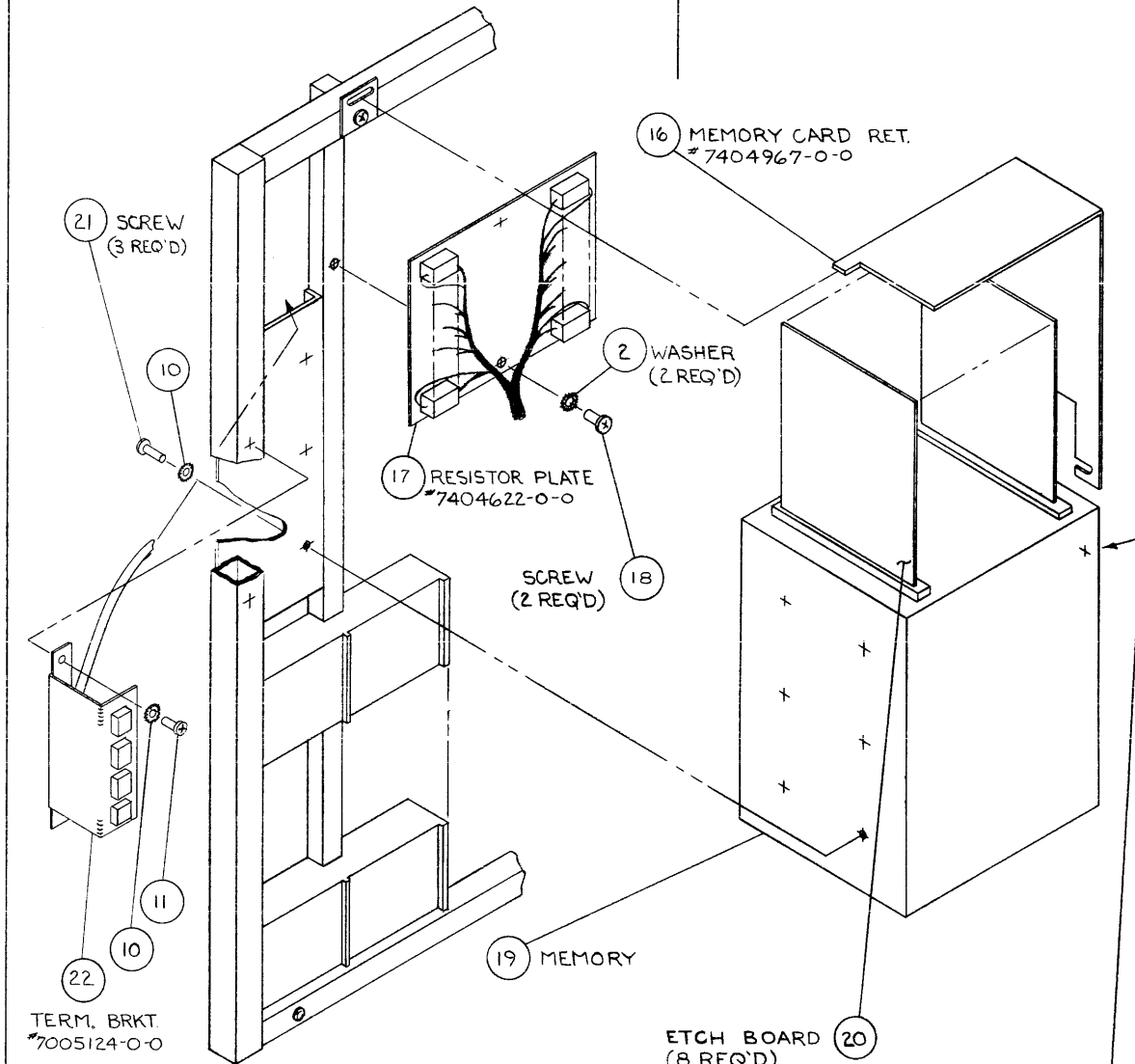
13 STAND-OFF (2 REQ'D)

14 WASHER (2 REQ'D)

15 SCREW (2 REQ'D)

21 $\frac{1}{2}$ REF.

STEP #3



REAR VIEW STEP #4

REV.	
CHK	
REVISIONS	
CHANGE NO.	

UNLESS OTHERWISE SPECIFIED	
DIMENSION IN INCHES	
TOLERANCES	
DECIMALS	FRACTIONS
± .005	± 1/64
ANGLES ± 0°30'	
FINAL SURFACE QUALITY REMOVE BURRS AND BREAK SHARP CORNERS	
MATERIAL	---
FINISH	---

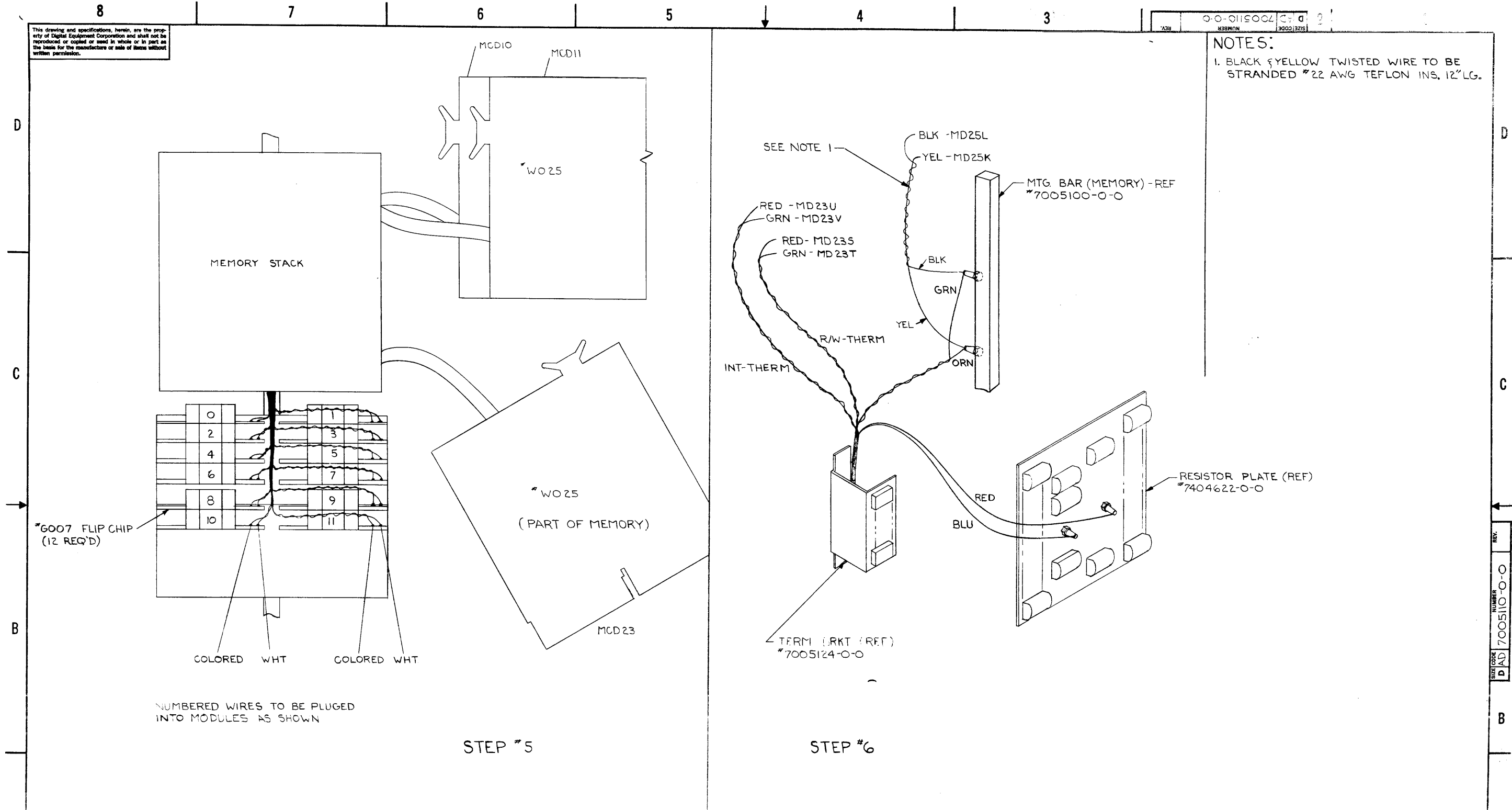
DRN <i>A. Marshall</i>	DATE 4-26-66
CHKD. <i>W. K. ...</i>	DATE 5-12-66
ENG. <i>...</i>	DATE 5-11-66
PRCL. ENG. <i>...</i>	DATE 8-13-66
PRDD. <i>...</i>	DATE 2-2-66
FIRST USED ON LINC 8	
SCALE 1/2	SHEET 3 OF 4

QTY.	DESCRIPTION	PART NO.	ITEM NO.
PARTS LIST			
DIGITAL EQUIPMENT CORPORATION MAYNARD, MASSACHUSETTS			
TITLE			
MEMORY UNIT (FIRST SECTION)			
SIZE CODE	NUMBER	REV.	
D A D	7005110-0-0		
DIST.			

This drawing and specifications, herein, are the property of Digital Equipment Corporation and shall not be reproduced or copied in whole or in part as the basis for the manufacture or sale of items without written permission.

0-0-0115002 2

NOTES:
1. BLACK & YELLOW TWISTED WIRE TO BE STRANDED #22 AWG TEFLON INS. 12" LG.



STEP #5

STEP #6

REVISIONS	REV.
CHANGE NO.	
CHK	


QTY.	DESCRIPTION	PART NO.	ITEM NO.
PARTS LIST			
UNLESS OTHERWISE SPECIFIED		DRN. <i>S. Marshall</i>	DATE 5-9-66
DIMENSION IN INCHES		CHK'D <i>W. J. ...</i>	DATE 5-12-66
TOLERANCES		ENG. <i>R. ...</i>	DATE 5-12-66
DECIMALS ± .005	FRACTIONS ± 1/64	PROJ. ENG. <i>R. ...</i>	DATE 5-15-66
ANGLES ± 0°30'		PROD. <i>S. ...</i>	DATE 5-15-66
FINAL SURFACE QUALITY REMOVE BURRS AND BREAK SHARP CORNERS			
MATERIAL	FIRST USED ON		
FINISH	LINC 8		
SCALE NONE		SIZE CODE	NUMBER
SHEET 4 OF 4		DAD	7005110-0-0
		DIST.	

DIGITAL EQUIPMENT CORPORATION
MAYTAG, MASSACHUSETTS
TITLE
MEMORY UNIT (FIRST SECTION)

REV. NUMBER 7005110-0-0


DRWG NO	REV LTR
K-WL-LINC8-0-L9	M

REVISIONS			
REV LTR	ECO NO	DATE	ENG
A	3	11-15-66	JS
B	6	12/30/66	ASC
C	9	1-9-67	AS
D	10 & 12	2-23-67	PPC
E	14	3-28-67	MC
F	22	8-21-67	AD
H	24	9/19/67	MC
J	LINC8L-00001	1/22/69	AS
K	LINC8L-00002	1/13/70	AS
L	LINC8L-00003	7-8-70	ABM
M	LINC8L-00006	6-1-71	AS

DRAWN <i>R.E. Bernier</i>	DATE 7/27/66	 digital EQUIPMENT CORPORATION MAYNARD, MASSACHUSETTS	TITLE WIRING LIST LINC 8		
CHECKED <i>P. H. ...</i>	DATE 8-2-66		FOR		
ENG <i>R. J. Cloyd</i>	DATE 10-1-66		SIZE	CODE	DWG. NO.
PROJ ENG <i>R. J. Cloyd</i>	DATE 10-1-66		K	WL	LINC8-0-L9
PROD <i>R. J. Cloyd</i>	DATE 10-1-66	ASSY NO	SCALE	SHEET OF	REV LTR M


DRWG NO	REV LTR
K-WL-LINC8-0-M2	H

REVISIONS			
REV LTR	ECO NO	DATE	ENG
A	5	12-30-66	PC
B	8A	1-20-67	PC
C	11	2-24-67	PC
D	16	4-13-67	PC
E	17	6-22-67	PC
F	21	8-21-67	PC
H	LINC8-00003	3-30-76	PC

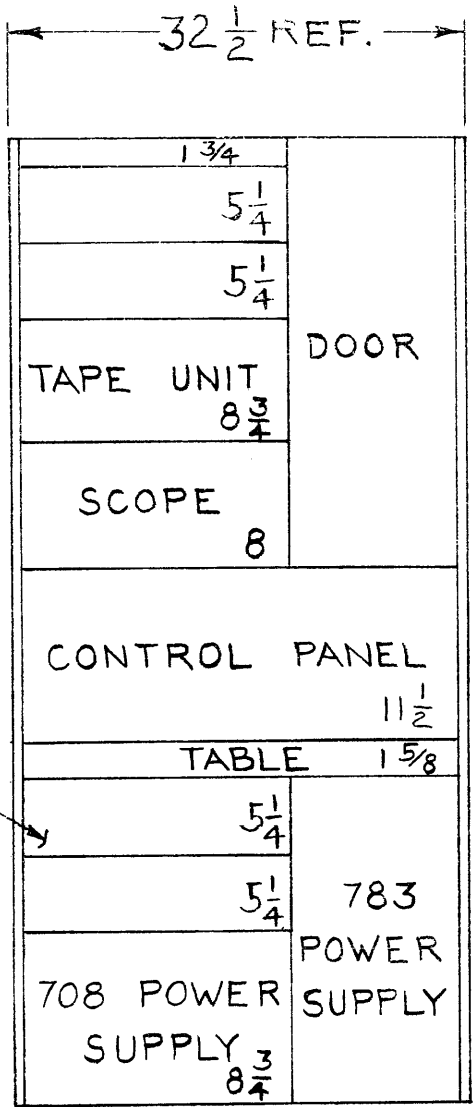
DRAWN <i>R. E. Bernier</i>	DATE 7/27/66		TITLE WIRING LIST LINC 8 MEMORY			
CHECKED <i>Phariseau</i>	DATE 8-2-66		FOR			
ENG <i>R. J. Clayton</i>	DATE 10-1-66		SIZE	CODE	DWG. NO.	
PROJ ENG <i>R. J. Clayton</i>	DATE 10-1-66		K WL		LINC8-0-M2	
PROD <i>R. J. Clayton</i>	DATE 10-1-66	ASSY NO	SCALE	SHEET OF	DIST.	REV LTR H

DRWG NO	REV LTR
K-WL-LINC8-OP2	K

REVISIONS			
REV LTR	ECO NO	DATE	ENG
A	4	11-18-66	R.S.
B	7	1-6-67	R.S.
C	15	4-13-67	R.S.
D	19	8-17-67	R.S.
E	25	9-9-67	R.S.
F	LINC8P 00002	12-12-67	R.S.
H	LINC8P 00003	3-31-69	R.S.
J	LINC8P 00005	4-8-70	R.S.
K	LINC8P 00006	5-17-71	R.S.

DRAWN <i>R. J. Bernier</i>	DATE 7/27/66		TITLE WIRING LIST LINC 8 PROCESSOR		
CHECKED <i>Ph...</i>	DATE 8-2-66		FOR		
ENG <i>R. J. Clough</i>	DATE 10-1-66		ASSY NO	SIZE CODE DWG. NO.	REV LTR
PROJ ENG <i>R. J. Clough</i>	DATE 10-1-66			K WL LINC8-0-P2	K
PROD <i>R. J. Clough</i>	DATE 10-1-66	SCALE	SHEET OF	DIST.	

This drawing and specifications, herein, are the property of Digital Equipment Corporation and shall not be reproduced or copied or used in whole or in part as the basis for the manufacture or sale of items without written permission.



THIS SPACE NOT AVAILABLE ON 50 CYCLE MACHINE

QTY.	DESCRIPTION	PART NO.	ITEM NO.
------	-------------	----------	----------

PARTS LIST

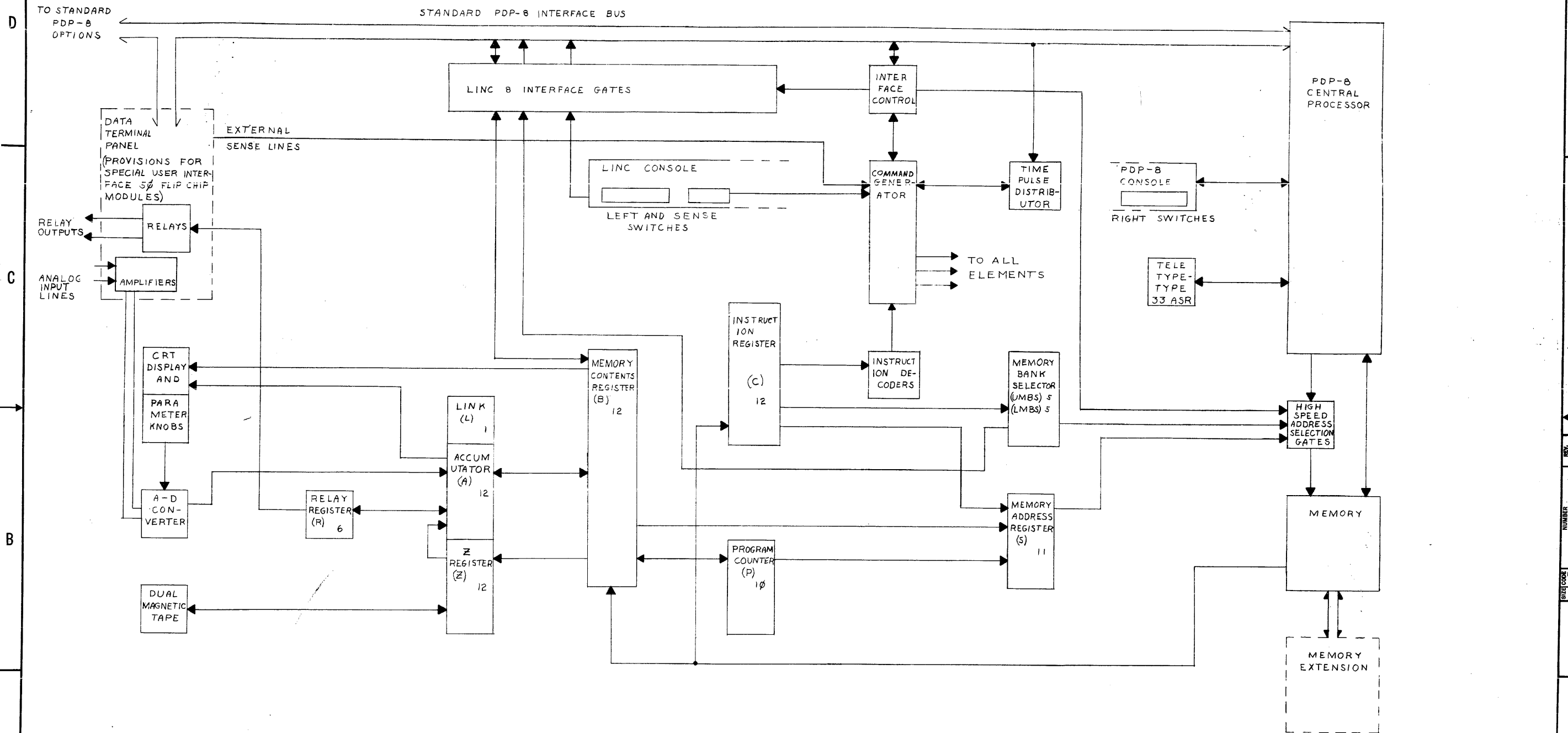
UNLESS OTHERWISE SPECIFIED		
UNLESS OTHERWISE SPECIFIED		
DIMENSION IN INCHES		
TOLERANCES		
DECIMALS	FRACTIONS	ANGLES
± .005	± 1/64	± 0°-30'
FINAL SURFACE QUALITY		
REMOVE BURRS AND BREAK SHARP CORNERS		
MATERIAL	//	
FINISH	//	

DRN.	<i>J. Kalogir</i>	DATE	1-18-67
CHK'D.	<i>D. Nealy</i>	DATE	1-31-67
ENG.	<i>R. G. Taylor</i>	DATE	1-26-67
PROJ. ENG.	<i>R. G. Taylor</i>	DATE	2-1-67
PROD.	<i>R. G. Taylor</i>	DATE	2-7-67
FIRST USED ON			
SCALE NONE			
SHEET 1		OF 1	

digital EQUIPMENT CORPORATION		MAYNARD, MASSACHUSETTS	
TITLE			
OUTLINE DRAWING			
SIZE	CODE	NUMBER	REV.
B	OD	LINC 8-0-13	
SHEET 1		OF 1	

REV.	
CHANGE NO.	
CHK	

This drawing and specifications, herein, are the property of Digital Equipment Corporation and shall not be reproduced or copied or used in whole or in part as the basis for the manufacture or sale of items without written permission.



REV.	
CHG	
CHK	

DEC FORM NO. DRD 102

QTY.	DESCRIPTION	PART NO.	ITEM NO.
PARTS LIST			
UNLESS OTHERWISE SPECIFIED		DRN	DATE
UNLESS OTHERWISE SPECIFIED		CHK'D.	DATE
DIMENSION IN INCHES		ENG.	DATE
TOLERANCES		PROJ. ENGR.	DATE
DECIMALS	FRACTIONS	ANGLES	
± .005	± 1/64	± 0°30'	
FINAL SURFACE QUALITY		PROJ. ENGR.	DATE
REMOVE BURRS AND BREAK SHARP CORNERS		PROJ. ENGR.	DATE
MATERIAL		FIRST USED ON	
FINISH		LINC 8	
SCALE		SIZE CODE	NUMBER
SHEET 1 OF 1		DIST.	REV.

digital EQUIPMENT CORPORATION
MAYNARD, MASSACHUSETTS

TITLE
SYSTEM CONFIGURATION

SIZE CODE
D1SD LINC8-0-1

REV. NUMBER
D1SD LINC8-0-1-1