

DRAWING DIRECTORY

"THIS DRAWING AND SPECIFICATIONS, HEREIN, ARE THE PROPERTY OF DIGITAL EQUIPMENT CORPORATION AND SHALL NOT BE REPRODUCED OR COPIED OR USED IN WHOLE OR IN PART AS THE BASIS FOR THE MANUFACTURE OR SALE OF ITEMS WITHOUT WRITTEN PERMISSION. COPYRIGHT © 1972, DIGITAL EQUIPMENT CORPORATION"

CUSTOMER PRINT SET INDEX

THIS IS PRINT SET

SEQUENCE
 KEYBOARD ASSY
 KEYBOARD ASSY
 SMALL KEYBOARD-LKØ1
 CIRCUIT SCHEMATIC
 LARGE KEYBOARD-LKØ1
 CIRCUIT SCHEMATIC
 SERIAL TRANSMITTER
 LARGE KEYBOARD-LKØ1-R
 CURSOR KEYBOARD -LKØ1-R
 SHIPPING LIST (LK4Ø)

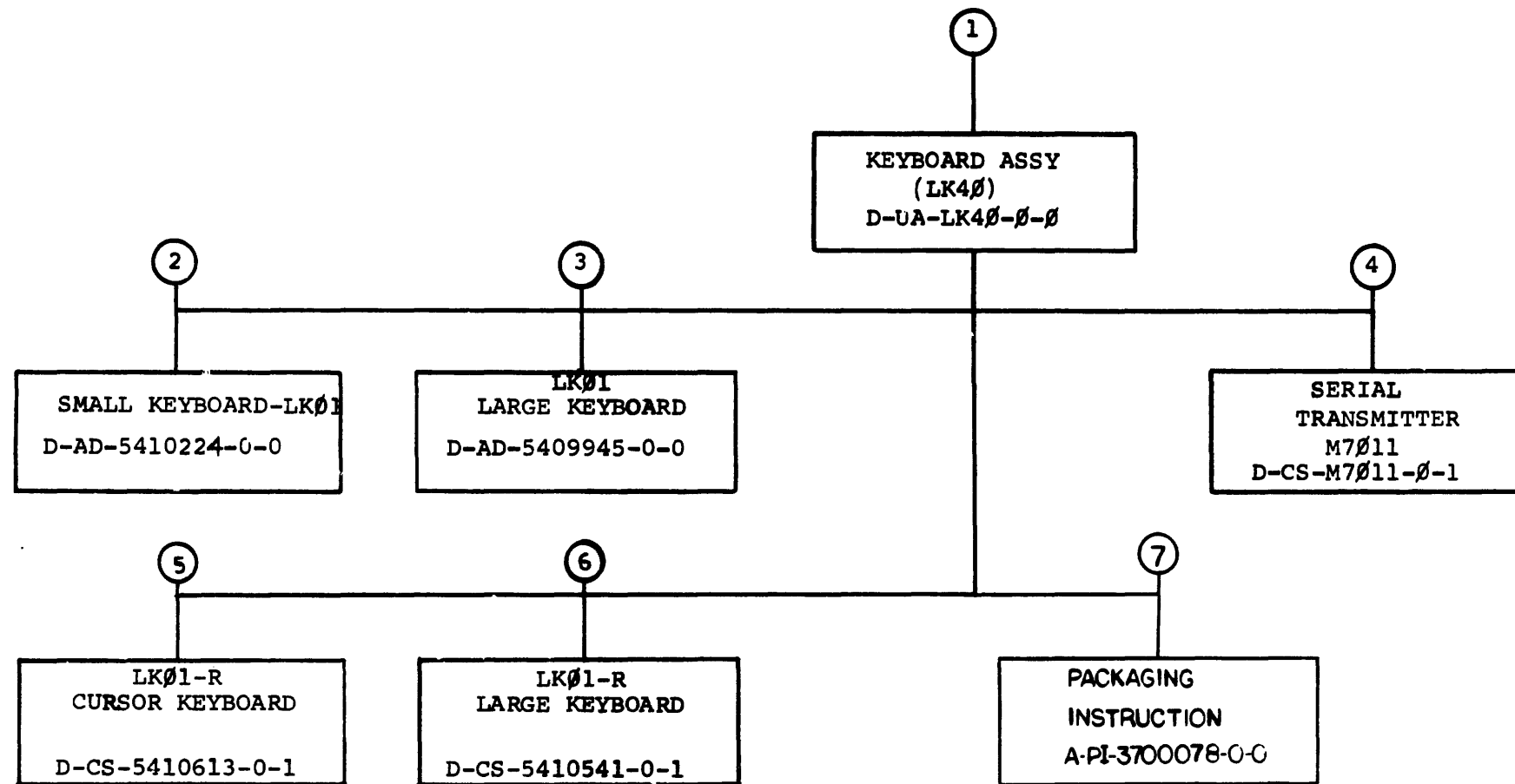
SEQUENCE
 B-DD-LK4Ø-Ø
 D-UA-LK4Ø-Ø-Ø
 D-AD-5410224-0-0
 D-CS-5410224-0-1
 D-AD-5409945-0-0
 D-CS-5409945-0-1
 D-CS-M7Ø11-Ø-1
 D-CS-5410541-0-1
 D-CS-5410613-0-1
 A-PL-LK4Ø-Ø-1

MFG. SET.
 KEYBOARD CABLE
 CABLE, KEYBOARD
 CABLE, INTRA-KEYBOARD
 PACKAGING INSTRUCTIONS
 PUSHBUTTON,CABLE
 LK4Ø CHECK + ACCEPTANE PROC.
 PUSHBUTTON,CABLE

SEQUENCE
 D-IA-7008959-0-0
 D-IA-7008960-0-0
 D-IA-7008612-10
 A-PI-3700076-0-0
 D-IA-7011619-0-0
 A-SP-LK4Ø-0-4
 D-IA-7014402-0-0

UNIT VARIATIONS		PRINT SET		
VAR	TITLE	LK4Ø-Ø		
LK4Ø-Ø	KEYBOARD ASSY (LK4Ø)	X		
LK4Ø-A	KEYBOARD ASSY 50FT	X		
LK4Ø-B	KEYBOARD ASSY 50FT +DLII	X		
LK4Ø-C	KEYBOARD ASSY. 8 FT	X		
LK4Ø-D	KEYBOARD ASSY 8FT + DLII	X		
LK4Ø-E	KEYBOARD ASSY 5FT FOR M7123	X		

REVISIONS	CHG. NO.	REV	USED CN OPTION/MODEL	DRN. C. B. MCCOY	DATE 8/28/72	TITLE			
	LK4Ø-2	A		CHK'D <i>P. K. Galle</i>	DATE 11/26/72	KEYBOARD ASSY (LK4Ø)			
	LK4Ø-3	B		PROJ ENG. <i>Henry Laroc</i>	DATE 11/24/72				
	LK4Ø-4	C		PROD. <i>R. W. Conway</i>	DATE 10/26/72	SIZE	CODE	NUMBER	REV
LK4Ø-5	D			B	DD	LK4Ø-Ø	L		
LK4Ø-6	E			FIELD SERV. <i>T. B. O'Donnell</i>	DATE 11/26/72	DIST	C		
LK4Ø-7	F			SHEET 1 OF 3					
LK4Ø-8	H								
LK4Ø-9	J								
LK4Ø-10	K								
LK4Ø-11	L								



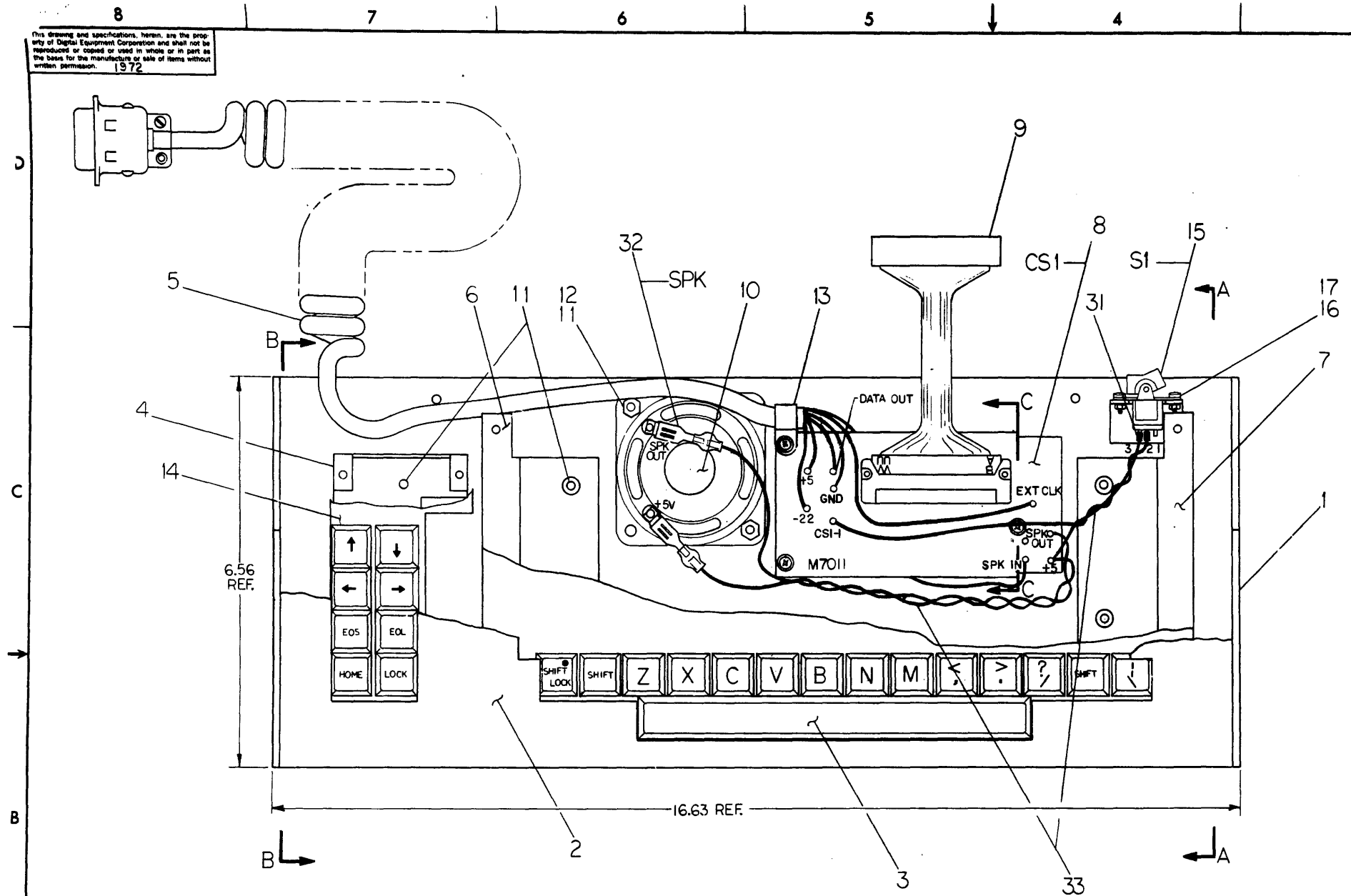
TITLE	SIZE	CODE	NUMBER	REV
KEYBOARD ASSY (LK4Ø)	SHEET 2 OF 3	B DD	LK4Ø-Ø	L

CUSTOMER PRINT SET				ELECTRICAL					CUSTOMER PRINT SET				MECHANICAL						
			LK40 SET	FIND NO.	REV	NO OF SHT	DESCRIPTION	OPTION NO./FILE DATE				LK40 SET	FIND NO.	REV	NO OF SHT	DESCRIPTION	OPTION NO./FILE DATE		
			x	1	D-UA-LK40-0-0	#	3	KEYBOARD ASSY (LK40)					1	D-UA-LK40-0-0	F	2	KEYBOARD ASSY (LK40)		
			x		A-PL-LK40-0-1	#	1	SHIPPING LIST (LK40)											
					A-SP-LK40-0	#	14	LK40 CHECKOUT+ACCEPTANCE PROC.				x		D-IA-7008959-0-0	#	1	KEYBOARD CABLE		
												x		D-IA-7409833-0-0		2	COVER, KEYBOARD		
												x		D-IA-7008960-0-0	*	1	CABLE, KEYBOARD		
												x		C-IA-7409761-0-0		1	BRKT, SMALL KEYBD.		
												x		D-IA-7008612-1-0	*	1	CABLE INTRA KEYBOARD		
			x	2	D-AD-5410224-0-0	#	2	SMALL KEYBOARD LK01						C-IA-7408638-0-0		1	BRKT, LARGE KEYBD.		
			x		D-CS-5410224-0-1	#	1	CIRCUIT SCHEMATIC LK01						E-IA-7409834-0-0		1	BASE PLATE, KEYBOARD		
														A-PI-3700038-0-0		2	PACKAGING INSTRUCTIONS		
														D-IA-7011619-0 0	B	1	PUSHBUTTON CABLE		
													X	7	A-PI-3700078-0-0	*	2	PACKAGING INSTRUCTIONS	
														A-PS-9905248-0-0		2	COMPRESS-O-CARTON		
			x	3	D-AD-5409945-0-0	#	3	LARGE KEYBOARD LK01							A-PS-9905129-13-0		4	POLYBAG(11X19 1/2 IN.) 3 MIL	
			x		D-CS-5409945-0-1	#	1	CIRCUIT SCHEMATIC LK01							A-PS-9905012-1-0		1	MAILITE SHIPPING ENV.(4X6 1/2 IN.)	
													X		D-IA-7014402-0-0		1	PUSHBUTTON CABLE	
			x	4	D-CS-M7011-0-1	#	2	SERIAL TRANSMITTER											
			X	5	D-CS-5410613-0-1	#	1	CURSOR KEYBOARD LK01-R											
			X	6	D-CS-5410541-0-1	#	2	LARGE KEYBOARD LK01-R											

CUSTOMER PRINT SET CODES
X = PRINT OF DOCUMENT INCLUDED IN PRINT SET
C = INCLUDES ALL PRINTS INDICATED ON DOCUMENT
S = CONFIDENTIAL. AUTHORIZED SIGNATURE REQUIRED

TITLE: KEYBOARD ASSY (LK40)
SHEET 3 OF 3
SIZE CODE: B DD
NUMBER: LK40-0
REV: 1

This drawing and specifications, herein, are the property of Digital Equipment Corporation and shall not be reproduced or copied or used in whole or in part as the basis for the manufacture or sale of items without written permission. 1972



TOP VIEW
PARTIAL TOP COVER AND
PARTIAL LARGE & SMALL
KEYBOARD

REV	CHANGE NO.	DATE	BY	CHK'D.
A	GT 48-00001	8-2-72	CRABBE	
B	LK40-00002	8-2-72	CRABBE	
C	LK40-00003	8-2-72	CRABBE	
D	LK40-00004	8-2-72	CRABBE	
E	LK40-00005	8-2-72	CRABBE	
F	LK40-00006	8-2-72	CRABBE	
G	LK40-00007	8-2-72	CRABBE	
H	LK40-00008	8-2-72	CRABBE	
I	LK40-00009	8-2-72	CRABBE	
J	LK40-00010	8-2-72	CRABBE	
K	LK40-00011	8-2-72	CRABBE	
L	LK40-00012	8-2-72	CRABBE	

QTY	DESCRIPTION	PART NO.	ITEM NO.
1	SERIAL TRANSMITTER	M7011-1C	44
1	PUSHBUTTON, CABLE	D-IA-7004402-00	43
1	KEYBOARD CABLE	D-IA-7001615-00	42
1	SERIAL TRANSMITTER	M7011-1A	41
1	KEYBOARD CABLE	D-IA-7001615-00	40
4	WASHER, NYLON #10	9006714	39
1	PACKAGING INSTRUCTION	A-P2-3700078-00	38
2	SCREW, PHL PAN, HD #8-32x7/8	9006042-1	37
3	WASHER, INT. TOOTH #4	9006042	36
4	WASH., FLAT NYLON #4	9006006	35
1	CABLE, INTRA-KEYBOARD	7008612-18	34
A/R	WIRE, #22 AWG TWP WH/Y	9107420-79	33
2	TERM., SOLDERLESS	9007917	32
A/R	TUBING, HEAT SHRINK	9107255-09	31
2	SCREW, PHL PAN HD, #1-30x3/16	9006032-1	30
3	SCREW, PHL FLT HD #4-40x1/4	9006007-2	29
3	SPACER, FIBER #4-40x5/16	9007623	28
1	STRAIN RELIEF	9008492-1	27
4	FOOT, HEMISPHERE, 3M SJ5017	9008025	26
4	SCREW, PHL FLT HD #6-32x1/4	9006020-2	25
1	SCREW, PHL PAN HD #4-40x5/16	9006010-1	24
4	SCREW, PHL PAN HD #4-40x5/16	9006010-1	23
4	WASH., INT. TOOTH LOCK #4	9006632	22
2	SCREW, PHL PAN HD #8-32x1/2	9006039-1	21
4	WASH., INT. TOOTH LOCK #8	9006634	20
4	SPACER, AL. HEX. 1/8LG. #4	9006791	19
4	SPACER, AL. HEX. 3/16LG. #8	9006797	18
2	NUT, KEPS #4-40	9006557	17
2	SCREW, PHL PAN HD #4-40x1/4	9008301-1	16
1	SWITCH, #7101-J1-2BE C&K	1210894	15
1	KEYBOARD, SMALL	5410613	14
1	CLAMP, CABLE NYLON 1/4"	9007081	13
2	NUT, KEPS #8-32	9006563	12
8	SCREW, PHL FLT HD, #8-32x3/8LG	9006037-2	11
1	SPEAKER, BELL	1210299	10
1	CABLE, KEYBOARD	D-IA-7008960-00	9
1	SERIAL TRANSMITTER	M7011	8
1	BRACKET, LARGE KEYBOARD	7408638-1	7
1	BRACKET, LARGE KEYBOARD	7408638-2	6
1	KEYBOARD CABLE	D-IA-7008959-00	5
1	BRACKET, SMALL KEYBOARD	C-IA-7409761-00	4
1	KEYBOARD, LARGE	5410541	3
1	COVER, KEYBOARD	D-IA-7409833-00	2
1	BASEPLATE, KEYBOARD	E-IA-7409834-00	1

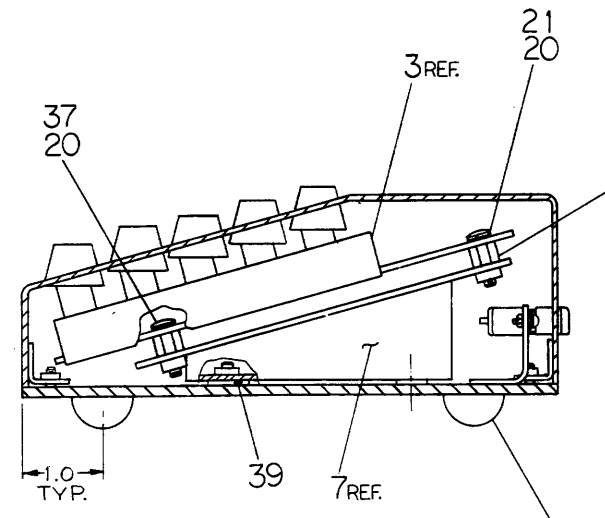
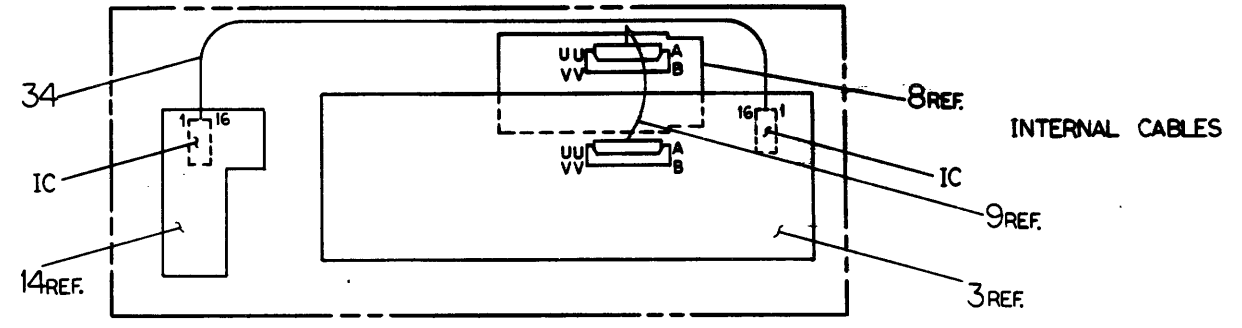
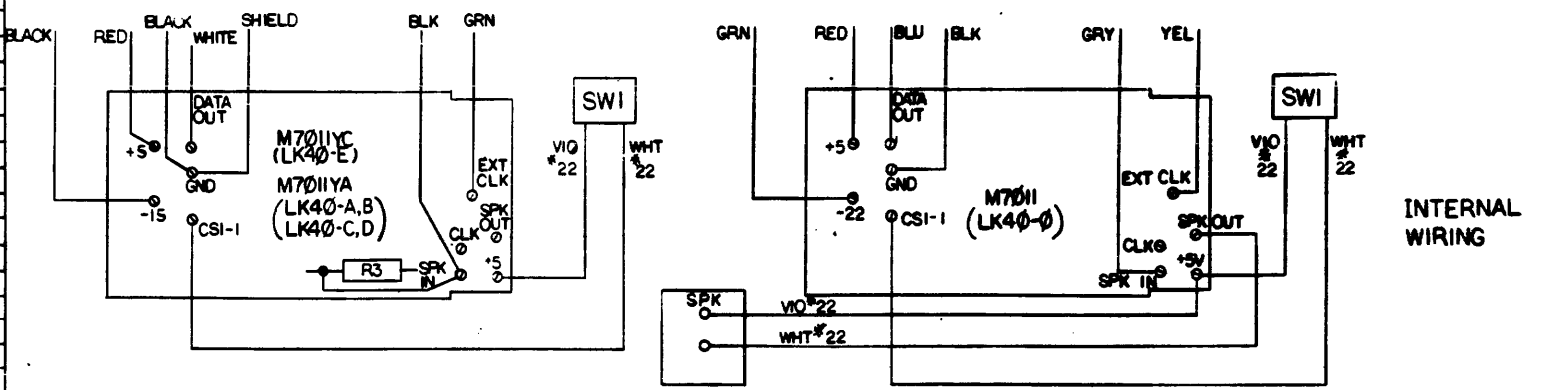
FIRST USED ON OPTIO/MODEL	QTY	DESCRIPTION	PART NO.	ITEM NO.
LK40				

UNLESS OTHERWISE SPECIFIED DIMENSION IN INCHES. TOLERANCES	DRN C.M.C.	DATE 8-9-72	
DECIMALS .XXX ± .005 .XX ± .02 X ± .1	CHK'D. C.M.C.	DATE 8-2-72	
ANGLES ± 30'	ENG. C.M.C.	DATE 8-2-72	TITLE KEYBOARD ASSY, (LK40)
REMOVE BURRS AND BREAK SHARP CORNERS SURFACE QUALITY	PROJ ENG C.M.C.	DATE 8-2-72	SIZE CODE DUA LK40-0-0
MATERIAL	PROD C.M.C.	DATE 8-2-72	NUMBER L
FINISH	NEXT HIGHER ASSY.		REV. L

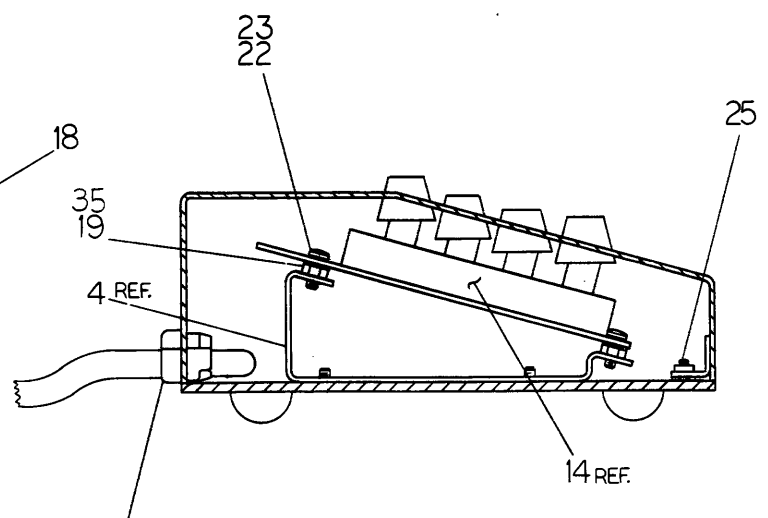
SCALE 1/1
SHEET 1 OF 3

This drawing and specifications, herein, are the property of Digital Equipment Corporation and shall not be reproduced or copied or used in whole or in part as the basis for the manufacture or sale of items without written permission. 1972

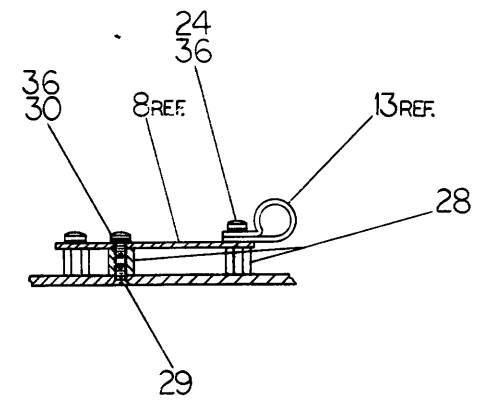
WIRE TABLE							
ITEM NO.	DESCRIPTION	FROM	TO	REMARKS			
NO.	AWG	COLOR	CONNECTION WITH	CONNECTION WITH	REMARKS		
5	*18	GRN	---	CSI, -22	SOLDER LK40-0 ONLY		
		YEL	---	CSI, CLK			
		RED	---	CSI, +5			
		GRY	---	CSI, SPK IN			
		BLU	---	CSI, DATA OUT			
5	*18	BLK	---	CSI, GND			
33	*22	WHT	SPK OUT	32 CSI, SPK OUT	LK40-0 ONLY		
	TWP	VIO	SPK +5V	32 CSI, +5V	USE ITEM 31		
33	*22	VIO	SI-3	SOLDER CSI, +5V	USE ITEM 31		
	TWP	WHT	SI-2	SOLDER CSI-1	USE ITEM 31		
40	TWP	RED	---	CSI, +5	LK40-A, B, E		
	1	BLK	---	CSI, -15			
		SHD	---	CSI, GND			
	TWP	WHT	---	CSI, DATA OUT			
	2	BLK	---	CSI, GND			
	TWP	GRN	---	CSI, EXT CLK			
40	3	BLK	---	CSI, SPK IN	SOLDER LK40-A, B, E		



SECTION A-A
(LARGE KEYBOARD)



SECTION B-B
(SMALL KEYBOARD)



SECTION C-C

FIRST USED ON OPTION/MODEL	QTY.	DESCRIPTION	PART NO.	ITEM NO.
LK40				
UNLESS OTHERWISE SPECIFIED DIMENSION IN INCHES.				
DECIMALS	ANGLES	TOLERANCES		
.XXX - .005	±0° 30'	±.005		
.XX - .02		±.010		
.X - .1		±.020		
REMOVE BURRS AND BREAK SHARP CORNERS SURFACE QUALITY				
MATERIAL		NEXT HIGHER ASSY.		
FINISH		SCALE 1/1		
SHEET 2 OF 3		DIST.		

digital EQUIPMENT CORPORATION
MAYNARD MASSACHUSETTS

TITLE
KEYBOARD ASS'Y
(LK40)

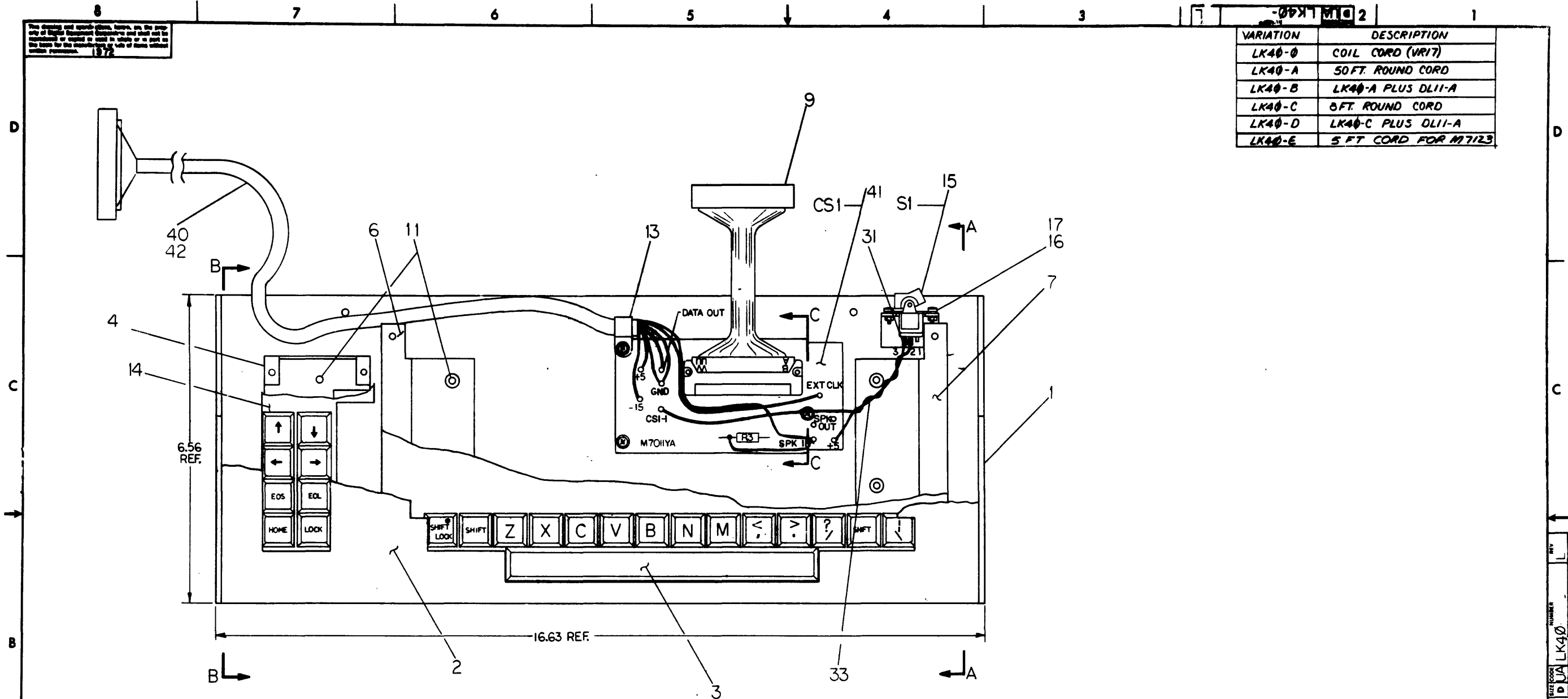
SIZE CODE NUMBER
DUA LK40-0-0

REVISIONS
CHANGE NO.
REV.

SIZE CODE NUMBER
DUA LK40-0-0

This drawing and associated data, forms, and the copy of rights reserved in this drawing and shall not be reproduced or copied in whole or in part, or any part thereof, without the written permission of the manufacturer of the equipment to which this drawing applies.

VARIATION	DESCRIPTION
LK40-0	COIL CORD (VR17)
LK40-A	50 FT. ROUND CORD
LK40-B	LK40-A PLUS DL11-A
LK40-C	5 FT. ROUND CORD
LK40-D	LK40-C PLUS DL11-A
LK40-E	5 FT CORD FOR M7123



LK40-A,B,C,D,E
TOP VIEW
PARTIAL TOP COVER AND
PARTIAL LARGE & SMALL
KEYBOARD

REVISIONS
REV. NO.
CHANGE NO.

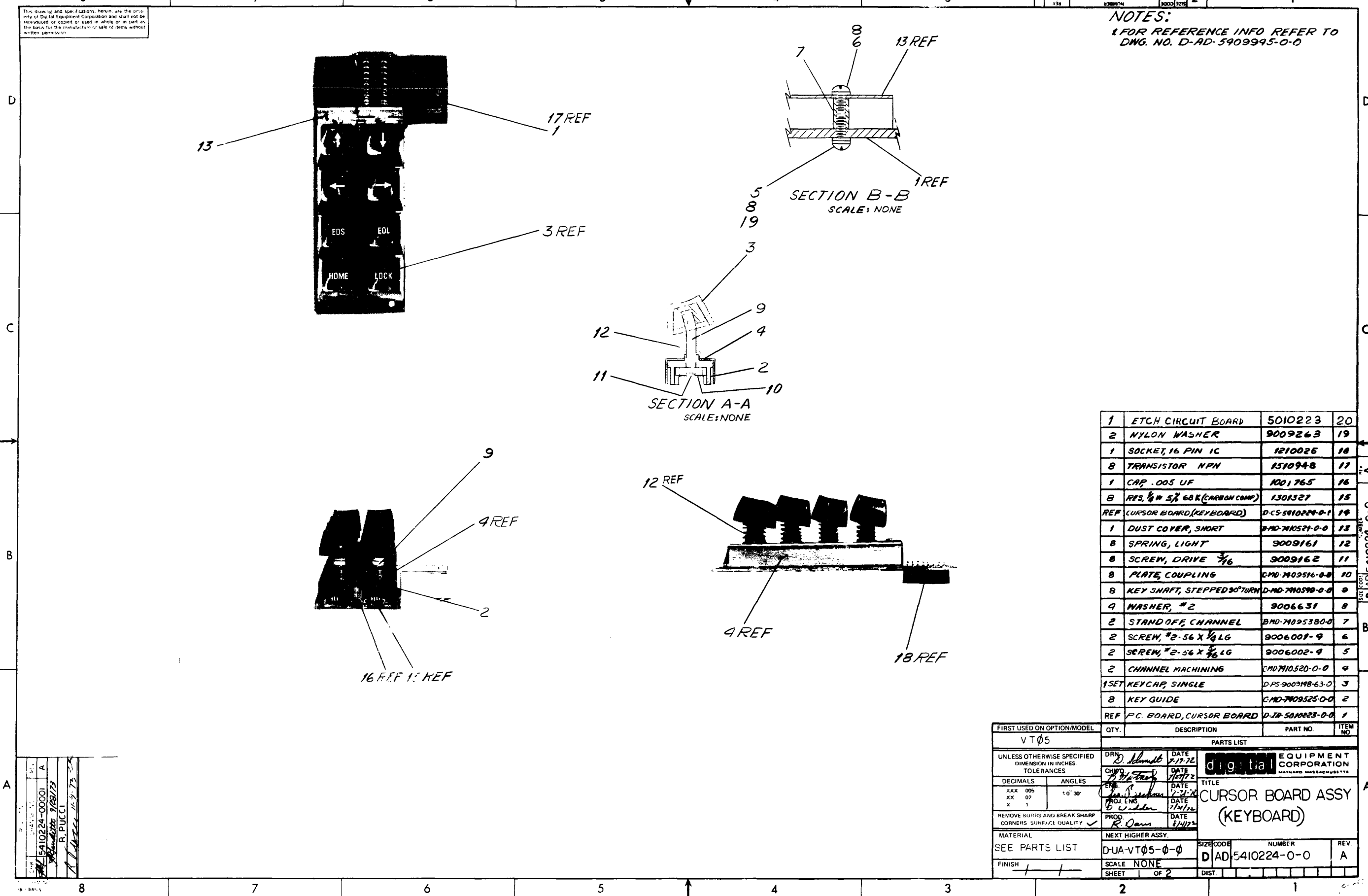
FIRST USED ON OPTION/MODEL	QTY.	DESCRIPTION	PART NO.	ITEM NO.
LK40				
PARTS LIST				
UNLESS OTHERWISE SPECIFIED DIMENSION IN INCHES TOLERANCES	DBN DATE 2-31-75	DATE 2-31-75	 EQUIPMENT CORPORATION MAYNARD, MASSACHUSETTS	
DECIMALS	ANGLES	DATE 10-1-75		
XXX - .006	±0° 30'	DATE 10-1-75	TITLE KEYBOARD ASSY, (LK40)	
.XX - .02		DATE 10-1-75		
.X - .1		DATE		
REMOVE BURRS AND BREAK SHARP CORNERS SURFACE QUALITY	PROD	DATE		
MATERIAL	NEXT HIGHER ASSY.		SIZE CODE	NUMBER
FINISH	B-DD-LK40-0		DUA	LK40-0-0
	SCALL 1/1			
	SHEET 3 OF 3		DIST. 1G	

REV. NO.
L
NUMBER
DUA LK40

This drawing and specifications herein are the property of Digital Equipment Corporation and shall not be reproduced or copied or used in whole or in part as the basis for the manufacture of sale of items without written permission.

REV A 5410224-0-0 2

NOTES:
1 FOR REFERENCE INFO REFER TO
DWG. NO. D-AD-5409945-0-0

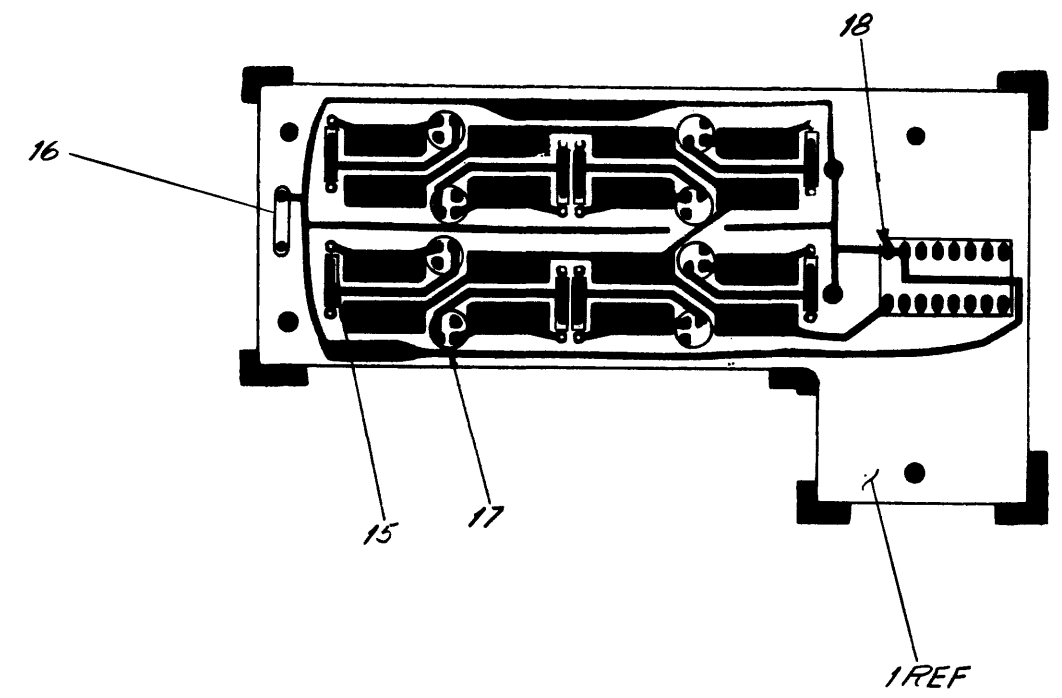


QTY.	DESCRIPTION	PART NO.	ITEM NO.
1	ETCH CIRCUIT BOARD	5010223	20
2	NYLON WASHER	9009263	19
1	SOCKET, 16 PIN IC	1210025	18
8	TRANSISTOR NPN	1510948	17
1	CAP. .005 UF	1001765	16
8	RES. 1/4 W 5% 68 K (CARBON COMP)	1301327	15
REF	CURSOR BOARD (KEYBOARD)	D-5410224-0-1	14
1	DUST COVER, SHORT	BMD-710521-0-0	13
8	SPRING, LIGHT	9009161	12
8	SCREW, DRIVE 3/16	9009162	11
8	PLATE, COUPLING	CMD-7109516-0-0	10
8	KEY SHAFT, STEPPED 90° TURN	D-MD-710519-0-0	9
4	WASHER, #2	9006631	8
2	STAND OFF, CHANNEL	BMD-71095380-0	7
2	SCREW, #2-56 X 1/4 LG	9006001-9	6
2	SCREW, #2-56 X 3/16 LG	9006002-9	5
2	CHANNEL MACHINING	CMD-710520-0-0	4
1 SET	KEY CAP, SINGLE	D-PS-9009188-63-0	3
8	KEY GUIDE	CMD-7109525-0-0	2
REF	P.C. BOARD, CURSOR BOARD	D-71-5410223-0-0	1

FIRST USED ON OPTION/MODEL	QTY.	DESCRIPTION	PART NO.	ITEM NO.
VT 05				
UNLESS OTHERWISE SPECIFIED DIMENSION IN INCHES TOLERANCES				
DECIMALS	ANGLES	TITLE		
XXX .005	1:0' 30"	CURSOR BOARD ASSY (KEYBOARD)		
XX .02		CORNERS SURF. QUALITY		
X 1		REMOVE BURRS AND BREAK SHARP		
MATERIAL				
SEE PARTS LIST	NEXT HIGHER ASSY.	SIZE CODE		
FINISH	SCALE NONE	D-AD-5410224-0-0	NUMBER	REV
	SHEET OF 2	DIST.		A

5410224-00001 A
R. PUCCI
11-9-73

This drawing and specifications, herein, are the property of Digital Equipment Corporation and shall not be reproduced or copied or used in whole or in part as the basis for the manufacture or sale of items without written permission.



FIRST USED ON OPTION/MODEL	QTY.	DESCRIPTION	PART NO.	ITEM NO.
PARTS LIST				
UNLESS OTHERWISE SPECIFIED DIMENSION IN INCHES.		DRN <i>D. Schmidt</i>	DATE <i>7/20/72</i>	digital EQUIPMENT CORPORATION MAYFANG MASSACHUSETTS
TOLERANCES		CHK'D <i>R. B. Smith</i>	DATE <i>7/27/72</i>	
DECIMALS	ANGLES	ENG <i>R. B. Smith</i>	DATE <i>7/27/72</i>	TITLE CURSOR BOARD ASSY (KEYBOARD)
.XXX - .005	± 0° 30'	PROJ. ENG <i>R. B. Smith</i>	DATE <i>7/11/72</i>	
.XX - .02		PROD <i>R. Davis</i>	DATE <i>9/16/72</i>	
.X - .1		REMOVE BURRS AND BREAK SHARP CORNERS SURFACE QUALITY ✓		
MATERIAL	NEXT HIGHER ASSY.	SIZE CODE NUMBER REV.		
FINISH	SCALE NONE	D AD 5410224-0-0 A		
SHEET 2 OF 2		DIST.		

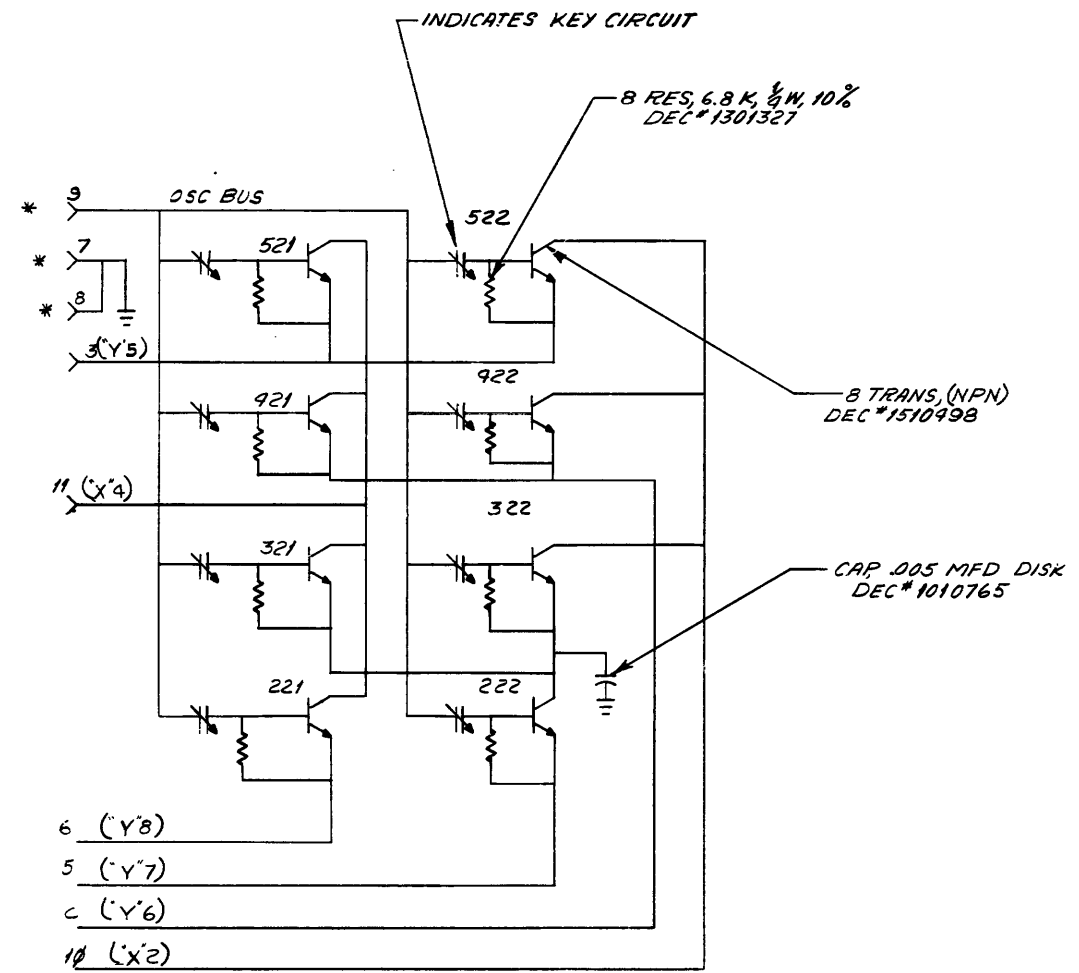
REV	CHANGE NO	REVISIONS

DEC FORM NO
DRG 100-A

REV. A
NUMBER 5410224-0-0
D AD 5410224-0-0

This drawing and specifications, herein, are the property of Digital Equipment Corporation and shall not be reproduced or used in whole or in part in the form for the manufacture or sale of items without written permission.

NOTES:
 1. KEY 222 IS LOCK FOR KEYS 321 & 322. IT HAS TO BE DEPRESSED FOR OPERATION OF ABOVE KEYS.
 * 2. FOR REFERENCE INFORMATION SEE DWG. NO. D-CS-5909995-0-1

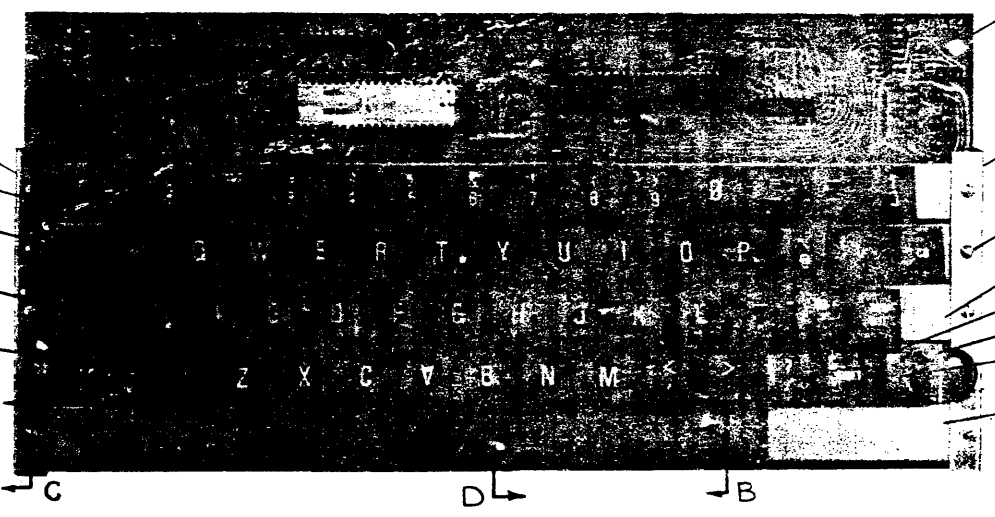


REV	DATE	BY	CHKD
1	7/1/72	R. PUCCI	
2	8/1/72		
3	8/1/72		
4	8/1/72		
5	8/1/72		
6	8/1/72		
7	8/1/72		
8	8/1/72		

FIRST USED ON OPTION/MODEL	QTY.	DESCRIPTION	PART NO.	ITEM NO.
VT05				
PARTS LIST				
UNLESS OTHERWISE SPECIFIED DIMENSION IN INCHES. TOLERANCES	DRN. <i>D. Minist</i>	DATE <i>7/1/72</i>	digital EQUIPMENT CORPORATION MAYNARD, MASSACHUSETTS	
DECIMALS .XXX = .005 .XX = .02 .X = .1	CHKD. <i>R. Pucci</i>	DATE <i>7/1/72</i>		
ANGLES ±0° 30'	ENG. <i>R. Pucci</i>	DATE <i>8/1/72</i>	TITLE CURSOR BOARD (KEYBOARD)	
REMOVE BURRS AND BREAK SHARP CORNERS SURFACE QUALITY ✓	PROJ. ENG. <i>R. Pucci</i>	DATE <i>8/1/72</i>		
MATERIAL	NEXT HIGHER ASSY.	SCALE NONE	SIZE CODE	NUMBER
FINISH		SHEET OF	D	CS 5410224-0-1
				REV. A

This drawing and specifications herein are the property of Digital Equipment Corporation and shall not be reproduced or used in whole or in part as the basis for the manufacture of any of these without written permission.

- NOTES:**
- IF ITEM #11 (COMPLETE SET) IS ORDERED DO NOT ORDER ITEM #4 (9 KEY SPACE BAR) AS IT IS PART OF COMPLETE SET WHEN ORDERED FROM CONTROL DEVICES. IF INDIVIDUAL KEYCAPS (ITEM #11) ARE ORDERED ITEM #4 MUST THEN BE ORDERED ALSO AS PER PARTS LIST.
 - FOR COMPONENT ASSY INFORMATION ON ITEM #1 (PC BOARD) REFER TO SHEET #3
 - FOR CIRCUIT SCHEMATIC INFORMATION REFER TO DWG D-C5-5409945-1



SEE NOTE #2 & SHEET #3



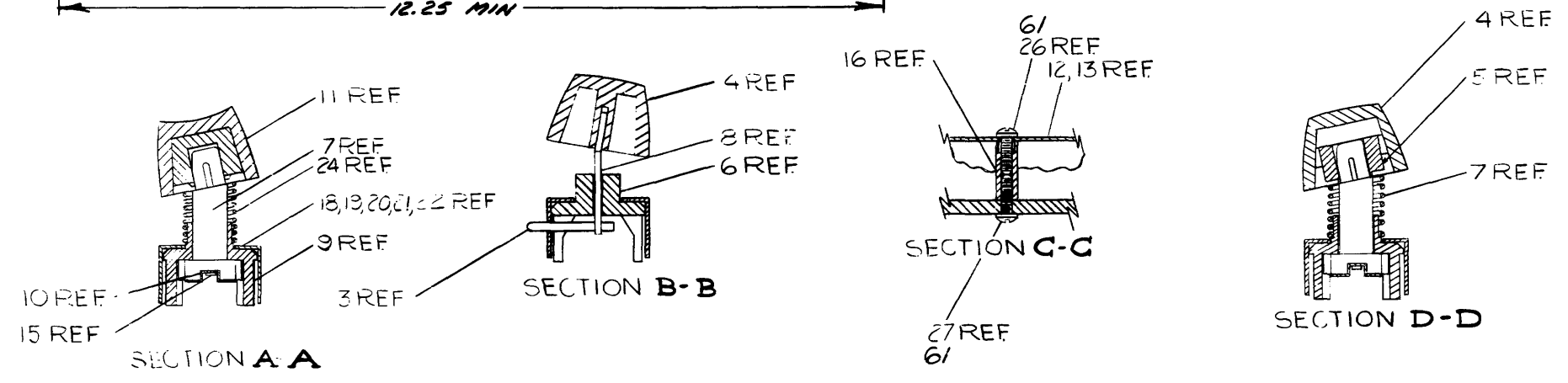
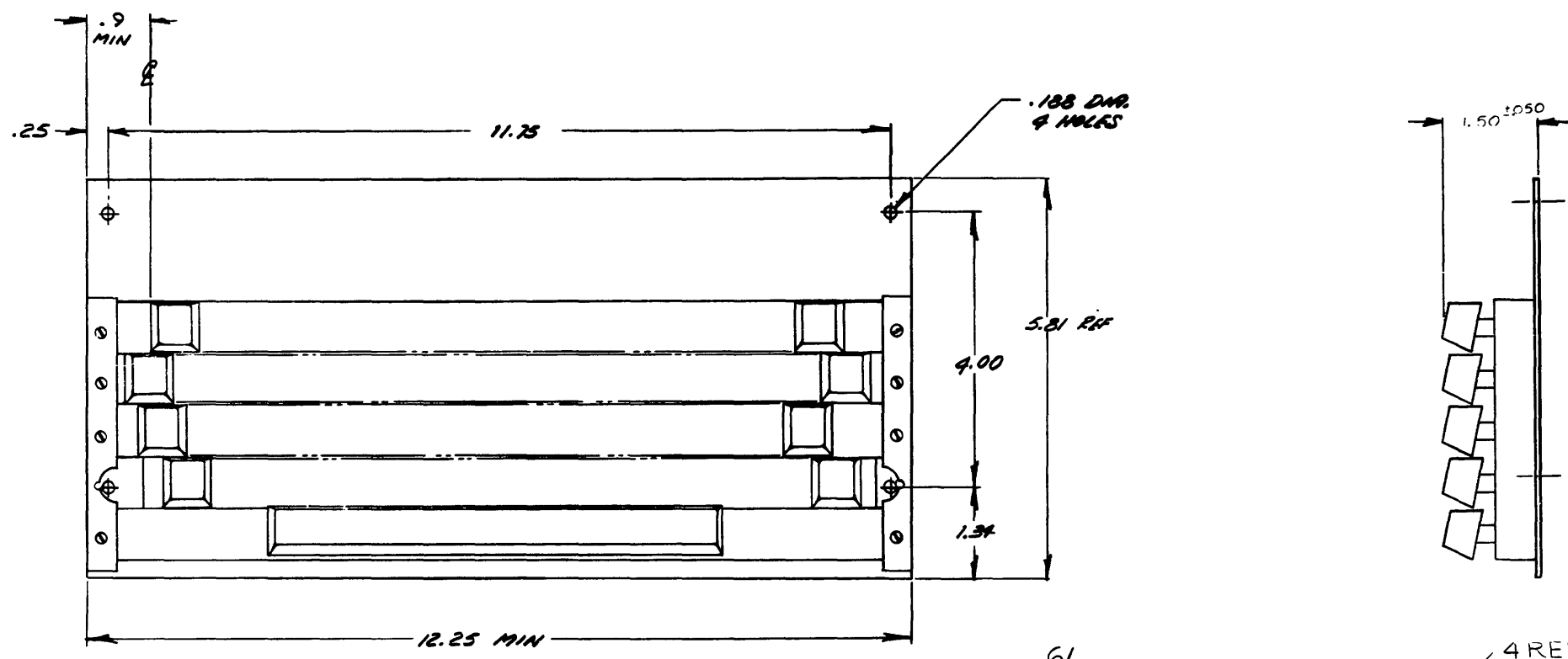
REV.	CHANGE NO.	DATE	BY	CHK.
A	1	1-17-72	BEATTY	BEATTY
B	2	1-17-72	BEATTY	BEATTY
C	3	1-17-72	BEATTY	BEATTY
D	4	1-17-72	BEATTY	BEATTY
E	5	1-17-72	BEATTY	BEATTY
F	6	1-17-72	BEATTY	BEATTY
G	7	1-17-72	BEATTY	BEATTY
H	8	1-17-72	BEATTY	BEATTY
I	9	1-17-72	BEATTY	BEATTY
J	10	1-17-72	BEATTY	BEATTY
K	11	1-17-72	BEATTY	BEATTY
L	12	1-17-72	BEATTY	BEATTY
M	13	1-17-72	BEATTY	BEATTY
N	14	1-17-72	BEATTY	BEATTY
O	15	1-17-72	BEATTY	BEATTY
P	16	1-17-72	BEATTY	BEATTY
Q	17	1-17-72	BEATTY	BEATTY
R	18	1-17-72	BEATTY	BEATTY
S	19	1-17-72	BEATTY	BEATTY
T	20	1-17-72	BEATTY	BEATTY
U	21	1-17-72	BEATTY	BEATTY
V	22	1-17-72	BEATTY	BEATTY
W	23	1-17-72	BEATTY	BEATTY
X	24	1-17-72	BEATTY	BEATTY
Y	25	1-17-72	BEATTY	BEATTY
Z	26	1-17-72	BEATTY	BEATTY
AA	27	1-17-72	BEATTY	BEATTY

UNLESS OTHERWISE SPECIFIED	DRN	DATE
DIMENSION IN INCHES	D. Williams	1-17-72
TOLERANCES	CHKD.	DATE
DECIMALS	1/100	1-17-72
ANGLES	ENG.	DATE
XXX - 005	1/100	1-17-72
XX - 02	PROJ. ENG.	DATE
X - 1	1/100	1-17-72
REMOVE BURRS AND BREAK SHARP CORNERS SURFACE QUALITY	PROD.	DATE
	1/100	1-17-72

QTY.	DESCRIPTION	PART NO.	ITEM NO.
	PARTS LIST		
	digital EQUIPMENT CORPORATION		
	TITLE		
	KEYBOARD ASSY		
	MATERIAL		
	NEXT HIGHER ASSY.		
	B-DD-LK01-0	SIZE CODE	NUMBER
		DAD 5409945-0-C	REV.
	FINISH	SCALE	
		SHEET	OF 3
		DIST.	

DRAWING NUMBER DAD 5409945-0-0

The drawing and specifications, herein, are the property of Digital Equipment Corporation and shall not be reproduced or copied or used in whole or in part as the basis for the manufacture or sale of items without written permission.

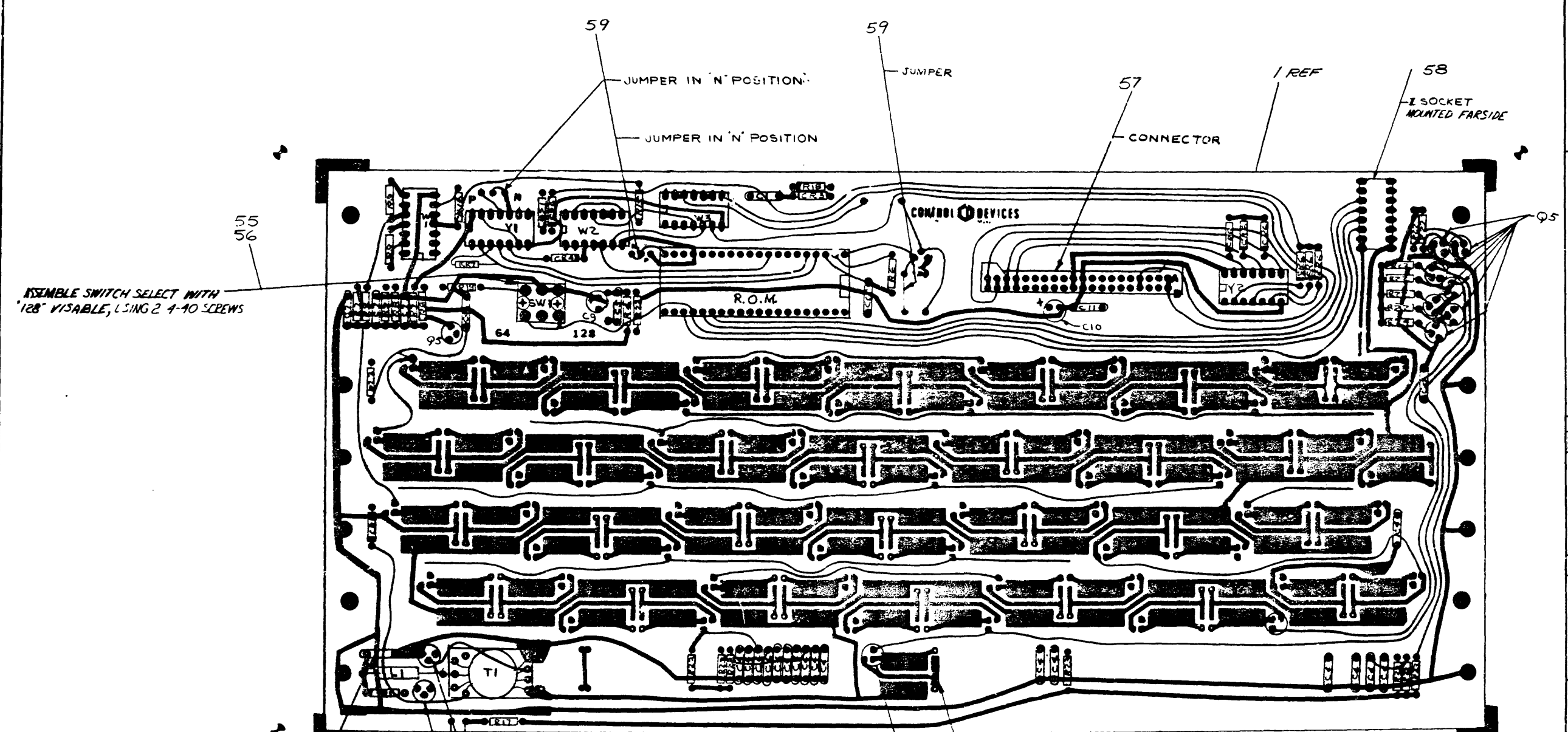


REV	
CHANGE NO.	
CHK	

FIRST USED ON OPTION/MODEL	QTY.	DESCRIPTION	PART NO.	ITEM NO.
PARTS LIST				
UNLESS OTHERWISE SPECIFIED DIMENSION IN INCHES TOLERANCES		DATE 1/17/72	digital EQUIPMENT CORPORATION MAYFORD MASSACHUSETTS	
DECIMALS .XXX ± .006 .XX ± .02 .X ± .1	ANGLES ± 0° 30'	DATE 1/17/72		
REMOVE BURRS AND BREAK SHARP CORNERS SURFACE QUALITY	PROJ. ENG. DATE 1/17/72	DATE 1/17/72	TITLE KEYBOARD ASSY	
MATERIAL	PROD. DATE 1/17/72	DATE 1/17/72		
FINISH	NEXT HIGHER ASSY.	SCALE NONE	SIZE CODE DAD	NUMBER 5409945-0-0
		SHEET 2 OF 3	DIST.	REV. F

The drawing and specifications herein are the property of Digital Equipment Corporation and shall not be reproduced or copied or used in whole or in part as the basis for the manufacture or sale of items without written permission.

NOTES:
1 FORMERLY CONTROL DEVICE DWG. NO. D4459



ASSEMBLE SWITCH SELECT WITH "128" VISIBLE, USING 2 4-40 SCREWS

BLACK WIRE
RED WIRE
HARDWARE TO LIGHTED KEYCAP

TOLERANCES DECIMAL
.XXX = .005
.XX = .02
.X = .1

R2 (58 PLACES)
Q3 (58 PLACES)

FIRST USED ON OPT/ MOD	QTY.	DESCRIPTION	PART NO.	ITEM NO.
+/+				
PARTS LIST				
DO NOT SCALE DRAWING		DATE 2-6-72	digital EQUIPMENT CORPORATION BANGOR, MASSACHUSETTS	
UNLESS OTHERWISE SPECIFIED		DATE 4-72		
DIMENSION IN INCHES		DATE 4-72		
TOLERANCES		DATE 4-72		
ANGLES		DATE 4-72	TITLE KEYBOARD ASSY	
FINAL SURFACE QUALITY		DATE 4-72		
REMOVE BURRS AND BREAK SHARP CORNERS		DATE 4-72		
MATERIAL		DATE 4-72		
FINISH		DATE 4-72	NEXT HIGHER ASSY	
		SCALE 2/1	CODE AD	SIZE D-5409945-0-0
		SHEET 3 OF 3	DIST. 3	NUMBER 1
				REV. F

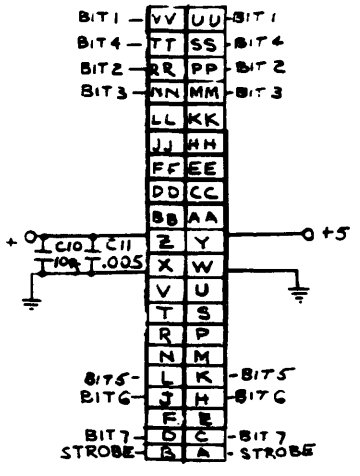
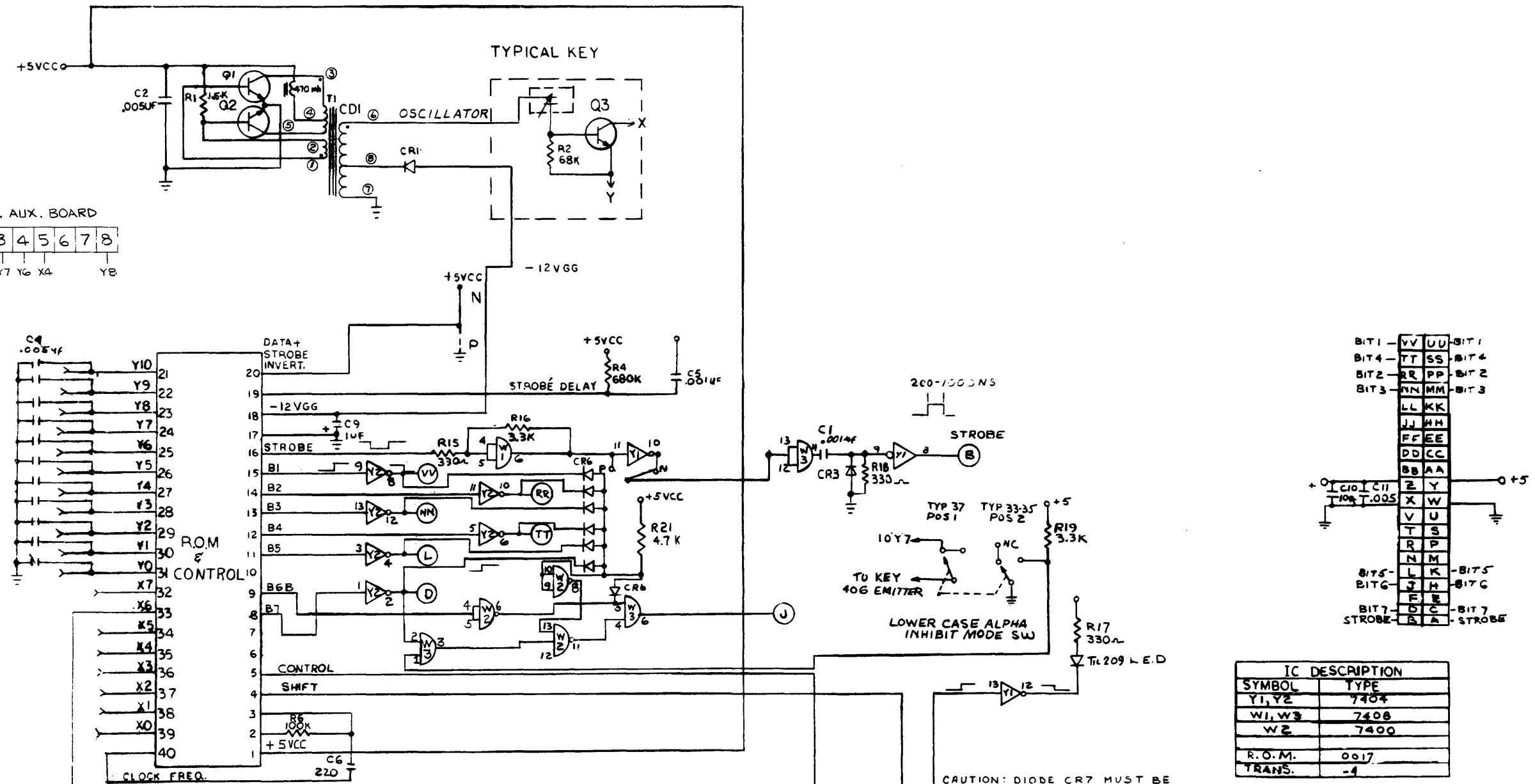
REV.	
CHANGE NO.	
CHK	
NO.	

This drawing and specifications, herein, are the property of Digital Equipment Corporation and shall not be reproduced or copied or used in whole or in part as the basis for the manufacture or sale of items without written permission.

DCS 5409945-0-1

CONN. AUX. BOARD

1	2	3	4	5	6	7	8
X2	Y5	Y7	Y6	X4		Y8	



IC DESCRIPTION	
SYMBOL	TYPE
Y1, Y2	7404
W1, W3	7408
W2	7400
R.O.M.	0017
TRANS.	-4

CAUTION: DIODE CR7 MUST BE ADDED IF SMC (STANDARD MICROSYSTEM) ROM KR 2376-17 IS USED.

QTY.	DESCRIPTION	PART NO.	ITEM NO.

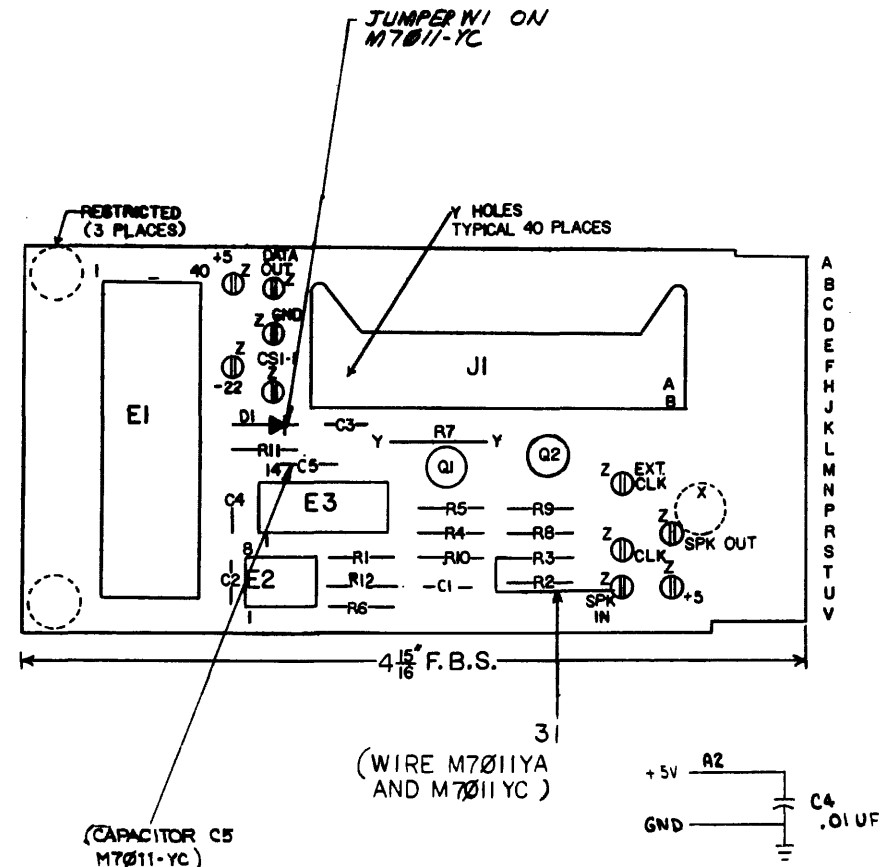
DO NOT SCALE DRAWING		DATE 12-27-71	
UNLESS OTHERWISE SPECIFIED DIMENSIONS IN INCHES		DATE 1/13/72	
TOLERANCES		DATE 12-3-71	
DECIMALS FRACTIONS ANGLES		DATE 1/20/72	
±.010 ±.005 ±.002		DATE 1/20/72	
FINAL SURFACE QUALITY		DATE 1/20/72	
REMOVE BURRS AND BREAK SHARP CORNERS		DATE 1/20/72	
MATERIAL		DATE 1/20/72	
FINISH		DATE 1/20/72	

EQUIPMENT CORPORATION MAYNARD, MASSACHUSETTS	
TITLE DEC KEYBOARD #2	
NEXT HIGHER ASSY D-AD-5409945-0-0	
DRAWING NUMBER DCS 5409945-0-1	
SCALE	REV. F
SHEET / OF /	DIST.

REV.	CHANGE NO.	BY	DATE
1	5409917-00001	A	12-27-71
2	5409917-00002	A	1/13/72
3	5409917-00003	A	12-3-71
4	5409917-00004	A	1/20/72
5	5409917-00005	A	1/20/72
6	5409917-00006	A	1/20/72
7	5409917-00007	A	1/20/72
8	5409917-00008	A	1/20/72

This drawing and specification herein are the property of Digital Equipment Corporation and shall not be reproduced or used in whole or in part for any other purpose without the express written permission of Digital Equipment Corporation.

NOTES:
 1: TO MAKE A M7011YA FROM A M7011, CHANGE D1, R1, R7 AND GROUND SPK IN TO R3 AS SHOWN.
 2: TO MAKE A M7011YC FROM A M7011YA, REPLACE D1 WITH W1, ADD C5, REMOVE R7 AND CHANGE VALUES OF R5 AND R10 AS SHOWN.



A/R	QTY	REF DESIGNATION	DESCRIPTION	PART NO.	ITEM NO.
			TUBING, EXTRUDED #22 (NAT)	9107256-11	26
1	-	C5	CAP. 100PF 5% 100V	1000048	35
-	-	R7	RES 470 1/4W 5%	1300315	34
-	-	R1	RES 2.4K 1/4W 5%	1303177	33
-	-	D1	DIODE, 1N746A	1104860-00	32
10	10	W1	WIRE, SOLID, #30 AWG, GREEN	9105740-55	31
1	1	R12	RES 10K 1/4W 5%	1300479	30
-	-	R5	RES 120 1/4W 5%	1300247	29
-	-	R10	RES 5.6K 1/4W 5%	1301874	28
1	1	E1	IC. 1808 UART	1910459	27
1	1	E2	IC 75451	1910466	26
1	1	E3	IC DEC 8640	1911469	25
2	2	Q1, Q2	TRANS. DEC. 3009 B	1909100	24
-	-	R9	RES 820 1/4W 5%	1300775	23
1	1	R3	RES 750 1/4W 5%	1300401	22
1	1	R8	RES. 10 1/4W 5%	1300317	21
1	1	R6	RES 100 1/4W 5%	1300229	20
-	-	R1	RES. 4.7K 1/4W 5%	1300447	18
2	2	R2, R4	RES 330 1/4W 5%	1300295	17
-	-	R7	RES 330 1/2W 5%	1300296	16
1	1	R11	RES. 150 1/4W 5%	1300250	15
1	1	J1	CONN. 40 PIN BERG	1209941	14
-	-	D1	DIODE 1N758A	1100125	13
-	-				12
-	-				11
3	3	C4, C2, C3	CAP. .01UF 50V	1001610	10
1	1	C1	CAP. .1UF 50V	1010978-36	9
1	-	W1	JUMPER	90-09105	8
10	10		SPLIT LUG	9006735	7
1	-	R10	RES 3.3K 1/4W 5%	1300439	6
1	-	R5	RES 330 1/4W 5%	1300295	5
1	1		ETCHED CIRCUIT BOARD	5010078	4
REF	REF	REF	MODULE ECO HISTORY	B-MW-M7011-0-6	3
REF	REF	REF	ASSY/DRILLING HOLE LAYOUT	D-AH-M7011-0-5	2
REF	REF	REF	X-Y COORDINATE HOLE LOCATION	K-CO-M7011-0-4	1

IC TYPE	QTY	REF
75451	4	B
UART	3	1
GND		
+5V		

GND AND 5V ARE USUALLY PIN 7 AND 14 RESPECTIVELY. EXCEPTIONS ARE STATED ABOVE.

SEMICONDUCTOR CONVERSION CHART

DEC NO.	EIA NO.	DEC NO.	EIA NO.
INT46A	114M3.3A2		
RE5		2N 3646	
DEC 3009 B		SAME	
1N4001		SAME	
1N758		SAME	

REVISIONS

REV	DESCRIPTION
1	INITIAL DESIGN
2	DESIGN CHANGES
3	...

PARTS LIST

QTY	REF	DESCRIPTION	PART NO.
1		ETCHED CIRCUIT BOARD	5010078

EQUIPMENT CORPORATION
 TITLE: SERIAL TRANSMITTER
 SCALE: NONE
 SHEET 1 OF 2

D C S M 7 0 1 1 - 0 - 1

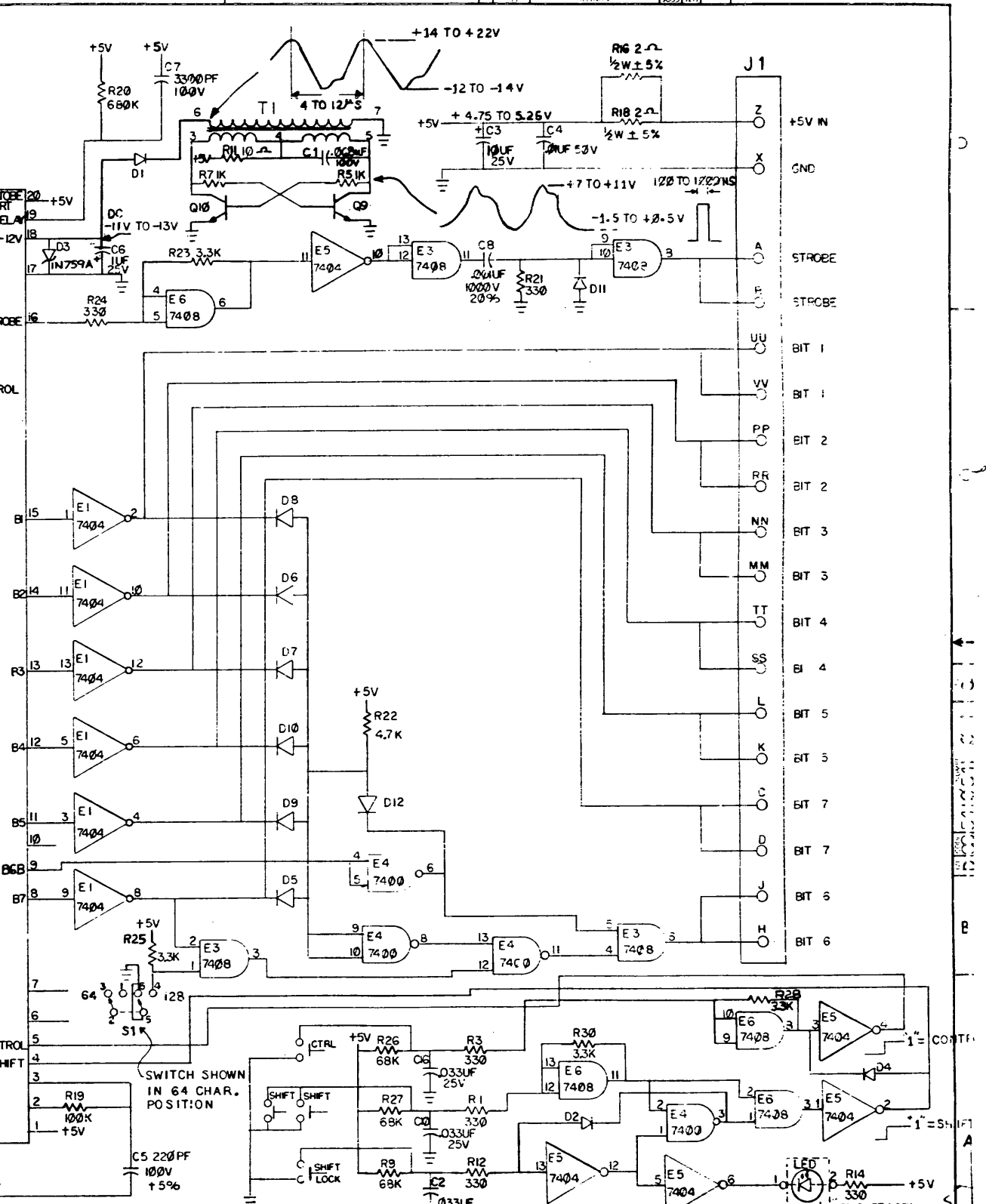
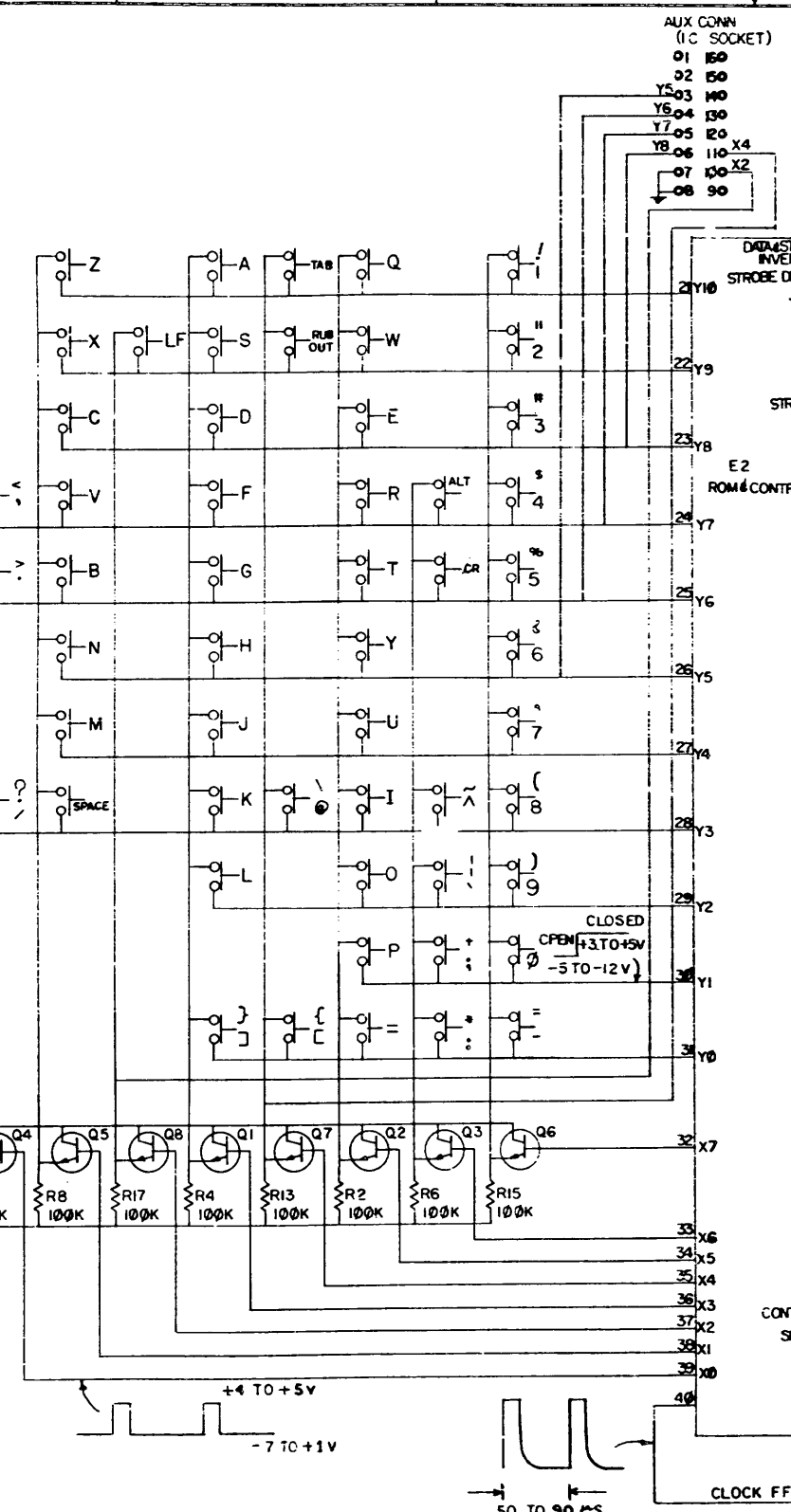
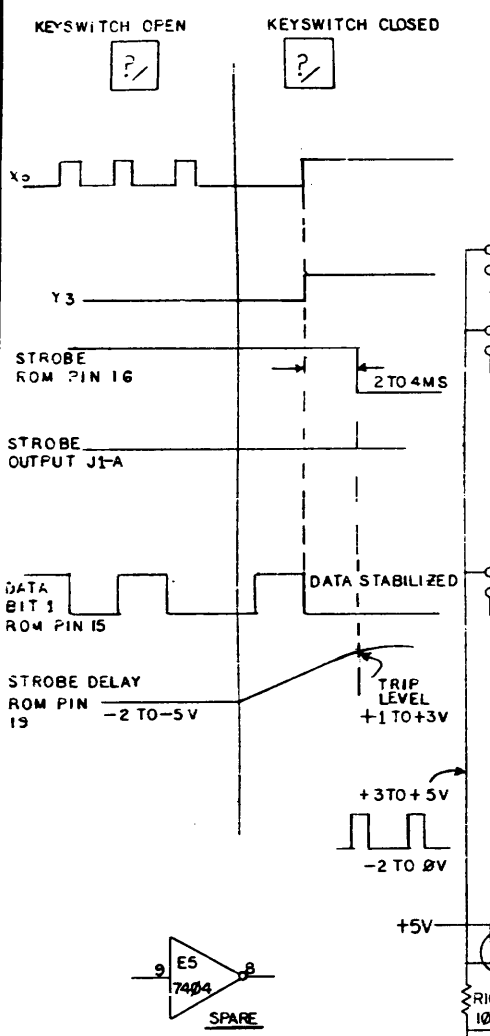
IC PIN LOCATIONS

GND AND 5V ARE USUALLY PIN 7 AND 14 RESPECTIVELY. EXCEPTIONS ARE STATED ABOVE.

THIS DRAWING AND SPECIFICATIONS HEREIN ARE THE PROPERTY OF DIGITAL EQUIPMENT CORPORATION AND SHALL NOT BE REPRODUCED OR COPIED OR USED IN WHOLE OR IN PART AS THE BASIS FOR THE MANUFACTURE OR SALE OF ITEMS WITHOUT WRITTEN PERMISSION. COPYRIGHT © 1973, DIGITAL EQUIPMENT CORPORATION.

NOTES

- 1. UNLESS OTHERWISE SPECIFIED:
 - a. RESISTORS ARE EXPRESSED IN OHMS & ARE 1/4 W. ± 5%.
 - b. DIODES ARE D664.
 - c. TRANSISTORS ARE LEC 3009B.



REVISIONS		
CHK	CHANGE NO.	REV.

TITLE		SIZE	CODE	NUMBER	REV.
MAIN KEYBOARD		D	CS	5410541-0-1	C
SCALE	NOTE	SHEET	GF	DIST.	
		2	2		

DIGITAL EQUIPMENT CORPORATION
MAYNARD, MASSACHUSETTS

PARTS LIST

QUANTITY / VARIATION

MADE BY J.Dzekevich DATE 7-21-75			CHECKED DATE 7/21/75	SECTION													
ENG J.Dzekevich DATE 7-21-75			PROD D. Wakefield DATE	ISSUED SECT.		LK40-0	LK40-A	LK40-B	LK40-C	LK40-D							
ITEM NO.	DWG NO.	PART NO.	DESCRIPTION														
1	D-DD-LK40-0		LK40 Engineering Drawings			1	1	1	1	1							
2	B-DD-DL11-0		DL11 Engineering Drawings			-	-	1	-	1							
3	DL11-A		DL11-A Module (No Crystal)			-	-	1	-	1							
TITLE Shipping List (LK40)			ASSY NO LK40-0-0			SIZE	CODE		NUMBER			REV.	ECO NO.				
						A	PL		LK40-0-1			A	LK40-00009				
			SHEET 1 OF 1			DIST.											