

**TU56
DECtape transport
engineering drawings**

MASTER DRAWING LIST

MAINTENANCE MANUALS		UNIT VARIATIONS										
		TU56	TU56C	TU56-E	TU56-FC	TU56-M	TU56-MC	TU56-MD	TU56-ME	TU56-MI	TU56-MR	
NO.	TITLE											
DEC-00-HRTB-D	TU56	X	X	X	X	X	X	X	X	X	X	

USED ON OPTIONS											

REV.	DATE	CHG. NO.	APP'D.	DRN.	DATE	EQUIPMENT CORPORATION			
						MAYNARD, MASSACHUSETTS			
AF	3/72	TU56-67	<i>[Signature]</i>	K. GULICK	7/69	TU56 DECTAPE			
AH	5/72	TU56-68	H. D.	D. HEALY	8/69				
AJ	5/72	TU56-70	H. D.	ENG. VAILLANT	8/69				
AK	6/72	TU56-71	H. D.	PROJ. ENR. LUTTIG	8/69				
AL	6/72	TU56-72		PROD. TOMPKINS	8/69				
AM	7/72	TU56-72		FIRST USED ON					
AN	3/73	TU56-76		TU56					
	4/73	TU56-77		SCALE	NONE				
				SHEET	1 OF 2				
				SIZE	A ML				
				NUMBER	TU56- <i>β</i>				
				REV.	AN				

DRA 131
Dec 16-(325)-1048-N471

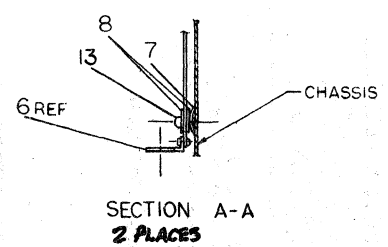
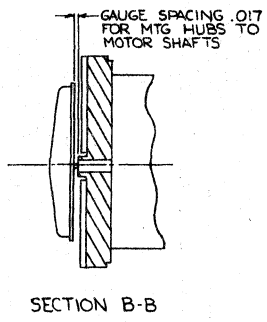
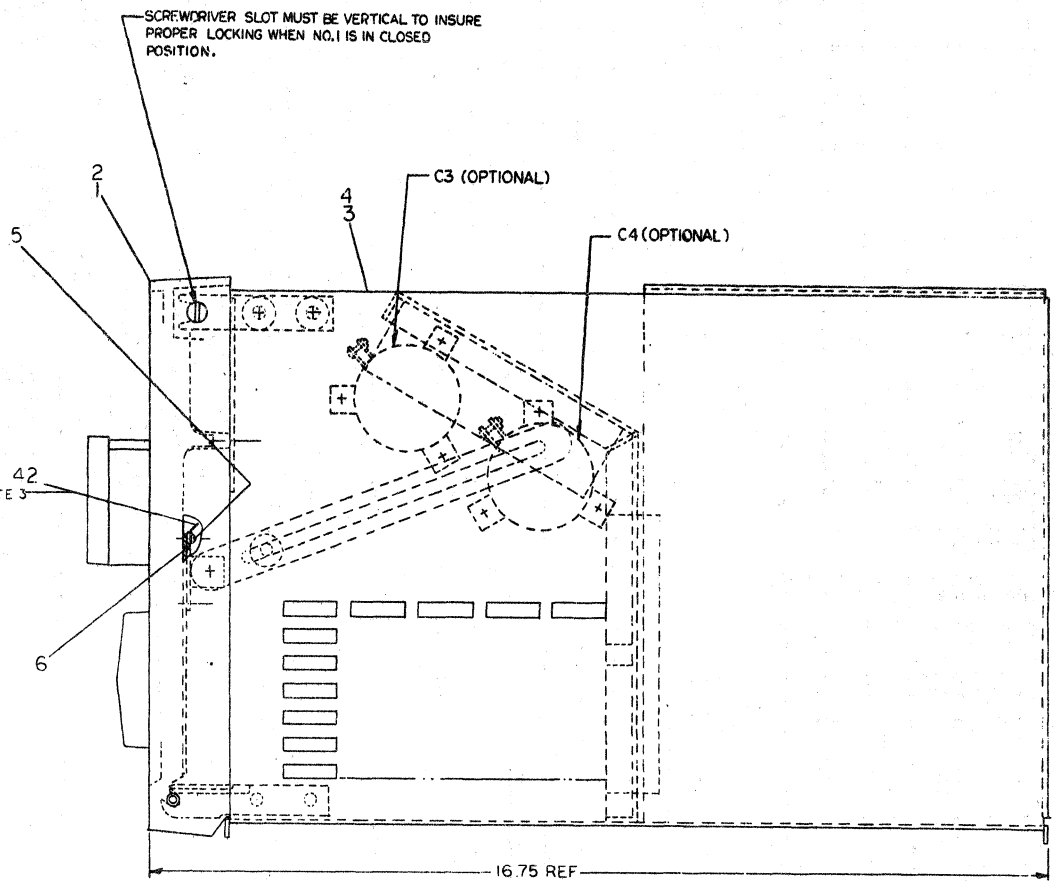
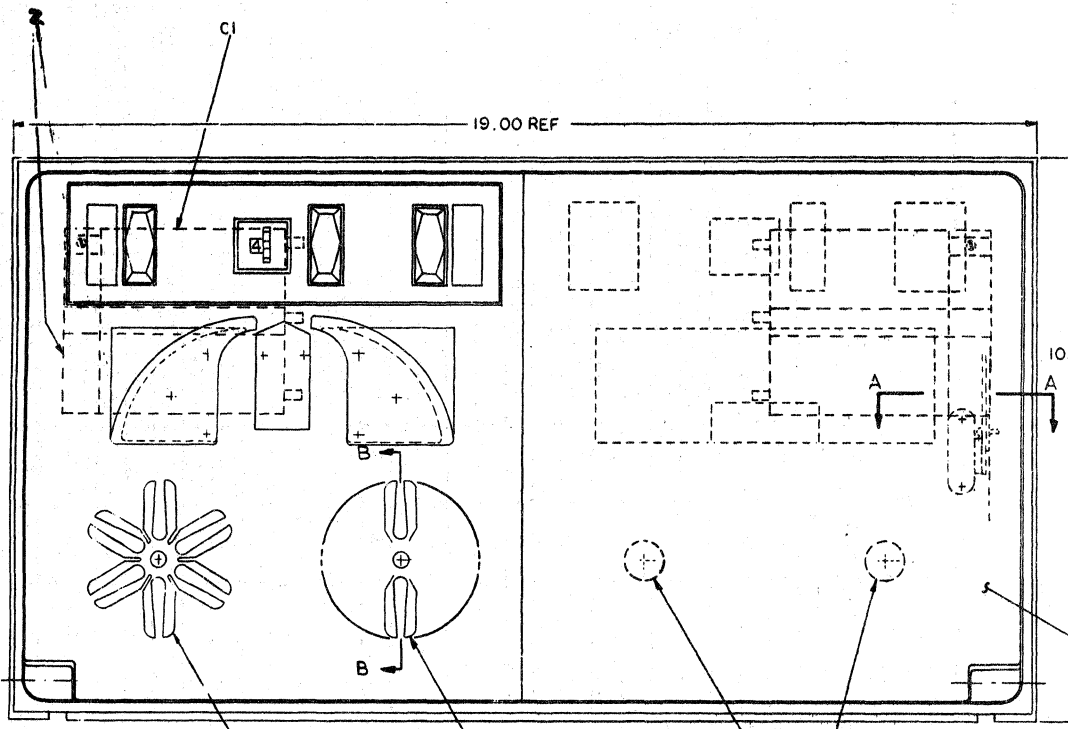
PRINT SET						DWG. NO.	REV. LET.	NO. OF SHEETS	TITLE	OPTION NO.
TU56										
X						E-UA-TU56-0-0	M	2	TU56 ASSEMBLY	
X						A-PL-TU56-0-0	M	3	TU56 ASSEMBLY (PARTS LIST)	
X						D-DI-TU56-0-1	P	1	DRAWING INDEX LIST TU56	
X						K-WL-TU56-0-2	D	1	TU56 DEC TAPE	
X						D-MU-TU56-0-MU	H	1	MODULE UTILIZATION TU56	
X						A-PL-TU56-0-MU	H	1	MODULE UTILIZATION TU56 (PARTS LIST)	
X						D-BS-TU56-0-TLD	L	2	TRANSPORT LOGIC DIAGRAM	
X						D-AD-7006321-0-0	E	1	WIRED ASSY TU56	
X						A-PL-7006321-0	E	1	WIRED ASSY TU56 (PARTS LIST)	
X						A-AL-TU56-0-5	E	1	ACCESSORY LIST	
						A-SP-TU56-0-3	A	5	TU56 SKEW CHECK & HEAD SHIMMING PROC.	
						A-SP-TU56-0-4		6	TU56 CHECKOUT PROCEDURE	
						A-SP-TU56-0-6		3	ACCEPTANCE PROCEDURE	
X						B-CS-G859-0-1	#	1	CLOCK REGULATOR	
X						B-CS-G851-0-1	#	1	RELAY	
X						B-CS-G888-0-1	#	1	MANCHESTER READER/WRITER	
X						B-CS-M302-0-1	#	1	ONE SHOT DELAY	
X						B-CS-G847-0-1	#	1	DUAL MOTOR VOLTAGE CONTROL	
X						B-CS-G848-0-1	#	1	MOTOR DRIVER	
X						D-AD-5408500-0-0	#	1	SWITCH CONTROL PANEL (TU56)	
X						A-PL-5408500-0-0	#	1	SWITCH CONTROL PANEL (PARTS LIST)	
X						E-AD-7006320-0-0	#	2	PANEL FRONT ASSY	
X						A-PL-7006320-0-0	#	2	PANEL FRONT ASSY (PARTS LIST)	

TITLE TU56 DECTAPE	SHEET 2 OF 2	SIZE A ML	NUMBER TU56- <i>β</i>	REV. AN
-----------------------	--------------	-----------	-----------------------	---------

DRA 132
DEC 16-(325)-1048-1-N471

LEGEND	
NUMBER	VARIATION
TU56-H	AS SHOWN (1/2 UNIT)
TU56	DOUBLE UNIT
TU56-C	DOUBLE UNIT
TU56-HC	AS SHOWN (1/2 UNIT)
TU56-M	DOUBLE UNIT
TU56-MC	DOUBLE UNIT
TU56-MD	AS SHOWN (1/2 UNIT)
TU56-MH	AS SHOWN (1/2 UNIT)
TU56-MJ	AS SHOWN (1/2 UNIT)
TU56-MR	DOUBLE UNIT

NOTES:
 1 FOR DRAWING INDEX LIST REFER TO DRAWING D-01-TU56-0-1
 2 ITEMS 36 & 37 ARE TO BE USED FOR MTG OF UNIT ASSY IN H930 CABINET. ITEM 35 TO BE USED FOR MTG IN TUBULAR STYLE CAB
 3 GROUND WIRE WILL BE PROVIDED WITH WIRES TO MOTOR #4 AND RUN FROM LV: ON LOGIC M78 B.R TO ITEM 42.



REV	DESCRIPTION	DATE	BY	CHKD
1	TU56-00012 A	2-2-74
2
3
4
5
6
7
8
9
10
11
12
13
14
15
16
17
18
19
20
21
22
23
24
25
26
27
28
29
30
31
32
33
34
35
36
37
38
39
40
41
42
43
44
45
46
47
48
49
50

TOLERANCES DECIMALS
 XXX ± .005
 XX ± .02
 X ± .1

QUANTITY	DESCRIPTION	PART NO.	ITEM NO.
1	TU56-H		

UNLESS OTHERWISE SPECIFIED
 DIMENSIONS IN INCHES
 FINISH: FINE SURFACE QUALITY / REMOVE BURRS AND BREAK SHARP CORNERS

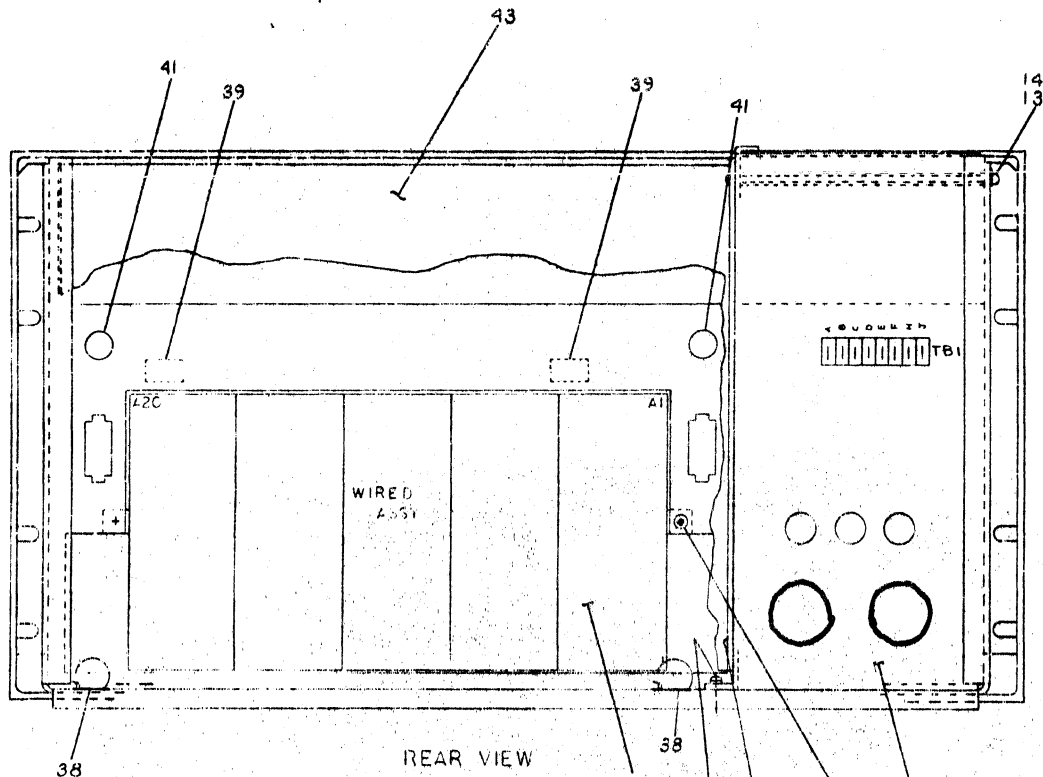
TU56 ASSEMBLY

SCALE: 1/1
 DATE: 1/21/74

TU56-0-0

NOTES:

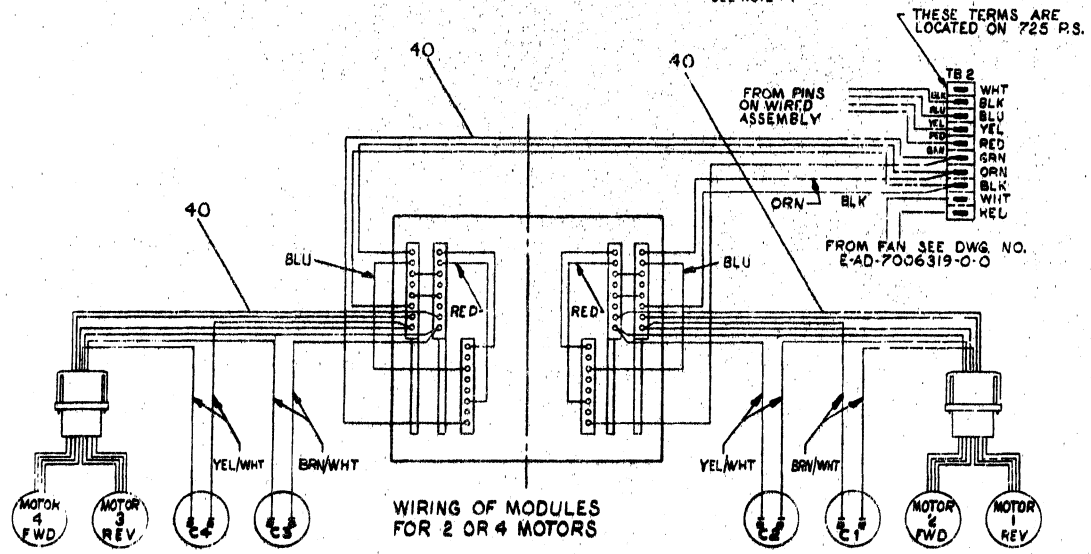
1. MOTORS SUPPLIED WITH WIRES PART NO. 33 TO BE CRIMPED ON WIRE AND INSERTED INTO PART NO. 30 AT ASSEMBLY.
2. ASTERISK INDICATES WIRES TO BE SOLDERED IN PLACE AT POINT INDICATED.
3. ITEM NO. 24 NOT SHOWN WHERE REQUIRED.
4. SCREWS (2) HOLD ITEM 43. SHIPPING BRACKET WHEN BRACKET IS REMOVED AFTER SHIPMENT. REPLACE SCREWS.



REAR VIEW

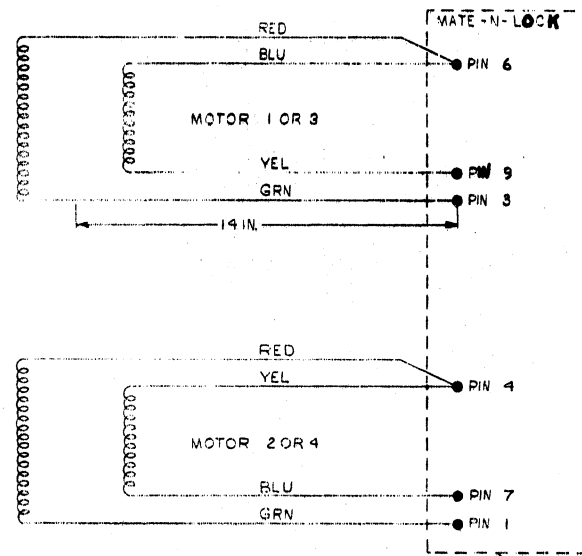
SEE NOTE #4

THESE TERMS ARE LOCATED ON 725 P.S.



WIRING OF MODULES FOR 2 OR 4 MOTORS

MOTOR WIRING DIAGRAM



THE LETTER "F" IS TO BE MARKED ON THE BACK OF MOTORS 2 & 4 WHEN ASSEMBLED

30

QTY.	DESCRIPTION	PART NO.	REV.
	GULICK	2-49	
	NEALY	3-50	
	VAILLANT	3-50	
	TOTTIG	3-56	
	TOMPKINS	3-56	
	EQUIPMENT CORPORATION		
	TU56 ASSEMBLY		
	SCALE	NONE	
	SHEET	2 OF 2	

EUA-TU56-0-0-N

DIGITAL EQUIPMENT CORPORATION
MAYNARD, MASSACHUSETTS

PARTS LIST

MADE BY KEN GULICK	CHECKED D. HEALEY	SECTION
DATE 8/6/69	DATE 8/18/69	1
ENG C. VALLIANT	PROD C. TOMPKINS	ISSUED SECT.
DATE 8/26/69	DATE 8/26/69	1

QUANTITY / VARIATION

ITEM NO.	DWG NO. / PART NO.	DESCRIPTION	TU56-H	TU56	TU56-M	TU56-MR	TU56-HC	TU56-C	TU56-MD	TU56-MC	TU56-MH	TU56-MJ
			1	E-AD-7006320-1-0	PANEL FRONT ASSEMBLY	1	-	-	-	1		1
2	E-AD-7006320-2-0	PANEL FRONT ASSEMBLY	-	1	1	1		1		1	-	-
3	E-AD-7006319-1-0	CHASSIS ASSEMBLY	1	-	-	-	1		1		1	1
4	E-AD-7006319-2-0	CHASSIS ASSEMBLY	-	1	1	1		1		1	-	-
5	9006070-1	SCR PAN 10-32 x 3/8 LG SST	4	4	4	4	4	4	4	4	4	4
6	1209600	LID SUPPORT #43067 CHANDLER & FARQUHAR	2	2	2	2	2	2	2	2	2	2
7	9008135	WASH CURVED #U250-0075 ASSOC SPR	2	2	2	2	2	2	2	2	2	2
8	9008146	WASH FLAT .630.D.X.23I.D.X.048 THK SST	4	4	4	4	4	4	4	4	4	4
9	D-AD-7006321-0-0	WIRED ASSY TU56	1	1	1	1	1	1	1	1	1	1
10	9006075-1	SCR PHL HD PAN #10-32 X 3/4 LG SST	2	2	2	2	2	2	2	2	2	2
11	9006565	NUT KEPS #10-32	6	2	2	2	6	2	6	2	6	6
12	D-UA-725-0-0	POWER SUPPLY 725	1	1	1	1	1	1	1	1	1	1
13	9006021-1	SCR PHL HD PAN 6-32 X 5/16 LG SST	5	5	5	5	5	5	5	5	5	5
14	9007651	WASH EXT TOOTH #6 HOLE	3	3	3	3	3	3	3	3	3	3
15	9007917	CONN SOLDERLESS #50902 ARKLESS	32	64	64	64	32	64	32	64	32	32
16	9007193	CONN SOLDERLESS #3000541B	3	6	6	6	3	6	3	6	3	3
17	9107360-55	WIRE #18 AWG STRD TEFLON INS (GRN)	AR	AR			AR	AR	AR	AR	AR	AR
18	9107360-33	WIRE #18 AWG STRD TEFLON INS (ORN)	AR	AR			AR	AR	AR	AR	AR	AR
19	9107360-48	WIRE #18 AWG STRD TEFLON INS (RED)	AR	AR			AR	AR	AR	AR	AR	AR
20	9107360-00	WIRE #18 AWG STRD TEFLON INS (BLK)	AR	AR	AR	AR	AR	AR	AR	AR	AR	AR
21	9107360-66	WIRE #18 AWG STRD TEFLON INS (BLU)	AR	AR								
22	9107360-22	WIRE #18 AWG STRD TEFLON INS (RED)	AR	AR								

TITLE	TU56 ASSEMBLY	ASSY NO.	E-UA-TU56-0-0	SIZE	CODE	NUMBER	TU56-0-0	REV.	ECO NO.
		SHEET	1 OF 3		A PL			M	TU56-00072
				DIST.					

DEC FORM NO.16-1031

DIGITAL EQUIPMENT CORPORATION
MAYNARD, MASSACHUSETTS

PARTS LIST

MADE BY KEN GULICK	CHECKED D. HEALEY	SECTION
DATE 8/6/71	DATE 8/19/71	1
ENG C. VALLIANT	PROD E. R. TOMPKINS	ISSUED SECT.
DATE 8/26/69	DATE 8/26/69	1

QUANTITY / VARIATION

ITEM NO.	DWG NO. / PART NO.	DESCRIPTION	TU56-H	TU56	TU56-M	TU56-MR	TU56-HC	TU56-C	TU56-MD	TU56-MC	TU56-MH	TU56-MJ
			23	9007430-56	WIRE #18 AWG TWP TEF INS BLU/GRN	AR	AR					
24	9007031	TIE WRAP #33T-18 PANDUIT	AR	AR			AR	AR	AR	AR	AR	AR
25	D-IA-7407534-0-0	COVER PLATE - HALF	1	-	-	-	1		1		1	1
26	C-IA-7405152-1-0	INFO CABLE	1	1	1	1					1	1
27	D-IA-7006223-0-0	INTERCONNECTION CABLE	1	1	1	1					1	1
28	D-UA-BC02X-3-0	CABLE RIBBON M908-M908	1	1	1	1					1	1
29	7006697	TU56 MOTOR CONNECTOR CABLE	1	1			1	2	1	2		
30	1209351-09	MATE-N-LOCK SOCKET HOUSING (9 PIN)	1	2	2	2	1	2	1	2	1	1
31	7006695	TU56 CARD CONNECTOR CABLE (R)	0	1			1			1		
*	D-IA-7006412-0-0	OPTION CABLE TU56	1	1	1	1				1	1	1
32	7006696	TU56 CARD CONNECTOR CABLE (L)	1	1			1	1	1	1		
33	1209378	PIN, CONNECTOR	8	16	16	16	8	16	8	16	8	8
34**	C-IA-7408007-0-0	BRACKET, RT, ANGLE SUPPORT	2	2	2	2			2	2	2	2
35**	E-IA-7408009-0-0	SPACER, MTG BRACKET	1	1	1	1			1	1	1	1
36**	C-MD-7408322-0-0	SPACER BLOCK	2	2	2	2	2	2	2	2	2	2
37**	C-MD-7408321-0-0	MOUNTING BRACKET	1	1	1	1	1	1	1	1	1	1
38	9008340-0	DEK LASP PVC HARNESS CLASP (DK 1/2-375F)	2	2	2	2	2	2	2	2	2	2
39	9008341-0	DEK LASP PVC HARNESS CLASP (DK -188F)	2	2	2	2	2	2	2	2	2	2
40	7006981-0-0	TU56 WIRING HARNESS	1	1	1	1	1	1	1	1	1	1
41	9007016	GROMMET	2	2	2	2	2	2	2	2	2	2
42	9008150	LUG #10 COPPER, TIN PLATED	1	1	1	1	1	1	1	1	1	1
REF	E-AD-7008487-2	TABLE TOP COVER ASSY. (TDCOV KIT)										1

TITLE	TU56 ASSEMBLY	ASSY NO.	E-UA-TU56-0-0	SIZE	CODE	NUMBER	TU56-0-0	REV.	ECO NO.
		SHEET	2 OF 3		A PL			M	
				DIST.					

DEC FORM NO.16-1031
DRA 110

DIGITAL EQUIPMENT CORPORATION

MAYNARD, MASSACHUSETTS

PARTS LIST

MADE BY KEN GULICK	CHECKED D. HEALEY	SECTION
DATE 8/6/69	DATE 8/19/69	
ENG C. VALLIANT	PROD E. R. TOMPKINS	ISSUED SECT.
DATE 8/26/69	DATE 8/26/69	

QUANTITY / VARIATION

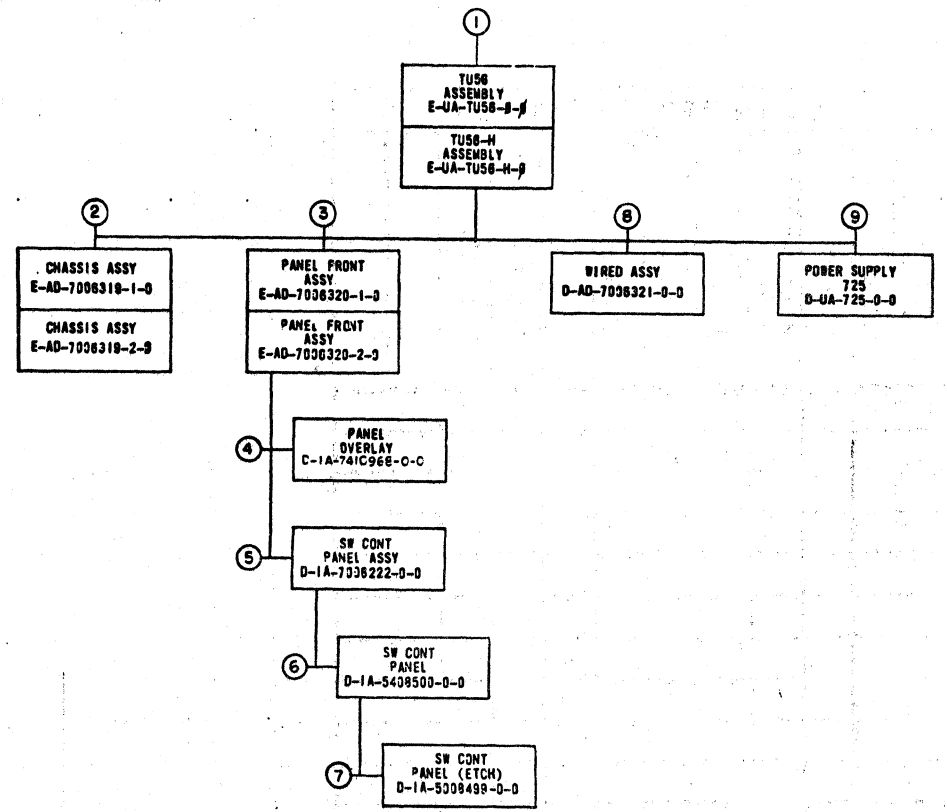
TU56-H	TU56	TU56-M	TU56-MR	TU56-HC	TU56-C	TU56-MD	TU56-MC	TU56-MH	TU56-MJ			
1	1	1	1	1	1	1	1	1	1			
1	2	2	2	1	2	1	2	1	1			

ITEM NO.	DWG NO. / PART NO.	DESCRIPTION
43	C-1A-7408211-0-0	SHIPPING BRACKET
44	1209331	DECTAPE TAKE-UP REEL
*	IF CABLE ITEM #26 IS NOT USED REPLACE WITH CABLE THAT IS	ASTERISKED
	SEE D-MU-TU56-Ø-MU	
**	USE THIS PART WHEN MTR UNIT IN CAB M950	
***	USE THIS PART WHEN MTR UNIT IN TUBULAR STYLE CABINETS	

TITLE TU56 ASSEMBLY	ASSY NO. E-UA-TU56-Ø-Ø	SIZE CODE A	CODE PL	NUMBER TU56-Ø-Ø	REV. M	ECO NO.
	SHEET 3 OF 3	DIST.				

This drawing and its specifications, herein, are the property of Digital Equipment Corporation and shall not be reproduced or copied or used in whole or in part as the basis for the manufacture or sale of items without written permission.

MECHANICAL			DEPT USAGE			ELECTRICAL			DEPT USAGE		
FIND NO	DESCRIPTION	PART NO.	PROJ	QTY	F C	FIND NO	DESCRIPTION	PART NO.	PROJ	QTY	F C
1.	TU56 ASSEMBLY	D-UA-TU56-8-8				1.	TU56	A-ML-TU56-8			
	TU56 ASSEMBLY	A-PL-TU56-8-8					MODULE UTILIZATION (TU56)	D-MU-TU56-8-MU			
	CABLE RIBBON 4878-4878	D-UA-BC82X-3-8					MODULE UTILIZATION (TU56) (PL)	A-PL-TU56-8-MU			
	HALF COVER PLATE (TU56-H)	D-1A-7407534-0-0					TRANSPORT LOGIC DIAGRAM	D-BS-TU56-8-TLO			
	INFO CONN	C-1A-7405152-1-0					TU56 DEC TAPE	R-PL-TU56-8-2			
	INTERCONNECTION CABLE TU56	C-1A-7008223-0-0					ACCESSORY LIST	A-AL-TU56-8-5			
	OPTIONAL CABLE TU56	D-1A-7008412-0-0					ACCEPTANCE PROCEDURE	A-SP-TU56-8-6			
	MOUNTING BRACKET	C-MD-7408321-0-0									
	SPACER BLOCK	C-MD-7408322-0-0									
	WIRING HARNESS	E-1A-7006981-0-0				2.	CHASSIS ASSY	E-AD-7006319-1-0			
	PACKAGING INSTRUCTION TU56 CUSTOMER	A-PI-3700022-0-0					CHASSIS ASSY	E-AD-7006319-2-0			
	PACKAGING INSTRUCTION TU56 INTERPLANT	A-PI-3700063-0-0									
	SHIPPING BRACKET	C-1A-7408211-0-0				3.	FRONT PANEL ASSY	E-AD-7006320-1-0			
	ILL. REQUIREMENTS	A-SP-7665116-0-0					FRONT PANEL ASSY	E-AD-7006320-2-0			
2.	CHASSIS ASSY (TU56)	E-AD-7006319-1-0									
	CHASSIS ASSY (TU56-H)	E-AD-7006319-2-0									
	SCREEN FAN	C-MD-7404991-0-0				6.	CIRCUIT SCHEMATIC	C-CS-5408500-0-1			
	CHASSIS ASSY (PL)(TU56)	A-PL-7006319-1-0									
	CHASSIS ASSY (PL)(TU56-H)	A-PL-7006319-2-0				9.	WIRED ASSY TU56	D-AD-7006321-0-0			
	CHASSIS	E-1A-7407391-0-0					WIRED ASSY TU56	A-PL-7006321-0-0			
	LOCK, PANEL	C-MD-7407399-0-0				9.	CIRCUIT SCHEMATIC 725	C-CS-725-0-0			
3.	PANEL FRONT ASSY (TU56)	E-AD-7006320-1-0									
	PANEL FRONT ASSY (TU56-H)	E-AD-7006320-2-0									
	PANEL FRONT ASSY (PL)(TU56)	A-PL-7006320-1-0									
	PANEL FRONT ASSY (PL)(TU56-H)	A-PL-7006320-2-0									
	PANEL, MTG	E-MD-7407395-0-0									
	TAPE GUIDE (R.H.)	C-MD-7407283-1-0									
	TAPE GUIDE (L.H.)	C-MD-7407283-2-0									
	COVER PLATE (R.H.)	C-MD-7407282-1-0									
	COVER PLATE (L.H.)	C-MD-7407282-2-0									
	WEAR PLATE (R.H.)	C-MD-7405114-1-0									
	WEAR PLATE (L.H.)	C-MD-7405114-2-0									
	REAR CHECK TAPE GUIDE (L.H.)	C-MD-7405136-1-0									
	REAR CHECK TAPE GUIDE (R.H.)	C-MD-7405136-2-0									
	PIN LOCK	B-MD-7407420-0-0									
	HUB ASSY 6PT CONTACT	C-1A-7407390-0-0									
	HUB GAUGE	C-1A-7406010-0-0									
	GUARD PLATE	C-MA-7408287-0-0									
4.	PANEL OVERLAY	D-1A-7410968-0-0									
	SILK SCREEN (WHITE)	C-SS-7410968-0-1									
	SILK SCREEN (BLACK)	C-SS-7410968-0-2									
5.	SWITCH CONTROL PANEL ASSY	D-1A-7006222-0-0									
6.	SWITCH CONTROL PANEL	D-1A-5408500-0-0									
7.	SWITCH CONTROL PANEL (ETCH)	D-1A-5008498-0-0									
8.	WIRED ASSY	D-AD-7006321-0-0									
	WIRED ASSY TU56 (PL)	A-PL-7006321-0-0									
	MTG BAR (5 BLOCKS) TU56	C-1A-7407393-0-0									
9.	POWER SUPPLY 725	D-UA-725-0-0									
	POWER SUPPLY 725 (PL)	A-PL-725-0-0									



REV	CHG	NO	DATE	BY	APP	DESCRIPTION
1						
2						
3						
4						
5						
6						
7						
8						
9						
10						
11						
12						
13						
14						
15						
16						
17						
18						
19						
20						
21						
22						
23						
24						
25						
26						
27						
28						
29						
30						

FIRST USED OR OPTION MODEL		QTY.		DESCRIPTION		PART NO.		ITEM NO.	
TU56									
UNLESS OTHERWISE SPECIFIED				PARTS LIST					
DIMENSION IN INCHES				EQUIPMENT CORPORATION					
TOLERANCES				MAYNARD MASSACHUSETTS					
DECIMALS FRACTIONS ANGLES				TITLE					
± .005 ± .010 ± .030				DWG INDEX LIST					
FINAL SURFACE QUALITY REMOVE BURRS AND BEVEL SHARP CORNERS				TU56					
MATERIAL				SCALE					
FINISH				SHEET OF					
				DIST. C					

DWG INDEX LIST
 TU56
 SHEET 0-1

DRWG NO

REVLTR

K-WL-TU56-0-2

D

REVISIONS			
REV LTR	ECO NO	DATE	ENG
A	TU56-00005	12-8-69	E.L.
B	00009	1-30-70	E.L.
C	TU56-00021	4-13-70	E.L.
D	TU56-00026	5-21-70	E.L.

FIRST USED ON OPTION/MODEL

TU56

DRAWN	DATE
GULICK	7-8-69
CHECKED	DATE
<i>D. Hooley</i>	8-20-69
ENG	DATE
<i>E. Lutting</i>	8/25/69
PROJ. ENG	DATE
<i>E. Lutting</i>	8/25/69
PROD	DATE
<i>E.R. Thompson</i>	8-21-69

digital
EQUIPMENT CORPORATION
MAYNARD, MASSACHUSETTS

TITLE

TU56
DEC TAPE

FOR TAPE* FILE*

NEXT HIGHER ASSY

TU56

SIZE CODE DWG NO.

K WL TU56-0-2

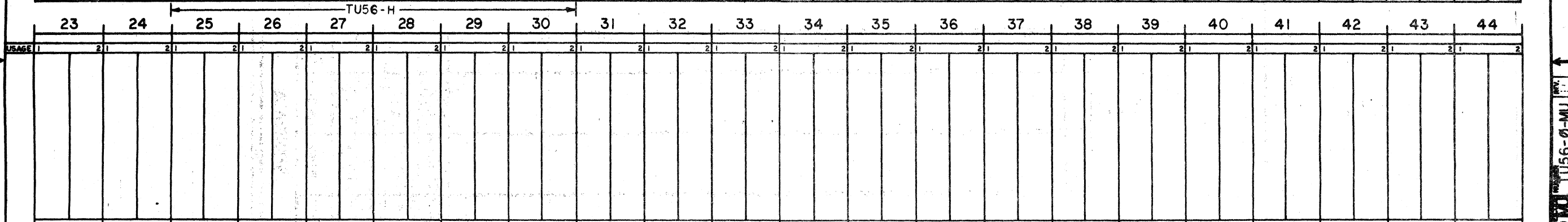
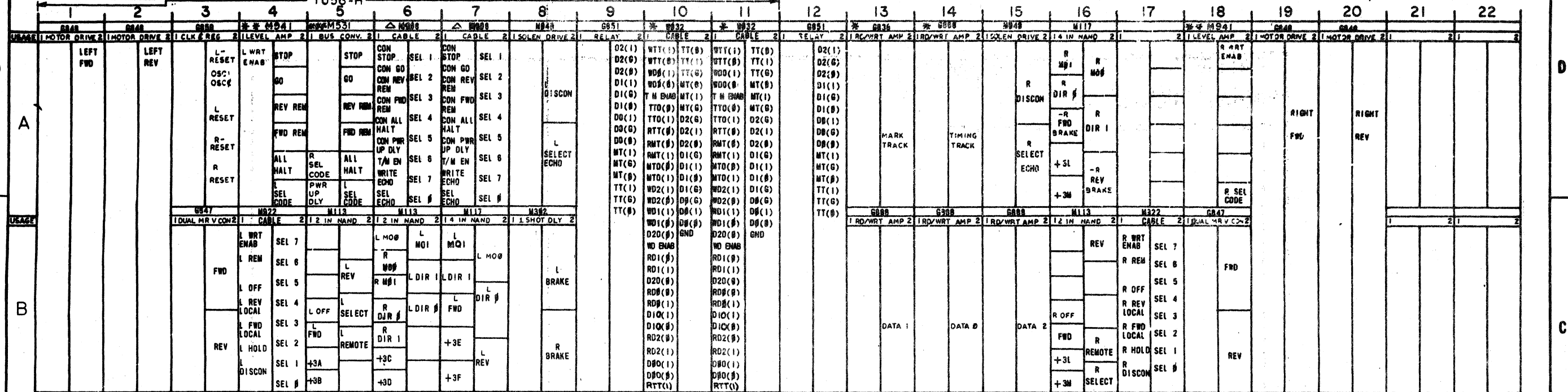
REV LTR

D

SCALE NONE SHEET 1 OF 1

DIST.

This drawing and construction details are the property of Digital Equipment Corporation and shall remain the property of Digital Equipment Corporation if removed or used in whole or in part on the basis of the manufacture of any of these without the prior permission.



* G888 READ/WRITE AMPLIFIERS ARE OFFERED AS A CUSTOMER OPT. FOR SPECIAL APPLICATIONS NOT REQUIRING A DECTAPE CONTROL. THE W032 CABLE MUST BE REPLACED WITH A M923 CABLE AS PART OF THIS OPTION. A TU56 INCLUDING THIS OPTION IS DESIGNATED ATU56M, AND ATU56H INCLUDING THIS OPTION IS DESIGNATED ATU56MH

REV.	CHG. NO.	DATE
1	TU56-00009	A
2	TU56-00026	B
3	TU56-00028	C
4	TU56-00044	D
5	TU56-00054	E
6	TU56-00067	F
7	TU56-00072	H
8	TU56-00072	H

△ IF CONN. TO ANOTHER TU56 USE CABLE *D-UA-BC02X-3-0. IF CONN. TO TU55 USE CABLE *D-1A-7006223-0-0

* * * THE M941 JUMPER MODULES ARE REPLACED WITH W513 LEVEL AMPLIFIER MODULES WHEN THE TU56 IS CONNECTED TO A RELAY DRIVER TYPE CONTROL.

*** G742 JUMPER CARD REPLACES M531 WHEN TU56 IS USED WITH POSITIVE OUTPUT LOGIC CONTROL

IF TU56 IS REQ'D USE ALL MODULES & CABLES SHOWN WITH THE EXCEPTION OF NOTES LISTED ABOVE. IF TU56-H IS REQ'D ONLY MODULES & CABLES IND. BY ARROWS ARE USED

FIRST USED ON OPTION/MODEL
TU56

DO NOT SCALE DRAWING UNLESS OTHERWISE SPECIFIED		DRN. <i>R. Rytzel</i>		DATE <i>7-24-69</i>	
TOLERANCES	ANGLES	CHK'D. <i>R. Rytzel</i>	DATE <i>7/1/69</i>	TITLE	
FILLET RADIUS	REMOVE BURRS AND BREAK SHARP CORNERS	ENG. <i>R. Rytzel</i>	DATE <i>6/1/69</i>	MODULE UTILIZATION	
MATERIAL		PROJ. ENG. <i>R. Rytzel</i>	DATE <i>6/1/69</i>	SIZE CODE	NUMBER
FINISH		PROD. <i>R. Rytzel</i>	DATE <i>6/1/69</i>	D MU	TU56-0-MU
				SHEET	1 OF 1

Digital Equipment Corporation
MAYNARD, MASSACHUSETTS

SCALE	SHEET	1 OF 1	DIST.		REV	H
-------	-------	--------	-------	--	-----	---

DIGITAL EQUIPMENT CORPORATION
MAYNARD, MASSACHUSETTS
PARTS LIST

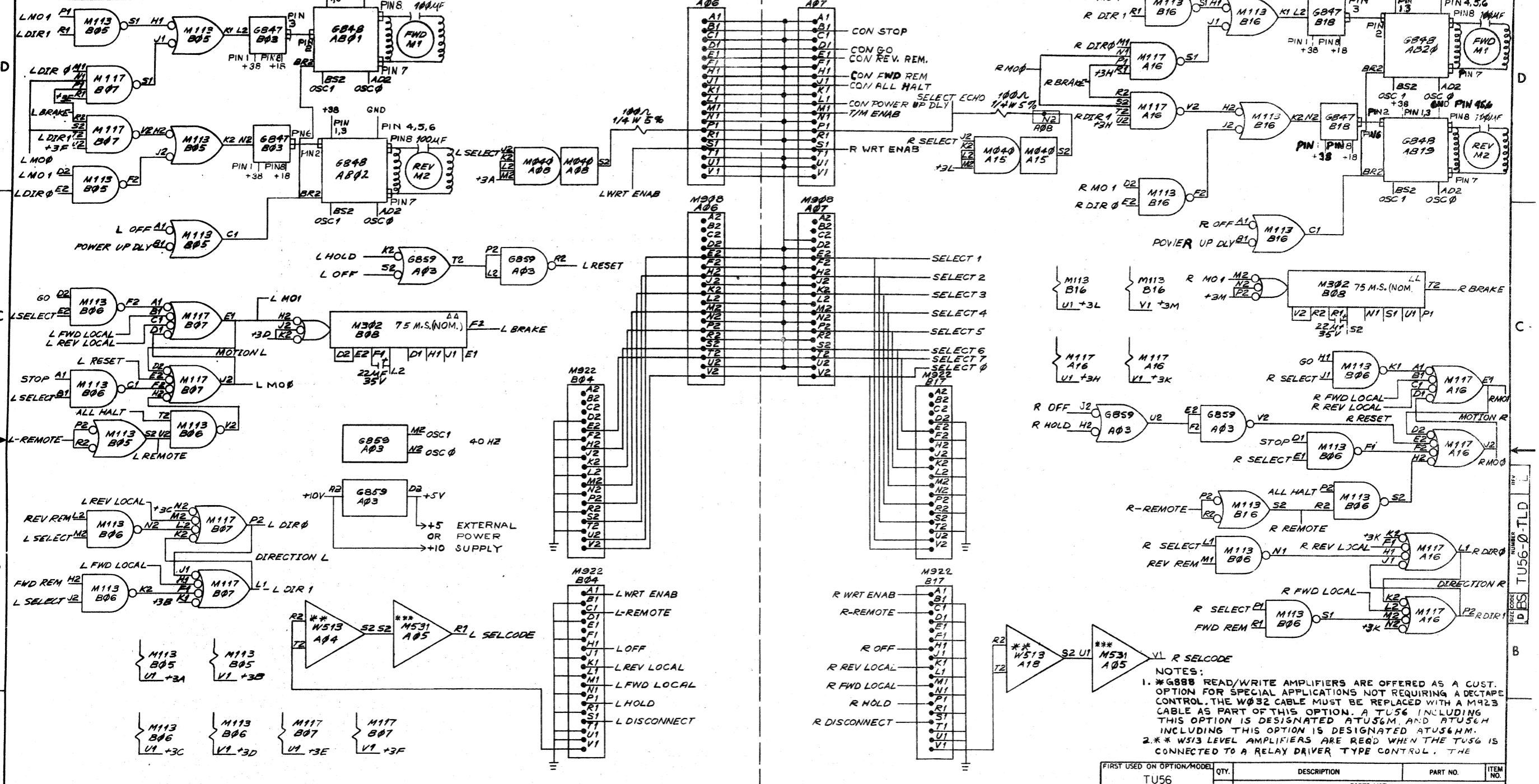
MADE BY R. RYTHER	CHECKED D. HEALY	SECTION
DATE 7/23/69	DATE 8/6/69	1
ENG <i>[Signature]</i>	PROD <i>[Signature]</i>	ISSUED SECT.
DATE 8/20/69	DATE 8/20/69	1

QUANTITY / VARIATION

ITEM NO.	DWG NO. / PART NO.	DESCRIPTION	TU56-Ø-MU	TU56-H-MU	TU56-M-MU	TU56-MH-MU	TU56-MR-MU	TU56-MJ-MU	TU56-C-MU	TU56-HC-MU	TU56-IC-MU	TU56-MD-MU		
	G859	CLOCK REGULATOR G859	1	1	1	1	1	1	1	1	1	1		
	W513	LEVEL AMPLIFIER W513*	2	1	2	1	2	1	0	0	0	0		
	M5Ø7	BUS CONVERTER M5Ø7	2	2										
	M531	NEGATIVE INPUT CONVERTER	1	1	1	1	1	1	0	0	0	0		
	MØ4Ø	SOLENOID DRIVER MØ4Ø	2	1	2	1	2	1	2	1	2	1		
	G851	RELAY G851	2	1	2	1	2	1	2	1	2	1		
	G888	MANCHESTER READER WRITER G888	0	0	5	5	5	5	0	0	5	5		
	M117	6-4 INPUT NAND GATES M117	2	1	2	1	2	1	2	1	2	1		
	M113	10-2 INPUT NAND GATES M113	3	2	3	2	3	2	3	2	3	2		
	M3Ø2	DUAL DELAY MULTIVIBRATOR M3Ø2	1	1	1	1	1	1	1	1	1	1		
	G848	MOTOR DRIVE	4	2	4	2	4	2	4	2	4	2		
	G847	DUAL MOTOR CON	2	1	2	1	2	1	2	1	2	1		
	M941	JUMPER/EXTENDER	2	1	2	1	2	1	2	1	2	1		
	G742	+ LOGIC JUMPER	1	1	1	1	1	1	1	1	1	1		
	* NOTE: SEE	D-MU-TU56-Ø-MU												

TITLE MODULE UTILIZATION LIST	ASSY NO D-MU-TU56-Ø-MU	SIZE A	CODE PL	NUMBER TU56-Ø-MU	RFV H	ECO NO. TU56-00072
	SHEET 1 OF 1	DIST.				

This drawing and specifications, herein, are the property of Digital Equipment Corporation and shall not be reproduced or copied or used in whole or in part as the basis for the manufacture or sale of items without written permission.



LEFT HAND TRANSPORT

REV	CHG	NO	DATE	BY	DESCRIPTION
1					
2					
3					
4					
5					
6					
7					
8					

RIGHT HAND TRANSPORT

CONT.

- W513 MODULES ARE REPLACED BY M941 JUMPER MODULES WHEN THE TU56 IS CONNECTED TO ANY OTHER DECTAPE CONTROL.
- ***G792 JUMPER CARD REPLACES M531 WHEN TU56 IS USED WITH POS OUTPUT LOGIC CONTROL.
- Δ+5V MUST BE SUPPLIED BY EXTERNAL PS WHEN G888'S ARE INSTALLED IN TU56.
- **W513 LEVEL AMPLIFIERS ARE REQ'D WHEN THE TU56 IS CONNECTED TO A RELAY DRIVER TYPE CONTROL. THE

FIRST USED ON OPTION/MODEL	QTY.	DESCRIPTION	PART NO.	ITEM NO.
TU56				

NOTES:

- *G888 READ/WRITE AMPLIFIERS ARE OFFERED AS A CUST. OPTION FOR SPECIAL APPLICATIONS NOT REQUIRING A DECTAPE CONTROL. THE W332 CABLE MUST BE REPLACED WITH A M923 CABLE AS PART OF THIS OPTION. A TU56 INCLUDING THIS OPTION IS DESIGNATED ATU56M, AND ATU56H INCLUDING THIS OPTION IS DESIGNATED ATU56HM.
- **W513 LEVEL AMPLIFIERS ARE REQ'D WHEN THE TU56 IS CONNECTED TO A RELAY DRIVER TYPE CONTROL. THE

REVISIONS	CHG	NO	DATE	BY	DESCRIPTION
1					
2					
3					
4					
5					
6					
7					
8					

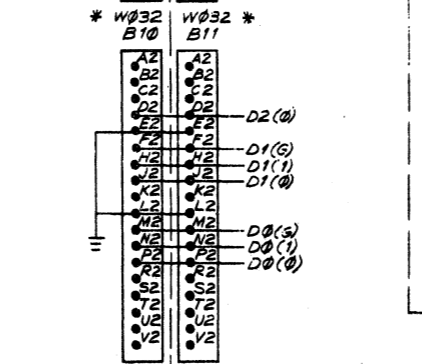
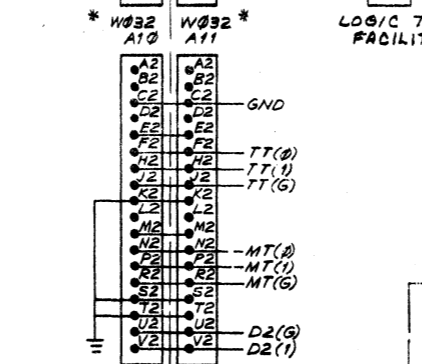
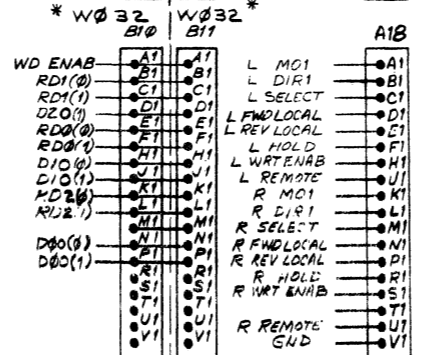
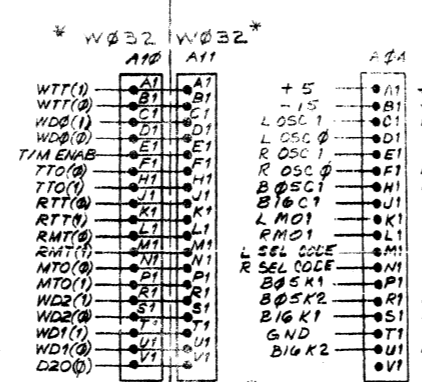
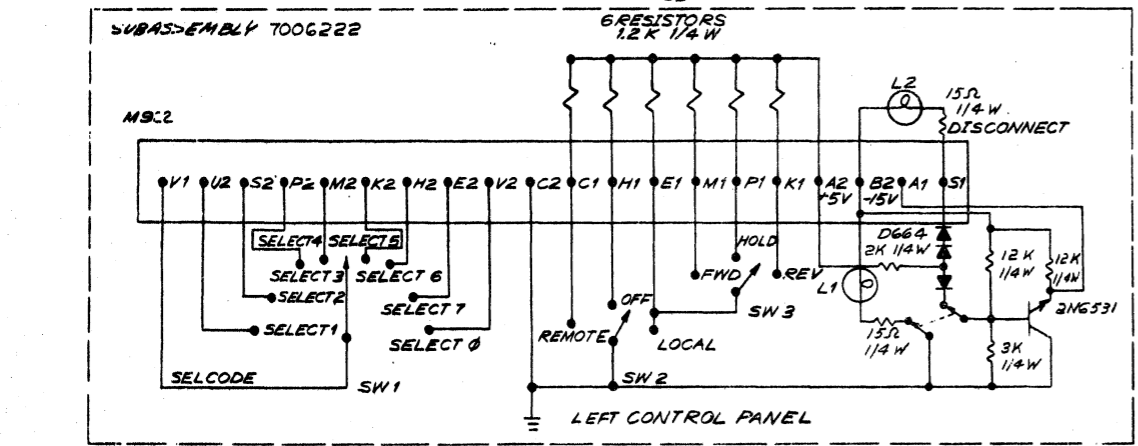
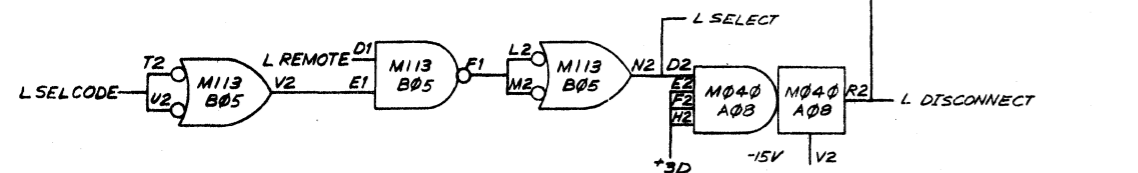
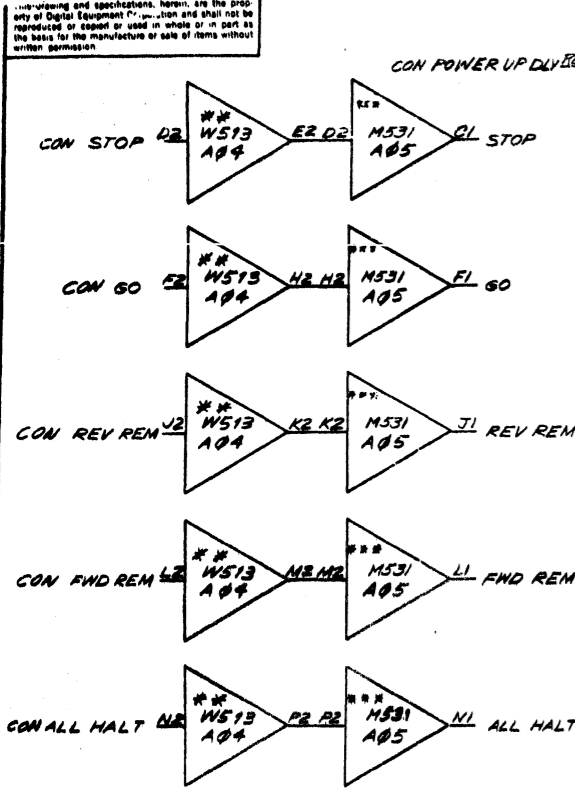
UNLESS OTHERWISE SPECIFIED	DRN	DATE	TITLE
DIMENSION IN INCHES	R. RAYNES	7-1-69	TRANSPORT LOGIC DIAGRAM
DECIMALS FRACTIONS ANGLES		8/3/69	
± .005 ± 1/64 ± 0°30'			
FINAL SURFACE QUALITY REMOVE BURRS AND BREAK SHARP CORNERS			
MATERIAL			
FINISH			

digital CORPORATION
 MAYNARD, MASSACHUSETTS

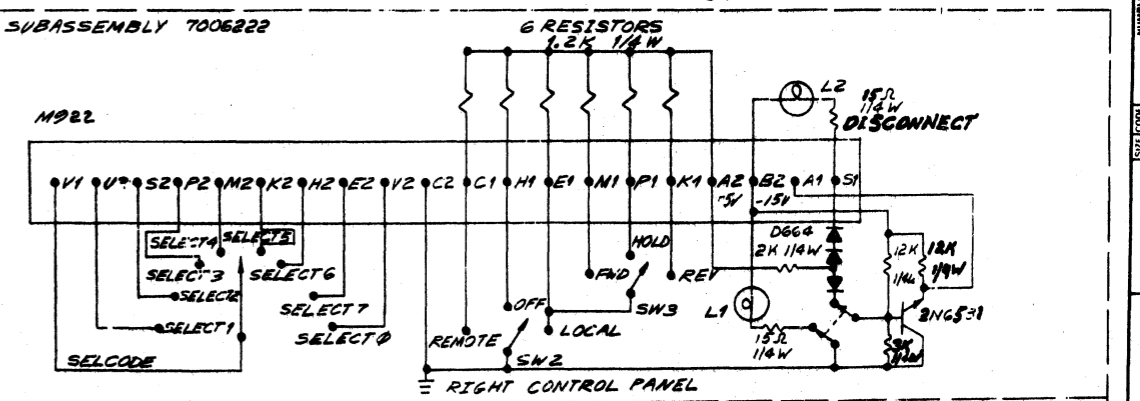
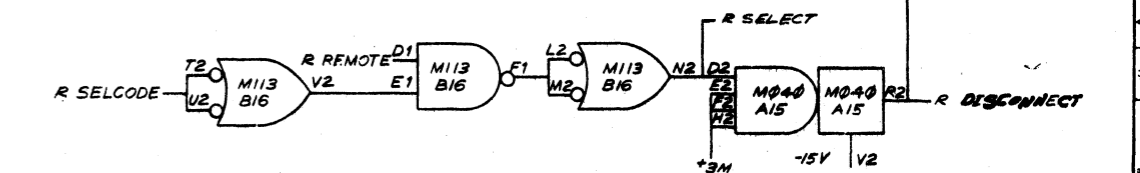
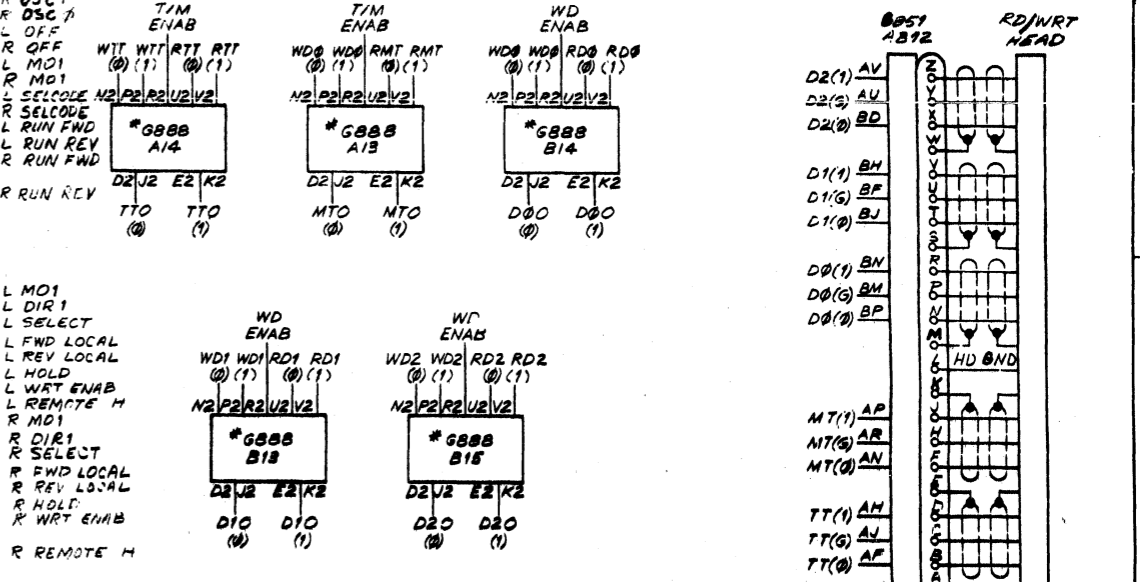
SIZE CODE: DBS TU56-0-TLD
 NUMBER: 1
 REV: L

SHEET 1 OF 2

Viewing and specifications herein are the property of Digital Equipment Corporation and shall not be reproduced or used in whole or in part in any form for the manufacture or sale of items without written permission.



NOTES:
 1. * G888 READ/WRITE AMPLIFIERS ARE OFFERED AS A CUSTOMER OPTION FOR SPECIAL APPLICATIONS NOT REQUIRING A DECTAPE CONTROL. THE W032 CABLE MUST BE REPLACED WITH A M923 CABLE AS PART OF THIS OPTION. ATU56 INCLUDING THIS OPTION IS DESIGNATED ATU56M, AND ATU56H INCLUDING THIS OPTION IS DESIGNATED ATU56HM.
 2. ** M513 LEVEL AMPLIFIERS ARE REQUIRED WHEN THE TU56 IS CONNECTED TO A RELAY DRIVER TYPE CONTROL. THE M513 MODULES ARE REPLACED BY M941 JUMPER MODULES WHEN THE TU56 IS CONNECTED TO ANY OTHER DECTAPE CONTROL.



LEFT HAND TRANSPORT RIGHT HAND TRANSPORT
 CONT.
 3. *** 0742 JUMPER CARD REPLACES M531 WHEN TU56 IS USED WITH POS OUTPUT LOGIC CONT.

REV	CHG	DATE	BY	DESCRIPTION	PART NO.	ITEM NO.
1		7-2-61	W. L. R.	DRY		
2		8-2-61	W. L. R.	CHG		
3		8-2-61	W. L. R.	CHG		
4		8-2-61	W. L. R.	CHG		
5		8-2-61	W. L. R.	CHG		
6		8-2-61	W. L. R.	CHG		
7		8-2-61	W. L. R.	CHG		
8		8-2-61	W. L. R.	CHG		
9		8-2-61	W. L. R.	CHG		
10		8-2-61	W. L. R.	CHG		

FIRST USED ON OPTION/MODEL		QTY.	DESCRIPTION	PART NO.	ITEM NO.
TU56					
PARTS LIST					
UNLESS OTHERWISE SPECIFIED: DIMENSION IN INCHES TOLERANCES DECIMALS FRACTIONS ANGLES = 000 ± 1/64 ± 0°05' FINAL SURFACE QUALITY REMOVE BURRS AND BREAK SHARP CORNERS					
MATERIAL					
FINISH					
NEXT HIGHER ASSY					
SCALE					
SHEET 2 OF 2					

digital CORPORATION MAYNARD, MASSACHUSETTS	
TITLE TRANSPORT LOGIC DIAGRAM	
REV. CODE DIBS	NUMBER TU56-0-TLD
REV. L	

REV	CHG	DATE	BY
1			
2			
3			
4			
5			
6			
7			
8			
9			
10			

This drawing and specifications, herein, are the property of Digital Equipment Corporation and shall not be reproduced or copied in whole or in part as the basis for the manufacture or sale of items without written permission.

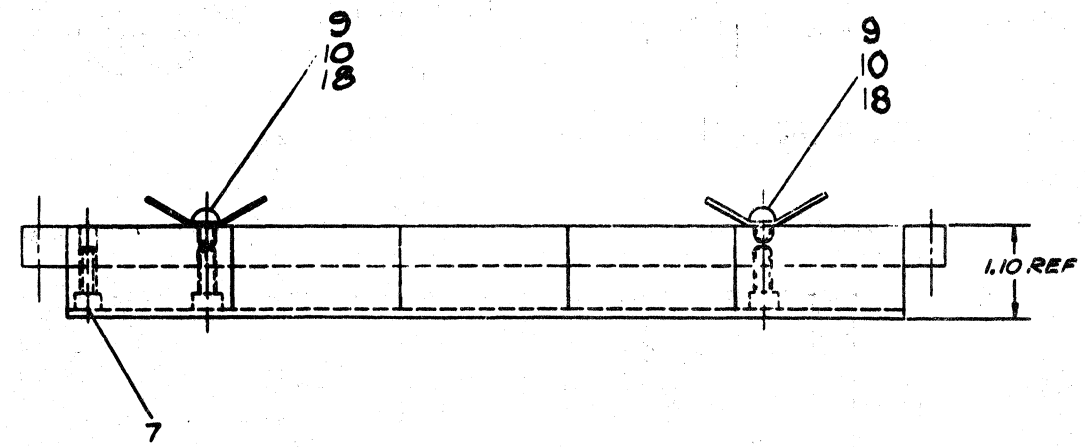
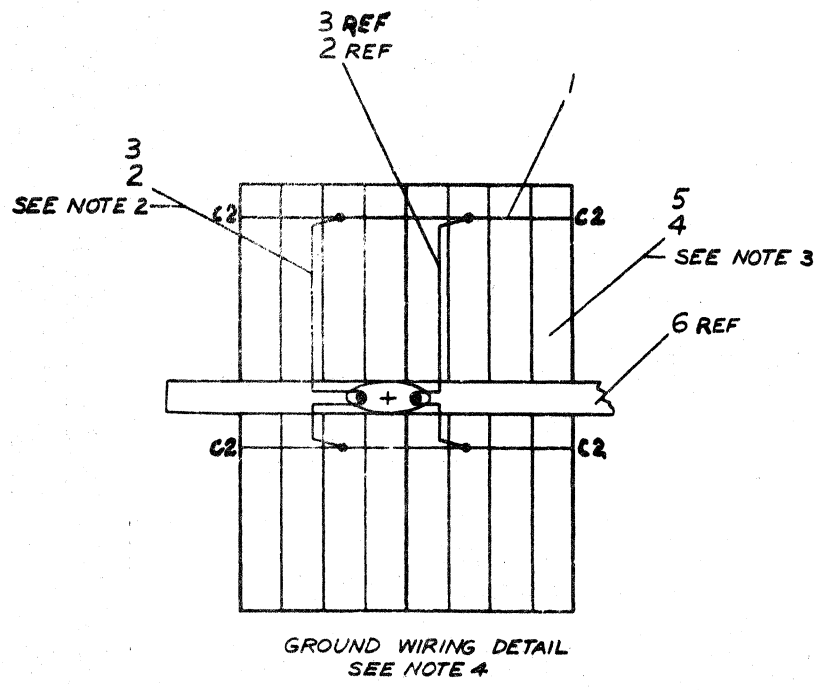
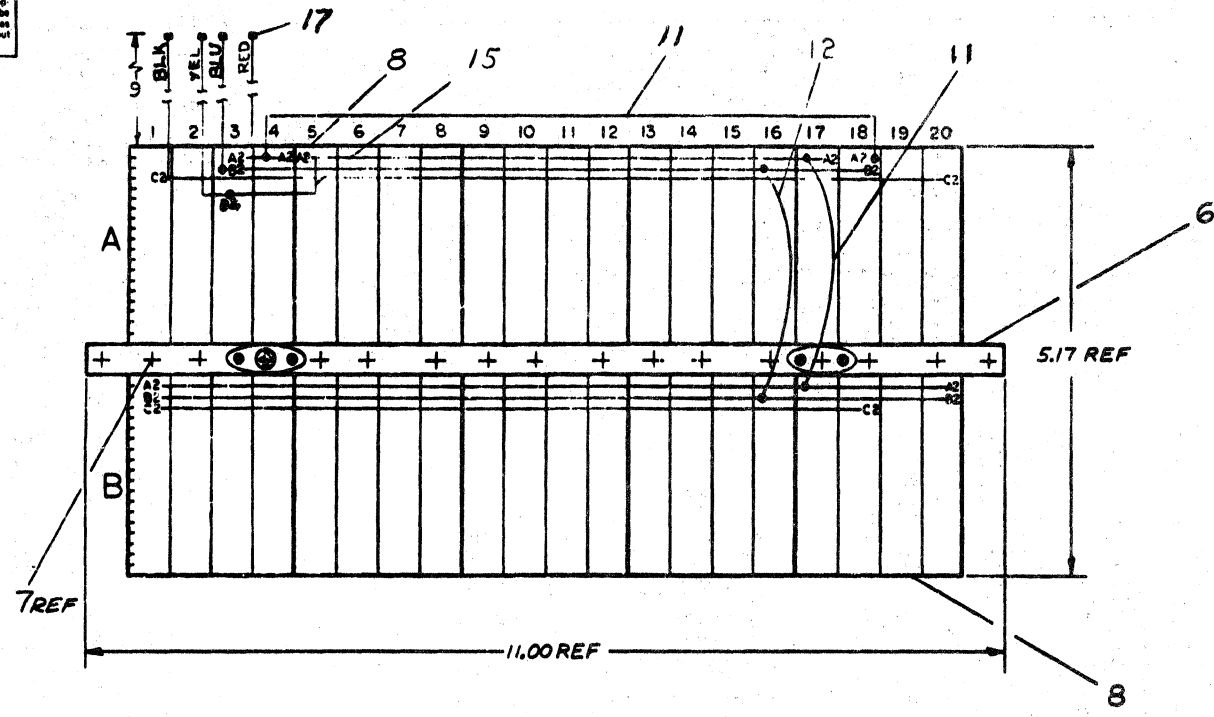
0-0-7289002
 1000 2215

EXTERNAL COMPONENT LIST

ITEM NO.	COMP	POL	FROM	TO	POL
13	RESISTOR	X	A08S2	A06P1	X
13	RESISTOR	-	A08N2	A07P1	-
14	CAPACITOR	-	B08F1	A08L2	+
14	CAPACITOR	-	B08R1	A08S2	+

NOTES:

1. CONNECTIONS ON ITEMS #1 & #2 TO BE SOLDERED AND LOCATED AT MINIMUM PRACTICAL HEIGHT ABOVE BLOCK
2. CONN BLOCK TO BE GROUNDED TO GND LUG AS SHOWN
3. USE YELLOW WIRE (ITEM #3) FOR MACHINE WRAPPED & BLUE WIRE (ITEM #4) FOR HAND WRAPPED WIRING
4. JUMPER GROUND BUSSING AS SHOWN / PLACE



REV	DATE	BY	CHK	DESCRIPTION
A	12/17/68	E. LUTTIG		INITIAL DESIGN
B	1/10/69	E. LUTTIG		REVISED TO 2-25-71
C	2-27-70	E. LUTTIG		REVISED TO 3-6-70
D	3-19-70	E. LUTTIG		REVISED TO 3-18-71
E	3-18-71	E. LUTTIG		REVISED TO 5-17-71

FIRST USED ON OPTION/MODEL
TU56

TOLERANCES
DECIMALS

.XXX = ± .005
 .XX = ± .02
 X = ± .1

DO NOT SCALE DRAWING
UNLESS OTHERWISE SPECIFIED

DIMENSION IN INCHES

TOLERANCES
DECIMALS ANGLES
± .005 ± 0°30'

FINISH
+ / +

QTY.	DESCRIPTION	PART NO.	ITEM NO.
	PARTS LIST		
	DIGITAL EQUIPMENT CORPORATION MAYNARD, MASSACHUSETTS		
	TITLE WIRED ASSY TU56		
	SIZE CODE DAD	NUMBER 7006321-0-0	REV E
	SHEET 1	OF 1	

DIGITAL EQUIPMENT CORPORATION

MAYNARD, MASSACHUSETTS

PARTS LIST

QUANTITY / VARIATION

MADE BY KEN GULICK	CHECKED D. HEALY	SECTION
DATE 6/19/69	DATE 7/23/69	1
ENG <i>E. Gulick</i>	PROD <i>C. R. Thompson</i>	ISSUED SECT.
DATE 9/26/69	DATE 8/26/69	1

ITEM NO.	DWG NO. / PART NO.	DESCRIPTION
1	1205541	BUS STRIP
2	9107560-01	22 AWG BUS WIRE
3	9107265-09	#22 TUBING, TEFLON, WHITE
4	9105740-44	30 AWG SOLID TEF INS. WIRE, YELLOW
5	9105740-66	30 AWG SOLID TEF INS. WIRE, BLUE
6	6-IA-7407393-0-0	MTG BAR (5 BLOCKS) TU56
7	9006120	SCR. PHL HD SELF-TAPPING 8-32 x 5/8
8	1205348	288 PIN CONN BLOCK
9	9006775	TERMINAL #2116-08-00 SHAKEPROOF
10	9008143	SCR. PHL HD SELF-TAPPING 8-32 x 1/2
11	9107350-22	22 AWG STRD TEF INS WIRE, RED
12	9107530-66	22 AWG STRD TEF INS WIRE, BLU
13	7408016	RESISTOR 100 OHMS 1/4 W 5% CCW/TERMI PTS
14	7408015	CAPACITOR 22 MFD 35V S. TANT W/TERMI PTS
REF	K-WL-TU56-0-2	WIRE LIST
15	9107350-44	22 AWG STRD TEF INS WIRE, YEL
16	9107350-00	22 AWG STRD TEF INS WIRE, BLK
17	9007917	CONN. SOLDERLESS #50902 ARKLES
18	9006634	WASHER INT #8

7006321-0

A/R
A/R
A/R
A/R
A/R
1
10
5
2
2
A/R
A/R
2
2
X
A/R
A/R
4
2

TITLE	ASSY NO.	SIZE CODE	NUMBER	REV	ECO NO.
WIRED ASSY TU56	D-AD-7006321-0-0	A PL	7006321-0-0	E	TU56-00062
	SHEET 1 OF 1	DIST.			

DIGITAL EQUIPMENT CORPORATION
MAYNARD, MASSACHUSETTS

ACCESSORY LIST

LEGEND

D DOCUMENT
 DN DOCUMENT CHANGE NOTICE
 PA PAPER TAPE ASCII
 PB PAPER TAPE BINARY
 PM PAPER TAPE READ-IN-MODE

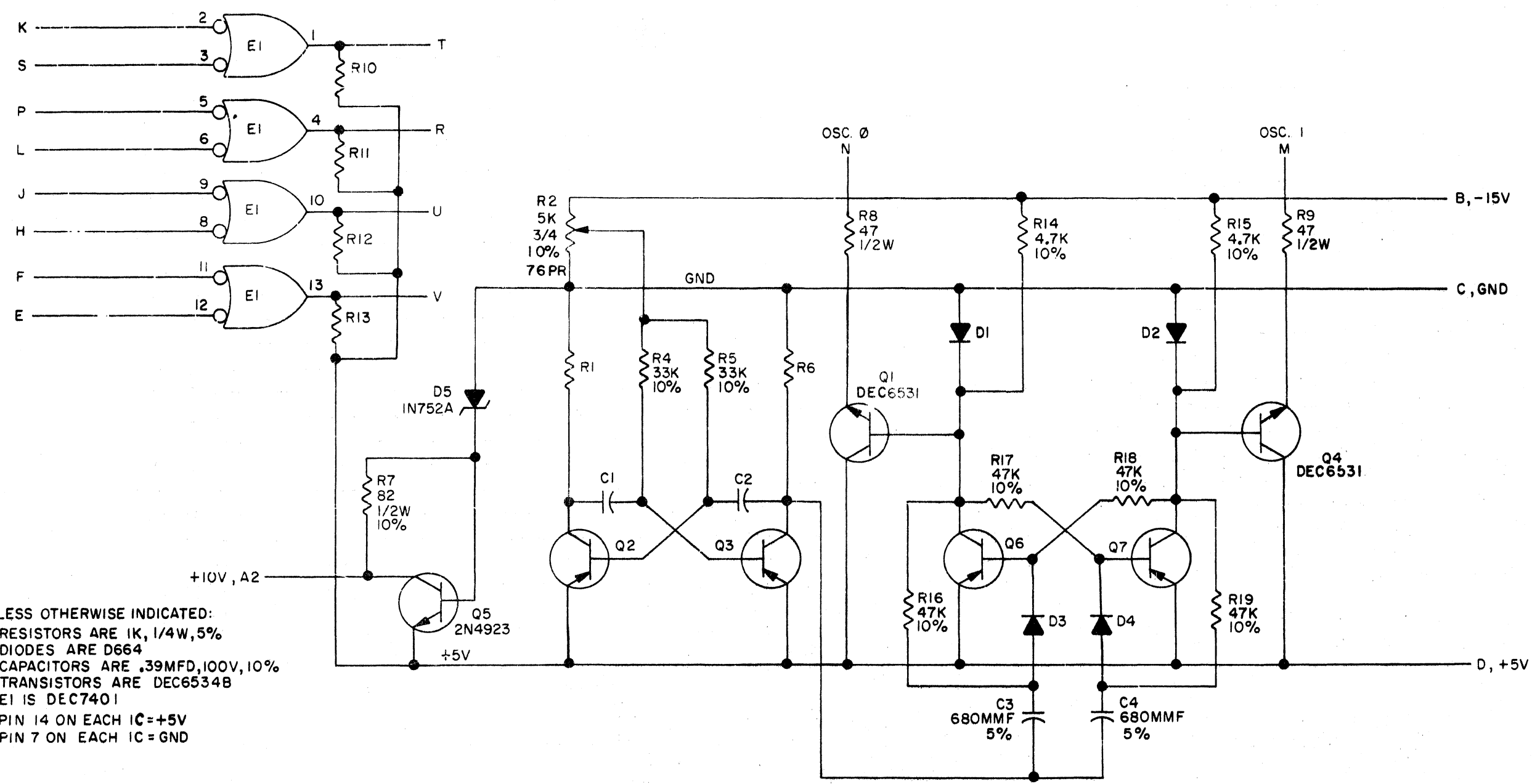
QUANTITY / VARIATION

MADE BY J. Ingledue
 DATE 5/31/72
 CHECKED 7/7/72
 DATE *7/7/72 for Ingledue*
 SECTION
 ENG *H. Smith*
 DATE 7/7/72
 PROD DATE
 ISSUED SECT.

ITEM NO.	DWG NO. / PART NO.	DESCRIPTION	QUANTITY / VARIATION				KIT CHECK	BY	DATE	INSTALLATION CHECK	BY	DATE
			TU56-0, -M, -MR	TU56-H, MI, MJ	TU56-C, -MC	TU 56-HC, -MD						
1	BC02X-03	Select Cable	1	1	Ø	Ø						
2	74-8321	Mounting Bracket (H950 Cabinet)	1	1	1	1						
3	74-8322	Spacer Block (H950 Cabinet)	2	2	2	2						
4	TU56-0	Complete Print Set (see A-ML-TU56-0)	1	1	1	1						
5	DEC-00-HRTB-D	Maintenance Manual	1	1	Ø	Ø						
6	12-9331	Take Up Reel	2	1	2	1						
7	TUC-01	Head Cleaning Kit	1	1	Ø	Ø						
8	74-5152-1	Head Cable	1	1	Ø	Ø						
9	G742	Jumper Module (Remove M531 and replace with G742 for PDP-11 add-ons and OEM's)	1	1	1	1						
10	74-5996	Certified DECTape 12 Bit Format	2	1*	Ø	Ø						
11	74-5996-1	Certified DECTape 18 Bit Format	2	1*	Ø	Ø						
NOTE: Items 12 thru 14 are for Rack Mountable Field Add-on shipments only.												
12	91-7673-06	AC Line Cord 6'	1	1	Ø	Ø						
13	90-8851	Mounting Hardware Bag	1	1	1	1						
14	91-7710 and 90-8849	Hook Up Wire	1	1	Ø	Ø						
*NOTE: Supply Item 10 for PDP-5, 8 Family, and 12; Item 11 for PDP-1,4,6,7,9,10,11, and 15.												
NOTE: When unit is to be connected to a TU55 or a relay driver control, refer to D-MU-TU56-0 for notes. When unit is to be installed on a tubular style cabinet, refer to A-PL-TU56-0-0 for notes.												
15	DEC-TU56-IPB-1	ILLUSTRATED PARTS BREAKDOWN	1	1	1	1						

TITLE DECTape DRIVE UNIT ACCESSORY SHIPPING KIT	ASSY. NO.	SIZE CODE A AL	NUMBER TU56-0-5	REV. E	ECO NO. TU56-00077
	SHEET 1 OF 1	DIST.			

THIS SCHEMATIC IS FURNISHED ONLY FOR TEST AND MAINTENANCE PURPOSES. THE CIRCUITS ARE PROPRIETARY IN NATURE AND SHOULD BE TREATED ACCORDINGLY. COPYRIGHT 1969 BY DIGITAL EQUIPMENT CORPORATION



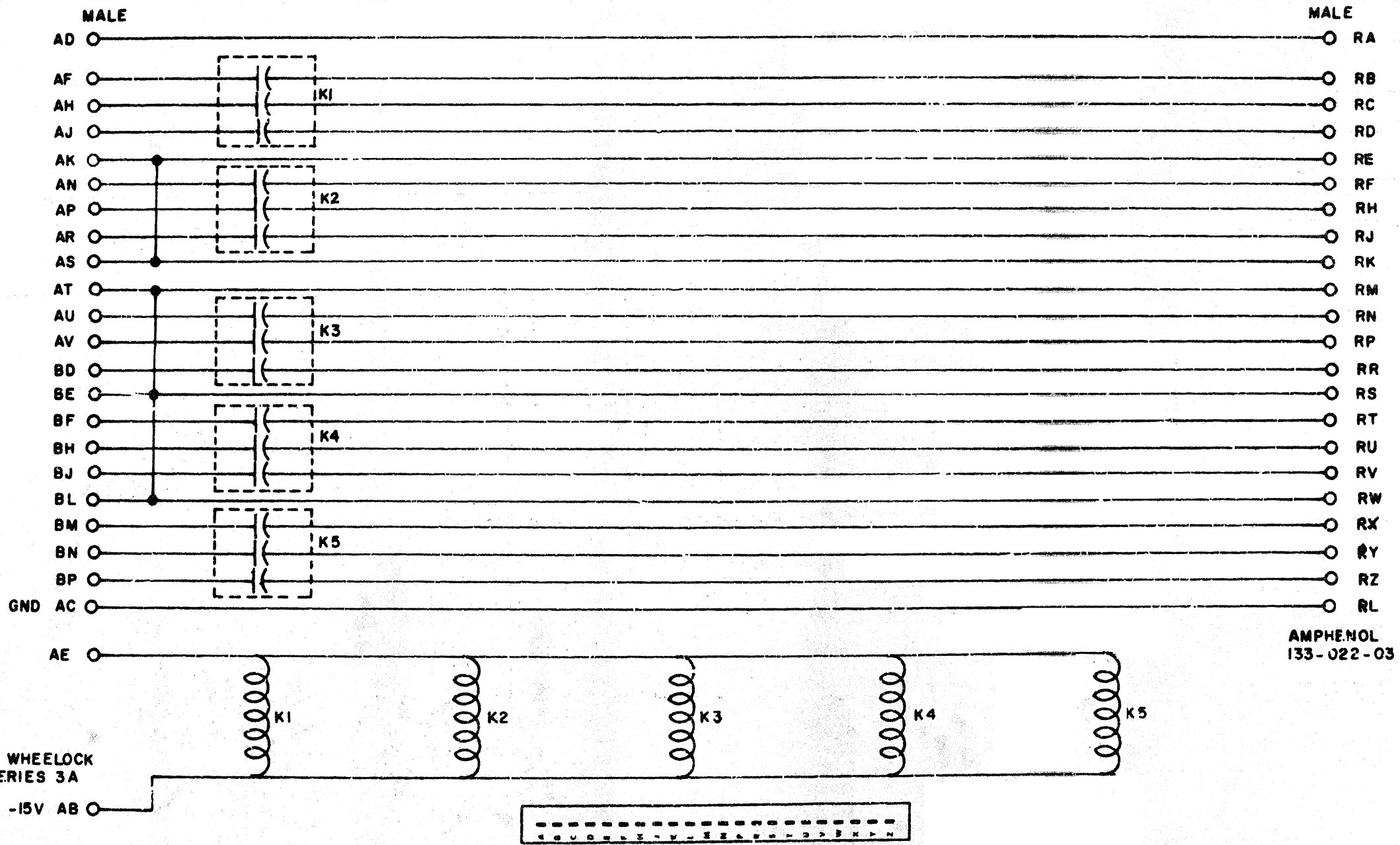
UNLESS OTHERWISE INDICATED:
 RESISTORS ARE 1K, 1/4W, 5%
 DIODES ARE D664
 CAPACITORS ARE .39MFD, 100V, 10%
 TRANSISTORS ARE DEC6534B
 E1 IS DEC7401
 PIN 14 ON EACH IC = +5V
 PIN 7 ON EACH IC = GND

REVISIONS CHK CHG NO REV A 00001 B 00002 C 00003	DRN	DATE	TRANSISTOR & DIODE CONVERSION CHART				TITLE CLOCK & REGULATOR G859
	BUTLER	11-13-69	DEC	EIA	DEC	EIA	
	CHK'D	DATE	D664	IN3606			
	ENG	DATE	DEC6534B	MPS6534B			
	PROD.	DATE	DEC6531	MPS6531			
			2N4923	SAME			



SIZE	CODE	NUMBER	RFV
B	CS	G859-0-1	C
PRINTED CIRCUIT REV.			A

THIS SCHEMATIC IS FURNISHED ONLY FOR TEST AND MAINTENANCE PURPOSES. THE CIRCUITS ARE PROPRIETARY IN NATURE AND SHOULD BE TREATED ACCORDINGLY. COPYRIGHT 1968 BY DIGITAL EQUIPMENT CORPORATION

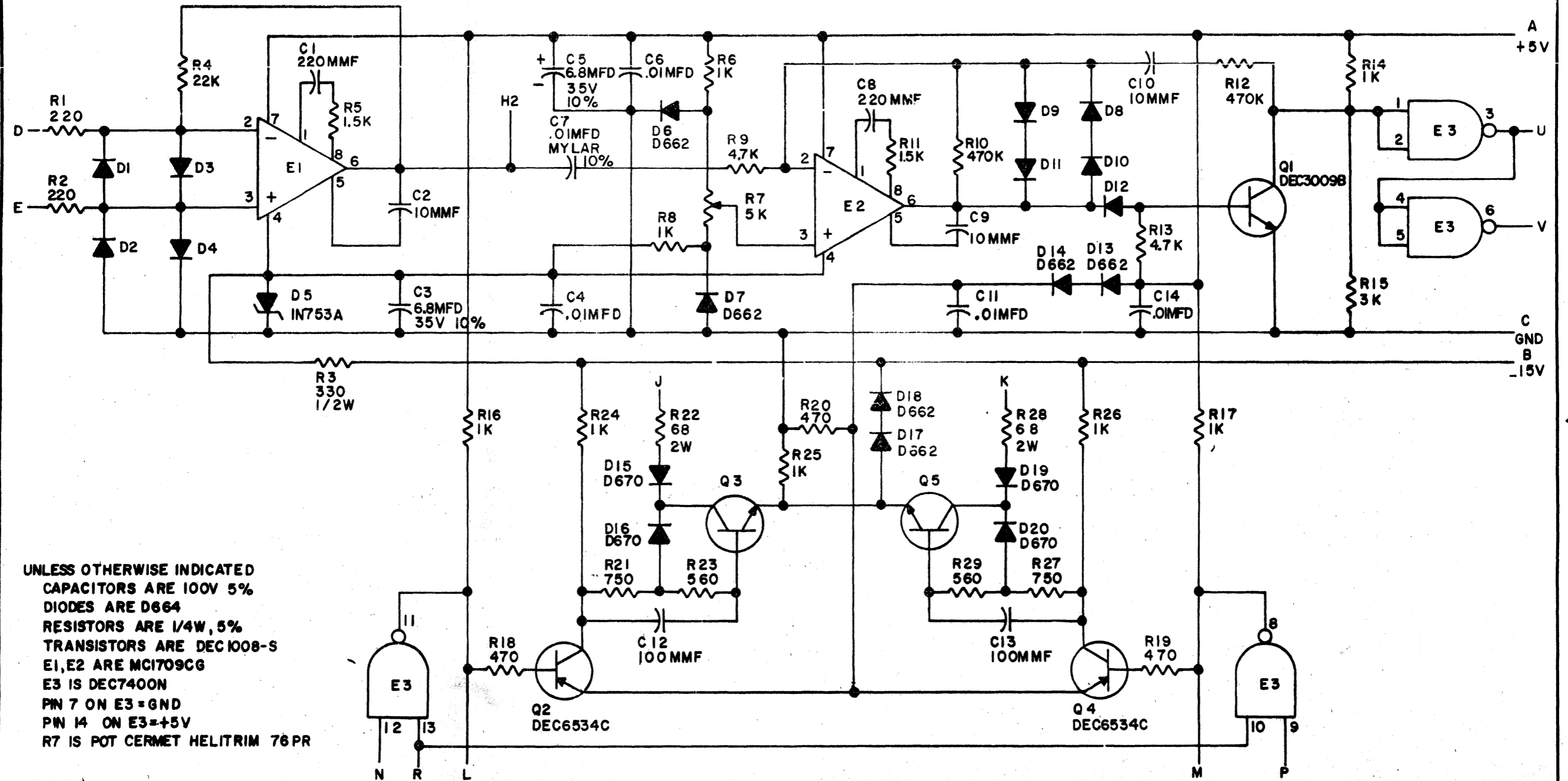


AMPHENOL
 133-022-03

NOTE:
 RELAYS ARE WHEELOCK
 REED, 260 SERIES 3A
 12V DC

REVISIONS CHG NO. REV. 1 DAM 4813 REV & REDR. DW/ 5196 B	DRN. H.W. PORTER DATE 1-13-65	TRANSISTOR & DIODE CONVERSION CHART				digital EQUIPMENT CORPORATION MAYNARD, MASSACHUSETTS	TITLE RELAY G851			
	CHK'D N. PERRYMAN DATE 1-25-65	DEC	EIA	DEC	EIA		SIZE B	CODE CS	NUMBER G851-0-1	REV B
	ENG D. WARDIMAN DATE 1-25-65						PRINTED CIRCUIT REV B			
	PROD. DATE									

THIS SCHEMATIC IS FURNISHED ONLY FOR TEST AND MAINTENANCE PURPOSES. THE CIRCUITS ARE PROPRIETARY IN NATURE AND SHOULD BE TREATED ACCORDINGLY. COPYRIGHT 1969 BY DIGITAL EQUIPMENT CORPORATION



UNLESS OTHERWISE INDICATED
 CAPACITORS ARE 100V 5%
 DIODES ARE D664
 RESISTORS ARE 1/4W, 5%
 TRANSISTORS ARE DEC1008-S
 E1, E2 ARE MC1709CG
 E3 IS DEC7400N
 PIN 7 ON E3 = GND
 PIN 14 ON E3 = +5V
 R7 IS POT CERMET HELITRIM 76 PR

REVISONS	CHK	CHG NO.	REV.
		6888	A
		0001	

H. DRAB
 8/16/72

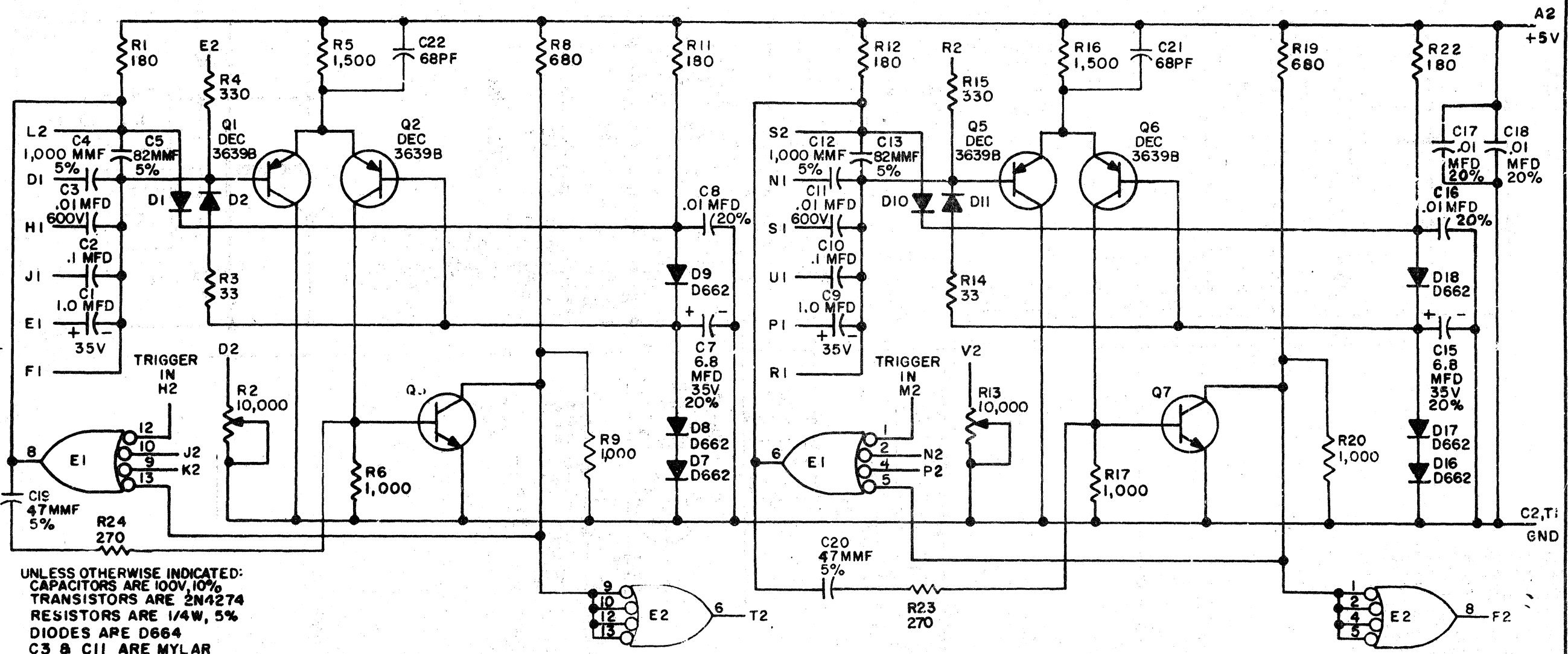
DRN. <i>A. Clemens</i>	DATE 8-29-69
CHK'D <i>V. D. Hallett</i>	DATE 9/3/69
ENG. <i>J. Calver</i>	DATE 9/25/69
PROD.	DATE

TRANSISTOR & DIODE CONVERSION CHART			
DEC		EIA	
D664	IN3606	DEC1008-S	MM1008
D662	IN645		
D670	SAME		
DEC3009B	2N3009B		
DEC6534C	MP6534		

digital
 EQUIPMENT CORPORATION
 MAYNARD, MASSACHUSETTS

TITLE MANCHESTER READER/WRITER G888			
SIZE B	CODE CS	NUMBER G888-0-1	REV. A
PRINTED CIRCUIT REV.			A

THIS SCHEMATIC IS FURNISHED ONLY FOR TEST AND MAINTENANCE PURPOSES. THE CIRCUITS ARE PROPRIETARY IN NATURE AND SHOULD BE TREATED ACCORDINGLY. COPYRIGHT 1967 BY DIGITAL EQUIPMENT CORPORATION



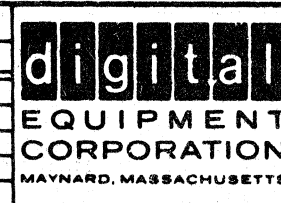
UNLESS OTHERWISE INDICATED:
 CAPACITORS ARE 100V, 10%
 TRANSISTORS ARE 2N4274
 RESISTORS ARE 1/4W, 5%
 DIODES ARE D664
 C3 & C11 ARE MYLAR
 E1 IS DEC74H40N
 PIN 7 ONIC'S = GND
 PIN 14 ONIC'S = +5V
 R2 & R13 ARE HELITRIM POT #78PR
 1.0MFD CAPACITORS ARE TANTALUM
 E2 IS DEC7413N

PARTS LIST A-PL-M302-0-0

REV	CHG NO	BY	DATE
6507			
6719			
6881			
7077			
30001			
00002			
00003			
00004			

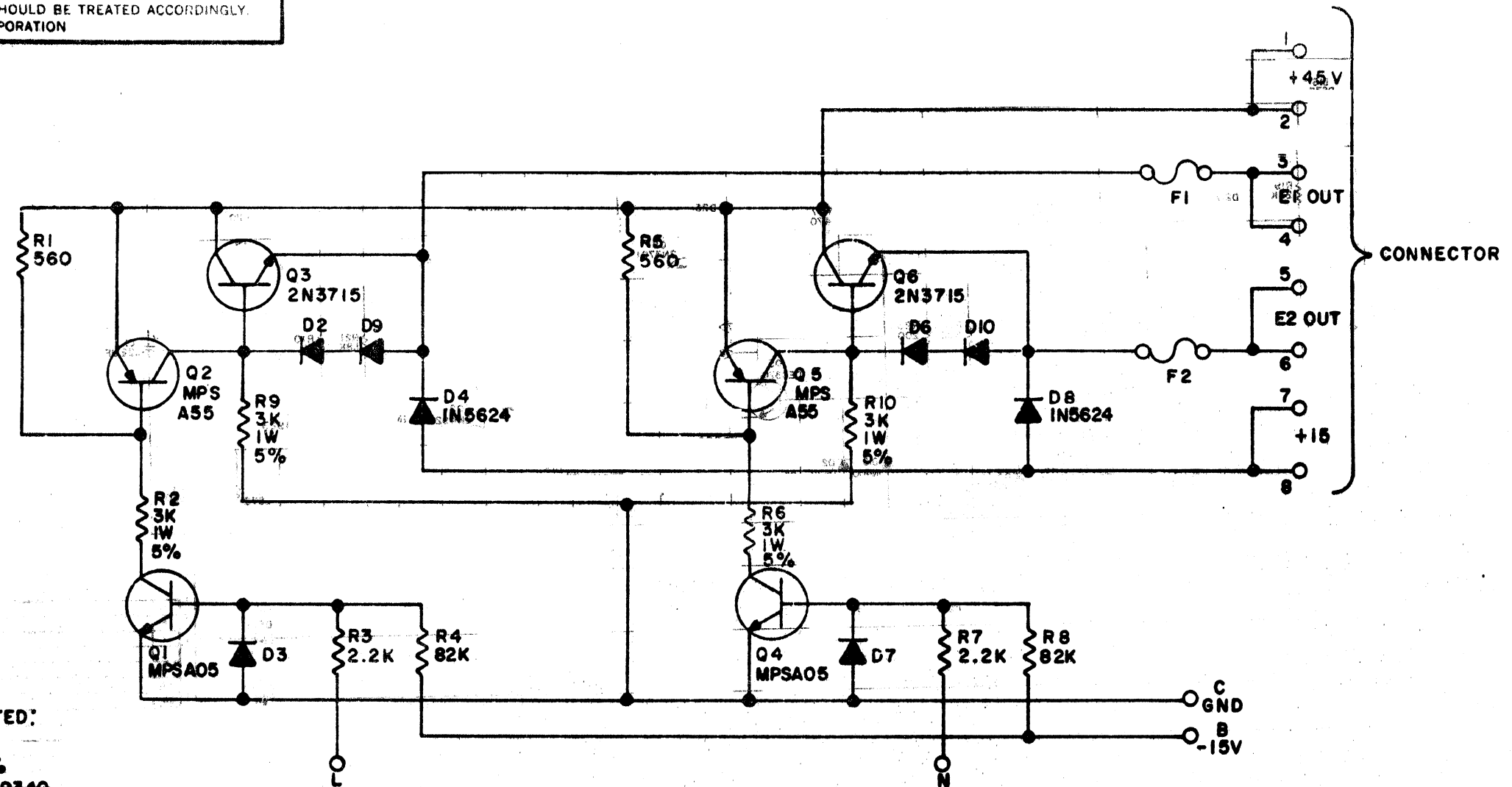
DRN <i>M. Haller</i>	DATE 6-15-67
CHK'D	DATE
ENG <i>L. White</i>	DATE 6/21/67
PROD I	DATE

TRANSISTOR & DIODE CONVERSION CHART	
DEC	EIA
2N4274	SAME
DEC3639B	2N3639
D662	1N645
D664	1N3606



TITLE ONE SHOT DELAY M302			
SIZE B	CODE CS	NUMBER M302-0-1	REV. L
PRINTED CIRCUIT REV.			L

THIS SCHEMATIC IS FURNISHED ONLY FOR TEST AND MAINTENANCE PURPOSES. THE CIRCUITS ARE PROPRIETARY IN NATURE AND SHOULD BE TREATED ACCORDINGLY. COPYRIGHT 1969 BY DIGITAL EQUIPMENT CORPORATION



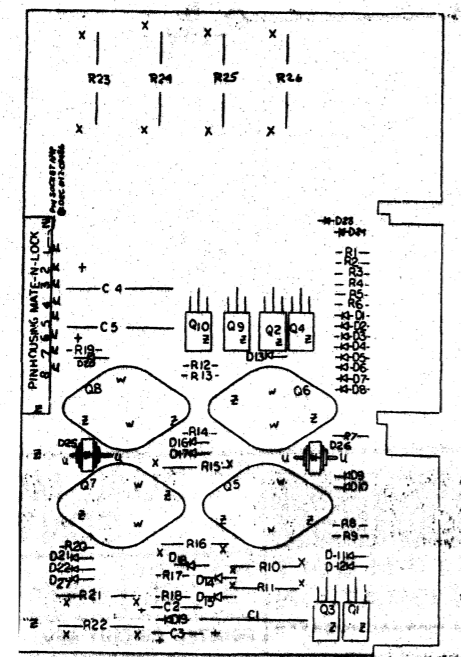
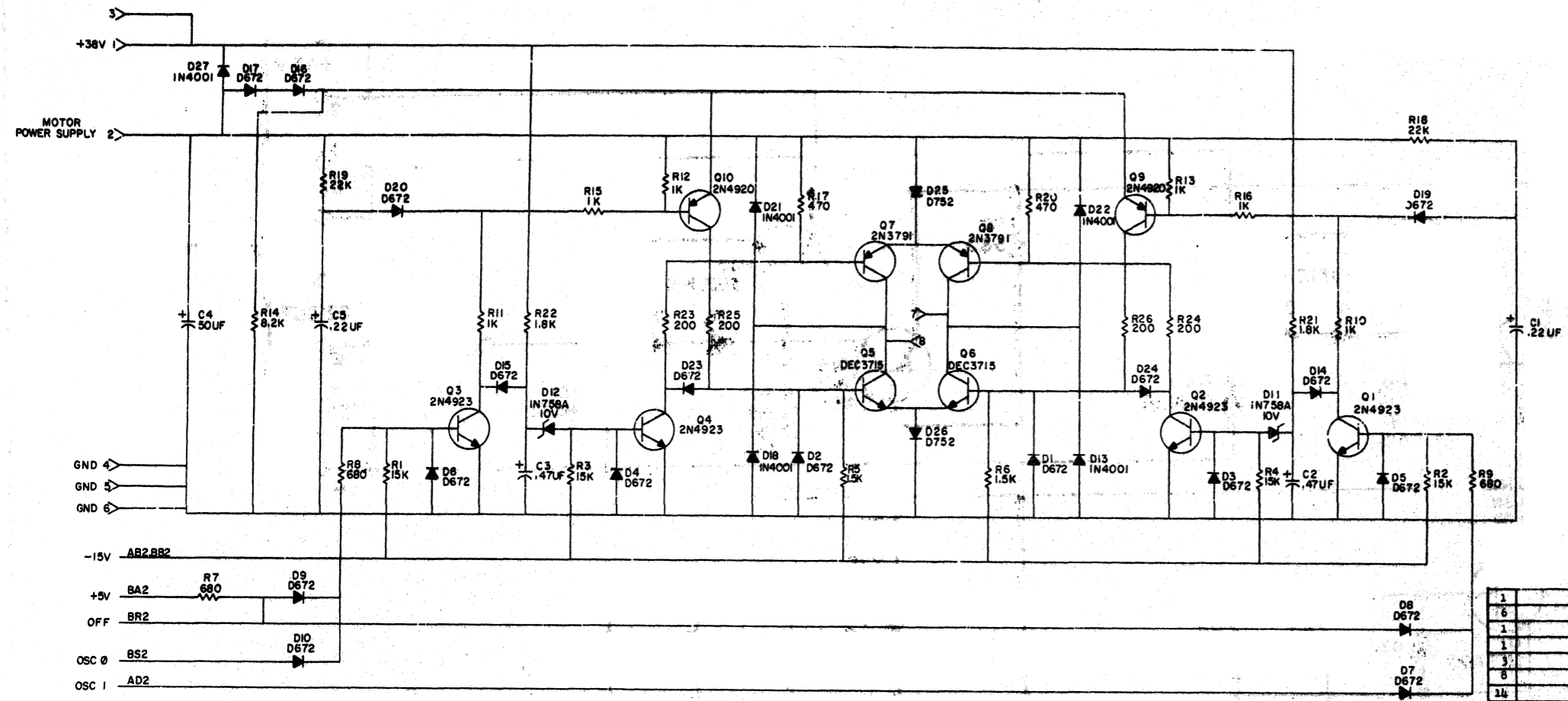
UNLESS OTHERWISE INDICATED:
 DIODES ARE D672
 RESISTORS ARE 1/4W, 10%
 CONNECTOR IS DEC #1209340
 CONNECTOR PINS ARE DEC #1209456
 F1, F2 ARE 5 AMP
 NOTE: Q1, Q2, Q4, Q5 HAVE VARIED PACKAGES
 DEPENDING ON SOURCE.

SEE DIAGRAM:
 MOTOROLA: MPSA05
 MPSA55
 BOTTOM VIEW GE: GPSA05
 GPSA55

REVISIONS CHG NO REV 00002 A 00003 B 00004 C 00005 D 00006 E MARY MOORE MORGANSTERN G. L. ... M.	DRN. <i>[Signature]</i> DATE 9-9-69 CHK'D <i>[Signature]</i> DATE 9/18/69 ENG. <i>[Signature]</i> DATE 2-17-70 PROD. <i>[Signature]</i> DATE	TRANSISTOR & DIODE CONVERSION CHART <table border="1"> <thead> <tr> <th>DEC</th> <th>EIA</th> <th>DEC</th> <th>EIA</th> </tr> </thead> <tbody> <tr> <td>D672</td> <td>IN3693</td> <td></td> <td></td> </tr> <tr> <td>MPSA05</td> <td></td> <td></td> <td></td> </tr> <tr> <td>2N3715</td> <td>NONE</td> <td></td> <td></td> </tr> <tr> <td>MPSA55</td> <td></td> <td></td> <td></td> </tr> <tr> <td>IN5624</td> <td>SAME</td> <td></td> <td></td> </tr> </tbody> </table>	DEC	EIA	DEC	EIA	D672	IN3693			MPSA05				2N3715	NONE			MPSA55				IN5624	SAME			digital EQUIPMENT CORPORATION MAYNARD, MASSACHUSETTS	TITLE DUAL MOTOR VOLTAGE CONTROL G847 SIZE B CODE CS NUMBER G847-0-1 REV. D PRINTED CIRCUIT REV. E
	DEC	EIA	DEC	EIA																								
	D672	IN3693																										
	MPSA05																											
2N3715	NONE																											
MPSA55																												
IN5624	SAME																											

THIS SCHEMATIC IS FURNISHED ONLY FOR TEST AND MAINTENANCE PURPOSES. THE CIRCUITS ARE PROPRIETARY IN NATURE AND SHOULD BE TREATED ACCORDINGLY. COPYRIGHT 1971 BY DIGITAL EQUIPMENT CORPORATION.

1-0-8989 151 8
REV. 1/73



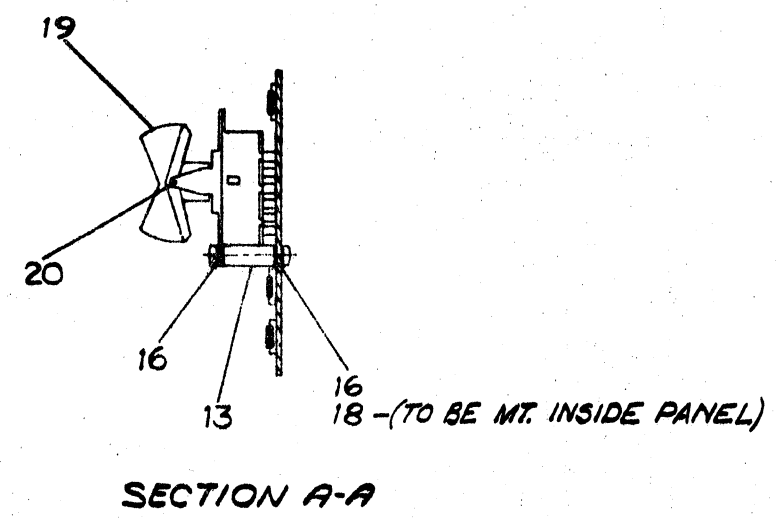
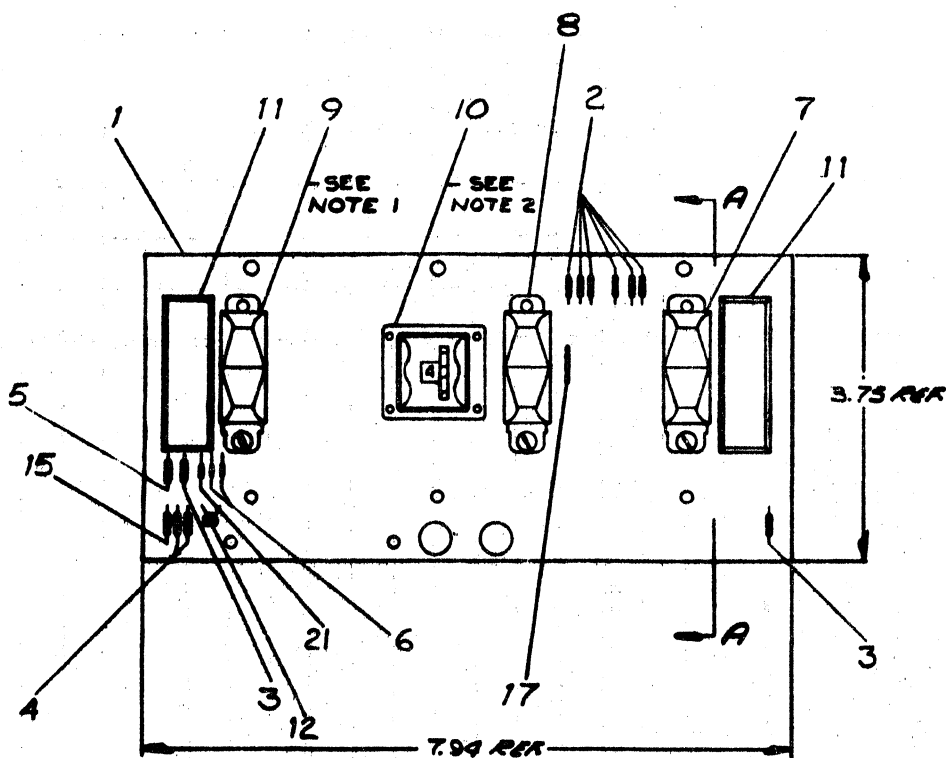
QTY.	REF. DESIGNATION	DESCRIPTION	DEC PART NO.	QTY.
1		FIBER SPACER 1/4 x 1/4 x #6	9007615	35
6		4-40 HEXNUT	9006556	34
1		NYLON HEXNUT #4	9007992	33
1		NYLON SCREW 4-40 x 1/2	9008402-4	32
3		HANDLE EYELET	9006732	31
8		4-40 KEFRUT	9006557	30
14		4-40 x 5/16" SCREW	9006010-4	29
1		HANDLE, PLY. CHIP - GREEN	9008337-01	28
2	Q9, 10	TRANSISTOR 2N4920	1509605	27
4	Q1, 2, 4, 3	TRANSISTOR 2N4923	1509604	26
2	Q7, 8	TRANSISTOR 2N3791	1509581	25
2	Q5, 6	TRANSISTOR DEC 3715	1503068	24
2	R18, 19	RES. 22K 1/4W 5%	1301808	23
4	R23, 24, 25, 26	RES. 200 5W 5%	1309639	22
4	R1, 2, 3, 4	RES. 15K 1/4W 5%	1300496	21
1	R14	RES. 8.2K 1/4W 5%	1303179	20
2	R21, 22	RES. 1.8K 2W 10%	1300402	19
2	R5, 6	RES. 1.5K 1/4W 5%	1300391	18
4	R10, 11, 15, 16	RES. 1K 1W 5%	1300368	17
2	R12, 13	RES. 1K 1/4W 5%	1300365	16
3	R7, 8, 9	RES. 680 1/4W 5%	1301424	15
2	R17, 20	RES. 470 1/4W 5%	1300316	14
8		PIN, SOCKET	1209456	13
1		PIN HOUSING	1209340	12
2	D11, 12	DIODE ZENER 1N758A 10V, 1/4W 5%	1100125	11
2	D25, 26	DIODE D752	1110615	10
18	D1-10, 14, 17, 19, 20, 23, 24	DIODE D672	1105275	9
5	D13, 18, 21, 22, 27	DIODE 1N4001	1102942	8
2	C1, 5	CAP. 0.22UF 100V 10% NYLAR	1000037	7
2	C2, 3	CAP. 0.47UF 35V 10% S.TANT	1005965	6
1	C4	CAP. 50UF 50V -10+75% S.TANT	1000080	5
1		SCHEMATIC CIRCUIT BOARD	5008522	4
		MODULE BFO HISTORY	B-M-6848-C-6	3
		ETCH BOARD, MOTOR CONT	EIA-5008 512-C-0	2
		X-Y COORDINATE HOLE LOCATION	K-00-6848-0-4	1
		DESCRIPTION	DEC PART NO.	

REVISIONS CHG. NO. REV. DATE 01 00007 H REV. 15 FEB 73 02 00008 J	DATE: 2-2-69 DESIGNED: A. RITCEY CHECKED: R. TREMBLAY DATE: 2-4-69 DRAWN: E. LUTTIG DATE: 4-3-70	TITLE: TRANSISTOR & DIODE CONVERSION CHART DEC 68 EQUIPMENT CORPORATION PRINTED CIRCUIT REV.	TITLE: MOTOR CONTROL SIZE: D CODE: CS NUMBER: G848-0-1 REV. J
---	---	---	---

This drawing and specifications, herein, are the property of Digital Equipment Corporation and shall not be reproduced or copied or used in whole or in part as the basis for the manufacture or sale of items without written permission.

NOTES:

- HAND DEGREASE ONLY-DO NOT VAPOR DEGREASE AS IT WILL CAUSE MALFUNCTION IN SWITCHES
- IN SOLDERING OPERATIONS DO NOT ALLOW FLUX OR CLEANING AGENT TO ENTER SWITCH



REV.	CHG. NO.	DATE	BY
B	TU56-00020	4-3-70	LUTIG
C	5408500-00002		LUTIG

FIRST USED ON OPTION / MODEL TU56		DO NOT SCALE DRAWING UNLESS OTHERWISE SPECIFIED DIMENSION IN INCHES		DATE 12-11-70	BY LUTIG
TOLERANCES UNLESS OTHERWISE SPECIFIED XXX = ±.005 XX = ±.02 X = ±.1		TOLERANCES ANGLES HOLE DIA. HOLE POSITION HOLE DEPTH HOLE CHAMFER HOLE RADIUS HOLE SQUARE QUALITY REMOVE BURRS AND BREAK SHARP EDGES		TITLE SWITCH CONTROL PANEL (TU56)	
MATERIAL		NEXT HIGHER ASSY D-28-7008222-0-0		PARTS LIST	
FINISH		SCALE		EQUIPMENT CORPORATION MAYNARD MASSACHUSETTS	
		SHEET 1 OF 1		DAD5408500-0-0	

DAD5408500-0-0

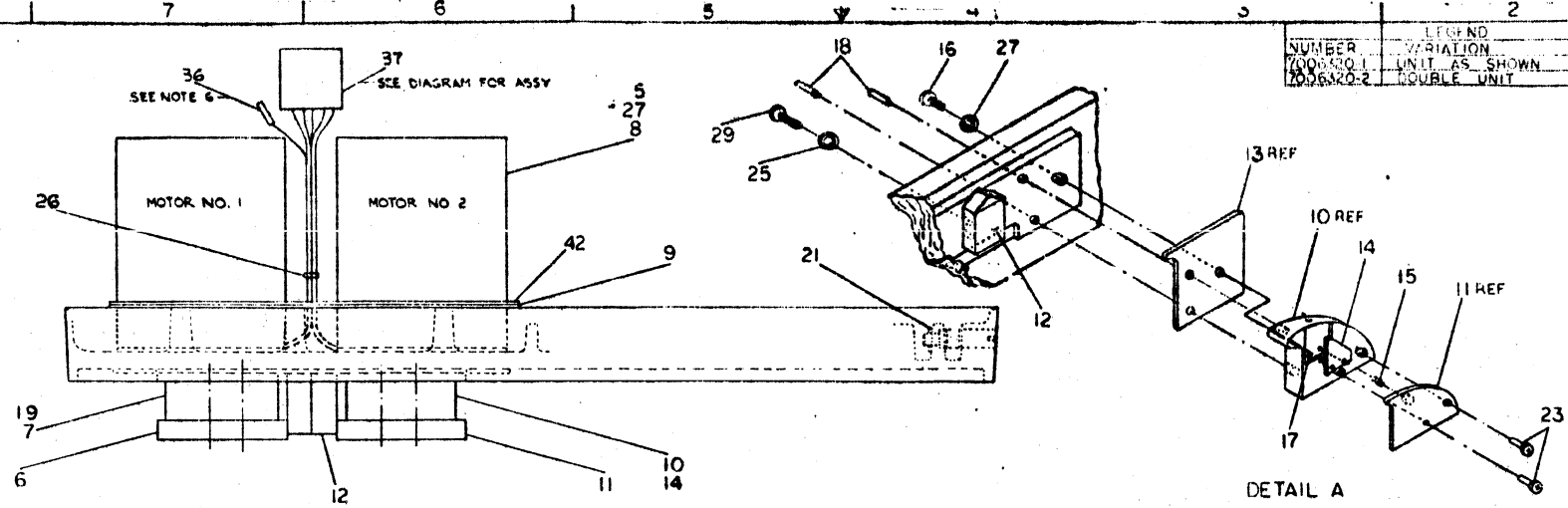
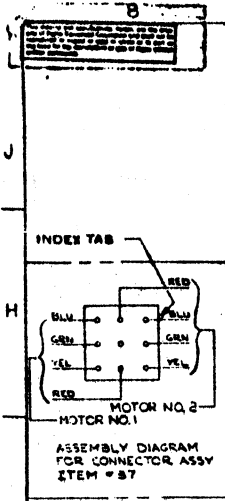
DIGITAL EQUIPMENT CORPORATION MAYNARD, MASSACHUSETTS PARTS LIST						QTY/VAR					
MADE BY <i>E. Sullivan</i>		CHECKED <i>D. Wall</i>		SECTION							
DATE <i>Oct 28, 1969</i>		DATE <i>1-30-70</i>		ISSUED SECT.							
ENG <i>E. Sullivan</i>		PROD <i>R. Liberman</i>									
DATE <i>3-18-70</i>		DATE <i>3/25/70</i>									
ITEM NO.	DWG NO./PART NO. CL BASIC VAR.	DESCRIPTION							UNIT COST	UNIT QUANTITY	QUANTITY ISSUED
REF	C-CS-5408500-0-1	CIRCUIT SCHEMATIC									
REF	K-CO-5408500-0-4	X-Y COORDINATE HOLE LOCATION									
REF	D-AH-5408500-0-5	ASSY/DRILLING HOLE LAYOUT									
1	5008499	ETCHED CKT. BD. TU56								1	
2	1300386	RES. 1.2K, $\frac{1}{4}W$, 10% C.C.								6	
3	1301421	RES. 15, $\frac{1}{4}W$, 10%								2	
4	1300490	RES. 12K, $\frac{1}{4}W$, 10%								2	
5	1302388	RES. 2K, $\frac{1}{4}W$, 5%								1	
6	1100114	DIODE D664								2	
7	1209614	SWITCH 3 POS. RS-38-FB PC								1	
8	1209613	SWITCH 3 POS. RS-39-FB PC								1	
9	1209612	SWITCH MINI RS-33-FB PC								1	
10	1209617	SWITCH 8 POS THUMBWHEEL SWITCH								1	
11	1209637	LIGHT								2	
12	1509338	TRANSISTOR, MPS 6531								1	
13	9008833	SPACER, 3/16 AF x 5/8 LG #4-40 AL								3	
14	9006030	SCREW, 6-32 x $\frac{1}{4}$								6	
15	1300432	RES. 3K, $\frac{1}{4}W$, 5%								1	
16	9006009-4	SCR SLOTTED HD #4-40 x 1/4 LG SST								6	
17	9107560-01	#22 AWG BUS WIRE								1	
TITLE TU56 CONTROL BOARD				ASSY NO. D-AD-5408500-0-0		SIZE CODE A PL		NUMBER 5408500-0-0		REV. C	ECO NO. 00002
SHEET 1 OF 2				DIST. <i>324 134 435</i>							

DEC FORM NO. 16-1027
DRA 123

5 PINK X

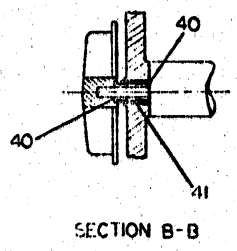
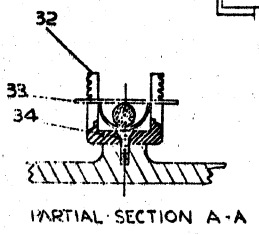
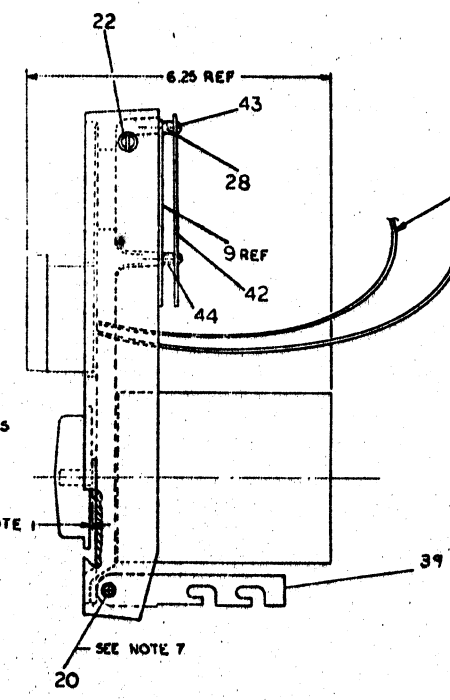
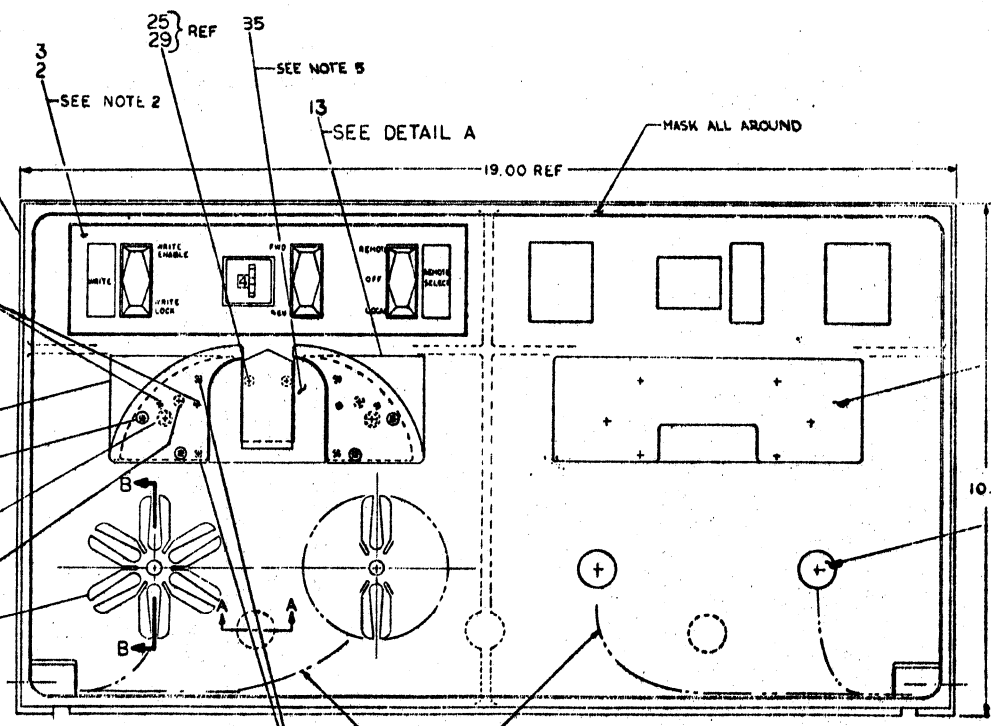
DIGITAL EQUIPMENT CORPORATION MAYNARD, MASSACHUSETTS PARTS LIST						QTY/VAR					
MADE BY <i>E. Sullivan</i>		CHECKED <i>D. Wall</i>		SECTION							
DATE <i>Oct. 28, 1969</i>		DATE <i>1-30-70</i>		ISSUED SECT.							
ENG <i>E. Sullivan</i>		PROD <i>R. Liberman</i>									
DATE <i>3-18-70</i>		DATE <i>3/25/70</i>									
ITEM NO.	DWG NO./PART NO. CL BASIC VAR.	DESCRIPTION							UNIT COST	UNIT QUANTITY	QUANTITY ISSUED
18	9006632	WASHER INT TOOTH #4								3	
19	1209711-13	BUTTON, ROCKER								3	
20	9008842	DOWEL PIN								3	
21	1100121	DIODE IN748 3.9V 10% 40mw								1	
TITLE SWITCH CONTROL PANEL (TU56)				ASSY NO. D-AD-5408500-0-0		SIZE CODE A PL		NUMBER 5408500-0-0		REV. C	ECO NO. 00302
SHEET 2 OF 2				DIST.							

DEC FORM NO. 16-1027



NUMBER	LEGEND
7006320-1	VARIATION
7006320-2	UNIT AS SHOWN
	DOUBLE UNIT

- NOTES
- POSITION OF ITEM NO. 4 (HUB) MUST BE 0.17" OUT FROM BOSS ON CASTING. MEASURE WITH GAUGE PART NO. 36.
 - ASSEMBLE ITEM NO. 2 (OVERLAY) USING ITEM NO. 3 (ADHESIVE).
 - COAT BOTH SURFACES (REAR SURFACE OF OVERLAY & FRONT SURFACE OF PANEL MTG) & ALLOW A MIN. OF ONE (1) MINUTE DRY TIME BEFORE APPLYING ADHESIVE TO MTG PANEL. MASK SURFACES AS INDICATED BEFORE APPLYING ADHESIVE TO MTG PANEL.
 - DOWEL PINS MUST BE INSERTED WITH TAPERED ENDS FIRST.
 - ASSEMBLE ITEM 35 TO FRONT PANEL USING ITEM 2 (APPLY TO REAR SURFACE OF ITEM 35 ONLY).
 - CRIMP ITEM 36 TO MOTOR LEADS AS SHOWN. INSERT PINS INTO ITEM 37 (PINS MUST ENTER SIDE WITH SQUARE HOLES ONLY).
 - DO NOT ASSEMBLE ITEM 20 TO FRONT PANEL UNTIL ITEM 39 IS IN PLACE SO THAT ITEM 20 WILL GO THRU ITEM 39 AT ASSEMBLY.



CAUTION
CHANGE COULD AFFECT UL LISTING

FRANCIS
ELECTRICALS
JAN 19 1964
JAN 19 1964
JAN 19 1964

REV.	DESCRIPTION	DATE	BY	CHKD.
1	REVISED TO SHOW CHANGES	1/19/64	J. J. J.	J. J. J.
2	REVISED TO SHOW CHANGES	1/19/64	J. J. J.	J. J. J.
3	REVISED TO SHOW CHANGES	1/19/64	J. J. J.	J. J. J.

FRANCIS ELECTRICALS
EQUIPMENT COMPANY
PANEL FRONT ASSEMBLY
7006320-0-01

DIGITAL EQUIPMENT CORPORATION
MAYNARD, MASSACHUSETTS

PARTS LIST

MADE BY KEN GULICK	CHECKED D. HEALY	SECTION
DATE 6/5/69	DATE 7/23/69	1
ENG <i>Challant</i>	PROD <i>C.R. Thompson</i>	ISSUED SECT.
DATE 8-26-69	DATE 8-26-69	1

QUANTITY/VARIATION

ITEM NO.	DWG NO. / PART NO.	DESCRIPTION	QUANTITY/VARIATION											
			7006320-1	7006320-2										
1	E-MD-7407395-0-0	PANEL MTG (TU56)	1	1										
2	D-IA-7410968-0-0	PANEL OVERLAY	1	1										
3		ADHESIVE SCOTCH GRIP SPRAY #77	A	RA	R									
4	C-IA-7407390-0-0	HUB ASSY (6 PT CONTACT)	2	4										
5	9006341	SCR SOC HD CAP 10 24 X 1/2 BLK PASS.	8	16										
6	C-MD-7407282-2-0	COVER PLATE (L.H.)	1	2										
7	C-IA-7407283-2-0	TAPE GUIDE (L.H.)	1	2										
8	1209602	MOTOR, TORQUE	2	4										
9	D-IA-7006222-0-0	SWITCH CONTROL PANEL ASS'Y	1	2										
10	C-IA-7407283-1-0	TAPE GUIDE (R.H.)	1	2										
11	C-MD-7407282-1-0	COVER PLATE (R.H.)	1	2										
12	1209691	HEAD ASSY	1	2										
13	C-MD-7405136-0-0	REAR CHECK TAPE GUIDE	2	4										
14	B-MD-7405114-1-0	WEAR PLATE (R.H.)	1	2										
15	9007104	SPR #649-119N INST SPEC. CO.	2	4										
16	9006345	SCR SOC HD CAP #10-32 X 3/8 SST	2	4										
17	9008132	DOWEL PIN 3/32 DIA X 7/16 LG	4	8										
18	9008131	DOWEL PIN 1/8 DIA X 7/8 LG	4	8										
19	B-MD-7405114-2-0	WEAR PLATE (L.H.)	1	2										
20	9008130	DOWEL PIN 1/4 DIA X 1 1/4	2	2										
21	90-07785	GRIP. EXT SER #5555-37 WALDES 3/8" SHAFT	2	2										
22	B-MD-7407400-0-0	PIN, LOCK	2	2										

TITLE PANEL FRONT, ASSEMBLY	ASSY NO. E-AD-7006320-0-0	SIZE CODE A PL	NUMBER 7006320-0-0	REV. <i>L</i>	ECO NO. TU56-00076
SHEET 1 OF 2		DIST. <i>C</i>			

DEC FORM NO. DRA 110

DIGITAL EQUIPMENT CORPORATION
MAYNARD, MASSACHUSETTS

PARTS LIST

MADE BY KEN GULICK	CHECKED D. HEALY	SECTION
DATE 6/5/69	DATE 7/25/69	1
ENG <i>Challant</i>	PROD <i>C.R. Thompson</i>	ISSUED SECT.
DATE 8-26-69	DATE 8-26-69	1

QUANTITY/VARIATION

ITEM NO.	DWG NO. / PART NO.	DESCRIPTION	QUANTITY/VARIATION											
			7006320-1	7006320-2										
23	9006331	SCR SOC HD CAP 6-32 X 5/8 LG BLK PASS.	4	8										
24	C-MD-7405136-1-0	REAR CHECK TAPE GUIDE L.H.	2	4										
25	9006632	WASH INT TOOTH #4	2	4										
26	9007032	TIE WRAP #SST-2-B PANDUIT	A	RA	R									
27	9007651	WASH EXT TOOTH #10 HOLE	10	20										
28	9006022-1	SCR. PH HD PAN #6-32 X 3/8 SST	4	8										
29	9006014-1	SCR PH HD PAN #4-40 X 5/8 LG SST	2	4										
30	9008136	GRIP RING EXT SERIES G 5555-9S	4	8										
31	9006311	HEX SOC SET SCR #10-32 X 1/4 SST	4	8										
32	90-07772-9	CLAMP, CABLE BASE	1	2										
33	90-07772-10	CLAMP, CABLE TOP	1	2										
34	90-06037-2	SCREW FLAT HEAD #8-32 x 3/8 LG SST	1	2										
35	C-IA-7408008-0-0	FILLER PLATE	1	2										
36	1209379	PIN, CONNECTOR	8	16										
37	1209350-09	HOUSING, CONNECTOR	1	2										
38	C-IA-7408010-0-0	GAUGE, HUB	A	RA	R									
39	90-1209830	ARM, PANEL SUPPORT	2	2										
40	1209926	BUSHING, OIL IMPREGNATED BRONZE	4	8										
41	1209917	SPRING, COMPRESSION	2	4										
42	C-MD-7408287-0-0	GUARD PLATE	1	2										
43	90-06024-1	SCR. PH HD PAN #6-32 x 1/2 SST	2	4										
44	90-06793	SPACER 3/16AF X 3/16LG #6 HOLE AL	2	4										

TITLE PANEL FRONT ASSEMBLY	ASSY NO. E-AD-7006320-0-0	SIZE CODE A PL	NUMBER 7006320-0-0	REV. <i>L</i>	ECO NO. TU56-00064
SHEET 2 OF 2		DIST. <i>G</i>			

DEC FORM NO. DRA 110