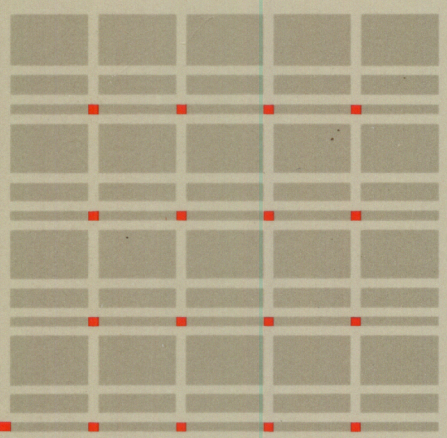


①

Read Me First

Apple II



CORVUS

LIMITED WARRANTY

Corvus warrants its hardware products against defects in materials and workmanship for a period of 180 days from the date of purchase from any authorized Corvus Systems dealer. If Corvus receives notice of such defects during the warranty period, Corvus will, at its option, either repair or replace the hardware products which prove to be defective. Repairs will be performed and defective parts replaced with either new or reconditioned parts.

Corvus software and firmware products which are designed by Corvus for use with a hardware product, when properly installed on that hardware product, are warranted not to fail to execute their programming instructions due to defects in materials and workmanship for a period of 180 days. If Corvus receives notice of such defects during the warranty period, Corvus does not warrant that the operation of the software, firmware or hardware shall be uninterrupted or error free.

Limited Warranty service may be obtained by delivering the product during the 180 day warranty period to Corvus Systems with proof of purchase date. YOU MUST CONTACT CORVUS CUSTOMER SERVICE TO OBTAIN A "RETURN AUTHORIZATION CODE" PRIOR TO RETURNING THE PRODUCT. THE RAC (RETURN AUTHORIZATION CODE) NUMBER ISSUED BY CORVUS CUSTOMER SERVICE MUST APPEAR ON THE EXTERIOR OF THE SHIPPING CONTAINER. ONLY ORIGINAL OR EQUIVALENT SHIPPING MATERIALS MUST BE USED. If this product is delivered by mail, you agree to insure the product or assume the risk of loss or damage in transit, to prepay shipping charges to the warranty service location and to use the original shipping container. Contact Corvus Systems or write to Corvus Customer Service, 2100 Corvus Drive, San Jose, CA 95124 prior to shipping equipment.

ALL EXPRESS AND IMPLIED WARRANTIES FOR THIS PRODUCT, INCLUDING THE WARRANTIES OF MERCHANTABILITY AND FITNESS FOR A PARTICULAR PURPOSE, ARE LIMITED IN DURATION TO A PERIOD OF 180 DAYS FROM DATE OF PURCHASE, AND NO WARRANTIES, WHETHER EXPRESS OR IMPLIED, WILL APPLY AFTER THIS PERIOD. SOME STATES DO NOT ALLOW LIMITATIONS ON HOW LONG AN IMPLIED WARRANTY LASTS, SO THE ABOVE LIMITATIONS MAY NOT APPLY TO YOU.

IF THIS PRODUCT IS NOT IN GOOD WORKING ORDER AS WARRANTED ABOVE, YOUR SOLE REMEDY SHALL BE REPAIR OR REPLACEMENT AS PROVIDED ABOVE. IN NO EVENT WILL CORVUS SYSTEMS BE LIABLE TO YOU FOR ANY DAMAGES, INCLUDING ANY LOST PROFITS, LOST SAVINGS OR OTHER INCIDENTAL OR CONSEQUENTIAL DAMAGES ARISING OUT OF THE USE OF OR INABILITY TO USE SUCH PRODUCT, EVEN IF CORVUS SYSTEMS OR AN AUTHORIZED CORVUS SYSTEMS DEALER HAS BEEN ADVISED OF THE POSSIBILITY OF SUCH DAMAGES, OR FOR ANY CLAIM BY ANY OTHER PARTY.

SOME STATES DO NOT ALLOW THE EXCLUSION OR LIMITATION OF INCIDENTAL OR CONSEQUENTIAL DAMAGES FOR CONSUMER PRODUCTS, SO THE ABOVE LIMITATIONS OR EXCLUSIONS MAY NOT APPLY TO YOU.

THIS WARRANTY GIVES YOU SPECIFIC LEGAL RIGHTS, AND YOU MAY ALSO HAVE OTHER RIGHTS WHICH MAY VARY FROM STATE TO STATE.

Read Me First

Apple II Constellation II

Part Number: 7100-06618-01
Release Date: December 1984

FCC WARNING

This equipment has been tested with a Class A computing device and has been found to comply with Part 15 of FCC Rules. Operation in a residential area may cause unacceptable interference to radio and TV reception requiring the operator to take whatever steps are necessary to correct the interference.

NOTICE

Corvus Systems, Inc. reserves the right to make changes in the product described in this manual at any time without notice. Revised manuals will be published as needed and may be purchased from authorized Corvus Systems dealers.

This manual is copyrighted. All rights reserved. This document may not, in whole, or in part be copied, photocopied, reproduced, translated or reduced to any electronic medium or machine readable form without prior consent in writing from:

Corvus Systems, Inc.
2100 Corvus Drive
San Jose, CA 95124

Telephone: (408) 559-7000
TELEX: 278976

©Copyright 1984 by Corvus Systems, Inc. All rights reserved.

Apple® and ProDos® are registered trademarks of Apple Computer, Inc.

CP/M® is a registered trademark of Digital Research Inc.

Corvus Systems,™ Corvus Concept,™ Transporter,™ Omninet,™ LogiCalc,™ EdWord,™ The Bank,™ Bank Tape,™ OmniDrive,™ ISYS,™ Constellation®, and Mirror® are trademarks of Corvus Systems, Inc.

Mirror®, U.S. Patent #4,380,047 International patents pending
Corvus Concept,™ patent pending
Omninet,™ patent pending

GETTING STARTED

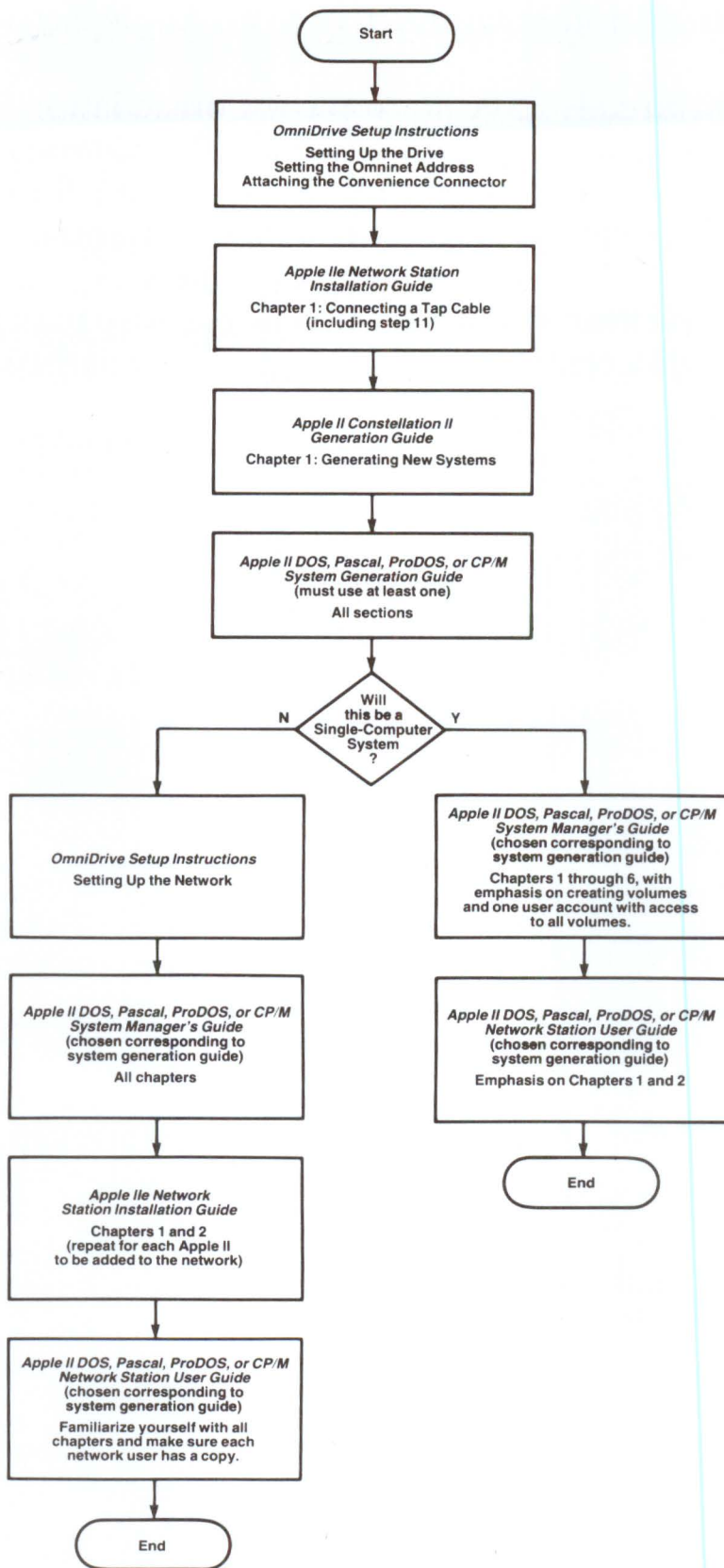
Because the Apple® II Constellation II products from Corvus Systems and the Apple II computer can be used together in many different ways, this *Read Me First* guide contains flowcharts and manual summaries to help you choose what manuals to read, and in what order, to set up your Corvus hardware and software.

The flowcharts and the summaries do not cover installing the network backup devices, The Bank™ or the Mirror® Server, or the network printer server. Refer to the manuals included with each product for further information.

Read through the following descriptions and choose the one that describes the setup you want. Then check the flowchart to find out what manuals to read to set up the equipment.

- Single-Computer or Starting an Apple Network

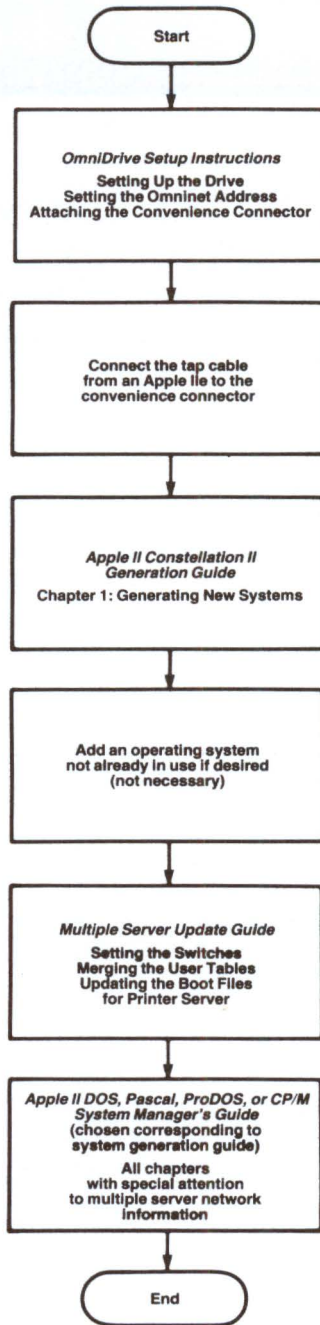
A single-computer system refers to an OmniDrive™ disk system connected to a single Apple IIe. A single-computer system is the starting point for a network of Apple II computers. To set up a single-computer system with an Apple IIe or to begin an Omninet network for Apple II computers, follow the sequence of manuals outlined in the flowchart on the next page.



Steps for a Single-Computer System or Apple Network

- Adding Another OmniDrive to an Apple Network

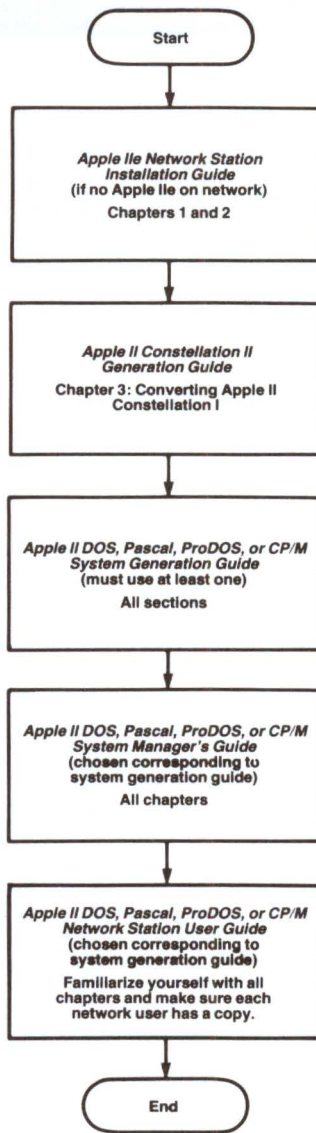
If you already have an Apple II Constellation II network and have purchased another OmniDrive to expand the storage capacity, check the flowchart on the next page for the sequence of manuals to follow. It is not necessary to have new Constellation II software unless you also plan to add a different Apple operating system at the same time.



Steps for Adding Another OmniDrive

- Converting Apple Constellation I to Constellation II

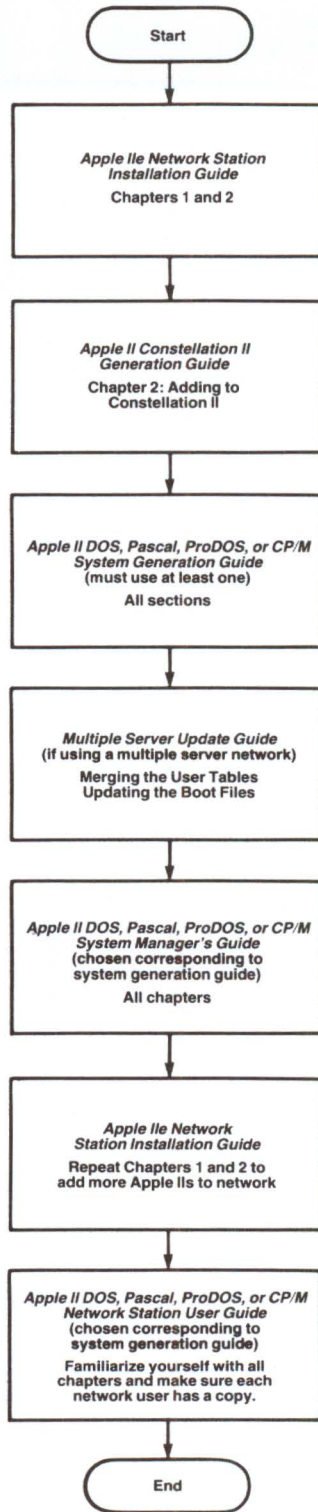
If you are currently using Constellation I software on an Apple II network, upgrade it to Constellation II by following the steps outlined in the flowchart on the next page. Several components of your existing Corvus hardware may need to be upgraded when you convert to Constellation II. Check with your authorized Corvus dealer for details.



Steps for Converting Constellation I to Constellation II

- Adding Only Apple Software to an Existing Network

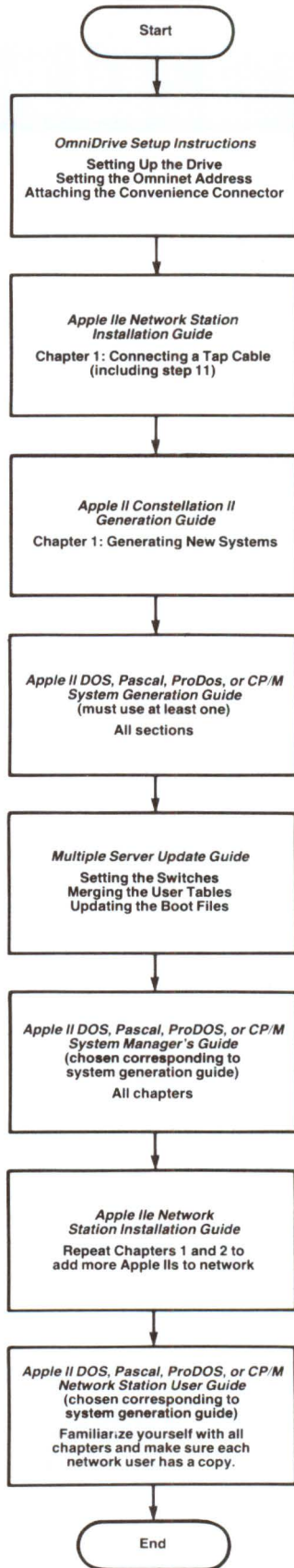
To add Apple II Constellation II software and the Apple II computer (but not a new OmniDrive) to your existing Constellation II network without adding another disk system, follow the sequence of manuals outlined in the flowchart on the next page.



Steps for Adding Apple Software to an Existing Drive

- Adding an OmniDrive for Apple to an Existing Network

If your existing disk system does not have enough free space to add Apple II, you can add an OmniDrive as well as Apple II Constellation II to your existing network. To add Apple II Constellation II and a new OmniDrive to your existing network, follow the sequence of manuals outlined in the flowchart on the next page.



*Steps for Adding an OmniDrive
for Apple to an Existing Network*

MANUAL SUMMARIES

This section lists and summarizes all of the manuals referred to in the flowcharts in the previous section. Three types of manuals come in four versions, a separate one for each of the Apple operating systems: DOS 3.3, ProDOS,[®] Pascal, and CP/M.[®] Since the contents are very similar from one version to the next, the listings mention four titles but give only one summary.

OmniDrive Setup Instructions

- Gives step-by-step instructions for placing the OmniDrive, setting the Omninet address to distinguish between it and other devices, and attaching a convenience connector, which connects an OmniDrive directly to a computer. It also describes how to lay out the Omninet network trunk cable and make network taps to plug in the OmniDrive and other devices.

Apple IIe Network Station Installation Guide

- Gives step-by-step instructions for installing the Transporter[™] card into the Apple IIe and connecting a tap cable, which connects the computer to an OmniDrive or to the Omninet trunk cable. The guide also shows how to extend the trunk cable if the computer must be placed too far away from the existing cable.

Apple II Constellation II Generation Guide

- Explains how to place Constellation II software on a drive in three ways: Chapter 1 shows how to put Apple II Constellation II on a new OmniDrive, Chapter 2 shows how to add it to an existing Constellation II network, and Chapter 3 shows how to convert an Apple II Constellation I network to Constellation II. Installing Apple II Constellation II is only part of any of the three software installation processes; Apple operating system information must also be transferred to the drive.

Apple II System Generation Guides for DOS, Pascal, ProDOS, or CP/M

- Each system generation guide shows how to install an operating system on an Apple II Constellation II drive. Each is independent of the others, and an additional operating system can be added at any time.

Multiple Server Update Guide

- Explains the steps necessary to have more than one disk server or OmniDrive on a network. It covers setting the bias switch, merging the user tables, and updating boot files. The user tables and the boot files on all drives on a network must be identical for the network to work correctly.

Apple II System Manager's Guides for DOS, Pascal, ProDOS, or CP/M

—Each system manager's guide shows how to use Constellation II software for a particular operating system to manage a drive. Every drive must be divided into volumes before it can be used. User accounts, which assign volumes to users, must also be established. The system manager's guides show how to create volumes and user accounts, as well as explain other functions of system management.

Apple II Network Station User Guides for DOS, Pascal, ProDOS, or CP/M

—Each user guide shows network users of a particular operating system how to use the programs Corvus supplies to enhance working on a network. The programs consist of a mount manager, to use many different volumes on the network disk system; spool and despool programs, to send files to a network printer or exchange files with other users; and a backup-to-floppy program for backing up data from volumes to floppy diskettes.

Apple II Disk Diagnostic Guide

—Explains how to diagnose and solve problems that may occur with a disk system.

