

DISKETTE DRIVE INSTALLATION GUIDE

CORVUS CONCEPT

DISKETTE DRIVE INSTALLATION GUIDE

CORVUS CONCEPT

PART NO.: 7100-03141

DOCUMENT NO.: CCC/12-11/1.2

RELEASE DATE: October, 1982

CORVUS CONCEPT™

CORVUS CONCEPT is a trademark of Corvus Systems, Inc.

SCOPE

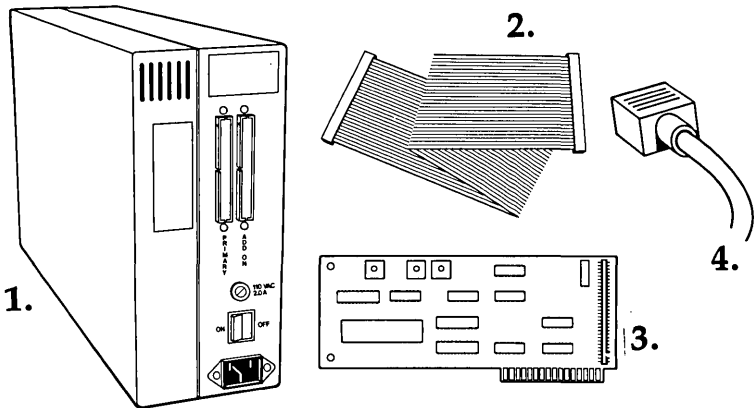
This guide takes you step-by-step through the procedures to install a Corvus Concept™ Diskette Drive. It covers only the installation procedures for the diskette drive hardware. It does not contain any explanations of software.

Your new Concept diskette drive consists of two major pieces: an interface card and the drive itself. As you unpack, be sure to save the white envelope you will find in the box; it contains warranty registration materials.

COMPONENTS

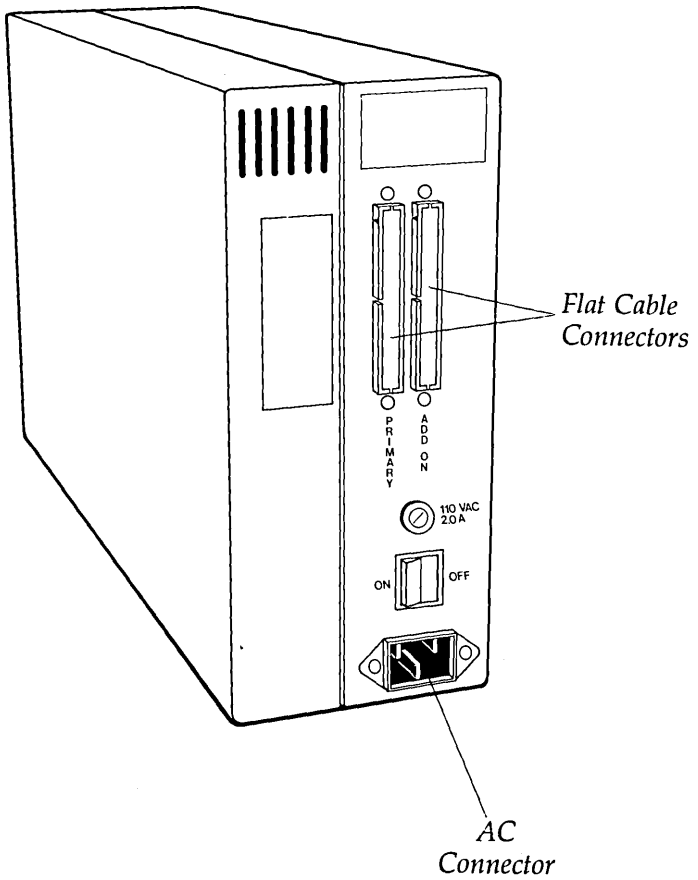
After you have unpacked your Concept Diskette drive, you will have the following parts:

1. Diskette Drive;
2. Flat Cable;
3. Controller Card;
4. Power Cable.

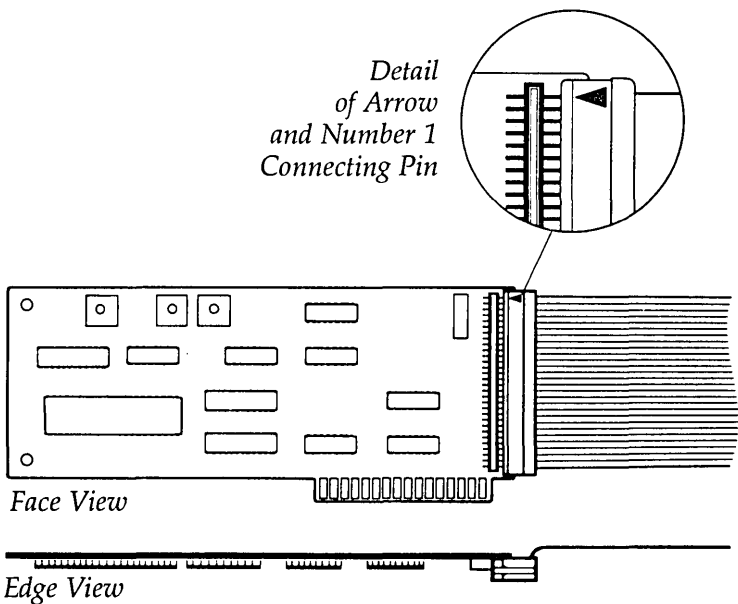


DISKETTE DRIVE SETUP

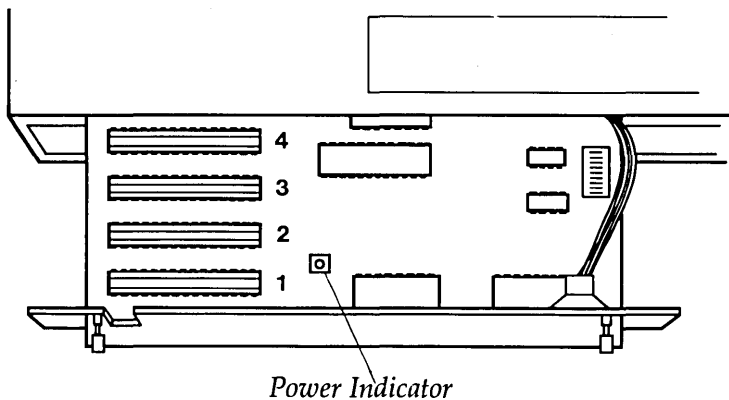
1. Place the diskette drive on a flat surface close to the Concept.



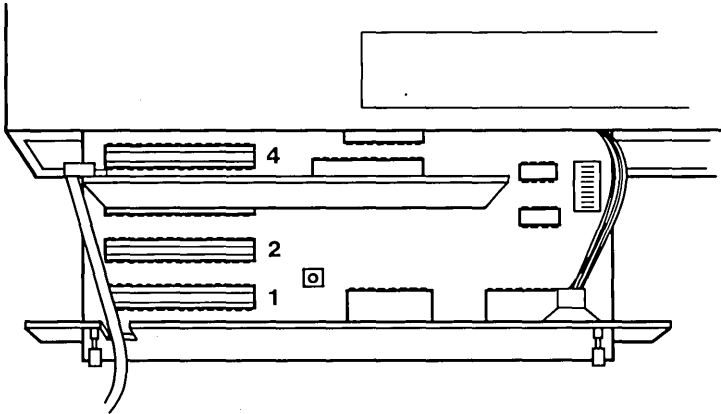
2. Connect one end of the flat cable to the controller card. First, locate the number one connecting pin on the controller card. Line up the arrow on the cable connector with pin one. Push the connector onto the pins so that it fits snugly, as depicted in the figures below.



3. Open the pull-out drawer on the back of the Concept by loosening the latch screws on the back of the Concept. To loosen the left screw, turn the left knob clockwise. To loosen the right screw, turn the right knob counter-clockwise. Slide the drawer out.



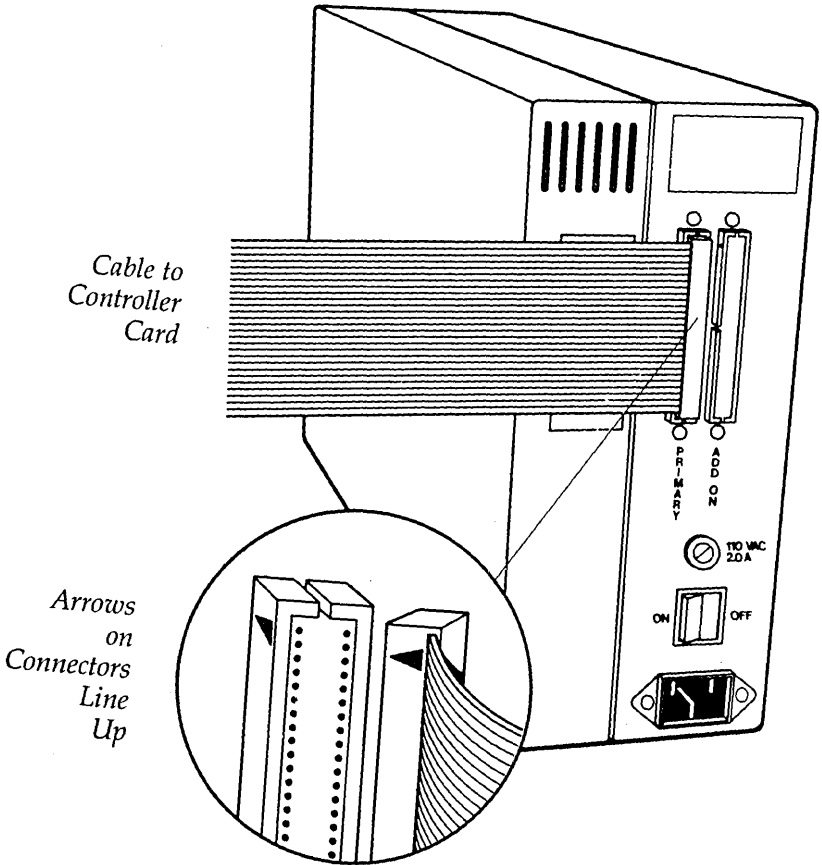
4. Along the left side of the drawer are four I/O slots, numbered from 1, at the rear of the computer, through 4 at the front. Check the red power indicator light. If it is on, power off the Concept base unit before continuing.
5. Firmly press the diskette controller card into slot 3. Make sure that it is all the way into the slot.



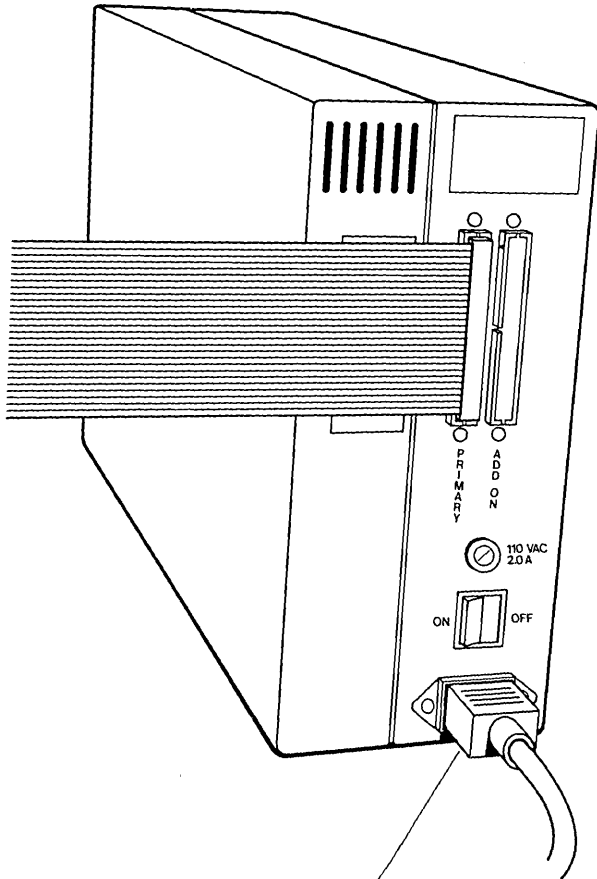
*Inserting the Diskette
Controller Card—Slot 3*

If you are going to use your Concept with an Omninet network, close the pull-out drawer and tighten the lock screws. Otherwise, leave the drawer open.

6. Connect the other end of the flat cable to the left-most cable socket on the back of the drive. Be sure to line up the arrows on the connector and the socket.



7. Plug the power cable into the drive. Plug the other end of this cable into an AC power outlet.



*Plug in
AC Power Cable*

8. This completes the installation of your Corvus Concept diskette drive.

NOTE: DO NOT POWER-ON OR POWER-OFF YOUR CONCEPT WHEN A DISKETTE IS IN THE DISKETTE DRIVE.

Before you can fully use your Concept workstation, you must connect your Concept to a Corvus disk drive in one of two ways:

1. through an Omninet network,
2. to a local Corvus disk drive.

If you are connecting the Concept to an existing Omninet network, you should read the "Corvus Concept Personal Workstation User Guide."

If you are setting up an Omninet network to use with your Concept workstation, you should read the "Corvus Concept Omninet Disk Installation Guide."

If you are going to connect your Concept to a local disk drive, you should read the "Corvus Concept Disk Installation Guide."