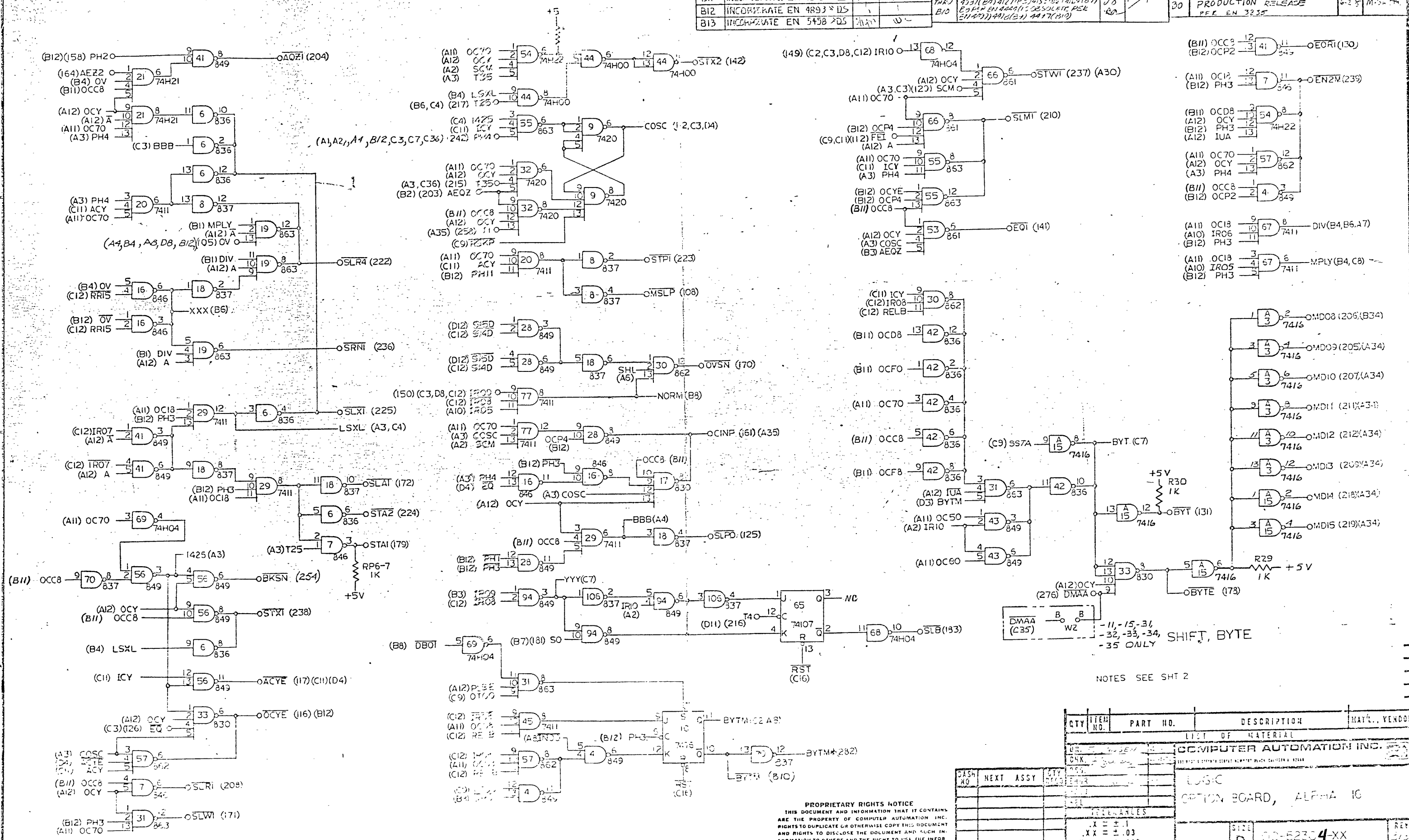


SYM	DESCRIPTION	DATE	APPROVAL	SYM	DESCRIPTION	DATE	APPROVAL	REVISIONS	
B11	INCORPORATE EN 4548 ADS	1/11/68	W	B1	REPLIN 40311(10) 40311(12) 4111(123)			30	PRODUCTION RELEASE
B12	INCORPORATE EN 4893 ADS	1/11/68	W	B1	433(B) 41211(1) 41211(2) 41211(3)			6-2	M.S. TH
B13	INCORPORATE EN 5458 ADS	1/11/68	W	B10	EN 4893 EN 4893(1) 4893(2) 4893(3)				



DMAA (235) B B -11, -15, -31 -32, -33, -34, -35 ONLY SHIFT, BYTE

NOTES SEE SHT 2

PROPRIETARY RIGHTS NOTICE
 THIS DOCUMENT AND INFORMATION THAT IT CONTAINS ARE THE PROPERTY OF COMPUTER AUTOMATION, INC. RIGHTS TO DUPLICATE OR OTHERWISE COPY THIS DOCUMENT AND RIGHTS TO DISCLOSE THE DOCUMENT AND SUCH INFORMATION TO OTHERS AND THE RIGHT TO USE THE INFORMATION CONTAINED THEREIN, MAY BE ACQUIRED ONLY BY WRITTEN PERMISSION SIGNED BY A DULY AUTHORIZED OFFICER OF COMPUTER AUTOMATION, INC.

QTY	ITEM NO.	PART NO.	DESCRIPTION	MAT'L.	VENDOR
LIST OF MATERIAL					
COMPUTER AUTOMATION INC.					
LOGIC					
OPTION BOARD, ALPHA 16					
SCALE: SHT. 1 OF 2					

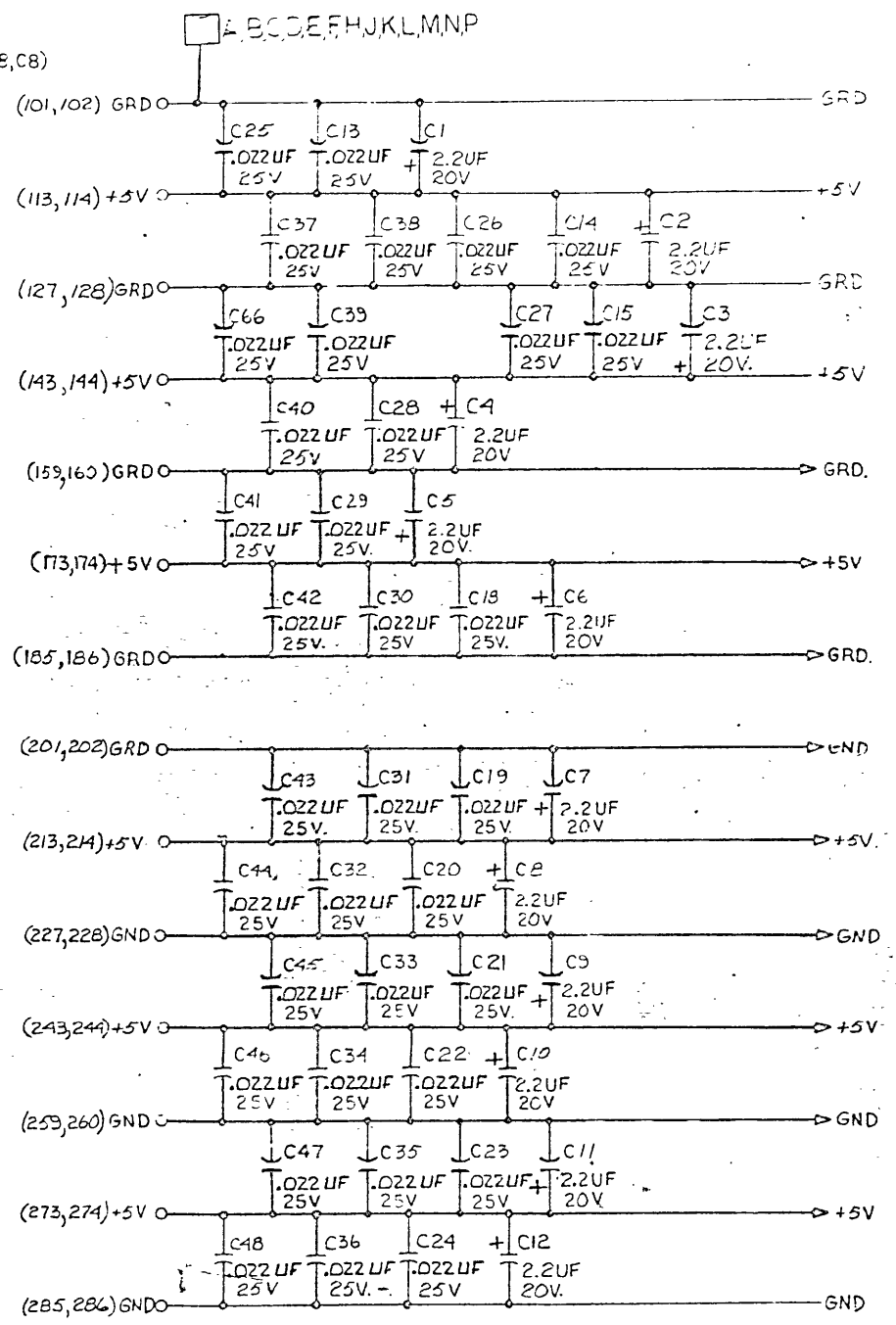
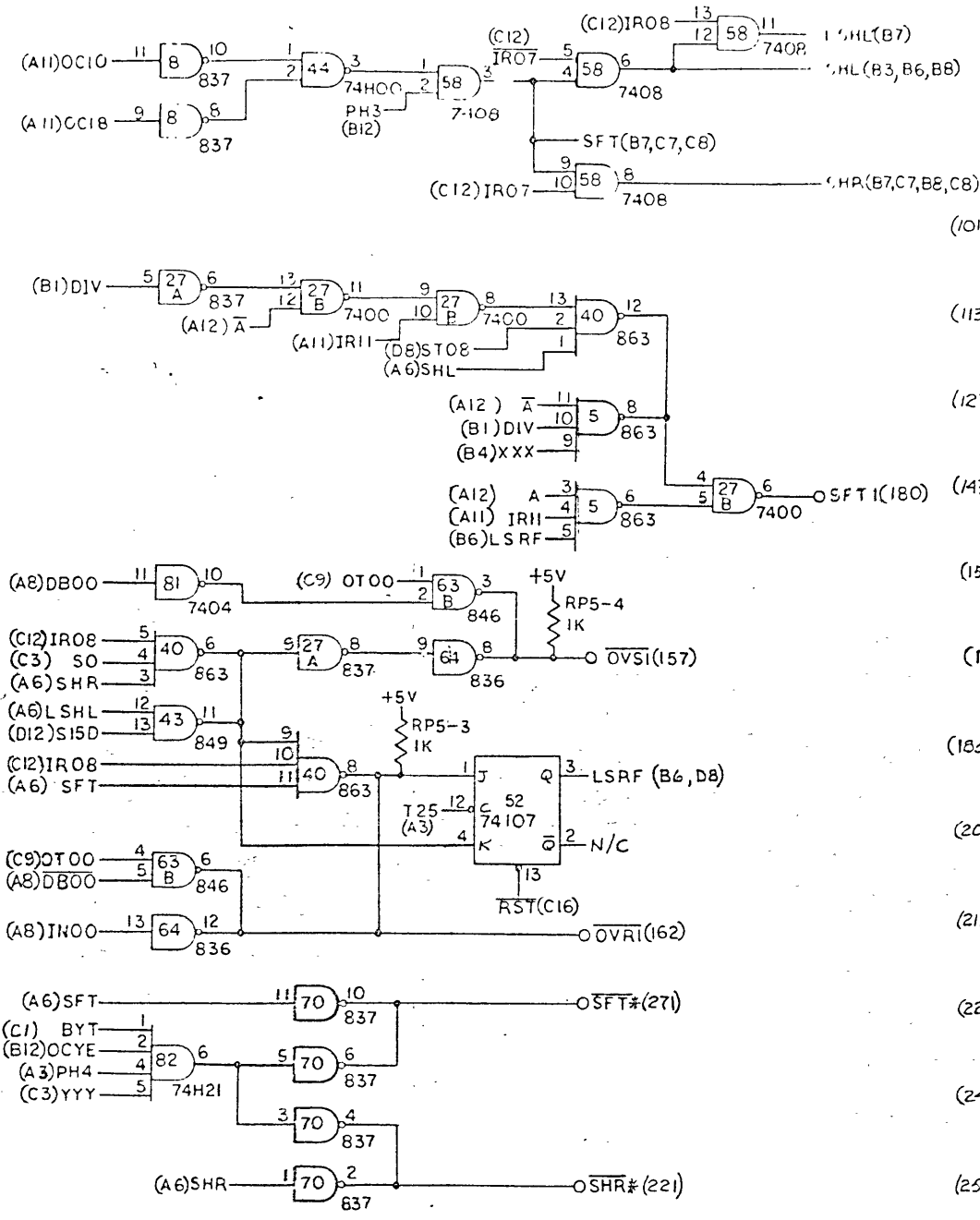
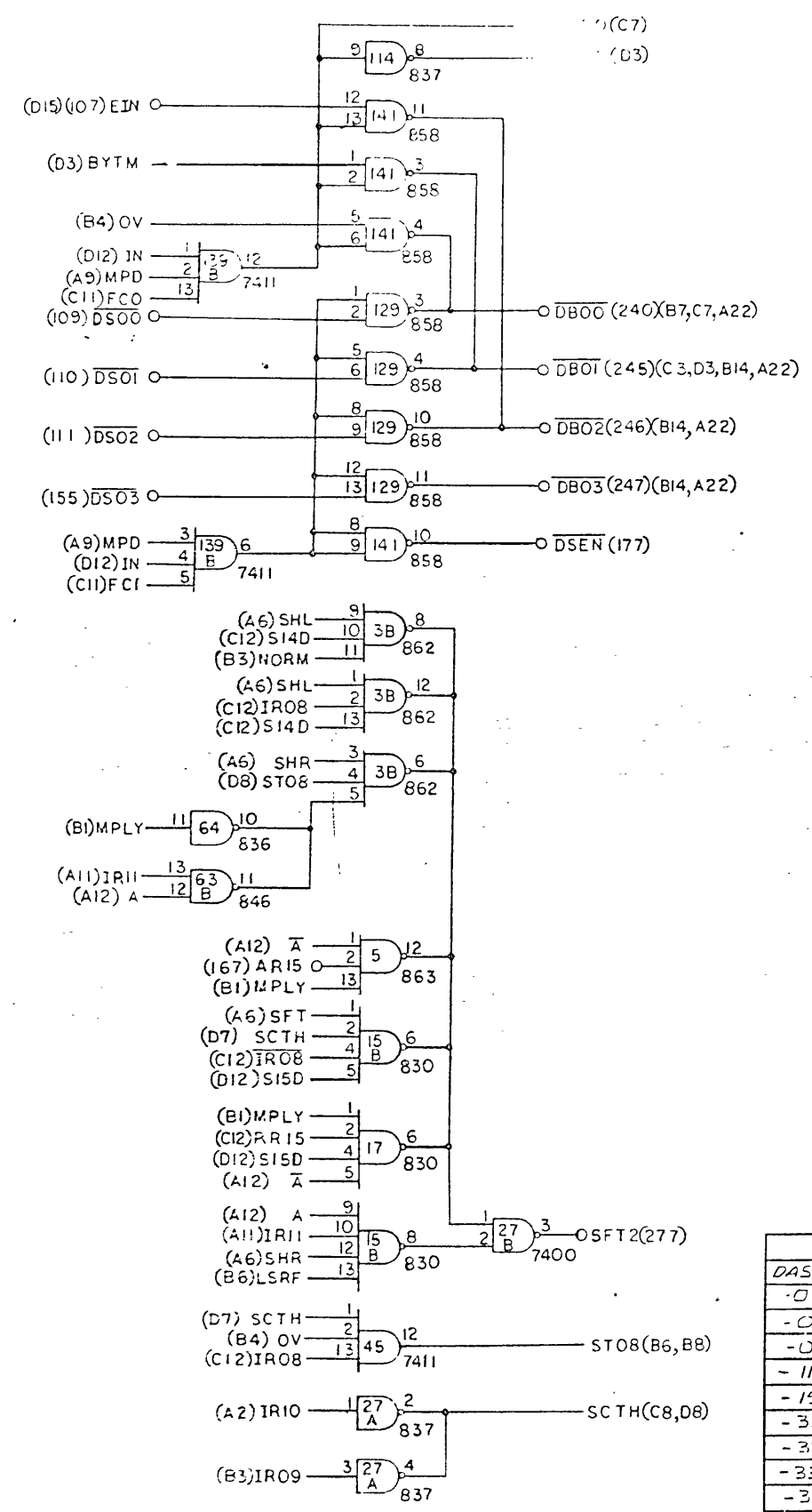
A

B

C

D

REVISIONS			
SYM	DESCRIPTION	DATE	APPROVAL



TABULATION BLOCK

DASH NO	DESCRIPTION
-00	PC, COM
-03	FF, TTY
-07	PF, TTY, RTC
-11	PF, TTY, AL
-15	PF, TTY, RTC, AL
-31	PF, TTY, RTC, AL, MP
-32	PF, RTC, AL
-33	PF, TTY, RTC, AL
-34	PF, AL
-35	PF, TTY, RTC, AL
-36	PF, RTC, AL
-37	XEROX, PF, RTC, AL

- FOR LOGIC DWG NO., SEE TABULATION BLOCK
- ALL RES PACKS ARE ±5%, 1/8W
- ALL .022UF CAPACITORS ARE +80 -70%
- ALL CAPACITORS ARE 10% TOL.
- IC38A CONFIGURATION FOR NATIONAL MM5231; IC28B CONFIGURATION FOR INTEL 1601 OR 1602. IC REQUIREMENT SPECIFIED BY CUSTOMER PER SALES ORDER
- ALL DIODES ARE 1N4448
- SYMBOLS DEFINED FOR OUTPUT PINS:
O = MOTHER BOARD J1
□ = TEST CONNECTOR J2
△ = TTY INTERFACE J3
- SIGNAL LEVELS FROM OPTIONS NOT INSTALLED ARE LOGIC 1.
- ALL RESISTORS ARE 1/4W 5%.

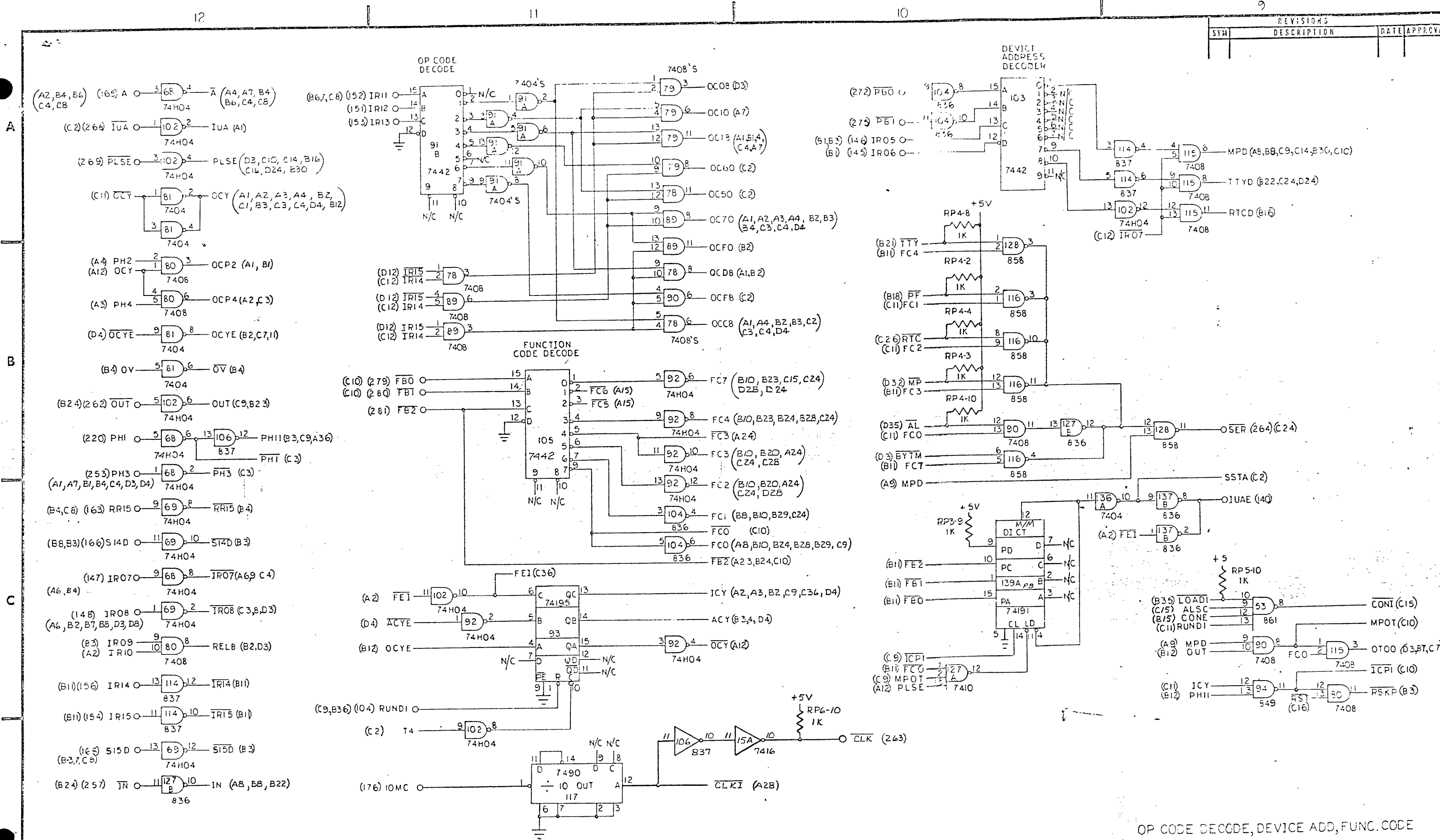
NOTES: UNLESS OTHERWISE SPECIFIED

SHIFT CONTROL, SWITCH STATUS

PROPRIETARY RIGHTS NOTICE
THIS DOCUMENT AND INFORMATION THAT IT CONTAINS ARE THE PROPERTY OF COMPUTER AUTOMATION, INC. RIGHTS TO DUPLICATE OR OTHERWISE COPY THIS DOCUMENT AND RIGHTS TO DISCLOSE THE DOCUMENT AND SUCH INFORMATION TO OTHERS AND THE RIGHT TO USE THE INFORMATION CONTAINED THEREIN, MAY BE ACQUIRED ONLY BY WRITTEN PERMISSION SIGNED BY A DULY AUTHORIZED OFFICER OF COMPUTER AUTOMATION, INC.

SIZE D	00-52304-XX	REV E13
SCALE =	SHT. 2 OF 9	

REVISIONS		
SYN	DESCRIPTION	DATE APPROVAL



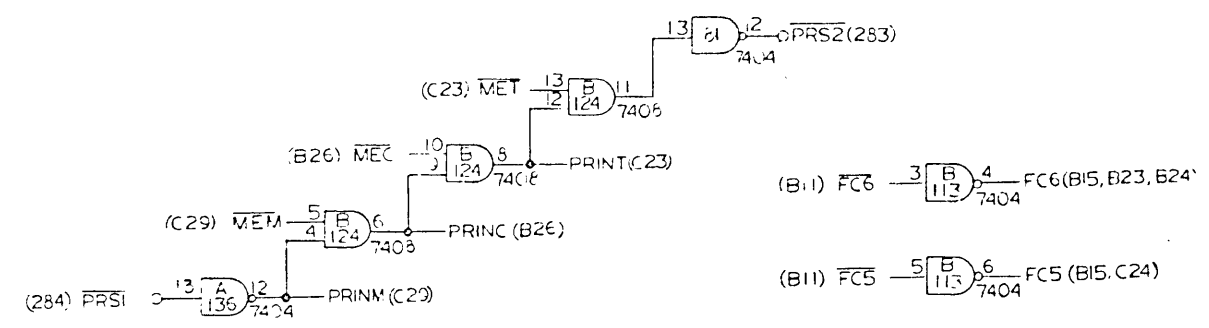
OP CODE DECODE, DEVICE ADD, FUNC. CODE

PROPRIETARY RIGHTS NOTICE
 THIS DOCUMENT AND INFORMATION THAT IT CONTAINS ARE THE PROPERTY OF COMPUTER AUTOMATION, INC. RIGHTS TO DUPLICATE OR OTHERWISE COPY THIS DOCUMENT AND RIGHTS TO DISCLOSE THE DOCUMENT AND SUCH INFORMATION TO OTHERS AND THE RIGHT TO USE THE INFORMATION CONTAINED THEREIN, MAY BE ACQUIRED ONLY BY WRITTEN PERMISSION SIGNED BY A DULY AUTHORIZED OFFICER OF COMPUTER AUTOMATION, INC.

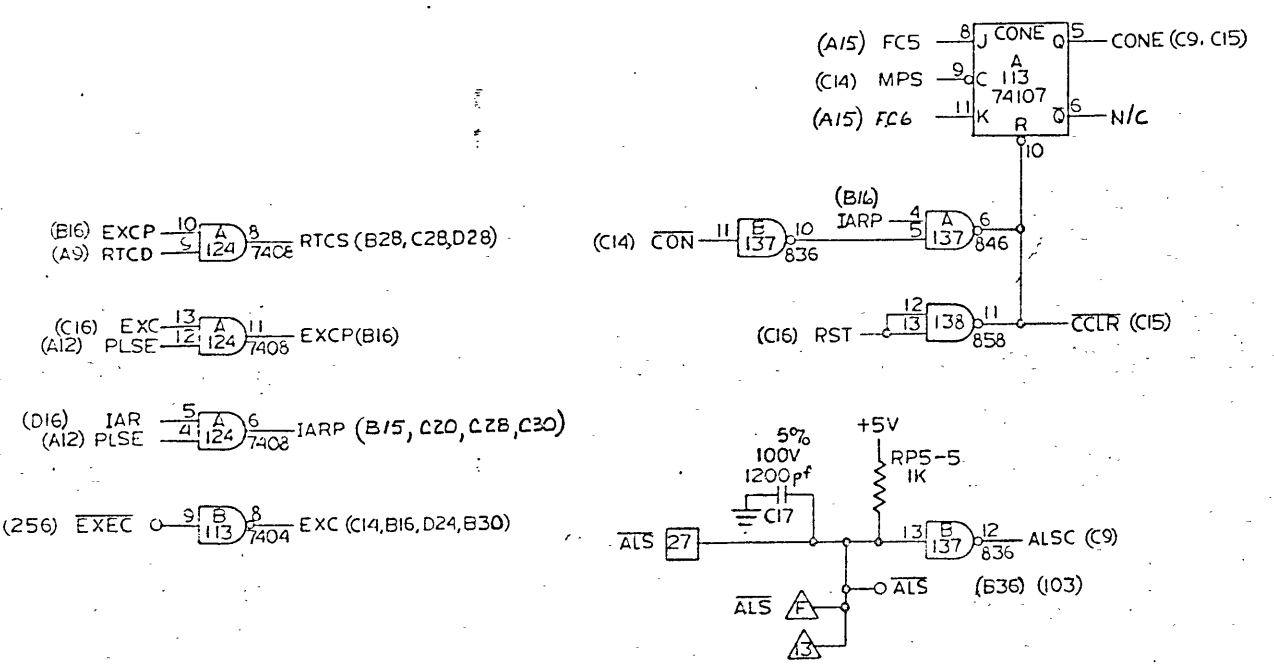
SIZE	D	00-52304-XX	REV	B10
SCALE			SHT. 3	OF 9

REVISIONS			
SYL#	DESCRIPTION	DATE	APPROVAL

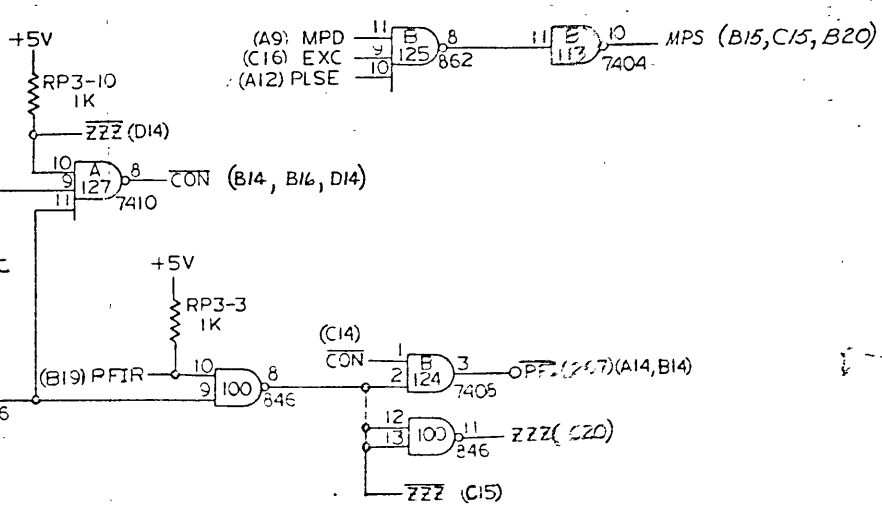
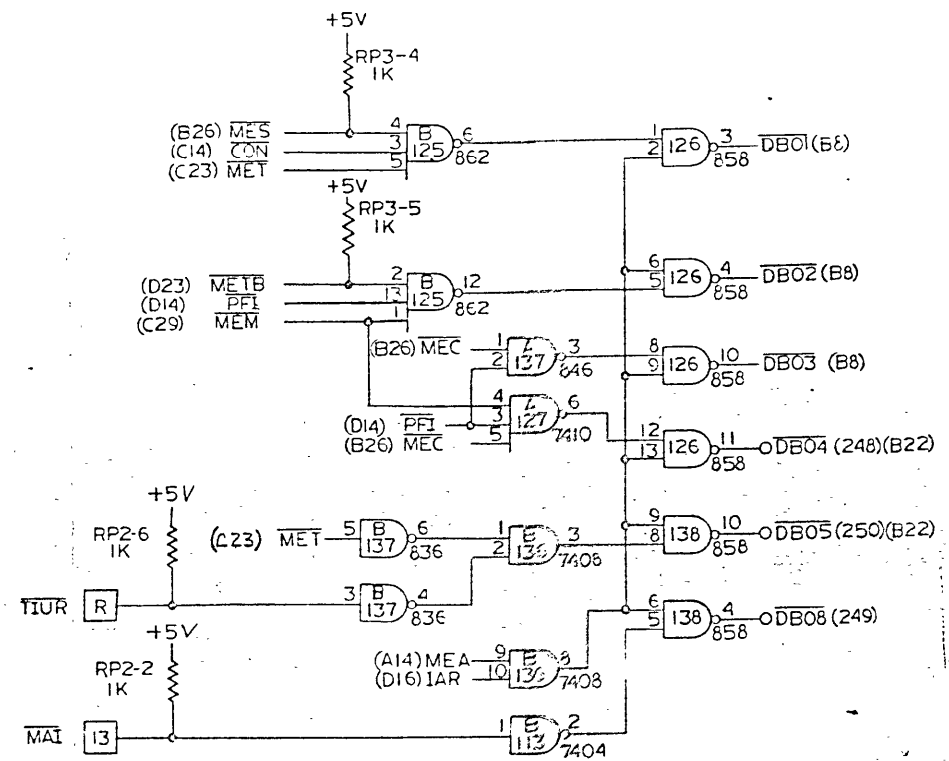
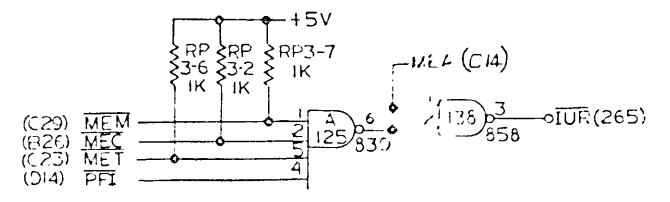
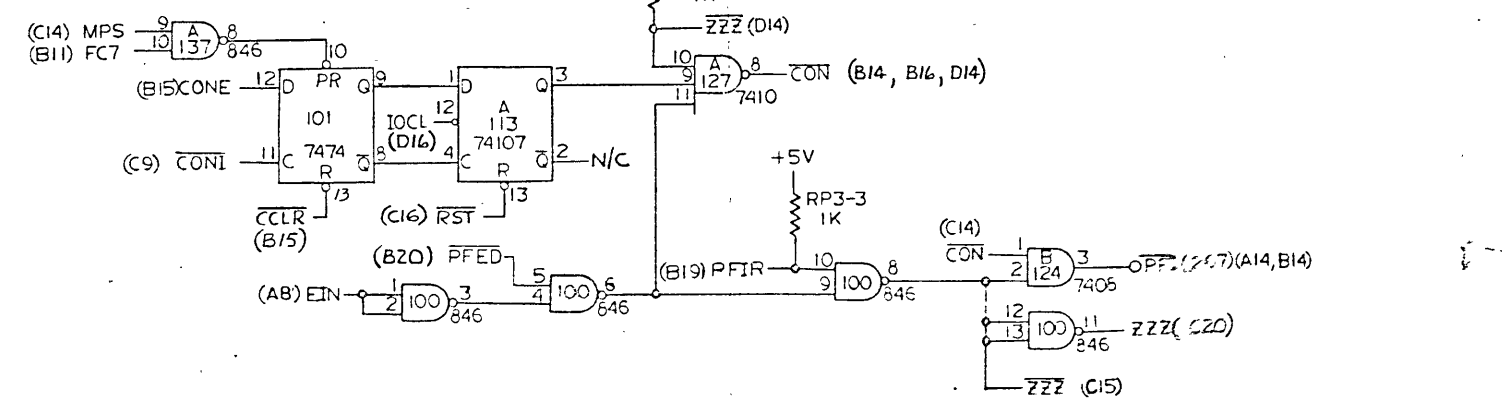
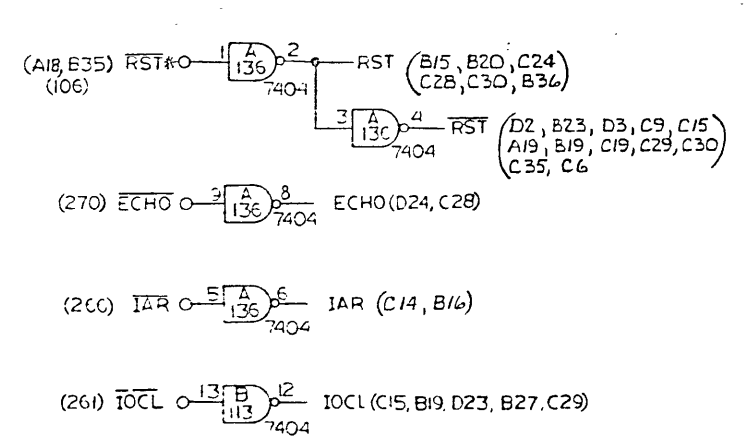
A



B



C



COMMON, INTERRUPT

PROPRIETARY RIGHTS NOTICE
 THIS DOCUMENT AND INFORMATION THAT IT CONTAINS ARE THE PROPERTY OF COMPUTER AUTOMATION, INC. RIGHTS TO DUPLICATE OR OTHERWISE COPY THIS DOCUMENT AND RIGHTS TO DISCLOSE THE DOCUMENT AND SUCH INFORMATION TO OTHERS AND THE RIGHT TO USE THE INFORMATION CONTAINED THEREIN, MAY BE ACQUIRED ONLY BY WRITTEN PERMISSION SIGNED BY A DULY AUTHORIZED OFFICER OF COMPUTER AUTOMATION, INC.

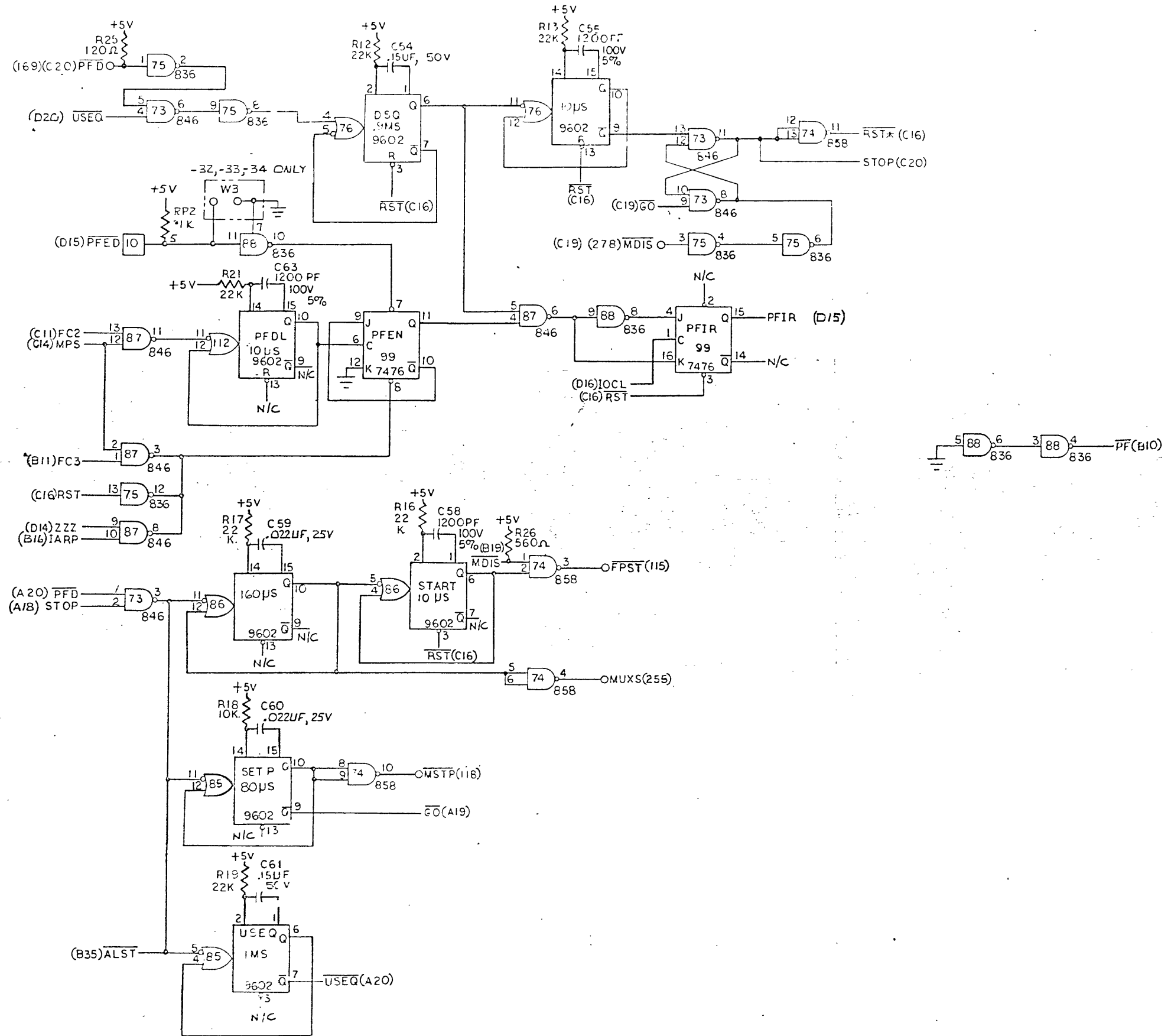
SIZE	00-52304-XX	REV	B13
SCALE		SHT. 4	OF 9

REVISIONS		DATE	APPROVAL
SYM	DESCRIPTION		

A

B

C



CONDITIONS FOR FIRING
9602

1. PIN 11/5 HIGH
12/4 LOW

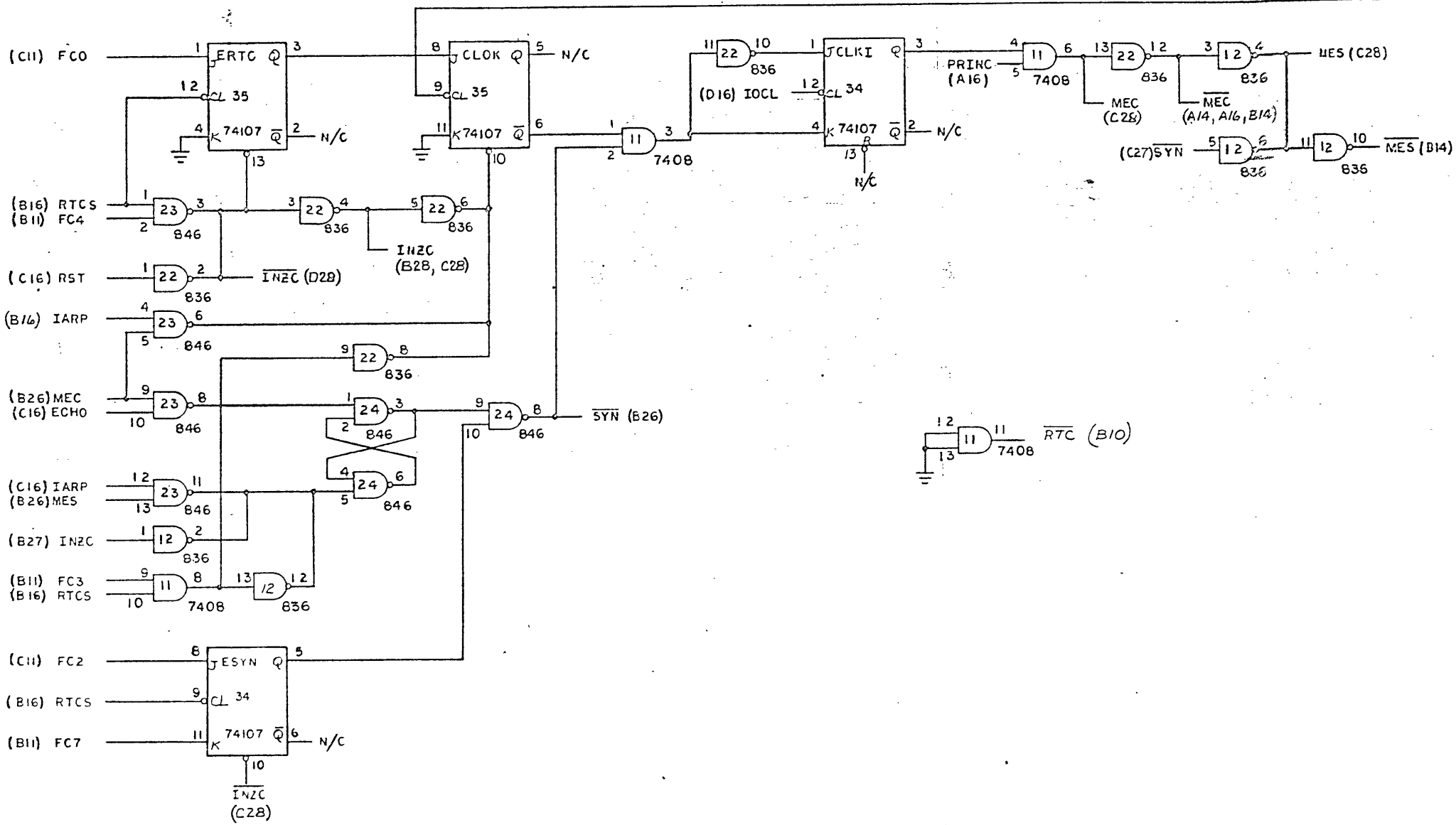
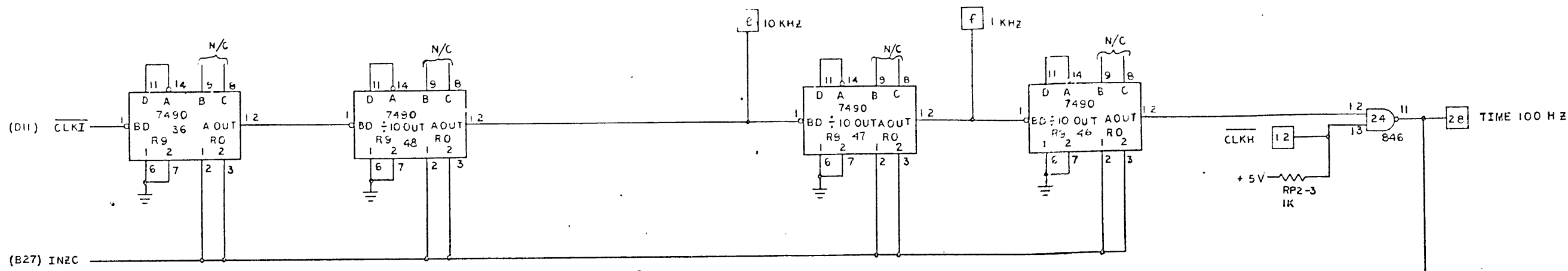
2. PIN 12/4 LOW
11/5 HIGH

POWER FAIL

PROPRIETARY RIGHTS NOTICE
THIS DOCUMENT AND INFORMATION THAT IT CONTAINS ARE THE PROPERTY OF COMPUTER AUTOMATION, INC. RIGHTS TO DUPLICATE OR OTHERWISE COPY THIS DOCUMENT AND RIGHTS TO DISCLOSE THE DOCUMENT AND SUCH INFORMATION TO OTHERS AND THE RIGHT TO USE THE INFORMATION CONTAINED THEREIN, MAY BE ACQUIRED ONLY BY WRITTEN PERMISSION SIGNED BY A DULY AUTHORIZED OFFICER OF COMPUTER AUTOMATION, INC.

SIZE D	00-52304-XX	REV B13
SCALE =	SHT. 5 OF 9	

REVISIONS			
SYN	DESCRIPTION	DATE	APPROVAL



REAL TIME CLOCK

PROPRIETARY RIGHTS NOTICE
 THIS DOCUMENT AND INFORMATION THAT IT CONTAINS ARE THE PROPERTY OF COMPUTER AUTOMATION, INC. RIGHTS TO DUPLICATE OR OTHERWISE COPY THIS DOCUMENT AND RIGHTS TO DISCLOSE THE DOCUMENT AND SUCH INFORMATION TO OTHERS AND THE RIGHT TO USE THE INFORMATION CONTAINED THEREIN, MAY BE ACQUIRED ONLY BY WRITTEN PERMISSION SIGNED BY A DULY AUTHORIZED OFFICER OF COMPUTER AUTOMATION, INC.

SIZE D	00-52304-XX	REV E13
SCALE	SHT. 7 OF 9	

REVISIONS		
SY#	DESCRIPTION	DATE/APPROVAL

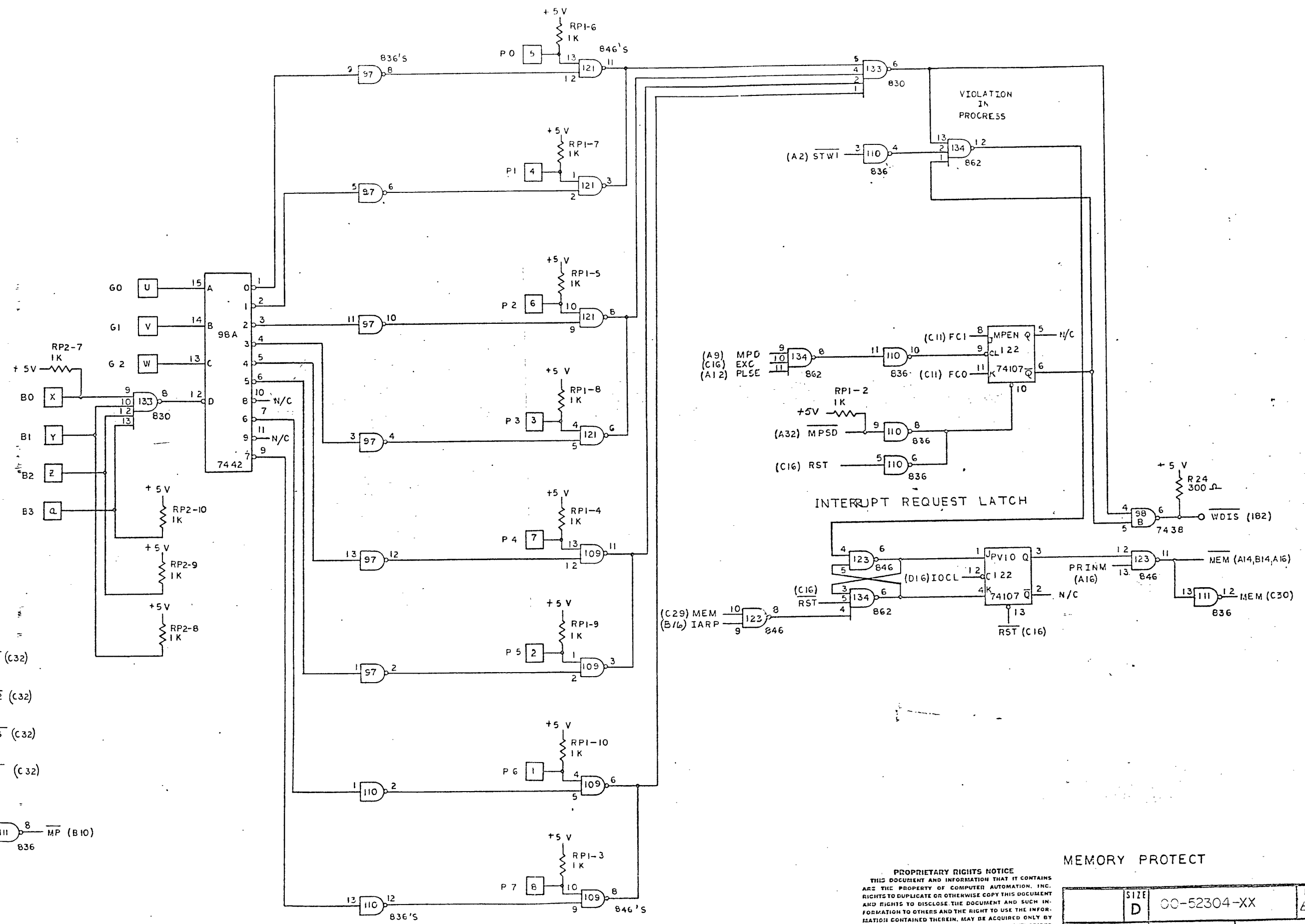
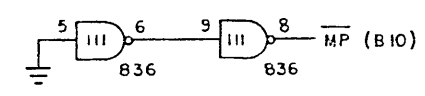
A

B

C

D

- (B30) MP5D — 9
- (230) MR08 — 15
- (231) MR09 — 16
- (229) MR10 — 17
- (C32,A36) (226) MR11 — 18
- (C32,A36) (232) MR12 — 20
- (D32,A36) (235) MR13 — 23
- (D32,A36) (234) MR14 — 25
- (C32) MR11 — 19
- (C32) MR12 — 21
- (D32) MR13 — 22
- (D32) MR14 — 24
- (B32) MR11 — 135 — 2 MR11 (C32) 836
- (B32) MR12 — 3 135 — 4 MR12 (C32) 836
- (B32) MR13 — 11 135 — 10 MR13 (C32) 836
- (B32) MR14 — 13 135 — 12 MR14 (C32) 836



PROPRIETARY RIGHTS NOTICE
 THIS DOCUMENT AND INFORMATION THAT IT CONTAINS ARE THE PROPERTY OF COMPUTER AUTOMATION, INC. RIGHTS TO DUPLICATE OR OTHERWISE COPY THIS DOCUMENT AND RIGHTS TO DISCLOSE THE DOCUMENT AND SUCH INFORMATION TO OTHERS AND THE RIGHT TO USE THE INFORMATION CONTAINED THEREIN, MAY BE ACQUIRED ONLY BY WRITTEN PERMISSION SIGNED BY A DULY AUTHORIZED OFFICER OF COMPUTER AUTOMATION, INC.

MEMORY PROTECT

SIZE	D	00-52304-XX	REV	B/C
SCALE	=		SHEET	8 OF 9

