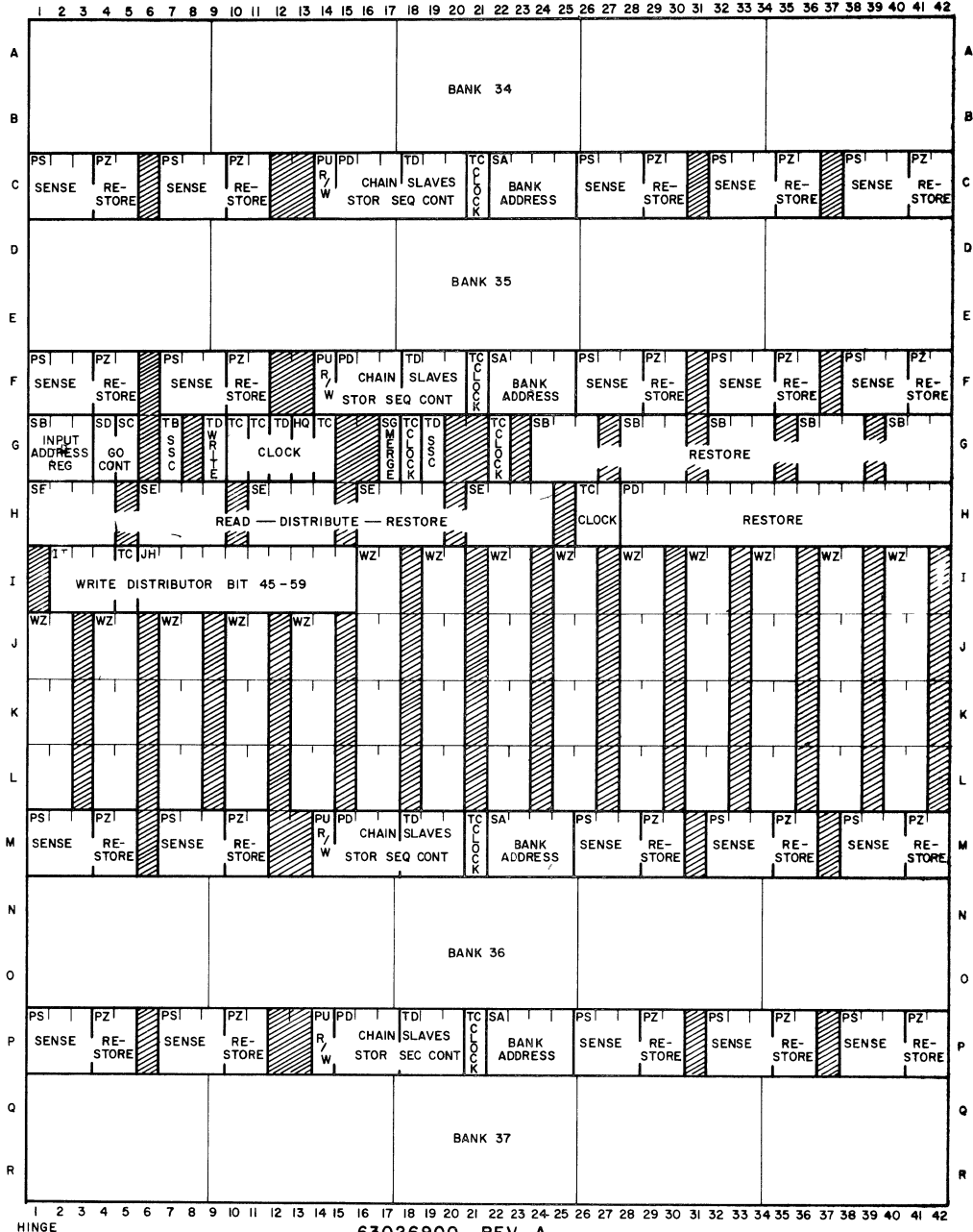


CONTROL DATA® 6601 A-H/6613-A CENTRAL COMPUTER

Chassis 16

CARD PLACEMENT
WIRE LISTS
CHASSIS TABS

h. + 40



16A1

STORAGE
MODULE

FUNCTION	PIN
Address	
S ⁰	22
S ¹	20
S ²	8
S ³	10
S ⁴	12
S ⁵	14
S ⁶	18
S ⁷	16
Store	
Z ²	6
Z ³	26
Z ⁴	28
Z ⁵	4
Z ⁶	30
Z ⁷	2
Read	
Z ⁰	1
Z ¹	3
Z ²	27
Z ³	29
Z ⁴	5
Z ⁵	7
Z ⁶	23
Z ⁷	25
Z ⁸	19
Z ⁹	21
Z ¹⁰	9
Z ¹¹	11
Inhibit	
S ¹¹	24
Power	
+5 To Inhibit	13
+5 To Inhibit	17
Ground	15

1	C 1	2	9
2	C 5	23	13
3	C 1	4	9
4	C 5	3	11
5	C 2	2	9
6	C 4	7	11
7	C 2	4	9
8	C23	19	25
9	C 3	8	9
10	C23	20	23
11	C 3	10	9
12	C25	19	25
13			
14	C25	20	25
15	A1	X	2
16	C25	2	25
17			
18	C24	2	25
19	C 3	2	7
20	C22	20	23
21	C 3	4	7
22	C22	19	23
23	C 2	8	7
24	C25	3	25
25	C 2	10	7
26	C 4	21	9
27	C 1	8	7
28	C 5	5	9
29	C 1	10	7
30	C 5	25	11

JACK PIN LG

16A8

FUNCTION	PIN
Address	
S ⁴	7
S ⁵	9
S ⁶	13
S ⁷	11
Store	
Z ⁰	29
Z ¹	5
Z ²	27
Z ³	1
Z ⁴	3
Z ⁵	25
Read	
Z ²	28
Z ³	30
Z ⁴	2
Z ⁵	4
Z ⁶	6
Z ⁷	8
Z ⁸	24
Z ⁹	26
Z ¹⁰	10
Z ¹¹	12
Z ¹²	20
Z ¹³	22
Inhibit	
S ⁴	15
S ⁵	17
S ¹⁰	19
Control	
Read Enable	23
Write Enable	21
Power	
+8 To Drive	18
+6 To Drive	14
Ground	16

1	C 4	23	13
2	C 1	22	13
3	C 5	7	11
4	C 1	24	13
5	C 4	3	11
6	C 2	16	13
7	C22	2	17
8	C 2	18	13
9	C23	2	17
10	C 3	16	11
11	C24	20	19
12	C 3	18	11
13	C24	19	19
14	+6 Bus		
15	C22	3	17
16	A8	X	2
17	C23	3	17
18			
19	C24	3	17
20	C 3	22	11
21	C14	24	11
22	C 3	24	11
23	C14	1	11
24	C 2	22	11
25	C 5	21	9
26	C 2	24	11
27	C 4	25	11
28	C 1	16	11
29	C 4	5	9
30	C 1	18	11

JACK PIN LG

16A10

STORAGE
MODULE

FUNCTION	PIN
Address	
S ⁰	22
S ¹	20
S ²	8
S ³	10
S ⁴	12
S ⁵	14
S ⁶	18
S ⁷	16
Store	
Z ²	6
Z ³	26
Z ⁴	28
Z ⁵	4
Z ⁶	30
Z ⁷	2
Read	
Z ⁰	1
Z ¹	3
Z ²	27
Z ³	29
Z ⁴	5
Z ⁵	7
Z ⁶	23
Z ⁷	25
Z ⁸	19
Z ⁹	21
Z ¹⁰	9
Z ¹¹	11
Inhibit	
S ¹¹	24
Power	
+5 To Inhibit	13
+5 To Inhibit	17
Ground	15

1	C 7	2	11
2	C11	23	11
3	C 7	4	11
4	C11	3	9
5	C 8	2	9
6	C10	7	9
7	C 8	4	9
8	C23	21	17
9	C 9	8	9
10	C23	22	17
11	C 9	10	9
12	C25	21	19
13			
14	C25	22	19
15	A10	X	2
16	C25	4	17
17			
18	C24	4	17
19	C 9	2	7
20	C22	22	15
21	C 9	4	7
22	C22	21	17
23	C 8	8	7
24	C25	5	17
25	C 8	10	7
26	C10	21	9
27	C 7	8	9
28	C11	5	7
29	C 7	10	9
30	C11	25	9

JACK PIN LG

16A16

FUNCTION	PIN
Address	
S ⁴	7
S ⁵	9
S ⁶	13
S ⁷	11
Store	
Z ⁰	29
Z ¹	5
Z ²	27
Z ³	1
Z ⁴	3
Z ⁵	25
Read	
Z ²	28
Z ³	30
Z ⁴	2
Z ⁵	4
Z ⁶	6
Z ⁷	8
Z ⁸	24
Z ⁹	26
Z ¹⁰	10
Z ¹¹	12
Z ¹²	20
Z ¹³	22
Inhibit	
S ⁴	15
S ⁵	17
S ¹⁰	19
Control	
Read Enable	23
Write Enable	21
Power	
+8 To Drive	18
+6 To Drive	14
Ground	16

1	C10	23	13
2	C 7	22	15
3	C11	7	11
4	C 7	24	15
5	C10	3	11
6	C 8	16	13
7	C22	4	11
8	C 8	18	13
9	C23	4	11
10	C 9	16	11
11	C24	22	13
12	C 9	18	11
13	C24	21	13
14			
15	C22	5	11
16	A16	X	2
17	C23	5	11
18			
19	C24	5	13
20	C 9	22	11
21	C14	25	11
22	C 9	24	11
23	C14	3	7
24	C 8	22	13
25	C11	21	11
26	C 8	24	13
27	C10	25	11
28	C 7	16	13
29	C10	5	11
30	C 7	18	13

JACK PIN LG

16A18

STORAGE
MODULE

FUNCTION	PIN
Address	
S ⁰	22
S ¹	20
S ²	8
S ³	10
S ⁴	12
S ⁵	14
S ⁶	18
S ⁷	16
Store	
Z ²	6
Z ³	26
Z ⁶	28
Z ⁷	4
Z ¹⁰	30
Z ¹¹	2
Read	
Z ⁰	1
Z ⁰	3
Z ¹	27
Z ¹	29
Z ⁴	5
Z ⁴	7
Z ⁵	23
Z ⁵	25
Z ⁸	19
Z ⁸	21
Z ⁹	9
Z ⁹	11
Inhibit	
S ¹¹	24
Power	
+5 To Inhibit	13
+5 To Inhibit	17
Ground	15

JACK	PIN	LG
1	C26	2 13
2	C30	23 17
3	C26	4 13
4	C30	3 17
5	C27	2 13
6	C29	7 15
7	C27	4 13
8	C23	23 13
9	C28	8 15
10	C23	24 13
11	C28	10 15
12	C25	23 13
13		
14	C25	24 13
15	A18	X 2
16	C25	6 11
17		
18	C24	6 11
19	C28	2 13
20	C22	24 11
21	C28	4 13
22	C22	23 11
23	C27	8 13
24	C25	7 13
25	C27	10 13
26	C29	21 15
27	C26	8 11
28	C30	5 15
29	C26	10 11
30	C30	25 15

16A25

FUNCTION	PIN
Address	
S ⁴	7
S ⁵	9
S ⁶	13
S ⁷	11
Store	
Z ⁰	29
Z ¹	5
Z ⁴	27
Z ⁵	1
Z ⁸	3
Z ⁹	25
Read	
Z ²	28
Z ²	30
Z ³	2
Z ³	4
Z ⁶	6
Z ⁶	8
Z ⁷	24
Z ⁷	26
Z ¹⁰	10
Z ¹⁰	12
Z ¹¹	20
Z ¹¹	22
Inhibit	
S ⁴	15
S ⁵	17
S ¹⁰	19
Control	
Read Enable	23
Write Enable	21
Power	
+8 To Drive	18
+6 To Drive	14
Ground	16

JACK	PIN	LG
1	C29	23 13
2	C26	22 11
3	C30	7 11
4	C26	24 11
5	C29	3 9
6	C27	16 11
7	C22	6 9
8	C27	18 11
9	C23	6 9
10	C28	16 11
11	C24	24 11
12	C28	18 11
13	C24	23 11
14		
15	C22	7 9
16	A25	X 2
17	C23	7 9
18		
19	C24	7 9
20	C28	22 11
21	C14	26 15
22	C28	24 11
23	C14	4 15
24	C27	22 9
25	C30	21 11
26	C27	24 9
27	C29	25 11
28	C26	16 9
29	C29	5 9
30	C26	18 9

63024900 Rev. C

16A26

STORAGE
MODULE

FUNCTION	PIN
Address	
S ⁰	22
S ¹	20
S ²	8
S ³	10
S ⁴	12
S ⁵	14
S ⁶	18
S ⁷	16
Store	
Z ²	6
Z ³	26
Z ⁶	28
Z ⁷	4
Z ¹⁰	30
Z ¹¹	2
Read	
Z ⁰	1
Z ⁰	3
Z ¹	27
Z ¹	29
Z ⁴	5
Z ⁴	7
Z ⁵	23
Z ⁵	25
Z ⁸	19
Z ⁸	21
Z ⁹	9
Z ⁹	11
Inhibit	
S ¹¹	24
Power	
+5 To Inhibit	13
+5 To Inhibit	17
Ground	15

JACK	PIN	LG
1	C32	2 11
2	C36	23 15
3	C32	4 11
4	C36	3 15
5	C33	2 11
6	C35	7 13
7	C33	4 11
8	C23	25 11
9	C34	8 13
10	C23	26 11
11	C34	10 13
12	C25	25 11
13		
14	C25	26 11
15	A26	X 2
16	C25	8 9
17		
18	C24	8 9
19	C34	2 13
20	C22	26 11
21	C34	4 13
22	C22	25 11
23	C33	8 11
24	C25	9 7
25	C33	10 11
26	C35	21 13
27	C32	8 9
28	C36	5 13
29	C32	10 9
30	C36	25 15

JACK PIN LG

16A33

FUNCTION	PIN
Address	
S ⁴	7
S ⁵	9
S ⁶	13
S ⁷	11
Store	
Z ⁰	29
Z ¹	5
Z ⁴	27
Z ⁵	1
Z ⁸	3
Z ⁹	25
Read	
Z ²	28
Z ²	30
Z ³	2
Z ³	4
Z ⁶	6
Z ⁶	8
Z ⁷	24
Z ⁷	26
Z ¹⁰	10
Z ¹⁰	12
Z ¹¹	20
Z ¹¹	22
Inhibit	
S ⁴	15
S ⁵	17
S ¹⁰	19
Control	
Read Enable	23
Write Enable	21
Power	
+8 To Drive	18
+6 To Drive	14
Ground	16

JACK	PIN	LG
1	C35	23 11
2	C32	22 11
3	C36	7 11
4	C32	24 11
5	C35	3 9
6	C33	16 11
7	C22	8 15
8	C33	18 11
9	C23	8 15
10	C34	16 9
11	C24	26 15
12	C34	18 9
13	C24	25 15
14		
15	C22	9 15
16	A33	X 2
17	C23	9 15
18		
19	C24	9 13
20	C34	22 9
21	C14	27 21
22	C34	24 9
23	C14	6 21
24	C33	22 9
25	C36	21 9
26	C33	24 9
27	C35	25 9
28	C32	16 9
29	C35	5 7
30	C32	18 9

JACK PIN LG

63024900 Rev. C

16A35

**STORAGE
MODULE**

FUNCTION	PIN
Address	
S ⁰	22
S ¹	20
S ²	8
S ³	10
S ⁴	12
S ⁵	14
S ⁶	18
S ⁷	16
Store	
Z ²	6
Z ³	26
Z ⁶	28
Z ⁷	4
Z ¹⁰	30
Z ¹¹	2
Read	
Z ⁰	1
Z ¹	3
Z ²	27
Z ³	29
Z ⁴	5
Z ⁵	7
Z ⁸	23
Z ⁹	25
Z ¹⁰	19
Z ¹¹	21
Z ¹²	9
Z ¹³	11
Inhibit	
S ¹¹	24
Power	
+5 To Inhibit	13
+5 To Inhibit	17
Ground	15

1	C38	2	11
2	C42	23	15
3	C38	4	11
4	C42	3	11
5	C39	2	11
6	C41	7	13
7	C39	4	11
8	C23	27	17
9	C40	8	11
10	C23	28	17
11	C40	10	11
12	C25	27	15
13			
14	C25	28	15
15	A35	X	2
16	C25	10	13
17			
18	C24	10	15
19	C40	2	9
20	C22	28	17
21	C40	4	9
22	C22	27	17
23	C39	8	9
24	C25	11	13
25	C39	10	9
26	C41	21	13
27	C38	8	9
28	C42	5	11
29	C38	10	9
30	C42	25	13

JACK PIN LG

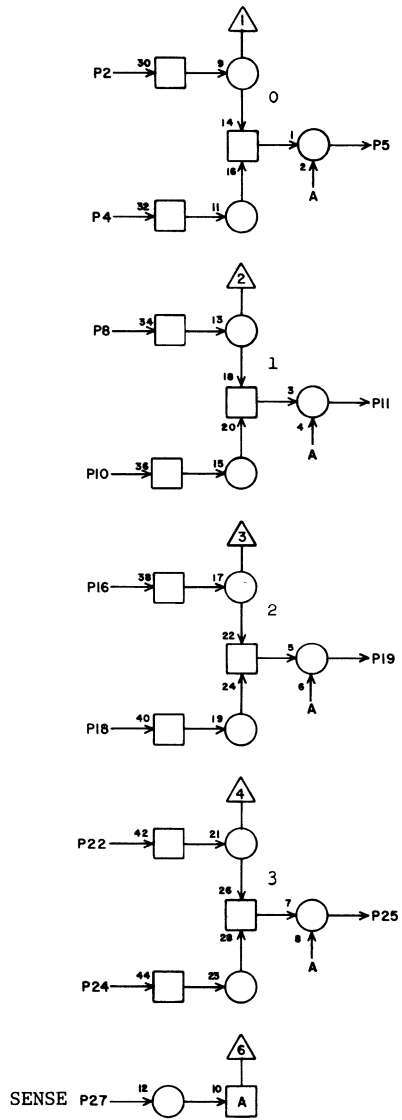
16 A42

FUNCTION	PIN
Address	
S ⁴	7
S ⁵	9
S ⁶	13
S ⁷	11
Store	
Z ⁰	29
Z ¹	5
Z ⁴	27
Z ⁵	1
Z ⁸	3
Z ⁹	25
Read	
Z ²	28
Z ³	30
Z ³	2
Z ³	4
Z ⁶	6
Z ⁶	8
Z ⁷	24
Z ⁷	27
Z ¹⁰	26
Z ¹⁰	10
Z ¹¹	12
Z ¹¹	20
Z ¹¹	22
Inhibit	
S ⁴	15
S ⁵	17
S ¹⁰	19
Control	
Read Enable	23
Write Enable	21
Power	
+8 To Drive	18
+6 To Drive	14
Ground	16

1	C41	23	11
2	C38	22	13
3	C42	7	9
4	C38	24	13
5	C41	3	9
6	C39	16	11
7	C22	10	23
8	C39	18	11
9	C23	10	21
10	C40	16	9
11	C24	28	21
12	C40	18	9
13	C24	27	21
14			
15	C22	11	23
16	A42	X	2
17	C23	11	21
18			
19	C24	11	19
20	C40	22	9
21	C14	28	29
22	C40	24	9
23	C14	7	29
24	C39	22	9
25	C42	21	9
26	C39	24	9
27	C41	25	9
28	C38	16	9
29	C41	5	7
30	C38	18	9

JACK PIN LG

BANK 34 SENSE



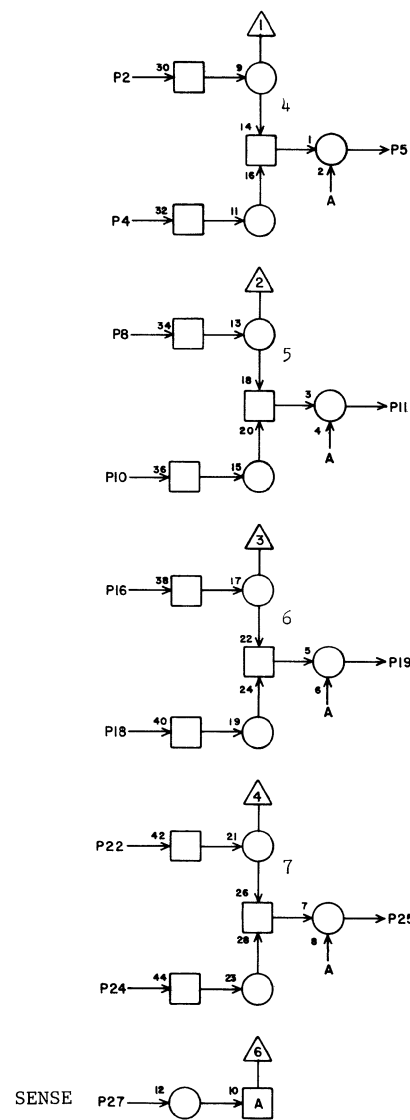
PS 16C 1

1			
2	A 1	1	9
3			
4	A 1	3	9
5	H 1	11	23
6			
7			
8	A 1	27	7
9			
10	A 1	29	7
11	H 1	7	23
12			
13			
14			
15			
16	A 8	28	11
17			
18	A 8	30	11
19	H 1	23	23
20			
21			
22	A 8	2	13
23			
24	A 8	4	13
25	H 2	11	21
26	C14	15	15
27	C18	5	19
28	C 2	26	3

JACK PIN LG

63024900 Rev. C

BANK 34 SENSE



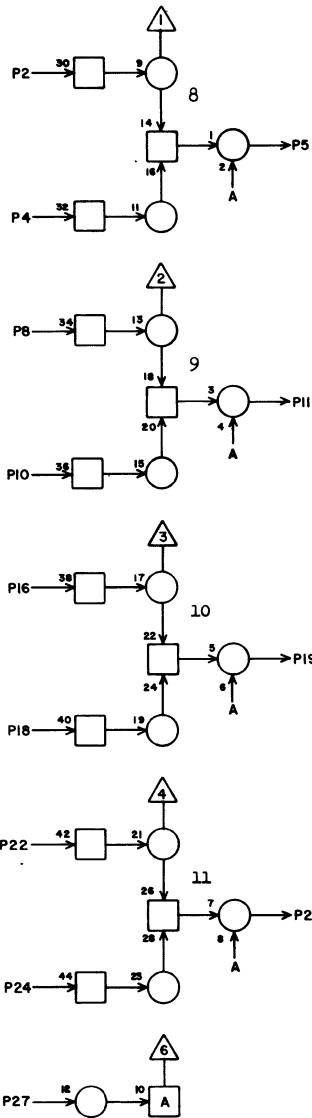
PS 16C 2

1			
2	A 1	5	9
3			
4	A 1	7	9
5	H 2	7	23
6			
7			
8	A 1	23	7
9			
10	A 1	25	7
11	H 2	23	23
12			
13			
14			
15			
16	A 8	6	13
17			
18	A 8	8	13
19	H 3	11	21
20			
21			
22	A 8	24	11
23			
24	A 8	26	11
25	H 3	7	21
26	C 1	28	3
27	C18	7	17
28	C 3	26	3

JACK PIN LG

63024900 Rev. C

BANK 34 SENSE



SENSE

PS

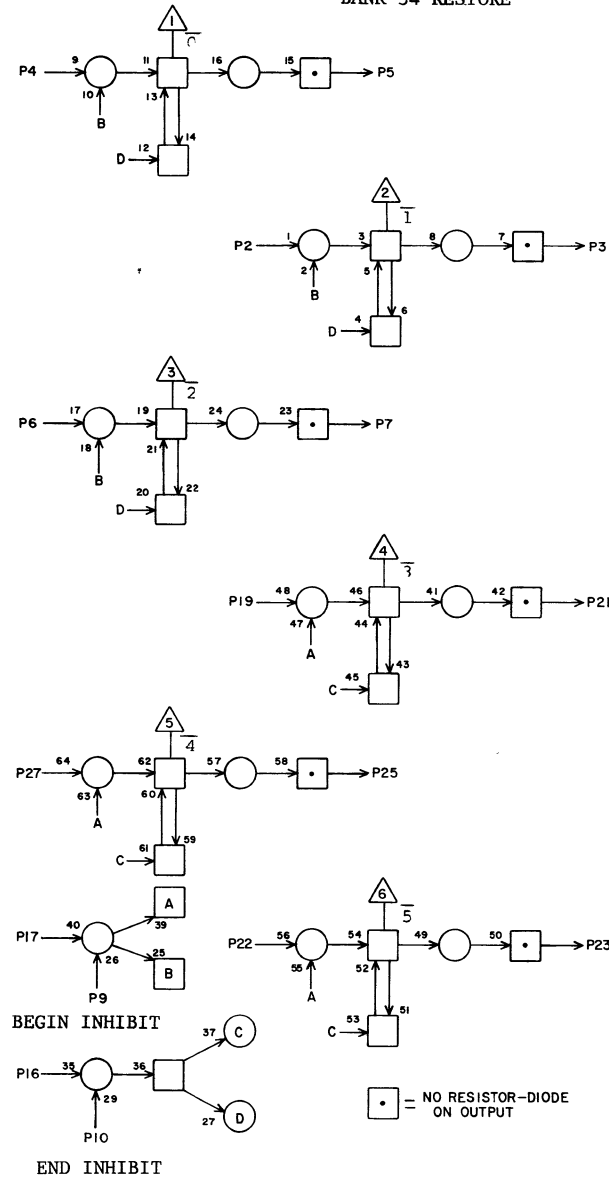
16C 3

1			
2	A 1	19	7
3			
4	A 1	21	7
5	H 3	23	23
6			
7			
8	A 1	9	9
9			
10	A 1	11	9
11	H 4	11	23
12			
13			
14			
15			
16	A 8	10	11
17			
18	A 8	12	11
19	H 4	7	21
20			
21			
22	A 8	20	11
23			
24	A 8	22	11
25	H 4	23	23
26	C 2	28	3
27	C 18	9	17
28	C 7	26	7

JACK PIN LG

63024900 Rev. C

BANK 34 RESTORE



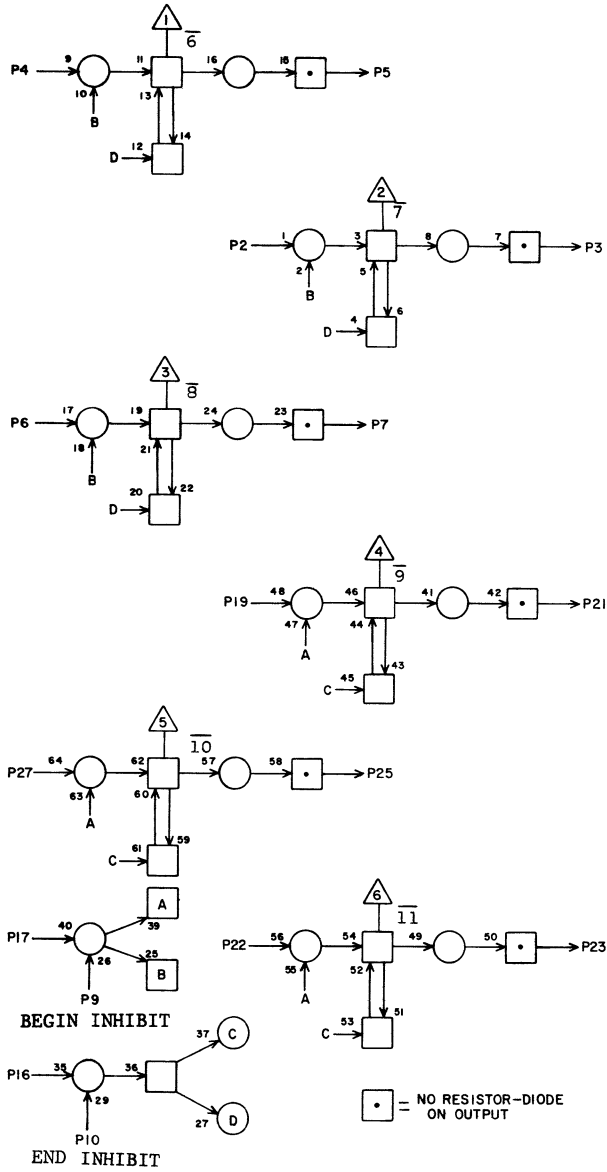
SPECIAL MODULE PZ 16C 4

1			
2	G24	7	27
3	A 8	5	11
4	G24	3	27
5	A 8	29	9
6	G24	24	27
7	A 1	6	11
8			
9	C 20	6	17
10	C 20	16	17
11			
12			
13			
14			
15			
16	C 21	19	19
17	C 21	1	19
18			
19	G24	23	27
20			
21	A 1	26	9
22	G25	7	27
23	A 8	1	13
24			
25	A 8	27	11
26			
27	G25	3	27
28			

JACK PIN LG

63024900 Rev. C

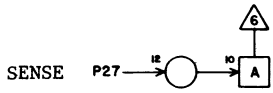
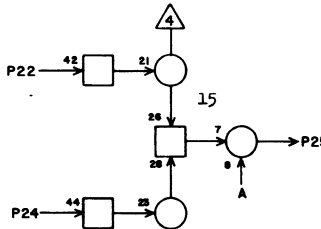
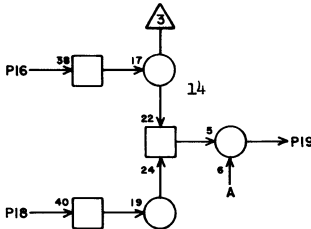
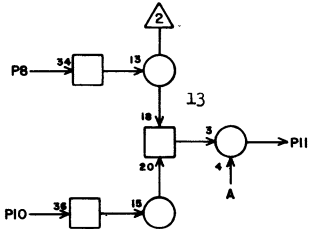
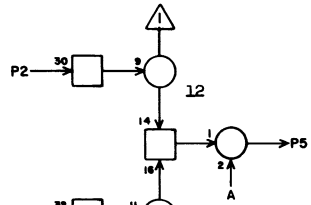
BANK 34 RESTORE



SPECIAL MODULE Pz16 C 5

JACK	PIN	LG
1		
2	G25	23 29
3	A 1	4 11
4	G25	24 29
5	A 1	28 9
6	G26	3 27
7	A 8	3 11
8		
9	C20	8 17
10	C20	18 17
11		
12		
13		
14		
15		
16	C21	20 17
17	C21	2 17
18		
19	G26	7 27
20		
21	A 8	25 9
22	G26	23 27
23	A 1	2 13
24		
25	A 1	30 11
26		
27	G26	24 27
28		

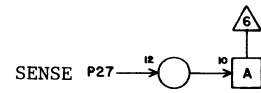
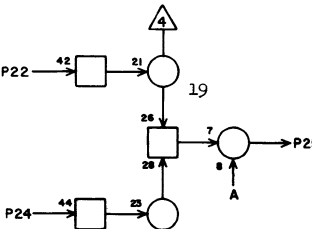
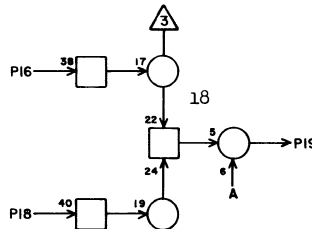
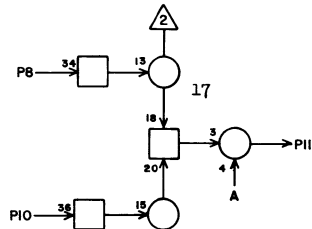
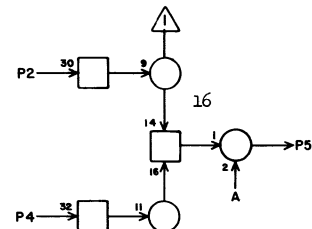
BANK 34 SENSE



PS		16C 7	
1			
2	A10	1	11
3			
4	A10	3	11
5	H 6	11	23
6			
7			
8	A10	27	9
9			
10	A10	29	9
11	H 6	7	21
12			
13			
14			
15			
16	A16	28	13
17			
18	A16	30	13
19	H 6	23	23
20			
21			
22	A16	2	15
23			
24	A16	4	15
25	H 7	11	21
26	C 3	28	7
27	C18	11	13
28	C 8	26	3

JACK PIN LG
63024900 Rev. C

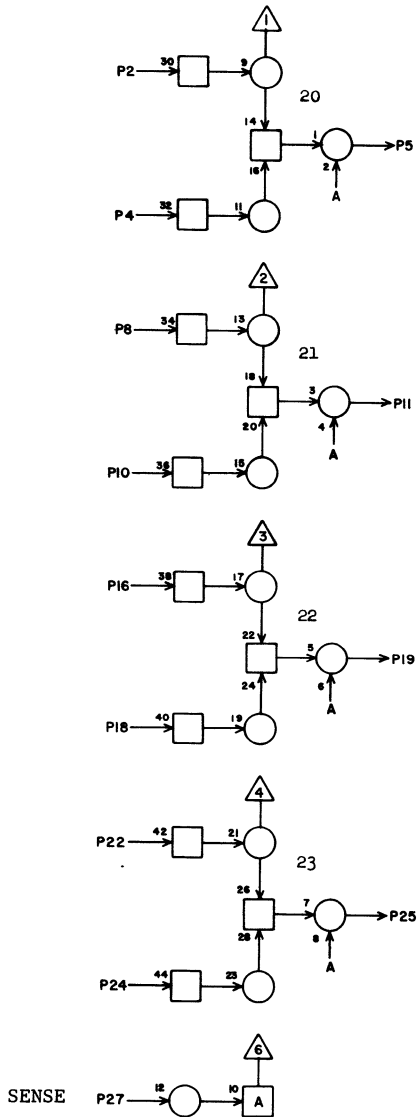
BANK 34 SENSE



PS		16C 8	
1			
2	A10	5	9
3			
4	A10	7	9
5	H 7	7	23
6			
7			
8	A10	23	7
9			
10	A10	25	7
11	H 7	23	23
12			
13			
14			
15			
16	A16	6	13
17			
18	A16	8	13
19	H 8	11	21
20			
21			
22	A16	24	13
23			
24	A16	26	13
25	H 8	7	21
26	C 7	28	3
27	C18	13	13
28	C 9	26	3

JACK PIN LG
63024900 Rev. C

BANK 34 SENSE

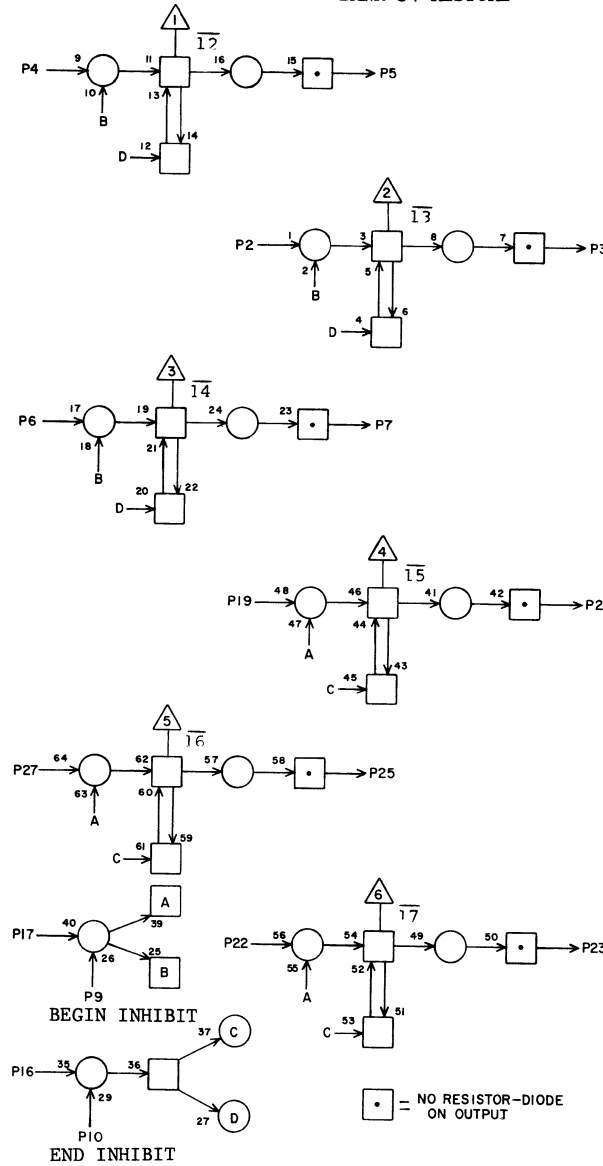


PS 16 C 9

PS	JACK	PIN	LG
1			
2	A10	19	7
3			
4	A10	21	7
5	H 8	23	23
6			
7			
8	A10	9	9
9			
10	A10	11	9
11	H 9	11	23
12			
13			
14			
15			
16	A16	10	11
17			
18	A16	12	11
19	H 9	7	21
20			
21			
22	A16	20	11
23			
24	A16	22	11
25	H 9	23	23
26	C 8	28	13
27	C18	16	11
28	C26	26	19

63024900 Rev. C

BANK 34 RESTORE



SPECIAL MODULE P216 C 10

1			
2	G28	7	25
3	A16	5	11
4	G28	3	25
5	A16	29	11
6	G29	24	27
7	A10	6	9
8			
9	C20	10	11
10	C20	20	11
11			
12			
13			
14			
15			
16	C21	21	13
17	C21	4	13
18			
19	G28	23	25
20			
21	A10	26	9
22	G29	7	25
23	A16	1	13
24			
25	A16	27	11
26			
27	G29	3	25
28			

JACK PIN LG

63024900 Rev. C

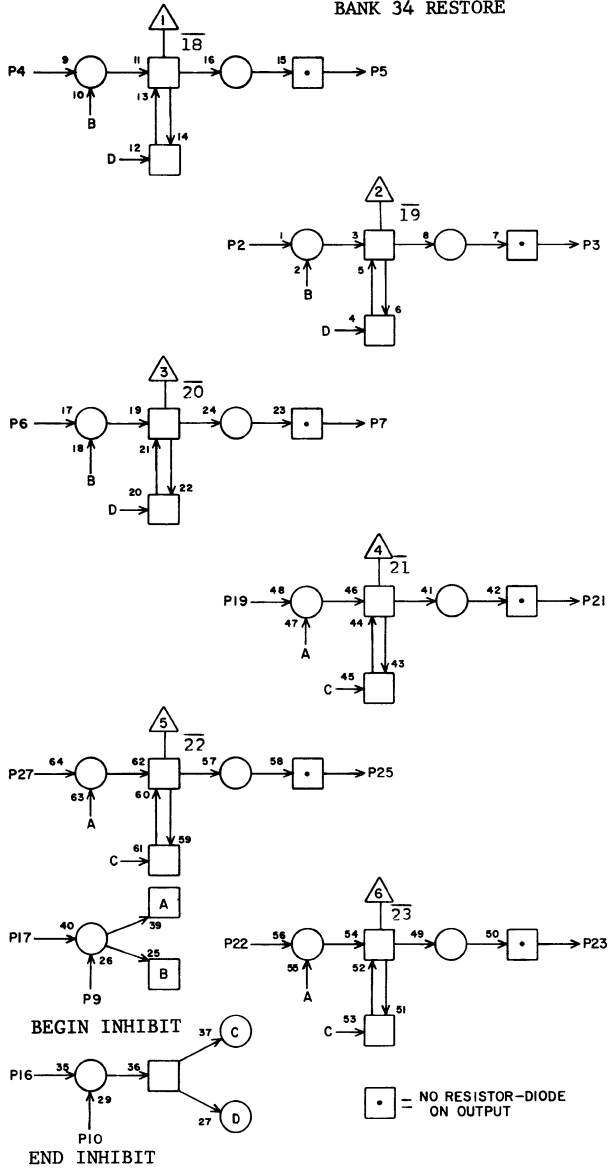
SPECIAL MODULE P216 C 11

1			
2	G29	23	27
3	A10	4	9
4	G29	24	27
5	A10	28	7
6	G30	3	25
7	A16	3	11
8			
9	C20	17	11
10	C20	22	11
11			
12			
13			
14			
15			
16	C21	22	13
17	C21	6	13
18			
19	G30	7	25
20			
21	A16	25	11
22	G30	23	27
23	A10	2	11
24			
25	A10	30	9
26			
27	G30	24	27
28			

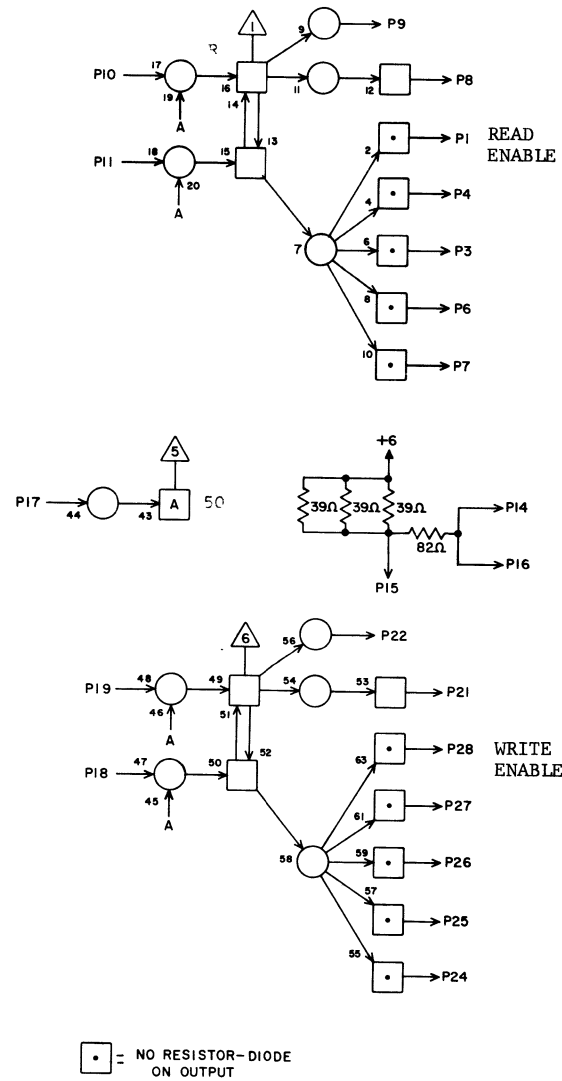
JACK PIN LG

6302490 Rev. C

BANK 34 RESTORE



BANK 34
STORAGE SEQUENCE CONTROL

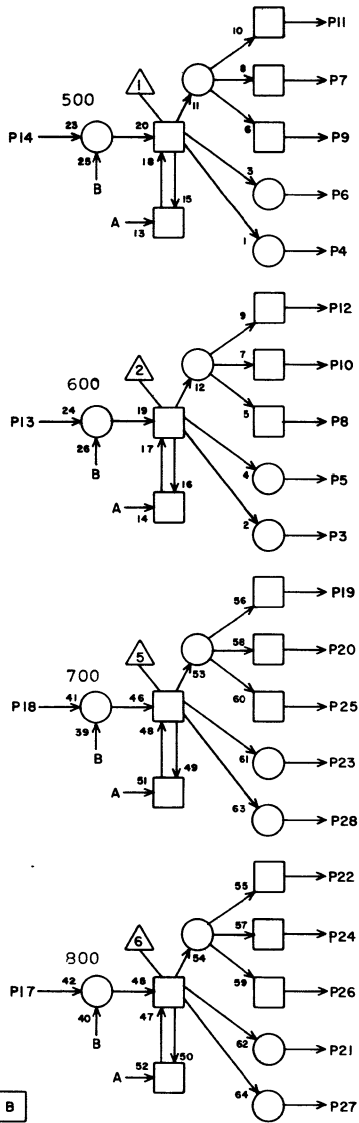


SPECIAL MODULE PU 16 C 14

1	A 8	23	11
2			
3	A16	23	7
4	A25	23	15
5			
6	A33	23	21
7	A42	23	29
8	C15	14	3
9	G 7	3	19
10	G 5	25	21
11	C15	24	3
12			
13			
14	W10	905	
15	C 1	26	15
16	F14	14	13
17	C21	17	9
18	C17	6	5
19	C17	7	5
20			
21	C17	13	5
22	G 7	1	19
23			
24	A 8	21	11
25	A16	21	11
26	A25	21	15
27	A33	21	21
28	A42	21	29

JACK PIN LG

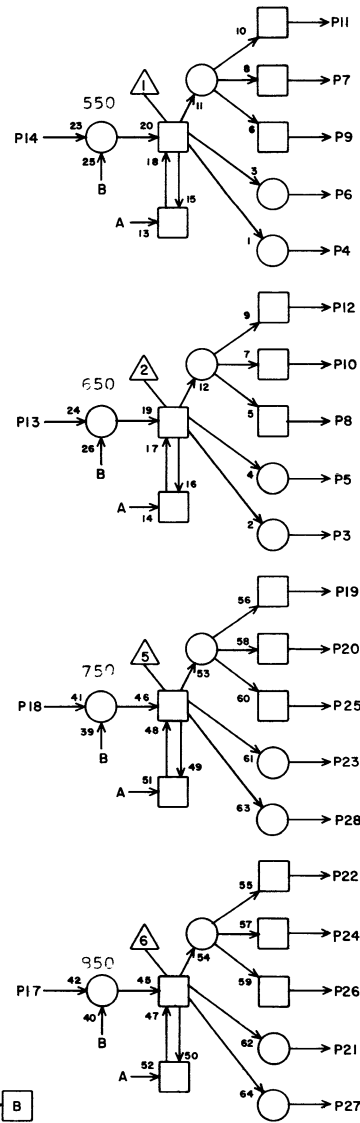
BANK 34
STORAGE SEQUENCE CONTROL



PD	16	C15		
1				
2				
3				
4				
5				
6				
7				
8	C16	13	3	
9				
10	C18	1	7	
11	C16	14	3	
12				
13	C16	7	3	
14	C14	8	3	
15				
16	G22	17	19	
17	C16	20	3	
18	C16	8	3	
19				
20	C16	18	3	
21				
22	C16	17	3	
23				
24	C14	11	3	
25				
26				
27				
28	C18	3	7	

JACK PIN LG
63024900 Rev. C

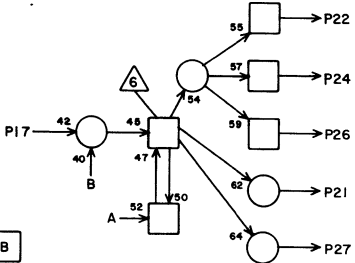
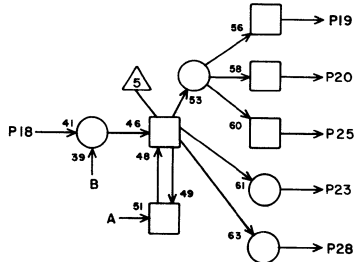
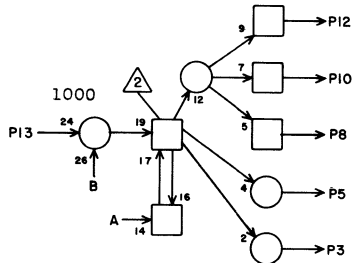
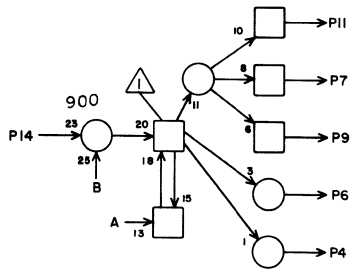
BANK 34
STORAGE SEQUENCE CONTROL



PD	16	C16		
1				
2				
3				
4				
5				
6				
7	C15	13	3	
8	C15	18	3	
9	C19	3	5	
10				
11				
12				
13	C15	8	3	
14	C15	11	3	
15				
16	C21	18	7	
17	C15	22	3	
18	C15	20	3	
19				
20	C15	17	3	
21	C19	2	7	
22	C17	14	3	
23	G 7	5	19	
24	C19	1	5	
25				
26				
27				
28				

JACK PIN LG
63024900 Rev. C

BANK 34
STORAGE SEQUENCE CONTROL



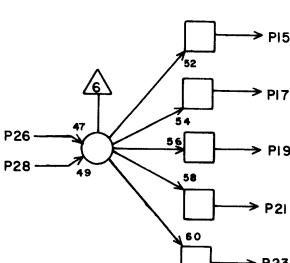
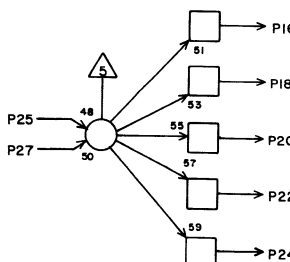
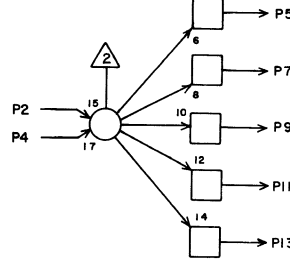
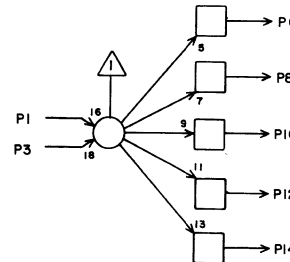
PD 16C17

1			
2			
3			
4			
5			
6	C14	18	7
7	C14	19	7
8			
9			
10			
11			
12			
13	C14	21	7
14	C16	22	3
15			
16	G22	19	19
17			
18			
19			
20			
21			
22			
23			
24			
25			
26			
27			
28			

JACK PIN LG

63024900 Rev. C

BANK 34
STORAGE SEQUENCE CONTROL
Sense amplifier gates



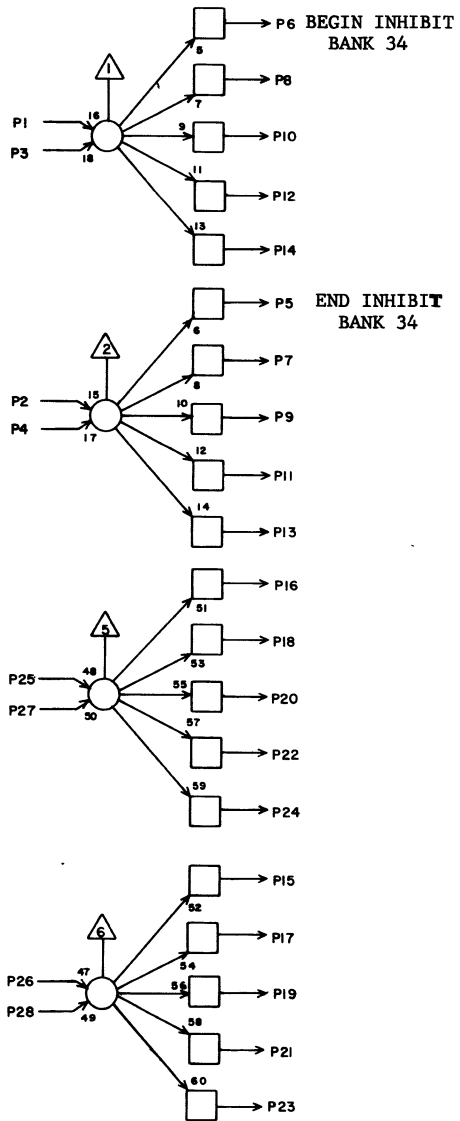
T D 16C18

1	C15	10	7
2	C18	6	3
3	C15	28	7
4	C18	x	2
5	C 1	27	19
6	C18	?	3
7	C 2	27	17
8	C18	25	3
9	C 3	27	17
10	C18	26	3
11	C 7	27	13
12	C17	14	17
13	C 8	27	13
14			
15	C33	27	17
16	C 9	27	11
17	C34	27	17
18	C26	27	11
19	C38	27	21
20	C27	27	13
21	C39	27	21
22	C28	27	13
23	C40	27	23
24	C32	27	17
25	C18	8	3
26	C18	10	3
27	C18	x	2
28	C18	x	?

JACK PIN LG

63024900 Rev. C

BANK 34
STORAGE SEQUENCE CONTROL



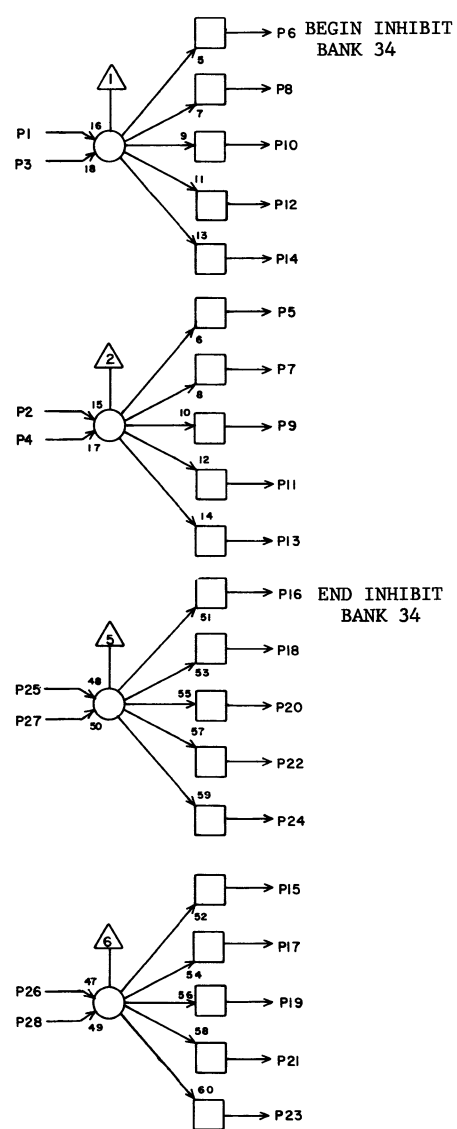
T D 16C 19

1	C 16	24	5
2	C 16	21	7
3	C 16	9	5
4	C 19	X	2
5	C 20	25	3
6	C 20	3	3
7	C 20	26	3
8	C 20	2	3
9			
10			
11			
12			
13			
14			
15			
16			
17			
18			
19			
20			
21			
22			
23			
24			
25			
26			
27			
28			

JACK PIN LG

63024900 Rev. C

BANK 34
STORAGE SEQUENCE CONTROL

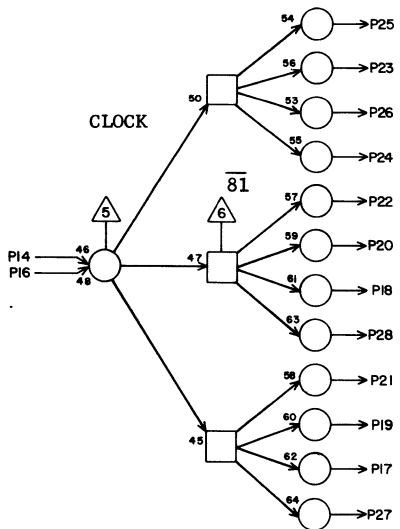
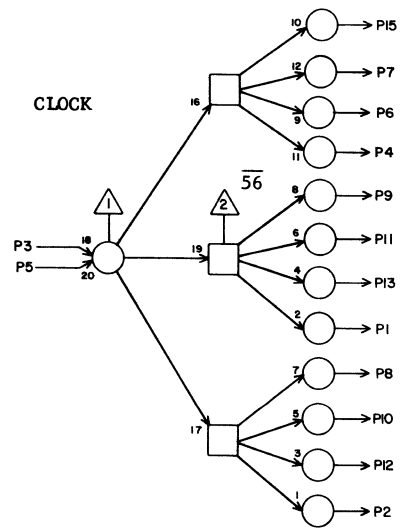


T D 16 C 20

1	C20	x	2
2	C19	8	3
3	C19	6	3
4	C20	x	2
5	C30	9	13
6	C 4	9	17
7	C35	9	17
8	C 5	9	17
9	C36	9	17
10	C10	9	11
11	C41	9	23
12	C11	9	11
13	C42	9	23
14	C29	9	13
15	C30	10	13
16	C 4	10	17
17	C35	10	17
18	C 5	10	17
19	C36	10	17
20	C10	10	11
21	C41	10	21
22	C11	10	11
23	C42	10	23
24	C29	10	13
25	C19	5	3
26	C19	7	3
27	C20	x	2
28	C20	x	2

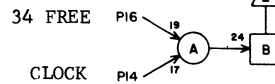
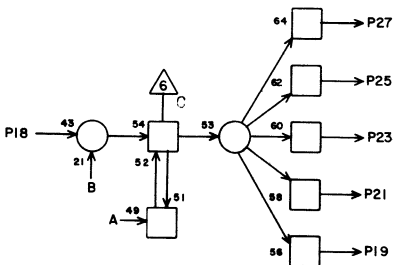
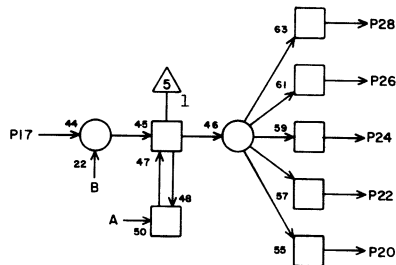
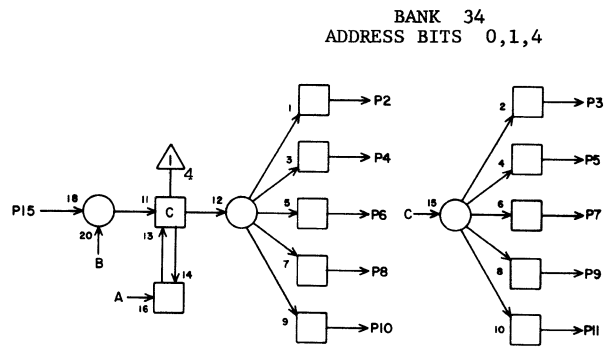
JACK PIN LG

63024900 Rev. c



TC 16C21			
JACK	PIN	LG	
1	C 4	17	19
2	C 5	17	17
3	G10	27	21
4	C10	17	13
5	C21	X	2
6	C11	17	13
7	C29	17	11
8	C30	17	13
9	C35	17	17
10	C36	17	17
11	C41	17	21
12	C42	17	23
13			
14	G11	1	21
15			
16	C21	X	2
17	C14	17	9
18	C16	16	7
19	C 4	16	19
20	C 5	16	17
21	C10	16	13
22	C11	16	13
23	C29	16	11
24	C30	16	11
25	C35	16	15
26	C36	16	17
27	C41	16	21
28	C42	16	23

63024900 Rev. C

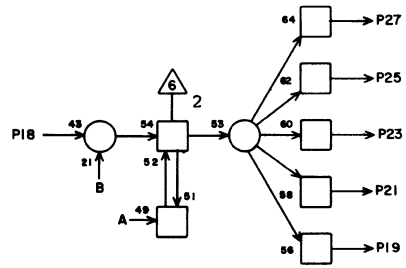
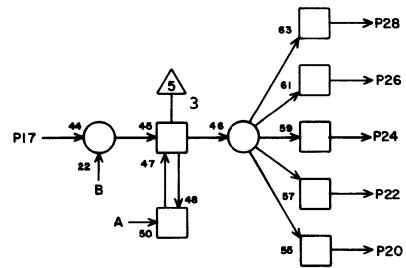
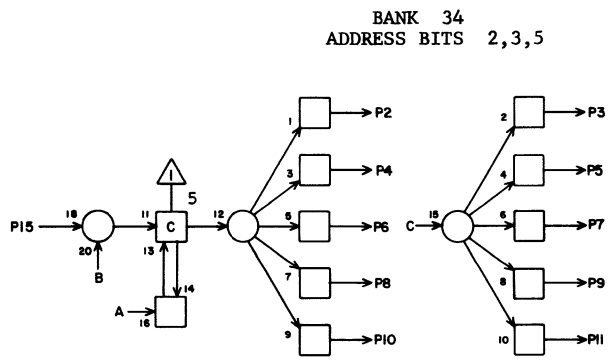


34 FREE

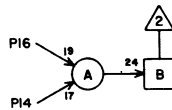
CLOCK

SA 16C 22			
JACK	PIN	LG	
1			
2	A 8	7	17
3	A 8	15	17
4	A16	7	11
5	A16	15	11
6	A25	7	9
7	A25	15	9
8	A33	7	15
9	A33	15	15
10	A42	7	23
11	A42	15	23
12			
13			
14	G22	1	17
15	G 2	3	25
16	G19	8	19
17	G 1	7	27
18	G 1	3	27
19	A 1	22	23
20	A 1	20	23
21	A10	22	17
22	A10	20	15
23	A18	22	11
24	A18	20	11
25	A26	22	11
26	A26	20	11
27	A35	22	17
28	A35	20	17

63024900 Rev. C



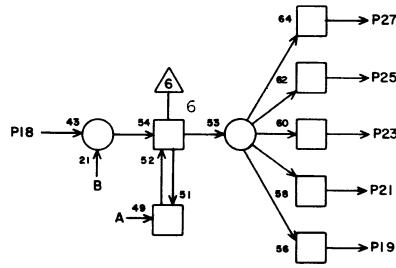
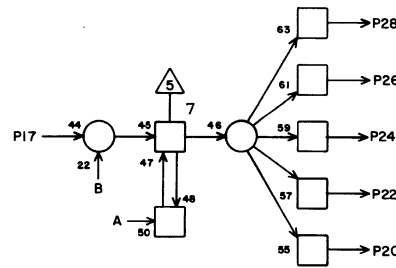
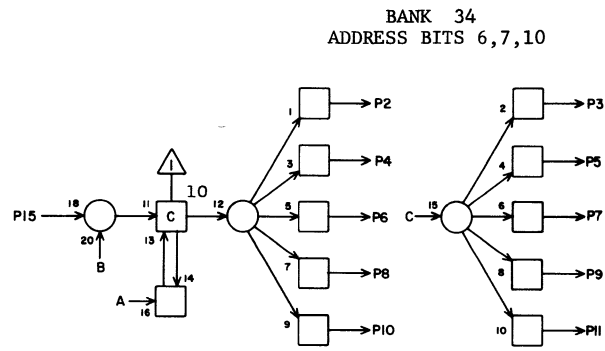
34 FREE
CLOCK



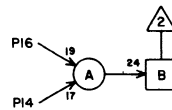
SA 16 C 23

JACK	PIN	LG
1		
2	A 8	9 17
3	A 8	17 17
4	A16	9 11
5	A16	17 11
6	A25	9 9
7	A25	17 9
8	A33	9 15
9	A33	17 15
10	A42	9 21
11	A42	17 21
12		
13		
14	G22	2 17
15	G 2	7 27
16	G19	10 19
17	G 1	20 29
18	G 1	24 29
19	A 1	8 25
20	A 1	10 23
21	A10	8 17
22	A10	10 17
23	A18	8 13
24	A18	10 13
25	A26	8 11
26	A26	10 11
27	A35	8 17
28	A35	10 17

63024900 Rev. C



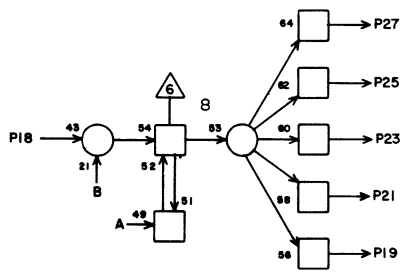
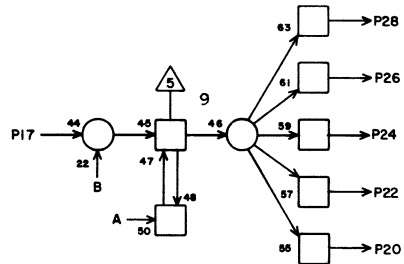
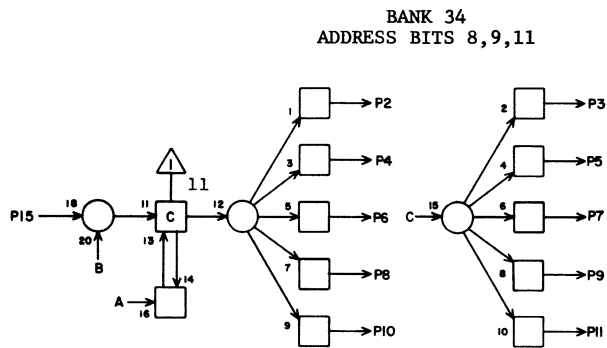
34 FREE
CLOCK



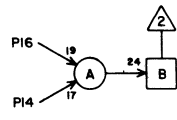
SA 16 C 24

JACK	PIN	LG
1		
2	A 1	18 25
3	A 8	19 17
4	A10	18 17
5	A16	19 13
6	A18	18 11
7	A25	19 9
8	A26	18 9
9	A33	19 13
10	A35	18 15
11	A42	19 19
12		
13		
14	G22	4 17
15	G 3	24 27
16	G19	12 19
17	G 2	20 29
18	G 2	24 29
19	A 8	13 19
20	A 8	11 19
21	A16	13 13
22	A16	11 13
23	A25	13 11
24	A25	11 11
25	A33	13 15
26	A33	11 15
27	A42	13 21
28	A42	11 21

63024900 Rev. C



34 FREE
CLOCK

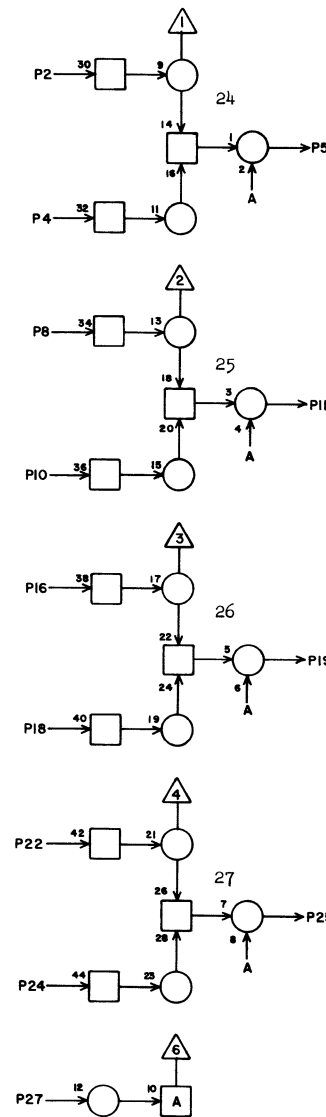


SA 16 **C 25**

	JACK	PIN	LG
1			
2	A 1	16	25
3	A 1	24	25
4	A10	16	17
5	A10	24	17
6	A18	16	11
7	A18	24	13
8	A26	16	9
9	A26	24	7
10	A35	16	13
11	A35	24	13
12			
13			
14	G22	6	19
15	G 3	20	29
16	G19	14	19
17	G 3	7	27
18	G 3	3	27
19	A 1	12	25
20	A 1	14	25
21	A10	12	19
22	A10	14	19
23	A18	12	13
24	A18	14	13
25	A26	12	11
26	A26	14	11
27	A35	12	15
28	A35	14	15

63024900 Rev. C

BANK 34 SENSE



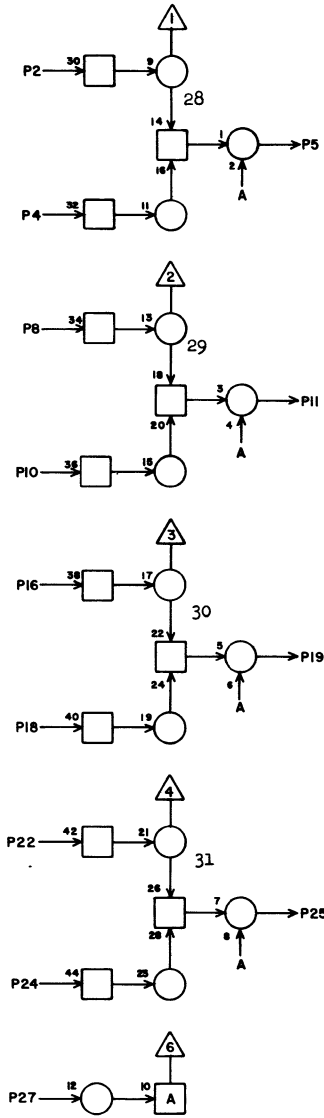
SENSE

PS 16 **C26**

	JACK	PIN	LG
1			
2	A18	1	13
3			
4	A18	3	13
5	H11	11	25
6			
7			
8	A18	27	11
9			
10	A18	29	11
11	H11	7	25
12			
13			
14			
15			
16	A25	28	9
17			
18	A25	30	9
19	H11	23	25
20			
21			
22	A25	2	11
23			
24	A25	4	11
25	H12	11	25
26	C 9	28	19
27	C18	18	11
28	C27	26	3

63024900 Rev. C

BANK 34 SENSE

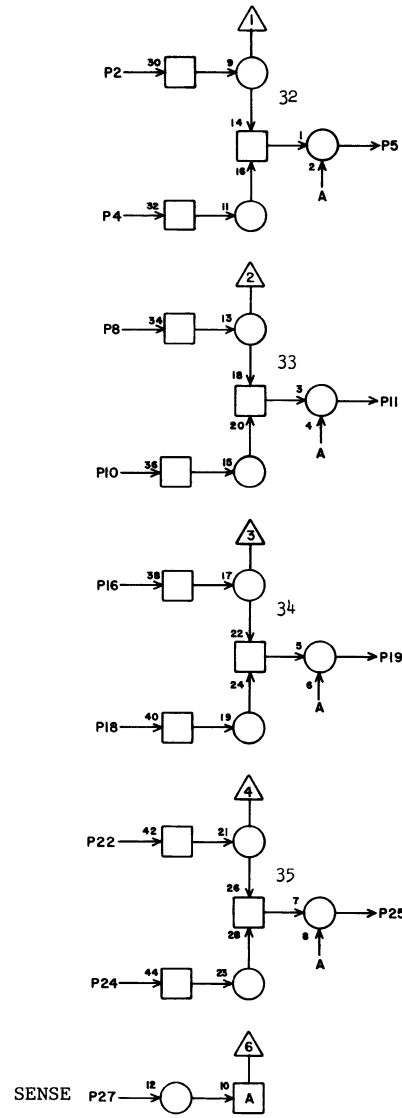


PS 16C27

PS	JACK	PIN	LG
1			
2	A18	5	13
3			
4	A18	7	13
5	H12	7	27
6			
7			
8	A18	23	13
9			
10	A18	25	13
11	H12	23	27
12			
13			
14			
15			
16	A25	6	11
17			
18	A25	8	11
19	H13	11	25
20			
21			
22	A25	24	9
23			
24	A25	26	9
25	H13	7	25
26	C26	28	3
27	C18	20	13
28	C28	26	3

JACK PIN LG
63024900 Rev. C

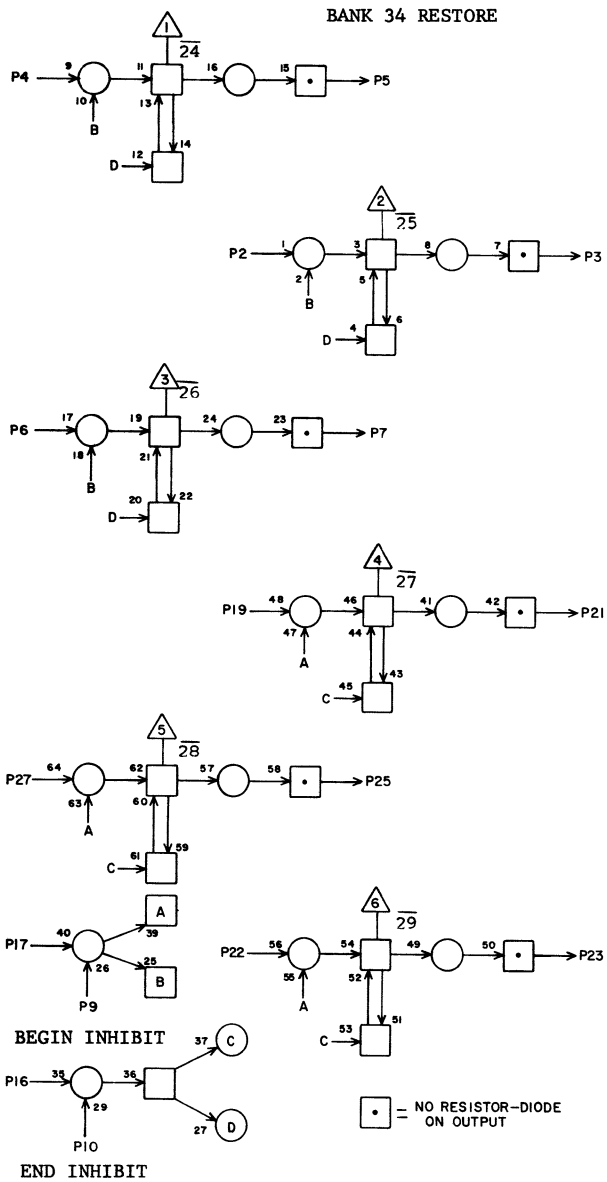
BANK 34 SENSE



PS 16C28

PS	JACK	PIN	LG
1			
2	A18	19	13
3			
4	A18	21	13
5	H13	23	27
6			
7			
8	A18	9	15
9			
10	A18	11	15
11	H14	11	25
12			
13			
14			
15			
16	A25	10	11
17			
18	A25	12	11
19	H14	7	25
20			
21			
22	A25	20	11
23			
24	A25	22	11
25	H14	23	25
26	C27	28	3
27	C18	22	13
28	C32	26	7

JACK PIN LG
63024900 Rev. C

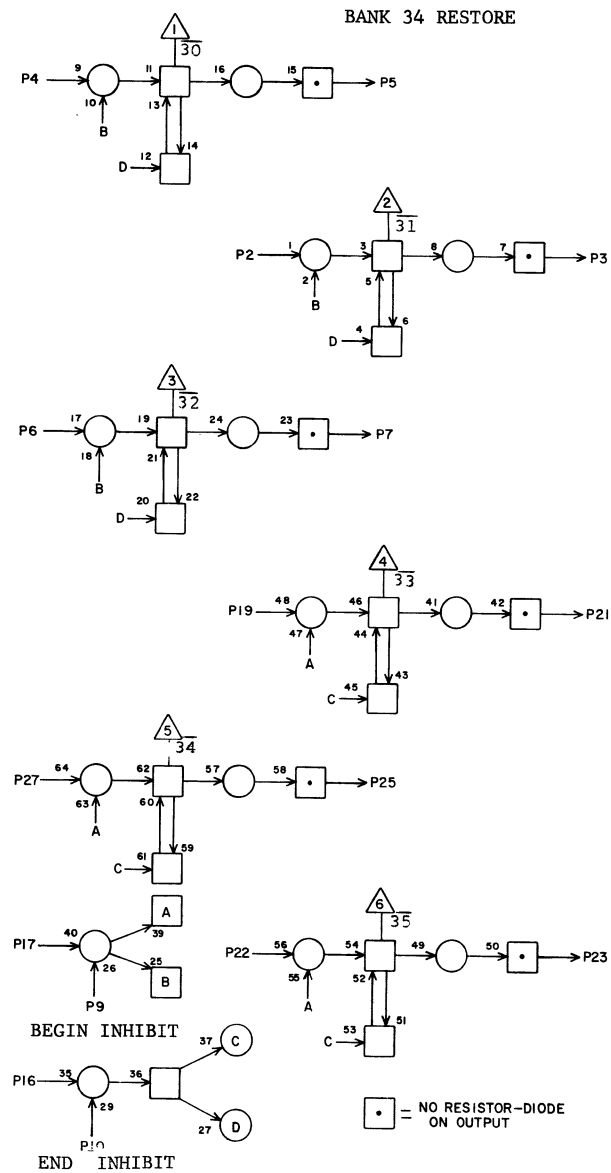


SPECIAL MODULE **P216C 29**

1			
2	G32	7	17
3	A25	5	9
4	G32	3	19
5	A25	29	9
6	G32	24	21
7	A18	6	15
8			
9	C20	14	13
10	C20	24	13
11			
12			
13			
14			
15			
16	C21	23	11
17	C21	7	11
18			
19	G32	23	19
20			
21	A18	26	15
22	G33	7	19
23	A25	1	13
24			
25	A25	27	11
26			
27	G33	3	17
28			

JACK PIN LG

63024900 Rev. C



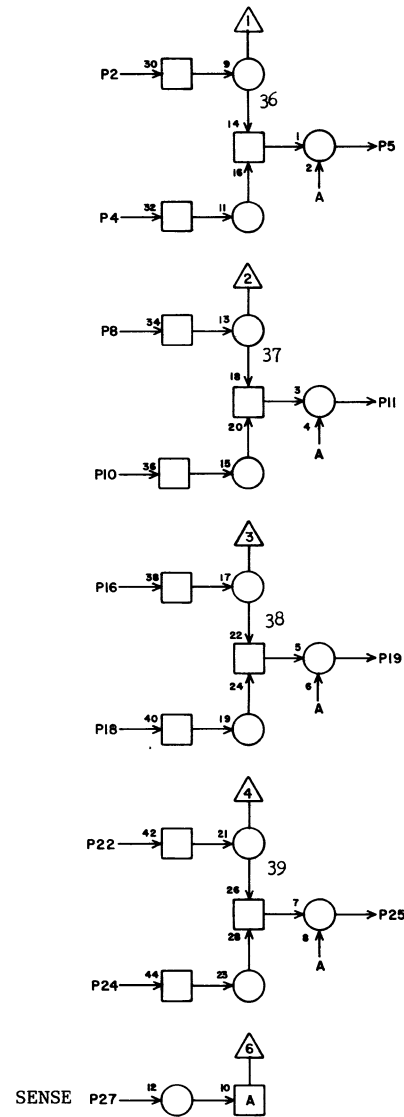
SPECIAL MODULE **P216C 30**

1			
2	G33	23	19
3	A18	4	17
4	G33	24	19
5	A18	28	15
6	G34	3	19
7	A25	3	11
8			
9	C20	5	13
10	C20	15	13
11			
12			
13			
14			
15			
16	C21	24	11
17	C21	8	13
18			
19	G34	7	19
20			
21	A25	25	11
22	G34	23	19
23	A18	2	17
24			
25	A18	30	15
26			
27	G34	24	19
28			

JACK PIN LG

63024900 Rev. C

BANK 34 SENSE



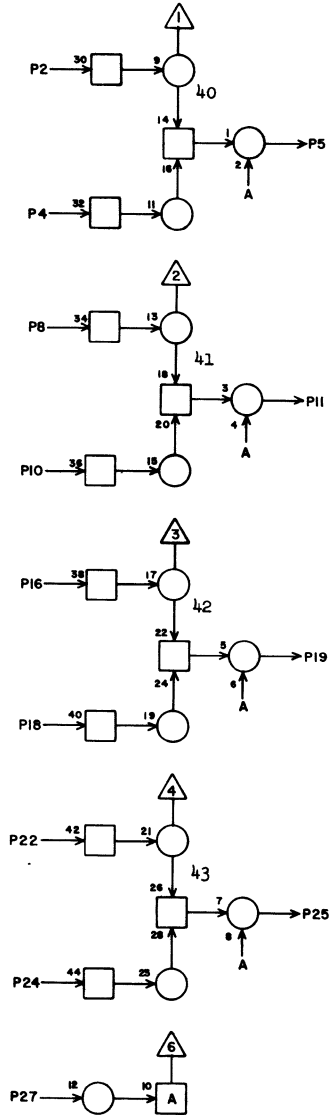
PS 16C32

1			
2	A26	1	11
3			
4	A26	3	11
5	H16	11	25
6			
7			
8	A26	27	9
9			
10	A26	29	9
11	H16	7	25
12			
13			
14			
15			
16	A33	28	9
17			
18	A33	30	9
19	H16	23	25
20			
21			
22	A33	2	11
23			
24	A33	4	11
25	H17	11	25
26	C28	28	7
27	C18	24	17
28	C33	26	3

JACK PIN LG

63024900 Rev. C

BANK 34 SENSE



SENSE

PS

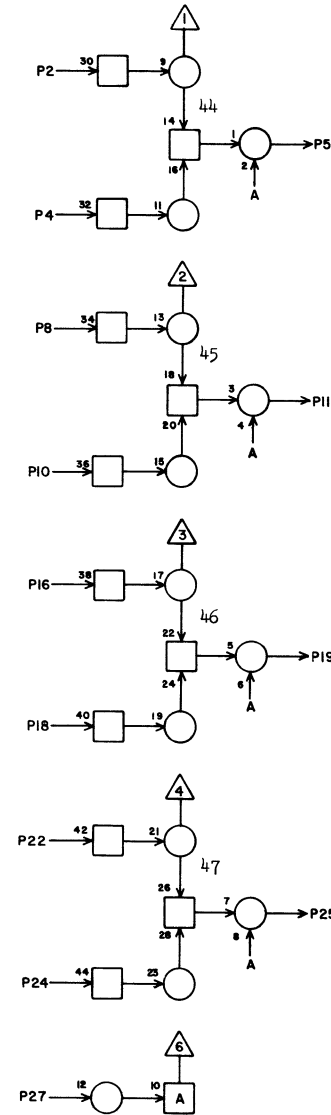
16 C33

1			
2	A26	5	11
3			
4	A26	7	11
5	H17	7	27
6			
7			
8	A26	23	11
9			
10	A26	25	11
11	H17	23	27
12			
13			
14			
15			
16	A33	6	11
17			
18	A33	8	11
19	H18	11	27
20			
21			
22	A33	24	9
23			
24	A33	26	9
25	H18	7	27
26	C32	28	3
27	C18	15	17
28	C34	26	3

JACK PIN LG

63024900 Rev. C

BANK 34 SENSE



SENSE

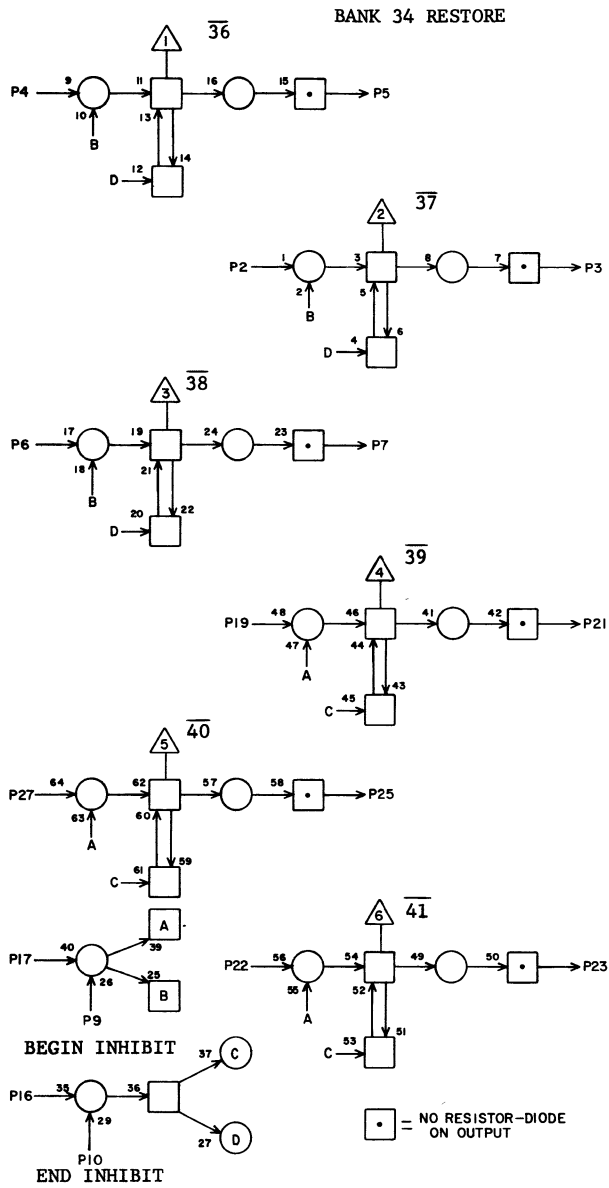
PS

16 C34

1			
2	A26	19	13
3			
4	A26	21	13
5	H18	23	29
6			
7			
8	A26	9	13
9			
10	A26	11	13
11	H19	11	27
12			
13			
14			
15			
16	A33	10	9
17			
18	A33	12	9
19	H19	7	27
20			
21			
22	A33	20	9
23			
24	A33	22	9
25	H19	23	27
26	C33	28	3
27	C18	17	17
28	C38	26	7

JACK PIN LG

63024900 Rev. C

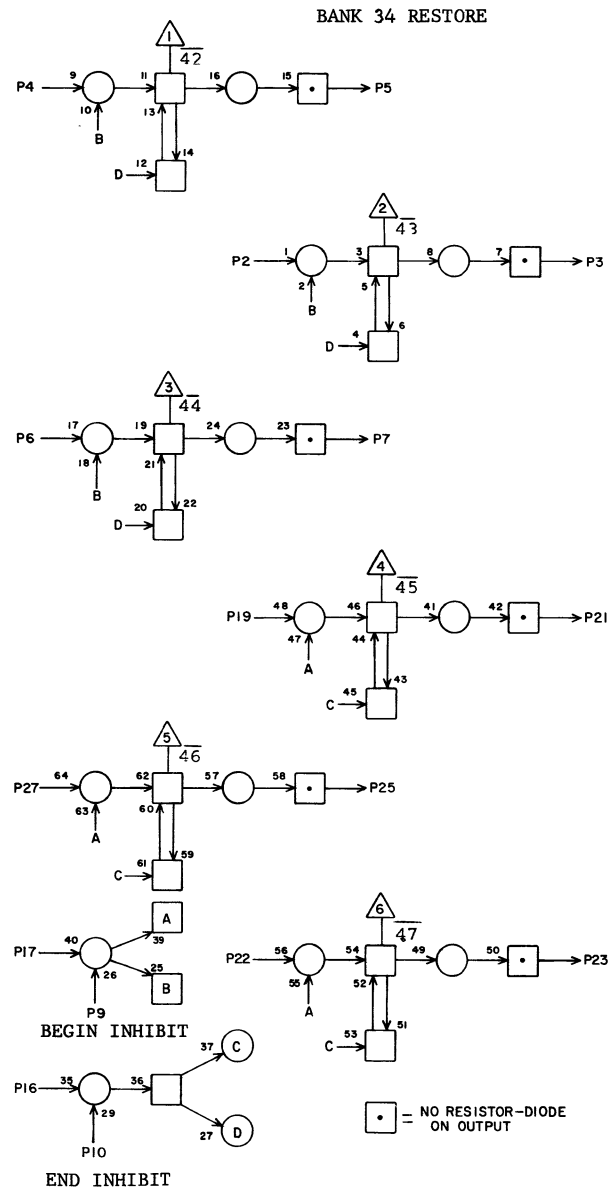


SPECIAL MODULE P216 C 35

1			
2	G36	7	17
3	A33	5	9
4	G36	3	19
5	A33	29	7
6	G36	24	19
7	A26	6	13
8			
9	C20	7	17
10	C20	17	17
11			
12			
13			
14			
15			
16	C21	25	15
17	C21	9	17
18			
19	G36	23	19
20			
21	A26	26	13
22	G37	7	17
23	A33	1	11
24			
25	A33	27	9
26			
27	G37	3	17
28			

JACK PIN LG

63024900 Rev. C



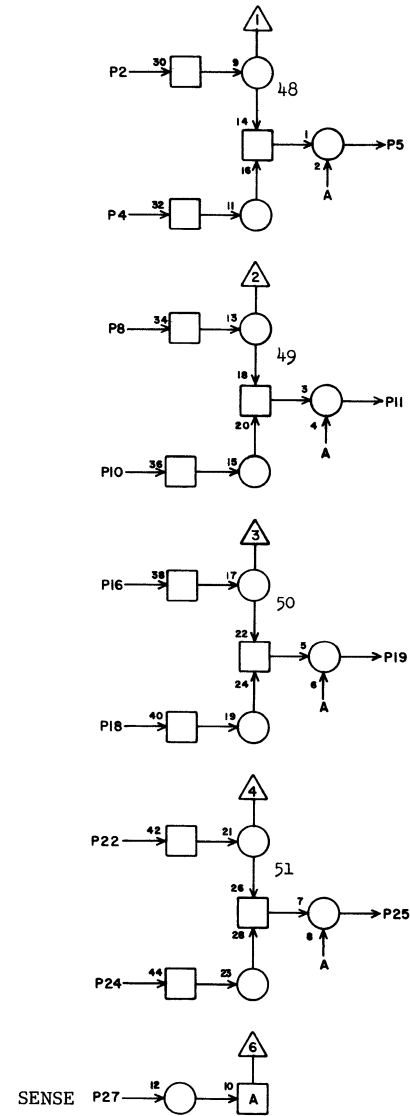
SPECIAL MODULE P216 C 36

1			
2	G37	23	21
3	A26	4	15
4	G37	24	21
5	A26	28	13
6	G38	3	19
7	A33	3	11
8			
9	C20	9	17
10	C20	19	17
11			
12			
13			
14			
15			
16	C21	26	17
17	C21	10	17
18			
19	G38	7	17
20			
21	A33	25	9
22	G38	23	19
23	A26	2	15
24			
25	A26	30	15
26			
27	G38	24	19
28			

JACK PIN LG

63024900 Rev. C

BANK 34 SENSE

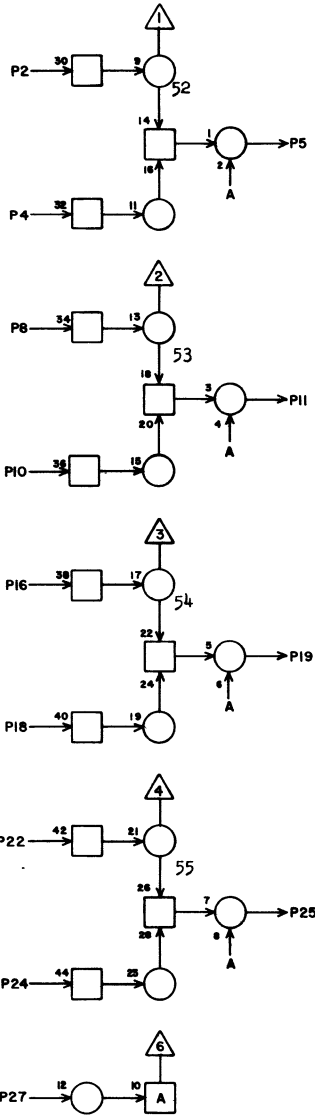


PS 16C38

1			
2	A35	1	11
3			
4	A35	3	11
5	H21	11	27
6			
7			
8	A35	27	9
9			
10	A35	29	9
11	H21	7	27
12			
13			
14			
15			
16	A42	28	9
17			
18	A42	30	9
19	H21	23	27
20			
21			
22	A42	2	13
23			
24	A42	4	13
25	H22	11	25
26	C34	28	7
27	C18	19	21
28	C39	26	3

JACK PIN LG

BANK 34 SENSE



SENSE

PS

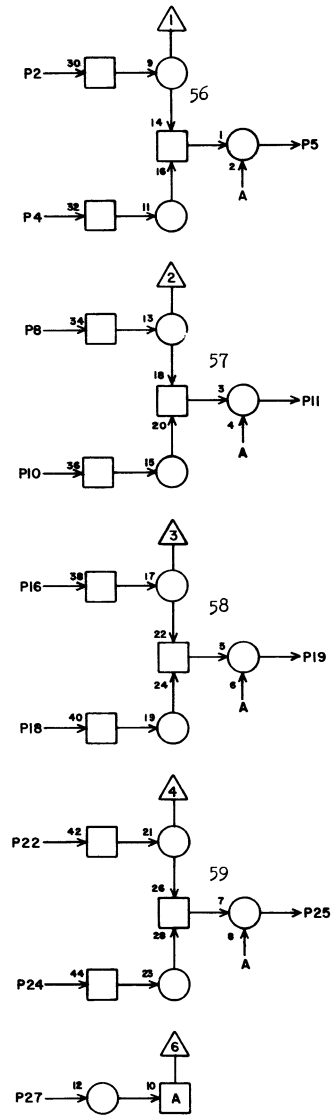
16C39

1			
2	A35	5	11
3			
4	A35	7	11
5	H22	7	27
6			
7			
8	A35	23	9
9			
10	A35	25	9
11	H22	23	27
12			
13			
14			
15			
16	A42	6	11
17			
18	A42	8	11
19	H23	11	27
20			
21			
22	A42	24	9
23			
24	A42	26	9
25	H23	7	25
26	C38	28	3
27	C18	21	21
28	C40	26	3

JACK PIN LG

63024900 Rev. C

BANK 34 SENSE



SENSE

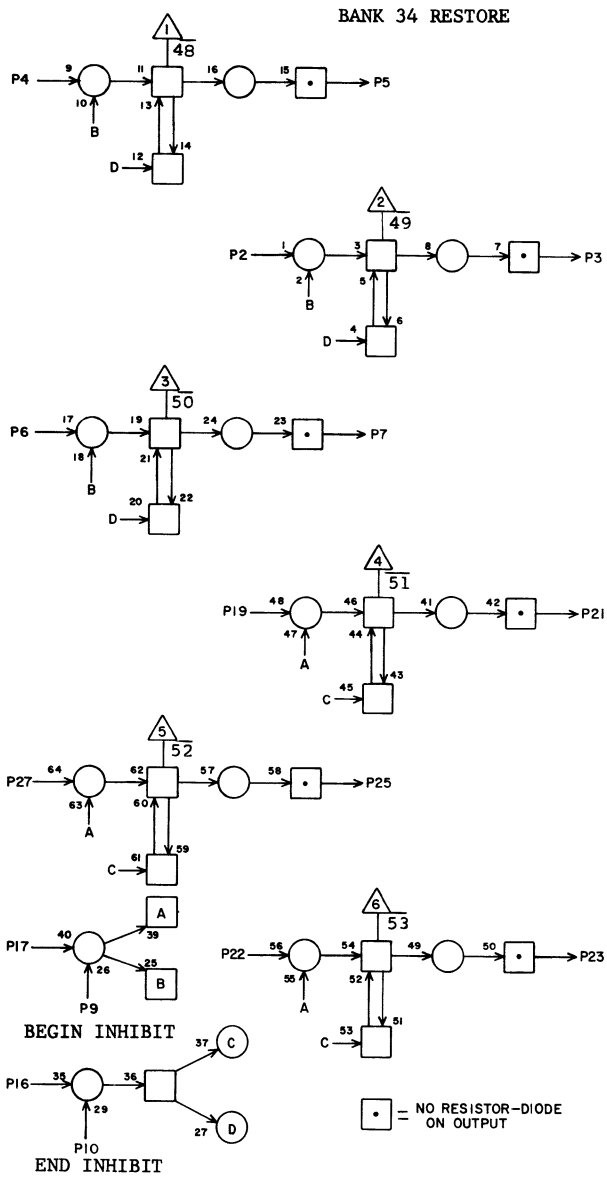
PS

16C40

1			
2	A35	19	9
3			
4	A35	21	9
5	H23	23	29
6			
7			
8	A35	9	11
9			
10	A35	11	11
11	H24	11	27
12			
13			
14			
15			
16	A42	10	9
17			
18	A42	12	9
19	H24	7	27
20			
21			
22	A42	20	9
23			
24	A42	22	9
25	H24	23	27
26	C39	28	3
27	C18	23	23
28			

JACK PIN LG

63024900 Rev. C

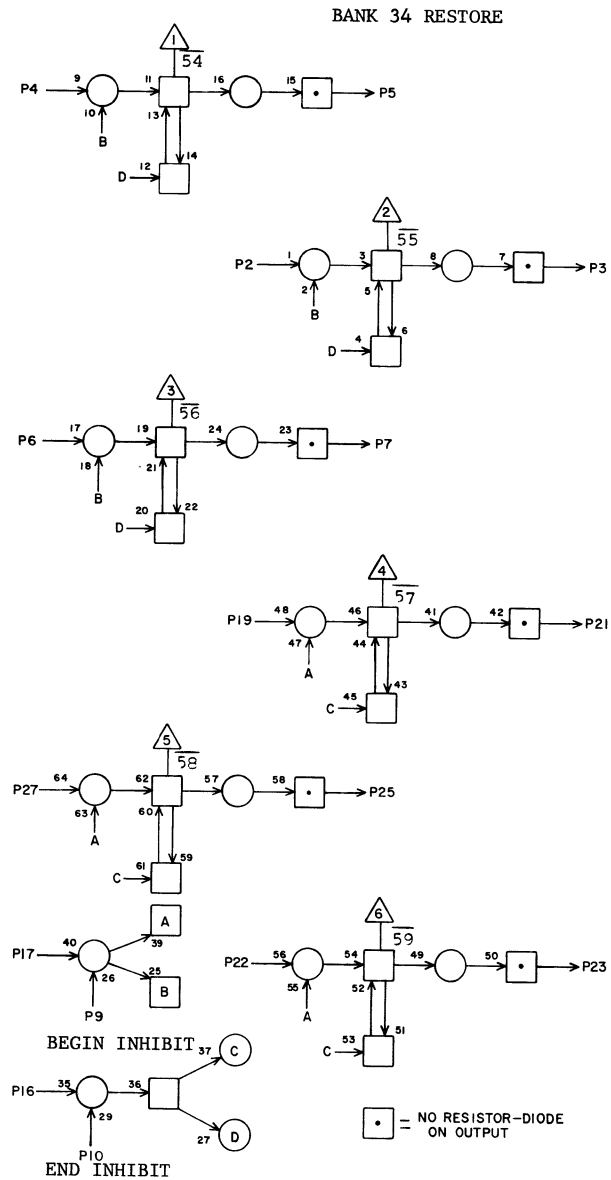


SPECIAL MODULE PZ **16C 41**

1			
2	G40	7	19
3	A42	5	9
4	G40	3	19
5	A42	29	7
6	G40	24	19
7	A35	6	13
8			
9	C20	11	23
10	C20	21	21
11			
12			
13			
14			
15			
16	C21	27	21
17	C21	11	21
18			
19	G40	23	19
20			
21	A35	26	13
22	G41	7	17
23	A42	1	11
24			
25	A42	27	9
26			
27	G41	3	17
28			

JACK PIN LG

63024900 Rev. C



SPECIAL MODULE PZ **16C 42**

1			
2	G41	23	21
3	A35	4	11
4	G41	24	19
5	A35	28	11
6	G42	3	17
7	A42	3	9
8			
9	C20	13	23
10	C20	23	23
11			
12			
13			
14			
15			
16	C21	29	23
17	C21	12	23
18			
19	G42	7	17
20			
21	A42	25	9
22	G42	23	19
23	A35	2	15
24			
25	A35	30	13
26			
27	G42	24	19
28			

JACK PIN LG

63024900 Rev. C

16 D 1

STORAGE
MODULE

FUNCTION	PIN
Address	
S ⁰	22
S ¹	20
S ²	8
S ³	10
S ⁴	12
S ⁵	14
S ⁶	18
S ⁷	16
Store	
Z ²	6
Z ³	26
Z ⁴	28
Z ⁷	4
Z ¹⁰	30
Z ¹¹	2
Read	
Z ⁰	1
Z ³	3
Z ⁵	27
Z ⁶	29
Z ⁷	5
Z ⁸	24
Z ⁹	26
Z ¹⁰	10
Z ¹¹	12
Z ¹²	20
Z ¹³	22
Inhibit	
S ⁴	15
S ⁵	17
S ¹⁰	19
Control	
Read Enable	23
Write Enable	21
Power	
+5 To Inhibit	13
+5 To Inhibit	17
Ground	15

1	F 1	2	9
2	F 5	23	11
3	F 1	4	9
4	F 5	3	11
5	F 2	2	9
6	F 4	7	11
7	F 2	4	9
8	F23	19	25
9	F 3	8	9
10	F23	20	23
11	F 3	10	9
12	F25	19	25
13			
14	F25	20	25
15	D 1	x	2
16	F25	2	25
17			
18	F24	2	23
19	F 3	2	7
20	F22	20	23
21	F 3	4	7
22	F22	19	23
23	F 2	8	7
24	F25	3	25
25	F 2	10	7
26	F 4	21	9
27	F 1	8	7
28	F 5	5	9
29	F 1	10	7
30	F 5	25	9

JACK PIN LG

16 D 8

FUNCTION	PIN
Address	
S ⁴	7
S ⁵	9
S ⁶	13
S ⁷	11
Store	
Z ⁰	29
Z ¹	5
Z ⁴	27
Z ⁵	1
Z ⁸	3
Z ⁹	25
Read	
Z ²	28
Z ³	30
Z ²³	2
Z ²⁴	4
Z ²⁶	6
Z ²⁸	8
Z ²⁷	24
Z ²⁹	26
Z ³⁰	10
Z ³¹	12
Z ³²	20
Z ³³	22
Inhibit	
S ⁴	15
S ⁵	17
S ¹⁰	19
Control	
Read Enable	23
Write Enable	21
Power	
+8 To Drive	18
+6 To Drive	14
Ground	16

1	F 4	23	13
2	F 1	22	13
3	F 5	7	11
4	F 1	24	13
5	F 4	3	11
6	F 2	16	13
7	F22	2	17
8	F 2	18	13
9	F23	2	17
10	F 3	16	11
11	F24	20	19
12	F 3	18	11
13	F24	19	19
14			
15	F22	3	17
16	D 8	x	2
17	F23	3	17
18			
19	F24	3	17
20	F 3	22	11
21	F14	24	11
22	F 3	24	11
23	F14	1	11
24	F 2	22	11
25	F 5	21	9
26	F 2	24	11
27	F 4	25	11
28	F 1	16	11
29	F 4	5	9
30	F 1	18	11

JACK PIN LG

6302490 Rev. C

16 D10

STORAGE
MODULE

FUNCTION	PIN
Address	
S ⁰	22
S ¹	20
S ²	8
S ³	10
S ⁵	12
S ⁹	14
S ¹⁰	18
S ¹¹	16
Store	
Z ²	6
Z ³	26
Z ⁶	28
Z ⁷	4
Z ¹⁰	30
Z ¹¹	2
Read	
Z ⁰	1
Z ³	3
Z ⁵	27
Z ⁶	29
Z ⁷	5
Z ⁸	7
Z ⁹	23
Z ¹⁰	25
Z ¹¹	19
Z ¹²	21
Z ¹³	11
Inhibit	
S ¹¹	24
Power	
+5 To Inhibit	13
+5 To Inhibit	17
Ground	15

1	F 7	2	11
2	F11	23	11
3	F 7	4	11
4	F11	3	9
5	F 8	2	9
6	F10	7	9
7	F 8	4	9
8	F23	21	17
9	F 9	8	9
10	F23	22	17
11	F 9	10	9
12	F25	21	19
13			
14	F25	22	19
15	D10	X	2
16	F25	4	17
17			
18	F24	4	15
19	F 9	2	7
20	F22	22	17
21	F 9	4	7
22	F22	21	17
23	F 8	8	9
24	F25	5	19
25	F 8	10	9
26	F10	21	9
27	F 7	8	9
28	F11	5	7
29	F 7	10	9
30	F11	25	9

JACK PIN LG

16 D16

FUNCTION	PIN
Address	
S ⁴	7
S ⁵	9
S ⁶	13
S ⁷	11
Store	
Z ⁰	29
Z ¹	5
Z ⁴	27
Z ⁵	1
Z ⁸	3
Z ⁹	25
Read	
Z ²	28
Z ³	30
Z ²³	2
Z ²⁴	4
Z ²⁶	6
Z ²⁷	8
Z ²⁹	24
Z ³⁰	26
Z ³¹	10
Z ³²	12
Z ³³	20
Z ³⁴	22
Inhibit	
S ⁴	15
S ⁵	17
S ¹⁰	19
Control	
Read Enable	23
Write Enable	21
Power	
+8 To Drive	18
+6 To Drive	14
Ground	16

1	F10	23	13
2	F 7	22	15
3	F11	7	11
4	F 7	24	15
5	F10	3	13
6	F 8	16	15
7	F22	4	11
8	F 8	18	15
9	F23	4	11
10	F 9	16	13
11	F24	22	13
12	F 9	18	13
13	F24	21	13
14			
15	F22	5	11
16	D16	X	2
17	F23	5	11
18			
19	F24	5	13
20	F 9	22	13
21	F14	25	11
22	F 9	24	13
23	F14	3	7
24	F 8	22	13
25	F11	21	11
26	F 8	24	13
27	F10	25	11
28	F 7	16	13
29	F10	5	11
30	F 7	18	13

JACK PIN LG

6302490 Rev. C

16 D18

STORAGE MODULE

FUNCTION	PIN
Address	
S ⁰	22
S ¹	20
S ²	8
S ³	10
S ⁴	12
S ⁵	14
S ⁶	18
S ⁷	16
Store	
Z ²	6
Z ³	26
Z ⁶	28
Z ⁷	4
Z ¹⁰	30
Z ¹¹	2
Read	
Z ⁰	1
Z ¹	3
Z ²	27
Z ³	29
Z ⁴	5
Z ⁵	7
Z ⁶	23
Z ⁷	25
Z ⁸	19
Z ⁹	21
Z ¹⁰	9
Z ¹¹	11
Inhibit	
S ¹¹	24
Power	
+5 To Inhibit	13
+5 To Inhibit	17
Ground	15

1	F26	2	13
2	F30	23	17
3	F26	4	13
4	F30	3	17
5	F27	2	13
6	F29	7	15
7	F27	4	13
8	F23	23	13
9	F28	8	15
10	F23	24	13
11	F28	10	15
12	F25	23	13
13			
14	F25	24	13
15	D18	X	2
16	F25	6	11
17			
18	F24	6	11
19	F28	2	13
20	F22	24	11
21	F28	4	13
22	F22	23	11
23	F27	8	13
24	F25	7	11
25	F27	10	13
26	F29	21	15
27	F26	8	13
28	F30	5	15
29	F26	10	13
30	F30	25	15

JACK PIN LG

16 D25

FUNCTION	PIN
Address	
S ⁴	7
S ⁵	9
S ⁶	13
S ⁷	11
Store	
Z ⁰	29
Z ¹	5
Z ⁴	27
Z ⁵	1
Z ⁸	3
Z ⁹	25
Read	
Z ²	28
Z ³	30
Z ⁶	2
Z ⁷	4
Z ⁸	6
Z ⁹	8
Z ¹⁰	24
Z ¹¹	26
Z ¹²	10
Z ¹³	12
Z ¹⁴	20
Z ¹⁵	22
Inhibit	
S ⁴	15
S ⁵	17
S ¹⁰	19
Control	
Read Enable	23
Write Enable	21
Power	
+8 To Drive	18
+6 To Drive	14
Ground	16

1	F29	23	13
2	F26	22	11
3	F30	7	11
4	F26	24	11
5	F29	3	11
6	F27	16	11
7	F22	6	9
8	F27	18	11
9	F23	6	9
10	F28	16	11
11	F24	24	11
12	F28	18	11
13	F24	23	11
14			
15	F22	7	9
16	D25	X	2
17	F23	7	9
18			
19	F24	7	9
20	F28	22	11
21	F14	26	15
22	F28	24	11
23	F14	4	15
24	F27	22	9
25	F30	21	11
26	F27	24	9
27	F29	25	11
28	F26	16	11
29	F29	5	9
30	F26	18	11

JACK PIN LG

63024900 Rev. C

16 D26

STORAGE MODULE

FUNCTION	PIN
Address	
S ⁰	22
S ¹	20
S ²	8
S ³	10
S ⁴	12
S ⁵	14
S ⁶	18
S ⁷	16
Store	
Z ²	6
Z ³	26
Z ⁶	28
Z ⁷	4
Z ¹⁰	30
Z ¹¹	2
Read	
Z ⁰	1
Z ¹	3
Z ²	27
Z ³	29
Z ⁴	5
Z ⁵	7
Z ⁶	23
Z ⁷	25
Z ⁸	19
Z ⁹	21
Z ¹⁰	9
Z ¹¹	11
Inhibit	
S ¹¹	24
Power	
+5 To Inhibit	13
+5 To Inhibit	17
Ground	15

1	F32	2	11
2	F36	23	15
3	F32	4	11
4	F36	3	13
5	F33	2	11
6	F35	7	13
7	F33	4	11
8	F23	25	11
9	F34	8	13
10	F23	26	11
11	F34	10	13
12	F25	25	11
13			
14	F25	26	11
15	D26	x	2
16	F25	8	9
17			
18	F24	8	9
19	F34	2	11
20	F22	26	11
21	F34	4	11
22	F22	25	11
23	F33	8	11
24	F25	9	7
25	F33	10	11
26	F35	21	13
27	F32	8	9
28	F36	5	13
29	F32	10	9
30	F36	25	15

JACK PIN LG

16 D33

FUNCTION	PIN
Address	
S ⁴	7
S ⁵	9
S ⁶	13
S ⁷	11
Store	
Z ⁰	29
Z ¹	5
Z ⁴	27
Z ⁵	1
Z ⁸	3
Z ⁹	25
Read	
Z ²	28
Z ³	30
Z ⁶	2
Z ⁷	4
Z ⁸	6
Z ⁹	8
Z ¹⁰	24
Z ¹¹	26
Z ¹²	10
Z ¹³	12
Z ¹⁴	20
Z ¹⁵	22
Inhibit	
S ⁴	15
S ⁵	17
S ¹⁰	19
Control	
Read Enable	23
Write Enable	21
Power	
+8 To Drive	18
+6 To Drive	14
Ground	16

1	F35	23	11
2	F32	22	11
3	F36	7	11
4	F32	24	11
5	F35	3	9
6	F33	16	11
7	F22	8	15
8	F33	18	11
9	F23	8	15
10	F34	16	9
11	F24	26	15
12	F34	18	9
13	F24	25	15
14			
15	F22	9	15
16	D33	x	2
17	F23	9	15
18			
19	F24	9	13
20	F34	22	9
21	F14	27	21
22	F34	24	9
23	F14	6	21
24	F33	22	9
25	F36	21	9
26	F33	24	9
27	F35	25	9
28	F32	16	9
29	F35	5	7
30	F32	18	9

JACK PIN LG

63024900 Rev. C

16 D35

STORAGE
MODULE

FUNCTION	PIN
Address	
S ⁰	22
S ¹	20
S ²	8
S ³	10
S ⁴	12
S ⁵	14
S ⁶	18
S ⁷	16
Store	
Z ²	6
Z ³	26
Z ⁶	28
Z ⁷	4
Z ¹⁰	30
Z ¹¹	2
Read	
Z ⁰	1
Z ³	3
Z ¹	27
Z ¹	29
Z ⁴	5
Z ⁵	7
Z ⁵	23
Z ⁵	25
Z ⁵	19
Z ⁵	21
Z ⁵	9
Z ⁵	11
Inhibit	
S ¹¹	24
Power	
+5 To Inhibit	13
+5 To Inhibit	17
Ground	15

1	F38	2	11
2	F42	23	15
3	F38	4	11
4	F42	3	13
5	F39	2	11
6	F41	7	13
7	F39	4	11
8	F23	27	17
9	F40	8	11
10	F23	28	17
11	F40	10	11
12	F25	27	15
13			
14	F25	28	15
15	D35	x	2
16	F25	10	15
17			
18	F24	10	15
19	F40	2	9
20	F22	28	17
21	F40	4	9
22	F22	27	17
23	F39	8	9
24	F25	11	13
25	F39	10	9
26	F41	21	13
27	F38	8	9
28	F42	5	11
29	F38	10	9
30	F42	25	13

JACK PIN LG

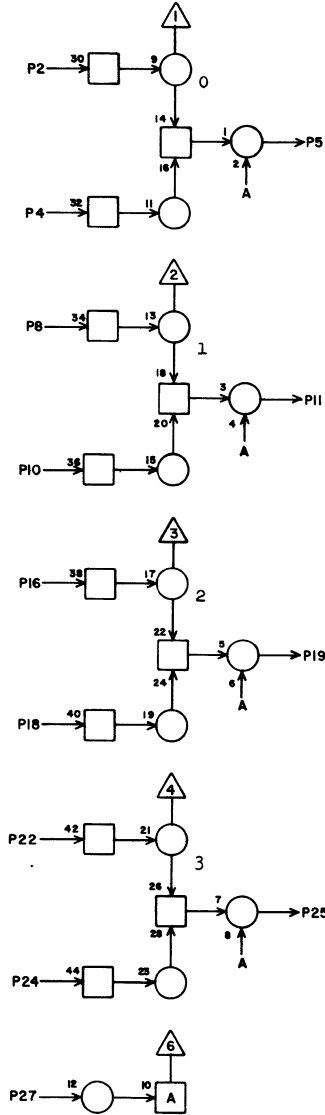
16 D42

FUNCTION	PIN
Address	
S ⁴	7
S ⁵	9
S ⁶	13
S ⁷	11
Store	
Z ⁰	29
Z ¹	5
Z ⁴	27
Z ⁵	1
Z ⁵	3
Z ⁵	25
Read	
Z ²	28
Z ²	30
Z ³	2
Z ³	4
Z ⁴	6
Z ⁴	8
Z ⁷	24
Z ⁷	27
Z ¹⁰	26
Z ¹⁰	10
Z ¹¹	12
Z ¹¹	20
Z ¹¹	22
Inhibit	
S ⁴	15
S ⁵	17
S ¹⁰	19
Control	
Read Enable	23
Write Enable	21
Power	
+8 To Drive	18
+6 To Drive	14
Ground	16

1	F41	23	11
2	F38	22	13
3	F42	7	9
4	F38	24	13
5	F41	3	9
6	F39	16	11
7	F22	10	23
8	F39	18	11
9	F23	10	21
10	F40	16	11
11	F24	28	21
12	F40	18	11
13	F24	27	21
14			
15	F22	11	21
16	D42	x	2
17	F23	11	21
18			
19	F24	11	19
20	F40	22	11
21	F14	28	29
22	F40	24	11
23	F14	7	29
24	F39	22	9
25	F42	21	9
26	F39	24	9
27	F41	25	9
28	F38	16	9
29	F41	5	7
30	F38	18	9

JACK PIN LG

BANK 35 SENSE



SENSE

PS

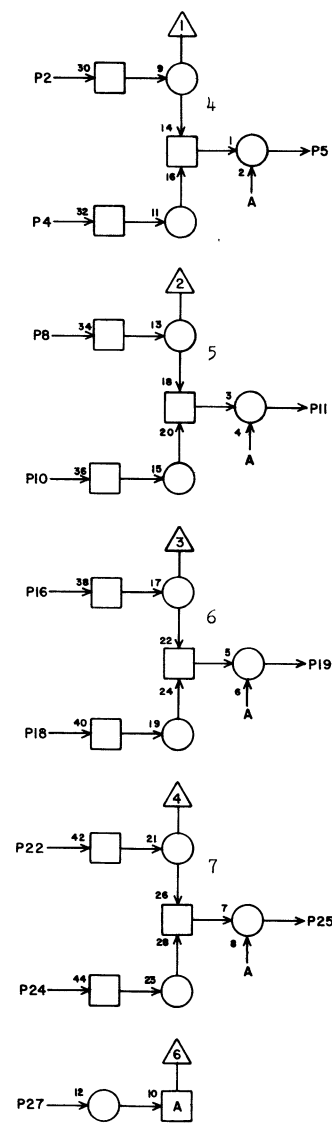
16F 1

1			
2	D 1	1	9
3			
4	D 1	3	9
5	H 1	13	13
6			
7			
8	D 1	27	7
9			
10	D 1	29	7
11	H 1	9	11
12			
13			
14			
15			
16	D 8	28	11
17			
18	D 8	30	11
19	H 1	25	13
20			
21			
22	D 8	2	13
23			
24	D 8	4	13
25	H 2	13	11
26	F 14	15	15
27	F 18	5	19
28	F 2	26	3

JACK PIN LG

63024900 Rev. C

BANK 35 SENSE



SENSE

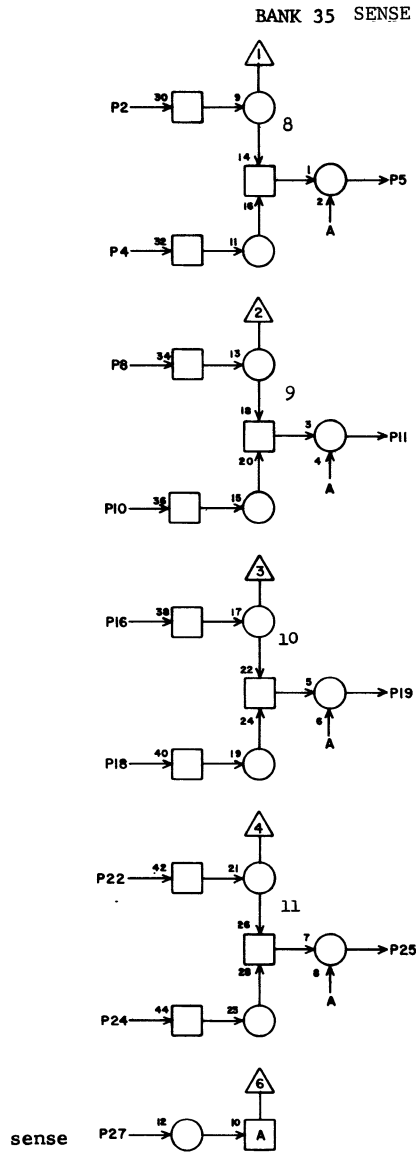
PS

16F 2

1			
2	D 1	5	9
3			
4	D 1	7	9
5	H 2	9	11
6			
7			
8	D 1	23	7
9			
10	D 1	25	7
11	H 2	25	13
12			
13			
14			
15			
16	D 8	6	13
17			
18	D 8	8	13
19	H 3	13	11
20			
21			
22	D 8	24	11
23			
24	D 8	26	11
25	H 3	9	11
26	F 1	28	3
27	F 18	7	17
28	F 3	26	3

JACK PIN LG

63024900 Rev. C

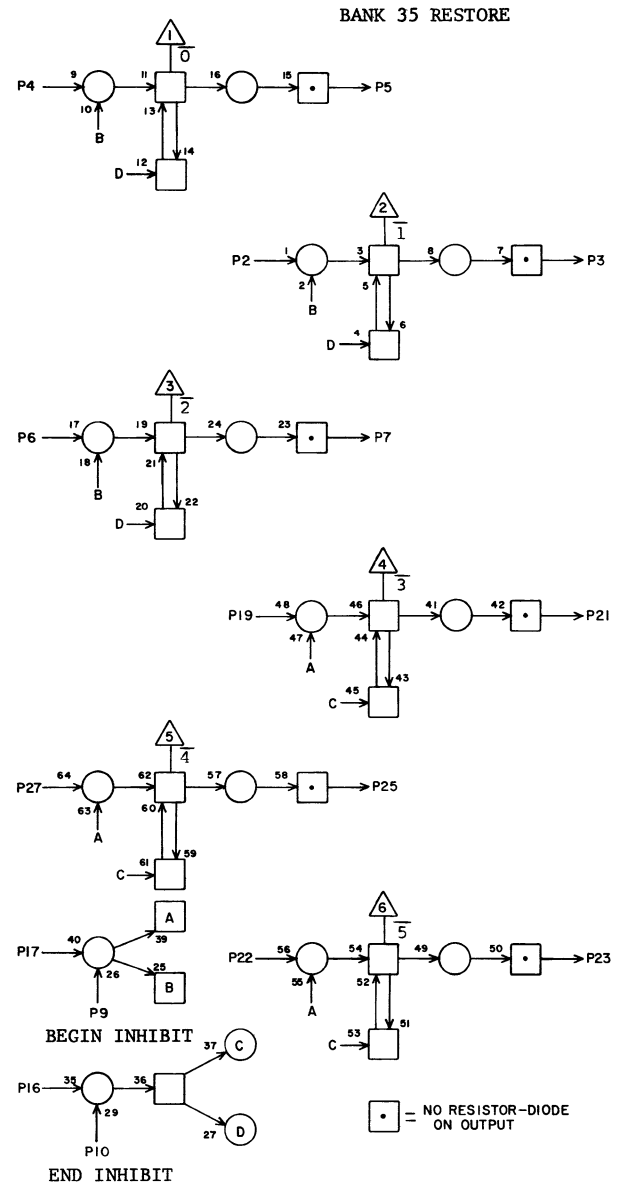


PS 16 F 3

1			
2	D 1	19	7
3			
4	D 1	21	7
5	H 3	25	13
6			
7			
8	D 1	9	9
9			
10	D 1	11	9
11	H 4	13	11
12			
13			
14			
15			
16	D 8	10	11
17			
18	D 8	12	11
19	H 4	9	11
20			
21			
22	D 8	20	11
23			
24	D 8	22	11
25	H 4	25	11
26	F 2	28	3
27	F18	9	17
28	F 7	26	7

JACK PIN LG

63024900 Rev. C.



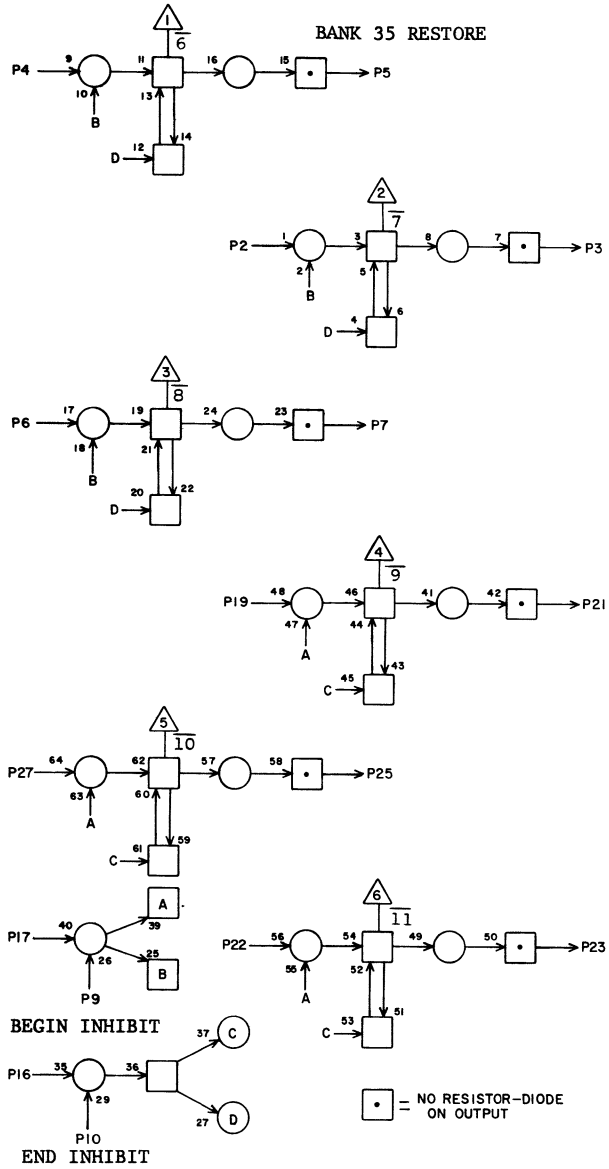
SPECIAL MODULE Pz16 F 4

1			
2	G24	8	23
3	D 8	5	11
4	G24	4	23
5	D 8	29	9
6	G24	25	23
7	D 1	6	11
8			
9	F20	6	17
10	F20	16	17
11			
12			
13			
14			
15			
16	F21	19	19
17	F21	1	19
18			
19	G24	22	23
20			
21	D 1	26	9
22	G25	8	23
23	D 8	1	13
24			
25	D 8	27	11
26			
27	G25	4	23
28			

JACK PIN LG

63024900 Rev. C

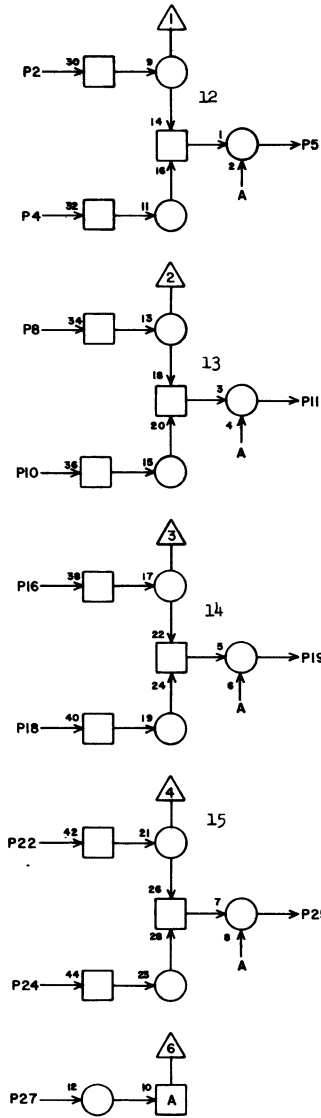
SPECIAL MODULE PZ 16F 5



1			
2	G25	22	23
3	D 1	4	11
4	G25	25	23
5	D 1	28	9
6	G26	4	23
7	D 8	3	11
8			
9	F20	8	17
10	F20	18	17
11			
12			
13			
14			
15			
16	F21	20	17
17	F21	2	17
18			
19	G26	3	23
20			
21	D 8	25	9
22	G26	22	23
23	D 1	2	11
24			
25	D 1	30	9
26			
27	G26	25	23
28			

JACK PIN LG

BANK 35 SENSE



SENSE

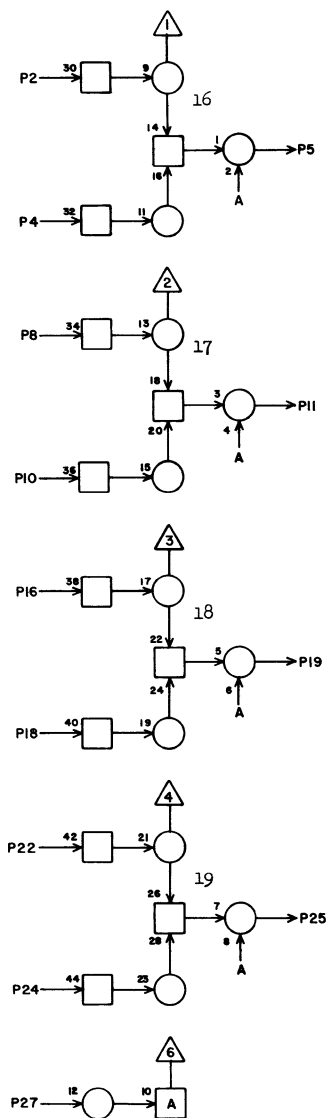
PS 16 F 7

1			
2	D10	1	11
3			
4	D10	3	11
5	H 6	13	13
6			
7			
8	D10	27	9
9			
10	D10	29	9
11	H 6	9	11
12			
13			
14			
15			
16	D16	28	13
17			
18	D16	30	13
19	H 6	25	13
20			
21			
22	D16	2	15
23			
24	D16	4	15
25	H 7	13	11
26	F 3	28	7
27	F18	11	13
28	F 8	26	3

JACK PIN LG

63024900 Rev. C

BANK 35 SENSE



SENSE

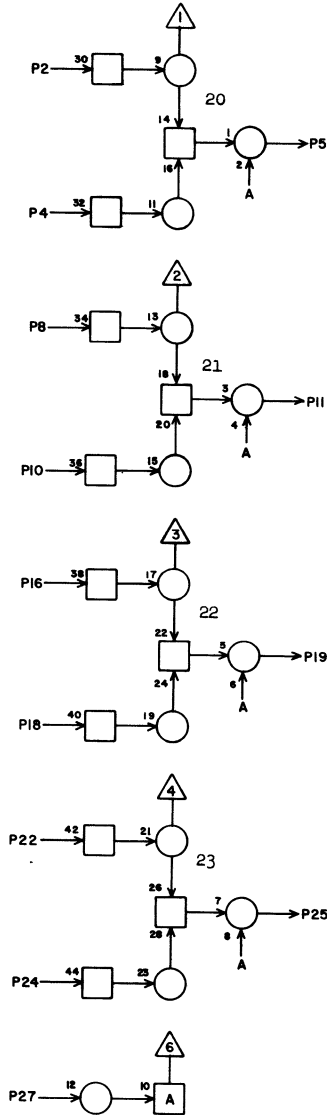
PS 16 F 8

1			
2	D10	5	9
3			
4	D10	7	9
5	H 7	9	13
6			
7			
8	D10	23	9
9			
10	D10	25	9
11	H 7	25	13
12			
13			
14			
15			
16	D16	6	15
17			
18	D16	8	15
19	H 8	13	11
20			
21			
22	D16	24	13
23			
24	D16	26	13
25	H 8	9	11
26	F 7	28	3
27	F18	13	13
28	F 9	26	3

JACK PIN LG

63024900 Rev. C

BANK 35 SENSE



SENSE

PS

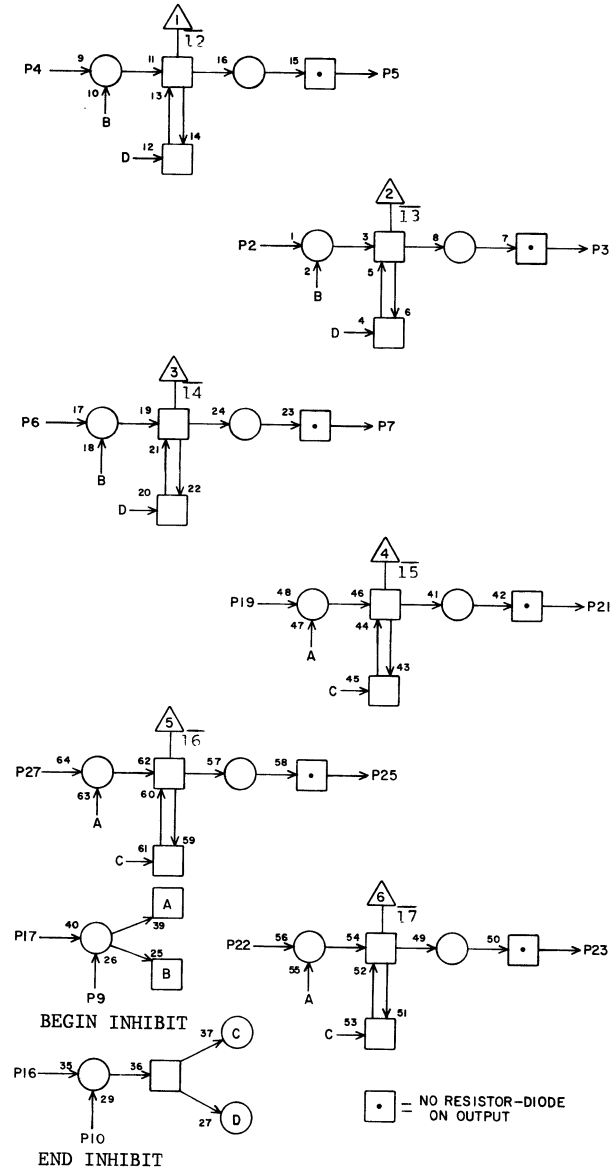
16 F 9

1			
2	D10	19	7
3			
4	D10	21	7
5	H 8	25	13
6			
7			
8	D10	9	9
9			
10	D10	11	9
11	H 9	13	11
12			
13			
14			
15			
16	D16	10	13
17			
18	D16	12	13
19	H 9	9	11
20			
21			
22	D16	20	13
23			
24	D16	22	13
25	H 9	25	11
26	F 8	28	3
27	F18	16	11
28	F26	26	19

JACK PIN LG

63024900 Rev. C

BANK 35 RESTORE



END INHIBIT

• = NO RESISTOR-DIODE ON OUTPUT

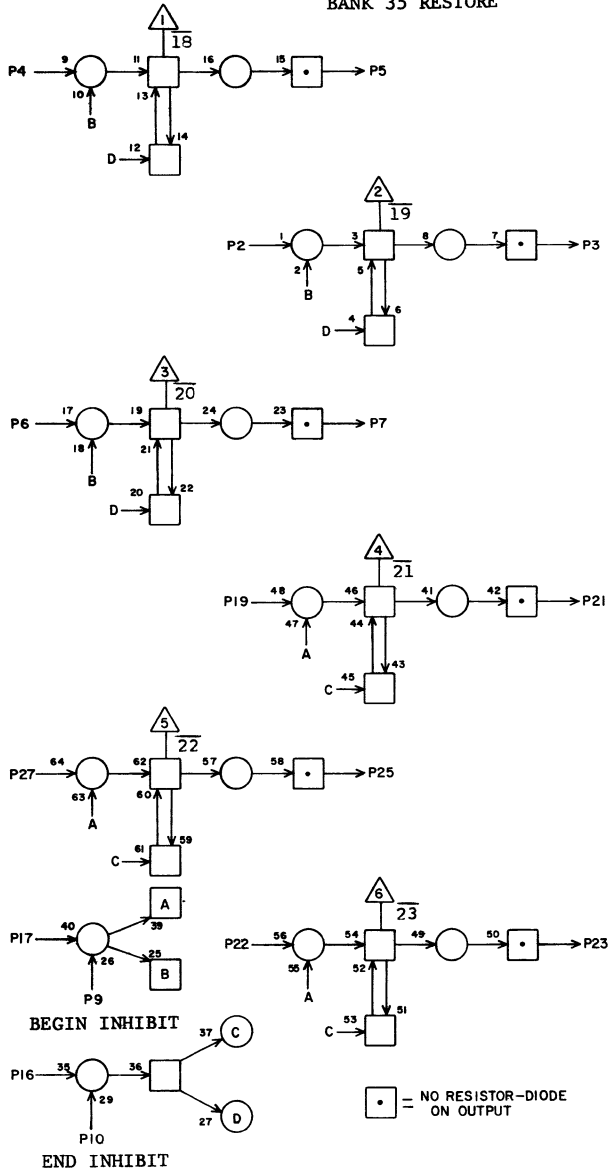
SPECIAL MODULE P216 F 10

1			
2	G28	8	21
3	D16	5	13
4	G28	4	21
5	D16	29	11
6	G28	25	21
7	D10	6	9
8			
9	F20	10	11
10	F20	20	11
11			
12			
13			
14			
15			
16	F21	21	13
17	F21	4	13
18			
19	G29	22	21
20			
21	D10	26	9
22	G29	8	21
23	D16	1	13
24			
25	D16	27	11
26			
27	G29	4	21
28			

JACK PIN LG

63024900 Rev. C

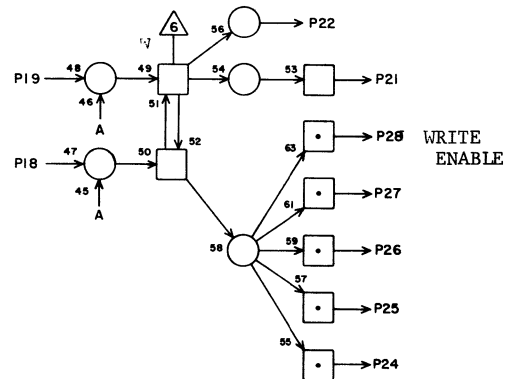
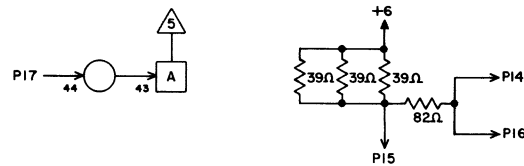
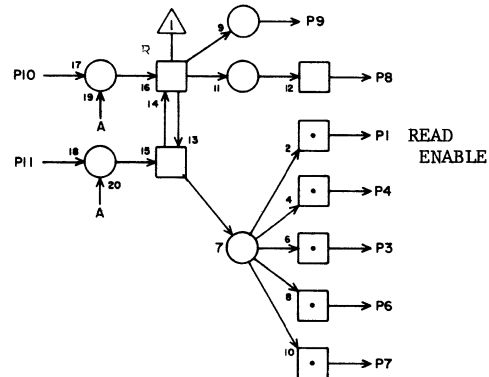
BANK 35 RESTORE



SPECIAL MODULE PZ 16^F 11

1			
2	G29	22	21
3	D10	4	9
4	G29	25	21
5	D10	28	7
6	G30	4	21
7	D16	3	11
8			
9	F20	12	11
10	F20	22	11
11			
12			
13			
14			
15			
16	F21	22	13
17	F21	6	13
18			
19	G30	8	21
20			
21	D16	25	11
22	G30	22	21
23	D10	2	11
24			
25	D10	30	9
26			
27	G30	25	21
28			
	JACK	PIN	LG

BANK 35
STORAGE SEQUENCE CONTROL



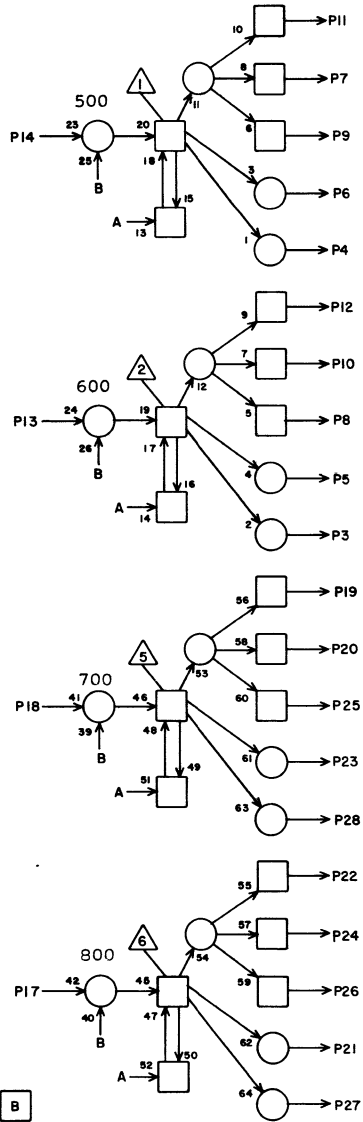
□ = NO RESISTOR-DIODE ON OUTPUT

SPECIAL MODULE PU F 14

JACK	PIN	LG
1	D 8	23 11
2		
3	D16	23 7
4	D25	23 15
5		
6	D33	23 21
7	D42	23 29
8	F15	14 3
9	G 7	2 11
10	G 5	24 13
11	F15	24 3
12		
13		
14	D14	16 13
15	F 1	26 15
16	M14	14 27
17	F21	17 9
18	F17	6 5
19	F17	7 5
20		
21	F17	13 5
22	G 7	4 11
23		
24	D 8	21 11
25	D16	21 11
26	D25	21 15
27	D33	21 21
28	D42	21 29

JACK PIN LG

BANK 35
STORAGE SEQUENCE CONTROL

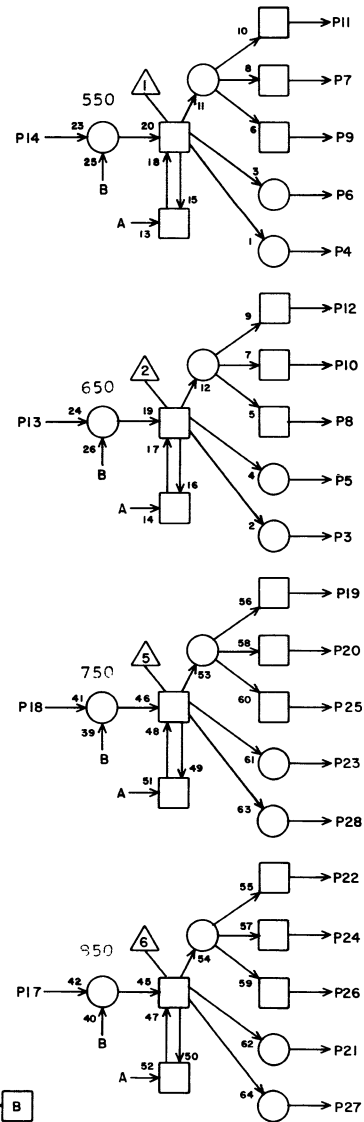


PD 16 F 15

1			
2			
3			
4			
5			
6			
7			
8	F16	13	3
9			
10	F18	1	5
11	F16	14	3
12			
13	F16	7	3
14	F14	8	3
15			
16	G22	19	11
17	F16	20	3
18	F16	8	3
19	F16	18	3
20			
21			
22	F16	17	3
23			
24	F14	11	3
25			
26			
27			
28	F19	3	7

JACK PIN LG
63024900 Rev. C

BANK 35
STORAGE SEQUENCE CONTROL

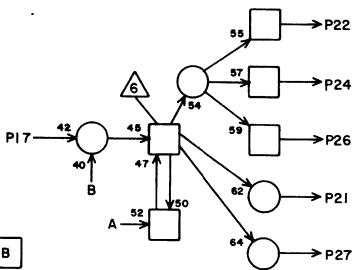
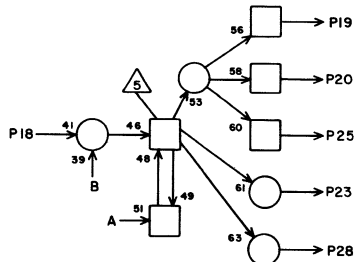
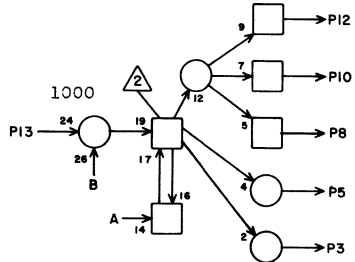
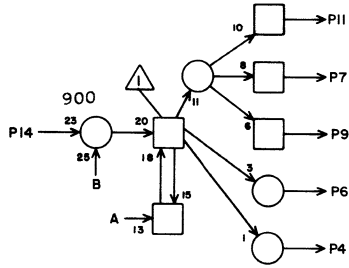


PD 16 F 16

1			
2			
3			
4			
5			
6			
7	F15	13	3
8	F15	18	3
9	F19	3	5
10			
11			
12			
13	F15	8	3
14	F15	11	3
15			
16	F21	18	7
17	F15	22	3
18	F15	20	3
19			
20	F15	17	3
21	F19	?	5
22	F17	14	3
23	G 7	6	13
24	F19	1	7
25			
26			
27			
28			

JACK PIN LG
63024900 Rev. C

BANK 35
STORAGE SEQUENCE CONTROL

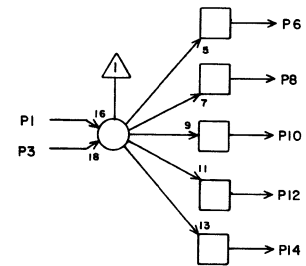


PD 16 F 17

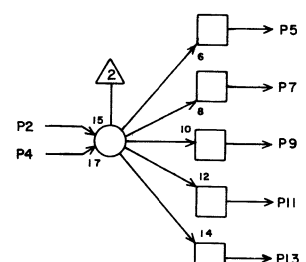
1			
2			
3			
4			
5			
6	F14	18	5
7	F14	19	5
8			
9			
10			
11			
12			
13	F14	21	5
14	F16	22	3
15			
16	G22	20	9
17			
18			
19			
20			
21			
22			
23			
24			
25			
26			
27			
28			

JACK PIN LG
63024900 Rev. C

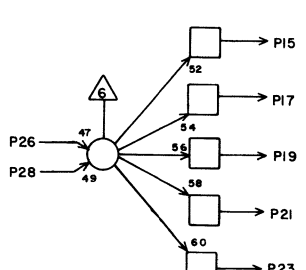
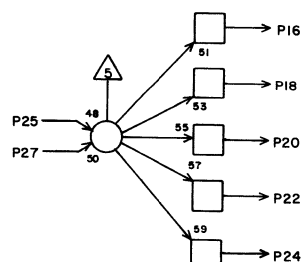
BANK 35
STORAGE SEQUENCE CONTROL
Sense amplifier sample



BANK 35 TO
BANK MERGE



BANK 35 SENSE

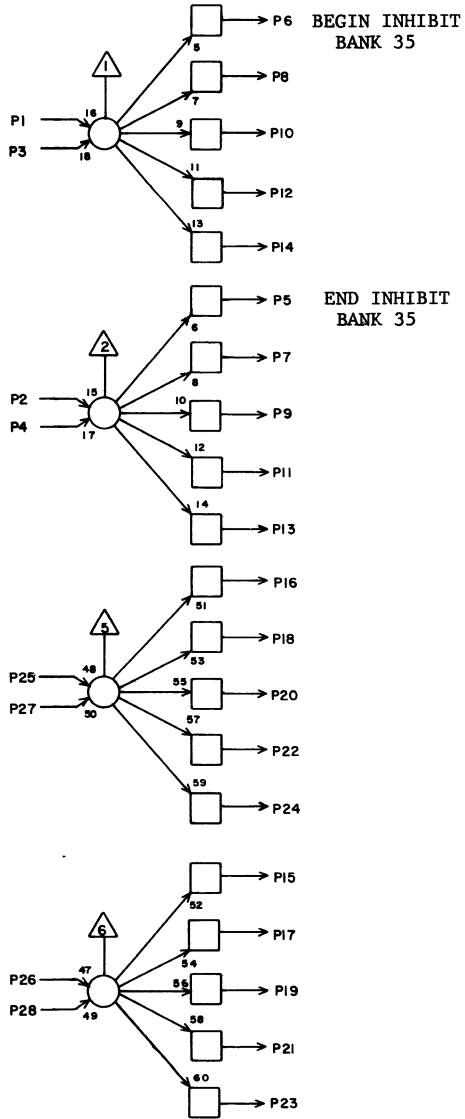


T D 16 F18

1	F15	10	5
2	F18	6	3
3	F15	28	7
4	F18	x	2
5	F 1	27	19
6	F18	2	3
7	F 2	27	17
8	F18	25	3
9	F 3	27	17
10	F18	26	3
11	F 7	27	13
12	G17	9	7
13	F 8	27	13
14			
15	F33	27	17
16	F 9	27	11
17	F34	27	17
18	F26	27	11
19	F38	27	21
20	F27	27	13
21	F39	27	23
22	F28	27	13
23	F40	27	23
24	F32	27	17
25	F18	8	3
26	F18	10	3
27	F18	x	2
28	F18	x	2

JACK PIN LG
63024900 Rev. C

BANK 35
STORAGE SEQUENCE CONTROL

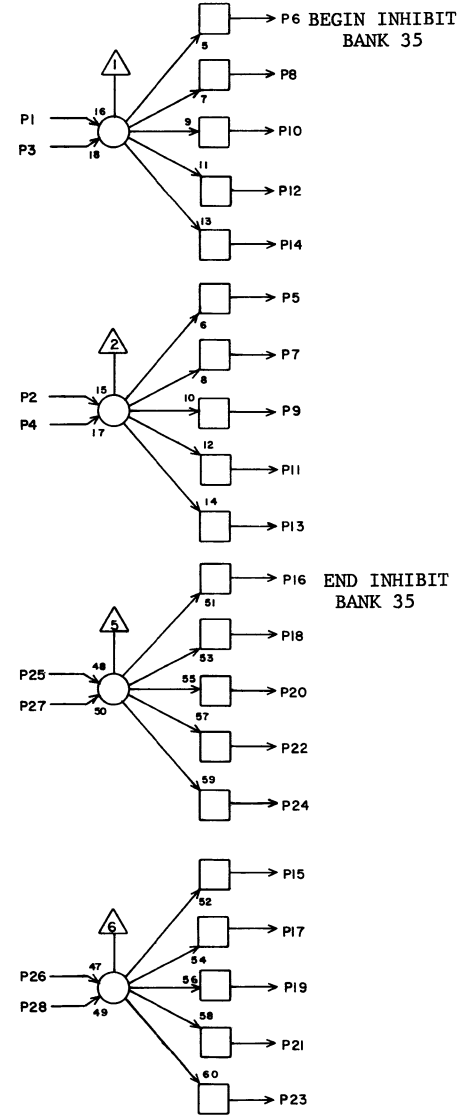


T D 16 F 19

1	F16	24	7
2	F16	21	5
3	F16	9	5
4	F19	x	2
5	F20	25	3
6	F20	3	3
7	F20	26	3
8	F20	2	3
9			
10			
11			
12			
13			
14			
15	G 9	1	15
16			
17	G 9	2	15
18			
19	G 9	27	15
20			
21	G 9	28	15
22			
23			
24			
25			
26	F19	x	2
27			
28	G 4	22	17

JACK PIN LG
63024900 Rev. C

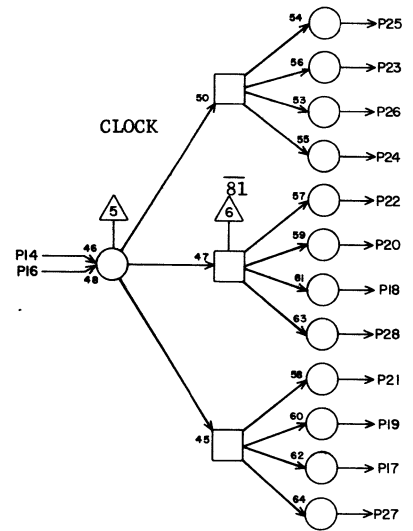
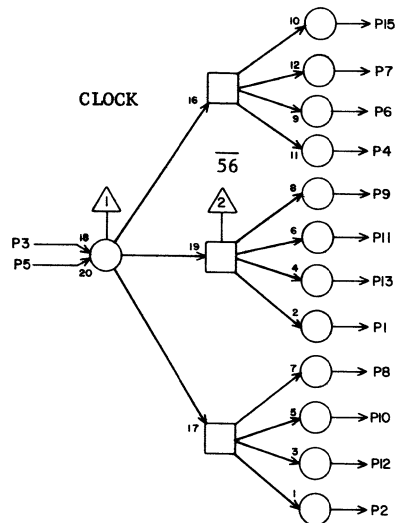
BANK 35
STORAGE SEQUENCE CONTROL



T D 16 F 20

1	F20	x	2
2	F19	8	3
3	F19	6	3
4	F20	x	2
5	F30	9	13
6	F 4	9	17
7	F35	9	17
8	F 5	9	17
9	F36	9	17
10	F10	9	11
11	F41	9	23
12	F11	9	11
13	F42	9	23
14	F29	9	13
15	F30	10	13
16	F 4	10	17
17	F35	10	17
18	F 5	10	17
19	F36	10	17
20	F10	10	11
21	F41	10	23
22	F11	10	11
23	F42	10	23
24	F29	10	13
25	F19	5	3
26	F19	7	3
27	F20	x	2
28	F20	x	2

JACK PIN LG
63024900 Rev. C

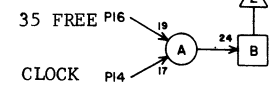
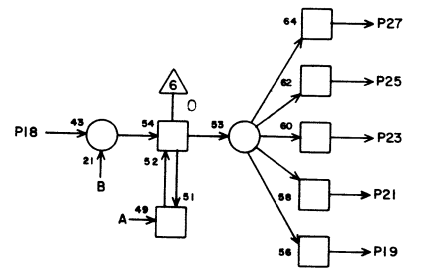
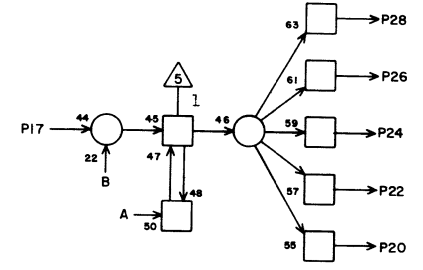
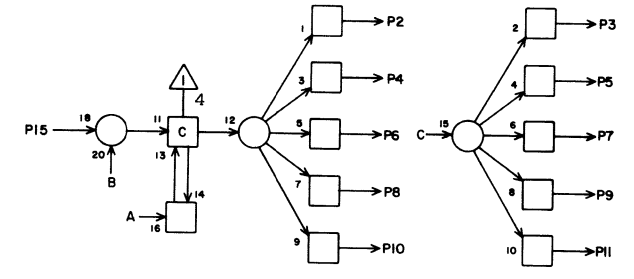


TC 16F21

1	F 4	17	19
2	F 5	17	17
3	G10	28	15
4	F10	17	13
5	F21	X	2
6	F11	17	13
7	F29	17	11
8	F30	17	13
9	F35	17	17
10	F36	17	17
11	F41	17	21
12	F42	17	23
13			
14	G11	2	15
15	G 5	23	19
16	F21	X	2
17	F14	17	9
18	F16	16	7
19	F 4	16	19
20	F 5	16	17
21	F10	16	13
22	F11	16	13
23	F29	16	11
24	F30	16	13
25	F35	16	17
26	F36	16	17
27	F41	16	21
28	F42	16	23

JACK PIN LG

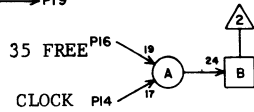
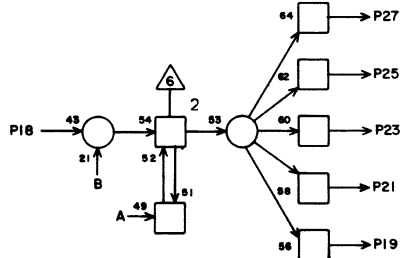
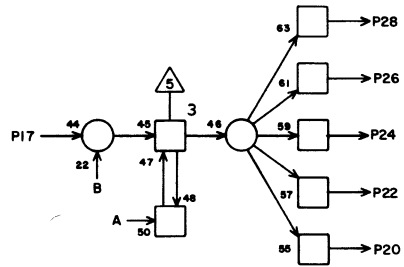
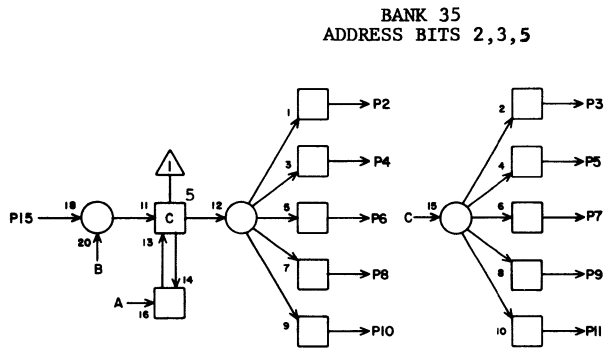
BANK 35
ADDRESS BITS 0,1,4



SA 16F 22

1			
2	D 8	7	17
3	D 8	15	17
4	D16	7	11
5	D16	15	11
6	D25	7	9
7	D25	15	9
8	D33	7	15
9	D33	15	15
10	D42	7	23
11	D42	15	21
12			
13			
14	G22	7	5
15	G 2	4	23
16	G19	5	7
17	G 1	8	23
18	G 1	4	21
19	D 1	22	23
20	D 1	20	23
21	D10	22	17
22	D10	20	17
23	D18	22	11
24	D18	20	11
25	D26	22	11
26	D26	20	11
27	D35	22	17
28	D35	20	17

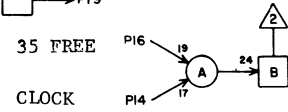
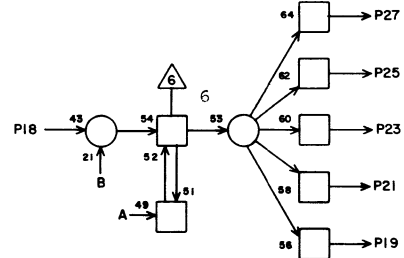
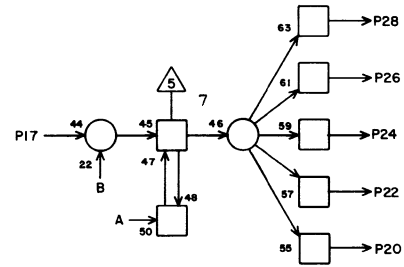
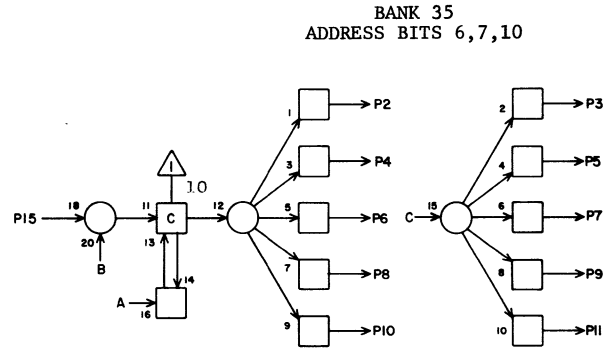
JACK PIN LG



SA 16F23

JACK	PIN	LG
1		
2	D 8	9 17
3	D 8	17 17
4	D16	9 11
5	D16	17 11
6	D25	9 9
7	D25	17 9
8	D33	9 15
9	D33	17 15
10	D42	9 21
11	D42	17 21
12		
13		
14	G22	8 7
15	G 2	8 23
16	G19	7 7
17	G 1	21 23
18	G 1	25 23
19	D 1	8 25
20	D 1	10 23
21	D10	8 17
22	D10	10 17
23	D16	8 13
24	D18	10 13
25	D26	8 11
26	D26	10 11
27	D35	8 17
28	D35	10 17

63024900 Rev. C

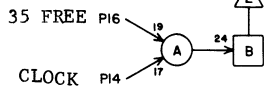
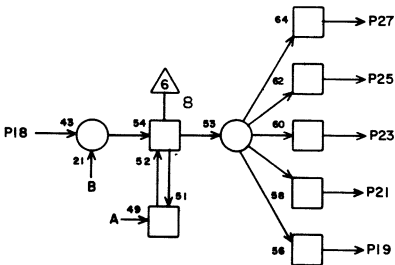
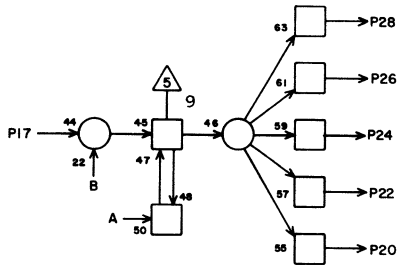
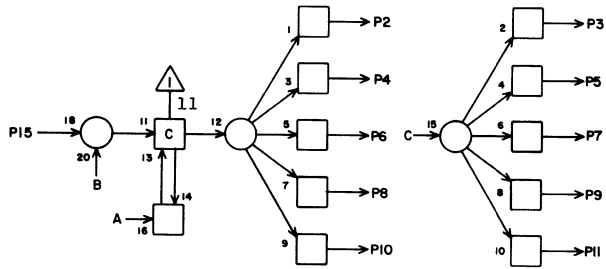


SA 16 F24

JACK	PIN	LG
1		
2	D 1	18 23
3	D 8	19 17
4	D10	18 15
5	D16	19 13
6	D18	18 11
7	D25	19 9
8	D26	18 9
9	D33	19 13
10	D35	18 15
11	D42	19 19
12		
13		
14	G22	9 9
15	G 3	25 23
16	G19	9 9
17	G 2	21 23
18	G 2	25 23
19	D 8	13 19
20	D 8	11 19
21	D16	13 13
22	D16	11 13
23	D25	13 11
24	D25	11 11
25	D33	13 15
26	D33	11 15
27	D42	13 21
28	D42	11 21

63024900 Rev. C

BANK 35
ADDRESS BITS 8,9,11



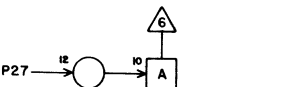
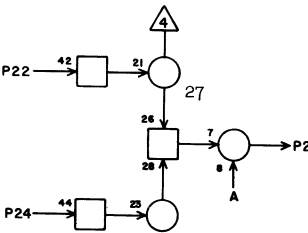
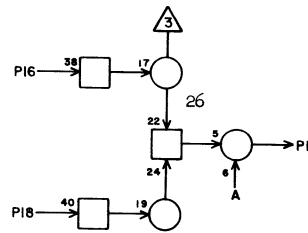
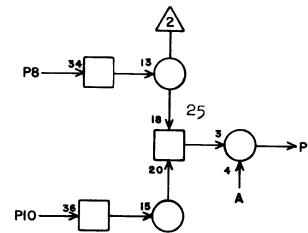
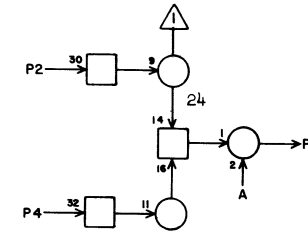
SA 16 F 25

1			
2	D 1	16	25
3	D 1	24	25
4	D10	16	17
5	D10	24	19
6	D18	16	11
7	D18	24	11
8	D26	16	9
9	D26	24	7
10	D35	16	15
11	D35	24	13
12			
13			
14	G 22	10	9
15	G 3	21	23
16	G19	11	9
17	G 3	8	23
18	G 3	4	23
19	D 1	12	25
20	D 1	14	25
21	D10	12	19
22	D10	14	19
23	D18	12	13
24	D18	14	13
25	D26	12	11
26	D26	14	11
27	D35	12	15
28	D35	14	15

JACK PIN LG

63024900 Rev. C

BANK 35 SENSE



SENSE P27

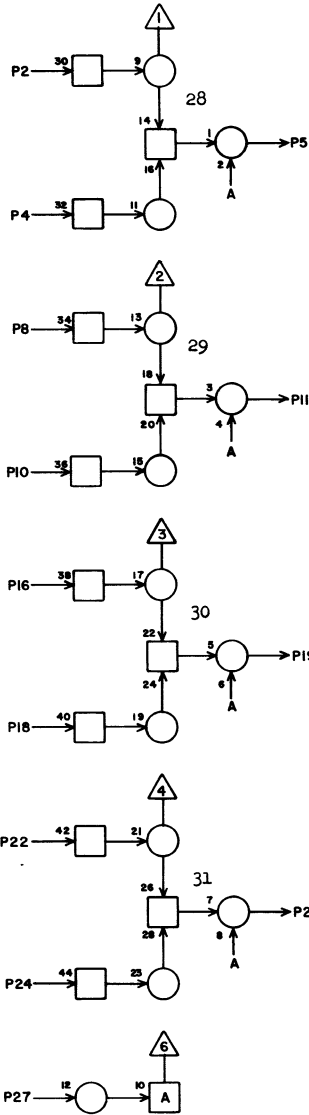
PS 16 F26

1			
2	D18	1	13
3			
4	D18	3	13
5	H11	13	19
6			
7			
8	D18	27	13
9			
10	D18	29	13
11	H11	9	19
12			
13			
14			
15			
16	D25	28	11
17			
18	D25	30	11
19	H11	25	19
20			
21			
22	D25	2	11
23			
24	D25	4	11
25	H12	13	17
26	F 9	28	19
27	F18	18	11
28	F27	26	3

JACK PIN LG

63024900 Rev. C

BANK 35 SENSE

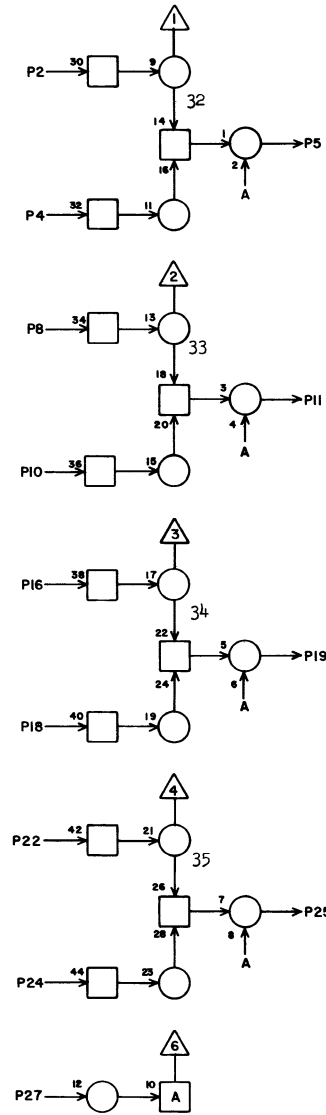


PS 16F27

	JACK	PIN	LG
1			
2	D18	5	13
3			
4	D18	7	13
5	H12	9	19
6			
7			
8	D18	23	13
9			
10	D18	25	13
11	H12	25	19
12			
13			
14			
15			
16	D25	6	11
17			
18	D25	8	11
19	H13	13	17
20			
21			
22	D25	24	9
23			
24	D25	26	9
25	H13	9	17
26	F26	28	3
27	F18	20	13
28	F28	26	3

63024900 Rev. C

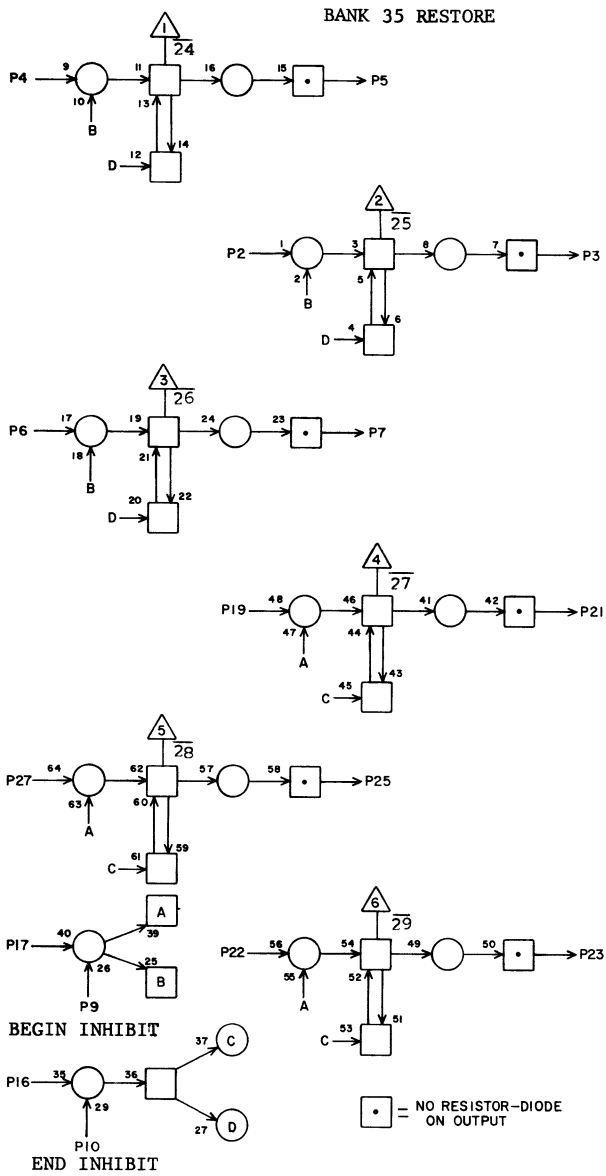
BANK 35 SENSE



PS 16 F28

	JACK	PIN	LG
1			
2	D18	19	13
3			
4	D18	21	13
5	H13	25	19
6			
7			
8	D18	9	15
9			
10	D18	11	15
11	H14	13	17
12			
13			
14			
15			
16	D25	10	11
17			
18	D25	12	11
19	H14	9	17
20			
21			
22	D25	20	11
23			
24	D25	22	11
25	H14	25	17
26	F27	28	3
27	F18	22	13
28	F32	26	7

63024900 Rev. C

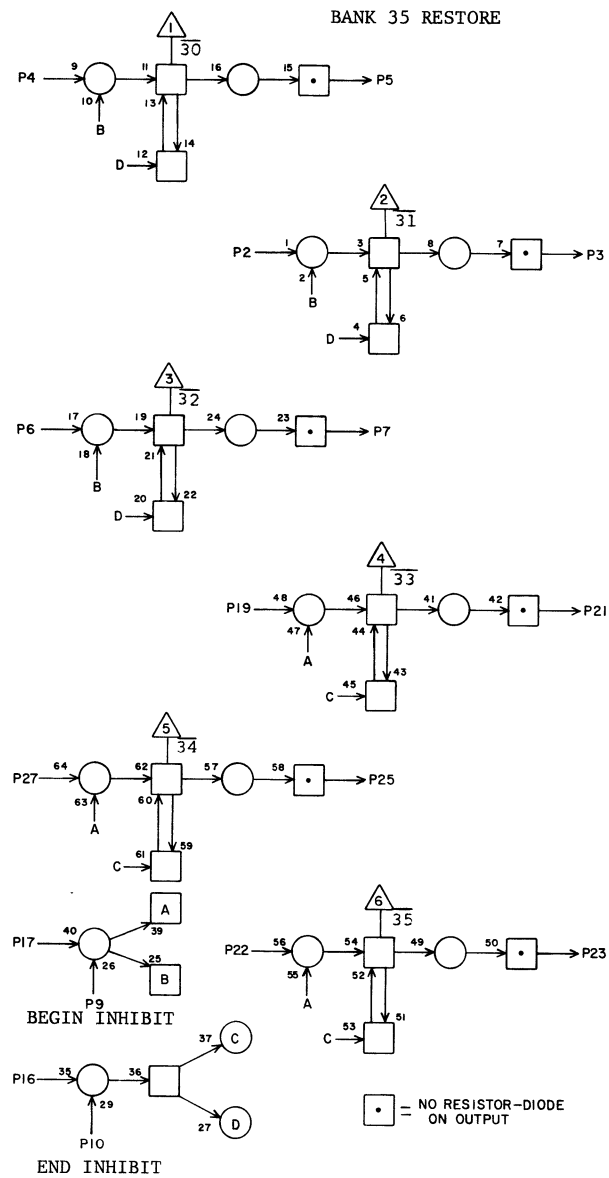


SPECIAL MODULE PZ 16F 29

1			
2	G32	8	9
3	D25	5	11
4	G32	4	9
5	D25	29	9
6	G32	25	11
7	D18	6	15
8			
9	F20	14	13
10	F20	24	13
11			
12			
13			
14			
15			
16	F21	23	11
17	F21	7	11
18			
19	G32	22	9
20			
21	D18	26	15
22	G33	8	7
23	D25	1	13
24			
25	D25	27	11
26			
27	G33	4	7
28			

JACK PIN LG

63024900 Rev. C



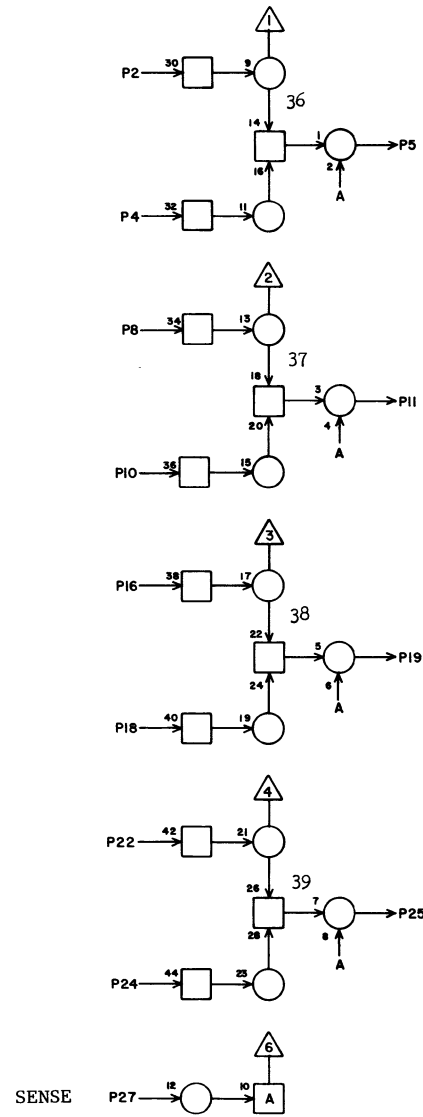
SPECIAL MODULE PZ 16F 30

1			
2	G33	22	11
3	D18	4	17
4	G33	25	11
5	D18	28	15
6	G34	4	9
7	D25	3	11
8			
9	F20	5	13
10	F20	15	13
11			
12			
13			
14			
15			
16	F21	24	13
17	F21	8	13
18			
19	G34	8	7
20			
21	D25	25	11
22	G34	22	9
23	D18	2	17
24			
25	D18	30	15
26			
27	G34	25	9
28			

JACK PIN LG

63024900 Rev. C

BANK 35 SENSE

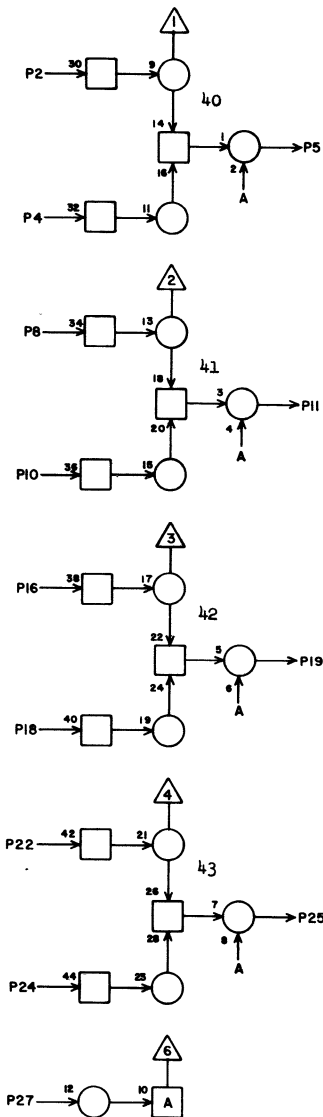


PS 16F32

1			
2	D26	1	11
3			
4	D26	3	11
5	H16	13	19
6			
7			
8	D26	27	9
9			
10	D26	29	9
11	H16	9	19
12			
13			
14			
15			
16	D33	28	9
17			
18	D33	30	9
19	H16	25	19
20			
21			
22	D33	2	11
23			
24	D33	4	11
25	H17	13	19
26	F28	28	7
27	F18	24	17
28	F33	26	3

JACK PIN LG

BANK 35 SENSE



SENSE

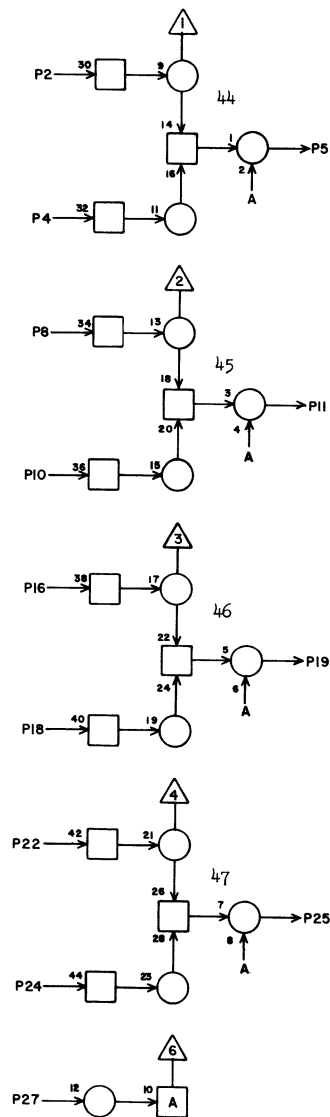
PS 16 F33

1			
2	D26	5	11
3			
4	D26	7	11
5	H17	9	19
6			
7			
8	D26	23	11
9			
10	D26	25	11
11	H17	25	21
12			
13			
14			
15			
16	D33	6	11
17			
18	D33	8	11
19	H18	13	19
20			
21			
22	D33	24	9
23			
24	D33	26	9
25	H18	9	19
26	F32	28	3
27	F18	15	17
28	F34	26	3

JACK PIN LG

63024900 Rev. C

BANK 35 SENSE.



SENSE

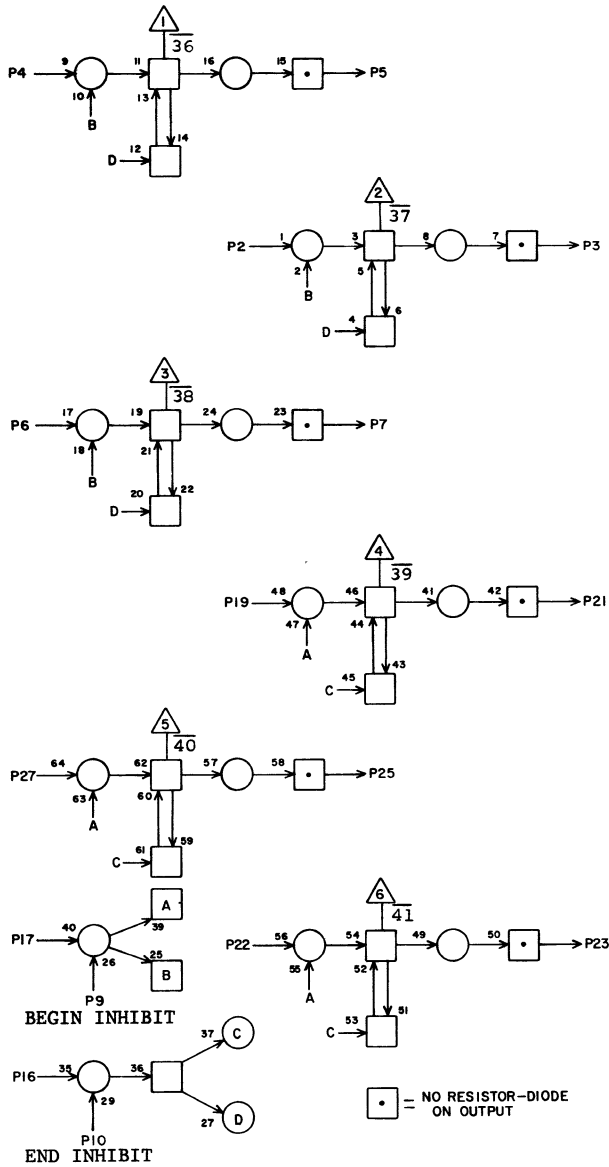
PS 16 F34

1			
2	D26	19	11
3			
4	D26	21	11
5	H18	25	21
6			
7			
8	D26	9	13
9			
10	D26	11	13
11	H19	13	19
12			
13			
14			
15			
16	D33	10	
17			
18	D33	12	9
19	H19	9	19
20			
21			
22	D33	20	
23			
24	D33	22	9
25	H19	25	19
26	F33	28	3
27	F18	17	17
28	F38	26	7

JACK PIN LG

63024900 Rev.C

BANK 35 RESTORE



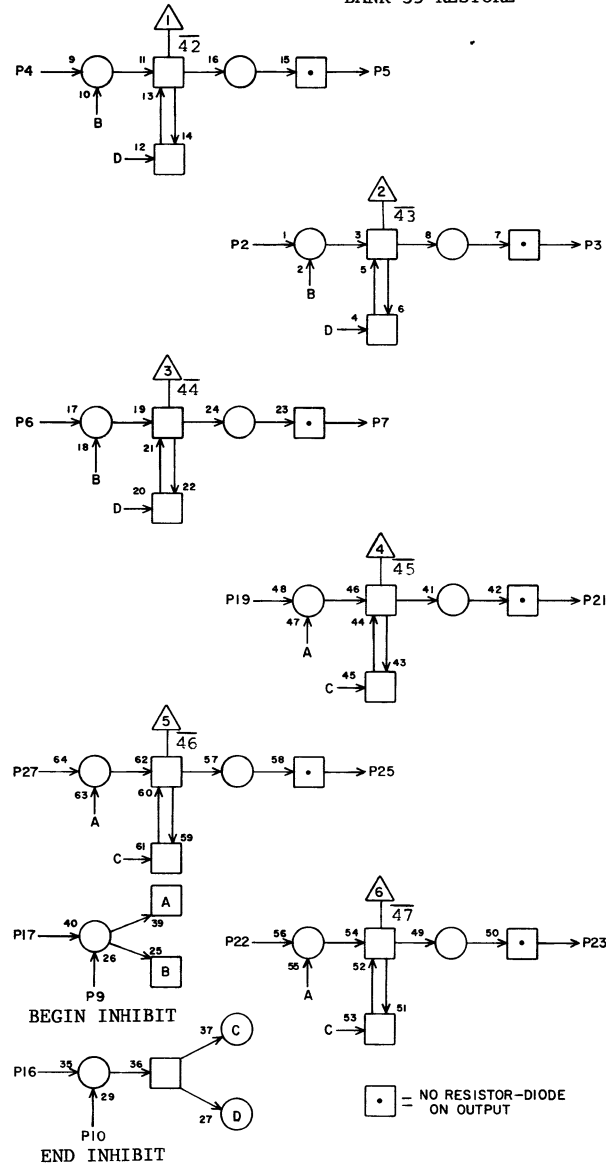
SPECIAL MODULE P2 16 F 35

1			
2	G36	8	7
3	D33	5	9
4	G36	4	7
5	D33	29	7
6	G36	25	11
7	D26	6	13
8			
9	F20	7	17
10	F20	17	17
11			
12			
13			
14			
15			
16	F21	25	17
17	F21	9	17
18			
19	G36	22	9
20			
21	D26	26	13
22	G37	8	5
23	D33	1	11
24			
25	D33	27	9
26			
27	G37	4	5
28			

JACK PIN LG

6302490 Rev. C

BANK 35 RESTORE



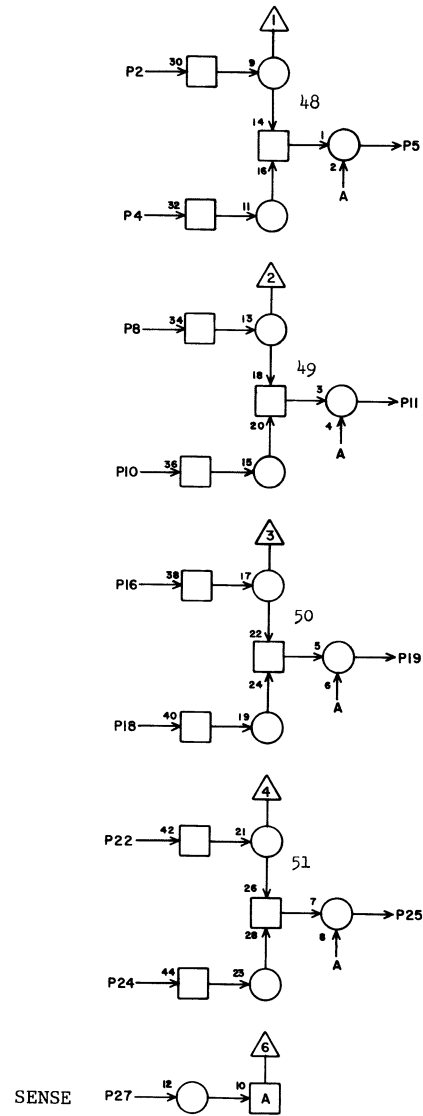
SPECIAL MODULE P2 16 F 36

1			
2	G37	22	11
3	D26	4	13
4	G37	25	11
5	D26	28	13
6	G38	4	7
7	D33	3	11
8			
9	F20	9	17
10	F20	19	17
11			
12			
13			
14			
15			
16	F21	26	17
17	F21	10	17
18			
19	G38	8	5
20			
21	D33	25	9
22	G38	22	7
23	D26	2	15
24			
25	D26	30	15
26			
27	G38	25	7
28			

JACK PIN LG

6302490 Rev. C

BANK 35 SENSE

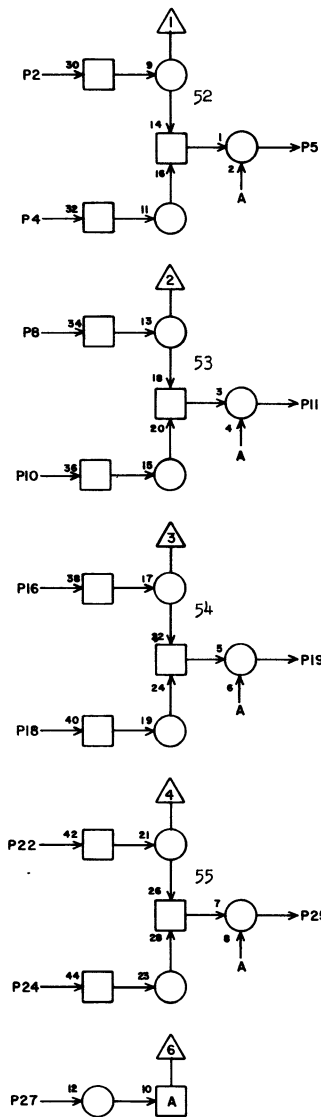


PS 16 F38

1			
2	D35	1	11
3			
4	D35	3	11
5	H21	13	21
6			
7			
8	D35	27	9
9			
10	D35	29	9
11	H21	9	21
12			
13			
14			
15			
16	D42	28	9
17			
18	D42	30	9
19	H21	25	21
20			
21			
22	D42	2	13
23			
24	D42	4	13
25	H22	13	19
26	F34	28	7
27	F18	19	21
28	F39	26	3

JACK PIN LG

BANK 35 SENSE



sense

PS

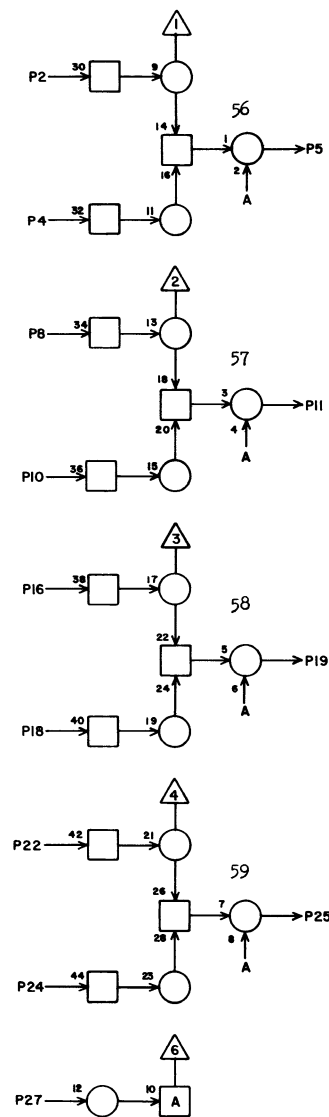
16F39

1			
2	D35	5	11
3			
4	D35	7	11
5	H22	9	21
6			
7			
8	D35	23	9
9			
10	D35	25	9
11	H22	25	21
12			
13			
14			
15			
16	D42	6	11
17			
18	D42	8	11
19	H23	13	21
20			
21			
22	D42	24	9
23			
24	D42	26	9
25	H23	9	19
26	F38	28	3
27	F18	21	23
28	F40	26	3

JACK PIN LG

63024900 Rev. C

BANK 35 SENSE



SENSE

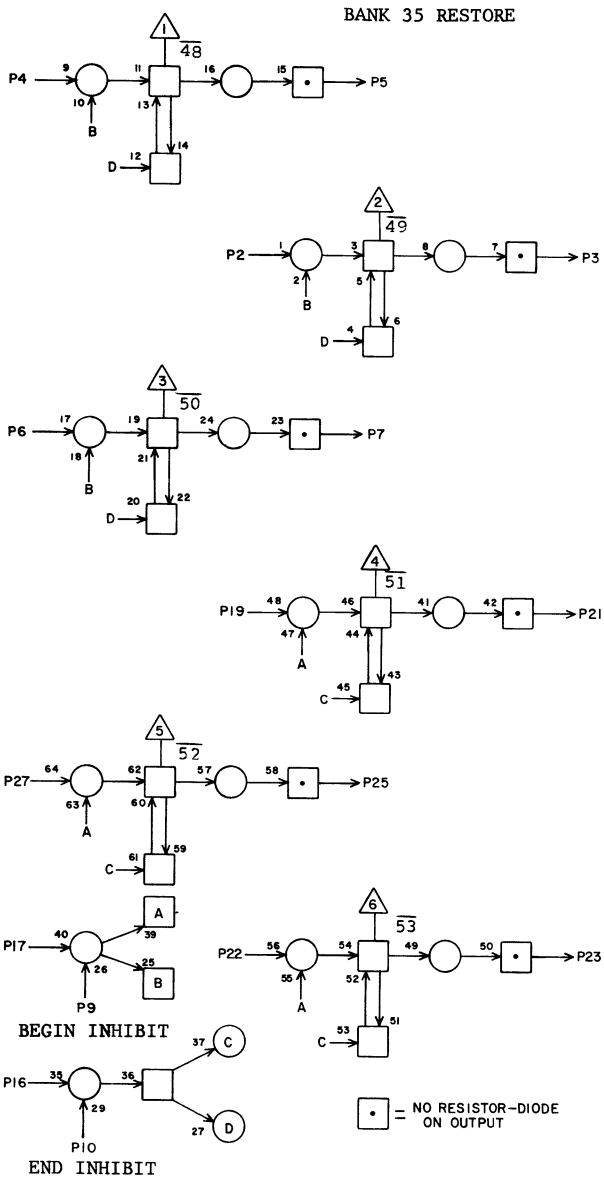
PS

16F40

1			
2	D35	19	9
3			
4	D35	21	9
5	H23	25	23
6			
7			
8	D35	9	11
9			
10	D35	11	11
11	H24	13	21
12			
13			
14			
15			
16	D42	10	11
17			
18	D42	12	11
19	H24	9	19
20			
21			
22	D42	20	11
23			
24	D42	22	11
25	H24	25	21
26	F39	28	3
27	F18	23	23
28			

JACK PIN LG

63024900 Rev. C

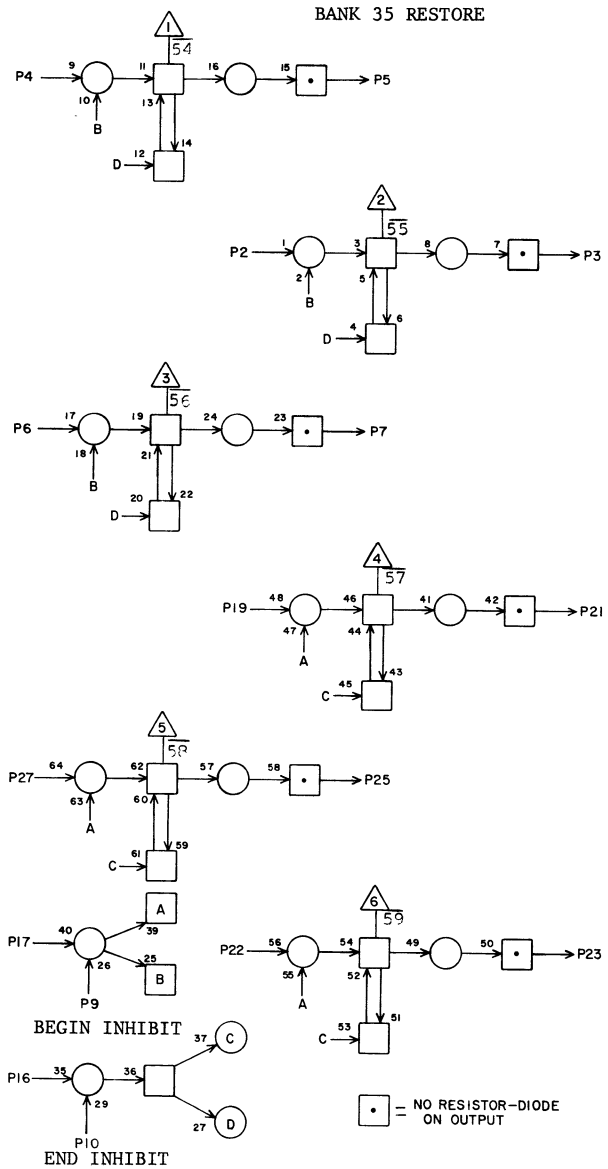


SPECIAL MODULE PZ **16F 41**

1			
2	G40	8	7
3	D42	5	9
4	G40	4	7
5	D42	29	7
6	G40	25	7
7	D35	6	13
8			
9	F20	11	23
10	F20	21	23
11			
12			
13			
14			
15			
16	F21	27	21
17	F21	11	21
18			
19	G40	22	7
20			
21	D35	26	13
22	G41	8	5
23	D42	1	11
24			
25	D42	27	9
26			
27	G41	4	5
28			

JACK PIN LG

63024900 Rev. C



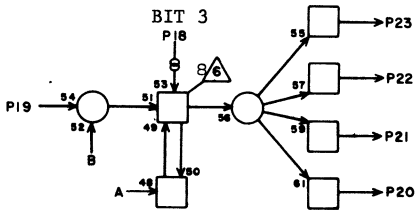
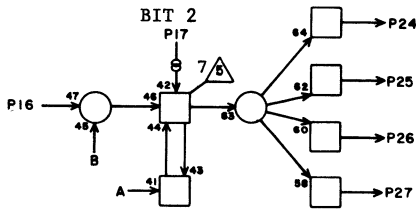
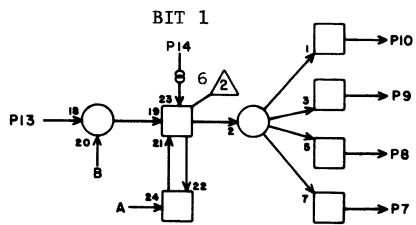
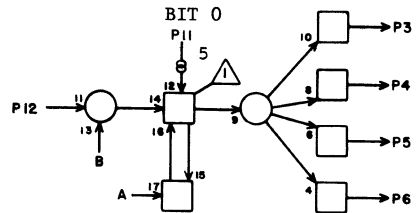
SPECIAL MODULE PZ **16F 42**

1			
2	G41	22	9
3	D35	4	13
4	G41	25	9
5	D35	28	11
6	G42	4	7
7	D42	3	9
8			
9	F20	13	23
10	F20	23	23
11			
12			
13			
14			
15			
16	F21	28	23
17	F21	12	23
18			
19	G42	9	5
20			
21	D42	25	9
22	G42	22	7
23	D35	2	15
24			
25	D35	30	13
26			
27	G42	25	7
28			

JACK PIN LG

63024900 Rev. C

ADDRESS TO MEMORY



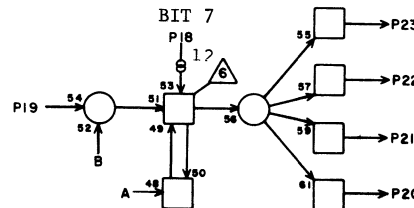
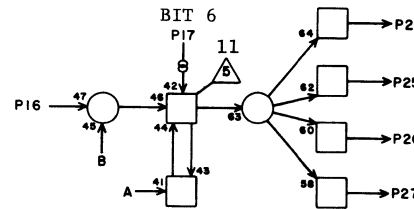
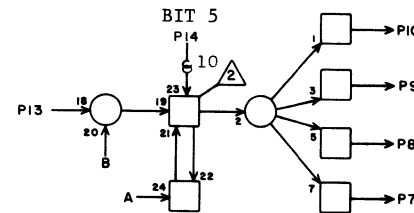
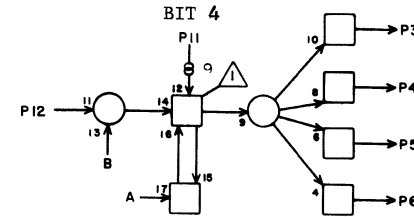
88 16 G 1

1			
2			
3	C22	18	27
4	F22	18	21
5	M22	18	33
6	P22	18	41
7	C22	17	27
8	F22	17	23
9	M22	17	33
10	P22	17	41
11	W18	906	
12	G14	2	15
13	G14	6	15
14	W18	907	
15	G14	19	15
16	G14	4	15
17	W18	908	
18	W18	90	
19	G14	1	15
20	C23	17	29
21	F23	17	23
22	M23	17	33
23	P23	17	41
24	C23	18	29
25	F23	18	23
26	M23	18	31
27	P23	18	41
28			

JACK PIN LG

63024900 Rev. C

ADDRESS TO MEMORY

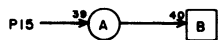
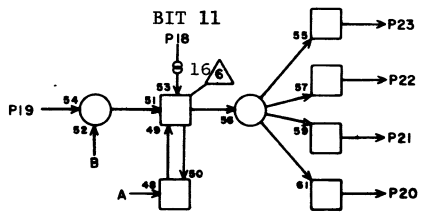
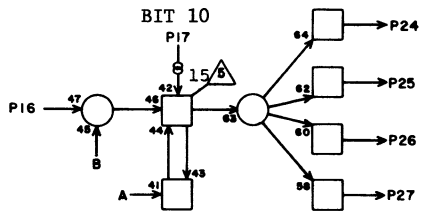
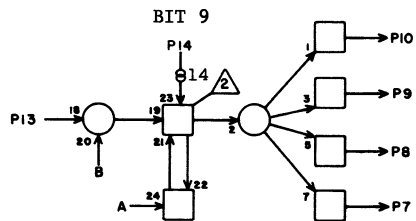
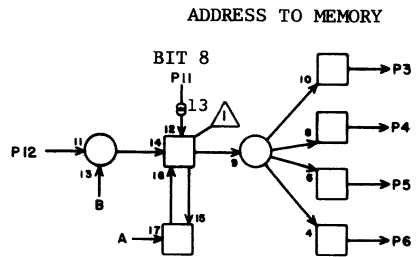


88 16 G 2

1			
2			
3	C22	15	25
4	F22	15	23
5	M22	15	33
6	P22	15	41
7	C23	15	27
8	F23	15	23
9	M23	15	33
10	P23	15	41
11	W18	91	
12	G14	8	15
13	G14	10	15
14	W18	92	
15	G14	20	15
16	G14	9	15
17	W18	93	
18	W18	94	
19	G14	7	15
20	C24	17	29
21	F24	17	23
22	M24	17	33
23	P24	17	41
24	C24	18	29
25	F24	18	23
26	M24	18	33
27	P24	18	41
28			

JACK PIN LG

63024900 Rev. C

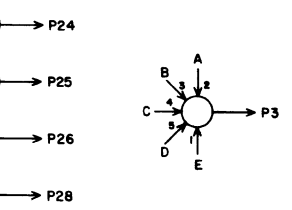
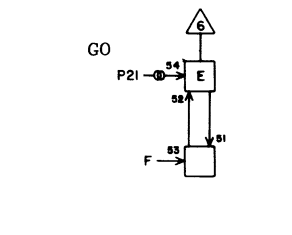
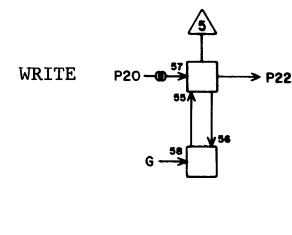
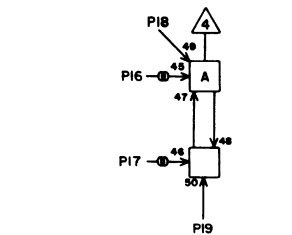
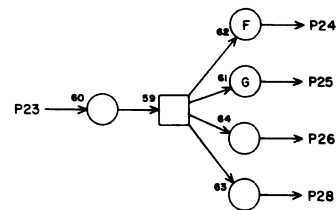
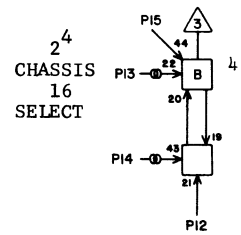
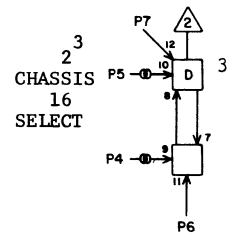
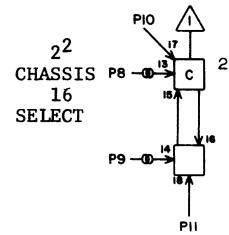


38 16G 3

1			
2			
3	C25	18	27
4	F25	18	23
5	M25	18	31
6	P25	18	41
7	C25	17	27
8	F25	17	23
9	M25	17	33
10	P25	17	41
11	W18	95	
12	G14	12	13
13	G14	15	13
14	W18	96	
15	G14	21	13
16	G14	13	13
17	W18	97	
18	W18	98	
19	G14	11	15
20	C25	15	29
21	F25	15	23
22	M25	15	33
23	P25	15	41
24	C24	15	27
25	F24	15	23
26	M24	15	31
27	P24	15	39
28			

JACK PIN LG

63024900 Rev. C

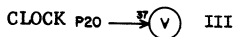
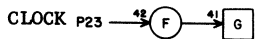
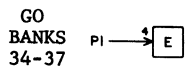
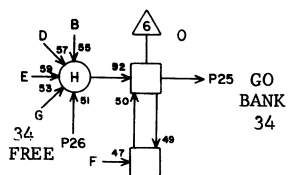
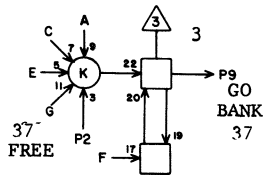
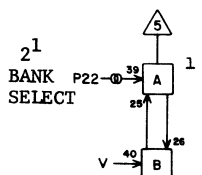
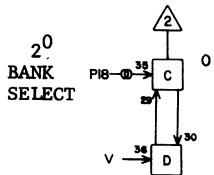
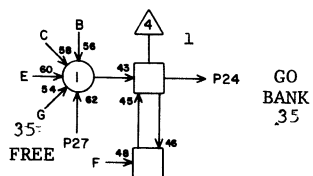
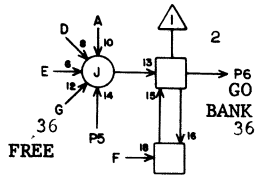


50 16G 4

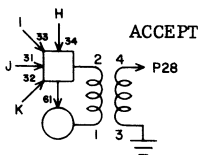
1			
2			
3	G 5	1	3
4			
5	W18	904	
6	G 4	26	3
7	G 4	X	2
8	W18	903	
9			
10	G 4	X	2
11	G 4	25	3
12	G 4	28	3
13	W18	905	
14			
15	G 4	X	2
16			
17			
18	G 4	24	3
19	G 4	X	2
20	W12	98	
21	W12	99	
22	F19	28	17
23	G14	17	13
24	G 4	18	3
25	G 4	11	3
26	G 4	6	3
27			
28	G 4	12	3

JACK PIN LG

63024900 Rev. C



II

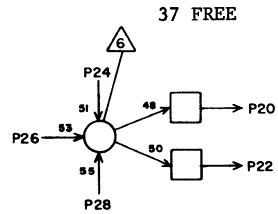
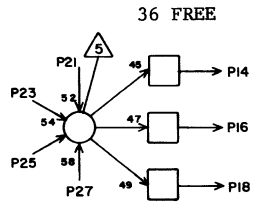
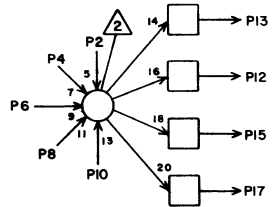
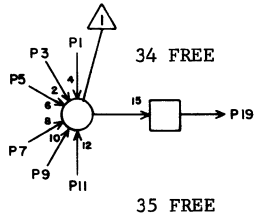


SC 16 G 5

1	G 4	3	3
2	G19	23	17
3			
4			
5	G19	24	15
6	M14	10	27
7			
8			
9	F14	10	37
10			
11			
12			
13			
14			
15			
16			
17			
18	W18	901	
19			
20	G18	6	17
21			
22	W18	902	
23	F21	15	19
24	F14	10	13
25	C14	10	21
26	G19	6	17
27	G19	13	17
28	W13	97	

JACK PIN LG

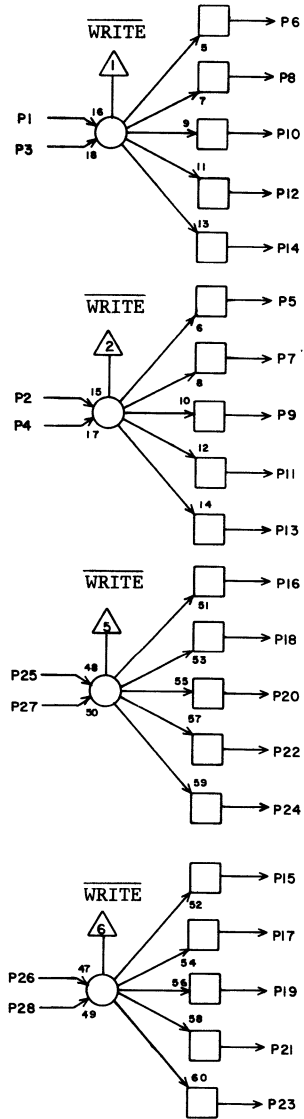
STORAGE SEQUENCE CONTROL



TB 16G 7

1	C14	22	19
2	F14	9	11
3	C14	9	19
4	F14	22	11
5	C16	23	19
6	F16	23	13
7	G 7	X	2
8	G 7	X	2
9	G 7	X	2
10	G 7	X	2
11	G 7	X	2
12			
13	G19	2	15
14	G19	27	15
15			
16			
17			
18			
19	G19	1	15
20	G19	28	15
21	M14	9	25
22			
23	M14	22	27
24	P14	9	35
25	M16	23	29
26	P14	22	37
27	G 7	X	2
28	P16	23	37

JACK PIN LG

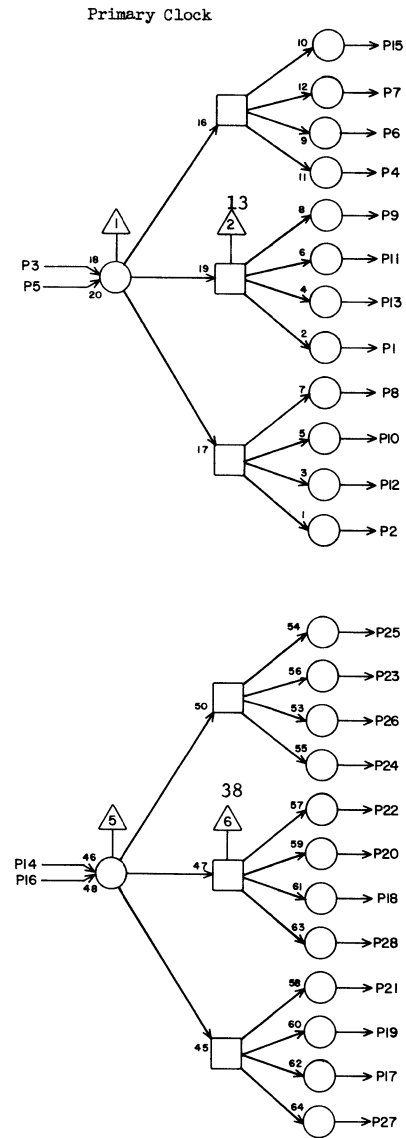


T D 16G 9

1	F19	15	15
2	F19	17	15
3	G 9	x	2
4	G 9	x	2
5	H 3	16	11
6	H 4	16	11
7	H 6	16	9
8	H 7	16	7
9	H 8	16	7
10	H 9	16	7
11	H11	16	7
12	H12	16	7
13	H 1	16	13
14	H23	16	17
15	H 2	16	11
16	H24	16	17
17	H13	16	7
18	H14	16	7
19	H16	16	13
20	H17	16	13
21	H18	16	13
22	H19	16	13
23	H21	16	15
24	H22	16	15
25	G 9	x	2
26	G 9	x	2
27	F19	19	15
28	f19	21	15

JACK PIN LG

63024900 Rev. C



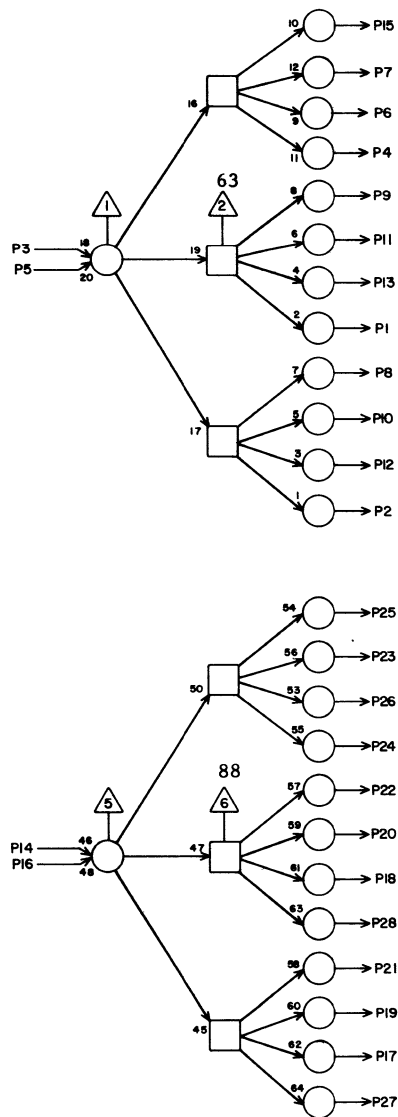
TC 16 G10

1	G22	14	15
2	H26	3	19
3	G13	2	5
4	H26	14	19
5	G10	X	2
6			
7			
8			
9	J14	3	15
10	J42	3	33
11			
12	I 2	12	15
13	I 3	12	15
14	G13	1	5
15	I 4	12	15
16	G10	X	2
17	J42	14	33
18			
19			
20			
21			
22	P21	3	37
23	M21	3	27
24	G22	3	15
25	G17	16	9
26			
27	C21	3	21
28	F21	3	15

JACK PIN LG

63024900 Rev. C

Primary clock

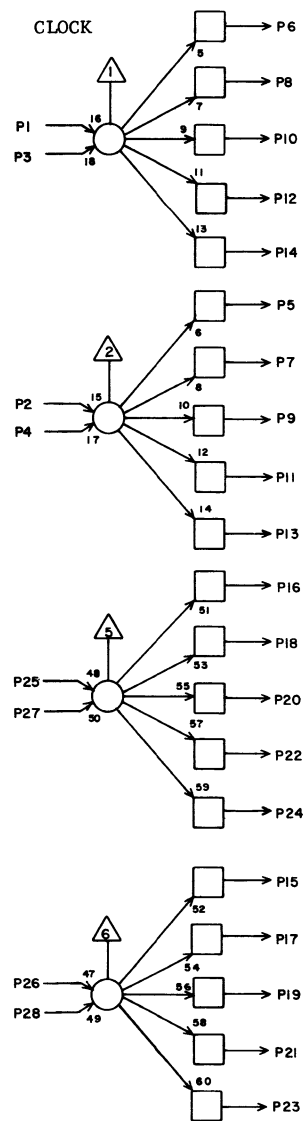


TC 16G11

1	C21	14	21
2	F21	14	15
3	G13	28	5
4	G14	14	5
5	G11	X	2
6	G18	14	84
7	H27	3	19
8	H27	14	84
9	M21	14	27
10	P21	14	37
11			
12	I 5	3	15
13			
14	G13	27	5
15			
16	G11	X	2
17			
18			
19			
20			
21	J14	14	15
22	L14	14	22
23			
24			
25			
26			
27			
28	G18	3	9
	JACK	PIN	LG

63024900 Rev. C

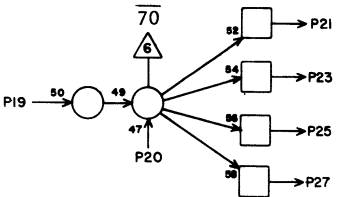
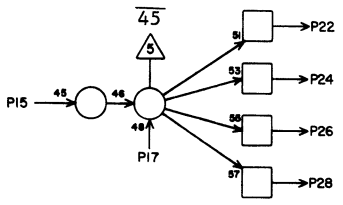
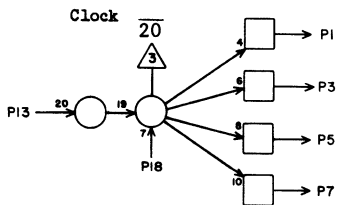
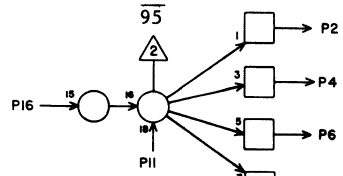
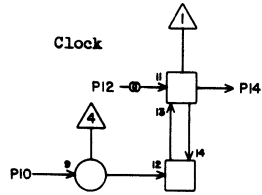
CLOCK



T D 18G 12

1	G13	14	7'
2	G12	6	7'
3	G12	x	2
4	G12	x	?
5	G12	27	7'
6	G12	2	7'
7			
8	G13	11	3
9	G13	18	3
10	G13	16	15'
11	G13	13	15'
12			
13			
14	G13	10	3
15			
16	G12	28	7'
17	G13	20	3
18	G13	17	3
19	G13	19	15'
20	G13	15	15'
21			
22			
23			
24			
25	G12	x	2
26	G12	x	2
27	G12	5	7'
28	G12	16	7'
	JACK	PIN	LG

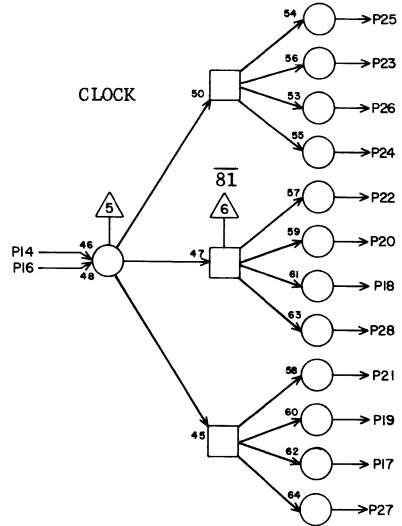
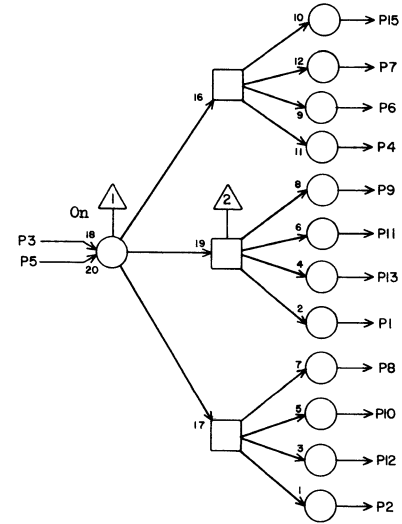
63024900 Rev. C



HQ 16 G13

1	G10	14	5
2	G10	3	5
3			
4	L21	5	35
5			
6			
7			
8			
9			
10	G12	14	3
11	G12	8	3
12	W18	900	
13	G12	11	15'
14	G12	1	7'
15	G12	20	15'
16	G12	10	15'
17	G12	18	3
18	G12	9	3
19	G12	19	15'
20	G12	17	3
21			
22			
23			
24			
25			
26			
27	G11	14	5
28	G11	3	5
	JACK	PIN	LG

63024900 Rev. C

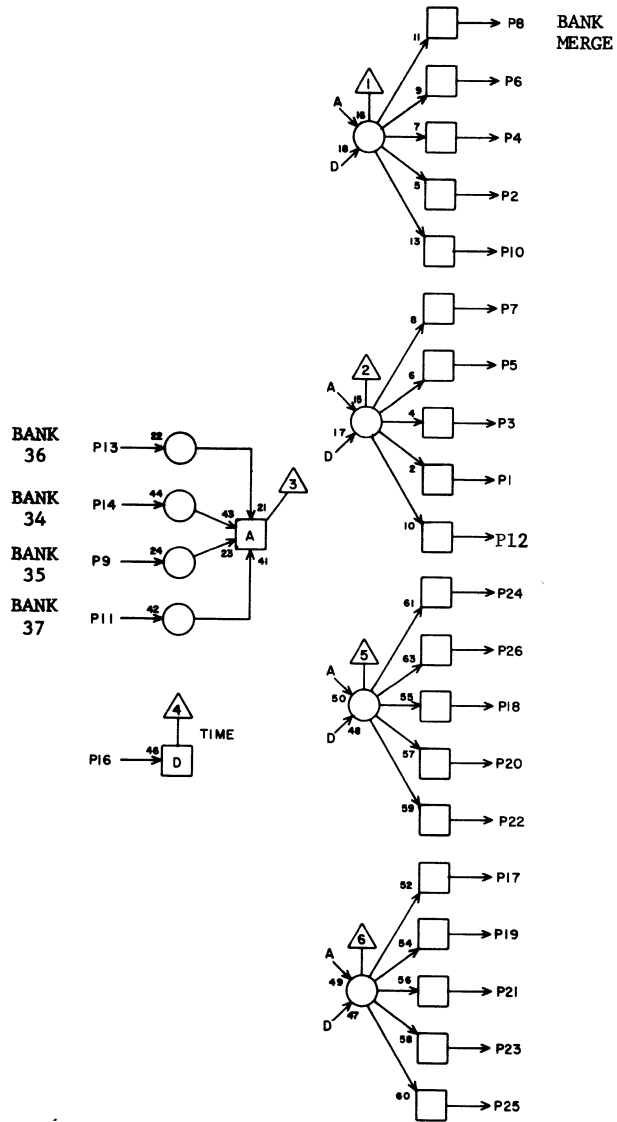


TC 16 G14

1	G 1	19	15
2	G 1	12	15
3	G14	X	2
4	G 1	16	15
5	G14	X	2
6	G 1	13	15
7	G 2	19	15
8	G 2	12	15
9	G 2	16	15
10	G 2	13	15
11	G 3	19	15
12	G 3	12	13
13	G 3	16	15
14	G11	4	5
15	G 3	13	13
16	G14	X	2
17	G 4	23	13
18			
19	G 1	15	15
20	G 2	15	15
21	G 3	15	13
22			
23			
24			
25	G 40	15	27
26	G41	15	27
27	G42	15	27
28			
	JACK	PIN	LG

63024900 Rev. C

STORAGE SEQUENCE CONTROL

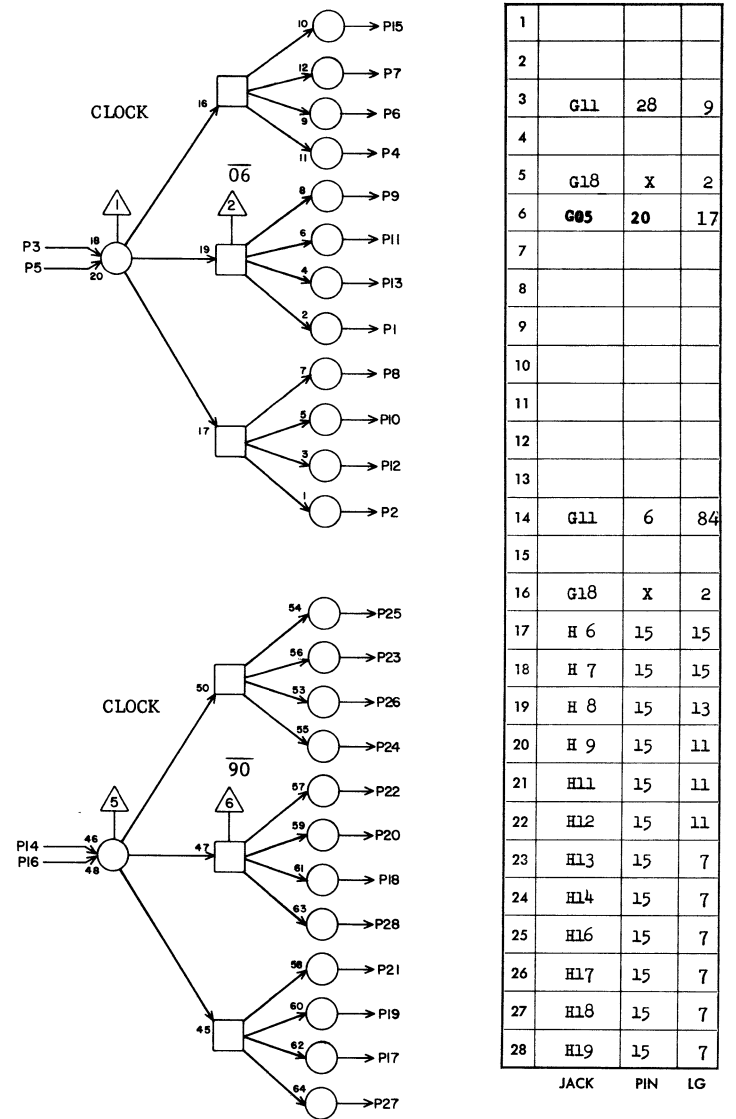


SG 16 G17

1	H 1	17	19
2	H 2	17	17
3	H11	17	11
4	H 3	17	17
5	H 8	17	13
6	H 4	17	15
7	H 6	17	15
8	H 7	17	13
9	F18	12	7
10	H 9	17	11
11	P18	12	35
12	H12	17	9
13	M18	12	25
14	C18	12	17
15			
16	G10	25	9
17	H13	17	7
18	H14	17	7
19	H16	17	7
20	H17	17	7
21	H18	17	5
22	H19	17	7
23	H21	17	7
24	H22	17	11
25	H23	17	11
26	H24	17	11
27			
28			

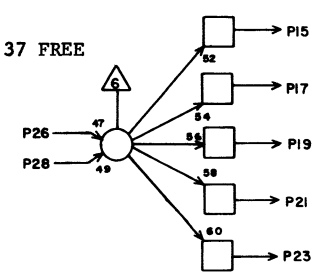
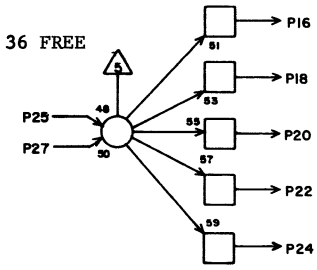
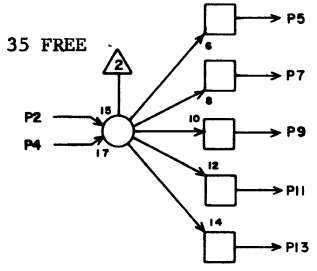
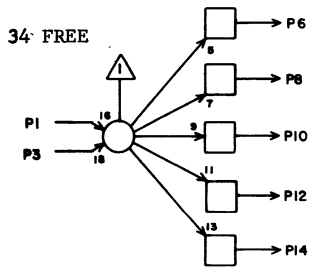
JACK PIN LG

TC 16 G18



1			
2			
3	G11	28	9
4			
5	G18	X	2
6	G05	20	17
7			
8			
9			
10			
11			
12			
13			
14	G11	6	84
15			
16	G18	X	2
17	H 6	15	15
18	H 7	15	15
19	H 8	15	13
20	H 9	15	11
21	H11	15	11
22	H12	15	11
23	H13	15	7
24	H14	15	7
25	H16	15	7
26	H17	15	7
27	H18	15	7
28	H19	15	7

JACK PIN LG

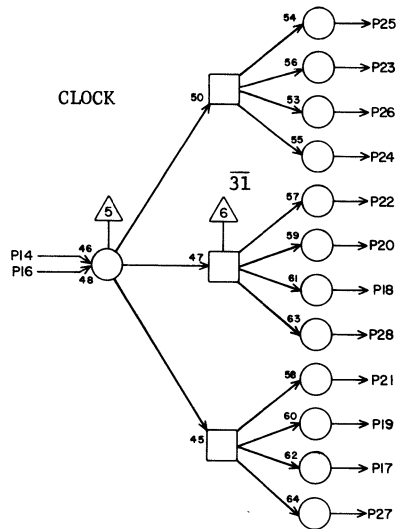
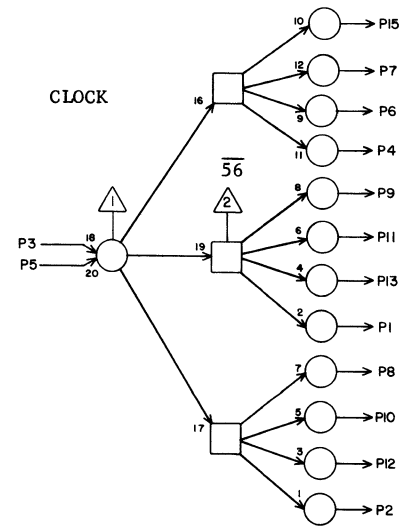


T D 16 G 19

1	G 7	19	15
2	G 7	13	15
3	G19	x	2
4	G19	x	2
5	F22	16	7
6	G 5	26	17
7	F23	16	7
8	C22	16	19
9	F24	16	9
10	C23	16	19
11	F25	16	9
12	C24	16	19
13	G 5	27	17
14	C25	16	19
15	P22	16	37
16	M22	16	25
17	P23	16	37
18	M23	16	25
19	P24	16	37
20	M24	16	25
21	P25	16	37
22	M25	16	25
23	G 5	2	17
24	G 5	5	15
25	G19	x	2
26	G19	x	2
27	G 7	14	15
28	G 7	20	15

JACK PIN LG

63024900 Rev. C



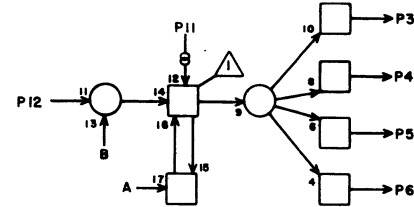
TC 16 G22

1	C22	14	17
2	C23	14	17
3	G10	24	15
4	C24	14	17
5	G22	X	2
6	C25	14	19
7	F22	14	5
8	F23	14	5
9	F24	14	9
10	F25	14	9
11	M22	14	27
12	M23	14	27
13	M24	14	25
14	G10	1	15
15	M25	14	25
16	G22	X	2
17	C15	16	19
18	C17	16	19
19	F15	16	11
20	F17	16	9
21	M17	16	25
22	M15	16	27
23	F15	16	35
24	P17	16	35
25			
26			
27			
28			

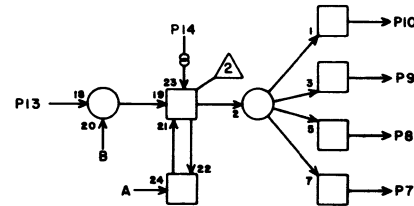
JACK PIN LG

RESTORE

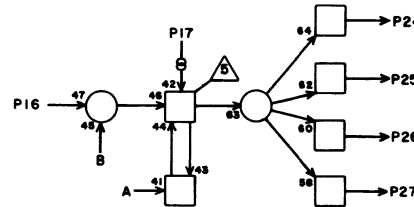
BIT 0



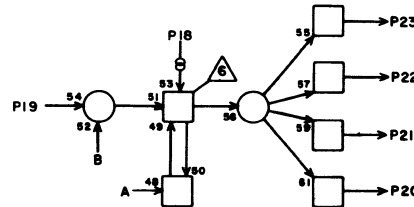
BIT 1



BIT 2



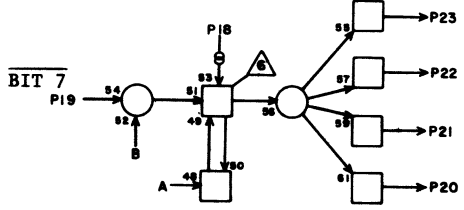
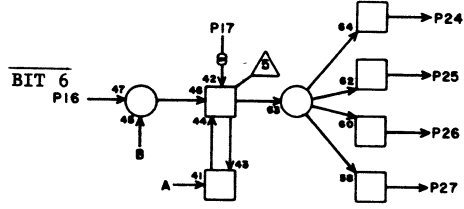
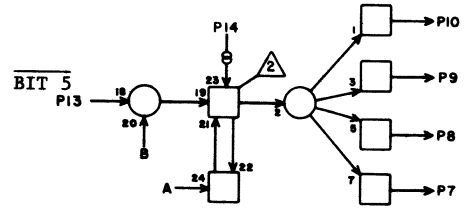
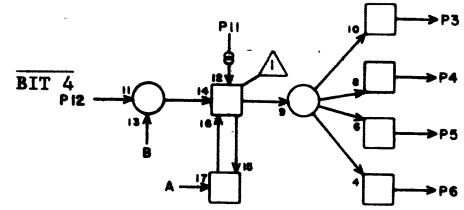
BIT 3



1			
2			
3	C 4	4	27
4	F 4	4	23
5	M 4	4	31
6	P 4	4	39
7	C 4	2	27
8	F 4	2	23
9	M 4	2	31
10	P 4	2	39
11			
12	H28	4	9
13	H28	5	9
14			
15	H27	1	7
16	H28	28	9
17			
18			
19	H28	27	9
20	P 4	19	39
21	M 4	19	31
22	F 4	19	23
23	C 4	19	27
24	C 4	6	27
25	F 4	6	23
26	M 4	6	29
27	P 4	6	39
28			

JACK PIN LG

RESTORE

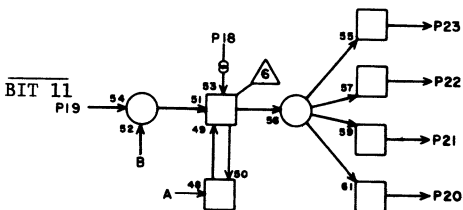
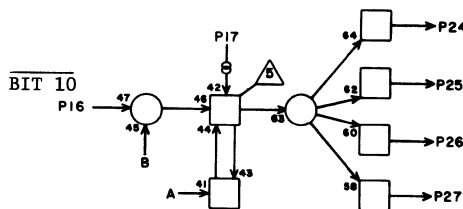
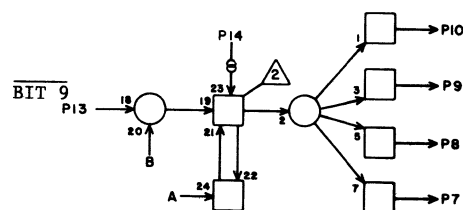
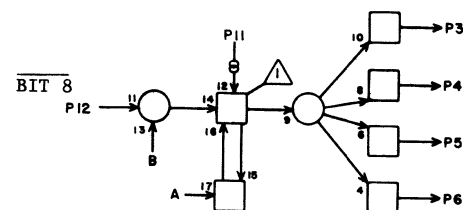


88 16G 25

1			
2			
3	C 4	27	27
4	F 4	27	23
5	M 4	27	33
6	P 4	27	41
7	C 4	22	27
8	F 4	22	23
9	M 4	22	33
10	P 4	22	41
11			
12	H29	4	9
13	H29	5	9
14			
15	H27	2	5
16	H29	28	9
17			
18			
19	H29	27	9
20	P 5	2	39
21	M 5	2	31
22	F 5	2	23
23	C 5	2	29
24	C 5	4	29
25	F 5	4	23
26	M 5	4	29
27	P 5	4	39
28			

JACK PIN LG

RESTORE

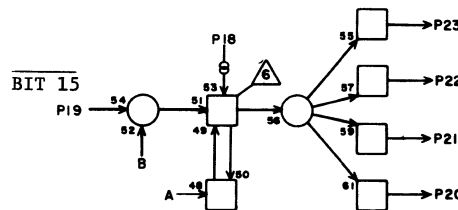
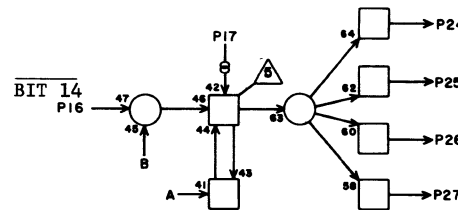
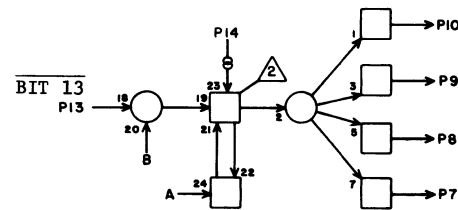
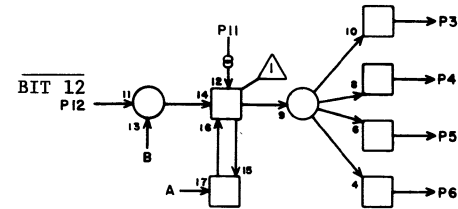


88 16G 26

1			
2			
3	C 5	6	27
4	F 5	6	23
5	M 5	6	33
6	P 5	6	41
7	C 5	19	27
8	F 5	19	23
9	M 5	19	33
10	P 5	19	41
11			
12	H30	4	9
13	H30	5	9
14			
15	H27	4	5
16	H30	28	9
17			
18			
19	H30	27	9
20	P 5	22	41
21	M 5	22	33
22	F 5	22	23
23	C 5	22	27
24	C 5	27	27
25	F 5	27	23
26	M 5	27	31
27	P 5	27	41
28			

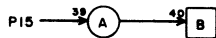
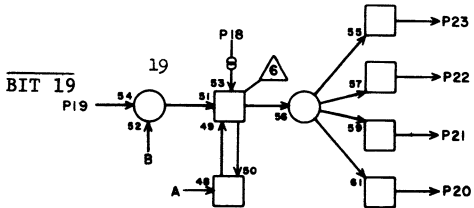
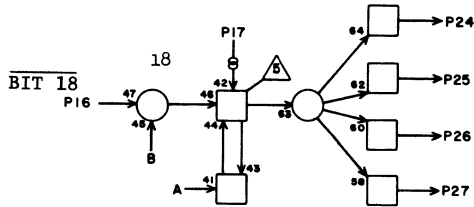
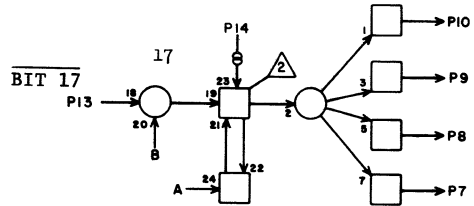
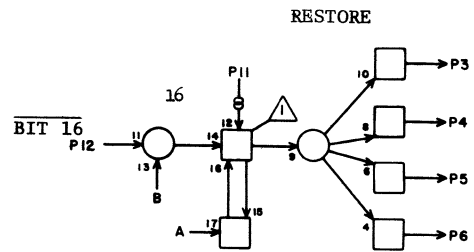
JACK PIN LG

RESTORE



1			
2			
3	C10	4	25
4	F10	4	21
5	M10	4	31
6	P10	4	39
7	C10	2	25
8	F10	2	21
9	M10	2	31
10	P10	2	39
11			
12	H31	4	9
13	H31	5	9
14			
15	H27	6	5
16	H31	28	9
17			
18			
19	H31	27	9
20	P10	19	39
21	M10	19	31
22	F10	19	21
23	C10	19	25
24	C10	6	27
25	F10	6	21
26	M10	6	29
27	P10	6	39
28			

JACK PIN LG

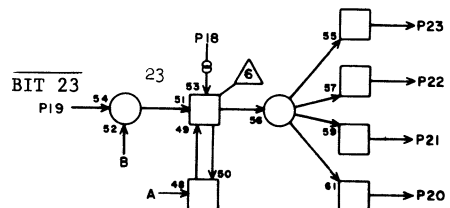
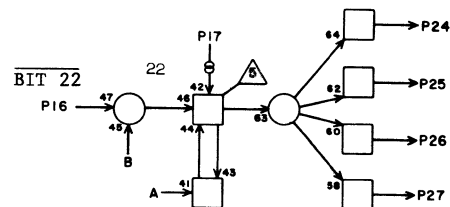
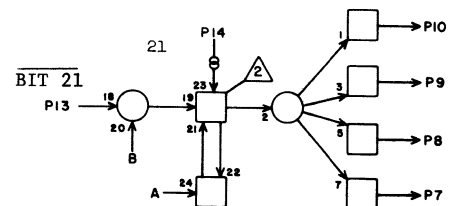
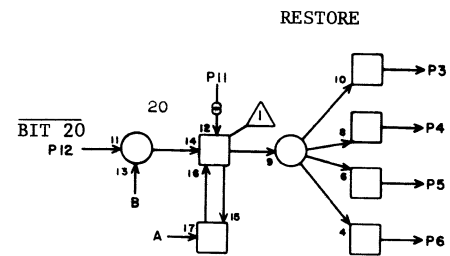


SB 16G29

1			
2			
3	C10	27	25
4	F10	27	21
5	M10	27	33
6	P10	27	41
7	C10	22	25
8	F10	22	21
9	M10	22	33
10	P10	22	41
11			
12	H32	4	9
13	H32	5	9
14			
15	H27	7	5
16	H32	28	9
17			
18			
19	H32	27	9
20	P11	2	39
21	M11	2	31
22	F11	2	21
23	C11	2	27
24	C11	4	27
25	F11	4	21
26	M11	4	29
27	P11	4	39
28			

JACK PIN LG

63024900 Rev. C



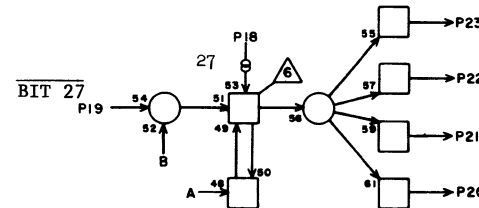
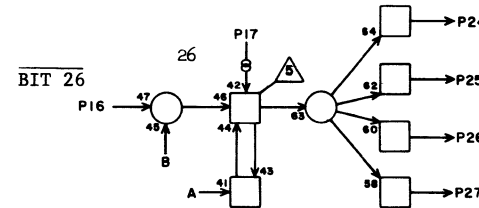
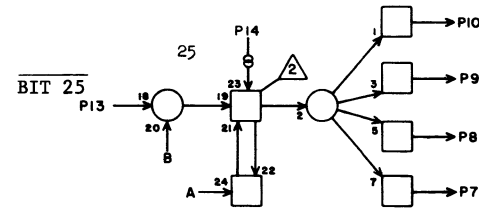
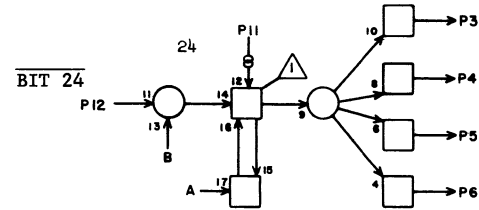
SB 16G30

1			
2			
3	C11	6	25
4	F11	6	21
5	M11	6	31
6	P11	6	41
7	C11	19	25
8	F11	19	21
9	M11	19	33
10	P11	19	41
11			
12	H33	4	9
13	H33	5	9
14			
15	H27	8	7
16	H33	28	9
17			
18			
19	H33	27	9
20	P11	22	41
21	M11	22	33
22	F11	22	21
23	C11	22	27
24	C11	27	27
25	F11	27	21
26	M11	27	31
27	P11	27	41
28			

JACK PIN LG

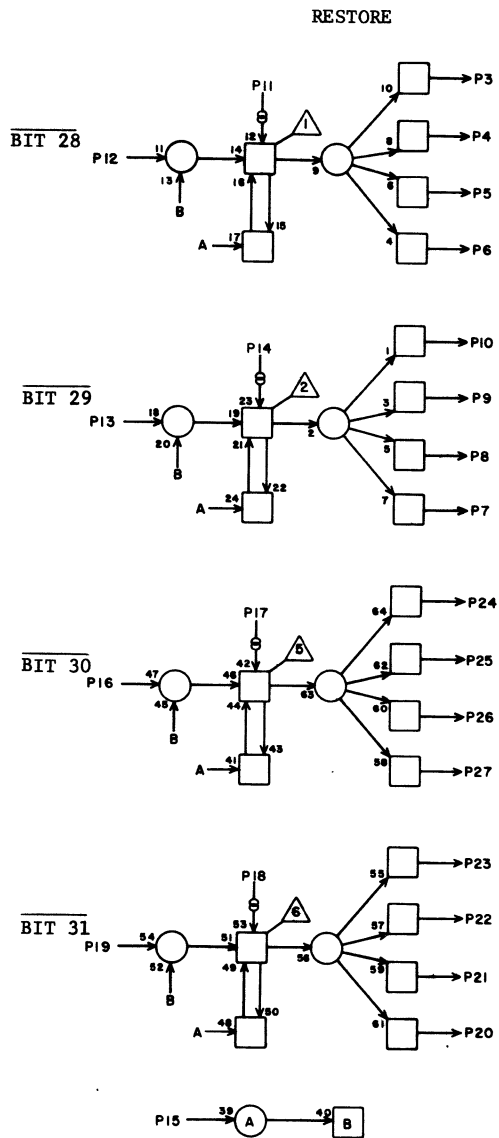
63024900 Rev. C

RESTORE



1			
2			
3	C29	4	19
4	F29	4	9
5	M29	4	25
6	P29	4	37
7	C29	2	17
8	F29	2	9
9	M29	2	25
10	P29	2	35
11			
12	H34	4	7
13	H34	5	7
14			
15	H27	9	11
16	H34	28	7
17			
18			
19	H34	27	7
20	P29	19	37
21	M29	19	25
22	F29	19	9
23	C29	19	19
24	C29	6	21
25	F29	6	11
26	M29	6	25
27	P29	6	35
28			

JACK PIN LG

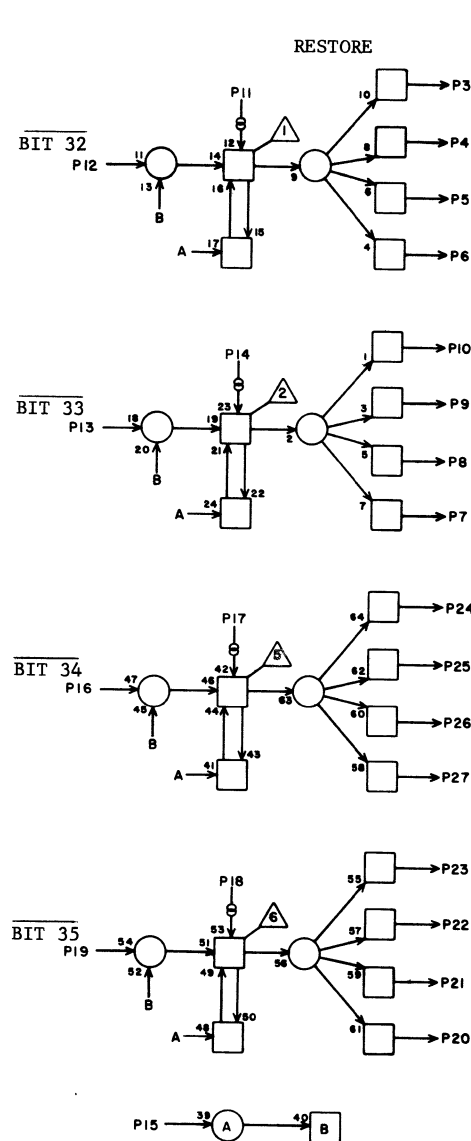


SB 16G33

1			
2			
3	C29	27	17
4	F29	27	7
5	M29	27	27
6	P29	27	39
7	C29	22	19
8	F29	22	7
9	M29	22	27
10	P29	22	37
11			
12	H35	4	9
13	H35	5	9
14			
15	H27	10	11
16	H35	28	7
17			
18			
19	H35	27	9
20	P30	2	35
21	M30	2	25
22	F30	2	11
23	C30	2	19
24	C30	4	19
25	F30	4	11
26	M30	4	25
27	P30	4	35
28			

JACK PIN LG

63024900 Rev. C



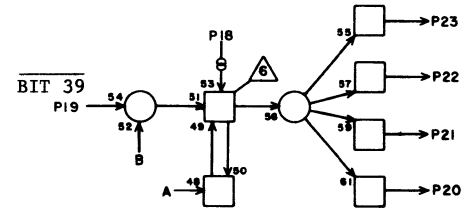
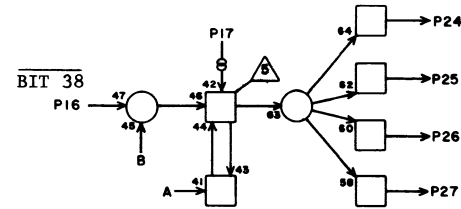
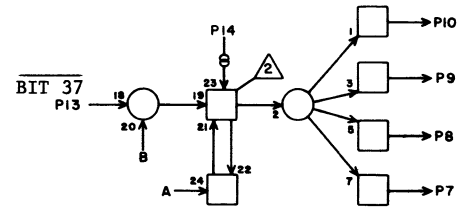
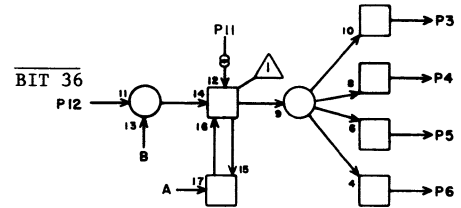
SB 16G34

1			
2			
3	C30	6	19
4	F30	6	9
5	M30	6	27
6	P30	6	37
7	C30	19	19
8	F30	19	7
9	M30	19	27
10	P30	19	37
11			
12	H36	4	9
13	H36	5	9
14			
15	H27	11	11
16	H36	28	9
17			
18			
19	H36	27	9
20	P30	22	37
21	M30	22	27
22	F30	22	9
23	C30	22	19
24	C30	27	19
25	F30	27	9
26	M30	27	27
27	P30	27	37
28			

JACK PIN LG

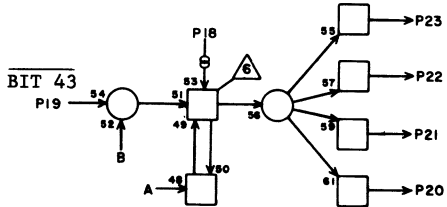
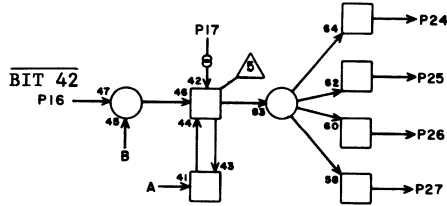
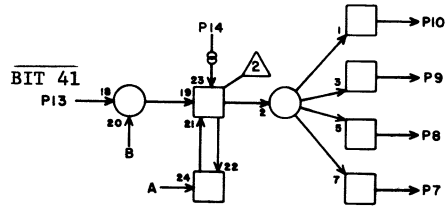
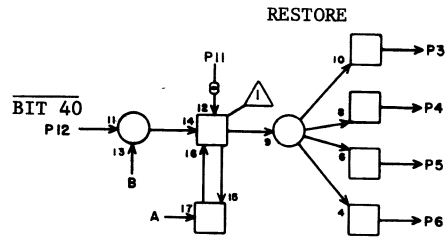
63024900 Rev. C

RESTORE



1			
2			
3	C35	4	19
4	F35	4	7
5	M35	4	25
6	P35	4	37
7	C35	2	17
8	F35	2	7
9	M35	2	25
10	P35	2	35
11			
12	H37	4	5
13	H37	5	5
14			
15	H27	12	15
16	H37	28	7
17			
18			
19	H37	27	7
20	P35	19	37
21	M35	19	25
22	F35	19	9
23	C35	19	19
24	C35	6	19
25	F35	6	11
26	M35	6	25
27	P35	6	35
28			

JACK PIN LG

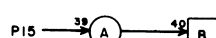
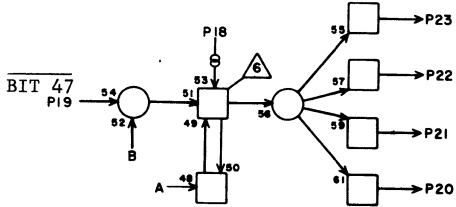
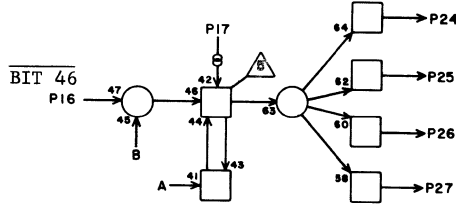
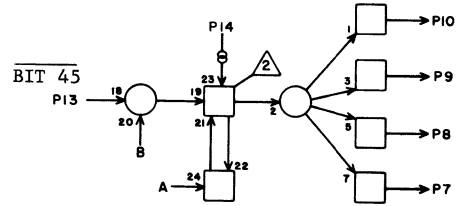
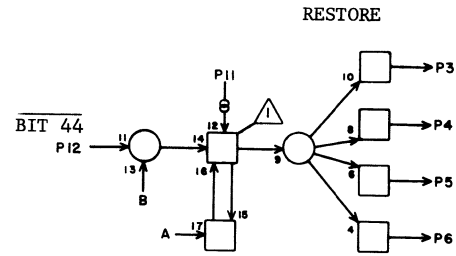


SB 16G37

1			
2			
3	C35	27	17
4	F35	27	5
5	M35	27	27
6	P35	27	37
7	C35	22	17
8	F35	22	5
9	M35	22	27
10	P35	22	37
11			
12	H38	4	9
13	H38	5	9
14			
15	H27	13	15
16	H38	28	7
17			
18			
19	H38	27	7
20	P36	2	35
21	M36	2	25
22	F36	2	11
23	C36	2	21
24	C36	4	21
25	F36	4	11
26	M36	4	25
27	P36	4	35
28			

JACK PIN LG

63024900 Rev. C



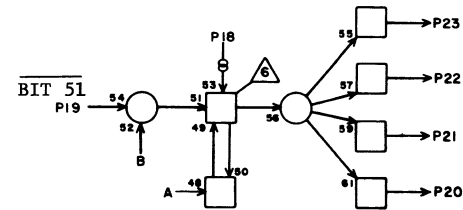
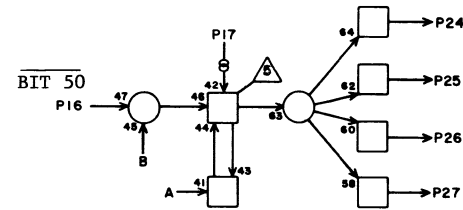
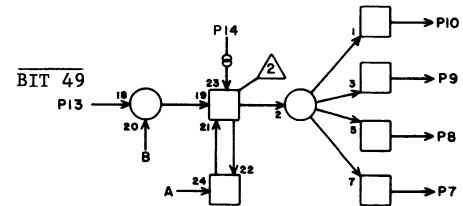
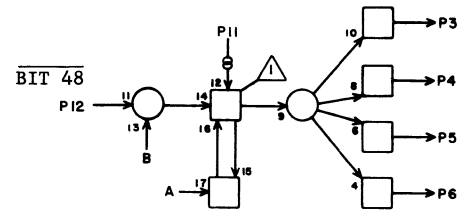
SB 16G38

1			
2			
3	C36	6	19
4	F36	6	7
5	M36	6	25
6	P36	6	37
7	C36	19	17
8	F36	19	5
9	M36	19	27
10	P36	19	37
11			
12	H39	4	5
13	H39	5	5
14			
15	H27	15	15
16	H39	28	7
17			
18			
19	H39	27	7
20	P36	22	37
21	M36	22	25
22	F36	22	7
23	C36	22	19
24	C36	27	19
25	F36	27	7
26	M36	27	25
27	P36	27	37
28			

JACK PIN LG

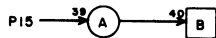
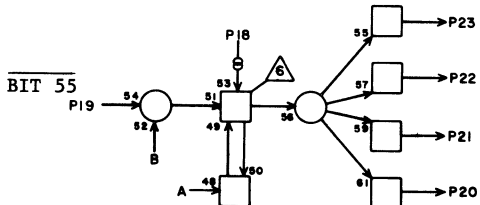
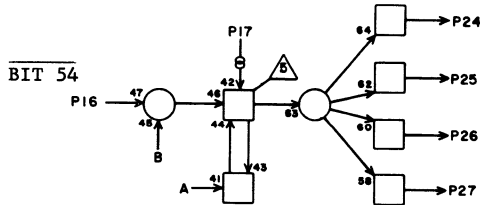
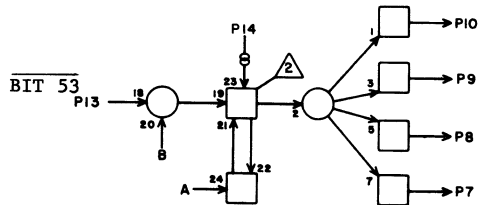
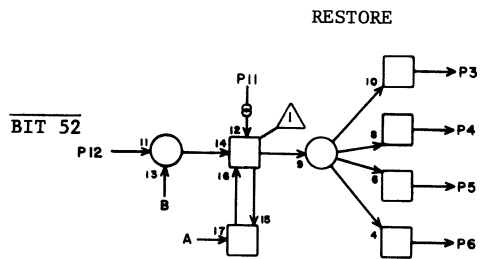
63024900 Rev. C

RESTORE



1			
2			
3	C41	4	19
4	F41	4	7
5	M41	4	25
6	P41	4	37
7	C41	2	19
8	F41	2	7
9	M41	2	25
10	P41	2	35
11			
12	H40	4	5
13	H40	5	5
14			
15	G14	25	27
16	H40	28	7
17			
18			
19	H40	27	7
20	P41	19	35
21	M41	19	25
22	F41	19	7
23	C41	19	19
24	C41	6	19
25	F41	6	7
26	M41	6	25
27	P41	6	35
28			

JACK PIN LG

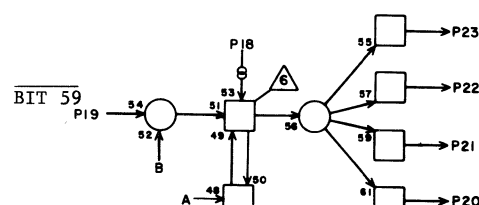
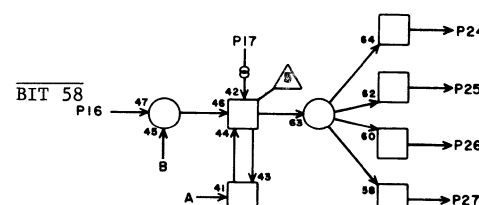
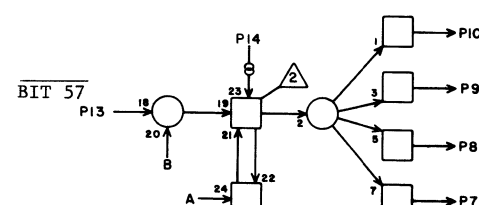
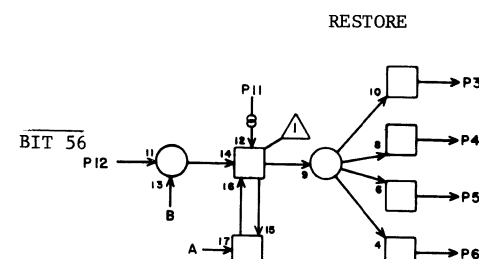


88 16G41

1			
2			
3	C41	27	17
4	F41	27	5
5	M41	27	27
6	P41	27	37
7	C41	22	17
8	F41	22	5
9	M41	22	27
10	P41	22	37
11			
12	H41	4	9
13	H41	5	9
14			
15	G14	26	27
16	H41	28	9
17			
18			
19	H41	27	9
20	P42	2	35
21	M42	2	25
22	F42	2	9
23	C42	2	21
24	C42	4	21
25	F42	4	9
26	M42	4	25
27	P42	4	35
28			

JACK PIN LG

63024900 Rev. C

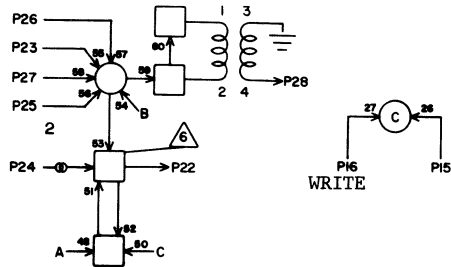
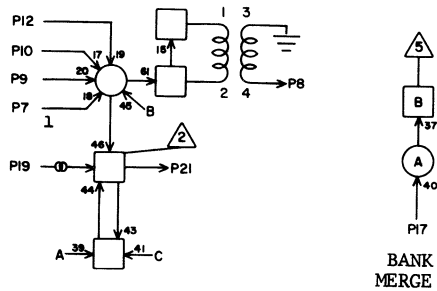
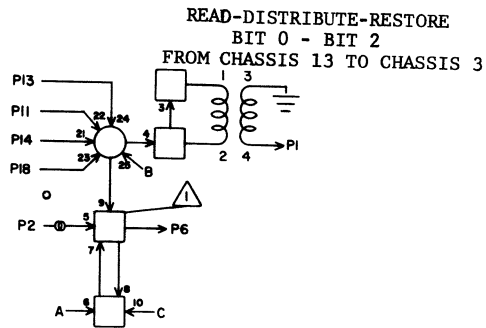


88 16G42

1			
2			
3	C42	6	17
4	F42	6	7
5	M42	6	25
6	P42	6	37
7	C42	19	17
8	F42	19	5
9	M42	19	27
10	P42	19	37
11			
12	H42	4	9
13	H42	5	9
14			
15	G14	27	27
16	H42	28	9
17			
18			
19	H42	27	9
20	P42	22	37
21	M42	22	25
22	F42	22	7
23	C42	22	19
24	C42	27	19
25	F42	27	7
26	M42	27	25
27	P42	27	37
28			

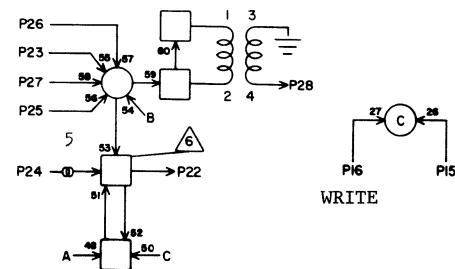
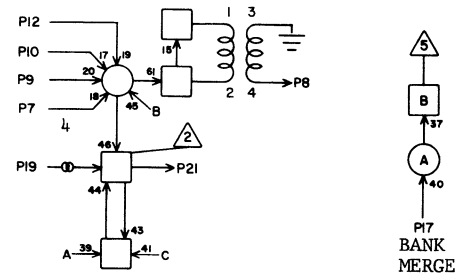
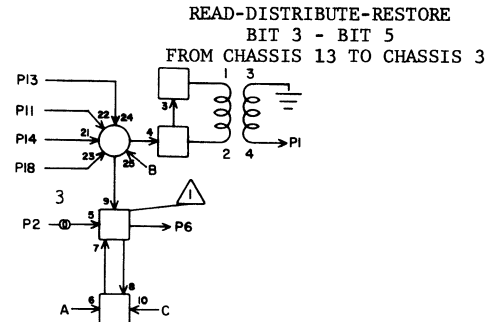
JACK PIN LG

63024900 Rev. C



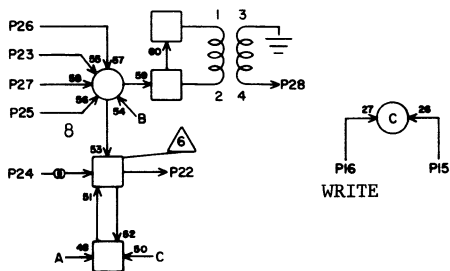
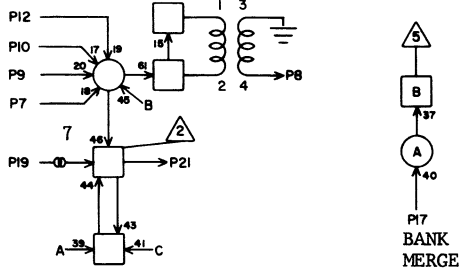
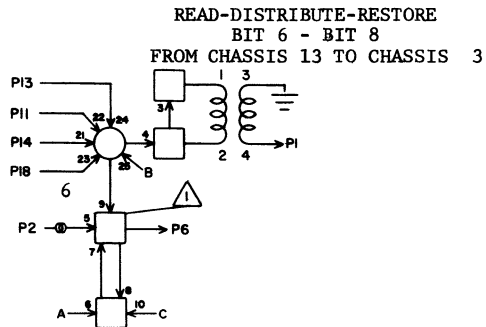
SE		16H 1	
JACK	PIN	LG	
1	W06	900	
2	W03	900	
3			
4			
5			
6	H28	14	29
7	C 1	11	23
8	W06	901	
9	F 1	11	11
10	P 1	11	33
11	C 1	5	23
12	M 1	11	23
13	F 1	5	13
14	M 1	5	21
15	H27	25	25
16	G 9	13	13
17	G17	1	19
18	P 1	5	31
19	W03	901	
20			
21	H28	13	27
22	H28	18	29
23	C 1	19	23
24	W03	902	
25	F 1	19	13
26	M 1	19	21
27	P 1	19	31
28	W06	902	

63024900 Rev. C



SE		16H 2	
JACK	PIN	LG	
1	W06	903	
2	W03	903	
3			
4			
5			
6	H28	17	27
7	C 2	5	23
8	W06	904	
9	F 2	5	11
10	P 2	5	33
11	C 1	25	21
12	M 2	5	21
13	F 1	25	11
14	M 1	25	23
15	H27	26	25
16	G 9	15	11
17	G17	2	17
18	P 1	25	33
19	W03	904	
20			
21	H29	14	27
22	H29	13	27
23	C 2	11	23
24	W03	905	
25	F 2	11	13
26	M 2	11	21
27	P 2	11	31
28	W06	905	

63024900 Rev. C

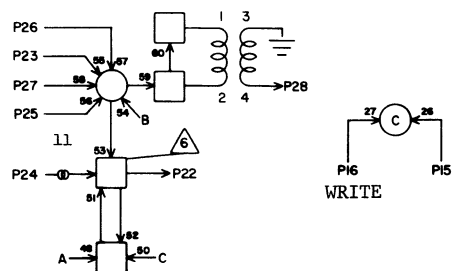
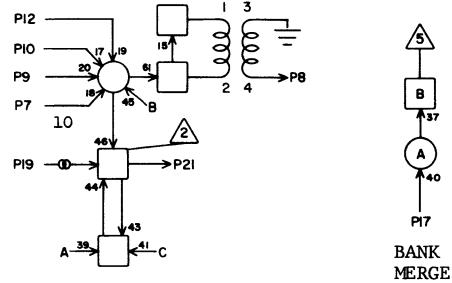
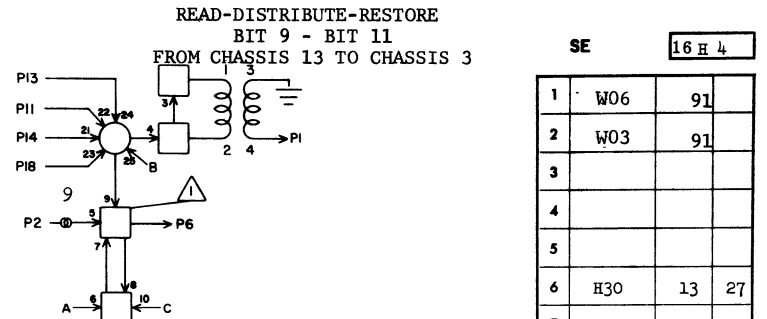


SE 16H3

1	W06	906	
2	W03	906	
3			
4			
5			
6	H29	18	27
7	C 2	25	21
8	W06	907	
9	F 2	25	11
10	P 2	25	33
11	C 2	19	21
12	M 2	25	23
13	F 2	19	11
14	M 2	19	23
15	H27	27	25
16	G 9	5	11
17	G17	4	17
18	P 2	19	33
19	W03	907	
20			
21	H29	17	27
22	H30	14	27
23	C 3	5	23
24	W03	90	
25	F 3	5	13
26	M 3	5	21
27	P 3	5	31
28	W06	90	

JACK PIN LG

6302490 Rev. C



SE 16H4

1	W06	91	
2	W03	91	
3			
4			
5			
6	H30	13	27
7	C 3	19	21
8	W06	92	
9	F 3	19	11
10	P 3	19	33
11	C 3	11	23
12	M 3	19	21
13	F 3	11	11
14	M 3	11	21
15	H27	28	23
16	G 9	6	11
17	G17	6	15
18	P 3	11	33
19	W03	92	
20			
21	H30	18	25
22	H30	17	27
23	C 3	25	23
24	W03	93	
25	F 3	25	11
26	M 3	25	23
27	P 3	25	33
28	W06	93	

JACK PIN LG

6302490 Rev. C

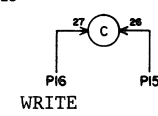
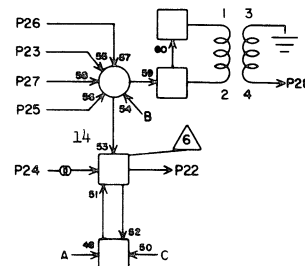
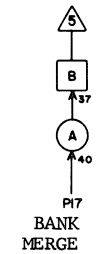
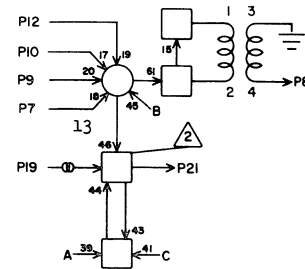
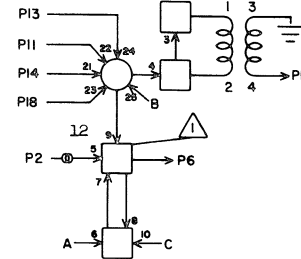
READ-DISTRIBUTE-RESTORE

BIT 12 - BIT 14

FROM CHASSIS 13 TO CHASSIS 3

SE

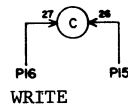
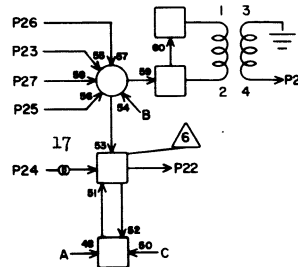
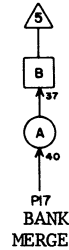
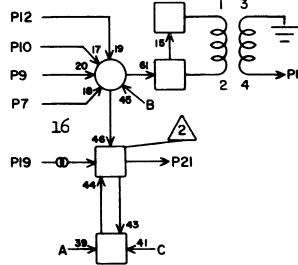
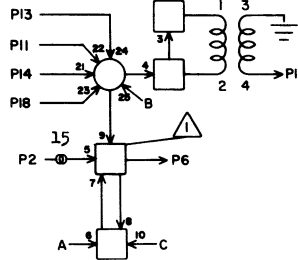
16H 6



1	W06	94	
2	W03	94	
3			
4			
5			
6	H31	14	27
7	c 7	11	21
8	W06	95	
9	F 7	11	11
10	P 7	11	33
11	c 7	5	23
12	M 7	11	23
13	F 7	5	13
14	M 7	5	21
15	G18	17	15
16	G 9	7	9
17	G17	7	15
18	P 7	5	31
19	W03	95	
20			
21	H31	13	27
22	H31	18	25
23	c 7	19	23
24	W03	96	
25	F 7	19	13
26	M 7	19	21
27	P 7	19	31
28	W06	96	

JACK PIN LG

READ-DISTRIBUTE-RESTORE
BIT 15 - BIT 17
FROM CHASSIS 14 TO CHASSIS 4



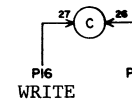
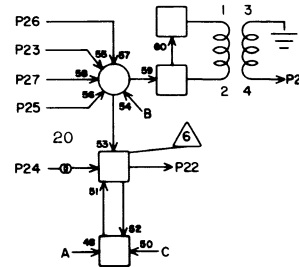
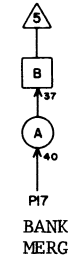
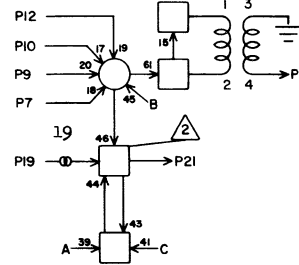
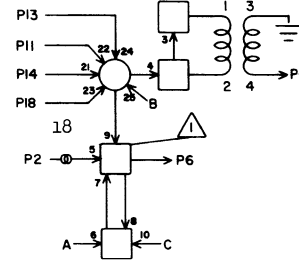
SE 16H 7

1	W07	900	
2	W04	900	
3			
4			
5			
6	H31	17	25
7	C 8	5	23
8	W07	901	
9	F 8	5	13
10	P 8	5	33
11	C 7	25	21
12	M 8	5	21
13	F 7	25	11
14	M 7	25	21
15	G18	18	15
16	G 9	8	7
17	G17	8	13
18	P 7	25	33
19	W04	901	
20			
21	H32	14	25
22	H32	13	25
23	C 8	11	23
24	W04	902	
25	F 8	11	13
26	M 8	11	21
27	P 8	11	31
28	W07	902	

JACK PIN LG

63024900 Rev. C

READ-DISTRIBUTE-RESTORE
BIT 18 - BIT 20
FROM CHASSIS 14 TO CHASSIS 4

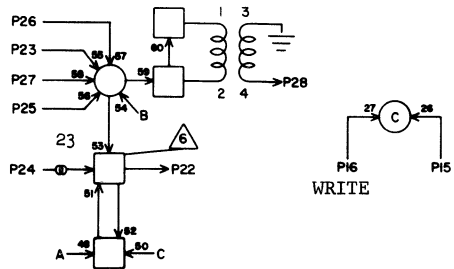
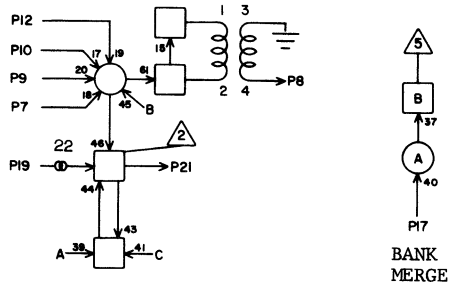
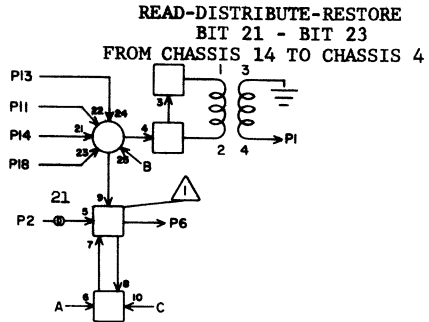


SE 16H 8

1	W07	903	
2	W04	903	
3			
4			
5			
6	H32	18	25
7	C 8	25	21
8	W07	904	
9	F 8	25	11
10	P 8	25	33
11	C 8	19	21
12	M 8	25	23
13	F 8	19	11
14	M 8	19	23
15	G18	19	13
16	G 9	9	7
17	G17	5	13
18	P 8	19	33
19	W04	904	
20			
21	H32	17	25
22	H33	14	25
23	C 9	5	23
24	W04	905	
25	F 9	5	13
26	M 9	5	21
27	P 9	5	31
28	W07	905	

JACK PIN LG

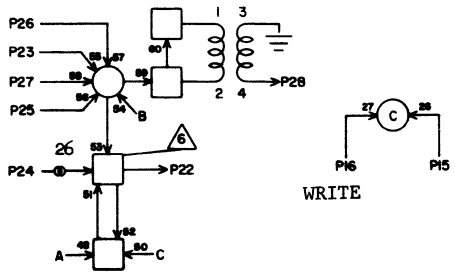
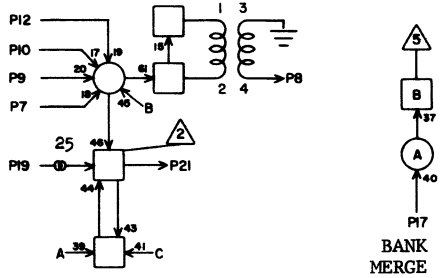
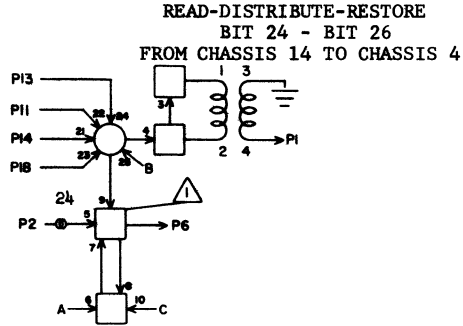
63024900 Rev. C



SE 16 H 9

1	W07	906	
2	W04	906	
3			
4			
5			
6	H33	13	25
7	C 9	19	21
8	W07	907	
9	F 9	19	11
10	P 9	19	33
11	C 9	11	23
12	M 9	19	23
13	F 9	11	11
14	M 9	11	23
15	G18	20	11
16	G 9	10	7
17	G17	10	11
18	P 9	11	31
19	W04	907	
20			
21	H33	18	25
22	H33	17	25
23	C 9	25	23
24	W04	908	
25	F 9	25	11
26	M 9	25	23
27	P 9	25	33
28	W07	90	

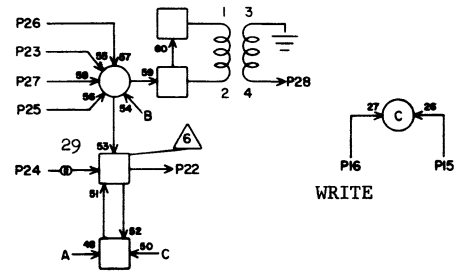
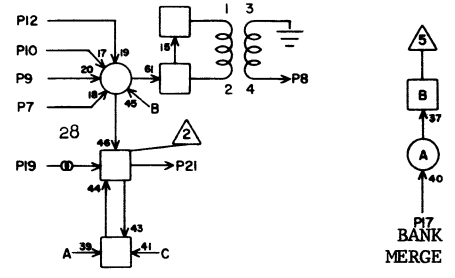
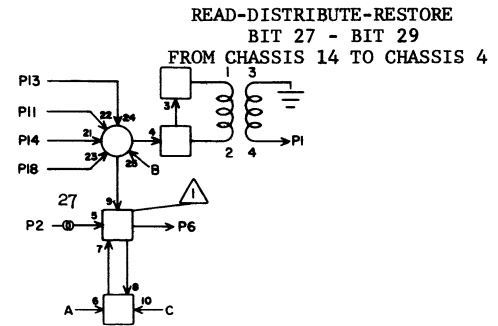
JACK PIN LG



SE 16H 11

JACK	PIN	LG
1	W07	91
2	W04	90
3		
4		
5		
6	H34	14 25
7	C26	11 25
8	W07	92
9	F26	11 19
10	P26	11 35
11	C26	5 25
12	M26	11 27
13	F26	5 19
14	M26	5 27
15	G18	21 11
16	G 9	11 7
17	G17	3 11
18	P26	5 35
19	W04	91
20		
21	H34	13 25
22	H34	18 25
23	C26	19 25
24	W04	92
25	F26	19 19
26	M26	19 27
27	P26	19 35
28	W07	93

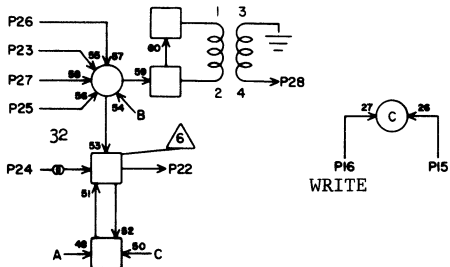
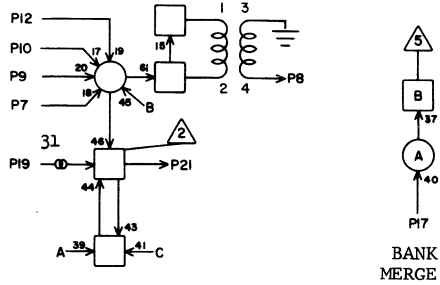
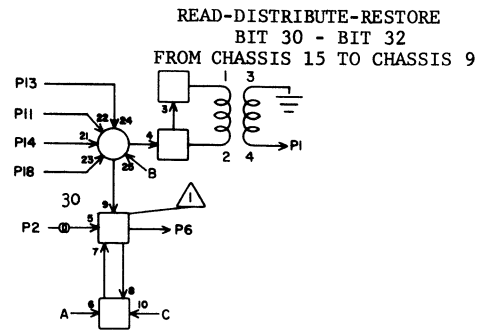
63024900 Rev. C



SE 16H 12

JACK	PIN	LG
1	W07	94
2	W04	93
3		
4		
5		
6	H34	17 25
7	C27	5 27
8	W07	95
9	F27	5 19
10	P27	5 35
11	C26	25 25
12	M27	5 27
13	F26	25 17
14	M26	25 27
15	G18	22 11
16	G 9	12 7
17	G17	12 9
18	P26	25 35
19	W04	94
20		
21	H35	14 23
22	H35	13 25
23	C27	11 27
24	W04	95
25	F27	11 19
26	M27	11 25
27	P27	11 35
28	W07	96

63024900 Rev. C

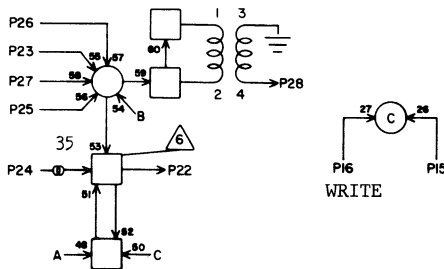
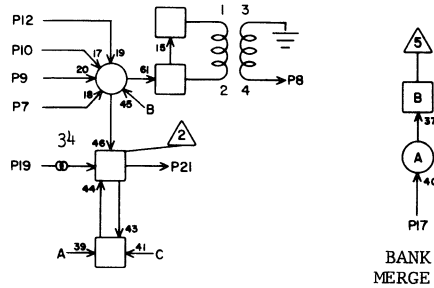
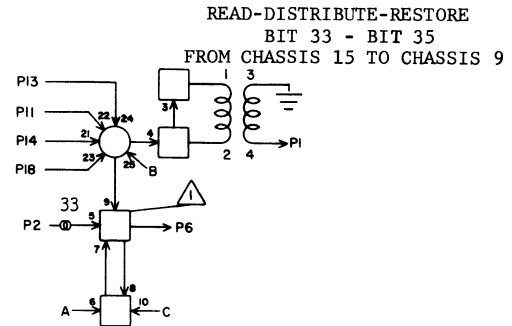


SE 16H 13

JACK	PIN	LG
1	W08	900
2	W05	900
3		
4		
5		
6	H35	18 23
7	C27	25 25
8	W08	901
9	F27	25 17
10	P27	25 35
11	C27	19 25
12	M27	25 27
13	F27	19 17
14	M27	19 27
15	G18	23 7
16	G 9	17 7
17	G17	17 7
18	P27	19 35
19	W05	901
20		
21	H35	17 23
22	H36	14 23
23	C28	5 27
24	W05	902
25	F28	5 19
26	M28	5 25
27	P28	5 33
28	W08	902

JACK PIN LG

63024900 Rev.C



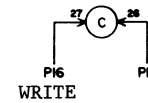
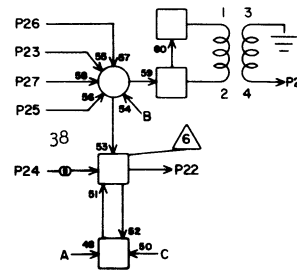
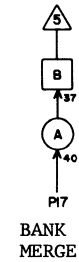
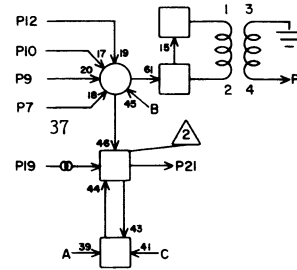
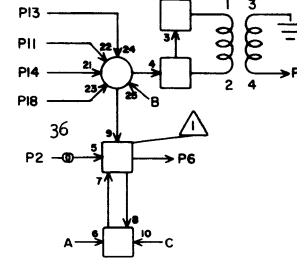
SE 16H 14

JACK	PIN	LG
1	W08	903
2	W05	903
3		
4		
5		
6	H36	13 23
7	C28	19 25
8	W08	904
9	F28	19 17
10	P28	19 35
11	C28	11 25
12	M28	19 27
13	F28	11 17
14	M28	11 25
15	G18	24 7
16	G 9	18 7
17	G17	18 7
18	P28	11 35
19	W05	904
20		
21	H36	18 23
22	H36	17 23
23	C28	25 25
24	W05	905
25	F28	25 17
26	M28	25 27
27	P28	25 35
28	W08	905

JACK PIN LG

63024900 Rev. C

READ-DISTRIBUTE-RESTORE
 BIT 36 - BIT 38
 FROM CHASSIS 15 TO CHASSIS 9

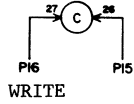
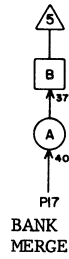
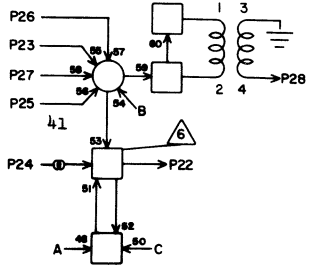
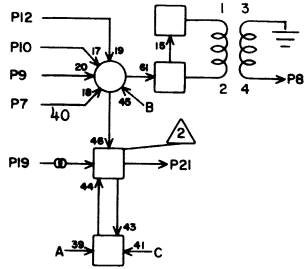
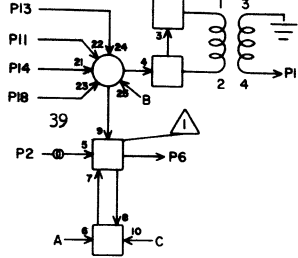


SE 16H 16

1	W08	906	
2	W05	906	
3			
4			
5			
6	H37	14	23
7	C32	11	25
8	W08	907	
9	F32	11	19
10	P32	11	37
11	C32	5	25
12	M32	11	27
13	F32	5	19
14	M32	5	27
15	G18	25	7
16	G 9	19	13
17	G17	19	7
18	F32	5	35
19	W05	907	
20			
21	H37	13	23
22	H37	18	23
23	C32	19	25
24	W05	908	
25	F32	19	19
26	M32	19	27
27	F32	19	35
28	W08	90	

JACK PIN LG

READ-DISTRIBUTE-RESTORE
BIT 39 - BIT 41
FROM CHASSIS 15 TO CHASSIS 9

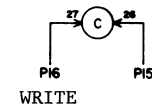
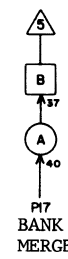
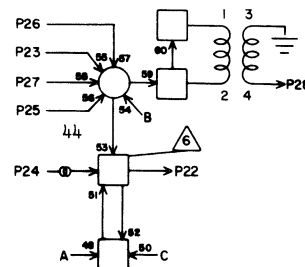
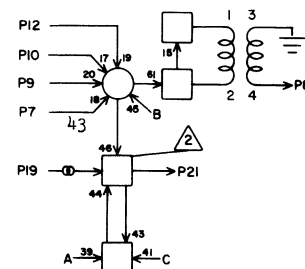
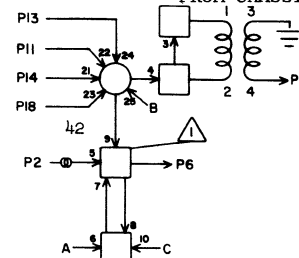


SE 16H17

1	W08	91	
2	W05	90	
3			
4			
5			
6	H37	17	23
7	C33	5	27
8	W08	92	
9	F33	5	19
10	P33	5	35
11	C32	25	25
12	M33	5	27
13	F32	25	19
14	M32	25	27
15	G18	26	7
16	G 9	20	13
17	G17	20	7
18	P32	25	35
19	W05	91	
20			
21	H38	14	21
22	H38	13	23
23	C33	11	27
24	W05	92	
25	F33	11	21
26	M33	11	27
27	P33	11	35
28	W08	93	

JACK PIN LG
63024900 Rev. C

READ-DISTRIBUTE-RESTORE
BIT 42 - BIT 44
FROM CHASSIS 15 TO CHASSIS 9

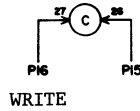
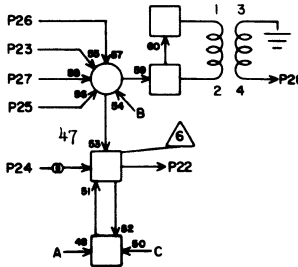
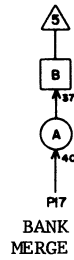
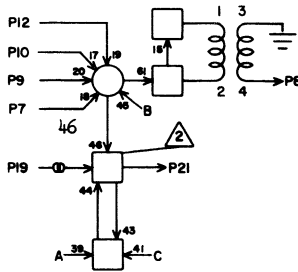
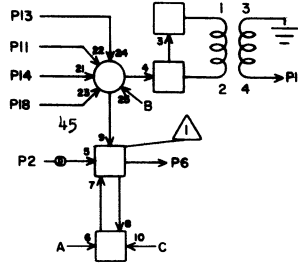


SE 16H18

1	W08	94	
2	W05	93	
3			
4			
5			
6	H38	18	23
7	C33	25	27
8	W08	95	
9	F33	25	19
10	P33	25	37
11	C33	19	27
12	M33	25	27
13	F33	19	19
14	M33	19	27
15	G18	27	7
16	G 9	21	13
17	G17	21	5
18	P33	19	35
19	W05	94	
20			
21	H38	17	23
22	H39	14	23
23	C34	5	29
24	W05	95	
25	F34	5	21
26	M34	5	25
27	P34	5	35
28	W08	96	

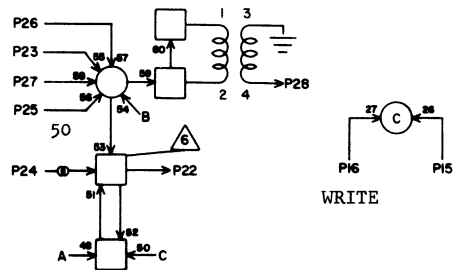
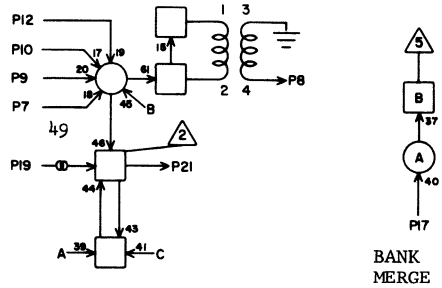
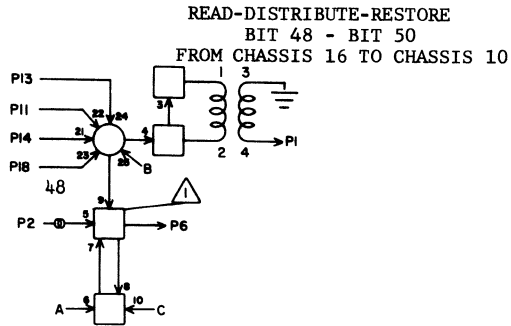
JACK PIN LG
63024900 Rev. C

READ-DISTRIBUTE-RESTORE
 BIT 45 - BIT 47
 FROM CHASSIS 16 TO CHASSIS 10



SE 16HL9

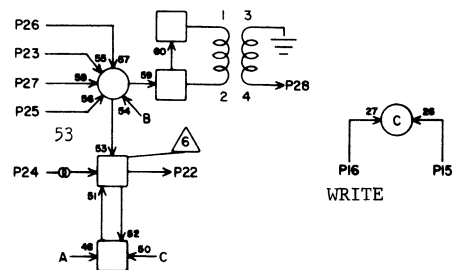
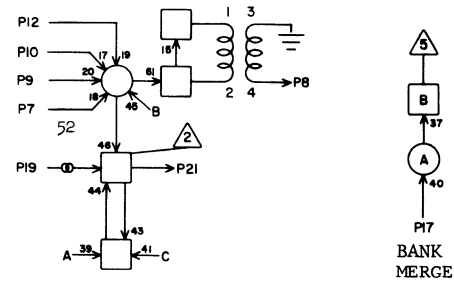
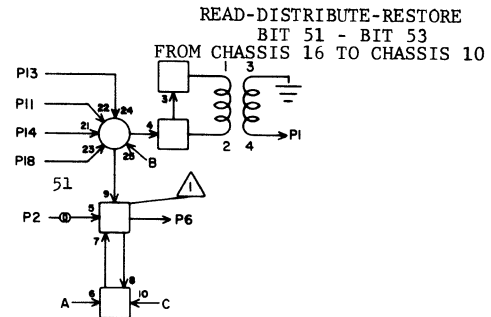
1	W09	900	
2	W39	900	
3			
4			
5			
6	H39	13	21
7	C34	19	27
8	W09	901	
9	F34	19	19
10	P34	19	35
11	C34	11	27
12	M34	19	27
13	F34	11	19
14	M34	11	27
15	G18	28	7
16	G 9	22	13
17	G17	22	7
18	P34	11	35
19	W39	901	
20			
21	H39	18	21
22	H39	17	21
23	C34	25	27
24	W39	902	
25	F34	25	19
26	M34	25	27
27	P34	25	35
28	W09	902	
	JACK	PIN	LG



SE 16 H21

JACK	MIN	LG
1	W09	903
2	W39	903
3		
4		
5		
6	H40	14 21
7	C38	11 27
8	W09	904
9	F38	11 21
10	P38	11 37
11	C38	5 27
12	M38	11 27
13	F38	5 21
14	M38	5 27
15	H27	21 11
16	G 9	23 15
17	G17	23 7
18	P38	5 35
19	W39	904
20		
21	H40	13 21
22	H40	18 21
23	C38	19 27
24	W39	905
25	F38	19 21
26	M38	19 27
27	P38	19 35
28	W09	905

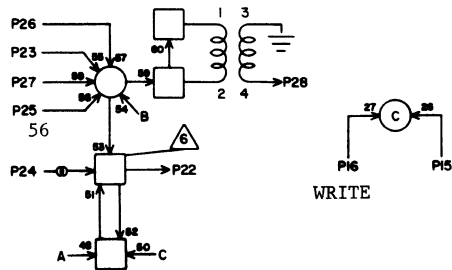
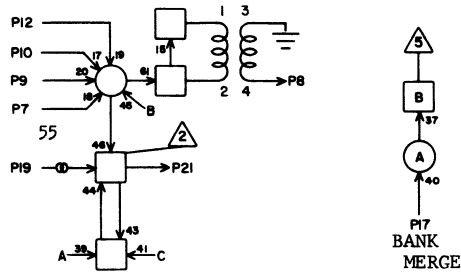
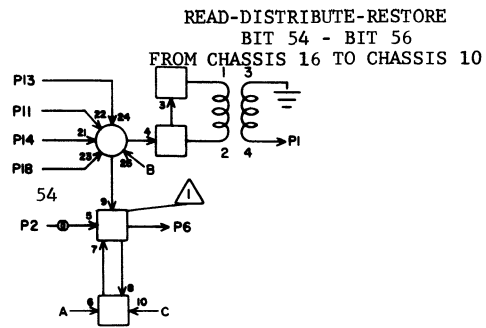
63024900 Rev. C



SE 16 H22

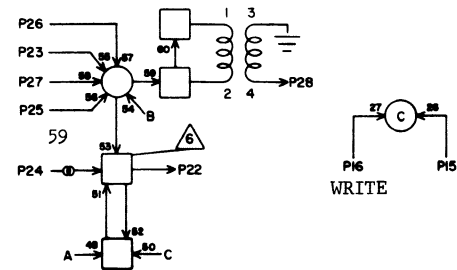
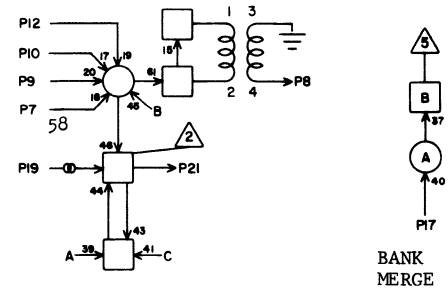
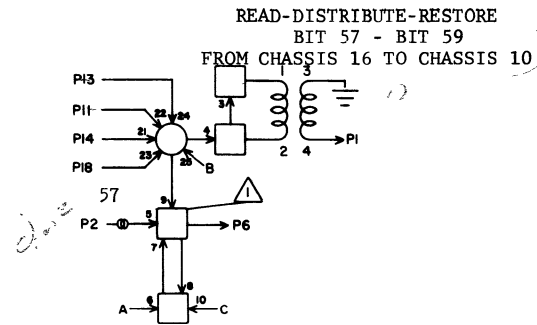
JACK	MIN	LG
1	W09	906
2	W39	906
3		
4		
5		
6	H40	17 21
7	C39	5 27
8	W09	907
9	F39	5 21
10	P39	5 35
11	C38	25 25
12	M39	5 27
13	F38	25 19
14	M38	25 27
15	H27	22 11
16	G 9	24 15
17	G17	24 11
18	P38	25 37
19	W39	907
20		
21	H41	14 19
22	H41	13 21
23	C39	11 27
24	W39	90
25	F39	11 21
26	M39	11 27
27	P39	11 35
28	W09	90

63024900 Rev. C



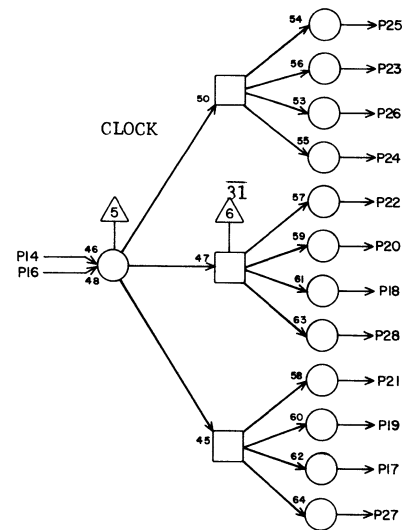
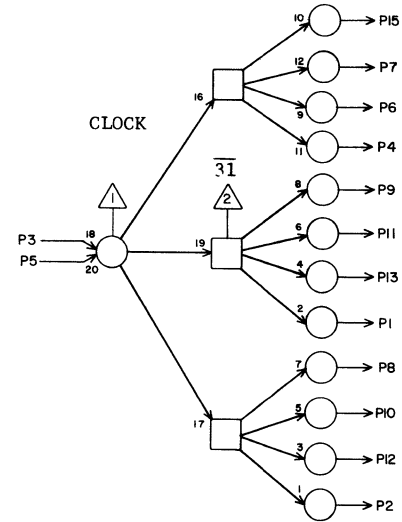
SE		16 H23	
JACK	PIN	LG	
1	W09	91	
2	W39	91	
3			
4			
5			
6	H41	18	21
7	C39	25	25
8	W09	92	
9	F39	25	19
10	P39	25	37
11	C39	19	27
12	M39	25	27
13	F39	19	21
14	M39	19	27
15	H27	23	11
16	G 9	14	17
17	G17	25	11
18	P39	19	35
19	W39	92	
20			
21	H41	17	21
22	H42	14	21
23	C40	5	29
24	W39	93	
25	F40	5	23
26	M40	5	27
27	P40	5	35
28	W09	93	

63024900 Rev. C



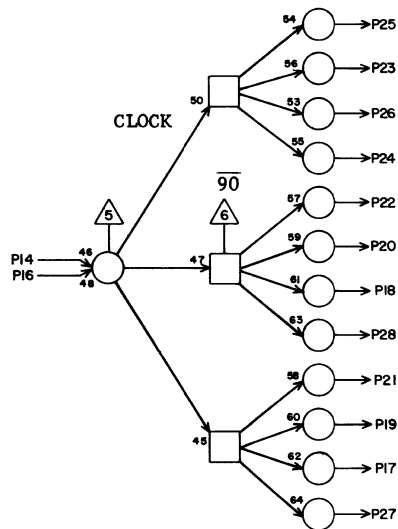
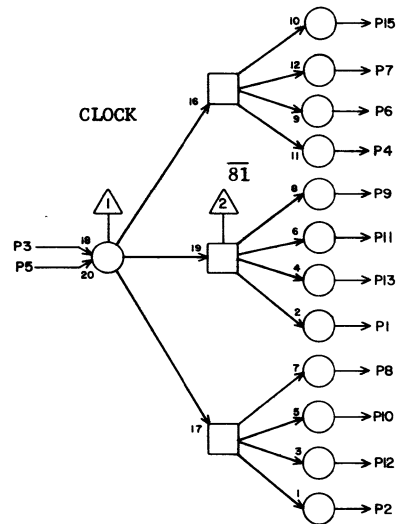
SE		16 H24	
JACK	PIN	LG	
1	W09	94	
2	W39	94	
3			
4			
5			
6	H42	13	21
7	C40	19	27
8	W09	95	
9	F40	19	19
10	P40	19	37
11	C40	11	27
12	M40	19	27
13	F40	11	21
14	M40	11	27
15	H27	24	9
16	G 9	16	17
17	G17	26	11
18	P40	11	35
19	W39	95	
20			
21	H42	18	19
22	H42	17	19
23	C40	25	27
24	W39	96	
25	F40	25	21
26	M40	25	27
27	P40	25	35
28	W09	96	

63024900 Rev. C



1	H28	16	5
2	H29	16	5
3	G10	2	19
4	H31	16	7
5	H26	X	2
6	H33	16	9
7			
8	H36	16	11
9	H37	16	11
10	H39	16	13
11	H40	16	15
12	H42	16	17
13			
14	G10	4	19
15			
16	H26	X	2
17	H30	16	5
18			
19	H32	16	7
20	H34	16	9
21	H35	16	11
22			
23	H38	16	13
24			
25	H41	16	17
26			
27			
28			

JACK PIN LG

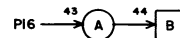
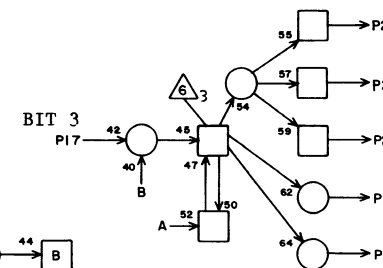
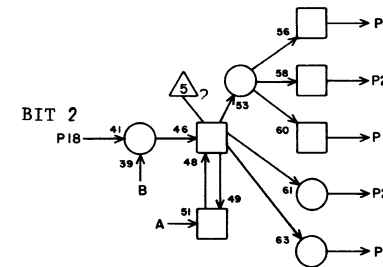
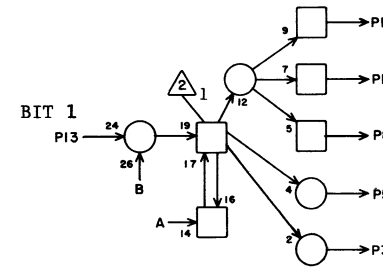
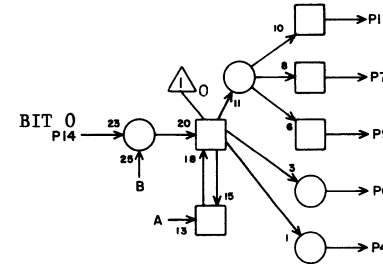


TC 16 H27

JACK	PIN	LG
1	G24	15
2	G25	15
3	G11	7
4	G26	15
5	H27	X
6	G28	15
7	G29	15
8	G30	15
9	G32	15
10	G33	15
11	G34	15
12	G36	15
13	G37	15
14	G11	8
15	G38	15
16	H27	X
17		
18		
19		
20		
21	H21	15
22	H22	15
23	H23	15
24	H24	15
25	H 1	15
26	H 2	15
27	H 3	15
28	H 4	15

63024900 Rev. C

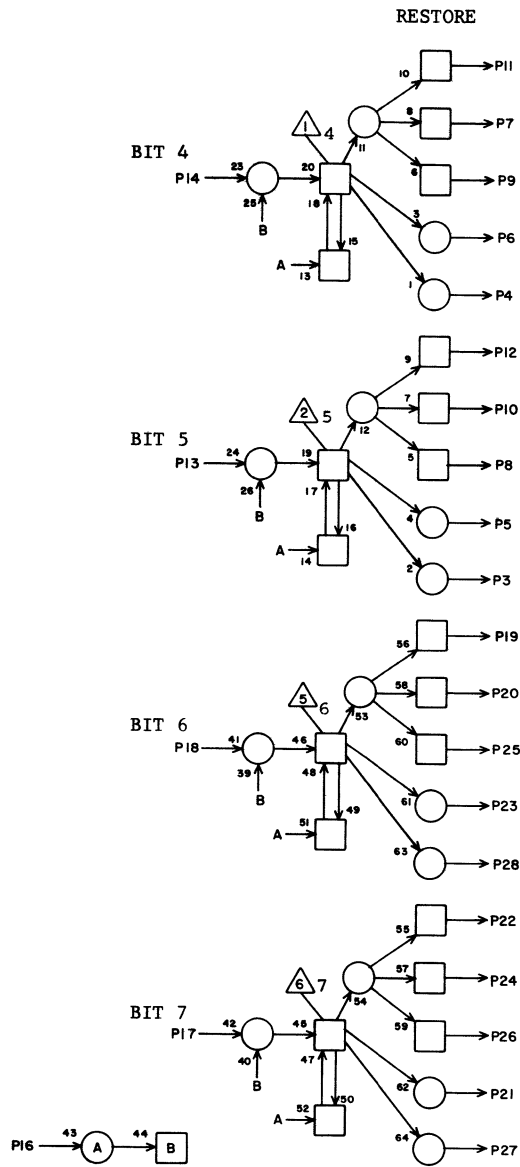
RESTORE



PD 16H 28

JACK	PIN	LG
1		
2		
3		
4	G24	12
5	G24	13
6		
7		
8		
9		
10		
11		
12		
13	H 1	21
14	H 1	6
15		
16	H26	1
17	H 2	6
18	H 1	22
19		
20		
21		
22		
23		
24		
25		
26		
27	G24	19
28	G24	16

63024900 Rev. C

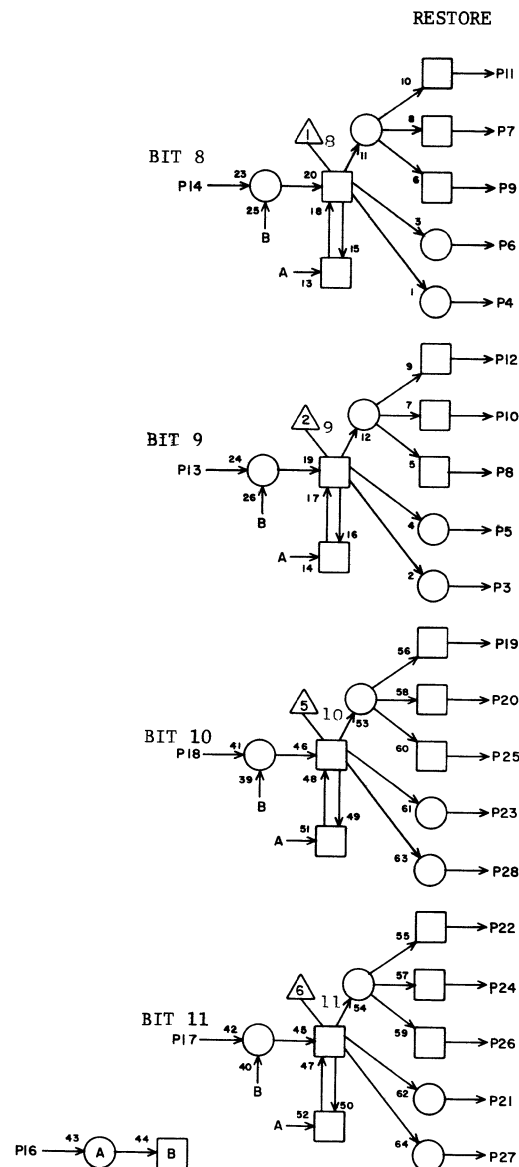


PD 16H 29

1			
2			
3			
4	G 25	17	9
5	G 25	13	9
6			
7			
8			
9			
10			
11			
12			
13	H 2	22	27
14	H 2	21	27
15			
16	H 26	2	5
17	H 3	21	27
18	H 3	6	27
19			
20			
21			
22			
23			
24			
25			
26			
27	G 25	19	9
28	G 25	16	9

JACK PIN LG

63024900 Rev. C



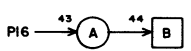
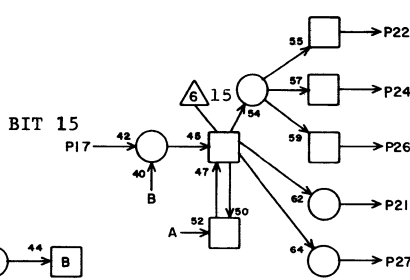
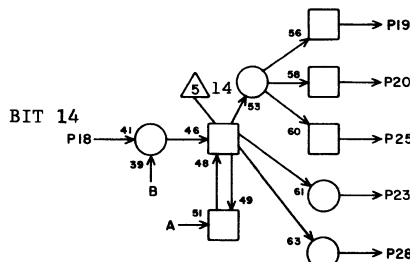
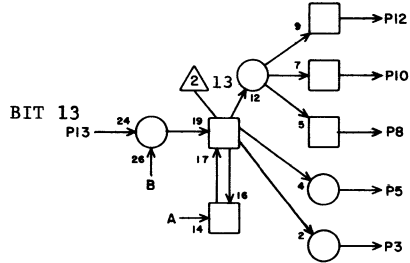
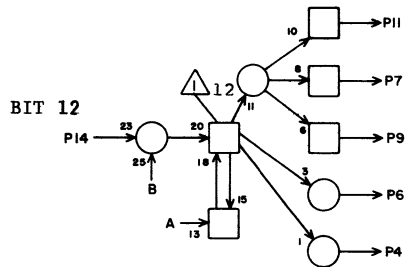
PD 16H 30

1			
2			
3			
4	G 26	12	9
5	G 26	13	9
6			
7			
8			
9			
10			
11			
12			
13	H 4	6	27
14	H 3	22	27
15			
16	H 26	17	5
17	H 4	22	27
18	H 4	21	25
19			
20			
21			
22			
23			
24			
25			
26			
27	G 26	19	9
28	G 26	16	9

JACK PIN LG

63024900 Rev. C

RESTORE

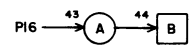
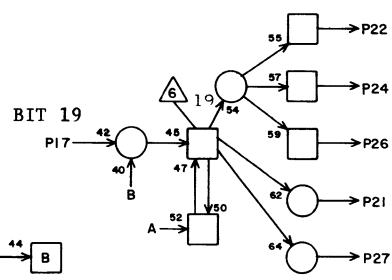
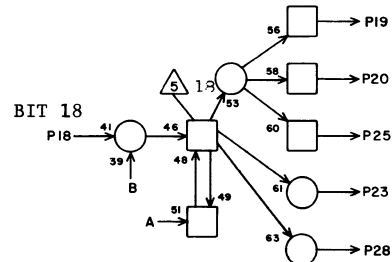
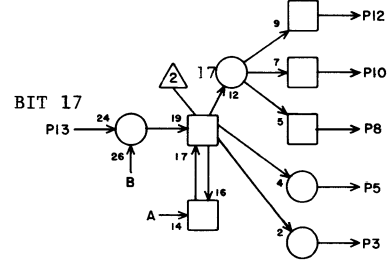
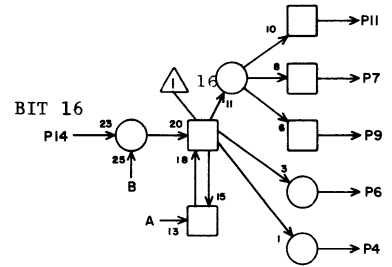


PD 16H 31

1			
2			
3			
4	G28	12	9
5	G28	13	9
6			
7			
8			
9			
10			
11			
12			
13	H 6	21	27
14	H 6	6	27
15			
16	H26	4	7
17	H 7	6	25
18	H 6	22	25
19			
20			
21			
22			
23			
24			
25			
26			
27	G28	19	9
28	G28	16	9

JACK PIN LG
63024900 Rev. C

RESTORE

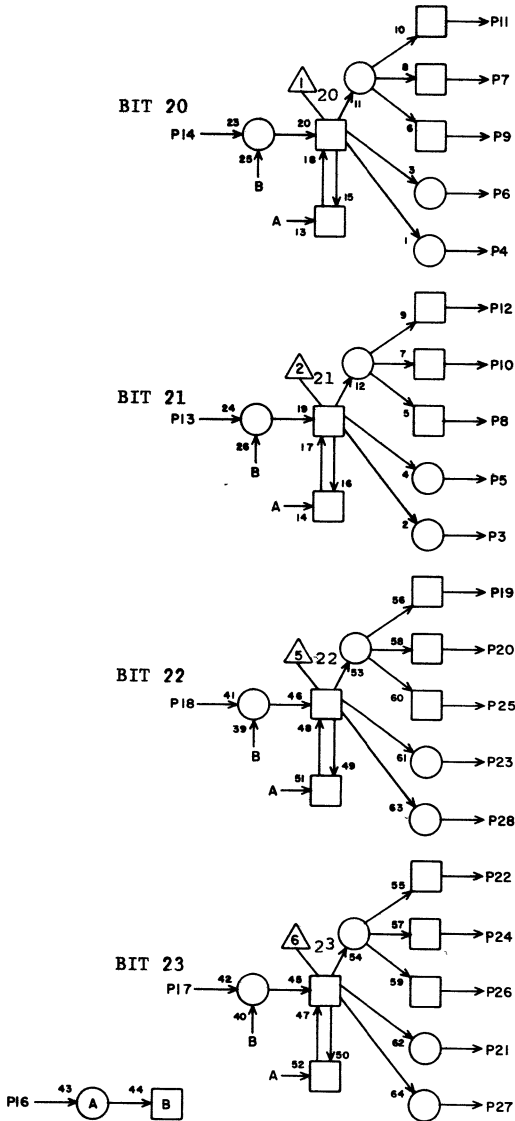


PD 16H 32

1			
2			
3			
4	G29	12	9
5	G29	13	9
6			
7			
8			
9			
10			
11			
12			
13	H 7	22	25
14	H 7	21	25
15			
16	H26	19	7
17	H 8	21	25
18	H 8	6	25
19			
20			
21			
22			
23			
24			
25			
26			
27	G29	19	9
28	G29	16	9

JACK PIN LG
63024900 Rev. C

RESTORE



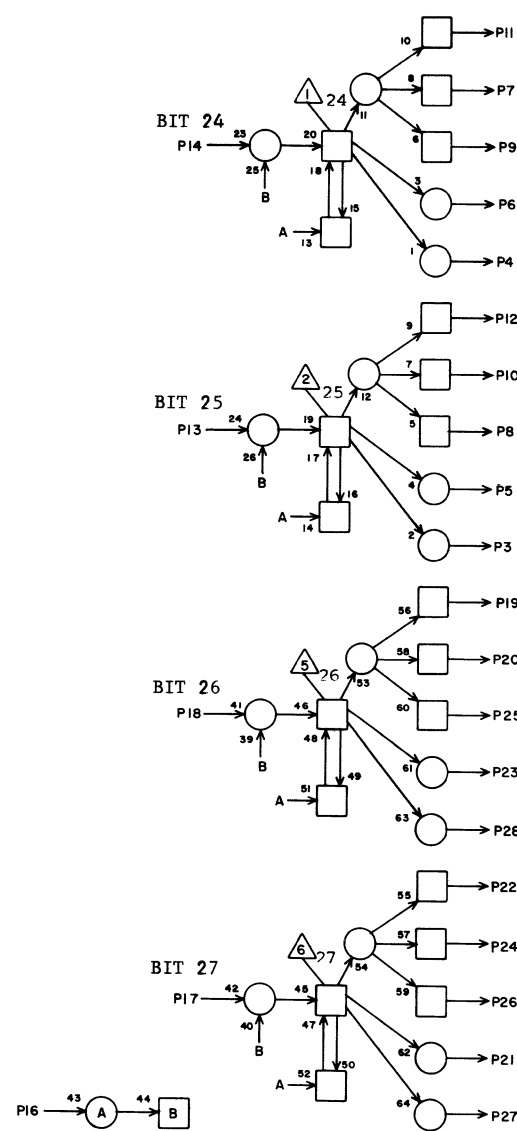
PD 16H33

1			
2			
3			
4	G30	12	9
5	G30	13	9
6			
7			
8			
9			
10			
11			
12			
13	H 9	6	25
14	H 8	22	25
15			
16	H26	6	9
17	H 9	22	25
18	H 9	21	25
19			
20			
21			
22			
23			
24			
25			
26			
27	G30	19	9
28	G30	16	9

JACK PIN LG

63024900 Rev. C

RESTORE



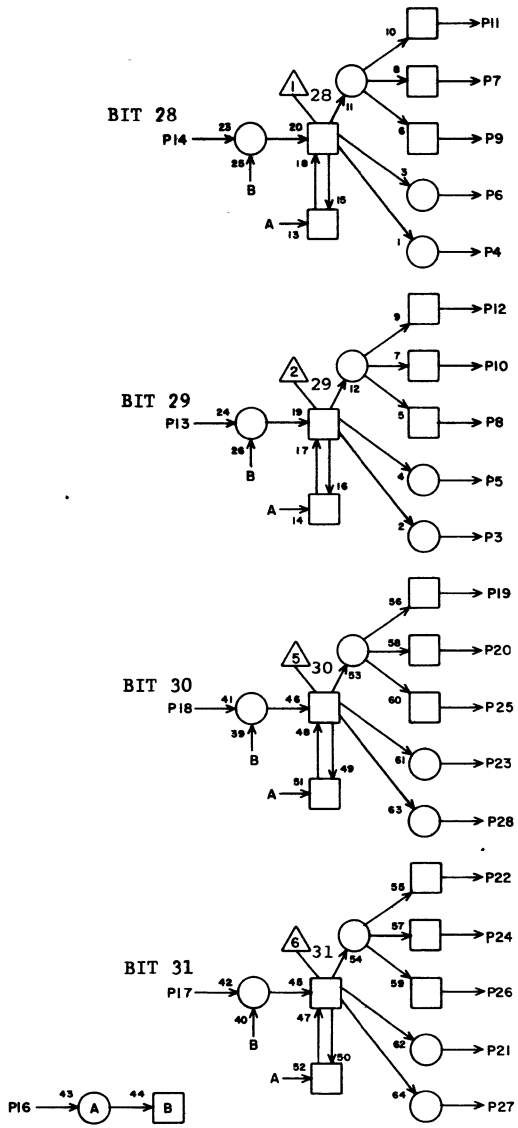
PD 16H34

1			
2			
3			
4	G32	12	7
5	G32	13	7
6			
7			
8			
9			
10			
11			
12			
13	H11	21	25
14	H11	6	25
15			
16	H26	20	9
17	H12	6	25
18	H11	22	25
19			
20			
21			
22			
23			
24			
25			
26			
27	G32	19	7
28	G32	16	7

JACK PIN LG

63024900 Rev. C

RESTORE

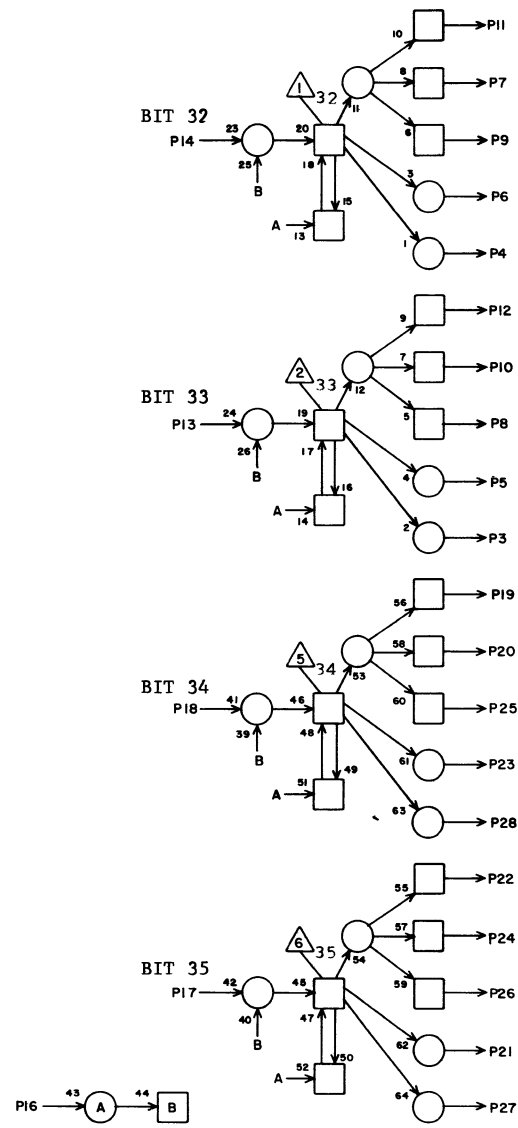


PD 16 H 35

1			
2			
3			
4	G33	12	9
5	G33	13	9
6			
7			
8			
9			
10			
11			
12			
13	H12	22	25
14	H12	21	23
15			
16	H26	21	11
17	H13	21	23
18	H13	6	23
19			
20			
21			
22			
23			
24			
25			
26			
27	G33	19	9
28	G33	16	7

JACK PIN LG
63024900 Rev. C

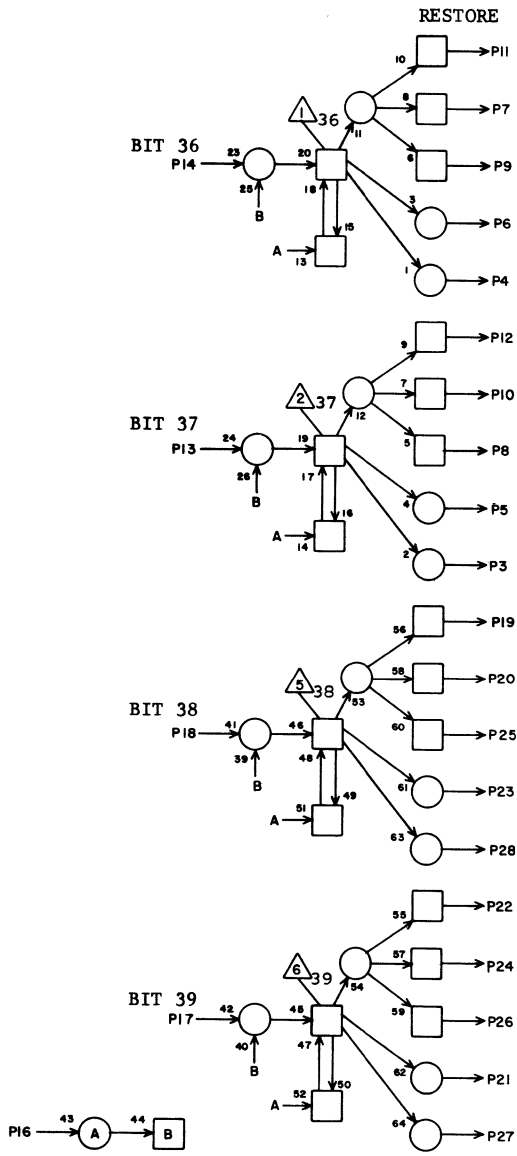
RESTORE



PD 16 H 36

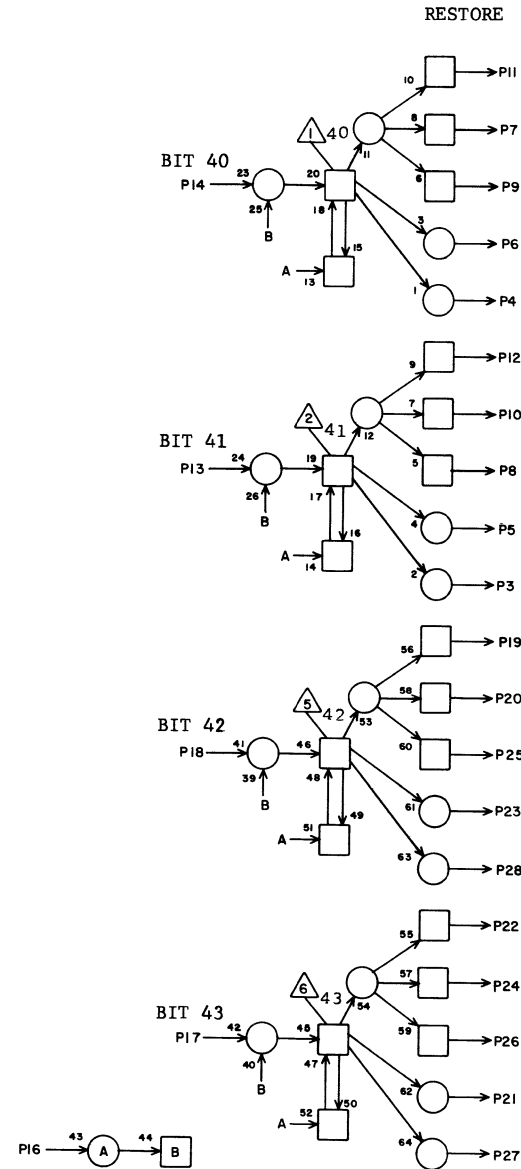
1			
2			
3			
4	G34	12	9
5	G34	13	9
6			
7			
8			
9			
10			
11			
12			
13	H14	6	23
14	H13	22	23
15			
16	H26	8	11
17	H14	22	23
18	H14	21	23
19			
20			
21			
22			
23			
24			
25			
26			
27	G34	19	9
28	G34	16	9

JACK PIN LG
63024900 Rev. C



PD 16H 37			
1			
2			
3			
4	G36	12	5
5	G36	13	5
6			
7			
8			
9			
10			
11			
12			
13	H16	21	23
14	H16	6	23
15			
16	H26	9	11
17	H17	6	23
18	H16	22	23
19			
20			
21			
22			
23			
24			
25			
26			
27	G36	19	7
28	G36	16	7

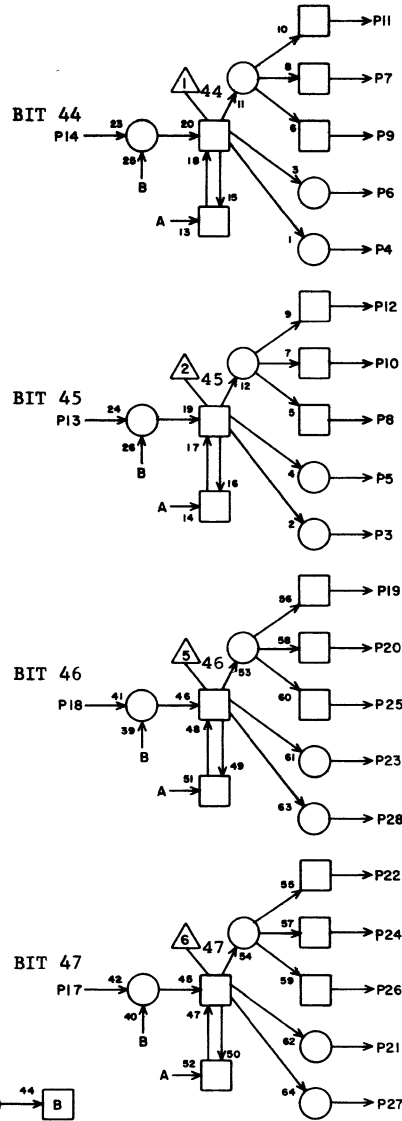
JACK PIN LG
63024900 Rev. C



PD 16H38			
1			
2			
3			
4	G37	12	9
5	G37	13	9
6			
7			
8			
9			
10			
11			
12			
13	H17	22	23
14	H17	21	21
15			
16	H26	23	13
17	H18	21	23
18	H18	6	23
19			
20			
21			
22			
23			
24			
25			
26			
27	G37	19	7
28	G37	16	7

JACK PIN LG
63024900 Rev. C

RESTORE



PD

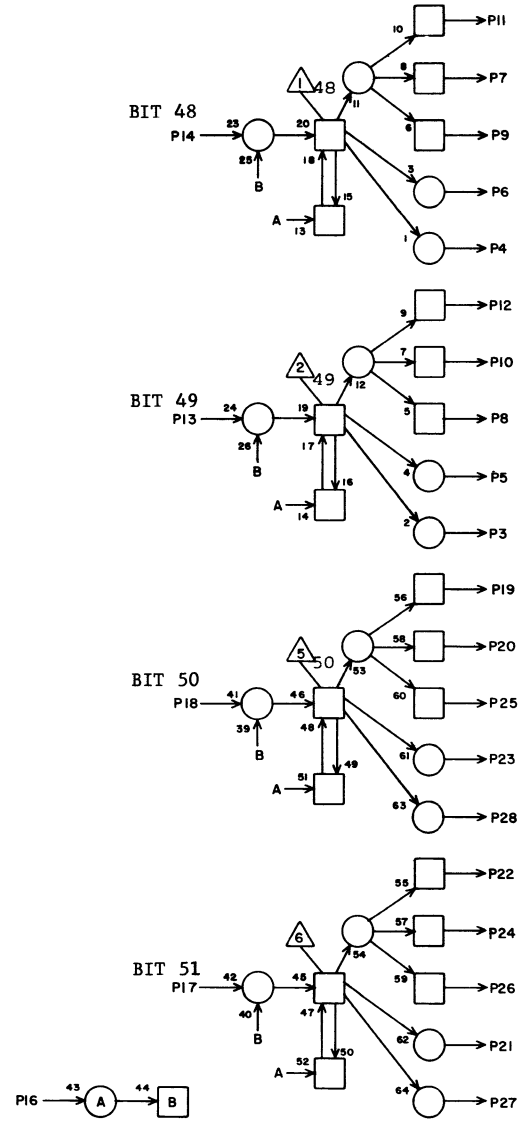
16H 39

1			
2			
3			
4	G38	12	5
5	G38	13	5
6			
7			
8			
9			
10			
11			
12			
13	H19	6	21
14	H18	22	23
15			
16	H26	10	13
17	H19	22	21
18	H19	21	21
19			
20			
21			
22			
23			
24			
25			
26			
27	G38	19	7
28	G38	16	7

JACK PIN LG

63024900 Rev. C

RESTORE



PD

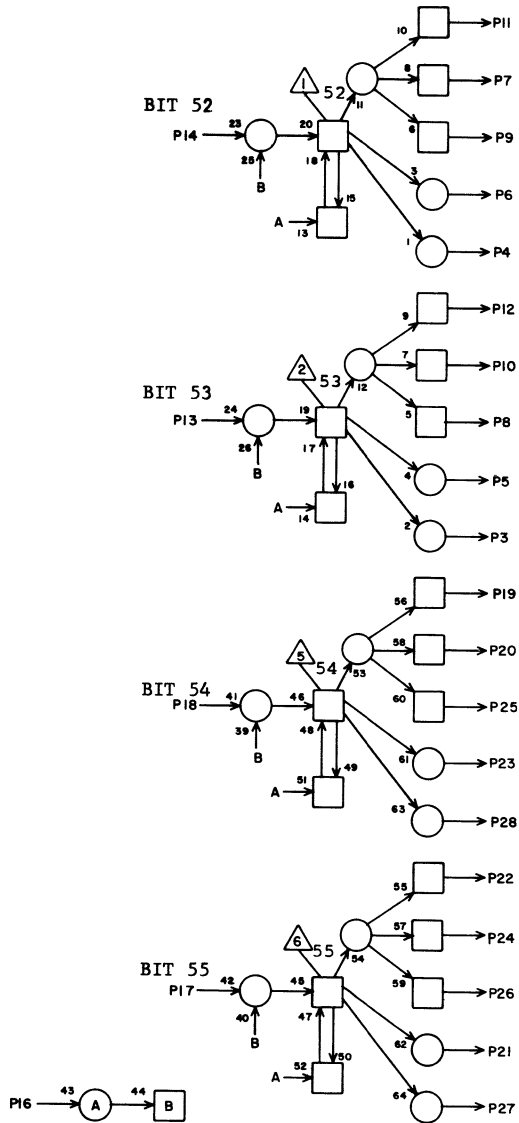
16H 40

1			
2			
3			
4	G40	12	5
5	G40	13	5
6			
7			
8			
9			
10			
11			
12			
13	H21	21	21
14	H21	6	21
15			
16	H26	11	15
17	H22	6	21
18	H21	22	21
19			
20			
21			
22			
23			
24			
25			
26			
27	G40	19	7
28	G40	16	7

JACK PIN LG

63024900 Rev. C

RESTORE



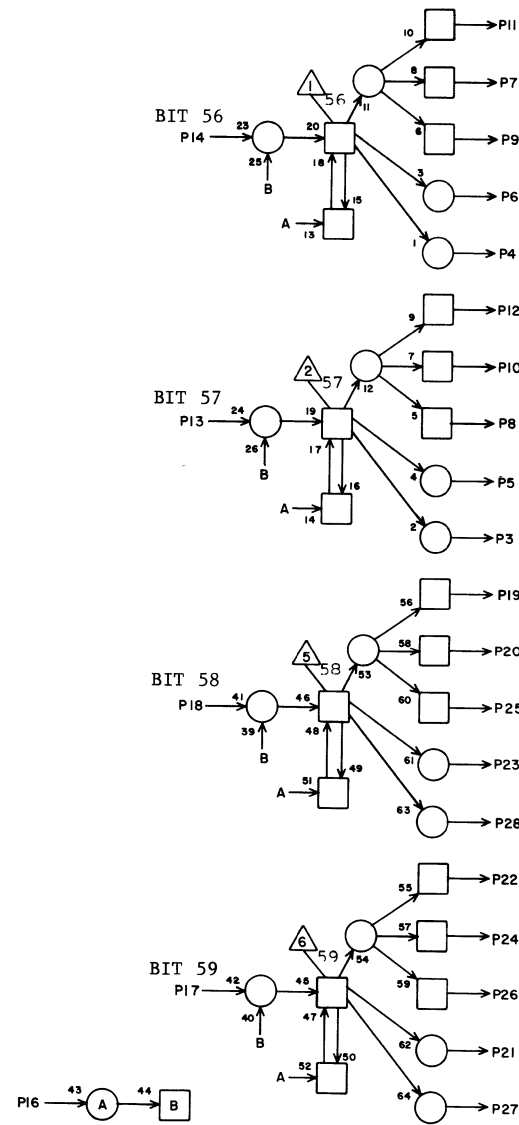
PD 16H 41

1			
2			
3			
4	G41	12	9
5	G41	13	9
6			
7			
8			
9			
10			
11			
12			
13	H22	22	21
14	H22	21	19
15			
16	H26	25	17
17	H23	21	21
18	H23	6	21
19			
20			
21			
22			
23			
24			
25			
26			
27	G41	19	9
28	G41	16	9

JACK PIN LG

63024900 Rev. C

RESTORE



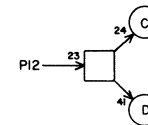
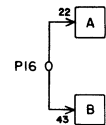
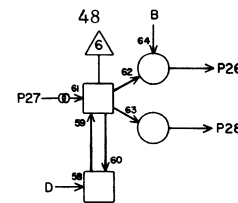
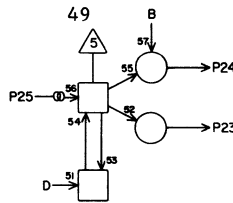
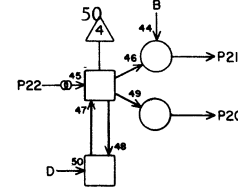
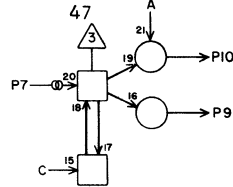
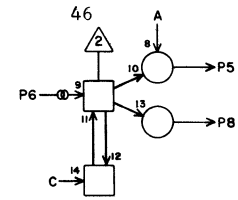
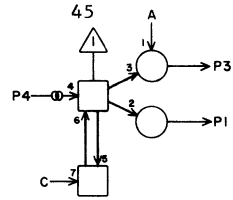
PD 16H 42

1			
2			
3			
4	G42	12	9
5	G42	13	9
6			
7			
8			
9			
10			
11			
12			
13	H24	6	21
14	H23	22	21
15			
16	H26	12	17
17	H24	22	19
18	H24	21	19
19			
20			
21			
22			
23			
24			
25			
26			
27	G42	19	9
28	G42	16	9

JACK PIN LG

63024900 Rev. C

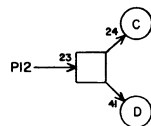
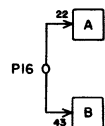
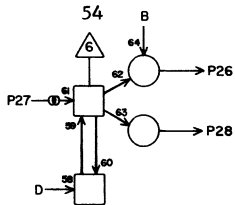
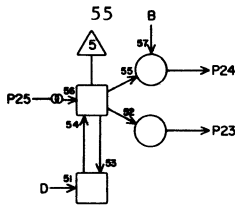
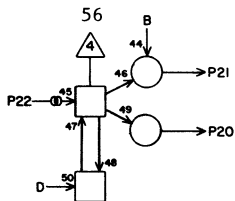
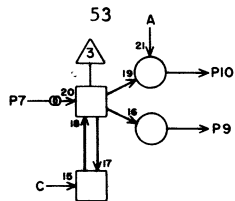
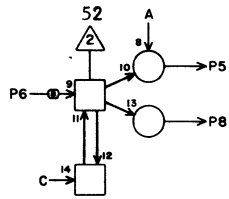
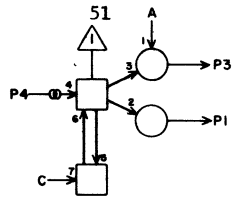
WRITE DISTRIBUTOR
BIT 45 - BIT 50
FROM CHASSIS 2



IT 16¹ 2

1	I 6	12	5
2			
3	I 6	27	7
4	W 10	90	
5	I 7	27	9
6	W 10	91	
7	W 10	92	
8	I 6	4	5
9	I 7	12	9
10	I 7	4	9
11			
12	G 10	12	15
13			
14			
15			
16	I 5	17	5
17			
18			
19			
20	I 9	12	11
21	I 9	4	11
22	W 10	95	
23	I 8	4	9
24	I 9	27	9
25	W 10	94	
26	I 8	12	9
27	W 10	93	
28	I 8	27	9
	JACK	PIN	LG

WRITE DISTRIBUTOR
BIT 51 - BIT 56
FROM CHASSIS 2

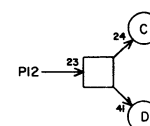
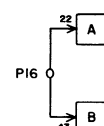
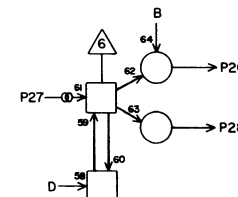
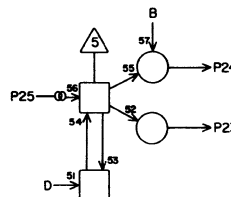
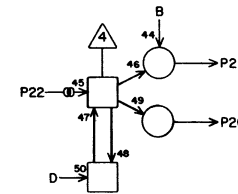
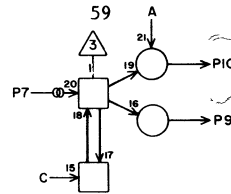
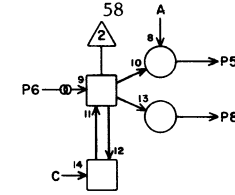
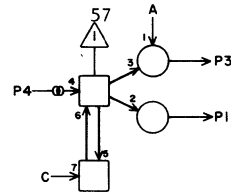


IT 16I 3

1	I 10	27	11
2			
3	I 10	12	11
4	W 10	96	
5	I 11	27	13
6	W 10	97	
7	W 10	98	
8	I 10	4	11
9	I 11	12	11
10	I 11	4	11
11			
12	G 10	13	15
13			
14			
15			
16	I 5	18	5
17			
18			
19			
20	I 13	12	13
21	I 13	4	13
22	W 10	901	
23	I 12	4	13
24	I 13	27	13
25	W 10	900	
26	I 12	12	13
27	W 10	99	
28	I 12	27	13
	JACK	PIN	LG

63024900 Rev. C

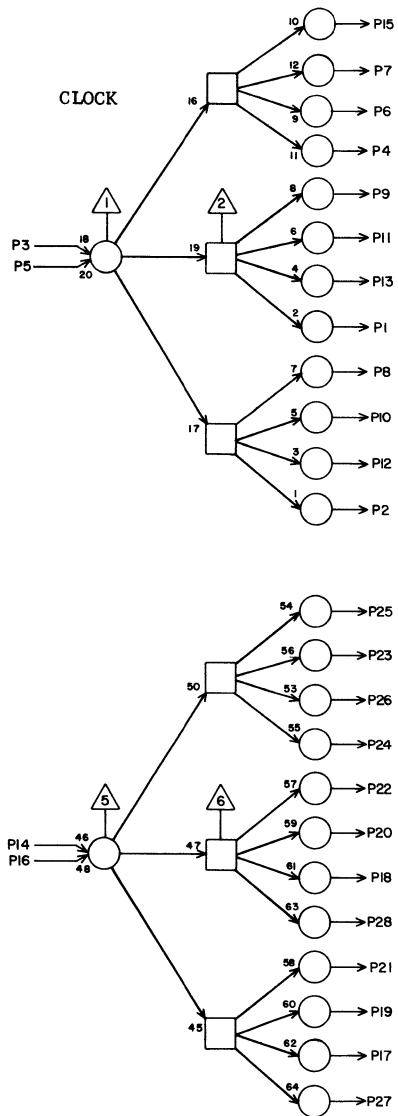
WRITE DISTRIBUTOR
BIT 57 - BIT 59
FROM CHASSIS 2



IT 16I 4

1	I 14	27	13
2			
3	I 14	12	13
4	W 10	902	
5	I 15	27	15
6	W 10	903	
7	W 10	904	
8	I 14	4	13
9	I 15	12	15
10	I 15	4	15
11			
12	G 10	15	15
13			
14			
15			
16	I 5	19	5
17			
18			
19			
20			
21			
22			
23			
24			
25			
26			
27			
28			
	JACK	PIN	LG

63024900 Rev. C

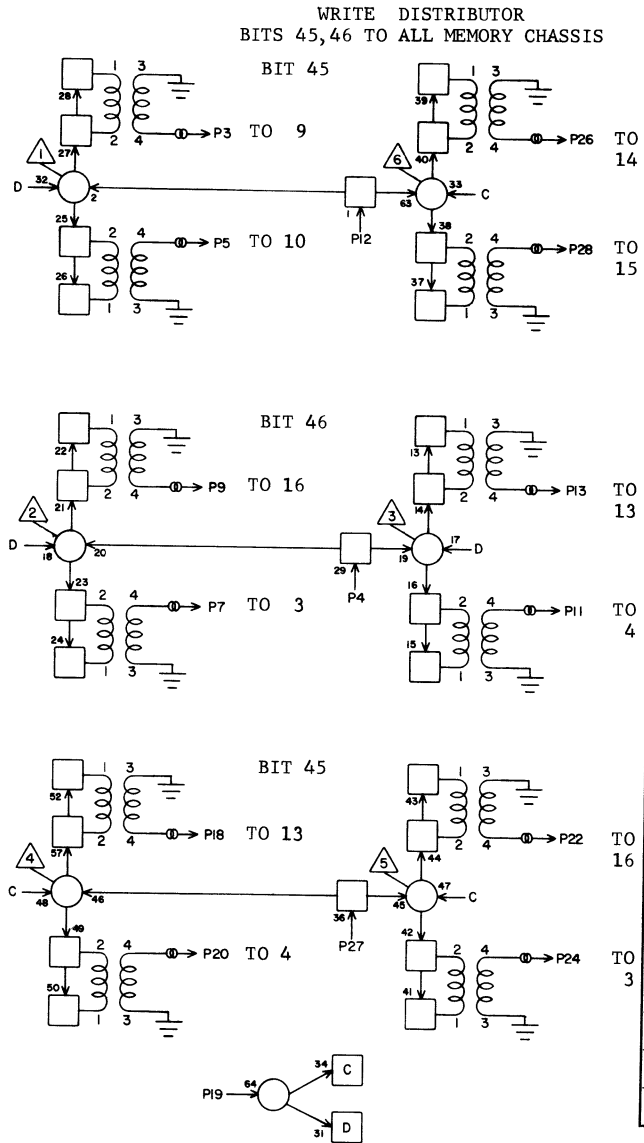


TC 16I 5

1	I 6	19	5
2	I 7	19	5
3	G11	12	13
4	I 8	19	7
5	I 5	X	2
6	I 9	19	7
7	I 10	19	9
8	I11	19	9
9	I12	19	11
10	I13	19	11
11	I14	19	13
12	I15	19	13
13			
14	I 5	X	2
15			
16	I 5	X	2
17	I 2	16	5
18	I 3	16	5
19	I 4	16	5
20			
21			
22			
23			
24			
25			
26			
27			
28			

JACK PIN LG

63024900 Rev. C

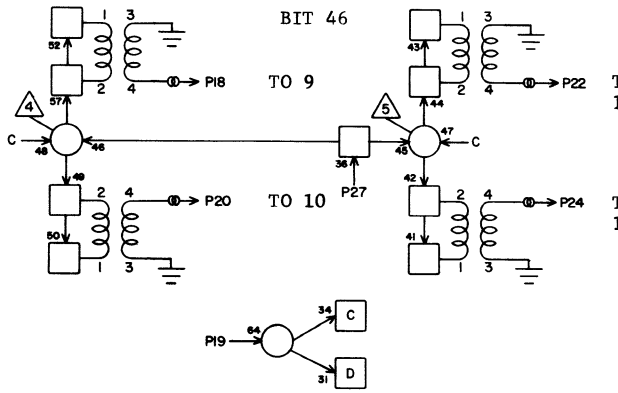
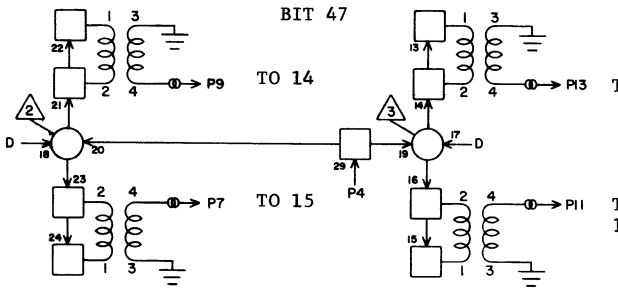
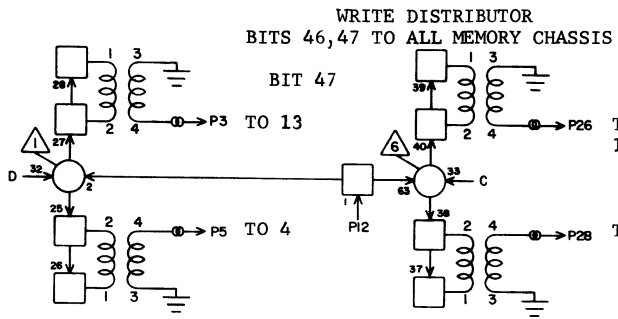


JH 16I 6

1			
2			
3	W14	900	
4	I 2	8	5
5	W15	900	
6			
7	W13	901	
8			
9	W39	901	
10			
11	W12	901	
12	I 2	1	5
13	W11	901	
14			
15			
16			
17			
18	W11	900	
19	I 5	1	5
20	W12	900	
21			
22	W39	900	
23			
24	W13	900	
25			
26	W16	900	
27	I 2	3	7
28	W17	900	

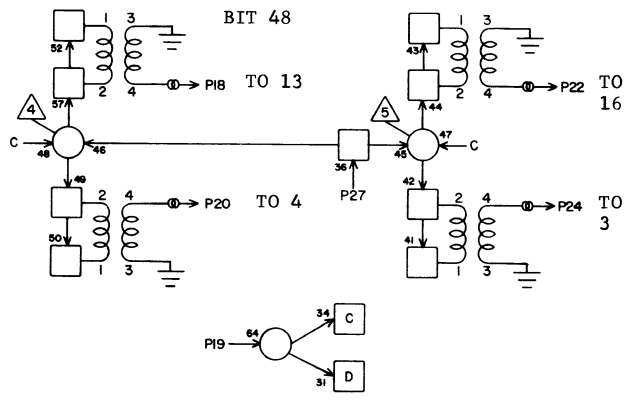
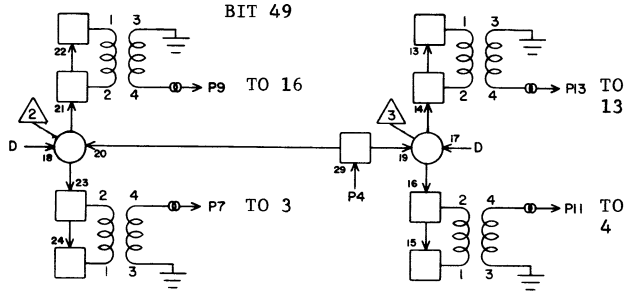
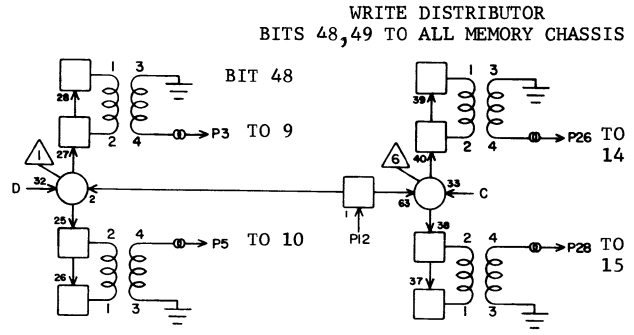
JACK PIN LG

63024900 Rev. C



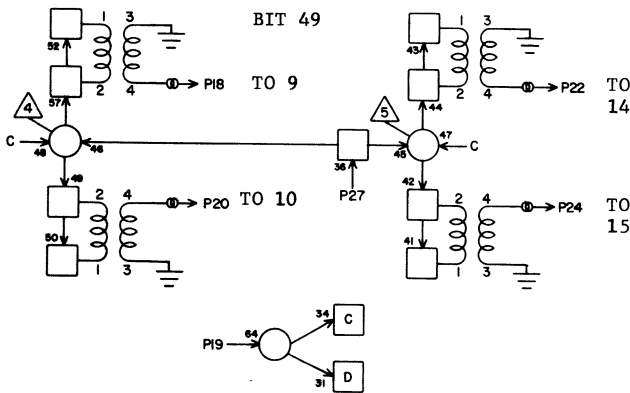
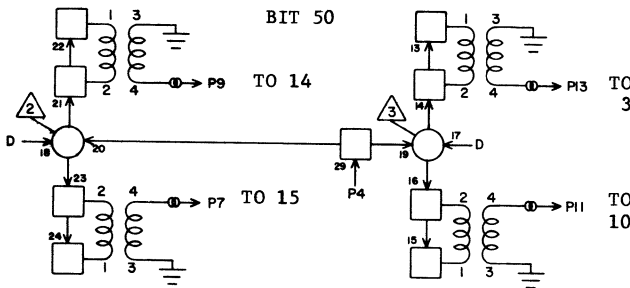
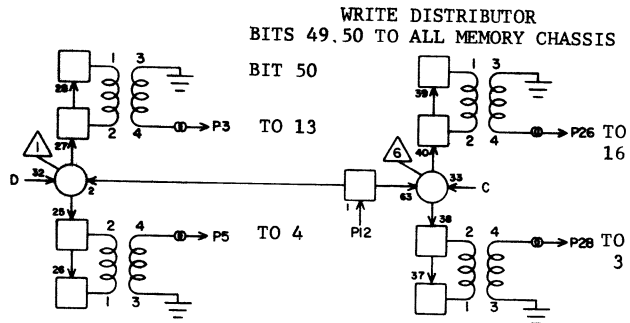
JH 16 I 7

1			
2			
3	W11	902	
4	I 2	10	9
5	W12	902	
6			
7	W17	902	
8			
9	W16	902	
10			
11	W15	902	
12	I 2	9	9
13	W14	902	
14			
15			
16			
17			
18	W14	901	
19	I 5	2	5
20	W15	901	
21			
22	W16	901	
23			
24	W17	901	
25			
26	W39	902	
27	I 2	5	
28	W13	902	
	JACK	PIN	LG



JH 16 I 8

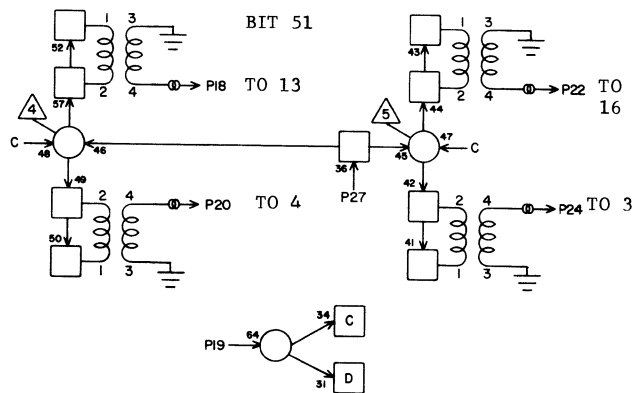
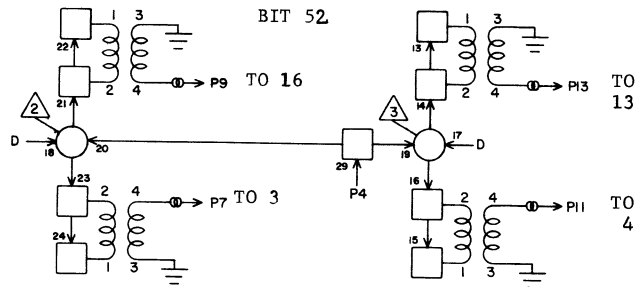
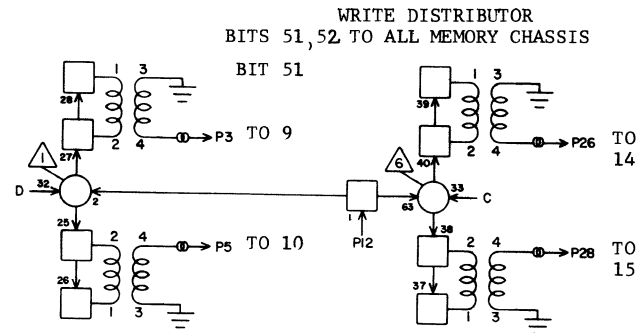
1			
2			
3	W14	903	
4	I 2	23	9
5	W15	903	
6			
7	W13	904	
8			
9	W39	904	
10			
11	W12	904	
12	I 2	26	9
13	W11	904	
14			
15			
16			
17			
18	W11	903	
19	I 5	4	7
20	W12	903	
21			
22	W39	903	
23			
24	W13	903	
25			
26	W16	903	
27	I 2	28	9
28	W17	903	
	JACK	PIN	LG



JH 16I 9

JACK	PIN	LG
1		
2		
3	W11	905
4	I 2	21 11
5	W12	905
6		
7	W17	905
8		
9	W16	905
10		
11	W15	905
12	I 2	20 11
13	W14	905
14		
15		
16		
17		
18	W14	904
19	I 5	6 7
20	W15	904
21		
22	W16	904
23		
24	W17	904
25		
26	W39	905
27	I 2	24 9
28	W13	905

63024900 Rev. C



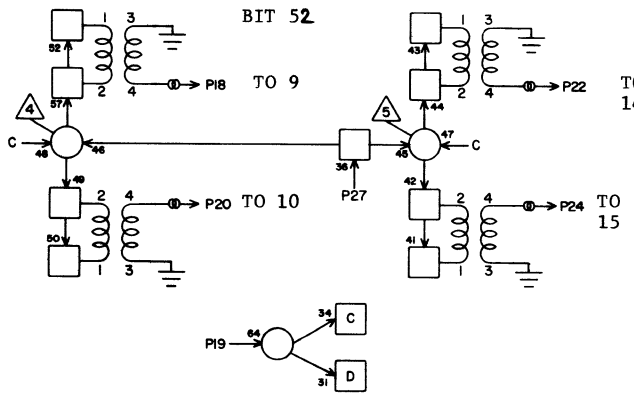
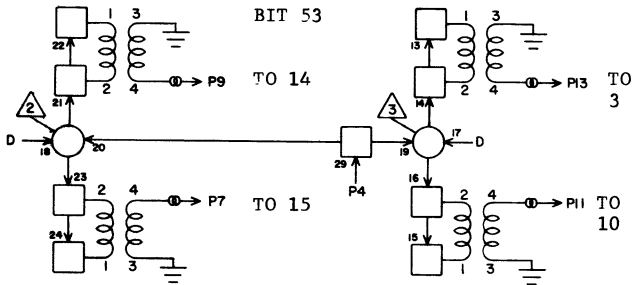
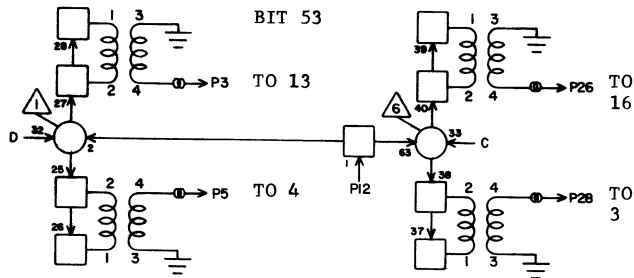
JH 16I10

JACK	PIN	LG
1		
2		
3	W14	906
4	I 3	8 11
5	W15	906
6		
7	W13	907
8		
9	W39	907
10		
11	W12	907
12	I 3	3 11
13	W11	907
14		
15		
16		
17		
18	W11	906
19	I 5	7 9
20	W12	906
21		
22	W39	906
23		
24	W13	906
25		
26	W16	906
27	I 3	1 11
28	W17	906

63024900 Rev. C

WRITE DISTRIBUTOR
BIT 52 53 TO ALL MEMORY CHASSIS

JH 16I11

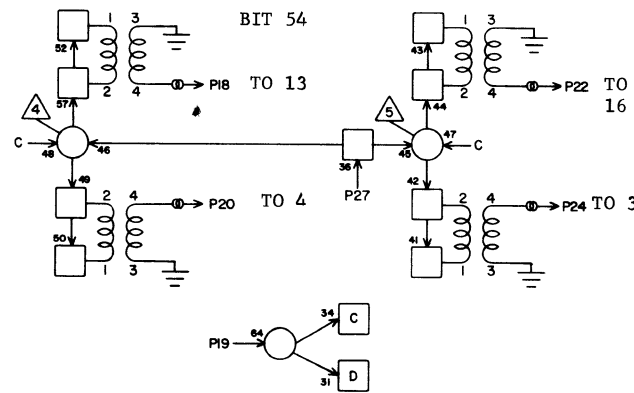
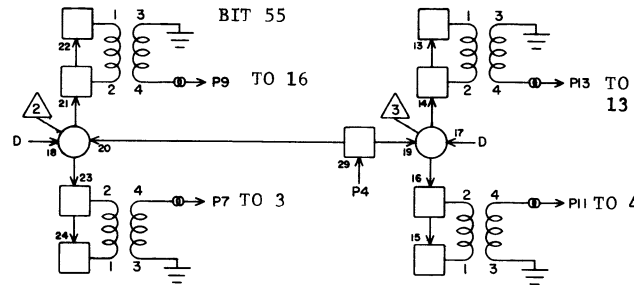
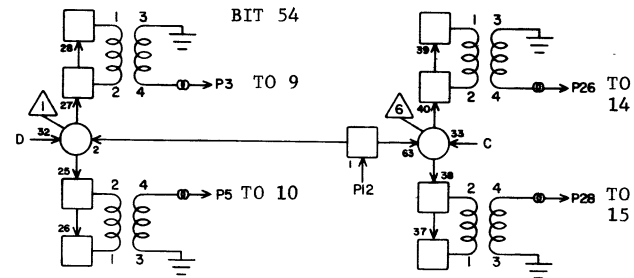


JACK	PIN	LG
1		
2		
3	W11	90
4	I 3	10 11
5	W12	90
6		
7	W17	96
8		
9	W16	908
10		
11	W15	90
12	I 3	9 11
13	W14	90
14		
15		
16		
17		
18	W14	907
19	I 5	8 9
20	W15	907
21		
22	W16	907
23		
24	W17	907
25		
26	W39	90
27	I 3	5 13
28	W13	90

63024900 Rev. C

WRITE DISTRIBUTOR
BITS 54, 55 TO ALL MEMORY CHASSIS

JH 16I12

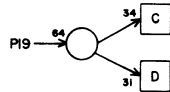
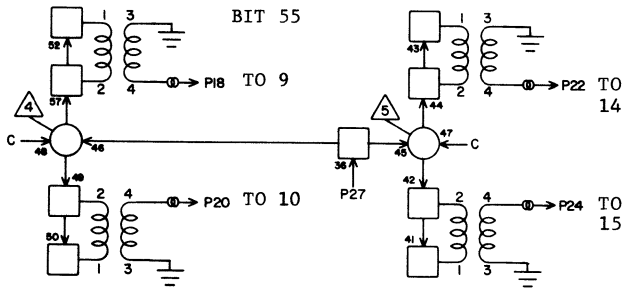
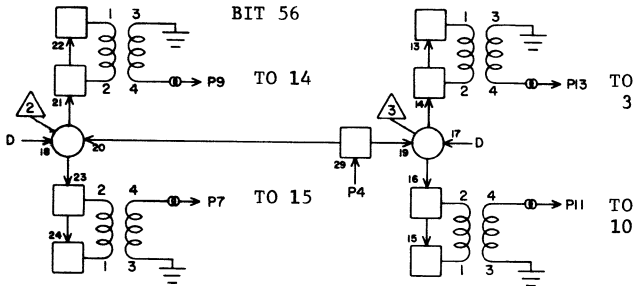
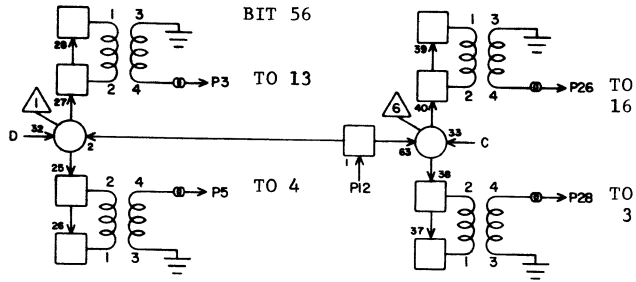


JACK	PIN	LG
1		
2		
3	W14	91
4	I 3	23 13
5	W15	91
6		
7	W13	92
8		
9	W39	92
10		
11	W12	92
12	I 3	26 13
13	W11	92
14		
15		
16		
17		
18	W11	91
19	I 5	9 11
20	W12	91
21		
22	W39	91
23		
24	W13	91
25		
26	W16	90
27	I 3	28 13
28	W17	90

63024900 Rev. C

WRITE DISTRIBUTOR
BITS 55,56 TO ALL MEMORY CHASSIS

JH 16L13



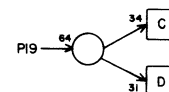
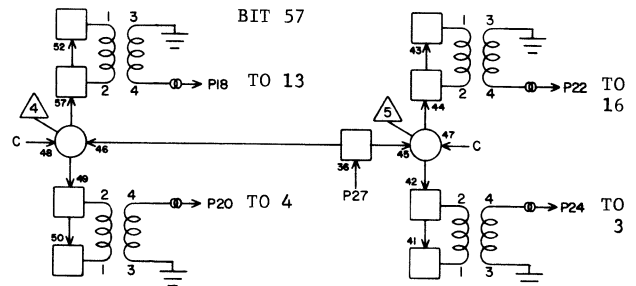
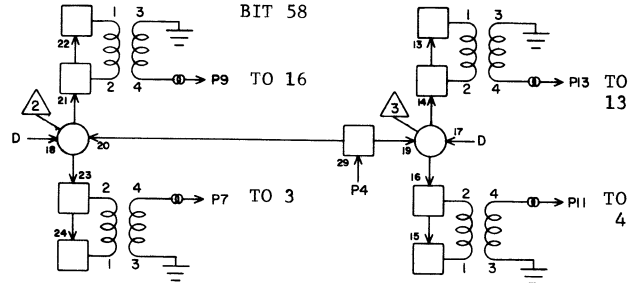
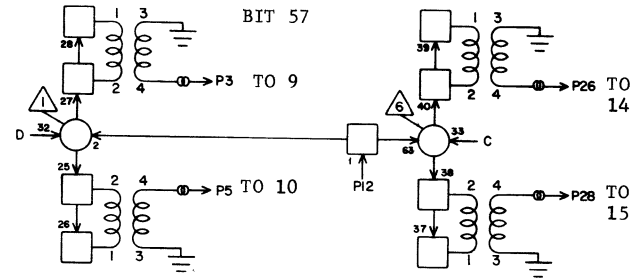
1			
2			
3	W11	93	
4	I 3	21	13
5	W12	93	
6			
7	W17	92	
8			
9	W16	92	
10			
11	W15	93	
12	I 3	20	13
13	W14	93	
14			
15			
16			
17			
18	W14	92	
19	I 5	10	11
20	W15	92	
21			
22	W16	91	
23			
24	W17	91	
25			
26	W39	93	
27	I 3	24	13
28	W13	93	

JACK PIN LG

63024900 Rev. C

WRITE DISTRIBUTOR
BITS 57,58 TO ALL MEMORY CHASSIS

JH 16L14



1			
2			
3	W14	94	
4	I 4	8	13
5	W15	94	
6			
7	W13	95	
8			
9	W39	95	
10			
11	W12	95	
12	I 4	3	13
13	W11	95	
14			
15			
16			
17			
18	W11	94	
19	I 5	11	13
20	W12	94	
21			
22	W39	94	
23			
24	W13	94	
25			
26	W16	93	
27	I 4	1	13
28	W17	93	

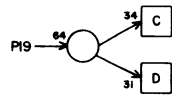
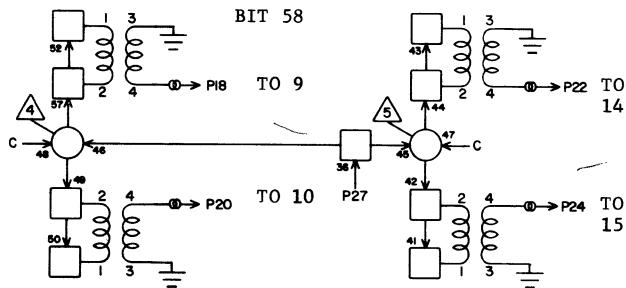
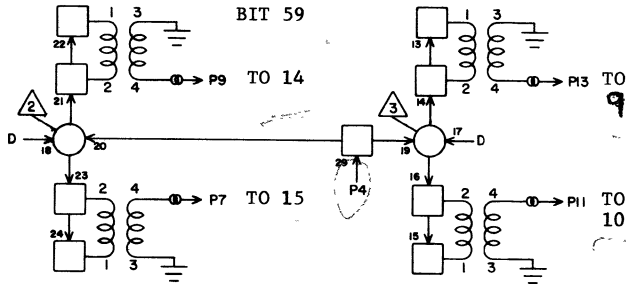
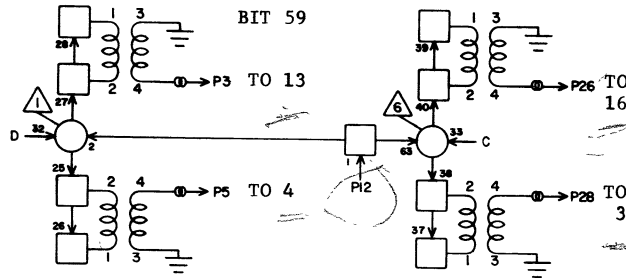
JACK PIN LG

63024900 Rev. C

WRITE DISTRIBUTOR
BITS 58 59 TO ALL MEMORY CHASSIS

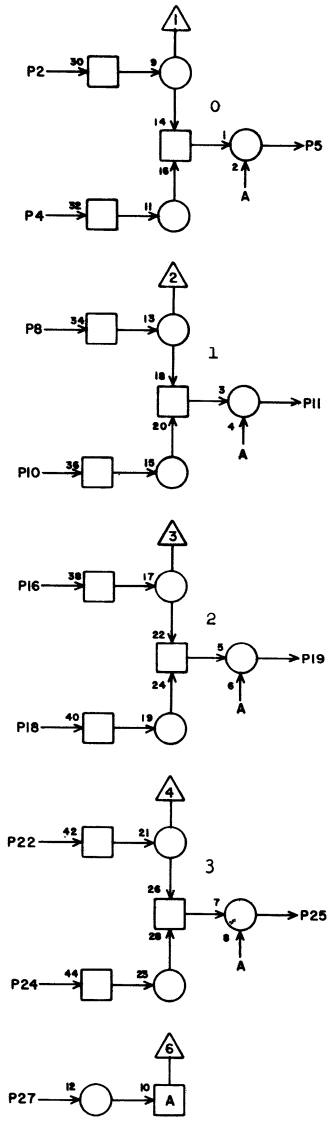
JH

16115



1			
2			
3	W11	96	
4	I 4	10	15
5	W12	96	
6			
7	W17	95	
8			
9	W16	95	
10			
11	W15	96	
12	I 4	9	15
13	W14	96	
14			
15			
16			
17			
18	W14	95	
19	I 5	12	13
20	W15	95	
21			
22	W16	94	
23			
24	W17	94	
25			
26	W39	96	
27	I 4	5	15
28	W13	96	
	JACK	PIN	LG

BANK 36 SENSE



SENSE

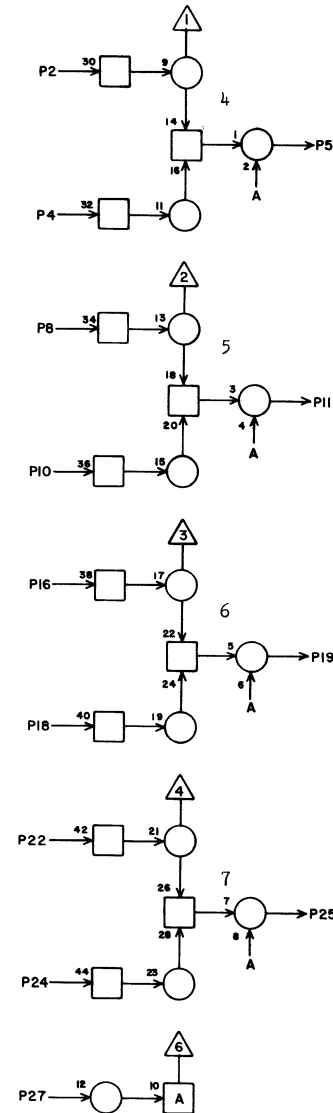
PS 16 M 1

1			
2	N 1	1	9
3			
4	N 1	3	9
5	H 1	14	21
6			
7			
8	N 1	27	11
9			
10	N 1	29	11
11	H 1	12	23
12			
13			
14			
15			
16	N 8	28	13
17			
18	N 8	30	13
19	H 1	26	21
20			
21			
22	N 8	2	11
23			
24	N 8	4	11
25	H 2	14	23
26	M14	15	15
27	M18	5	19
28	M 2	26	3

JACK PIN LG

63024900 Rev. C

BANK 36 SENSE



SENSE

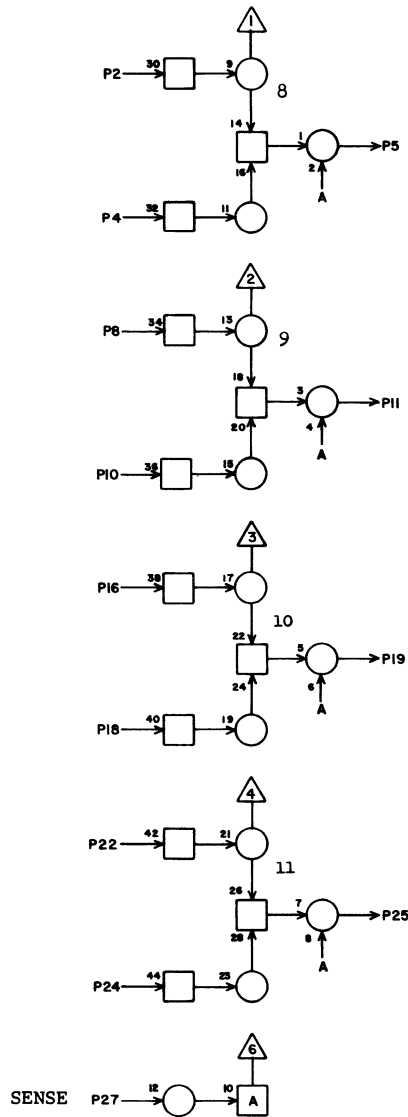
PS 16 M 2

1			
2	N 1	5	9
3			
4	N 1	7	9
5	H 2	12	21
6			
7			
8	N 1	23	11
9			
10	N 1	25	11
11	H 2	26	21
12			
13			
14			
15			
16	N 8	6	11
17			
18	N 8	8	11
19	H 3	14	23
20			
21			
22	N 8	24	11
23			
24	N 8	26	11
25	H 3	12	23
26	M 1	28	3
27	M18	7	17
28	M 3	26	3

JACK PIN LG

63024900 Rev. C

BANK 36 SENSE



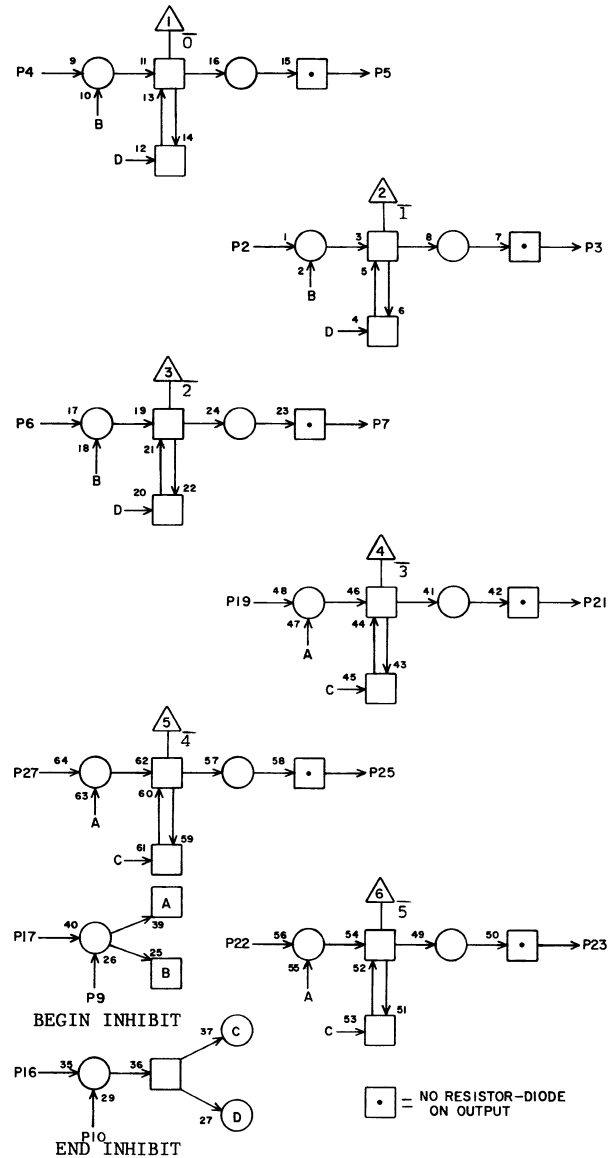
PS **16M 3**

1			
2	N 1	19	11
3			
4	N 1	21	11
5	H 3	26	21
6			
7			
8	N 1	9	9
9			
10	N 1	11	9
11	H 4	14	21
12			
13			
14			
15			
16	N 8	10	11
17			
18	N 8	12	11
19	H 4	12	21
20			
21			
22	N 8	20	11
23			
24	N 8	22	11
25	H 4	26	23
26	M 2	28	3
27	M 18	9	17
28	M 7	26	5

JACK PIN LG

63024900 Rev. C

BANK 36 RESTORE



• = NO RESISTOR-DIODE ON OUTPUT

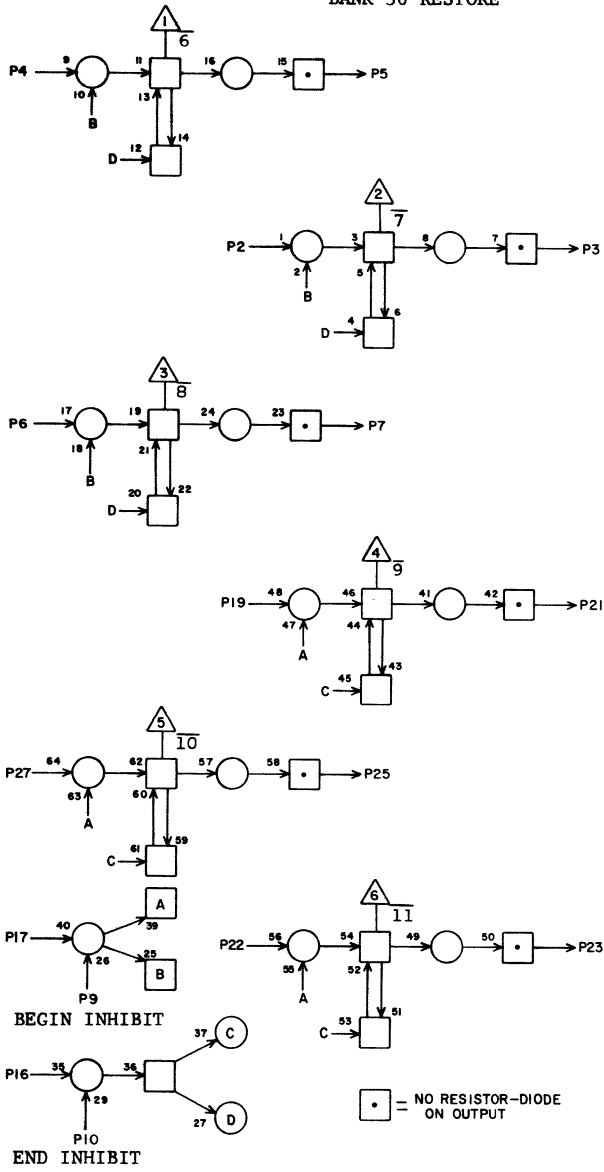
SPECIAL MODULE PZ **16M 4**

1			
2	G24	9	31
3	N 8	5	11
4	G24	5	31
5	N 8	29	11
6	G24	26	29
7	N 1	6	11
8			
9	M20	6	17
10	M20	16	17
11			
12			
13			
14			
15			
16	M21	19	19
17	M21	1	19
18			
19	G24	21	31
20			
21	N 1	26	11
22	G25	9	33
23	N 8	1	11
24			
25	N 8	27	11
26			
27	G25	5	33
28			

JACK PIN LG

63024900 Rev. C

BANK 36 RESTORE

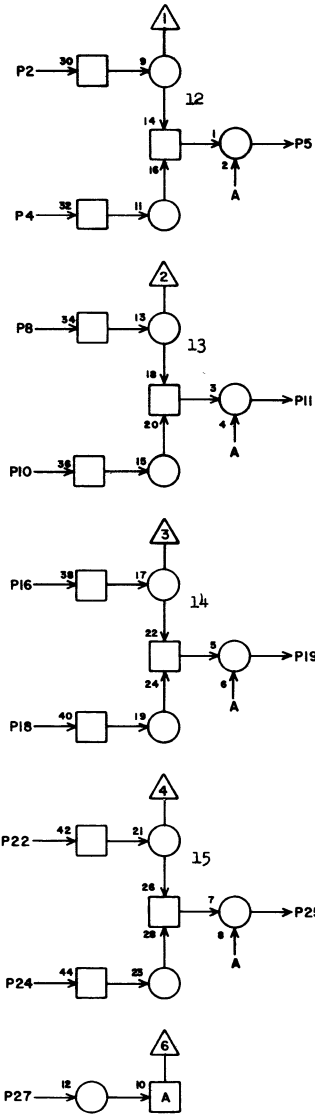


SPECIAL MODULE PZ 16 M 5

1			
2	G25	21	31
3	N 1	4	9
4	G25	26	29
5	N 1	28	11
6	G26	5	33
7	N 8	3	11
8			
9	M20	8	15
10	M20	18	17
11			
12			
13			
14			
15			
16	M21	20	17
17	M21	2	17
18			
19	G26	9	33
20			
21	N 8	25	11
22	G26	21	33
23	N 1	2	9
24			
25	N 1	30	11
26			
27	G26	26	31
28			

JACK PIN LG

BANK 36 SENSE



SENSE

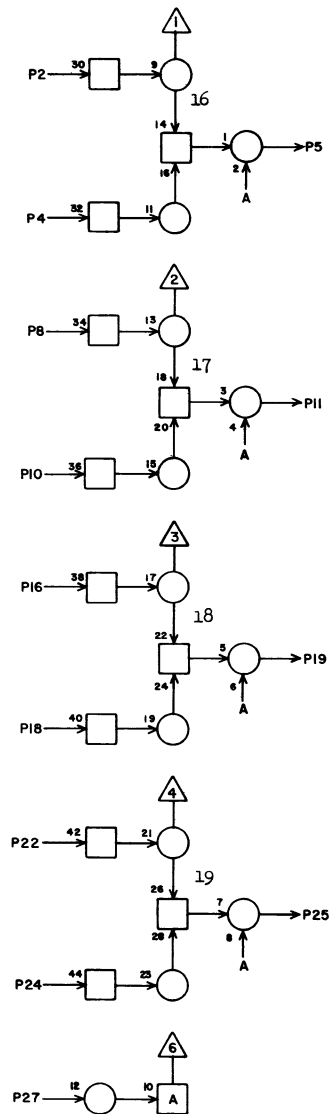
PS **16M 7**

1			
2	N10	1	9
3			
4	N10	3	9
5	H 6	14	21
6			
7			
8	N10	27	11
9			
10	N10	29	11
11	H 6	12	23
12			
13			
14			
15			
16	N16	28	13
17			
18	N16	30	13
19	H 6	26	21
20			
21			
22	N16	2	13
23			
24	N16	4	13
25	H 7	14	21
26	M 3	28	5
27	M18	11	13
28	M 8	26	3

JACK PIN LG

63024900 Rev. C

BANK 36 SENSE



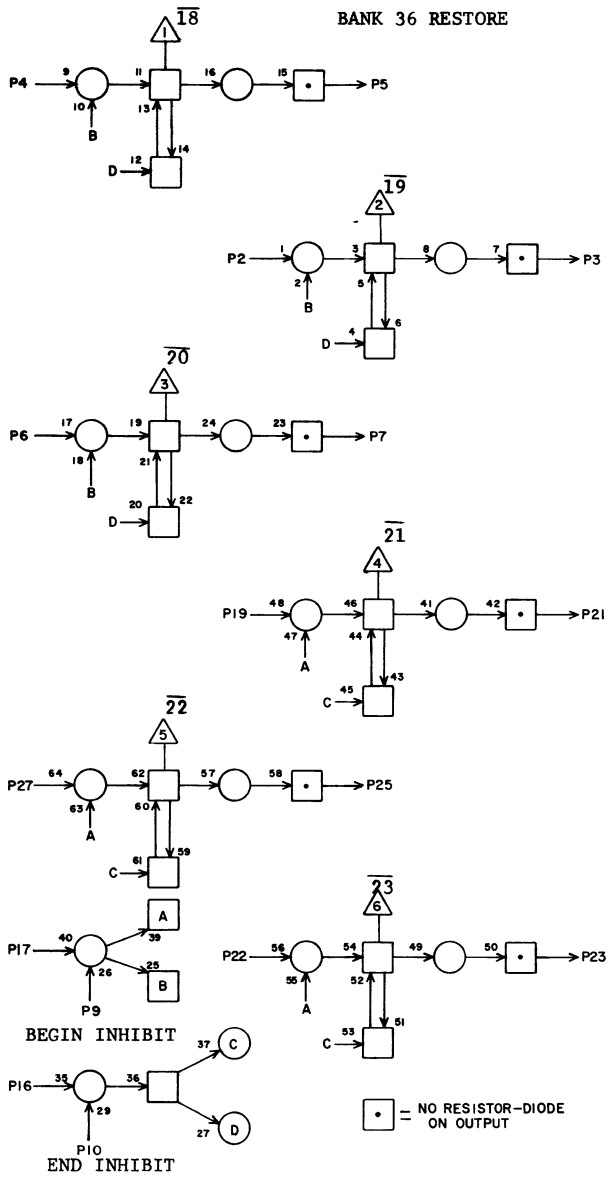
SENSE

PS **16M 8**

1			
2	N10	5	9
3			
4	N10	7	9
5	H 7	12	21
6			
7			
8	N10	23	11
9			
10	N10	25	11
11	H 7	26	21
12			
13			
14			
15			
16	N16	6	13
17			
18	N16	8	13
19	H 8	14	23
20			
21			
22	N16	24	13
23			
24	N16	26	13
25	H 8	12	23
26	M 7	28	3
27	M18	13	13
28	M 9	26	3

JACK PIN LG

63024900 Rev. C

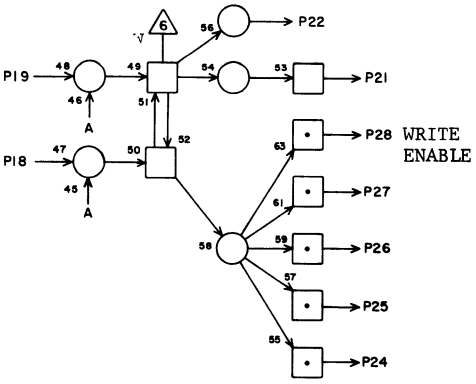
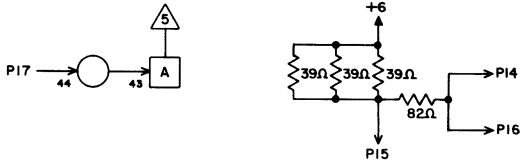
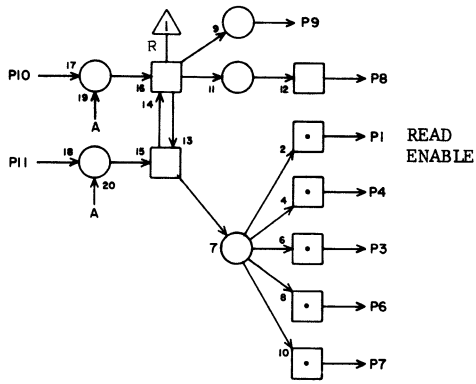


SPECIAL MODULE PZ16 M 11

1			
2	G 29	21	31
3	N 10	4	9
4	G 29	26	29
5	N 10	28	11
6	G 30	5	31
7	N 16	3	11
8			
9	M 20	12	11
10	M 20	22	11
11			
12			
13			
14			
15			
16	M 21	22	13
17	M 21	6	13
18			
19	G 30	9	33
20			
21	N 16	25	11
22	G 30	21	33
23	N 10	2	7
24			
25	N 10	30	11
26			
27	G 30	26	31
28			

JACK PIN LG

BANK 36
STORAGE SEQUENCE CONTROL

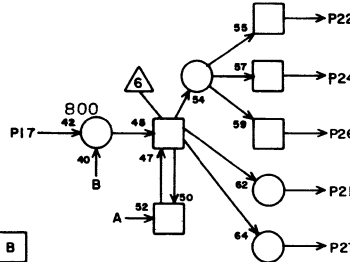
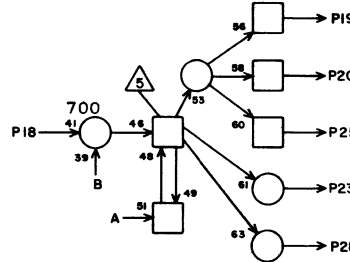
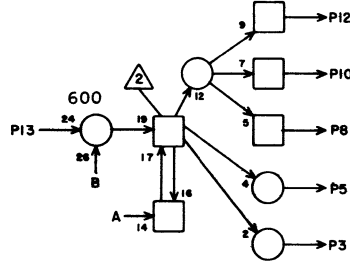
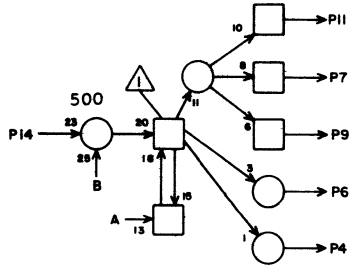


□ = NO RESISTOR-DIODE ON OUTPUT

SPECIAL MODULE PU 16M 14

JACK	PIN	LG
1	N 8	23 13
2		
3	N16	23 11
4	N25	23 17
5		
6	N33	23 23
7	N42	23 29
8	M15	14 3
9	G 7	21 25
10	G 5	6 27
11	M15	24 3
12		
13		
14	F14	16 27
15	M 1	26 15
16	P14	14 13
17	M21	17 9
18	M17	6 5
19	M17	7 5
20		
21	M17	13 5
22	G 7	23 27
23		
24	N 8	21 11
25	N16	21 9
26	N25	21 15
27	N33	21 21
28	N42	21 29

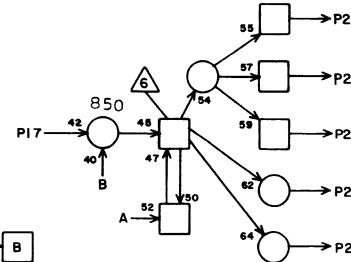
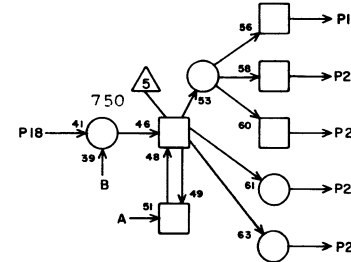
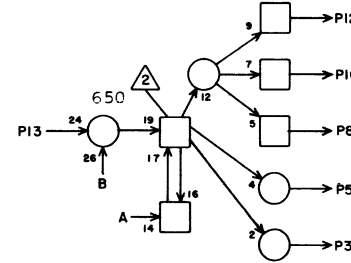
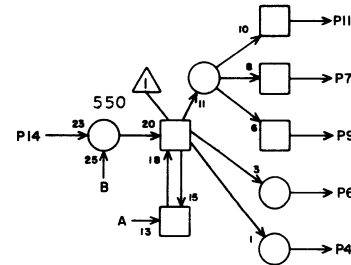
BANK 36
STORAGE SEQUENCE CONTROL



PD	16M 15		
1			
2			
3			
4			
5			
6			
7			
8	M16	13	3
9			
10	M18	1	5
11	M16	14	3
12			
13	M16	7	3
14	M14	8	3
15			
16	G22	22	27
17	M16	20	3
18	M16	8	3
19			
20	M16	18	3
21			
22	M16	17	3
23			
24	M14	11	3
25			
26			
27			
28	M18	3	5

JACK PIN LG
63024900 Rev. C

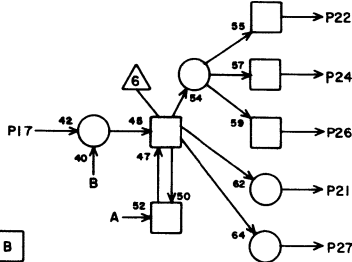
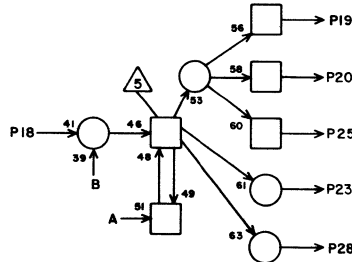
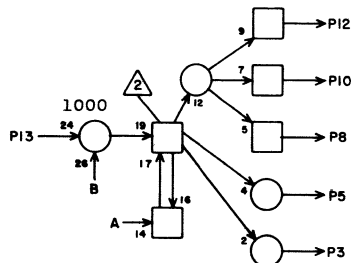
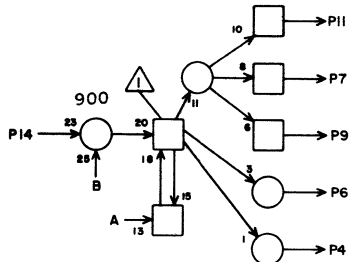
BANK 36
STORAGE SEQUENCE CONTROL



PD	16M 16		
1			
2			
3			
4			
5			
6			
7	M15	13	3
8	M15	18	3
9	M19	3	5
10			
11			
12			
13	M15	8	3
14	M15	11	3
15			
16	M21	18	7
17	M15	22	3
18	M15	20	3
19			
20	M15	17	3
21	M19	2	5
22	M17	14	3
23	G 7	25	29
24	M19	1	7
25			
26			
27			
28			

JACK PIN LG
63024900 Rev. C

BANK 36
STORAGE SEQUENCE CONTROL



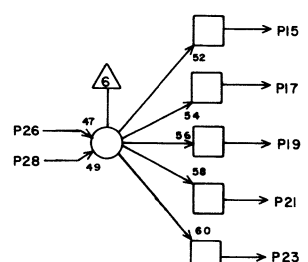
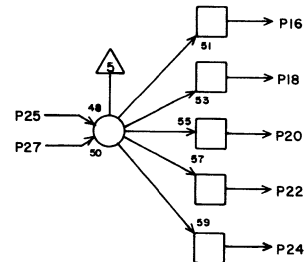
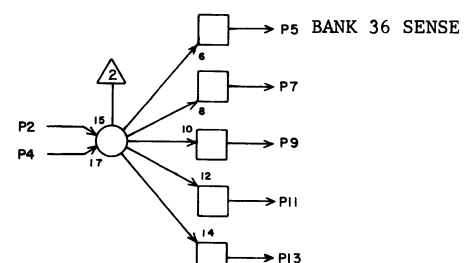
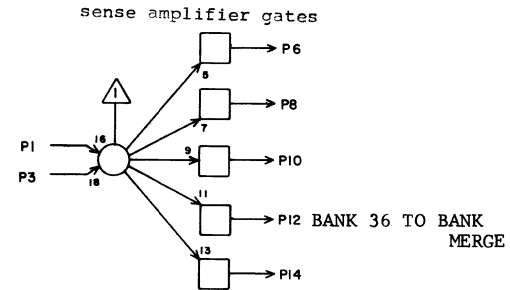
PD 16 M 17

1			
2			
3			
4			
5			
6	M14	18	5
7	M14	19	5
8			
9			
10			
11			
12			
13	M14	21	5
14	M16	22	3
15			
16	G22	21	25
17			
18			
19			
20			
21			
22			
23			
24			
25			
26			
27			
28			

JACK PIN LG

63024900 Rev. C

BANK 36
STORAGE SEQUENCE CONTROL



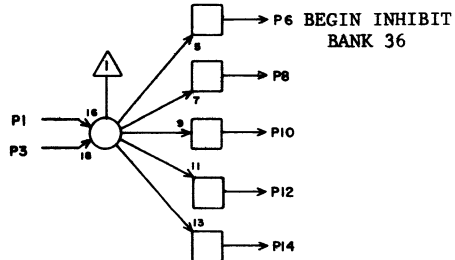
T D 16 M 18

1	M15	10	5
2	M18	6	3
3	M15	28	5
4	M18	x	2
5	M 1	27	19
6	M18	2	3
7	M2	27	17
8	M18	25	3
9	M 3	27	17
10	M18	26	3
11	M 7	27	13
12	G17	13	25
13	M 8	27	13
14			
15	M33	27	17
16	M 9	27	11
17	M34	27	17
18	M26	27	11
19	M38	27	19
20	M27	27	13
21	M39	27	23
22	M28	27	13
23	M40	27	23
24	M32	27	15
25	M18	8	3
26	M18	10	3
27	M18	x	2
28	M18	x	2

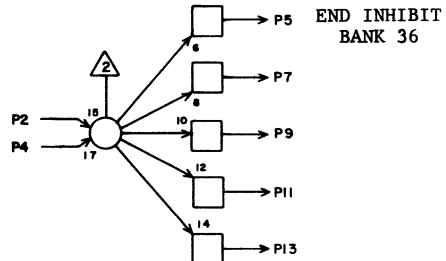
JACK PIN LG

63024900 Rev. C

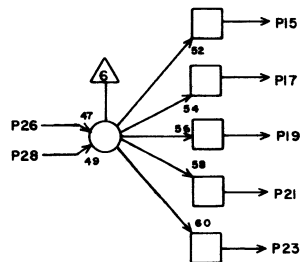
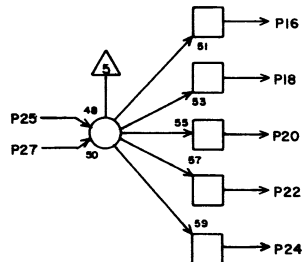
BANK 36
STORAGE SEQUENCE CONTROL



BEGIN INHIBIT
BANK 36



END INHIBIT
BANK 36



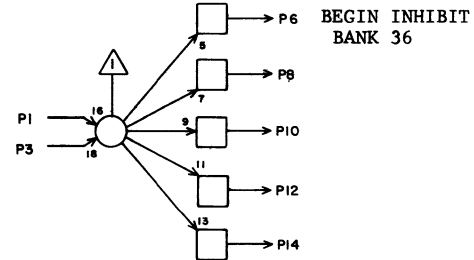
T D 16 M 19

1	M16	24	7
2	M16	21	5
3	M16	9	5
4	M19	x	2
5	M20	25	5
6	M20	3	3
7	M20	26	5
8	M20	2	3
9			
10			
11			
12			
13			
14			
15			
16			
17			
18			
19			
20			
21			
22			
23			
24			
25			
26			
27			
28			

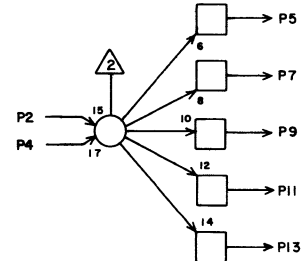
JACK PIN LG

63024900 Rev. C

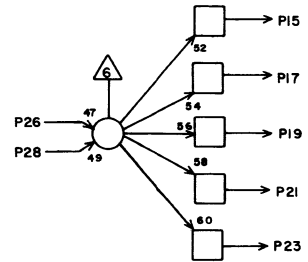
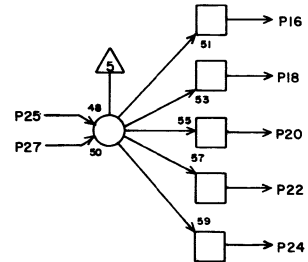
BANK 36
STORAGE SEQUENCE CONTROL



BEGIN INHIBIT
BANK 36



END INHIBIT
BANK 36

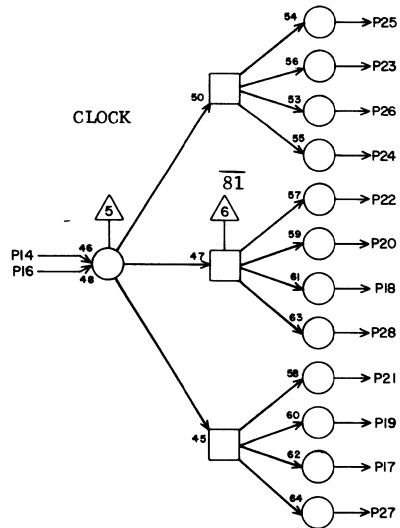
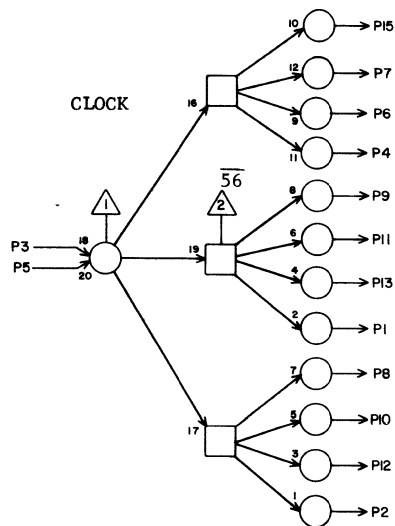


T D 16 M 20

1	M20	x	2
2	M19	8	3
3	M19	6	3
4	M20	x	2
5	M30	9	13
6	M 4	9	17
7	M35	9	15
8	M 5	9	15
9	M36	9	17
10	M10	9	13
11	M41	9	23
12	M11	9	11
13	M42	9	23
14	M29	9	13
15	M30	10	13
16	M 4	10	17
17	M35	10	17
18	M 5	10	17
19	M36	10	17
20	M10	10	13
21	M41	10	21
22	M11	10	11
23	M42	10	23
24	M29	10	13
25	M19	5	5
26	M19	7	5
27	M20	x	2
28	M20	x	2

JACK PIN LG

63024900 Rev. C



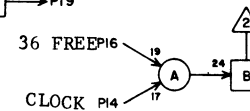
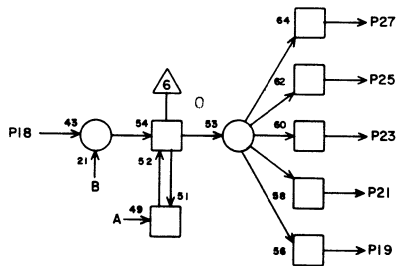
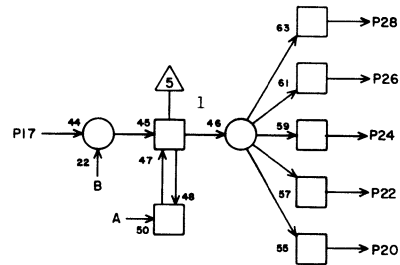
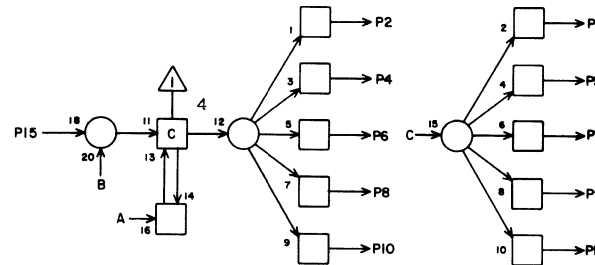
TC 16 M21

1	M 4	17	19
2	M 5	17	17
3	G10	23	27
4	M10	17	13
5	M21	X	2
6	M11	17	13
7	M29	17	9
8	M30	17	13
9	M35	17	15
10	M36	17	17
11	M41	17	21
12	M42	17	23
13	P22	14	15
14	G11	9	27
15	P23	14	15
16	M21	X	2
17	M14	17	9
18	M16	16	7
19	M 4	16	19
20	M 5	16	17
21	M10	16	13
22	M11	16	13
23	M29	16	11
24	M30	16	13
25	M35	16	15
26	M36	16	17
27	M41	16	21
28	M42	16	23

JACK PIN LG

63024900 Rev. C

BANK 36
ADDRESS BITS 0,1,4



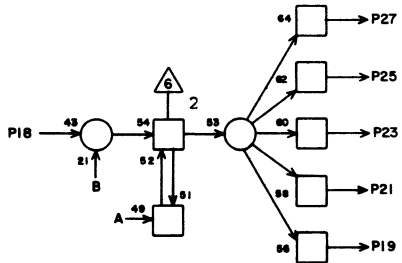
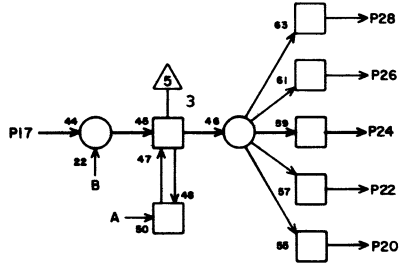
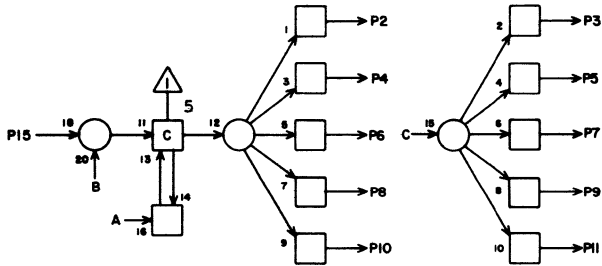
SA 16M 22

1			
2	N 8	7	17
3	N 8	15	17
4	N16	7	11
5	N16	15	13
6	N25	7	11
7	N25	15	11
8	N33	7	15
9	N33	15	15
10	N42	7	23
11	N42	15	23
12			
13			
14	G22	11	27
15	G 2	5	33
16	G19	16	25
17	G 1	9	33
18	G 1	5	33
19	N 1	22	23
20	N 1	20	23
21	N10	22	17
22	N10	20	15
23	N18	22	11
24	N18	20	11
25	N26	22	11
26	N26	20	11
27	N35	22	19
28	N35	20	17

JACK PIN LG

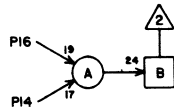
63024900 Rev. C

BANK 36
ADDRESS BITS 2,3,5



36 FREE

CLOCK

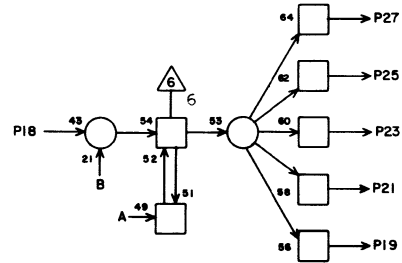
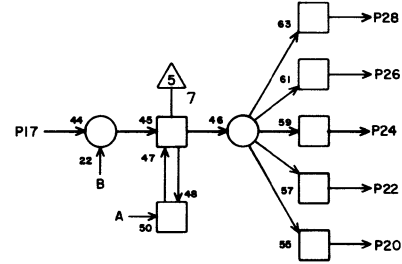
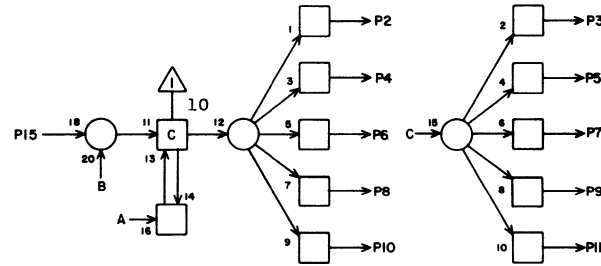


SA 16M 23

1			
2	N 8	9	17
3	N 8	17	19
4	N16	9	13
5	N16	17	13
6	N25	9	11
7	N25	17	11
8	N33	9	15
9	N33	17	15
10	N42	9	21
11	N42	17	21
12			
13			
14	G22	12	27
15	G 2	9	33
16	G19	18	35
17	G 1	22	33
18	G 1	26	31
19	N 1	8	23
20	N 1	10	23
21	N10	8	17
22	N10	10	17
23	N18	8	11
24	N18	10	11
25	N26	8	9
26	N26	10	9
27	N35	8	15
28	N35	10	15
	JACK	PIN	LG

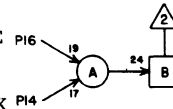
63024900 Rev. C

BANK 36
ADDRESS BITS 6,7,10



36 FREE

CLOCK

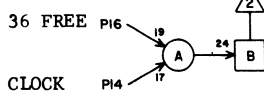
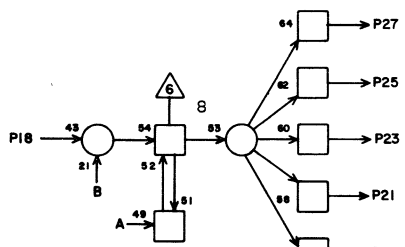
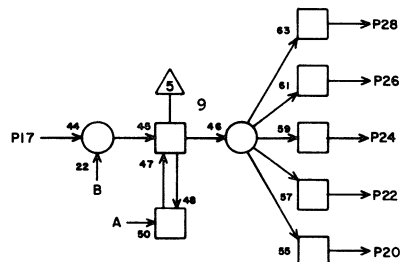
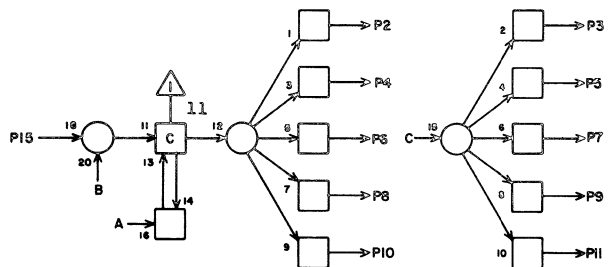


SA 16M 24

1			
2	N 1	18	25
3	N 8	19	19
4	N10	18	17
5	N16	19	13
6	N18	18	13
7	N25	19	11
8	N26	18	11
9	N33	19	15
10	N35	18	15
11	N42	19	21
12			
13			
14	G22	13	25
15	G 3	26	31
16	G19	20	25
17	G 2	22	33
18	G 2	26	33
19	N 8	13	19
20	N 8	11	17
21	N16	13	13
22	N16	11	13
23	N25	13	9
24	N25	11	9
25	N33	13	13
26	N33	11	13
27	N42	13	19
28	N42	11	19
	JACK	PIN	LG

63024900 Rev. C

BANK 36
ADDRESS BITS 8,9,11



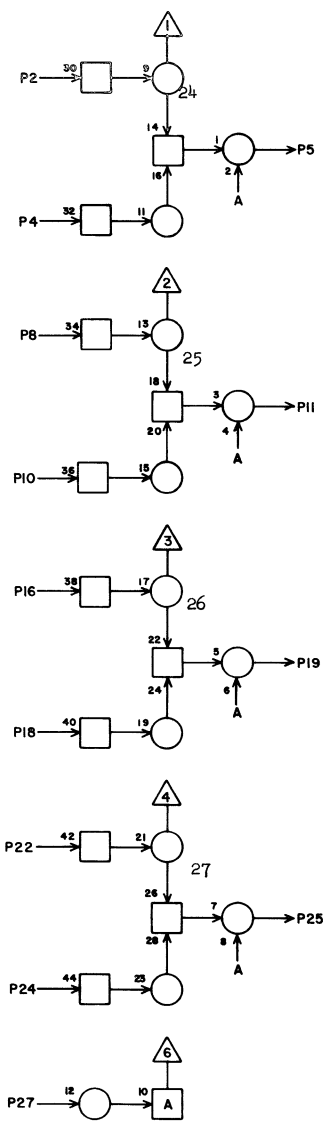
\$A 16 M 25

1			
2	N 1	16	25
3	N 1	24	25
4	N10	16	19
5	N10	24	19
6	N18	16	13
7	N18	24	13
8	N26	16	11
9	N26	24	11
10	N35	16	15
11	N35	24	15
12			
13			
14	G22	15	25
15	G 3	22	33
16	G19	22	25
17	G 3	9	33
18	G 3	5	31
19	N 1	12	25
20	N 1	14	25
21	N10	12	19
22	N10	14	17
23	N18	12	13
24	N18	14	11
25	N26	12	7
26	N26	14	7
27	N35	12	13
28	N35	14	13

JACK PIN LG

63024900 Rev. C

BANK 36 SENSE



SENSE

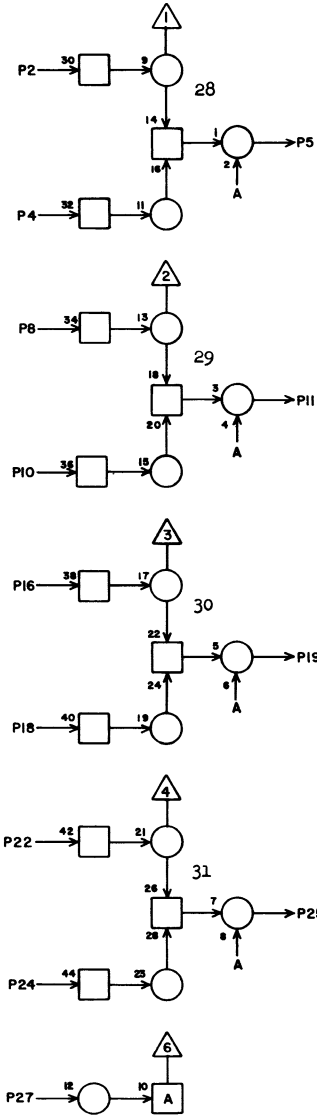
PS 16 M26

1			
2	N18	1	13
3			
4	N18	3	13
5	H11	14	27
6			
7			
8	N18	27	15
9			
10	N18	29	15
11	H11	12	27
12			
13			
14			
15			
16	N25	28	11
17			
18	N25	30	11
19	H11	26	27
20			
21			
22	N25	2	7
23			
24	N25	4	7
25	H12	14	27
26	M 9	28	19
27	M18	18	11
28	M27	26	3

JACK PIN LG

63024900 Rev. C

BANK 36 SENSE



PS

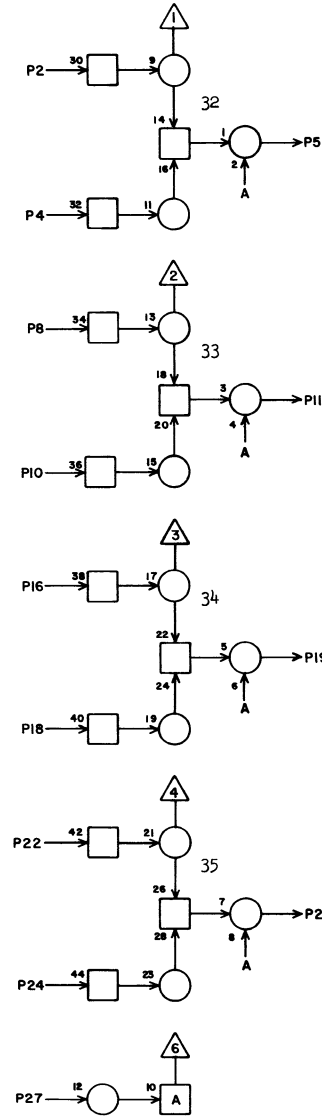
16 M27

1			
2	N18	5	13
3			
4	N18	7	13
5	H12	12	27
6			
7			
8	N18	23	13
9			
10	N18	25	13
11	H12	26	25
12			
13			
14			
15			
16	N25	6	9
17			
18	N25	8	9
19	H13	14	27
20			
21			
22	N25	24	9
23			
24	N25	26	9
25	H13	12	27
26	M26	28	3
27	M18	20	13
28	M28	26	3

JACK PIN LG

63024900 Rev. C

BANK 36 SENSE



PS

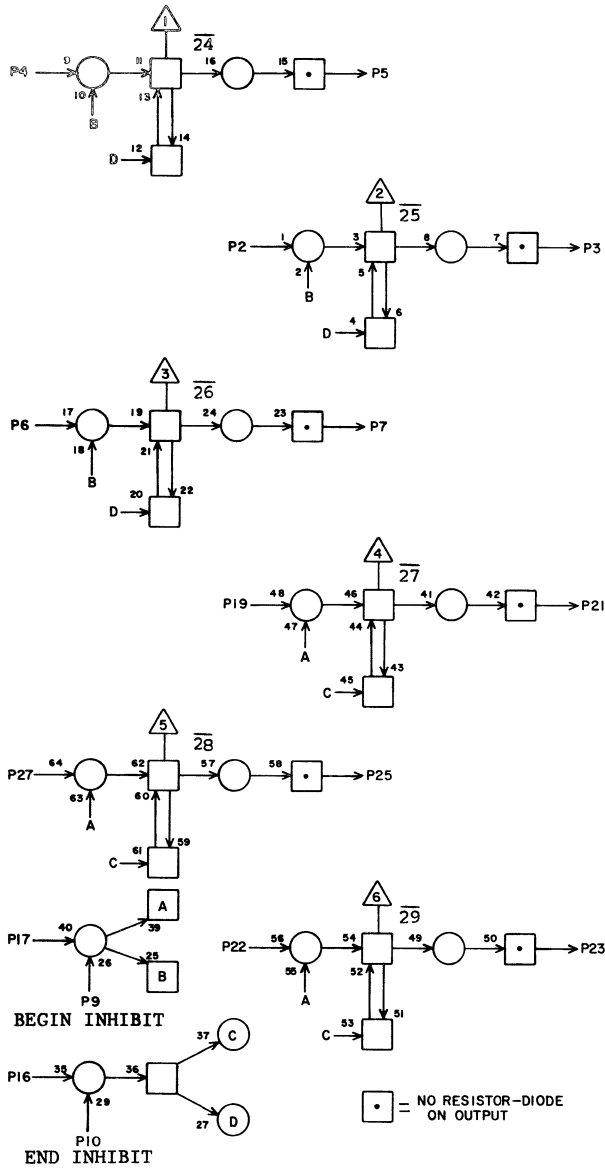
16 M28

1			
2	N18	19	15
3			
4	N18	21	15
5	H13	26	25
6			
7			
8	N18	9	15
9			
10	N18	11	15
11	H14	14	25
12			
13			
14			
15			
16	N25	10	9
17			
18	N25	12	9
19	H14	12	27
20			
21			
22	N25	20	9
23			
24	N25	22	9
25	H14	26	27
26	M27	28	3
27	M18	22	13
28	M32	26	5

JACK PIN LG

63024900 Rev. C

BANK 36 RESTORE



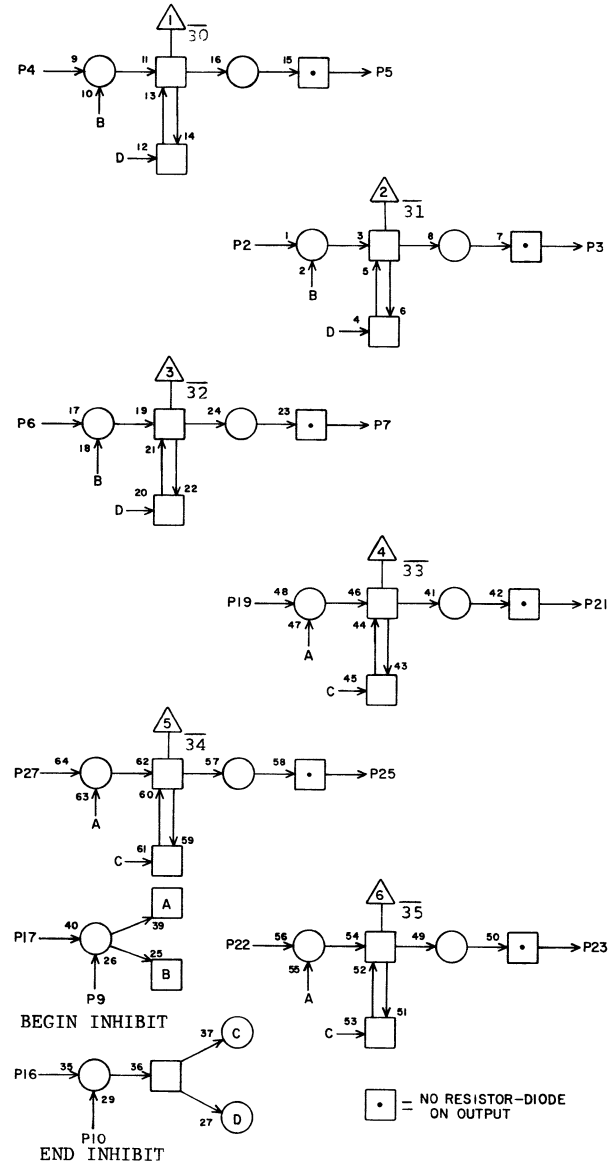
SPECIAL MODULE PZ 16M29

1			
2	G32	9	25
3	N25	5	11
4	G32	5	25
5	N25	29	13
6	G32	26	25
7	N18	6	15
8			
9	M20	14	13
10	M20	24	13
11			
12			
13			
14			
15			
16	M21	23	11
17	M21	7	9
18			
19	G32	21	25
20			
21	N18	26	15
22	G33	9	27
23	N25	1	9
24			
25	N25	27	11
26			
27	G33	5	27
28			

JACK PIN LG

63024900 Rev. C

BANK 36 RESTORE



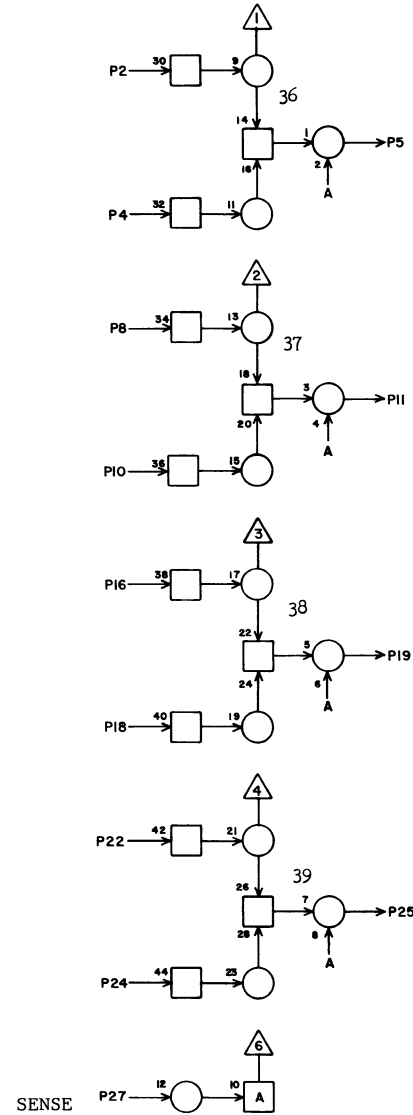
SPECIAL MODULE PZ16 M30

1			
2	G33	21	25
3	N18	4	17
4	G33	26	25
5	N18	28	17
6	G34	5	27
7	N25	3	11
8			
9	M20	5	13
10	M20	15	13
11			
12			
13			
14			
15			
16	M21	24	13
17	M21	8	13
18			
19	G34	9	27
20			
21	N25	25	11
22	G34	21	27
23	N18	2	15
24			
25	N18	30	17
26			
27	G34	26	27
28			

JACK PIN LG

63024900 Rev. C

BANK 36 SENSE

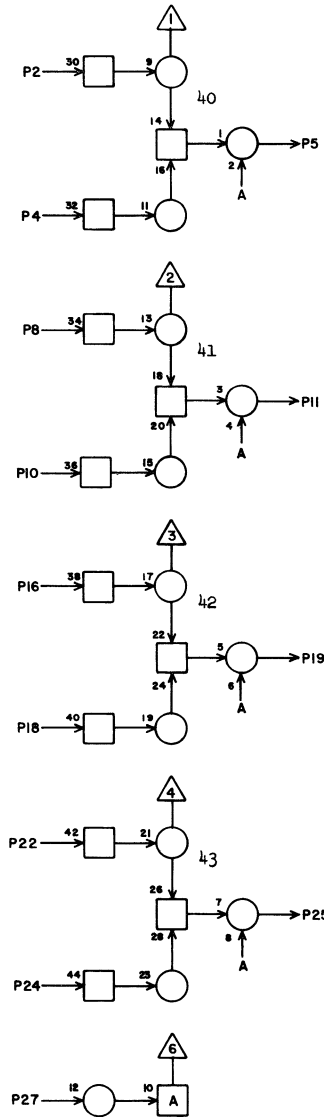


PS 16M32

1			
2	N26	1	11
3			
4	N26	3	11
5	H16	14	27
6			
7			
8	N26	27	13
9			
10	N26	29	13
11	H16	12	27
12			
13			
14			
15			
16	N33	28	11
17			
18	N33	30	11
19	H16	26	27
20			
21			
22	N33	2	7
23			
24	N33	4	7
25	H17	14	27
26	M28	28	5
27	M18	24	15
28	M33	26	3

JACK PIN LG

BANK 36 SENSE



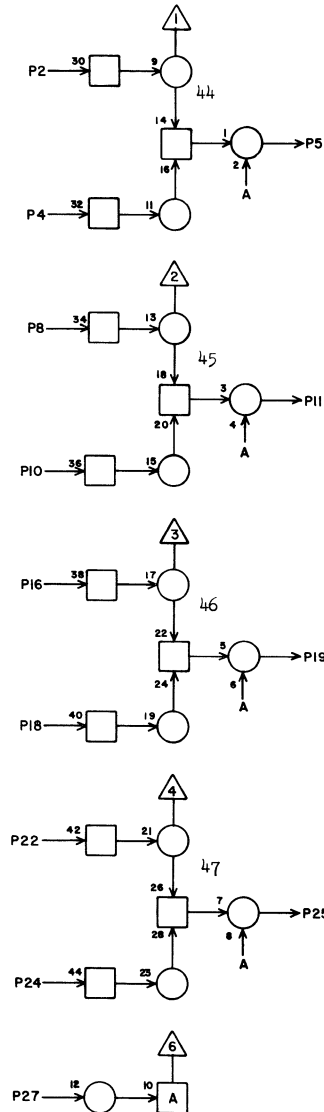
PS 16M33

1			
2	N26	5	13
3			
4	N26	7	13
5	H17	12	27
6			
7			
8	N26	23	13
9			
10	N26	25	13
11	H17	26	27
12			
13			
14			
15			
16	N33	6	9
17			
18	N33	8	9
19	H18	14	27
20			
21			
22	N33	24	9
23			
24	N33	26	9
25	H18	12	27
26	M32	28	3
27	M18	15	17
28	M34	26	3

JACK PIN LG

63024900 Rev. C

BANK 36 SENSE



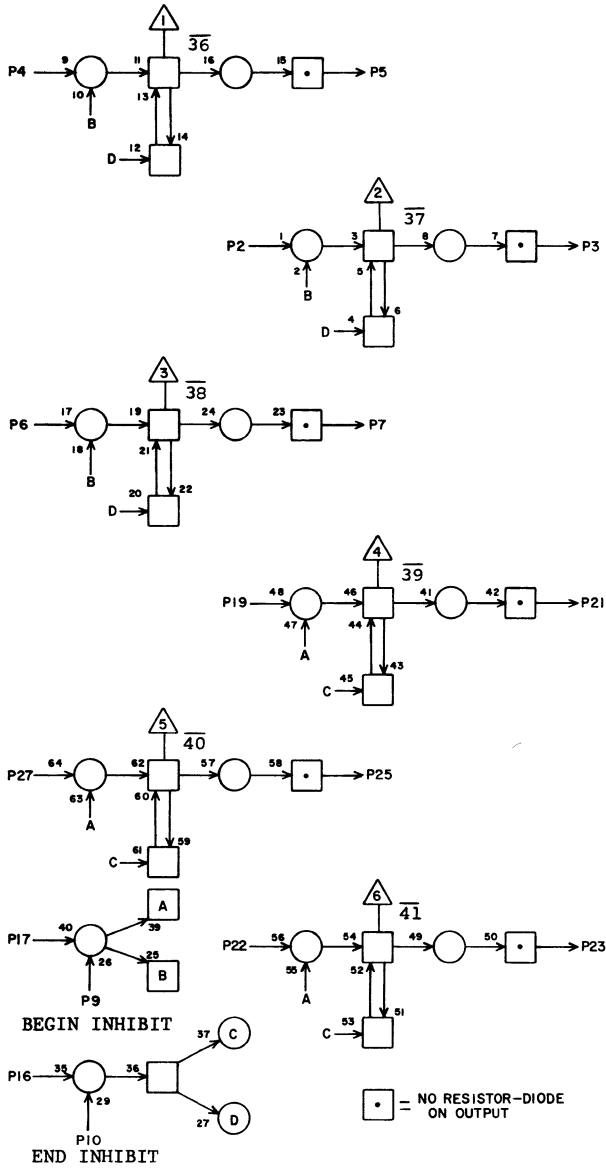
PS 16M34

1			
2	N26	19	13
3			
4	N26	21	13
5	H18	26	25
6			
7			
8	N26	9	13
9			
10	N26	11	13
11	H19	14	27
12			
13			
14			
15			
16	N33	10	9
17			
18	N33	12	9
19	H19	12	27
20			
21			
22	N33	20	9
23			
24	N33	22	9
25	H19	26	27
26	M33	28	3
27	M18	17	17
28	M38	26	5

JACK PIN LG

63024900 Rev. C

BANK 36 RESTORE

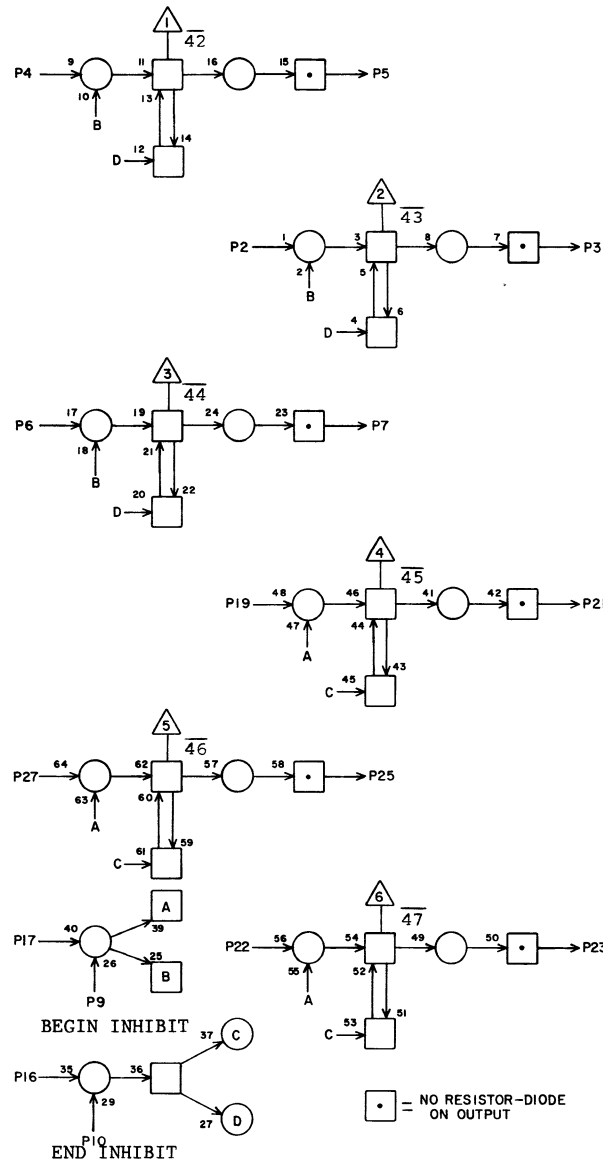


SPECIAL MODULE P2 16 M35

1			
2	G36	9	25
3	N33	5	13
4	G36	5	25
5	N33	29	11
6	G36	26	25
7	N26	6	13
8			
9	M20	7	15
10	M20	17	17
11			
12			
13			
14			
15			
16	M21	25	15
17	M21	9	15
18			
19	G36	21	25
20			
21	N26	26	13
22	G37	9	27
23	N33	1	7
24			
25	N33	27	9
26			
27	G37	5	27
28			

63024900 Rev. C

BANK 36 RESTORE

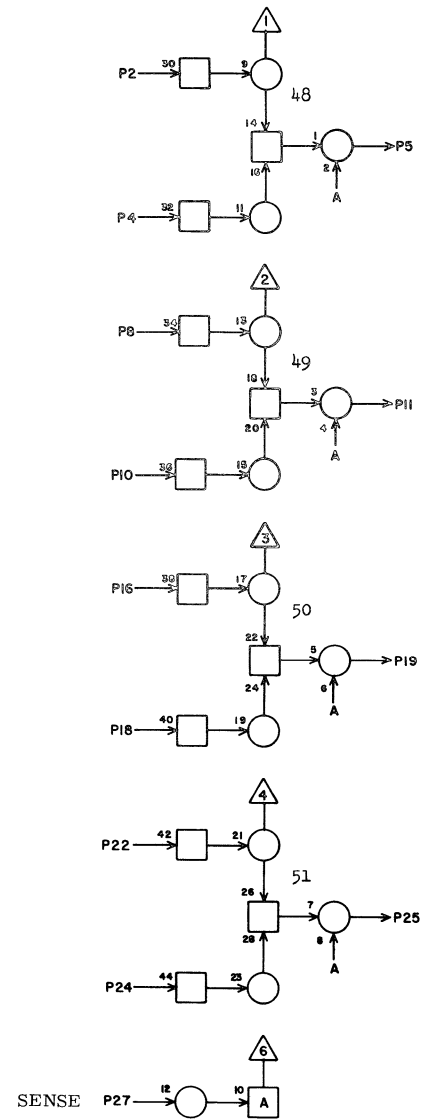


SPECIAL MODULE P216 M 36

1			
2	G37	21	25
3	N26	4	15
4	G37	26	25
5	N26	29	15
6	G38	5	25
7	N33	3	9
8			
9	M20	9	17
10	M20	19	17
11			
12			
13			
14			
15			
16	M21	26	17
17	M21	10	17
18			
19	G38	9	27
20			
21	N33	25	11
22	G38	21	25
23	N26	2	13
24			
25	N26	30	15
26			
27	G38	26	25
28			

63024900 Rev. C

BANK 36 SENSE

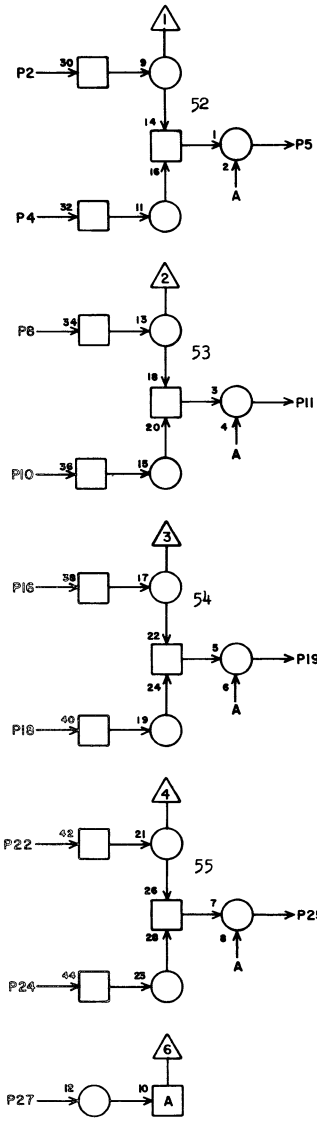


PS 16 M38

1			
2	N35	1	9
3			
4	N35	3	9
5	H21	14	27
6			
7			
8	N35	27	11
9			
10	N35	29	11
11	H21	12	27
12			
13			
14			
15			
16	N42	28	11
17			
18	N42	30	11
19	H21	26	27
20			
21			
22	N42	2	7
23			
24	N42	4	7
25	H22	14	27
26	M34	28	5
27	M18	19	19
28	M39	26	3

JACK PIN LG

BANK 36 SENSE



SENSE

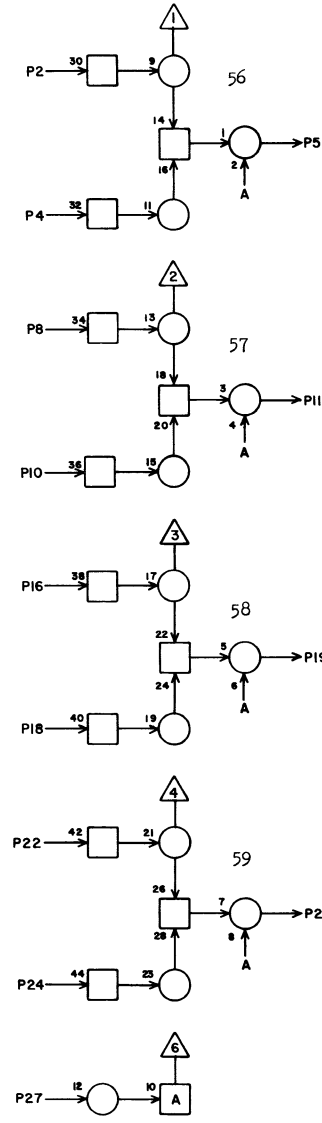
PS 16M39

1			
2	N35	5	11
3			
4	N35	7	11
5	H22	12	27
6			
7			
8	N35	23	11
9			
10	N35	25	11
11	H22	26	27
12			
13			
14			
15			
16	N42	6	9
17			
18	N42	8	9
19	H23	14	27
20			
21			
22	N42	24	11
23			
24	N42	26	11
25	H23	12	27
26	M38	28	3
27	M18	21	23
28	M40	26	3

JACK PIN LG

63024900 Rev. C

BANK 36 SENSE



SENSE

PS 16M40

1			
2	N35	19	13
3			
4	N35	21	13
5	H23	26	27
6			
7			
8	N35	9	11
9			
10	N35	11	11
11	H24	14	27
12			
13			
14			
15			
16	N42	10	7
17			
18	N42	12	7
19	H24	12	27
20			
21			
22	N42	20	9
23			
24	N42	22	9
25	H24	26	27
26	M39	28	3
27	M18	23	23
28			

JACK PIN LG

63024900 Rev. C

16 N 1			
JACK	PIN	LG	
1	M 1	2	9
2	M 5	23	9
3	M 1	4	9
4	M 5	3	9
5	M2	2	9
6	M 4	7	11
7	M 2	4	9
8	M23	19	23
9	M 3	8	9
10	M23	20	23
11	M 3	10	9
12	M25	19	25
13			
14	M25	20	25
15	N 1	X	2
16	M25	2	25
17			
18	M24	2	25
19	M 3	2	11
20	M22	20	23
21	M 3	4	11
22	M22	19	23
23	M 2	8	11
24	M25	3	25
25	M 2	10	11
26	M 4	21	11
27	M 1	8	11
28	M 5	5	11
29	M 1	10	11
30	M 5	25	11

FUNCTION	PIN
Address	
S ⁰	22
S ¹	20
S ²	8
S ³	10
S ⁴	12
S ⁵	14
S ⁶	18
S ⁷	16
Store	
Z ²	6
Z ³	26
Z ⁶	28
Z ⁷	4
Z ¹⁰	30
Z ¹¹	2
Read	
2 ⁰	1
2 ¹	3
2 ²	27
2 ³	29
2 ⁴	5
2 ⁵	7
2 ⁶	23
2 ⁸	25
2 ⁹	19
2 ¹⁰	21
2 ¹¹	9
Inhibit	
S ¹¹	24
Power	
+5 To Inhibit	13
+5 To Inhibit	17
Ground	15

16 N 8			
JACK	PIN	LG	
1	M 4	23	11
2	M 1	22	11
3	M 5	7	11
4	M 1	24	11
5	M 4	3	11
6	M 2	16	11
7	M22	2	17
8	M 2	18	11
9	M23	2	17
10	M 3	16	11
11	M24	20	17
12	M 3	18	11
13	M24	19	19
14			
15	M22	3	17
16	N 8	X	2
17	M23	3	19
18			
19	M24	3	19
20	M 3	22	11
21	M14	24	11
22	M 3	24	11
23	M14	1	13
24	M 2	22	11
25	M 5	21	11
26	M 2	24	11
27	M 4	25	11
28	M 1	16	13
29	M 4	5	11
30	M 1	18	13

FUNCTION	PIN
Address	
S ⁴	7
S ⁵	9
S ⁶	13
S ⁷	11
Store	
Z ⁰	29
Z ¹	5
Z ⁴	27
Z ⁵	1
Z ⁸	3
Z ⁹	25
Read	
2 ²	28
2 ²	30
2 ³	2
2 ³	4
2 ⁶	6
2 ⁸	8
2 ⁷	24
2 ¹⁰	26
2 ¹⁰	10
2 ¹⁰	12
2 ¹¹	20
2 ¹¹	22
Inhibit	
S ⁴	15
S ⁵	17
S ¹⁰	19
Control	
Read Enable	23
Write Enable	21
Power	
+8 To Drive	18
+6 To Drive	14
Ground	16

63024900 Rev. C

16 N10			
JACK	PIN	LG	
1	M 7	2	9
2	M11	23	7
3	M 7	4	9
4	M11	3	9
5	M 8	2	9
6	M10	7	9
7	M 8	4	9
8	M23	21	17
9	M 9	8	9
10	M23	22	17
11	M 9	10	9
12	M25	21	19
13			
14	M25	22	17
15	N10	X	2
16	M25	4	19
17			
18	M24	4	17
19	M 9	2	11
20	M22	22	15
21	M 9	4	11
22	M22	21	17
23	M 8	8	11
24	M25	5	19
25	M 8	10	11
26	M10	21	11
27	M 7	8	11
28	M11	5	11
29	M 7	10	11
30	M11	25	11

FUNCTION	PIN
Address	
S ⁰	22
S ¹	20
S ²	8
S ³	10
S ⁴	12
S ⁵	14
S ⁶	18
S ⁷	16
Store	
Z ²	6
Z ³	26
Z ⁶	28
Z ⁷	4
Z ¹⁰	30
Z ¹¹	2
Read	
2 ⁰	1
2 ⁰	3
2 ¹	27
2 ¹	29
2 ⁴	5
2 ⁴	7
2 ⁵	23
2 ⁵	25
2 ⁸	19
2 ⁸	21
2 ⁹	9
2 ⁹	11
Inhibit	
S ¹¹	24
Power	
+5 To Inhibit	13
+5 To Inhibit	17
Ground	15

STORAGE MODULE

16 N16			
JACK	PIN	LG	
1	M10	23	11
2	M 7	22	13
3	M11	7	11
4	M 7	24	13
5	M10	3	13
6	M 8	16	13
7	M22	4	11
8	M 8	18	13
9	M23	4	13
10	M 9	16	11
11	M24	22	13
12	M 9	18	11
13	M24	21	13
14			
15	M22	5	13
16	N16	X	2
17	M23	5	13
18			
19	M24	5	13
20	M 9	22	11
21	M14	25	9
22	M 9	24	11
23	M14	3	11
24	M 8	22	13
25	M11	21	11
26	M 8	24	13
27	M10	25	13
28	M 7	16	13
29	M10	5	13
30	M 7	18	13

FUNCTION	PIN
Address	
S ⁴	7
S ⁵	9
S ⁶	13
S ⁷	11
Store	
Z ⁰	29
Z ¹	5
Z ⁴	27
Z ⁵	1
Z ⁸	3
Z ⁹	25
Read	
2 ²	28
2 ²	30
2 ³	2
2 ³	4
2 ⁶	6
2 ⁶	8
2 ⁷	24
2 ⁷	26
2 ¹⁰	10
2 ¹⁰	12
2 ¹¹	20
2 ¹¹	22
Inhibit	
S ⁴	15
S ⁵	17
S ¹⁰	19
Control	
Read Enable	23
Write Enable	21
Power	
+8 To Drive	18
+6 To Drive	14
Ground	16

63024900 Rev. C

16 M35

STORAGE
MODULE

FUNCTION	PIN
Address	
S ⁰	22
S ¹	20
S ²	8
S ³	10
S ⁸	12
S ⁹	14
S ¹⁰	18
S ¹¹	16
Store	
Z ²	6
Z ³	26
Z ⁶	28
Z ⁷	4
Z ¹⁰	30
Z ¹¹	2
Read	
Z ⁰	1
Z ⁰	3
Z ¹	27
Z ¹	29
Z ⁴	5
Z ⁴	7
Z ⁵	23
Z ⁸	25
Z ⁸	19
Z ⁸	21
Z ⁹	9
Z ⁹	11
Inhibit	
S ¹¹	24
Power	
+5 To Inhibit	13
+5 To Inhibit	17
Ground	15

1	M38	2	9
2	M42	23	13
3	M38	4	9
4	M42	3	13
5	M39	2	11
6	M41	7	13
7	M39	4	11
8	M23	27	15
9	M40	8	11
10	M23	28	15
11	M40	10	11
12	M25	27	13
13			
14	M25	28	13
15	N35	X	2
16	M25	10	15
17			
18	M24	10	15
19	M40	2	13
20	M22	28	17
21	M40	4	13
22	M22	27	19
23	M39	8	11
24	M25	11	15
25	M39	10	11
26	M41	21	13
27	M38	8	11
28	M42	5	15
29	M38	10	11
30	M42	25	13

JACK PIN LG

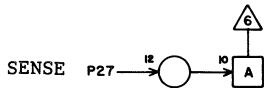
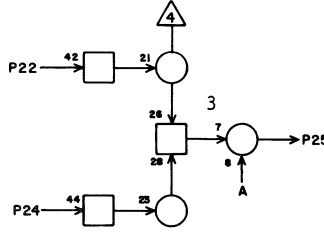
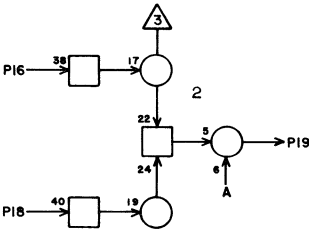
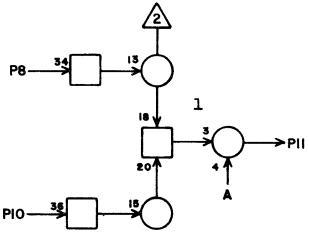
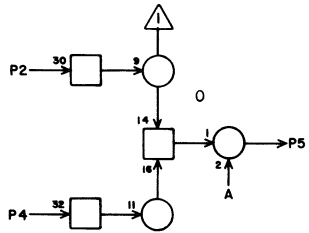
16 N42

FUNCTION	PIN
Address	
S ⁴	7
S ⁸	9
S ⁸	13
S ⁷	11
Store	
Z ⁰	29
Z ¹	5
Z ⁴	27
Z ⁵	1
Z ⁸	3
Z ⁹	25
Read	
Z ²	28
Z ²	30
Z ³	2
Z ³	4
Z ⁶	6
Z ⁶	8
Z ⁷	27
Z ⁷	24
Z ¹⁰	26
Z ¹⁰	10
Z ¹⁰	12
Z ¹¹	20
Z ¹¹	22
Inhibit	
S ⁴	15
S ⁸	17
S ¹⁰	19
Control	
Read Enable	23
Write Enable	21
Power	
+8 To Drive	18
+6 To Drive	14
Ground	16

1	M41	23	7
2	M38	22	7
3	M42	7	9
4	M38	24	7
5	M41	3	9
6	M39	16	9
7	M22	10	23
8	M39	18	9
9	M23	10	21
10	M40	16	7
11	M24	28	19
12	M40	18	7
13	M24	27	19
14			
15	M22	11	23
16	N42	X	2
17	M23	11	21
18			
19	M24	11	21
20	M40	22	9
21	M14	28	29
22	M40	24	9
23	M14	7	29
24	M39	22	11
25	M42	21	9
26	M39	24	11
27	M41	25	9
28	M38	16	11
29	M41	5	11
30	M38	18	11

JACK PIN LG

BANK 37 SENSE

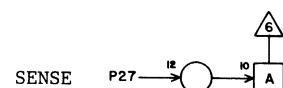
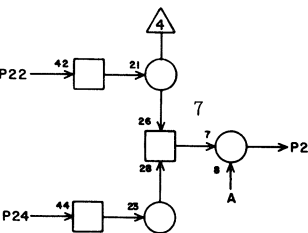
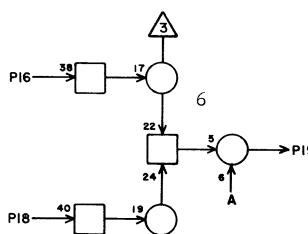
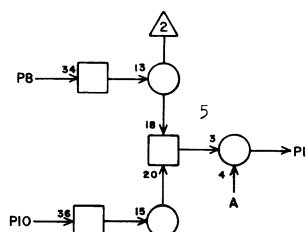
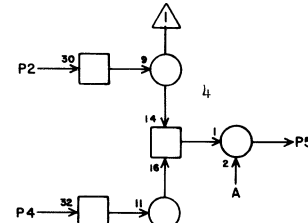


PS 16P 1

1			
2	Q 1	1	9
3			
4	Q 1	3	9
5	H 1	18	31
6			
7			
8	Q 1	27	11
9			
10	Q 1	29	11
11	H 1	10	33
12			
13			
14			
15			
16	Q 8	28	11
17			
18	Q 8	30	11
19	H 1	27	31
20			
21			
22	Q 8	2	11
23			
24	Q 8	4	11
25	H 2	18	33
26	P14	15	15
27	P18	5	19
28	P 2	26	3

JACK PIN LG
63024900 Rev.C

BANK 37 SENSE

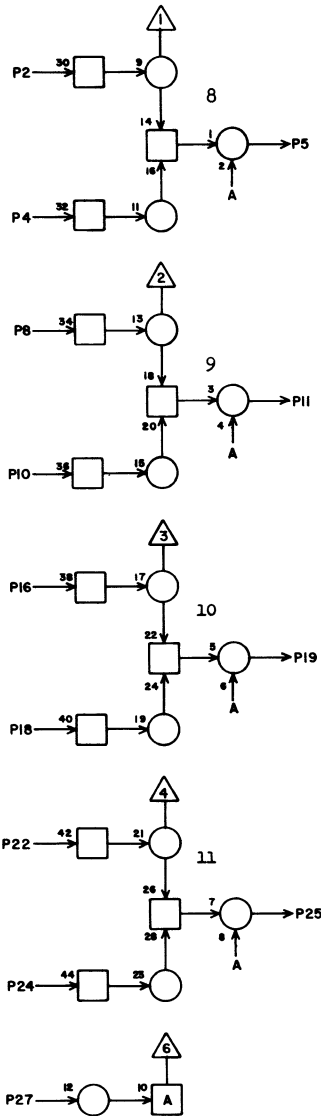


PS 16P 2

1			
2	Q 1	5	9
3			
4	Q 1	7	9
5	H 2	10	33
6			
7			
8	Q 1	23	9
9			
10	Q 1	25	9
11	H 2	27	31
12			
13			
14			
15			
16	Q 8	6	11
17			
18	Q 8	8	11
19	H3	18	33
20			
21			
22	Q 8	24	11
23			
24	Q 8	26	11
25	H 3	10	33
26	P 1	28	3
27	P18	7	17
28	P 3	26	3

JACK PIN LG
63024900 Rev. C

BANK 37 SENSE



SENSE

PS

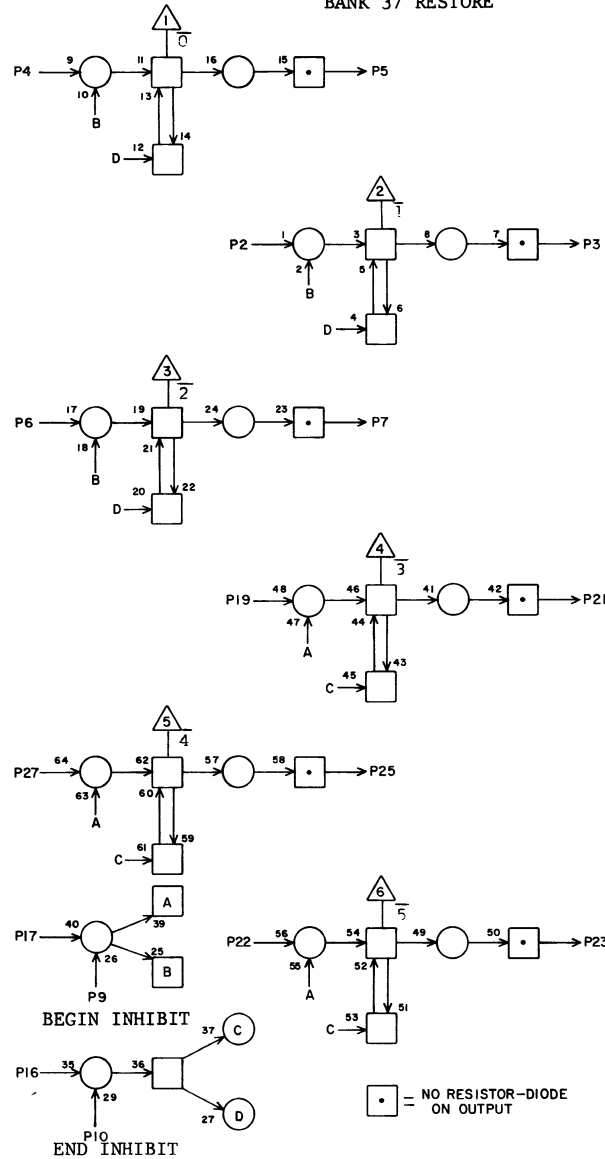
16 P 3

1			
2	Q 1	19	11
3			
4	Q 1	21	11
5	H 3	27	31
6			
7			
8	Q 1	9	9
9			
10	Q 1	11	9
11	H 4	18	33
12			
13			
14			
15			
16	Q 8	10	9
17			
18	Q 8	12	9
19	H 4	10	33
20			
21			
22	Q 8	20	11
23			
24	Q 8	22	11
25	H 4	27	33
26	P 2	28	3
27	P18	9	17
28	P 7	26	5

JACK PIN LG

63024900 Rev. C

BANK 37 RESTORE



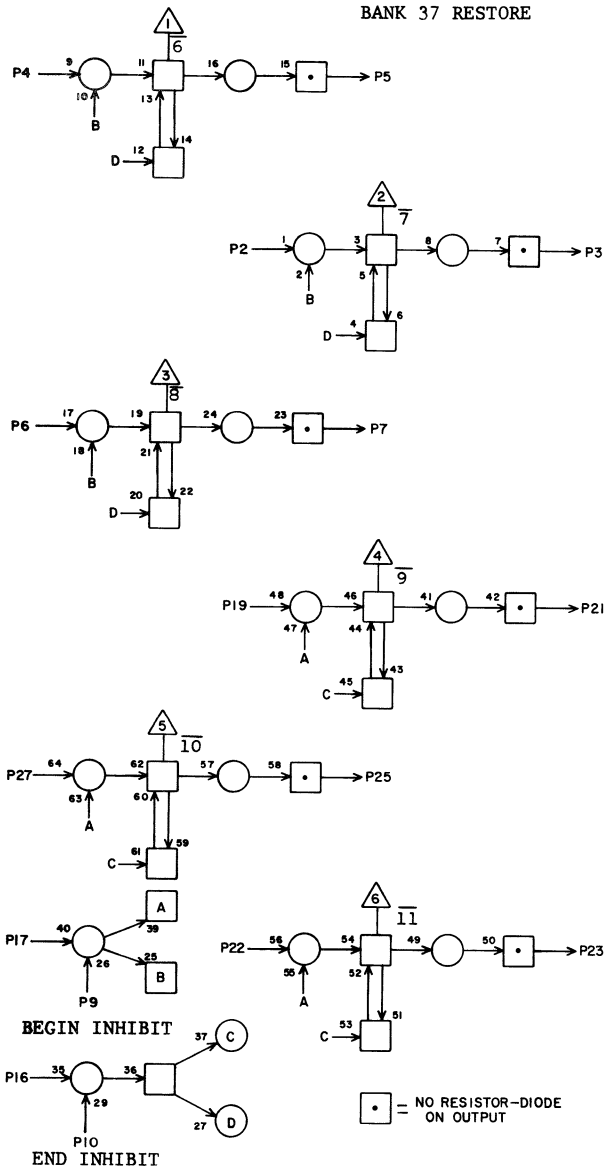
SPECIAL MODULE P2 16P 4

1			
2	G24	10	39
3	Q 8	5	11
4	G24	6	39
5	Q 8	29	11
6	G24	27	39
7	Q 1	6	11
8			
9	P20	6	17
10	P20	16	17
11			
12			
13			
14			
15			
16	P21	19	19
17	P21	1	19
18			
19	G24	20	39
20			
21	Q 1	26	11
22	G25	10	41
23	Q 8	1	9
24			
25	Q 8	27	11
26			
27	G25	6	41
28			

JACK PIN LG

63024900 Rev. C

BANK 37 RESTORE

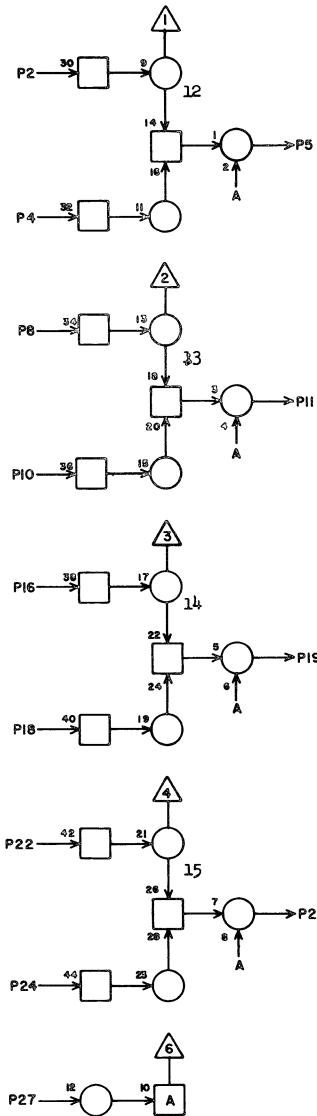


SPECIAL MODULE P216 P 5

1			
2	G25	20	39
3	Q 1	4	11
4	G25	27	39
5	Q 1	28	13
6	G26	6	41
7	Q 8	3	9
8			
9	P20	8	17
10	P20	18	17
11			
12			
13			
14			
15			
16	P21	20	17
17	P21	2	17
18			
19	G26	10	41
20			
21	Q 8	25	11
22	G26	20	41
23	Q 1	2	9
24			
25	Q 1	30	11
26			
27	G26	27	41
28			

JACK PIN LG

BANK 37 SENSE



SENSE

PS

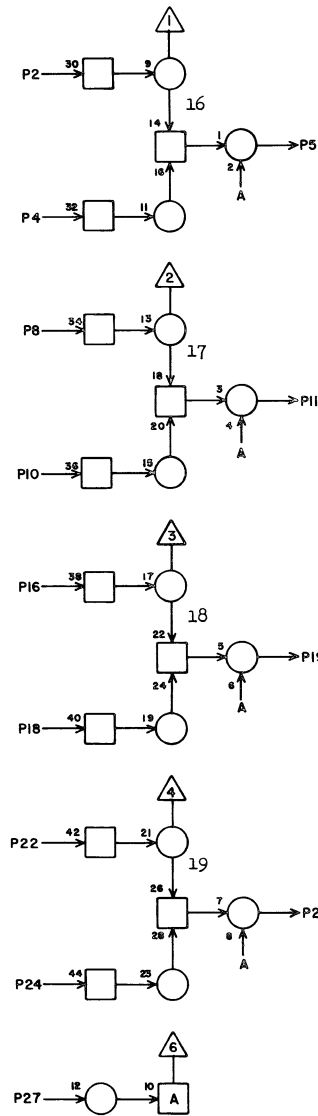
16 P 7

1			
2	Q10	1	9
3			
4	Q10	3	9
5	H 6	18	31
6			
7			
8	Q10	27	11
9			
10	Q10	29	11
11	H 6	10	33
12			
13			
14			
15			
16	Q16	28	13
17			
18	Q16	30	13
19	H 6	27	31
20			
21			
22	Q16	2	13
23			
24	Q16	4	13
25	H 7	18	33
26	P 3	28	5
27	P18	11	13
28	P 8	26	3

JACK PIN LG

63024900 Rev. C

BANK 37 SENSE



SENSE

PS

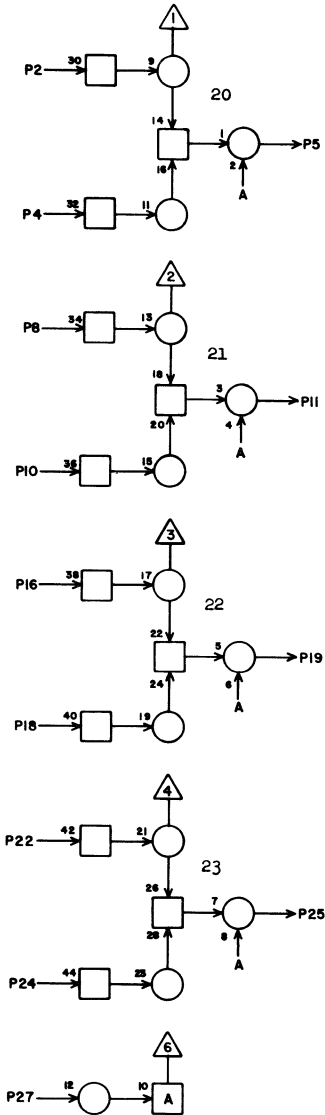
16 P 8

1			
2	Q10	5	11
3			
4	Q10	7	11
5	H 7	10	33
6			
7			
8	Q10	23	11
9			
10	Q10	25	11
11	H 7	27	31
12			
13			
14			
15			
16	Q16	6	13
17			
18	Q16	8	13
19	H 8	18	33
20			
21			
22	Q16	24	13
23			
24	Q16	26	13
25	H 8	10	33
26	P 7	28	3
27	P18	13	13
28	P 9	26	3

JACK PIN LG

63024900 Rev. C

BANK 37 SENSE

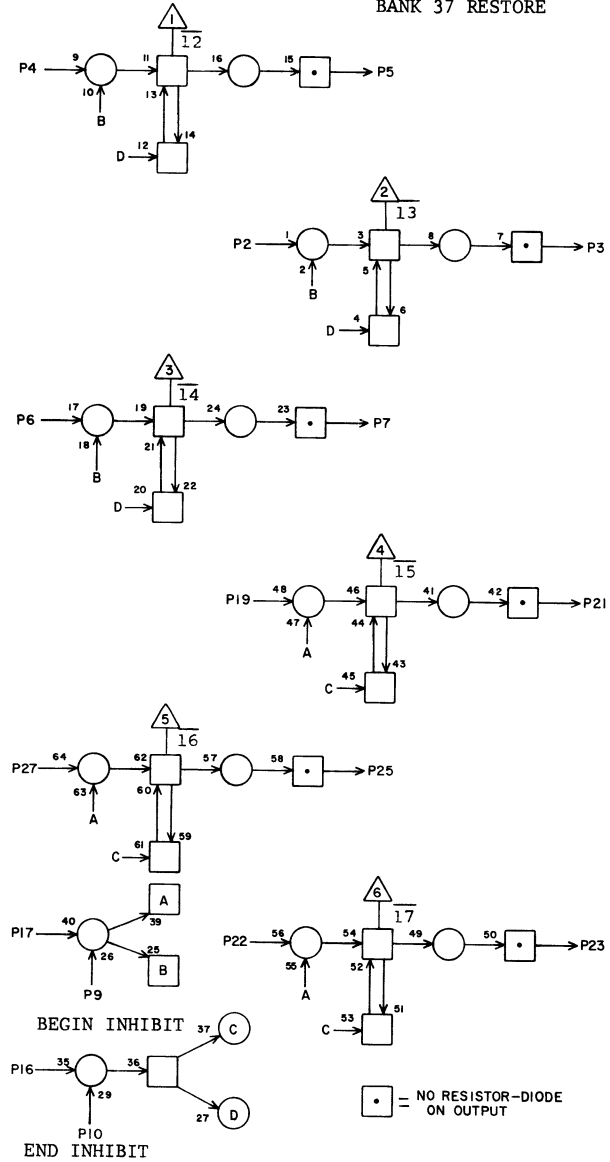


PS 16 P 9

PS	JACK	PIN	LG
1			
2	Q10	19	11
3			
4	Q10	21	11
5	H 8	27	31
6			
7			
8	Q10	9	9
9			
10	Q10	11	9
11	H 9	18	31
12			
13			
14			
15			
16	Q16	10	11
17			
18	Q16	12	11
19	H 9	10	33
20			
21			
22	Q16	20	11
23			
24	Q16	22	11
25	H 9	27	33
26	P 8	28	3
27	P18	16	11
28	P26	26	19

63024900 Rev. C

BANK 37 RESTORE



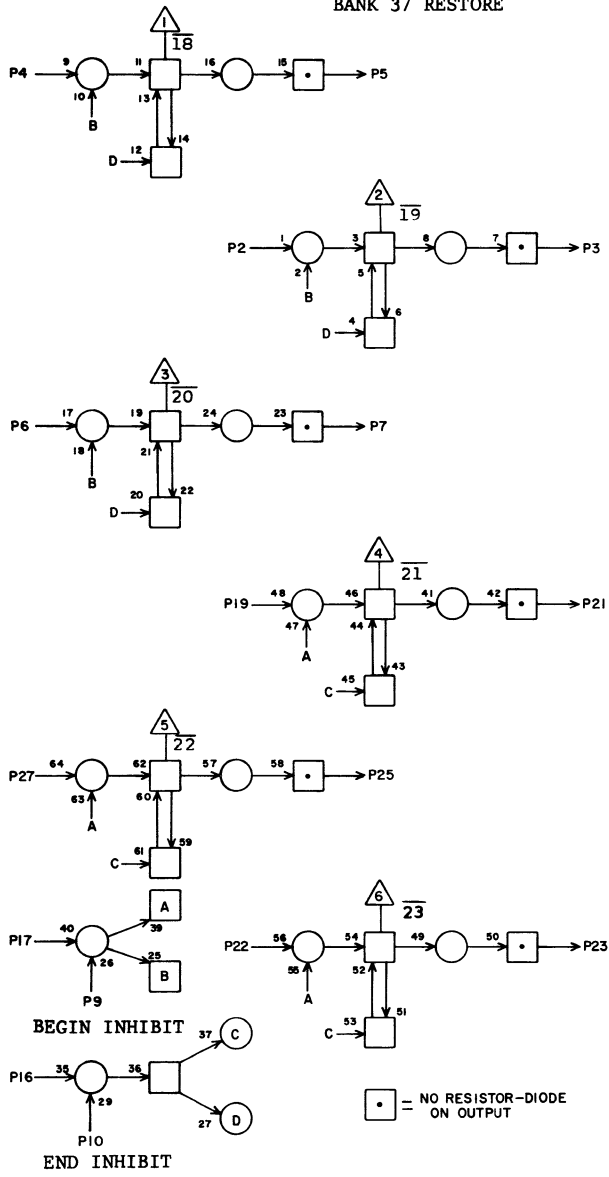
SPECIAL MODULE P 216 P 10

JACK	PIN	LG
1		
2	G28	10 39
3	Q16	5 11
4	G28	6 39
5	Q16	29 13
6	G28	27 39
7	Q10	6 9
8		
9	P20	10 11
10	P20	20 11
11		
12		
13		
14		
15		
16	P21	21 13
17	P21	4 13
18		
19	G28	20 39
20		
21	Q10	26 9
22	G29	10 41
23	Q16	1 11
24		
25	Q16	27 11
26		
27	G29	6 41
28		

JACK PIN LG

63024900 Rev. C

BANK 37 RESTORE

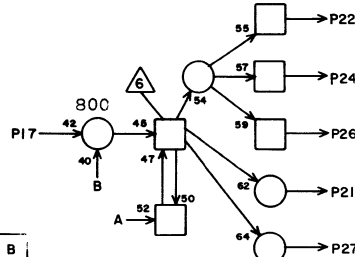
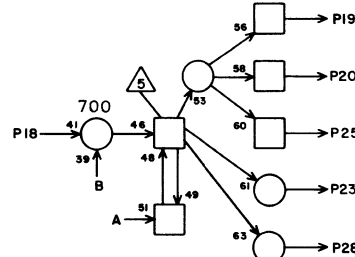
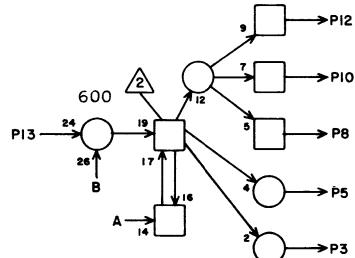
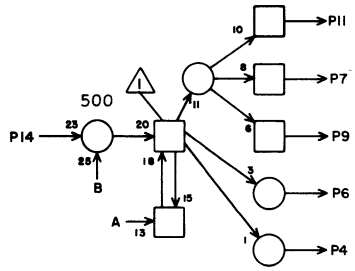


SPECIAL MODULE P216 P 11

1			
2	G29	20	39
3	Q10	4	9
4	G29	27	39
5	Q10	28	11
6	G30	6	41
7	Q16	3	11
8			
9	P20	12	11
10	P20	22	11
11			
12			
13			
14			
15			
16	P21	22	13
17	P21	6	13
18			
19	G30	10	41
20			
21	Q16	25	11
22	G30	20	41
23	Q10	2	7
24			
25	Q10	30	9
26			
27	G30	27	41
28			

JACK PIN LG

BANK 37
STORAGE SEQUENCE CONTROL



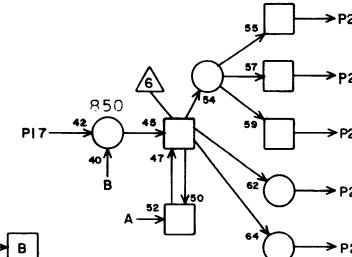
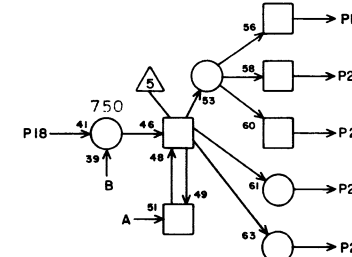
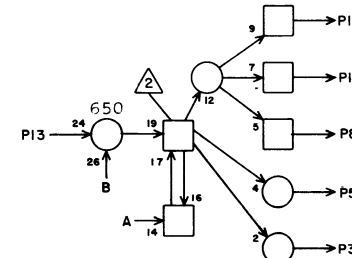
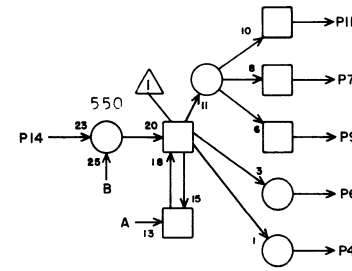
PD 16 P 15

1			
2			
3			
4			
5			
6			
7			
8	P16	13	3
9			
10	P18	1	5
11	P16	14	3
12			
13	P16	7	3
14	P14	8	3
15			
16	G22	23	35
17	P16	20	3
18	P16	8	3
19			
20	P16	18	3
21			
22	P16	17	3
23			
24	P14	11	3
25			
26			
27			
28	P18	3	5

JACK PIN LG

63024900 Rev. C

BANK 37
STORAGE SEQUENCE CONTROL



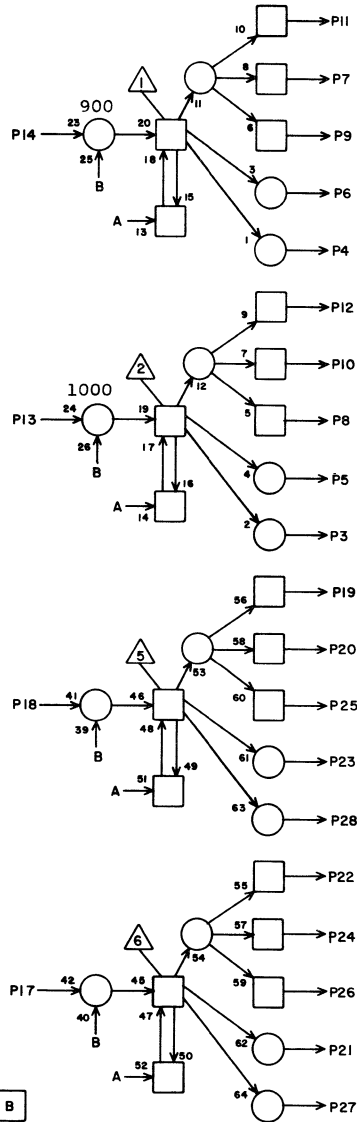
PD 16P 16

1			
2			
3			
4			
5			
6			
7	P15	13	3
8	P15	18	3
9	P19	3	5
10			
11			
12			
13	P15	8	3
14	P15	11	3
15			
16	P21	18	7
17	P15	22	3
18	P15	20	3
19			
20	P15	17	3
21	P19	2	5
22	P17	14	3
23	G 7	28	37
24	P19	1	7
25			
26			
27			
28			

JACK PIN LG

63024900 Rev. C

BANK 37
STORAGE SEQUENCE CONTROL



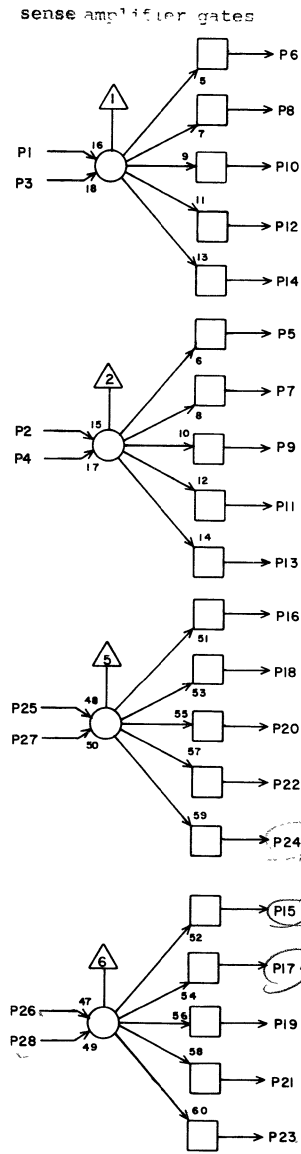
PD 16 P 17

1			
2			
3			
4			
5			
6	P 14	18	5
7	P 14	19	5
8			
9			
10			
11			
12			
13	P 14	21	5
14	P 16	22	3
15			
16	G 22	24	35
17			
18			
19			
20			
21			
22			
23			
24			
25			
26			
27			
28			

JACK PIN LG

63024900 Rev. C.

BANK 37
STORAGE SEQUENCE CONTROL



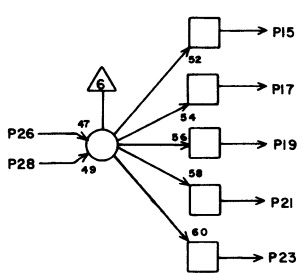
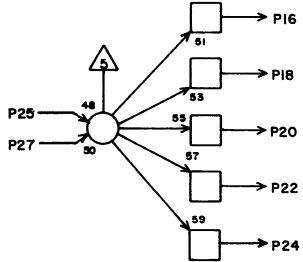
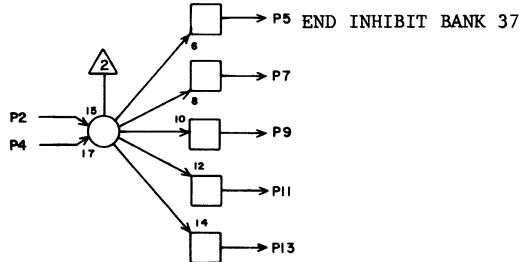
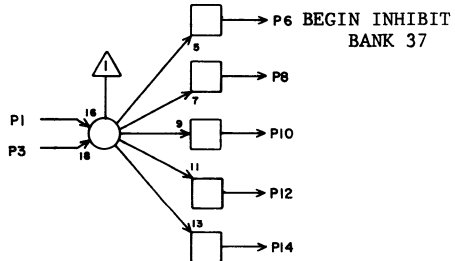
T D 16 P 18

1	P 15	10	5
2	P 18	6	3
3	P 15	28	5
4	P 18	x	2
5	P 1	27	19
6	P 18	2	3
7	P 2	27	17
8	P 18	25	3
9	P 3	27	17
10	P 18	26	3
11	P 7	27	13
12	G 17	11	35
13	P 8	27	13
14			
15	P 33	27	17
16	P 9	27	11
17	P 34	27	17
18	P 26	27	11
19	P 38	27	21
20	P 27	27	13
21	P 39	27	23
22	P 28	27	13
23	P 40	27	23
24	P 32	27	17
25	P 19	8	3
26	P 18	10	3
27	P 19	x	2
28	P 18	x	2

JACK PIN LG

63024900 Rev. C

BANK 37
STORAGE SEQUENCE CONTROL

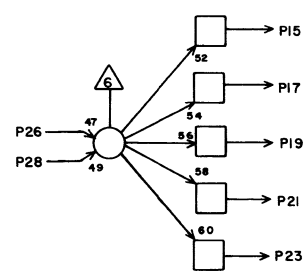
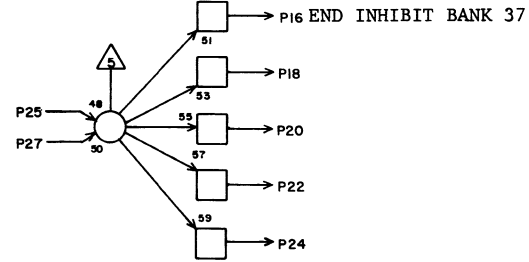
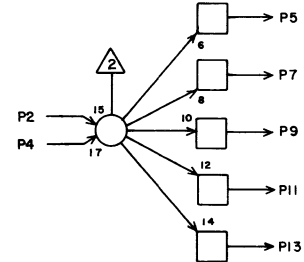
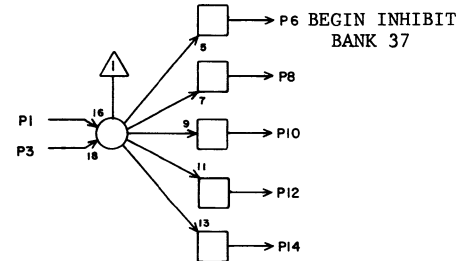


T D 16 P 19

1	P16	24	7
2	P16	21	5
3	P16	9	5
4	P19	x	2
5	P20	25	5
6	P20	3	3
7	P20	26	5
8	P20	2	3
9			
10			
11			
12			
13			
14			
15			
16			
17			
18			
19			
20			
21			
22			
23			
24			
25			
26			
27			
28			

JACK PIN LG
63024900 Rev. C

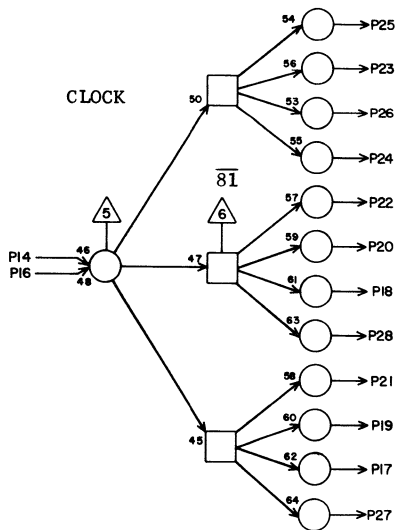
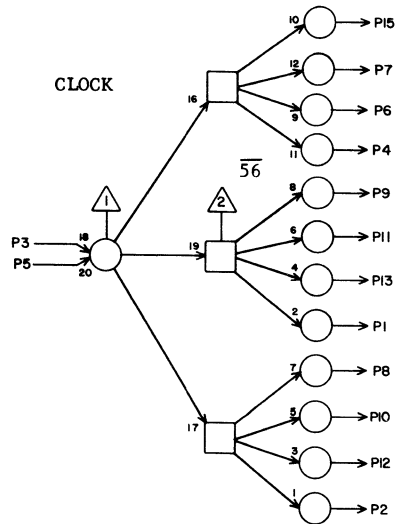
BANK 37
STORAGE SEQUENCE CONTROL



T D 16 P 20

1	P20	x	2
2	P19	8	3
3	P19	6	3
4	P20	x	2
5	P30	9	13
6	P4	9	17
7	P35	9	17
8	P5	9	17
9	P36	9	17
10	P10	9	11
11	P41	9	23
12	P11	9	11
13	P42	9	23
14	P29	9	13
15	P30	10	13
16	P4	10	17
17	P35	10	17
18	P5	10	17
19	P36	10	17
20	P10	10	11
21	P41	10	21
22	P11	10	11
23	P42	10	23
24	P29	10	13
25	P19	5	5
26	P19	7	5
27	P20	x	2
28	P20	x	2

JACK PIN LG
63024900 Rev. C

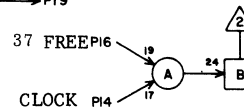
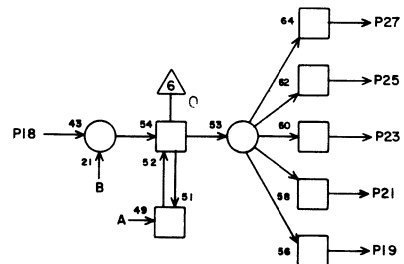
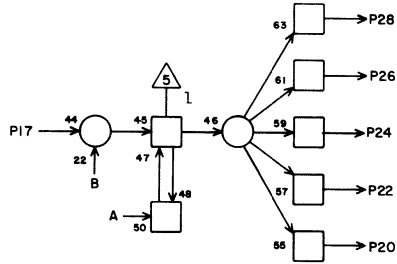
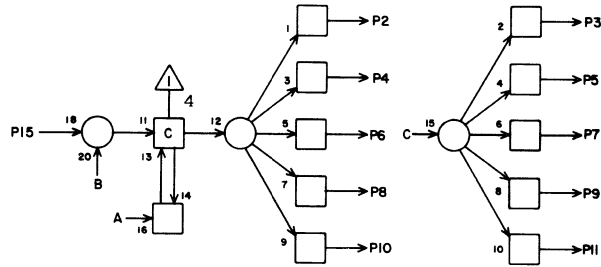


TC 16P21

1	P 4	17	19
2	P 5	17	17
3	G10	22	37
4	P10	17	13
5	P21	X	2
6	P11	17	13
7	P29	17	11
8	P30	17	13
9	P35	17	19
10	P36	17	19
11	P41	17	21
12	P42	17	23
13	P24	14	5
14	G11	10	37
15	P25	14	5
16	P21	X	2
17	P14	17	11
18	P16	16	7
19	P 4	16	19
20	P 5	16	17
21	P10	16	13
22	P11	16	13
23	P29	16	11
24	P30	16	13
25	P35	16	15
26	P36	16	17
27	P41	16	21
28	P42	16	23

JACK PIN LG

BANK 37 ADDRESS BITS 0,1,4

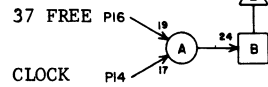
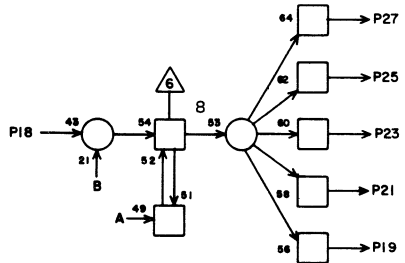
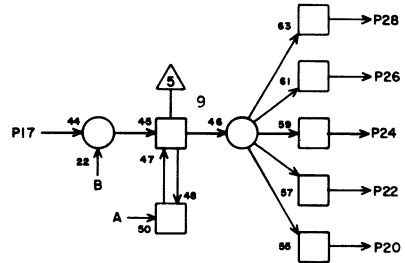
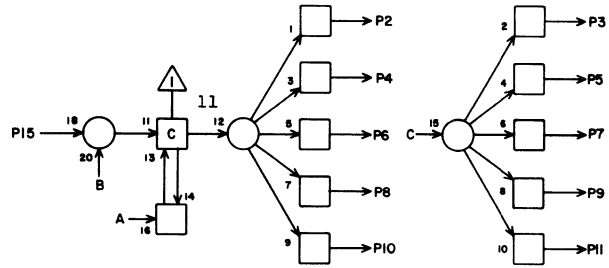


SA 16 P 22

1			
2	Q 8	7	17
3	Q 8	15	17
4	Q16	7	11
5	Q16	15	13
6	Q25	7	11
7	Q25	15	11
8	Q33	7	15
9	Q33	15	15
10	Q42	7	23
11	Q42	15	21
12			
13			
14	M21	13	15
15	G 2	6	41
16	G19	15	37
17	G 1	10	41
18	G 1	6	41
19	Q 1	22	23
20	Q 1	20	23
21	Q10	22	17
22	Q10	20	15
23	Q19	22	11
24	Q18	20	11
25	Q26	22	11
26	Q26	20	11
27	Q35	22	15
28	Q35	20	17

JACK PIN LG

BANK 37
ADDRESS BITS 8,9,11



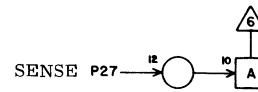
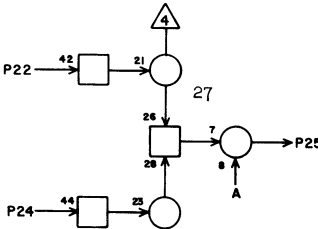
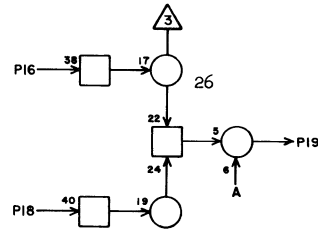
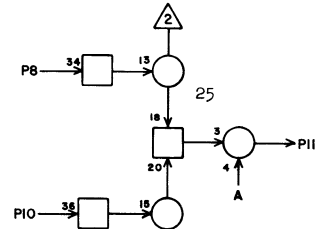
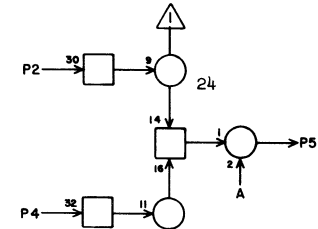
SA 16 P 25

1			
2	Q 1	16	25
3	Q 1	24	25
4	Q10	16	19
5	Q10	24	19
6	Q18	16	13
7	Q18	24	13
8	Q26	16	11
9	Q26	24	11
10	Q35	16	15
11	Q35	24	15
12			
13			
14	P21	15	5
15	G 3	23	41
16	G19	21	37
17	G 3	10	41
18	G 3	6	41
19	Q 1	12	25
20	Q 1	14	25
21	Q10	12	19
22	Q10	14	19
23	Q18	12	13
24	Q18	14	13
25	Q26	12	9
26	Q26	14	9
27	Q35	12	13
28	Q35	14	13

JACK PIN LG

63024900 Rev. C

BANK 37 SENSE



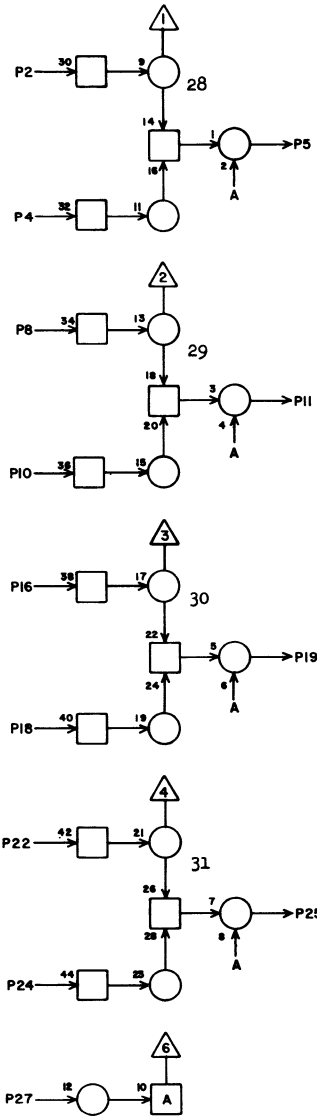
PS 16 P26

1			
2	Q18	1	13
3			
4	Q18	3	13
5	H11	18	35
6			
7			
8	Q18	27	15
9			
10	Q18	29	15
11	H11	10	35
12			
13			
14			
15			
16	Q25	28	11
17			
18	Q25	30	11
19	H11	27	35
20			
21			
22	Q25	2	7
23			
24	Q25	4	7
25	H12	18	35
26	P 9	28	19
27	P18	18	11
28	P27	26	3

JACK PIN LG

63024900 Rev. C

BANK 37 SENSE



SENSE

PS

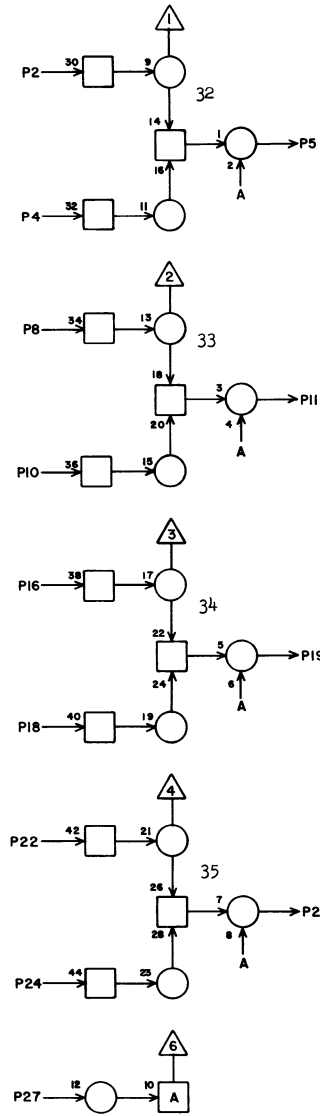
16 P27

1			
2	Q18	5	13
3			
4	Q18	7	13
5	H12	10	35
6			
7			
8	Q18	23	15
9			
10	Q18	25	15
11	H12	27	35
12			
13			
14			
15			
16	Q25	6	9
17			
18	Q25	8	9
19	H13	18	35
20			
21			
22	Q25	24	9
23			
24	Q25	26	9
25	H13	10	35
26	P26	28	3
27	P18	20	13
28	P28	26	3

JACK PIN LG

63024900 Rev. C

BANK 37 SENSE



SENSE

PS

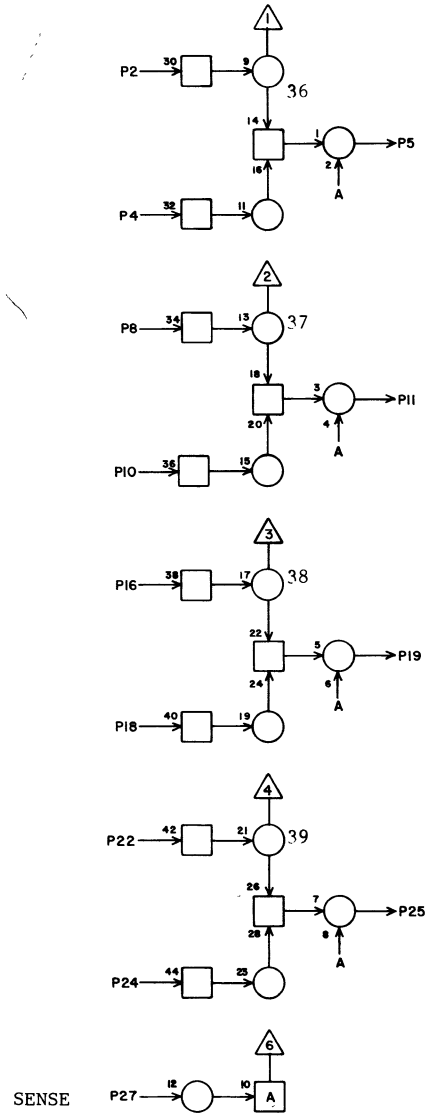
16 P28

1			
2	Q18	19	15
3			
4	Q18	21	15
5	H13	27	33
6			
7			
8	Q18	9	15
9			
10	Q18	11	15
11	H14	18	35
12			
13			
14			
15			
16	Q25	10	9
17			
18	Q25	12	9
19	H14	10	35
20			
21			
22	Q25	20	9
23			
24	Q25	22	9
25	H14	27	35
26	P27	28	3
27	P18	22	13
28	P32	26	5

JACK PIN LG

63024900 Rev. C

BANK 37 SENSE

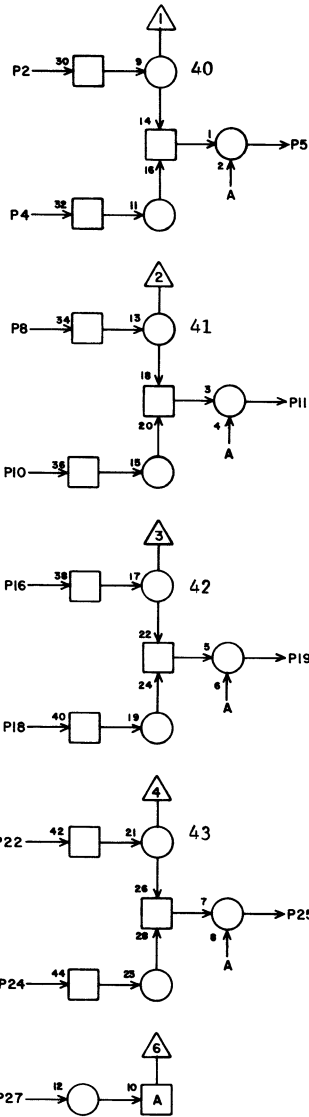


PS 16 P 32

1			
2	Q26	1	11
3			
4	Q26	3	11
5	H16	18	35
6			
7			
8	Q26	27	13
9			
10	Q26	29	13
11	H16	10	37
12			
13			
14			
15			
16	Q33	28	11
17			
18	Q33	30	11
19	H16	27	35
20			
21			
22	Q33	2	7
23			
24	Q33	4	7
25	H17	18	35
26	P28	28	5
27	P18	24	17
28	P33	26	3

JACK PIN LG

BANK 37 SENSE



SENSE

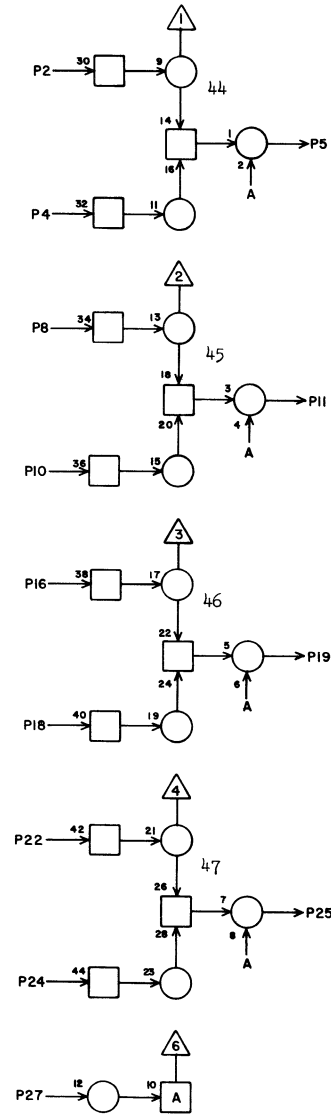
PS 16P33

PS	JACK	PIN	LG
1			
2	Q26	5	13
3			
4	Q26	7	13
5	H17	10	35
6			
7			
8	Q26	23	13
9			
10	Q26	25	13
11	H17	27	35
12			
13			
14			
15			
16	Q33	6	9
17			
18	Q33	8	9
19	H18	18	35
20			
21			
22	Q33	24	9
23			
24	Q33	26	9
25	H18	10	37
26	P32	28	3
27	P18	15	17
28	P34	26	3

JACK PIN LG

63024900 Rev. C

BANK 37 SENSE



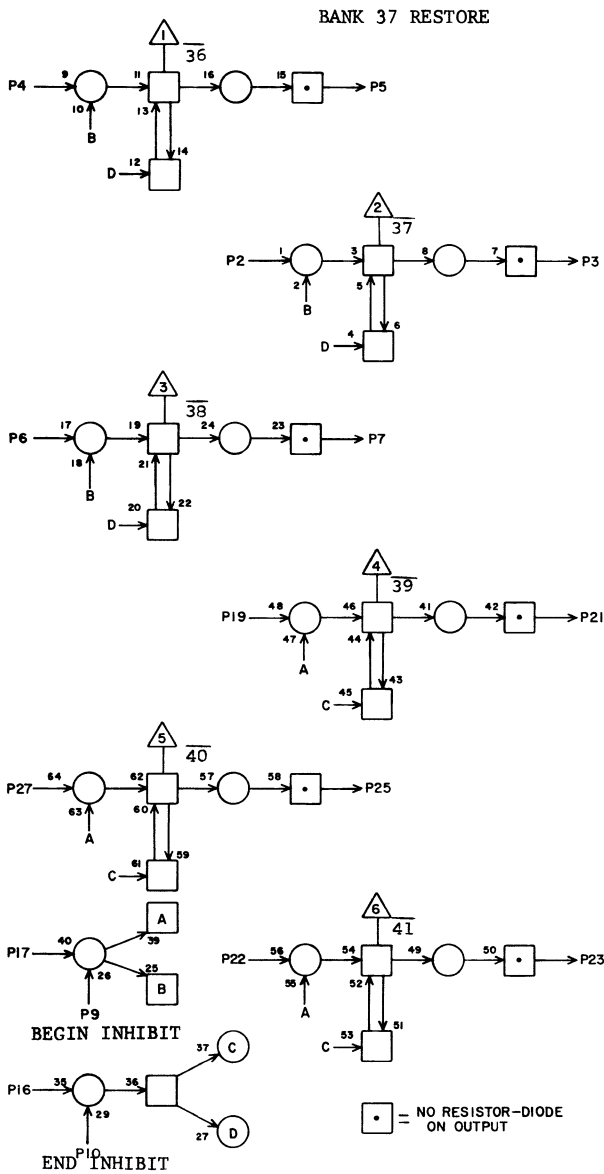
SENSE

PS 16P34

PS	JACK	PIN	LG
1			
2	Q26	19	13
3			
4	Q26	21	13
5	H18	27	35
6			
7			
8	Q26	9	13
9			
10	Q26	11	13
11	H19	18	35
12			
13			
14			
15			
16	Q33	10	9
17			
18	Q33	12	9
19	H19	10	35
20			
21			
22	Q33	20	9
23			
24	Q33	22	9
25	H19	27	35
26	P33	28	3
27	P18	17	17
28	P38	26	5

JACK PIN LG

63024900 Rev. C

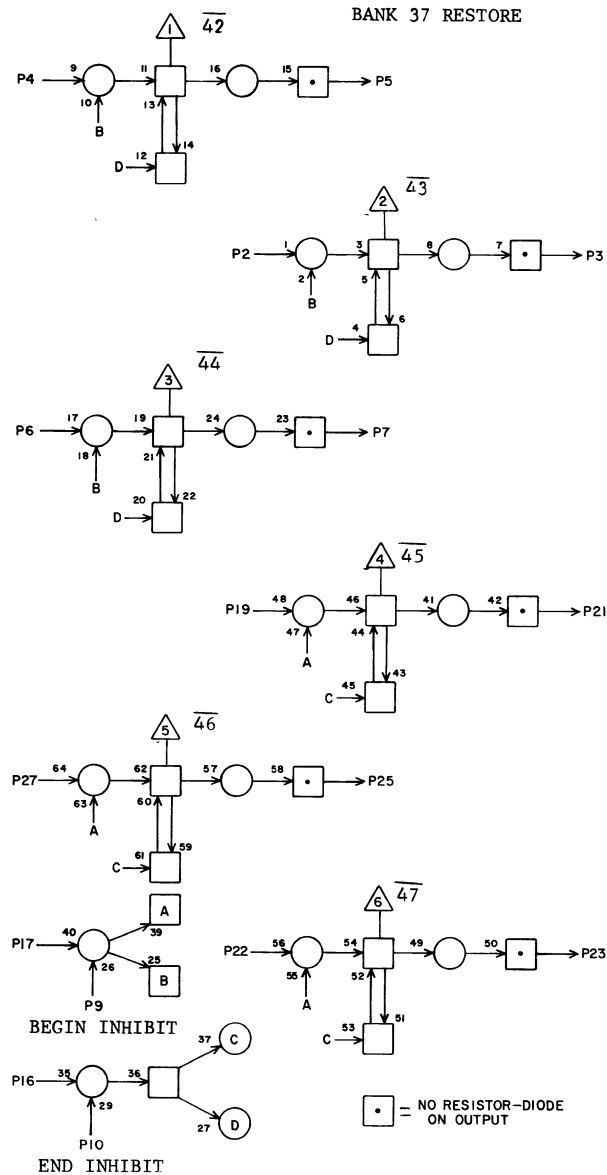


SPECIAL MODULE **P216** P 35

1			
2	G36	10	35
3	Q33	5	9
4	G36	6	37
5	Q33	29	11
6	G36	27	35
7	Q26	6	13
8			
9	P20	7	17
10	P20	17	17
11			
12			
13			
14			
15			
16	P21	25	15
17	P21	9	19
18			
19	G36	20	37
20			
21	Q26	25	13
22	G37	10	37
23	Q33	1	7
24			
25	Q33	27	9
26			
27	G37	6	37
28			

JACK PIN LG

63024900 Rev. C



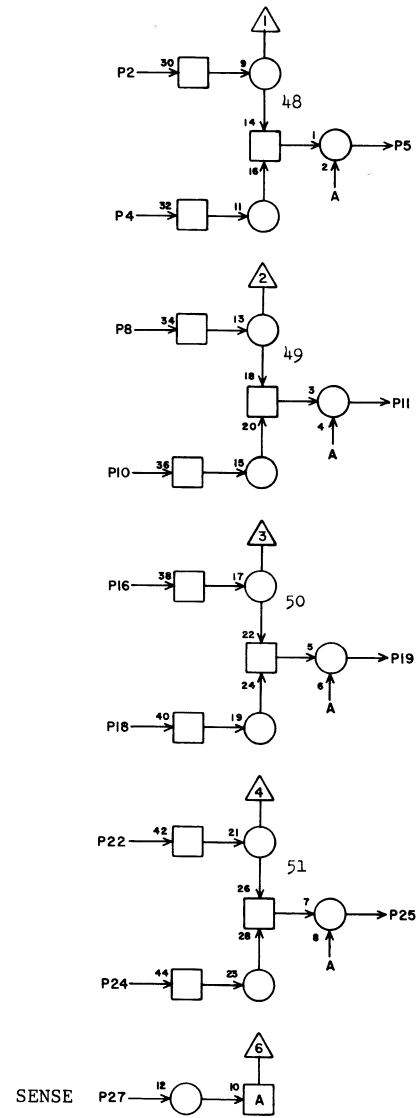
SPECIAL MODULE **P216** P 36

1			
2	G 37	20	35
3	Q 26	4	15
4	G 37	27	35
5	Q 26	28	15
6	G 38	6	37
7	Q 33	3	9
8			
9	P 20	9	17
10	P 20	19	17
11			
12			
13			
14			
15			
16	P 21	26	17
17	P 21	10	19
18			
19	G 38	10	37
20			
21	Q 33	25	11
22	G 38	20	37
23	Q 26	2	13
24			
25	Q 26	30	15
26			
27	G 38	27	37
28			

JACK PIN LG

63024900 Rev. C

BANK 37 SENSE

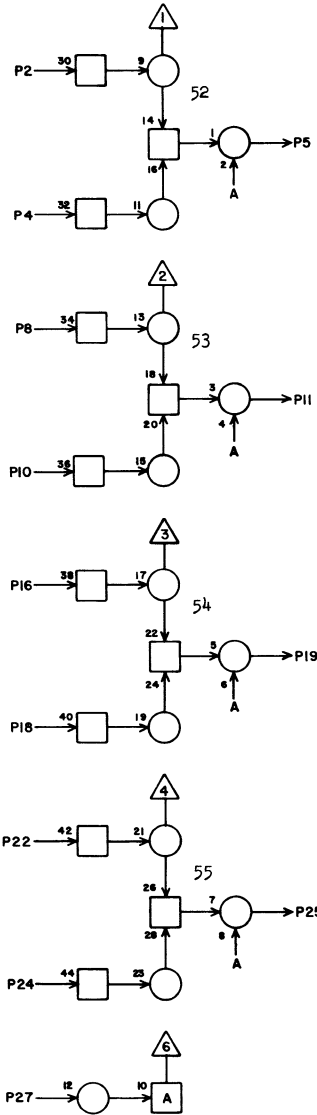


PS 16 P38

1			
2	Q35	1	9
3			
4	Q35	3	9
5	H21	18	35
6			
7			
8	Q35	27	13
9			
10	Q35	29	13
11	H21	10	37
12			
13			
14			
15			
16	Q42	28	11
17			
18	Q42	30	11
19	H21	27	35
20			
21			
22	Q42	2	9
23			
24	Q42	4	9
25	H22	18	37
26	P34	28	5
27	P18	19	21
28	P39	26	3

JACK PIN LG

BANK 37 SENSE



SENSE

PS

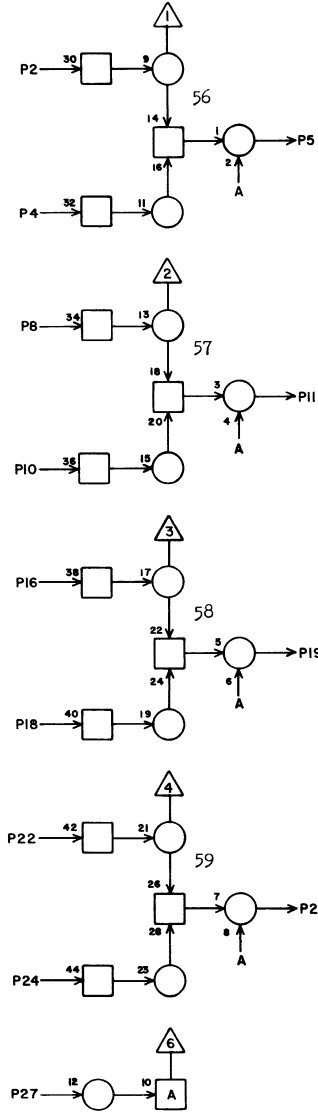
16 P39

1			
2	Q35	5	11
3			
4	Q35	7	11
5	H22	10	35
6			
7			
8	Q35	23	13
9			
10	Q35	25	13
11	H22	27	35
12			
13			
14			
15			
16	Q42	6	9
17			
18	Q42	8	9
19	H23	18	35
20			
21			
22	Q42	24	11
23			
24	Q42	26	11
25	H23	10	37
26	P38	28	3
27	P18	21	23
28	P40	26	3

JACK PIN LG

63024900 Rev. C

BANK 37 SENSE



SENSE

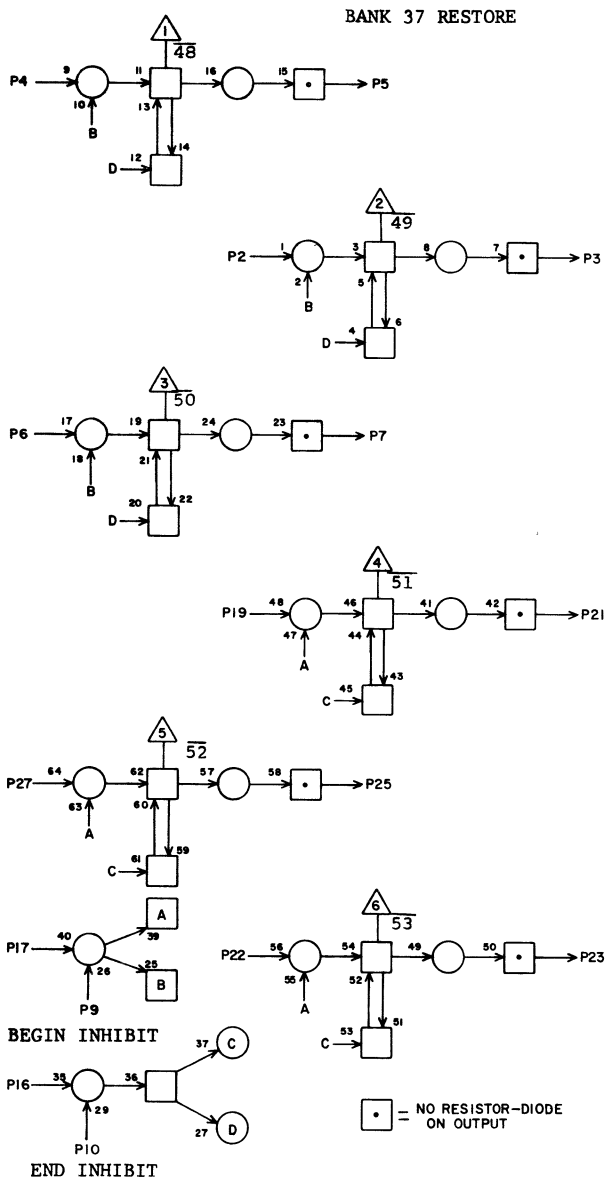
PS

16 P40

1			
2	Q35	19	13
3			
4	Q35	21	13
5	H23	27	35
6			
7			
8	Q35	9	11
9			
10	Q35	11	11
11	H24	18	35
12			
13			
14			
15			
16	Q42	10	9
17			
18	Q42	12	9
19	H24	10	37
20			
21			
22	Q42	20	9
23			
24	Q42	22	9
25	H24	27	35
26	P39	28	3
27	P18	23	23
28			

JACK PIN LG

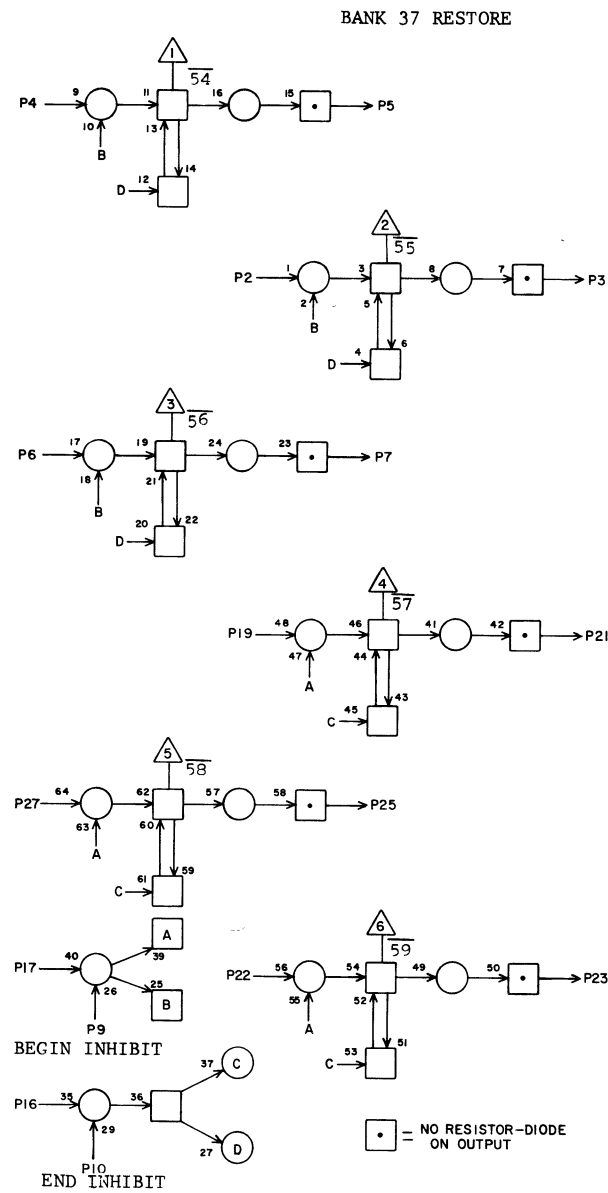
63024900 Rev. C



SPECIAL MODULE PZ 16 P 41

1			
2	G40	10	35
3	Q42	5	9
4	G40	6	37
5	Q42	29	13
6	G40	27	35
7	Q35	6	13
8			
9	P20	11	23
10	P20	21	21
11			
12			
13			
14			
15			
16	P21	27	21
17	P21	11	21
18			
19	G40	20	35
20			
21	Q35	26	13
22	G41	10	37
23	Q42	1	7
24			
25	Q42	27	9
26			
27	G41	6	37
28			

63024900 Rev. C



SPECIAL MODULE PZ 16 P 42

1			
2	G41	20	35
3	Q35	4	13
4	G41	27	35
5	Q35	28	15
6	G42	6	37
7	Q42	3	9
8			
9	P20	13	23
10	P20	23	23
11			
12			
13			
14			
15			
16	P21	28	23
17	P21	12	23
18			
19	G42	10	37
20			
21	Q42	25	9
22	G42	20	35
23	Q35	2	13
24			
25	Q35	30	13
26			
27	G42	27	37
28			

63024900 Rev. C

16Q1

STORAGE MODULE

FUNCTION	PIN
Address	
S ⁰	22
S ¹	20
S ²	8
S ³	10
S ⁴	12
S ⁵	14
S ⁶	18
S ⁷	16
Store	
Z ²	6
Z ³	26
Z ⁶	28
Z ⁷	4
Z ¹⁰	30
Z ¹¹	2
Read	
Z ⁰	1
Z ⁰	3
Z ¹	27
Z ¹	29
Z ²	5
Z ²	7
Z ³	23
Z ³	25
Z ⁴	19
Z ⁴	21
Z ⁵	9
Z ⁵	11
Inhibit	
S ¹¹	24
Power	
+5 To Inhibit	13
+5 To Inhibit	17
Ground	15

1	P 1	2	9
2	P 5	23	9
3	P 1	4	9
4	P 5	3	11
5	P 2	2	9
6	P 4	7	11
7	P 2	4	9
8	P23	19	23
9	P 3	8	9
10	P23	20	23
11	P 3	10	9
12	P25	19	25
13			
14	P25	20	25
15	Q 1	X	2
16	P25	2	25
17			
18	P24	2	25
19	P 3	2	11
20	P22	20	23
21	P 3	4	11
22	P22	19	23
23	P 2	8	9
24	P25	3	25
25	P 2	10	9
26	P 4	21	11
27	P 1	8	11
28	P 5	5	13
29	P 1	10	11
30	P 5	25	11

JACK PIN LG

16Q 8

FUNCTION	PIN
Address	
S ⁴	7
S ⁵	9
S ⁶	13
S ⁷	11
Store	
Z ⁰	29
Z ¹	5
Z ⁴	27
Z ⁵	1
Z ⁸	3
Z ⁹	25
Read	
Z ²	28
Z ²	30
Z ³	2
Z ³	4
Z ⁴	6
Z ⁴	8
Z ⁵	24
Z ⁵	26
Z ⁶	10
Z ⁶	12
Z ⁷	20
Z ⁷	22
Inhibit	
S ⁴	15
S ⁵	17
S ¹⁰	19
Control	
Read Enable	23
Write Enable	21
Power	
+8 To Drive	18
+6 To Drive	14
Ground	16

1	P 4	23	9
2	P 1	22	11
3	P 5	7	9
4	P 1	24	11
5	P 4	3	11
6	P 2	16	11
7	P22	2	17
8	P 2	18	11
9	P23	2	17
10	P 3	16	9
11	P24	20	19
12	P 3	18	9
13	P24	19	19
14			
15	P22	3	17
16	Q 8	X	2
17	P23	3	19
18			
19	P24	3	19
20	P 3	22	11
21	P14	24	11
22	P 3	24	11
23	P14	1	13
24	P 2	22	11
25	P 5	21	11
26	P 2	24	11
27	P 4	25	11
28	P 1	16	11
29	P 4	5	11
30	P 1	18	11

JACK PIN LG

63024900 Rev. C

16Q10

STORAGE MODULE

FUNCTION	PIN
Address	
S ⁰	22
S ¹	20
S ²	8
S ³	10
S ⁴	12
S ⁵	14
S ⁶	18
S ⁷	16
Store	
Z ²	6
Z ³	26
Z ⁶	28
Z ⁷	4
Z ¹⁰	30
Z ¹¹	2
Read	
Z ⁰	1
Z ⁰	3
Z ¹	27
Z ¹	29
Z ²	5
Z ²	7
Z ³	23
Z ³	25
Z ⁴	19
Z ⁴	21
Z ⁵	9
Z ⁵	11
Inhibit	
S ¹¹	24
Power	
+5 To Inhibit	13
+5 To Inhibit	17
Ground	15

1	P 7	2	9
2	P11	23	7
3	P 7	4	9
4	P11	3	9
5	P 8	2	11
6	P10	7	9
7	P 8	4	11
8	P23	21	17
9	P 9	8	9
10	P23	22	17
11	P 9	10	9
12	P25	21	19
13			
14	P25	22	19
15	Q10	X	2
16	P25	4	19
17			
18	P24	4	19
19	P 9	2	11
20	P22	22	15
21	P 9	4	11
22	P22	21	17
23	P 8	8	11
24	P25	5	19
25	P 8	10	11
26	P10	21	9
27	P 7	8	11
28	P11	5	11
29	P 7	10	11
30	P11	25	9

JACK PIN LG

16 Q16

FUNCTION	PIN
Address	
S ⁴	7
S ⁵	9
S ⁶	13
S ⁷	11
Store	
Z ⁰	29
Z ¹	5
Z ⁴	27
Z ⁵	1
Z ⁸	3
Z ⁹	25
Read	
Z ²	28
Z ²	30
Z ³	2
Z ³	4
Z ⁴	6
Z ⁴	8
Z ⁵	24
Z ⁵	26
Z ⁶	10
Z ⁶	12
Z ⁷	20
Z ⁷	22
Inhibit	
S ⁴	15
S ⁵	17
S ¹⁰	19
Control	
Read Enable	23
Write Enable	21
Power	
+8 To Drive	18
+6 To Drive	14
Ground	16

1	P10	23	11
2	P 7	22	13
3	P11	7	11
4	P 7	24	13
5	P10	3	11
6	P 8	16	13
7	P22	4	11
8	P 8	18	13
9	P23	4	13
10	P 9	16	11
11	P24	22	13
12	P 9	18	11
13	P24	21	13
14			
15	P22	5	13
16	Q16	X	2
17	P23	5	13
18			
19	P24	5	13
20	P 9	22	11
21	P14	25	9
22	P 9	24	11
23	P14	3	11
24	P 8	22	13
25	P11	21	11
26	P 8	24	13
27	P10	25	11
28	P 7	16	13
29	P10	5	13
30	P 7	18	13

JACK PIN LG

63024900 Rev. C

16 Q18

STORAGE MODULE

FUNCTION	PIN
Address	
S ⁰	22
S ¹	20
S ²	8
S ³	10
S ⁴	14
S ⁵	18
S ⁶	16
Store	
Z ²	6
Z ³	26
Z ⁴	28
Z ⁵	4
Z ⁶	30
Z ⁷	2
Read	
Z ⁰	1
Z ¹	3
Z ²	27
Z ³	29
Z ⁴	5
Z ⁵	7
Z ⁶	23
Z ⁷	25
Z ⁸	19
Z ⁹	21
Z ¹⁰	9
Z ¹¹	11
Inhibit	
S ¹¹	24
Power	
+5 To Inhibit	13
+5 To Inhibit	17
Ground	15

1	P26	2	13
2	P30	23	15
3	P26	4	13
4	P30	3	17
5	P27	2	13
6	P29	7	15
7	P27	4	13
8	P23	23	11
9	P28	8	15
10	P23	24	11
11	P28	10	15
12	P25	23	13
13			
14	P25	24	13
15	Q18	X	2
16	P25	6	13
17			
18	P24	6	13
19	P28	2	15
20	P22	24	11
21	P28	4	15
22	P22	23	11
23	P27	8	15
24	P25	7	13
25	P27	10	15
26	P29	21	15
27	P26	8	15
28	P30	5	17
29	P26	10	15
30	P30	25	17

JACK PIN LG

16 Q25

FUNCTION	PIN
Address	
S ⁴	7
S ⁵	9
S ⁶	13
S ⁷	11
Store	
Z ⁰	29
Z ¹	5
Z ²	27
Z ³	1
Z ⁴	3
Z ⁵	25
Read	
Z ²	28
Z ²	30
Z ³	2
Z ³	4
Z ⁶	6
Z ⁶	8
Z ⁷	24
Z ⁷	26
Z ¹⁰	10
Z ¹⁰	12
Z ¹¹	20
Z ¹¹	22
Inhibit	
S ⁴	15
S ⁵	17
S ¹⁰	19
Control	
Read Enable	23
Write Enable	21
Power	
+8 To Drive	18
+6 To Drive	14
Ground	16

1	P29	23	9
2	P26	22	7
3	P30	7	11
4	P26	24	7
5	P29	3	11
6	P27	16	9
7	P22	6	11
8	P27	18	9
9	P23	6	11
10	P28	16	9
11	P24	24	9
12	P28	18	9
13	P24	23	9
14			
15	P22	7	11
16	Q25	X	2
17	P23	7	11
18			
19	P24	7	11
20	P28	22	9
21	P14	26	15
22	P28	24	9
23	P14	4	17
24	P27	22	9
25	P30	21	13
26	P27	24	9
27	P29	25	11
28	P26	16	11
29	P29	5	13
30	P26	18	11

JACK PIN LG

16 Q26

STORAGE MODULE

FUNCTION	PIN
Address	
S ⁰	22
S ¹	20
S ²	8
S ³	10
S ⁴	12
S ⁵	14
S ⁶	18
S ⁷	16
Store	
Z ²	6
Z ³	26
Z ⁴	28
Z ⁵	4
Z ⁶	30
Z ⁷	2
Read	
Z ⁰	1
Z ⁰	3
Z ¹	27
Z ¹	29
Z ²	5
Z ²	7
Z ³	23
Z ³	25
Z ⁴	19
Z ⁴	21
Z ⁵	9
Z ⁵	11
Inhibit	
S ¹¹	24
Power	
+5 To Inhibit	13
+5 To Inhibit	17
Ground	15

1	P32	2	11
2	P36	23	13
3	P32	4	11
4	P36	3	15
5	P33	2	13
6	P35	7	13
7	P33	4	13
8	P23	25	9
9	P34	8	13
10	P23	26	9
11	P34	10	13
12	P25	25	9
13			
14	P25	26	9
15	Q26	X	2
16	P25	8	11
17			
18	P24	8	11
19	P34	2	13
20	P22	26	11
21	P34	4	13
22	P22	25	11
23	P33	8	13
24	P25	9	11
25	P33	10	13
26	P35	21	13
27	P32	8	13
28	P36	5	15
29	P32	10	13
30	P36	25	15

JACK PIN LG

16 Q33

FUNCTION	PIN
Address	
S ⁴	7
S ⁵	9
S ⁶	13
S ⁷	11
Store	
Z ⁰	29
Z ¹	5
Z ²	27
Z ³	1
Z ³	3
Z ⁵	25
Read	
Z ²	28
Z ²	30
Z ³	2
Z ³	4
Z ⁶	6
Z ⁶	8
Z ⁷	24
Z ⁷	26
Z ¹⁰	10
Z ¹⁰	12
Z ¹¹	20
Z ¹¹	22
Inhibit	
S ⁴	15
S ⁵	17
S ¹⁰	19
Control	
Read Enable	23
Write Enable	21
Power	
+8 To Drive	18
+6 To Drive	14
Ground	16

1	P35	23	7
2	P32	22	7
3	P36	7	9
4	P32	24	7
5	P35	3	9
6	P33	16	9
7	P22	8	15
8	P33	18	9
9	P23	8	13
10	P34	16	9
11	P24	26	13
12	P34	18	9
13	P24	25	13
14			
15	P22	9	15
16	Q33	X	2
17	P23	9	15
18			
19	P24	9	15
20	P34	22	9
21	P14	27	21
22	P34	24	9
23	P14	6	23
24	P33	22	9
25	P36	21	11
26	P33	24	9
27	P35	25	9
28	P32	16	11
29	P35	5	11
30	P32	18	11

JACK PIN LG

16 Q35

STORAGE
MODULE

FUNCTION	PIN
Address	
S ⁰	22
S ¹	20
S ²	8
S ³	10
S ⁴	12
S ⁵	14
S ¹⁰	18
S ¹¹	16
Store	
Z ²	6
Z ³	26
Z ⁴	28
Z ⁷	4
Z ¹⁰	30
Z ¹¹	2
Read	
Z ⁰	1
Z ¹	3
Z ¹	27
Z ¹	29
Z ⁴	5
Z ⁴	7
Z ⁵	23
Z ⁵	25
Z ⁵	19
Z ⁵	21
Z ⁵	9
Z ⁵	11
Inhibit	
S ¹¹	24
Power	
+5 To Inhibit	13
+5 To Inhibit	17
Ground	15

1	P38	2	9
2	P42	23	13
3	P38	4	9
4	P42	3	13
5	P39	2	11
6	P41	7	13
7	P39	4	11
8	P23	27	15
9	P40	8	11
10	P23	28	15
11	P40	10	11
12	P25	27	13
13			
14	P25	28	13
15	Q35	X	2
16	P25	10	15
17			
18	P24	10	15
19	P40	2	13
20	P22	28	17
21	P40	4	13
22	P22	27	15
23	P39	8	13
24	P25	11	15
25	P39	10	13
26	P41	21	13
27	P38	8	13
28	P42	5	15
29	P38	10	13
30	P42	25	13

JACK PIN LG

16 Q42

FUNCTION	PIN
Address	
S ⁴	7
S ⁵	9
S ⁶	13
S ⁷	11
Store	
Z ⁰	29
Z ¹	5
Z ⁴	27
Z ⁵	1
Z ⁵	3
Z ⁵	25
Read	
Z ²	28
Z ²	30
Z ³	2
Z ³	4
Z ⁴	6
Z ⁴	8
Z ⁷	24
Z ¹⁰	26
Z ¹⁰	10
Z ¹¹	12
Z ¹¹	20
Z ¹¹	22
Inhibit	
S ⁴	15
S ⁵	17
S ¹⁰	19
Control	
Read Enable	23
Write Enable	21
Power	
+8 To Drive	18
+6 To Drive	14
Ground	16

1	P41	23	7
2	P38	22	9
3	P42	7	9
4	P38	24	9
5	P41	3	9
6	P39	16	9
7	P22	10	23
8	P39	18	9
9	P23	10	21
10	P40	16	9
11	P24	28	19
12	P40	18	9
13	P24	27	19
14			
15	P22	11	21
16	Q42	X	2
17	P23	11	21
18			
19	P24	11	21
20	P40	22	9
21	P14	28	29
22	P40	24	9
23	P14	7	29
24	P39	22	11
25	P42	21	9
26	P39	24	11
27	P41	25	9
28	P38	16	11
29	P41	5	13
30	P38	18	11

JACK PIN LG

COMMENT SHEET

CONTROL DATA 6601 A-H/6613-A Central Computer
Chassis 16, Card Placement, Wire Lists, Chassis Tabs
Customer Engineering Manual
Pub. No. 63024900

FROM: NAME: _____

BUSINESS
ADDRESS: _____

THESE COMMENTS REFER TO REV. _____ OF THIS MANUAL.

COMMENTS: (DESCRIBE ERRORS, SUGGESTED ADDITIONS OR
DELETIONS, ETC. INCLUDE PAGE NUMBER.)

CUT ALONG LINE

FORM CA 231 REV. 1-66

NO POSTAGE STAMP NECESSARY IF MAILED IN U.S.A.
FOLD ON DOTTED LINES AND STAPLE

STAPLE

STAPLE

FOLD

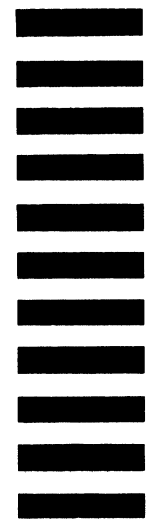
FOLD

FIRST CLASS
 PERMIT NO. 8241
 MINNEAPOLIS, MINN.

BUSINESS REPLY MAIL
 NO POSTAGE STAMP NECESSARY IF MAILED IN U.S.A.

POSTAGE WILL BE PAID BY
CONTROL DATA CORPORATION
8100 34TH AVENUE SOUTH
MINNEAPOLIS, MINNESOTA 55440

ATTN: TECHNICAL PUBLICATIONS DEPT.
PLANT TWO



CUT ALONG LINE

FOLD

FOLD

STAPLE

STAPLE