

**Burroughs**

**B 9480-22  
DISK  
CARTRIDGE  
DRIVE**

TECHNICAL MANUAL  
VOLUME 2

ILLUSTRATED  
PARTS CATALOG

This Manual Replaces All Previous Editions of Form 2102133

**FIELD ENGINEERING PROPRIETARY DATA**

**BL**

---

### FIELD ENGINEERING PROPRIETARY DATA

The information contained in this document is proprietary to Burroughs Corporation. The information in this document is not to be reproduced, shown, or disclosed outside Burroughs Corporation without written permission of the Patent Counsel, Office of General Counsel, Burroughs Corporation.

This material is furnished for Burroughs Field Engineering Personnel, and is not furnished to customers except under special License Agreement.

**THIS DOCUMENT IS THE PROPERTY OF AND SHALL BE RETURNED TO BURROUGHS CORPORATION, BURROUGHS PLACE, DETROIT, MICHIGAN 48232, U.S.A.**

Burroughs cannot accept any financial or other responsibilities that may be the result of your use of this information or software material, including direct, indirect, special or consequential damages. There are no warranties extended or granted by this document or software material.

The information contained herein is subject to change without notice. Revisions may be issued to advise of such changes and/or additions.

Manual completely revised February 1983, replaces the previous issue, dated September 1977.

Correspondence regarding this manual should be forwarded using the Remarks form at the back of the manual or may be addressed directly to Corporate Documentation — Europe, Burroughs Machines Limited, Cumbernauld, Glasgow, G68 0BN, Scotland.

**B 9480-22 Disk Cartridge Drive, Volume 2:  
Illustrated Parts Catalog**

**LIST OF EFFECTIVE PAGES**

<b>Page</b>	<b>Issue</b>
iii	Original
iv	Blank
v	Original
vi	Blank
1-1 thru 1-9	Original
1-10	Blank
1-11 thru 1-22	Original

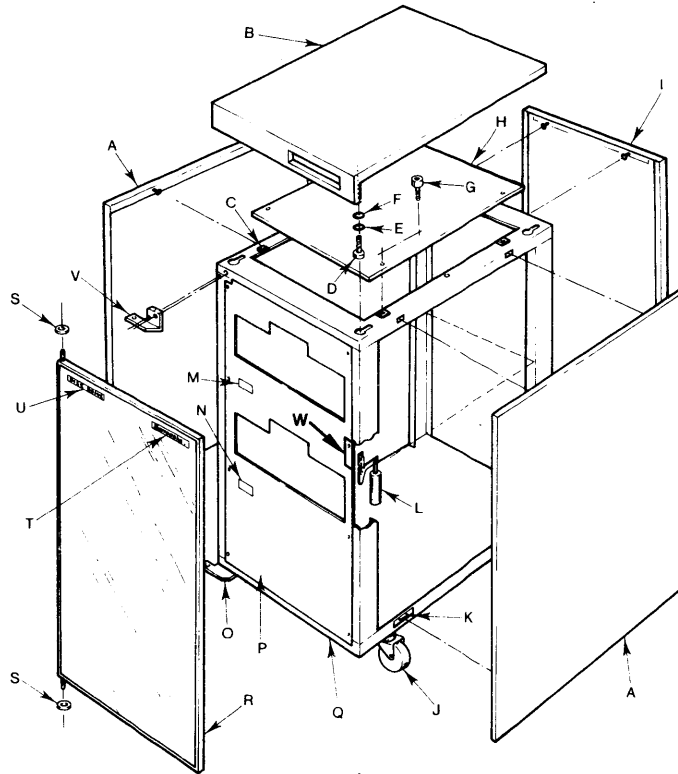
**B 9480-22 Disk Cartridge Drive, Volume 2:  
Illustrated Parts Catalog**

**INDEX**

<b>Plate</b>	<b>Title</b>	<b>Page</b>
1-1	Cabinet Frame and Panels, including Door Solenoid . . . . .	1-1
1-4	Clean Air Unit . . . . .	1-5
1-14	Common Electrical Parts . . . . .	1-22
1-9	Common Electronics Module – PCB . . . . .	1-12
1-10	Common Electronics Module – PCB (Later Build) . . . . .	1-14
1-6	Disk Drive – Lower View . . . . .	1-8
1-5	Disk Drive – Upper View . . . . .	1-6
1-8	Positioner Assembly . . . . .	1-11
1-13	Positioner Board – PCB . . . . .	1-20
1-3	Power Supply Assembly . . . . .	1-3
1-11	Power Supply Board – PCB . . . . .	1-16
1-12	Read-Write Amplifier – PCB . . . . .	1-18
1-7	Receiver Interlock Solenoid Assembly . . . . .	1-9
1-2	Switch Panel Assembly . . . . .	1-2

**B 9480-22 Disk Cartridge Drive, Volume 2:  
Illustrated Parts Catalog**

**CABINET FRAME & PANELS INCLUDING DOOR SOLENOID (PLATE 1-1)**

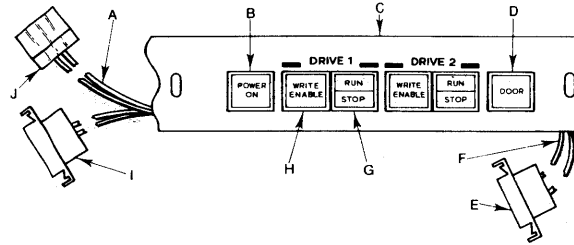


**PART NUMBERS (Plate 1-1)**

A	1448 8761	side panel	O	2155 5404	lower hinge, use :
B	1448 8852	top cover			1447 0207 screw
C	1447 0454	spring nut			1256 7467 lockwasher
D	1105 8054	screw			1447 0025 washer
E	1256 7467	lockwasher	P	2155 3557	modesty panel, use :
F	1447 0025	washer			1105 7320 screw
G	1447 1304	screw			2150 6571 nut
H	2155 3532	top cover plate	Q	1880 5580	cabinet frame assembly
I	2158 9908	rear panel	R	2155 3318	front panel assembly
J	1470 6980	castor	S	1449 0775	door bearing
K	1448 8878	latch, use :	T	2158 9940	decals "Burroughs"
		2150 6837 screw	U	2158 9932	decals "Disk Drive"
L	1880 2801	solenoid and lever assembly	V	1880 6208	upper hinge, use :
M	2159 0237	lens assembly (Drive 1)			2150 6803 screw
N	2159 0245	lens assembly (Drive 2)			1256 7467 lockwasher
					1447 0025 washer
			W	2150 6605	magnet

**B 9480-22 Disk Cartridge Drive, Volume 2:  
Illustrated Parts Catalog**

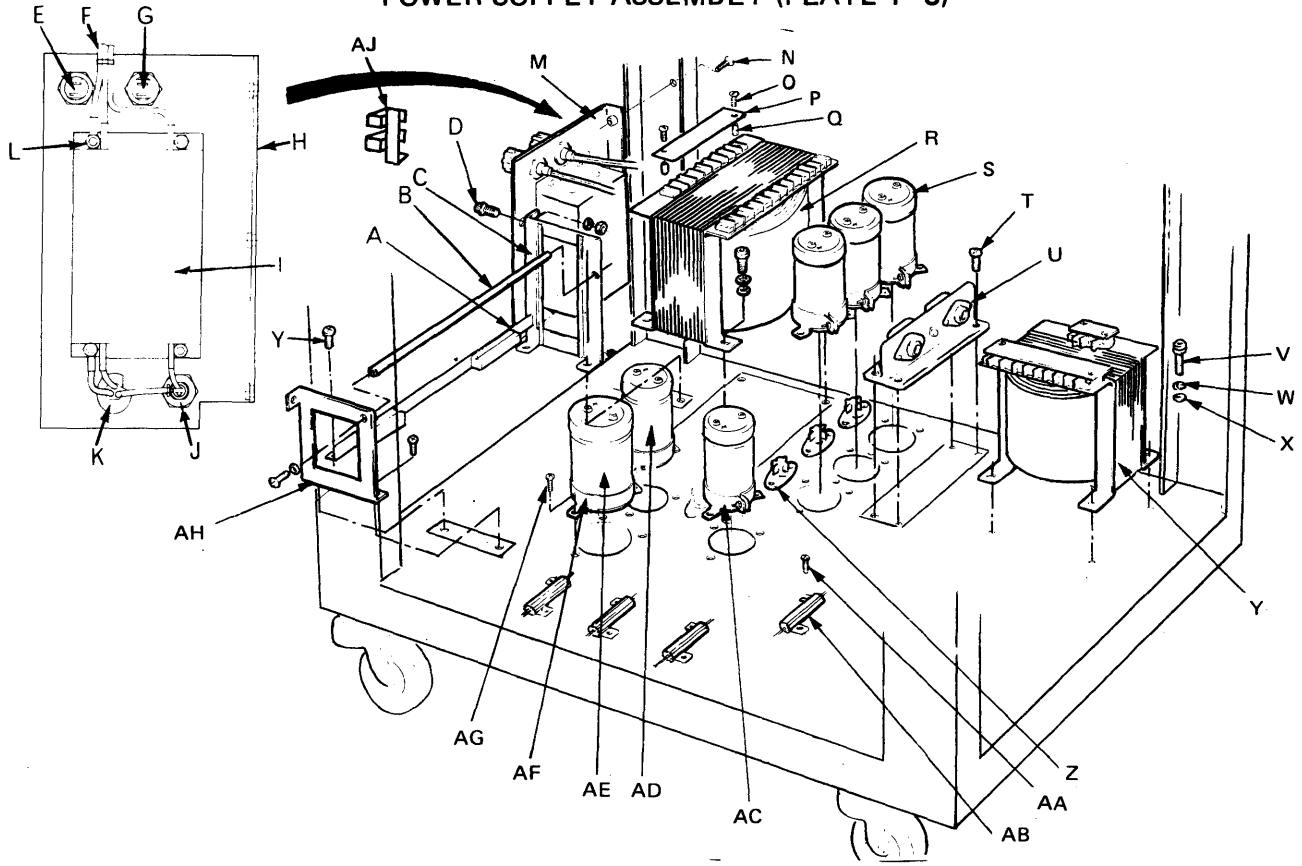
**SWITCH PANEL ASSEMBLY (PLATE 1-2)**



**PART NUMBERS (Plate 1-2)**

	<b>1880 4666</b>	<b>complete switch panel assembly</b>
<b>A</b>	<b>1879 5781</b>	<b>switch panel DC harness</b>
<b>B</b>	<b>1880 7776</b>	<b>switch and indicator assembly (Power On)</b>
		<b>includes :</b>
		<b>2155 6451 switch</b>
		<b>2155 6444 housing</b>
		<b>2155 6469 lens</b>
		<b>1534 7040 lamp</b>
<b>C</b>	<b>2158 9916</b>	<b>mounting panel only</b>
<b>D</b>	<b>2155 2161</b>	<b>switch and indicator assembly (Door)</b>
<b>E</b>	<b>-----</b>	<b>connector plug, refer to</b>
		<b>COMMON ELECTRICAL PARTS</b>
<b>F</b>	<b>1880 4674</b>	<b>AC power harness</b>
<b>G</b>	<b>2155 2195</b>	<b>switch and indicator assembly (Run/Stop)</b>
<b>H</b>	<b>2155 2179</b>	<b>indicator assembly (Write Enable)</b>
<b>I</b>	<b>-----</b>	<b>connector receptacle, refer to</b>
		<b>COMMON ELECTRICAL PARTS</b>
<b>J</b>	<b>-----</b>	<b>connector plug, refer to</b>
		<b>COMMON ELECTRICAL PARTS</b>

**B 9480-22 Disk Cartridge Drive, Volume 2:  
Illustrated Parts Catalog  
POWER SUPPLY ASSEMBLY (PLATE 1-3)**



**PART NUMBERS (Plate 1-3)**

<b>A</b>	<b>1447 1072</b>	<b>PCB support</b>	<b>M</b>	<b>1880 5424</b>	<b>filter assembly, includes E thru L</b>
<b>B</b>	<b>1447 0462</b>	<b>support rod</b>	<b>N</b>	<b>1257 2673</b>	<b>screw</b>
<b>C</b>	<b>1446 6007</b>	<b>PCB support bracket -- right</b>	<b>O</b>	<b>1105 7932</b>	<b>screw</b>
<b>D</b>	<b>1105 7940</b>	<b>screw, use :</b>	<b>P</b>	<b>1880 6356</b>	<b>plate</b>
		<b>1447 0009 washer</b>	<b>Q</b>	<b>1875 9944</b>	<b>standoff</b>
		<b>1257 4125 locknut</b>	<b>R</b>	<b>1446 5603</b>	<b>power transformer</b>
<b>E</b>	<b>2473 0152</b>	<b>fuse holder, use :</b>	<b>S</b>	<b>1447 9075</b>	<b>capacitor, 20K<math>\mu</math>F 40 volt (4 req'd)</b>
		<b>1341 0890 fuse, 8 amp slow blow</b>	<b>T</b>	<b>1126 2615</b>	<b>screw</b>
<b>F</b>	<b>1879 7415</b>	<b>filter harness</b>	<b>U</b>	<b>1879 6888</b>	<b>regulator assembly, includes :</b>
<b>G</b>	<b>2473 0152</b>	<b>fuse holder, use :</b>			<b>1879 7035 bracket</b>
		<b>2208 6342 fuse, 4 amp slow blow</b>			<b>1878 8729 transistor BDX 63A</b>
<b>H</b>	<b>1880 5432</b>	<b>bracket</b>			<b>2204 6940 zener diode 1N 971B</b>
<b>I</b>	<b>1880 9913</b>	<b>line filter</b>			<b>1876 4985 resistor 390<math>\Omega</math> 1/4 watt 2%</b>
<b>J</b>	<b>1446 8490</b>	<b>fuse holder, use :</b>			<b>1877 4414 resistor .5<math>\Omega</math> 5 watt 1%</b>
		<b>1102 7950 fuse, 10 amp time delay for 200 volt</b>			<b>1256 0900 screw</b>
		<b>1102 2860 fuse, 7 amp MDX for 120 volt</b>			<b>1256 8010 washer</b>
<b>K</b>	<b>1884 6329</b>	<b>strain relief bushing</b>			<b>1879 7498 nylon washer</b>
<b>L</b>	<b>1889 0459</b>	<b>screw (5 req'd), use :</b>	<b>V</b>	<b>1105 8062</b>	<b>screw</b>
		<b>1256 8010 washer</b>	<b>W</b>	<b>1256 7467</b>	<b>lockwasher</b>
		<b>1257 4185 locknut</b>			

Part Numbers Continued on Next Page

B 9480-22 Disk Cartridge Drive, Volume 2:  
Illustrated Parts Catalog

PART NUMBERS (Plate 1–3) Continued

X	1447 0025	washer
Y	1446 6551	international transformer
Z	1881 9482	bridge rectifier (5 req'd), use : 1126 2615 screw 1256 7723 lockwasher
AA	1142 8984	screw
AB	1878 6665	resistor 15 $\Omega$ 50 watt (4 req'd)
AC	2300 3957	capacitor clamp (5 req'd), use : 1105 7932 screw 1447 0009 washer 1257 4125 locknut
AD	1446 7583	capacitor 31K $\mu$ F 15 volt
AE	1879 7365	capacitor 83K $\mu$ F 15 volt
AF	2300 3965	capacitor clamp, use : 1105 7932 screw 1447 0009 washer 1257 4125 locknut
AG	1126 2615	screw, use : 1256 7723 lockwasher
AH	1446 6056	PCB support bracket – left
AJ	1879 9080	strain relief bracket (I/O cable)

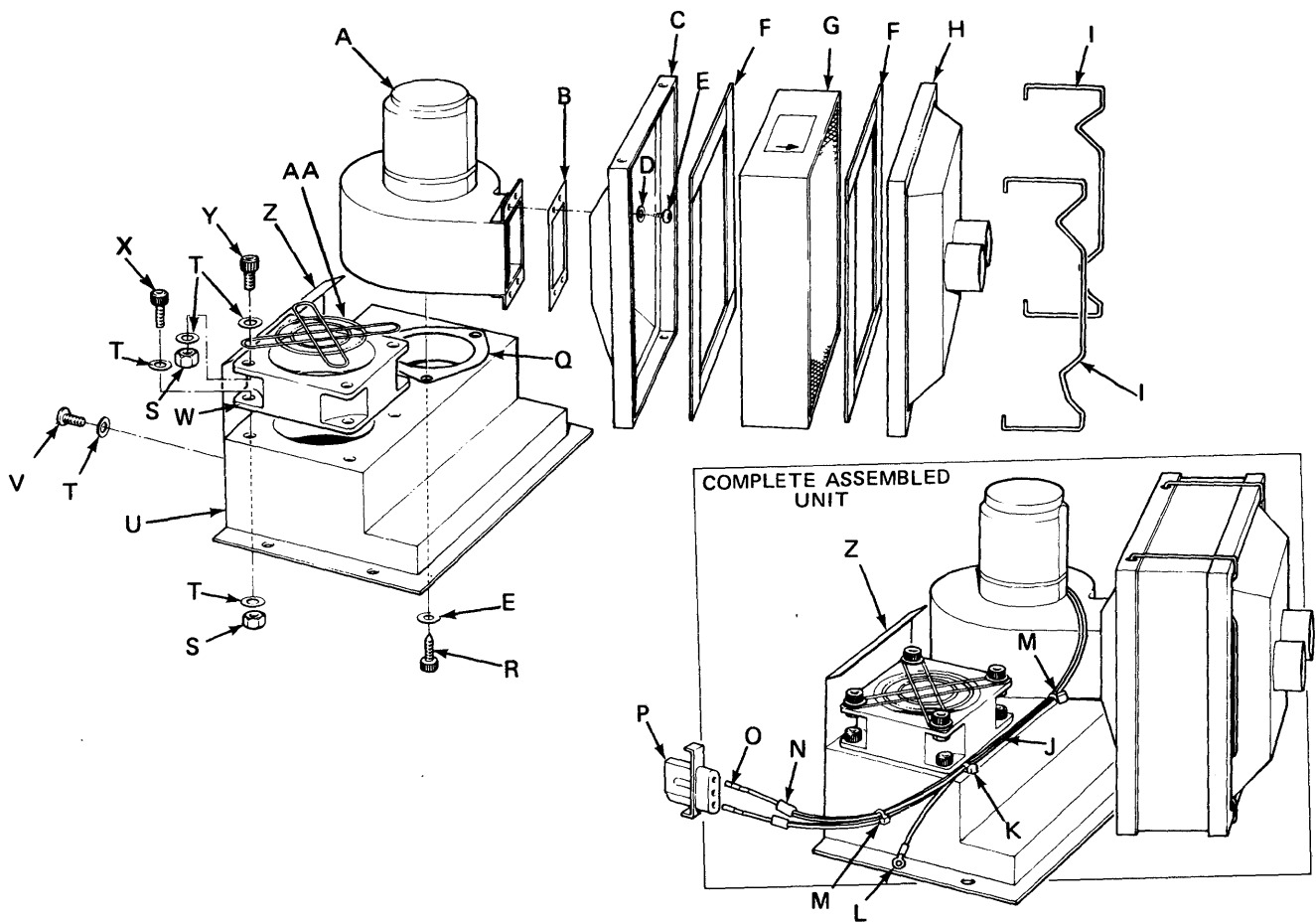
PARTS NOT ILLUSTRATED

1880 4708	plastic capacitor cover (L-shaped)
1880 4690	plastic capacitor cover (rectangular)
1876 9588	standoff (4 inches long)
1880 3908	standoff (.875 inches long)



B 9480-22 Disk Cartridge Drive, Volume 2:  
Illustrated Parts Catalog

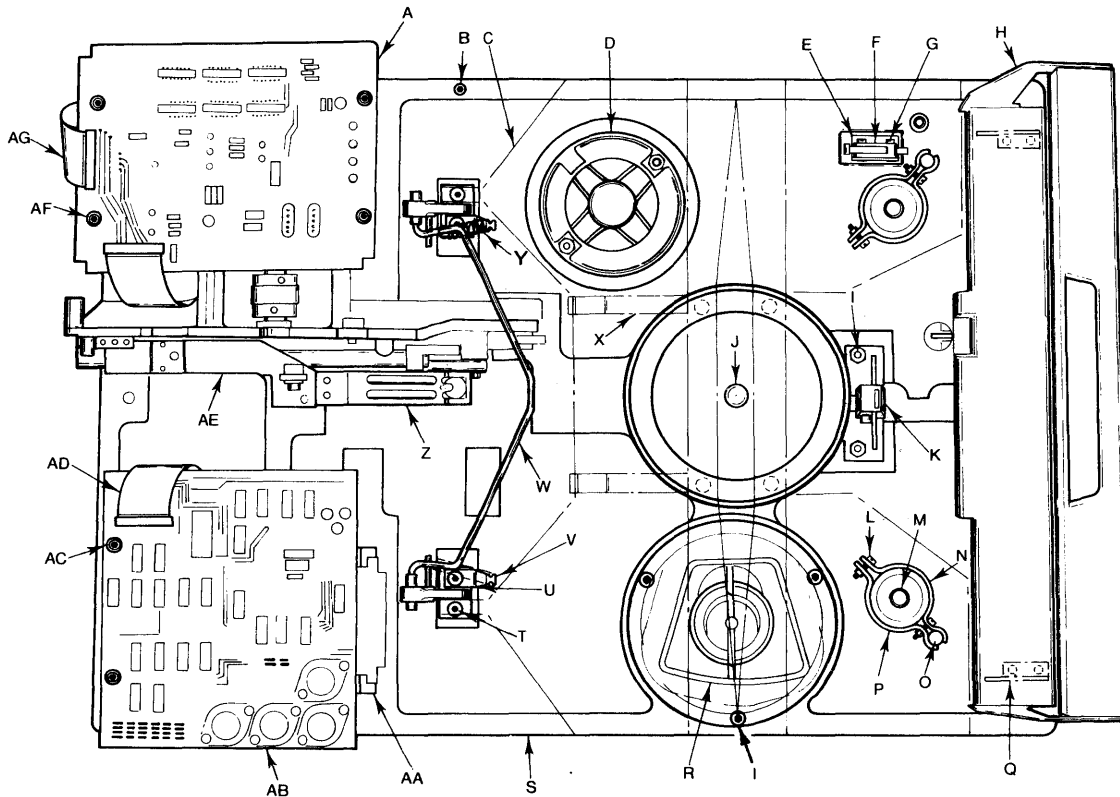
CLEAN AIR UNIT (PLATE 1-4)



PART NUMBERS (Plate 1-4)

A	1880 3809	blower	O	1877 7615	contact pin
B	1880 3262	gasket	P	2157 1096	plug
C	1880 2637	inlet	Q	1880 7941	gasket
D	1880 3247	screw	R	1881 7007	socket setscrew (3 req'd)
E	1256 8036	washer	S	1257 4125	nut
F	2157 8489	air filter gasket strip	T	1256 8010	washer
G	2155 5495	air filter	U	1881 2164	air intake, use :
H	1880 2645	plenum			1446 6460 coarse filter
I	1880 2652	clip (for air filter assembly)	V	1126 2615	screw (2 req'd)
J	1635 2361	cable assembly, includes L, N, O	W	1883 9191	axial fan
K	1447 1197	nylon cable clip	X	1105 7973	socket setscrew (4 req'd)
L	1879 7134	cable lug	Y	1105 7957	socket setscrew (4 req'd)
M	1447 0306	cable clip (3 req'd)	Z	1880 3221	deflector plate
N	2008 5643	cable splice	AA	1635 2353	fan guard

**B 9480-22 Disk Cartridge Drive, Volume 2:  
Illustrated Parts Catalog  
DISK DRIVE -- UPPER VIEW (PLATE 1-5)**



**PART NUMBERS (Plate 1-5)**

<b>A</b>	-----	refer to READ/WRITE AMPLIFIER PCB for part number details	<b>I</b>	1105 7940	screw, use : 1256 7442 lockwasher
<b>B</b>	1876 9299	head adjusting screw	<b>J</b>	1446 4960	1447 0009 washer spindle assembly, includes :
<b>C</b>	1446 3582	cartridge receiver assembly, use : 1447 0181 pivot screw 1256 5248 nut 1446 3947 receiver hold-down spring 1447 0181 screw (4 req'd) 1256 5248 nut (4 req'd) 1447 0009 washer (4 req'd) 1256 7442 lockwasher (4 req'd) 2155 3748 decal "Drive 1" 2155 3755 decal "Drive 2"	<b>K</b>	1882 7022	index sector transducer assembly, use : 1117 8597 cable clamp
<b>D</b>	2161 8574	drive motor	<b>L</b>	1105 7940	screw, use : 1256 8010 washer 1256 7442 lockwasher
<b>E</b>	1446 3996	bracket, use : 1447 0132 screw 1256 7996 washer 1256 7426 washer	<b>M</b>	1879 0766	cartridge locator pin
<b>F</b>	1446 8607	microswitch	<b>N</b>	1446 5355	bracket
<b>G</b>	1447 0132	screw, use : 1446 6452 strap clamp 1256 7426 washer 1256 7996 nylon washer	<b>O</b>	1446 5348	guide pin
<b>H</b>	1879 8553	receiver actuator assembly, includes : 1879 8439 right handle bracket 1879 8447 left handle bracket 1446 5165 actuator 1876 9489 screw 1446 5173 handle	<b>P</b>	1446 5363	bracket
			<b>Q</b>	1446 5090 1446 5108	pivot bracket, right pivot bracket, left use : 1105 7932 screw 1256 7442 lockwasher 1447 0009 washer
			<b>R</b>	2160 8252	air duct, use : 1880 1811 foam gasket
			<b>S</b>	1879 5757	base plate
			<b>T</b>	1105 7957	screw, use : 1256 7442 lockwasher 1447 0009 washer
			<b>U</b>	2159 4395	bracket
			<b>V</b>	1880 7784	spring anchor plate

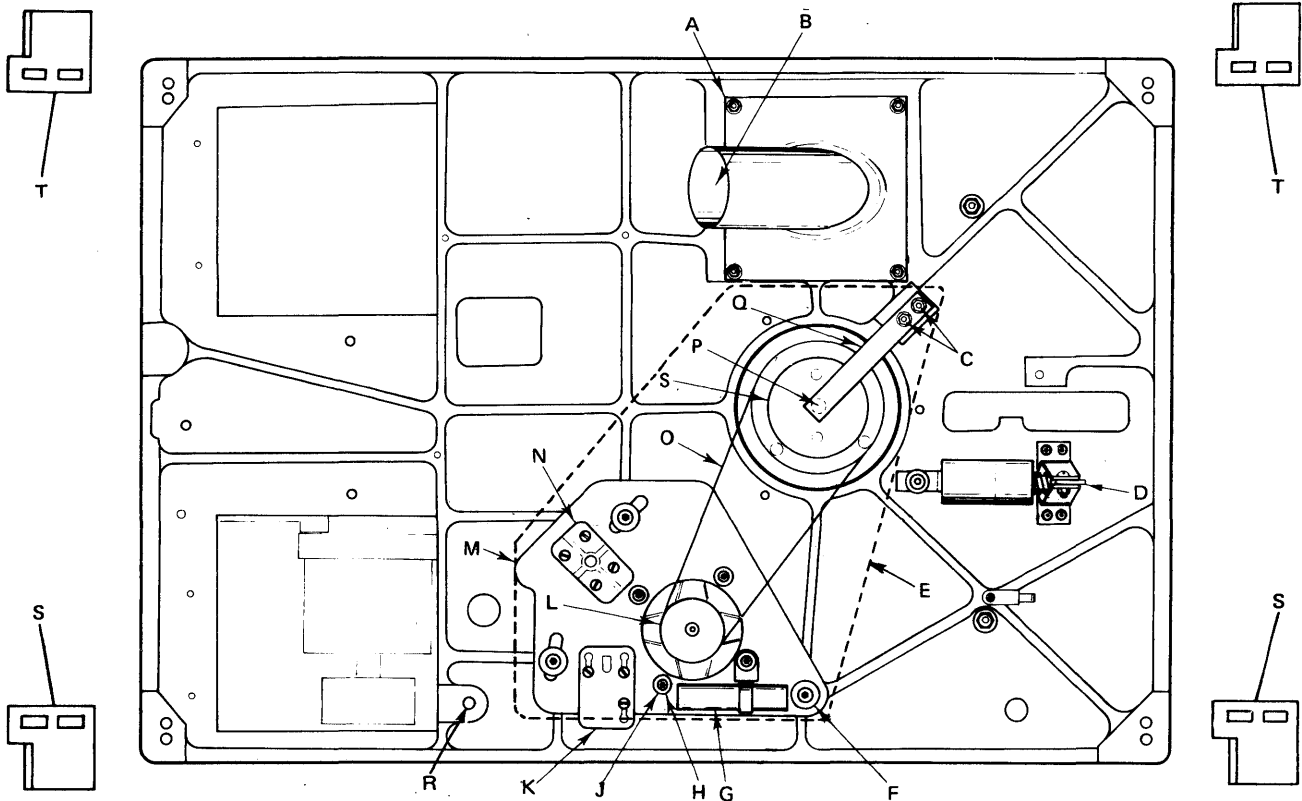
Part Numbers Continued on Next Page

B 9480-22 Disk Cartridge Drive, Volume 2:  
Illustrated Parts Catalog

PART NUMBERS (Plate 1–5) Continued

W	1879 9049	door opener
X	1446 3772	hold-down spring
Y	1446 3947	spring, use : 1105 6322 grip ring 1255 3129 external E-ring
Z	1446 5058	upper head assembly
	1446 5066	lower head assembly
AA	1879 5955	connector bracket, use : 1105 7940 screw 1105 7932 screw 1255 7442 lockwasher 1447 0009 washer
AB	-----	refer to POSITIONER PCB for part number details
AC	1103 5987	standoff, use : 1105 7932 screw 1256 7442 lockwasher 1447 0009 washer
AD	1446 5553	cable assembly (Read/Write PCB to Positioner PCB)
AE	-----	refer to POSITIONER ASSEMBLY PCB for Part number details
AF	1876 9588	standoff, use : 1105 7932 screw 1256 7442 lockwasher 1447 0009 washer
AG	1446 5546	cable assembly (31 inch Drive 2)
	1446 5538	cable assembly (42 inch Drive 1) for Read/Write PCB to Common Electronics Module PCB

**B 9480-22 Disk Cartridge Drive, Volume 2:  
Illustrated Parts Catalog  
DISK DRIVE – LOWER VIEW (PLATE 1–6)**

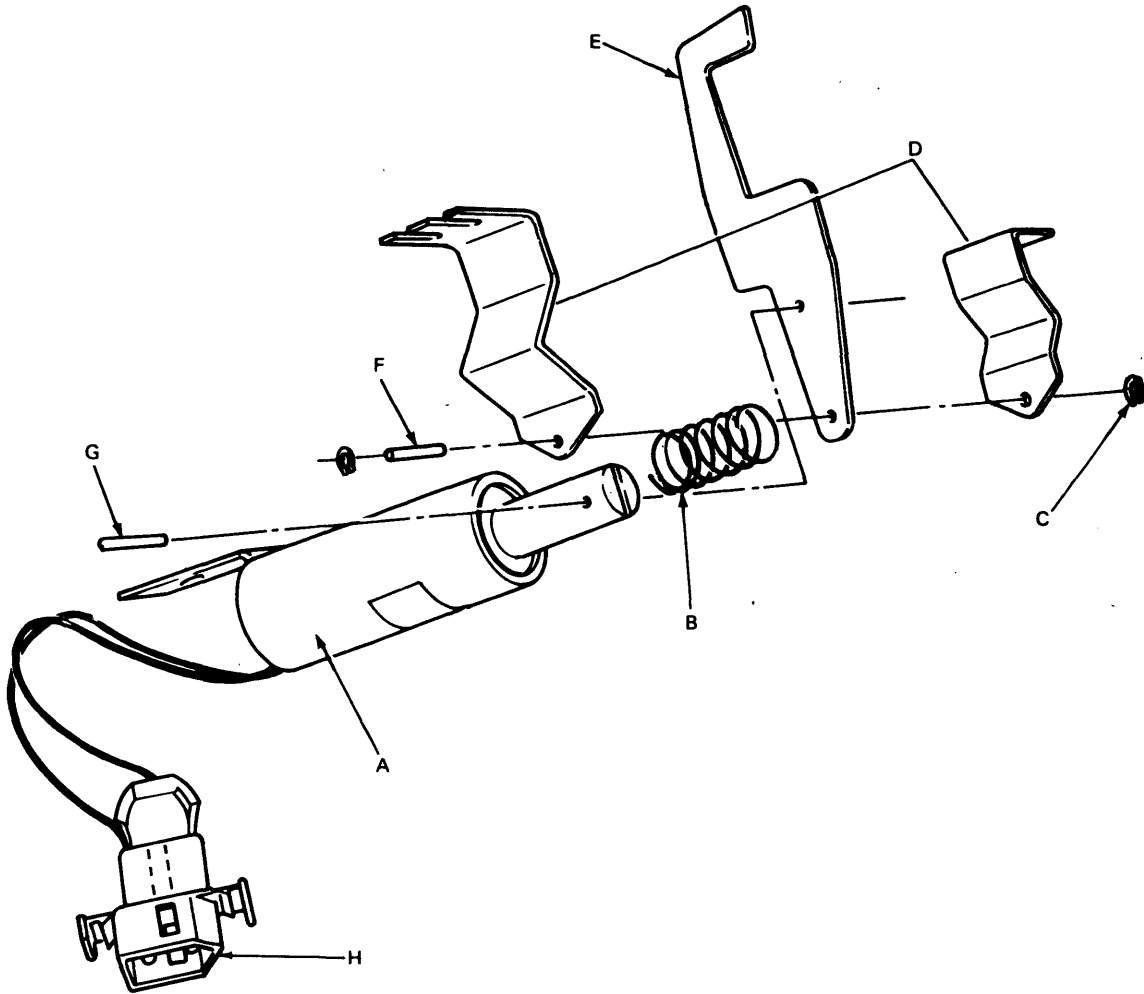


**PART NUMBERS (Plate 1–6)**

A	1105 7957	screw, use :	K	1880 3098	motor start relay, use :
		1447 0009 washer			1105 7932 screw
B	2155 5453	clean air inlet, use :			1256 7442 lockwasher
		2157 8513 gasket			1447 0009 washer
C	1880 2959	standoff, use :	L	-----	pulley assembly
		1105 7932 screw		1880 5044	pulley 50Hz
		1880 5960 stud with belt guard		1880 5051	pulley 60Hz use :
		1257 4125 nut with belt guard			1880 5069 grub screw
D	-----	refer to RECEIVER INTERLOCK	M	1879 4198	motor mounting plate
		SOLENOID ASSEMBLY for	N	2158 9148	solid state relay, use :
		part number details			1879 1616 suppressor
E	1880 5978	belt guard, use :			1447 1353 screw
		1880 5952 bracket	O	1446 8649	belt
		1447 0207 screw	P	1446 8631	spindle grounding contact, use :
		1447 0025 washer			1447 0470 setscrew
		1256 7467 lockwasher	Q	1446 6486	ground strap
F	1147 0879	screw, use :	R	1880 2868	insulated pin, use :
		1256 7483 lockwasher			1446 4002 extension spring
		1256 8093 washer	S	1879 7043	left support
		1117 6476 nylon washer	T	1879 7050	right support use :
G	1880 0912	suppressor assembly			1879 4040 insulator
H	1447 0017	washer			1117 6476 nylon washer
J	1105 8013	screw, use :			1256 8093 washer
		1256 7459 lockwasher			1256 7483 lockwasher
					1147 0879 screw

B 9480-22 Disk Cartridge Drive, Volume 2:  
 Illustrated Parts Catalog

RECEIVER INTERLOCK SOLENOID ASSEMBLY (PLATE 1-7)



PART NUMBERS (Plate 1-7)

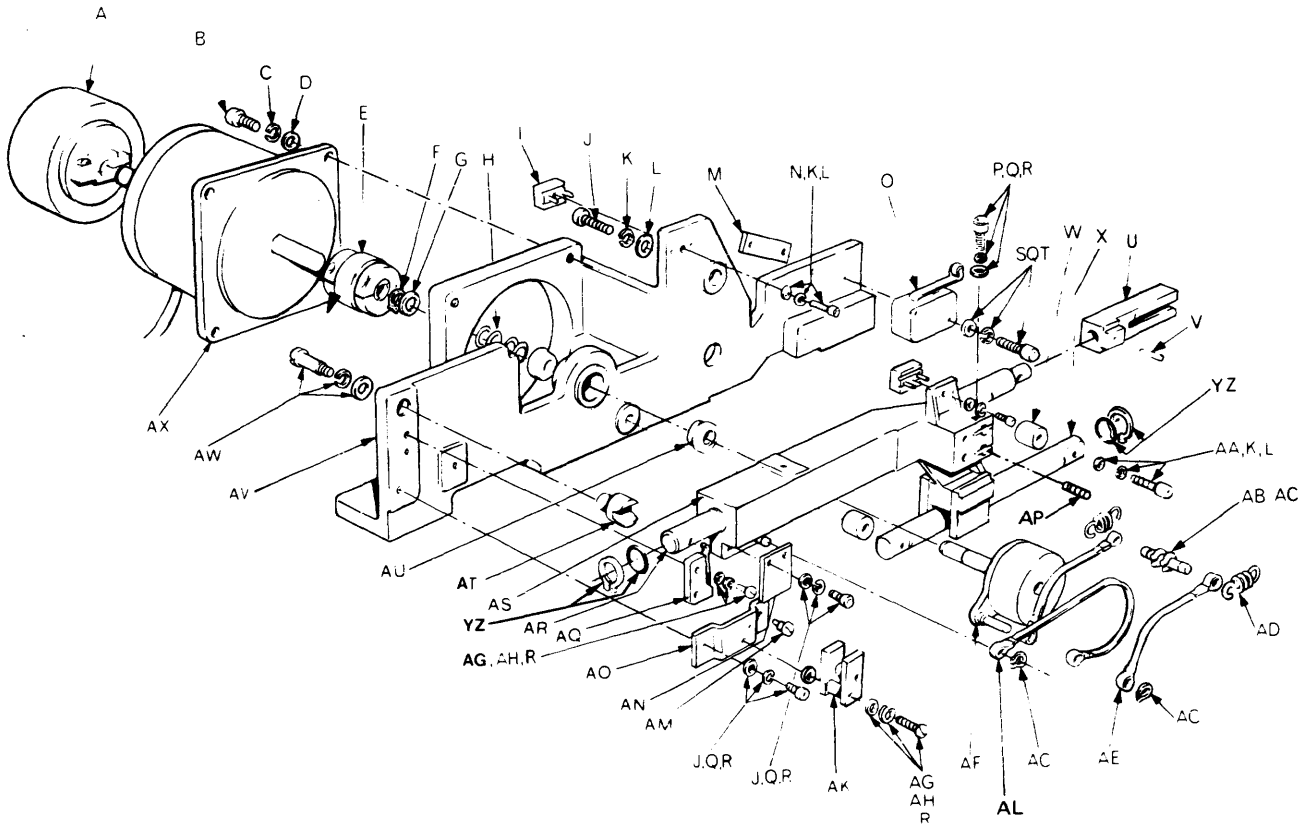
	1880 2819	complete receiver interlock solenoid assembly
A	1877 8282	solenoid
B	1446 3988	spring
C	1105 6322	circlip
D	2159 2735	guide bracket
E	1880 7818	latch interlock
F	1255 0414	roll pin
G	1878 5436	dowel pin
H	2157 1096	connector, use :
		1877 7615 pin
		1446 7252 diode 1N 4383

**B 9480-22 Disk Cartridge Drive, Volume 2:  
Illustrated Parts Catalog**

**This page is reserved for future use**

B 9480-22 Disk Cartridge Drive, Volume 2:  
Illustrated Parts Catalog

POSITIONER ASSEMBLY (PLATE 1-8)



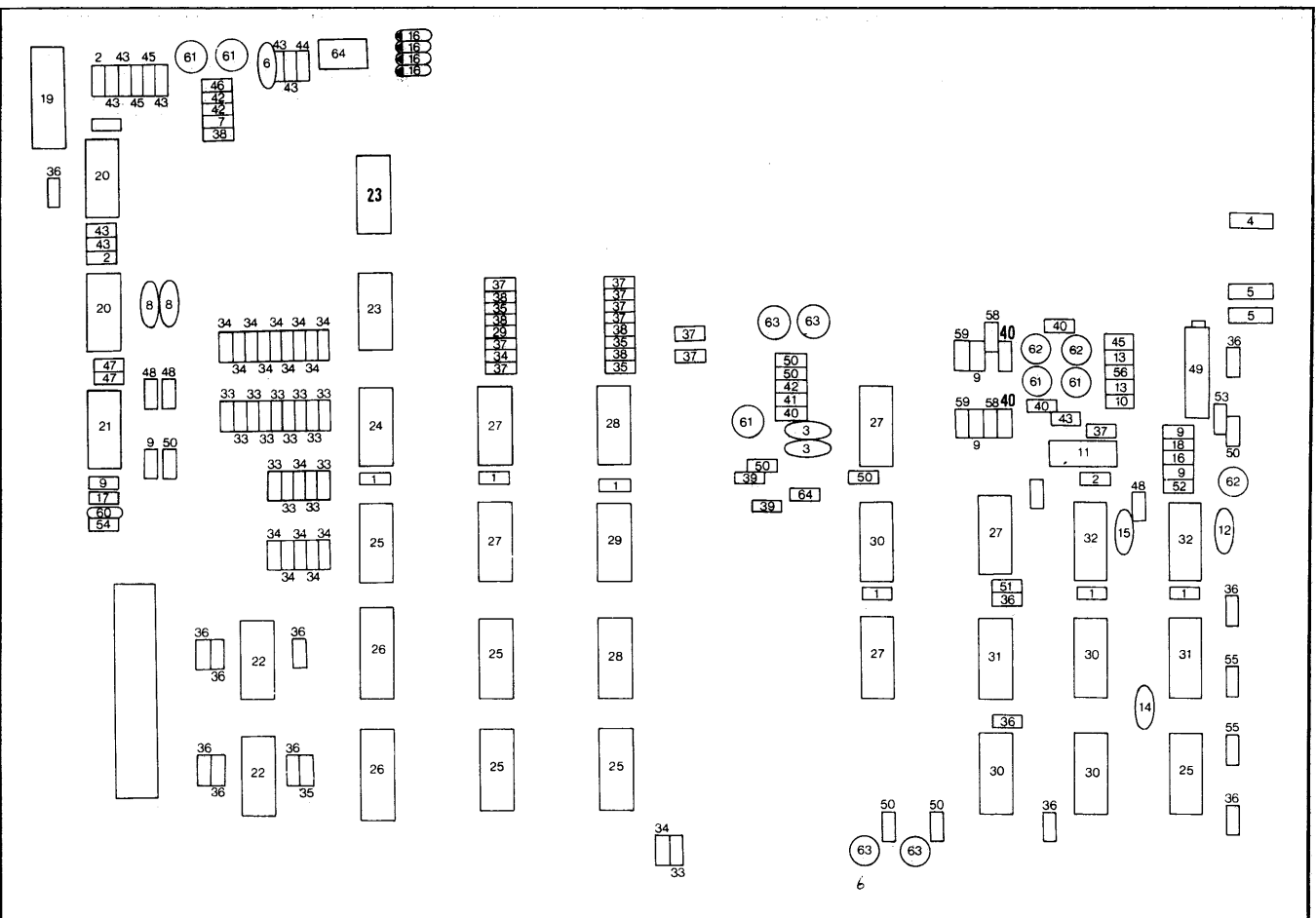
PART NUMBERS (Plate 1-8)

1879 5914	complete positioner assembly, use :	W	-----	spacer
	1880 3007 teflon strip	X	1878 6830	shaft
	1880 2983 pad	Y	1101 6730	O-ring
	1880 2991 pad	Z	1105 6306	retaining ring
A	1878 7838 damper	AA	1447 0181	screw
B	1447 0207 screw	AB	1878 6749	spring pin
C	1256 7467 lockwasher	AC	1255 3103	circlip
D	1447 0025 washer	AD	1879 9056	spring
E	1878 6970 coupling	AE	1878 6574	tape assembly
F	-----	AF	-----	pulley shaft assembly included in AY
G	-----	AG	1256 0173	screw
H	-----	AH	1256 7400	lockwasher
I	1446 5264 head lead clamp	AK	1878 7317	optically coupled module
J	1447 0181 screw	AL	1880 2496	tape assembly
K	1256 7442 lockwasher	AM	1879 2234	screw
L	1447 0009 washer	AN	1879 5864	vane
M	1446 6452 clamp strap	AO	1879 5872	bracket
N	1105 7940 screw	AP	2155 6568	head lock screw
O	1446 8607 microswitch	AQ	1878 7879	microswitch
P	1889 0491 screw	AR	1878 6822	shaft
Q	1256 7426 lockwasher	AS	1879 5906	slider
R	1311 3956 washer	AT	-----	standoff
S	1256 0413 screw	AU	1878 6848	shoulder bearing
T	1446 8771 washer	AV	-----	positioner frame
U	1880 3056 head loading ramp	AW	-----	screw
V	1878 7218 pin	AX	1878 7853	stepper motor assembly

Some part numbers were not available at time of printing.

B 9480-22 Disk Cartridge Drive, Volume 2:  
 Illustrated Parts Catalog

COMMON ELECTRONICS MODULE PCB (PLATE 1-9)



Part Numbers Shown on Next Page



B 9480-22 Disk Cartridge Drive, Volume 2:  
Illustrated Parts Catalog

PART NUMBERS (Plate 1-9)

PART NUMBER	DESCRIPTION	COMPONENT DESIGNATION
<u>CAPACITORS</u>		
1877 2087	39pF 500 volt	15
1877 2103	47pF 500 volt	12
1877 2145	62pF 500 volt	3
1877 2293	270pF 500 volt	14
1877 2319	330pF 500 volt	8
1877 2426	820pF 500 volt	6
1877 1634	.0015 $\mu$ F 200 volt	13
1877 1345	.0068 $\mu$ F 80 volt	10
1877 1469	.068 $\mu$ F 8 volt	11
1876 9893	.1 $\mu$ F 50 volt	1
1877 1071	1 $\mu$ F 35 volt	9
1876 7616	2.2 $\mu$ F 20 volt	7
1877 0578	6.8 $\mu$ F 6 volt	2
1877 1170	6.8 $\mu$ F 35 volt	5
1877 0685	56 $\mu$ F 6 volt	4
<u>RESISTORS</u>		
1876 4761	47 $\Omega$ 1/4 watt 2%	51
1876 4779	51 $\Omega$ 1/4 watt 2%	43
1876 4811	75 $\Omega$ 1/4 watt 2%	46
1876 4845	100 $\Omega$ 1/4 watt 2%	50
1876 4860	120 $\Omega$ 1/4 watt 2%	44
1876 4894	160 $\Omega$ 1/4 watt 2%	38
1876 4902	180 $\Omega$ 1/4 watt 2%	33
1876 4910	200 $\Omega$ 1/4 watt 2%	41
1876 4936	240 $\Omega$ 1/4 watt 2%	35
1876 4944	270 $\Omega$ 1/4 watt 2%	34
1876 4951	300 $\Omega$ 1/4 watt 2%	52
1876 4977	360 $\Omega$ 1/4 watt 2%	47
1876 4993	430 $\Omega$ 1/4 watt 2%	45
1876 5016	510 $\Omega$ 1/4 watt 2%	37
1876 5024	560 $\Omega$ 1/4 watt 2%	54
1265 4620	750 $\Omega$ 1/2 watt 5%	60
1876 5065	820 $\Omega$ 1/4 watt 2%	55
1876 5081	1K 1/4 watt 2%	36
1876 5107	1.2K 1/4 watt 2%	53
1876 5156	2K 1/4 watt 2%	40
1876 5172	2.4K 1/4 watt 2%	59
1876 5198	3K 1/4 watt 2%	58
1876 5222	3.9K 1/4 watt 2%	57
1876 5248	4.7K 1/4 watt 2%	42
1876 5255	5.1K 1/4 watt 2%	48
1876 4305	8.2K 1/4 watt 2%	56
1877 4299	10K potentiometer	49
1876 5487	47K 1/4 watt 2%	39
<u>DIODES</u>		
1126 3241	1N 753A 6.2 volt	18
1446 7245	1N 4448	16
2300 5440	1N 5229B	17
<u>INTEGRATED CIRCUITS</u>		
1446 7104	1235	20
1446 7096	MC 1218	21
1446 6932	MC 858C	22
2600 1685	7405	23
2600 4911	7402	24
1447 3532	7404	25
1446 7088	9322	26
1447 3516	7400	27
1446 7021	7403	28
1446 7005	7411	29
1447 3607	7474	30
1447 3540	7410	31
1901 7102	9601	32
<u>TRANSISTORS</u>		
2208 6813	2N 2222A	61
1446 7187	2N 2907A	62
1446 7237	2N 7237	63
<u>MISCELLANEOUS</u>		
1446 8615	delay line 150 nanosecond	19
1877 8316	transformer	64
1446 9019	crystal oscillator	65

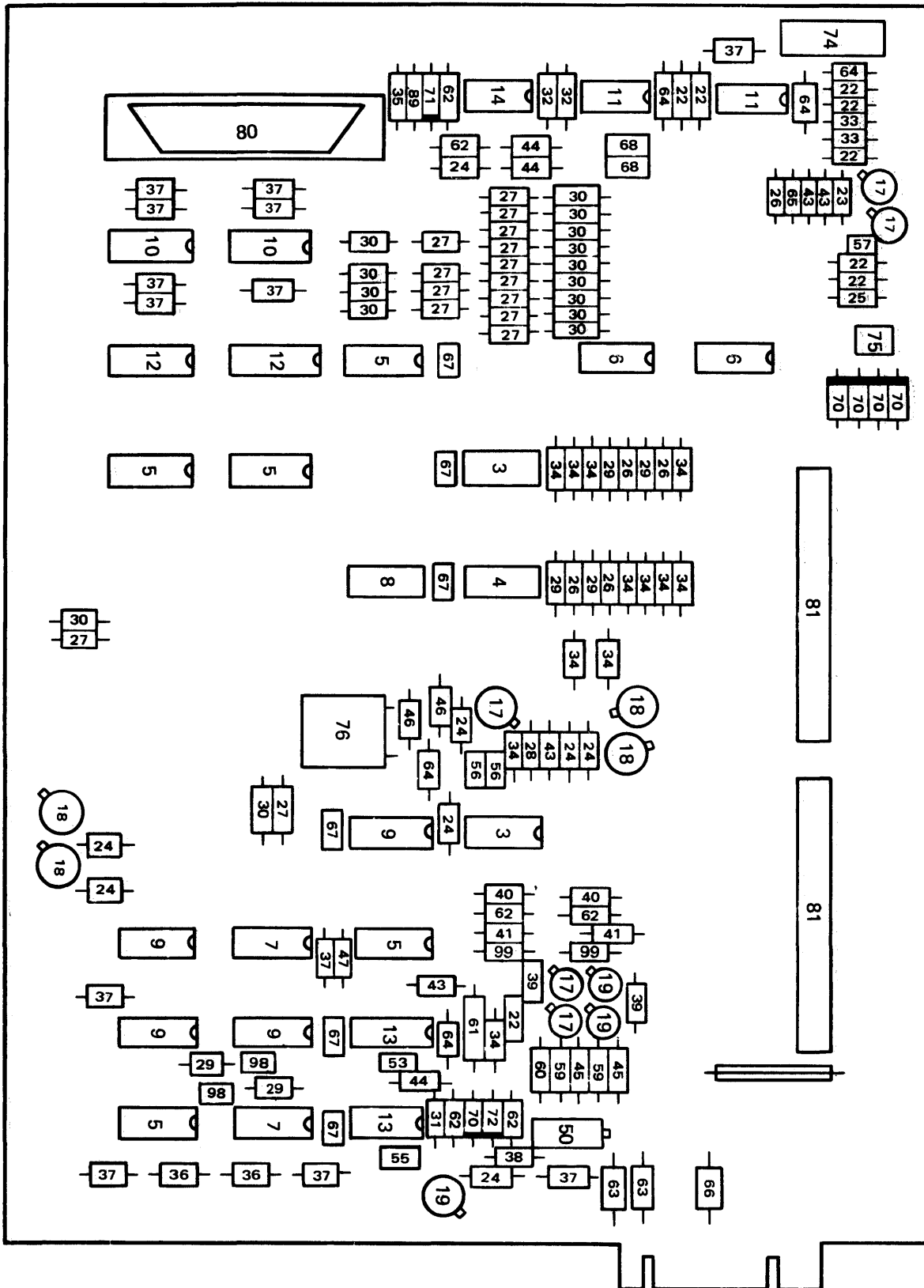
NOTE 1 :

1880 6547 common electronics module PCB (early build) is obsolete and superceded by 1880 5564 revision level 04 and above (see ATI-130242).

NOTE 2:

Component layout and part numbers for 1880 6547 are illustrated for individual parts ordering only.

B 9480-22 Disk Cartridge Drive, Volume 2:  
 Illustrated Parts Catalog  
 COMMON ELECTRONICS MODULE PCB (PLATE 1-10)  
 (LATER BUILD LEVEL)



Part Numbers Shown on Next Page

B 9480-22 Disk Cartridge Drive, Volume 2:  
Illustrated Parts Catalog

PART NUMBERS (Plate 1-10)

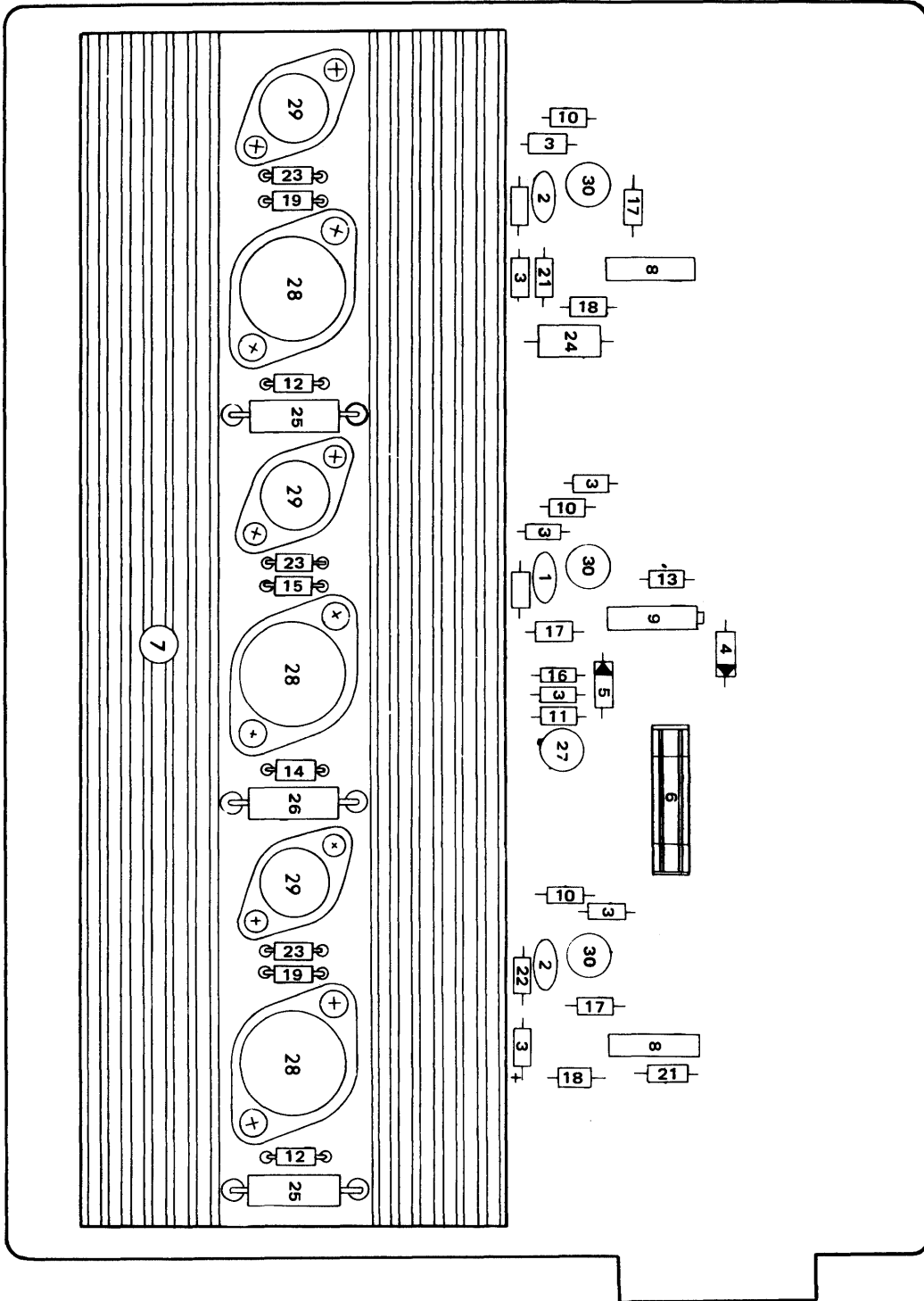
1880 5564

complete assembly

PART NUMBER	DESCRIPTION	SCHMATIC DESIGNATION	PART NUMBER	DESCRIPTION	SCHMATIC DESIGNATION
<u>CAPACITORS</u>			<u>RESISTORS</u>		
1877 2087	39pF 500 volt 5%	53	1876 4761	47Ω 1/4 watt 2%	47
1877 2103	47pF 500 volt	55	1876 4779	51Ω 1/4 watt 2%	22
1877 2145	62pF 500 volt 5%	56	1876 4811	75Ω 1/4 watt 2%	23
1877 2426	820pF 300 volt 5%	57	1876 4845	100Ω 1/4 watt 2%	24
1877 1634	.0015μF 200 volt	59	1876 4860	120Ω 1/4 watt 2%	25
1877 1345	.0068μF 80 volt	60	1876 4894	160Ω 1/4 watt 2%	26
1877 1469	.068μF 80 volt	61	1876 4902	180Ω 1/4 watt 2%	27
1877 1071	1μF 35 volt	62	1876 4910	200Ω 1/4 watt 2%	28
1877 1170	6.8μF 35 volt	63	1876 4936	240Ω 1/4 watt 2%	29
1877 0578	6.8μF 6 volt	64	1876 4944	270Ω 1/4 watt 2%	30
1876 7616	2.2μF 20 volt	65	1876 4951	300Ω 1/4 watt 2%	31
1877 0685	56μF 6 volt	66	1876 4977	360Ω 1/4 watt 2%	32
1876 9893	.10μF 50 volt	67	1876 4993	430Ω 1/4 watt 2%	33
1877 2319	330pF 500 volt	68	1876 5016	510Ω 1/4 watt 2%	34
1877 2194	100pF 500 volt	98	1876 5024	560Ω 1/4 watt 2%	35
<u>DIODES</u>			1265 4620	750Ω 1/2 watt 5%	89
1446 7245	IN 4448	70	1876 5065	820Ω 1/4 watt 2%	36
1881 6082	IN 5229B	71	1876 5081	1K 1/4 watt 2%	37
1126 3241	IN 753A 6.2 volt	72	1876 5107	1K2 1/4 watt 2%	38
<u>INTEGRATED CIRCUITS</u>			1876 5156	2K 1/4 watt 2%	39
1447 3524	7408	2	1876 5172	2K4 1/4 watt 2%	40
1447 3516	7400	3	1876 5198	3K 1/4 watt 2%	41
1446 7021	7403	4	1876 5222	3K9 1/4 watt 2%	99
1447 3532	7404	5	1876 5248	4K7 1/4 watt 2%	43
2600 1685	7405	6	1876 5255	5K1 1/4 watt 2%	44
1447 2540	7410	7	1876 5305	8K2 1/4 watt 2%	45
1446 7005	7411	8	1876 5487	47K 1/4 watt 2%	46
1447 3607	7474	9	1877 4299	10K potentiometer	50
1446 6932	MC 858C	10	<u>TRANSISTORS</u>		
1446 7104	1235	11	2208 4362	2N 2222A	17
1446 7088	9322	12	1446 7237	2N 2369	18
1901 7102	9601	13	1446 7187	2N 2907A	19
1446 7096	MC 1218	14	<u>MISCELLANEOUS</u>		
			2009 7390	trans pad	15
			1446 3615	delay line	74
			1877 8316	transformer	75
			1446 9019	crystal 6.2MHz	76
			1876 7673	conn. 50 pin	80
			1447 1734	post (68 req'd)	81
			1104 1340	wire 18 AWG	82
			1104 0524	sleeving	83
			1104 1373	wire 22 AWG	84
			1104 0557	sleeving	85
			1256 7426	lockwasher	94
			1447 1270	screw	95
			1256 5206	nut	96
			1878 5238	post conn.	97

B 9480-22 Disk Cartridge Drive, Volume 2:  
Illustrated Parts Catalog

POWER SUPPLY PCB (PLATE 1-11)



Part Numbers Shown on Next Page

**B 9480-22 Disk Cartridge Drive, Volume 2:  
Illustrated Parts Catalog**

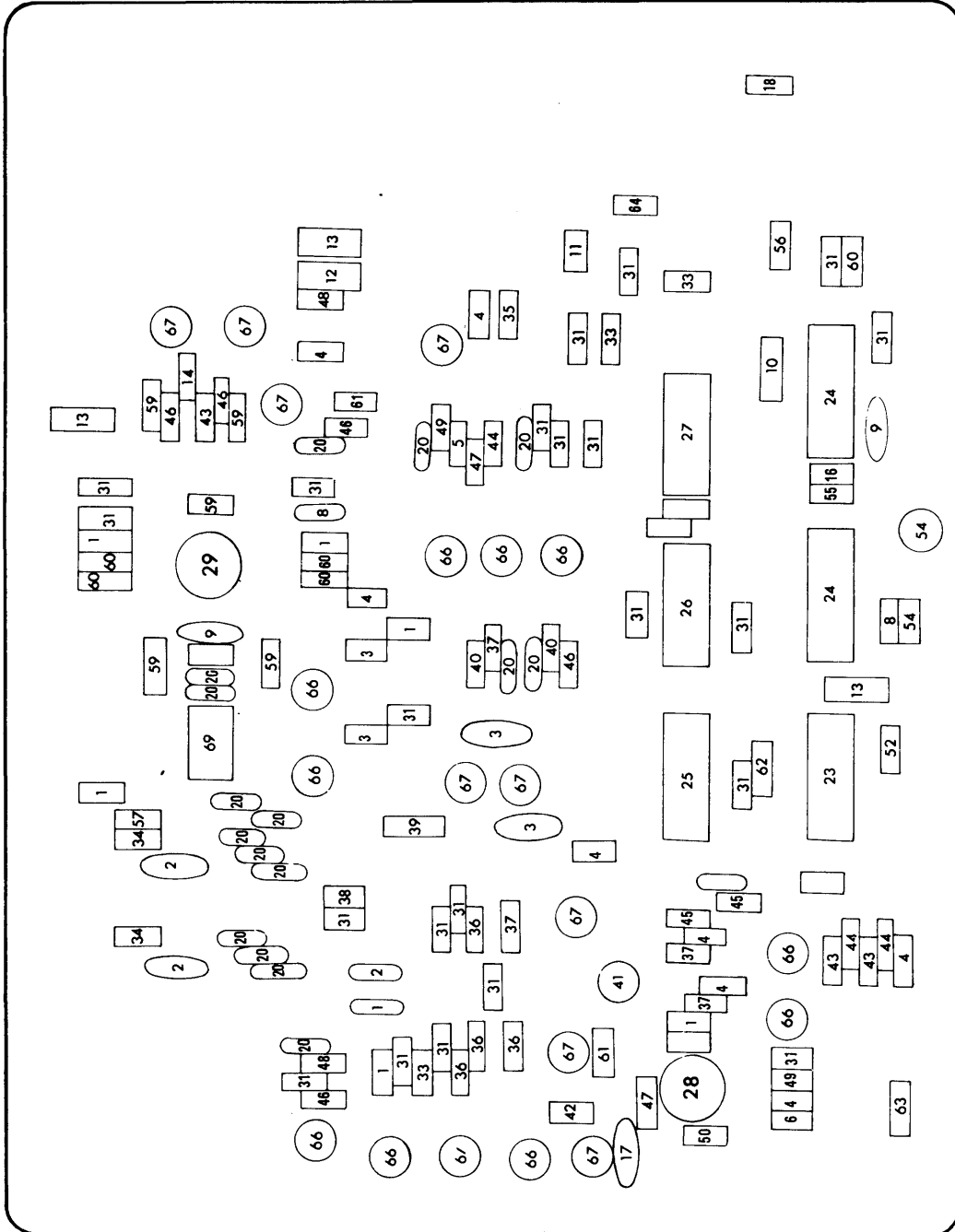
**PART NUMBERS (Plate 1-11)**

1879 6904      complete power supply PCB assembly

PART NUMBER	DESCRIPTION	COMPONENT DESIGNATION
<u>CAPACITORS</u>		
1877 2194	100pF    500 volt	1
1877 2376	510pF    500 volt	2
1877 1071	1 $\mu$ F      35 volt	3
<u>DIODES</u>		
1446 7252	1N 4388	4
1319 0095	1N 752A	5
<u>INTEGRATED CIRCUITS</u>		
1446 6916	723C	30
<u>TRANSISTORS</u>		
1080 5364	2N 3055	28
1446 7146	2N 4911	29
1446 7179	2N 4183	27
<u>RESISTORS</u>		
1877 4414	.5 $\Omega$ 5 watt    1%	26
1877 4422	1 $\Omega$ 5 watt    1%	25
1876 4597	5.1 $\Omega$ 1/4 watt 2%	23
1876 4779	51 $\Omega$ 1/4 watt 2%	10
1876 4845	100 $\Omega$ 1/4 watt 2%	11
1265 9140	330 $\Omega$ 1 watt    5%	24
1877 4257	500 $\Omega$ potentiometer	9
1876 5040	680 $\Omega$ 1/4 watt 2%	12
1876 5057	750 $\Omega$ 1/4 watt 2%	13
1876 5065	820 $\Omega$ 1/4 watt 2%	14
1876 5081	1K         1/4 watt 2%	15
1877 4265	1K         potentiometer	8
1876 5156	2K         1/4 watt 2%	16
1876 5164	2.2K      1/4 watt 2%	17
1876 5198	3K         1/4 watt 2%	18
1876 5222	3.9K      1/4 watt 2%	19
1876 5248	4.7K      1/4 watt 2%	20
1876 5263	5.6K      1/4 watt 2%	21
1876 5321	10K       1/4 watt 2%	22
<u>MISCELLANEOUS</u>		
1323 8100	fuse, 4 amp	6
1446 5884	heatsink	7
2155 8713	fuse holder	-
1446 8656	insulating wafer for item 29	-
1446 8664	insulating wafer for item 28	-
1257 2590	screw	-
1446 8771	nylon washer	-
1447 0009	washer	-
1257 4125	locknut	-

B 9480-22 Disk Cartridge Drive, Volume 2:  
Illustrated Parts Catalog

READ/WRITE AMPLIFIER PCB (PLATE 1-12)



Part Numbers Shown on Next Page

B 9480-22 Disk Cartridge Drive, Volume 2:  
Illustrated Parts Catalog

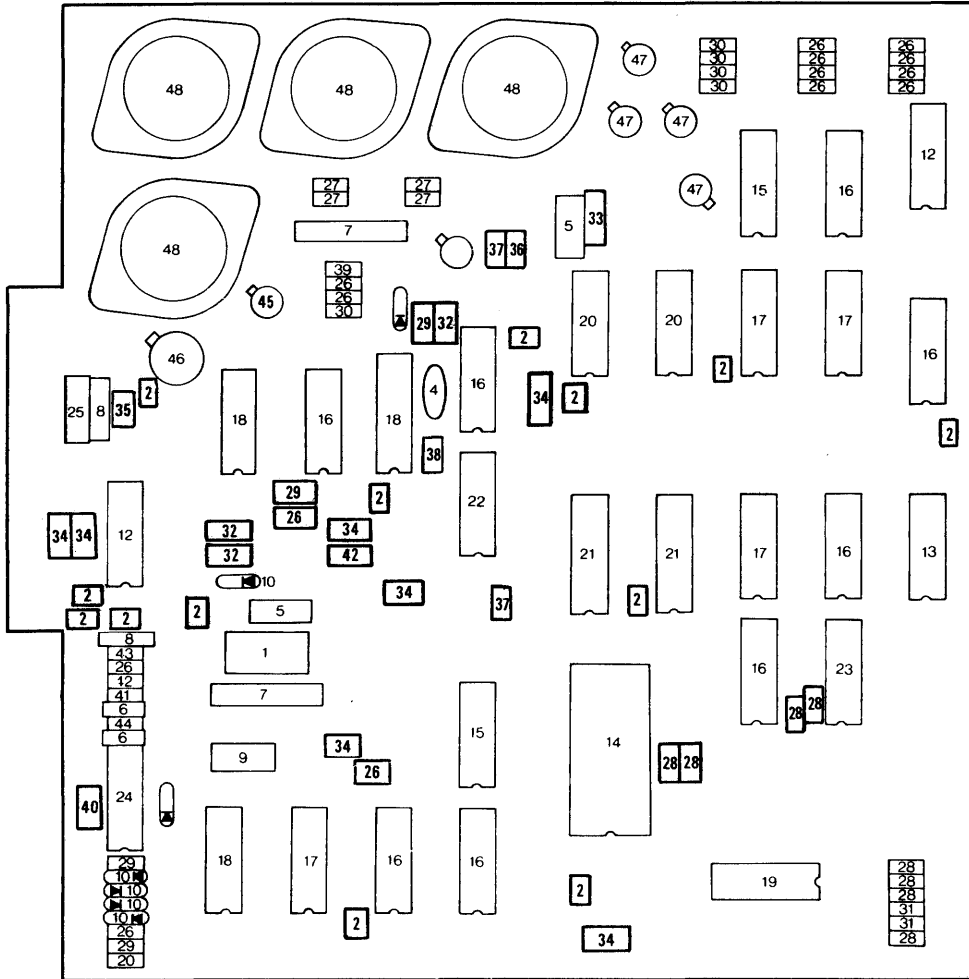
PART NUMBERS (Plate 1-12)

1880 0193 read/write amplifier PCB assembly

PART NUMBER	DESCRIPTION	COMPONENT DESIGNATION	PART NUMBER	DESCRIPTION	COMPONENT DESIGNATION
<b>CAPACITORS</b>			<b>RESISTORS (Continued)</b>		
1877 2194	100pF	9	1877 2590	100Ω potentiometer	41
1877 2335	390pF	17	1876 4860	120Ω 1/4 watt 2%	38
1877 2392	620pF 300 volt	3	1876 4886	150Ω 1/4 watt 2%	51
1877 2426	820pF	2	1876 4894	160Ω 1/4 watt 2%	62
1877 1618	.001μF 200 volt	5	1876 4910	200Ω 1/4 watt 2%	43
1877 1634	.0015μF 200 volt	11	1876 4936	240Ω 1/4 watt 2%	64
1877 1287	.0022μF 80 volt	6	1877 5007	300Ω 1/4 watt 2%	39
1876 9828	.01μF 50 volt	14	1876 5016	510Ω 1/4 watt 2%	44
1877 1360	.01μF 80 volt	8	1876 5024	560Ω 1/4 watt 2%	33
1877 1469	.068μF 80 volt	10	1876 5057	750Ω 1/4 watt 2%	45
1876 9893	.1μF 50 volt	16	1876 5065	820Ω 1/4 watt 2%	32
1877 1030	.47μF 35 volt	7	1876 5081	1K 1/4 watt 2%	31
1877 1071	1μF 35 volt	1	1876 5107	1.2K 1/4 watt 2%	60
1876 9950	1μF 50 volt	18	1876 5123	1.5K 1/4 watt 2%	40
1877 0578	6.8μF 6 volt	4	1876 5156	2K 1/4 watt 2%	46
1877 1170	6.8μF 35 volt	13	1876 5172	2.4K 1/4 watt 2%	58
1877 0594	10μF 6 volt	15	1876 5180	2.7K 1/4 watt 2%	57
1877 0685	56μF 6 volt	12	1876 5198	3K 1/4 watt 2%	34
<b>DIODES</b>			1876 5222	3.9K 1/4 watt 2%	61
1446 7245	1N 4448	20	1876 5248	4.7K 1/4 watt 2%	49
1126 3241	1N 753A	21	1876 5255	5.1K 1/4 watt 2%	54
<b>INTEGRATED CIRCUITS</b>			1876 5321	10K 1/4 watt 2%	48
1447 3607	7474	23	1111 9039	17.8K 1/4 watt 2%	55
2048 5132	9602	24	1876 5396	20K 1/4 watt 2%	36
1447 3532	7404	25	1877 2665	20K potentiometer	53
1880 1829	7416	26	1876 5404	22K 1/4 watt 2%	52
1446 6932	MC 858C	27	1876 5453	36K 1/4 watt 2%	47
1446 6924	741C	28	1876 5461	39K 1/4 watt 2%	56
2010 0582	733C	29	1876 5560	100K 1/4 watt 2%	50
<b>RESISTORS</b>			<b>TRANSISTORS</b>		
1876 4605	10Ω 1/4 watt 2%	35	2208 4362	2N 2222A	66
1265 3291	11Ω 1/4 watt 2%	63	1446 7187	2N 2907A	67
1876 4704	27Ω 1/4 watt 2%	37	<b>MISCELLANEOUS</b>		
1876 4779	51Ω 1/4 watt 2%	59	1877 8316	transformer	69
1876 4845	100Ω 1/4 watt 2%	42	2009 7390	transistor pad	—
			2008 5676	IC insulator pad (8 pin) for item 28	
			1879 3620	IC insulator pad (10 pin) for item 29	

B 9480-22 Disk Cartridge Drive, Volume 2:  
Illustrated Parts Catalog

POSITIONER PCB (PLATE 1-13)



Part Numbers Shown on Next Page



B 9480-22 Disk Cartridge Drive, Volume 2:  
Illustrated Parts Catalog

PART NUMBERS (Plate 1-13)

1879 5690 complete positioner PCB assembly

PART NUMBER	DESCRIPTION	COMPONENT DESIGNATION
<u>CAPACITORS</u>		
1877 2392	620pF	4
1104 2959	1000pF	9
1876 9893	.1μF	2
1877 1527	.22μF	1
1267 9031	1μF	6
1877 1170	6.8μF	5
1900 1643	10μF 25 volt	3
1267 9163	10μF	8
1101 5898	100μF	7
<u>DIODES</u>		
1446 7245	1N 4448	10
1183 1401	type 11	11
<u>INTEGRATED CIRCUITS</u>		
1878 9057	7426	12
2600 4911	7402	13
1446 7062	9308	14
1447 3532	7404	15
1447 3516	7400	16
1447 3540	7410	17
2048 5132	9602 DC	18
1446 7021	7403	19
1878 8034	9324 DC	21
1447 3607	7474	22
1447 3565	7420	23
1878 8042	N 8284F	24

PART NUMBER	DESCRIPTION	COMPONENT DESIGNATION
<u>RESISTORS</u>		
1876 4845	100Ω	35
1876 5008	470Ω	30
1876 5024	560Ω	31
1876 5065	820Ω	28
1876 5081	1K	34
1876 5107	1.2K	41
1876 5180	2.7K	36
1876 5206	3.3K	27
1876 5248	4.7K	26
1876 5255	5.1K	38
1876 5263	5.6K	37
1876 5305	8.2K	43
1876 5321	10K	29
1876 5347	12K	42
1876 5362	15K	39
1876 5404	22K	33
1876 5487	47K	32
1876 5560	100K	44
1876 5677	300K	20
<u>TRANSISTORS</u>		
1109 5924	type AK	45
1120 0482	type AT	47
1446 7120	2N 4238	46
1878 8729	2N 6385	48
<u>MISCELLANEOUS</u>		
1881 9243	inductor 4.7μH	25

**B 9480-22 Disk Cartridge Drive, Volume 2:  
Illustrated Parts Catalog**

**COMMON ELECTRICAL PARTS (PLATE 1-14)**

**PART NUMBERS (Plate 1-14)**

1446 9712	receptacle (12 way)
1446 9720	plug (12 way)
1446 9738	receptacle (3 way)
2157 1096	plug ( 3 way)
1877 7599	contact pin receptacle
1877 7615	contact pin plug
1877 7714	insulated receptacle (red)
1877 7722	insulated receptacle (blue)
1112 0599	cable tie
1117 8597	cable clamp
1879 5773	main drive harness (P1 to deck)
1879 5922	positioner assembly harness
2155 5511	clean air assembly harness
1879 6987	power supply to J1A/B harness

