

B5500 PROCESSOR

A Rack Schematics

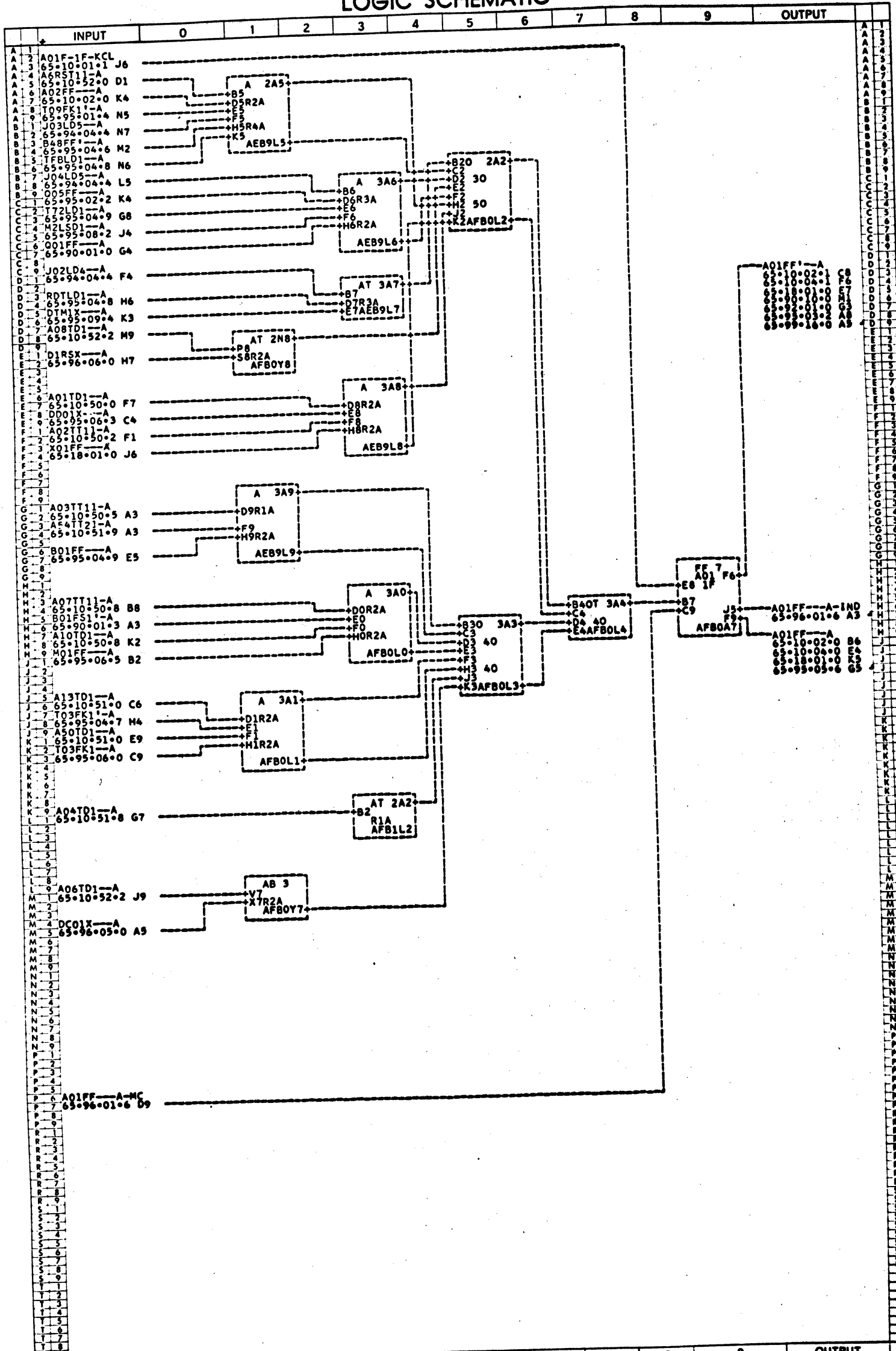
LOGIC SCHEMATIC

INPUT	0	1	2	3	4	5	6	7	8	9	OUTPUT
A	TITLE OF DRAWING										A
A	DRAWING NO.										A
A	PAGE NO.										A
A	+20 VOLT DISTRIBUTION RACK A										A
A	H-11912748AC										A
A	65.95.30.8										A
A	-1.2 VOLT DISTRIBUTION A RACK										A
A	H-11912771AB										A
A	65.95.31.4										A
A	-12 VOLT DISTRIBUTION RACK A										A
A	H-11912755AB										A
A	65.95.31.0										A
A	-4.5 VOLT DISTRIBUTION RACK A										A
A	H-11912763AE										A
A	65.95.31.2										A
A	A REGISTER AROF-1F AROFK-1-2-3-4-7 AROFK-5'-6'-8'										A
A	H-11915428AH										A
A	65.10.49.2										A
A	A REGISTER A01F-1F (PAGE 1 OF 2)										A
A	H-11915410AG										A
A	65.10.01.0										A
A	A REGISTER A01F-1F (PAGE 2 OF 2)										A
A	H-11863305AJ										A
A	65.10.01.1										A
A	A REGISTER A02F-1F (PAGE 1 OF 2)										A
A	H-11863321AJ										A
A	65.10.02.0										A
A	A REGISTER A02F-1F (PAGE 2 OF 2)										A
A	H-11863339AJ										A
A	65.10.02.1										A
A	A REGISTER A03F-1F (PAGE 1 OF 2)										A
A	H-11863347AJ										A
A	65.10.03.0										A
A	A REGISTER A03F-1F (PAGE 2 OF 2)										A
A	H-11863354AK										A
A	65.10.03.1										A
A	A REGISTER A04F-1F (PAGE 1 OF 2)										A
A	H-11863362AK										A
A	65.10.04.0										A
A	A REGISTER A04F-1F (PAGE 2 OF 2)										A
A	H-11863370AI										A
A	65.10.04.1										A
A	A REGISTER A05F-1F (PAGE 1 OF 2)										A
A	H-11863388AJ										A
A	65.10.05.0										A
A	A REGISTER A05F-1F (PAGE 2 OF 2)										A
A	H-11863396AI										A
A	65.10.05.1										A
A	A REGISTER A06F-1F (PAGE 1 OF 2)										A
A	H-11863404AJ										A
A	65.10.06.0										A
A	A REGISTER A06F-1F (PAGE 2 OF 2)										A
A	H-11863412AI										A
A	65.10.06.1										A
A	A REGISTER A07F-1F (PAGE 1 OF 2)										A
A	H-11863420AI										A
A	65.10.07.0										A
A	A REGISTER A07F-1F (PAGE 2 OF 2)										A
A	H-11863438AJ										A
A	65.10.07.1										A
A	A REGISTER A08F-1F (PAGE 1 OF 2)										A
A	H-11863446AH										A
A	65.10.08.0										A
A	A REGISTER A08F-1F (PAGE 2 OF 2)										A
A	H-11863453AJ										A
A	65.10.08.1										A
A	A REGISTER A09F-1F (PAGE 1 OF 2)										A
A	H-11890191AI										A
A	65.10.09.0										A
A	A REGISTER A09F-1F (PAGE 2 OF 2)										A
A	H-11863479AI										A
A	65.10.09.2										A
A	A REGISTER A10F-1F (PAGE 1 OF 2)										A
A	H-11890209AH										A
A	65.10.10.0										A
A	A REGISTER A10F-1F (PAGE 2 OF 2)										A
A	H-11863495AJ										A
A	65.10.10.2										A
A	A REGISTER A11F-1F										A
A	H-11864006AK										A
A	65.10.11.0										A
A	A REGISTER A12F-1F										A
A	H-11864016AK										A
A	65.10.12.0										A
A	A REGISTER A13F-1F										A
A	H-11864022AJ										A
A	65.10.13.0										A
A	A REGISTER A14F-1F										A
A	H-11864030AK										A
A	65.10.14.0										A
A	A REGISTER A15F-1F										A
A	H-11864048AI										A
A	65.10.15.0										A
A	A REGISTER A16F-1F										A
A	H-11864055AI										A
A	65.10.16.0										A
A	A REGISTER A17F-1F										A
A	H-11864063AI										A
A	65.10.17.0										A
A	A REGISTER A18F-1F										A
A	H-11864071AI										A
A	65.10.18.0										A
A	A REGISTER A19F-1F										A
A	H-11864089AI										A
A	65.10.19.0										A
A	A REGISTER A20F-1F										A
A	H-11864097AJ										A
A	65.10.20.0										A
A	A REGISTER A21F-1F										A
A	H-11864105AI										A
A	65.10.21.0										A
A	A REGISTER A22F-1F										A
A	H-11864113AI										A
A	65.10.22.0										A
A	A REGISTER A23F-1F										A
A	H-11864121AI										A
A	65.10.23.0										A
A	A REGISTER A24F-1F										A
A	H-11864139AI										A
A	65.10.24.0										A
A	A REGISTER A25F-1F										A
A	H-11864147AI										A
A	65.10.25.0										A
A	A REGISTER A26F-1F										A
A	H-11864154AI										A
A	65.10.26.0										A
A	A REGISTER A27F-1F										A
A	H-11864162AI										A
A	65.10.27.0										A
A	A REGISTER A28F-1F										A
A	H-11864170AI										A
A	65.10.28.0										A
A	A REGISTER A29F-1F										A
A	H-11864329AI										A
A	65.10.29.0										A
A	A REGISTER A30F-1F										A
A	H-11864337AI										A
A	65.10.30.0										A
A	A REGISTER A31F-1F										A
A	H-11864345AI										A
A	65.10.31.0										A
A	A REGISTER A32F-1F										A
A	H-11864352AI										A
A	65.10.32.0										A
A	A REGISTER A33F-1F										A
A	H-11864360AI										A
A	65.10.33.0										A
A	A REGISTER A34F-1F										A
A	H-11864378AJ										A
A	65.10.34.0										A
A	A REGISTER A35F-1F										A
A	H-11864386AJ										A
A	65.10.35.0										A
A	A REGISTER A36F-1F										A
A	H-11864402AI										A
A	65.10.36.0										A
A	A REGISTER A37F-1F (PAGE 1 OF 2)										A
A	H-11864394AI										A
A	65.10.37.0										A
A	A REGISTER A37F-1F (PAGE 2 OF 2)										A
A	H-11864428AH										A
A	65.10.37.1										A
A	A REGISTER A38F-1F (PAGE 1 OF 2)										A
A	H-11864410AI										A
A	65.10.38.0										A
A	A REGISTER A38F-1F (PAGE 2 OF 2)										A
A	H-11864444AJ										A
A	65.10.38.1										A
A	A REGISTER A39F-1F (PAGE 1 OF 2)										A
A	H-11864436AJ										A
A	65.10.39.0										A
A	A REGISTER A39F-1F (PAGE 2 OF 2)										A
A	H-11864451AF										A
A	65.10.39.1										A
A	A REGISTER A40F-1F										A
A	H-11864469AF										A
A	65.10.40.0										A
A	A REGISTER A41F-1F										A
A	H-11864477AG										A
A	65.10.41.0										A
A	A REGISTER A42F-1F										A
A	H-11864485AF										A
A	65.10.42.0										A
A	A REGISTER A43F-1F										A
A	H-11864493AF										A
A	65.10.43.0										A
A	A REGISTER A44F-1F										A
A	H-11864501AG										A
A	65.10.44.0										A
A	A REGISTER A45F-1F A21D-1L DRIVER										A
A	H-11864519AG										A
A	65.10.45.0										A
A	A REGISTER A46F-1F (PAGE 1 OF 2)										A
A	H-11864527AI										A
A	65.10.46.0										A
A	A REGISTER A46F-1F (PAGE 2 OF 2)										A
A	H-11864535AH										A
A	65.10.46.1										A
A											

LOGIC SCHEMATIC

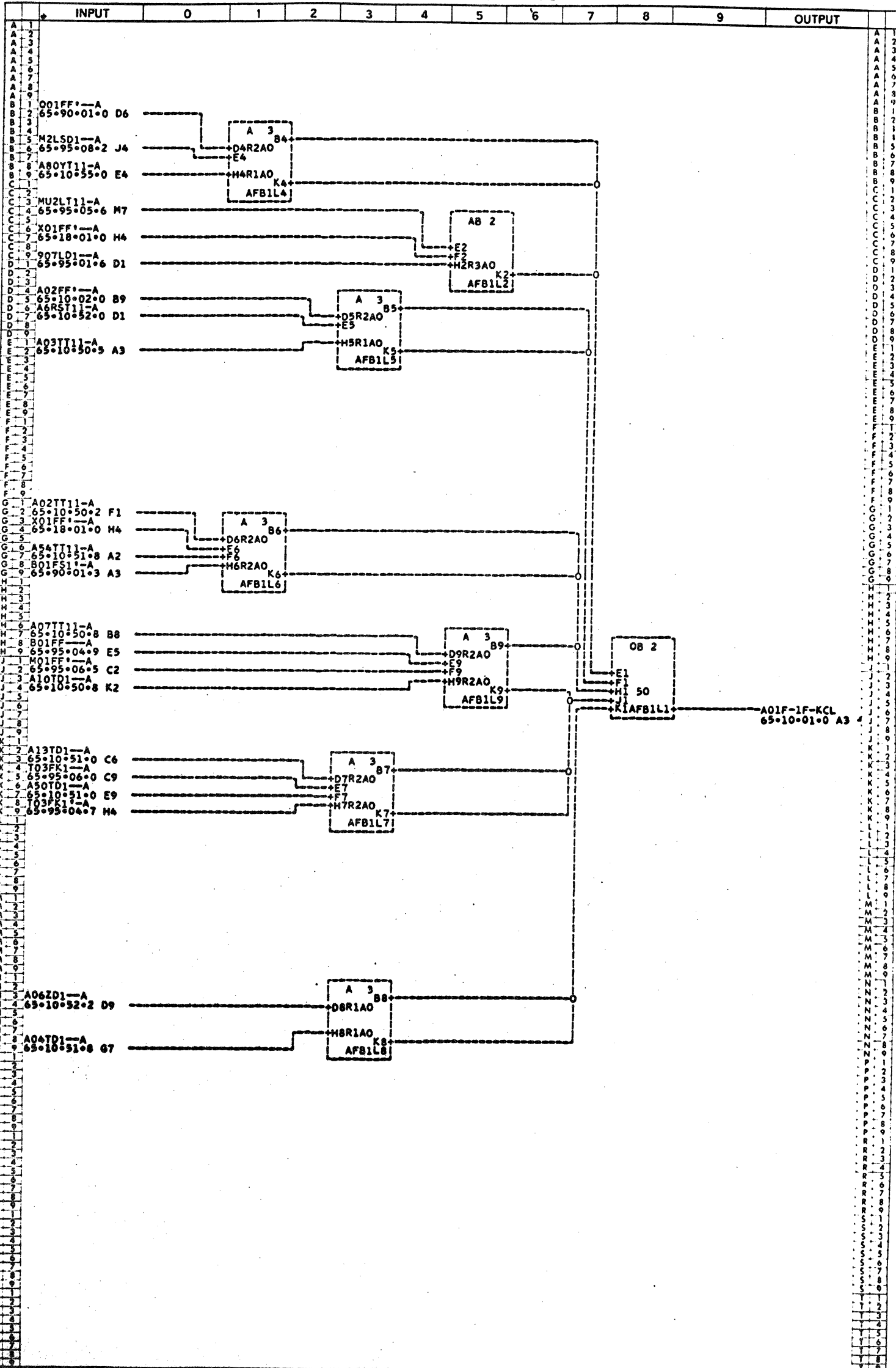
INPUT	0	1	2	3	4	5	6	7	8	9	OUTPUT
A	TITLE OF DRAWING										A
A	DRAWING NO.										A
A	PAGE NO.										A
A	INTER-RACK CONN ADD4A7 (CABLE 279)										A
A	H-11911666AH										A
A	65-95-08-2										A
A	INTER-RACK CONN ADD4N7 (CABLE 270) (PAGE 1 OF 2)										A
A	H-11911484AE										A
A	65-95-04-6										A
A	INTER-RACK CONN ADD4N7 (CABLE 270) (PAGE 2 OF 2)										A
A	H-11913209AF										A
A	65-95-04-7										A
A	INTER-RACK CONN AEC4A7 (CABLE 273) (PAGE 1 OF 2)										A
A	H-11911534AH										A
A	65-95-05-6										A
A	INTER-RACK CONN AFA4A2 (CABLE 282)										A
A	H-11911724AG										A
A	65-95-09-4										A
A	INTER-RACK CONN AFA4A7 (CABLE 271) (PAGE 1 OF 2)										A
A	H-11911492AH										A
A	65-95-04-8										A
A	INTER-RACK CONN AFA4A7 (CABLE 271) (PAGE 2 OF 2)										A
A	H-11925492AF										A
A	65-95-04-9										A
A	INTER-RACK CONN AFB4A2 (CABLE 280)										A
A	H-11911682AI										A
A	65-95-08-6										A
A	INTER-RACK CONN AFB4A7 (CABLE 272) (PAGE 2 OF 2)										A
A	H-11913217AE										A
A	65-95-05-3										A
A	INTER-RACK CONN AFD4A2 (CABLE 275) (PAGE 1 OF 2)										A
A	H-11973260AB										A
A	65-95-06-3										A
A	INTER-RACK CONN AFD4A2 (CABLE 275) (PAGE 2 OF 2)										A
A	H-11973278AC										A
A	65-95-06-5										A
A	INTER-UNIT CONN ABB4A2 (CABLE 258)										A
A	H-11160389AA										A
A	65-96-04-5										A
A	INTER-UNIT CONN ABB4A7 (CABLE 259) PG 1 OF 2										A
A	H-11160223AA										A
A	65-96-05-0										A
A	INTER-UNIT CONN ABB4A7 (CABLE 259) PG 2 OF 2										A
A	H-11160231AA										A
A	65-96-06-0										A
A	INTER-UNIT CONN ABB4N7 (CABLE 45)										A
A	H-11913001AD										A
A	65-96-01-2										A
A	INTER-UNIT CONN ABC4N7 (CABLE 54)										A
A	H-11913092AC										A
A	65-96-03-0										A
A	INTER-UNIT CONN ADB4N7 (CABLE 46)										A
A	H-11913019AA										A
A	65-96-01-4										A
A	INTER-UNIT CONN AFB4N7 (CABLE 47)										A
A	H-11913027AC										A
A	65-96-01-6										A
A	J00D-1L J01D-2L J02D-4L J03D-5L J04D-5L LEVELS										A
A	H-11870227AJ										A
A	65-94-04-4										A
A	J05D-4L J07D-1L J08D-5L LEVELS										A
A	H-11870235AH										A
A	65-94-04-8										A
A	J91D-1L J92D-1L DRIVERS										A
A	H-11890522AD										A
A	65-94-04-9										A
A	J94D-1L J95D-1L DRIVERS										A
A	H-11921186AE										A
A	65-94-13-4										A
A	J97D-1L J99D-1L J81D-1L J89D-1L DRIVERS										A
A	H-11921194AE										A
A	65-94-13-8										A
A	LOCAL CLOCK DRS VAR BIAS PKGS (RACK A)										A
A	H-11913647AB										A
A	65-96-87-0										A
A	M35D-1L Q21D-1L Q22D-1L Q32S-1L SCKC-1L LEVELS										A
A	H-11870284AH										A
A	65-94-06-0										A
A	Q REGISTER Q01F-1F (PAGE 1 OF 3)										A
A	H-11921145AG										A
A	65-90-01-0										A
A	Q REGISTER Q01F-1F (PAGE 2 OF 3)										A
A	H-11921152AH										A
A	65-90-01-3										A
A	Q REGISTER Q01F-1F (PAGE 3 OF 3)										A
A	H-11921160AB										A
A	65-90-01-4										A
A	Q REGISTER QALF-1F										A
A	H-11870102AH										A
A	65-90-10-0										A
A	Q80S-1I Q81S-1I Q82S-1I Q01S-1I SWITCHES										A
A	H-11869658AD										A
A	65-90-50-0										A
A	Q83C'-1I DRIVER										A
A	H-11890498AD										A
A	65-90-50-6										A
A	Q84C'-1I INVERTER DRIVER										A
A	H-11869674AE										A
A	65-90-50-4										A
A	TERMINATING RESISTORS RACK A										A
A	H-11160371AB										A
A	65-98-03-3										A
A	TERMINATING RESISTORS RACK A										A
A	H-11913464AC										A
A	65-98-03-4										A
A	TERMINATING RESISTORS RACK A										A
A	H-11913472AC										A
A	65-98-03-6										A
A	TERMINATING RESISTORS RACK A										A
A	H-11928710AE										A
A	65-98-03-7										A
A	TERMINATING RESISTORS RACK A										A
A	H-11913480AF										A
A	65-98-03-8										A
A	TERMINATING RESISTORS RACK A										A
A	H-11913498AH										A
A	65-98-04-0										A
A	TERMINATING RESISTORS RACK A										A
A	H-11913506AF										A
A	65-98-04-2										A
A	TERMINATING RESISTORS RACK A										A
A	H-11913514AD										A
A	65-98-04-4										A
A	UIMD-1C DRIVER										A
A	H-11915865AE										A
A	65-72-50-1										A
A	W02C-1L DRIVER										A
A	H-11921202AC										A
A	65-94-06-8										A
A	W03C-1L DRIVER										A
A	H-11925559AD										A
A	65-94-06-7										A
A	W04C-1L DRIVER										A
A	H-11925575AB										A
A	65-94-06-9										A
A	W06C X13S' X12C W08C W09C W71C-1L T05D-2L LEVELS										A
A	H-11870292AF										A
A	65-94-06-4										A
A	W71S-1E W72S-1E W73S-1E W74S-1E SWITCHES										A
A	H-11915832AB										A
A	65-68-50-0										A
A	W72C-1L W73C-1L W91C-1L LEVELS										A
A	H-11869492AG										A
A	65-94-01-0										A
A	W74D-1L DRIVER										A
A	H-11921178AD										A
A	65-94-09-9										A
A	W75D-1L W75D-2L DRIVERS										A
A	H-11915873AC										A
A	65-94-10-0										A
A	W75S-1E W77S-1E W78S-1E SWITCHES										A
A	H-11915840AB										A
A	65-68-50-2										A
A	W76D-1E W79D-1E DRIVERS										A
A	H-11915857AC										A
A	65-68-50-4										A
A	W76D-1L W97D-1L WADD-1L WADD-1L DRIVERS										A
A	H-11915881AB										A
A	65-94-10-4										A
A	W88D-1L W78D-1L W87S-1L W86C-1L W73D-2L										A
A	H-11869500AJ										A
A	65-94-01-4										A
A	W98D-1L W99D-1L DRIVERS										A
A	H-11921210AC										A
A	65-94-10-9										A
A	X REGISTER X01F-1F										A
A	H-11915451AF										A
A	65-18-01-0										A
A	X REGISTER X02F-1F										A
A	H-11915469AE										A
A	65-18-02-0										A
A	X REGISTER X03F-1F										A
A	H-11915477AE										A
A	65-18-03-0										A
A	X REGISTER X04F-1F										A
A	H-11158052AA										A
A	65-18-03-8										A
A	X REGISTER X05F-1F										A
A	H-11158045AA										A
A	65-18-04-2										A
A	X REGISTER X06F-1F X07F-1F										A
A	H-11915493AE										A
A	65-18-05-0										A
A	X REGISTER X08F-1F X09F-1F										A
A	H-11915501AD										A
A	65-18-06-0										A
A	X REGISTER X10F-1F X11F-1F										A
A	H-11915519AC										A
A	65-18-07-0										A
A	X REGISTER X12F-1F X13F-1F										A
A	H-11915527AD										A
A	65-18-08-0										A
A	X REGISTER X14F-1F X15F-1F										A
A											

LOGIC SCHEMATIC



	INPUT	0	1	2	3	4	5	6	7	8	9	OUTPUT	
U 2	TITLE A REGISTER A01F-1F (PAGE 1 OF 2)				M- 11915410A6				ELECTRODATA M & E DIVISION				PASADENA CALIFORNIA
U 4	DRAWN BY ZINES				CHECKED BY D A SHEPHERD 5-11-62				PROPERTY OF BURROUGHS CORPORATION. NOT TO BE REPRODUCED, NOT MADE FOR MANUFACTURING PURPOSES, EXCEPT ON BURROUGHS ORDER OR PRICE WRITTEN CONSENT.				
U 6	UNIT NAME PROCESSOR				UNIT NO. 78494								
U 8	SYSTEM B-5000				PAGE NO. 65-10-01-0								

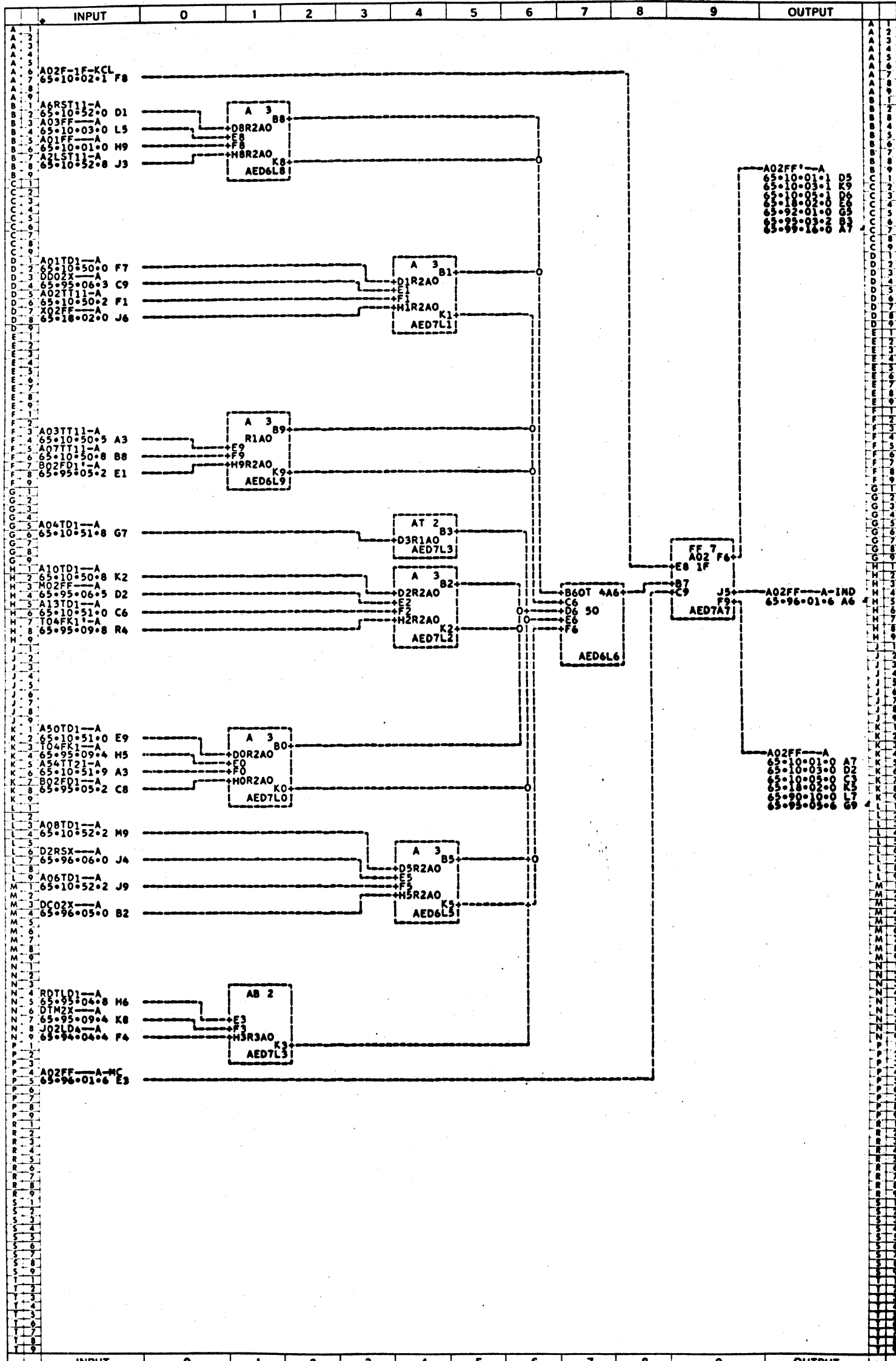
LOGIC SCHEMATIC



INPUT	0	1	2	3	4	5	6	7	8	9	OUTPUT
U 2	TITLE A REGISTER A01F-1F (PAGE 2 OF 2)										U 2
U 4	DRAWN BY R WILLIAMS 3 OCT 61 CHECKED BY A M GORLEK OCT 7 1961										U 4
U 6	UNIT NAME PROCESSOR										U 6
U 8	SYSTEM B-3000										U 8

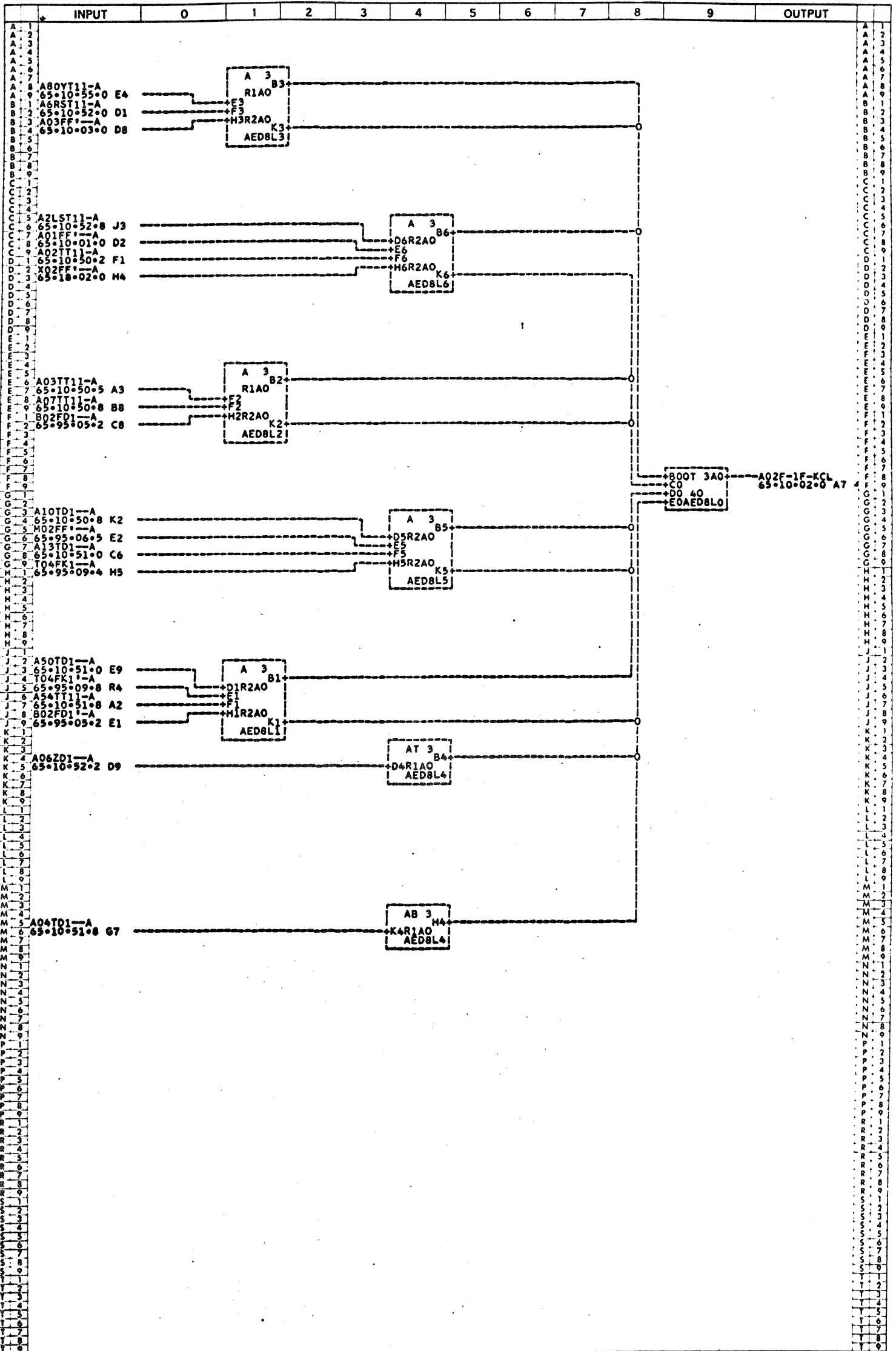
Burroughs Corporation
 ELECTRODATA M & E DIVISION PASADENA CALIFORNIA
 PROPERTY OF BURROUGHS CORPORATION NOT TO BE REPRODUCED, NOR USED FOR MANUFACTURING PURPOSES, EXCEPT ON BURROUGHS ORDER OR PRIOR WRITTEN CONSENT.

LOGIC SCHEMATIC



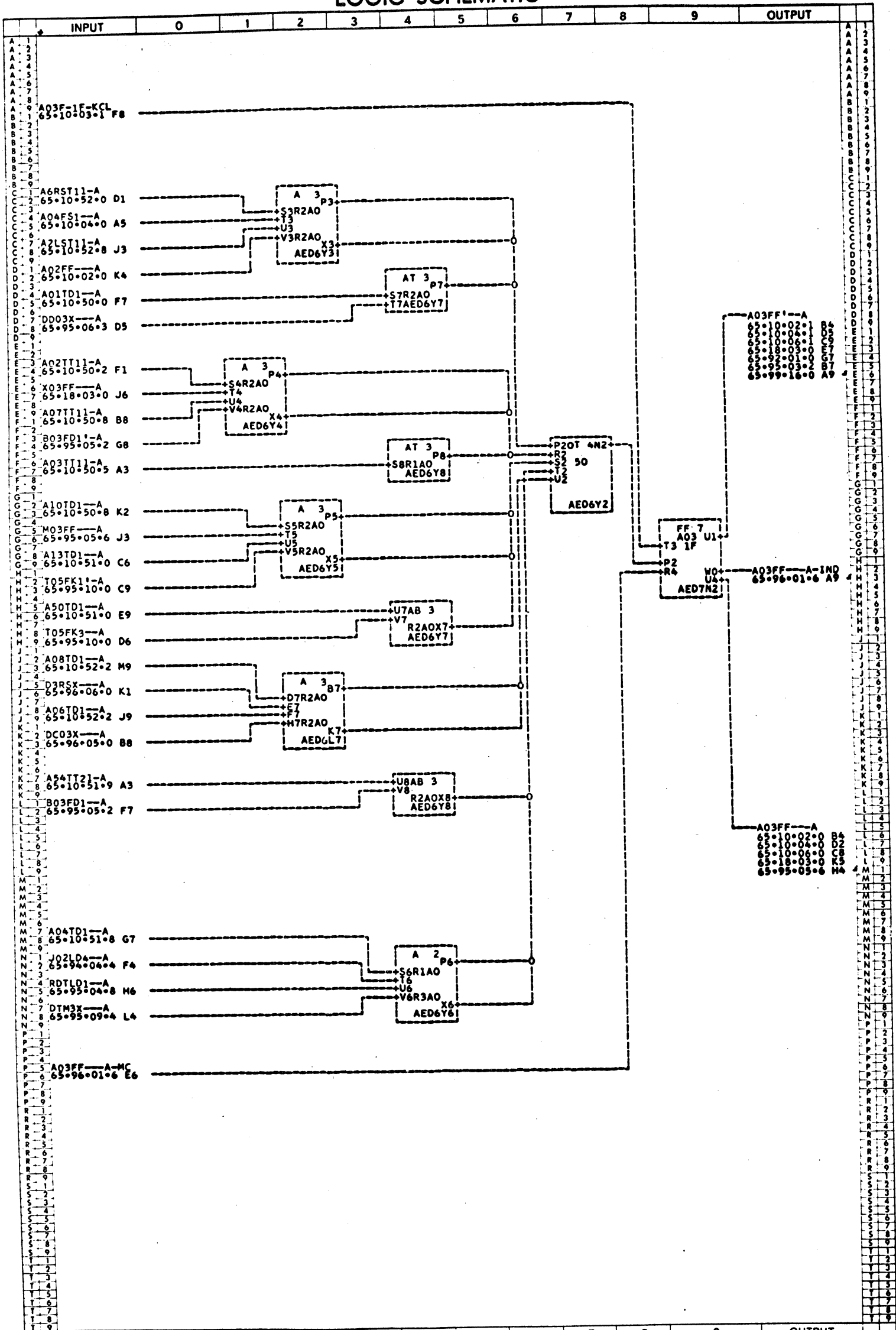
U 2	TITLE A REGISTER A02F-1F (PAGE 1 OF 2)	H- 11863313A	ELECTRODATA
U 4	DRAWN BY ED BROWN	CHECKED BY A M GORLEK	Burroughs Corporation PASADENA CALIFORNIA
U 6	UNIT NAME PROCESSOR	UNIT NO. 78494	PROPERTY OF BURROUGHS CORPORATION. NOT TO BE REPRODUCED, NOR USED FOR MANUFACTURING PURPOSES, EXCEPT ON BURROUGHS ORDER OR PRIOR WRITTEN CONSENT.
U 8	SYSTEM B-3000	PAGE NO. 65-10-02-0	

LOGIC SCHEMATIC



INPUT	0	1	2	3	4	5	6	7	8	9	OUTPUT
U 2	TITLE A REGISTER A02F-1F (PAGE 2 OF 2) H. 11863321A										U 2
U 4	DRAWN BY ED BROWN CHECKED BY A H GORLEK OCT 7 1961										U 4
U 6	UNIT NAME PROCESSOR UNIT NO. 78494										U 6

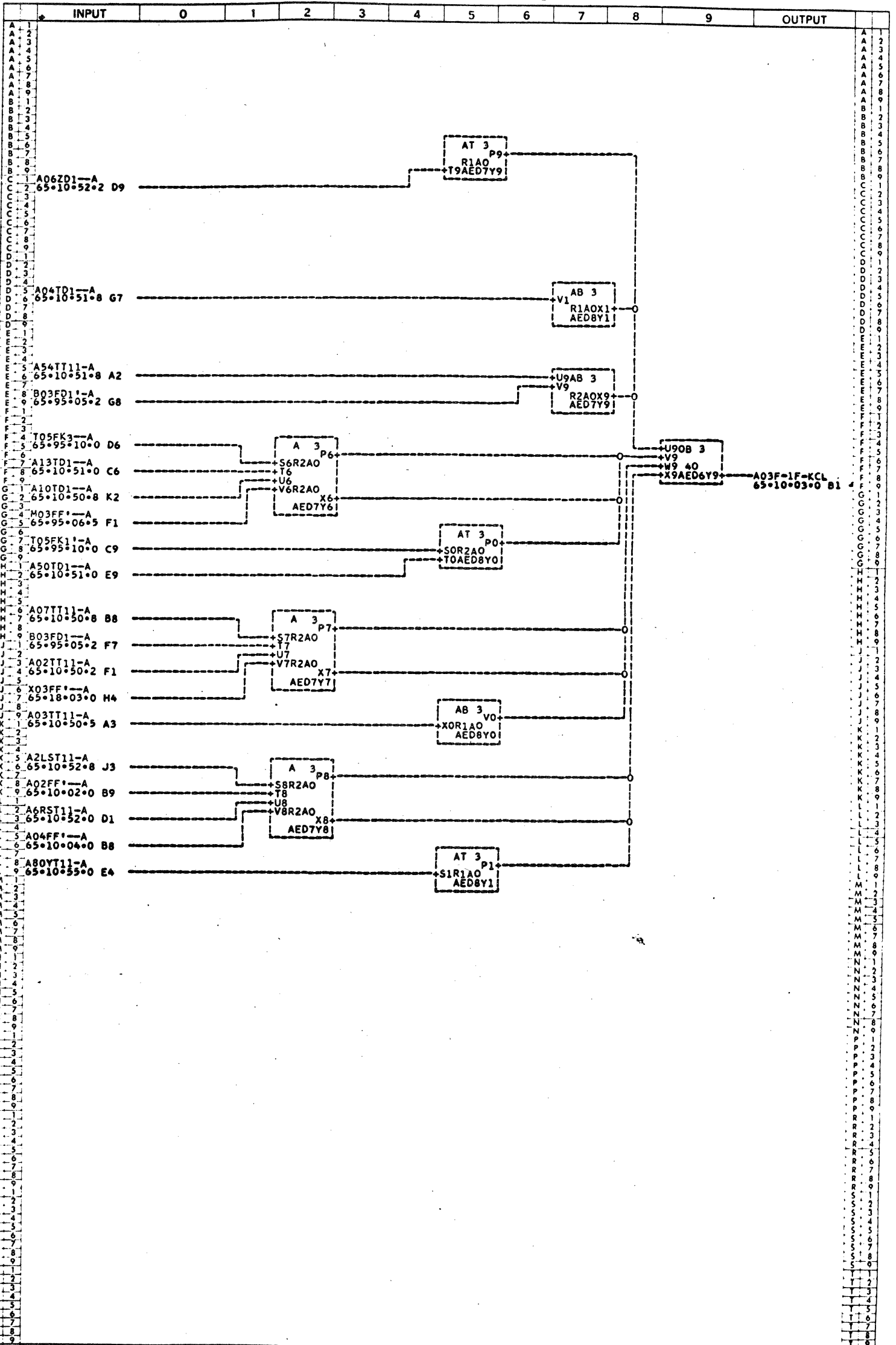
LOGIC SCHEMATIC



U	2	3	4	5	6	7	8	9	OUTPUT
U 2	TITLE	A REGISTER A03F-1F (PAGE 1 OF 2)	H-	11863339A	Burroughs Corporation ELECTRODATA M&E DIVISION PASADENA CALIFORNIA				U 2
U 4	DRAWN BY	ED BROWN	CHECKED BY	A M GORLEK	PROPERTY OF BURROUGHS CORPORATION. NOT TO BE REPRODUCED, NOR USED FOR MANUFACTURING PURPOSES, EXCEPT ON BURROUGHS ORDER OR PRIOR WRITTEN CONSENT.				U 4
U 6	UNIT NAME	PROCESSOR	UNIT NO.	78494					U 6
U 8	SYSTEM	B-300a	PAGE NO.	65-10-03-0					U 8

800 1047-1 REV 5-60

LOGIC SCHEMATIC

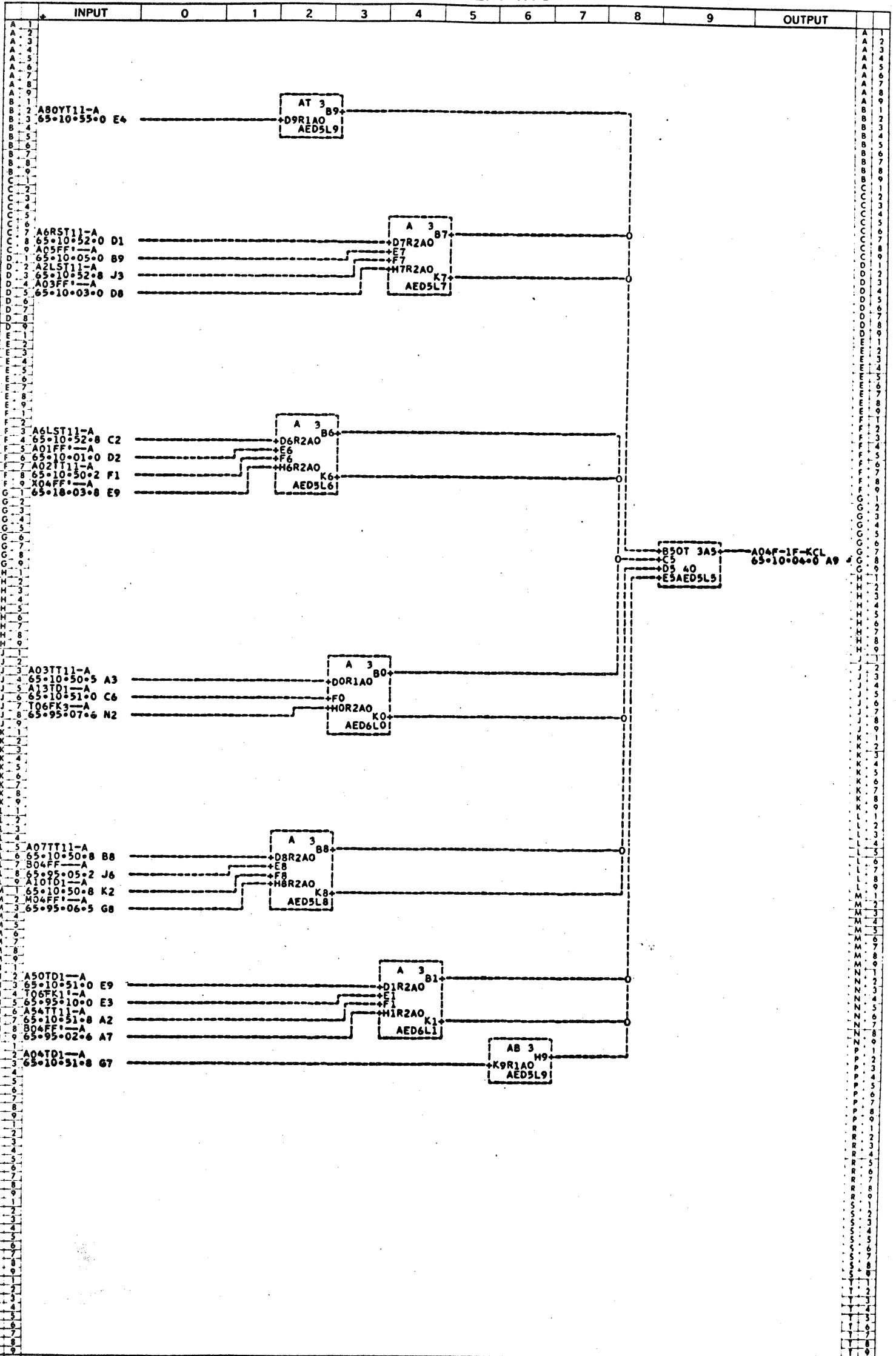


INPUT	0	1	2	3	4	5	6	7	8	9	OUTPUT
U 2	TITLE A REGISTER A03F-1F (PAGE 2 OF 2)										U 2
U 4	DRAWN BY R W WENTSEL										U 4
U 6	UNIT NAME PROCESSOR										U 6
U 8	SYSTEM 8-5000										U 8

H- 11863347A
 CHECKED BY A H GORLEK OCT 7 1961
 UNIT NO. 78494
 PAGE NO. 65-10-03-1

Burroughs Corporation
 ELECTRODATA M&E DIVISION PASADENA CALIFORNIA
PROPERTY OF BURROUGHS CORPORATION. NOT TO BE REPRODUCED, NOR USED FOR MANUFACTURING PURPOSES EXCEPT ON BURROUGHS ORDER OR PRIOR WRITTEN CONSENT.

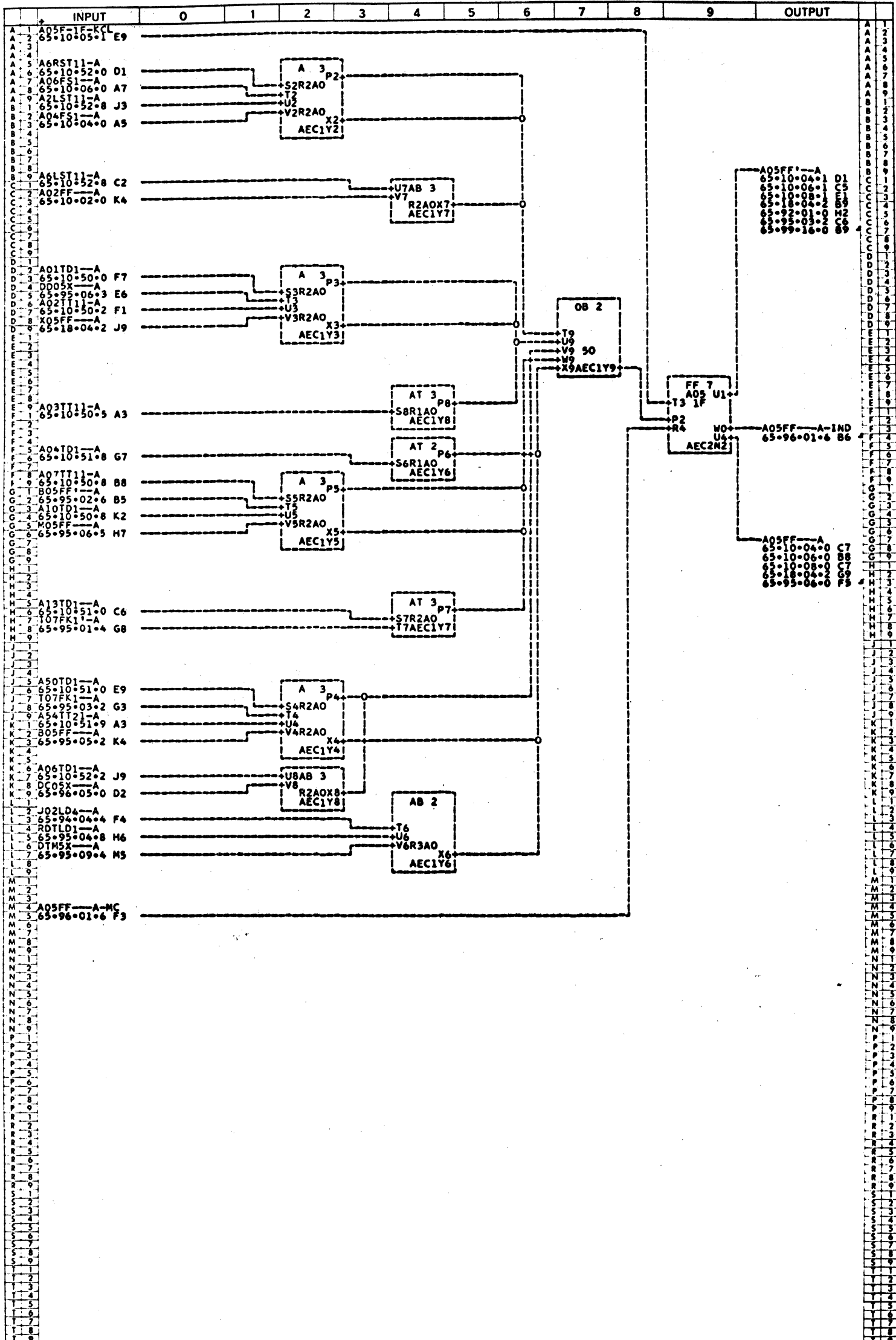
LOGIC SCHEMATIC



INPUT	0	1	2	3	4	5	6	7	8	9	OUTPUT
U 2	TITLE A REGISTER A04F-1F (PAGE 2 OF 2)										U 2
U 4	DRAWN BY T URMOS CHECKED BY A H GORLEX OCT 7 1961										U 4
U 6	UNIT NAME PROCESSOR UNIT NO. 78494										U 6
U 8	SYSTEM B-5000 PAGE NO. 65-10-04-1										U 8

Burroughs Corporation
 PASADENA CALIFORNIA
 ELECTRODATA M & E DIVISION
 PROPERTY OF BURROUGHS CORPORATION NOT TO BE REPRODUCED, NOR USED FOR MANUFACTURING PURPOSES EXCEPT ON BURROUGHS ORDER OR PRIOR WRITTEN COMMENT.

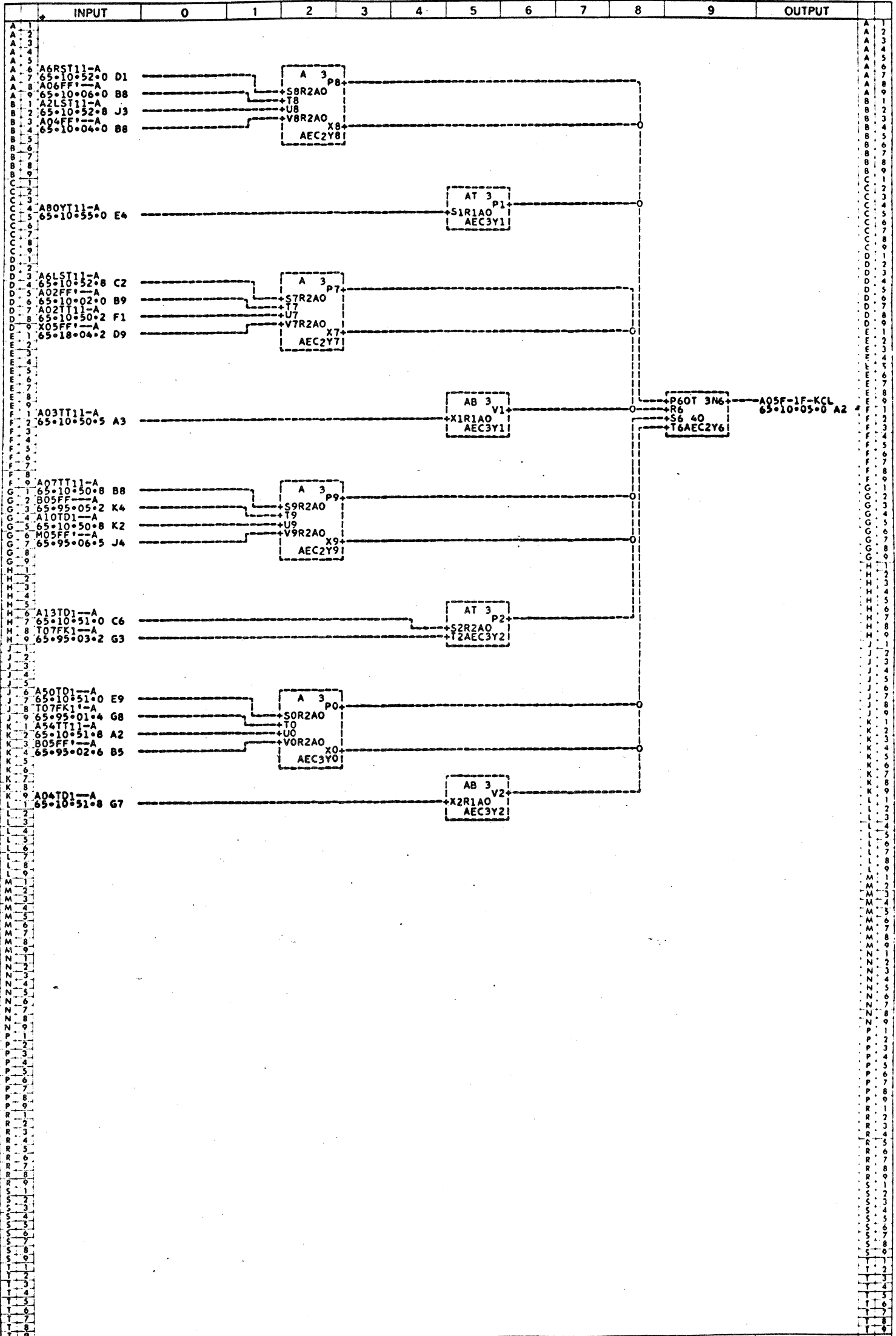
LOGIC SCHEMATIC



INPUT	0	1	2	3	4	5	6	7	8	9	OUTPUT
U 2	TITLE A REGISTER A05F-1F (PAGE 1 OF 2) H- 11863370A										U 2
U 4	DRAWN BY C DOOLING CHECKED BY A M GORLEK OCT 7 1961										U 4
U 6	UNIT NAME PROCESSOR UNIT NO. 78494										U 6
U 8	SYSTEM B-3000 PAGE NO. 65-10-05-0										U 8

Burroughs Corporation
 ELECTRODATA M & E DIVISION PASADENA CALIFORNIA
PROPERTY OF BURROUGHS CORPORATION. NOT TO BE REPRODUCED, NOR USED FOR MANUFACTURING PURPOSES, EXCEPT ON BURROUGHS ORDER OR PRIOR WRITTEN CONSENT.

LOGIC SCHEMATIC



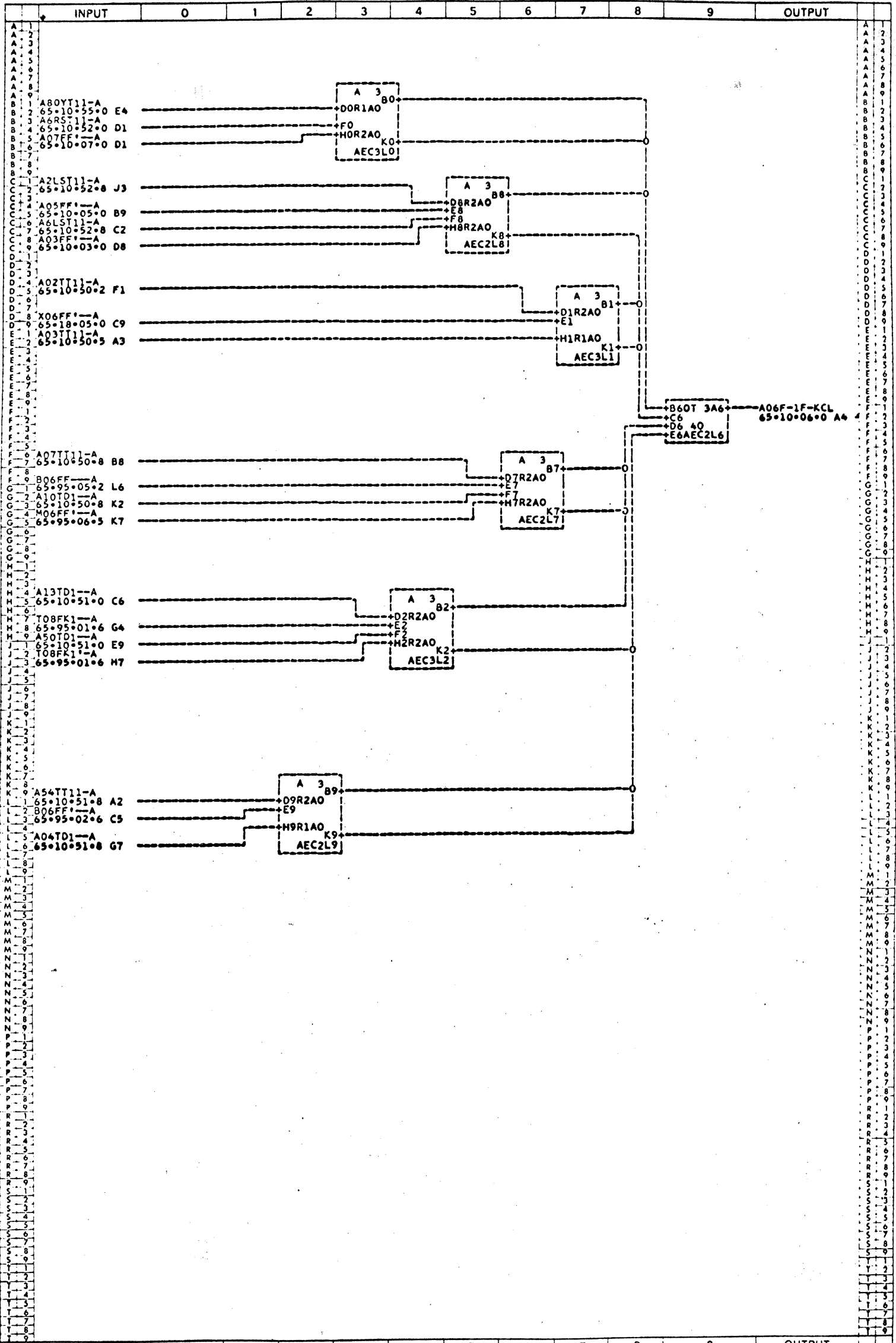
INPUT	0	1	2	3	4	5	6	7	8	9	OUTPUT
U 2	TITLE A REGISTER A05F-1F (PAGE 2 OF 2) H- 11863388A										U 2
U 4	DRAWN BY C DOOLING CHECKED BY A H GORLEK OCT 7 1961										U 4
U 6	UNIT NAME PROCESSOR UNIT NO. 78494										U 6
U 8	SYSTEM B-9000 PAGE NO. 65-10-05-1										U 8

Burroughs Corporation PASADENA CALIFORNIA

ELECTRODATA M & E DIVISION

PROPERTY OF BURROUGHS CORPORATION NOT TO BE REPRODUCED, NOR USED FOR MANUFACTURING PURPOSES EXCEPT ON BURROUGHS ORDER OR PRIOR WRITTEN CONSENT

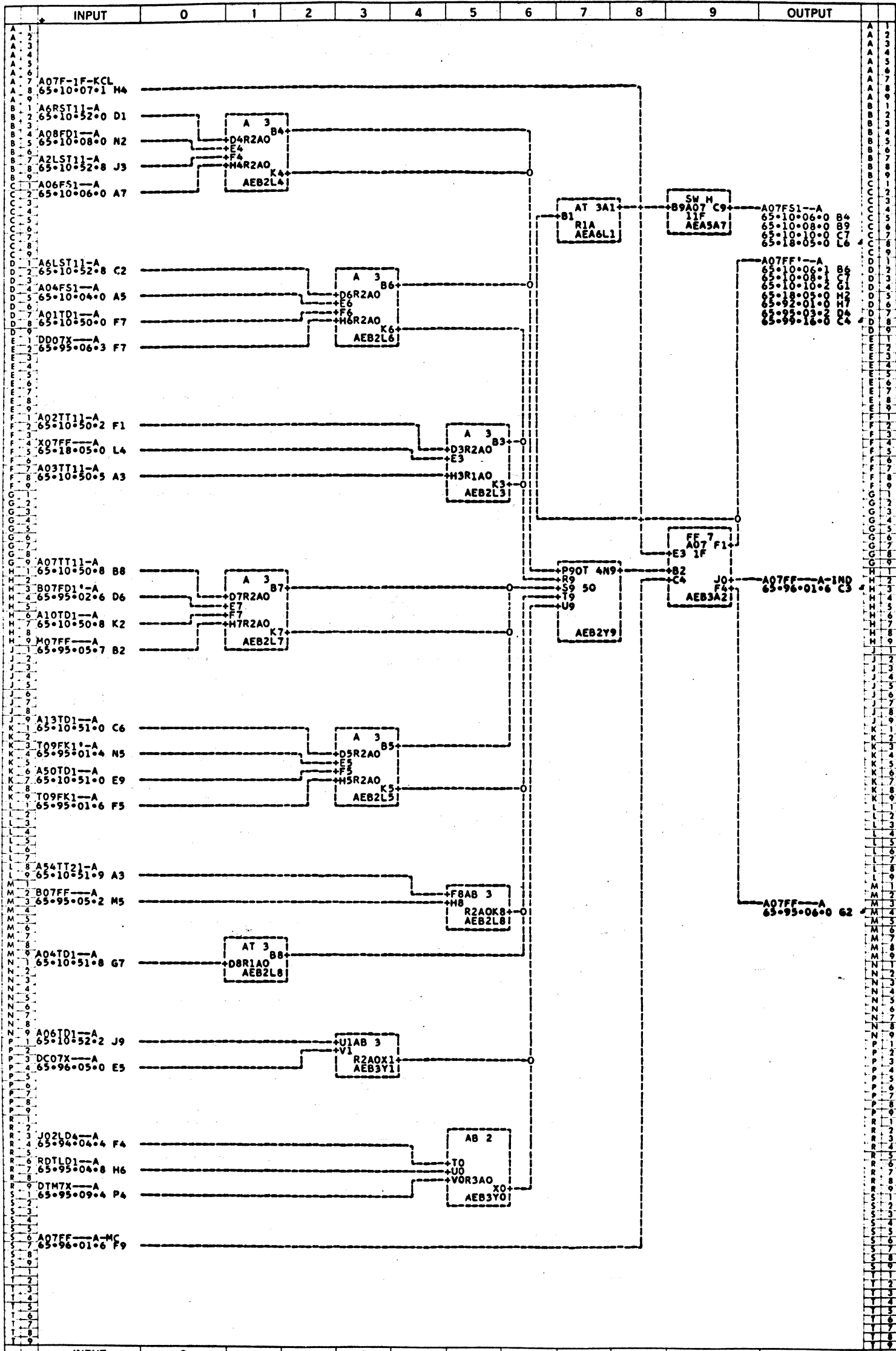
LOGIC SCHEMATIC



INPUT	0	1	2	3	4	5	6	7	8	9	OUTPUT
U 2	TITLE A REGISTER A06F-1F (PAGE 2 OF 2) H- 11863404A										U 2
U 4	DRAWN BY M MOGLE OCT 4 61 CHECKED BY A M GORLEK OCT 7 1961										U 4
U 6	UNIT NAME PROCESSOR UNIT NO. 78494										U 6
U 8	SYSTEM B-3000 PAGE NO. 65-10-06-1										U 8

Burroughs Corporation
 PASADENA CALIFORNIA
 ELECTRODATA M&E DIVISION
 PROPERTY OF BURROUGHS CORPORATION. NOT TO BE REPRODUCED, NOR USED FOR MANUFACTURING PURPOSES EXCEPT ON BURROUGHS ORDER OR PRIOR WRITTEN CONSENT.

LOGIC SCHEMATIC



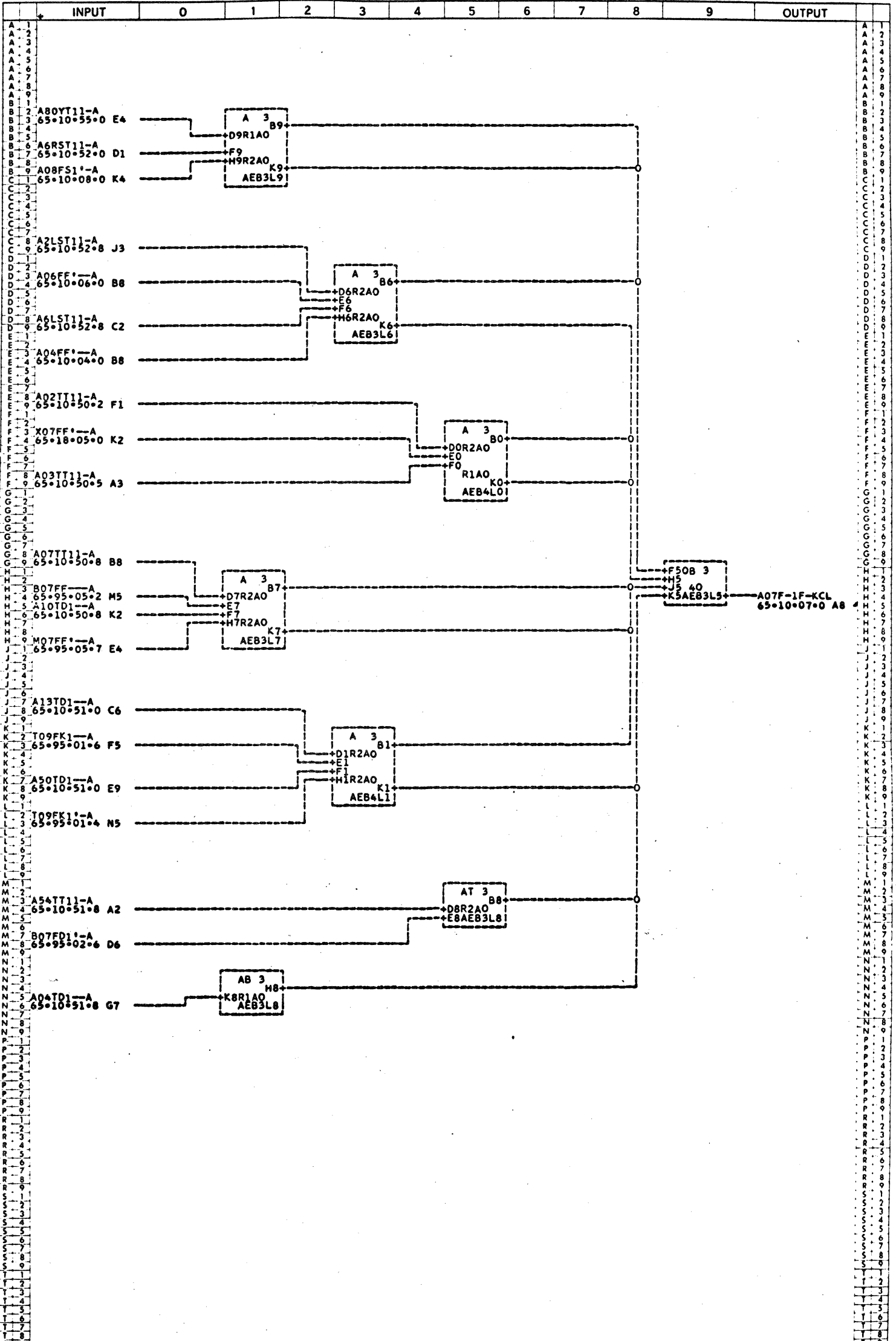
U 2	TITLE A REGISTER A07F-1F (PAGE 1 OF 21)	H- 11863412A	U 2
U 4	DRAWN BY B TOYER	CHECKED BY A M GORLEK OCT 7 1961	U 4
U 6	UNIT NAME PROCESSOR	UNIT NO. 78494	U 6
U 8	SYSTEM B-3000	PAGE NO. 65-10-07-0	U 8

Burroughs Corporation

ELECTRODATA M&E DIVISION PASADENA CALIFORNIA

PROPERTY OF BURROUGHS CORPORATION. NOT TO BE REPRODUCED, NOR USED FOR MANUFACTURING PURPOSES, EXCEPT ON BURROUGHS ORDER OR PRIOR WRITTEN CONSENT.

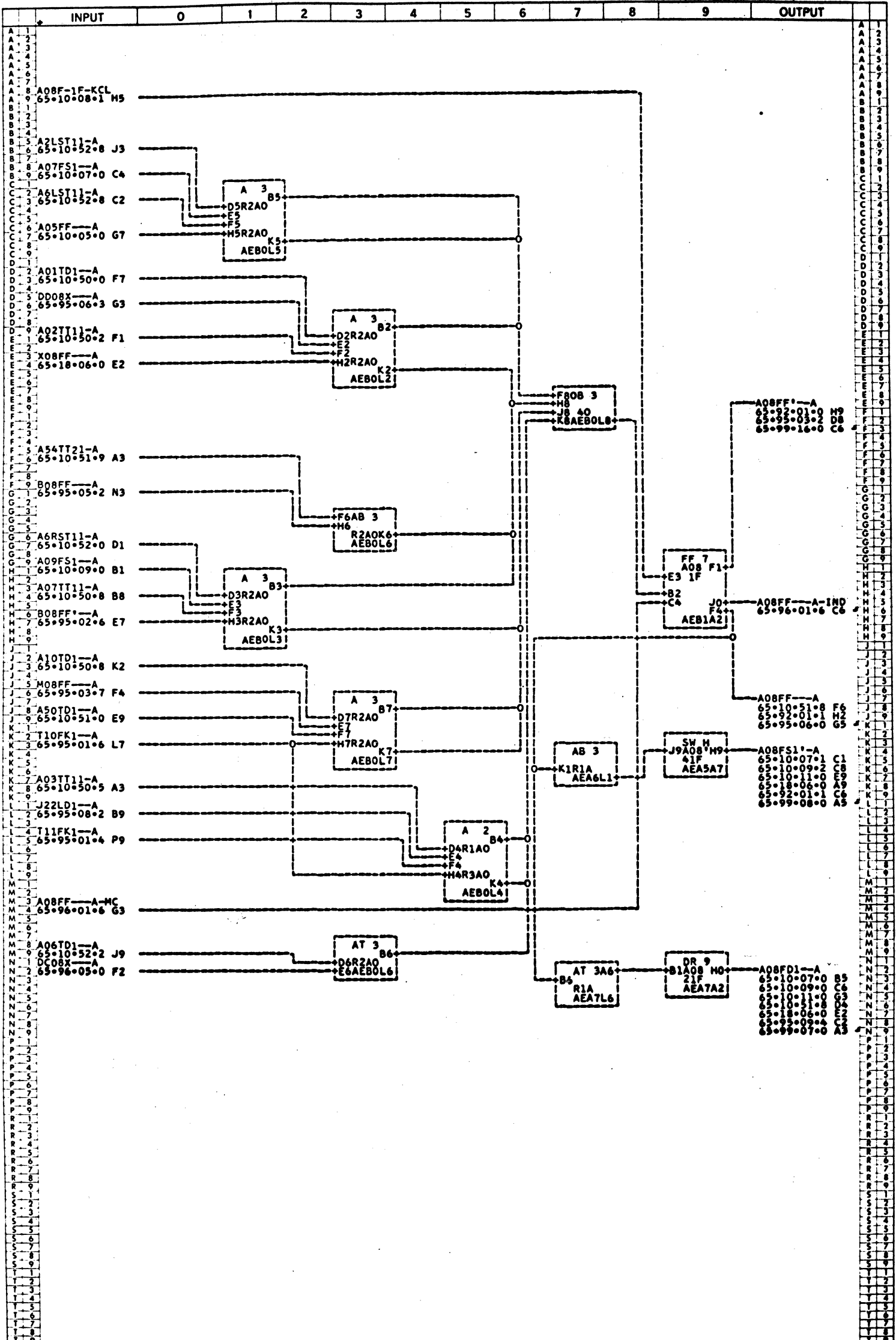
LOGIC SCHEMATIC



INPUT	0	1	2	3	4	5	6	7	8	9	OUTPUT
U 2	TITLE A REGISTER A07F-1F (PAGE 2 OF 2) H- 11863420A										U 2
U 4	DRAWN BY B TOYER CHECKED BY A H GORLEK OCT 7 1961										U 4
U 6	UNIT NAME PROCESSOR UNIT NO. 78494										U 6
U 8	SYSTEM B-5000 PAGE NO. 65-10-07-1										U 8

Burroughs Corporation
 ELECTRODATA M&E DIVISION PASADENA CALIFORNIA
PROPERTY OF BURROUGHS CORPORATION NOT TO BE REPRODUCED, NOR USED FOR MANUFACTURING PURPOSES EXCEPT ON BURROUGHS ORDER OR PRIOR WRITTEN CONSENT

LOGIC SCHEMATIC



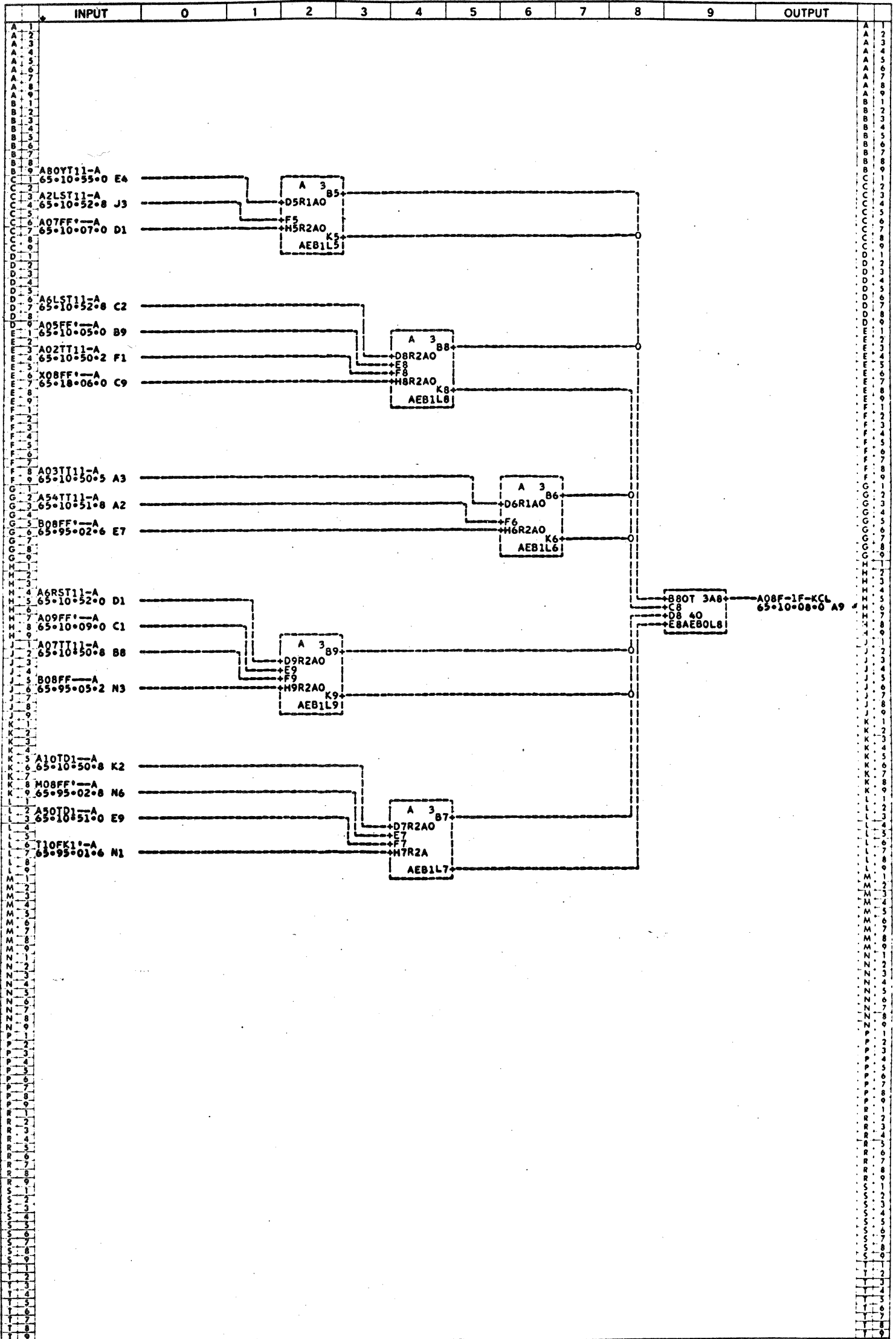
INPUT	0	1	2	3	4	5	6	7	8	9	OUTPUT
U 2	TITLE A REGISTER A08F-1F (PAGE 1 OF 2)										U 2
U 4	DRAWN BY C A VIETOR 10-3-61 CHECKED BY A H GORLEK OCT 7 1961										U 4
U 6	UNIT NAME PROCESSOR UNIT NO. 78494										U 6
U 8	SYSTEM 8-5000 PAGE NO. 65-10-08-0										U 8

Burroughs Corporation

ELECTRODATA M&E DIVISION PASADENA CALIFORNIA

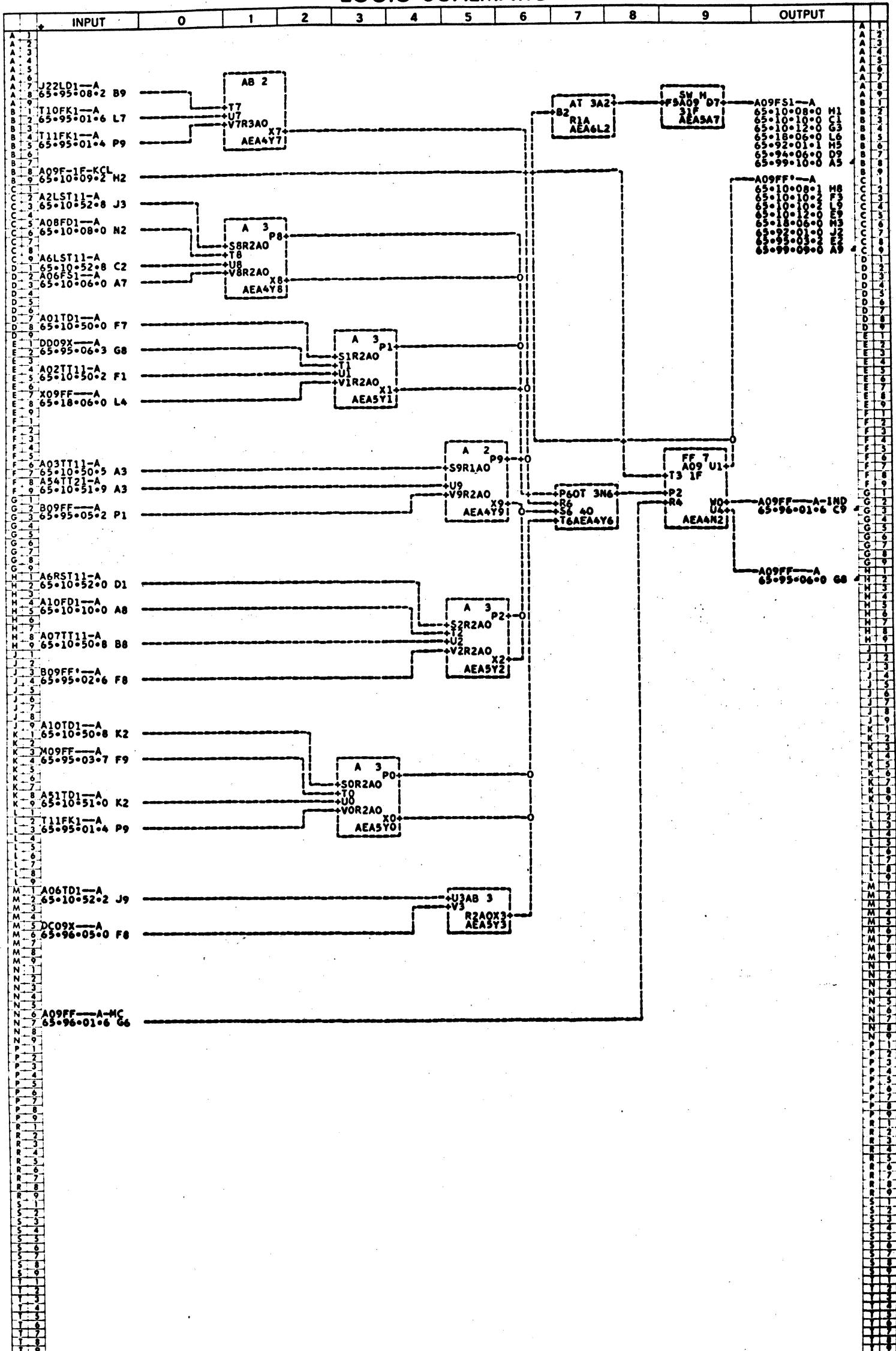
PROPERTY OF BURROUGHS CORPORATION. NOT TO BE REPRODUCED, NOR USED FOR MANUFACTURING PURPOSES, EXCEPT ON BURROUGHS ORDER OR PRIOR WRITTEN CONSENT.

LOGIC SCHEMATIC



INPUT	0	1	2	3	4	5	6	7	8	9	OUTPUT	
U 2	TITLE A REGISTER A08F-1F (PAGE 2 OF 2)										U 2	
U 4	DRAWN BY C.A. VIETOR 10-4-61		CHECKED BY A.H. GORLEK		OCT 7 1961		N- 11863446A		ELECTRODATA M&E DIVISION		PASADENA CALIFORNIA	U 4
U 6	UNIT NAME PROCESSOR										U 6	
U 8	SYSTEM 8-5000										U 8	
						UNIT NO. 78494		PAGE NO. 65-10-08-1				

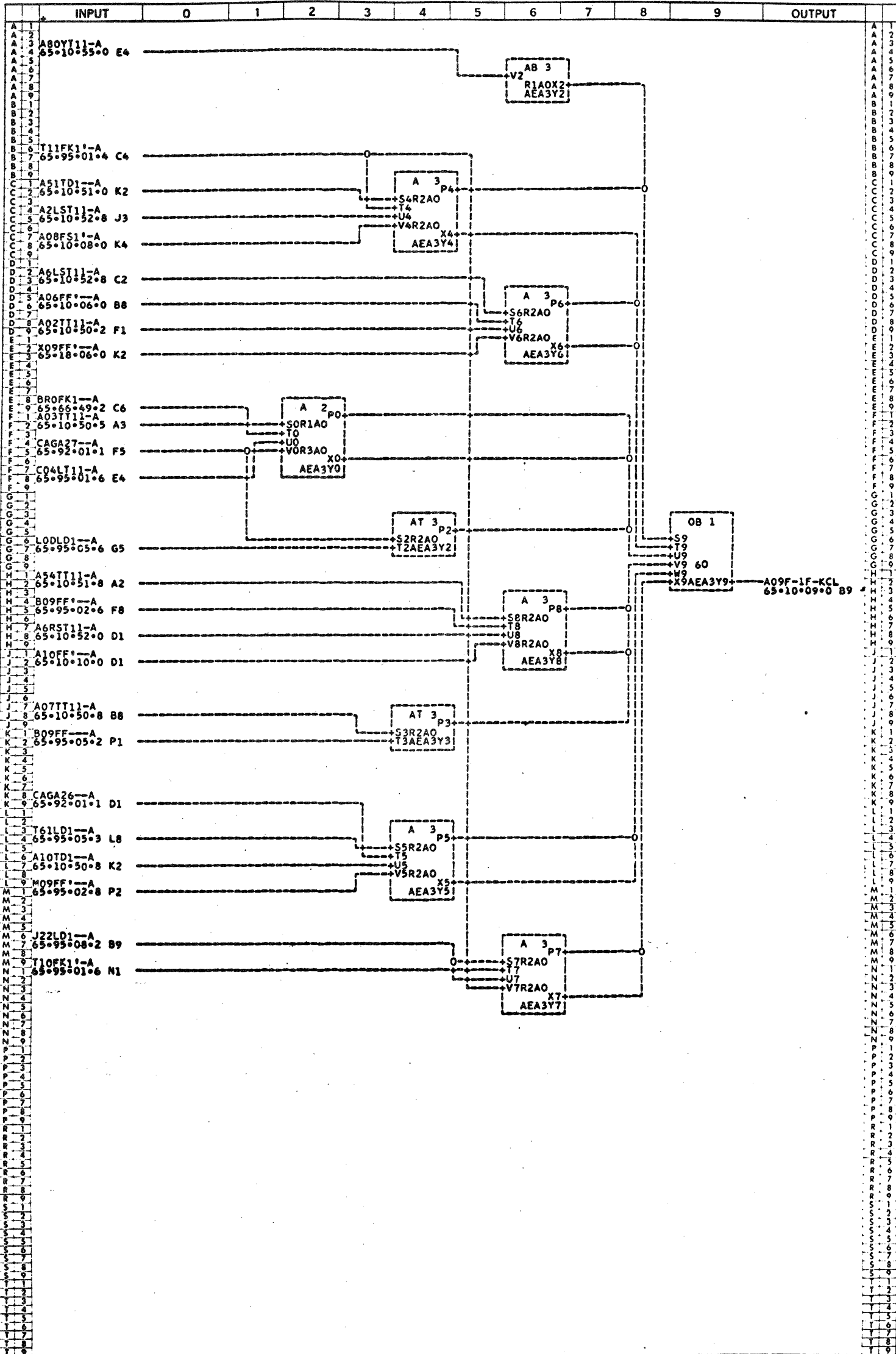
LOGIC SCHEMATIC



U 2	TITLE	A REGISTER A09F-1F (PAGE 1 OF 2)	H-	11863453A
U 4	DRAWN BY	N MOGLE	CHECKED BY	D A SHEPHERD OCT 7 1961
U 6	UNIT NAME	PROCESSOR	UNIT NO.	78494
U 8	SYSTEM	B-5000	PAGE NO.	65-10-09-0

ELECTRODATA	Burroughs Corporation	PASADENA CALIFORNIA
M & E DIVISION		
PROPERTY OF BURROUGHS CORPORATION. NOT TO BE REPRODUCED, NOR USED FOR MANUFACTURING PURPOSES, EXCEPT ON BURROUGHS ORDER OR PRIOR WRITTEN CONSENT.		

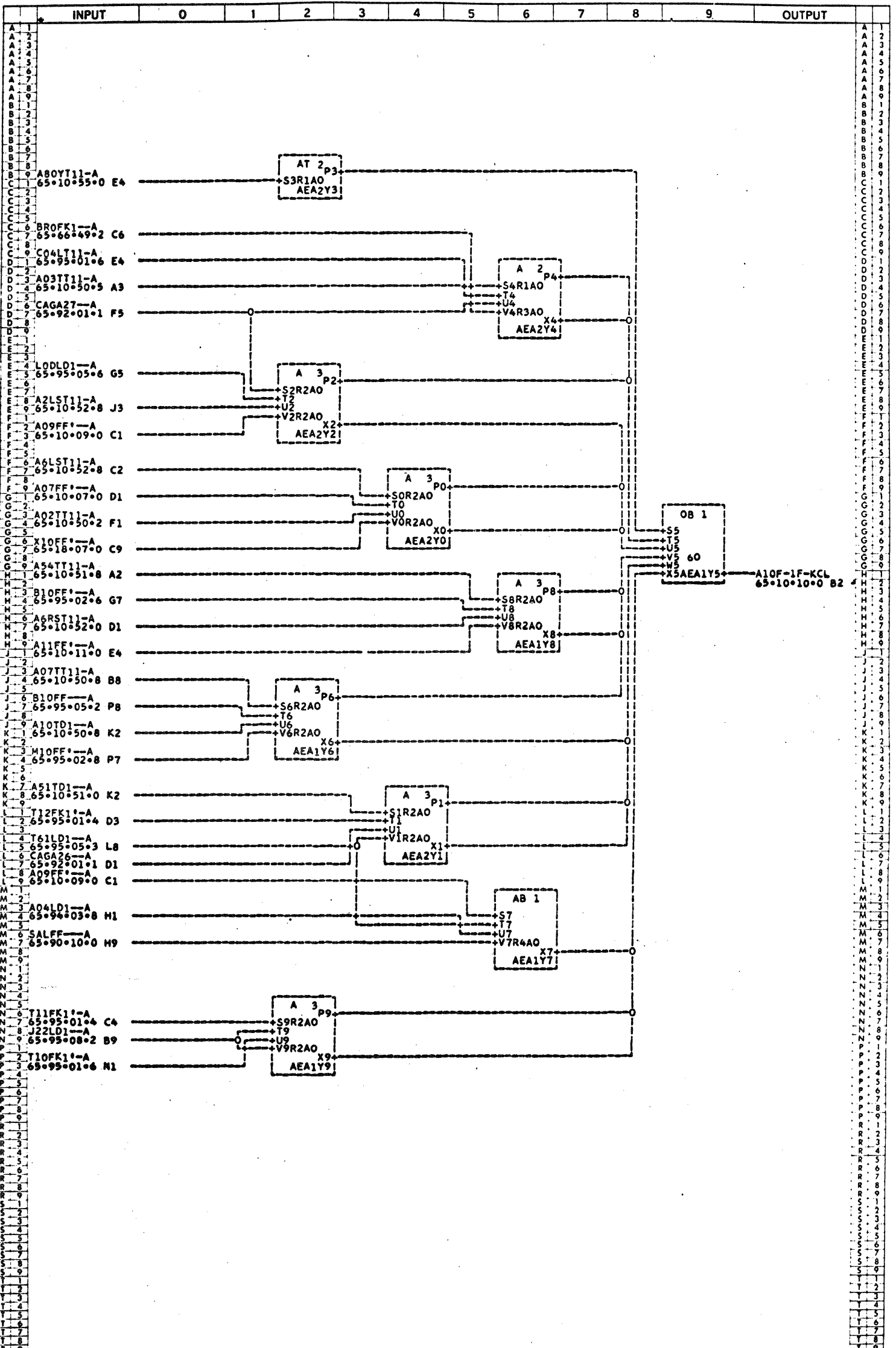
LOGIC SCHEMATIC



INPUT	0	1	2	3	4	5	6	7	8	9	OUTPUT
U 2	TITLE A REGISTER A09F-1F (PAGE 2 OF 2) H- 11890191A										U 2
U 4	DRAWN BY C DOOLING CHECKED BY D A SHEPHERD 1-9-62										U 4
U 6	UNIT NAME PROCESSOR UNIT NO. 78494										U 6
U 8	SYSTEM B-3000 PAGE NO. 65-10-09-2										U 8

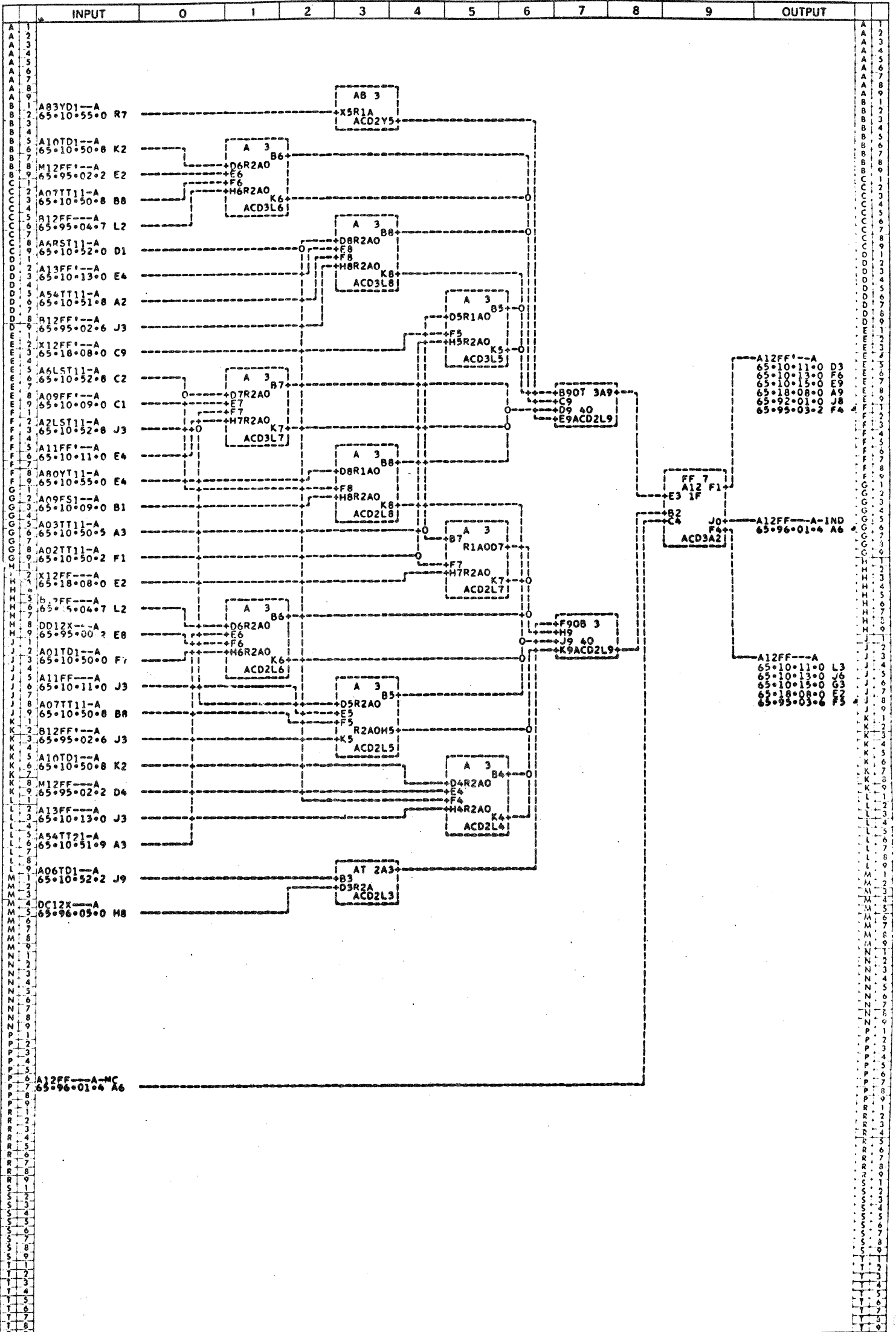
Burroughs Corporation
 ELECTRODATA M & E DIVISION PASADENA CALIFORNIA
PROPERTY OF BURROUGHS CORPORATION. NOT TO BE REPRODUCED, NOR USED FOR MANUFACTURING PURPOSES, EXCEPT ON BURROUGHS ORDER OR PRIOR WRITTEN CONSENT.

LOGIC SCHEMATIC



	INPUT	0	1	2	3	4	5	6	7	8	9	OUTPUT
U 2	TITLE A REGISTER A10F-1F (PAGE 2 OF 2)											
U 4	DRAWN BY B TOYER 12-27-61 CHECKED BY D A SHEPHERD 1-9-62											
U 6	UNIT NAME PROCESSOR											
U 8	SYSTEM B-3000											
	M- 11890209AH											
	ELECTRODATA Burroughs Corporation PASADENA CALIFORNIA											
	PROPERTY OF BURROUGHS CORPORATION. NOT TO BE REPRODUCED, NOR USED FOR MANUFACTURING PURPOSES, EXCEPT ON BURROUGHS ORDER OR PRIOR WRITTEN CONSENT.											
	UNIT NO. 78494											
	PAGE NO. 65-10-10-2											

LOGIC SCHEMATIC

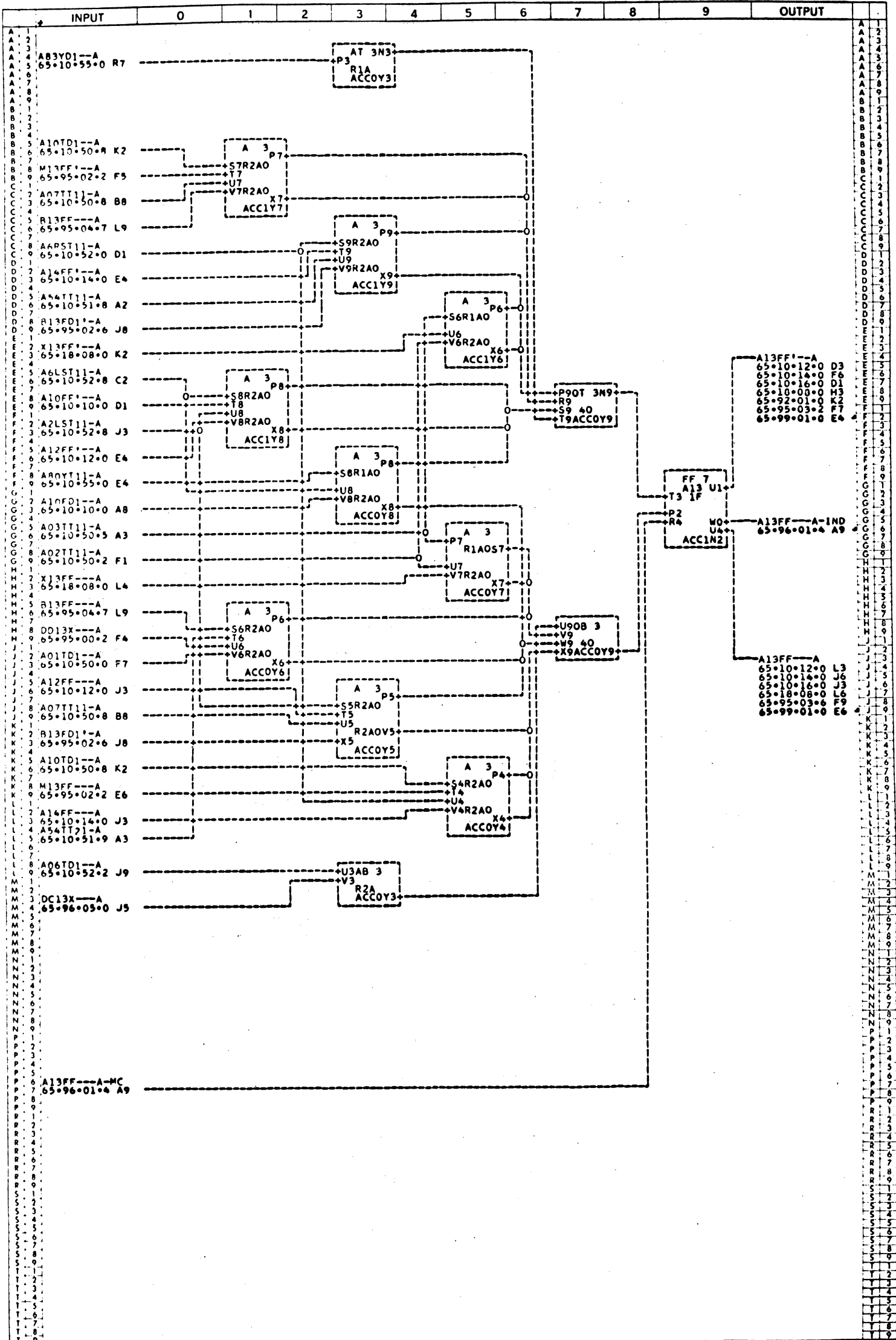


	INPUT	0	1	2	3	4	5	6	7	8	9	OUTPUT	
U 2	TITLE A REGISTER A12F-1F												U 2
U 4	DRAWN BY C A VIETOR 10-9-61												U 4
U 6	UNIT NAME PROCESSOR												U 6
U 8	SYSTEM B-3000												U 8

ELECTRODATA **Burroughs Corporation** PASADENA
 M & E DIVISION CALIFORNIA

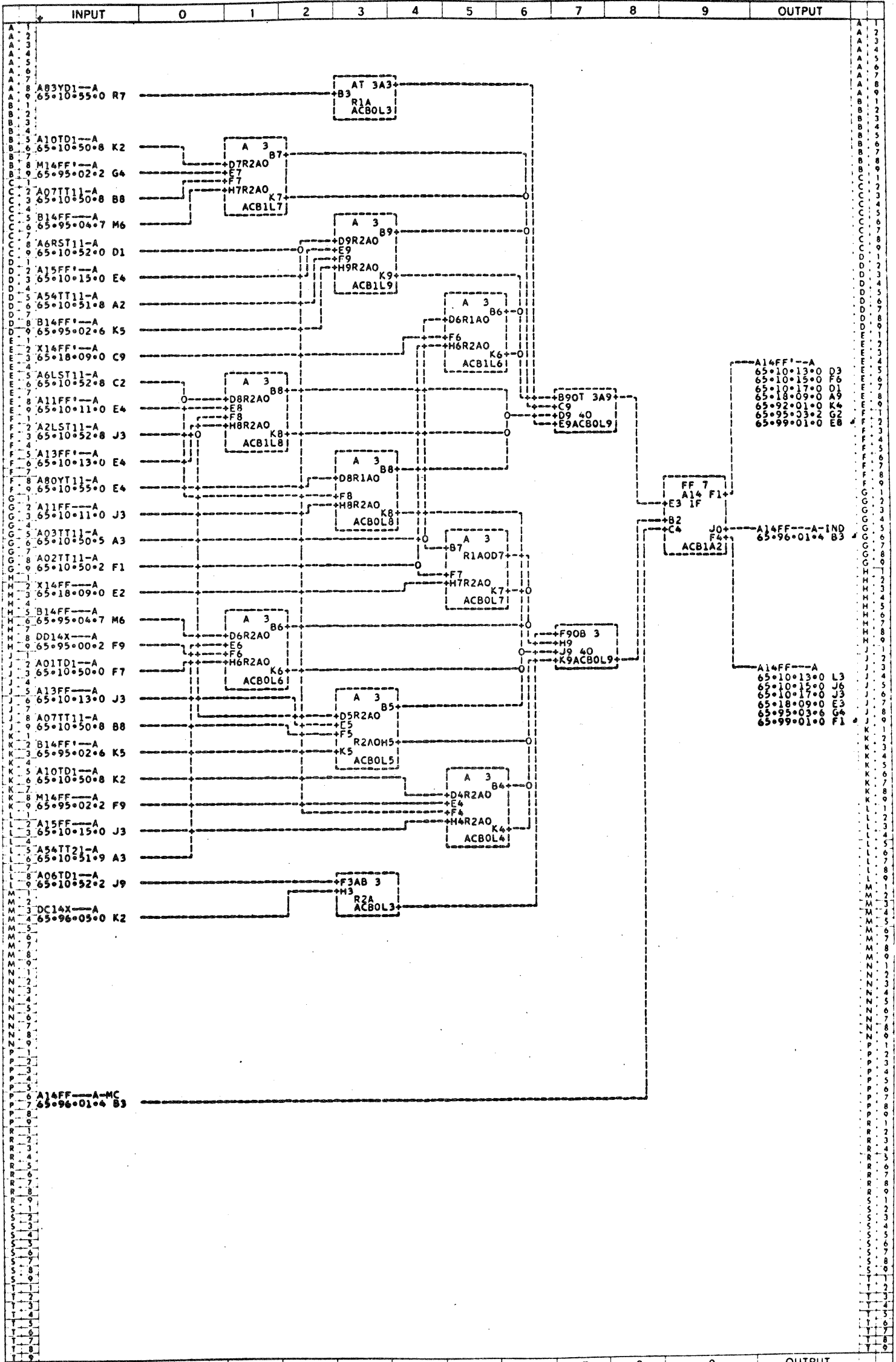
PROPERTY OF BURROUGHS CORPORATION. NOT TO BE REPRODUCED, NOR USED FOR
 MANUFACTURING PURPOSES, EXCEPT ON BURROUGHS ORDER OR PRIOR WRITTEN CONSENT

LOGIC SCHEMATIC



INPUT	0	1	2	3	4	5	6	7	8	9	OUTPUT	
U 2	TITLE A REGISTER A13F-1F										U 2	
U 4	DRAWN BY C A VIETOR 10-9-61										U 4	
U 6	UNIT NAME PROCESSOR										U 6	
U 8	SYSTEM B-5000										U 8	
					H- 11864014AK		ELECTRODATA		Burrhoughs Corporation		PASADENA CALIFORNIA	
					CHECKED BY R C CARTER		M & E DIVISION		PASADENA CALIFORNIA		PROPERTY OF BURROUGHS CORPORATION. NOT TO BE REPRODUCED, NOR USED FOR MANUFACTURING PURPOSES, EXCEPT ON BURROUGHS ORDER OR PRIOR WRITTEN CONSENT.	
					10-7-61		UNIT NO. 78494		PAGE NO. A5:10:13:0		OCT 8 1964	

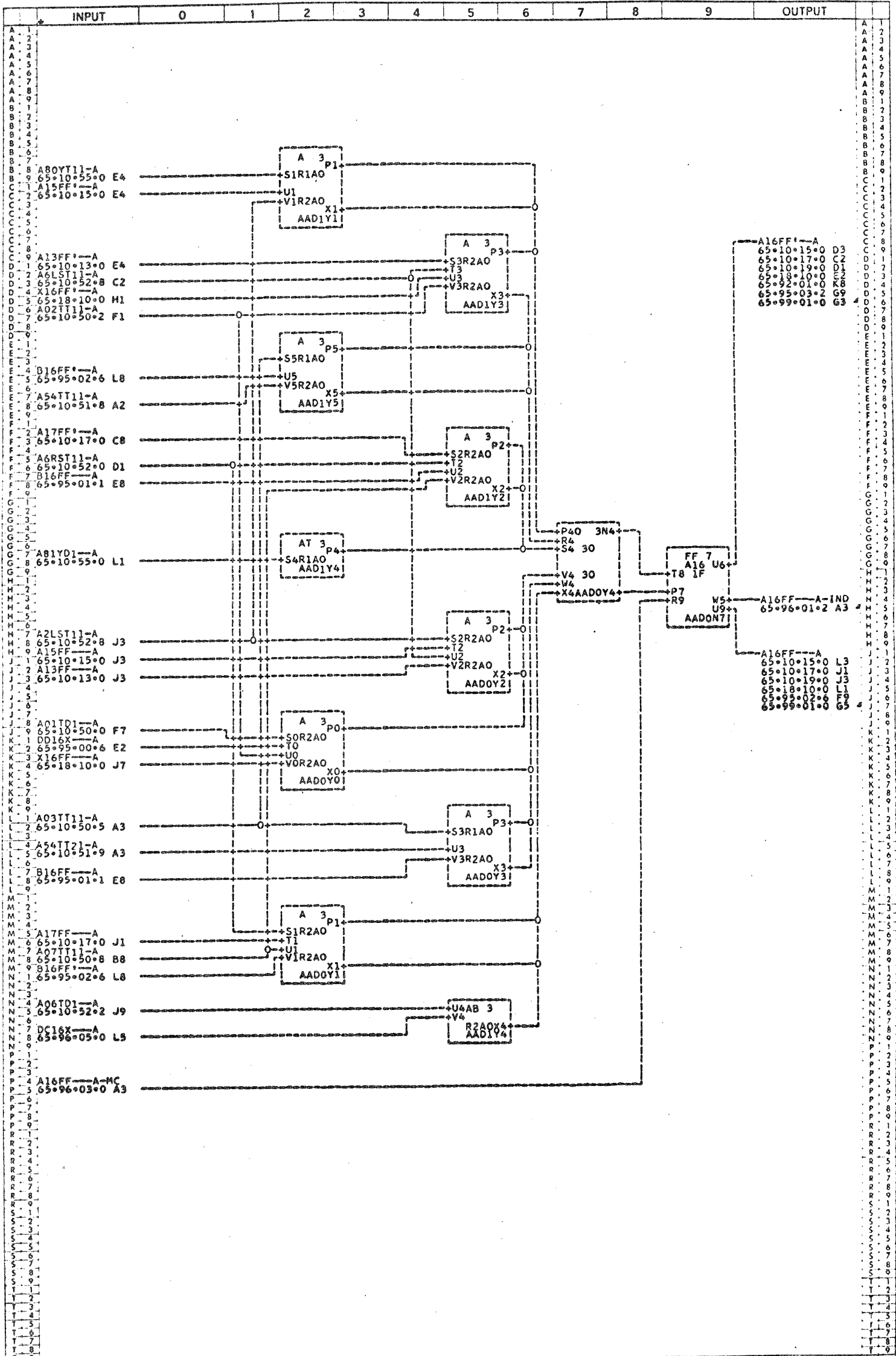
LOGIC SCHEMATIC



INPUT	0	1	2	3	4	5	6	7	8	9	OUTPUT
U 2	TITLE A REGISTER A14F-1F										U 2
U 4	DRAWN BY C A VIETOR 10-9-61										U 4
U 6	UNIT NAME PROCESSOR										U 6
U 8	SYSTEM B-5000										U 8

M- 11864022A
 ELECTRODATA M&E DIVISION **Burroughs Corporation** PASADENA CALIFORNIA
 PROPERTY OF BURROUGHS CORPORATION NOT TO BE REPRODUCED, NOR USED FOR MANUFACTURING PURPOSES EXCEPT ON BURROUGHS ORDER OR PRIOR WRITTEN CONSENT

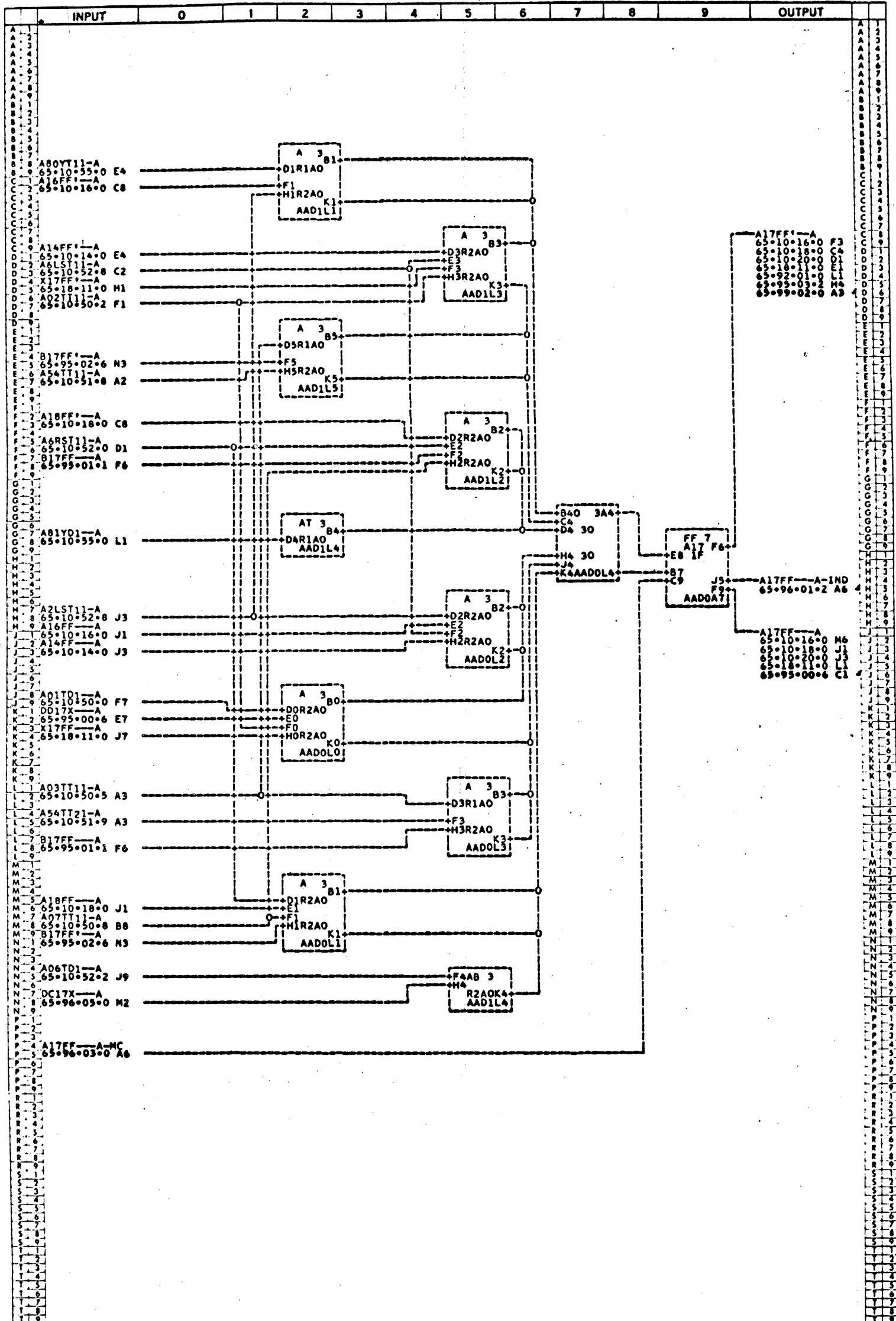
LOGIC SCHEMATIC



INPUT	0	1	2	3	4	5	6	7	8	9	OUTPUT
U 2	TITLE A REGISTER A16F-1F										U 2
U 4	DRAWN BY R WILLIAMS 9 OCT 61										U 4
U 6	UNIT NAME PROCESSOR										U 6
U 8	SYSTEM B-5000										U 8

Burroughs Corporation
 ELECTRODATA M & E DIVISION PASADENA CALIFORNIA
 PROPERTY OF BURROUGHS CORPORATION NOT TO BE REPRODUCED, NOR USED FOR MANUFACTURING PURPOSES EXCEPT ON BURROUGHS ORDER OR PRIOR WRITTEN CONSENT

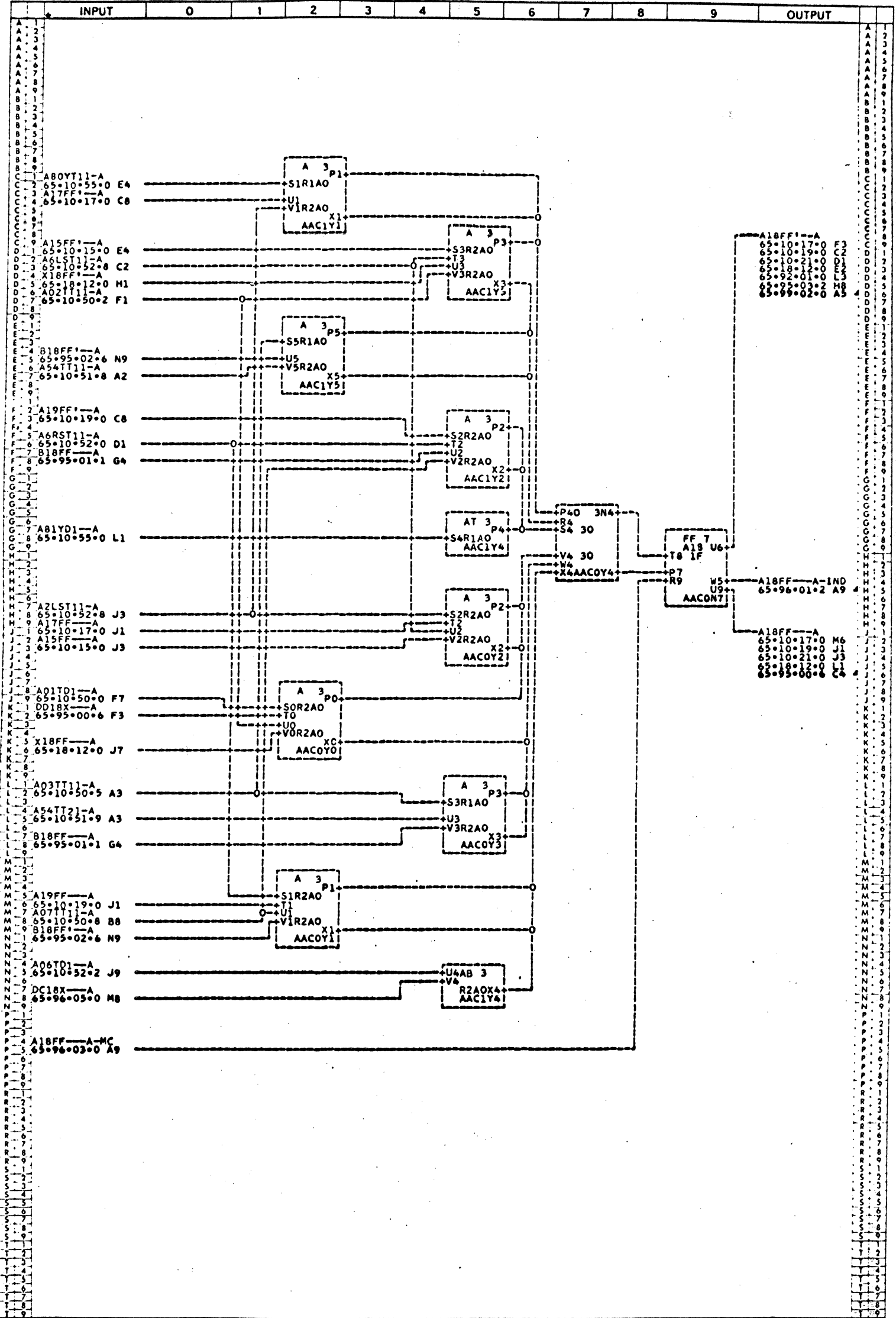
LOGIC SCHEMATIC



	INPUT	0	1	2	3	4	5	6	7	8	9	OUTPUT		
U 2	TITLE	A REGISTER A17F-1F										H- 11864055A	U 2	
U 4	DRAWN BY	R WILLIAMS 5 OCT 61										CHECKED BY	R C CARTER 10-17-61	U 4
U 6	UNIT NAME	PROCESSOR										UNIT NO.	78496	U 6
U 8	SYSTEM	B-3000										PAGE NO.	65-10-17-0	U 8

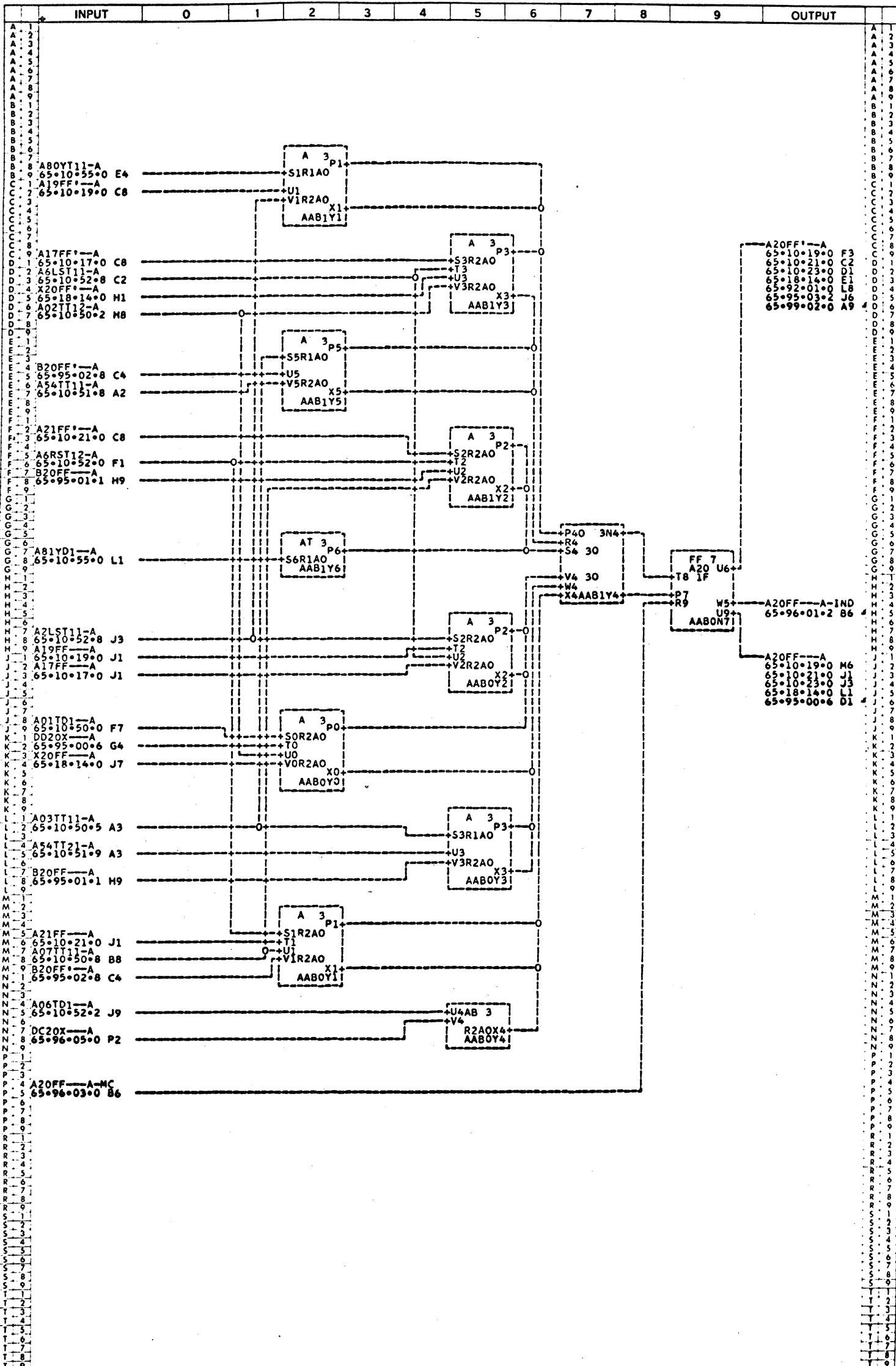
Burroughs Corporation
 ELECTRODATA M & E DIVISION PASADENA CALIFORNIA
PROPERTY OF BURROUGHS CORPORATION. NOT TO BE REPRODUCED, NOR USED FOR MANUFACTURING PURPOSES, EXCEPT ON BURROUGHS ORDER OR PRIOR WRITTEN CONSENT.

LOGIC SCHEMATIC



INPUT	0	1	2	3	4	5	6	7	8	9	OUTPUT
U 2	TITLE A REGISTER A18F-1F										U 2
U 4	DRAWN BYR WILLIAMS 5 OCT 61										U 4
U 6	UNIT NAME PROCESSOR										U 6
U 8	SYSTEM B-5000										U 8
					M- 11864063A		10-7-61				
					CHECKED BY R C CARTER		UNIT NO. 78494				
					PAGE NO. 65-10-18-0						
<div style="display: flex; justify-content: space-between;"> ELECTRODATA M&E DIVISION Burroughs Corporation PASADENA CALIFORNIA </div> <p style="font-size: small; text-align: center;">PROPERTY OF BURROUGHS CORPORATION NOT TO BE REPRODUCED, NOR USED FOR MANUFACTURING PURPOSES, EXCEPT ON BURROUGHS ORDER OR PRIOR WRITTEN COMMENT.</p>											

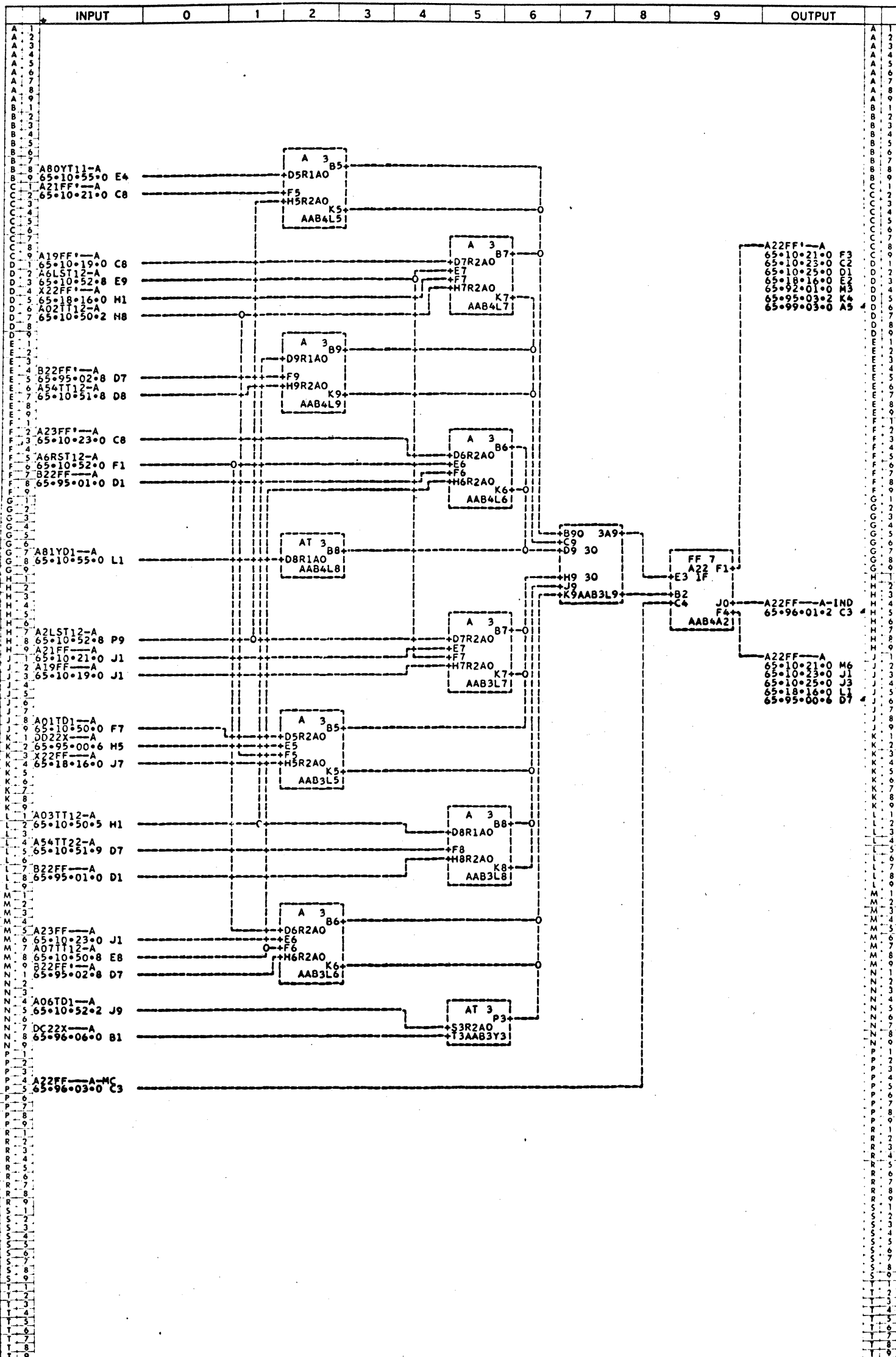
LOGIC SCHEMATIC



INPUT	0	1	2	3	4	5	6	7	8	9	OUTPUT
U 2	TITLE A REGISTER A20F-1F										U 2
U 4	DRAWN BY R WILLIAMS 5 OCT 61										U 4
U 6	UNIT NAME PROCESSOR										U 6
U 8	SYSTEM B-5000										U 8

ELECTRODATA M & E DIVISION	Burroughs Corporation	PASADENA CALIFORNIA
PROPERTY OF BURROUGHS CORPORATION NOT TO BE REPRODUCED, NOR USED FOR MANUFACTURING PURPOSES EXCEPT ON BURROUGHS ORDER OR PRIOR WRITTEN CONSENT		

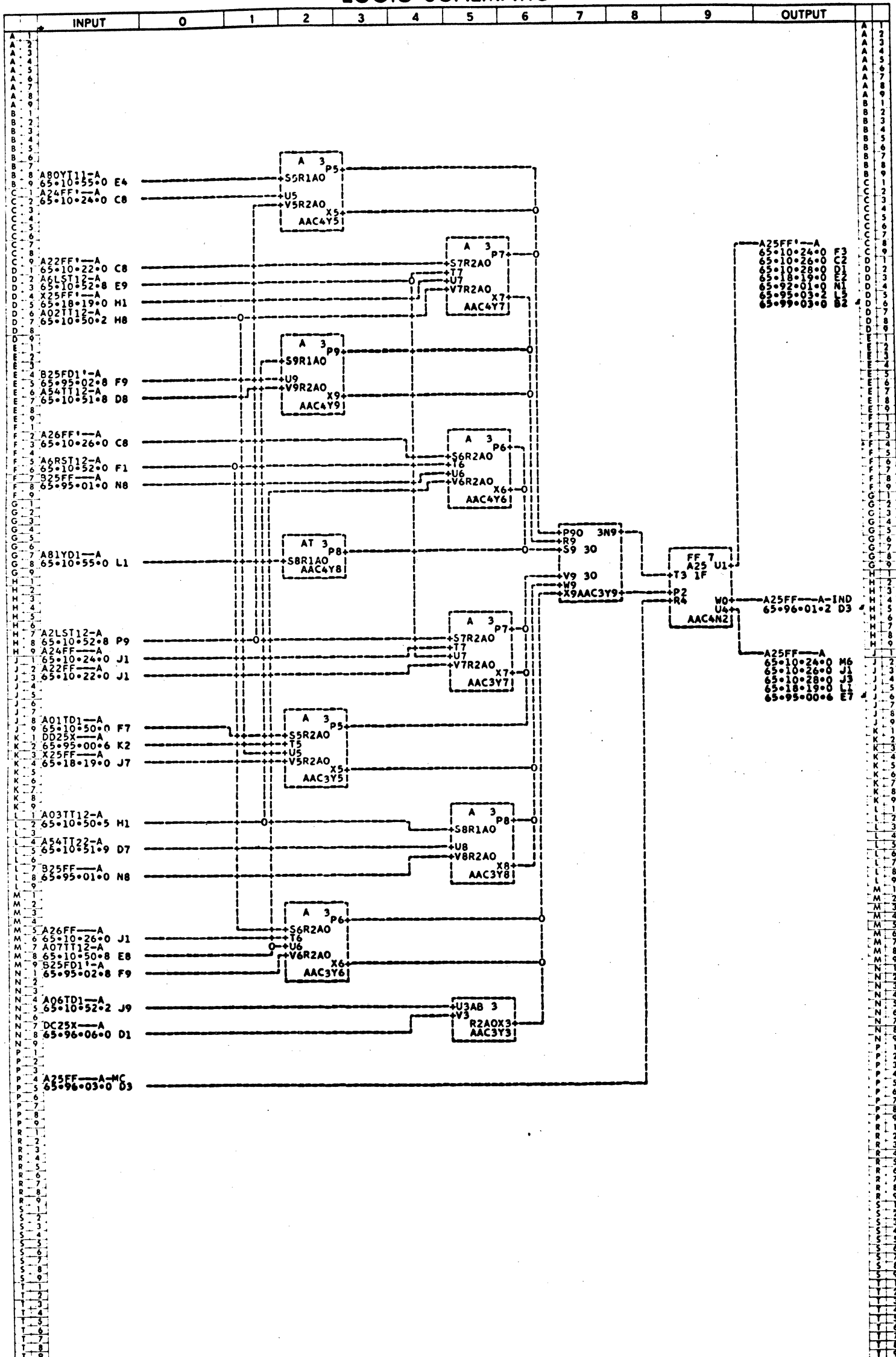
LOGIC SCHEMATIC



INPUT	0	1	2	3	4	5	6	7	8	9	OUTPUT
U 2	TITLE A REGISTER A22F-1F										U 2
U 4	DRAWN BY R WILLIAMS 9 OCT 61										U 4
U 6	UNIT NAME PROCESSOR										U 6
U 8	SYSTEM B-3000										U 8
						M- 11864105A					
						CHECKED BY D A SHEPHERD OCT 7 1961					
						UNIT NO. 78494					
						PAGE NO. 65-10-22-0					

Burroughs Corporation
 ELECTRODATA M & E DIVISION PASADENA CALIFORNIA
PROPERTY OF BURROUGHS CORPORATION NOT TO BE REPRODUCED, NOR USED FOR MANUFACTURING PURPOSES EXCEPT ON BURROUGHS ORDER OR PRIOR WRITTEN CONSENT

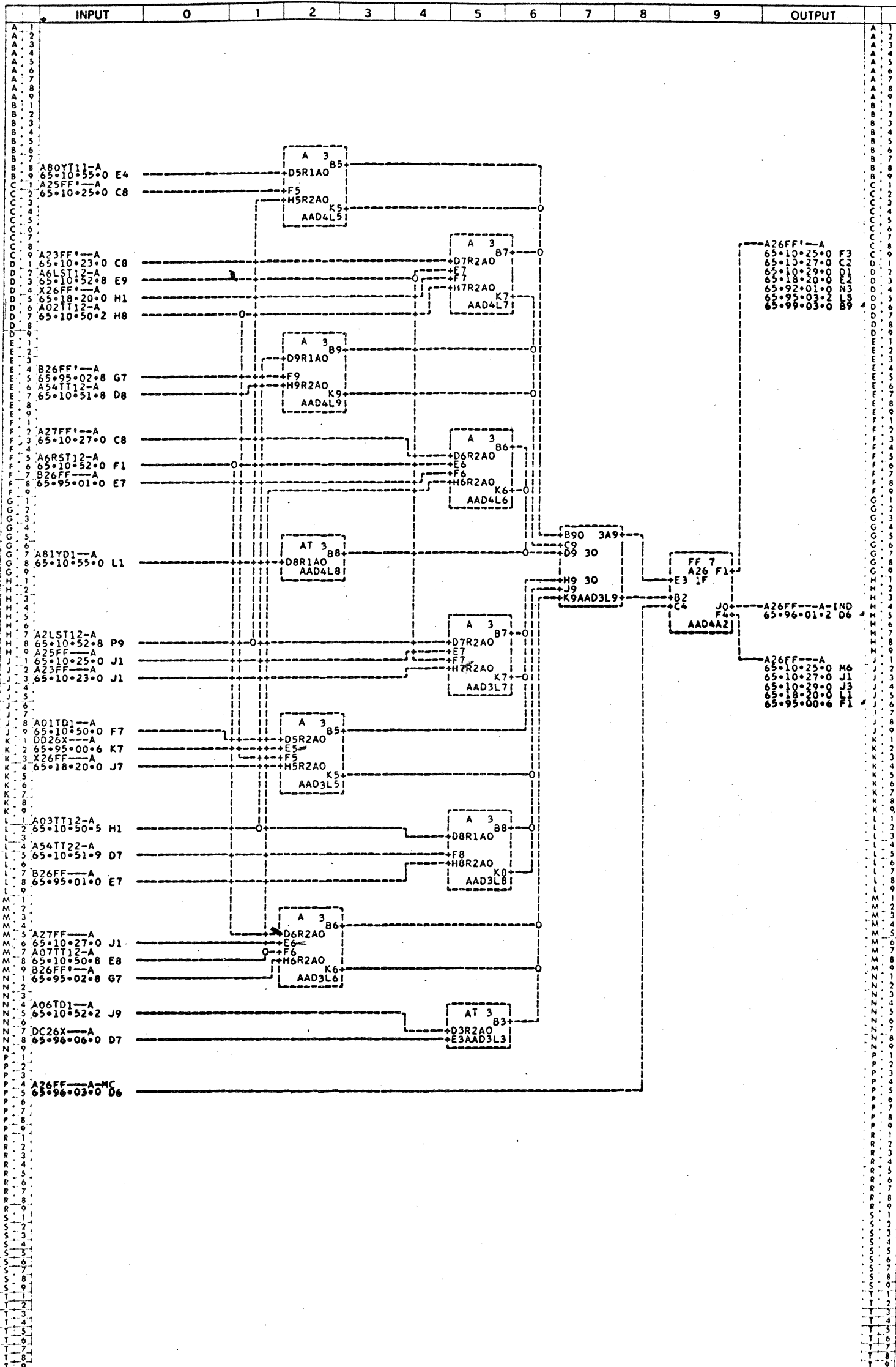
LOGIC SCHEMATIC



INPUT	0	1	2	3	4	5	6	7	8	9	OUTPUT
U 2	TITLE A REGISTER A25F-1F										U 2
U 4	DRAWN BY WILLIAMS 9 OCT 61										U 4
U 6	UNIT NAME PROCESSOR										U 6
U 8	SYSTEM R-5000										U 8

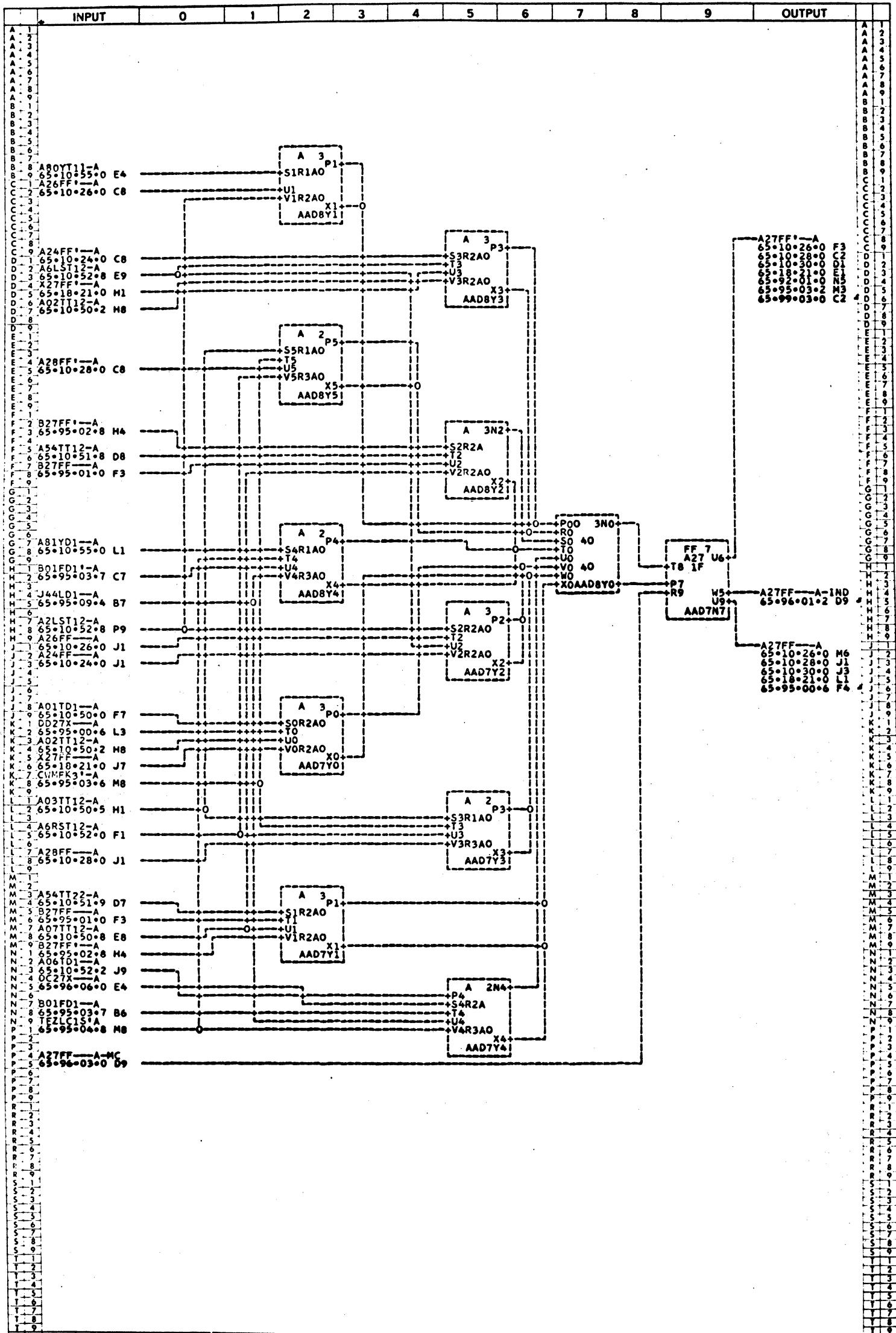
Burroughs Corporation
 ELECTRODATA M&E DIVISION PASADENA CALIFORNIA
 PROPERTY OF BURROUGHS CORPORATION NOT TO BE REPRODUCED, NOR USED FOR MANUFACTURING PURPOSES EXCEPT ON BURROUGHS ORDER OR PRIOR WRITTEN CONSENT.

LOGIC SCHEMATIC



INPUT	0	1	2	3	4	5	6	7	8	9	OUTPUT
U 2	TITLE A REGISTER A26F-1F										U 2
U 4	DRAWN BY R WILLIAMS 9 OCT 61										U 4
U 6	UNIT NAME PROCESSOR										U 6
U 8	SYSTEM B-5000										U 8
M- 11864147A											
CHECKED BY D A SHEPHERD OCT 7 1961											
UNIT NO. 78494											
PAGE NO. 65-10-26-0											
<div style="display: flex; justify-content: space-between;"> ELECTRODATA M&E DIVISION Burroughs Corporation PASADENA CALIFORNIA </div>											
PROPERTY OF BURROUGHS CORPORATION NOT TO BE REPRODUCED, NOR USED FOR MANUFACTURING PURPOSES EXCEPT ON BURROUGHS ORDER OR PRIOR WRITTEN CONSENT											

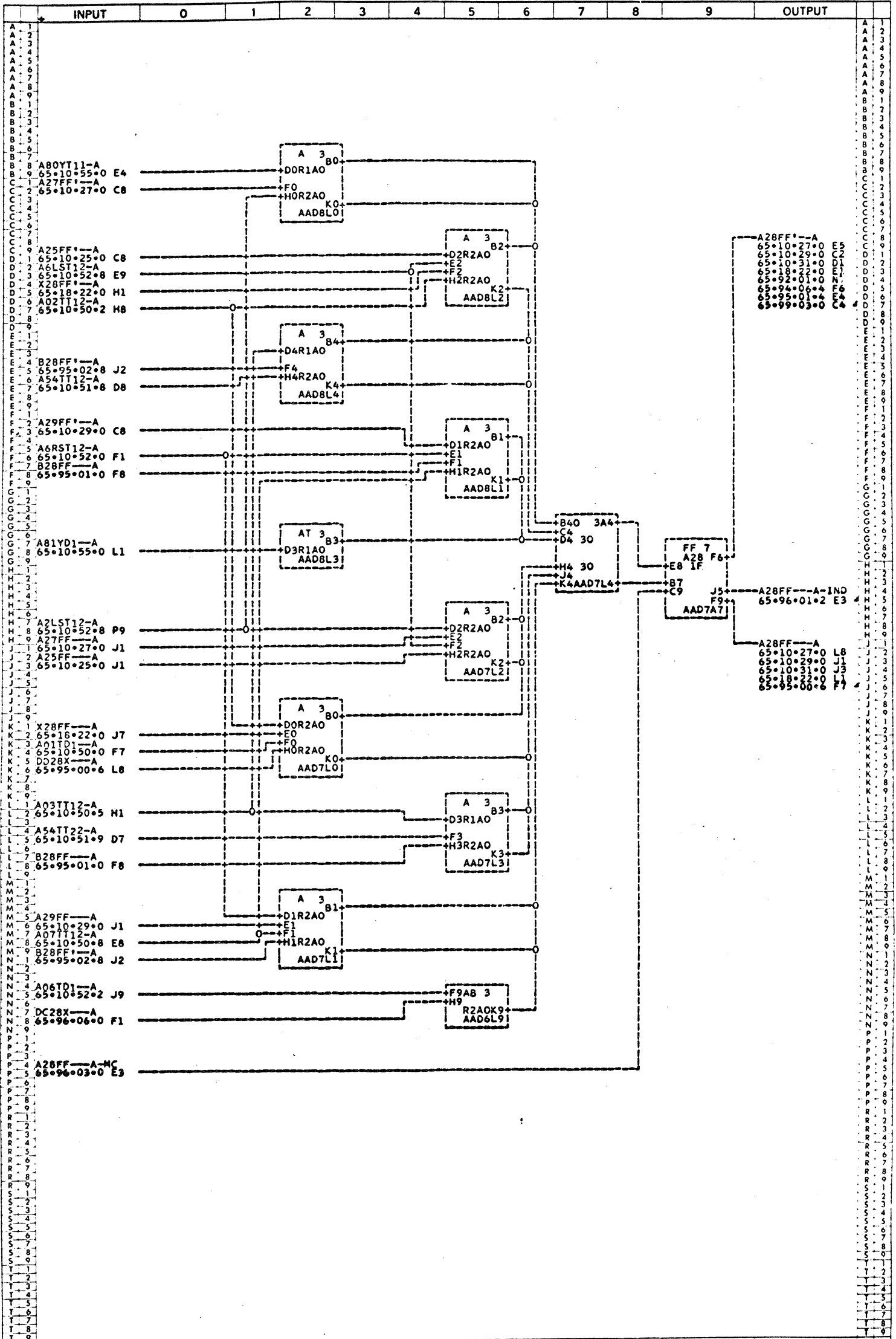
LOGIC SCHEMATIC



INPUT	0	1	2	3	4	5	6	7	8	9	OUTPUT
U 2	TITLE A REGISTER A27F-1F										U 2
U 4	DRAWN BY R WILLIAMS 9 OCT 61										U 4
U 6	UNIT NAME PROCESSOR										U 6
U 8	SYSTEM B-5000										U 8

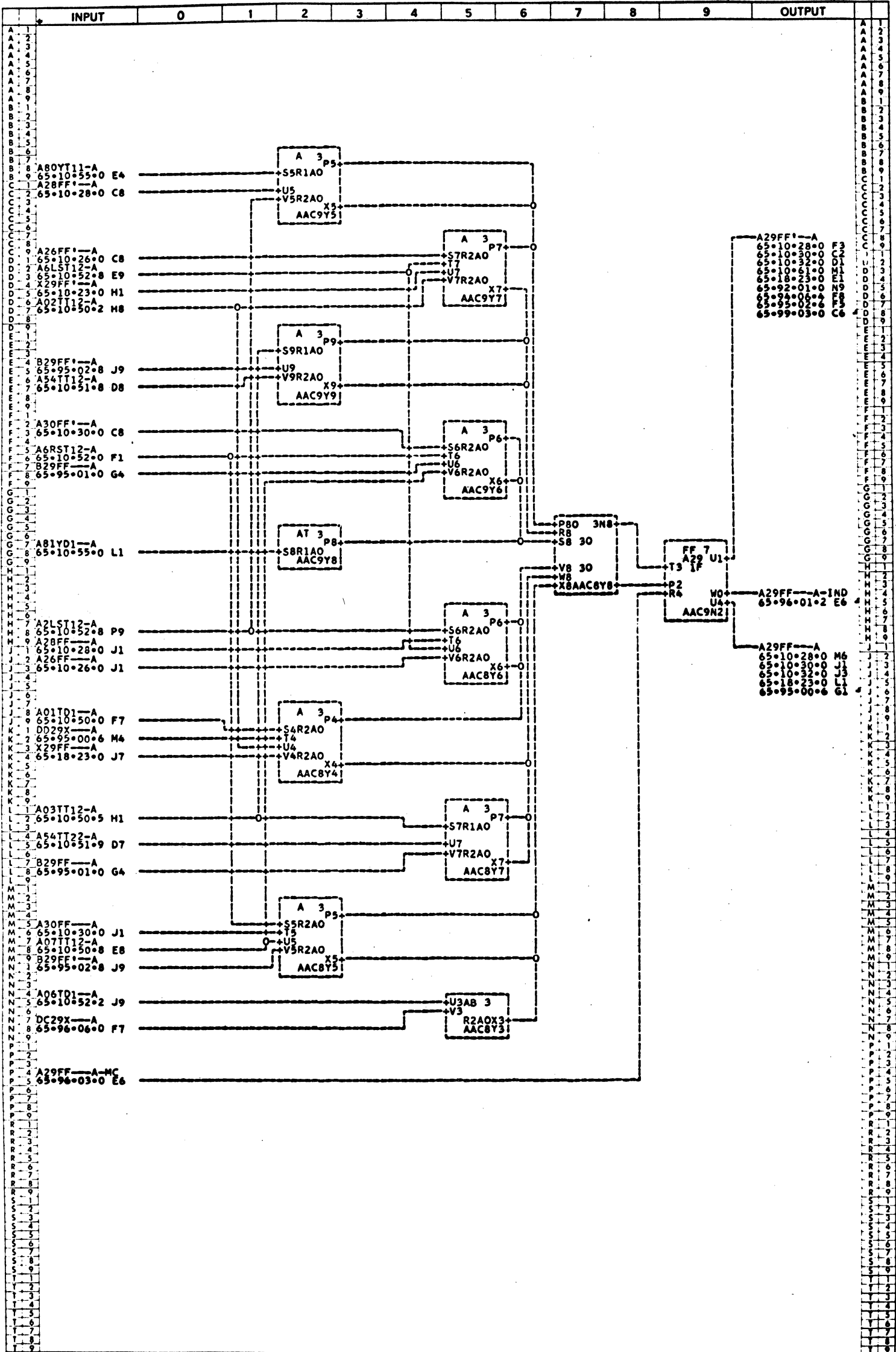
Burroughs Corporation
 ELECTRODATA M & E DIVISION PASADENA CALIFORNIA
 PROPERTY OF BURROUGHS CORPORATION. NOT TO BE REPRODUCED, NOR USED FOR MANUFACTURING PURPOSES, EXCEPT ON BURROUGHS ORDER OR PRIOR WRITTEN CONSENT.

LOGIC SCHEMATIC



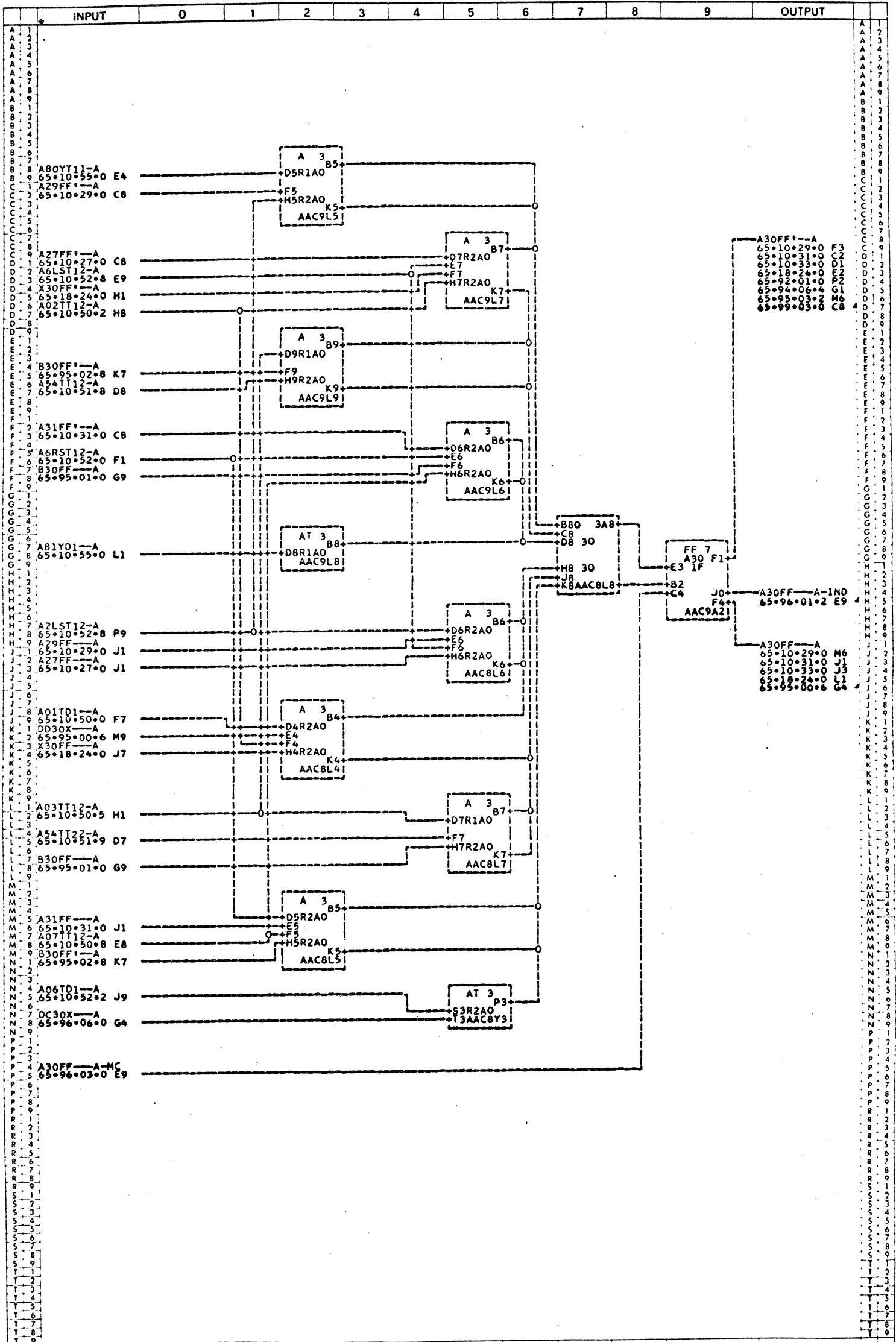
	INPUT	0	1	2	3	4	5	6	7	8	9	OUTPUT
U 2	TITLE A REGISTER A28F-1F											U 2
U 4	DRAWN BY R WILLIAMS 5 OCT 61											U 4
U 6	UNIT NAME PROCESSOR											U 6
U 8	SYSTEM B-9000											U 8
	M- 11864162AI											
	CHECKED BY D A SHEPHERD OCT 7 1961											
	UNIT NO. 78494											
	PAGE NO. 65•10•28•0											
	<div style="display: flex; justify-content: space-between; align-items: center;"> <div style="text-align: left;">ELECTRODATA M & E DIVISION</div> <div style="text-align: center;"> Burrhead Corporation </div> <div style="text-align: right;">PASADENA CALIFORNIA</div> </div>											
	PROPERTY OF BURROUGHS CORPORATION NOT TO BE REPRODUCED, NOR USED FOR MANUFACTURING PURPOSES, EXCEPT ON BURROUGHS ORDER OR PRIOR WRITTEN CONSENT											

LOGIC SCHEMATIC



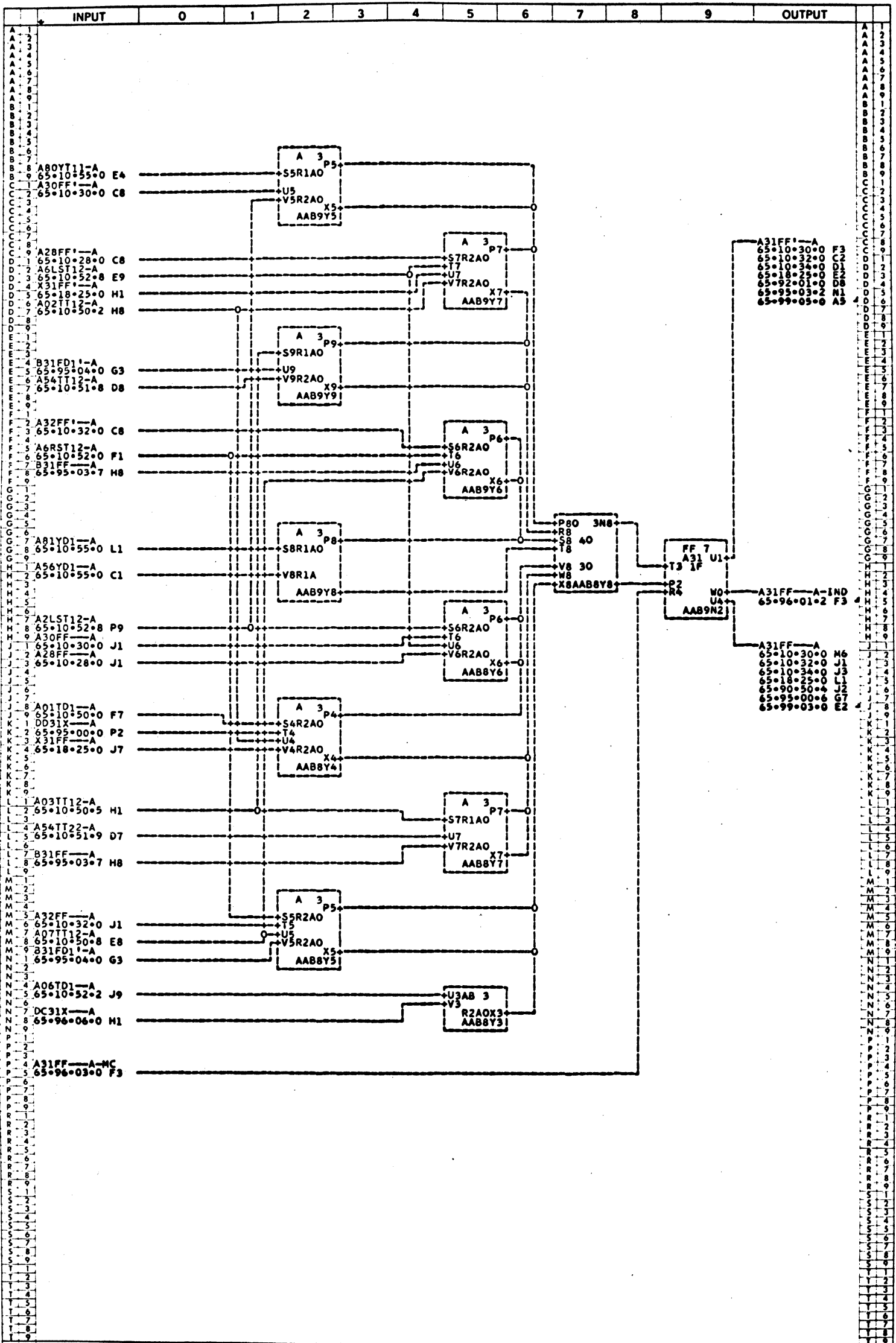
INPUT	0	1	2	3	4	5	6	7	8	9	OUTPUT
U 2	TITLE A REGISTER A29F-1F										U 2
U 4	DRAWN BY R WILLIAMS 9 OCT 61										U 4
U 6	UNIT NAME PROCESSOR										U 6
U 8	SYSTEM B-5000										U 8

LOGIC SCHEMATIC



U 2	TITLE	H-	M- 11864329A1	ELECTRODATA	Burroughs Corporation	PASADENA CALIFORNIA
U 4	DRAWN BY R WILLIAMS 5 OCT 61	CHECKED BY R C CARTER	10-10-61	M & E DIVISION		
U 6	UNIT NAME PROCESSOR	UNIT NO. 78494		PROPERTY OF BURROUGHS CORPORATION NOT TO BE REPRODUCED, NOR USED FOR MANUFACTURING PURPOSES EXCEPT ON BURROUGHS ORDER OR PRIOR WRITTEN CONSENT		
U 8	SYSTEM B-3000	PAGE NO. 65-10-30-0				

LOGIC SCHEMATIC

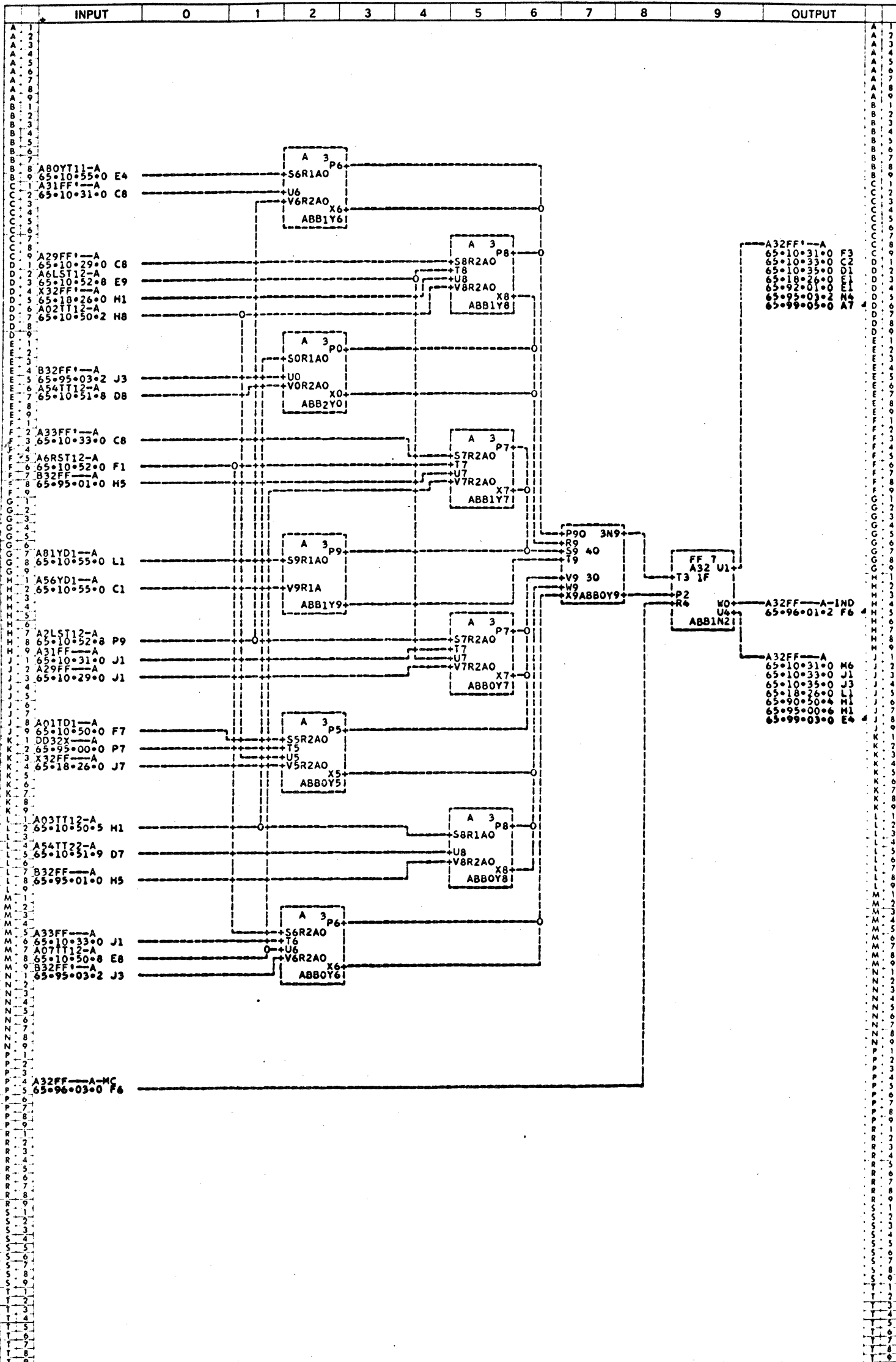


INPUT	0	1	2	3	4	5	6	7	8	9	OUTPUT
U 2	TITLE A REGISTER A31F-1F										H- 11864337A
U 4	DRAWN BY R WILLIAMS 9 OCT 61										CHECKED BY D A SHEPHERD 10-10-61
U 6	UNIT NAME PROCESSOR										UNIT NO. 78494
U 8	SYSTEM B-3000										PAGE NO. 65-10-31-0

ELECTRODATA **Burroughs Corporation** **PASADENA CALIFORNIA**
M & E DIVISION

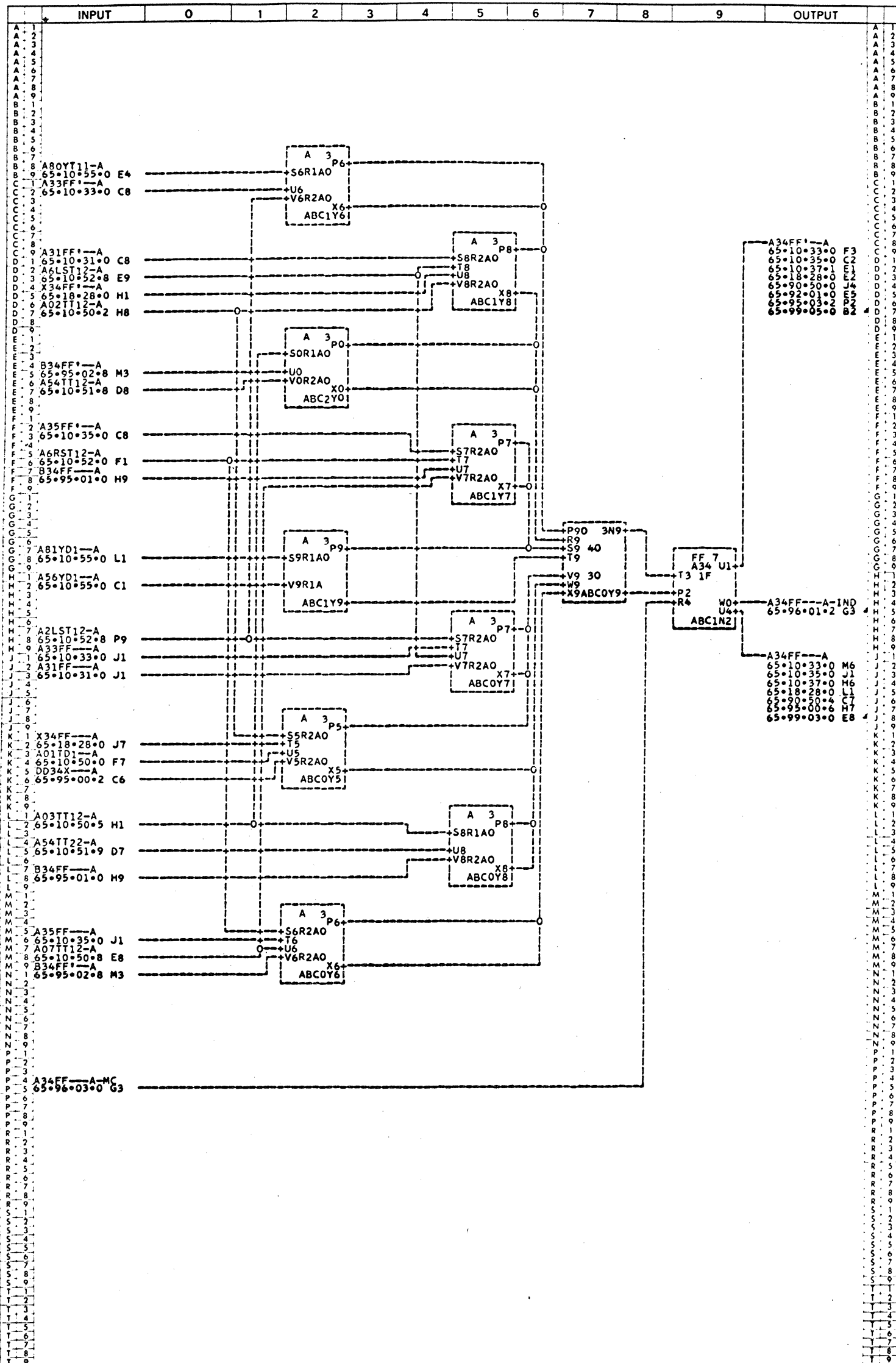
PROPERTY OF BURROUGHS CORPORATION NOT TO BE REPRODUCED, NOR USED FOR MANUFACTURING PURPOSES, EXCEPT ON BURROUGHS ORDER OR PRIOR WRITTEN CONSENT

LOGIC SCHEMATIC



INPUT	0	1	2	3	4	5	6	7	8	9	OUTPUT		
U 2	TITLE A REGISTER A32F-1F										H- 11864345A	U 2	
U 4	DRAWN BY R WILLIAMS 5 OCT 61										CHECKED BY R C CARTER 10-10-61	ELECTRODATA M&E DIVISION	U 4
U 6	UNIT NAME PROCESSOR										UNIT NO. 78494	PROPERTY OF BURROUGHS CORPORATION NOT TO BE REPRODUCED, NOR USED FOR MANUFACTURING PURPOSES EXCEPT ON BURROUGHS ORDER OR PRIOR WRITTEN CONSENT	U 6
U 8	SYSTEM B-5000										PAGE NO. 65*10*32*0	Burroughs Corporation PASADENA CALIFORNIA	U 8

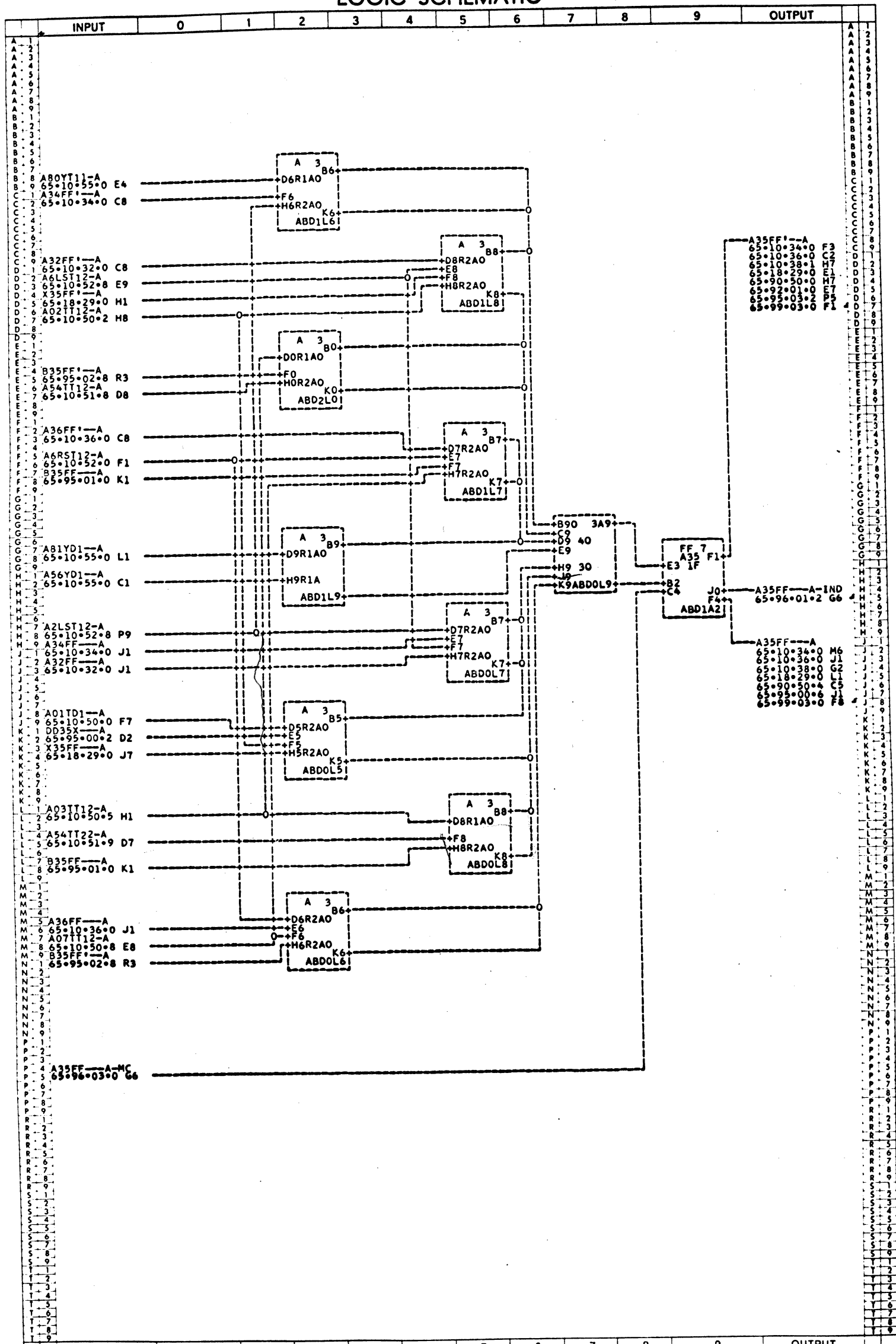
LOGIC SCHEMATIC



INPUT	0	1	2	3	4	5	6	7	8	9	OUTPUT
U 2	TITLE A REGISTER A34F-1F										U 2
U 4	DRAWN BY WILLIAMS 9 OCT 61										U 4
U 6	UNIT NAME PROCESSOR										U 6
U 8	SYSTEM B-5000										U 8

Burroughs Corporation
 ELECTRODATA M & E DIVISION PASADENA CALIFORNIA
 PROPERTY OF BURROUGHS CORPORATION NOT TO BE REPRODUCED, NOR USED FOR MANUFACTURING PURPOSES EXCEPT ON BURROUGHS ORDER OR PRIOR WRITTEN CONSENT

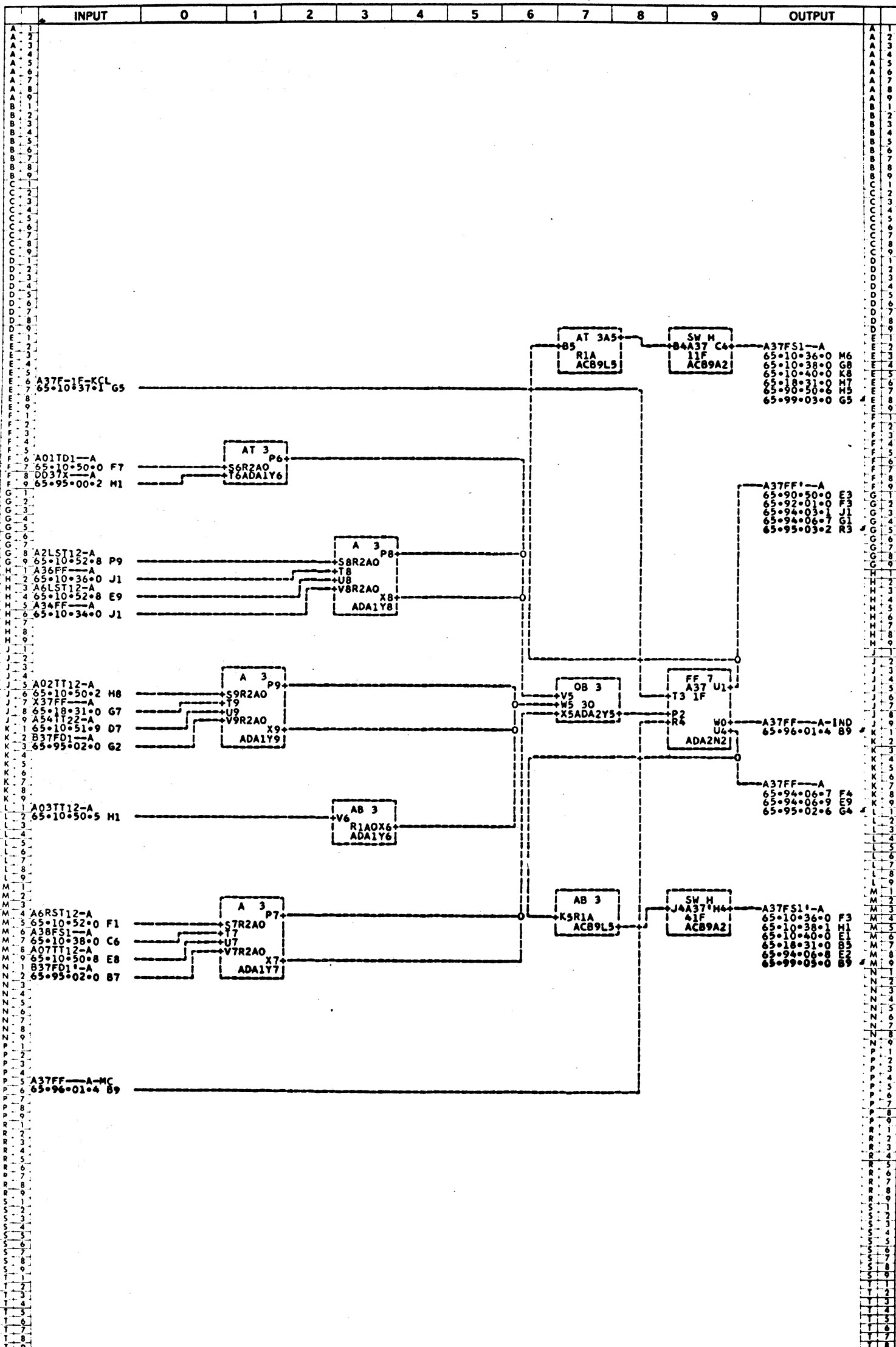
LOGIC SCHEMATIC



INPUT	0	1	2	3	4	5	6	7	8	9	OUTPUT
U 2	TITLE A REGISTER A35F-1F										U 2
U 4	DRAWN BY R WILLIAMS 5 OCT 61										U 4
U 6	UNIT NAME PROCESSOR										U 6
U 8	SYSTEM 8-5000										U 8

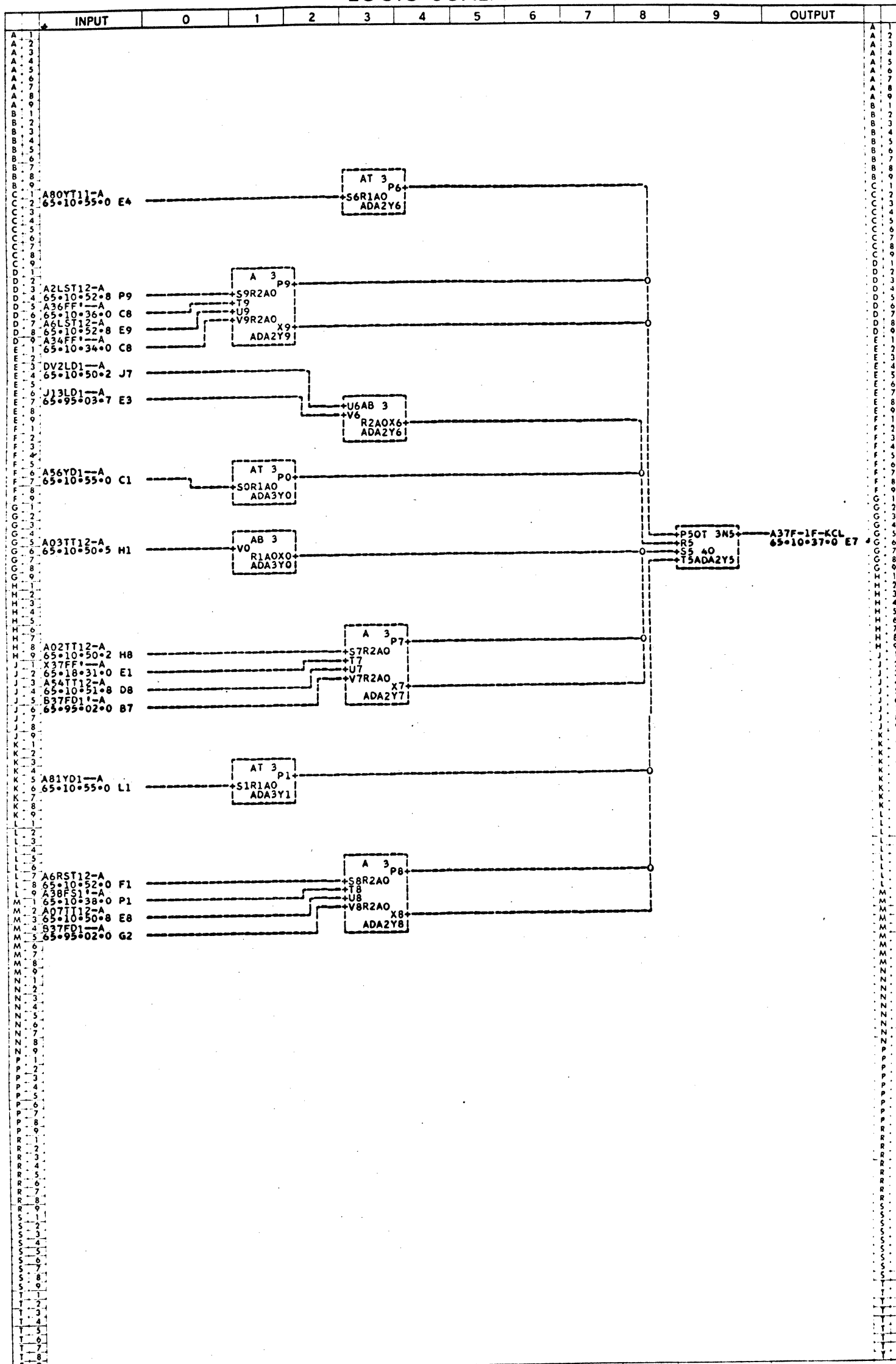
Burroughs Corporation
 ELECTRODATA M&E DIVISION PASADENA CALIFORNIA
PROPERTY OF BURROUGHS CORPORATION. NOT TO BE REPRODUCED, NOR USED FOR MANUFACTURING PURPOSES EXCEPT ON BURROUGHS ORDER OR PRIOR WRITTEN CONSENT.

LOGIC SCHEMATIC



INPUT	0	1	2	3	4	5	6	7	8	9	OUTPUT
U 2	TITLE A REGISTER A37F-1F (PAGE 1 OF 2)										U 2
U 4	DRAWN BY T URMOS 10-5-61 CHECKED BY R C CARTER 10-10-61										U 4
U 6	UNIT NAME PROCESSOR										U 6
U 8	SYSTEM B-3000										U 8
H- 11864402A											
UNIT NO. 78494											
PAGE NO. 65-10-37-0											
ELECTRODATA Burroughs Corporation PASADENA CALIFORNIA											
PROPERTY OF BURROUGHS CORPORATION. NOT TO BE REPRODUCED, NOR USED FOR MANUFACTURING PURPOSES EXCEPT ON BURROUGHS ORDER OR PRIOR WRITTEN CONSENT.											

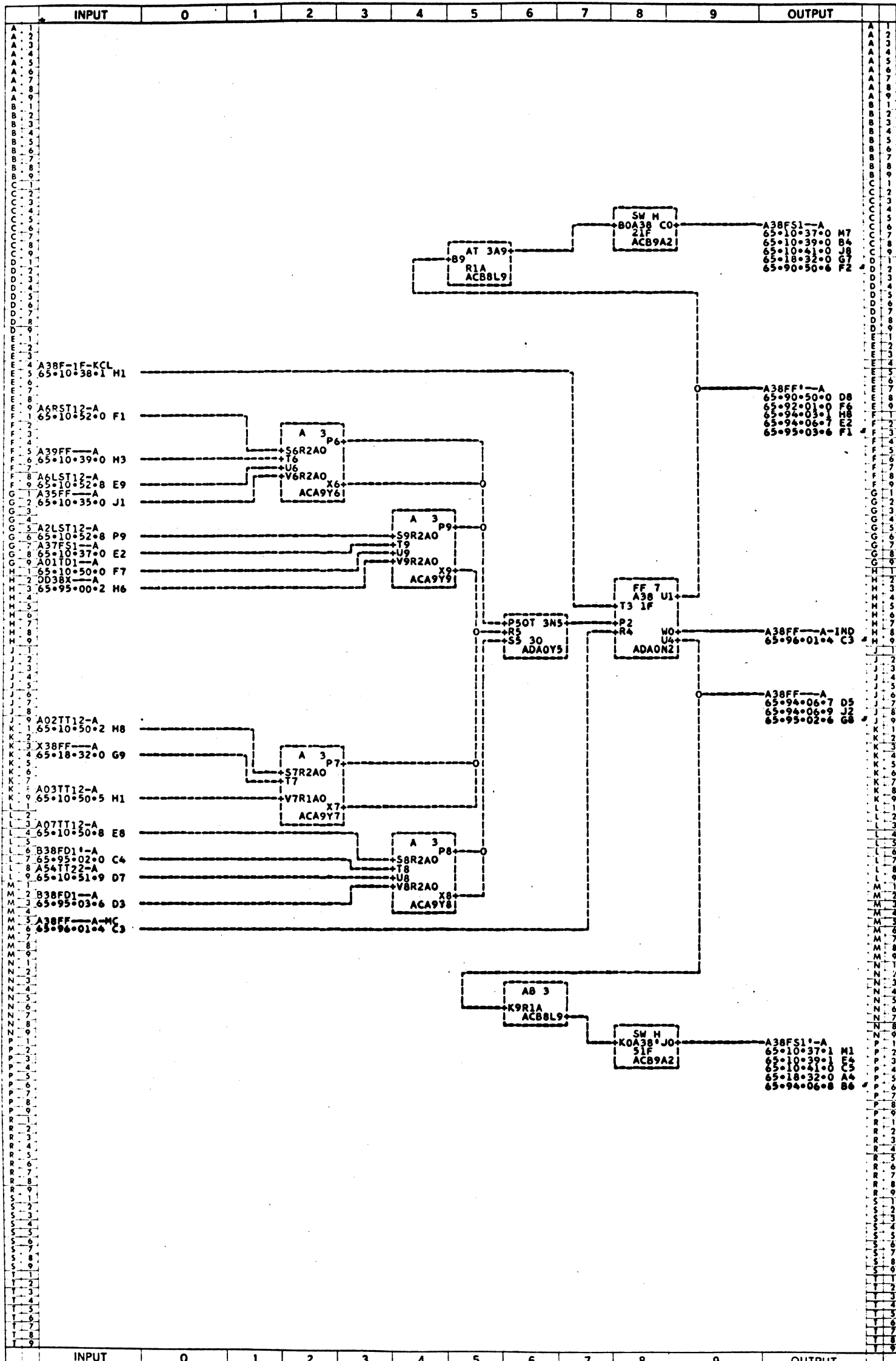
LOGIC SCHEMATIC



INPUT	0	1	2	3	4	5	6	7	8	9	OUTPUT
U 2	TITLE A REGISTER A37F-1F (PAGE 2 OF 2) H- 11864394A										U 2
U 4	DRAWN BY T URMOS 10-5-61 CHECKED BY R C CARTER 10-10-61										U 4
U 6	UNIT NAME PROCESSOR UNIT NO. 78494										U 6
U 8	SYSTEM B-3000 PAGE NO. 65-10-37-1										U 8

Burroughs Corporation
 ELECTRODATA M&E DIVISION PASADENA CALIFORNIA
PROPERTY OF BURROUGHS CORPORATION NOT TO BE REPRODUCED, NOR USED FOR MANUFACTURING PURPOSES EXCEPT ON BURROUGHS ORDER OR PRIOR WRITTEN CONSENT

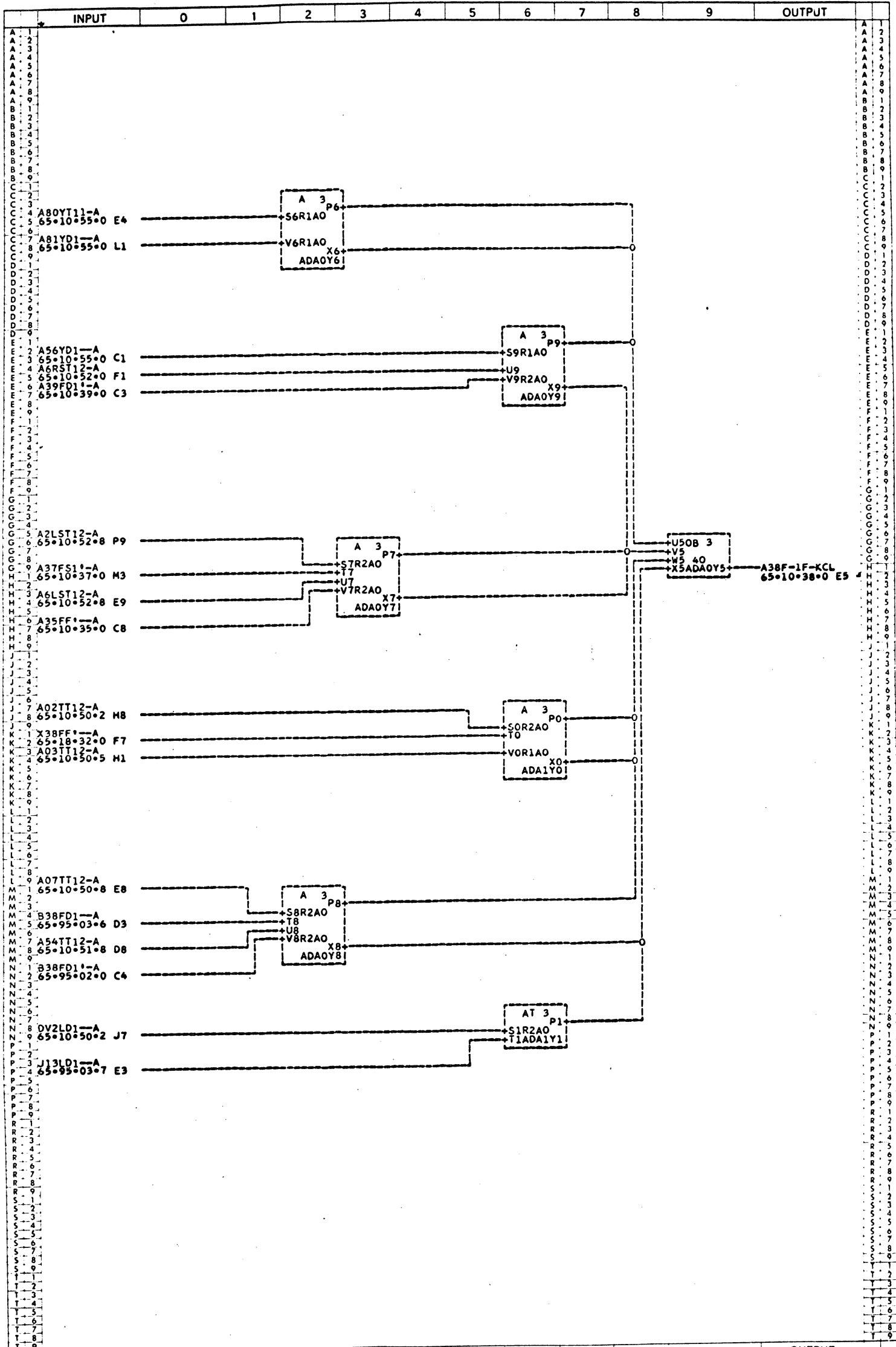
LOGIC SCHEMATIC



	INPUT	0	1	2	3	4	5	6	7	8	9	OUTPUT
U 2	TITLE A REGISTER A38F-1F (PAGE 1 OF 2)											U 2
U 4	DRAWN BY M MOGLE CHECKED BY D A SHEPHERD 10-10-61											U 4
U 6	UNIT NAME PROCESSOR UNIT NO. 78494											U 6
U 8	SYSTEM B-5000 PAGE NO. 65-10-38-0											U 8

Burroughs Corporation
 ELECTRODATA M & E DIVISION PASADENA CALIFORNIA
PROPERTY OF BURROUGHS CORPORATION. NOT TO BE REPRODUCED, NOR USED FOR MANUFACTURING PURPOSES, EXCEPT ON BURROUGHS ORDER OR PRIOR WRITTEN CONSENT.

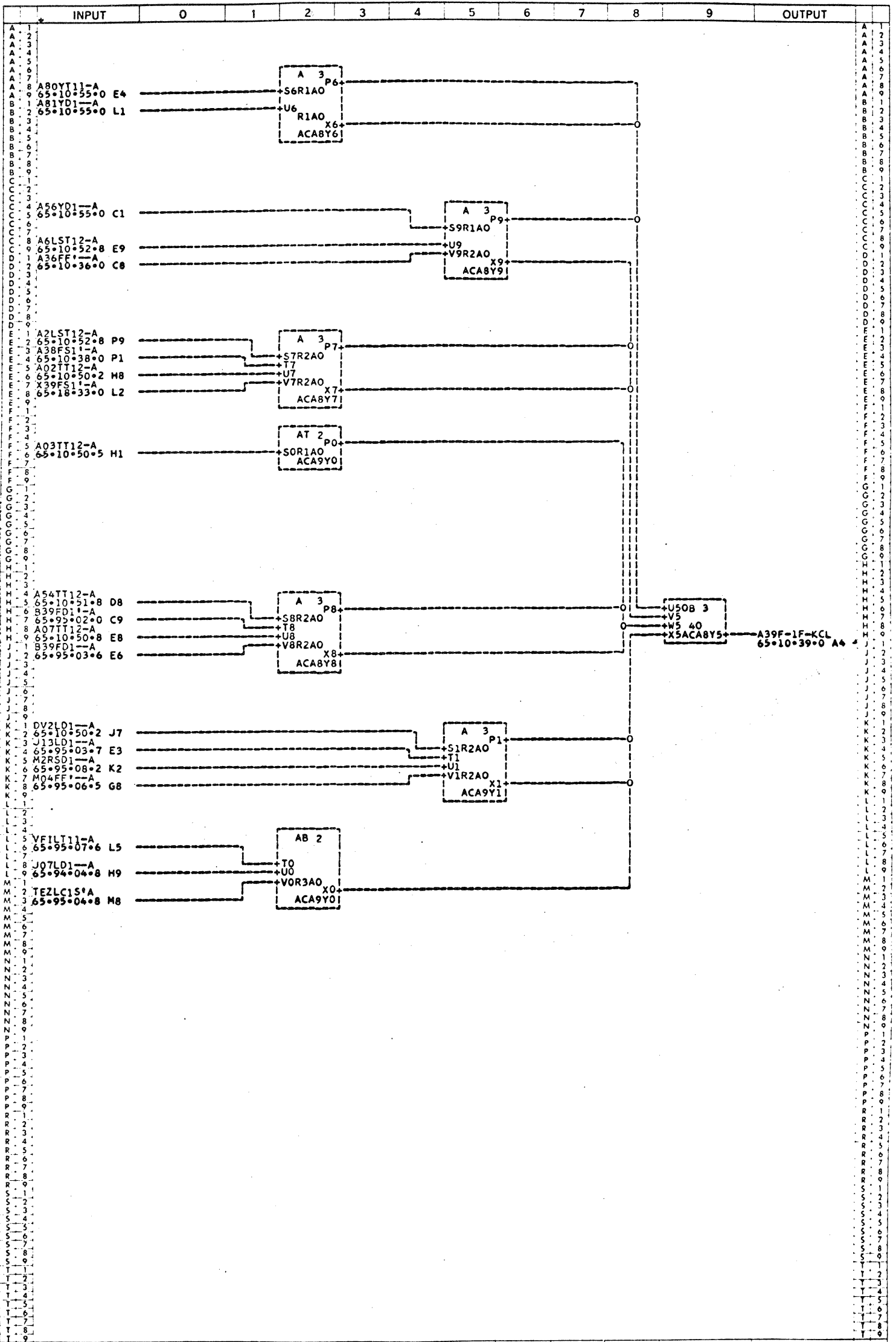
LOGIC SCHEMATIC



	INPUT	0	1	2	3	4	5	6	7	8	9	OUTPUT
U 2	TITLE A REGISTER A38F-1F (PAGE 2 OF 2) H- 1186410A1											
U 4	DRAWN BYN MOGLE CHECKED BY D A SHEPHERD 10-10-61											
U 6	UNIT NAME PROCESSOR UNIT NO. 78494											
U 8	SYSTEM B-5000 PAGE NO. 65-10-38-1											

ELECTRODATA M&E DIVISION	Burroughs Corporation 	PASADENA CALIFORNIA
PROPERTY OF BURROUGHS CORPORATION NOT TO BE REPRODUCED, NOR USED FOR MANUFACTURING PURPOSES EXCEPT ON BURROUGHS ORDER OR PRIOR WRITTEN CONSENT		

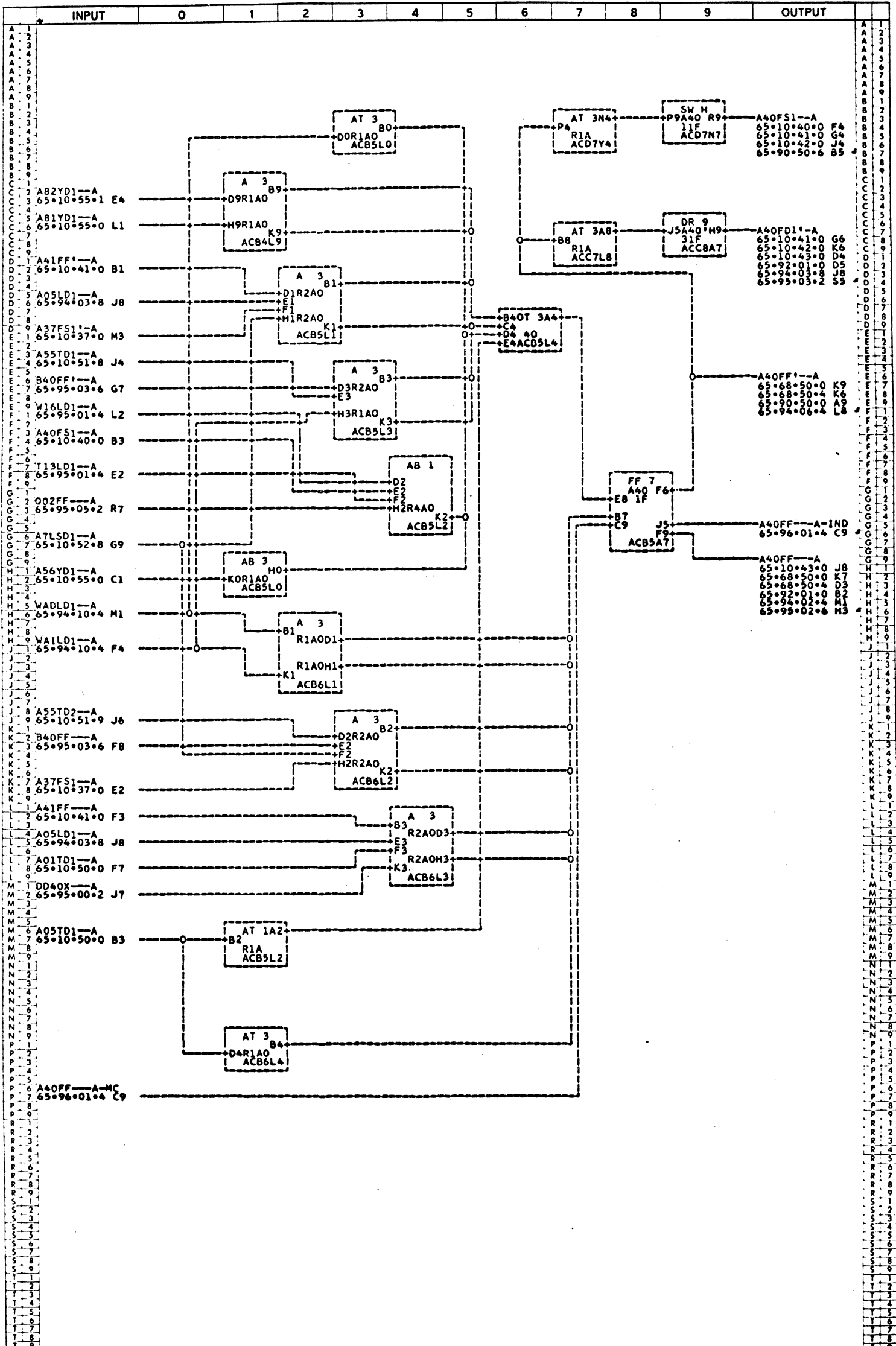
LOGIC SCHEMATIC



INPUT	0	1	2	3	4	5	6	7	8	9	OUTPUT
U 2 TITLE A REGISTER A39F-1F (PAGE 2 OF 2)											
U 4 DRAWN BY ED BROWN											
U 6 UNIT NAME PROCESSOR											
U 8 SYSTEM B-5000											

ELECTRODATA M&E DIVISION	Burroughs Corporation	PASADENA CALIFORNIA
PROPERTY OF BURROUGHS CORPORATION NOT TO BE REPRODUCED, NOR USED FOR MANUFACTURING PURPOSES EXCEPT ON BURROUGHS ORDER OR PRIOR WRITTEN CONSENT		

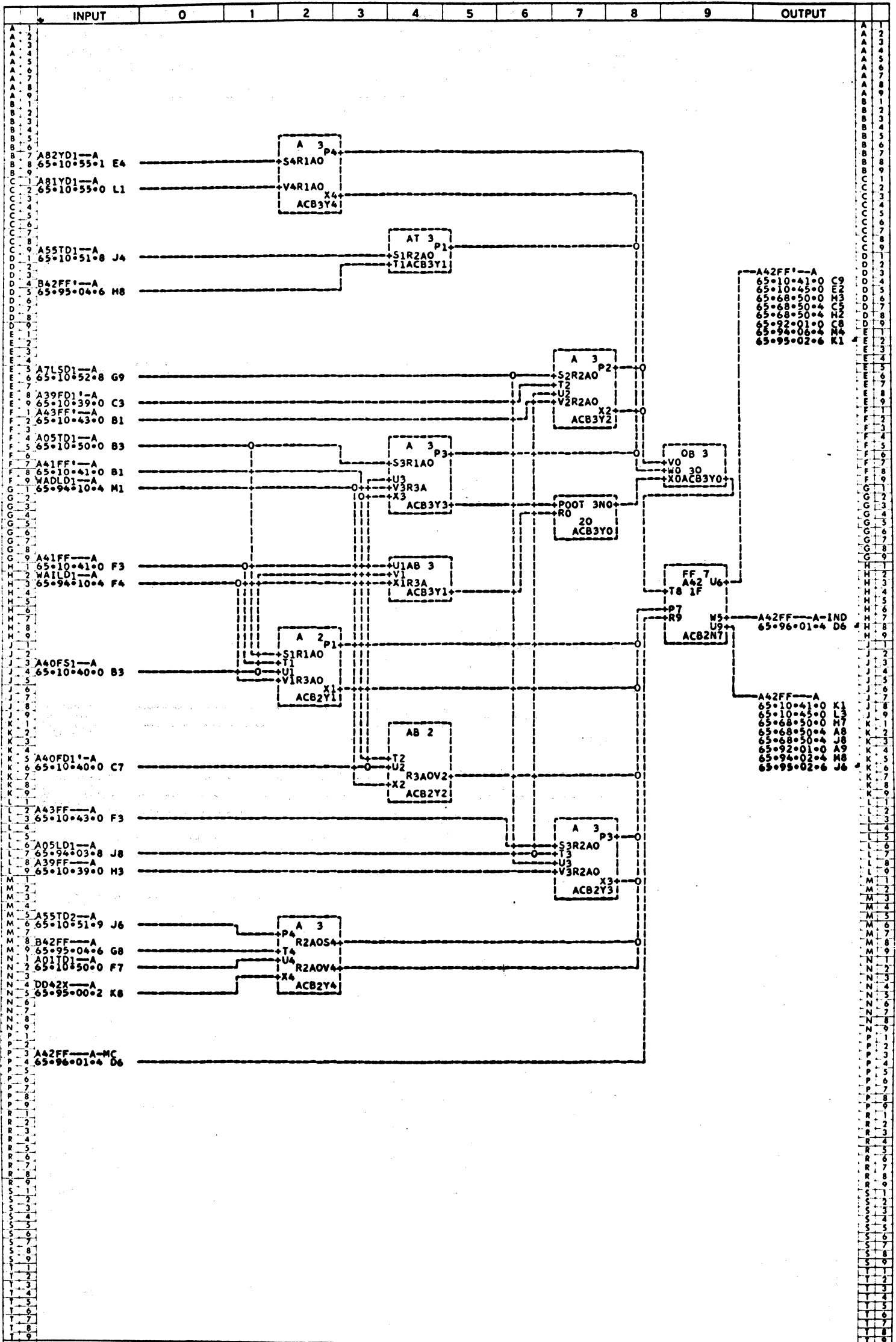
LOGIC SCHEMATIC



	INPUT	0	1	2	3	4	5	6	7	8	9	OUTPUT	
U 2	TITLE	A REGISTER A40F-1F										H- 11864451AF	U 2
U 4	DRAWN BY	C A VIETOR 10-6-61										CHECKED BY R C CARTER 10-11-61	U 4
U 6	UNIT NAME	PROCESSOR										UNIT NO. 78494	U 6
U 8	SYSTEM	B-5000										PAGE NO. 65.10.40.0	U 8

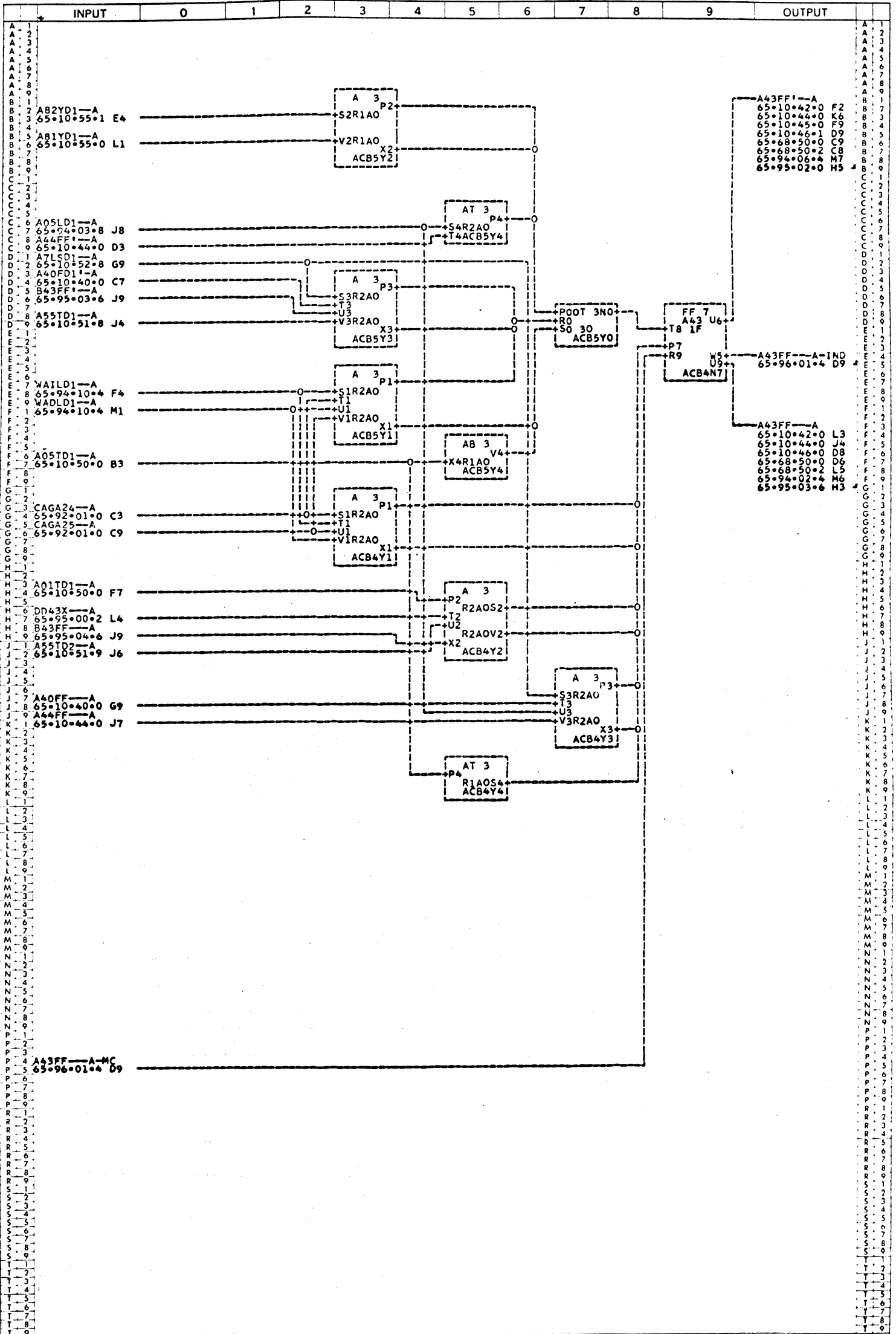
Burroughs Corporation
 ELECTRODATA M & E DIVISION PASADENA CALIFORNIA
 PROPERTY OF BURROUGHS CORPORATION. NOT TO BE REPRODUCED, NOR USED FOR MANUFACTURING PURPOSES EXCEPT ON BURROUGHS ORDER OR PRIOR WRITTEN CONSENT.

LOGIC SCHEMATIC



INPUT	0	1	2	3	4	5	6	7	8	9	OUTPUT
U 2	TITLE A REGISTER A42F-1F										U 2
U 4	DRAWN BY N MOGLE										U 4
U 6	UNIT NAME PROCESSOR										U 6
U 8	SYSTEM B-5000										U 8
						H- 11864477AG		ELECTRODATA		Burrughs Corporation	
						CHECKED BY R C CARTER		M&E DIVISION		PASADENA CALIFORNIA	
						10-11-61		PROPERTY OF BURROUGHS CORPORATION		NOT TO BE REPRODUCED, NOR USED FOR	
						UNIT NO. 78494		MANUFACTURING PURPOSES, EXCEPT ON BURROUGHS ORDER OR PRIOR WRITTEN CONSENT.			
						PAGE NO. 65.10.42.0					

LOGIC SCHEMATIC

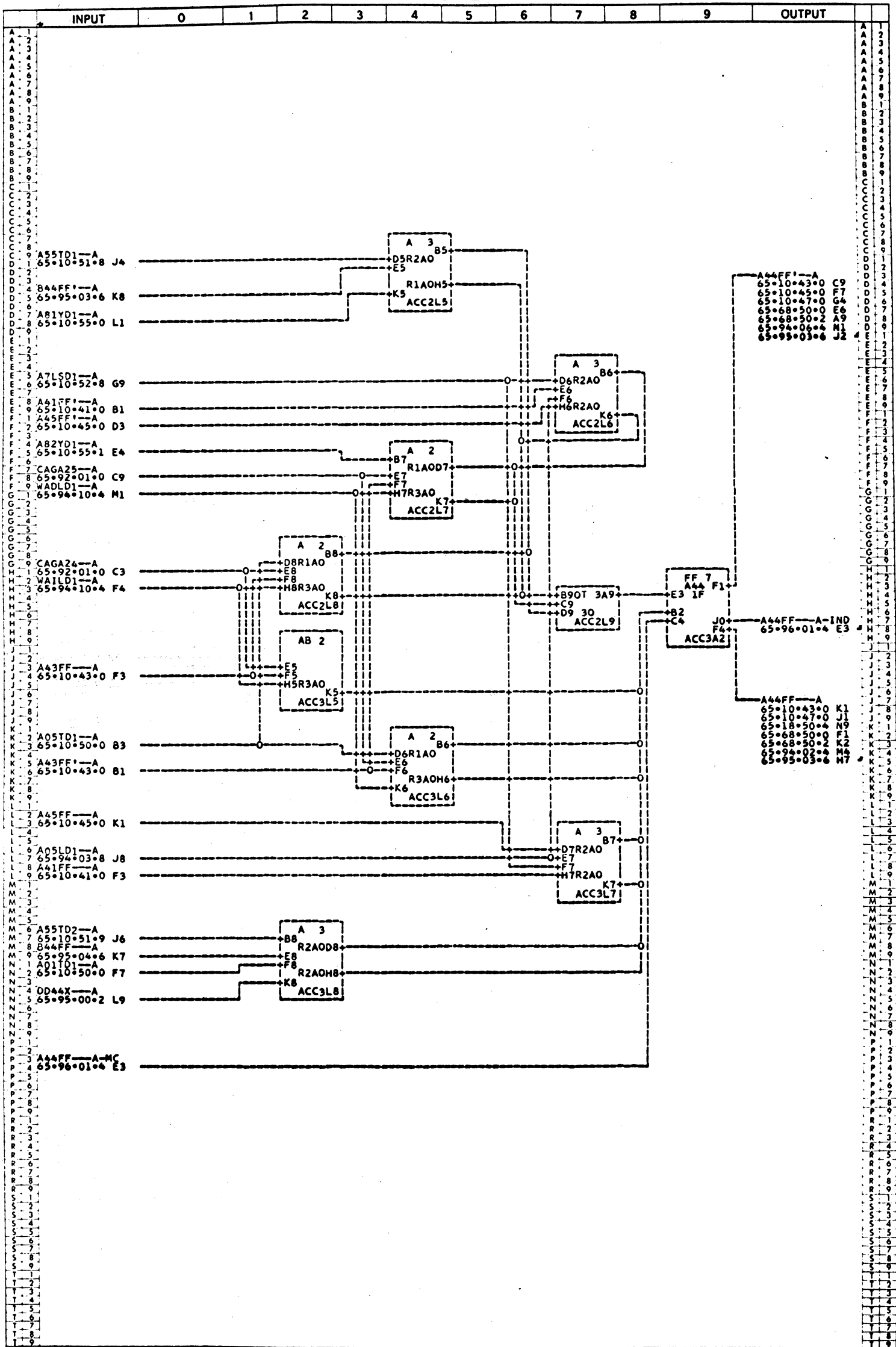


INPUT	0	1	2	3	4	5	6	7	8	9	OUTPUT	
U 2	TITLE A REGISTER A43F-1F										H- 11864485AF	U 2
U 4	DRAWN BY N MOGLE										CHECKED BY D A SHEPHERD 10-11-61	U 4
U 6	UNIT NAME PROCESSOR										UNIT NO. 78494	U 6
U 8	SYSTEM B-3000										PAGE NO. 65*10*43*0	U 8

ELECTRODATA **Burroughs Corporation** **PASADENA CALIFORNIA**
 M & E DIVISION

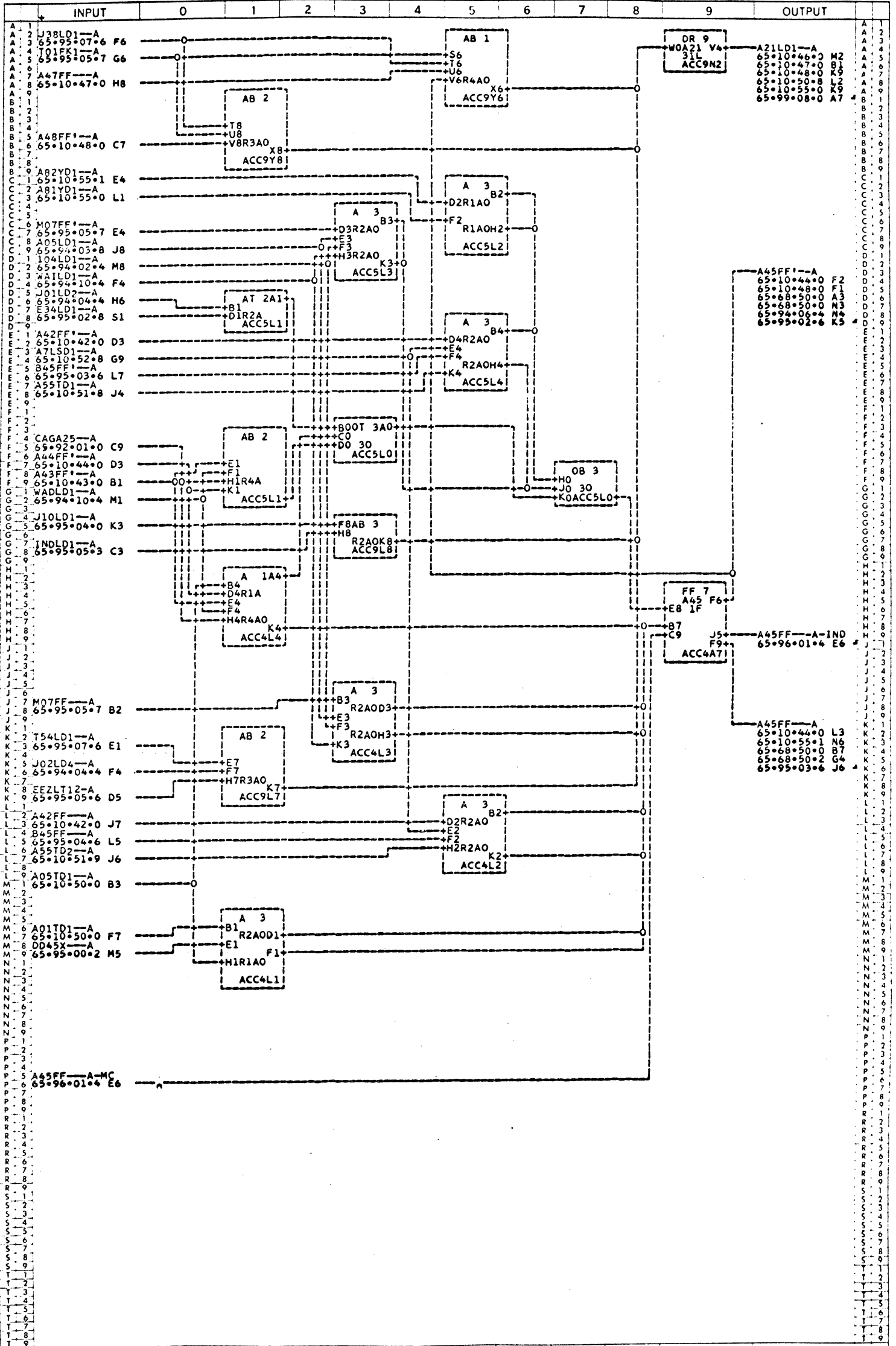
PROPERTY OF BURROUGHS CORPORATION. NOT TO BE REPRODUCED, NOR USED FOR MANUFACTURING PURPOSES EXCEPT ON BURROUGHS ORDER OR PRIOR WRITTEN CONSENT

LOGIC SCHEMATIC



U 2	TITLE A REGISTER A44F-1F	M- 11864493AF	PASADENA CALIFORNIA	U 2
U 4	DRAWN BY M NOGLE	CHECKED BY R C CARTER	10-11-61	U 4
U 6	UNIT NAME PROCESSOR	UNIT NO. 78494	PROPERTY OF BURROUGHS CORPORATION. NOT TO BE REPRODUCED, NOR USED FOR MANUFACTURING PURPOSES EXCEPT ON BURROUGHS ORDER OR PRIOR WRITTEN CONSENT	U 6
U 8	SYSTEM B-5000	PAGE NO. 65.10.44.0		U 8

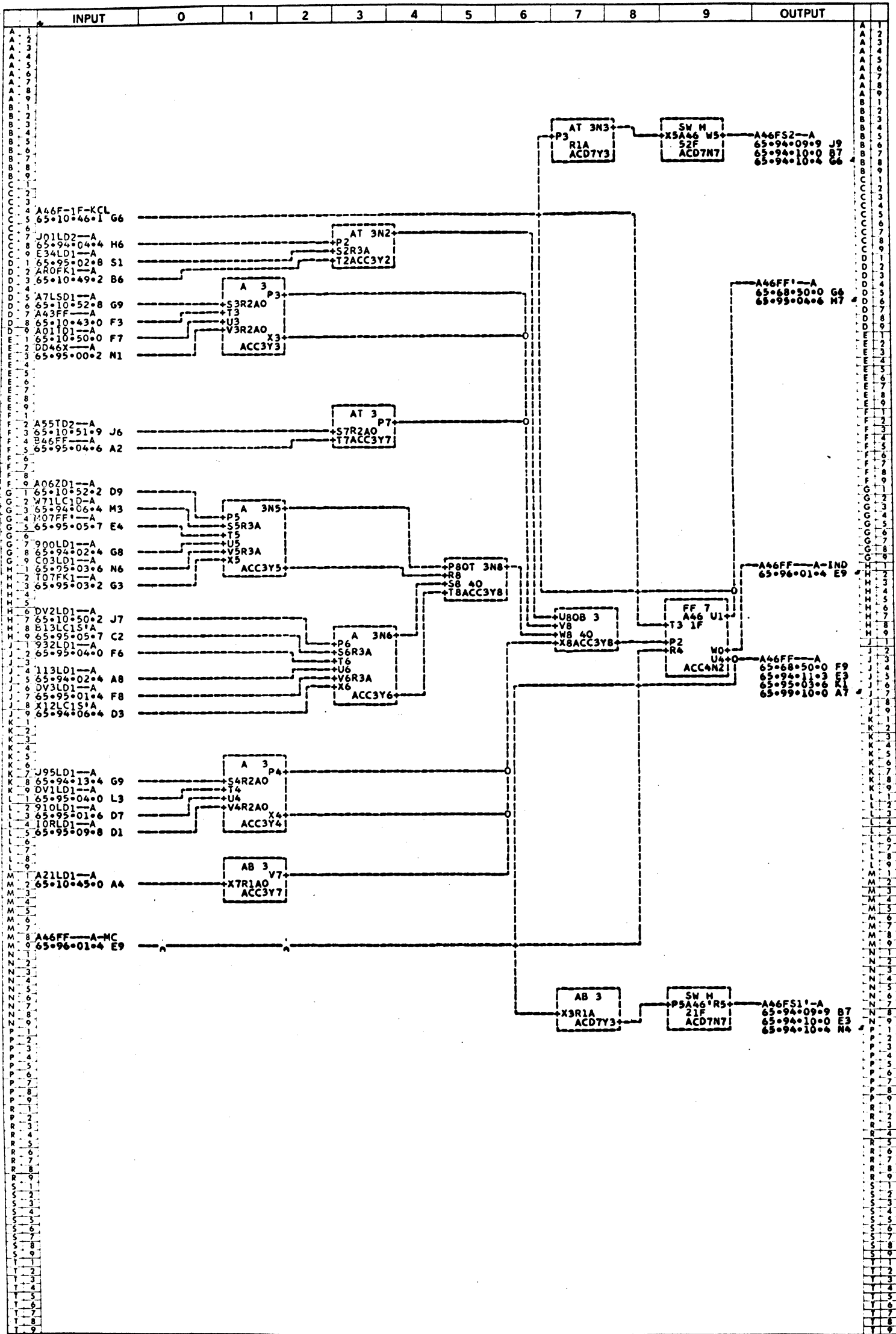
LOGIC SCHEMATIC



	INPUT	0	1	2	3	4	5	6	7	8	9	OUTPUT
U 2	TITLE A REGISTER A45F-1F A210-1L DRIVER M- 11864501AG											
U 4	DRAWN BY T URMOS 10-10-61 CHECKED BY D A SHEPHERD 10-11-61											
U 6	UNIT NAME PROCESSOR UNIT NO. 78494											
U 8	SYSTEM B-5000 PAGE NO. 65*10*45*0											

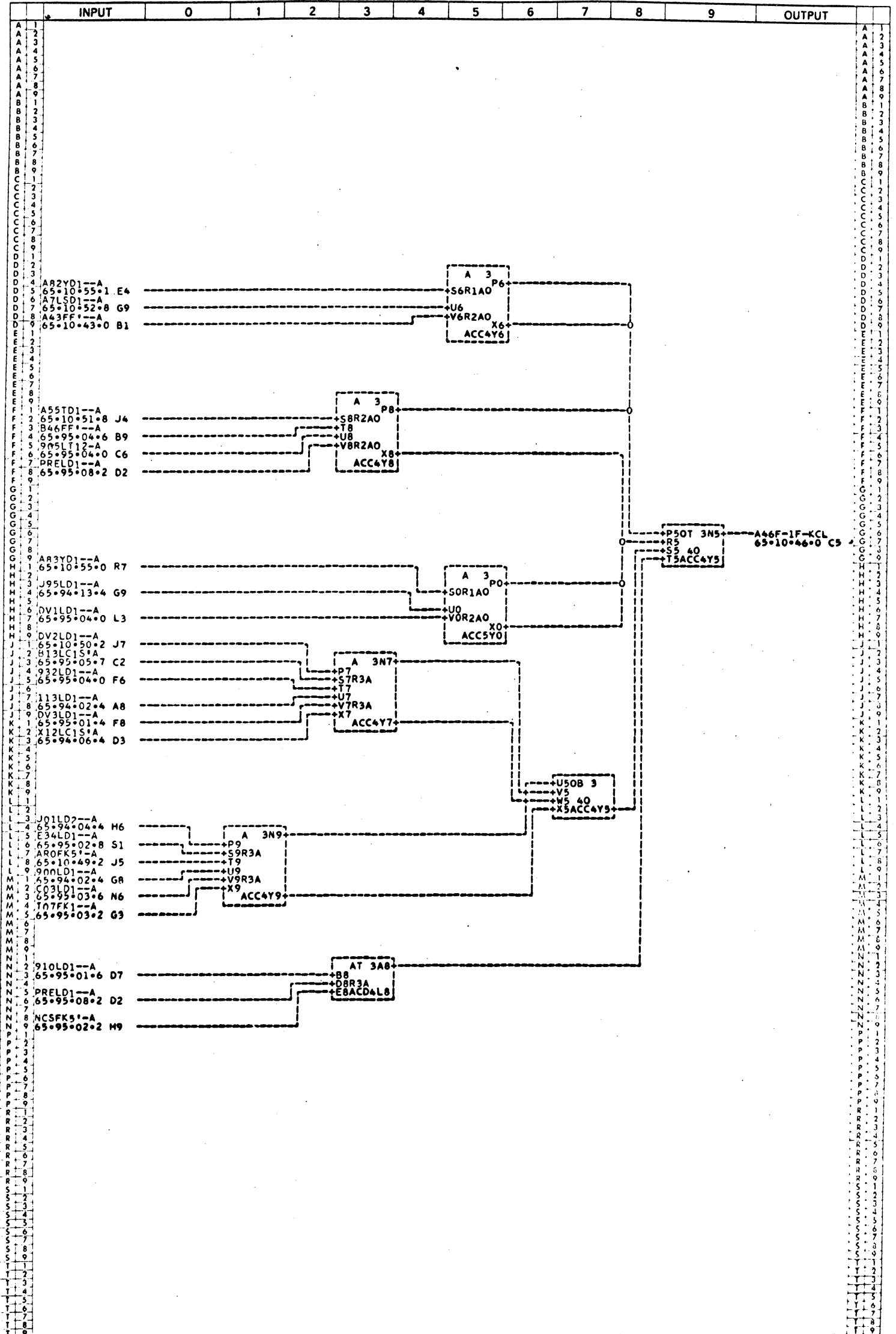
Burroughs Corporation
 ELECTRODATA M & E DIVISION PASADENA CALIFORNIA
PROPERTY OF BURROUGHS CORPORATION NOT TO BE REPRODUCED, NOR USED FOR MANUFACTURING PURPOSES EXCEPT ON BURROUGHS ORDER OR PRIOR WRITTEN CONSENT

LOGIC SCHEMATIC



U 2	TITLE A REGISTER A46F-1F (PAGE 1 OF 2)	H- 11864519AG	ELECTRODATA	Burroughs Corporation	PASADENA CALIFORNIA	U 2
U 4	DRAWN BY T URMOS 10-7-61	CHECKED BY D A SHEPHERD 10-11-61	M&E DIVISION			U 4
U 6	UNIT NAME PROCESSOR		UNIT NO. 78494			U 6
U 8	SYSTEM B-5000		PAGE NO. 65-10-46-0			U 8

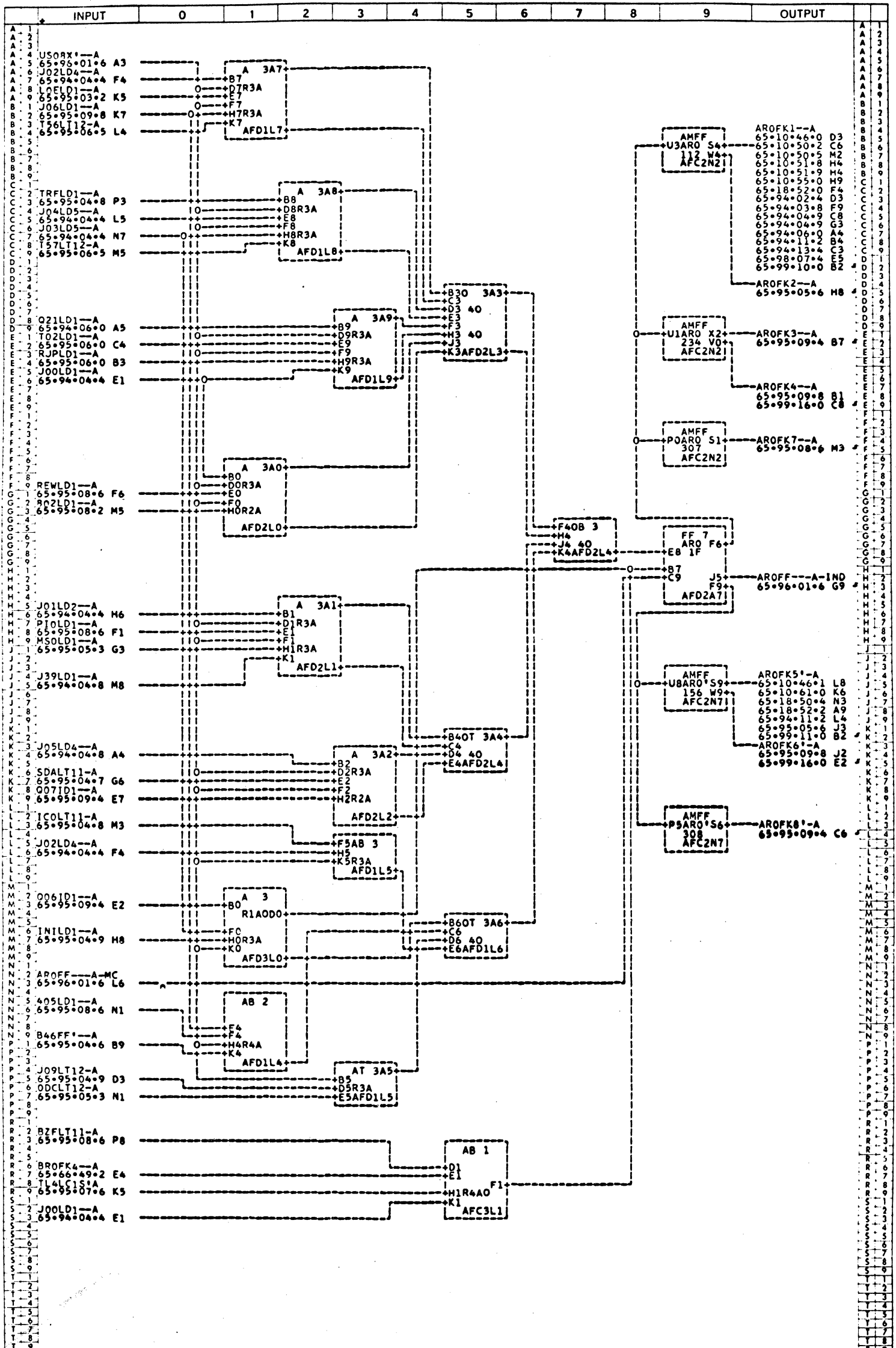
LOGIC SCHEMATIC



INPUT	0	1	2	3	4	5	6	7	8	9	OUTPUT
U 2	TITLE A REGISTER A46F-1F (PAGE 2 OF 2) H- 11864527A										U 2
U 4	DRAWN BY T URMOS 10-7-61 CHECKED BY D A SHEPHERD 10-11-61										U 4
U 6	UNIT NAME PROCESSOR UNIT NO. 78694										U 6
U 8	SYSTEM R-5000 PAGE NO. 65-10-46-1										U 8

Burroughs Corporation
 ELECTRODATA M & E DIVISION PASADENA CALIFORNIA
PROPERTY OF BURROUGHS CORPORATION NOT TO BE REPRODUCED, NOR USED FOR MANUFACTURING PURPOSES, EXCEPT ON BURROUGHS ORDER OR PRIOR WRITTEN CONSENT

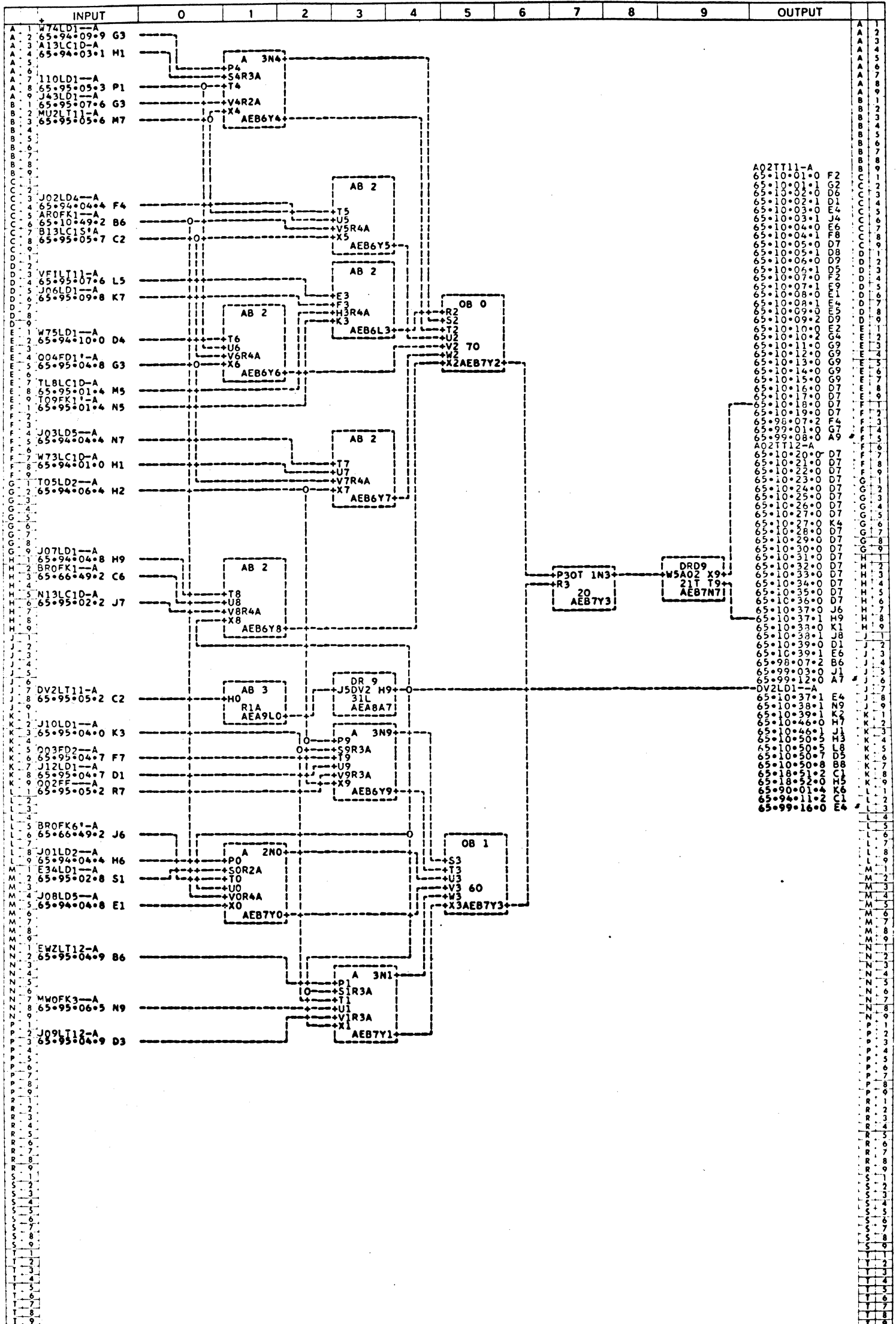
LOGIC SCHEMATIC



INPUT	0	1	2	3	4	5	6	7	8	9	OUTPUT
U 2 TITLE	A REGISTER AROF-1F AROPK-1-2-3-4-7 AROPK-5-6-8- H- 11915428AH										U 2
U 4 DRAWN BY	R MANN 4-13-62										U 4
U 6 UNIT NAME	PROCESSOR										U 6
U 8 SYSTEM	B-9000										U 8
	CHECKED BY D A SHEPHERD 5-11-62										
	UNIT NO. 78494										
	PAGE NO. 65-10-49-2										

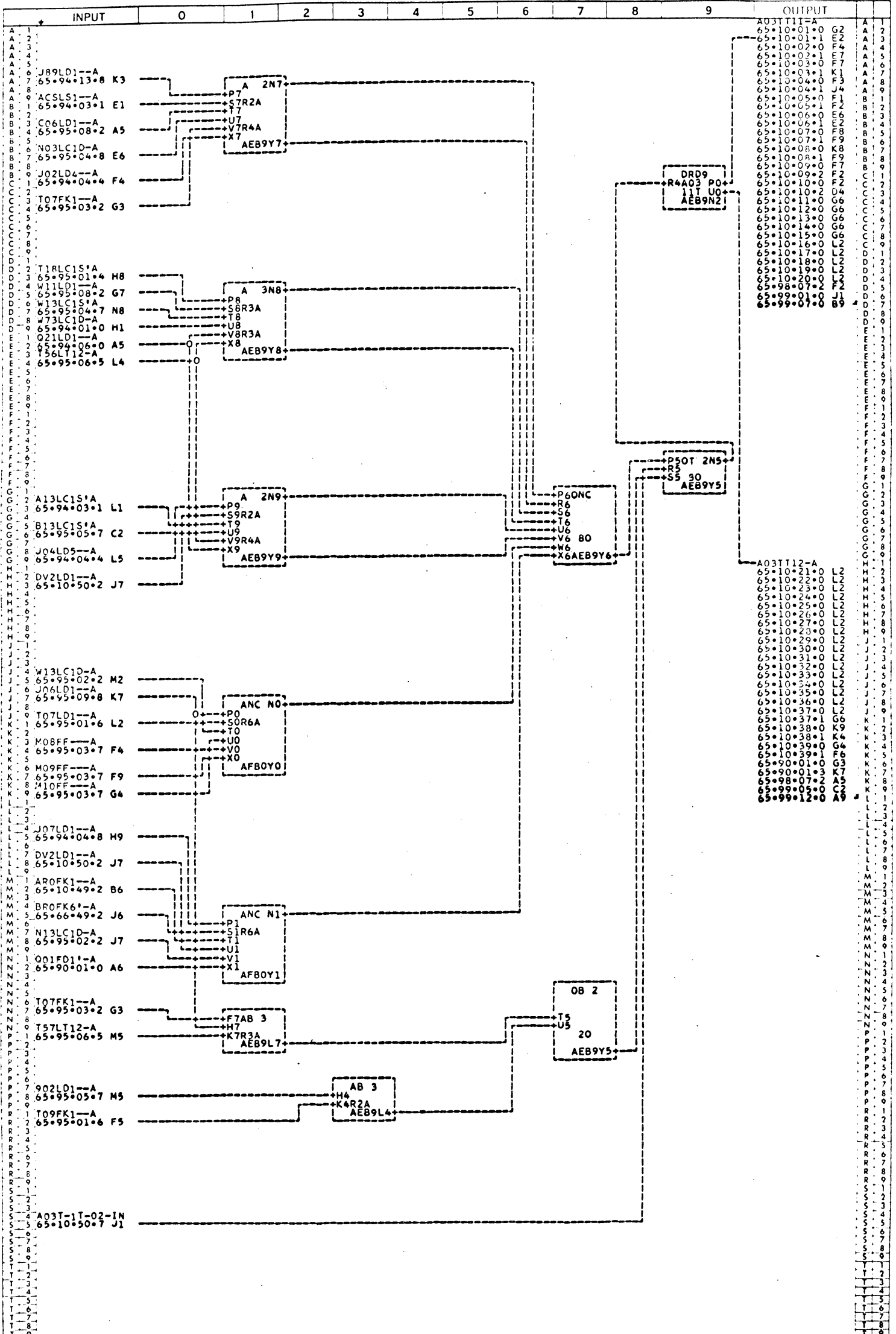
Burroughs Corporation
 ELECTRODATA M & E DIVISION PASADENA CALIFORNIA
 PROPERTY OF BURROUGHS CORPORATION NOT TO BE REPRODUCED, NOR USED FOR MANUFACTURING PURPOSES EXCEPT ON BURROUGHS ORDER OR PRIOR WRITTEN CONSENT

LOGIC SCHEMATIC



INPUT	0	1	2	3	4	5	6	7	8	9	OUTPUT
U 2	TITLE A02D-1T A02D-2T DV2D-1L DRIVERS										U 2
U 4	DRAWN BY R JOHNSTON										U 4
U 6	UNIT NAME PROCESSOR										U 6
U 8	SYSTEM B-3000										U 8
	M- 11915436AG										
	CHECKED BY D A SHEPHERD 5-11-62										
	UNIT NO. 78494										
	PAGE NO. 65-10-50-2										
ELECTRODATA Burroughs Corporation PASADENA CALIFORNIA M & E DIVISION											
PROPERTY OF BURROUGHS CORPORATION NOT TO BE REPRODUCED, NOR USED FOR MANUFACTURING PURPOSES EXCEPT ON BURROUGHS ORDER OR PRIOR WRITTEN CONSENT											

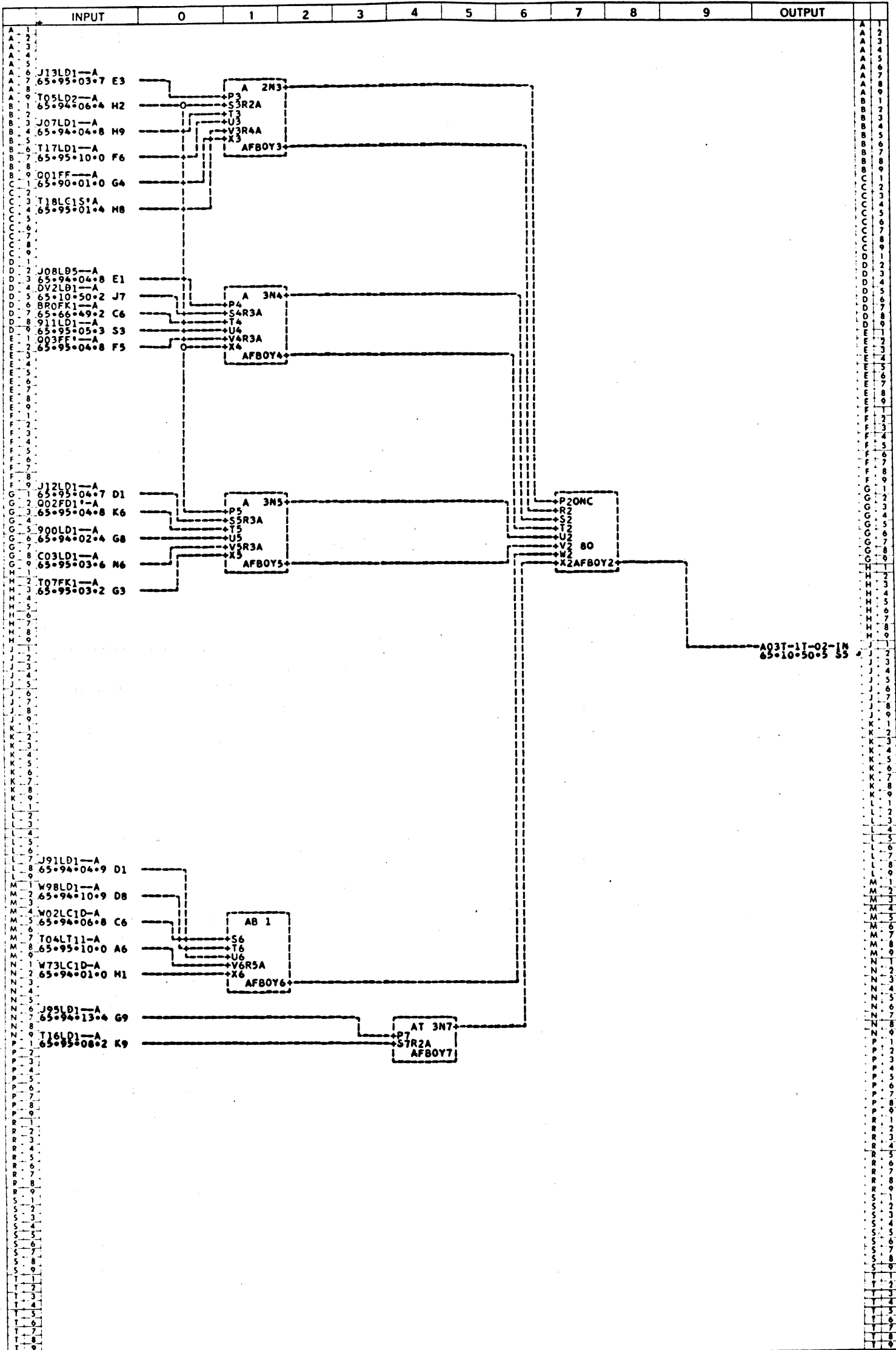
LOGIC SCHEMATIC



INPUT	0	1	2	3	4	5	6	7	8	9	OUTPUT
U 2	TITLE A03T-11T A03T-12T DRIVERS (PAGE 1 OF 2) H- 11890233A										U 2
U 4	DRAWN BY B TOYER 12-28-61 CHECKED BY D A SHEPHERD 1-9-62										U 4
U 6	UNIT NAME PROCESSOR UNIT NO. 78494										U 6
U 8	SYSTEM B-5000 PAGE NO. 65-10-50-5										U 8

ELECTRODATA **Burroughs Corporation** PASADENA CALIFORNIA
 M & E DIVISION
 PROPERTY OF BURROUGHS CORPORATION NOT TO BE REPRODUCED, NOR USED FOR MANUFACTURING PURPOSES EXCEPT ON BURROUGHS ORDER OR PRIOR WRITTEN CONSENT.

LOGIC SCHEMATIC



INPUT	0	1	2	3	4	5	6	7	8	9	OUTPUT
U 2	TITLE A03T-11T A03T-12T DRIVERS (PAGE 2 OF 2) H- 11890241AG										U 2
U 4	DRAWN BY B TOYER 12-28-61 CHECKED BY D A SHEPHERD 1-9-62										U 4
U 6	UNIT NAME PROCESSOR UNIT NO. 78494										U 6
U 8	SYSTEM 8-5000 PAGE NO. 65-10-50-7										U 8

ELECTRODATA **Burroughs Corporation** PASADENA CALIFORNIA
 M&E DIVISION

PROPERTY OF BURROUGHS CORPORATION NOT TO BE REPRODUCED, NOR USED FOR MANUFACTURING PURPOSES EXCEPT ON BURROUGHS ORDER OR PRIOR WRITTEN CONSENT

LOGIC SCHEMATIC

INPUT 0 1 2 3 4 5 6 7 8 9 OUTPUT

DV2LD1--A
65•10•50•2 J7

J12LD1--A
65•95•04•7 D1

J07LD1--A
65•94•04•8 H9

T04LT11-A
65•95•10•0 A6

J10LD1--A
65•95•04•0 K3

T05LD2--A
65•94•06•4 M2

Q03FF1--A
65•95•04•8 F5

J91LD1--A
65•94•10•9 D1

W02LC15A
65•94•06•8 E1

W73LC10-A
65•94•01•0 H1

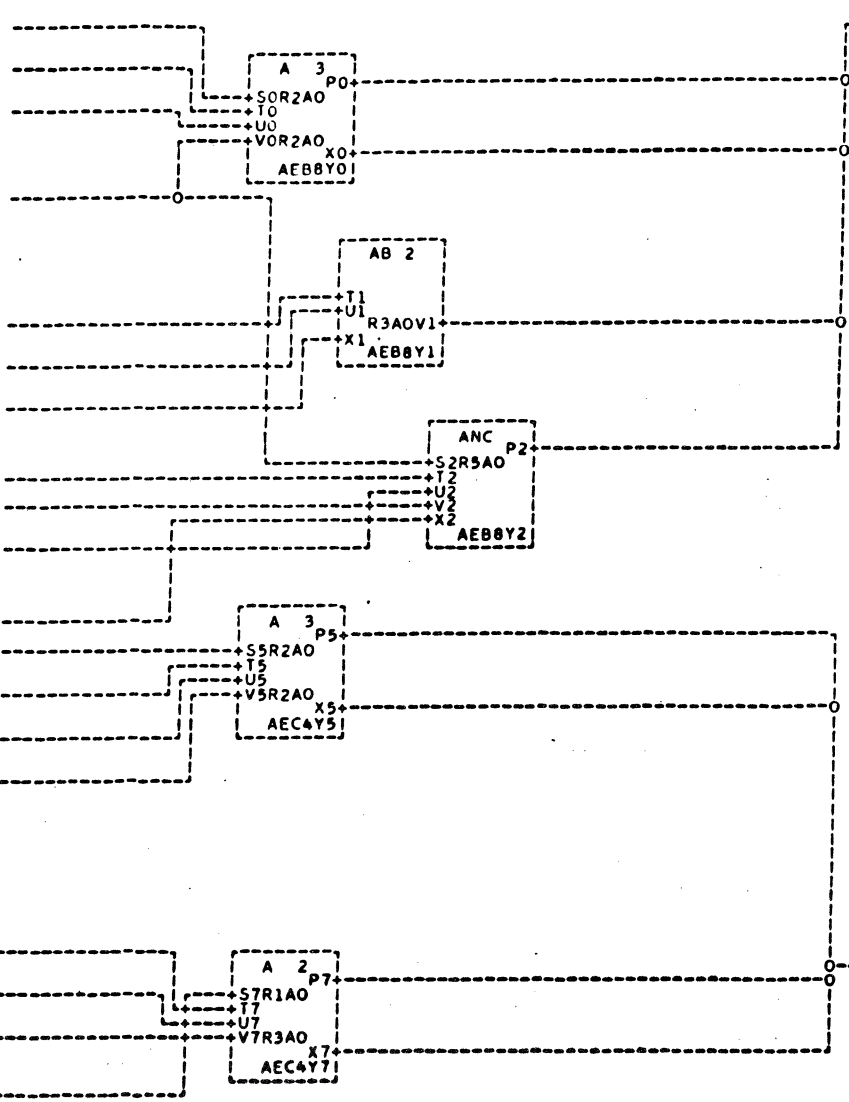
W98LD1--A
65•94•10•9 D8

J02LD4--A
65•94•04•4 F4

INDLD1--A
65•95•05•3 C3

905LT12-A
65•95•04•0 C6

PRELD1--A
65•95•08•2 D2



DRD9
R9A07 P5
11T U5
AEB7N7

DR 9
P1A10 V0
21T
AEC4N2

A07TT11-A
65•10•01•0 H4
65•10•01•1 H7
65•10•07•0 F6
65•10•05•1 F9
65•10•04•0 F1
65•10•03•1 H7
65•10•04•1 L6
65•10•05•0 F9
65•10•05•1 H2
65•10•06•1 F7
65•10•07•1 G9
65•10•08•0 H4
65•10•08•1 J2
65•10•09•0 H9
65•10•09•2 J8
65•10•10•0 MR
65•10•10•2 J4
65•10•11•0 C3
65•10•11•0 J9
65•10•12•0 C3
65•10•13•0 J9
65•10•14•0 C3
65•10•14•0 C9
65•10•15•0 C3
65•10•15•0 J9
65•10•16•0 MR
65•10•17•0 MR
65•10•18•0 MR
65•10•17•0 MR
65•10•17•0 MR
65•98•07•2 E9
65•99•01•0 J3
65•97•09•0 C4
A07TT11-A
65•10•21•0 M8
65•10•22•0 MR
65•10•23•0 MR
65•10•24•0 MR
65•10•25•0 MR
65•10•26•0 MR
65•10•27•0 MR
65•10•28•0 MR
65•10•29•0 MR
65•10•30•0 MR
65•10•31•0 MR
65•10•32•0 MR
65•10•33•0 MR
65•10•34•0 MR
65•10•35•0 MR
65•10•36•0 MR
65•10•37•1 M3
65•10•38•0 L4
65•10•38•1 M1
65•10•39•0 L6
65•10•39•1 H9
65•98•07•2 A7
65•99•05•0 C4
65•99•12•0 B2

A10TD1--A
65•10•01•0 H8
65•10•01•1 J4
65•10•02•0 M2
65•10•03•0 G3
65•10•03•1 G2
65•10•04•0 H7
65•10•04•1 M1
65•10•05•0 G4
65•10•05•1 G5
65•10•06•0 H7
65•10•06•1 G3
65•10•07•0 H7
65•10•07•1 H6
65•10•08•0 J3
65•10•08•1 K6
65•10•09•0 K1
65•10•09•2 L7
65•10•10•0 J8
65•10•10•2 K1
65•10•11•0 R6
65•10•11•0 K6
65•10•12•0 B6
65•10•12•0 K6
65•10•13•0 B6
65•10•13•0 K6
65•10•14•0 B6
65•10•14•0 K6
65•10•15•0 B6
65•10•15•0 K6
65•98•07•4 C5
65•99•08•0 B2

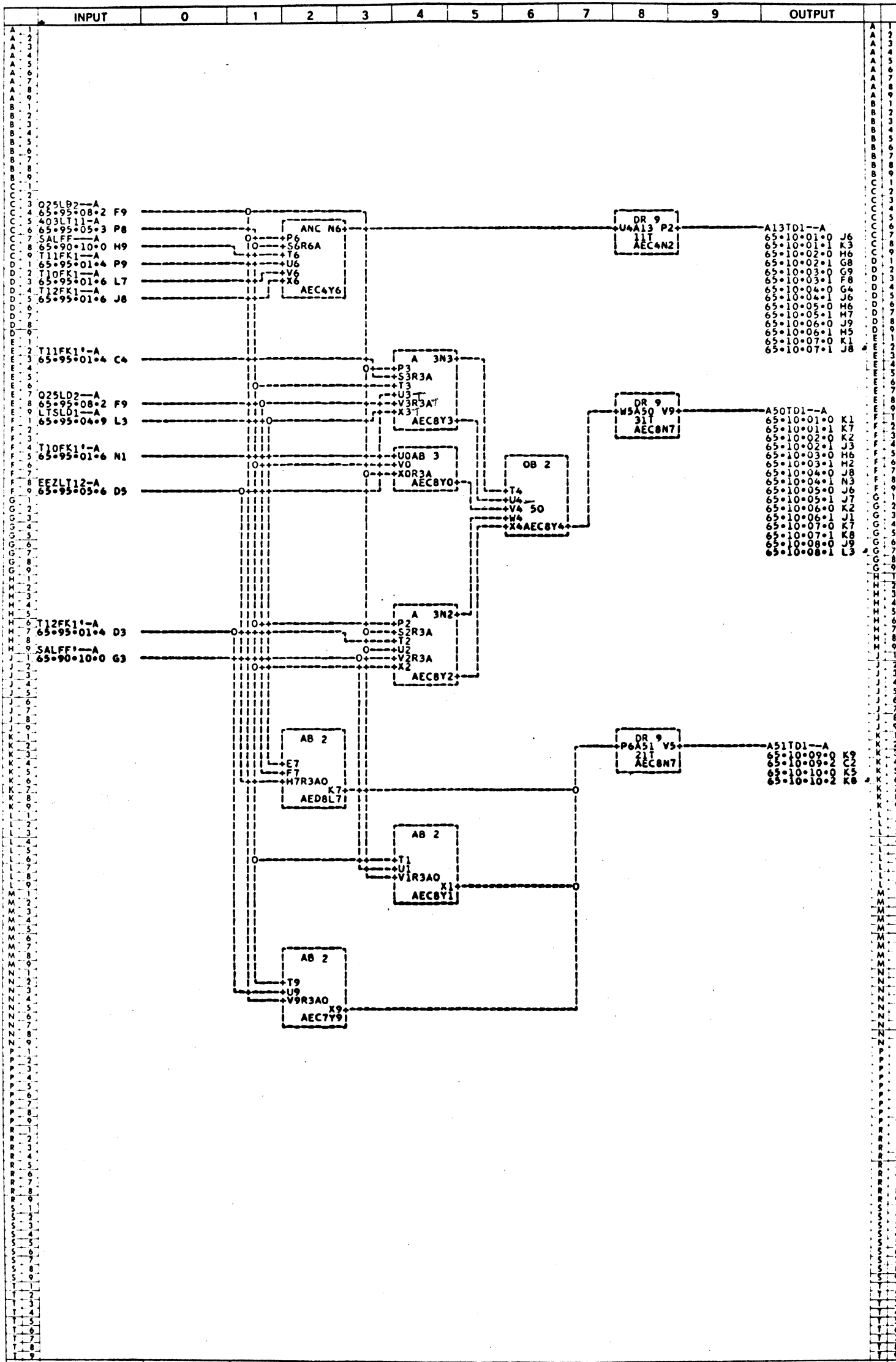
EQUATIONS

	INPUT	0	1	2	3	4	5	6	7	8	9	OUTPUT
U 2	TITLE A07T-1T A10D-1T DRIVERS											
U 4	DRAWN BY C A VIETOR 10-7-61 CHECKED BY D A SHEPHERD 10-14-61											
U 6	UNIT NAME PROCESSOR UNIT NO 78494											
U 8	SYSTEM B-5000 PAGE NO 65•10•50•8											

BURROUGHS CORPORATION
ELECTRODATA DIV., PASADENA, CALIFORNIA

PROPERTY OF BURROUGHS CORPORATION—NOT TO BE REPRODUCED, NOR USED FOR MANUFACTURING PURPOSES, EXCEPT ON BURROUGHS ORDER OR PRIOR WRITTEN CONSENT.

LOGIC SCHEMATIC

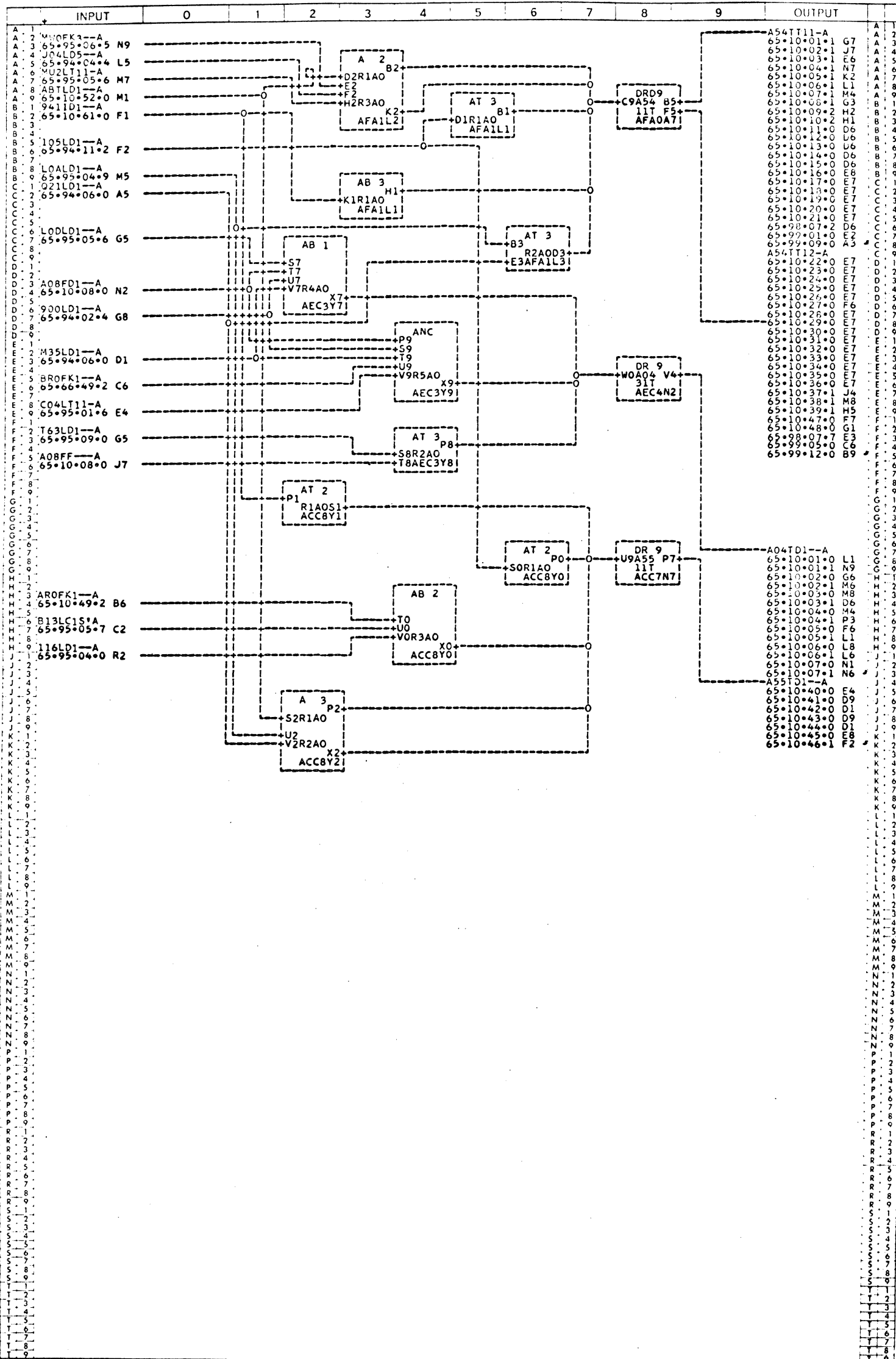


INPUT	0	1	2	3	4	5	6	7	8	9	OUTPUT
U 2	TITLE A130-1T A500-1T A510-1T DRIVERS H- 11868643AF										U 2
U 4	DRAWN BY C A VIETOR 10-9-61 CHECKED BY D A SHEPHERD 10-14-61										U 4
U 6	UNIT NAME PROCESSOR UNIT NO. 78496										U 6
U 8	SYSTEM B-9000 PAGE NO. 65-10-51-0										U 8

ELECTRODATA **Burroughs Corporation** **PASADENA CALIFORNIA**
 M & E DIVISION

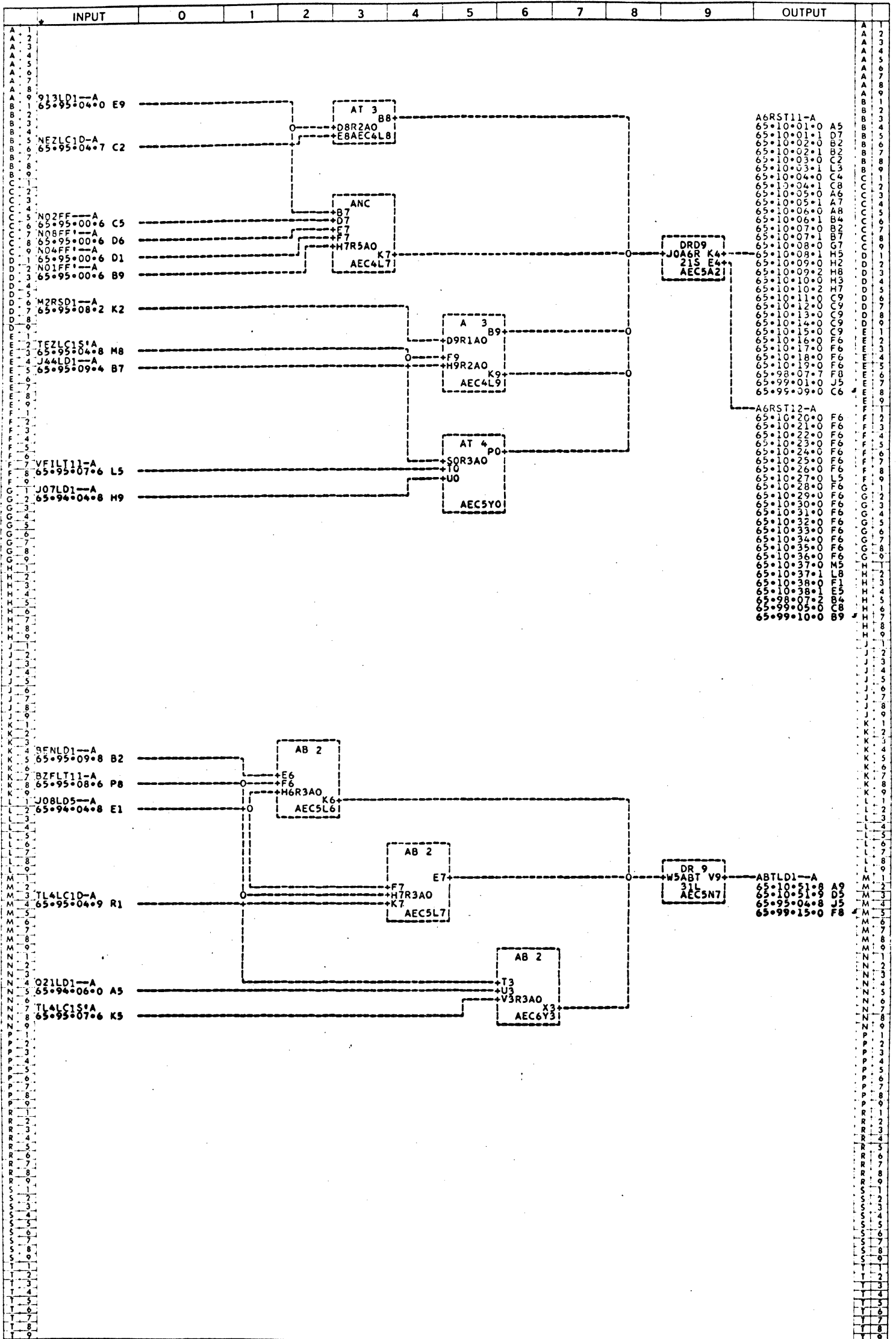
PROPERTY OF BURROUGHS CORPORATION NOT TO BE REPRODUCED, NOR USED FOR MANUFACTURING PURPOSES EXCEPT ON BURROUGHS ORDER OR PRIOR WRITTEN CONSENT

LOGIC SCHEMATIC



INPUT	0	1	2	3	4	5	6	7	8	9	OUTPUT		
U 2	TITLE A54T-1T A04D-1T A55D-1T DRIVERS										H- 11868684A	U 2	
U 4	DRAWN BY R WILLIAMS 7 OCT 61										CHECKED BY D A SHEPHERD 10-14-61	ELECTRODATA PASADENA CALIFORNIA	U 4
U 6	UNIT NAME PROCESSOR										UNIT NO. 78494	PROPERTY OF BURROUGHS CORPORATION NOT TO BE REPRODUCED, NOR USED FOR MANUFACTURING PURPOSES EXCEPT ON BURROUGHS ORDER OR PRIOR WRITTEN CONSENT.	U 6
U 8	SYSTEM B-5000										PAGE NO. 65*10*51*8		U 8

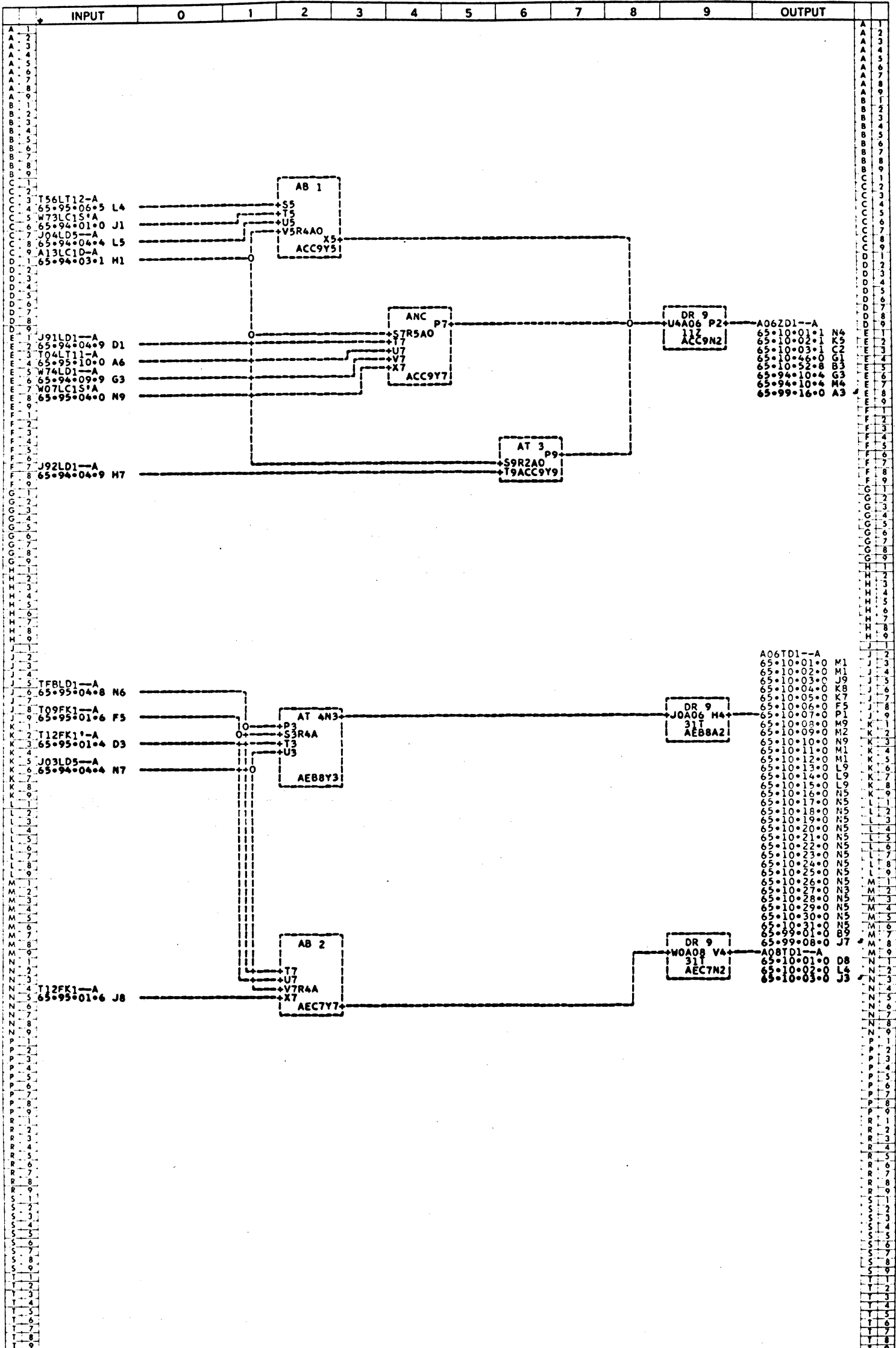
LOGIC SCHEMATIC



INPUT	0	1	2	3	4	5	6	7	8	9	OUTPUT
U 2	TITLE A6RT-1S DRIVER										U 2
U 4	DRAWN BY R J MILLER 10-17-61 CHECKED BY D A SHEPHERD 10-19-61										U 4
U 6	UNIT NAME PROCESSOR										U 6
U 8	SYSTEM B-5000										U 8

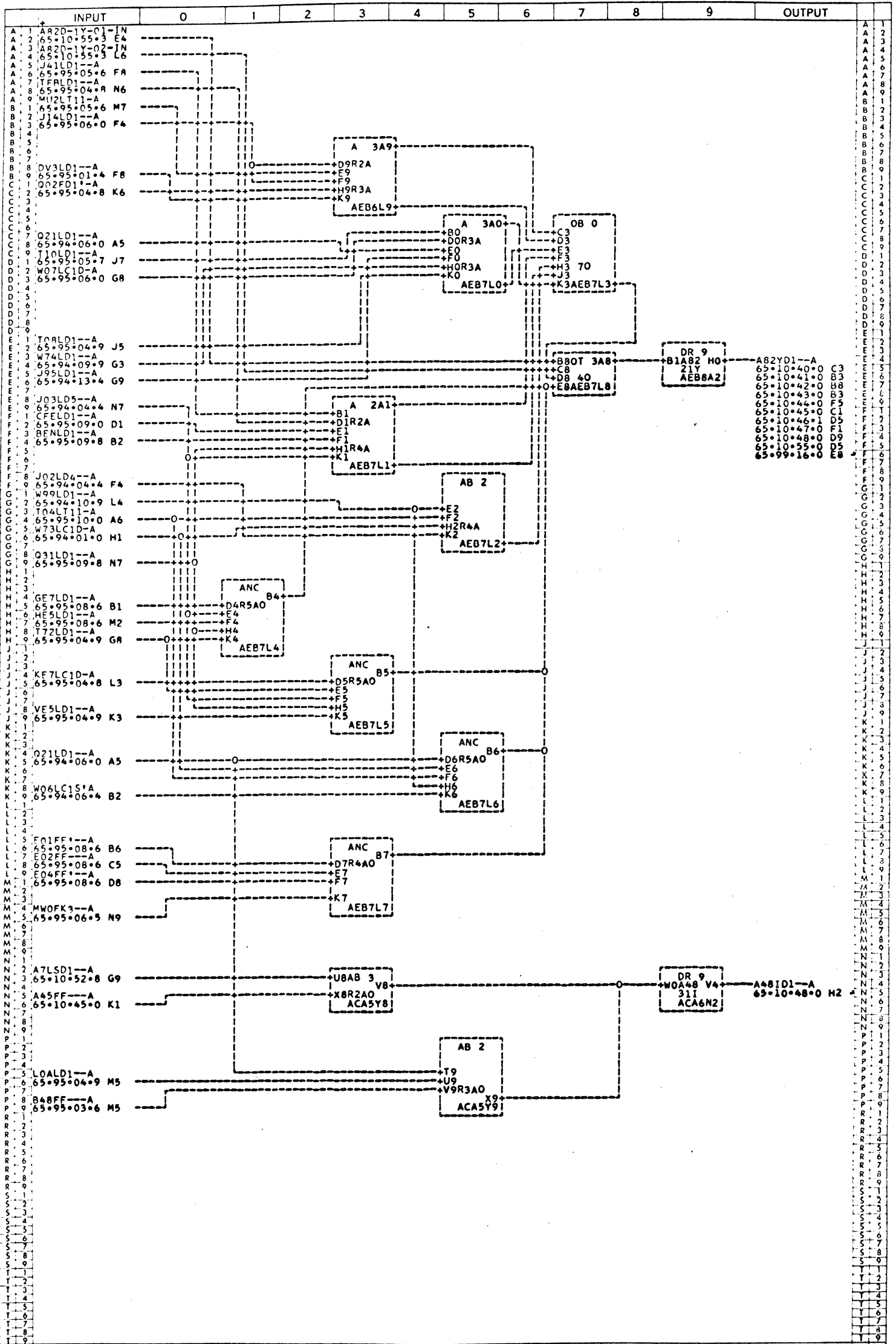
ELECTRODATA **Burroughs Corporation** PASADENA CALIFORNIA
 M & E DIVISION
 PROPERTY OF BURROUGHS CORPORATION. NOT TO BE REPRODUCED, NOR USED FOR MANUFACTURING PURPOSES, EXCEPT ON BURROUGHS ORDER OR PRIOR WRITTEN CONSENT.

LOGIC SCHEMATIC



INPUT	0	1	2	3	4	5	6	7	8	9	OUTPUT
U 2	TITLE A06D-12 DRIVER										U 2
U 4	DRAWN BY T URMOS 10-17-61										U 4
U 6	UNIT NAME PROCESSOR										U 6
U 8	SYSTEM B-3000										U 8

LOGIC SCHEMATIC

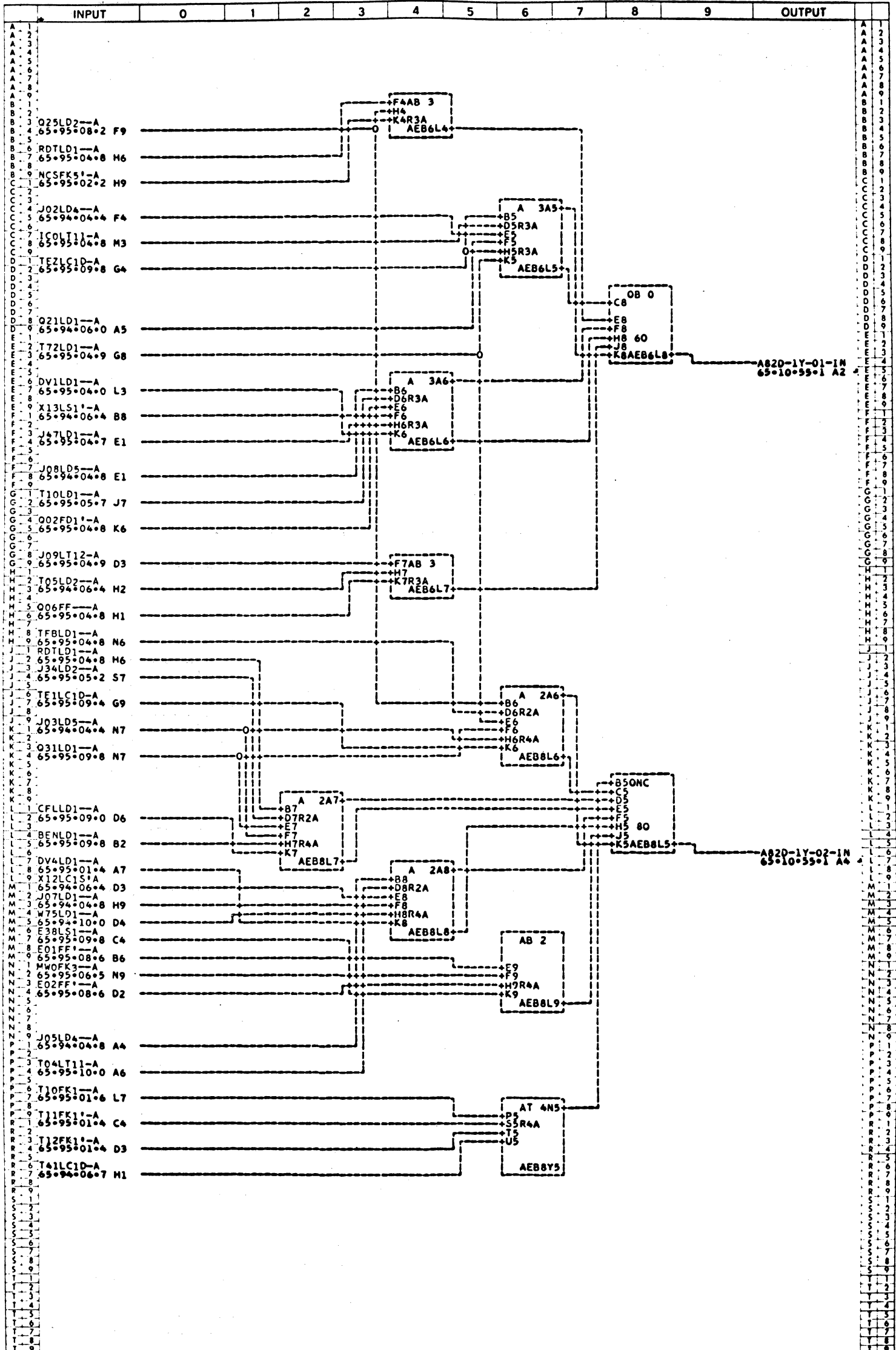


INPUT	0	1	2	3	4	5	6	7	8	9	OUTPUT
U 2	TITLE AB2D-1Y DRIVER (PAGE 1 OF 2)										U 2
U 4	DRAWN BY C DOOLING CHECKED BY L GUCK										U 4
U 6	UNIT NAME PROCESSOR										U 6
U 8	SYSTEM B-5000										U 8

ELECTRODATA **Burroughs Corporation** **PASADENA CALIFORNIA**
 M & E DIVISION

PROPERTY OF BURROUGHS CORPORATION. NOT TO BE REPRODUCED, NOR USED FOR MANUFACTURING PURPOSES, EXCEPT ON BURROUGHS ORDER OR PRIOR WRITTEN CONSENT.

LOGIC SCHEMATIC

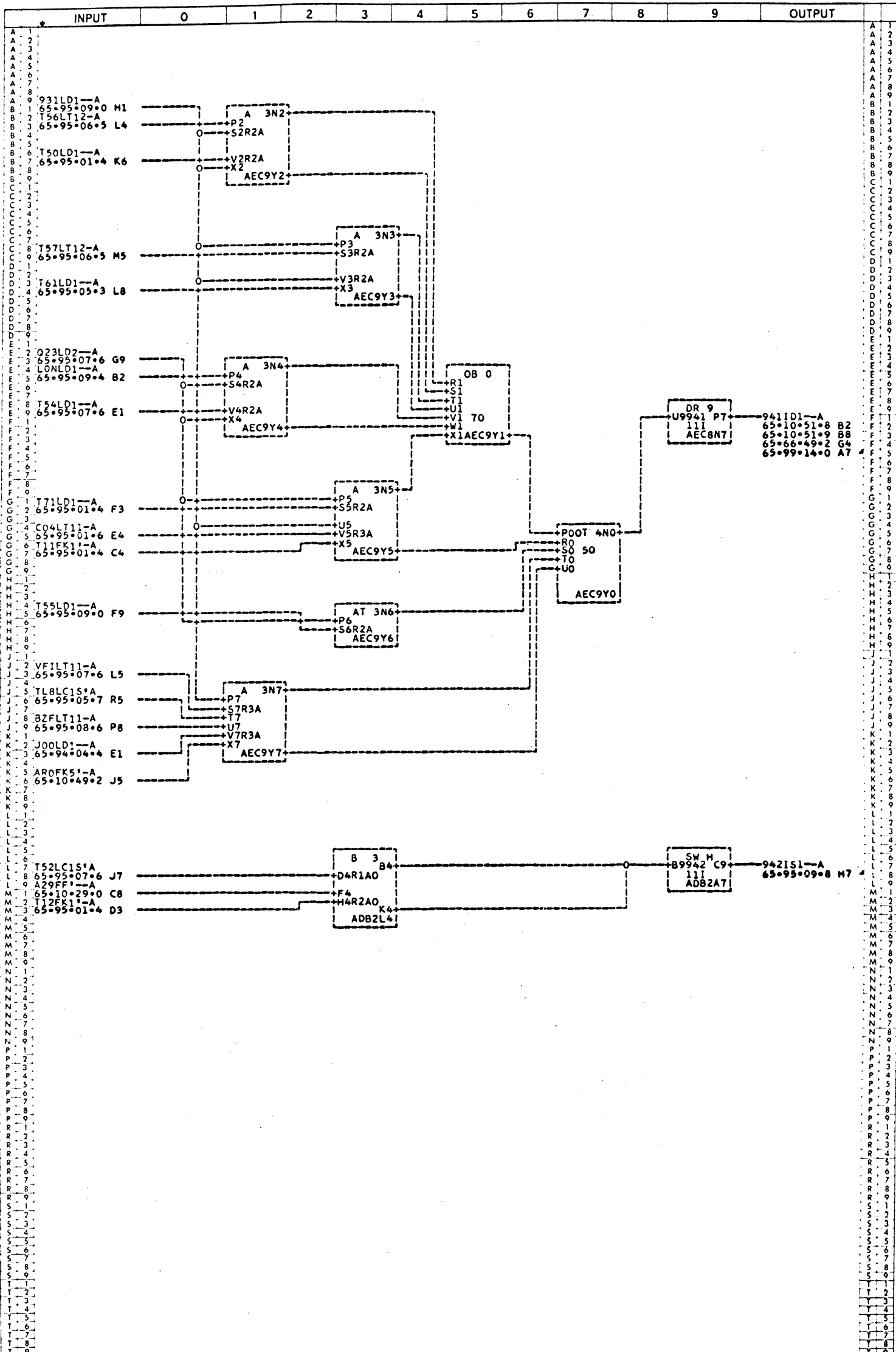


INPUT	0	1	2	3	4	5	6	7	8	9	OUTPUT
U 2	TITLE AB20-1Y DRIVER (PAGE 2 OF 2) M- 11890274AF										U 2
U 4	DRAWN BY C DOOLING CHECKED BY L GUCK 1-9-62										U 4
U 6	UNIT NAME PROCESSOR UNIT NO. 78494										U 6
U 8	SYSTEM B-3000 PAGE NO. 65-10-55-3										U 8

ELECTRODATA **Burroughs Corporation** PASADENA CALIFORNIA
M&E DIVISION

PROPERTY OF BURROUGHS CORPORATION NOT TO BE REPRODUCED, NOR USED FOR MANUFACTURING PURPOSES EXCEPT ON BURROUGHS ORDER OR PRIOR WRITTEN CONSENT.

LOGIC SCHEMATIC



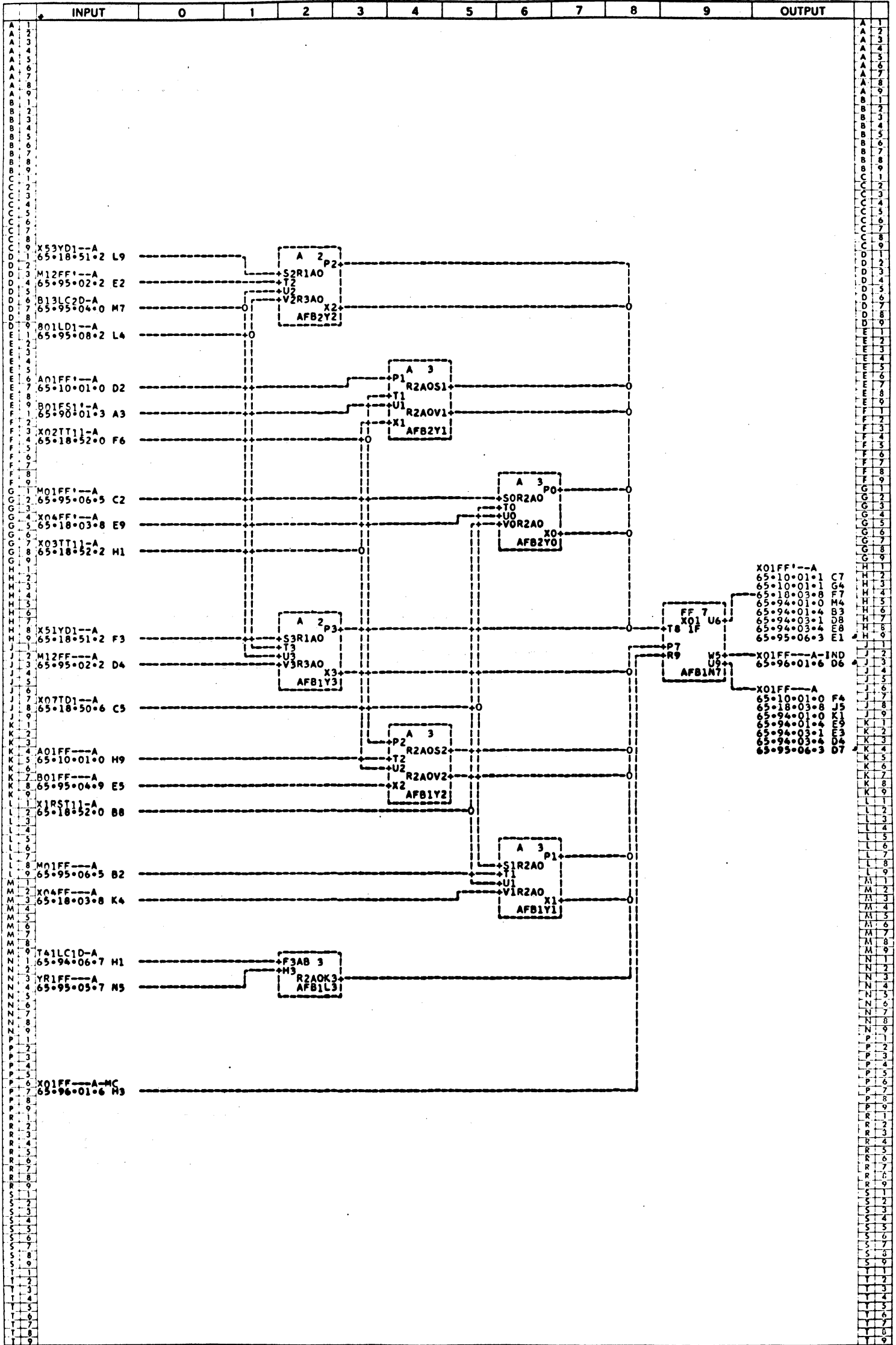
INPUT	0	1	2	3	4	5	6	7	8	9	OUTPUT
U 2	TITLE 9410-11 DRIVER 9425-11 SWITCH H- 11921244AE										U 2
U 4	DRAWN BY R HELM 4-11-62 CHECKED BY D A SHEPHERD 5-11-62										U 4
U 6	UNIT NAME PROCESSOR UNIT NO. 78494										U 6
U 8	SYSTEM B-5000 PAGE NO. 65-10-61-0										U 8

Burroughs Corporation
PASADENA CALIFORNIA

ELECTRODATA M&E DIVISION

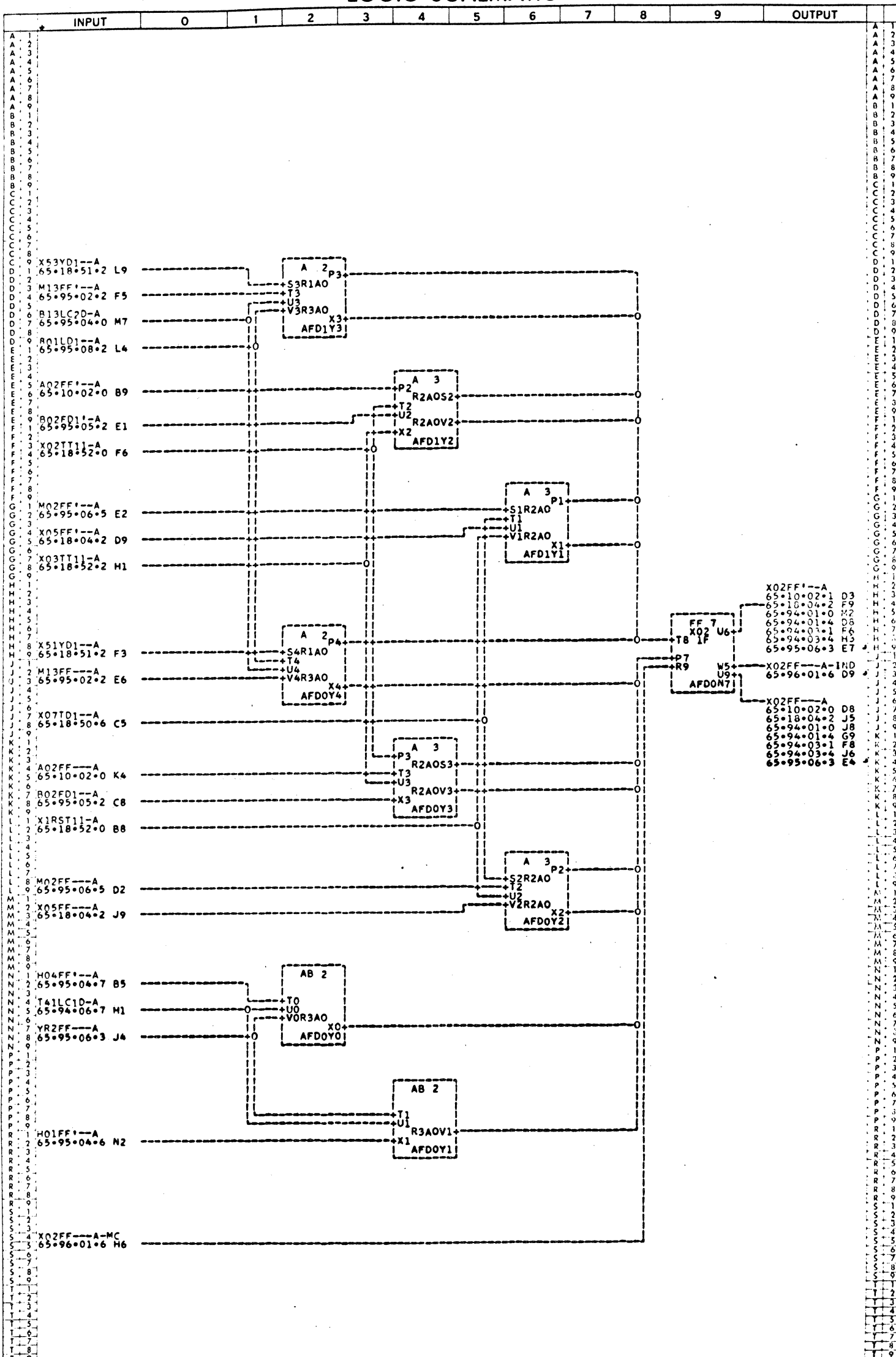
PROPERTY OF BURROUGHS CORPORATION NOT TO BE REPRODUCED, NOR USED FOR MANUFACTURING PURPOSES, EXCEPT ON BURROUGHS ORDER OR PRIOR WRITTEN CONSENT

LOGIC SCHEMATIC



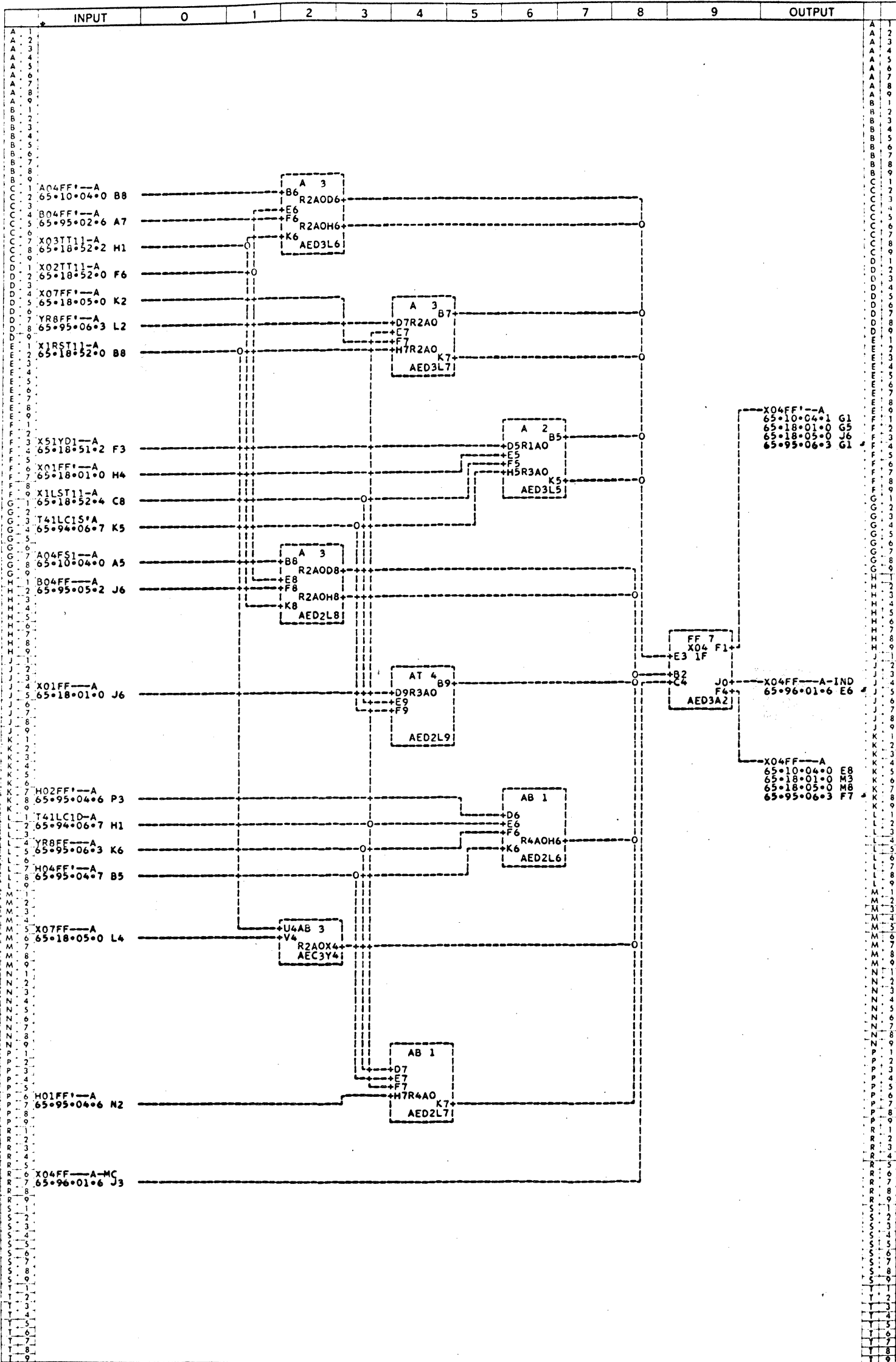
U 2	TITLE	X REGISTER X01F-1F	H- 11915491AF	ELECTRODATA	Burroughs Corporation	PASADENA CALIFORNIA	U 2
U 4	DRAWN BY	B TOYER 4-13-62	CHECKED BY	D A SHEPHERD 9-11-62	M&E DIVISION		U 4
U 6	UNIT NAME	PROCESSOR	UNIT NO.	78494	PROPERTY OF BURROUGHS CORPORATION. NOT TO BE REPRODUCED, NOR USED FOR MANUFACTURING PURPOSES, EXCEPT ON BURROUGHS ORDER OR PRIOR WRITTEN CONSENT.		U 6
U 8	SYSTEM	R-5000	PAGE NO.	65-18-01-0			U 8

LOGIC SCHEMATIC



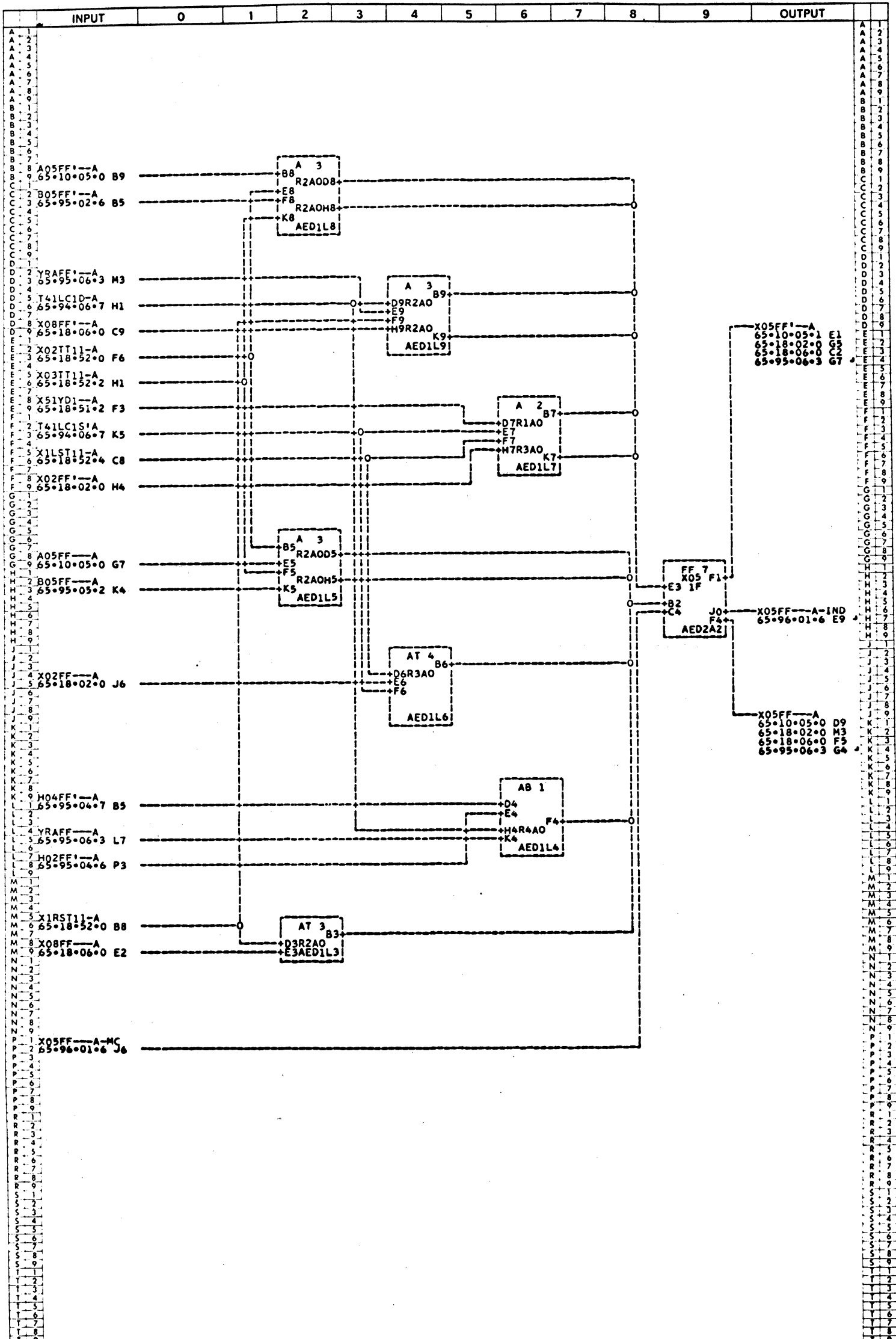
	INPUT	0	1	2	3	4	5	6	7	8	9	OUTPUT
U 2	TITLE X REGISTER X02F-1F											
U 4	DRAWN BY B TOYER 4-13-62											
U 6	UNIT NAME PROCESSOR											
U 8	SYSTEM B-5000											
	M- 11915469AE											
	CHECKED BY D A SHEPHERD 5-11-62											
	UNIT NO. 78494											
	PAGE NO. 65-18-02-0											
	ELECTRODATA M&E DIVISION											
	<div style="display: flex; justify-content: space-between;"> Burroughs Corporation PASADENA CALIFORNIA </div>											
	PROPERTY OF BURROUGHS CORPORATION. NOT TO BE REPRODUCED, NOR USED FOR MANUFACTURING PURPOSES, EXCEPT ON BURROUGHS ORDER OR PRIOR WRITTEN CONSENT.											

LOGIC SCHEMATIC



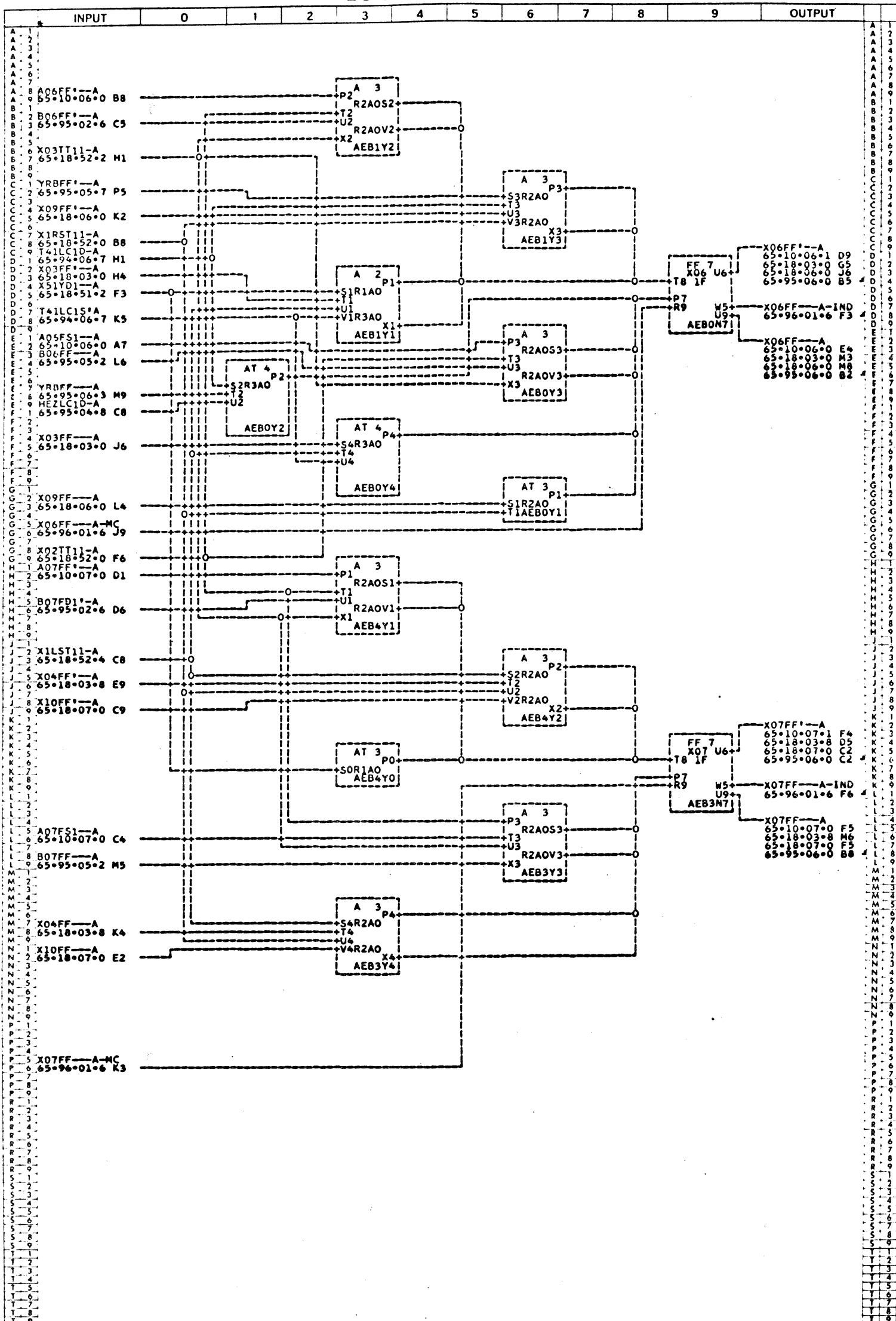
INPUT	0	1	2	3	4	5	6	7	8	9	OUTPUT
U 2	TITLE X REGISTER X04F-1F										U 2
U 4	DRAWN BY R BALDWIN 4-29-64 CHECKED BY										U 4
U 6	UNIT NAME PROCESSOR										U 6
U 8	SYSTEM B-5000										U 8
						H- 11158052A4		UNIT NO. 78494			
						PAGE NO. 65-18-03-8		<div style="display: flex; justify-content: space-between;"> ELECTRODATA Burroughs Corporation PASADENA </div> <div style="display: flex; justify-content: space-between;"> M & E DIVISION CALIFORNIA </div>			
PROPERTY OF BURROUGHS CORPORATION. NOT TO BE REPRODUCED, NOR USED FOR MANUFACTURING PURPOSES EXCEPT ON BURROUGHS ORDER OR PRIOR WRITTEN CONSENT.											

LOGIC SCHEMATIC



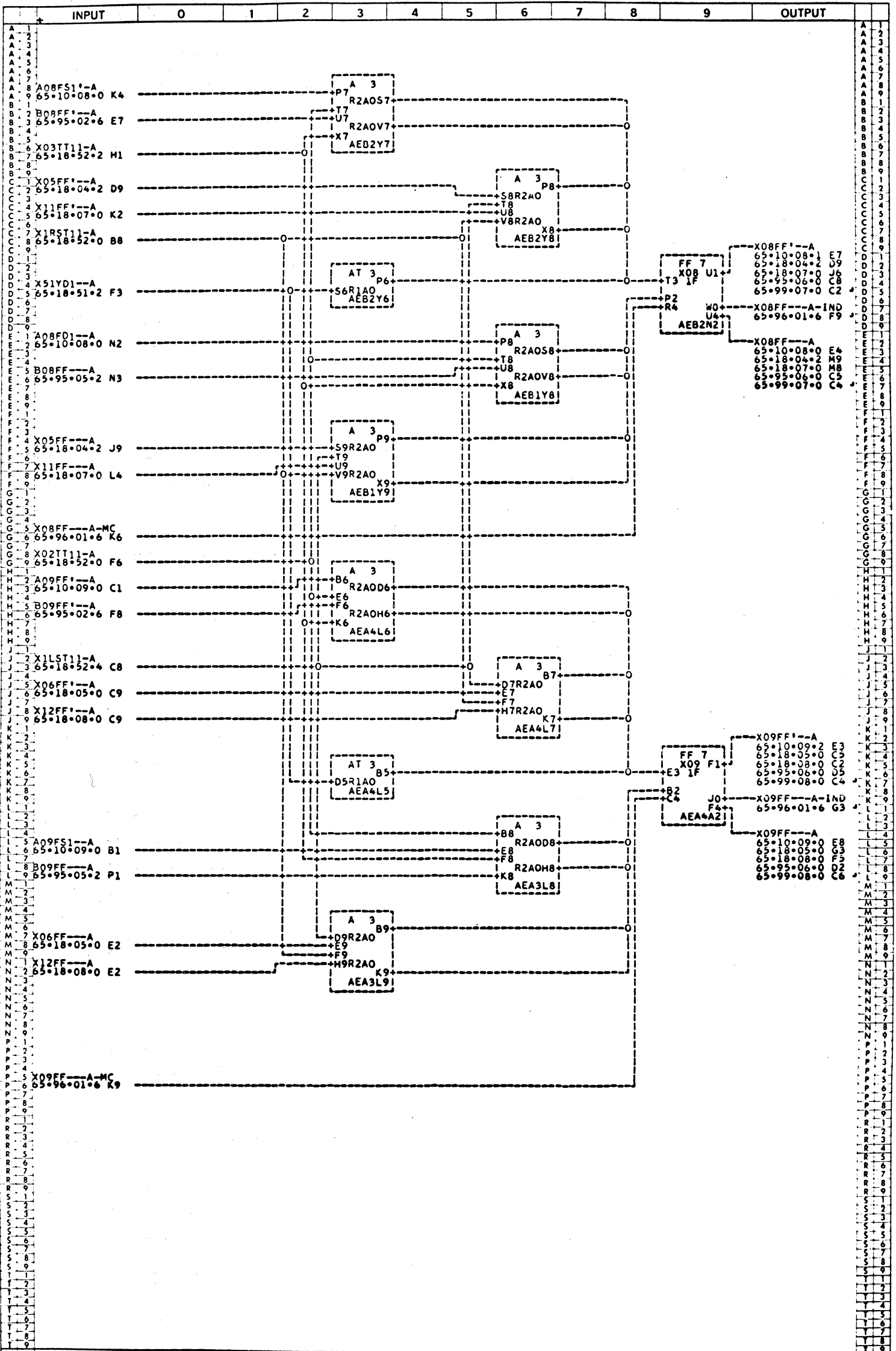
	INPUT	0	1	2	3	4	5	6	7	8	9	OUTPUT	
U 2	TITLE X REGISTER X05F-1F		M- 11158045AA		ELECTRODATA		Burroughs Corporation		PASADENA		U 2		
U 4	DRAWN BY R BALDWIN		4-29-64 CHECKED BY		M & E DIVISION		CALIFORNIA		CALIFORNIA		U 4		
U 6	UNIT NAME PROCESSOR		UNIT NO. 78494		PROPERTY OF BURROUGHS CORPORATION NOT TO BE REPRODUCED, NOR USED FOR MANUFACTURING PURPOSES, EXCEPT ON BURROUGHS ORDER OR PRIOR WRITTEN COMMENT.						U 6		
U 8	SYSTEM B-3000		PAGE NO. 65-18-04-2								U 8		

LOGIC SCHEMATIC



INPUT	0	1	2	3	4	5	6	7	8	9	OUTPUT	
U 2 TITLE	X REGISTER X06F-1F X07F-1F										U 2	
U 4 DRAWN BY	B TOYER 4-13-62										U 4	
U 6 UNIT NAME	PROCESSOR										U 6	
U 8 SYSTEM	R-9000										U 8	
					M- 11915493AE		ELECTRODATA		Burroughs Corporation		PASADENA CALIFORNIA	
					CHECKED BY D A SHEPHERD 5-11-62		M & E DIVISION		PASADENA CALIFORNIA		PROPERTY OF BURROUGHS CORPORATION. NOT TO BE REPRODUCED, NOR USED FOR MANUFACTURING PURPOSES, EXCEPT ON BURROUGHS ORDER OR PRIOR WRITTEN CONSENT	
					UNIT NO. 78494		PAGE NO. 65-18-05-0		PASADENA CALIFORNIA		PROPERTY OF BURROUGHS CORPORATION. NOT TO BE REPRODUCED, NOR USED FOR MANUFACTURING PURPOSES, EXCEPT ON BURROUGHS ORDER OR PRIOR WRITTEN CONSENT	

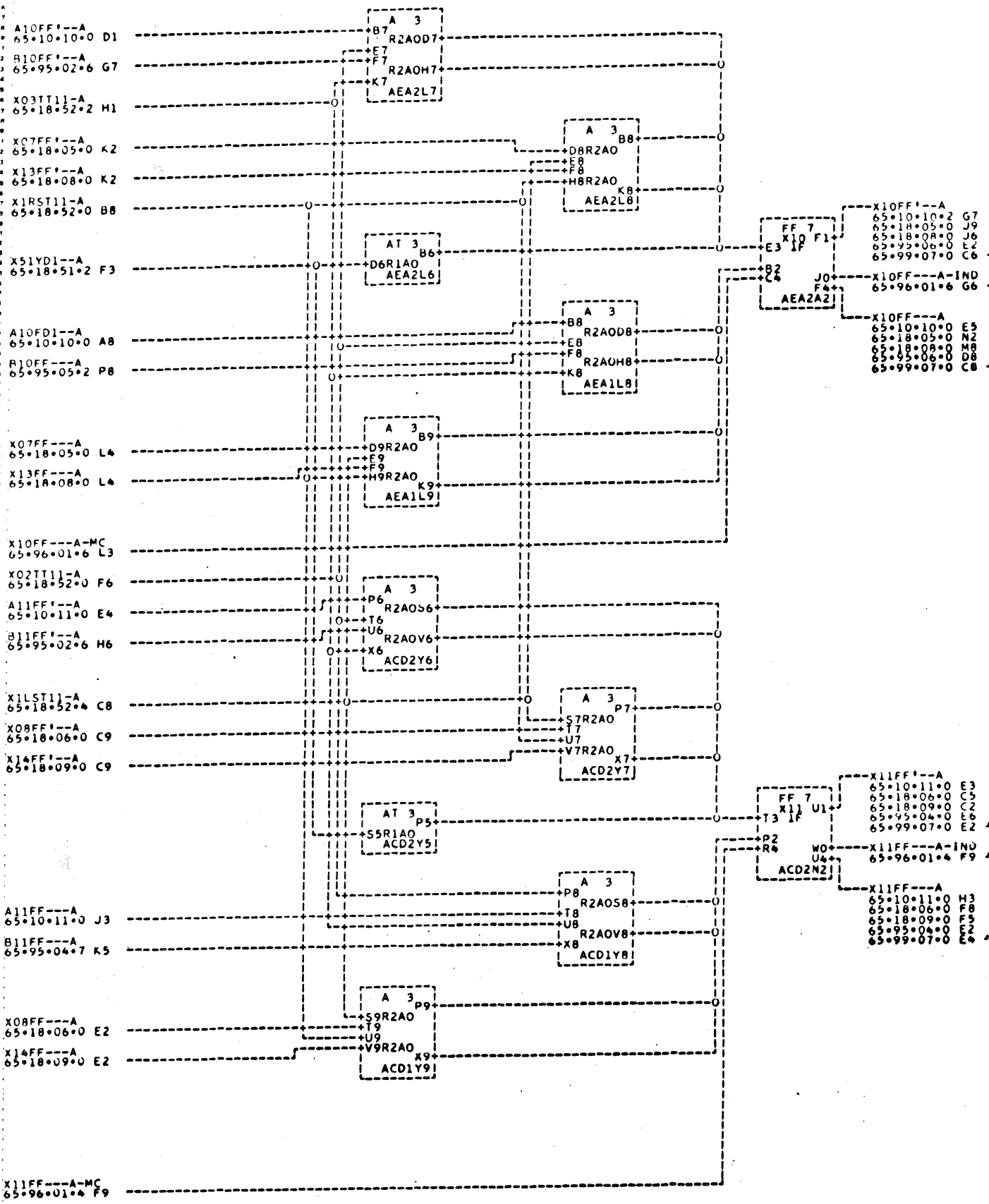
LOGIC SCHEMATIC



INPUT	0	1	2	3	4	5	6	7	8	9	OUTPUT
U 2	TITLE X REGISTER X08F-1F X09F-1F										U 2
U 4	DRAWN BY B TOYER 4-13-62 CHECKED BY D A SHEPHERD 5-11-62										U 4
U 6	UNIT NAME PROCESSOR										U 6
U 8	SYSTEM B-5000										U 8
H- 11915501AD UNIT NO. 78494 PAGE NO. 65-18-06-0											
ELECTRODATA Burroughs Corporation PASADENA M&E DIVISION CALIFORNIA											
PROPERTY OF BURROUGHS CORPORATION. NOT TO BE REPRODUCED, NOR USED FOR MANUFACTURING PURPOSES, EXCEPT ON BURROUGHS ORDER OR PRIOR WRITTEN CONSENT.											

LOGIC SCHEMATIC

INPUT 0 1 2 3 4 5 6 7 8 9 OUTPUT



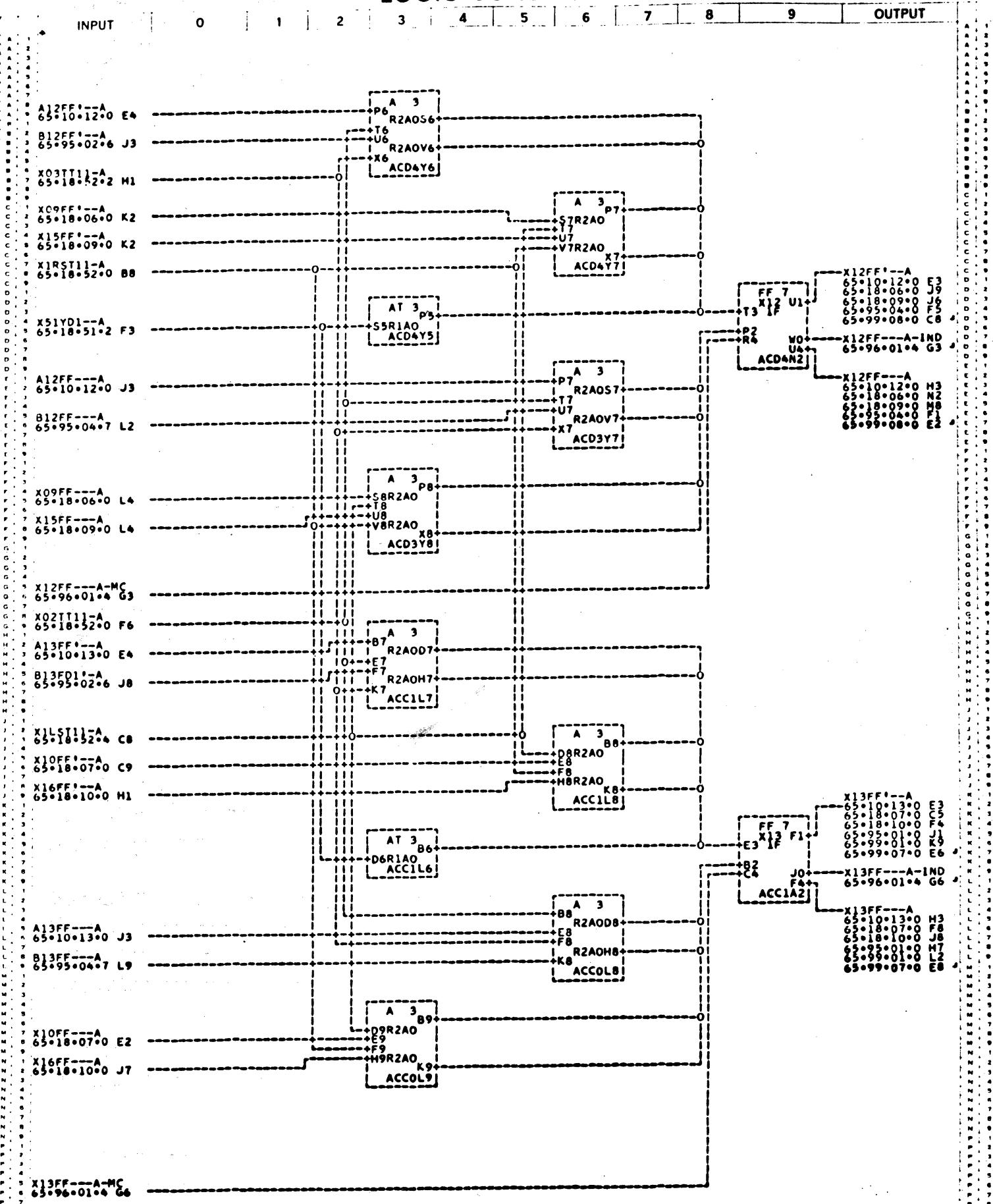
EQUATIONS

	INPUT	0	1	2	3	4	5	6	7	8	9	OUTPUT
U 2	TITLE X REGISTER X10F-1F X11F-1F											
U 4	DRAWN BY B TOYER 5-11-62 CHECKED BY D A SHEPHERD 5-11-62											
U 6	UNIT NAME PROCESSOR UNIT NO 78494											
U 8	SYSTEM B-5000 PAGE NO 65.18.07.0											

BURROUGHS CORPORATION
ELECTRODATA DIV., PASADENA, CALIFORNIA

PROPERTY OF BURROUGHS CORPORATION - NOT TO BE REPRODUCED, FOR USE FOR MANUFACTURING PURPOSES, EXCEPT ON BURROUGHS ORDER OR PRIOR WRITTEN CONSENT.

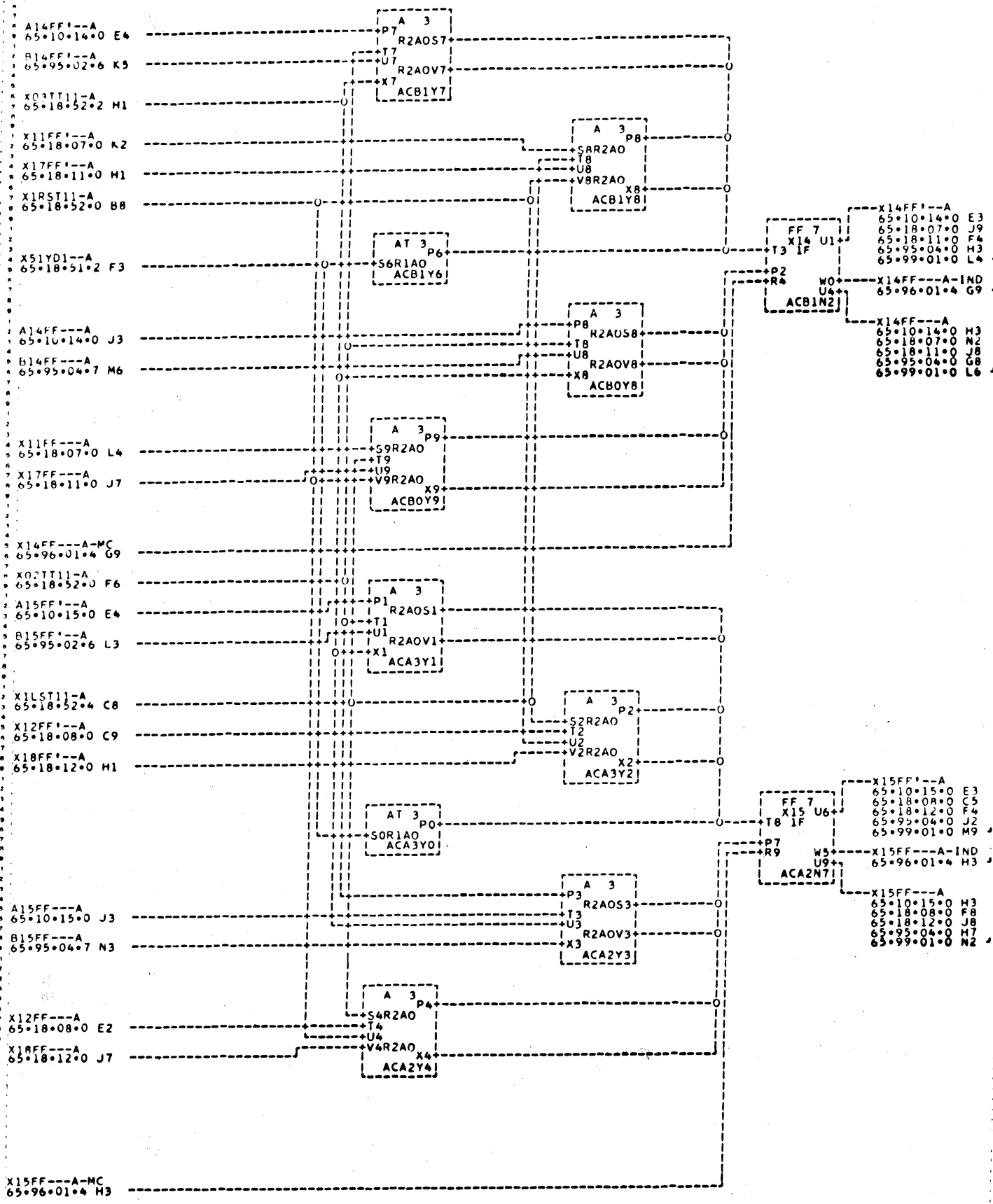
LOGIC SCHEMATIC



FD0 1007-1 REV 8-58

LOGIC SCHEMATIC

INPUT 0 1 2 3 4 5 6 7 8 9 OUTPUT

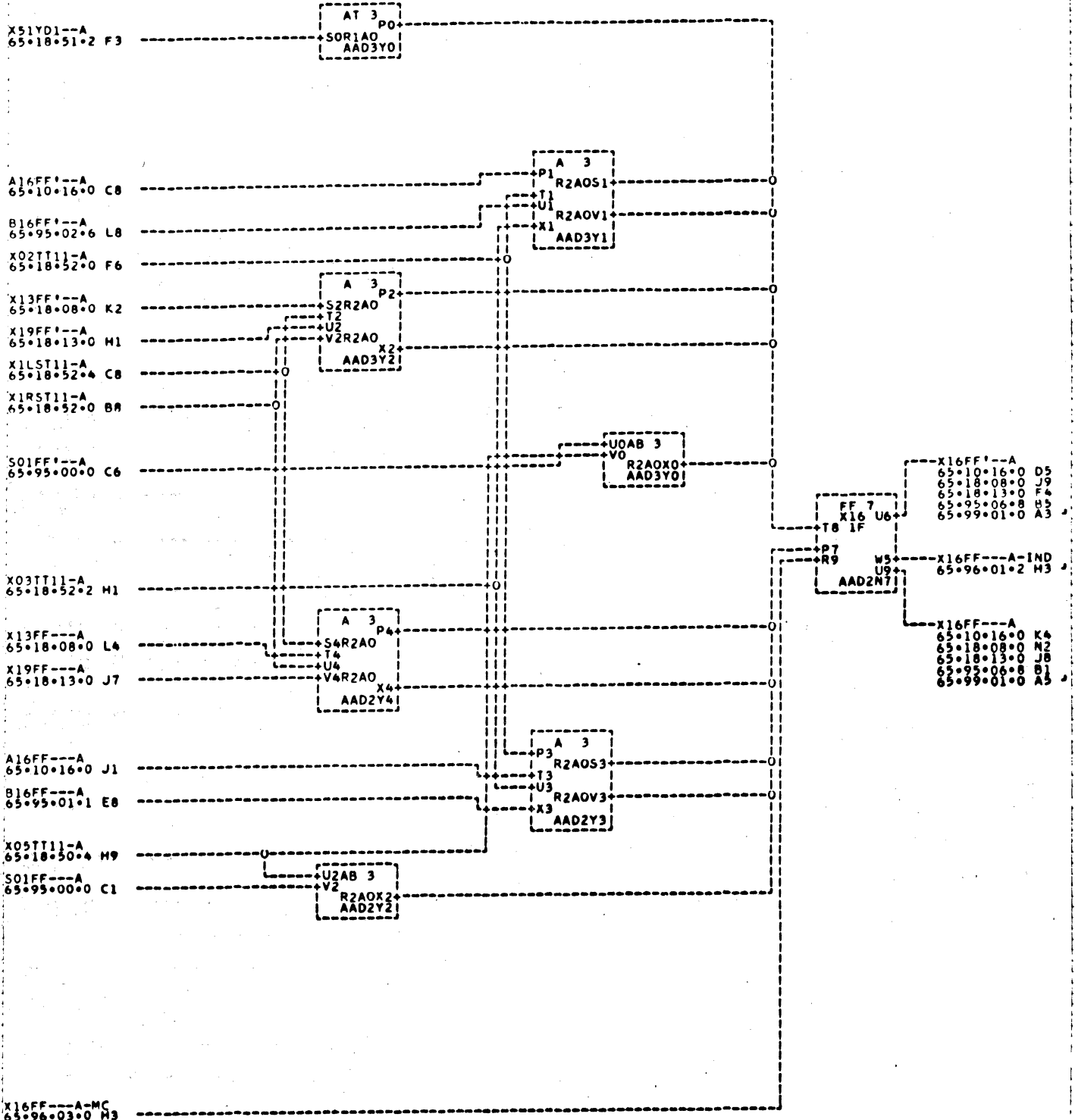


EQUATIONS

INPUT	0	1	2	3	4	5	6	7	8	9	OUTPUT	
U 2	TITLE X REGISTER X14F-1F X15F-1F											U 2
U 4	DRAWN BY B TOYER											U 4
U 6	UNIT NAME PROCESSOR											U 6
U 8	SYSTEM R-3000											U 8
H- 11915535AC												
CHECKED BY D A SHEPHERD 5-11-62												
UNIT NO 78494												
PAGE NO 65-18-09-0												
<div style="border: 1px solid black; padding: 5px; display: inline-block;"> BURROUGHS CORPORATION ELECTRODATA DIV., PASADENA, CALIFORNIA <small>PROPERTY OF BURROUGHS CORPORATION... NOT TO BE REPRODUCED, NOR USED FOR MANUFACTURING PURPOSES, EXCEPT ON BURROUGHS ORDER OR PRIOR WRITTEN CONSENT.</small> </div>												

LOGIC SCHEMATIC

INPUT	0	1	2	3	4	5	6	7	8	9	OUTPUT
-------	---	---	---	---	---	---	---	---	---	---	--------



EQUATIONS

INPUT	0	1	2	3	4	5	6	7	8	9	OUTPUT
-------	---	---	---	---	---	---	---	---	---	---	--------

U 2 TITLE X REGISTER X16F-1F H- 11915543AC
 U 4 DRAWN BY B TOYER 4-12-62 CHECKED BY D A SHEPHERD 9-11-62
 U 6 UNIT NAME PROCESSOR UNIT NO 78494
 U 8 SYSTEM B-3000 PAGE NO 65.18.10.0

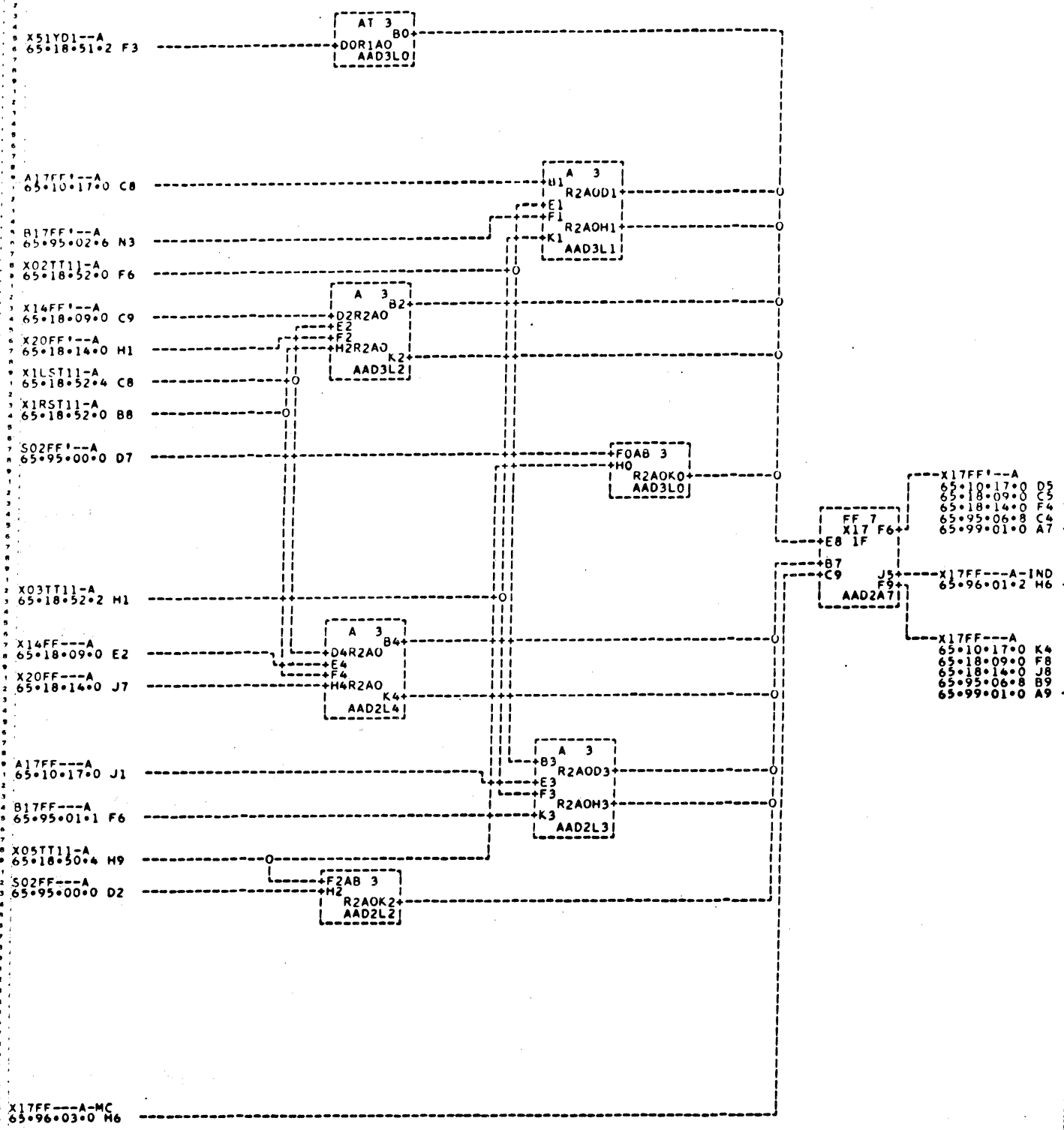
BURROUGHS CORPORATION
 ELECTRODATA DIV., PASADENA, CALIFORNIA

PROPERTY OF BURROUGHS CORPORATION - NOT TO BE REPRODUCED, NOR USED FOR MANUFACTURING PURPOSES, EXCEPT ON BURROUGHS ORDER OR PRIOR WRITTEN CONSENT.

U 2
 U 4
 U 6
 U 8

LOGIC SCHEMATIC

INPUT 0 1 2 3 4 5 6 7 8 9 OUTPUT



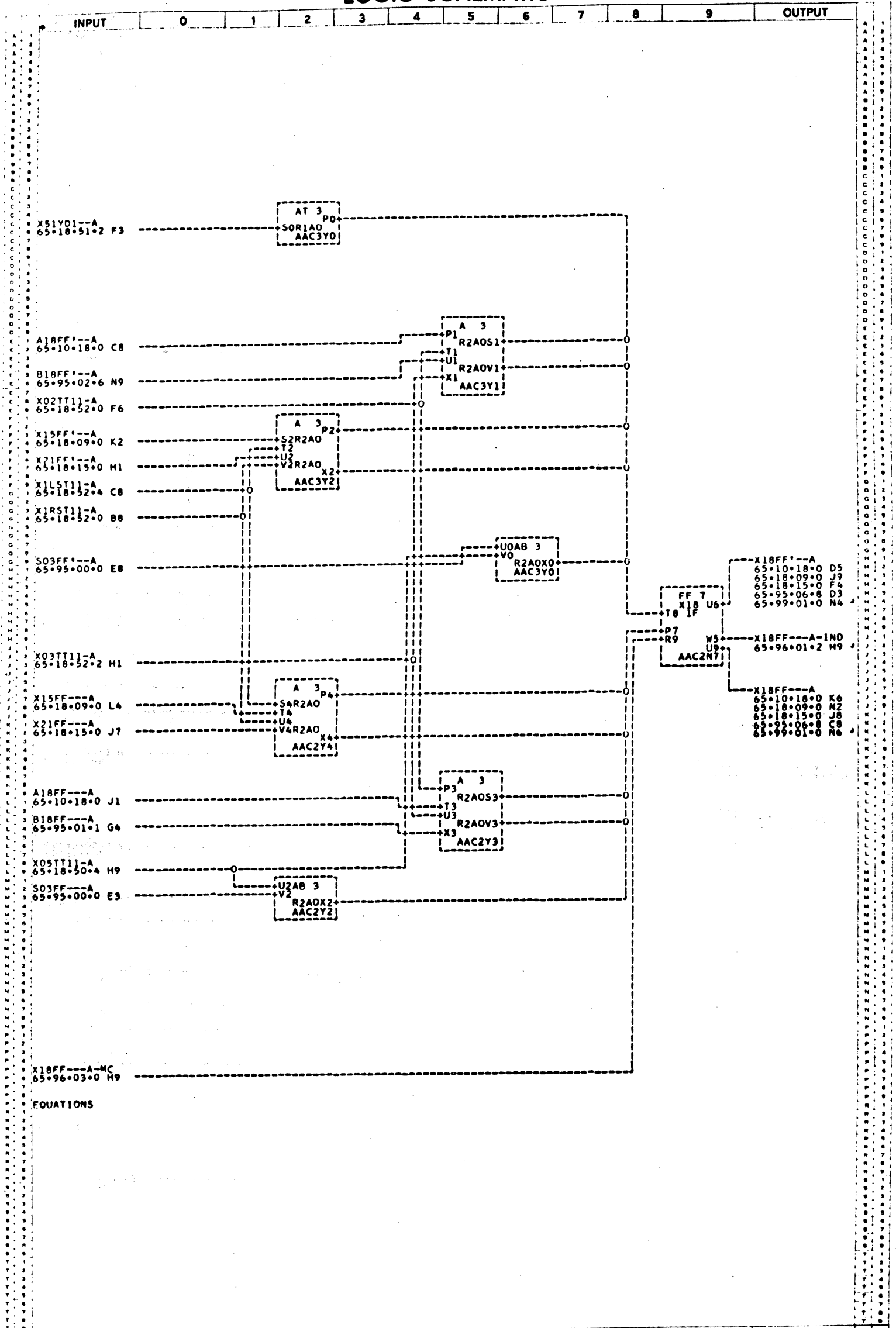
EQUATIONS

INPUT	0	1	2	3	4	5	6	7	8	9	OUTPUT	
U 2	TITLE X REGISTER X17F-1F											U 2
U 4	DRAWN BY B TOYER 4-15-62 RFW CHECKED BY D A SHEPHERD 5-11-62											U 4
U 6	UNIT NAME PROCESSOR											U 6
U 8	SYSTEM B-5000											U 8

BURROUGHS CORPORATION
ELECTRODATA DIV., PASADENA, CALIFORNIA

PROPERTY OF BURROUGHS CORPORATION... NOT TO BE REPRODUCED, FOR USE FOR MANUFACTURING PURPOSES, EXCEPT ON BURROUGHS ORDER OR PRIOR WRITTEN CONSENT.

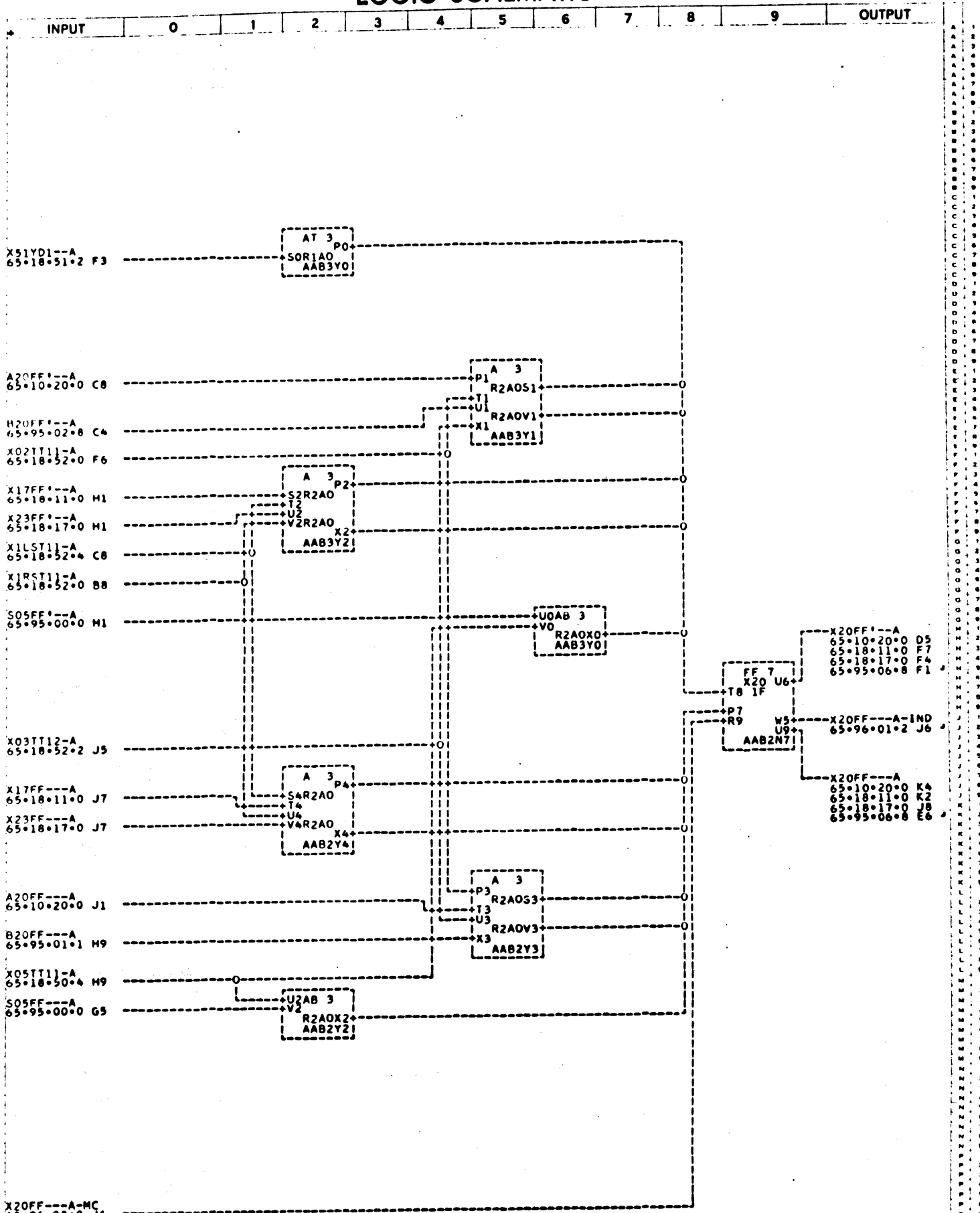
LOGIC SCHEMATIC



EQUATIONS

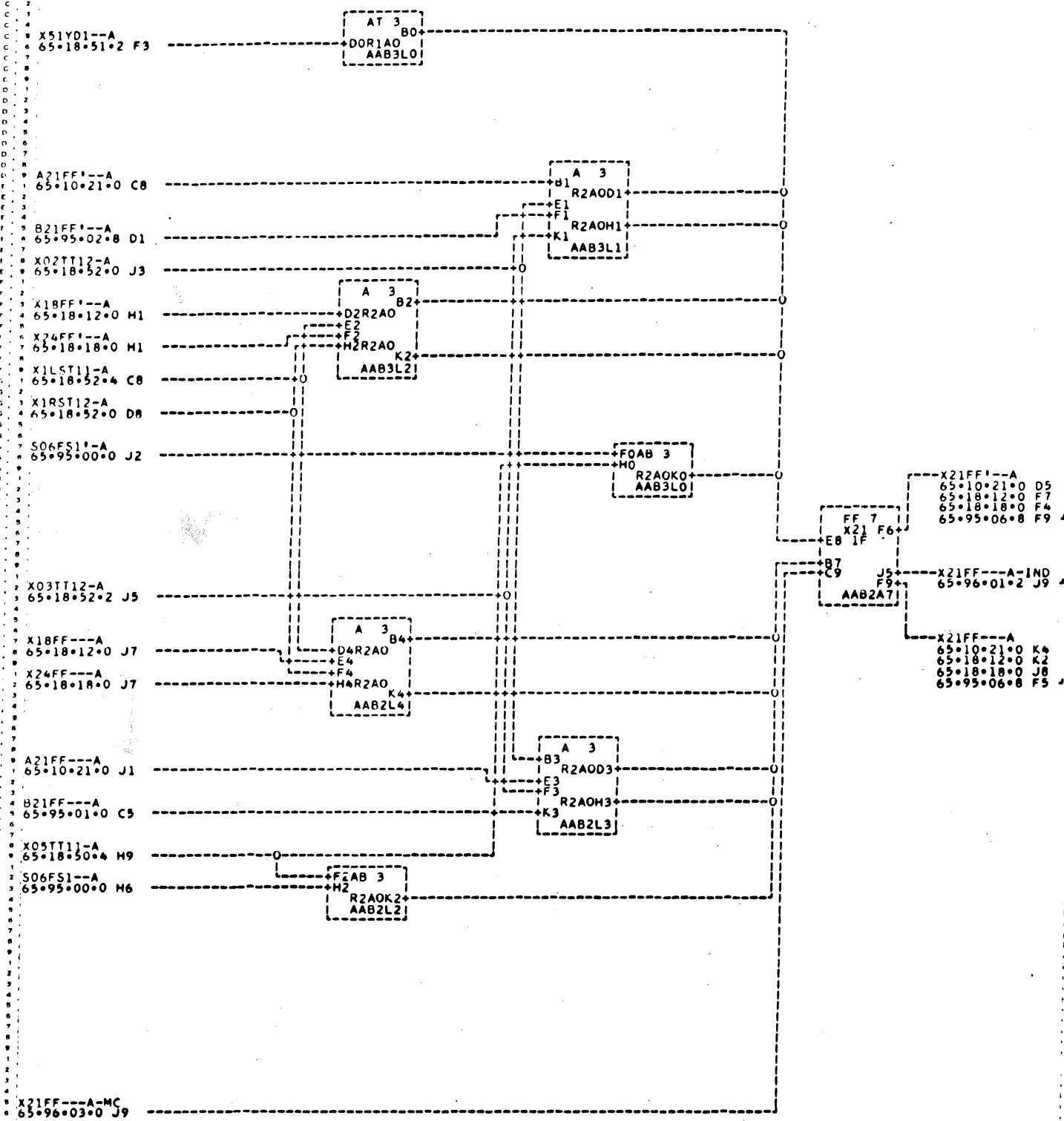
INPUT	0	1	2	3	4	5	6	7	8	9	OUTPUT
U 2	TITLE X REGISTER X18F-1F										
U 4	DRAWN BY B TOYER 4-12-62										
U 6	UNIT NAME PROCESSOR										
U 8	SYSTEM B-5000										
	H- 1191556BAC CHECKED BY D A SHEPHERD 9-11-62 UNIT NO 78494 PAGE NO 65-18-12-0										
	BURROUGHS CORPORATION ELECTRODATA DIV., PASADENA, CALIFORNIA <small>PROPERTY OF BURROUGHS CORPORATION - NOT TO BE REPRODUCED, NOR USED FOR MANUFACTURING PURPOSES, EXCEPT ON BURROUGHS ORDER OR PRIOR WRITER CONSENT.</small>										

LOGIC SCHEMATIC



LOGIC SCHEMATIC

INPUT 0 1 2 3 4 5 6 7 8 9 OUTPUT



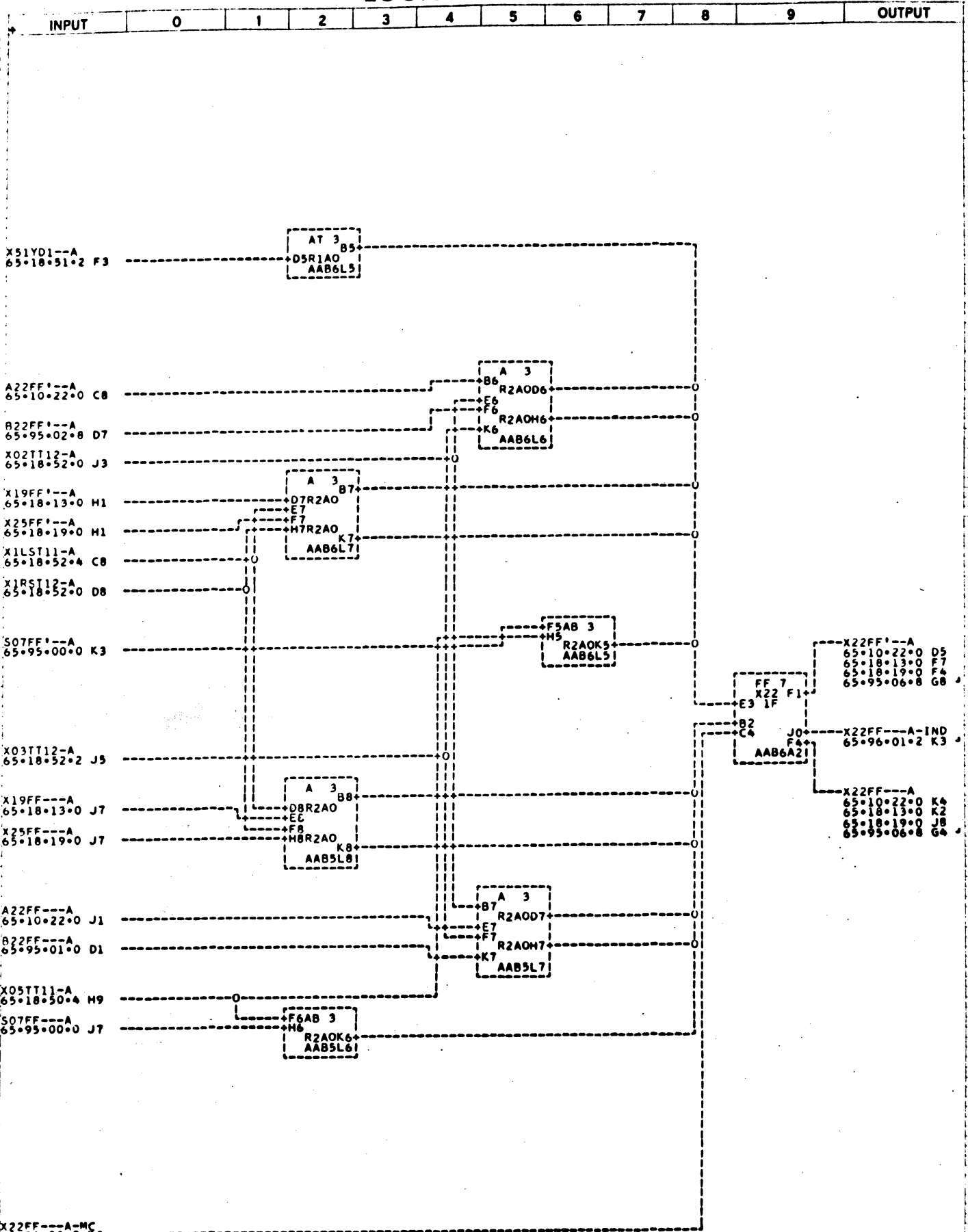
EQUATIONS

INPUT	0	1	2	3	4	5	6	7	8	9	OUTPUT		
U 2	TITLE X REGISTER X21F-1F										U 2		
U 4	DRAWN BY B TOYER 4-12-62										U 4		
U 6	UNIT NAME PROCESSOR										U 6		
U 8	SYSTEM B-5000										U 8		
H- 11915592AC						CHECKED BY D A SHEPHERD 5-11-62						UNIT NO 78494	
PAGE NO 65-18-15-0													

BURROUGHS CORPORATION
ELECTRODATA DIV., PASADENA, CALIFORNIA

PROPERTY OF BURROUGHS CORPORATION...NOT TO BE REPRODUCED, NOR USED FOR MANUFACTURING PURPOSES, EXCEPT ON BURROUGHS ORDER OR PRIOR WRITTEN CONSENT.

LOGIC SCHEMATIC

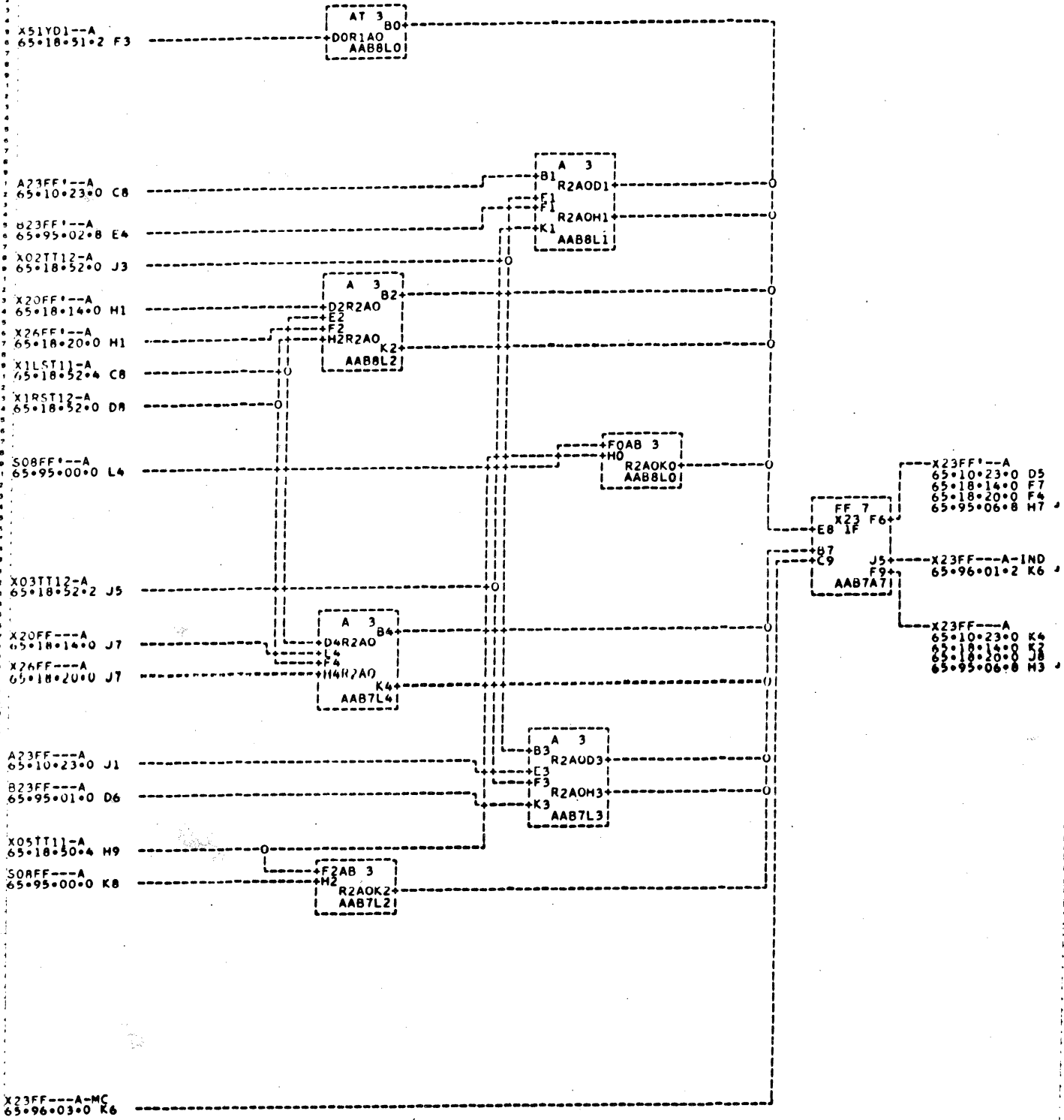


EQUATIONS

100 1047-1 REV 8-61

LOGIC SCHEMATIC

INPUT	0	1	2	3	4	5	6	7	8	9	OUTPUT
-------	---	---	---	---	---	---	---	---	---	---	--------



EQUATIONS

INPUT	0	1	2	3	4	5	6	7	8	9	OUTPUT
-------	---	---	---	---	---	---	---	---	---	---	--------

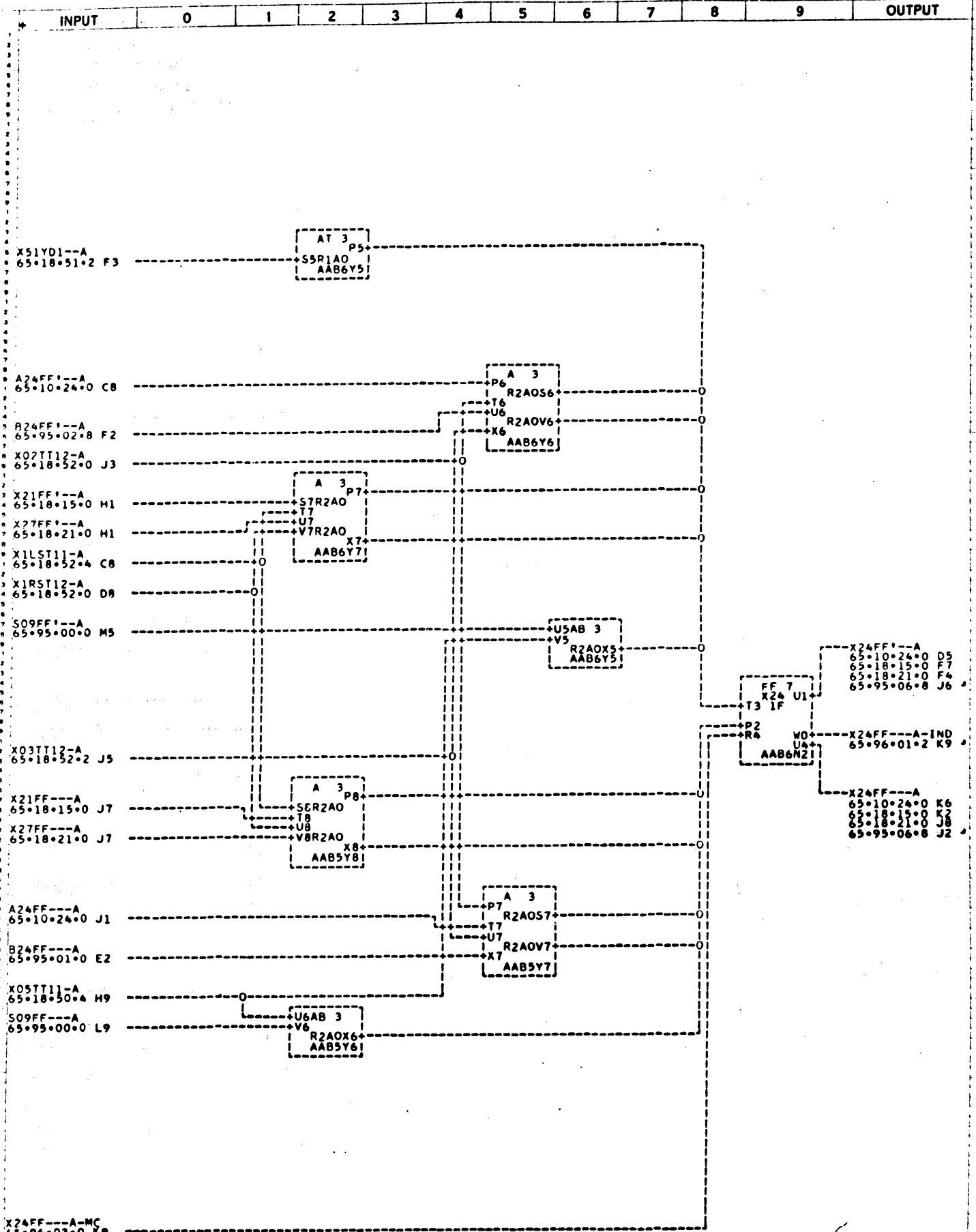
U 2	TITLE X REGISTER X23F-1F	H- 11915618AC
U 4	DRAWN BY B TOYER 4-12-62	CHECKED BY D A SHEPHERD 5-11-62
U 6	UNIT NAME PROCESSOR	UNIT NO 78494
U 8	SYSTEM B-5000	PAGE NO 65-18-17-0

BURROUGHS CORPORATION
ELECTRODATA DIV., PASADENA, CALIFORNIA

PROPERTY OF BURROUGHS CORPORATION - NOT TO BE REPRODUCED, NOR USED FOR MANUFACTURING PURPOSES, EXCEPT ON BURROUGHS ORDER OR PRIOR WRITTEN CONSENT.

U 2
U 4
U 6
U 8

LOGIC SCHEMATIC

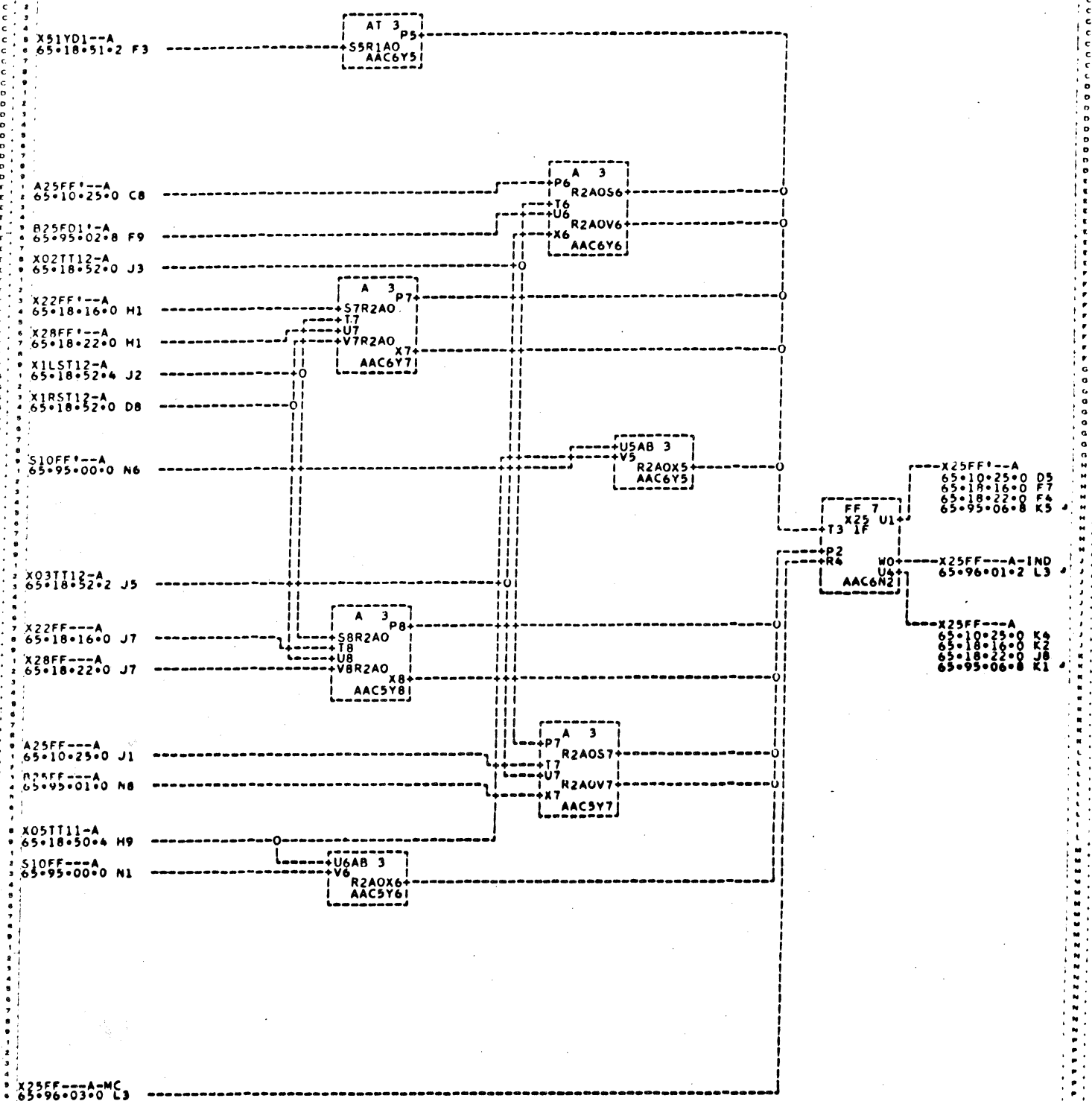


EQUATIONS

EOO 1067-1 REV 6-58

LOGIC SCHEMATIC

INPUT 0 1 2 3 4 5 6 7 8 9 OUTPUT



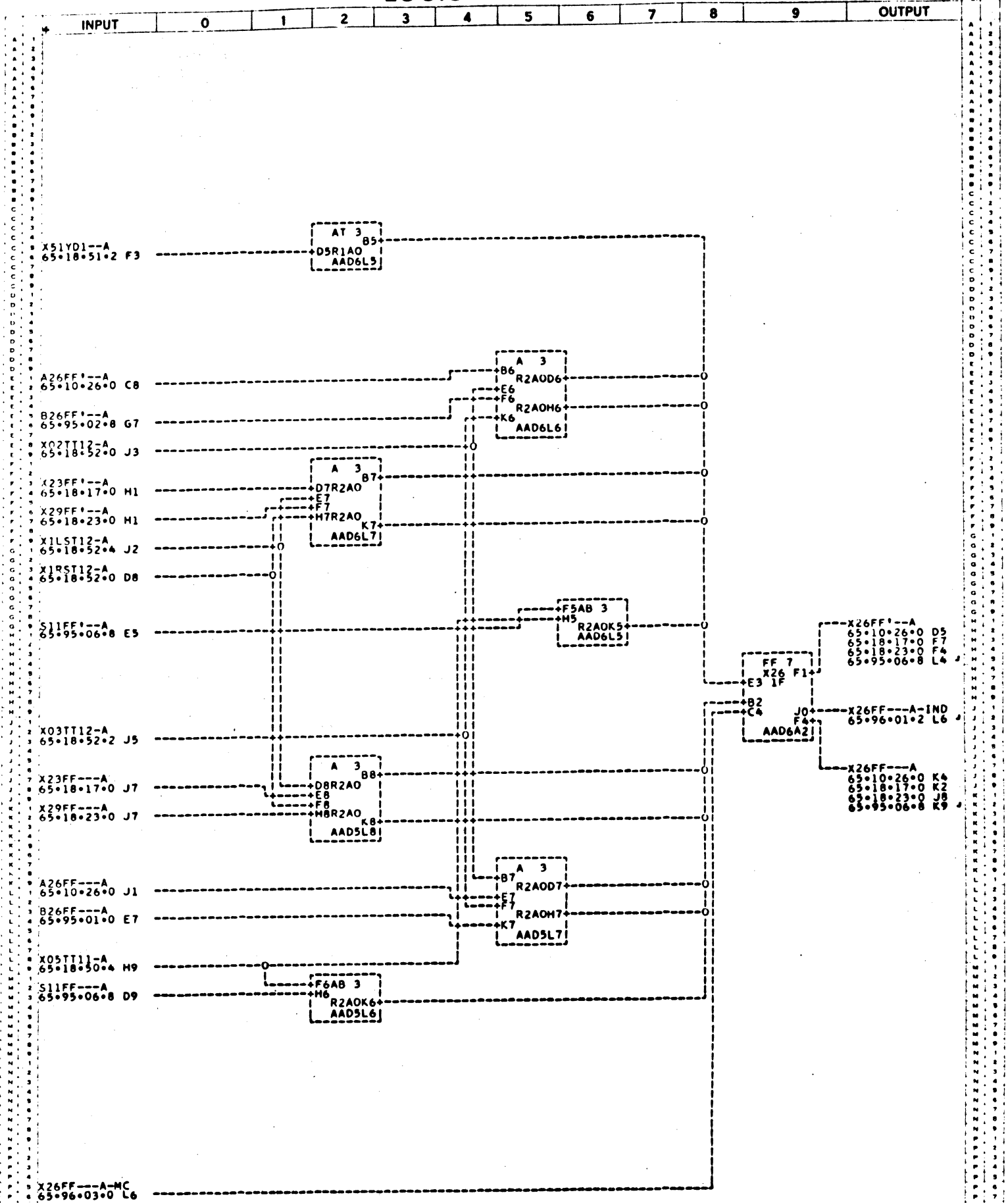
EQUATIONS

U 2	INPUT	0	1	2	3	4	5	6	7	8	9	OUTPUT	U 2
U 4	TITLE X REGISTER X25F-1F												U 4
U 6	DRAWN BY B TOYER 4-12-62												U 6
U 8	UNIT NAME PROCESSOR												U 8
	SYSTEM B-9000												

BURROUGHS CORPORATION
ELECTRODATA DIV., PASADENA, CALIFORNIA

PROPERTY OF BURROUGHS CORPORATION—NOT TO BE REPRODUCED, NOR USED FOR MANUFACTURING PURPOSES, EXCEPT ON BURROUGHS ORDER OR PRIOR WRITTEN CONSENT.

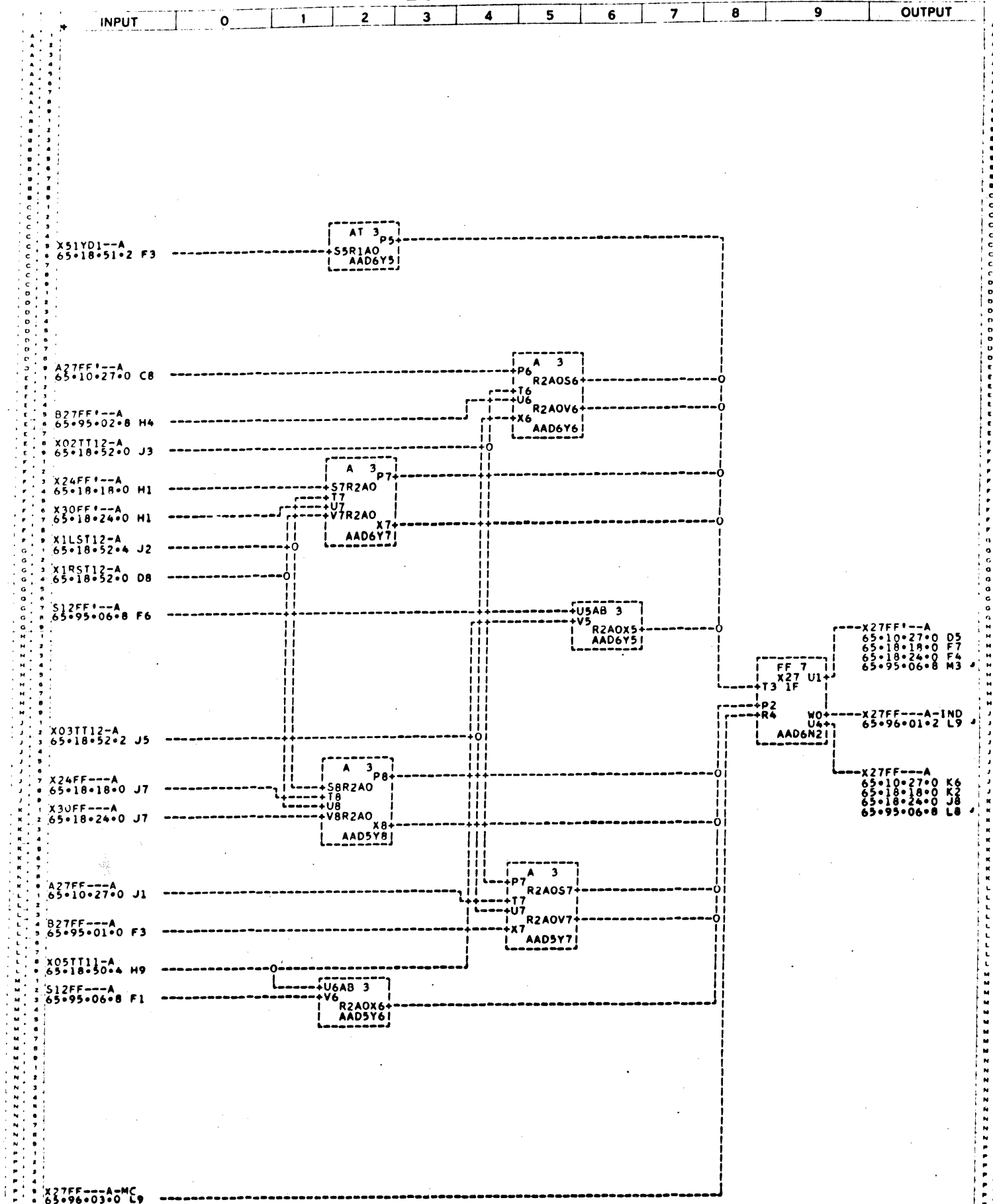
LOGIC SCHEMATIC



EQUATIONS

EDD. 1047-1 REV 9-61

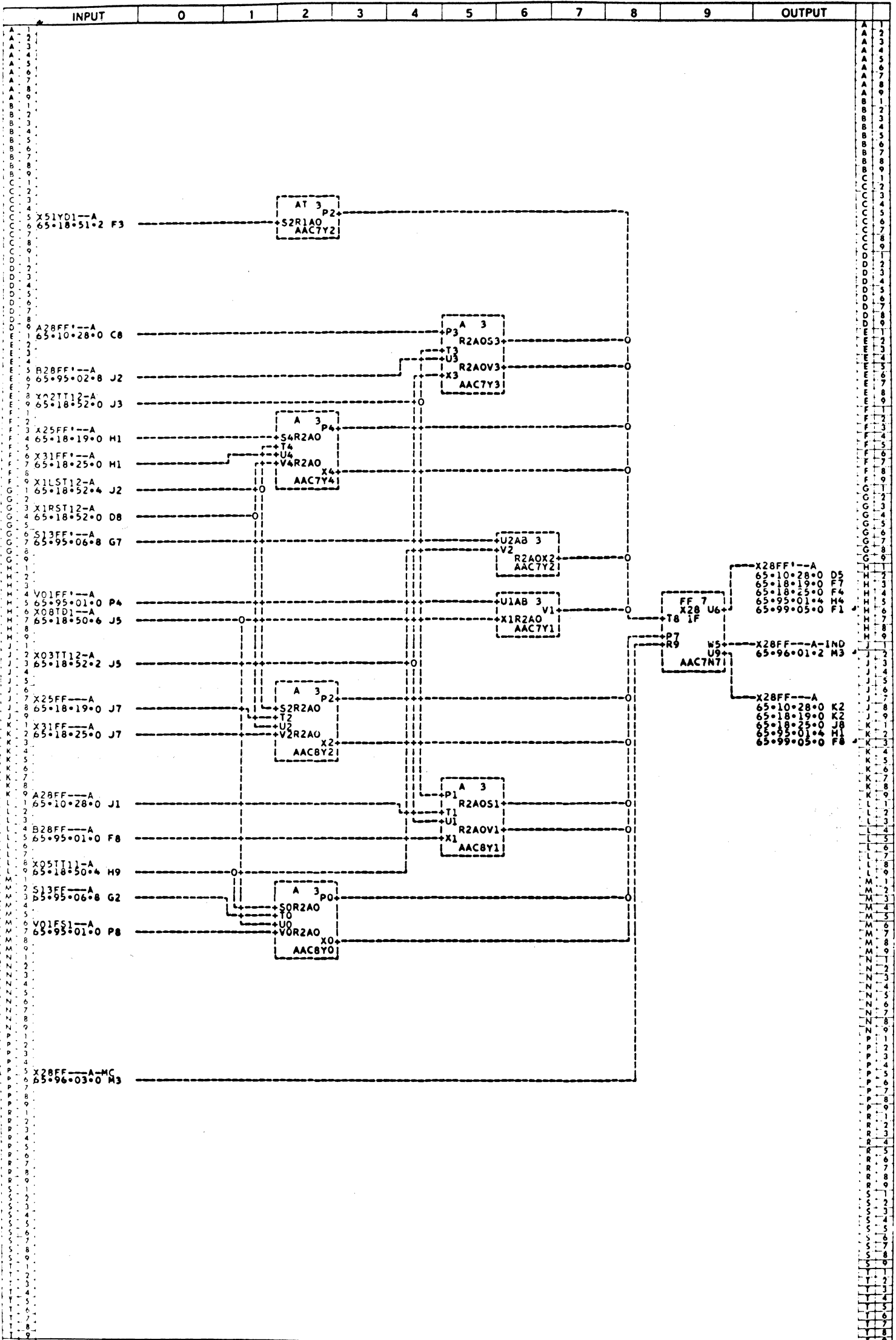
LOGIC SCHEMATIC



EQUATIONS

INPUT	0	1	2	3	4	5	6	7	8	9	OUTPUT	
U 2	TITLE X REGISTER X27F-1F											U 2
U 4	DRAWN BY B TOYER 4-12-62											U 4
U 6	UNIT NAME PROCESSOR											U 6
U 8	SYSTEM A-5000											U 8
						H- 11915659AC		BURROUGHS CORPORATION ELECTRODATA DIV., PASADENA, CALIFORNIA				
						CHECKED BY D A SHEPHERD 5-11-62		PROPERTY OF BURROUGHS CORPORATION...NOT TO BE REPRODUCED, FOR USE FOR MANUFACTURING PURPOSES, EXCEPT ON BURROUGHS ORDER OR PRIOR WRITTEN CONSENT.				
						UNIT NO 78494		***10-10-62***				
						PAGE NO 65.18.21.0						

LOGIC SCHEMATIC



INPUT	0	1	2	3	4	5	6	7	8	9	OUTPUT	
U 2 TITLE	X REGISTER X28F-1F										U 2	
U 4 DRAWN BY	B TOYER 4-12-62										U 4	
U 6 UNIT NAME	PROCESSOR										U 6	
U 8 SYSTEM	B-5000										U 8	
M- 11915667AD					CHECKED BY D A SHEPHERD 5-11-62					UNIT NO. 78494		
PAGE NO. 65-18-22-0												

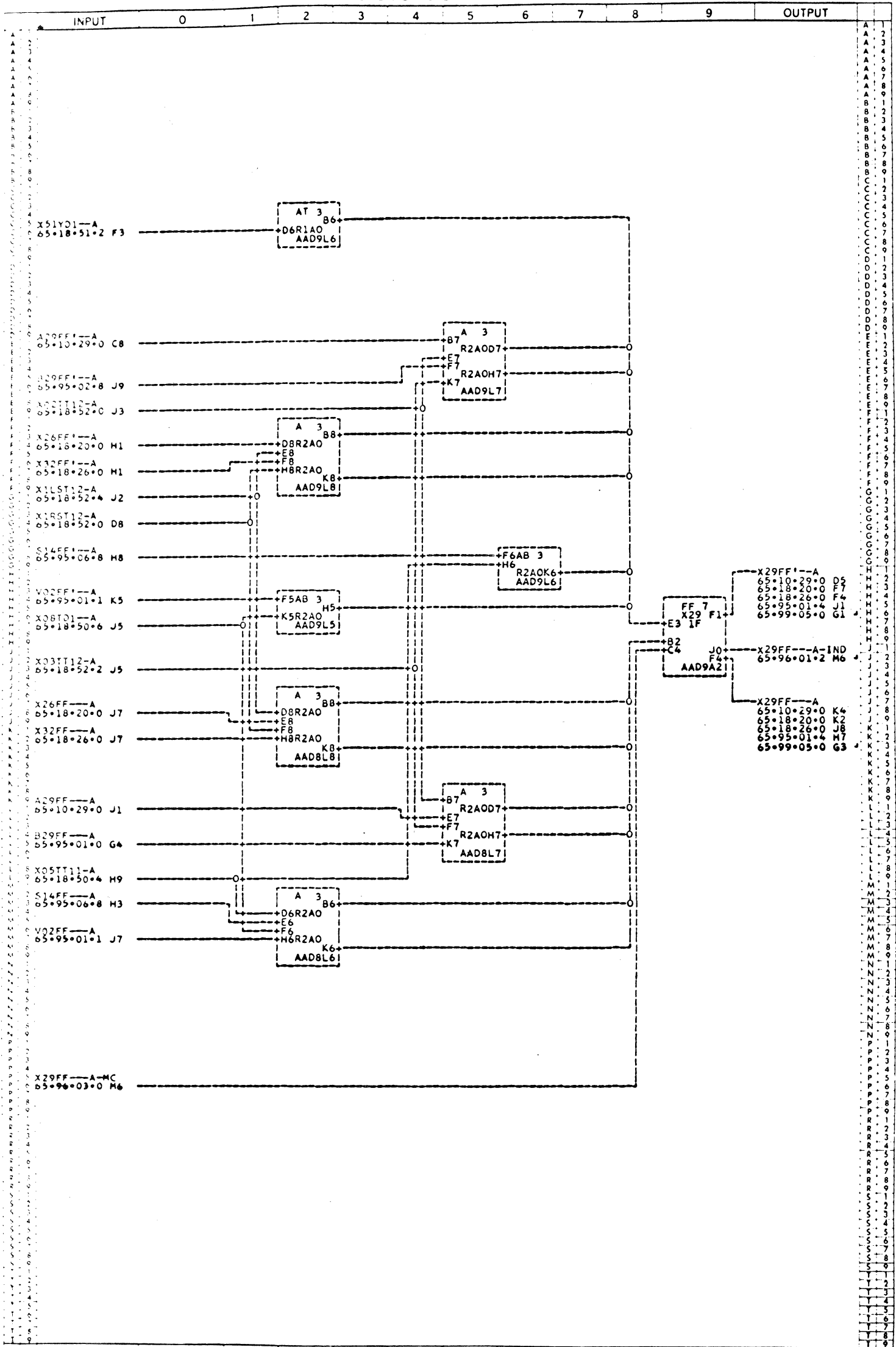
ELECTRODATA
M&E DIVISION

Burroughs Corporation

PASADENA
CALIFORNIA

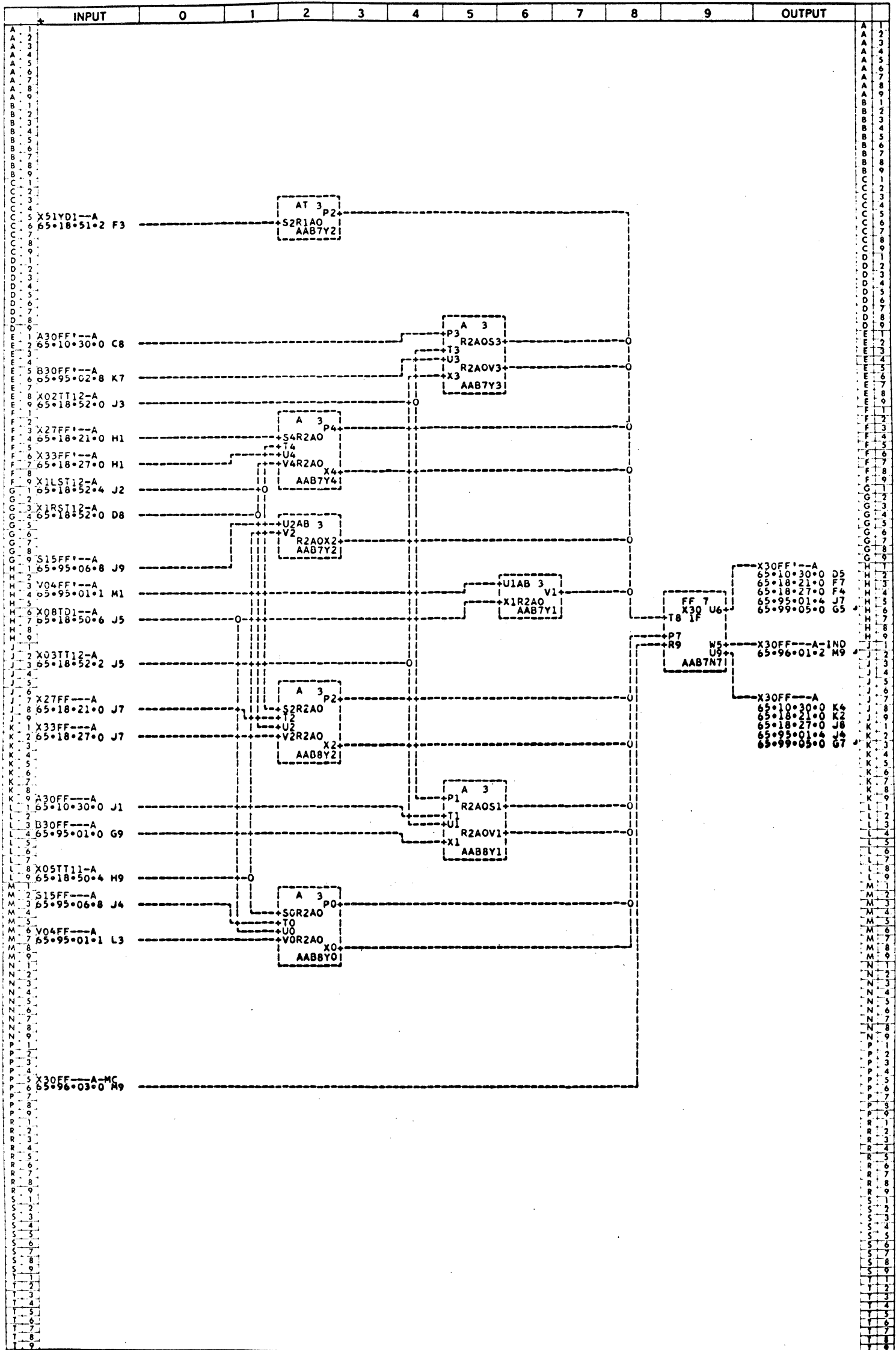
PROPERTY OF BURROUGHS CORPORATION NOT TO BE REPRODUCED, NOR USED FOR MANUFACTURING PURPOSES EXCEPT ON BURROUGHS ORDER OR PRIOR WRITTEN CONSENT

LOGIC SCHEMATIC



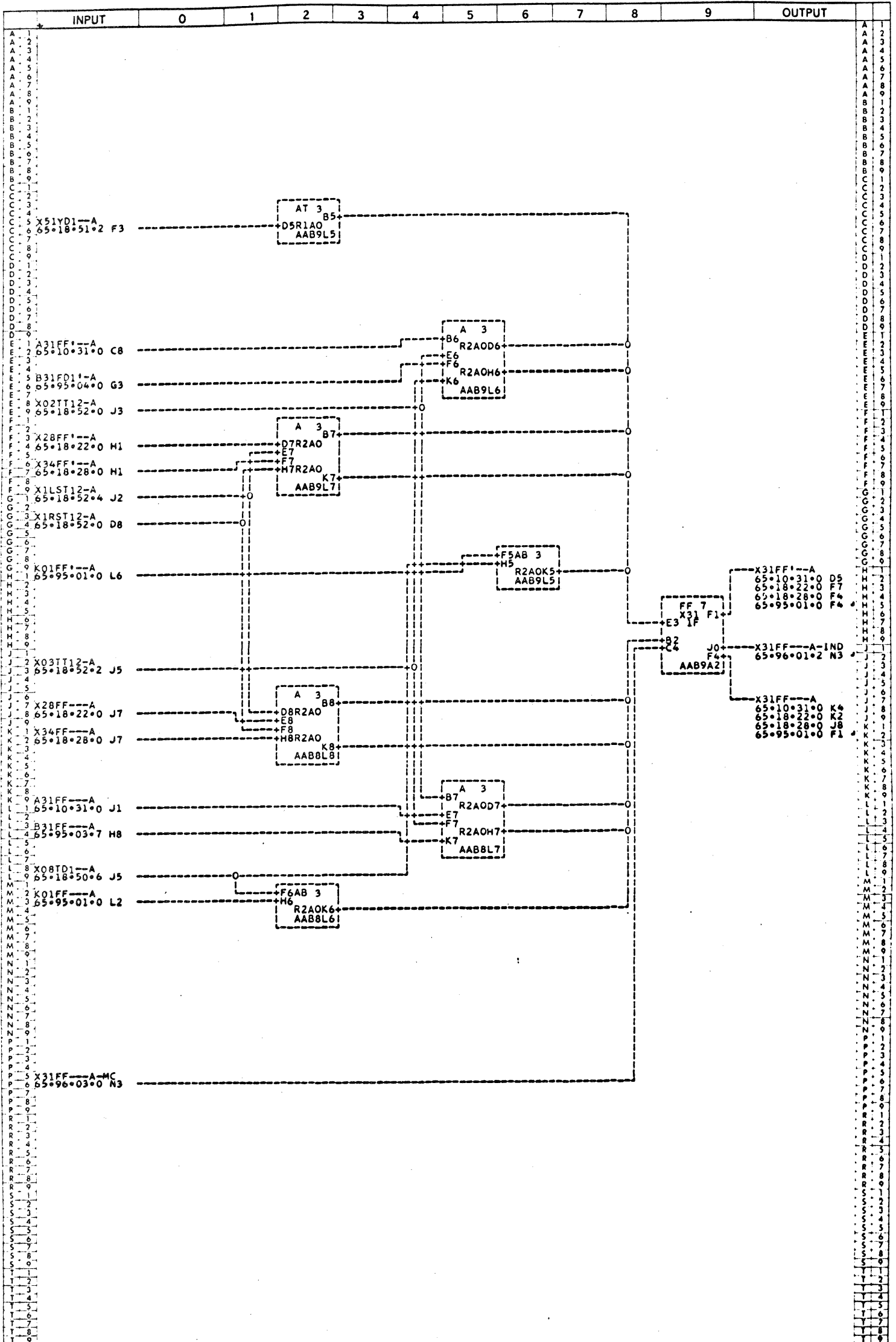
INPUT	0	1	2	3	4	5	6	7	8	9	OUTPUT
U 2	TITLE X REGISTER X29F-1F										U 2
U 4	DRAWN BY B TOYER 4-12-62										U 4
U 6	UNIT NAME PROCESSOR										U 6
U 8	SYSTEM B-5000										U 8
					M- 11915675AD						
					CHECKED BY D A SHEPHERD 5-11-62						
					UNIT NO. 78494						
					PAGE NO. 65.18.23.0						
Burroughs Corporation ELECTRODATA M&E DIVISION PASADENA CALIFORNIA											
PROPERTY OF BURROUGHS CORPORATION NOT TO BE REPRODUCED, NOR USED FOR MANUFACTURING PURPOSES EXCEPT ON BURROUGHS ORDER OR PRIOR WRITTEN CONSENT											

LOGIC SCHEMATIC



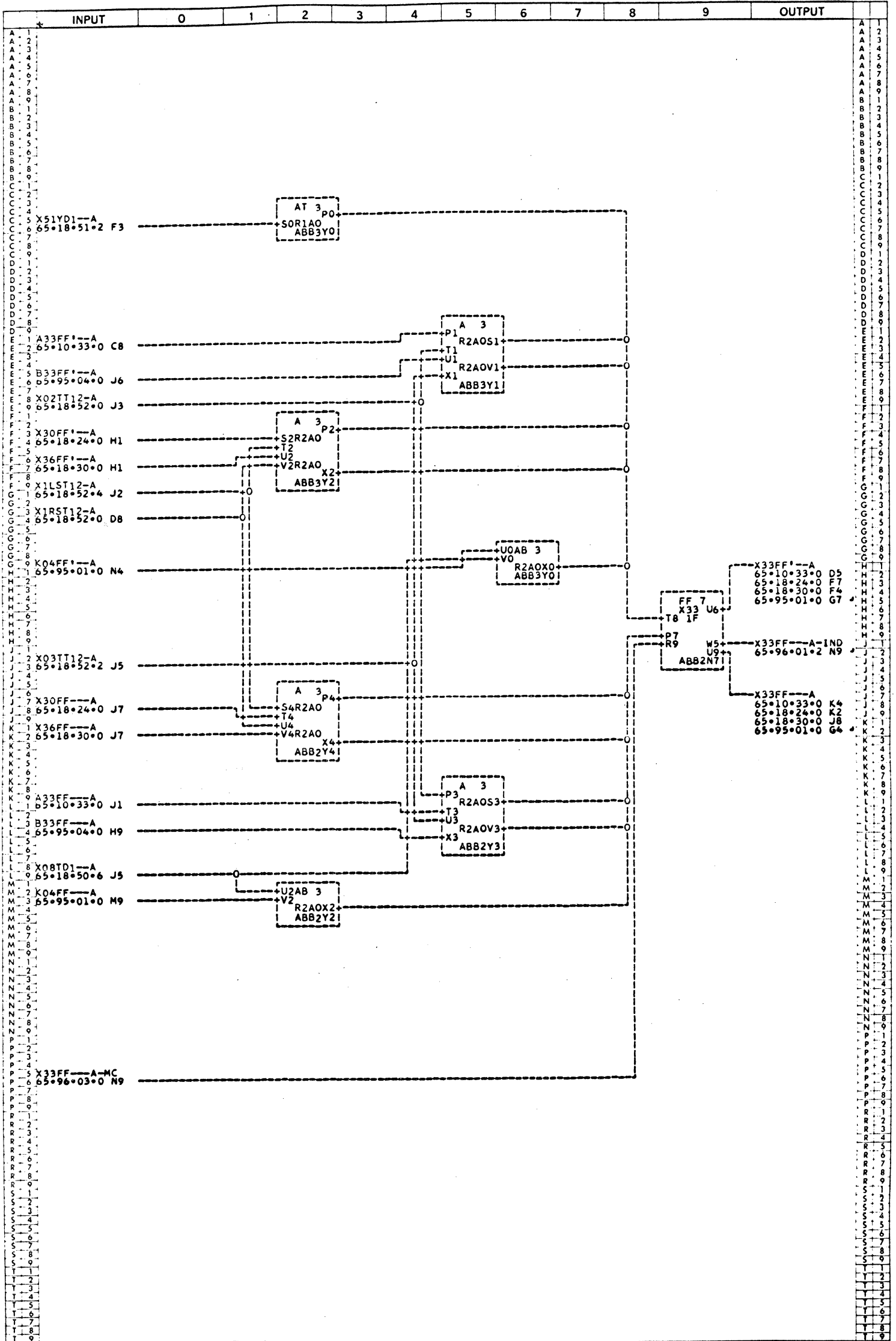
INPUT	0	1	2	3	4	5	6	7	8	9	OUTPUT
U 2	TITLE X REGISTER X30F-1F										U 2
U 4	DRAWN BY B TOYER 4-12-62										U 4
U 6	UNIT NAME PROCESSOR										U 6
U 8	SYSTEM B-5000										U 8
H- 11915683AD						CHECKED BY D A SHEPHERD 5-11-62					
UNIT NO. 78494						PAGE NO. 65-18-24-0					
<div style="display: flex; justify-content: space-between;"> ELECTRODATA M&E DIVISION Burroughs Corporation PASADENA CALIFORNIA </div> <p style="font-size: small; text-align: center;">PROPERTY OF BURROUGHS CORPORATION NOT TO BE REPRODUCED, NOR USED FOR MANUFACTURING PURPOSES EXCEPT ON BURROUGHS ORDER OR PRIOR WRITTEN CONSENT.</p>											

LOGIC SCHEMATIC



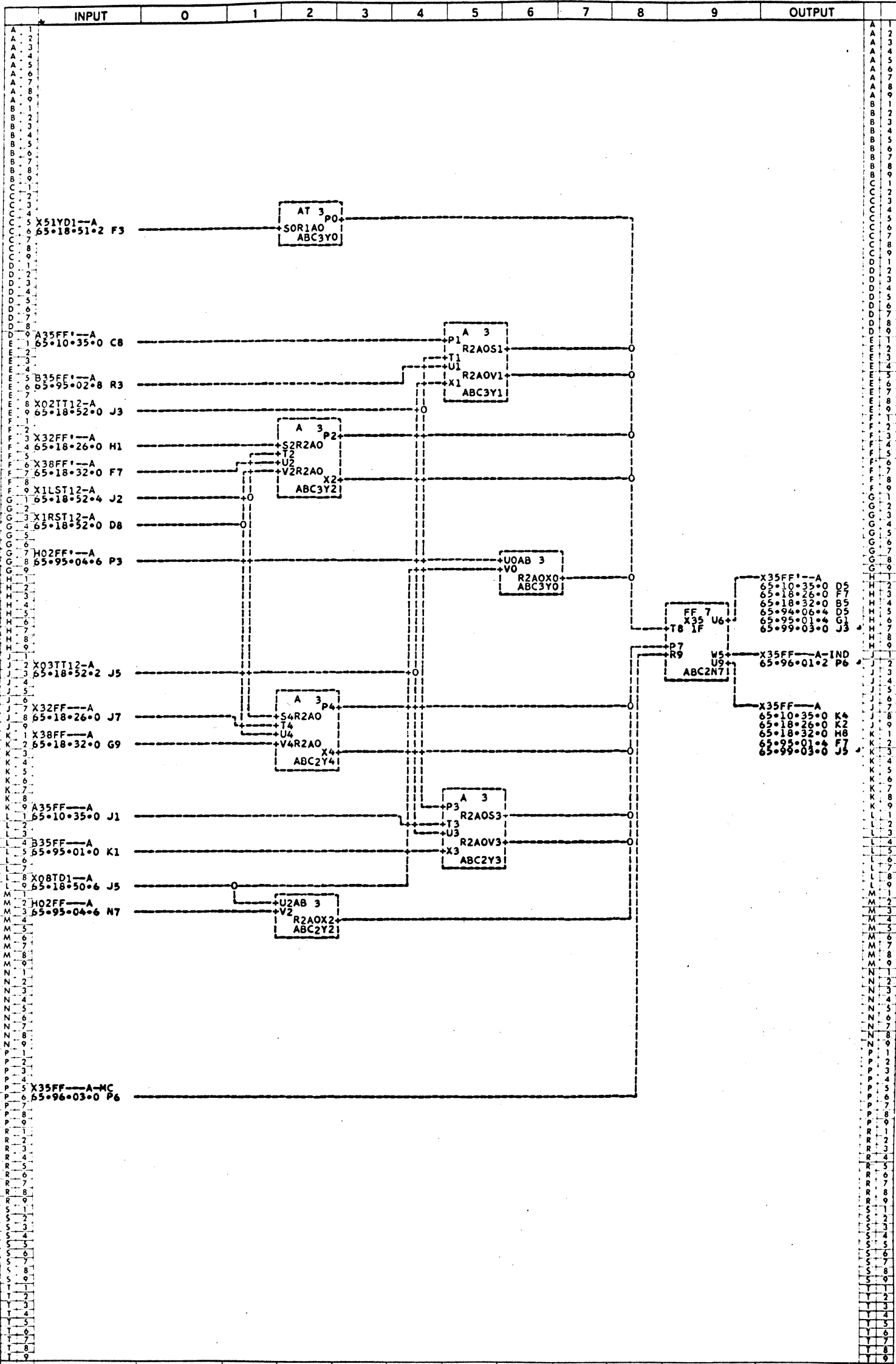
INPUT	0	1	2	3	4	5	6	7	8	9	OUTPUT
U 2	TITLE X REGISTER X31F-1F										U 2
U 4	DRAWN BY B TOYER 4-12-62										U 4
U 6	UNIT NAME PROCESSOR										U 6
U 8	SYSTEM B-5000										U 8
H- 11915691AD						ELECTRODATA					
CHECKED BY D A SHEPHERD 5-11-62						M & E DIVISION					
UNIT NO. 78494						Burroughs Corporation					
PAGE NO. 65-18-25-00						PASADENA CALIFORNIA					
PROPERTY OF BURROUGHS CORPORATION. NOT TO BE REPRODUCED, NOR USED FOR MANUFACTURING PURPOSES, EXCEPT ON BURROUGHS ORDER OR PRIOR WRITTEN CONSENT.											

LOGIC SCHEMATIC



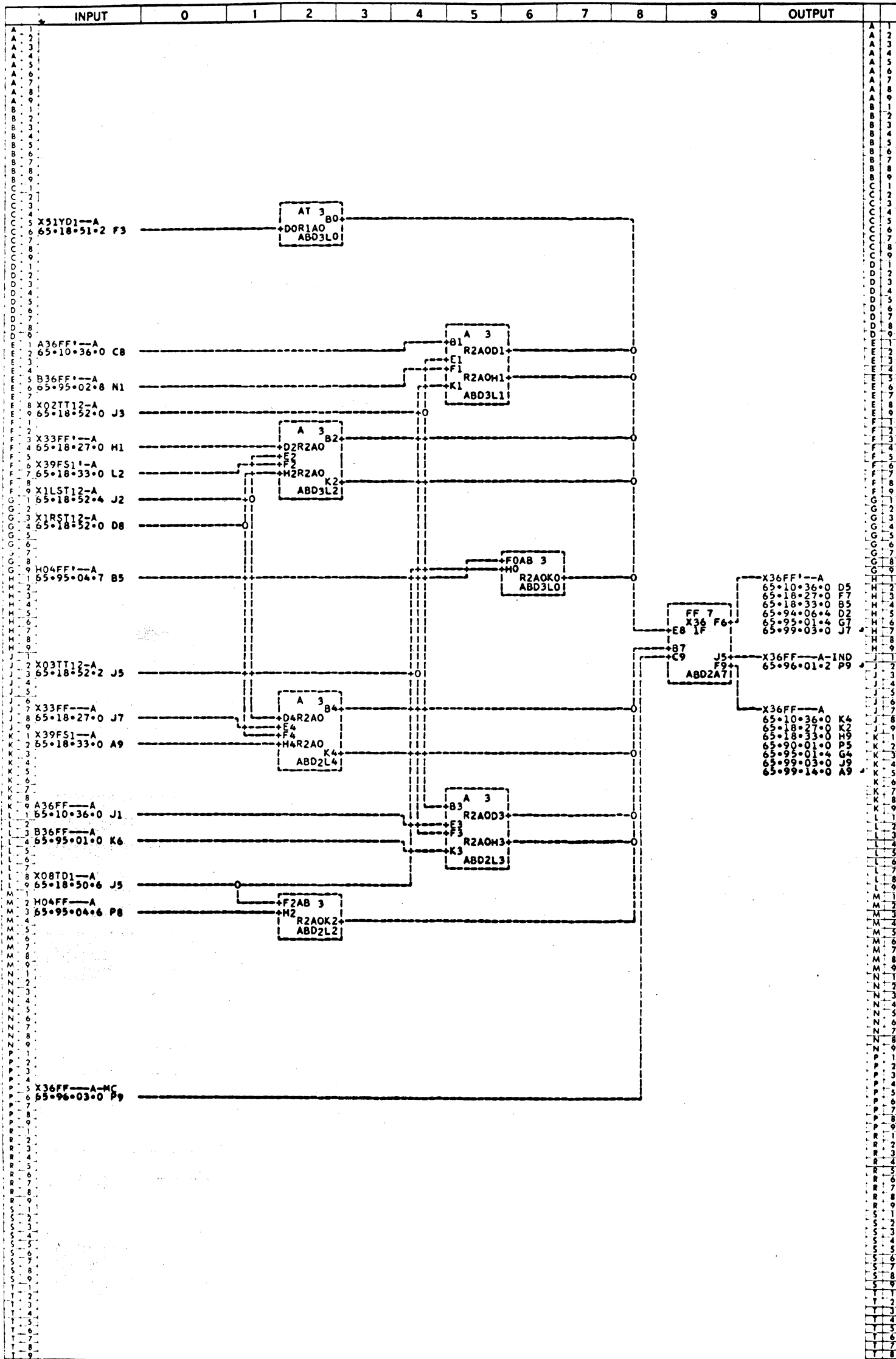
INPUT	0	1	2	3	4	5	6	7	8	9	OUTPUT
U 2	TITLE X REGISTER X33F-1F										U 2
U 4	DRAWN BY B TOYER										U 4
U 6	UNIT NAME PROCESSOR										U 6
U 8	SYSTEM B-5000										U 8
						M- 11915717AD		ELECTRODATA		Burroughs Corporation	
						CHECKED BY D A SHEPHERD		M&E DIVISION		PASADENA CALIFORNIA	
						5-11-63		PROPERTY OF BURROUGHS CORPORATION. NOT TO BE REPRODUCED, NOR USED FOR		MANUFACTURING PURPOSES. EXCEPT ON BURROUGHS ORDER OR PRIOR WRITTEN CONSENT.	
						UNIT NO. 78494		PAGE NO. 65-18-27-0			

LOGIC SCHEMATIC



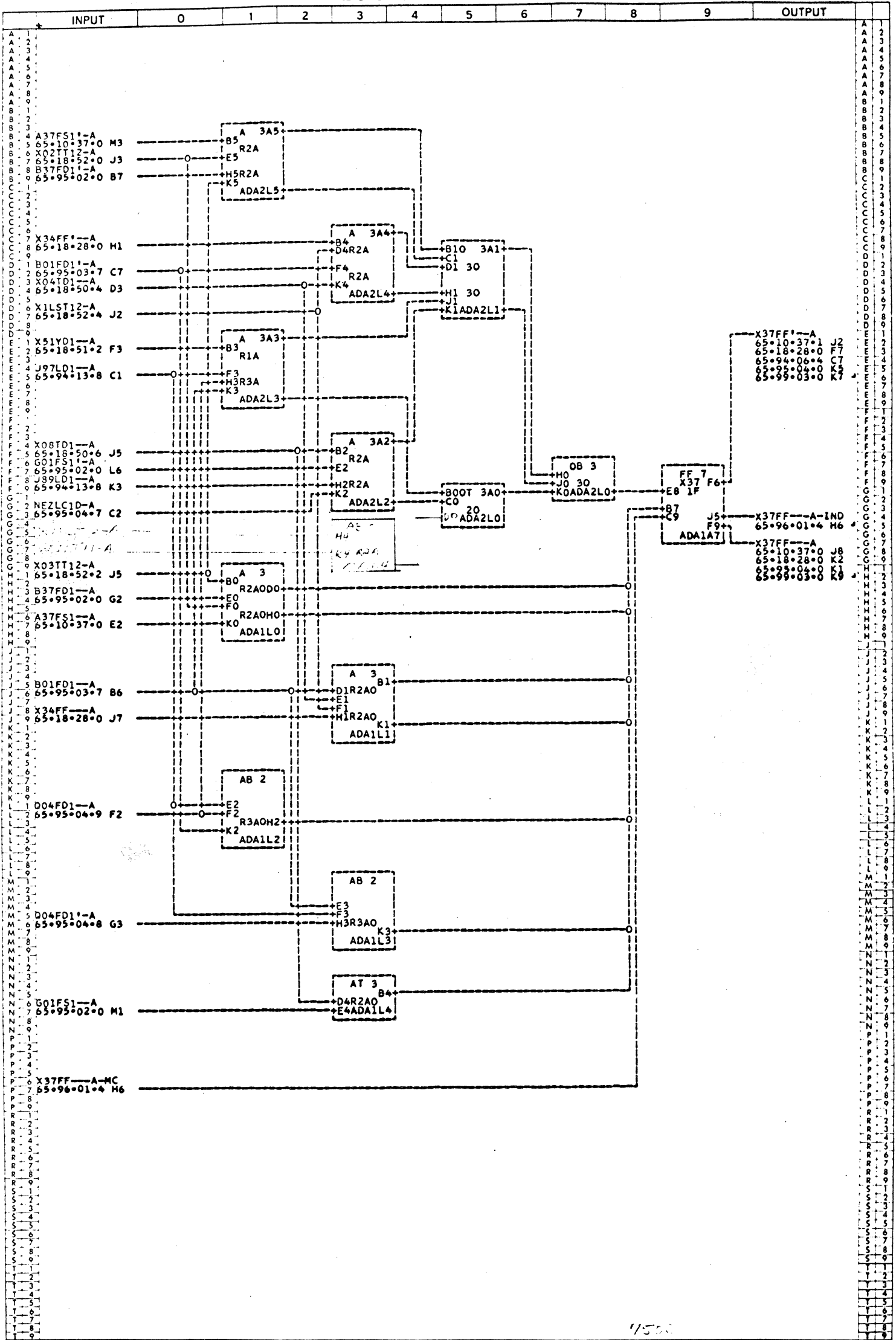
INPUT	0	1	2	3	4	5	6	7	8	9	OUTPUT
U 2	TITLE X REGISTER X35F-1F										U 2
U 4	DRAWN BY B TOYER 4-12-62										U 4
U 6	UNIT NAME PROCESSOR										U 6
U 8	SYSTEM B-5000										U 8

LOGIC SCHEMATIC



INPUT	0	1	2	3	4	5	6	7	8	9	OUTPUT
U 2 TITLE X REGISTER X36F-1F											
U 4 DRAWN BY B TOYER 4-12-62											
U 6 UNIT NAME PROCESSOR											
U 8 SYSTEM B-3000											
M- 11915701AD						ELECTRODATA M&E DIVISION					
CHECKED BY D A SHEPHERD 5-11-62						Burrhoughs Corporation PASADENA CALIFORNIA					
UNIT NO. 78494						PROPERTY OF BURROUGHS CORPORATION NOT TO BE REPRODUCED, NOR USED FOR MANUFACTURING PURPOSES EXCEPT ON BURROUGHS ORDER OR PRIOR WRITTEN CONSENT					
PAGE NO. 65-18-30-0											

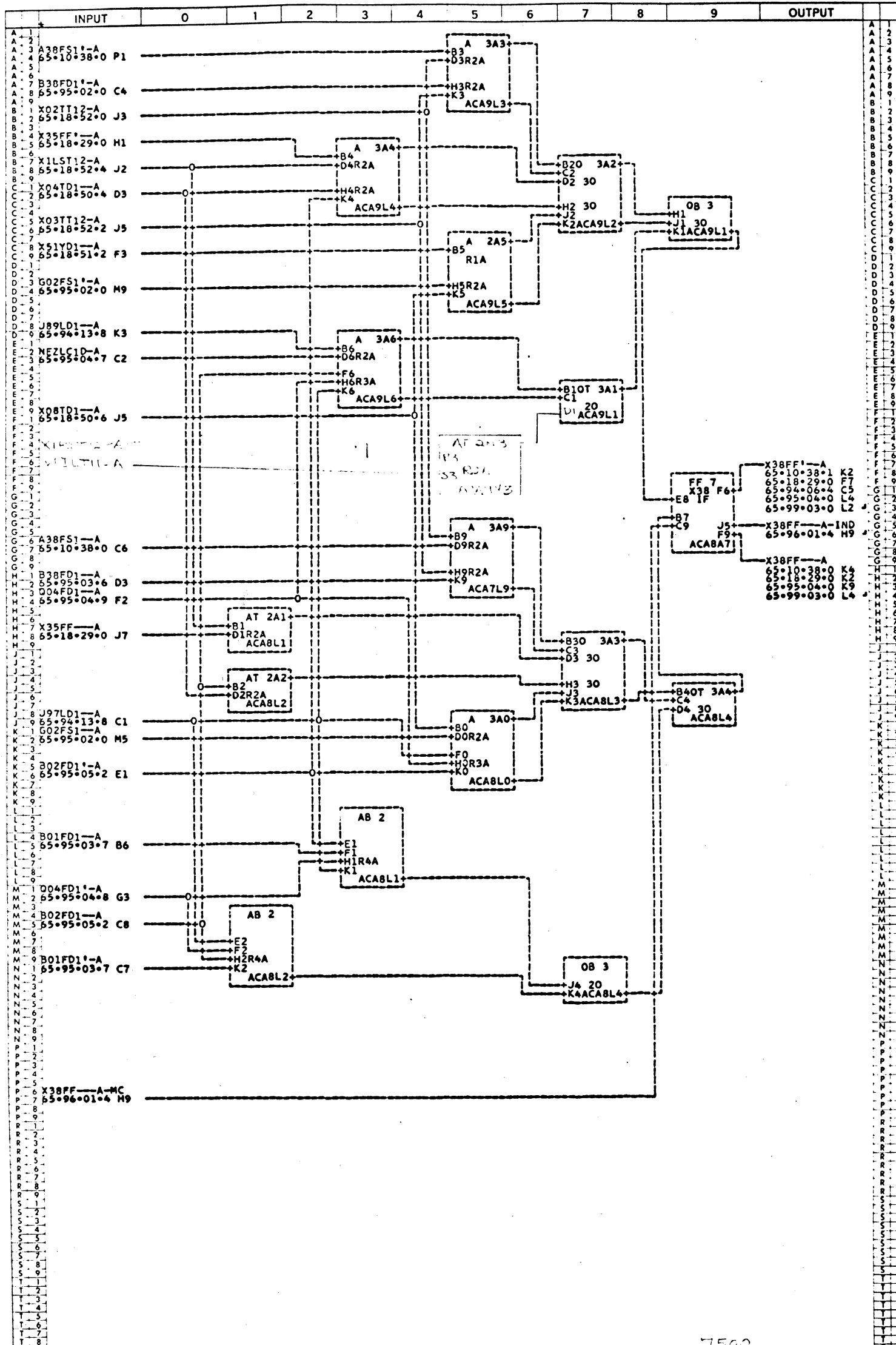
LOGIC SCHEMATIC



1750

INPUT	0	1	2	3	4	5	6	7	8	9	OUTPUT
U 2 TITLE X REGISTER X37F-1F											
U 4 DRAWN BYZINES											
U 6 UNIT NAME PROCESSOR											
U 8 SYSTEM B-5000											

LOGIC SCHEMATIC



7500

INPUT	0	1	2	3	4	5	6	7	8	9	OUTPUT
U 2	TITLE X REGISTER X38F-1F										U 2
U 4	DRAWN BY B TOYER 4-14-62 RPW CHECKED BY D A SHEPHERD 5-11-61										U 4
U 6	UNIT NAME PROCESSOR UNIT NO. 78494										U 6
U 8	SYSTEM B 5000 PAGE NO. 65-18-32-0										U 8

ELECTRODATA
M&E DIVISION

PROPERTY OF BURROUGHS CORPORATION. NOT TO BE REPRODUCED, NOR USED FOR
MANUFACTURING PURPOSES, EXCEPT ON BURROUGHS ORDER OR PRIOR WRITTEN CONSENT

Burroughs Corporation

PASADENA
CALIFORNIA

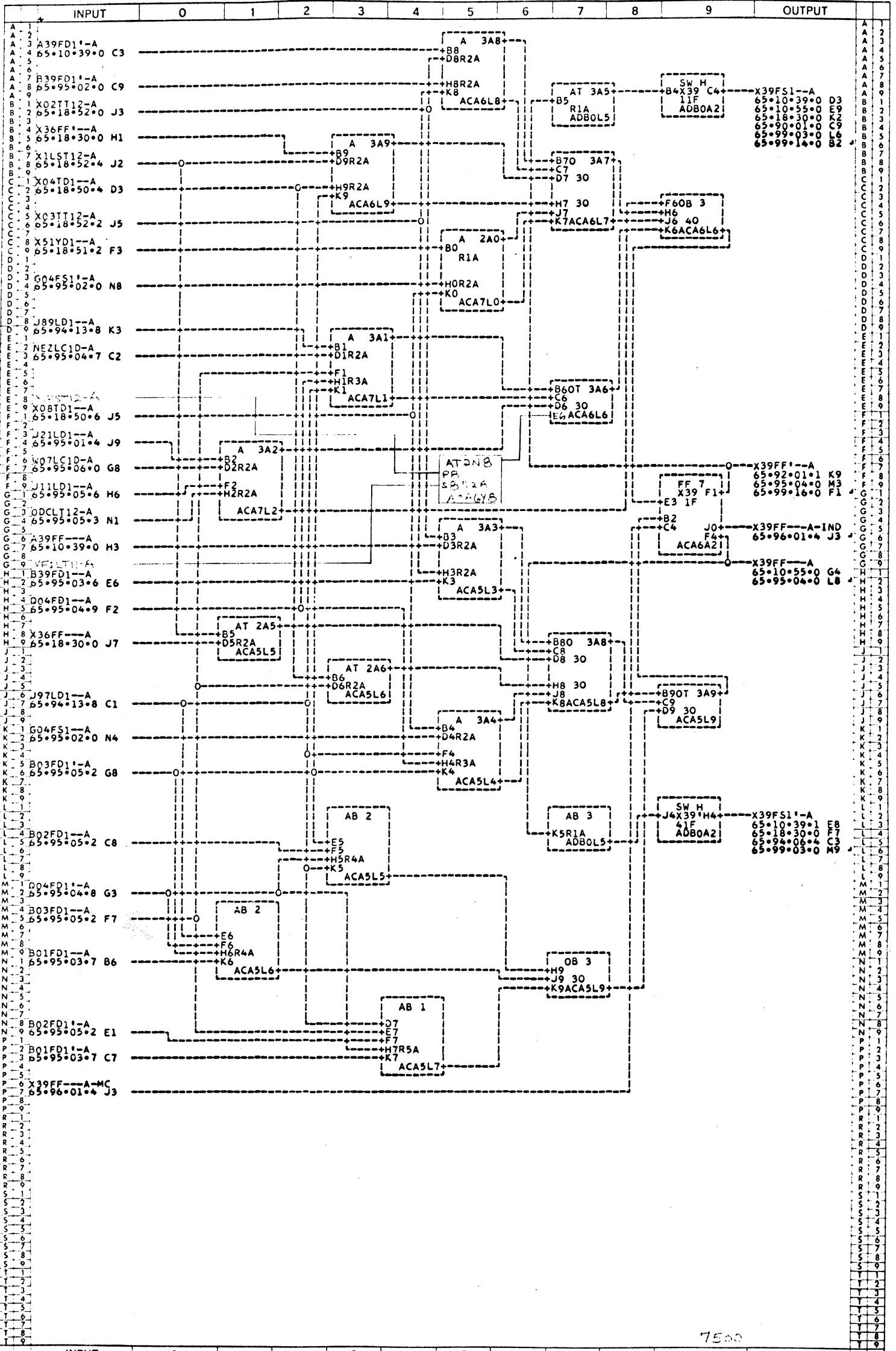
U 2

U 4

U 6

U 8

LOGIC SCHEMATIC



7500

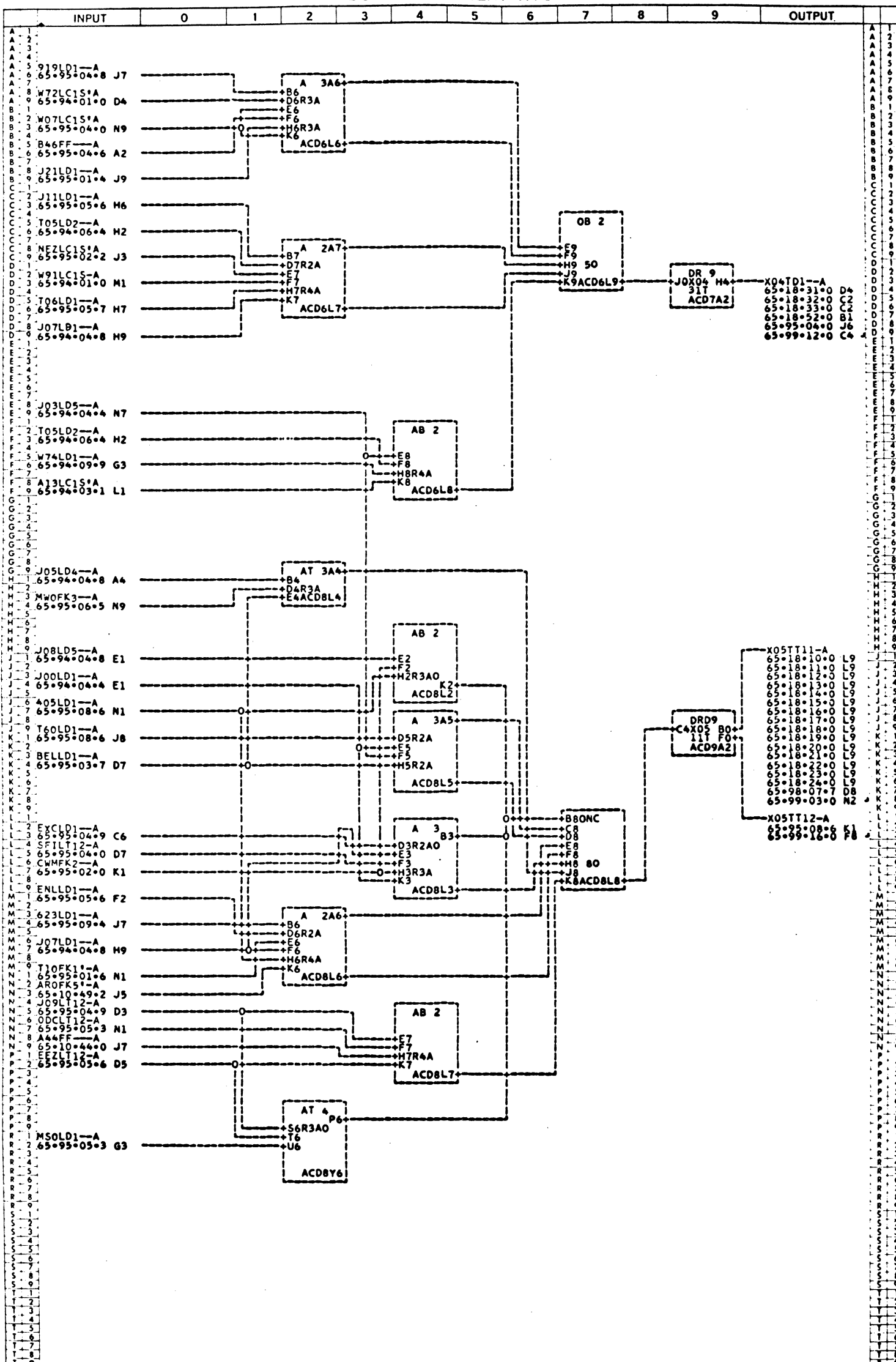
INPUT	0	1	2	3	4	5	6	7	8	9	OUTPUT	
U 2	TITLE X REGISTER X39F-1F										H- 11915774AE	U 2
U 4	DRAWN BY B TOYER 4-14-62										CHECKED BY D A SHEPHERD 5-11-62	U 4
U 6	UNIT NAME PROCESSOR										UNIT NO. 78494	U 6
U 8	SYSTEM B-5000										PAGE NO. 65-18-33-0	U 8

ELECTRODATA **Burroughs Corporation** **PASADENA CALIFORNIA**

M & E DIVISION 3

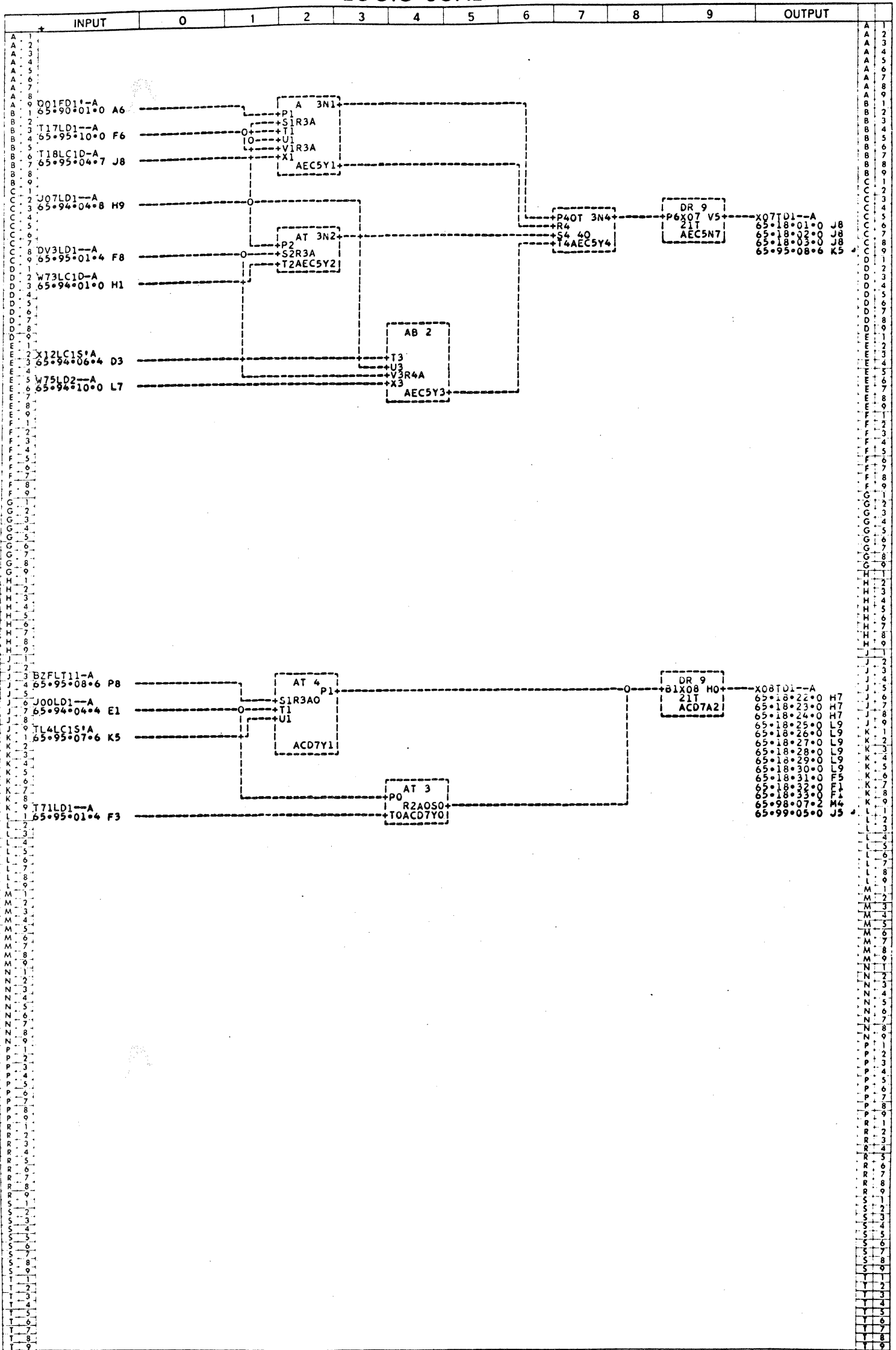
PROPERTY OF BURROUGHS CORPORATION. NOT TO BE REPRODUCED, NOR USED FOR MANUFACTURING PURPOSES, EXCEPT ON BURROUGHS ORDER OR PRIOR WRITTEN CONSENT.

LOGIC SCHEMATIC



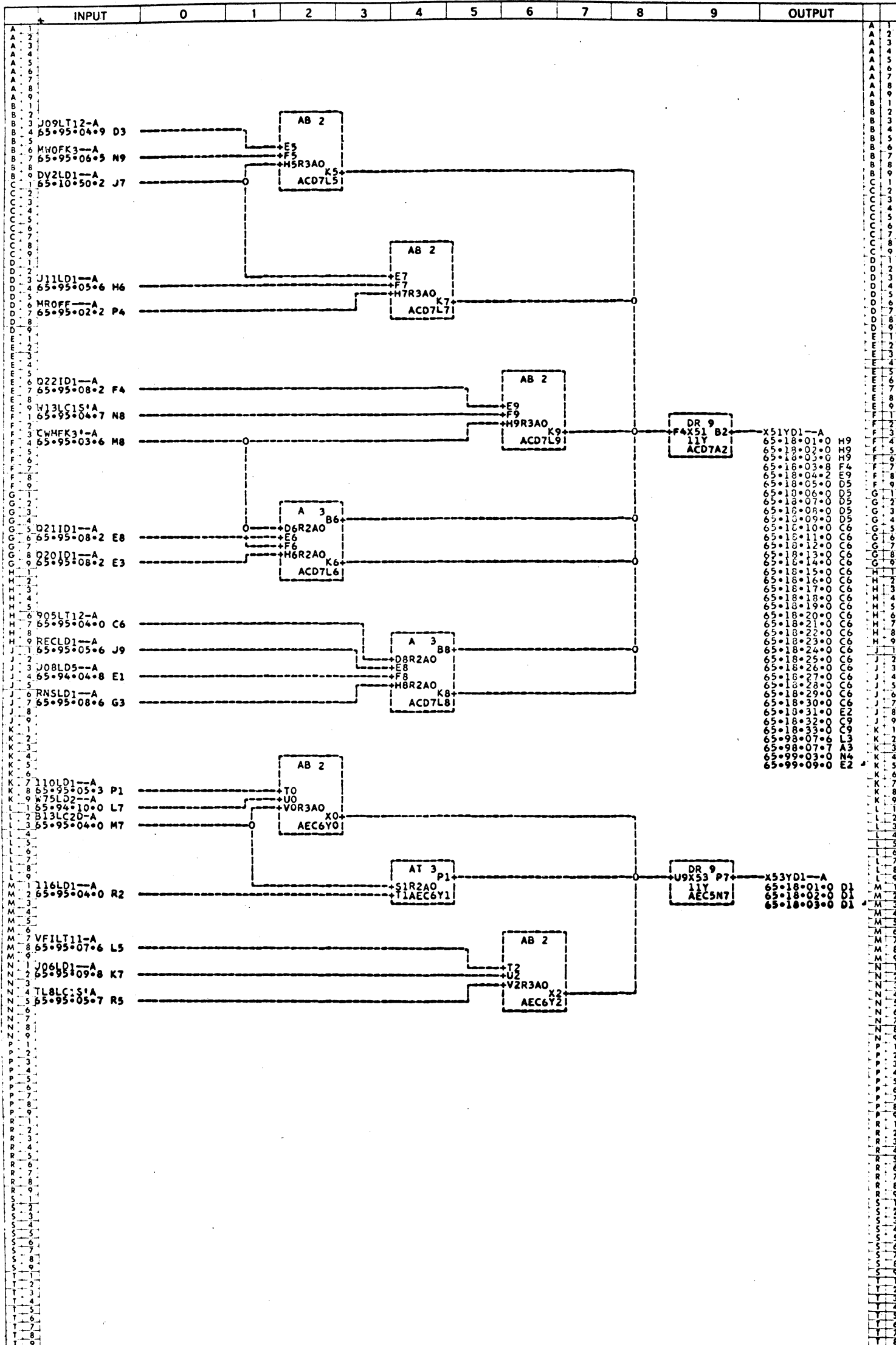
INPUT	0	1	2	3	4	5	6	7	8	9	OUTPUT
U 2	TITLE X040-1T X05T-1T DRIVERS										U 2
U 4	DRAWN BY C DOOLING										U 4
U 6	UNIT NAME PROCESSOR										U 6
U 8	SYSTEM A-3000										U 8
						M- 1191502AA		ELECTRODATA		Burroughs Corporation PASADENA CALIFORNIA	
						CHECKED BY D A SHEPHERD 5-11-62		M & E DIVISION		PROPERTY OF BURROUGHS CORPORATION NOT TO BE REPRODUCED, NOR USED FOR MANUFACTURING PURPOSES, EXCEPT ON BURROUGHS ORDER OR PRIOR WRITTEN CONSENT	
						UNIT NO. 78494		PAGE NO. 65-18-50-A			

LOGIC SCHEMATIC



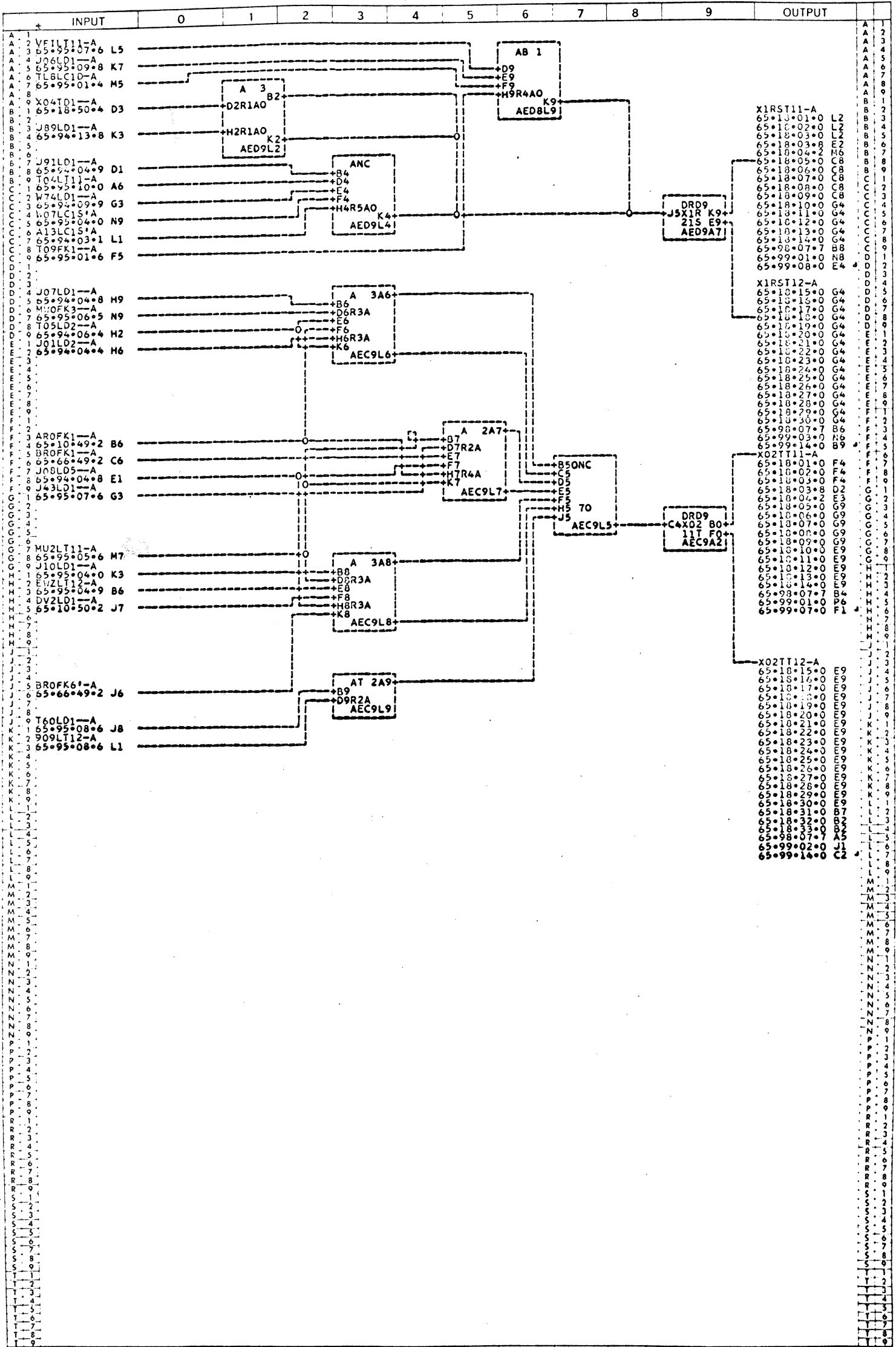
INPUT	0	1	2	3	4	5	6	7	8	9	OUTPUT	
U 2	TITLE X07D-1T X08D-1T DRIVERS				H- 11915808AF				Burroughs Corporation PASADENA CALIFORNIA			
U 4	DRAWN BY C DOOLING				CHECKED BY D A SHEPHERD 5-11-62				PROPERTY OF BURROUGHS CORPORATION. NOT TO BE REPRODUCED, NOR USED FOR MANUFACTURING PURPOSES. EXCEPT ON BURROUGHS ORDER OR PRIOR WRITTEN CONSENT.			
U 6	UNIT NAME PROCESSOR				UNIT NO. 78494							
U 8	SYSTEM R-5000				PAGE NO. 65-18-50-6							

LOGIC SCHEMATIC



INPUT	0	1	2	3	4	5	6	7	8	9	OUTPUT
U 2 TITLE X51D-1Y X53D-1Y DRIVER											
U 4 DRAWN BY C DOOLING											
U 6 UNIT NAME PROCESSOR											
U 8 SYSTEM B-3000											

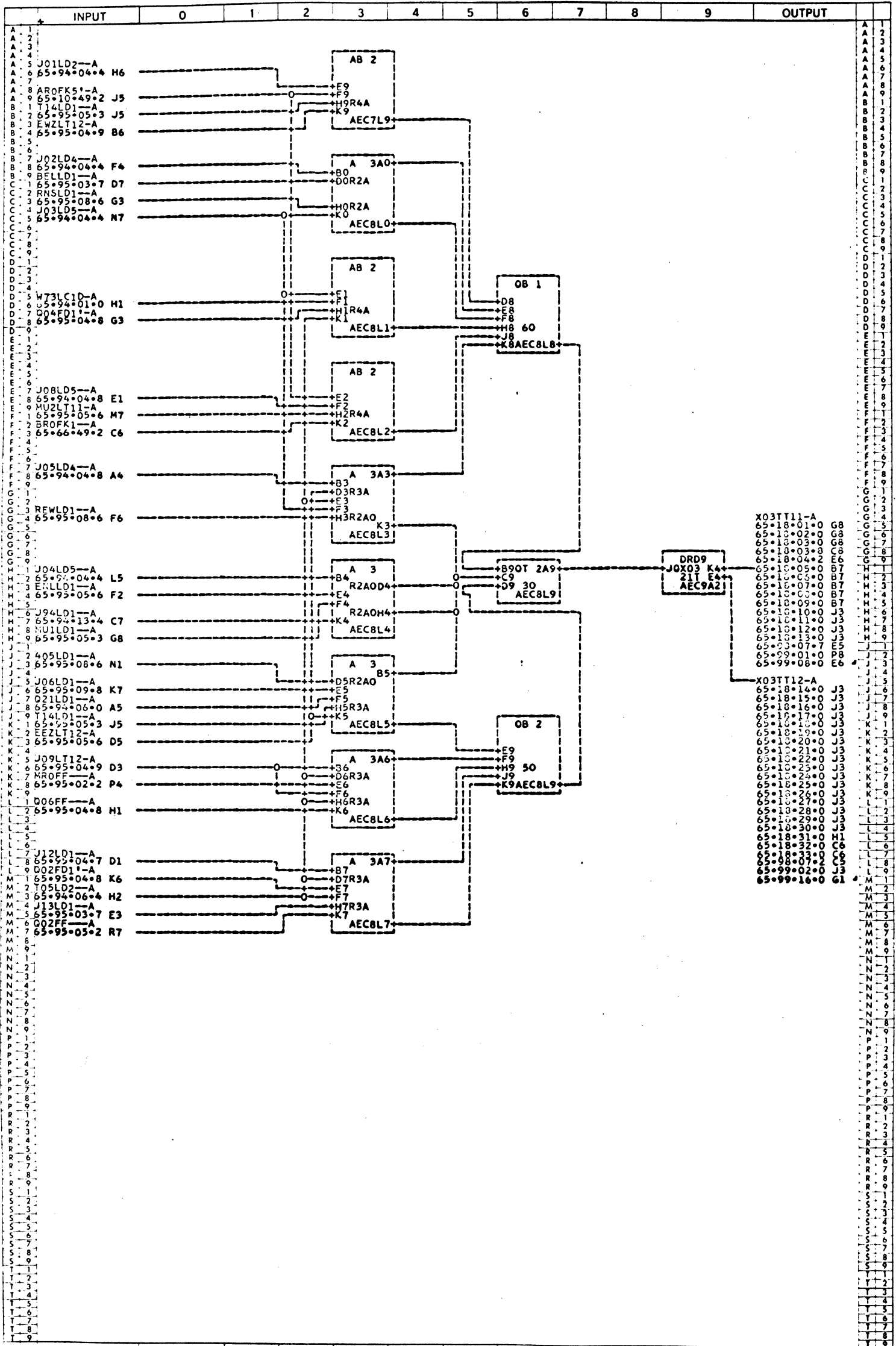
LOGIC SCHEMATIC



	INPUT	0	1	2	3	4	5	6	7	8	9	OUTPUT	
U 2	TITLE X02T-1T X1RT-1S DRIVERS												U 2
U 4	DRAWN BY E C BALOUGH 4-18-62 CHECKED BY D A SHEPHERD 5-11-62												U 4
U 6	UNIT NAME PROCESSOR												U 6
U 8	SYSTEM B-5000												U 8
	PAGE NO. 65-18-52-0												

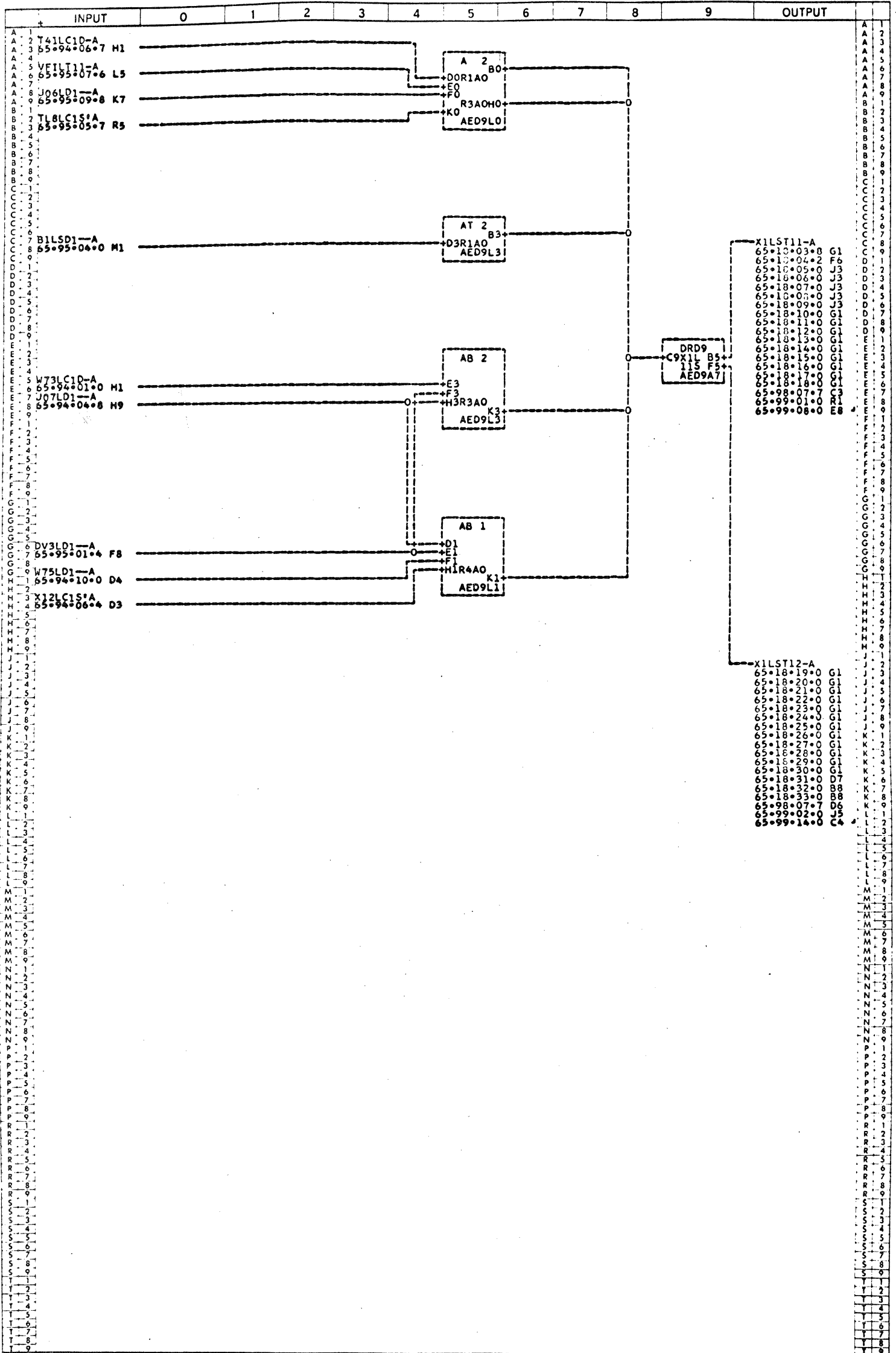
Burroughs Corporation
 ELECTRODATA M&E DIVISION PASADENA CALIFORNIA
PROPERTY OF BURROUGHS CORPORATION NOT TO BE REPRODUCED, NOR USED FOR MANUFACTURING PURPOSES, EXCEPT ON BURROUGHS ORDER OR PRIOR WRITTEN CONSENT

LOGIC SCHEMATIC



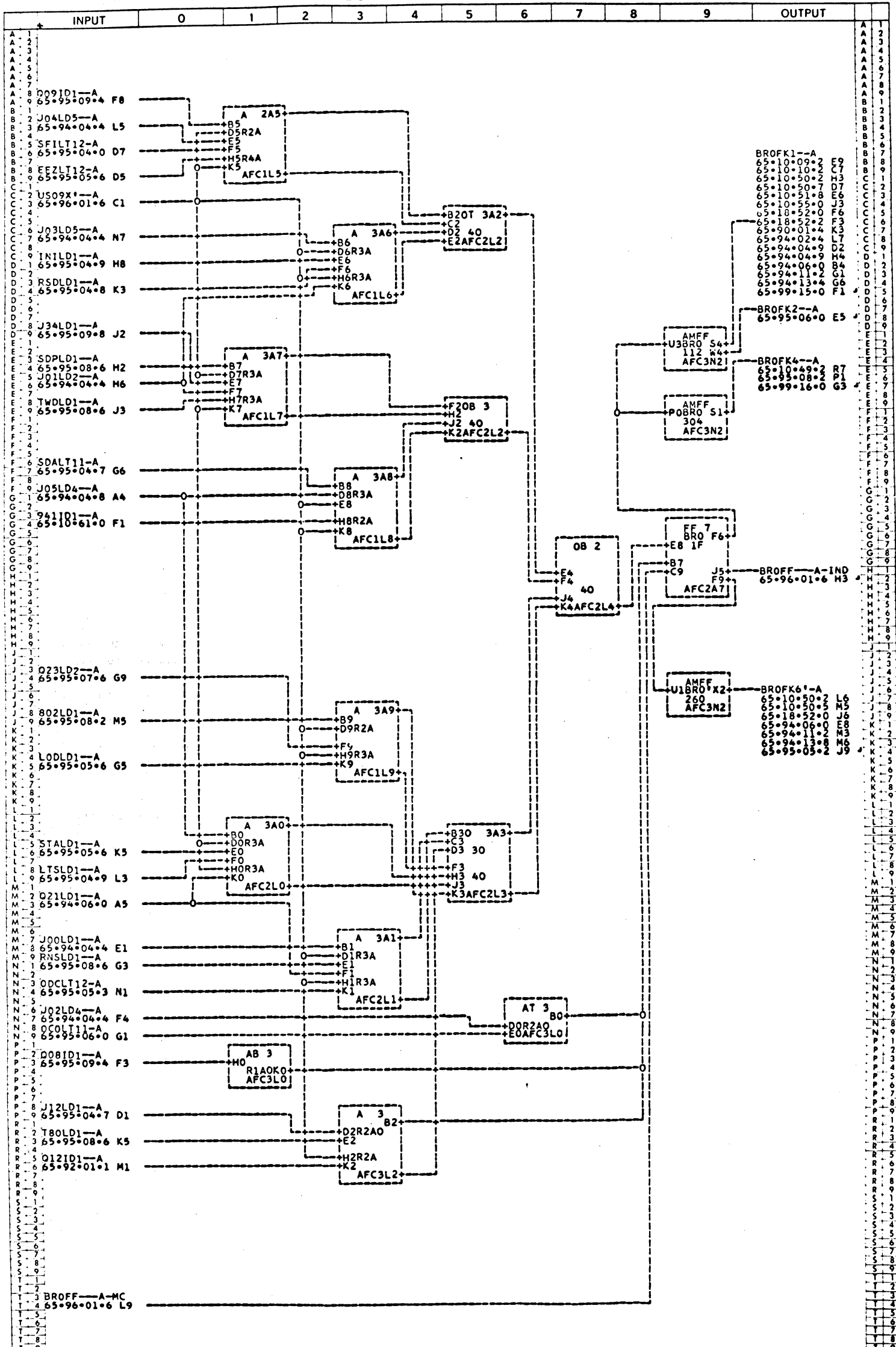
INPUT	0	1	2	3	4	5	6	7	8	9	OUTPUT
U 2	TITLE X03T-1T DRIVER										U 2
U 4	DRAWN BYR WILLIAMS 18 APRIL 62 CHECKED BY D A SHEPHERD 5-11-62										U 4
U 6	UNIT NAME PROCESSOR										U 6
U 8	SYSTEM B-5000										U 8
H- 11915790AE UNIT NO. 78494 PAGE NO. 65-18-52-2											
ELECTRODATA M&E DIVISION											
Burroughs Corporation PASADENA CALIFORNIA											
PROPERTY OF BURROUGHS CORPORATION NOT TO BE REPRODUCED NOR USED FOR MANUFACTURING PURPOSES EXCEPT ON BURROUGHS ORDER OR PRIOR WRITTEN CONSENT											

LOGIC SCHEMATIC



U 2	TITLE XILT-1S DRIVER	H- 11925609AE	ELECTRODATA	Burroughs Corporation	PASADENA CALIFORNIA
U 4	DRAWN BY D A SHEPHERD 6-11-62	CHECKED BY R C CARTER 6-11-62	M & E DIVISION		
U 6	UNIT NAME PROCESSOR	UNIT NO. 78494	PROPERTY OF BURROUGHS CORPORATION. NOT TO BE REPRODUCED, NOR USED FOR MANUFACTURING PURPOSES EXCEPT ON BURROUGHS ORDER OR PRIOR WRITTEN CONSENT.		
U 8	SYSTEM B-5000	PAGE NO. 65-18-52-4			

LOGIC SCHEMATIC

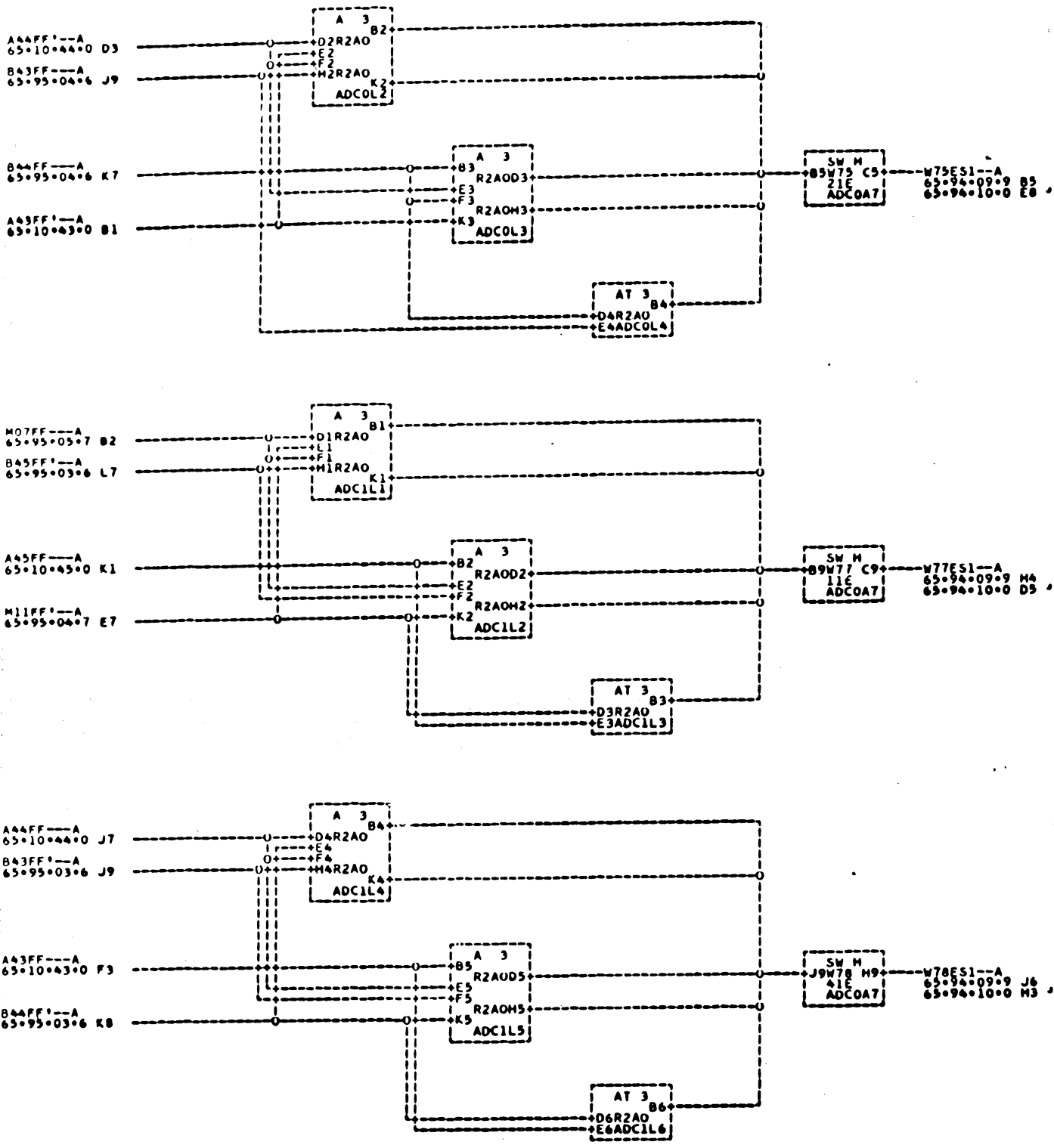


INPUT	0	1	2	3	4	5	6	7	8	9	OUTPUT
U 2	TITLE B REGISTER BROF-1F										U 2
U 4	DRAWN BY B TOYER										U 4
U 6	UNIT NAME PROCESSOR										U 6
U 8	SYSTEM B-9000										U 8

800 1447-1 REV 2-62

LOGIC SCHEMATIC

INPUT 0 1 2 3 4 5 6 7 8 9 OUTPUT



EQUATIONS

INPUT 0 1 2 3 4 5 6 7 8 9 OUTPUT

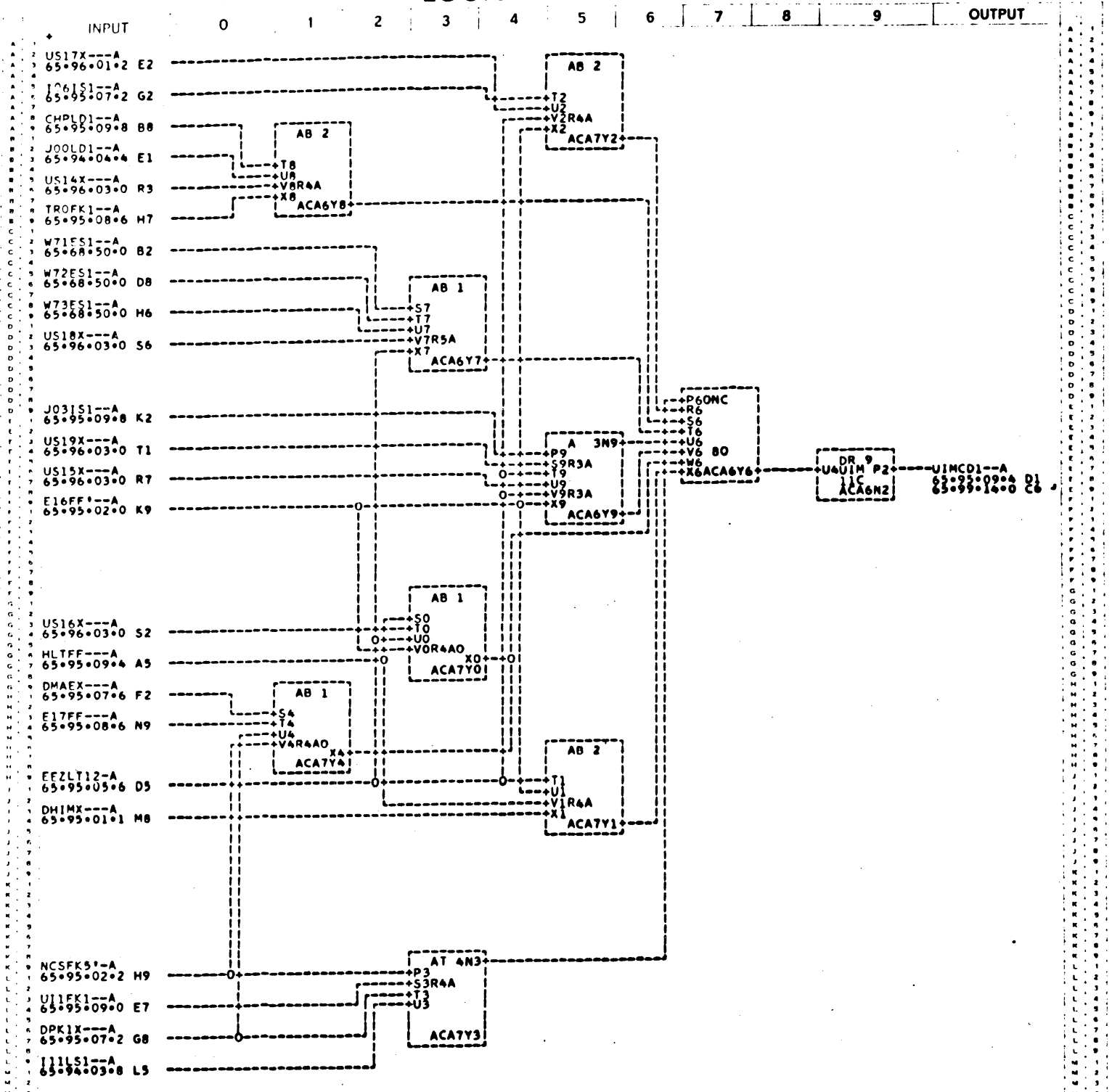
U 2 TITLE W75S-1E W77S-1E W78S-1E SWITCHES H- 11915840AB
 U 4 DRAWN BY C DOOLING 4-13-62 CHECKED BY D A SHEPHERD 9-11-62
 U 6 UNIT NAME PROCESSOR UNIT NO 78494
 U 8 SYSTEM B-9900 PAGE NO 65-68-50-2

BURROUGHS CORPORATION
 ELECTRODATA DIV., PASADENA, CALIFORNIA

PROPERTY OF BURROUGHS CORPORATION - NOT TO BE REPRODUCED, NOR USED FOR MANUFACTURING PURPOSES, EXCEPT ON BURROUGHS ORDER OR PRIOR WRITTEN CONSENT.

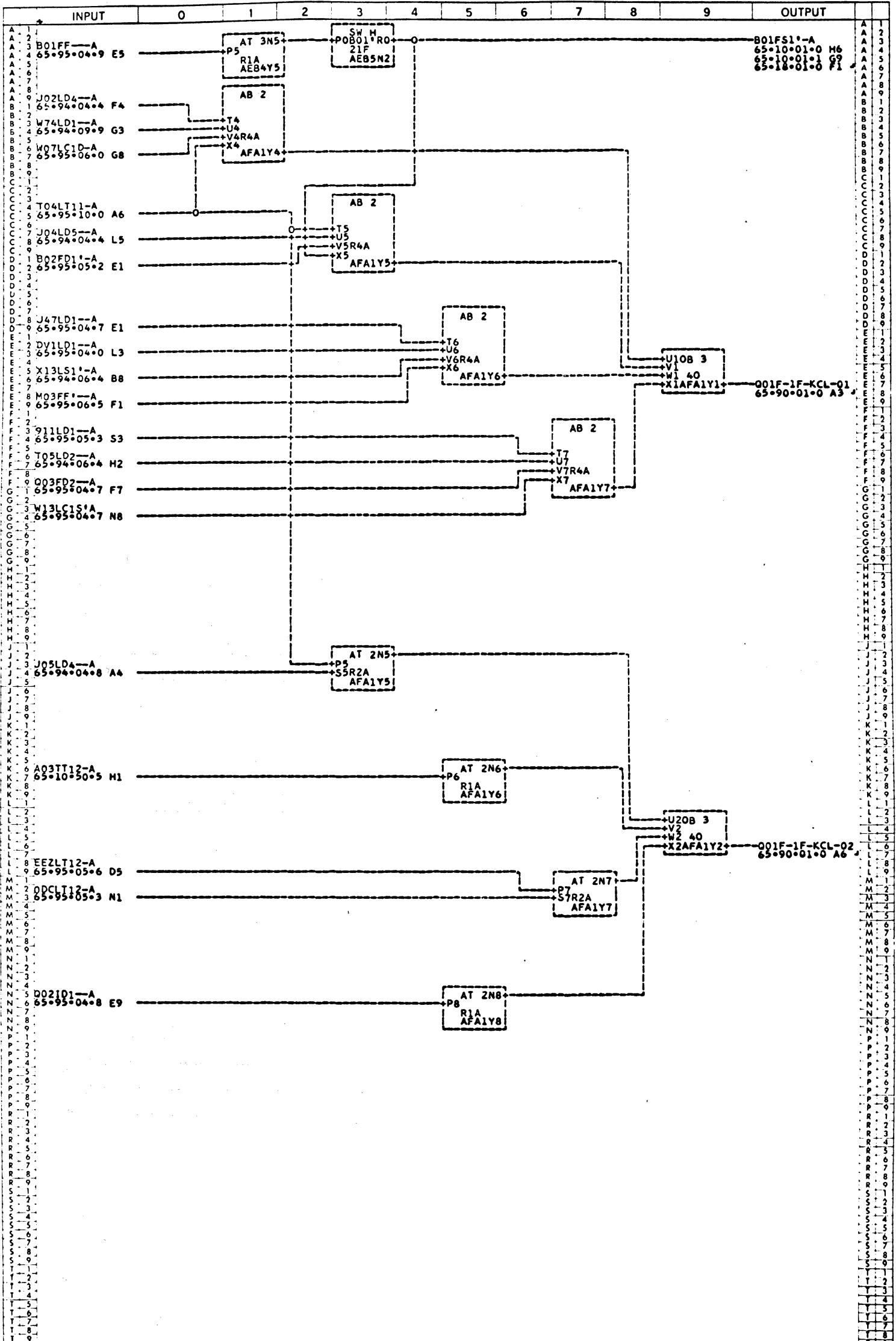
U 2
U 4
U 6
U 8

LOGIC SCHEMATIC



EQUATIONS

LOGIC SCHEMATIC



INPUT	0	1	2	3	4	5	6	7	8	9	OUTPUT
U 2	TITLE Q REGISTER Q01F-1F (PAGE 2 OF 3)										U 2
U 4	DRAWN BY ZINES										U 4
U 6	UNIT NAME PROCESSOR										U 6
U 8	SYSTEM B-5000										U 8
					M- 11921152AM						
					CHECKED BY D A SHEPHERD 5-11-62						
					UNIT NO. 78494						
					PAGE NO. 65-90-01-3						
										ELECTRODATA M & E DIVISION	Burrughs Corporation PASADENA CALIFORNIA
PROPERTY OF BURROUGHS CORPORATION. NOT TO BE REPRODUCED, NOR USED FOR MANUFACTURING PURPOSES, EXCEPT ON BURROUGHS ORDER OR PRIOR WRITTEN CONSENT.											

LOGIC SCHEMATIC

INPUT

0

1

2

3

4

5

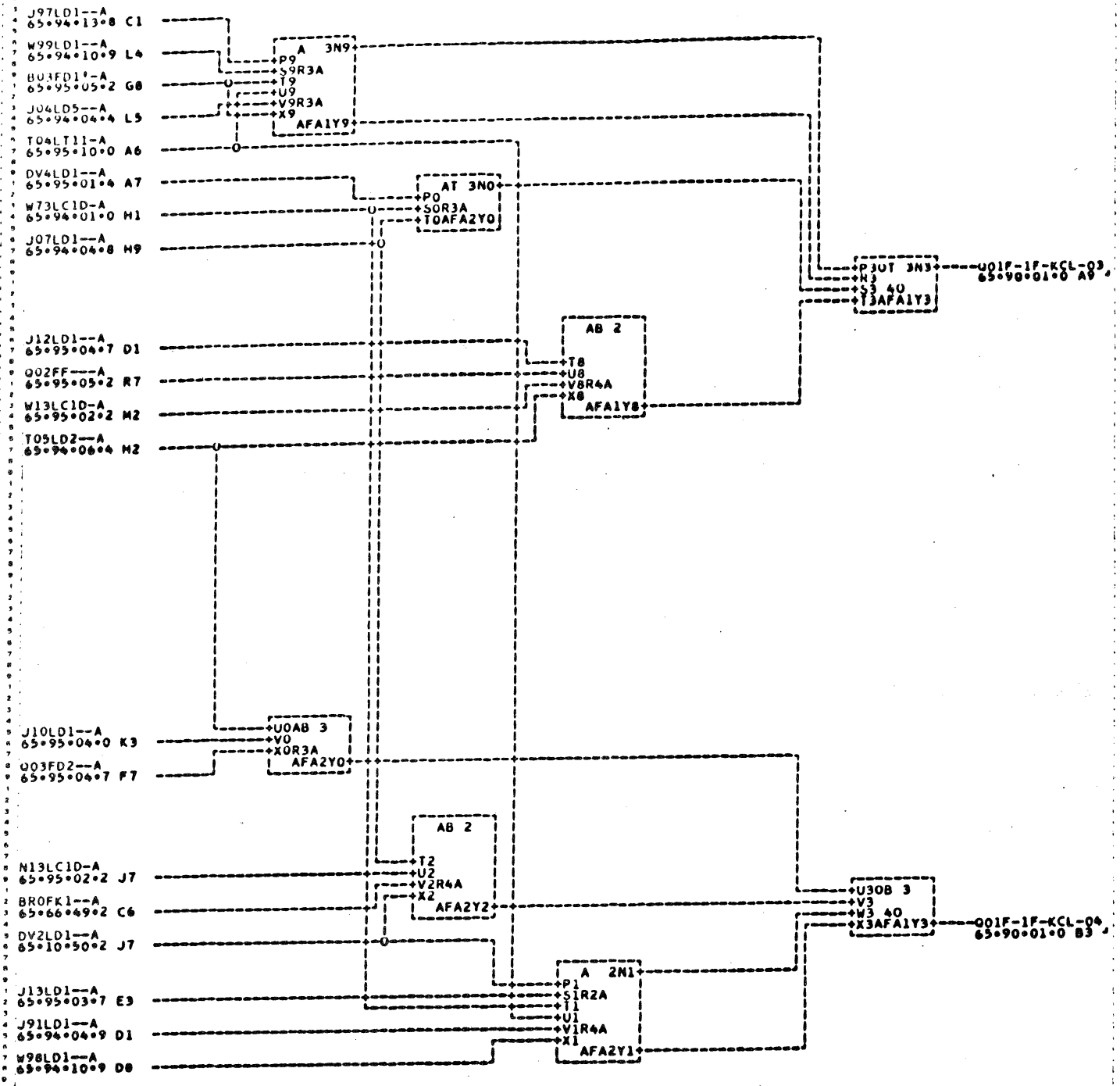
6

7

8

9

OUTPUT

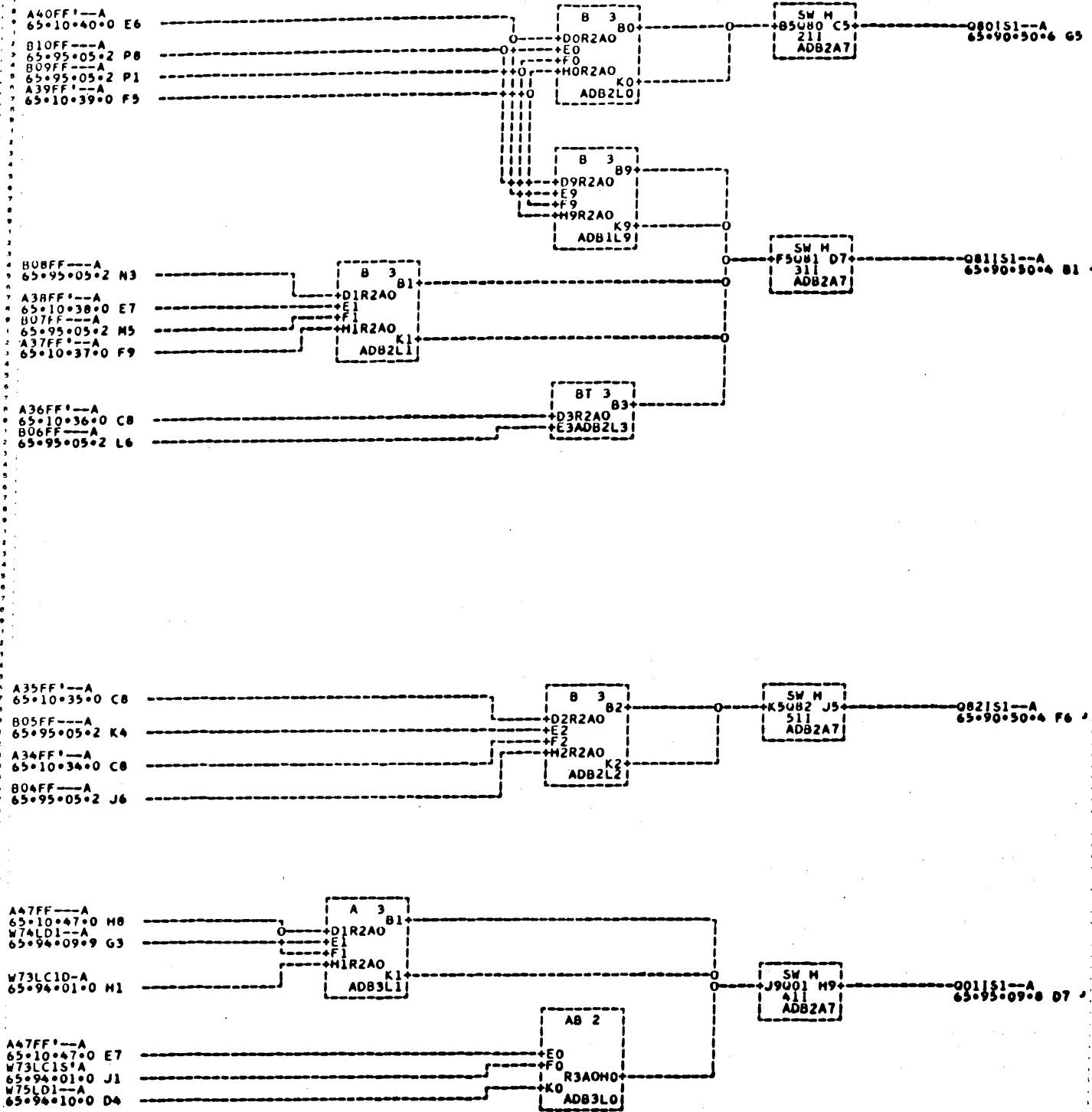


EQUATIONS

INPUT	0	1	2	3	4	5	6	7	8	9	OUTPUT
U 2	TITLE Q REGISTER Q01F-1F (PAGE 3 OF 3)										U 2
U 4	DRAWN BY ZINES										U 4
U 6	UNIT NAME PROCESSOR										U 6
U 8	SYSTEM 8-5000										U 8
H- 11921160AB CHECKED BY D A SHEPHERD 9-11-62 UNIT NO 78494 PAGE NO 65-90-01-4											
BURROUGHS CORPORATION ELECTRODATA DIV., PASADENA, CALIFORNIA <small>PROPERTY OF BURROUGHS CORPORATION - NOT TO BE REPRODUCED, NOR USED FOR MANUFACTURING PURPOSES, EXCEPT ON BURROUGHS ORDER OR PRIOR WRITTEN CONSENT.</small>											

LOGIC SCHEMATIC

INPUT 0 1 2 3 4 5 6 7 8 9 OUTPUT



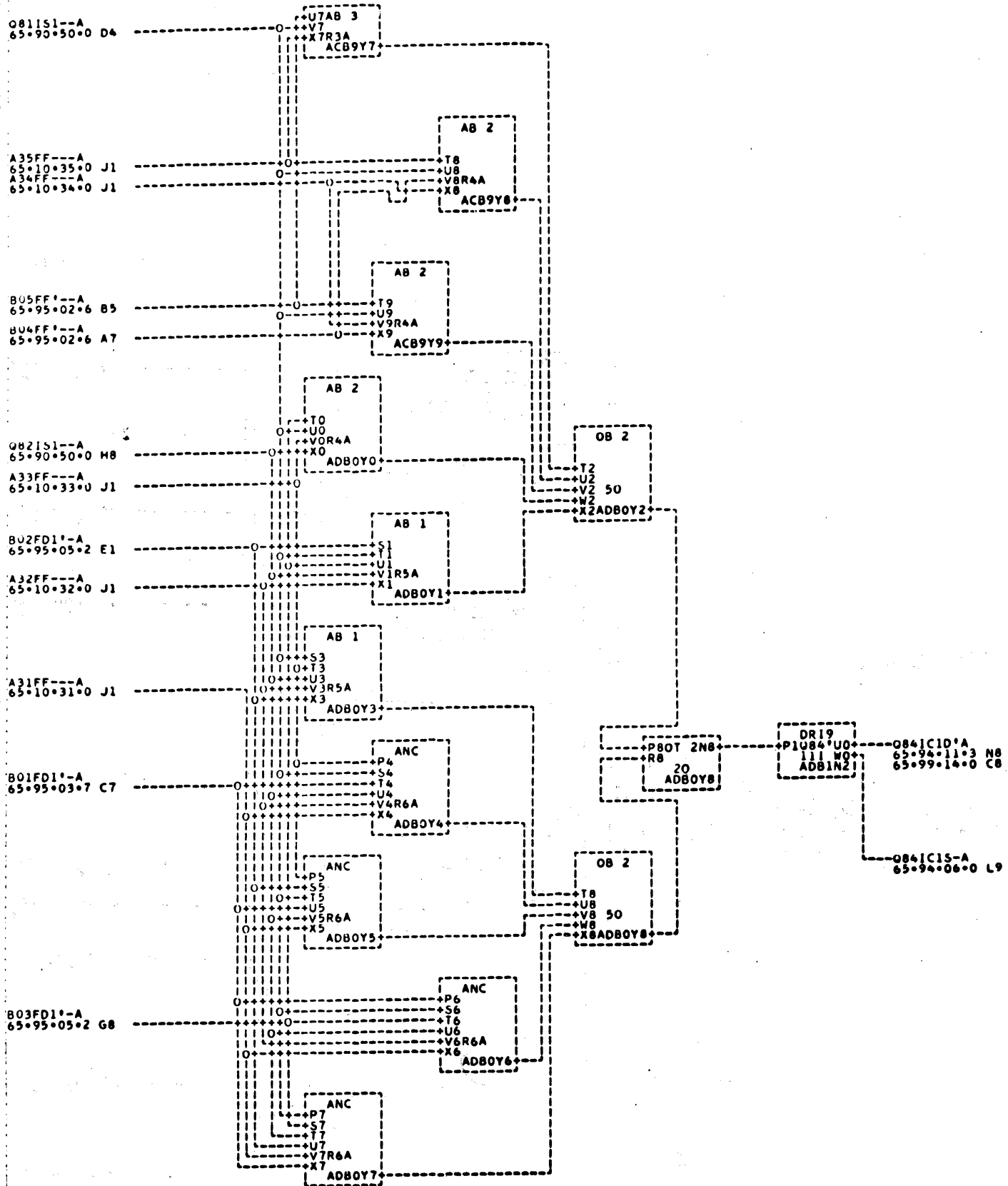
EQUATIONS

BURROUGHS CORPORATION
ELECTRODATA DIV., PASADENA, CALIFORNIA

PROPERTY OF BURROUGHS CORPORATION... NOT TO BE REPRODUCED, NOR USED FOR MANUFACTURING PURPOSES, EXCEPT ON BURROUGHS ORDER OR PRIOR WRITTEN CONSENT.

LOGIC SCHEMATIC

INPUT	0	1	2	3	4	5	6	7	8	9	OUTPUT
-------	---	---	---	---	---	---	---	---	---	---	--------



EQUATIONS

INPUT	0	1	2	3	4	5	6	7	8	9	OUTPUT
U 2	TITLE Q84C-11 INVERTER DRIVER										U 2
U 4	DRAWN BY R WILLIAMS										U 4
U 6	UNIT NAME PROCESSOR										U 6
U 8	SYSTEM B-9000										U 8
						H- 11869674AE					
						CHECKED BY D A SHEPHERD		10-20-61			
						UNIT NO		78494			
						PAGE NO		65-90-50-4			

BURROUGHS CORPORATION
ELECTRODATA DIV., PASADENA, CALIFORNIA

PROPERTY OF BURROUGHS CORPORATION—NOT TO BE REPRODUCED, FOR USE FOR MANUFACTURING PURPOSES, EXCEPT ON BURROUGHS ORDER OR PRIOR WRITTEN CONSENT.

LOGIC SCHEMATIC

INPUT

0

1

2

3

4

5

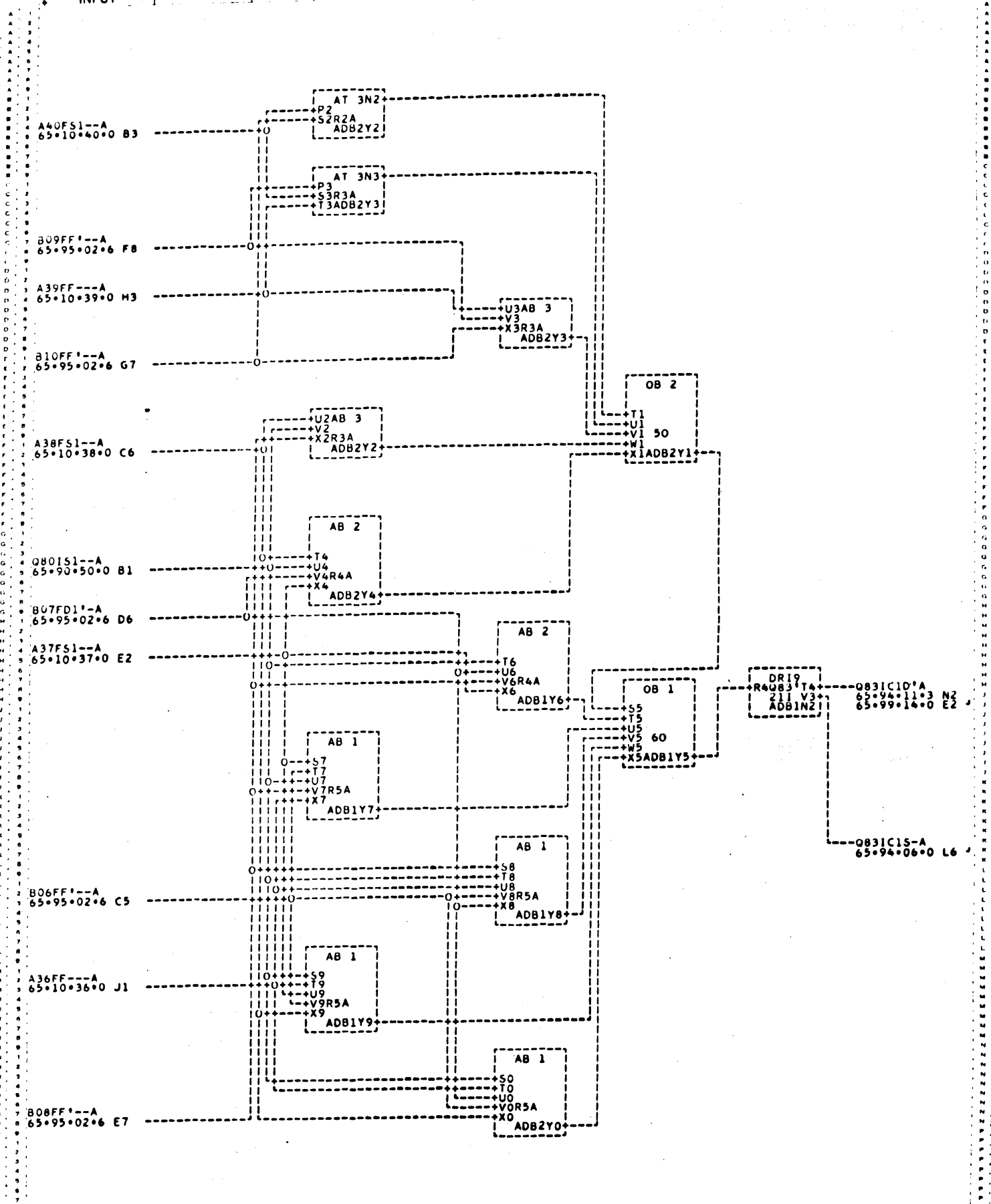
6

7

8

9

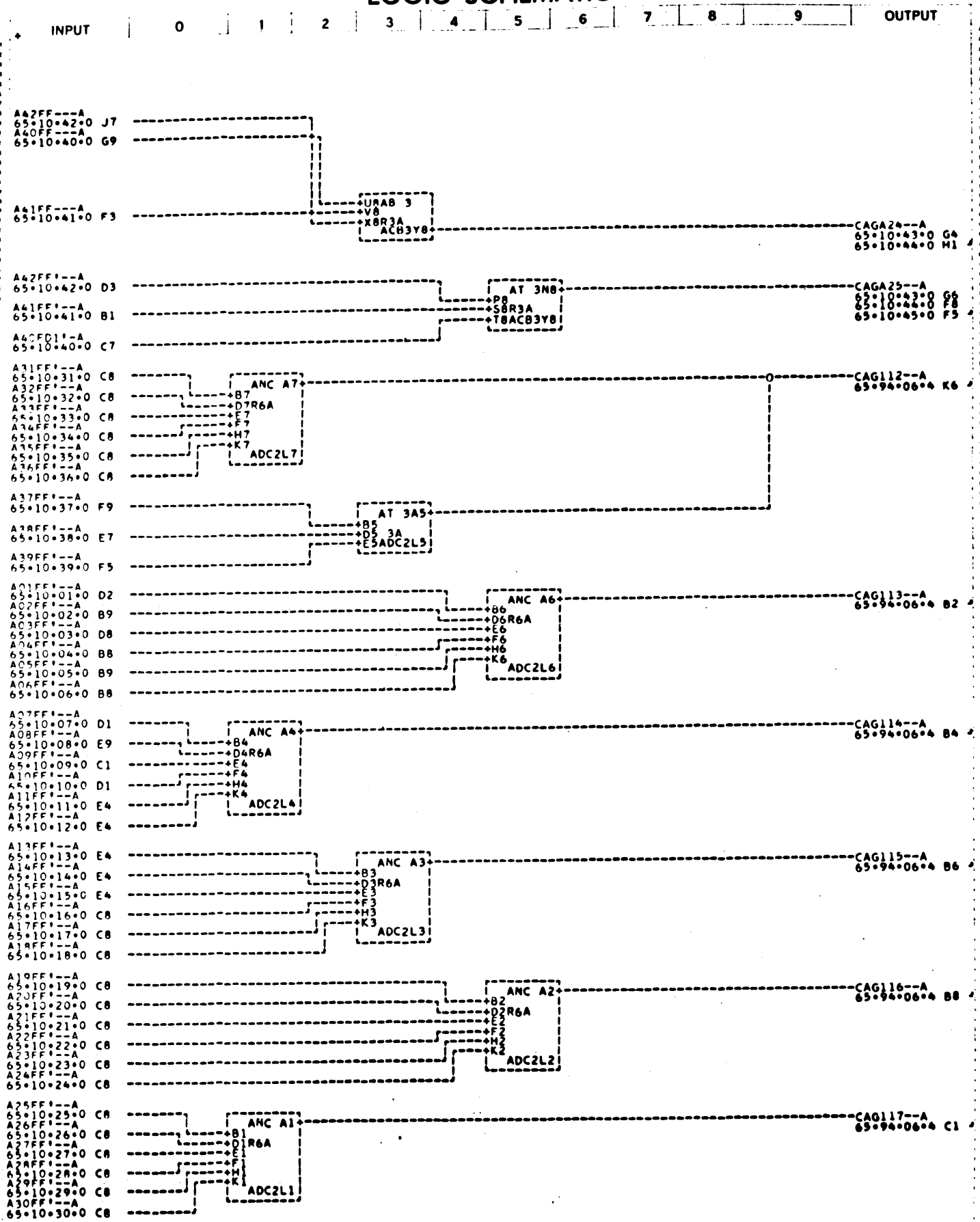
OUTPUT



EQUATIONS

INPUT	0	1	2	3	4	5	6	7	8	9	OUTPUT
U 2	TITLE Q83C-11 DRIVER										U 2
U 4	DRAWN BY ZINES										U 4
U 6	UNIT NAME PROCESSOR										U 6
U 8	SYSTEM B-9000										U 8
						H- 11890498AD					
						CHECKED BY D A SHEPHERD		1-10-62			
						UNIT NO		78494			
						PAGE NO		65*90*50*6			
BURROUGHS CORPORATION ELECTRODATA DIV., PARADISE, CALIFORNIA <small>PROPERTY OF BURROUGHS CORPORATION... NOT TO BE REPRODUCED, NOR USED FOR MANUFACTURING PURPOSES, EXCEPT ON BURROUGHS ORDERS OR PRIOR WRITTEN CONSENT.</small>											

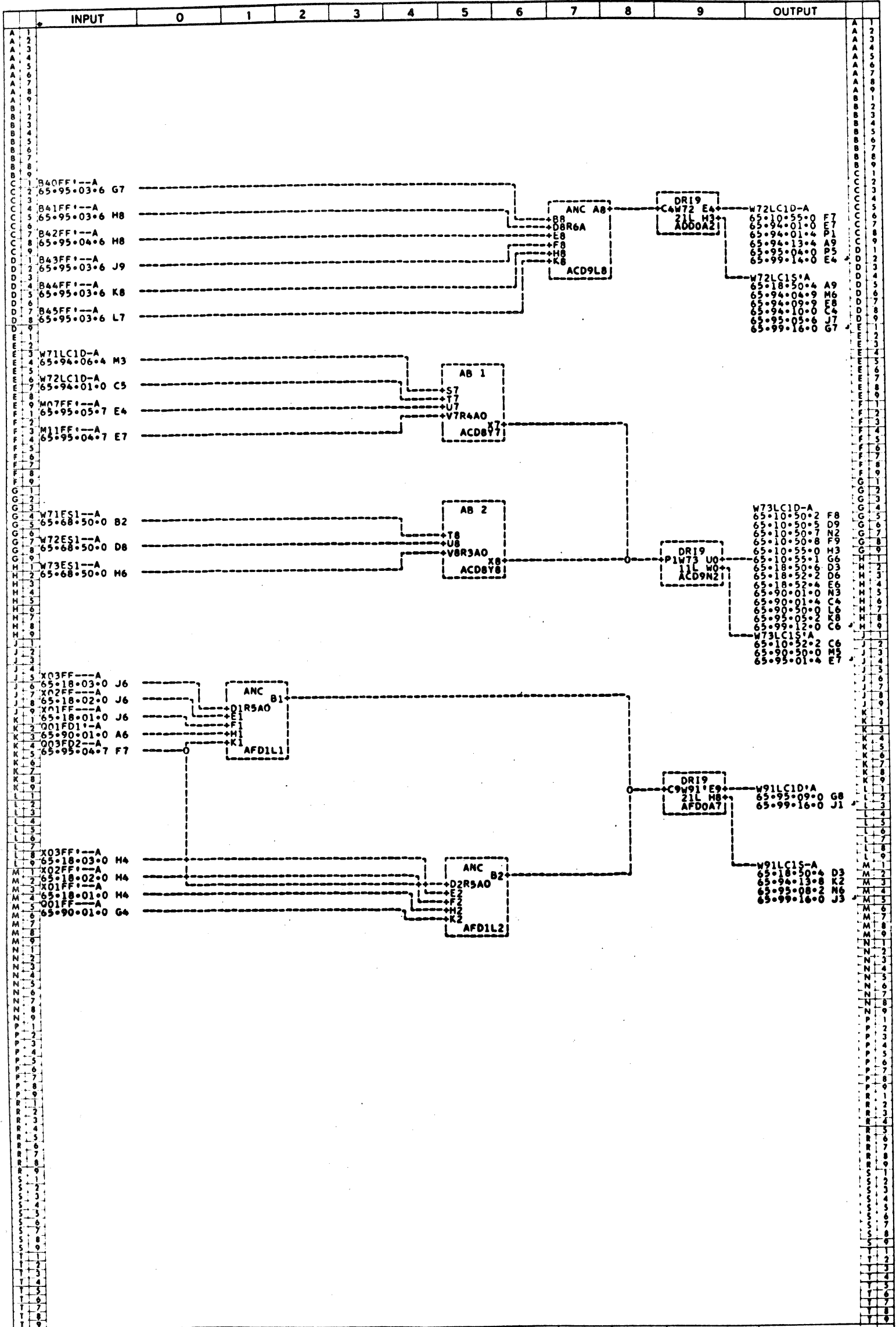
LOGIC SCHEMATIC



EQUATIONS

Blank area for equations.

LOGIC SCHEMATIC

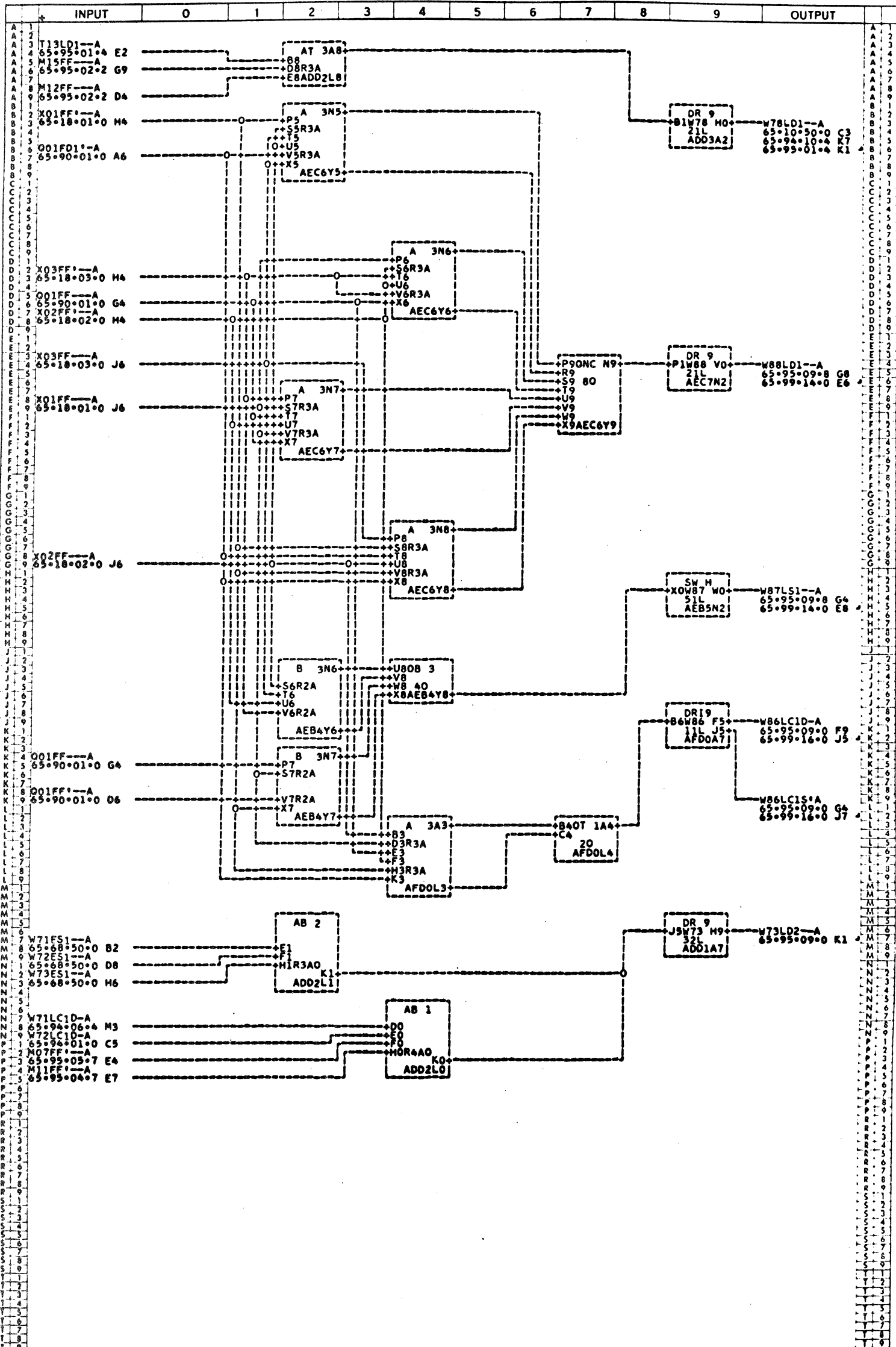


U 2	TITLE W72C-1L W73C-1L W91C-1L LEVELS	M- 11069492A	
U 4	DRAWN BY R WENTSEL 10-17-61	CHECKED BY R C CARTER 10-21-61	
U 6	UNIT NAME PROCESSOR	UNIT NO. 78494	
U 8	SYSTEM 8-5000	PAGE NO. 65-94-01-0	

ELECTRODATA M&E DIVISION	Burroughs Corporation 	PASADENA CALIFORNIA
PROPERTY OF BURROUGHS CORPORATION. NOT TO BE REPRODUCED, NOR USED FOR MANUFACTURING PURPOSES, EXCEPT ON BURROUGHS ORDER OR PRIOR WRITTEN CONSENT.		

JUN 11 1963

LOGIC SCHEMATIC



INPUT	0	1	2	3	4	5	6	7	8	9	OUTPUT
U 2	TITLE W86D-1L W78D-1L W87S-1L W86C-1L W73D-2L M- 11869500A										U 2
U 4	DRAWN BY ED BROWN 10-18-61 CHECKED BY D A SHEPHERD 10-20-61										U 4
U 6	UNIT NAME PROCESSOR UNIT NO. 78494										U 6
U 8	SYSTEM R-5000 PAGE NO. 65-99-01-1A										U 8

Burroughs Corporation
 ELECTRODATA M&E DIVISION PASADENA CALIFORNIA
 PROPERTY OF BURROUGHS CORPORATION NOT TO BE REPRODUCED, NOR USED FOR MANUFACTURING PURPOSES EXCEPT ON BURROUGHS ORDER OR PRIOR WRITTEN CONSENT.

LOGIC SCHEMATIC

INPUT

0

1

2

3

4

5

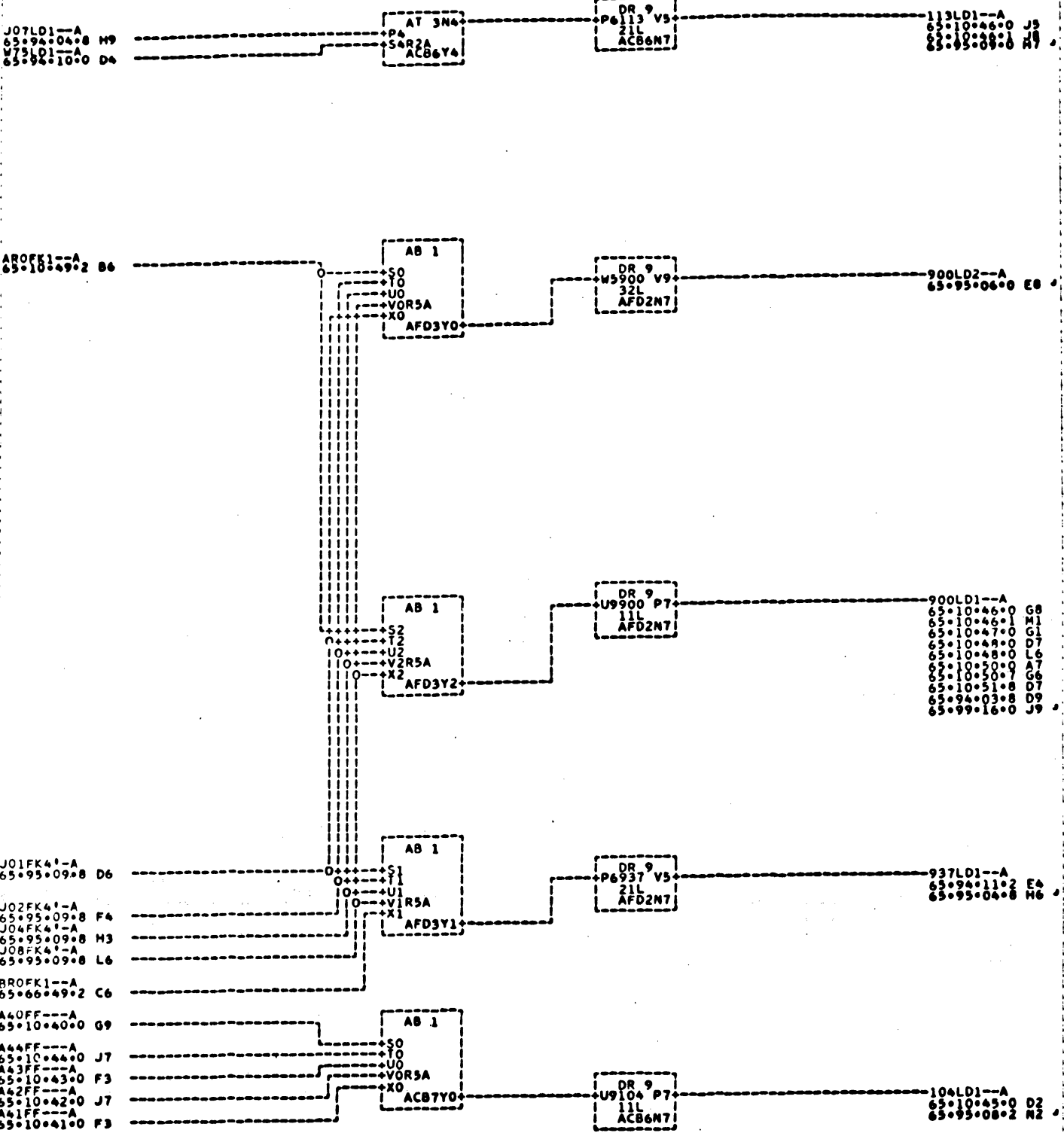
6

7

8

9

OUTPUT



EQUATIONS

INPUT	0	1	2	3	4	5	6	7	8	9	OUTPUT
U 2	TITLE 9000-1L 9000-2L 937D-1L 113D-1L 104D-1L LEVELS H- 11869534AF										U 2
U 4	DRAWN BY R R BUNTON 10-16-61 CHECKED BY D A SHEPHERD 10-21-61										U 4
U 6	UNIT NAME PROCESSOR UNIT NO 78494										U 6
U 8	SYSTEM B-9000 PAGE NO 65-94-02-4										U 8

BURROUGHS CORPORATION
ELECTRODATA DIV., PASADENA, CALIFORNIA

PROPERTY OF BURROUGHS CORPORATION - NOT TO BE REPRODUCED, NOR USED FOR MANUFACTURING PURPOSES, EXCEPT ON BURROUGHS ORDER OR PRIOR WRITTEN CONSENT.

LOGIC SCHEMATIC

INPUT

0

1

2

3

4

5

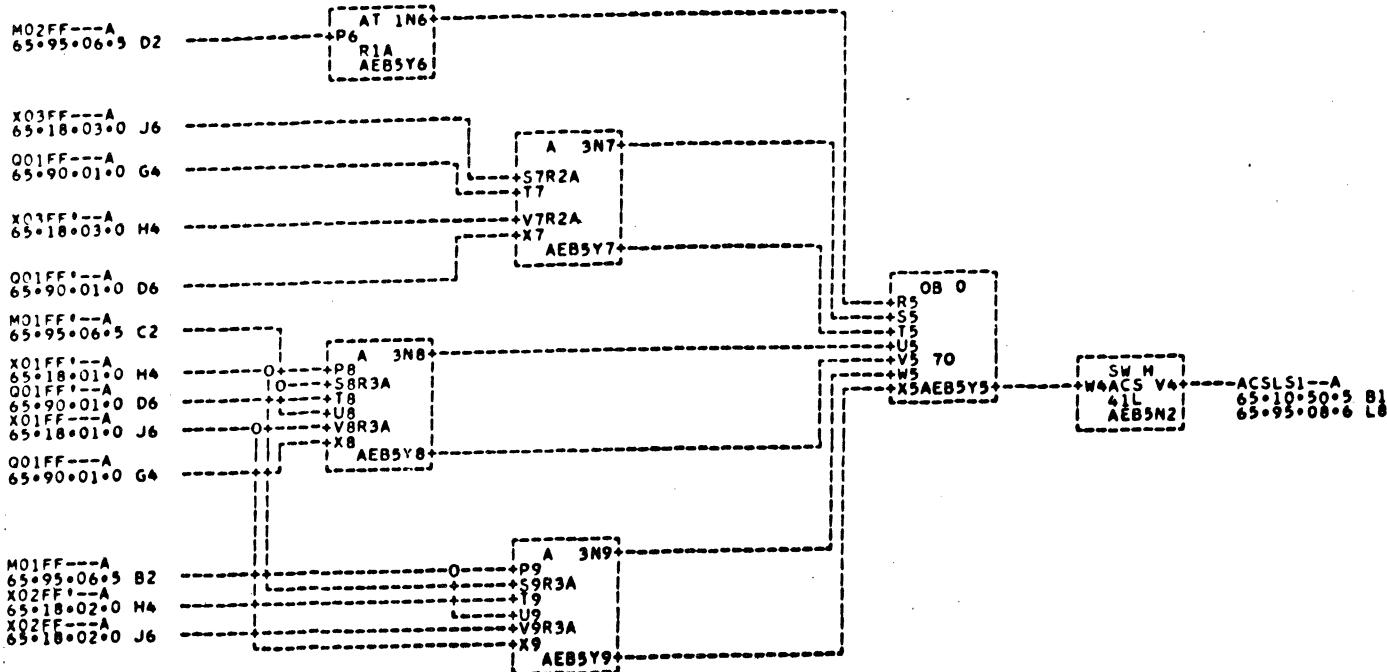
6

7

8

9

OUTPUT

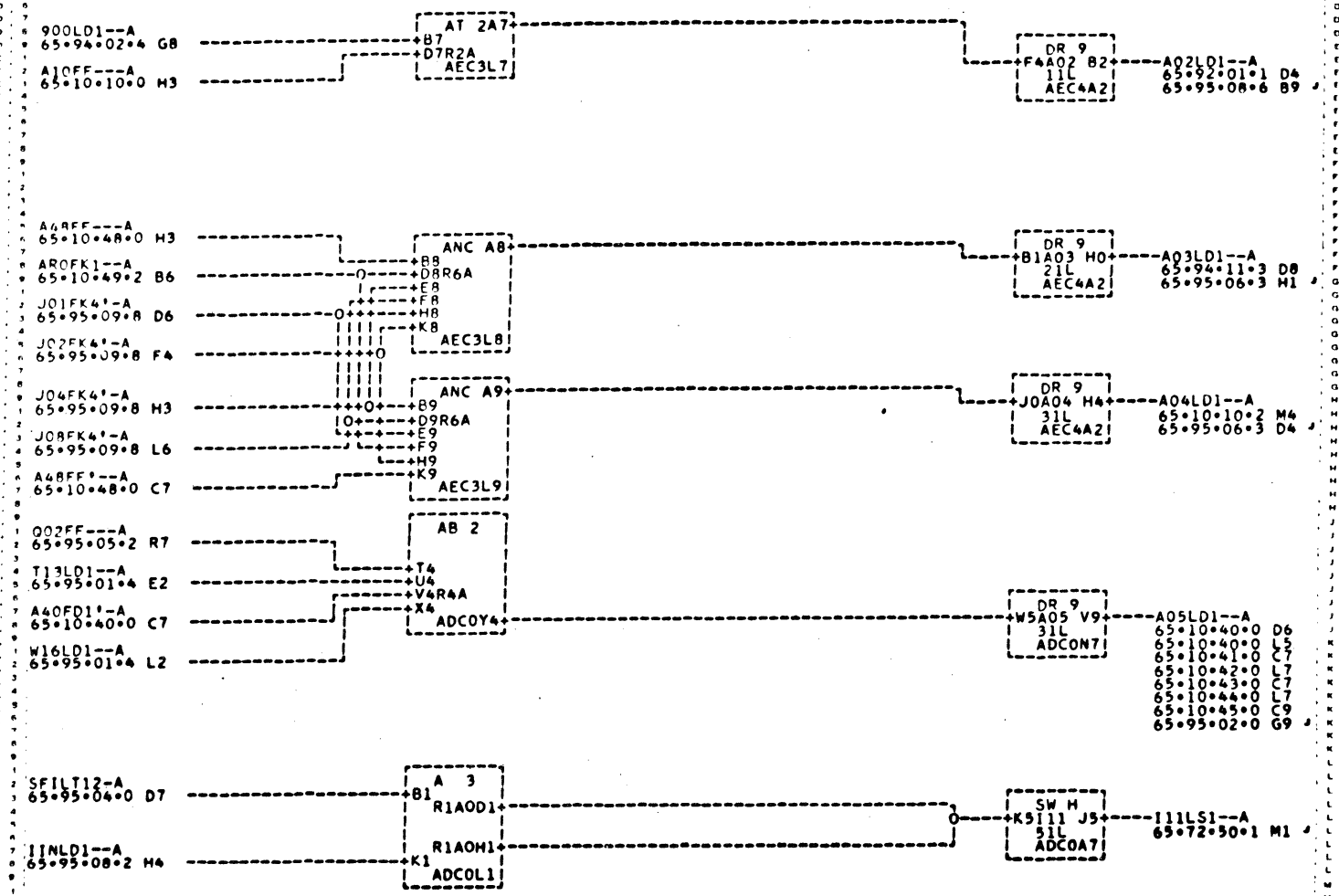


EQUATIONS

	INPUT	0	1	2	3	4	5	6	7	8	9	OUTPUT
U 2	TITLE ACS-1L AND A13C-1L											U 2
U 4	DRAWN BY R HELM 4-11-61 CHECKED BY D A SHEPHERD 5-11-62											U 4
U 6	UNIT NAME PROCESSOR											U 6
U 8	SYSTEM B-9000											U 8
H- 11915444AD UNIT NO 78494 PAGE NO 65-94-03-1												
BURROUGHS CORPORATION ELECTRODATA DIV., PASADENA, CALIFORNIA												
PROPERTY OF BURROUGHS CORPORATION - NOT TO BE REPRODUCED, NOR USED FOR MANUFACTURING PURPOSES, EXCEPT ON BURROUGHS ORDER OR PRIOR WRITTEN CONSENT.												

LOGIC SCHEMATIC

INPUT 0 1 2 3 4 5 6 7 8 9 OUTPUT

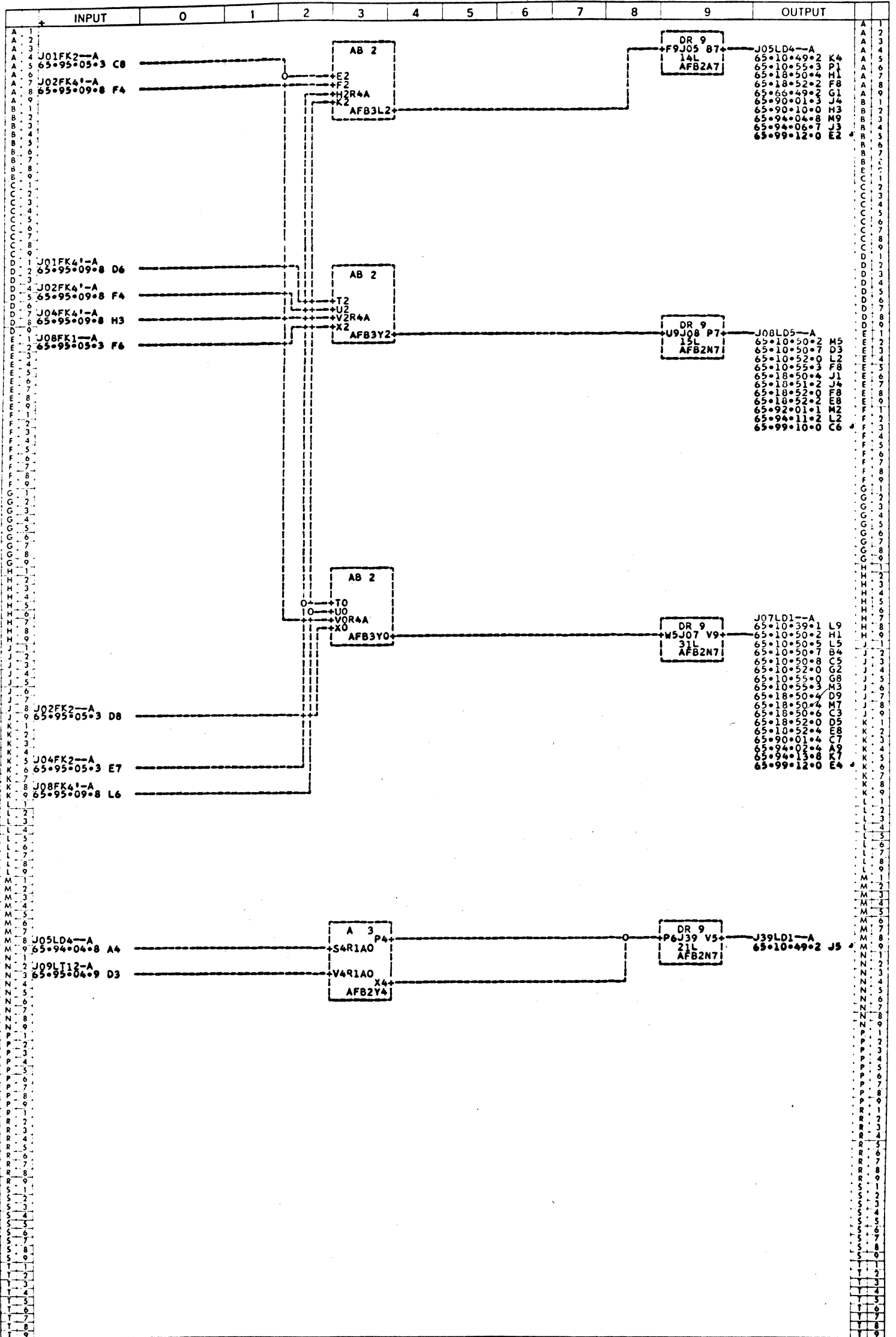


EQUATIONS

	INPUT	0	1	2	3	4	5	6	7	8	9	OUTPUT	
U 2	TITLE A02D-1L A03D-1L A04D-1L A05D-1L LEVELS AND I11S-1L 11870201AG												U 2
U 4	DRAWN BY R J MILLER 10-16-61 CHECKED BY R C CARTER 10-23-61												U 4
U 6	UNIT NAME PROCESSOR UNIT NO 78494												U 6
U 8	SYSTEM B-5000 PAGE NO 65-94-03-8												U 8

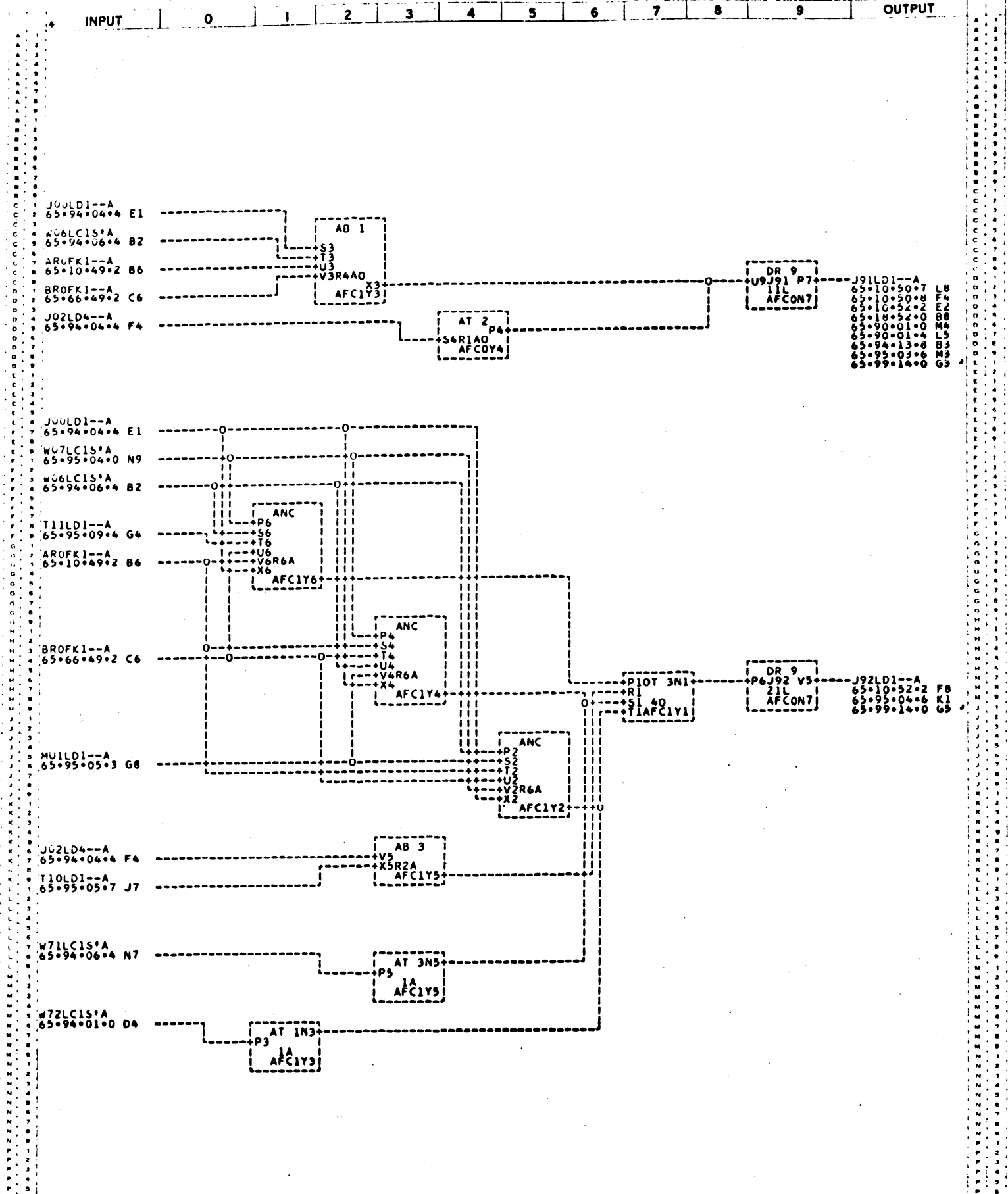
BURROUGHS CORPORATION
 ELECTRODATA DIV., PASADENA, CALIFORNIA
PROPERTY OF BURROUGHS CORPORATION. NOT TO BE REPRODUCED, NOR USED FOR MANUFACTURING PURPOSES, EXCEPT ON BURROUGHS ORDER OR PRIOR WRITTEN COMMENT.

LOGIC SCHEMATIC



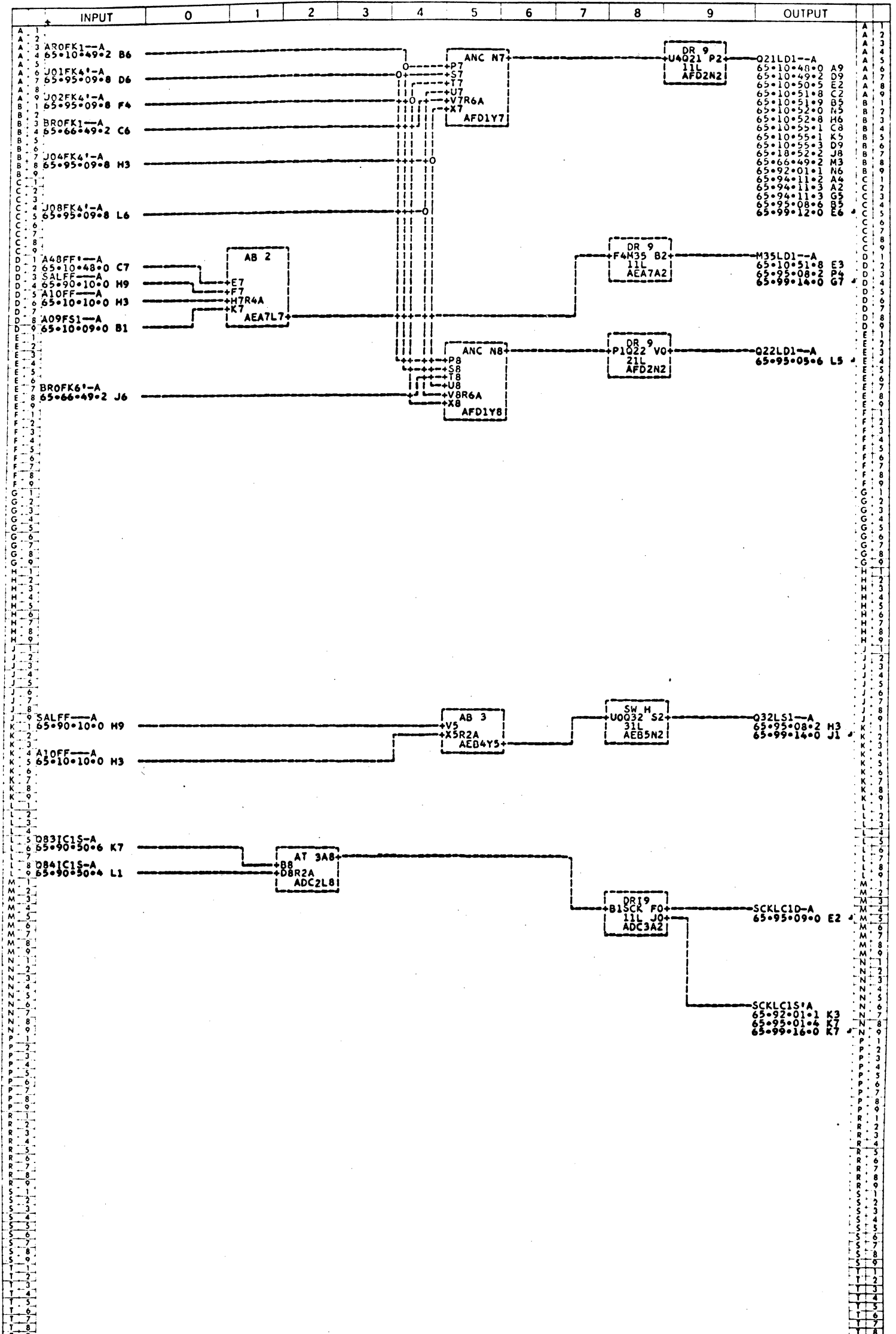
INPUT	0	1	2	3	4	5	6	7	8	9	OUTPUT	
U 2	TITLE J05D-4L J07D-1L J08D-5L LEVELS					H- 11870235AH					U 2	
U 4	DRAWN BY T URMOS 10-17-61			CHECKED BY R C CARTER 10-23-61			ELECTRODATA PASADENA CALIFORNIA					U 4
U 6	UNIT NAME PROCESSOR					UNIT NO. 78494					U 6	
U 8	SYSTEM B-5000					PAGE NO. 65-94-04-8					U 8	

LOGIC SCHEMATIC



EQUATIONS

LOGIC SCHEMATIC

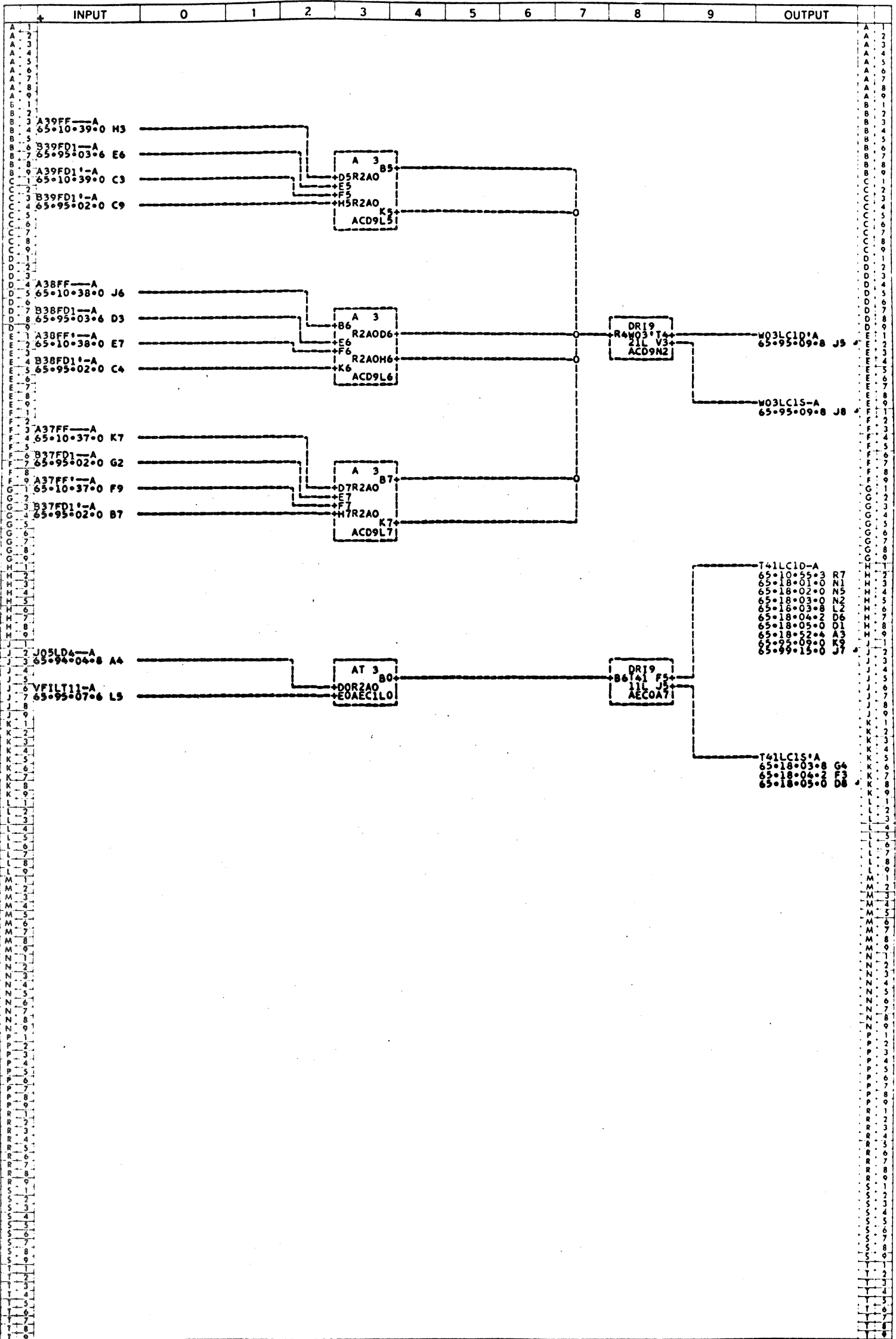


INPUT	0	1	2	3	4	5	6	7	8	9	OUTPUT
U 2	TITLE M39D-1L Q21D-1L Q22D-1L Q32S-1L SCKC-1L LEVELS H- 11870284AM										U 2
U 4	DRAWN BYR WILLIAMS 10-17-61 CHECKED BY R C CARTER 10-23-61										U 4
U 6	UNIT NAME PROCESSOR UNIT NO. 78494										U 6
U 8	SYSTEM B-3000 PAGE NO. 65-94-06-0										U 8

ELECTRODATA **Burroughs Corporation** PASADENA CALIFORNIA
 M & E DIVISION

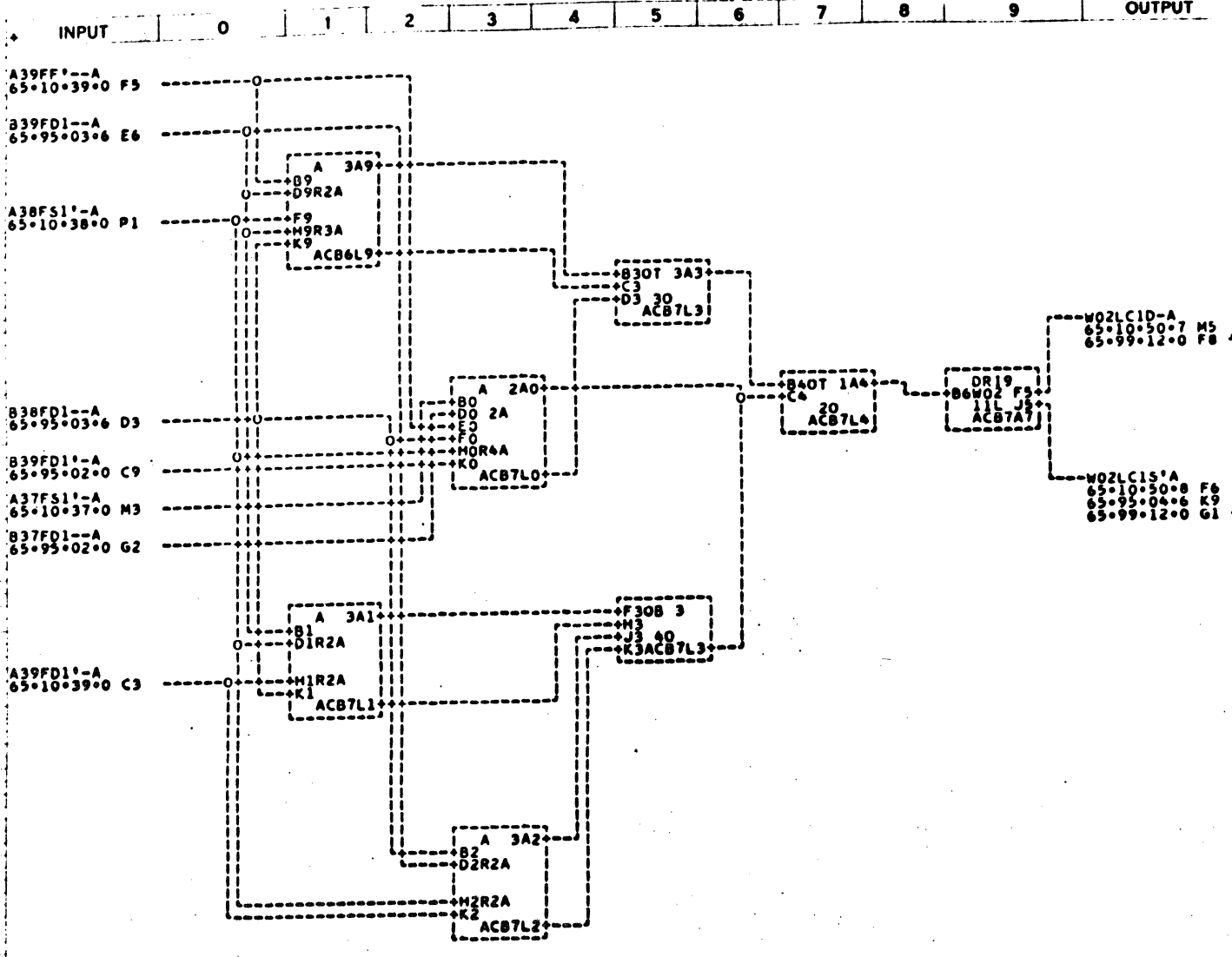
PROPERTY OF BURROUGHS CORPORATION. NOT TO BE REPRODUCED, NOR USED FOR MANUFACTURING PURPOSES, EXCEPT ON BURROUGHS ORDER OR PRIOR WRITTEN CONSENT.

LOGIC SCHEMATIC



	INPUT	0	1	2	3	4	5	6	7	8	9	OUTPUT
U 2	TITLE	W03C-1L DRIVER										U 2
U 4	DRAWN BY	L CARTER 6-11-62										U 4
U 6	UNIT NAME	PROCESSOR										U 6
U 8	SYSTEM	B-2000										U 8
		H- 11925559AD										
		CHECKED BY D A SHEPHERD 6-11-62										
		UNIT NO. 78494										
		PAGE NO. 65-94-06-7										
		ELECTRODATA Burroughs Corporation PASADENA CALIFORNIA										
		PROPERTY OF BURROUGHS CORPORATION NOT TO BE REPRODUCED, NOR USED FOR MANUFACTURING PURPOSES EXCEPT ON BURROUGHS ORDER OR PRIOR WRITTEN CONSENT										

LOGIC SCHEMATIC

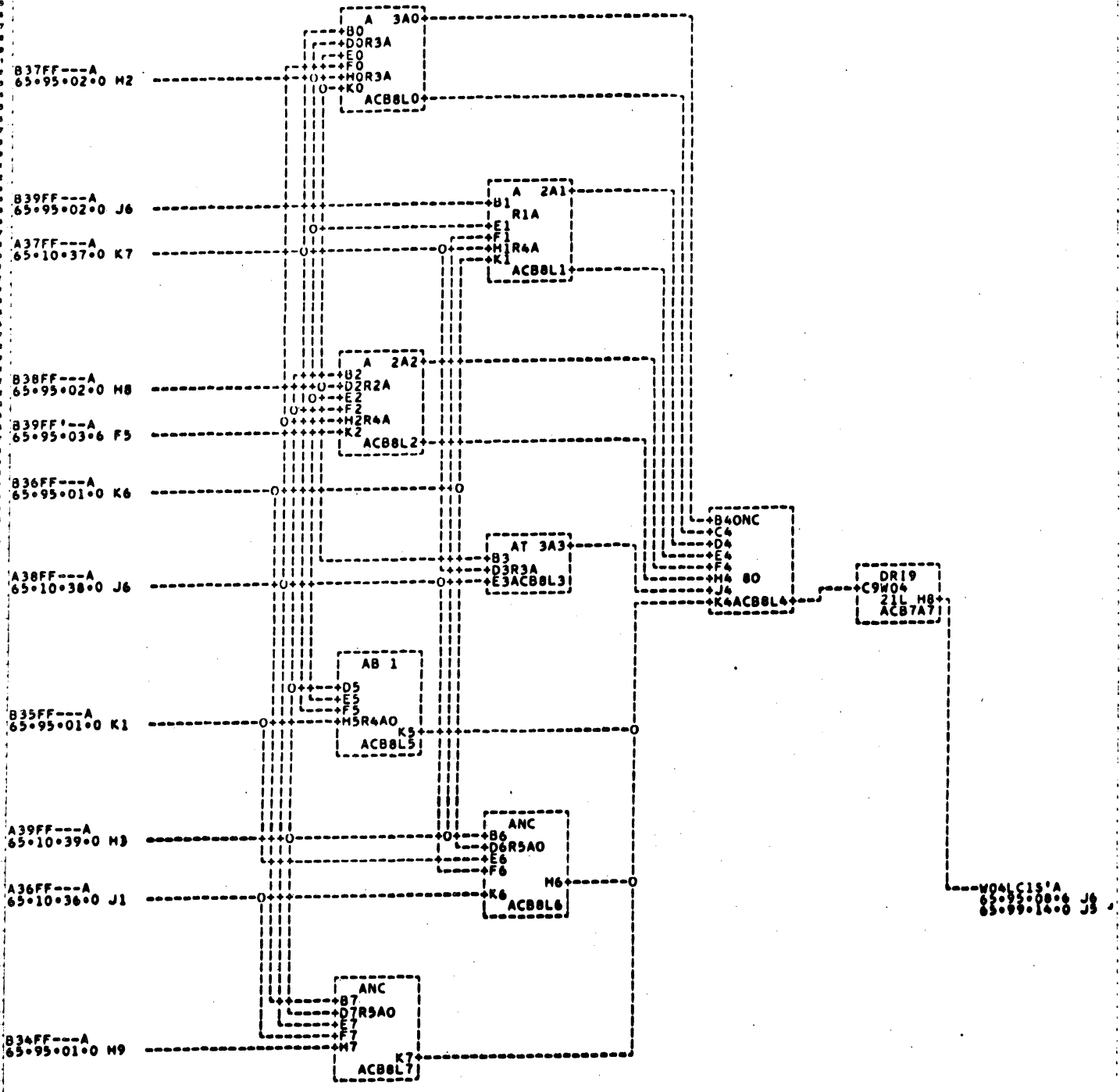


EQUATIONS

INPUT	0	1	2	3	4	5	6	7	8	9	OUTPUT
U 2	TITLE W02C-1L DRIVER										U 2
U 4	DRAWN BY R JOHNSTON										U 4
U 6	UNIT NAME PROCESSOR										U 6
U 8	SYSTEM B-5000										U 8
H- 11921202AC 4-11-62 CHECKED BY D A SHEPHERD 9-11-62 UNIT NO 78494 PAGE NO 62-94-00-8											
BURROUGHS CORPORATION ELECTRODATA DIV., PASADENA, CALIFORNIA <small>PROPERTY OF BURROUGHS CORPORATION - NOT TO BE REPRODUCED, FOR USE FOR MANUFACTURING PURPOSES, EXCEPT ON BURROUGHS ORDER OR FROM WRITTEN CONSENT.</small>											

LOGIC SCHEMATIC

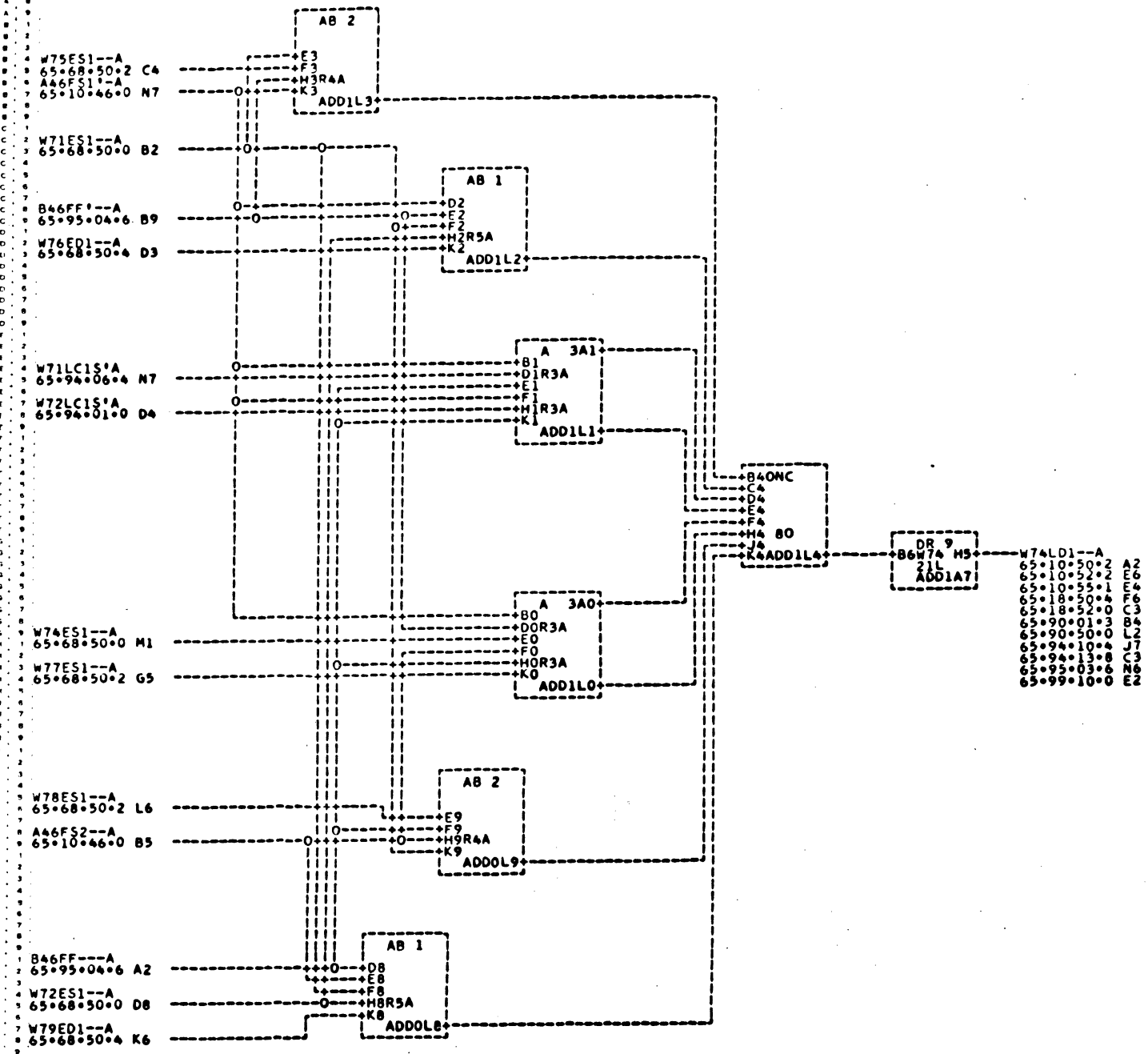
INPUT 0 1 2 3 4 5 6 7 8 9 OUTPUT



EQUATIONS

LOGIC SCHEMATIC

INPUT 0 1 2 3 4 5 6 7 8 9 OUTPUT



EQUATIONS

INPUT 0 1 2 3 4 5 6 7 8 9 OUTPUT

U 2 TITLE W74D-1L DRIVER
 U 4 DRAWN BY R W WENTZEL 4-13-62
 U 6 UNIT NAME PROCESSOR
 U 8 SYSTEM B-9000

H- 11921178AD
 CHECKED BY D A SHEPHERD 5-11-62
 UNIT NO 78494
 PAGE NO 65-94-09-9

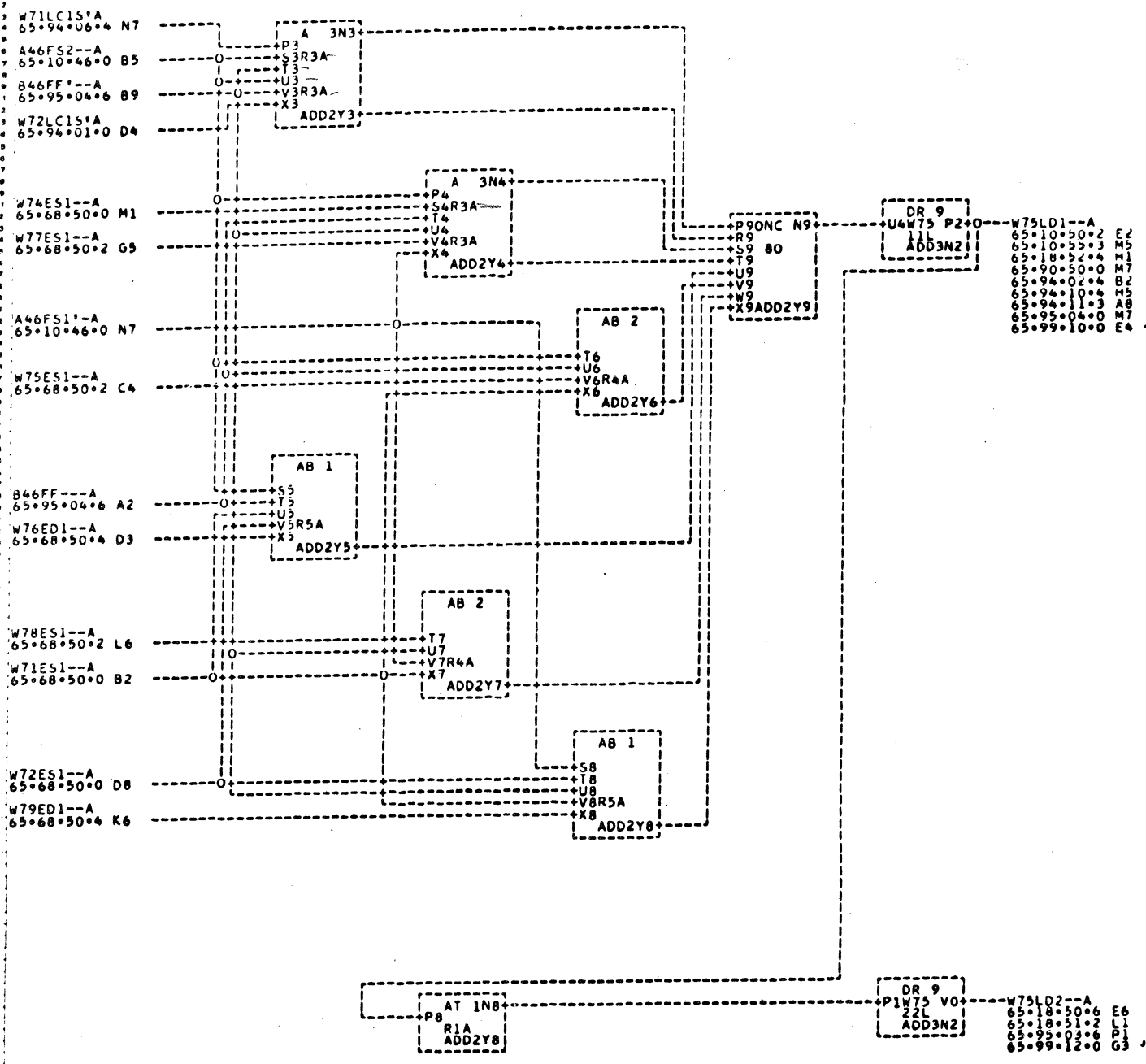
BURROUGHS CORPORATION
 ELECTRODATA DIV., PASADENA, CALIFORNIA

PROPERTY OF BURROUGHS CORPORATION... NOT TO BE REPRODUCED, NOR USED FOR MANUFACTURING PURPOSES, EXCEPT ON BURROUGHS ORDER OR PRIOR WRITTEN CONSENT.

U 2
U 4
U 6
U 8

LOGIC SCHEMATIC

INPUT 0 1 2 3 4 5 6 7 8 9 OUTPUT



EQUATIONS

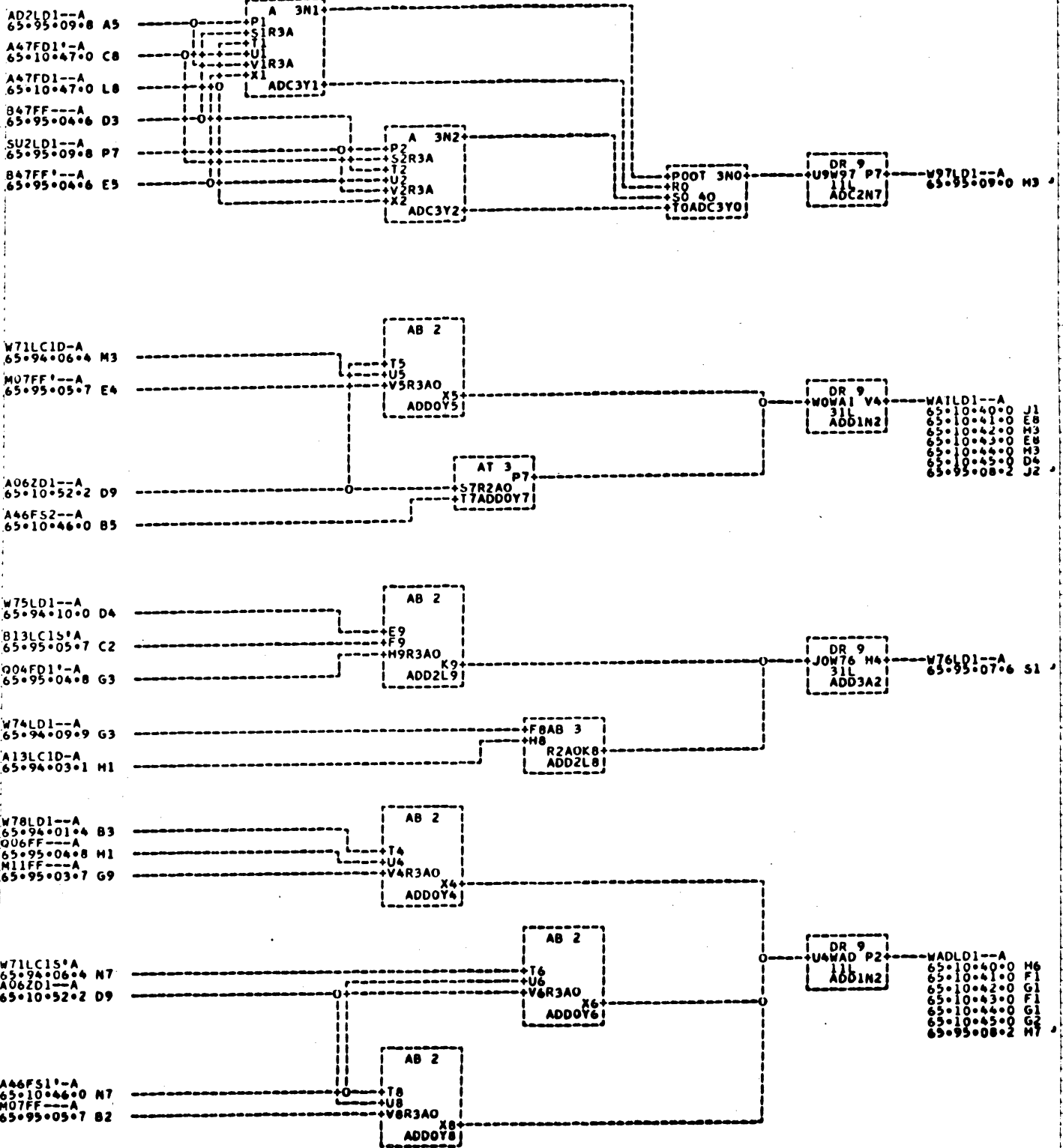
INPUT	0	1	2	3	4	5	6	7	8	9	OUTPUT
U 2	TITLE W75D-1L W75D-2L DRIVERS										U 2
U 4	DRAWN BY ZINES										U 4
U 6	UNIT NAME PROCESSOR										U 6
U 8	SYSTEM B-3000										U 8
						H- 11915873AC					
						CHECKED BY D A SHEPHERD		5-11-62			
						UNIT NO		78494			
						PAGE NO		65-94-10-0			

BURROUGHS CORPORATION
ELECTRODATA DIV., PASADENA, CALIFORNIA

PROPERTY OF BURROUGHS CORPORATION... NOT TO BE REPRODUCED, NOR USED FOR MANUFACTURING PURPOSES, EXCEPT ON BURROUGHS ORDER OR PRIOR WRITTEN CONSENT.

LOGIC SCHEMATIC

INPUT	0	1	2	3	4	5	6	7	8	9	OUTPUT
-------	---	---	---	---	---	---	---	---	---	---	--------



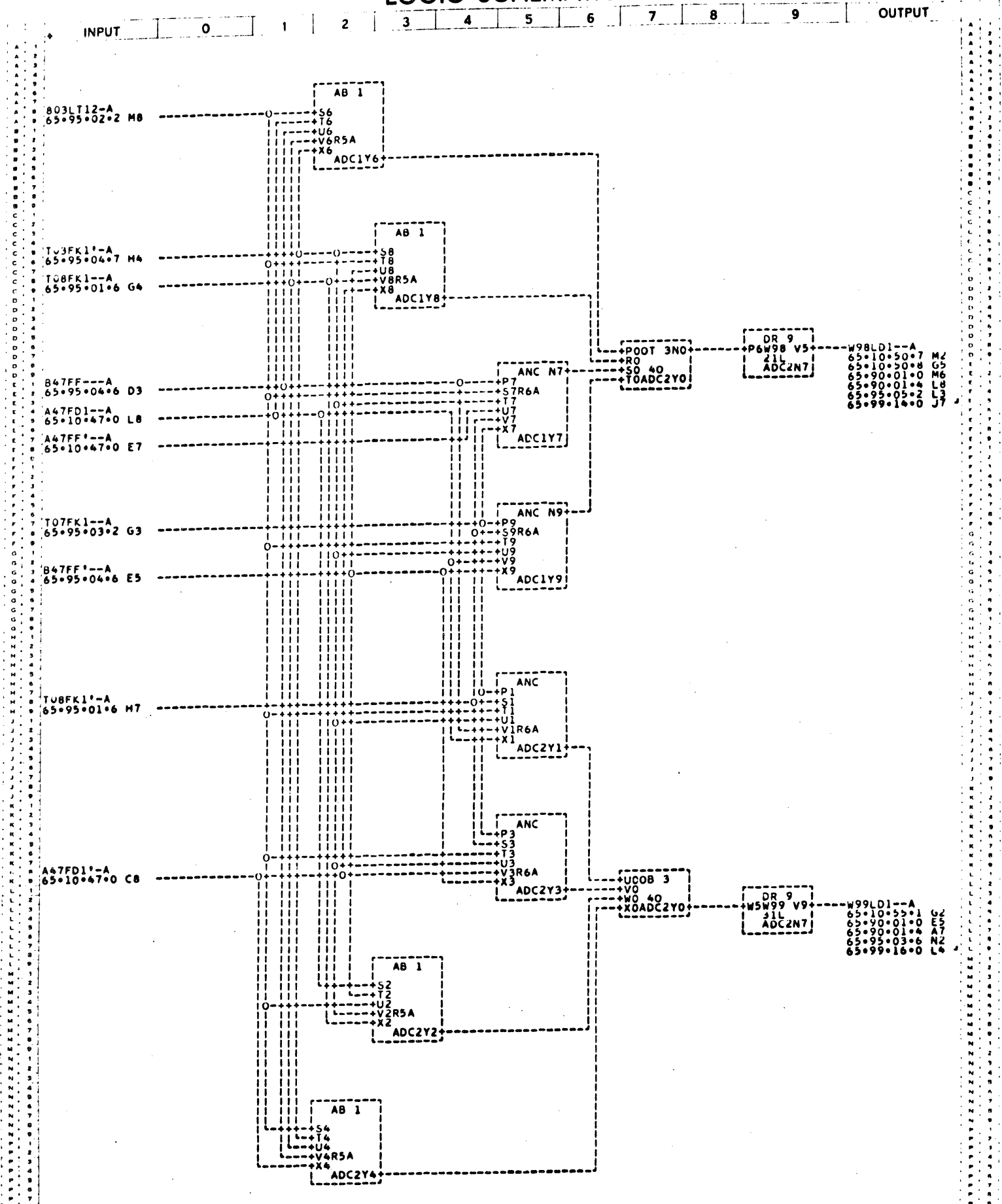
EQUATIONS

INPUT	0	1	2	3	4	5	6	7	8	9	OUTPUT	
U 2	TITLE W76D-1L W97D-1L W4ID-1L WADD-1L DRIVERS										H- 11915881AB	
U 4	DRAWN BY ZINES + WILLIAMS										CHECKED BY D A SHEPHERD	5-11-62
U 6	UNIT NAME PROCESSOR										UNIT NO	78494
U 8	SYSTEM B-9000										PAGE NO	43-96-10-4

BURROUGHS CORPORATION
ELECTRODATA DIV., PASADENA, CALIFORNIA

PROPERTY OF BURROUGHS CORPORATION... NOT TO BE REPRODUCED, NOR USED FOR MANUFACTURING PURPOSES, EXCEPT ON BURROUGHS ORDER OR PRIOR WRITTEN CONSENT.

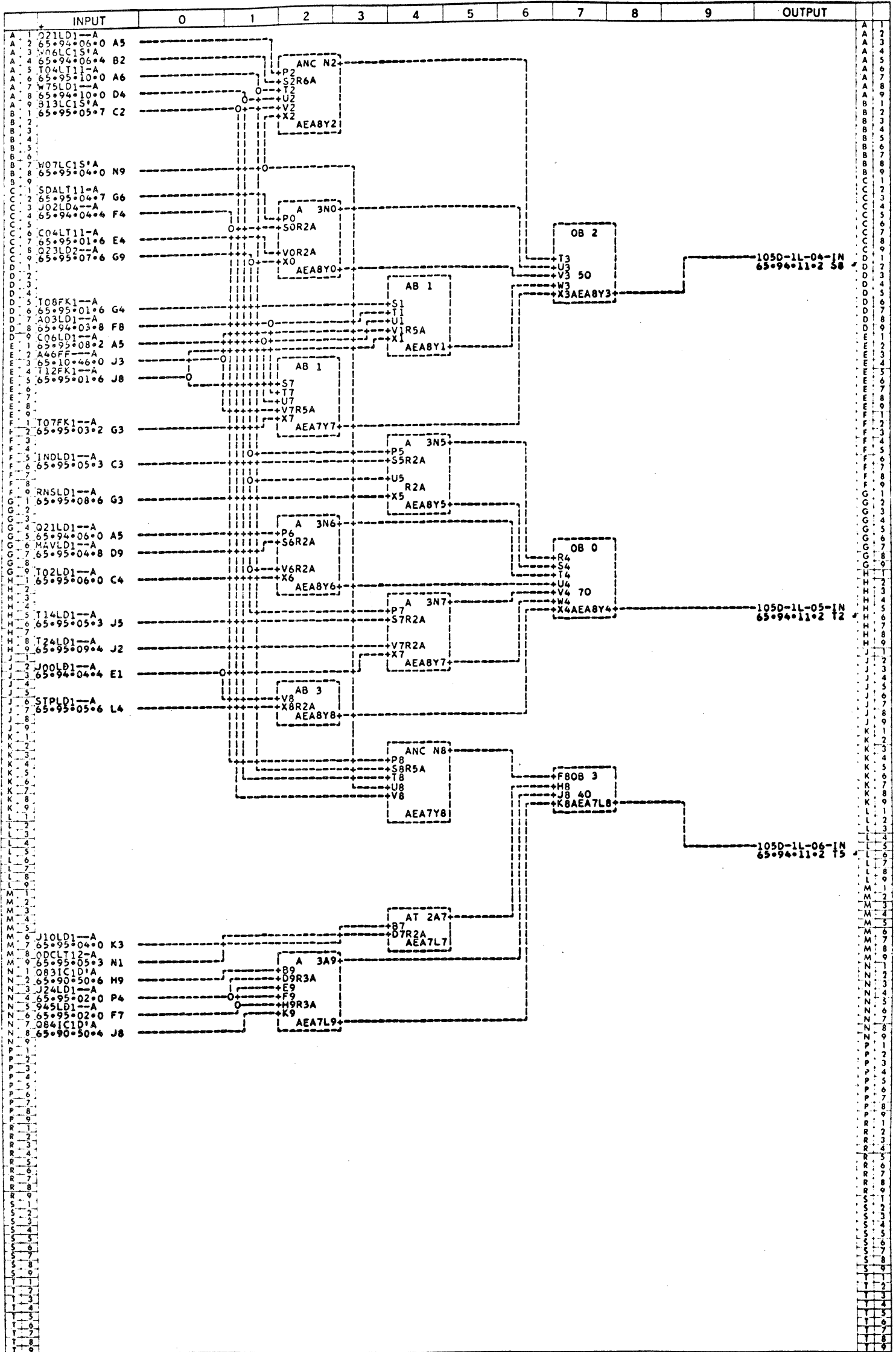
LOGIC SCHEMATIC



EQUATIONS

	INPUT	0	1	2	3	4	5	6	7	8	9	OUTPUT								
U 2	TITLE W98D-1L W99D-1L DRIVERS																			
U 4	DRAWN BY R W WENTSEL 4-12-62																			
U 6	UNIT NAME PROCESSOR																			
U 8	SYSTEM B-5000																			
	H- 11921210AC																			
	CHECKED BY D A SHEPHERD 9-11-62																			
	UNIT NO 78494																			
	PAGE NO 65-94-10-9																			
	<div style="display: flex; justify-content: space-between; align-items: center;"> <div style="text-align: center;"> <p>BURROUGHS CORPORATION ELECTRODATA DIV., PASADENA, CALIFORNIA</p> <p><small>PROPERTY OF BURROUGHS CORPORATION... NOT TO BE REPRODUCED, NOR USED FOR MANUFACTURING PURPOSES, EXCEPT ON BURROUGHS ORDER OR PRIOR WRITTEN CONSENT.</small></p> </div> <div style="text-align: right;"> <table border="1" style="border-collapse: collapse;"> <tr><td style="width: 20px;">U</td><td style="width: 20px;">2</td></tr> <tr><td>U</td><td>4</td></tr> <tr><td>U</td><td>6</td></tr> <tr><td>U</td><td>8</td></tr> </table> </div> </div>												U	2	U	4	U	6	U	8
U	2																			
U	4																			
U	6																			
U	8																			

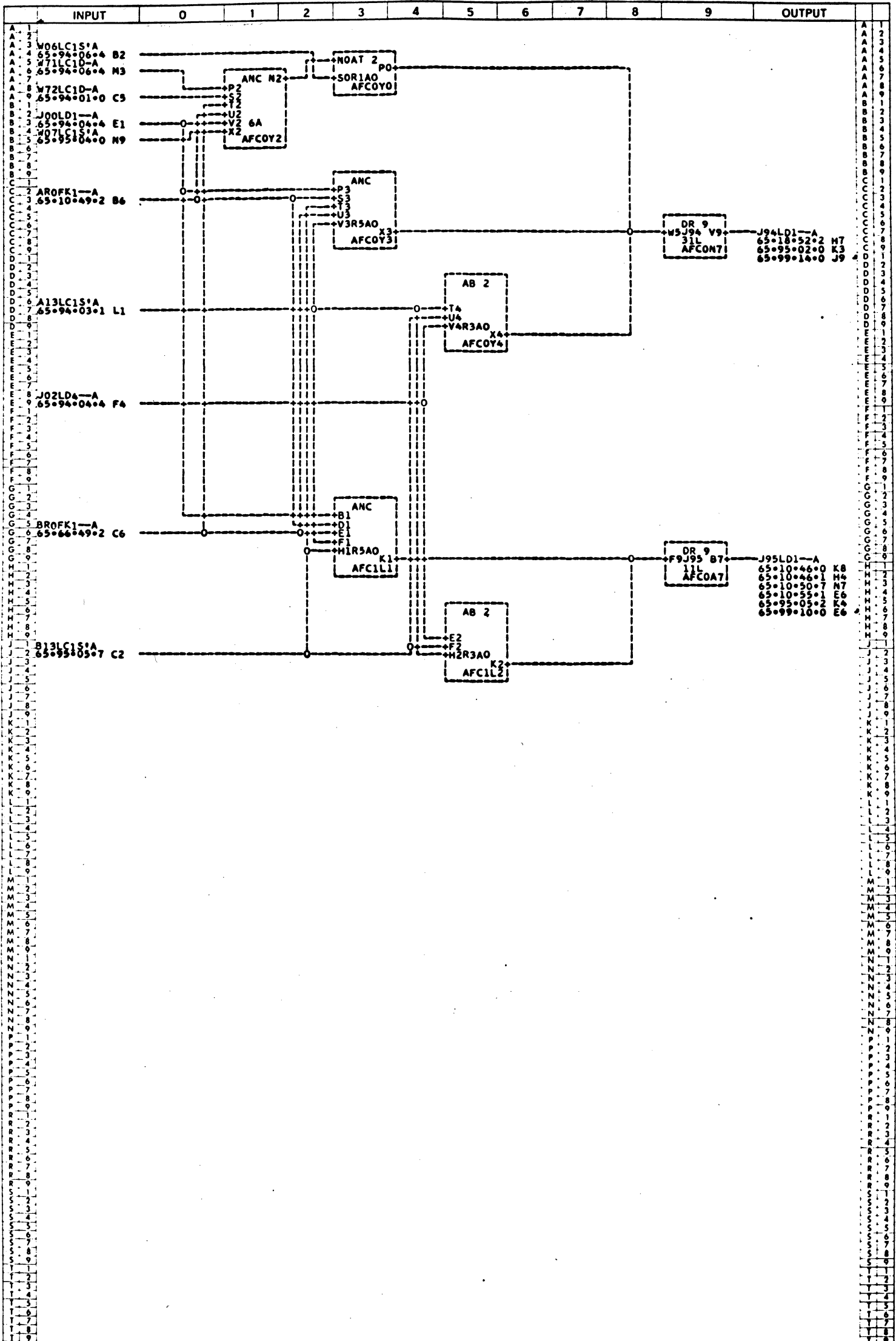
LOGIC SCHEMATIC



INPUT	0	1	2	3	4	5	6	7	8	9	OUTPUT
U 2	TITLE 105D-1L DRIVER (PAGE 2 OF 21) H- 11921236AE										U 2
U 4	DRAWN BY C A VIETOR 4-19-62 CHECKED BY D A SHEPHERD 5-11-62										U 4
U 6	UNIT NAME PROCESSOR UNIT NO. 78494										U 6
U 8	SYSTEM R-5000 PAGE NO. 65-94-11-3										U 8

Burroughs Corporation
 ELECTRODATA M&E DIVISION PASADENA CALIFORNIA
 PROPERTY OF BURROUGHS CORPORATION. NOT TO BE REPRODUCED, NOR USED FOR MANUFACTURING PURPOSES, EXCEPT ON BURROUGHS ORDER OR PRIOR WRITTEN CONSENT.

LOGIC SCHEMATIC



	INPUT	0	1	2	3	4	5	6	7	8	9	OUTPUT	
U 2	TITLE J94D-1L J95D-1L DRIVERS												U 2
U 4	DRAWN BY ZINES												U 4
U 6	UNIT NAME PROCESSOR												U 6
U 8	SYSTEM A-3000												U 8
H- 11921186AE CHECKED BY D A SHEPHERD 5-11-62 UNIT NO. 78494 PAGE NO. 6549A-13A													
ELECTRODATA M & E DIVISION													
Burroughs Corporation PASADENA CALIFORNIA													
PROPERTY OF BURROUGHS CORPORATION NOT TO BE REPRODUCED, NOR USED FOR MANUFACTURING PURPOSES EXCEPT ON BURROUGHS ORDER OR PRIOR WRITTEN CONSENT													

LOGIC SCHEMATIC

INPUT

0

1

2

3

4

5

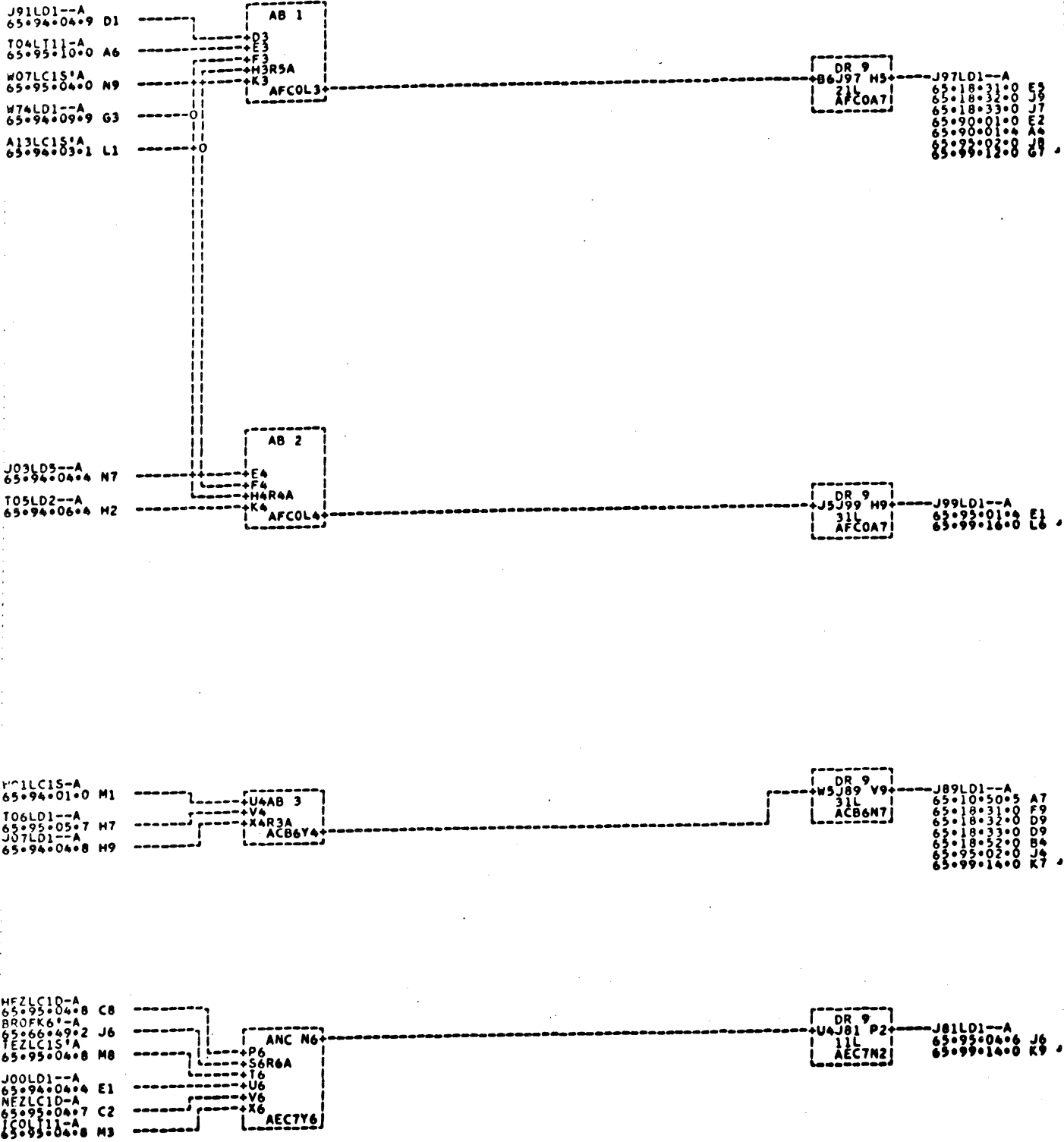
6

7

8

9

OUTPUT



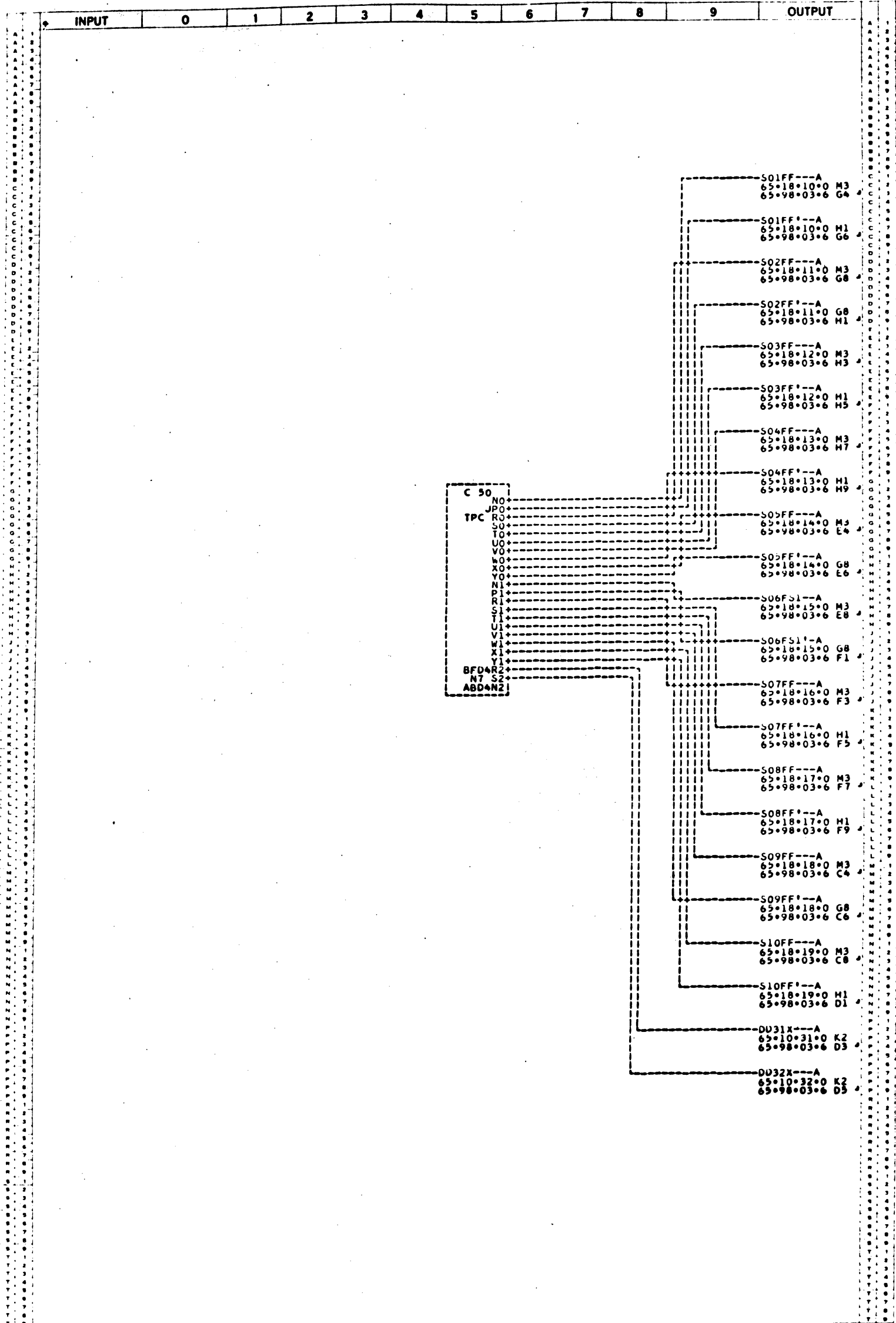
EQUATIONS

	INPUT	0	1	2	3	4	5	6	7	8	9	OUTPUT
U 2	TITLE J97D-1L J99D-1L J81D-1L J89D-1L DRIVERS H- 11921194AE											
U 4	DRAWN BY ZINES AND RFW CHECKED BY D A SHEPHERD 3-11-62											
U 6	UNIT NAME PROCESSOR UNIT NO 78494											
U 8	SYSTEM 8-3000 PAGE NO 65-94-13-8											

BURROUGHS CORPORATION
ELECTRODATA DIV., PASADENA, CALIFORNIA

PROPERTY OF BURROUGHS CORPORATION. NOT TO BE REPRODUCED, NOR USED FOR MANUFACTURING PURPOSES, EXCEPT ON BURROUGHS ORDER OR PRIOR WRITTEN CONSENT.

LOGIC SCHEMATIC



INPUT	0	1	2	3	4	5	6	7	8	9	OUTPUT
U 2	TITLE INTER-RACK CONN ABD4N2 (CABLE 261) (PAGE 1 OF 2) H- 11911292AA										U 2
U 4	DRAWN BY C A VIETOR 4-25-62 RFW CHECKED BY W A BROWN 4-26-62										U 4
U 6	UNIT NAME PROCESSOR					UNIT NO 78494					U 6
U 8	SYSTEM B-5000					PAGE NO 65-99-00-0					U 8

BURROUGHS CORPORATION
 ELECTRODATA DIV., PASADENA, CALIFORNIA
PROPERTY OF BURROUGHS CORPORATION - NOT TO BE REPRODUCED, NOR USED FOR MANUFACTURING PURPOSES, EXCEPT ON BURROUGHS ORDER OR PRIOR WRITTEN CONSENT.

LOGIC SCHEMATIC

INPUT

0

1

2

3

4

5

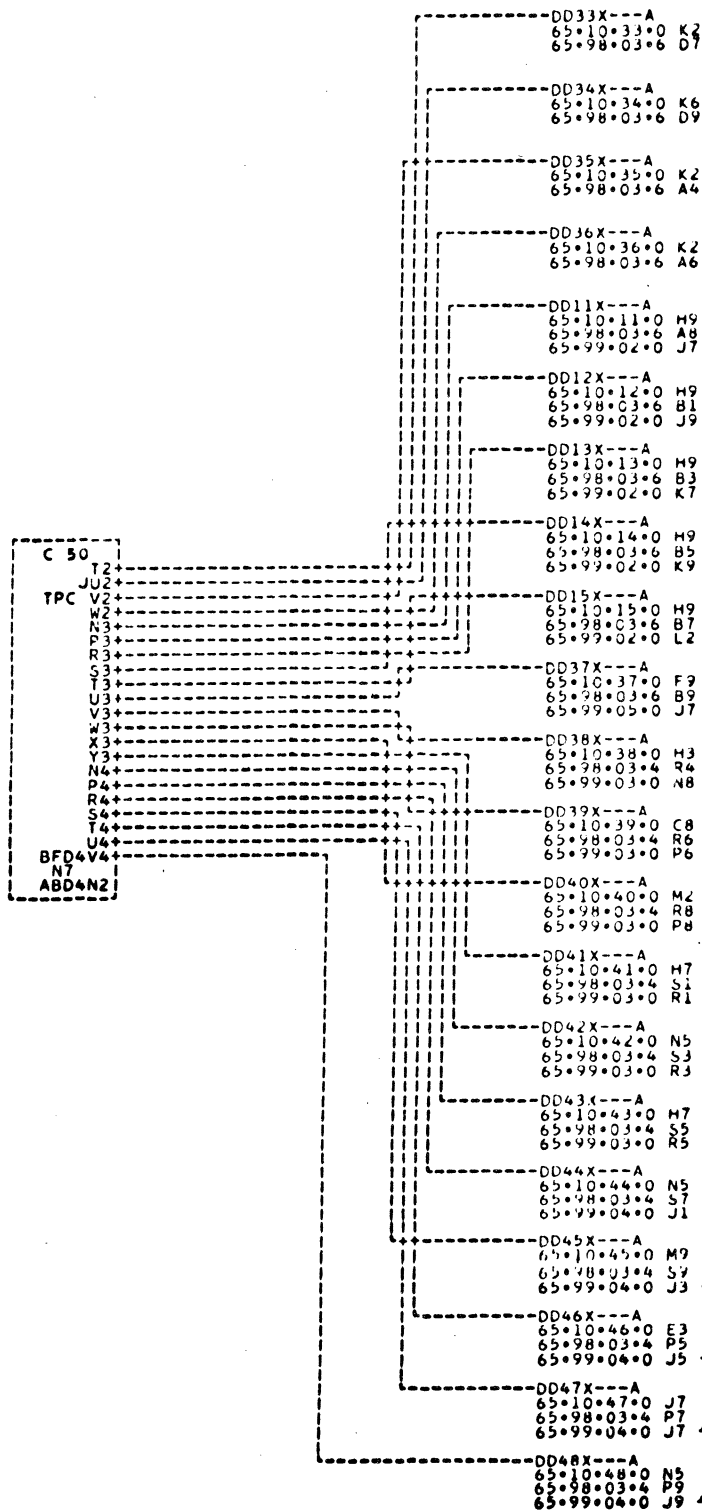
6

7

8

9

OUTPUT



INPUT

0

1

2

3

4

5

6

7

8

9

OUTPUT

U 2 TITLE INTER-RACK CONN ABD4N2 (CABLE 261) (PAGE 2 OF 2) H- 11911260AB

U 4 DRAWN BY C A VIETOR 4-25-62 RFM CHECKED BY W A BROWN 4-26-62

U 6 UNIT NAME PROCESSOR UNIT NO 78494

U 8 SYSTEM B-3000 PAGE NO 65-95-00-2

BURROUGHS CORPORATION
ELECTRODATA DIV., PASADENA, CALIFORNIA

PROPERTY OF BURROUGHS CORPORATION. NOT TO BE REPRODUCED, NOR USED FOR MANUFACTURING PURPOSES, EXCEPT ON BURROUGHS ORDER OR PRIOR WRITTEN CONSENT.

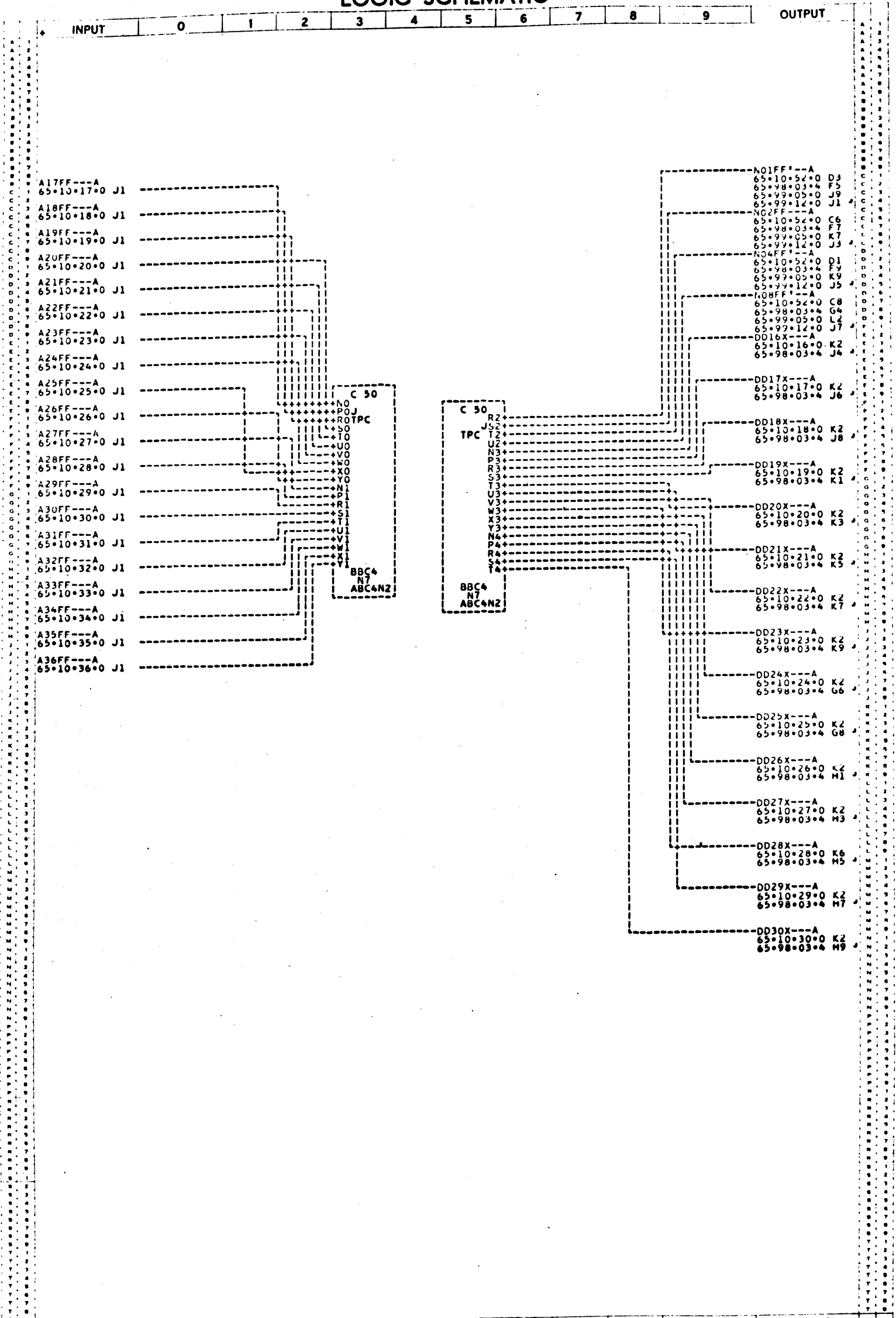
U 2

U 4

U 6

U 8

LOGIC SCHEMATIC



	INPUT	0	1	2	3	4	5	6	7	8	9	OUTPUT	
U 2	TITLE INTER-RACK CONN ABC4N2 (CABLE 2621) H- 11911206AB												U 2
U 4	DRAWN BY C A VIETOR 4-25-62 CHECKED BY W A BROWN 4-26-62												U 4
U 6	UNIT NAME PROCESSOR UNIT NO 78494												U 6
U 8	SYSTEM B-5000 PAGE NO 65.95.00.6												U 8

BURROUGHS CORPORATION
 ELECTRODATA DIV., PASADENA, CALIFORNIA
PROPERTY OF BURROUGHS CORPORATION. NOT TO BE REPRODUCED, NOR USED FOR MANUFACTURING PURPOSES, EXCEPT ON BURROUGHS ORDER OR PRIOR WRITTEN CONSENT.

LOGIC SCHEMATIC

INPUT 0 1 2 3 4 5 6 7 8 9 OUTPUT

X31FF---A
 65•18•25•0 J7
 X31FF---A
 65•18•25•0 H1
 X32FF---A
 65•18•26•0 J7
 X32FF---A
 65•18•26•0 H1
 X33FF---A
 65•18•27•0 J7
 X33FF---A
 65•18•27•0 H1
 US16X---A
 65•96•03•0 S2
 X13FF---A
 65•18•08•0 L4
 X13FF---A
 65•18•08•0 K2

C 50
 D3
 E3 J
 F3 TPC
 H3
 J3
 K3
 H4
 K4 BBD4
 L4 A7
 ABD4A2

C 50
 TPC
 F0
 M0
 J0
 K0
 L0
 A1
 B1
 C1
 D1
 E1
 F1
 H1
 J1
 K1
 L1
 C2
 D2
 E2
 F2
 H2
 J2
 L2
 A4
 BBD4
 A7
 ABD4A2

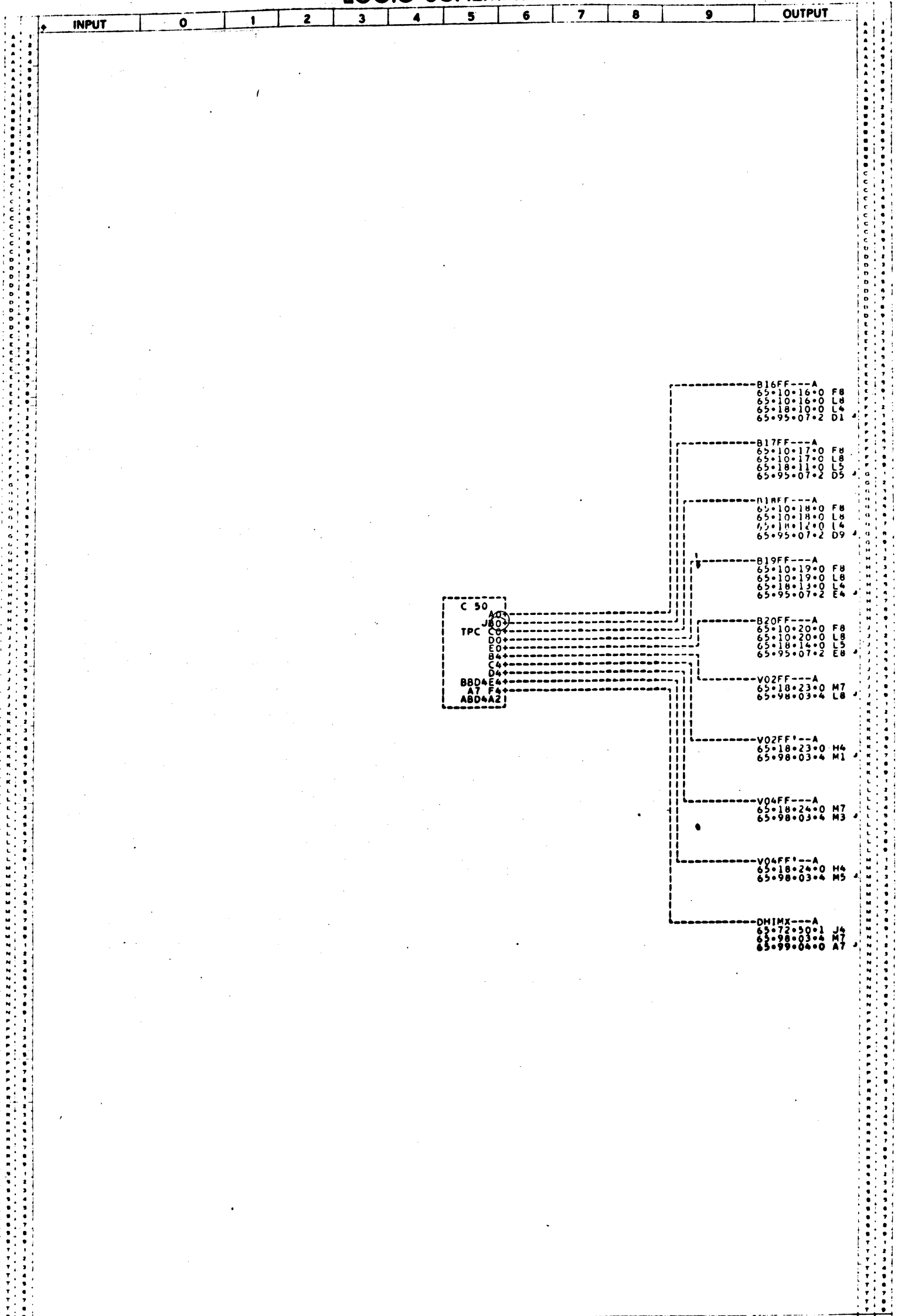
B21FF---A
 65•10•21•0 F8
 65•10•21•0 L8
 65•18•15•0 L5
 65•95•07•2 F3
 B22FF---A
 65•10•22•0 F8
 65•10•22•0 L8
 65•18•16•0 L4
 65•95•07•2 F7
 B23FF---A
 65•10•23•0 F8
 65•10•23•0 L8
 65•18•17•0 L4
 65•95•07•2 G2
 B24FF---A
 65•10•24•0 F8
 65•10•24•0 L8
 65•18•18•0 L5
 65•95•07•2 G6
 B26FF---A
 65•10•26•0 F8
 65•10•26•0 L8
 65•18•20•0 L4
 65•95•07•2 H5
 B27FF---A
 65•10•27•0 F8
 65•10•27•0 M6
 65•18•21•0 L5
 65•95•07•2 H9
 B28FF---A
 65•10•28•0 F8
 65•10•28•0 L8
 65•18•22•0 L5
 65•95•07•2 J4
 B29FF---A
 65•10•29•0 F8
 65•10•29•0 L8
 65•18•23•0 L5
 65•95•07•2 J8
 B30FF---A
 65•10•30•0 F8
 65•10•30•0 L8
 65•18•24•0 L4
 65•95•07•2 K3
 B32FF---A
 65•10•32•0 F8
 65•10•32•0 L8
 65•18•25•0 L5
 65•95•07•2 K7
 B34FF---A
 65•10•34•0 F8
 65•10•34•0 L8
 65•18•28•0 L4
 65•94•06•9 N6
 65•95•07•2 L2
 65•99•04•0 A9
 B35FF---A
 65•10•35•0 F8
 65•10•35•0 L8
 65•18•29•0 L5
 65•94•06•9 K5
 65•95•07•2 L6
 65•99•04•0 K7
 B36FF---A
 65•10•36•0 F8
 65•10•36•0 L8
 65•18•30•0 L4
 65•94•06•9 H3
 65•95•07•2 M1
 65•99•04•0 K9
 K01FF---A
 65•18•25•0 M3
 65•98•03•4 M9
 K01FF---A
 65•18•25•0 H1
 65•98•03•4 N4
 K02FF---A
 65•18•26•0 M3
 65•98•03•4 N6
 K02FF---A
 65•18•26•0 G8
 65•98•03•4 N8
 K04FF---A
 65•18•27•0 M3
 65•98•03•4 P1
 K04FF---A
 65•18•27•0 H1
 65•98•03•4 P3
 B25FF---A
 65•10•25•0 F8
 65•10•25•0 L8
 65•18•19•0 L4
 65•95•07•2 M1
 V01FF---A
 65•18•22•0 M3
 65•98•03•4 L4
 V01FS1---A
 65•18•22•0 M7
 65•98•03•4 L8

	INPUT	0	1	2	3	4	5	6	7	8	9	OUTPUT
U 2	TITLE INTER-RACK CONN ABD4A2 (CABLE 263) (PAGE 1 OF 2) H- 11911302AD											U 2
U 4	DRAWN BY C A VIETOR 4-25-62 CHECKED BY W A BROWN 4-26-62											U 4
U 6	UNIT NAME PROCESSOR UNIT NO 78494											U 6
U 8	SYSTEM B-9000 PAGE NO 65•99•01•0											U 8

BURROUGHS CORPORATION
ELECTRODATA DIV., PASADENA, CALIFORNIA

PROPERTY OF BURROUGHS CORPORATION... NOT TO BE REPRODUCED, NOR USED FOR MANUFACTURING PURPOSES, EXCEPT ON BURROUGHS ORDER OR PRIOR WRITTEN CONSENT.

LOGIC SCHEMATIC

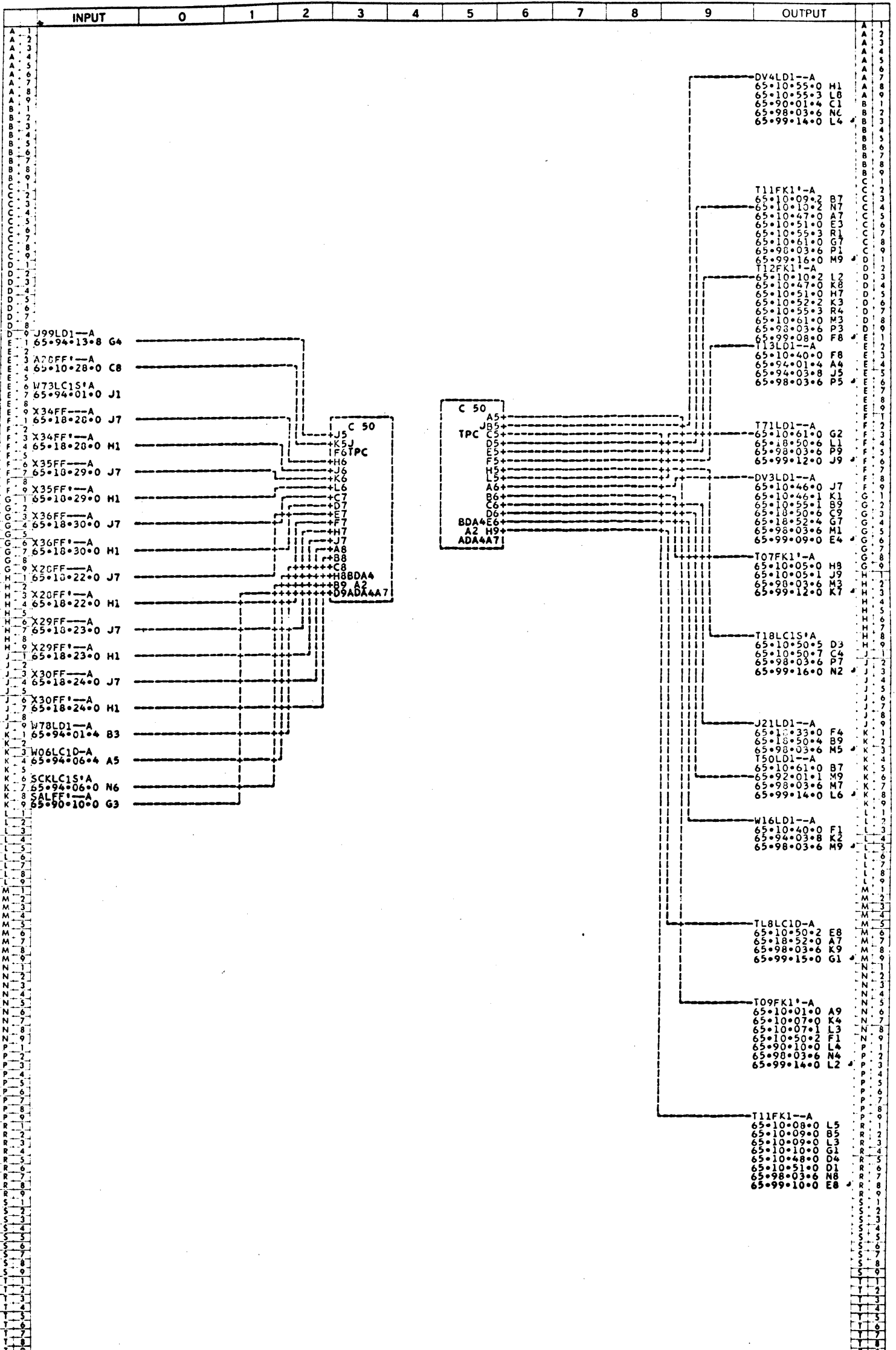


INPUT	0	1	2	3	4	5	6	7	8	9	OUTPUT	
U 2	TITLE INTER-RACK CONN ABD4A2 (CABLE 263) (PAGE 2 OF 2) H- 11926094AB										U 2	
U 4	DRAWN BY C DOOLING 6-18-62		CHECKED BY S G SMITH		6-18-62						U 4	
U 6	UNIT NAME PROCESSOR					UNIT NO 78494						U 6
U 8	SYSTEM B-3000					PAGE NO 65-95-01-1						U 8

BURROUGHS CORPORATION
 ELECTRODATA DIV., PASADENA, CALIFORNIA

PROPERTY OF BURROUGHS CORPORATION - NOT TO BE REPRODUCED FOR USE FOR MANUFACTURING PURPOSES, EXCEPT ON BURROUGHS ORDER OR PRIOR WRITTEN CONSENT.

LOGIC SCHEMATIC

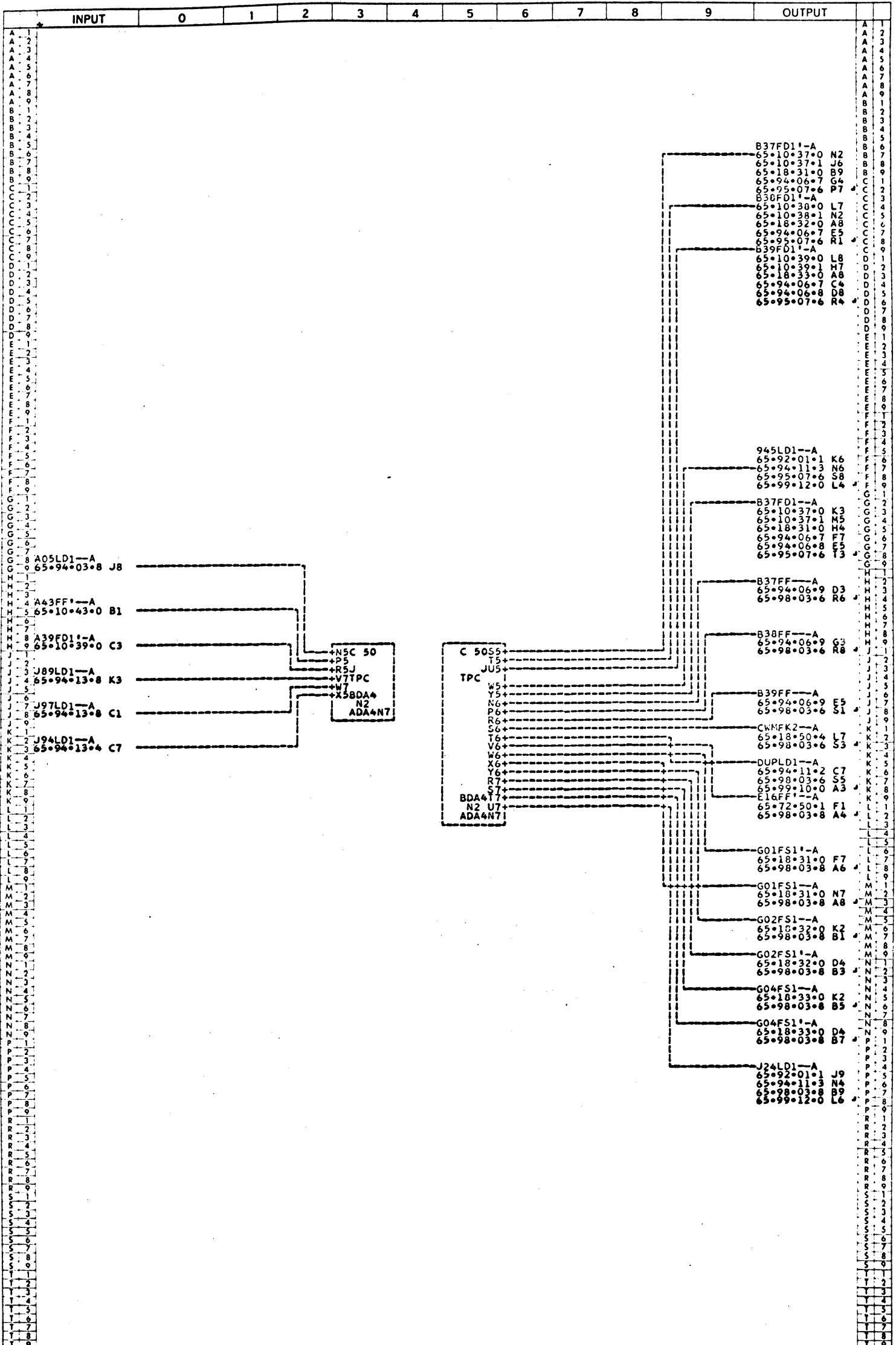


INPUT	0	1	2	3	4	5	6	7	8	9	OUTPUT
U 2	TITLE INTER-RACK CONN ADA4A7 (CABLE 264) (PAGE 1 OF 2) M- 11911328AE										U 2
U 4	DRAWN BY C A VIETOR 4-26-62 CHECKED BY W A BROWN 4-26-62										U 4
U 6	UNIT NAME PROCESSOR UNIT NO. 78494										U 6
U 8	SYSTEM B-5000 PAGE NO. 65-95-01-4										U 8

ELECTRODATA **Burroughs Corporation** **PASADENA CALIFORNIA**
 M & E DIVISION

PROPERTY OF BURROUGHS CORPORATION. NOT TO BE REPRODUCED, NOR USED FOR MANUFACTURING PURPOSES, EXCEPT ON BURROUGHS ORDER OR PRIOR WRITTEN CONSENT.

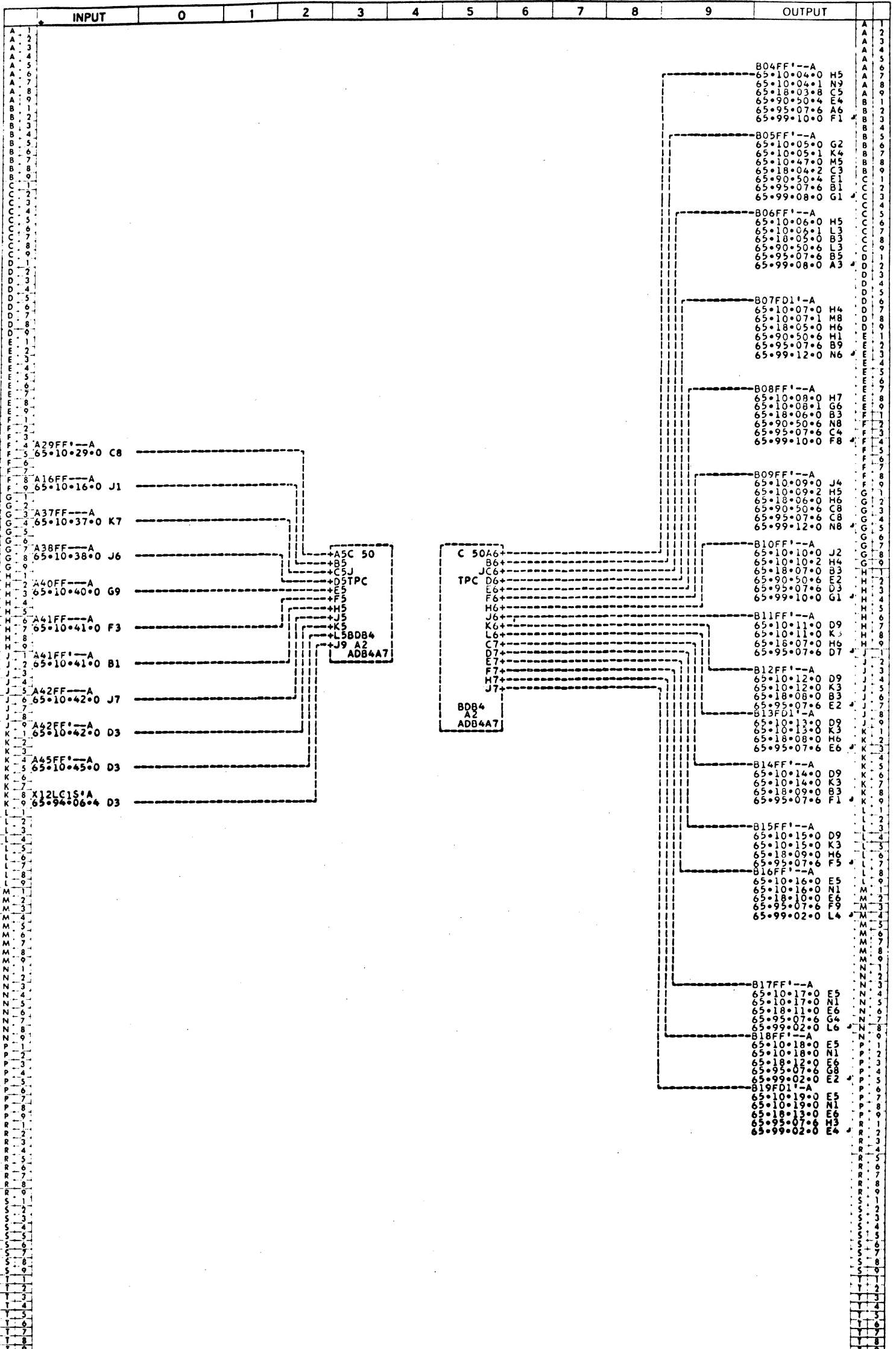
LOGIC SCHEMATIC



INPUT	0	1	2	3	4	5	6	7	8	9	OUTPUT
U 2	TITLE INTER-RACK CONN ADA4N7 (CABLE 265) (PAGE 1 OF 2) H- 11911351AE										U 2
U 4	DRAWN BY D L BODKIN 24 APR 62 CHECKED BY K O JAMES 4-25-62										U 4
U 6	UNIT NAME PROCESSOR UNIT NO. 78494										U 6
U 8	SYSTEM B-5000 PAGE NO. 65.95.02.0										U 8

Burroughs Corporation
 ELECTRODATA M & E DIVISION PASADENA CALIFORNIA
 PROPERTY OF BURROUGHS CORPORATION. NOT TO BE REPRODUCED, NOR USED FOR MANUFACTURING PURPOSES, EXCEPT ON BURROUGHS ORDER OR PRIOR WRITTEN CONSENT.

LOGIC SCHEMATIC



INPUT	0	1	2	3	4	5	6	7	8	9	OUTPUT
U 2	TITLE INTER-RACK CONN ABD4A7 (CABLE 266) (PAGE 1 OF 2) M- 11911385AD										U 2
U 4	DRAWN BY D L BODKIN 25 APR 62 CHECKED BY A H GORLEK 4-25-62										U 4
U 6	UNIT NAME PROCESSOR UNIT NO. 78494										U 6
U 8	SYSTEM B-5000 PAGE NO. 65-95-02-6										U 8

Burroughs Corporation

ELECTRODATA M&E DIVISION PASADENA CALIFORNIA

PROPERTY OF BURROUGHS CORPORATION NOT TO BE REPRODUCED, NOR USED FOR MANUFACTURING PURPOSES EXCEPT ON BURROUGHS ORDER OR PRIOR WRITTEN CONSENT.

LOGIC SCHEMATIC

INPUT

0

1

2

3

4

5

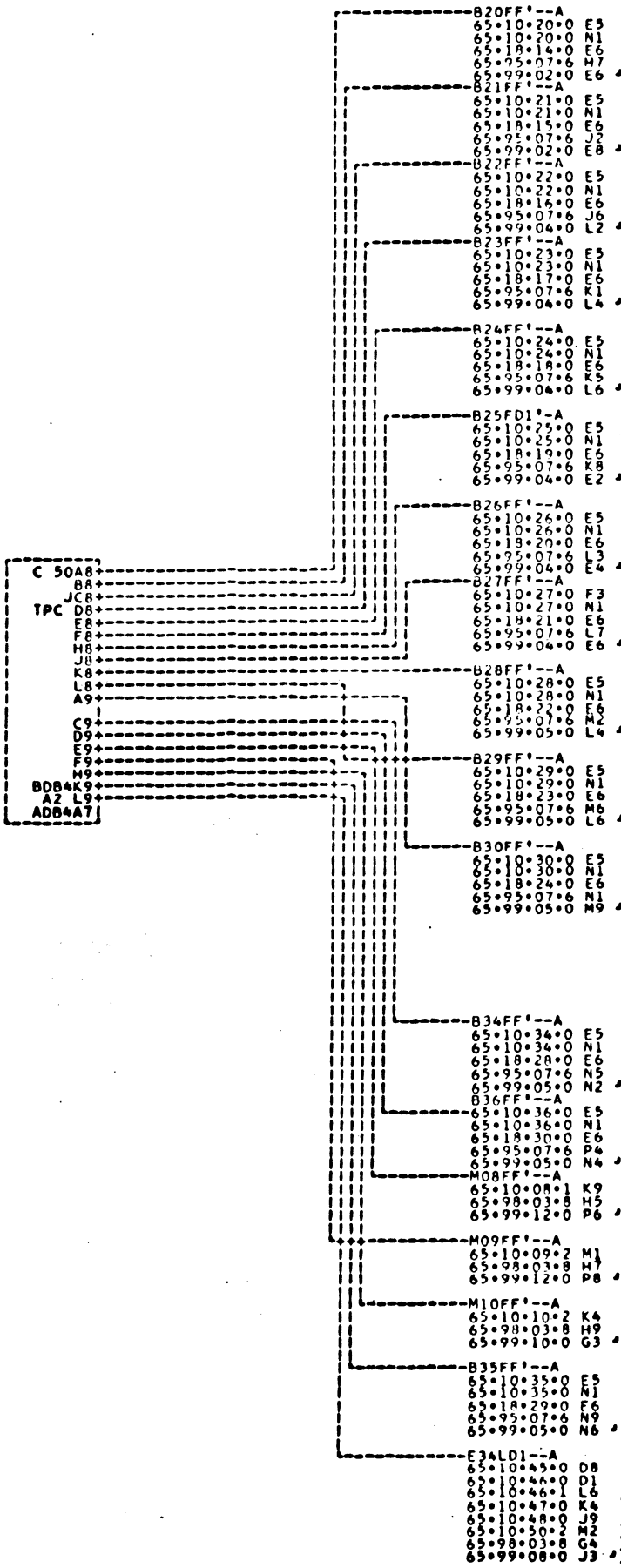
6

7

8

9

OUTPUT



INPUT

0

1

2

3

4

5

6

7

8

9

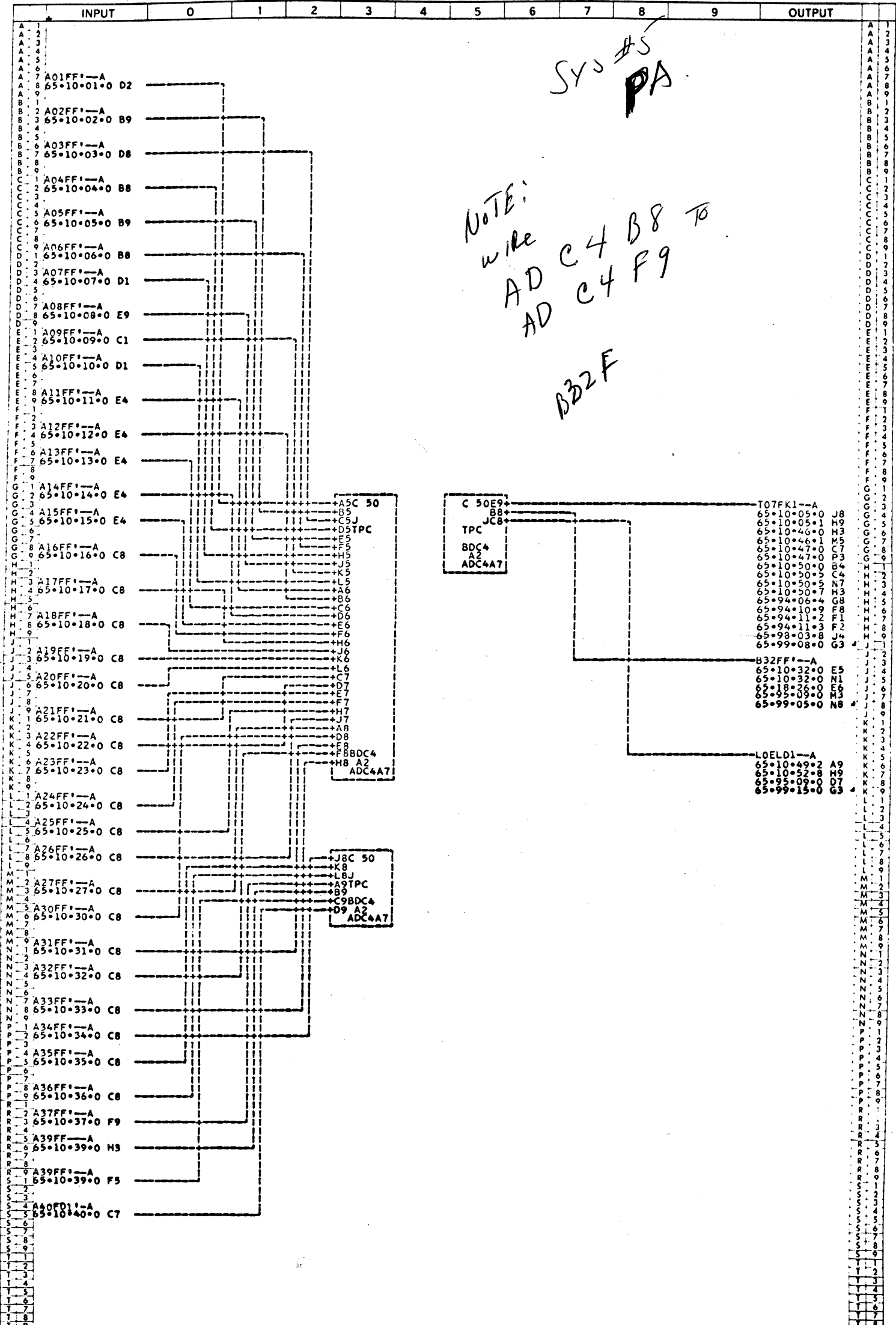
OUTPUT

U 2 TITLE INTER-RACK CONN A8D4A7 (CABLE 266) (PAGE 2 OF 2) H- 11911393AD
 U 4 DRAWN BY D L BOOKIN 25 APR 62 CHECKED BY A M GORLEK 4-25-62
 U 6 UNIT NAME PROCESSOR UNIT NO 78494
 U 8 SYSTEM 8-9000 PAGE NO 65-95-02-8

BURROUGHS CORPORATION ELECTRODATA DIV., PASADENA, CALIFORNIA
PROPERTY OF BURROUGHS CORPORATION...NOT TO BE REPRODUCED, NOR USED FOR MANUFACTURING PURPOSES, EXCEPT ON BURROUGHS ORDER OR PRIOR WRITTEN CONSENT.

U 2
U 4
U 6
U 8

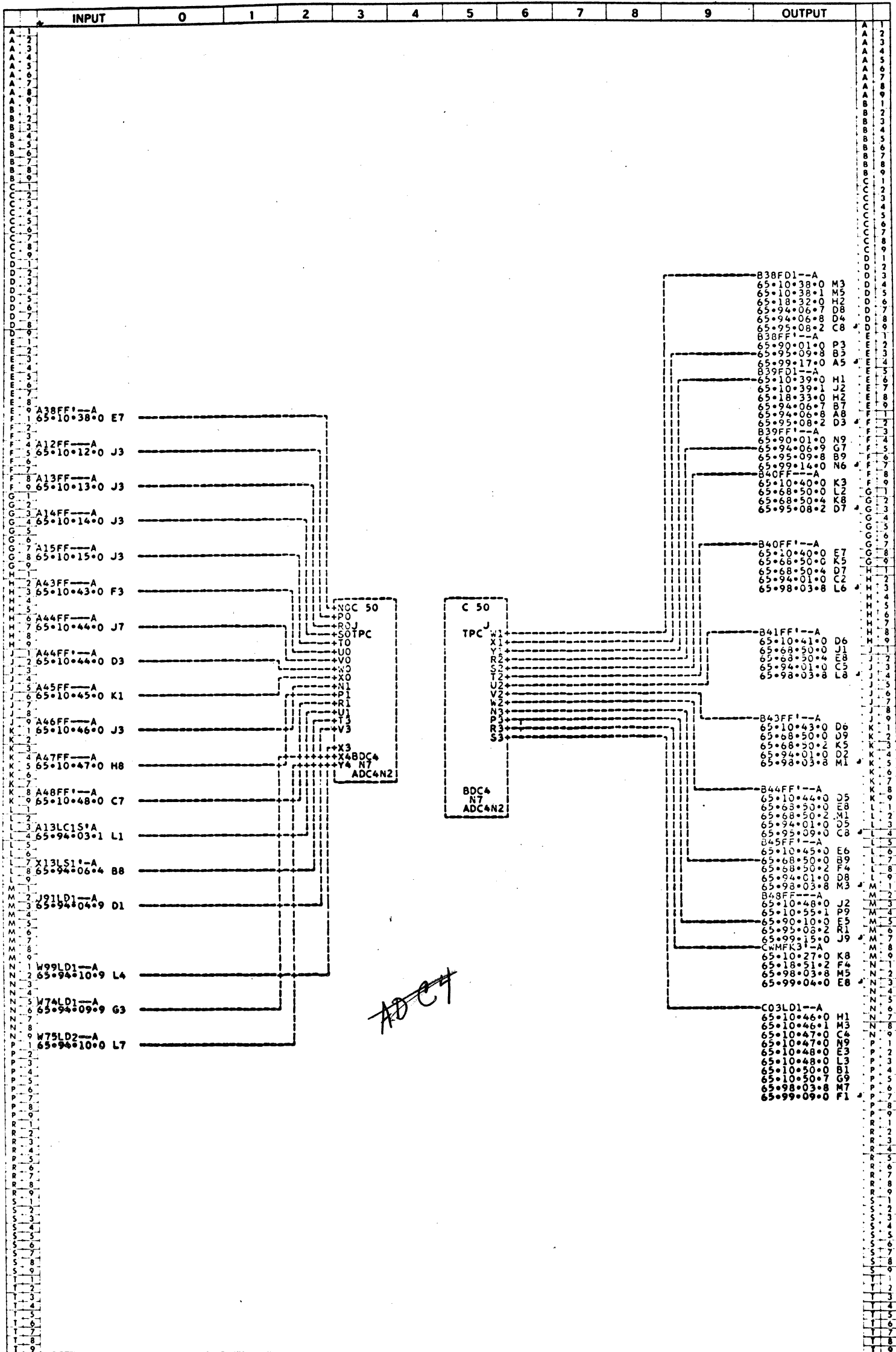
LOGIC SCHEMATIC



INPUT	0	1	2	3	4	5	6	7	8	9	OUTPUT
U 2	TITLE INTER-RACK CONN ADC4A7 (CABLE 267) H- 11911419AF										U 2
U 4	DRAWN BY D L BODKIN 25 APR 62 CHECKED BY K O JAMES 4-25-62										U 4
U 6	UNIT NAME PROCESSOR UNIT NO. 78494										U 6
U 8	SYSTEM B-3000 PAGE NO. 65-99-03-2										U 8

Burroughs Corporation
 ELECTRODATA M & E DIVISION PASADENA CALIFORNIA
PROPERTY OF BURROUGHS CORPORATION. NOT TO BE REPRODUCED, NOR USED FOR MANUFACTURING PURPOSES, EXCEPT ON BURROUGHS ORDER OR PRIOR WRITTEN CONSENT.

LOGIC SCHEMATIC



ADC4

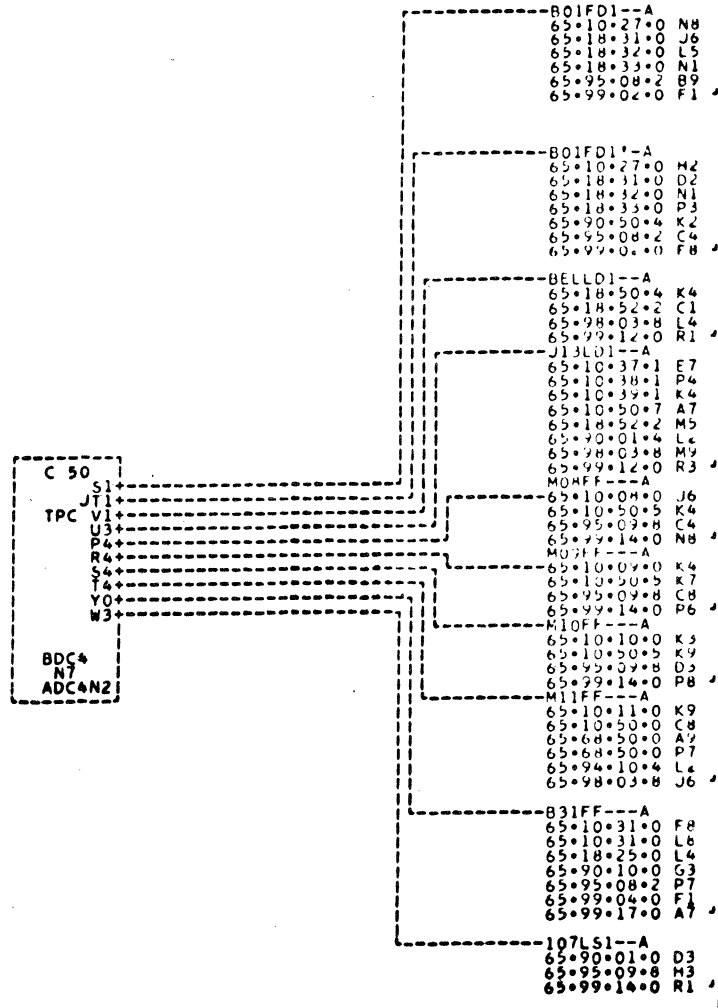
INPUT	0	1	2	3	4	5	6	7	8	9	OUTPUT
U 2	TITLE INTER-RACK CONN ADC4N2 (CABLE 268) (PAGE 1 OF 2) H- 11911435AE										U 2
U 4	DRAWN BY D.L. BODKIN 25 APR 62 CHECKED BY W.A. BROWN 4-26-62										U 4
U 6	UNIT NAME PROCESSOR UNIT NO. 78494										U 6
U 8	SYSTEM B-9000 PAGE NO. 65-95-03-6										U 8

Burroughs Corporation
 ELECTRODATA M&E DIVISION PASADENA CALIFORNIA

PROPERTY OF BURROUGHS CORPORATION NOT TO BE REPRODUCED, NOR USED FOR MANUFACTURING PURPOSES EXCEPT ON BURROUGHS ORDER OR PRIOR WRITTEN CONSENT

LOGIC SCHEMATIC

INPUT 0 1 2 3 4 5 6 7 8 9 OUTPUT

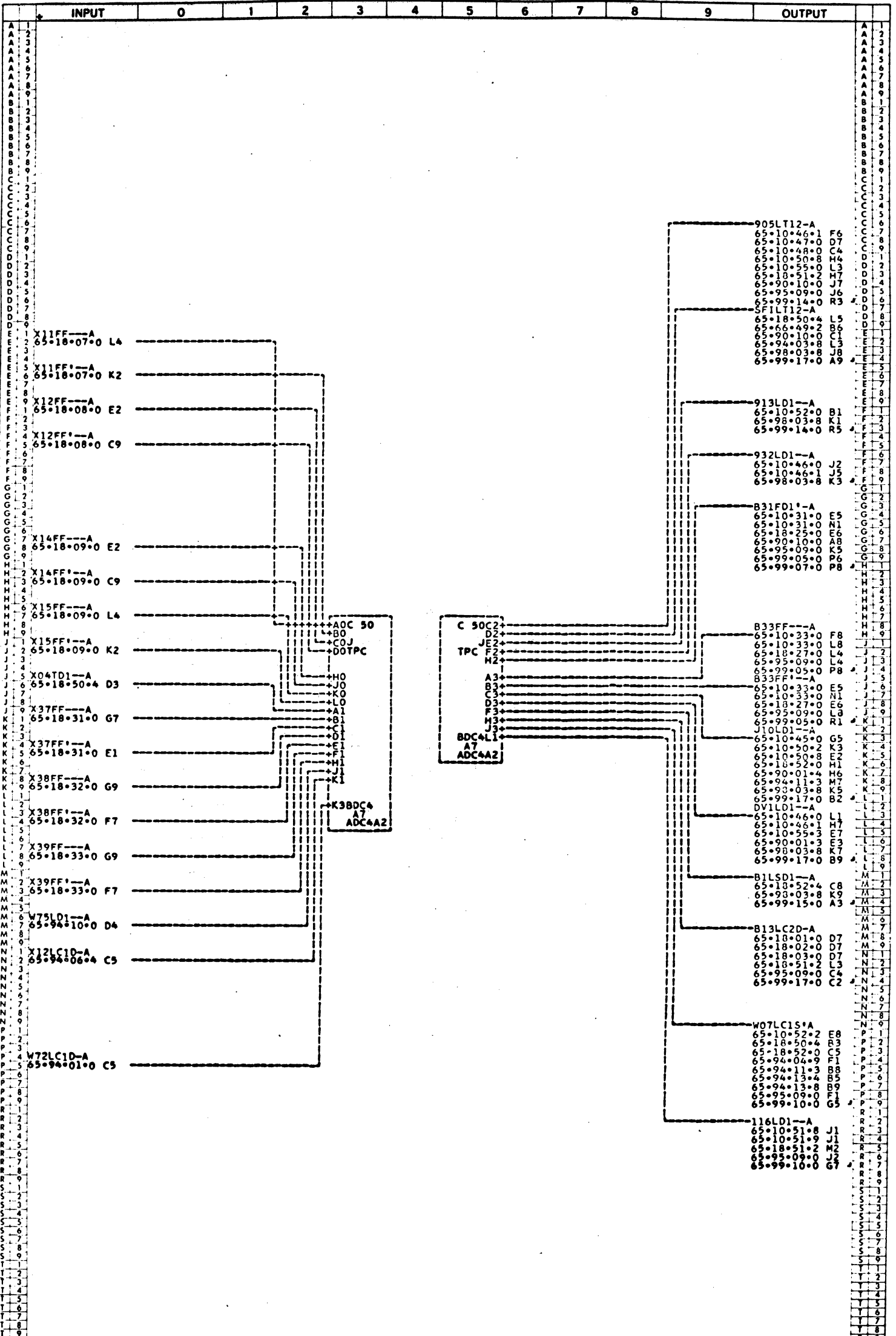


	INPUT	0	1	2	3	4	5	6	7	8	9	OUTPUT	
U 2	TITLE INTER-RACK CONN ADC4N2 (CABLE 268) (PAGE 2 OF 2) H- 11925476AE												U 2
U 4	DRAWN BY G WENSLEY 6-8-62 CHECKED BY D A SHEPHERD 6-8-62												U 4
U 6	UNIT NAME PROCESSOR UNIT NO 78494												U 6
U 8	SYSTEM B-5000 PAGE NO 65-95-03-7												U 8

BURROUGHS CORPORATION
ELECTRODATA DIV., PASADENA, CALIFORNIA

PROPERTY OF BURROUGHS CORPORATION...NOT TO BE REPRODUCED, NOR USED FOR MANUFACTURING PURPOSES, EXCEPT ON BURROUGHS ORDER OR PRIOR WRITTEN CONSENT.

LOGIC SCHEMATIC



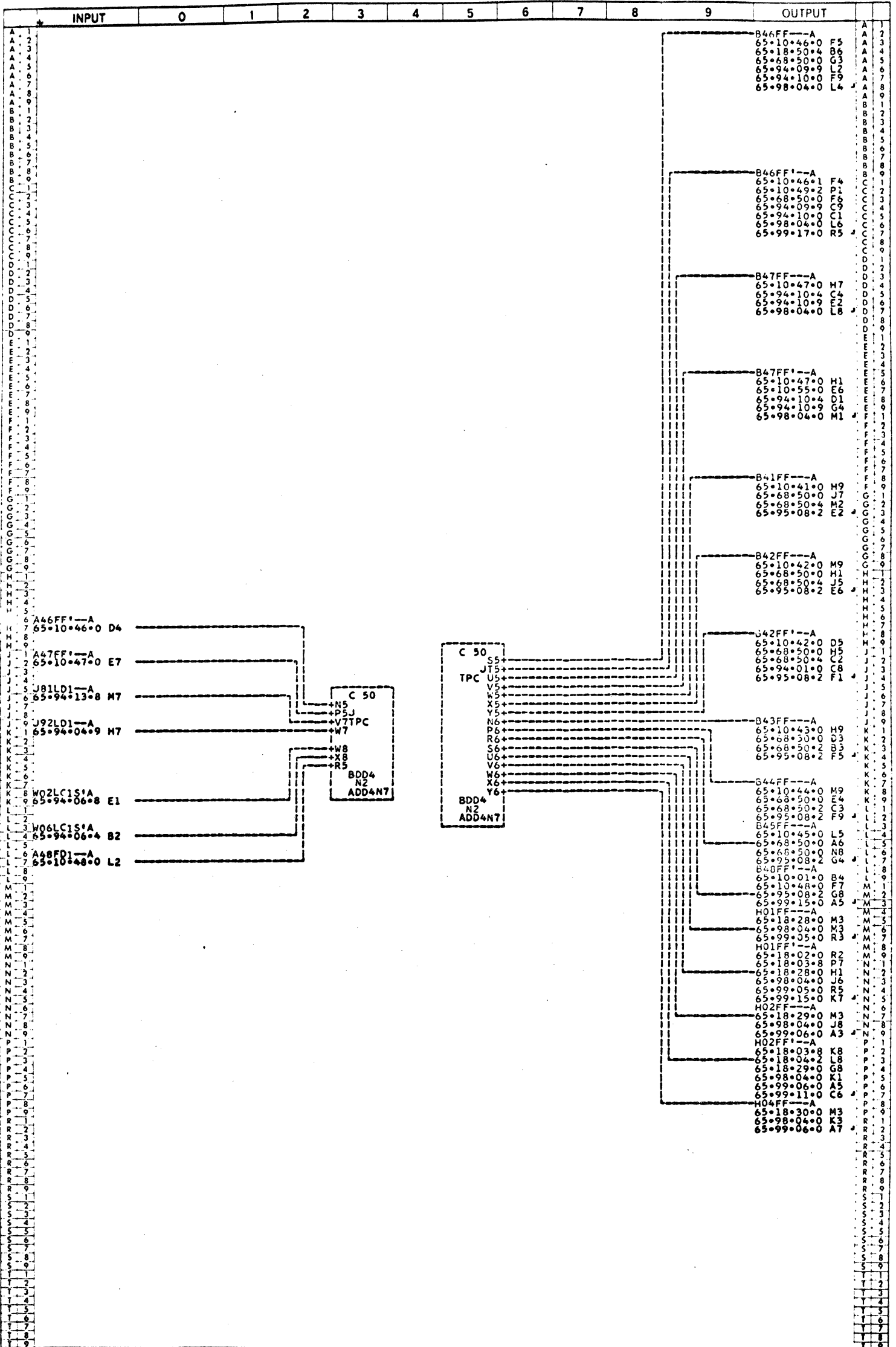
U	INPUT	0	1	2	3	4	5	6	7	8	9	OUTPUT	U
2	TITLE	INTER-RACK COMM ADC4A2 (CABLE 269)										2	
4	DRAWN BY	D L BOOKIN 25 APR 62										4	
6	UNIT NAME	PROCESSOR										6	
8	SYSTEM	B-5000										8	
		M- 11911450A											
		CHECKED BY W A BROWN 4-26-62											
		UNIT NO. 78494											
		PAGE NO. 65-99-04-0											

ELECTRODATA **Burroughs Corporation** PASADENA CALIFORNIA

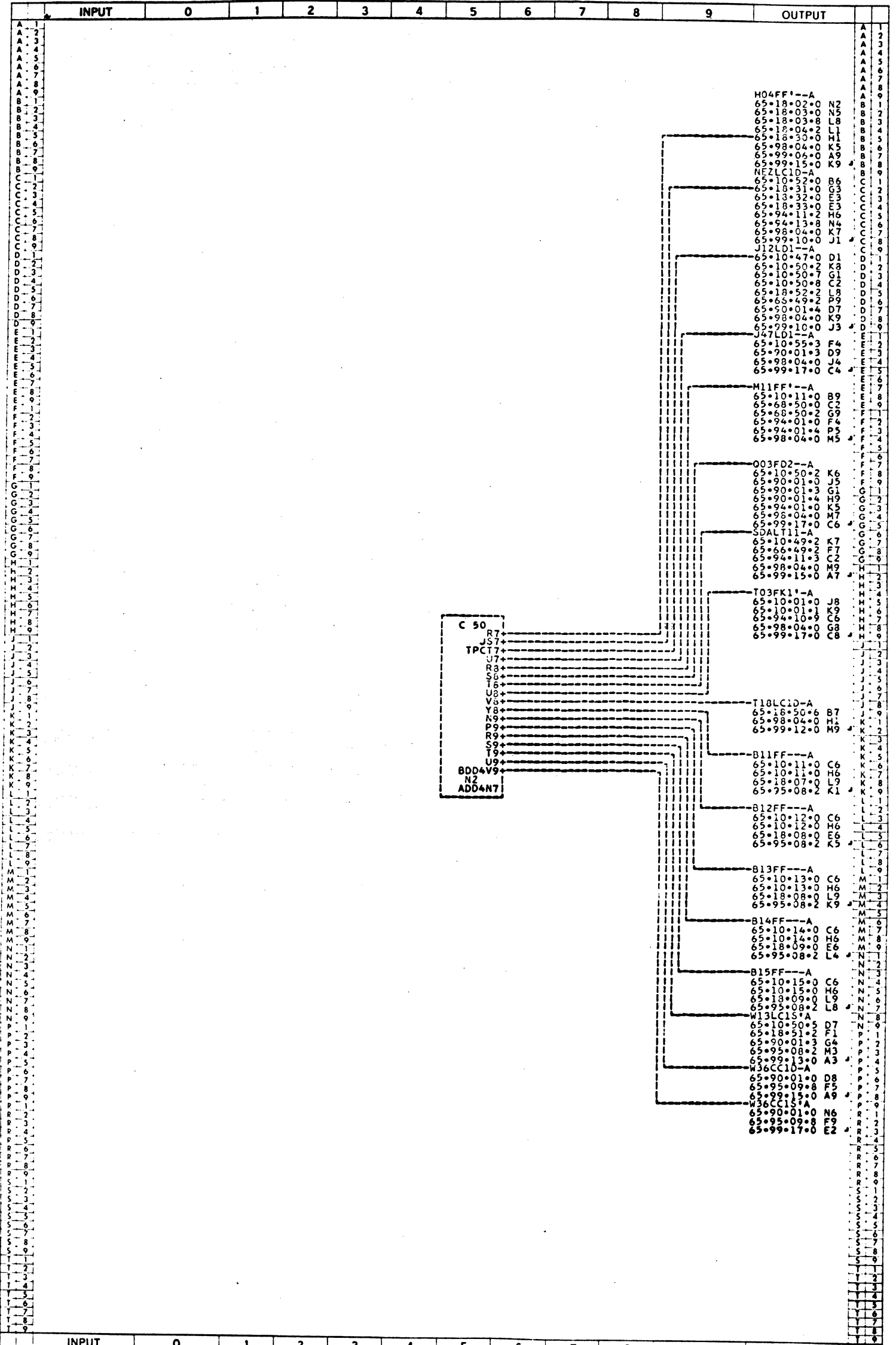
M&E DIVISION

PROPERTY OF BURROUGHS CORPORATION NOT TO BE REPRODUCED, NOR USED FOR MANUFACTURING PURPOSES, EXCEPT ON BURROUGHS ORDER OR PRIOR WRITTEN CONSENT.

LOGIC SCHEMATIC



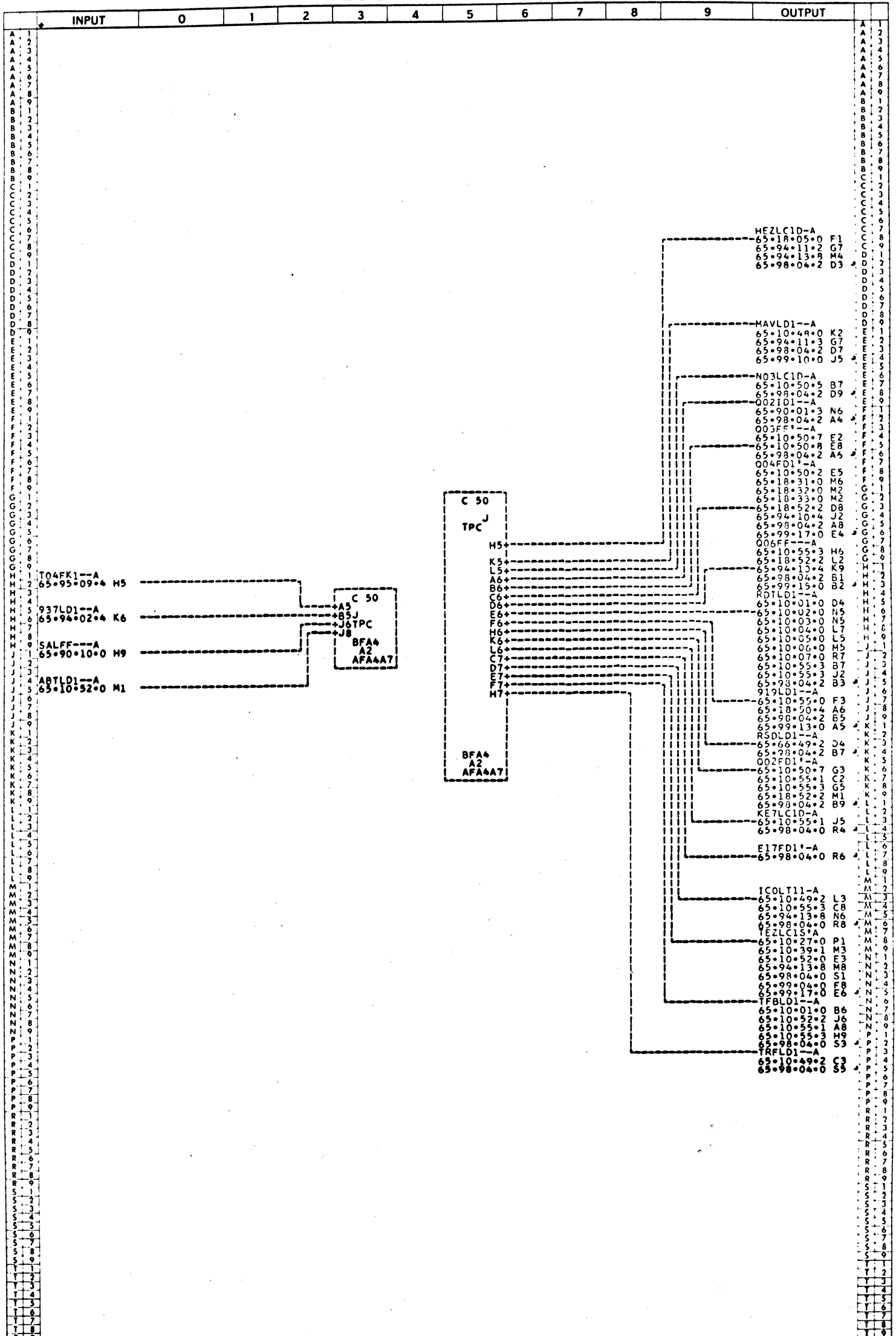
LOGIC SCHEMATIC



INPUT	0	1	2	3	4	5	6	7	8	9	OUTPUT
U 2	TITLE INTER-RACK CONN ADD4N7 (CABLE 270)(PAGE 2 OF 2) H- 11913209A										U 2
U 4	DRAWN BY W T MATTHEWS 4-27-62 CHECKED BY K O JAMES 4-28-62										U 4
U 6	UNIT NAME PROCESSOR UNIT NO. 78494										U 6
U 8	SYSTEM B-5000 PAGE NO. 65-95-04-7										U 8

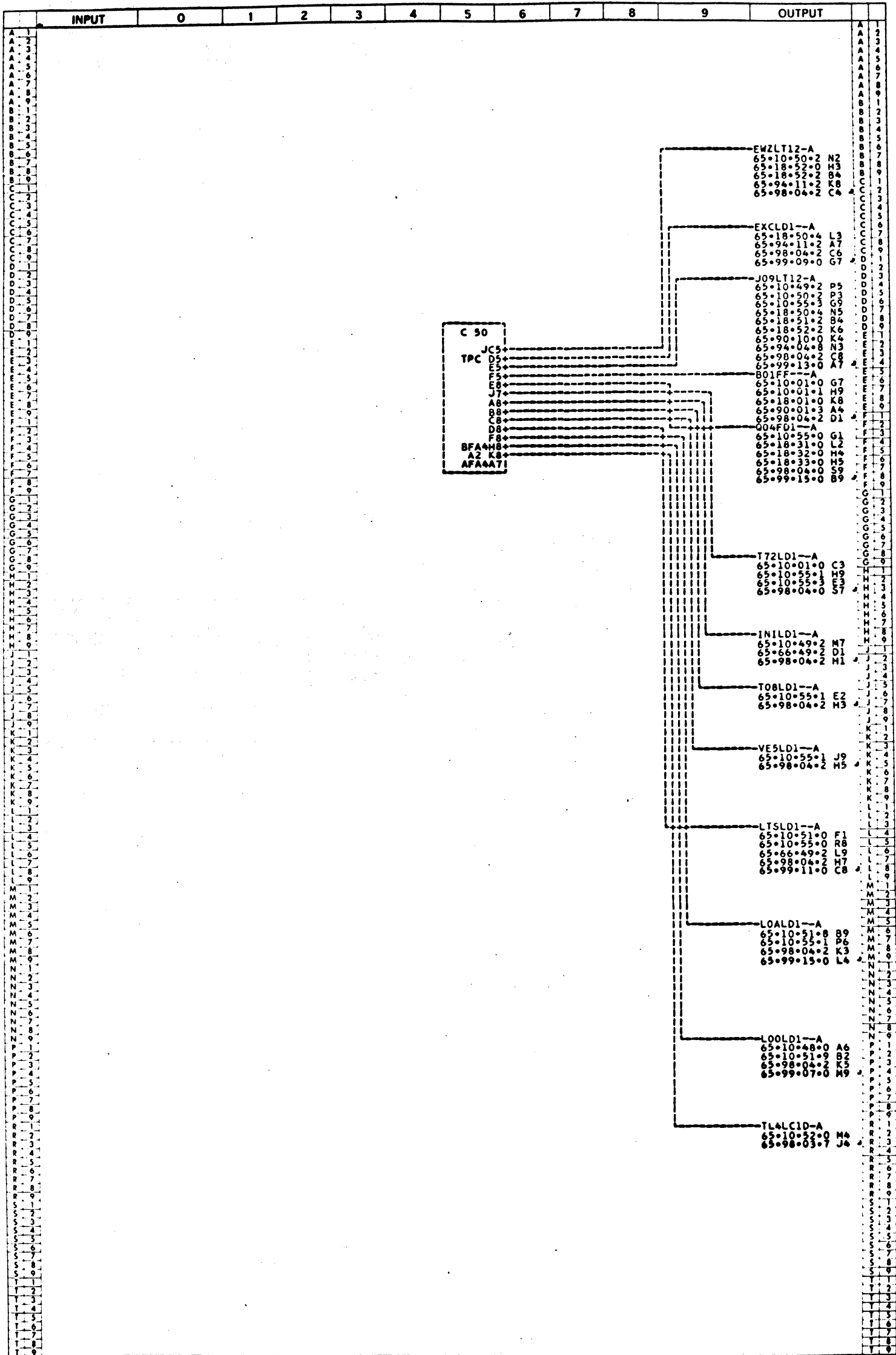
ELECTRODATA **Burroughs Corporation** **PASADENA CALIFORNIA**
 M&E DIVISION
 PROPERTY OF BURROUGHS CORPORATION NOT TO BE REPRODUCED, NOR USED FOR MANUFACTURING PURPOSES EXCEPT ON BURROUGHS ORDER OR PRIOR WRITTEN CONSENT.

LOGIC SCHEMATIC



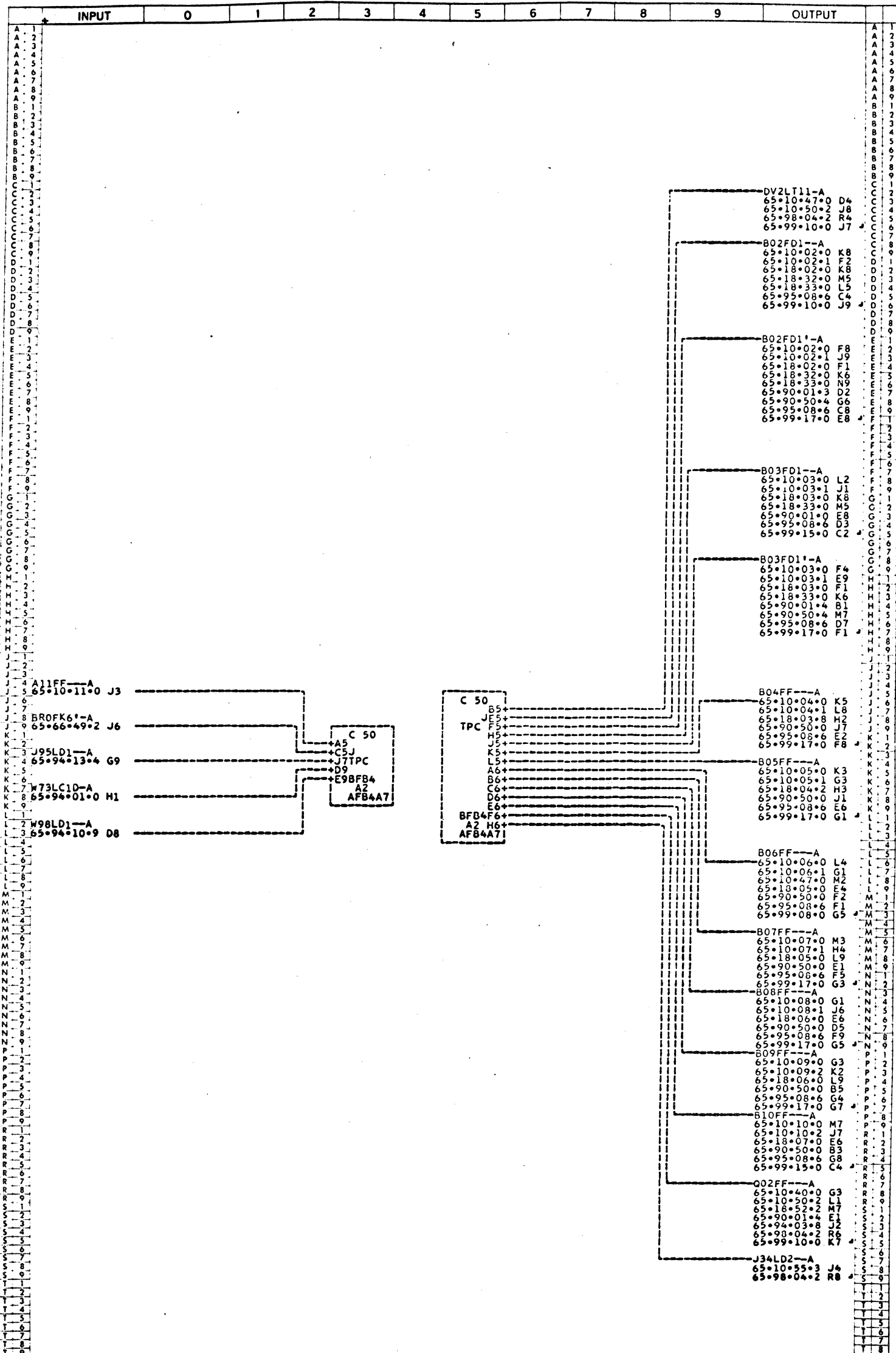
A	B	C	D	E	F	G	H	I	J	K	L	M	N	O	P	Q	R	S	T	U	V	W	X	Y	Z
U 2	TITLE INTER-RACK CONN AFAA47 (CABLE 271) (PAGE 1 OF 2) N- 11911492AH																				U 2				
U 4	DRAWN BY W T MATHEWS										CHECKED BY J MURRAY										U 4				
U 6	UNIT NAME PROCESSOR										UNIT NO. 78494										U 6				
U 8	SYSTEM B-3000										PAGE NO. 65-95-04-8										U 8				

LOGIC SCHEMATIC



800 1067-1 REV 3-62

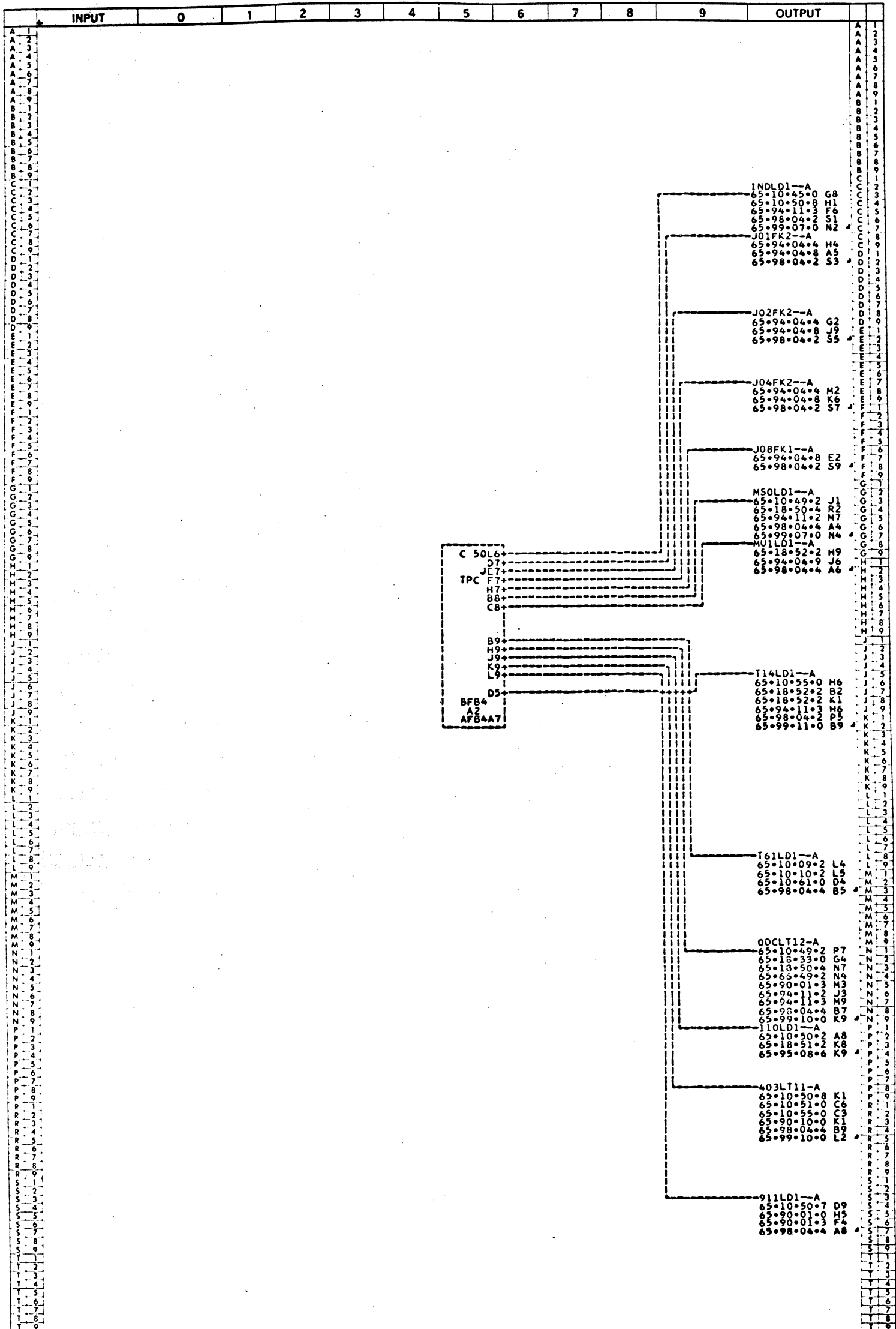
LOGIC SCHEMATIC



INPUT	0	1	2	3	4	5	6	7	8	9	OUTPUT
U 2	TITLE INTER RACK CONN AFB4A7 (CABLE 272) (PAGE 1 OF 2) M- 11911518AD										U 2
U 4	DRAWN BY W T MATTHEWS CHECKED BY K O JAMES 4-28-62										U 4
U 6	UNIT NAME PROCESSOR UNIT NO. 78494										U 6
U 8	SYSTEM B-2000 PAGE NO. 65-95-05-2										U 8

ELECTRODATA **Burroughs Corporation** PASADENA
 M & E DIVISION CALIFORNIA
 PROPERTY OF BURROUGHS CORPORATION NOT TO BE REPRODUCED, NOR USED FOR
 MANUFACTURING PURPOSES, EXCEPT ON BURROUGHS ORDER OR PRIOR WRITTEN CONSENT.

LOGIC SCHEMATIC

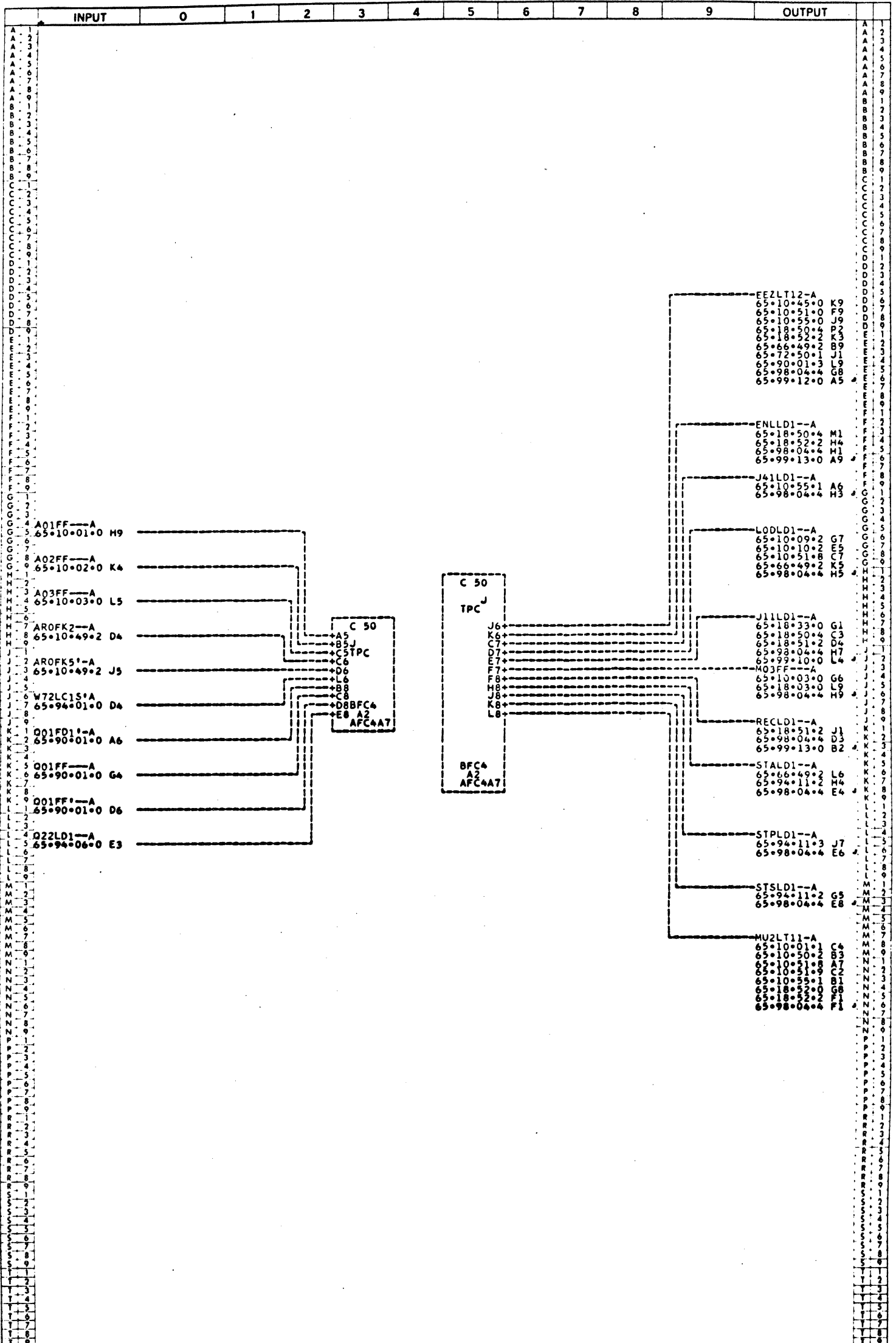


INPUT	0	1	2	3	4	5	6	7	8	9	OUTPUT
U 2	TITLE INTER-RACK CONN AFB4A7 (CABLE 272)(PAGE 2 OF 2) H- 11913217AE										U 2
U 4	DRAWN BY W.T. MATTHEWS 4-27-62 CHECKED BY KO JAMES 4-28-62										U 4
U 6	UNIT NAME PROCESSOR UNIT NO. 78494										U 6
U 8	SYSTEM B-5000 PAGE NO. 65-95-05-3										U 8

Burroughs Corporation
 ELECTRODATA M&E DIVISION PASADENA CALIFORNIA

PROPERTY OF BURROUGHS CORPORATION NOT TO BE REPRODUCED, NOR USED FOR MANUFACTURING PURPOSES EXCEPT ON BURROUGHS ORDER OR PRIOR WRITTEN CONSENT

LOGIC SCHEMATIC



INPUT	0	1	2	3	4	5	6	7	8	9	OUTPUT
U 2	TITLE INTER-RACK CONN AEC4A7 (CABLE 273) (PAGE 1 OF 2) H- 11911534A										U 2
U 4	DRAWN BY W T MATTHEWS 4-27-62 CHECKED BY J MURRAY 4-27-62										U 4
U 6	UNIT NAME PROCESSOR UNIT NO. 78494										U 6
U 8	SYSTEM B-3000 PAGE NO. 438950506										U 8

ELECTRODATA **Burroughs Corporation** PASADENA CALIFORNIA
M&E DIVISION 3
PROPERTY OF BURROUGHS CORPORATION NOT TO BE REPRODUCED, NOR USED FOR MANUFACTURING PURPOSES, EXCEPT ON BURROUGHS ORDER OR PRIOR WRITTEN CONSENT.

LOGIC SCHEMATIC

INPUT

0

1

2

3

4

5

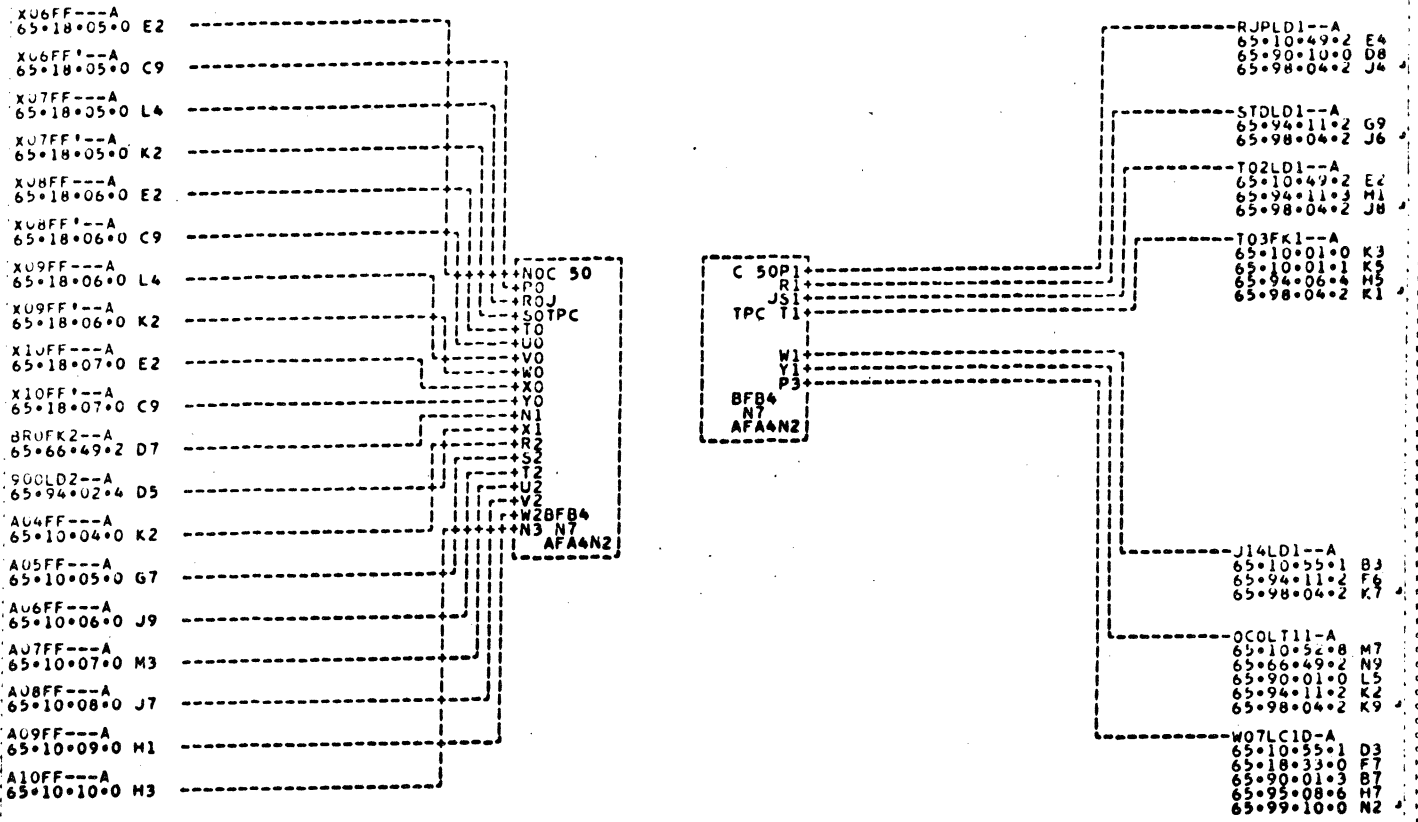
6

7

8

9

OUTPUT

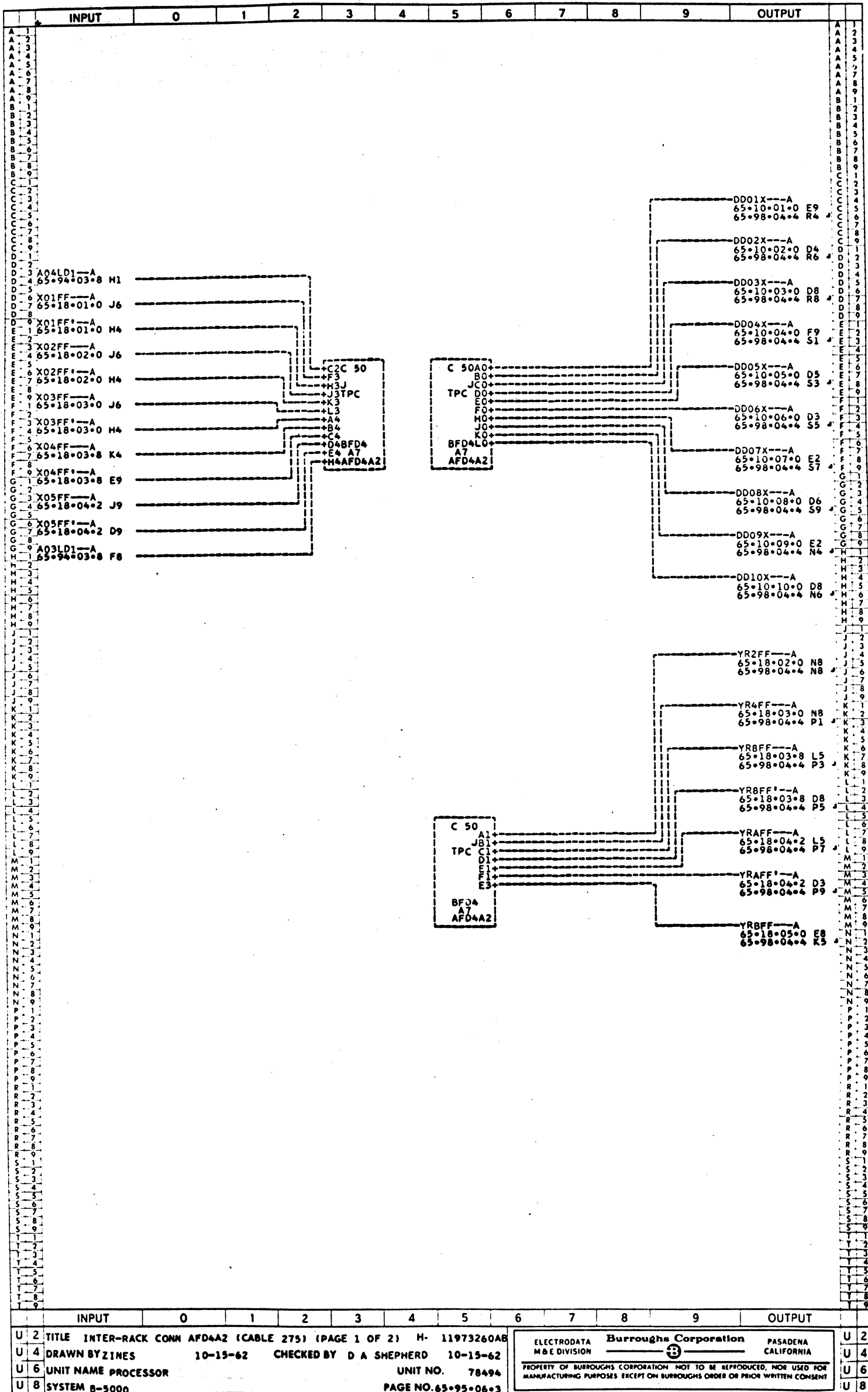


	INPUT	0	1	2	3	4	5	6	7	8	9	OUTPUT
U 2	TITLE INTER RACK CONN AFA4N2 (CABLE 274) H- 11911559AC											
U 4	DRAWN BY R JOHNSTON 4-25-62 CHECKED BY W A BROWN 4-26-62											
U 6	UNIT NAME PROCESSOR UNIT NO 78494											
U 8	SYSTEM B-5900 PAGE NO 65.95.06.0											

BURROUGHS CORPORATION
ELECTRODATA DIV., PASADENA, CALIFORNIA

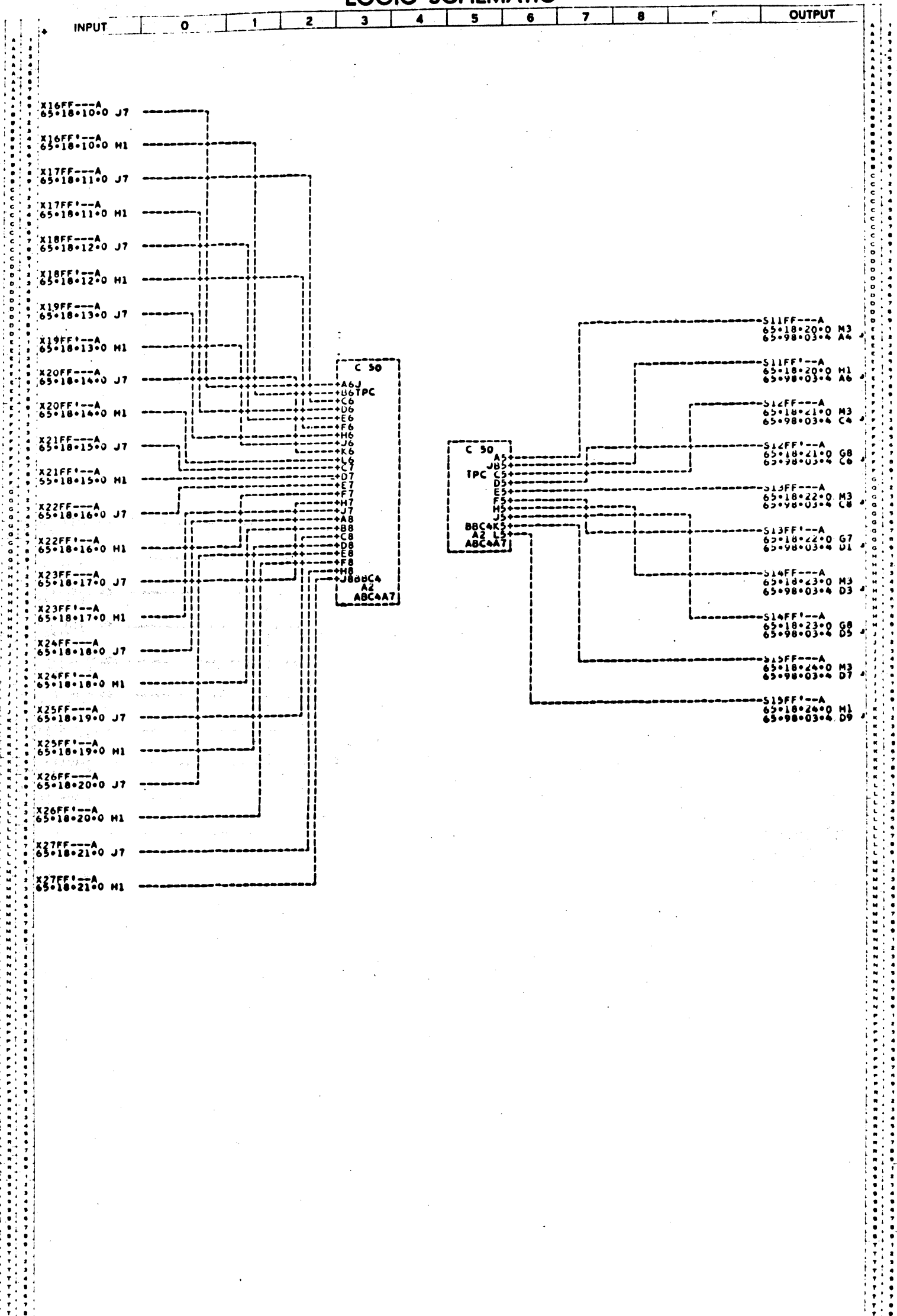
PROPERTY OF BURROUGHS CORPORATION - NOT TO BE REPRODUCED, FOR USE FOR MANUFACTURING PURPOSES, EXCEPT ON BURROUGHS ORDER OR PRIOR WRITTEN CONSENT.

LOGIC SCHEMATIC



Burroughs Corporation
 ELECTRODATA M&E DIVISION PASADENA CALIFORNIA
PROPERTY OF BURROUGHS CORPORATION NOT TO BE REPRODUCED, NOR USED FOR MANUFACTURING PURPOSES EXCEPT ON BURROUGHS ORDER OR PRIOR WRITTEN CONSENT

LOGIC SCHEMATIC

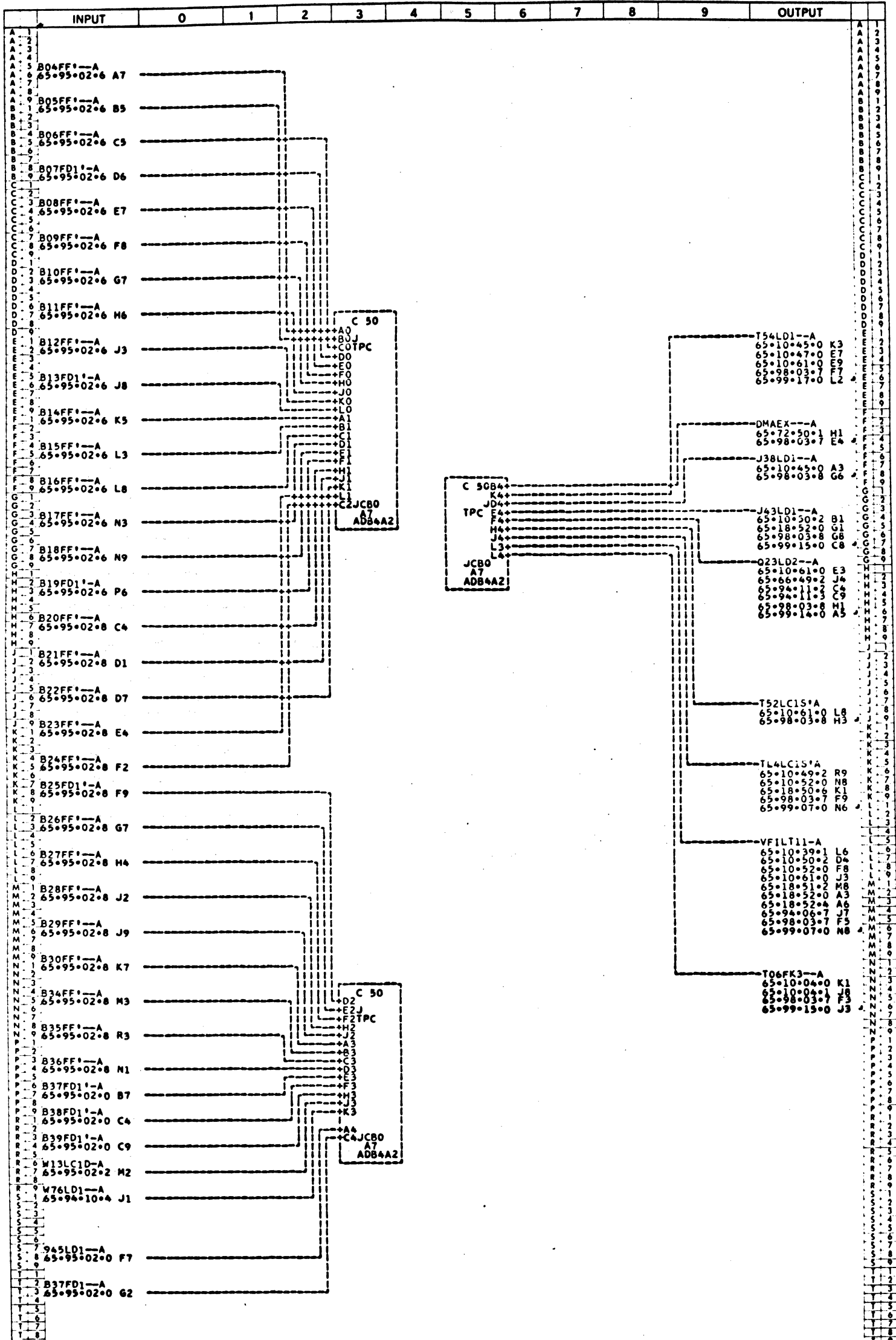


U 2	INPUT	0	1	2	3	4	5	6	7	8	9	OUTPUT	U 2
U 4	TITLE INTER-RACK CONN ABC4A7 (CABLE 276) H- 11911591AA												U 4
U 6	DRAWN BY E C BALOUGH 25 APR 62 CHECKED BY A M GORLEK 4-25-62												U 6
U 8	UNIT NAME PROCESSOR UNIT NO 78494												U 8
	SYSTEM R-5000 PAGE NO 65-95-06-8												

BURROUGHS CORPORATION
ELECTRODATA DIV., PASADENA, CALIFORNIA

PROPERTY OF BURROUGHS CORPORATION NOT TO BE REPRODUCED, NOR USED FOR MANUFACTURING PURPOSES, EXCEPT ON BURROUGHS ORDER OR PRIOR WRITER CONSENT.

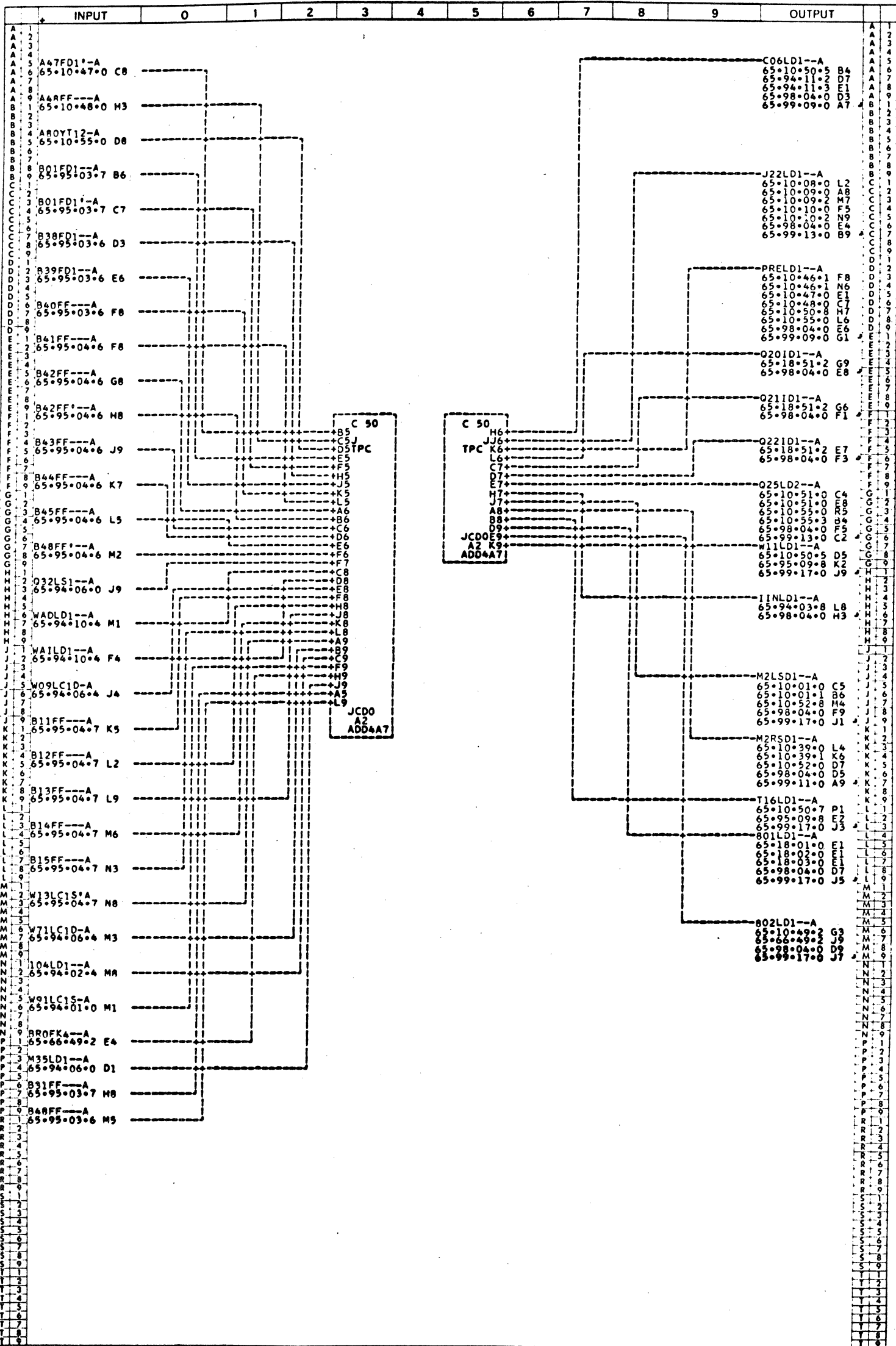
LOGIC SCHEMATIC



	INPUT	0	1	2	3	4	5	6	7	8	9	OUTPUT	
U 2	TITLE INTER-RACK COMM ADB4A2 (CABLE 278) H- 11911633AF												U 2
U 4	DRAWN BY E C BALOUGH 29 APR 62 CHECKED BY J MURRAY 4-26-62												U 4
U 6	UNIT NAME PROCESSOR UNIT NO. 78494												U 6
U 8	SYSTEM B-5000 PAGE NO. 43-95-07-06												U 8

ELECTRODATA **Burroughs Corporation** PASADENA
 M&E DIVISION CALIFORNIA
PROPERTY OF BURROUGHS CORPORATION NOT TO BE REPRODUCED, NOR USED FOR MANUFACTURING PURPOSES EXCEPT ON BURROUGHS ORDER OR PRIOR WRITTEN CONSENT.

LOGIC SCHEMATIC

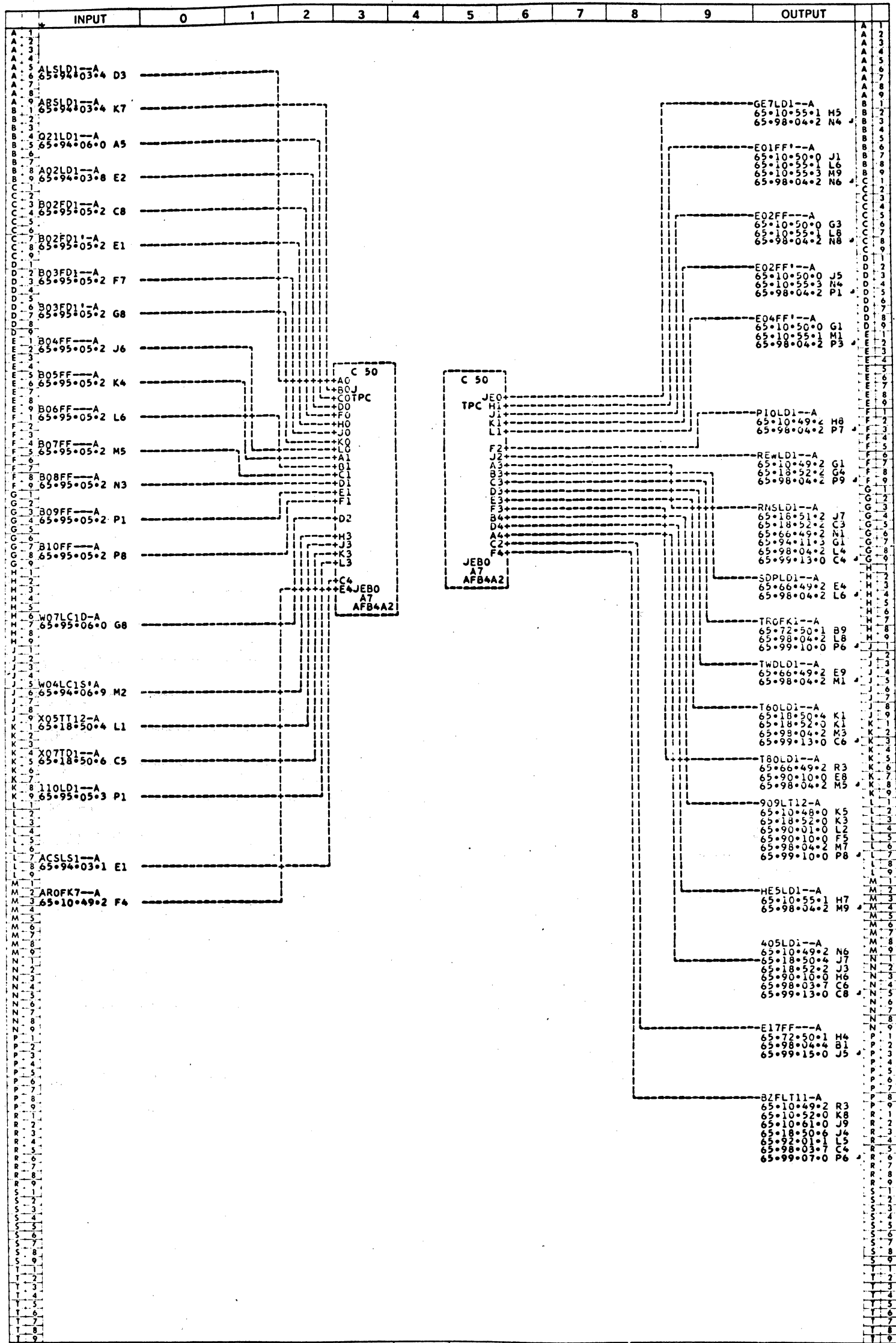


	INPUT	0	1	2	3	4	5	6	7	8	9	OUTPUT	
U 2	TITLE INTER-RACK CONN ADD4A7 (CABLE 279) H- 11911666A												U 2
U 4	DRAWN BY E C BALOUGH 25 APR RFW CHECKED BY J MURRAY 4-26-62												U 4
U 6	UNIT NAME PROCESSOR UNIT NO. 78494												U 6
U 8	SYSTEM B-3000 PAGE NO. 65-95-08-2												U 8

ELECTRODATA **Burroughs Corporation** PASADENA
 M & E DIVISION CALIFORNIA

PROPERTY OF BURROUGHS CORPORATION. NOT TO BE REPRODUCED, NOR USED FOR
 MANUFACTURING PURPOSES, EXCEPT ON BURROUGHS ORDER OR PRIOR WRITTEN CONSENT.

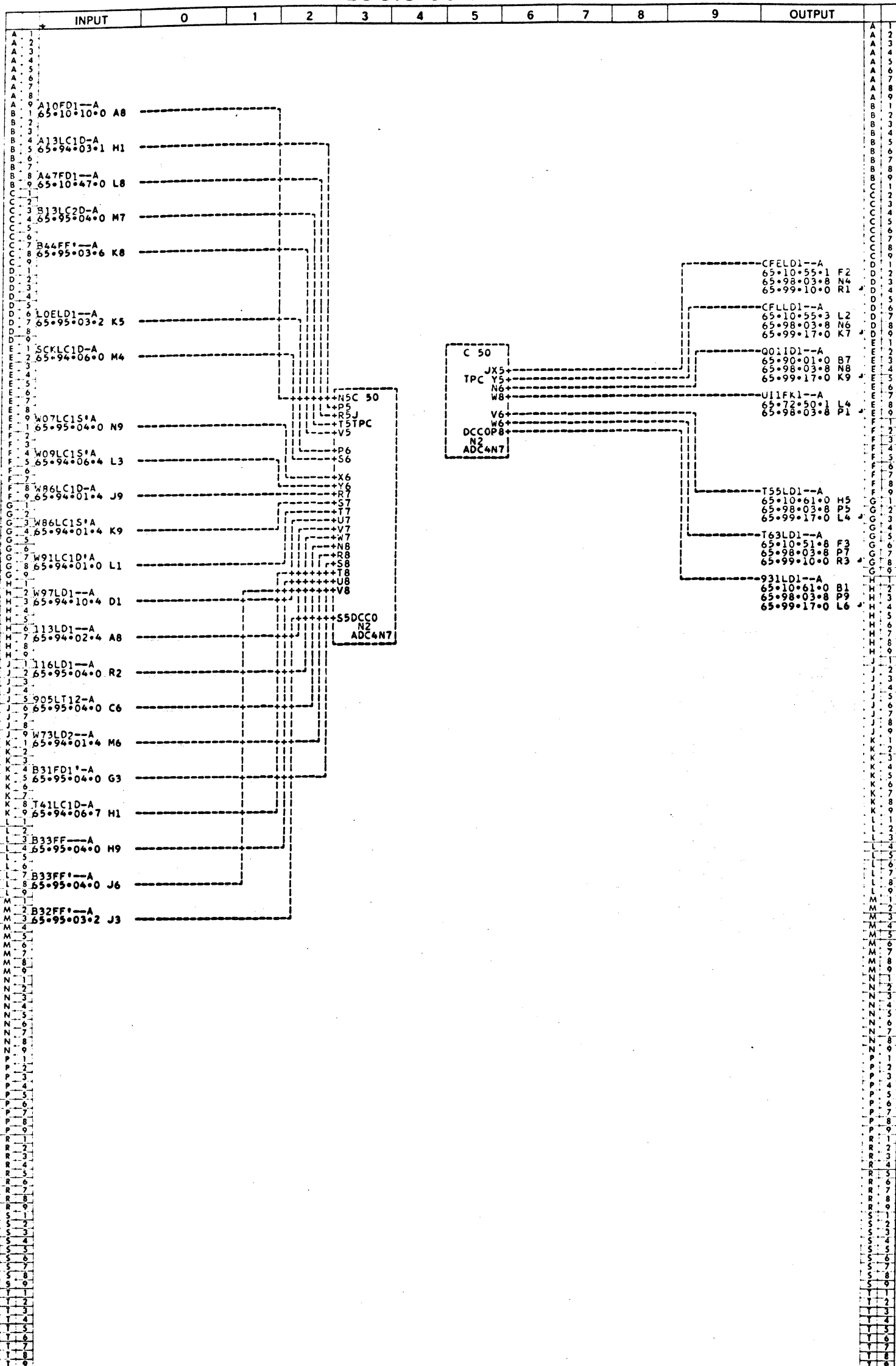
LOGIC SCHEMATIC



U 2 TITLE INTER-RACK CONN AFB4A2 (CABLE 280) M- 11911682A1
 U 4 DRAWN BY E C BALOUGH 4-25-62 CHECKED BY W A BROWN 4-26-62
 U 6 UNIT NAME PROCESSOR UNIT NO. 78494
 U 8 SYSTEM B-3000 PAGE NO. 65-95-08-6

ELECTRODATA M & E DIVISION	Burroughs Corporation 	PASADENA CALIFORNIA
PROPERTY OF BURROUGHS CORPORATION NOT TO BE REPRODUCED, NOR USED FOR MANUFACTURING PURPOSES EXCEPT ON BURROUGHS ORDER OR PRIOR WRITTEN CONSENT.		

LOGIC SCHEMATIC

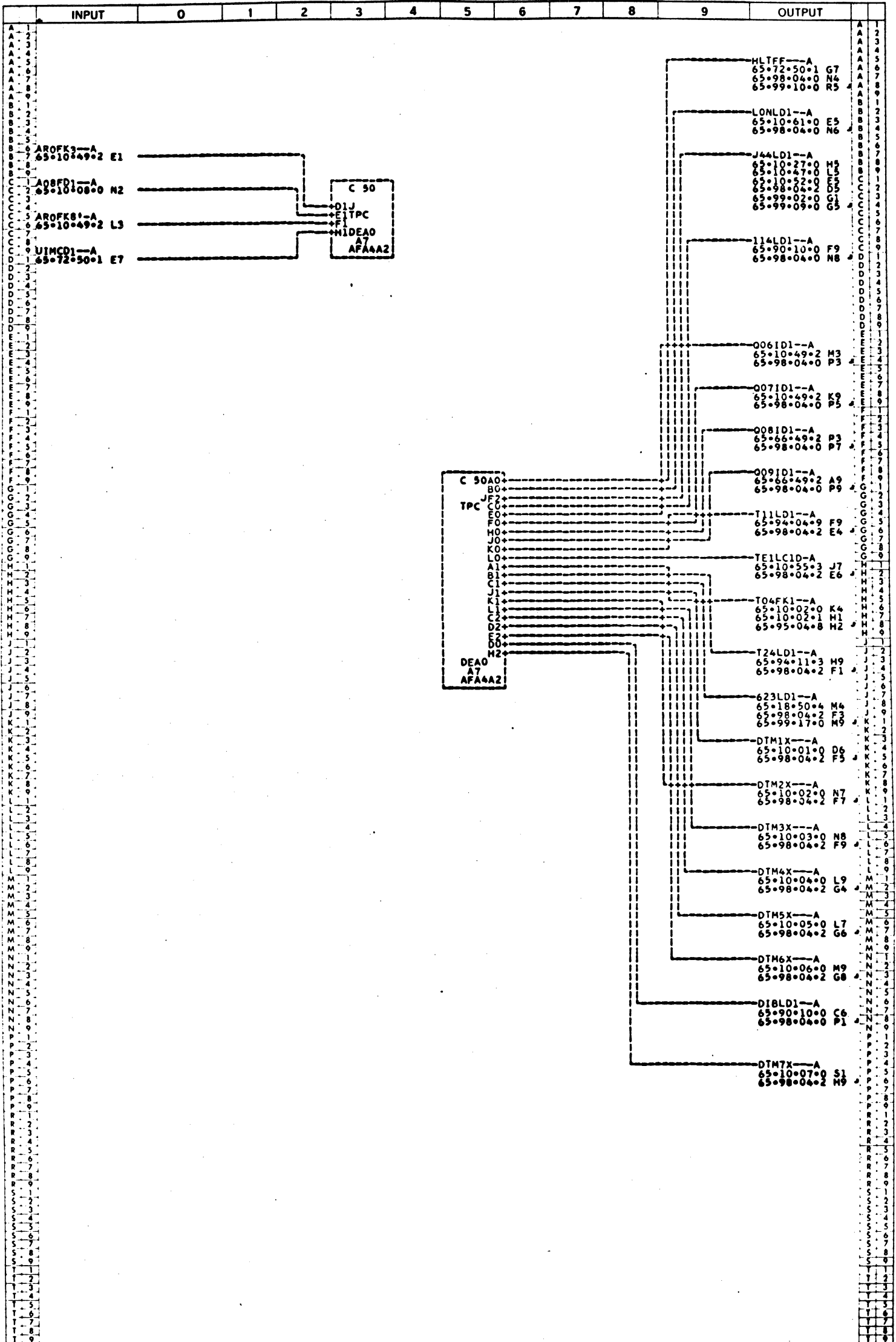


	INPUT	0	1	2	3	4	5	6	7	8	9	OUTPUT
U 2	TITLE INTER-RACK CONN ADC4N7 (CABLE 281) H- 11911708AF											U 2
U 4	DRAWN BY E C BALOUGH 25 APR 62 CHECKED BY J MURRAY 4-26-62											U 4
U 6	UNIT NAME PROCESSOR UNIT NO. 78494											U 6
U 8	SYSTEM B-3000 PAGE NO. 65-95-09-0											U 8

ELECTRODATA **Burroughs Corporation** PASADENA CALIFORNIA
 M & E DIVISION

PROPERTY OF BURROUGHS CORPORATION. NOT TO BE REPRODUCED, NOR USED FOR MANUFACTURING PURPOSES, EXCEPT ON BURROUGHS ORDER OR PRIOR WRITTEN CONSENT

LOGIC SCHEMATIC

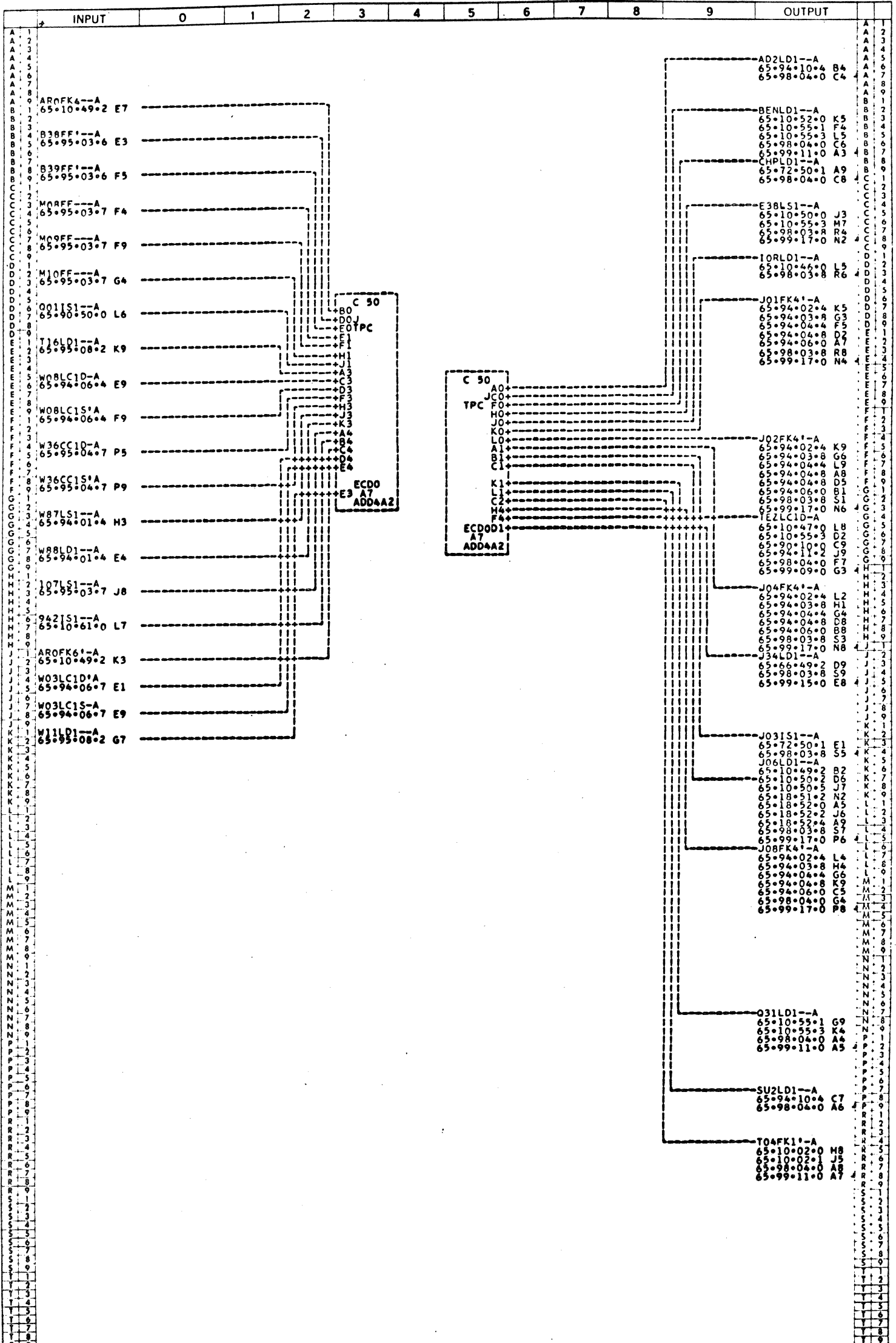


INPUT	0	1	2	3	4	5	6	7	8	9	OUTPUT
U 2	TITLE INTER-RACK CONN AFA4A2 (CABLE 2821) H- 11911724AG										U 2
U 4	DRAWN BY E C BALOUGH 26 APR 62 CHECKED BY J MURRAY 4-26-62										U 4
U 6	UNIT NAME PROCESSOR UNIT NO. 78494										U 6
U 8	SYSTEM R-3000 PAGE NO. 65-99-09-6										U 8

ELECTRODATA **Burroughs Corporation** **PASADENA CALIFORNIA**
 M & E DIVISION Ⓢ

PROPERTY OF BURROUGHS CORPORATION NOT TO BE REPRODUCED, NOR USED FOR MANUFACTURING PURPOSES EXCEPT ON BURROUGHS ORDER OR PRIOR WRITTEN CONSENT.

LOGIC SCHEMATIC



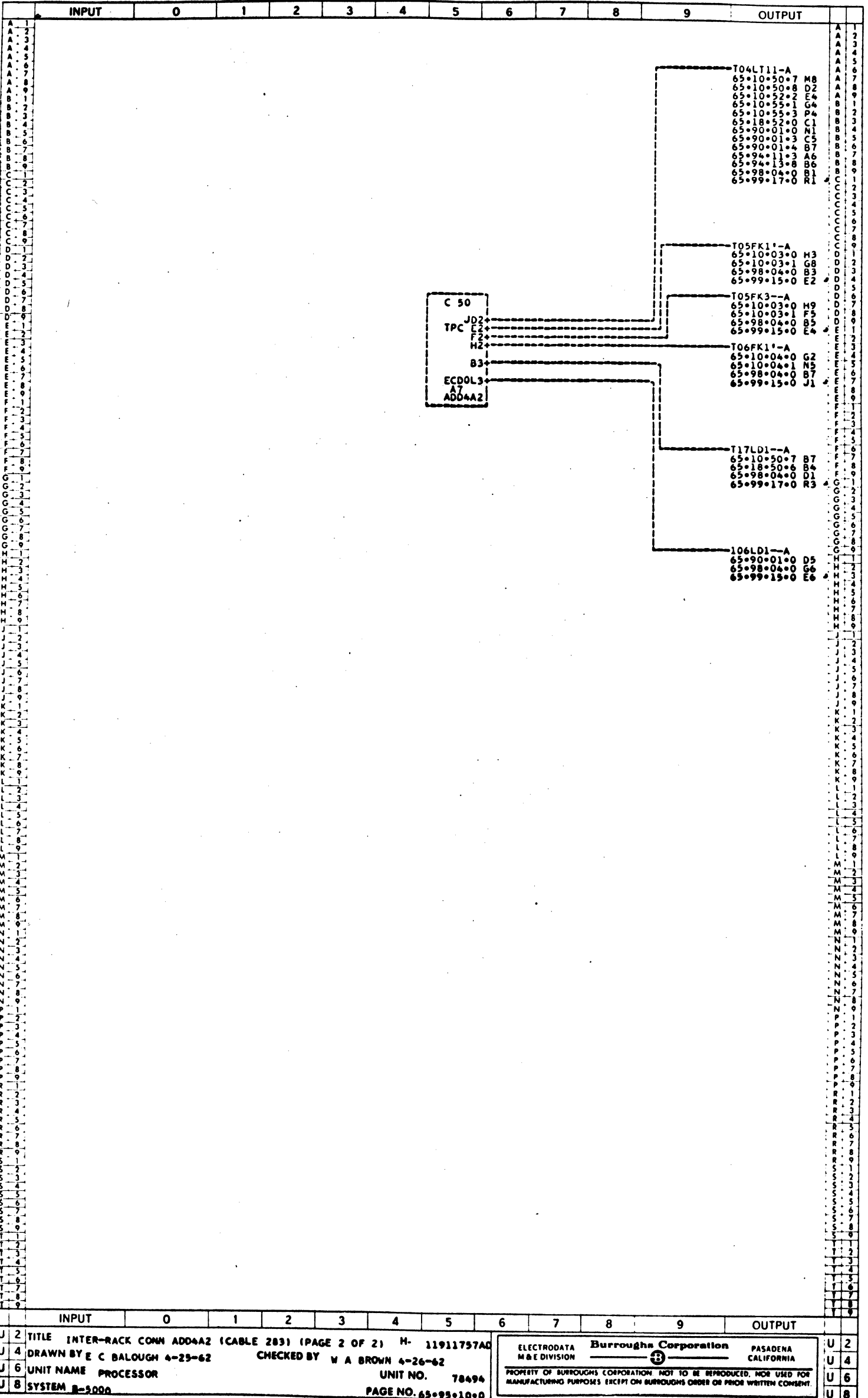
	INPUT	0	1	2	3	4	5	6	7	8	9	OUTPUT	
U 2	TITLE INTER-RACK CONN ADD4A2 (CABLE 283)(PAGE 1 OF 2) H- 11911740A												U 2
U 4	DRAWN BY E C BALOUGH 25 APR 62 CHECKED BY W A BROWN 4-26-62												U 4
U 6	UNIT NAME PROCESSOR UNIT NO. 78494												U 6
U 8	SYSTEM B-3000 PAGE NO. 65-95-09-8												U 8

ELECTRODATA **Burroughs Corporation** PASADENA CALIFORNIA

M&E DIVISION

PROPERTY OF BURROUGHS CORPORATION. NOT TO BE REPRODUCED, NOR USED FOR MANUFACTURING PURPOSES, EXCEPT ON BURROUGHS ORDER OR PRIOR WRITTEN CONSENT.

LOGIC SCHEMATIC



INPUT	0	1	2	3	4	5	6	7	8	9	OUTPUT
U.2											U.2
U.4											U.4
U.6											U.6
U.8											U.8

ELECTRODATA **Burroughs Corporation** **PASADENA CALIFORNIA**

M&E DIVISION

PROPERTY OF BURROUGHS CORPORATION. NOT TO BE REPRODUCED, NOR USED FOR MANUFACTURING PURPOSES EXCEPT ON BURROUGHS ORDER OR PRIOR WRITTEN CONSENT.

TITLE INTER-RACK CONN ADD4A2 (CABLE 283) (PAGE 2 OF 2) H- 11911797A0

DRAWN BY E C BALOUGH 4-29-62 CHECKED BY W A BROWN 4-26-62

UNIT NAME PROCESSOR UNIT NO. 78494

SYSTEM B-3000 PAGE NO. 65-99-10-0

U.2

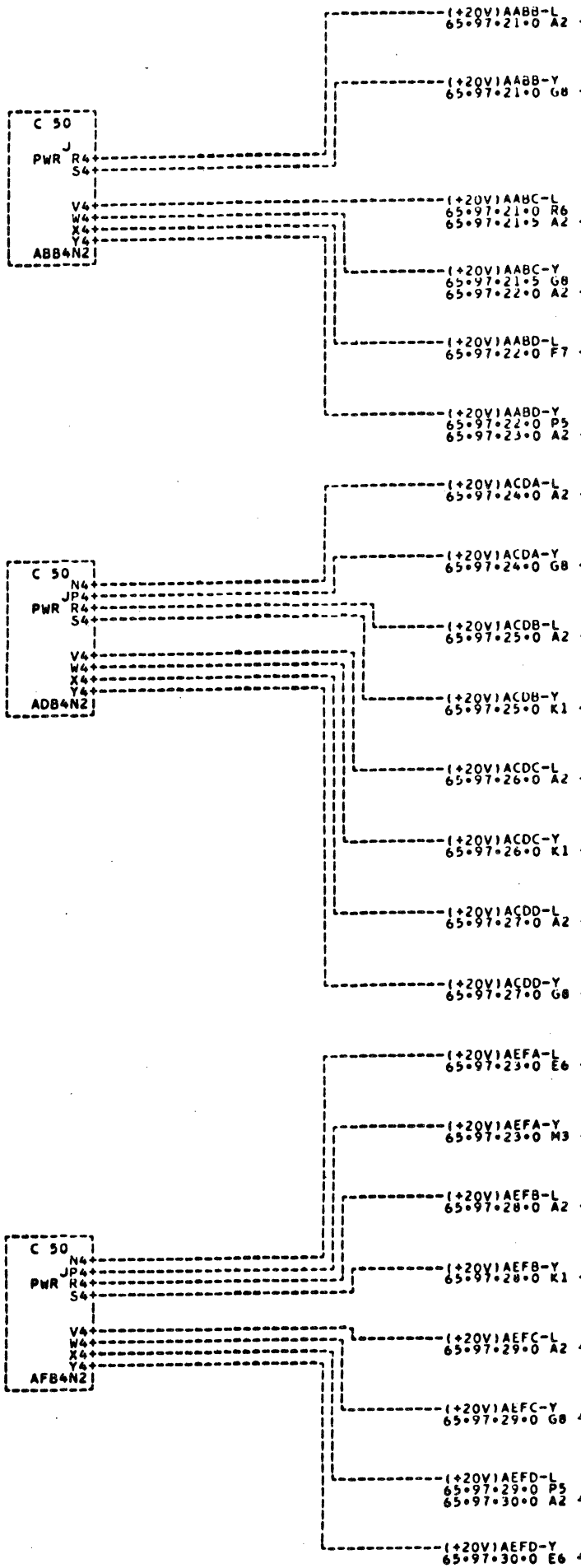
U.4

U.6

U.8

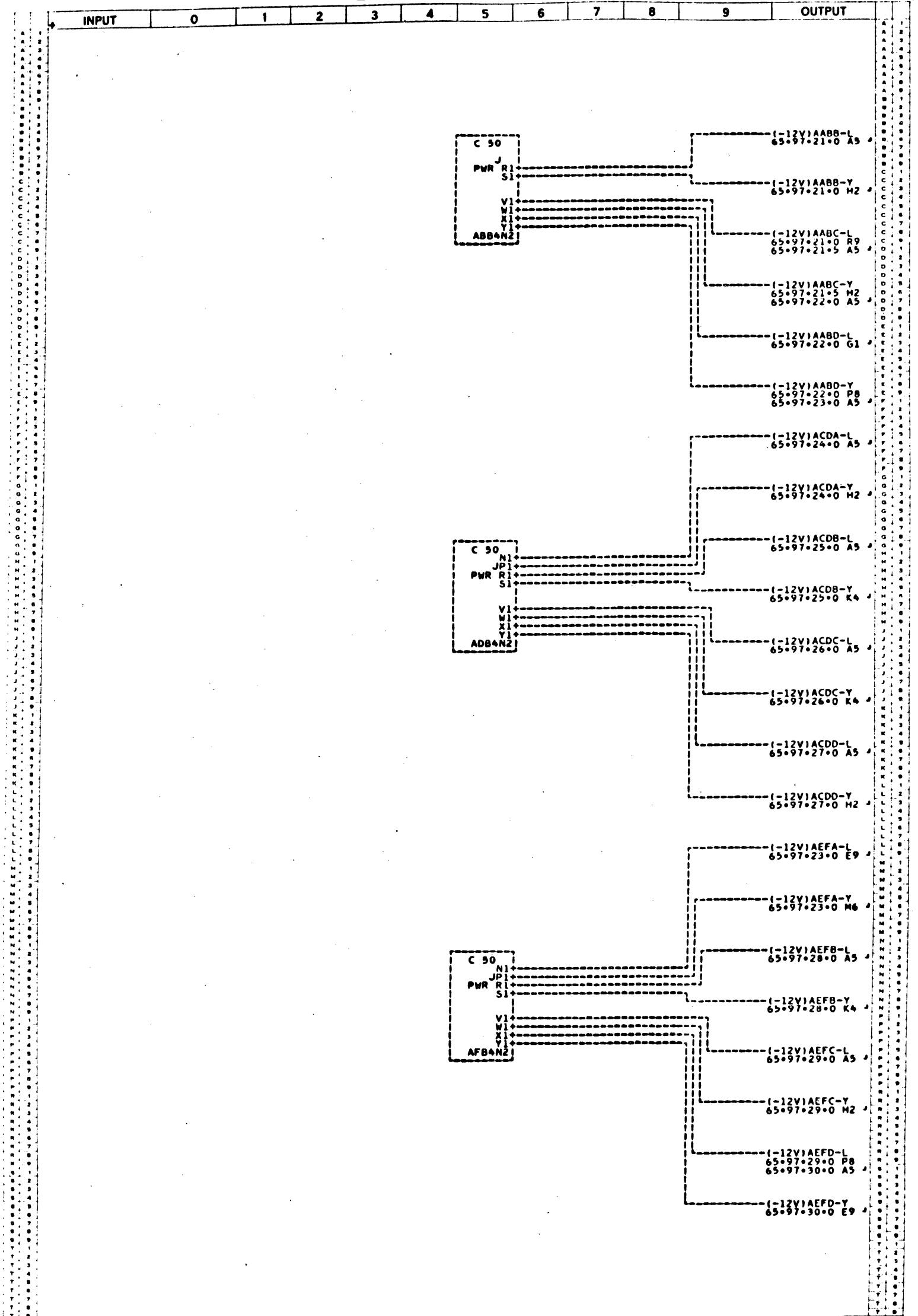
LOGIC SCHEMATIC

INPUT	0	1	2	3	4	5	6	7	8	9	OUTPUT
-------	---	---	---	---	---	---	---	---	---	---	--------



U 2	U 4	U 6	U 8	U 2	U 4	U 6	U 8	U 2	U 4	U 6	U 8	U 2	U 4	U 6	U 8																																						
<table border="1" style="width: 100%; border-collapse: collapse;"> <tr> <td style="width: 10%;">INPUT</td> <td style="width: 5%;">0</td> <td style="width: 5%;">1</td> <td style="width: 5%;">2</td> <td style="width: 5%;">3</td> <td style="width: 5%;">4</td> <td style="width: 5%;">5</td> <td style="width: 5%;">6</td> <td style="width: 5%;">7</td> <td style="width: 5%;">8</td> <td style="width: 5%;">9</td> <td style="width: 10%;">OUTPUT</td> </tr> <tr> <td colspan="12"> <table style="width: 100%;"> <tr> <td style="width: 50%;"> TITLE +20 VOLT DISTRIBUTION RACK A DRAWN BY T URMOS 12-6-61 UNIT NAME PROCESSOR SYSTEM B-5000 </td> <td style="width: 50%;"> H- 11912748AC CHECKED BY K O JAMES 4-27-62 UNIT NO 78494 PAGE NO 65-95-30-8 </td> </tr> </table> </td> </tr> <tr> <td colspan="12" style="text-align: center;"> BURROUGHS CORPORATION ELECTRODATA DIV., PASADENA, CALIFORNIA <small>PROPERTY OF BURROUGHS CORPORATION... NOT TO BE REPRODUCED, FOR USE FOR MANUFACTURING PURPOSES, EXCEPT ON BURROUGHS ORDER OR PRIOR WRITTEN CONSENT.</small> </td> </tr> </table>																INPUT	0	1	2	3	4	5	6	7	8	9	OUTPUT	<table style="width: 100%;"> <tr> <td style="width: 50%;"> TITLE +20 VOLT DISTRIBUTION RACK A DRAWN BY T URMOS 12-6-61 UNIT NAME PROCESSOR SYSTEM B-5000 </td> <td style="width: 50%;"> H- 11912748AC CHECKED BY K O JAMES 4-27-62 UNIT NO 78494 PAGE NO 65-95-30-8 </td> </tr> </table>												TITLE +20 VOLT DISTRIBUTION RACK A DRAWN BY T URMOS 12-6-61 UNIT NAME PROCESSOR SYSTEM B-5000	H- 11912748AC CHECKED BY K O JAMES 4-27-62 UNIT NO 78494 PAGE NO 65-95-30-8	BURROUGHS CORPORATION ELECTRODATA DIV., PASADENA, CALIFORNIA <small>PROPERTY OF BURROUGHS CORPORATION... NOT TO BE REPRODUCED, FOR USE FOR MANUFACTURING PURPOSES, EXCEPT ON BURROUGHS ORDER OR PRIOR WRITTEN CONSENT.</small>											
INPUT	0	1	2	3	4	5	6	7	8	9	OUTPUT																																										
<table style="width: 100%;"> <tr> <td style="width: 50%;"> TITLE +20 VOLT DISTRIBUTION RACK A DRAWN BY T URMOS 12-6-61 UNIT NAME PROCESSOR SYSTEM B-5000 </td> <td style="width: 50%;"> H- 11912748AC CHECKED BY K O JAMES 4-27-62 UNIT NO 78494 PAGE NO 65-95-30-8 </td> </tr> </table>												TITLE +20 VOLT DISTRIBUTION RACK A DRAWN BY T URMOS 12-6-61 UNIT NAME PROCESSOR SYSTEM B-5000	H- 11912748AC CHECKED BY K O JAMES 4-27-62 UNIT NO 78494 PAGE NO 65-95-30-8																																								
TITLE +20 VOLT DISTRIBUTION RACK A DRAWN BY T URMOS 12-6-61 UNIT NAME PROCESSOR SYSTEM B-5000	H- 11912748AC CHECKED BY K O JAMES 4-27-62 UNIT NO 78494 PAGE NO 65-95-30-8																																																				
BURROUGHS CORPORATION ELECTRODATA DIV., PASADENA, CALIFORNIA <small>PROPERTY OF BURROUGHS CORPORATION... NOT TO BE REPRODUCED, FOR USE FOR MANUFACTURING PURPOSES, EXCEPT ON BURROUGHS ORDER OR PRIOR WRITTEN CONSENT.</small>																																																					

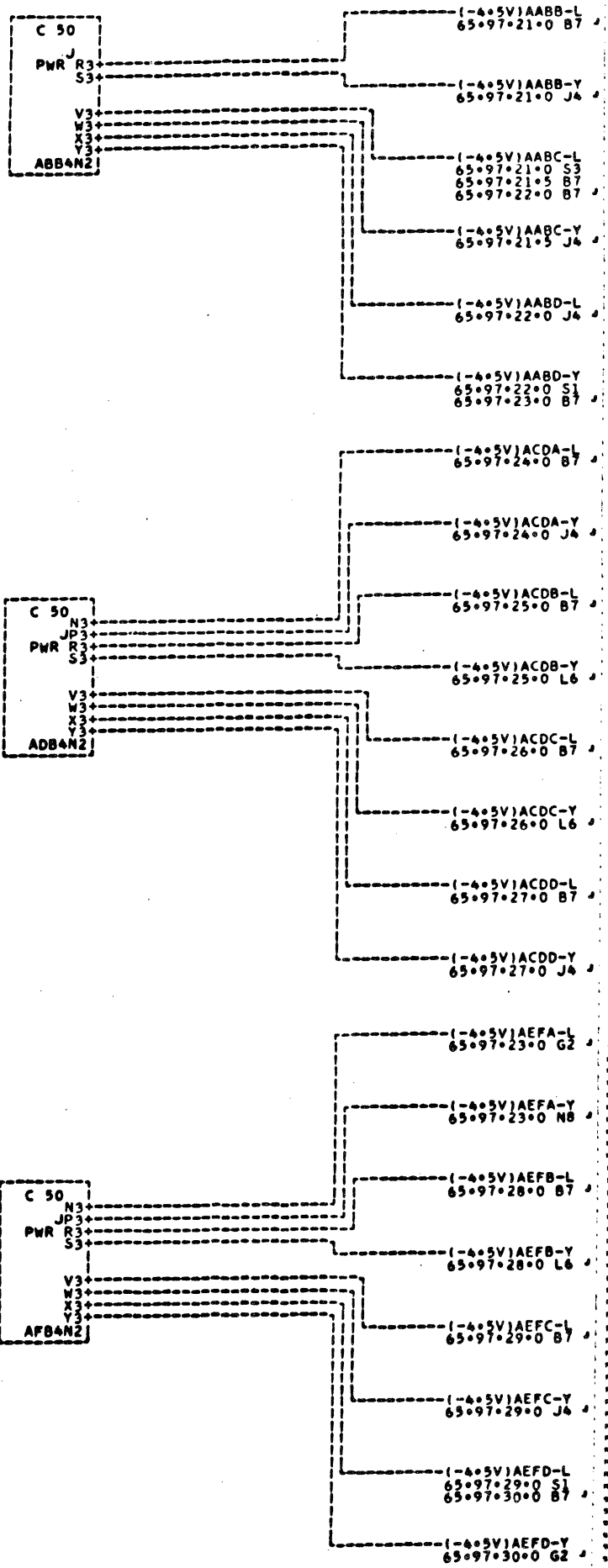
LOGIC SCHEMATIC



INPUT	0	1	2	3	4	5	6	7	8	9	OUTPUT
U 2	TITLE -12 VOLT DISTRIBUTION RACK A										U 2
U 4	DRAWN BY M MOGLE 6-12-61										U 4
U 6	UNIT NAME PROCESSOR										U 6
U 8	SYSTEM B-5000										U 8
						H- 11912755AB					
						CHECKED BY R O JAMES 4-27-62					
						UNIT NO 78494					
						PAGE NO 45-95-31-0					
BURROUGHS CORPORATION ELECTRODATA DIV., PASADENA, CALIFORNIA											
PROPERTY OF BURROUGHS CORPORATION... NOT TO BE REPRODUCED, NOR USED FOR MANUFACTURING PURPOSES, EXCEPT ON BURROUGHS ORDER OR PRIOR WRITTEN CONSENT.											

LOGIC SCHEMATIC

INPUT 0 1 2 3 4 5 6 7 8 9 OUTPUT

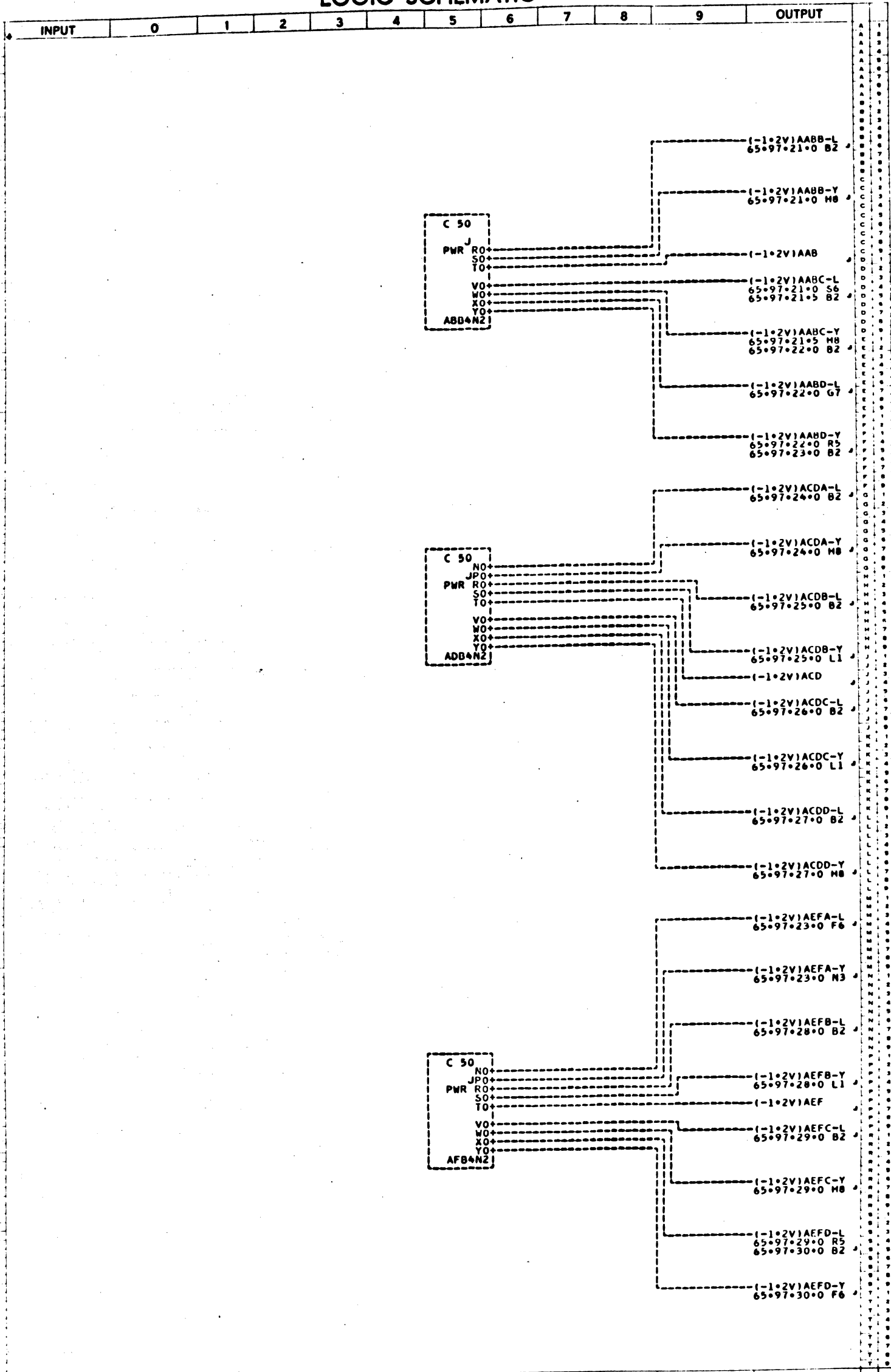


	INPUT	0	1	2	3	4	5	6	7	8	9	OUTPUT	
U 2	TITLE -4.5 VOLT DISTRIBUTION RACK A												U 2
U 4	DRAWN BY C A VIETOR 12-6-61 CHECKED BY K O JAMES 4-27-62												U 4
U 6	UNIT NAME PROCESSOR												U 6
U 8	SYSTEM B-3000												U 8
	H- 11912763AE UNIT NO 78494 PAGE NO 65-95-31-2												

BURROUGHS CORPORATION
ELECTRODATA DIV., PASADENA, CALIFORNIA

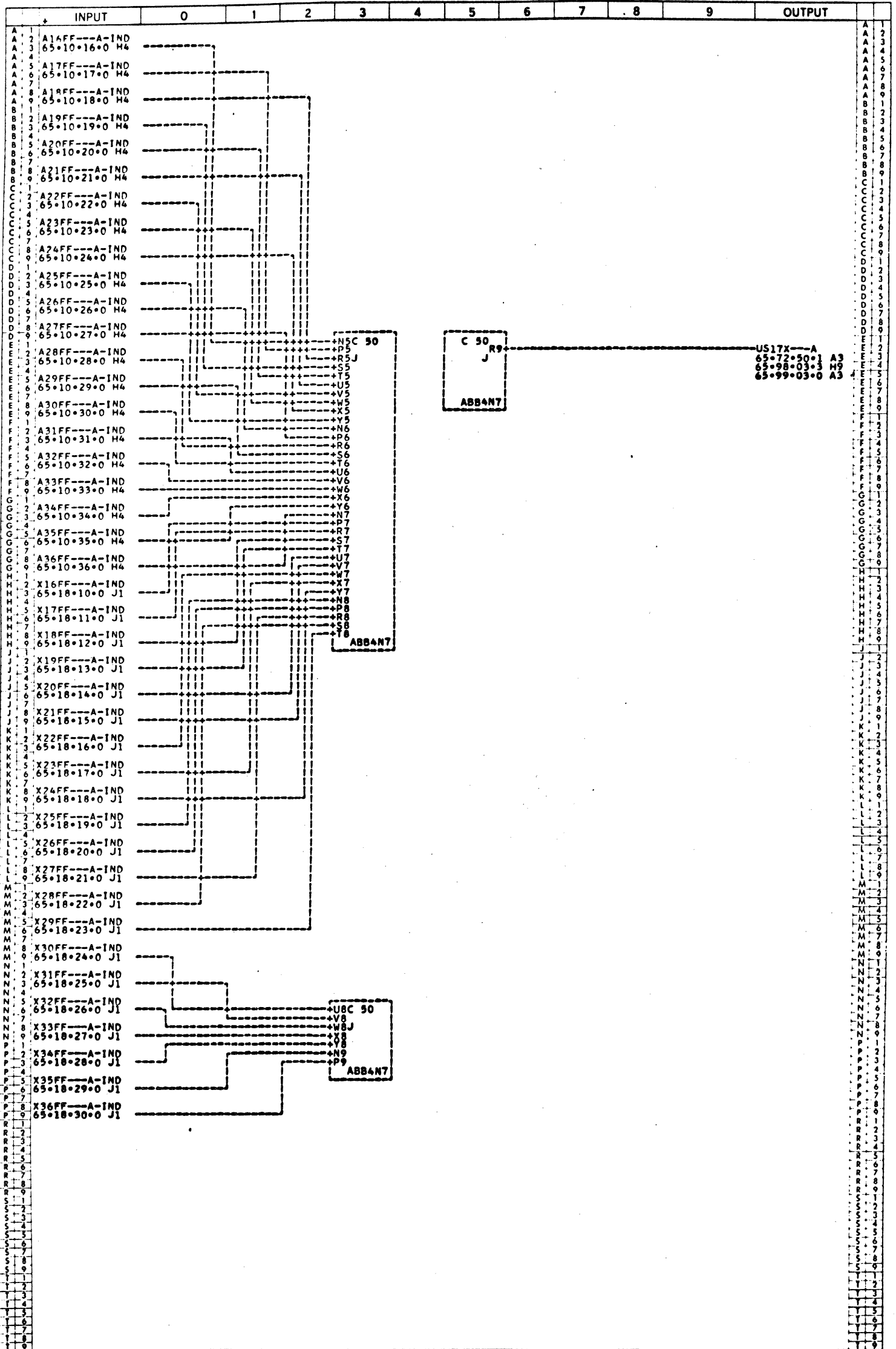
PROPERTY OF BURROUGHS CORPORATION. NOT TO BE REPRODUCED, NOR USED FOR MANUFACTURING PURPOSES, EXCEPT ON BURROUGHS ORDER OR PRIOR WRITTEN CONSENT.

LOGIC SCHEMATIC

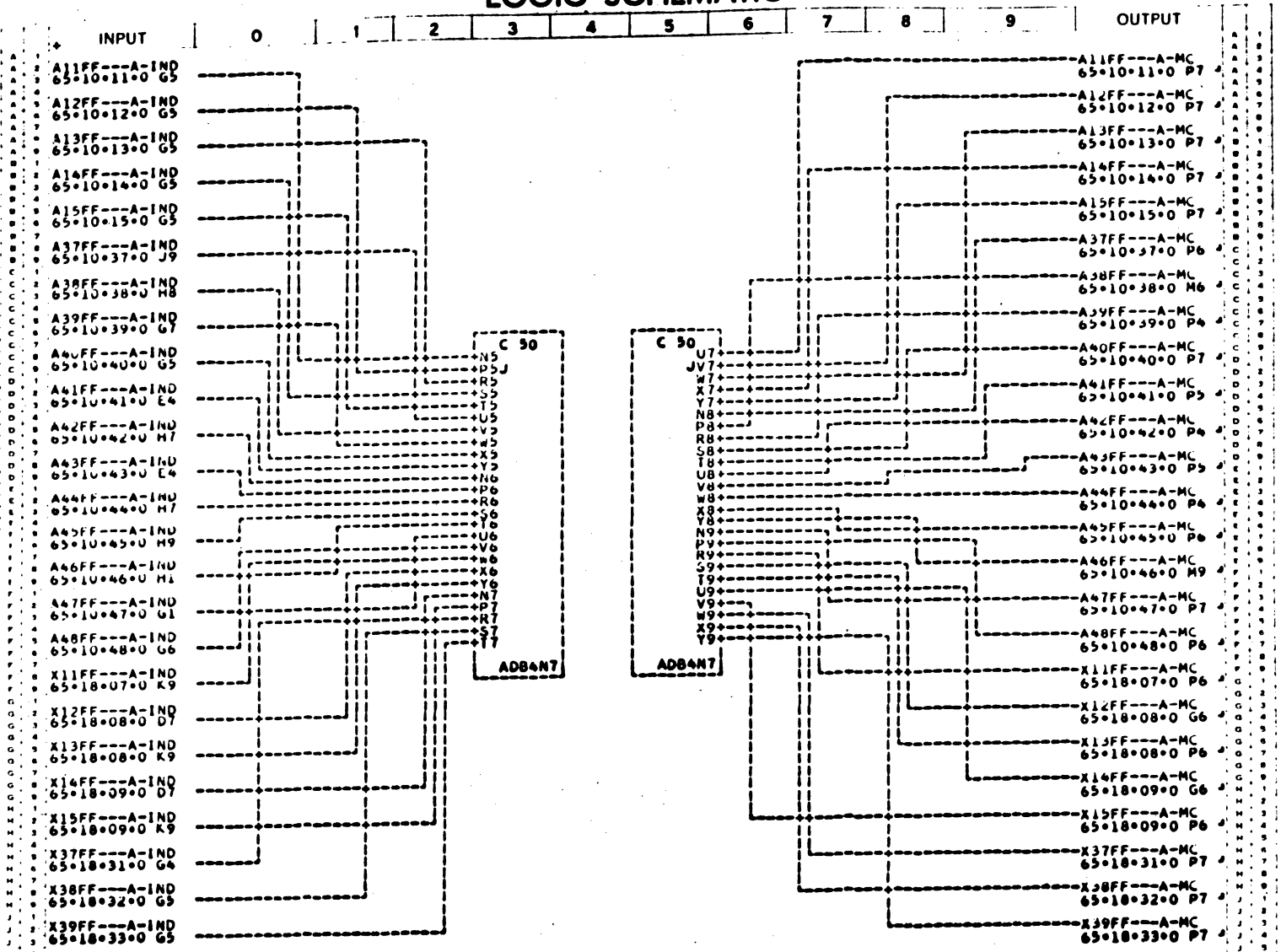


INPUT	0	1	2	3	4	5	6	7	8	9	OUTPUT	
U 2	TITLE -1.2 VOLT DISTRIBUTION A RACK					H- 11912771AB		<div style="border: 1px solid black; padding: 5px;"> <p>BURROUGHS CORPORATION</p> <p>ELECTRODATA DIV., PASADENA, CALIFORNIA</p> <p><small>PROPERTY OF BURROUGHS CORPORATION - NOT TO BE REPRODUCED, FOR USE FOR MANUFACTURING PURPOSES, EXCEPT ON BURROUGHS ORDER OR PRIOR WRITTEN CONSENT.</small></p> </div>				
U 4	DRAWN BY T URMOS 12-6-61					CHECKED BY K O JAMES 4-27-62						
U 6	UNIT NAME PROCESSOR					UNIT NO 78494						
U 8	SYSTEM B-5000					PAGE NO 65.97.31.4						

LOGIC SCHEMATIC

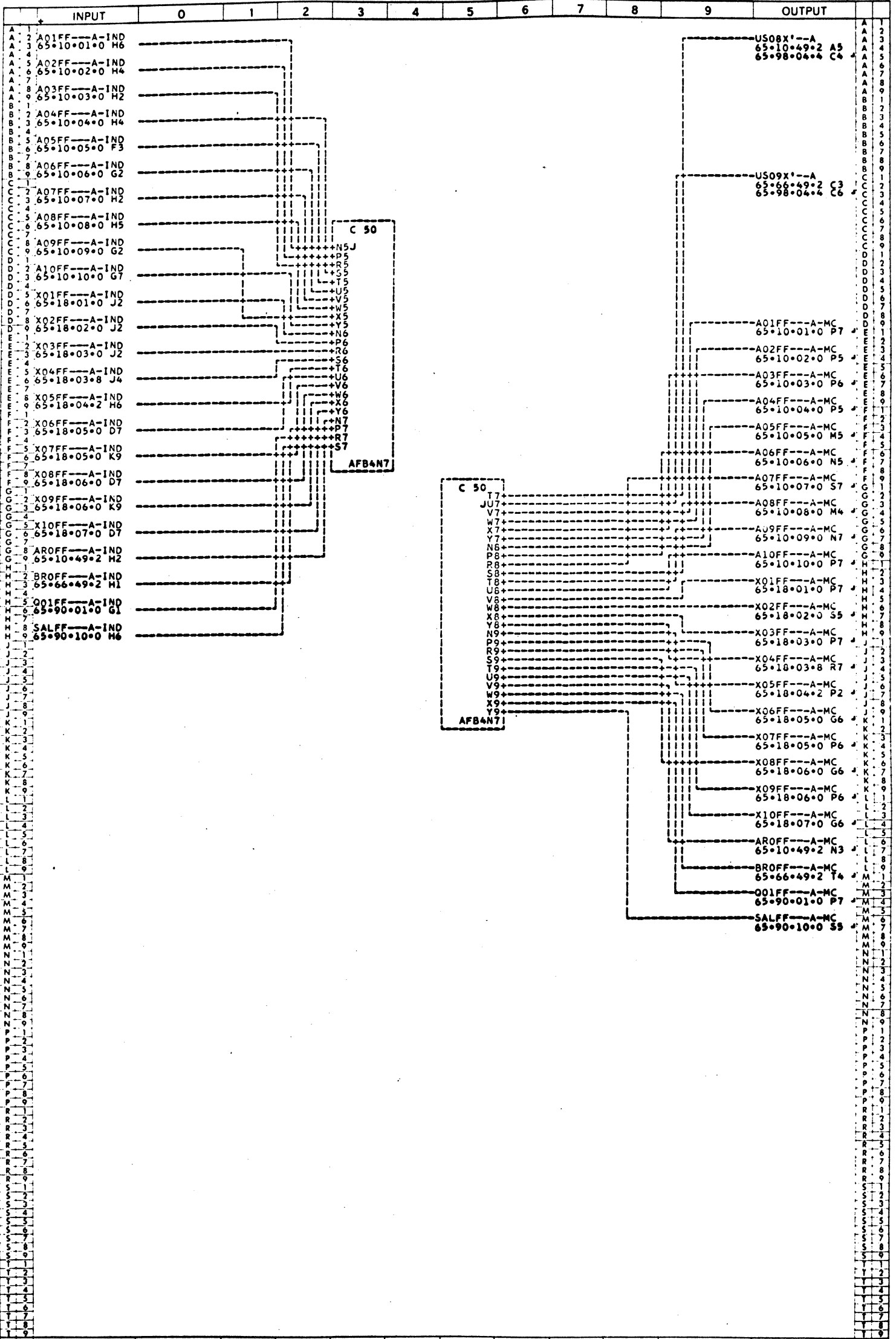


LOGIC SCHEMATIC



	INPUT	0	1	2	3	4	5	6	7	8	9	OUTPUT	
U 2	TITLE INTER-UNIT CONN ADB4N7 (CABLE 46)												U 2
U 4	DRAWN BY R HELM 4-24-62												U 4
U 6	UNIT NAME PROCESSOR												U 6
U 8	SYSTEM B-3900												U 8
	H- 11913019AA CHECKED BY J MURRAY 4-23-62 UNIT NO 78494 PAGE NO 65-96-01-4												
	BURROUGHS CORPORATION ELECTRODATA DIV., PASADENA, CALIFORNIA												
	PROPERTY OF BURROUGHS CORPORATION... NOT TO BE REPRODUCED, NOR USED FOR MANUFACTURING PURPOSES, EXCEPT ON BURROUGHS ORDER OR PRIOR WRITTEN CONSENT.												

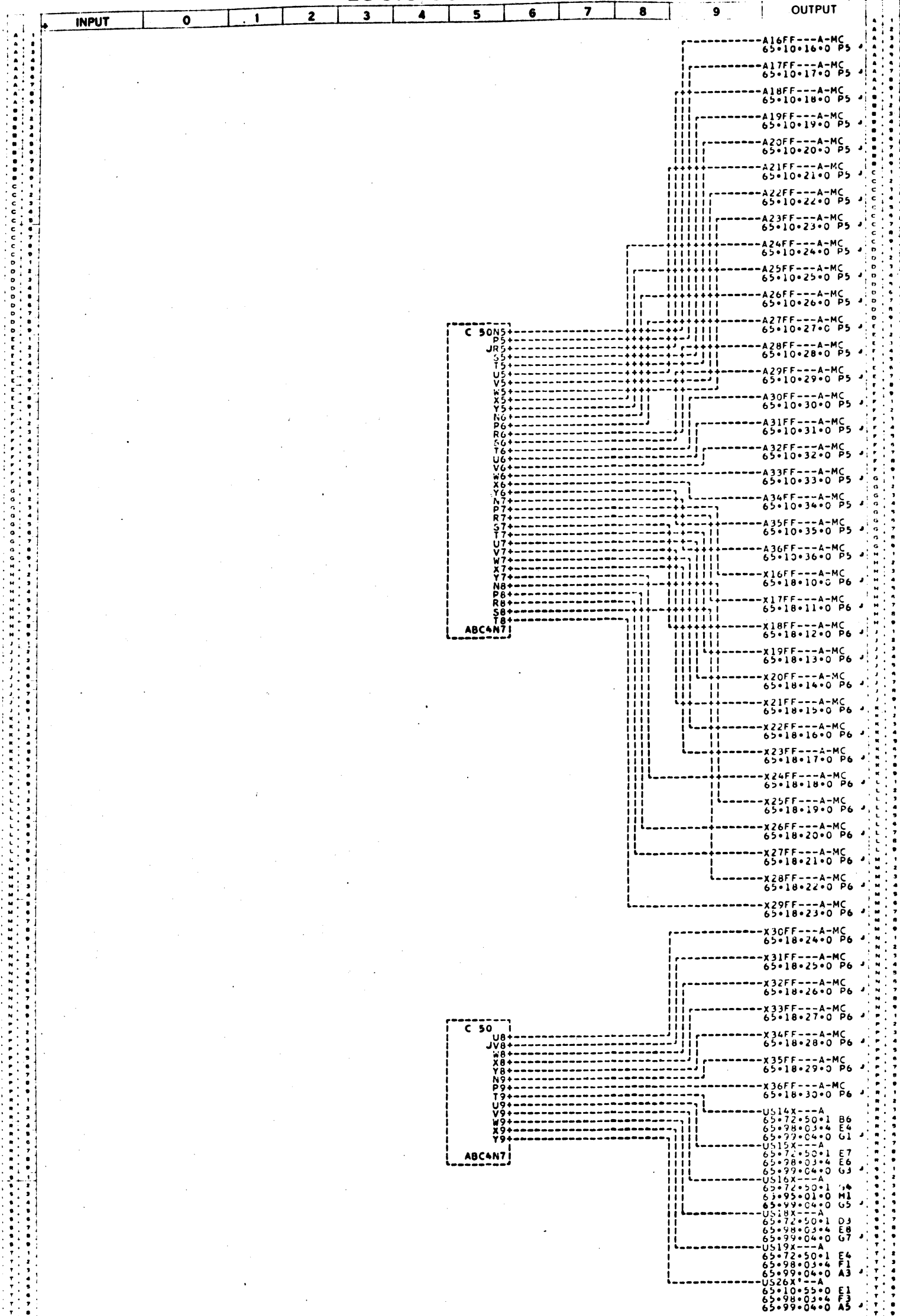
LOGIC SCHEMATIC



INPUT	0	1	2	3	4	5	6	7	8	9	OUTPUT
U 2	TITLE INTER-UNIT CONN AFB4N7 (CABLE 47)										U 2
U 4	DRAWN BY R HELM 4-24-62		CHECKED BY W A BROWN		M- 11913027AC		4-25-62		ELECTRODATA		U 4
U 6	UNIT NAME PROCESSOR										U 6
U 8	SYSTEM B-5000										U 8

Burroughs Corporation
 PASADENA CALIFORNIA
 PROPERTY OF BURROUGHS CORPORATION. NOT TO BE REPRODUCED, NOR USED FOR MANUFACTURING PURPOSES, EXCEPT ON BURROUGHS ORDER OR PRIOR WRITTEN CONSENT.

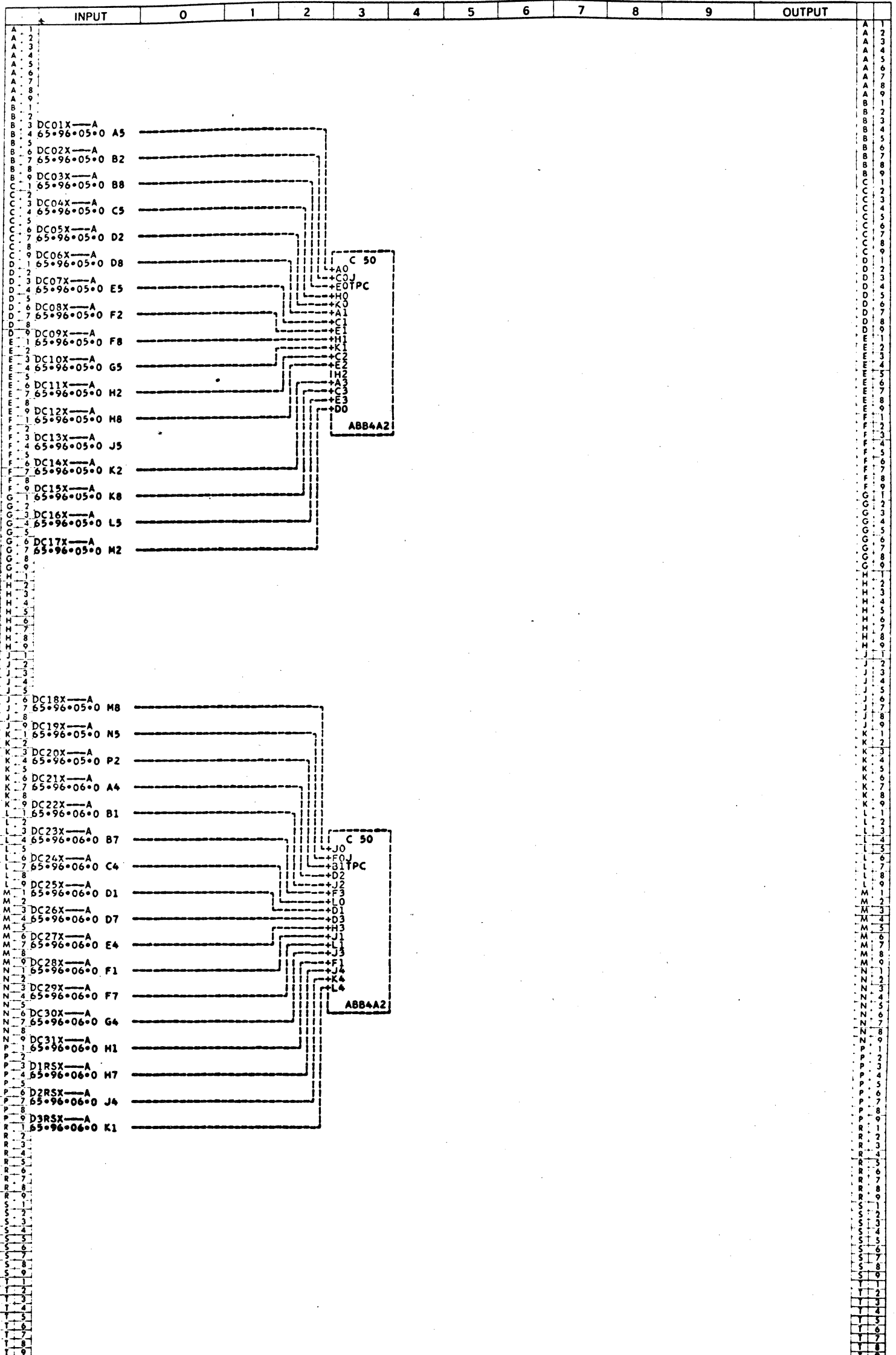
LOGIC SCHEMATIC



INPUT	0	1	2	3	4	5	6	7	8	9	OUTPUT
U 2	TITLE INTER-UNIT CONN ABC4N7 (CABLE 54)					M- 11913092AC					U 2
U 4	DRAWN BY R•HELM 4-24-62					CHECKED BY J MURRAY 4-25-62					U 4
U 6	UNIT NAME PROCESSOR					UNIT NO 78494					U 6
U 8	SYSTEM A-3000					PAGE NO 65•96•03•0					U 8

BURROUGHS CORPORATION
 ELECTRODATA DIV., PASADENA, CALIFORNIA
PROPERTY OF BURROUGHS CORPORATION... NOT TO BE REPRODUCED, NOR USED FOR MANUFACTURING PURPOSES, EXCEPT ON BURROUGHS ORDER OR PRIOR WRITTEN CONSENT.

LOGIC SCHEMATIC

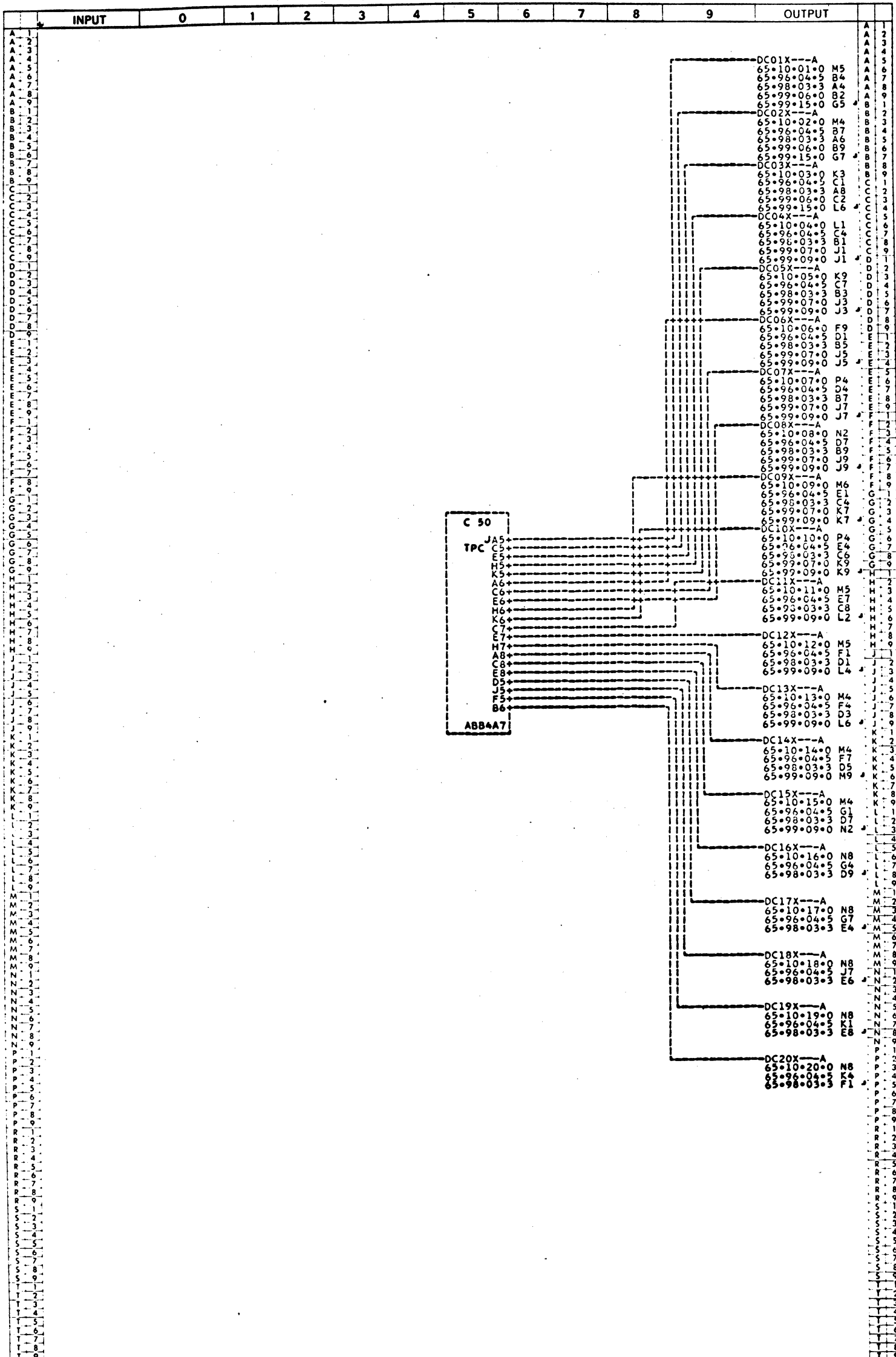


INPUT	0	1	2	3	4	5	6	7	8	9	OUTPUT	
U 2	TITLE INTER-UNIT CONN ABB4A2 (CABLE 258)										U 2	
U 4	DRAWN BY DOOLING					CHECKED BY					M- 11160389AA	U 4
U 6	UNIT NAME PROCESSOR										UNIT NO. 78494	U 6
U 8	SYSTEM B-5000										PAGE NO. 65•96•04•5	U 8

ELECTRODATA **Burroughs Corporation** PASADENA CALIFORNIA
M&E DIVISION

PROPERTY OF BURROUGHS CORPORATION. NOT TO BE REPRODUCED, NOR USED FOR MANUFACTURING PURPOSES, EXCEPT ON BURROUGHS ORDER OR PRIOR WRITTEN CONSENT.

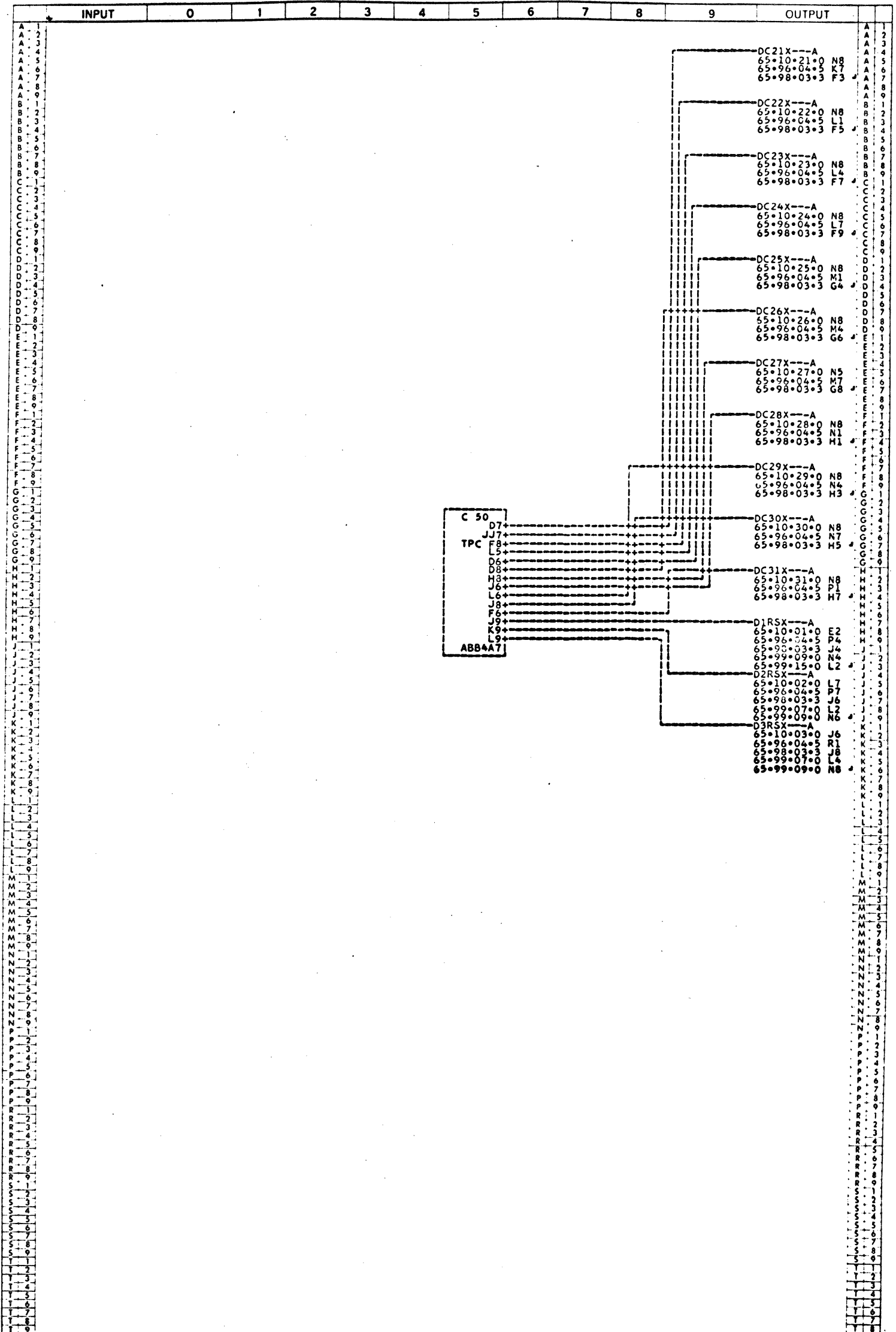
LOGIC SCHEMATIC



INPUT	0	1	2	3	4	5	6	7	8	9	OUTPUT	
U 2	TITLE INTER-UNIT CONN ABB4A7 (CABLE 259) PG 1 OF 2										H- 11160223AA	U 2
U 4	DRAWN BY DOOLING										CHECKED BY	U 4
U 6	UNIT NAME PROCESSOR										UNIT NO. 78494	U 6
U 8	SYSTEM B-5000										PAGE NO. 65-96-05-0	U 8

ELECTRODATA **Burroughs Corporation** **PASADENA**
M&E DIVISION **CALIFORNIA**
PROPERTY OF BURROUGHS CORPORATION NOT TO BE REPRODUCED, NOR USED FOR MANUFACTURING PURPOSES EXCEPT ON BURROUGHS ORDER OR PRIOR WRITTEN CONSENT

LOGIC SCHEMATIC

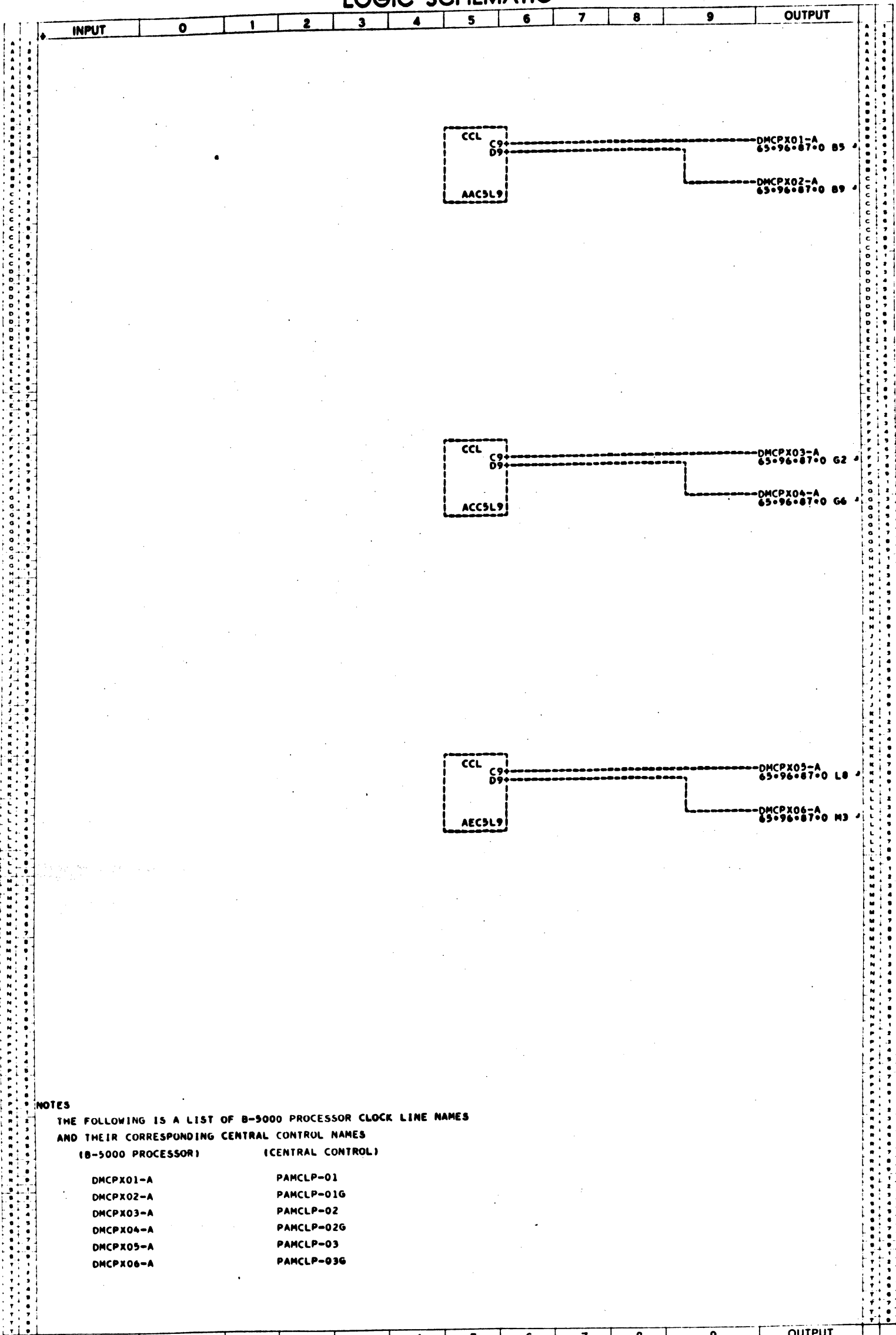


INPUT	0	1	2	3	4	5	6	7	8	9	OUTPUT
U 2	TITLE INTER-UNIT CONN ABB4A7 (CABLE 259) PG 2 OF 2 H- 11160231AA										U 2
U 4	DRAWN BY DOOLING CHECKED BY										U 4
U 6	UNIT NAME PROCESSOR UNIT NO. 78494										U 6
U 8	SYSTEM 8-3000 PAGE NO. 65-96-06-0										U 8

ELECTRODATA **Burroughs Corporation** **PASADENA CALIFORNIA**
 M & E DIVISION

PROPERTY OF BURROUGHS CORPORATION. NOT TO BE REPRODUCED, NOR USED FOR MANUFACTURING PURPOSES, EXCEPT ON BURROUGHS ORDER OR PRIOR WRITTEN CONSENT

LOGIC SCHEMATIC



NOTES

THE FOLLOWING IS A LIST OF B-5000 PROCESSOR CLOCK LINE NAMES AND THEIR CORRESPONDING CENTRAL CONTROL NAMES

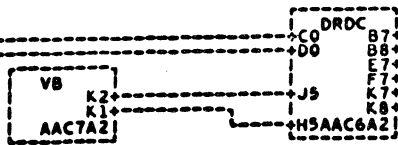
(B-5000 PROCESSOR)	(CENTRAL CONTROL)
DMCPX01-A	PAMCLP-01
DMCPX02-A	PAMCLP-01G
DMCPX03-A	PAMCLP-02
DMCPX04-A	PAMCLP-02G
DMCPX05-A	PAMCLP-03
DMCPX06-A	PAMCLP-03G

INPUT	0	1	2	3	4	5	6	7	8	9	OUTPUT
U 2	TITLE INTER UNIT CLOCK CONNECTOR (RACK A)					H- 11913670AB					<p>BURROUGHS CORPORATION ELECTRODATA DIV., PASADENA, CALIFORNIA</p> <small>PROPERTY OF BURROUGHS CORPORATION - NOT TO BE REPRODUCED, FOR USE FOR MANUFACTURING PURPOSES, EXCEPT ON BURROUGHS ORDER OR PRIOR WRITTEN CONSENT.</small>
U 4	DRAWN BY C DOOLING					CHECKED BY D A SHEPHERD 5-11-62					
U 6	UNIT NAME PROCESSOR					UNIT NO 78494					
U 8	SYSTEM B-5000					PAGE NO 65-96-87-00					

LOGIC SCHEMATIC

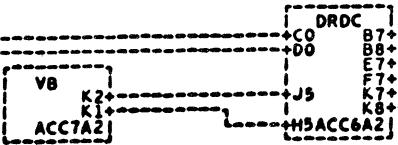
INPUT 0 1 2 3 4 5 6 7 8 9 OUTPUT

DMCPX01-A
65-96-80-0 B5
DMCPX02-A
65-96-80-0 C1



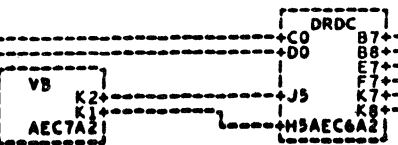
CLABP01-A
65-98-07-2 A3
65-98-07-2 B8
CLABP02-A
65-98-07-2 G3
65-98-07-2 H8
CLABP03-A
65-98-07-2 C3
65-98-07-2 J3
CLABP04-A
65-98-07-2 D8
65-98-07-2 K8
CLABP05-A
65-98-07-2 E3
65-98-07-2 F8
CLABP06-A
65-98-07-2 L3
65-98-07-2 M8

DMCPX03-A
65-96-80-0 F6
DMCPX04-A
65-96-80-0 G2



CLCDP01-A
65-98-07-4 A3
65-98-07-4 A5
CLCDP02-A
65-98-07-4 J3
65-98-07-4 L7
CLCDP03-A
65-98-07-4 C3
65-98-07-4 D8
CLCDP04-A
65-98-07-4 E3
65-98-07-4 L3
CLCDP05-A
65-98-07-4 F8
65-98-07-4 G3
CLCDP06-A
65-98-07-4 H8
65-98-07-4 L5

DMCPX05-A
65-96-80-0 K7
DMCPX06-A
65-96-80-0 L3



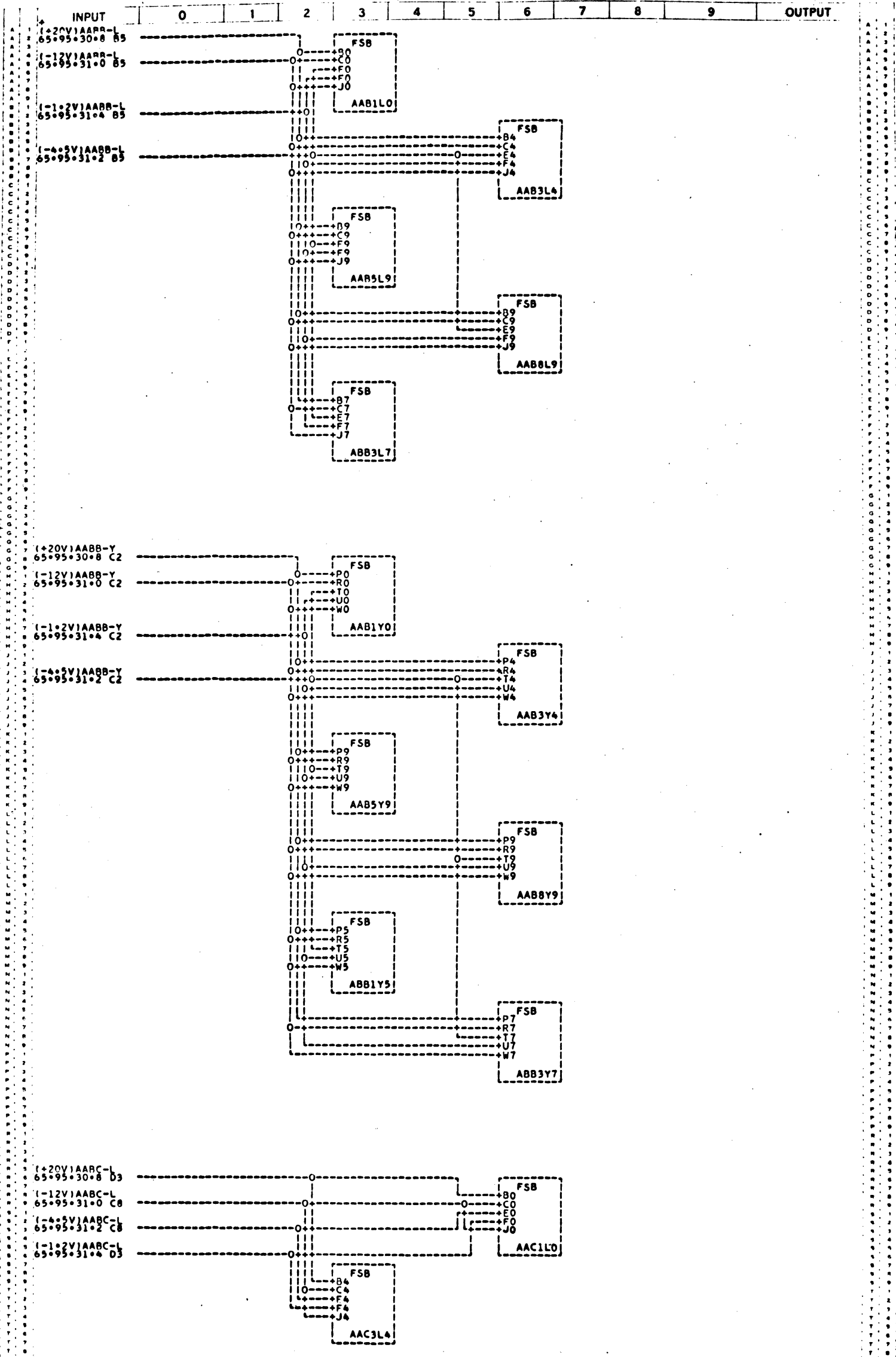
CLEFP01-A
65-98-07-6 A3
65-98-07-6 B8
CLEFP02-A
65-98-07-6 J3
65-98-07-6 M8
CLEFP03-A
65-98-07-6 C3
65-98-07-6 K8
CLEFP04-A
65-98-07-6 D8
65-98-07-6 D8
CLEFP05-A
65-98-07-6 F6
65-98-07-6 F8
CLEFP06-A
65-98-07-6 G3
65-98-07-6 G5

	INPUT	0	1	2	3	4	5	6	7	8	9	OUTPUT	
U 2	TITLE LOCAL CLOCK DRS VAR BIAS PKGS (TRACK A)												U 2
U 4	DRAWN BY R WILLIAMS 8 DEC 61 CHECKED BY D A SHEPHERD 9-11-62												U 4
U 6	UNIT NAME PROCESSOR UNIT NO 78494												U 6
U 8	SYSTEM B-5000 PAGE NO 65-96-87-0												U 8

BURROUGHS CORPORATION
ELECTRODATA DIV., PASADENA, CALIFORNIA

PROPERTY OF BURROUGHS CORPORATION—NOT TO BE REPRODUCED, NOR USED FOR MANUFACTURING PURPOSES, EXCEPT ON BURROUGHS ORDER OR PRIOR WRITTEN CONSENT.

LOGIC SCHEMATIC



INPUT	0	1	2	3	4	5	6	7	8	9	OUTPUT
U 2 TITLE FILTERS RACK A											
U 4 DRAWN BY R W WENTSEL 4-25-62											
U 6 UNIT NAME PROCESSOR											
U 8 SYSTEM B-5000											

H- 11913928AD

CHECKED BY D A SHEPHERD 5-11-62

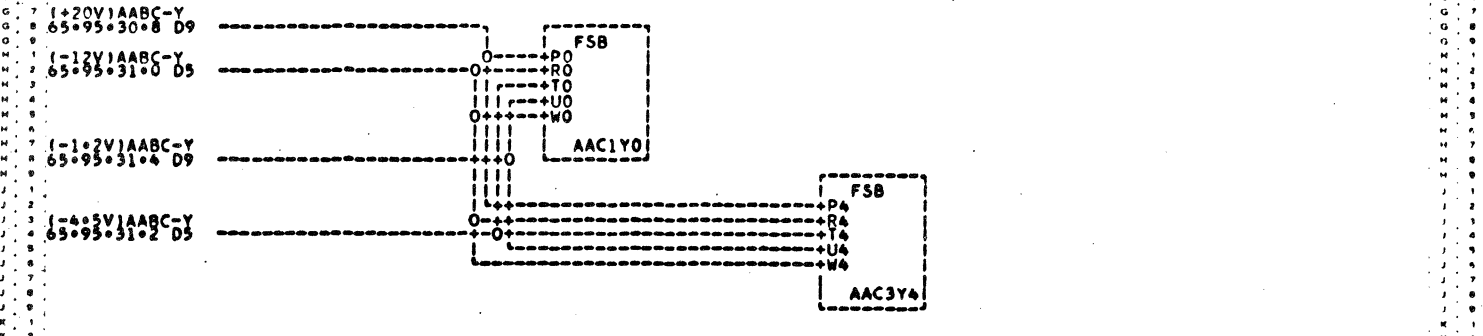
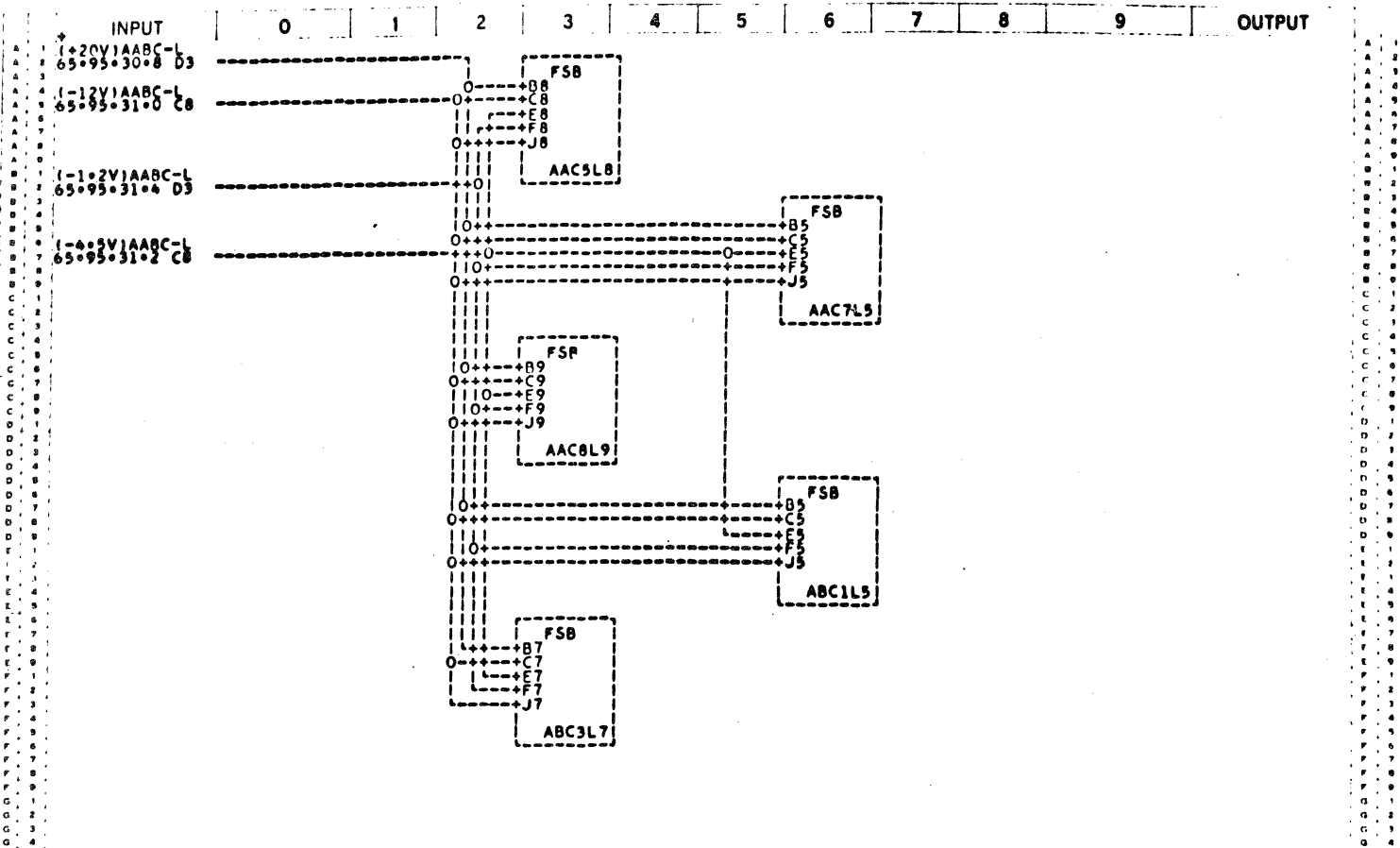
UNIT NO 78494

PAGE NO 65-97-21-0

BURROUGHS CORPORATION
ELECTRODATA DIV. PASADENA, CALIFORNIA

PROPERTY OF BURROUGHS CORPORATION - NOT TO BE REPRODUCED, NOR USED FOR MANUFACTURING PURPOSES, EXCEPT ON BURROUGHS ORDER OR PRIOR WRITTEN CONSENT.

LOGIC SCHEMATIC



INPUT	0	1	2	3	4	5	6	7	8	9	OUTPUT
U 2 TITLE FILTERS RACK A											
U 4 DRAWN BY R W WENTSEL 4-25-62											
U 6 UNIT NAME PROCESSOR											
U 8 SYSTEM B-3000											

H- 11914124AC

CHECKED BY K O JAMES

9-14-62

UNIT NO 78494

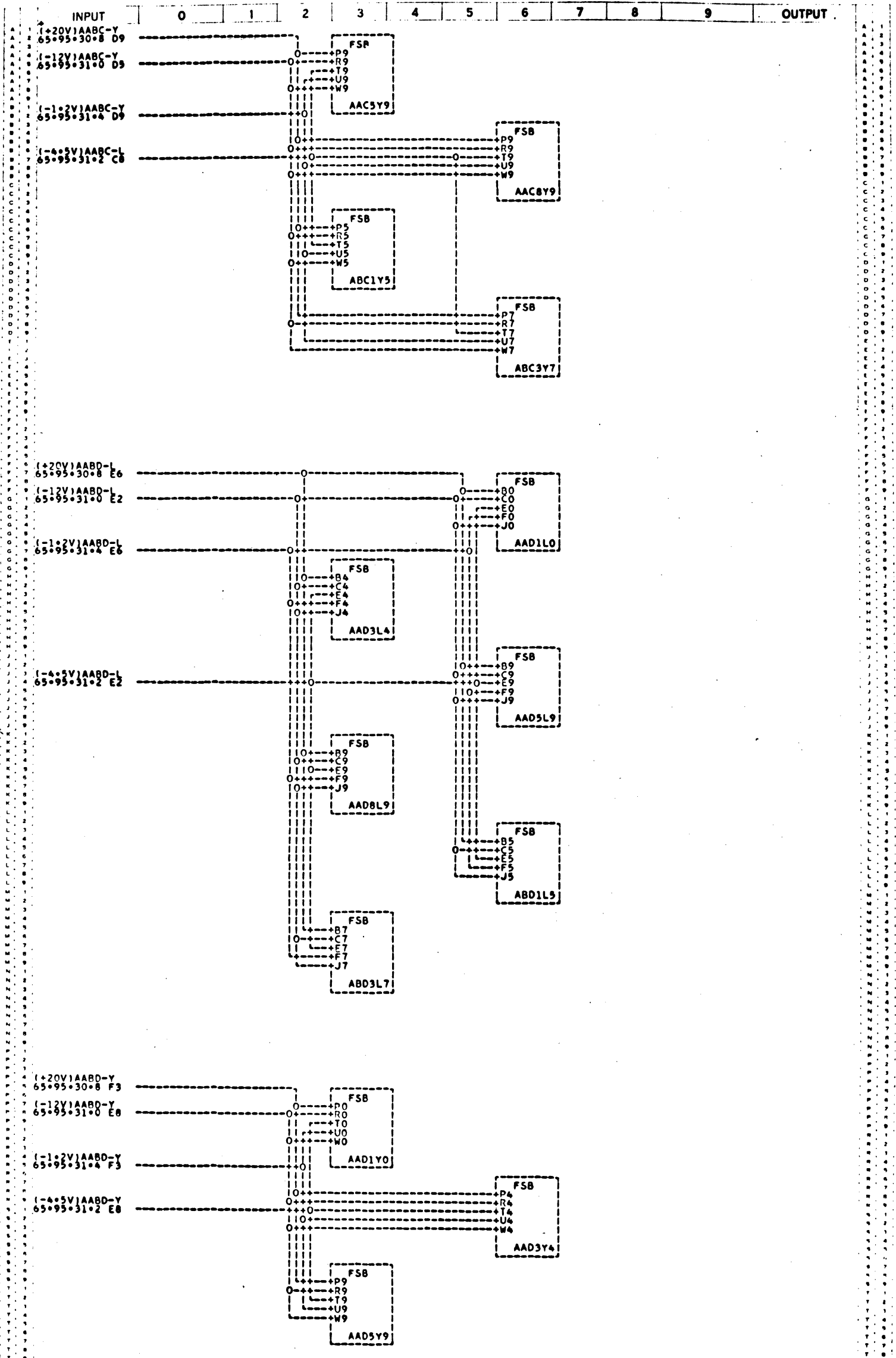
PAGE NO 65-97-21-5

BURROUGHS CORPORATION

ELECTRODATA DIV., PASADENA, CALIFORNIA

PROPERTY OF BURROUGHS CORPORATION—NOT TO BE REPRODUCED, NOR USED FOR MANUFACTURING PURPOSES, EXCEPT ON BURROUGHS ORDER OR PRIOR WRITTEN CONSENT.

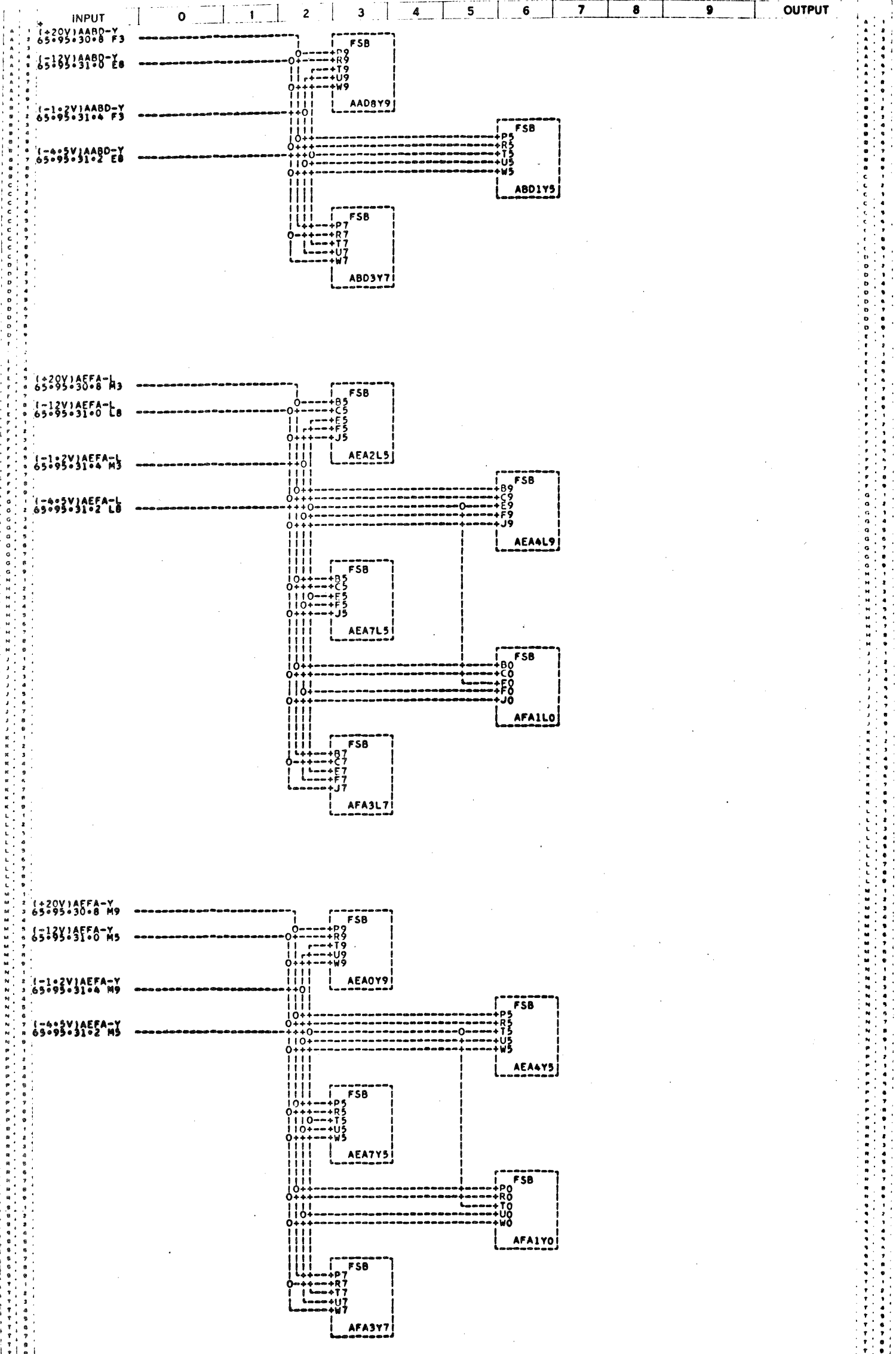
LOGIC SCHEMATIC



INPUT	0	1	2	3	4	5	6	7	8	9	OUTPUT	
U 2	TITLE FILTERS RACK A											U 2
U 4	DRAWN BY R W WENTSEL 4-25-62											U 4
U 6	CHECKED BY D A SHEPHERD 5-11-62											U 6
U 8	UNIT NAME PROCESSOR											U 8
	UNIT NO 78494											
	PAGE NO 65-97-22-0											

BURROUGHS CORPORATION
 ELECTRODATA DIV., PASADENA, CALIFORNIA
PROPERTY OF BURROUGHS CORPORATION - NOT TO BE REPRODUCED, NOR USED FOR MANUFACTURING PURPOSES, EXCEPT ON BURROUGHS ORDER OR PRIOR WRITTEN CONSENT.

LOGIC SCHEMATIC

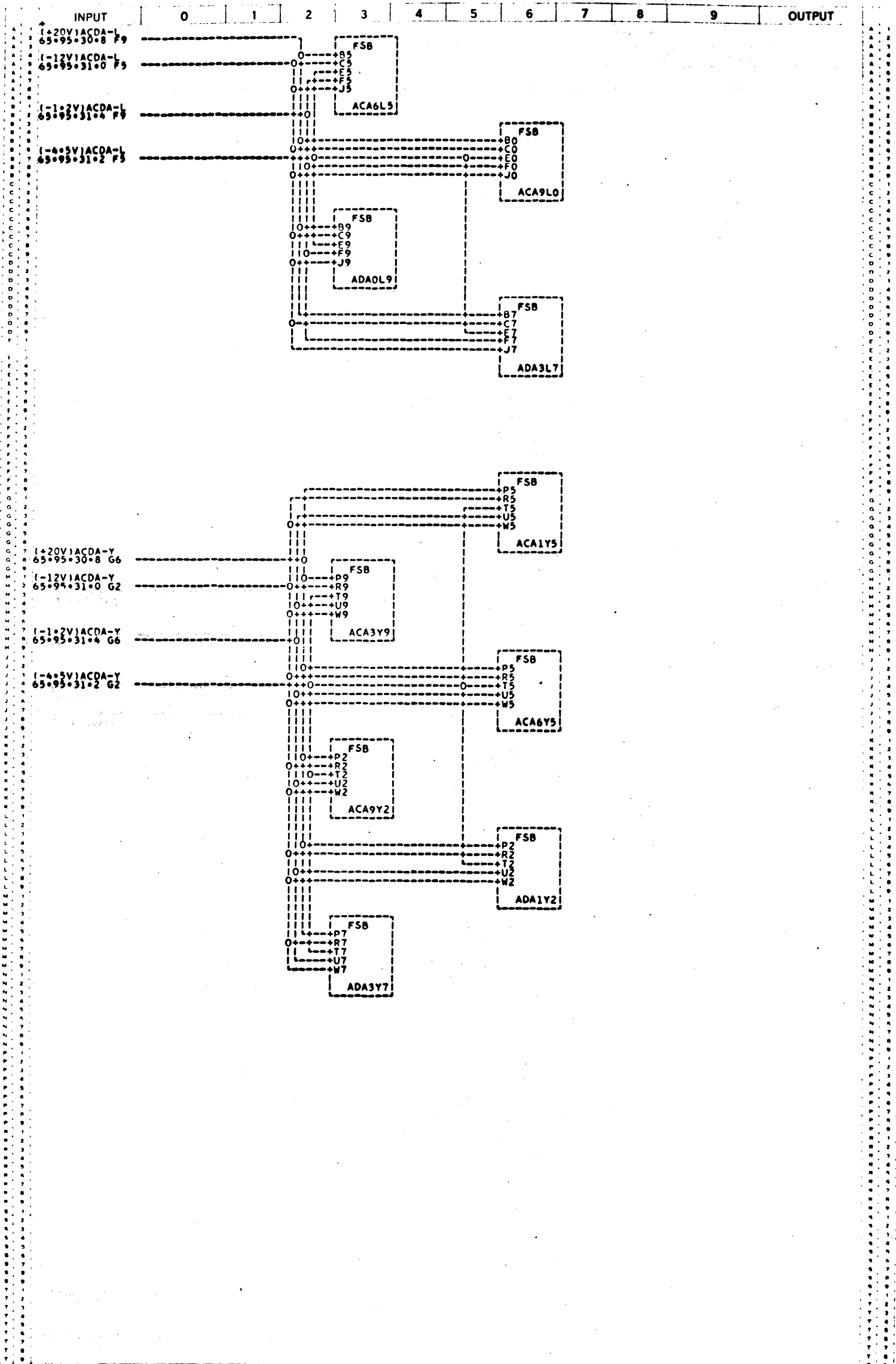


	INPUT	0	1	2	3	4	5	6	7	8	9	OUTPUT		
U 2	TITLE FILTERS RACK A												H- 11913944AD	U 2
U 4	DRAWN BY RW WENTSEL 4-25-62			CHECKED BY D A SHEPHERD			5-11-62						U 4	
U 6	UNIT NAME PROCESSOR												UNIT NO 78494	U 6
U 8	SYSTEM B-2000												PAGE NO 65-97-23-0	U 8

BURROUGHS CORPORATION
ELECTRODATA DIV., PASADENA, CALIFORNIA

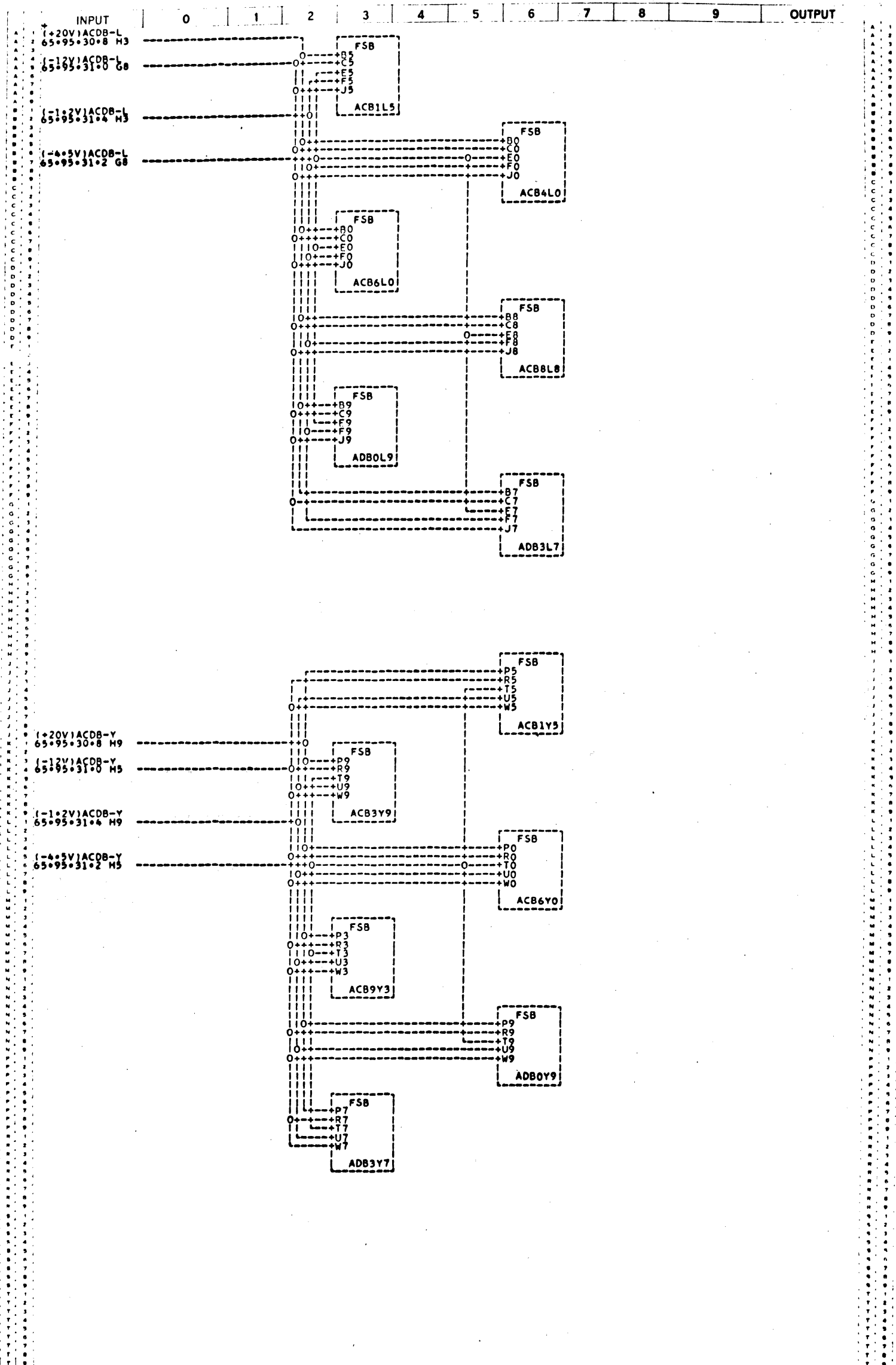
PROPERTY OF BURROUGHS CORPORATION. NOT TO BE REPRODUCED, NOR USED FOR MANUFACTURING PURPOSES, EXCEPT ON BURROUGHS ORDER OR PRIOR WRITTEN CONSENT.

LOGIC SCHEMATIC



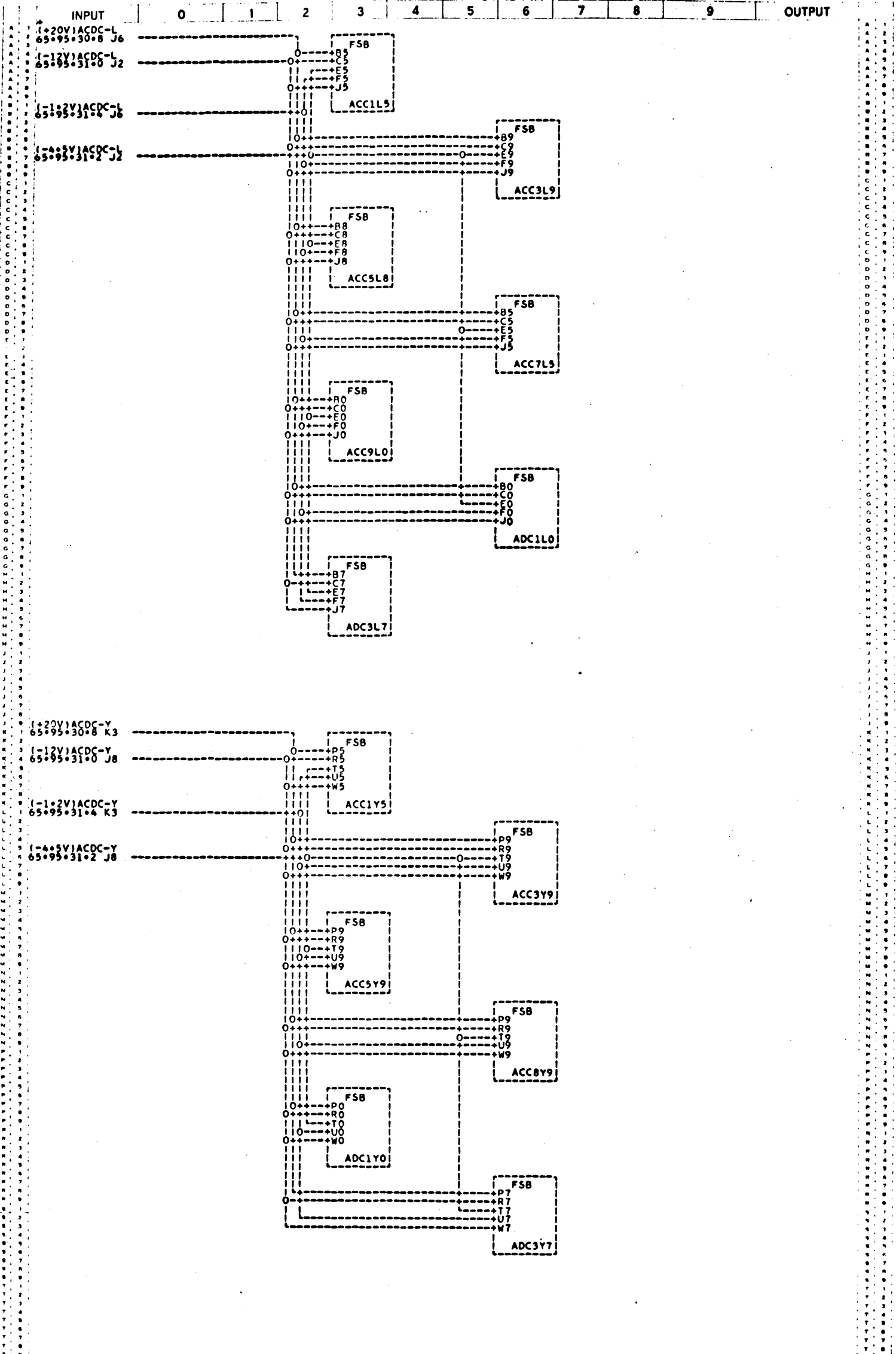
EOO 1087-1 REV 0-0

LOGIC SCHEMATIC



	INPUT	0	1	2	3	4	5	6	7	8	9	OUTPUT	
U 2	TITLE FILTERS RACK A												U 2
U 4	DRAWN BY R W WENTSEL 4-25-62 CHECKED BY D A SHEPHERD 5-11-62												U 4
U 6	UNIT NAME PROCESSOR												U 6
U 8	SYSTEM B-5000												U 8
	H- 11913969AC												
	UNIT NO 78494												
	PAGE NO 65-97-25-0												
BURROUGHS CORPORATION ELECTRODATA DIV., PASADENA, CALIFORNIA													
PROPERTY OF BURROUGHS CORPORATION...NOT TO BE REPRODUCED, NOR USED FOR MANUFACTURING PURPOSES, EXCEPT ON BURROUGHS ORDER OR PRIOR WRITTEN CONSENT.													

LOGIC SCHEMATIC

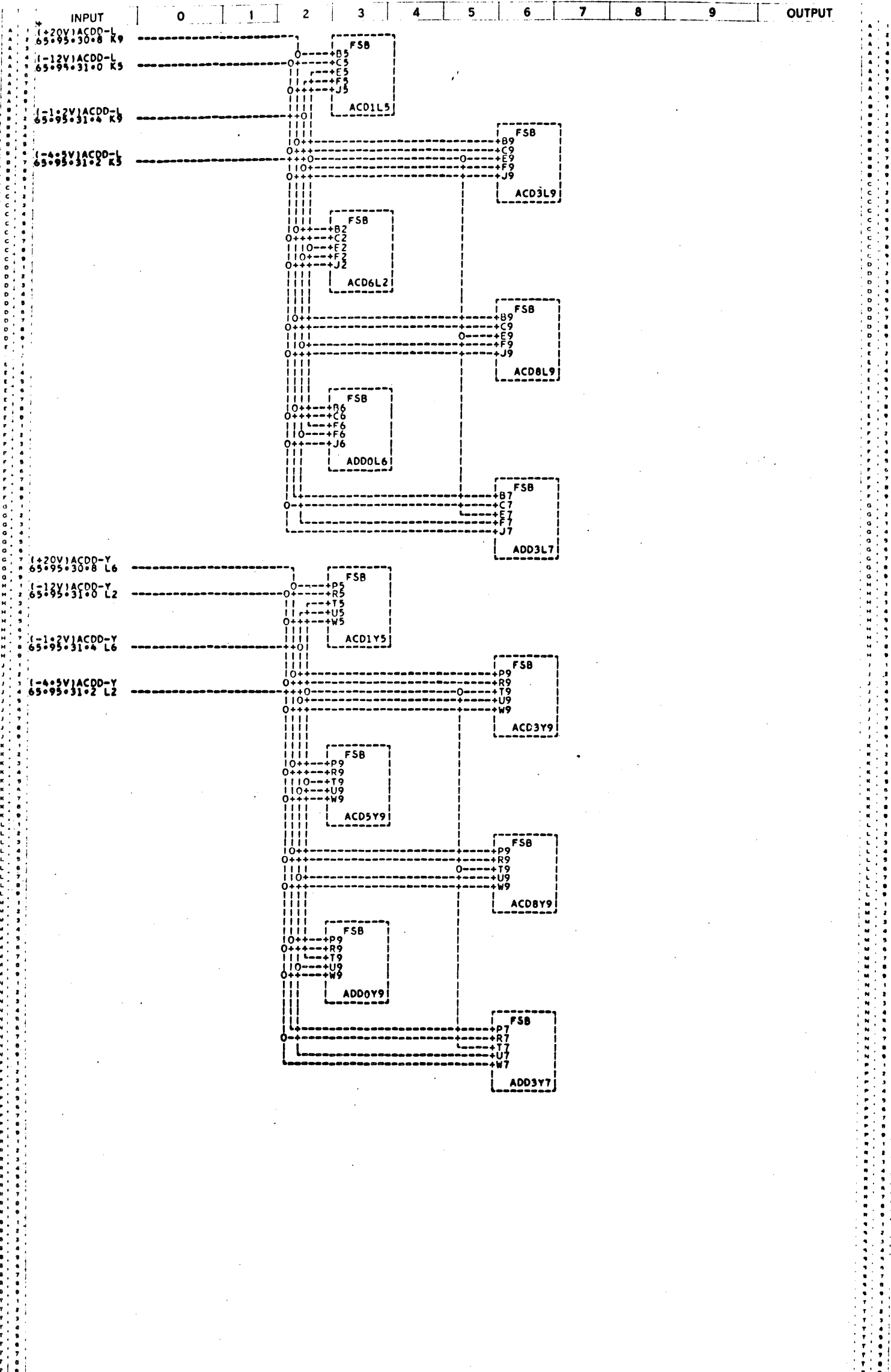


INPUT	0	1	2	3	4	5	6	7	8	9	OUTPUT	
U 2 TITLE FILTERS RACK A	H- 11913977AC											U 2
U 4 DRAWN BY R W WENTSEL 4-29-62	CHECKED BY D A SHEPHERD 5-11-62											U 4
U 6 UNIT NAME PROCESSOR	UNIT NO 78494											U 6
U 8 SYSTEM B-2000	PAGE NO 65-97-26-0											U 8

BURROUGHS CORPORATION
 ELECTRODATA DIV., PASADENA, CALIFORNIA

PROPERTY OF BURROUGHS CORPORATION - NOT TO BE REPRODUCED, NOR USED FOR MANUFACTURING PURPOSES, EXCEPT ON BURROUGHS ORDER OR PRIOR WRITTEN CONSENT.

LOGIC SCHEMATIC

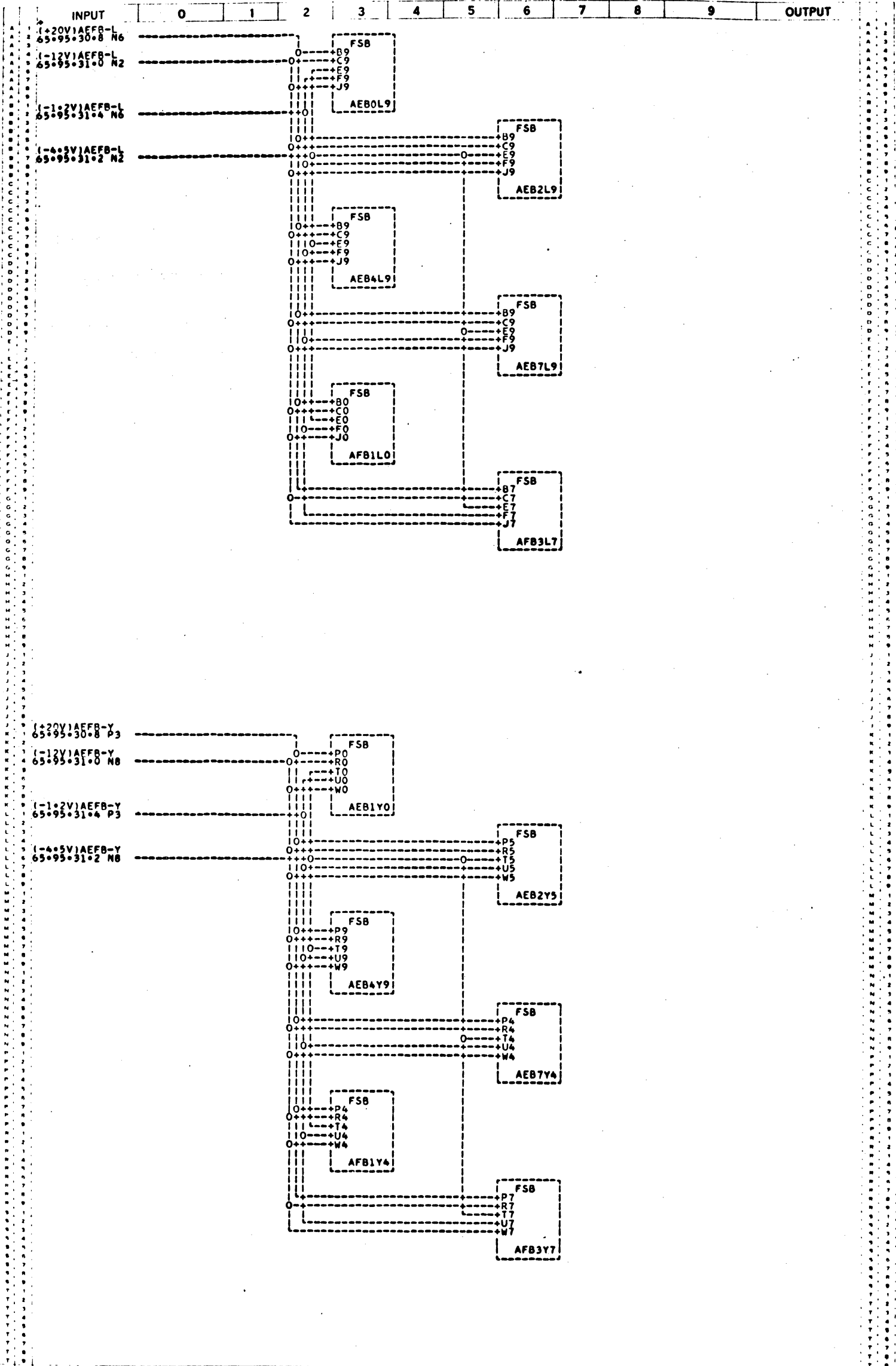


	INPUT	0	1	2	3	4	5	6	7	8	9	OUTPUT
U 2	TITLE FILTERS RACK A											
U 4	DRAWN BY R W WENTSEL 4-29-62											
U 6	UNIT NAME PROCESSOR											
U 8	SYSTEM B-3000											

BURROUGHS CORPORATION
ELECTRODATA DIV., PASADENA, CALIFORNIA

PROPERTY OF BURROUGHS CORPORATION—NOT TO BE REPRODUCED, NOR USED FOR MANUFACTURING PURPOSES, EXCEPT ON BURROUGHS ORDER OR PRIOR WRITTEN CONSENT.

LOGIC SCHEMATIC

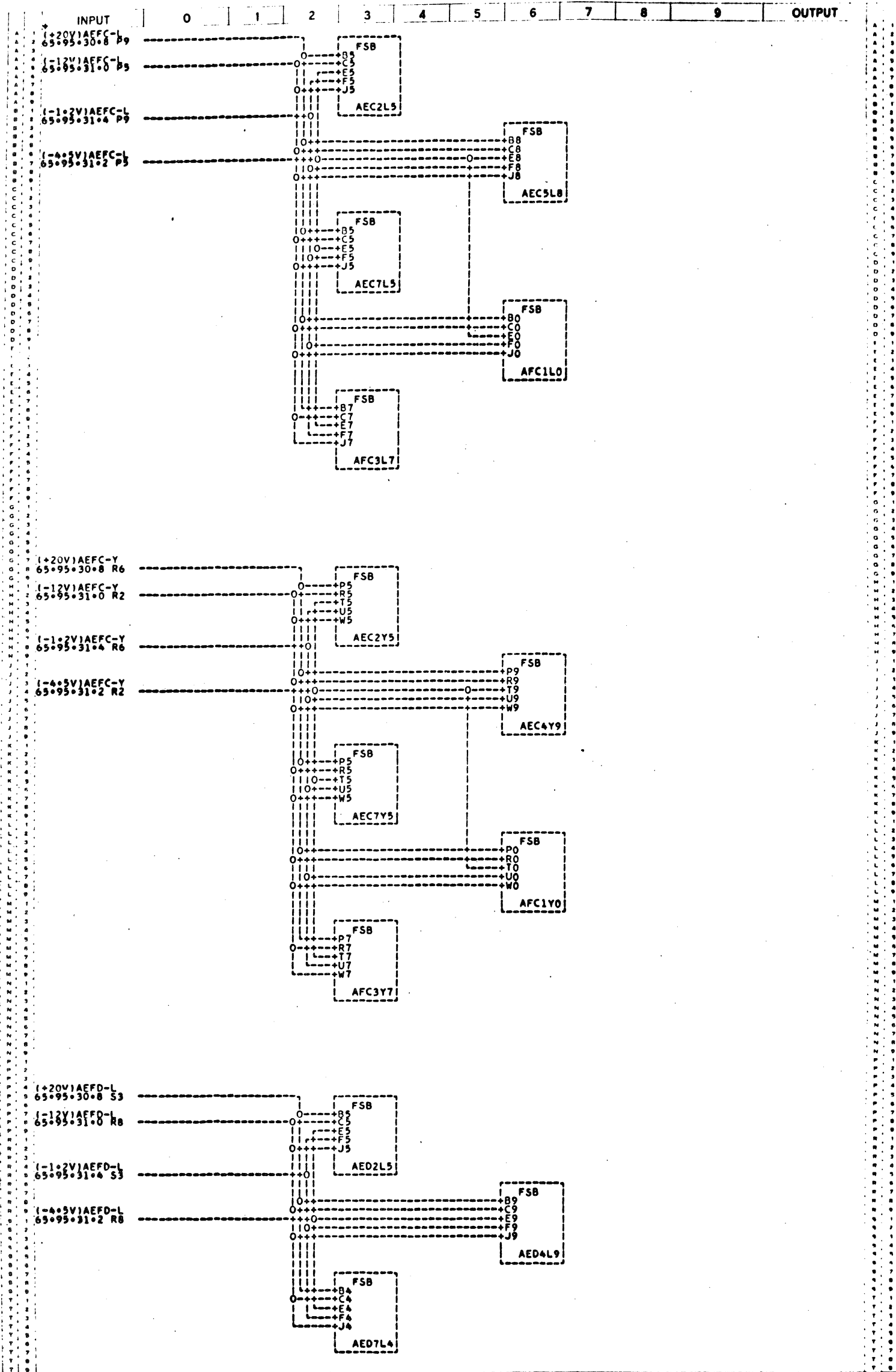


INPUT	0	1	2	3	4	5	6	7	8	9	OUTPUT
U 2 TITLE FILTERS RACK A											U 2
U 4 DRAWN BY RW WENTSEL 4-25-62											U 4
U 6 UNIT NAME PROCESSOR											U 6
U 8 SYSTEM B-2000											U 8

BURROUGHS CORPORATION
 ELECTRODATA DIV., PASADENA, CALIFORNIA

PROPERTY OF BURROUGHS CORPORATION - NOT TO BE REPRODUCED, NOR USED FOR MANUFACTURING PURPOSES, EXCEPT ON BURROUGHS ORDER OR PRIOR WRITTEN CONSENT.

LOGIC SCHEMATIC

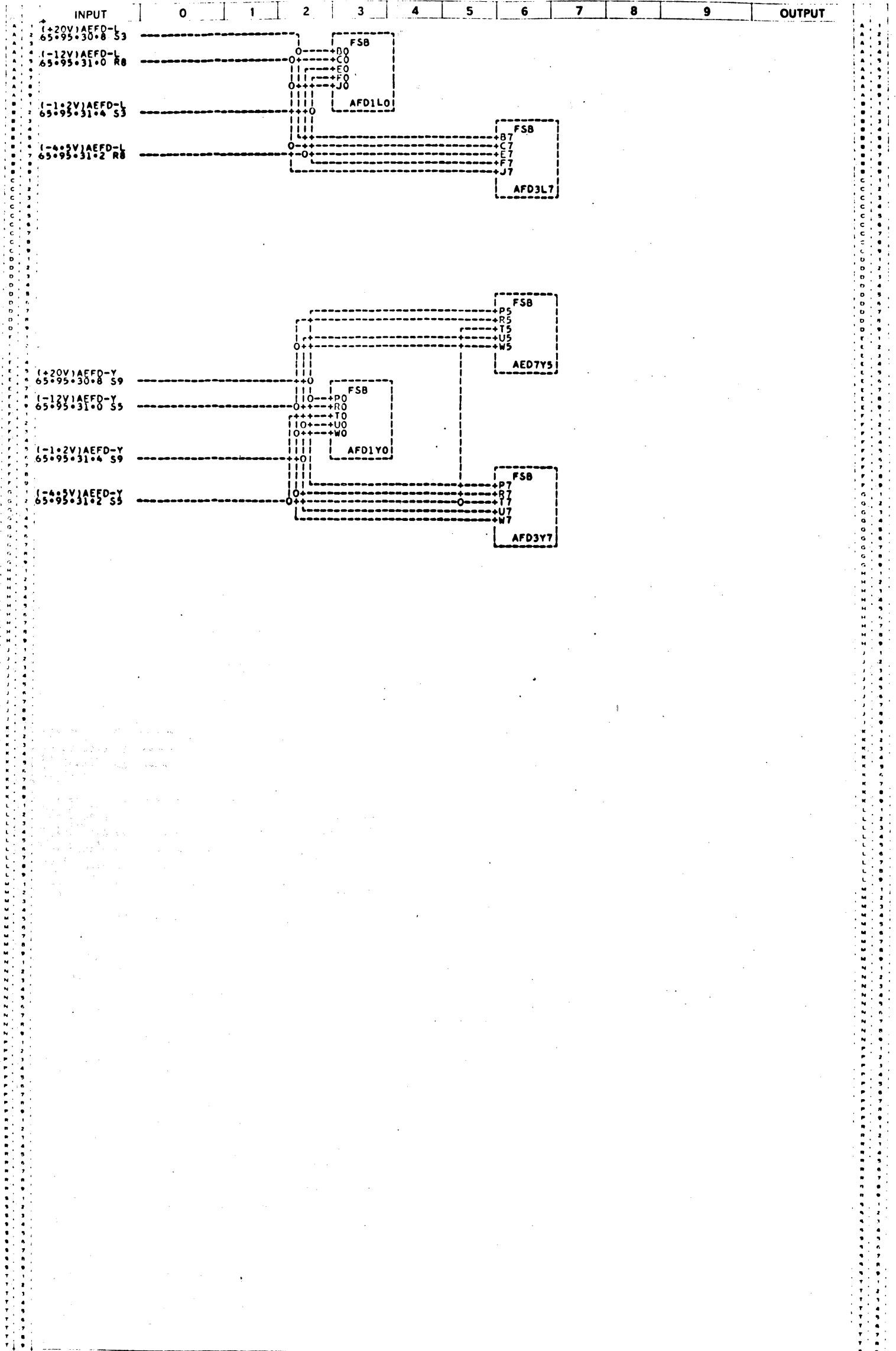


INPUT	0	1	2	3	4	5	6	7	8	9	OUTPUT
U 2	TITLE FILTERS RACK A										U 2
U 4	DRAWN BY R W WENTSEL 4-29-62										U 4
U 6	UNIT NAME PROCESSOR										U 6
U 8	SYSTEM B-5000										U 8
						H- 11914009AC					
						CHECKED BY D A SHEPHERD 5-11-62					
						UNIT NO 78494					
						PAGE NO 65.97.29.0					

BURROUGHS CORPORATION
ELECTRODATA DIV., PASADENA, CALIFORNIA

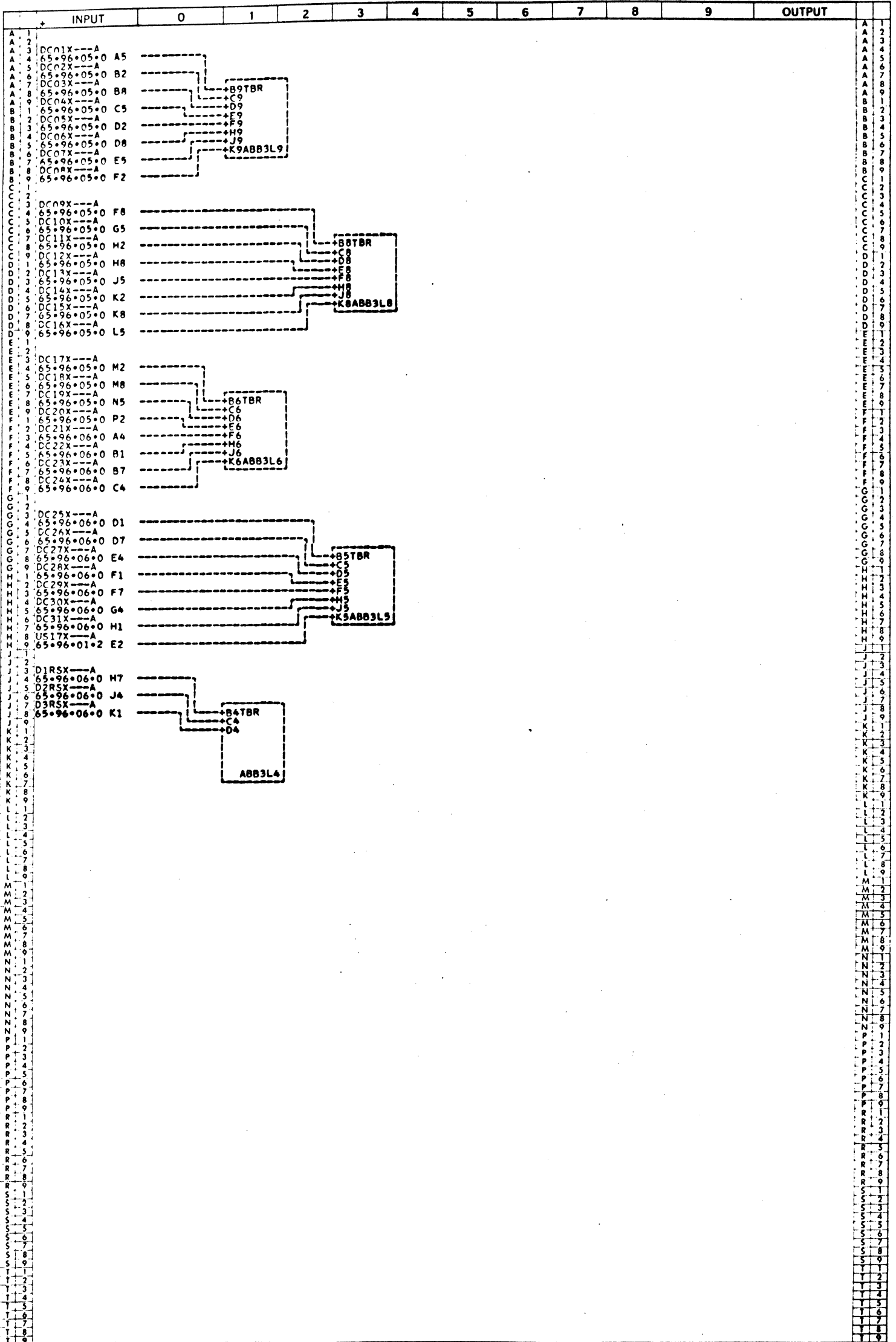
PROPERTY OF BURROUGHS CORPORATION - NOT TO BE REPRODUCED, NOR USED FOR MANUFACTURING PURPOSES, EXCEPT ON BURROUGHS ORDER OR PRIOR WRITTEN CONSENT.

LOGIC SCHEMATIC



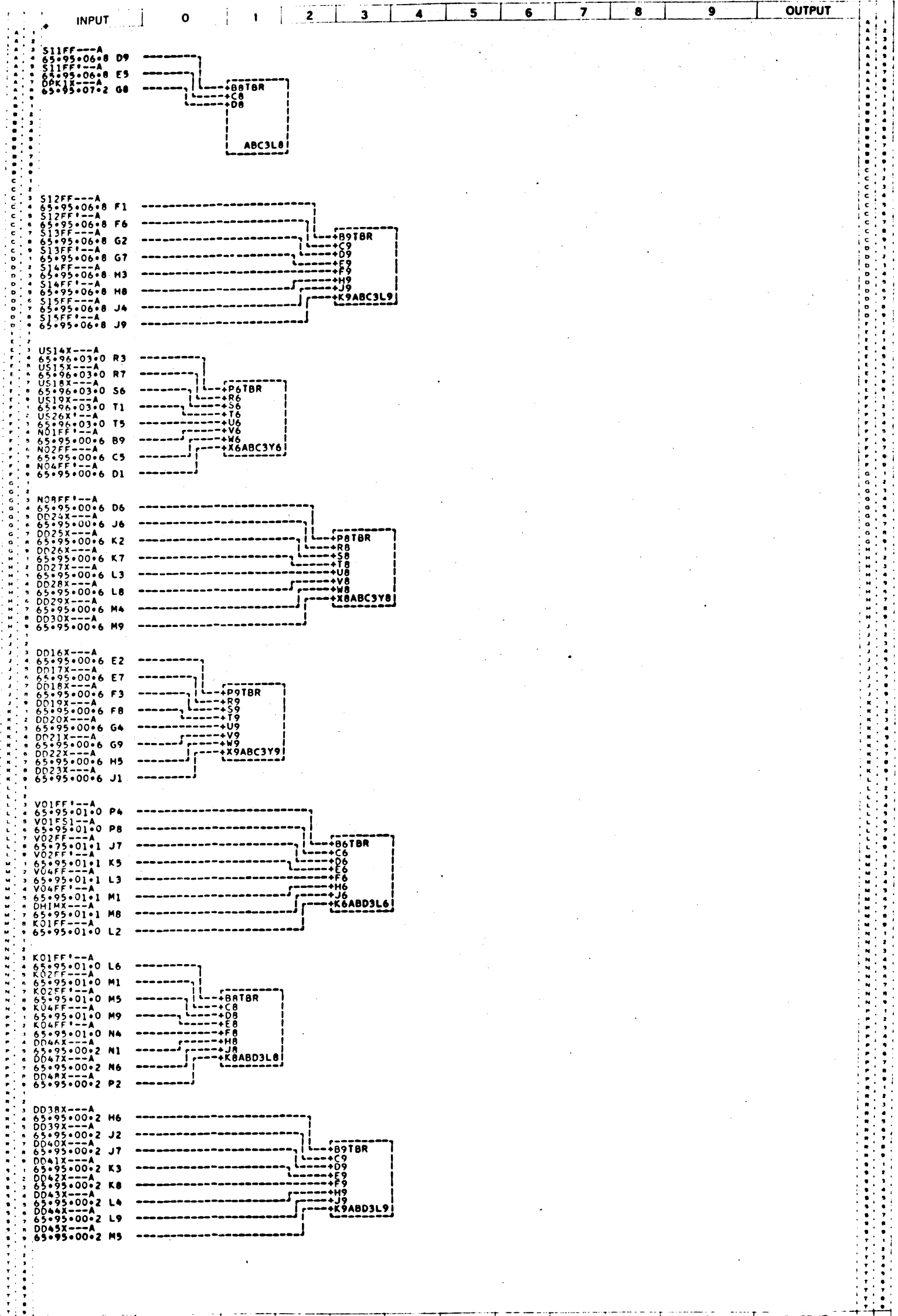
	INPUT	0	1	2	3	4	5	6	7	8	9	OUTPUT	
U 2	TITLE FILTERS RACK A												U 2
U 4	DRAWN BY R W WENTSEL 4-25-62												U 4
U 6	UNIT NAME PROCESSOR												U 6
U 8	SYSTEM B-5000												U 8
	H- 11914017AC CHECKED BY D A SHEPHERD 5-11-62 UNIT NO 7849A PAGE NO 65-97-30-0												
DURROUGHS CORPORATION ELECTRODATA DIV., PASADENA, CALIFORNIA													
PROPERTY OF DURROUGHS CORPORATION. NOT TO BE REPRODUCED, FOR USE FOR MANUFACTURING PURPOSES, EXCEPT ON DURROUGHS ORDER OR PRIOR WRITTEN CONSENT.													

LOGIC SCHEMATIC



INPUT	0	1	2	3	4	5	6	7	8	9	OUTPUT
U 2	TITLE TERMINATING RESISTORS RACK A										U 2
U 4	DRAWN BY DOOLING										U 4
U 6	UNIT NAME PROCESSOR										U 6
U 8	SYSTEM R-3000										U 8

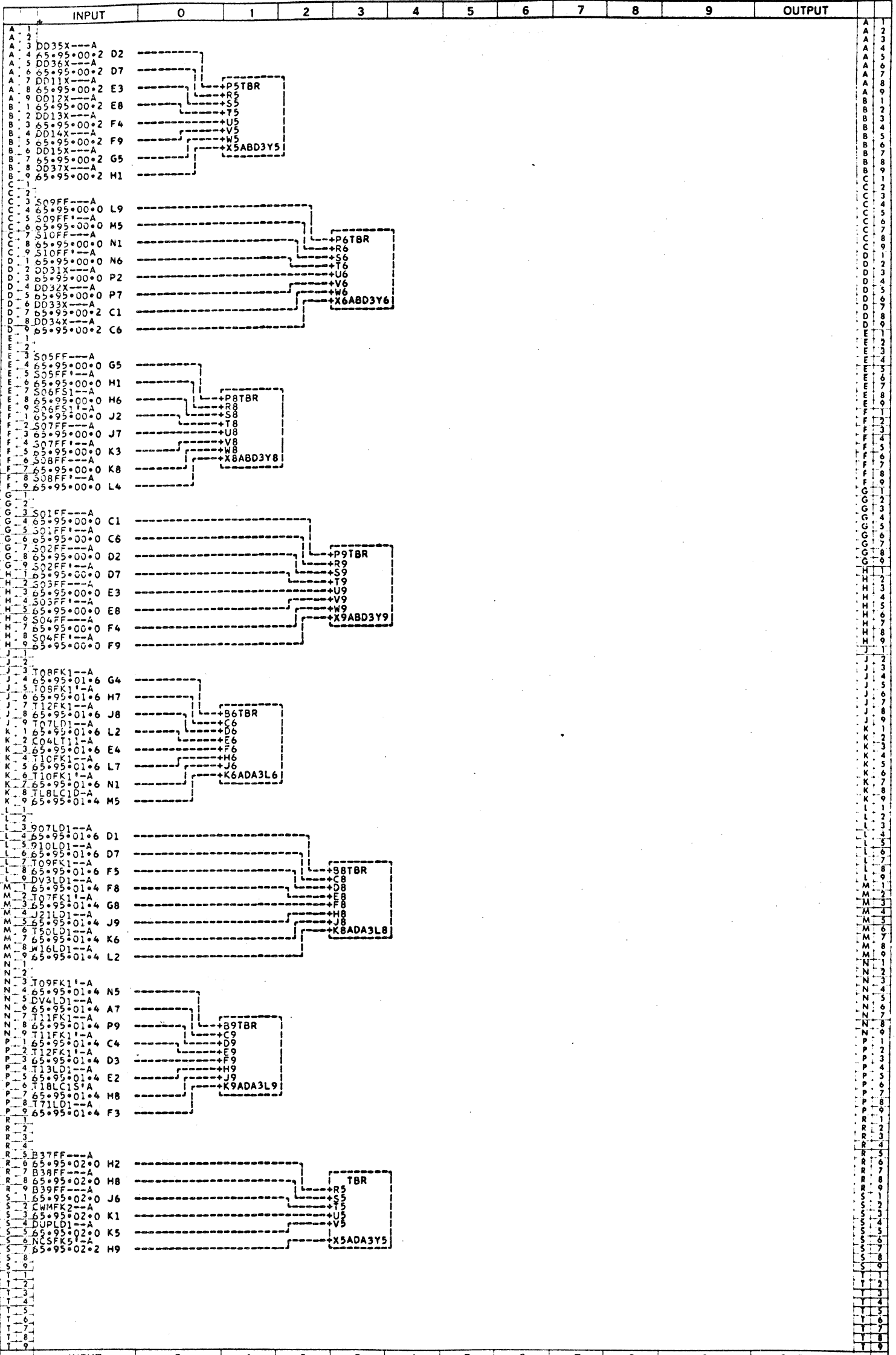
LOGIC SCHEMATIC



INPUT	0	1	2	3	4	5	6	7	8	9	OUTPUT
U 2	TITLE TERMINATING RESISTORS RACK A										U 2
U 4	DRAWN BY R W WENTSEL 4-25-62 CHECKED BY K O JAMES 30 APR 62										U 4
U 6	UNIT NAME PROCESSOR										U 6
U 8	SYSTEM B-9000										U 8
H- 11913464AC						UNIT NO 78494					
PAGE NO 65.98.93.4						PAGE NO 65.98.93.4					

BURROUGHS CORPORATION
 ELECTRODATA DIV., PASADENA, CALIFORNIA
PROPERTY OF BURROUGHS CORPORATION - NOT TO BE REPRODUCED, NOR USED FOR MANUFACTURING PURPOSES, EXCEPT ON BURROUGHS ORDER OR PRIOR WRITTEN CONSENT.

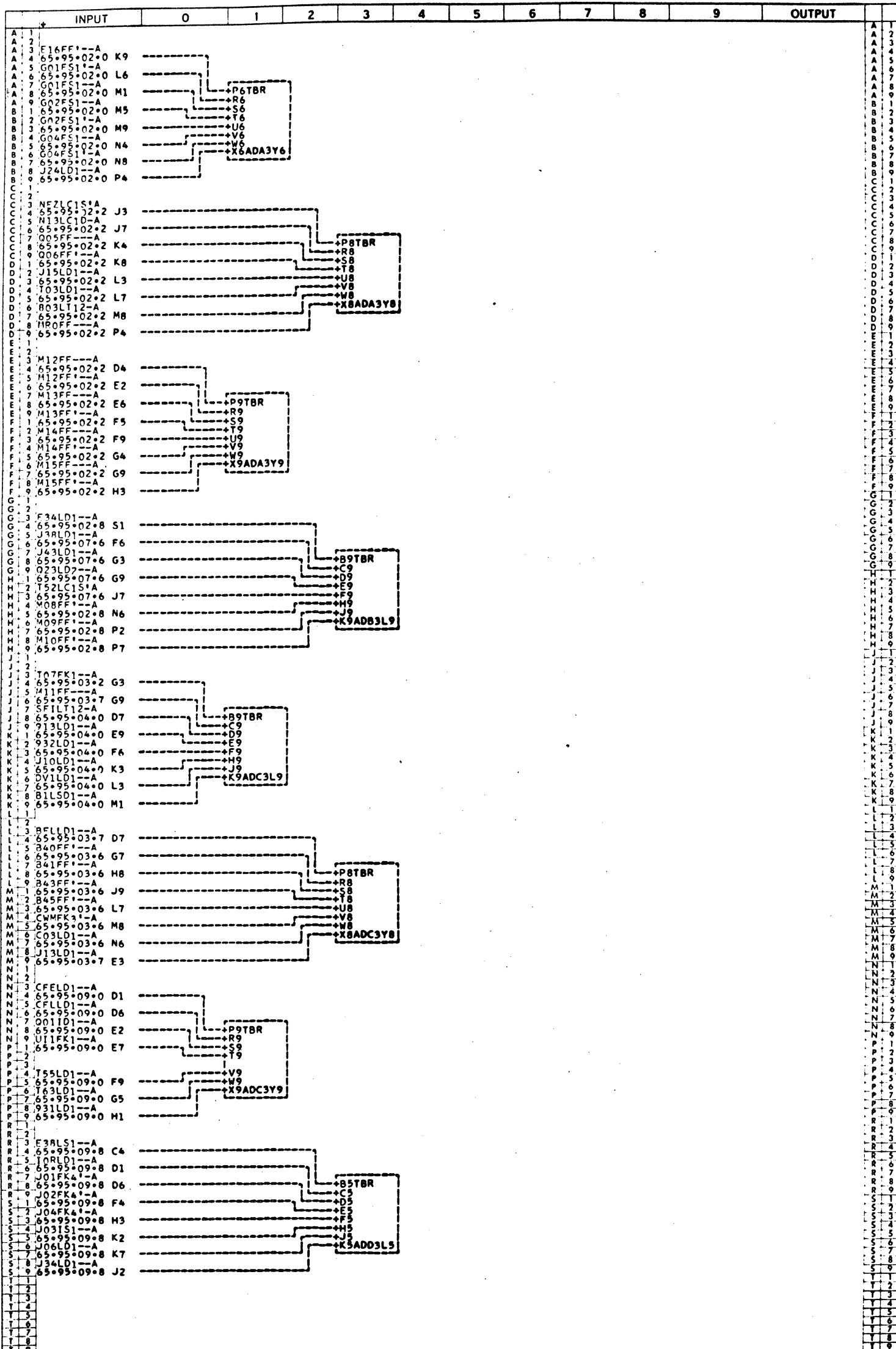
LOGIC SCHEMATIC



INPUT	0	1	2	3	4	5	6	7	8	9	OUTPUT
U 2	TITLE TERMINATING RESISTORS RACK A										U 2
U 4	DRAWN BY R W WENTSEL 4-25-62 CHECKED BY K O JAMES 30 APR 62										U 4
U 6	UNIT NAME PROCESSOR										U 6
U 8	SYSTEM B-5000										U 8

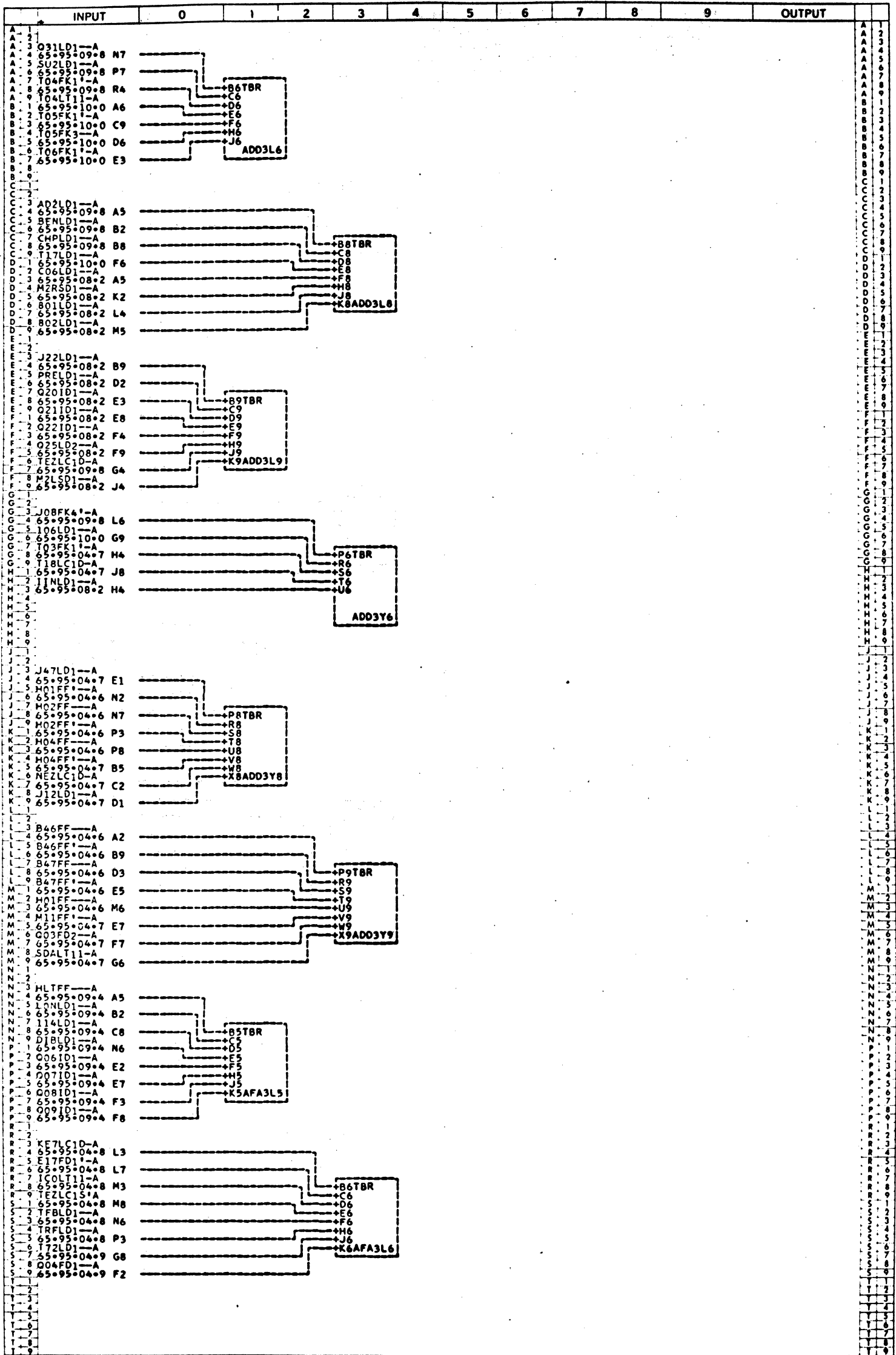
ELECTRODATA **Burroughs Corporation** PASADENA CALIFORNIA
 M & E DIVISION PASADENA CALIFORNIA
PROPERTY OF BURROUGHS CORPORATION NOT TO BE REPRODUCED, NOR USED FOR MANUFACTURING PURPOSES EXCEPT ON BURROUGHS ORDER OR PRIOR WRITTEN CONSENT

LOGIC SCHEMATIC



	INPUT	0	1	2	3	4	5	6	7	8	9	OUTPUT
U 2	TITLE TERMINATING RESISTORS RACK A											U 2
U 4	DRAWN BY R W WENTSEL 4-25-62 CHECKED BY K O JAMES 30 APR 62											U 4
U 6	UNIT NAME PROCESSOR											U 6
U 8	SYSTEM B-5000											U 8
	H- 11913480AF UNIT NO. 78494 PAGE NO. 65-98-03-8											
	ELECTRODATA Burroughs Corporation PASADENA CALIFORNIA M & E DIVISION											
	PROPERTY OF BURROUGHS CORPORATION. NOT TO BE REPRODUCED, NOR USED FOR MANUFACTURING PURPOSES, EXCEPT ON BURROUGHS ORDER OR PRIOR WRITTEN CONSENT.											

LOGIC SCHEMATIC

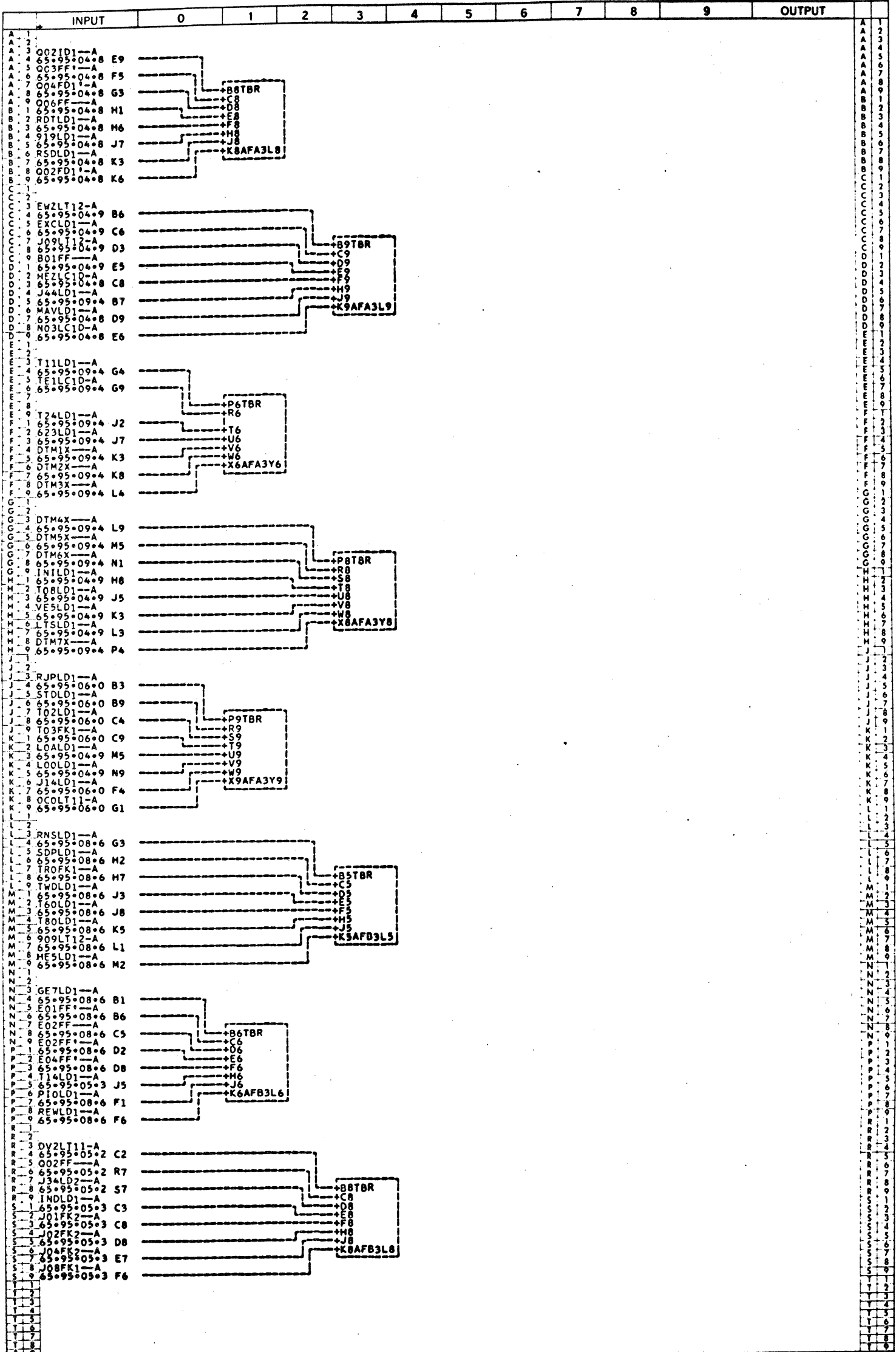


INPUT	0	1	2	3	4	5	6	7	8	9	OUTPUT
U 2	TITLE TERMINATING RESISTORS RACK A										U 2
U 4	DRAWN BY R W WENTSEL 4-25-62 CHECKED BY K O JAMES 30 APR 62										U 4
U 6	UNIT NAME PROCESSOR										U 6
U 8	SYSTEM B-3000										U 8

ELECTRODATA **Burroughs Corporation** PASADENA CALIFORNIA

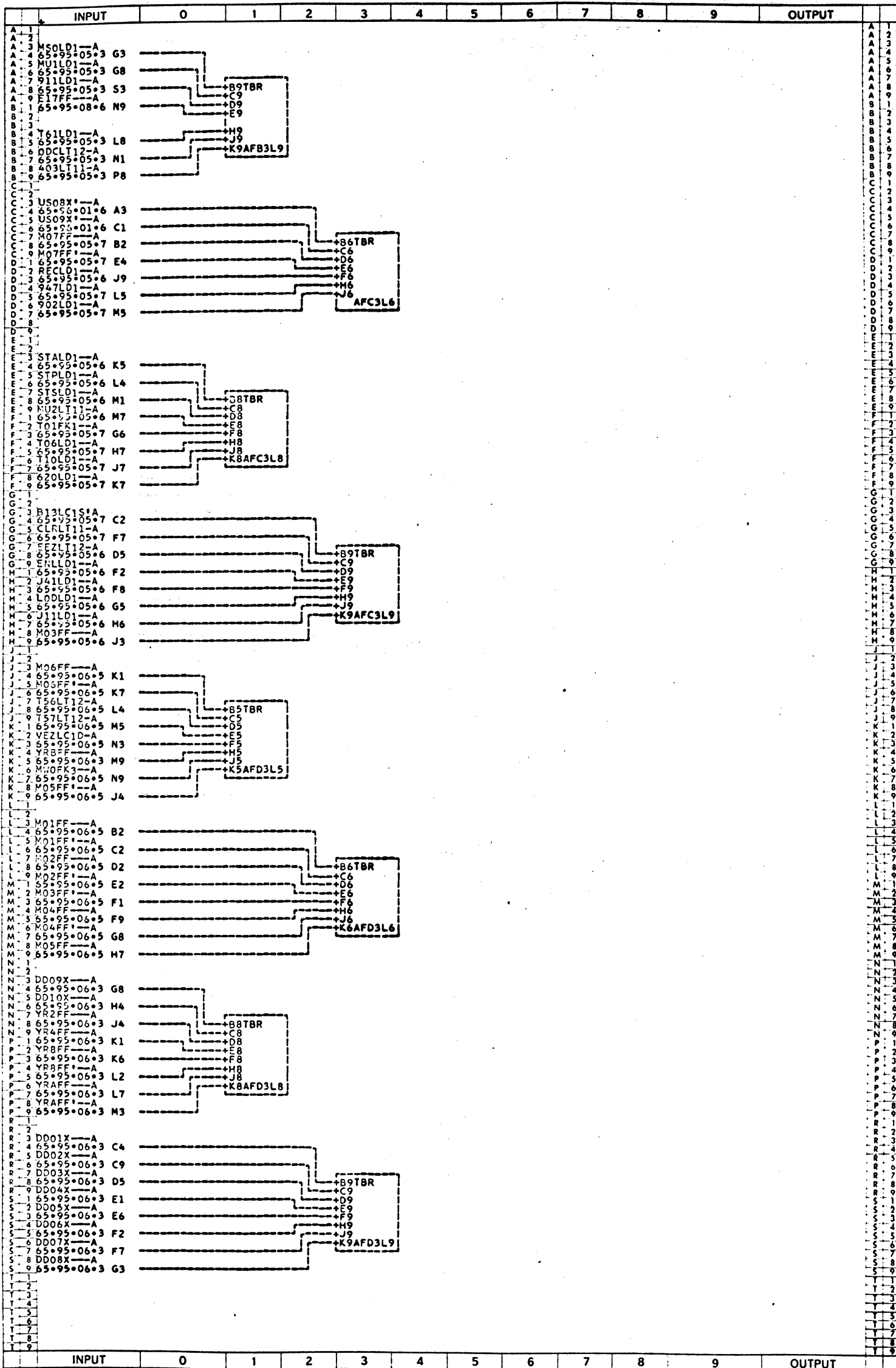
PROPERTY OF BURROUGHS CORPORATION. NOT TO BE REPRODUCED, NOR USED FOR MANUFACTURING PURPOSES EXCEPT ON BURROUGHS ORDER OR PRIOR WRITTEN CONSENT.

LOGIC SCHEMATIC



INPUT	0	1	2	3	4	5	6	7	8	9	OUTPUT
U 2	TITLE TERMINATING RESISTORS RACK A										U 2
U 4	DRAWN BY R W WENTSEL 4-29-62										U 4
U 6	UNIT NAME PROCESSOR										U 6
U 8	SYSTEM R-3000										U 8
					H- 11913506AF						
					CHECKED BY K O JAMES 30 APR 62						
					UNIT NO. 78494						
					PAGE NO. 65-98-06-2						
		ELECTRODATA M & E DIVISION									
		PASADENA CALIFORNIA									
PROPERTY OF BURROUGHS CORPORATION. NOT TO BE REPRODUCED, NOR USED FOR MANUFACTURING PURPOSES, EXCEPT ON BURROUGHS ORDER OR PRIOR WRITTEN CONSENT.											

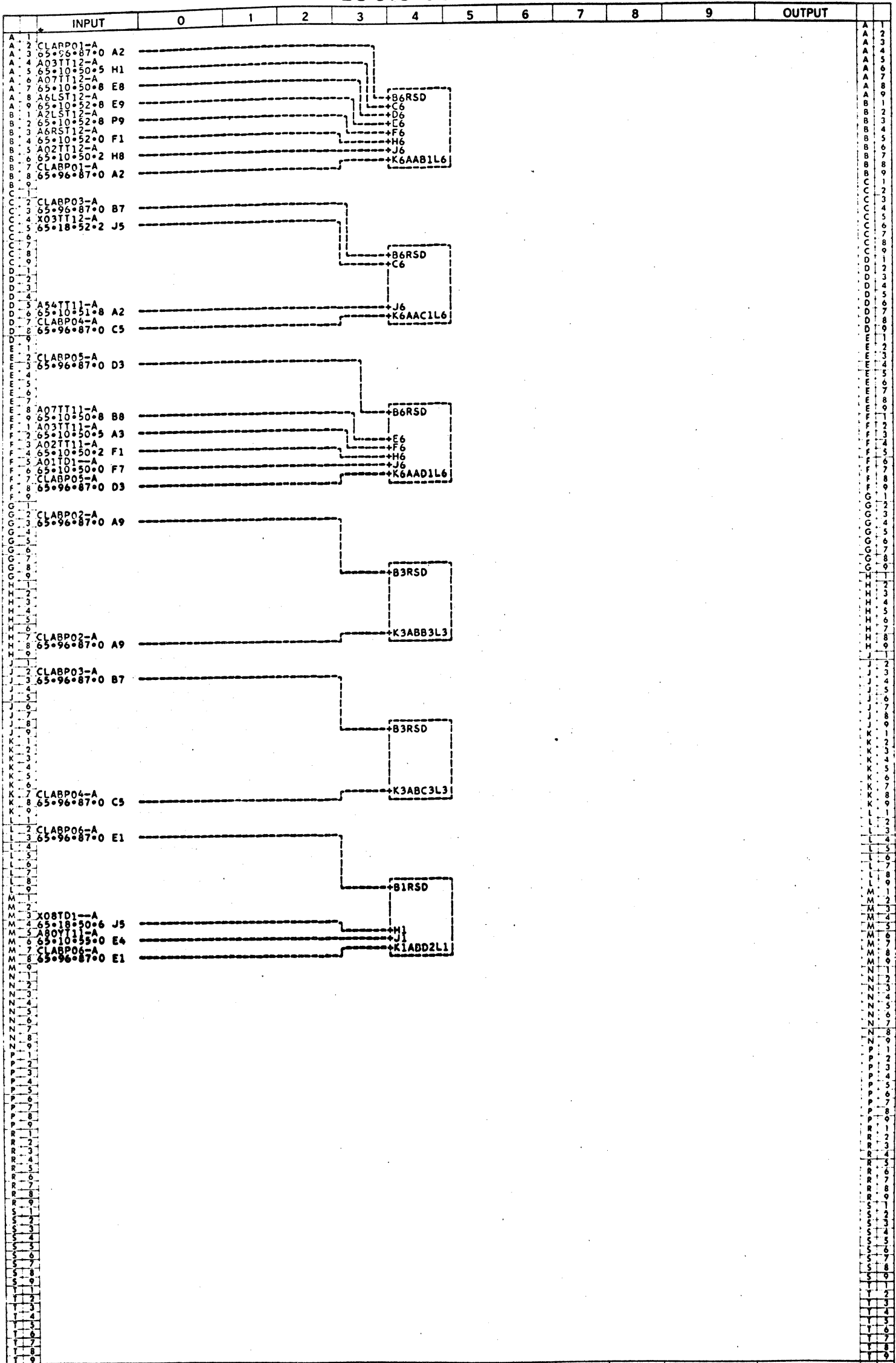
LOGIC SCHEMATIC



U 2	TITLE TERMINATING RESISTORS RACK A	H- 11913514AD	U 2
U 4	DRAWN BYR W WENTSEL 4-25-62	CHECKED BY K O JAMES 30 APR 62	U 4
U 6	UNIT NAME PROCESSOR	UNIT NO. 78494	U 6
U 8	SYSTEM B-5000	PAGE NO. 65-98-04-4	U 8

Burroughs Corporation
 ELECTRODATA M&E DIVISION PASADENA CALIFORNIA
PROPERTY OF BURROUGHS CORPORATION. NOT TO BE REPRODUCED, NOR USED FOR MANUFACTURING PURPOSES, EXCEPT ON BURROUGHS ORDER OR PRIOR WRITTEN CONSENT.

LOGIC SCHEMATIC



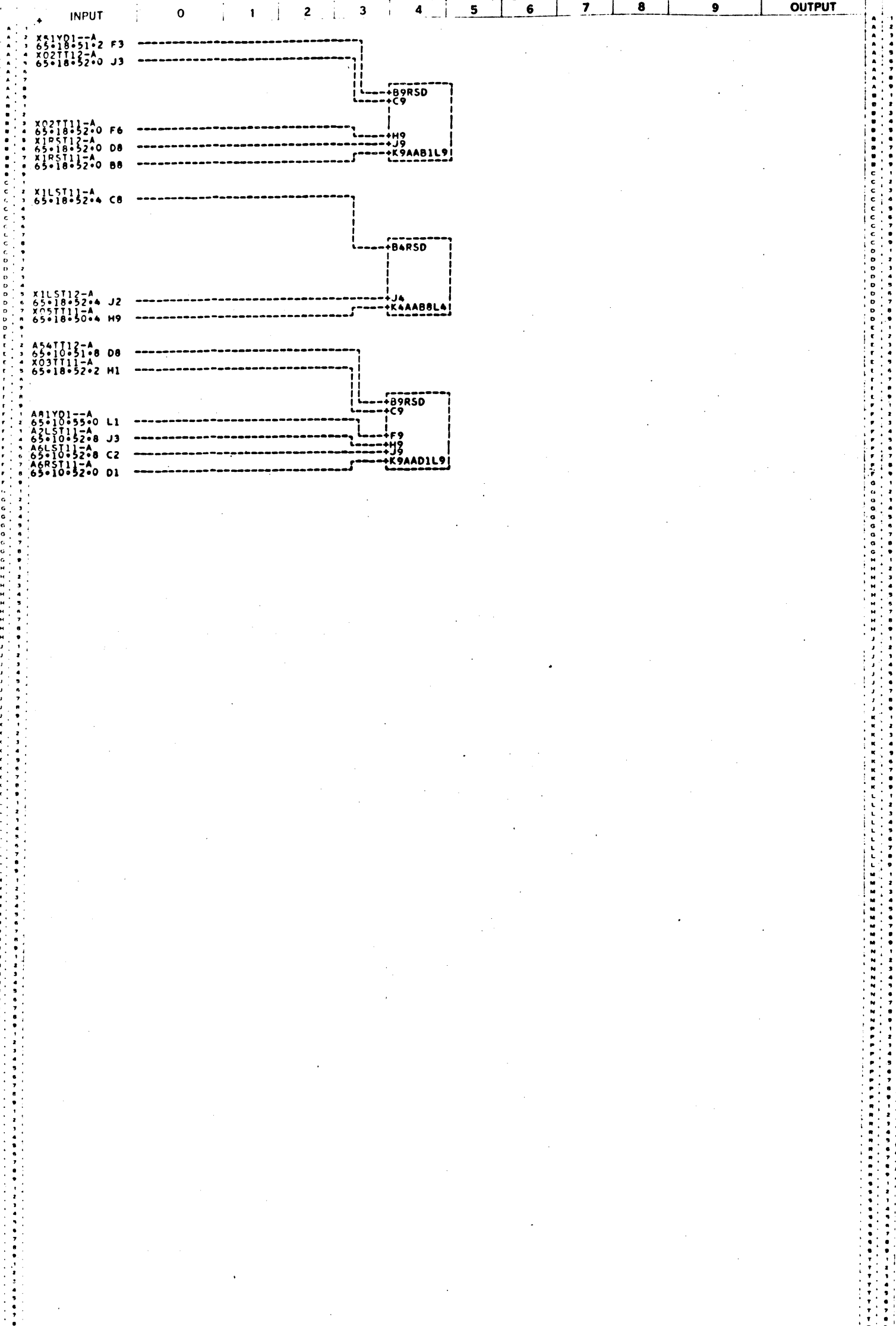
	INPUT	0	1	2	3	4	5	6	7	8	9	OUTPUT	
U	2	TITLE 750 OHM TERMINATION RES STICK D (RACK A) H- 11913894AF										U	2
U	4	DRAWN BY R WILLIAMS 12-9-61 CHECKED BY D A SHEPHERD 5-11-62										U	4
U	6	UNIT NAME PROCESSOR UNIT NO. 78494										U	6
U	8	SYSTEM B-3000 PAGE NO. 65-98-07-2										U	8

ELECTRODATA **Burroughs Corporation** PASADENA CALIFORNIA

M&E DIVISION

PROPERTY OF BURROUGHS CORPORATION. NOT TO BE REPRODUCED, NOR USED FOR MANUFACTURING PURPOSES, EXCEPT ON BURROUGHS ORDER OR PRIOR WRITTEN CONSENT.

LOGIC SCHEMATIC

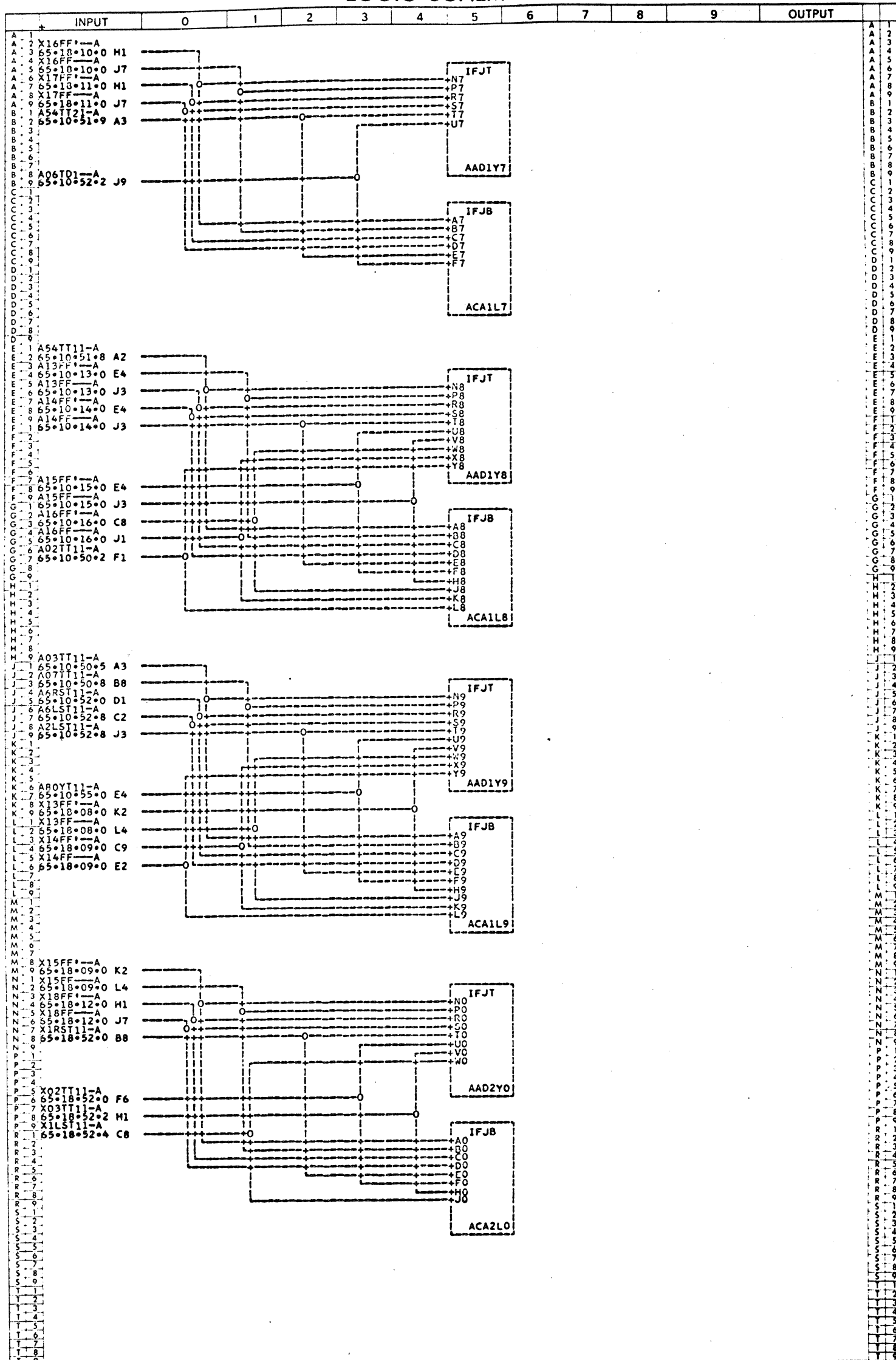


INPUT	0	1	2	3	4	5	6	7	8	9	OUTPUT
U 2 TITLE 750 OHM TERMINATION RES STICK D (TRACK A)											U 2
U 4 DRAWN BY DOOLING	H- 11975174AA										U 4
U 6 UNIT NAME PROCESSOR	CHECKED BY R C CARTER 11-7-62										U 6
U 8 SYSTEM B-5000	UNIT NO 78494										U 8
PAGE NO 65.98.07.7											

BURROUGHS CORPORATION
ELECTRODATA DIV. PASADENA, CALIFORNIA

PROPERTY OF BURROUGHS CORPORATION NOT TO BE REPRODUCED, NOR USED FOR MANUFACTURING PURPOSES, EXCEPT ON BURROUGHS ORDER OR PRIOR WRITTEN CONSENT.

LOGIC SCHEMATIC

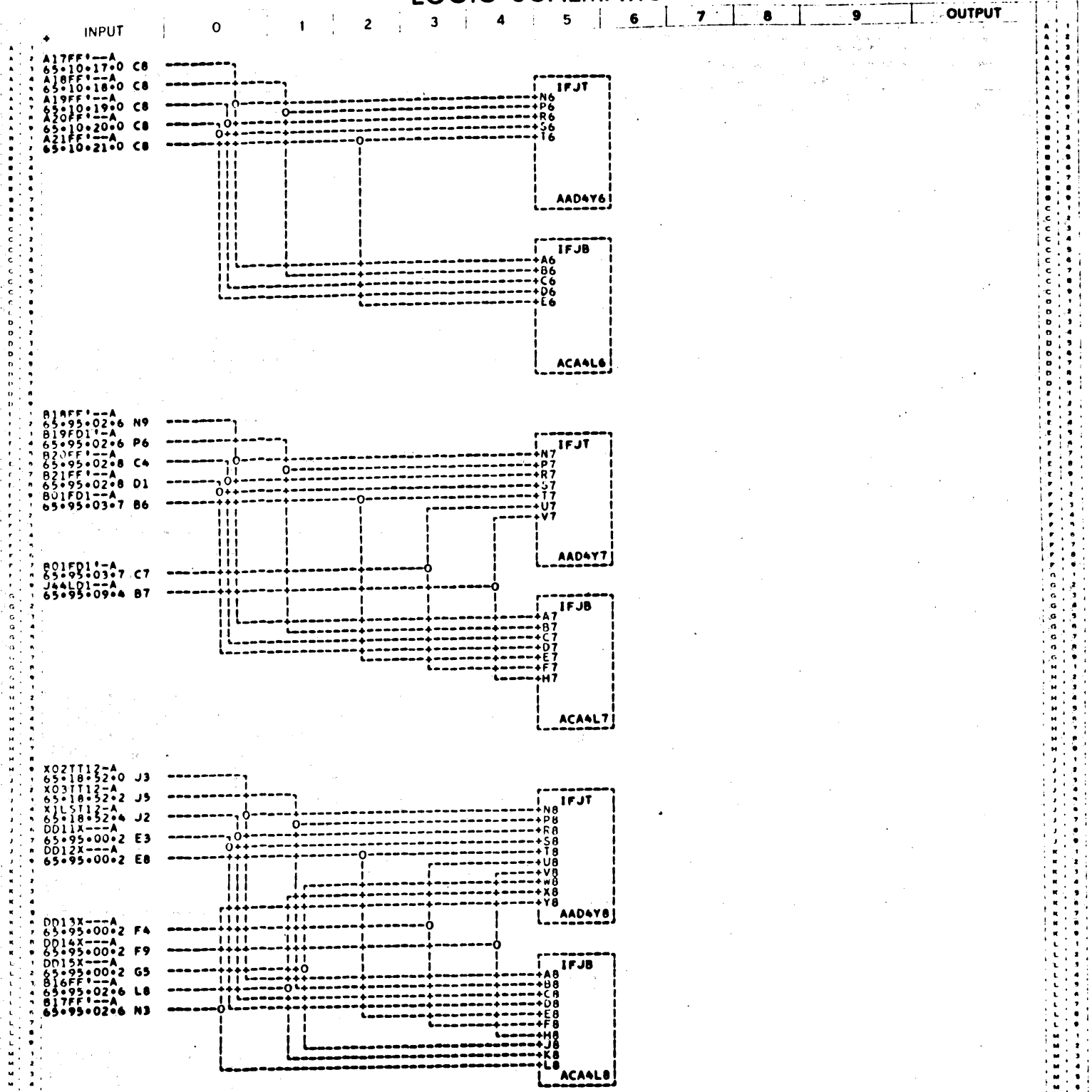


INPUT	0	1	2	3	4	5	6	7	8	9	OUTPUT
U 2 TITLE INTER FRAME JUMPERS RACK A											U 2
U 4 DRAWN BY TOM JONES 5-28-62											U 4
U 6 UNIT NAME PROCESSOR											U 6
U 8 SYSTEM B-5000											U 8

ELECTRODATA **Burroughs Corporation** **PASADENA CALIFORNIA**
M & E DIVISION

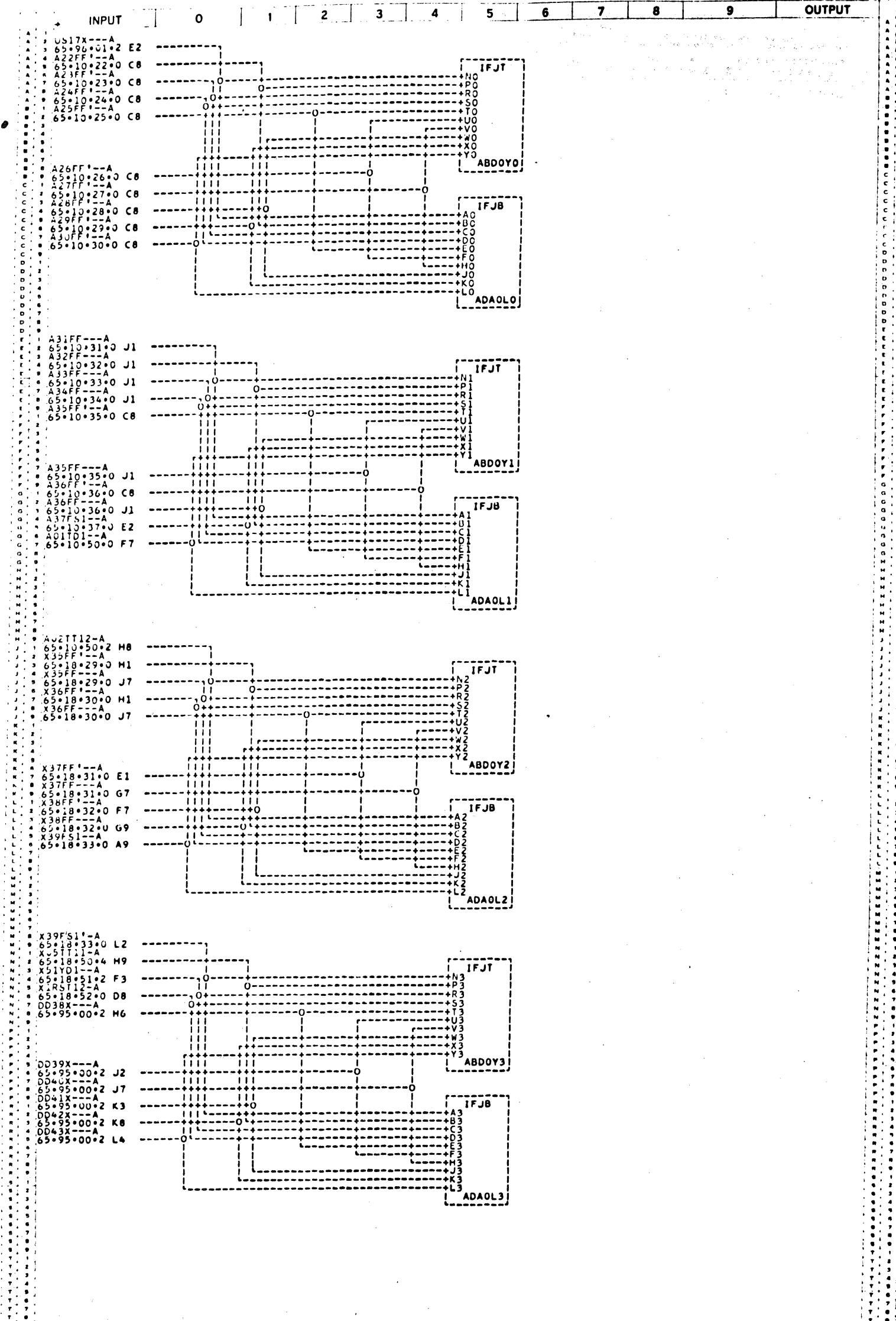
PROPERTY OF BURROUGHS CORPORATION. NOT TO BE REPRODUCED, NOR USED FOR MANUFACTURING PURPOSES, EXCEPT ON BURROUGHS ORDER OR PRIOR WRITTEN CONSENT.

LOGIC SCHEMATIC



INPUT	0	1	2	3	4	5	6	7	8	9	OUTPUT
U 2	TITLE INTER FRAME JUMPERS RACK A										U 2
U 4	DRAWN BY TOM JONES 5-28-62 CHECKED BY R C CARTER 6-28-62										U 4
U 6	UNIT NAME PROCESSOR										U 6
U 8	SYSTEM B-5000										U 8
						H- 11928546AB		UNIT NO 78494			
						PAGE NO 65-99-02-0		BURROUGHS CORPORATION ELECTRODATA DIV. PASADENA, CALIFORNIA			
PROPERTY OF BURROUGHS CORPORATION...NOT TO BE REPRODUCED, NOR USED FOR MANUFACTURING PURPOSES, EXCEPT ON BURROUGHS ORDER OR PRIOR WRITTEN CONSENT.											

LOGIC SCHEMATIC

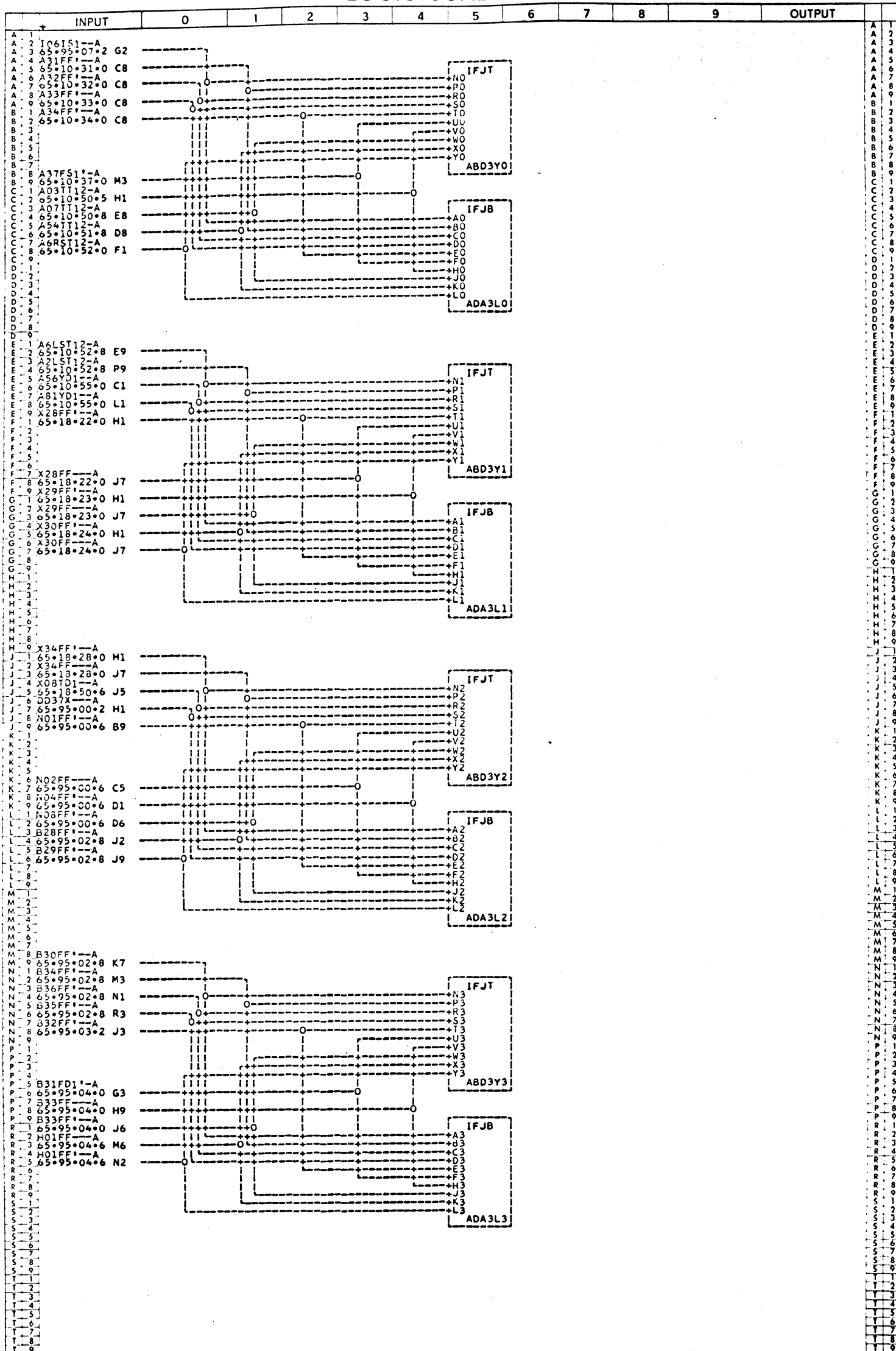


INPUT	0	1	2	3	4	5	6	7	8	9	OUTPUT	
U 2	TITLE INTER FRAME JUMPERS RACK A										U 2	
U 4	DRAWN BY TOM JONES 5-28-62 CHECKED BY R C CARTER 6-28-62										U 4	
U 6	UNIT NAME PROCESSOR										U 6	
U 8	SYSTEM B-5000										U 8	
						H- 11928553AA						
						UNIT NO 78494						
						PAGE NO 45*99*03*0						

BURROUGHS CORPORATION
ELECTRODATA DIV., PASADENA, CALIFORNIA

PROPERTY OF BURROUGHS CORPORATION... NOT TO BE REPRODUCED, NOR USED FOR MANUFACTURING PURPOSES, EXCEPT ON BURROUGHS ORDER OR PRIOR WRITTEN CONSENT.

LOGIC SCHEMATIC

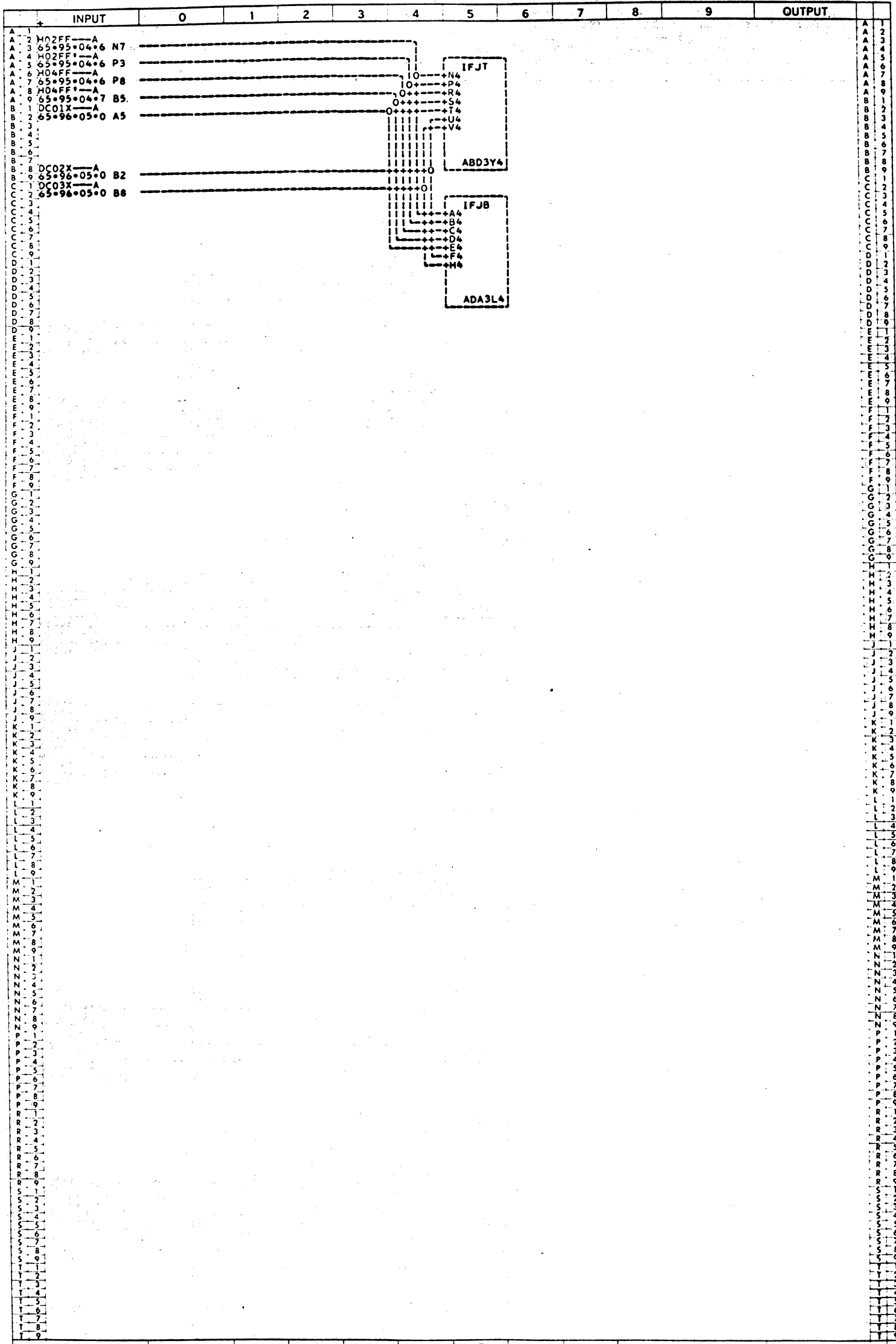


	INPUT	0	1	2	3	4	5	6	7	8	9	OUTPUT	
U 2	TITLE INTER FRAME JUMPERS RACK A H- 11928579AD												U 2
U 4	DRAWN BY TOM JONES 5-28-62 CHECKED BY R C CARTER 6-28-62												U 4
U 6	UNIT NAME PROCESSOR UNIT NO. 78494												U 6
U 8	SYSTEM 8-5000 PAGE NO. 65-99-05-0												U 8

ELECTRODATA **Burroughs Corporation** **PASADENA CALIFORNIA**
 M & E DIVISION

PROPERTY OF BURROUGHS CORPORATION. NOT TO BE REPRODUCED, NOR USED FOR MANUFACTURING PURPOSES EXCEPT ON BURROUGHS ORDER OR PRIOR WRITTEN CONSENT.

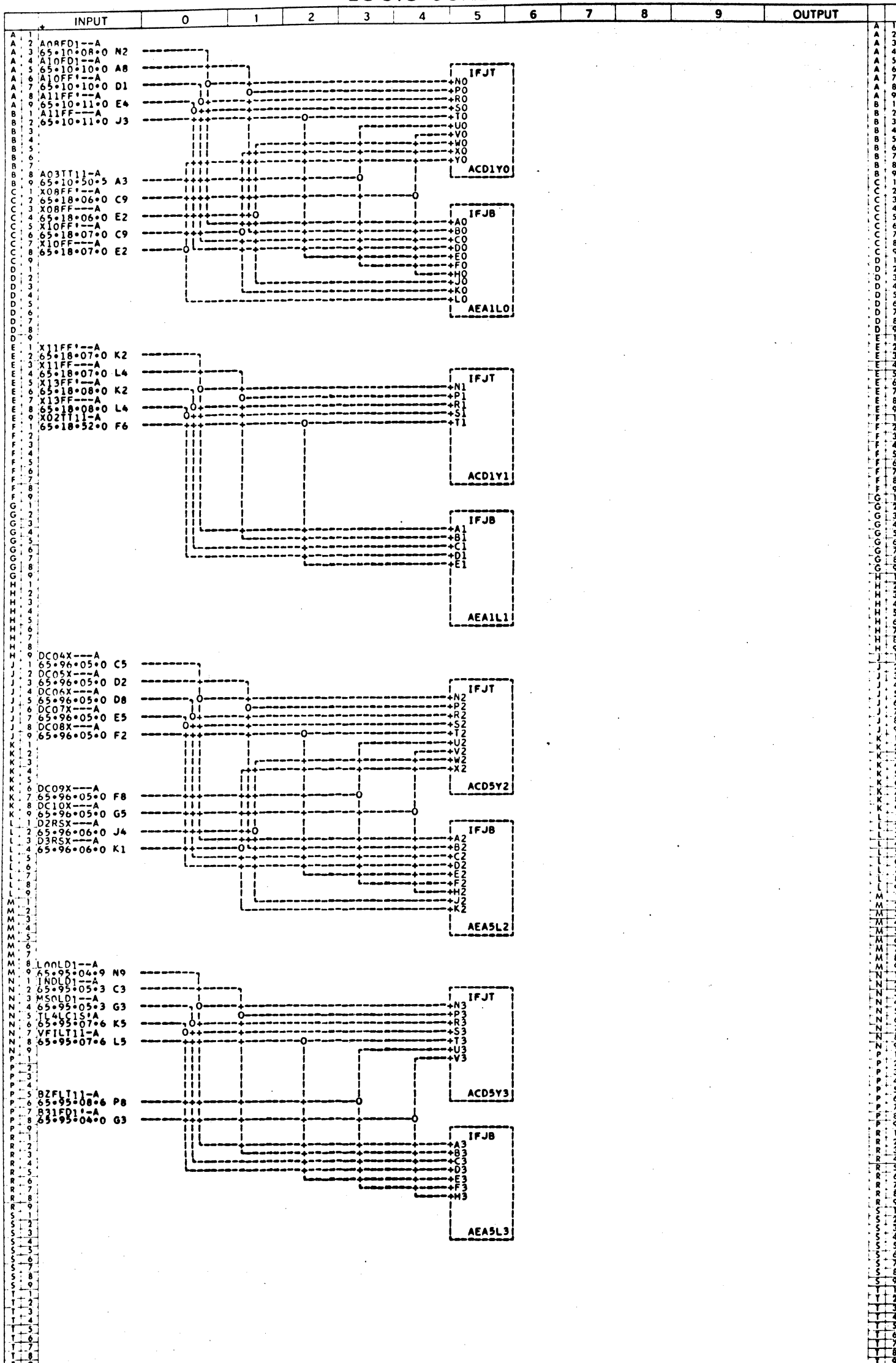
LOGIC SCHEMATIC



INPUT	0	1	2	3	4	5	6	7	8	9	OUTPUT
U 2	TITLE INTER FRAME JUMPERS RACK A										U 2
U 4	DRAWN BY TOM JONES 5-28-62 CHECKED BY R C CARTER 6-28-62										U 4
U 6	UNIT NAME PROCESSOR										U 6
U 8	SYSTEM B-5000										U 8

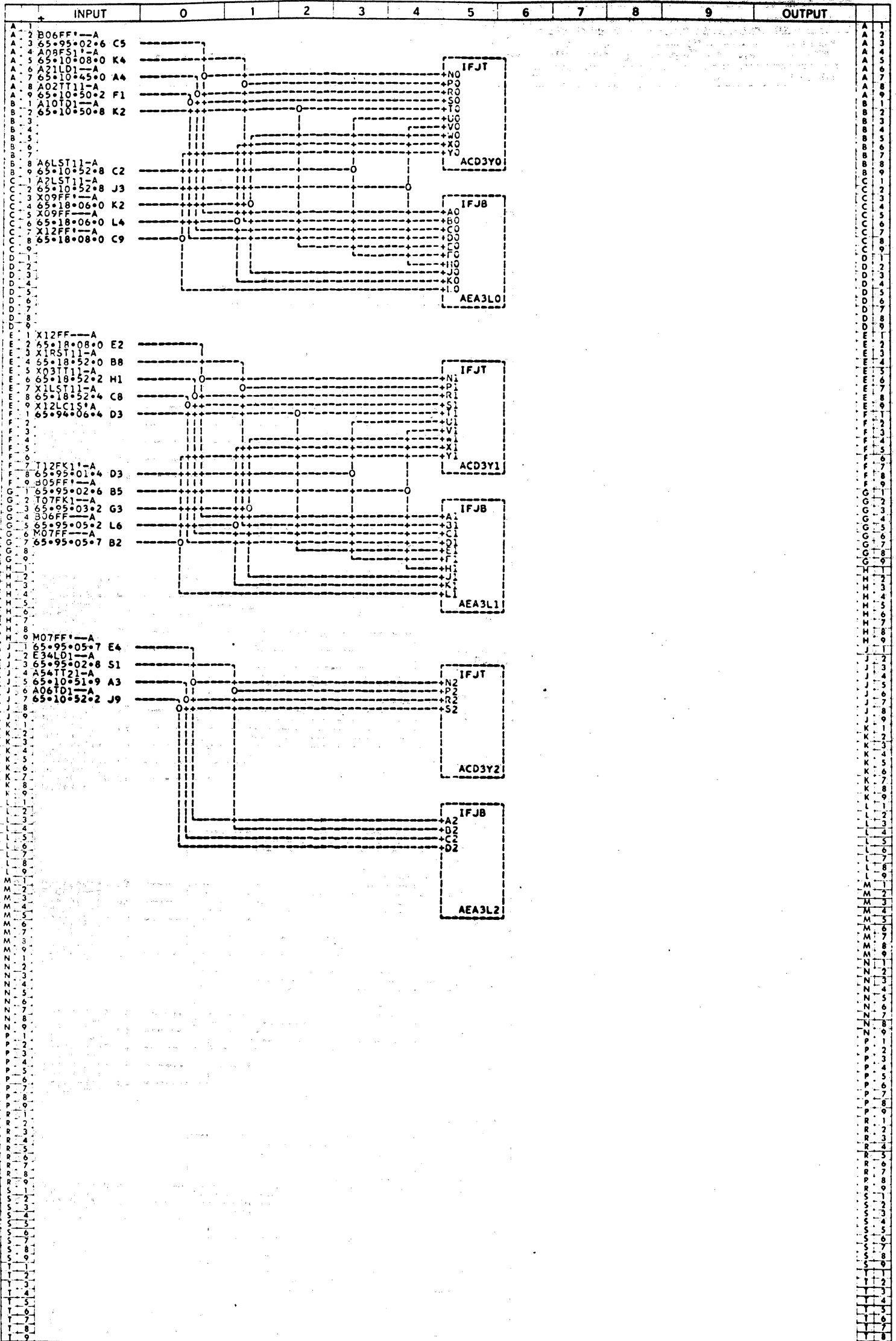
ELECTRODATA **Burroughs Corporation** **PASADENA**
M & E DIVISION **3** **CALIFORNIA**
PROPERTY OF BURROUGHS CORPORATION NOT TO BE REPRODUCED, NOR USED FOR MANUFACTURING PURPOSES EXCEPT ON BURROUGHS ORDER OR PRIOR WRITTEN CONSENT.

LOGIC SCHEMATIC



INPUT	0	1	2	3	4	5	6	7	8	9	OUTPUT
U 2	TITLE INTER FRAME JUMPERS RACK A										U 2
U 4	DRAWN BY TOM JONES 5-28-62										U 4
U 6	UNIT NAME PROCESSOR										U 6
U 8	SYSTEM A-5000										U 8

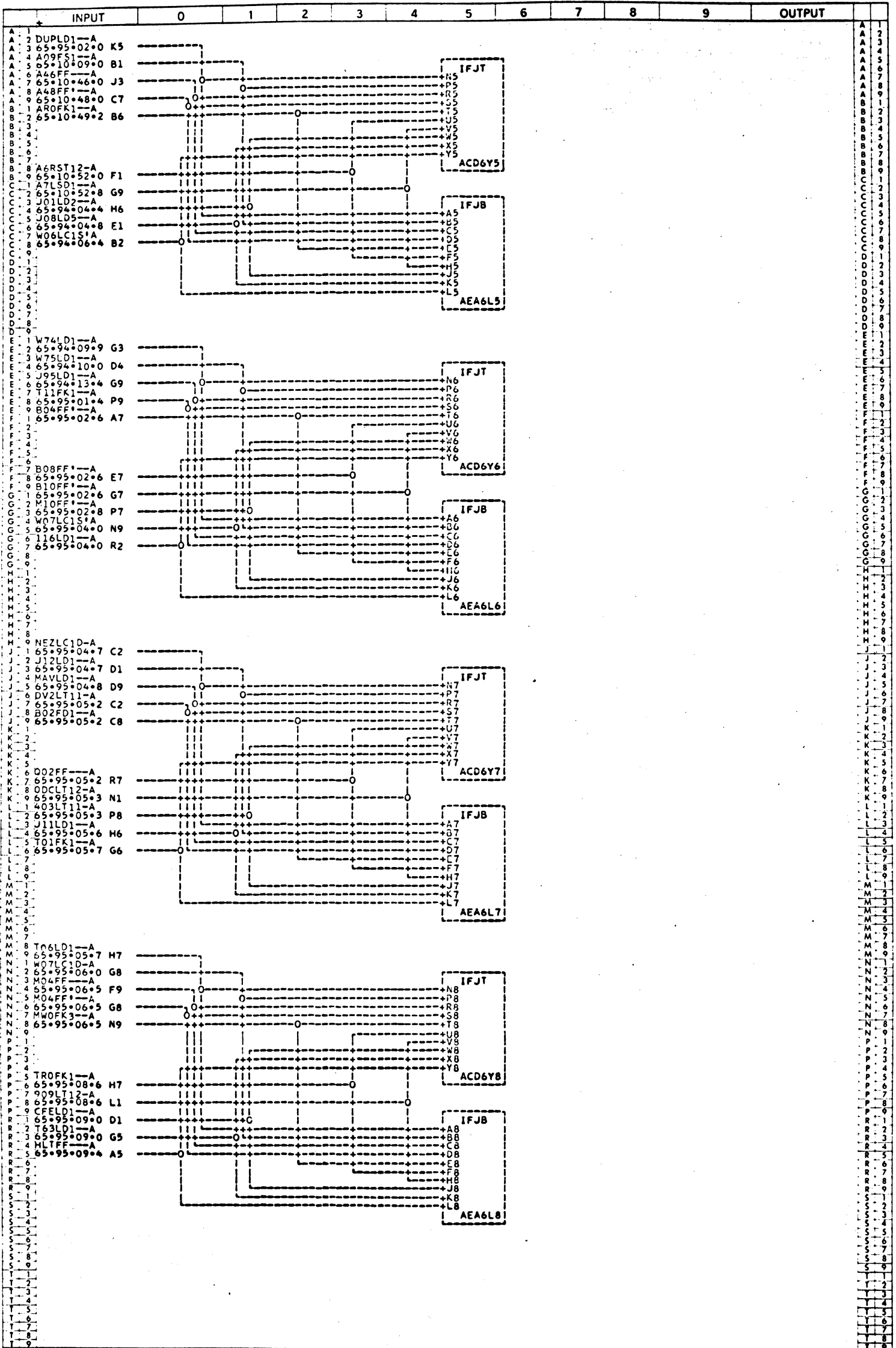
LOGIC SCHEMATIC



	INPUT	0	1	2	3	4	5	6	7	8	9	OUTPUT
U 2	TITLE INTER FRAME JUMPERS RACK A H- 11928603AE											
U 4	DRAWN BY TOM JONES 5-28-62 CHECKED BY R C CARTER 6-28-62											
U 6	UNIT NAME PROCESSOR UNIT NO. 78494											
U 8	SYSTEM B-3000 PAGE NO. 65-99-08-0											

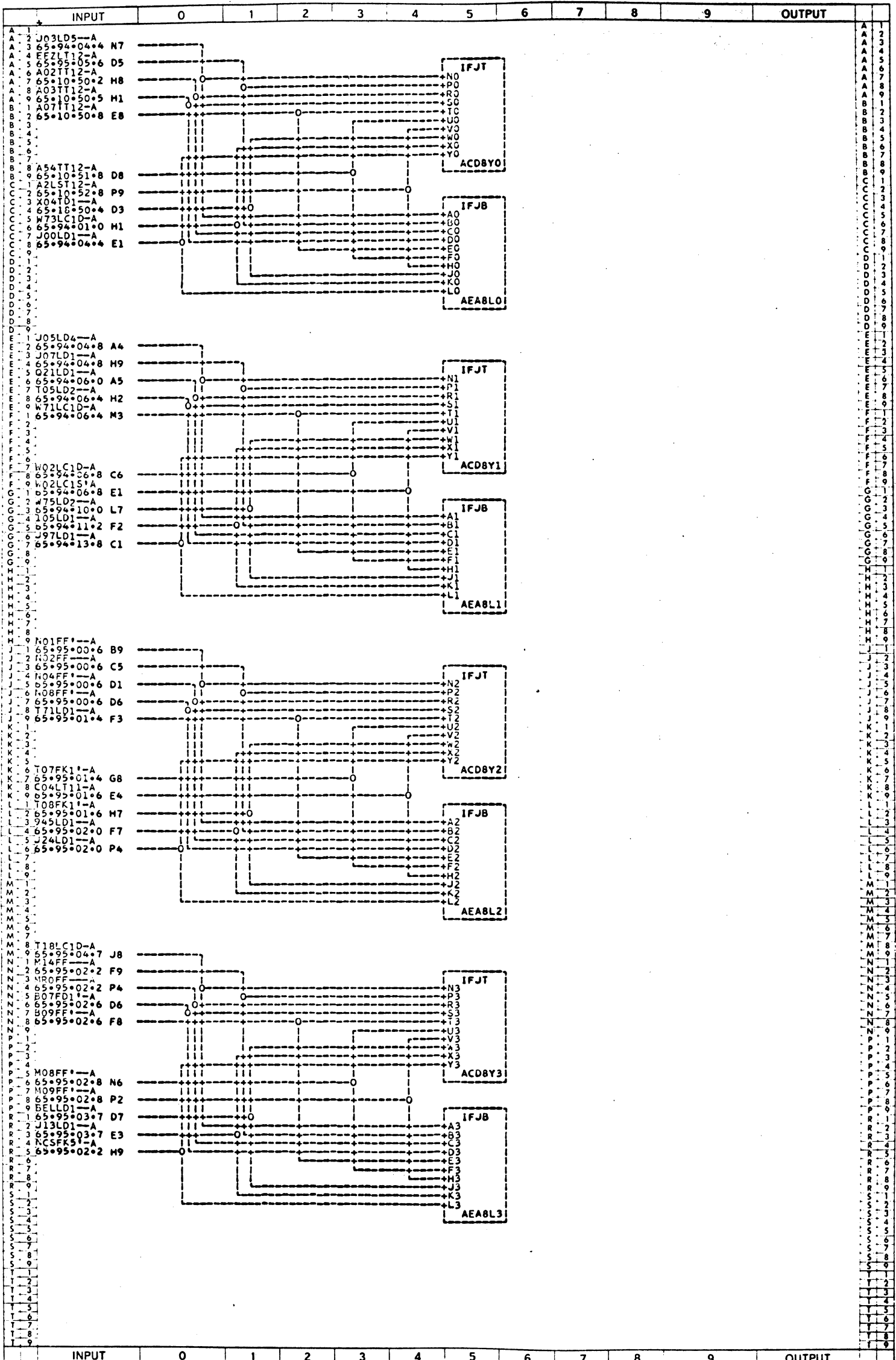
ELECTRODATA **Burroughs Corporation** PASADENA CALIFORNIA
PROPERTY OF BURROUGHS CORPORATION. NOT TO BE REPRODUCED, NOR USED FOR MANUFACTURING PURPOSES EXCEPT ON BURROUGHS ORDER OR PRIOR WRITTEN CONSENT

LOGIC SCHEMATIC



INPUT	0	1	2	3	4	5	6	7	8	9	OUTPUT
U 2	TITLE INTER FRAME JUMPERS RACK A										U 2
U 4	DRAWN BY TOM JONES 5-28-62										U 4
U 6	UNIT NAME PROCESSOR										U 6
U 8	SYSTEM B-5000										U 8
						H- 11928629AD		ELECTRODATA		PASADENA CALIFORNIA	
						CHECKED BY R C CARTER 6-28-62		Burroughs Corporation		PROPERTY OF BURROUGHS CORPORATION NOT TO BE REPRODUCED, NOR USED FOR MANUFACTURING PURPOSES EXCEPT ON BURROUGHS ORDER OR PRIOR WRITTEN CONSENT.	
						UNIT NO. 78494		3			
						PAGE NO. 65-99-10-0					

LOGIC SCHEMATIC

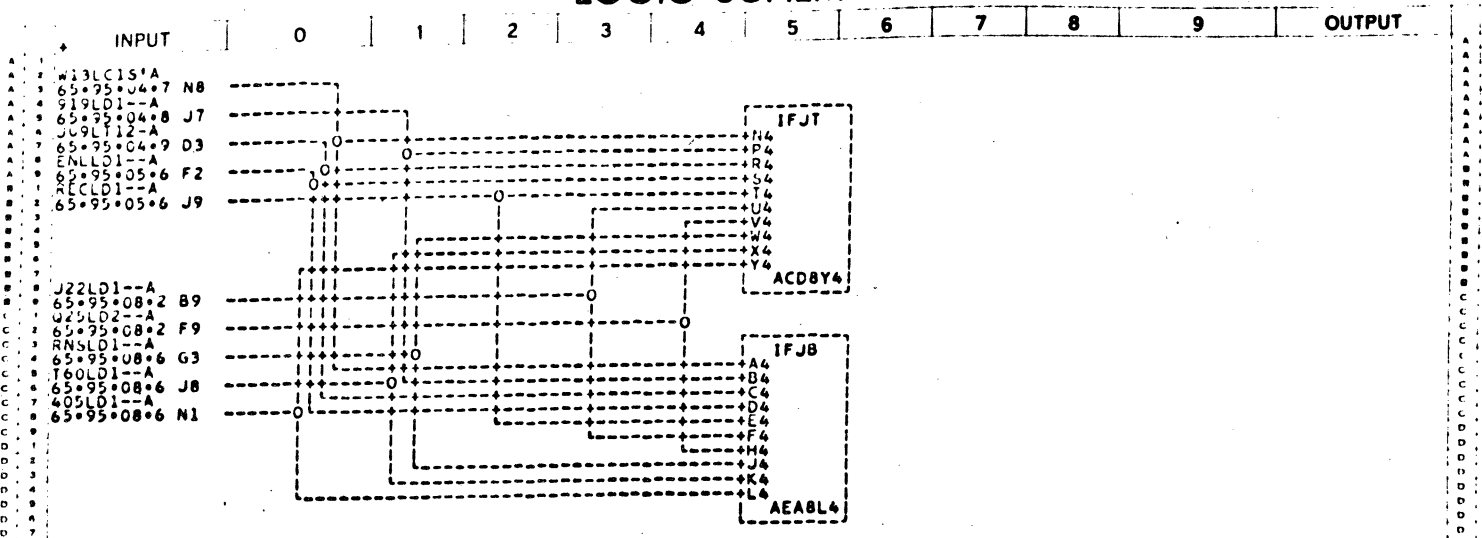


U 2	TITLE INTER FRAME JUMPERS RACK A	M- 11928645AD									U 2
U 4	DRAWN BY TOM JONES 5-28-62	CHECKED BY R C CARTER	6-28-62								U 4
U 6	UNIT NAME PROCESSOR	UNIT NO. 78494									U 6
U 8	SYSTEM B-5000	PAGE NO. 65•99•12•0									U 8

ELECTRODATA **Burroughs Corporation** PASADENA CALIFORNIA
 M & E DIVISION

PROPERTY OF BURROUGHS CORPORATION. NOT TO BE REPRODUCED, NOR USED FOR MANUFACTURING PURPOSES, EXCEPT ON BURROUGHS ORDER OR PRIOR WRITTEN CONSENT.

LOGIC SCHEMATIC

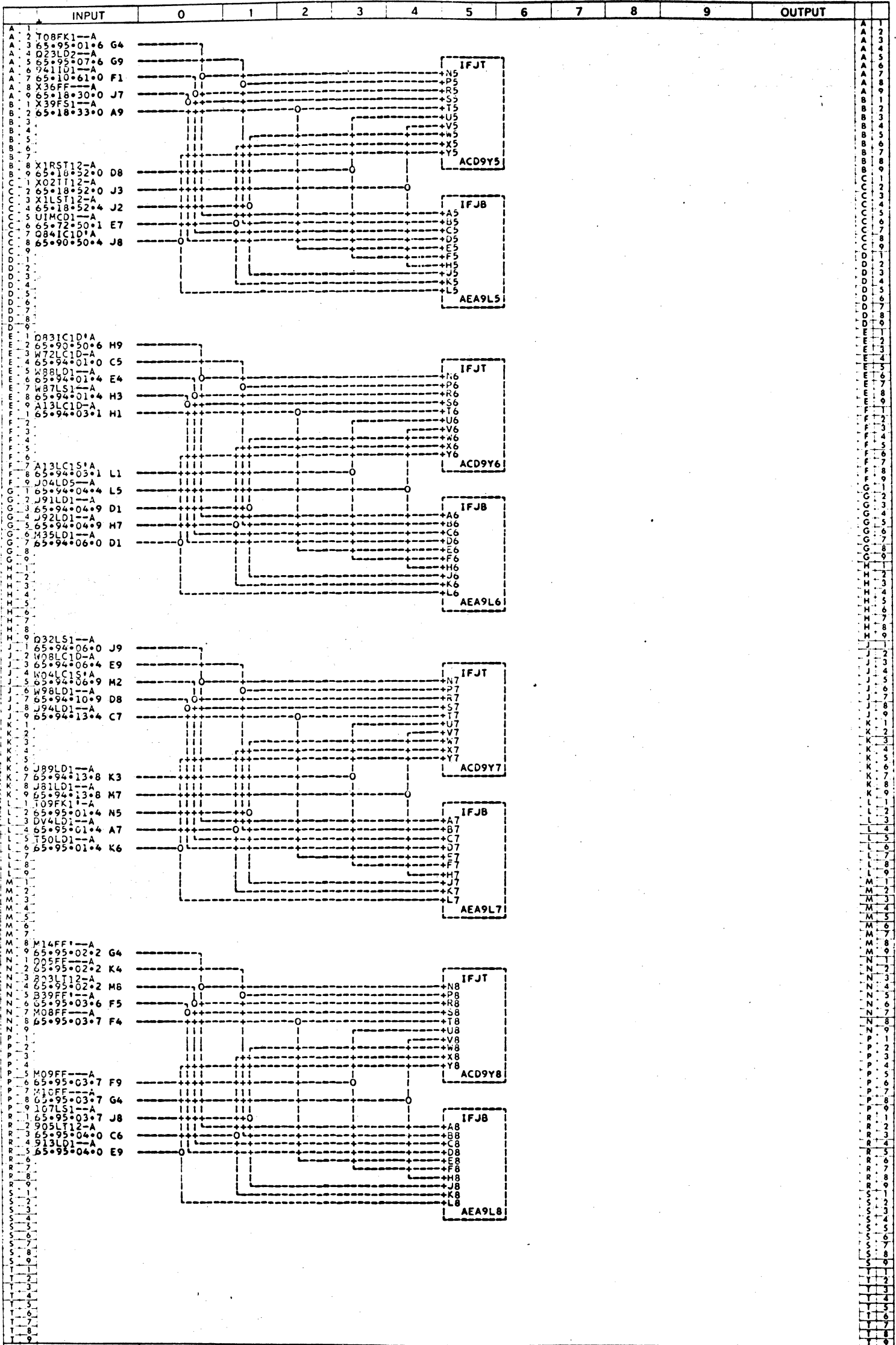


INPUT	0	1	2	3	4	5	6	7	8	9	OUTPUT
U 2 TITLE INTER FRAME JUMPERS RACK A											H- 11928652AA
U 4 DRAWN BY TOM JONES 5-28-62											CHECKED BY R C CARTER 6-28-62
U 6 UNIT NAME PROCESSOR											UNIT NO 78494
U 8 SYSTEM B-5000											PAGE NO 65.99.13.0

BURROUGHS CORPORATION
ELECTRODATA DIV., PASADENA, CALIFORNIA

PROPERTY OF BURROUGHS CORPORATION...NOT TO BE REPRODUCED, NOR USED FOR MANUFACTURING PURPOSES, EXCEPT ON BURROUGHS ORDER OR PRIOR WRITTEN CONSENT.

LOGIC SCHEMATIC

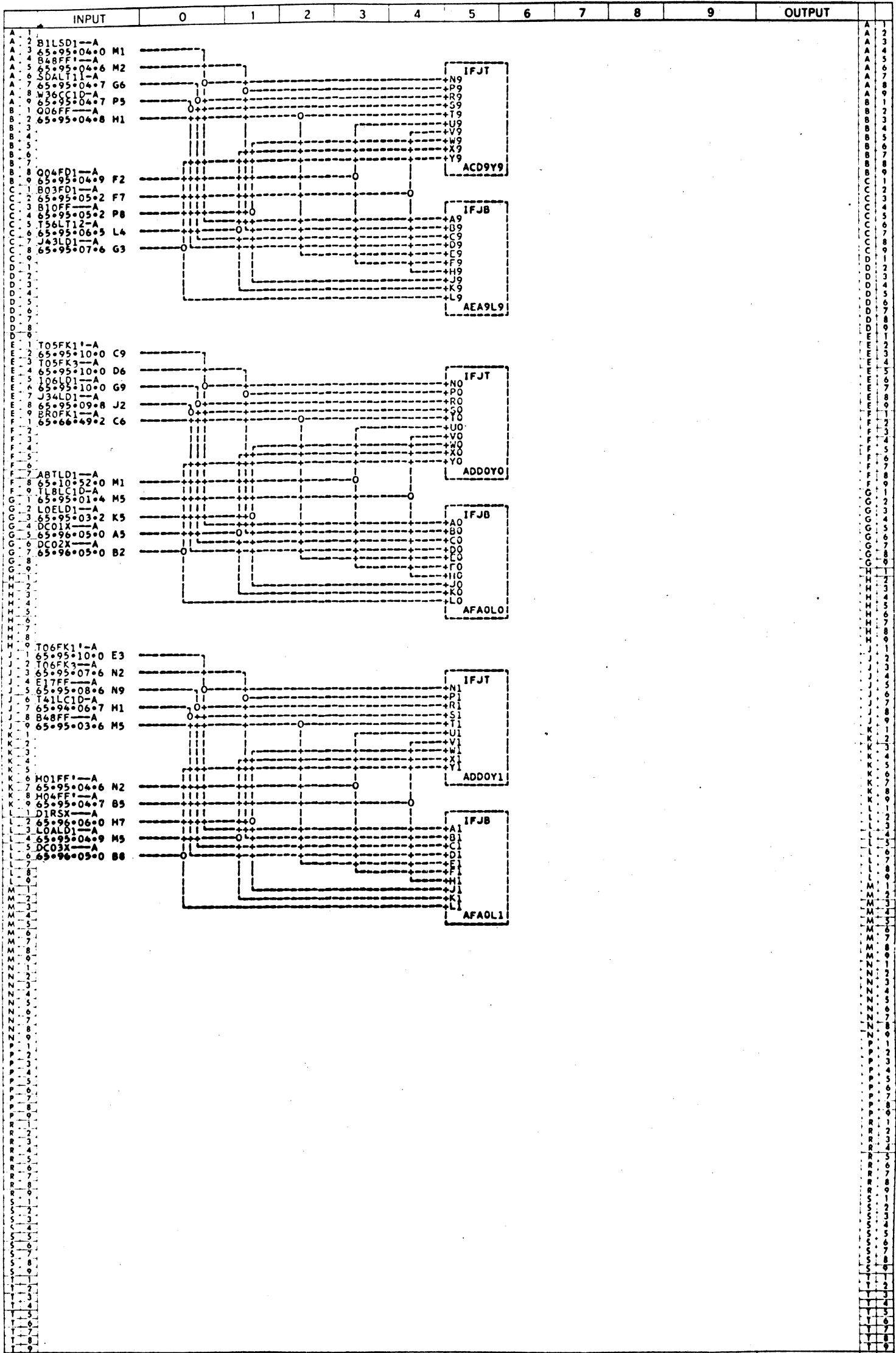


U 2 TITLE INTER FRAME JUMPERS RACK A H- 11928660AC
 U 4 DRAWN BY TOM JONES 5-28-62 CHECKED BY R C CARTER 6-28-62
 U 6 UNIT NAME PROCESSOR UNIT NO. 78494
 U 8 SYSTEM B-3000 PAGE NO. 65-99-14-0

Burroughs Corporation
 ELECTRODATA M&E DIVISION PASADENA CALIFORNIA

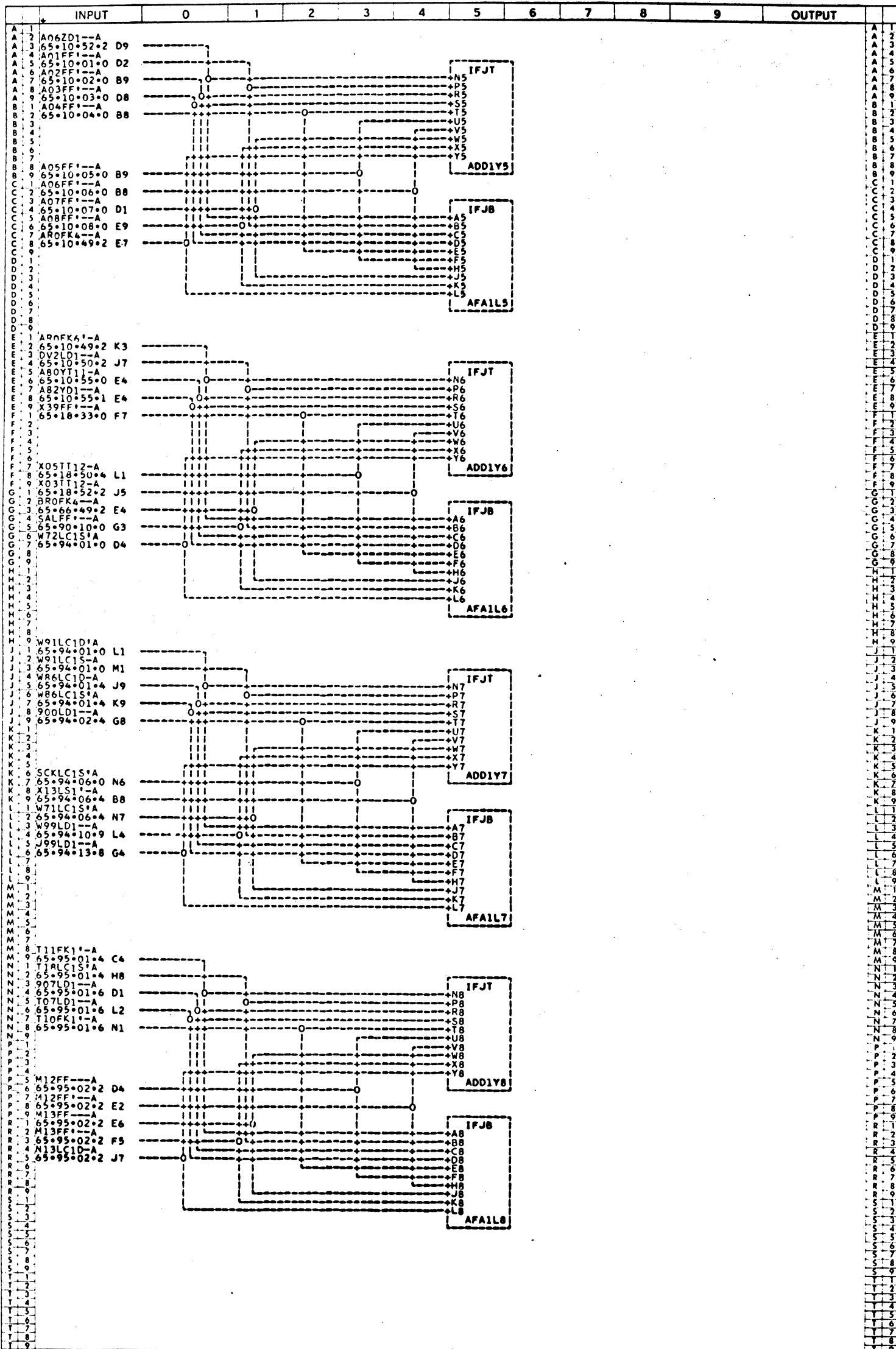
PROPERTY OF BURROUGHS CORPORATION NOT TO BE REPRODUCED, NOR USED FOR MANUFACTURING PURPOSES EXCEPT ON BURROUGHS ORDER OR PRIOR WRITTEN CONSENT

LOGIC SCHEMATIC



INPUT	0	1	2	3	4	5	6	7	8	9	OUTPUT
U 2	TITLE INTER FRAME JUMPERS RACK A										U 2
U 4	DRAWN BY TOM JONES 5-28-62										U 4
U 6	UNIT NAME PROCESSOR										U 6
U 8	SYSTEM 8-3000										U 8
					H- 11928678AF						
					CHECKED BY R C CARTER						
					UNIT NO. 78494						
					PAGE NO. 63-99-15-0						
						Burroughs Corporation ELECTRODATA M&E DIVISION		PASADENA CALIFORNIA			
PROPERTY OF BURROUGHS CORPORATION. NOT TO BE REPRODUCED, NOR USED FOR MANUFACTURING PURPOSES, EXCEPT ON BURROUGHS ORDER OR PRIOR WRITTEN CONSENT											

LOGIC SCHEMATIC



	INPUT	0	1	2	3	4	5	6	7	8	9	OUTPUT
U 2	TITLE INTER FRAME JUMPERS RACK A											U 2
U 4	DRAWN BY TOM JONES 5-28-62											U 4
U 6	UNIT NAME PROCESSOR											U 6
U 8	SYSTEM B-5000											U 8

M- 11928686AE

CHECKED BY R C CARTER 6-28-62

UNIT NO. 78494

PAGE NO. 45-99-14-0

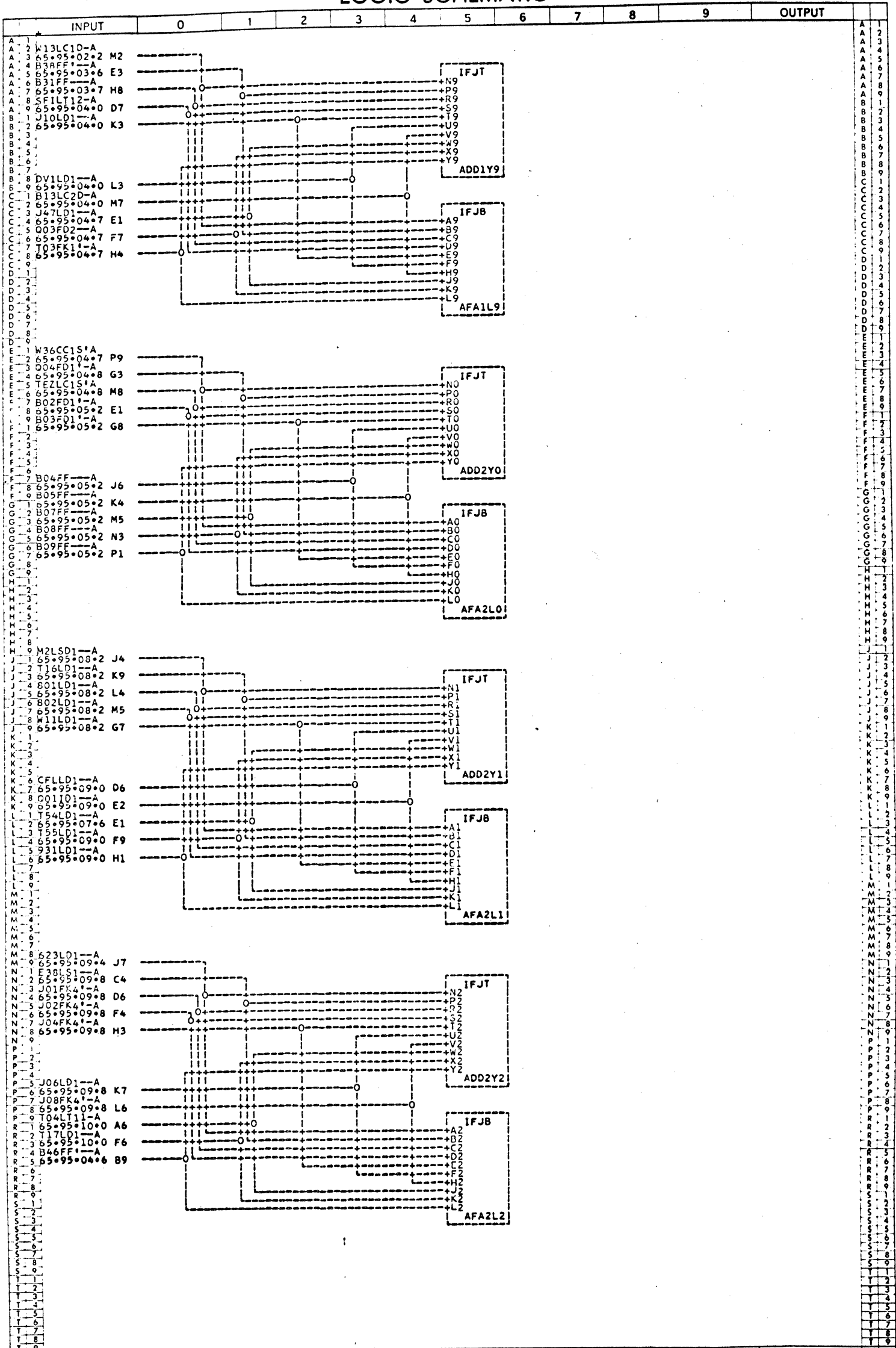
Burroughs Corporation

ELECTRODATA M&E DIVISION

PROPERTY OF BURROUGHS CORPORATION. NOT TO BE REPRODUCED, NOR USED FOR MANUFACTURING PURPOSES EXCEPT ON BURROUGHS ORDER OR PRIOR WRITTEN CONSENT.

PASADENA CALIFORNIA

LOGIC SCHEMATIC



INPUT	0	1
-------	---	---