

INITIAL ISSUE

LAST CHANGE: 5/14/80

FILE GEN: 56

PRINTED: 05/14/80

TRAN	PART/DOC NUMBER	DT	DESCRIPTION	DFW SIZE	DRW REV	ISSUE	UCM	CLASS CODE	DOC CODE	ECT	ECNO	DSGN CNTRL	PL REV
2857	4283	PL	PWBA-SVC PREAMP SS	D	A	2	BA	2-7045-000	2	ECN	11043	829	1
TRAN	ITEM	DT	DRW SIZE	PART/DOC NUMBER	CRW REV	ISSUE IN	DOC CUT CODE	DESCRIPTION	QUANTITY	UOM	ECT	ECNO	
	1	PL	D	2161 7352		2 599 0		PWB-SERVO PREAMP	1.00	EA			
	2		S	1907 7726		2 599 0		PKG.OP AMPL 747	2.00	EA			
	3			1269 7215		2 599 0		DAC 4-BIT 1408L-6	2.00	EA			
	4			2160 5126		2 599 0		TX.MHQ2507QUAD PNP	1.00	EA			
	5		S	1446 7245		2 599 0		DIODE .1N4448	5.00	EA			
	6		S	1446 7187		2 599 0		TRANS-2N2907A	1.00	EA			
	7		S	1635 2924		2 599 0		TSTR.TYPER 2N4221	1.00	EA			
	8		S	2300 5697		2 599 0		CAP. .01 MF	9.00	EA			
	9		ST	1267 9031		2 599 0		CAP-1 UF 20235V	3.00	EA			
	10		S	1269 5342		2 599 0		CAP CER-100PF	2.00	EA			
	11		S	2300 5572		2 599 0		CAP,1000PF 20X50V	1.00	EA			
	12		S	1111 8668		2 599 0		RES,511 1/4W 2X	1.00	EA			
	13		S	1111 8676		2 599 0		RES,562 2X 1/4W	1.00	EA			
	14		S	1111 8700		2 599 0		RES,750 2X 1/4W	1.00	EA			
	15		S	1111 8718		2 599 0		RES,825 2X 1/4W	1.00	EA			
	16		S	1111 8726		2 599 0		RES,909 2X 1/4W	1.00	EA			
	17		S	1111 8734		2 599 0		RES, 1K 1/4W 2X	4.00	EA			
	18		S	1111 8759		2 599 0		RES,1.21K 2X 1/4W	2.00	EA			
	19		S	1111 8775		2 599 0		RES,1.47K 2X 1/4W	1.00	EA			
	20	S	A	1111 8908		2 599 0		RES,5110 2X1/4W	1.00	EA			

PAGE 1

ASSEMBLY 2857 4283 ISSUE 2

219

INITIAL ISSUE

LAST CHANGE: 5/14/80

FILE GEN: 56

PRINTED: 05/14/80

TRAN	PART/DOC NUMBER	DT	DESCRIPTION	DFW SIZE	DRW REV	ISSUE	UCM	CLASS CODE	DOC CODE	ECT	ECNO	DSGN CNTRL	PL REV
2857	4283	PL	PWBA-SVC PREAMP SS	D	A	2	BA	2-7045-000	2	ECN	11043	829	
TRAN	ITEM	DT	DRW SIZE	PART/DOC NUMBER	CRW REV	ISSUE IN	DOC CUT CODE	DESCRIPTION	QUANTITY	UOM	ECT	ECNO	
	21		S	1111 8924		2 599 0		RES,6.19K 2X 1/4W	3.00	EA			
	22		S	1111 8940		2 599 0		RES,7.5K 2X 1/4W	2.00	EA			
	23		S	1111 8973		2 599 0		RES,10K OHM2X 1/4W	3.00	EA			
	24		S	1111 8981		2 599 0		RES,11K 2X 1/4W	1.00	EA			
	25		S	1111 9070		2 599 0		RES,26.1K 2X 1/4W	1.00	EA			
	26		S	1111 9104		2 599 0		RES,34.8K 2X1/4W	4.00	EA			
	27		S	1111 9211		2 599 0		RES,100K 1/4W 2X	1.00	EA			
	28		A	1447 1734		2 599 0		PCST-MOD 2	4.00	EA			
	29		B	2857 1676		2 599 0		SPACER MOD	2.00	EA			
	30	PL	A	2857 4291	A	2 599 3		SCH-SVC PREAMP SS		RF			
	31		A	2162 2758		2 599 4		SPS-SERVO PREAMP		RF			
	32		S	2300 5879		2 599 0		CAP .01UF	1.00	EA			

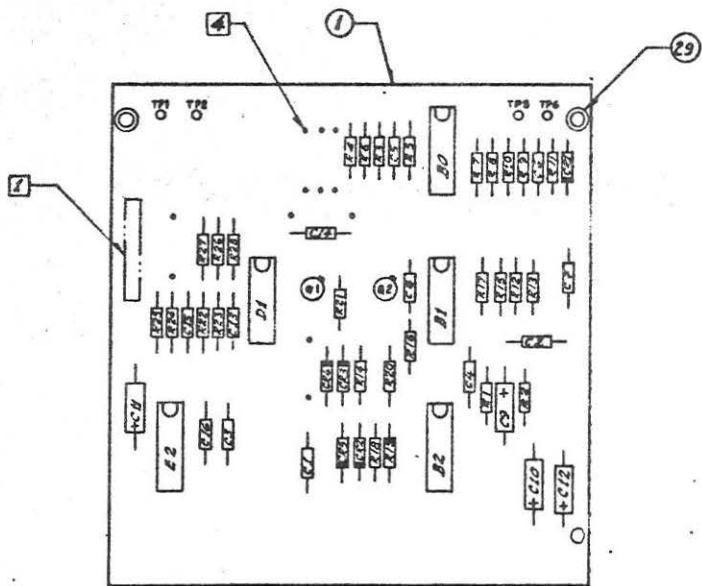
*****LAST LINE*****

PAGE 2

ASSEMBLY 2857 4283 ISSUE 2

220

REV	DATE	BY	CHKD	APPD	DATE
1	12/11/53	A.S.	V.P.	USA	12/11/53
ROUTING RELEASE					



REF DESIGNATION TABLE	
ITEM NO.	REF DESIGNATION OR LOCATION
2	B1, D1
3	R2, R2
4	R0
5	CR1, CR2, CR3, CR4, CR5
7	R1
7	R2
8	C1, C2, C3, C4, C5, C6, C7, C8, C9, C10, C11, C12, C13, C14, C15
9	C9, C10, C11
10	C4, C16
11	C6
12	R18
13	R16
14	R2
15	R10
16	R1
17	R13, R19, R20, R27
18	R8, R25
19	R5
20	R3
21	R4, R26, R28
22	R7, R20
23	R9, R22, R23
24	R6
25	R11
26	R12, R15, R17, R21
27	R14
28	TP1, TP2, TP5, TP6
32	C12

4 THRU HOLES ARE SHOWN AS A REFERENCE ONLY.

3.- SEE ITEM 31 ON P/L FOR PERFORMANCE SPEC.

2.- SEE ITEM 30 ON P/L FOR SCHEMATIC.

1 MARK ASSY NO. AND ISSUE LEVEL APPROX WHERE SHOWN IN
.12 HIGH GOTHIC CHARACTERS USING BLACK STEAKIT INK

NOTES: UNLESS OTHERWISE SPECIFIED

SEE P/L

BURROUGHS FEDERAL PRODUCTS GROUP 300 NORTH ZEEB ROAD PITTSBURGH, PENNSYLVANIA 15222		PLANT 885 2-24-5
PART NO. 2-24-5 REV. 1 DATE 12/11/53	TITLE FWBA SERVO FEEDBACK S.S.	CLASSIFICATION UNCLASSIFIED
DRAWN BY CHECKED BY APPROVED BY	DATE TIME	PLANT 885 2-24-5 12/11/53

221

ENGINEERING PARTS LIST REPORT

LAST CHANGE: 14 Jul 1978

PRINTED: 14 Jul 1978

PART/DOC TRAN NUMBER	DT	DESCRIPTION	DRW SIZE	DRW REV	ISSUE	UOM	CLASS CODE	DOC CCODE	ECT	ECNO	ESGN CNIL
2857 1610	MU	PWBA-ADDRESS COMPR	D	A	4	EA	2-7045-000	2	ECN	10723	027

TRAN ITEM	DT	DRW SIZE	PART/DOC NUMBER	DRW REV	ISSUE IN	DOC OUT CODE	DESCRIPTION	QUANTITY	UOM	ECT	ECNO
1	MU	D	2162 8284		1 999	2	PWB-ADDRESS COMPAR	1.00	EA		
2		S	1449 1278		1 999	0	IC CUAD D FF 74175	2.00	EA		
3			2600 1677		1 999	0	4BIT FULL ADD74283	3.00	EA		
4			2603 7606		1 999	0	4BIT IC, 12ERC74H87	2.00	EA		
5	ST		1447 3607		1 999	0	IC, DUAL D FF 7474	1.00	EA		
6			2603 7598		1 999	0	DUAL 2X2 AOI 74H51	1.00	EA		
7	ST		1447 3532		1 999	0	IC, HEX INV 7404	1.00	EA		
8	ST		2600 4929		1 999	0	IC, 3-3IN NOR 7427	1.00	EA		
9	S		1111 8734		1 999	0	RES, 1K 1/4W 2%	1.00	EA		
10	S		2300 5879		1 999	0	CAP 0.1 UF 50V	6.00	EA		
11	ST		1447 3540		1 999	0	IC, 3-3IN NAND 7410	1.00	EA		
12			2601 2773		1 999	0	5BIT COMP 9324	2.00	EA		
13			2857 1800	A	3 999	4	SPEC PERF PWBA ADD. COMP	0.00	RF	ECN	10555
14	D		2160 5241	C	1 999	4	SCHEM, ADDR COMP-32	0.00	RF		

PAGE 1

ASSEMBLY 2857 1610 ISSUE 4

222

ENGINEERING PARTS LIST REPORT

LAST CHANGE: 14 Jul 1978

PRINTED: 14 Jul 1978

PART/DOC TRAN NUMBER	DT	DESCRIPTION	DRW SIZE	DRW REV	ISSUE	UOM	CLASS CODE	DOC CCODE	ECT	ECNO	DSGN CNIL
2857 1610	MU	PWBA-ADDRESS COMPR	D	A	4	EA	2-7045-000	2	ECN	10723	027

TRAN ITEM	DT	DRW SIZE	PART/DOC NUMBER	DRW REV	ISSUE IN	DOC OUT CODE	DESCRIPTION	QUANTITY	UOM	ECT	ECNO
15	D		2857 2824	A	4 999	4	SCHEM, ADDR COMP201	0.00	RF	ECN	10723
16	S		1269 5383		1 999	0	CAP 220PF 50V 20%	1.00	EA		
17	B		2857 1636		2 999	0	SPACER MODULAR	2.00	EA	ECN	10545

***** ADDITIONS AND DELETES SINCE LAST ISSUE *****

D	15	D	2162 3913	B	1 3	4	SCHEM-ADDR COMP 201	0.00	RF		
A	15	D	2857 2824	A	4 999	4	SCHEM-ADDR COMP 201	0.00	RF	ECN	10723

***** LAST LINE *****

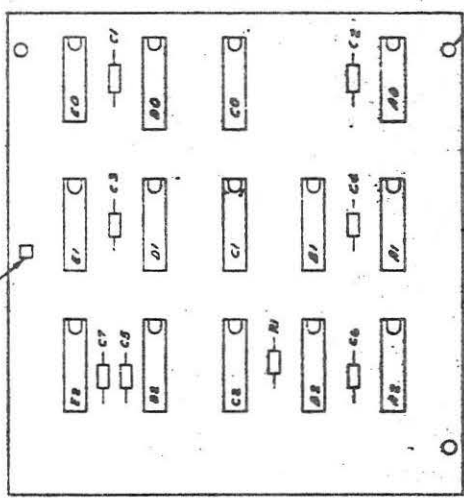
PAGE 2

ASSEMBLY 2857 1610 ISSUE 4

223

REVISION					
REV	CONT	DR	CHK	APD	DATE
A	10538	WB	WJL	26	10/17/60
INITIAL RELEASE					
DWS: 2162 0276					
THIS DRAWING SHOWS ITEM 17 RELEASED BY GCM 10/25					

REF. DESIGNATION TABLE	
ITEM NO.	REF. DES. OR LOC
2	B2, B2
3	C2, D2, E2
4	C1, D1
5	A0
6	B1
7	A1
8	E1
9	A1
10	C1, C2, C3, C4, C5, C6
11	E0
12	D0, C0
16	C7



1 RUBBER STAMP KEY LETTER
WITH 18 HIGH CHARACTERS APPROX. WHERE SHOWN.
NOTES: UNLESS OTHERWISE SPECIFIED.

DATE: 2/3/77
DWBA ADDRESS COMPARE
C 2857 16/10 A

ENGINEERING PARTS LIST REPORT

LAST CHANGE: 5 Apr, 1979

PRINTED: 5 Apr, 1979

PART/DOC		DESCRIPTION		DRM	DRM	ISSUE	UOM	CLASS CODE	DOC	ECT	ECNO	OSGN
TRAN NUMBER	DT	SIZE	NUMBER	REV	REV	IN	OUT	CODE	CODE	---	---	CNTL
2857 1776	PL		PWBA-P.A.R.	D	B	4		EA 2-7045-000	2	ECN	10917	027
TRAN ITEM	DT	DRM	PART/DOC	DRM	DRM	ISSUE	DOC	DESCRIPTION	QUANTITY	UOM	ECT	ECNO
---	---	---	---	---	---	---	---	---	---	---	---	---
1	PL	D	2857 1784			4 999 2		PWB-PRST ADD RMG	1.00	EA	ECN	10917
2		S	2602 3283			1 999 0		DUAL 2/4 LINE 746139	1.00	EA		
3		S	1449 1260			1 999 0		HMK D FL-PLP 74174	1.00	EA		
4			1269 6944			1 999 0		U/D COUNTER 74191	4.00	EA		
5	S	A	2607 1803			1 999 0		IC 74LS54	1.00	EA		
6	S	A	2607 1845			1 999 0		IC 74LS112	1.00	EA		
7	S	A	2608 2073			1 999 0		IC 74LS157	4.00	EA		
8		S	2300 5879			1 999 0		CAP, 0.1 UF 50V	11.00	EA		
9		S	1267 9106			1 999 0		CAP, 4.7 UF 10V	1.00	EA		
10		S	1111 8734			1 999 0		RES, 1K 1/4W 2%	1.00	EA		
11		ST	1447 3524			1 999 0		IC 4-2IN AND 7408	1.00	EA		
12		S	2156 6054			1 999 0		SPACER, MOD	2.00	EA		
13		D	2857 1842	D		4 999 4		SCHEM P.A.R.	0.00	RF	ECN	10917
14		A	2162 1891			1 999 4		SPEC PERF-P.A.R.	0.00	RF		

PAGE 1

ASSEMBLY 2857 1776 ISSUE 4

225

ENGINEERING PARTS LIST REPORT

LAST CHANGE: 5 Apr, 1979

PRINTED: 5 Apr, 1979

PART/DOC		DESCRIPTION		DRM	DRM	ISSUE	UOM	CLASS CODE	DOC	ECT	ECNO	OSGN
TRAN NUMBER	DT	SIZE	NUMBER	REV	REV	IN	OUT	CODE	CODE	---	---	CNTL
2857 1776	PL		PWBA-P.A.R.	D	B	4		EA 2-7045-000	2	ECN	10917	027
TRAN ITEM	DT	DRM	PART/DOC	DRM	DRM	ISSUE	DOC	DESCRIPTION	QUANTITY	UOM	ECT	ECNO
---	---	---	---	---	---	---	---	---	---	---	---	---

.....ADDITIONS AND DELETES SINCE LAST ISSUE.....

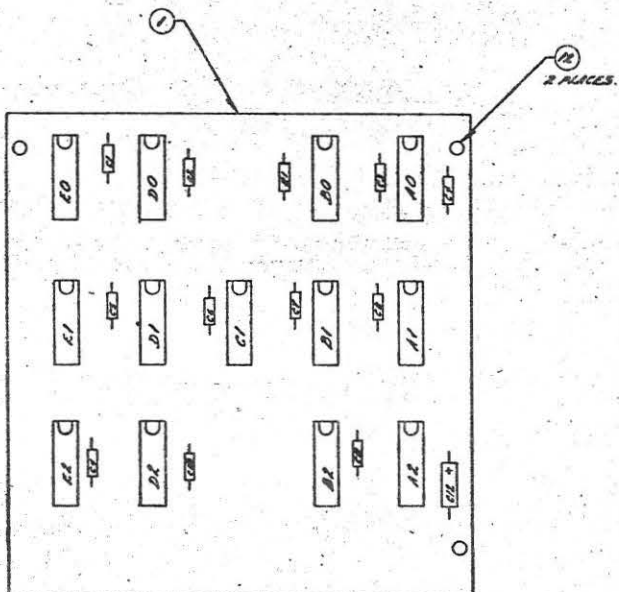
C 1	PL	D	2857 1784			1 3 2		PWB-PRST ADD RMG DS	1.00	EA		
C 13		D	2857 1842	C		3 3 4		SCHEM P.A.R. DS	0.00	RF	ECN	10917

***** LAST LINE *****

PAGE 2

ASSEMBLY 2857 1776 ISSUE 4

226



REF. DESIGNATION TABLE	
SYMBOL	REF. DESIGNATION OR LOC.
A	A0
B	A1, B1, C1, D1
C	A2
D	A3
E	A4, B4, C4, D4
F	C1, B1, D1, E1
G	C2, B2, D2, E2
H	C3
I	A1
J	A2

A01 COPY OF THE CARD
 A02 THE CHARACTERS IN THE
 INITIAL RELEASE OF THE CARD
 B FOR INFO BY 1" 1" 1" 1" 1"
 B11111 1" 1" 1" 1" 1"
 B11111 1" 1" 1" 1" 1"
 B11111 1" 1" 1" 1" 1"
 B11111 1" 1" 1" 1" 1"
 B11111 1" 1" 1" 1" 1"
 B11111 1" 1" 1" 1" 1"
 B11111 1" 1" 1" 1" 1"

3. SEE ITEM 14 ON P/L FOR PERFORMANCE SPEC.
 2. SEE ITEM 13 ON P/L FOR SCHEMATIC.
- MARK ASSY #* AND ISSUE LEVEL, APPROX WHERE SHOWN,
 IN .1X HIGH BATHIC CHARACTERS USING BATHIC
 STENCIL MAT.
- NOTES: UNLESS OTHERWISE SPECIFIED.

SEE P/L

227

Burrheads		PERIPHERAL FACILITIES GROUP CLASSIFICATION 20-7220	PLANT BY BRNO
PART NO. 1500-117	NAME UNIT P/R A, P/R N/D		CLASS CODE R-1095
PREPARED BY G. J. ...		PRESENT ADD. REG. 211 1' 1" D 2057 1776	DATE 1500-117

ENGINEERING PARTS LIST REPORT

*** LAST CHANGE: 7 Nov. 1979

PRINTED: 7 NOV. 1979

TRAN NUMBER	PART/DOC	DT	DESCRIPTION	DRM SIZE	DRM REV	ISSUE	UCM	CLASS CODE	DOC CODE	ECT	ECNO	DSGN CNTL
2857	4036	PL	PWBA-WRITE ENCODER	D	A	1	EA	2-7045-000	2	ECM	11023	829
TRAN ITEM	DT	DRM SIZE	PART/DOC NUMBER	DRM REV	ISSUE IN	DOC OUT CODE	DESCRIPTION	QUANTITY	UCM	ECT	ECNO	
1	PL	D	2857 4051		1	999 2	PWB-WRITE ENCODER	1.00	EA			
2		A	2606 9765		1	999 0	I.C. NAND 74S37	1.00	EA			
3		ST	1447 3607		1	999 0	IC. DUAL D FF 7474	2.00	EA			
4			2159 2720		1	999 0	QUAD ECL-TTL 10125	1.00	EA			
5		S	1741 0663		1	999 0	IC 74H55J	1.00	EA			
6		S A	2607 1787		1	999 0	I.C.-74LS00	1.00	EA			
7		S A	2607 1803		1	999 0	I.C.-74LS04	1.00	EA			
8		S A	2607 1811		1	999 0	I.C. 74LS10	1.00	EA			
9		S A	2607 1829		1	999 0	I.C. 74LS27	1.00	EA			
10		S A	2607 1845		1	999 0	I.C. 74LS112	1.00	EA			
11		S A	2028 7041		1	999 0	I.C.-MC12061	1.00	EA			
12		S	1446 7153		1	999 0	TRANS. 2N2222A	1.00	EA			
13		S	2300 5879		1	999 0	CAP 0.1 UF 50V	1.00	EA			
14		S	1267 9106		1	999 0	CAP 4.7UF 10V	1.00	EA			

PAGE 1

ASSEMBLY 2857 4036

ISSUE

228

ENGINEERING PARTS LIST REPORT

*** LAST CHANGE: 7 Nov. 1979

PRINTED: 7 NOV. 1979

TRAN NUMBER	PART/DOC	DT	DESCRIPTION	DRM SIZE	DRM REV	ISSUE	UCM	CLASS CODE	DOC CODE	ECT	ECNO	DSGN CNTL
2857	4036	PL	PWBA-WRITE ENCODER	D	A	01	EA	2-7045-000	2	ECM	11023	829
TRAN ITEM	DT	DRM SIZE	PART/DOC NUMBER	DRM REV	ISSUE IN	DOC OUT CODE	DESCRIPTION	QUANTITY	UCM	ECT	ECNO	
15		S	1111 8494		1	999 0	RES, 100 I/4W 2%	2.00	EA			
16		S	1111 8734		1	999 0	RES, 1K I/4W 2%	2.00	EA			
17		S A	2028 6639		1	999 0	CRYSTAL 6.144MHZ	1.00	EA			
18		B	2857 1636		1	999 0	SPACER, MOD	2.00	EA			
19		D	2857 4044	A	1	999 4	SCHEM.-WRITE ENCODER	0.00	RF			
20		A	2162 2766		1	999 4	SPS-WRITE ENCODER	0.00	RF			
21		S	1268 2225		1	999 0	RES, 390 OHMS 1/2 W	1.00	EA			
22		S	1760 2616		1	999 0	DIODE, IN751A.5.IV	1.00	EA			

***** ADDITIONS AND DELETES SINCE LAST ISSUE *****

***** LAST LINE *****

PAGE 2

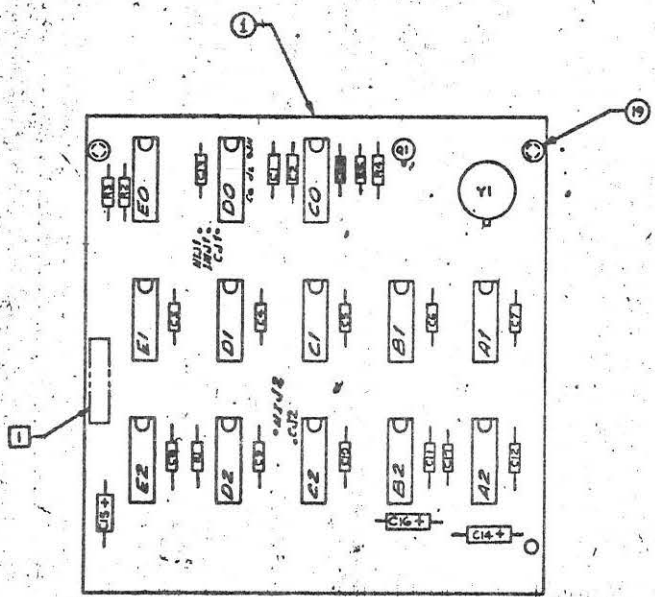
ASSEMBLY 2857 4036

ISSUE

229

REV	CONT	OR	CHG	APPRO	DATE
A	10023	5/6	1	VAL	3-11-71
					REV. 3
					INITIAL RELEASE WAS: 5332

ITEM NO	REF. DESIGNATION OR LOCATION
2	D0
3	C2, C1
4	E0
5	D2
6	E1
7	D1
8	B1
9	C1
10	A1, A2, B2
11	C0
12	Q1
13	C1 THRU C13, C17
14	C14, C15, C16
15	R2, R3
16	R1, R4
17	Y1
21	RS
22	CRI



- 3. SEE ITEM 20 ON P/L FOR PERFORMANCE SPEC.
- 2. SEE ITEM 19 ON P/L FOR SCHEMATIC.
- 1. MARK ASSY NO. AND ISSUE LEVEL, APPROX WHERE SHOWN, IN .12 HIGH GOTHIC CHARACTERS USING BLACK STENCIL INK.

NOTES: UNLESS OTHERWISE SPECIFIED

SEE P/L

TELEPHONE UNLESS OTHERWISE SPECIFIED INCHES XX 2 XX 2 ANGLE 1		REV. ORAL PRICE 100 1000 1000	Burroughs	
MATERIAL PLATE TREATMENT FINISH/PROTECTIVE		QUANTITY 100 1000 1000	PERIPHERAL PRODUCTS GROUP BURROUGHS, DALMEID TITLE PWBA WRITE ENCODER 2-7045	PLANT/TO 00 000 CLASS CODE
SPECIAL INSTRUCTIONS NONE		DATE 1-11-71	REVISION 2 of 1	DRAWING NO 2857 4036

ENGINEERING PARTS LIST REPORT

LAST CHANGE: 14 Aug, 1979

PRINTED: 14 Aug, 1979

TRAN NUMBER	PART/DOC	DT	DESCRIPTION	DRM SIZE	DRM REV	ISSUE	UOH	CLASS CODE	DOC CODE	ECT	ECNO	DSGN CNTL
2857	1685	HU	PNEA-TIMING/REC U	D	B	5	EA	2-7045-000	2	ECN	10965	829

TRAN ITEM	DT	DRM SIZE	PART/DOC NUMBER	DRM REV	ISSUE IN	DOC OUT CODE	DESCRIPTION	QUANTITY	UOH	ECT	ECNO
1	PL	D	2161 6131		5	999 2	PNE-TIMING/REC U	1.00	EA	ECN	62204
2		S	2158 5914		1	999 0	OP-AMP HA2-2515-5	1.00	EA		
3			2155 6394		1	999 0	PROG AMP 2405	1.00	EA		
4		S	2155 9679		1	999 0	IC 95115	1.00	EA		
5		S	2155 9687		1	999 0	IC 95231	1.00	EA		
6		S	2158 6029		1	999 0	IC MC1648L	1.00	EA		
7		S	2158 9106		1	999 0	CAP 7-40 PF 25V	1.00	EA		
8			1269 5243		1	999 0	CAP,15PF 20X 50V	1.00	EA		
9		S	1104 2835		1	999 0	CAP,330 PF 5X200V	1.00	EA		
10		A	2857 2121		2	999 0	CAP,1000 PF 5X 50V	3.00	EA	ECN	10611
11		S	1119 7753		1	999 0	CAP,.1UF,20X 25V	2.00	EA		
12		S	2300 5879		1	999 0	CAP 0.1 UF 50V	6.00	EA		
13		ST	1267 9031		1	999 0	CAP-1 UF 20X35V	2.00	EA		
14		S	1267 9106		1	999 0	CAP 4.7UF 10V	1.00	EA		

PAGE 1

ASSEMBLY 2857 1685 ISSUE 5

231

ENGINEERING PARTS LIST REPORT

LAST CHANGE: 14 Aug, 1979

PRINTED: 14 Aug, 1979

TRAN NUMBER	PART/DOC	DT	DESCRIPTION	DRM SIZE	DRM REV	ISSUE	UOH	CLASS CODE	DOC CODE	ECT	ECNO	DSGN CNTL
2857	1685	HU	PNEA-TIMING/REC U	D	B	5	EA	2-7045-000	2	ECN	10965	829

TRAN ITEM	DT	DRM SIZE	PART/DOC NUMBER	DRM REV	ISSUE IN	DOC OUT CODE	DESCRIPTION	QUANTITY	UOH	ECT	ECNO
15		S	1111 8494		1	999 0	RES,100 1/4W 2X	3.00	EA		
16		S	1111 8528		1	999 0	RES,133 2X 1/4W	1.00	EA		
17		S	1111 8668		1	999 0	RES,511 1/4W 2X	6.00	EA		
18		S	1111 8734		1	999 0	RES, 1K 1/4W 2X	3.00	EA		
19		S	1111 8841		1	999 0	RES-2870 2X 1/4W	1.00	EA		
20		S	1111 8890		1	999 0	RES,4640 2X 1/4W	2.00	EA		
21		S	1111 8908		1	999 0	RES,5110 2X,1/4W	4.00	EA		
22		S	1111 8973		1	999 0	RES,10K 2X,1/4W	2.00	EA		
23		S	1111 8981		1	999 0	RES,11K 2X 1/4W	2.00	EA		
24		S	1111 8999		1	999 0	RES,12.1K 2X 1/4W	2.00	EA		
25		S	1111 9112		1	999 0	RES 30.3K 2X1/4W	2.00	EA		
26		S	1111 9146		1	999 0	RES,51.1K 2X,1/4W	2.00	EA		
27		S	1111 9104		5	999 0	RES,34.8K 2X 1/4W	1.00	EA	ECN	10965
28		S	1111 9195		1	999 0	RES,82.5K 2X 1/4W	1.00	EA		

PAGE 2

ASSEMBLY 2857 1685 ISSUE 5

232

ENGINEERING PARTS LIST REPORT

*** LAST CHANGE: 14 Aug, 1979

PRINTED: 14 Aug, 1979

TRAN	PART/DOC NUMBER	DT	DESCRIPTION	DRM SIZE	DRM REV	ISSUE	UCH	CLASS CODE	QUC CODE	ECT	ECNO	DSG CNT
	2857 1685	HU	PNBA-TIMING/REC U	D	B	5	EA	2-7045-000	2	ECN	10965	829

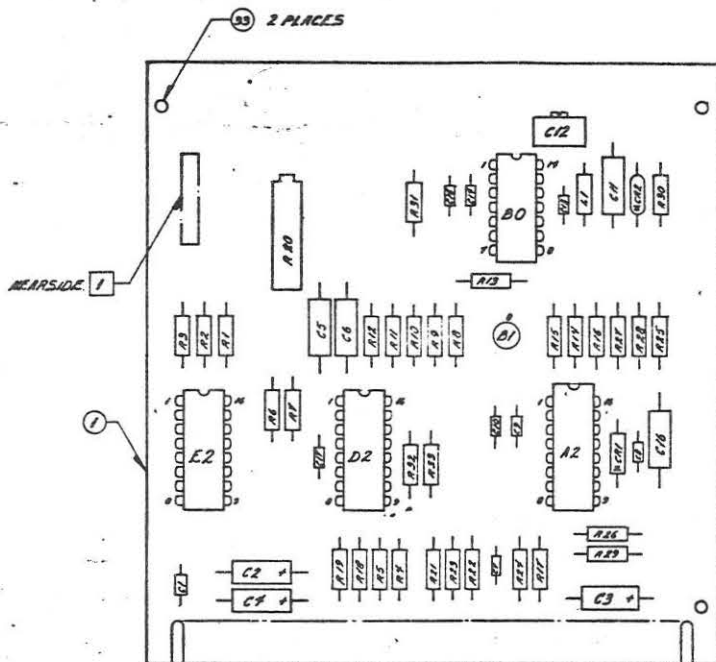
TRAN	ITEM	DT	CRW PART/DOC NUMBER	DRM REV	ISSUE IN	DOC OUT CODE	DESCRIPTION	QUANTITY	UCH	ECT	ECNO
	29	S	1877 4323		1	999 0	POT 50K	1.00	EA		
	30	S	1101 9692		1	959 0	INDUCTOR-6.8UH	1.00	EA		
	31	S	1446 7245		1	999 0	DIODE,1N4448	1.00	EA		
	32	S	2158 5831		1	999 0	DIODE HV1650	1.00	EA		
	33	B	2857 1636	A	1	959 0	SPACER,MOD	2.00	EA	ECN	10545
	34										ECN 10691
	35		2160 0994	A	1	959 4	SPEC,PERF-TRU	0.00	RF		
	36	D	2162 3962	D	5	959 4	SCH,TIN/REC UN 201	0.00	RF	ECN	10965

*****ADDITIONS AND DELETES SINCE LAST ISSUE*****

D	27	S	1111 9187		1	4 0	RES,75K 2%,1/4W	1.00	EA		
A	27	S	1111 9104		5	999 0	RES, 34.8K 2% 1/4W	1.00	EA		
C	36	D	2162 3962	C	4	4 4	SCH,TIM/REC UN 201	0.00	RF	ECN	10965

*****LAST LINE*****

REVISION
 REF. CONT. SA. CHG. DATE
 A. ECH 10595 DATE 5-14-57
 INITIAL RELEASE WAS 2140 0489
 B. ECH 10595 5-14-57
 CHANGE ON COMPONENT LOCATION TABLE
 IN ITEM 26 WAS R11, R25
 IN R8, R25
 IN ITEM 27 WAS R8 / 15 R11



ITEM #	REFERENCE DESIGNATION
1	D1
2	R2
3	DE
4	R2
5	R2
6	R0
7	C12
8	C2
9	C6
10	C5, C6, C11
11	C3, C10
12	C1, C1, C13, C14, C15, C17
13	C3, C5
14	C2
15	R1, R5, R30
16	R33
17	A1, A5, A3, A16, A10, A32
18	R6, R1, A23
19	R31
20	A23, A28
21	R14, R15, R16, R17
22	A3, A10
23	R13, R15
24	R11, R17
25	A12, R24
26	R8, R25
27	R11
28	A16
29	A20
30	E1
31	C11
32	C11

3. SEE ITEM 34 ON P/L FOR SCH.
2. SEE ITEM 35 ON P/L FOR PREF. SPEC.
1. MARK ASSY N° AND ISSUE LEVEL N° APPROX. WHERE SHOWN USING -12 HIGH GOTHIC BLACK STENCIL INK CHARACTERS.

NOTES: UNLESS OTHERWISE SPECIFIED.

225

234

QUANTITY UNLESS OTHERWISE SPECIFIED		DATE	
QUANTITY	ISSUE	DATE	ISSUE
1	1	5-14-57	1
Burrhoughs		Burrhoughs	
CORPORATION		CORPORATION	
1000 UNIVERSITY AVENUE		1000 UNIVERSITY AVENUE	
BERKELEY, CALIF. 94702		BERKELEY, CALIF. 94702	
TELEPHONE (415) 848-5000		TELEPHONE (415) 848-5000	
FAX (415) 848-5000		FAX (415) 848-5000	
WWW.BURROUGHS.COM		WWW.BURROUGHS.COM	

2-7095
 2857 1685

TRAN	PART/DOC NUMBER	DT	DESCRIPTION	DFW SIZE	DRW REV	ISSUE	UOM	CLASS CODE	DTC CODE	ECT	ECNO	DSGN CNTL	PL REV
	2163 2662	PL	PWBA-DATA DISCRIM	D	B	3	EA	2-7045-000	2	ECN	11043	829	5
TRAN	ITEM	DT	DRW SIZE	PART/DOC NUMBER	DRW REV	ISSUE IN	DOC CUT	DESCRIPTION	QUANTITY	UOM	ECT	ECNO	
	1	FL	D	2163 2690		1 599	2	PWBA-DATA DISCRIMIN	1.00	EA			
	2		A	2155 2104		1 599	0	IC,E.C.L. 10107	1.00	EA			
	3		S	2155 9661		1 599	0	IC 95105	2.00	EA			
	4		S	2155 9679		1 599	0	IC 95115	1.00	EA			
	5		S	2155 9687		1 599	0	IC 95231	2.00	EA			
	6	S	A	2028 8718		1 599	0	IC,ECL MULTI 10198	3.00	EA			
	7		S	2300 5879		1 599	0	CAP 0.1UF	6.00	EA			
	8		S	1267 9106		1 599	0	SCAP 4.7 UF 10V	1.00	EA			
	9		A	2011 0086		1 599	0	CAP,240 PF < 2%	1.00	EA			
	10	S	A	2011 0045		1 599	0	CAP,150 PF < 2%	1.00	EA			
	11	S	A	2300 5507		1 599	0	CAP 270 PF	1.00	EA			
	12		S	2046 9658		1 599	0	DIODE,TYPE IN914-A	1.00	EA			
	13		S	1111 8494		1 599	0	RES,100 1/4W 2%	5.00	EA			
	14		S	1111 8528		1 599	0	RES,133 2% 1/4W	1.00	EA			
	15		S	1111 8668		1 599	0	RES,511 1/4W 2%	27.00	EA			
	16		A	2857 1933		1 599	3	SPEC.PERF-DTA DISC		RF	ECN	10559	
	17		S	2158 0618		1 599	0	VARISTOR 1K 3/4W	3.00	EA			
	18		B	2857 1636		1 599	0	SPACER MOD	2.00	EA	ECN	10545	
	19		S	1111 8601		1 599	0	RES 287 2% 1/4 W	1.00	EA			
	22		D	2162 4010	F	2 599	3	SCH-DATA DISCR DS		RF	ECN	11043	

PAGE 1

ASSEMBLY 2163-2662 ISSUE 3

235

TRAN	PART/DOC NUMBER	DT	DESCRIPTION	DFW SIZE	DRW REV	ISSUE	UOM	CLASS CODE	DTC CODE	ECT	ECNO	DSGN CNTL	PL REV
	2163 2662	PL	PWBA-DATA DISCRIM	D	B	3	EA	2-7045-000	2	ECN	11043	829	
TRAN	ITEM	DT	DRW SIZE	PART/DOC NUMBER	DRW REV	ISSUE IN	DOC CUT	DESCRIPTION	QUANTITY	UOM	ECT	ECNO	
	23		D	2857 4184	A	3 599	7	SCHM DATA DISC		RF	ECN	11043	

*****ADDITIONS AND DELETES SINCE LAST ISSUE*****

A 23 D 2857 4184 A 3 599 7 SCHM DATA DISC RF ECN 11043

*****LAST LINE*****

PAGE 2

ASSEMBLY 2163 2662 ISSUE 3

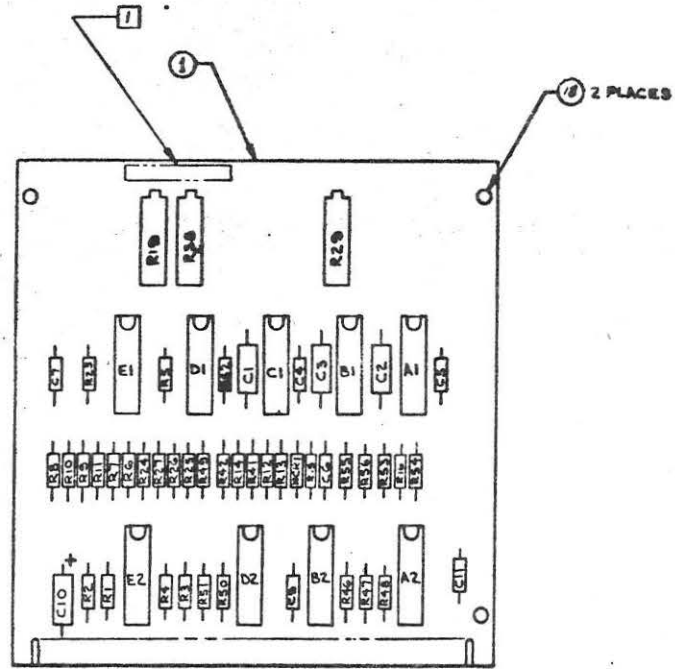
236

DA163 2672 B Rev 1
PWBA, DATA DISCRIMINATOR

1 of 1 sheets
2902 5720 Rev 2

REVISION				
REV	CONT	BY	CHK	APPRO DATE
A	ECN 3121	TM	Y	10/13/55
INITIAL RELEASE WAS 2163 2346				
B	ECN 3145	TM	Y	10/13/55
ADDED NOTE 4				

REF. DESIGNATION TABLE	
ITEM NO.	REF. DESIGNATION OR LOCATION
2	D1
3	E1, D2
4	E2
5	A2, B2
6	A1, B1, C1
7	C6, C66, C1, C9, C11
8	C18
9	C1
10	C3
11	C2
12	C21
13	R1, R2, R3, R4, R5
14	R5
15	R6, R7, R8, R9, R10, R11, R12
16	R13, R14, R23, R24, R25, R26
17	R19, R29, R38
18	R16



4. SEE ITEM 23 ON P/L FOR SCHEMATIC S. S.
 3. SEE ITEM 16 ON P/L FOR PERFORMANCE SPEC.
 2. SEE ITEM 22 ON P/L FOR SCHEMATIC . D. S.
- [1] MARK ASSY NO. AND ISSUE LEVEL, APPROX WHERE SHOWN, IN .12 HIGH GOTHIC CHARACTERS USING BLACK STENCIL INK.

NOTES: UNLESS OTHERWISE SPECIFIED

SEE P/L

TITLE: PWBA, DATA DISCRIMINATOR PART NO: 2163 2672 B REV: 1		BURELLS CORPORATION 2701 2163 2672 B	
DATE: 10/13/55 BY: TM CHECKED: Y		DRAWN: Y DATE: 10/13/55 BY: TM	
APPROVED: Y DATE: 10/13/55 BY: TM		CHECKED: Y DATE: 10/13/55 BY: TM	

ENGINEERING PARTS LIST REPORT

*** LAST CHANGE: 1 Jun, 1978

PRINTED: 1 Jun, 1978

PART/DOC TRAN NUMBER	DT	DESCRIPTION	DRM SIZE	DRM REV	ISSUE	UOM	CLASS CODE	DOC CODE	ECT	ECNO	DSGN CNTL
2163 1627	PL	PHBA-LPC CORRUTP	D		A	3	EA	2-7045-000	2	ECM	10733 02

TRAN ITEM	DT	DRM SIZE	PART/DOC NUMBER	DRM REV	ISSUE IN	DOC OUT CODE	DESCRIPTION	QUANTITY	UOM	ECT	ECNO
1	PL	D	2163 1635		1	999 2	PHB-LPC CORRUPT	1.00	EA		
2		A	1447 3698		1	999 0	IC EXCLVE DR 7486	1.00	EA		
3			2155 2112		1	999 0	IC-E-C-L. 10116	1.00	EA		
4	S	A	1745 5940		1	999 0	I.C.-10173	1.00	EA		
5	S	A	2607 1787		1	999 0	I.C.-74LS00	1.00	EA		
6	S	A	2607 1803		1	999 0	I C-74LS04	1.00	EA		
7	S	A	2607 1845		1	999 0	I.C. 74LS112	1.00	EA		
8	S	A	2608 2081		1	999 0	I.C. 74LS164	5.00	EA		
9	S		2300 5879		1	999 0	CAP 0.1 UF 50V	11.00	EA		
10	S		1267 9106		1	999 0	CAP 4.7UF 10V	2.00	EA		
11	S		1111 8668		1	999 0	RES,511 1/4W 2X	6.00	EA		
12	S		1111 8734		1	999 0	RES, 1K 1/4W 2X	1.00	EA		
13	B		2857 1636		2	999 0	SPACER,MOD	2.00	EA	ECN 10545	
14	D		2161 7444	B	3	999 4	SCHEM-LPC CORRUPT	0.00	RF	ECN 10733	

PAGE 1

ASSEMBLY 2163 1627 ISSUE 3

238

ENGINEERING PARTS LIST REPORT

LATEST ISSUE

*** LAST CHANGE: 1 Jun, 1978

PRINTED: 1 Jun, 1978

PART/DOC TRAN NUMBER	DT	DESCRIPTION	DRM SIZE	DRM REV	ISSUE	UOM	CLASS CODE	DOC CODE	ECT	ECNO	DSGN CNTL
2163 1627	PL	PHBA-LPC CORRUTP	D		A	3	EA	2-7045-000	2	ECM	10733 027

TRAN ITEM	DT	DRM SIZE	PART/DOC NUMBER	DRM REV	ISSUE IN	DOC OUT CODE	DESCRIPTION	QUANTITY	UOM	ECT	ECNO
15		A	2162 2436		1	999 4	SPS-LPC CORRUPT	0.00	RF		
16	S		1111 8494		1	999 0	RES,100 1/4W 2X	2.00	EA		

*****ADDITIONS AND DELETES SINCE LAST ISSUE*****

C	14	D	2161 7444	D	1	2	4	SCHEM-LPC CORRUPT	0.00	RF	ECN 10733
---	----	---	-----------	---	---	---	---	-------------------	------	----	-----------

***** LAST LINE *****

PAGE 2

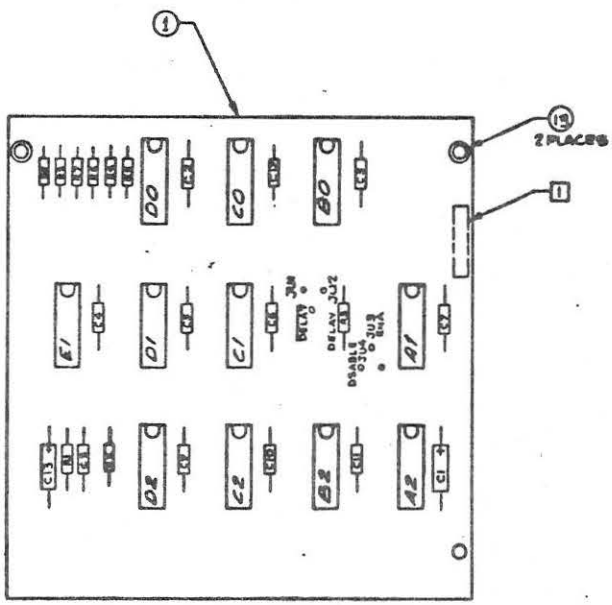
ASSEMBLY 2163 1627 ISSUE 3

239

1 2 3 4 5 6 7 8

REVISOR					
REV	DATE	BY	CHK	APPRO	WHY
A	8/25/54	39	KLB	WPT	3/77
INITIAL RELEASE WAS C162 OF 1A					

REF. DESIGNATION TABLE	
ITEM NO.	REF. DESIGNATION OR LOCATION
2	BO
4	E1
5	A2
6	B2
7	A1
8	C0, C1, C2, D1, D2
9	C8, C2, C3, C4, C5, C6, C7 C9, C10, C11, C12
10	C1, C13
11	R1, R2, R6 THRU R8
12	R3
16	R4, R5
3	DO



- 3. SEE ITEM 15 ON P/L FOR PERFORMANCE SPEC.
- 2. SEE ITEM 14 ON P/L FOR SCHEMATIC.
- 1. MARK ASSY NO. AND ISSUE LEVEL, APPROX WHERE SHOWN, IN .12 HIGH GOTHIC CHARACTERS USING BLACK STENCIL INK.

NOTES: UNLESS OTHERWISE SPECIFIED

SEE P/L

PERFORMANCE CHARACTERISTICS SPECIFICATION		DATE		BY	
REV	DATE	REV	DATE	REV	DATE
1	8-25-54	1	8-25-54	1	8-25-54
TECHNICAL		DRAWN BY		CHECKED BY	
		C. L. WOOD		W. J. WOOD	
THERMAL TREATMENT		MATERIAL		FINISH	
		AL 2024		MIL-C-13000	
MANUFACTURER'S PART NO.		QUANTITY		SCALE	
27045		1		1:1	
MATERIALS SPECIFICATION		DRAWING NO.		REV	
PW80 LPC CORRUPT		2701		1	
MATERIALS SPECIFICATION		DRAWING NO.		REV	
PW80 LPC CORRUPT		2701		1	

240

DRAWN BY 315 A. G. T. CHECKED BY 101

LATEST ISSUE

LAST CHANGE: 5/16/80

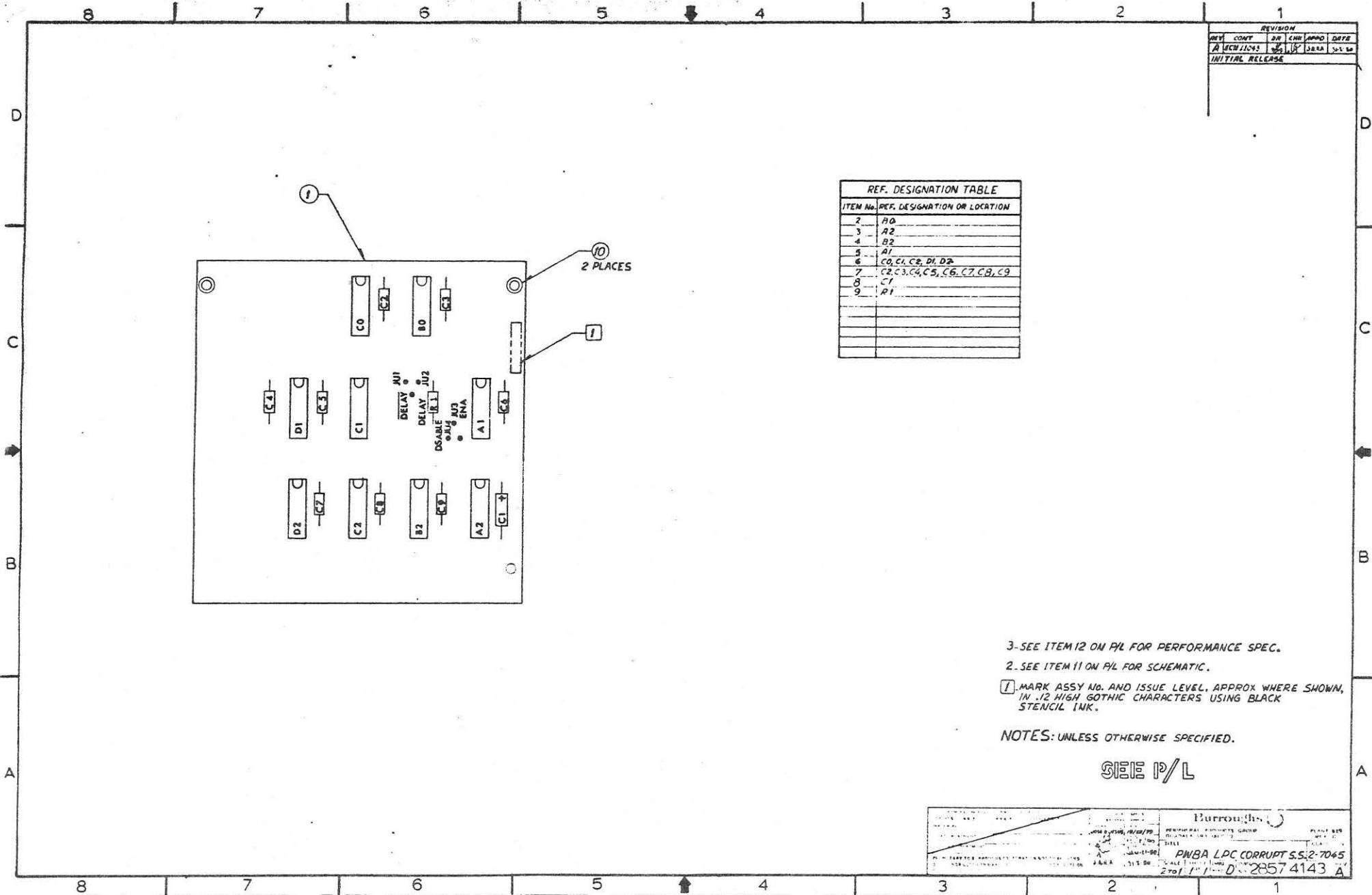
FILE GEN: 56

PRINTED: 05/16/80

TRAN	PART/DOC NUMBER	DT	DESCRIPTION	DRW SIZE	DRW REV	ISSUE	UDM	CLASS CODE	DOC CODE	ECT	ECNO	DSGN CNT.	PL REV
2857	4143	PL	PWBA-LPC CORRPT SS	D	A	1	EA	2-7045-000	2	ECN	11043	829	1

TRAN	ITEM	DT	DRW SIZE	PART/DOC NUMBER	DRW REV	ISSUE IN	DOC OUT CODE	DESCRIPTION	QUANTITY	JOM	ECT	ECNO
	1	PL	D	2163 1635		1 999	2	PWB-LPC CORRPT	1.00	EA		
	2		A	1447 3698		1 999	0	IC 7486J 10% VCC	1.00	EA		
	3	S	A	2607 1787		1 999	0	I.C.-74LS00	1.00	EA		
	4	S	A	2607 1803		1 999	0	IC-74LS04	1.00	EA		
	5	S	A	2607 1845		1 999	0	I.C. 74LS112	1.00	EA		
	6	S	A	2608 2081		1 999	0	I.C. 74LS164	5.00	EA		
	7	S	S	2300 5879		1 999	0	CAP 0.1UF	8.00	EA		
	8	S	S	1267 9106		1 999	0	SCAP 4.7 UF 10V	1.00	EA		
	9	S	S	1111 8734		1 999	0	RES. 1K 1/4W 2%	1.00	EA		
	10		B	2857 1636		1 999	0	SPACER MOD	2.00	EA		
	11	WD	D	2857 4150	A	1 999	3	SCHEM LPC CORR SS		RF		
	12	ES	A	2857 4168		1 999	4	SPC-LPC CORRPT SS		RF		

*****LAST LINE*****



REVISION					
REV	CONT	BY	CHK	APPRO	DATE
A	REV 11245				

INITIAL RELEASE

3-SEE ITEM 12 ON P/L FOR PERFORMANCE SPEC.

2-SEE ITEM 11 ON P/L FOR SCHEMATIC.

1-MARK ASSY NO. AND ISSUE LEVEL, APPROX WHERE SHOWN, IN .12 HIGH GOTHIC CHARACTERS USING BLACK STENCIL INK.

NOTES: UNLESS OTHERWISE SPECIFIED.

SEE P/L

Burrhead	
DATE: 10/12/79	REVISION: 1
BY: [Signature]	CHK: [Signature]
APPRO: [Signature]	DATE: 10/12/79
P/N: BA LPC CORRUPT S.S.2-7045	
2 of 1 - D-2857 4143 A	

ENGINEERING PARTS LIST REPORT

LAST CHANGE: 14 Jul, 1978

PRINTED: 14 Jul, 1978

TRAN NUMBER	PART/DOC	DT	DESCRIPTION	DRW SIZE	DRW REV	ISSUE	UOM	CLASS CODE	DOC CODE	ECT	ECNO	DSGN CNTL
2857 1677	MU PNEA E C C GEN			D	A	2	EA	2-7045-000	2	ECN	10723	027

TRAK ITEM	DT	DRW SIZE	PART/DOC NUMBER	DRW REV	ISSUE IN	DOC OUT	DESCRIPTION	QUANTITY	UOM	ECT	ECNO
1	PL	D	2161 5620		2 999	2	PMB-E C C GEN	1.00	EA	ECN	62202
2	S		1449 2052		1 999	0	IC,4B MAG CCHP7485	2.00	EA		
3	S		2603 4843		1 999	0	IC,8-BIT PAR 74164	6.00	EA		
4	A		1449 1260		1 959	0	HEX D FL-FLP 74174	2.00	EA		
5	ST		2600 1487		1 999	0	IC,4-2IN MAN 74500	1.00	EA		
6	A		1447 3698		1 959	0	IC EXCLVE DR 7486	2.00	EA		
7	ST		1447 3524		1 999	0	IC,4-2IN AND 7408	1.00	EA		
8	S		2601 9398		1 999	0	IC,2-4X1HUX74S153	1.00	EA		
9	S		1111 8734		1 999	0	RES, 1K 1/4W 2X	4.00	EA		
10	S		2300 5879		1 999	0	CAP 0.1 UF 50V	11.00	EA		
11	ST		1267 9031		1 999	0	CAP-1 UF 20X35V	1.00	EA		
12	A		1447 1734		1 999	0	POST-MOD 2	3.00	EA		
13	B		2857 1636		1 959	0	SPACER,MOD	2.00	EA	ECN	10545
14	D		2160 8344	0	3 959	4	SCHEM,ECC GEN -32	0.00	RF	ECN	62840

PAGE 1

ASSEMBLY 2857 1677 ISSUE 2
243

ENGINEERING PARTS LIST REPORT

LAST CHANGE: 14 Jul, 1978

PRINTED: 14 Jul, 1978

TRAN NUMBER	PART/DOC	DT	DESCRIPTION	DRW SIZE	DRW REV	ISSUE	UOM	CLASS CODE	DOC CODE	ECT	ECNO	DSGN CNTL
2857 1677	MU PMBA E C C GEN			D	A	2	EA	2-7045-000	2	ECN	10723	027

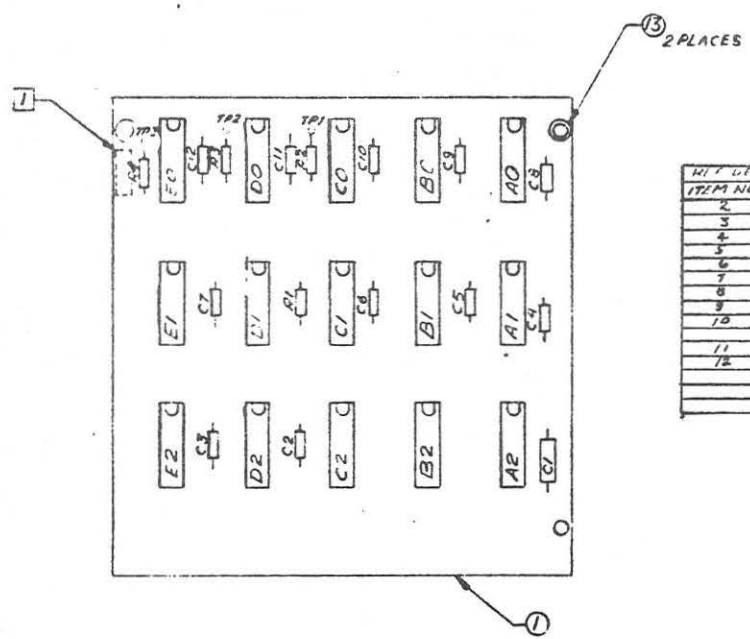
TRAK ITEM	DT	DRW SIZE	PART/DOC NUMBER	DRW REV	ISSUE IN	DOC OUT	DESCRIPTION	QUANTITY	UOM	ECT	ECNO
15	A		2161 0506	A	1 999	4	SPEC PERF-ECC GEN	0.00	RF		
16	D		2162 4069	B	2 959	4	SCHEM,ECC GEN 201	0.00	RF	ECN	10723

*****ADDITIONS AND DELETES SINCE LAST ISSUE*****

C	16	D	2162 4069	A	1 1	4	SCHEM-ECC GEN 201	0.00	RF	ECN	10723
---	----	---	-----------	---	-----	---	-------------------	------	----	-----	-------

*****LAST LINE*****

REV	FRONT	DR	CHG	APPROVAL
A	ECC10593	W.C.	1/2	1/16/54
INITIAL DELBAC WAS 21668310				



ITEM NO	REF DES UN TOL
2	D1, D2
3	B0, C0, G2, D0, E0, E1
4	B1, C1
5	B2
6	A0, A2
7	A1
8	E2
9	H1, H2, H3, H4
10	K1, K2, K3, K4, L6, O1
	C0, C0, C10, C11, C12
11	C1
12	T01, T02, T03

3. SEE ITEM 15 ON P/L FOR PREF SPEC.
 2. SEE ITEM 14 ON P/L FOR SCHEMATIC.
 □ MARK ASSY NO. AND ISSUE LEVEL NO. APPROX WHERE SHOWN USING .12 HIGH GOTHIC BLACK STENCIL INK CHARACTERS.
 NOTES: UNLESS OTHERWISE SPECIFIED.

SEE P/L

TELEPHONE UNLESS OTHERWISE SPECIFIED DIMENSIONS IN * INCHES ** ANGLES * MATERIAL HEAT TREATMENT SURFACE TREATMENT PROPRIETARY TO BURROUGHS CORPORATION AND TO BE KEPT SECRET THESE NOT BE USED FOR MANUFACTURING PURPOSES EXCEPT ON BURROUGHS EQUIP OR PROP MACHS DESIGN	JICMOCA 22/2/7 22/2/7 22/2/7 22/2/7 22/2/7 22/2/7	BURROUGHS PERIPHERAL PRODUCTS GROUP 1000 N. ALPINE AVE TITLE PWBA, ECC GENERATOR SCALE 1:1 W.C. 1/2 2857 1677	PLANT 101 12-700
---	--	---	---------------------

245

ENGINEERING PARTS LIST REPORT

*** LAST CHANGE: 14 Jul, 1978

PRINTED: 14 Jul, 1978

PART/DOC TRAN NUMBER	DT	DESCRIPTION	DRW SIZE	DRW REV	ISSUE	UOM	CLASS CODE	DOC CODE	ECT	ECNO	DSGN CNTL
2857 1255	PL	PWBA-ECC TIMING	D	A	3	EA	2-7045-000	2	ECN	10723	027

TRAN ITEM	DT	DRW SIZE	PART/DOC NUMBER	DRW REV	ISSUE IN	DOC OUT CODE	DESCRIPTION	QUANTITY	UOM	ECT	ECNO
1	PL	D	2857 1313		1 999 2		PWB-ECC TIMING	1.00	EA	ECN	10497
2		ST	1447 3524		1 999 0		IC, 4-2IN AND 7408	1.00	EA		
3			2155 6386		1 999 0		IC, 10124	1.00	EA		
4	S	A	1269 7819		1 999 0		IC, 74LS163	3.00	EA		
5		S	1449 1278		1 999 0		IC QUAD D FF 74175	1.00	EA		
6	S	A	2607 1803		1 999 0		IC-74LS04	5.00	EA		
7		A	2607 1837		1 999 0		IC 74LS37	1.00	EA		
8	S	A	2607 1845		1 999 0		I.C. 74LS112	5.00	EA		
9		S	2300 5879		1 999 0		CAP 0.1 UF 50V	11.00	EA		
10		S	1267 9106		1 999 0		CAP 4.7UF 10V	2.00	EA		
11		S	1111 8668		1 999 0		RES, 511 1/4W 2%	9.00	EA		
12		S	1111 8908		2 999 0		RES, 5110 2%, 1/4W	2.00	EA	ECN	10464
13		A	2205 4837		1 999 0		SWTICH, TOGGLE SPOT	1.00	EA		
14		B	2857 1636		2 999 0		SPACER, MOD	2.00	EA	ECN	10545

PAGE 1

ASSEMBLY 2857 1255 ISSUE 3

246

ENGINEERING PARTS LIST REPORT

*** LAST CHANGE: 14 Jul, 1978

PRINTED: 14 Jul, 1978

PART/DOC TRAN NUMBER	DT	DESCRIPTION	DRW SIZE	DRW REV	ISSUE	UOM	CLASS CODE	DOC CODE	ECT	ECNO	DSGN CNTL
2857 1255	PL	PWBA-ECC TIMING	D	A	3	EA	2-7045-000	2	ECN	10723	027

TRAN ITEM	DT	DRW SIZE	PART/DOC NUMBER	DRW REV	ISSUE IN	DOC OUT CODE	DESCRIPTION	QUANTITY	UOM	ECT	ECNO
15		D	2162 0620	E	3 999 4		SCHEM-ECC TIMING	0.00	RF	ECN	10723
16		A	2162 2816	A	1 999 4		SPS-ECC TIMING	0.00	RF		

***** ADDITIONS AND DELETES SINCE LAST ISSUE *****

C	15	D	2162 0620	D	1 2 4		SCHEM-ECC TIMING	0.00	RF	ECN	10723
---	----	---	-----------	---	-------	--	------------------	------	----	-----	-------

***** LAST LINE *****

PAGE 2

ASSEMBLY 2857 1255 ISSUE 3

247

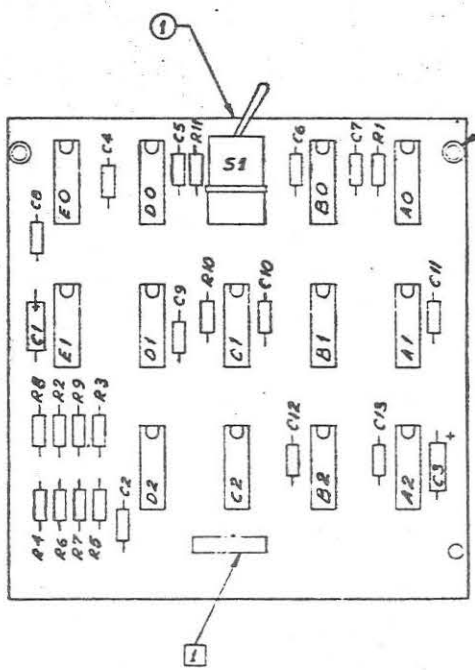
8 7 6 5 4 3 2 1

100 / MPK
271.132 2nd Ed 2

REVISION			
REV	DATE	BY	CHK APPD DATE
A	06/23/72

IT WAS 2/6/7922

REF	DESIGNATION TABLE
ITEM NO	REF DES. NAME TO LOC. LOCATION
2	B1
3	E1
4	A0, A1, A2
5	D2
6	C1
7	E0
8	D0, B2, C2, D0, D1
9	C2 CATHRU C13
10	C1, C2
11	R1 THRU R9
12	R10, R11
13	S1



- 3. SEE ITEM 16 ON P/L FOR PERFORMANCE SPEC.
- 2. SEE ITEM 15 ON P/L FOR SCHEMATIC.

1 MARK ASSY NO AND ISSUE LEVEL, APPROX WHERE SHOWN, IN .02 HIGH GOTHIC CHARACTERS USING BLACK STENCIL INK.

NOTES: UNLESS OTHERWISE SPECIFIED

SEE P/L

Burroughs

Model 22-100 77

PWBA, ECC TIMING 2-7045

21 1 1 -D-2857 1255 A

248

8 7 6 5 4 3 2 1

D
C
B
A

D
C
B
A

ENGINEERING PARTS LIST REPORT

LAST CHANGE: 15 Feb, 1979

PRINTED: 15 Feb, 1979

PART/DOC TRAN NUMBER	DT	DESCRIPTION	DRW SIZE	DRW REV	ISSUE	UOM	CLASS CODE	DCC CCODE	ECT	ECNO	DSGN CATL
2857 3640	FL	PMBA,R/W MACHINE	D		A	1	EA	2-7045-00C	2	ECN	10884 027

TRAN ITEM	DT	DRW SIZE	PART/DOC NUMBER	DRW REV	ISSUE IN	DCC OUT CCODE	DESCRIPTION	QUANTITY	UOM	ECT	ECNO
1	PL	D	2163 1296		1 999	2	PMB-R/W MACHINE	1.00	EA		
2		S	2047 7717		1 999	0	SOCKET,COMPONENT	3.00	EA		
3		S	2603 8653		1 999	0	I.C.7432	1.00	EA		
4		A	1447 3698		1 999	0	IC EXCLVE DR 7486	1.00	EA		
5		A	1269 7744		1 999	0	I.C. 9334	2.00	EA		
6	ST		1269 7140		1 999	0	COUNTER 4 BIT	2.00	EA		
7	S	A	2608 6280		1 999	0	IC 74LS139	1.00	EA		
8	ST		2602 9652		1 999	0	DATA 8-IL TRI-ST	2.00	EA		
9		S	2300 5879		1 999	0	CAP 0.1 UF 50V	10.00	EA		
10		ST	1267 9031		1 999	0	CAP-1 MF 20735V	1.00	EA		
11		S	1111 8973		1 999	0	RES,1K 2% 1/4W	1.00	EA		
12		S	1111 8734		1 999	0	RES, 1K 1/4W 2%	1.00	EA		
13		S	2205 6196		1 999	0	IC,13X1K RES	1.00	EA		
14		S	2155 9646		1 999	0	LAMP,LED	11.00	EA		

PAGE 1

ASSEMBLY 2857 3640 ISSUE 1

249

ENGINEERING PARTS LIST REPORT

LAST CHANGE: 15 Feb, 1979

PRINTED: 15 Feb, 1979

PART/DOC TRAN NUMBER	DT	DESCRIPTION	DRW SIZE	DRW REV	ISSUE	UOM	CLASS CODE	DCC CCODE	ECT	ECNO	DSGN CATL
2857 3640	PL	PMBA,R/W MACHINE	D		A	1	EA	2-7045-000	2	ECN	10884 027

TRAN ITEM	DT	DRW SIZE	PART/DOC NUMBER	DRW REV	ISSUE IN	DCC OUT CCODE	DESCRIPTION	QUANTITY	UOM	ECT	ECNO
15		A	2205 4837		1 999	0	SWITCH,TOGGLE SPDT	1.00	EA		
16	S	A	2205 8630		1 999	0	SWITCH,ON-OFF-ON	1.00	EA		
17		B	2857 1636		1 999	0	SPACER,MOD	2.00	EA		
18		D	2857 3665	A	1 999	4	SCHER,R/W MACHINE	0.00	RF		
19		A	2162 2444	B	1 999	4	SPS,R/W MACHINE	0.00	RF		
20	S	A	2607 1787		1 999	0	I.C.-74LS00	1.00	EA		
21	S	A	1111 8908		4 999	0	RES. 5.11K 2% 1/4W	1.00	EA		

***** ADDITIONS AND DELETES SINCE LAST ISSUE *****

***** LAST LINE *****

PAGE 2

ASSEMBLY 2857 3640 ISSUE 1

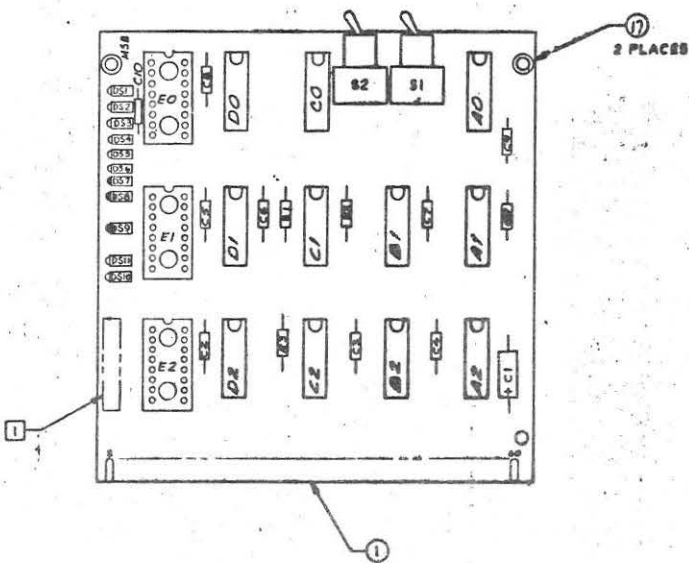
250

2857 3640 A 1001
PWSA-R/W MACHINE

1 20 1 2000
DATE (DD-MON-YY)

REVISION				
REV	CORR	BY	CHK	APPRD DATE
A	ECH10081	OK	VP	VMA/10-8-71
INITIAL RELEASE; MMS: 8763 TEBW				

REF. DESIGNATION TABLE	
ITEM NO.	REF. DESIGNATION OR LOCATION
2	EO, E1, E2
3	AO
4	C1
5	A2, B2
6	DO, DI
7	A1
8	C2, C2
9	C2 THRU C11
10	C1
11	E2
12	R1
13	C0
14	DS1 THRU DS11
15	S2
16	S1
20	B1
21	R3



- 3. SEE ITEM 19 ON P/L FOR PERFORMANCE SPEC.
- 2. SEE ITEM 18 ON P/L FOR SCHEMATIC.
- 1. MARK ASSY NO. AND ISSUE LEVEL, APPROX WHERE SHOWN, IN .32 HIGH GOTHIC CHARACTERS USING BLACK STENCIL INK.

NOTES: UNLESS OTHERWISE SPECIFIED

SEE P/L

TOLERANCES UNLESS OTHERWISE SPECIFIED		DATE		DATE	
MATERIAL	QTY	QTY	QTY	QTY	QTY
REVISION	DATE	DATE	DATE	DATE	DATE
TREAT TREATMENT	DATE	DATE	DATE	DATE	DATE
ENVIRONMENT	DATE	DATE	DATE	DATE	DATE
PROPERTY IS SHOWN AS COMPANY PROPERTY TO BE RETURNED TO COMPANY		PROPERTY IS SHOWN AS COMPANY PROPERTY TO BE RETURNED TO COMPANY		PROPERTY IS SHOWN AS COMPANY PROPERTY TO BE RETURNED TO COMPANY	

251

Stearns Corporation

DIN PAC PRODUCTS
SHELLEY VILLAGE, OAK, OHIO

OFFSHORE PLANT
S.S. AMERICA

TITLE: **PWSA R/W MACHINE**

SCALE: 2 1/2" = 1"

DWG NO: **2857 3640 A**

ENGINEERING PARTS LIST REPORT

*** LAST CHANGE: 7 Dec, 1978

PRINTED: 7 Dec, 1978

PART/DOC TRAN NUMBER	DT	DESCRIPTION	DRW SIZE	DRW REV	ISSUE	UOM	CLASS CODE	DOC CODE	ECT	ECNO	DSGN CNTL
2857 2584	PL	ASSY-PDLE CARD I	C	B	2	EA	2-1531-000	2	ECN	10761	027

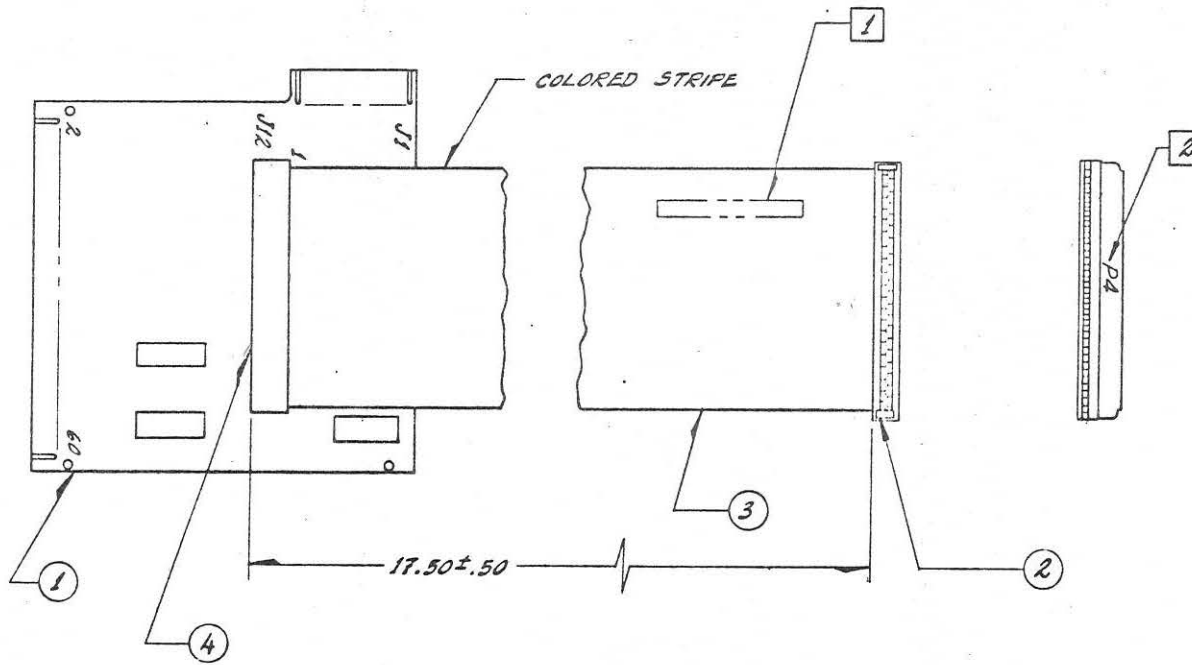
TRAN	ITEM	DT	DRW SIZE	PART/DOC NUMBER	DRW REV	ISSUE IN	DOC OUT CODE	DESCRIPTION	QUANTITY	UOM	ECT	ECNO
1	PL	D		2857 2527		2	999 2	PWBA-PDLE CARD I	1.00	EA	ECN	10761
2	S			2857 2592		1	999 0	RECEPTACLE CONN 60 POS	1.00	EA		
3	S			2857 2667		1	999 0	CABLE FLT 60 CON D	17.50	IN		
4	S			2857 2600		1	999 0	PDLE BRD PLUG C/60POS	1.00	EA		

***** ADDITIONS AND DELETES SINCE LAST ISSUE *****

C	1	PL	D	2857 2527		1	1 2	PWBA-PDLE CARD I DS	1.00	EA	ECN	10761
---	---	----	---	-----------	--	---	-----	---------------------	------	----	-----	-------

***** LAST LINE *****

REV					
REV	CONT	DR	CHKD	APPR	DATE
A	REV 10733	P.S.			9/1/78
INITIAL REVISION					
B	ECN 10761	O.V.			8-13
DELETED D.S. FROM TITLE					



- 2 MARK REF DESIGNATION USING .12 HIGH BLACK STENCIL INK GOTHIC CHARACTERS APROX AS SHOWN.
- 1 MARK BURROUGHS ASSY NO AND ISSUE LEVEL USING .12 HIGH BLACK STENCIL INK GOTHIC CHARACTERS APROX WHERE SHOWN

NOTES: UNLESS OTHERWISE SPECIFIED

SEE P/L 253

TOLERANCES, UNLESS OTHERWISE SPECIFIED		GEN ORAL SPECS 1183 5163 APPLY	
INCHES .XX: XXXX	ANGLES		
MATERIAL:		Burroughs	
HEAT TREATMENT:		PERIPHERAL PRODUCTS GROUP GUADALAJARA, JALISCO	
SURFACE TREATMENT:		PLANT 027 MEXICO	
PROPRIETARY TO BURROUGHS CORPORATION - NOT TO BE REPRODUCED OR USED FOR MANUFACTURING PURPOSES EXCEPT ON BURROUGHS ORDER OR PRIOR WRITTEN CONSENT.		CLASS CODE	
		2-1531	
		SCALE	TOWNG
		1:1	NO 2857 2584
		SHEET 1 OF 1	SIZE C
			B

ENGINEERING PARTS LIST REPORT

*** LAST CHANGE: 7 Dec, 1978

PRINTED: 7 Dec, 1978

PART/DOC TRAN NUMBER	DT	DESCRIPTION	DRW SIZE	DRW REV	ISSUE	UOM	CLASS CODE	DOC CODE	ECT	ECNO	DSGN CNTL
2857 2527	PL	PWBA-PDLE CARD I	D	B	3	EA	2-7045-000	2	ECN	10761	027

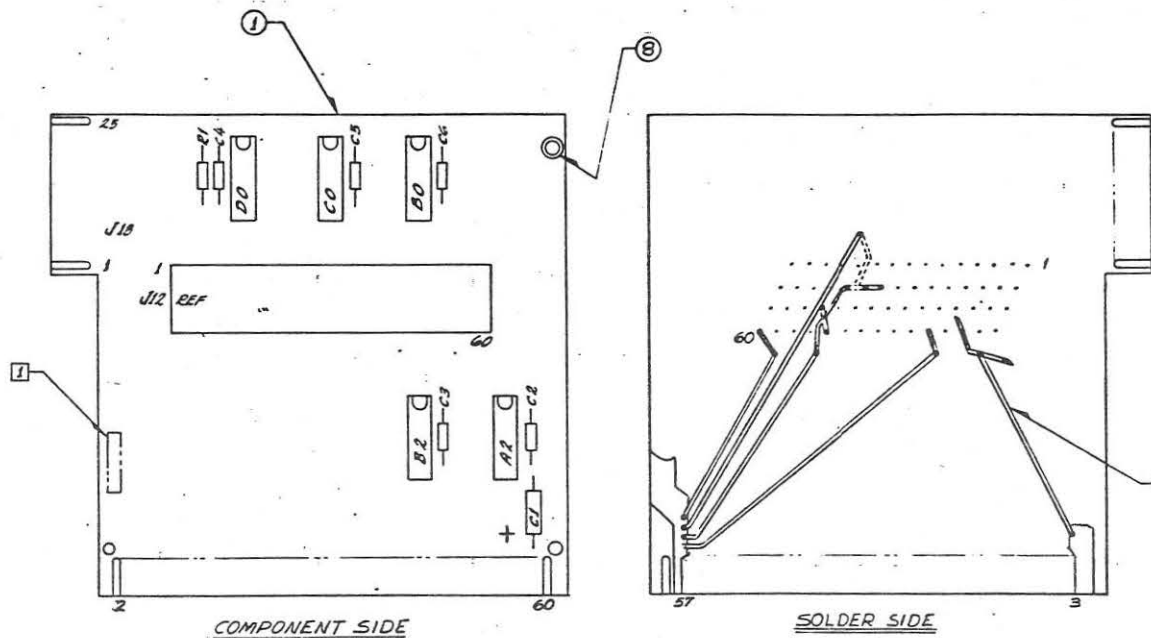
TRAN	ITEM	DT	DRW SIZE	PART/DOC NUMBER	DRW REV	ISSUE IN	DOC OUT CODE	DESCRIPTION	QUANTITY	UOM	ECT	ECNO
	1	PL	D	2857 2550		3	999 2	PWB-PDLE CARD I	1.00	EA	ECN	10761
	2	S	A	2607 1787		1	999 0	I.C. 74LS00	1.00	EA		
	3	S	A	2607 1803		1	999 0	I.C. 74LS04	1.00	EA		
	4	S		1447 3771		1	999 0	I.C. 4B BI-CNTR 74161	3.00	EA		
	5	S		2300 5879		1	999 0	CAP 0.1 UF 50V	5.00	EA		
	6	S		1267 9106		1	999 0	CAP 417 MF 10V	1.00	EA		
	7	S		1111 8734		1	999 0	RES, 1K 1/4W 2%	1.00	EA		
	8	B		2857 1636		1	999 0	SPACER, MOD	1.00	EA		
	9	D		2857 2576	C	3	999 4	SCHEM-PDLE CD I	0.00	RF	ECN	10761
	10	A		2162 2782	D	3	999 4	SPS PDLE CARD I	0.00	RF	ECN	10761
	11	S		2206 8712		1	999 0	WIRE, 20 AWG, INS	1.5	FT		

***** ADDITIONS AND DELETES SINCE LAST ISSUE *****

C	1	PL	D	2857 2550		1	2 2	PWB-PDLE CARD I DS	1.00	EA		
C	9		D	2857 2576	B	1	2 4	SCHEM-PLE CD I DS	0.00	RF		
C	10	A		2162 2782	C	1	2 4	SPS PDLE CARD I	0.00	RF	ECN	10761

***** LAST LINE *****

REV	DATE	BY	CHKD	APP'D	DATE
A	10/27/57	A.S.L.	J.H.	J.H.	11/1/57
INITIAL RELEASED					
* WBS. 2557 2503					
B	10/27/57	D.V.	J.H.	J.H.	11/1/57
1/A	DELETED D.S. FROM TITLE				



REF DESIGNATION TABLE	
ITEM NO	REF DESIGNATION OR LOCATION
2	RZ
3	RZ
4	B5, C0, D0
5	C2, C3, C4, C5, C6
6	C1
7	E1

3-SEE ITEM 10 ON P/L FOR PERFORMANCE SPEC.
 2-SEE ITEM 9 ON P/L FOR SCHEMATIC

1 MARK ASSY NO. AND ISSUE LEVEL, APPROX WHICHER SHOWN, IN .12 HIGH GOTHIC CHARACTERS USING BLACK STENCIL INK

NOTES : UNLESS OTHERWISE SPECIFIED

SEE P/L

255

Burrhoughs		PLANT 800 BESCO
INCHES SET	SEE	CLASS CODE 2-7065
DATE	10/27/57	REV
PART NAME PWB, PADDLE CARD I		NO. 2557 2527
SCALE 1" = 1"		DATE

ENGINEERING PARTS LIST REPORT

*** LAST CHANGE: 13 Jul, 1978

PRINTED: 13 Jul, 1978

PART/DOC TRAN NUMBER	DT	DESCRIPTION	DRW SIZE	DRW REV	ISSUE	UOM	CLASS CODE	DOC CODE	ECT	ECNO	DSGN CNTL
2163 0538	PL	ASSY-PDL CARD 2 SS	C	C	3	EA	2-1531-000	2	ECM	10643	027

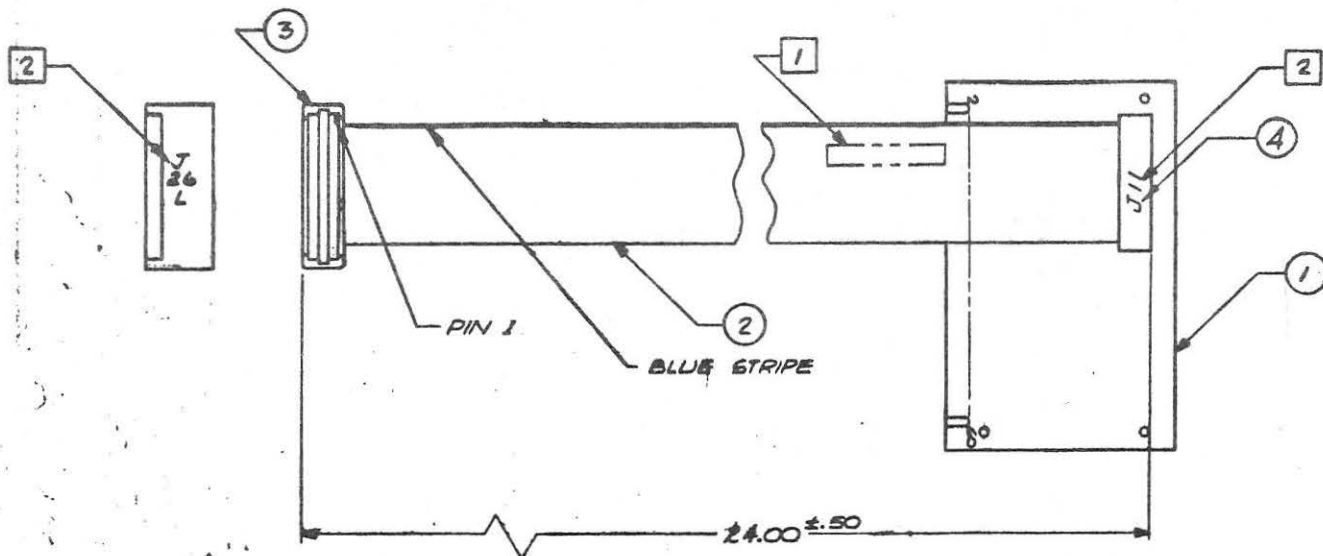
TRAN	ITEM	DT	DRW SIZE	PART/DOC NUMBER	DRW REV	ISSUE IN	DOC OUT CODE	DESCRIPTION	QUANTITY	UOM	ECT	ECNO
1		PL	D	2162 2931		1	999 2	PWBA-PDL CARD 2 SS	1.00	EA		
2			S	2160 3998		2	999 0	CABLE 171-26	2.00	FT	ECN	10595
3				2159 6473		1	999 0	CONNECTOR 26 PIN	1.00	EA		
4			S	2857 2287		3	999 0	P.B. PLUG CONN 26 PIN	1.00	EA	ECN	10643

***** ADDITIONS AND DELETES SINCE LAST ISSUE*****

A	4		S	2857 2287		3	999 0	P.B. PLUG CONN 60 PIN	1.00	EA	ECN	10743
---	---	--	---	-----------	--	---	-------	-----------------------	------	----	-----	-------

***** LAST LINE *****

ZONE	REVIS					
	REV	CONT	DR	CHK	APPD	DATE
A	ECN63098	JB	R.T.	RZ		1/31/77
INITIAL RELEASE						
B	ECN10595	A.S.	J.H.B.	gfy		X/1/6-77
LONG WAS 32, 15 R# LOC. B-3						
C	ECN10643	gfy	gfy			2-24-78
C/2	ADDED ITEM 4					



- 3. DESIGNATIONS ARE FOR REF ONLY.
- 2 MARK REF DESIGNATIONS USING .12 HIGH BLACK STENCIL INK GOTHIC CHARACTERS APPROX WHERE SHOWN.
- 1 MARK BURROUGHS ASSY NO AND ISSUE LEVEL USING .12 HIGH GOTHIC BLACK STENCIL INK CHARACTERS APPROX WHERE SHOWN.

NOTES : UNLESS OTHERWISE SPECIFIED

SEE P/L

TOLERANCES UNLESS OTHERWISE SPECIFIED				GEN QUAL SPECS 1183 5543 APPLY	
.XX a	.XXX a	ANGLES a		DRAWN	DATE
				J. Golden	1-26-77
MATERIAL			CHECKED		DATE
			P. Sherman		1-26-77
HEAT TREATMENT			DSGN OR ENGR		DATE
			gfy		1-26-77
SURFACE TREATMENT			APPROVED		DATE
	CLASS CODE		R. J. ...		1-26-77
	21531				
PROPRIETARY TO BURROUGHS CORPORATION. NOT TO BE REPRODUCED NOR USED FOR MANUFACTURING PURPOSES EXCEPT ON BURROUGHS ORDER OR PRIOR WRITTEN CONSENT.				Burroughs Corporation	
				DISK PACK PRODUCTS WESTLAKE VILLAGE, CALIF. 91360 U.S. AMERICA	
TITLE ASSY, PADDLE CARD 2, S.S.				SCALE	SHEET
				1/1	OF 1
				DWG NO.	REV
				C 2163 0538	C

DWG NO. 2163 0538 SHEET OF 1

ENGINEERING PARTS LIST REPORT

*** LAST CHANGE: 14 Jul, 1978

PRINTED: 14 Jul, 1978

TRAN	PART/DOC NUMBER	DT	DESCRIPTION	DRW SIZE	CR	REV	ISSUE	UOM	CLASS CODE	DCC CODE	ECT	ECNO	CSGN CNTL
	2162 2931	PL	PMBA-PDL CARD 2 SS	D		B	5	EA	2-7045-000	2	ECN	10723	027

TRAN	ITEM	DT	DRW SIZE	PART/DOC NUMBER	DRW REV	ISSUE IN	DOC OUT	CODE	DESCRIPTION	QUANTITY	UOM	ECT	ECNO
	1	PL	D	2161 7477		1	999	2	PWB-PADDLE CARD 2	1.00	EA		
	2												ECN 10643
	3		D	2161 7493	D	5	999	4	SCHEM PADDLE CD 2	0.00	RF	ECN	10723

*****ADDITIONS AND DELETES SINCE LAST ISSUE*****

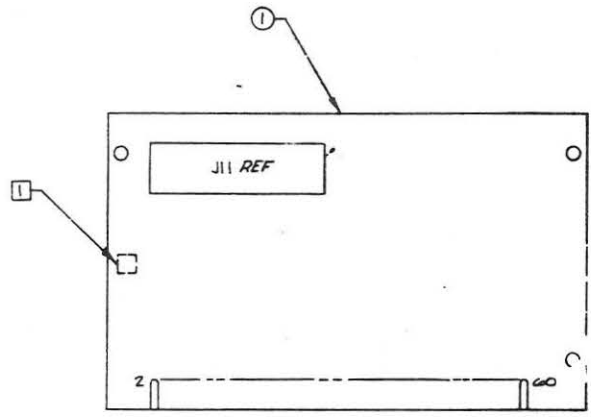
C	3		D	2161 7493	C	3	4	4	SCHEM-PADDLE CD 2	0.00	RF	ECN	10723
---	---	--	---	-----------	---	---	---	---	-------------------	------	----	-----	-------

*****LAST LINE*****

D 2162 2931 10-1
 PWBA PADDLE CARD II-SS

SHEET NO. 2162 2931 OF 2

REVISION					
REV	CONT	DR	CHK	APPD	DATE
A	FEEDBACK	JF	JL	JL	7/1/76
B	REVISED	JF	JL	JL	7/1/76
C/7	ADDED REF ON J11				
C/3	DELETED ITEM 2 J10				



2. SEE ITEM 3 ON P/L FOR SCHEMATIC.

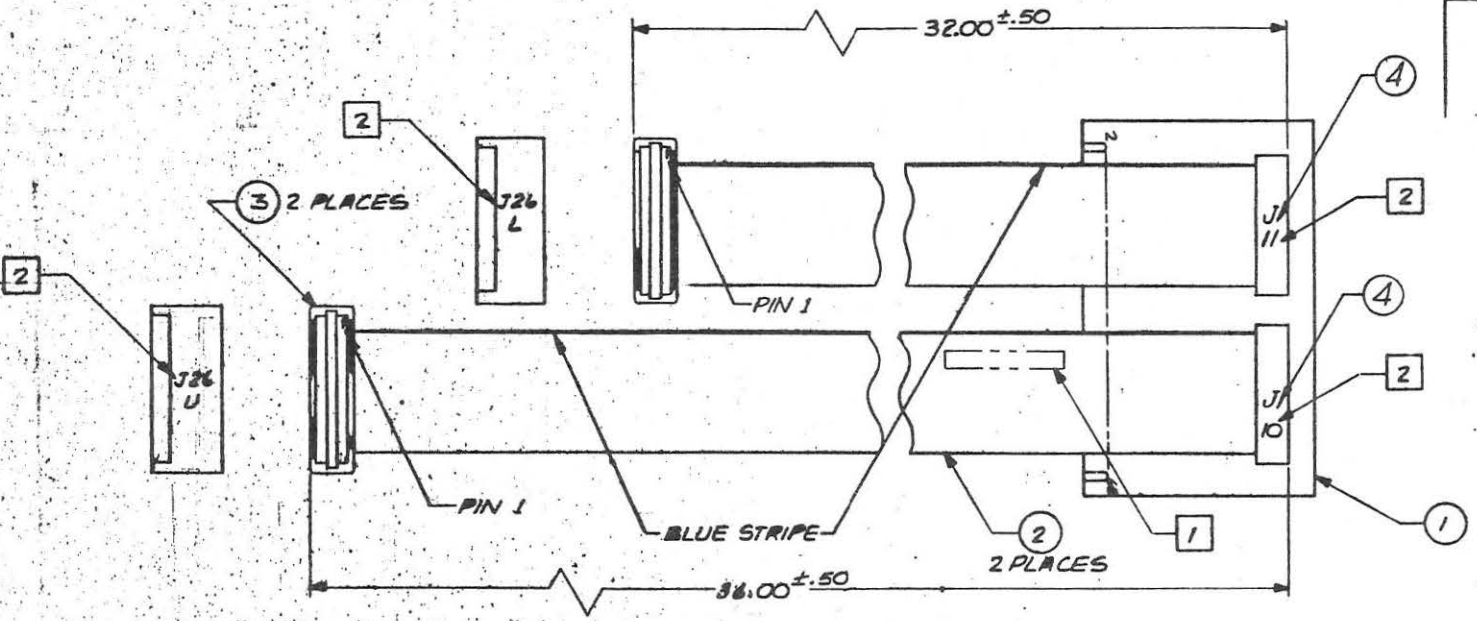
1 MARK ASSY NO. AND ISSUE LEVEL, APPROX WHERE SHOWN, IN .12 HIGH GOTHIC CHARACTERS USING BLACK STENCIL INK.

NOTES: UNLESS OTHERWISE SPECIFIED

SEE P/L

TOLERANCES UNLESS OTHERWISE SPECIFIED		DRAWN BY		DATE		Burroughs Corporation	
MATERIAL	SIZE	ANGLER	JF	JL	7/1/76	WESTLAKE PLANT	
SURFACE TREATMENT		CHECKED BY		DATE		SEE PAGE PRODUCTS	
CLASS CODE		APPROVED		DATE		WESTLAKE VILLAGE, CALIF. 91380	
2-7045		JF		7/1/76		U.S. AMERICA	
TITLE						PWBA PADDLE CARD II-SS	
SCALE						SHEET 1	
2:1						DWG NO. 2162 2931 16	

REV	CONT	L	JHK	APPD	DATE
A	ECN 63098	JG	R.T.	DR	1/24/77
INITIAL RELEASE					
B	ECN 10535	A.S.	J.M.A.	gls	11/16/77
LONG WAS: 42.00 15:36.00 LOC. #3 / D.R.					
C	ECN 10643	gls	gls	gls	27 Jun 78
ADDED ITEM 4					



SEE P/L

3. DESIGNATIONS ARE FOR REF ONLY.
- 2 MARK REF DESIGNATIONS USING .12 HIGH GOTHIC BLACK STENCIL INK CHARACTERS APPROX WHERE SHOWN.
- 1 MARK BURROUGHS ASSY NO AND ISSUE LEVEL USING .12 HIGH GOTHIC BLACK STENCIL INK CHARACTERS APPROX WHERE SHOWN.
- NOTES: UNLESS OTHERWISE SPECIFIED

TOLERANCES UNLESS OTHERWISE SPECIFIED		DRAWN		DATE		Burroughs Corporation	
.XX ±	.XXX ±	J. GOLDEN	1-24-77			WESTLAKE PLANT	
MATERIAL		CHECKED	DATE	DISK PACK PRODUCTS		WESTLAKE VILLAGE, CALIF. 91380	
HEAT TREATMENT		DESIGN OR ENGR	DATE	TITLE		U.S. AMERICA	
SURFACE TREATMENT		APPROVED	DATE	ASSY, PADDLE CARD 2, D.S.			
CLASS CODE		2-1531	1/24/77	SCALE	SHEET 1	DWG NO.	REV
PROPRIETARY TO BURROUGHS CORPORATION. NOT TO BE REPRODUCED NOR USED FOR MANUFACTURING PURPOSES EXCEPT ON BURROUGHS ORDER OR PRIOR WRITTEN CONSENT.				1/1	OF 1	2163 0520	C

ENGINEERING PARTS LIST REPORT

*** LAST CHANGE: 13 Jul, 1978

PRINTED: 13 Jul, 1978

TRAN	PART/DOC NUMBER	DT	DESCRIPTION	DRW SIZE	DRW REV	ISSUE	UOM	CLASS CODE	DOC CODE	ECT	ECNO	DSGN CNTL
2163	0520	PL	ASSY-PDL CARD 2 DS	C	C	3	EA	2-1531-000	2	ECN	10643	027

TRAN	ITEM	DT	DRW SIZE	PART/DOC NUMBER	DRW REV	ISSUE IN	DOC OUT CODE	DESCRIPTION	QUANTITY	UOM	ECT	ECNO
	1	PL	D	2162 2949		1	999 2	PWBA-PDL CARD 2 DS	1.00	EA		
	2		S	2160 3998		2	999 0	CABLE 171-26	5.67	FT	ECN	10595
	3			2159 6473		1	999 0	CONNECTOR 26 PIN	2.00	EA		
	4		S	2857 2287		3	999 0	P.B. PLUG CONN, 26 PIN	2.00	EA	ECN	10643

***** ADDITIONS AND DELETES SINCE LAST ISSUE *****

A	4		S	2857 2287		3	999 0	P.B. PLUG CONN, 26 PIN	2.00	EA	ECN	10643
---	---	--	---	-----------	--	---	-------	------------------------	------	----	-----	-------

***** LAST LINE *****

ENGINEERING PARTS LIST REPORT

*** LAST CHANGE: 14 Jul, 1978

PRINTED: 14 Jul, 1978

TRAN	PART/DOC NUMBER	DT	DESCRIPTION	DRW SIZE	DRW REV	ISSUE	UOM	CLASS CODE	DWG CODE	ECT	ECNO	DSGN CNTL
	2162 2949	PL	PNBA-PDL CARD 2 DS	C	B	5	EA	2-7045-000	2	ECN	10723	027

TRAN	ITEM	DT	DRW SIZE	PART/DOC NUMBER	DRW REV	ISSUE IN	DWG OUT	DWG CODE	DESCRIPTION	QUANTITY	UOM	ECT	ECNO
	1	PL	D	2161 7477		1	999	2	PNB-PADDLE CARD 2	1.00	EA		
	2												ECN 10643
	3	D		2161 7493	D	5	999	4	SCHEM PADDLE CD 2	0.00	RF	ECN	10723

*****ADDITIONS AND DELETES SINCE LAST ISSUE*****

C	3	D		2161 7493	C	3	4	4	SCHEM-PADDLE CD 2	0.00	RF	ECN	10723
---	---	---	--	-----------	---	---	---	---	-------------------	------	----	-----	-------

*****LAST LINE*****

ENGINEERING PARTS LIST REPORT

*** LAST CHANGE: 14 Jul, 1978

PRINTED: 14 Jul, 1978

TRAN	PART/DOC NUMBER	DT	DESCRIPTION	DRM SIZE	DRM REV	ISSUE	UOM	CLASS CODE	DOC CODE	ECT	ECNO	DSGN CNTRL
	2162 8045	PL	SWITCH PANEL ASSY	0	B	3	EA	2-8020-030	2	ECN	10723	027

TRAN	ITEM	DT	DRM SIZE	PART/DOC NUMBER	DRM REV	ISSUE IN	DOC OUT	CODE	DESCRIPTION	QUANTITY	UOM	ECT	ECNO
	1		B	2162 8037		1 999	0		SWITCH PANEL	1.00	EA		
	2	ST		1269 6795		1 999	7		INDICATOR UNIV	2.00	EA		
	3	S	A	1269 5649		1 999	0		FILTER COLOR	1.00	EA		
	4		S	2155 6451		1 999	0		SWITCH MODULE	1.00	EA		
	5		S	2155 6444		1 999	0		HOUSING SWITCH	1.00	EA		
	6		ST	1269 5607		1 999	0		LAMP CAPSULE	2.00	EA		
	7		A	1720 8489		1 999	0		LAMP, INCANDESCENT	4.00	EA		
	8		ST	1269 6191		1 999	0		DIVIDER, LAMP	1.00	EA		
	9		S	2155 6469		1 999	0		LENS, ENGRAVED	1.00	EA		
	10		ST	1269 6258		1 999	0		FILTER, SPLIT	2.00	EA		
	11		S	A 1269 6357		2 999	0		LENS CAP-RDY/ACTIVE	1.00	EA	ECN	10596
	12		ST	1269 5664		1 999	0		FILTER, FULL	1.00	EA		
	13		S	A 1269 5920		1 999	0		LENS CAP-SELCTLOCK	1.00	EA		
	14		PL	B 2161 7675		1 999	2		ASSY-HARN, SW PNL	1.00	EA		

PAGE 1

ASSEMBLY 2162 8045 ISSUE 3

264

ENGINEERING PARTS LIST REPORT

*** LAST CHANGE: 14 Jul, 1978

PRINTED: 14 Jul, 1978

TRAN	PART/DOC NUMBER	DT	DESCRIPTION	DRM SIZE	DRM REV	ISSUE	UOM	CLASS CODE	DOC CODE	ECT	ECNO	DSGN CNTRL
	2162 8045	PL	SWITCH PANEL ASSY	0	B	3	EA	2-8020-000	2	ECN	10723	027

TRAN	ITEM	DT	DRM SIZE	PART/DOC NUMBER	DRM REV	ISSUE IN	DOC OUT	CODE	DESCRIPTION	QUANTITY	UOM	ECT	ECNO
	15		A	2161 8426	C	2 999	3		WIRE LIST-SW PNL	0.00	RF	ECN	10596
	16		B	2161 8434	D	3 999	4		SCHEM-SWITCH PANEL	0.00	RF	ECN	10723

*****ADDITIONS AND DELETES SINCE LAST ISSUE*****

C	16		B	2161 8434	C	2 2	4		SCHEM-SWITCH PANEL	0.00	RF	ECN	10723
---	----	--	---	-----------	---	-----	---	--	--------------------	------	----	-----	-------

***** LAST LINE *****

265

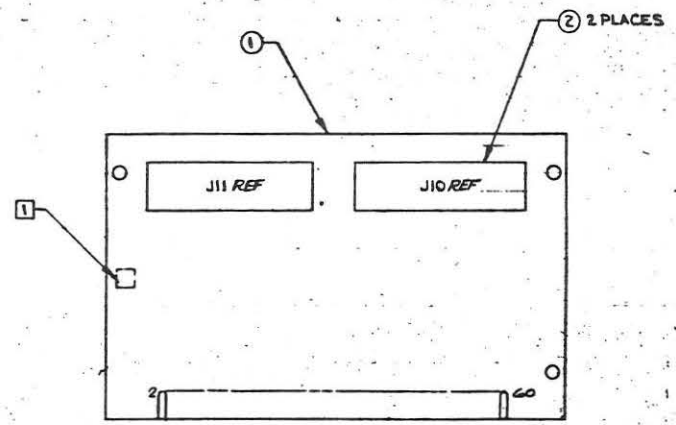
PAGE 2

ASSEMBLY 2162 8045 ISSUE 3

D 2162-2949 1 of 1
PWA PADDLE CARD II-D

1 JOB 2 LINES
G62 2912 USE SING 2

REVISION				
REV	CDNT	DR	CHK	APPD DATE
A	1	ER	4/29	10/10/58
INITIAL RELEASE				
B	1	VEN	10/23	10/23/58
C	1	6/76		ADDED REF ON J11, J10
D	1	3/1		DELETED ITEM 2



2. SEE ITEM 3 ON P/L FOR SCHEMATIC.

1 MARK ASSY NO. AND ISSUE LEVEL, APPROX WHERE SHOWN, IN .12 HIGH GOTHIC CHARACTERS USING BLACK STENCIL INK.
NOTES: UNLESS OTHERWISE SPECIFIED

SEE P/L

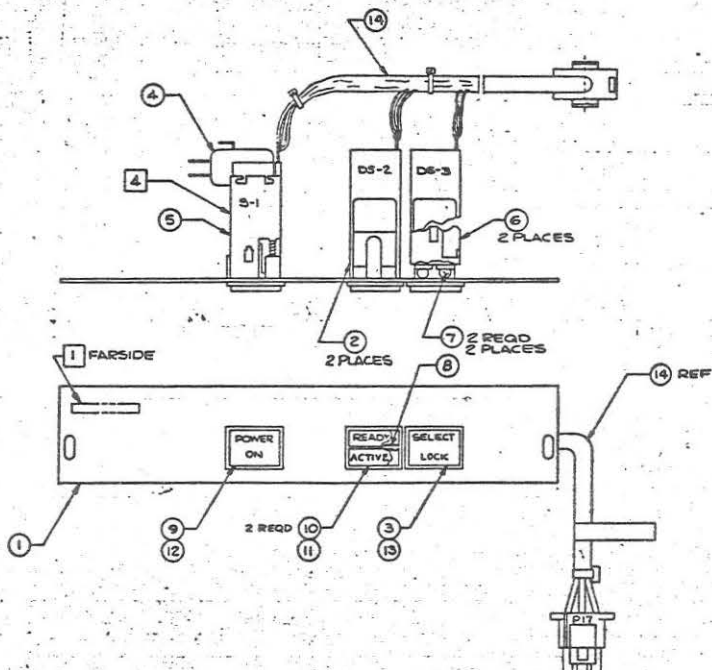
MATERIAL		DATE		Suffrage Corporation	
TREAT/TREATMENT		DATE		WESTLAKE PLANT	
SURF/SURFACE		DATE		WESTLAKE VILLAGE, CALIF 91386	
FINISH		DATE		U.S. AND CAN.	
GLASS CODE		DATE		TITLE	
2-1055		11/11/57		PWA, PADDLE CARD II-D	
PROPERTY TO SUFFRAGE CORPORATION NOT TO BE REPRODUCED FOR USE FOR MANUFACTURING PURPOSES EXCEPT BY SUFFRAGE ORDER OR PRIOR WRITTEN CONSENT		SCALE		SHEET	
		2:1		1 of 1	
		DWG NO		2162 2949	

DWG NO 2162 2949
SHEET 1 OF 1

1 2 43

VTSY PANEL SWITCH

REVISION				
REV	CDT	DR	CHK	APPD. DATE
A	ECN0257	SS	J.T. CK	4/1/72
INITIAL RELEASE				
B	ECN1024	A.S. JH	J. R. JH	4/1/72
ON THE LOCATION BS/BG CHANGE FROM READY BUSY TO: READY ACTIVE				



- 4 DESIGNATIONS FOR REF ONLY
 - 3 SEE ITEM 16 ON P/L FOR SCHEMATIC
 - 2 SEE ITEM 15 ON P/L FOR WIRE LIST
 - 1 MARK BURROUGHS PART NO. AND LATEST REV LTR USING .12 HIGH BLACK STENCIL INK GOTHIC CHARACTERS APPROX WHERE SHOWN.
- NOTES: UNLESS OTHERWISE SPECIFIED.

SEE P/L

TOLERANCES UNLESS OTHERWISE SPECIFIED				DIMENSIONS		DATE	
FRACTIONS		DECIMALS		DRAWN		DATE	
.005		.005		J. T. CK		2-2-72	
.010		.010		J. R. JH		4-1-72	
.015		.015		A. S. JH		4-1-72	
.020		.020		J. R. JH		4-1-72	
.030		.030		A. S. JH		4-1-72	
.040		.040		J. R. JH		4-1-72	
.050		.050		A. S. JH		4-1-72	
.060		.060		J. R. JH		4-1-72	
.070		.070		A. S. JH		4-1-72	
.080		.080		J. R. JH		4-1-72	
.090		.090		A. S. JH		4-1-72	
.100		.100		J. R. JH		4-1-72	
.125		.125		A. S. JH		4-1-72	
.150		.150		J. R. JH		4-1-72	
.175		.175		A. S. JH		4-1-72	
.200		.200		J. R. JH		4-1-72	
.250		.250		A. S. JH		4-1-72	
.300		.300		J. R. JH		4-1-72	
.375		.375		A. S. JH		4-1-72	
.450		.450		J. R. JH		4-1-72	
.500		.500		A. S. JH		4-1-72	
.625		.625		J. R. JH		4-1-72	
.750		.750		A. S. JH		4-1-72	
.875		.875		J. R. JH		4-1-72	
1.000		1.000		A. S. JH		4-1-72	
1.250		1.250		J. R. JH		4-1-72	
1.500		1.500		A. S. JH		4-1-72	
1.750		1.750		J. R. JH		4-1-72	
2.000		2.000		A. S. JH		4-1-72	
2.500		2.500		J. R. JH		4-1-72	
3.000		3.000		A. S. JH		4-1-72	
3.750		3.750		J. R. JH		4-1-72	
4.500		4.500		A. S. JH		4-1-72	
5.000		5.000		J. R. JH		4-1-72	
6.250		6.250		A. S. JH		4-1-72	
7.500		7.500		J. R. JH		4-1-72	
8.750		8.750		A. S. JH		4-1-72	
10.000		10.000		J. R. JH		4-1-72	
12.500		12.500		A. S. JH		4-1-72	
15.000		15.000		J. R. JH		4-1-72	
17.500		17.500		A. S. JH		4-1-72	
20.000		20.000		J. R. JH		4-1-72	
25.000		25.000		A. S. JH		4-1-72	
30.000		30.000		J. R. JH		4-1-72	
37.500		37.500		A. S. JH		4-1-72	
45.000		45.000		J. R. JH		4-1-72	
50.000		50.000		A. S. JH		4-1-72	
62.500		62.500		J. R. JH		4-1-72	
75.000		75.000		A. S. JH		4-1-72	
87.500		87.500		J. R. JH		4-1-72	
100.000		100.000		A. S. JH		4-1-72	
125.000		125.000		J. R. JH		4-1-72	
150.000		150.000		A. S. JH		4-1-72	
175.000		175.000		J. R. JH		4-1-72	
200.000		200.000		A. S. JH		4-1-72	
250.000		250.000		J. R. JH		4-1-72	
300.000		300.000		A. S. JH		4-1-72	
375.000		375.000		J. R. JH		4-1-72	
450.000		450.000		A. S. JH		4-1-72	
500.000		500.000		J. R. JH		4-1-72	
625.000		625.000		A. S. JH		4-1-72	
750.000		750.000		J. R. JH		4-1-72	
875.000		875.000		A. S. JH		4-1-72	
1000.000		1000.000		J. R. JH		4-1-72	
1250.000		1250.000		A. S. JH		4-1-72	
1500.000		1500.000		J. R. JH		4-1-72	
1750.000		1750.000		A. S. JH		4-1-72	
2000.000		2000.000		J. R. JH		4-1-72	
2500.000		2500.000		A. S. JH		4-1-72	
3000.000		3000.000		J. R. JH		4-1-72	
3750.000		3750.000		A. S. JH		4-1-72	
4500.000		4500.000		J. R. JH		4-1-72	
5000.000		5000.000		A. S. JH		4-1-72	
6250.000		6250.000		J. R. JH		4-1-72	
7500.000		7500.000		A. S. JH		4-1-72	
8750.000		8750.000		J. R. JH		4-1-72	
10000.000		10000.000		A. S. JH		4-1-72	

Burroughs Corporation
 BOSTON, MASSACHUSETTS
 WELLSVILLE, CALIF. 95758
 TITLE: ASSY. PANEL SWITCH
 SCALE: NONE
 SHEET: 1 OF 1
 DWG. NO.: 02162 8045 B