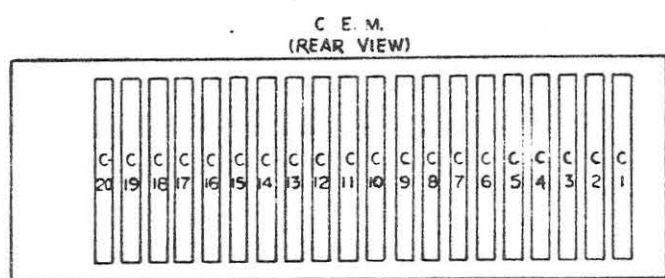
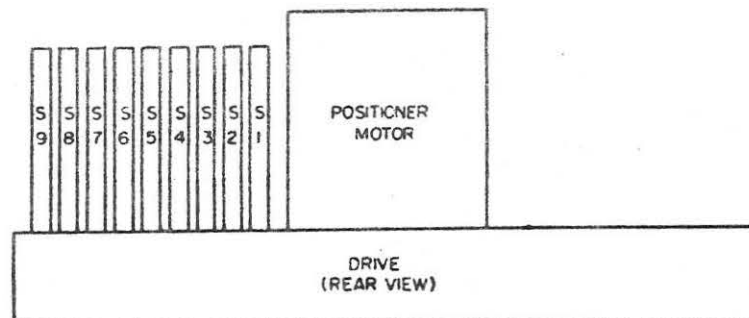


PART NUMBER	DESCRIPTION	CARD CAGE LOCATION	SCHEM P/G #
2161 7881	READ/WRITE AMP PWBA	S 1	31
2163 0660	WRITE DRIVER PWBA	S 2	32
2163 0249	REDUCER AMP PWBA	S 3	33
2857 1487	SERVO AMP PWBA	S 4	34
2160 2750	INTERFACE BD PWB	S 5	35, 35A
2161 7923	TEMP COMP PWBA	S 6	36
	EMPTY	S 7	--
	EMPTY	S 8	--
	EMPTY	S 9	--
2162 3830	DC VOLTAGE MONITOR PWBA	C 1	7
2857 2717	SECTOR GENERATOR PWBA	C 2	8
2857 2048	DRIVE CONTROL I PWBA	C 3	9, 10
2857 2410	DRIVE CONTROL II PWBA	C 4	11
2162 1800	DRIVE CONTROL III PWBA	C 5	12
2161 7345	SERVO PREAMP PWBA	C 6	13, 14
2857 1610	ADDRESS COMPARE PWBA	C 7	15
2857 1776	PRESENT ADDRESS REGISTER PWBA	C 8	16
2857 4192	PRESENT ADD REGISTER PWBA S S	C 8	16
	EMPTY	C 9	--
	EMPTY	C 10	--
	EMPTY	C 11	--
2857 4036	WRITE ENCODER PWBA	C 12	17, 18
2857 1645	T R U PWBA	C 13	19
2163 2682	DATA DISCRIMINATOR PWBA	C 14	20
2163 1627	LPC CORRUPT PWBA	C 15	21
2857 1677	ECC GENERATOR PWBA	C 16	22
2857 1255	ECC TIMING PWBA	C 17	23, 24
2857 3640	R/W MACHINE PWBA	C 18	25, 26
2857 2544	PADDLE CARD I ASSY	C 19	27, 28
2163 0520	PADDLE CARD II ASSY DS	C 20	29
2163 0534	PADDLE CARD II ASSY S S	C 20	29
	AC POWER DISTRIBUTION SCHEM		Ø
2163 1205	POWER SUPPLY PWBA		1
2162 7013	VOLTAGE REGULATOR PWBA		2
2857 2634	I/O MODULE PWBA DS		3, 4, 5, 6
2857 4416	I/O MODULE PWBA S S		3, 4, 5, 6
2162 4127	PWR AMP MOD PWBA		30
2857 4143	LPC CORRUPT PWBA S S	C 15	21
2857 4283	SERVO PREAMP PWBA S S	C 6	13, 14
2857 4309	SECTOR GENERATOR S S PWBA	C 2	8

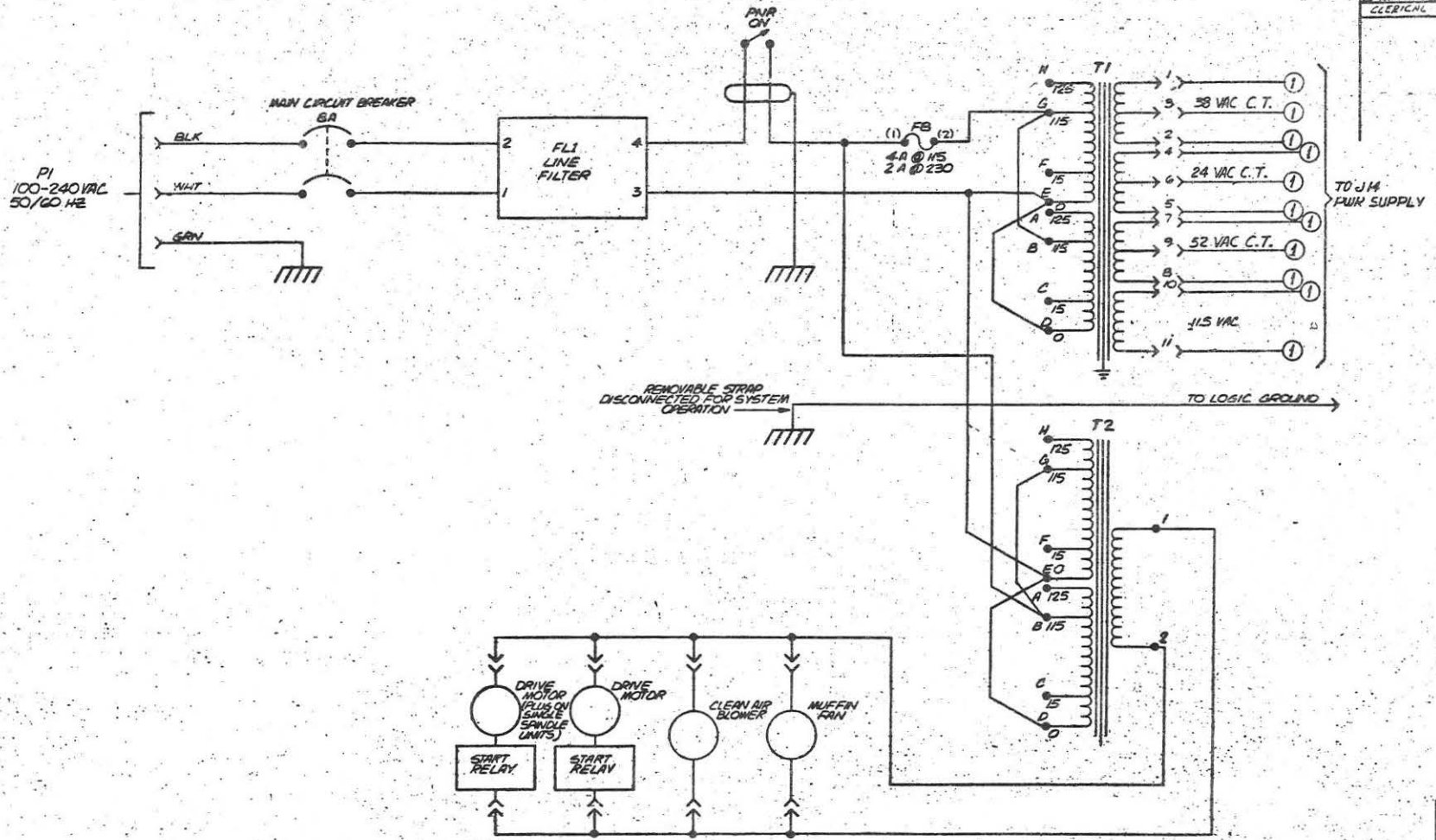


B/A	CHANGE P/N 2857 3061 TO 2857 4416 ADD THE FOLLOWING:
A/A	2857 4309 SECTOR GEN. S S PWBA
C/A	2857 4192 PRESENT ADD REGISTER PWBA S. S.
B/A	2857 4143 LPC CORRUPT PWBA S. S. 2857 4243 SERVO PREAMP PWBA S. S.
C	ECN 11043
C/A	CHANGED P/N FROM 2163 3532 TO 2857 4036
C/A	ON P/N 2857 1776 PRESENT ADDRESS REGISTER D. S. PWBA DELETED D. S.
C/A.3	DELETED P/N 2163 0025 (PRESENT ADDRESS REGISTER PWBA)-C B-16
B/A.3	ON AC POWER DISTRIBUTION SCHEM, CHANGE SCHEM PG. # FROM 1A TO Ø.
B	ECN 11023
INITIAL RELEASE, WAS: 2161 8492	
A	ECN 10989
REV	CONT
DR	CHK
APPD	DATE
ZONE	REVISION

UNLESS OTHERWISE SPECIFIED  
 DIMENSIONS ARE IN INCHES  
 MATERIAL: ALUMINUM  
 HEAT TREATMENT: T3  
 SURFACE TREATMENT: ANODIZING  
 PROPRIETARY TO BURROUGHS CORPORATION. NOT TO BE REPRODUCED OR TRANSMITTED IN ANY FORM OR BY ANY MEANS, ELECTRONIC OR MECHANICAL, INCLUDING PHOTOCOPYING, RECORDING, OR BY ANY INFORMATION STORAGE AND RETRIEVAL SYSTEM.

BURROUGHS 95  
 PERIPHERAL PRODUCTS GROUP  
 GUADALAJARA, JALISCO  
 PLANT 077 MEXICO  
 CLASS CODE  
 TITLE: PLUGGABLE LOCATION CHART  
 DATE: 11-FEB-75  
 BY: J. J. J. / J. J. J.  
 SCALE: 1/16" = 1" (REV. C)  
 NO. 2857 3764

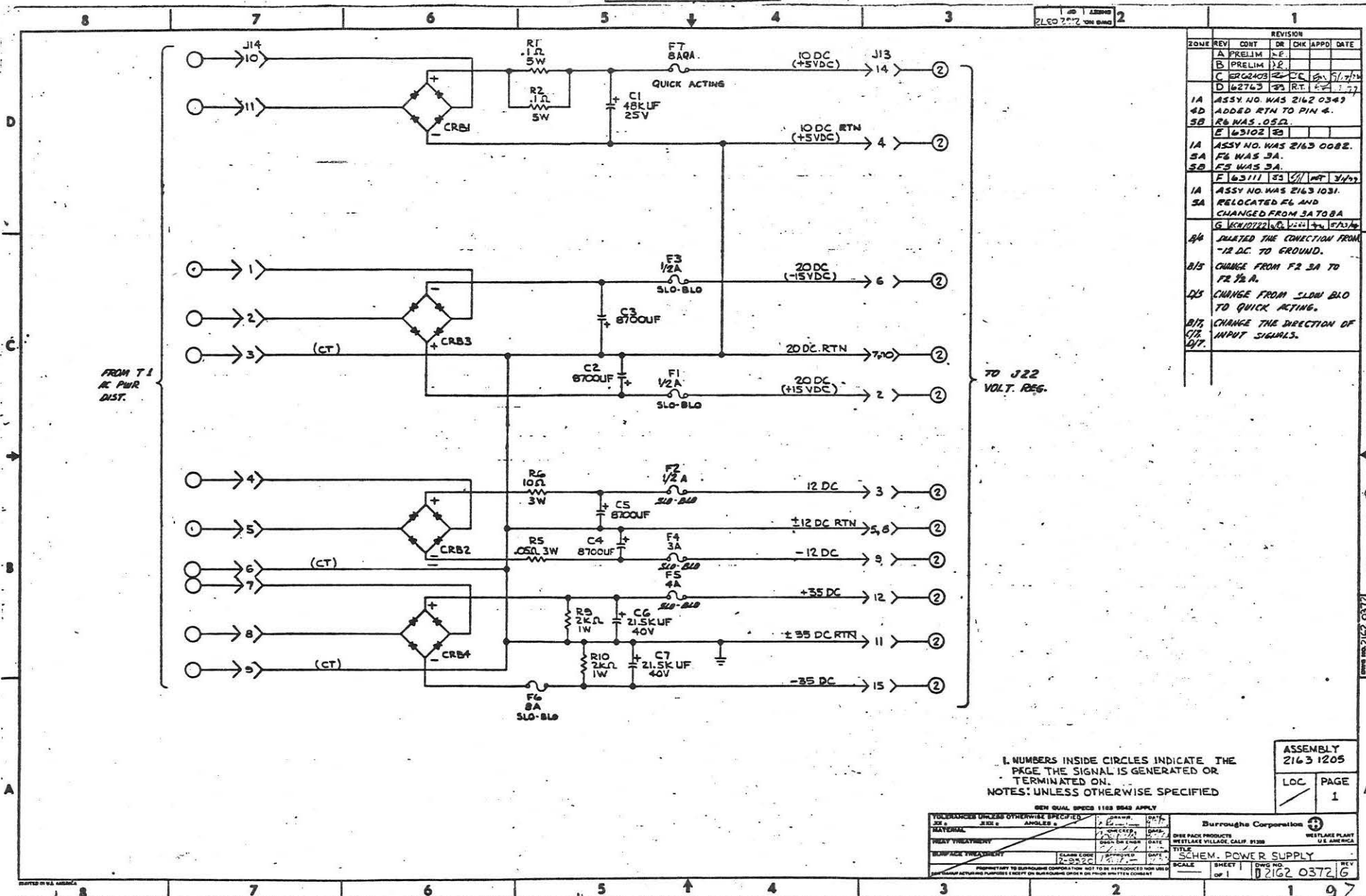
REVISION				
REV	CONT	OR	CHK	APPRO DATE
A	DESIGNED		WJ	1/10/58
B	REVISED		WJ	1/16/58
CLERICAL ERRORS				



ASSEMBLY	
LOC	PAGE
/	8

TOLERANCES UNLESS OTHERWISE SPECIFIED		DATE	BY
MATERIAL	W. J. WILSON	1/10/58	WJ
DESIGNED BY	W. J. WILSON	DATE	1/10/58
CHECKED BY	W. J. WILSON	DATE	1/10/58
DATE	1/10/58	SCALE	1/1
PROPERTY TO SURVIVOR COMPANY. NOT TO BE REPRODUCED OR FOR REPRODUCTION PURPOSES EXCEPT BY SURVIVOR'S WRITTEN CONSENT		TITLE	SCHEM. AC PWR DISTR.
		DWG NO.	2162 5470 B
		REV	

D 2163 03725 1 of 1  
 SCHEM - Power Supply



ZONE	REV	CONT	DR	CHK	APPD	DATE
	A	PRELIM				
	B	PRELIM				
	C	CR02403	CC	SC		9/17/54
	D	62763	SC	RT	LS	1/77
1A		ASSY NO. WAS 2162 0349				
4D		ADDED RTN TO PIN 4.				
5B		R6 WAS 0.5Ω.				
	E	63102	SC			
1A		ASSY NO. WAS 2163 0082.				
5A		F6 WAS 3A.				
5B		F5 WAS 3A.				
	F	63111	SC	1/1	1/1	3/67
1A		ASSY NO. WAS 2163 1031.				
5A		RELOCATED F6 AND CHANGED FROM 3A TO 8A				
	G	63122	SC	1/1	1/1	1/73
4A		ISOLATED THE CONNECTION FROM -12 DC TO GROUND.				
B15		CHANGE FROM F2 3A TO F2 1/2 A.				
D15		CHANGE FROM SLOW BLD TO QUICK ACTING.				
B17		CHANGE THE DIRECTION OF INPUT SIGNALS.				
D17						

1. NUMBERS INSIDE CIRCLES INDICATE THE PKGE THE SIGNAL IS GENERATED OR TERMINATED ON.  
 NOTES: UNLESS OTHERWISE SPECIFIED

ASSEMBLY  
 2163 1205  
 LOC PAGE  
 1

TOLERANCES UNLESS OTHERWISE SPECIFIED		DATE	DATE
SIZE	ANGLES	DATE	DATE
MATERIAL	FINISH	DATE	DATE
TREATMENT	FINISH	DATE	DATE
SURFACE TREATMENT	FINISH	DATE	DATE

NEW QUAL SPEED 1163 8648 APPLY

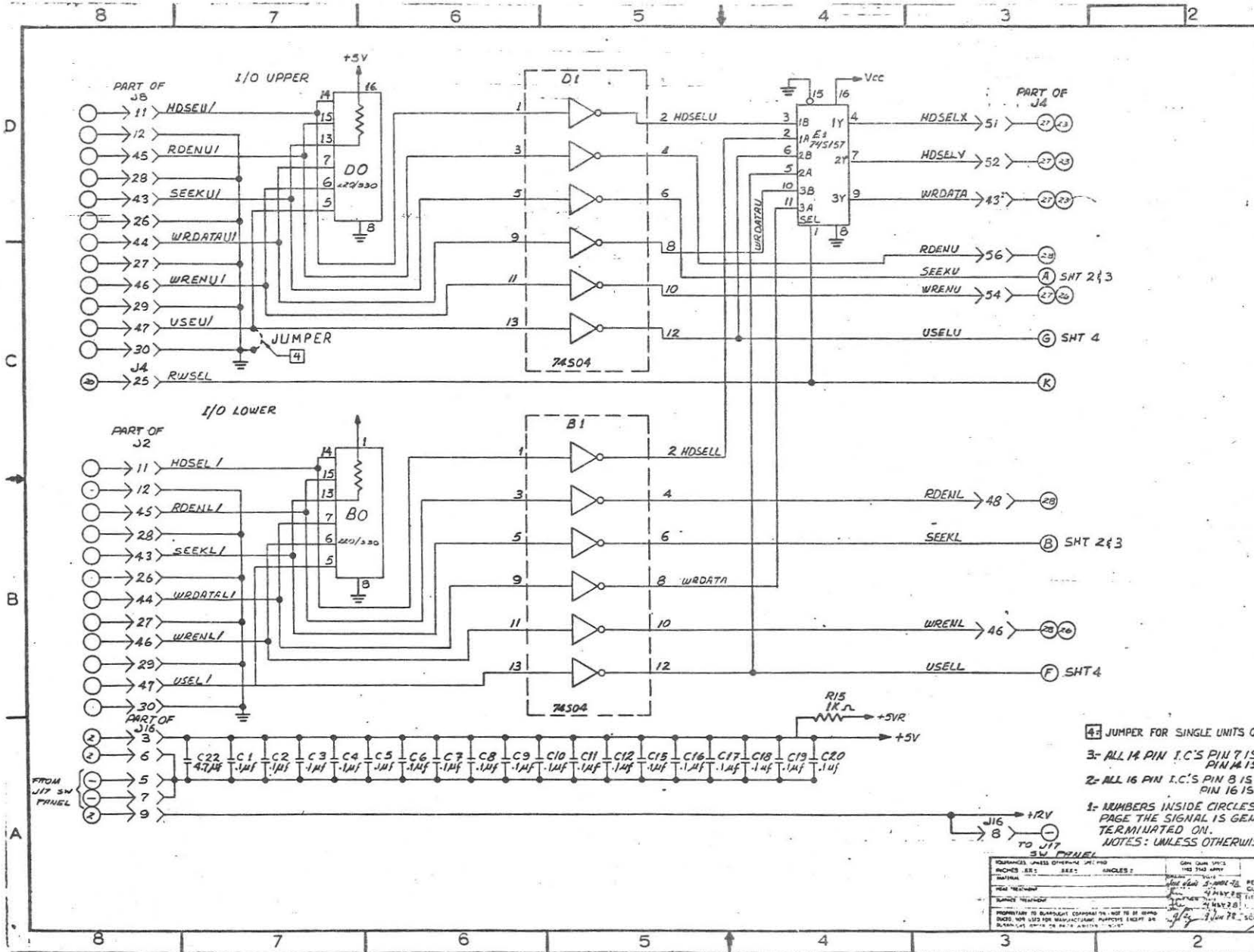
Burrhoughs Corporation  
 ONE PARK PRODUCTS  
 WESTLAKE VILLAGE CALIF 91361  
 WESTLAKE PLANT  
 U.S. AMERICA

TITLE: SCHEM. POWER SUPPLY  
 SCALE: SHEET 1 OF 1  
 DRAWING NO: 2162 03725

FORM NO. 2162 03725



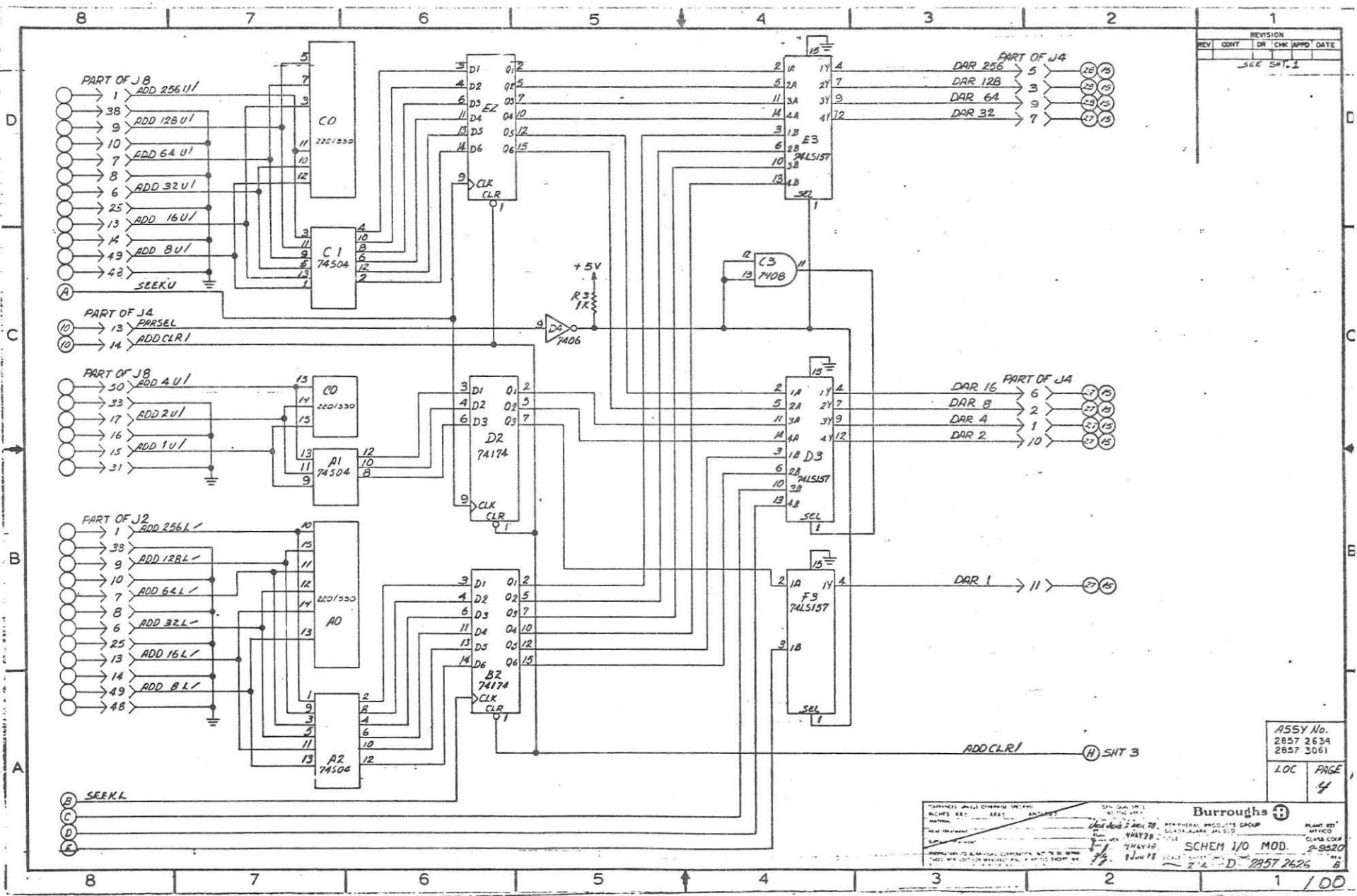
REV		CONT		DR		CHK		APPRO		DATE	
1											
DELETED D'S FILE TITLE ADDED NOTE 4 ADDED ASSY No 2857 3061											



43 JUMPER FOR SINGLE UNITS ONLY.  
 3- ALL 14 PIN I.C.'S PIN 7 IS GND  
 PIN 15 5V  
 2- ALL 16 PIN I.C.'S PIN 8 IS GND  
 PIN 16 IS 5V  
 1- NUMBERS INSIDE CIRCLES INDICATE THE  
 PAGE THE SIGNAL IS GENERATED OR  
 TERMINATED ON.  
 NOTES: UNLESS OTHERWISE SPECIFIED

ASSY No.	2857 2639
2857 3061	
LOC	PAGE
	3

Burrheads		PERIPHERAL PRODUCTS GROUP		PLANT BY	
MILWAUKEE, WIS.		CINCINNATI, OHIO		MILCO	
SCHEM. 1/0 MOD.		DATE		CLASS CODE	
10/6 78		10/6 78		2857 20	



ASSY No.  
2857 262A  
2857 3061

LOC PAGE  
4

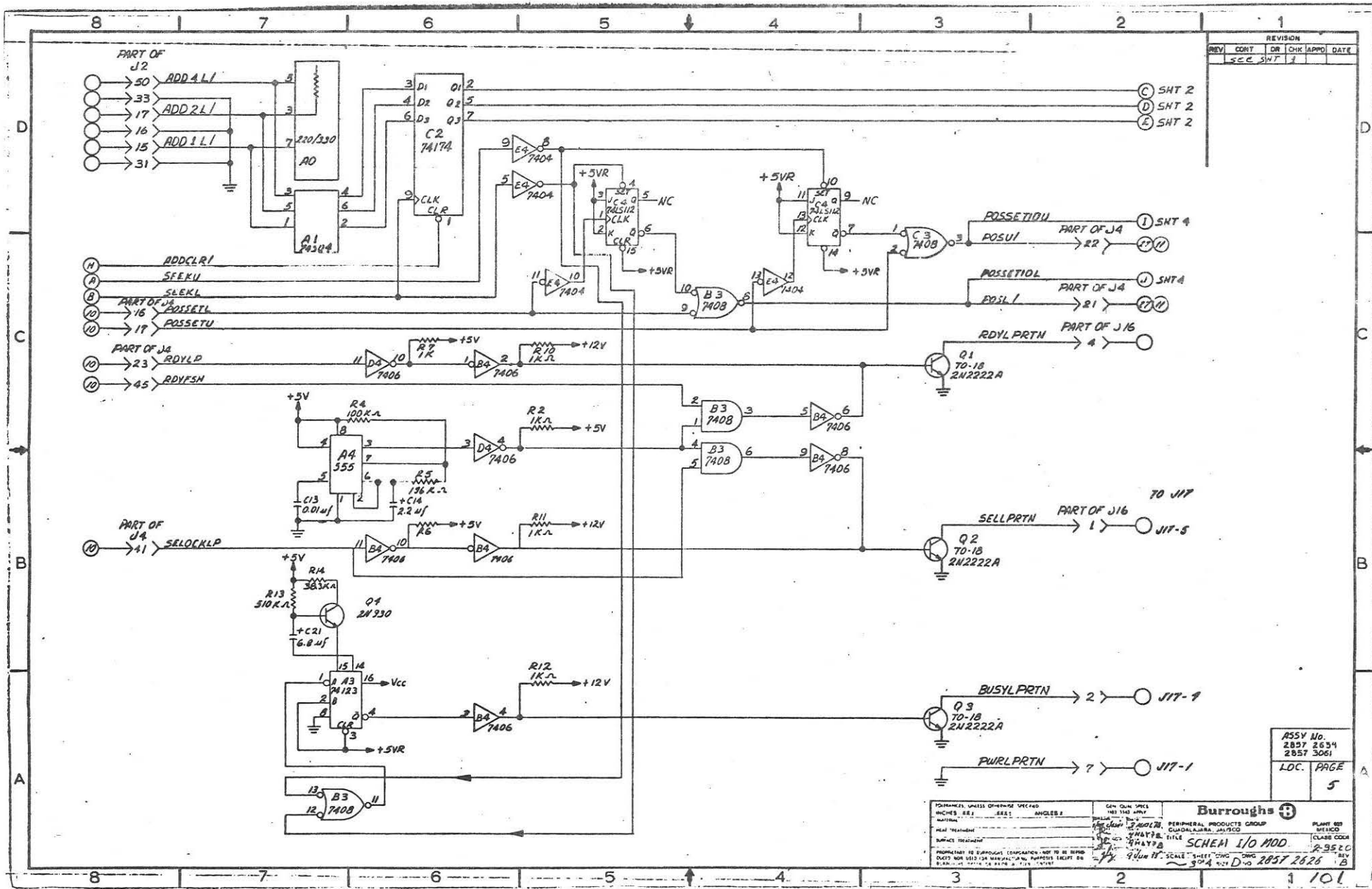
Burroughs **B**

SCHEM I/O MOD. 2-9520

DATE: 7/14/78

SCALE: 1/8" = 1"

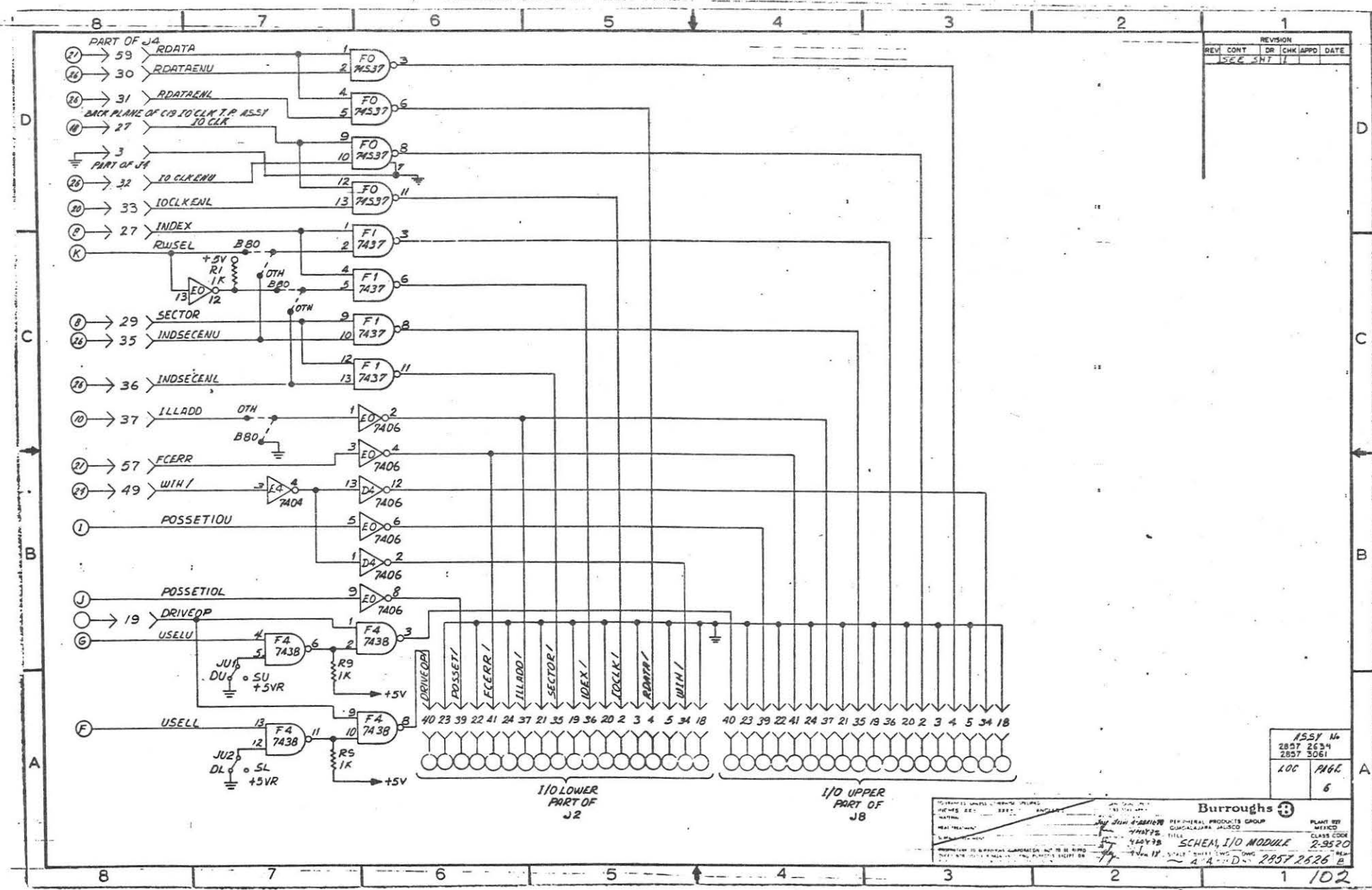
2857 2626



REVISION				
REV	CONT	DR	CHK	APPRO DATE
1	SEC	SMT	1	

ASSY No.	2857 2834
	2857 3061
LOC.	PAGE
	5

FORMER: UNLESS OTHERWISE SPEC'ED	GA - DIM. UNITS	Burroughs	PERIPHERAL PRODUCTS GROUP	PLANT OR OFFICE
INCHES, DEC.	1/16, 1/32, 1/64			
MATERIAL:	ANGLE:	CINCINNATI, OHIO		
FINISH:	FINISH:	CINCINNATI, OHIO		
SURFACE TREATMENT:	TITLE:	SCHEM I/O MOD.		
PROPERTY IS BURROUGHS' PROPERTY AND IS TO BE RETURNED TO BURROUGHS UPON REQUEST.	DATE:	1964 JUN 18		
	SCALE:	3/4" = 1" D-0 2857 2828 1B		



REVISION	
REV. CONT.	OR CHK APPD. DATE
1	SEE SH 11

ASSY No	
2857 2634	
2857 3061	
LOC	PAGE
	6

Burroughs 
  
 PERIPHERAL PRODUCTS GROUP

TITLE: SCHEM, I/O MODULE

CLASS CODE: 2-9520

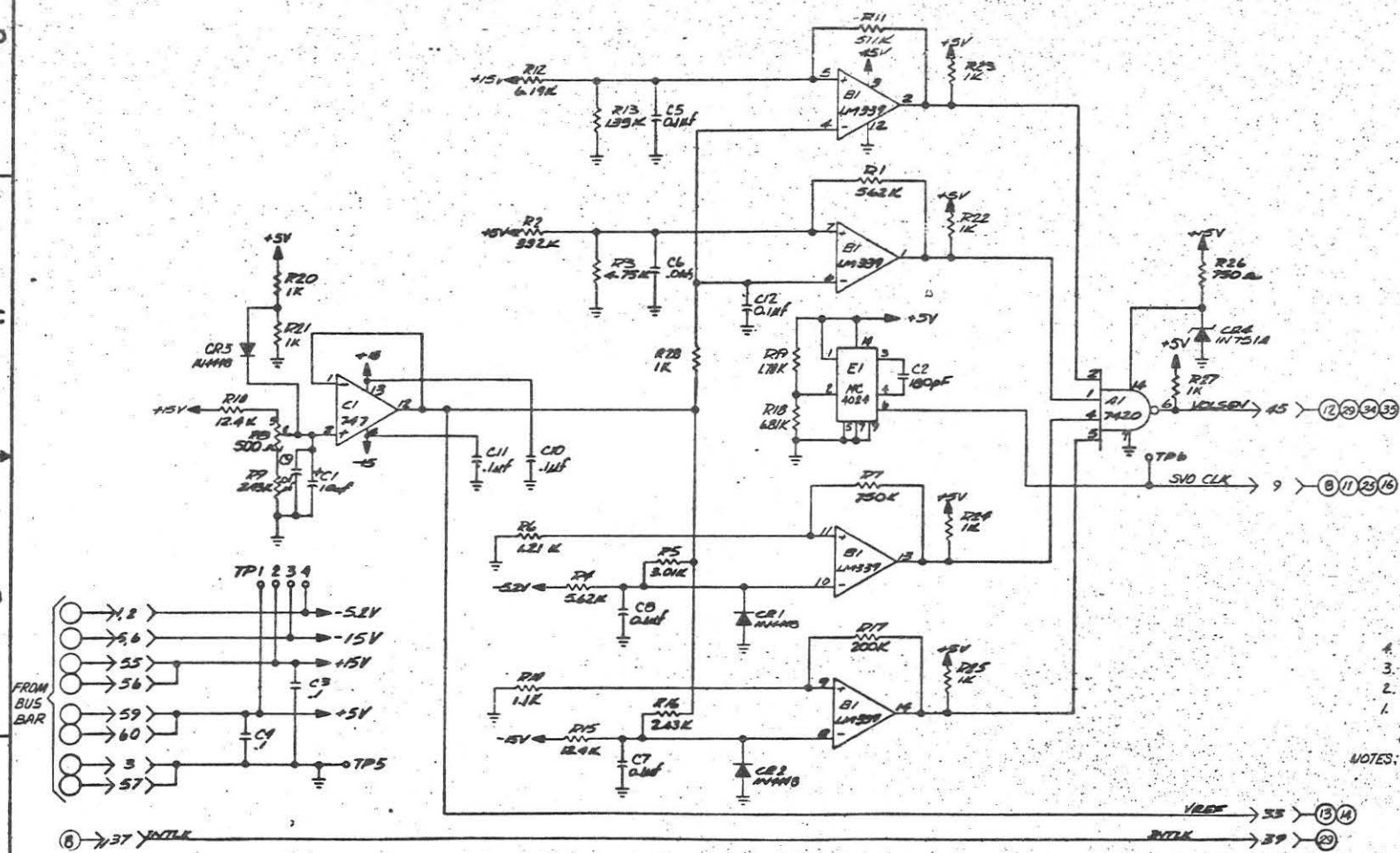
SCALE: 4-4-DAY 2857 2626 B



D 2162 3863 C 1 of 1  
 Rev. - D.C. Voltage Monitor

REV	REV	CONT	DR	CHK	APPRO	DATE
A	1	02/20/68	PH	VC	PH	11/17/68
B	1	02/16/68	PH	VC	PH	11/17/68
C-7	1	02/16/68	PH	VC	PH	11/17/68

REVISION  
 R8 WAS 200 Ω  
 R5 500 Ω  
 C1 100 pF  
 C2 100 pF  
 C3 1 μF  
 C4 1 μF  
 C5 0.1 μF  
 C6 0.1 μF  
 C7 0.1 μF  
 C8 1 μF  
 C9 1 μF  
 C10 1 μF  
 C11 1 μF  
 C12 0.1 μF  
 C13 1 μF  
 C14 1 μF  
 C15 1 μF  
 C16 1 μF  
 C17 1 μF  
 C18 1 μF  
 C19 1 μF  
 C20 1 μF  
 C21 1 μF  
 C22 1 μF  
 C23 1 μF  
 C24 1 μF  
 C25 1 μF  
 C26 1 μF  
 C27 1 μF  
 C28 1 μF  
 C29 1 μF  
 C30 1 μF  
 C31 1 μF  
 C32 1 μF  
 C33 1 μF  
 C34 1 μF  
 C35 1 μF  
 C36 1 μF  
 C37 1 μF  
 C38 1 μF  
 C39 1 μF  
 C40 1 μF  
 C41 1 μF  
 C42 1 μF  
 C43 1 μF  
 C44 1 μF  
 C45 1 μF  
 C46 1 μF  
 C47 1 μF  
 C48 1 μF  
 C49 1 μF  
 C50 1 μF  
 C51 1 μF  
 C52 1 μF  
 C53 1 μF  
 C54 1 μF  
 C55 1 μF  
 C56 1 μF  
 C57 1 μF  
 C58 1 μF  
 C59 1 μF  
 C60 1 μF  
 C61 1 μF  
 C62 1 μF  
 C63 1 μF  
 C64 1 μF  
 C65 1 μF  
 C66 1 μF  
 C67 1 μF  
 C68 1 μF  
 C69 1 μF  
 C70 1 μF  
 C71 1 μF  
 C72 1 μF  
 C73 1 μF  
 C74 1 μF  
 C75 1 μF  
 C76 1 μF  
 C77 1 μF  
 C78 1 μF  
 C79 1 μF  
 C80 1 μF  
 C81 1 μF  
 C82 1 μF  
 C83 1 μF  
 C84 1 μF  
 C85 1 μF  
 C86 1 μF  
 C87 1 μF  
 C88 1 μF  
 C89 1 μF  
 C90 1 μF  
 C91 1 μF  
 C92 1 μF  
 C93 1 μF  
 C94 1 μF  
 C95 1 μF  
 C96 1 μF  
 C97 1 μF  
 C98 1 μF  
 C99 1 μF  
 C100 1 μF



1. NUMBER INSIDE ○ INDICATES PAGE NUMBER THAT SIGNAL IS GENERATED OR TERMINATED
  2. ALL RESISTORS ARE 1/4W 2% .
  3. ALL CAPACITORS ARE IN MICROFARADS
  4. FOR PWR & GND IF IT'S SEE FACE OF Dwg
- NOTES: UNLESS OTHERWISE SPECIFIED

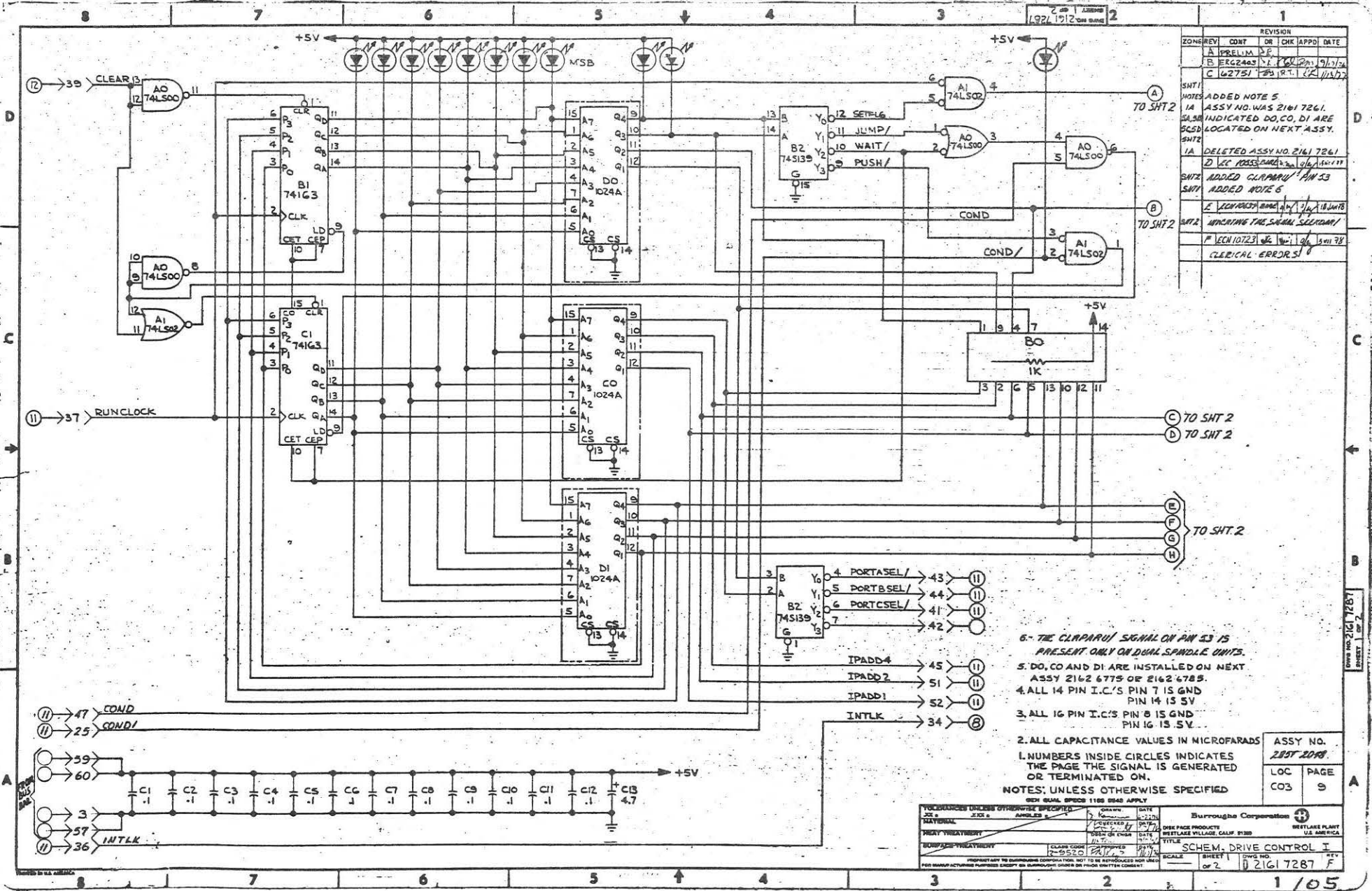
ASSY NO  
 2162 3830  
 LOC PAGE  
 COI 7

DESIGN SPEC'S 1180 9845 APPLY		Barrington Corporation	
TOLERANCES UNLESS OTHERWISE SPECIFIED:	SIZE 2:30 ±	ANGLE 8	DRY
MATERIAL	303	304	305
TREATMENT	303	304	305
FINISH/TREATMENT	303	304	305
DATE	11/17/68	DR	PH
SCALE	1:1	DRG NO	2162 3863 C
SHEET	1	OF	1

Dwg No 2162-3863 C SHEET 1 OF 1



2161 7287 F 1042  
SCHEM. DRIVE CONTROL I



REVISION				
ZONE	REV	CONT	OR	CHK APPD DATE
	A	PRELIM		
	B	ERC2403		1/1/74
	C	62751		1/21/74

SHT1 NOTES:  
 ADDED NOTE 5  
 1A ASSY NO. WAS 2161 7261.  
 2A, 3A INDICATED DO, CO, DI ARE  
 6C, 5D LOCATED ON NEXT ASSY.  
 SHT2  
 1A DELETED ASSY NO. 2161 7261  
 2A EC 10353 2403 2/16/74  
 SHT3 ADDED CLRPARU PIN 53  
 SHT4 ADDED NOTE 6  
 1A CORRECTED DRAWING 1/16/74  
 SHT5 IMPROVING THE SIGNAL SECTION!  
 F ECN 10723 2/6/74  
 CLERICAL ERRORS!

- 6. THE CLRPARU SIGNAL ON PIN 53 IS PRESENT ONLY ON DUAL SPINDLE UNITS.
  - 5. DO, CO AND DI ARE INSTALLED ON NEXT ASSY 2162 6775 OR 2162 6785.
  - 4. ALL 14 PIN I.C.'S PIN 7 IS GND PIN 14 IS 5V
  - 3. ALL 16 PIN I.C.'S PIN 8 IS GND PIN 16 IS 5V.
  - 2. ALL CAPACITANCE VALUES IN MICROFARADS
  - 1. NUMBERS INSIDE CIRCLES INDICATES THE PAGE THE SIGNAL IS GENERATED OR TERMINATED ON.
- NOTES: UNLESS OTHERWISE SPECIFIED

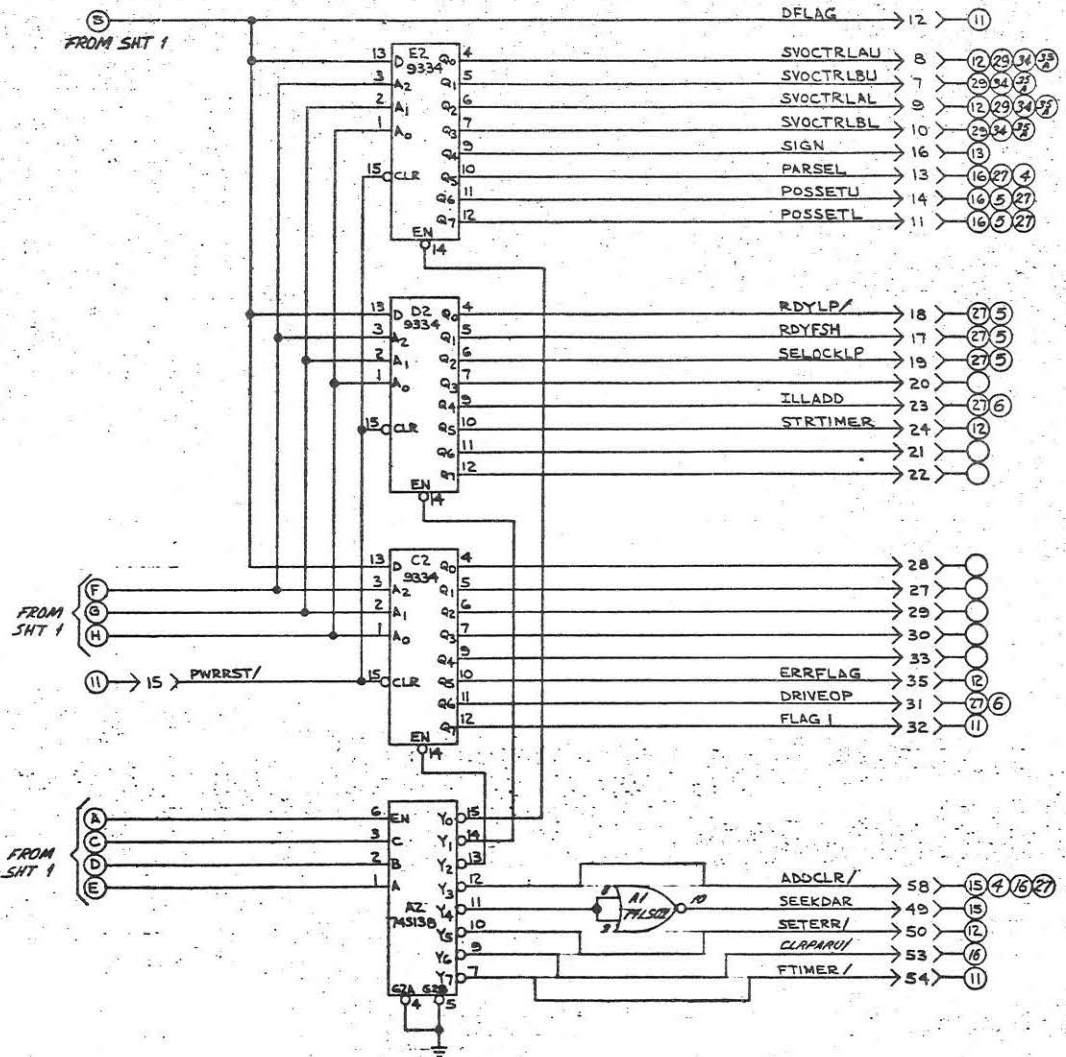
ASSY NO.	2161 2048
LOC	PAGE
CO3	9

MATERIAL		DATE		Suffolk Corporation	
PREP TREATMENT	DESIGNER	DATE	DATE	DESIGNER	DATE
FINISH TREATMENT	DESIGNER	DATE	DATE	DESIGNER	DATE
SCHEM. DRIVE CONTROL I		SCALE		SHEET 1 OF 2	
2161 7287 F		REV		1/05	

D 2161 7287 F 2 of 2  
SCHEM. DRIVE CONTROL X

2 of 2 SHEETS  
L92L 192C USE BOND

REVISION					
REV	COM	DR	CHK	APPRD	DATE
SEE SHY					

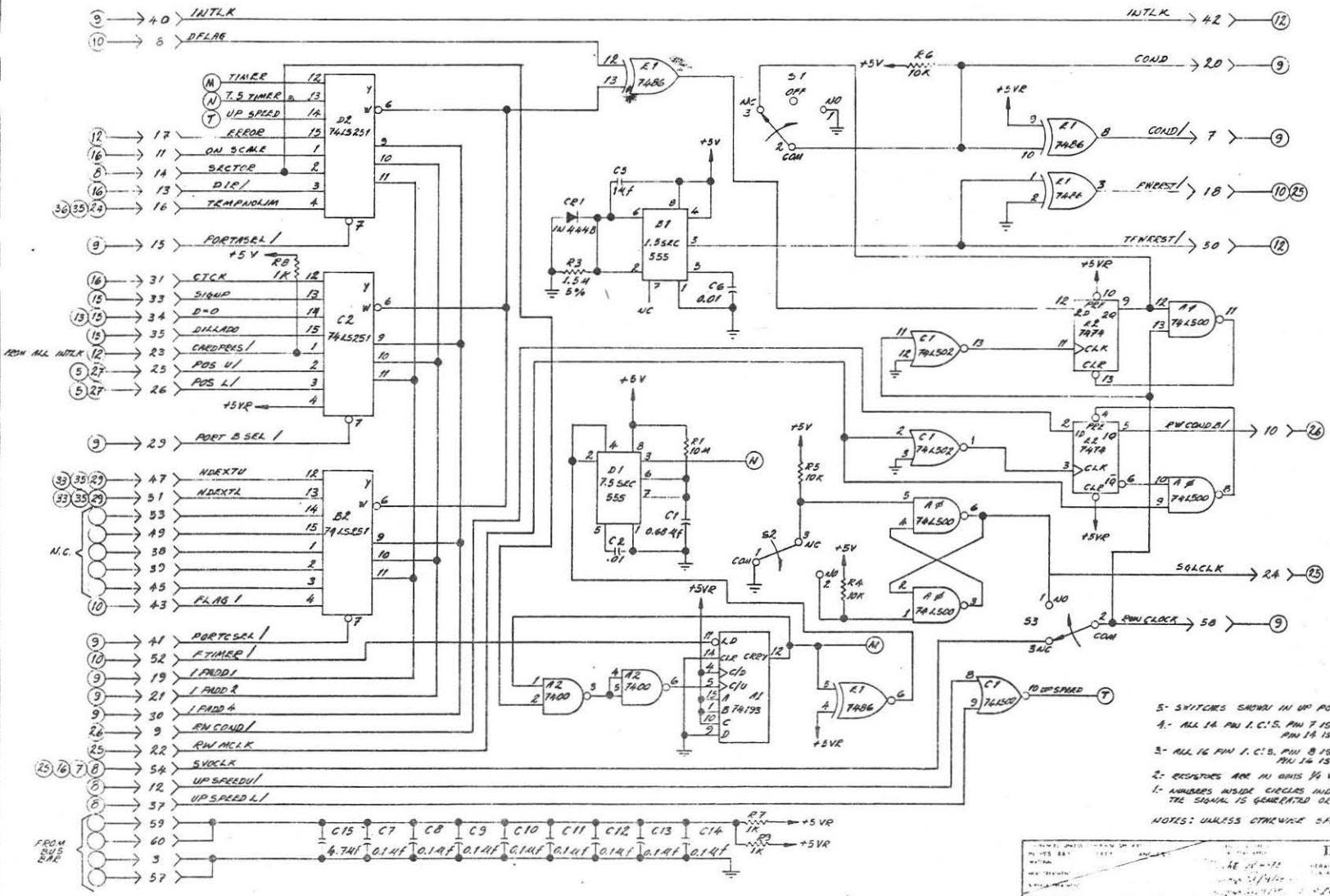


ASSY NO. 1057 2098	
LOC C03	PAGE 10

DESIGNATION		DATE		DATE	
DESIGNED	BY	CHECKED	BY	APPROVED	DATE
DRAWN		SIGN ON CHG		DATE	
TITLE		CLASS CODE		SCALE	
SCHEM. DRIVE CONTROL I		2-5520		SHEET 2 OF 2	
DWG NO.		REV		DATE	
2161 7287 F		1		106	

FORM NO. 3161 7287

REV.	DATE	BY	DESCRIPTION
1	10/15/77	...	...
2	...	...	...
3	...	...	...



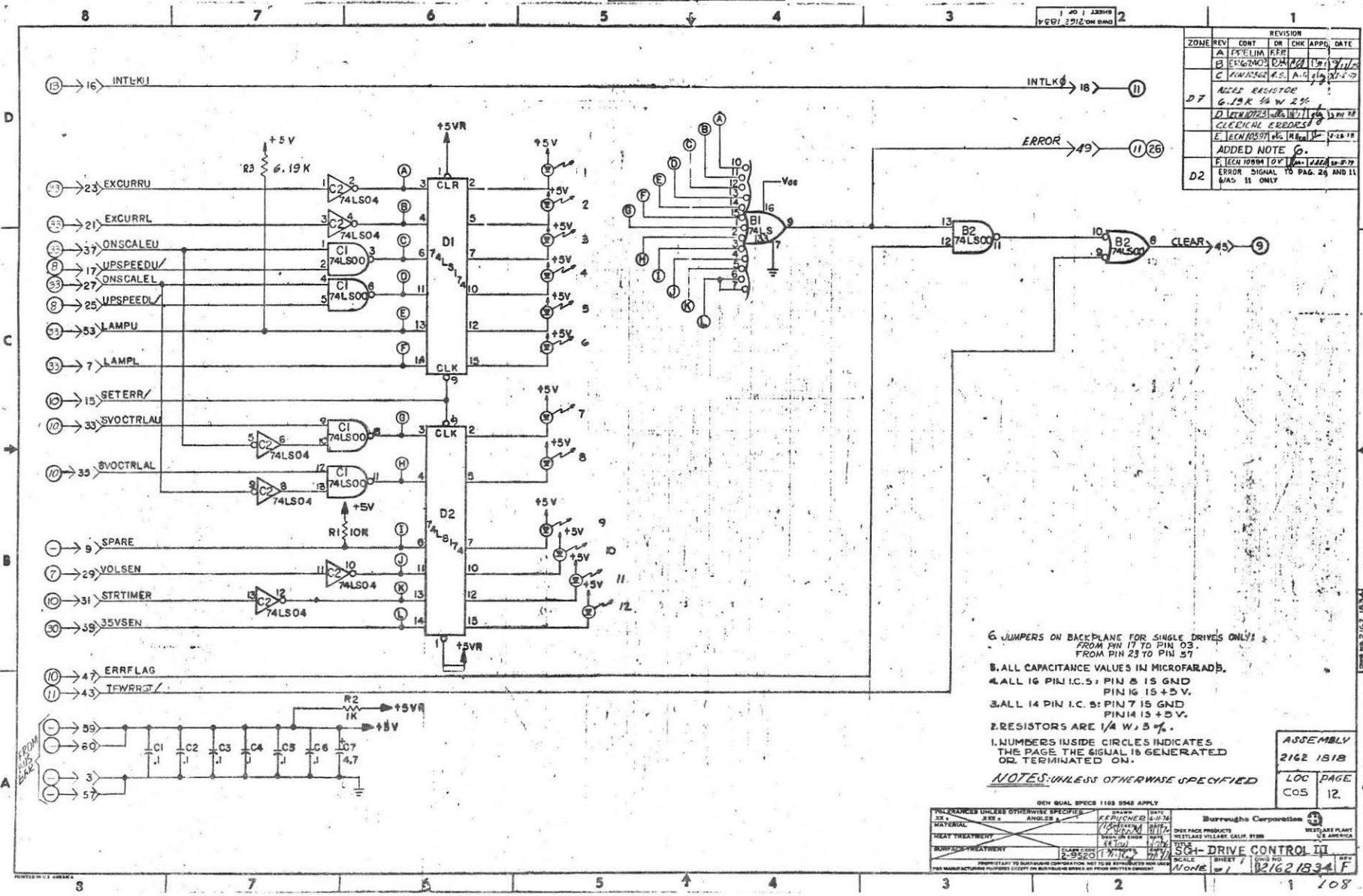
5- SWITCHES SHOWN IN UP POSITION  
 1- ALL 16 PIN I.C.'S. PIN 7 IS GND  
 PIN 14 IS 5V  
 3- ALL 16 PIN I.C.'S. PIN 8 IS GND  
 PIN 16 IS 5V  
 2- RESISTORS ARE IN OHMS UNLESS NOTED  
 1- NUMBERS INSIDE CIRCLES INDICATE THE PAGE  
 THE SIGNAL IS GENERATED OR TERMINATED ON  
 NOTES: UNLESS OTHERWISE SPECIFIED

**Burroughs**

SEARCHED INDEXED  
 SERIALIZED FILED  
 OCT 17 1977  
 FBI - NEW YORK

100-100000-107

D 2162 1B34 F Lot 1  
 SCHEM - DRIVE CONTROL III



REVISION						
ZONE	REV	CONT	DR	CHK	APPR	DATE
	A	FFELIM	FFP			
	B	EXCURRU	EXCURRL			7/1/78
	C	ONSCALEU	ONSCALEL			7/1/78
D7		RESISTOR				
	D	UPSPEEDU	UPSPEEDL			7/1/78
	E	TECHNICAL				7/1/78
	F	TECHNICAL				7/1/78
D2		ADDED NOTE				
	G	ERROR SIGNAL				7/1/78
	H	ERROR SIGNAL				7/1/78

6. JUMPERS ON BACKPLANE FOR SINGLE DRIVES ONLY:  
 FROM PIN 17 TO PIN 03.  
 FROM PIN 23 TO PIN 57.
8. ALL CAPACITANCE VALUES IN MICROFARADS.
4. ALL 16 PIN I.C.'S: PIN 8 IS GND.  
 PIN 16 IS +5V.
3. ALL 14 PIN I.C.'S: PIN 7 IS GND.  
 PIN 14 IS +5V.
2. RESISTORS ARE 1/4 W. 5%.
1. NUMBERS INSIDE CIRCLES INDICATES THE PAGE THE SIGNAL IS GENERATED OR TERMINATED ON.
- NOTES: UNLESS OTHERWISE SPECIFIED

ASSEMBLY	
2162 1B34	
LOC	PAGE
C05	12.

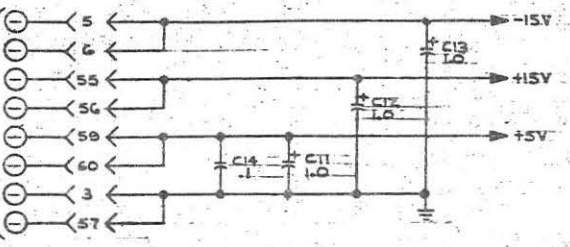
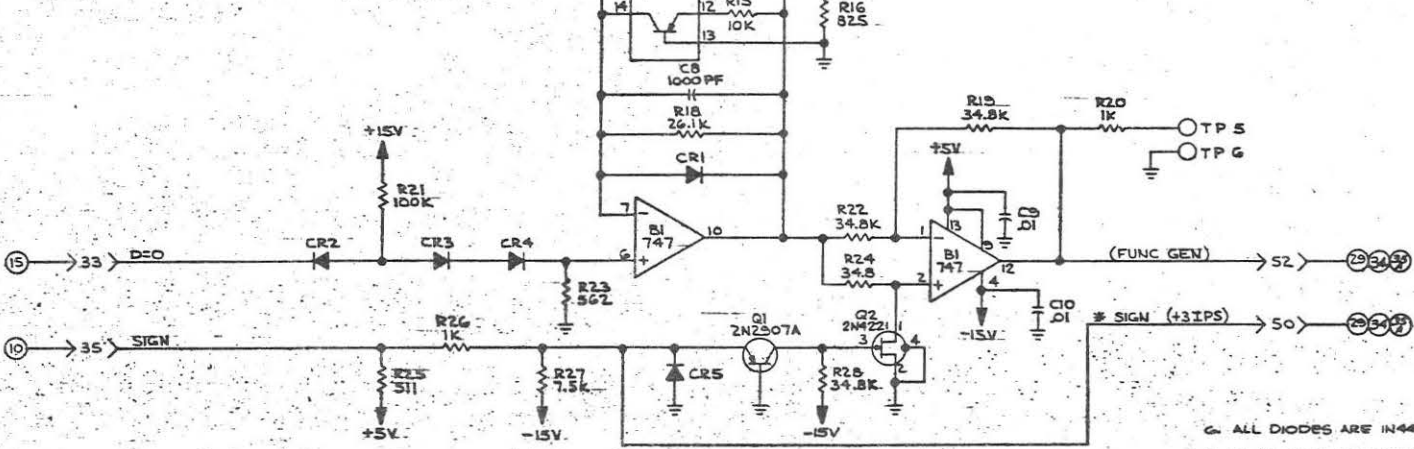
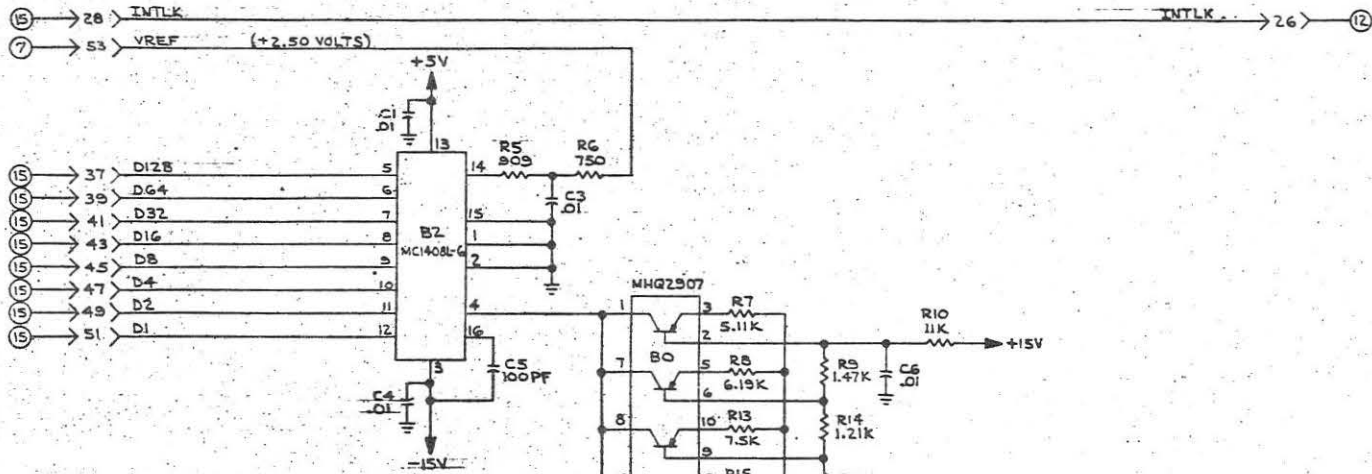
GEN. QUAL. SPEC. 1183 5948 APPLY			
MATERIALS UNLESS OTHERWISE SPECIFIED			
MATERIAL	QTY	DATE	SHIPPING CORPORATION
TREAT TREATMENT	QTY	DATE	WESTLAKE VILLAGE, CALIF. 91380
FINISH TREATMENT	QTY	DATE	SCALE
PROPERTY TO SHIP TO	SCALE	SHEET	NO. 1
NONE			108

D 2161 7360 C 1 of 2  
Schem. - Servo Preamp

2 of 2  
09 Feb 1972

REVISION				
REV	CONT	OR	CHK	APPRO DATE
A	PEC-M		SP	
B	ERG-2403		YAO	7/17/72
C	WEN-1723		WEL	11/11/72

ALL OTHERS  
CORRECTIONS TO  
ALLEGED ERRORS 10



- 6. ALL DIODES ARE IN4448.
  - 5. ALL 14 PIN I.C.'S PIN 7 IS GND  
PIN 14 IS 5V
  - 4. ALL 16 PIN I.C.'S PIN 8 IS GND  
PIN 16 IS 5V
  - 3. ALL CAPACITANCE VALUES IN MICROFARADS.
  - 2. RESISTORS ARE IN OHMS 1/4W, 12%.
  - 1. NUMBERS INSIDE CIRCLES INDICATES THE PAGE THE SIGNAL IS GENERATED OR TERMINATED ON.
- NOTES: UNLESS OTHERWISE SPECIFIED  
GEN. QUAL. SPEC. 1108 UNAS APPLY

ASSY NO.	2161 7345.
LOC. PAGE	
COG	13

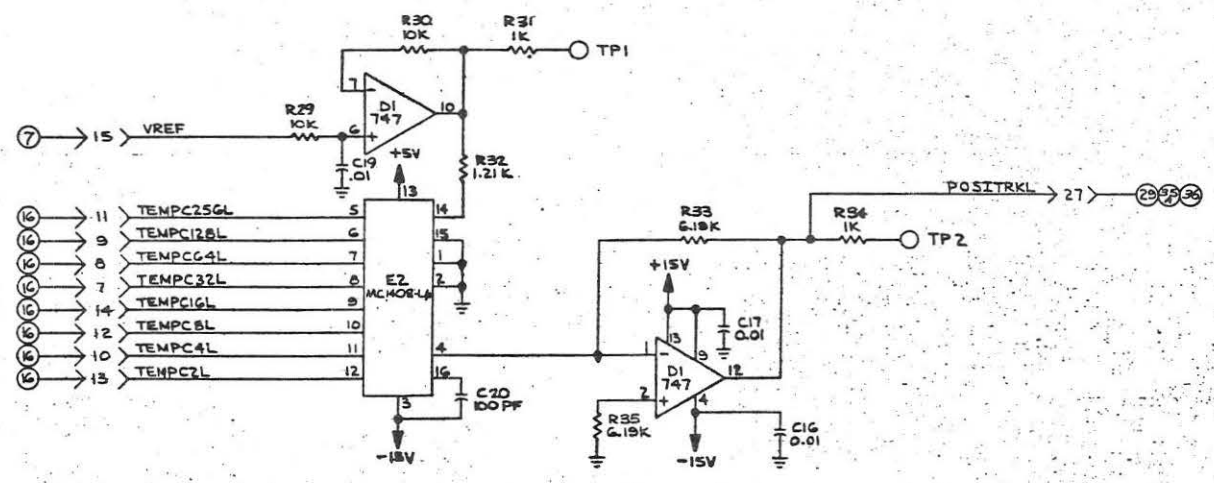
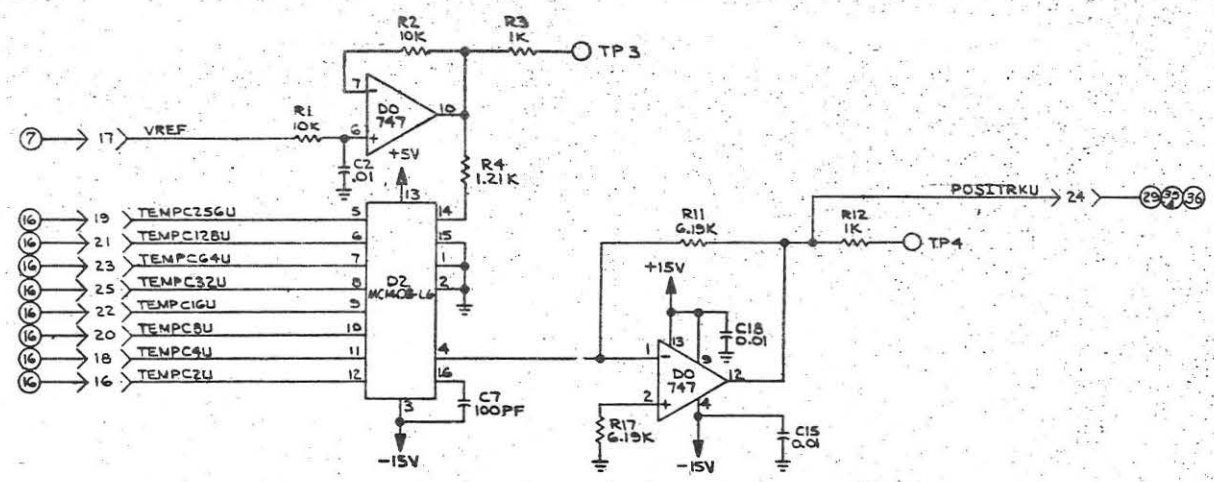
VOLDCIRCUITS UNLESS OTHERWISE SPECIFIED SIZE 6 ANHOLE 8 DATE: 12/17/72 DESIGNED BY: J. J. P. / J. J. P. CHECKED BY: J. J. P. / J. J. P. DATE: 12/17/72 CLASS CODE: 2-2222-1 TITLE: SCHEM. SERVO PREAMP SCALE: 1:1 SHEET: 1 OF 2 DWG NO: 2161 7360 C	Burroughs Corporation WESTLAGE PLANT WESTLAGE VILLAGE CALIF. 91386 U.S. AMERICA
--	--

D 2161 7360 C SHEET 1 OF 2

D 2161 7360 - 2 of 2  
 SCHEM - Servo Preamp

2 of 2 SHEETS  
 02EL191Z

REVISION					
REV	CONT	DR	CHK	APPD	DATE
1	SEE SHT 1				



ASSY NO.	2161 7345
LOC	PAGE
COG	14

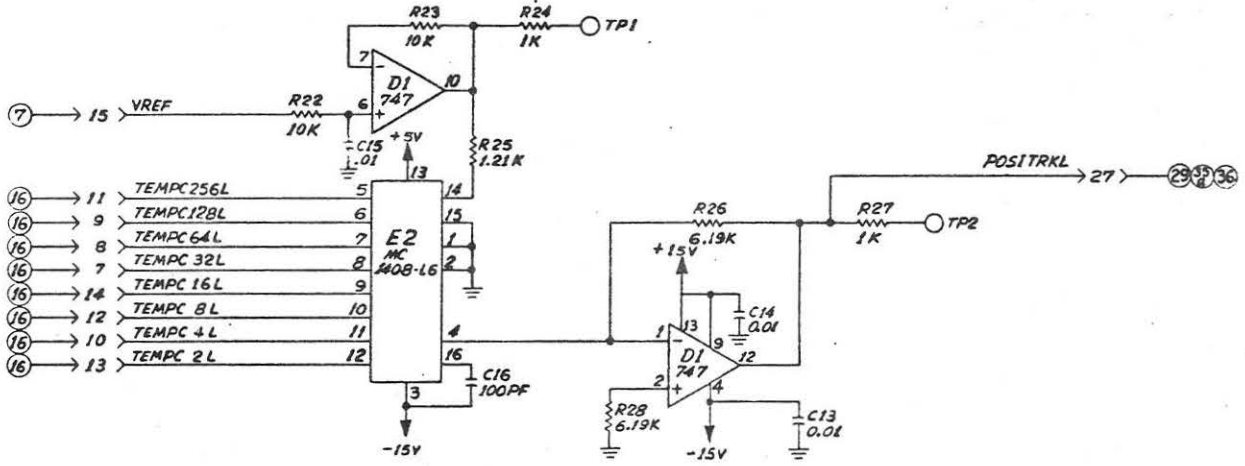
MATERIAL		CHECKED		DATE		DRAWN		DATE	
DESIGNED BY	DATE	CHECKED	DATE	DRAWN	DATE	DATE	DATE	DATE	DATE
SUPPLIERS TREATMENT: _____ DATE: _____ CLASS CODE: 7-9520 APPROVED: _____ DATE: _____ PROPERTY TO BULLDOGGE CORPORATION. NOT TO BE REPRODUCED OR USED FOR MANUFACTURING PURPOSES EXCEPT BY BULLDOGGE ORDER OR FROM BULLDOGGE COMPANY.									
BullDogge Corporation WESTLAKE PRODUCTS WESTLAKE VILLAGE, CALIF. 91380 U.S. AMERICA						TITLE: SCHEM. SERVO PREAMP SCALE: _____ SHEET 2 OF 2 DWG NO. D 2161 7360 C			

Drawn by: 2161 7360  
 Sheet: 2 of 2





REVISION				
NO.	DATE	BY	CHK'D	DATE
1	04-10-68	JAS	JAS	11-8-68
INITIAL RELEASE SEE SMT 1				



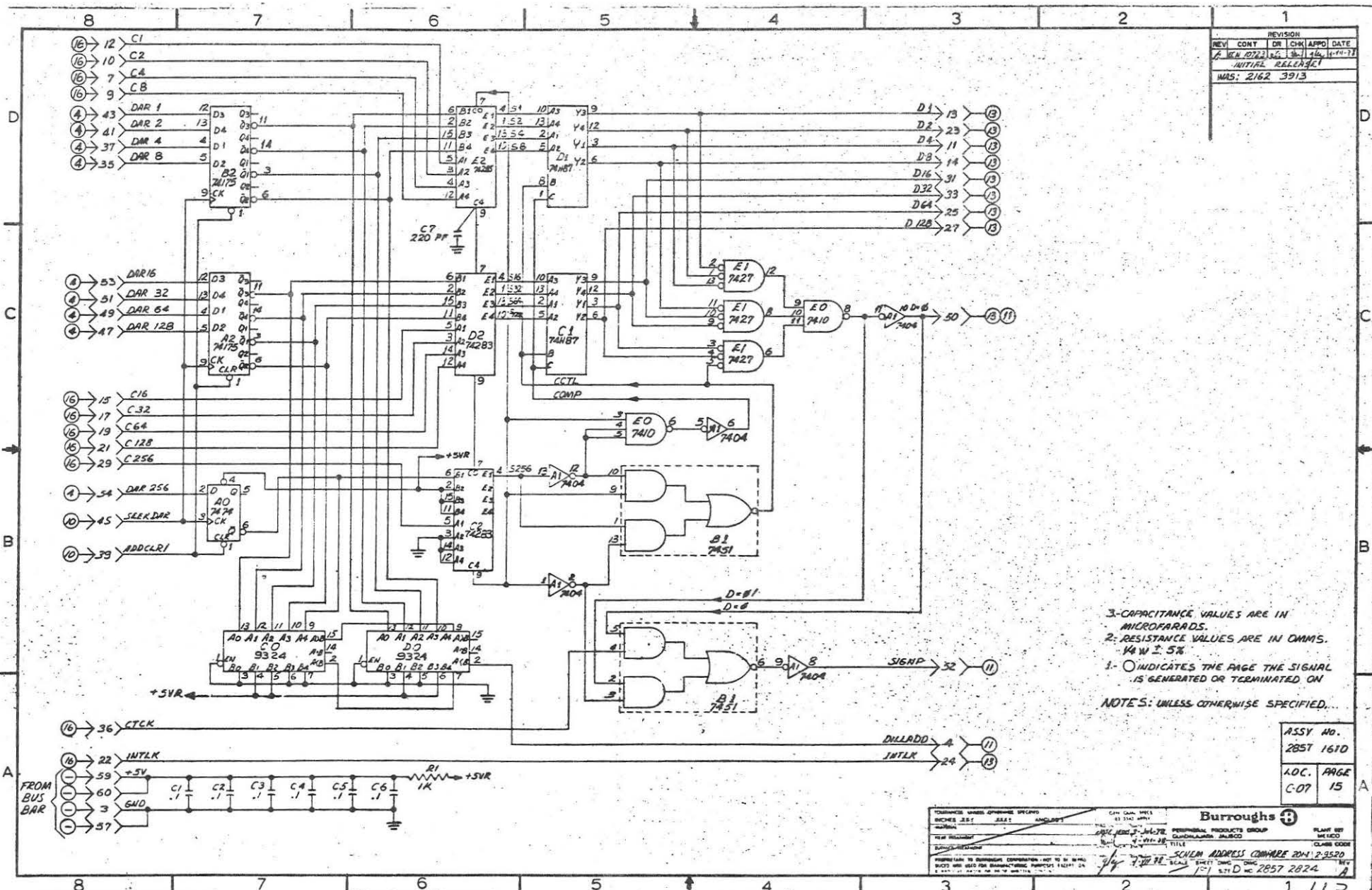
- (16) → 11 TEMPC 256L
- (16) → 9 TEMPC 128L
- (16) → 8 TEMPC 64L
- (16) → 7 TEMPC 32L
- (16) → 14 TEMPC 16L
- (16) → 12 TEMPC 8L
- (16) → 10 TEMPC 4L
- (16) → 13 TEMPC 2L

ASSY No.  
2857 4283<sup>3</sup>

LOC PAGE  
C06 14

BURROUGHS PARALLEL PRODUCTS GROUP QUANTILAZAR, ALLIANCE		PLANT 828 100-1000
SCHEM. SERVO PREAMP S 5:2-9520		SCALE 2" = 1" D 2857 4291

REVISION			
REV	CONT	OR	CHK/APPD DATE
1	OK	2/22/57	1/16/57
INITIAL RELEASE!			
NAS: 2162 3913			



3-CAPACITANCE VALUES ARE IN MICROFARADS.  
 2-RESISTANCE VALUES ARE IN OHMS.  
 1/4W ± 5%  
 1-○ INDICATES THE PAGE THE SIGNAL IS GENERATED OR TERMINATED ON.  
 NOTES: UNLESS OTHERWISE SPECIFIED...

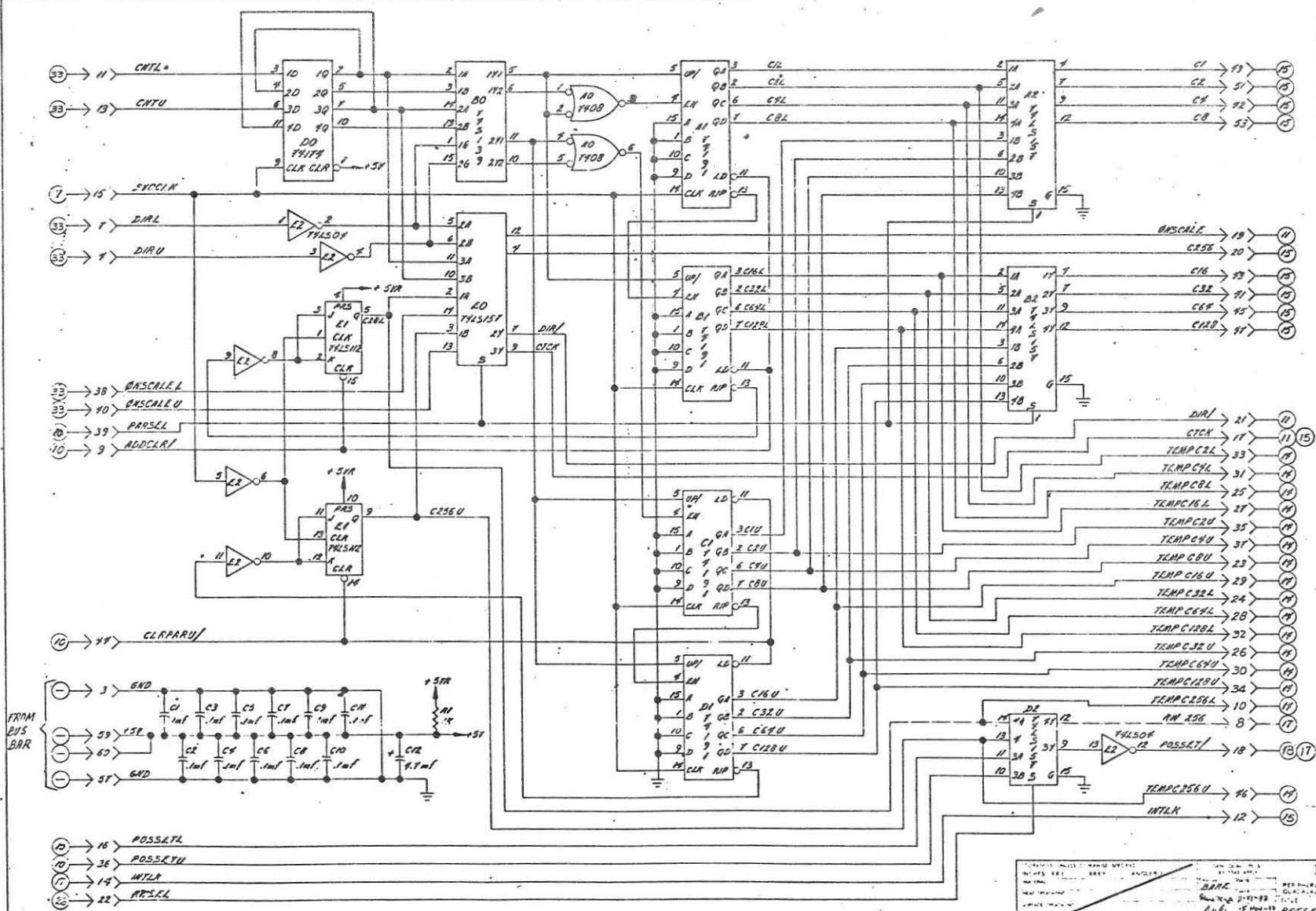
ASSY NO.	2857 1610
A.O.C. PAGE	C-07 15

BURROUGHS CORPORATION  
 4800 UNIVERSITY AVENUE  
 BURROUGHS BUILDING  
 PITTSBURGH, PENNSYLVANIA 15222-1000  
 TEL: 412-281-2000  
 FAX: 412-281-2000  
 CIRCLE 15 ON READER SERVICE CARD

**Burroughs**  
 PERIPHERAL PRODUCTS GROUP  
 CINCINNATI, OHIO 45202  
 TEL: 513-763-1000  
 FAX: 513-763-1000

SCHEM ADDRESS CHANGE 20M P-3520  
 1/51 513 D MC 2857 2824

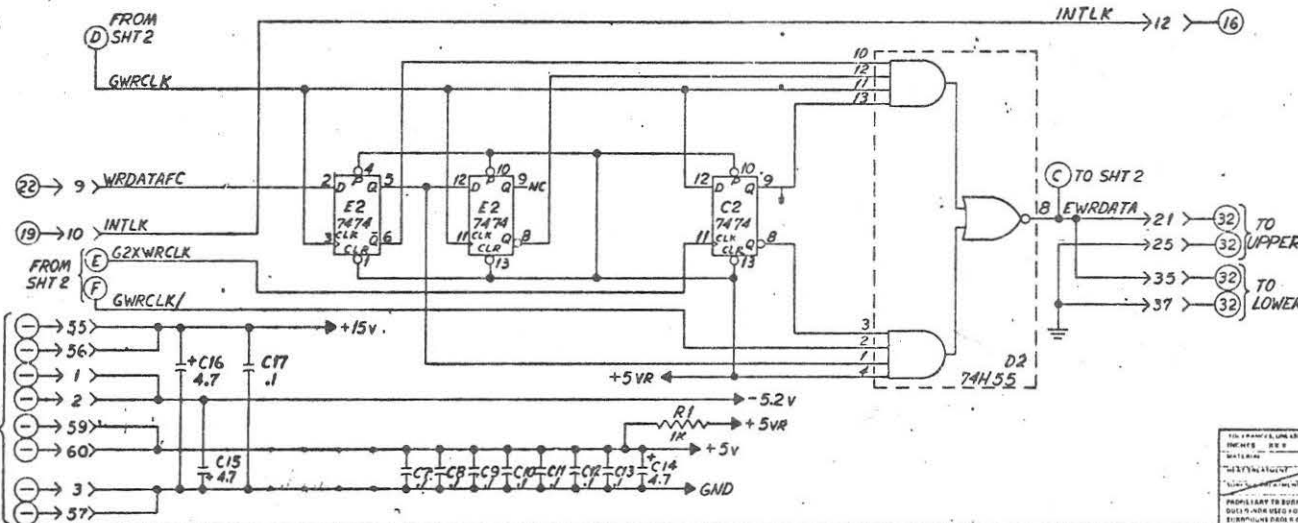
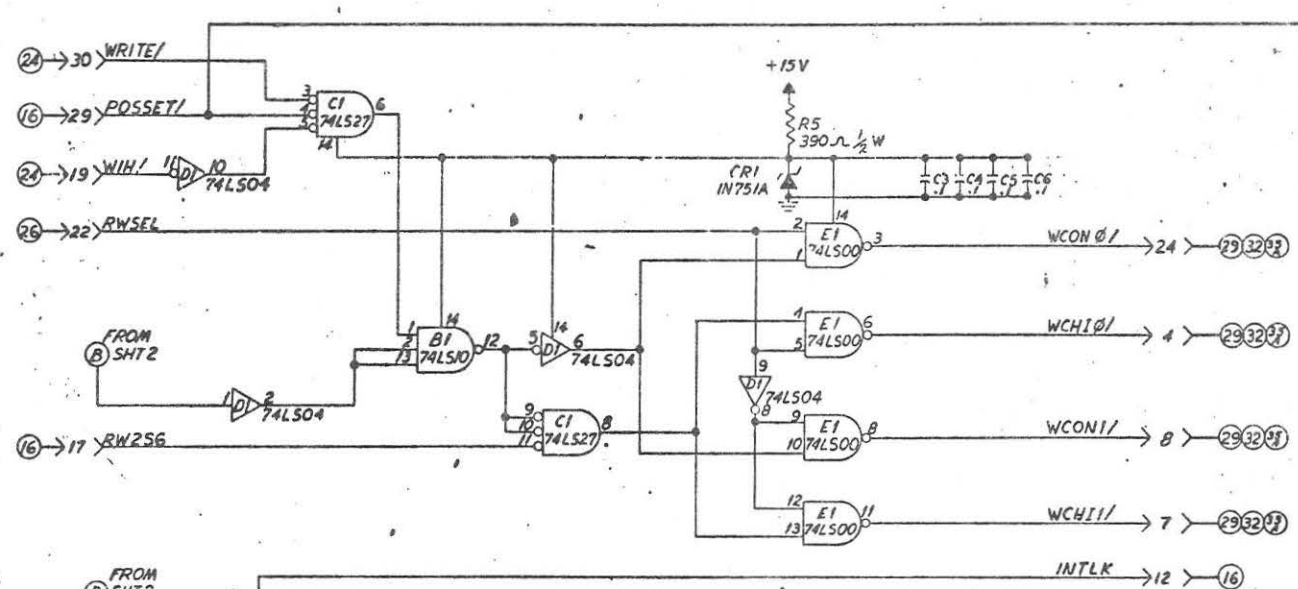
ACQUISITION  
 UNIT CONT. BY CHN. ADDRESS  
 A. 100-10000 10000 10000 10000  
 B. 100-10000 10000 10000 10000  
 ERRORS IN PIN NOTATION:  
 C. 100-10000 10000 10000 10000  
 ERRORS OCCURRED:  
 D. 100-10000 10000 10000 10000  
 DELETED DS FROM TITLE



ASSY NO  
 2857 1776  
 LOC PAGE  
 C8 16

Burroughs  
 15 JAN 73  
 2-9520  
 2857 1842 D  
 114

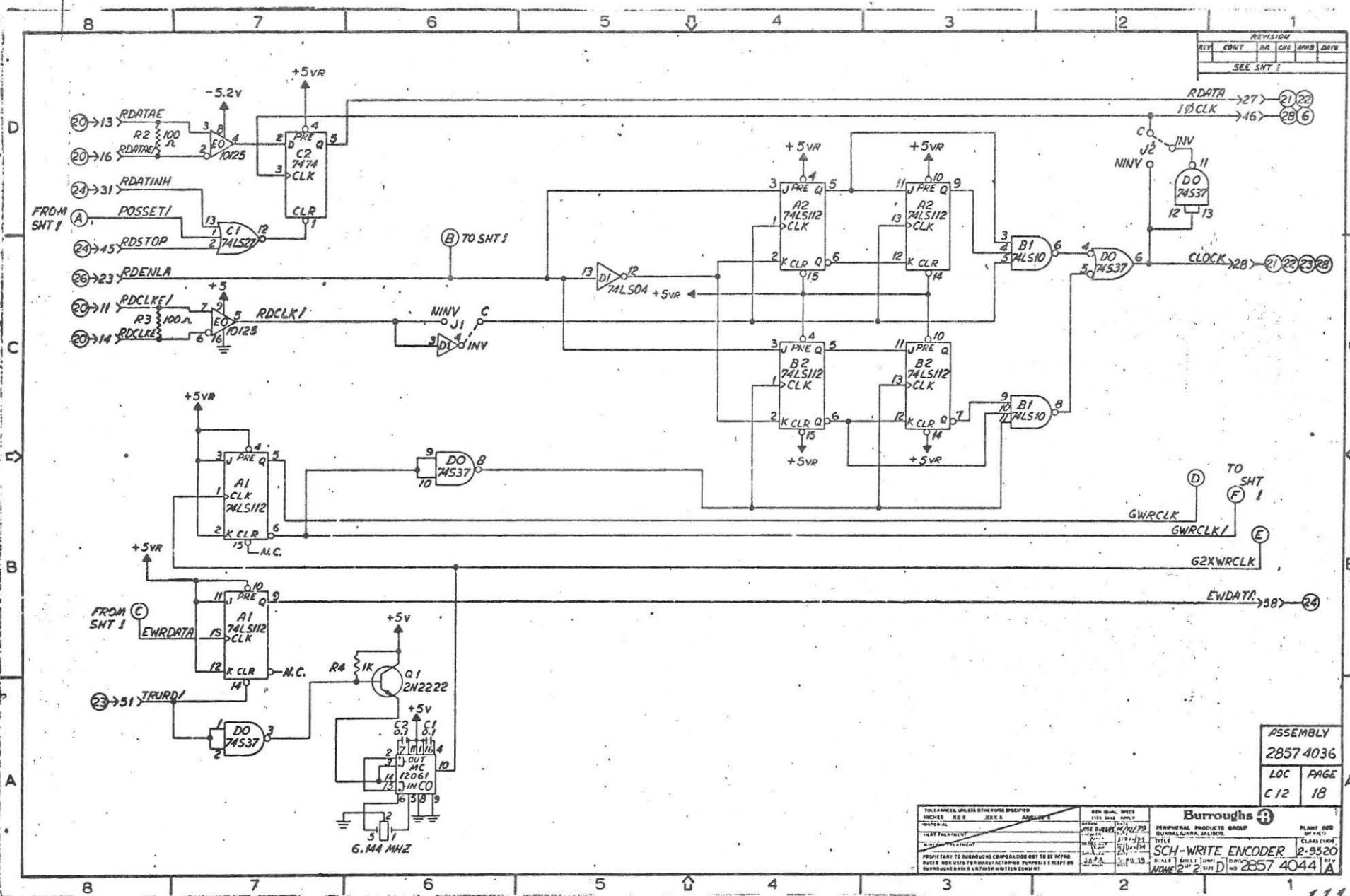
REVISION				
REV	CHG	BY	CHK	DATE
A	1023	10/11	10/11	10/11
INITIAL RELEASE WORKSHEET				



- 3. ALL CAPACITANCE VALUES IN MICROFARADS.
  - 4. ALL 16 PIN I.C.S. PIN 8 IS GND  
PIN 16 IS +5V.
  - 3. ALL 14 PIN I.C.S. PIN 7 IS GND  
PIN 14 IS +5V.
  - 2. RESISTORS ARE 1/4 W. 2%.
  - 1. NUMBERS INSIDE CIRCLES INDICATE THE PAGE  
THE SIGNAL IS GENERATED OR TERMINATED  
ON.
- NOTES: UNLESS OTHERWISE ESPECIFIED.

ASSEMBLY 2857 4036	
LOC C 12	PAGE 17

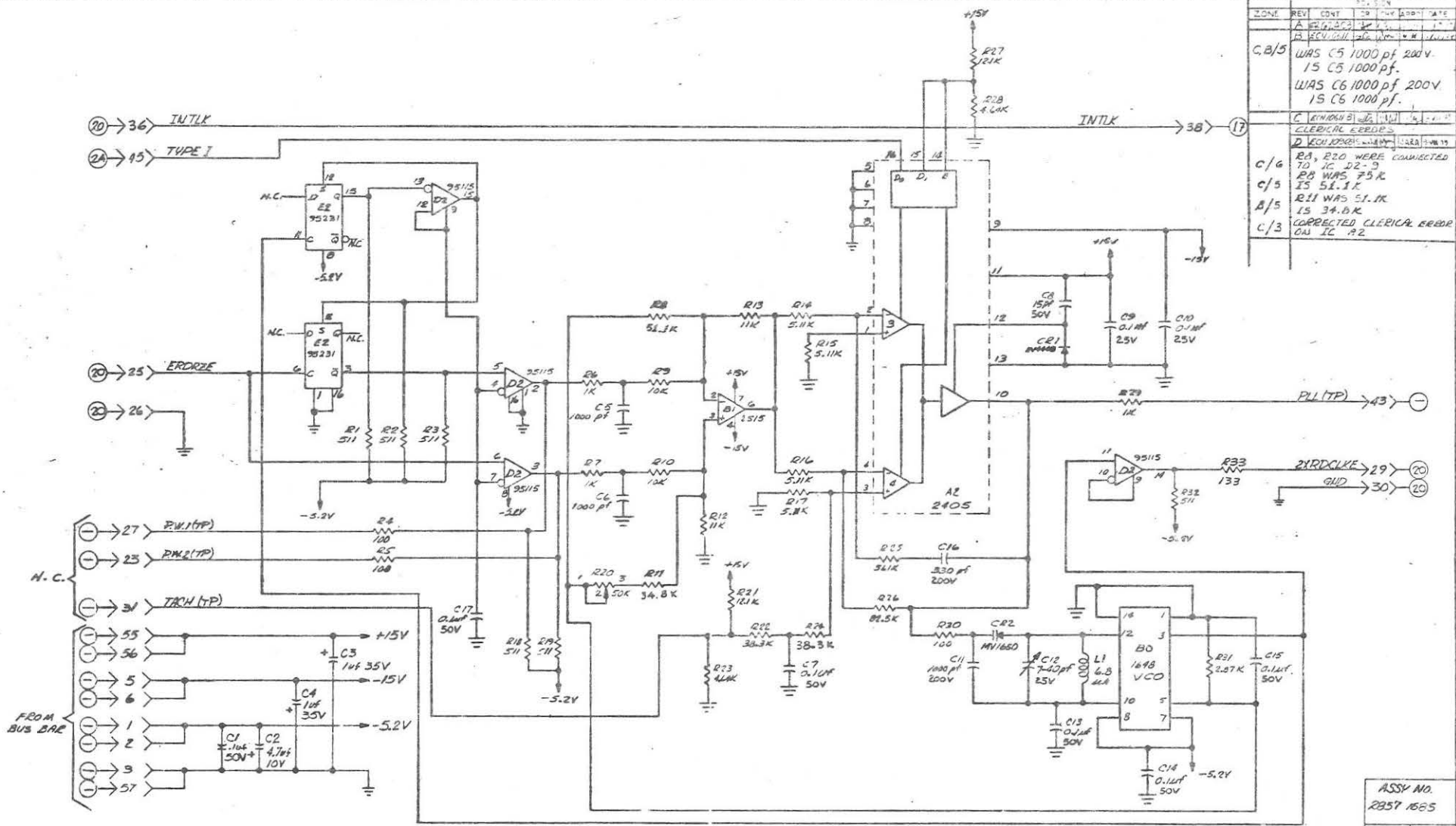
Burroughs		PLANT 800	
PROFESSOR PRODUCTS GROUP		DALLAS, TEXAS	
SCH-WRITE ENCODER		2-9520	
REV. 1		10/11	
DATE		NO	
2857 4044		A	



REVISION					
REV	CONT	BR	CHK	APP'D	DATE
SEE SHT 1					

ASSEMBLY	
2857 4036	
LOC	PAGE
C 12	18

<small>THIS PANEL, UNLESS OTHERWISE SPECIFIED, CONFORMS TO THE FOLLOWING STANDARDS:</small> MIL-STD-883C MIL-STD-2000 MIL-STD-2001 MIL-STD-2002 MIL-STD-2003 MIL-STD-2004 MIL-STD-2005 MIL-STD-2006 MIL-STD-2007 MIL-STD-2008 MIL-STD-2009 MIL-STD-2010 MIL-STD-2011 MIL-STD-2012 MIL-STD-2013 MIL-STD-2014 MIL-STD-2015 MIL-STD-2016 MIL-STD-2017 MIL-STD-2018 MIL-STD-2019 MIL-STD-2020 MIL-STD-2021 MIL-STD-2022 MIL-STD-2023 MIL-STD-2024 MIL-STD-2025 MIL-STD-2026 MIL-STD-2027 MIL-STD-2028 MIL-STD-2029 MIL-STD-2030 MIL-STD-2031 MIL-STD-2032 MIL-STD-2033 MIL-STD-2034 MIL-STD-2035 MIL-STD-2036 MIL-STD-2037 MIL-STD-2038 MIL-STD-2039 MIL-STD-2040 MIL-STD-2041 MIL-STD-2042 MIL-STD-2043 MIL-STD-2044 MIL-STD-2045 MIL-STD-2046 MIL-STD-2047 MIL-STD-2048 MIL-STD-2049 MIL-STD-2050 MIL-STD-2051 MIL-STD-2052 MIL-STD-2053 MIL-STD-2054 MIL-STD-2055 MIL-STD-2056 MIL-STD-2057 MIL-STD-2058 MIL-STD-2059 MIL-STD-2060 MIL-STD-2061 MIL-STD-2062 MIL-STD-2063 MIL-STD-2064 MIL-STD-2065 MIL-STD-2066 MIL-STD-2067 MIL-STD-2068 MIL-STD-2069 MIL-STD-2070 MIL-STD-2071 MIL-STD-2072 MIL-STD-2073 MIL-STD-2074 MIL-STD-2075 MIL-STD-2076 MIL-STD-2077 MIL-STD-2078 MIL-STD-2079 MIL-STD-2080 MIL-STD-2081 MIL-STD-2082 MIL-STD-2083 MIL-STD-2084 MIL-STD-2085 MIL-STD-2086 MIL-STD-2087 MIL-STD-2088 MIL-STD-2089 MIL-STD-2090 MIL-STD-2091 MIL-STD-2092 MIL-STD-2093 MIL-STD-2094 MIL-STD-2095 MIL-STD-2096 MIL-STD-2097 MIL-STD-2098 MIL-STD-2099 MIL-STD-2100		BURROUGHS <b>B</b> PERIPHERAL PRODUCTS GROUP QUAKENON, PENNSYLVANIA TITLE <b>SCH-WRITE ENCODER</b> DATE 11/13/70 DRAWN BY J. J. D. (10) CHECKED BY J. J. D. (10) NO. 2857 4044 A	PLANT AND OFFICE CLASS CODE CLASS CODE 2-9520 REV 2857 4044 A
---	--	--	---



ZONE	REV	CONT	CD	CHK	APP	DATE
A	1	REV. 1				1/15/68
B	1	REV. 2				1/15/68
C	1	REV. 3				1/15/68
D	1	REV. 4				1/15/68
C/B/5						
C/6						
C/5						
A/5						
C/3						

WAS C5 1000 pf 200V.  
 15 C5 1000 pf.  
 WAS C6 1000 pf 200V.  
 15 C6 1000 pf.

ER, R20 WERE CONNECTED  
 TO IC D2-9  
 R8 WAS 25K  
 IS 51.1K  
 R11 WAS 51.1K  
 IS 34.8K  
 CORRECTED CLERICAL ERROR  
 ON IC A2

- SEE FACE OF DWS FOR IC'S PWR AND GND
  - ALL CAPACITORS ARE IN MICROFARADS
  - NUMBERS INSIDE ( ) INDICATES PINS NUMBER THAT THE SIGNAL IS GENERATED OR TERMINATED ON
  - ALL RESISTORS ARE 1/4 W ± 2%
- NOTES: UNLESS OTHERWISE SPECIFIED

TOLERANCES UNLESS OTHERWISE SPECIFIED		DATE	SCALE
RES	ANGLES		
± 1%	± 0.1°	1/15/68	1:1
± 5%	± 0.5°		
± 10%	± 1.0°		
± 20%	± 2.0°		
± 50%	± 5.0°		
± 100%	± 10.0°		

Burroughs Corporation  
 WESTLAKES VILLAGE, CALIF. 91360  
 WESTLAKES PLANT  
 U.S. AMERICA

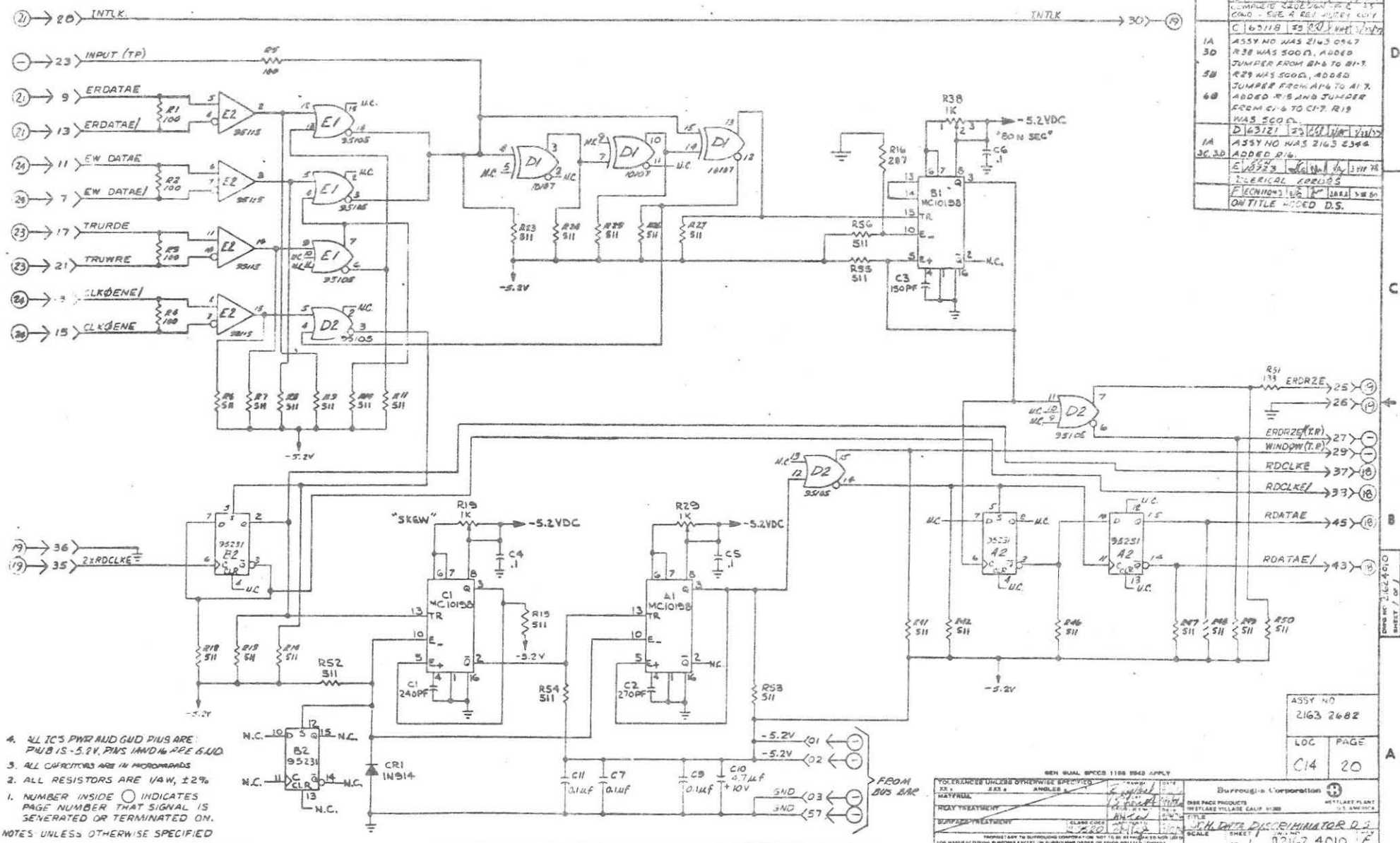
TITLE: SCHEM. TIMING RECOVERY UNIT  
 SHEET: 1 OF 1  
 DWG NO: 12162 3962  
 REV: D

Dwg No 2162 3962

A

D-163 4010 Rev F 10/81  
 All Data Discriminator

100-212



4. ALL IC'S PWR AND GND PINS ARE PWB IS -5.2V, PINS 1 AND 16 ARE GND
  5. ALL CAPACITORS ARE IN MICROFARADS
  2. ALL RESISTORS ARE 1/4W, ±2%
  1. NUMBER INSIDE ○ INDICATES PAGE NUMBER THAT SIGNAL IS GENERATED OR TERMINATED ON.
- NOTES UNLESS OTHERWISE SPECIFIED

REVISION				
7/31	REV	COUNT	DR	CHK APPR DATE
	A	001003	W	10/11/81
	B	001003	J.P.	10/11/81
	C	001003	J.P.	10/11/81
	1A	001003	J.P.	10/11/81
	3D	001003	J.P.	10/11/81
	5B	001003	J.P.	10/11/81
	6B	001003	J.P.	10/11/81
	1A	001003	J.P.	10/11/81
	3C, 3D	001003	J.P.	10/11/81

ASSY NO		2163 2682
LOC	PAGE	C14 20

DEFINITIONS UNLESS OTHERWISE SPECIFIED

SCALE: 1" = 100"

DATE: 10/11/81

BY: J.P.

CHKD: J.P.

APPROVED: J.P.

BUROUGHS CORPORATION

ONE PACE PRODUCTS

WESTLAKE VILLAGE, CALIF. 91360

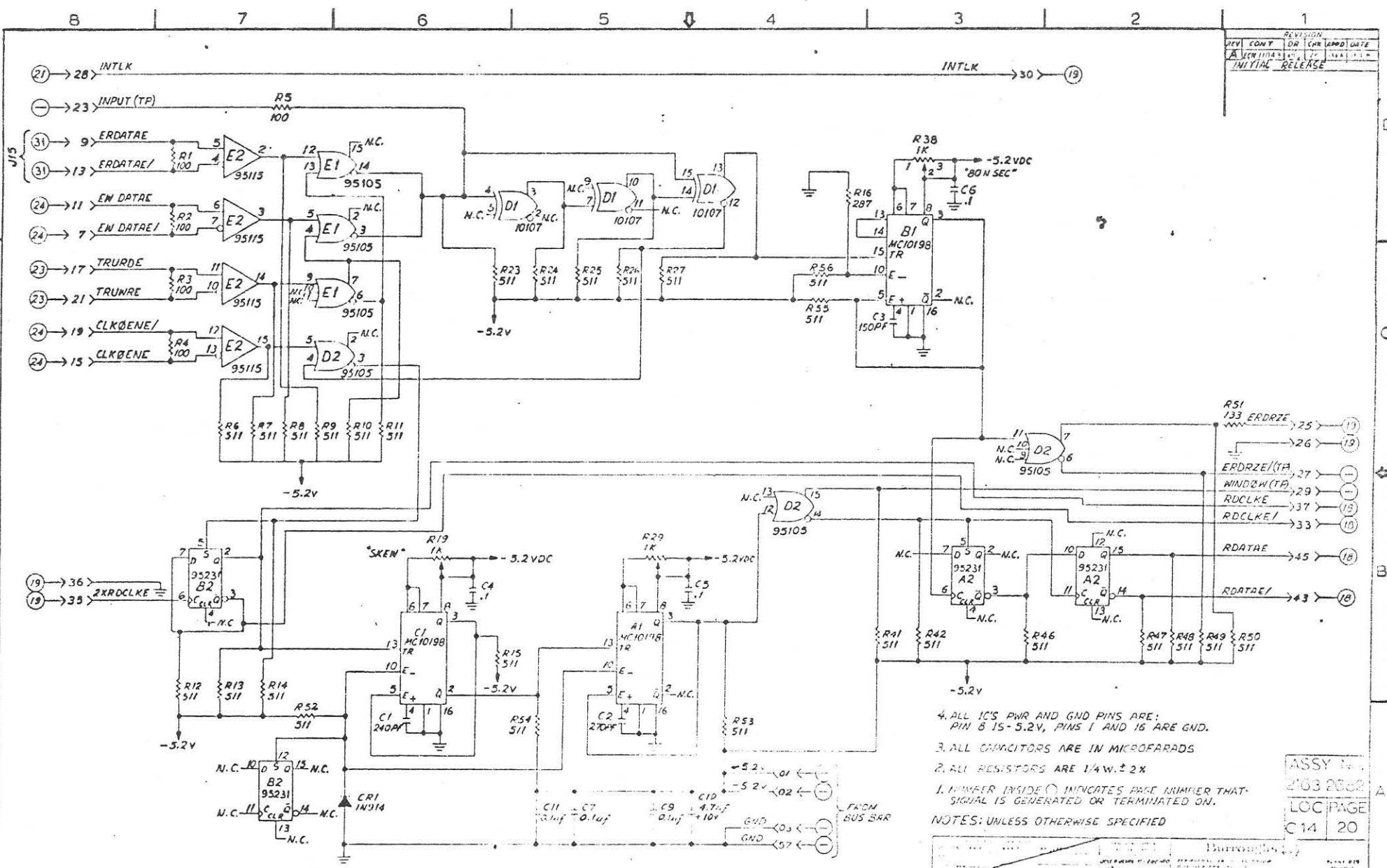
ALL DATA DISCRIMINATOR D.S.

SHEET 1 OF 1

2163 4010 F



REV	CONT	DR	CHK	APPD	DATE
A	INITIAL				
	INITIAL				
	INITIAL				

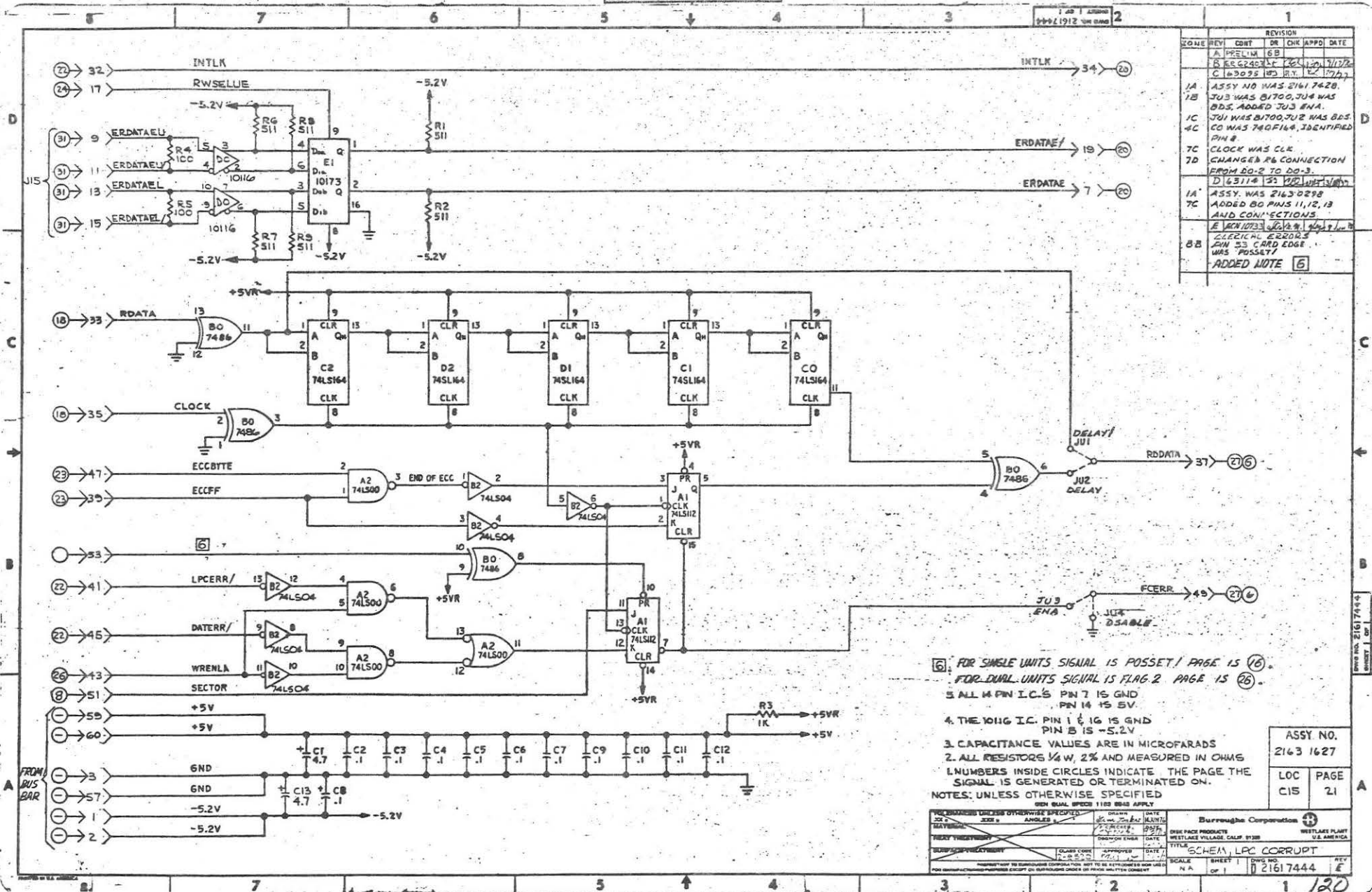


4. ALL IC'S PWR AND GND PINS ARE:  
PIN 6 15 -5.2V, PINS 1 AND 16 ARE GND.
3. ALL CAPACITORS ARE IN MICROFARADS
2. ALL RESISTORS ARE 1/4W ±2%
1. NUMBER INSIDE ( ) INDICATES PAGE NUMBER THAT SIGNAL IS GENERATED OR TERMINATED ON.
- NOTES: UNLESS OTHERWISE SPECIFIED

ASSY N°	2103 2000
LOC/PAGE	C14 / 20

Burr-Brown	
SCH. DATA DISCRIMINATOR 55	
D 2857 414-1	

D 2161744 E 1041  
SCHEM - LPC CORRPT



REVISION		DATE
A	PRELIM	6B
B	REC'D	1/17/72
C	15095	10/17/72
1A	ASSY NO WAS 2161742B.	
1B	JUS WAS 01700, JUA WAS 005, ADDED JUS #NA.	
1C	JUI WAS 01700, JUB WAS 005	
1D	CO WAS 740F164, IDENTIFIED PIN #	
7C	CLOCK WAS CLK	
7D	CHANGED R6 CONNECTION FROM 00-2 TO 00-3.	
1A'	ASSY WAS 2163028B	
7C'	ADDED 00 PINS 11, 12, 13 AND CONNECTIONS.	
E	VEN 10733	
8B	CLERICAL ERROR'S PIN 53 CARD EDGE WAS 'POSSET' ADDED NOTE [6]	

- [6] FOR SINGLE UNITS SIGNAL IS POSSET/ PAGE 15 (16).  
FOR DUAL UNITS SIGNAL IS FLAG 2 PAGE 15 (26).  
3. ALL 14 PIN I.C.'S PIN 7 IS GND  
PIN 14 IS 5V.  
4. THE 10116 I.C. PIN 1 & 16 IS GND  
PIN 8 IS -5.2V  
3. CAPACITANCE VALUES ARE IN MICROFARADS  
2. ALL RESISTORS 1/4 W, 2% AND MEASURED IN OHMS  
1. NUMBERS INSIDE CIRCLES INDICATE THE PAGE THE SIGNAL IS GENERATED OR TERMINATED ON.  
NOTES: UNLESS OTHERWISE SPECIFIED  
GEN. SIGNAL SPEED 1100 MB/S APPLY

ASSY NO.	2163 1627
LOC	C15
PAGE	21

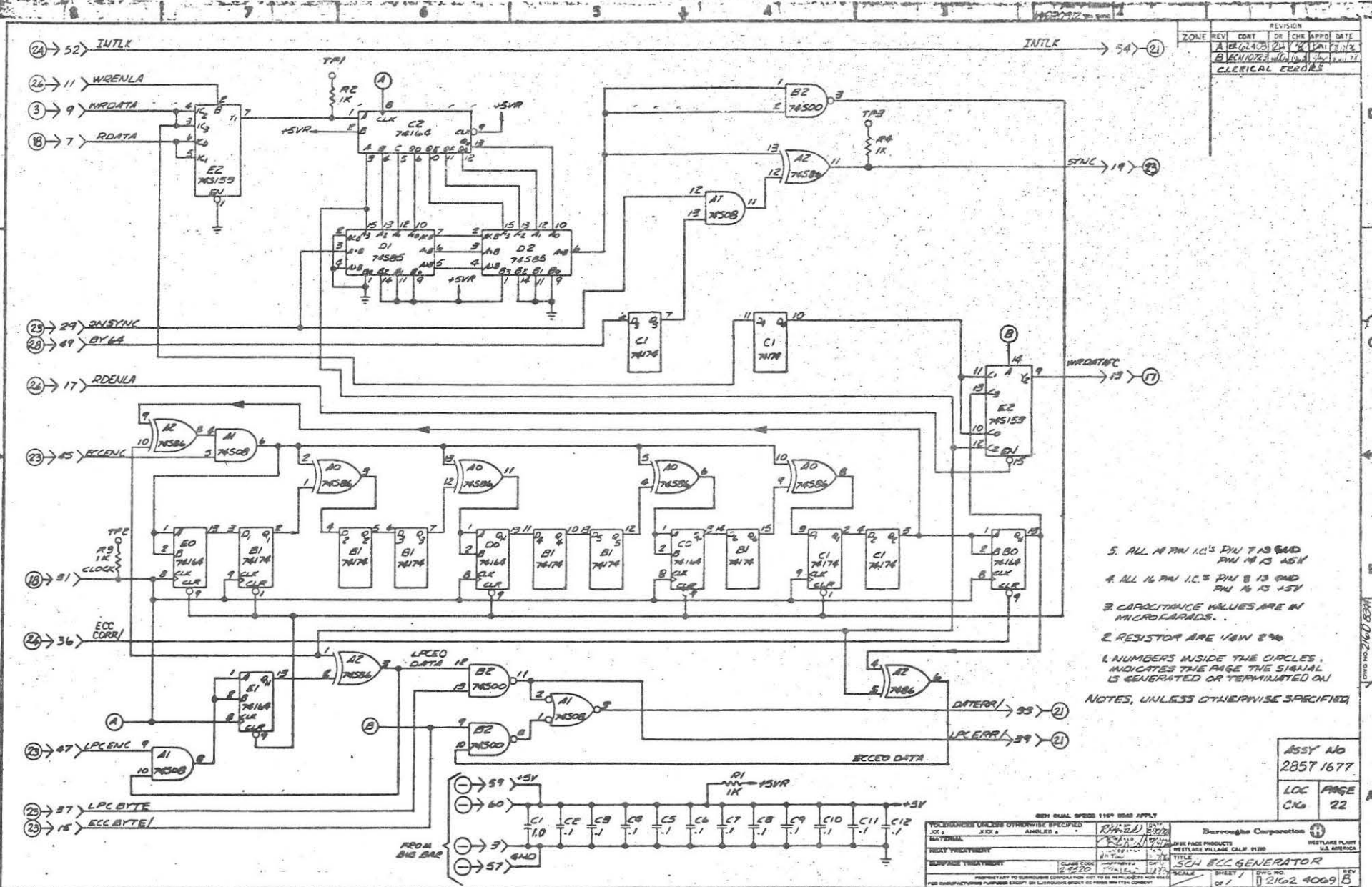
DESIGNED BY	DATE	SCALE	SHEET	OF	DWG NO.	REV
DRAWN BY	DATE	N.A.	1	1	21617444	E
CHECKED BY	DATE					
APPROVED BY	DATE					

Buffington Corporation  
WESTLAKE PLANT  
WESTLAKE VILLAGE, CALIF. 91380  
U.S. AMERICA

DWG NO. 2161744-4



DATE: 4/69 B Lot 1  
SCH - ECC GENERATOR



REVISION					
REV	CONT	DR	CHK	APPD	DATE
A	21	12	12		1/78
B	1022	10/10	10/10		10/78

CLERICAL ERRORS

- 5. ALL 4 PIN I.C.'S PIN 7 IS GND  
PIN 14 IS +5V
  - 4. ALL 16 PIN I.C.'S PIN 8 IS GND  
PIN 16 IS +5V
  - 3. CAPACITANCE VALUES ARE IN MICROFARADS.
  - 2. RESISTOR ARE 1/8W 2%.
  - 1. NUMBERS INSIDE THE CIRCLES INDICATES THE PAGE THE SIGNAL IS GENERATED OR TERMINATED ON.
- NOTES, UNLESS OTHERWISE SPECIFIED

ASSY NO  
28571677

LOC PAGE  
CXG 22

MIL-SPEC UNLESS OTHERWISE SPECIFIED		SHEET NO. 22 OF 22	
MATERIAL	ANGLE	DATE	SCALE
TRAY TREATMENT	FINISH	DESIGNED BY	SCALE
SURFACE TREATMENT	FINISH	DESIGNED BY	SCALE
PROPERTY TO REMAIN COMPANY PROPERTY UNLESS OTHERWISE SPECIFIED		SCALE	
FOR DISAPPROPRIATE PURPOSES EXCEPT ON LABORATORY ONLY OR PERMITTED CONTENT		SCALE	

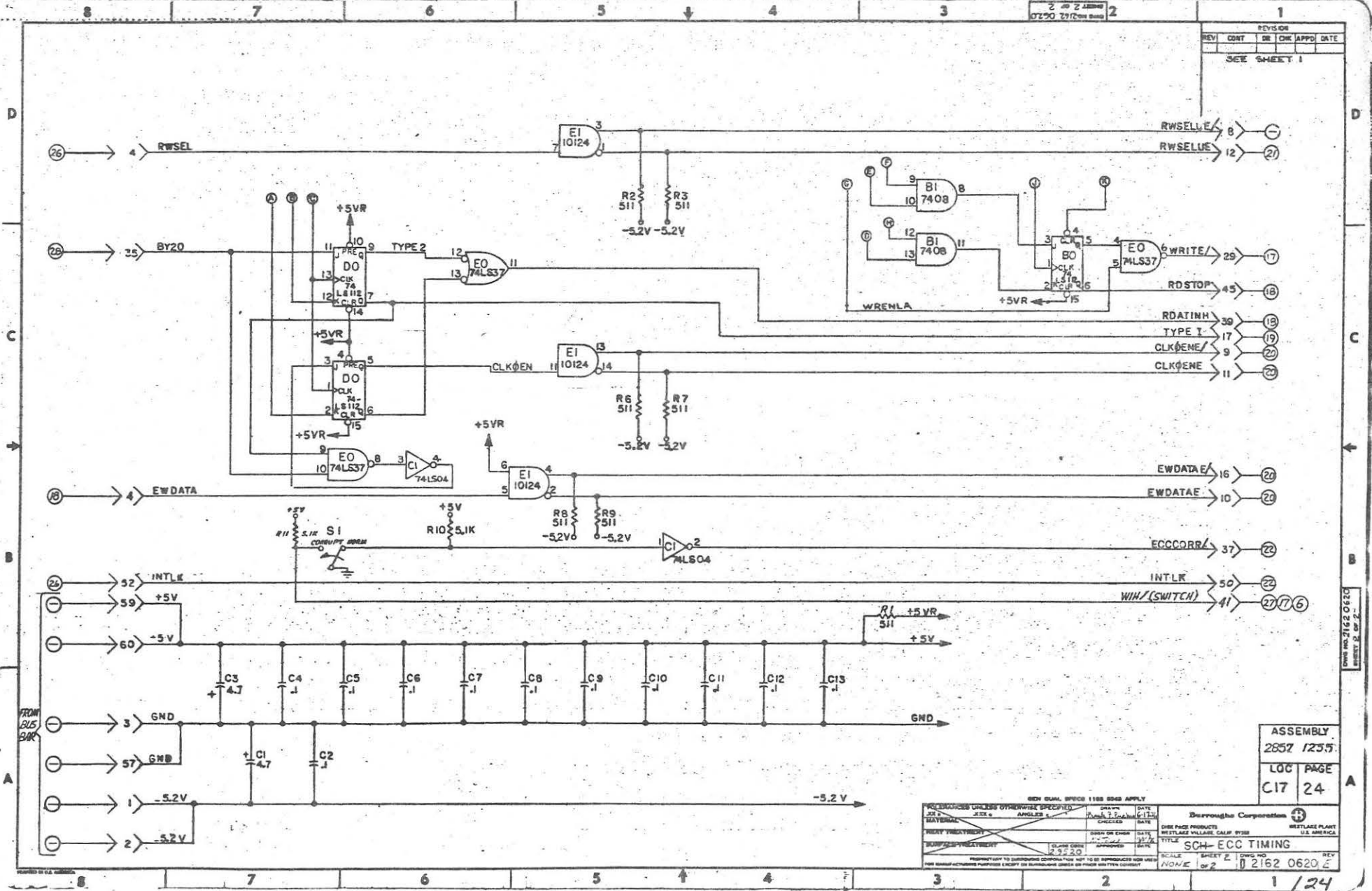
DWG NO 2160 83M  
SHEET 1 OF 1



02162-0620 E 3 of 2  
SCH - ECC TIMING

REV 2 07/20/72 (Rev 2)

REVISION			
REV	CONT	BY	CHK APPD DATE
SEE SHEET 1			



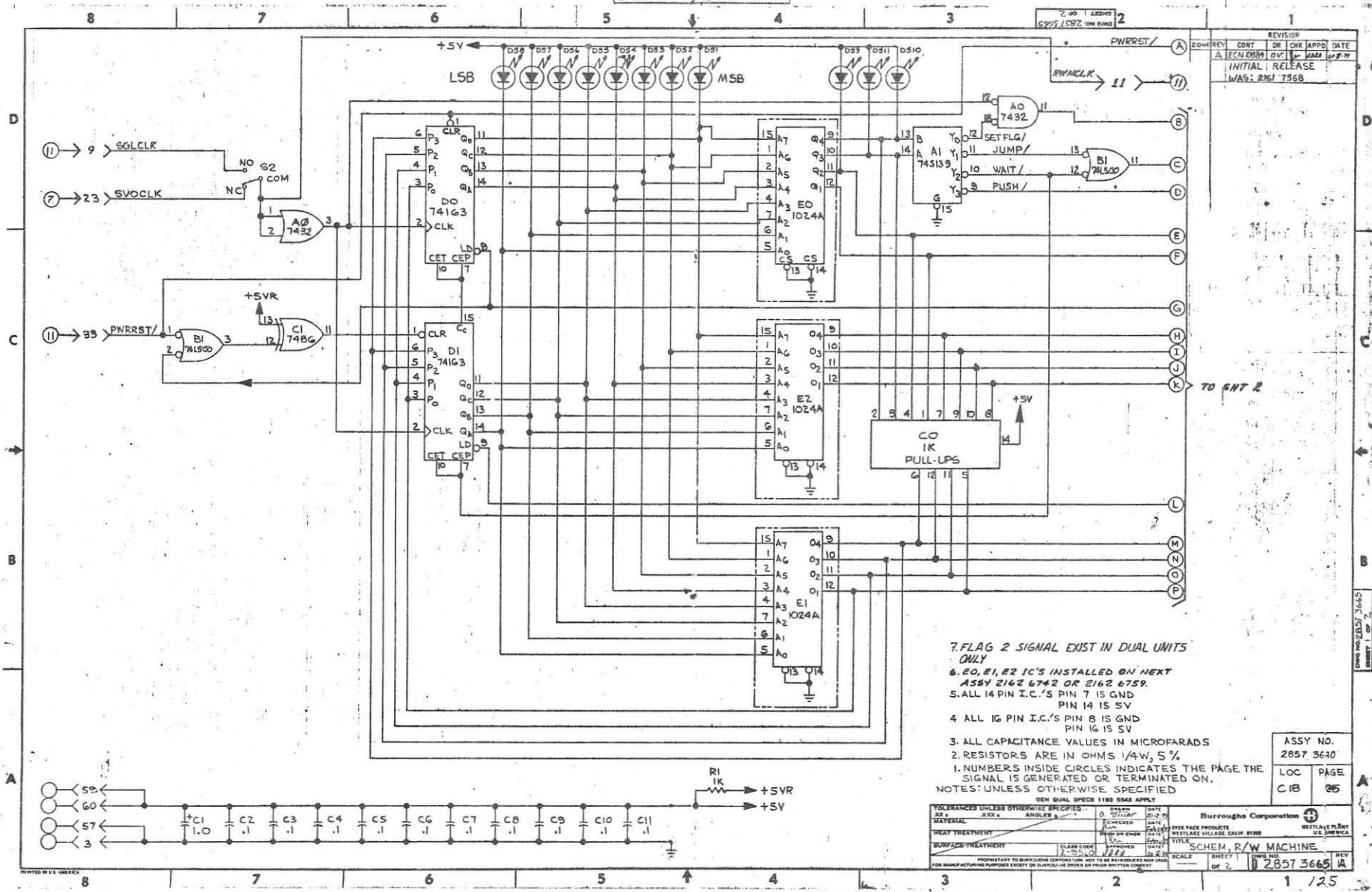
ASSEMBLY	
2852 1255	
LCC PAGE	
C17	24

REV. DUAL. SPEC'S 1188 REGS APPLY			
DESIGN	DATE	BY	CHKD
2061	6-17-72	J. J. ...	...
2061	6-17-72	J. J. ...	...
2061	6-17-72	J. J. ...	...
2061	6-17-72	J. J. ...	...

Thrompage Corporation  
 ONE PAGE PRODUCTS  
 WESTLAKE VILLAGE, CALIF. 91380  
 U.S. AMERICA  
 TITLE: SCH - ECC TIMING  
 SHEET 2 OF 2  
 REV: NONE  
 2162 0620 E

DRAWING 2162 0620 E SHEET 2 OF 2

D 2857 3665 A 1 of 2  
 SCHEM. - R/W MACHINE

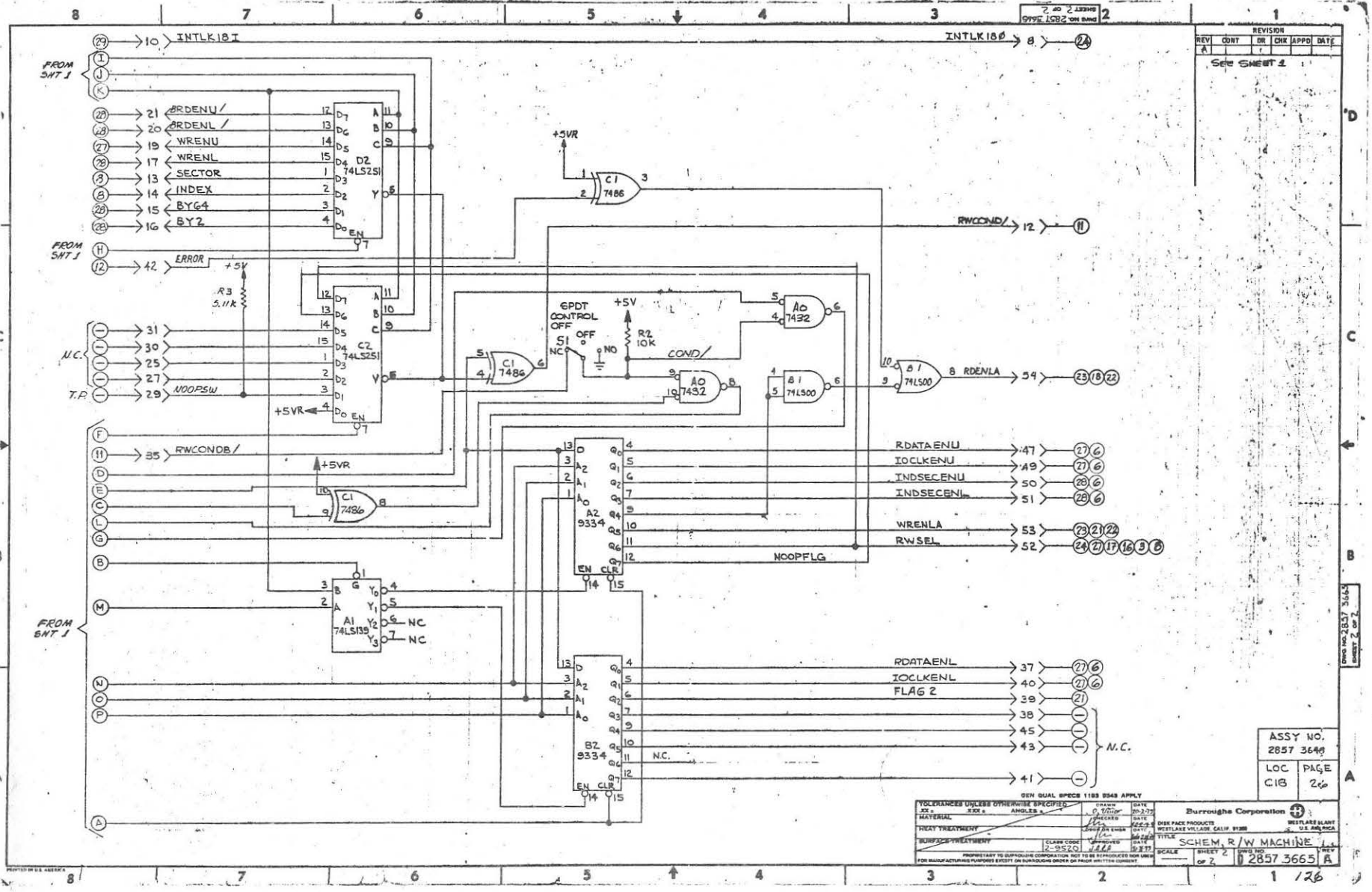


- 7. FLAG 2 SIGNAL EXIST IN DUAL UNITS ONLY
  - 6. EO, E1, E2 IC'S INSTALLED ON NEXT ASSY 2162 6742 OR 2162 6759.
  - 5. ALL 16 PIN I.C.'S PIN 7 IS GND PIN 14 IS 5V PIN 16 IS 5V
  - 4. ALL 16 PIN I.C.'S PIN 8 IS GND PIN 16 IS 5V
  - 3. ALL CAPACITANCE VALUES IN MICROFARADS
  - 2. RESISTORS ARE IN OHMS 1/4W, 5%
  - 1. NUMBERS INSIDE CIRCLES INDICATES THE PAGE THE SIGNAL IS GENERATED OR TERMINATED ON.
- NOTES: UNLESS OTHERWISE SPECIFIED

ASSY NO.  
 2857 3670  
 LOC PAGE  
 C18 85

TOLERANCES UNLESS OTHERWISE SPECIFIED		GEN DUAL SPEC 1183 8543 APPLT		Burrhoughs Corporation	
MATERIAL	SIZE	ANALYSIS	DATE	DATE	DATE
HEAT TREATMENT		CHECKED	DATE	DATE	DATE
SURFACE TREATMENT		DESIGNED BY	DATE	DATE	DATE
PROPERTY TO BURROUGHS CORPORATION AND TO BE REPRODUCED FOR OTHER MANUFACTURING PURPOSES EXCEPT ON BURROUGHS ORDER OR PRIOR WRITTEN CONSENT		CLASS CODE	DATE	DATE	DATE
		SCALE	SCHEM. R/W MACHINE		
		SHEET	2857 3665 A		
		OF 2	1 / 25		

D 2857 3665 A 2 of 3  
 SCHEM. - R/W MACHINE



REVISION	
REV	DATE
1	See SHEET 1

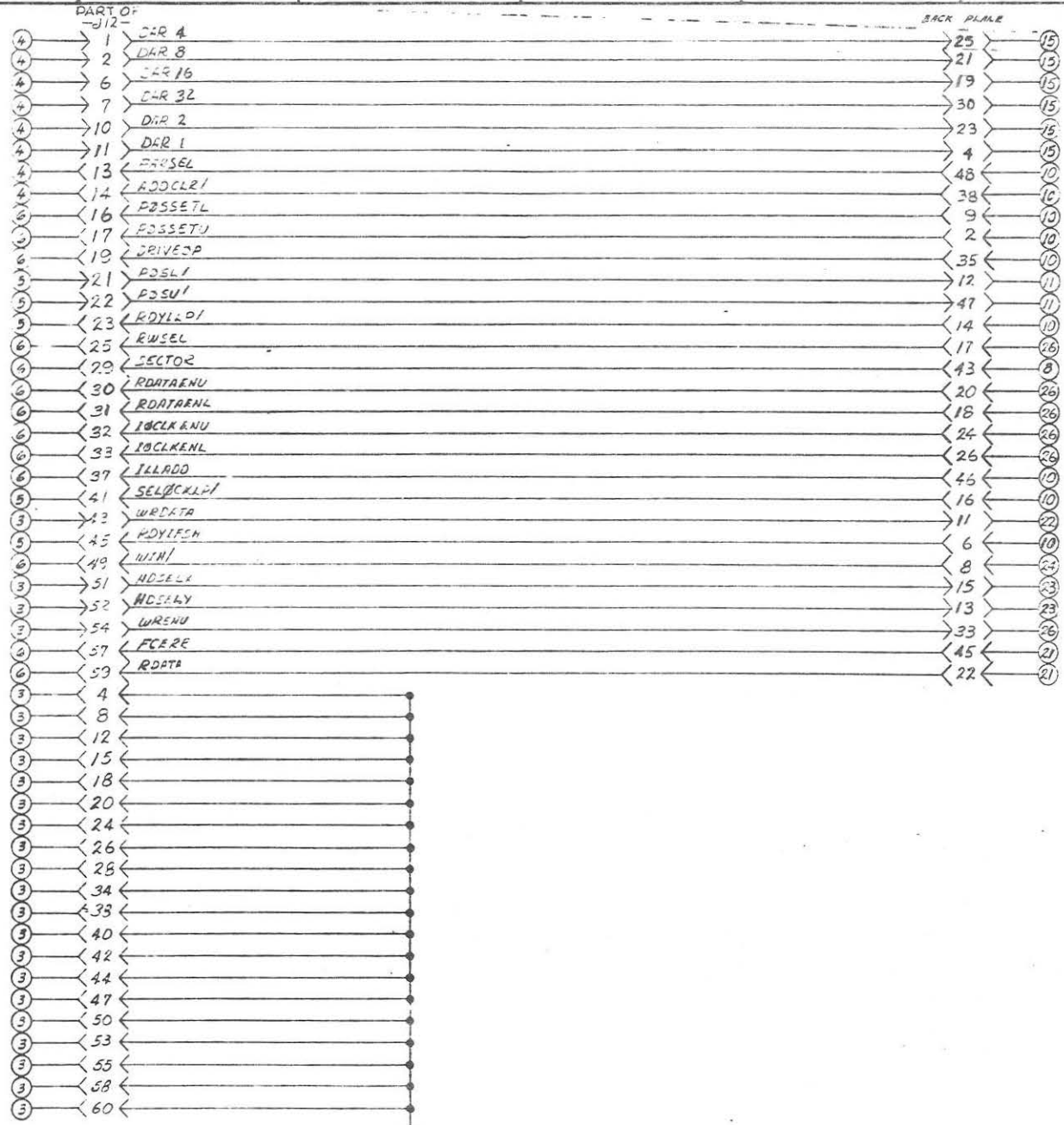
ASSY NO.  
2857 3649  
 LOC PAGE  
C18 26

VOLTAIRES UNLESS OTHERWISE SPECIFIED		GEN. QUAL. SPECS 1183 2248 APPLY	
MATERIAL	QUANTITY	DATE	BY
TREATMENT	REVISION	DATE	BY
DESIGNER	DATE	DATE	BY
SCALE	DATE	DATE	BY
Burrighs Corporation		WESTLARK BLANT	
SCHEM. R/W MACHINE		2857 3665 A	

Dwg No. 2857 3665 A  
 SHEET 2 OF 3



8 | 7 | 6 | 5 | 4 | 3 | 2



ZONE	REV.	CONT.	OR	CHG.	APPRO.	DATE
	A	2012/03				25
					INITIAL	RE-DATE
SMT 2	B	12/10/69				
C17	6	TO 110 CAR 1			ADDED	
					THROUGH T-STATE	
					DATA TABLE	
SMT 2					SECTION 1 LOCATION CHANGE	
					FROM CIR 22 TO CIR 8	
1/A					C REVISION ON 12/10/69	
					DELETED D'S FROM TITLE	

3- ALL 14 PIN I.C.'S PIN 7 IS GND  
PIN 14 IS 5V

2- ALL 16 PIN I.C.'S PIN 8 IS GND  
PIN 16 IS 5V

1- NUMBERS INSIDE CIRCLES INDICATES THE PAGE THE SIGNAL IS GENERATED OR TERMINATED ON

NOTES: UNLESS OTHERWISE SPECIFIED

ASBY NO.	
2057 2527	
LOC	PAGE
C19	27

**Burrroughs**

PERIPHERAL PRODUCTS GROUP  
QUADRAMARK ALBUQUERQUE

PLANT 001  
MEXICO

CLASS CODE  
2520

9-14-69 504, PHOENIX CASE 1

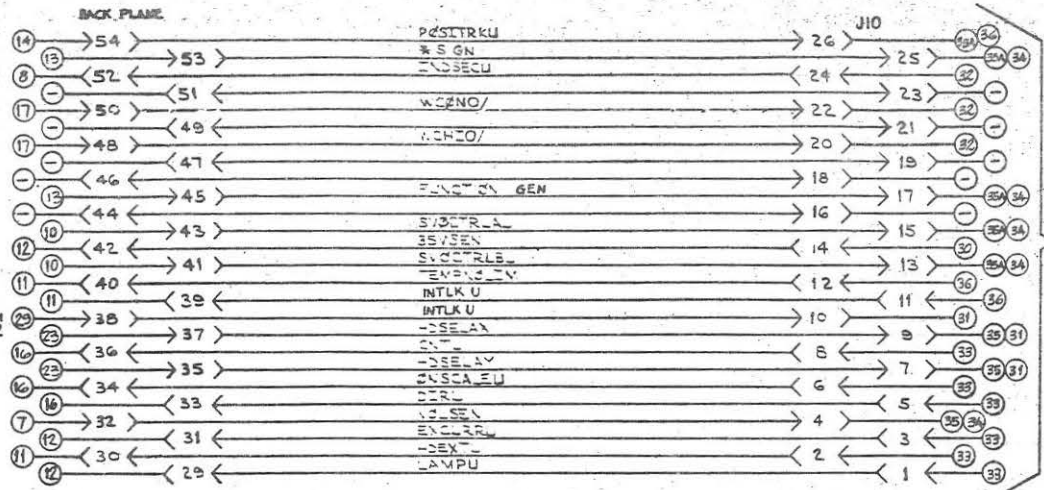
9-14-69 504, PHOENIX CASE 1

NOTE 1/2 D 2557 2576

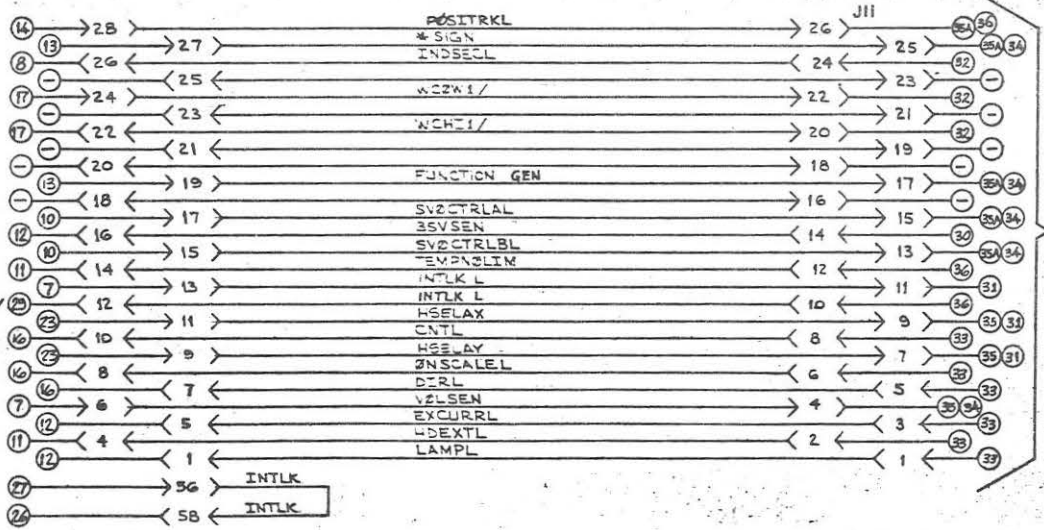
D 2161 7493D 1 of 1  
PADDLE CARD II

1 OF 1 SHEET  
ELECTRICAL SYMBOLS

REVISION				
ZONE	REV	CONT	OR	CHK APPD DATE
...	A	PRELIM	G.S.	
...	B	REWORK	G.S.	12/11/72
...	C	63098	RT. 12/11/72	
IA		ASSY NOS. WERE 2162 2931 AND 2162 2949.		
	D	12/11/72	G.S.	12/11/72
		G.C. SOONER		



TO UPPER SPINDLE  
55  
P 25



TO LOWER SPINDLE  
55  
P 25

FROM PIN 12

TO PIN 36

I. NUMBERS INSIDE CIRCLES INDICATES THE PAGE THE SIGNAL IS GENERATED OR TERMINATED ON  
NOTES: UNLESS OTHERWISE SPECIFIED.

ASSY NO. 2163 0520 2163 0536	
LOC	PAGE
C20	29

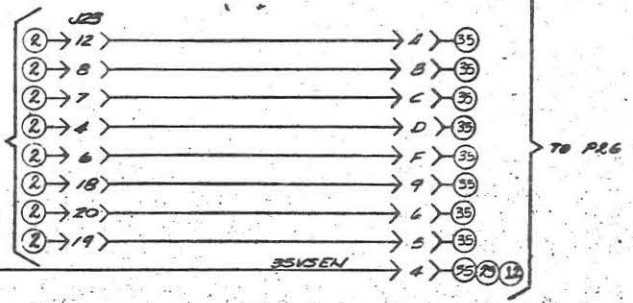
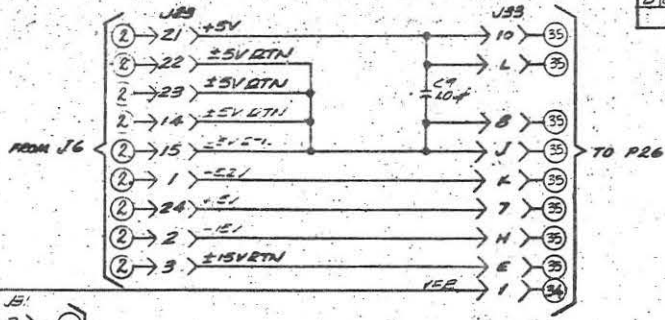
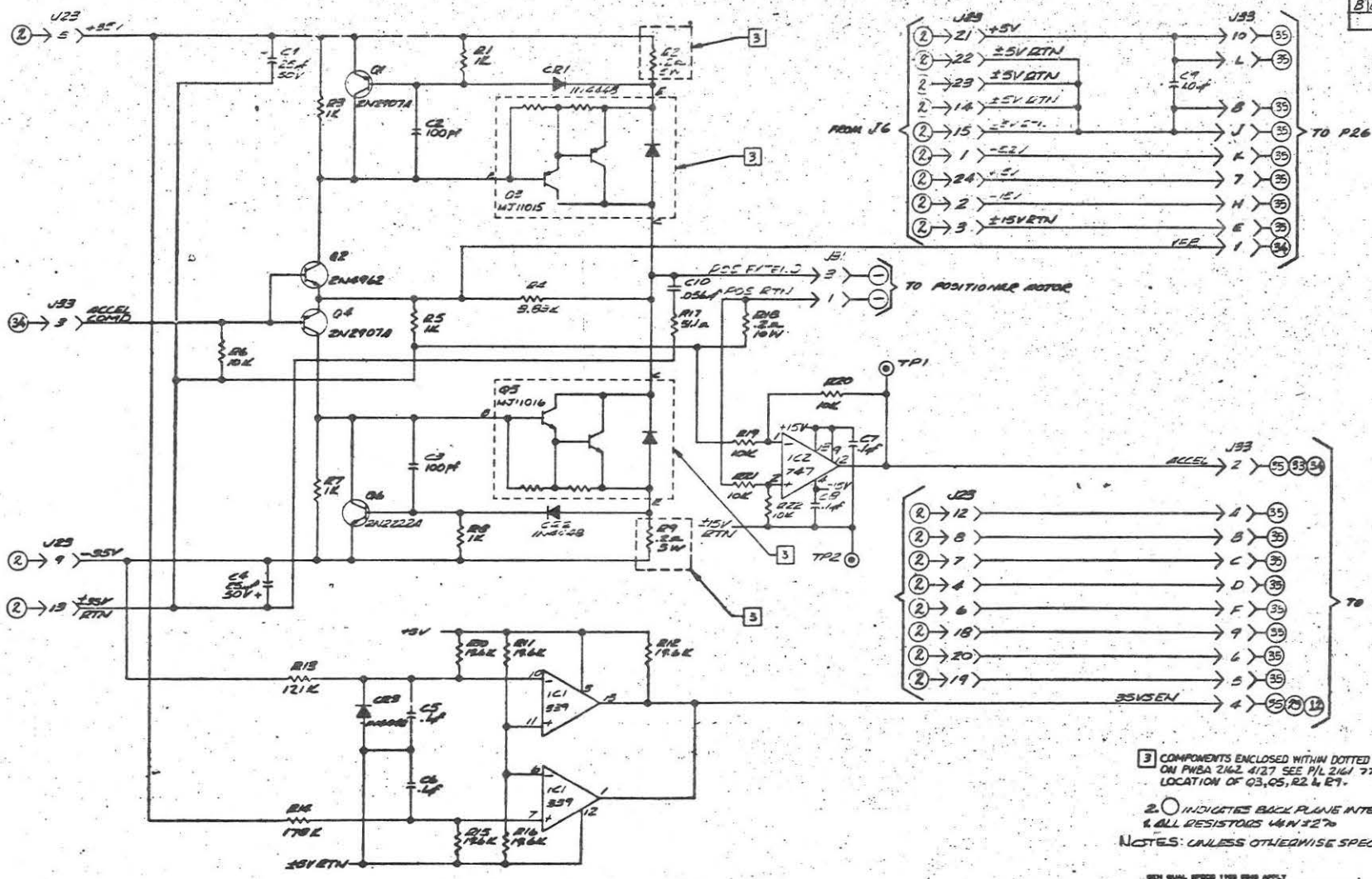
DESIGN QUAL. SPECS 1188 8888 APPLY		DATE	
PRECEDENCE UNLESS OTHERWISE SPECIFIED		DATE	
MATERIAL	SIZE	GENE BAKER	DATE
TREATMENT	ANGLE	DATE	DATE
SURFACE TREATMENT	SCALE	DATE	DATE
SHEET NO. 1 OF 1		DATE	
DWG NO. 2161 7493		DATE	
REV D		DATE	

Dwg No. 2161 7493  
Sheet 1 of 1

2162 4150 B 1041  
 SOL: PWR. AMP. MOD

REV	DATE	BY	CHK	APPRO	DATE
A	08/04/63	JM/PC		PM	5/1/63
B	02/10/63				

REVISION  
 CLERICAL - ERDS



[3] COMPONENTS ENCLOSED WITHIN DOTTED LINES DO NOT APPEAR ON PWBA 2162 4150 SEE P/L 2161 7766 CARD CAGE ASSY FOR LOCATION OF Q3, Q5, R2 & E1.

2. O INDICATES BACK PLANE INTERCONNECTION  
 & ALL RESISTORS 1/4W ±2%

NOTES: UNLESS OTHERWISE SPECIFIED,

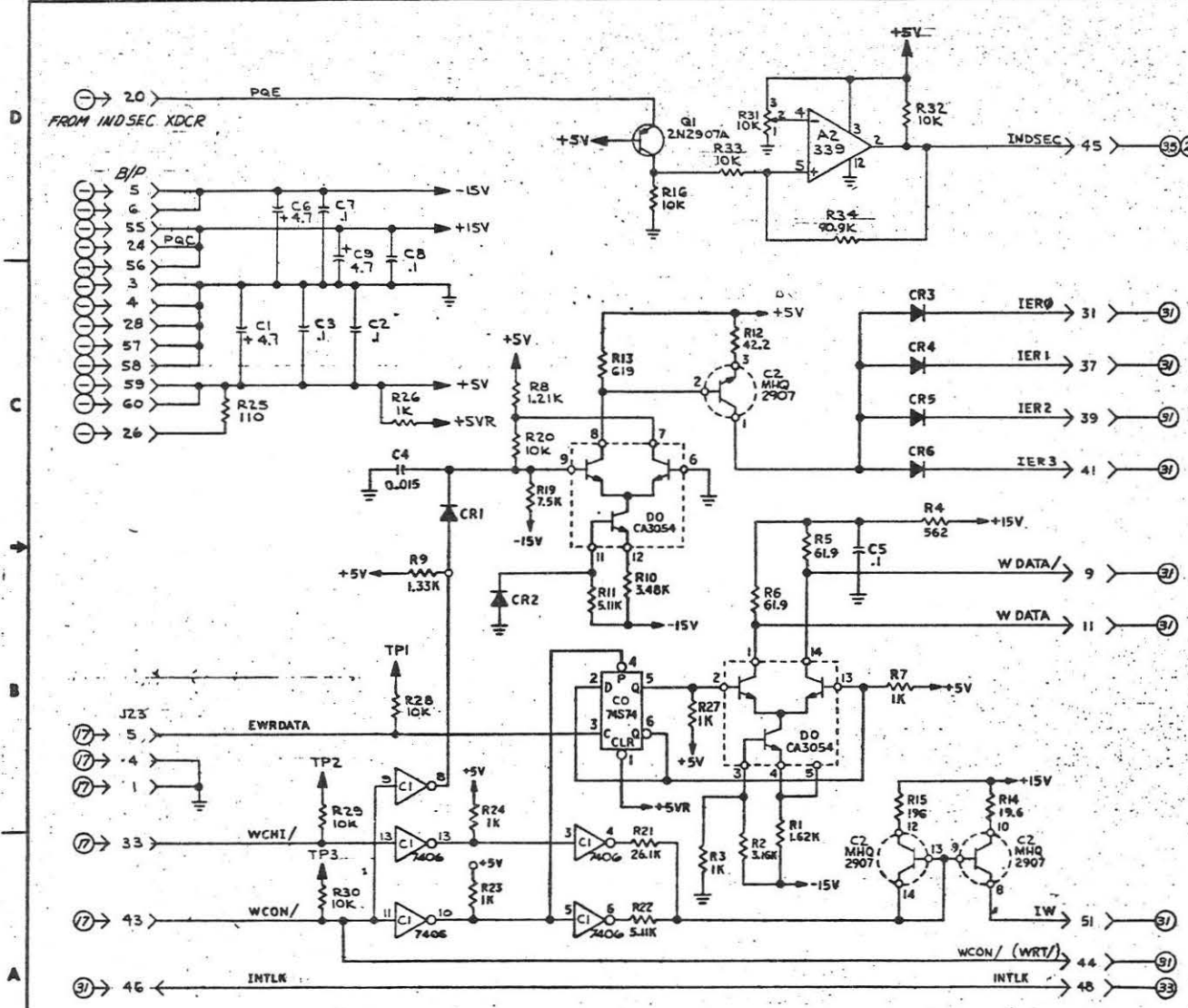
ASSY NO.	2162 4127
LOC.	PAGE
	30

DESIGNER	DATE	SCALE	SHEET	TOTAL SHEETS
CHKD BY	10/1/63	1:1	1	1
APPROVED				
DUPPLICATED FROM ORIGINAL DRAWING				
PROPERTY OF BURROUGHS CORPORATION NOT TO BE REPRODUCED OR COPIED IN ANY MANNER WITHOUT THE WRITTEN PERMISSION OF BURROUGHS CORPORATION				
Burroughs Corporation			SEATTLE PLANT U.S. AMERICA	
DIVISION OF			PACIFIC PRODUCTS BETHLEHEM, CALIF. 91308	
TITLE			SCH. PWR. AMP. MOD.	
SCALE			1/1	
PROJECT NO.			2162 4150	

D 2161-8194 D (1 of 1)  
SCH - WRITE DRIVER

1 2 3 4 5 6 7 8

REV	CONT	OR	CHK	APPD	DATE
A	DBELM	GB			
B	ECNG3104	SR			
C	ECNG3104	SR			
D	ECNG10773	SR			



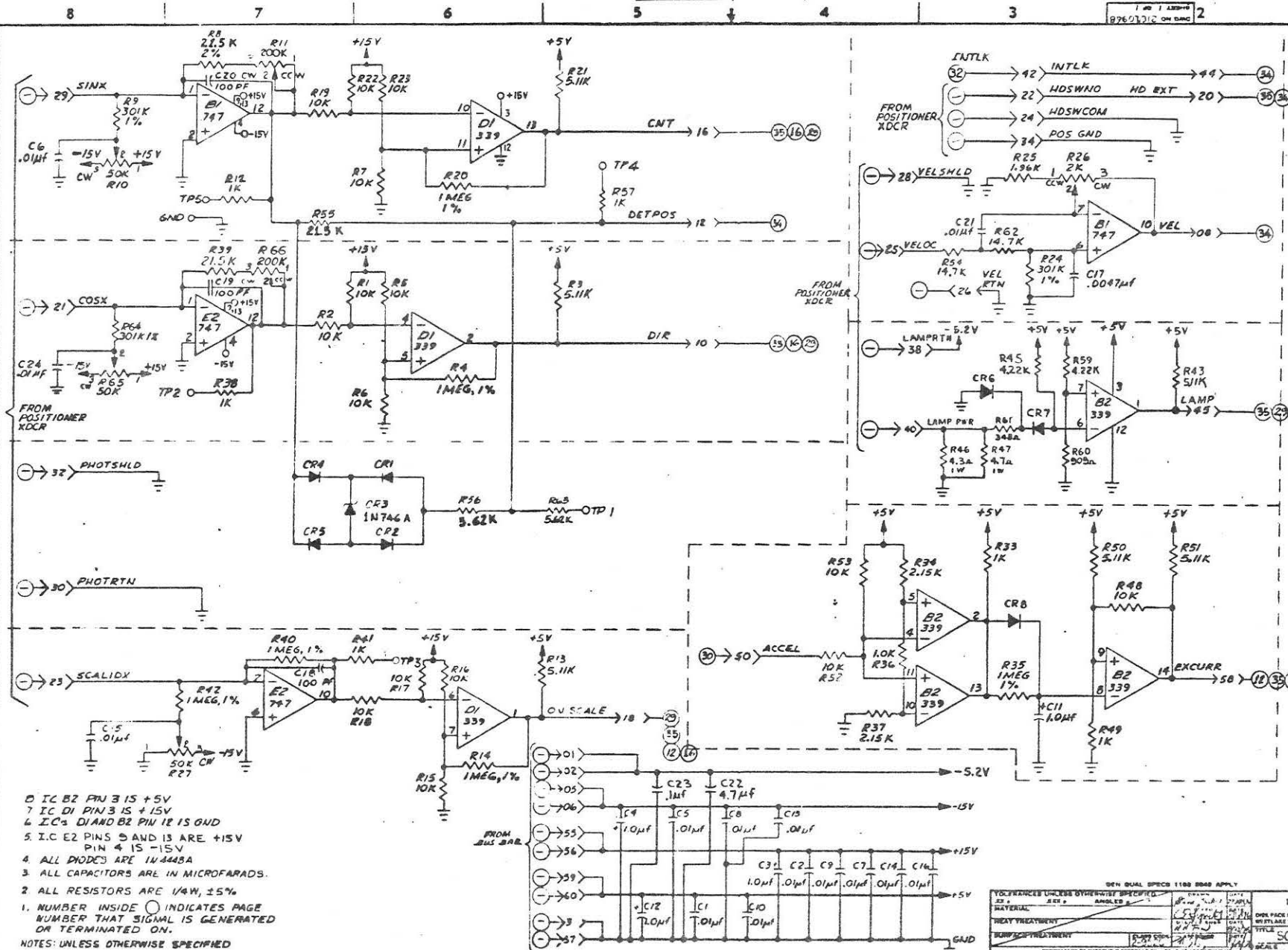
5. ALL 14 PIN I.C.'S PIN 1 IS GND  
PIN 14 IS 5V
- DIODES ARE 1N914-A
  - CAPACITANCE VALUES IN MICROFARADS
  - RESISTORS ARE IN OHMS 1/4W, 5%
1. NUMBERS INSIDE CIRCLES INDICATE THE PAGE THE SIGNAL IS GENERATED OR TERMINATED ON.
- NOTES: UNLESS OTHERWISE SPECIFIED

ASSY No.	21G3 0660
LOC	PAGE
502	32

MATERIAL		DATE		Supporfiche Corporation	
CHECKED		DATE		WESTLAKES PLANT	
APPROVED		DATE		WESTLAKES, CALIF. 91360	
SURFACE FINISH		DATE		U.S. AMERICA	
TITLE		SCALE		SHEET 1	
SCH WRITE DRIVER		NA		DWG NO.	
COPY 1		21618194		REV 2	

DWG NO. 2161-8194

2162 0268 H 10-  
SCHEM - XDCR AMP



REV	CONT	DR	CHK	APPR	DATE
A	PRELIM	G.B.			
B	16, 17, 20, 21, 22, 24, 25, 26, 27, 28, 29, 30, 31, 32, 33, 34, 35, 36, 37, 38, 39, 40, 41, 42, 43, 44, 45, 46, 47, 48, 49, 50, 51, 52, 53, 54, 55, 56, 57, 58, 59, 60, 61, 62, 63, 64, 65, 66, 67, 68, 69, 70, 71, 72, 73, 74, 75, 76, 77, 78, 79, 80, 81, 82, 83, 84, 85, 86, 87, 88, 89, 90, 91, 92, 93, 94, 95, 96, 97, 98, 99, 100				
C	16, 27, 29, 30, 31, 32, 33, 34, 35, 36, 37, 38, 39, 40, 41, 42, 43, 44, 45, 46, 47, 48, 49, 50, 51, 52, 53, 54, 55, 56, 57, 58, 59, 60, 61, 62, 63, 64, 65, 66, 67, 68, 69, 70, 71, 72, 73, 74, 75, 76, 77, 78, 79, 80, 81, 82, 83, 84, 85, 86, 87, 88, 89, 90, 91, 92, 93, 94, 95, 96, 97, 98, 99, 100				

CLERICAL CHECKS

ZONE D7: R55 WAS 36.2K  
IS: 21.5K  
ZONE B6: R56 WAS 21.5K  
IS: 3.62K  
ZONE D7: R55 WAS 36.2K  
IS: 21.5K

ZONE D7: RB WAS 51.6K  
IS 21.5K

ZONE C/B ADDED R64, 65 AND  
C29 ZONE D/B, ON R10 14  
3 WAS: +15V, -15V  
1/11 WAS: -15V, IS +15V,  
ZONE C/7, R39 WAS: 31.6K  
IS: 21.5K (ADDED R66  
200K.

8. I.C. B2 PIN 3 IS +5V
  7. I.C. D1 PIN 3 IS +15V
  6. I.C. B2 DI AND B2 PIN 12 IS GND
  5. I.C. E2 PINS 3 AND 13 ARE +15V  
PIN 4 IS -15V
  4. ALL DIODES ARE 1N4448A
  3. ALL CAPACITORS ARE IN MICROFARADS.
  2. ALL RESISTORS ARE 1/4W, ±5%
  1. NUMBER INSIDE ○ INDICATES PAGE  
NUMBER THAT SIGNAL IS GENERATED  
OR TERMINATED ON.
- NOTES: UNLESS OTHERWISE SPECIFIED

ASSY NO.	2163 0249
LOC.	503
PAGE	33

GEN. QUAL. SPEC. 1180 8049 APPLY

UNLESS OTHERWISE SPECIFIED

RESISTORS: 1% TOLERANCE UNLESS OTHERWISE SPECIFIED

CAPACITORS: 5% TOLERANCE UNLESS OTHERWISE SPECIFIED

WARRANTY: 1 YEAR

SCALE: NONE

DATE: 11/16/68

DESIGNED BY: [Signature]

CHECKED BY: [Signature]

APPROVED BY: [Signature]

SCHEMATIC XDCR AMP

SHEET 1 OF 1

DWG NO. 21620268





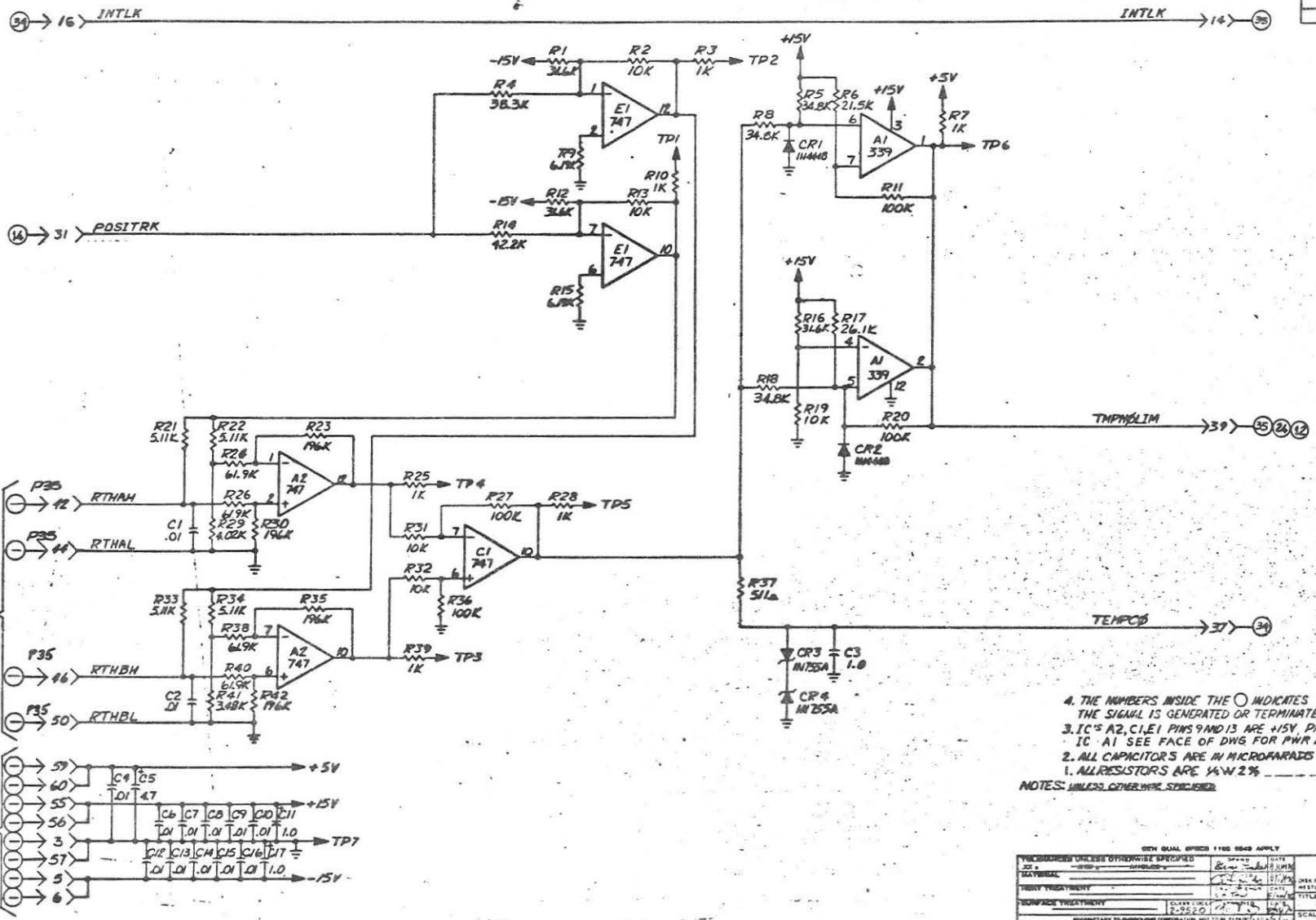




D 2161 7949 C 1 of 1  
 SCH - Temp. Comp.

1 of 1 SHEET  
 6704 07 ON 048

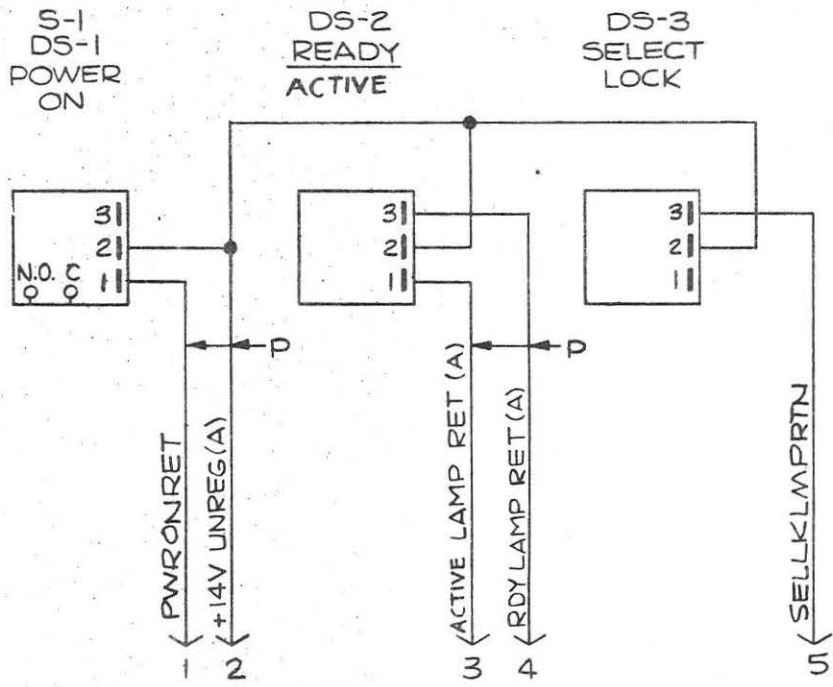
REVISION				
ZONE	REV	CONT	OR	CHE APPD DATE
A	PRELIM	GB		
B	ERC 2402	7/27/67	MM	11/25/67
C	1/27/68	6/11/68	MM	11/25/67
CLERICAL ERRORS				



4. THE NUMBERS INSIDE THE ○ INDICATES THE PAGE THE SIGNAL IS GENERATED OR TERMINATED ON.
  3. IC'S A2, C1, E1 PINS 9 AND 13 ARE +5V, PIN 4 IS -15V, IC 'A1' SEE FACE OF DWS FOR PWR AND GND PINS
  2. ALL CAPACITORS ARE IN MICROFARADS
  1. ALL RESISTORS ARE 1/4W 2%
- NOTES: UNLESS OTHERWISE SPECIFIED

ASSEMBLY 2161 7923	
LOC 5G	PAGE 3G

DESIGNER UNLESS OTHERWISE SPECIFIED		DATE	
MATERIAL	BY	DATE	BY
THERM TREATMENT	BY	DATE	BY
FINISH TREATMENT	BY	DATE	BY
PREPARE TREATMENT	BY	DATE	BY
CLASS GROUP	SCALE	SHEET	OF
2-3520	NA	7	1
PROPERTY TO BURNINGHAM CORPORATION AND TO BE RETURNED TO THE COMPANY		TITLE	
FOR ORDER RETURNING PROPERTY & COPY ON BURNINGHAM GROUP OF PAPER WITH COMPANY		SCH - TEMP. COMP.	
DWG NO		REV	
021617949		C	



P17  
TO J16 PAGE ③

1. SEE P/L 2161 8426 FOR WIRE LIST.  
NOTES: UNLESS OTHERWISE SPECIFIED

REVISION						
REV	CONT	DR	CHK	APPD	DA	
A	ERG2400	DM	CEL	PAI	8/2/76	P17 PIN 1 WAS PIN 2 SWCDM (A) P17 PIN 2 WAS PIN 1 P17 PIN 3 WAS PIN 4 P17 PIN 4 WAS PIN 3 P17 PIN 5 WAS PIN 7 RUNLAMP RET A IN NOTE 1 2161 8426 WAS 2161 7067
B	ECN 62750	CEL	R.T.	PAI	11/4/76	
C	ECN 10596	A.S.	JARA	q/c	21.25.77	
CHANGE FROM: DS-2 READY TO: DS-2 READY ACTIVE AND, FROM: BUSY LAMP RET (A) TO: ACTIVE LAMP RET (A)						
D	ECN 10723	CEL	PAI	q/c	3 JUL 78	ADDED TO J16 PAGE ③

GEN QUAL SPECS 1183 5543 APPLY

TOLERANCES UNLESS OTHERWISE SPECIFIED .XX ± .XXX ± ANGLES ±	DRAWN D. MILLER	DATE 5-27-76	 DISK PACK PRODUCTS WESTLAKE VILLAGE, CALIF. 91380 WESTLAKE PLANT U.S. AMERICA
MATERIAL	CHECKED D. MILLER	DATE 7/27/78	
HEAT TREATMENT	DSGN OR ENGR	DATE	TITLE SCHEMATIC, SWITCH PANEL
SURFACE TREATMENT	CLASS CODE 2-8020	APPROVED D. MILLER	DATE 8/4/78
PROPRIETARY TO BURROUGHS CORPORATION. NOT TO BE REPRODUCED NOR USED FOR MANUFACTURING PURPOSES EXCEPT ON BURROUGHS ORDER OR PRIOR WRITTEN CONSENT.			SCALE NONE SHEET 1 OF 1 DWG NO. 2161 8434 REV D