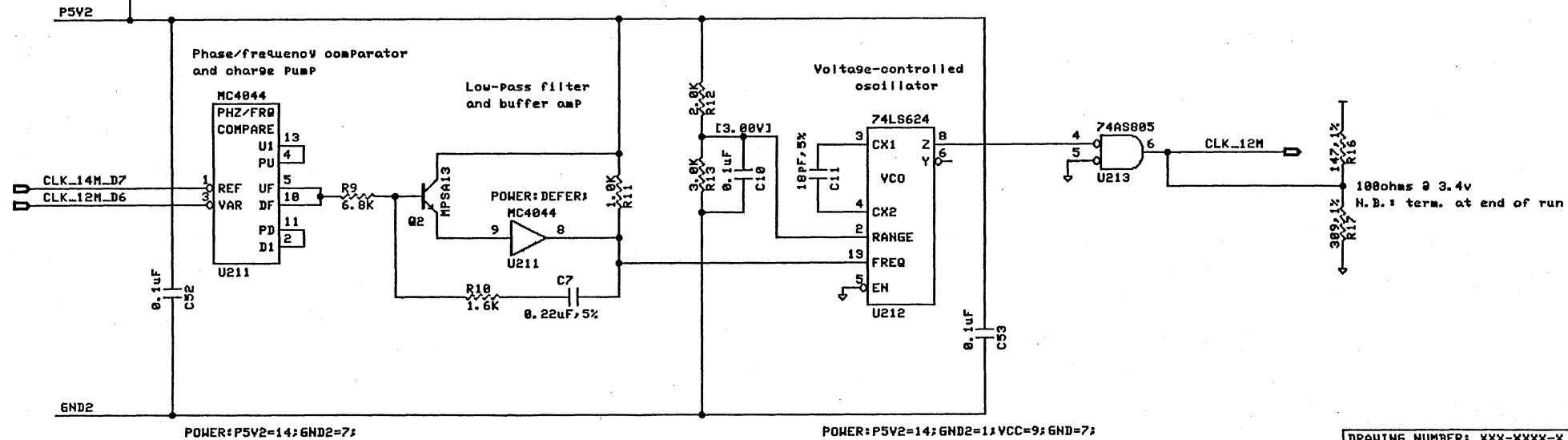
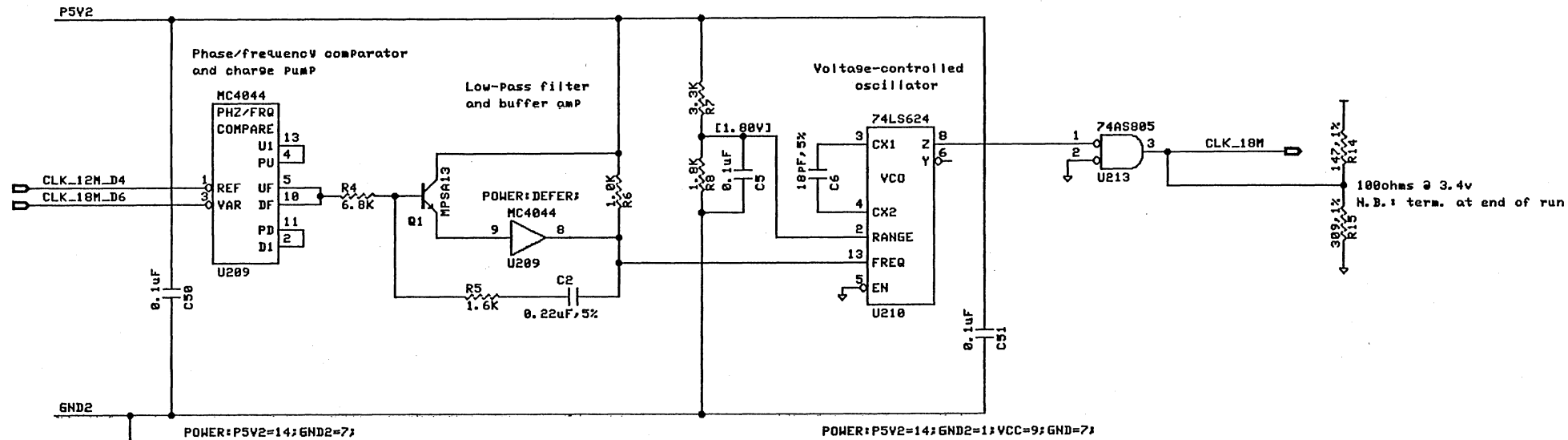
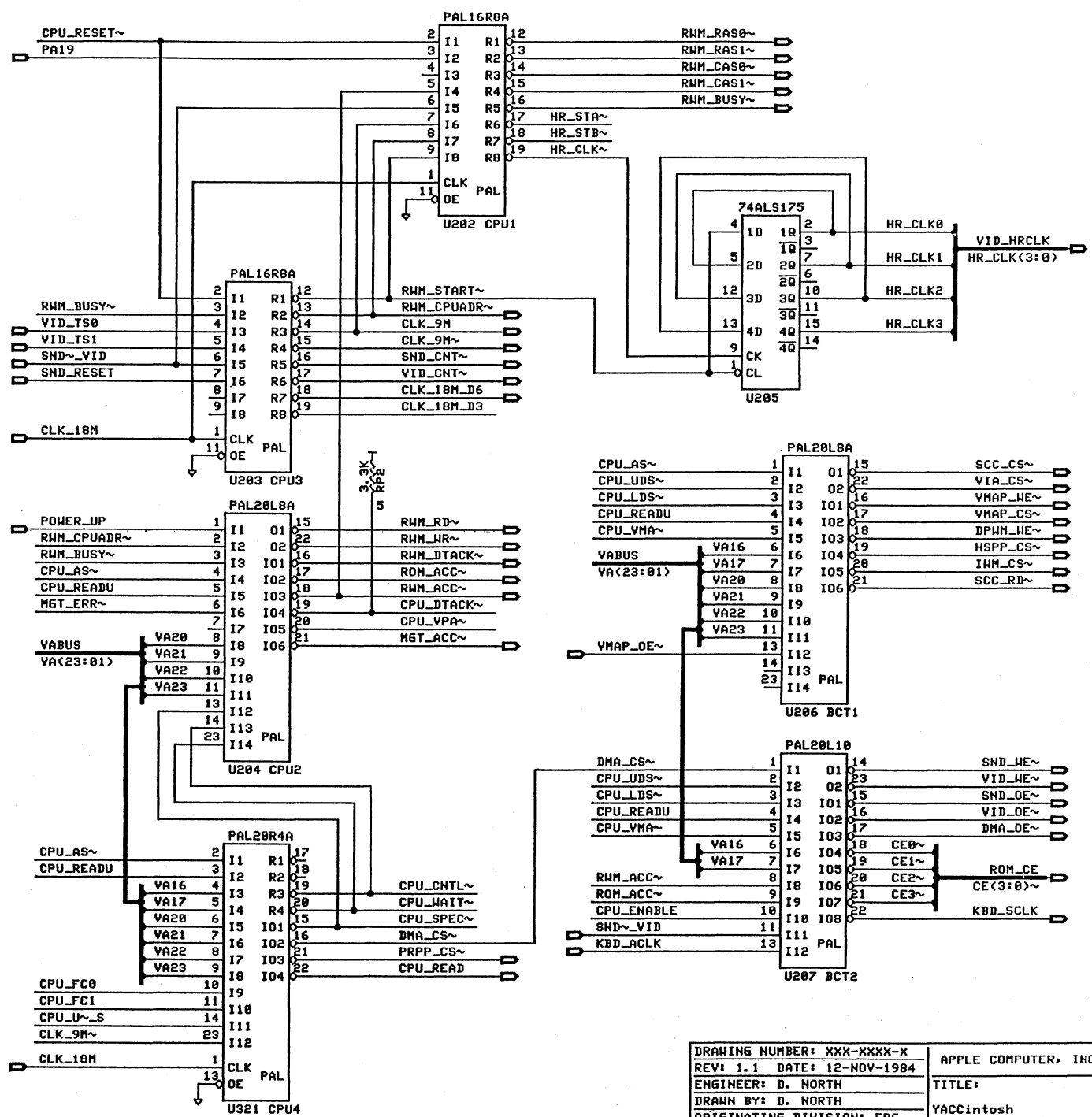
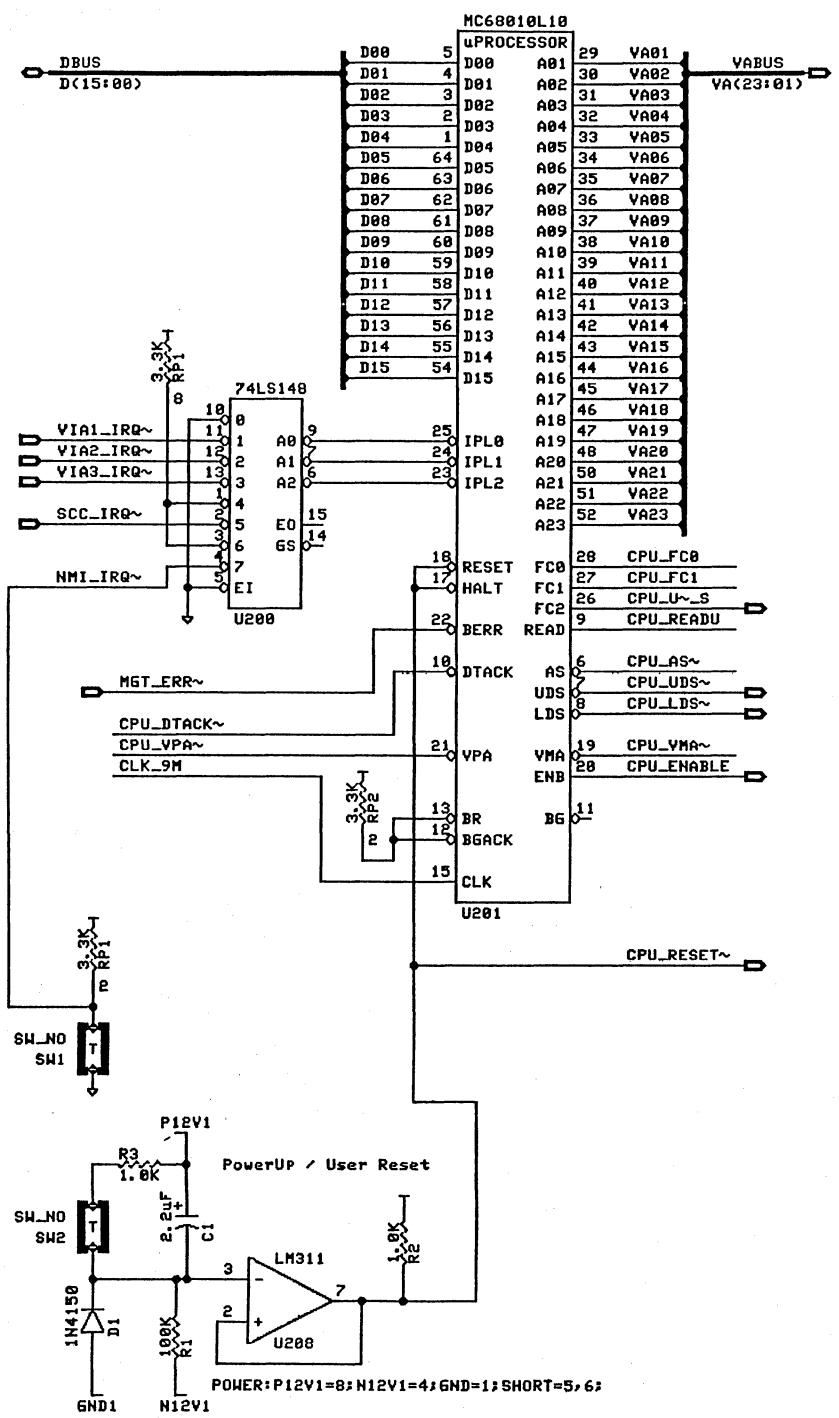


DRAWING NUMBER: XXX-XXXX-X	APPLE COMPUTER, INC.
REV: 1.1 DATE: 12-NOV-1984	TITLE:
ENGINEER: D. NORTH	YACCintosh
DRAWN BY: D. NORTH	BLOCK DIAGRAM
ORIGINATING DIVISION: ERG	
SHEET: 1 OF: 24 SIZE: D	
PATH: @YACC (1/1)	



DRAWING NUMBER: XXX-XXXX-X	APPLE COMPUTER, INC.
REV: 1.1 DATE: 12-NOV-1984	TITLE:
ENGINEER: D. NORTH	YACCintosh
DRAWN BY: D. NORTH	CLOCK GENERATORS
ORIGINATING DIVISION: ERG	
SHEET: 2 OF: 24 SIZE: D	
PATH: @YACC/CLK_GEN (1/1)	



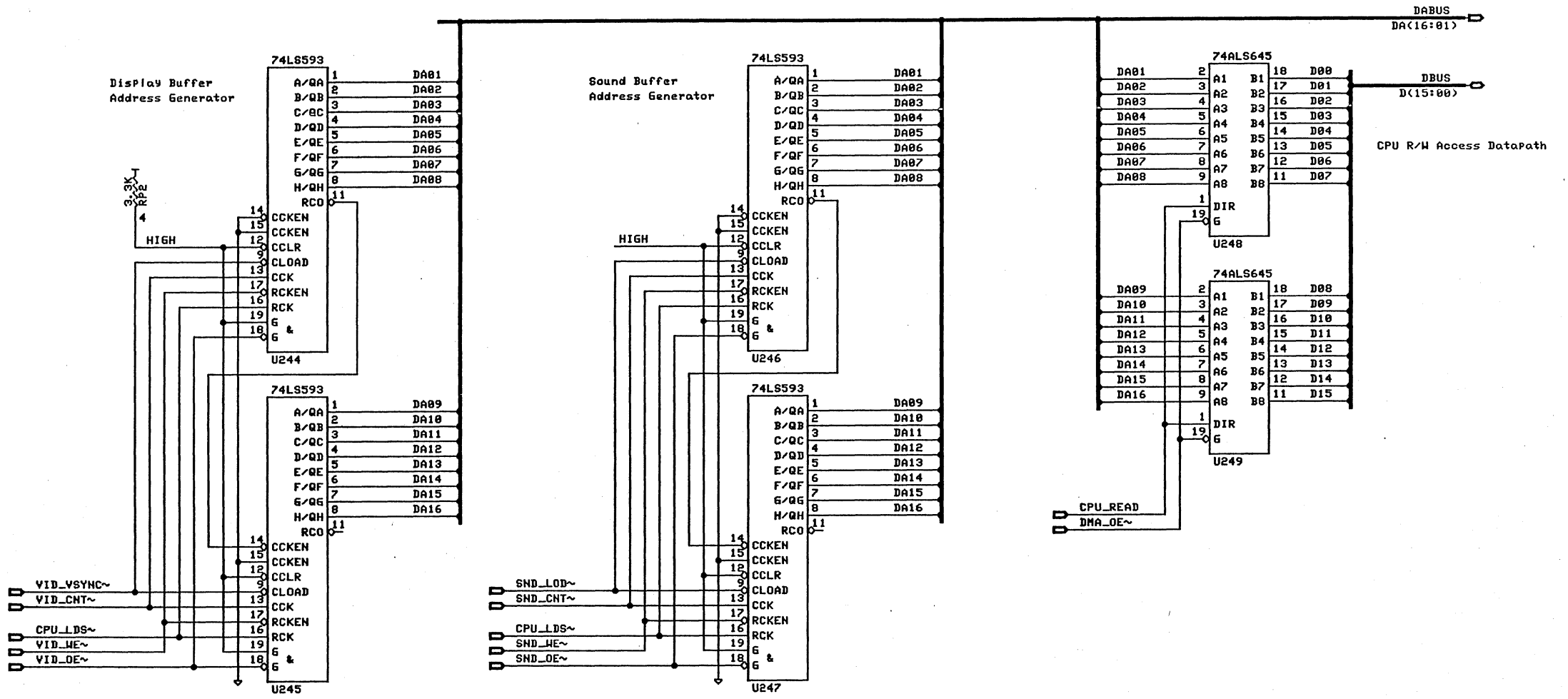
DRAWING NUMBER: XXX-XXXX-X  
 REV: 1.1 DATE: 12-NOV-1984  
 ENGINEER: D. NORTH  
 DRAWN BY: D. NORTH  
 ORIGINATING DIVISION: ERG  
 SHEET: 3 OF: 24 SIZE: D  
 PATH: @YACC/CPU (1/1)

APPLE COMPUTER, INC.  
 TITLE:  
 YACCintosh  
 CPU / CONTROL

140  
120  
100  
80  
60  
40  
20  
0

140  
120  
100  
80  
60  
40  
20  
0

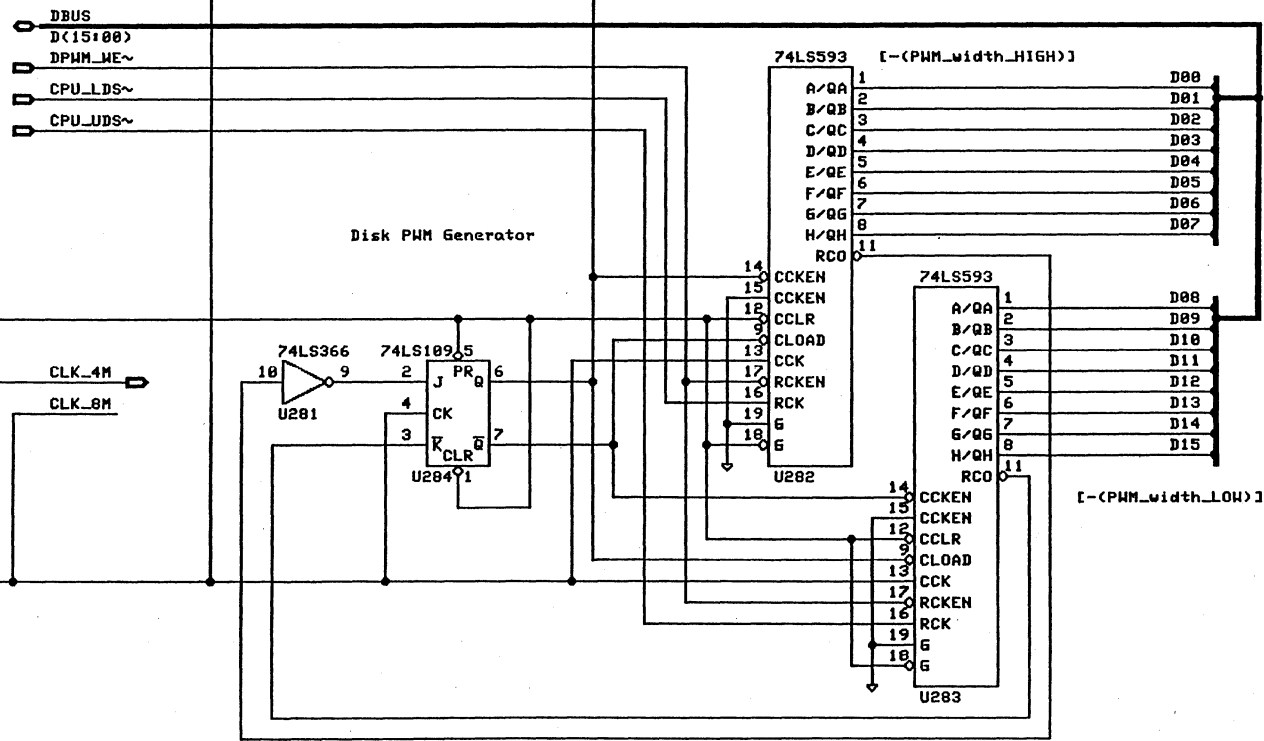
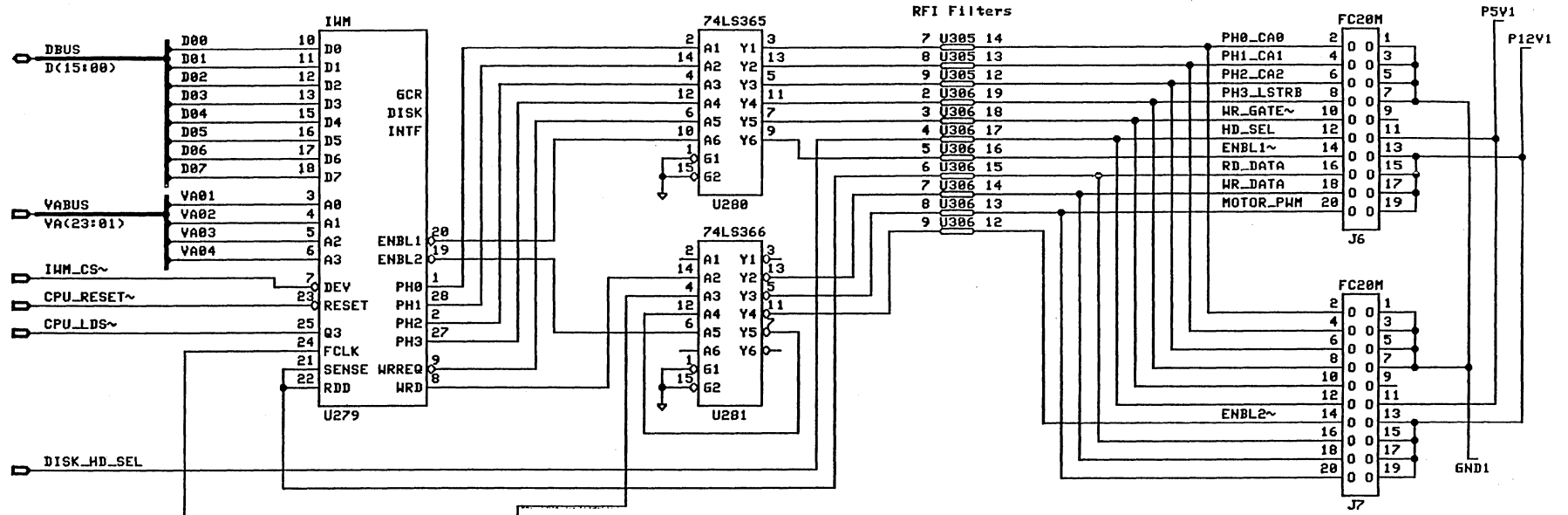
84 FEB 85 15:21 / USER/NORTH/YACC/CPU 1.DRAW



DRAWING NUMBER: XXX-XXXX-X		APPLE COMPUTER, INC.
REV: 1.1 DATE: 12-NOV-1984		TITLE:
ENGINEER: D. NORTH		YACCintosh
DRAWN BY: D. NORTH		DMA ADDRESS GEN
ORIGINATING DIVISION: ERG		
SHEET: 4 OF: 24 SIZE: D		
PATH: @YACC/DMA_ADR (1/1)		

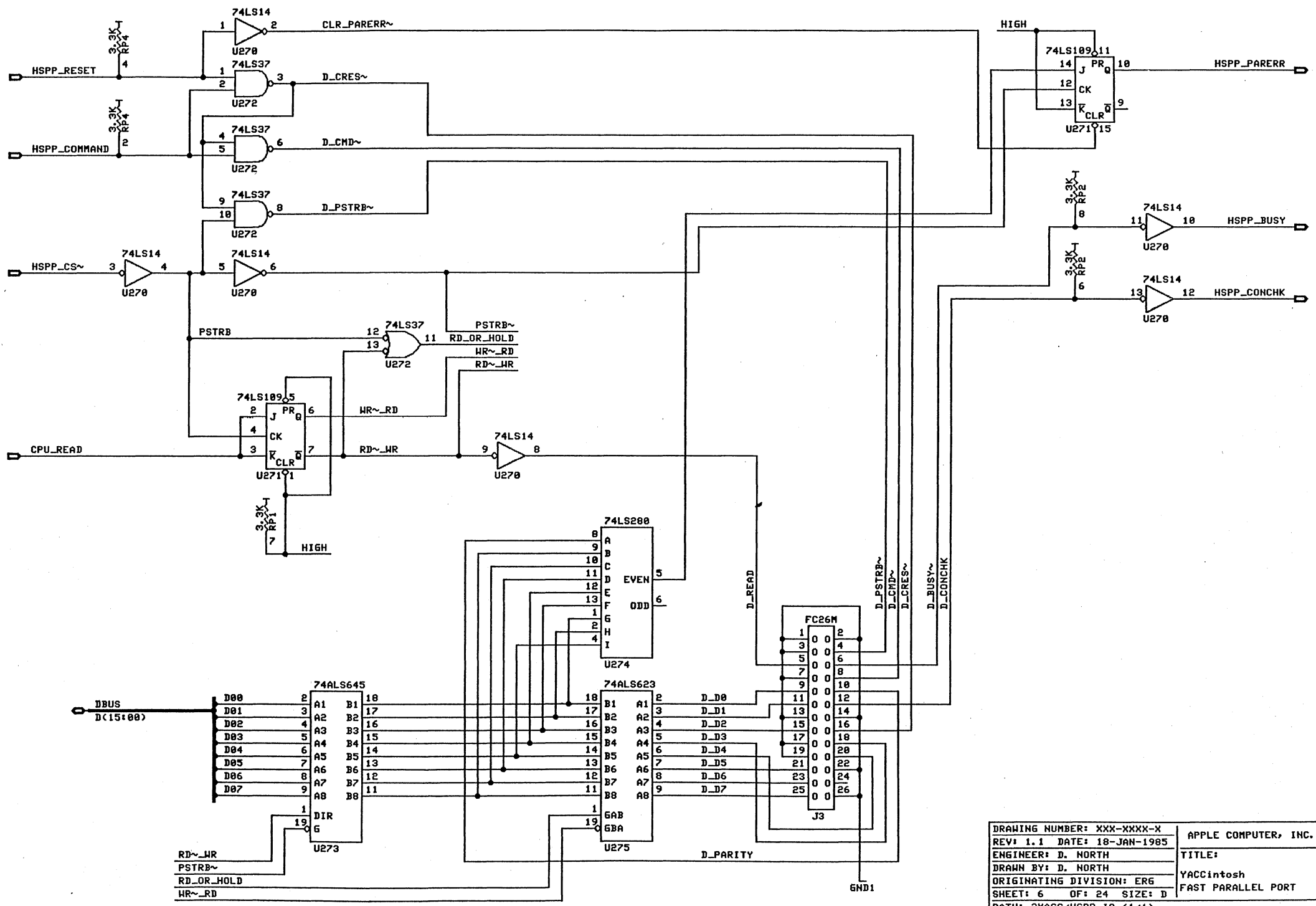
04 FEB 85 15:23 / USER-NORTH/YACC/DMA\_ADR 1.DRAW

Floppy disk controller interface



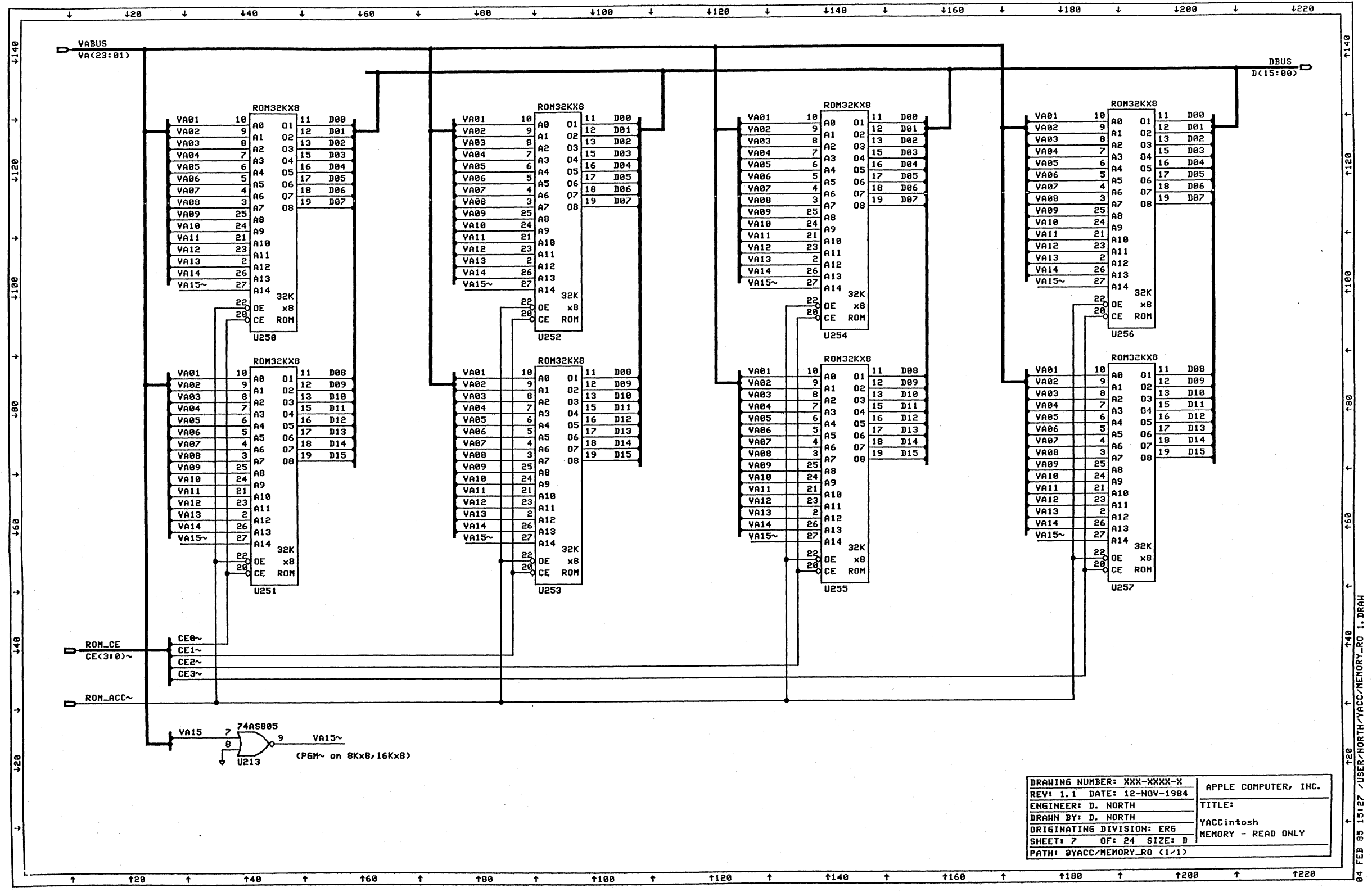
DRAWING NUMBER: XXX-XXXX-X	APPLE COMPUTER, INC.
REV: 1.1 DATE: 18-JAN-1985	TITLE:
ENGINEER: D. NORTH	YACCintosh
DRAWN BY: D. NORTH	FLOPPY DISK SUBSYSTEM
ORIGINATING DIVISION: ERG	
SHEET: 5 OF: 24 SIZE: D	
PATH: @YACC/FLOPPY_IO (1/1)	

85 FEB 85 15:24 /USER-NORTH-YACC-FLOPPY\_IO 1.DRAW

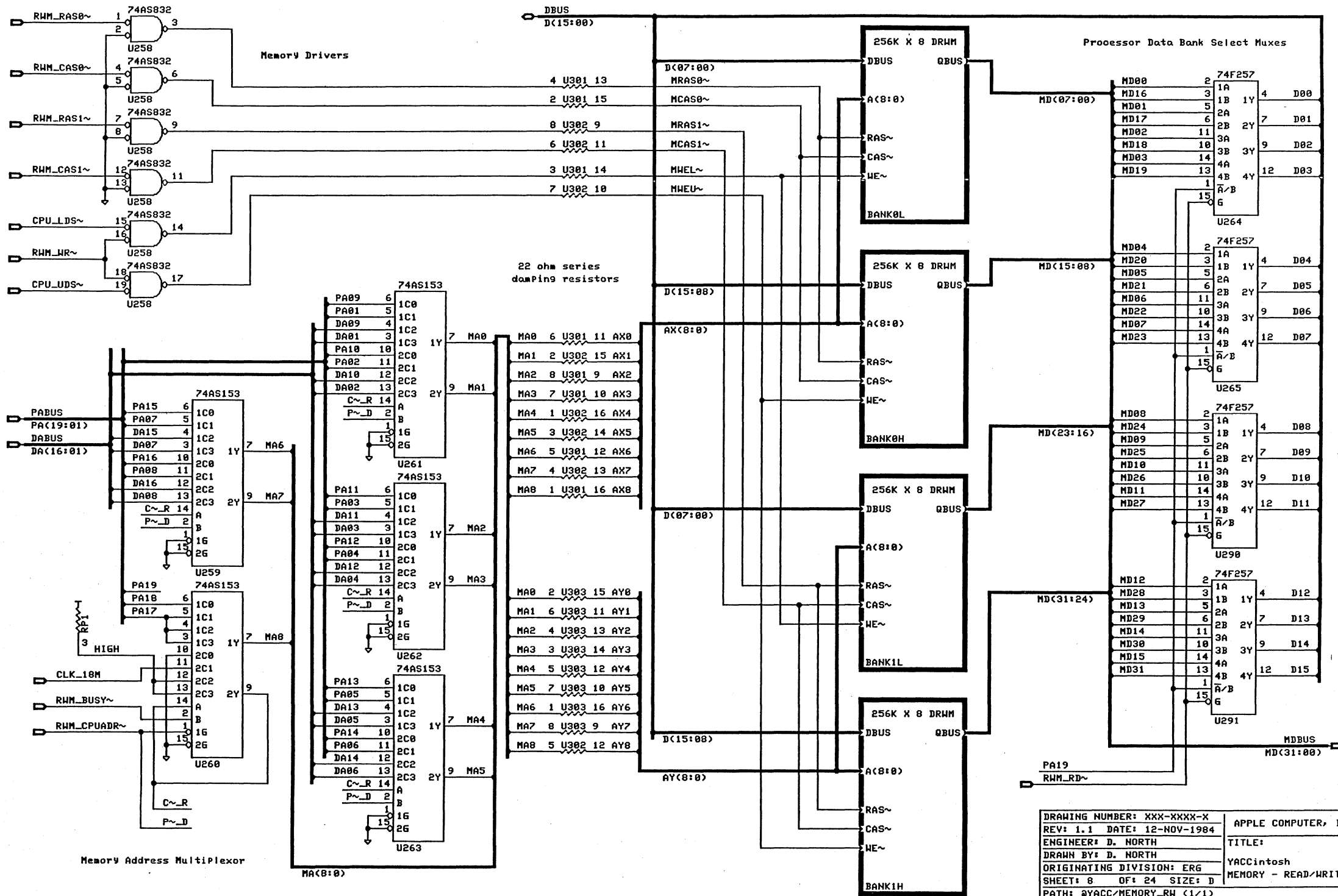


DRAWING NUMBER: XXX-XXXX-X		APPLE COMPUTER, INC.
REV: 1.1 DATE: 18-JAN-1985		
ENGINEER: D. NORTH		TITLE:
DRAWN BY: D. NORTH		YACCintosh
ORIGINATING DIVISION: ERG		FAST PARALLEL PORT
SHEET: 6 OF: 24 SIZE: D		
PATH: @YACC/HSPP_IO (1/1)		

04 FEB 85 15:25 /USER-NORTH-YACC/HSPP\_IO 1. DRAH

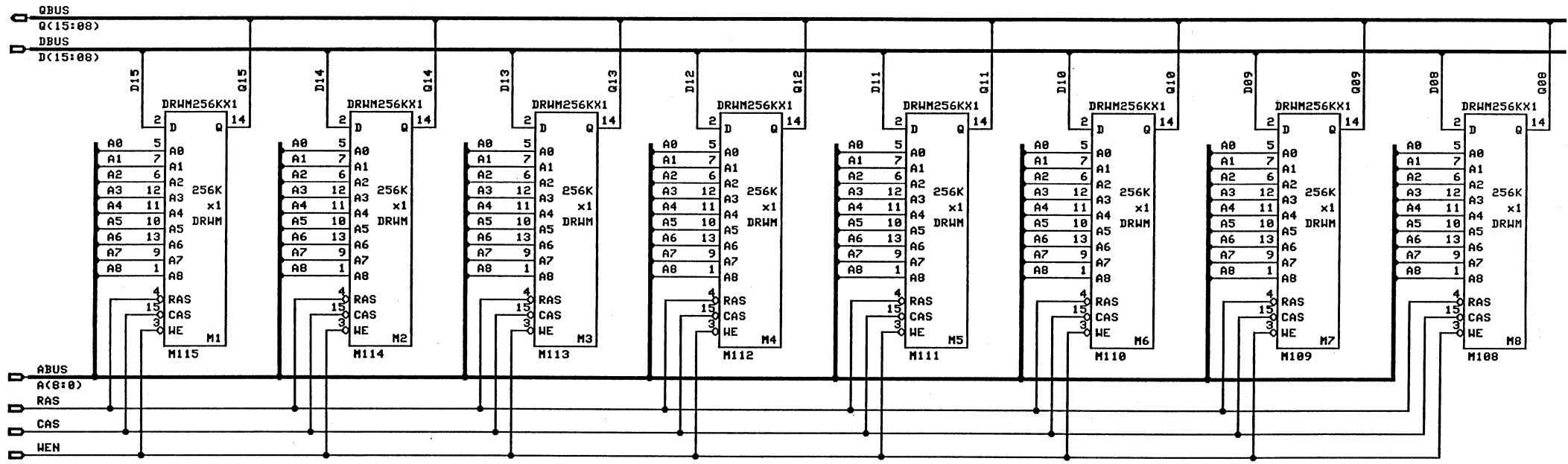


DRAWING NUMBER: XXX-XXXX-X	APPLE COMPUTER, INC.
REV: 1.1 DATE: 12-NOV-1984	TITLE:
ENGINEER: D. NORTH	YACCintosh
DRAWN BY: D. NORTH	MEMORY - READ ONLY
ORIGINATING DIVISION: ERG	
SHEET: 7 OF: 24 SIZE: D	
PATH: @YACC/MEMORY_RO (1/1)	

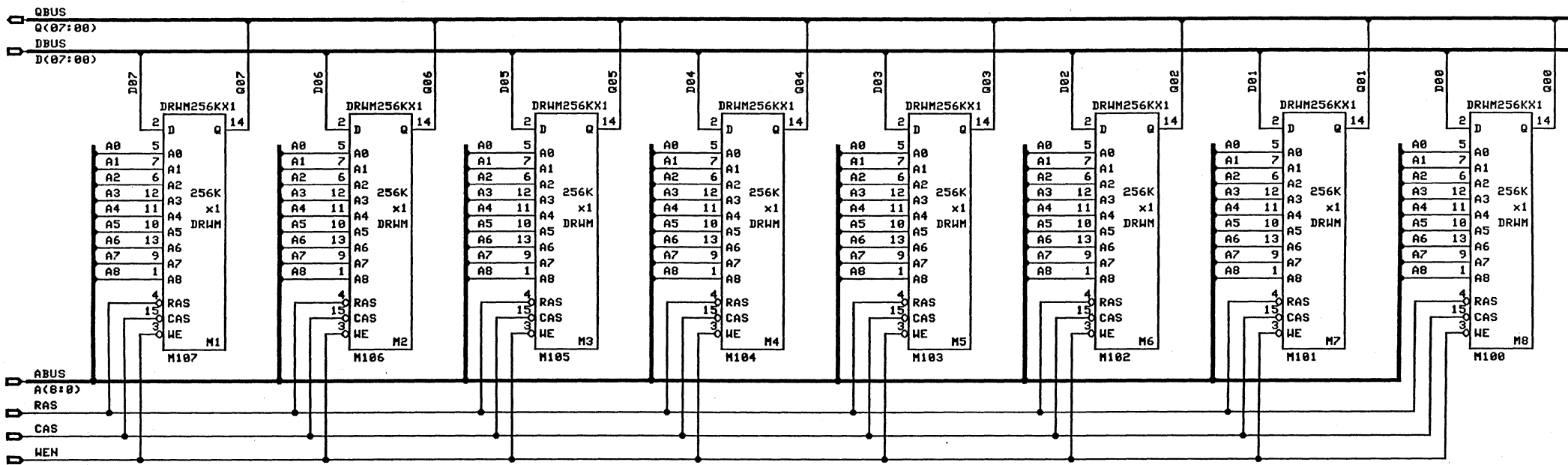


DRAWING NUMBER: XXX-XXXX-X		APPLE COMPUTER, INC.
REV: 1.1	DATE: 12-NOV-1984	TITLE:
ENGINEER: D. NORTH		YACCintosh
DRAWN BY: D. NORTH		MEMORY - READ/WRITE
ORIGINATING DIVISION: ERG		
SHEET: 8	OF: 24	SIZE: D
PATH: @YACC/MEMORY_RH (1/1)		

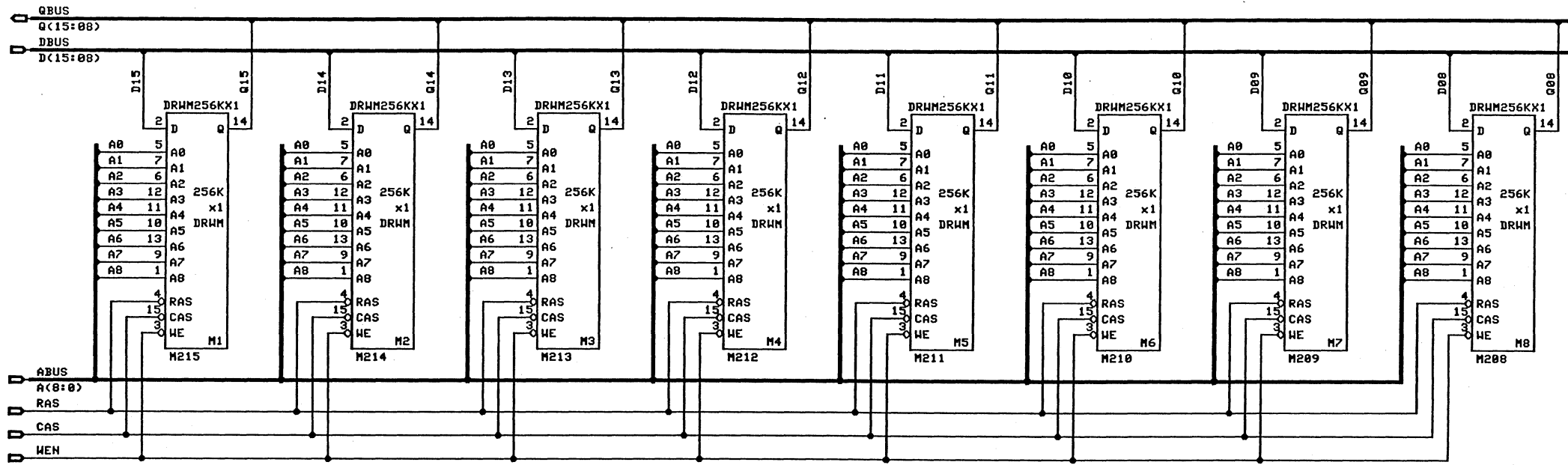




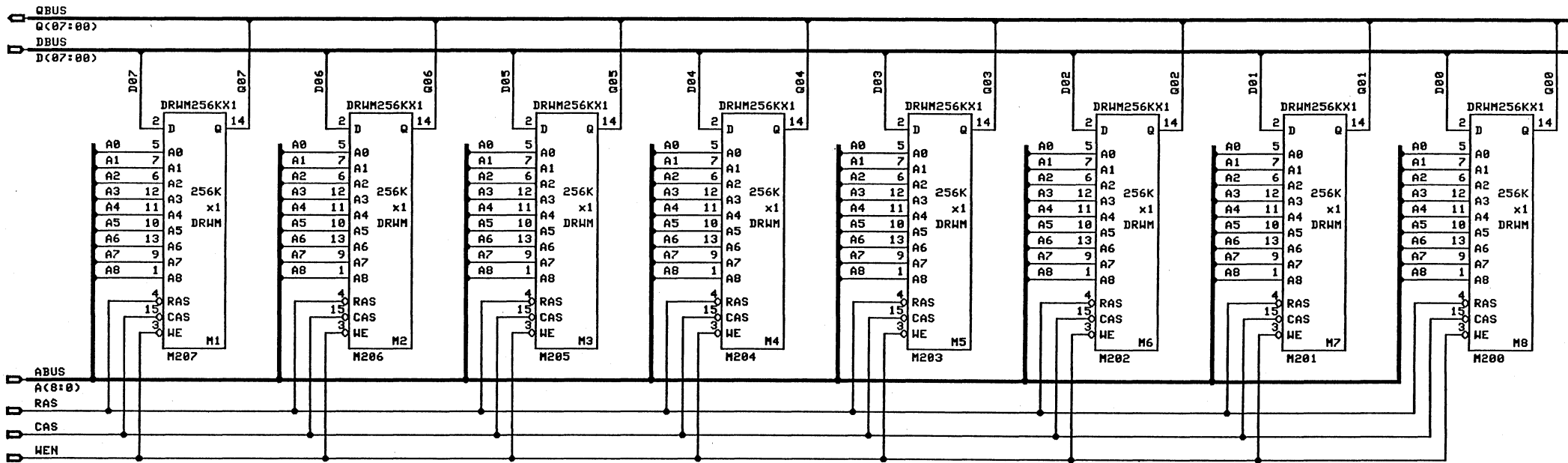
DRAWING NUMBER: XXX-XXXX-X		APPLE COMPUTER, INC.
REV: 1.1	DATE: 12-NOV-1984	TITLE:
ENGINEER: D. NORTH		YACCintosh
DRAWN BY: D. NORTH		R/W MEMORY
ORIGINATING DIVISION: ERG		BANK 0, HIGH BYTE
SHEET: 9	OF: 24	SIZE: D
PATH: @YACC/MEMORY_RH/BANK0H (1/1)		



DRAWING NUMBER: XXX-XXXX-X	APPLE COMPUTER, INC.
REV: 1.1 DATE: 12-NOV-1984	TITLE:
ENGINEER: D. NORTH	YACCintosh
DRAWN BY: D. NORTH	R/W MEMORY
ORIGINATING DIVISION: ERG	BANK 0, LOW BYTE
SHEET: 10 OF: 24 SIZE: D	
PATH: @YACC/MEMORY_RH/BANK0L (1/1)	

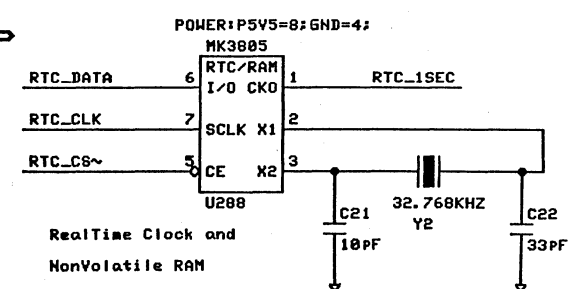
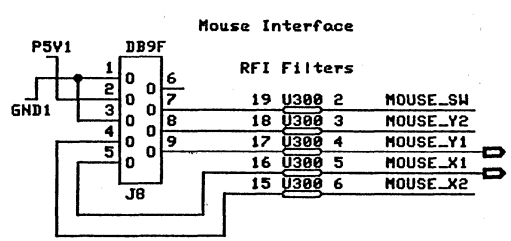
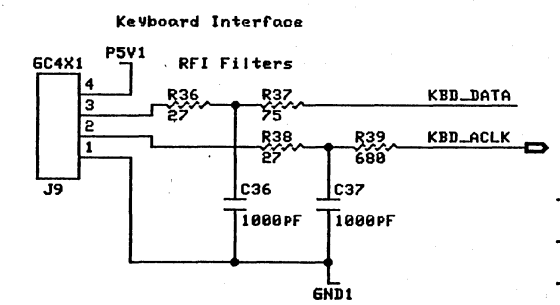
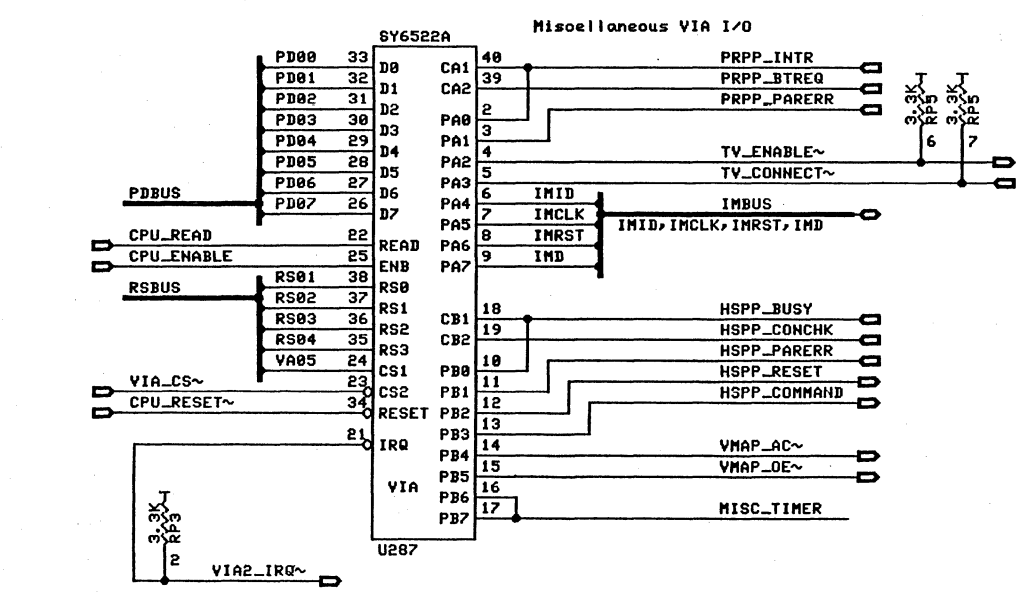
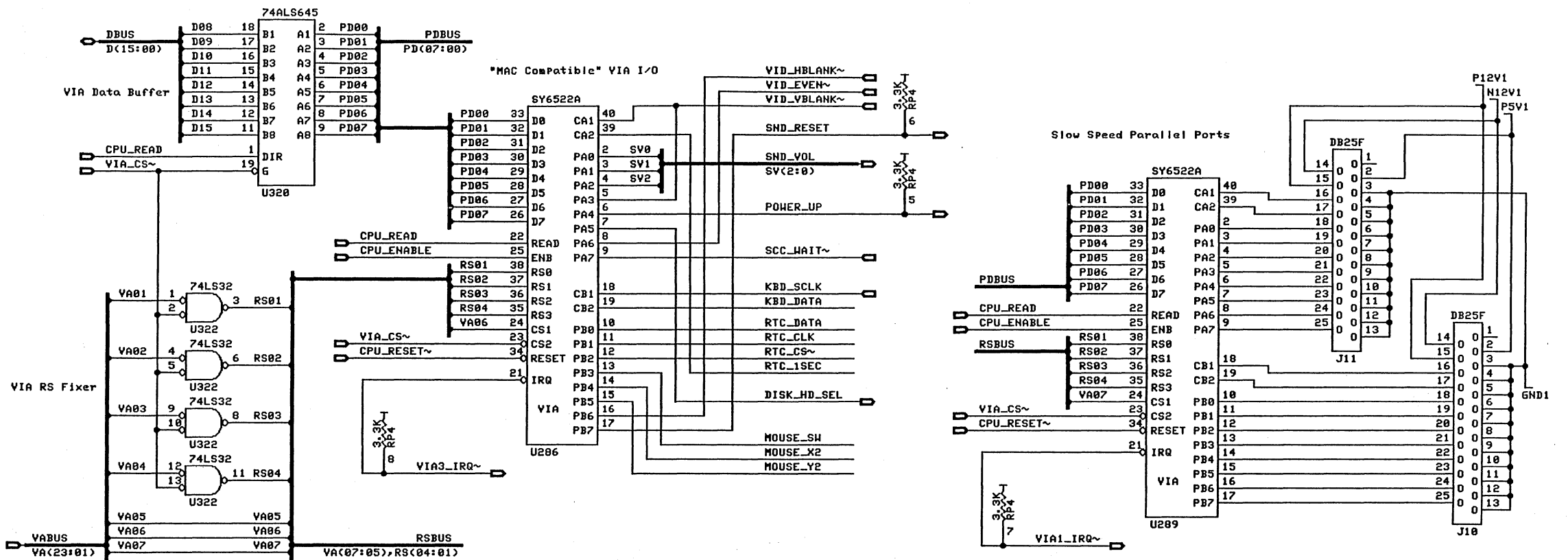


DRAWING NUMBER: XXX-XXXX-X		APPLE COMPUTER, INC.
REV: 1.1	DATE: 12-NOV-1984	TITLE:
ENGINEER: D. NORTH		R/W MEMORY
DRAWN BY: D. NORTH		BANK 1, HIGH BYTE
ORIGINATING DIVISION: ERG		
SHEET: 11 OF: 24 SIZE: D		
PATH: @YACC/MEMORY_RH/BANK1H (1/1)		



DRAWING NUMBER: XXX-XXXX-X	APPLE COMPUTER, INC.
REV: 1.1 DATE: 12-NOV-1984	TITLE:
ENGINEER: D. NORTH	YACCintosh
DRAWN BY: D. NORTH	R/W MEMORY
ORIGINATING DIVISION: ERG	BANK 1, LOW BYTE
SHEET: 12 OF: 24 SIZE: D	PATH: @YACC/MEMORY_RH/BANK1L (1/1)

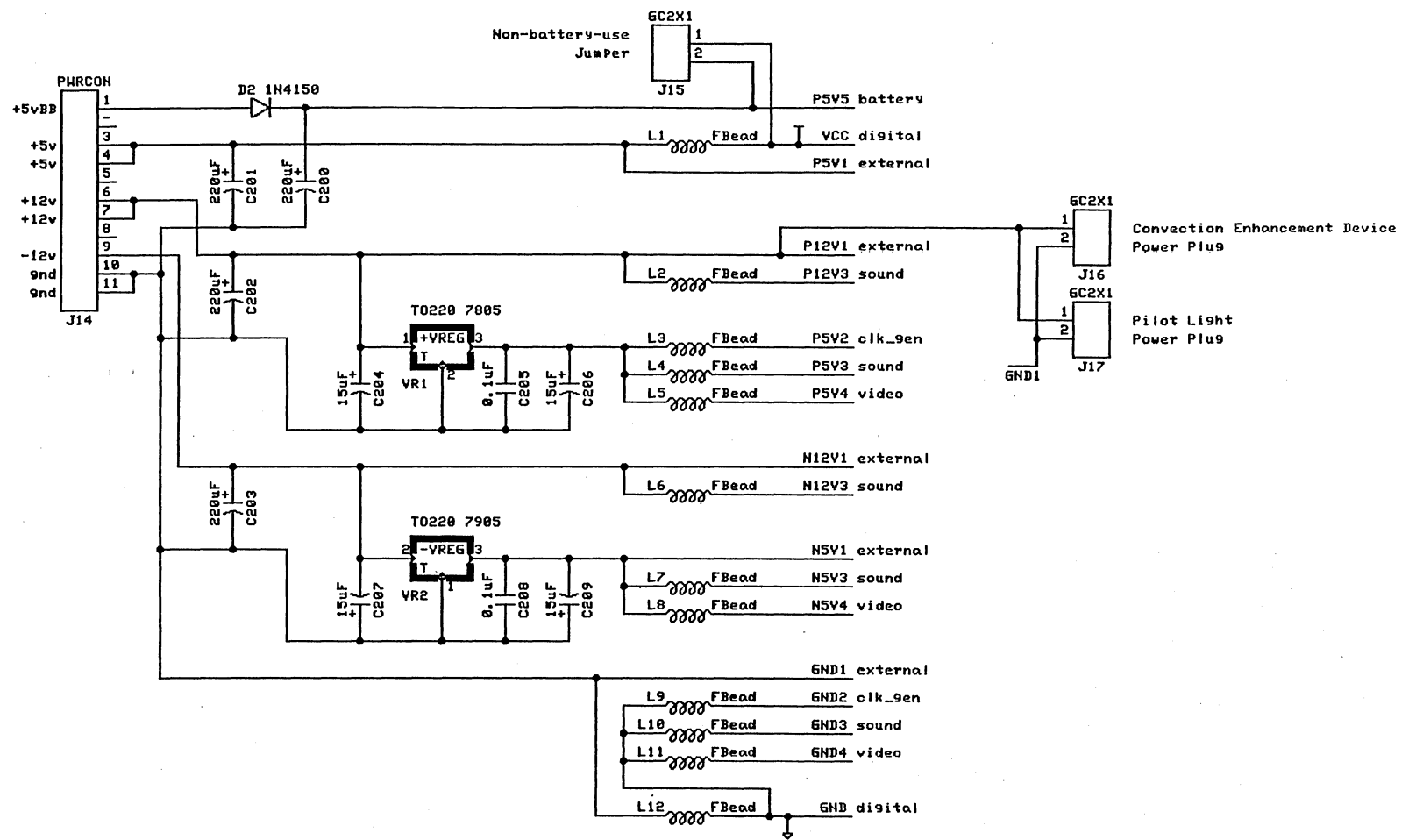
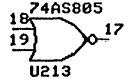
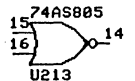
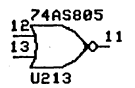
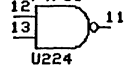
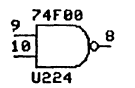
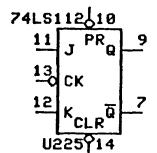




DRAWING NUMBER: XXX-XXXX-X	APPLE COMPUTER, INC.
REV: 1.1 DATE: 18-JAN-1985	TITLE:
ENGINEER: D. NORTH	YACCintosh
DRAWN BY: D. NORTH	MISCELLANEOUS I/O
ORIGINATING DIVISION: ERG	
SHEET: 14 OF: 24 SIZE: D	
PATH: @YACC/MISC_IO (1/1)	

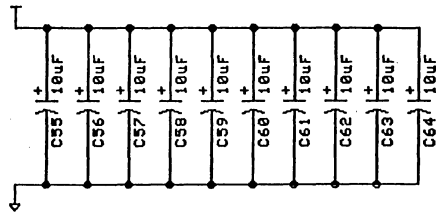
84 FEB 85 15:37 /USER/NORTH/YACC/MISC\_IO 1: DRAM

\*\*\*\* SPARES \*\*\*\*

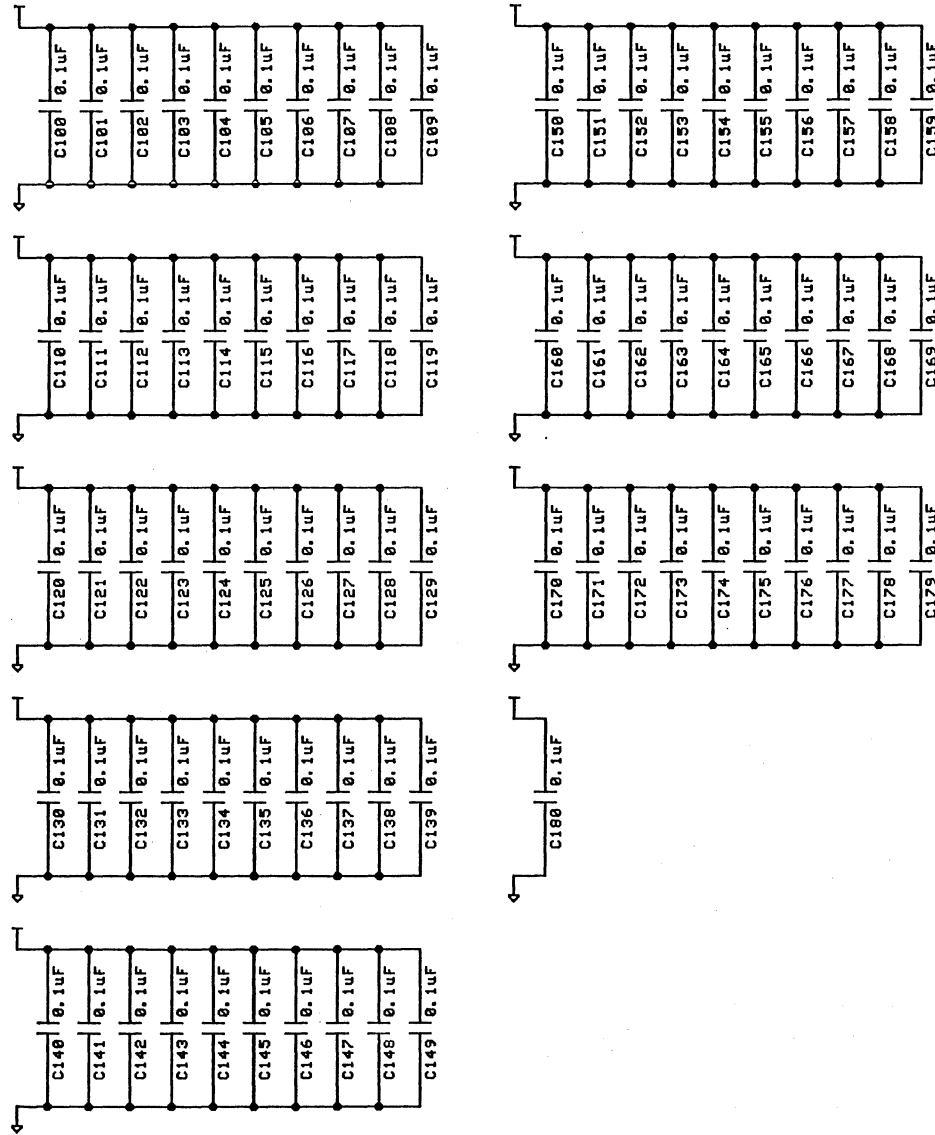


DRAWING NUMBER: XXX-XXXX-X	APPLE COMPUTER, INC.
REV: 1.1 DATE: 18-JAN-1985	TITLE:
ENGINEER: D. NORTH	YACCintosh
DRAWN BY: D. NORTH	POWER DISTR & MISC
ORIGINATING DIVISION: ERG	
SHEET: 15 OF: 24 SIZE: D	
PATH: @YACC/POWER_ETC (1/2)	

Bulk Decoupling Capacitors



Distributed Decoupling Capacitors

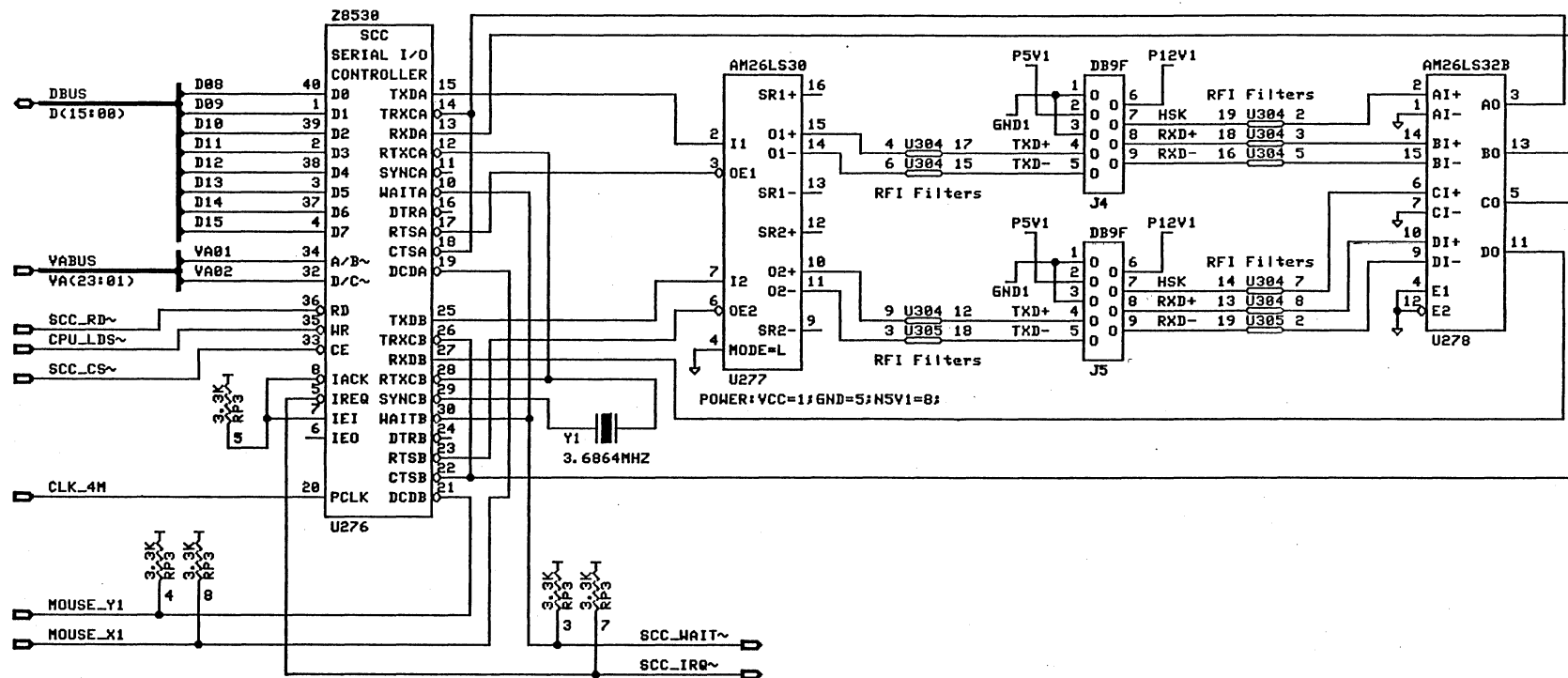


DRAWING NUMBER: XXX-XXXX-X		APPLE COMPUTER, INC.
REV: 1.1	DATE: 12-NOV-1984	TITLE:
ENGINEER: D. NORTH		YACCintosh
DRAWN BY: D. NORTH		VCC/GND DECOUPLING
ORIGINATING DIVISION: ERG		
SHEET: 16	OF: 24	SIZE: D
PATH: @YACC/POWER_ETC (2/2)		

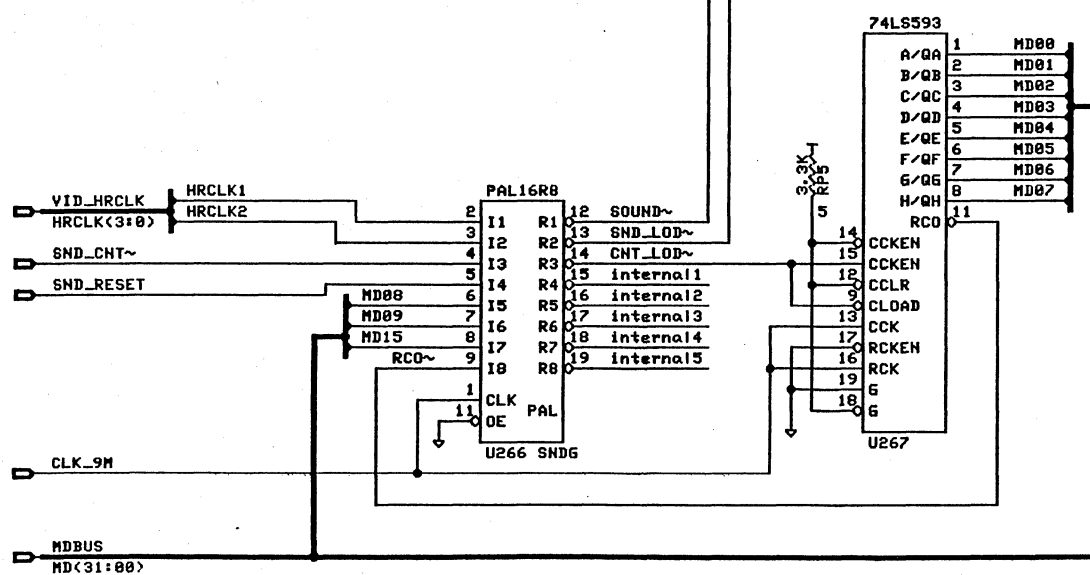
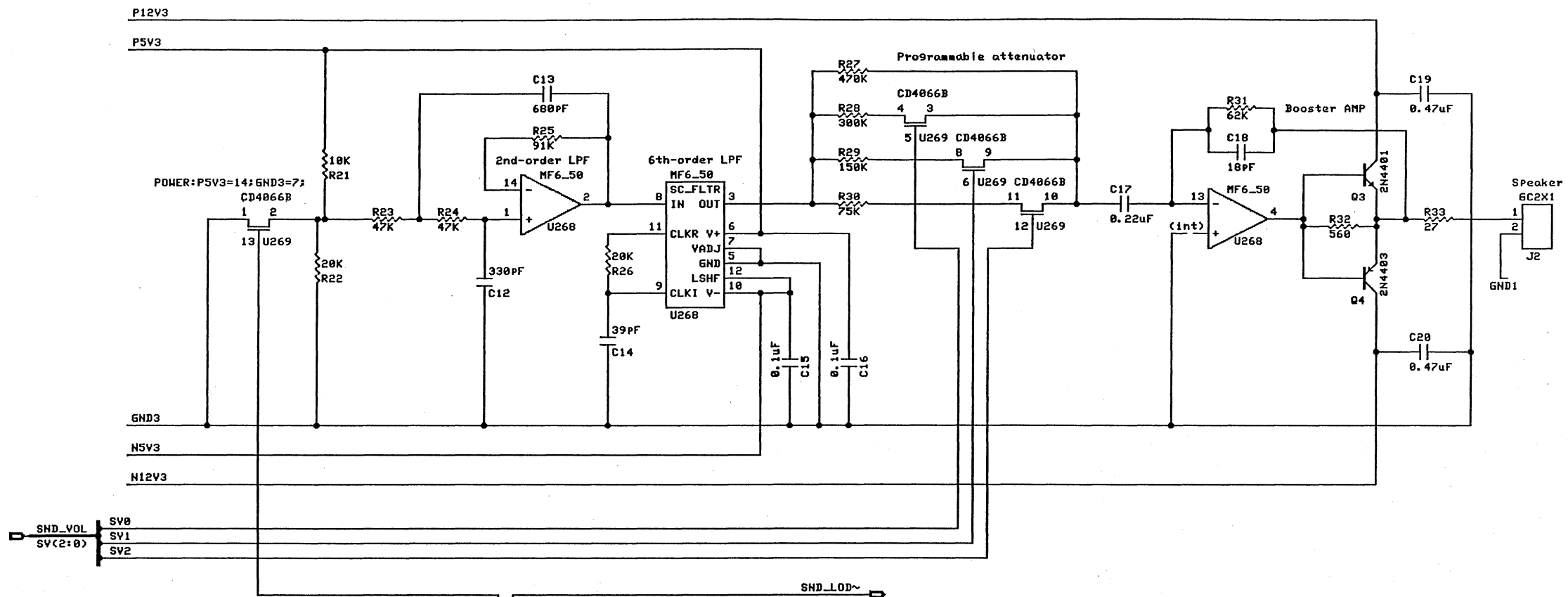




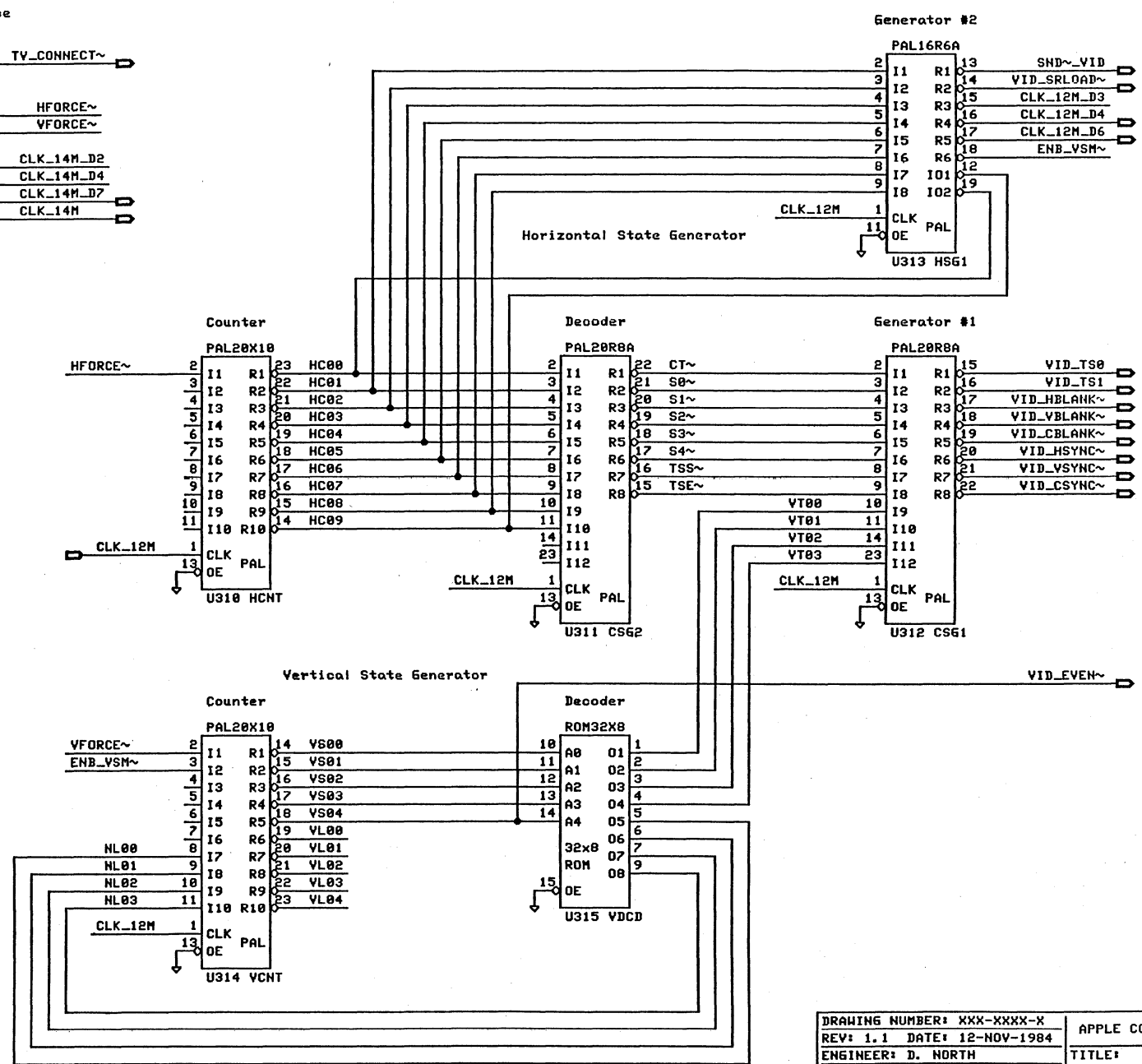
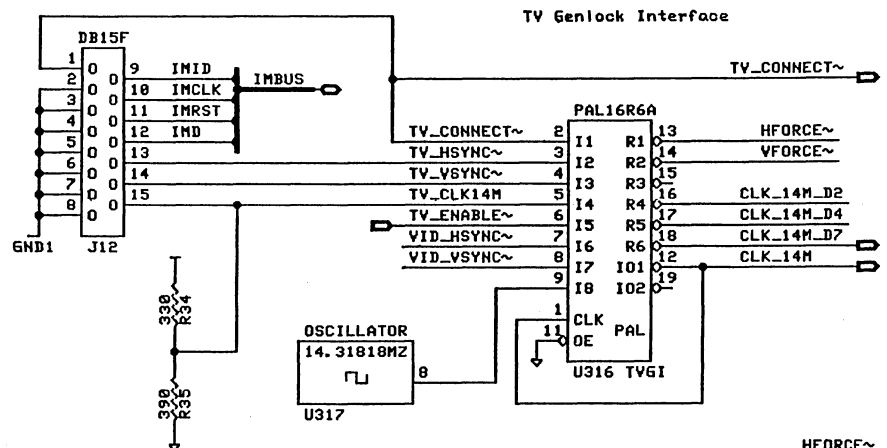
Serial I/O / AppleBus Interface



DRAWING NUMBER: XXX-XXXX-X	APPLE COMPUTER, INC.
REV: 1.1 DATE: 12-NOV-1984	TITLE:
ENGINEER: D. NORTH	YACCintosh
DRAWN BY: D. NORTH	SERIAL I/O SUBSYSTEM
ORIGINATING DIVISION: ERG	
SHEET: 18 OF: 24 SIZE: D	
PATH: @YACC/SERIAL_IO (1/1)	

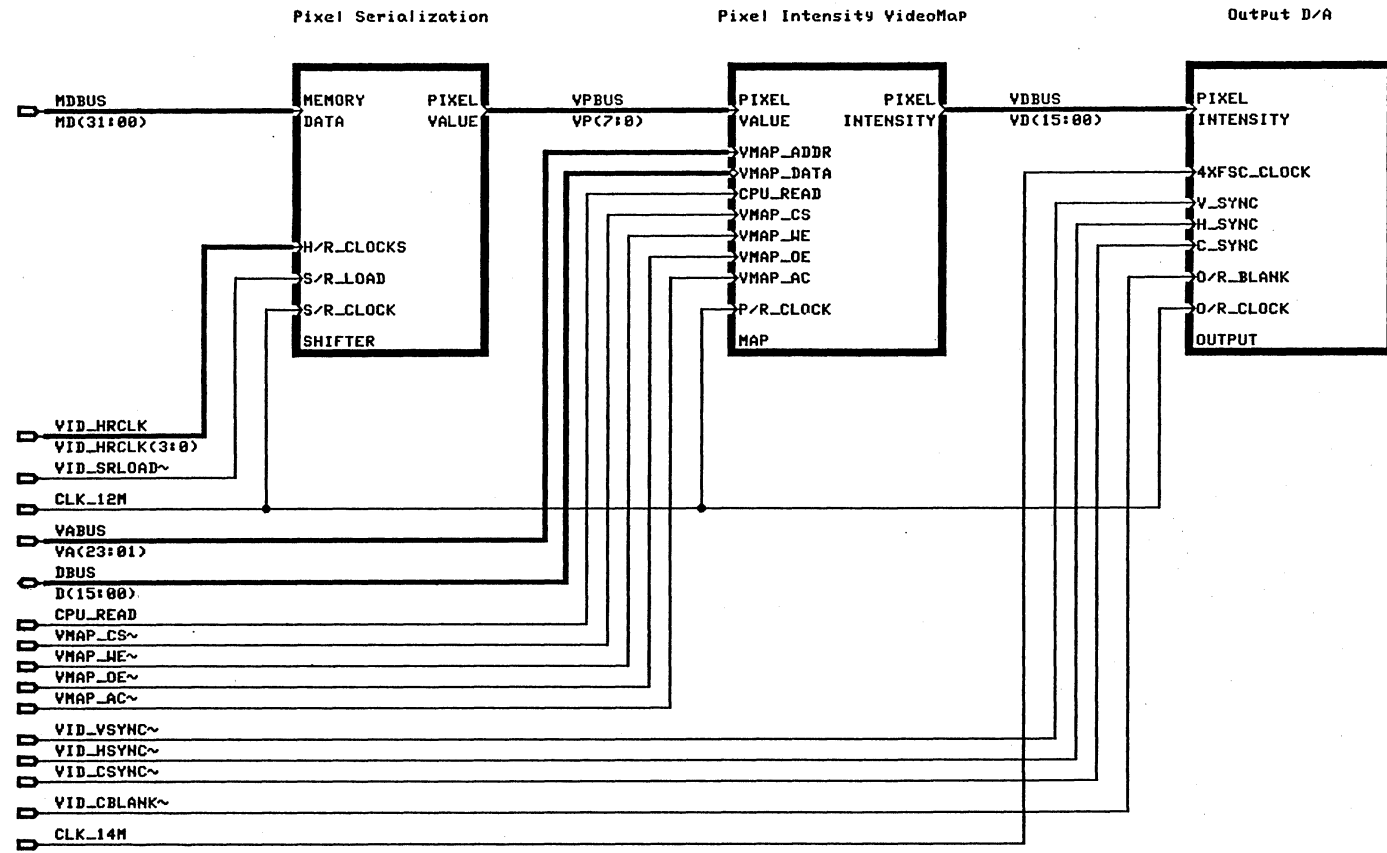


DRAWING NUMBER: XXX-XXXX-X	APPLE COMPUTER, INC.
REV: 1.1 DATE: 18-JAN-1985	TITLE:
ENGINEER: D. NORTH	YACCIntosh
DRAWN BY: D. NORTH	SOUND GENERATOR
ORIGINATING DIVISION: ERG	
SHEET: 19 OF: 24 SIZE: D	
PATH: @YACC/SOUND (1/1)	



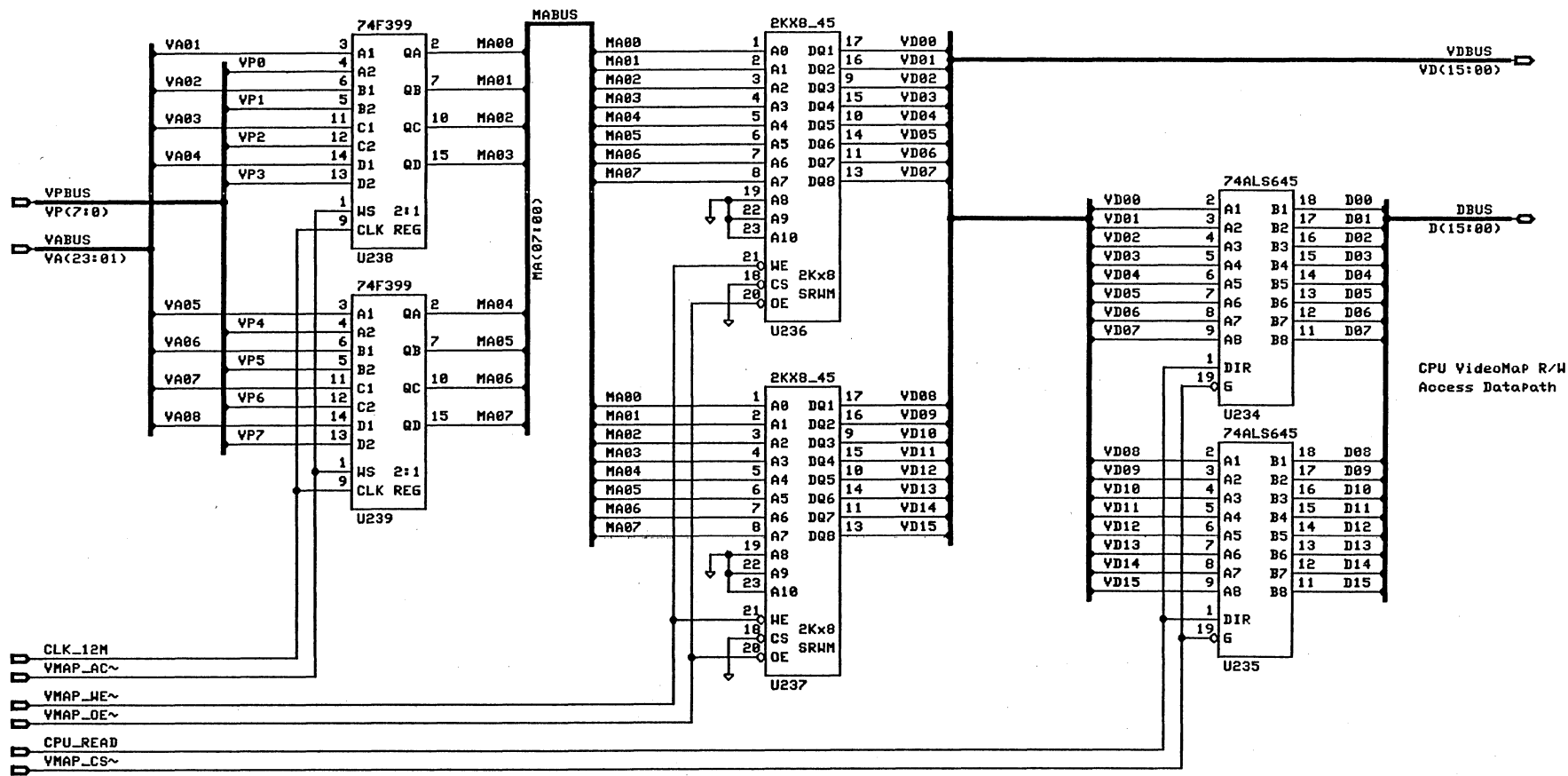
DRAWING NUMBER: XXX-XXXX-X		APPLE COMPUTER, INC.
REV: 1.1	DATE: 12-NOV-1984	TITLE:
ENGINEER: D. NORTH		YAccintosh
DRAWN BY: D. NORTH		VIDEO TIMING
ORIGINATING DIVISION: ERG		
SHEET: 20 OF: 24 SIZE: D		
PATH: @YACC/TIMING (1/1)		

04 FEB 85 15:45 /USER/NORTH/YACC/TIMING 1.DRAW



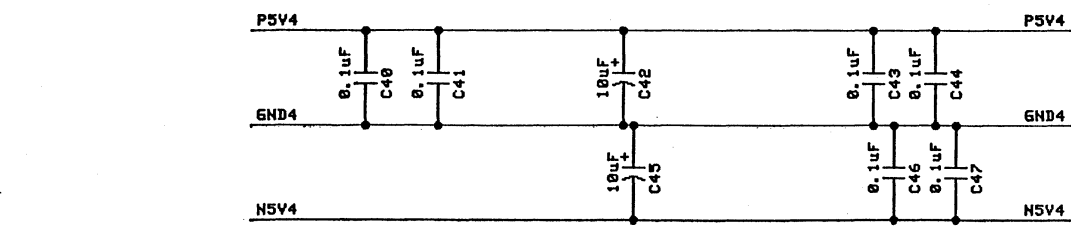
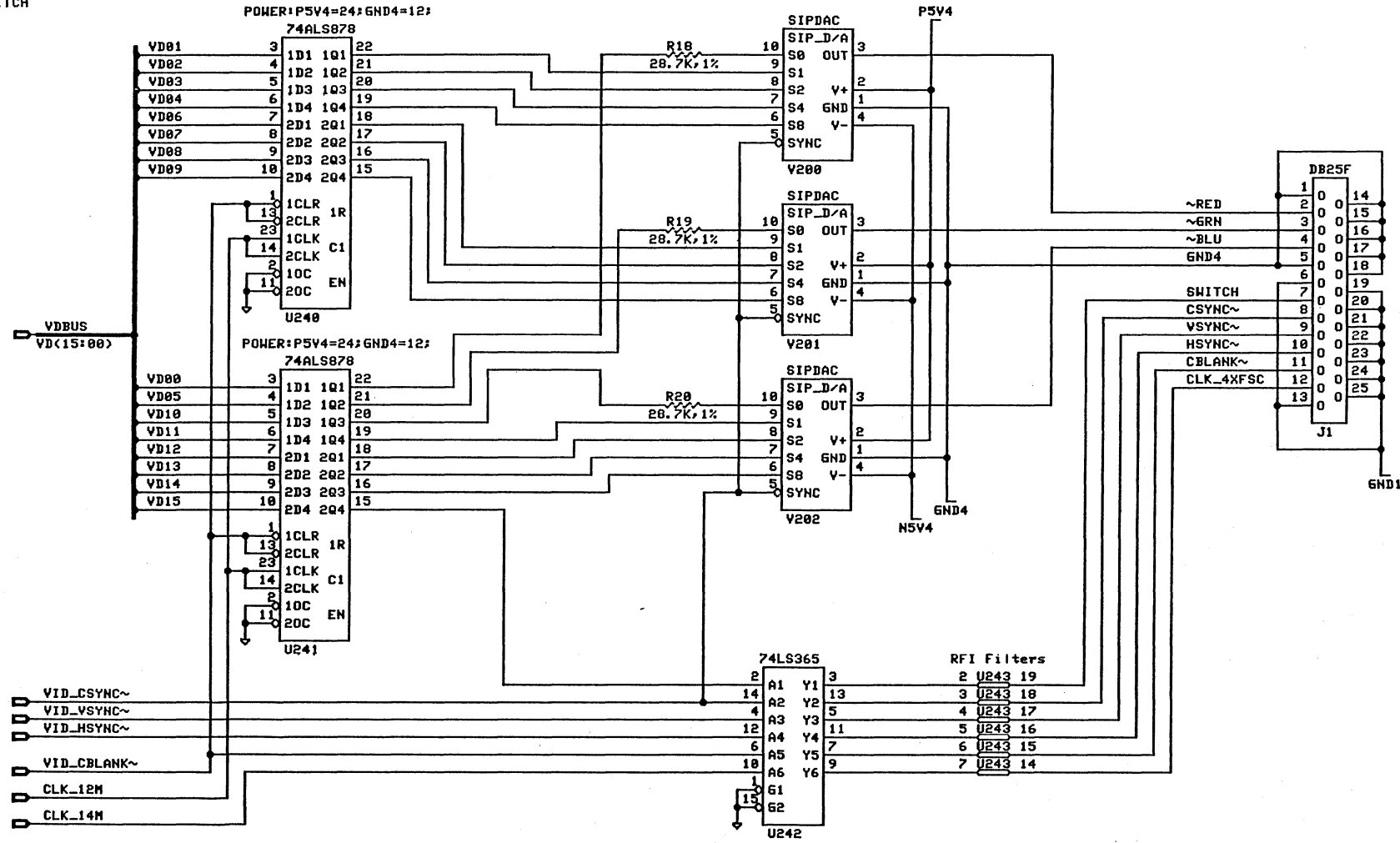
DRAWING NUMBER: XXX-XXXX-X	APPLE COMPUTER, INC.
REV: 1.1 DATE: 12-NOV-1984	TITLE:
ENGINEER: D. NORTH	YACCintosh
DRAWN BY: D. NORTH	VIDEO OUTPUT
ORIGINATING DIVISION: ERG	
SHEET: 21 OF: 24 SIZE: D	
PATH: @YACC/VIDEO (1/1)	

Pixel Value-Intensity VideoMap

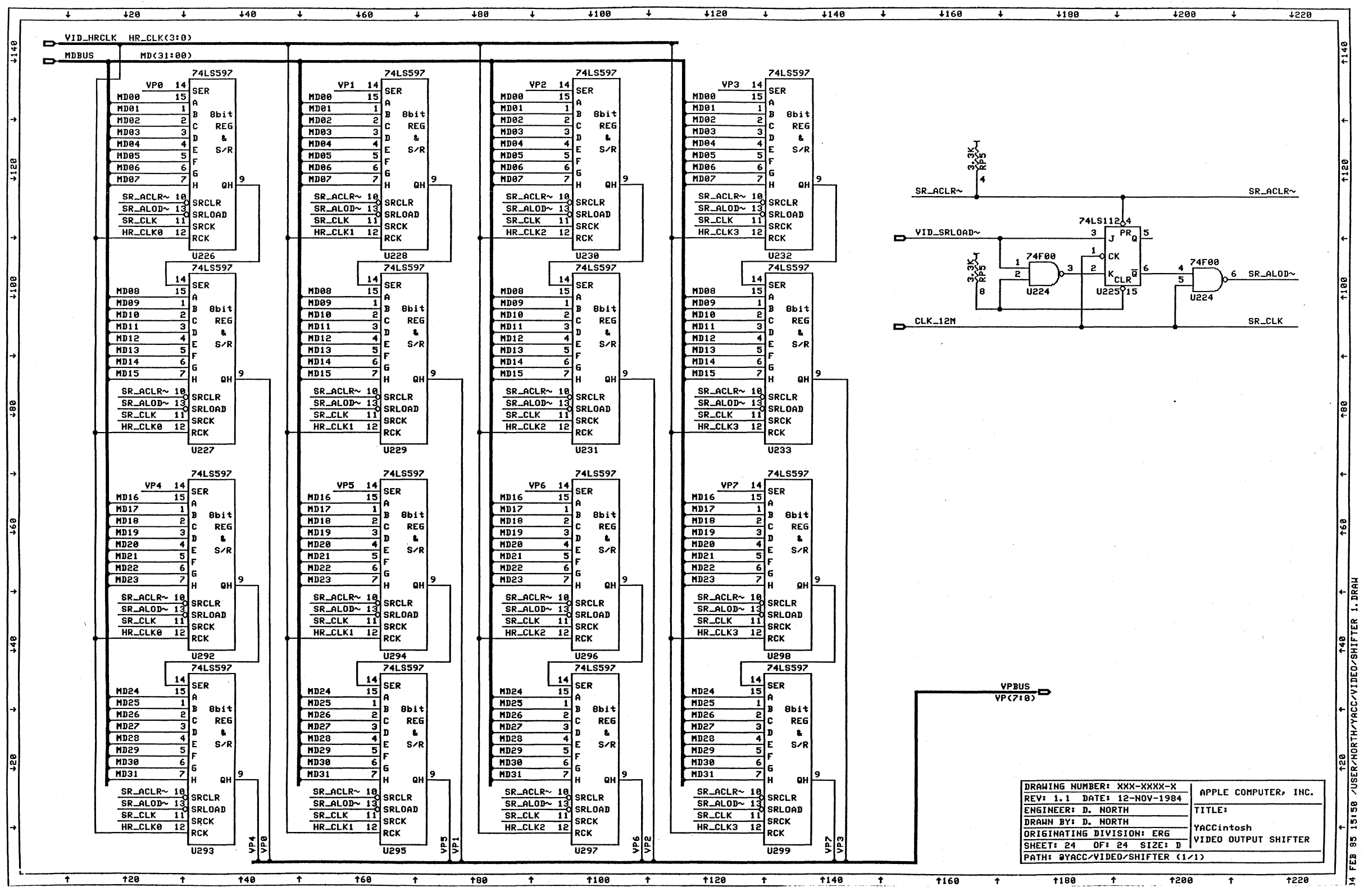


DRAWING NUMBER: XXX-XXXX-X	APPLE COMPUTER, INC.
REV: 1.1 DATE: 12-NOV-1984	TITLE:
ENGINEER: D. NORTH	YACCintosh
DRAWN BY: D. NORTH	VIDEO OUTPUT MAP
ORIGINATING DIVISION: ERG	
SHEET: 22 OF: 24 SIZE: D	
PATH: @YACC/VIDEO/MAP (1/1)	

Note - NONSTANDARD bit order:  
 VD<04:00> = RED<04:00>  
 VD<09:05> = GRN<04:00>  
 VD<14:10> = BLU<04:00>  
 VD<15> = SWITCH



DRAWING NUMBER: XXX-XXXX-X		APPLE COMPUTER, INC.
REV: 1.1	DATE: 12-NOV-1984	TITLE:
ENGINEER: D. NORTH		YACCintosh
DRAWN BY: D. NORTH		VIDEO OUTPUT DACS
ORIGINATING DIVISION: ERG		
SHEET: 23	OF: 24	SIZE: D
PATH: @YACC/VIDEO/OUTPUT (1/1)		



DRAWING NUMBER: XXX-XXXX-X	APPLE COMPUTER, INC.
REV: 1.1 DATE: 12-NOV-1984	TITLE:
ENGINEER: D. NORTH	YAccintosh
DRAWN BY: D. NORTH	VIDEO OUTPUT SHIFTER
ORIGINATING DIVISION: ERG	
SHEET: 24 OF: 24 SIZE: D	
PATH: @YACC/VIDEO/SHIFTER (1/1)	