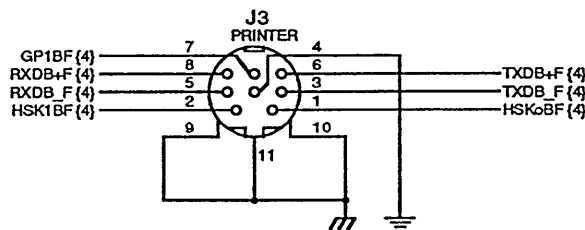
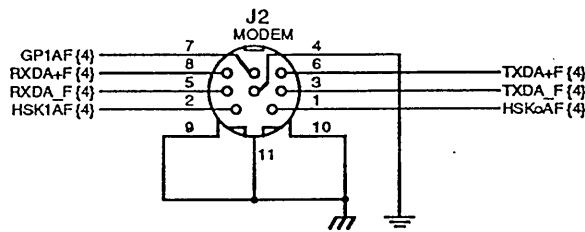
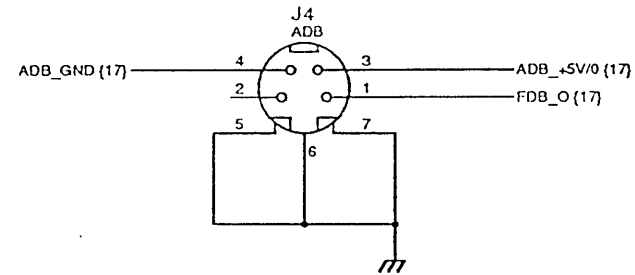


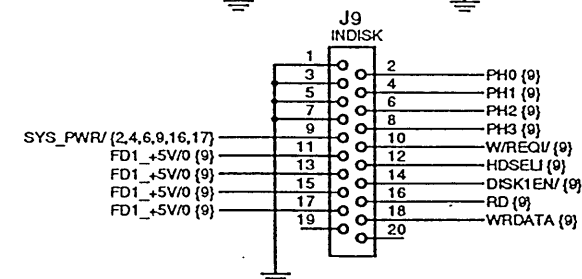
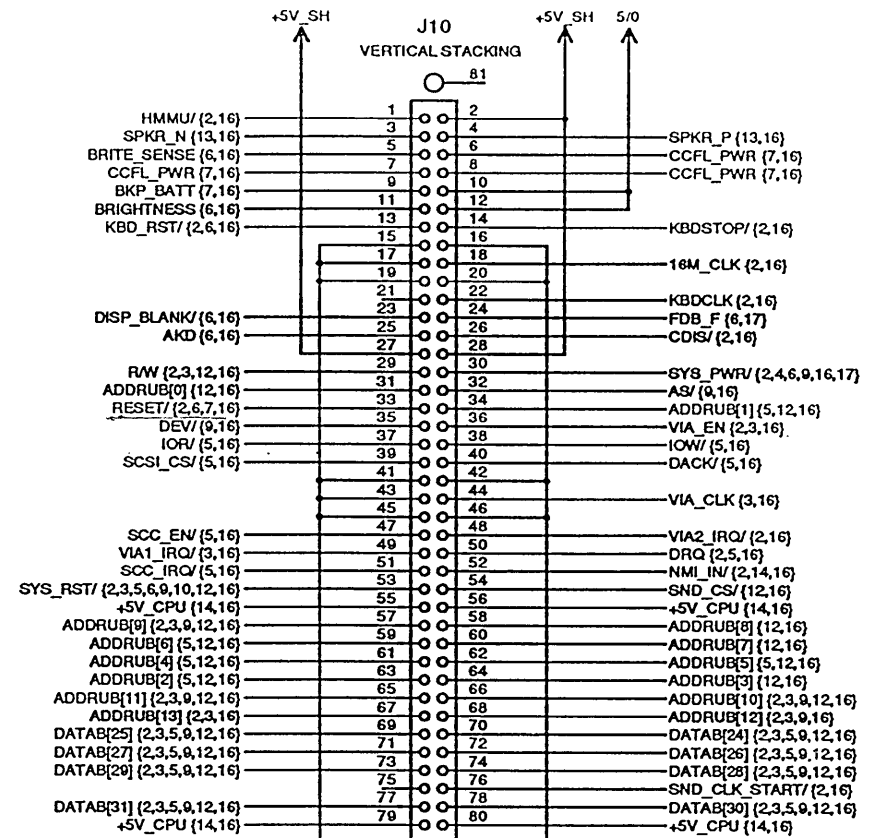
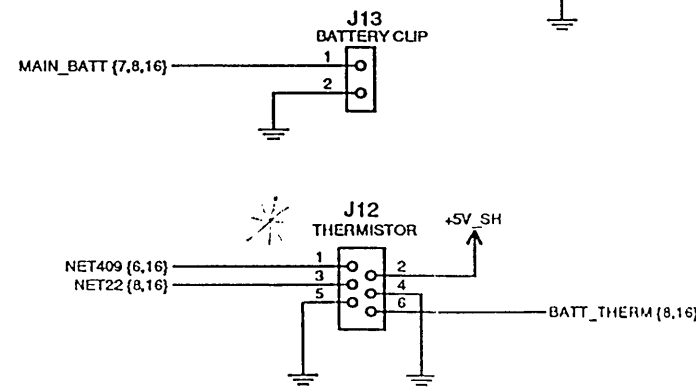
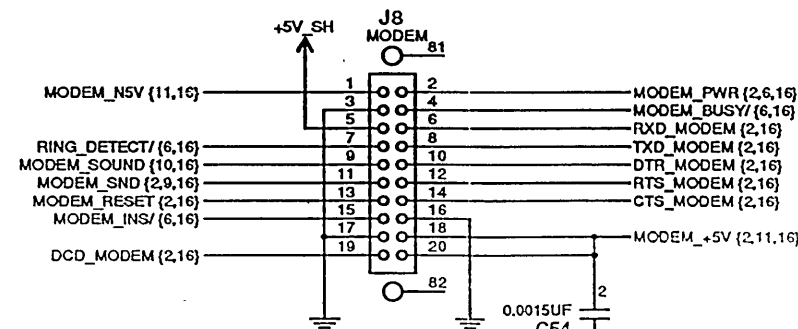
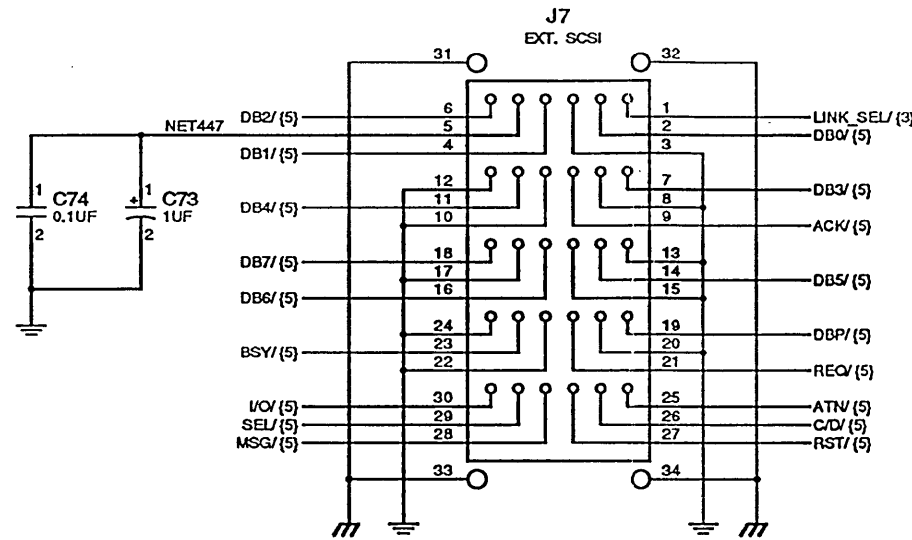
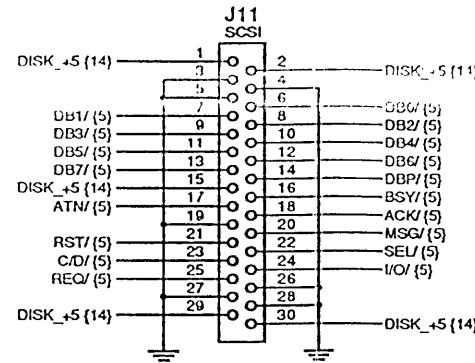
1. ALL RESISTANCE VALUES ARE IN OHMS, 0.1 WATT, +5%.
2. ALL CAPACITANCE VALUES ARE IN MICROFARADS.
3. ALL CRYSTAL & OSCILLATOR VALUES ARE IN HERTZ.

REV	ZONE	ECN	DESCRIPTION OF REVISION	CHK APPD	ENG APPD
01		V3581	ENGINEERING RELEASE	DATE	DATE



REFERENCE DESIGNATORS

LAST USED	NOT USED
Y2	
RP1	
RC2	
L18	
C153	
D18	
F1	
R215	
G1	
S3	
Q43	

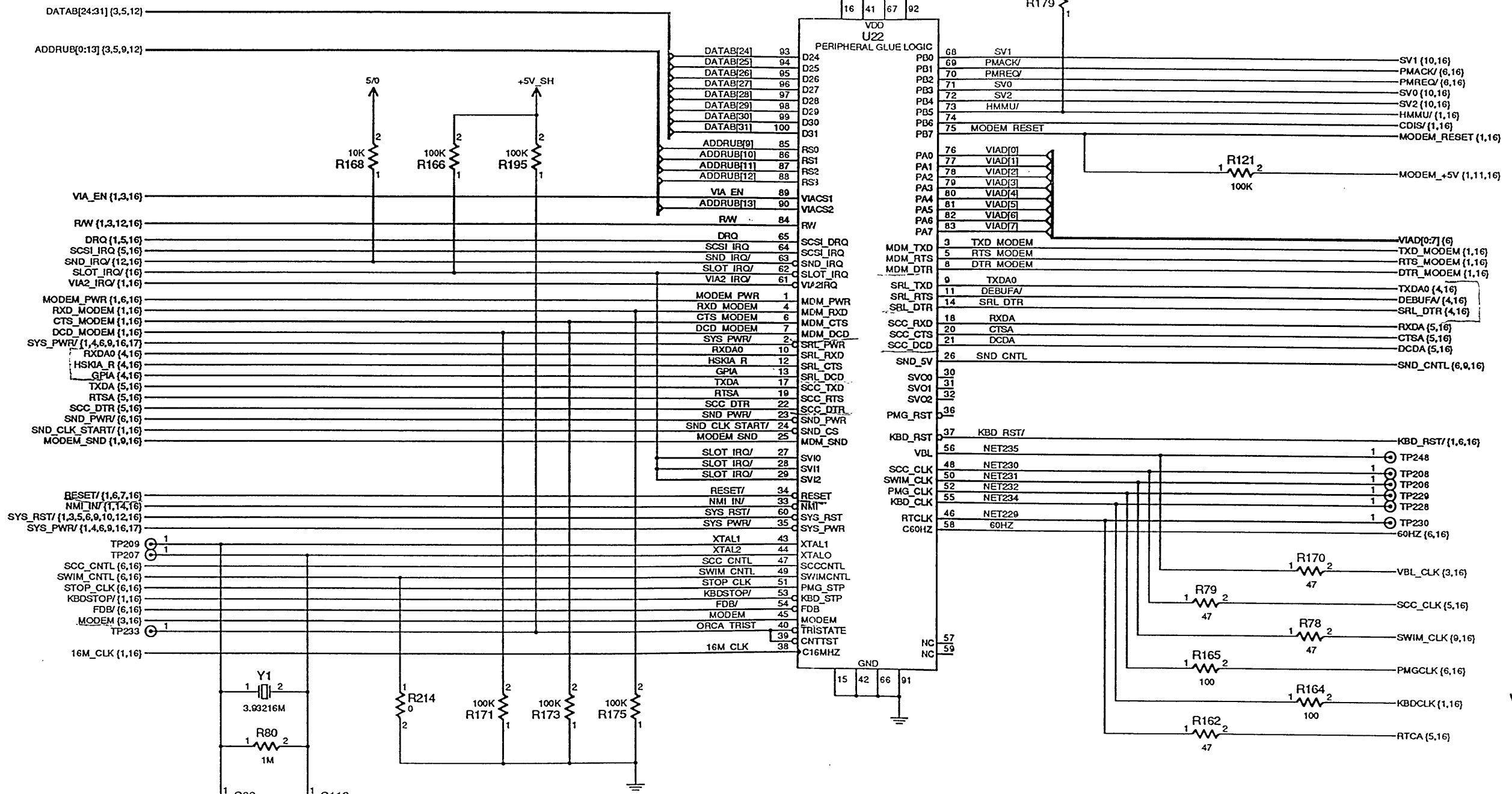
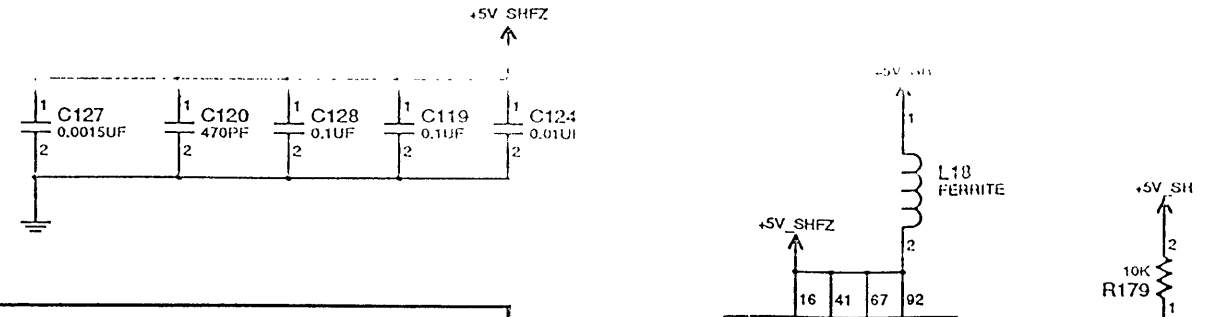


APPLE INTERNAL USE ONLY

DIMENSIONS ARE IN MILLIMETERS		METRIC		Apple Computer, Inc	
XX ±	---	DRAFTER	DESIGN CK	NOTICE OF PROPRIETARY PROPERTY	
XXX ±	---	ENG APPD	MFG APPD	THE INFORMATION CONTAINED HEREIN IS THE PROPRIETARY PROPERTY OF APPLE COMPUTER, INC. THE POSSESSOR AGREES TO THE FOLLOWING	
XXXX ±	---	QA APPD	DESIGNER	(i) TO MAINTAIN THE DOCUMENT IN CONFIDENCE	
ANGLES ±	---	RELEASE	SCALE	(ii) NOT TO REPRODUCE OR COPY IT	
DO NOT SCALE DRAWINGS		NONE		(iii) NOT TO REVEAL OR PUBLISH IT IN WHOLE OR PART	
THIRD ANGLE PROJECTION		MATERIAL/FINISH NOTED AS APPLICABLE		TITLE	
		SIZE		SCHEMATIC, MOTHER BOARD, MAC POWERBOOK	
		D		DRAWING NUMBER 050-0409	
				REV. 01	
				SHT 1 OF 17	

ECS CAD GENERATED

PMG / MODEM GLUE



APPLE INTERNAL USE ONLY

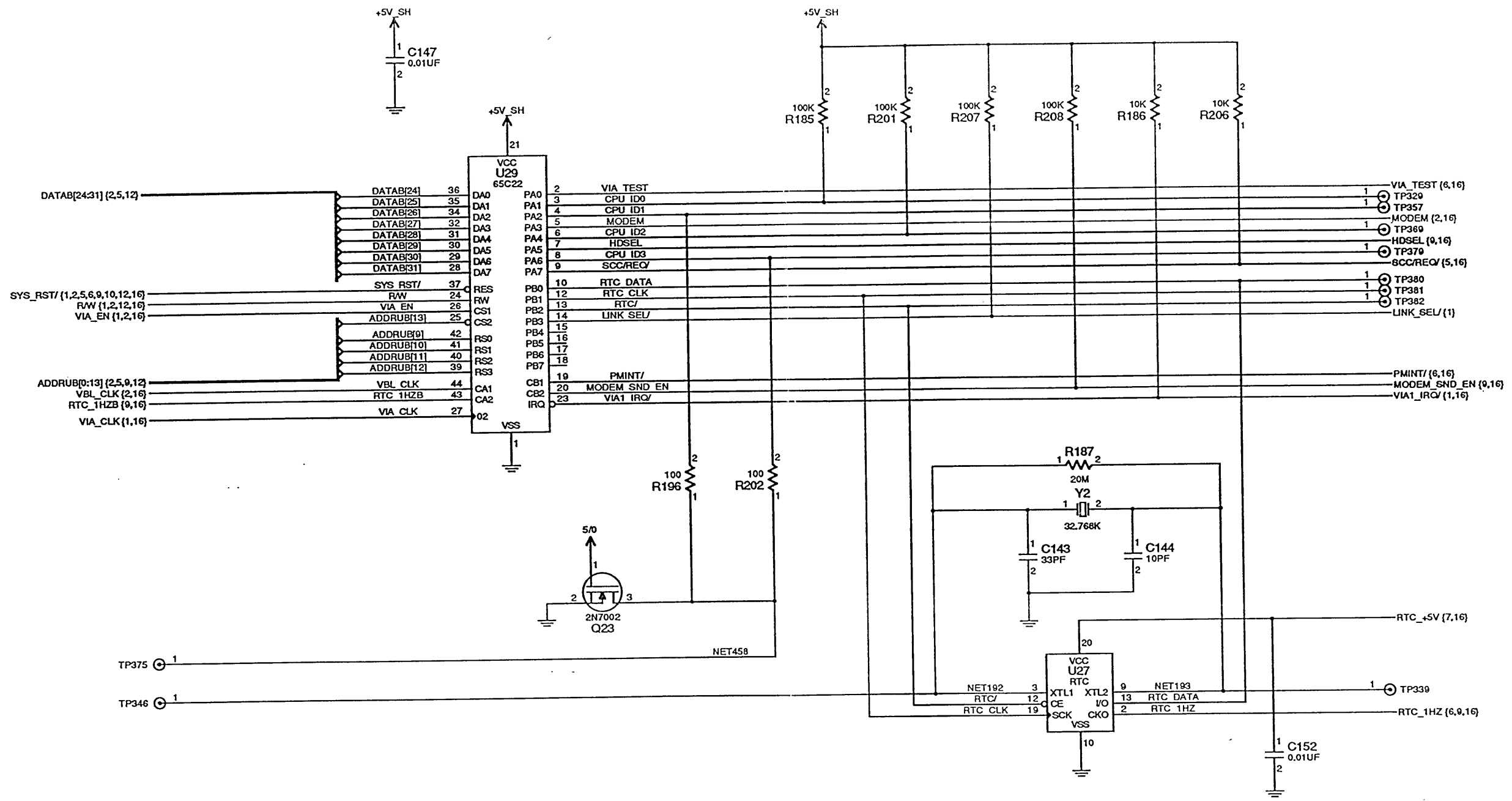
NOTICE OF PROPRIETARY PROPERTY
 THE INFORMATION CONTAINED HEREIN IS THE PROPRIETARY PROPERTY OF APPLE COMPUTER, INC. THE POSSESSOR AGREES TO THE FOLLOWING
 (i) TO MAINTAIN THE DOCUMENT IN CONFIDENCE
 (ii) NOT TO REPRODUCE OR COPY IT
 (iii) NOT TO REVEAL OR PUBLISH IT IN WHOLE OR PART

ECS CAD GENERATED



SIZE	DRAWING NUMBER	REV.
D	050-0409	01
SCALE	SHT 2 OF 17	
NONE		

VIA & RTC



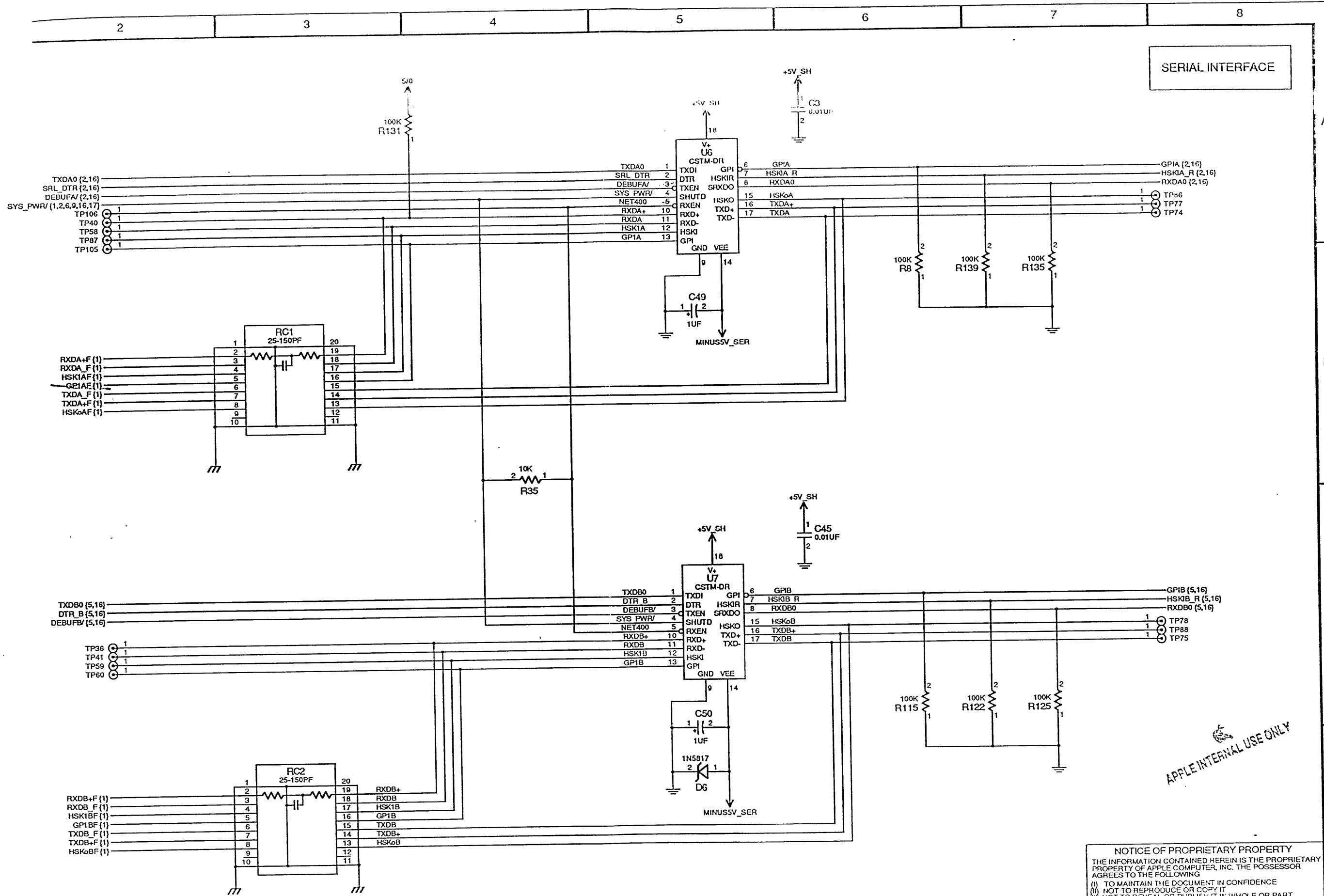
APPLE INTERNAL USE ONLY

NOTICE OF PROPRIETARY PROPERTY
 THE INFORMATION CONTAINED HEREIN IS THE PROPRIETARY PROPERTY OF APPLE COMPUTER, INC. THE POSSESSOR AGREES TO THE FOLLOWING
 (I) TO MAINTAIN THE DOCUMENT IN CONFIDENCE
 (II) NOT TO REPRODUCE OR COPY IT
 (III) NOT TO REVEAL OR PUBLISH IT IN WHOLE OR PART

SIZE	DRAWING NUMBER	REV.
D	050-0409	01
SCALE	SHT 3 OF 17	
NONE		

ECS CAD GENERATED





SERIAL INTERFACE

APPLE INTERNAL USE ONLY

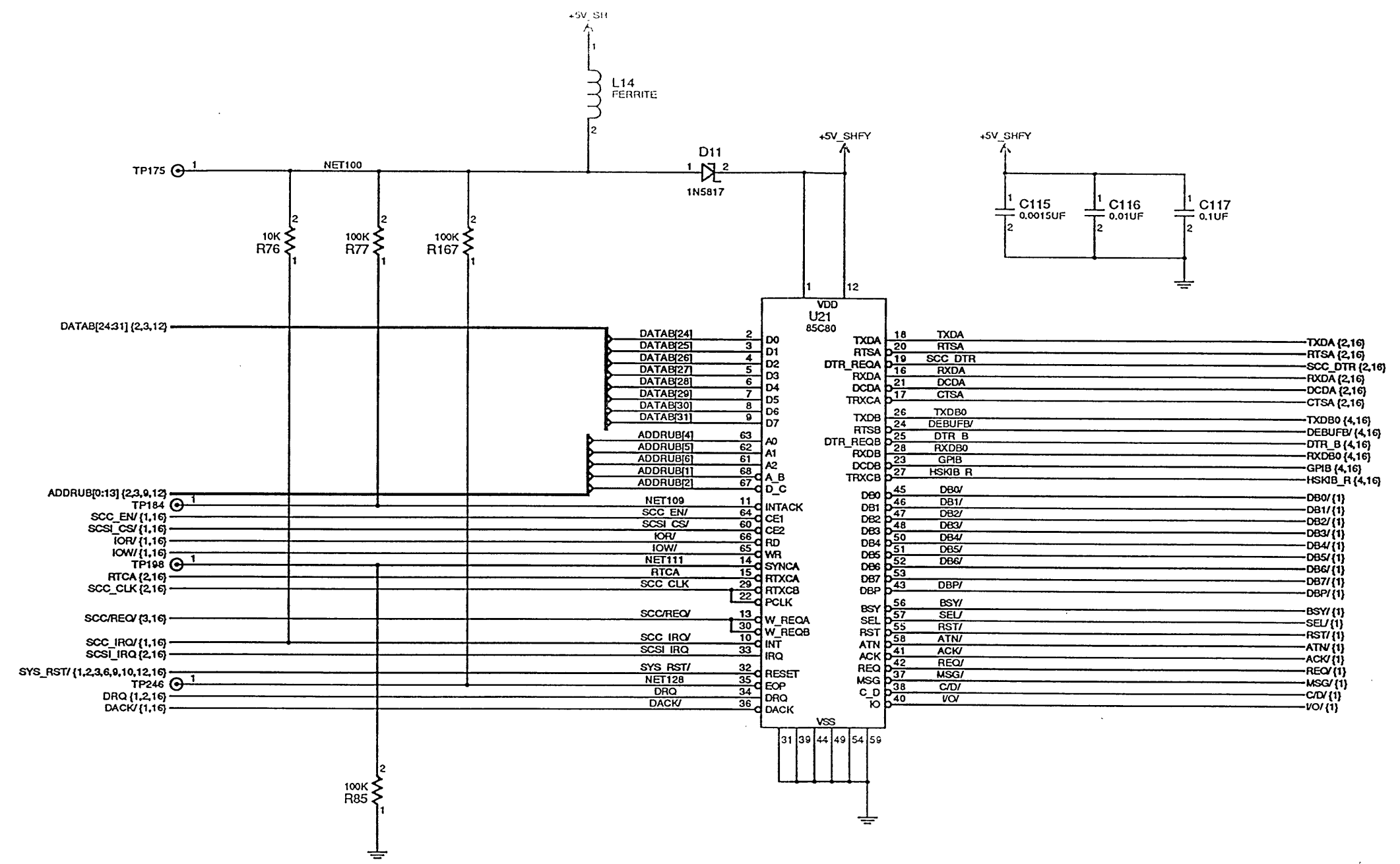
NOTICE OF PROPRIETARY PROPERTY
 THE INFORMATION CONTAINED HEREIN IS THE PROPRIETARY PROPERTY OF APPLE COMPUTER, INC. THE POSSESSOR AGREES TO THE FOLLOWING:
 (i) TO MAINTAIN THE DOCUMENT IN CONFIDENCE
 (ii) NOT TO REPRODUCE OR COPY IT
 (iii) NOT TO REVEAL OR PUBLISH IT IN WHOLE OR PART

ECS CAD GENERATED

Apple Computer, Inc

SIZE	DRAWING NUMBER	REV.
D	050-0409	01
SCALE	SHT 4 OF 17	
NONE		

SCC & SCSI



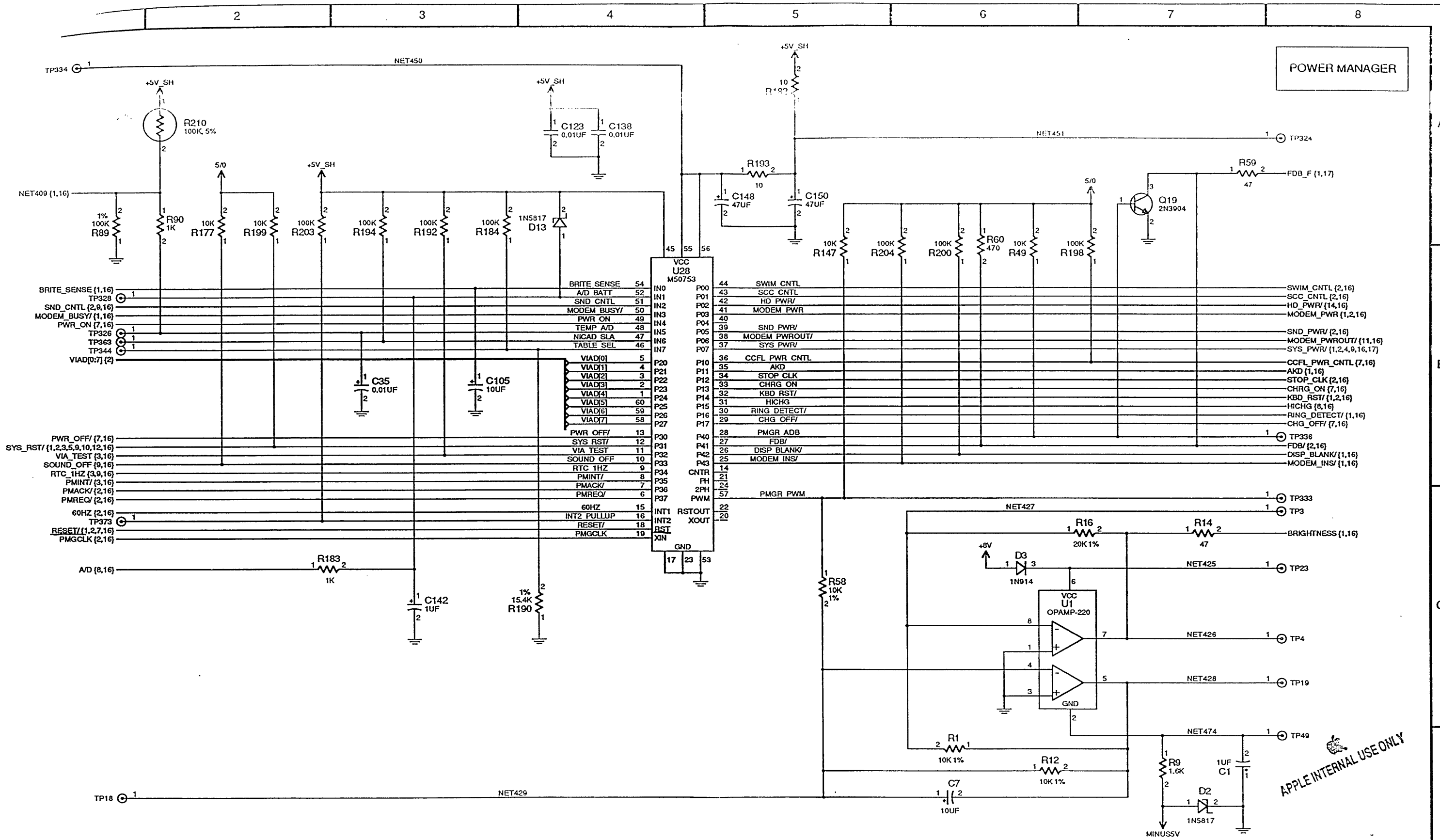
APPLE INTERNAL USE ONLY

NOTICE OF PROPRIETARY PROPERTY
 THE INFORMATION CONTAINED HEREIN IS THE PROPRIETARY PROPERTY OF APPLE COMPUTER, INC. THE POSSESSOR AGREES TO THE FOLLOWING
 (I) TO MAINTAIN THE DOCUMENT IN CONFIDENCE
 (II) NOT TO REPRODUCE OR COPY IT
 (III) NOT TO REVEAL OR PUBLISH IT IN WHOLE OR PART

ECS CAD GENERATED

Apple Computer, Inc

SIZE	DRAWING NUMBER	REV.
D	050-0409	01
SCALE	SHT 5 OF 17	
NONE		



POWER MANAGER

IN0	P00	44	SWIM CNTL
IN1	P01	43	SCC CNTL
IN2	P02	42	HD PWR/
IN3	P03	41	MODEM PWR
IN4	P04	40	MODEM PWR/
IN5	P05	39	SND PWR/
IN6	P06	38	MODEM PWROUT/
IN7	P07	37	SYS PWR/
P20	P10	36	CCFL PWR CNTL
P21	P11	35	AKD
P22	P12	34	STOP CLK
P23	P13	33	CHRG ON
P24	P14	32	KBD RST/
P25	P15	31	HICHG
P26	P16	30	RING DETECT/
P27	P17	29	CHG OFF/
P30	P40	28	PMGR ADB
P31	P41	27	FDB/
P32	P42	26	DISP BLANK/
P33	P43	25	MODEM INS/
P34	CNTR	14	
P35	PH	21	
P36	2PH	24	
P37	PWM	57	PMGR PWM
INT1	INT1	22	RSTOUT
INT2	INT2	20	XOUT
RST			
XIN			

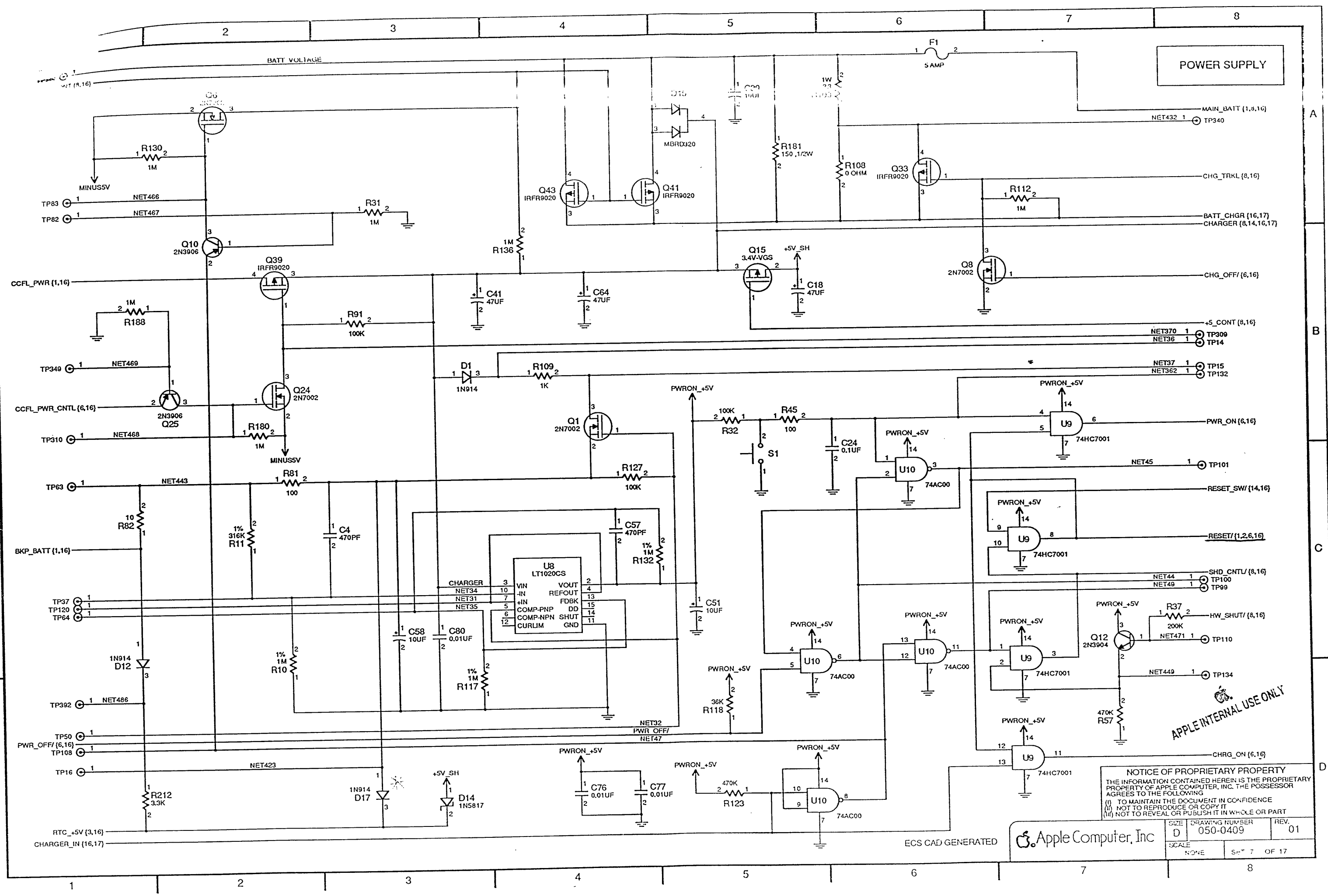
NOTICE OF PROPRIETARY PROPERTY
 THE INFORMATION CONTAINED HEREIN IS THE PROPRIETARY PROPERTY OF APPLE COMPUTER, INC. THE POSSESSOR AGREES TO THE FOLLOWING:
 (i) TO MAINTAIN THE DOCUMENT IN CONFIDENCE
 (ii) NOT TO REPRODUCE OR COPY IT
 (iii) NOT TO REVEAL OR PUBLISH IT IN WHOLE OR PART

APPLE INTERNAL USE ONLY

ECS CAD GENERATED

Apple Computer, Inc

SIZE	DRAWING NUMBER	REV.
D	050-0409	01
SCALE	NONE	
SHT 6		OF 17

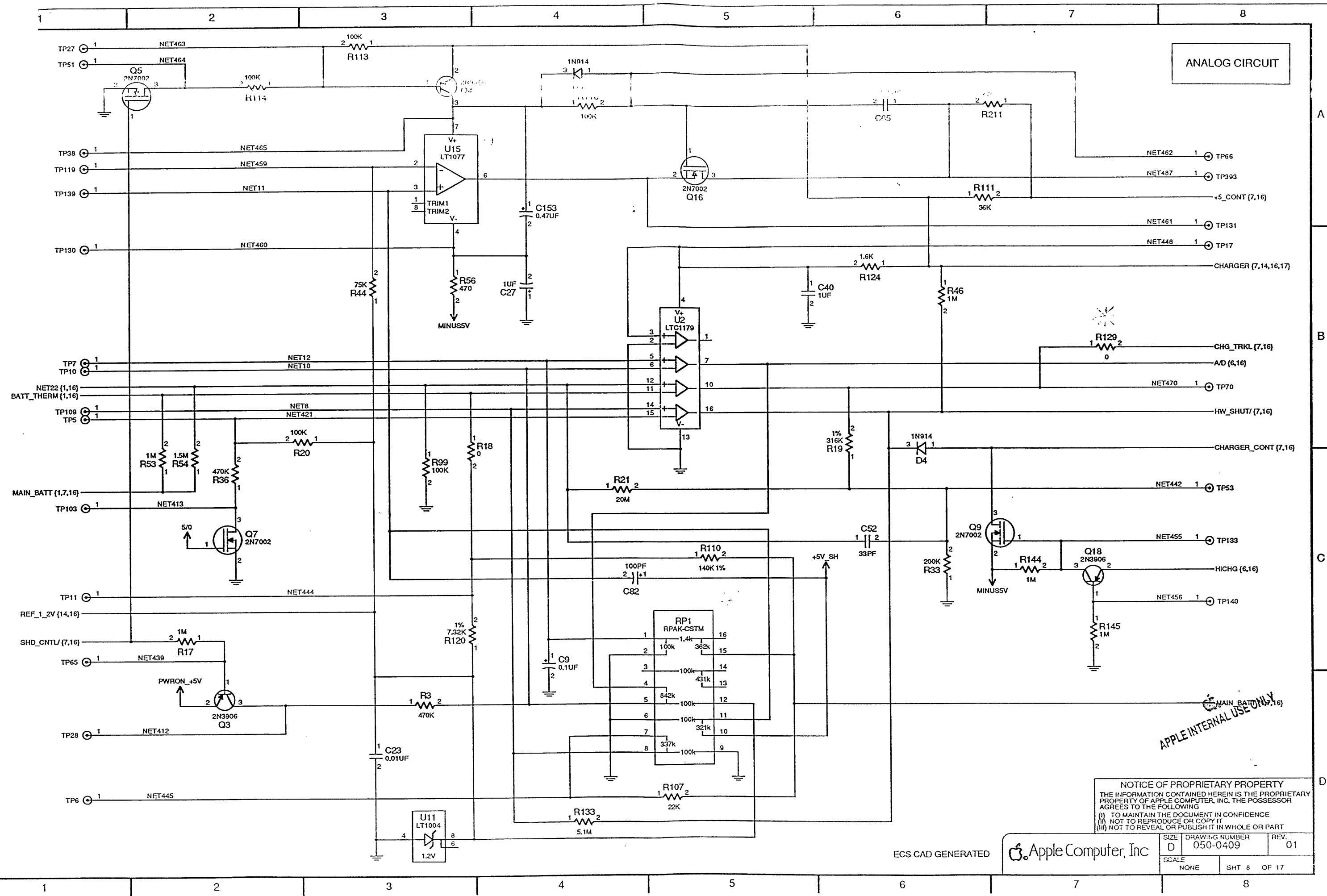


APPLE INTERNAL USE ONLY

NOTICE OF PROPRIETARY PROPERTY
 THE INFORMATION CONTAINED HEREIN IS THE PROPRIETARY PROPERTY OF APPLE COMPUTER, INC. THE POSSESSOR AGREES TO THE FOLLOWING
 (I) TO MAINTAIN THE DOCUMENT IN CONFIDENCE
 (II) NOT TO REPRODUCE OR COPY IT
 (III) NOT TO REVEAL OR PUBLISH IT IN WHOLE OR PART

Apple Computer, Inc		SIZE	D	DRAWING NUMBER	050-0409	REV.	01
		SCALE	NONE	Sheet 7 OF 17			

ECS CAD GENERATED



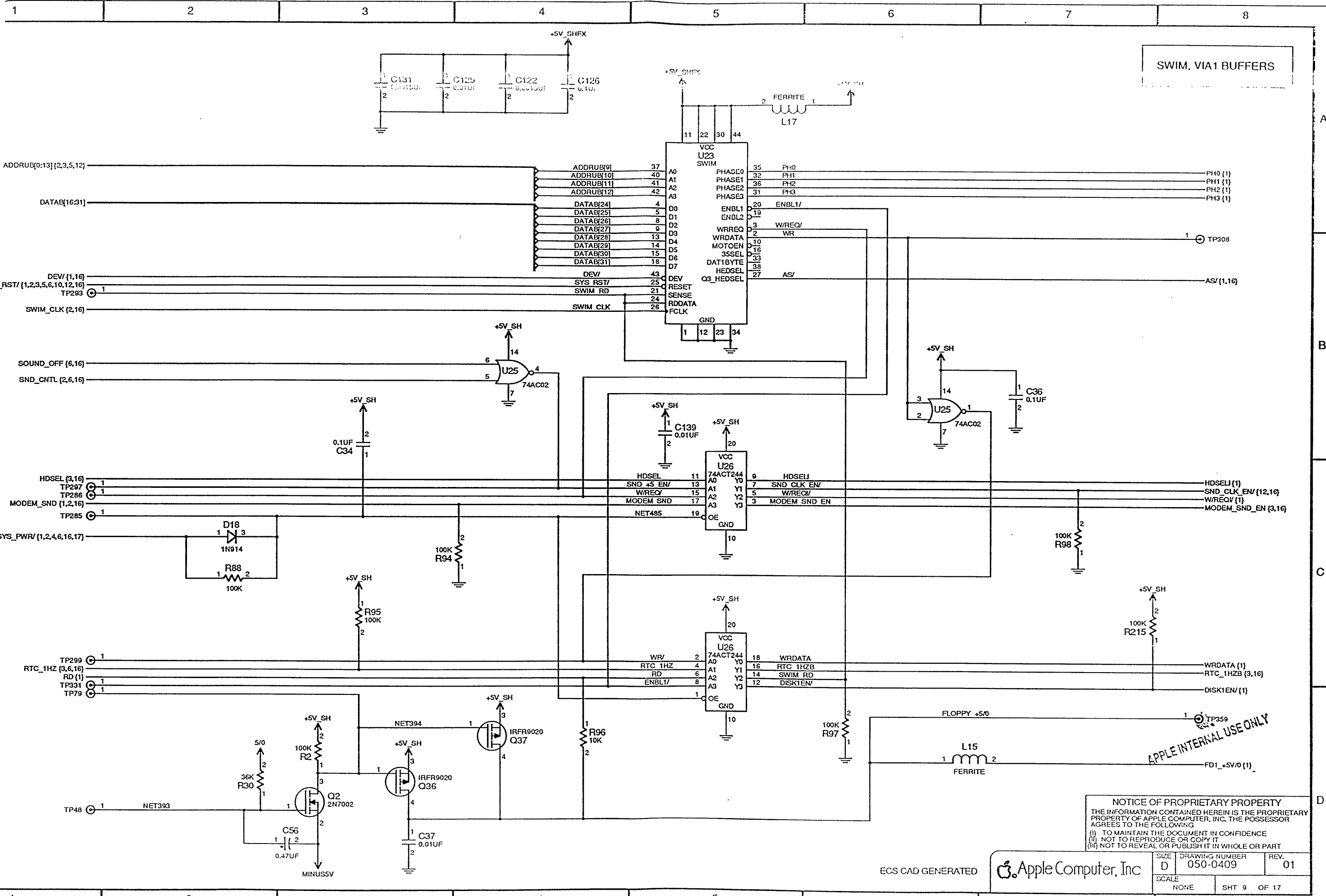
APPLE INTERNAL USE ONLY

NOTICE OF PROPRIETARY PROPERTY
 THE INFORMATION CONTAINED HEREIN IS THE PROPRIETARY PROPERTY OF APPLE COMPUTER, INC. THE POSSESSOR AGREES TO THE FOLLOWING
 (I) TO MAINTAIN THE DOCUMENT IN CONFIDENCE
 (II) NOT TO REPRODUCE OR COPY IT
 (III) NOT TO REVEAL OR PUBLISH IT IN WHOLE OR PART

ECS CAD GENERATED

Apple Computer, Inc

SIZE	DRAWING NUMBER	REV.
D	050-0409	01
SCALE	SHT 8 OF 17	
NONE		

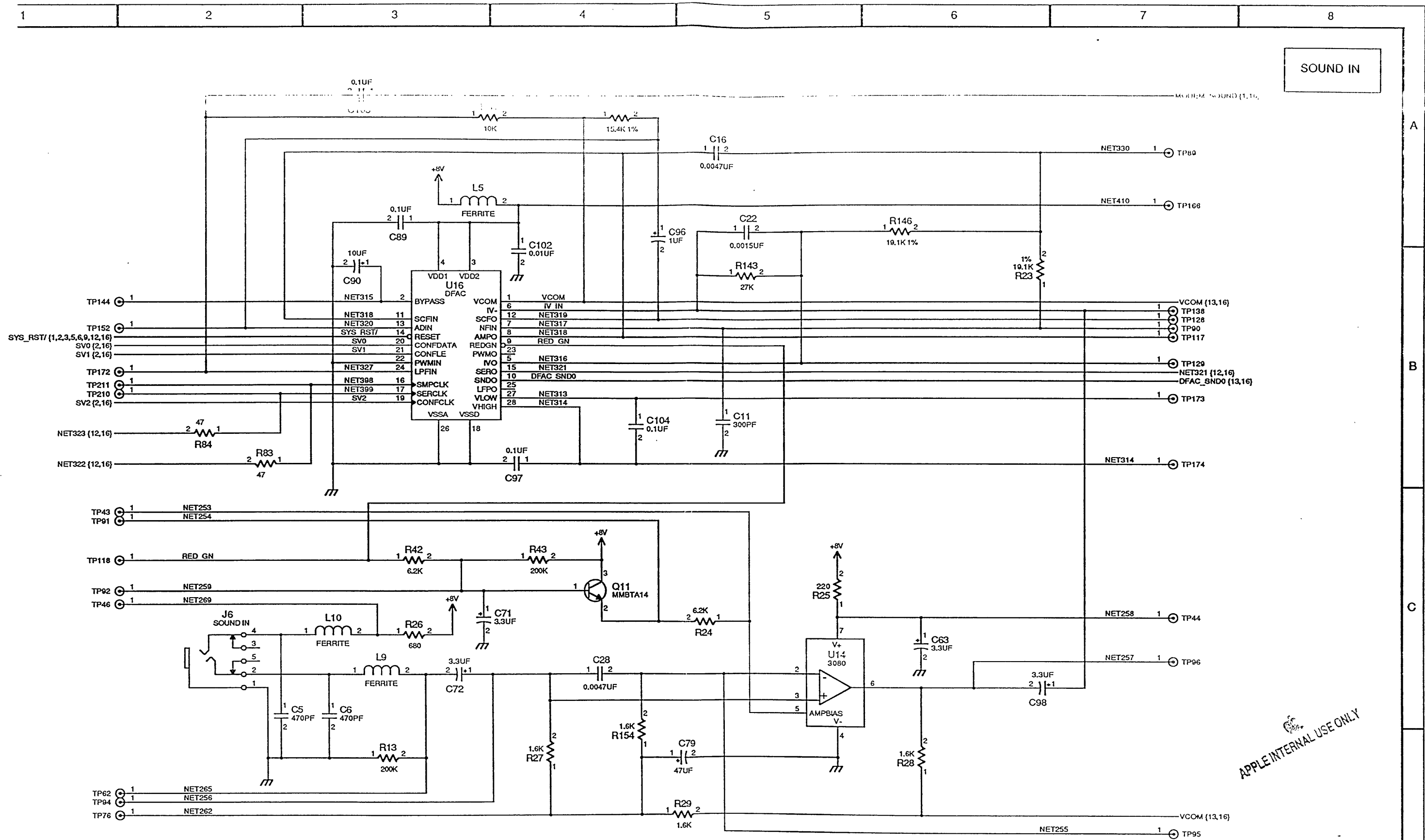


SWIM, VIA1 BUFFERS

NOTICE OF PROPRIETARY PROPERTY
 THE INFORMATION CONTAINED HEREIN IS THE PROPRIETARY PROPERTY OF APPLE COMPUTER, INC. THE POSSESSOR AGREES TO THE FOLLOWING:
 (i) TO MAINTAIN THE DOCUMENT IN CONFIDENCE
 (ii) NOT TO REPRODUCE OR COPY IT
 (iii) NOT TO REVEAL OR PUBLISH IT IN WHOLE OR PART

ECS CAD GENERATED	Apple Computer, Inc	
	SIZE D	DRAWING NUMBER 050-0409
SCALE NONE	SHT 9	OF 17

APPLE INTERNAL USE ONLY



SOUND IN

APPLE INTERNAL USE ONLY

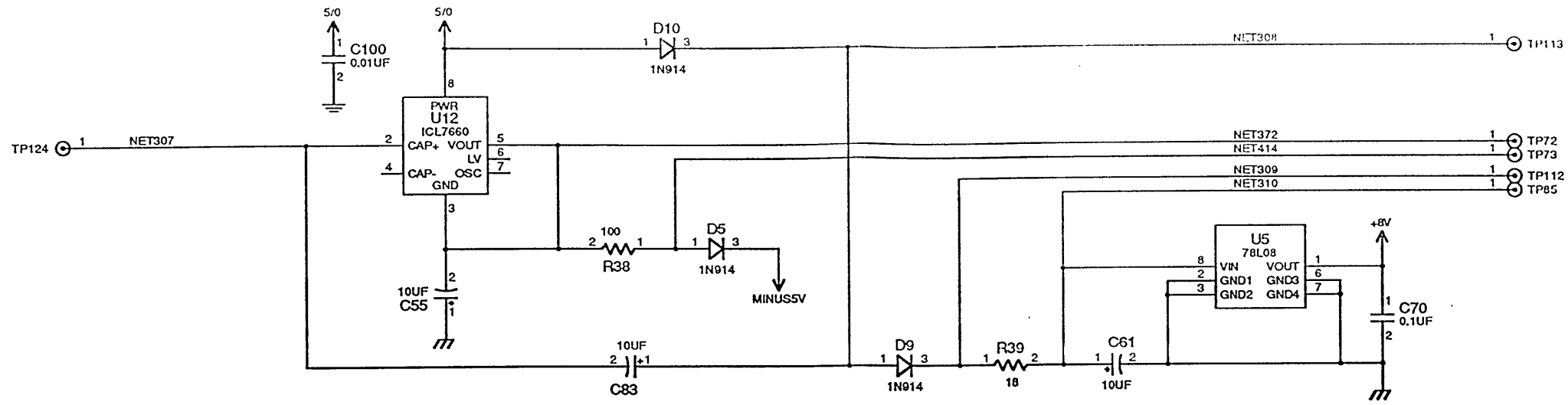
NOTICE OF PROPRIETARY PROPERTY
 THE INFORMATION CONTAINED HEREIN IS THE PROPRIETARY
 PROPERTY OF APPLE COMPUTER, INC. THE POSSESSOR
 AGREES TO THE FOLLOWING
 (I) TO MAINTAIN THE DOCUMENT IN CONFIDENCE
 (II) NOT TO REPRODUCE OR COPY IT
 (III) NOT TO REVEAL OR PUBLISH IT IN WHOLE OR PART

ECS CAD GENERATED

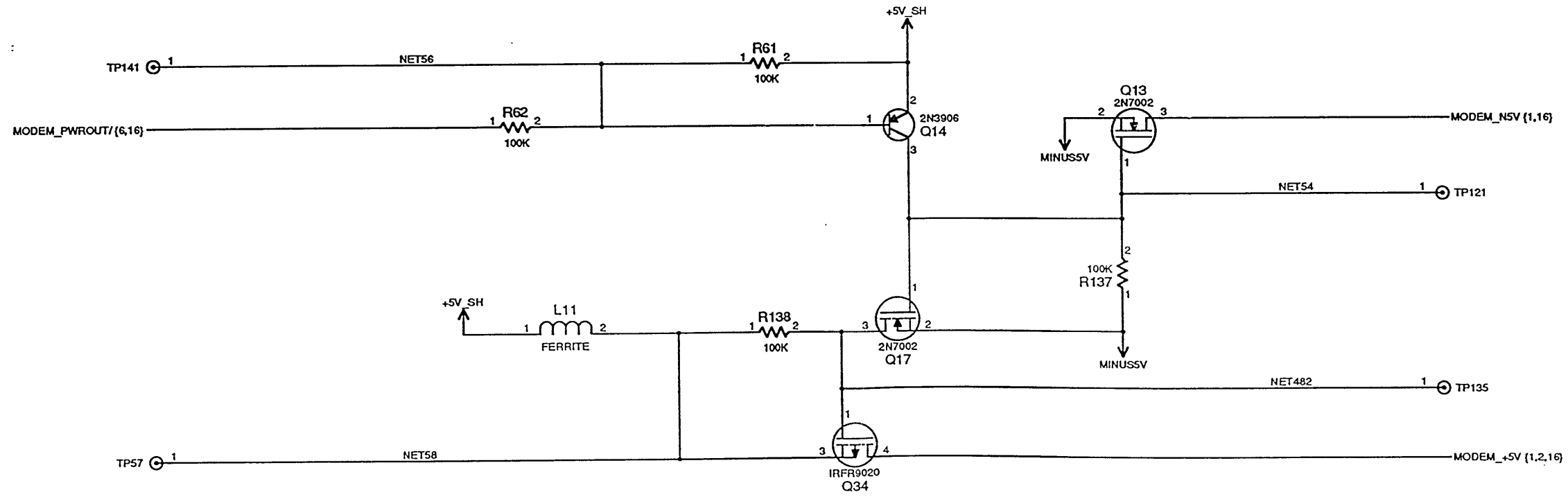
Apple Computer, Inc

SIZE	DRAWING NUMBER	REV.
D	050-0409	01
SCALE	SHT 10 OF 17	
NONE		

SOUND IN



MODEM



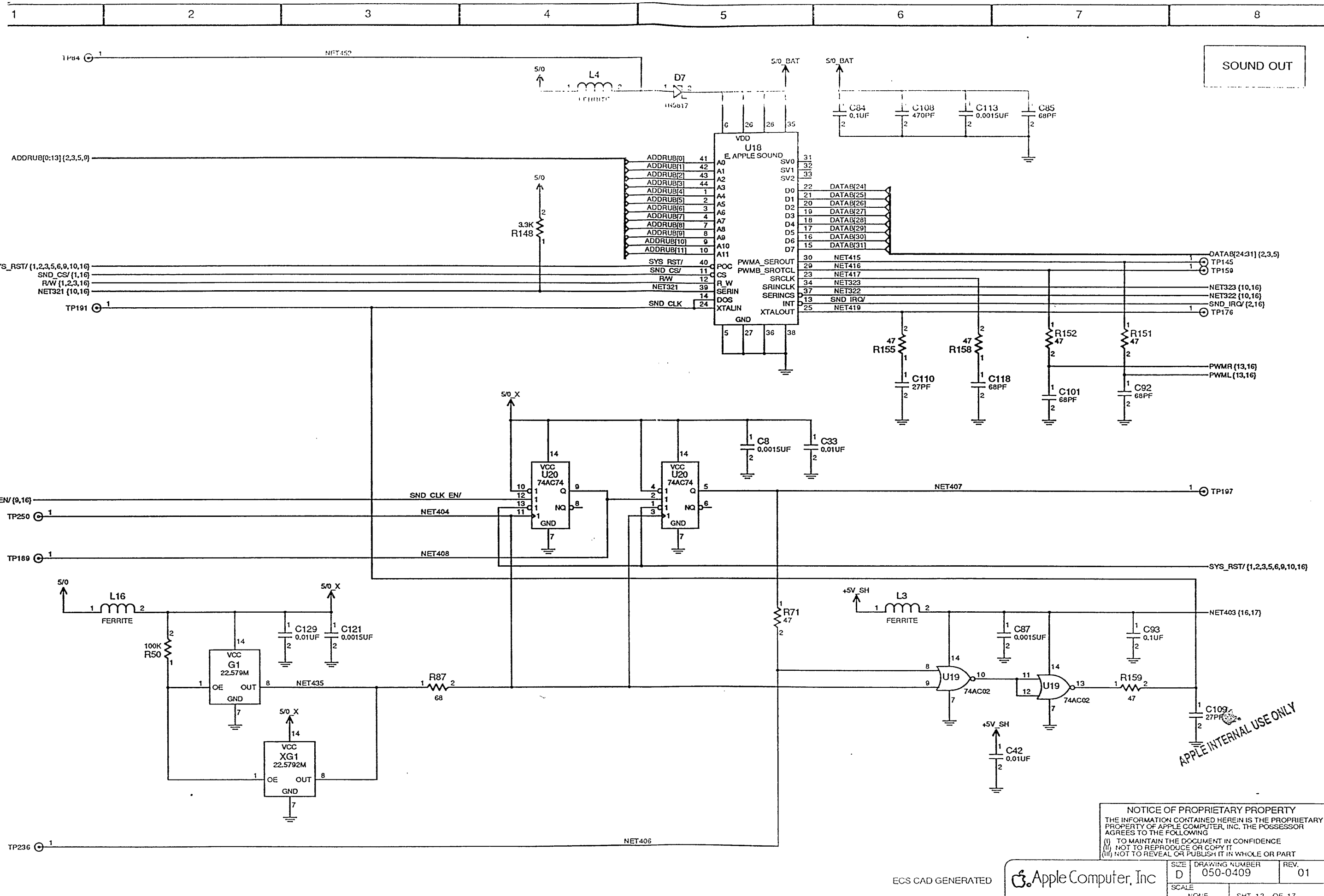
APPLE INTERNAL USE ONLY

NOTICE OF PROPRIETARY PROPERTY
 THE INFORMATION CONTAINED HEREIN IS THE PROPRIETARY PROPERTY OF APPLE COMPUTER, INC. THE POSSESSOR AGREES TO THE FOLLOWING
 (I) TO MAINTAIN THE DOCUMENT IN CONFIDENCE
 (II) NOT TO REPRODUCE OR COPY IT
 (III) NOT TO REVEAL OR PUBLISH IT IN WHOLE OR PART

ECS CAD GENERATED

Apple Computer, Inc

SIZE	DRAWING NUMBER	REV.
D	050-0409	01
SCALE	SHT 11 OF 17	
NONE		



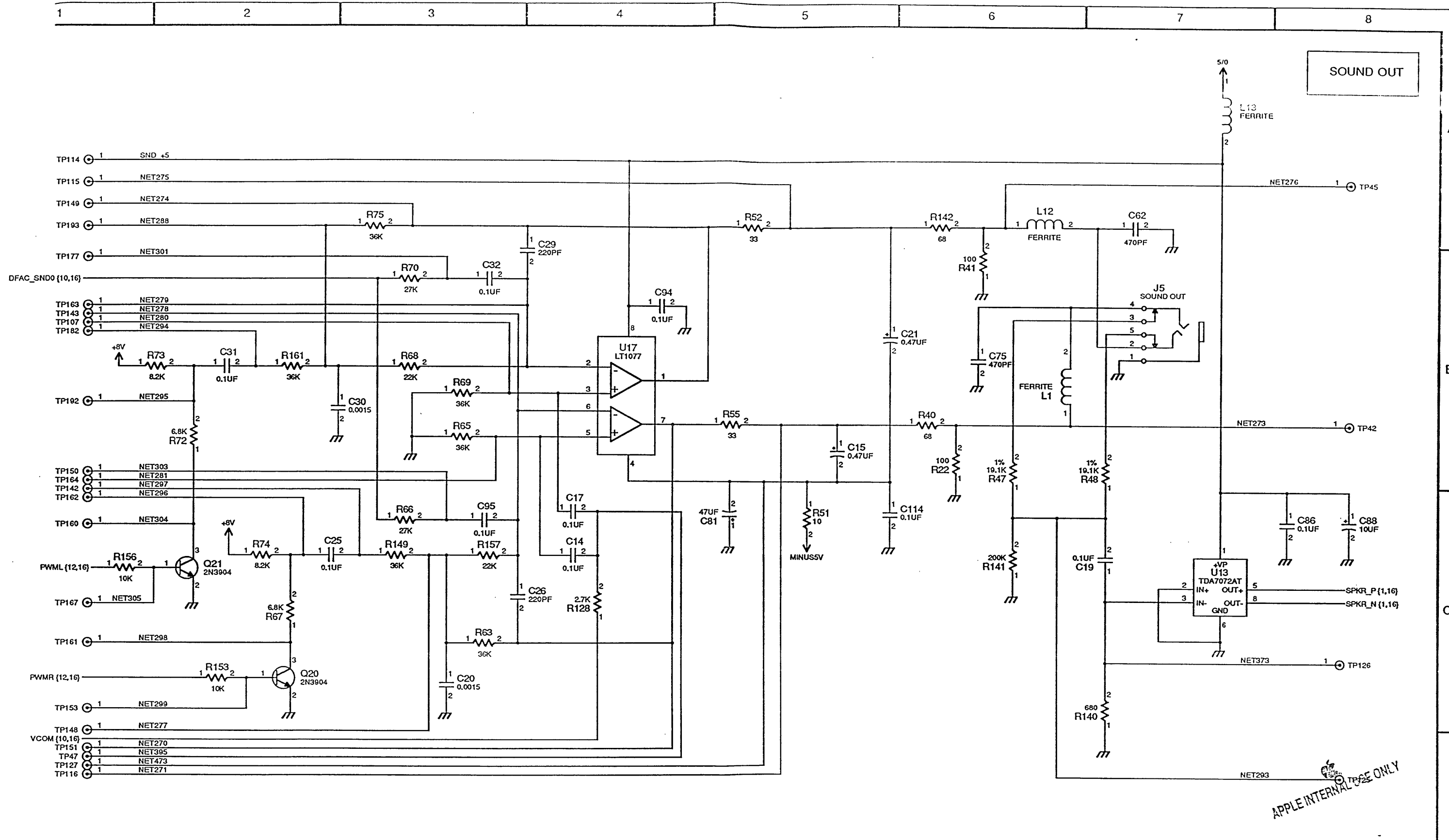
NOTICE OF PROPRIETARY PROPERTY
 THE INFORMATION CONTAINED HEREIN IS THE PROPRIETARY
 PROPERTY OF APPLE COMPUTER, INC. THE POSSESSOR
 AGREES TO THE FOLLOWING
 (i) TO MAINTAIN THE DOCUMENT IN CONFIDENCE
 (ii) NOT TO REPRODUCE OR COPY IT
 (iii) NOT TO REVEAL OR PUBLISH IT IN WHOLE OR PART

APPLE INTERNAL USE ONLY

ECS CAD GENERATED

Apple Computer, Inc

SIZE	DRAWING NUMBER	REV.
D	050-0409	01
SCALE	SHT 12 OF 17	
NOTE		



SOUND OUT

APPLE INTERNAL USE ONLY

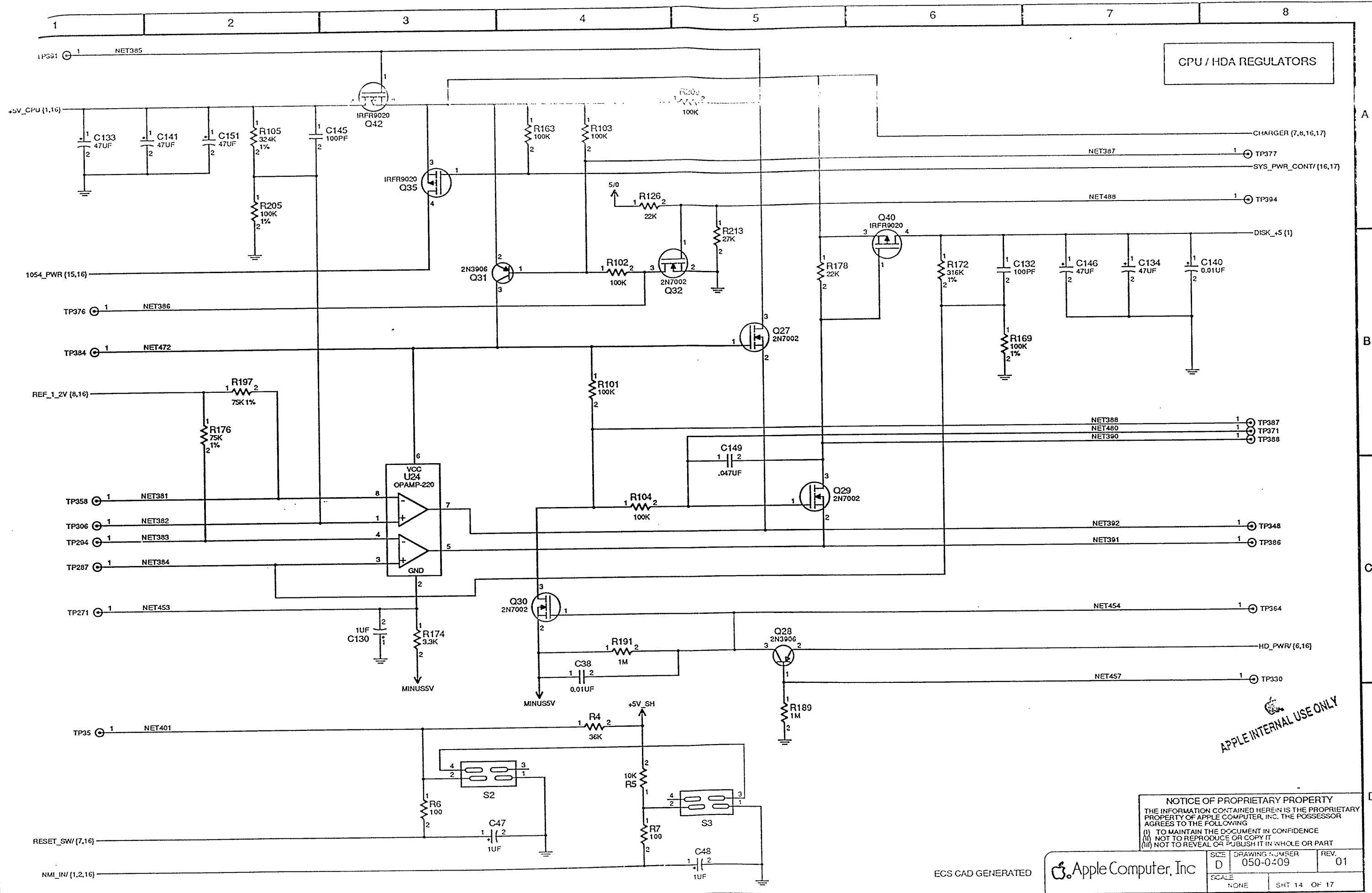
NOTICE OF PROPRIETARY PROPERTY
 THE INFORMATION CONTAINED HEREIN IS THE PROPRIETARY
 PROPERTY OF APPLE COMPUTER, INC. THE POSSESSOR
 AGREES TO THE FOLLOWING
 (I) TO MAINTAIN THE DOCUMENT IN CONFIDENCE
 (II) NOT TO REPRODUCE OR COPY IT
 (III) NOT TO REVEAL OR PUBLISH IT IN WHOLE OR PART

ECS CAD GENERATED

Apple Computer, Inc

SIZE	DRAWING NUMBER	REV.
D	050-0409	01
SCALE	SHT 13 OF 17	
NONE		

CPU / HDA REGULATORS



APPLE INTERNAL USE ONLY

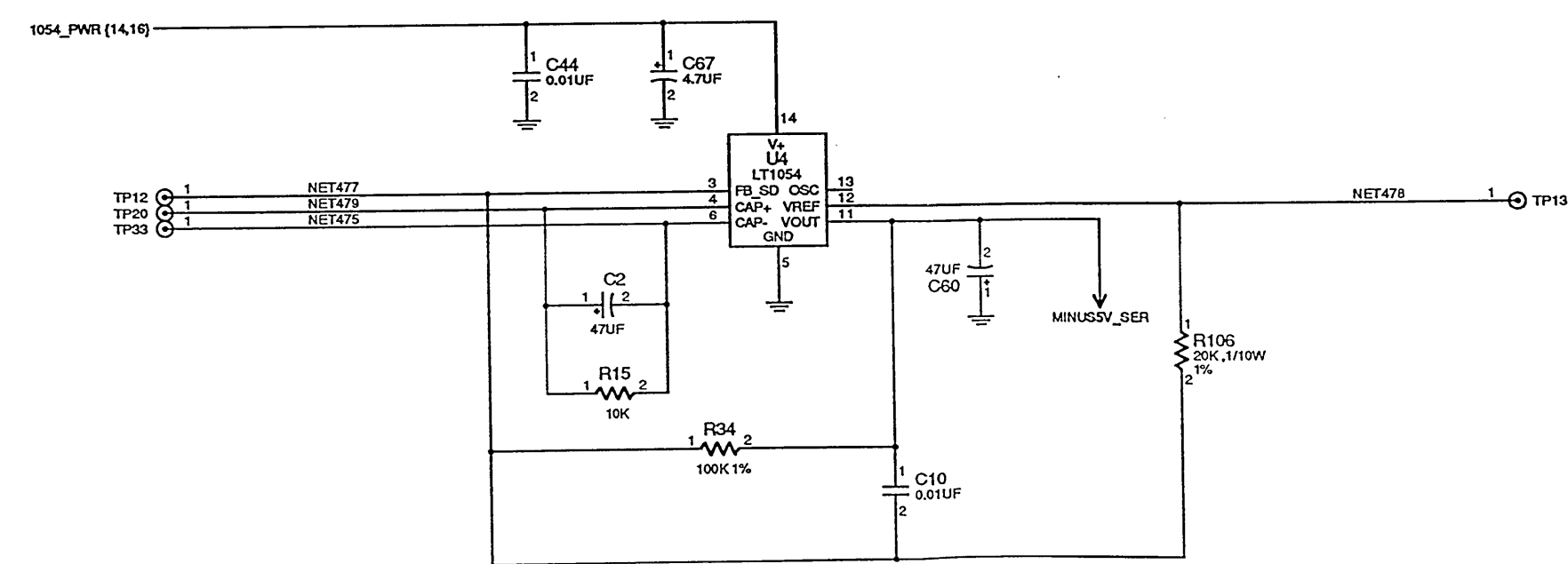
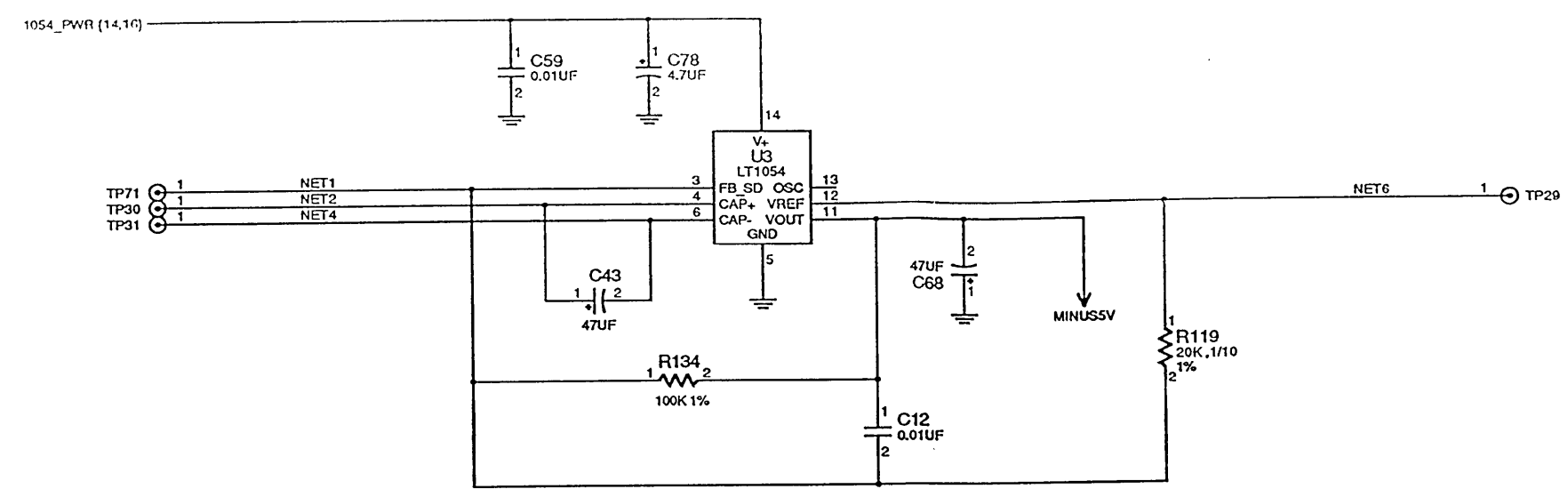
NOTICE OF PROPRIETARY PROPERTY
 THE INFORMATION CONTAINED HEREIN IS THE PROPRIETARY PROPERTY OF APPLE COMPUTER, INC. THE POSSESSOR AGREES TO THE FOLLOWING:
 (I) TO MAINTAIN THE DOCUMENT IN CONFIDENCE
 (II) NOT TO REPRODUCE OR COPY IT
 (III) NOT TO REVEAL OR PUBLISH IT IN WHOLE OR PART

SIZE D	DRAWING NUMBER 050-0409	REV. 01
	SCALE NONE	SHT 14 OF 17

ECS CAD GENERATED

Apple Computer, Inc

MINUS 5 VOLT REGULATOR FOR SERIAL DRIVERS



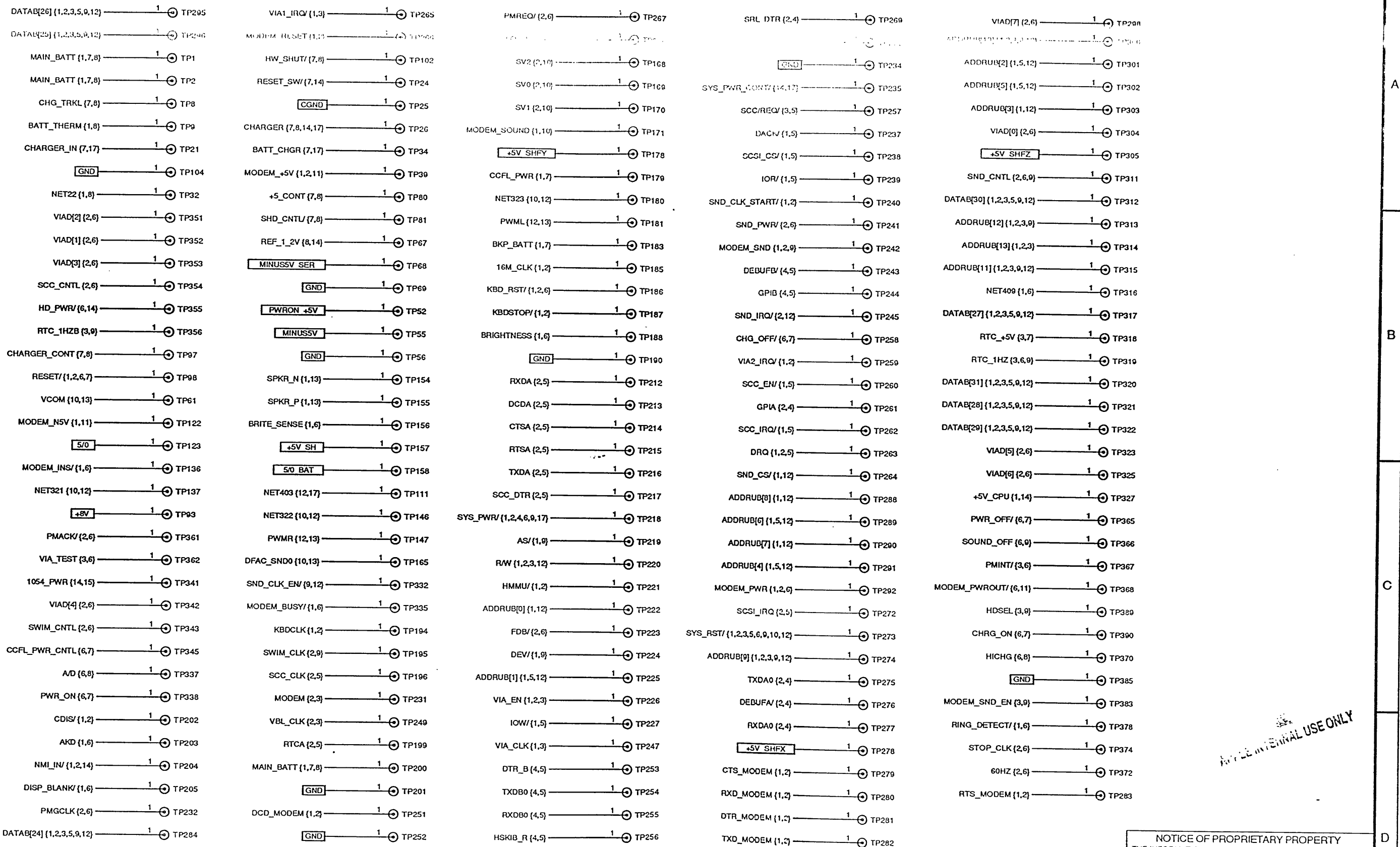
APPLE INTERNAL USE ONLY

NOTICE OF PROPRIETARY PROPERTY
 THE INFORMATION CONTAINED HEREIN IS THE PROPRIETARY PROPERTY OF APPLE COMPUTER, INC. THE POSSESSOR AGREES TO THE FOLLOWING:
 (I) TO MAINTAIN THE DOCUMENT IN CONFIDENCE
 (II) NOT TO REPRODUCE OR COPY IT
 (III) NOT TO REVEAL OR PUBLISH IT IN WHOLE OR PART

ECS CAD GENERATED

Apple Computer, Inc

SIZE	DRAWING NUMBER	REV.
D	050-0409	01
SCALE	SHT 15 OF 17	
NONE		



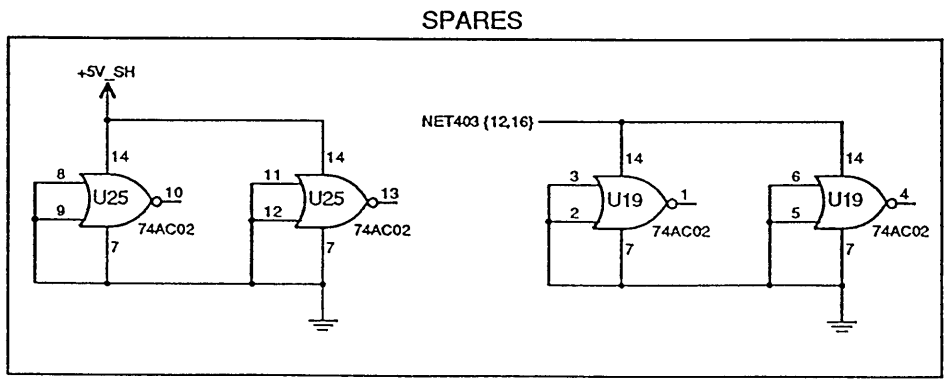
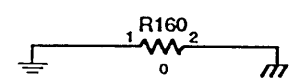
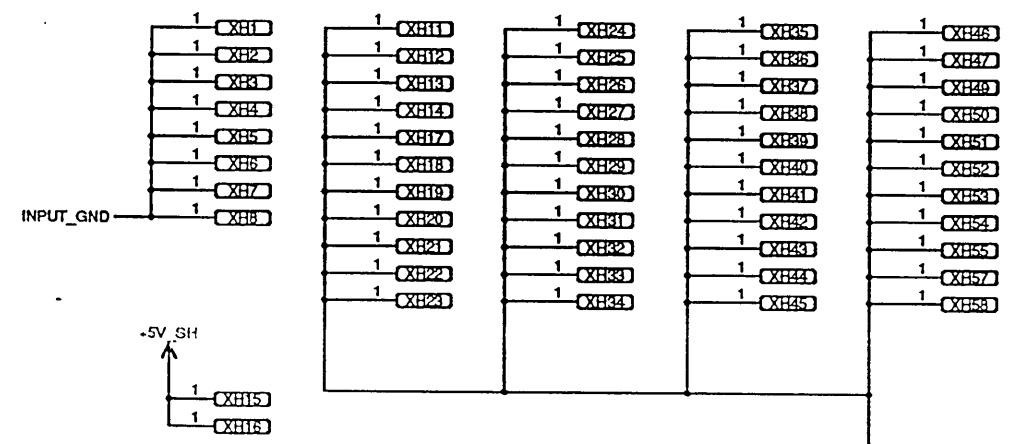
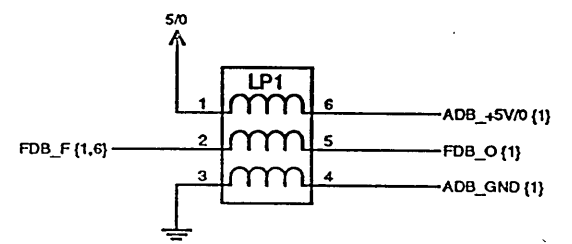
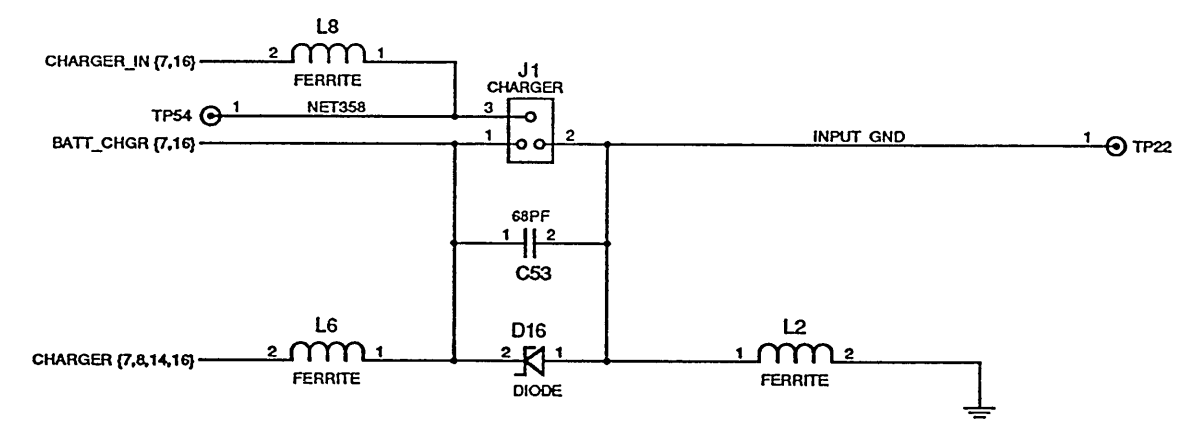
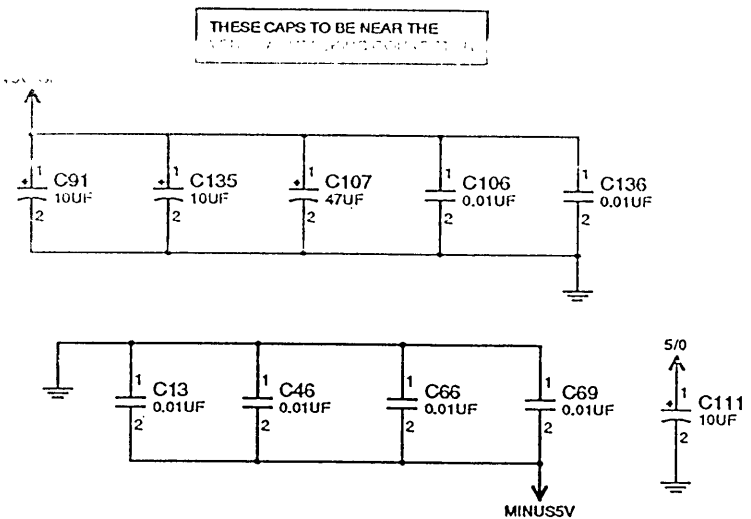
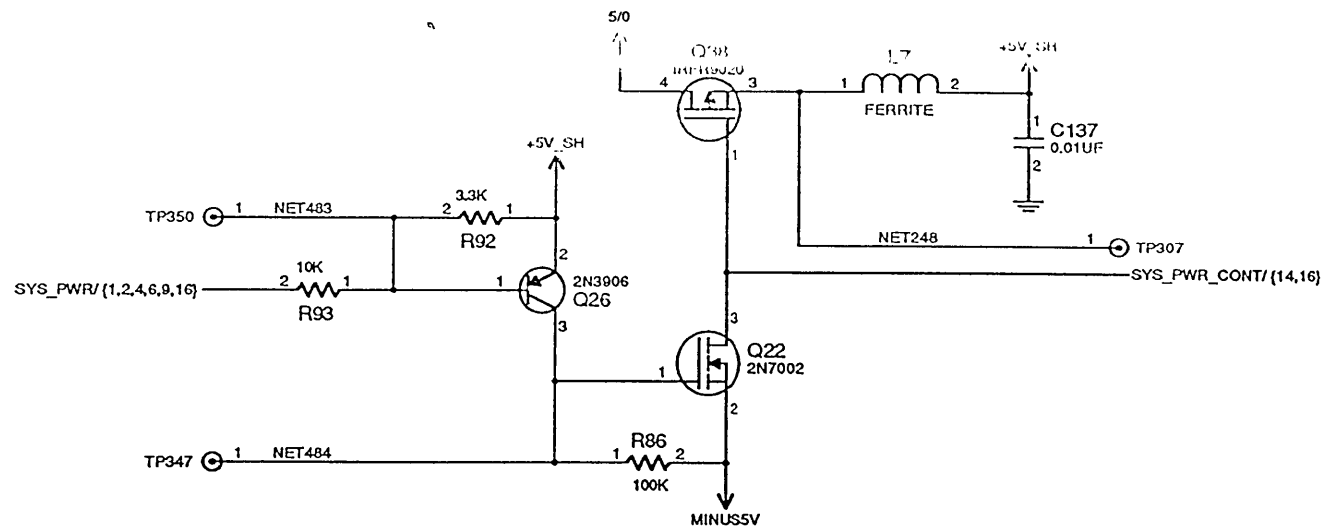
APPLE INTERNAL USE ONLY

NOTICE OF PROPRIETARY PROPERTY
 THE INFORMATION CONTAINED HEREIN IS THE PROPRIETARY
 PROPERTY OF APPLE COMPUTER, INC. THE POSSESSOR
 AGREES TO THE FOLLOWING
 (I) TO MAINTAIN THE DOCUMENT IN CONFIDENCE
 (II) NOT TO REPRODUCE OR COPY IT
 (III) NOT TO REVEAL OR PUBLISH IT IN WHOLE OR PART

ECS CAD GENERATED

Apple Computer, Inc

SIZE	DRAWING NUMBER	REV.
D	050-0409	01
SCALE	SHT 16 OF 17	
NONE		



APPLE INTERNAL USE ONLY

NOTICE OF PROPRIETARY PROPERTY
 THE INFORMATION CONTAINED HEREIN IS THE PROPRIETARY PROPERTY OF APPLE COMPUTER, INC. THE POSSESSOR AGREES TO THE FOLLOWING:
 (i) TO MAINTAIN THE DOCUMENT IN CONFIDENCE
 (ii) NOT TO REPRODUCE OR COPY IT
 (iii) NOT TO REVEAL OR PUBLISH IT IN WHOLE OR PART