

6

Electrical Information

Absolute Maximum Ratings

Table 6-1. Absolute Maximum Ratings

Parameter	Range
Storage temperature	-65° to 150° C
Power supply voltage	0 to 7 Volts
Voltage on any pin	-0.5 to $V_{cc}+0.5$ Volts

Operating Conditions

Table 6-2. Operating Conditions

Parameter	Range
Ambient temperature	0° to 70° C
Supply voltage	4.5 to 5.5 Volts
Rise Time t_r	ns
Fall Time t_f	ns
Load Capacitance C_L	50 pf, unless otherwise noted

DC Electrical Characteristics

Table 6-3. DC Electrical Characteristics

Symbol	Parameter	Test Conditions	Min	Typ	Max	Units
V _{il}	Input Low Voltage, All Pins				0.8	V
V _{ih}	Input High Voltage, All Pins		2.0			V
V _h	Input Hysteresis, SCSI Signals Only		200			mV
V _{ol1}	Output Low Voltage, PORTEN*	I _{o1} = 2 mA			0.5	V
V _{ol2}	Output Low Voltage, SD0-15, DRQ, IRQ, IOCS 16*	I _{o1} = 24 mA			0.5	V
V _{ol3}	Output Low Voltage, All SCSI Signals	I _{o1} = 48 mA			0.5	V
V _{oh1}	Output High Voltage, PORTEN*	I _{o1} = -2 mA	2.4			V
V _{oh2}	Output High Voltage, SD0-15 DRQ, IRQ	I _{o1} = -8 mA	2.4			V
I _{o2}	Output Leakage for Tristate and Open Collector Drivers	V _{dd} ≥ V _{in} ≥ GND		±40		A
I _{dd1}	Operating Current Consumption	20 MHz External Clock		19.8	25	mA
		20 MHz Internal Crystal Oscillator		29.0	35	mA
I _{dd2}	Powerdown Current Consumption	20 MHz External Clock		5.8	10	mA
		20 MHz Internal Crystal Oscillator		14.2	20	mA
I _{dd3}	Static Current Consumption	V _{IN} = V _{dd} , Pin F1 = V _{dd}		1.5	5	mA
C _{IN}	Input Capacitance	F _c = 1 MHz			10	pF
C _{OUT}	Output Capacitance				15	pF

Crystal Oscillator Specification

Table 6-4. Crystal Oscillator Specification

Parameter	Value
Design type	Pierce
Min. resistor shunting XIN and XOUT	21,000
Max. capacitance between XIN and XOUT	12 pF ¹
Max. motional resistance of crystal	50 ohm
Oscillation mode	Fundamental
Min. crystal Q	20,000
Oscillation frequency	20 MHz
¹ including Co of crystal and board layout	

Notes:

- Crystal cut is not critical, if fundamental is the strongest oscillation mode.
- The required capacitors are contained on the chip.
- Do not ground any crystal terminals.
- Since the oscillator is an analog device, it should experience as little power supply noise as possible. This means that the user must not inject PC board noise into XNE (VDD of the oscillator), and there should be a well-filtered internal VSS pin as close to the cell as possible. Switching noise on the outer VSS bus is isolated from the circuit and therefore is not a problem. Furthermore, the X1 input pin is sensitive to latch-up at voltages above approximately 80 mA.

System Timing

This section contains AC timing information for the AIC-6360. All timing presumes operation with a 20 MHz clock.

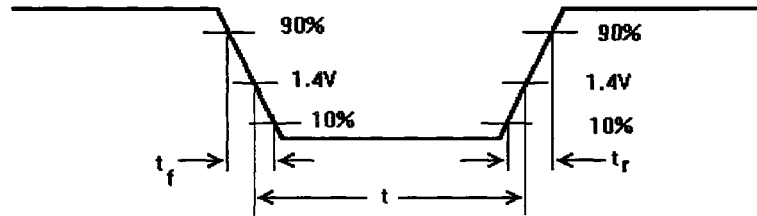
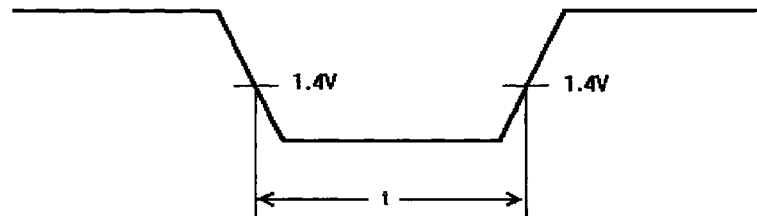


Figure 6-1. AC Input Conditions



C = 50 pf unless otherwise noted

Figure 6-2. AC Output Conditions

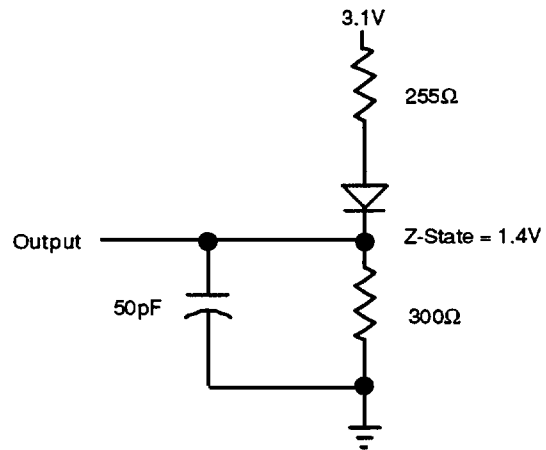


Figure 6-3. AC Test Load for All Outputs Except SCSI and PORTEN

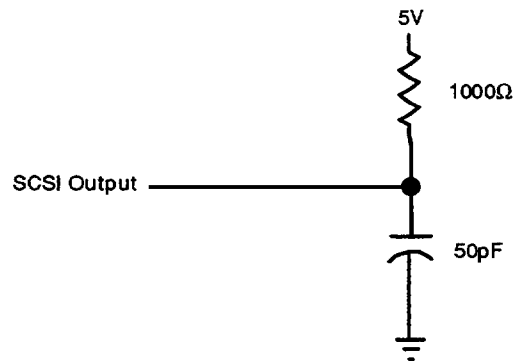


Figure 6-4. AC Test Load for SCSI Outputs

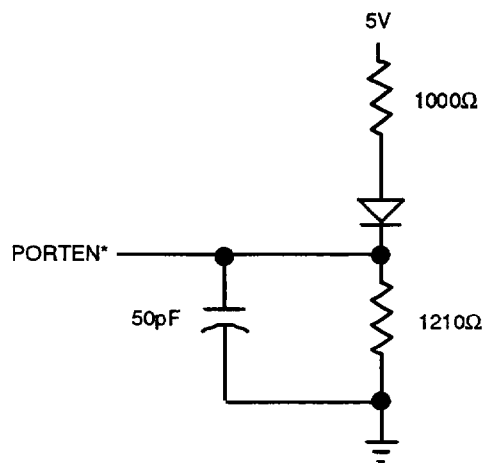
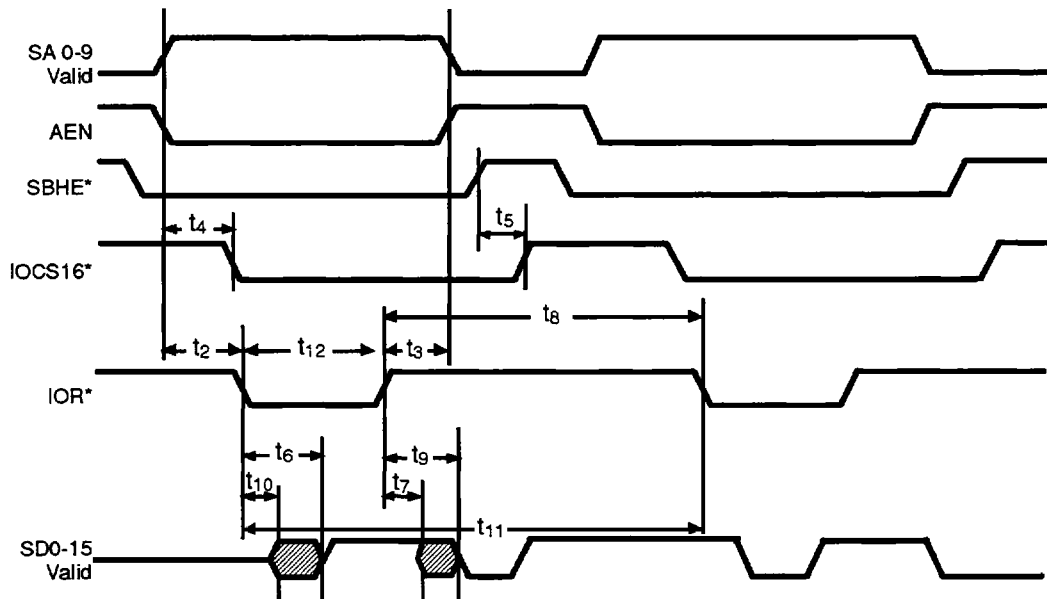


Figure 6-5. AC Test Load for PORTEN Output

Host Processor PIO Data Read Operation



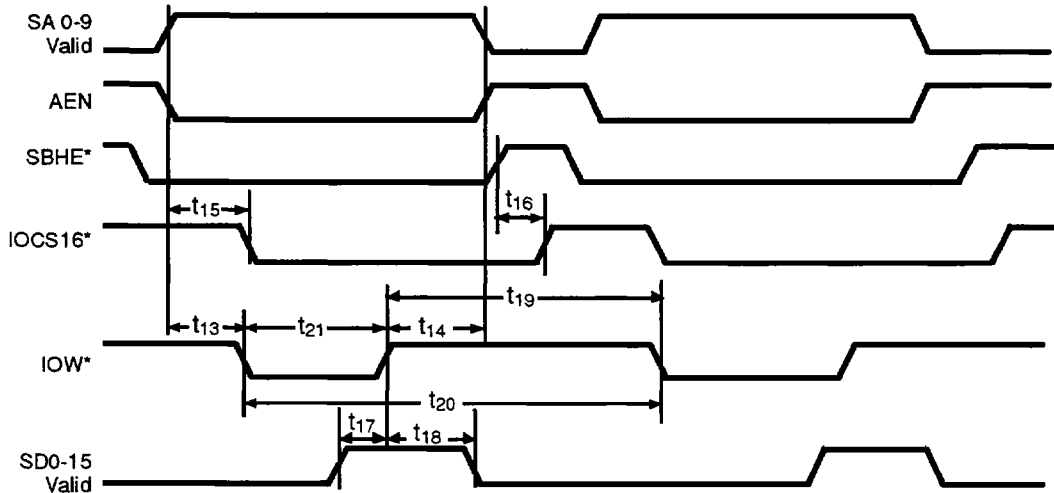
Parameter	Description	Min ¹	Max ¹
t ₁	Chip clock period	50	
t ₂	Address setup time to IOR* falling	25	
t ₃	Address hold time after IOR* rising	25	
t ₄	IOCS16* valid after address and SBHE* valid		60
t ₅	IOCS16* disabled after address and SBHE* invalid		30
t ₆	Valid data delay from IOR* falling	6	60
t ₇	Data hold time after IOR* rising	4	
t ₈	Time between consecutive IOR* pulse	100	
t ₉	Driver OFF time from IOR* rising		25
t ₁₀	Driver ON time from IOR* falling	6	25
t ₁₁	Read cycle time	120	
t ₁₂	IOR* pulse width	20	

¹ Min and Max data in all the timing diagrams is given in nanoseconds.

Notes:

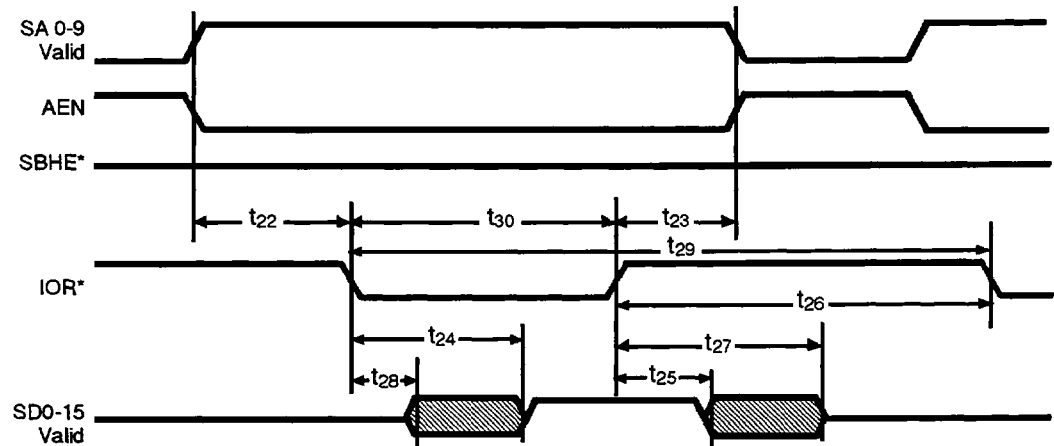
- t_6 is measured from the assertion of IOR* to the point at which the outputs on SD0-15 achieve a valid V_{oi} or V_{oh} output voltage level.
- t_7 is measured from the deassertion of IOR* to the point at which the outputs on SD0-15 no longer maintain a valid V_{oi} or V_{oh} output voltage level.
- t_9 is measured from the deassertion of IOR* to the point at which the outputs on SD0-15 deviate by 0.1V from their asserted high or low logic level.
- t_{10} is measured from the assertion of IOR* to the point at which the outputs on SD0-15 deviate by 0.1V from the tristate bias voltage level of 1.4V.

Host Processor PIO Data Write Operation



Parameter	Description	Min	Max
t_{13}	Address setup time to IOW* falling	25	
t_{14}	Address hold time after IOW* rising	25	
t_{15}	IOCS16* valid after address and SBHE* valid		60
t_{16}	IOCS16* hi-z after address and SBHE* invalid		30
t_{17}	Data setup time to IOW* rising	5	
t_{18}	Data hold time after IOW* rising	15	
t_{19}	Time between consecutive IOW* pulses	100	
t_{20}	Write cycle time	110	
t_{21}	IOW* pulse width	10	

Host Processor I/O Read Operation

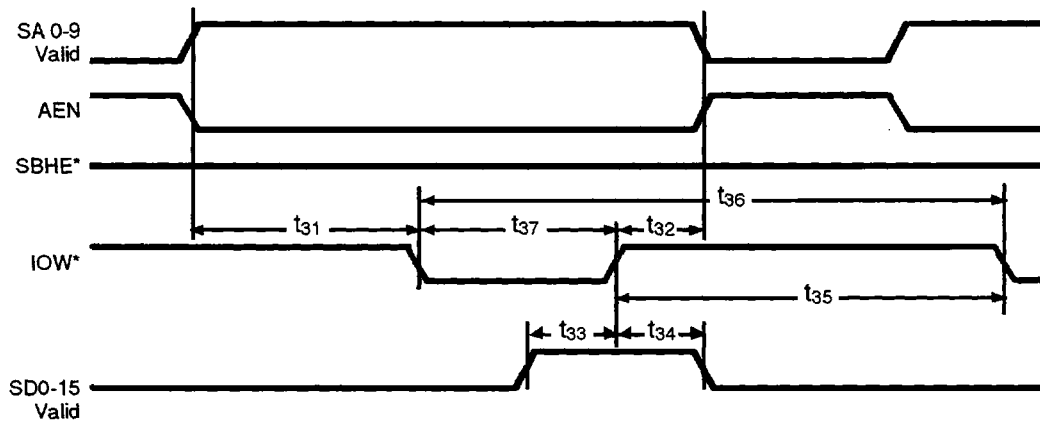


Parameter	Description	Min	Max
t22	Address setup time to IOR* falling	25	
t23	Address hold time after IOR* rising	25	
t24	Valid data delay from IOR* falling		60
t25	Data hold time after IOR* rising	4	
t26	Time between consecutive IOR* pulses (DWORD)	100	
t27	Driver OFF time from IOR* rising		25
t28	Driver ON time from IOR* falling	6	25
t29	Read cycle time	120	
t30	IOR* pulse width	20	

Notes:

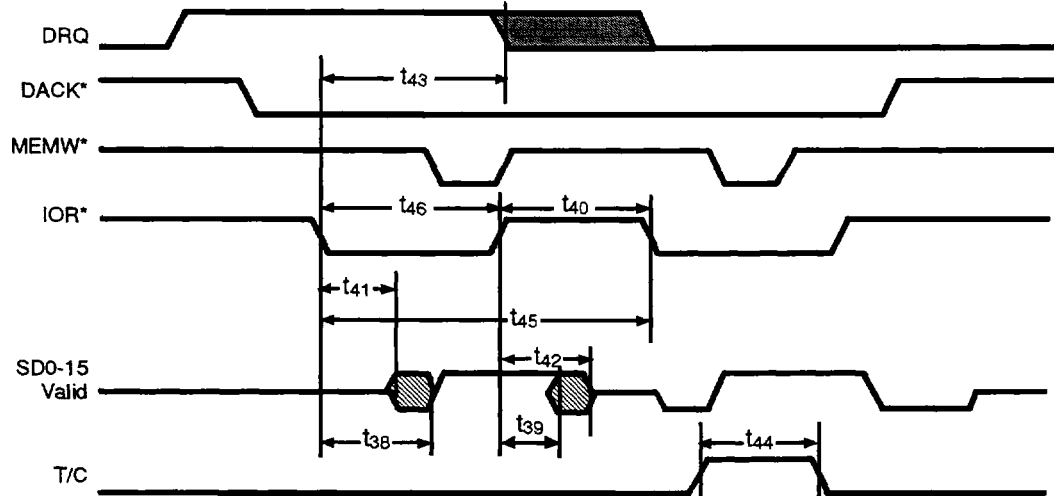
- t24 is measured from the assertion of IOR* to the point at which the outputs on SD0-15 achieve a valid Voi or Voh output voltage level.
- t25 is measured from the deassertion of IOR* to the point at which the outputs on SD0-15 no longer maintain a valid Voi or Voh output voltage level.
- t27 is measured from the deassertion of IOR* to the point at which the outputs on SD0-15 deviate by 0.1V from their asserted high or low logic level.
- t28 is measured from the assertion of IOR* to the point at which the outputs on SD0-15 deviate by 0.1V from the tristate bias voltage level of 1.4V.

Host Processor I/O Write Operation



Parameter	Description	Min	Max
t31	Address setup time to IOW* falling	25	
t32	Address hold time after IOW* rising	25	
t33	Data setup time to IOW* rising	5	
t34	Data hold time after IOW* rising	15	
t35	Time between consecutive IOW* pulses (DWORD)	100	
t36	Write cycle time	110	
t37	IOW* pulse width	10	

Host Processor DMA Read Operation

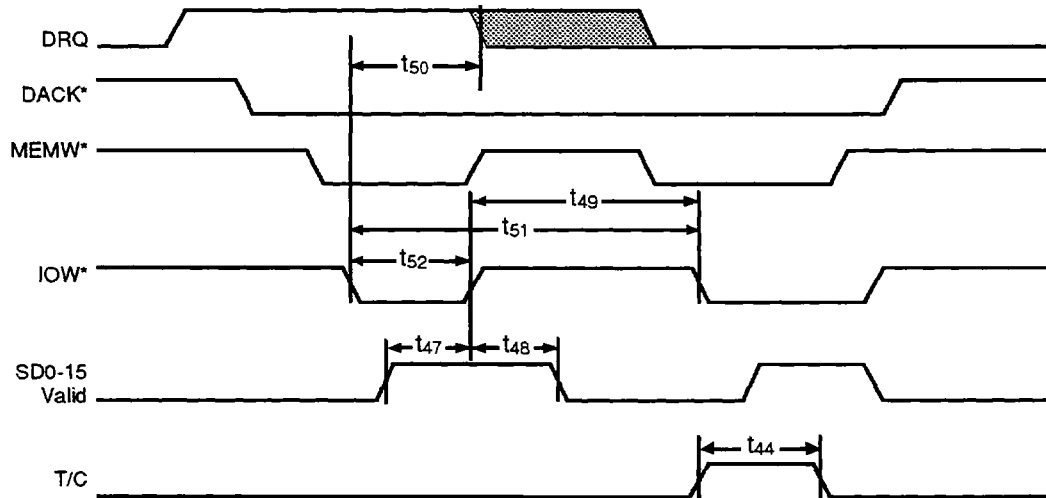


Parameter	Description	Min	Max
t38	Data valid from IOR* falling		60
t39	Data hold time after IOR* rising	4	
t40	Time between consecutive IOR*	100	
t41	Driver ON time from IOR* falling		25
t42	Driver OFF time from IOR* rising		25
t43	DRQ OFF time from IOR* falling	10	60
t44	Terminal count pulse width	50	
t45	Read cycle time	120	
t46	IOR* pulse width	20	

Notes:

- t38 is measured from the assertion of IOR* to the point at which the outputs on SD0-15 achieve a valid Voi or Voh output voltage level.
- t39 is measured from the deassertion of IOR* to the point at which the outputs on SD0-15 no longer maintain a valid Voi or Voh output voltage level.
- t40 is measured from the deassertion of IOR* to the point at which the outputs on SD0-15 deviate by 0.1V from their asserted high or low logic level.
- t41 is measured from the assertion of IOR* to the point at which the outputs on SD0-15 deviate by 0.1V from the tristate bias voltage level of 1.4V.

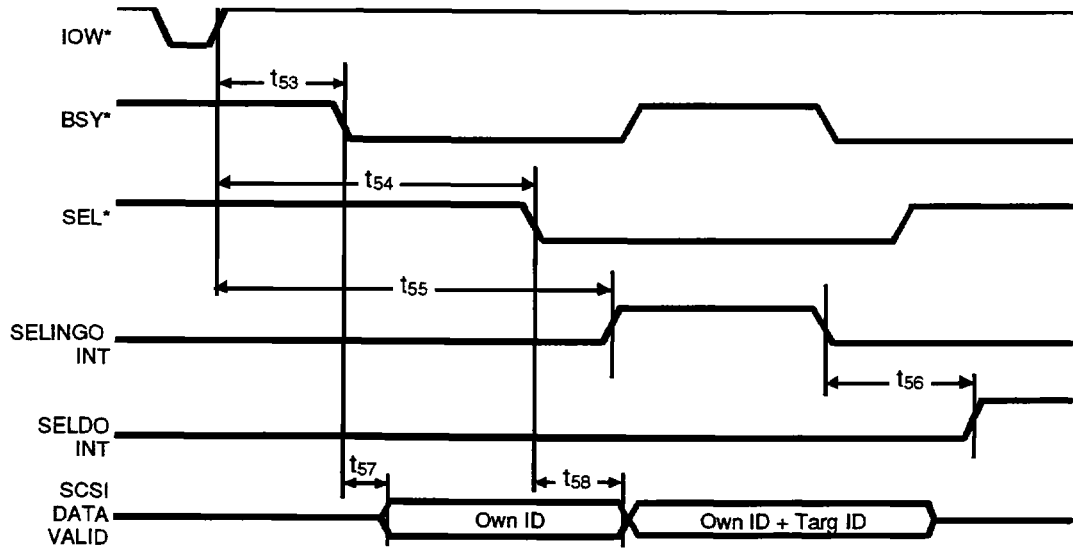
Host Processor DMA Write Operation



Parameter	Description	Min	Max
t47	Data setup time to IOW* rising	5	
t48	Data hold time to IOW* rising	15	
t49	Time between consecutive IOW* pulses	100	
t50	DRQ off time from IOW* falling	10	60
t51	Write cycle time	110	
t52	IOW* pulse width	10	

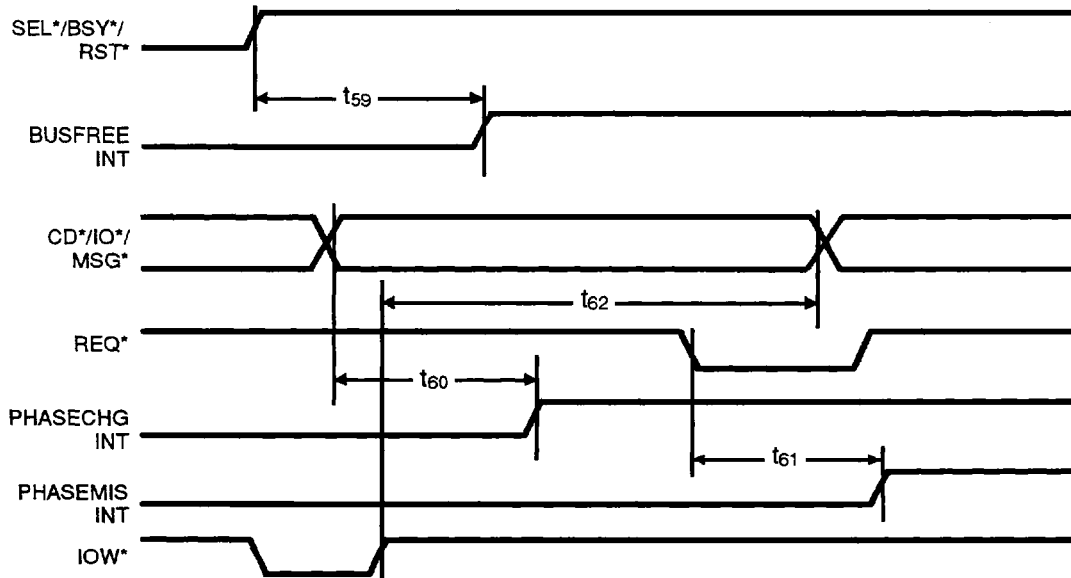
SCSI Bus Timing

Arbitration/Selection



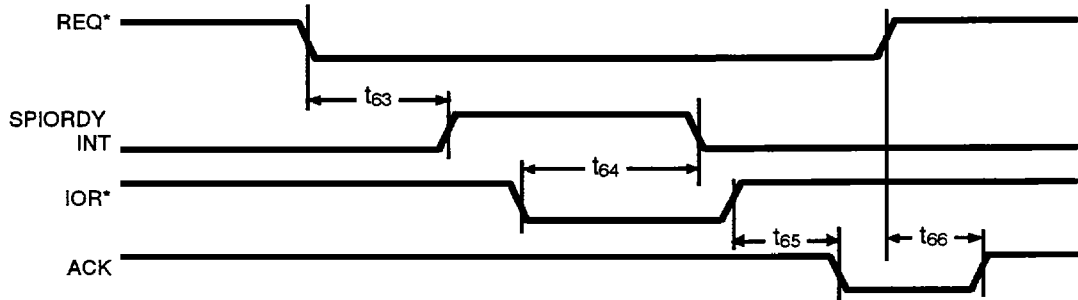
Parameter	Description	Min	Max
t_{53}	BSY* active from IOW* rising		$16t_1 + 60$
t_{54}	SEL* active from IOW* rising		$64t_1 + 60$
t_{55}	SELINGO interrupt from ENSELO		$92t_1 + 60$
t_{56}	SELDO interrupt from Target BSY*		$4t_1 + 60$
t_{57}	Own ID valid from BSY* falling		20
t_{58}	Target ID valid from SEL* falling	$24t_1 + 60$	

SCSI Bus Free Detection and Phase Change Interrupts



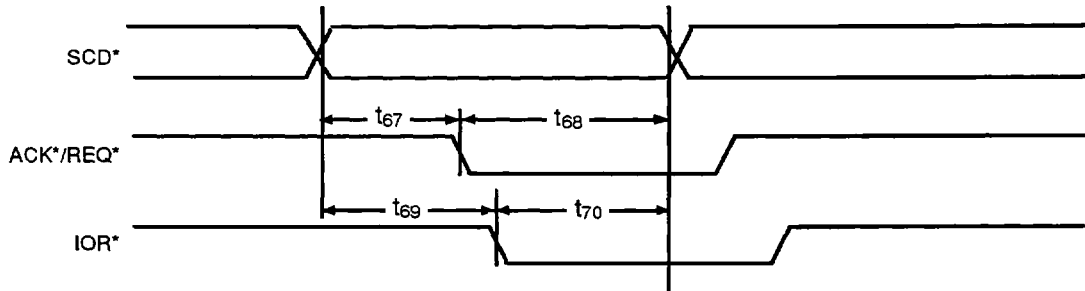
Parameter	Description	Min	Max
t59	BUS FREE from SEL*/BSY*/RST* rising		9t1 +40
t60	Interrupt from phase change		37
t61	Interrupt from phase change/REQ		40
t62	Phase change ¹ from IOW* rising		46
¹ Target mode			

SCSI PIO



Parameter	Description	Min	Max
t63	SPIORDY interrupt from REQ* falling		3t ₁ + 35
t64	SPIORDY cleared from IOR* falling		60
t65	ACK asserted from IOR* rising		3t ₁ + 35
t66	ACK de-asserted from REQ* rising		2t ₁ + 62

SCSI Data Setup and Hold, Latched Data and PIO



Parameter	Description	Min	Max
t67	SCSI Data setup to REQ* or ACK* ¹	5	
t68	SCSI Data hold after REQ* or ACK* ¹	15	
t69	SCSI Data setup to IOR* falling ²	15	
t70	SCSI Data hold after IOR* falling ²	5	

¹ Initiator mode uses leading edge of REQ* to latch data, and Target mode uses leading edge of ACK*. These times apply to synchronous, asynchronous, and auto PIO modes.

² These times apply to programmed I/O when reading port 347h.

