

THE INFORMATION CONTAINED HEREON IS THE PROPERTY OF ABLE COMPUTER TECHNOLOGY, INC. TRANSMITTAL, RECEIPT OR POSSESSION OF THE INFORMATION DOES NOT EXPRESS, LICENSE, OR IMPLY ANY RIGHTS TO USE, SELL, OR MANUFACTURE FROM THIS INFORMATION AND NO REPRODUCTION OR PUBLICATION OF IT, IN WHOLE OR IN PART, SHALL BE MADE WITHOUT WRITTEN AUTHORIZATION FROM AN OFFICER OF THE ABOVE FIRM.

REVISIONS

LTH	DESCRIPTION	DATE	APPROVED
A	PROD. REL. PER E.O. 00298	4-14-81	HJW
H	INCORPORATED PER E.O. 01227	8-27-82	SPC
L	INCORPORATED PER E.O. 02361	5-2-87	JFR

5. GND IS CONNECTED TO: U1-8, U2-12, U3-12, U4-12, U5-8, U6-12, U7-12, U8-12, U9-8, U10-10, U11-10, U12-8, U13-8, U14-10, U15-10, U16-8, U17-10, U18-10, U19-0, U20-8, U21-8, U22-30, U23-30, U24-8, U25-8, U26-8, U27-10, U28-8, U29-7, U30-8, U31-8, U32-5&15, U33-5&15, U34-9, U35-10, U36-10, U37-8, U38-10, U39-5&15, U40-9, U41-12, U42-8, U43-7, U44-10, U45-5&15, U46-8, U47-8, U48-8, U49-7, U50-15, U51-15, U52-10, U53-8, U54-10, U55-7, U56-8, U57-8, U58-7, U59-8, U60-7, U61-7, U62-7, U63-8, U64-7, U65-7, U66-10, U67-7, U68-8, U69-7, U70-10, U71-7, U72-7, U73-7, U74-1, U75-7, U76-7, U77-7, U78-7, U79-10, U80-7, U81-4, U82-4, U83-7, U84-8, U85-8, U86-10, U87-5&15, U88-7, U89-4, U90-4, U91-4, U92-4, U93-7, U94-5&15, U95-7, U96-7, U97-5&15, U98-7, U99-10, U100-10, U101-7, U102-4, U103-4, U104-4, U105-4, U106-8, U107-8, U108-7, U109-8, U110-10, U111-7, U112-10, U113-4, U114-7, U115-4, U116-4, U117-4, U118-4, U119-10, U120-5&15, U121-7, U122-7, U123-10, U124-10, U125-7, U126-7, U127-4, U128-4, U129-4, U130-4, U131-10, U132-10, U133-7, U134-7, U135-8, U136-7, U137-7, U138-9, U139-9, U140-9, U141-9, U142-9, U143-9, U144-9, U145-9, U146-9, U147-9, U148-9, U149-9, U150-9, U151-9, U152-9, U153-9, U154-9, U155-9, U156-9, U157-9, U158-9, U159-9, U160-9, U161-9, U162-9, U163-9, U164-9, U165-9, U166-9, U167-9, U168-9, U169-9, U170-9, U171-9, U172-9, U173-9, U174-9, U175-9, U176-9, U177-9, U178-9, U179-9, U180-9, U181-9, U182-9, U183-9, U184-9, U185-9, U186-9, U187-9, U188-9, U189-9, U190-9, U191-9, U192-9, U193-9, U194-9, U195-9, U196-9, U197-9, U198-9, U199-9, U200-9.
4. 15V IS CONNECTED TO: U1-2, U2-24, U3-24, U4-24, U5-16, U6-24, U7-24, U8-24, U9-16, U10-20, U11-20, U12-2, U13-2, U14-20, U15-20, U16-16, U17-20, U18-20, U19-20, U20-16, U21-16, U22-10, U23-10, U24-16, U25-16, U26-16, U27-20, U28-16, U29-14, U30-16, U31-16, U32-20, U33-20, U34-18, U35-20, U36-20, U37-16, U38-20, U39-20, U40-18, U41-24, U42-16, U43-14, U44-20, U45-20, U46-16, U47-16, U48-16, U49-14, U50-20, U51-16, U52-16, U53-16, U54-20, U55-14, U56-16, U57-16, U58-14, U59-16, U60-14, U61-14, U62-14, U63-16, U64-14, U65-14, U66-20, U67-14, U68-16, U69-14, U70-20, U71-14, U72-14, U73-14, U74-9, U75-14, U76-14, U77-14, U78-14, U79-20, U80-14, U81-20, U82-14, U83-14, U84-16, U85-16, U86-20, U87-20, U88-26, U89-26, U90-26, U91-26, U92-26, U93-14, U94-20, U95-16, U96-16, U97-20, U98-14, U99-20, U100-26, U101-26, U102-26, U103-26, U104-26, U105-26, U106-16, U107-16, U108-16, U109-16, U110-20, U111-20, U112-20, U113-20, U114-20, U115-20, U116-20, U117-20, U118-20, U119-20, U120-20, U121-14, U122-20, U123-20, U124-20, U125-14, U126-14, U127-26, U128-26, U129-26, U130-26, U131-20, U132-20, U133-14, U134-16, U135-16, U136-16, U137-16, U138-16, U139-16, U140-16.

REF. ONLY

TOLERANCES UNLESS OTHERWISE SPECIFIED	FRACTIONS	DEC	ANGLES
±	1/16	0.005	1/2
APPROVALS	DATE		
DRAWN	DATE		
CHECKED	DATE		
SCALE	DRAWING NO		
SCALE	B	10103003	
DO NOT SCALE DRAWING			
SHEET 1 OF 40			

ABLE COMPUTER TECHNOLOGY

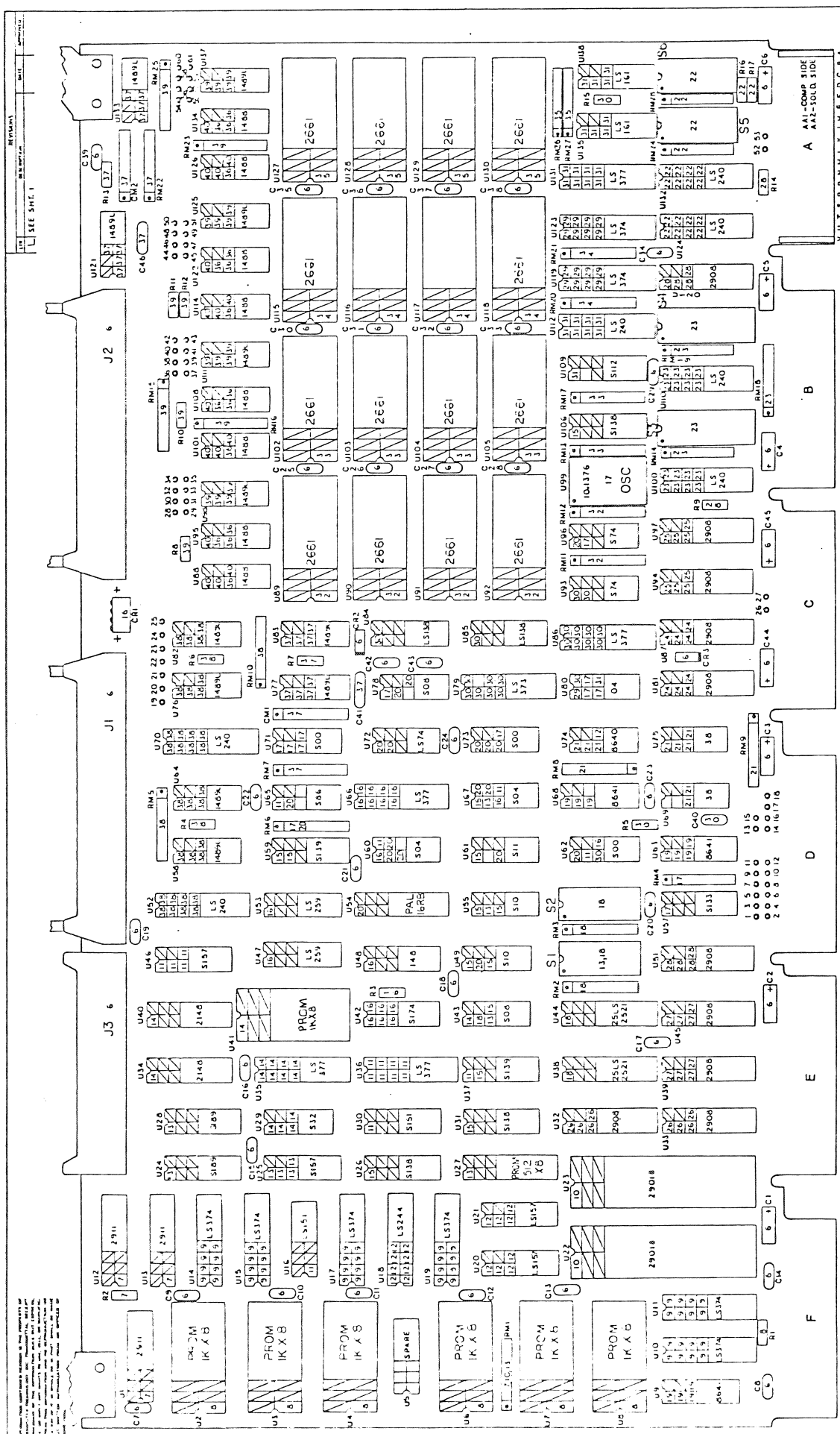
SCHEM-16 CH ASYNC
DMA COM CNTRLR

3. SHORTING PLUGS INSTALLED AT E33 & E34, FOR FUTURE USE, REF. USERS GUIDE.

2. ALL CAPACITOR VALUES ARE PICOFARADS

1. ALL RESISTOR VALUES ARE 1/4W, 5%.

NOTE: UNLESS OTHERWISE SPECIFIED.



REFERENCE DESIGNATION CHART

TYPE	LAST USED	NOT USED
IC	U100	U1, U2, U3, U4, U5, U6, U7, U8, U9, U10, U11, U12, U13, U14, U15, U16, U17, U18, U19, U20, U21, U22, U23, U24, U25, U26, U27, U28, U29, U30, U31, U32, U33, U34, U35, U36, U37, U38, U39, U40, U41, U42, U43, U44, U45, U46, U47, U48, U49, U50, U51, U52, U53, U54, U55, U56, U57, U58, U59, U60, U61, U62, U63, U64, U65, U66, U67, U68, U69, U70, U71, U72, U73, U74, U75, U76, U77, U78, U79, U80, U81, U82, U83, U84, U85, U86, U87, U88, U89, U90, U91, U92, U93, U94, U95, U96, U97, U98, U99
RELAY	K100	K1, K2, K3, K4, K5, K6, K7, K8, K9, K10, K11, K12, K13, K14, K15, K16, K17, K18, K19, K20, K21, K22, K23, K24, K25, K26, K27, K28, K29, K30, K31, K32, K33, K34, K35, K36, K37, K38, K39, K40, K41, K42, K43, K44, K45, K46, K47, K48, K49, K50, K51, K52, K53, K54, K55, K56, K57, K58, K59, K60, K61, K62, K63, K64, K65, K66, K67, K68, K69, K70, K71, K72, K73, K74, K75, K76, K77, K78, K79, K80, K81, K82, K83, K84, K85, K86, K87, K88, K89, K90, K91, K92, K93, K94, K95, K96, K97, K98, K99
POT	P100	P1, P2, P3, P4, P5, P6, P7, P8, P9, P10, P11, P12, P13, P14, P15, P16, P17, P18, P19, P20, P21, P22, P23, P24, P25, P26, P27, P28, P29, P30, P31, P32, P33, P34, P35, P36, P37, P38, P39, P40, P41, P42, P43, P44, P45, P46, P47, P48, P49, P50, P51, P52, P53, P54, P55, P56, P57, P58, P59, P60, P61, P62, P63, P64, P65, P66, P67, P68, P69, P70, P71, P72, P73, P74, P75, P76, P77, P78, P79, P80, P81, P82, P83, P84, P85, P86, P87, P88, P89, P90, P91, P92, P93, P94, P95, P96, P97, P98, P99
DIODE	D100	D1, D2, D3, D4, D5, D6, D7, D8, D9, D10, D11, D12, D13, D14, D15, D16, D17, D18, D19, D20, D21, D22, D23, D24, D25, D26, D27, D28, D29, D30, D31, D32, D33, D34, D35, D36, D37, D38, D39, D40, D41, D42, D43, D44, D45, D46, D47, D48, D49, D50, D51, D52, D53, D54, D55, D56, D57, D58, D59, D60, D61, D62, D63, D64, D65, D66, D67, D68, D69, D70, D71, D72, D73, D74, D75, D76, D77, D78, D79, D80, D81, D82, D83, D84, D85, D86, D87, D88, D89, D90, D91, D92, D93, D94, D95, D96, D97, D98, D99
CAPACITOR	C100	C1, C2, C3, C4, C5, C6, C7, C8, C9, C10, C11, C12, C13, C14, C15, C16, C17, C18, C19, C20, C21, C22, C23, C24, C25, C26, C27, C28, C29, C30, C31, C32, C33, C34, C35, C36, C37, C38, C39, C40, C41, C42, C43, C44, C45, C46, C47, C48, C49, C50, C51, C52, C53, C54, C55, C56, C57, C58, C59, C60, C61, C62, C63, C64, C65, C66, C67, C68, C69, C70, C71, C72, C73, C74, C75, C76, C77, C78, C79, C80, C81, C82, C83, C84, C85, C86, C87, C88, C89, C90, C91, C92, C93, C94, C95, C96, C97, C98, C99
RESISTOR	R100	R1, R2, R3, R4, R5, R6, R7, R8, R9, R10, R11, R12, R13, R14, R15, R16, R17, R18, R19, R20, R21, R22, R23, R24, R25, R26, R27, R28, R29, R30, R31, R32, R33, R34, R35, R36, R37, R38, R39, R40, R41, R42, R43, R44, R45, R46, R47, R48, R49, R50, R51, R52, R53, R54, R55, R56, R57, R58, R59, R60, R61, R62, R63, R64, R65, R66, R67, R68, R69, R70, R71, R72, R73, R74, R75, R76, R77, R78, R79, R80, R81, R82, R83, R84, R85, R86, R87, R88, R89, R90, R91, R92, R93, R94, R95, R96, R97, R98, R99

ACT All Components Through Holes
SCHEM-16 CH ASTYNC
DMA CON CNTRLR
10105003

THIS DOCUMENT CONTAINS UNCLASSIFIED INFORMATION AND IS NOT TO BE DISTRIBUTED OUTSIDE THE BUREAU OF THE ARMY CORPUS OF ENGINEERS WITHOUT THE EXPRESS WRITTEN PERMISSION OF THE CHIEF OF BUREAU.

290I DATA PATH PHRASE				DBUS PHRASE				ORDER PHRASE				SEQUENCE CONTROL PHRASE			
D	+	S	C	A	B	D/S	D	ORDER	ADDR.	D	T	TEST	SEQ.	LIT B / RESUME DATA	
DEST.	ALU	SOURCE	RY	FILE	FILE	D DEST.	D SRCE.	ORDER	ADDR.	D	T	TEST	SEQ.	ADDRESS	
Q	R + S	A Q	Q	Ø	Ø	DBUS	LITA	NULL	RD_DATA ERR URSET	Ø	Ø	-GOTO	LITB	Ø	
1	NOD	S - R	A B	1	1	BRR	TPRM	REL_PIO	WRT_DATA LED1 XNPR	1	1	-ALUZ	RETURN	1	
2	(BYPASS)	R - S	Ø Q	2	2	DORL	MEM	SET_INTR	RD_STAT LED2 XBRB			-ALUNEG	GOTO	2	
3	B	R OR S	Ø B	3	3	DORU	MVR	RESUME	N/A LED3 XBRA			-CRY	CALL	3	
4	BQ RIGHT	R AND S	Ø A	4	4	MAR	ALU	NOT USED	RD_MODE NOT USED XMSYN			-DBIT	MAP_PIO	4	
5	B RIGHT	R AND S	Ø A	5	5	UODR	UIDR	UART	WRT_MODE EVNT1 NOT USED			-NO-DIAG	N/A	5	
6	BQ LEFT	R XOR S	D Q	6	6	UAR	DIRL	A LATCH	RD_CMD EVNT2 NOT USED			-SSYN	VECTOR	6	
7	B LEFT	R XOR S	D Ø	7	7	MEM	DIRU	B LATCH	WRT_CMD DIAG NOT USED			-PB	N/A	7	
8				8	8	AORL		N/A				GOTO		8	
9				9	9	AORU		N/A				ALUZ		9	
A				10	10	AOPX		N/A				ALUNEG		A	
B				11	11	NOT USED		N/A				CRY		B	
C				12	12	N/A		N/A				DBIT		C	
D				13	13	N/A		N/A				NO-DIAG		D	
E				14	14	N/A		N/A				SSYN		E	
F				15	15	N/A		N/A				PB		F	

PRIORITY	EVENTS
7	PIO
6	DMAI
5	BRAI
4	BRBI
3	NOT USED
2	EVNT2
1	EVNT1
0	SCAN

THIS DRAWING IS THE PROPERTY OF
 THE COMPANY AND IS NOT TO BE
 REPRODUCED OR TRANSMITTED IN
 ANY FORM OR BY ANY MEANS,
 ELECTRONIC, MECHANICAL, PHOTOCOPYING,
 RECORDING, OR BY ANY INFORMATION
 STORAGE AND RETRIEVAL SYSTEM,
 WITHOUT THE WRITTEN PERMISSION
 OF THE COMPANY.

SHT	I	A	2	SHT
		A	+5V	6
		B		
		C	GND	6
		D		
		E		
		F		
		H		
		J		
		K		
		L		
		M		
		N		
28	BUS-A21-L	N		
28	BUS-A20-L	P		
		R		
		S		
6	GND	T		
		U		
		V		

SHT	I	C	2	SHT
21	BUS-NPG-IN-H	A	+5V	6
21	BUS-NPGO-H	B	-15V	6
		C	GND	6
		D	BUS-D15-L	25
		E	BUS-D14-L	25
		F	BUS-D13-L	25
		H	BUS-D12-L	25
25	BUS-D11-L	J	BUS-D10-L	25
		K	BUS-DO9-L	25
		L	BUS-DO8-L	25
		M	BUS-DO7-L	24
19	BUS-DCLO-L	N	BUS-DO4-L	24
		P	BUS-DO5-L	24
		R	BUS-DO1-L	24
19	BUS-P8-L	S	BUS-DO0-L	24
6	GND	T	BUS-DO3-L	24
6	+15V	U	BUS-DO2-L	24
		V	BUS-DO6-L	24

SHT	I	E	2	SHT
		A	+5V	6
		B		
27	BUS-A12-L	C	GND	6
28	BUS-A17-L	D	BUS-A15-L	27
19	BUS-MSYN-L	E	BUS-A16-L	28
26	BUS-AO2-L	F	BUS-C1-L	28
26	BUS-AO1-L	H	BUS-AO0-L	26
19	BUS-SSYN-L	J	BUS-CO-L	28
27	BUS-A14-L	K	BUS-A13-L	27
27	BUS-A11-L	L		
		M		
		N	BUS-AO8-L	27
27	BUS-A10-L	P	BUS-AO7-L	26
27	BUS-AO9-L	R		
		S		
6	GND	T		
26	BUS-AO6-L	U	BUS-AO4-L	26
26	BUS-AO5-L	V	BUS-AO3-L	26

SHT	I	B	2	SHT
		A	+5V	6
		B		
		C	GND	6
		D		
28	BUS-A19-L	E	BUS-A18-L	28
		F		
		H		
		J		
		K		
		L		
		M		
		N		
		P		
		R		
		S		
6	GND	T		
		U		
		V		

SHT	I	D	2	SHT
		A	+5V	6
		B		
		C	GND	6
		D		
		E	BUS-BR6-L	21
		F	BUS-BR5-L	21
		H	BUS-BR4-L	21
		J		
		K	BUS-BG7-IN-H	21
		L	BUS-BG7OUT-H	21
19	BUS-INIT-L	M	BUS-BG6-IN-H	21
		N	BUS-BG6OUT-H	21
		P	BUS-BG5-IN-H	21
		R	BUS-BG5OUT-H	21
		S	BUS-BG4-IN-H	21
6	GND	T	BUS-BG4OUT-H	21
		U		
		V		

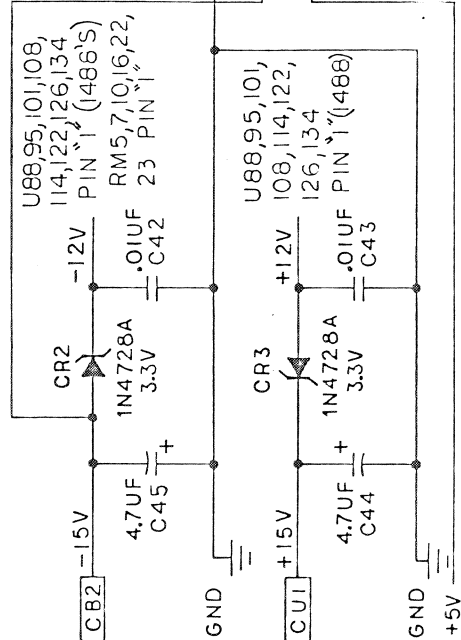
SHT	I	F	2	SHT
		A	+5V	6
		B		
		C	GND	6
19	BUS-BBSY-L	D		
		E		
		F		
		H		
19	BUS-NPPR-L	J		
		K		
		L		
19	BUS-INTR-L	M		
		N		
		P		
		R		
		S		
6	GND	T	BUS-SACK-L	19
		U		
		V		

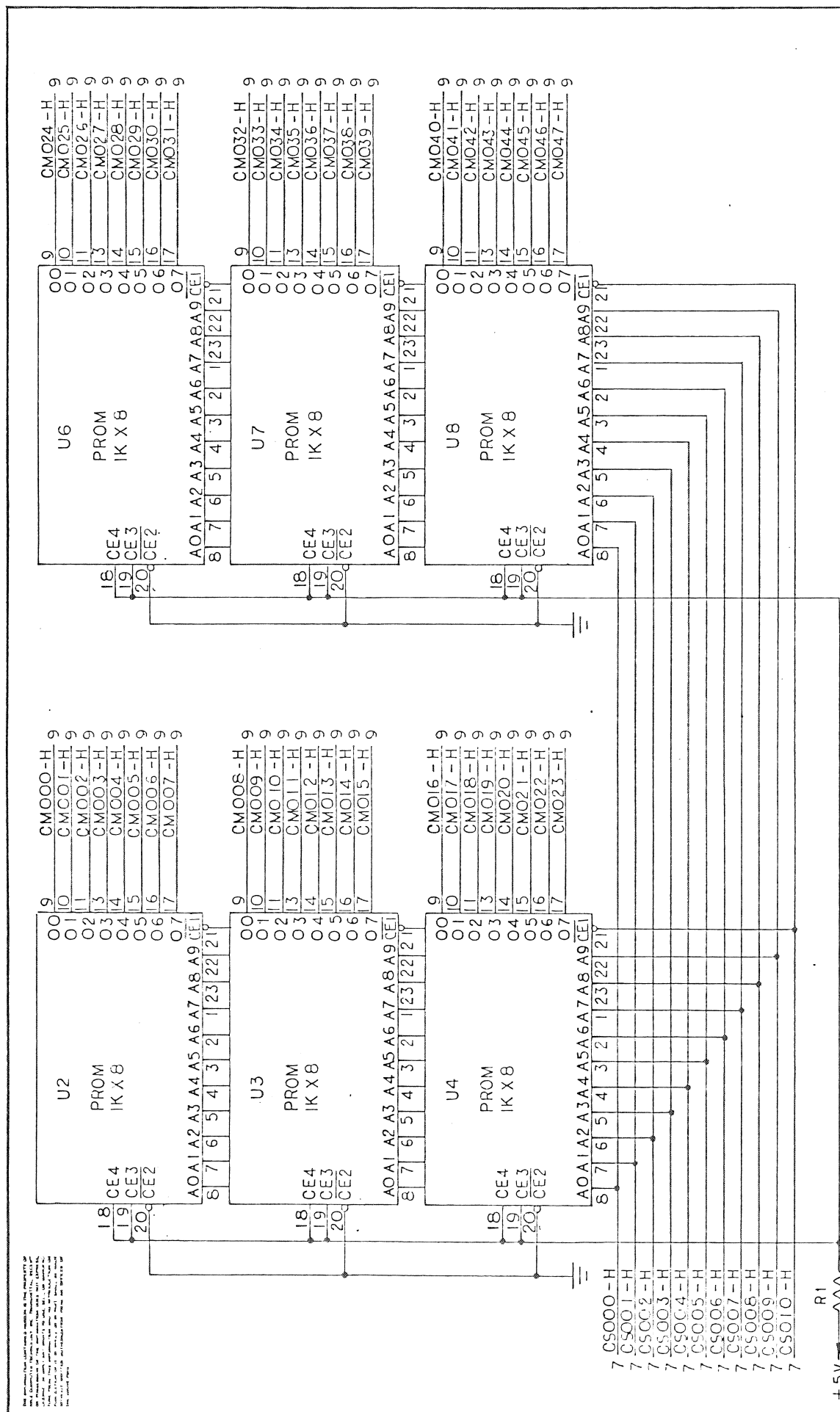
THIS DRAWING IS THE PROPERTY OF THE COMPANY AND IS NOT TO BE REPRODUCED OR TRANSMITTED IN ANY FORM OR BY ANY MEANS, ELECTRONIC OR MECHANICAL, INCLUDING PHOTOCOPYING, RECORDING, OR BY ANY INFORMATION STORAGE AND RETRIEVAL SYSTEM, WITHOUT THE WRITTEN PERMISSION OF THE COMPANY.

J1		SHT
40	DTR00-H	38
40	DTR01-H	38
40	DTR02-H	38
40	DTR03-H	38
40	DTR04-H	38
40	DTR05-H	38
40	DTR06-H	38
40	DTR07-H	38
23	MAIN-H	36
36	TXD00-H	39
37	TXD01-H	36
37	TXD02-H	39
37	TXD03-H	39
37	TXD04-H	39
37	TXD05-H	39
37	TXD06-H	39
37	TXD07-H	39
37	TXD08-H	39
37	TXD09-H	39
37	TXD10-H	39
37	TXD11-H	39
37	TXD12-H	39
37	TXD13-H	39
37	TXD14-H	39
37	TXD15-H	39
37	TXD16-H	39
37	TXD17-H	39
37	TXD18-H	39
37	TXD19-H	39
37	TXD20-H	39
37	TXD21-H	39
37	TXD22-H	39
37	TXD23-H	39
37	TXD24-H	39
37	TXD25-H	39
37	TXD26-H	39
37	TXD27-H	39
37	TXD28-H	39
37	TXD29-H	39
37	TXD30-H	39
37	TXD31-H	39
37	TXD32-H	39
37	TXD33-H	39
37	TXD34-H	39
37	TXD35-H	39
37	TXD36-H	39
37	TXD37-H	39
37	TXD38-H	39
37	TXD39-H	39
37	TXD40-H	39
37	TXD41-H	39
37	TXD42-H	39
37	TXD43-H	39
37	TXD44-H	39
37	TXD45-H	39
37	TXD46-H	39
37	TXD47-H	39
37	TXD48-H	39
37	TXD49-H	39
37	TXD50-H	39

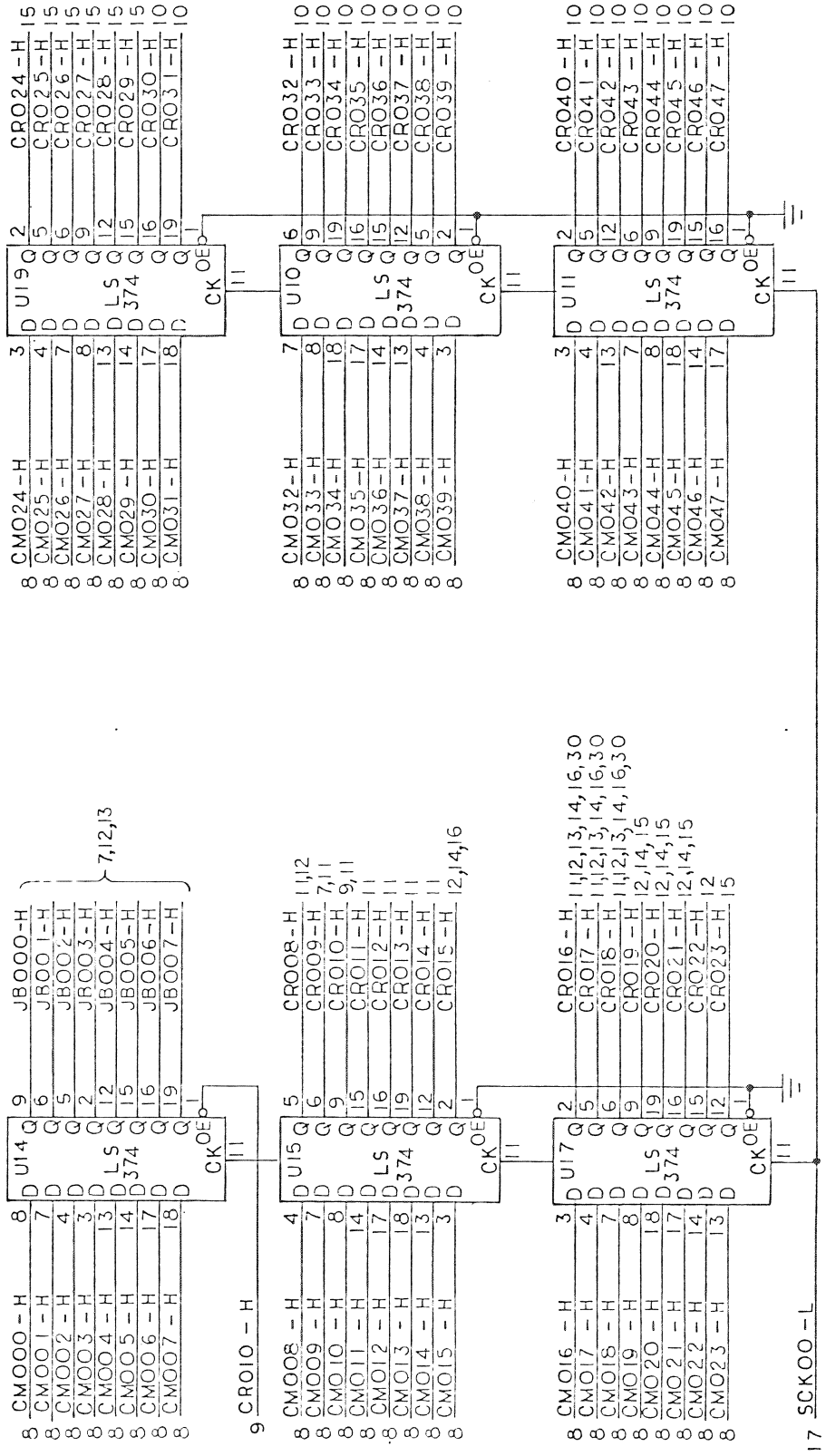
J2		SHT
40	DTR08-H	38
40	DTR09-H	38
40	DTR10-H	38
40	DTR11-H	38
40	DTR12-H	38
40	DTR13-H	38
40	DTR14-H	38
40	DTR15-H	38
36	GND	36
36	TXD08-H	39
37	TXD09-H	36
36	TXD10-H	39
36	TXD11-H	39
36	TXD12-H	39
36	TXD13-H	39
36	TXD14-H	39
36	TXD15-H	39
36	TXD16-H	39
36	TXD17-H	39
36	TXD18-H	39
36	TXD19-H	39
36	TXD20-H	39
36	TXD21-H	39
36	TXD22-H	39
36	TXD23-H	39
36	TXD24-H	39
36	TXD25-H	39
36	TXD26-H	39
36	TXD27-H	39
36	TXD28-H	39
36	TXD29-H	39
36	TXD30-H	39
36	TXD31-H	39
36	TXD32-H	39
36	TXD33-H	39
36	TXD34-H	39
36	TXD35-H	39
36	TXD36-H	39
36	TXD37-H	39
36	TXD38-H	39
36	TXD39-H	39
36	TXD40-H	39
36	TXD41-H	39
36	TXD42-H	39
36	TXD43-H	39
36	TXD44-H	39
36	TXD45-H	39
36	TXD46-H	39
36	TXD47-H	39
36	TXD48-H	39
36	TXD49-H	39
36	TXD50-H	39

J3		SHT
6	GND	24
24	DB001-H	24
24	DB003-H	24
24	DB005-H	24
24	DB007-H	24
7	CS009-H	6
6	+5V	7
6	GND	7
7	CS001-H	7
7	CS003-H	7
7	CS005-H	7
7	CS007-H	6
7	CS008-H	6
17	MINIT-L	6
17	MDCLO-L	6
17	CSTP-L	6
17	SYCK-L	6
22	SSW1-L	22
22	SSW3-L	7
6	+5V	6





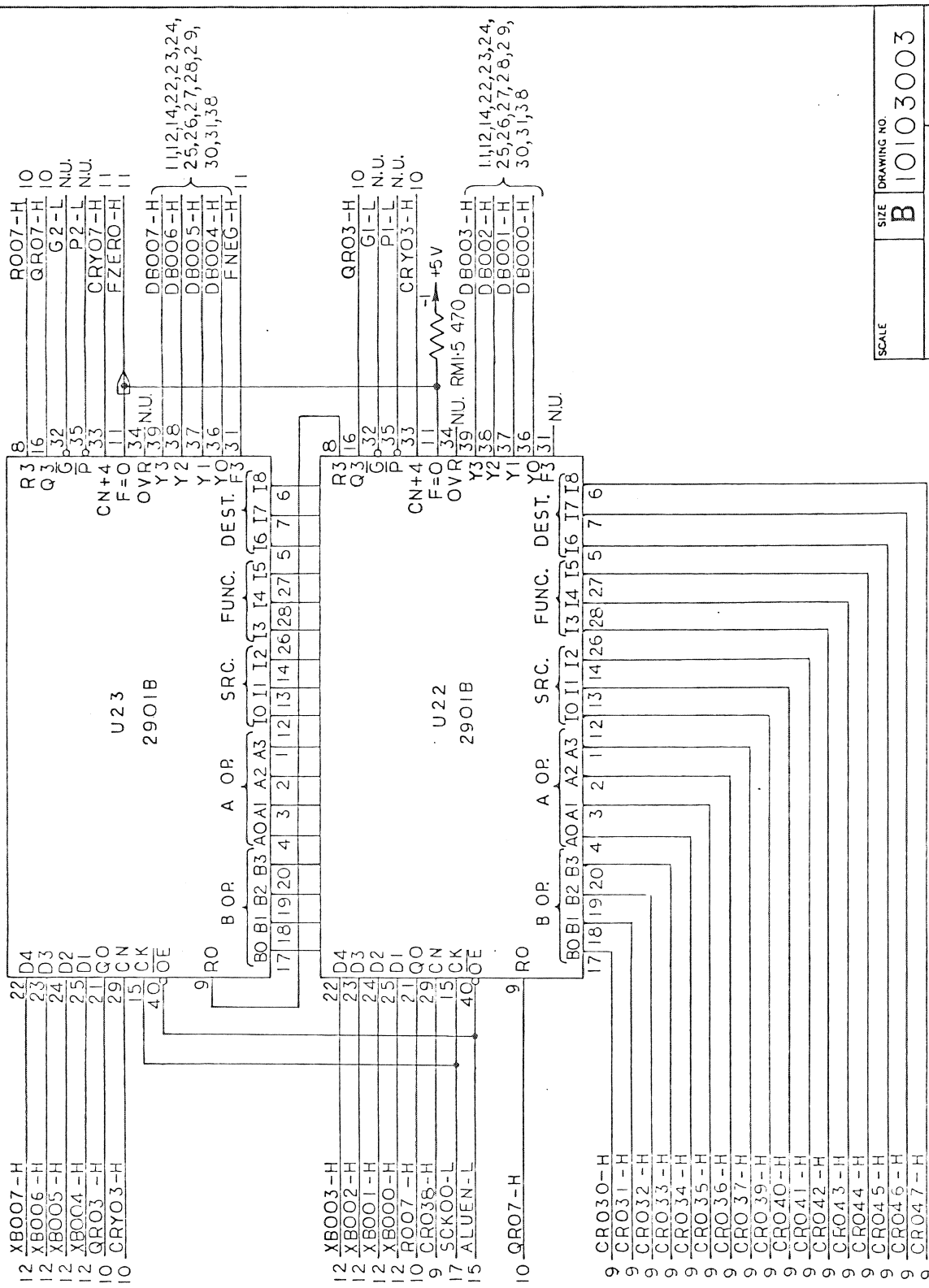
THIS DRAWING IS THE PROPERTY OF THE COMPANY AND IS NOT TO BE REPRODUCED OR TRANSMITTED IN ANY FORM OR BY ANY MEANS, ELECTRONIC OR MECHANICAL, INCLUDING PHOTOCOPYING, RECORDING, OR BY ANY INFORMATION STORAGE AND RETRIEVAL SYSTEM. THE COMPANY ASSUMES NO LIABILITY FOR DAMAGES OF ANY KIND, INCLUDING CONSEQUENTIAL DAMAGES, ARISING FROM THE USE OF THIS DRAWING.



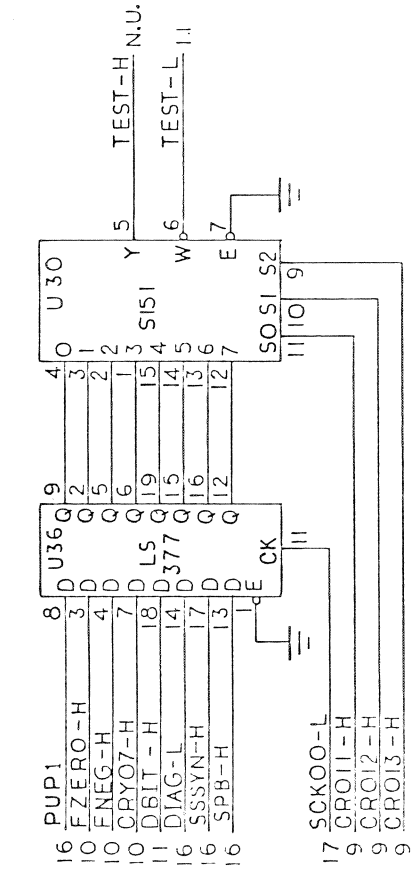
CONTROL REGISTER

MICROPROCESSOR

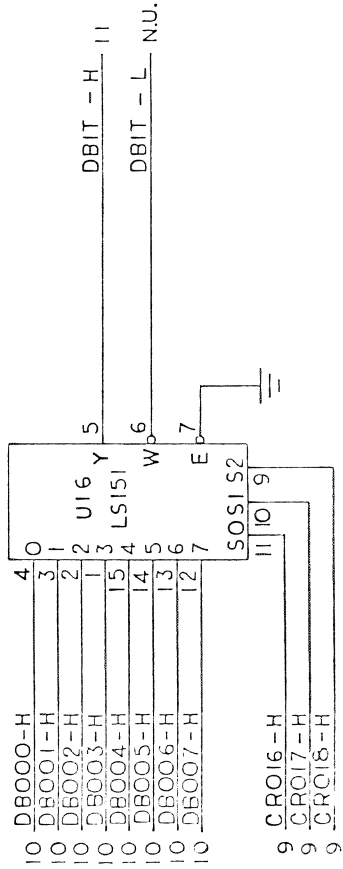
This drawing is the property of the manufacturer and is not to be reproduced, stored in a retrieval system, or transmitted in any form or by any means, electronic, mechanical, photocopying, recording, or by any information storage and retrieval system, without the prior written permission of the manufacturer.



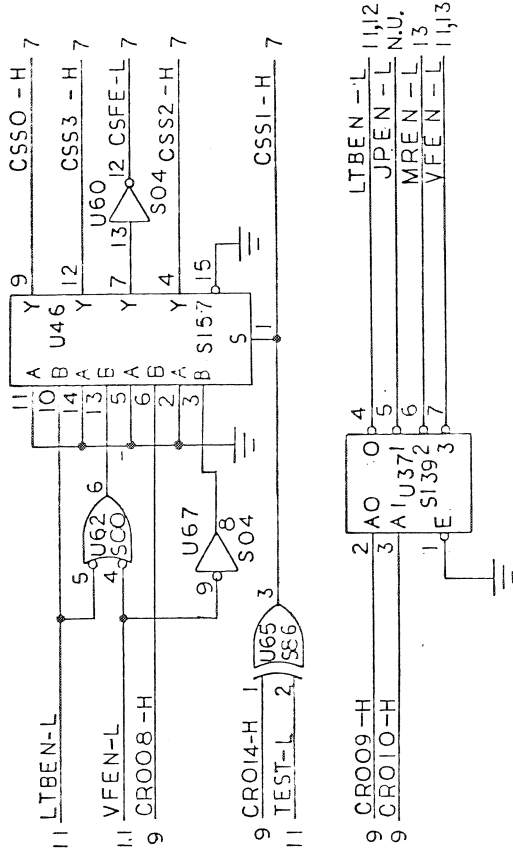
THE INFORMATION CONTAINED HEREIN IS THE PROPERTY OF
 THE AIR FORCE AND IS LOANED TO YOU. IT AND ITS CONTENTS
 ARE TO BE RETURNED TO THE AIR FORCE AT THE END OF THE
 LOAN PERIOD. THIS INFORMATION IS NOT TO BE REPRODUCED
 OR TRANSMITTED IN ANY FORM OR BY ANY MEANS, ELECTRONIC
 OR MECHANICAL, INCLUDING PHOTOCOPYING, RECORDING, OR
 BY ANY INFORMATION STORAGE AND RETRIEVAL SYSTEM, WITHOUT
 THE EXPRESS WRITTEN PERMISSION OF THE AIR FORCE.



TEST REGISTER AND MUX

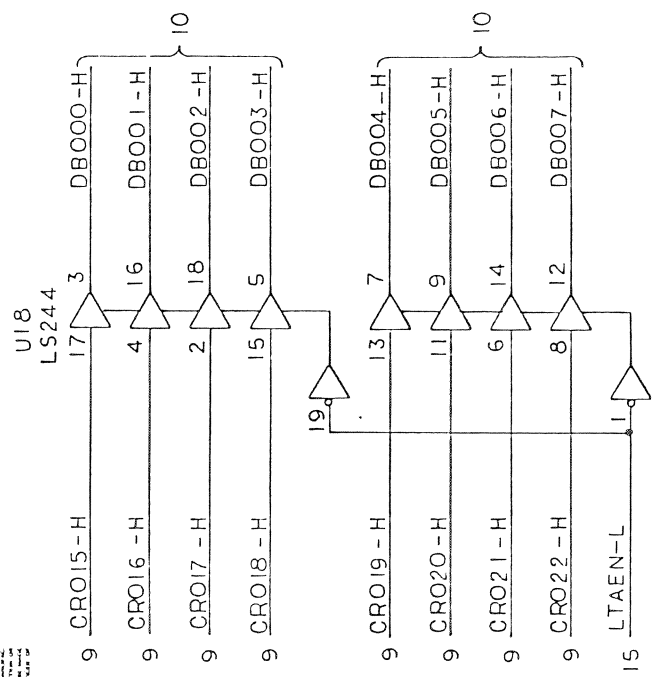


DATA BIT TEST

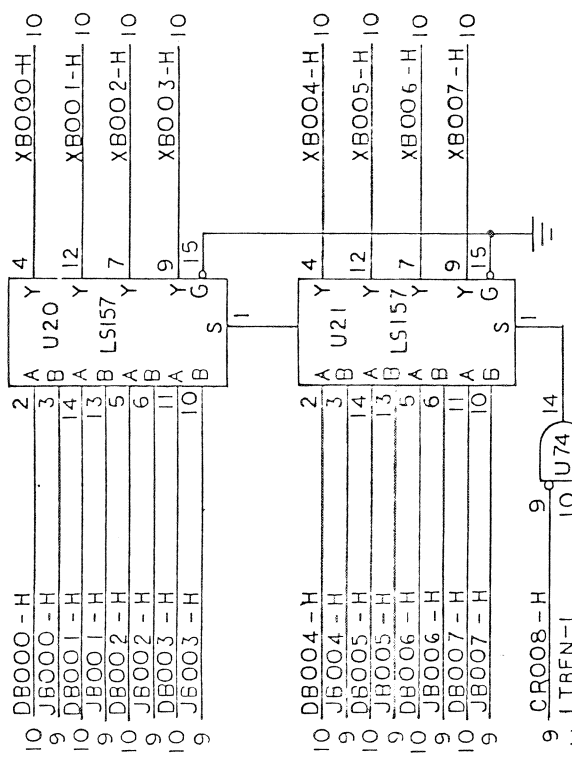


SEQUENCE CONTROL

The information shown herein is the property of the manufacturer and is to be used only for the purpose of identifying the part. It is not to be used for any other purpose. The manufacturer assumes no responsibility for the use of this information in any other manner.



LITERAL A



LITERAL B MUX

THE INFORMATION CONTAINED HEREIN IS THE PROPERTY OF
 THE UNITED STATES GOVERNMENT AND IS LOANED TO YOU
 BY THE NATIONAL BUREAU OF STANDARDS. IT IS TO BE
 USED FOR THE SPECIFIC PURPOSES AND NOT BE
 REPRODUCED OR TRANSMITTED IN ANY FORM OR BY
 ANY MEANS, ELECTRONIC OR MECHANICAL, INCLUDING
 PHOTOCOPYING, RECORDING, OR BY ANY INFORMATION
 STORAGE AND RETRIEVAL SYSTEM, WITHOUT THE
 EXPRESS PERMISSION OF THE NATIONAL BUREAU OF
 STANDARDS.

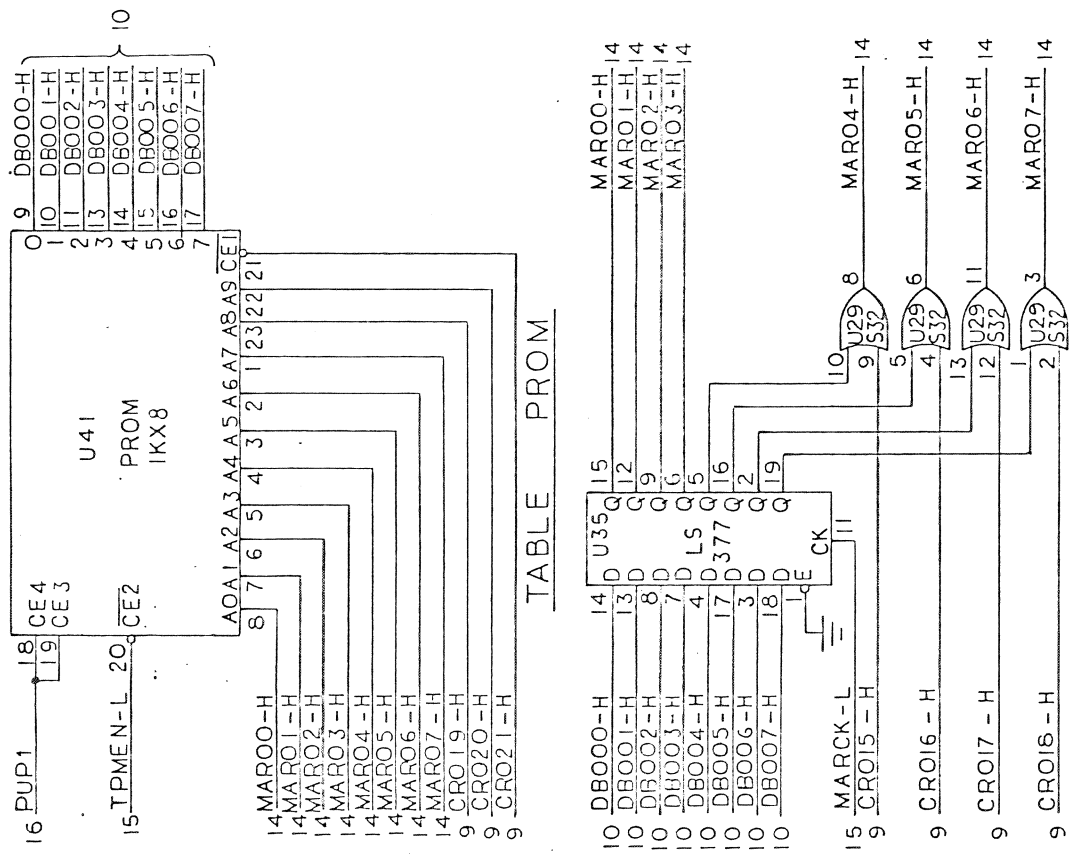
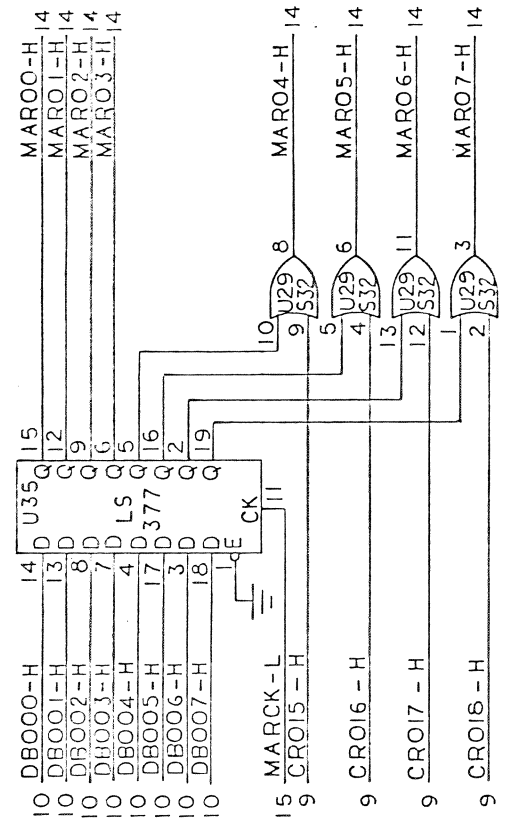
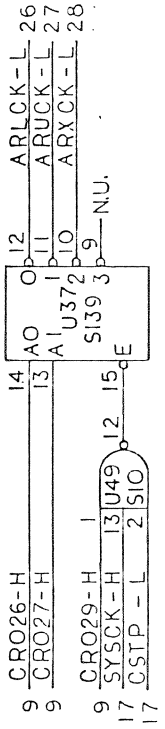
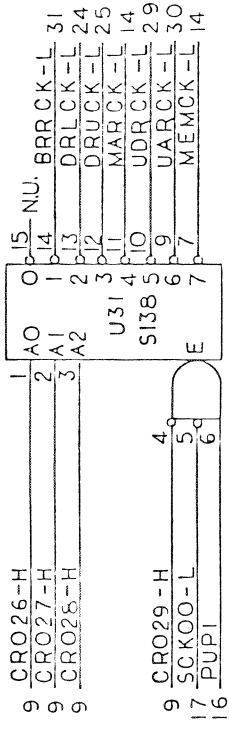


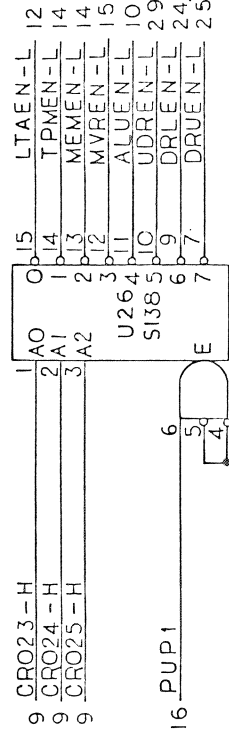
TABLE PROM



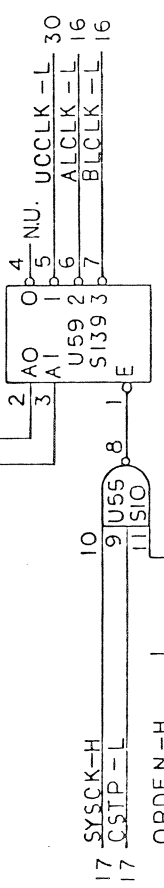
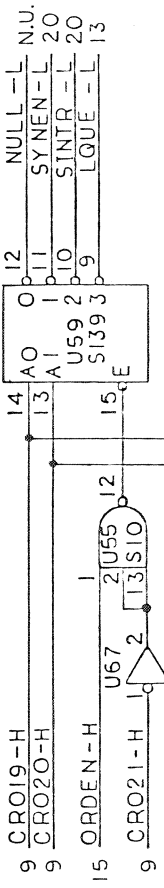
THIS DRAWING IS THE PROPERTY OF
 THE MANUFACTURER AND IS NOT TO BE
 REPRODUCED OR TRANSMITTED IN ANY
 FORM OR BY ANY MEANS, ELECTRONIC
 MECHANICAL, PHOTOCOPYING, RECORDING,
 OR BY ANY INFORMATION STORAGE AND
 RETRIEVAL SYSTEM, WITHOUT THE WRITTEN
 PERMISSION OF THE MANUFACTURER.



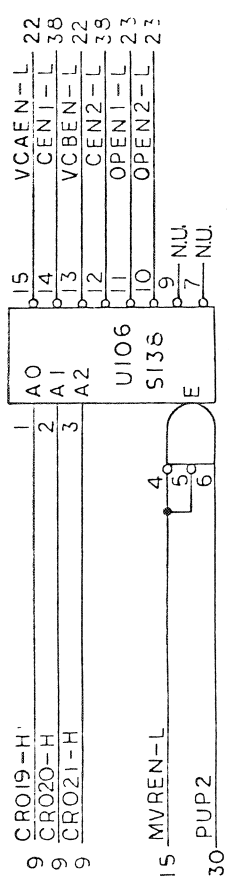
DESTINATION CLOCKS



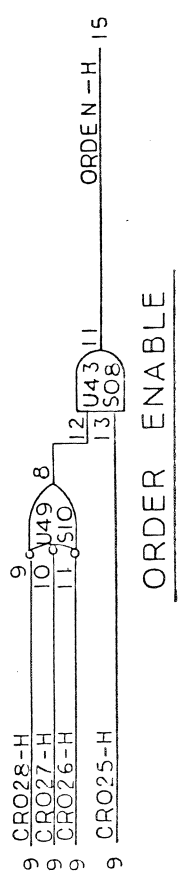
SOURCE ENABLES



ORDER DECODE

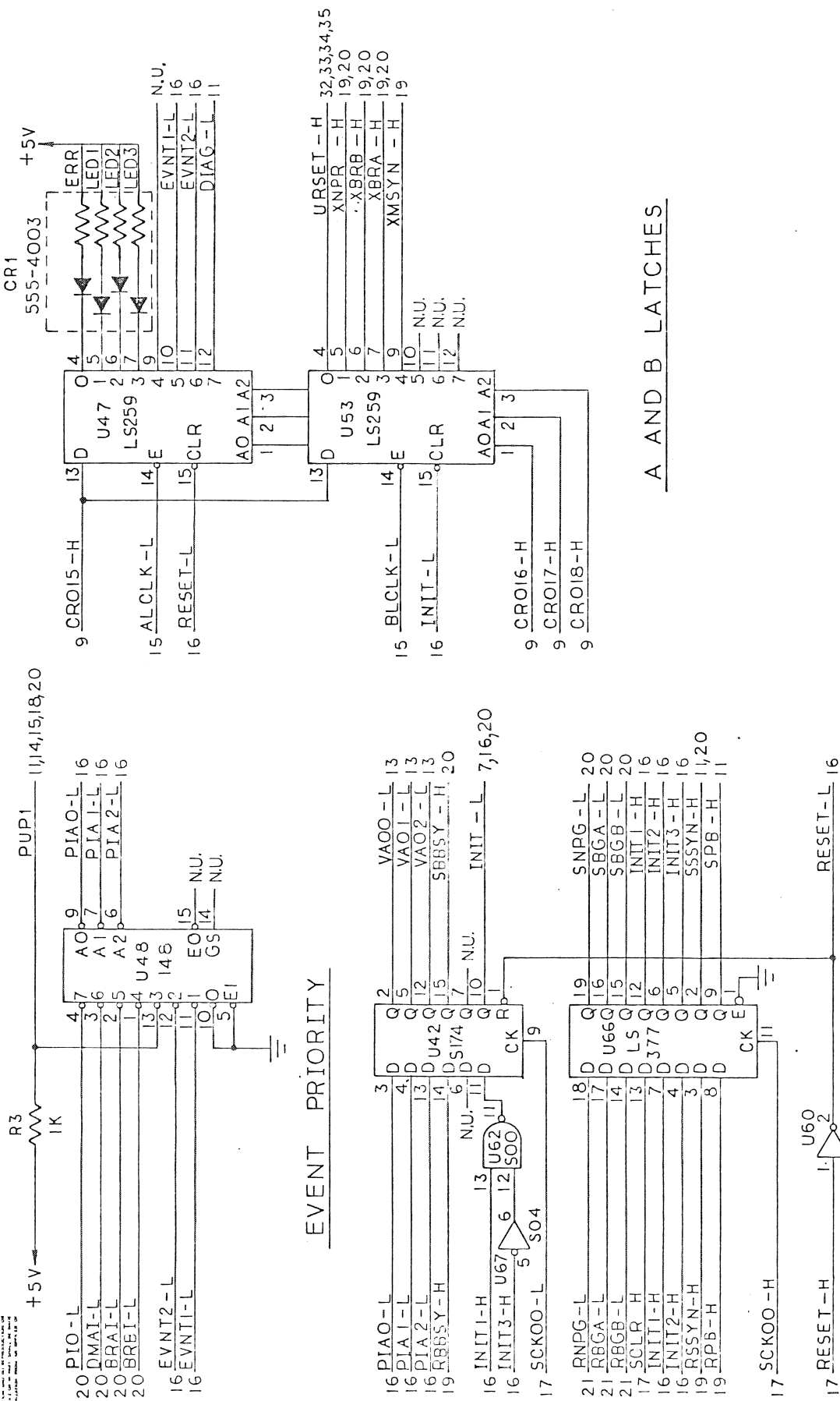


VECTOR AND CARRIER ENABLES



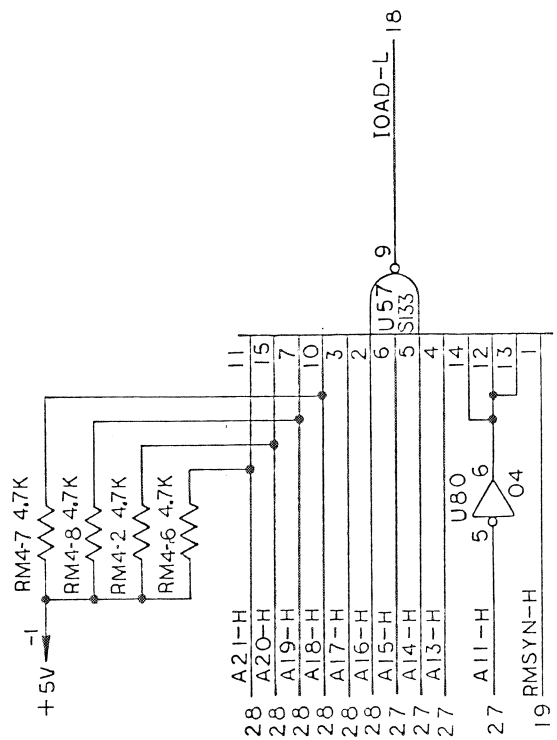
ORDER ENABLE

THE INFORMATION CONTAINED HEREIN IS UNCLASSIFIED EXCEPT WHERE SHOWN OTHERWISE. IT IS THE PROPERTY OF THE UNITED STATES GOVERNMENT AND IS LOANED TO YOUR AGENCY/ORGANIZATION. IT AND ITS CONTENTS ARE NOT TO BE DISTRIBUTED OUTSIDE YOUR AGENCY/ORGANIZATION. IF YOU ARE NOT AN AGENCY/ORGANIZATION OF THE UNITED STATES GOVERNMENT, IT IS YOUR RESPONSIBILITY TO RETURN IT TO THE SOURCE FROM WHICH IT WAS OBTAINED. THIS INFORMATION IS UNCLASSIFIED DATE 08/11/2010 BY 60322 UCBAW/SJS/STP

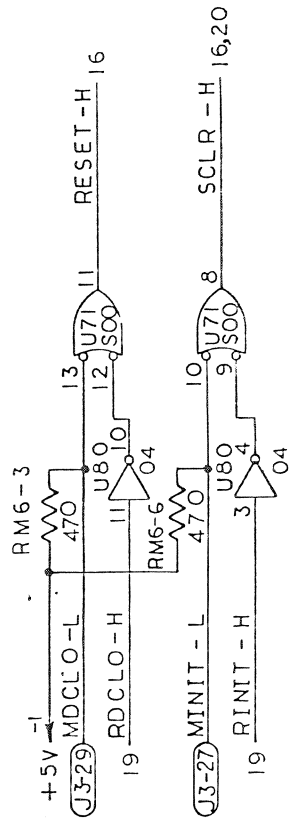


A AND B LATCHES

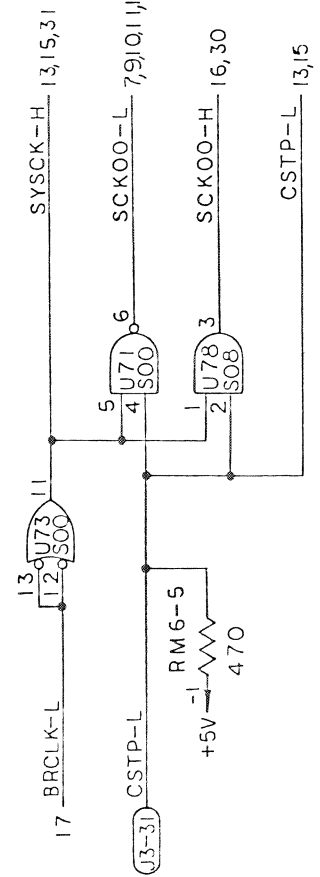
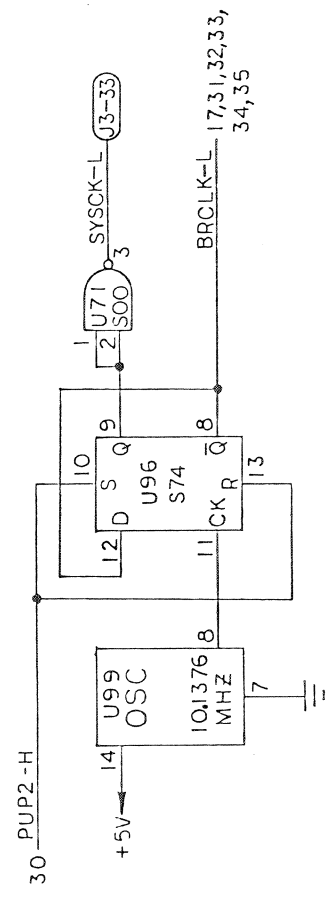
THIS DRAWING IS THE PROPERTY OF THE COMPANY AND IS NOT TO BE REPRODUCED OR TRANSMITTED IN ANY FORM OR BY ANY MEANS, ELECTRONIC OR MECHANICAL, INCLUDING PHOTOCOPYING, RECORDING, OR BY ANY INFORMATION STORAGE AND RETRIEVAL SYSTEM. THE COMPANY ASSUMES NO LIABILITY FOR DAMAGES OF ANY KIND, INCLUDING CONSEQUENTIAL DAMAGES, ARISING FROM THE USE OF THIS DRAWING.



I/O ADDRESS DETECT



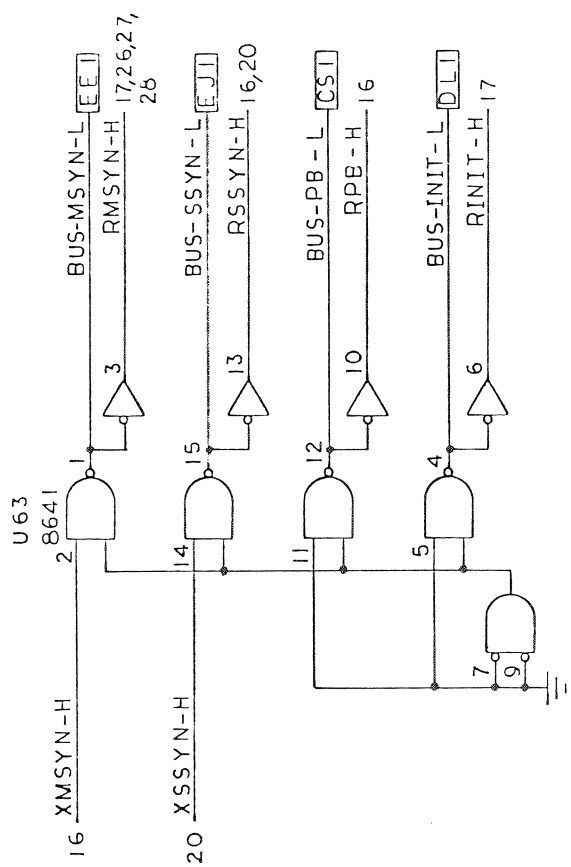
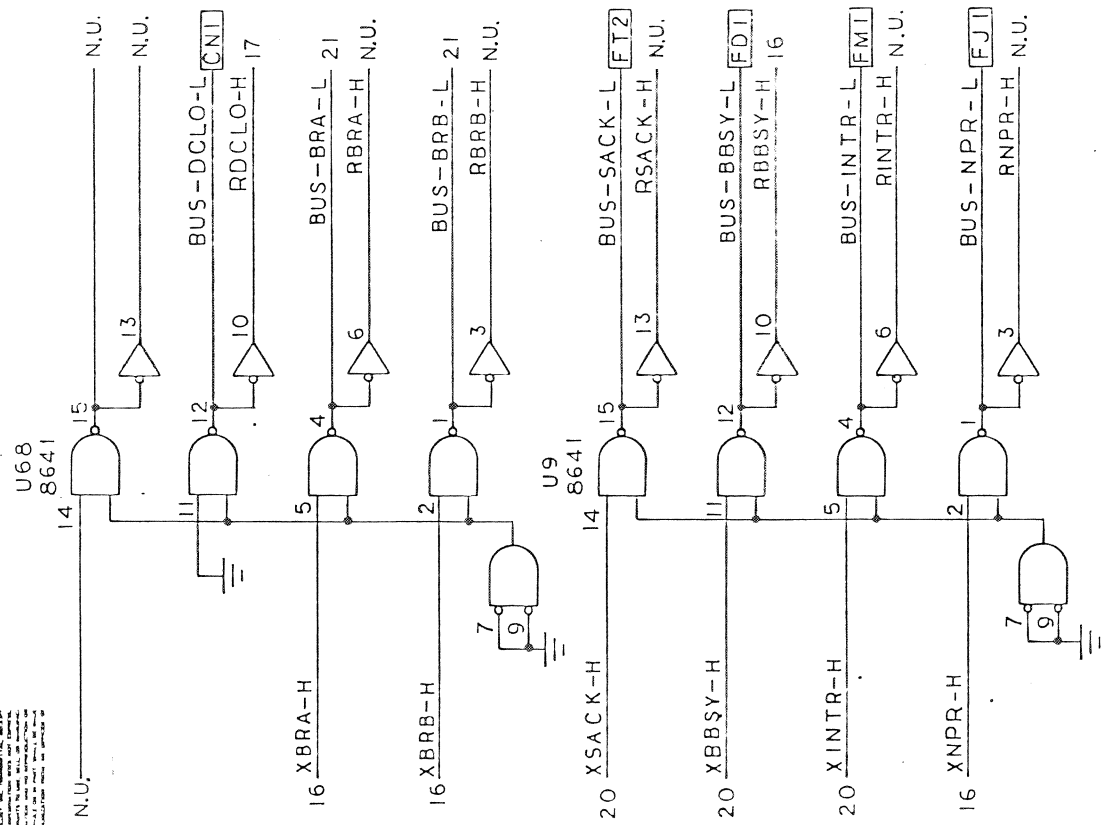
RESET AND SOFT CLEAR



CLOCKS

RESET AND SOFT CLEAR

THE INFORMATION CONTAINED HEREIN IS THE PROPERTY OF
 THE UNITED STATES GOVERNMENT AND IS LOANED TO YOUR
 AGENCY FOR THE SPECIFIC PURPOSES STATED. IT IS TO BE
 REPRODUCED AND TRANSMITTED IN ANY FORM AND BY ANY
 MEANS, ELECTRONIC OR MECHANICAL, INCLUDING PHOTOCOPYING,
 RECORDING, OR BY ANY INFORMATION STORAGE AND RETRIEVAL
 SYSTEM, WITHOUT PERMISSION FROM THE UNITED STATES
 GOVERNMENT.



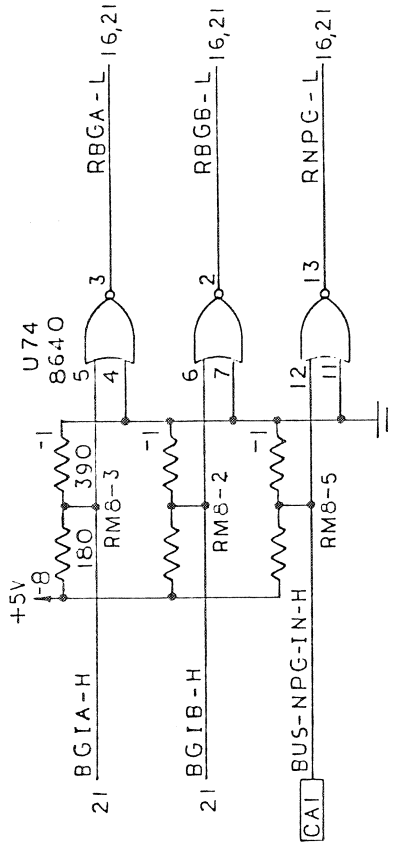
BUS TRANSCIEVERS

BUS TRANSCIEVERS

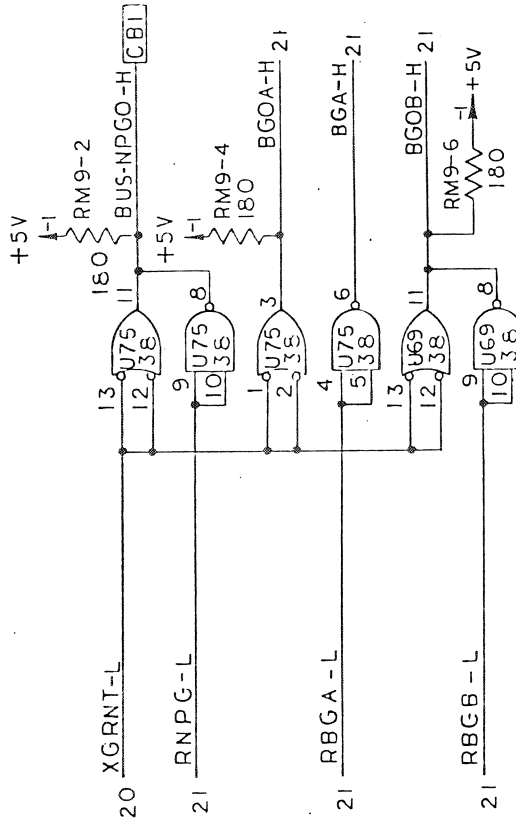
ALL DIMENSIONS ARE IN MILLIMETERS UNLESS OTHERWISE SPECIFIED.
 DIMENSIONS IN PARENTHESES ARE FOR REFERENCE ONLY.
 DIMENSIONS IN SQUARE BRACKETS ARE FOR REFERENCE ONLY.
 DIMENSIONS IN CIRCLES ARE FOR REFERENCE ONLY.
 DIMENSIONS IN TRIANGLES ARE FOR REFERENCE ONLY.
 DIMENSIONS IN DIAMETERS ARE FOR REFERENCE ONLY.
 DIMENSIONS IN SQUARE BRACKETS ARE FOR REFERENCE ONLY.
 DIMENSIONS IN CIRCLES ARE FOR REFERENCE ONLY.
 DIMENSIONS IN TRIANGLES ARE FOR REFERENCE ONLY.
 DIMENSIONS IN DIAMETERS ARE FOR REFERENCE ONLY.

21	BGOA-H	18	3	BGIB-H	21
21	BGOB-H	10	7	BGIA-H	21
21	BGA-H	5	7	BG4-OUT-H	21
21	EUS-BG4-IN-H	4	6	BG5-OUT-H	DT2
DS2	BG5-IN-H	8	10	BG6-OUT-H	DN2
DP2	BG6-IN-H	9	12	BUS-BG7-OUT-H	DL2
DM2	BG7-IN-H	11	14	EUS-GR4-L	DH2
DK2	BRB-L	13	16	BUS-BR5-L	DF2
19	BUS-BRA-L	15	17	BUS-BR6-L	DE2

INTERRUPT LEVEL SELECTION

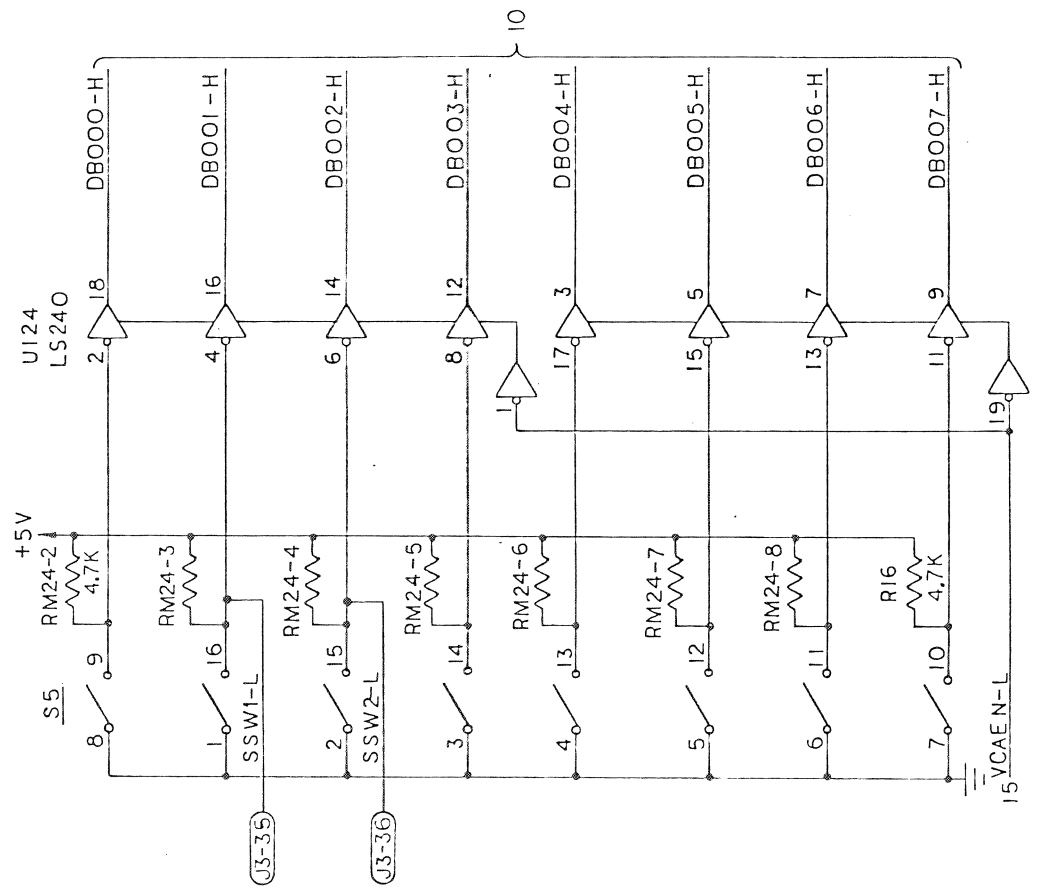


GRANT BUS RECEIVERS

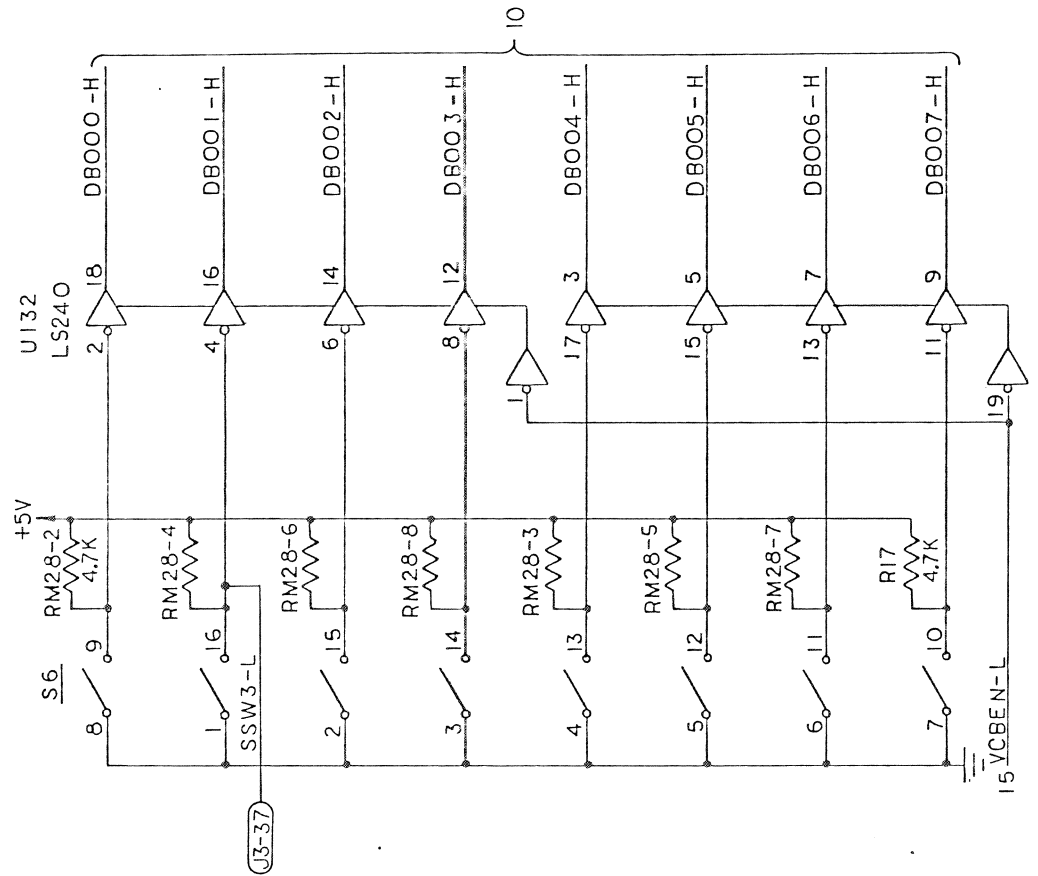


GRANT BUS DRIVERS

The information on this drawing is the property of
 the Corporation of the United States of America
 and is loaned to you for your information only.
 It is not to be distributed, copied, or
 otherwise used in any way without the express
 written permission of the Corporation of the
 United States of America.

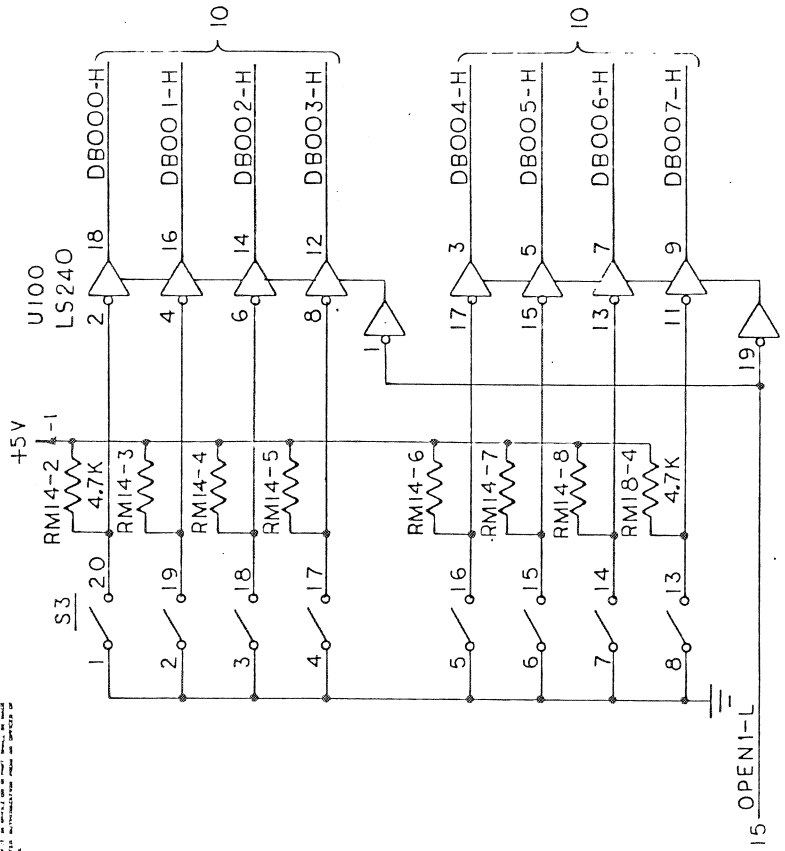


VECTOR A

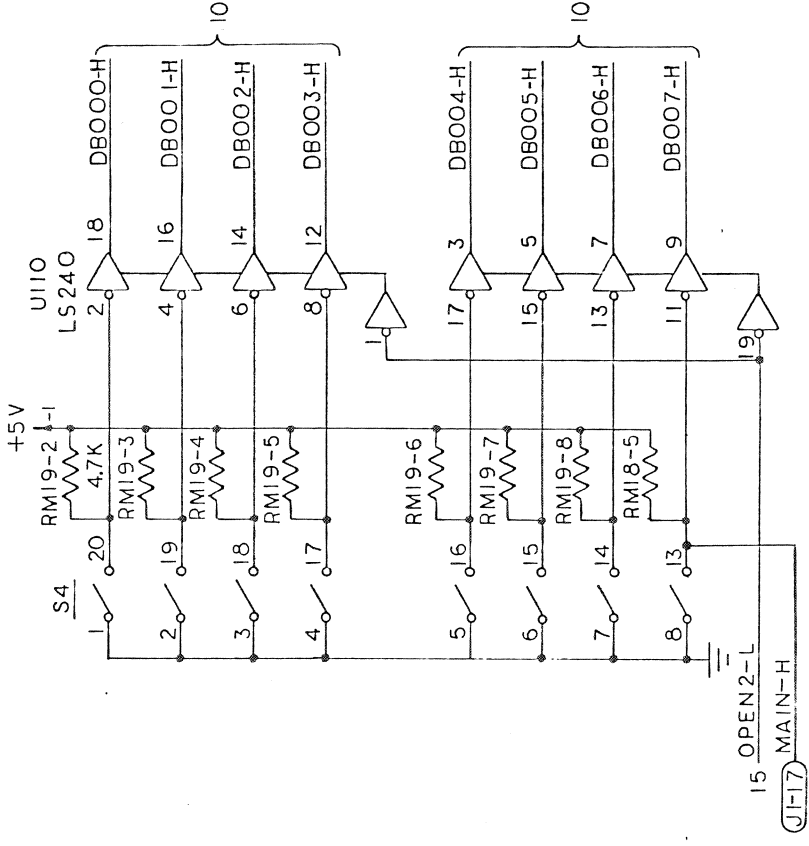
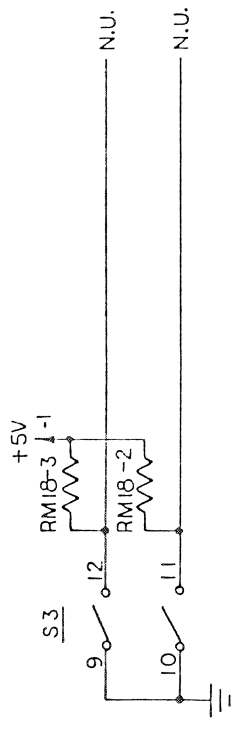


VECTOR B

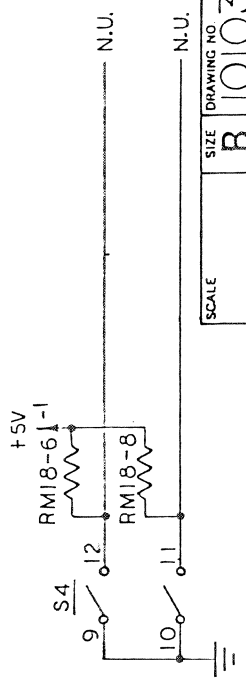
ALL DIMENSIONS ARE UNLESS OTHERWISE SPECIFIED IN THIS DRAWING. DIMENSIONS ARE IN MILLIMETERS UNLESS OTHERWISE SPECIFIED. DIMENSIONS ARE IN INCHES UNLESS OTHERWISE SPECIFIED. DIMENSIONS ARE IN MILLIMETERS UNLESS OTHERWISE SPECIFIED. DIMENSIONS ARE IN INCHES UNLESS OTHERWISE SPECIFIED.



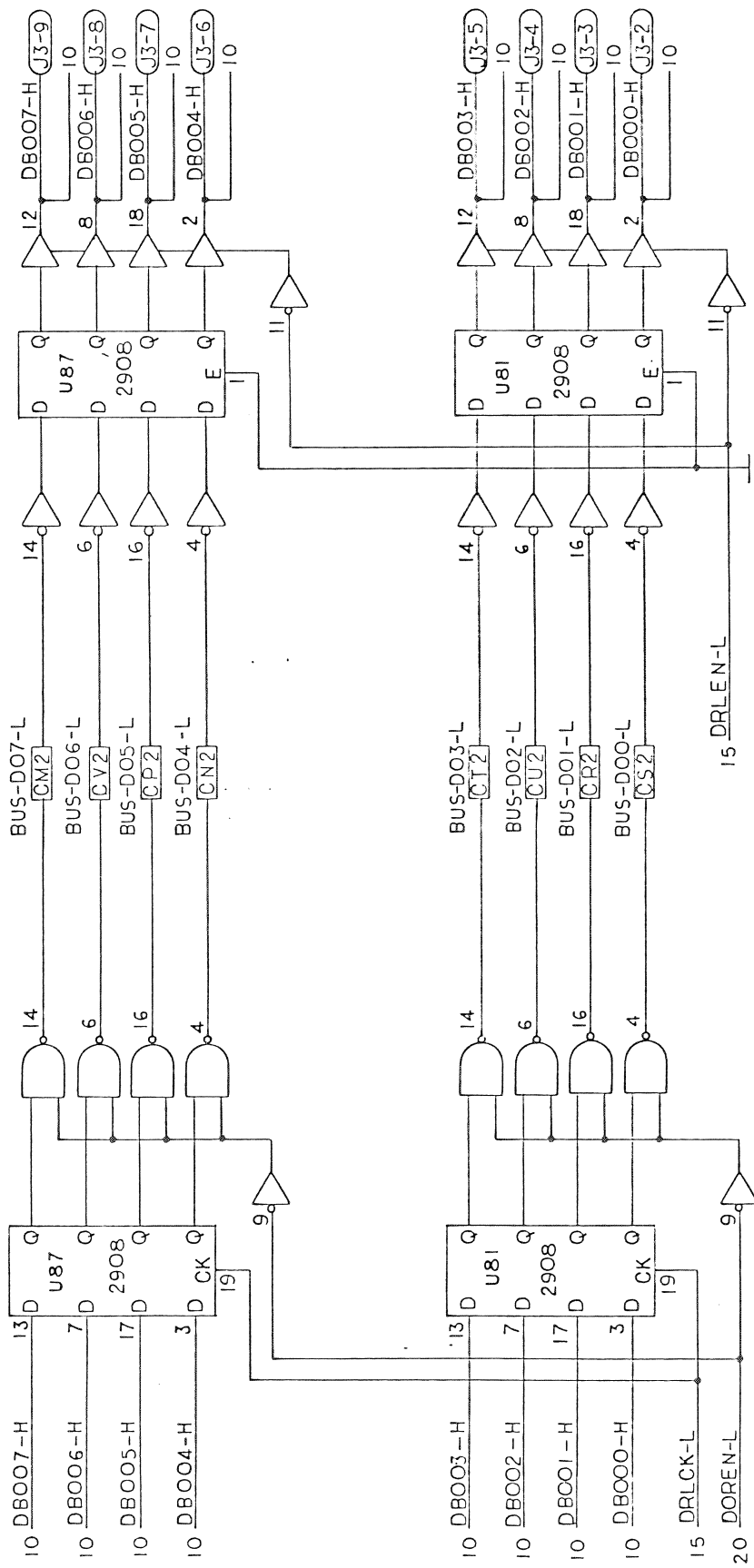
OPTION SWITCHES GROUP 1



OPTION SWITCHES - GROUP 2



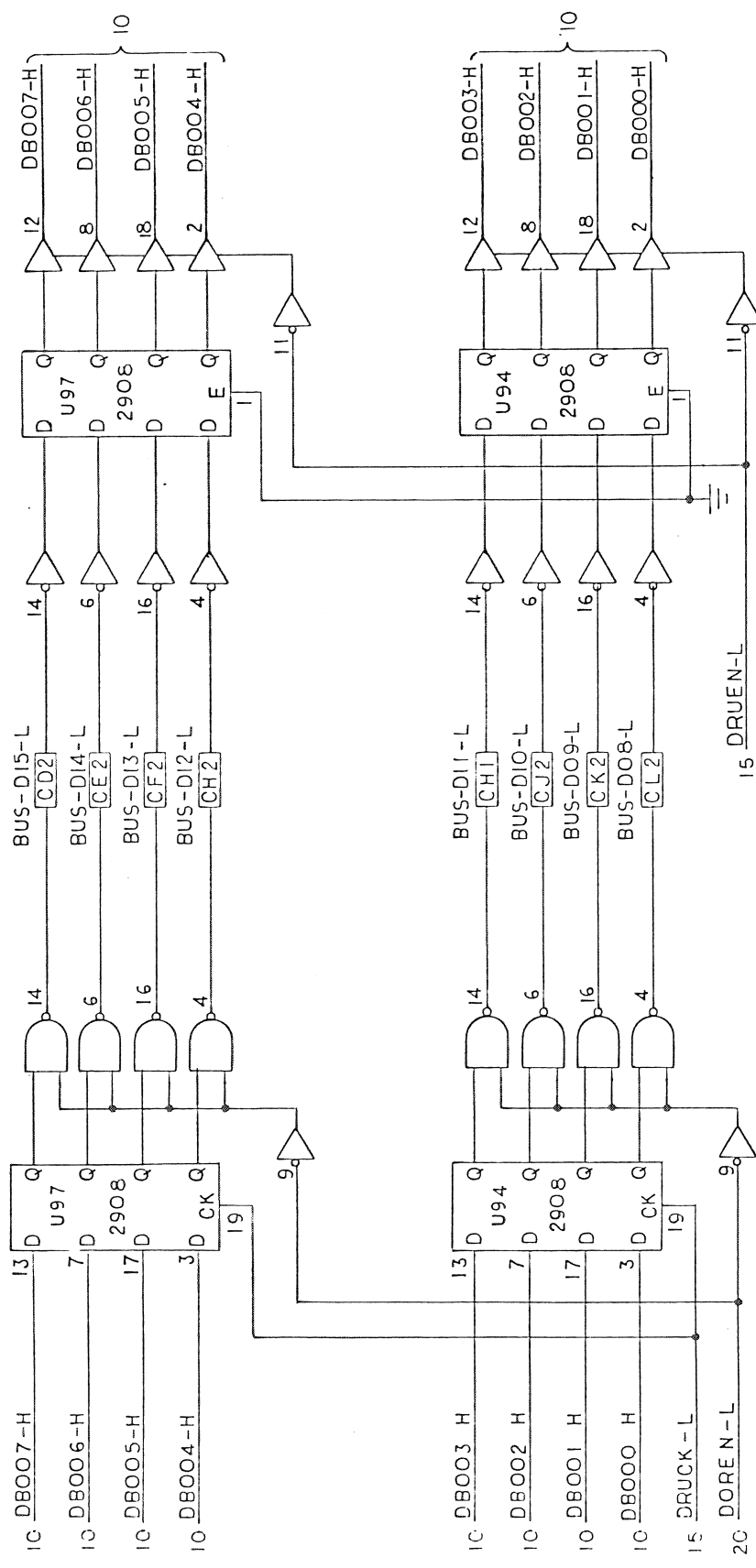
The information on this drawing is the property of
 the manufacturer and is to be used only for the
 specific application for which it was prepared.
 It is not to be used for any other purpose
 without the written consent of the manufacturer.



DATA INPUT REGISTER
 LOW BYTE

DATA OUTPUT REGISTER
 LOW BYTE

Alle Angaben sind ohne Gewähr. Die Firma ist nicht für Schäden verantwortlich, die aus dem Gebrauch dieses Zeichens resultieren. Die Firma ist nicht für Schäden verantwortlich, die aus dem Gebrauch dieses Zeichens resultieren.



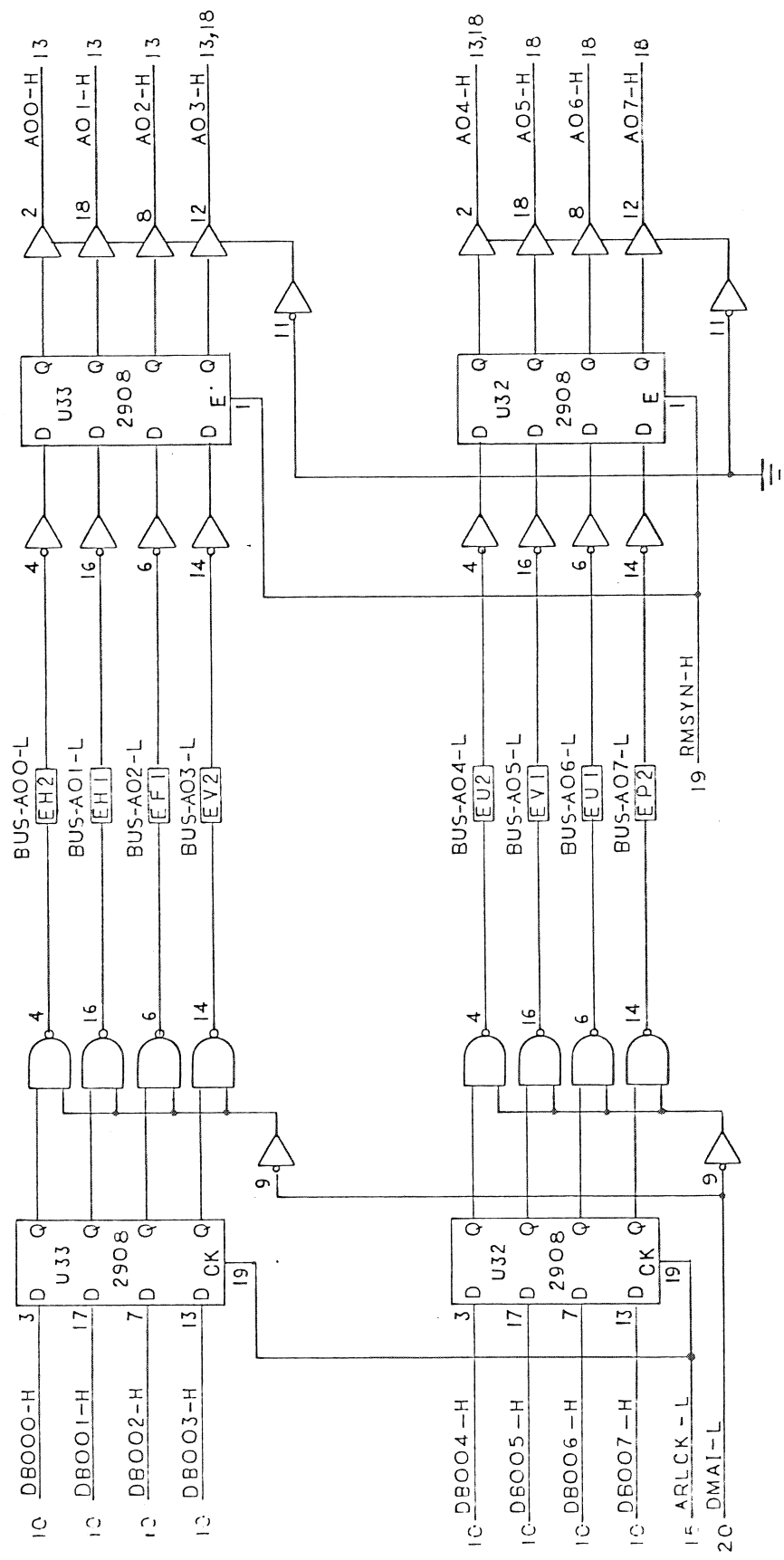
DATA OUTPUT REGISTER

HIGH BYTE

DATA INPUT REGISTER

HIGH BYTE

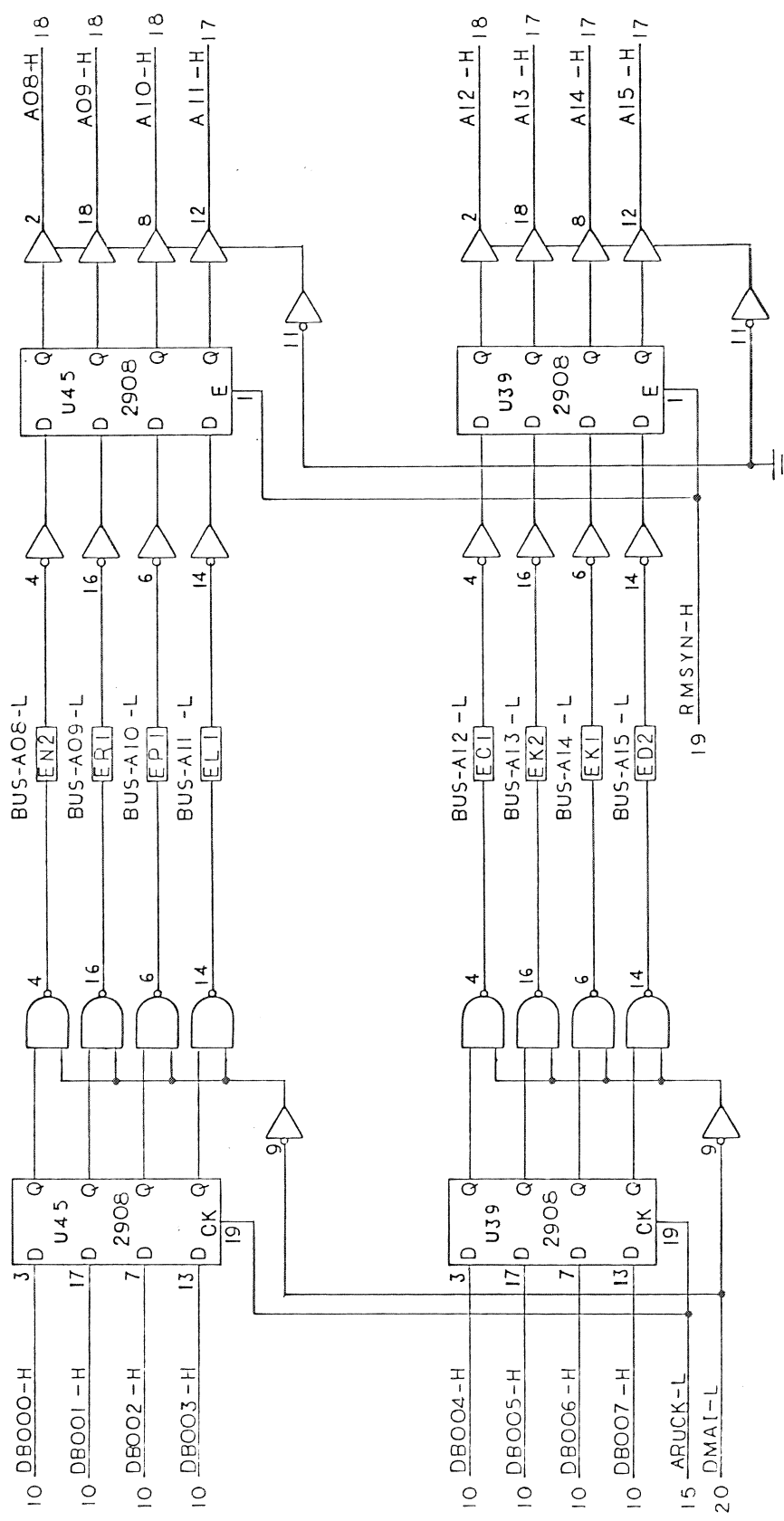
THE INFORMATION CONTAINED HEREIN IS THE PROPERTY OF
 GENERAL ELECTRIC COMPANY. IT IS TO BE KEPT CONFIDENTIAL
 AND NOT TO BE DISCLOSED TO ANY OTHER PERSON OR ORGANIZATION
 WITHOUT THE WRITTEN PERMISSION OF GENERAL ELECTRIC COMPANY.
 THIS DOCUMENT IS UNCLASSIFIED DATE 08-08-2001 BY 60322 UCBAW/STP



ADDRESS OUTPUT REGISTER

ADDRESS INPUT LATCH

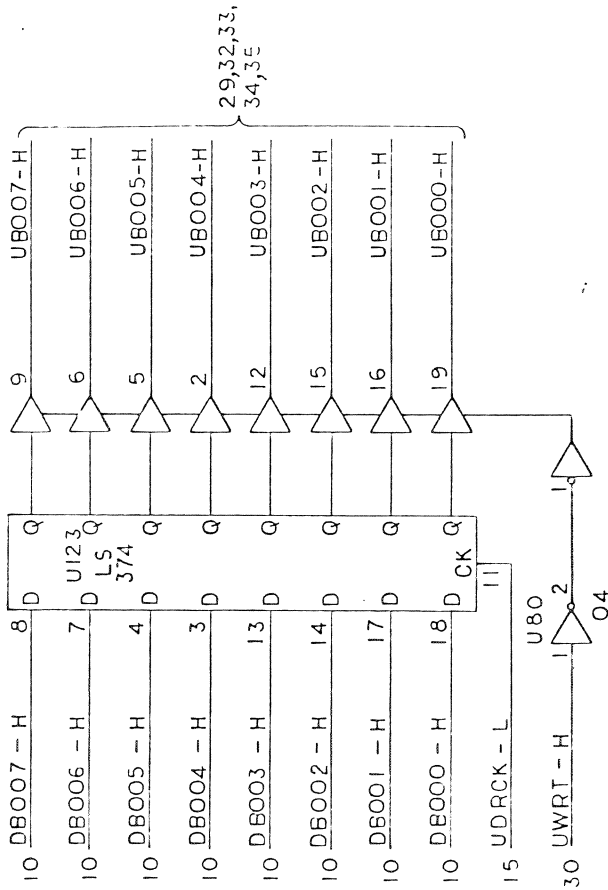
THIS DRAWING IS THE PROPERTY OF THE COMPANY AND IS NOT TO BE REPRODUCED OR TRANSMITTED IN ANY FORM OR BY ANY MEANS, ELECTRONIC OR MECHANICAL, INCLUDING PHOTOCOPYING, RECORDING, OR BY ANY INFORMATION STORAGE AND RETRIEVAL SYSTEM. WITHOUT PERMISSION IN WRITING FROM THE COMPANY.



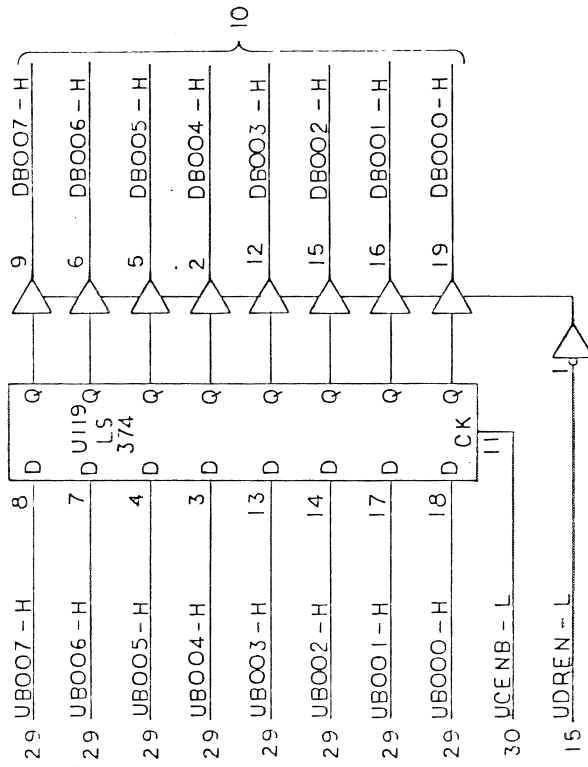
ADDRESS OUTPUT REGISTER

ADDRESS INPUT LATCH

NOT FOR CONSTRUCTION PURPOSES. THIS DRAWING IS THE PROPERTY OF
 THE COMPANY AND IS NOT TO BE REPRODUCED OR TRANSMITTED IN ANY FORM OR BY ANY MEANS,
 ELECTRONIC OR MECHANICAL, INCLUDING PHOTOCOPYING, RECORDING, OR BY ANY INFORMATION
 STORAGE AND RETRIEVAL SYSTEM. THE COMPANY ASSUMES NO LIABILITY FOR ANY DAMAGE,
 LOSS, OR INJURY, INCLUDING CONSEQUENTIAL DAMAGES, ARISING FROM THE USE OF THIS
 DRAWING.

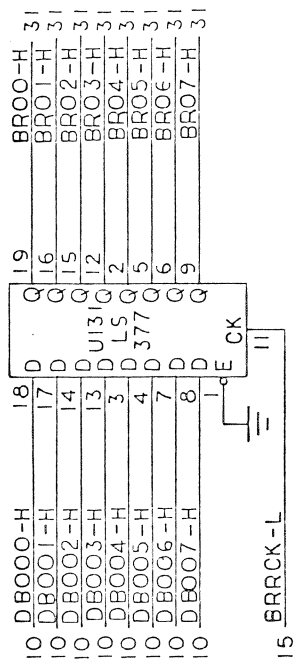


UART OUTPUT DATA REGISTER



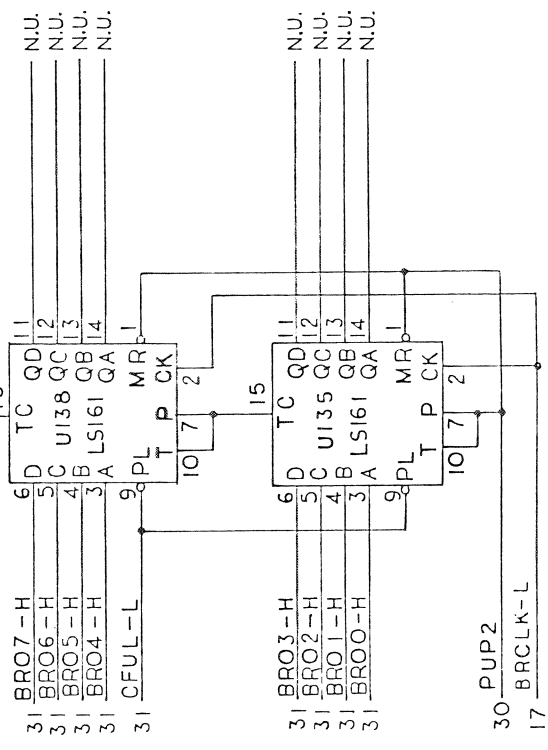
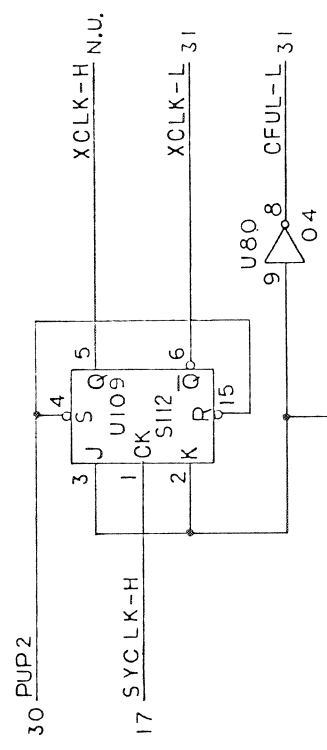
UART INPUT DATA REGISTER

THIS DRAWING IS THE PROPERTY OF
 THE COMPANY AND IS NOT TO BE
 REPRODUCED OR TRANSMITTED IN
 ANY FORM OR BY ANY MEANS
 WITHOUT THE WRITTEN PERMISSION
 OF THE COMPANY.



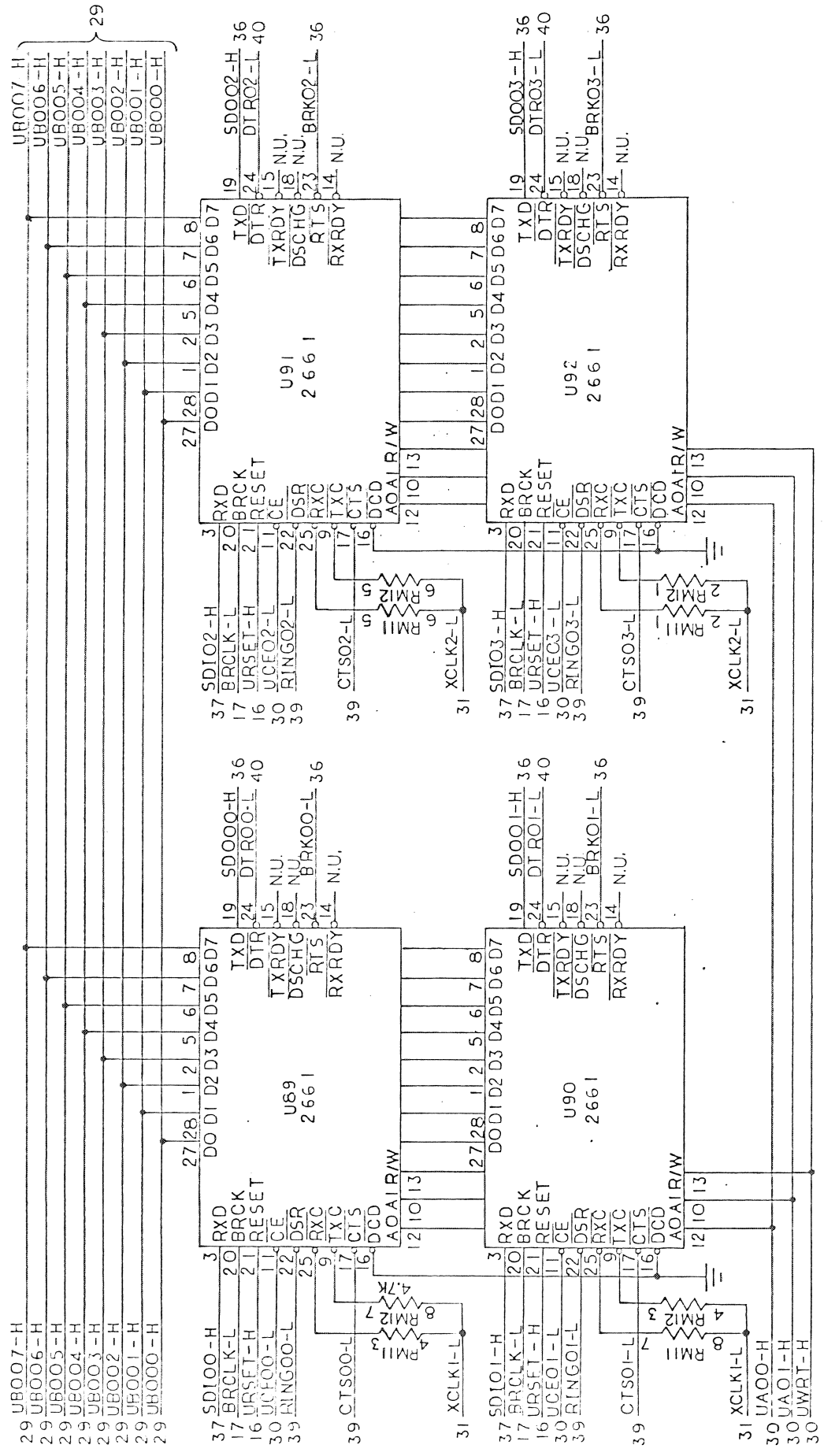
EXT. BAUD RATE REGISTER

EXT. CLOCK DRIVER



UART EXT. CLOCK GENERATOR

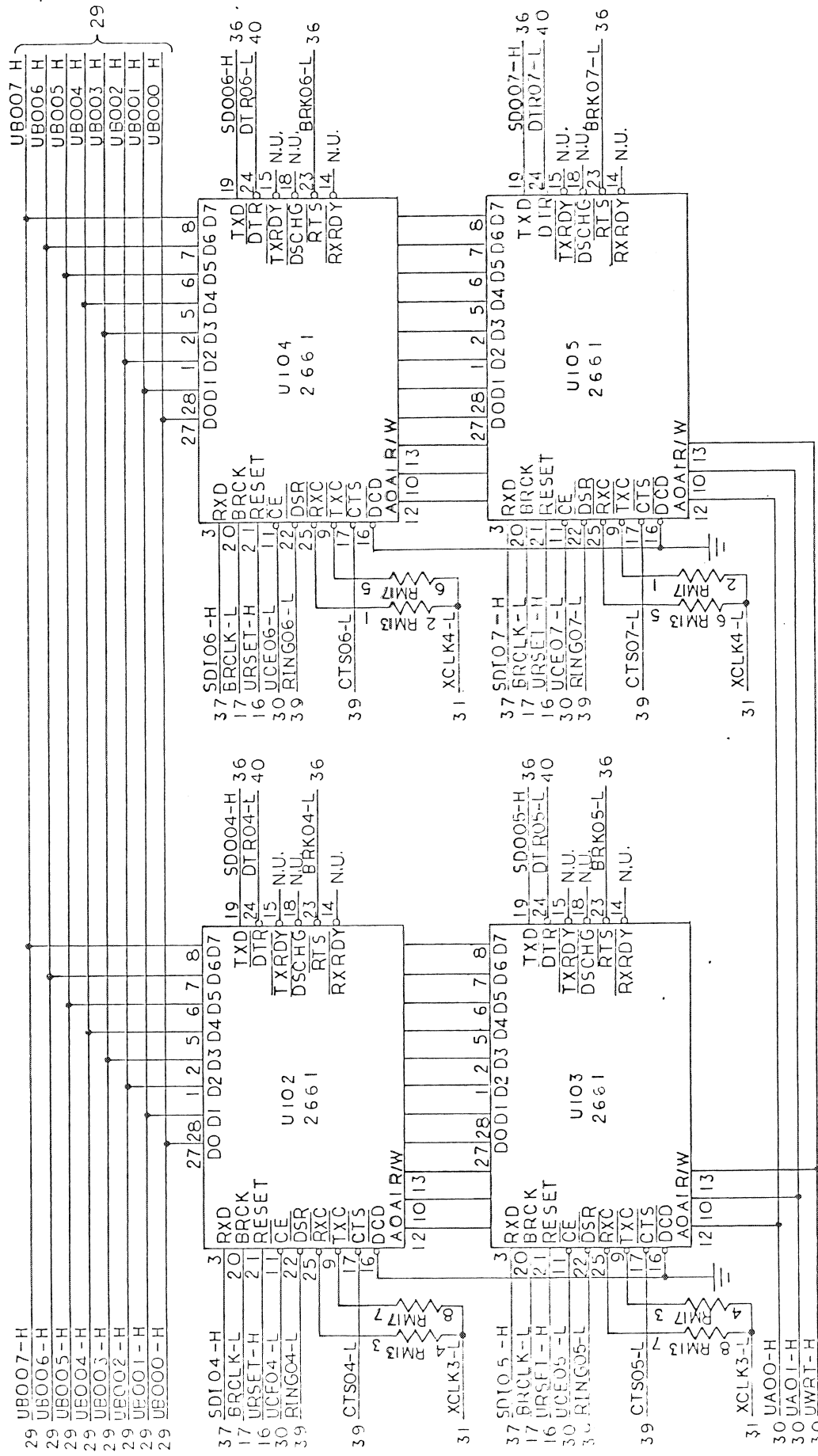
THE INFORMATION CONTAINED HEREIN IS THE PROPERTY OF
 MICRO ELECTRONIC CORP. IT IS LOANED TO YOU BY THE
 AUTHORITY OF THE MICROELECTRONIC CORP. IT IS NOT TO BE
 REPRODUCED OR TRANSMITTED IN ANY FORM OR BY ANY
 MEANS, ELECTRONIC OR MECHANICAL, INCLUDING PHOTOCOPYING,
 RECORDING, OR BY ANY INFORMATION STORAGE AND RETRIEVAL
 SYSTEM, WITHOUT THE WRITTEN PERMISSION OF MICRO
 ELECTRONIC CORP.



UART CHO AND CHI

UART CH2 AND CH3

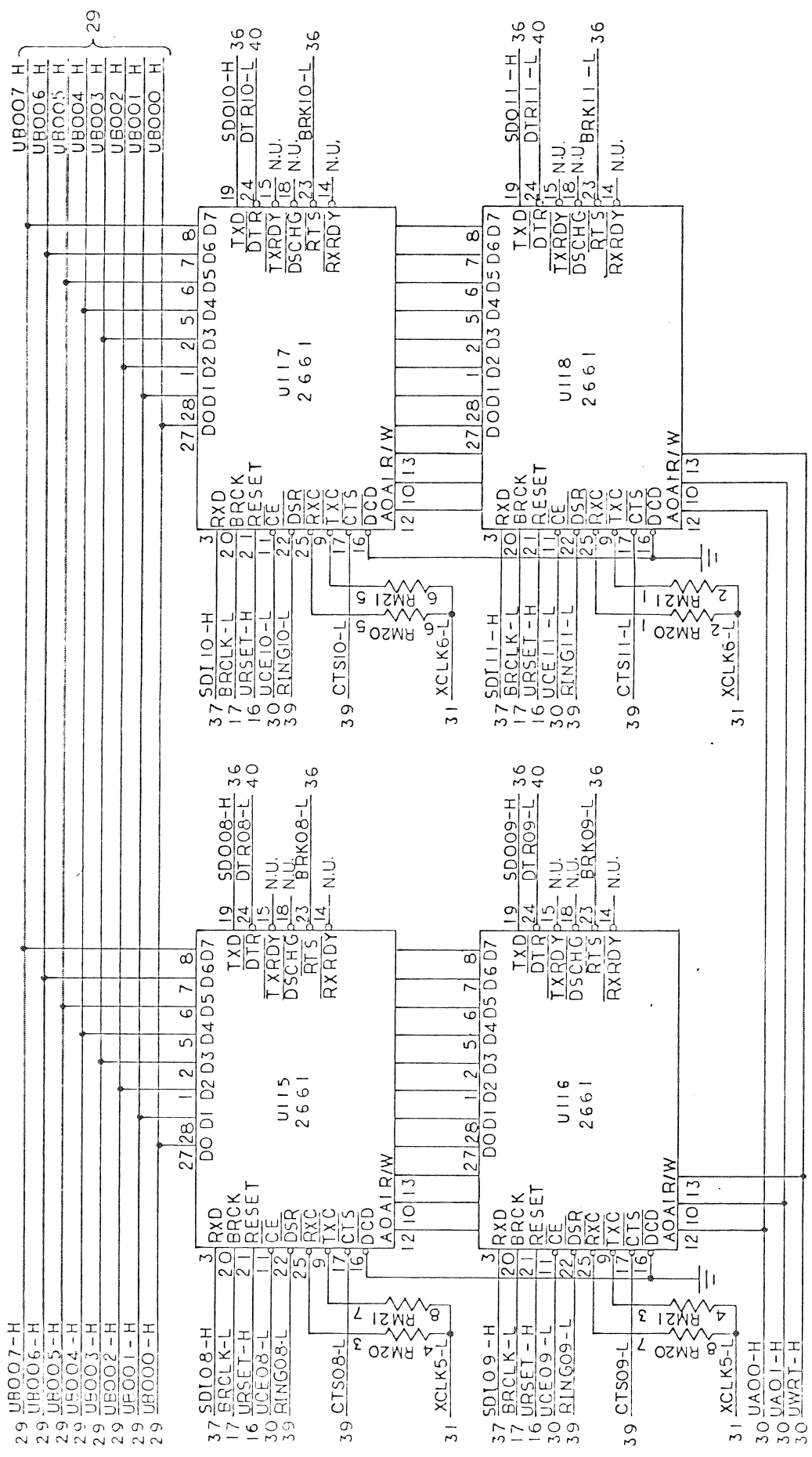
THIS DRAWING IS THE PROPERTY OF
 THE UNITED STATES GOVERNMENT AND IS
 LOANED TO YOU BY THE NATIONAL BUREAU
 OF STANDARDS. IT IS TO BE USED FOR
 INFORMATIONAL PURPOSES ONLY AND NOT
 FOR REPRODUCTION OR FOR THE
 CONSTRUCTION OF A PHYSICAL MODEL.
 ANY REPRODUCTION OR USE OF THIS
 DRAWING FOR OTHER THAN INFORMATIONAL
 PURPOSES IS PROHIBITED.



UART CH4 AND CH5

UART CH6 AND CH7

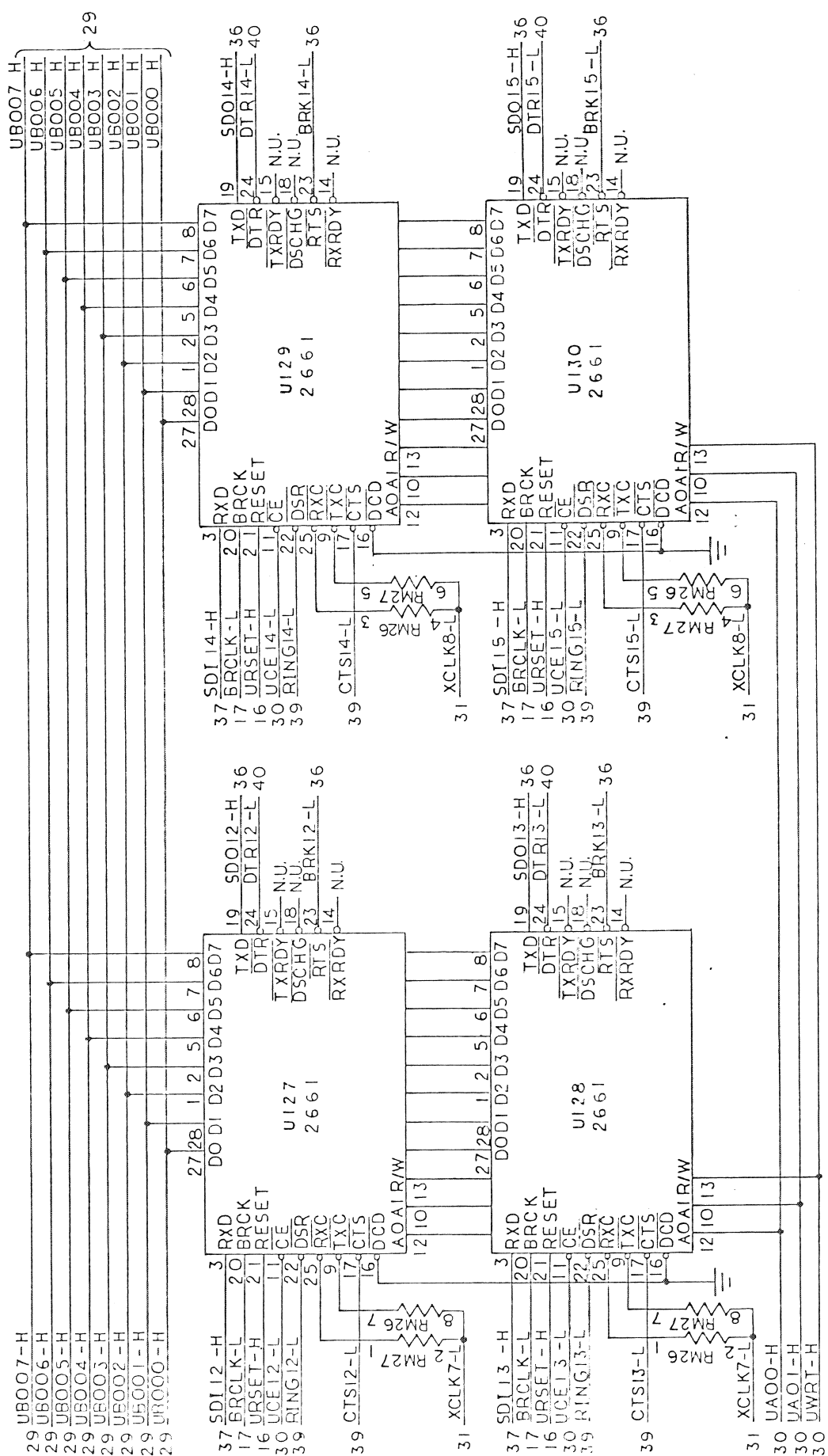
THE INFORMATION CONTAINED HEREIN IS THE PROPERTY OF
 THE UNITED STATES GOVERNMENT AND IS LOANED TO YOUR AGENCY
 UNDER CONTRACT NUMBER DA-36-069-MD-0001. IT IS TO BE REPRODUCED
 AND TRANSMITTED IN ANY FORM AND BY ANY MEANS, ELECTRONIC OR
 MECHANICAL, INCLUDING PHOTOCOPYING, RECORDING, OR BY ANY
 INFORMATION STORAGE AND RETRIEVAL SYSTEM, WITHOUT PERMISSION
 OF THE UNITED STATES GOVERNMENT.



UART CH8 AND CH9

UART C10 AND CH11

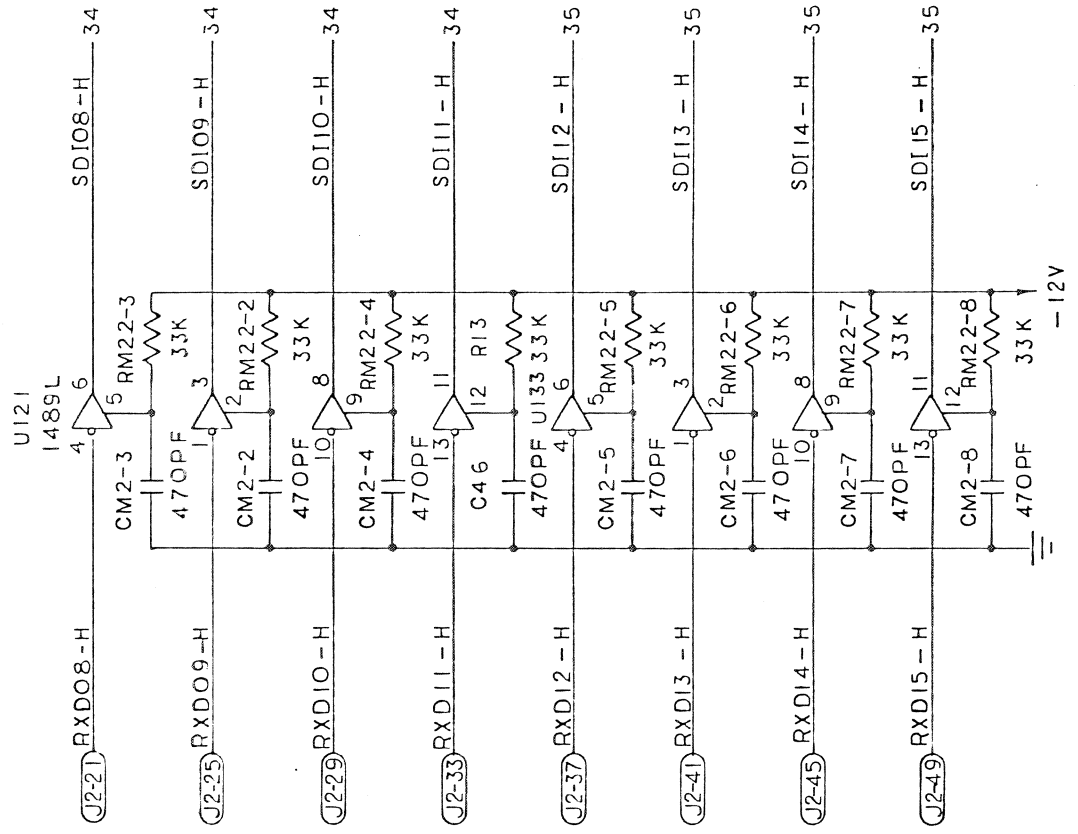
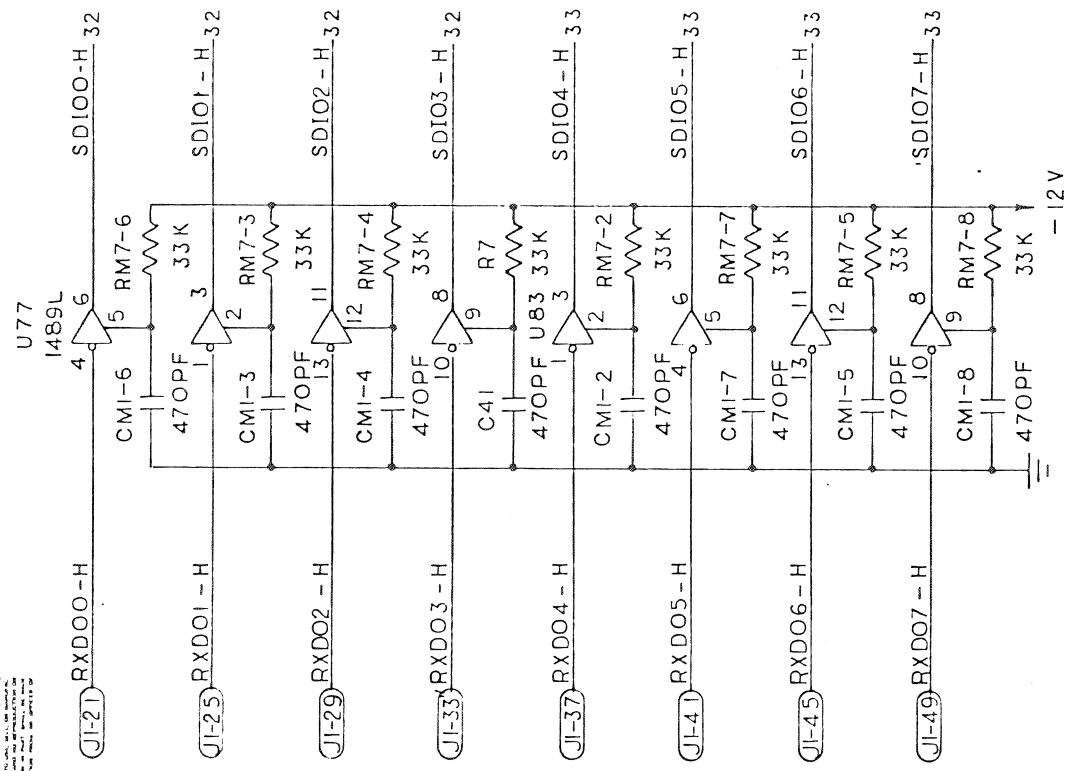
THE INFORMATION CONTAINED HEREIN IS THE PROPERTY OF
 MICROELECTRONICS CORPORATION AND IS LOANED TO YOU
 UNDER A LICENSE. IT IS TO BE USED ONLY FOR THE
 PROJECT AND FOR THE TIME PERIOD SPECIFIED IN THE
 LOAN AGREEMENT. IT IS NOT TO BE REPRODUCED, COPIED,
 OR IN ANY MANNER DISCLOSED TO OTHERS WITHOUT THE
 EXPRESS WRITTEN PERMISSION OF MICROELECTRONICS CORPORATION.



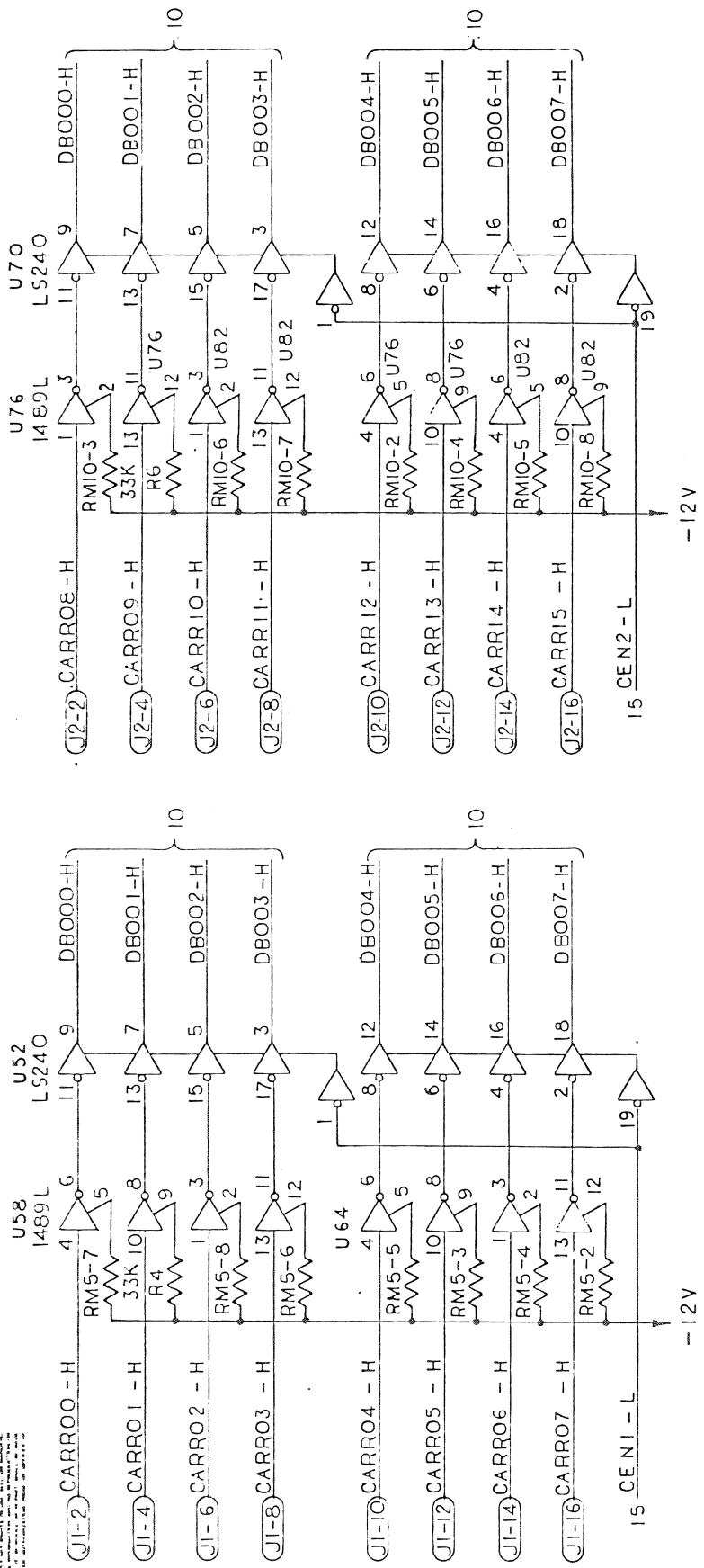
UART CH12 AND CH13

UART CH14 AND CH15

ALL DIMENSIONS UNLESS OTHERWISE SPECIFIED ARE IN MILLIMETERS.
 DIMENSIONS IN PARENTHESES ARE FOR REFERENCE ONLY.
 DIMENSIONS IN SQUARE BRACKETS ARE FOR REFERENCE ONLY.
 DIMENSIONS IN CIRCLES ARE FOR REFERENCE ONLY.
 DIMENSIONS IN TRIANGLES ARE FOR REFERENCE ONLY.
 DIMENSIONS IN DIAMETERS ARE FOR REFERENCE ONLY.
 DIMENSIONS IN SQUARE ROOTS ARE FOR REFERENCE ONLY.



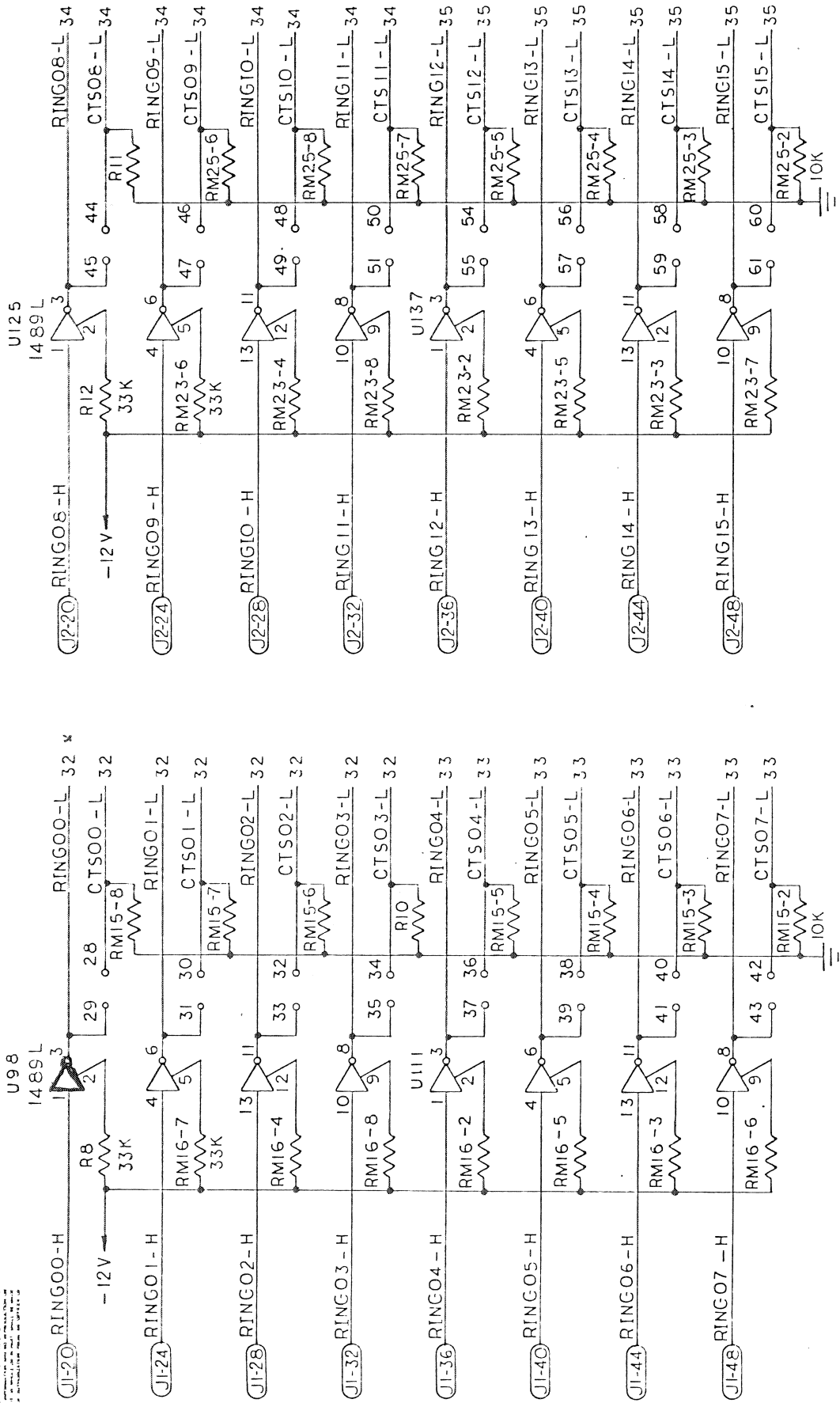
THE INFORMATION CONTAINED HEREIN IS THE PROPERTY OF
 AND IS TO BE USED ONLY FOR THE PURPOSES SPECIFIED
 THEREIN. IT IS TO BE KEPT CONFIDENTIAL AND NOT
 DISCLOSED TO ANY OTHER PERSON OR ORGANIZATION
 WITHOUT THE WRITTEN AUTHORIZATION OF THE
 ORIGINAL SOURCE.



CARRIER EIA RECEIVERS AND BUFFERS

SCALE	SIZE	DRAWING NO.
	B	10103003
DO NOT SCALE DRAWING	SHEET 38 OF 40	

THE INFORMATION CONTAINED HEREIN IS UNCLASSIFIED
DATE 11-13-2013 BY 60322 UCBAW/SJS/STP/STP
REASON: EXECUTIVE ORDER 13526, PARAGRAPH 1(a)
ALL INFORMATION CONTAINED HEREIN IS UNCLASSIFIED
DATE 11-13-2013 BY 60322 UCBAW/SJS/STP/STP
REASON: EXECUTIVE ORDER 13526, PARAGRAPH 1(a)



RING EIA RECEIVERS

