



TYPE 1N303

(CK738)

Excellence in Electronics

The 1N303 is a hermetically sealed silicon junction diode designed for general purpose applications and providing extreme stability, wide temperature range, high back resistance (100 megohms or more), and high ratio of back to forward resistance. The flexible terminal leads may be soldered or welded directly to the terminals of circuit components without the use of sockets. Standard inline subminiature sockets may be used by cutting the leads to a suitable length.

MECHANICAL DATA

CASE: Metal and Glass

BASE: None (0.016" tinned dumet wire. Length: 1.0" min. Spacing: 0.080" center-to-center)

TERMINAL CONNECTIONS: (Black Dot is adjacent to Cathode Terminal)

MOUNTING POSITION: Any

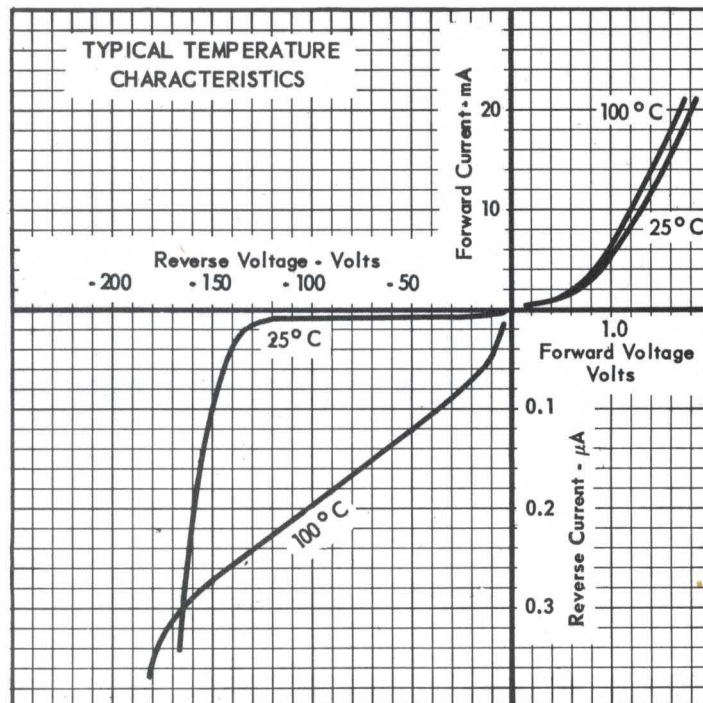
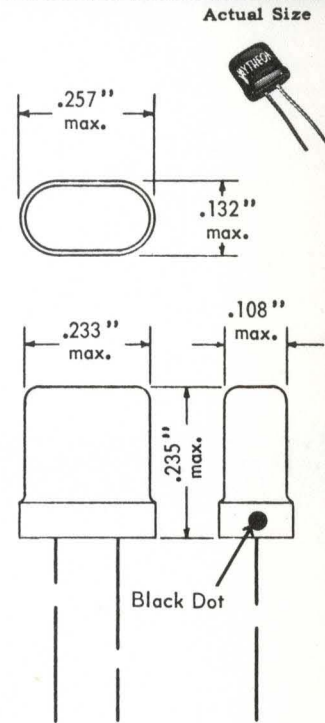
ELECTRICAL DATA

RATINGS - ABSOLUTE MAXIMUM VALUES: (at 25°C)

Peak Inverse Voltage	125 volts
Continuous inverse Voltage	110 volts
Average Rectified Current	30 ma.
Average Rectified Current (100°C)	10 ma.
Peak Rectified Current	100 ma.
Surge Current (for 1 sec.)	300 ma.
Ambient Temperature Range	-55 to +150 °C
Dissipations at:	
25°C	150 mw.
65°C	60 mw.
100°C	20 mw.
150°C	10 mw.

CHARACTERISTICS:

	100°C	25°C
Maximum Inverse Current at -10 volts	0.2	.01 µa.
Maximum Inverse Current at -100 volts		0.1 µa.
Minimum Forward Current at +1.0 volt		3 ma.



Tentative Data

RAYTHEON MANUFACTURING COMPANY

RECEIVING AND CATHODE RAY TUBE OPERATIONS